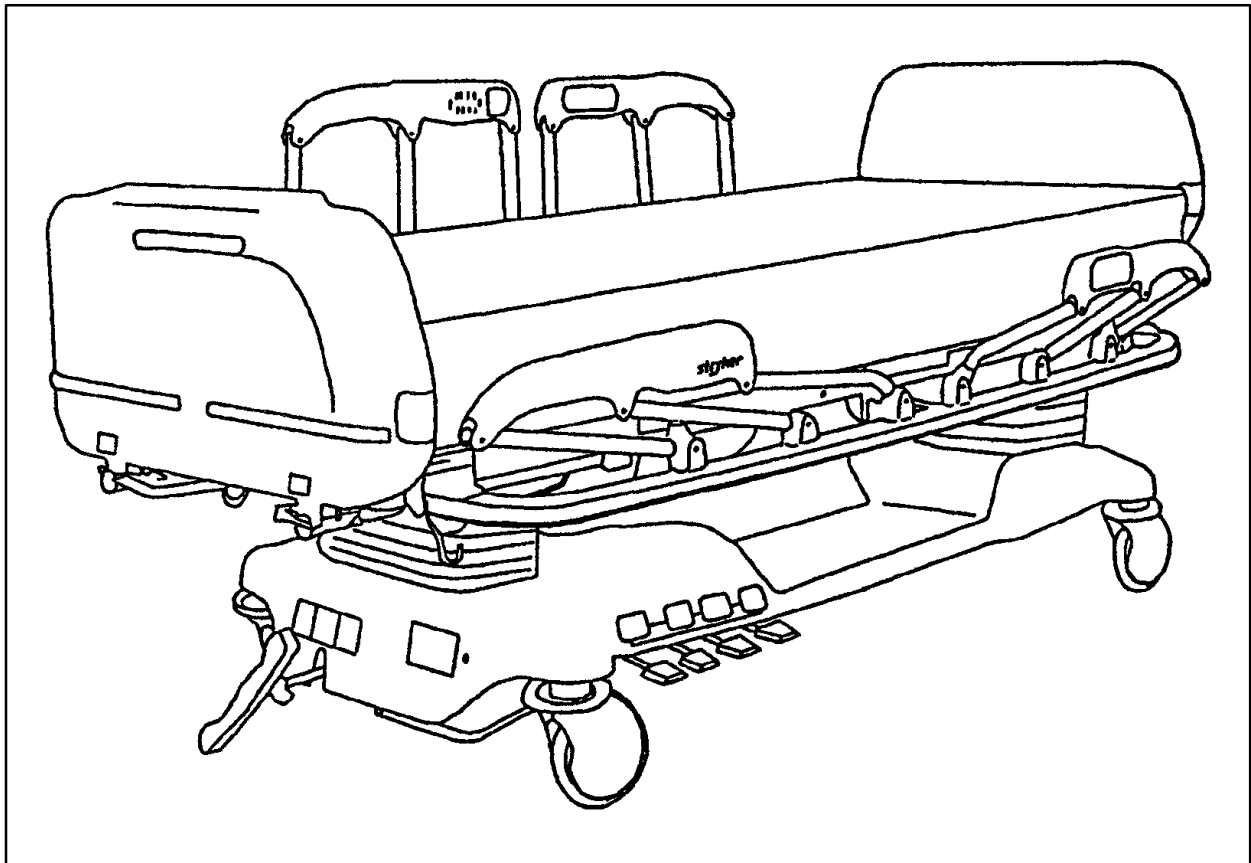

IMPORTANT
File in your
maintenance
records

stryker[®]
Medical



2025/2026 Critical Care Bed

MAINTENANCE MANUAL

For beds with serial numbers 9709035185 and above.

For Parts or Technical Assistance
1-800-327-0770

Table of Contents

Introduction	
Specifications	3
Warning/Caution/Note Definition	3
Preventative Maintenance	4–6
Service Information	
Static Discharge Precautions	7
Checking Hydraulic Fluid Level	8
Bleeding Air From The Hydraulic System	8
Jack Descent Rate Adjustment	9
Caster Assembly Replacement	9
Caster Cover Installation And Removal	10
Steer Caster Linkage Adjustment	11
Brake Adjustment	12
Power Trend And Pump Pedal Switch Replacement	12
Power Cord Replacement	13
Coil Cord Replacement	13
Lift Potentiometer Replacement	14
Lift Potentiometer Calibration	14
Coil And Wire Replacement	15
Manual Release Valve Replacement	16
Solenoid Release Valve Replacement	16
Hydraulic Pump Cover Removal	16
Hydraulic Pump And Motor Replacement	17
Jack Replacement	18
CPU Board Replacement	19
Lift And Fowler Pot “Burn-In” Procedure	19
Displaying Individual Load Cell Outputs	20
Load Cell Replacement	20
Scale Calibration Procedure	21
Power Board Replacement	22
Head Wall Interface Board Replacement	22
Siderail Switch Board Replacement	23
Fowler Motor Replacement	23
Gatch (Knee) Motor Replacement	24
Fowler Potentiometer Replacement	25
Fowler Cylinder Replacement	25
Foot Board Hinge Removal	26
Foot Board Module Replacement	26
Foot Board Interface Plug Replacement	27
Troubleshooting Guide	28–30
Bed Circuit Boards	31–38
Head Wall Output Configuration	39
Replacement Parts and Kits	40
Assembly Drawings and Parts Lists	
Base Assembly	41–46
Brake Adjuster Assembly	47
Brake Cam Assembly	47
Caster Assembly	48

Table of Contents

Assembly Drawings and Parts Lists (Continued)

Wheel Assembly	49
Jack Assembly	50, 51
Solenoid Jack Assembly	52, 53
Jack Base Assembly	54, 55
Jack/Motor Assembly	56, 57
Rack and Pinion Assembly	58, 59
Fifth Wheel Option Assembly	60
Fifth Wheel Assembly	61
Steer Caster Option Assembly	62
Steer Caster Assembly	63
International Inlet Filter Assembly	64
110 Volt Outlet Option Assembly	65
No 110 Volt Outlet Option Assembly	66
Litter Assembly	67–74
Actuator Box Assembly	75–81
Bed Extender Assembly	82, 83
Head Wall Communication Option Assembly	84
Head Wall with Nurse Call and Battery Option Assembly	85
Head Wall with Nurse Call and 1 Stryker Port Option Assembly	86
Head Wall with Nurse Call and 2 Stryker Ports Option Assembly	87
Head Wall Interface Assembly with Nurse Call Option	88
Pendant Port Option Assembly, Motion Only	89
Common Full–Length Siderail Assembly	90–92
Split Siderail Assembly	93–95
Siderail Control Option Assembly	96–107
Foot Board Assembly	108–116
Foot Board Standard Module Assembly	117
Foot Board Positioning Option Module Assembly	118
Bed Exit Module Assembly	119
Bed Labeling Option Assembly	120–125
Head Board Assembly	126
Pendant Assembly	127–130
Permanent I.V. Pole Assembly	131
Permanent I.V. Pole Mounting Assembly, Head End	132
Permanent I.V. Pole Mounting Assembly, Foot End	133
Upright Oxygen Bottle Holder	134
Defibrillator Tray Assembly	135
Fowler X–Ray Cassette Tray Assembly	136
Fowler X–Ray Cassette Mounting Assembly	137
Foot End Pump Rack Assembly	138
Limited Warranty	
Obtaining Parts and Service	139
Supplemental Warranty Coverage	139
Return Authorization	140
Freight Damage Claims	140

Introduction

INTRODUCTION

This manual is designed to assist you with the maintenance of the Model 2025/2026 Stryker Critical Care Bed. Read it thoroughly before beginning any maintenance on the equipment.

SPECIFICATIONS

Maximum Weight Capacity	500 pounds (227 kilograms)
Weigh System Capacity (optional equipment)	patients weighing up to 400 pounds or patients weighing up to 181.5 kilograms
Weigh System Accuracy (optional equipment)	± 1% of total patient weight
Overall Bed Length/Width	91" x 40" (231 cm x 101 cm)
Patient Sleep Surface	84" x 35" (215 cm x 90 cm)
Minimum/Maximum Bed Height	22 1/2" to 35" (20 1/2" to 31" low height option) or 57 cm to 89 cm (52 cm to 79 cm low height option)
Knee Gatch Angle	0° to 35°
Back Angle	0° to 90°
Trendelenburg/Reverse Trendelenburg	-12° to +12° (standard height) -10° to +10° (low height option)
Electrical Requirements	115 VAC, 60 Hz, 6.0 Amps (without optional 115V outlet) 115 VAC, 60 HZ, 11.0 Amps (with optional 115V outlet) or 230 VAC, 50/60 Hz, 4.0 Amps

Stryker reserves the right to change specifications without notice.

WARNING / CAUTION / NOTE DEFINITION

The words WARNING, CAUTION and NOTE carry special meanings and should be carefully reviewed.

WARNING

The personal safety of the patient or user may be involved. Disregarding this information could result in injury to the patient or user.

CAUTION

These instructions point out special procedures or precautions that must be followed to avoid damaging the equipment.

NOTE

This provides special information to make maintenance easier or important instructions clearer.

WARNING

Always apply the caster brakes when a patient is getting on or off the bed. Push on the bed to ensure the brakes are securely locked. Always engage the brakes unless the bed is being moved. Injury could result if the bed moves while a patient is getting on or off the bed.

Preventative Maintenance

Hand wash all surfaces of the bed with warm water and mild detergent. Dry thoroughly. **DO NOT STEAM CLEAN, PRESSURE WASH, HOSE OFF OR ULTRASONICALLY CLEAN.** Using these methods of cleaning is **not** recommended and may void this product's warranty.

Clean Velcro **AFTER EACH USE**. Saturate Velcro with disinfectant and allow disinfectant to evaporate. (Appropriate disinfectant for nylon Velcro should be determined by the hospital.)

In general, when used in those concentrations recommended by the manufacturer, either phenolic type or quaternary type disinfectants can be used with Staph–Chek fabrics. Iodophor type disinfectants are not recommended for use on Staph–Chek fabrics because staining may result. The following products have been tested by the Herculite Laboratory and have been found not to have a harmful effect on Staph–Chek fabrics **WHEN USED IN ACCORDANCE WITH MANUFACTURERS RECOMMENDED DILUTION.***

TRADE NAME	DISINFECTANT TYPE	MANUFACTURER	*MANUFACTURER'S RECOMMENDED DILUTION
A33	Quaternary	Airwick (Professional Products Division)	2 ounces/gallon
A33 (dry)	Quaternary	Airwick (Professional Products Division)	1/2 ounce/gallon
Beaucoup	Phenolic	Huntington Laboratories	1 ounce/gallon
Blue Chip	Quaternary	S.C. Johnson	2 ounces/gallon
Elimstaph	Quaternary	Walter G. Legge	1 ounce/gallon
Franklin Phenomysan F2500	Phenolic	Purex Corporation	1 1/4 ounce/gallon
Franklin Sentinel	Quaternary	Purex Corporation	2 ounces/gallon
Galahad	Phenolic	Puritan Churchill Chemical Company	1 ounce/gallon
Hi–Tor	Quaternary	Huntington Laboratories	1/2 ounce/gallon
LPH	Phenolic	Vestal Laboratories	1/2 ounce/gallon
Matar	Phenolic	Huntington Laboratories	1/2 ounce/gallon
Omega	Quaternary	Airwick (Professional Products Division)	1/2 ounce/gallon
Quanto	Quaternary	Huntington Laboratories	1 ounce/gallon
Sanikleen	Quaternary	West Chemical Products	2 ounces/ gallon
Sanimaster II	Quaternary	Service Master	1 ounce/gallon
Vesphene	Phenolic	Vestal Laboratories	1 1/4 ounce/ gallon

Quaternary Germicidal Disinfectants, used as directed, and/or Chlorine Bleach products, typically 5.25% Sodium Hypochlorite in **dilutions ranging between 1 part bleach to 100 parts water, and 2 parts bleach to 100 parts water are not considered mild detergents. These products are corrosive in nature and may cause damage to your stretcher if used improperly.** If these types of products are used to clean Stryker patient handling equipment, measures must be taken to insure the stretchers are rinsed with clean water and thoroughly dried following cleaning. Failure to properly rinse and dry the stretchers will leave a corrosive residue on the surface of the stretcher, possibly causing premature corrosion of critical components.

NOTE

Failure to follow the above directions when using these types of cleaners may void this product's warranty.

REMOVAL OF IODINE COMPOUNDS

This solution may be used to remove iodine stains from mattress cover and foam footrest pad surfaces.

1. Use a solution of 1–2 tablespoons Sodium Thiosulfate in a pint of warm water to clean the stained area. Clean as soon as possible after staining occurs. If stains are not immediately removed, allow solution to soak or stand on the surface.
2. Rinse surfaces which have been exposed to the solution in clear water before returning bed to service.

Preventative Maintenance

MAINTENANCE CHECKLIST

- _____ All fasteners secure
- _____ Engage brake pedal and push on the bed to ensure all casters lock securely
- _____ Optional locking steer caster or Fifth Wheel engages and disengages properly
- _____ Siderails move, latch and stow properly
- _____ All functions on siderails working properly (including LED's)
- _____ CPR release working properly
- _____ Foot prop intact and working properly
- _____ I.V. pole working properly
- _____ Optional Foley bag hooks intact
- _____ Optional chart rack intact and working properly
- _____ Optional CPR board not cracked or damaged and stores properly
- _____ No cracks or splits in head and foot boards
- _____ All functions on footboard working properly (including LED's)
- _____ No rips or cracks in mattress cover
- _____ No hydraulic hoses worn, kinked, or leaking
- _____ No leaks at hydraulic connections
- _____ Power cord not frayed
- _____ No cables worn or pinched
- _____ All electrical connections tight
- _____ All grounds secure to the frame
- _____ Ground impedance not more than 100 milliohms
- _____ Current leakage not more than 100 microamps

Bed Serial No. _____

_____	_____
_____	_____
_____	_____

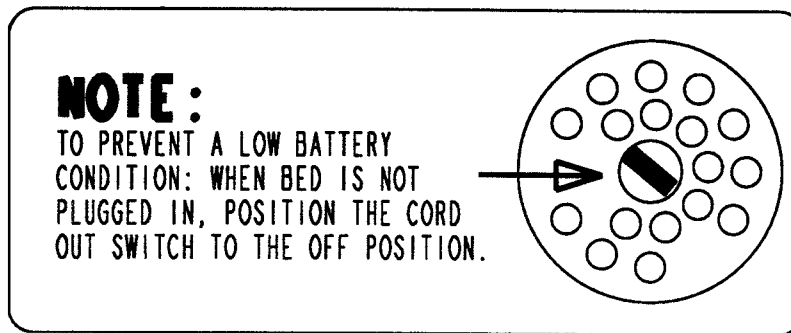
Completed By: _____ Date: _____

Preventative Maintenance

NOTE

To prevent a low battery condition when the bed is not plugged in, position the cord out switch at the head end of the bed to the off position. The switch is identified by the label shown below. If the switch is not positioned as shown below and the bed power cord and pendant cord are unplugged, the life of the back-up battery will be significantly reduced.

If the power light (located on the foot board) is flashing, the Nurse Call battery needs to be replaced. The battery is located on the patient's left side at the head end of the bed. No tools are required to replace the battery. Unplug the bed power cord from the wall socket and replace the battery.



Static Discharge Precautions

The electronic circuits in the 2025 are completely protected from static electricity damage only while the bed is assembled. It is extremely important that all service personnel always use adequate static protection when servicing the electronic systems of the 2025. *Whenever you are touching wires, you should be using static protection.*

Static Protection Equipment

The necessary equipment for proper static protection is:

- 1 static wrist strap; 3M part number 2214 or equivalent,
- 1 grounding plug; 3M part number 61038 or equivalent,
- 1 test lead with a banana plug on one end and an alligator clip on the other; Smith part number N132B699 or equivalent.

Stryker has available the following equipment for proper static protection:

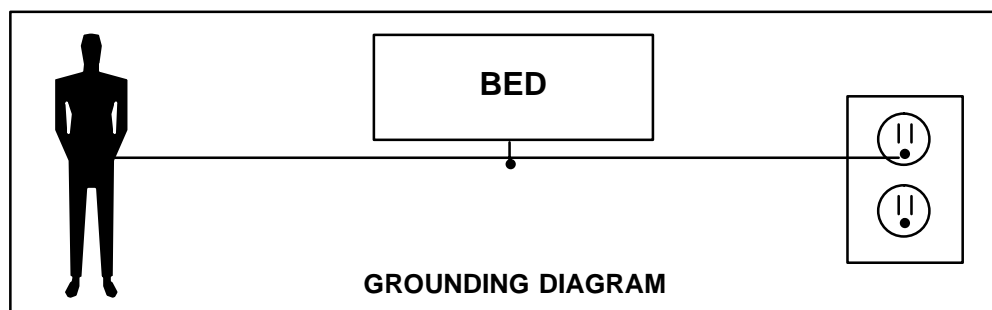
- Complete static protection system – part number 3000–000–753
- 1 grounding plug – part number 3000–000–754
- 1 static wrist strap – part number 3000–000–755
- 1 test lead – part number 3000–000–756

CAUTION

All electronic service parts will be shipped in static shielding bags. Do not open the bags until you have completed steps 2 and 3 of the following procedure. Do not place unprotected circuit boards on the floor. All circuit boards to be returned to Stryker Medical should be shipped in the static shielding bags the new boards were shipped in.

Static Protection Procedure

1. Unplug the power cord from the wall receptacle.
2. Insert the grounding plug into a properly grounded hospital grade wall receptacle. Plug the banana plug of the test lead into the receptacle on the grounding plug. Connect the alligator clip on the other end of the test lead to a ground point on the bed.
3. Place the static control wrist strap on your wrist. Connect the alligator clip at the other end of the wrist strap cord to a ground point on the bed.



Maintenance Procedures – Base

CHECKING HYDRAULIC FLUID LEVEL

Required Tools:

3/16" Allen Wrench	3/4" Open End Wrench	(2) Sawhorses (or equivalent)
Large Phillips Screwdriver	Bungee Cords (or equivalent)	Hydraulic Fluid

Procedure:

1. Raise the litter to the full up position.
2. Using a sawhorse or the equivalent, support the end of the litter needing service.
3. Using a 3/16" Allen wrench, remove the socket head cap screw from the litter support tube at the end of the bed needing service.
4. Press down on the release pedal for the end of the bed you are working on and, at the same time, push down on the jack actuator until it is fully down.
5. Using a #2 Phillips screwdriver, remove the three Phillips screws holding the base hood to the base frame.
6. If the bed is equipped with the 110V outlet option, remove the slotted screw holding the outlet cover. If the bed does not have the 110V outlet option, remove the two slotted screws holding the cover plate.
7. Using bungee cords or the equivalent, lift and support the base hood high enough to access the fill plug on the side of the jack.
8. Verify there are no hydraulic leaks. If there are, jack replacement will be necessary.
9. Using a 3/4" open end wrench, slowly turn the fill plug counterclockwise to allow excess system pressure to vent. Remove the fill plug.
10. The hydraulic fluid should be visible at the bottom of the fill hole. If it is not, add Mobil AW-32 hydraulic fluid (Stryker part number 1550-570-10) until the fluid is visible at the bottom of the fill hole. Replace the fill plug.

CAUTION

Use of other types of oil may damage hydraulic units.

11. Replace the base hood and reattach the litter support tube.

BLEEDING AIR FROM THE HYDRAULIC SYSTEM

If the lift motion is jerky or sluggish when the "BED UP" button is pressed or when the lift pedal is pumped, and/or the litter does not hold when it is pushed down, there may be air in the hydraulic system. This may have been caused when the bed was unloaded from the shipping carton if it was lifted out by the litter instead of by the brake rings.

1. To bleed air from the hydraulic system, raise the litter to full up using the lift pedal and continue to pump 10-12 times after full up is reached.
2. Lower the bed using the foot release pedals. While continuing to hold the release pedals down, pump the lift pedal an additional 10-12 times.
3. Repeat the procedure 2-3 times or until the bed motion is smooth and the pedal action is firm.

Maintenance Procedures – Base

JACK DESCENT RATE ADJUSTMENT

Required Tools:

Standard Screwdriver

#2 Phillips Screwdriver

Bungee Cords (or equivalent)

Adjustment Procedure:

1. Pump the litter up to full height.
2. Using a #2 Phillips screwdriver, remove the three Phillips screws holding the base hood to the base frame.
3. If the bed is equipped with the 110V outlet option, remove the slotted screw holding the outlet cover. If the bed does not have the 110V outlet option, remove the two slotted screws holding the cover plate.
4. Use bungee cords or the equivalent to secure the hood up and out of the way.
5. The descent rate needle valve is located on the top of the base of the jack. Turning the needle valve clockwise, with a screwdriver, will decrease the rate of descent. Turning it counterclockwise will increase the rate of descent.
6. Adjust the needle valve so the foot end of the stretcher descends slightly faster than the head end.

NOTE

The larger percentage of a patient's weight is located in the torso area. Adjust descent rate accordingly.

7. Remove the bungee cords supporting the base hood and secure the hood to the base frame.

NOTE

The jack descent rate was preset at the factory to drop the foot end faster than the head. It is recommended that the foot drop faster to avoid patient disorientation.

CASTER ASSEMBLY REPLACEMENT

Required Tools:

#2 Phillips Screwdriver

Floor Jack

3/4" Wrench

Bungee Cords (or equivalent)

1" Wrench

Torque Wrench (w/ Ft. Lbs. Adjust.)

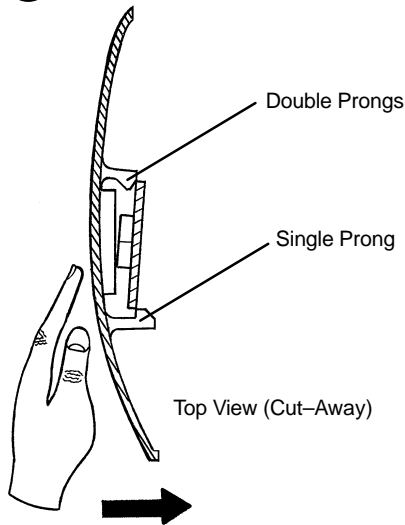
Replacement Procedure:

1. Pump the litter up to full height.
2. Using a #2 Phillips screwdriver, remove the three Phillips screws holding the base hood to the base frame.
3. If the bed is equipped with the 110V outlet option, remove the slotted screw holding the outlet cover. If the bed does not have the 110V outlet option, remove the two slotted screws holding the cover plate.
4. Use bungee cords or the equivalent to secure the hood up and out of the way.
5. Carefully remove the plastic wheel covers (see page 10).
6. Using a floor jack, lift the corner of the base frame approximately 4 inches off the floor.
7. While holding the cap screw with a 3/4" wrench, turn the lug nut with a 1" wrench to loosen the wheel assembly from the base frame. Remove the wheel.
8. Install the new wheel assembly and tighten the nut to 60 – 65 foot-pounds torque.
9. Lower the floor jack.
10. Install the plastic wheel covers onto the new wheel.
11. Remove the bungee cords supporting the base hood and secure the hood to the base frame.

Maintenance Procedures – Base

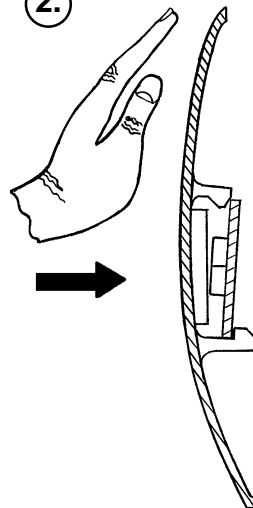
CASTER COVER INSTALLATION AND REMOVAL

1.



Looking through the larger of the two side cut-outs, align cover with axle nut or bolt head, as shown. Push down on the opposite side of the cover until single prong engages with caster horn.

2.

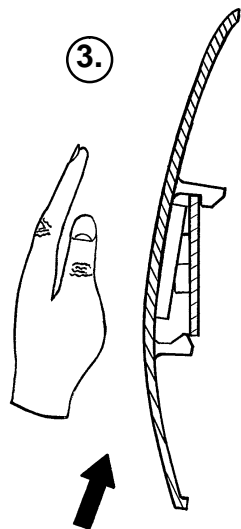


Push with palm on cover until double prongs engage.

Properly Attached Cover

Top View (Cut-Away)

3.



To remove wheel cover, insert large screwdriver into cut-out in side of wheel cover and into the space between the double prongs. Pry up cover to disengage double prongs and push sharply upward to disengage single prong.

Top View (Cut-Away)

Maintenance Procedures – Base

STEER CASTER LINKAGE ADJUSTMENT

Required Tools:

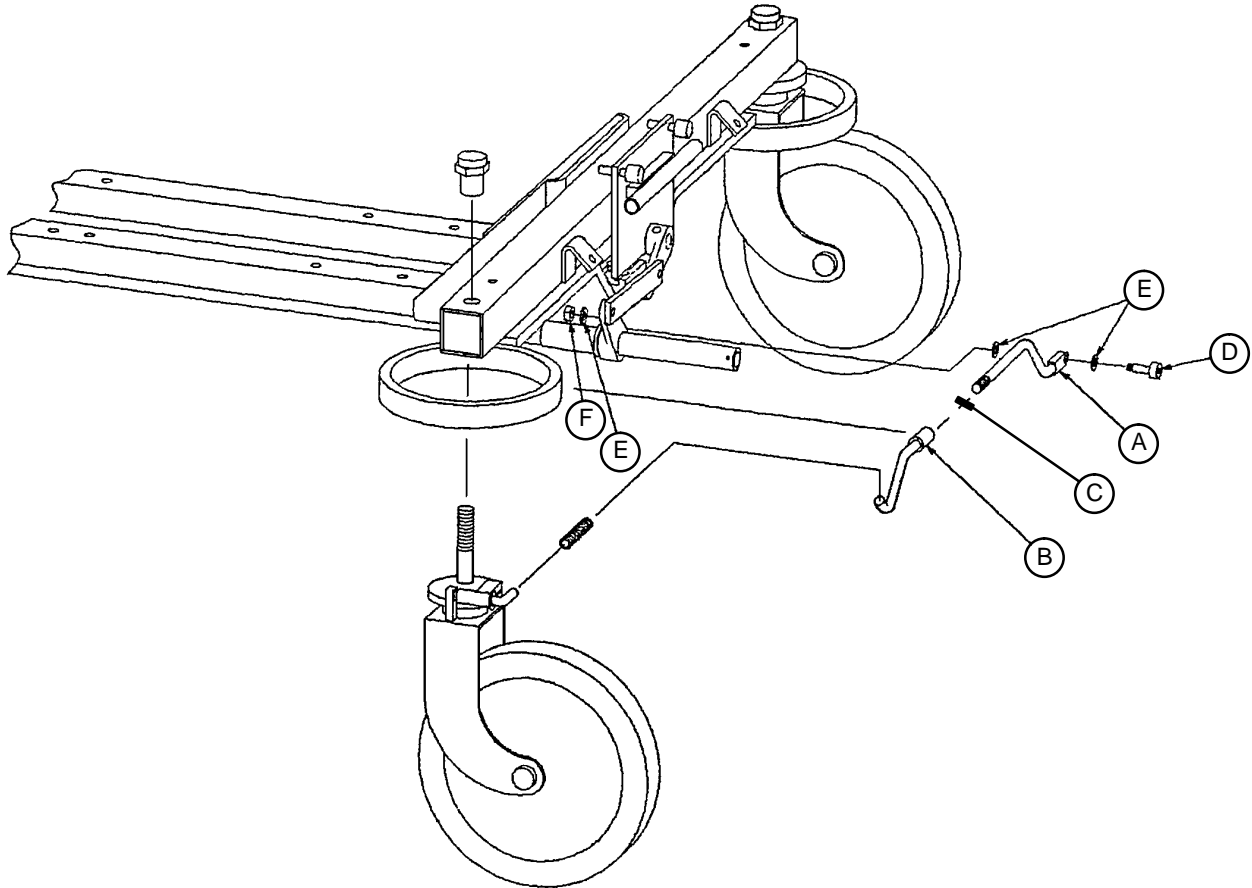
#2 Phillips Head Screwdriver

3/8" Open End Wrench

5/32" Allen Wrench

1/2" Open End Wrench

Bungee Cords (or Equivalent)

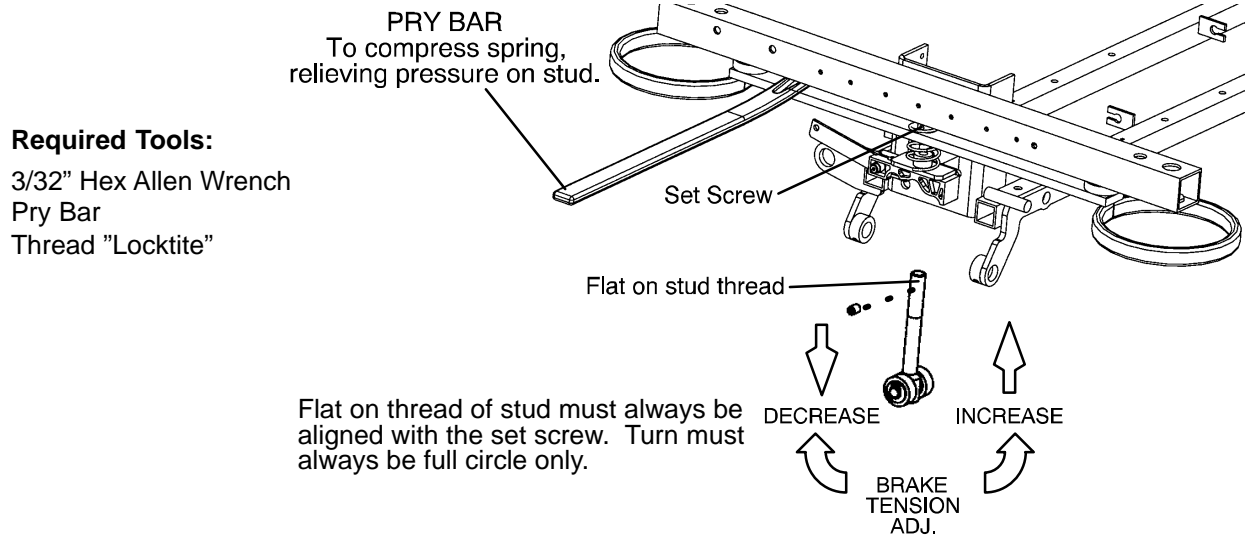


Adjustment Procedure:

1. Using a #2 Phillips screwdriver, remove the three Phillips screws holding the base hood to the base frame.
2. If the bed is equipped with the 110V outlet option, remove the slotted screw holding the outlet cover. If the bed does not have the 110V outlet option, remove the two slotted screws holding the cover plate.
3. Use bungee cords or the equivalent to secure the hood up and out of the way.
4. Using a 5/32" Allen wrench and 3/8" open end wrench, remove items (D), (E) and (F).
5. Using a 1/2" open end wrench, loosen jam nut (C).
6. Tighten item (A) into item (B) for more lever engagement or away from item (B) for less engagement.
7. To reassemble linkage, reverse steps 4 and 5.
8. Check steering wheel engagement. When properly adjusted, the locking tab should clear the notch in the steer caster when in the neutral position, and should fully engage when in the steer position.
9. After the linkage is properly adjusted, reinstall the base hood.

Maintenance Procedures – Base

BRAKE ADJUSTMENT



POWER TREND AND PUMP PEDAL SWITCH REPLACEMENT

Required Tools:

#2 Phillips Screwdriver Bungee Cords (or equivalent)

Replacement Procedure:

1. Pump the litter up to full height.
2. Using a #2 Phillips screwdriver, remove the three Phillips screws holding the base hood to the base frame.
3. If the bed is equipped with the 110V outlet option, remove the slotted screw holding the outlet cover. If the bed does not have the 110V outlet option, remove the two slotted screws holding the cover plate.
4. Use bungee cords or the equivalent to secure the hood up and out of the way.
5. Locate the defective switch. Remove the two connectors from the switch, noting the location of each so they will be reattached properly.
6. Push in on the retaining clips on both sides of the switch and remove it from the bracket.
7. Reverse the procedure to install the new switch and reinstall the base hood.

Maintenance Procedures – Base

POWER CORD REPLACEMENT

Required Tools:

#2 Phillips Screwdriver	7/64" Allen Wrench	Bungee Cords (or Equivalent)
7/16" Socket Wrench	Heyco Pliers	

Replacement Procedure:

1. Raise the litter up to full height.
2. Unplug the power cord from the wall socket.
3. Using a #2 Phillips screwdriver, remove the three Phillips screws holding the base hood to the base frame.
4. If the bed is equipped with the 110V outlet option, remove the slotted screw holding the outlet cover. If the bed does not have the 110V outlet option, remove the two slotted screws holding the cover plate.
5. Use bungee cords or the equivalent to secure the hood up and out of the way.
6. Remove the two 7/64" Allen screws holding the cover plate to the junction box and remove the cover.
7. Using a 7/16" socket wrench, remove the bolt from the ground ring terminal.
8. Unplug the power cord from the wiring harness and remove the power cord.
9. Reverse the procedure to install the replacement power cord and reinstall the base hood.

COIL CORD REPLACEMENT

Required Tools:

#2 Phillips Screwdriver	Small Standard Screwdriver	Wire Cutters
Bungee Cords (or Equivalent)	7/16" Socket Wrench	Large Adjustable Wrench
Channel Lock Pliers		

Replacement Procedure:

1. Manually crank the knee section up until it stops. Fold the knee section up and out of the way.
2. Using a #2 Phillips screwdriver, remove the four screws holding the litter access cover to the litter.
3. Using a 7/16" socket wrench, remove the three bolts securing the coil cord access cover.
4. Using a large adjustable wrench and channel lock pliers, remove the two strain relief grommets from the bracket.
5. Using wire cutters, cut the wire ties holding the cord to the litter and the frame.
6. Unplug all connectors from both ends of the coil cord, noting their locations so they will be reconnected properly.
7. Remove the cord from the bed.
8. Reverse the above procedure to install the replacement coil cord.

Maintenance Procedures – Base

LIFT POTENTIOMETER REPLACEMENT

Required Tools:

#2 Phillips Screwdriver	Small Standard Screwdriver	Bungee Cords (or Equivalent)
1/2" Open End Wrench	Wire Cutters	

Replacement Procedure:

1. Raise the litter up to full height and unplug the bed power cord from the wall socket.
2. Using a #2 Phillips screwdriver, remove the three Phillips screws holding the base hood to the base frame.
3. If the bed is equipped with the 110V outlet option, remove the slotted screw holding the outlet cover. If the bed does not have the 110V outlet option, remove the two slotted screws holding the cover plate.
4. Use bungee cords or the equivalent to secure the hood up and out of the way.
5. Using a 1/2" open end wrench, remove the nut holding the potentiometer to the bracket.
6. Remove the potentiometer by pulling it outward.

NOTE

The nylon gear will slide off the end of the shaft.

7. Using wire cutters, remove the cable ties holding the cable to the bracket and frame, unplug the cable, and remove the potentiometer.
8. Reverse steps 5–7 to install the replacement potentiometer.

LIFT POTENTIOMETER “BURN-IN” PROCEDURE

NOTE

It requires **two people** to enable the diagnostics mode for the bed.

1. After a new potentiometer has been installed, it must be calibrated. (If a new potentiometer was not installed, go to step 2.) Use a small standard screwdriver to reach through the access hole in the potentiometer bracket into the slot in the end of the potentiometer shaft. Turn the potentiometer shaft clockwise until it stops and then back counterclockwise 1 1/2 turns.
2. Press and hold the “Bed Motion Lock” and “Knee Lockout” buttons on the foot board.
3. While continuing to hold the two buttons down, plug the bed power cord into the wall socket. Release the two buttons and the Knee Lockout LED should be flashing. This indicates the bed is in the correct calibration mode.
4. To “burn in” the Bed Up/Down limits for a low height bed, lower the bed to the full down position. Press and hold the “Bed Motion Lock” and the “Knee Down” buttons at the same time. The “Bed Motion Lock” LED will light. Continue to hold the “Bed Motion Lock” and “Knee Down” buttons until the “Bed Motion Lock” LED flashes. The flashing LED indicates the limits have been set. Release the “Bed Motion Lock” button first, then the “Knee Down” button.
Important: If the buttons are not released as described above, the bed could be “burned in” incorrectly. Unplug the bed power cord to complete the “burn in” mode.
5. To “burn in” the Bed Up/Down limits for a high height bed, lower the bed to the full down position. Press and hold the “Bed Motion Lock” button. The “Bed Motion Lock” LED will light. Continue to hold the “Bed Motion Lock” button until the “Bed Motion Lock” LED flashes. The flashing LED indicates the limits have been set. Release the button and unplug the bed power cord to complete the “burn in” mode.
6. Reattach the base hood and run the bed up and down a few times to verify proper operation.
7. The distance between the floor and the top of the litter seat section (without mattress) on a high height bed should be approximately 22 1/2" with the litter fully down and approximately 35" with the litter fully up. On a low height bed, the distances should be approximately 20 1/2 " to 31".

NOTE

This procedure is the same for the head and the foot end of the bed.

Maintenance Procedures – Base

COIL AND WIRE REPLACEMENT (HEAD END)

Required Tools:

#2 Phillips Screwdriver	Small Standard Screwdriver	Bungee Cords (or Equivalent)
3/8" Nut Driver	7/64" Allen Wrench	

Replacement Procedure:

1. Raise the litter up to full height and unplug the bed power cord from the wall socket.
2. Using a #2 Phillips screwdriver, remove the three Phillips screws holding the base hood to the base frame.
3. If the bed is equipped with the 110V outlet option, remove the slotted screw holding the outlet cover. If the bed does not have the 110V outlet option, remove the two slotted screws holding the cover plate.
4. Use bungee cords or the equivalent to secure the base hood up and out of the way.
5. Using a 3/8" nut driver, remove the nut holding the coil and wire to the solenoid valve and remove the coil and wire from the valve.
6. Using a 7/64" Allen wrench, remove the two screws holding the cover on the power junction box and remove the cover.
7. Unplug and remove the wires from the junction box.
8. Reverse the above procedure to install a new coil and wire assembly and reinstall the base hood.

COIL AND WIRE REPLACEMENT (FOOT END)

Required Tools:

#2 Phillips Screwdriver	Small Standard Screwdriver	Bungee Cords (or Equivalent)
3/8" Nut Driver	5/32" Allen Wrench	Large Vise Grip Pliers
Wire Cutters		

Replacement Procedure:

1. Raise the litter up to full height and unplug the bed power cord from the wall socket.
2. Using a #2 Phillips screwdriver, remove the three Phillips screws holding the base hood to the base frame.
3. If the bed is equipped with the 110V outlet option, remove the slotted screw holding the outlet cover. If the bed does not have the 110V outlet option, remove the two slotted screws holding the cover plate.
4. Use bungee cords or the equivalent to secure the hood up and out of the way.
5. Depress the pump pedal and hold it in the down position. Using large vise grip pliers, clamp the pump bar from the top so the pliers rest against the pump motor plate.

NOTE

Be sure the pliers are clamped tight before continuing with the next step.

6. Using a 5/32" Allen wrench, loosen the two set screws on the pump pedal pivot bar.
7. Push the pivot bar completely out of the pump pedal assembly and lower the pedal assembly to the floor.
8. Using a 3/8" nut driver, remove the nut holding the coil and wire assembly to the solenoid valve and remove the coil and wire from the valve.
9. Using wire cutters, cut the wire ties holding the wires to the frame and unplug the wires.
10. Reverse the above procedure to install the new coil and wire assembly

CAUTION

Do not remove the vise grips until the pump pivot bar is securely back in place. Damage to the equipment or personal injury could occur.

Maintenance Procedures – Base

MANUAL RELEASE VALVE REPLACEMENT

Required Tools:

#2 Phillips Screwdriver	Small Standard Screwdriver	Bungee Cords (or Equivalent)
Sawhorses (or Equivalent)	3/32" Allen Wrench	7/8" Open End Wrench

Replacement Procedure:

1. Raise the litter up to full height and unplug the bed power cord from the wall socket.
2. Support both ends of the litter top with sawhorses or the equivalent.
3. Using a #2 Phillips screwdriver, remove the three Phillips screws holding the base hood to the base frame.
4. If the bed is equipped with the 110V outlet option, remove the slotted screw holding the outlet cover. If the bed does not have the 110V outlet option, remove the two slotted screws holding the cover plate.
5. Use bungee cords or the equivalent to secure the hood up and out of the way.
6. Using a 3/32" Allen wrench, loosen the set screw holding the release paddle to the pedal rod. Slide the paddle out of the way.
7. Using a 7/8" open end wrench, remove the valve. Remove the stop sleeve from the old valve. It will be used with the new valve.
8. Reverse the above procedure to install the new valve and reinstall the base hood.

SOLENOID RELEASE VALVE REPLACEMENT

Required Tools:

#2 Phillips Screwdriver	Small Standard Screwdriver	1 1/8" Deep Well Socket Wrench
Bungee Cords (or Equivalent)	Sawhorses (or Equivalent)	3/8" Nut Driver
5/32" Allen Wrench	Large Vise Grip Pliers	Wire Cutters

Replacement Procedure:

1. Remove the coil and wire from the solenoid (see page 15).
2. Support both ends of the litter top with sawhorses or the equivalent.
3. Using a 1 1/8" deep well socket wrench, remove the valve.
4. Reverse the above procedure to install the replacement valve.

HYDRAULIC PUMP COVER REMOVAL

Required Tools:

#2 Phillips Screwdriver	Standard Screwdriver	7/16" Socket Wrench
Bungee Cords (or Equivalent)		

Removal Procedure:

1. Using a #2 Phillips screwdriver, remove the three Phillips screws holding the base hood to the base frame.
2. If the bed is equipped with the 110V outlet option, remove the slotted screw holding the outlet cover. If the bed does not have the 110V outlet option, remove the two slotted screws holding the cover plate.
3. Use bungee cords or the equivalent to secure the hood up and out of the way.
4. Using a 7/16" socket wrench, remove the four bolts holding the hydraulic cover to the frame and remove the cover.

Maintenance Procedures – Base

HYDRAULIC PUMP AND MOTOR REPLACEMENT

Required Tools:

#2 Phillips Screwdriver	Small Standard Screwdriver	11/16" Open End Wrench
Bungee Cords (or Equivalent)	Saw Horses (or Equivalent)	3/8" Socket Wrench
Wire Cutters	9/16" Open End Wrench	

Replacement Procedure:

1. Raise the litter up to full height and unplug the bed power cord from the wall socket.
2. Support both ends of the litter top with sawhorses or the equivalent.
3. Using a #2 Phillips screwdriver, remove the three Phillips screws holding the base hood to the base frame.
4. If the bed is equipped with the 110V outlet option, remove the slotted screw holding the outlet cover. If the bed does not have the 110V outlet option, remove the two slotted screws holding the cover plate.
5. Use bungee cords or the equivalent to secure the hood up and out of the way.
6. Using a 3/8" socket wrench, remove the three bolts holding the pump motor cover to the base and remove the cover.
7. Using wire cutters, cut the wire tie holding the motor power and capacitor cables. Unplug the cables, noting the location of each so they will be reconnected properly.
8. Using a 11/16" open end wrench, remove the two return line fittings from the pump.
9. Using a 9/16" open end wrench, remove the two pressure line fittings from the pump. Note the location of each fitting so they will be reconnected properly.
10. Using a 3/8" socket wrench, remove the four bolts holding the pump motor to the brackets and remove the motor.
11. Reverse the above procedure to install the new pump and motor assembly and reinstall the base hood.
12. Run the bed up and down a few times to verify proper operation before returning it to service.

Maintenance Procedures – Base

JACK REPLACEMENT

Required Tools:

#2 Phillips Screwdriver	Small Standard Screwdriver	Bungee Cords (or Equivalent)
Sawhorses (or Equivalent)	3/16" Allen Wrench	3/8" Socket Wrench
9/16' Open End Wrench	11/16" Open End Wrench	1/2" Open End Wrench
1/2" Socket Wrench	Floor Jack	1/4" Allen Wrench
Wire Cutters		

Replacement Procedure:

1. Raise the litter up to full height and unplug the bed power cord from the wall socket. If the bed will not raise electrically or manually, pull up on the litter top until it is fully raised.
2. Support both ends of the litter top with sawhorses or the equivalent.
3. Using a #2 Phillips screwdriver, remove the three Phillips screws holding the base hood to the base frame.
4. If the bed is equipped with the 110V outlet option, remove the slotted screw holding the outlet cover. If the bed does not have the 110V outlet option, remove the two slotted screws holding the cover plate.
5. Use bungee cords or the equivalent to secure the hood up and out of the way.
6. Using a 3/16" Allen wrench, remove the socket head cap screw from the litter support tube at the end of the bed needing service.
7. While depressing the appropriate release pedal, separate the jack shaft from the support tube and depress the jack shaft to the full down position.
8. Using a 1/4" Allen wrench and a 1/2" socket wrench, remove the nut and bolt holding the pump piston to the pump bar.

NOTE

If you are working on the foot end of the bed, be careful when removing the bolt. The spring must be compressed and the pump bar bracket must be pushed down and out of the way so the bolt and the spring can be removed.

9. Using wire cutters, remove all wire ties holding the pressure and return lines to the frame.
10. Using a 3/8" socket wrench, remove the three bolts holding the pump motor cover to the base and remove the cover.
11. Using a 9/16" wrench for the pressure line and a 11/16" wrench for the return line, remove the lines for the jack being replaced at the pump.
12. Using a 1/2" wrench and a 1/2" socket wrench, remove the two nuts and bolts holding the jack support bracket on the jack and remove the bracket.
13. Using a 1/2" wrench and a 1/2" socket wrench, remove the four nuts and bolts holding the jack assembly to the frame. Using a floor jack, lift the end of the bed you are servicing and remove the jack from underneath the base frame.
14. Reverse the above procedure to install the new jack and reinstall the base hood.

Maintenance Procedures – Litter

CPU BOARD REPLACEMENT

Required Tools:

#2 Phillips Screwdriver Needle Nosed Pliers

Replacement Procedure:

1. Properly ground yourself (see page 7 for static discharge precautions). Verify the bed power cord has been unplugged from the wall socket.
2. Manually crank up the knee section until it stops.
3. Using a #2 Phillips screwdriver, remove the four screws holding the litter access cover to the litter and remove the cover.
4. Remove all connectors from the CPU board, noting where they were connected so they will be connected properly to the new CPU board.
5. Use needle nosed pliers to release the standoffs under the CPU board and remove the board from the standoffs.
6. Reverse the above procedure to install the replacement CPU board.
7. After a CPU board is replaced, a “burn-in” procedure must be performed (see below).

NOTE

If the bed is equipped with a scale system, a scale calibration procedure must also be performed after the CPU board is replaced (see page 21).

LIFT AND FOWLER POT “BURN-IN” PROCEDURE

NOTE

It requires **two people** to enable the diagnostics mode for the bed.

1. Unplug the bed power cord from the wall socket.
2. Press and hold the “Bed Motion Lock” and “Knee Lockout” buttons on the foot board.
3. While continuing to hold the two buttons down, plug the bed power cord into the wall socket. Release the two buttons and the Knee Lockout LED should be flashing. This indicates the bed is in the correct calibration mode.
4. Using the foot board controls, run the Fowler up to 90°. Press and hold the button on the foot board to lock out the siderail controls for the back until the padlock LED flashes. Release the button.
5. Using the foot board controls, run the Fowler down to 0°. Press and hold the button on the foot board to lock out the siderail controls for the knee until the padlock LED flashes. Release the button..
6. To “burn in” the Bed Up/Down limits for a low height bed, lower the bed to the full down position. Press and hold the “Bed Motion Lock” and the “Knee Down” buttons at the same time. The “Bed Motion Lock” LED will light. Continue to hold the “Bed Motion Lock” and “Knee Down” buttons until the “Bed Motion Lock” LED flashes. The flashing LED indicates the limits have been set. Release the “Bed Motion Lock” button first, then the “Knee Down” button.
Important: If the buttons are not released as described above, the bed could be “burned in” incorrectly. Unplug the bed power cord to complete the “burn in” mode.
7. To “burn in” the Bed Up/Down limits for a high height bed, lower the bed to the full down position. Press and hold the “Bed Motion Lock” button. The “Bed Motion Lock” LED will light. Continue to hold the “Bed Motion Lock” button until the “Bed Motion Lock” LED flashes. The flashing LED indicates the limits have been set. Release the button and unplug the bed power cord to complete the “burn in” mode.
8. Plug the bed power cord into the wall socket and verify the back and bed lift limits are set properly before returning the bed to service.

NOTE

The distance between the floor and the top of the litter seat section (without mattress) on a high height bed should be approximately 22 1/2” with the litter fully down and approximately 35” with the litter fully up. On a low height bed, the distances should be approximately 20 1/2 “ to 31”.

Maintenance Procedures – Litter

DISPLAYING INDIVIDUAL LOAD CELL OUTPUTS

A defective load cell can be detected by entering diagnostics and displaying individual load cell outputs.

1. To enter the diagnostic mode, unplug the bed power cord from the wall socket. Press and hold the LBS/KG button. While holding the button, plug the bed power cord into the wall socket. Release the LBS/KG button and the scale monitor will display "CALIBRATE SCALE".
2. Press the arrow up button until the scale monitor displays "CHECK CORNERS".
3. Press the ENTER button. The scale monitor should display "PICK CORNER NOW".
4. Press and release the button that corresponds with the load cell to be checked (see below). The scale monitor will display X/X=NNN.N. "X/X" represents the initials of the selected corner, i.e. H/R will be displayed for the patient's head end, right side. "NNN.N" represents the load cell output.
5. Repeat step four for each corner. Head end weight readings will normally be lower than foot end weights. Weight readings should be constant. A drifting 000.0 or 999.9 weight, or a reading that does not change when weight is applied to that corner of the bed indicates a problem with the selected load cell assembly or load cell cable.
6. When all the load cell outputs have been checked, press and release SCALE ON/OFF. To exit diagnostics, unplug the bed's power cord from the wall socket.



LOAD CELL REPLACEMENT

Required Tools:

9/16" Socket Wrench
Wire Cutters

9/16" Open End Wrench
#2 Phillips Screwdriver

Saw Horse (or Equivalent)

Replacement Procedure:

1. Raise the head or knee section, depending which end of the litter needs service.
2. Unplug the load cell connector from the load cell cable. If service is being done at the head end of the bed, the J-channel must be removed to access the load cell connector.
3. Using wire cutters, remove the wire ties holding the cable to the frame.
4. Using a 9/16" socket and a 9/16" open end wrench, remove the two bolts holding the load cell to the litter cross tube and remove the load cell.
5. Using a saw horse, support the litter at the end where the load cell was removed. Reverse the above procedure to install the new load cell.

NOTE

Scale calibration procedure must be performed after the load cell is replaced (see page 21).

Maintenance Procedures – Litter

SCALE CALIBRATION PROCEDURE

1. Unplug the bed power cord from the wall socket.
2. Press and hold the “LBS/KG” button on the foot board. While holding the button, plug the bed power cord into the wall socket.
3. Release the “LBS/KG” button. The LCD will display “CALIBRATE SCALE”.
4. Press and hold the “LBS/KG” button. The LCD will display “HOLD TO ZERO WEIGHT”, “RELEASE TO ZERO”, and then “DO NOT TOUCH BED”.
5. The LCD will display “REF X100=<2>0000”. This is set up to default at 200 pounds.

NOTE

Unless 200 pounds will be used, change the display to match the weight you are using to calibrate the scale. Pressing the Trend/Fowler button will move the cursor position to the right. Pressing the arrow up button will increase the numbers. Pressing the arrow down button will decrease the numbers.

6. Press the “LBS/KG” button. The LCD will display “ADD H/L, HIT ON”. Place the known weight on the litter over the head, left load cell.
7. Press the “Scale On” button. The LCD will display “RELEASE TO CAL.” and “DO NOT TOUCH BED”.
8. The LCD will display “ADD H/R, HIT ON”. Place the known weight on the litter over the head, right load cell.
9. Press the “Scale On” button. The LCD will display “RELEASE TO CAL.” and “DO NOT TOUCH BED”.
10. The LCD will display “ADD F/R, HIT ON”. Place the known weight on the litter over the foot, right load cell.
11. Press the “Scale On” button. The LCD will display “RELEASE TO CAL” and “DO NOT TOUCH BED”.
12. The LCD will display “ADD F/L, HIT ON”. Place the known weight on the litter over the foot, left load cell.
13. Press the “Scale On” button, the LCD will display “RELEASE TO CAL” and “DO NOT TOUCH BED”

NOTE

If the scale system detects a problem, it will display “CHECK CORNERS”. If that happens, cycle the power and refer to the scale system troubleshooting section (page 30).

14. After all four corners have been calibrated, the LCD will display “CENTER WT ON BED”.
15. Remove the weight from the foot, left corner and position it on the center of the bed.
16. Press the “Scale On” button and the LCD will display “PRESS REV. TREND”. Press the “Reverse Trend.” button until the bed reaches full reverse Trend. Release the button and the LCD will display “DO NOT TOUCH BED”.
17. The LCD will display “CALIBRATE SCALE”. This indicates the calibration procedure is complete.
18. Exit the scale system by pressing the “Scale On” button until the LCD displays “EXIT DIAGNOSTICS”. Press the “Enter” button to exit.
19. Remove the weight and zero the bed.

Maintenance Procedures – Litter

POWER BOARD REPLACEMENT

Required Tools:

#2 Phillips Screwdriver 11/32" Nut Driver

Replacement Procedure:

1. Properly ground yourself (see page 7 for static discharge precautions). Verify the bed power cord has been unplugged from the wall socket.
2. Manually crank the knee section up until it stops.
3. Using a #2 Phillips screwdriver, remove the four screws holding the litter access cover to the litter and remove the cover.
4. Remove all connectors from the power board, noting their locations so they will be connected properly to the new power board.
5. Using a 11/32" nut driver, remove the six nuts on top of the power board standoffs and remove the power board from the standoffs.
6. Reverse the above procedure to install the new power board.

HEAD WALL INTERFACE BOARD REPLACEMENT

Required Tools:

#2 Phillips Screwdriver Needle–Nosed Pliers 3/16" Nut Driver
1/4" Nut Driver 5/16" Socket Wrench

Replacement Procedure:

1. Properly ground yourself (see page 7).
2. Crank the Fowler up to gain access to the head wall cover.
3. Using a 5/16" socket wrench, remove the two bolts holding the head wall interface cover to the litter frame and remove the cover.
4. Using a #2 Phillips screwdriver, remove the two screws holding the head wall port bracket to the litter frame.
5. Using needle–nosed pliers, remove the board from the standoffs.
6. Using a 3/16" nut driver and a 1/4" nut driver, remove the standoff and nuts from the port bracket.
7. Reverse the above procedure to install the replacement head wall interface board.

Maintenance Procedures – Litter

SIDERAIL SWITCH BOARD REPLACEMENT

Required Tools:

#2 Phillips Screwdriver Razor Knife

Replacement Procedure:

1. Unplug the bed power cord from the wall socket.
2. Using a razor knife, carefully remove the outside siderail switch label.
3. Using a #2 Phillips screwdriver, remove the four screws holding the siderail switch assembly together.
4. Using a #2 Phillips screwdriver, remove the screws holding the switch board to the switch panel. Unplug the cables from the defective switch board.
5. Reverse the above procedure to install the replacement switch board.

NOTE

A new switch label may be required if the old label was damaged when it was removed.

FOWLER MOTOR REPLACEMENT

Required Tools:

#2 Phillips Screwdriver Wire Cutters Hammer
1/8" Roll Pin Punch 7/16" Socket Wrench

Replacement Procedure:

1. Unplug the bed power cord from the wall socket.
2. Manually crank the Fowler down until it stops.

WARNING

If the Fowler cannot be cranked fully down, use a 2x4 or the equivalent to brace it to prevent it from falling and causing injury.

3. Manually crank the knee section up until it stops. Fold the knee section up and out of the way.
4. Using a #2 Phillips screwdriver, remove the four Phillips screws holding the litter access panel to the litter and remove the panel.
5. Using wire cutters, remove the wire ties from the Fowler motor wires.
6. Unplug the Fowler motor from the power board and unplug the capacitor from the motor.
7. Using a 1/8" roll pin punch, remove the roll pin closest to the motor from the manual crank shaft.
8. Using a 7/16" socket wrench, remove the four bolts under the litter holding the motor bracket to the litter.
9. Push the motor toward the head end of the bed and lift it out of the bed.
10. Reverse the above procedure to install the new motor.

NOTE

Be sure the guide pins on the motor line up with the two bushings on the motor coupler.

Maintenance Procedures – Litter

GATCH (KNEE) MOTOR REPLACEMENT

Required Tools:

#2 Phillips Screwdriver	1/2" Socket Wrench	Hammer
1/8" Roll Pin Punch	7/16" Socket Wrench w/Short Extension	

Replacement Procedure:

1. Unplug the bed power cord from the wall socket.
2. If possible, manually crank the knee section up until it stops. (Even if the knee section will not crank up, proceed with step 3.)
3. Reach under the litter and remove the clip and pin from the knee motor drive tube.
4. Lift up the knee section and fold it back and out of the way.
5. Using a #2 Phillips screwdriver, remove the four screws holding the litter access cover to the litter and remove the cover.
6. Disconnect the knee motor power cable and the capacitor cable from the motor.
7. Using a hammer and a 1/8" roll pin punch, remove the roll pin closest to the manual crank handle.
8. Using a 1/2" socket wrench, remove the lock nut from the motor pivot shaft bolt
9. Using a 7/16" socket wrench, remove the motor pivot shaft bolt.
10. Lift up on the motor and remove it from the bed.
11. Using a hammer and a 1/8" roll pin punch, remove the remaining roll pin from the manual overdrive shaft and remove the sleeve from the shaft.
12. Using a 7/16" socket wrench with a short extension, remove the four bolts holding the motor mounting bracket to the motor and remove the bracket.

NOTE

This bracket will be installed on the the new motor.

13. Reverse the above procedure to install the replacement motor.

NOTE

Do not install the pin and clip until the motor limits have been set.

14. To set the limits on the new motor, hold the motor drive tube while electrically running the knee down until it stops
15. Lower the knee section down until it rests on the top of the litter access panel.
16. Manually turn the drive tube in or out until the hole in the drive tube and the hole in the knee section line up. Install the pin and clip.

Maintenance Procedures – Litter

FOWLER POTENTIOMETER REPLACEMENT

Required Tools:

#2 Phillips Screwdriver Wire Cutters 1/2" Open End Wrench
7/64" Allen Wrench

Replacement Procedure:

1. Manually crank the knee section up until it stops.
2. Using a #2 Phillips screwdriver, remove the four screws holding the litter access cover to the litter and remove the cover.
3. Using a 7/64" Allen wrench, loosen the screw holding the linkage to the pot. shaft and remove the linkage from the shaft.
4. Using a 1/2" open end wrench, remove the nut holding the potentiometer to the frame.
5. Using wire cutters, remove the cable ties from the cable. Unplug the cable from the CPU and remove the pot.
6. Reverse the above procedure to install the replacement potentiometer.
7. The new potentiometer must be calibrated after it has been installed.
8. The Fowler pot. should be set at 150 ohms (\pm 10 ohms) in the full down position. This reading must be taken from pins 3 and 4 on the connector with the pot. unplugged from the board. After the correct ohm reading is achieved, tighten the screw on the linkage.
9. Press and hold the "Knee Lockout" and "Bed Motion Lock" buttons on the foot board.
10. Plug the power cord into the wall socket. Release the two buttons and the "Knee Lockout" LED should be flashing. This indicates the bed is in the correct calibration mode.
11. Using the foot board controls, run the Fowler up to 90°. Press and hold the button on the foot board to lock out the siderail controls for the back until the padlock LED flashes. Release the button.
12. Using the foot board controls, run the Fowler down to 0°. Press and hold the button on the foot board to lock out the siderail controls for the knee until the padlock LED flashes. Release the button. Release the button and unplug the bed power cord to complete the "burn in" mode.
13. Plug the bed power cord into the wall socket and verify the back limits are set properly before returning the bed to service.

FOWLER CYLINDER REPLACEMENT

Required Tools:

7/16" Box End Wrench 7/16" Socket Wrench

Replacement Procedure:

1. Crank the Fowler up until it stops.
2. Using a 7/16" socket wrench, remove the bolt holding the cylinder to the frame.
3. Using a 7/16" socket wrench and a 7/16" box end wrench, remove the nut and bolt holding the cylinder to the Fowler link. Remove the cylinder.
4. Reverse the above procedure to install the replacement cylinder.

Maintenance Procedures – Foot Board

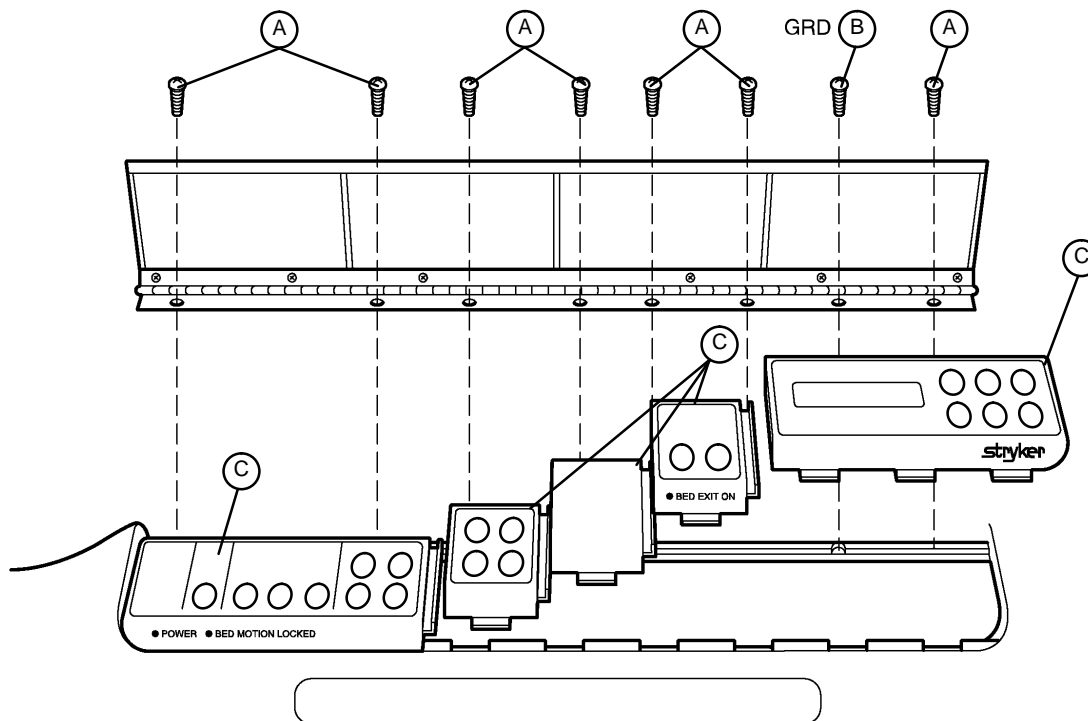
FOOT BOARD HINGE REMOVAL

Required Tools:

#2 Phillips Screwdriver

Procedure:

1. Using a #2 Phillips screwdriver, remove the screws (A & B) holding the door and hinge assembly to the foot board.
2. If replacing the hinge only, use a Phillips screwdriver to remove the screws holding the hinge to the door.
3. Reverse the above steps to attach the replacement door and/or hinge.



FOOT BOARD MODULE REPLACEMENT

Required Tools:

#2 Phillips Screwdriver

Procedure:

1. Unplug the bed power cord from the wall socket. Remove the foot board hinge (see above).

NOTE

Regardless of which module is being replaced, the farthest module to the right must be removed first.

2. Pull the module out of the foot board and disconnect the cable from the module (C).
3. Reverse the above steps to install the new module.

CAUTION

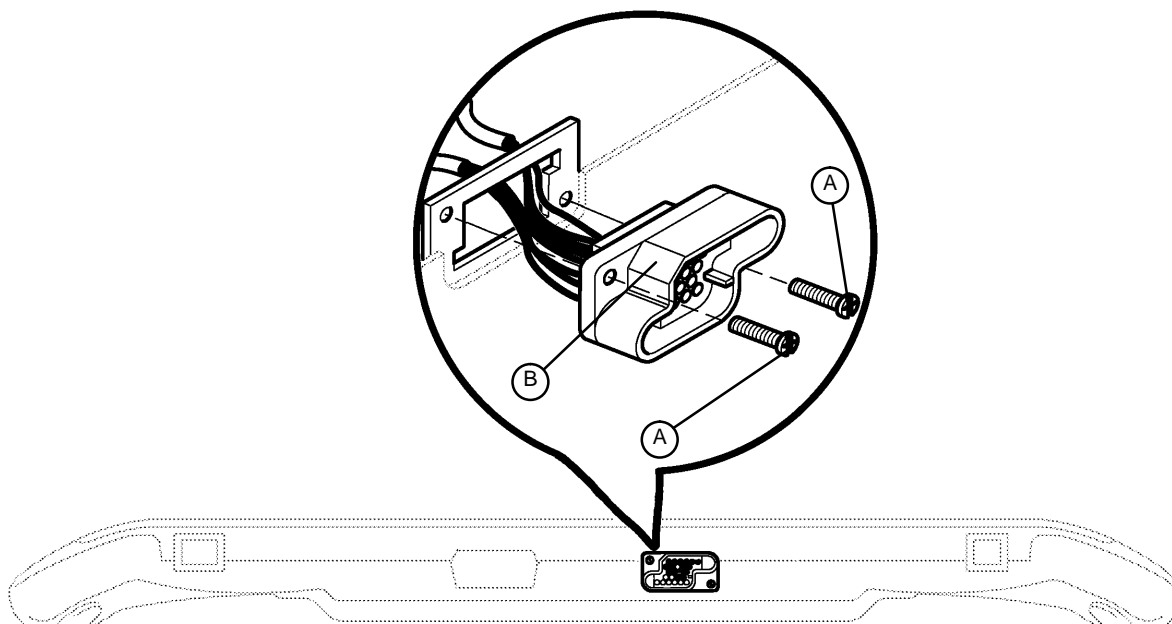
The modules must be overlapped as shown in the illustration or fluids could enter the board cavity and cause damage.

Maintenance Procedures – Foot Board

FOOT BOARD INTERFACE PLUG REPLACEMENT

Required Tools:

#2 Phillips Screwdriver



BOTTOM VIEW OF FOOT BOARD

Procedure:

1. Unplug the bed power cord from the wall socket.
2. Remove the foot board from the bed to access the bottom of the board.
3. Properly ground yourself (see page 7 for static discharge precautions).
4. Using a #2 Phillips screwdriver, remove the eight screws holding the foot board door to the foot board and remove the door.
5. Using a #2 Phillips screwdriver, remove the two screws (A) holding the plug to the foot board.
6. Disconnect the cable from the foot board module cable. Note proper placement of the cable so it will be reconnected properly.
7. Reverse the above steps to install the new interface plug.

CAUTION

Be sure to install the plug with the flat edge (B) at the top left, as shown in the illustration, or the foot board interface plug will not mate properly with the bed and damage to the plug or foot board could result.

Electrical Troubleshooting

TROUBLESHOOTING GUIDE

DEFINITIONS:

DMM = Digital Multi-Meter

PCB = Printed Circuit Board

CPU = Central Processing Unit

NOTE

See pages 33–38 for an outline of bed PCB's and voltage test points. See page 19 for potentiometer calibration.

PROBLEM/FAILURE	RECOMMENDED ACTION
No power to bed	<p>A. Verify power at wall outlet.</p> <p>B. Unplug bed power cord and check continuity of fuses F1 and F2 on power board with DMM.</p> <p>C. If fuses are good, plug power cord back into wall outlet.</p> <p>D. Check for 120 VAC power at HDR1 on power board. See pages 33 & 34 for power board voltage test points.</p> <p>E. Check for DC voltages on HDR4 (Pins 4–7) on power board. See pages 33 & 34 for power board voltage test points.</p>
No motor motion.	<p>A. Unplug bed power cord and check fuse F1 on power board.</p>
No bed down motion.	<p>A. Enter diagnostics, (see page 19) and press bed down. If motion is present, re-burn lift potentiometer (see page 19). Monitor Pin 3 and Pin 2 of HDR28 on the CPU board using a DMM for the foot pot. Monitor Pin 2 and Pin 3 of HDR23 on the CPU board using a DMM for the head pot. Verify voltage changes on Pin 3 with changes in lift motion. See page 19 for voltage parameters for low and high limits.</p> <p>B. If no down motion in diagnostic, check for 120 VAC power on HDR6, Pin 4 and Pin 3 and HDR9, Pin 3 and Pin 4 of the power board.</p> <p>C. Check for 5 VDC signal on CPU board, HDR32, Pin 1 and Pin 3 and Pin 1 and Pin 5 on CPU board.</p> <p>D. Check for jumpers on HDR10 of the power and HDR24 of the CPU board.</p>
No bed up motion.	<p>A. Check 120 VAC power on HDR6, Pin 4 and Pin 6, of the power board.</p> <p>B. Check for 5 VDC signal on CPU board HDR32, Pin 1 and Pin 6 on power board.</p>
No knee up motion.	<p>A. Check for 120 VAC power on HDR8 Pin 13 and Pin 10 of the power board.</p> <p>B. Check for 5 VDC signal on HDR33 Pin 1 and Pin 11 of the CPU board.</p> <p>C. Check for jumpers on HDR10 of the Power and HDR24 of the CPU board.</p>
No knee down motion.	<p>A. Check for 120 VAC on HDR8, Pin 12 and Pin 13 of the power board.</p> <p>B. Check for 5 VDC on HDR33, Pin 1 and Pin 10 of the CPU board.</p>

Electrical Troubleshooting

TROUBLESHOOTING GUIDE (CONTINUED)

PROBLEM/FAILURE	RECOMMENDED ACTION
No Fowler up motion.	<p>A. Check for 120 VAC on HDR11, Pin 3 and Pin 2 of the power board.</p> <p>B. Check for 5 VDC on HDR2 Pin 2 and HDR4 Pin 1 of the CPU board.</p>
No Fowler down motion.	<p>A. Enter diagnostics, (see page 19) and check for Fowler down motion. If motion is present, re-burn Fowler potentiometer (see page 25, step 11).</p> <p>B. Check for 120 VAC power on HDR11 Pin 3 and Pin 1 of the power board.</p> <p>C. Check for 5 VDC signal on HDR32 Pin 1 and HDR33 Pin 1 of the CPU board.</p>
No Trend motion.	<p>A. Check for jumpers on HDR10 of the power board and HDR24 of the CPU board.</p> <p>B. Check for bed up and down limits.</p> <p>C. Check for 120 VAC on HDR6, Pin 3 and Pin 4 of the power board.</p> <p>D. Check for 5 VDC on HDR32 Pin 5 and HDR4 Pin 1 of the CPU board.</p>

SCALE SYSTEM TROUBLESHOOTING GUIDE

PROBLEM/FAILURE	RECOMMENDED ACTION
Scale weighing too light – all positions.	<p>A. Verify the bed has been properly calibrated (see page 21).</p>
Scale weighing too light – one position.	<p>A. Verify nothing is interfering with the weighing surface and the stationary surfaces of the bed: Foley bag hooks not touching the base hood. Load cell and lift coil cord cables routed properly and not touching Gatch stand. Load cells or litter not obstructed.</p> <p>B. If in Trend position, calibrate bed (see page 21) and check again.</p> <p>C. If in reverse Trend position, ensure Foley bag hook is not touching the litter frame.</p>
Scale weighing too heavy – all positions.	<p>A. Verify the bed has been properly calibrated (see page 21).</p> <p>B. Use a known weight at each corner of the bed and verify the counts change the same for each corner. If a load cell does not change properly, replace the load cell (see page 20).</p> <p>C. Replace the CPU (see page 19) and calibrate the bed.</p>

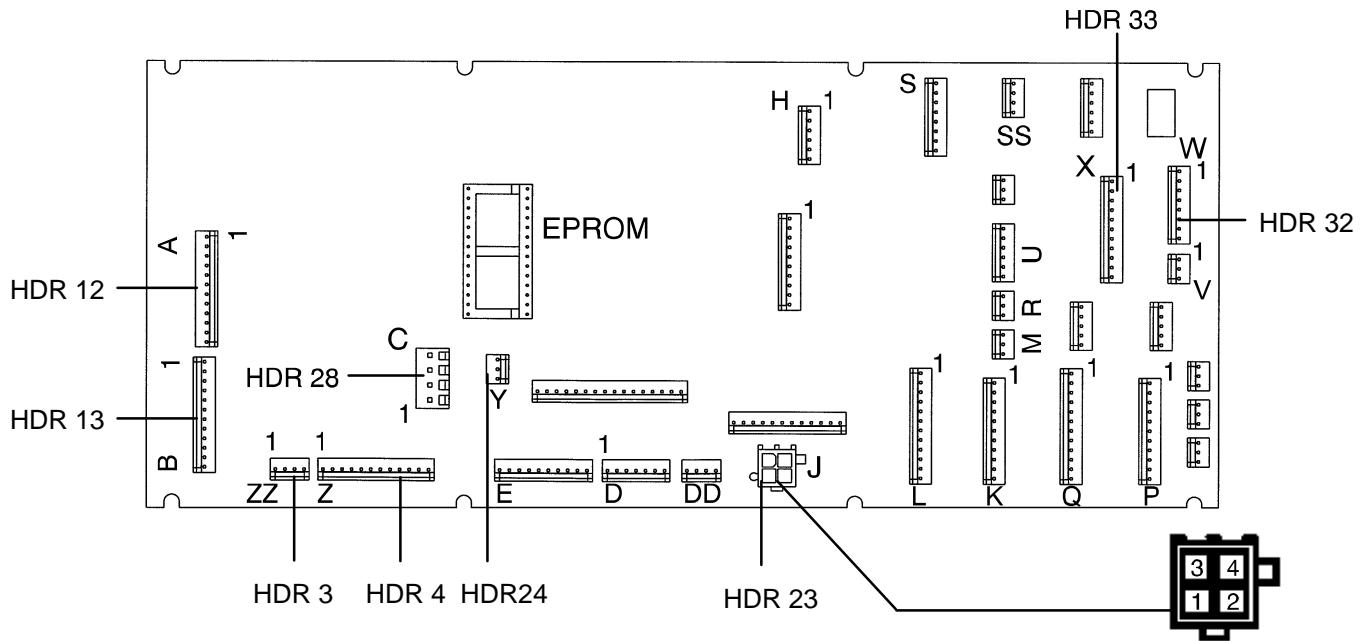
Electrical Troubleshooting

SCALE SYSTEM TROUBLESHOOTING GUIDE (CONTINUED)

PROBLEM/FAILURE	RECOMMENDED ACTION
Scale weighing too heavy – one position.	<p>A. Check for any mechanical interference between the weighing surface and the stationary sections of the bed.</p> <p>B. If in Trend position, calibrate bed (see page 21) and check again.</p>
During calibration, display reads “Check Corners”.	<p>A. Check each corner and verify the load cells are working and changing value. Using a 50 pound weight at each corner of the bed, verify the counts change approximately 375 to 425. Example – right corner without weight = 400. After adding weight should read 825.</p> <p>B. If corner does not respond correctly or is out of spec., replace load cell.</p>
When checking weight at right, foot corner, the weight goes negative.	<p>A. Check left load cell (in check corners mode). Must read at least +300 with no weight on the bed.</p>
No change in weight.	<p>A. Verify cables have been installed correctly and are not damaged.</p> <p>B. Check if voltages on CPU are correct at HDR32, Pin 1 (Grd) to Pin 4 (5Volts), Pin 1 (Grd), Pin 7 (-5 Volts). If not, replace the CPU board and the power board (see page 19 & 22).</p> <p>C. If voltages are correct, replace the CPU (see page 19).</p> <p>D. If still no change, replace load cells, CPU and power boards (see page 19, 20 & 22)</p>

Bed Circuit Boards

CPU KIT (ALL OPTIONS) – P/N 2025–700–18



CONNECTOR LOCATION	CABLE LOCATION	VOLTAGE	POSITIVE LEAD	NEGATIVE LEAD	DESCRIPTION
HDR 12	A	+5 VDC	Pin 12	HDR 33 Pin 1	Foot End Load Cells
HDR 12	A	-5 VDC	Pin 11	HDR 33 Pin 1	Foot End Load Cells
HDR 12	A	+5 VDC	Pin 6	HDR 33 Pin 1	Foot End Load Cells
HDR 12	A	-5 VDC	Pin 5	HDR 33 Pin 1	Foot End Load Cells
HDR 13	B	+5 VDC	Pin 1	HDR 33 Pin 1	Head End Load Cells
HDR 13	B	-5 VDC	Pin 2	HDR 33 Pin 1	Head End Load Cells
HDR 13	B	+5 VDC	Pin 7	HDR 33 Pin 1	Head End Load Cells
HDR 13	B	-5 VDC	Pin 8	HDR 33 Pin 1	Head End Load Cells
HDR 21	F	+5 VDC	Pin 12	HDR 22 Pin 6	Foot Board
HDR 22	FF	+5 VDC	Pin 12	Pin 6	Foot Board
HDR 22	FF	+5 VDC	Pin 10	Pin 6	Foot Board
HDR 22	FF	+5 VDC	Pin 9	Pin 6	Foot Board

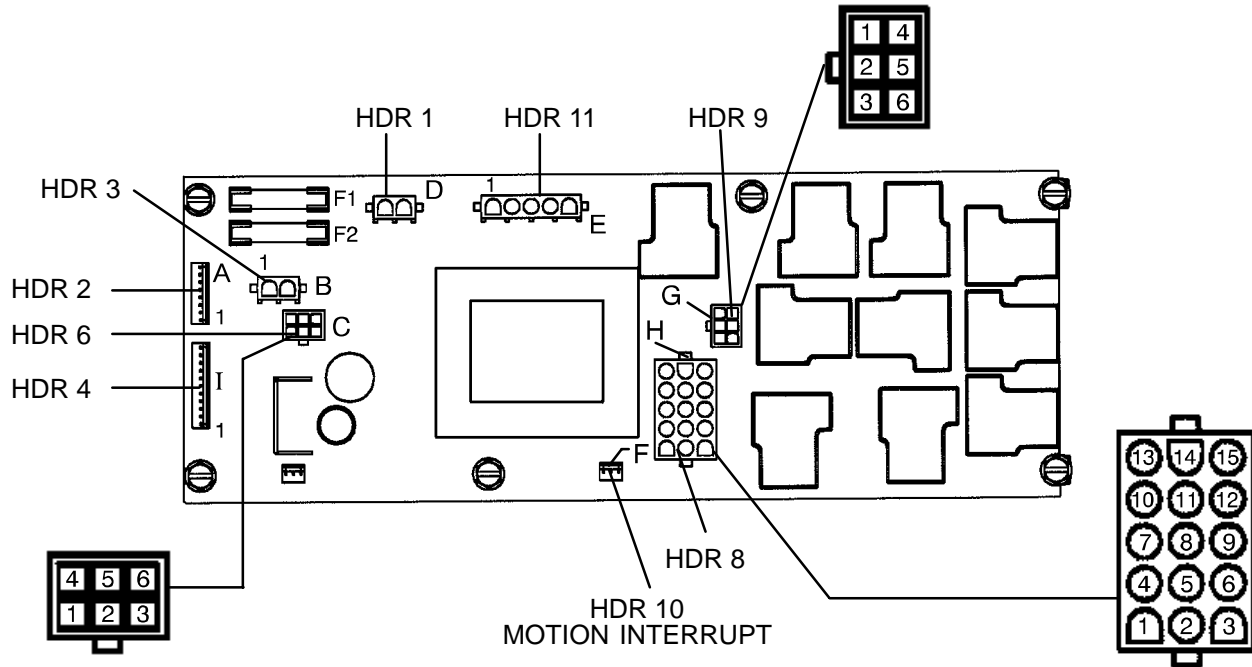
Bed Circuit Boards

CPU KIT (ALL OPTIONS) – P/N 2025–700–18

CONNECTOR LOCATION	CABLE LOCATION	VOLTAGE	POSITIVE LEAD	NEGATIVE LEAD	DESCRIPTION
HDR 22	FF	+5 VDC	Pin 8	Pin 6	Foot Board
HDR 22	FF	16–18 VDC	Pin 7	Pin 6	Foot Board
HDR 24	Y	16–18 VDC w/o Switch	Pin 1	HDR 33 Pin 1	Motion Interrupt
HDR 24	Y	0 VDC w/Switch	Pin 1	HDR 33 Pin 1	Motion Interrupt
HDR 32	W	0 VDC w/Switch 16–18 VDC w/o/Switch	Pin 7	Pin 1 HDR 33	Enables Foot/Down
HDR 32	W	0 VDC w/Switch 16–18 VDC w/o Switch	Pin 8	Pin 1 HDR 33	Enables Foot/Head Down
HDR 32	W	5 VDC w/switch 0 VDC w/o switch	Pin 4	Pin 1 HDR 33	Power Board (Foot End Bed Up)
HDR 32	W	5 VDC w/switch 0 VDC w/o switch	Pin 3	Pin 1 HDR 33	Power Board (Foot End Bed Down)
HDR 32	W	5 VDC w/switch 0 VDC w/o switch	Pin 2	Pin 1 HDR 33	Power Board (Fowler Up)
HDR 32	W	5 VDC w/switch 0 VDC w/o switch	Pin 1	Pin 1 HDR 33	Power Board (Fowler Down)
HDR 33	X	5 VDC w/switch 0 VDC w/o switch	Pin 11	Pin 1 HDR 33	Power Board (Gatch Up)
HDR 33	X	5 VDC w/switch 0 VDC w/o switch	Pin 10	Pin 1 HDR 33	Power Board (Gatch Down)
HDR 33	X	5 VDC w/switch 0 VDC w/o switch	Pin 9	Pin 1 HDR 33	Power Board (Safety Relay – all Motions)
HDR 33	X	0 VDC wo/Switch 5 VDC w/Switch	Pin 8	Pin 1 HDR 33	Power Board (Motion Interrupt)
HDR 33	X	–5 VDC	Pin 7	Pin 1 HDR 33	Power Board
HDR 33	X	16–18 VDC	Pin 6	Pin 1 HDR 33	Power Board
HDR 33	X	16–18 VDC	Pin 5	Pin 1 HDR 33	Power Board
HDR 33	X	5 VDC	Pin 4	Pin 1 HDR 33	Power Board

Bed Circuit Boards

POWER BOARD – P/N 2025–300–930



F1 – Fuse 6 Amp, 250 VAC, SLO-BLO – Stryker Part Number 59–149

F2 – Fuse .3 Amp, 250 VAC, SLO-BLO – Stryker Part Number 59–730

CONNECTOR LOCATION	CABLE LOCATION	VOLTAGE	POSITIVE LEAD	NEGATIVE LEAD	DESCRIPTION
HDR 1	D	120 VAC	Neutral Pin 1	Line Pin 2	Line Voltage to Option Power Board
HDR 2	A	0 VDC w/o Switch +5 VDC w/Switch	Pin 1	Pin 1 HDR 4	Fowler Down
HDR 2	A	0 VDC w/o Switch +5 VDC w/Switch	Pin 2	Pin1 HDR 4	Fowler Up
HDR 2	A	0 VDC w/o Switch +5 VDC w/Switch	Pin 3	Pin1 HDR 4	Foot Down
HDR 2	A	0 VDC w/o Switch +5 VDC w/Switch	Pin 4	Pin 1 HDR 4	Not Used
HDR 2	A	0 VDC w/o Switch +5 VDC w/Switch	Pin 5	Pin 1 HDR 4	Head Down
HDR 2	A	0 VDC w/o Switch +5 VDC w/Switch	Pin 6	Pin 1 HDR 4	Bed Up
HDR 2	A	+16 – +18 VDC	Pin 7	Pin 1 HDR 4	Foot/Head Down
HDR 2	A	+16 – +18 VDC	Pin 8	Pin 1 HDR 4	Foot/Head Down
HDR 3	B	120 VAC	Neutral Pin 1	Line Pin 2	Line Voltage to Bed

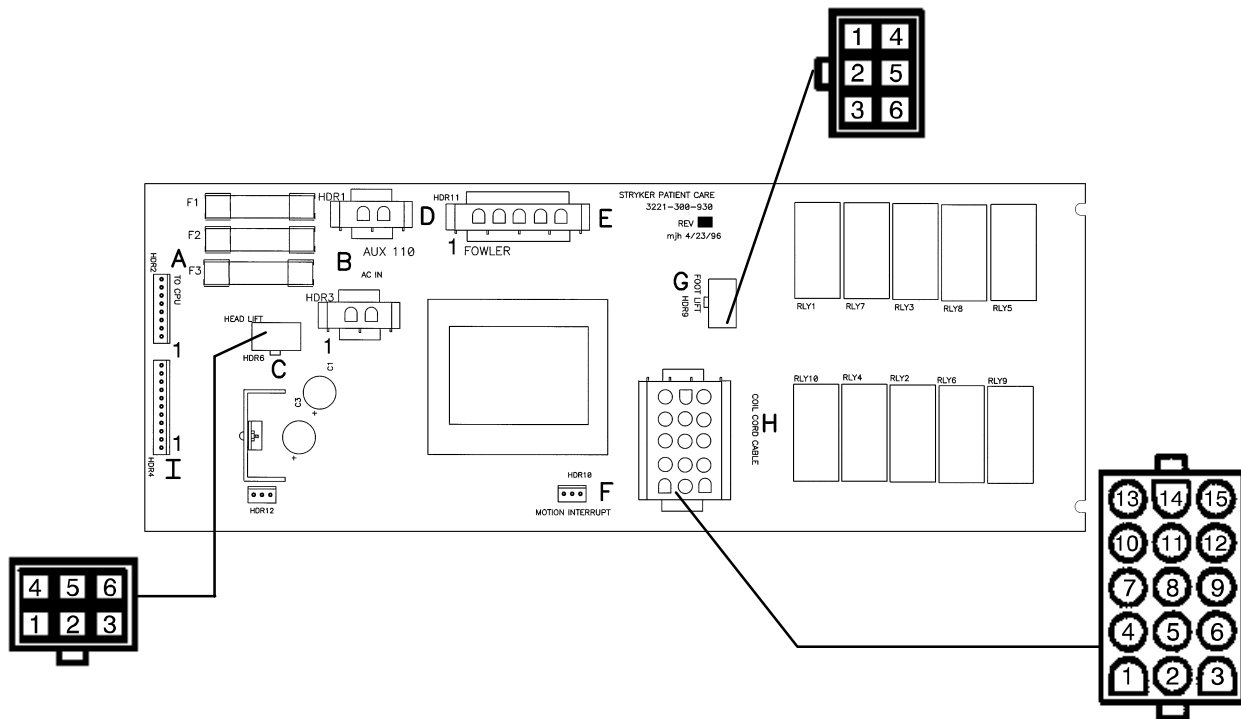
Bed Circuit Boards

POWER BOARD – P/N 2025–300–930 (Continued)

CONNECTOR LOCATION	CABLE LOCATION	VOLTAGE	POSITIVE LEAD	NEGATIVE LEAD	DESCRIPTION
HDR 4	I	+5 VDC	Pin 4	Pin 1	+ 5 VDC For CPU
HDR 4	I	+16 – +18 VDC	Pin 5	Pin 1	Bus for Relays/Siderail Lights
HDR 4	I	+16 – +18 VDC	Pin 6	Pin 1	Bus for Relays/Siderail Lights
HDR 4	I	–5 VDC	Pin 7	Pin 1	–5 VDC for CPU (Scale)
HDR 4	I	+16 – +18 VDC	Pin 8	Pin 1	Enables Foot/Head Down
HDR 4	I	0 VDC w/o Switch +5 VDC w/Switch	Pin 9	Pin 1	Safety Relay +5 VDC w/Any Switch Pressed
HDR 4	I	0 VDC w/o Switch +5 VDC w/Switch	Pin 10	Pin 1	Knee Down
HDR 4	I	0 VDC w/o Switch +5 VDC w/Switch	Pin 11	Pin 1	Knee Up
HDR 6	C	0 VAC w/o Switch 110 VAC w/Switch	Neutral Pin 4	Pin 3	Head Down Solenoid
HDR 6	C	0 VAC w/o Switch 110 VAC w/Switch	Neutral Pin 4	Pin 6	Bed Up/Pump
HDR 8	H	0 VAC w/o Switch 110 VAC w/Switch	Pin 13	Pin 12	Knee Down
HDR 8	H	13 VAC	Pin 1	Pin 2	Night Light
HDR 8	H	27 VAC	Pin 1	Pin 3	Night Light
HDR 8	H	0 VAC w/o Switch 110 VAC w/Switch	Pin 13	Pin 10	Knee Up
HDR 9	G	0 VAC w/o Switch 110 VAC w/Switch	Neutral Pin 4	Pin 3	Foot Down Solenoid
HDR 9	G	0 VAC w/o Switch 110 VAC w/Switch	Neutral Pin 4	Pin 6	Not Used
HDR 11	E	0 VAC w/o Switch 110 VAC w/Switch	Neutral Pin 3	Pin 1	Fowler Down
HDR 11	E	0 VAC w/o Switch 110 VAC w/Switch	Neutral Pin 3	Pin 2	Fowler Up

Bed Circuit Boards

INTERNATIONAL POWER BOARD – P/N 3221–300–930



F1 & F3 – Fuse 4 Amp, 250 VAC, SLO–BLO – Stryker Part Number

F2 – Fuse .125 Amp, 250 VAC, SLO–BLO – Stryker Part Number

CONNECTOR LOCATION	CABLE LOCATION	VOLTAGE	POSITIVE LEAD	NEGATIVE LEAD	DESCRIPTION
HDR 1	D	230 VAC	Phase Pin 1	Line Pin 2 Neutral	Line Voltage to Option Power Board
HDR 2	A	0 VDC w/o Switch +5 VDC w/Switch	Pin 1	Pin 1 HDR 4	Fowler Down
HDR 2	A	0 VDC w/o Switch +5 VDC w/Switch	Pin 2	Pin1 HDR 4	Fowler Up
HDR 2	A	0 VDC w/o Switch +5 VDC w/Switch	Pin 3	Pin1 HDR 4	Foot Down
HDR 2	A	0 VDC w/o Switch +5 VDC w/Switch	Pin 4	Pin 1 HDR 4	Not Used
HDR 2	A	0 VDC w/o Switch +5 VDC w/Switch	Pin 5	Pin 1 HDR 4	Head Down
HDR 2	A	0 VDC w/o Switch +5 VDC w/Switch	Pin 6	Pin 1 HDR 4	Bed Up
HDR 2	A	+16 – +18 VDC	Pin 7	Pin 1 HDR 4	Foot/Head Down
HDR 2	A	+16 – +18 VDC	Pin 8	Pin 1 HDR 4	Foot/Head Down
HDR 3	B	230 VAC	Phase Pin 1	Line Pin 2 Neutral	Line Voltage to Bed

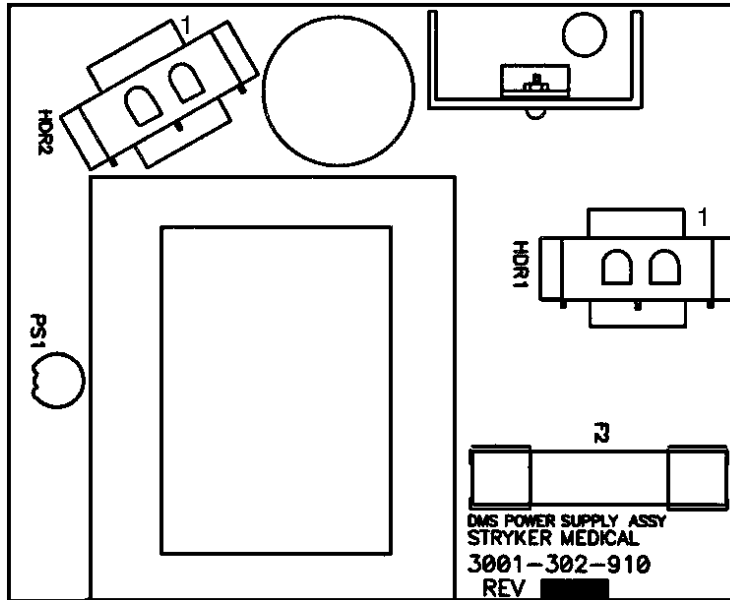
Bed Circuit Boards

INTERNATIONAL POWER BOARD – P/N 3221–300–930

CONNECTOR LOCATION	CABLE LOCATION	VOLTAGE	POSITIVE LEAD	NEGATIVE LEAD	DESCRIPTION
HDR 4	I	+5 VDC	Pin 4	Pin 1	+ 5 VDC For CPU
HDR 4	I	+16 – +18 VDC	Pin 5	Pin 1	Bulk DC for Relays/ Siderail Lights
HDR 4	I	+16 – +18 VDC	Pin 6	Pin 1	Bulk DC for Relays/ Siderail Lights
HDR 4	I	–5 VDC	Pin 7	Pin 1	–5 VDC for CPU (Scale)
HDR 4	I	+16 – +18 VDC	Pin 8	Pin 1	Enables Foot/Head Down
HDR 4	I	0 VDC w/o Switch +5 VDC w/Switch	Pin 9	Pin 1	Safety Relay +5 VDC w/Any Switch Pressed
HDR 4	I	0 VDC w/o Switch +5 VDC w/Switch	Pin 10	Pin 1	Knee Down
HDR 4	I	0 VDC w/o Switch +5 VDC w/Switch	Pin 11	Pin 1	Knee Up
HDR 6	C	0 VAC w/o Switch 230 VAC w/Switch	Neutral Pin 4	Pin 3	Head Down Solenoid
HDR 6	C	0 VAC w/o Switch 230 VAC w/Switch	Neutral Pin 4	Pin 6	Bed Up/Pump
HDR 8	H	0 VAC w/o Switch 230 VAC w/Switch	Pin 13	Pin 12	Knee Down
HDR 8	H	13 VAC	Pin 1	Pin 2	Night Light
HDR 8	H	27 VAC	Pin 1	Pin 3	Night Light
HDR 8	H	0 VAC w/o Switch 230 VAC w/Switch	Pin 13	Pin 10	Knee Up
HDR 9	G	0 VAC w/o Switch 230 VAC w/Switch	Neutral Pin 4	Pin 3	Foot Down Solenoid
HDR 9	G	0 VAC w/o Switch 230 VAC w/Switch	Neutral Pin 4	Pin 6	Not Used
HDR 11	E	0 VAC w/o Switch 230 VAC w/Switch	Neutral Pin 3	Pin 1	Fowler Up
HDR 11	E	0 VAC w/o Switch 230 VAC w/Switch	Neutral Pin 3	Pin 2	Fowler Down

Bed Circuit Boards

OPTIONAL DMS POWER SUPPLY PCB – P/N 3001-302-910



PS1 – Resettable Poly Switch

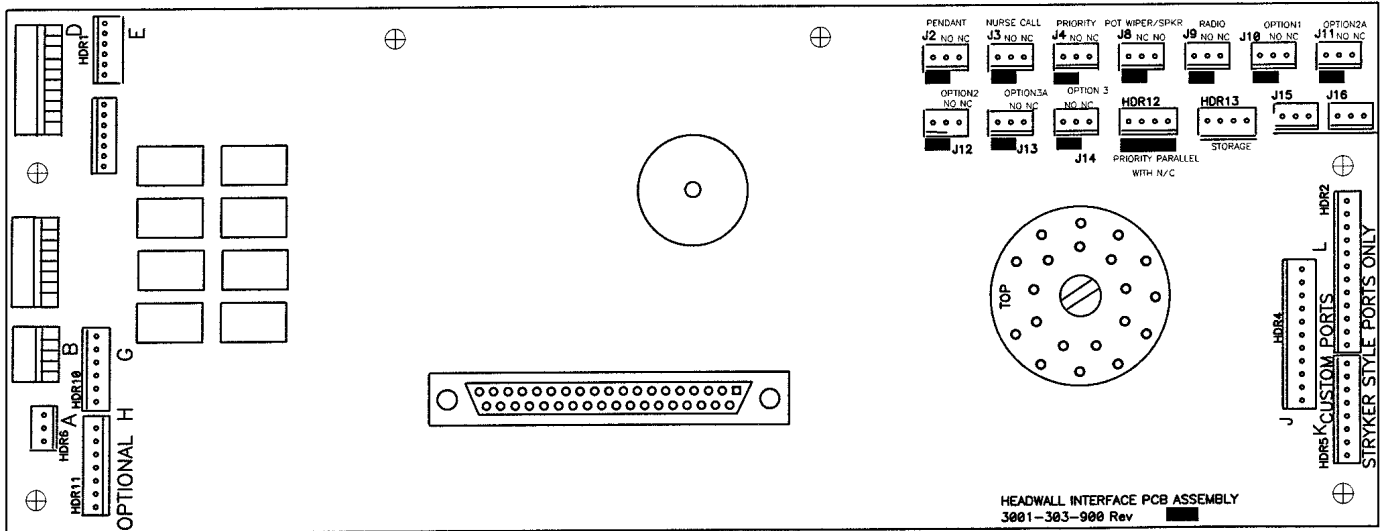
F2 – Fuse – 3/10 Amp, 3 AG, 250 VAC, SLO-BLO – Stryker Part Number 59-730

CONNECTOR LOCATION	CABLE LOCATION	VOLTAGE	POSITIVE LEAD	NEGATIVE LEAD	DESCRIPTION
HDR 1	See above	120 VAC	Pin 1	Pin 2	DMS 120 VAC Supply Voltage Neutral
HDR 2	See above	+12 VDC	Pin 2	Pin 1	DMS +12 VDC Power Supply Voltage

Bed Circuit Boards

OPTIONAL HEADWALL INTERFACE PCB – P/N 3001–303–900

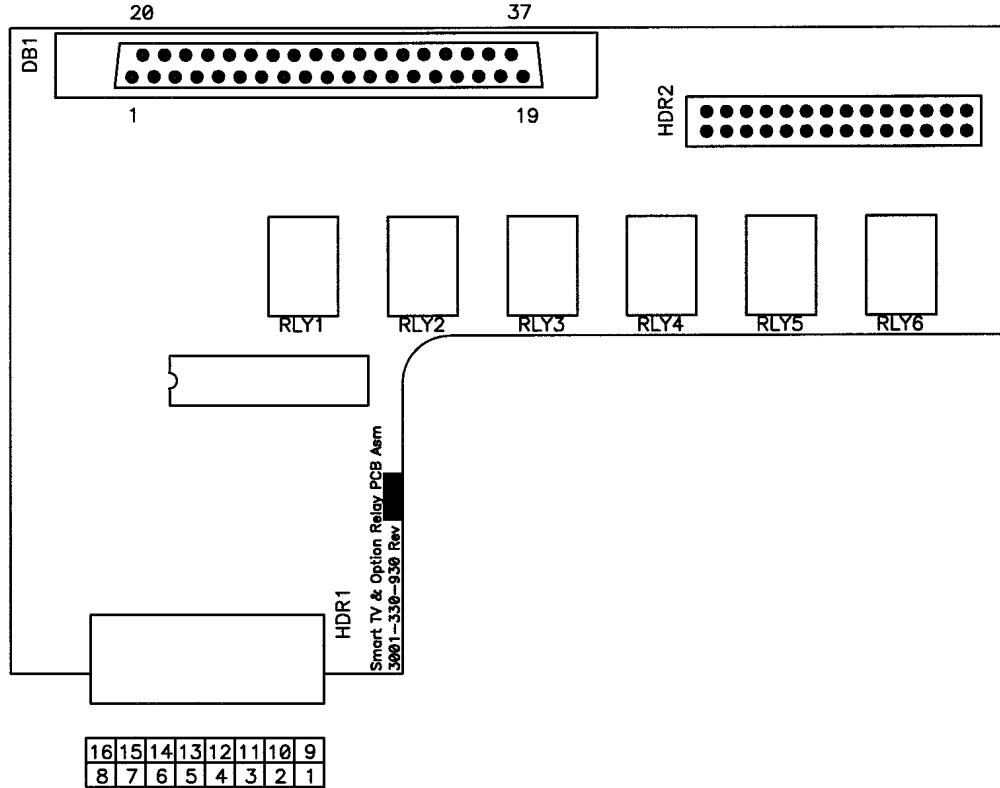
OPTIONAL HEADWALL INTERFACE PCB W/STRYKER PORT – P/N 3001–314–900



CONNECTOR LOCATION	CABLE LOCATION	VOLTAGE	POSITIVE LEAD	NEGATIVE LEAD	DESCRIPTION
HDR 7	F	0 VDC w/o Beeper On +5 VDC w/Beeper Energized	Pin 5	HDR 8–6	Beeper
HDR 8	C	GND	N/A	Pin 6	DC Ground
HDR 8	C	+16 V – +18 VDC	Pin 7	Pin 6	Bulk DC
HDR 8	C	+5 V	Pin 8	Pin 6	+5 VDC from Power Source
J5	DB 37 Pin Connector No Cable Designator	Nurse Call +	N/A A continuity check between J5–25 & J5–26 for normally closed nurse call system will be positive when the nurse call button is pushed	N/A	Nurse Call System +
J5	DB 37 Pin Connector No Cable Designator	Nurse Call No/NC Return J3 Header allows for a select normally open or normally closed NC system	N/A For normally open systems it will be positive when the nurse call button is not pushed	N/A	Nurse Call System + Return

Bed Circuit Boards

OPTIONAL SMART TV CIRCUIT BOARD – P/N 3001–330–930

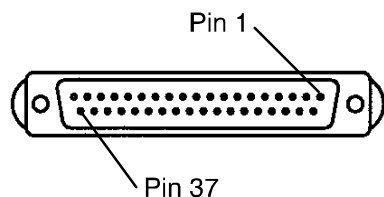


CONNECTOR LOCATION	VOLTAGE	POSITIVE LEAD	NEGATIVE LEAD	DESCRIPTION
HDR 1	5 VDC	Pin 2	Pin 1	Regulated 5 VDC Power to the board
HDR 1	12 VDC	Pin 3	Pin 1	12 VDC from the bed power board thru the CPU. (This is unused on the board).
HDR 1	5 VDC	Pin 5–10	Pin 1	5 VDC when option relays are used. (Standard beds don't use these relays).
HDR 1	Digital	Pin 14 & 15	Pin 1	Smart TV control lines from the CPU
HDR 1	Digital	Pin 16	Pin 1	Smart TV data from the CPU.
DB1	+5 or +12 VDC	Pin 34	Pin 33	Power/Control line from the TV

Notes

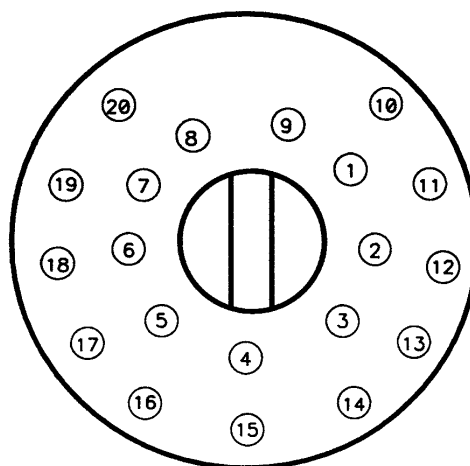
Head Wall Output Configuration

37-PIN CONNECTOR



Pin 1	Option 2 Common
Pin 2	Read Light
Pin 3	Room Light
Pin 4	Speaker High
Pin 5	Pot Wiper
Pin 6	Radio Common
Pin 7	Nurse Call Interlock
Pin 8	Audio Transfer -
Pin 9	Audio Transfer +
Pin 10	Interlock +
Pin 11	Interlock -
Pin 12	Spare
Pin 13	Options 3 Common
Pin 14	Pot Low Common
Pin 15	Pot High Common
Pin 16	Nurse Answer Light +
Pin 17	Option 1 NO/NC
Pin 18	Option 1 Common
Pin 19	Nurse Call Light +
Pin 20	Option 2 NO/NC
Pin 21	Option 3 NO/NC
Pin 22	Option 3A NO/NC
Pin 23	Option 2A Common
Pin 24	Option 2A NO/NC
Pin 25	Nurse Call +
Pin 26	Nurse Call NO/NC
Pin 27	Room/Read Light Common
Pin 28	Nurse Call Light -
Pin 29	Nurse Answer Light -
Pin 30	Priority NO/NC
Pin 31	Priority Common
Pin 32	Option 3A Common
Pin 33	TV -
Pin 34	TV +
Pin 35	Speaker Low Common
Pin 36	Audio Shield
Pin 37	Radio NO/NC

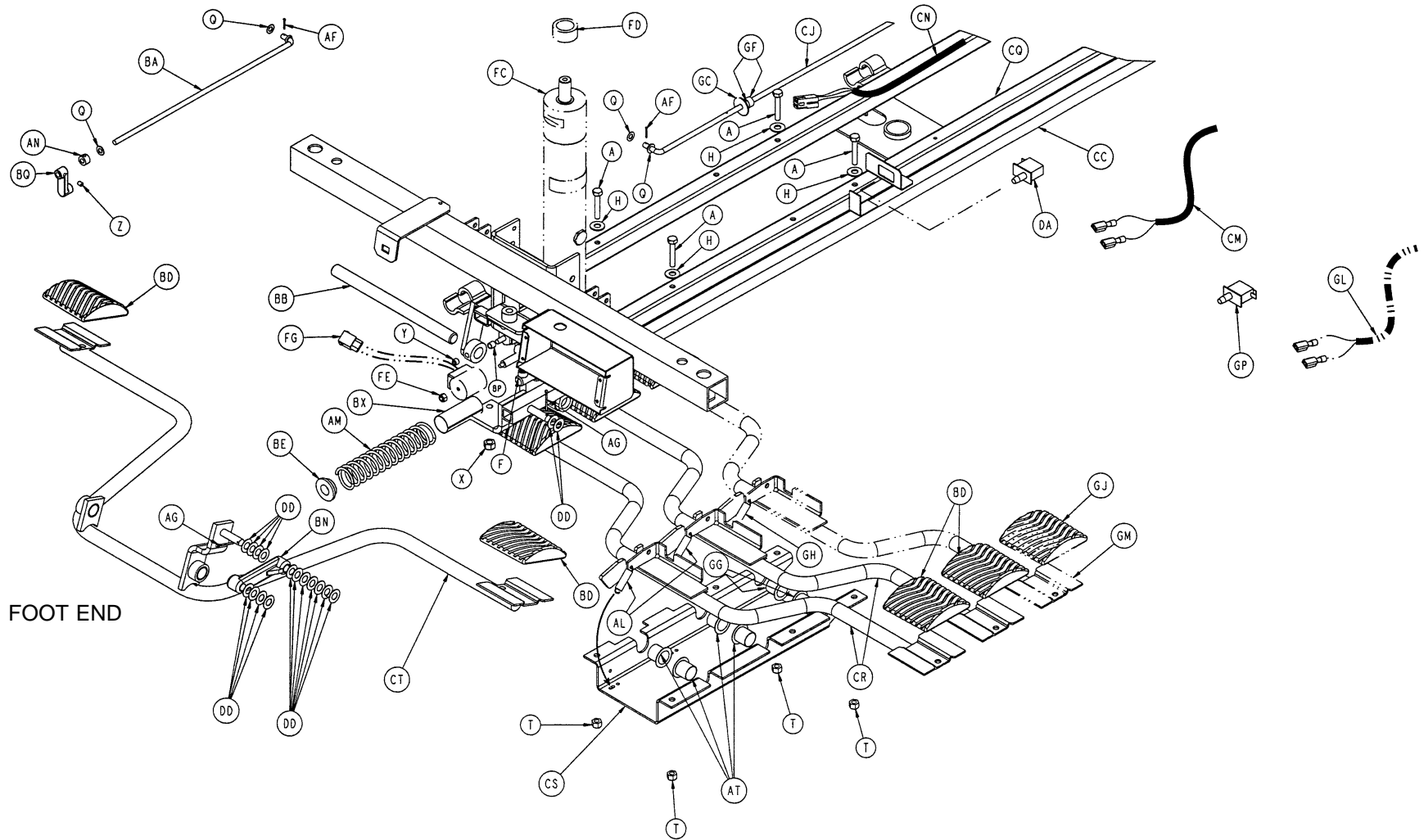
STRYKER PENDANT PORT



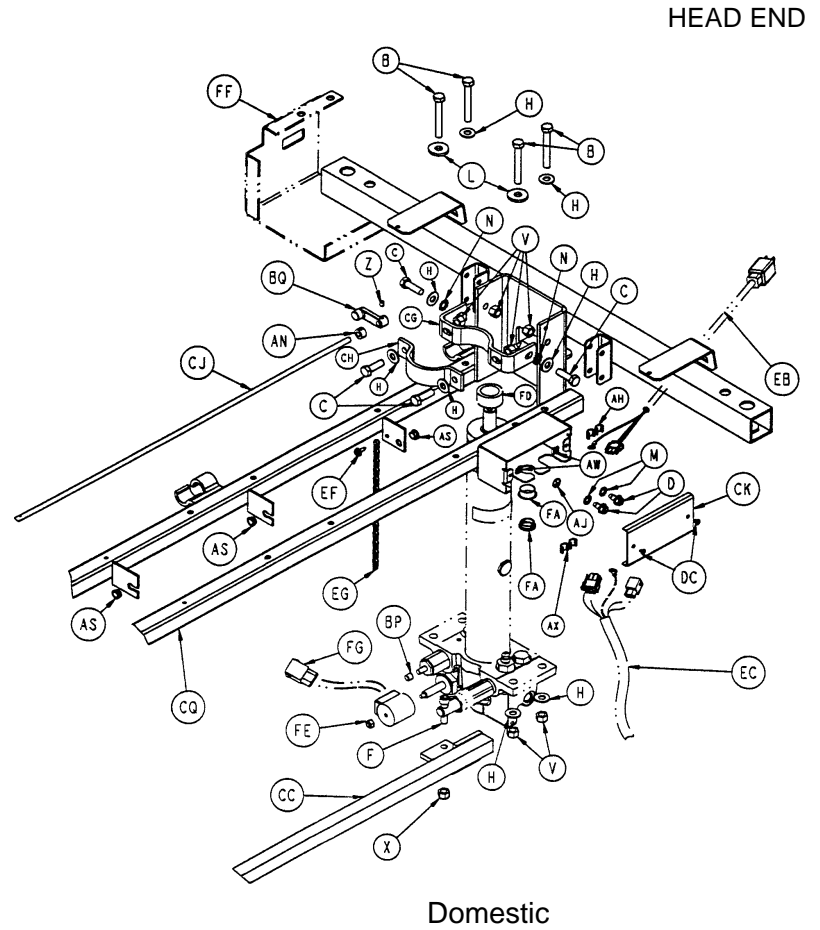
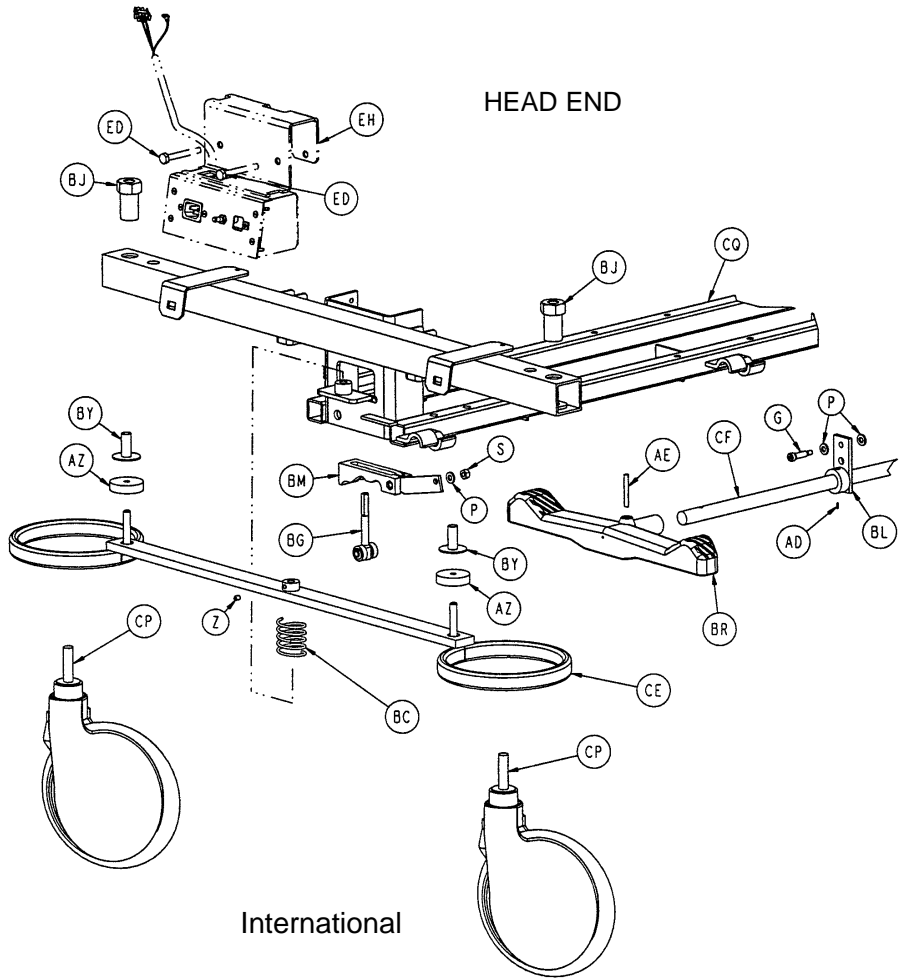
1	Scan Line
2	Audio (-)
3	Nurse Call (+)
4	+5 VDC
5	Scan Line
6	Scan Line
7	Nurse Call (-)
8	TV Channel Up
9	Backlight
10	Audio (+)
11	Gatch Up/Fowler In/Foot Up/DMS Firm
12	Gatch Down/Fowler Out/Foot Out/DMS Soft
13	Fowler Up/Trend In
14	Fowler Down/Trend Out
15	Audio Shield
16	Not Used - Socket Filled
17	Bed Up
18	Ground
19	Read Light/Bed Down
20	Room Light

Replacement Parts and Kits

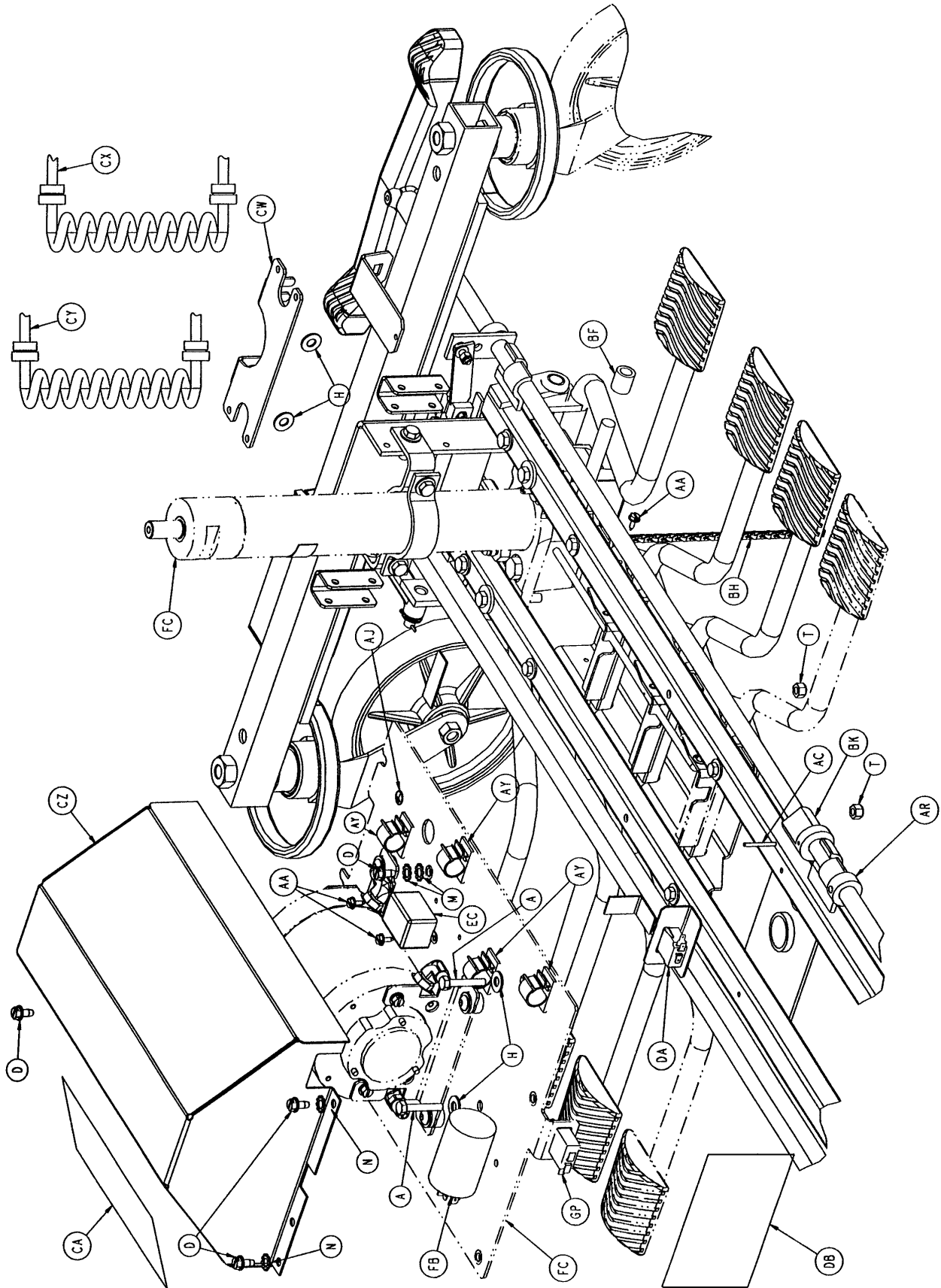
<u>PART NAME</u>	<u>PART NUMBER</u>
Capacitor, Domestic (Fowler and Gatch)	3000-300-401
Capacitor, International (Fowler and Gatch)	59-153
CPU Kit	2025-700-18
DMS Power Supply Board, Domestic	3001-302-910
DMS Power Supply Board, International	3221-302-900
Headwall Interface Board	3001-303-900
Headwall Interface Board w/Stryker Port	3001-314-900
Fowler Motor Replacement Kit, Domestic	2025-700-1
Fowler Motor Replacement Kit, International	2026-700-1
Gatch Motor Replacement Kit, Domestic	2025-302-714
Gatch Motor Replacement Kit, International	2026-232-70
Jack Kit, Foot End, Low Height w/Solenoid	2025-700-9
Jack Kit, Foot End, Low Height w/o Solenoid	2025-700-10
Jack Kit, Foot End, Standard Height w/Solenoid	2025-700-11
Jack Kit, Foot End, Standard Height w/o Solenoid	2025-700-12
Jack Kit, Head End, Standard Height w/Solenoid	2025-700-13
Jack Kit, Head End, Standard Height w/o Solenoid	2025-700-14
Jack Kit, Head End, Low Height w/Solenoid	2025-700-15
Jack Kit, Head End, Low Height w/o Solenoid	2025-700-16
Load Cell	3001-307-55
Paint, Touch-Up, Gloss Black, Bottle w/Brush	7000-1-322
Paint, Touch-Up, Gloss Black, Spray Can	7000-1-319
Paint, Touch-Up, Opal, Bottle w/Brush	7000-1-321
Paint, Touch-Up, Opal, Spray Can	7000-1-318
Potentiometer, Fowler	2025-232-803
Potentiometer, Lift	2025-1-807
Power Board, Domestic	2025-300-930
Power Board, International	3221-300-930
Power Cord	2025-1-808
Pump/Motor Replacement Assembly, Domestic	2025-700-23
Pump/Motor Replacement Assembly, International	2026-700-23
Siderail Replacement Kit, Full Length, Right	2025-700-19
Siderail Replacement Kit, Full Length, Left	2025-700-20
Siderail Replacement Kit, Split, Right	2025-700-21
Siderail Replacement Kit, Split, Left	2025-700-22



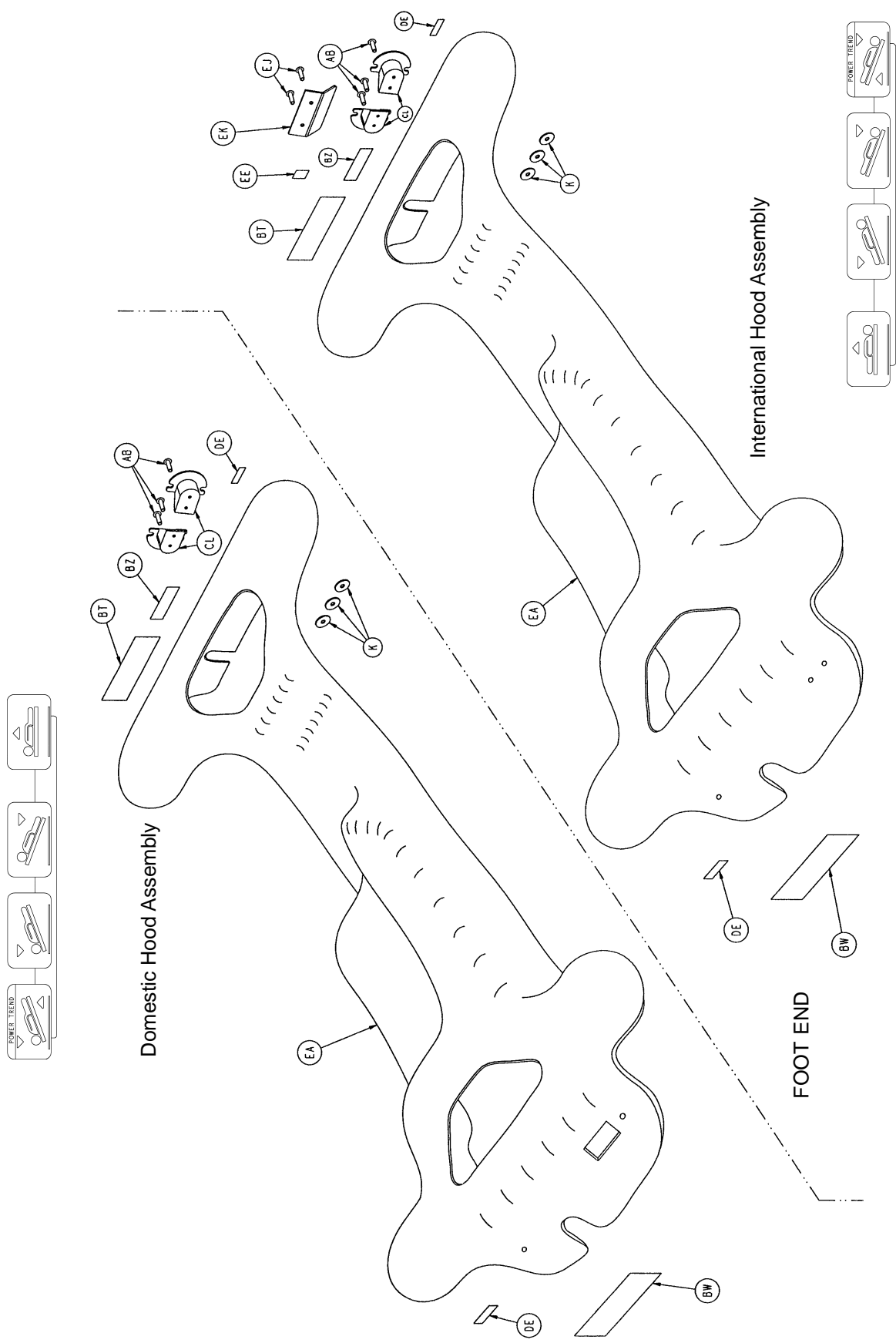
Assembly part number 2025-301-10
(reference only)



Base Assembly



Base Assembly



2025-000-104 Blue Label Set (Left & Right)
 2025-000-204 Green Label Set (Left & Right)

Base Assembly

Item	Part No.	Part Name	Qty.	Item	Part No.	Part Name	Qty.
A	3-78	Hex Hd. Cap Screw	6	BD	715-1-126	Side Control Pedal Pad	2
B	3-62	Hex Hd. Cap Screw	8	BE	715-1-133	Collar	1
C	3-85	Hex Hd. Cap Screw	8	BF	715-1-140	Vinyl Tubing	1
D	3-221	Hex Hd. Cap Screw	10	BG	(page 47)	Brake Adjuster	2
F	4-146	Soc. Hd. Cap Screw	2	BH	715-1-156	Ground Chain	1
G	8-30	Shoulder Bolt	2	BJ	715-1-158	Caster Nut	4
H	11-3	Washer	28	BK	715-1-161	Fifth Wheel Cam	1
K	11-156	Flat Washer	3	BL	715-1-165	Actuator Plate Ass'y	2
L	11-262	Washer	4	BM	(page 47)	Brake Cam Ass'y	2
M	13-10	Star Washer	6	BN	715-1-214	Connecting Link	1
N	13-38	Ext. Tooth Lock Washer	6	BP	715-1-333	Rel. Valve Stop Sleeve	2
P	14-2	Nylon Washer	6	BQ	715-1-346	Release Paddle	2
Q	14-4	Thrust Washer	4	BR	715-201-201	Brake/Steer Pedal	2
S	16-2	Fiberlock Nut	2	BT	741-1-145	Brake Label, Head	1
T	16-28	Fiberlock Nut	6	BW	741-1-146	Brake Label, Foot	1
V	16-36	Nylock Hex Nut	16	BX	763-1-16	Spring Holder	1
X	16-48	Nylock Hex Nut	2	BY	946-1-116	Brake Bar Bushing	4
Y	21-22	Set Screw	2	BZ	1550-90-1	Hospital Plug Label	1
Z	21-50	Set Screw	4	CA	1550-90-13	Electric Shock Label	1
AA	23-25	Hex Wash. Hd. Tap. Scr.	1	CC	2025-1-53	Pump Rod Connector	1
AB	25-69	Pop Rivet	3	CE	2025-1-58	Brake Ring Assembly	2
AC	26-8	Roll Pin	1	CF	2025-1-73	Brake Rod	1
AD	26-13	Roll Pin	2	CG	2025-1-75	Outer Jack Support	2
AE	26-261	Groove Pin	2	CH	2025-1-76	Inner Jack Support	2
AF	27-4	Cotter Pin	4	CJ	2025-1-79	Long Release Rod	1
AG	27-7	Cotter Pin	2	CK	2025-1-80	Pwr. Cord Conn. Box Cvr.	1
AH	30-27	Strain Relief	1	CL	2025-1-88	Power Cord Holder	2
AJ	36-46	Ground Label	2	CM	2025-1-803	Pump Switch Cable	1
AK	38-151	Cable Tie	12	CN	2025-1-805	Base Cable (DC)	1
AL	38-355	Compression Spring	2	CP	(page 48)	Caster Assembly	3
AM	38-246	Compression Spring	1	CQ	2025-301-50	Base Frame Weldment	1
AN	42-13	Collar	2	CR	2025-1-59	Release Pedal Wldmt.	2
AR	42-20	Collar	1	CS	2025-1-105	Release Pedal Bracket	2
AS	52-245	Bearing	4	CT	2025-201-57	Pump Pedal Wldmt.	1
AT	52-747	Nyliner Bearing	4	CW	2025-201-96	Coil Retainer Bracket	1
AW	52-783	U-Clip	2	CX	2035-001-801	Lift Coil Cord (DC)	1
AX	59-169	Strain Relief	1	CY	2025-201-802	Lift Power Coil Cord (AC)	1
AY	59-133	Push-Mount Wire Clip	4	CZ	2025-375-89	Pump/Motor Top Cover	1
AZ	715-1-11	Brake Cushion	4	DA	3000-300-58	Cherry Switch	1
BA	715-1-46	Release Rod	1	DB	3000-300-604	Warning Label	1
BB	715-1-92	Pump Pedal Shaft	1	DC	1-87	Flat Hd. Slotted Screw	2
BC	715-1-94	Compression Spring	2	DD	14-20	Nylon Washer	17
				DE	946-1-73	Stryker Logo Label	2

Base Assembly, Domestic

Item	Part No.	Part Name	Qty.
EA	2025-1-77	Hood	1
EB	2025-1-808	Standard Power Cord	1
EC	2025-301-806	Base Cable (AC)	1

Base Assembly, International

Item	Part No.	Part Name	Qty.
ED	3-20	Hex Hd. Cap Screw	2
EE	36-115	Gd. Equalization Label	1
EF	23-25	Hex Washer Hd. Screw	1
EG	715-1-156	Ground Chain	1
EH	(page 64)	Inlet Filter Assembly	1
EA	2026-1-77	Hood	1
EC	2026-201-806	Base Cable (AC)	1
EJ	25-69	Pop Rivet	2
EK	2026-1-97	Inlet Filter Cover	1

Base Assembly

2025-10-16 Power Trend Pedal Option Ass'y

Item	Part No.	Part Name	Qty.
GC	11-53	Washer	1
GF	42-13	Stop Collar	2
GG	52-747	Flange Bearing	2
GH	38-355	Extension Spring	1
GJ	715-1-126	Pedal Pad	2
GL	2025-1-804	Power Trend Cable	1
GM	2025-1-59	Release Pedal Weldment	1
GN	3000-300-58	Cherry Switch	1

2025-70 Low Ht. Hydraulic Ass'y (w/o Solenoid)

Item	Part No.	Part Name	Qty.
FA	37-30	Dome Plug	1
FB	59-140	Capacitor	1
FC	(page 56 & 57)	Jack/Motor Ass'y (Low)	1
FD	2025-71-99	Low Height Spacer	2

2026-70 Int. Low Ht. Hyd. Ass'y (w/o Solenoid)

Item	Part No.	Part Name	Qty.
FA	37-30	Dome Plug	1
FB	59-156	Capacitor	1
FC	(page 56 & 57)	Jack/Motor Ass'y	1
FD	2025-71-99	Low Height Spacer	2

2025-71 Low Ht. Hydraulic Ass'y (w/Solenoid)

Item	Part No.	Part Name	Qty.
FE	16-3	Nylock Nut	2
FA	30-38	Split Bushing	1
FB	59-140	Capacitor	1
FC	(page 56 & 57)	Jack/Motor Ass'y	1
FD	2025-71-99	Low Height Spacer	2
FF	2025-76-99	Solenoid Guard Bracket	1
FG	2025-276-801	Solenoid Cable Ass'y	2

2026-71 Int. Low Ht. Hyd. Ass'y (w/Solenoid)

Item	Part No.	Part Name	Qty.
FE	16-3	Nylock Nut	2
FA	30-38	Split Bushing	1
FB	59-156	Capacitor	1
FC	(page 56 & 57)	Jack/Motor Ass'y	1
FD	2025-71-99	Low Height Spacer	2
FF	2025-76-99	Solenoid Guard Bracket	1
FG	2025-76-801	Solenoid Cable Ass'y	2

2025-75 Std. Ht. Hydraulic Ass'y (w/o Solenoid)

Item	Part No.	Part Name	Qty.
FA	37-30	Dome Plug	1
FB	59-140	Capacitor	1
FC	(page 56 & 57)	Jack/Motor Ass'y	1

2026-75 Int. Std. Ht. Hyd. Ass'y (w/o Solenoid)

Item	Part No.	Part Name	Qty.
FA	37-30	Dome Plug	1
FB	59-156	Capacitor	1
FC	(page 56 & 57)	Jack/Motor Ass'y	1

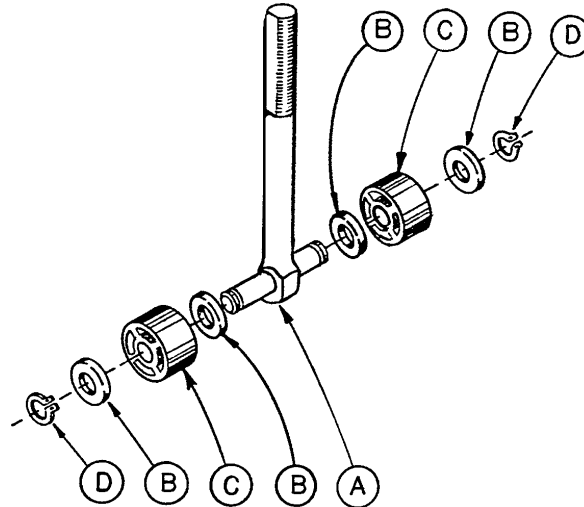
2025-76 Std. Ht. Hydraulic Ass'y (w/Solenoid)

Item	Part No.	Part Name	Qty.
FE	16-3	Nylock Nut	2
FA	30-38	Split Bushing	1
FB	59-140	Capacitor	1
FC	(page 56 & 57)	Jack/Motor Ass'y	1
FF	2025-76-99	Solenoid Guard Bracket	1
FG	2025-276-801	Solenoid Cable Ass'y	2

2026-76 Int. Std. Ht. Hyd. Ass'y (w/Solenoid)

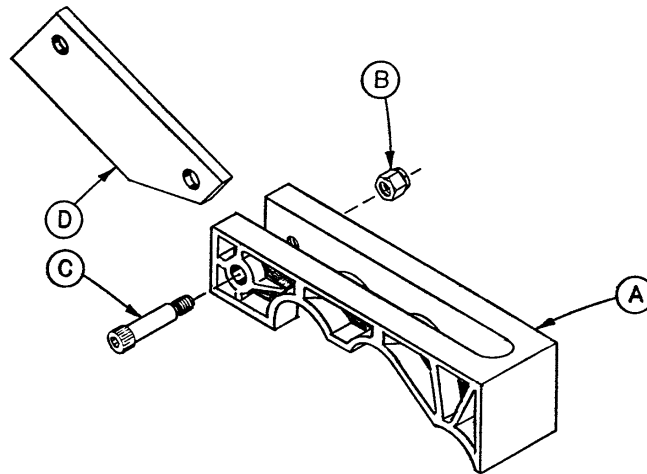
Item	Part No.	Part Name	Qty.
FE	16-3	Nylock Nut	2
FA	30-38	Split Bushing	1
FB	59-156	Capacitor	1
FC	(page 56 & 57)	Jack/Motor Ass'y	1
FF	2025-76-99	Solenoid Guard Bracket	1
FG	2026-76-801	Solenoid Cable Ass'y	2

715-1-150 Brake Adjuster Assembly



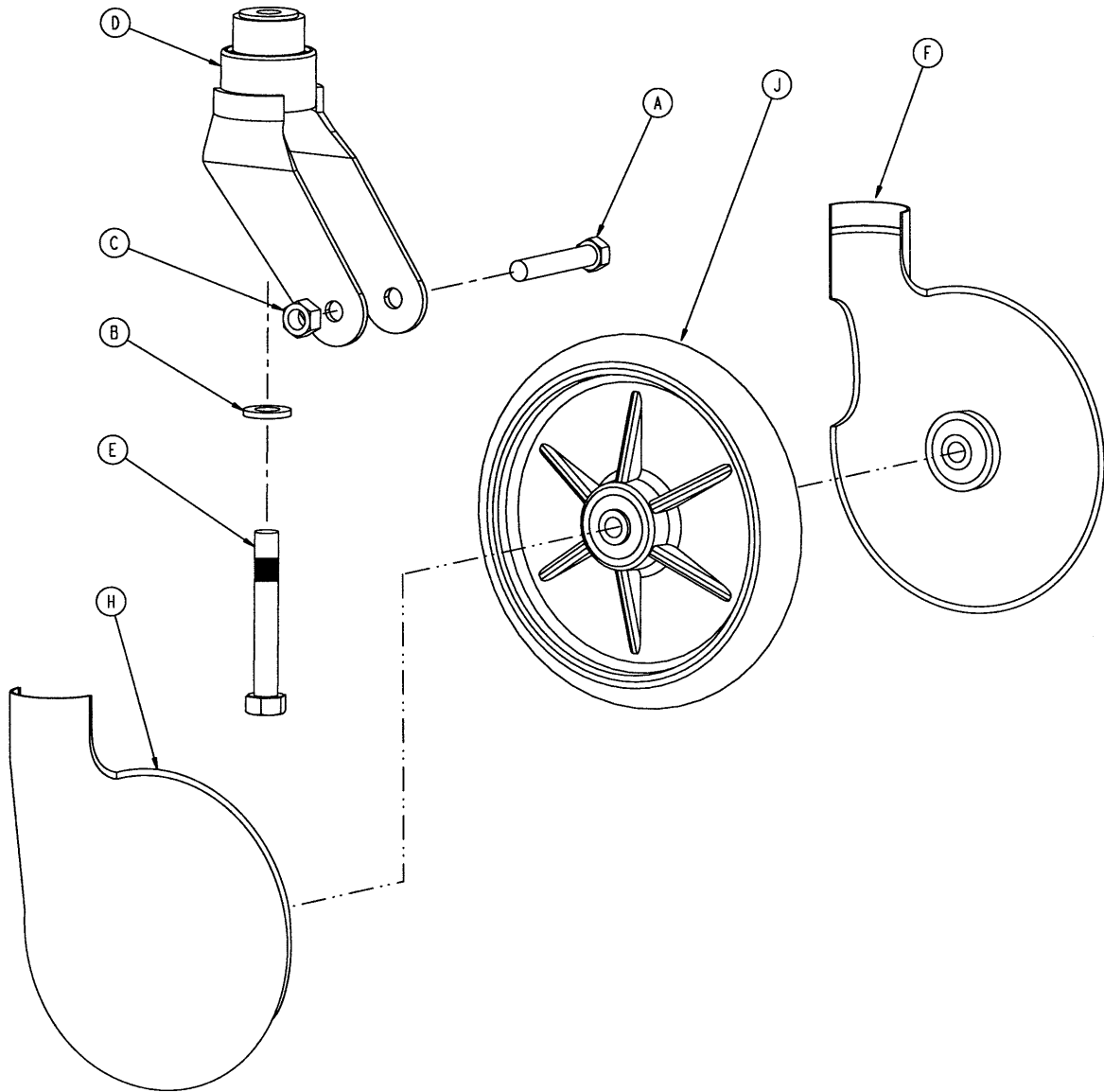
Item	Part No.	Part Name	Qty.
A	715-1-62	Threaded Stud Assembly	1
B	14-4	Nylon Washer	4
C	715-1-180	Bearing	2
D	28-8	Retaining Ring	2

715-1-213 Brake Cam Assembly



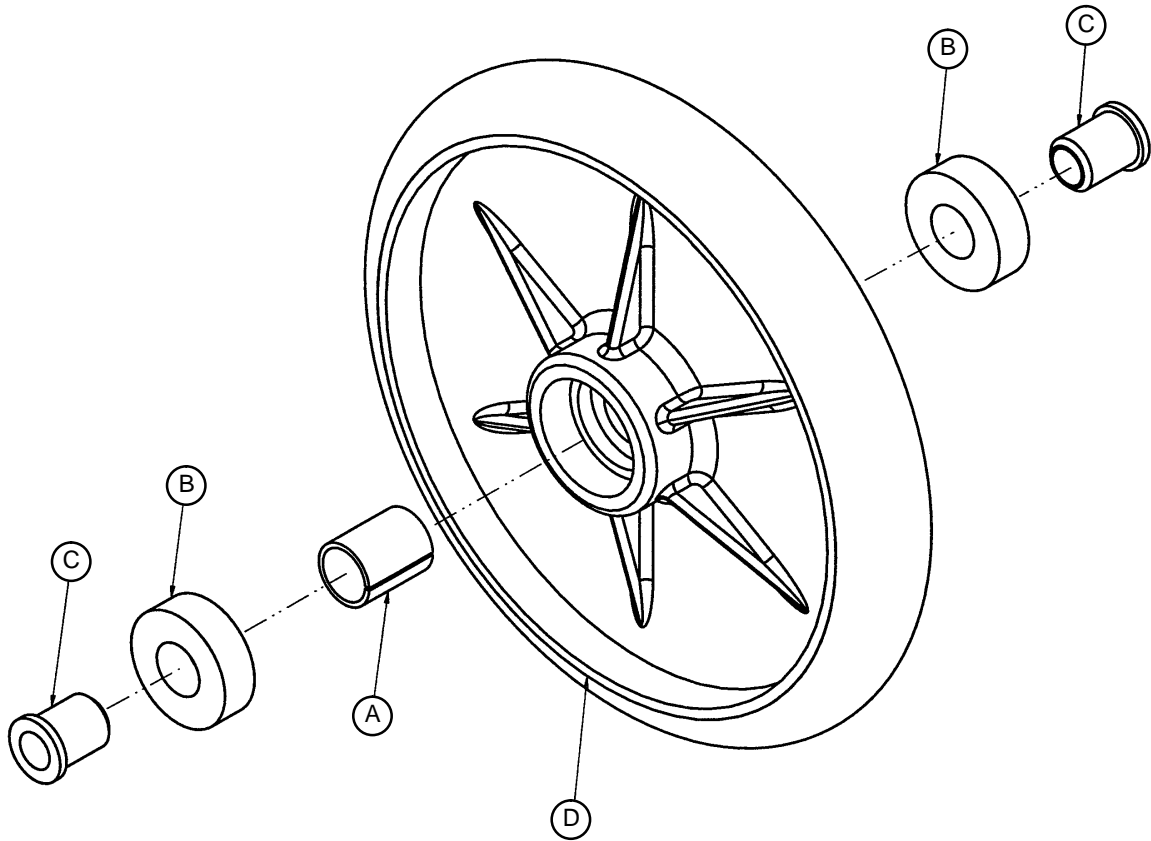
Item	Part No.	Part Name	Qty.
A	715-1-221	Brake Cam	1
B	16-59	Fiberlock Nut	1
C	8-21	Soc. Hd. Cap Screw	1
D	715-1-173	Brake Connecting Link	1

2025-10-25 Caster Assembly



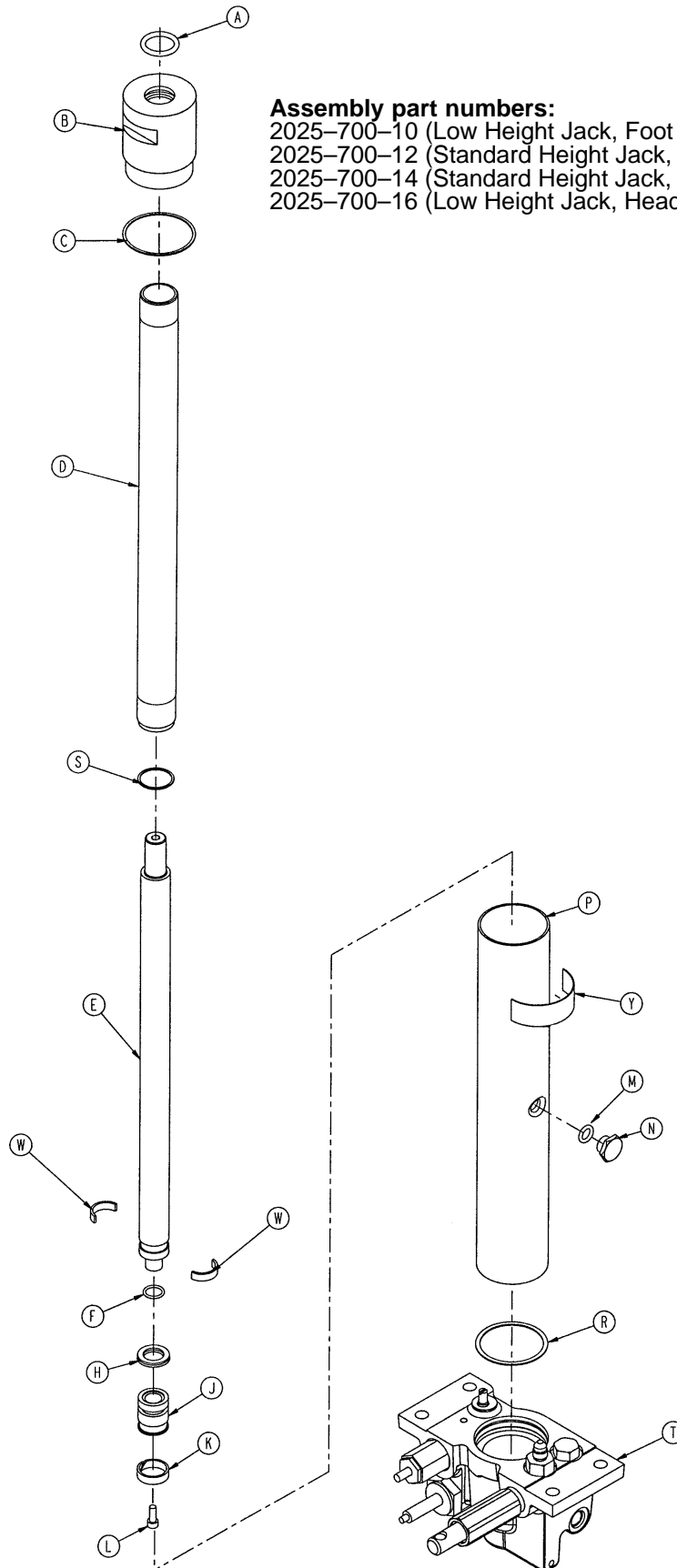
Item	Part No.	Part Name	Qty.
A	3-99	Hex Hd. Cap Screw	1
B	11-310	Washer	1
C	16-60	Hex Nut	1
D	715-2-16	Horn Assembly	1
E	715-3-96	Hex Hd. Cap Screw	1
F	2025-1-47	Wheel Cover, Right	1
H	2025-1-48	Wheel Cover, Left	1
J	(page 49)	Molded Wheel Assembly	1

715-2-25 Wheel Assembly



Item	Part No.	Part Name	Qty.
A	52-503	Bearing Spacer	1
B	81-226	Bearing	2
C	715-1-255	Wheel Bearing	2
D	715-2-124	Wheel	1

Standard and Low Height Jack Assembly



Assembly part numbers:

- 2025-700-10 (Low Height Jack, Foot End)
- 2025-700-12 (Standard Height Jack, Foot End)
- 2025-700-14 (Standard Height Jack, Head End)
- 2025-700-16 (Low Height Jack, Head End)

Standard and Low Height Jack Assembly

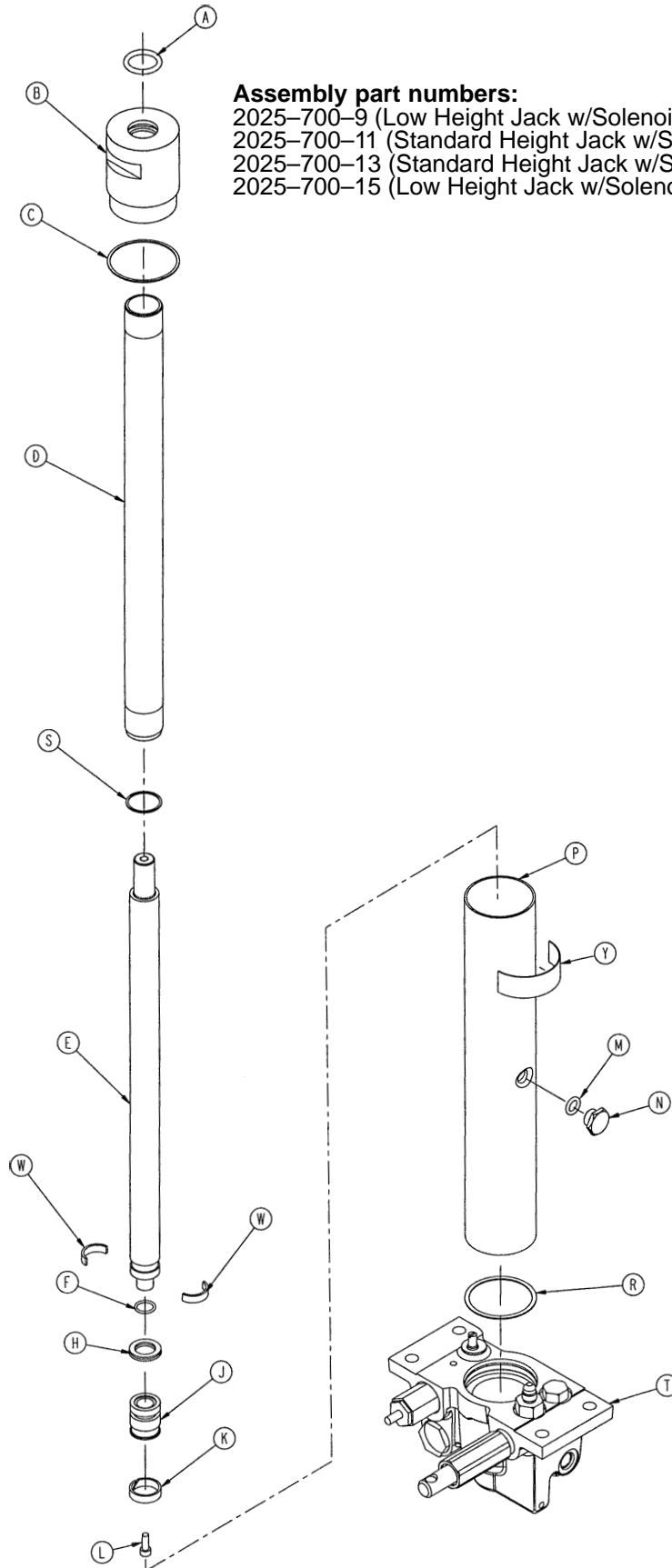
Standard Jack Assembly

Item	Part No.	Part Name	Qty.
A	45-904	Quad Ring	1
B	1550-70-6	Cap Assembly	1
C	390-1-243	Gasket	1
D	1550-70-4	Actuator Cylinder	1
E	2025-270-95	Actuator	1
F	45-14	O-Ring	1
H	926-20-161	Parker Packing	1
J	2025-1-331	Piston End	1
K	926-20-162	Wear Ring	1
L	4-14	Soc. Hd. Cap Screw	1
M	45-110	O-Ring	1
N	388-1-38	Plug	1
P	2025-75-97	Reservoir	1
R	390-1-244	Gasket	1
S	390-1-238	Actuator Gasket	1
T	(page 54 & 55)	Jack Base Assembly	1
W	390-2-139	Retaining Collar	2
Y	2025-275-96	Label	1

Low Height Jack Assembly

Item	Part No.	Part Name	Qty.
A	45-904	Quad Ring	1
B	1550-70-6	Cap Assembly	1
C	390-1-243	Gasket	1
D	2025-70-98	Actuator Cylinder, Low Ht.	1
E	2025-270-99	Actuator, Low Height	1
F	45-14	O-Ring	1
H	926-20-161	Parker Packing	1
J	2025-1-331	Piston End	1
K	926-20-162	Wear Ring	1
L	4-14	Soc. Hd. Cap Screw	1
M	45-110	O-Ring	1
N	388-1-38	Plug	1
P	2025-70-97	Reservoir	1
R	390-1-244	Gasket	1
S	390-1-238	Actuator Gasket	1
T	(page 54 & 55)	Jack Base Assembly	1
W	390-2-139	Retaining Collar	2
Y	2025-270-96	Low Height Label	1

Standard & Low Height Jack with Solenoid



Assembly part numbers:

- 2025-700-9 (Low Height Jack w/Solenoid, Foot End)
- 2025-700-11 (Standard Height Jack w/Solenoid, Foot End)
- 2025-700-13 (Standard Height Jack w/Solenoid, Head End)
- 2025-700-15 (Low Height Jack w/Solenoid, Head End)

Standard & Low Height Jack with Solenoid

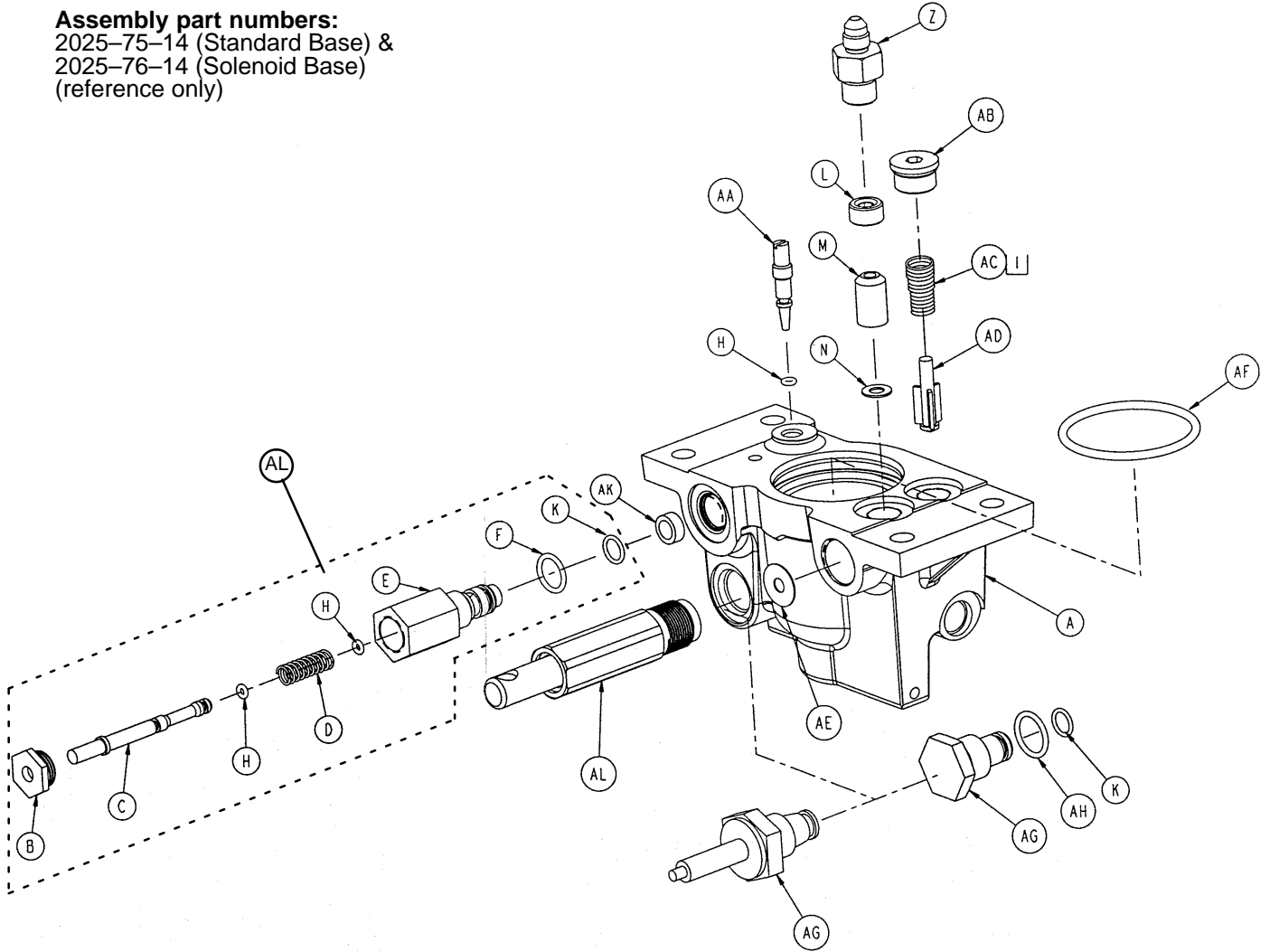
Jack Assembly w/Solenoid

Low Height Jack Assembly w/ Solenoid

Item	Part No.	Part Name	Qty.	Item	Part No.	Part Name	Qty.
A	45-904	Quad Ring	1	A	45-904	Quad Ring	1
B	1550-70-6	Cap Assembly	1	B	1550-70-6	Cap Assembly	1
C	390-1-243	Gasket	1	C	390-1-243	Gasket	1
D	1550-70-4	Actuator Cylinder	1	D	2025-70-98	Actuator Cylinder, Low Ht.	1
E	2025-270-95	Actuator	1	E	2025-270-99	Actuator, Low Height	1
F	45-14	O-Ring	1	F	45-14	O-Ring	1
H	926-20-161	Parker Packing	1	H	926-20-161	Parker Packing	1
J	2025-1-331	Piston End	1	J	2025-1-331	Piston End	1
K	926-20-162	Wear Ring	1	K	926-20-162	Wear Ring	1
L	4-14	Soc. Hd. Cap Screw	1	L	4-14	Soc. Hd. Cap Screw	1
M	45-110	O-Ring	1	M	45-110	O-Ring	1
N	388-1-38	Plug	1	N	388-1-38	Plug	1
P	2025-75-97	Reservoir	1	P	2025-70-97	Reservoir, Low Height	1
R	390-1-244	Gasket	1	R	390-1-244	Gasket	1
S	390-1-238	Actuator Gasket	1	S	390-1-238	Actuator Gasket	1
T	(page 54 & 55)	Jack Base Assembly	1	T	(page 54 & 55)	Jack Base Assembly	1
W	390-2-139	Retaining Collar	2	W	390-2-139	Retaining Collar	2
Y	2025-276-96	Label	1	Y	2025-271-96	Low Height Label	1

Standard & Solenoid Jack Base Assembly

Assembly part numbers:
2025-75-14 (Standard Base) &
2025-76-14 (Solenoid Base)
(reference only)



Standard & Solenoid Jack Base Assembly

2025-75-14 Standard Jack Base Assembly

Item	Part No.	Part Name	Qty.
A	2025-75-98	Jack Base	1
B	1210-70-13	Base Plug	1
C	715-270-1	Pin	1
D	38-311	Compression Spring	1
E	2025-75-87	Pin Housing	1
F	45-967	O-Ring	1
H	45-6	O-Ring	3
K	45-966	O-Ring	2
L	715-1-309	Valve Plug	1
M	926-20-153	Check Valve	1
N	926-20-154	Seal	1
Z	48-150	Check Valve	1
AA	715-1-307	Needle Valve	1
AB	48-147	Hex Hd. O-Ring Plug	1
AC	390-2-134	Conical Comp. Spring	1
AD	715-1-341	Poppet	1
AE	715-1-329	Pump Seal	1
AF	45-978	O-Ring	1
AG	2025-75-95	Jack Base Plug	1
AH	45-981	O-Ring	1
AJ	38-383	Compression Spring	1
AK	2025-75-85	Filter Screen	1
AL	2025-700-26	Release Valve Assembly	1
AM	715-200-325	Pump Piston Assembly	1

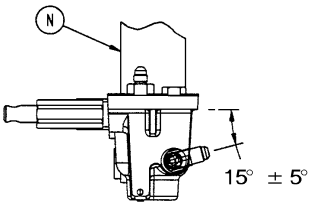
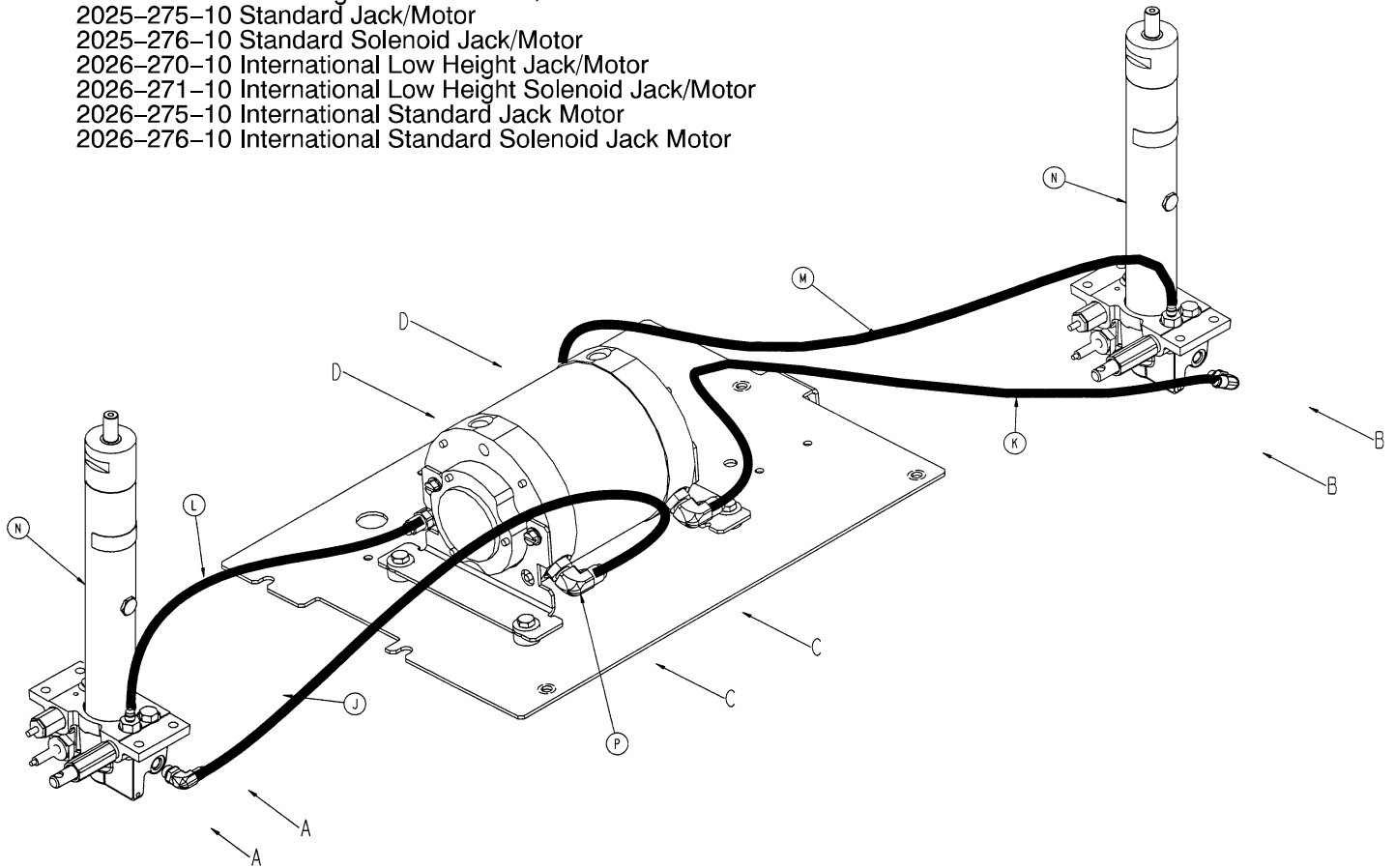
2025-76-14 Solenoid Jack Base Assembly

Item	Part No.	Part Name	Qty.
A	2025-75-98	Jack Base	1
B	1210-70-13	Base Plug	1
C	715-270-1	Pin	1
D	38-311	Compression Spring	1
E	2025-75-87	Pin Housing	1
F	45-967	O-Ring	1
H	45-6	O-Ring	3
K	45-966	O-Ring	2
L	715-1-309	Valve Plug	1
M	926-20-153	Check Valve	1
N	926-20-154	Seal	1
Z	48-150	Check Valve	1
AA	715-1-307	Needle Valve	1
AB	48-147	Hex Hd. O-Ring Plug	1
AC	390-2-134	Conical Comp. Spring	1
AD	715-1-341	Poppet	1
AE	715-1-329	Pump Seal	1
AF	45-978	O-Ring	1
AG	2025-76-96	Solenoid Valve Body	1
AJ	38-383	Compression Spring	1
AK	2025-75-85	Filter Screen	1
AL	2025-700-26	Release Valve Assembly	1
AM	715-200-325	Pump Piston Assembly	1

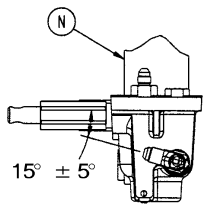
Standard & Low Height Jack Motor Assembly

Assembly part numbers:

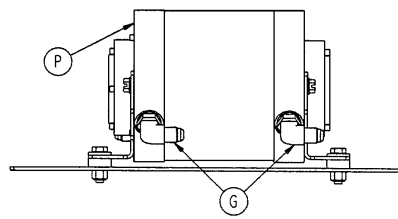
- 2025-270-10 Low Height Jack/Motor
- 2025-271-10 Low Height Solenoid Jack/Motor
- 2025-275-10 Standard Jack/Motor
- 2025-276-10 Standard Solenoid Jack/Motor
- 2026-270-10 International Low Height Jack/Motor
- 2026-271-10 International Low Height Solenoid Jack/Motor
- 2026-275-10 International Standard Jack Motor
- 2026-276-10 International Standard Solenoid Jack Motor



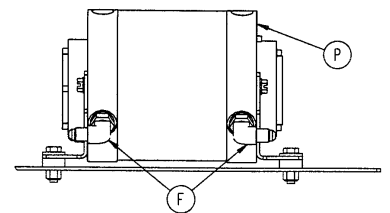
VIEW A-A



VIEW B-B



VIEW C-C



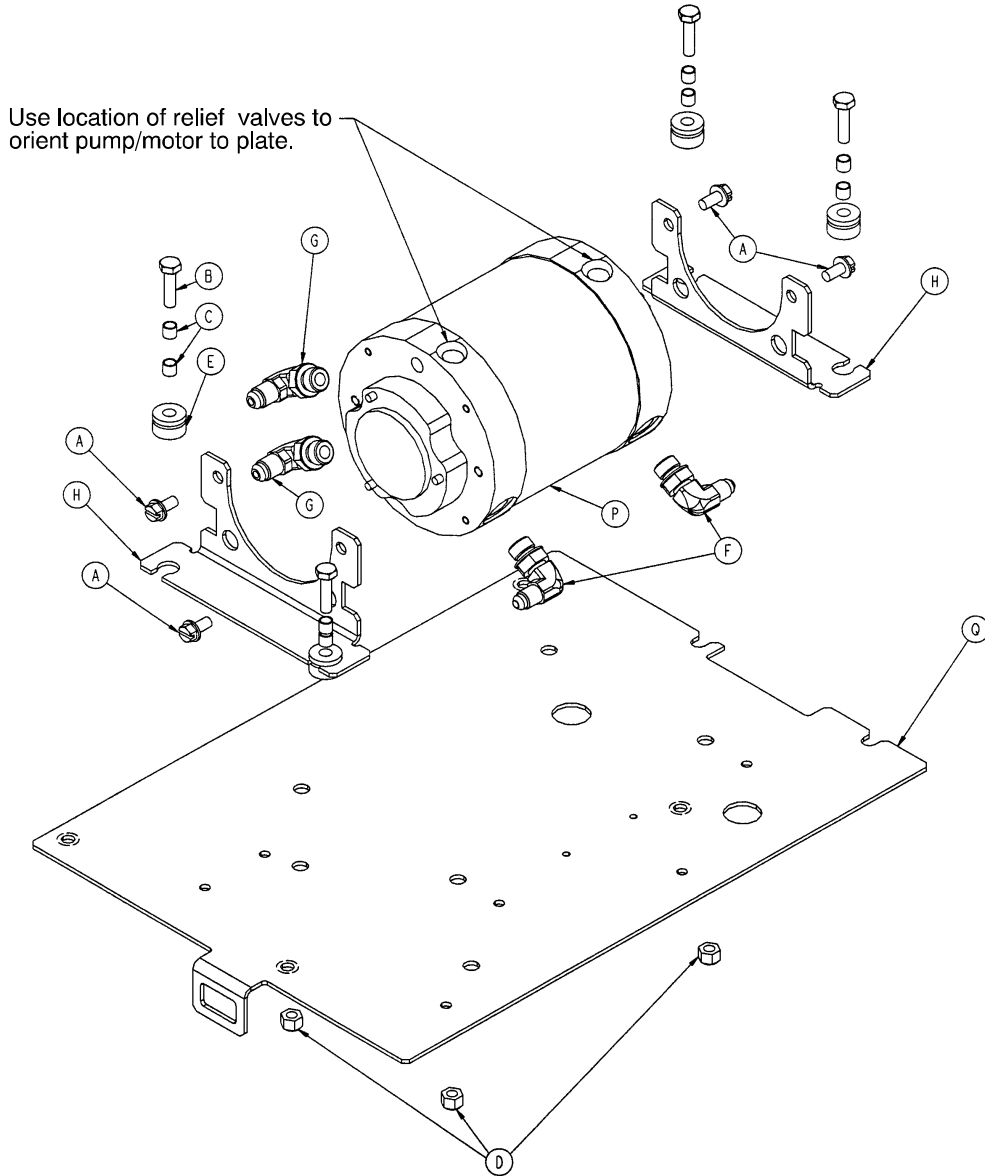
VIEW D-D

Standard & Low Height Jack Motor Assembly

Assembly part numbers:

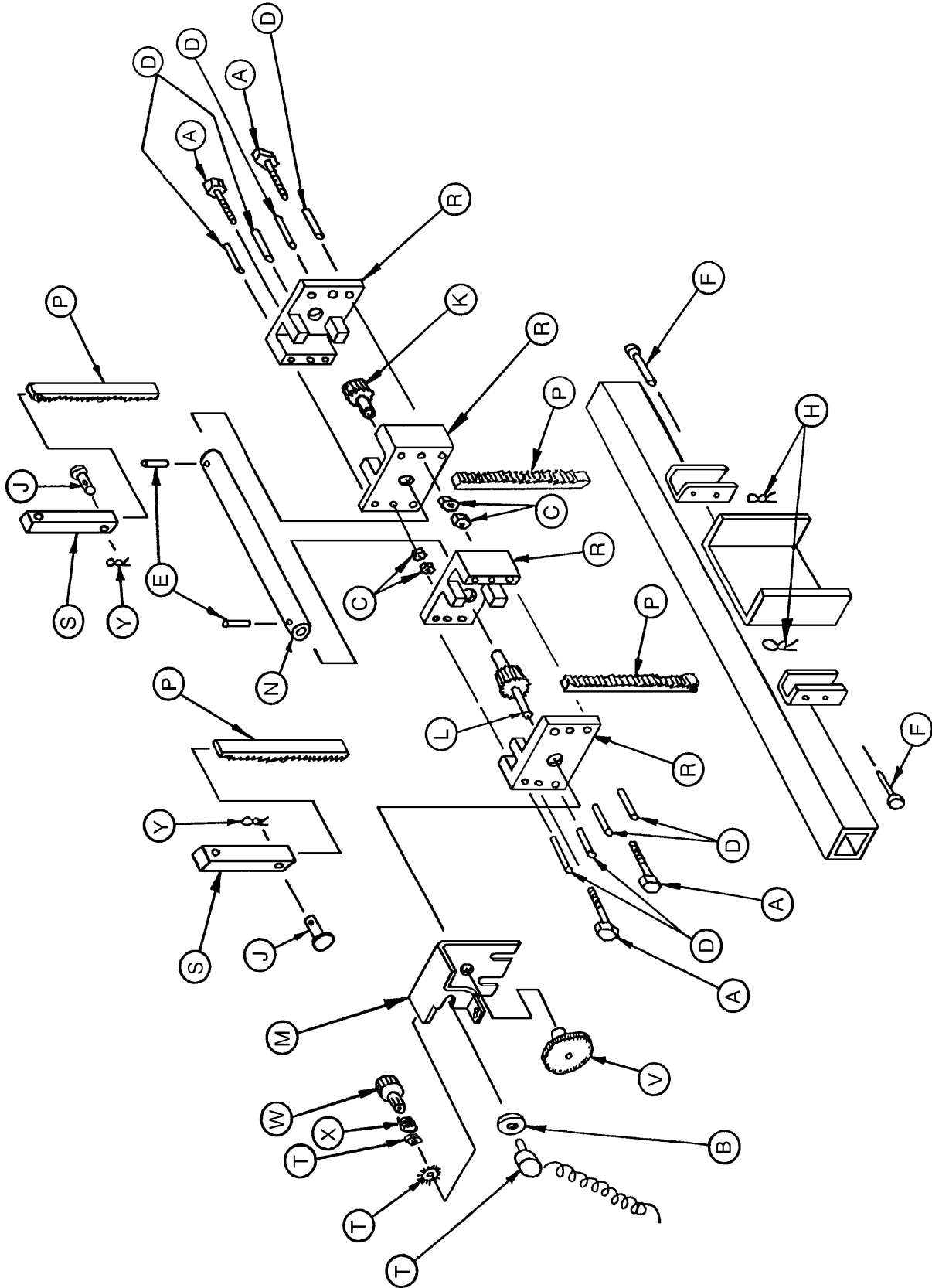
2025-270-10 Low Height Jack/Motor
 2025-271-10 Low Height Solenoid Jack/Motor
 2025-275-10 Standard Jack/Motor
 2025-276-10 Standard Solenoid Jack/Motor

2026-270-10 International Low Height Jack/Motor
 2026-271-10 International Low Height Solenoid Jack/Motor
 2026-275-10 International Standard Jack Motor
 2026-276-10 International Standard Solenoid Jack Motor



Item	Part No.	Part Name	Qty.	Item	Part No.	Part Name	Qty.
A	3-121	Hex Wash. Hd. Screw	4	J	2025-75-91	Short Return Line	1
B	3-3	Hex Hd. Cap Screw	4	K	2025-275-92	Long Return Line	1
C	715-1-333	Rel. Valve Stop Sleeve	8	L	2025-75-93	Short Pressure Line	1
D	16-28	Nylock Nut	4	M	2025-75-94	Long Pressure Line	1
E	30-40	E-A-R Grommet	4	N	(page 50-53)	Jack Assembly	2
F	48-144	90° Elbow O-Ring Fitting	2	P	2025-275-16	Pump/Motor	1
G	48-155	90° Elbow O-Ring Fitting	4		2026-275-16	International Pump/Motor	1
H	2025-75-84	Mounting Bracket	1	Q	2025-375-90	Bottom Plate	1
				R	3000-300-402	2-Sided Tape	1

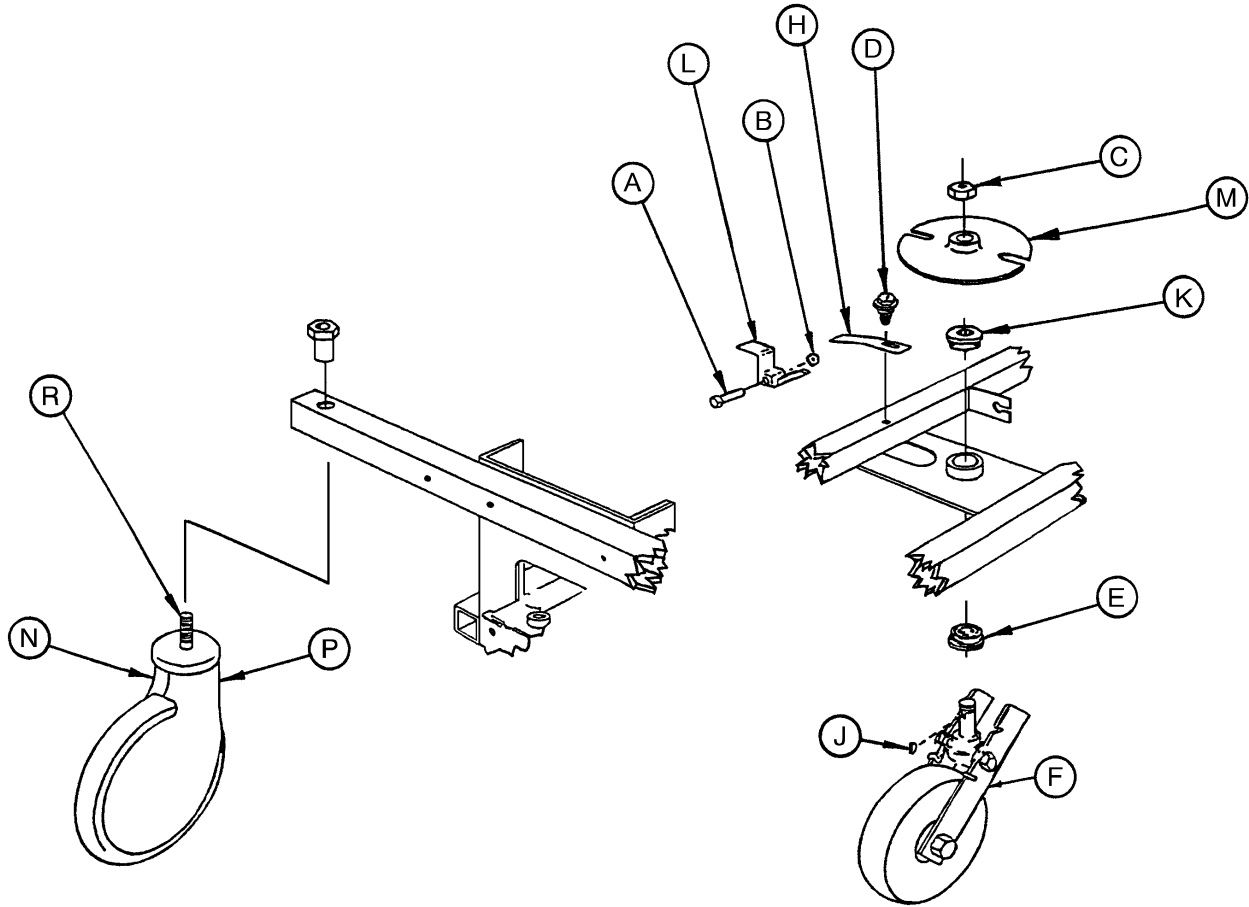
2025-10-17 Rack & Pinion Assembly, Standard Height 2025-10-18 Rack & Pinion Assembly, Low Height



2025-10-17 Rack & Pinion Assembly, Standard Height 2025-10-18 Rack & Pinion Assembly, Low Height

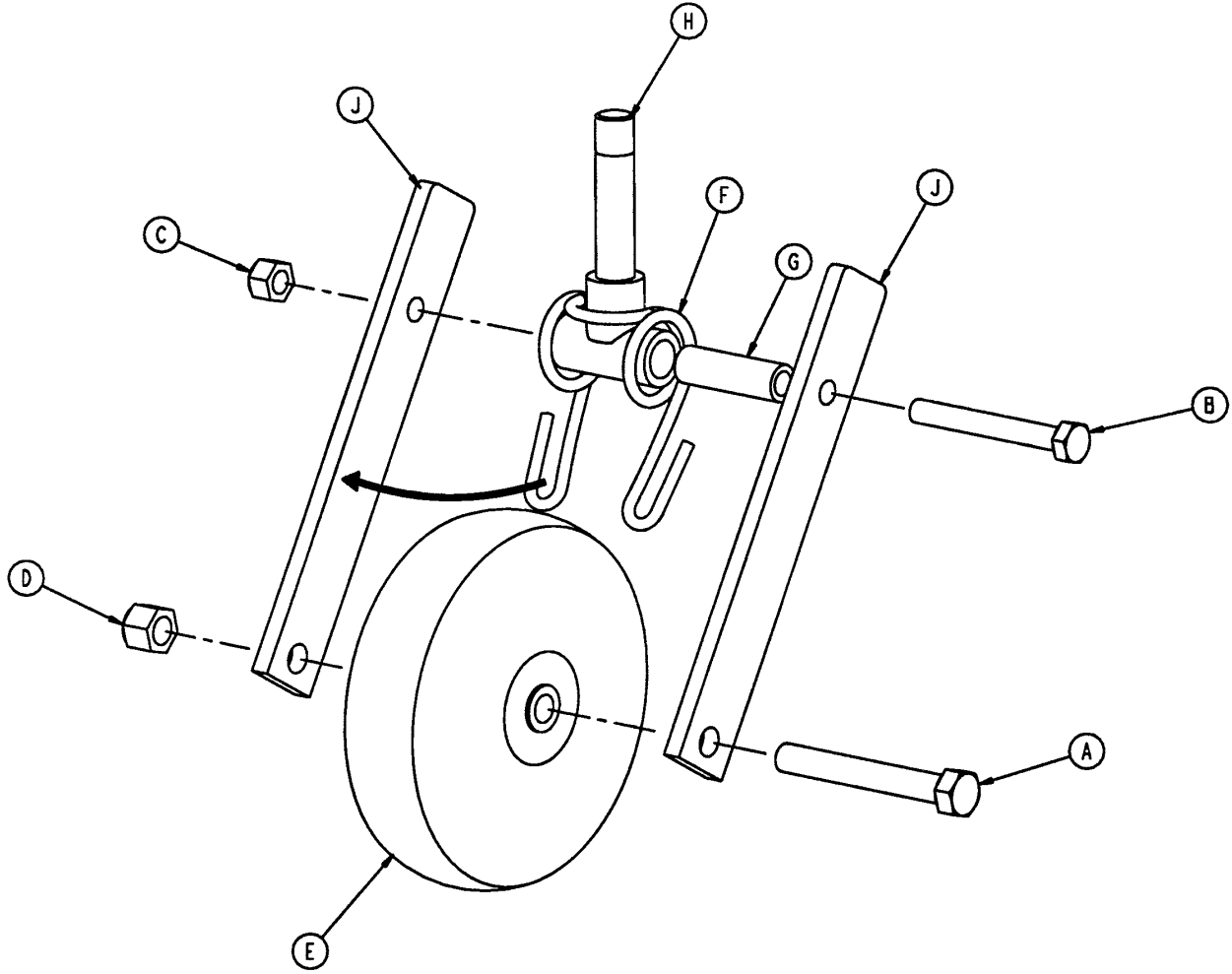
2025-10-18 Low Height Rack & Pinion Assembly				2025-10-17 Standard Height Rack & Pinion Assembly			
Item	Part No.	Part Name	Qty.	Item	Part No.	Part Name	Qty.
A	3-17	Hex Hd. Cap Screw	8	A	3-17	Hex Hd. Cap Screw	8
B	14-8	Washer	2	B	14-8	Washer	2
C	16-28	Nylock Nut	8	C	16-28	Nylock Nut	8
D	26-168	Spirol Pin	16	D	26-168	Spirol Pin	16
E	26-179	Roll Pin	4	E	26-179	Roll Pin	4
F	26-251	Pin	4	F	26-251	Clevis Pin	4
H	27-20	Cotter Pin	4	H	27-20	Cotter Pin	4
J	26-295	Clevis Pin	4	J	26-295	Clevis Pin	4
K	2025-1-61	Stabilizing Pinion	2	K	2025-1-61	Stabilizing Pinion	2
L	2025-1-64	Stabilizing Pinion & Pin	2	L	2025-1-64	Stabilizing Pinion & Pin	2
M	2025-1-67	Pot. Gear Bracket	2	M	2025-1-67	Pot. Gear Bracket	2
N	2025-1-68	Pinion Retaining Tube	2	N	2025-1-68	Pinion Retaining Tube	2
P	2025-1-70	Stabilizing Rack	8	P	2025-1-70	Stabilizing Rack	8
R	2025-1-71	Stabilizing Plate	8	R	2025-1-71	Stabilizing Plate	8
S	2025-10-23	Stabilizing Rack Sleeve	4	S	2025-1-100	Stabilizing Rack Sleeve	4
T	2025-1-807	Pot. Coil Cord	2	T	2025-1-807	Pot. Coil Cord	2
V	2025-201-66	Pot. Spur Gear	2	V	2025-201-66	Pot. Spur Gear	2
W	2040-31-106	1/2 Face Pot. Gear	2	W	2040-31-106	1/2 Face Pot. Gear	2
X	3000-200-253	Pot. Worm Gear Retainer	4	X	3000-200-253	Pot. Worm Gear Retainer	4
Y	27-4	Cotter Pin	4	Y	27-4	Cotter Pin	4

2025-10-13 Fifth Wheel Option Assembly



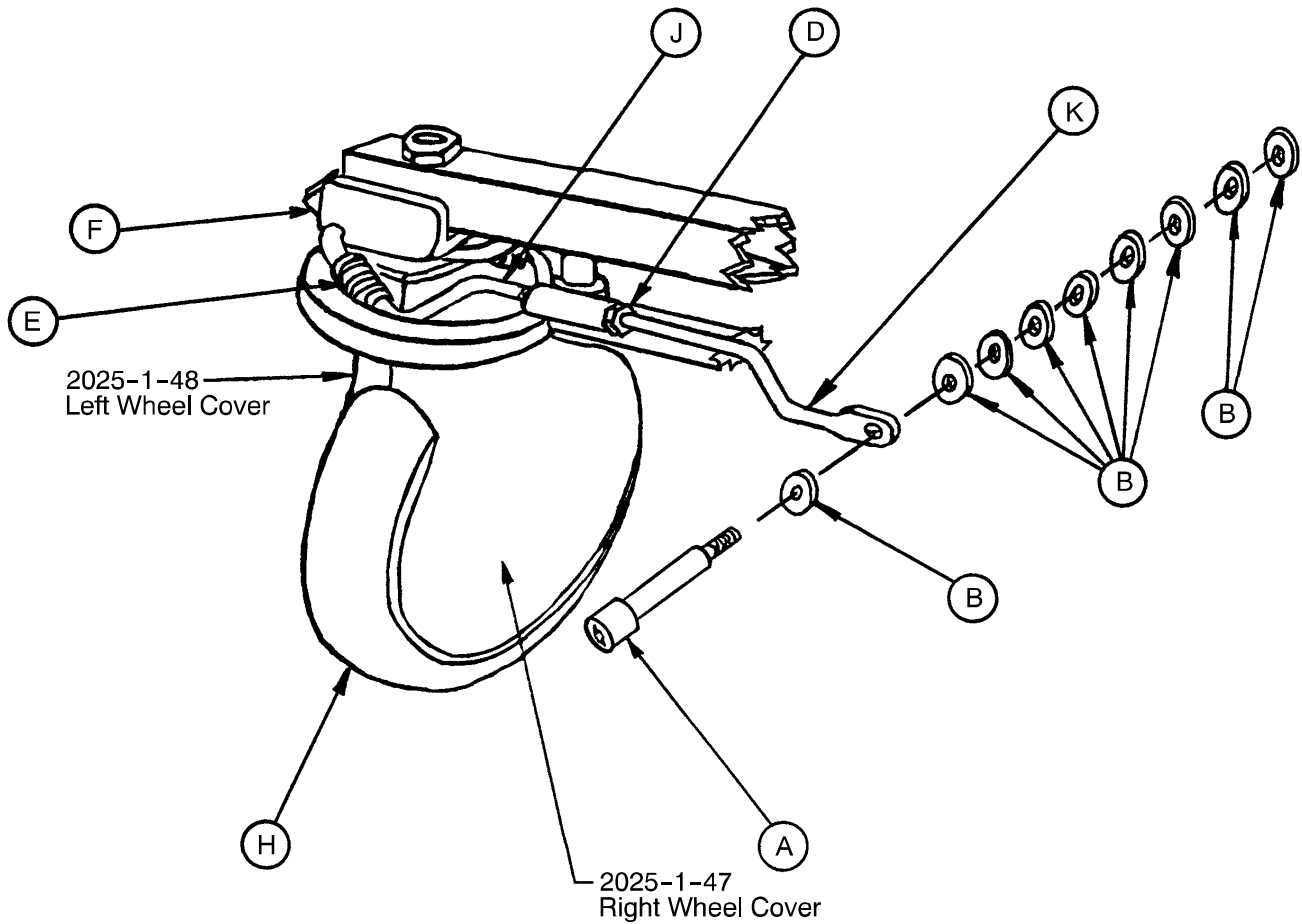
Item	Part No.	Part Name	Qty.
A	3-20	Machine Screw	1
B	16-28	Lock Nut	1
C	16-49	Nylock Hex Nut	1
D	23-25	Hex Wash. Hd. Tap. Screw	1
E	81-219	Ball Bearing	1
F	(page 61)	Fifth Wheel Assembly	1
H	715-1-136	Fifth Wheel Spring	1
J	715-1-149	Key	1
K	715-1-157	Fifth Wheel Bearing	1
L	715-1-217	Fifth Wheel Latch	1
M	715-1-337	Fifth Wheel Plate	1
N	2025-1-47	Wheel Cover, Right	1
P	2025-1-48	Wheel Cover, Left	1
R	(page 48)	Caster Horn & Bearing Ass'y	1

2025-10-27 Fifth Wheel Assembly



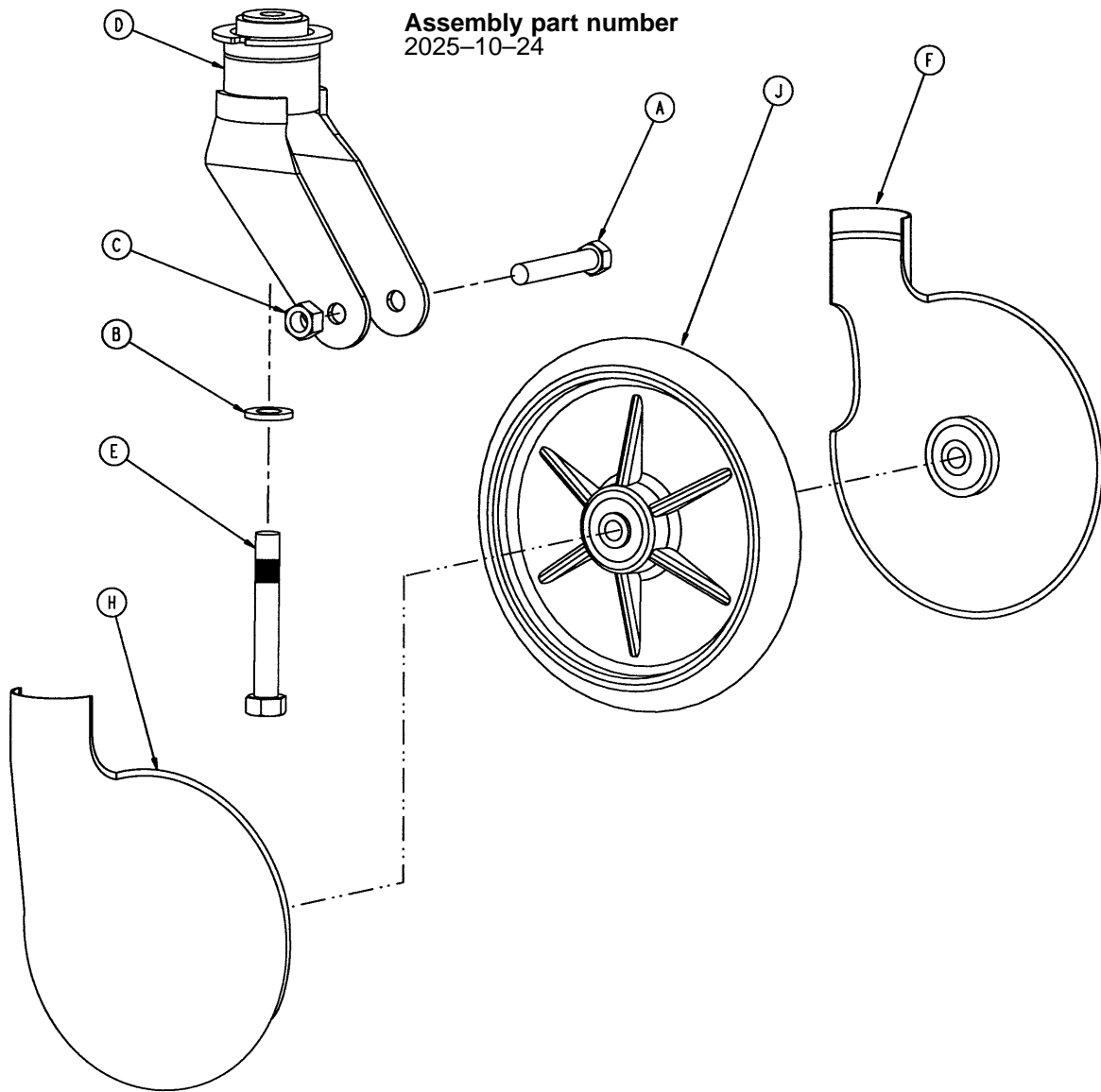
Item	Part No.	Part Name	Qty.
A	3-31	Hex Head Cap Screw	1
B	3-82	Hex Head Cap Screw	1
C	16-11	Flexlock Nut	1
D	16-12	Flexlock Nut	1
E	390-1-54	Wheel	1
F	715-1-15	Spring	1
G	715-1-17	Fifth Wheel Bushing	1
H	715-1-339	Fifth Wheel Pivot Assembly	1
J	2025-10-98	Fifth Wheel Bracket	2

2025-10-12 Steer Caster Option Assembly



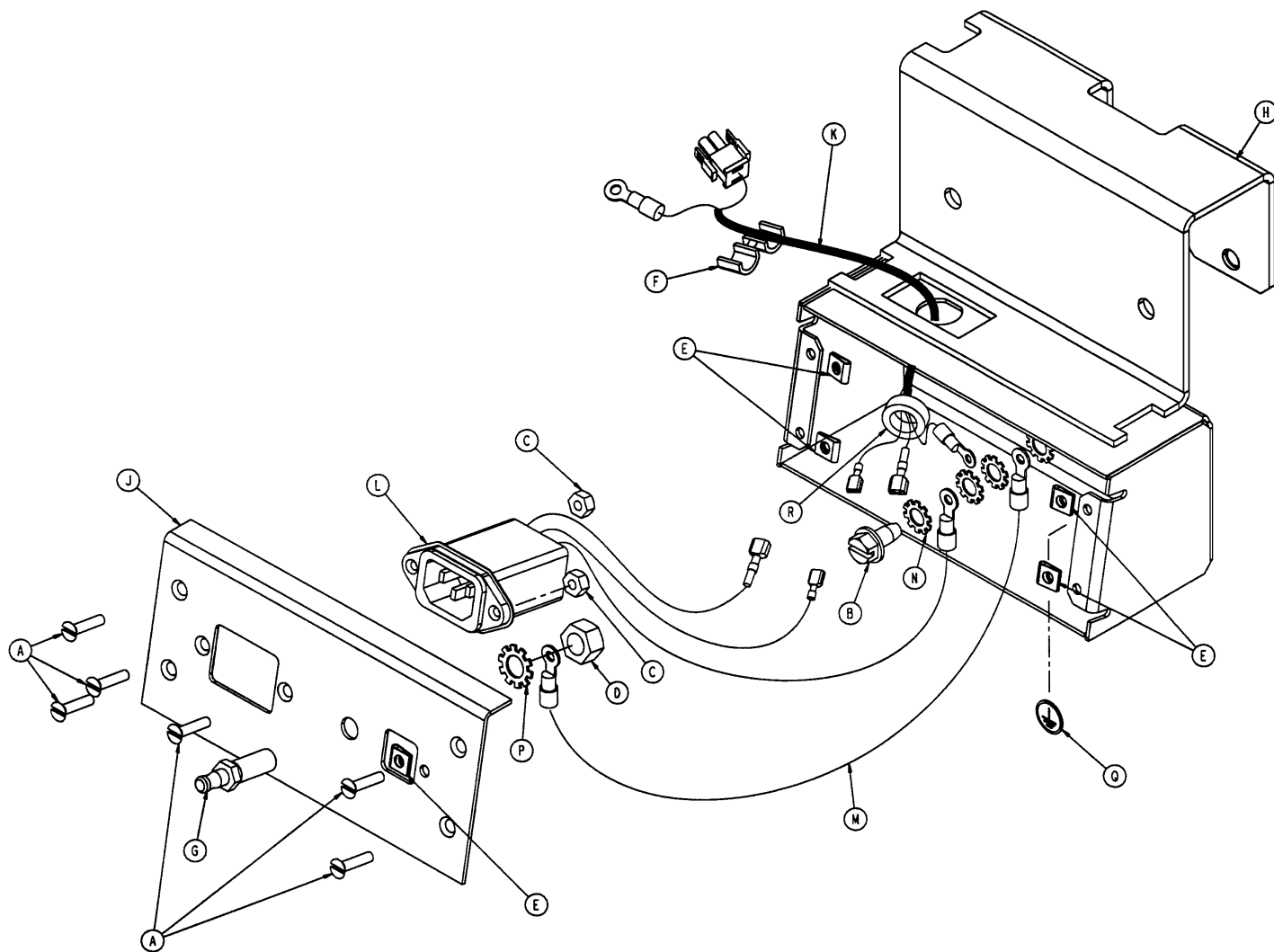
Item	Part No.	Part Name	Qty.
A	8-30	Shoulder Bolt	1
B	14-2	Nylon Washer	9
D	15-32	Hex Jam Nut	1
E	38-211	Compression Spring	1
F	1000-59-10	Latch Assembly	1
H	(page 63)	Steer Caster Assembly	1
J	2020-46-215	Linkage Bar Assembly	1
K	2020-46-218	Right Linkage Bar	1

2025-10-24 Steer Caster Assembly



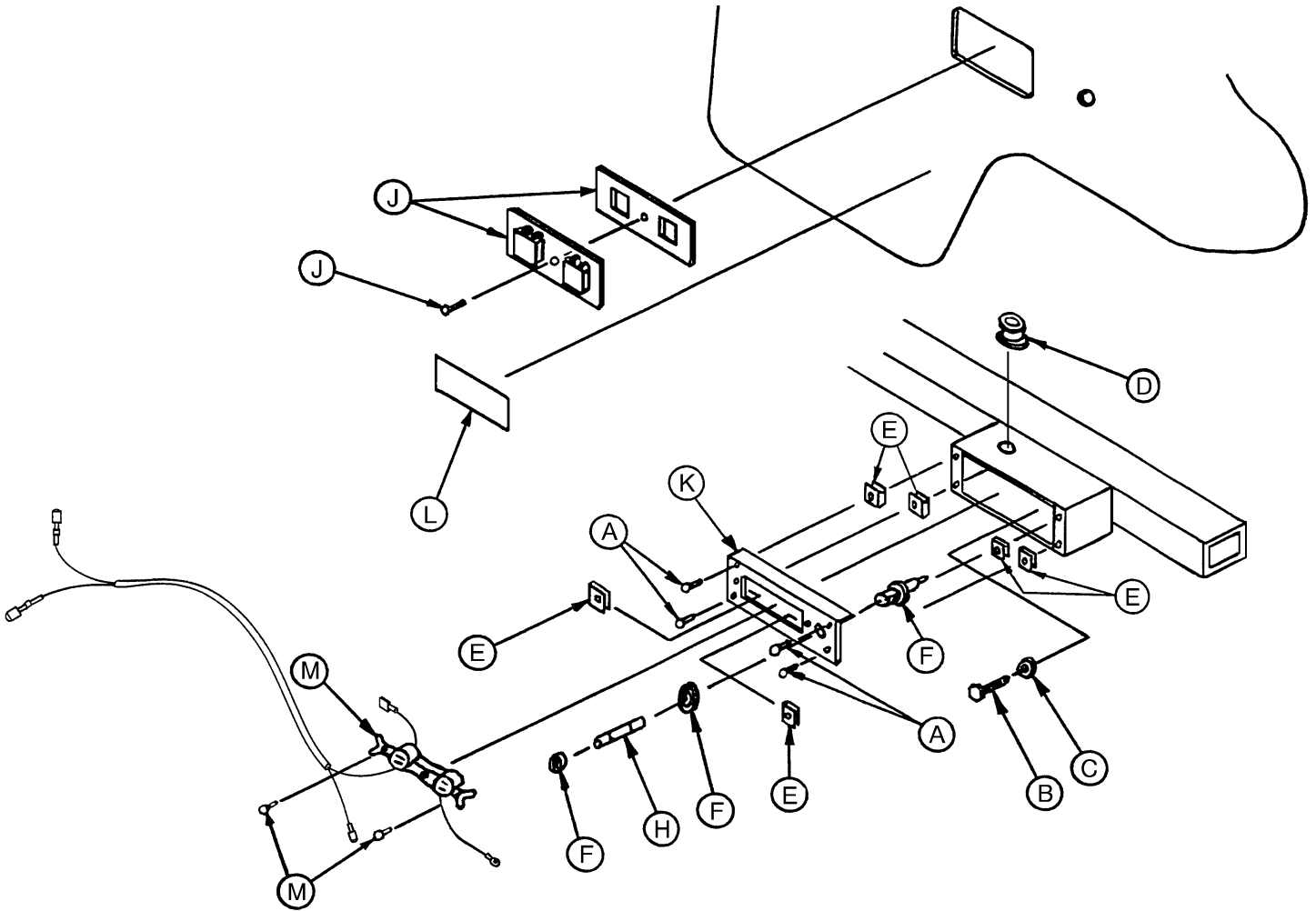
Item	Part No.	Part Name	Qty.
A	3-99	Hex Hd. Cap Screw	1
B	11-310	Washer	1
C	16-60	Hex Nut	1
D	700-10-50	Steering Horn Assembly	1
E	715-3-96	Hex Hd. Cap Screw	1
F	2025-1-47	Wheel Cover, Right	1
H	2025-1-48	Wheel Cover, Left	1
J	(page 49)	Molded Wheel Assembly	1

2026-201-20 International Inlet Filter Assembly



Item	Part No.	Part Name	Qty.
A	1-87	Flat Hd. Slotted Screw	6
B	3-221	Hex Washer Hd. Screw	1
C	16-23	Nylock Nut	2
D	16-33	Kep Nut	1
E	52-783	U-Clip	5
F	59-107	Strain Relief	1
G	2011-1-215	Grounding Lug	1
H	2026-201-50	Inlet Filter Housing Weldment	1
J	2026-201-99	Inlet Filter Box Cover	1
K	2026-201-803	Power Jumper Cable	1
L	2026-1-804	Inlet Filter Cable Assembly	1
M	2026-1-805	Inlet Filter Ground Strap	1
N	13-10	Star Washer	4
P	13-38	Star Washer	1
Q	36-46	Ground Label	1
R	59-721	Ferrite Toroid	1

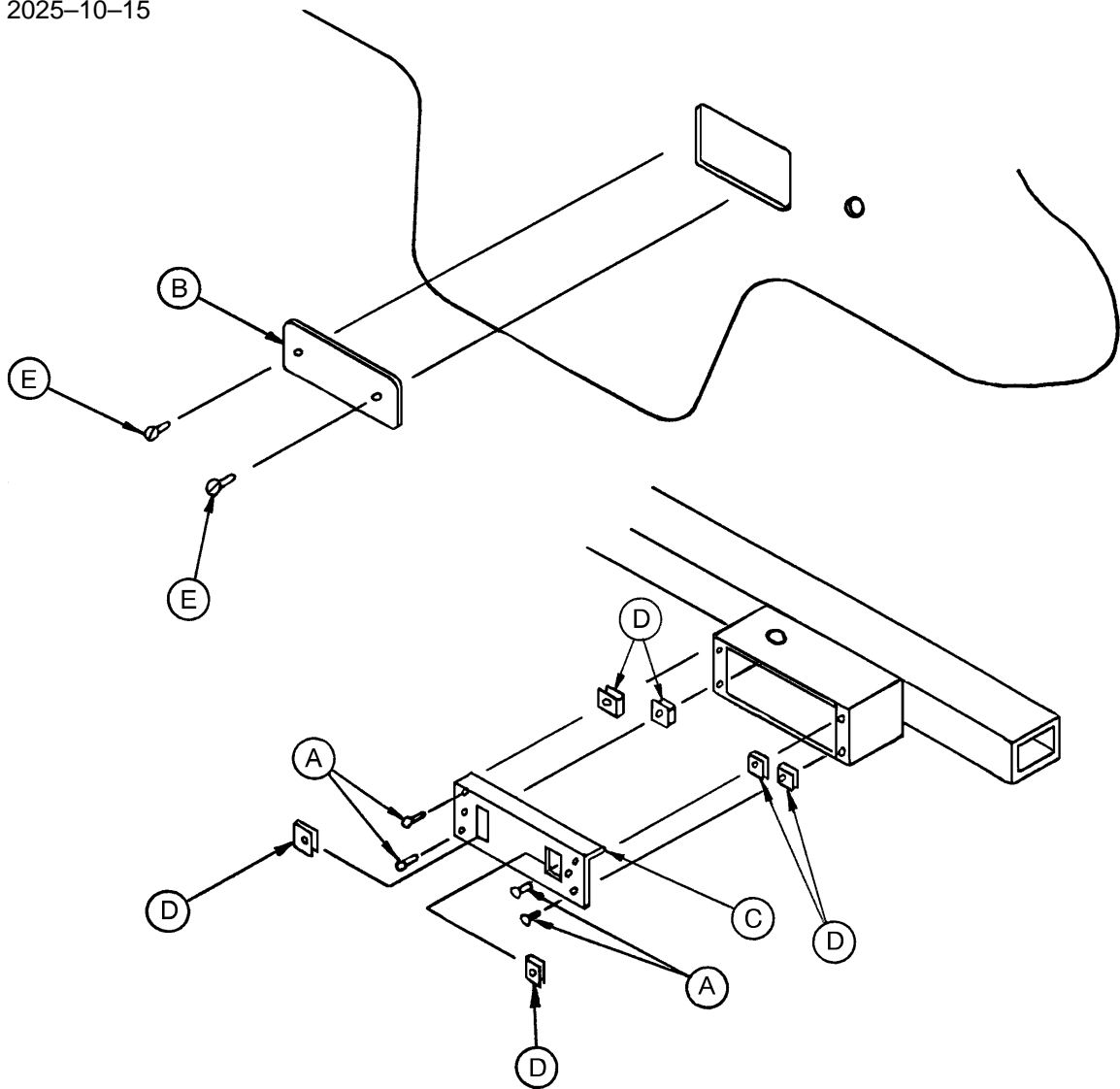
2025-10-14 110V Outlet Option Assembly



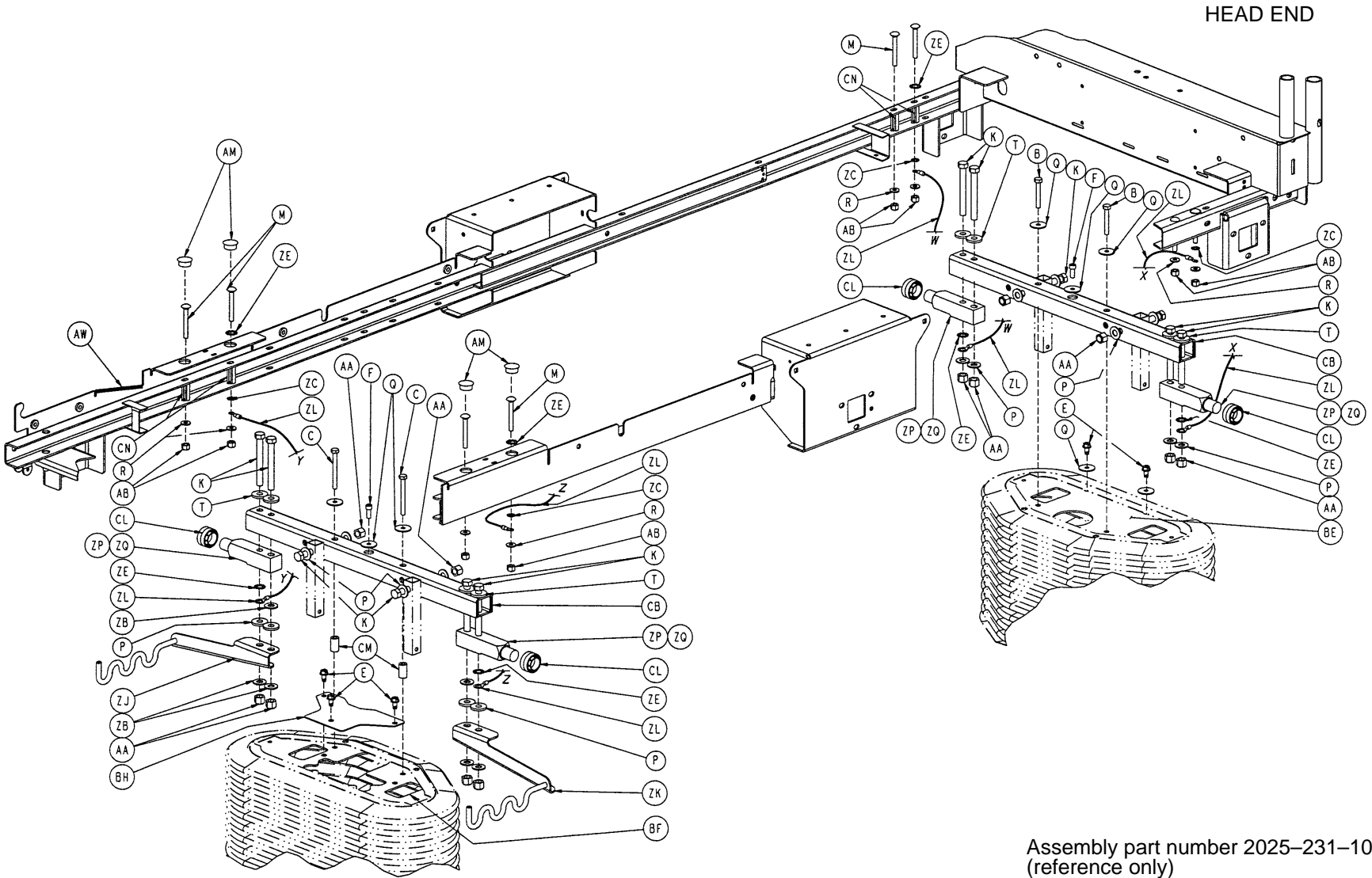
Item	Part No.	Part Name	Qty.
A	1-87	Flat Hd. Slotted Screw	4
B	3-121	Hex Hd. Cap Screw	1
C	13-10	Washer	1
D	59-107	Strain Relief Bushing	1
E	52-783	"U" Clip	6
F	2020-2-664	Fuse Holder	1
H	2020-2-666	Fuse	1
J	2020-11-222	Outlet Cover	1
K	2025-10-20	110 Box Cover	1
L	2026-10-99	110 V Caution Label	1
M	2025-10-801	Fuse Jumper Cable	1

No 110 Volt Outlet Option Assembly

Assembly part number
2025-10-15

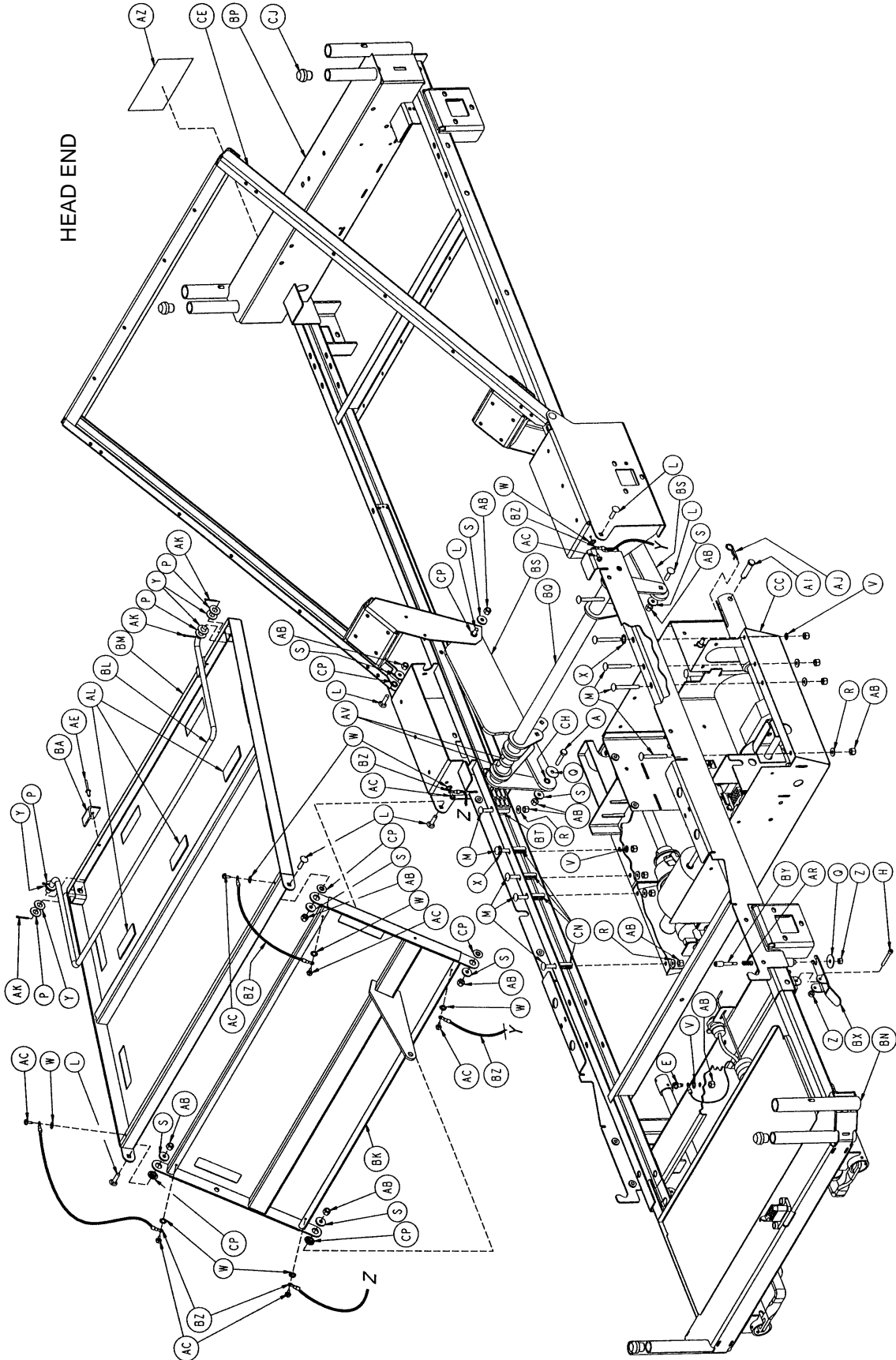


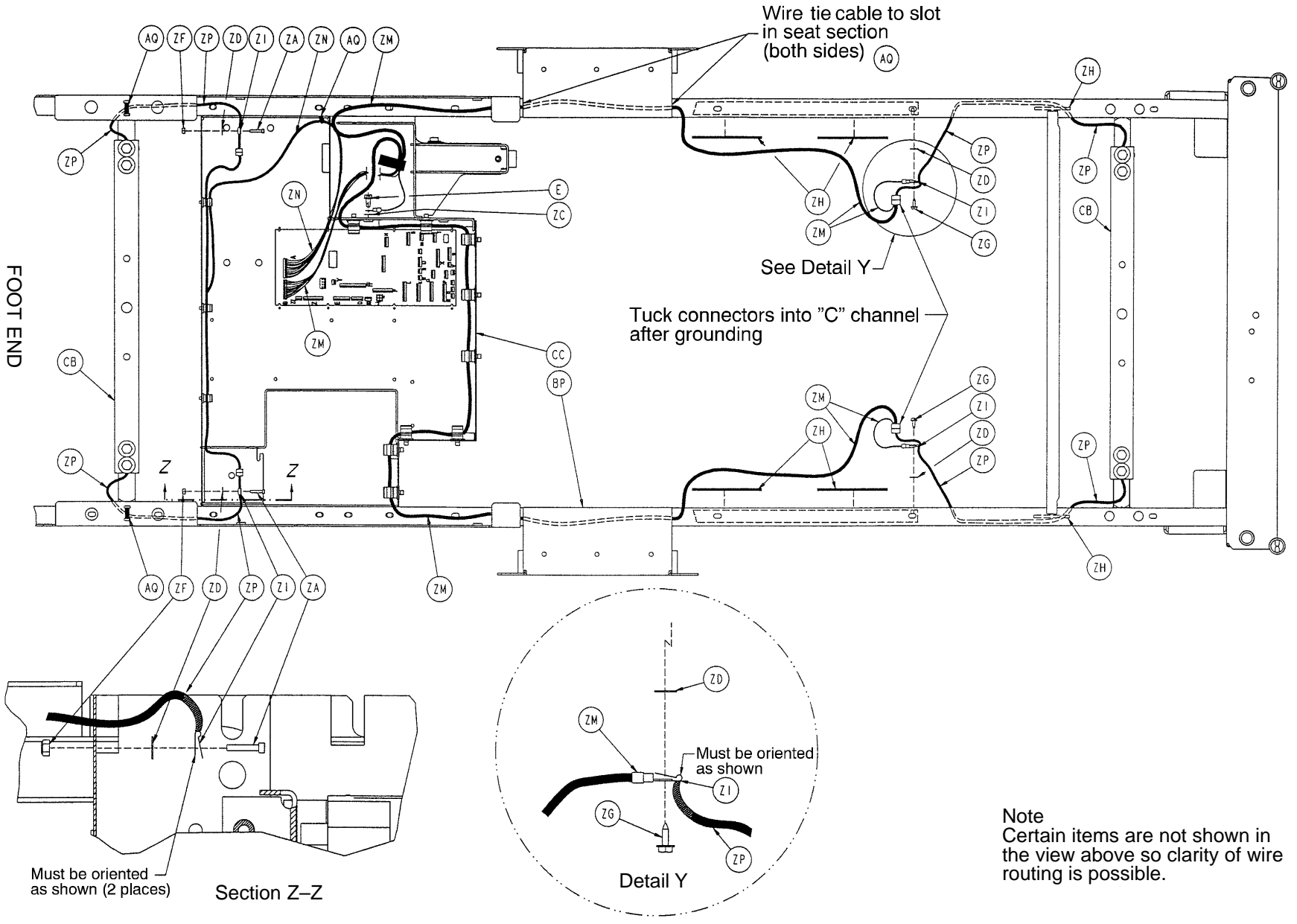
Item	Part No.	Part Name	Qty.
A	1-87	Flat Hd. Slotted Screw	4
B	2025-210-21	Box Cover Plate (w/o 110)	1
C	2025-10-22	Box Cover (w/o 110)	1
D	52-783	"U" Clip	6
E	4-126	Soc. Hd. Cap Screw	2



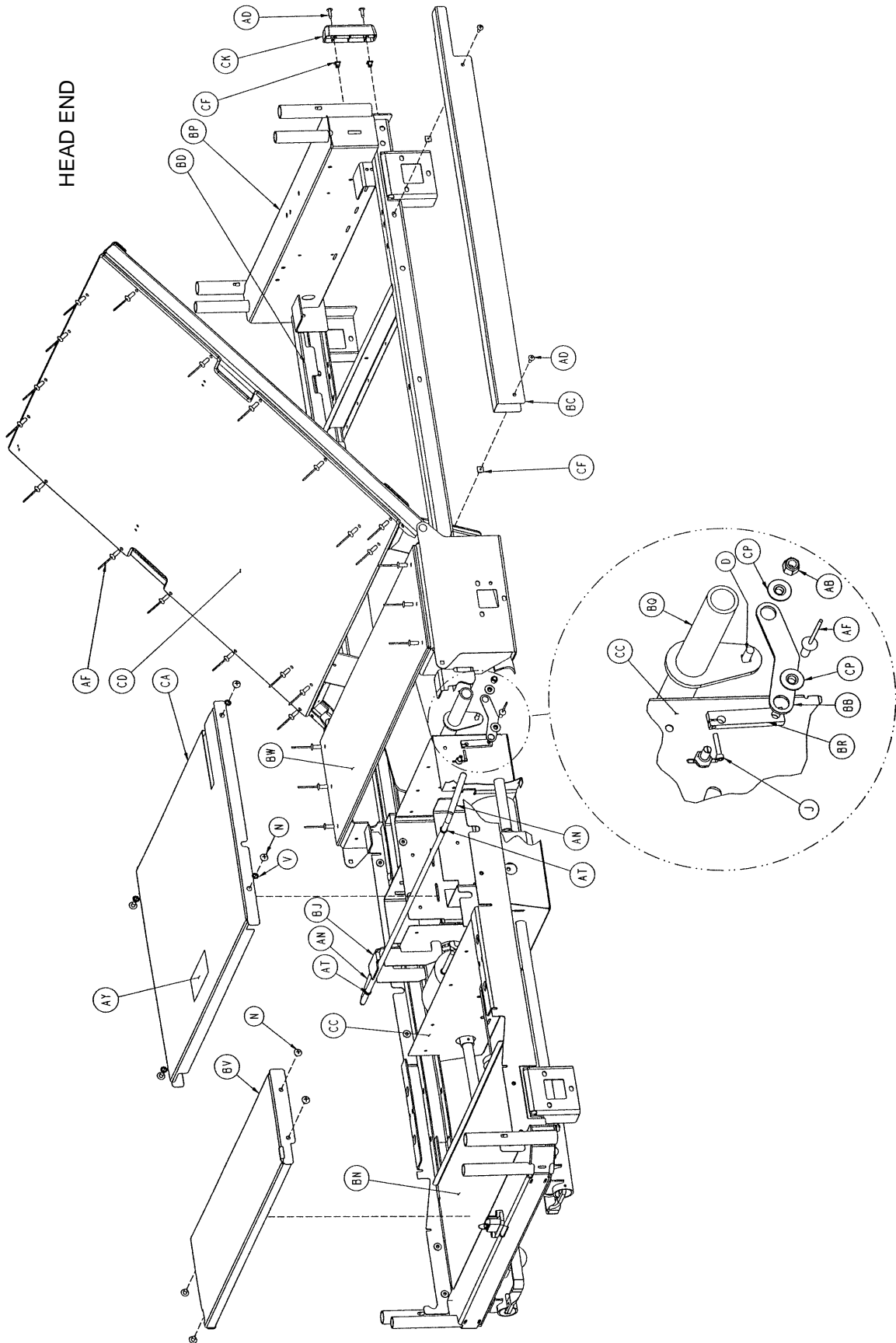
Assembly part number 2025-231-10
(reference only)

Litter Assembly

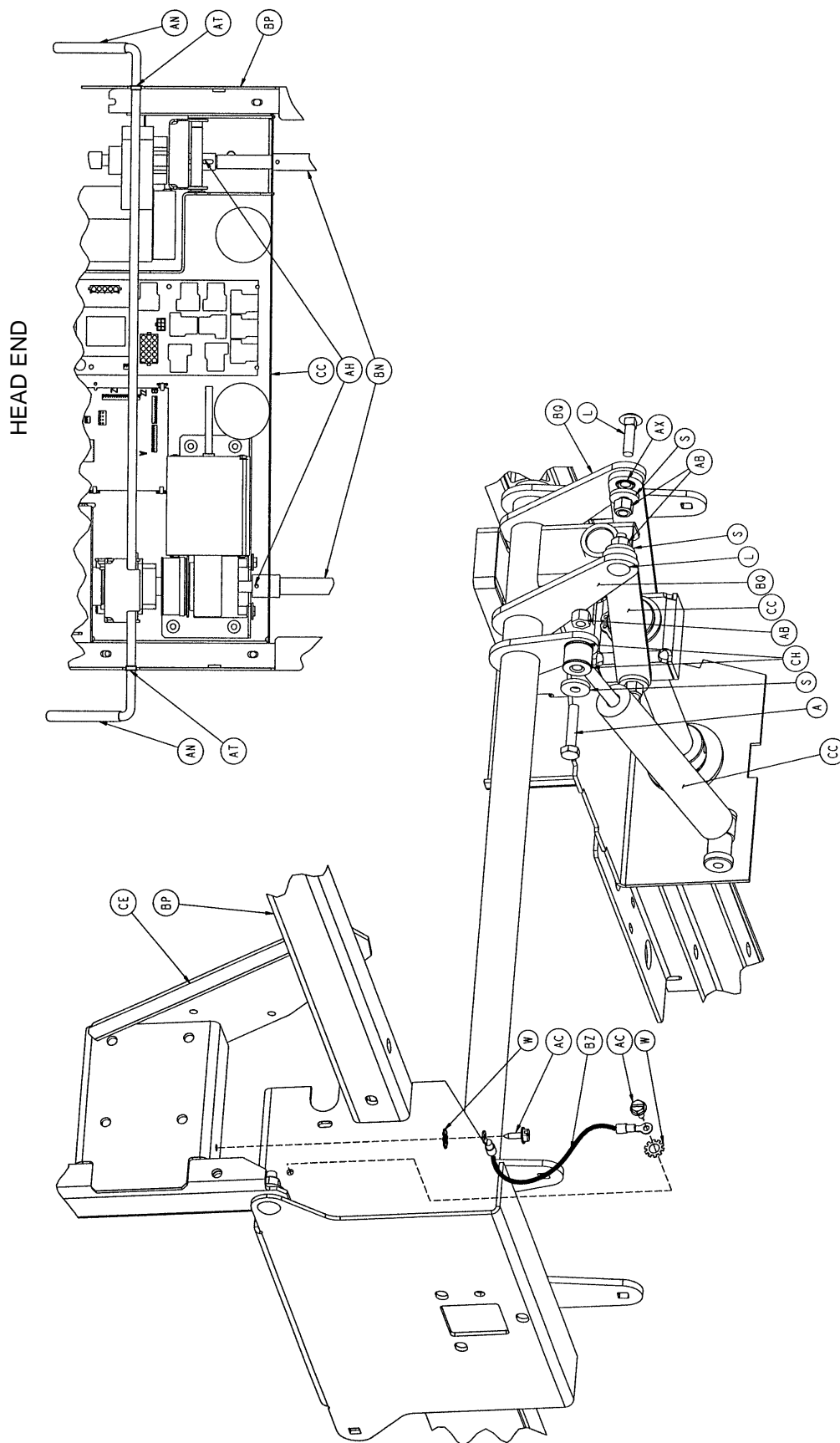




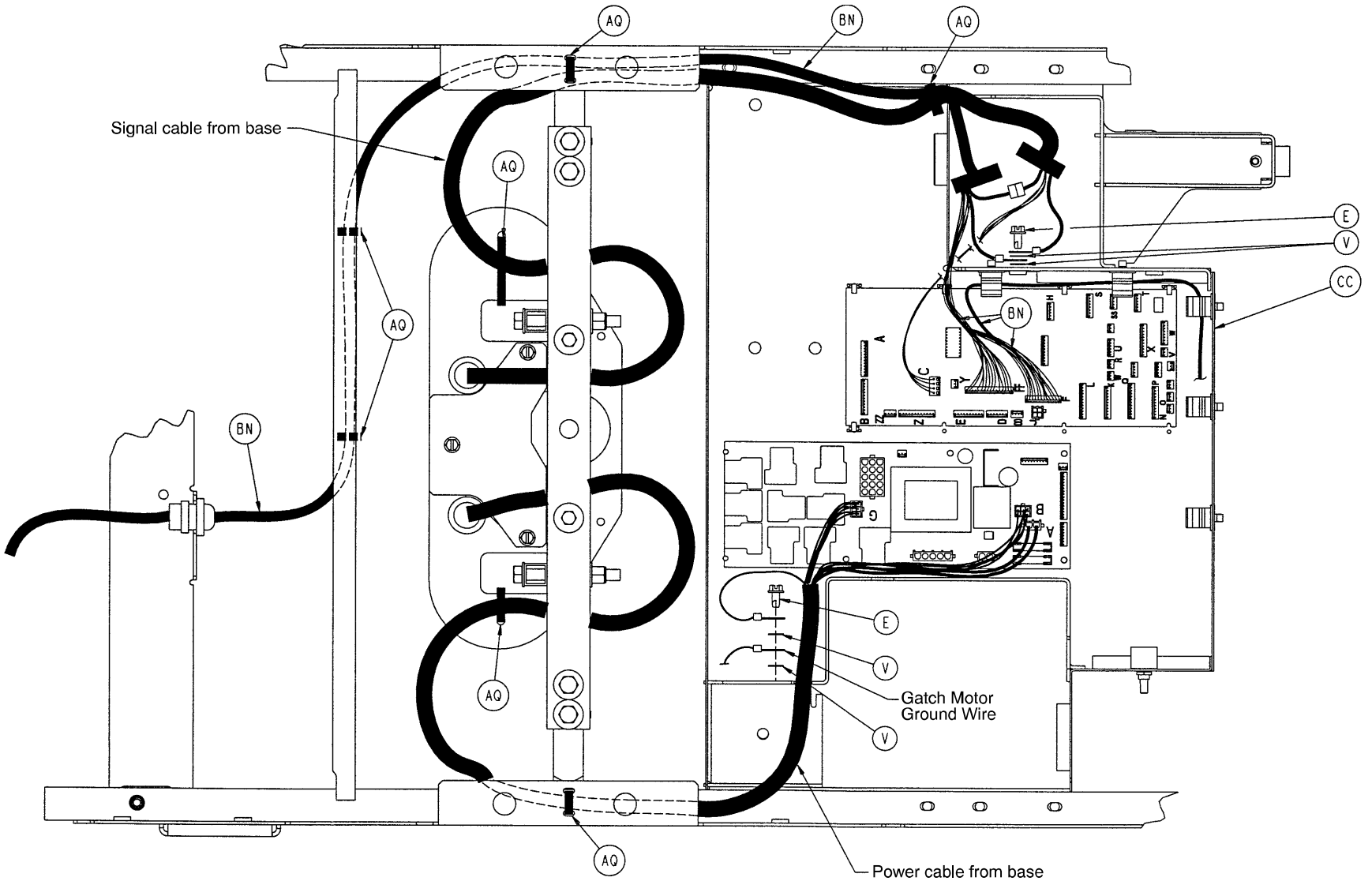
Litter Assembly



Litter Assembly



Litter Assembly



Note
Some items are not shown in the above view
so clarity of wire routing is possible.

Litter Assembly

Item	Part No.	Part Name	Qty.	Item	Part No.	Part Name	Qty.
A	3-4	Hex Hd. Cap Screw	2	AW	58-56	Black Edge Trim	.5'
B	3-17	Hex Hd. Cap Screw	2	AX	81-268	Flange Bearing	2
C	3-23	Hex Hd. Cap Screw	2	AY	1550-90-13	Shock Caution Label	1
D	3-50	Hex Hd. Cap Screw	1	AZ	2011-1-104	Danger Label	1
E	3-221	Hex Washer Hd. Screw	8	BA	2020-34-758	Calf Section Rest	2
F	4-14	Soc. Hd. Cap Screw	2	BB	2025-31-62	Pot. Actuator Link	1
H	4-85	Soc. Hd. Cap Screw	2	BC	2025-31-98	Litter J-Bracket, Left	1
J	4-101	Soc. Hd. Cap Screw	1	BD	2025-31-100	Litter J-Bracket, Right	1
K	4-283	Hex Hd. Cap Screw	12	BE	2025-31-115	Bellows Bracket, Hd.	1
L	5-19	Carriage Bolt	11	BF	2025-31-116	Bellows Bracket, Ft.	1
M	5-24	Rd. Hd. Square Neck Bolt	18	BH	2025-31-117	Bellows Ret. Plate, Ft.	1
N	7-49	Screw	8	BJ	2025-32-51	CPR Release Weldment	1
P	11-4	Washer	20	BK	2025-34-50	Thigh Section Weldment	1
Q	11-53	Washer	11	BL	2025-35-5	Foot Prop Rod	1
R	11-63	Washer	16	BM	2025-35-50	Calf Section Weldment	1
S	11-158	Washer	13	BN	(page 82 & 83)	Bed Extender Assembly	1
T	11-262	Washer	8	BP	2025-231-50	Litter Frame Weldment	1
V	13-10	Ext. Tooth Washer	11	BQ	2025-231-51	Torque Tube Weldment	1
W	13-18	Ext. Tooth Lock Washer	12	BR	2025-231-61	Pot. Timing Clamp	1
X	13-32	Ext. Tooth Lock Washer	2	BS	2025-231-88	Fowler Link	2
Y	14-8	Nylon Washer	4	BT	2025-231-90	Torque Tube Pivot Brg.	2
Z	16-3	Nylock Nut	4	BV	2025-231-94	Foot Support Cover	1
AA	16-12	Nylock Nut	12	BW	2025-231-97	Seat Section Skin	1
AB	16-28	Nylock Nut	25	BX	2025-231-99	Bed Ext. Release Lever	2
AC	23-25	Hex Wash. Hd. Tap. Scr.	12	BY	2025-231-112	Bed Ext. Pull Lock Pin	2
AD	23-80	Truss Hd. Screw	8	BZ	2025-231-805	Ground Strap	6
AE	25-79	Rivet	2	CA	2025-232-75	Actuator Box Cover	1
AF	25-142	Pop Rivet	25	CB	2025-331-52	Header Tube Weldment	2
AH	26-53	Roll Pin	2	CC	(page 75-81)	Actuator Box Assembly	1
AI	26-132	Clevis Pin	1	CD	2025-333-7	Fowler Skin	1
AJ	27-9	Hitch Pin	1	CE	2025-333-50	Fowler Weldment	1
AK	27-15	Cotter Pin	4	CF	3000-300-2	Plastic Clip Nut	8
AL	29-7	Dual Lock	3	CH	3000-300-99	Mod. Fowler Bushing	4
AM	37-30	Plug	4	CJ	3000-300-349	Cap	4
AN	37-200	Vinyl Cap	2	CK	3000-300-350	Head End Bumper Strip	2
AP	38-111	Short Cable Tie	6	CL	3000-300-353	Roller	4
AQ	38-151	Long Cable Tie	12	CM	3000-300-428	Spacer	2
AR	38-382	Compression Spring	2	CN	3001-300-4	Stationary Frame Spacer	16
AT	52-759	Flange Bearing	2	CP	3001-300-99	Flange Bearing	10
AV	52-762	Flange Bearing	2				

Litter Assembly

2025-30-100

Litter Option Assembly – No Scale/No Bed Exit

Item	Part No.	Part Name	Qty.
ZQ	3001-300-511	Imitation Load Cell	4
(p. 113)	2025-30-101	Ft. Bd. – No Scale or B.E.	1

2025-30-125

Litter Option Assembly – Scale Only

Item	Part No.	Part Name	Qty.
ZA	4-5	Soc. Hd. Cap Screw	2
ZB	11-4	Washer	6
ZC	13-10	Ext. Tooth Lock Washer	5
ZD	13-18	Ext. Tooth Lock Washer	4
ZE	13-32	Ext. Tooth Lock Washer	8
ZF	16-27	Nylock Nut	2
ZG	23-25	Hex Washer Hd. Screw	2
ZH	44-29	Poly Tape	2.5'
ZI	59-145	Cable Clamp	4
ZJ	2025-30-226	Iso. Foley Bag Hook, Rt.	1
ZK	2025-30-227	Iso. Foley Bag Hook, Lt.	1
ZL	2025-31-804	Ground Jumper	4
ZM	2025-230-801	Load Cell Cable, Hd.	1
ZN	2025-230-802	Load Cell Cable, Ft.	1
ZP	3001-307-55	Load Cell	4
(p. 115)	2025-30-126	Ft. Bd. – Scale w/o B.E.	1

2025-30-150

Litter Option Assembly – Scale and Bed Exit

Item	Part No.	Part Name	Qty.
ZA	4-5	Soc. Hd. Cap Screw	2
ZB	11-4	Washer	6
ZC	13-10	Ext. Tooth Lock Washer	4
ZD	13-18	Ext. Tooth Lock Washer	4
ZE	13-32	Ext. Tooth Lock Washer	4
ZF	16-27	Nylock Nut	2
ZG	23-25	Hex Washer Hd. Screw	2
ZH	44-29	Poly Tape	2.5'
ZI	59-145	Cable Clamp	4
ZJ	2025-30-226	Iso. Foley Bag Hook, Rt.	1
ZK	2025-30-227	Iso. Foley Bag Hook, Lt.	1
ZL	2025-31-804	Ground Jumper	4
ZM	2025-230-801	Load Cell Cable, Hd.	1
ZN	2025-230-802	Load Cell Cable, Ft.	1
ZP	3001-307-55	Load Cell	4
(p. 116)	2025-30-151	Ft. Bd. – Scale & B.E.	1

2025-30-175

Litter Option Assembly – Bed Exit Only

Item	Part No.	Part Name	Qty.
ZA	4-5	Soc. Hd. Cap Screw	2
ZC	13-10	Ext. Tooth Lock Washer	4
ZD	13-18	Ext. Tooth Lock Washer	4
ZE	13-32	Ext. Tooth Lock Washer	8
ZF	16-27	Nylock Nut	2
ZG	23-25	Hex Washer Hd. Screw	2
ZH	44-29	Poly Tape	2.5'
ZI	59-145	Cable Clamp	4
ZL	2025-31-804	Ground Jumper	4
ZM	2025-230-801	Load Cell Cable, Hd.	1
ZN	2025-230-802	Load Cell Cable, Ft.	1
ZP	3001-307-55	Load Cell	4
(p. 114)	2025-30-176	Ft. Bd. – Bed Exit Only	1

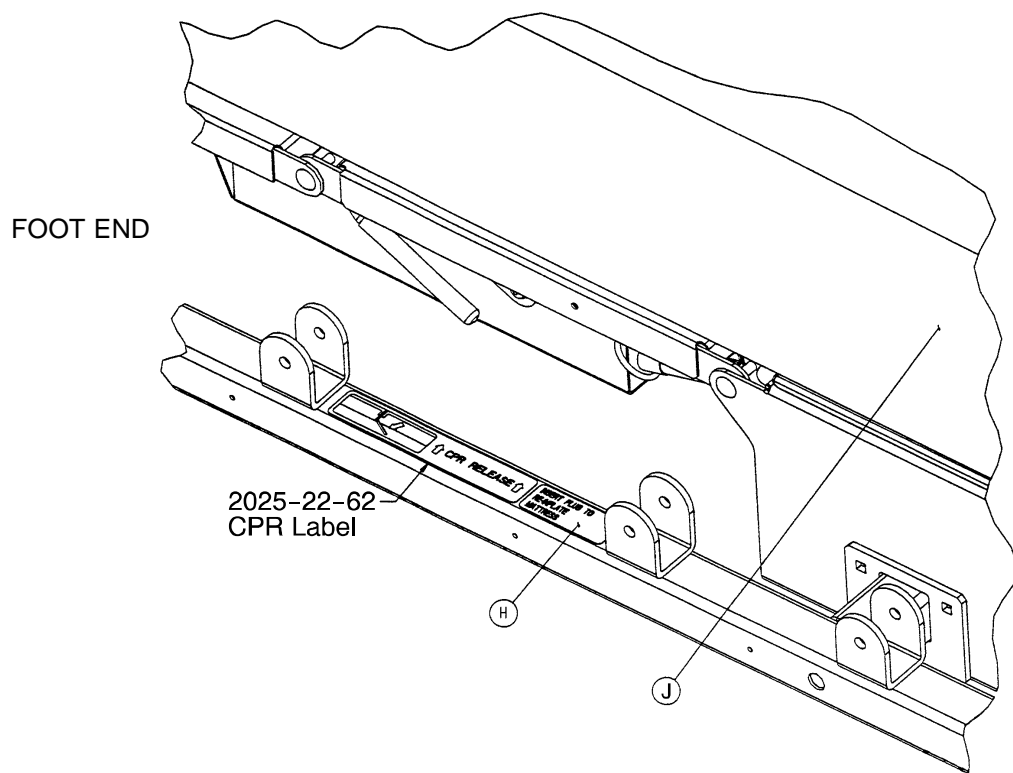
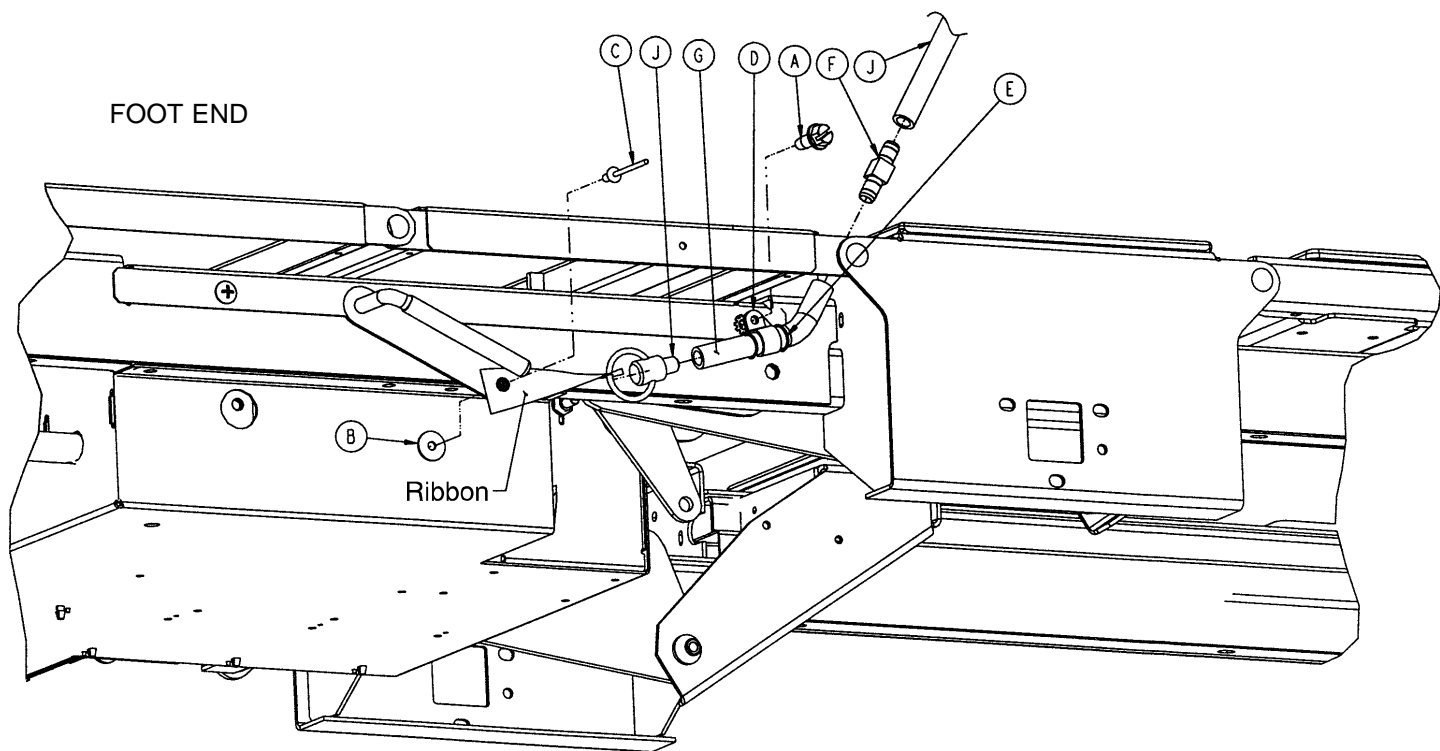
2025-30-225

Litter Option Assembly – Drainage Bag Hooks

Item	Part No.	Part Name	Qty.
ZB	11-4	Washer	4
ZJ	2025-30-226	Iso. Foley Bag Hook, Rt.	1
ZK	2025-30-227	Iso. Foley Bag Hook, Lt.	1

StryKair Mattress System Litter Option Assembly

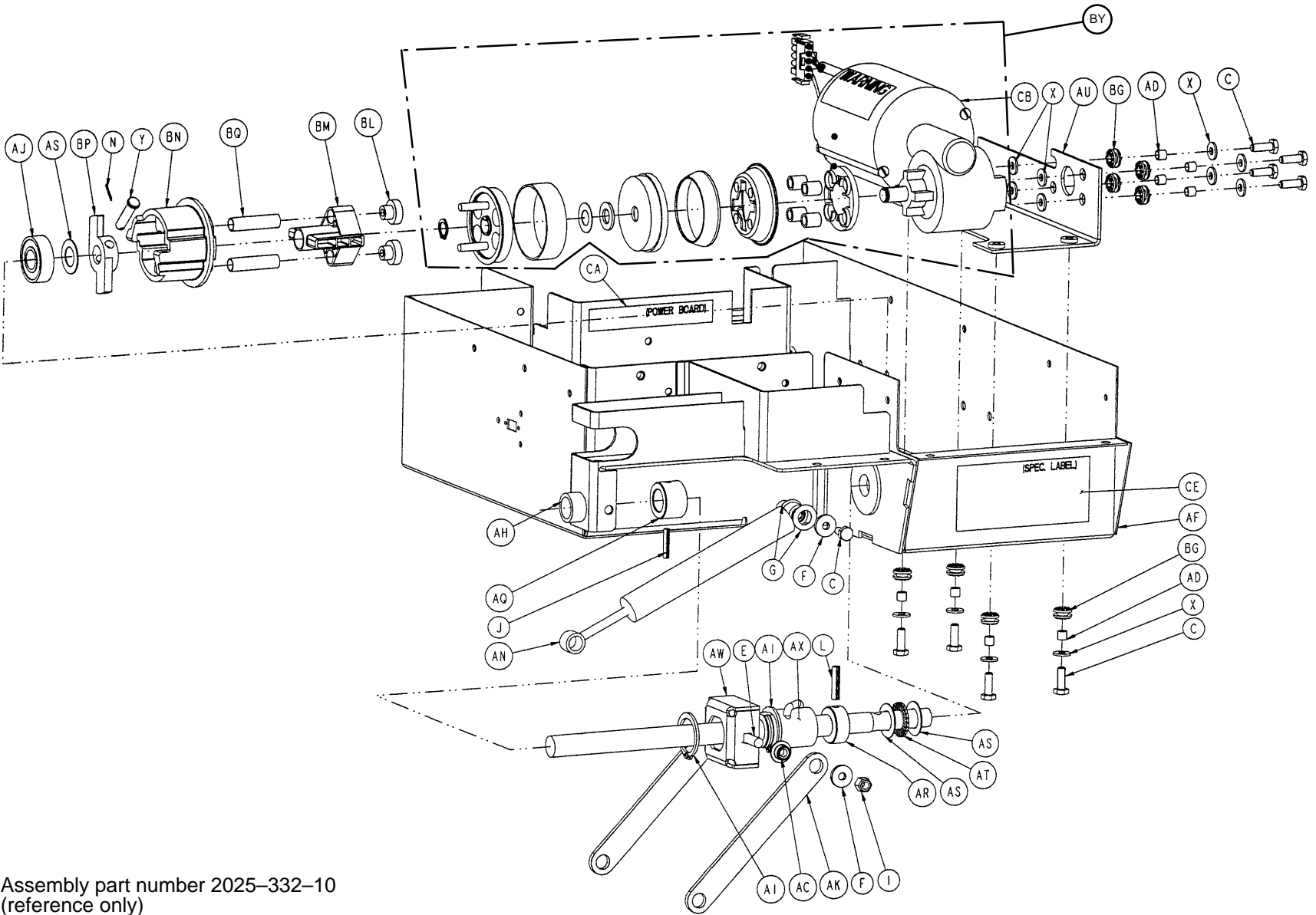
Assembly part number 2600-231-10



StryKair Mattress System Litter Option Assembly

Item	Part No.	Part Name	Qty.
A	23-42	Sheet Metal Screw	1
B	11-156	Washer	1
C	25-79	Rivet	1
D	34-271	Hose Clamp	1
E	38-151	Cable Tie	2
F	48-172	Dual End Hose Fitting	1
G	2600-40-2	Hose	1
H	2600-90-27	Re-Inflate Label	1
J	2600-200-10	StryKair Mattress	1

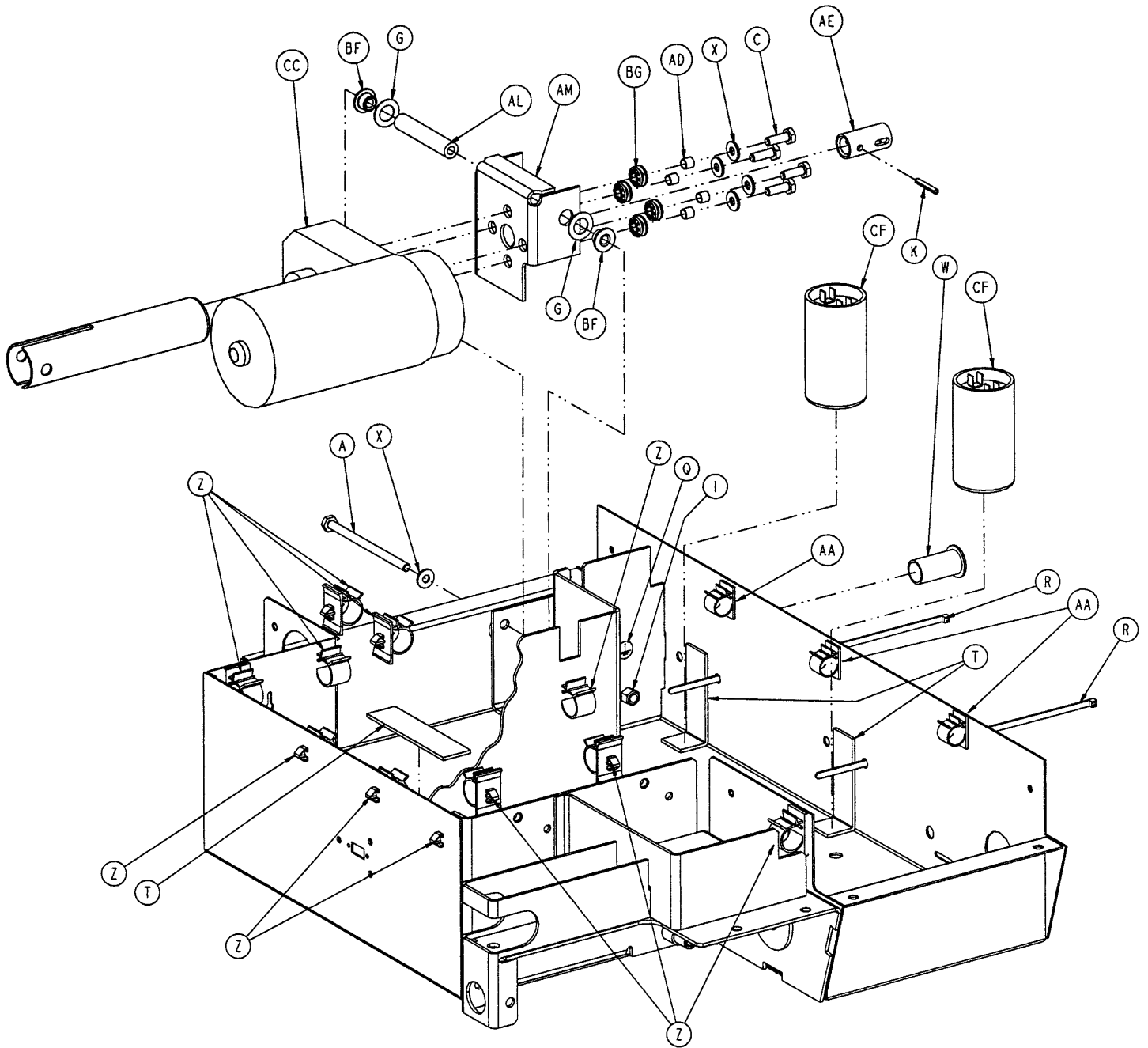
Actuator Box Assembly



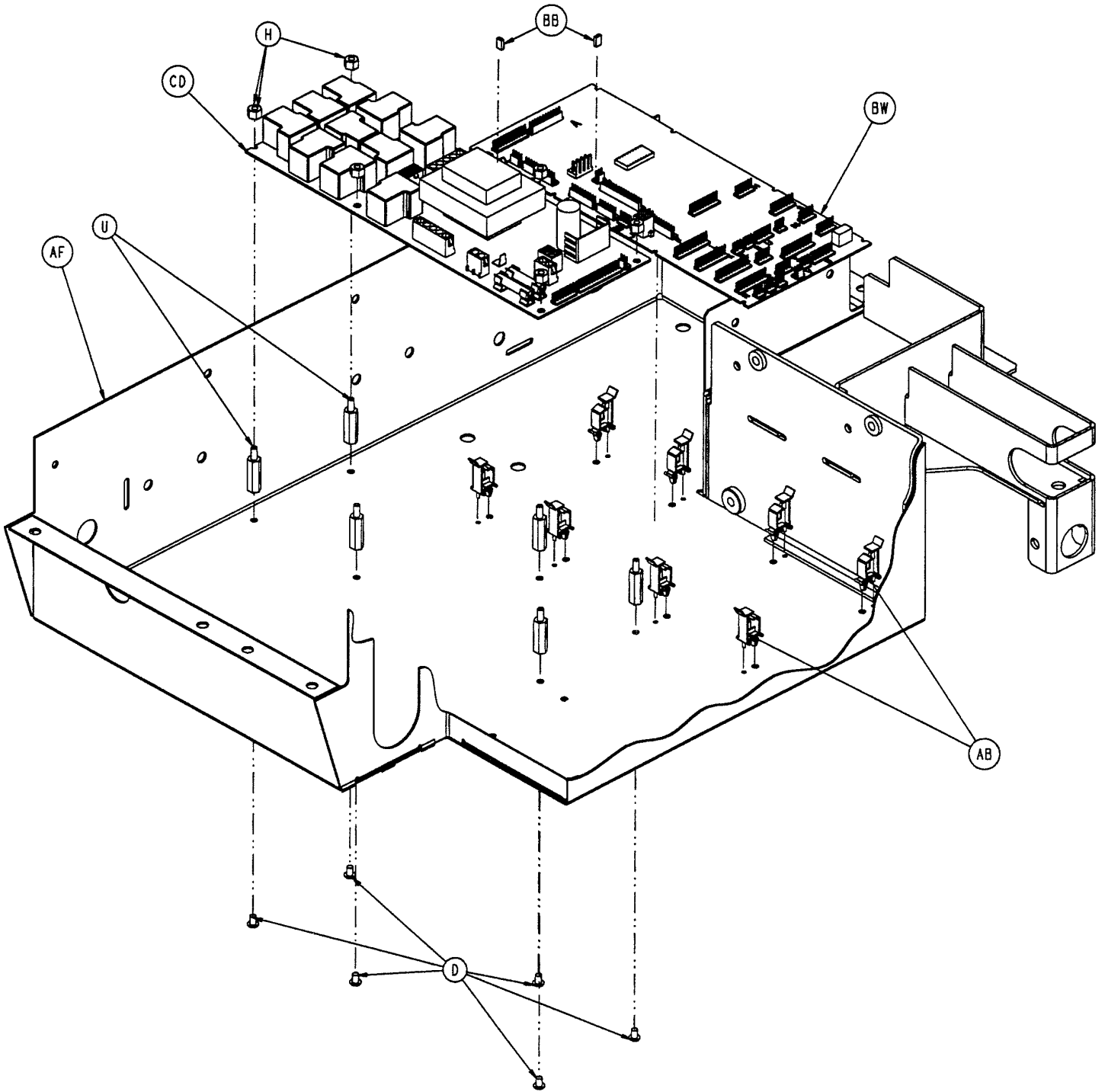
75

Assembly part number 2025-332-10
(reference only)

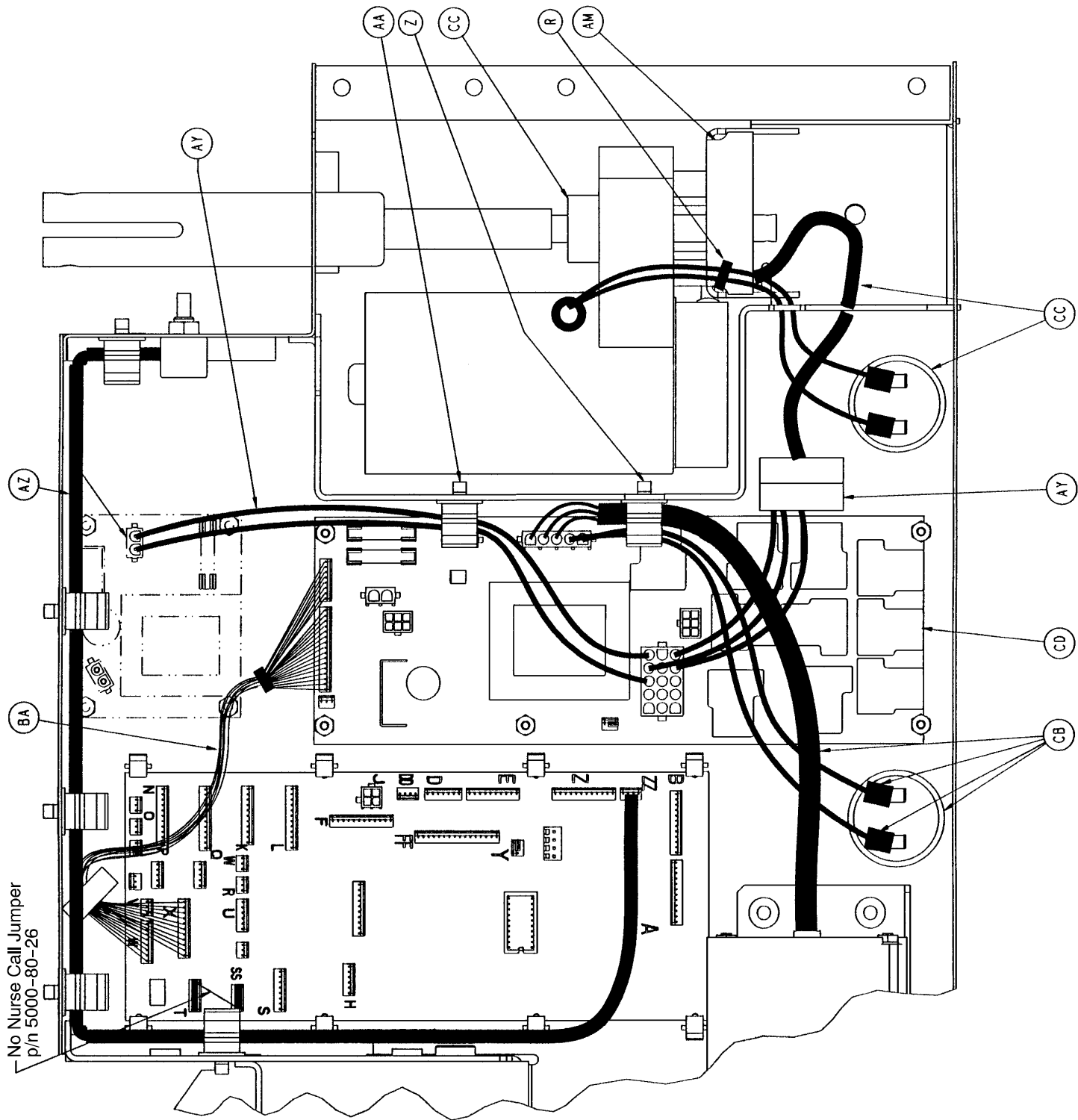
Actuator Box Assembly



Actuator Box Assembly



Actuator Box Assembly



Actuator Box Assembly

Item	Part No.	Part Name	Qty.	Item	Part No.	Part Name	Qty.
A	3-129	Hex Hd. Cap Screw	1	AI	28-120	Ext. Retaining Ring	2
C	3-214	Hex Hd. Cap Screw	13	AJ	2025-32-76	Ball Bearing	1
D	4-299	But. Hd. Cap Screw	6	AK	2025-32-77	Fowler Actuator Link	2
E	5-19	Carriage Bolt	2	AL	2025-32-79	Gatch Spacer Tube	1
F	11-158	Washer	3	AM	2025-232-80	Gatch Motor Pivot Mount	1
G	14-7	Thrust Washer	4	AN	2025-32-82	Hydraulic Dampener	1
H	15-2	Hex Nut	6	AQ	2025-32-84	Fowler Screw Up Stop	1
I	16-28	Nylock Nut	3	AR	2025-32-85	Fowler Screw Down Stop	1
J	26-12	Roll Pin	1	AS	2025-32-86	Hardened Washer	3
K	26-53	Roll Pin	1	AT	2025-32-87	Big Roller Cage Bearing	1
L	26-168	Spiral Pin	1	AU	2025-232-88	Fow. Motor Mtg. Brckt.	1
N	27-13	Cotter Pin	1	AW	2025-232-89	Fowler Nut Box	1
Q	36-46	Ground Label	1	AX	2025-232-90	Fowler Ball Screw	1
R	38-151	Long Cable Tie	2	AY	2025-32-801	DMS/Gatch Pwr. Jumper	1
T	44-29	2-Sided Foam Tape	.33'	AZ	2025-232-803	Fowler Potentiometer Cable	1
U	52-295	Nylon Standoff	6	BA	2025-232-806	Power/CPU Control Cable	1
W	52-755	Flange Bearing	1	BB	59-137	Motion Interrupt Shunt	2
X	11-63	Washer	1	BF	3000-300-99	Flange Bearing	2
Y	26-270	Clevis Pin	1	BG	3000-300-442	Motor Mount Grommet	12
Z	59-135	Big Push Mount Wire Clip	11	BL	3000-300-455	CPR Isolation Bushing	2
AA	59-136	Small Push Mt. Wire Clip	4	BM	3000-300-456	CPR Isolator	1
AB	59-751	Circuit Bd. Locking Supt.	8	BN	3000-300-461	CPR Decoupler	1
AC	81-268	Flange Bearing	2	BP	3000-300-462	CPR Wing	1
AD	715-1-333	Release Valve Stop Sleeve	12	BQ	3000-300-464	CPR Engagement Spring	2
AE	2025-31-108	Gatch Motor Coupler	1	BW	(page 40)	CPU Board	1
AF	2025-332-50	Actuator Box Weldment	1	BX	7900-1-102	Velcro Pile	.08'
AH	2025-32-68	Flange Bearing	1	BY	2025-700-1	Fowler Motor Kit, Domestic	1
					2026-700-1	Fowler Motor Kit, Int'l	1

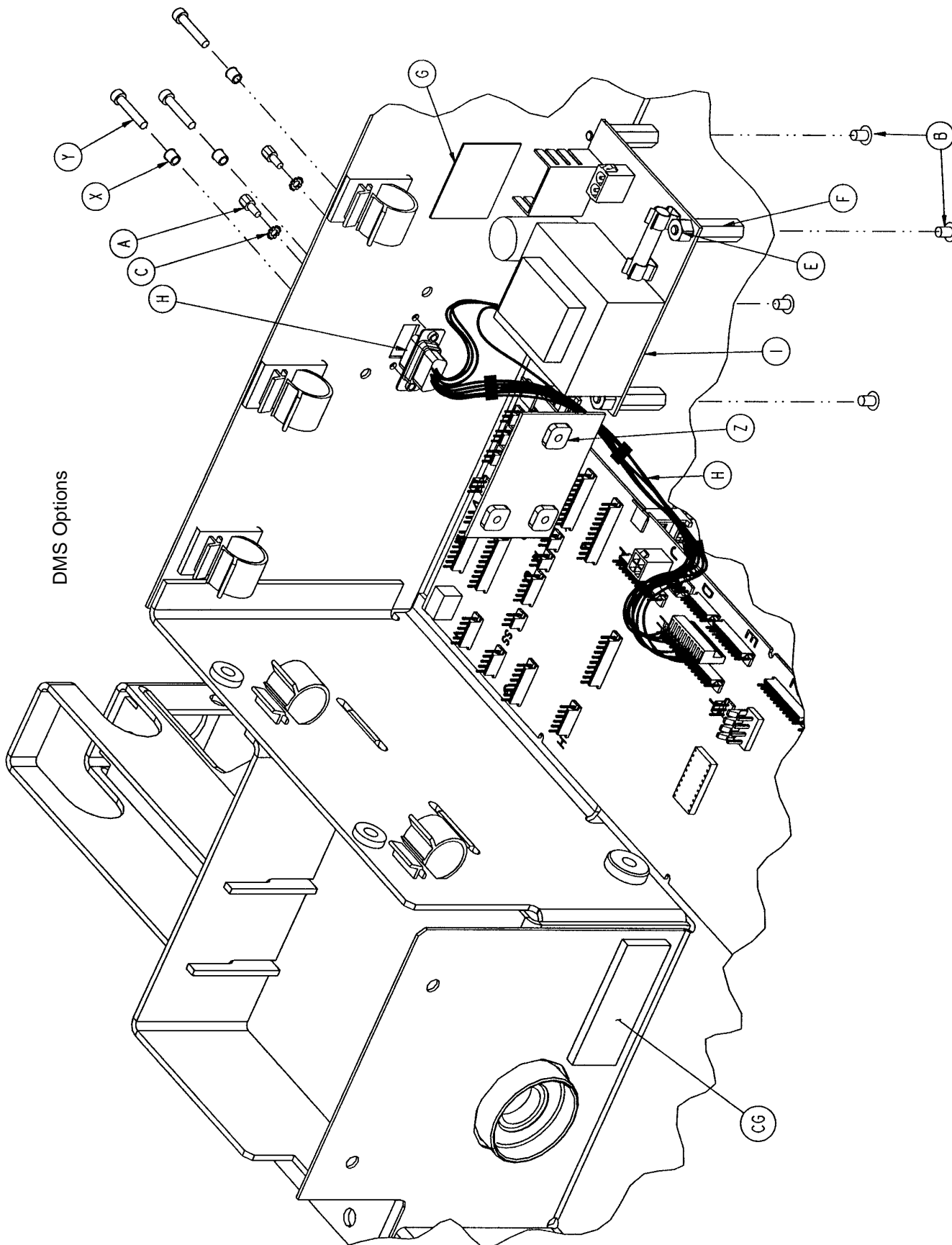
2025-32-15 Dom. Act. Box Electronics

Item	Part No.	Part Name	Qty.
CA	2025-32-67	Power Board Fuse Label	1
CB	2025-32-91	Fowler Motor	1
CC	2025-232-70	Gatch Motor	1
CD	2025-300-930	Power Board	1
CE	2025-31-25	Specification Label	1
CF	3000-300-401	Capacitor	2

2026-32-15 Int. Act. Box Electronics

Item	Part No.	Part Name	Qty.
CA	2026-32-67	230V Power Bd. Fuse Label	1
CB	2026-32-91	230V Fowler Motor	1
CC	2026-232-70	230V Gatch Motor	1
CD	3221-300-930	230V Power Board	1
CE	2026-31-125	Specification Label	1
CF	59-153	Capacitor	2

Actuator Box Assembly



DMS Options

Actuator Box Assembly

2025-41 Hybrid DMS Option

Item	Part No.	Part Name	Qty.
A	59-725	M/F Screw	2
B	4-299	But. Hd. Cap Screw	4
C	12-30	Star Washer	2
E	15-2	Hex Nut	4
F	52-295	Nylon Standoff	4
G	2600-320-606	Fuse Label	1
H	2025-242-801	DMS Cable Assembly	1
I	3001-302-910	DMS Power Supply	1
X	37-74	Hole Plug	3

2025-42 Integrated DMS Option

Item	Part No.	Part Name	Qty.
A	59-725	M/F Screw	2
B	4-299	But. Hd. Cap Screw	4
C	12-30	Star Washer	2
E	15-2	Hex Nut	4
F	52-295	Nylon Standoff	4
G	2600-320-606	Fuse Label	1
H	2025-242-801	DMS Cable Assembly	1
I	3001-302-910	DMS Power Supply	1
X	37-74	Hole Plug	3

2026-41 International Hybrid DMS Option

Item	Part No.	Part Name	Qty.
A	59-725	M/F Screw	2
B	4-299	But. Hd. Cap Screw	4
C	12-30	Star Washer	2
E	15-2	Hex Nut	4
F	52-295	Nylon Standoff	4
G	2026-250-527	International Fuse Label	1
H	2025-42-801	DMS Cable Assembly	1
I	3221-302-910	DMS Power Supply	1
X	37-74	Hole Plug	3

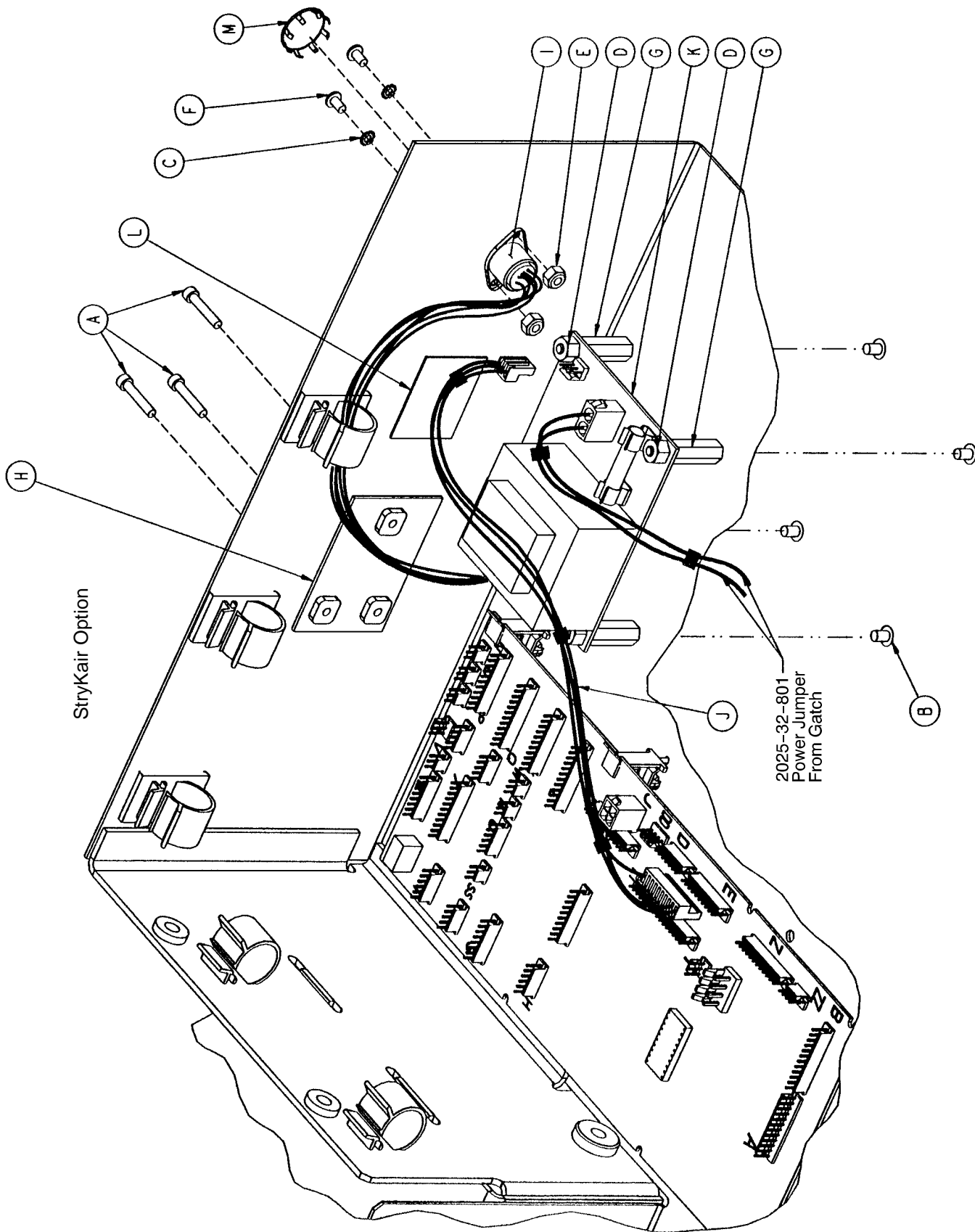
2026-42 Internat'l Integrated DMS Option

Item	Part No.	Part Name	Qty.
A	59-725	M/F Screw	2
B	4-299	But. Hd. Cap Screw	4
C	12-30	Star Washer	2
E	15-2	Hex Nut	4
F	52-295	Nylon Standoff	4
G	2026-250-527	International Fuse Label	1
H	2025-42-801	DMS Cable Assembly	1
I	3221-302-910	DMS Power Supply	1
X	37-74	Hole Plug	3

2025-43 No DMS Option

Item	Part No.	Part Name	Qty.
Y	4-101	Soc. Hd. Cap Screw	3
Z	2025-32-74	DMS Cover Plate	1

Actuator Box Assembly



Actuator Box Assembly

2600-42 Integrated StryKair Option

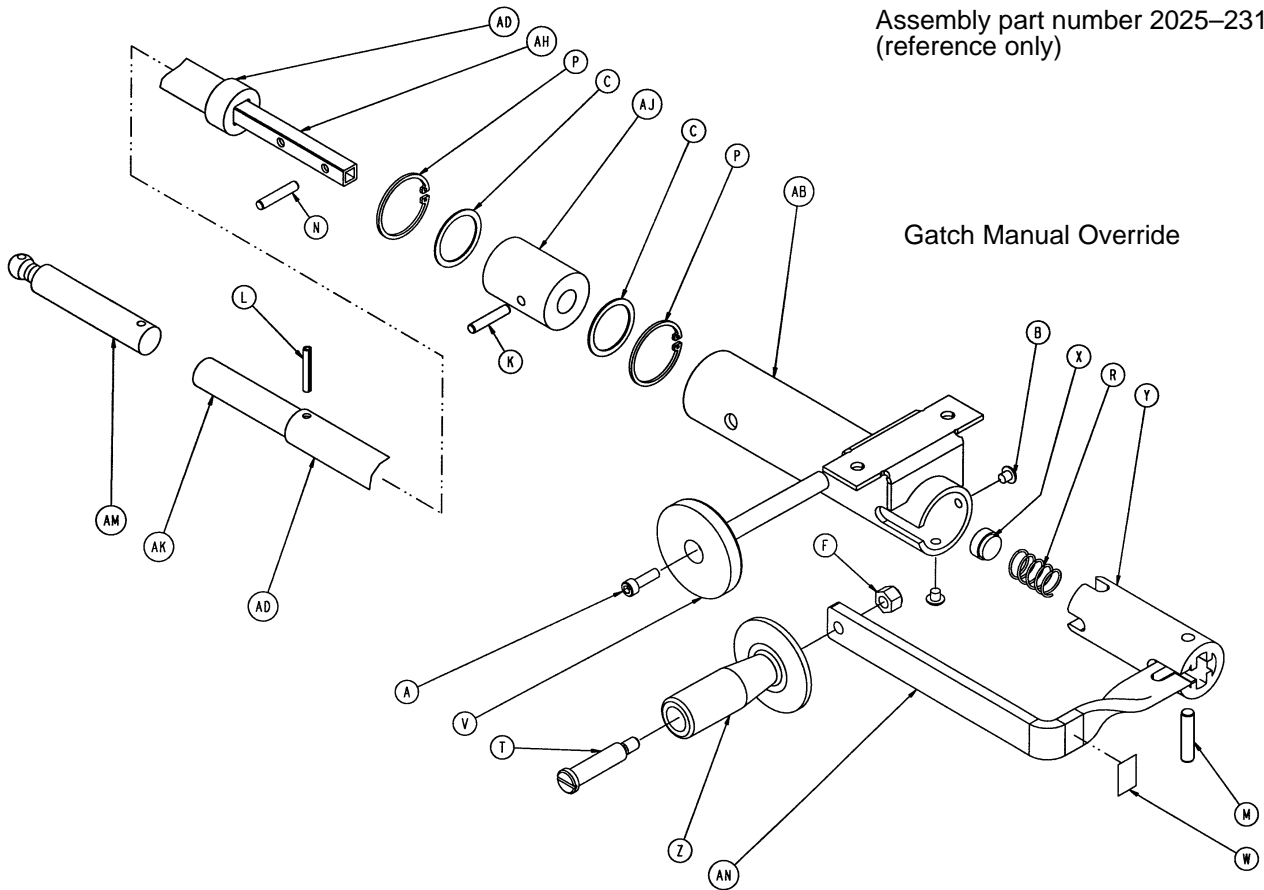
Item	Part No.	Part Name	Qty.
A	4-101	Soc. Hd. Cap Screw	3
B	4-299	But. Hd. Cap Screw	4
C	12-30	Ext. Tooth Star Washer	2
D	15-2	Hex Nut	4
E	16-23	Nylock Nut	2
F	50-38	Pan Hd. Mach Screw	2
G	52-295	Nylon Standoff	4
H	2025-32-74	DMS Cover Plate	1
I	2600-242-801	StryKair Port Cable	1
J	2600-242-802	StryKair Signal Cable	1
K	2600-300-900	StryKAir Power Supply	1
L	2600-320-606	Fuse Label	1

2600-43 No StryKair Option

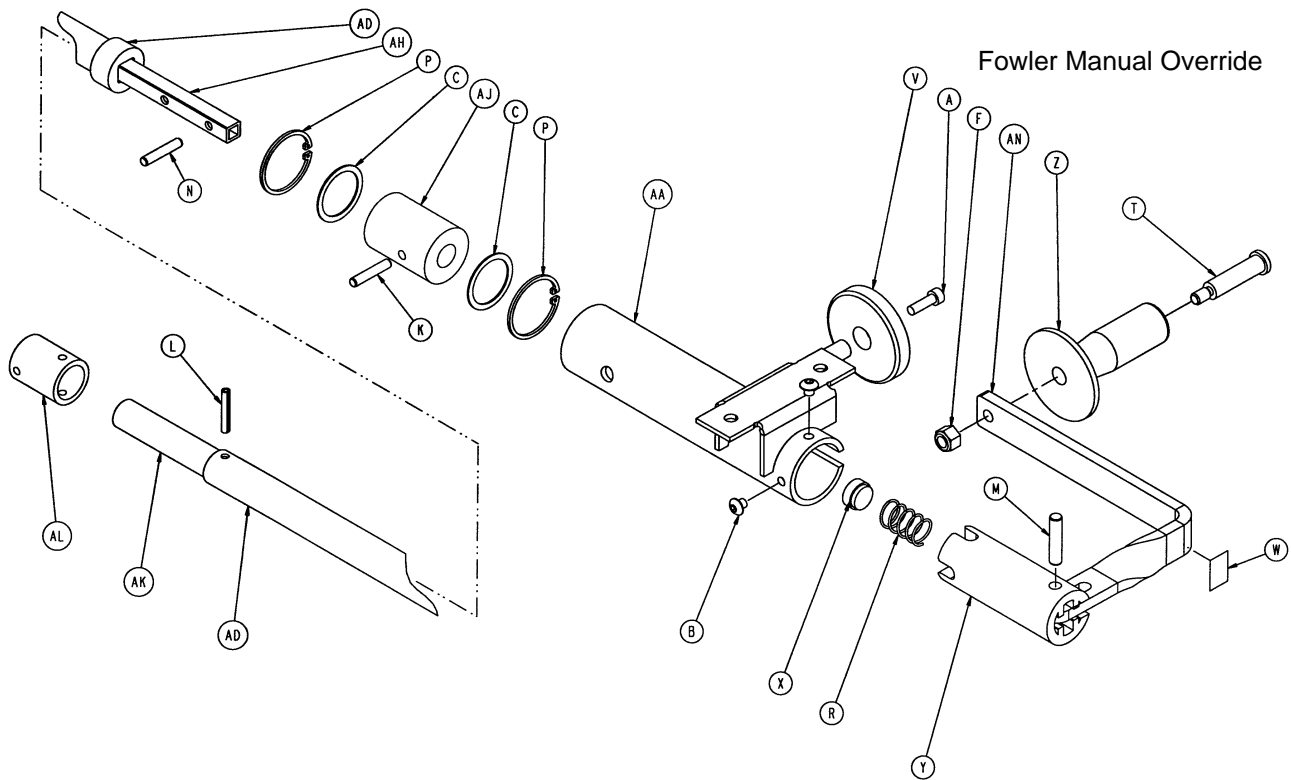
Item	Part No.	Part Name	Qty.
M	37-221	Hole Plug	1

Bed Extender Assembly

Assembly part number 2025-231-15
(reference only)

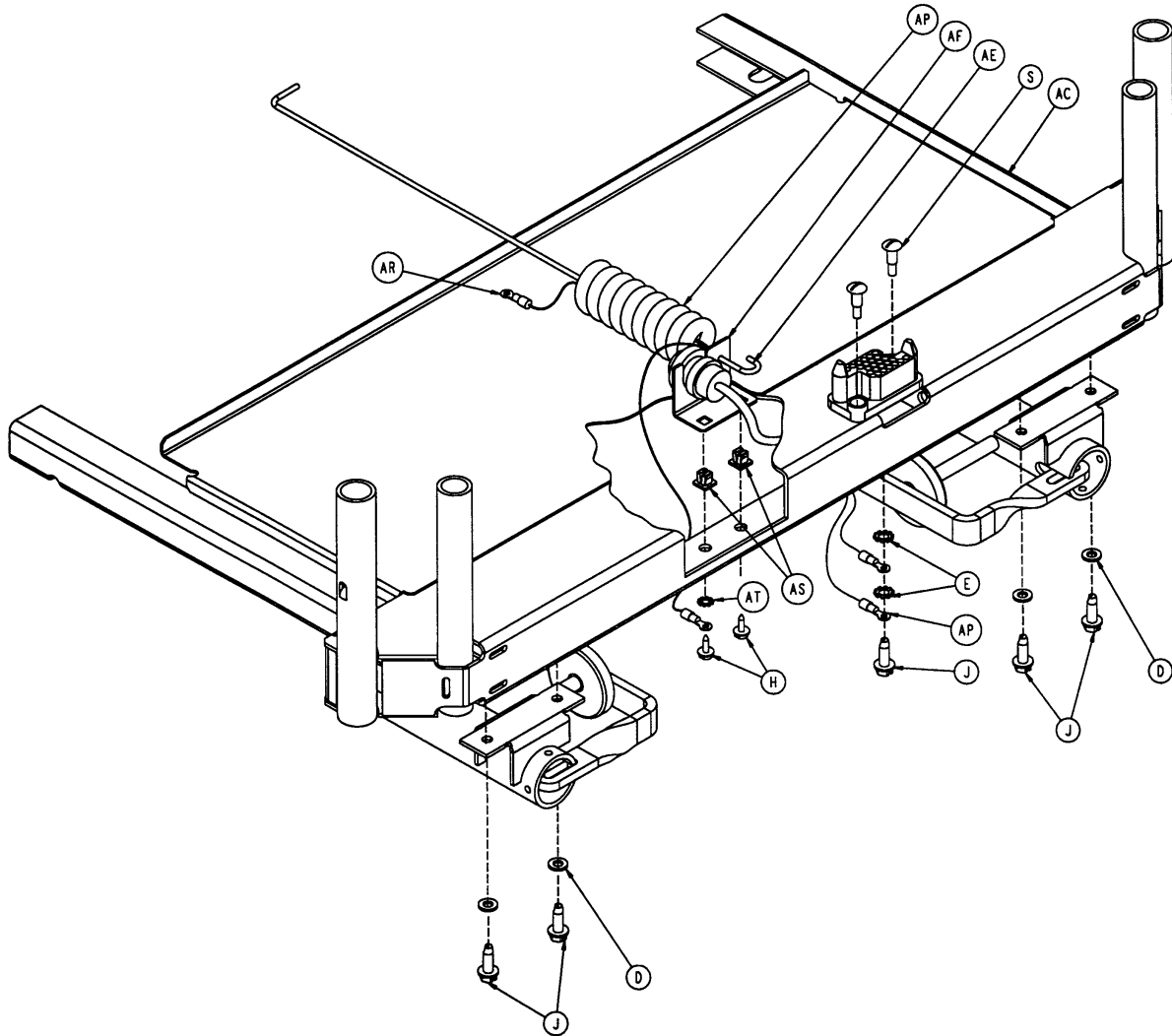


Gatch Manual Override



Fowler Manual Override

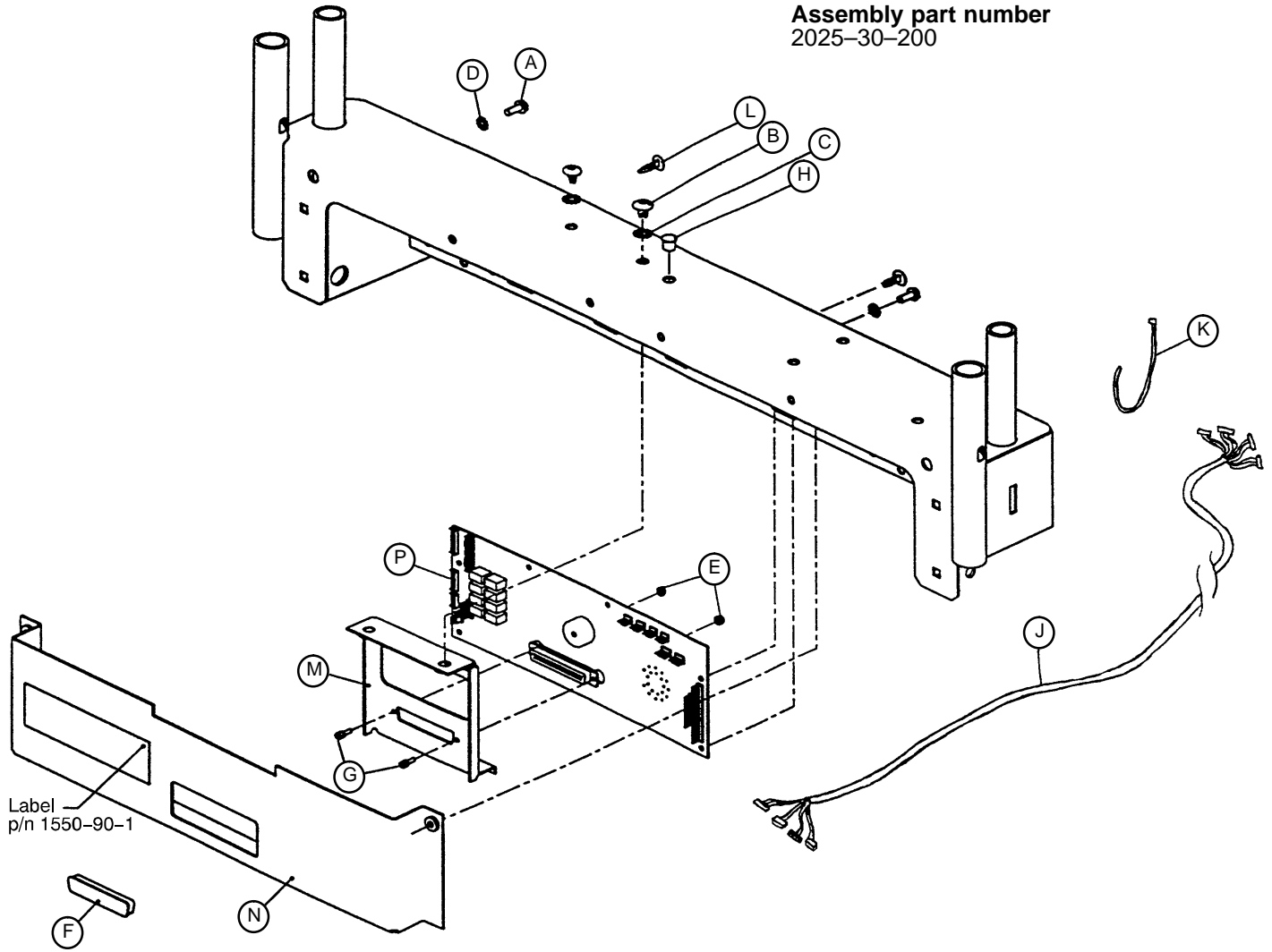
Bed Extender Assembly



Item	Part No.	Part Name	Qty.	Item	Part No.	Part Name	Qty.
A	4-7	Soc. Hd. Cap Screw	2	X	2020-1-524	Crank Spring Button	2
B	4-148	Soc. Hd. Cap Screw	4	Y	2020-1-526	Crank Coupler	2
C	11-392	Nylon Washer	4	Z	2020-16-521	Man. Override Crk. Knob	2
D	12-12	Lock Washer	4	AA	2025-31-55	Crank Hsg. Wldmt., Lt.	1
E	13-10	Ext. Tooth Lock Washer	2	AB	2025-31-56	Crank Hsg. Wldmt., Rt.	1
F	16-78	Centerlock Nut	2	AC	2025-31-57	Bed Extender Wldmt.	1
H	23-25	Hex Wash. Hd. Tap. Screw	2	AD	2025-31-58	Tube/Coupler Wldmt.	2
J	23-42	Hex Wash. Hd. Tap. Screw	4	AE	2025-31-64	Coil Cord Guide Rod	1
K	26-11	Roll Pin	2	AF	2025-31-65	Coil Cord Bracket	1
L	26-53	Roll Pin	2	AH	2025-31-101	Manual Override Shaft	2
M	26-168	Roll Pin	2	AJ	2025-231-104	Plastic Bearing	2
N	26-179	Roll Pin	2	AK	2025-31-105	Plastic Tubing	2
P	28-88	Int. Retaining Ring	4	AL	2025-31-107	Fowler Motor Coupler	1
R	38-209	Compression Spring	2	AM	2025-31-109	Gatch Shaft Extension	1
S	52-729	Truss Hd. Shoulder Bolt	2	AN	2025-31-110	Crank Handle	2
T	378-24-29	Shoulder Bolt	2	AP	2025-231-801	Foot Board Coil Cord	1
V	958-34-717	Magnet	2	AR	2025-31-806	Ground Strap	1
W	2020-1-115	Label	2	AS	3000-300-2	Plastic Clip Nut	2
				AT	13-18	Ext. Tooth Lock Washer	1

Head Wall Communication Option Assembly

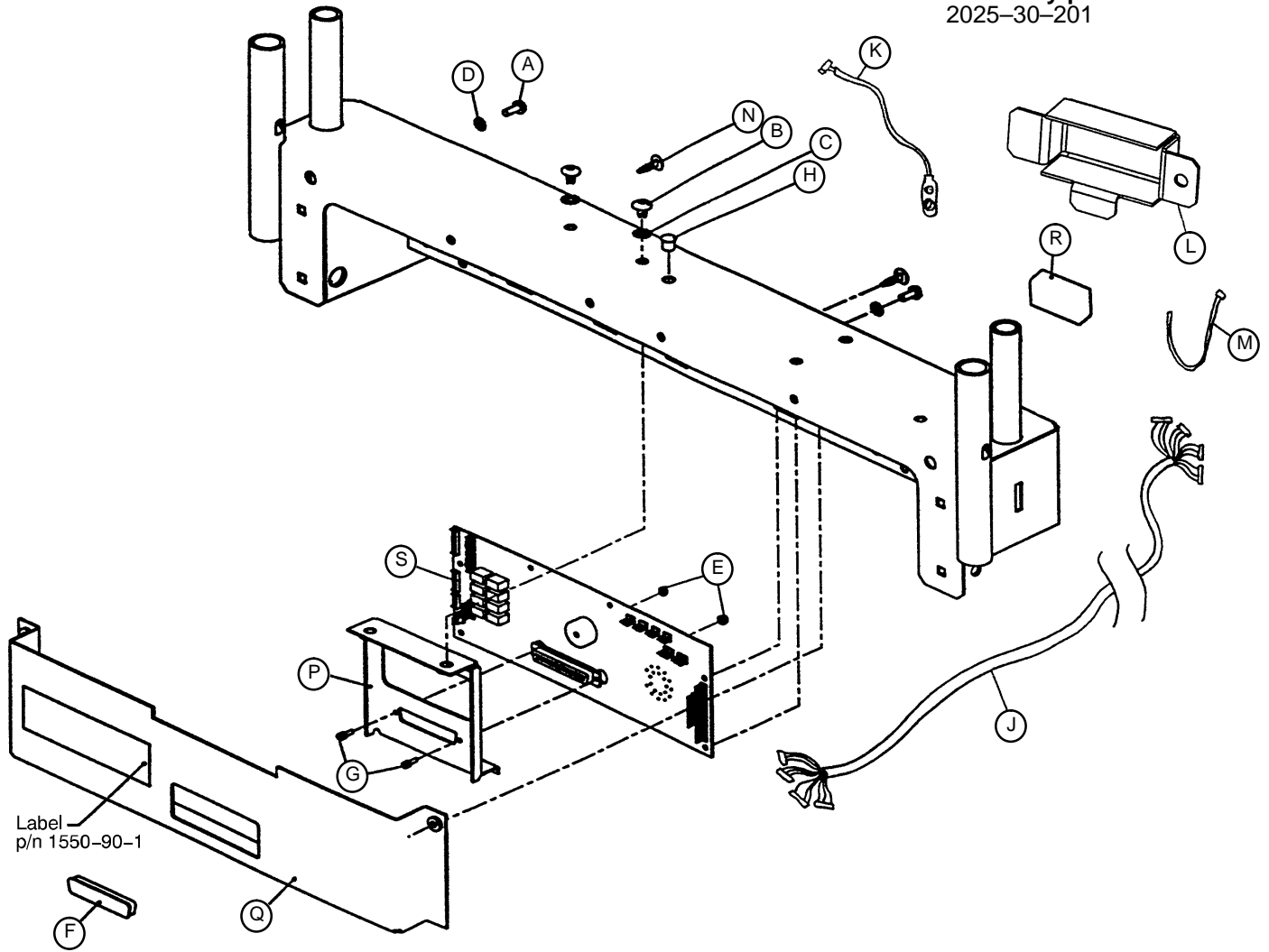
Assembly part number
2025-30-200



Item	Part No.	Part Name	Qty.
A	3-124	Hex Washer Hd. Screw	2
B	7-49	Truss Hd. Screw	2
C	13-10	Ext. Tooth Lock Washer	2
D	13-18	Ext. Tooth Lock Washer	2
E	16-7	Fiberlock Nut	2
F	59-710	Static Cap	1
G	59-727	Jack Screw	2
H	59-738	Dome Plug	1
J	2025-230-805	Head Wall Interface Cable	1
K	3000-300-113	Cable Tie	5
L	3000-300-115	Standoff	4
M	3001-303-11	Bracket	1
N	3001-303-32	Head Wall Interface Enclosure	1
P	3001-303-900	Head Wall Interface PCB	1

Head Wall w/Nurse Call & Battery Option Assembly

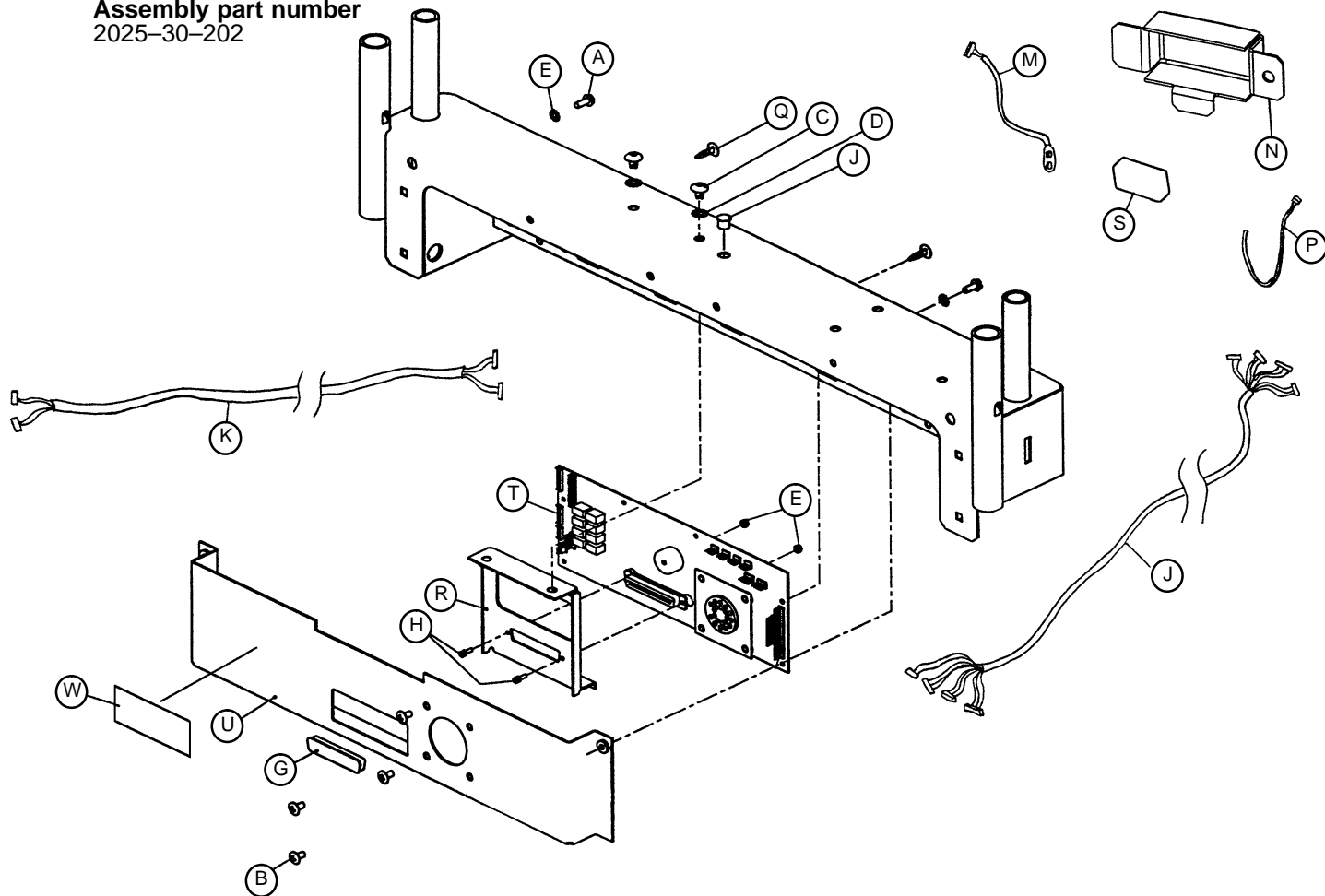
Assembly part number
2025-30-201



Item	Part No.	Part Name	Qty.
A	3-124	Hex Washer Hd. Screw	2
B	7-49	Truss Hd. Screw	2
C	13-10	Ext. Tooth Lock Washer	2
D	13-18	Ext. Tooth Lock Washer	2
E	16-7	Fiberlock Nut	2
F	59-710	Static Cap	1
G	59-727	Jack Screw	2
H	59-738	Dome Plug	1
J	2025-230-805	Head Wall Interface Cable	1
K	2025-30-806	Battery Cable	1
L	2025-32-71	Battery Enclosure	1
M	3000-300-113	Cable Tie	6
N	3000-300-115	Standoff	4
P	3001-303-11	Bracket	1
Q	3001-303-32	Head Wall Interface Enclosure	1
R	3000-303-871	Battery	1
S	3001-303-900	Head Wall Interface PCB Ass'y	1

Head Wall w/Nurse Call & 1 Stryker Port Option Ass'y

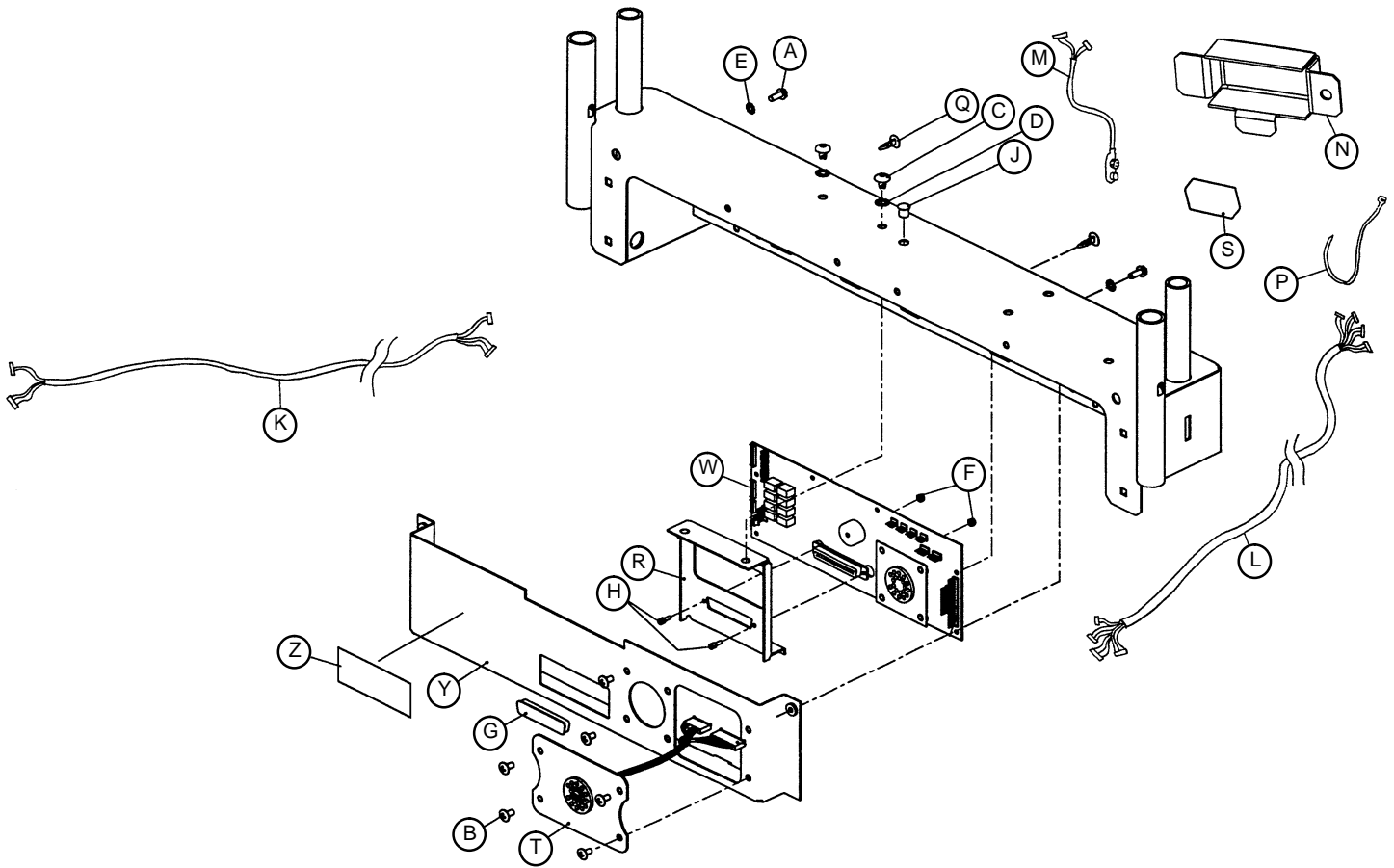
Assembly part number
2025-30-202



Item	Part No.	Part Name	Qty.
A	3-124	Hex Washer Hd. Screw	2
B	4-302	Hex Soc. But. Hd. Cap Screw	4
C	7-49	Truss Hd. Screw	2
D	13-10	Ext. Tooth Lock Washer	2
E	13-18	Ext. Tooth Lock Washer	2
F	16-7	Fiberlock Nut	2
G	59-710	Static Cap	1
H	59-727	Jack Screw	2
J	59-738	Dome Plug	1
K	2025-230-804	Pendant Port Cable	1
L	2025-230-805	Head Wall Interface Cable	1
M	2025-30-806	Battery Cable	1
N	2025-32-71	Battery Enclosure	1
P	3000-300-113	Cable Tie	6
Q	3000-300-115	Standoff	4
R	3001-303-11	Bracket	1
S	3000-303-871	Battery	1
T	3001-314-900	H. W. IFC PCB w/Stryker Port	1
U	3001-340-41	Hd. Wall Enc. w/ Cust. Port	1
W	5000-90-28	Cord Out Label	1

Head Wall w/Nurse Call & 2 Stryker Ports Option Ass'y

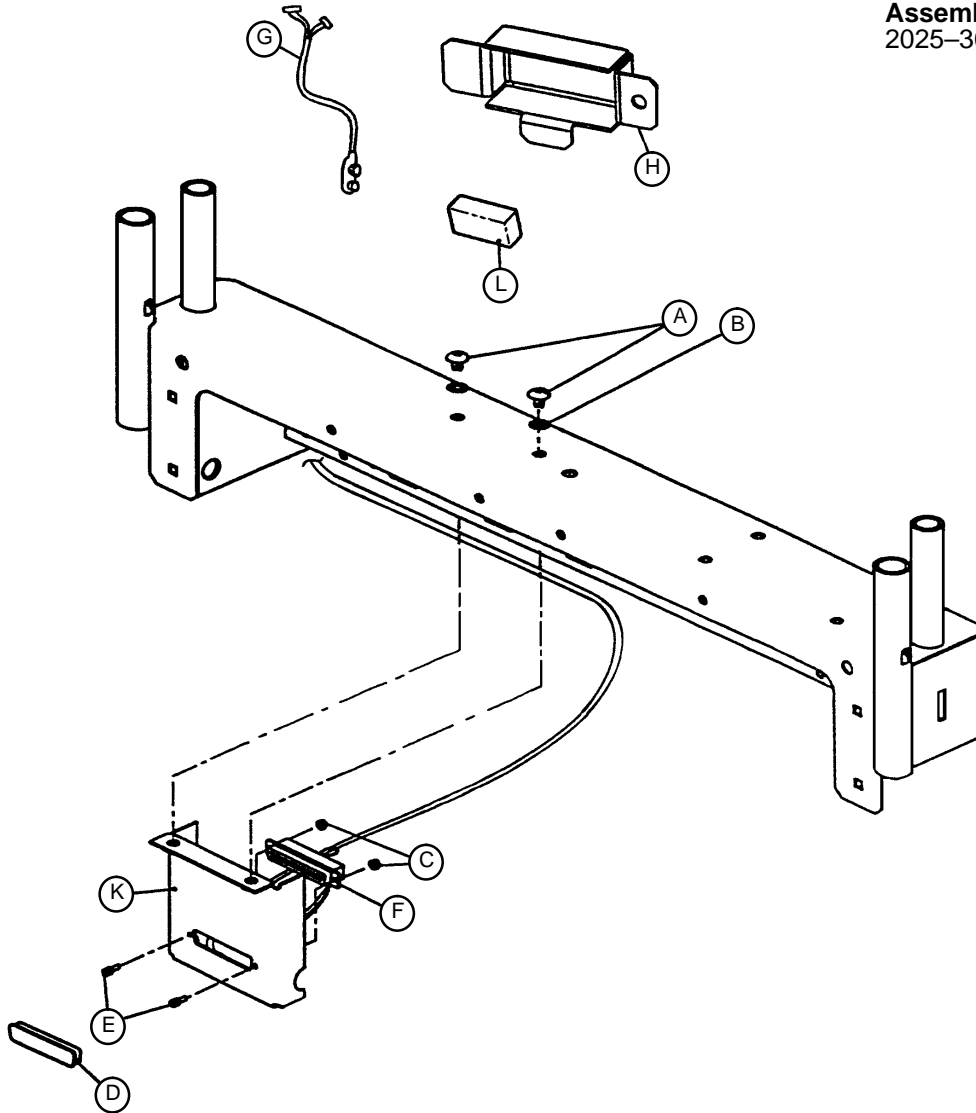
Assembly part number
2025-30-203



Item	Part No.	Part Name	Qty.
A	3-124	Hex Washer Hd. Screw	2
B	4-302	Hex Soc. But. Hd. Cap Screw	6
C	7-49	Truss Hd. Screw	2
D	13-10	Ext. Tooth Lock Washer	2
E	13-18	Ext. Tooth Lock Washer	2
F	16-7	Fiberlock Nut	2
G	59-710	Static Cap	1
H	59-727	Jack Screw	2
J	59-738	Dome Plug	1
K	2025-230-804	Pendant Port Cable	1
L	2025-230-805	Head Wall Interface Cable	1
M	2025-30-806	Battery Cable	1
N	2025-32-71	Battery Enclosure	1
P	3000-300-113	Cable Tie	6
Q	3000-300-115	Standoff	4
R	3001-303-11	Bracket	1
S	3000-303-871	Battery	1
T	3001-314-802	Port & Cable Assembly	1
W	3001-314-900	H. W. IFC PCB w/Stryker Port	1
Y	3001-340-41	Hd. Wall Enc. w/ Cust. Port	1
Z	5000-90-28	Cord Out Label	1

Head Wall Interface Assembly, Nurse Call Option

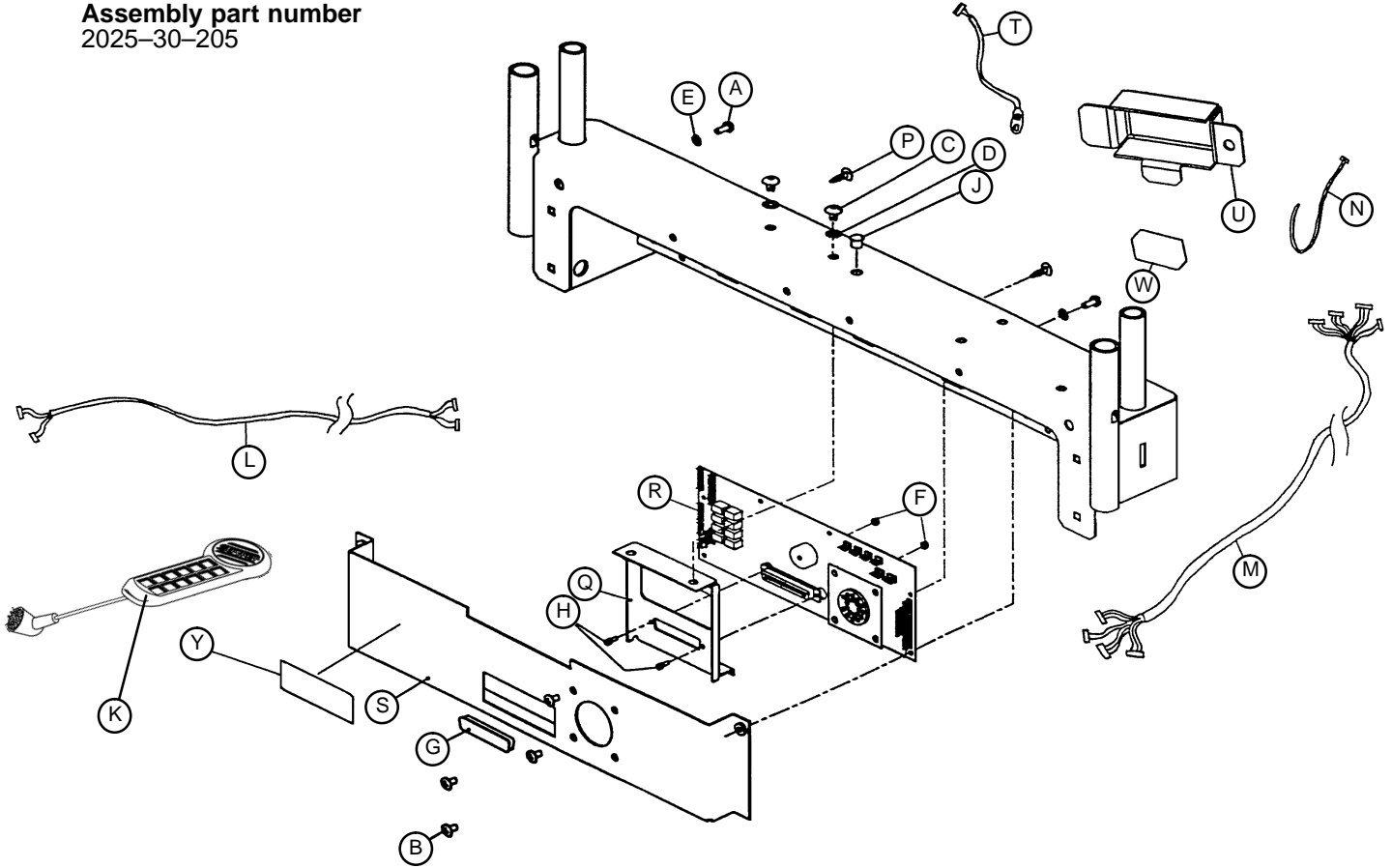
Assembly part number
2025-30-204



Item	Part No.	Part Name	Qty.
A	7-49	Truss Hd. Screw	2
B	13-10	Ext. Tooth Lock Washer	2
C	16-7	Fiberlock Nut	2
D	59-710	Static Cap	1
E	59-727	Jack Screw	2
F	2025-230-803	Nurse Call Cable	1
G	2025-30-806	Battery Cable	1
H	2025-32-71	Battery Enclosure	1
J	3000-303-113	Cable Tie	7
K	3001-303-16	PCB Mounting Bracket	1
L	3000-303-871	Battery	1

Pendant Port Option Assembly, Motion Only

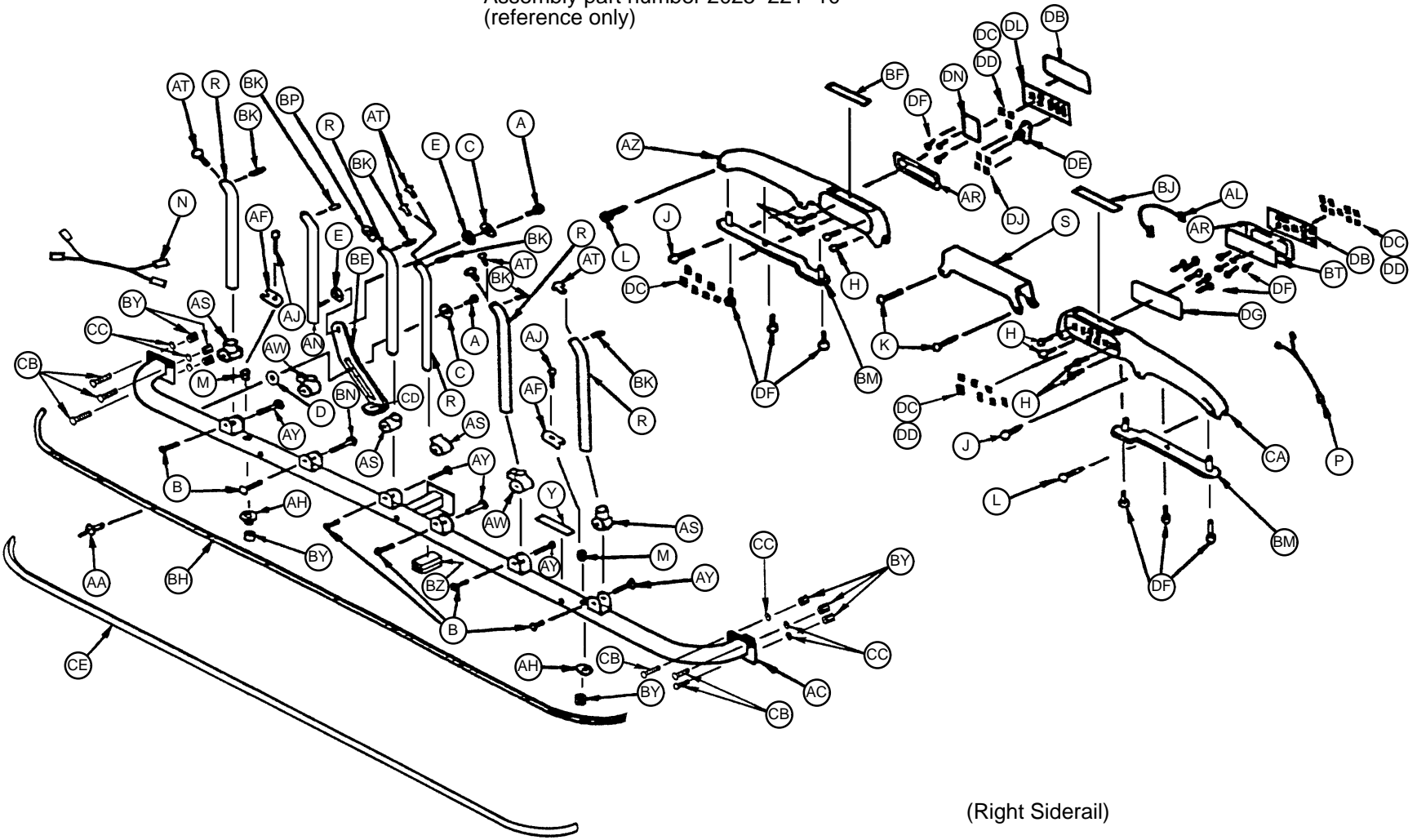
Assembly part number
2025-30-205



Item	Part No.	Part Name	Qty.
A	3-124	Hex Washer Hd. Screw	2
B	4-302	Hex Soc. But. Hd. Cap Screw	4
C	7-49	Truss Hd. Screw	2
D	13-10	Ext. Tooth Lock Washer	2
E	13-18	Ext. Tooth Lock Washer	2
F	16-7	Fiberlock Nut	2
G	59-710	Static Cap	1
H	59-727	Jack Screw	2
J	59-738	Dome Plug	1
K	(page 127)	Comb. Pendant, Motion Only	1
L	2025-230-804	Pendant Port Cable	1
M	2025-230-805	Head Wall Interface Cable	1
N	3000-300-113	Cable Tie	5
P	3000-300-115	Standoff	4
Q	3001-303-11	Bracket	1
R	3001-314-900	Head Wall IFC PCB	1
S	3001-340-41	H.W. Enclosure w/Cust. Port	1
T	2025-30-806	Battery Cable	1
U	2025-32-71	Battery Enclosure	1
W	3000-303-871	Battery	1
Y	5000-90-28	Cord Out Label	1

Full Length Siderail Assembly

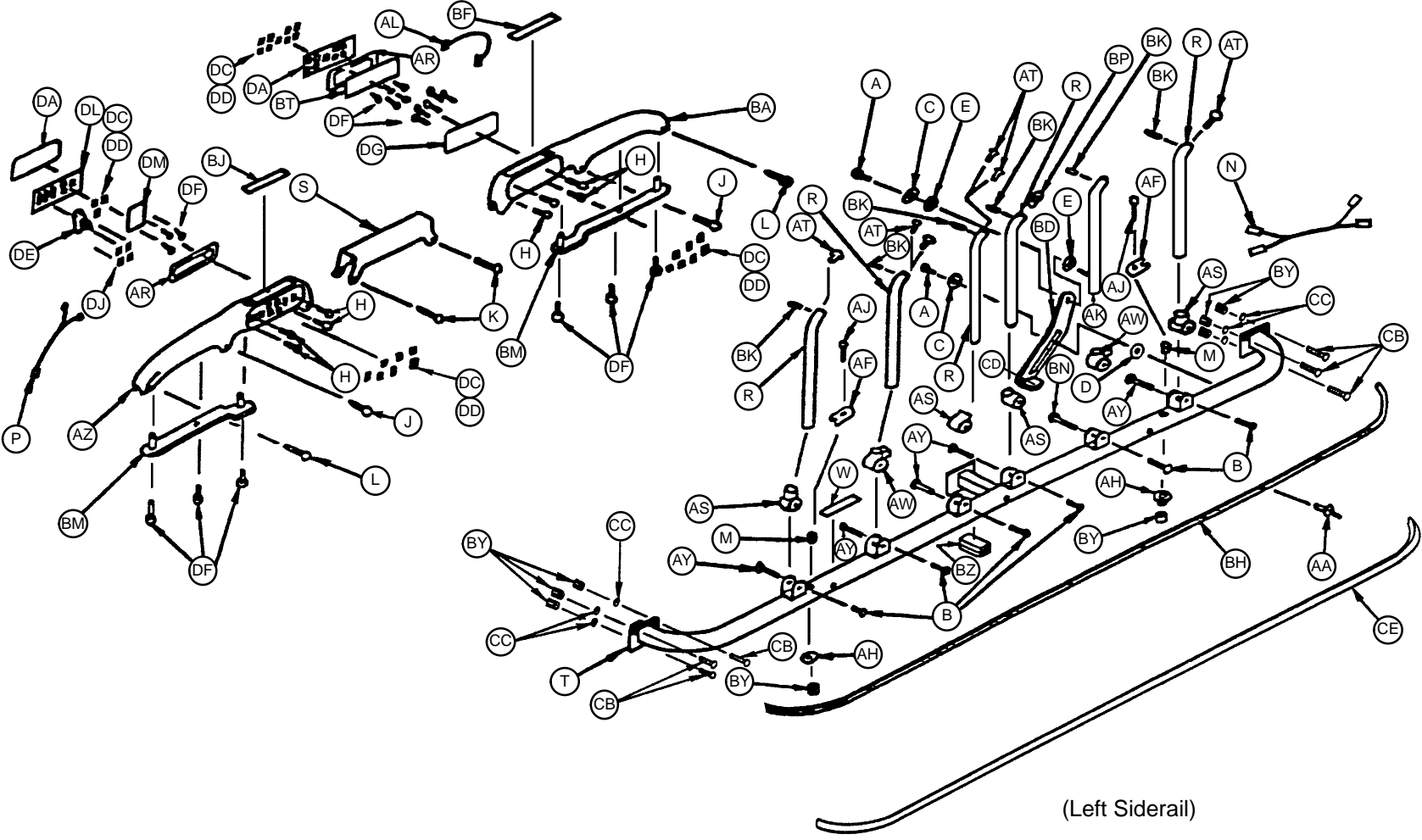
Assembly part number 2025-221-10
(reference only)



06

(Right Siderail)

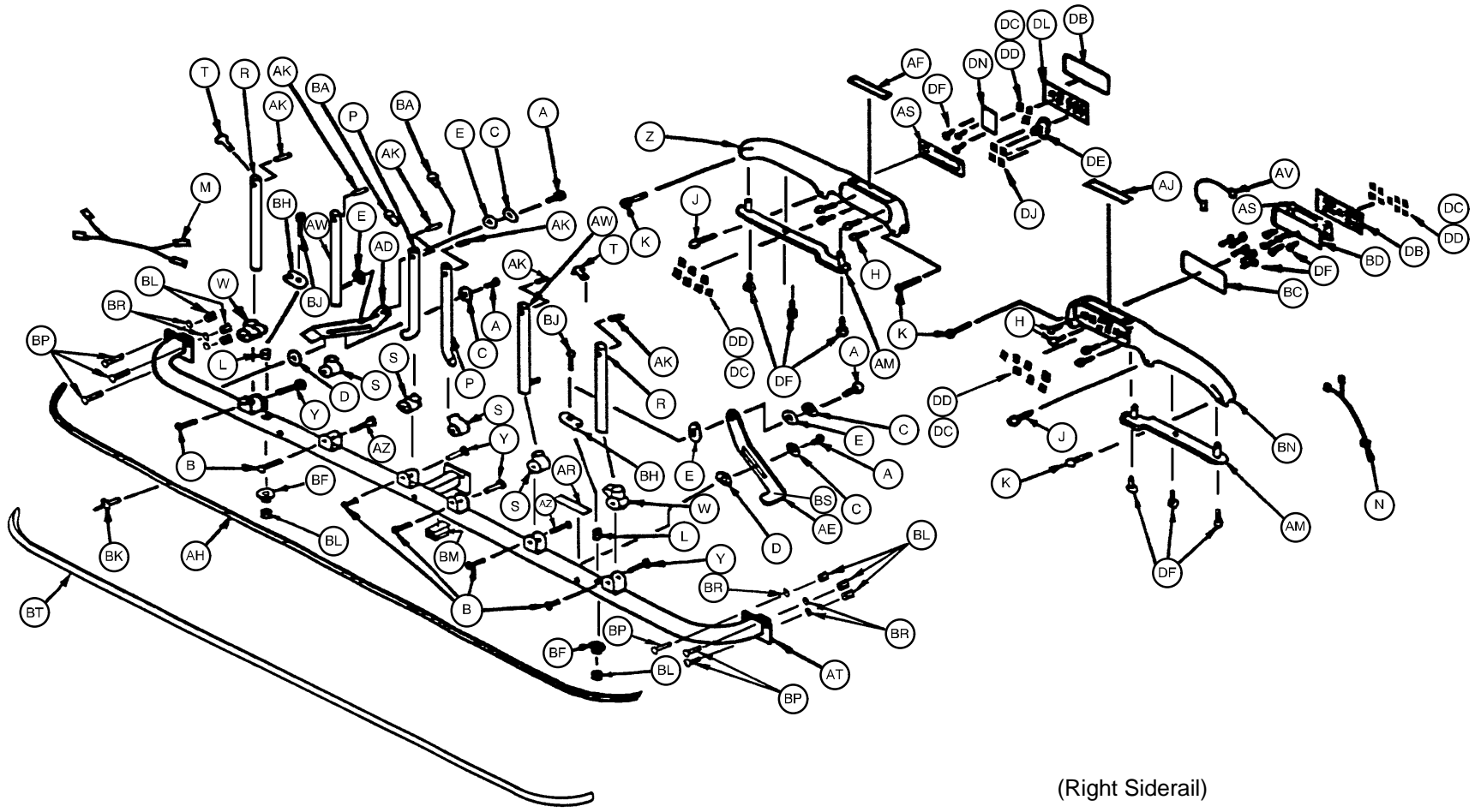
Assembly part number 2025-221-10
(reference only)



Full Length Siderail Assembly

Item	Part No.	Part Name	Qty.
A	4-5	Handle Retainer Screw	4
B	4-301	Pivot Screw	12
C	11-156	Washer	4
D	11-354	Nylon Washer	2
E	14-20	Nylon Washer	4
H	23-248	Self-Tapping Screw	16
J	25-139	Short Top Rail Rivet	4
K	25-149	Long Top Rail Rivet	4
L	25-150	Medium Top Rail Rivet	4
M	30-38	Cable Bushing	4
N	2025-20-801	Head End Cable Assembly	2
P	2025-20-803	Foot End Cable Assembly	2
R	2025-21-43	Angled Spindle	10
S	2025-21-46	Center Top Rail Connector	2
T	2025-321-50	Pivot Tube Weldment, Left	1
W	2025-22-62	Quick Drop Label, Left	1
Y	2025-22-63	Quick Drop Label, Right	1
AA	25-38	Pop Rivet	22
AC	2025-321-51	Pivot Tube Weldment, Right	1
AF	2025-222-65	Cover	4
AH	11-154	Washer	4
AJ	4-306	Soc. Hd. Cap Screw	4
AK	2025-21-55	Lock Spindle Weldment, Left	1
AL	2025-20-802	Siderail Jumper Cable	2
AN	2025-21-56	Lock Spindle Weldment, Right	1
AR	2025-22-64	Gasket	4
AS	2025-22-26	Spindle Pivot	8
AT	2025-22-27	Spindle End Cap	12
AW	2025-22-28	Spindle Pivot Stop	4
AY	2025-22-29	Pivot Bolt Spacer	10
AZ	2025-22-68	Top Rail #1	2
BA	2025-22-69	Top Rail #2	1
BD	2025-222-37	Latch Handle, Left	1
BE	2025-222-38	Latch Handle, Right	1
BF	2025-22-39	Caution Label	2
BH	2025-22-40	Bumper Channel	2
BJ	2025-22-41	Warning Label	2
BK	2025-22-43	Top Rail Rivet Spacer	12
BM	2025-22-48	Top Rail Bottom Cover	4
BN	2025-22-60	Lock Pivot Bolt Spacer	2
BP	2025-22-66	Siderail Dome Plug	2
BR	2025-400-960	Inside Siderail PCB, Left	1
BS	2025-400-910	Outside Siderail PCB, Right	1
BT	2025-400-970	Inside Siderail PCB, Right	1
BW	2025-400-930	Outside Siderail PCB, Left	1
BY	16-28	Fiberlock Nut	22
BZ	59-144	Split Ferrite	2
CA	2025-22-67	Top Rail #3	1
CB	5-19	Carriage Bolt	18
CC	11-63	Washer	18
CD	37-224	Siderail Latch End Cap	2
CE	2025-000-103	Blue Bumper Strip	2
	2025-000-203	Green Bumper Strip	2
DA	2025-22-33	Siderail Module, Left	1
DB	2025-22-34	Siderail Module, Right	1
DF	23-112	Pan Hd. Screw	36

Assembly part number 2025-222-10
(reference only)

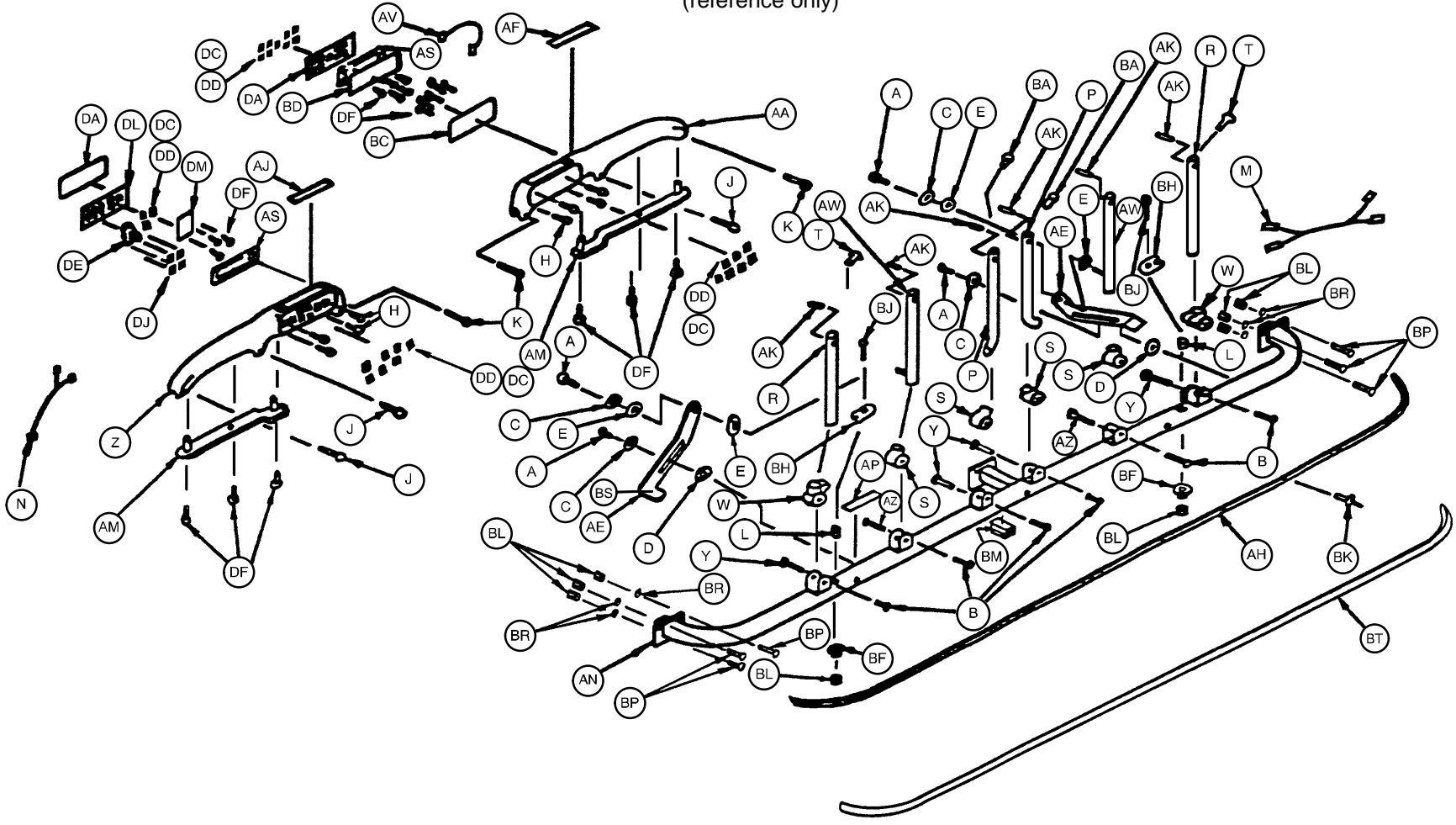


(Right Siderail)

Split Siderail Assembly

Split Siderail Assembly

Assembly part number 2025-222-10
(reference only)



(Left Siderail)

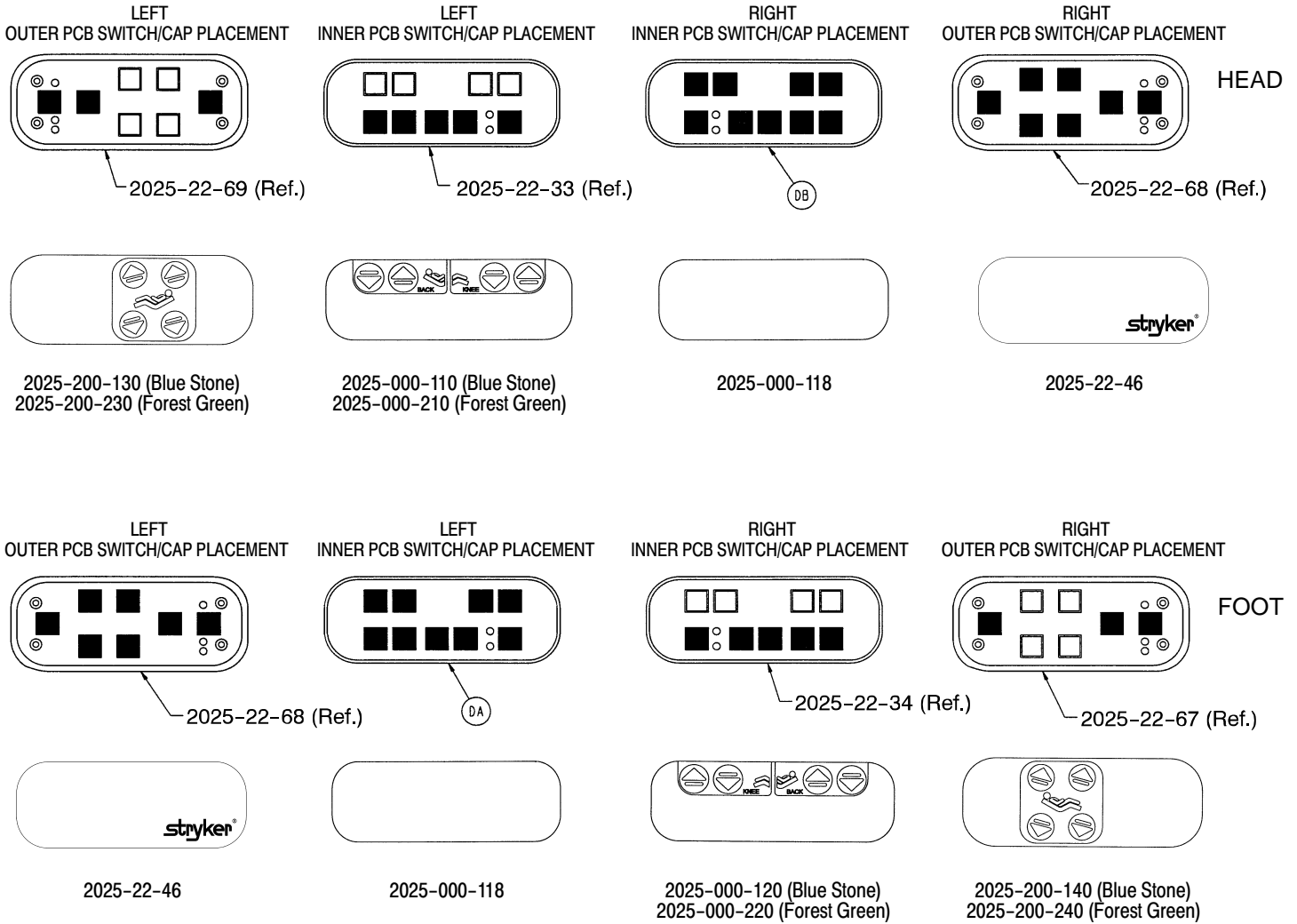
Split Siderail Assembly

Item	Part No.	Part Name	Qty.
A	4-5	Handle Retainer Screw	8
B	4-301	Pivot Screw	12
C	11-156	Washer	8
D	11-354	Nylon Washer	4
E	14-20	Nylon Washer	8
H	23-248	Self-Tapping Screw	16
J	25-139	Short Top Rail Rivet	4
K	25-150	Medium Top Rail Rivet	8
L	30-38	Cable Bushing	4
M	2025-20-801	Head End Cable Assembly	2
N	2025-20-803	Foot End Cable Assembly	2
P	2025-21-43	Angled Spindle	4
R	2025-22-25	Straight Spindle	4
S	2025-22-26	Spindle Pivot	8
T	2025-22-27	Spindle End Cap	4
W	2025-22-28	Spindle Pivot Stop	4
Y	2025-22-29	Pivot Bolt Spacer	8
Z	2025-22-68	Top Rail #1	2
AA	2025-22-69	Top Rail #2	1
AD	2025-222-37	Latch Handle, Left	2
AE	2025-222-38	Latch Handle, Right	2
AF	2025-22-39	Caution Label	2
AH	2025-22-40	Bumper Channel	2
AJ	2025-22-41	Warning Label	2
AK	2025-22-43	Top Rail Rivet Spacer	12
AM	2025-22-48	Top Rail Bottom Cover	4
AN	2025-322-50	Pivot Tube Weldment, Left	1
AP	2025-22-62	Quick Drop Label, Left	1
AR	2025-22-63	Quick Drop Label, Right	1
AS	2025-22-64	Gasket	4
AT	2025-322-51	Pivot Tube Weldment, Right	1
AV	2025-20-802	Siderail Jumper Cable	2
AW	2025-22-55	Lock Spindle Weldment	4
AZ	2025-22-60	Lock Pivot Bolt Spacer	4
BA	2025-22-66	Siderail Dome Plug	4
BB	2025-400-960	Inside Siderail PCB, Left	1
BC	2025-400-910	Outside Siderail PCB, Right	1
BD	2025-400-970	Inside Siderail PCB, Right	1
BE	2025-400-930	Outside Siderail PCB, Left	1
BF	11-154	Washer	4
BH	2025-222-65	Wire Cover	4
BJ	4-306	Soc. Hd. Cap Screw	4
BK	25-38	Pop Rivet	22
BL	16-28	Fiberlock Nut	22
BM	59-144	Split Ferrite	2
BN	2025-22-67	Top Rail #3	1
BP	5-19	Carriage Bolt	18
BR	11-63	Washer	18
BS	37-224	Siderail Latch End Cap	2
BT	2025-000-103	Blue Bumper Strip	2
	2025-000-203	Green Bumper Strip	2
DA	2025-22-33	Siderail Module, Left	1
DB	2025-22-34	Siderail Module, Right	1
DF	23-112	Pan Hd. Screw	36

For items DA through DZ, refer to pages 96 – 107 for siderail control options.

Siderail Control Option Assembly

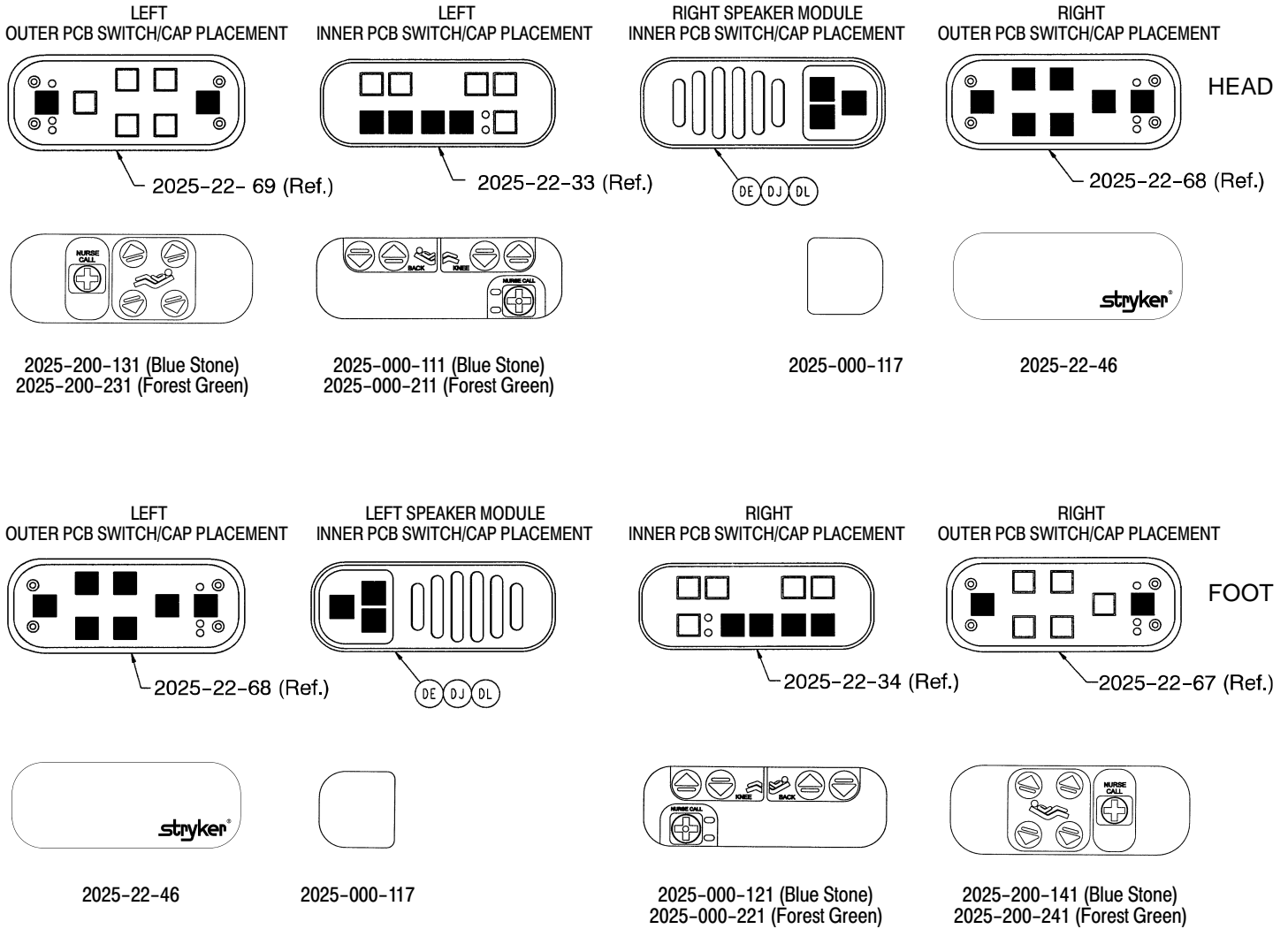
Standard Siderail



Item	Part No.	Part Name	Qty.
DA	2025-22-33	Module, Left	1
DB	2025-22-34	Module, Right	1
DC	3001-400-522	Filler Cap	48
DD	3001-400-953	Switch Cap	16

Siderail Control Option Assembly

Standard Siderail with Nurse Call Option



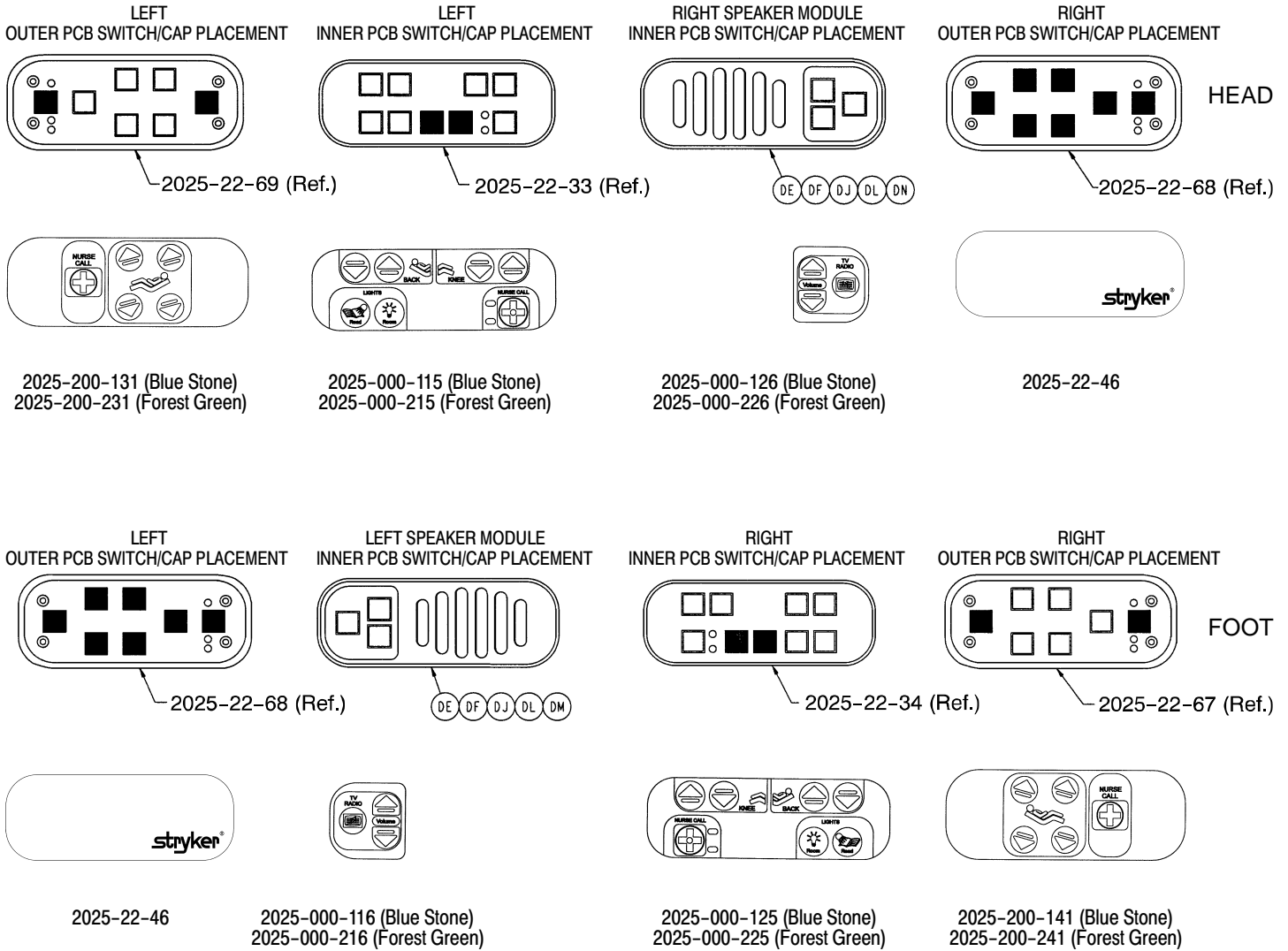
□ = SWITCH CAP (DD)

■ = FILLER CAP (DC)

Item	Part No.	Part Name	Qty.
DC	3001-400-522	Filler Cap	32
DD	3001-400-953	Switch Cap	20
DE	2025-22-49	Speaker	2
DJ	52-722	Thread Cutting Nut	8
DL	2025-22-47	Speaker Module	2

Siderail Control Option Assembly

Standard Siderail with Nurse Call and Communication Options



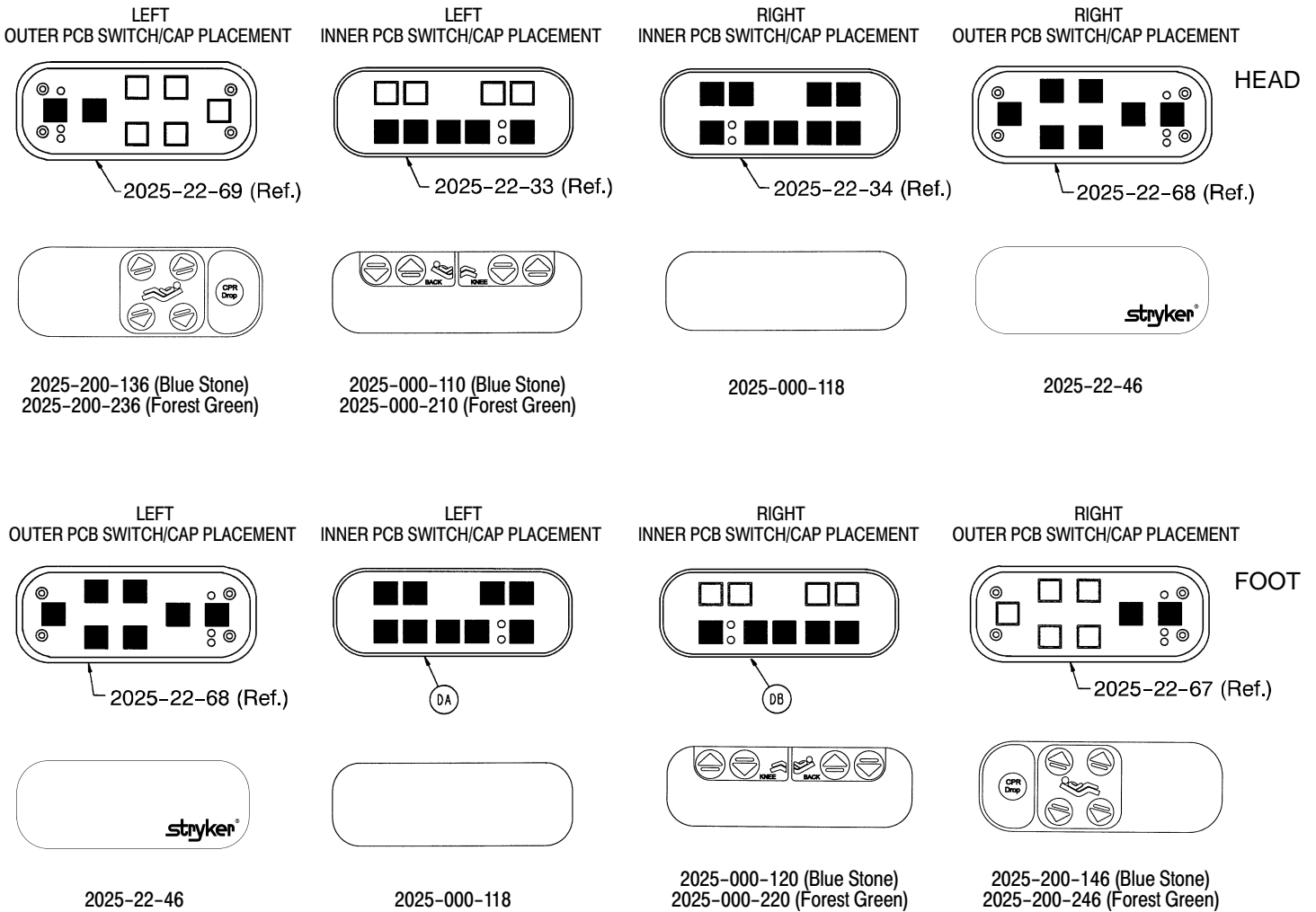
□ = SWITCH CAP (DD)

■ = FILLER CAP (DC)

Item	Part No.	Part Name	Qty.
DC	3001-400-522	Filler Cap	22
DD	3001-400-953	Switch Cap	30
DE	2025-22-49	Speaker	2
DF	23-112	Pan Hd. Tapping Screw	6
DJ	52-722	Thread Cutting Nut	8
DL	2025-22-47	Speaker Module	2
DM	2025-400-940	TV/Radio Volume PCB, Left	1
DN	2025-400-940	TV/Radio Volume PCB, Right	1

Siderail Control Option Assembly

Standard Siderail with Position Package #2* Option



□ = SWITCH CAP (DD)

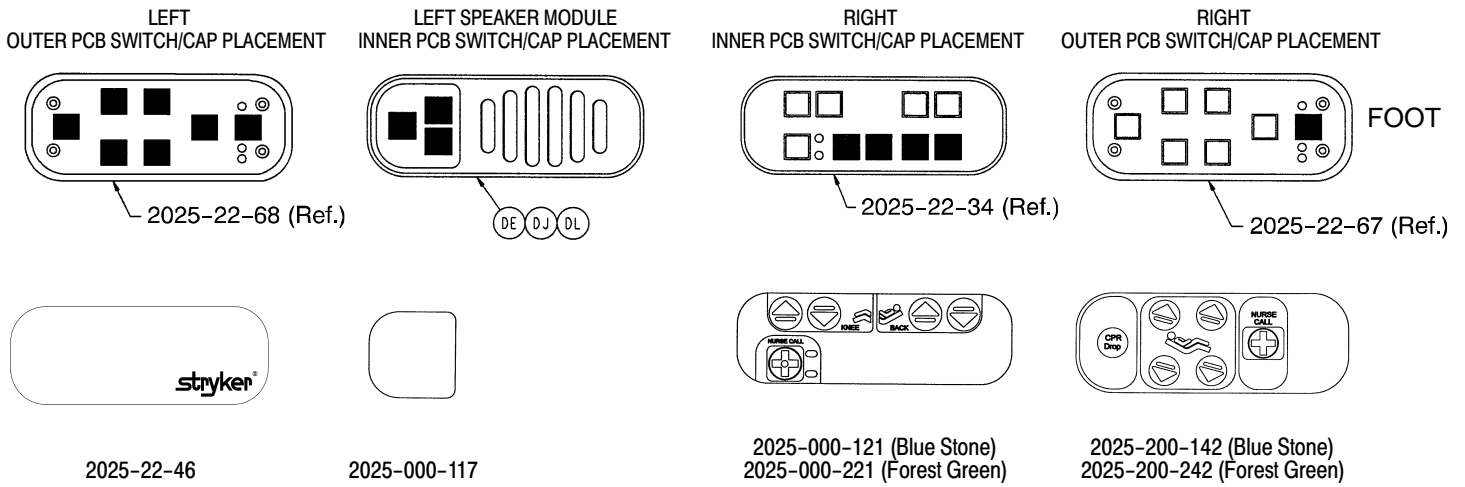
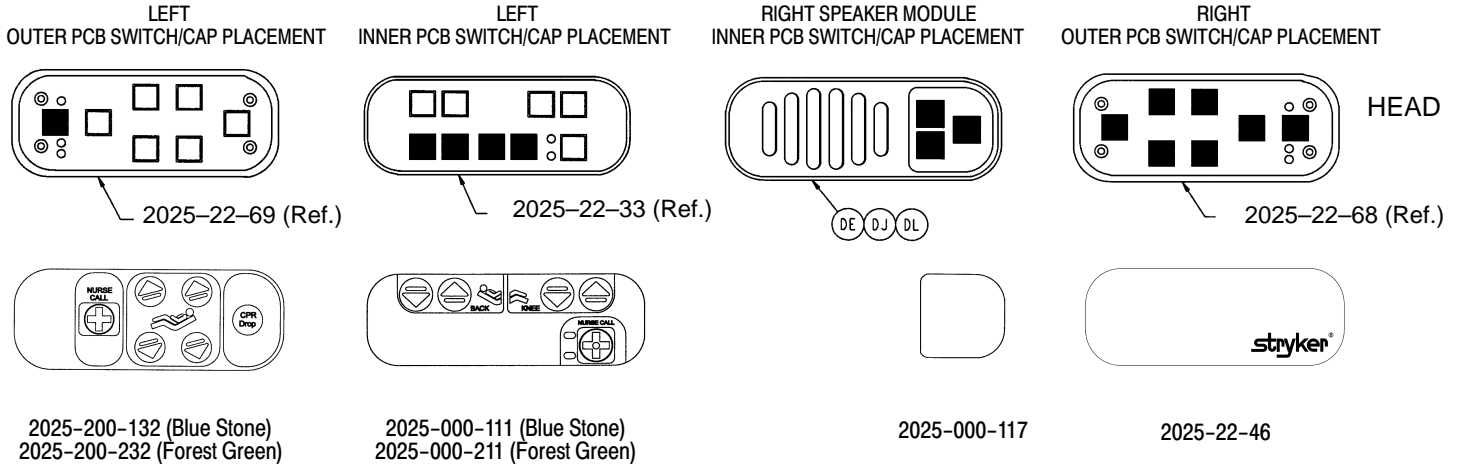
■ = FILLER CAP (DC)

Item	Part No.	Part Name	Qty.
DA	2025-22-33	Siderail Module, Left	1
DB	2025-22-34	Siderail Module, Right	1
DC	3001-400-522	Filler Cap	46
DD	3001-400-953	Switch Cap	18
	2025-136-10	Patient Pos. #2 Ft. Bd. Option	1

* Position Package #2 includes the CPR option on the siderails and the Emergency Drop and Cardiac Chair options on the foot board.

Siderail Control Option Assembly

Standard Siderail with Nurse Call & Position Package #2* Options



□ = SWITCH CAP (DD)

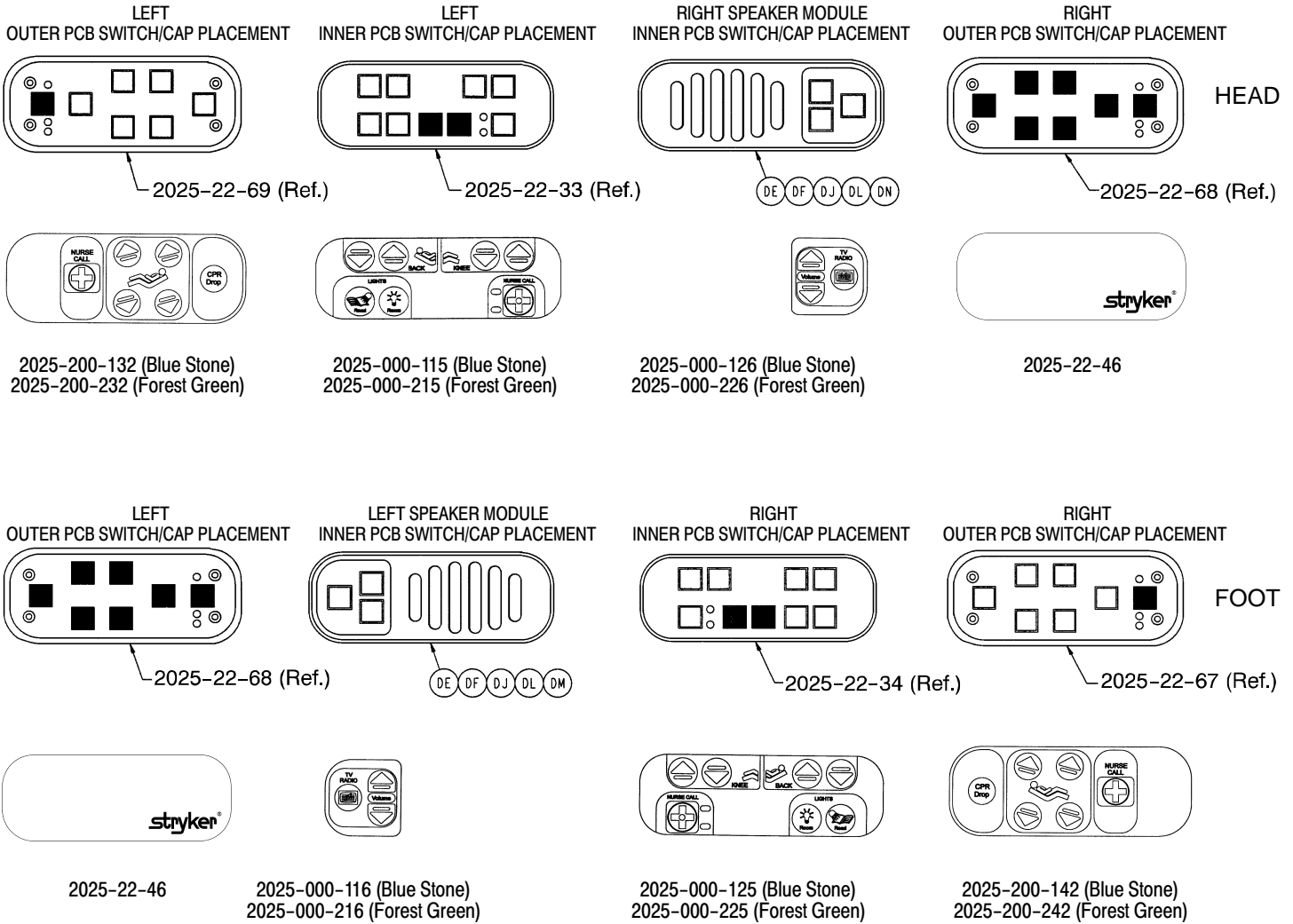
■ = FILLER CAP (DC)

Item	Part No.	Part Name	Qty.
DC	3001-400-522	Filler Cap	30
DD	3001-400-953	Switch Cap	22
DE	2025-22-49	Speaker	2
DJ	52-722	Thread Cutting Nut	8
DL	2025-22-47	Speaker Module	2
	2025-136-10	Patient Pos. #2 Ft. Bd. Option	1

* Position Package #2 includes the CPR option on the siderails and the Emergency Drop and Cardiac Chair options on the foot board.

Siderail Control Option Assembly

Standard Siderail with Nurse Call, Communication, & Position Package #2* Options

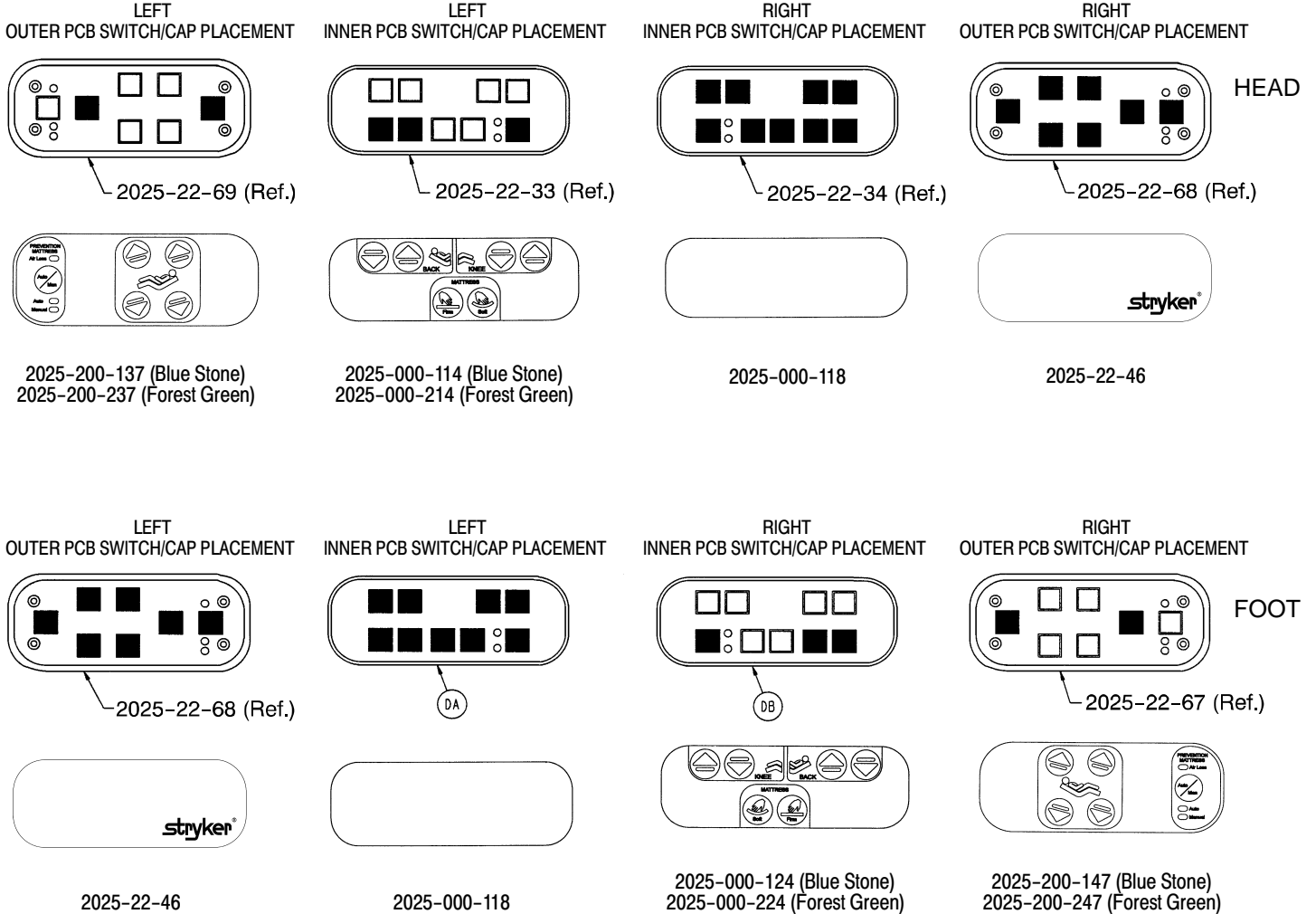


Item	Part No.	Part Name	Qty.
DC	3001-400-522	Filler Cap	20
DD	3001-400-953	Switch Cap	32
DE	2025-22-49	Speaker	2
DF	23-112	Pan Hd. Tapping Screw	6
DJ	52-722	Thread Cutting Nut	8
DL	2025-22-47	Speaker Module	2
DM	2025-400-940	TV/Radio Volume PCB, Left	1
DN	2025-400-940	TV/Radio Volume PCB, Right	1
	2025-136-10	Patient Pos. #2 Ft. Bd. Option	1

* Position Package #2 includes the CPR option on the siderails and the Emergency Drop and Cardiac Chair options on the foot board.

Siderail Control Option Assembly

Standard Siderail with DMS Option – Domestic
 Standard Siderail with DMS Option – International



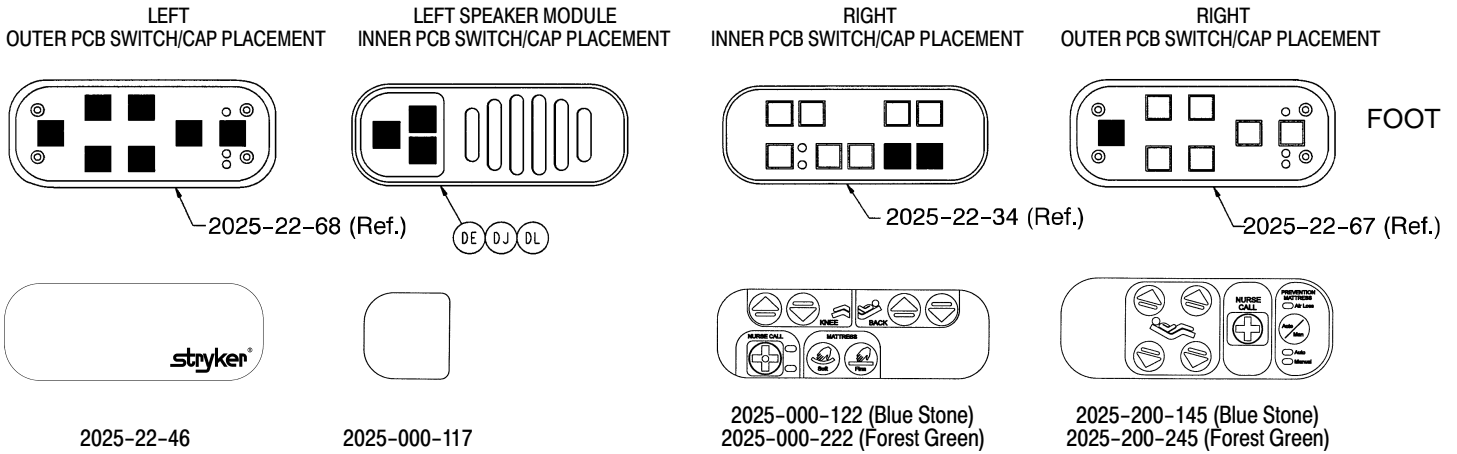
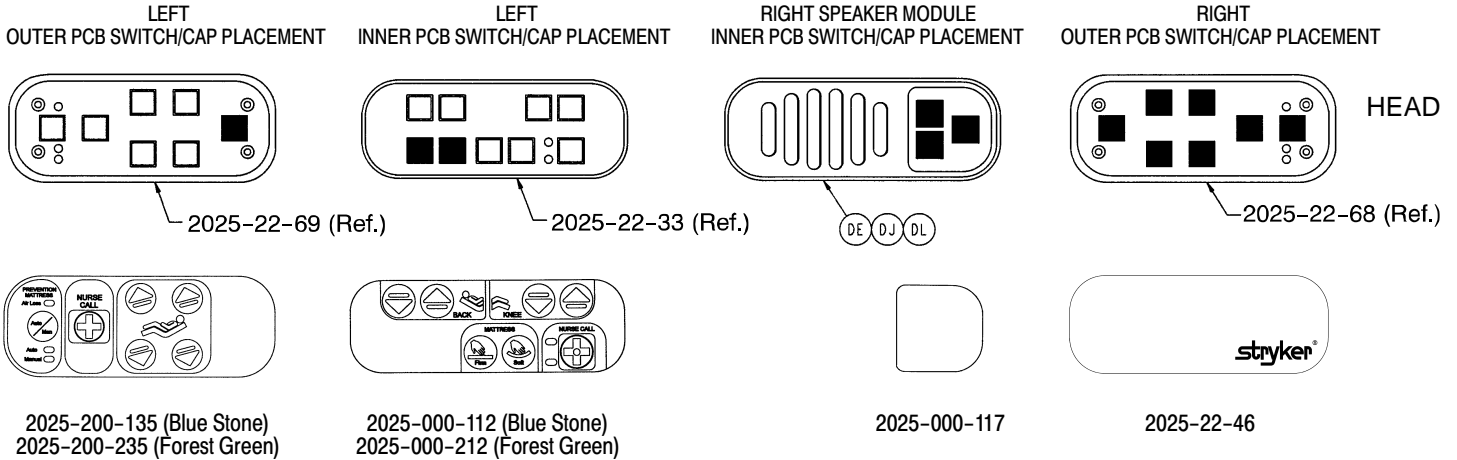
□ = SWITCH CAP (DD)

■ = FILLER CAP (DC)

Item	Part No.	Part Name	Qty.
DA	2025-22-33	Siderail Module, Left	1
DB	2025-22-34	Siderail Module, Right	1
DC	3001-400-522	Filler Cap	42
DD	3001-400-953	Switch Cap	22
	2025-41	Domestic DMS Option	1
	2026-41	International DMS Option	1

Siderail Control Option Assembly

Standard Siderail with DMS & Nurse Call Options – Domestic
 Standard Siderail with DMS & Nurse Call Options – International

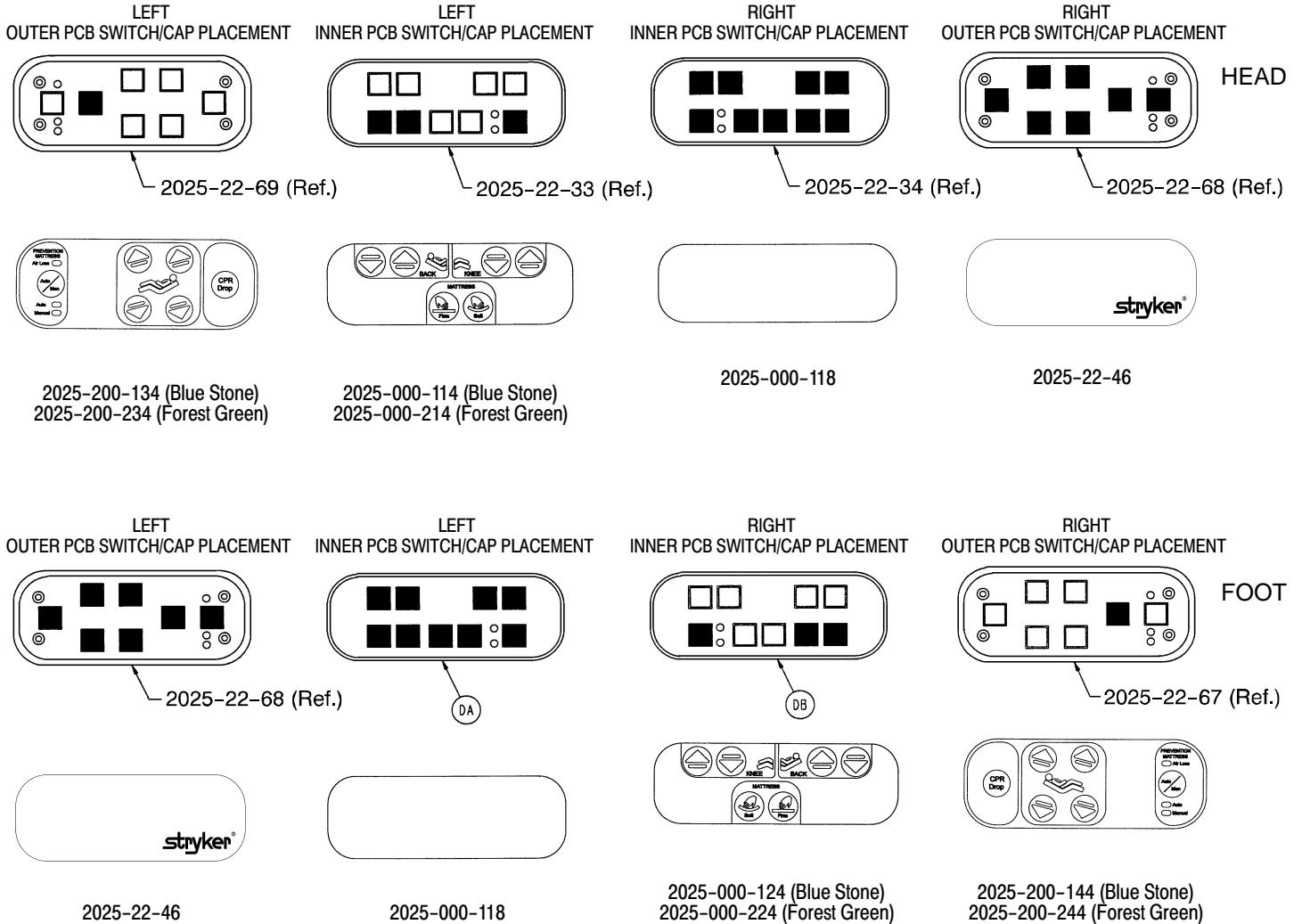


□ = SWITCH CAP (DD) ■ = FILLER CAP (DC)

Item	Part No.	Part Name	Qty.
DC	3001-400-522	Filler Cap	26
DD	3001-400-953	Switch Cap	26
DE	2025-22-49	Speaker	2
DJ	52-722	Thread Cutting Nut	8
DL	2025-22-47	Speaker Module	2
	2025-41	Domestic DMS Option	1
	2026-41	International DMS Option	1

Siderail Control Option Assembly

Standard Siderail with DMS & Position Package #2* Options – Domestic
 Standard Siderail with DMS and Position Package #2* Options – International



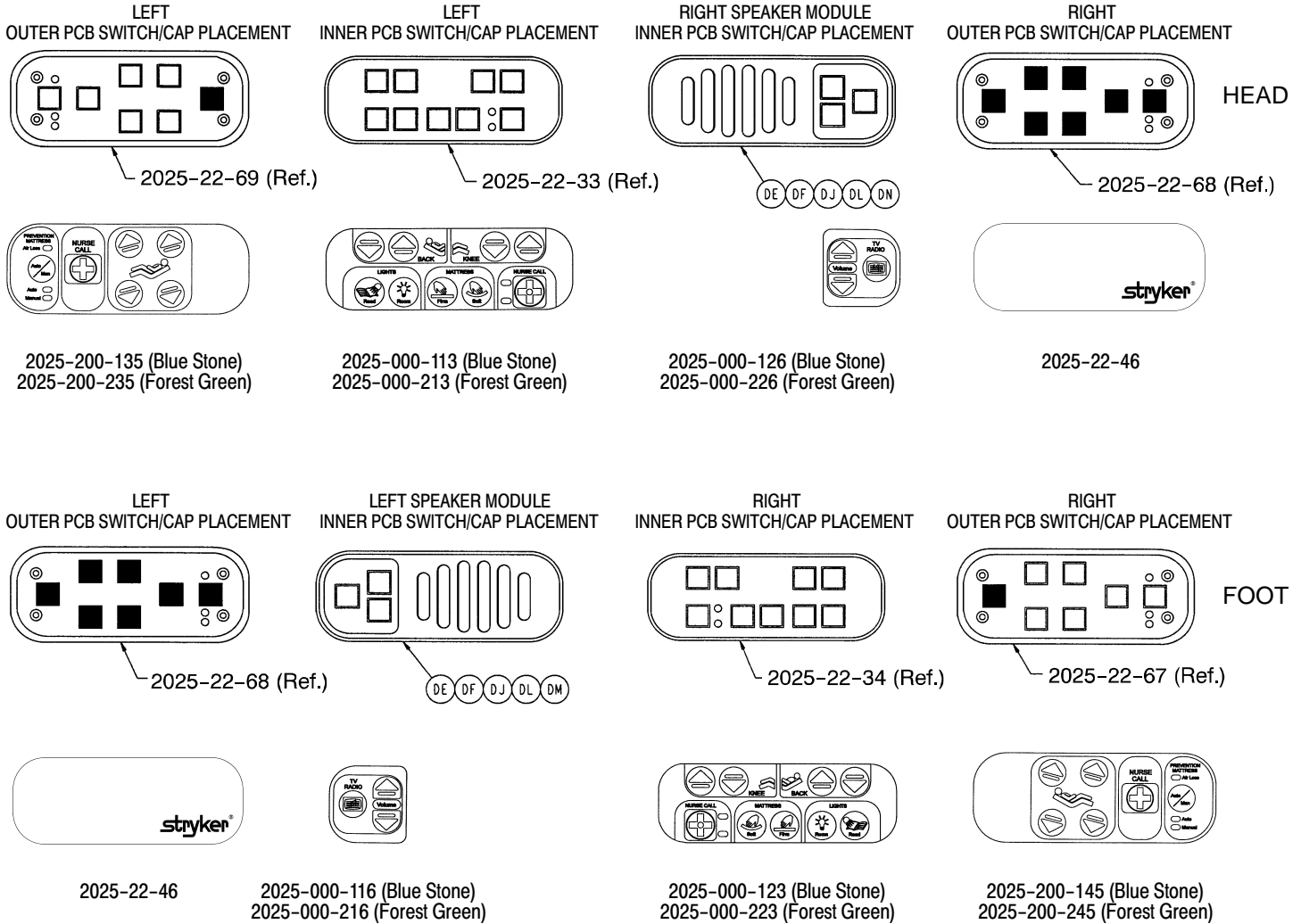
□ = SWITCH CAP (DD) ■ = FILLER CAP (DC)

Item	Part No.	Part Name	Qty.
DA	2025-22-33	Siderail Module, Left	1
DB	2025-22-34	Siderail Module, Right	1
DC	3001-400-522	Filler Cap	40
DD	3001-400-953	Switch Cap	24
	2025-41	Domestic DMS Option	1
	2026-41	International DMS Option	1
	2025-136-10	Patient Pos. #2 Ft. Bd. Option	1

* Position Package #2 includes the CPR option on the siderails and the Emergency Drop and Cardiac Chair options on the foot board.

Siderail Control Option Assembly

Standard Siderail with DMS, Nurse Call, & Communication Options – Domestic
 Standard Siderail with DMS, Nurse Call, & Communication Options – International

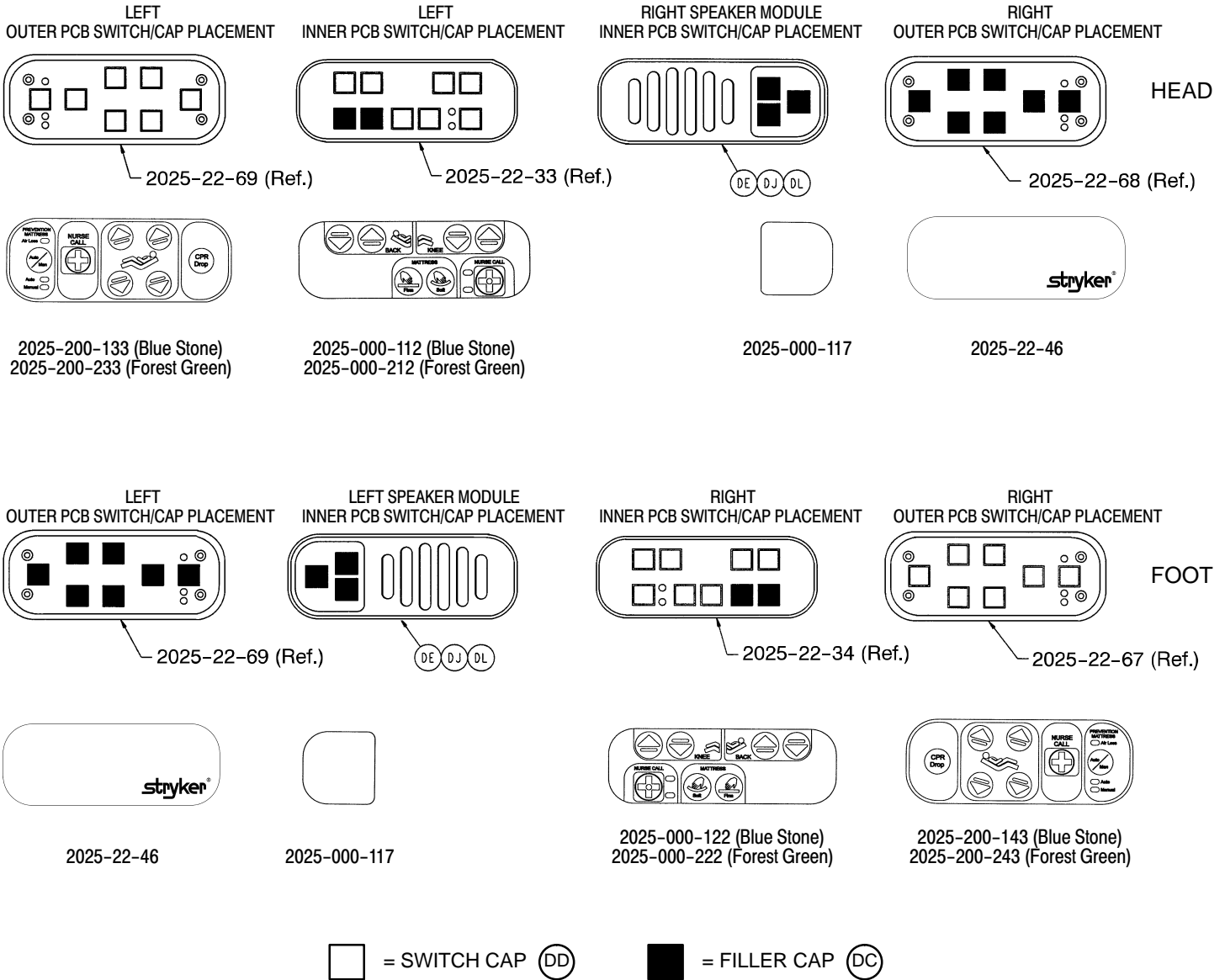


□ = SWITCH CAP (DD) ■ = FILLER CAP (DC)

Item	Part No.	Part Name	Qty.
DC	3001-400-522	Filler Cap	16
DD	3001-400-953	Switch Cap	36
DE	2025-22-49	Speaker	2
DF	23-112	Pan Hd. Tapping Screw	6
DJ	52-722	Thread Cutting Nut	8
DL	2025-22-47	Speaker Module	2
DM	2025-400-940	TV/Radio Volume PCB, Left	1
DN	2025-400-950	TV/Radio Volume PCB, Right	1
	2025-41	Domestic DMS Option	1
	2026-41	International DMS Option	1

Siderail Control Option Assembly

Standard Siderail with DMS, Nurse Call, & Position Package #2* Options – Domestic
 Standard Siderail with DMS, Nurse Call, & Position Package #2* Options – International

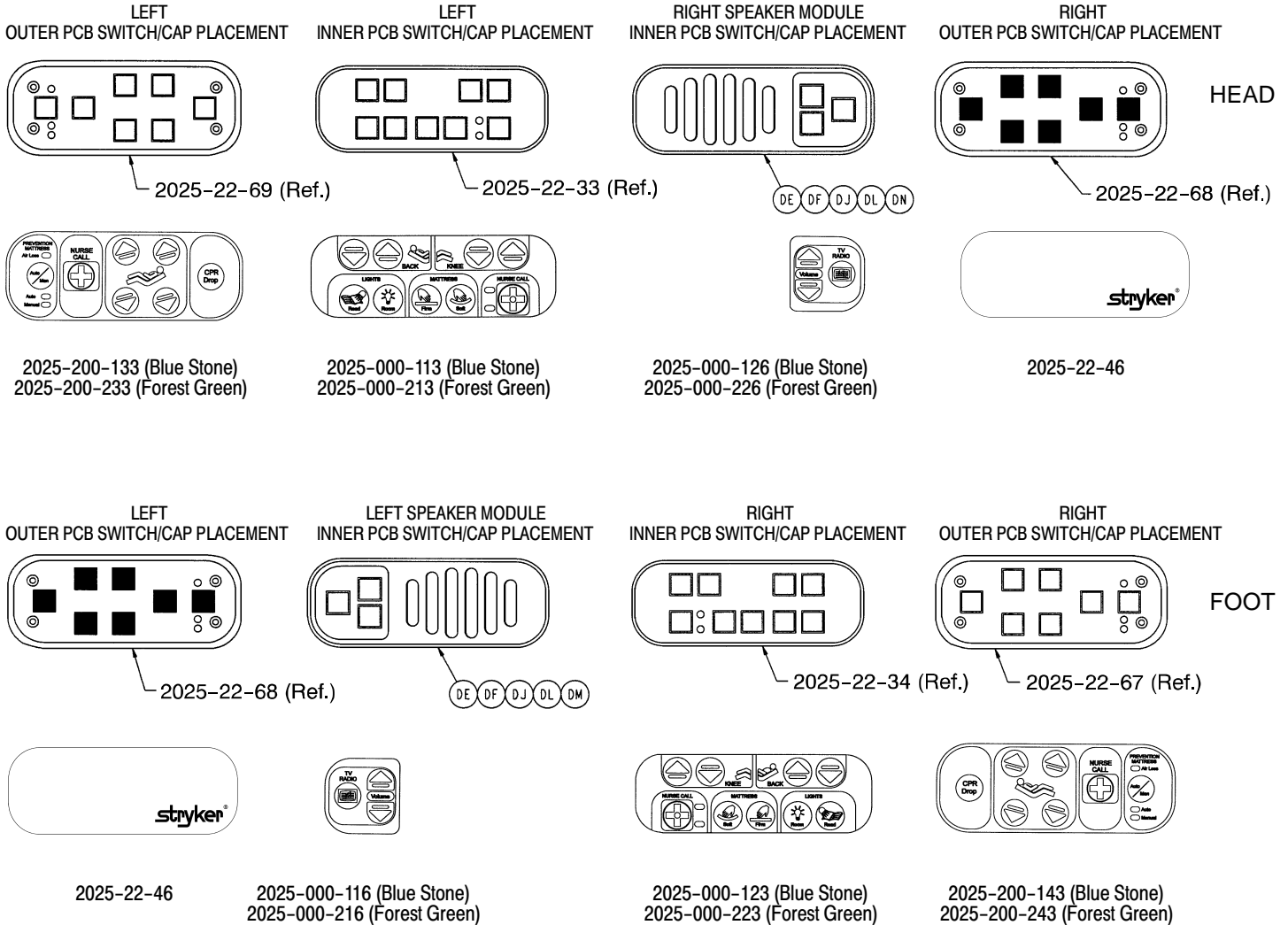


Item	Part No.	Part Name	Qty.
DC	3001-400-522	Filler Cap	24
DD	3001-400-953	Switch Cap	28
DE	2025-22-49	Speaker	2
DJ	52-722	Thread Cutting Nut	8
DL	2025-22-47	Speaker Module	2
	2025-41	Domestic DMS Option	1
	2026-41	International DMS Option	1
	2025-136-10	Patient Pos. #2 Ft. Bd. Option	1

* Position Package #2 includes the CPR option on the siderails and the Emergency Drop and Cardiac Chair options on the foot board.

Siderail Control Option Assembly

Standard Siderail with DMS, Communication, & Position Package #2* Options – Domestic
 Standard Siderail with DMS, Communication, & Position Package #2* Options – International



□ = SWITCH CAP (DD)

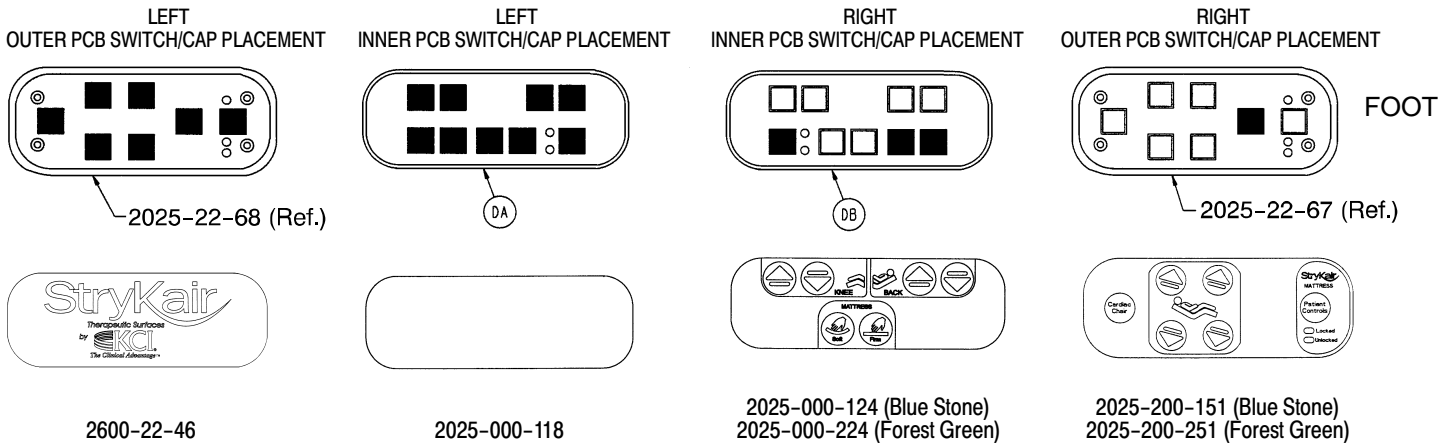
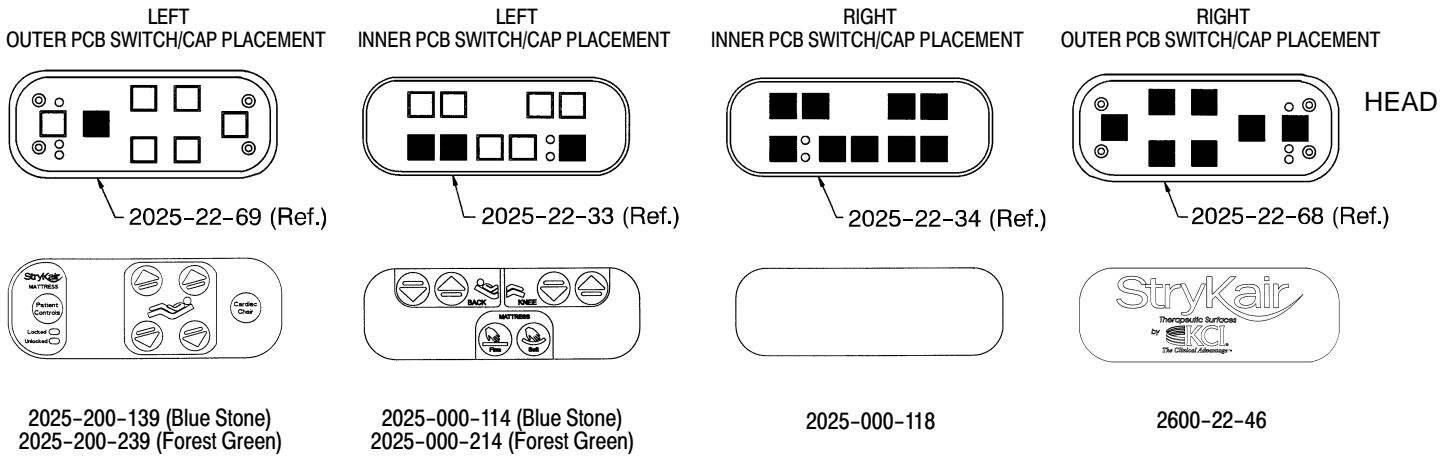
■ = FILLER CAP (DC)

Item	Part No.	Part Name	Qty.
DC	3001-400-522	Filler Cap	14
DD	3001-400-953	Switch Cap	38
DE	2025-22-49	Speaker	2
DF	23-112	Pan Hd. Tapping Screw	6
DJ	52-722	Thread Cutting Nut	8
DL	2025-22-47	Speaker Module	2
DM	2025-400-940	TV/Radio Volume PCB, Left	1
DN	2025-400-950	TV/Radio Volume PCB, Right	1
	2025-41	Domestic DMS Option	1
	2026-41	International DMS Option	1
	2025-136-10	Patient Pos. #2 Ft. Board	1

* Position Package #2 includes the CPR option on the siderails and the Emergency Drop and Cardiac Chair options on the foot board.

Siderail Control Option Assembly

Standard Siderail with StryKair Option



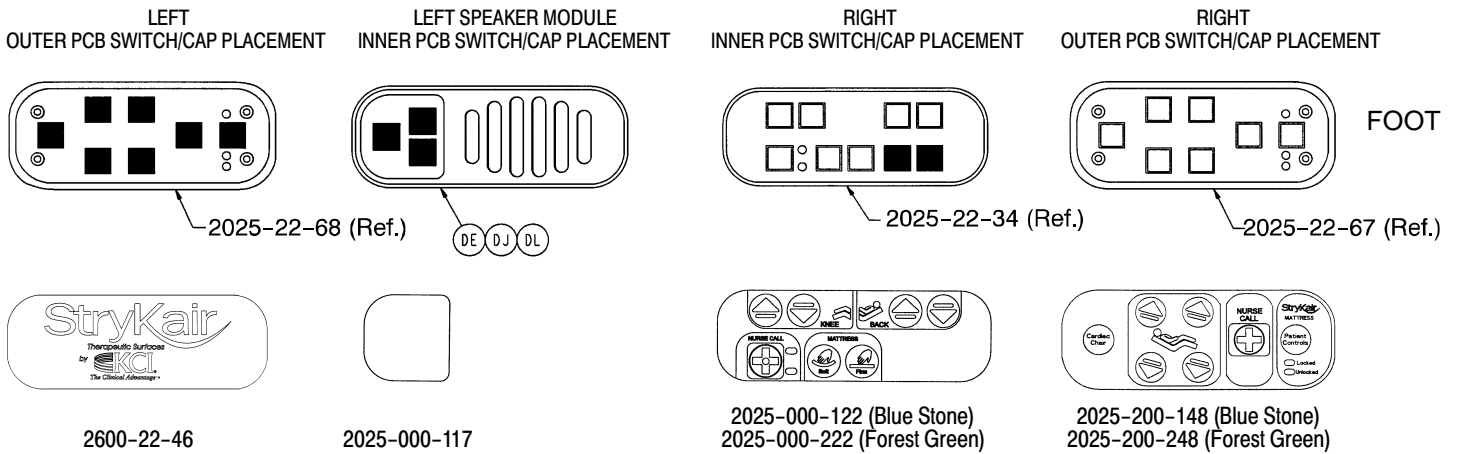
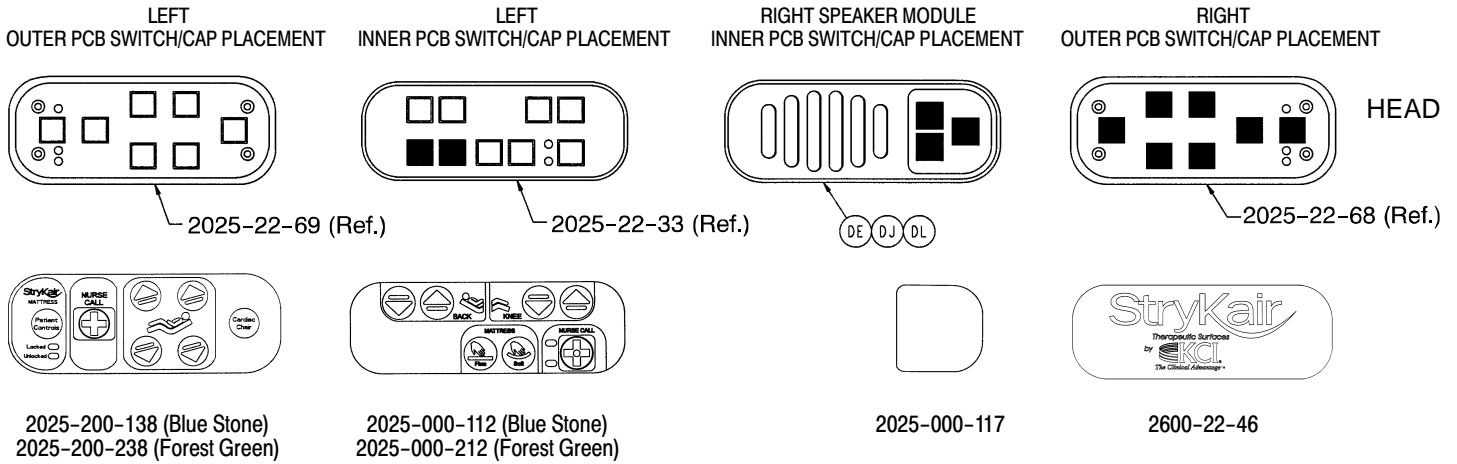
□ = SWITCH CAP (DD)

■ = FILLER CAP (DC)

Item	Part No.	Part Name	Qty.
DA	2025-22-33	Siderail Module, Left	1
DB	2025-22-34	Siderail Module, Right	1
DC	3001-400-522	Filler Cap	40
DD	3001-400-953	Switch Cap	24
	2600-42	StryKair MattressOption	1

Siderail Control Option Assembly

Standard Siderail with StryKair & Nurse Call Options

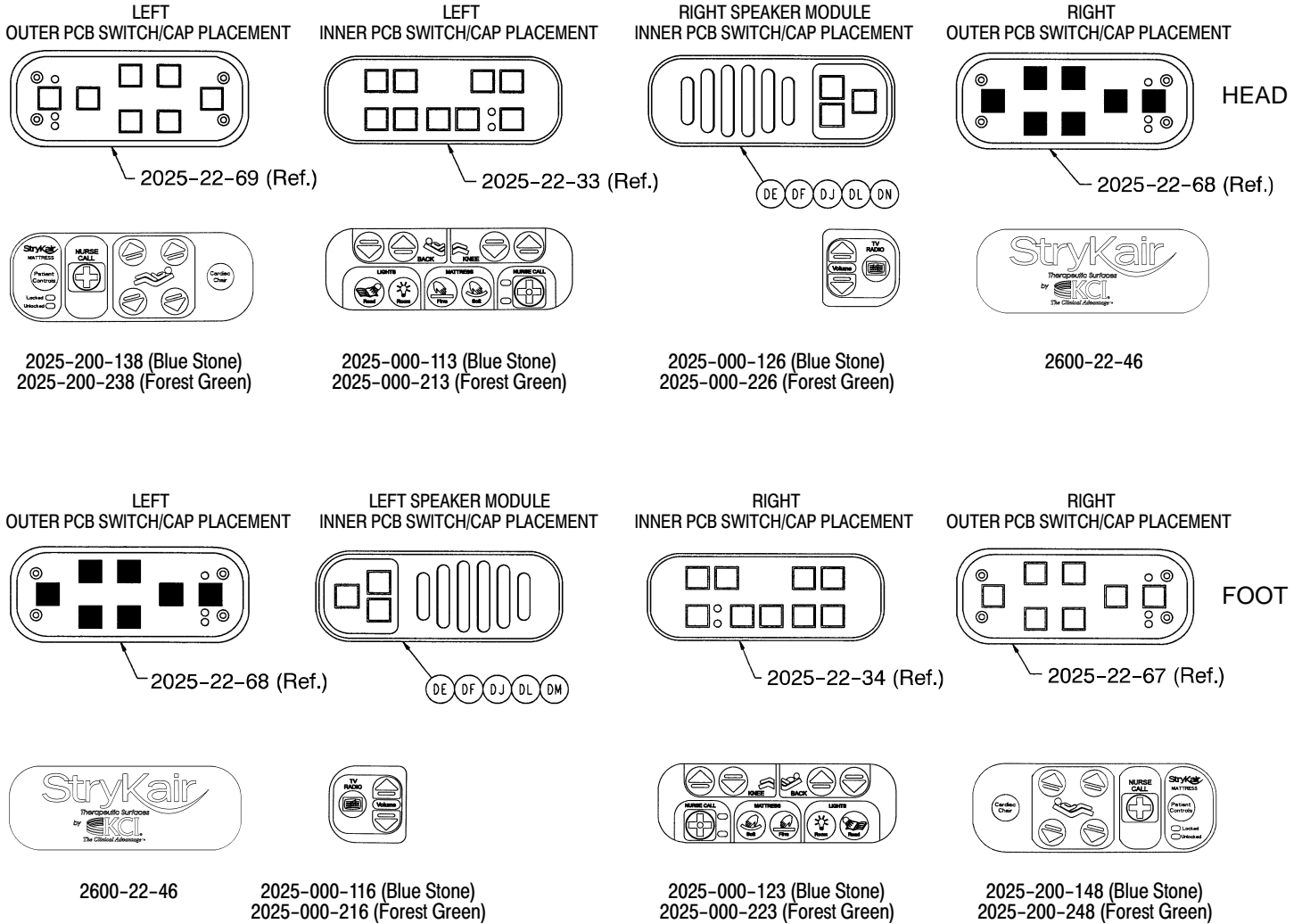


□ = SWITCH CAP (DD) ■ = FILLER CAP (DC)

Item	Part No.	Part Name	Qty.
DC	3001-400-522	Filler Cap	24
DD	3001-400-953	Switch Cap	28
DE	2025-22-49	Speaker	2
DJ	52-722	Thread Cutting Nut	8
DL	2025-22-47	Speaker Module	2
	2600-42	StryKair Mattress Option	1

Siderail Control Option Assembly

Standard Siderail with StryKair, Nurse Call, & Communication Options



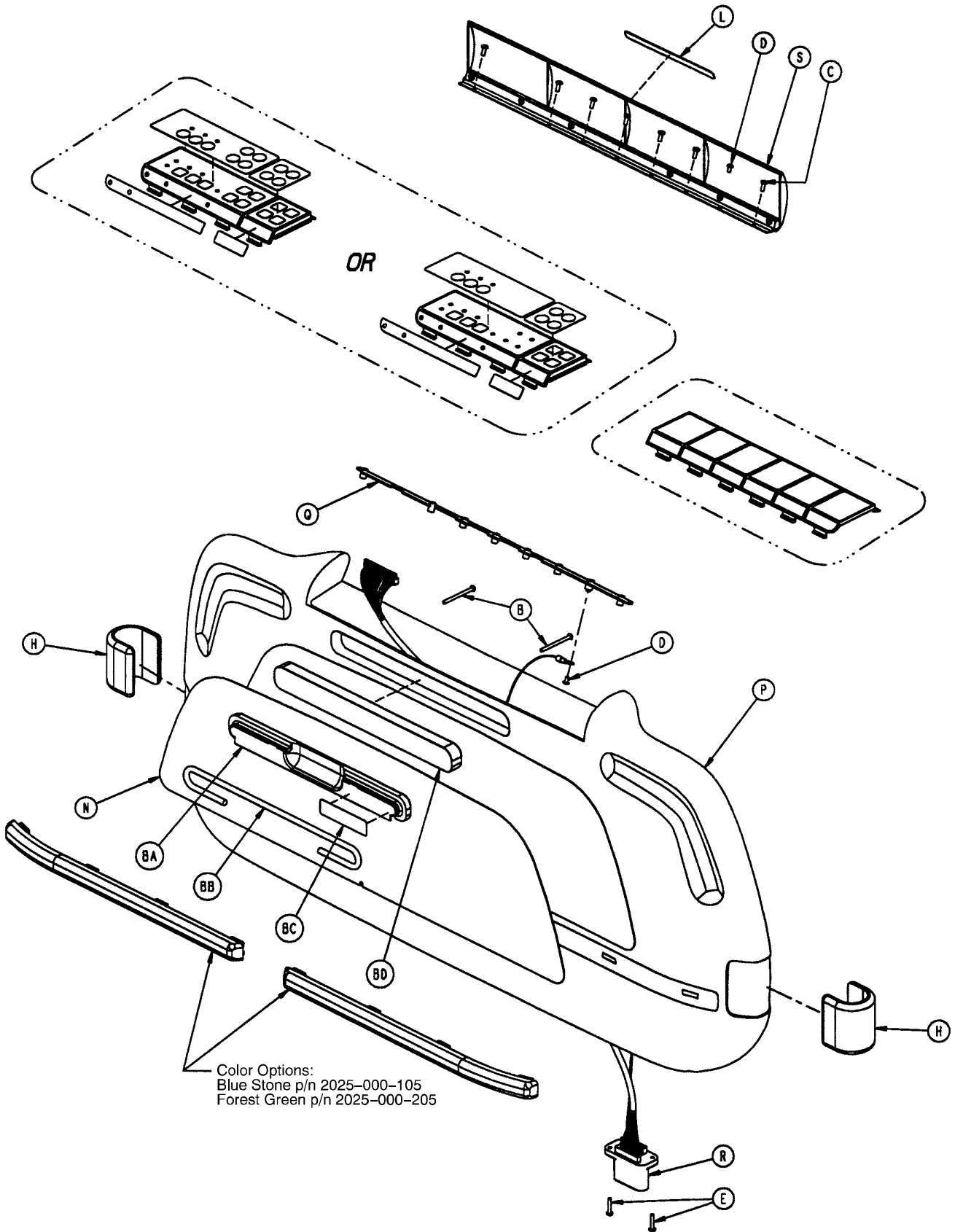
□ = SWITCH CAP (DD)

■ = FILLER CAP (DC)

Item	Part No.	Part Name	Qty.
DC	3001-400-522	Filler Cap	14
DD	3001-400-953	Switch Cap	38
DE	2025-22-49	Speaker	2
DF	23-112	Pan Hd. Tapping Screw	6
DJ	52-722	Thread Cutting Nut	8
DL	2025-22-47	Speaker Module	2
DM	2025-400-940	TV/Radio Volume PCB, Left	1
DN	2025-400-950	TV/Radio Volume PCB, Right	1
	2600-42	StryKair Mattress Option	1

Notes

Foot Board Assembly



Foot Board Assembly

2025-135-10 Foot Board Assembly – Standard Components

Item	Part No.	Part Name	Qty.
B	23-99	Pan Hd. Screw	2
C	23-103	Pan Hd. Screw	7
D	50-38	Pan Hd. Machine Screw	2
E	50-39	Pan Hd. Machine Screw	2
F	946-1-64	Fowler Symbol Label	1
G	946-1-65	Knee Gatch Symbol Label	1
H	2222-500-7	Black "C" Bumper	2
L	3000-500-25	Lid Label	1
M	3000-500-29	Caution Fire Hazard Label	1
N	3000-500-56	Beige Laminate	1
P	3001-500-10	Foot Board Clam Shell Ass'y	1
Q	3001-500-64	Hinge Plate	1
R	3001-500-801	Foot Board Cable	1
S	3001-500-1	Lid Assembly	1
T	72-1-71	"C" Bumper Adhesive	N/A

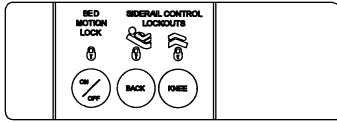
2025-136-13 Foot Board Assembly – Chart Rack Option

Item	Part No.	Part Name	Qty.
BA	3000-525-1	Chart Rack	1
BB	3000-525-2	Chart Rod	1
BC	3000-525-4	Pull Handle Label	1

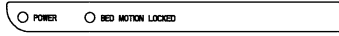
2025-136-14 Foot Board Assembly – No Chart Rack Option

Item	Part No.	Part Name	Qty.
BD	3000-500-8	Chart Rack Cover	1

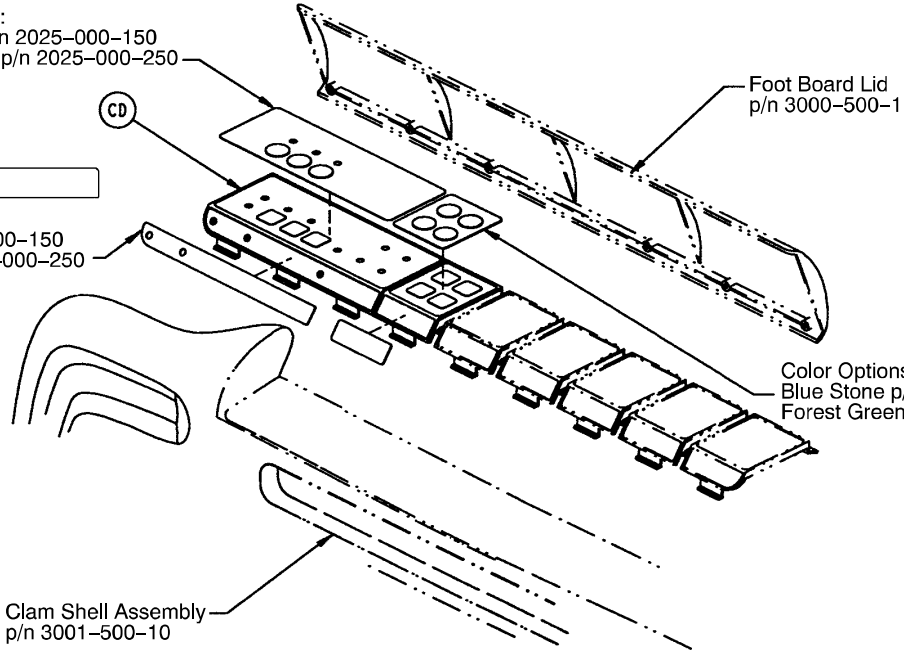
Foot Board Assembly



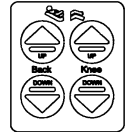
Color Options:
 Blue Stone p/n 2025-000-150
 Forest Green p/n 2025-000-250



Color Options:
 Blue Stone p/n 2025-000-150
 Forest Green p/n 2025-000-250



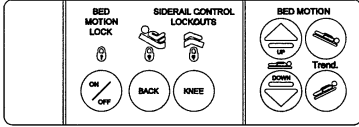
Color Options:
 Blue Stone p/n 2025-000-153
 Forest Green p/n 2025-000-253



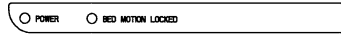
2025-136-11 Foot Board Assembly – No Position Package

Item	Part No.	Part Name	Qty.
CD	(page 117)	Standard Module Assembly	1

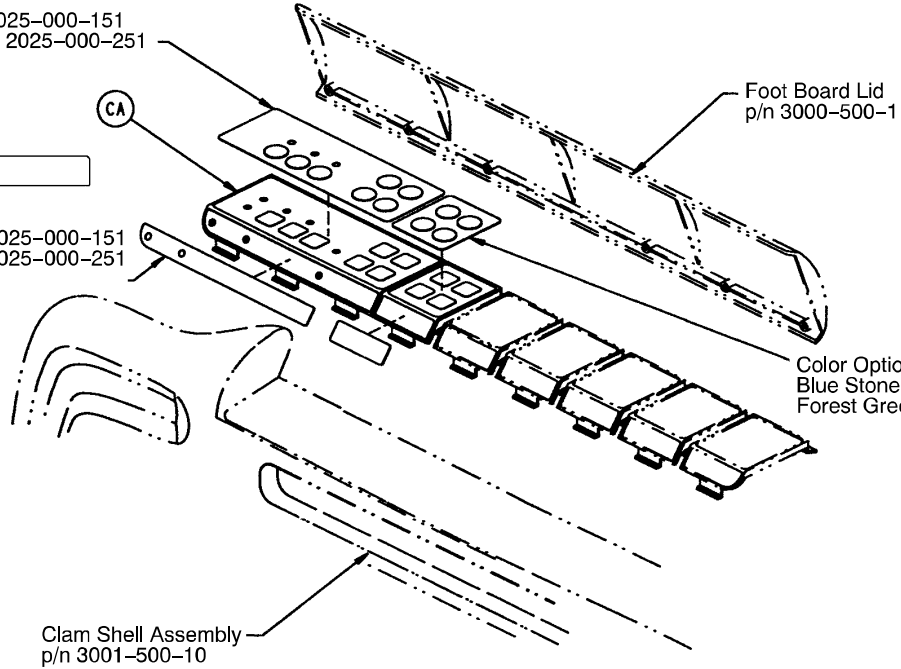
Foot Board Assembly



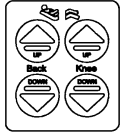
Color Options:
 Blue Stone p/n 2025-000-151
 Forest Green p/n 2025-000-251



Color Options:
 Blue Stone p/n 2025-000-151
 Forest Green p/n 2025-000-251



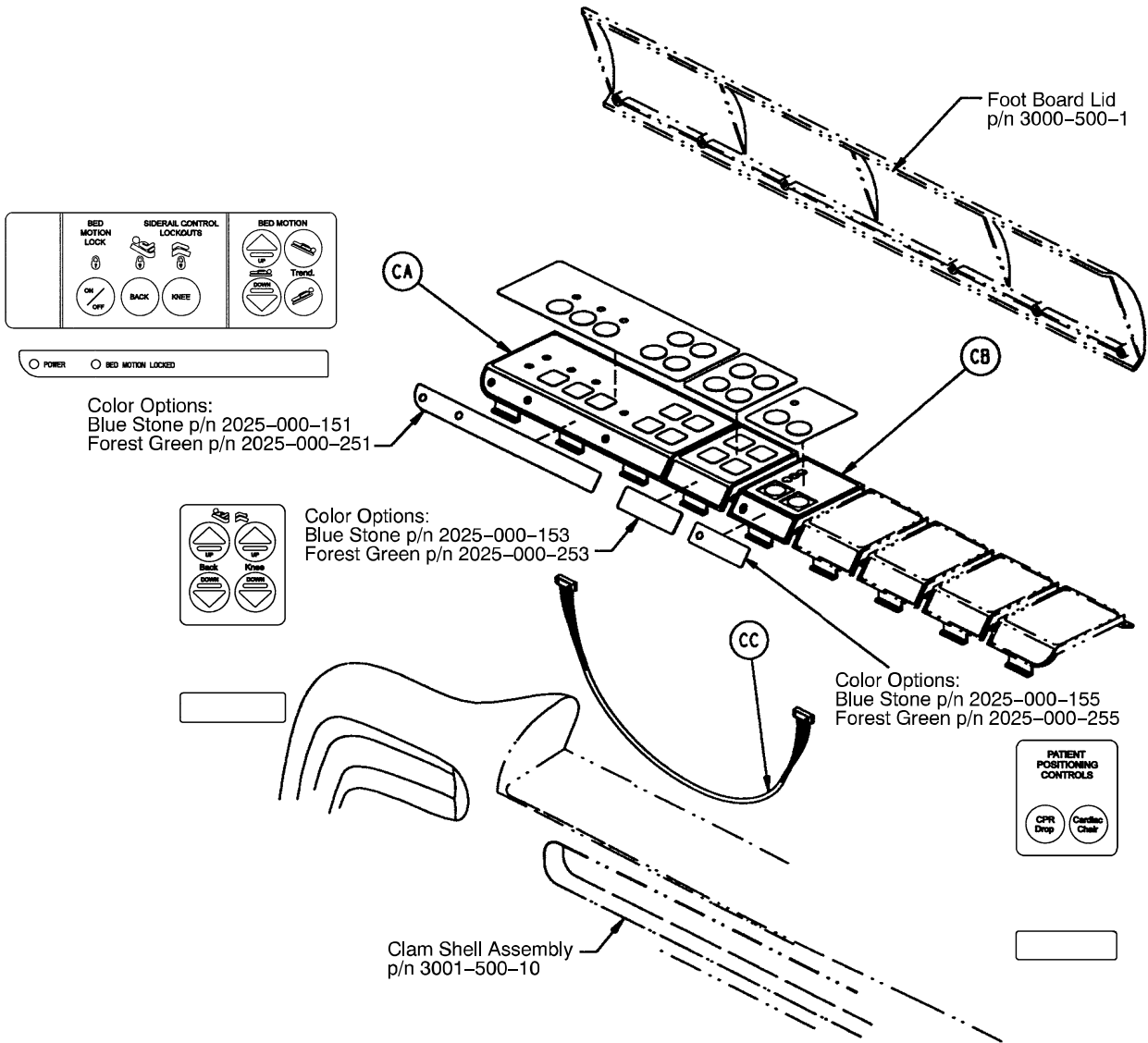
Color Options:
 Blue Stone p/n 2025-000-153
 Forest Green p/n 2025-000-253



2025-136-12 Foot Board Assembly – Patient Positioning Option #1

Item	Part No.	Part Name	Qty.
CA	(page 118)	Patient Pos. Module Ass'y	1

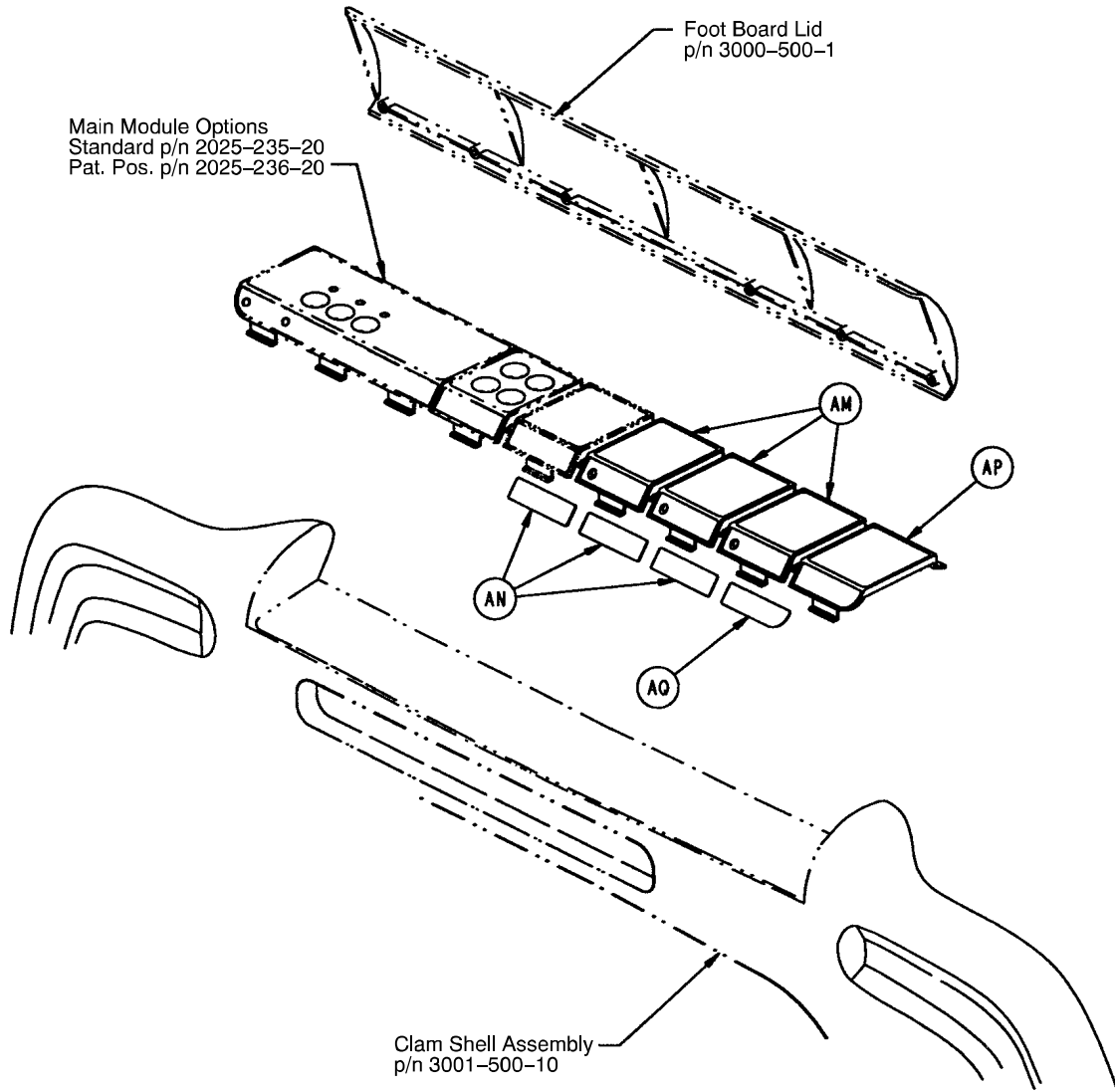
Foot Board Assembly



2025-136-10 Foot Board Assembly – Patient Positioning Option #2

Item	Part No.	Part Name	Qty.
CA	(page 118)	Patient Pos. Module Ass'y	1
CB	2025-136-21	E-Drop/Card. Ch. Module Ass'y	1
CC	2025-136-801	E-Drop/Card. Chair Cable	1

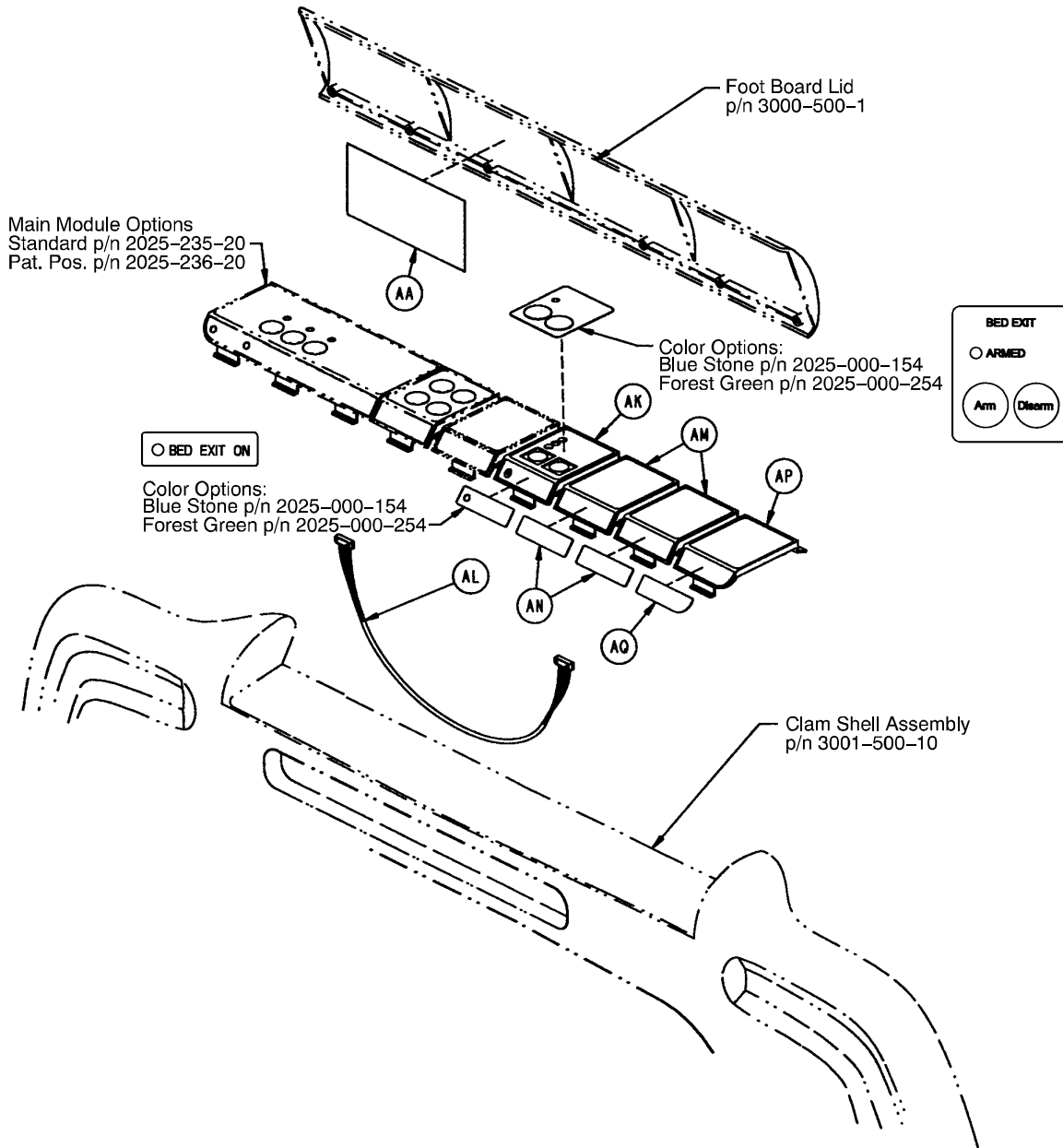
Foot Board Assembly



2025-30-101 Foot Board Assembly – No Scale and No Bed Exit Option

Item	Part No.	Part Name	Qty.
AM	3001-500-3	Blank Module	3
AN	3000-500-26	Blank Module Label	3
AP	3000-500-4	End Module	1
AQ	3000-500-27	Blank End Label	1

Foot Board Assembly



2025-30-176 Foot Board Assembly – Bed Exit Option Only

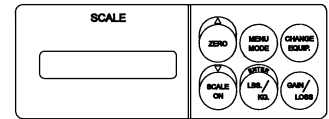
Item	Part No.	Part Name	Qty.
AA	2025-30-177	Bed Exit Label	1
AD	3001-400-953	Switch Cap	2
AK	(page 119)	Bed Exit Module Assembly	1
AL	3001-508-800	Bed Exit Keypad Cable	1
AM	3001-500-3	Blank Module	2
AN	3000-500-26	Blank Module Label	2
AP	3000-500-4	End Module	1
AQ	3000-500-27	Blank End Label	1

Foot Board Assembly

Main Module Options
 Standard p/n 2025-235-20
 Pat. Pos. p/n 2025-236-20

Foot Board Lid
 p/n 3000-500-1

Color Options:
 Blue Stone p/n 2025-000-152
 Forest Green p/n 2025-000-252

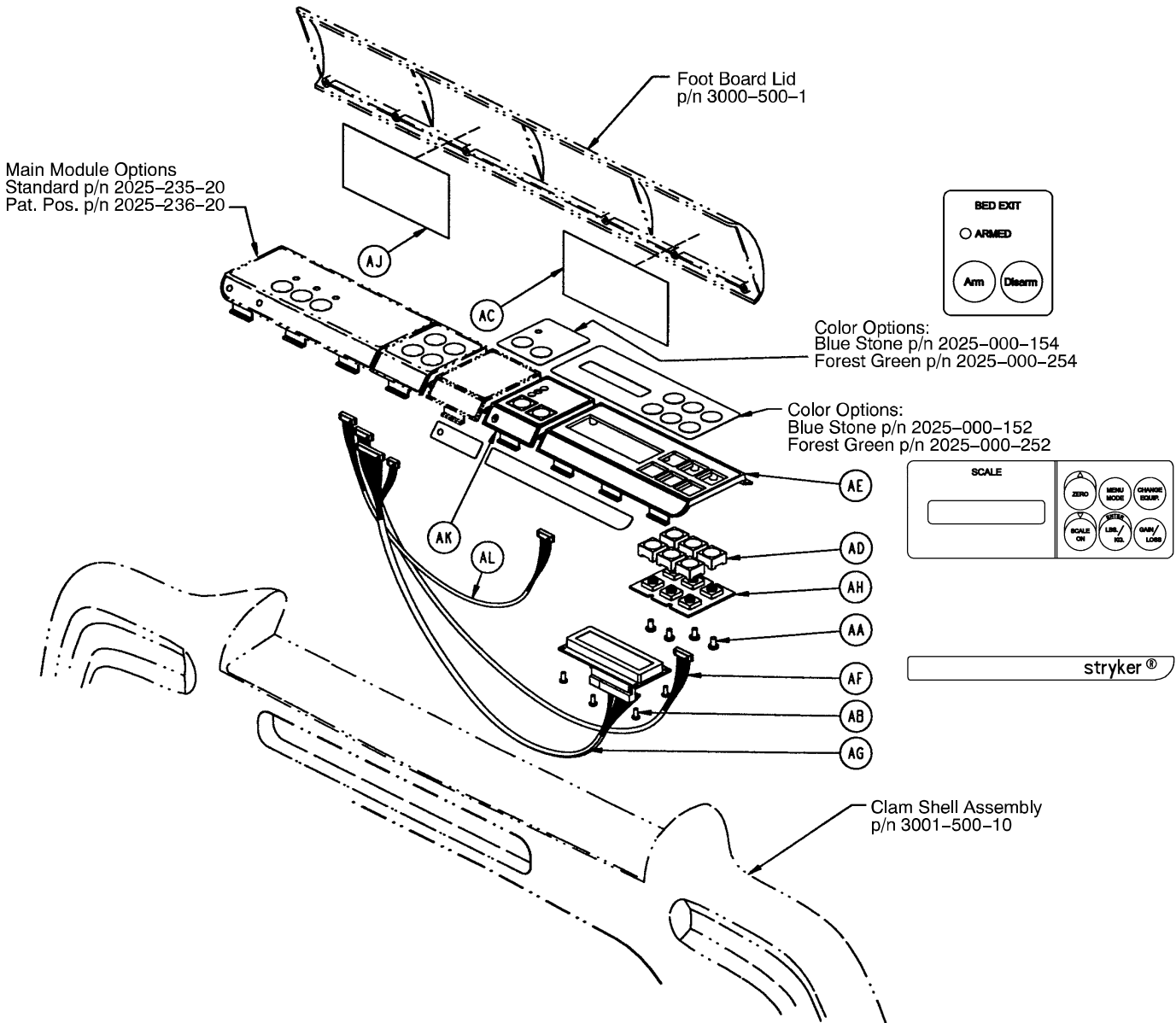


Clam Shell Assembly
 p/n 3001-500-10

2025-30-126 Foot Board Assembly – Scale Option Only

Item	Part No.	Part Name	Qty.
AA	23-87	Pan Hd. Tapping Screw	4
AB	23-91	Pan Hd. Tapping Screw	4
AC	2025-30-127	Scale Lid Label	1
AD	3001-400-953	Switch Cap	6
AE	3001-507-1	Scale Module	1
AF	3001-507-800	Scale Keypad Cable	1
AG	3001-507-900	Scale LCD Display Cable	1
AH	3001-507-910	Scale Keypad PCB	1
AM	3001-500-3	Blank Panel	1
AN	3000-500-26	Blank Module Label	1

Foot Board Assembly

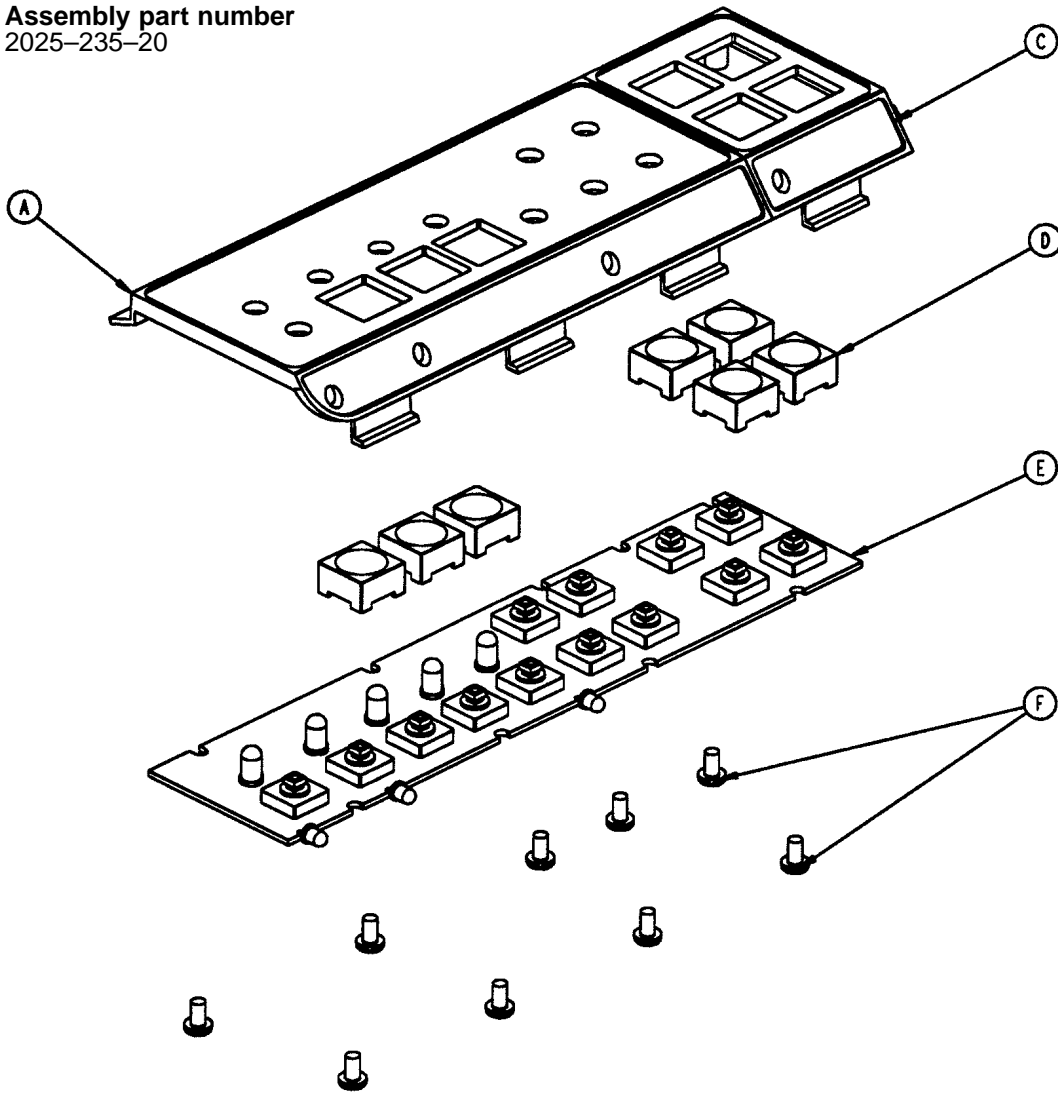


2025-30-151 Foot Board Assembly – Scale and Center of Gravity Bed Exit Option Only

Item	Part No.	Part Name	Qty.
AA	23-87	Pan Hd. Tapping Screw	4
AB	23-91	Pan Hd. Tapping Screw	4
AC	2025-30-127	Scale Lid Label	1
AD	3001-400-953	Switch Cap	6
AE	3001-507-1	Scale Module	1
AF	3001-507-800	Scale Keypad Cable	1
AG	3001-507-900	Scale LCD Display Cable	1
AH	3001-507-910	Scale Keypad PCB	1
AJ	2025-30-177	Bed Exit Lid Label	1
AK	(page 119)	Bed Exit Module Assembly	1
AL	3001-508-800	Bed Exit Keypad Cable	1

Foot Board Standard Module Assembly

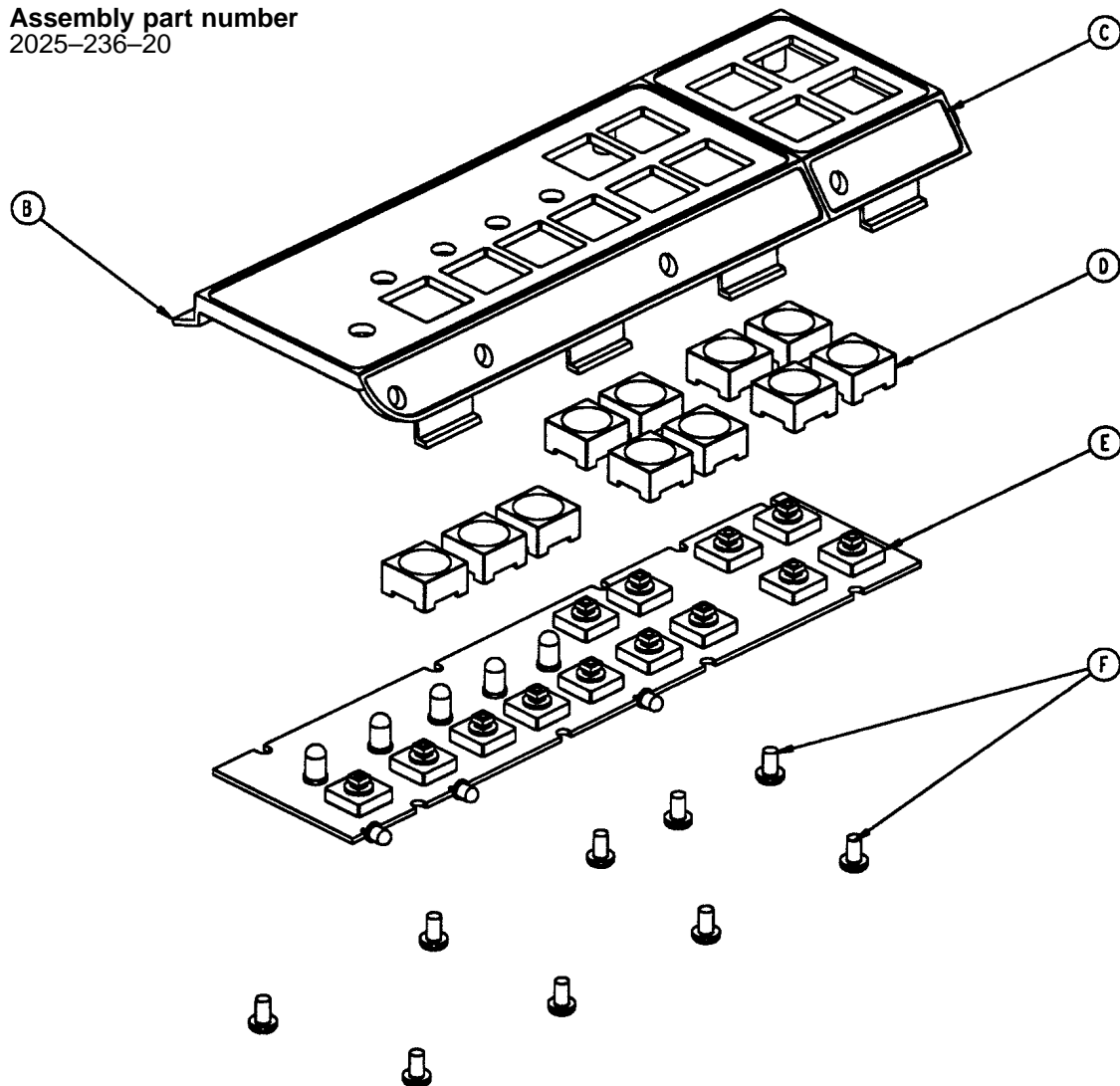
Assembly part number
2025-235-20



Item	Part No.	Part Name	Qty.
A	2025-135-99	Foot Board Standard Module	1
C	3000-501-1	Gatch/Fowler Module	1
D	3001-400-953	Switch Cap	7
E	3001-500-930	Foot Board Main PCB Ass'y	1
F	23-87	Pan Hd. Screw	9

Foot Board Positioning Option Module Assembly

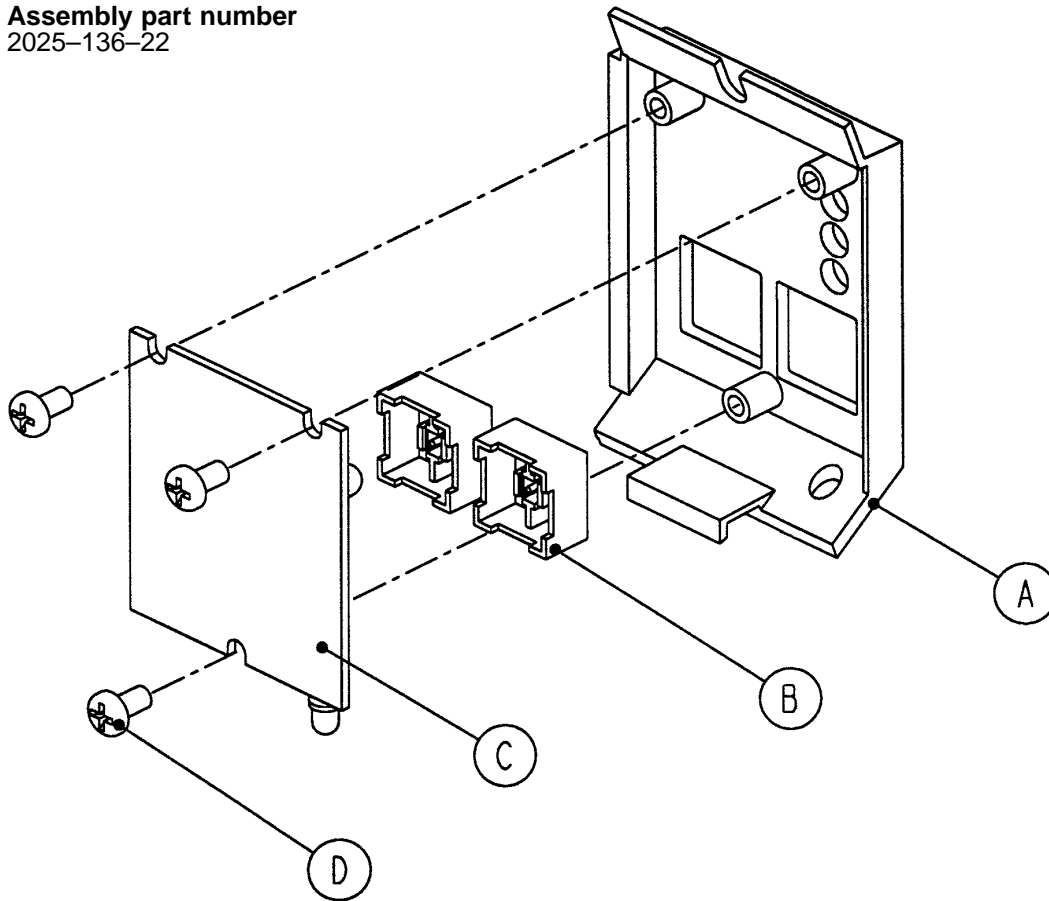
Assembly part number
2025-236-20



Item	Part No.	Part Name	Qty.
B	2025-136-99	Foot Board Pat. Pos. Module	1
C	3000-501-1	Gatch/Fowler Module	1
D	3001-400-953	Switch Cap	11
E	3001-500-930	Foot Board Main PCB Ass'y	1
F	23-87	Pan Hd. Screw	9

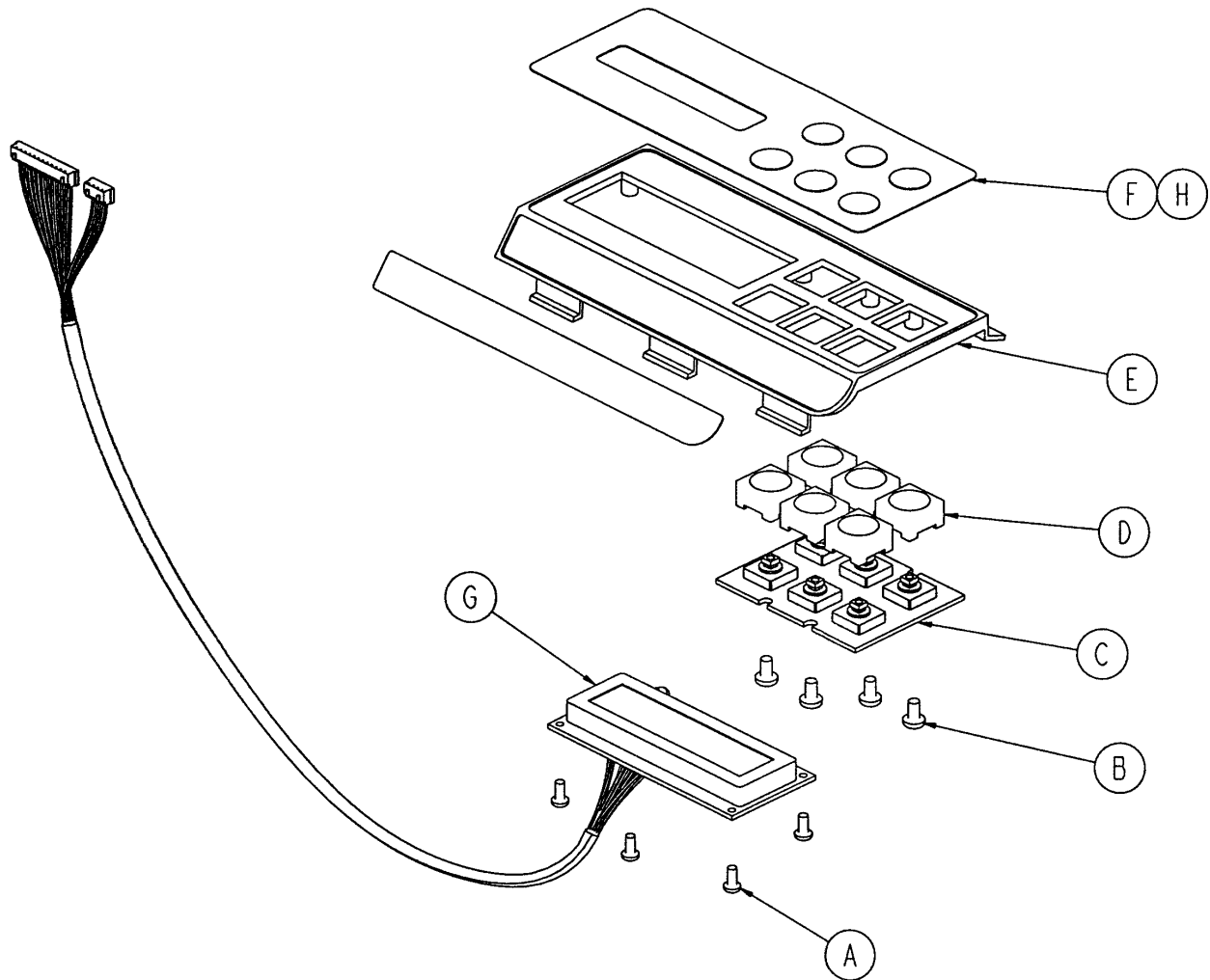
Bed Exit Module Assembly

Assembly part number
2025-136-22



Item	Part No.	Part Name	Qty.
A	3000-508-1	Bed Exit Module Panel	1
B	3001-400-953	Switch Cap	2
C	3001-508-910	Bed Exit Keypad Ass'y	1
D	23-87	Hi-Low Tapping Screw	3

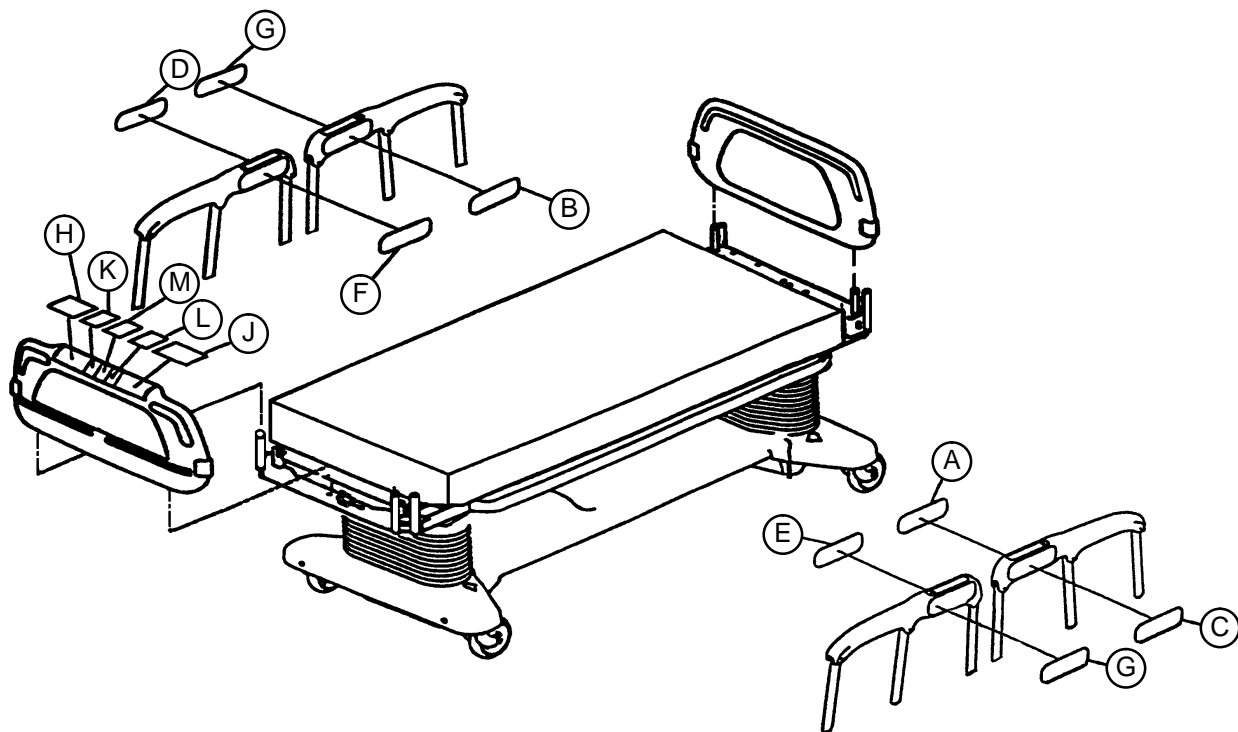
2025-507-35 Scale Display Assembly



Item	Part No.	Part Name	Qty.
A	23-91	Pan Hd. Hi-Lo Tapping Screw	4
B	23-87	Pan Hd. Hi-Lo Tapping Screw	4
C	3001-507-910	Scale Keypad Assembly	1
D	3001-400-953	Switch Cap	6
E	3001-507-1	Scale Module	1
F	2025-000-152	Scale Module Label (Blue)	1
G	3001-507-900	Scale LCD Display	1
H	2025-000-252	Scale Module Label (Green)	1

Notes

Blue Stone Labeling Assembly Options



2025-000-160 Standard Labels + Nurse Call

Item	Part No.	Part Name	Qty.
A	2025-000-111	Std. NC Label, Inside, Lt.	1
B	2025-000-121	Std. NC Label, Inside, Rt.	1
C	2025-200-131	Std. NC Label, Outside, Lt.	1
D	2025-200-141	Std. NC Label, Outside, Rt.	1
E	2025-000-117	Small Blank Label, Inside	2
G	2025-22-46	Stryker Logo Label	2
H	2025-000-150	Std. Module Label, Ft. Bd.	1
K	2025-000-153	Gat./Fow. Label, Ft. Bd.	1

2025-000-161 Std. Labels + Nurse Call + DMS

Item	Part No.	Part Name	Qty.
A	2025-000-112	Std. DMS-NC, Inside, Lt.	1
B	2025-000-122	Std. DMS-NC, Inside, Rt.	1
C	2025-200-135	Std. NC-DMS, Outside, Lt.	1
D	2025-200-145	Std. NC-DMS, Outside, Rt.	1
E	2025-000-117	Small Blank Label, Inside	2
G	2025-22-46	Stryker Logo Label	2
H	2025-000-150	Std. Module Label, Ft. Bd.	1
K	2025-000-153	Gat./Fow. Label, Ft. Bd.	1

2025-000-162 Standard Labels + DMS + Communication Option

Item	Part No.	Part Name	Qty.
A	2025-000-113	Std. DMS-Comm., Inside, Lt.	1
B	2025-000-123	Std. DMS-Comm., Inside, Rt.	1
C	2025-200-135	Std. DMS-Comm., Outside, Lt.	1
D	2025-200-145	Std. DMS-Comm., Outside, Rt.	1
E	2025-000-116	TV/Radio Label, Left	1
F	2025-000-126	TV/Radio Label, Right	1
G	2025-22-46	Stryker Logo Label	2
H	2025-000-150	Std. Module Label, Ft. Bd.	1
K	2025-000-153	Gat./Fow. Label, Ft. Bd.	1

2025-000-163 Std. Labels + Communication

Item	Part No.	Part Name	Qty.
A	2025-000-115	Std. Comm., Inside, Lt.	1
B	2025-000-125	Std. Comm., Inside, Rt.	1
C	2025-200-131	Std. NC Label, Outside, Lt.	1
D	2025-200-141	Std. NC Label, Outside, Rt.	1
E	2025-000-116	TV/Radio Label, Left	1
F	2025-000-126	TV/Radio Label, Right	1
G	2025-22-46	Stryker Logo Label	2
H	2025-000-150	Std. Module Label, Ft. Bd.	1
K	2025-000-153	Gat./Fow. Label, Ft. Bd.	1

Blue Stone Labeling Assembly Options

2025-000-164 Standard Labels

Item	Part No.	Part Name	Qty.
A	2025-000-114	Std. DMS Label, Inside, Lt.	1
B	2025-000-120	Std. Label, Inside, Rt.	1
C	2025-200-130	Std. Label, Outside, Lt.	1
D	2025-200-140	Std. Label, Outside, Rt.	1
E	2025-000-118	Big Blank Label, Inside	2
G	2025-22-46	Stryker Logo Label	2
H	2025-000-150	Std. Module Label, Ft. Bd.	1
K	2025-000-153	Gat./Fow. Label, Ft. Bd.	1

2025-000-165 Standard Labels + DMS Option

Item	Part No.	Part Name	Qty.
A	2025-000-114	Std. DMS Label, Inside, Lt.	1
B	2025-000-124	Std. DMS Label, Inside, Rt.	1
C	2025-200-137	Std. DMS Label, Outside, Lt.	1
D	2025-200-147	Std. DMS Label, Out., Rt.	1
E	2025-000-118	Big Blank Label, Inside	2
G	2025-22-46	Stryker Logo Label	2
H	2025-000-150	Std. Module Label, Ft. Bd.	1
K	2025-000-153	Gat./Fow. Label, Ft. Bd.	1

2025-000-166 Patient Positioning Option #1

Item	Part No.	Part Name	Qty.
G	2025-22-46	Stryker Logo Label	2
H	2025-000-151	Pos. Mod. Label, Ft. Bd.	1
K	2025-000-153	Gat./Fow. Label, Ft. Bd.	1

2025-000-167 Standard Labels + DMS + Communication + Pat. Pos. Option #2

Item	Part No.	Part Name	Qty.
A	2025-000-113	Std. DMS-Comm. Inside, Lt.	1
B	2025-000-123	Std. DMS-Comm. In., Rt.	1
C	2025-200-133	Std. DMS-NC Outside, Lt.	1
D	2025-200-143	Std. DMS-NC Outside, Rt.	1
E	2025-000-116	TV/Radio Label, Left	1
F	2025-000-126	TV/Radio Label, Right	1
G	2025-22-46	Stryker Logo Label	2
H	2025-000-151	Pat. Pos.Label, Ft. Bd.	1
K	2025-000-153	Gat./Fow. Label, Ft. Bd.	1
M	2025-000-155	E-Drop/CC Label, Ft. Bd.	1

2025-000-168 Standard Labels + DMS + Nurse Call + Pat. Pos. Option #2

Item	Part No.	Part Name	Qty.
A	2025-000-112	Std. DMS-NC, Inside, Lt.	1
B	2025-000-122	Std. DMS-NC, Inside, Rt.	1
C	2025-200-133	Std. DMS-NC Outside, Lt.	1
D	2025-200-143	Std. DMS-NC Outside, Rt.	1
E	2025-000-117	Small Blank Label, Inside	2
G	2025-22-46	Stryker Logo Label	2
H	2025-000-151	Pat. Pos.Label, Ft. Bd.	1
K	2025-000-153	Gat./Fow. Label, Ft. Bd.	1
M	2025-000-155	E-Drop/CC Label, Ft. Bd.	1

2025-000-169 Std. Labels + Communication + Pat. Pos. Option #2

Item	Part No.	Part Name	Qty.
A	2025-000-115	Std. Comm., Inside, Lt.	1
B	2025-000-125	Std. Comm., Inside, Rt.	1
C	2025-200-132	Std. NC-PP2, Outside, Lt.	1
D	2025-200-142	Std. NC-PP2, Outside, Rt.	1
E	2025-000-116	TV/Radio Label, Left	1
G	2025-22-46	Stryker Logo Label	2
H	2025-000-151	Pat. Pos.Label, Ft. Bd.	1
K	2025-000-153	Gat./Fow. Label, Ft. Bd.	1
M	2025-000-155	E-Drop/CC Label, Ft. Bd.	1

2025-000-170 Standard Labels+ Nurse Call + Patient Positioning Option #2

Item	Part No.	Part Name	Qty.
A	2025-000-111	Std. NC, Label, Inside, Lt.	1
B	2025-000-121	Std. NC, Label, Inside, Rt.	1
C	2025-200-132	Std. NC-PP2, Outside, Lt.	1
D	2025-200-142	Std. NC-PP2, Outside, Rt.	1
E	2025-000-117	Small Blank Label, Inside	2
G	2025-22-46	Stryker Logo Label	2
H	2025-000-151	Pat. Pos.Label, Ft. Bd.	1
K	2025-000-153	Gat./Fow. Label, Ft. Bd.	1
M	2025-000-155	E-Drop/CC Label, Ft. Bd.	1

2025-000-171 Std. Labels + DMS + Patient Positioning Option #2

Item	Part No.	Part Name	Qty.
A	2025-000-114	Std. DMS Label, Inside, Lt.	1
B	2025-000-124	Std. DMS Label, Inside, Rt.	1
C	2025-200-134	Std. DMS-PP2, Outside, Lt.	1
D	2025-200-144	Std. DMS-PP2, Outside, Rt.	1
E	2025-000-118	Big Blank Label, Inside	2
G	2025-22-46	Stryker Logo Label	2
H	2025-000-151	Pat. Pos.Label, Ft. Bd.	1
K	2025-000-153	Gat./Fow. Label, Ft. Bd.	1
M	2025-000-155	E-Drop/CC Label, Ft. Bd.	1

Blue Stone Labeling Assembly Options

2025-000-172 Std. Labels + Pat. Pos. Option #2

Item	Part No.	Part Name	Qty.
A	2025-000-110	Standard Label, Inside, Left	1
B	2025-000-120	Standard Label, Inside, Right	1
C	2025-200-136	Std. PP2 Label, Outside, Left	1
D	2025-200-146	Std. PP2 Label, Outside, Right	1
E	2025-000-118	Big Blank Label, Inside	2
G	2025-22-46	Stryker Logo Label	2
H	2025-000-151	Pat. Pos.Label, Ft. Bd.	1
K	2025-000-153	Gat./Fow. Label, Ft. Bd.	1
M	2025-000-155	E-Drop/CC Label, Ft. Bd.	1

2025-000-173 Scale Option Labels Only

Item	Part No.	Part Name	Qty.
J	2025-000-152	Scale Module Label, Ft. Bd	1

2025-000-174 Center of Gravity Bed Exit Only

Item	Part No.	Part Name	Qty.
L	2025-000-154	Bed Exit Label, Foot Board	1

2025-000-175 Scale +Cent. of Grav. Bed Exit

Item	Part No.	Part Name	Qty.
J	2025-000-152	Scale Module Label, Ft. Bd.	1
L	2025-000-154	Bed Exit Label, Foot Board	1

2600-000-161 Std. Labels + Nurse Call + DMS

Item	Part No.	Part Name	Qty.
A	2025-000-112	Std. DMS-NC, Inside, Lt.	1
B	2025-000-122	Std. DMS-NC, Inside, Rt.	1
C	2025-200-138	Std. NC-StryKair, Outside, Lt.	1
D	2025-200-148	Std. NC-StryKair, Outside, Rt.	1
E	2025-000-117	Small Blank Label, Inside	2
G	2600-22-46	StryKair Logo Label	2
H	2025-000-150	Std. Module Label, Ft. Bd.	1
K	2025-000-153	Gat./Fow. Label, Ft. Bd.	1

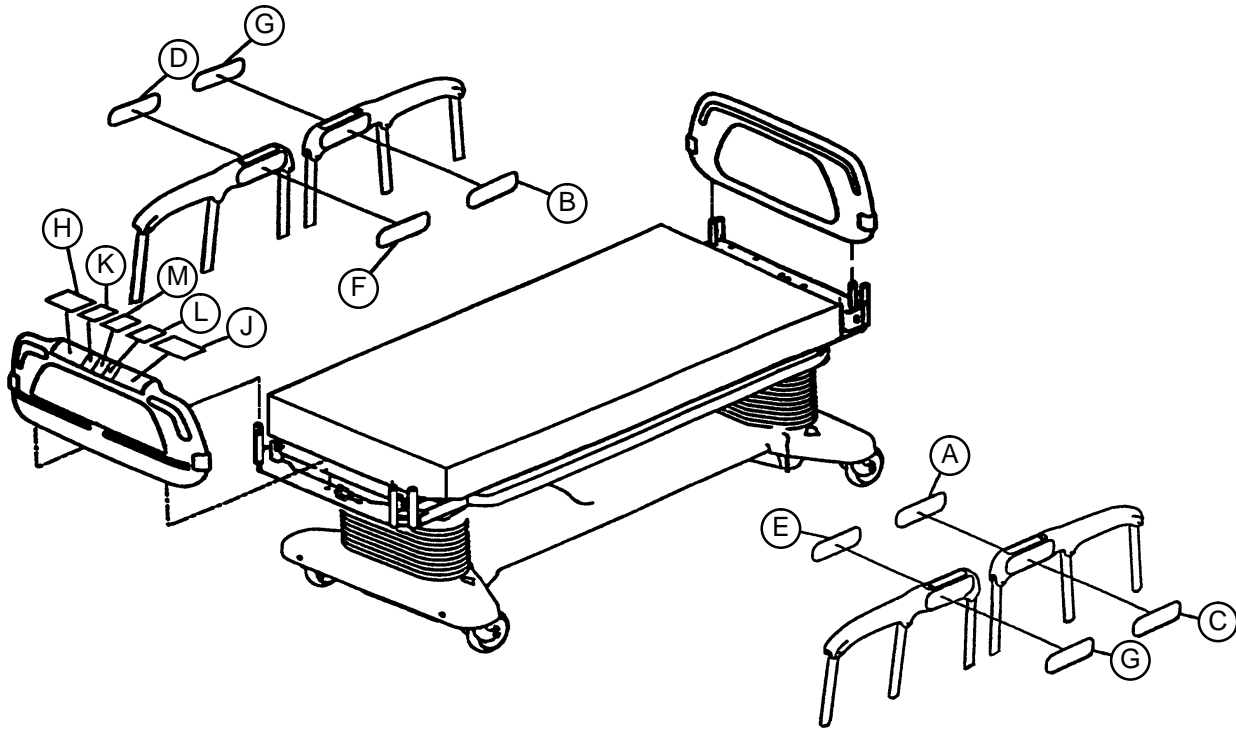
2600-000-162 Std. Labels + DMS + Comm.

Item	Part No.	Part Name	Qty.
A	2025-000-113	Std. DMS-Comm. Inside, Lt.	1
B	2025-000-123	Std. DMS-Comm. In., Rt.	1
C	2025-200-138	Std. NC-StryKair, Outside, Lt.	1
D	2025-200-148	Std. NC-StryKair, Outside, Rt.	1
E	2025-000-116	TV/Radio Label, Left	1
F	2025-000-126	TV/Radio Label, Right	1
G	2600-22-46	StryKair Logo Label	2
H	2025-000-150	Std. Module Label, Ft. Bd.	1
K	2025-000-153	Gat./Fow. Label, Ft. Bd.	1

2600-000-165 Std. Labels + DMS

Item	Part No.	Part Name	Qty.
A	2025-000-114	Std. DMS, Inside, Lt.	1
B	2025-000-124	Std. DMS, Inside, Rt.	1
C	2025-200-139	Std. StryKair, Outside, Lt.	1
D	2025-200-151	Std. StryKair, Outside, Rt.	1
E	2025-000-118	Big Blank Label, Inside	2
G	2600-22-46	StryKair Logo Label	2
H	2025-000-150	Std. Module Label, Ft. Bd.	1
K	2025-000-153	Gat./Fow. Label, Ft. Bd.	1

Forest Green Labeling Assembly Options



2025-000-260 Standard Labels + Nurse Call

Item	Part No.	Part Name	Qty.
A	2025-000-211	Std. NC Label, Inside, Lt.	1
B	2025-000-221	Std. NC Label, Inside, Rt.	1
C	2025-200-231	Std. NC Label, Outside, Lt.	1
D	2025-200-241	Std. NC Label, Outside, Rt.	1
E	2025-000-117	Small Blank Label, Inside	2
G	2025-22-46	Stryker Logo Label	2
H	2025-000-250	Std. Module Label, Ft. Bd.	1
K	2025-000-253	Gat./Fow. Label, Ft. Bd.	1

2025-000-261 Std. Labels + Nurse Call + DMS

Item	Part No.	Part Name	Qty.
A	2025-000-212	Std. DMS-NC, Inside, Lt.	1
B	2025-000-222	Std. DMS-NC, Inside, Rt.	1
C	2025-200-235	Std. NC-DMS, Outside, Lt.	1
D	2025-200-245	Std. NC-DMS, Outside, Rt.	1
E	2025-000-117	Small Blank Label, Inside	2
G	2025-22-46	Stryker Logo Label	2
H	2025-000-250	Std. Module Label, Ft. Bd.	1
K	2025-000-253	Gat./Fow. Label, Ft. Bd.	1

2025-000-262 Standard Labels + DMS + Communication Option

Item	Part No.	Part Name	Qty.
A	2025-000-213	Std. DMS-Comm., Inside, Lt.	1
B	2025-000-223	Std. DMS-Comm., Inside, Rt.	1
C	2025-200-235	Std. DMS-Comm., Outside, Lt.	1
D	2025-200-245	Std. DMS-Comm., Outside, Rt.	1
E	2025-000-216	TV/Radio Label, Left	1
F	2025-000-226	TV/Radio Label, Right	1
G	2025-22-46	Stryker Logo Label	2
H	2025-000-250	Std. Module Label, Ft. Bd.	1
K	2025-000-253	Gat./Fow. Label, Ft. Bd.	1

2025-000-263 Std. Labels + Communication

Item	Part No.	Part Name	Qty.
A	2025-000-215	Std. Comm., Inside, Lt.	1
B	2025-000-225	Std. Comm., Inside, Rt.	1
C	2025-200-231	Std. NC Label, Outside, Lt.	1
D	2025-200-241	Std. NC Label, Outside, Rt.	1
E	2025-000-216	TV/Radio Label, Left	1
F	2025-000-226	TV/Radio Label, Right	1
G	2025-22-46	Stryker Logo Label	2
H	2025-000-250	Std. Module Label, Ft. Bd.	1
K	2025-000-253	Gat./Fow. Label, Ft. Bd.	1

Forest Green Labeling Assembly Options

2025-000-264 Standard Labels

Item	Part No.	Part Name	Qty.
A	2025-000-214	Std. DMS Label, Inside, Lt.	1
B	2025-000-220	Std. Label, Inside, Rt.	1
C	2025-200-230	Std. Label, Outside, Lt.	1
D	2025-200-240	Std. Label, Outside, Rt.	1
E	2025-000-118	Big Blank Label, Inside	2
G	2025-22-46	Stryker Logo Label	2
H	2025-000-250	Std. Module Label, Ft. Bd.	1
K	2025-000-253	Gat./Fow. Label, Ft. Bd.	1

2025-000-265 Standard Labels + DMS Option

Item	Part No.	Part Name	Qty.
A	2025-000-214	Std. DMS Label, Inside, Lt.	1
B	2025-000-224	Std. DMS Label, Inside, Rt.	1
C	2025-200-237	Std. DMS Label, Outside, Lt.	1
D	2025-200-247	Std. DMS Label, Out., Rt.	1
E	2025-000-118	Big Blank Label, Inside	2
G	2025-22-46	Stryker Logo Label	2
H	2025-000-250	Std. Module Label, Ft. Bd.	1
K	2025-000-253	Gat./Fow. Label, Ft. Bd.	1

2025-000-266 Patient Positioning Option #1

Item	Part No.	Part Name	Qty.
G	2025-22-46	Stryker Logo Label	2
H	2025-000-251	Pos. Mod. Label, Ft. Bd.	1
K	2025-000-253	Gat./Fow. Label, Ft. Bd.	1

2025-000-267 Standard Labels + DMS + Communication + Pat. Pos. Option #2

Item	Part No.	Part Name	Qty.
A	2025-000-213	Std. DMS-Comm. Inside, Lt.	1
B	2025-000-223	Std. DMS-Comm. In., Rt.	1
C	2025-200-233	Std. DMS-NC Outside, Lt.	1
D	2025-200-243	Std. DMS-NC Outside, Rt.	1
E	2025-000-216	TV/Radio Label, Left	1
F	2025-000-226	TV/Radio Label, Right	1
G	2025-22-46	Stryker Logo Label	2
H	2025-000-252	Pat. Pos.Label, Ft. Bd.	2
K	2025-000-253	Gat./Fow. Label, Ft. Bd.	1
M	2025-000-255	E-Drop/CC Label, Ft. Bd.	1

2025-000-268 Standard Labels + DMS + Nurse Call + Pat. Pos. Option #2

Item	Part No.	Part Name	Qty.
A	2025-000-212	Std. DMS-NC, Inside, Lt.	1
B	2025-000-222	Std. DMS-NC, Inside, Rt.	1
C	2025-200-233	Std. DMS-NC Outside, Lt.	1
D	2025-200-243	Std. DMS-NC Outside, Rt.	1
E	2025-000-117	Small Blank Label, Inside	2
G	2025-22-46	Stryker Logo Label	2
H	2025-000-251	Pat. Pos.Label, Ft. Bd.	1
K	2025-000-253	Gat./Fow. Label, Ft. Bd.	1
M	2025-000-255	E-Drop/CC Label, Ft. Bd.	1

2025-000-269 Std. Labels + Communication + Pat. Pos. Option #2

Item	Part No.	Part Name	Qty.
A	2025-000-215	Std. Comm., Inside, Lt.	1
B	2025-000-225	Std. Comm., Inside, Rt.	1
C	2025-200-232	Std. NC-PP2, Outside, Lt.	1
D	2025-200-242	Std. NC-PP2, Outside, Rt.	1
E	2025-000-216	TV/Radio Label, Left	1
G	2025-22-46	Stryker Logo Label	2
H	2025-000-251	Pat. Pos.Label, Ft. Bd.	1
K	2025-000-253	Gat./Fow. Label, Ft. Bd.	1
M	2025-000-255	E-Drop/CC Label, Ft. Bd.	1

2025-000-270 Standard Labels+ Nurse Call + Patient Positioning Option #2

Item	Part No.	Part Name	Qty.
A	2025-000-211	Std. NC, Label, Inside, Lt.	1
B	2025-000-221	Std. NC, Label, Inside, Rt.	1
C	2025-200-232	Std. NC-PP2, Outside, Lt.	1
D	2025-200-242	Std. NC-PP2, Outside, Rt.	1
E	2025-000-117	Small Blank Label, Inside	2
G	2025-22-46	Stryker Logo Label	2
H	2025-000-251	Pat. Pos.Label, Ft. Bd.	1
K	2025-000-253	Gat./Fow. Label, Ft. Bd.	1
M	2025-000-255	E-Drop/CC Label, Ft. Bd.	1

2025-000-271 Std. Labels + DMS + Patient Positioning Option #2

Item	Part No.	Part Name	Qty.
A	2025-000-214	Std. DMS Label, Inside, Lt.	1
B	2025-000-224	Std. DMS Label, Inside, Rt.	1
C	2025-200-234	Std. DMS-PP2, Outside, Lt.	1
D	2025-200-244	Std. DMS-PP2, Outside, Rt.	1
E	2025-000-118	Big Blank Label, Inside	2
G	2025-22-46	Stryker Logo Label	2
H	2025-000-251	Pat. Pos.Label, Ft. Bd.	1
K	2025-000-253	Gat./Fow. Label, Ft. Bd.	1
M	2025-000-255	E-Drop/CC Label, Ft. Bd.	1

Forest Green Labeling Assembly Options

2025-000-272 Std. Labels + Pat. Pos. Option #2

Item	Part No.	Part Name	Qty.
A	2025-000-210	Standard Label, Inside, Left	1
B	2025-000-220	Standard Label, Inside, Right	1
C	2025-200-236	Std. PP2 Label, Outside, Left	1
D	2025-200-246	Std. PP2 Label, Outside, Right	1
E	2025-000-118	Big Blank Label, Inside	2
G	2025-22-46	Stryker Logo Label	2
H	2025-000-251	Pat. Pos.Label, Ft. Bd.	1
K	2025-000-253	Gat./Fow. Label, Ft. Bd.	1
M	2025-000-255	E-Drop/CC Label, Ft. Bd.	1

2025-000-273 Scale Option Labels Only

Item	Part No.	Part Name	Qty.
J	2025-000-252	Scale Module Label, Ft. Bd	1

2025-000-274 Center of Gravity Bed Exit Only

Item	Part No.	Part Name	Qty.
L	2025-000-254	Bed Exit Label, Foot Board	1

2025-000-275 Scale +Cent. of Grav. Bed Exit

Item	Part No.	Part Name	Qty.
J	2025-000-252	Scale Module Label, Ft. Bd.	1
L	2025-000-254	Bed Exit Label, Foot Board	1

2600-000-261 Std. Labels + Nurse Call + DMS

Item	Part No.	Part Name	Qty.
A	2025-000-212	Std. DMS-NC, Inside, Lt.	1
B	2025-000-222	Std. DMS-NC, Inside, Rt.	1
C	2025-200-238	Std. NC-StryKair, Outside, Lt.	1
D	2025-200-248	Std. NC-StryKair, Outside, Rt.	1
E	2025-000-117	Small Blank Label, Inside	2
G	2600-22-46	StryKair Logo Label	2
H	2025-000-250	Std. Module Label, Ft. Bd.	1
K	2025-000-253	Gat./Fow. Label, Ft. Bd.	1

2600-000-262 Std. Labels + DMS + Comm.

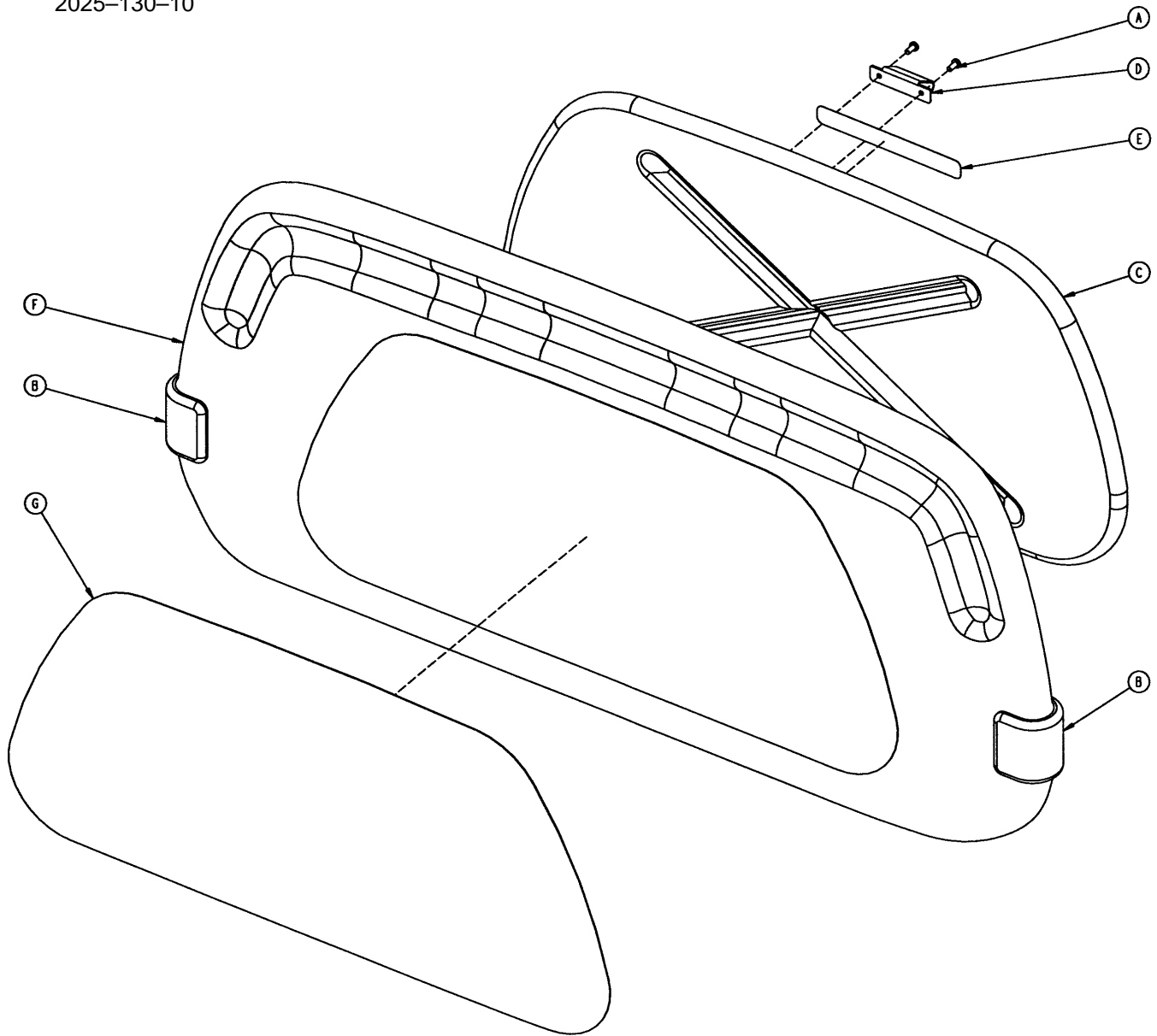
Item	Part No.	Part Name	Qty.
A	2025-000-213	Std. DMS-Comm. Inside, Lt.	1
B	2025-000-223	Std. DMS-Comm. In., Rt.	1
C	2025-200-238	Std. NC-StryKair, Outside, Lt.	1
D	2025-200-248	Std. NC-StryKair, Outside, Rt.	1
E	2025-000-216	TV/Radio Label, Left	1
F	2025-000-226	TV/Radio Label, Right	1
G	2600-22-46	StryKair Logo Label	2
H	2025-000-250	Std. Module Label, Ft. Bd.	1
K	2025-000-253	Gat./Fow. Label, Ft. Bd.	1

2600-000-265 Std. Labels + DMS

Item	Part No.	Part Name	Qty.
A	2025-000-214	Std. DMS, Inside, Lt.	1
B	2025-000-224	Std. DMS, Inside, Rt.	1
C	2025-200-239	Std. StryKair, Outside, Lt.	1
D	2025-200-251	Std. StryKair, Outside, Rt.	1
E	2025-000-118	Big Blank Label, Inside	2
G	2600-22-46	StryKair Logo Label	2
H	2025-000-250	Std. Module Label, Ft. Bd.	1
K	2025-000-253	Gat./Fow. Label, Ft. Bd.	1

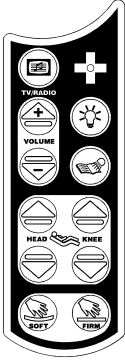
Head Board Assembly with CPR Option

Assembly part number
2025-130-10

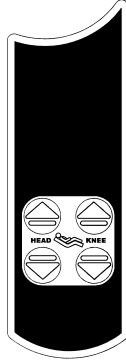


Item	Part No.	Part Name	Qty.
A	23-88	Pan Hd. Screw	2
B	2222-500-7	Black "C" Bumper	2
C	3000-526-1	CPR Board	1
D	3000-526-2	CPR Board Clip	1
E	3000-526-3	CPR Board Label	1
F	3000-600-10	Head Board Clam Shell Ass'y	1
G	3000-600-56	Beige Head Board Laminate	1
H	72-2-71	"C" Bumper Adhesive	N/A

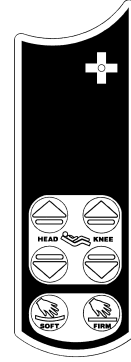
Optional Pendant Assembly



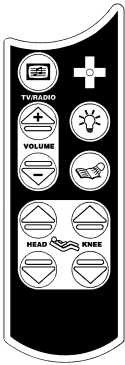
3001-315-11
Combination Pendant
Motion/Communication/DMS



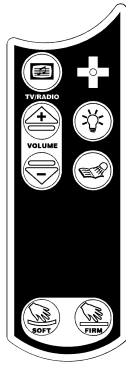
3001-315-14
Combination Pendant
Motion Only



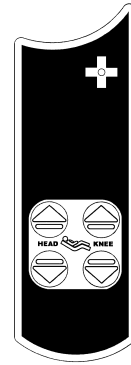
3001-315-17
Combination Pendant
Motion/DMS/Nurse Call



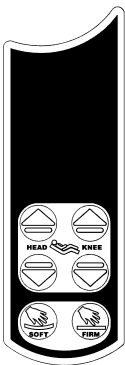
3001-315-12
Combination Pendant
Motion/Communication



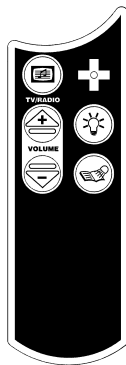
3001-315-15
Combination Pendant
Communication/DMS



3001-315-18
Combination Pendant
Motion/Nurse Call



3001-315-13
Combination Pendant
Motion/DMS



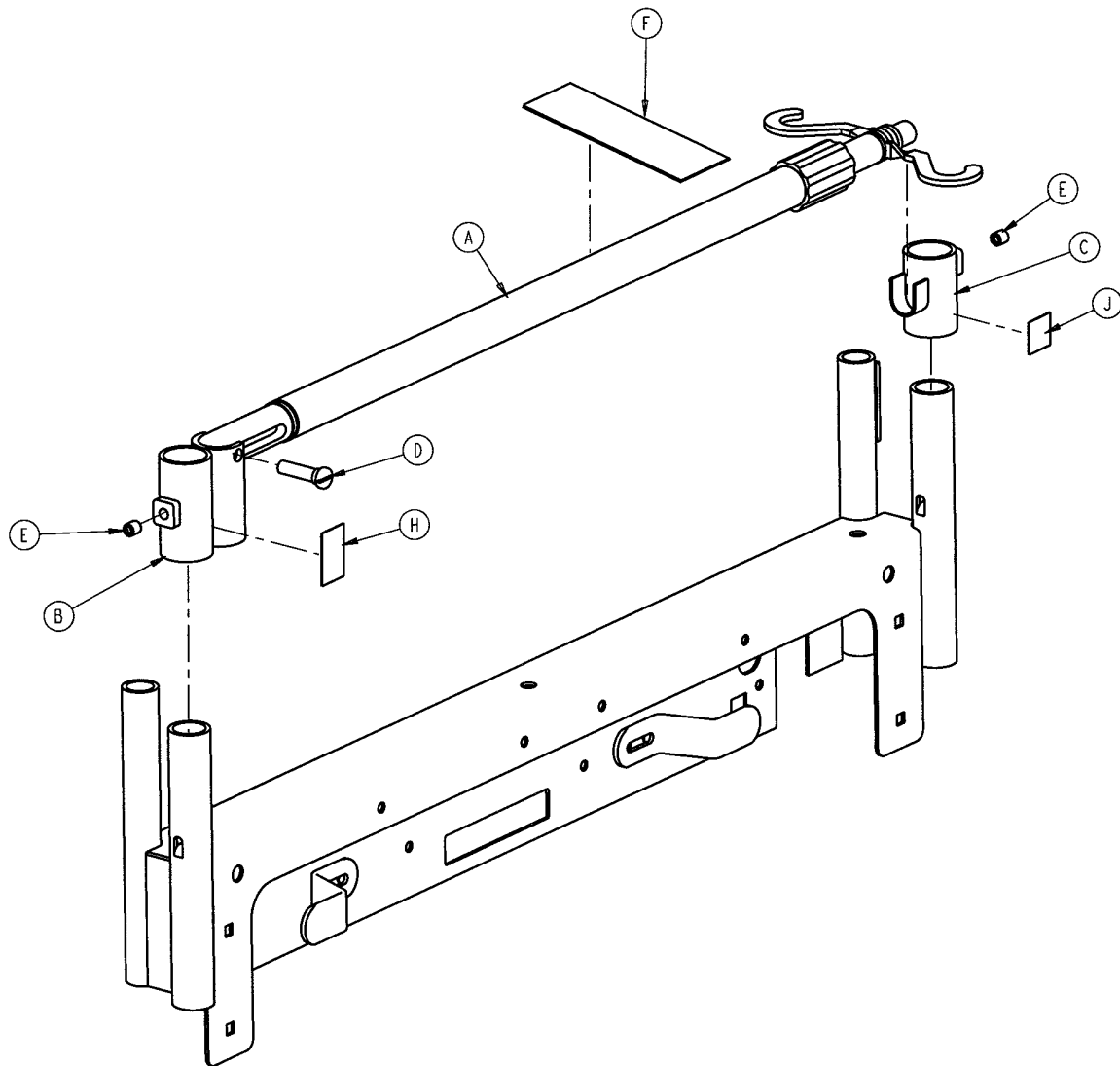
3001-315-16
Combination Pendant
Communication Only

Notes

Notes

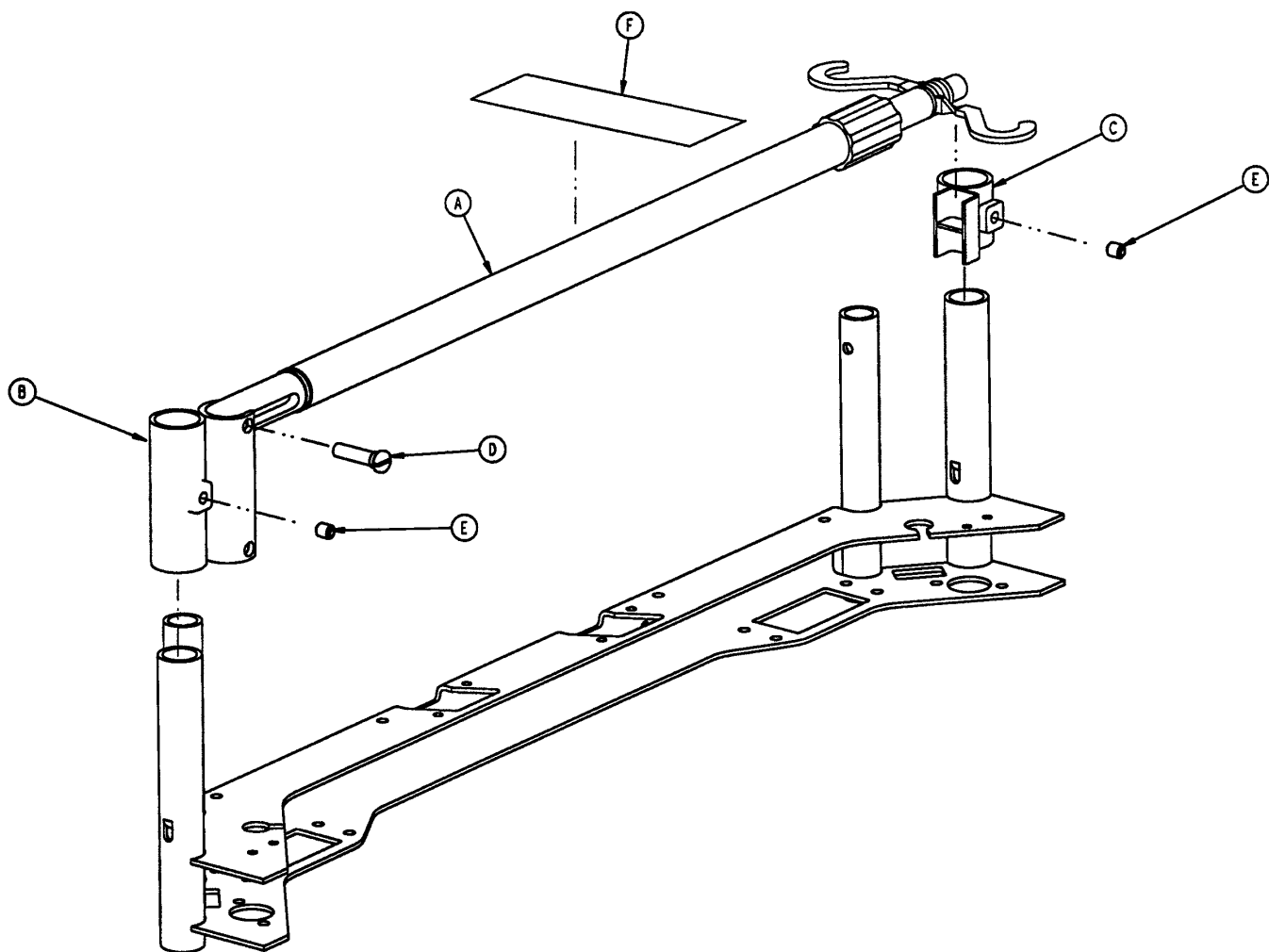
Notes

3000-311-10 Permanent I.V. Pole Mtg. Ass'y, Head End



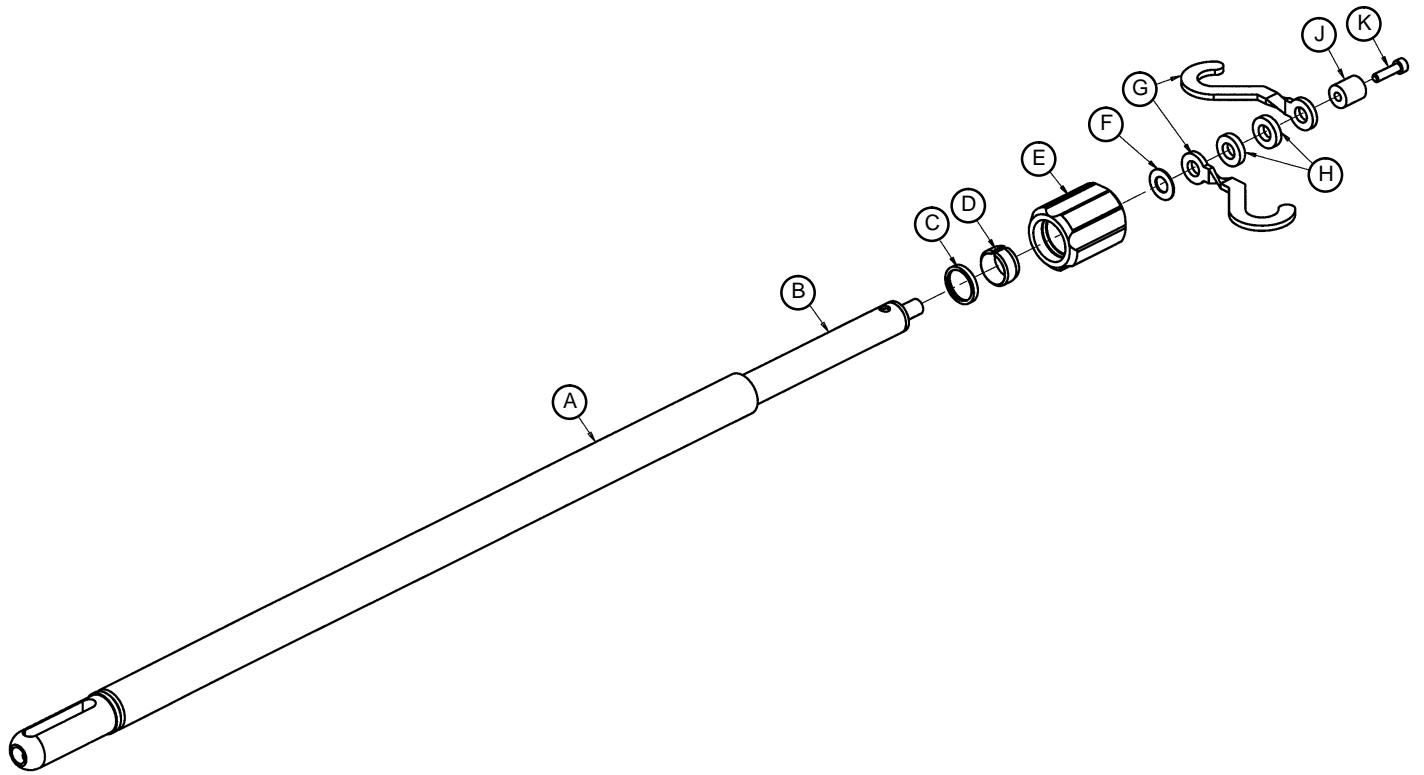
Item	Part No.	Part Name	Qty.
A	(page 133)	I.V. Pole Assembly	1
B	3000-311-11	I.V. Receptacle Assembly	1
C	3000-311-16	I.V. Rest Assembly	1
D	1015-24-35	Retaining Pin	1
E	21-140	Set Screw	2
F	3000-311-5	Spec. Label	1
H	3000-311-15	Receptacle Label	1
J	3000-311-6	Cradle Label	1

2025-111 Permanent I.V. Pole Mounting Ass'y, Foot End



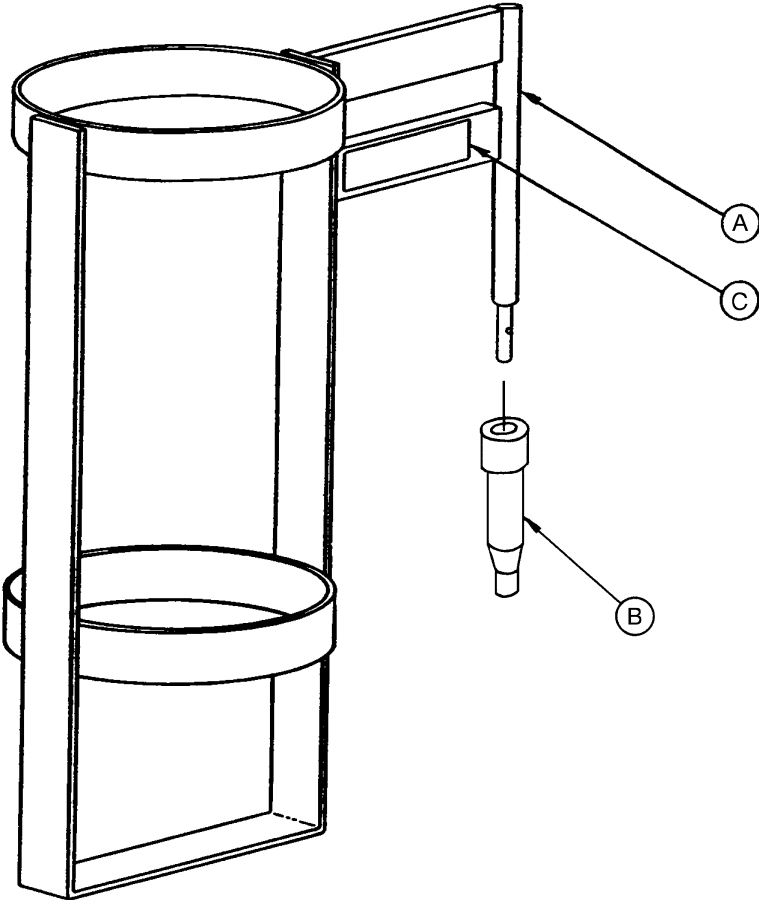
Item	Part Name	Part No.	Qty.
A	(page 133)	I.V. Pole Assembly	1
B	3000-311-11	I.V. Receptacle Assembly	1
C	3000-312-35	I.V. Cradle Assembly	1
D	1015-24-35	Retaining Pin	1
E	21-140	Set Screw	2
F	3000-311-5	Specification Label	1

3001-311-26 Standard, Permanent I.V. Pole Assembly



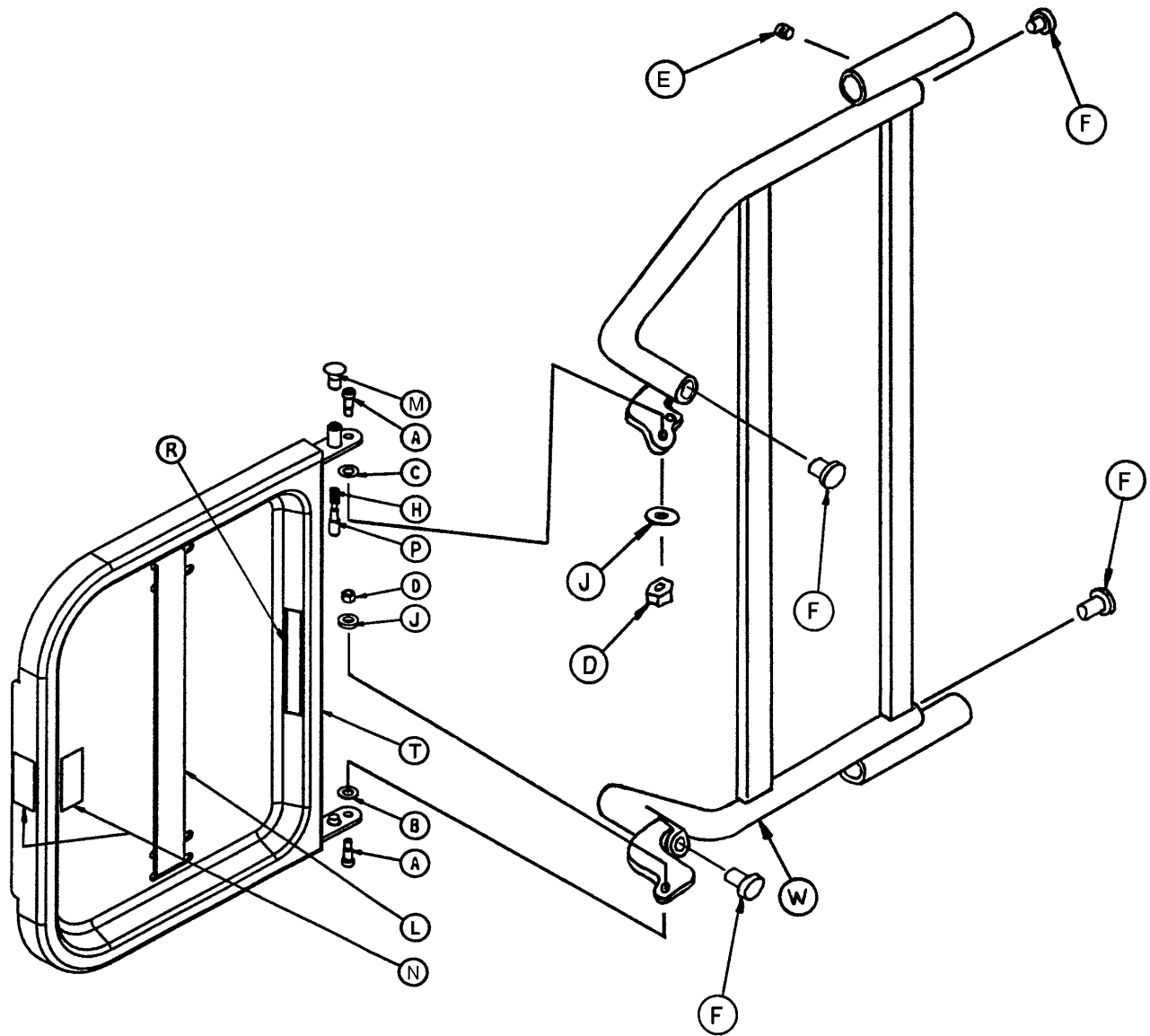
Item	Part No.	Part Name	Qty.
A	1010-59-24	Base Tube Assembly	1
B	1010-59-30	Extension Tube Assembly	1
C	1210-110-46	Back-Up Ring	1
D	1210-110-47	Lock Ring	1
E	1210-110-49	Actuator	1
F	14-20	Nylon Flat Washer	1
G	1010-59-16	I.V. Hook	2
H	52-17	Nylon Spacer	2
J	3000-311-19	End Spacer	1
K	4-8	Socket Hd. Cap Screw	1

2025-150-10 Optional Upright O2 Bottle Holder Ass'y



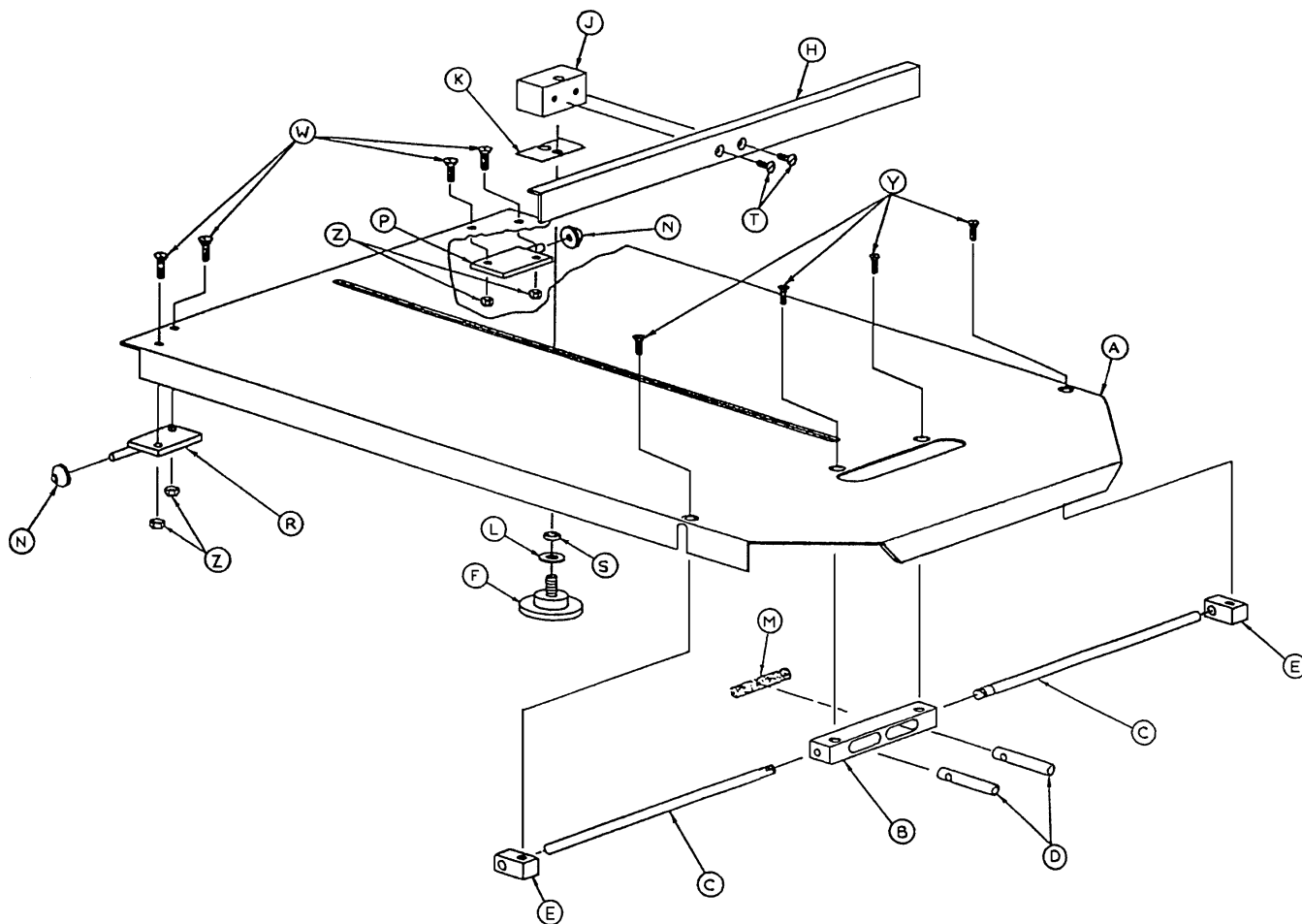
Item	Part No.	Part Name	Qty.
A	1010-30-11	Upright Bottle Holder	1
B	2025-150-1	Bottle Holder Adapter	1
C	2025-150-2	Specification Label	1

2025-120 Optional Defibrillator Tray Assembly



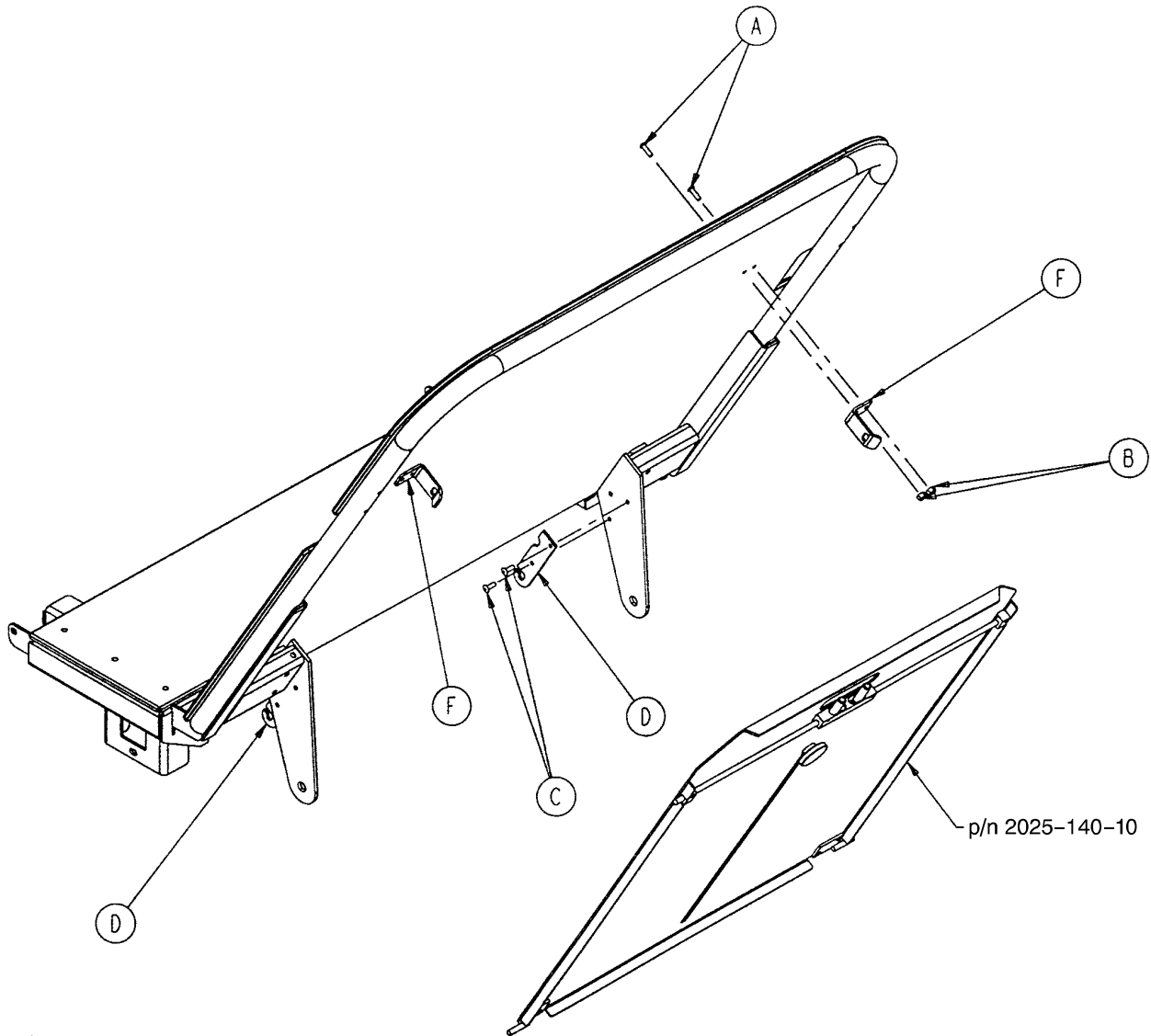
Item	Part No.	Part Name	Qty.	Item	Part No.	Part Name	Qty.
A	8-49	Soc. Hd. Shoulder Bolt	2	L	1010-50-21	Long Strap	1
B	14-20	Thrust Washer	1	M	1010-50-50	Knob	1
C	14-21	Thrust Washer	1	N	1010-50-57	Max. Weight Label	4
D	16-28	Fiberlock Nut	2	P	1010-50-242	Lock Pin	1
E	21-17	Set Screw	4	R	2025-120-5	Equipment Label	1
F	37-214	Hole Plug	4	S	2025-120-6	Specification Label	1
H	38-133	Spring	1	T	2025-120-18	Tray Assembly	1
J	52-17	Spacer	2	W	2025-120-25	Pivot Weldment Frame	1
K	1010-50-19	"Push/Pull" Label	1				

2025-140 Optional Fowler X-Ray Cassette Assembly



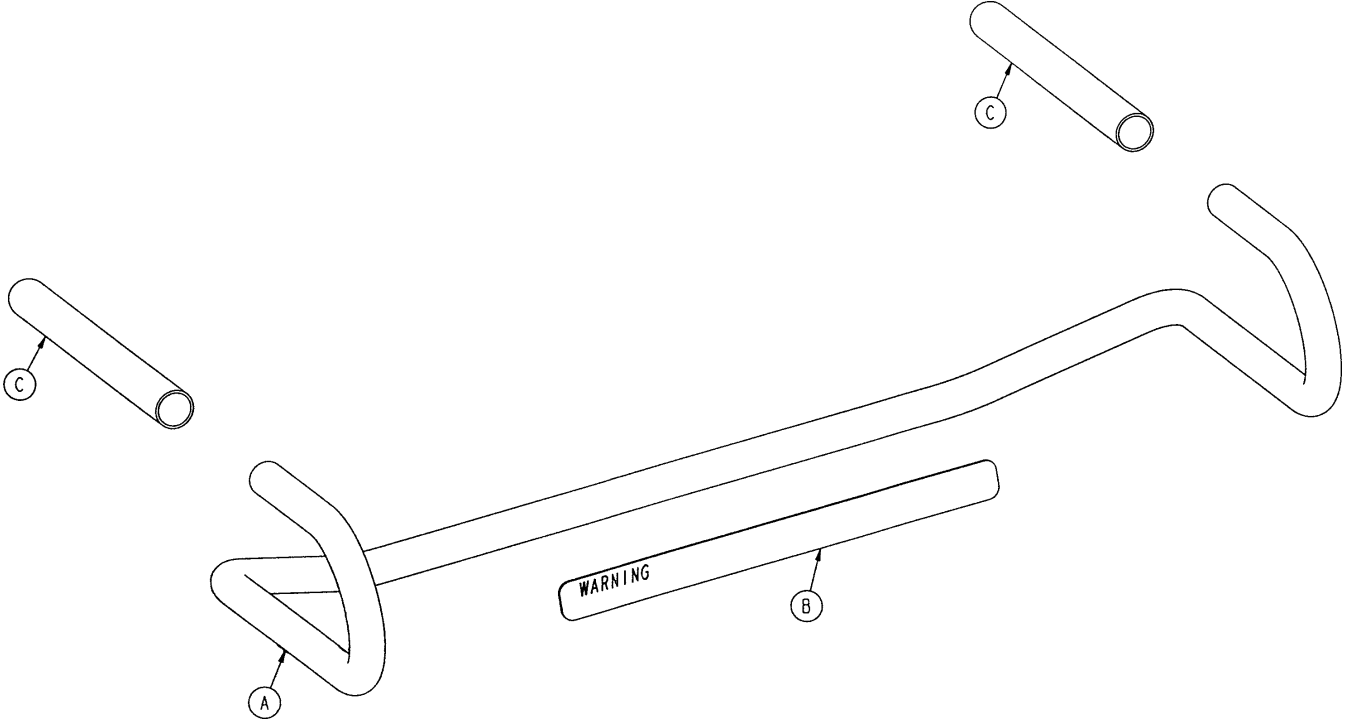
Item	Part No.	Part Name	Qty.
A	2025-140-1	Tray	1
B	1020-23-16	Post Housing	1
C	2025-140-2	Actuating Rod	2
D	926-23-64	Post	2
E	1010-23-37	Rod Guide	2
F	1020-23-21	Knob	1
H	2025-23-28	Tray Angle	1
J	926-23-70	Block Assembly	1
K	926-23-69	Washer	1
L	14-3	Washer	1
M	38-122	Compression Spring	1
N	1020-23-26	Spacer	2
P	1020-23-19	Tray Hinge, Right	1
R	1020-23-20	Tray Hinge, Left	1
S	926-23-71	Bushing	1
T	1-20	Flat Hd. Mach. Screw	2
W	4-149	Hex Soc. But. Hd. Cap Screw	4
Y	1-22	Flat Hd. Screw	4
Z	16-3	Nylock Nut	4
AA	1010-23-19	Tray Removal Label	1
AB	2025-140-25	Specification Label	1

2025-141 Optional Fowler X-Ray Cassette Mtg. Ass'y



Item	Part No.	Part Name	Qty.
A	4-149	Hex Soc. But. Hd. Cap Screw	4
B	16-3	Self Locking Nut	4
C	25-50	Pop Rivet	4
D	2025-140-3	Tray Hinge	2
F	1020-23-14	Tray Latch	2

2030-140 Optional Foot End Pump Rack Assembly



Item	Part No.	Part Name	Qty.
A	2030-140-1	Foot End Pump Rack Bar	1
B	2030-140-2	Pump Rack Label	1
C	58-87	End Cap	2

Warranty

Limited Warranty:

Stryker Medical Division, a division of Stryker Corporation, warrants to the original purchaser that its products should be free from defects in material and workmanship for a period of one (1) year after date of delivery. Stryker's obligation under this warranty is expressly limited to supplying replacement parts and labor for, or replacing, at its option, any product which is, in the sole discretion of Stryker, found to be defective. Stryker warrants to the original purchaser that the frame and welds on its beds will be free from structural defects for as long as the original purchaser owns the bed. If requested by Stryker, products or parts for which a warranty claim is made shall be returned prepaid to Stryker's factory. Any improper use or any alteration or repair by others in such manner as in Stryker's judgement affects the product materially and adversely shall void this warranty. No employee or representative of Stryker is authorized to change this warranty in any way.

This statement constitutes Stryker's entire warranty with respect to the aforesaid equipment. STRYKER MAKES NO OTHER WARRANTY OR REPRESENTATION, EITHER EXPRESSED OR IMPLIED, EXCEPT AS SET FORTH HEREIN. THERE IS NO WARRANTY OF MERCHANTABILITY AND THERE ARE NO WARRANTIES OF FITNESS FOR ANY PARTICULAR PURPOSE. IN NO EVENT SHALL STRYKER BE LIABLE HEREUNDER FOR INCIDENTAL OR CONSEQUENTIAL DAMAGES ARISING FROM OR IN ANY MANNER RELATED TO SALES OR USE OF ANY SUCH EQUIPMENT.

To Obtain Parts and Service:

Stryker products are supported by a nationwide network of dedicated Stryker Field Service Representatives. These representatives are factory trained, available locally, and carry a substantial spare parts inventory to minimize repair time. Simply call your local representative, or call Stryker Customer Service at (800) 327-0770.

Supplemental Warranty Coverage:

Stryker has developed a comprehensive program of extended warranty options designed to keep your equipment operating at peak performance at the same time it eliminates unexpected costs. We recommend that these programs be activated *before* the expiration of the new product warranty to eliminate the potential of additional equipment upgrade charges. Stryker offers the following Supplemental Warranties:

Extended (Parts and Labor)

- All replacement parts (excluding mattresses and consumable items)
- Labor and travel for *all* scheduled and unscheduled calls
- Annual Preventive Maintenance Inspections and repairs
- JCAHO paperwork for preventive maintenance
- Priority Emergency Service

Standard (Labor Only):

- Labor and travel for *all* scheduled and unscheduled calls
- Annual Preventive Maintenance Inspections and repairs
- JCAHO paperwork for preventive maintenance
- Priority Emergency Service

Basic (Parts Only):

- All replacement parts (excluding mattresses and consumable items)
- Priority Emergency Service

Please call your local representative, or call (800) 327-0770 for further information

Warranty

Return Authorization:

Merchandise cannot be returned without approval from the Stryker Customer Service Department. An authorization number will be provided which must be printed on the returned merchandise. Stryker reserves the right to charge shipping and restocking fees on returned items.

SPECIAL, MODIFIED, OR DISCONTINUED ITEMS NOT SUBJECT TO RETURN.

Damaged Merchandise:

ICC Regulations require that claims for damaged merchandise must be made with the carrier within fifteen (15) days of receipt of merchandise. **DO NOT ACCEPT DAMAGED SHIPMENTS UNLESS SUCH DAMAGE IS NOTED ON THE DELIVERY RECEIPT AT THE TIME OF RECEIPT.** Upon prompt notification, Stryker will file a freight claim with the appropriate carrier for damages incurred. Claim will be limited in amount to the actual replacement cost. In the event that this information is not received by Stryker within the fifteen (15) day period following the delivery of the merchandise, or the damage was not noted on the delivery receipt at the time of receipt, the customer will be responsible for payment of the original invoice in full.

Claims for any short shipment must be made within thirty (30) days of invoice.

International Warranty Clause:

This warranty reflects U.S. domestic policy. Warranty outside the U.S. may vary by country. Please contact your local Stryker Medical representative for additional information.



European Representative

Stryker France
BP 50040-95946 Roissy Ch. de Gaulle
Cedex-France

Phone: 33148632290
Fax: 33148632175

stryker[®]
Medical

6300 Sprinkle Road, Kalamazoo, MI 49001-9799

(800) 327-0770



DH 10/00 2025-100-7 REV M