



EPIC II®
Critical Care Bed
Model 2030

stryker®

Maintenance Manual



For Parts or Technical Assistance:
USA: 1-800-327-0770 (option 2)

Table of Contents

Introduction	7
Intended Use	7
Specifications	7
Mattress Specifications	7
Warning / Caution / Note Definition.	8
Symbols	9
Summary of Safety Precautions	10
iBED Awareness Option	12
Setup Procedures	13
Optional iBED Awareness Maintenance Menu Guide	14
Maintenance Menu Screen	14
Maintenance Menu Items	14
Preventative Maintenance	21
General Information	21
Battery Charger Circuit Breaker (EPIC II®+ Option)	21
Cleaning	23
Troubleshooting Guide	24
Optional EPIC II®+ Battery Backup Troubleshooting Guide	27
iBED Awareness System Error Codes	30
Error Handling	30
Logged Errors	30
Error Messages	31
Quick Reference Replacement Parts List	34
Electrical System Information	36
Standard CPU Board = 3002-407-950 / iBED Awareness CPU Board - 3003-407-900	36
Software Configuration	38
Power Supply - 0000-059-157	40
Optional EPIC II®+ Inverter/Charger Board - 2030-001-030	41
Optional EPIC II®+ Display/CPU - 2030-031-910	42
Optional EPIC II®+ AC Crossover Board - 2040-031-900	43
Optional Inverter Protection Features	43
Service Information	46
Static Discharge Precautions	46
Static Protection Equipment	46
Brake Pedal Replacement	47
Lift Motor and Capacitor Removal and Replacement	48
Lift Housing Removal and Replacement	49
Lift Potentiometer Replacement and Adjustment	50
Lift Potentiometer “Burn-In” (Standard Bed)	51
Lift Potentiometer “Burn-In” (iBED Awareness Option)	51
Lift Motor Coupler Replacement	52
Power and Sensor Coil Cord Replacement	53
Optional Battery Removal and Replacement	55

Table of Contents

Service Information (Continued)

Scale System Diagnostics and Calibration	56
Load Cell Replacement	58
Head End Motor Removal and Replacement	59
Knee Motor Removal and Replacement	60
Power Supply Removal and Replacement	61
CPU Board Removal and Replacement	62
Fowler Potentiometer Replacement	62
Fowler Potentiometer “Burn-In” Procedure	63
Fowler Potentiometer “Burn-In” Procedure (<i>i</i> BED Awareness Option)	63
Optional Smart TV Interface “Burn-In” Procedure	64
Optional Smart TV Interface “Burn-In” Procedure (<i>i</i> BED Awareness Option)	65
EPIC II®+ Option AC Crossover Board Replacement	66
EPIC II®+ Option Display/CPU Board Replacement	68
Head and Foot Siderail Cover Removal	69
Head and Foot Molded Siderail Replacement	70
Foot Board Lid Removal	72
Foot Board Module Replacement	73
Foot Board Interface Plug Replacement	74
Assembly Drawings	75
Base Assembly and Options	75
Brake Plate Assembly	84
Lift Assembly	86
Isolation Plate Assembly	90
Brake Shaft Assembly, Left	91
Brake Shaft Assembly, Right	91
Brake Crank Assembly	92
Brake Bar Assembly	93
6” Wheel Assembly	94
6” Wheel Assembly	95
6” Molded Wheel Assembly	96
Base Uni-Pan Cover Assembly	97
EPIC II®+, Optional Base Assembly	99
EPIC II®+, Optional Base Power Assembly	104
Foot End Bottom Cover Assembly	105
EPIC II®+ Battery Assembly	106
Litter Assembly	107
Actuator Box Cover Assembly	123
Fowler Brake Kit Assembly	124
Litter Assembly, <i>i</i> BED Awareness Option, Std. Components	125
Litter Assembly, <i>i</i> BED Awareness Option w/Scale & Bed Exit	132
Litter Ass’y, <i>i</i> BED Awareness Option w/Scale/Bed Exit/Zone Cntrl	134
EPIC II®+, Optional Litter Assembly	136

Table of Contents

Assembly Drawings (Continued)

EPIC II® , No Optional 110V Outlet Assembly	143
EPIC II® , Optional 110V Outlet Assembly	144
EPIC II®+, No Optional 110V Outlet Assembly	146
EPIC II®+, Optional 110V Outlet Assembly	148
110V Box Assembly	151
Head End Siderail Assembly.	153
Head End Siderail Outer Panel Assembly	161
Head End Siderail Inner Panel Assembly	162
Timing Link Assembly, Head End, Left	163
Timing Link Assembly, Head End, Right	164
Siderail Latch Assembly, Head End, Left.	165
Siderail Latch Assembly, Head End, Right.	166
Siderail Latch Assembly, Head End, Left.	167
Siderail Latch Assembly, Head End, Right.	168
Siderail Bypass Detent Clip Assembly.	169
Siderail Assembly, iBED Awareness Option, Head End, Left	170
Siderail Assembly, iBED Awareness Option, Head End, Right	171
Switch Assembly, iBED Awareness Option, Head End	172
Foot End Siderail Assembly	173
Timing Link Assembly, Foot End, Left	177
Timing Link Assembly, Foot End, Right	178
Siderail Release Lever Assembly, Left	179
Siderail Release Lever Assembly, Right	180
Siderail Assembly, iBED Awareness Option, Foot End, Left	181
Siderail Assembly, iBED Awareness Option, Foot End, Right	182
Switch Assembly, iBED Awareness Option, Foot End	183
Head Board Assembly	184
Foot Board Assembly	185
Foot Board Assembly, No Options	186
Foot Board Assembly, Scale Option	187
Foot Board Assembly, Bed Exit Option	188
Foot Board Assembly, Bed Exit w/Zone Control Option	189
Foot Board Assembly, Bed Exit/Scale Option	190
Foot Board Assembly, Scale/Bed Exit w/Zone Control Option	191
Foot Board Main Module Assembly	192
Optional Foot Board Emergency Drop/Cardiac Chair Module.	193
Optional Foot Board Bed Exit Module.	194
Optional Foot Board Scale Module Assembly	196
Foot Board Assembly, iBED Awareness Option, Std. Comp.	197
Foot Board Assembly, iBED Awareness Option w/Bed Exit	199
Foot Board Assembly, iBED Awareness Option w/Zone Control	200
Pendants Assembly	201

Table of Contents


Assembly Drawings (Continued)	
Optional Removable I.V. Pole Assembly	202
Optional Head End 2-Stage I.V. Assembly	203
Optional Dual Head End 2-Stage I.V. Ass'y	204
2-Stage I.V. Pole	205
I.V. Pole Latch Assembly	206
Optional Fowler X-Ray Cassette Holder Assembly.	207
Optional I.V. Pole Transducer Mount Assembly	208
Optional Defibrillator Tray Assembly	209
Optional Pleur-Evac Rack with Defibrillator Tray	210
Optional Pleur-Evac Rack Assembly	211
Optional Pump Rack Assembly	212
Optional Upright Oxygen Bottle Holder	213
Optional Bed Extender Pad	214
Optional Siderail Pad Set	215
Recycling Passport	216
Warranty	225
Limited Warranty	225
To Obtain Parts and Service	225
Service Contract Coverage	225
Service Contract Programs	226
Return Authorization.	226
Damaged Merchandise	226
International Warranty Clause.	226

Introduction

Intended Use

This manual is designed to assist you with the maintenance of Stryker Model 2030 Epic II® Critical Care Bed. Carefully read this manual thoroughly before using the equipment or beginning maintenance on it. To ensure safe operation of this equipment, it is recommended that methods and procedures be established for educating and training staff on the safe operation of this bed.

Specifications

	Safe Working Load		
	Note: Safe Working Load indicates the sum of the patient, mattress, and accessory weight.	500 lbs	227 kg
Scale System Capacity (optional equipment). Loads weighing up to		500 lbs	227 kg
Scale System Accuracy (optional equipment)		± 1 pound of total patient weight at any bed position ¹ (patients weighing 100 pounds or less) $\pm 1\%$ of total patient weight at any bed position ¹ (patients weighing greater than 100 pounds)	
Overall Length/Width	Length	91"	231 cm
	Width	42.5"	108 cm
Minimum Bed Height		18"	46 cm
Maximum Bed Height (Standard)		30" to 31"	76.2 cm to 78.7 cm.
Maximum Bed Height (Enhanced)		32" to 33"	81.2 cm to 83.8 cm.
Fluoroscopy Access	Epic II®	17"	43.1 cm
	Epic II®+	16"	41 cm
Knee Gatch Angle		0° to 30°	
Back Angle		0° to 90°	
Trendelenburg/Reverse Trendelenburg		-12° to +12° $\pm 2^\circ$	
Electrical Requirements		115 VAC, 60 Hz, 8.0 A 230 VAC, 50/60 Hz, 4.0 A 100 VAC, 50/60 Hz, 9.0 A (Japan Option)	
Battery Voltage		24V, 31 Ah	
Noise Level		> 65 dB	
Outlet Option		125 VAC, 5A, 60 Hz	
¹ If the bed is equipped with the enhanced height option, the scale accuracy is as described above for litter angles from 0° to $\pm 5^\circ$ Trend.			
Mattress Specifications			
Thickness		6"	15.2 cm
Width		≥ 35 "	≥ 88.9 cm
Length		≥ 84 "	≥ 213.4
ILD		80 lbs	36.3 kg

The above stated mattress specifications assist in ensuring the product conforms to HBSW and IEC specifications.

Stryker reserves the right to change specifications without notice.

Specifications listed are approximate and may vary slightly from unit to unit or by power supply fluctuations.

[Return To Table of Contents](#)

Introduction

Warning / Caution / Note Definition

The words WARNING, CAUTION, and NOTE carry special meanings and should be carefully reviewed.

WARNING

Alerts the reader about a situation, which if not avoided, could result in death or serious injury. It may also describe potential serious adverse reactions and safety hazards.

CAUTION

Alerts the reader of a potentially hazardous situation, which if not avoided, may result in minor or moderate injury to the user or patient or damage to the equipment or other property. This includes special care necessary for the safe and effective use of the device and the care necessary to avoid damage to a device that may occur as a result of use or misuse.

Note

This provides special information to make maintenance easier or important instructions clearer.

Symbols



Warning, consult accompanying documentation



Alternating Current



Type B Equipment: Equipment providing a particular degree of protection against electric shock, particularly regarding allowable leakage current and reliability of the protective earth connection.

Class 1 Equipment: Equipment in which protection against electric shock does not rely on **basic insulation** only, but which includes an additional safety precaution in that means are provided for the connection of the **equipment** to the protective earth conductor in the fixed wiring of the installation in such a way that **accessible metal parts** cannot become live in the event of a failure of the **basic insulation**.

IPX4

Protection from liquid splash



Dangerous Voltage Symbol



Protective Earth Terminal



Potential Equalization Symbol



Medical Equipment Classified by Underwriters Laboratories Inc. with respect to Electric Shock, Fire, Mechanical and Other Specified Hazards Only in Accordance with UL 60601-1, First Edition (2003) and CAN/CSA C22.2 No. 601.1-M90 with updates 1 and 2.



Safe Working Load Symbol



In accordance with **European Directive 2002/96/EC** on Waste Electrical and Electronic Equipment (**WEEE**), this symbol indicates that the product must not be disposed of as unsorted municipal waste, but should be collected separately. Refer to your local distributor for return and/or collection systems available in your country.

Summary of Safety Precautions

Safety Tips and Guidelines

Before operating the EPIC II® and EPIC II®+ Critical Care Beds, it is important to read and understand all information in this manual. Carefully read and strictly follow the guidelines listed on this page and the following pages. To ensure safe operation of the bed, methods and procedures must be established for educating and training hospital staff on the intrinsic risks associated with the usage of electric beds.

WARNING

- The EPIC II® Critical Care Bed is equipped with a hospital grade plug for protection against shock hazard. It must be plugged directly into a properly grounded three-prong receptacle. Grounding reliability can be achieved only when a hospital grade receptacle is used.
- Serious injury can result if caution is not used when operating the bed. Operate bed only when all persons are clear of the electrical and mechanical systems.
- To help reduce the number and severity of falls by patients, always leave the bed in the lowest position when the patient is unattended.
- When raising the siderails, listen for the “click” that indicates the siderail has locked in the up position. Pull firmly on the siderail to ensure it is locked into position. Siderails are not intended to be a patient restraint device. It is the responsibility of attending medical personnel to determine the degree of restraint and the siderail positioning necessary to ensure a patient will remain safely in bed.
- Always apply the caster brakes when a patient is getting on or off the bed. Always keep the caster brakes applied when a patient is on the bed (except during transport). Serious injury could result if the bed moves while a patient is getting in or out of bed. After the brake pedal is applied, push on the bed to ensure the brakes are locked. When moving the bed, toggle the steer pedal to put the bed in the steer mode. This locks the swivel motion of the right foot end caster and makes the bed easier to move.
- Ensure the brakes are completely released prior attempting to move the bed. Attempting to move the bed with the brakes actuated could result in injury to the user and/or patient.
- Assistance is required to lower the Back if the angle of the Back is greater than 80° when the CPR emergency release is activated. Attempting to lower the Back in this position without assistance may result in injury to the operator.
- The Bed Exit System is intended only to aid in the detection of a patient exiting the bed. It is **not** intended to replace patient monitoring protocol. The bed exit system signals when a patient is about to exit. Adding or subtracting objects from the bed after arming the bed exit system may cause a reduction in the sensitivity of the bed exit system.
- If the bed is equipped with the EPIC II®+ option, there is a power save mode. The power save mode is activated after one hour on battery power with no motion release switch activation. Functions including Bed Exit, scale and motion will cease to operate when the unit enters the power save mode. Injury to the patient could occur if proper patient monitoring protocol is not observed.
- Due to the weight the battery backup option adds to the bed (approximately 50 pounds), additional force is required to move a bed equipped with the EPIC II®+ Option. Caution should be used when transporting this bed. Additional assistance should be used when necessary. Failure to use caution while transporting this bed may result in injury to the user.
- Always unplug bed during service or cleaning. When working under the bed, always place blocks under the litter frame to prevent injury in case the Bed Down switch is accidentally activated.
- The battery tray assembly weighs 50 pounds. Take care when removing the two hexagonal head screws securing it to the base frame or personal injury could result.
- Battery posts, terminals and related accessories contain lead and lead compounds, chemicals known to the State of California to cause cancer and birth defects or other reproductive harm. **Wash hands after handling.**
- The EPIC II® Critical Care Bed is not intended for pediatric use or for patients under 50 pounds.
- Explosion Hazard - do not use bed in the presence of flammable anesthetics.
- To avoid entanglement, possibly resulting in frayed power cords and risk of electrical shock, wrap the bed power cord around the roller bumpers at the head end of the bed during transport.

Summary of Safety Precautions

Safety Tips and Guidelines (Continued)

- Service only by qualified personnel. Refer to the maintenance manual. Verify the power cord is unplugged and the battery power switch (EPIC II®+ option) is turned to the off position before servicing.
- When using the Symmetric Aire™ Mattress, extra caution and or operator supervision is required to help reduce the likelihood of a patient fall occurring.

To avoid possible injury and to assure proper operation when using a powered mattress replacement system such as XPRT:

- Confirm proper scale system operation following mattress installation. For best results, secure the therapy mattress power cord to prevent damage to the cord or interference with the bed frame and the scales system.
- Do not zero bed scales or weigh patient with Percussion, Vibration, Rotation or Turn-Assist active. Patient motion and position resulting from the dynamic therapy mattress may adversely affect scale system performance.
- Do not initialize (“Arm”) bed exit with Percussion, Vibration, Rotation or Turn-Assist active. The patient motion and position resulting from the dynamic therapy mattress may adversely affect bed exit system performance.
- When using an XPRT Therapy Mattress extra caution and or operator supervision is required to help reduce the likelihood of a patient fall occurring.

CAUTION

- Scale function may be affected by siderail/caster interference. With the litter fully lowered or lowered in Reverse Trendelenburg, the siderails tucked under the litter in the storage position and the casters turned, there is the potential for interference between the siderail and the caster. Raise the siderails when lowering the litter to the full down position to prevent the interference from causing the bed’s scale system to weigh inaccurately.
- The lockout buttons on the foot board lock the Fowler, Gatch and Bed Up/Down functions and prevent motion of the bed. It is the responsibility of attending medical personnel to determine whether these functions should be locked and to use the buttons accordingly.
- Because individual beds may have different options, foot boards should not be moved from one bed to another. Mixing foot boards could result in unpredictable bed operation.
- If large fluid spills occur in the area of the circuit boards or motors, immediately unplug the bed power cord from the wall socket. Remove the patient from the bed and clean up the fluid. Have maintenance completely check the bed. Fluids can short out controls and may cause the bed to operate erratically or make some functions completely inoperable. Component failure, caused by fluids, could cause the bed to operate unpredictably and could cause injury to the patient. **Do not** put the bed back into service until it is completely dry and has been thoroughly tested for safe operation.
- Preventative maintenance should be performed at a minimum of annually to ensure all features are functioning as designed. Close attention should be given to safety features including, but not limited to:
 - Safety side latching mechanisms
 - Caster braking systems,
 - Leakage current 300 microamps max
 - No controls or cabling entangled in bed mechanisms
 - Frayed electrical cords and components
 - All controls return to off or neutral position when released.
- The siderails are not intended to be used as a pushing device. Damage to the siderails could occur.
- The use of a mattress overlay may reduce the effectiveness of the siderail.
- When attaching equipment to the bed, ensure it will not impede normal bed operation or patient injury could occur. For example: Hooks on hanging equipment must not actuate control buttons, equipment must not hide the nurse call button, etc.
- The weight of the I.V. bags should not exceed 40 pounds.
- Do not add or remove weight when the bed exit system is armed.
- The cleanliness and integrity of both ground chains must be maintained to minimize static build-up and discharge.
- I.V. Poles should not be used as a bed push/pull device.

[Return To Table of Contents](#)

Summary of Safety Precautions

Note

The following Caution statements apply to the optional outlet:

- Maximum total load 5A receptacle rating: 125 VAC, 5A, 60 Hz.
- The total system chassis risk current should not exceed 300 uA.
- Grounding continuity should be checked periodically.
- Do not use for life-sustaining equipment.
- Use only hospital-grade equipment with electrical outlet.
- Unplug free-standing equipment before transporting the bed.

iBED Awareness Option

In addition to the previous warnings and cautions, all of the following warnings and cautions apply to units equipped with the iBED Awareness option.

WARNING

- The optional iBED Awareness system only indicates the siderail position, it does NOT indicate if the siderail is locked. It is the caregiver's responsibility to ensure that the siderails are locked after every move and also before leaving a patient in the room.
- The optional iBED Awareness system indicator lights are only an aid to the caregiver but in no way replace the caregiver's responsibility of checking on patients. Caregivers should not rely on the lights to perform their duties.
- Before arming the optional iBED Awareness system, the nurse must physically verify that siderails are locked.
-
-

CAUTION

- If the optional iBED Awareness system is being used; ensure the bed is in the desirable state (iBED Awareness ON and with the light Green) before leaving the room.
- If the optional iBED Awareness system is being used and the iBED Awareness is alerting, do not turn off iBED Awareness as the display information to troubleshoot the bed will get lost.
- If the optional iBED Awareness system is being used; use of accessories that cover the alert light are not recommended.

Setup Procedures

It is important that the EPIC II® Critical Care Bed is working properly before it is put into service. The following list will help ensure that each part of the bed is checked.

- Plug the bed into a properly grounded, hospital grade wall receptacle.

WARNING

The EPIC II® Critical Care Bed is equipped with a hospital grade plug for protection against shock hazard. It must be plugged directly into a properly grounded three-prong receptacle. Grounding reliability can be achieved only when a hospital grade receptacle is used.

- Depress the pedal at either side of the bed fully to set the four wheel brakes and ensure all four casters lock. Depress the pedal again to release the brakes.
- Toggle the steer pedal to put the bed in the steer mode and ensure the locking caster engages.
- Ensure the siderails raise and lower smoothly and lock in the up and intermediate positions.
- Run through each function on the foot board control panel and ensure that each is working properly.
- Ensure all functions are working properly on the siderail controls.
- Raise the Back up to approximately 60°. Squeeze the CPR release handle and ensure the Back and Knee will drop with minimal effort.
- If the bed is equipped with the EPIC II®+ battery backup option, unplug the power cord from the wall socket. Push the battery power switch located on the lower left corner of the head end to the “**On**” position. Again, verify each function on the foot board and siderails is operating properly. The 12 volt batteries that provide backup power to the unit functions with the EPIC II®+ option will charge whenever the power cord is plugged into the wall socket. The batteries require approximately 10 hours of charging time before the bed is put into service.
- If the bed is equipped with the Nurse Call option, verify it is functioning properly prior to patient use.

Optional iBED Awareness Maintenance Menu Guide

Maintenance Menu Screen

The Maintenance Menu contains all of the non-regularly accessible features of the product. This menu provides an interface to the user and/or service personnel in order to provide the ability to control and access maintenance features.

Maintenance Menu Items

The following are menu items listed in the maintenance menu screen:

1. Calib. Scale (Calibrate Scale)
2. TV Config. (TV Configuration)
3. Scale Info. (Scale Info/Stats)
4. Clear Statistics (Clear Scale Stats)
5. Error Log (View Error Log)
6. Clear Errors (Clear Error Log)
7. Scale Units (Lock Scale Units)
8. About (About Product)
9. Exit Menu (Exit Maintenance)

- Each of the menu items provide the operator with a different function.
- Using the up and down menu buttons you can scroll through the menu items.
- To select a menu item, scroll to the desired menu item using the Up and Down menu button. When the desired feature is highlighted, press the Enter/Check button. Depending on the feature the display will move into the sequence for the feature selected.

Load Cell Check

- This feature automatically checks all four load cells to make sure they are working properly.
- The purpose of this feature is to provide a self diagnostic of the load cells.
- When maintenance is entered a self-diagnostic feature should run and display results.
- While procedure is running the following message is displayed “Load Cell Check”.
- Any load cell errors will be displayed as a message “Load Cell Error” and then depending on the error an HL, HR, FL or FR will be displayed below the message. (Refer to the Error Handling Section).
- If no errors are present then maintenance menu will be displayed and menu items 1-9 above may be accessed.

Calibrate Scale

- This feature allows the operator to calibrate the scale system.
- This calibration is used to provide the system with a weight offset that occurs when the product is put into trend and reverse trend.
- This calibration does not calibrate the load cells, the load cells are pre-calibrated.

To calibrate the scale system:

1. In the Maintenance Menu select the Calibrate Scale item then press and hold the Enter/Check button.
2. The display should present the following message:
“Do Not Touch Bed”. The message should be flashing.
3. Use the up and down arrow to select the proper weight (50lbs is the default).
4. Press the “Enter/Check” button when the display shows the proper weight.
5. The display should present the following message:
“Place Weight in Center”.
6. Place the weight in the center of the bed.

Optional iBED Awareness Maintenance Menu Guide

Maintenance Menu (Continued)

Calibrate Scale (Continued)

7. Press the "Enter/Check" button when completed.
8. The display should present the following message:
"Press Reverse Trend".
9. Press the reverse trend button.
10. The display should present the following message when the bed in the proper position:
"Release Button". The message should be flashing.
11. Release the button and do not touch the bed. When the button is released the following message will be displayed: **"Do Not Touch Bed"**. The message should be flashing.
12. The display should present the following message when the bed is ready to continue:
"Press Reverse Trend".
13. Press the reverse trend button.
14. The display should present the following message when the bed is ready to continue:
"Release Button". The message should be flashing.
15. Release the button and do not touch the bed. When the button is released the following message will be displayed: **"Do Not Touch Bed"**. The message should be flashing.
16. The display should present the following message when the bed is ready to continue:
"Press Trend".
17. Press the trend button.
18. The display should present the following message when the bed in the proper position:
"Release Button". The message should be flashing.
19. Release the button and do not touch the bed. When the button is released the following message will be displayed: **"Do Not Touch Bed"**. The message should be flashing.
20. The display should present the following message when the bed is ready to continue:
"Press Trend".
21. Press the trend button.
22. The display should present the following message when the bed is ready to continue:
"Release Button". The message should be flashing.
23. Release the button and do not touch the bed. When the button is released the following message will be displayed: **"Do Not Touch Bed"**. The message should be flashing.
24. The display should present the Select Weight Screen.
25. Use the up and down arrow to select the proper weight (200lbs is the default).
26. Press the "Enter/Check" button when the display shows the proper weight.
27. The display should present the following message:
"Place Weight in Center".
28. Place the weight in the center of the bed.
29. Press the "Enter/Check" button when completed.
30. The display should present the following message:
"Press Reverse Trend".
31. Press the reverse trend button.
32. The display should present the following message when the bed in the proper position:
"Release Button". The message should be flashing.
33. Release the button and do not touch the bed. When the button is released the following message will be displayed: **"Do Not Touch Bed"**. The message should be flashing.
34. The display should present the following message when the bed is ready to continue:
"Press Reverse Trend".
35. Press the reverse trend button.

Optional iBED Awareness Maintenance Menu Guide

Maintenance Menu (Continued)

Calibrate Scale (Continued)

36. The display should present the following message when the bed is ready to continue:
“Release Button”. The message should be flashing.
37. Release the button and do not touch the bed. When the button is released the following message will be displayed: **“Do Not Touch Bed”**. The message should be flashing.
38. The display should present the following message when the bed is ready to continue:
“Press Trend”.
39. Press the trend button.
40. The display should present the following message when the bed in the proper position:
“Release Button”. The message should be flashing.
41. Release the button and do not touch the bed. When the button is released the following message will be displayed: **“Do Not Touch Bed”**. The message should be flashing.
42. The display should present the following message when the bed is ready to continue:
“Press Trend”.
43. Press the trend button.
44. The display should present the following message when the bed is ready to continue:
“Release Button”. The message should be flashing.
45. Release the button and do not touch the bed. When the button is released the following message will be displayed: **“Do Not Touch Bed”**. The message should be flashing.
46. The display should present the following message when the bed is ready to continue:
“Save Calibration?” “Check – Save” “X – Cancel”.
47. Press the “Enter/Check” button to save the calibration.
48. The display should present the following message when the bed is ready to continue:
“Save Successful”.

Note:

- If an error occurs during the procedure the display will show an error message “Calibration Error” for 4 seconds.
- This procedure should be used after any load cell is replaced

TV Configuration

- This feature allows the operator to set up the TV configuration.
- This configuration provides the product with the information to communicate with the proper entertainment system.

To Configure the System:

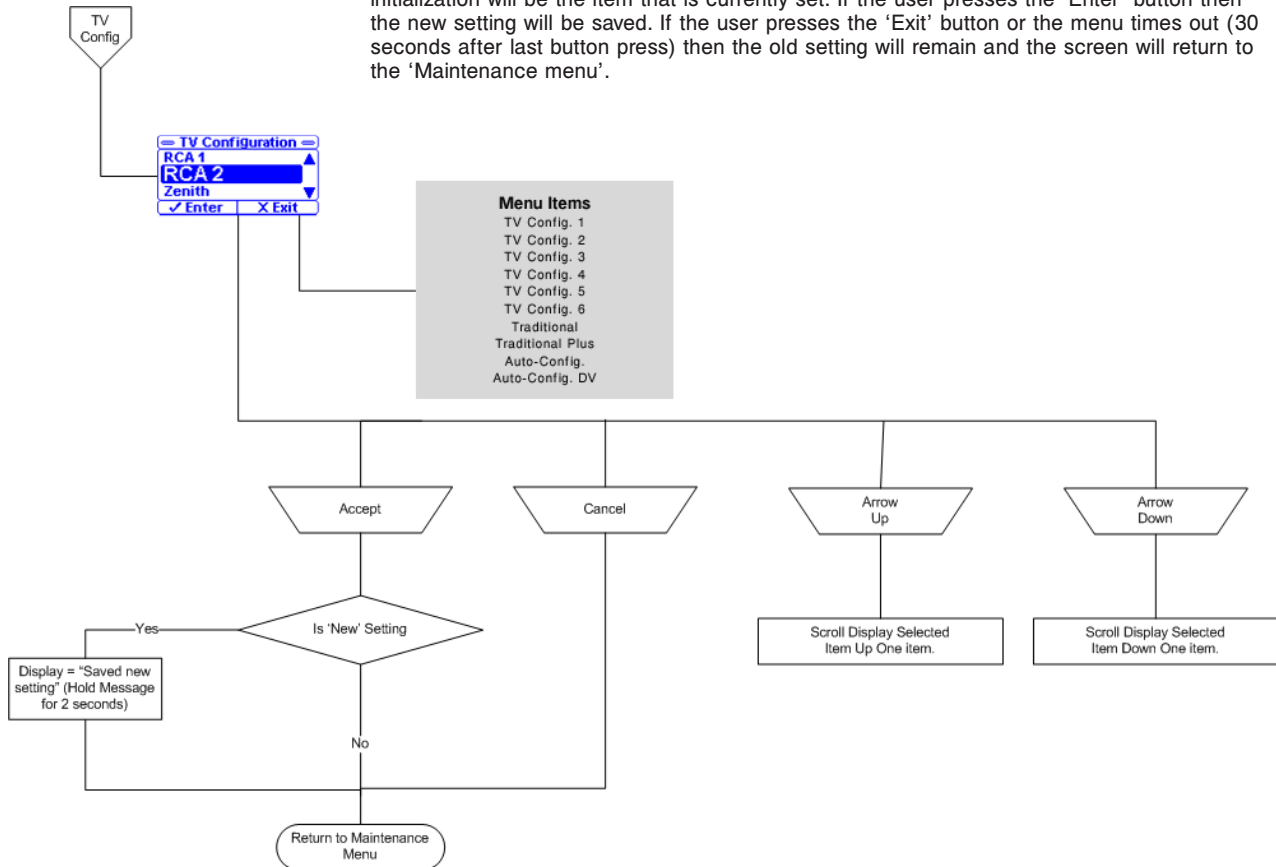
1. In the Maintenance Menu select the TV Configuration item then press and hold the Enter/Check button.
2. The TV Configuration Screen will be displayed. The current TV selection will be highlighted.
3. Use the up and down arrow buttons to highlight the desired item.
4. Press the “Enter/Check” button to select the new setting.
5. The following message will be shown on the display screen when the new setting is saved:
“Save Successful”.
6. The TV Configuration screen should reappear after 2 seconds and the new setting should be highlighted.
7. Pressing the Exit/X button or if the screen remains dormant for more than 30 seconds, the display will return you to the maintenance menu, without saving any changes.

Optional iBED Awareness Maintenance Menu Guide

Maintenance Menu (Continued)

Calibrate Scale (Continued)

Note: The user will use the arrow buttons to select the option. The selected item on initialization will be the item that is currently set. If the user presses the 'Enter' button then the new setting will be saved. If the user presses the 'Exit' button or the menu times out (30 seconds after last button press) then the old setting will remain and the screen will return to the 'Maintenance menu'.



Scale Information

- This diagnostic feature shows data from the load cells. This includes the raw count data, the weight data (in lb), the maximums, and the minimums.
- When the menu item is selected, the raw count data from the 4 load cells will be displayed.
- When cancel/exit is pressed the menu should return to the Maintenance Menu Screen.
- When the menu item is selected the weight data from the 4 load cells will be displayed.
- When cancel/exit is pressed the menu should return.
- When the menu item is selected the maximum values for each of the load cells will be displayed.
- Values should update every 0.25 seconds.

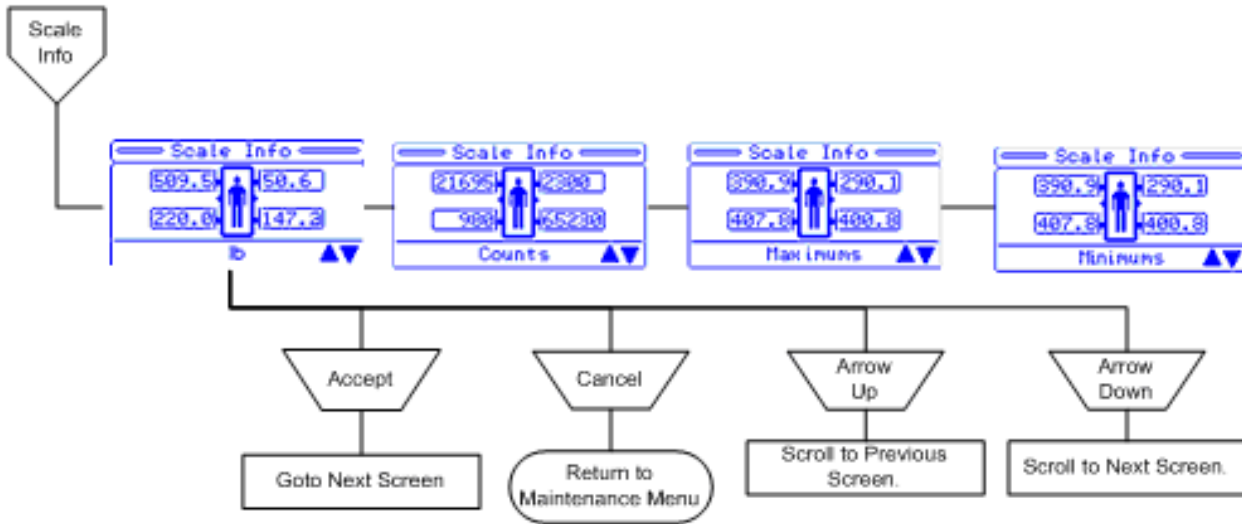
Note: The scale information and statistics are important when trying to diagnose the scale system.

Optional iBED Awareness Maintenance Menu Guide

Maintenance Menu (Continued)

To View the Scale Information:

1. In the Maintenance Menu select the Scale Info/Stats item then press and hold the Enter/Check button.
2. The Scale Info/Stats screen will be displayed.
3. Use the arrows to navigate through the four screens, lb, counts, maximums, and minimums. Each screen will have the four load cells and the information in the format of that screen.
4. Press the Exit/X button to return to the Maintenance Menu screen.



Clear Scale Statistics

- This diagnostic feature allows the statistics for the load cells to be cleared.
- To remove old data. This may be done because the load cell is being replaced, or the system has been re-calibrated.
- When the menu item is selected and held for 1 second the statistics should be erased and a message should be displayed. When cancel/exit is pressed the menu should return to the Maintenance Menu Screen.

Note: The scale statistics (Maximums and Minimums) can be cleared using this feature.

To Clear the Information:

1. In the Maintenance Menu select the Clear Scale Stats item then press and hold the Enter/Check button.
2. The following message will be shown on the display screen:
"Clear Scale Statistics?".
3. Press and hold the Enter/Check button to clear the stats.
4. The following message will be shown on the display screen when the stats are cleared:
"Statistics Cleared".
5. The Maintenance Menu screen should reappear after 2 seconds and the new setting should be highlighted.

Note: Items that are cleared during this operation are:

- Maximums (for each load cell)
- Minimums (for each load cell)

Optional iBED Awareness Maintenance Menu Guide

Maintenance Menu (Continued)

View Error Log

- This feature allows the operator to view the Error Log.
- This log provides information pertaining to the error system and any errors that are logged during product use.

To view the error log:

1. In the Maintenance Menu select the View Error Log item then press and hold the Enter/Check button.
2. The Error Log Screen will be displayed. The most recent error will be at the top.
3. Use the up and down arrow buttons to view any errors that are not shown on the screen.
4. Pressing the Exit/X button will return you to the Maintenance Menu screen without saving any changes.
5. If the screen remains dormant for more than 30 seconds, you will be returned to the Maintenance Menu screen without saving any changes.

Clear Error Log

This feature allows the user to clear the error log.

To clear the error log:

1. In the Maintenance Menu select the Clear Error Log item then press and hold the Enter/Check button.
2. The following confirmation screen will be displayed:
Clear Error Log? “Enter” to Accept, “Exit” to Cancel.
3. If “Exit” is chosen, then you will be returned to the Maintenance Menu screen.
4. If “Enter” is chosen, then the error log is cleared and a message is displayed: **“Error Log Cleared”** and you will be returned to the Maintenance Menu screen.

Optional iBED Awareness Maintenance Menu Guide

Maintenance Menu (Continued)

Lock lb/kg

- This feature allows the user to lock and/or unlock the unit of weight measurement as well as select the default scale units (lb or kg).
- When the Lock menu item is selected, the unit of measure will be locked and the current unit of measure will be displayed.
- When cancel/exit is pressed the menu will return to the Maintenance Menu Screen.
- The default setting is Unlocked.

To lock/unlock the Scale Units:

1. In the Maintenance Menu select the Scale Units item then press and hold the Enter/Check button.
2. The Scale Units Screen with display Figure 41 with the current state as the highlighted item.
3. Use the Up and Down Arrow buttons to highlight the desired units and identify whether you want them locked or unlocked.
4. Press and hold the Enter/Check button to select and save the new state.
5. The following screen message will be displayed:
“Save Successful”.
6. The Scale Units screen will reappear after 2 seconds and the new setting will be highlighted.
7. Pressing the Exit/X button will return you to the Maintenance Menu screen without saving the new state.



Figure 41

About Product

The display will indicate the current bed configuration settings and indicate the software versions for all software targets connected on the internal CAN network.

To view this information:

1. In the Maintenance Menu select the About item then press and hold the Enter/Check button.
2. The About Screen will be displayed.
3. Use the Up and Down Arrow buttons to scroll through the information if it does not fit on one screen.
4. Press the Exit/X button to return to the Maintenance Menu screen.
5. The Type information should indicate, depending on the options: **“Zoom”, “Scale”, “Bed Exit”, and “Bed Status”**.

Exit Maintenance

- This feature allows the operator to exit the menu back to the previous screen.
- When this menu item is selected the screen will exit to the “Status” screen.

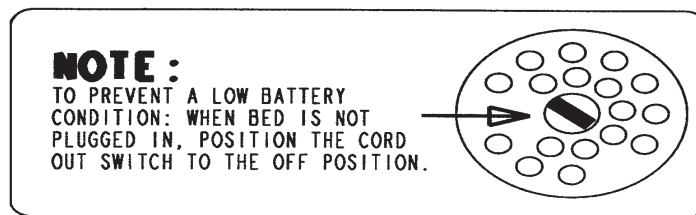
Preventative Maintenance

General Information

Note

To prevent a low battery condition when the bed is not plugged, position the cord switch at the head end of the bed to the off position. The switch is identified by the label shown below. If the switch is not positioned as shown below and the bed power cord and pendant cord are unplugged, the life of the backup battery will be significantly reduced.

If the power light (located on the foot board) is flashing, the Nurse Call battery needs to be replaced. The battery is located on the patient's left side at the head end of the bed. No tools are required to replace the battery. Unplug the bed power cord from the wall socket and replace the battery. Properly dispose of the old battery in accordance with local regulations.



Battery Charger Circuit Breaker (EPIC II®+ Option)

If the battery charger circuit breaker(s) located under the litter on the patient's head end, left side are tripped, refer to the troubleshooting section of the maintenance manual.

Preventative Maintenance

Beds require an effective maintenance program, we recommend checking these items annually. Use this sheet for your records. Keep on file.

Checklist

- _____ All fasteners secure.
- _____ Engage brake pedal and push on the frame to ensure all casters lock securely.
- _____ Inspect the brake assembly (Brake Cam, Brake Plate Body, Brake Ratchet Spring and Brake Bar) for degradation or signs of wear at the foot end and head end of the bed. Ensure brake assembly components are functioning properly.
- _____ Locking steer caster engages and disengages properly - optional equipment.
- _____ Siderails move, latch and stow properly.
- _____ All functions on siderails working properly (including LED's).
- _____ Head End Control Panel working properly (including LED) - optional equipment.
- _____ Confirm battery powered functionality - optional equipment.
- _____ Manual CPR release working properly.
- _____ Optional foot prop intact and working properly.
- _____ I.V. pole working properly.
- _____ Foley bag hooks intact.
- _____ Chart rack intact and working properly.
- _____ CPR board not cracked or damaged and stores properly.
- _____ No cracks or splits in head and foot boards.
- _____ All functions on footboard working properly (including LED's).
- _____ No rips or cracks in mattress cover.
- _____ Scale and Bed Exit system calibrated properly - optional equipment.
- _____ Motion interrupt switches working properly.
- _____ Power cord not frayed.
- _____ No cables worn or pinched.
- _____ All electrical connections tight.
- _____ All grounds secure to the frame.
- _____ Ground impedance not more than 100 milliohms.
- _____ Current leakage not more than 300 microamps.
- _____ Apply grease to the bed grease points including the fowler clutch and brake cam.
- _____ Ensure ground chains are clean, intact, and have at least two links touching the floor.
- _____ "Brake" LED on the foot board (*iBED Awareness option only*) blinks when brakes are not engaged.
- _____ Siderail switches working properly (*iBED Awareness option*).
- _____ Bed Status Light Bar LEDs working properly (*iBED Awareness option*).
- _____ Bed Status Side Indicator LEDs working properly (*iBED Awareness option*).
- _____ Inspect footboard control labeling for signs of degradation (*iBED Awareness option*).
- _____ Optional accessories intact and working properly.
- _____ Fowler functioning properly.

Bed Serial Number:		

Completed by: _____ Date: _____

Cleaning

Hand wash all surfaces of the bed with warm water and mild detergent. **Dry thoroughly.** Do not steam clean or hose off the bed. Using these methods of cleaning is **not** recommended and may void this product's warranty. Do not immerse any part of the bed. Some of the internal parts of the bed are electric and may be damaged by exposure to water.

Suggested cleaners for bed surfaces:

- Quaternary Cleaners (active ingredient - ammonium chloride).
- Phenolic Cleaners (active ingredient - o-phenylphenol).
- Chlorinated Bleach Solution (5.25% - less than 1 part bleach to 100 parts water).

Avoid oversaturation and ensure the product does not stay wet longer than the chemical manufacturer's guidelines for proper disinfecting.

CAUTION

SOME CLEANING PRODUCTS ARE CORROSIVE IN NATURE AND MAY CAUSE DAMAGE TO THE PRODUCT IF USED IMPROPERLY. If the products suggested above are used to clean Stryker patient care equipment, measures must be taken to insure the bed is wiped with a damp cloth soaked in clean water and thoroughly dried following cleaning. Failure to properly rinse and dry the bed will leave a corrosive residue on the surface of the bed, possibly causing premature corrosion of critical components. Failure to follow the above directions when using these types of cleaners may void this product's warranty.

For mattress cleaning instructions, please see the tag on the mattress, or contact the mattress manufacturer.

Clean Velcro® **after each use.** Saturate Velcro® with disinfectant and allow disinfectant to evaporate. (Appropriate disinfectant for nylon Velcro® should be determined by the hospital).

Troubleshooting Guide

Note

See Electrical System Information section for an outline of bed PCB's and voltage test points.

Problem / Failure	Recommended Action
No power to bed.	<ul style="list-style-type: none"> A. Verify the power cord connections at the wall and the bed. B. Check circuit breakers, under the Litter/Fowler section on the patient left side. If the circuit breaker is tripped, reset it by pushing in. C. Check for 120 VAC at J1 on the power supply, Pin 1 (brown) and Pin 2 (blue). D. Check for DC voltages on J2 (Pins 1, 2, 3 & 6) on power supply. Refer to Electrical System Information section for power supply voltage test points. <ul style="list-style-type: none"> a. If voltage is present, check connector W on the CPU board and check for the same DC voltages. If OK, go to step E. b. If voltage is not present, unplug connector W on the CPU board and recheck for DC voltages at J2 on the power supply. <ul style="list-style-type: none"> 1. If voltages come back, reconnect cable W to the CPU board, and go to step c. 2. If DC voltage does not come back, replace the power supply. c. Unplug all connectors except for F, FF, O, and W from the CPU board and recheck voltages on connector W. <ul style="list-style-type: none"> 1. If DC voltages come back, plug the cable connections back in until problem comes back, isolate the problem to a component or assembly. 2. If DC voltages do not come back, replace the CPU board. E. Check for 120 VAC at connector O on the CPU board. <ul style="list-style-type: none"> a. If voltage is present, replace the CPU board. F. Verify bed function and return to service.

Troubleshooting Guide

Problem / Failure	Recommended Action
No bed down motion.	<ul style="list-style-type: none"> A. Enter diagnostics, (Refer to Scale System Diagnostics and Calibration section) and press bed down. <ul style="list-style-type: none"> a. If motion is not present, verify there is a two pin shunt present on connector Y, closest to the center of the bed, if not, install shunt. <ul style="list-style-type: none"> 1. Test bed down motion, if motion is present then go to step D. b. If motion is present, reburn lift potentiometer limits, Refer to Lift Potentiometer Replacement and Adjustment section for procedure. B. Check for 5 VDC on TP 9 (HL) and TP 7 (FL) referencing ground test point while pressing bed down. <ul style="list-style-type: none"> a. If 5 VDC is present, go to step C. b. If 5 VDC is not present, replace CPU board. C. Check for 120 VAC power on connector N (HL) and G (FL), pin 1 (white) and pin 3 (black), of the CPU board, while pressing bed motion up. <ul style="list-style-type: none"> a. If voltage is not present, replace CPU board. b. If voltage is present: <ul style="list-style-type: none"> 1. Verify the motors are running, if so, replace lift couplers. 2. If motors are not running, check voltage at motor connection. 3. If voltage is present at motor, check capacitors or motors. D. Verify bed function and return to service.
No bed up motion.	<ul style="list-style-type: none"> A. Enter diagnostics, (Refer to Scale System Diagnostics and Calibration section) and press bed up. <ul style="list-style-type: none"> a. If motion is not present, go to step B. b. If motion is present, reburn lift potentiometer limits, refer to Lift Potentiometer Replacement and Adjustment section for procedure. B. Check for 5 VDC on TP 10 (HL) and TP 8 (FL) on the CPU board referencing ground test point while pressing bed up. <ul style="list-style-type: none"> a. If 5 VDC is present, go to step C. b. If 5 VDC is not present, replace CPU board. C. Check for 120 VAC power on connector N (HL) and G (FL), pin 1 (white) and pin 6 (red), of the CPU board while pressing bed motion up. <ul style="list-style-type: none"> a. If voltage is not present, replace CPU board. b. If voltage is present: <ul style="list-style-type: none"> 1. Verify the motors are running, if so, replace lift couplers. 2. If motors are not running, check voltage at motor connection. 3. If voltage is present at motor, check capacitors or motors. D. Verify bed function and return to service.

Troubleshooting Guide

Problem / Failure	Recommended Action
No Gatch down motion.	<ul style="list-style-type: none"> A. Check for 5 VDC on TP 5 on the CPU board referencing ground test point while pressing gatch down. <ul style="list-style-type: none"> a. If 5 VDC is present, go to step B. b. If 5 VDC is not present, replace CPU board. B. Check for 120 VAC power on connector CC, pin 2 (red) and pin 3 (white), of the CPU board while pressing gatch down. <ul style="list-style-type: none"> a. If voltage is not present, replace the CPU board. b. If 120 VAC is present, check the capacitor and motor. C. Verify bed function and return to service.
No Gatch up motion.	<ul style="list-style-type: none"> A. Check for 5 VDC on TP 6 on the CPU board referencing ground test point while pressing gatch up. <ul style="list-style-type: none"> a. If 5 VDC is present, go to step B. b. If 5 VDC is not present, replace CPU board. B. Check for 120 VAC on connector CC, pin 1 (black) and pin 3 (white), of the CPU board while pressing gatch up. <ul style="list-style-type: none"> a. If voltage is not present, replace the CPU board. b. If 120 VAC is present, check the capacitor and motor. C. Verify bed function and return to service.
No Fowler up/or uneven motion.	<ul style="list-style-type: none"> A. Check for 5 VDC on TP 3 on the CPU board referencing ground test point while pressing Fowler up. <ul style="list-style-type: none"> a. If 5 VDC is present, go to step B. b. If 5 VDC is not present, replace CPU board. B. Check for 120 VAC on connector GG, Pin 1 (white) and pin 2 (black), of the CPU board while pressing Fowler up. <ul style="list-style-type: none"> a. If voltage is not present, replace the CPU board. b. If 120 VAC is present, check the capacitor and motor. C. Refer to Fowler Mechanism Customer Guide (2030-009-028). D. Verify bed function and return to service.
No Fowler down/or uneven motion.	<ul style="list-style-type: none"> A. Check for 5 VDC on TP 4 on the CPU board referencing ground test point while pressing Fowler down. <ul style="list-style-type: none"> a. If 5 VDC is present, go to step B. b. If 5 VDC is not present, replace CPU board. B. Check for 120 VAC on connector GG, Pin 1 (white) and pin 3 (red), of the CPU board while pressing Fowler up. <ul style="list-style-type: none"> a. If voltage is not present, replace the CPU board. b. If 120 VAC is present, check the capacitor and motor. C. Refer to Fowler Mechanism Customer Guide (2030-009-028). D. Verify bed function and return to service.

Troubleshooting Guide

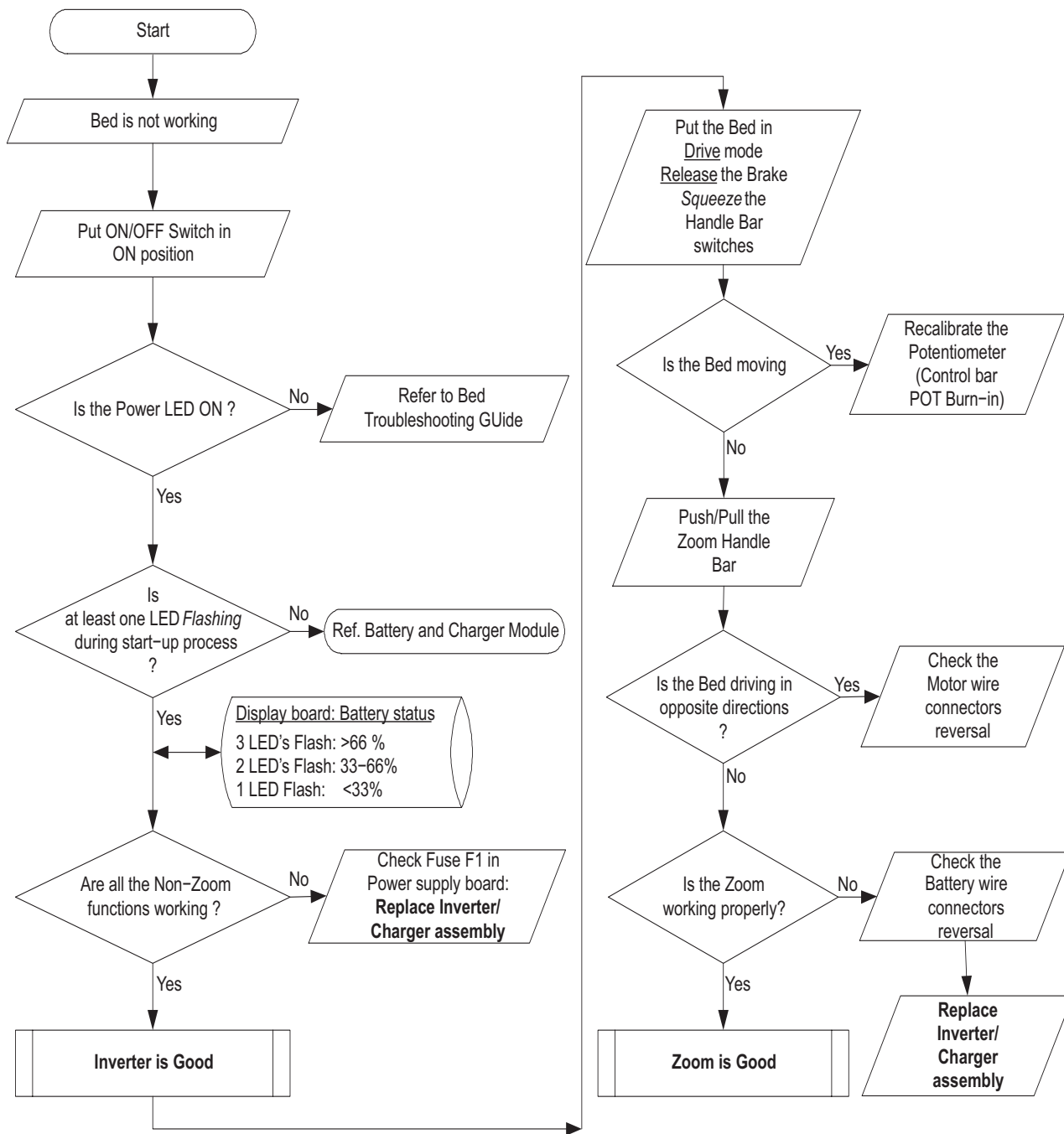
Optional EPIC II®+ Battery Backup Troubleshooting Guide

This section of the troubleshooting guide includes the battery backup functions. When using this guide, assume the bed is functioning properly when powered by the AC line cord with the exception of the battery charging components.

Problem / Failure	Possible Cause	Recommended Action
ON/OFF switch is in the On position but the power LED is off and the bed does not function.	No DC voltage from the batteries.	<ul style="list-style-type: none"> A. Check the circuit breakers at the head end of the bed. B. Verify the battery voltage is greater than 24 VDC. C. Check the battery fuse - replace if necessary (p/n 2040-001-802). D. Check the cable connections from the batteries to the display board. E. Check the ON/OFF switch and cabling.
ON/OFF switch is in the On position, the power LED is On , and the bed does not function.	Display board is not functioning or is locking out all functions.	<ul style="list-style-type: none"> A. Check the safety switches on the drive bar. B. Verify the battery voltage is greater than 24 VDC. C. Verify the display board is functioning. D. Check all cable connections on the display and power boards.
ON/OFF switch is in the on position, the power LED is On , and the bed does not function.	The thermostat on the inverter/charger board has tripped, indicating a temperature above 110°C (230°F).	<ul style="list-style-type: none"> A. Wait approximately 3-5 minutes to allow the inverter/charger board to cool down.
The bed power cord is plugged in but the battery does not charge.	The battery charger is not functioning.	<ul style="list-style-type: none"> A. Check the circuit breakers on the litter. B. Check the battery charger. C. Check all cable connections on the charger.

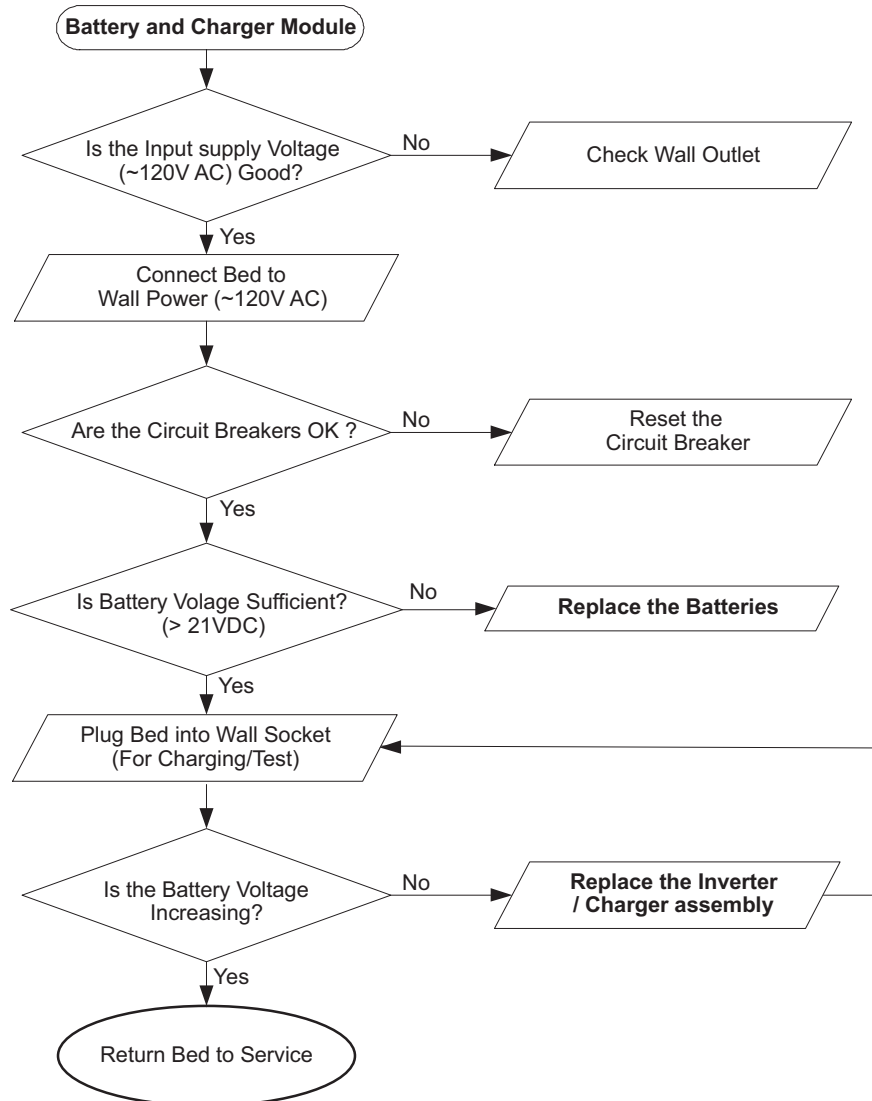
Troubleshooting Guide

Inverter/Charger, Battery & Zoom® Troubleshooting



Troubleshooting Guide

Inverter/Charger, Battery & Zoom® Troubleshooting (Continued)



iBED Awareness System Error Codes

Error Handling

- The error handling system provides a mechanism for capturing errors known to the product and providing feedback to the operator through logged errors or message errors.
- All Logged errors generate a generic blinking error message which will be displayed on the status screen in the lower area: “Error XXX Call Service”, where XXX is the error code.
- Errors will only be logged if the error log does not already contain the error.
- In the event multiple errors are displayed on the status screen, the error code is used to identify the priority. The lowest code has the highest priority.
- All logged errors and message errors are persistent until the power is cycled, or the condition is fixed.
- The details for each logged error and error message are detailed in the table below.

Logged Errors

Error Code	Name	Description	Type	Affected Systems
100	Not Used	Highest Priority Errors		
102	StuckSafetyRelay	This error is checked while the product is “On”. If the safety relay signal is “On” and there is no button press on the product then set this error after 1 minute.” Note: This should not be checked when in Auto-Cycle Mode.	Logged	Motion
103	InputTimer	If any footboard motion or side rail/pendant input is sensed to be “On” continuously for a total of 5 minutes then provide an exception message. Note: This should not be checked when in Auto-Cycle Mode.	Logged	Motion
200	Not Used	Scale System		
201	HL-Load Cell	Patient Head Left Load Cell. Under/Over range.	Logged	Scale, Bed Exit, iBED Awareness
202	HR-Load Cell	Patient Head Right Load Cell. Under/Over range.	Logged	Scale, Bed Exit, iBED Awareness
203	FL-Load Cell	Patient Foot Left Load Cell. Under/Over range.	Logged	Scale, Bed Exit, iBED Awareness
204	FR-Load Cell	Patient Foot Right Load Cell. Under/Over range.	Logged	Scale, Bed Exit, iBED Awareness
206	CS5533Fatal	Non-Recoverable Communication Error. CS5533 Fatal occurs when the CPU fails to communicate to the External ADC for the Load cells and cannot recover.	Logged	Scale, Bed Exit, iBED Awareness
207	ZeroFail	Zero Fail error occurs when the system cannot provide a stable zero value for three consecutive attempts at zeroing the product.	Logged	Scale, Bed Exit, iBED Awareness

iBED Awareness System Error Codes

Logged Errors (Continued)

Error Code	Name	Description	Type	Affected Systems
300	Not Used	Side Rails		
301	HLSRSwitch	Head Left Side Rail Switch General.	Logged	iBED Awareness
302	HRSRSwitch	Head Right Side Rail Switch General.	Logged	iBED Awareness
303	FLSRSwitch	Foot Left Side Rail Switch General.	Logged	iBED Awareness
304	FRSRSwitch	Foot Right Side Rail Switch General.	Logged	iBED Awareness
400	Not Used	Memory System		
401	EEPROM	EEPROM Memory Corruption Any detected non recoverable memory failure will produce an error and localize the error to a section of memory.	Logged	
500	Not Used	Motion System		

Error Messages

Error Code	Name	Description	Type	Affected Systems
800	Not Used	Non-Logged Errors		
801	NurseCallBattery	When the nurse call battery falls below the 5v threshold a message will appear in the lower status window "N/C Battery Low".	Non-Logged	N/A
802	LiftCalibration	When the lift calibration has not been completed then when in normal mode the message "Lift Calib. Err" will be displayed in the lower status screen window.	Non-Logged	N/A
803	FowlerCalibration	When the fowler calibration has not been completed then when in normal mode the message "Fowler Calib. Err" will be displayed in the lower status screen window.	Non-Logged	N/A
804	ScaleCalibration	Scale Calibration error occurs when the product in a normal operation mode and the scale system is present on the product but the scale system has not been calibrated. The message "Scale Calib. Err" will be displayed in the lower status screen window.	Non-Logged	N/A

[Return To Table of Contents](#)

iBED Awareness System Error Codes

Error Messages (Continued)

NOTE: The 900 error codes are not logged.

Error Code	Name	Description	Type	Affected Systems
900	Not Used	<p>Message Errors</p> <p>- When the timeout for the message error has expired the display should return to the status screen unless otherwise noted or unless a higher priority screen is being handled.</p>		
901	ScaleSystem	<p>When turning on the Scale system, using the Scale Button, if a “Logged” error is present that affects the scale system (see affected systems column) the message “Function Disabled - Call Service” will blink.</p>	System	N/A
902	BedExitSystem	<p>When turning on the Bed Exit system if a “Logged” error is present that affects the scale or bed exit systems (see affected systems column) the message “Function Disabled - Call Service” will blink.</p> <p>Bed Exit will alarm if Bed Exit is armed and a 200 level exception occurs. The message will be displayed “Turn off Bed Exit - Call Service”. When the system is disarmed, the display will go back to the status screen. Since the bed exit alarm has the highest priority, if the Bed Exit alarm is tripped due to the error condition this message will not be seen.</p>	Message	N/A
903	LBSSystem	<p>When turning on the iBED Awareness system if a “Logged” error is present that affects the iBED Awareness system (see affected systems column) the message “Function Disabled - Call Service” will blink.</p> <p>iBED Awareness will alarm if iBED Awareness is “On” and a 200 or 300 level Logged error occurs. The message will be displayed “Turn off Bed Status - Call Service”, When the system is turned off, the display will go back to the status screen.</p>	Message	N/A
904	UnknownBedType	<p>Unknown bed type occurs when the configuration switch bank does not contain a value that is recognized by the software. This will cause the product to stop all function and product a message screen indicating the error number and the message “Unknown Bed Type - Call Service”</p>	Message	N/A

iBED Awareness System Error Codes

Error Messages (Continued)

Error Code	Name	Description	Type	Affected Systems
905	CANConnectivity	If the footboard does not see the Main board Heart beat within 10 seconds then the message "Communication Failed - Call Service"	Message	N/A
906	ScaleFeatures	A message will be displayed when user tries to activate any scale function (Ex. Gain/Loss, Change Equipment...) that is disabled due to a logged scale exception (200 Series). Message "Function Disabled - Call Service" at 0.8 Hz (70% Duty Cycle) for 4 seconds.	Message	N/A
907	ZeroAttemptFailed	The "Unable to Zero - Try Again" message will flash be displayed when the user tries to zero the bed and the scale system cannot stabilize the weight in time. Note: This applies to any use of the zeroing feature, even if that is within another scale function. If a zero attempt has failed then the scale system will be suspended until a successful zero is saved or the power is cycled. If the scale button is pressed the "Function Not Available - Zero Bed" message will flash.	Message	N/A
910	LoadCellCheck	The load cells will be checked when the maintenance menu is entered and a message will be displayed if any load cell errors are detected. The message should be displayed "Load Cell Error – HL HR FL FR". Note: Only the load cells that are in error will be displayed. This message will be persistent until any of the menu type buttons are pressed.	Message	N/A
911	MenuException	If the footboard menu system is provided with data that is out of range the display will present "Menu Error – Call Service". The message will persist until a menu state is correct.	Message	N/A
912	CalibrationException	If the scale calibration routine fails then the message "Calibration Error" will be displayed for 4 seconds and then return to the maintenance menu.	Message	Motion

Quick Reference Replacement Parts List

Note

The parts and accessories listed on this page are all currently available for purchase. Some of the parts identified on the assembly drawing parts in this manual may not be individually available for purchase. Please call Stryker Customer Service USA: 1-800-327-0770 (Option 2), Canada: 1-888-233-6888 for availability and pricing.

Part Name	Part Number
Electrical Components	
AC Crossover Board (EPIC II®+ Option)	2040-031-900
CPU Kit	3002-407-950
Display/CPU Board (EPIC II®+ Option)	2030-031-910
Foot Board Keyboard (S/R Lights, Lockouts, Etc.)	3001-500-028
Foot Board Scale Display	3001-507-900
Foot Board Scale Keyboard	3001-507-910
Foot Board Bed Exit Keyboard	3001-508-900
Inverter/Charger Board (Epic II+ Option)	2030-001-030
Power Supply	0059-157-000
Siderail Boards	
Inside Board	3001-400-930
Outside Board	2035-400-900
Speaker W/Cable	3000-403-831
Other Components	
Battery Kit	2040-700-013
Capacitor, Fowler & Gatch	0059-784-000
Capacitor, Fowler & Gatch, 230V	0059-153-000
Capacitor, Fowler & Gatch, Japan Option	0059-207-000
Capacitor, Lift	0059-786-000
Capacitor, Lift, 230V	3221-200-243
Capacitor, Lift, Japan Option	0059-140-000
Caster, 6"	3001-200-060
Caster, Steer, 6"	3001-200-050
Coil Cord, Lift Power	3001-200-864
Coil Cord, Lift Sensor	3001-200-815
Communications Tester	3002-045-700

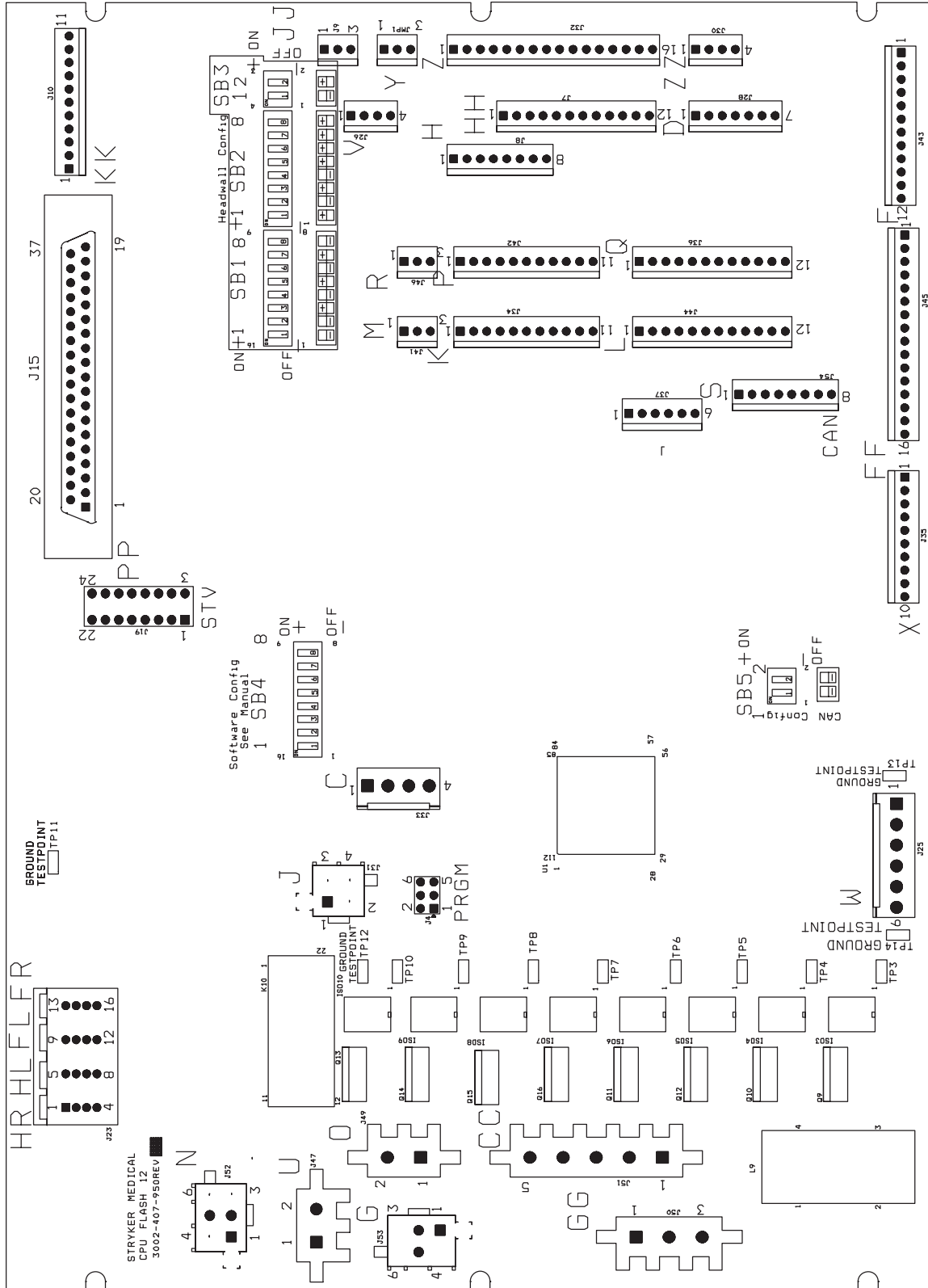
Quick Reference Replacement Parts List

Part Name	Part Number
Other Components (Continued)	
Foot Prop Retrofit Kit	2030-700-016
Isolation Plate Kit, Lift Motor	3000-200-723
Load Cell	3002-307-057
Motor Coupler Kit, Lift	3000-300-705
Motor, Fowler & Gatch W/Clutch	2035-300-705
Motor, Fowler & Gatch W/Clutch, 230V	3221-300-705
Motor, Lift (Same For Head And Foot End)	3003-016-603
Motor, Lift, 230V (Same For Head And Foot End)	3221-200-213
Paint, Touch-up, Opal, Bottle W/Brush	7000-001-321
Paint, Touch-up, Opal, Spray Can	7000-001-318
Potentiometer, Foot End	3001-200-230
Potentiometer, Fowler W/Cable	2035-032-803
Potentiometer, Head End	3002-700-049
Power Cord	0039-254-000
Siderail Cover, Right (Outside US and Canada)	3000-336-011
Siderail Cover, Left (Outside US and Canada)	3000-336-012
Siderail Covers (Set Of Four) (Outside US and Canada)	2040-130-000
Single Tube Of Grease	3000-200-700
/BED Awareness Components	
Foot End Siderail Switch, Right	2032-030-010
Foot End Siderail Switch, Left	2032-030-025
Head End Siderail Switch, Right	2032-030-020
Head End Siderail Switch, Left	2032-030-015
LBS Light Indicator, Right	3004-300-225
LBS Light Indicator, Left	3004-300-230
CPU Board	3003-407-900

[Return To Table of Contents](#)

Electrical System Information

Standard CPU Board = 3002-407-950 / iBED Awareness CPU Board - 3003-407-900



Electrical System Information

Standard CPU Board = 3002-407-950 / iAwareness CPU Board - 3003-407-900 (Continued)

CABLE LOCATION	VOLTAGE	POSITIVE LED	NEGATIVE LED	DESCRIPTION
W	+12 VDC	Pin 1	Pin 4 or 5	Relays & Siderails Light Voltage
W	+5 VDC	Pin 2 & 3	Pin 4 or 5	+5 VDC from Power Supply
W	-12 VDC	Pin 6	Pin 4 or 5	Relays & Siderails Light Voltage
J	+5 VDC	Pin 4 (Green)	Pin 2 (Black)	+5 VDC for Head Lift Pot
J	0 - 5 VDC	Pin 3 (Red)	Pin 2 (Black)	Head Lift Pot Wiper
C	+5 VDC	Pin 1 (Blue)	Pin 2 (White)	+5 VDC for Foot Lift Pot
C	0 - 5 VDC	Pin 3 (Black)	Pin 2 (White)	Foot Lift Pot Wiper
GG	0 VAC W/O Switch 120 VAC W/Switch	Pin 1 (Black)	Pin 3 (White)	Fowler Up
GG	0 VAC W/O Switch 120 VAC W/Switch	Pin 2 (Red)	Pin 3 (White)	Fowler Down
CC	0 VAC W/O Switch 120 VAC W/Switch	Pin 2 (Black)	Pin 1 (White)	Gatch Up
CC	0 VAC W/O Switch 120 VAC W/Switch	Pin 3 (Red)	Pin 1 (White)	Gatch Down
O	110 VAC	Pin 1	Pin 2	Line Voltage to Bed
N	0 VAC W/O Switch 120 VAC W/Switch	Pin 3 (Black)	Pin 1 (White)	Head Lift Down
N	0 VAC W/O Switch 120 VAC W/Switch	Pin 6 (Red)	Pin 1 (White)	Head Lift Up
G	0 VAC W/O Switch 120 VAC W/Switch	Pin 3 (Black)	Pin 1 (White)	Foot Lift Down
G	0 VAC W/O Switch 120 VAC W/Switch	Pin 6 (Red)	Pin 1 (White)	Foot Lift Up
ZZ	+5 VDC	Pin 1 (Red)	Pin 4 (Black)	+5 VDC for Fowler Pot
ZZ	1-5 VDC	Pin 3 (Green)	Pin 4 (Black)	Fowler Pot Wiper
V	9 VDC	Pin 2 (Red)	Pin 1 (Black)	Nurse Call Backup Battery
JJ	12 VDC when Bed Exit is Alarming	Pin 1 (Red)	Pin 2 (Black)	Bed Exit Beeper

[Return To Table of Contents](#)

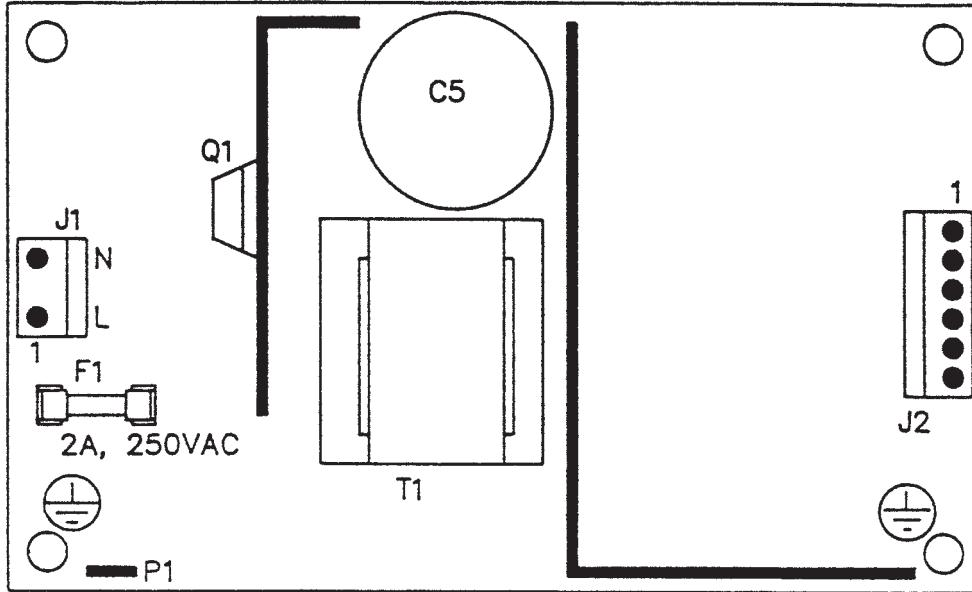
Electrical System Information

Software Configuration (Continued)

<p>ON <input type="checkbox"/> <input type="checkbox"/> <input type="checkbox"/> <input type="checkbox"/> <input type="checkbox"/> <input type="checkbox"/> <input type="checkbox"/> <input type="checkbox"/></p> <p>OFF <input checked="" type="checkbox"/> <input checked="" type="checkbox"/> <input checked="" type="checkbox"/> <input checked="" type="checkbox"/> <input checked="" type="checkbox"/> <input checked="" type="checkbox"/> <input checked="" type="checkbox"/> <input checked="" type="checkbox"/></p> <p style="text-align: center;">1 2 3 4 5 6 7 8</p>	Functional Test
<p>ON <input checked="" type="checkbox"/> <input type="checkbox"/> <input type="checkbox"/> <input type="checkbox"/> <input type="checkbox"/> <input type="checkbox"/> <input type="checkbox"/> <input type="checkbox"/></p> <p>OFF <input type="checkbox"/> <input checked="" type="checkbox"/> <input checked="" type="checkbox"/> <input checked="" type="checkbox"/> <input checked="" type="checkbox"/> <input checked="" type="checkbox"/> <input checked="" type="checkbox"/> <input checked="" type="checkbox"/></p> <p style="text-align: center;">1 2 3 4 5 6 7 8</p>	ICU-KCI
<p>ON <input type="checkbox"/> <input type="checkbox"/> <input type="checkbox"/> <input checked="" type="checkbox"/> <input type="checkbox"/> <input type="checkbox"/> <input type="checkbox"/> <input type="checkbox"/></p> <p>OFF <input checked="" type="checkbox"/> <input checked="" type="checkbox"/> <input checked="" type="checkbox"/> <input type="checkbox"/> <input checked="" type="checkbox"/> <input checked="" type="checkbox"/> <input checked="" type="checkbox"/> <input checked="" type="checkbox"/></p> <p style="text-align: center;">1 2 3 4 5 6 7 8</p>	ICU-Standard Bed
<p>ON <input checked="" type="checkbox"/> <input type="checkbox"/> <input type="checkbox"/> <input type="checkbox"/> <input checked="" type="checkbox"/> <input type="checkbox"/> <input type="checkbox"/> <input type="checkbox"/></p> <p>OFF <input type="checkbox"/> <input checked="" type="checkbox"/> <input checked="" type="checkbox"/> <input type="checkbox"/> <input checked="" type="checkbox"/> <input checked="" type="checkbox"/> <input checked="" type="checkbox"/> <input checked="" type="checkbox"/></p> <p style="text-align: center;">1 2 3 4 5 6 7 8</p>	ICU-ZOOM/Standard Bed
<p>ON <input type="checkbox"/> <input checked="" type="checkbox"/> <input type="checkbox"/> <input type="checkbox"/> <input checked="" type="checkbox"/> <input type="checkbox"/> <input type="checkbox"/> <input type="checkbox"/></p> <p>OFF <input checked="" type="checkbox"/> <input type="checkbox"/> <input checked="" type="checkbox"/> <input type="checkbox"/> <input checked="" type="checkbox"/> <input checked="" type="checkbox"/> <input checked="" type="checkbox"/> <input checked="" type="checkbox"/></p> <p style="text-align: center;">1 2 3 4 5 6 7 8</p>	ICU-ZOOM/Scale//Bed Exit
<p>ON <input checked="" type="checkbox"/> <input checked="" type="checkbox"/> <input type="checkbox"/> <input type="checkbox"/> <input checked="" type="checkbox"/> <input type="checkbox"/> <input type="checkbox"/> <input type="checkbox"/></p> <p>OFF <input type="checkbox"/> <input type="checkbox"/> <input checked="" type="checkbox"/> <input type="checkbox"/> <input checked="" type="checkbox"/> <input checked="" type="checkbox"/> <input checked="" type="checkbox"/> <input checked="" type="checkbox"/></p> <p style="text-align: center;">1 2 3 4 5 6 7 8</p>	ICU-ZOOM/Scale/Zone Control/Bed Exit
<p>ON <input type="checkbox"/> <input type="checkbox"/> <input checked="" type="checkbox"/> <input checked="" type="checkbox"/> <input type="checkbox"/> <input type="checkbox"/> <input type="checkbox"/> <input type="checkbox"/></p> <p>OFF <input checked="" type="checkbox"/> <input type="checkbox"/> <input type="checkbox"/> <input type="checkbox"/> <input checked="" type="checkbox"/> <input checked="" type="checkbox"/> <input checked="" type="checkbox"/> <input checked="" type="checkbox"/></p> <p style="text-align: center;">1 2 3 4 5 6 7 8</p>	ICU-Scale/Bed Exit
<p>ON <input checked="" type="checkbox"/> <input type="checkbox"/> <input checked="" type="checkbox"/> <input checked="" type="checkbox"/> <input type="checkbox"/> <input type="checkbox"/> <input type="checkbox"/> <input type="checkbox"/></p> <p>OFF <input type="checkbox"/> <input checked="" type="checkbox"/> <input type="checkbox"/> <input type="checkbox"/> <input checked="" type="checkbox"/> <input checked="" type="checkbox"/> <input checked="" type="checkbox"/> <input checked="" type="checkbox"/></p> <p style="text-align: center;">1 2 3 4 5 6 7 8</p>	ICU-Scale/Zone control/Bed Exit
<p>ON <input type="checkbox"/> <input checked="" type="checkbox"/> <input checked="" type="checkbox"/> <input checked="" type="checkbox"/> <input type="checkbox"/> <input type="checkbox"/> <input type="checkbox"/> <input type="checkbox"/></p> <p>OFF <input checked="" type="checkbox"/> <input type="checkbox"/> <input type="checkbox"/> <input type="checkbox"/> <input checked="" type="checkbox"/> <input checked="" type="checkbox"/> <input checked="" type="checkbox"/> <input checked="" type="checkbox"/></p> <p style="text-align: center;">1 2 3 4 5 6 7 8</p>	ICU-Scale/Bed Exit/Bed Status (iBED Awareness Option)
<p>ON <input checked="" type="checkbox"/> <input checked="" type="checkbox"/> <input checked="" type="checkbox"/> <input checked="" type="checkbox"/> <input type="checkbox"/> <input type="checkbox"/> <input type="checkbox"/> <input type="checkbox"/></p> <p>OFF <input type="checkbox"/> <input type="checkbox"/> <input type="checkbox"/> <input type="checkbox"/> <input checked="" type="checkbox"/> <input checked="" type="checkbox"/> <input checked="" type="checkbox"/> <input checked="" type="checkbox"/></p> <p style="text-align: center;">1 2 3 4 5 6 7 8</p>	ICU-ZOOM/Scale/Bed Exit/Bed Status (iBED Awareness Option)

Electrical System Information

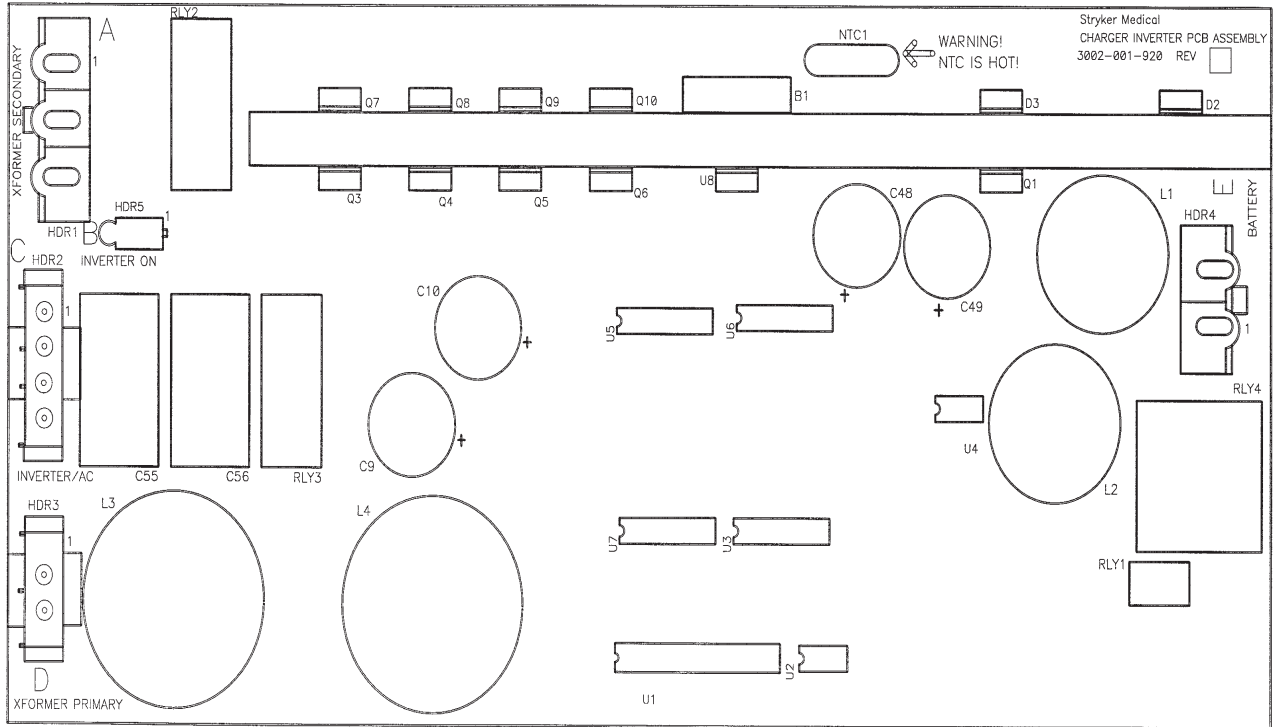
Power Supply - 0000-059-157



CONNECTOR LOCATION	VOLTAGE	POSITIVE LED	NEGATIVE LED
J1	110V	Pin 1	Pin 2
J2	12V	Pin 1	Pin 4 or 5
J2	5V	Pin 2	Pin 4 or 5
J2	5V	Pin 3	Pin 4 or 5
J2	GND	Pin 4	Pin 4 or 5
J2	GND	Pin 5	Pin 4 or 5
J2	-12V	Pin 6	Pin 4 or 5

Electrical System Information

Optional EPIC II®+ Inverter/Charger Board - 2030-001-030

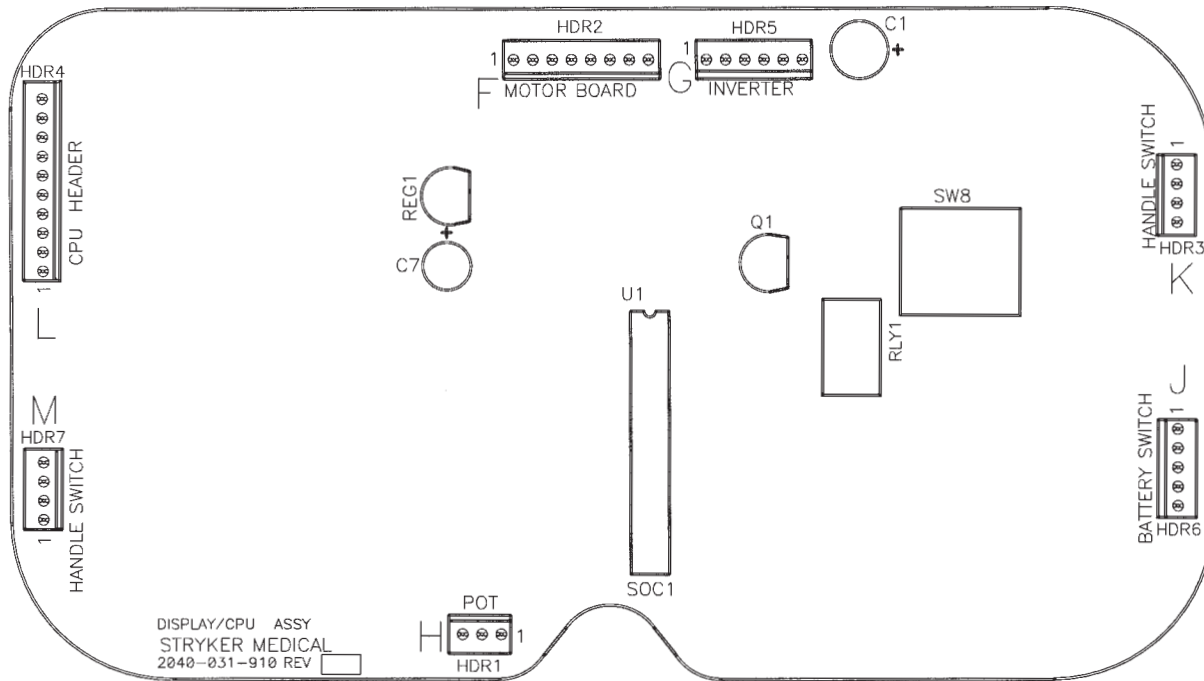


CONNECTOR LOCATION	VOLTAGE	POSITIVE LED	NEGATIVE LED	DESCRIPTION
HDR 4	26 VDC	Pin 2 Red	Pin 1 Black	From Battery - unplugged
HDR 1	22 VAC	Pin 3 Red	Pin 2	Secondary from Transformer - plugged in
HDR 1	34 VAC	Pin 1 Green	Pin 2 Brown	Secondary from Transformer - plugged in
HDR 2	110-140 VAC	Pin 4 Brown	Inverter Module Pin 3 Blue	Unplugged
HDR 2	110V	Pin 2 Brown	Pin 1 Blue	From Wall - plugged in
HDR 3	120V	Pin 2	Plug-In Pin 1	Wall Voltage - plugged in

[Return To Table of Contents](#)

Electrical System Information

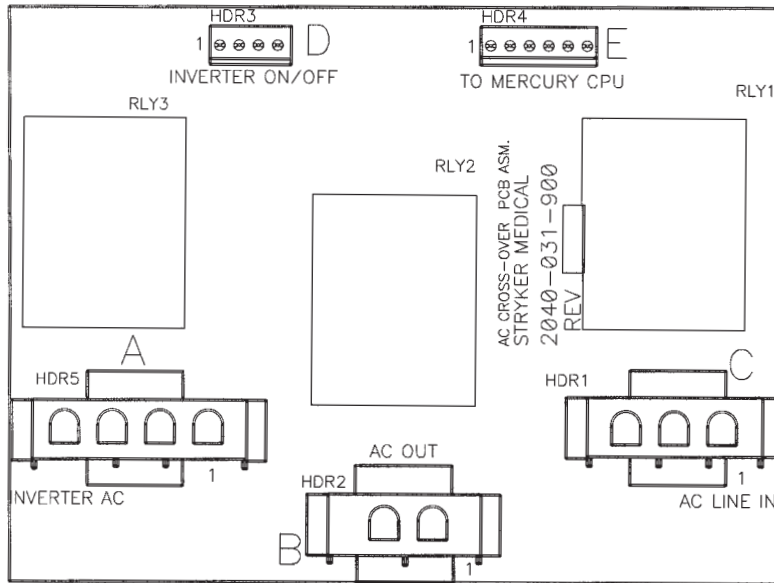
Optional EPIC II®+ Display/CPU - 2030-031-910



CONNECTOR LOCATION	VOLTAGE	POSITIVE LED	NEGATIVE LED	DESCRIPTION
HDR 1 (H)	0-5 VDC	Pin 1	Pin 2	Control Pot Wiper Voltage (with Switch On)
HDR 6 (J)	Battery voltage around 26 VDC	Pin 1	Pin 5	Battery Voltage Return from On/Off Switch (with Switch On)
HDR 4 (L)	5 VDC	Pin 9	Pin 1	Voltage from CPU
HDR 1	5 VDC	Pin 1	Pin 3	DC Voltage to Pot
HDR 7	Continuity	Pin 1	Pin 4	Right Hand Switch
HDR 3	Continuity	Pin 1	Pin 4	Left Hand Switch
HDR 2	26 VDC	Pin 3	Pin 1	Battery Voltage

Electrical System Information

Optional EPIC II®+ AC Crossover Board - 2040-031-900



CONNECTOR LOCATION	VOLTAGE	POSITIVE LED	NEGATIVE LED	DESCRIPTION
HDR 5 (A)	120 VAC	Pin 4	Pin 1	AC Input to Board from the Inverter with the Power Cord unplugged
HDR 1 (C)	120 VAC	Pin 3	Pin 1	AC Input to Board from the Wall receptacle.
HDR 2 (B)	120 VAC	Pin 2	Pin 1	AC Output of Board to Main Power.
HDR 4 (E)	+5 VDC	Pin 4	Pin 1	+5 VDC when AC is Unplugged from the Wall receptacle.

Optional Inverter Protection Features

The optional EPIC II®+ inverter has several features to prevent internal damage:

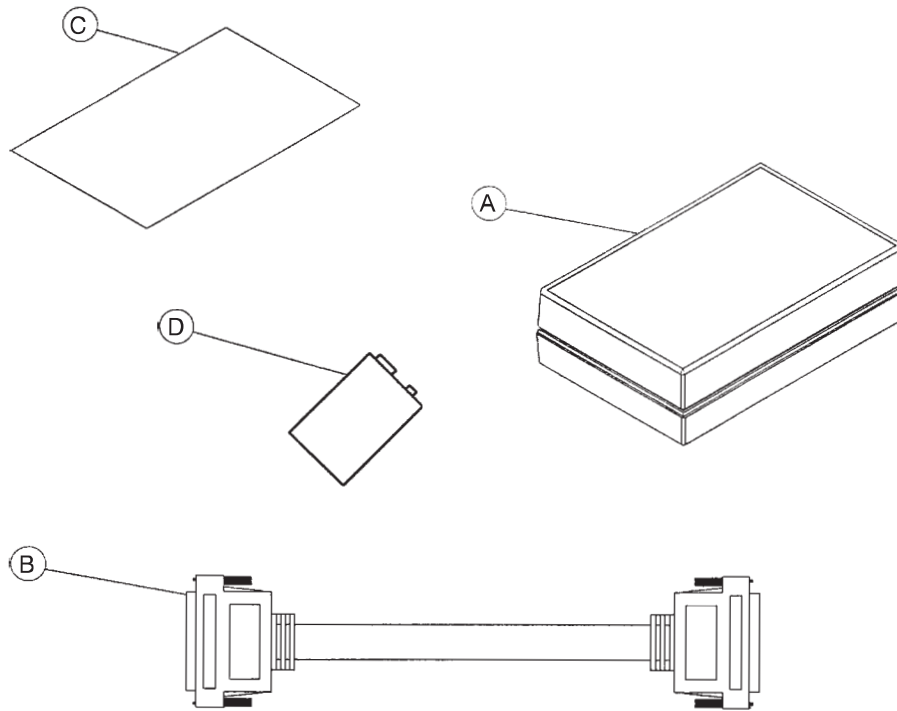
1. **Low Battery Voltage** - If the battery voltage at the inverter drops below the low voltage cut-off, the inverter will shut off.
2. **Over-Temperature** - If the inverter gets too hot, it will shut off. The overheating may be caused by high ambient temperature, blocked air flow or an overload condition. When the inverter reaches an acceptable temperature, it will restart.
3. **Over-Power** - The inverter will source up to its maximum power rating. If the load requires more, the output voltage will shut down. Turning the power switch off and on will reset the inverter. Plugging the bed power cord into the wall socket to charge the battery will reset the inverter.

WARNING

The inverter generates 115 VAC, the same as a wall receptacle. To prevent injury, do not put anything into the electrical outlets other than an appliance power cord. Keep the outlets covered when not in use. Do not submerge the unit or subject it to moisture.

[Return To Table of Contents](#)

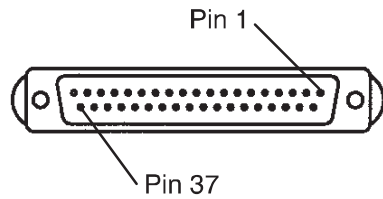
Electrical System Information



Item	Part No	Part Name	Qty
A	3002-045-805	BCT Unit	1
B	3001-303-825	37-Pin Cable	1
C	3002-045-806	Instructions	1
D	3000-303-871	9V Battery	1

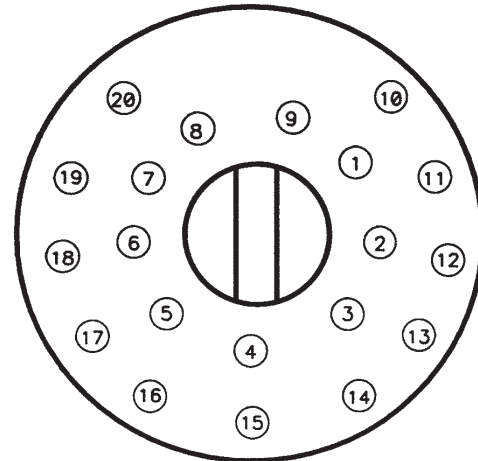
Electrical System Information

37-PIN CONNECTOR



- Pin 1 Option 2 Common
- Pin 2 Read Light
- Pin 3 Room Light
- Pin 4 Speaker High
- Pin 5 Pot Wiper
- Pin 6 Radio Common
- Pin 7 Nurse Call Interlock
- Pin 8 Audio Transfer -
- Pin 9 Audio Transfer +
- Pin 10 Interlock +
- Pin 11 Interlock -
- Pin 12 Spare
- Pin 13 Options 3 Common
- Pin 14 Pot Low Common
- Pin 15 Pot High Common (Std.)/Audio (STV)
- Pin 16 Nurse Answer Light +
- Pin 17 Option 1 NO/NC
- Pin 18 Option 1 Common
- Pin 19 Nurse Call Light +
- Pin 20 Option 2 NO/NC
- Pin 21 Option 3 NO/NC
- Pin 22 Option 3 A NO/NC
- Pin 23 Option 2 A Common
- Pin 24 Option 2 A NO/NC
- Pin 25 Nurse Call +
- Pin 26 Nurse Call NO/NC
- Pin 27 Room/Read Light Common
- Pin 28 Nurse Call Light -
- Pin 29 Nurse Answer Light -
- Pin 30 Priority NO/NC
- Pin 31 Priority Common
- Pin 32 Option 3 A Common
- Pin 33 TV - (Std.)/Data (STV)
- Pin 34 TV + (Std.)/(STV)
- Pin 35 Speaker Low Common
- Pin 36 Audio Shield
- Pin 37 Radio NO/NC

STRYKER PENDANT PORT



- | | |
|----|--|
| 1 | Scan Line |
| 2 | Audio (-) |
| 3 | Nurse Call (+) |
| 4 | +5 VDC |
| 5 | Scan Line |
| 6 | Scan Line |
| 7 | Nurse Call (-) |
| 8 | TV Channel Up |
| 9 | Backlight |
| 10 | Audio (+) |
| 11 | Gatch Up/Fowler In/Foot Up/DMS Firm |
| 12 | Gatch Down/Fowler ut/Foot Out/DMS Soft |
| 13 | Fowler Up/Trend In |
| 14 | Fowler Down/Trend Out |
| 15 | Audio Shield |
| 16 | Not Used - Socket Filled |
| 17 | Bed Up |
| 18 | Ground |
| 19 | Read Light/Bed Down |
| 20 | Room Light |

Service Information

Static Discharge Precautions

The electronic circuits in the 2030 are completely protected from static electricity damage only while the bed is assembled. It is extremely important that all service personnel always use adequate static protection when servicing the electronic systems of the 2030. **Whenever you are touching wires, you should be using static protection.**

Static Protection Equipment

The necessary equipment for proper static protection is:

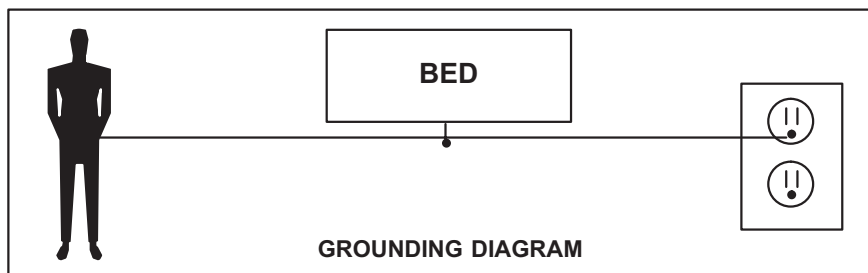
- 1 static wrist strap; 3M part number 2214 or equivalent
- 1 grounding plug; 3M part number 61038 or equivalent
- 1 test lead with a banana plug on one end and an alligator clip on the other; Smith part number N132B699 or equivalent.

CAUTION

All electronic service parts will be shipped in static shielding bags. Do not open the bags until you have completed steps 2 and 3 of the following procedure. Do not place unprotected circuit boards on the floor. All circuit boards to be returned to Stryker Medical should be shipped in the static shielding bags the new boards were shipped in.

Static Protection Procedure

1. Unplug the power cord from the wall receptacle.
2. Insert the grounding plug into a properly grounded hospital grade wall receptacle. Plug the banana plug of the test lead into the receptacle on the grounding plug. Connect the alligator clip on the other end of the test lead to a ground point on the bed.
3. Place the static control wrist strap on your wrist. Connect the alligator clip at the other end of the wrist strap cord to a ground point on the bed.



Service Information

Brake Pedal Replacement

Tools Required:

- 5/16" Hex Allen Wrench.
- Torque Wrench.
- Loctite 242.
- Hammer.
- Punch.
- #2 Phillips Screwdriver.
- Bungee Cords (or Equivalent).

Procedure:

1. Raise the litter to the full up position.
2. Unplug the bed power cord from the wall socket.
3. Using a #2 Phillips screwdriver, remove the three screws holding both the head end and the foot end upper lift covers. If you want, hold the covers out of the way by using bungee cords (or the equivalent) to secure them to the litter top.
4. Using a 5/16" hex Allen wrench, remove the two bolts holding the brake pedal to the brake rod.
5. Using a hammer and punch, remove the roll pins holding the brake shaft crank to the brake rod on both the head and the foot end.
6. Push the brake rod through the frame until the brake pedal is clear. Remove the brake pedal.
7. Reverse the above steps to attach the new brake pedal.

Note

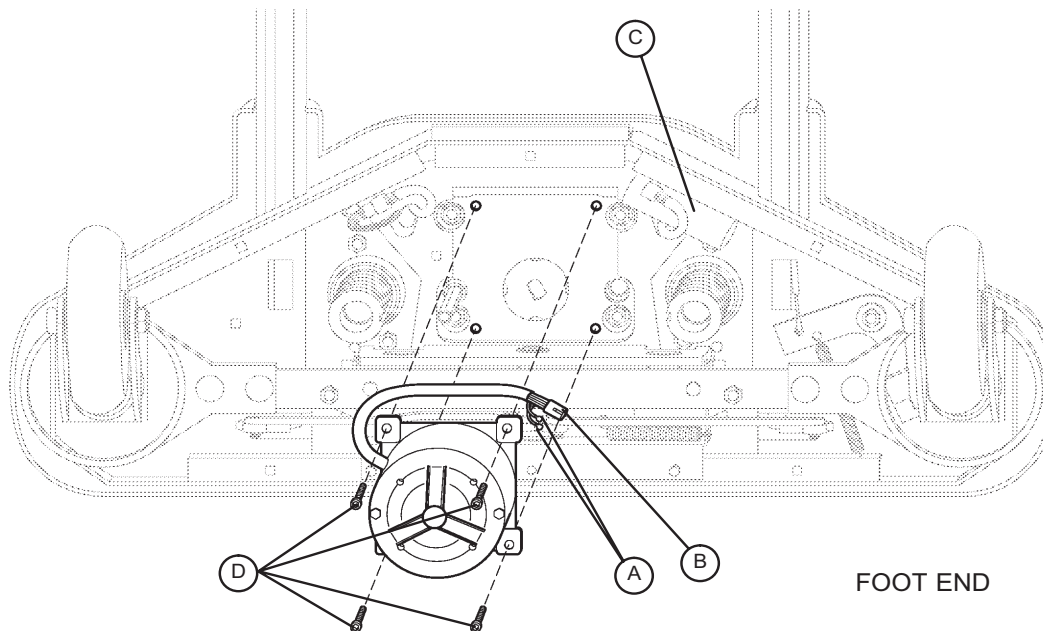
Use Loctite 242 when reinstalling the bolts and torque the bolts to 25 foot-pounds.

Service Information

Lift Motor and Capacitor Removal and Replacement

Tools Required:

- 3/8" Socket Wrench W/Extension.
- 5/16" Socket Wrench.
- Floor Jack.
- Side Cutters.
- 7/16" Open End Wrench.
- 2 x 4 (or Equivalent).



Procedure:

Note

If you need more space to work under the base frame, place a 2 x 4 across the base frame rails and use a floor jack to raise the base frame off the floor.

1. Unplug the bed power cord from the wall socket. Using a 5/16" socket wrench, remove the five bolts holding the lower lift cover to the base and remove the cover.
2. Disconnect the two connectors (A) at the motor capacitor.
3. Disconnect the white connector (B) from the power cord.
4. Using side cutters, cut the cable ties holding the capacitor (C) to the base and remove the capacitor.
5. Using a 3/8" socket wrench, remove the four screws (D) holding the motor assembly in the lift housing and remove the motor assembly.
6. Reverse the above steps to install the new motor.

Note

The drive shaft on the new motor probably will have to be turned to be aligned with the coupler. Use a 7/16" open end wrench to turn the drive shaft of the motor.

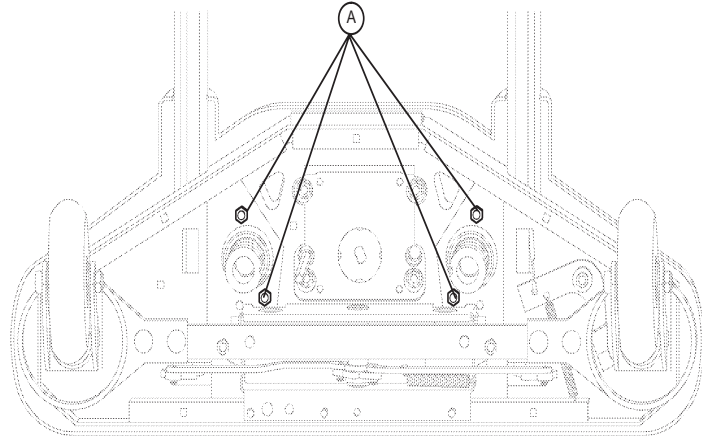
The procedure for lift motor and capacitor removal and replacement is the same for both ends of the bed.

Service Information

Lift Housing Removal and Replacement

Tools Required:

- #2 Phillips Screwdriver.
- Bungee Cord (or Equivalent).
- 5/16" Socket Wrench.
- Side Cutters.
- 9/16" Socket Wrench.
- Floor Jack.
- 7/32" Hex Allen Socket Wrench.
- Sawhorses (or Equivalent).
- 2 x 4 (or Equivalent).
- 3/8" Socket Wrench (W / 6" extension)



FOOT END - BOTTOM VIEW

Procedure:

Note

If you need more space to work under the base frame, place a 2 x 4 across the base frame rails and use a floor jack to raise the base frame off the floor.

1. Unplug the bed power cord from the wall socket.
2. Using a 5/16" socket wrench, remove the five bolts holding the lower lift cover to the base and remove the cover.
3. Using a #2 Phillips screwdriver, remove the three screws holding the upper lift cover to the base. If you want, hold the covers out of the way by using bungee cords (or the equivalent) to secure them to the litter top.
4. Remove the lift motor and capacitor (refer to Lift Motor and Capacitor Removal and Replacement procedure).
5. Remove lift potentiometer (refer to Lift Potentiometer Replacement and Adjustment procedure).
6. Using a 5/16" socket wrench, remove the cable clamps holding the power and sensor coil cords on top of the lift housing assembly. Cut the cable ties and disconnect the coil cords from under the lift housing. The power and sensor coil cords are now free of the lift housing assembly. Drape them up out of the way.
7. Using a 7/32" hex Allen socket, remove the two screws holding the lift screws to the header crossbar plate.
8. Lift the litter top up and support it about 6" above the lift screws with sawhorses or the equivalent.
9. Under the base, using a 9/16" socket, remove the four nuts (A) holding the lift housing to the base.
10. Lift up and out on the lift housing assembly to remove it from the base.



CAUTION

To ensure proper reattachment of the power and sensor coil cords, refer to the Power and Sensor Coil Cord Replacement procedure.

Refer to the Lift Potentiometer Replacement And Adjustment procedure for reattachment of the lift potentiometer.

11. Reverse the above steps to reinstall the lift housing assembly after service is completed.

Note

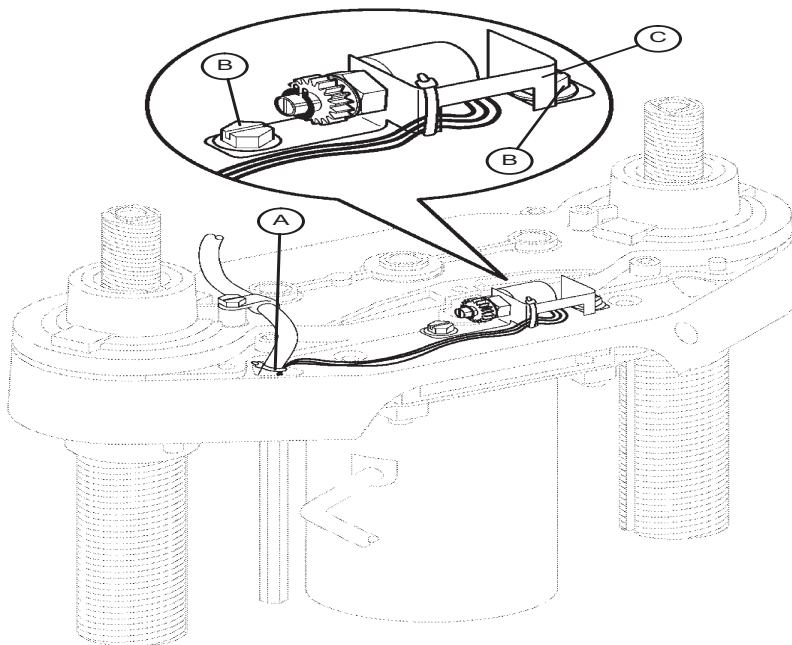
The procedure for lift housing removal and replacement is the same for both ends of the bed.

Service Information

Lift Potentiometer Replacement and Adjustment

Tools Required:

- #2 Phillips Screwdriver.
- Bungee Cord (or equivalent).
- 5/16" Socket Wrench.
- 3/8" Open End Wrench.
- Side Cutters.



Procedure:

1. Raise the litter to the full up position.
2. Unplug the bed power cord from the wall socket.
3. Using a 5/16" socket wrench, remove the five bolts holding the lower lift cover to the base and remove the cover.
4. Using a #2 Phillips screwdriver, remove the three screws holding the upper lift cover to the base. If you want, hold the covers out of the way by using bungee cords (or the equivalent) to secure them to the litter top.
5. Using side cutters, cut the cable tie (A) holding the potentiometer cable to the coil cord.
6. Unplug the potentiometer cable from the sensor coil cord. If replacing a pot at the head end of the bed, unplug the cables attached to the brake sensor switch.
7. Pull the potentiometer cable up through the base.
8. Using a 3/8" open end wrench, remove the two bolts (B) holding the pot housing (C) to the lift housing.
9. Lift up and out on the potentiometer housing assembly to remove it from the lift housing.
10. Before installing the new potentiometer on the bed, turn it clockwise until it stops. Turn it back counterclockwise two full (360) revolutions. This allows a "window" position for proper upper and lower limits.
11. Reverse steps 4 - 8 to install the new pot and pot housing assembly.
12. After installing the new potentiometer, the "burn-in" procedure must be followed.

Note

Be sure to maintain the potentiometer position while installing.

Service Information

Lift Potentiometer “Burn-In” (Standard Bed)

Note

It requires **two people** to enable the diagnostics mode for the bed.

1. Unplug the bed power cord from the wall socket.
2. On the foot board control panel, hold down the Bed Motion Lock button and the button to lock out the siderail controls for the knee. While still holding the buttons, plug the bed power cord into the wall socket. Release the foot board buttons. The siderail control lights LED should be flashing to indicate the bed is in diagnostics mode.
3. To “burn in” the Bed Up/Down limits, raise the bed completely up until it can’t go any farther. Press and hold the “Bed Motion Lock” button. The “Bed Motion Lock” LED will light. Continue to hold the “Bed Motion Lock” button until the “Bed Motion Lock” LED flashes. The flashing LED indicates the limits have been set. Release the “Bed Motion Lock” button and unplug the power cord from the wall socket to complete the “burn-in” mode.
4. Plug the power cord into the wall socket and verify the lift limits are set properly before returning the bed to service.
5. If your bed has an I.V. Caddy, a lower limit must be burned in. Run the litter down to 19.5 inches. Hold the Bed Up/Down Lock button until the light flashes.

Lift Potentiometer “Burn-In” (iBED Awareness Option)

Note

1. It requires **two people** to enable the diagnostics mode for the bed. Unplug the bed power cord from the wall socket.
2. On the foot board control panel, hold down the Patient Fowler Lock button and the Patient Bed Up/Down Lock button. While still holding the buttons, plug the bed power cord into the wall socket. Release the foot board buttons.
3. To “burn in” the Bed Up/Down limits, raise the bed completely up until it can’t go any farther. Press and hold the “Bed Motion Lock” button. A message appears on the screen “Hold to Set Height Limits”. Continue to hold the button until the “Bed Motion Lock” LED’s on the footboard and dashboard start flashing. A message appears “Release Button”. Release the “Bed Motion Lock” button. A message appears on the screen “Height Limits Set”. Plug the power cord into the wall socket and verify the lift limits are set properly before returning the bed to service.
4. If your bed has an I.V. Caddy, a lower limit must be burned in. Run the litter down to 19.5 inches. Hold the Bed Up/Down Lock button until the light flashes.

CAUTION

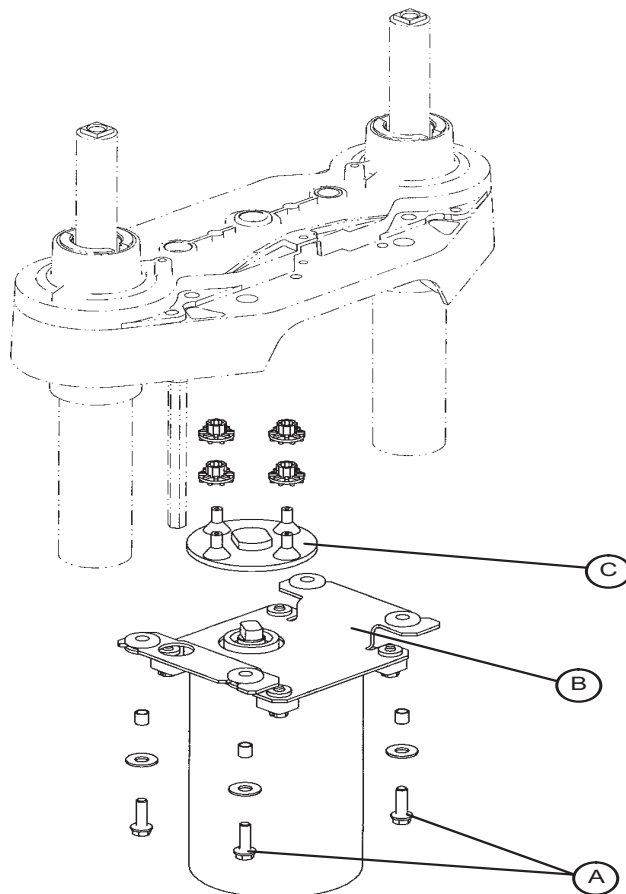
For both procedures above, do not run the litter all the way down while in the diagnostics mode. Damage to the bottom lift covers could result.

Service Information

Lift Motor Coupler Replacement

Tools Required:

- 5/16" Socket Wrench.
- 3/8" Socket Wrench (W/6" Extension).
- Floor Jack.
- 2 x 4 (or Equivalent).



Procedure:

Note

If you need more space to work under the base frame, place a 2 x 4 across the base frame rails and use a floor jack to raise the base frame off the floor.

1. Unplug the bed power cord from the wall socket.
2. Using a 5/16" socket wrench, remove the five bolts holding the lower lift cover to the base and remove the cover.
3. Using a 3/8" socket with an extension, remove the four bolts (A) holding the isolation plate (B) to the lift housing and lower the lift motor and isolation plate assembly to allow access to the coupler (C).
4. The motor coupler can now be removed from the lift housing.
5. Reverse the above steps to install the new motor coupler and bushings.

Service Information

Power and Sensor Coil Cord Replacement

Tools Required:

- #2 Phillips Screwdriver.
- Side Cutters.
- 5/16" Socket Wrench.
- Bungee Cord (or equivalent).
- 5/16" Nut Driver.
- Floor Jack.
- 2 x 4 (or Equivalent).

Procedure:

Note

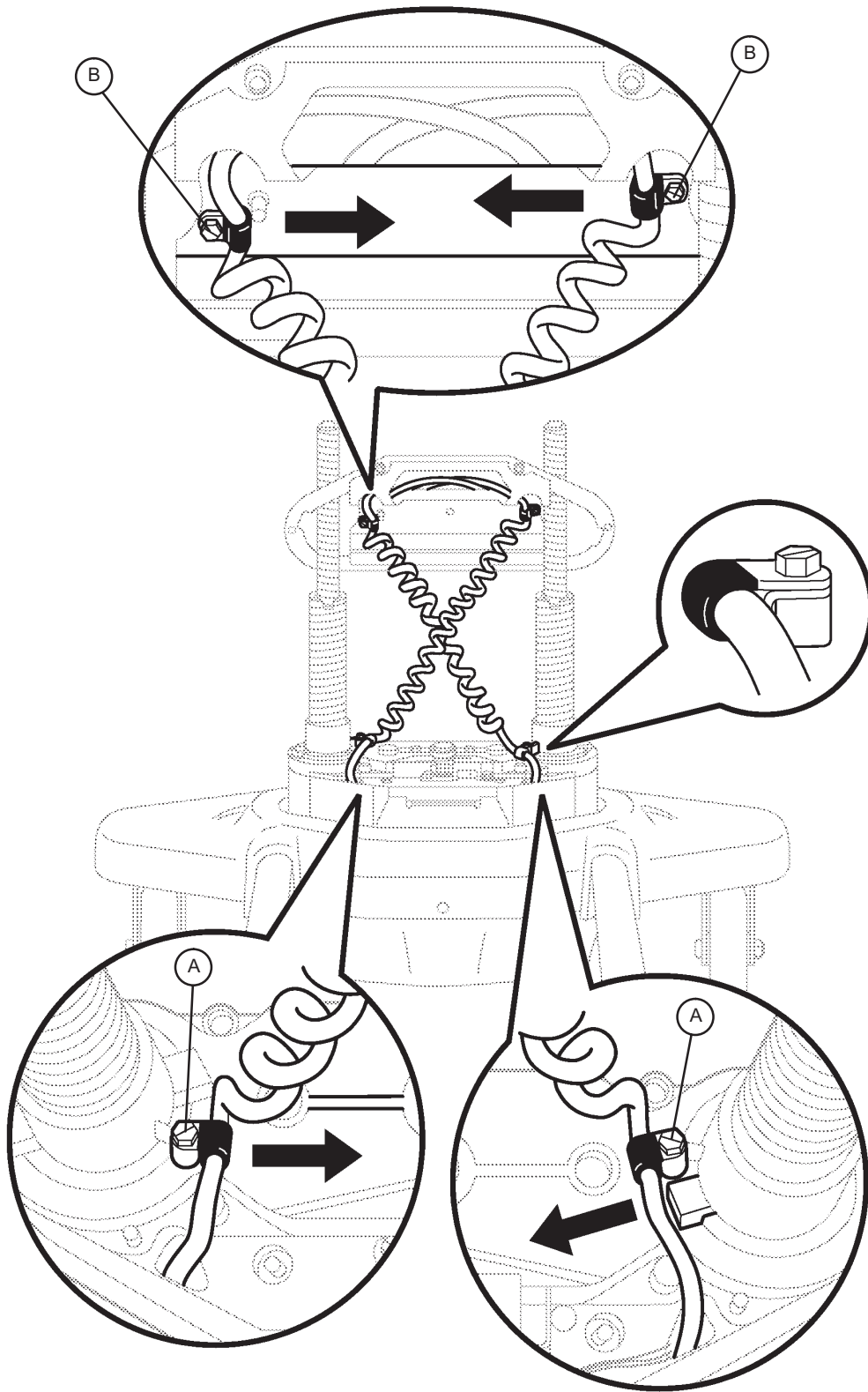
If you need more space to work under the base frame, place a 2 x 4 across the base frame rails and use a floor jack to raise the base frame off the floor.

1. Unplug the bed power cord from the wall socket.
2. Using a 5/16" socket wrench, remove the five bolts holding the lower lift cover to the base and remove the cover.
3. Using a #2 Phillips screwdriver, remove the three screws holding the upper lift cover to the base. If you want, hold the covers out of the way by using bungee cords (or the equivalent) to secure them to the litter top.
4. Using side cutters, cut the cable ties holding the power and sensor coil cords to the base. Remove the ground wire coming from the sensor cord that is attached to the base (note the star washer arrangement).
5. Disconnect the cables going to the motor and the lift potentiometer (at the head end, the sensor cord is also attached to the brake switch sensor).
6. Pull both cords up through the frame of the bed and the lift housing.
7. Using a 5/16" socket wrench, remove the two screws (A) holding the cable clamps to the top of the lift housing.
8. Using a 5/16" socket wrench, remove the two screws (B) securing the cable clamps to the underside of the header crossbar assembly.
9. Pull both coil cords up through the header crossbar assembly.
10. Disconnect the power and sensor coil cords from the connectors.
11. The cords should now be completely removed from the bed. Reverse the above steps to install the new power and sensor cords.

CAUTION

When replacing the power and sensor coil cords, secure the cable clamps to the cords at the first coil both on the top and on the bottom to ensure there is not too much slack in the cords between the top of the lift housing assembly and the bottom of the header crossbar. Be sure the clamps are fastened at exactly the correct angle, as shown by the arrows in the illustration. Arrange the cords exactly as shown in the illustration (left in front of right). **If this is not done correctly, damage to the cords will result.**

Service Information



VIEW FROM CENTER OF BED

Service Information

Optional Battery Removal and Replacement

Tools Required:

- Torx T27.
- 7/16" Wrench.
- 1/2" Socket Wrench.
- Bungee Cords.
- Phillips Screwdriver.
- 5/32" Allen Wrench.

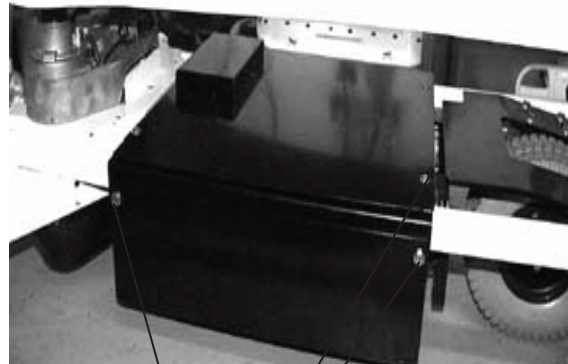
Procedure:

1. Raise the litter to full up. Unplug the power cord from the wall socket and push the battery power on/off switch to the "OFF" position.
2. Using a Phillips screwdriver, remove the four screws holding the base hood to the base frame.
3. Lift the base hood and support it from the litter frame using bungee cords or the equivalent.
4. Properly ground yourself (see Static Discharge Precautions).
5. Open the cable clamp at the head end, left side of the base frame and remove the cables from the clamp.
6. Using a Torx T27, remove the four screws (A) holding the electronics box cover and remove the cover.
7. Disconnect the two battery cables (B).

WARNING

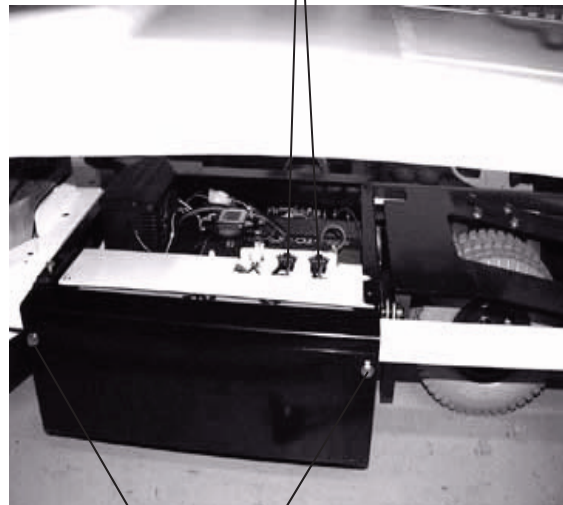
The battery tray assembly weighs 50 pounds. Use caution when removing the two hex head screws securing it to the base frame or personal injury could result. Battery posts, terminals and related accessories contain lead and lead compounds, chemicals known to the State of California to cause cancer and birth defects or other reproductive harm. **Wash hands after handling.** Properly dispose of the old battery in accordance with local regulations.

8. Support the battery tray assembly from the bottom. Using a 7/16" hex socket or wrench, remove the two screws (C) supporting the battery tray.
9. The back of the battery tray assembly has a lip which catches on the electronics box. Lift up and out to remove the battery tray assembly.
10. Using a Phillips screwdriver, remove the two screws holding the battery terminal to the battery tray assembly.
11. Using a 5/32" Allen wrench and a 7/16" wrench, remove the four screws and nuts holding the battery harness to the battery terminals.
12. Reverse steps 1 - 11 to install the new batteries. Complete the last four items of the setup procedures section.



A

B



C

[Return To Table of Contents](#)

Service Information

Scale System Diagnostics and Calibration

Diagnostic Mode Functions

ANGLE CALIBRATE	This may be required in the field to recalibrate the scale. Calibrate using 50 pounds.
DISP. CORNER LBS	This function displays the individual corner weights in pounds for each load cell and can be used to isolate a defective load cell.
DISP. CORNER CTS	This function displays the individual corner weights in counts for each load cell and can be used to isolate a defective load cell.
DISPLAY FACTORS	This function is used to see the scale calibration factors. This can be used to diagnose a bad scale calibration.
DISPLAY AVERAGES	This function is used to see the average weight in pounds each load cell has experienced.
DISPLAY MAXIMUMS	This function is used to see the maximum weight each load cell has experienced.
CLEAR STATISTICS	This function is used to clear the averages and maximums.
INIT TO DEFAULTS	This function is used to reset the scale factors back to defaults.
VIEW ERROR LOG	This function can be used to see a log of scale errors and the time they occurred.
LOCK/UNLOCK LBS/KG	This function can be used to lock out the ability to change weight units.
PICK EXIT ALARM	This function can be used to select a different bed exit alarm tone.
BRAKE ALARM OFF/ON	This function can be used to enable or disable an audible alarm when the brakes are not set. Not available for beds with Zoom or Battery Backup.
DEFAULT ANGLE	This function can be used to select the default angle displayed to either fowler or trend..
SOFTWARE CONFIG	This function can be used to see what the bed configuration is.
SOFTWARE VERSION	This function can be used to see what software version it is.
CALIBRATE SCALE	This is the old scale calibration routine with 200 pounds. Only there for backup purposes.
EXIT DIAGNOSTIC	This function will give you the ability to exit the diagnostic mode and go into scale mode.

Diagnostic Mode:

Note

It requires **two people** to enable the diagnostic mode for the scale system.

1. To enter diagnostic mode, unplug the bed's power cord from the wall socket.
2. Press and hold down the LBS/KGS button.
3. While still holding the LBS/KGS button, plug the bed's power cord into the wall socket.
4. After two seconds, release the LBS/KGS button. The LCD should display "Angle Calibrate". The diagnostic mode is now active.

Displaying Individual Load Cell Outputs:

A defective load cell can be detected by entering diagnostics and displaying individual load cell outputs.

1. Repeatedly press and release the up or down arrow button (Zero or Scale On/Off) until the LCD displays "Display Corner CTS".
 2. Press and release the Enter button (LBS/KGS). The LCD should display "▲▼ Select Corner". The two buttons listed below function as Position buttons to select the four corners of the bed's litter. Whenever the LCD displays "▲▼ Select Corner", press one of these buttons to cycle through the corners and to select the load cell assembly at the desired corner.
- A. ZERO** = Cycle up through the four corners
B. SCALE ON/OFF = Cycle down through the four corners

Service Information

Scale System Diagnostics and Calibration (Continued)

4. Press and release the position button that corresponds with the load cell to be checked. The LCD should display "X/X=NNN.N". "X/X" represents the initials of the selected corner, i.e. H/R will be displayed for the patient's head end, right side. "NNN.N" represents the resistance of the load cell.
5. Repeat step four for each corner. Head end weight readings will normally be lower than foot end weights. Weight readings should be constant. A drifting 000.0 or 999.9 weight, or a reading that does not change when weight is applied to that corner of the bed indicates a problem with the selected load cell assembly or load cell cable.

Verifying Scale Accuracy:

1. Zero the empty bed. Place a known weight on the center of the bed; the heavier the better and no less than 100 pounds. The displayed weight should be $\pm 1\%$ of the actual weight.
2. If the displayed weight is not accurate, remove the weight from the bed and proceed to the Scale Calibration section.

Scale Calibration:

Note

It requires **two people** to enable the calibration mode for the scale system. Raise the siderails when calibrating the scale to avoid getting inaccurate scale readings due to possible interference between the siderails and the casters.

Calibrate the scale system with a known 50 pound weight. If exactly 50 pounds is not available, the factory default for calibration will have to be changed as described in step 6.

1. To enter the calibration mode, unplug the bed's power cord from the wall socket.
2. Press and **hold down** the LBS/KGS button.
3. While still holding the LBS/KGS button, plug the bed's power cord into the wall socket.
4. After two seconds, release the LBS/KGS button. The LCD should read "**Angle Calibrate**". The calibration mode is now active.
5. Press and hold the **Enter** button (LBS/KGS). Zero the bed, following the displayed instructions. When the bed is zeroed, the LCD should display "REF X100=<0>5000". This is the factory default for 50 pounds. If 50 pounds will be used to calibrate the scale, proceed to step 7.
6. If exactly 50 pounds is not available, change the display to match the weight you are using. Pressing the **Change Equip.** button will move the cursor position to the right. Pressing the up arrow (**Zero**) button will increase the numbers. Pressing the down arrow (**Scale On/Off**) button will decrease the numbers. Scroll through the numbers until they match the weight you will use for calibration.
7. Place the 50 pound calibrated weight in the center of the bed. Press and release the **Enter** button and the LCD will display "**Press Rev. Trend**". Press and hold the button with the Reverse Trendelenburg symbol (feet down/head up) until the bed stops. Release the button and the LCD will display "**Do Not Touch Bed**". Press and hold the Reverse Trendelenburg button again until the bed stops. Release the button and the LCD will display "**Do Not Touch Bed**".
8. The LCD will display "**Press Trend**." Press and hold the button with the Trendelenburg symbol (feet up/head down) until the bed stops. Release the button and the LCD will display "**Do Not Touch Bed**". Press and hold the Trend button again until the bed stops. Release the button and the LCD will display "**Do Not Touch Bed**".
9. Repeat steps 5 - 8 with 200 pounds.
10. The LCD will display the weight. This indicates the calibration procedure is complete.
11. Level the bed at a full up or full down position. Remove the weight and zero the bed.
12. Verify scale accuracy and functionality before returning the bed to service.

Service Information

Load Cell Replacement

Tools Required:

- 9/16" Socket Wrench.
- 9/16" Open End Wrench.
- Saw Horse (or Equivalent).
- Wire Cutters.

Procedure:

1. Raise the Fowler or knee section, depending which end of the litter needs service.
2. Unplug the load cell connector from the load cell cable.
3. Using wire cutters, remove the wire ties holding the cable to the frame.
4. Using a 9/16" socket and a 9/16" open end wrench, remove the two bolts holding the load cell to the litter cross tube and remove the load cell.
5. Using a saw horse, support the litter at the end where the load cell was removed. Reverse the above procedure to install the new load cell.

Note

Scale calibration procedure must be performed after the load cell is replaced (Refer to Scale System Diagnostics and Calibration section).

Service Information

Head End Motor Removal and Replacement

Tools Required:

- T27 Torx.
- 7/16" Socket Wrench.
- Wire Cutters.

Procedure:

1. Run the litter to the full up position and remove the mattress from the bed.
2. Fold the foot section back toward the head end of the bed. Electrically run the knee section to full up. If the knee section will not move electrically, pull the foot section toward the head end of the bed while pulling the CPR release handle (located at the head end of the bed). The knee section will raise.
3. Using a T27 Torx, remove the four screws holding the cover to the actuator box and remove the cover.
4. Remove the two CPR release cables from the CPR release bracket. Using a T27 Torx underneath the actuator box, remove the two bolts holding the release bracket to the actuator box and remove the bracket from the actuator box.
5. Disconnect all the electrical connections going to the head motor and move aside any wiring that could interfere with the removal of the motor.
6. Using a 7/16" socket wrench underneath the actuator box, remove the four bolts holding the motor mounting bracket to the actuator box. Lift up and out on the motor to remove it.
7. Remove the motor mounting bracket from the old motor and install it on the replacement motor.
8. Reverse steps 3 through 6 to install the replacement motor.
9. Verify the bed is working properly before returning it to service.

Service Information

Knee Motor Removal and Replacement

Tools Required:

- T27 Torx.
- 7/16" Socket Wrench.
- Wire Cutters.

Procedure:

1. Run the litter to the full up position and remove the mattress from the bed.
2. Fold the foot section back toward the head end of the bed. Electrically run the knee section to full up. If the knee section will not move electrically, pull the foot section toward the head end of the bed while pulling the CPR release handle (located at the head end of the bed). The knee section will raise.
3. Using a 7/16" socket wrench, remove the mounting bolt on the litter for the knee dampening cylinder. This leaves the knee dampener mounted only to the seat panel.
4. Using a T27 Torx, remove the four screws holding the cover to the actuator box and remove the cover.
5. Remove the two CPR release cables from the CPR release bracket. Using a T27 Torx socket wrench underneath the actuator box, remove the two bolts holding the release bracket to the actuator box and remove the bracket from the actuator box.
6. Disconnect all the electrical connections going to the knee motor and move aside any wiring that could interfere with the removal of the motor.
7. Pull the foot panel toward the head end of the bed. This causes the knee motor linkage to roll past center and allows the motor to be removed without supporting the knee section.
8. Using a 7/16" socket wrench underneath the actuator box, remove the four bolts holding the motor mounting bracket to the actuator box. Lift up and out on the motor to remove it.
9. Remove the motor mounting bracket from the old motor and install it on the replacement motor.
10. Install the replacement motor.
11. Reverse step 3 - 5 to reinstall the knee dampener, CPR bracket and actuator box cover.
12. Pull the foot panel toward the foot end of the bed. This causes the knee motor linkage to roll back past center. If this step is not done, damage to the motor or linkage will occur.
13. Verify the bed is working properly before returning it to service.

Service Information

Power Supply Removal and Replacement

Tools Required:

- T27 Torx.
- Needle-Nose Pliers.

Procedure:

1. Run the litter to the full up position and remove the mattress from the bed.
2. Fold the foot section back toward the head end of the bed. Electrically run the knee section to full up. If the knee section will not move electrically, pull the foot section toward the head end of the bed while pulling the CPR release handle (located at the head end of the bed). The knee section will raise.
3. Using a T27 Torx, remove the four screws holding the cover to the actuator box and remove the cover.
4. Properly ground yourself (Refer to Static Protection Procedure).
5. Unplug all electrical connections from the power supply.
6. Using needle-nose pliers, squeeze the four stand off supporting the power supply and pull up gently on the power supply to remove it.
7. Reverse steps 2 through 5 to install the new power supply.
8. Verify the bed is working properly before returning it to service.

Service Information

CPU Board Removal and Replacement

Tools Required:

- T27 Torx.
- Needle-Nose Pliers.

Procedure:

1. Run the litter to the full up position and remove the mattress from the bed.
2. Fold the foot section back toward the head end of the bed. Electrically run the knee section to full up. If the knee section will not move electrically, pull the foot section toward the head end of the bed while pulling the CPR release handle (located at the head end of the bed). The knee section will raise.
3. Using a T27 Torx, remove the four screws holding the cover to the actuator box and remove the cover.
4. Properly ground yourself (Refer to Static Protection Procedure).
5. Unplug all electrical connections from the CPU board.
6. Press the six stand off away from the board while gently lifting the board up and out.
7. Install the replacement CPU board.

Note

After the replacement CPU board is installed, a “burn-in” procedure must be performed for the Fowler and lift motor potentiometers (Refer to Lift Potentiometer “Burn-in” Procedure and Fowler Potentiometer “Burn-in” Procedure).

If the bed is equipped with a scale system, the scale calibration procedure must also be performed after the replacement CPU board is installed (Refer to Scale System Diagnostics and Calibration procedure).

Fowler Potentiometer Replacement

Tools Required:

- T27 Torx.
- Wire Cutters.
- 1/2” Open End Wrench.
- 7/64” Allen Wrench.

Procedure:

1. Manually crank the knee section up until it stops.
2. Using a T27 Torx, remove the four screws holding the litter access cover to the litter and remove the cover.
3. Using a 7/64” Allen wrench, loosen the screw holding the linkage to the potentiometer shaft and remove the linkage from the shaft.
4. Using a 1/2” open end wrench, remove the nut holding the potentiometer to the frame.
5. Using wire cutters, remove the cable ties from the cable. Unplug the cable from the CPU and remove the potentiometer.
6. Reverse the above procedure to install the replacement potentiometer.
7. The new potentiometer must be calibrated after it has been installed.
8. The Fowler potentiometer should be set at 150 ohms (± 10 ohms) in the full down position. This reading must be taken from pins 3 and 4 on the connector with the potentiometer unplugged from the board. After the correct ohm reading is achieved, tighten the screw on the linkage.

Service Information

Fowler Potentiometer Replacement (Continued)

9. Unplug the bed power cord from the wall socket.
10. Press and hold the “Knee Lockout” and “Bed Motion Lock” buttons on the foot board.
11. Plug the power cord into the wall socket. Release the two buttons and the “Knee Lockout” LED should be flashing. This indicates the bed is in the correct calibration mode.
12. Using the foot board controls, run the Fowler up to 90°. Press and hold the button on the foot board to lock out the siderail controls for the back until the padlock LED flashes. Release the button.
13. Using the foot board controls, run the Fowler down to 0°. Press and hold the button on the foot board to lock out the siderail controls for the knee until the padlock LED flashes. Release the button and unplug the bed power cord to complete the “burn-in” mode.
14. Plug the bed power cord into the wall socket and verify the back limits are set properly before returning the bed to service.

Fowler Potentiometer “Burn-In” Procedure

Note

It requires **two people** to enable the diagnostics mode for the bed.

1. Unplug the bed power cord from the wall socket.
2. On the foot board control panel, hold down the bed motion lock button and the button to lock out the siderail controls for the knee. While still holding the buttons, plug the bed power cord into the wall socket. Release the foot board buttons. The siderail control lights LED should be flashing to indicate the bed is in diagnostics mode.
3. Using the foot board controls, run the Fowler up to 90°. Press and hold the button on the foot board to lock out the siderail controls for the back until the padlock LED flashes. Release the button.
4. Using the foot board controls, run the Fowler down to 0°. Press and hold the button on the foot board to lock out the siderail controls for the knee until the padlock LED flashes. Release the button..

Fowler Potentiometer “Burn-In” Procedure (iBED Awareness Option)

Note

It requires **two people** to enable the diagnostics mode for the bed.

1. Unplug the bed power cord from the wall socket.
2. On the foot board control panel, hold down the Patient Fowler Lock button and the Patient Bed Up/Down Lock button. While still holding the buttons, plug the bed power cord into the wall socket. Release the foot board buttons.
3. The message “Set Fowler to 1⁰” will be displayed on the screen.
4. Using the foot board or siderail controls, set the Fowler to 1⁰.
5. Press and Hold down the Enter button. The message “Release Button” will be displayed on the screen.
6. After releasing button, the message “Set Fowler to 30⁰” will be displayed on the screen.
7. Using the foot board or siderail controls, set the Fowler to 30⁰.
8. Press and Hold down the Enter button. The message “Release Button” will be displayed on the screen.
9. After releasing button, the message “Set Fowler to 45⁰” will be displayed on the screen.
10. Using the foot board or siderail controls, set the Fowler to 45⁰.
11. Press and Hold down the Enter button. The message “Release Button” will be displayed on the screen.
12. After releasing button, the message “Set Fowler to 90⁰” will be displayed on the screen.
13. Using the foot board or siderail controls, set the Fowler to 90⁰.
14. Press and Hold down the Enter button. The message “Release Button” will be displayed on the screen.
15. After releasing button, the message “Fowler Calibration Complete” will be displayed on the screen.

Service Information

Optional Smart TV Interface “Burn-In” Procedure

This procedure is used for selecting the style of TV interface needed for your bed. If traditional TV is desired, no calibration is required. If optional Smart TV is available on the bed, select one of the TV manufacturers listed in the table below.

Setup

- Ensure the communication cable is connected between the bed and the Db37 wall port or the pillow speaker port of the nurse call system. If available, a bed communication tester can be used instead of the hospital wiring.

Procedure

1. Place the bed in the lift potentiometer burn-in mode.
2. Notice the Nurse Call LED (yellow) is flashing. Notice the Nurse Answer LED (green) is flashing on/off slowly.
3. Press and release the TV ON/OFF switch on the bed’s siderail once. Notice the Nurse Call LED flashes once. This is the first selection of TV manufacturers for the Smart TV mode. Notice the Nurse Answer LED (green) is flashing on/off slowly. The Nurse Answer LED will only light when the Nurse Call LED (yellow) is flashing.
4. Press and release the TV ON/OFF switch on the bed’s siderail to scroll to other TV manufacturers. Notice the number of times the Nurse Call LED flashes matches the number listed in the table below and represents the TV manufacturer selected.
5. When the desired TV manufacturer has been selected, unplug the bed power cord from the wall socket and plug it back in to complete the Smart TV burn-in procedure.

Note

If the bed is connected to a television during the burn-in procedure, the television will turn on when the correct setting is selected.

TV MANUFACTURER SELECTION FOR SMART TV BURN-IN PROCEDURE		
Press and release TV ON/OFF switch:	Nurse Call LED (Yellow)	TV Manufacturer
One time	One flash	RCA 1
Two time	Two flash	RCA 2
Three time	Three flash	Zenith 1
Four time	Four flash	Zenith 2
Five time	Five flash	Philips/Magnavox
Six time	Six flash	Magnavox (models 9120, 9220, 9320)
Seven time	Seven flash	Traditional Plus
Eight time	Eight flash	Traditional TV
Nine time	Nine flash	Auto Detect: Smart TV
Ten time	Ten flash	Auto Detect W/Digital Volume Smart TV

Service Information

Optional Smart TV Interface “Burn-In” Procedure (iBED Awareness Option)

This procedure is used for selecting the style of TV interface needed for your bed. If traditional TV is desired, no calibration is required. If optional Smart TV is available on the bed, select one of the TV Mode/Brands listed in the table below.

PROCEDURE

1. Press and Hold the “Enter” button. While Holding, cycle bed power. Continue to hold until display flashes “Load Cell Check”. Release.
2. The display should present the Maintenance Menu. Ensure the “TV config” element is highlighted and press “Enter”.
3. The display should present the “TV config” Screen. The current TV selection will be highlighted. (Default selection is Traditional)
4. Use the up and down arrow buttons to highlight the desired “TV config”. See Table below for Model/Selection list.
5. Press the “Enter” button to select the new setting.
6. The display should present the following message when the new setting is saved “Save Successful”.
7. The “TV config” screen should reappear after 2 seconds and the new setting should be highlighted.

TV Configuration Menu Settings

TV Mode / Brand	Display TV Menu Select
RCA 1	TV Config. 1
RCA 2	TV Config. 2
Zenith 1	TV Config. 3
Zenith 2	TV Config. 4
Philips	TV Config. 5
Magnavox	TV Config. 6
Traditional	Traditional
Traditional Plus	Traditional Plus
Auto-Configure	Auto-Configure
Auto-Configure DV	Auto-Configure DV

Service Information

EPIC II®+ Option AC Crossover Board Replacement

Tools Required:

- T27 Torx.
- 1/2" Combination Wrench.
- #2 Phillips Screwdriver.
- Wire Cutters.
- Small Flat Blade Screwdriver.
- Needle Nose Pliers.
- 5/16" Nut Driver.

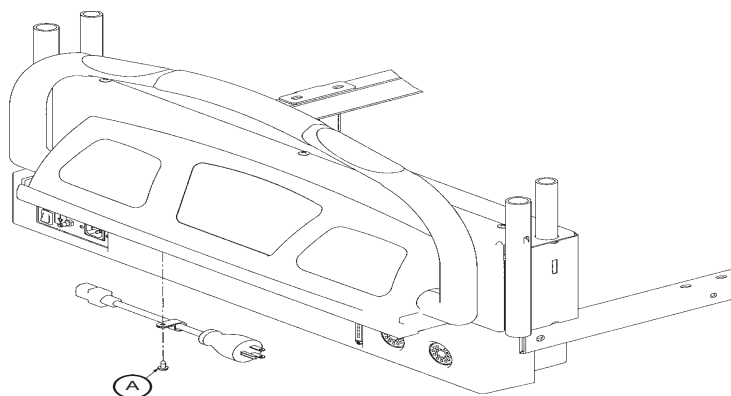


FIGURE 1

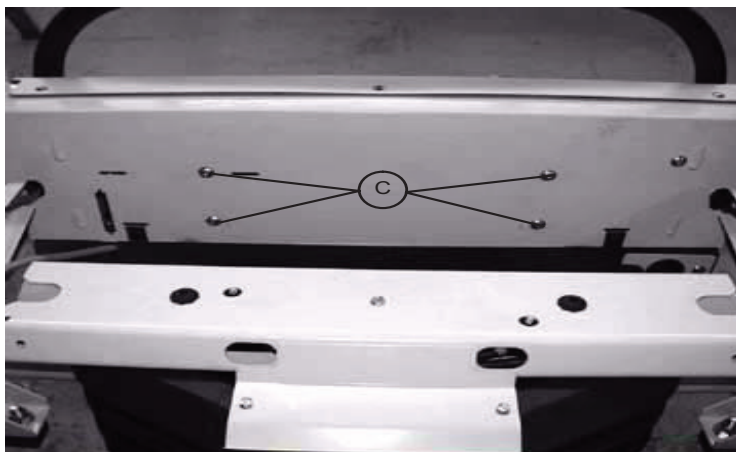


FIGURE 2

Procedure:

1. Raise the litter and the head end to the full up position.
2. Remove the head board from the bed.
3. Unplug the power cord from the wall socket and push the battery power on/off switch to the "Off" position.
4. Using a 5/16" nut driver, remove the screw (A) holding the power cord clamp to the bumper weldment and remove the clamp from the bumper.
5. Using a T27 Torx, remove the four bolts (C) at the head end of the bed holding the control bar mounting bracket to the head end (see Figure 2).

Service Information

EPIC II®+ OPTION AC CROSSOVER BOARD REPLACEMENT (CONTINUED)

PROCEDURE (CONTINUED):

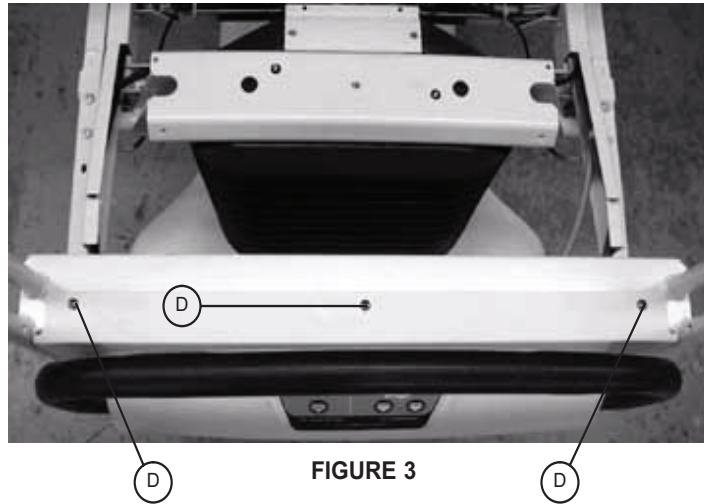


FIGURE 3

7. Using a #2 Phillips screwdriver, remove the three screws (D) holding the control bar cover to the head end of the bed (see Figure 3).
8. Using a T-27 Torx, remove the 2 bolts holding the AC crossover board cover to the head end frame and remove the cover.
8. Disconnect all wires from the AC crossover board.
9. Using needle nose pliers, release the four mounting stand-offs from the board and remove the board.
10. Reverse steps 9 - 12 to install the new board.
11. Reverse steps 1 - 8 of the control bar potentiometer replacement procedure to reassemble the bed.

Service Information

EPIC II®+ Option Display/CPU Board Replacement

Tools Required:

- T27 Torx.
- 1/2" Combination Wrench.
- #2 Phillips Screwdriver.
- Wire Cutters.
- Small Regular Screwdriver.
- Needle Nose Pliers.
- 5/16" Nut Driver.

Procedure:

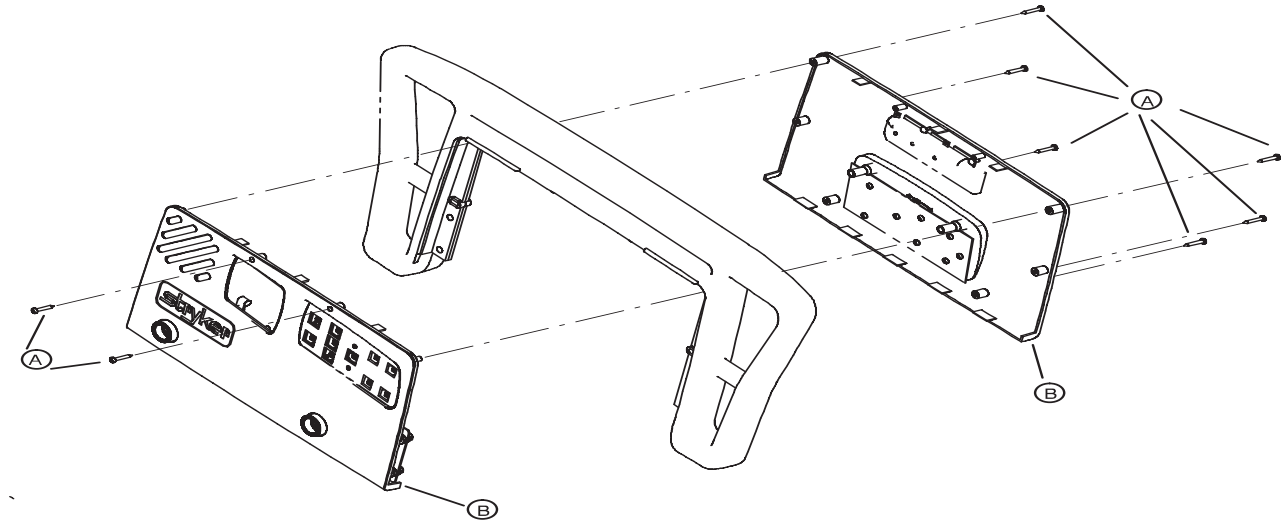
1. Follow steps 1 - 8 of the AC Crossover Board replacement procedure on EPIC II®+ Option AC Crossover Board Replacement section.
2. Disconnect all wires from the display/CPU board.
3. Using a #2 Phillips screwdriver, remove the six screws holding the display/CPU board to the control bar cover and remove the board.
4. Reverse steps 2 & 3 to install the new board.
5. Reverse steps 1 - 8 of the AC Crossover Board replacement procedure on page EPIC II®+ Option AC Crossover Board Replacement section to reassemble the bed.

Service Information

Head and Foot Siderail Cover Removal

Tools Required:

- #2 Phillips Screwdriver.



Procedure:

1. Unplug the power cord from the wall receptacle.
2. Using a #2 Phillips screwdriver, remove the 8 Phillips screws (A) holding the covers (B) to the siderail.

CAUTION

There are two cables connecting the outside cover to the head end siderail. Be careful not to pull on them when removing the cover.

3. Remove the cables from the siderail. Make note of the proper location for the cables.
4. Reverse the above steps to reattach the cover.

CAUTION

Do not snag the cables when installing the siderail cover.

Note

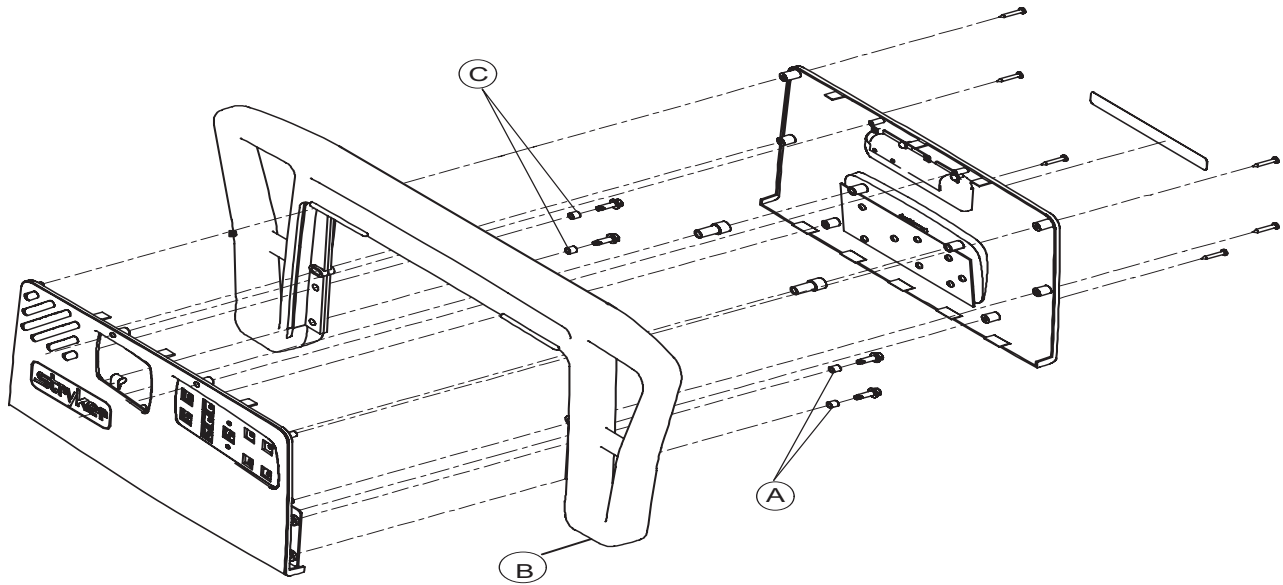
Follow the same procedure for siderail cover removal for the foot end rails.

Service Information

Head and Foot Molded Siderail Replacement

Tools Required:

- #2 Phillips Screwdriver.
- 3/8" Nut Driver.



Procedure:

1. Unplug the bed power cord from the wall socket.
2. Remove the siderail cover (see Head and Foot Siderail Cover Removal section).
3. Using a 3/8" nut driver, remove the four screws (A) holding the molded rail (B) to the siderail support assembly.

Note

Note the location of the spacers (C) for reassembly purposes.

4. Pull up on the molded rail (B) to remove it from the siderail assembly.
5. Reverse the above steps to install the new molded rail.

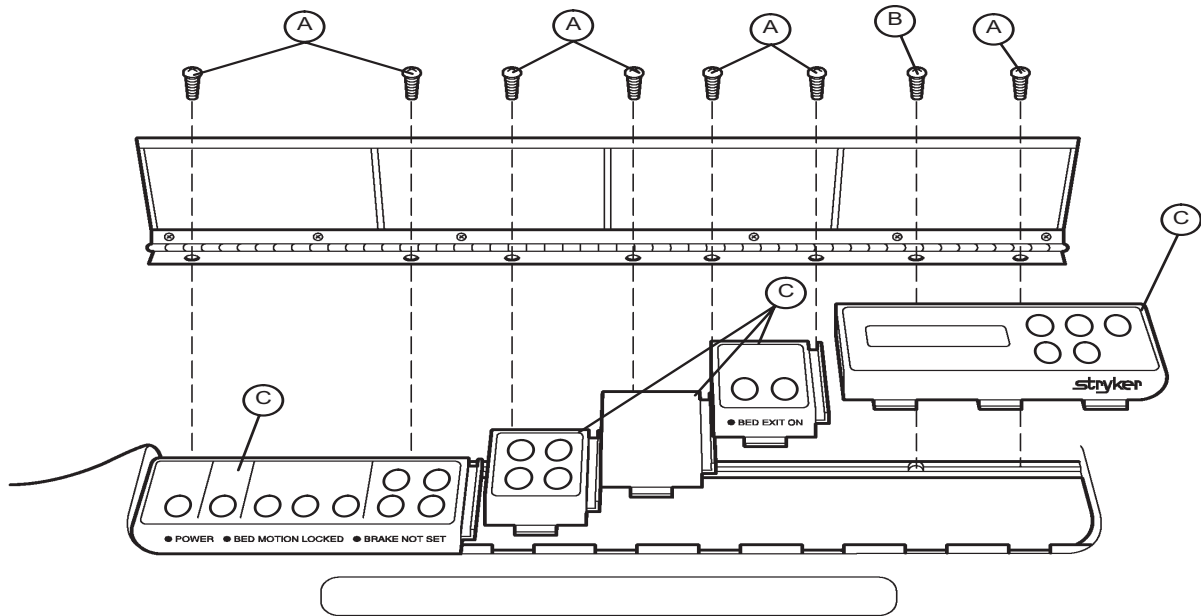
Notes

Service Information

Foot Board Lid Removal

Tools Required:

- #2 Phillips Screwdriver.



Procedure:

1. Using a #2 Phillips screwdriver, remove the screws (A & B) holding the door and hinge assembly to the foot board.
2. If replacing the Lid only, use a Phillips screwdriver to remove the screws holding the hinge to the door.
3. Reverse the above steps to attach the replacement door and/or hinge.

Note

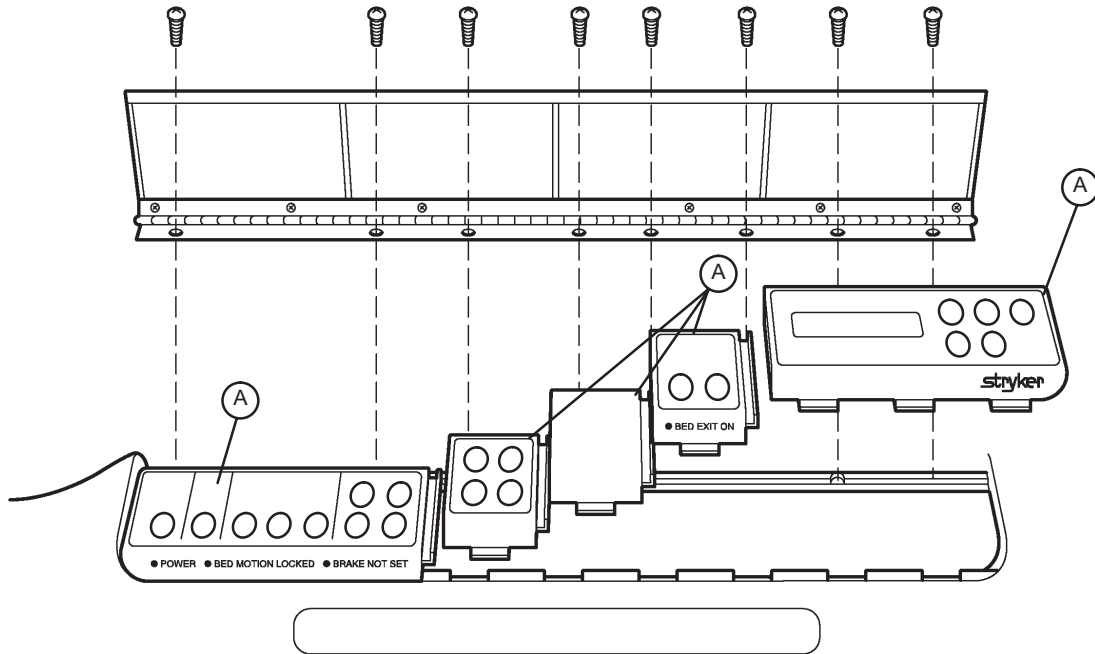
Screw (B) is a machine screw and must be reinstalled in the proper hole.

Service Information

Foot Board Module Replacement

Tools Required:

- #2 Phillips Screwdriver.



Procedure:

1. Unplug the bed power cord from the wall socket. Remove the foot board Lid (see above).

Note

Regardless of which module is being replaced, the farthest module to the right must be removed first.

2. Pull the module out of the foot board and disconnect the cable from the module (A).
3. Reverse the above steps to install the new module.



CAUTION

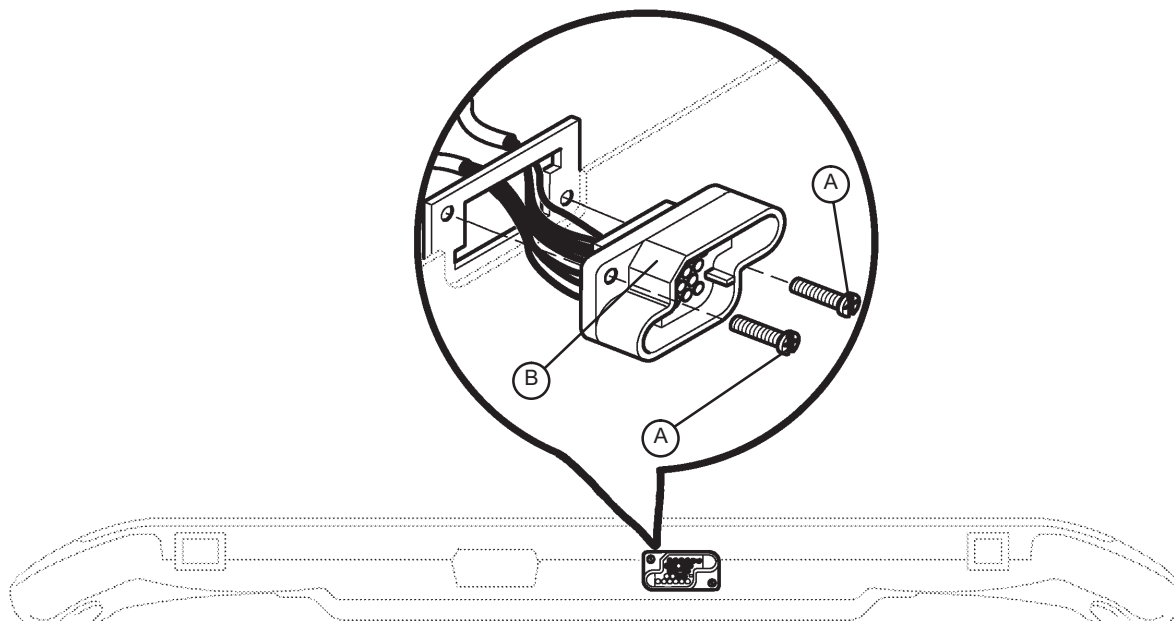
The modules must be overlapped as shown in the illustration to prevent fluids from entering the board cavity and causing damage.

Service Information

Foot Board Interface Plug Replacement

Tools Required:

- #2 Phillips Screwdriver.



BOTTOM VIEW OF FOOT BOARD

Procedure:

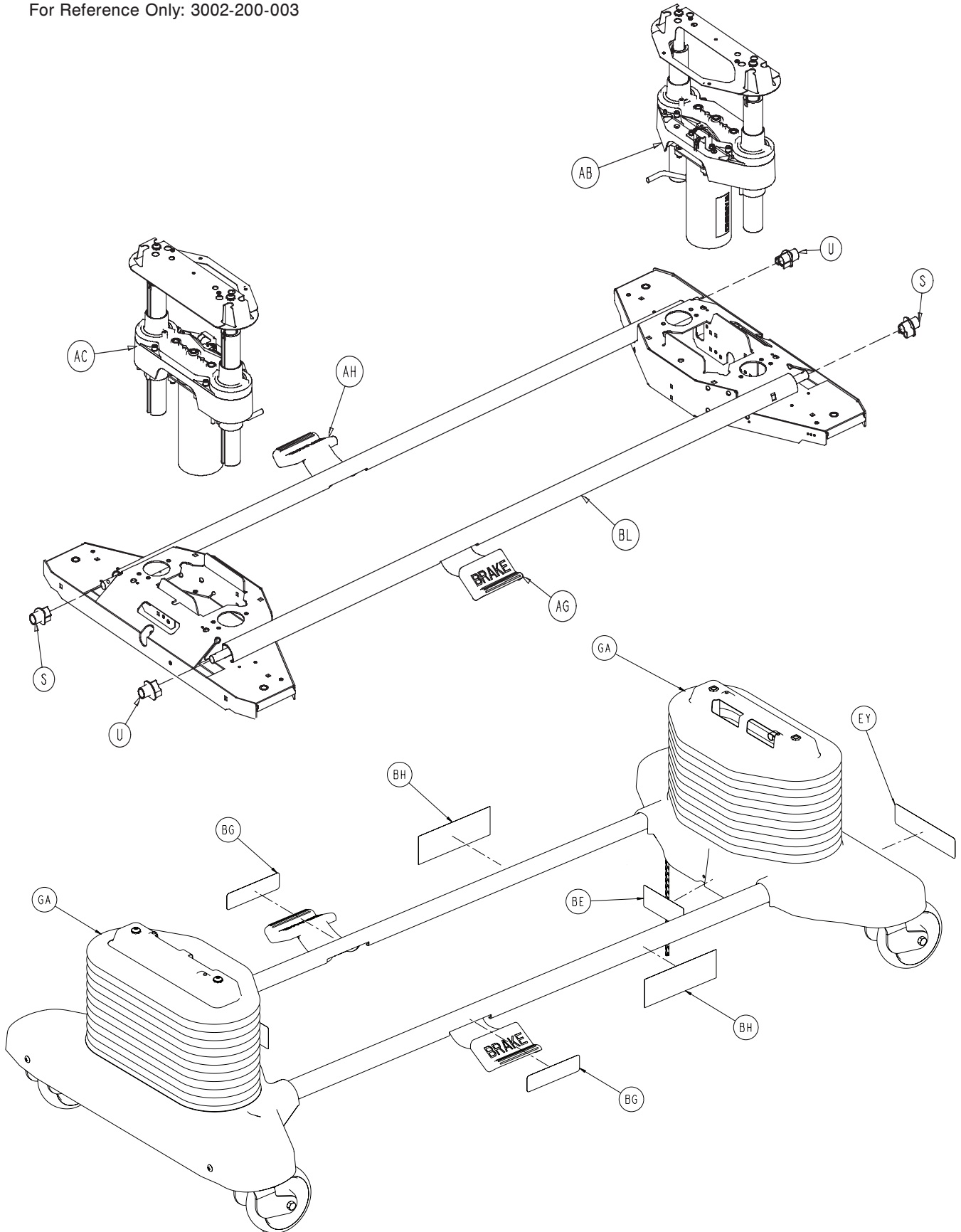
1. Unplug the bed power cord from the wall socket.
2. Remove the foot board from the bed to access the bottom of the board.
3. Properly ground yourself (Refer to Static Discharge Precautions procedure).
4. Using a #2 Phillips screwdriver, remove the eight screws holding the foot board door to the foot board and remove the door.
5. Using a #2 Phillips screwdriver, remove the two screws (A) holding the plug to the foot board.
6. Disconnect the cable from the foot board module cable. Note proper placement of the cable so it will be reconnected properly.
7. Reverse the above steps to install the new interface plug.

CAUTION

Be sure to install the plug with the flat edge (B) at the top left, as shown in the illustration, or the foot board interface plug will not mate properly with the bed and damage to the plug or foot board could result.

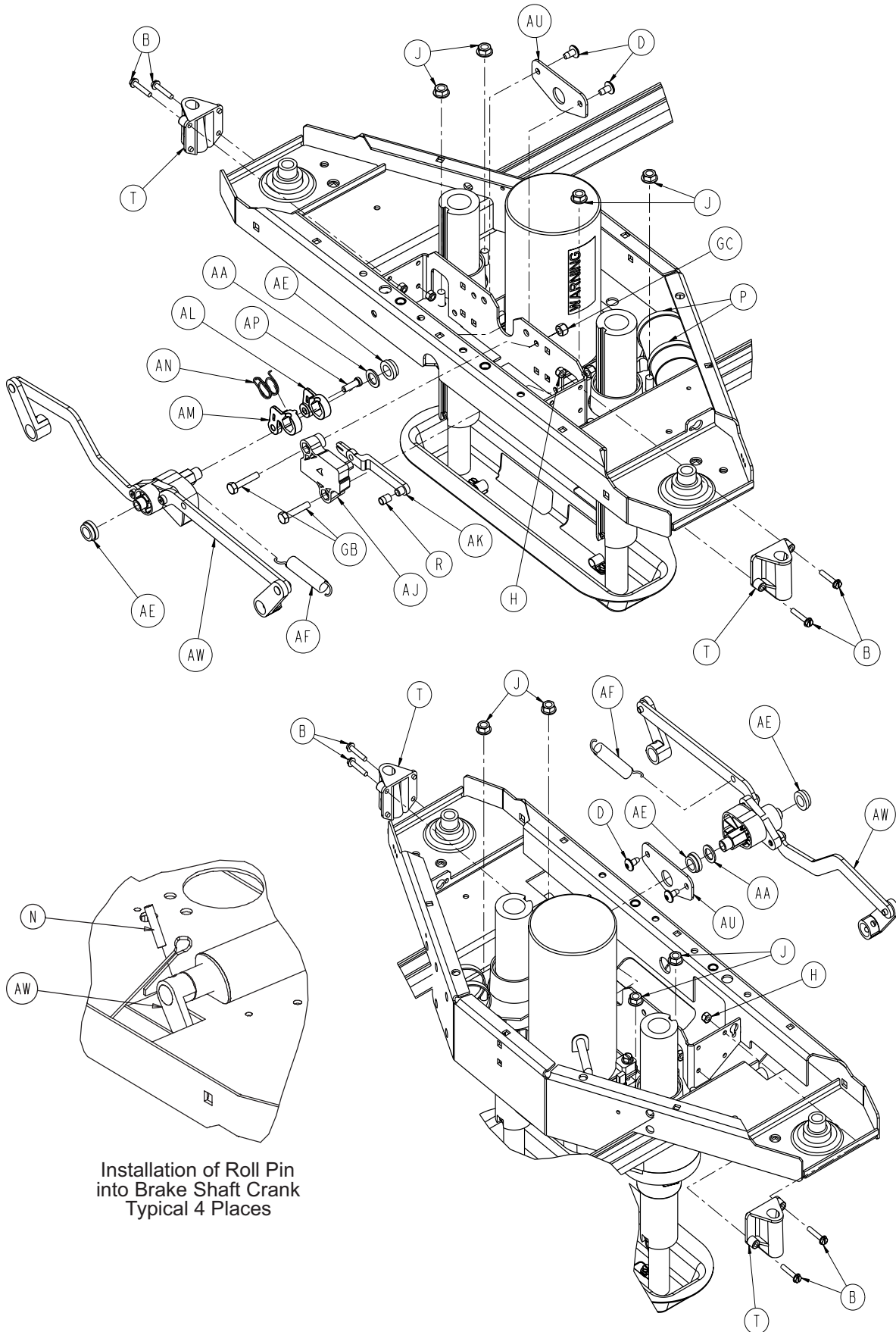
Base Assembly and Options

For Reference Only: 3002-200-003



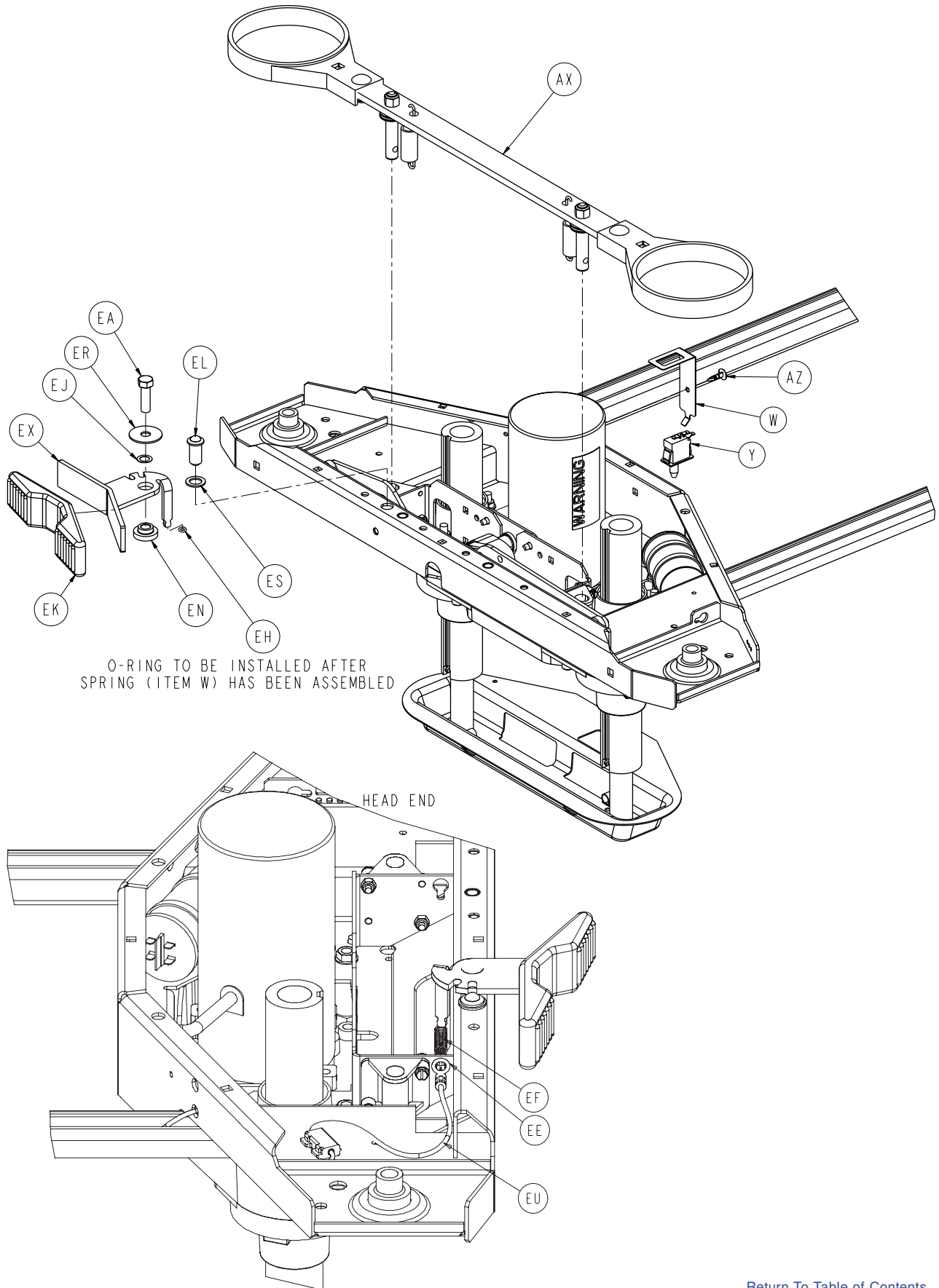
[Return To Table of Contents](#)

Base Assembly and Options



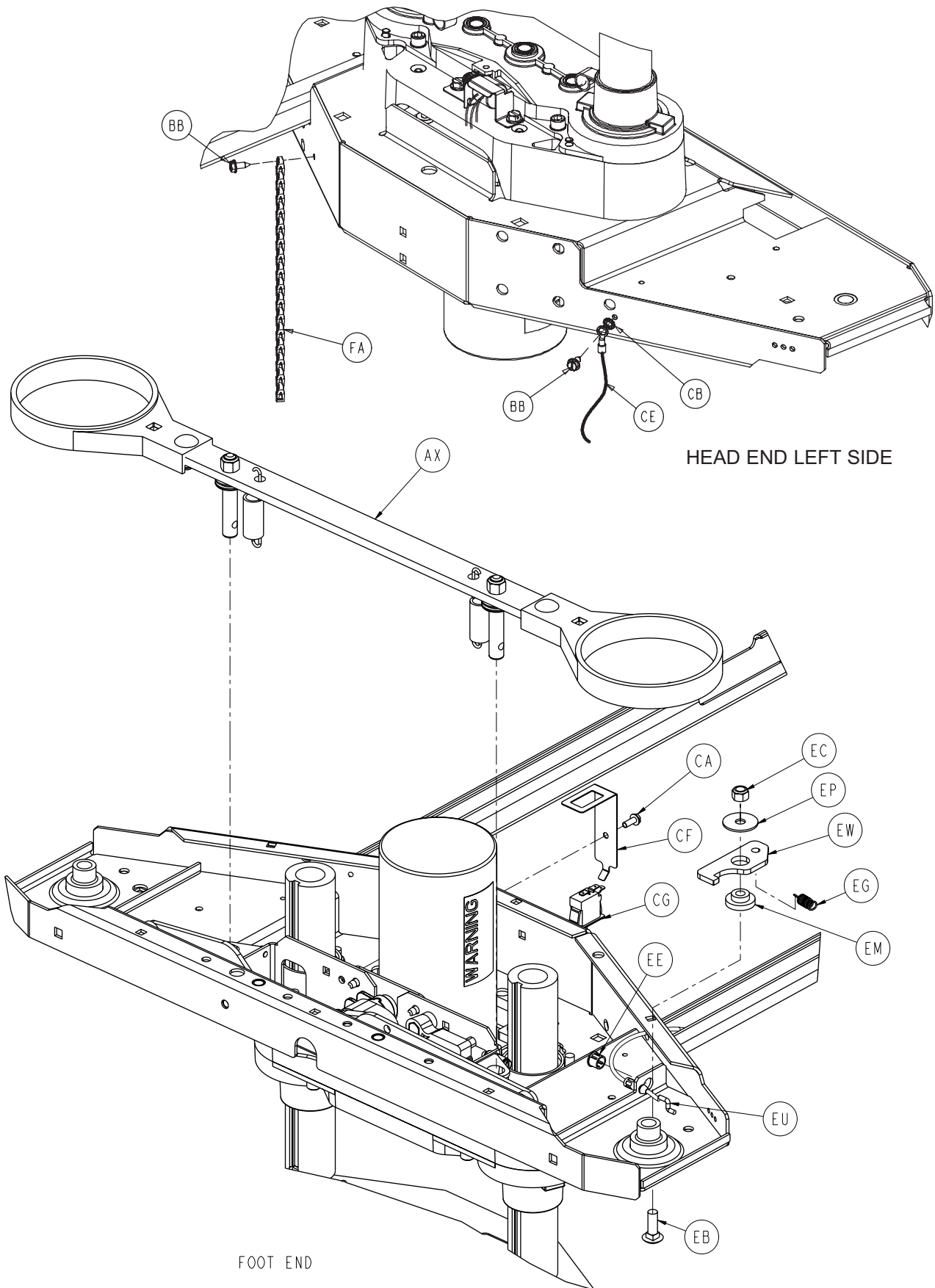
Installation of Roll Pin
into Brake Shaft Crank
Typical 4 Places

Base Assembly and Options

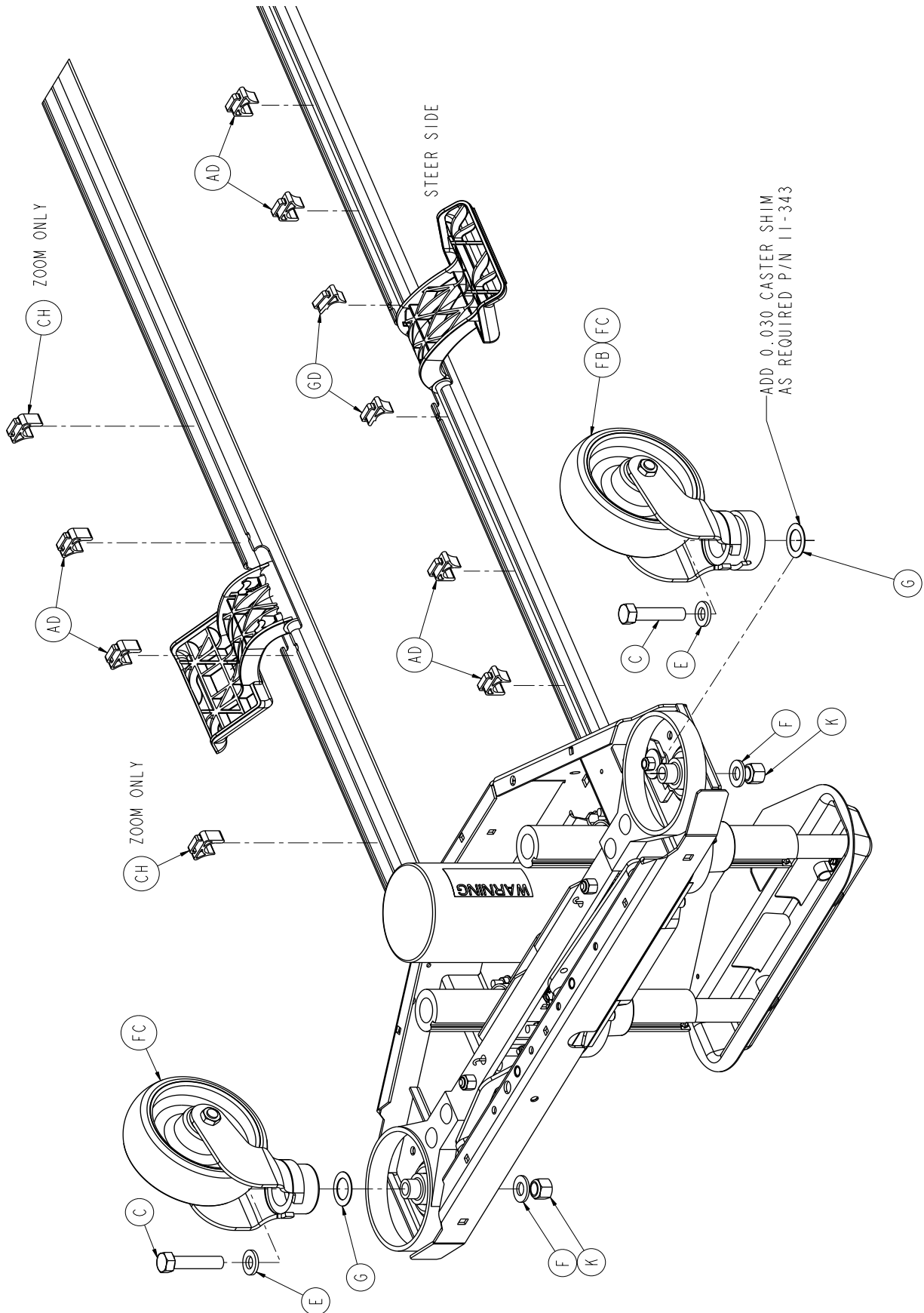


[Return To Table of Contents](#)

Base Assembly and Options



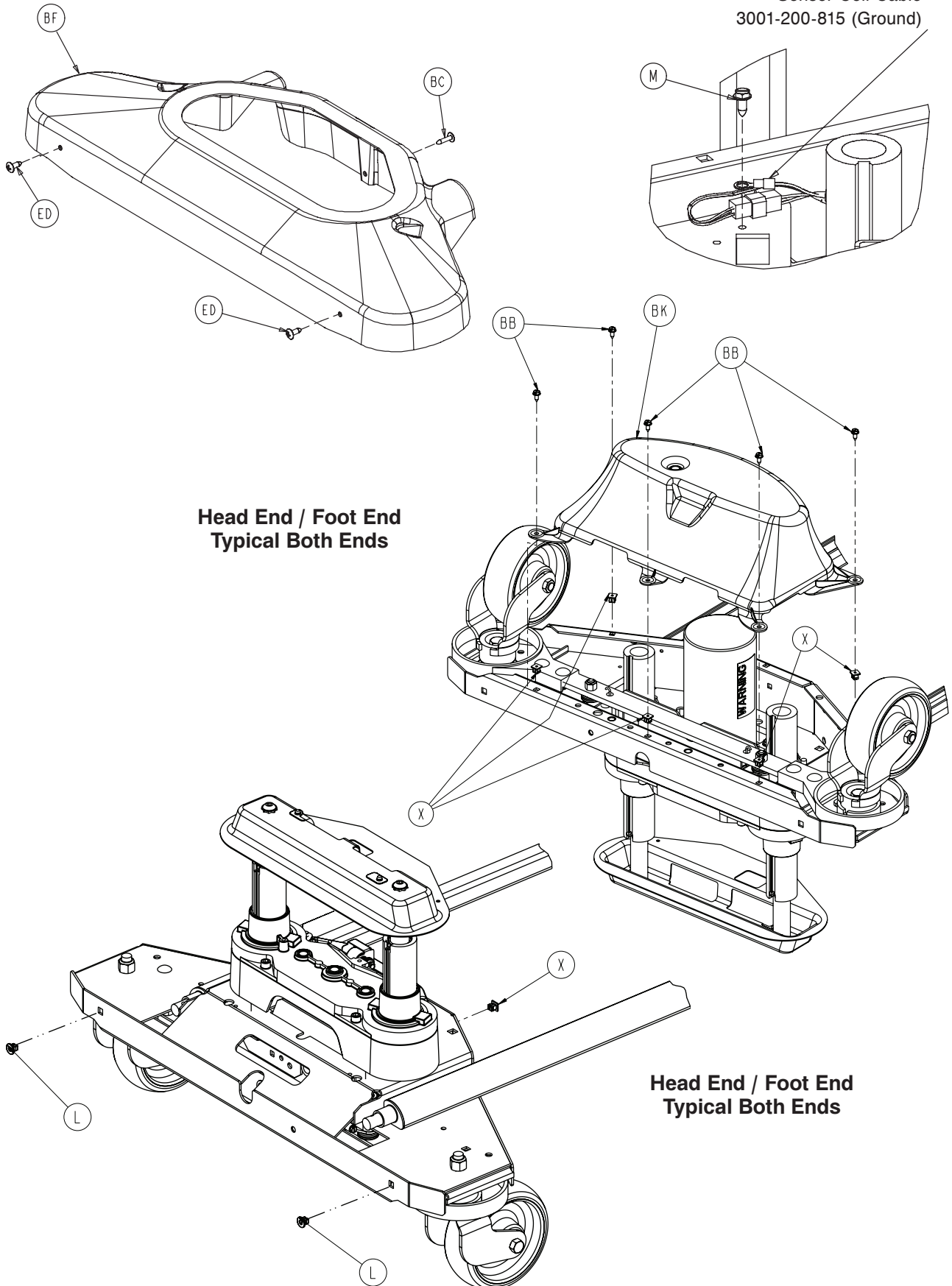
Base Assembly and Options



[Return To Table of Contents](#)

Base Assembly and Options

Sensor Coil Cable
3001-200-815 (Ground)



[Return To Table of Contents](#)

Base Assembly and Options

Base Assembly Common Components - Part Number 3002-200-003 (Reference Only)

Item	Part No.	Part Name	Qty.
B	0003-122-000	Hex Washer Head Screw	8
D	0007-052-000	Truss Head Torx	4
E	0011-310-000	Washer	4
G	0011-343-000	Washer	4
H	0016-002-000	Nylock Nut	8
J	0016-098-000	Hex Flange Nut	8
K	0016-049-000	Nylock Nut	4
L	0018-036-000	Plastic Clip Nut	4
M	0003-224-000	Hex Washer Head Screw	2
N	0026-014-000	Roll Pin	4
P	0038-151-000	Cable Tie	4
R	3002-200-316	Brake Track Roller	1
S	3000-200-305	Brake Shaft Bushing, Right	2
T	3000-200-328	Brake Guide Bushing	4
U	3000-200-331	Brake Shaft Bushing, Left	2
W	3000-200-343	Brake Switch Bracket	1
X	3000-300-002	Plastic Clip Nut	10
Y	3000-300-058	Plunger Switch	1
Z	3000-300-113	8" Cable Tie	6
AA	3000-200-349	Washer	2
AB	3002-301-201	Head End Lift Assembly	1
AC	3002-301-251	Foot End Lift Assembly	1
AD	3001-200-306	Brake Pedal Shaft Bearing	4
AE	3001-200-317	Brake Cam Shaft Bushing	4
AF	3001-200-334	Brake Return Extension Spring	2
AG	3001-200-340	Brake Shaft Assembly, Left (pg. 91)	1
AH	3001-200-345	Brake Shaft Assembly, Right (pg. 91)	1
AJ	3002-201-301	Brake Ratchet Track	1
AK	3002-200-302	Brake Ratchet Link Assembly	1
AL	3002-200-305	Brake Ratchet Crank, Left	1
AM	3002-200-306	Brake Ratchet Crank, Right	1
AN	3002-200-307	Brake Latch Spring	1
AP	3002-200-308	Brake Ratchet Crank Pin	1
AU	3002-200-314	Brake Mounting Bracket	2
AW	3002-201-330	Brake Crank Assembly (pg. 92)	2
AX	3002-200-335	Brake Bar Assembly (pg. 93)	2
AZ	3000-300-115	Stand-Off	1
GB	0003-074-000	Hex Head Bolt	2
GC	0016-028-000	Nylock Nut	2
GD	3002-316-000	Steer Cable Retaining Clip	1

Base Assembly and Options

Base Assembly, EPIC II® Bed - Part Number 2030-246-003 (Reference Only)

Item	Part No.	Part Name	Qty.
C	0003-333-000	Hex Head Cap Screw	4
X	3000-300-002	Plastic Clip Nut	2
AB	2040-343-200	Head End Lift Assembly (pg. 86)	1
AC	2040-343-250	Foot End Lift Assembly (pg. 86)	1
BB	0023-025-000	Hex Washer Head Screw	12
BC	0023-080-000	Truss Head Screw	2
BE	0988-002-708	Caution Label	2
BF	3002-300-009	Uni-Pan Cover	2
BG	3000-200-601	Brake Pedal Label	2
BH	3000-200-602	Stryker Logo Label	2
BK	3001-200-022	Bottom Cover	2
BL	3002-200-102	Base Weldment	1
GA	2030-001-103	Bellows	2

Base Assembly, Zoom® ICU Option - Part Number 2040-244-003 (Reference Only)

Item	Part No.	Part Name	Qty.
C	0003-333-000	Hex Head Cap Screw	4
AB	2040-343-200	Head End Lift Assembly (pg. 86)	1
AC	2040-343-250	Foot End Lift Assembly (pg. 86)	1
BL	3002-200-102	Base Weldment	1
CA	3000-300-115	Stand-Off	1
CB	0013-018-000	External Tooth Lock Washer	1
CE	2025-031-805	Ground Strap	1
CF	3000-200-343	Brake Switch Bracket	1
CG	3000-300-058	Switch Plunger	1
CH	3001-200-306	Brake Pedal Shaft Bearing	2
GA	2030-001-103	Bellows	2

6" Caster Option - 3001-999-138 (Ref.)

Item	Part No.	Part Name	Qty.
FA	3001-200-052	6" Ground Chain	2
FB	3001-200-050	6" Steer Caster Assembly (pg. 95)	1
FC	3001-200-060	6" Caster Assembly	3

6" Caster Option, Zoom® - 2040-999-138 (Ref.)

Item	Part No.	Part Name	Qty.
FA	3001-200-526"	Ground Chain	2
FC	3001-200-060	6" Caster Assembly	3
	2040-244-010	Base ICU Zoom Option - 6" Caster	1

Base Assembly and Options

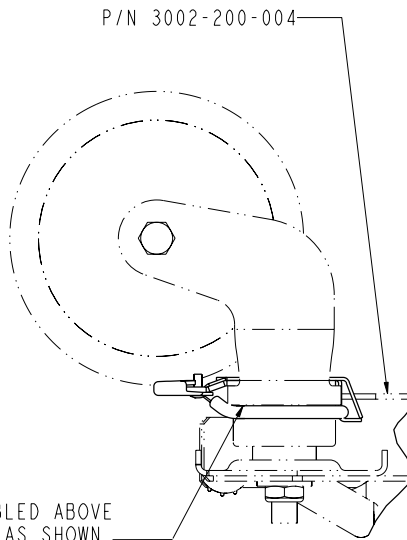
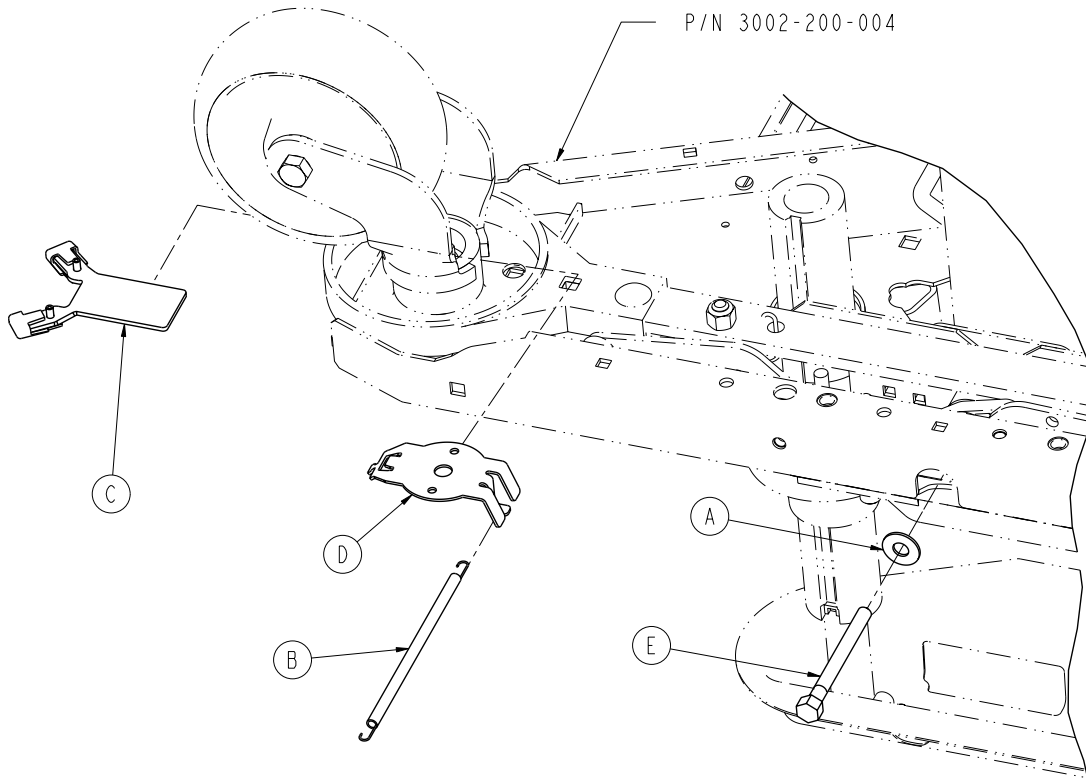
Base Assembly, Steer Option - Part Number 3001-999-137 (Reference Only)

Item	Part No.	Part Name	Qty.
EA	0003-349-000	Hex Hd. Cap Screw	1
EB	0005-016-000	Carriage Bolt	1
EC	0016-036-000	Nylock Nut	1
ED	0023-092-000	Truss Phillips Hd. Screw	4
EE	0030-052-000	Snap Bushing	2
EF	0038-414-000	Pedal Extension Spring	1
EG	0038-416-000	Lever Extension Spring	1
EH	0045-008-000	O-Ring	1
EJ	0052-305-000	Brass Flat Washer	1
EK	3000-200-336	Steer Pedal	1
EL	3000-200-337	Push Fit Ball Plunger	1
EM	3000-200-339	Steer Lock Lever Bushing	1
EN	3000-200-341	Steer Pedal Bushing	1
EP	3000-200-347	Special Washer	1
ER	3000-200-348	Special Wide Washer	1
ES	3000-200-349	Special Narrow Washer	1
ET	3001-200-306	Brake Pedal Shaft Bearing	2
EU	3001-200-342	Steer Cable Assembly	1
EW	3001-200-370	Steer Lock Lever	1
EX	3001-200-371	Steer Pedal Arm	1
EY	5000-090-013	Steer Label	1

Base Assembly, EPIC II®+ Steer Option - Part Number 2030-999-137 (Reference Only)

Item	Part No.	Part Name	Qty.
EA	0003-349-000	Hex Hd. Cap Screw	1
EB	0005-016-000	Carriage Bolt	1
EC	0016-036-000	Nylock Nut	1
ED	0023-092-000	Truss Phillips Hd. Screw	4
EE	0030-052-000	Snap Bushing	2
EF	0038-414-000	Pedal Extension Spring	1
EG	0038-416-000	Lever Extension Spring	1
EH	0045-008-000	O-Ring	1
EJ	0052-305-000	Brass Flat Washer	1
EL	3000-200-337	Push Fit Ball Plunger	1
EM	3000-200-339	Steer Lock Lever Bushing	1
EN	3000-200-341	Steer Pedal Bushing	1
EP	3000-200-347	Special Washer	1
ER	3000-200-348	Special Wide Washer	1
ES	3000-200-349	Special Narrow Washer	1
ET	3001-200-306	Brake Pedal Shaft Bearing	2
EU	3001-200-342	Steer Cable Assembly	1
EW	3001-200-370	Steer Lock Lever	1
EX	2030-200-001	Steer Pedal Assembly	1
EY	5000-090-013	Steer Label	1

Brake Plate Assembly

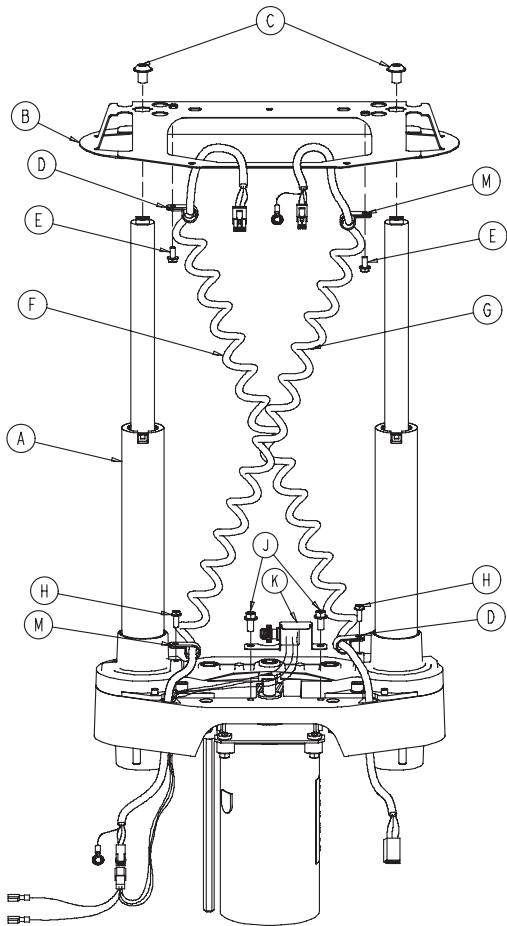
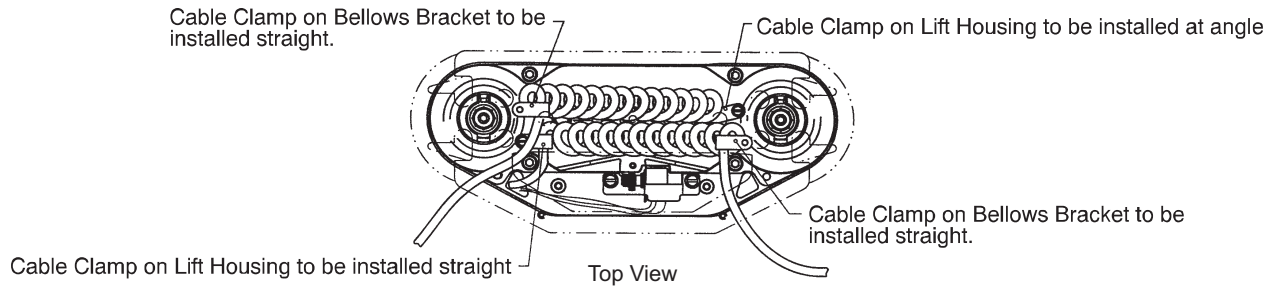


ITEM B MUST BE ASSEMBLED ABOVE
THE CASTER WELD LINE AS SHOWN

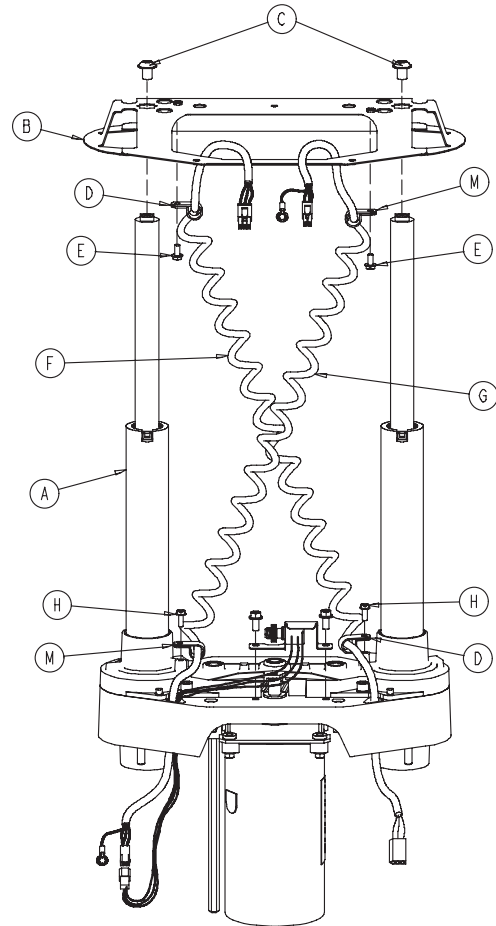
Item	Part No.	Part Name	Qty.
A	0011-193-000	Heavy Flat Washer	2
B	3006-200-352	Brake Plate Spring	4
C	3006-200-354	Brake Plate, Fork Assembly	4
D	3006-200-356	Gill Brake Plate, Body	4
E	3006-200-362	Hex Head Cap Screw, LH	2

Notes

Lift Assembly



Lift Assembly, Head End 2040-343-200

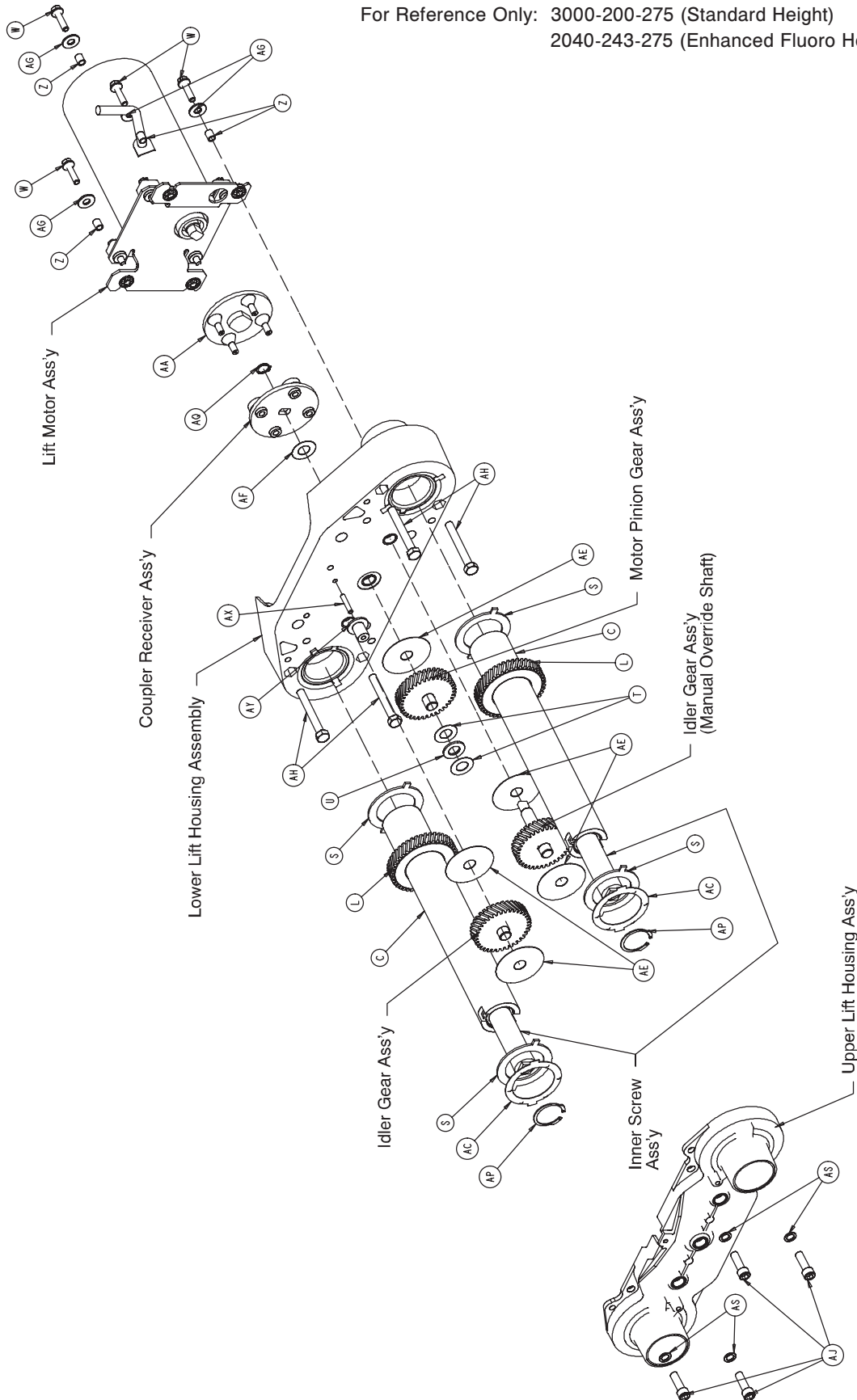


Lift Assembly, Foot End 2040-343-250

Item	Part No.	Part No.	Qty.
A	2040-243-275	Lift Assembly	1
B	3000-200-052	Bellows Bracket	1
C	0004-338-000	Button Head Cap Screw	2
D	0034-022-000	Cord Clamp	2
E	0003-123-000	Hex Washer Hd. Screw	2
F	3001-200-864	Power Coil Cord	1
G	3001-200-815	Sensor Coil Cord	1
H	0003-128-000	Hex Washer Hd. Screw	2
J	0003-121-000	Hex Washer Hd. Screw	2
K	3001-200-240	Head End Pot. Ass'y	1
	3001-200-230	Foot End Pot. Ass'y	1
M	0034-381-000	Cord Clamp	2

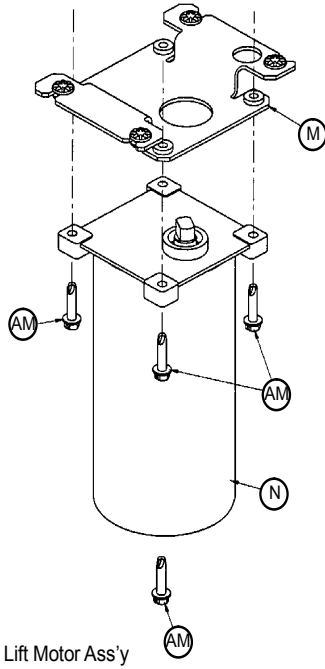
Lift Assembly

For Reference Only: 3000-200-275 (Standard Height)
2040-243-275 (Enhanced Fluoro Height Option)

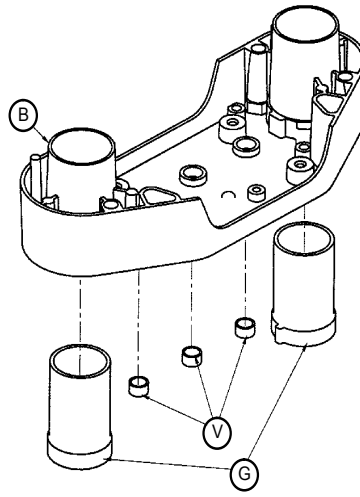


[Return To Table of Contents](#)

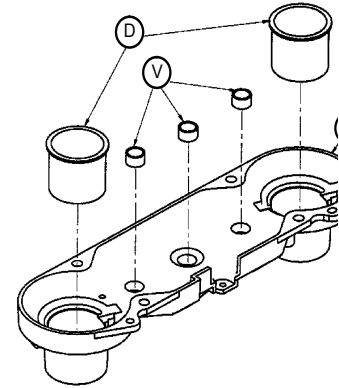
Lift Assembly



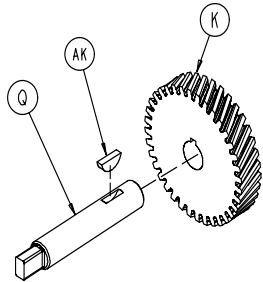
Lift Motor Ass'y



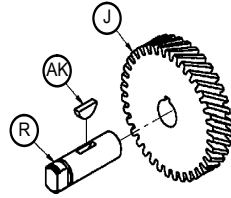
Lower Lift Housing Ass'y



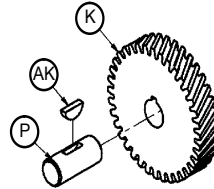
Upper Lift Housing Ass'y



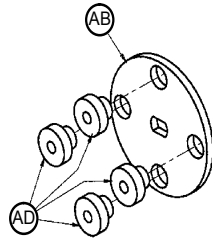
Idler Gear Ass'y
(Manual Override Shaft)



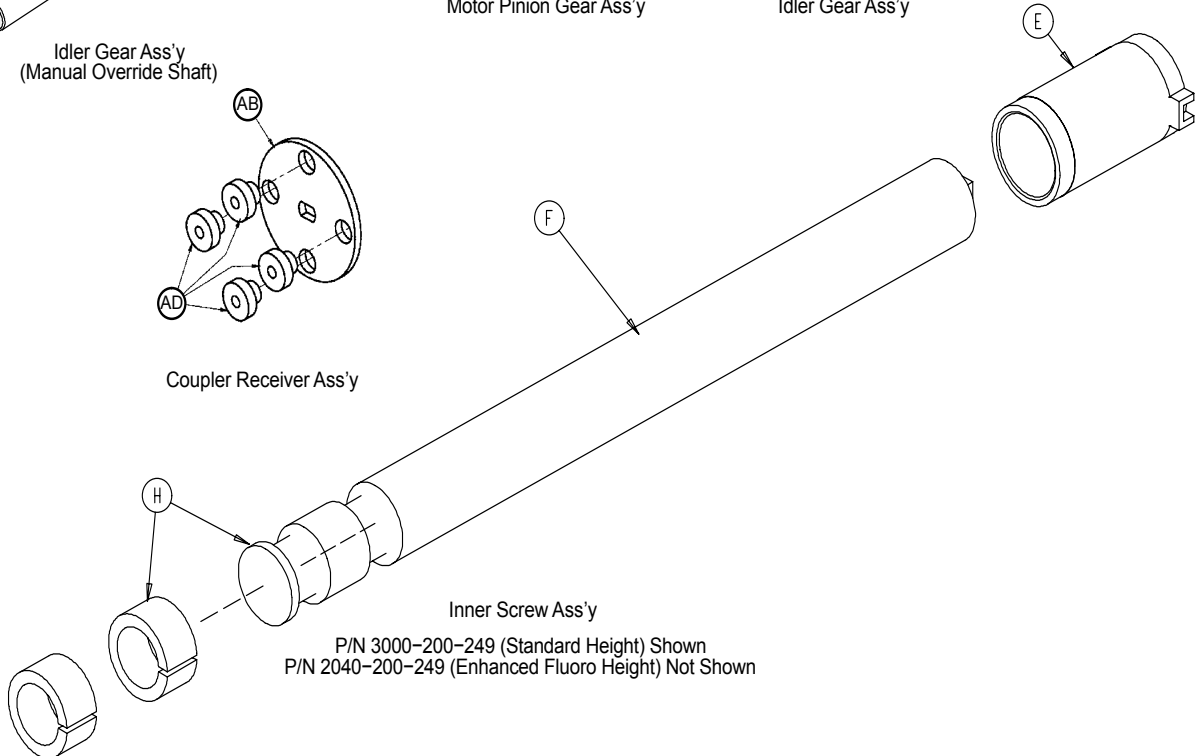
Motor Pinion Gear Ass'y



Idler Gear Ass'y



Coupler Receiver Ass'y



Inner Screw Ass'y

P/N 3000-200-249 (Standard Height) Shown
P/N 2040-200-249 (Enhanced Fluoro Height) Not Shown

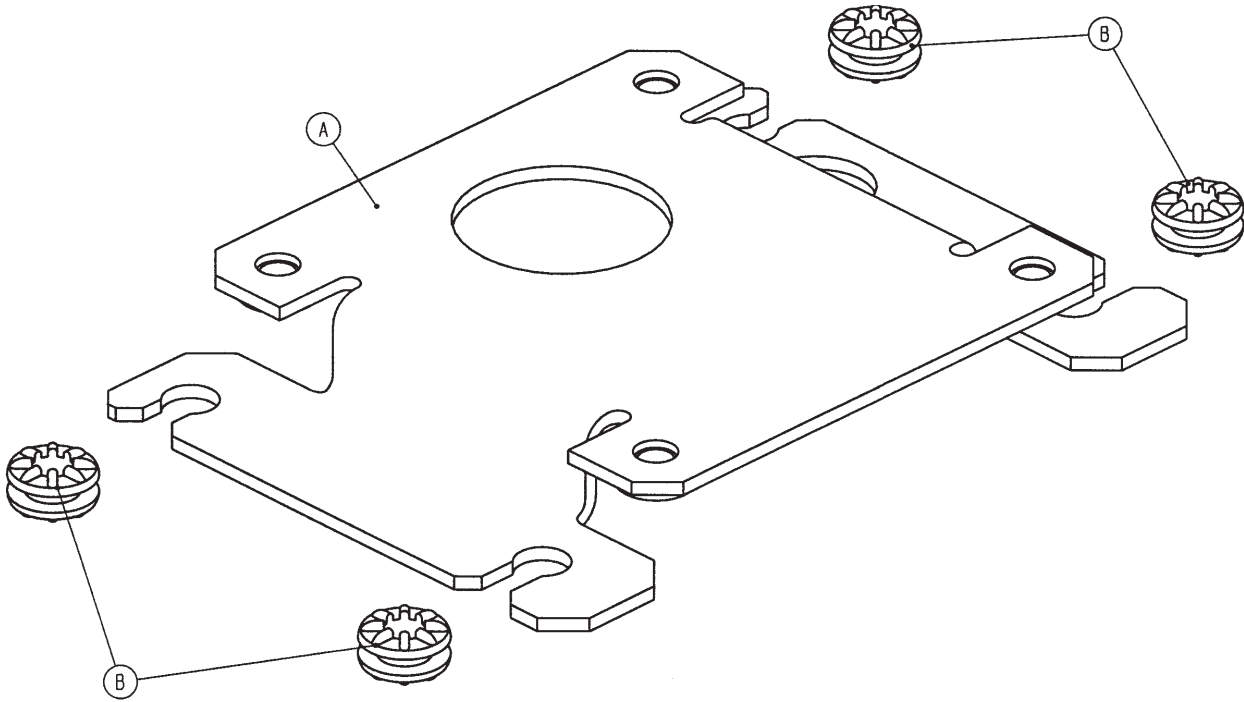
Lift Assembly

Lift Assembly (Standard Height) - Part Number 3000-200-275 (Reference Only)
 Lift Assembly (Enhanced Fluoro Height Option) - Part Number 2040-243-275 (Reference Only)

Item	Part No.	Part Name	Qty.
A	3000-200-201	Upper Lift Housing	1
B	3000-200-202	Lower Lift Housing	1
C	3000-200-251	Outer Screw	2
D	3000-200-204	Upper Housing Sleeve	2
E	3000-200-205	Upper Stage Nut	2
F	3000-200-249	Inner Screw, Standard Height	2
	2040-200-249	Inner Screw, Enhanced Height	2
G	3000-200-207	Lower Stage Nut	2
H	3000-200-208	Glide Bushing	4
J	3000-200-209	Motor Pinion Gear	1
K	3000-200-210	Idler Gear	2
L	3000-200-252	Output Gear	2
M	3001-200-214	Motor Isolation Plate Ass'y (pg. 90)	1
N	3003-016-603	Lift Motor	1
	3221-200-213	230V Lift Motor	1
P	3000-200-218	Idler Shaft, Lift	1
Q	3002-200-235	Idler Man. Over. Shaft	1
R	3000-200-220	Input Pinion Shaft	1
S	3000-200-223	Output Gear Thr. Washer	4
T	3000-200-224	Input Gear Thr. Washer	2
U	0081-212-000	Thrust Needle Roller Brg.	1
V	3000-200-226	Pinion Shaft Bushing	6
W	3001-200-228	Mounting Standoff	4
Z	3001-300-019	Isolation Sleeve	4
AA	3000-200-233	Lift Motor Coupler	1
AB	3000-200-234	Coupler Receiver	1
AC	3000-200-241	Crush Washer	2
AD	3000-300-455	Isolation Bushing	4
AE	3000-200-245	Gear Washer	5
AF	3000-200-246	Nylon Washer	1
AG	0011-408-000	Flat Washer	4
AH	0003-082-000	Hex Hd. Cap Screw	4
AJ	0004-213-000	Soc. Hd. Cap Screw	4
AK	0058-044-000	Woodruff Key	3
AM	0003-331-000	Hex Washer Hd. Screw	4
AP	0028-121-000	Retaining Ring	2
AQ	0028-097-000	Retaining Ring	1
AS	0011-308-000	Serrated Belleville Washer	4
AX	3000-200-239	Potentiometer Drive Gear Shaft	1
AY	3000-200-216	Potentiometer Drive Gear	1

Isolation Plate Assembly

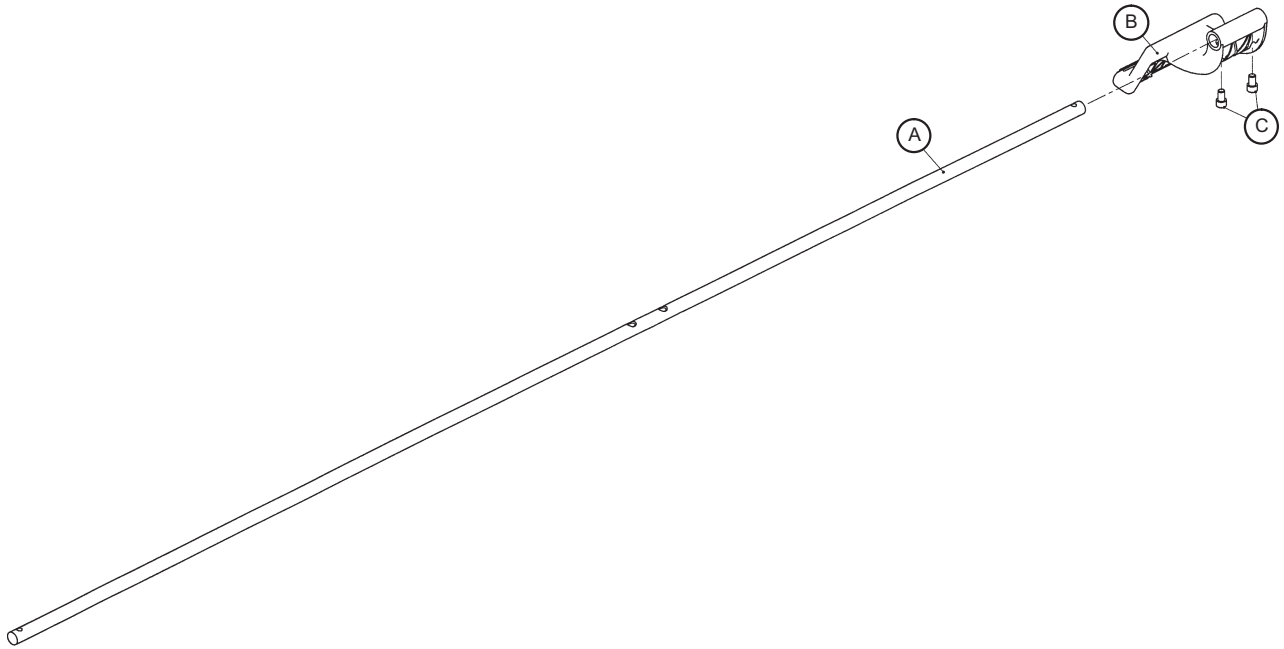
3000-200-723



Item	Part No.	Part Name	Qty.
A	3001-200-213	Isolation Plate	1
B	3000-300-442	Grommet	4

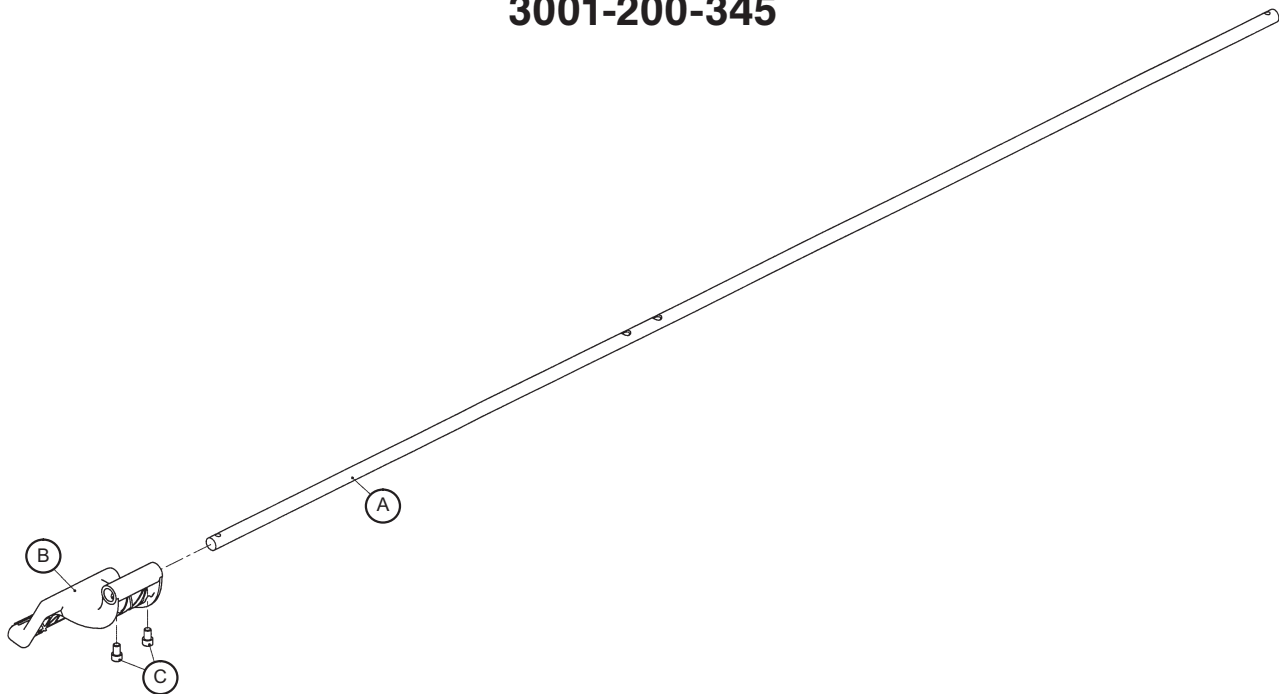
Brake Shaft Assembly, Left

3001-200-340



Brake Shaft Assembly, Right

3001-200-345

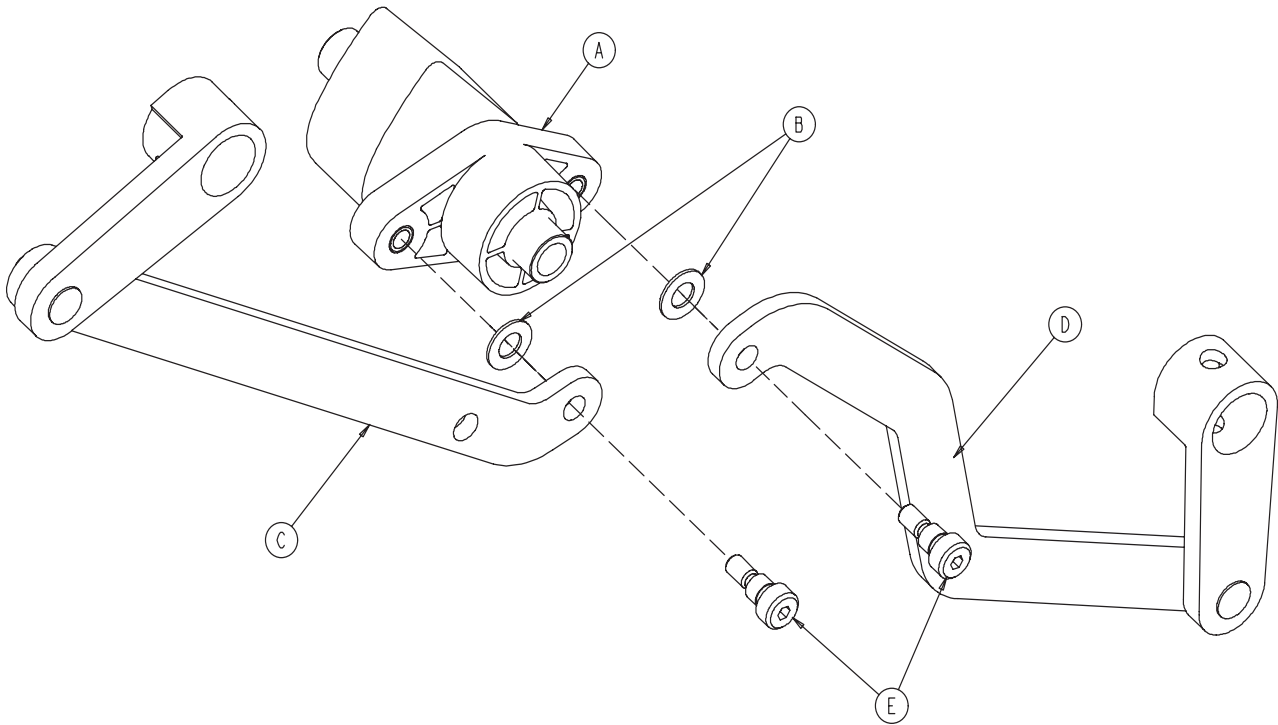


Item	Part No.	Part Name	Qty.
A	3000-200-314	Brake Shaft	1
B	3001-200-325	Brake Pedal	1
C	0004-270-000	Soc. Hd. Cap Screw	2

[Return To Table of Contents](#)

Brake Crank Assembly

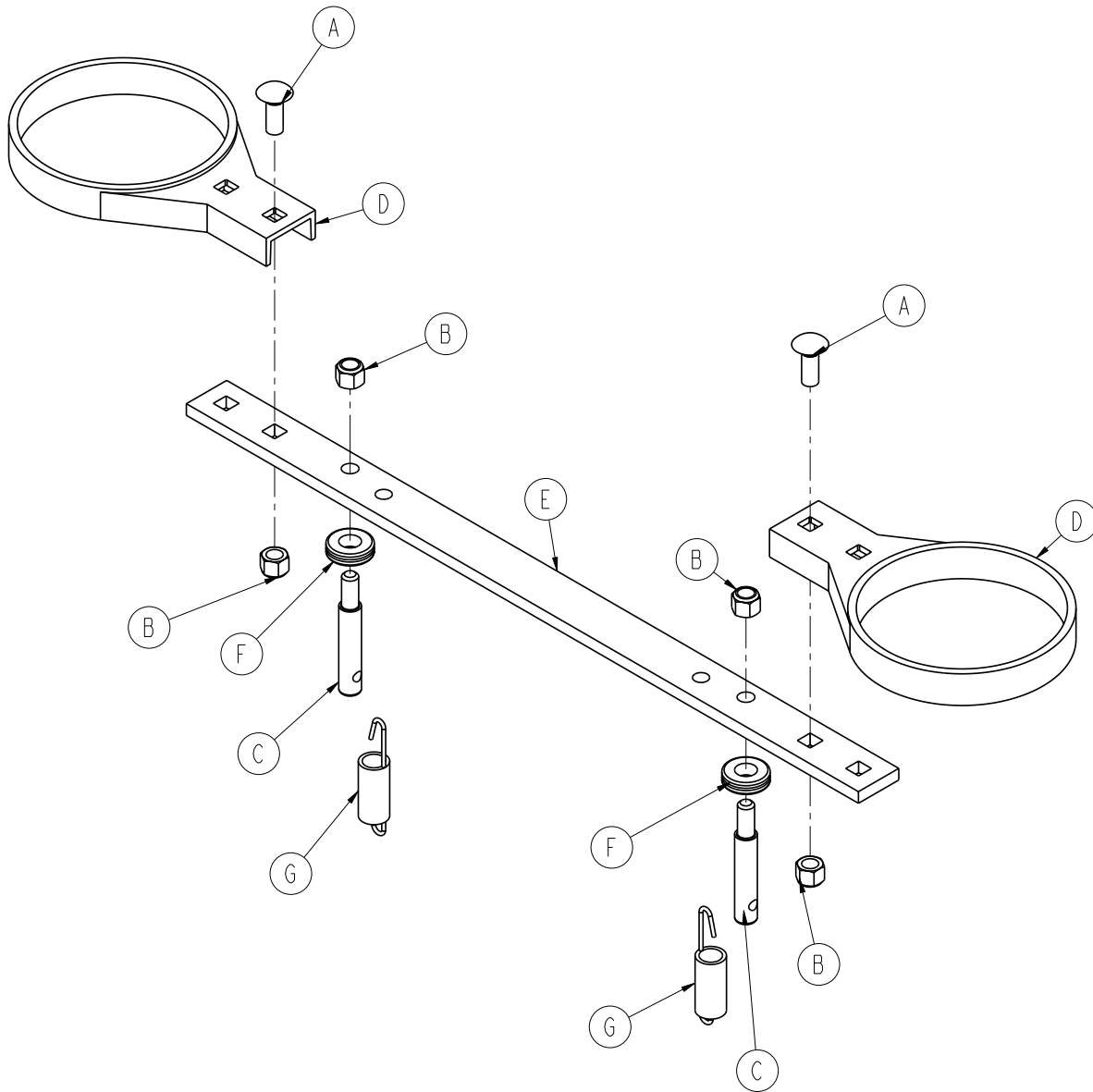
3002-201-330



Item	Part No.	Part Name	Qty.
A	3002-201-309	Brake Cam Shaft Crank	1
B	0014-004-000	Washer	2
C	3002-200-331	Brake Link	1
D	3002-200-332	Dog Leg Brake Link	1
E	0002-108-000	Socket Hd. Shoulder Screw	2

Brake Bar Assembly

3002-200-335

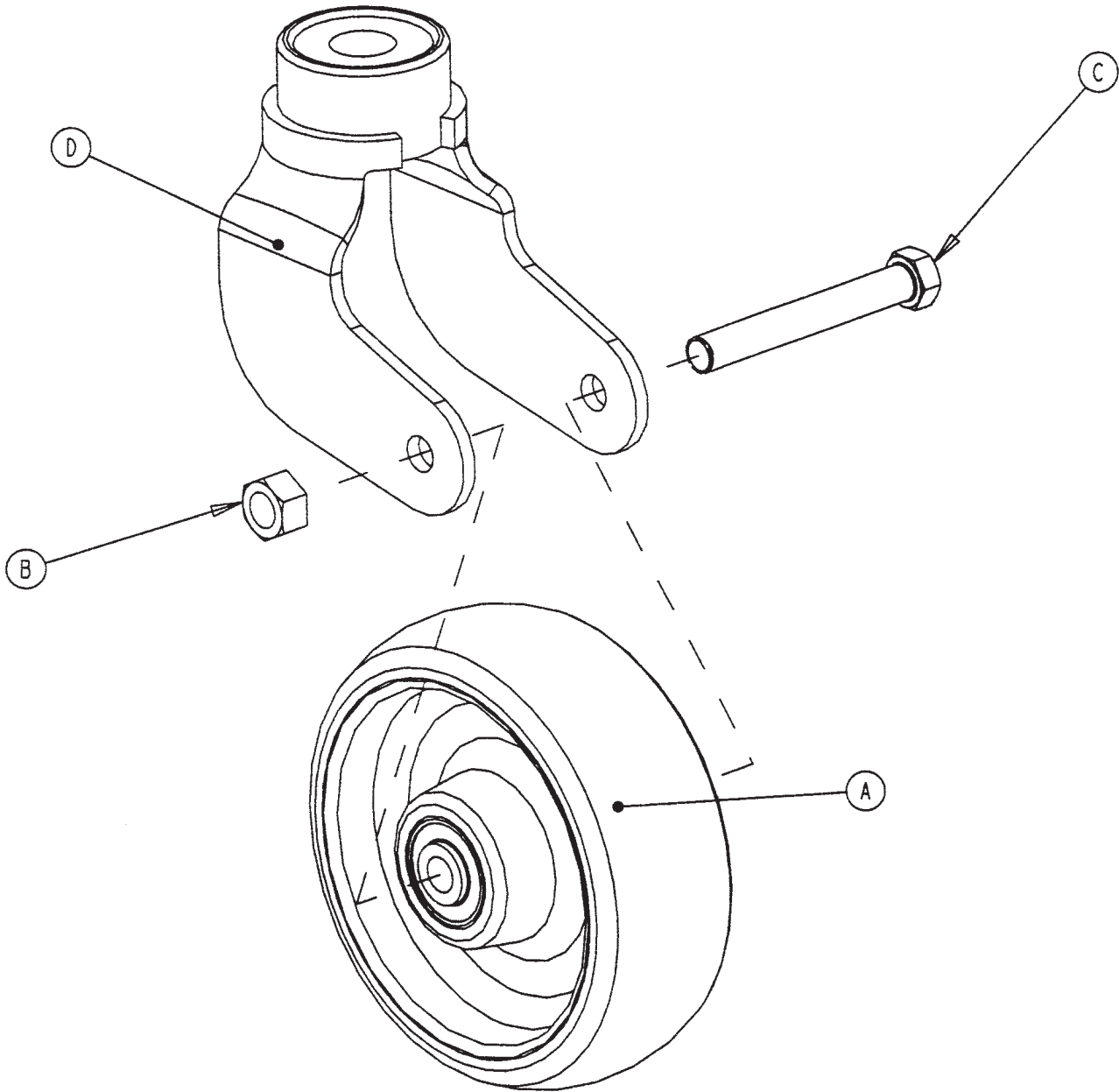


Item	Part No.	Part Name	Qty.
A	0005-018-000	Carriage Bolt	2
B	0016-035-000	Nylock Hex Nut	6
C	3000-200-318	Guide Pin	2
D	3000-200-321	Brake Ring	2
E	3000-200-323	Brake Bar	1
F	3000-200-324	Brake Bar Bumper	2
G	3002-200-310	Brake Bar Return Spring	2

[Return To Table of Contents](#)

6" Wheel Assembly

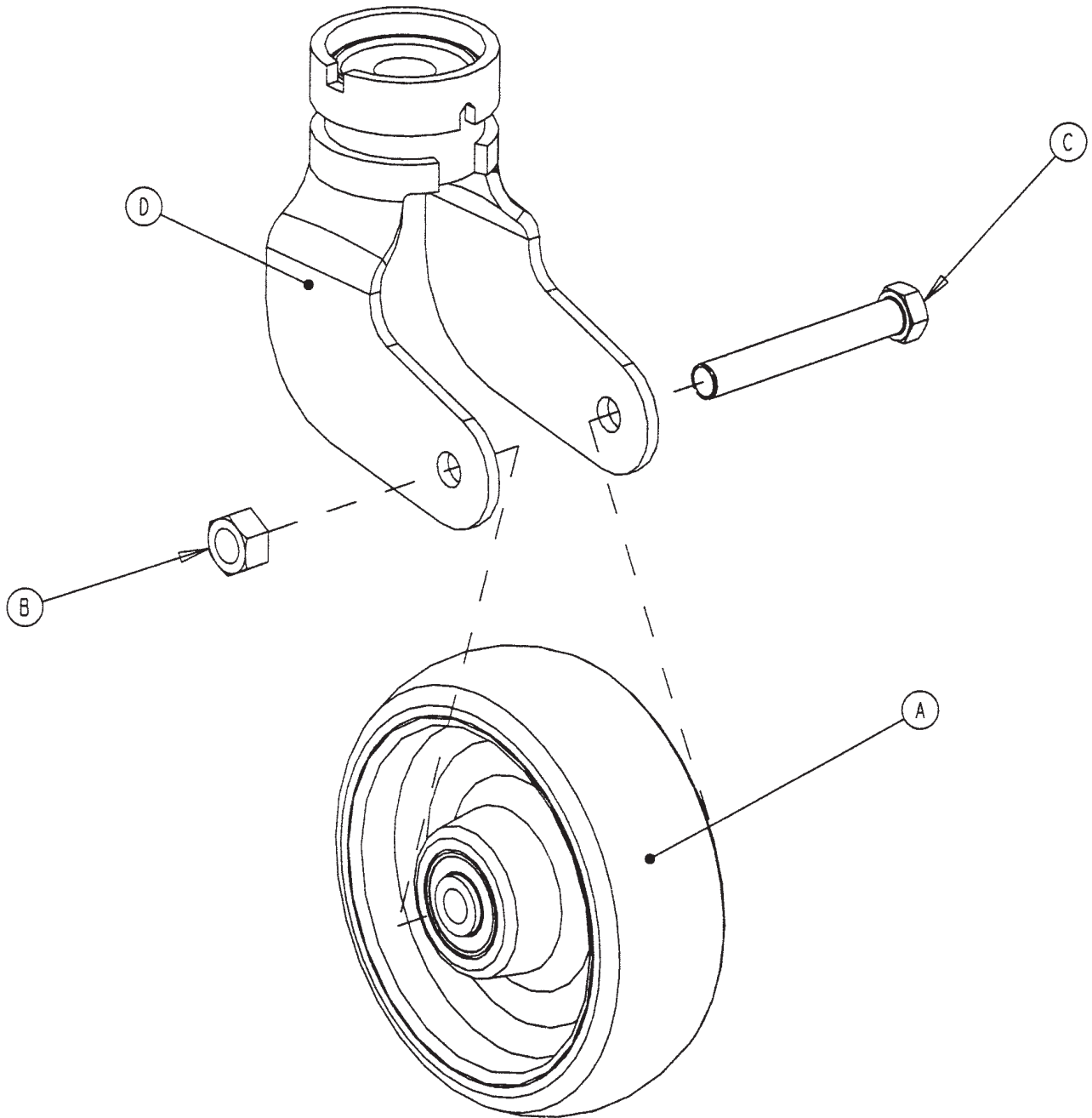
3001-200-060



Item	Part No.	Part Name	Qty.
A	5000-002-010	Wheel Assembly (pg. 96)	1
B	0016-060-000	Lock Nut	1
C	0003-342-000	Hex Hd. Cap Screw	1
D	3001-200-061	Caster Horn W/Bearing	1

6" Wheel Assembly

3001-200-050

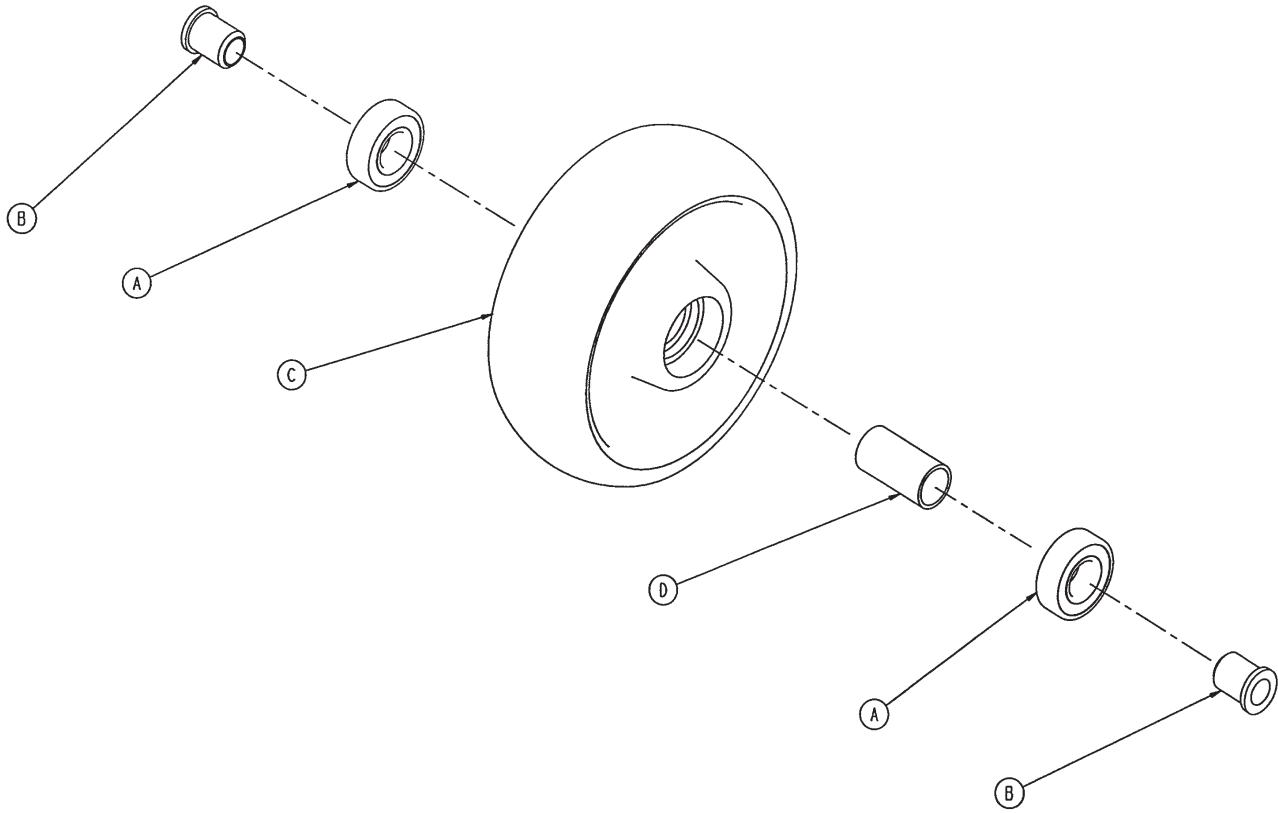


Item	Part No.	Part Name	Qty.
A	5000-002-010	Wheel Assembly (pg. 96)	1
B	0016-060-000	Lock Nut	1
C	0003-342-000	Hex Hd. Cap Screw	1
D	3001-200-051	Steer Caster Horn W/Bearing	1

[Return To Table of Contents](#)

6" Molded Wheel Assembly

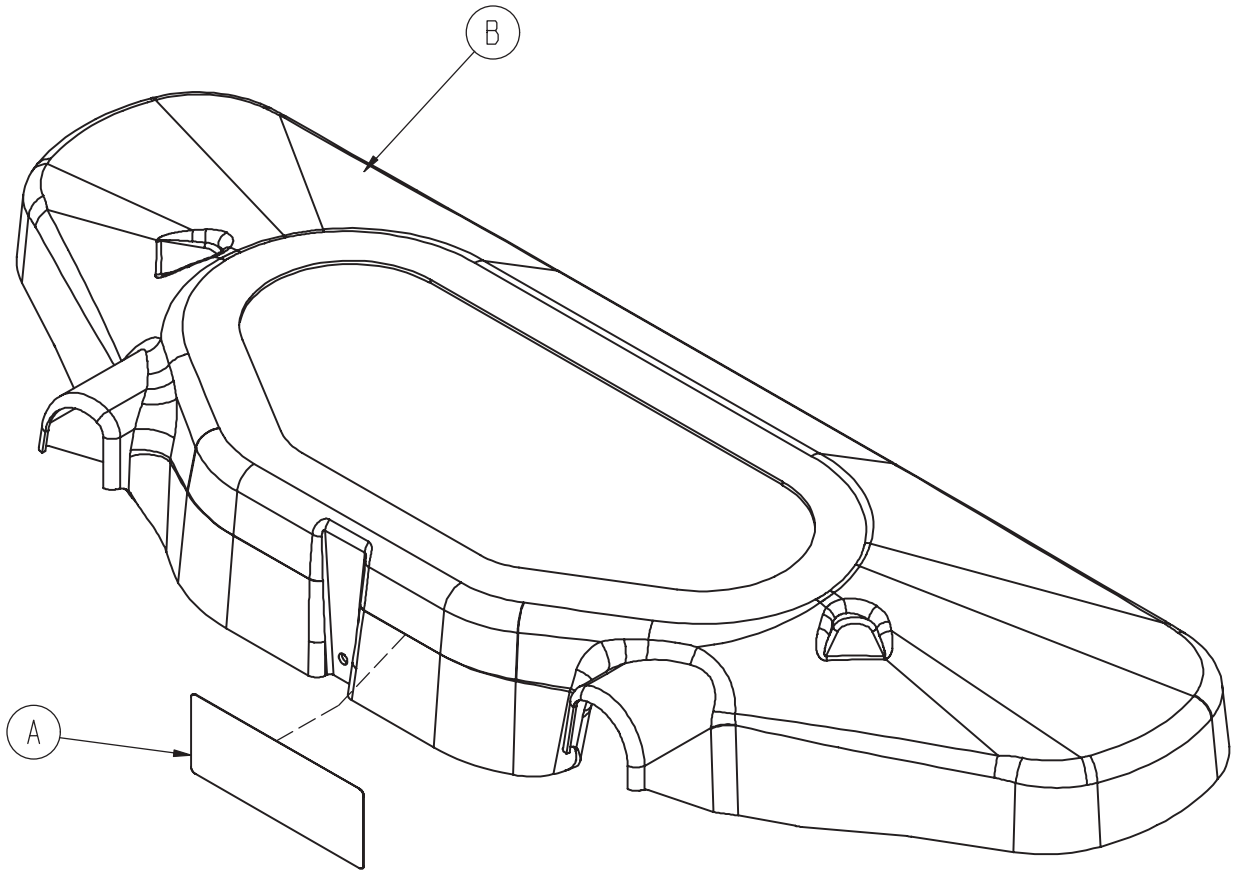
5000-002-010



Item	Part No.	Part Name	Qty.
A	0081-226-000	Bearing	2
B	0715-001-255	Wheel Bushing	2
C	5000-002-020	Molded Wheel	1
D	6060-002-046	Bearing Spacer	1

Base Uni-Pan Cover Assembly

3002-300-010



Item	Part No.	Part Name	Qty.
A	0988-002-708	Service Caution Label	1
B	3002-300-009	Uni-Pan Cover	1

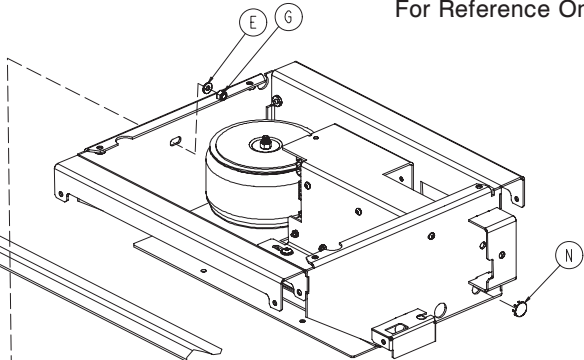
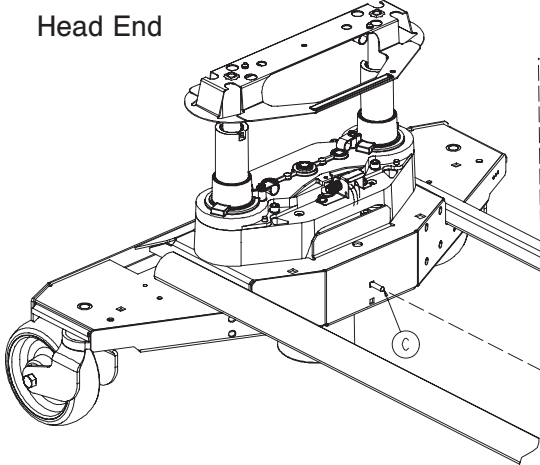
[Return To Table of Contents](#)

Notes

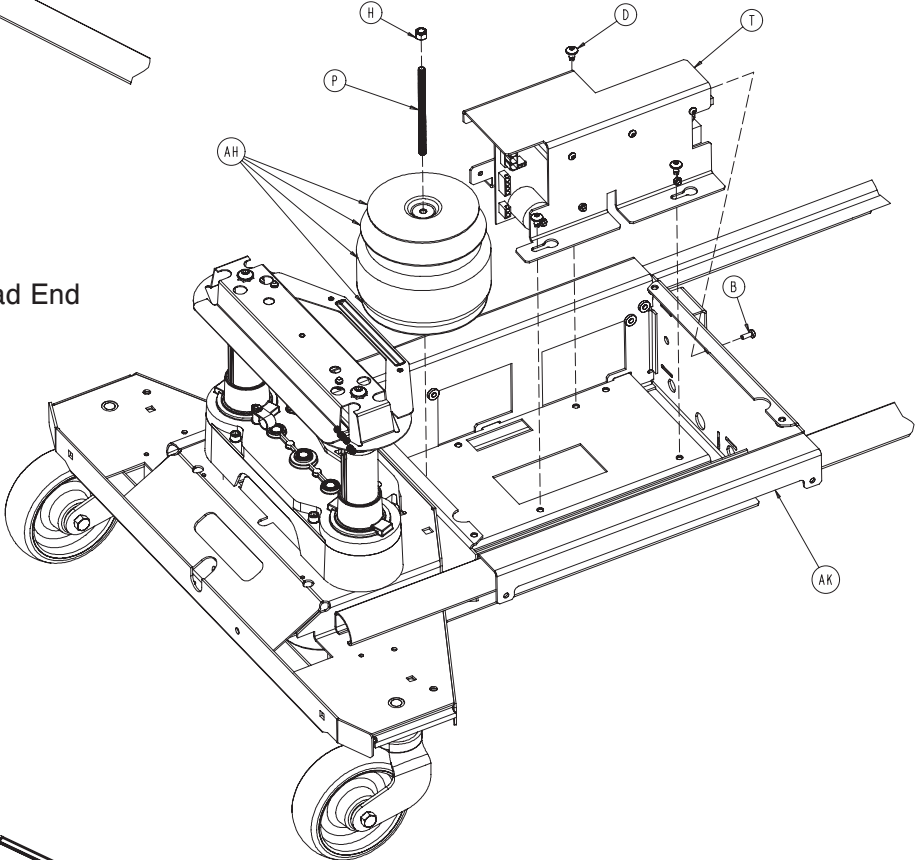
EPIC II[®]+, Optional Base Assembly

For Reference Only: 2030-201-210

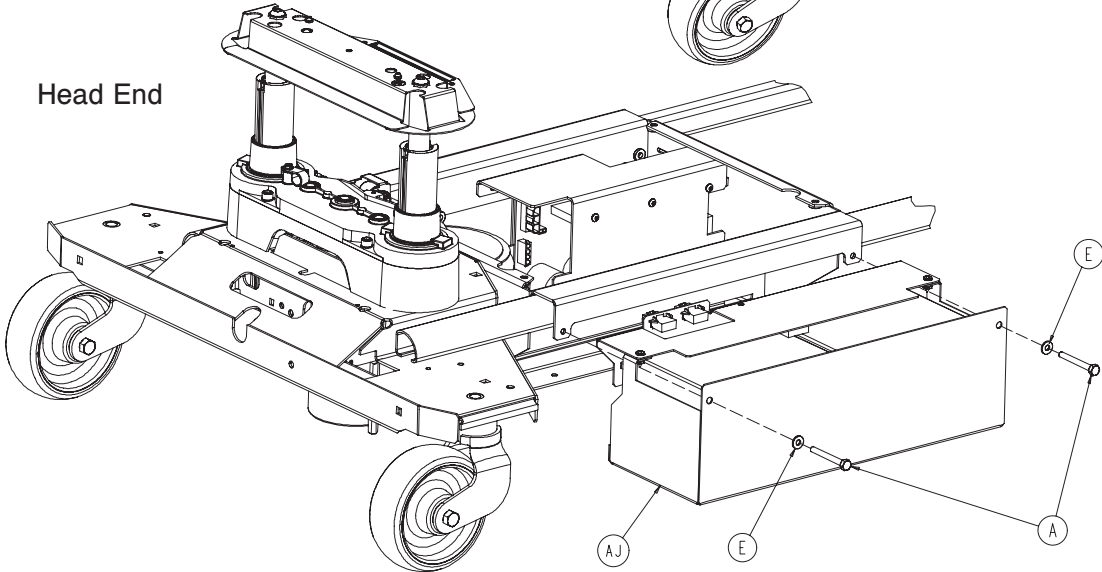
Head End



Head End

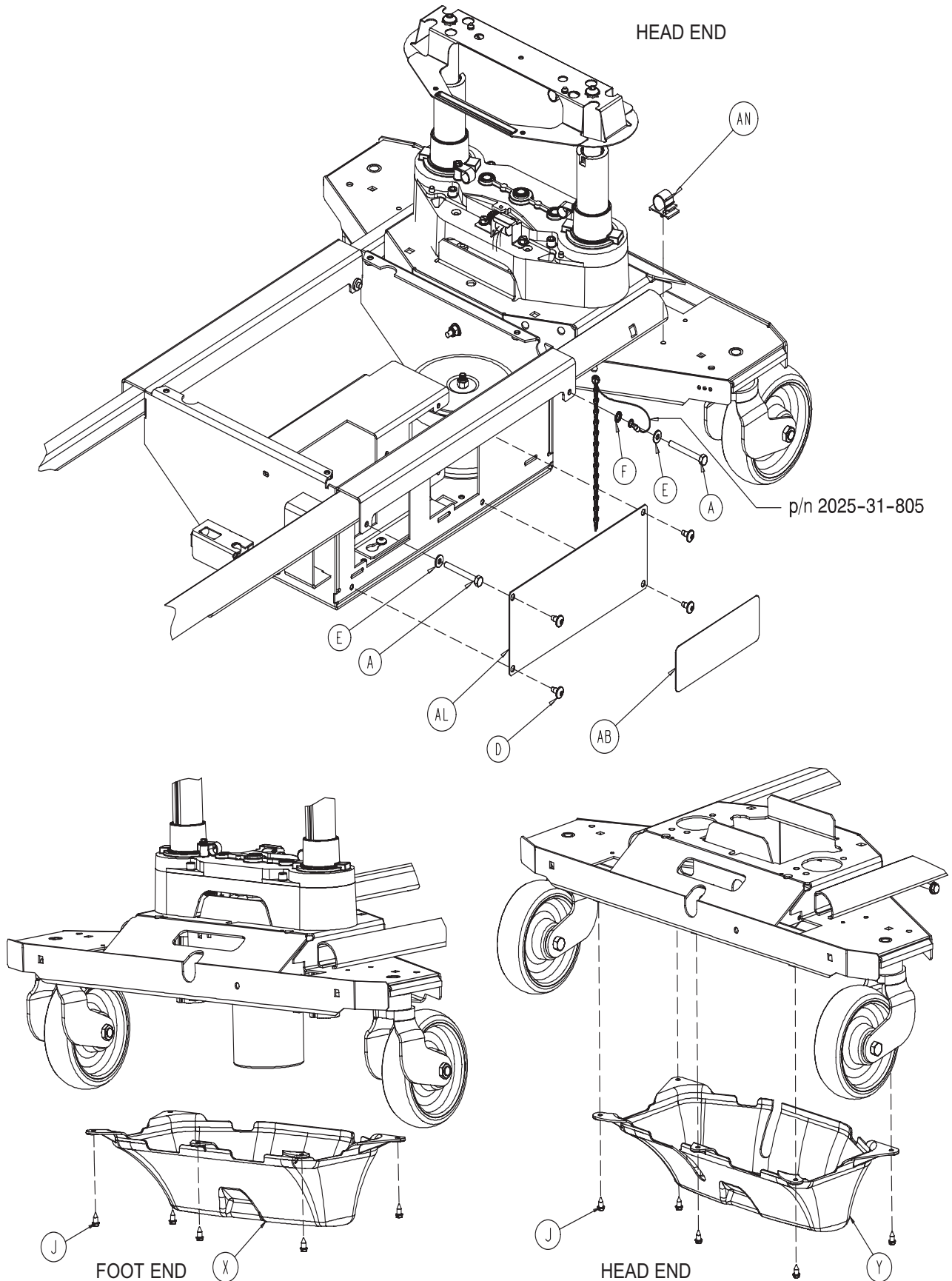


Head End



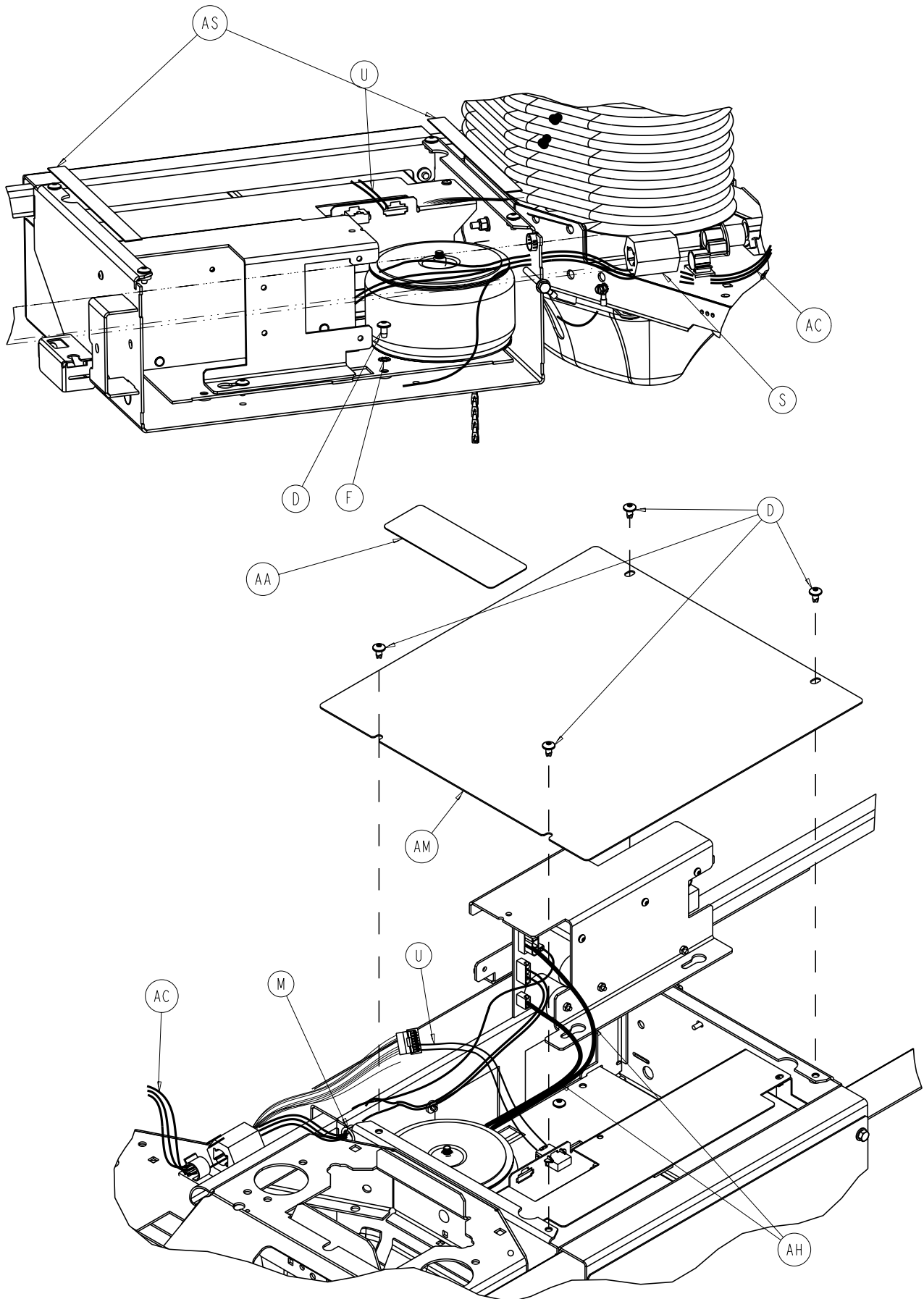
[Return To Table of Contents](#)

EPIC II[®]+, Optional Base Assembly



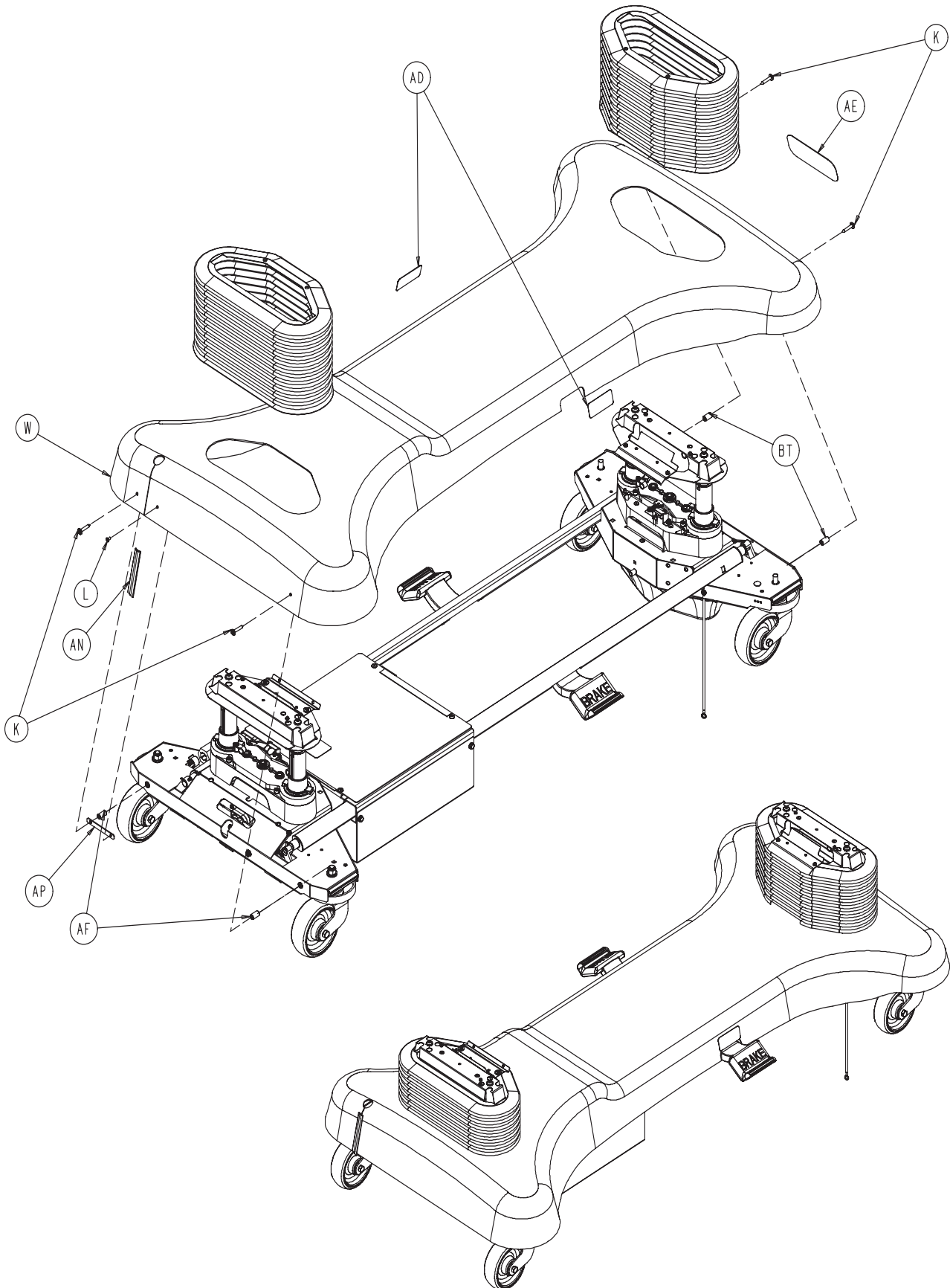
[Return To Table of Contents](#)

EPIC II[®]+, Optional Base Assembly



[Return To Table of Contents](#)

EPIC II[®]+, Optional Base Assembly



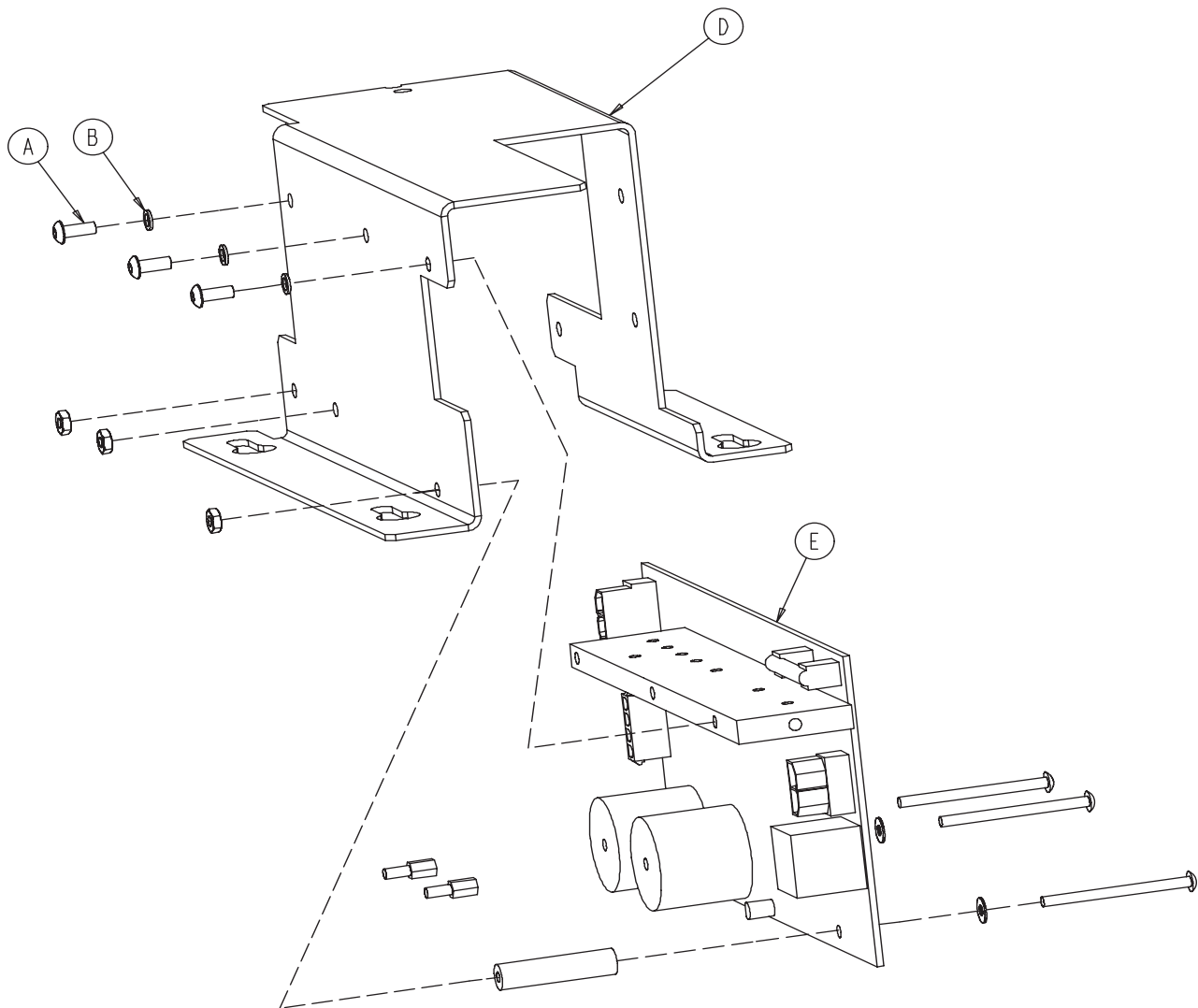
EPIC II[®]+, Optional Base Assembly

EPIC II[®]+ Option Common Components - Part Number 2030-201-210 (Reference Only)

Item	Part No.	Part Name	Qty.
A	0003-032-000	Hex Hd. Cap Screw	4
B	0004-301-000	Pan Hd. Machine Screw	1
C	0005-017-000	Carriage Bolt	1
D	0007-052-000	Truss Hd. Torx	13
E	0011-063-000	Washer	5
F	0013-010-000	External Tooth Star Washer	5
G	0016-028-000	Nylock Nut	1
H	0016-036-000	Nylock Nut	1
J	0023-025-000	Hex Washer Hd. Screw	10
K	0023-281-000	Self-Tapping Screw	4
L	0025-079-000	Pop Rivet	1
M	0030-038-000	Split Bushing	1
N	0037-221-000	Hole Plug	1
P	0058-090-000	Threaded Stud	1
R	0059-133-000	Push-Mount Wire Clip	1
S	0059-192-000	Split Ferrite	1
T	2030-001-030	Base Power Assembly (pg. 104)	1
U	2030-080-802	DC Jumper Assembly	1
W	2030-201-005	Hood Shroud	1
X	3001-200-022	Foot End Bottom Cover Assembly (pg. 105)	1
Y	2040-001-017	Head End Bottom Cover Assembly (pg. 105)	1
Z	2040-001-100	Drive Wheel Position Label	1
AA	2040-001-101	Charger Box Cover Label	1
AB	2040-001-102	Power Board Cover Label	1
AC	2040-301-809	Umbilical Cable Assembly	1
AD	3000-200-601	Brake Label	2
AE	3000-200-602	Stryker Logo Label	1
AF	3000-300-428	Gatch Link Sleeve	4
AG	3000-300-113	Wire Tie	2
AH	3002-001-100	Transformer	1
AJ	3002-001-015	Battery Tray Assembly (pg. 106)	1
AK	3002-001-050	Charger Box Weldment	1
AL	3002-001-068	Power Board Cover	1
AM	3002-001-071	Charger/Inverter Cover	1
AN	3002-001-078	Hood Slot Trim	1
AP	3002-001-079	Hood Slot Trim Bracket	1
AR	3002-001-802	Inverter/Battery Cable	1
AS	7000-001-326	10" Foam Tape	2

EPIC II[®]+, Optional Base Power Assembly

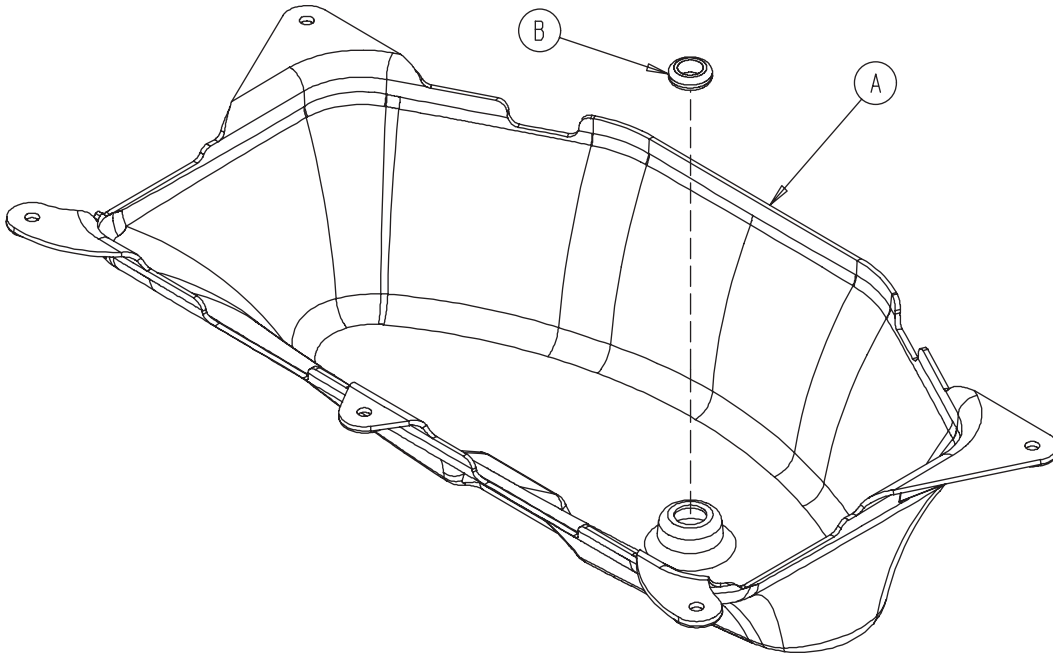
2030-001-030



Item	Part No.	Part Name	Qty.
A	0004-263-000	But. Hd. Cap Screw	3
B	0012-006-000	Helical Lock Washer	3
D	3002-001-017	Charger/Inverter Heat Bracket	1
E	3002-001-930	Charger/Inverter Board	1

Foot End Bottom Cover Assembly

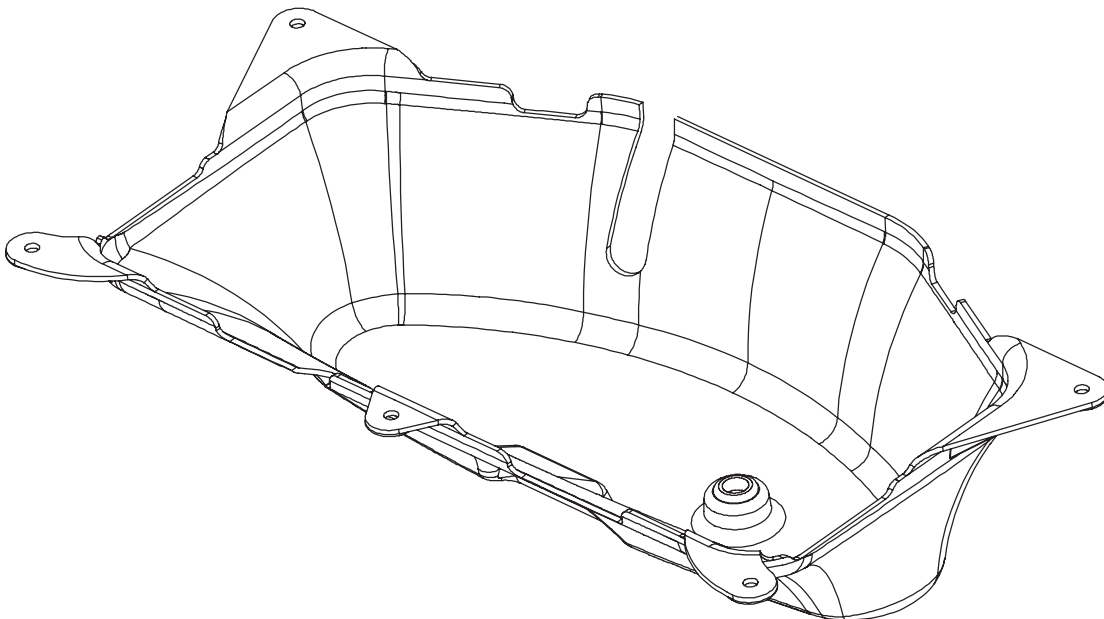
3001-200-022



Item	Part No.	Part Name	Qty.
A	3002-001-100	Foot End Bottom Cover	1
B	3000-000-039	Grommet	1

Head End Bottom Cover

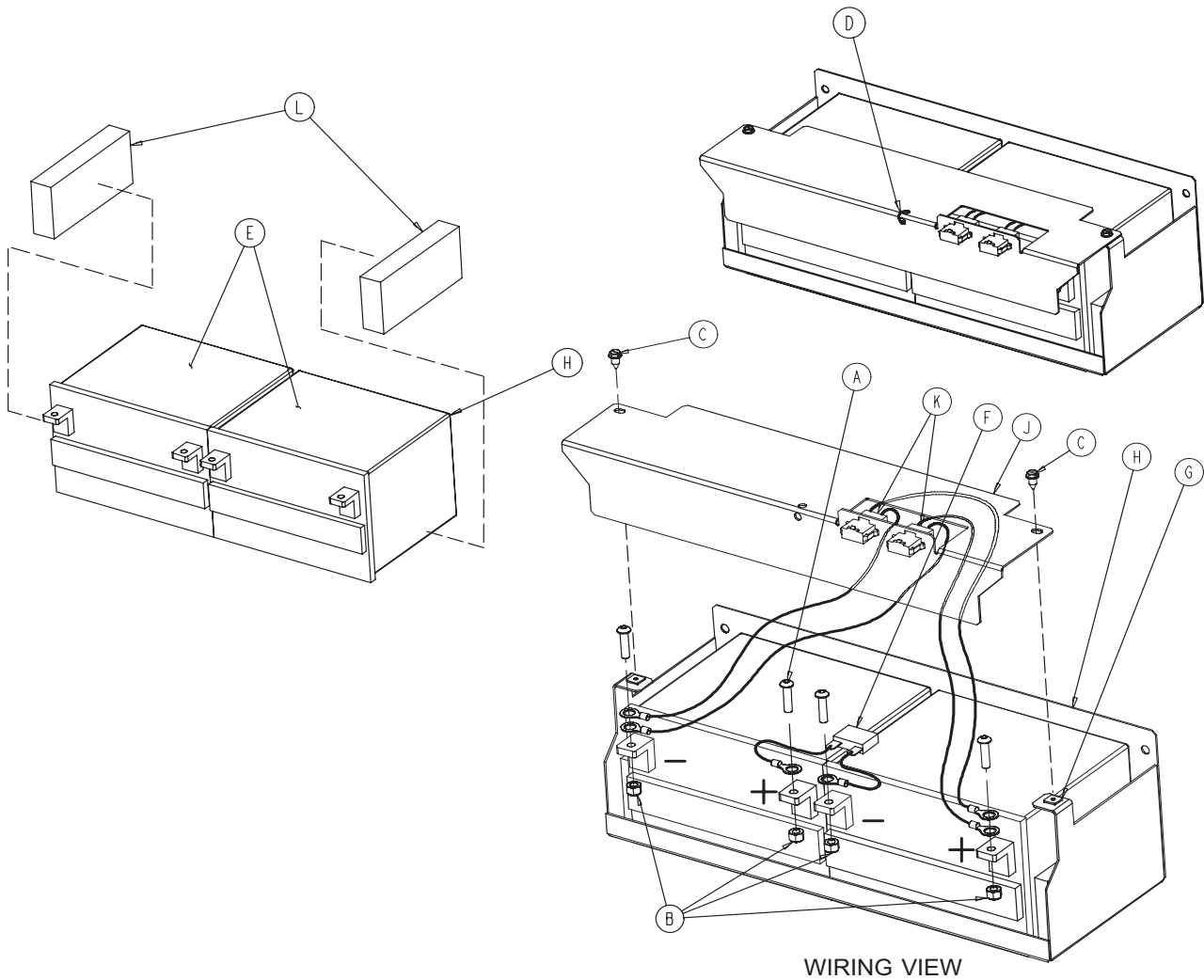
2040-001-017



[Return To Table of Contents](#)

EPIC II®+ Battery Assembly

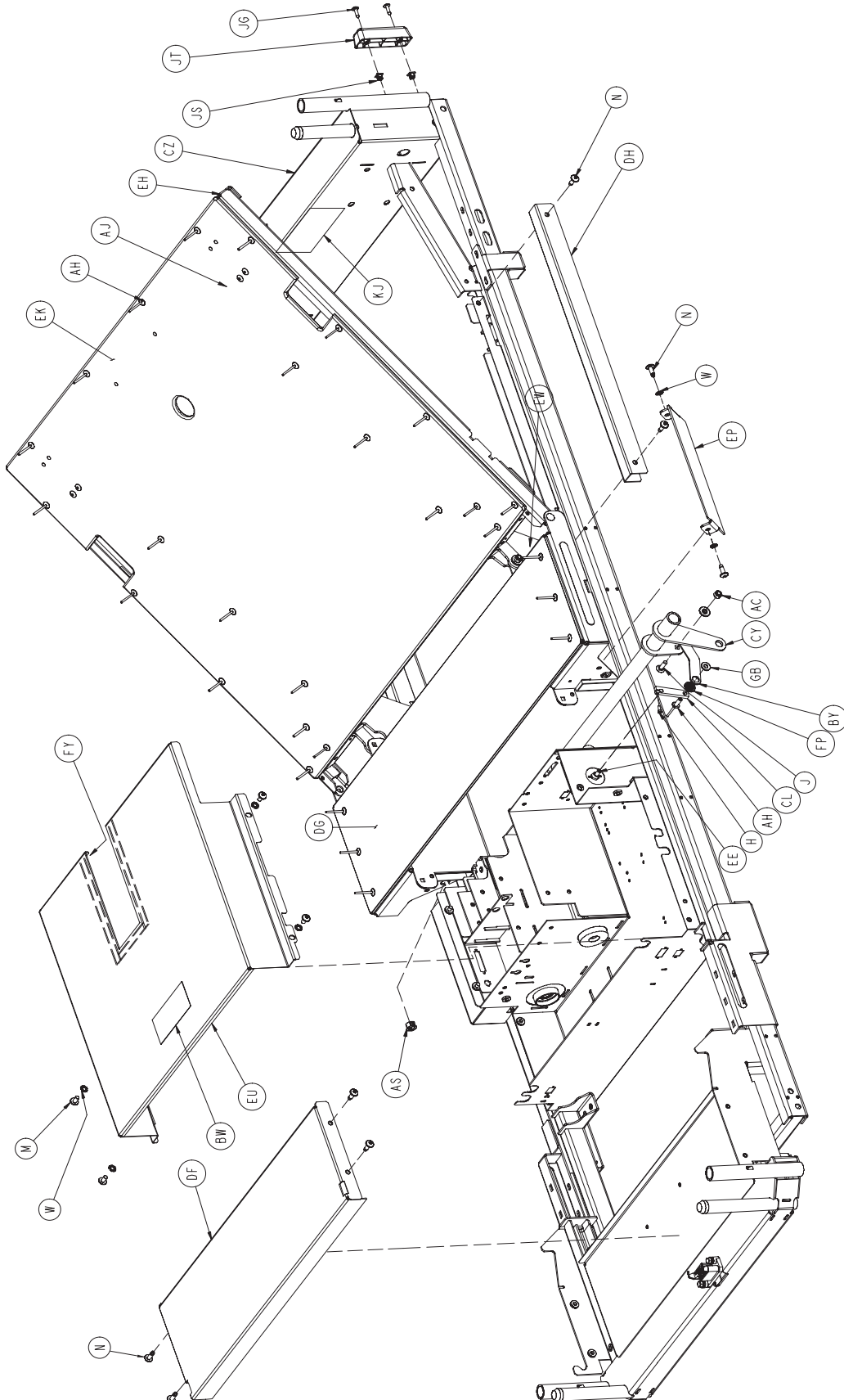
For Reference Only: 3002-001-015



Item	Part No.	Part Name	Qty.
A	0004-046-000	But. Hd. Cap Screw	4
B	0016-028-000	Nylock Nut	4
C	0023-025-000	Hex Washer Hd. Screw	2
D	0038-151-000	Cable Tie	1
E	2040-001-070	Battery	2
F	2040-001-802	Battery Jumper Cable	1
G	3000-300-002	Push Nut	2
H	3002-001-069	Battery Tray	1
J	3002-001-091	Terminal Guard	1
K	3002-001-803	Battery Harness Cable	2
L	3002-101-043	Foam Spacer	2

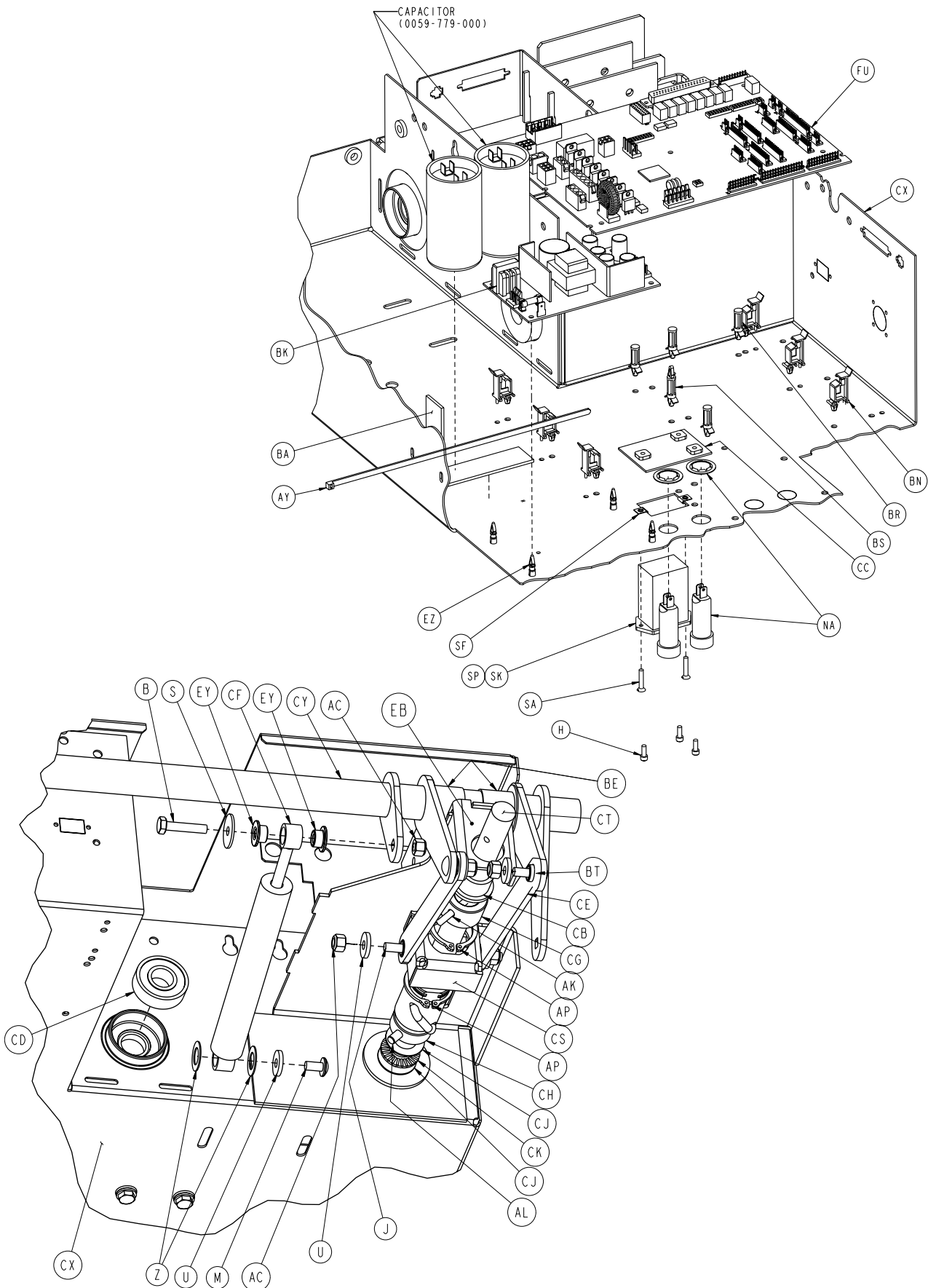
Replacement Kit Part Number (Batteries Only) - 2040-700-013

Litter Assembly

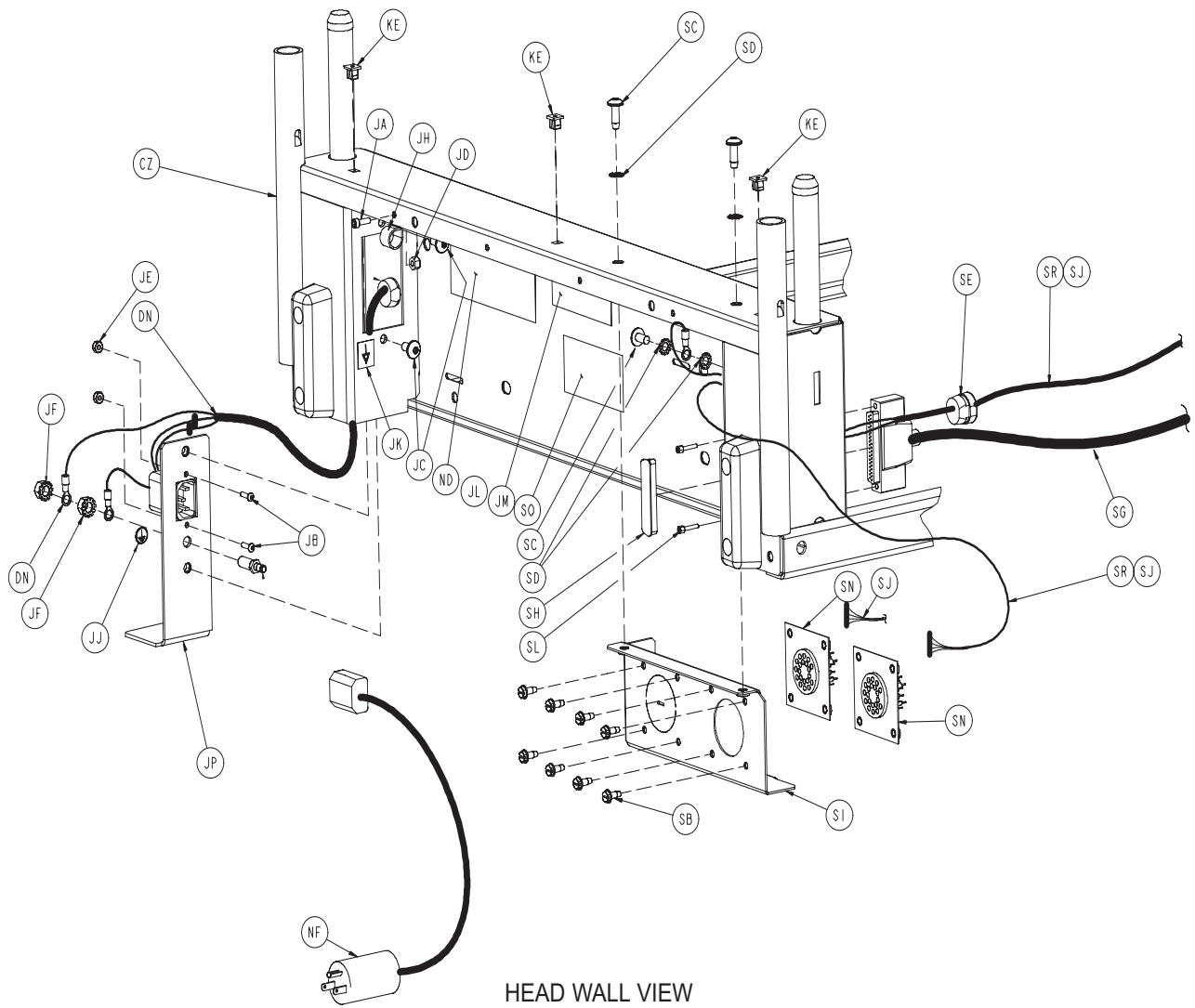


[Return To Table of Contents](#)

Litter Assembly

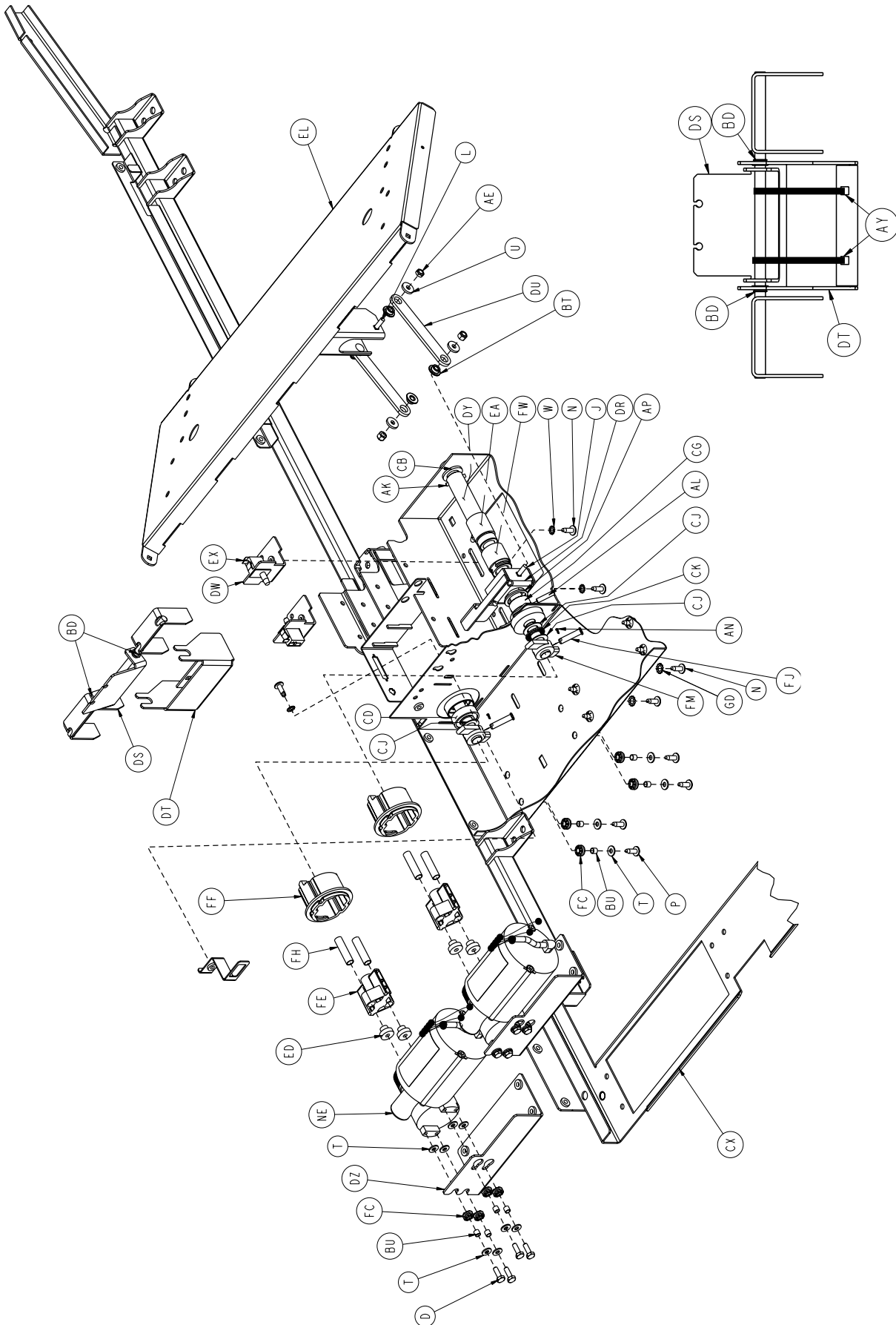


Litter Assembly



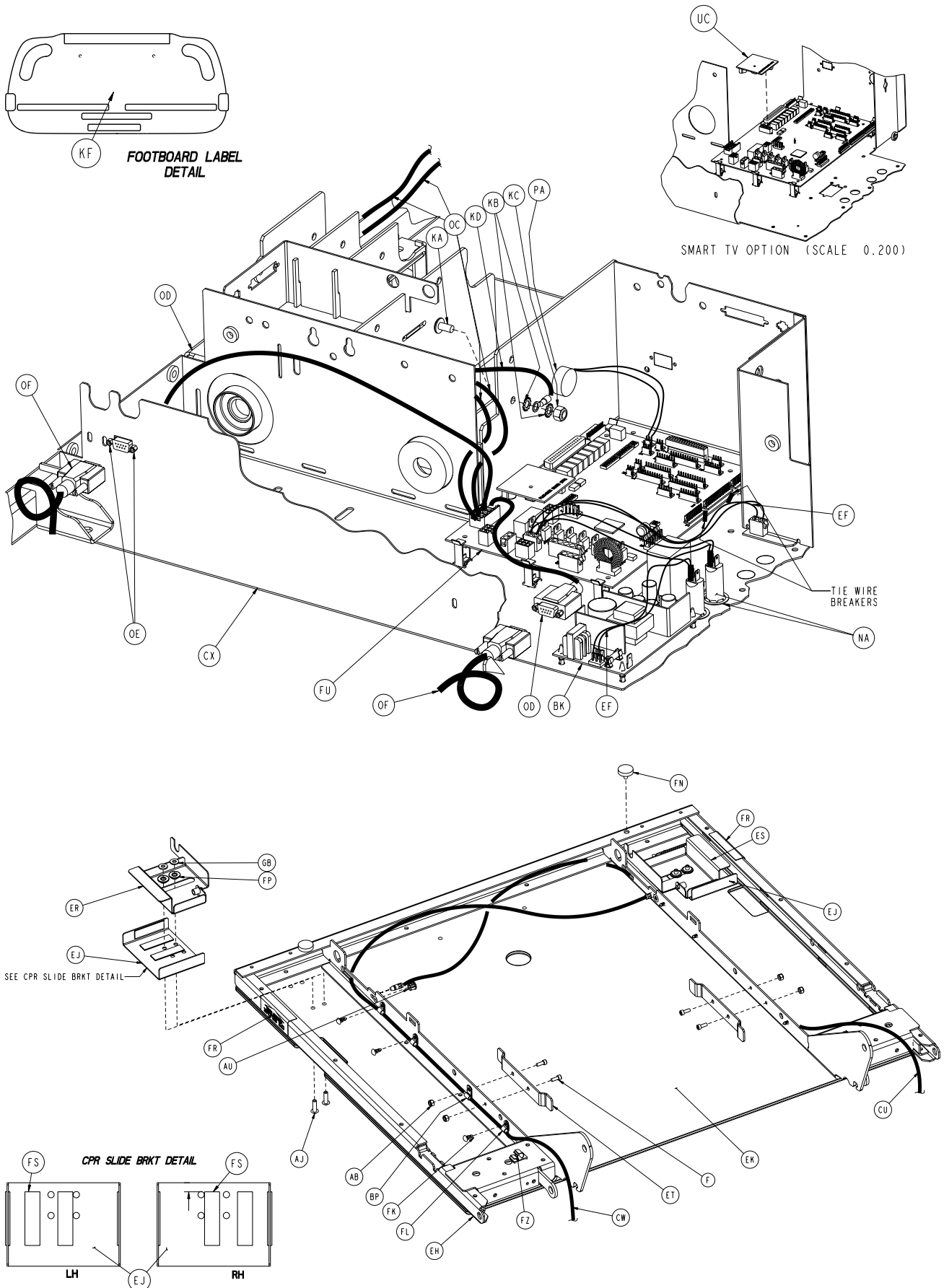
HEAD WALL VIEW

Litter Assembly



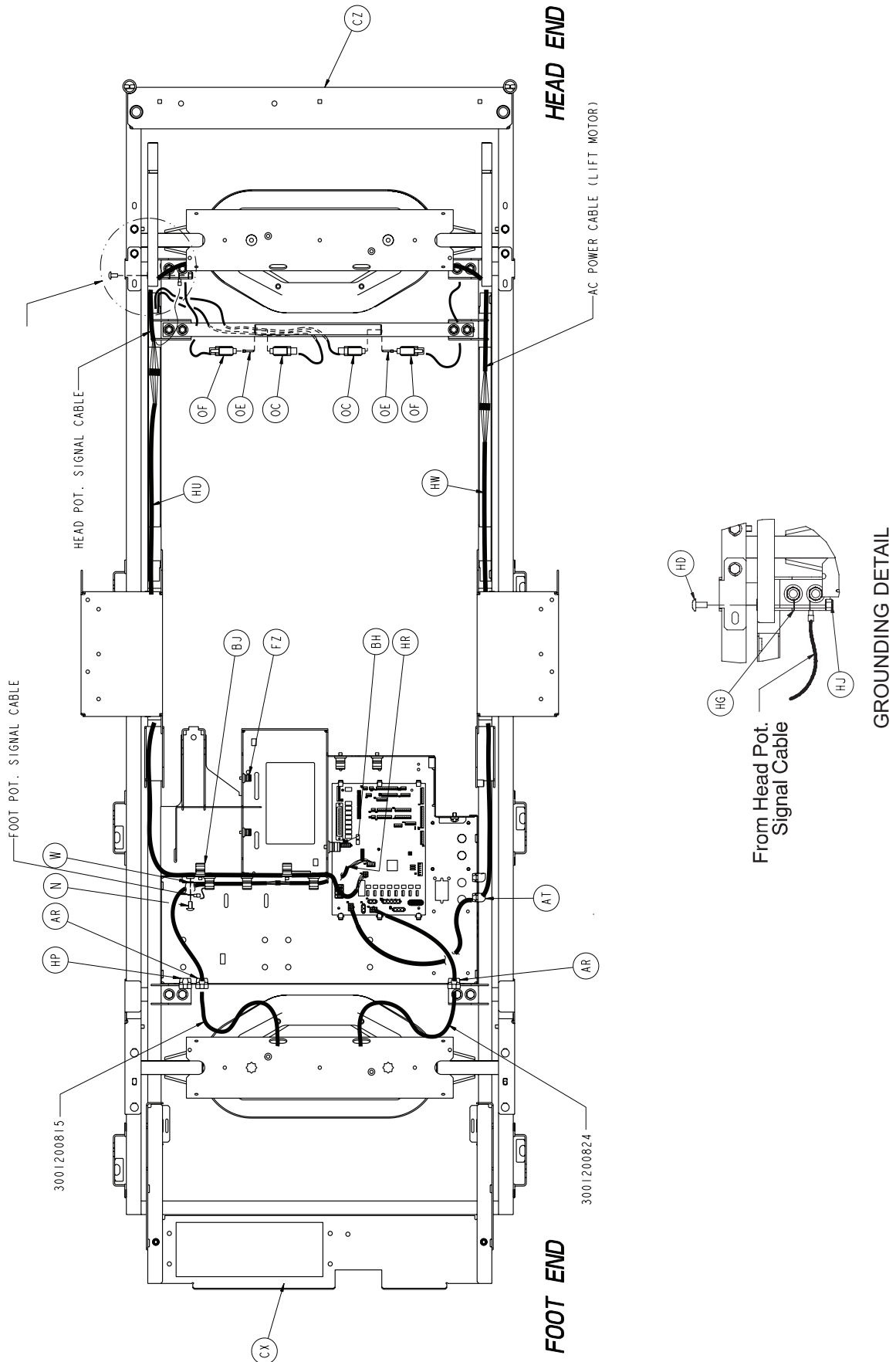
CPR RELEASE VIEW

Litter Assembly

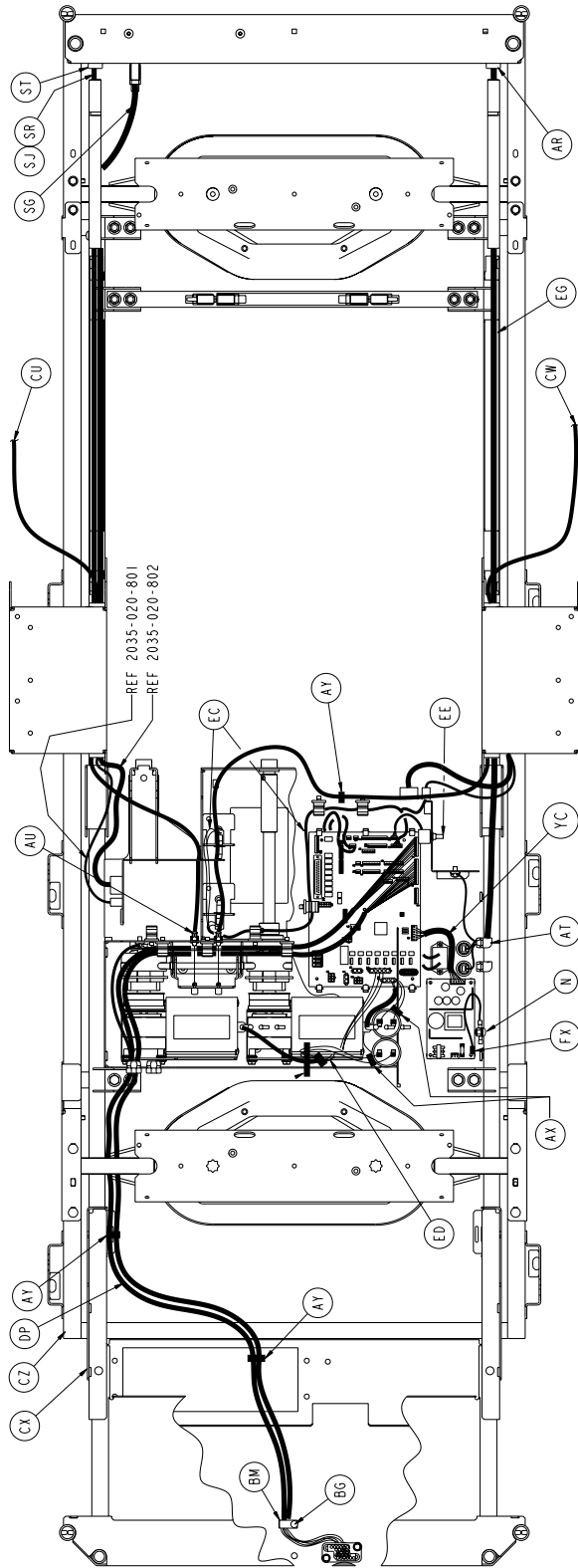


[Return To Table of Contents](#)

Litter Assembly



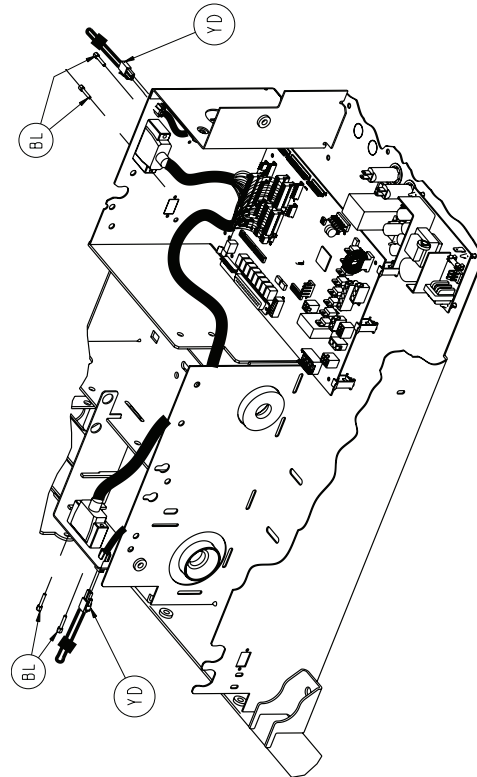
Litter Assembly



HEAD END

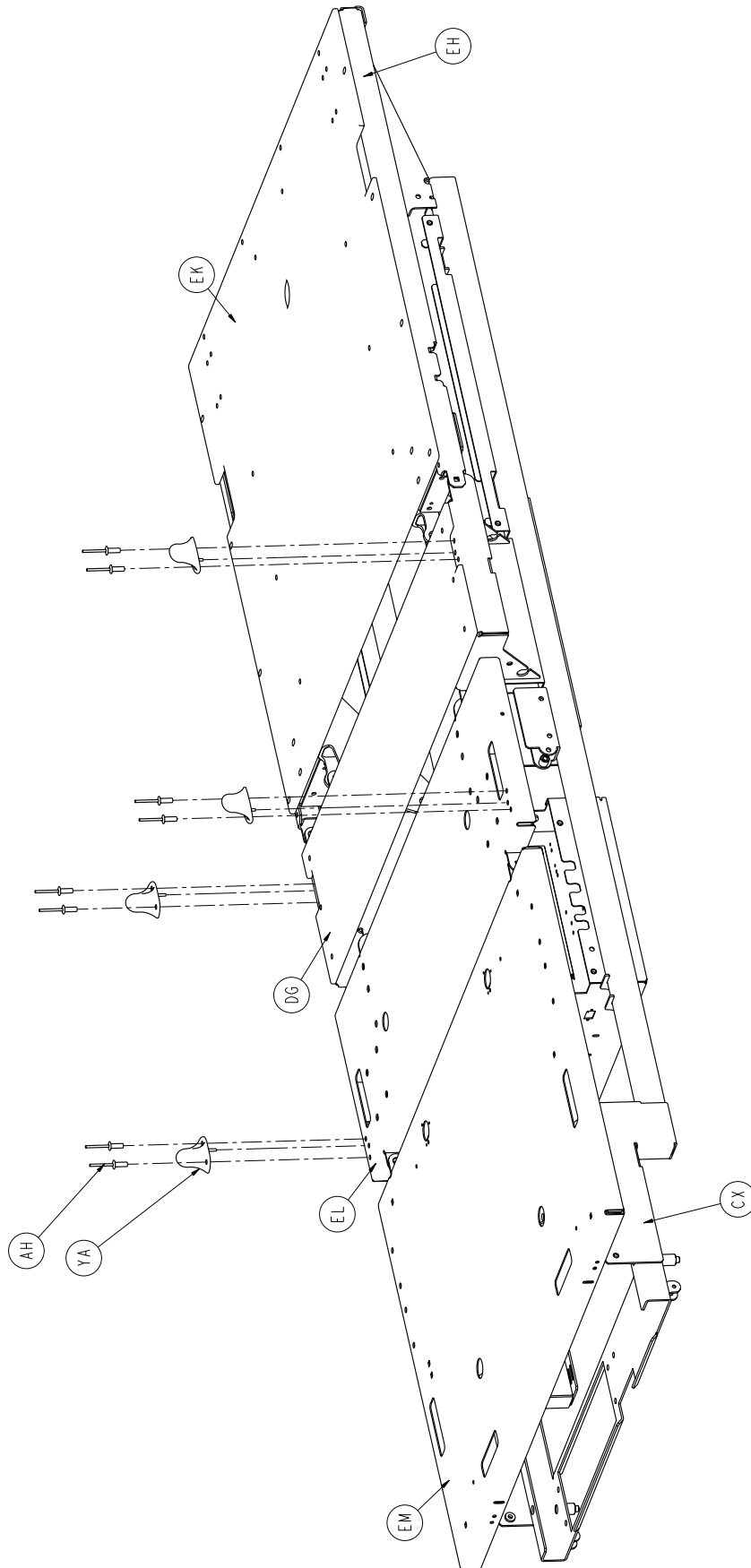
FOOT END

APPLIES TO 2032-231-010
TIE TO SIDERAIL CABLE
(NOT SHOWN), ITEM AY



SIDERAIL EXTENSION CABLE ROUTING (only in US and Canada)

Litter Assembly



Litter Assembly

2032-231-010 EPIC II® Domestic, EPIC II® +, and Zoom® Common Litter Components

Item	Part No	Part Name	Qty.	Item	Part No	Part Name	Qty.
B	0003-074-000	Hex Hd. Cap Screw	2	BS	0059-774-000	Locking PCB Support	1
C	0003-078-000	Hex Hd. Cap Screw	44	BT	0081-268-000	Flange Bearing	15
D	0003-214-000	Hex Hd. Cap Screw	8	BU	0715-001-333	Rel. Valve Stop Sleeve	18
E	0003-347-000	Hex Hd. Cap Screw	4	BW	0988-002-708	Shock Caution Label	1
F	0004-032-000	Soc. Hd. Cap Screw	4	BX	2020-0340758	Rest-Calf Section	1
G	0004-085-000	Soc. Hd. Cap Screw	2	BY	2025-031-062	Pot. Actuator Link1	
H	0004-101-000	Soc. Hd. Cap Screw	1	BZ	2025-031-880	Ground Jumper	4
J	0005-019-000	Carriage Bolt	18	CA	3002-300-870	Ground Strap	8
K	0005-024-000	Carriage Bolt	4	CB	2025-032-068	Flange Bearing	2
L	0005-023-000	Carriage Bolt	3	CD	2025-032-076	Ball Bearing	2
M	0007-058-000	Truss Hd. Torx	5	CE	2025-032-077	Fowler Actuator Link	2
N	0007-063-000	Truss Hd. Torx	20	CF	2025-032-082	Hydraulic Dampener	2
P	0007-065-000	Truss Hd. Torx	16	CG	2025-032-084	Fowler Screw Up Stop	1
S	0011-053-000	Washer	10	CH	2025-032-085	Fowler Screw Down Stop	1
T	0011-063-000	Washer	37	CJ	2025-032-086	Thrust Washer	5
U	0011-158-000	Washer	22	CK	2025-032-087	Roller Cage Bearing	2
W	0013-010-000	Ext. Tooth Lock Washer	17	CL	2025-231-061	Pot. Timing Clamp	1
X	0013-018-000	Ext. Tooth Lock Washer	14	CM	2025-231-088	Fowler Link	1
Y	0013-032-000	Ext. Tooth Lock Washer	2	CN	2025-231-090	Torque Tube Pivot Brg.	2
Z	0014-007-000	Washer	2	CP	2025-231-099	Bed Extender Rel. Lever	2
AB	0016-003-000	Nylock Nut	4	CR	2025-231-112	Bed Extender Pin Lock	2
AC	0016-028-000	Nylock Nut	21	CS	2025-232-089	Fowler Nut Box	1
AD	0016-035-000	Nylock Nut	8	CT	2025-232-090	Fowler Ball Screw	1
AE	0016-102-000	Nylock Nut	7	CU	2035-031-048	Short CPR Cable	1
AF	0003-224-000	Hex Washer Hd. Screw	16	CW	2035-031-049	Long CPR Cable	1
AH	0025-142-000	Rivet	37	CX	2032-031-050	Scale Frame Weldment	1
AJ	0025-147-000	Rivet	4	CY	2035-031-051	Torque Tube Weldment	1
AK	0026-012-000	Roll Pin	2	CZ	2035-031-054	Iso. Frame Weldment	1
AL	0026-168-000	Spiral Pin	2	DA	2035-031-055	Head End Crosstube	1
AN	0027-017-000	Cotter Pin	21	DB	2035-031-057	Bed Extender Weldment	1
AP	0028-120-000	Ext. Retaining Ring	3	DC	2035-031-064	Torq. Tube Ret. Brkt., Lt.	1
AR	0030-030-045	Strain Relief	3	DD	2035-031-065	Torq. Tube Ret. Brkt., Rt.	1
AS	0030-036-000	Grommet	4	DE	2035-031-066	Torque Block Channel	2
AT	0030-047-000	Right Angle Strain Relief	2	DF	2035-031-094	Foot Support Cover	1
AU	0030-052-000	Snap Bushing	4	DG	2032-031-097	Seat Section Skin	1
AX	0038-111-000	Cable Tie	10	DH	2035-031-100	Wire Channel Cover	2
AY	0038-151-000	Cable Tie	17	DJ	2035-031-115	Roller Bracket Cover, Rt.	1
AZ	0038-382-000	Compression Spring	2	DK	2035-031-116	Roller Bracket Cover, Lt.	1
BA	0044-029-000	Black Foam Tape	1	DL	2035-031-126	Protective Sleeve	2
BB	0044-032-000	1" Wide Poly Tape	50"	DM	2035-031-127	Nylon Stop	2
BC	0052-104-000	Cable Clamp	1	DN	2035-031-801	Inlet/Fuse Cable	1
BD	0052-759-000	Flange Bearing	2	DP	2035-031-802	Footboard/CPU Cable	1
BE	0052-762-000	Nyliner Bushing	2	DR	2035-032-052	Gatch Trigger Weldment	1
BG	0058-076-000	Drive Fastener	2	DS	2035-032-054	CPR Rel. Wildmt. Brkt.	1
BH	0059-133-000	Push-Mount Wire Clip	1	DT	2035-032-072	CPR Release Pivot Brkt.	1
BJ	0059-135-000	Push-Mount Wire Clip	7	DU	2035-032-077	Gatch Actuator Link	2
BK	0059-157-000	Power Supply	1	DW	2035-032-079	Act. Box Swch. Brk.	2
BL	0059-727-000	Jack Screw	4	DX	2035-032-084	Gatch Screw Up Stop	1
BM	0059-743-000	Wire Harness Clip	2	DY	2035-032-085	Gatch Screw Down Stop	1
BN	0059-751-000	Locking Circuit Bd. Supt.	6	DZ	2035-032-088	Act. Box Motor Mtg. Brkt.	2
BP	0059-767-000	Cable Clamp	2	EA	2035-032-090	Gatch Ball Screw Ass'y	1
BR	0059-773-000	Push Spacer	4	EB	2035-032-096	Ball Screw Cover	1

[Return To Table of Contents](#)

Litter Assembly

2032-231-010 EPIC II® Domestic, EPIC II® +, and Zoom® Common Litter Components (Continued)

Item	Part No	Part Name	Qty.	Item	Part No	Part Name	Qty.
EC	2035-032-801	Gatch Limit Switch Cable	1	HE	0011-539-000	Washer	32
ED	2035-032-802	Fowler/CPU Jmpr Cable	1	HF	0011-063-000	Washer	8
EE	2035-032-803	Fowler Pot. Cable	1	HG	0013-010-000	Ext. Tooth Lock Washer	1
EF	2035-032-804	Fuse/PCB Cable	1	HH	0013-032-000	Ext. Tooth Lock Washer	4
EH	2032-033-050	Fowler Frame Weldment	1	HJ	0016-006-000	Kep Nut	9
EJ	2035-033-062	CPR Release Slide Brkt.	2	HK	0016-035-000	Nylock Nut	8
EK	2035-033-063	Fowler Skin	1	HL	0025-050-000	Rivet	24
EL	2032-034-050	Thigh Section Weldment	1	HP	0059-106-000	Strain Relief	1
EM	2032-035-050	Foot Section Weldment	1	HR	2030-031-801	Foot Pot. Exten. Cable	1
EP	2035-231-085	Seat Section Cover	2	HU	2030-031-802	Head Pot. Exten. Cable	1
ER	2035-233-064	Quick Drop Rel. Brkt., Lt.	1	HW	2030-031-803	Head Lift Motor Ext.	1
ES	2035-233-065	Quick Drop Rel. Brkt., Rt.	1	HX	2040-031-056	Foley Bag Hanger	6
ET	2035-400-565	Siderail Guide Bracket	2	HY	3001-300-004	Spacer	8
EU	2035-432-075	Actuator Box Cover Ass'y (pg. 123)	1	JD	0016-014-000	Nylock Nut	1
EW	2040-090-100	500 Lb. Label	2	JH	0034-021-000	Cord Clamp	1
EX	3000-300-058	Switch Plunger	2	NG	3002-407-950	CPU	1
EY	3000-300-099	Modified Bushing	9	YA	3003-300-033	Mattress Retainer	4
EZ	3000-300-115	Standoff	4	YC	2035-032-805	Cable CPU/Power Supply	1
FA	3000-300-349	Head/Footboard Post Cap	4	YD	2035-020-805	Siderail LS Bypass Cable	2
FB	3000-300-353	Roller	4	YE	0003-005-000	Hex Head cap Screw	1
FC	3000-300-442	Fowler Drive Grommet	16	2040-032-020 Zoom®/EPIC II®/EPIC II® + Standard Height Option			
FD	3000-300-455	CPR Isolation Bushing	4	Item	Part No	Part Name	Qty.
FE	3000-300-456	CPR Isolator	2	HS	2030-331-052	Head End Header Wldmt.	1
FF	3000-300-461	CPR Decoupler	2	HT	2030-331-053	Foot End Header Wldmt.	1
FG	3000-300-462	CPR Wing	2J	2040-032-021 Zoom®/EPIC II®/EPIC II+® Enhanced Height Option			
FH	3000-300-464	CPR Engagement Spring	4	Item	Part No	Part Name	Qty.
FJ	3000-300-473	Clevis Pin	2	HS	2040-031-252	Head End Header Wldmt.	1
FK	3000-300-477	CPR Conduit Stud	6	HT	2040-031-253	Foot End Header Wldmt.	1
FL	3000-300-478	CPR Conduit Clamp	6				
FM	3001-200-228	Mounting Standoff	2				
FM	3001-200-228	Mounting Standoff	2				
FN	3001-300-008	Thigh Bumper	4				
FP	3001-300-099	Flange Bearing	10				
FR	3001-300-603	CPR Release Label	2				
FS	3001-300-663	Velcro Strip	10				
FT	3001-300-877	Siderail Extension Cable	1				
FW	5000-030-366	Fowler Nut Adapter	1				
FX	5010-080-007	Power Supply Gd. Cable	1				
FY	8800-380-000	Neoprene Sponge	18"				
FZ	8815-001-100	Wire Mount Clip	4				
GA	0011-310-000	Washer	2				
GB	0011-002-000	Washer	5				
GC	0007-052-000	Truss Hd. Torx	4				
GD	0013-038-000	Ext. Tooth Lock Washer	2				
GE	2025-231-089	Fowler Litter Link	1				
GF	0059-194-000	Split Ferrite	1				
HA	0003-347-000	Hex Hd. Cap Screw	8				
HB	0004-338-000	Flanged But. Hd. Screw	4				
HC	0005-029-000	Rd. Hd. Sq. Neck Bolt	4				
HD	0007-058-000	Truss Hd. Torx	1				

[Return To Table of Contents](#)

Litter Assembly

2040-132-011 EPIC II®+/Zoom® Litter Components

Item	Part No.	Part Name	Qty.
KA	0007-058-000	Truss Hd. Torx	1
KB	0013-010-000	Ext. Tooth Lock Washer	2
KC	0016-028-000	Nylock Nut	1
KD	2040-231-807	Bed CPU Cable	1
KE	3000-300-002	Plastic Clip Nut	3
KF	2040-031-100	Manual Push Label	1
KG	0059-194-000	Split Ferrite	3
KH	0059-738-000	Hole Plug	2

2030-032-015 EPIC II® Litter Domestic Components

Item	Part No.	Part Name	Qty.
NA	0059-159-000	Circuit Breaker	2
ND	2030-231-125	Specification Label	1
NE	2030-016-601	Fowler Drive Assembly	2
NF	0039-254-000	Power Cord	1

2031-032-015 EPIC II® Litter Int'l Components

Item	Part No.	Part Name	Qty.
NA	0059-178-000	Circuit Breaker	2
NC	3221-300-453	Capacitor	2
ND	2031-231-125	Specification Label	1
NE	2030-016-601	Fowler Drive Assembly	2

2031-032-016 Litter European Comp. - No Scale

Item	Part No.	Part Name	Qty.
NA	0059-179-000	Circuit Breaker	2
ND	2030-231-125	Specification Label	1
NE	2030-016-601	Fowler Drive Assembly	2

2031-032-017 Litter European Comp. - Scale

Item	Part No.	Part Name	Qty.
NA	0059-178-000	Circuit Breaker	2
NC	3221-300-453	Capacitor	2
ND	2031-231-127	Specification Label	1
NE	2030-016-601	Fowler Drive Assembly	2

2030-232-015 EPIC II®+ Litter Components

Item	Part No.	Part Name	Qty.
NA	0059-179-000	Circuit Breaker	2
ND	2030-231-125	Specification Label	1
NE	2030-016-601	Fowler Drive Assembly	2

2035-130-207 Smart TV Option

Item	Part No.	Part Name	Qty.
UA	0059-727-000	Jack Screw	2
UC	3001-330-970	STV Board	1

2030-034-010 Foot Prop Option

Item	Part No.	Part Name	Qty.
R	0011-004-000	Washer	4
AA	0014-008-000	Washer	4
AM	0027-015-000	Cotter Pin	4
EN	2035-035-096	Foot Prop Rod	1
BF	0058-056-000	Black Edge Trim	6"

2031-200-000 Japan Option (not shown)

Item	Part No.	Part Name	Qty.
	2031-200-002	Power Inlet Cable	1
	0059-208-000	Circuit Breaker	2
	0059-140-000	Capacitor	2
	2031-200-001	Specification Label	1
	2035-300-705	Fowler Drive Assembly	2
	0039-254-000	Power Cord	1
	0059-207-000	Capacitor	2

2030-30-251 High-Sounding Beeper Option

Item	Part No.	Part Name	Qty.
PA	3001-508-870	High-Sound Beeper Cable	1

2030-030-100 No Scale or Bed Exit Options

Item	Part No.	Part Name	Qty.
	2030-135-010	Foot Board, No Scale/BE	1
OF	3001-300-511	"Imitation" Load Cell	4
GG	3000-300-353	Roller	4

2030-140-125 Scale Option Only

Item	Part No.	Part Name	Qty.
OA	0013-032-000	Ext. Tooth Lock Washer	4
	2030-015-013	Foot Board, Scale Option (pg. 187)	1
OC	2035-317-805	Load Cell Cable, Head	2
OD	2035-317-804	Load Cell Cable, Foot	2
OE	3001-300-007	M/F Screw	8
OF	3002-307-057	Load Cell	4
GG	3002-300-353	Roller	4

[Return To Table of Contents](#)

Litter Assembly

2030-140-175 Bed Exit Option

Item	Part No.	Part Name	Qty.
OA	0013-032-000	Ext. Tooth Lock Washer	4
	2030-135-012	Ft. Bd., Bed Exit Option (pg. 188)	1
OC	2035-317-805	Load Cell Cable, Head	2
OD	2035-317-804	Load Cell Cable, Foot	2
OE	3001-300-007	M/F Screw	8
OF	3002-307-057	Load Cell	4
GG	3002-300-353	Roller	4

2030-140-150 Scale & Bed Exit Options

Item	Part No.	Part Name	Qty.
OA	0013-032-000	Ext. Tooth Lock Washer	4
	2030-015-014	Ft. Bd., Bed Exit with Scale Option (pg. 190)	1
OC	2035-317-805	Load Cell Cable, Head	2
OD	2035-317-804	Load Cell Cable, Foot	2
OE	3001-300-007	M/F Screw	8
OF	3002-307-057	Load Cell	4
GG	3002-300-353	Roller	4

2030-140-275 Zone Bed Exit Option

Item	Part No.	Part Name	Qty.
OA	0013-032-000	Ext. Tooth Lock Washer	4
	2030-135-015	Ft. Bd., Bed Exit with Zone Control Option (pg. 189)	1
OC	2035-317-805	Load Cell Cable, Head	2
OD	2035-317-804	Load Cell Cable, Foot	2
OE	3001-300-007	M/F Screw	8
OF	3002-307-057	Load Cell	4
GG	3002-300-353	Roller	4

2030-140-250 Scale & Zone Bed Exit Options

Item	Part No.	Part Name	Qty.
OA	0013-032-000	Ext. Tooth Lock Washer	4
	2030-015-016	Foot Board, Scale, Bed Exit with Zone Control (pg. 191)	1
OC	2035-317-805	Load Cell Cable, Head	2
OD	2035-317-804	Load Cell Cable, Foot	2
OE	3001-300-007	M/F Screw	8
OF	3002-307-057	Load Cell	4
GG	3002-300-353	Roller	4

2035-30-200 EPIC II® Head Wall Communication Option

Item	Part No.	Part Name	Qty.
SG	2035-031-806	Head Wall Interface Cable	1
SH	0059-710-000	Static Cap	1
SL	3001-300-007	M/F Screw	2

[Return To Table of Contents](#)

2035-030-201 EPIC II® Head Wall Communication w/Nurse Call Option

Item	Part No.	Part Name	Qty
SA	0001-087-000	Flat Hd. Mach. Screw	2
SF	0052-783-000	U Clip	2
SG	2035-031-806	Head Wall Interface Cable	1
SH	0059-710-000	Static Cap	1
SL	3001-300-007	M/F Screw	2
SP	5010-080-209	9V Battery Box w/Cable	1

2035-030-202 EPIC II® Head Wall w/Nurse Call and 1 Stryker Port Option

Item	Part No.	Part Name	Qty
SA	0001-087-000	Flat Hd. Mach. Screw	2
SB	0003-224-000	Hex Wash. Hd. Screw	4
SC	0007-058-000	Truss Hd. Torx	3
SD	0013-010-000	Ext. Tooth Lock Washer	4
SE	0030-039-000	Strain Relief Grommet	1
SF	0052-783-000	U Clip	2
SG	2035-031-806	Head Wall Interface Cable	1
SH	0059-710-000	Static Cap	1
SI	2035-030-099	Pend. Port Head Wall Brkt.	1
SJ	2035-030-804	Pendant Port Cable	1
SL	3001-300-007	M/F Screw	2
SN	3001-314-920	Head Wall Pend. Port PCB	1
SO	5000-090-028	Cord Out Label	1
SP	5010-080-020	9V Battery Box w/Cable	1

2035-030-203 EPIC II® Head Wall w/Nurse Call and 2 Stryker Ports Option

Item	Part No.	Part Name	Qty
SA	0001-087-000	Flat Hd. Mach. Screw	2
SB	0003-224-000	Hex Wash. Hd. Screw	4
SC	0007-058-000	Truss Hd. Torx	3
SD	0013-010-000	Ext. Tooth Lock Washer	4
SE	0030-027-000	Strain Relief Grommet	1
SF	0052-783-000	U Clip	2
SG	0059-175-000	Head Wall Interface Cable	1
SH	0059-710-000	Static Cap	1
SI	2035-030-099	Pend. Port Head Wall Brkt.	1
SJ	2035-030-805	Pendant Port Cable, 2 Ports	1
SL	3001-300-007	M/F Screw	2
SN	3001-314-920	Head Wall Pend. Port PCB	1
SO	5000-090-028	Cord Out Label	1
SP	5010-080-020	9V Battery Box w/Cable	1

Litter Assembly

2030-030-200 EPIC II®+ Head Wall Communication

Item	Part No.	Part Name	Qty.
SG	2035-031-806	Head Wall Interface Cable	1
SH	0059-710-000	Static Cap	1
	2030-031-200	Head Wall W/Comm.	1

2030-030-201 EPIC II®+ Head Wall Communication w/Nurse Call

Item	Part No.	Part Name	Qty.
SA	0001-087-000	Flat Hd. Mach. Screw	2
SF	0052-783-000	U Clip	2
SG	2035-031-806	Head Wall Interface Cable	1
SH	0059-710-000	Static Cap	1
	2030-031-201	Hd. Wall Comm. W/NC	2
SP	5010-080-020	9V Battery Box W/Cable	1

2030-030-202 EPIC II®+ Head Wall w/Nurse Call and 1 Stryker Port

Item	Part No.	Part Name	Qty.
SA	0001-087-000	Flat Hd. Mach. Screw	2
SE	0030-045-000	Strain Relief Grommet	1
SF	0052-783-000	U Clip	2
SG	2035-031-806	Head Wall Interface Cable	1
SH	0059-710-000	Static Cap	1
	2030-031-202	Hd. Wall W/NC & 1 Port	1
SP	5010-080-020	9V Battery Box W/Cable	1
SR	2035-030-804	Pendant Port Cable	1

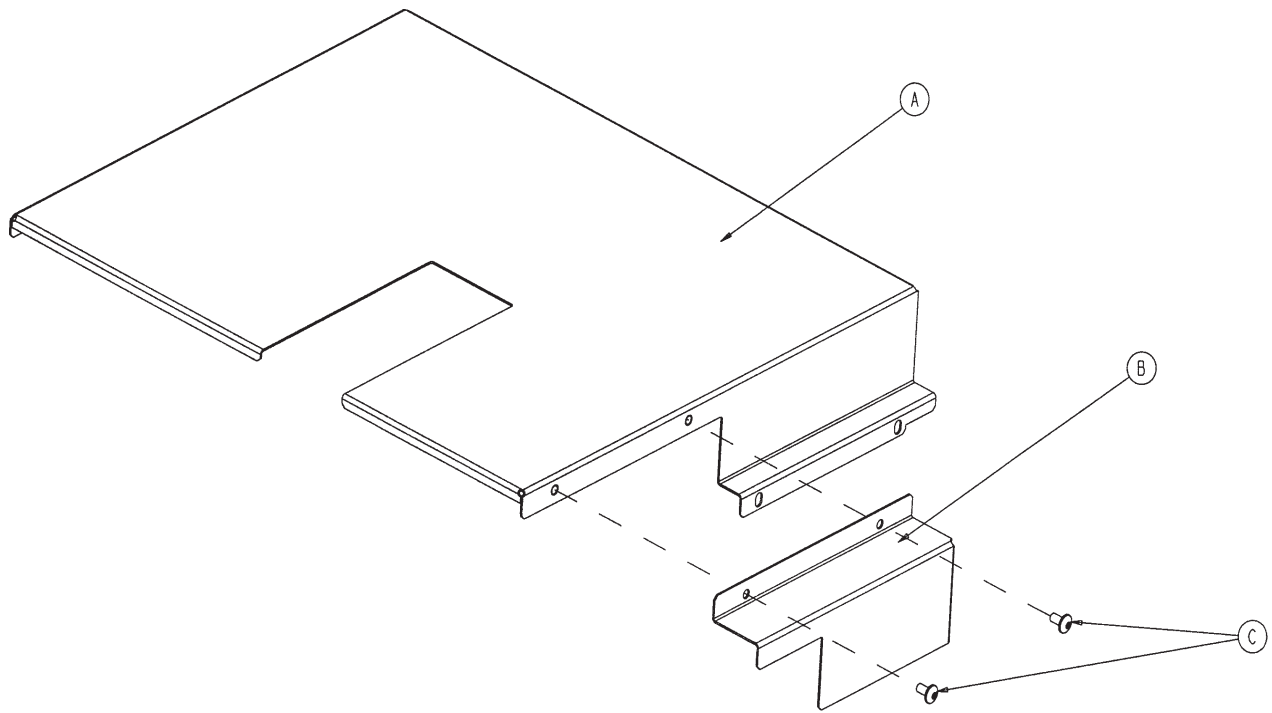
2030-030-203 EPIC II®+ Head Wall w/Nurse Call and 2 Stryker Ports

Item	Part No.	Part Name	Qty.
SA	0001-087-000	Flat Hd. Mach. Screw	2
SE	0030-027-000	Strain Relief Grommet	1
SF	0052-783-000	U Clip	2
SG	0059-175-000	Head Wall Interface Cable	1
SH	0059-710-000	Static Cap	1
SJ	2035-030-805	Pend. Port Cable, 2 Ports	1
	2030-031-203	Hd. Wall W/NC & 2 Ports	1
SP	5010-080-020	9V Battery Box W/Cable	1

Notes

Actuator Box Cover Assembly

For Reference Only: 2035-432-075

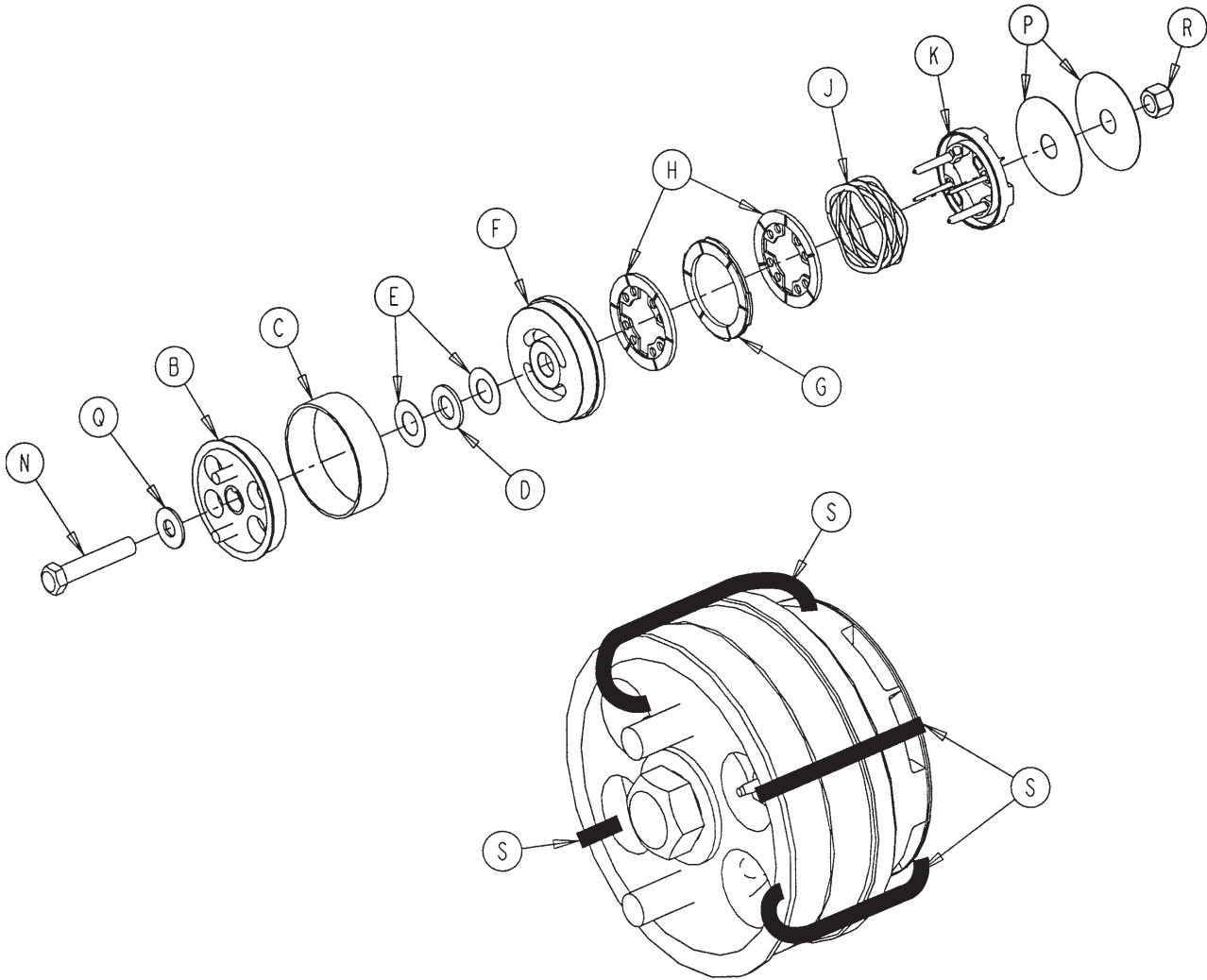


Item	Part No.	Part Name	Qty.
A	2035-332-075	Main Actuator Box Cover	1
B	2035-332-076	Actuator Box Side Cover	1
C	0007-058-000	Truss Hd. Torx	2

[Return To Table of Contents](#)

Fowler Brake Kit Assembly

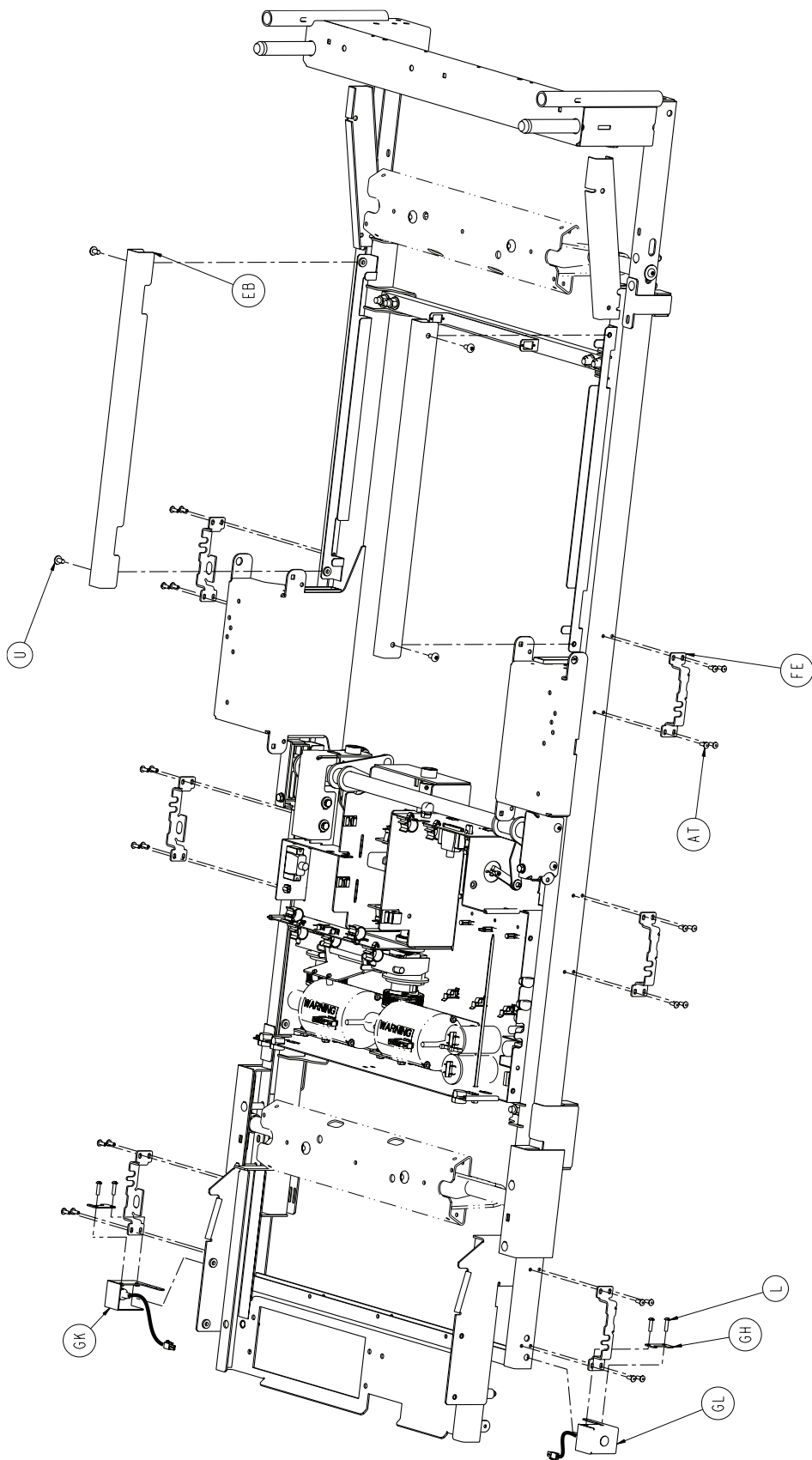
3001-300-775



Item	Part No.	Part Name	Qty.
B	3001-300-455	CPR Coupler Assembly	1
C	3000-300-465	CPR Clutch Spring	1
D	0081-212-000	Thrust Needle Roller Brg.	1
E	3000-200-224	Idler Gear Thrust Washer	2
F	3001-300-569	Brake Cup	1
G	3001-300-552	CPR Brake Disc	1
H	3001-300-551	CPR Spring Cup	2
J	3001-300-563	CPR Brake Spring	1
K	3001-300-570	CPR Spring Cup	1
N	0003-064-000	Hex Hd. Cap Screw	1
P	3000-200-245	Flat Washer	2
Q	0011-193-000	Heavy Flat Washer	1
R	0016-012-000	Nylock Nut	1
S	3000-300-138	Wire Tie	4

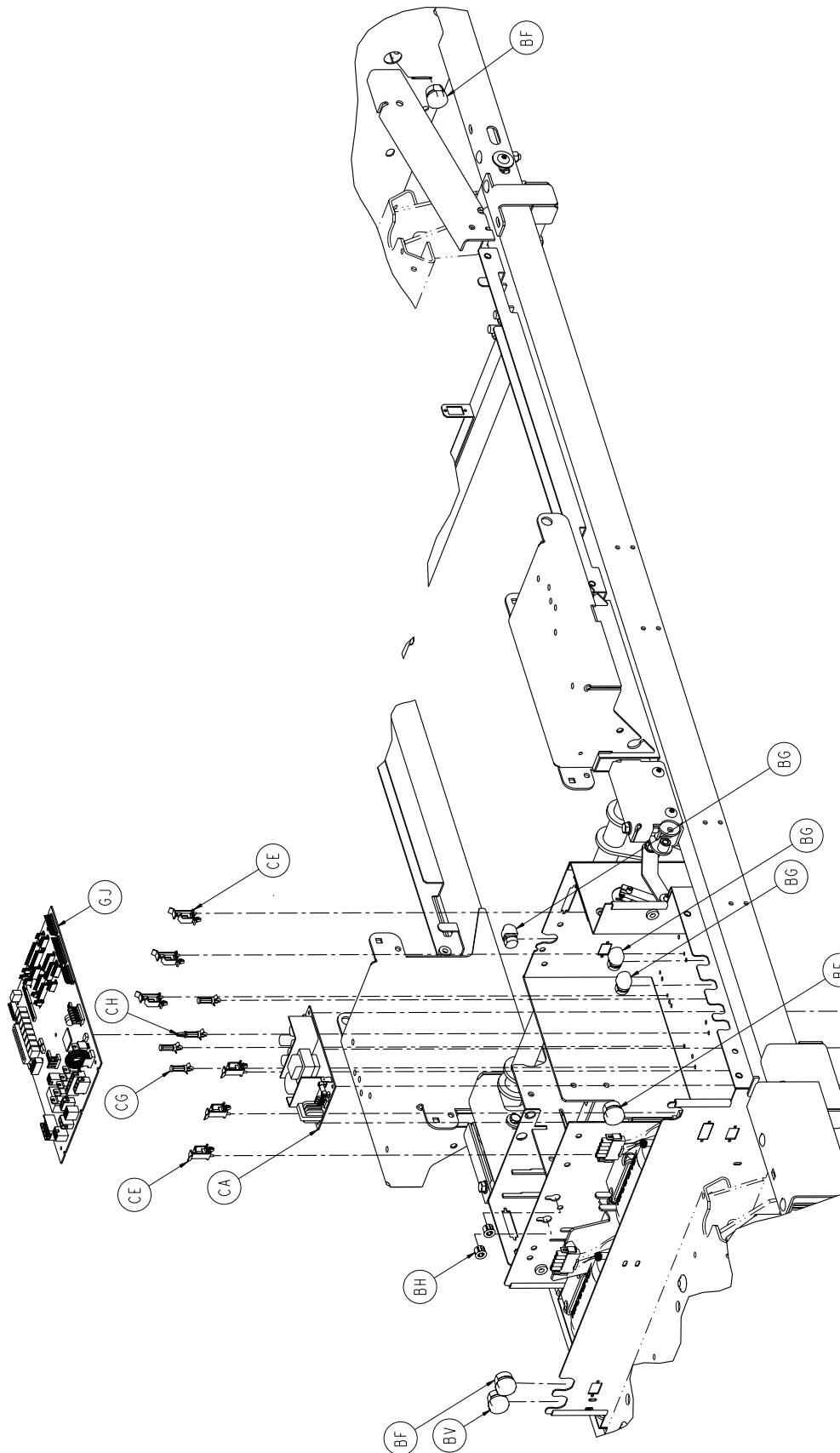
Litter Assembly, iBED Awareness Option, Stdrd. Components

For Reference Only: 2032-331-010

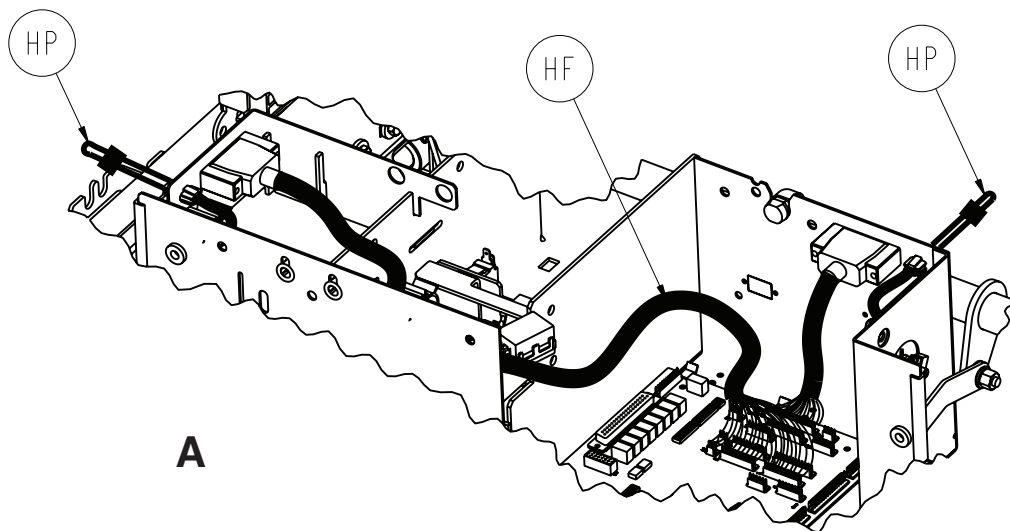
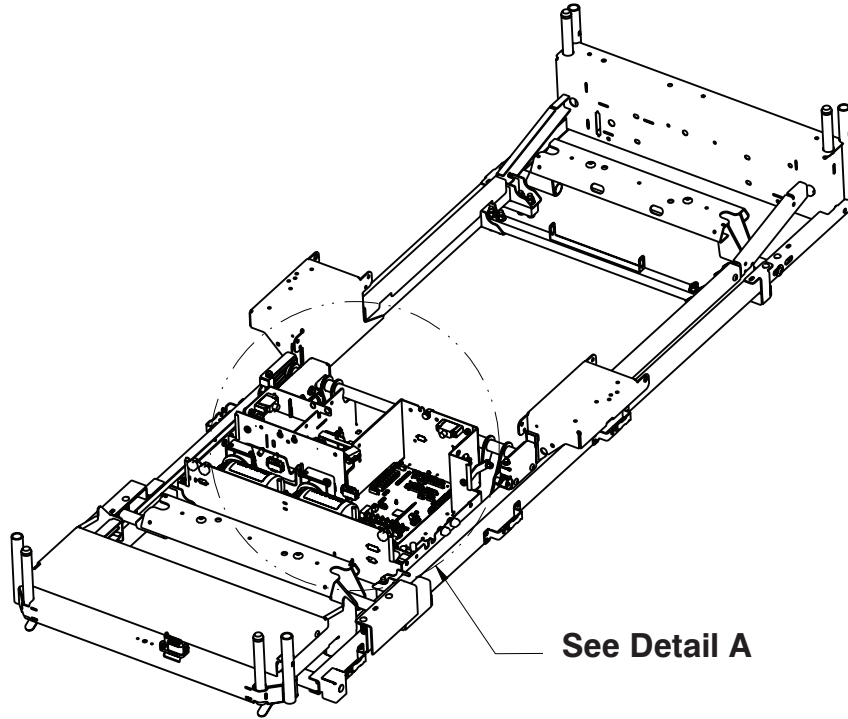


[Return To Table of Contents](#)

Litter Assembly, iBED Awareness Option, Std. Components

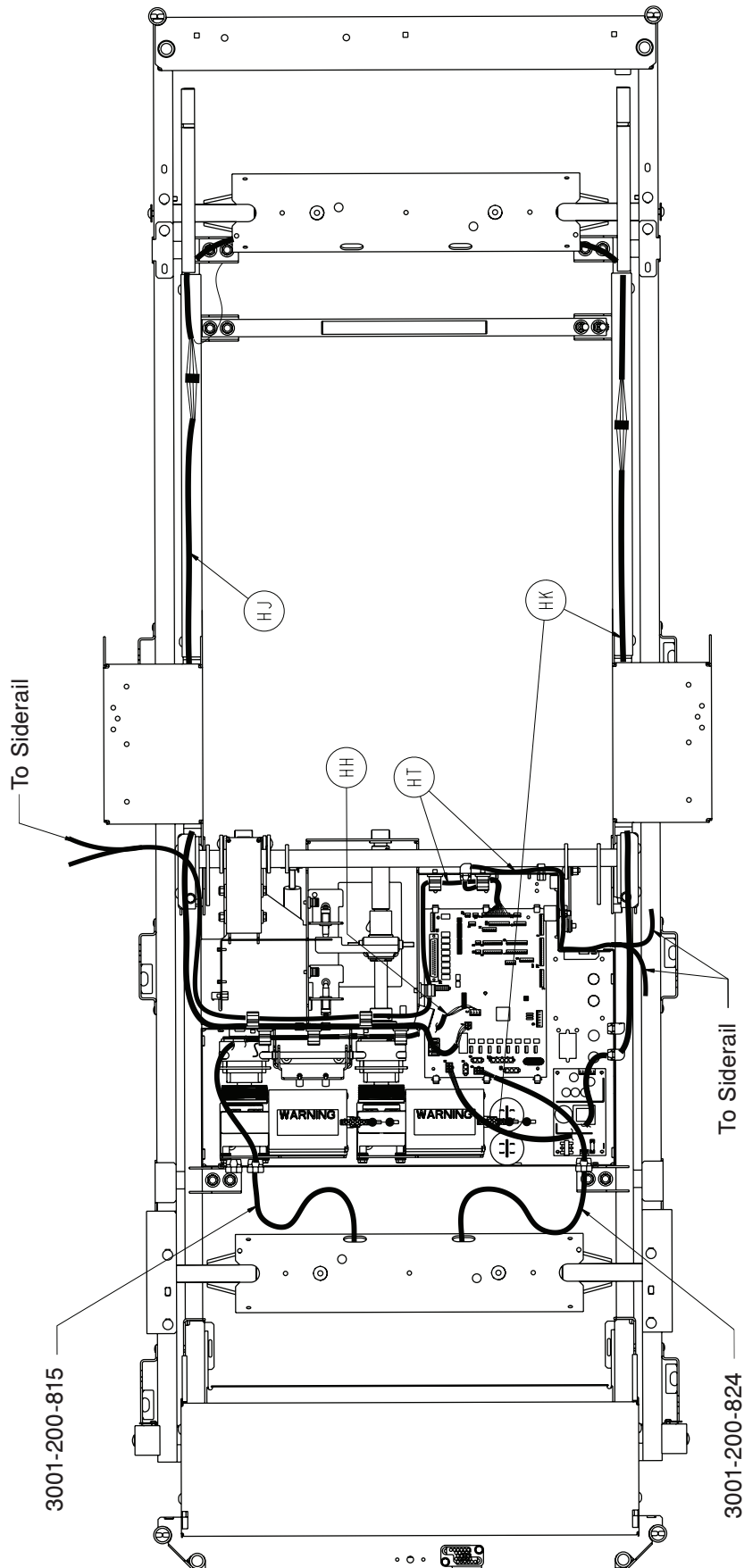


Litter Assembly, iBED Awareness Option, Stdrd. Components

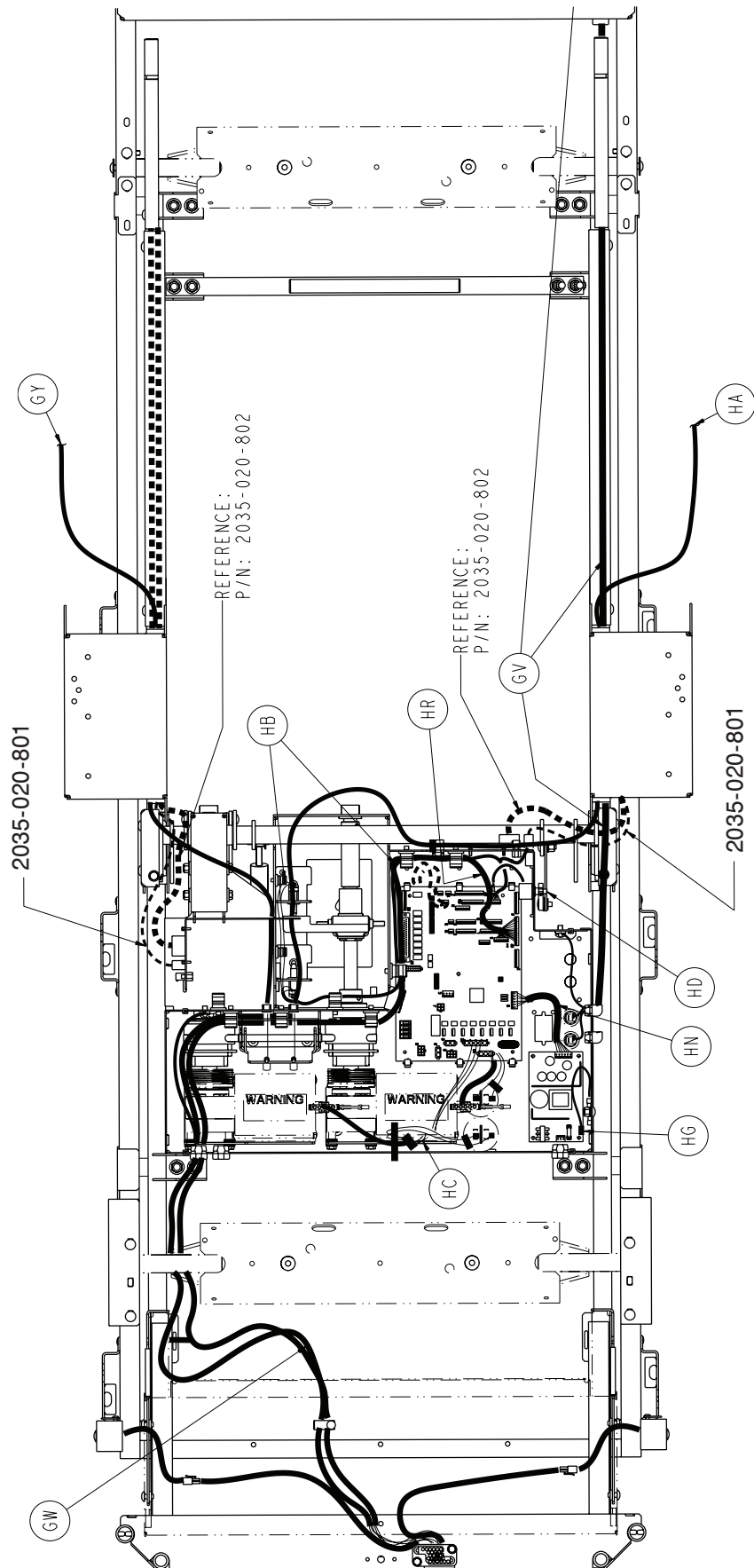


[Return To Table of Contents](#)

Litter Assembly, iBED Awareness Option, Std. Components

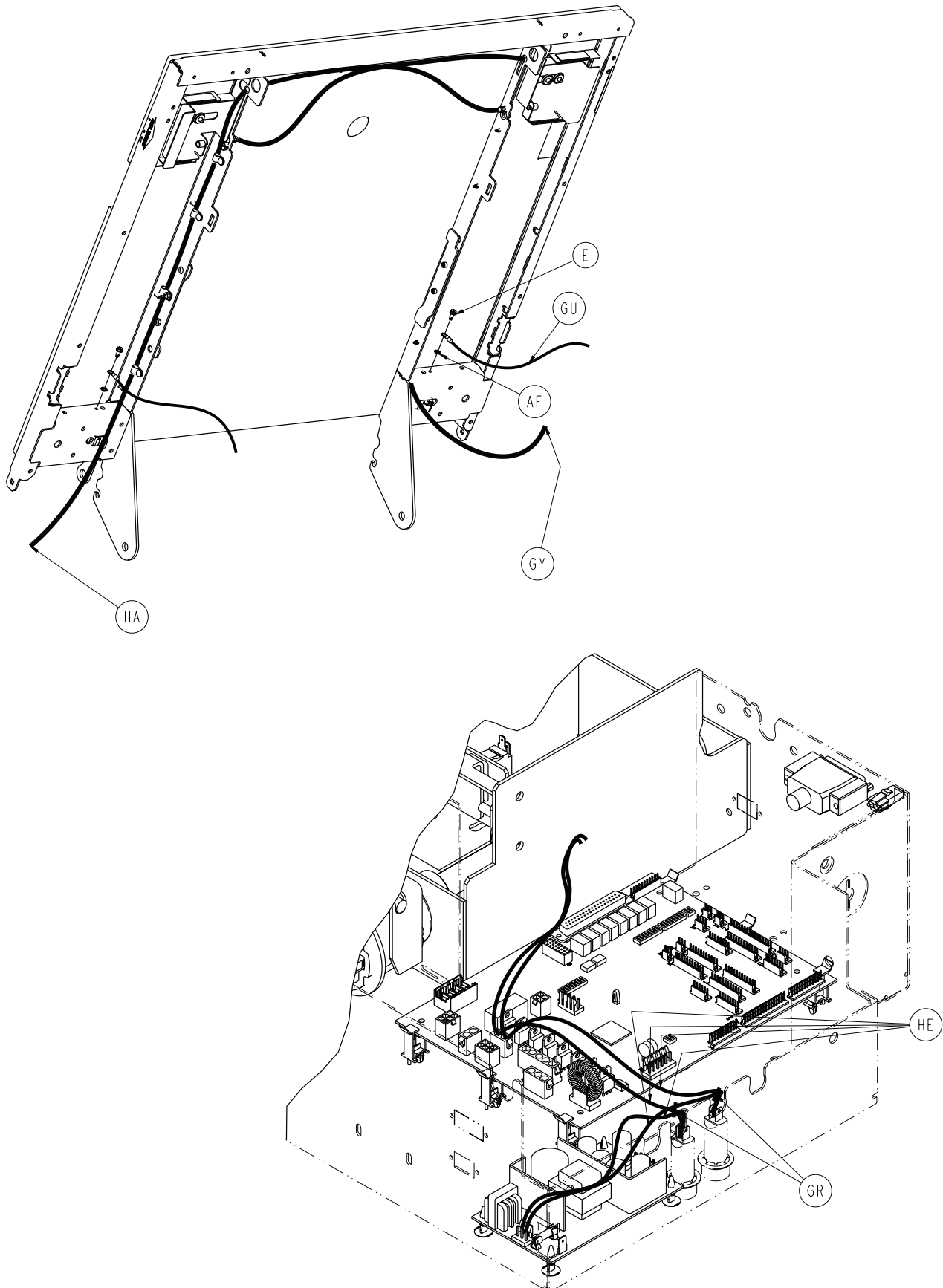


Litter Assembly, iBED Awareness Option, Stdrd. Components



[Return To Table of Contents](#)

Litter Assembly, iBED Awareness Option, Std. Components



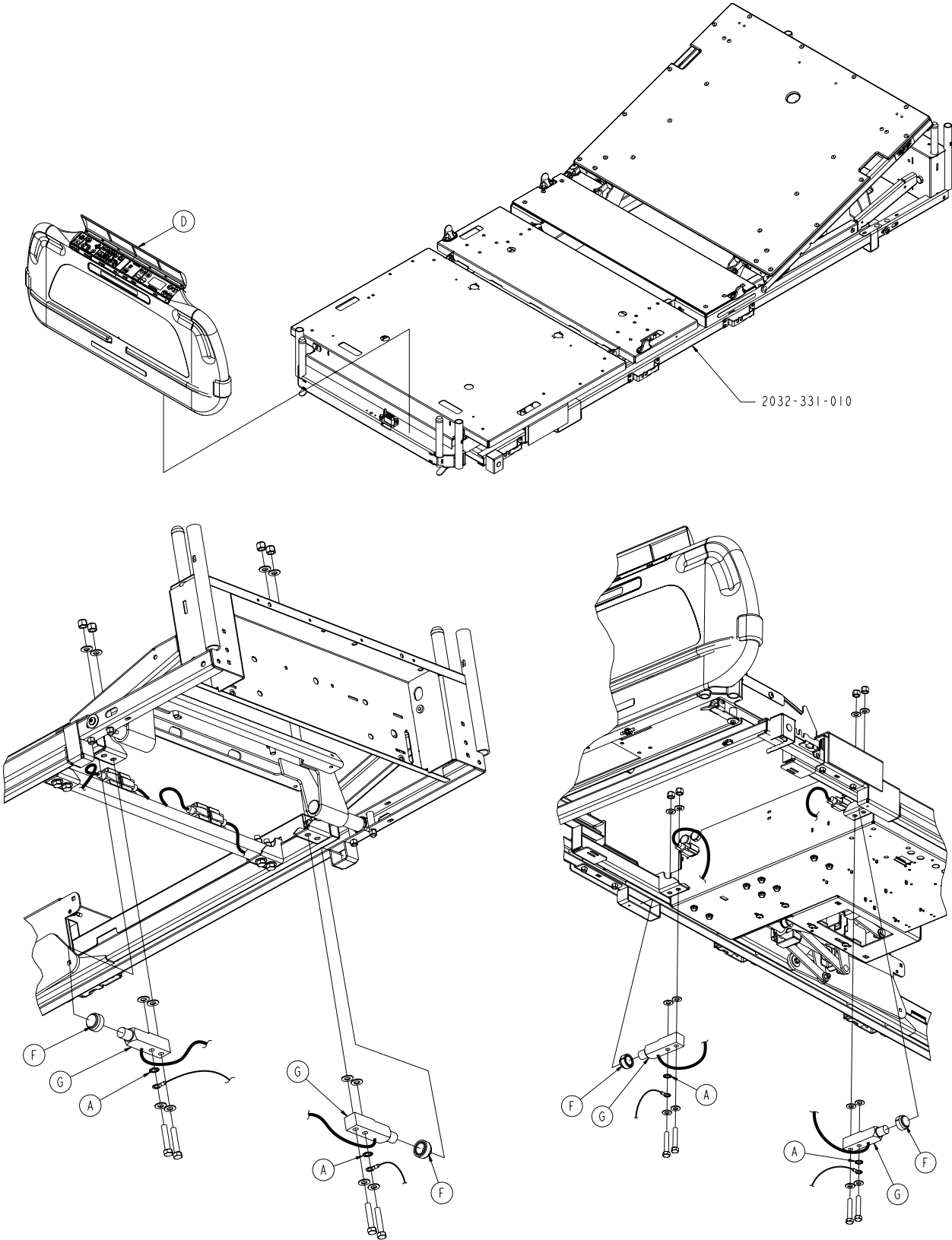
Litter Assembly, iBED Awareness Option, Std. Components

2032-331-010 EPIC, EPIC+, Litter Assembly, Standard Components, iAwareness Option

Item	Part No	Part Name	Qty.
E	0003-224-000	Hex Washer Head Screw	16
L	0004-443-000	Button Head Cap Screw	4
U	0007-058-000	Truss Head Torx Screw	25
AF	0013-018-000	External Tooth Lock Washer	16
AT	0025-050-000	Dome Head Rivet	24
BF	0030-045-000	Strain Relief	3
BG	0030-047-000	Right Angle Strain Relief	3
BH	0030-052-000	Snap Bushing	4
BV	0059-106-000	Strain Relief	1
CA	0059-157-000	Power Supply	1
CE	0059-751-000	Universal Board Mount	6
CG	0059-773-000	Push Spacer	3
CH	0059-774-000	Locking Circuit Board Support	1
EB	2035-031-100	Wire Channel Cover	2
FE	2040-031-056	Foley Holder	6
FJ	3000-300-115	Standoff	4
GH	3003-300-216	LBS Bracket Mount. Plate	1
GJ	3003-407-900	LBS CPU Assembly	1
GK	3004-300-225	LBS Indicator Ass'y, Right	1
GL	3004-300-230	LBS Indicator Ass'y, Left	1
GR	0038-111-000	Cable Tie	2
GU	3002-300-870	Ground Strap	8
GV	2035-031-801	Inlet/Fuse Cable	1
GW	2032-300-802	Footboard/CPU Cable	1
GY	2035-031-048	CPR Cable Assembly, Short	1
HA	2035-031-049	CPR Cable Assembly, Long	1
HB	2035-032-801	Gatch Limit Switch Cable	1
HC	2035-032-802	Fowler/CPU Jumper Cable	1
HD	2035-032-803	Fowler Pot Cable	1
HE	2035-032-804	Fuse/PCB Cable	1
HF	3001-300-877	Siderail Extension Cable	1
HG	5010-080-007	Cable Power Supply Ground	1
HH	2030-031-801	Foot Pot Extension Cable	1
HJ	2030-031-802	Head Pot Extension Cable	1
HK	2030-031-803	Head Lift Motor Extension	1
HN	2035-032-805	Cable CPU/Power Supply	1
HP	2035-020-805	Siderail Limit Switch bypass Cable	2
HR	2032-300-801	Footboard to CPU Cable, Epic	1
HT	2032-400-804	CPU to Siderail Cable	1

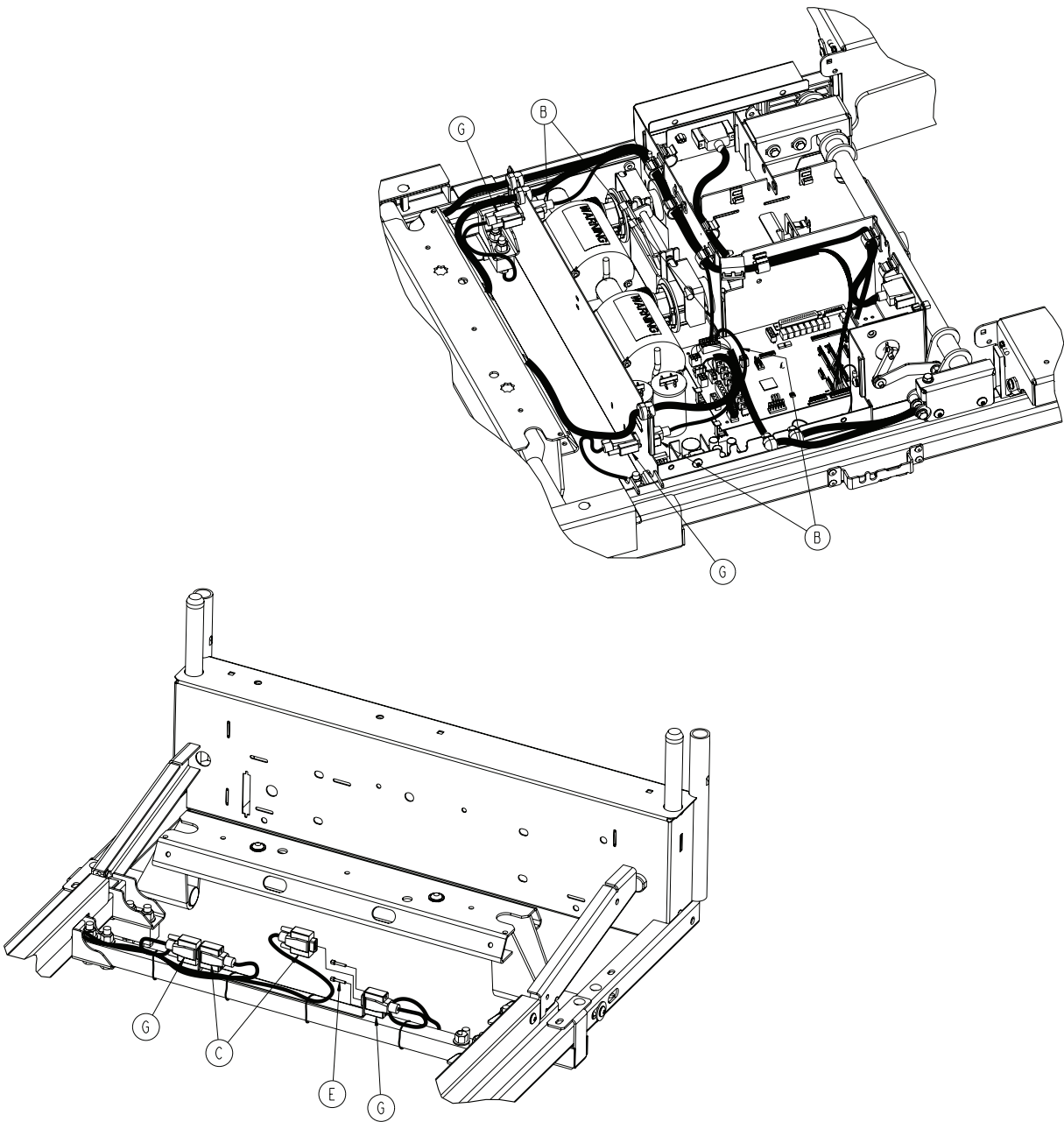
Litter Assembly, iBED Awareness Option w/Scale & Bed Exit

2032-140-150



Litter Assembly, iBED Awareness Option w/Scale & Bed Exit

2032-140-150

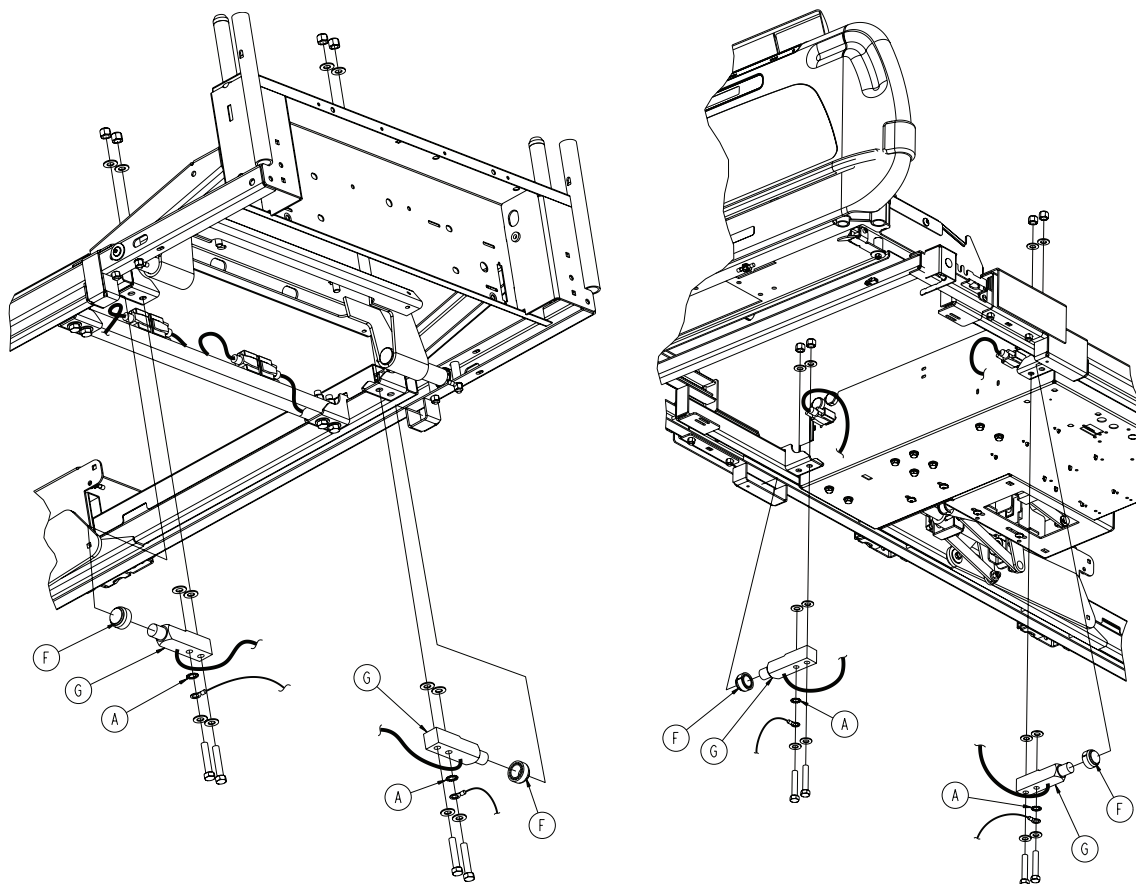
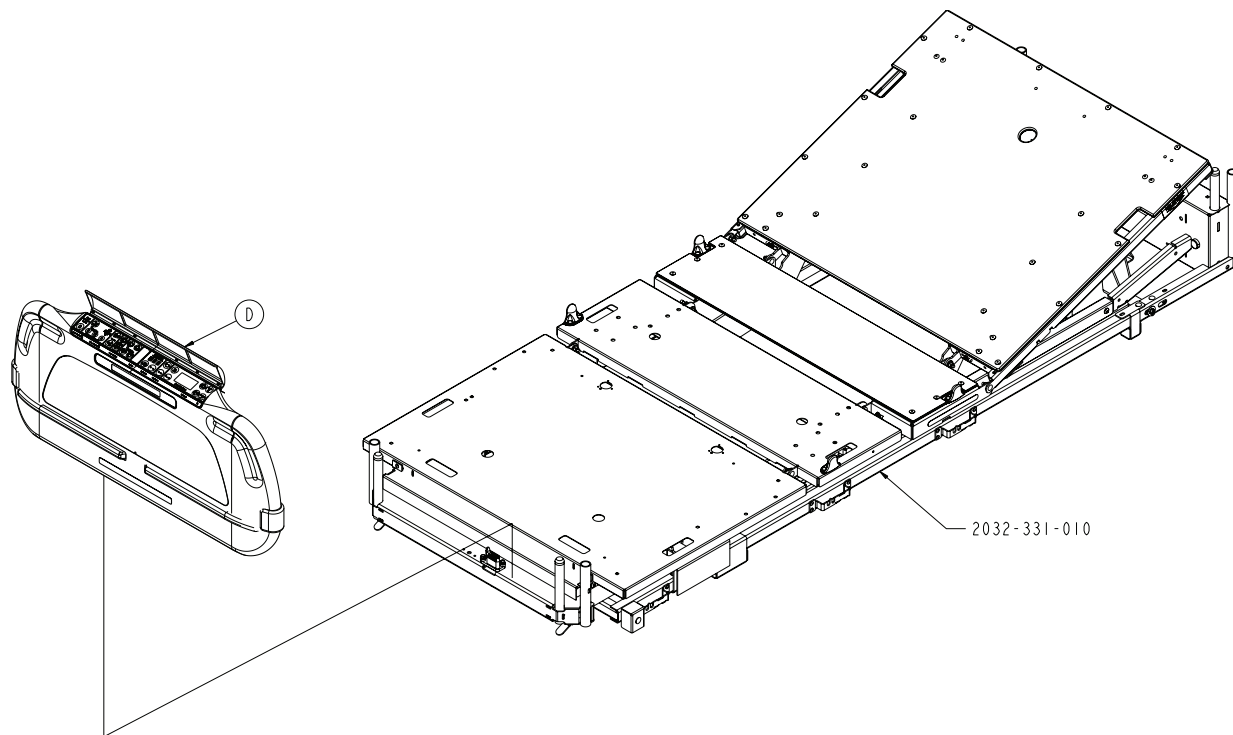


Item	Part No.	Part Name	Qty.
A	0013-032-000	External Tooth Lock Washer	4
B	2030-317-804	Foot End Load Cell Cable	2
C	2030-317-805	Head End Load Cell Cable	2
D	2032-500-012	LBS Single Zone Foot Board Assembly	1
E	3001-300-007	Screw	8
F	3002-300-353	Roller	4
G	3002-307-057	Load Cell	4

[Return To Table of Contents](#)

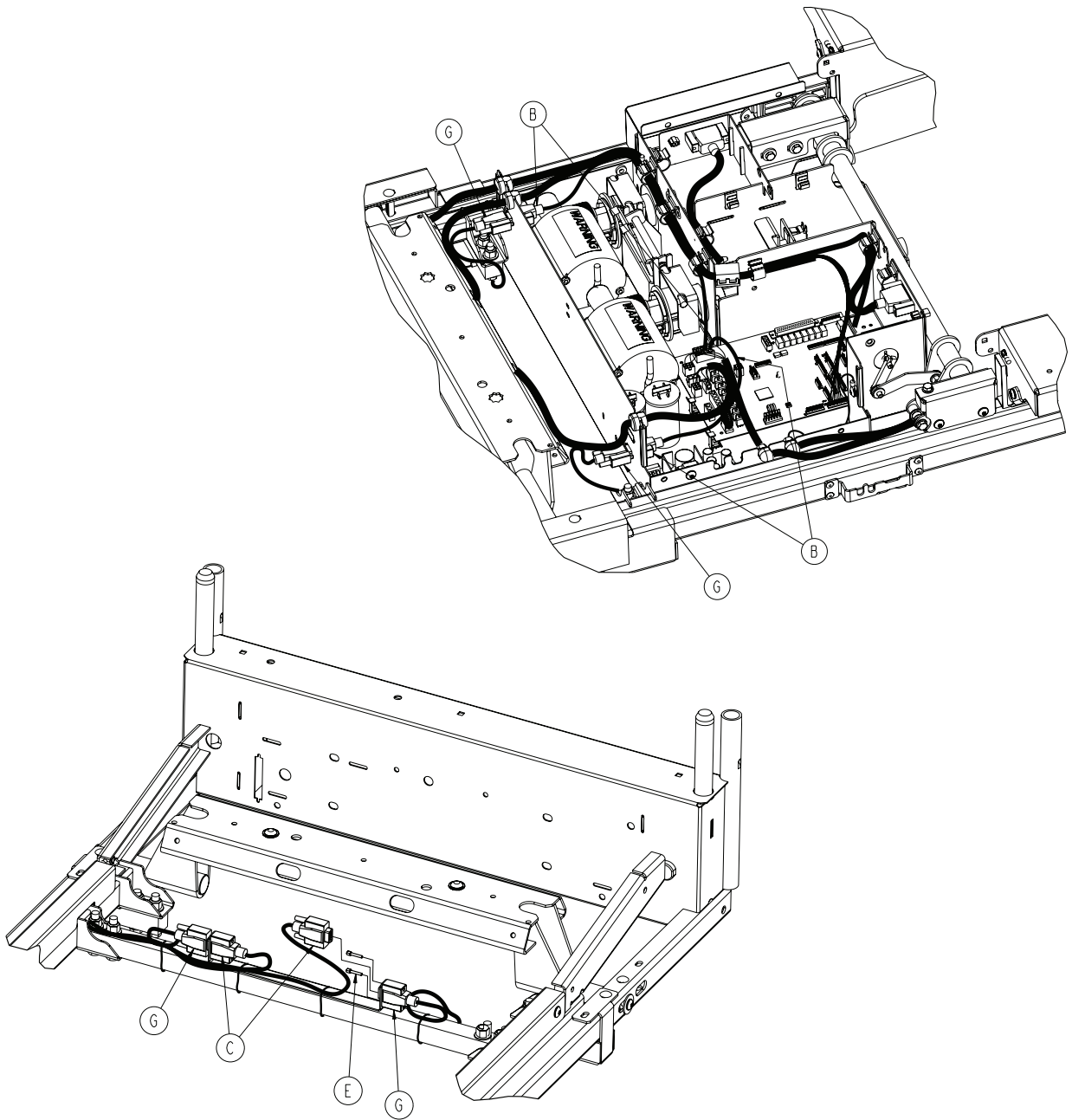
Litter Ass'y, iBED Awareness Option w/Scale/Bed Exit/Zone Cntrl

2032-140-250



Litter Ass'y, iBED Awareness Option w/Scale/Bed Exit/Zone Cntrl

2032-140-250

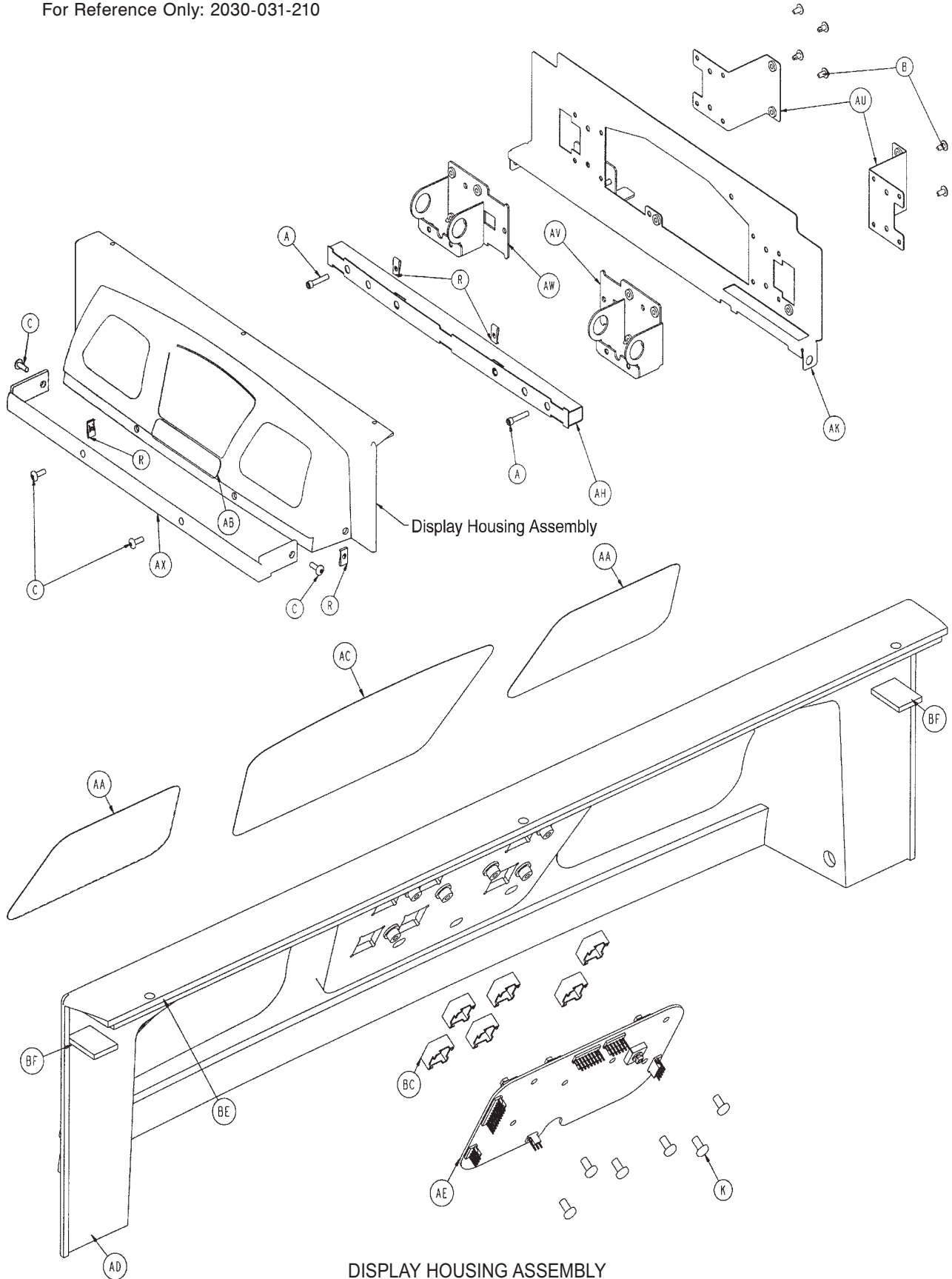


Item	Part No.	Part Name	Qty.
A	0013-032-000	External Tooth Lock Washer	4
B	2030-317-804	Foot End Load Cell Cable	2
C	2030-317-805	Head End Load Cell Cable	2
D	2032-500-011	LBS Multi Zone Foot Board Assembly	1
E	3001-300-007	Screw	8
F	3002-300-353	Roller	4
G	3002-307-057	Load Cell	4

[Return To Table of Contents](#)

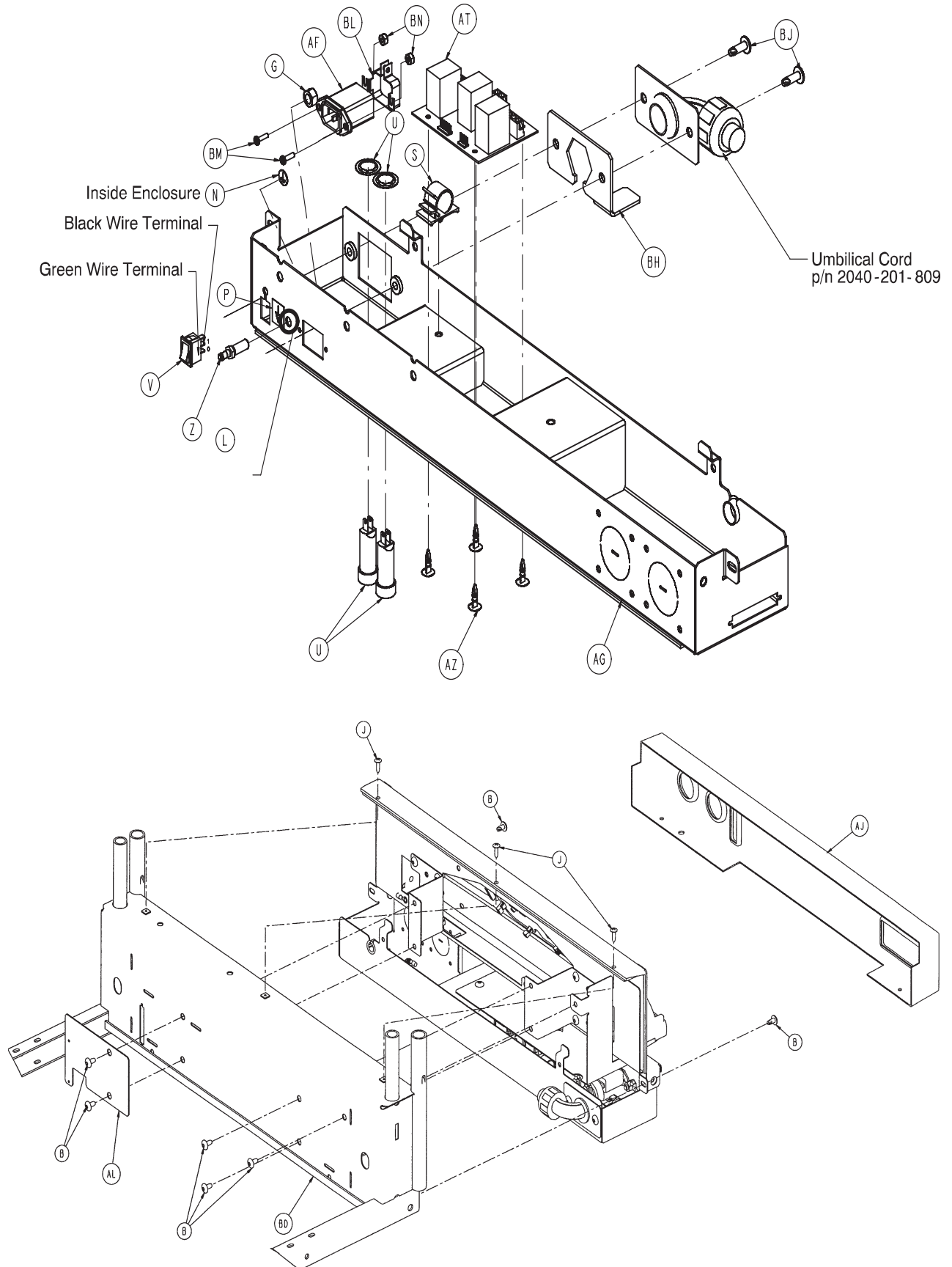
EPIC II[®]+, Optional Litter Assembly

For Reference Only: 2030-031-210



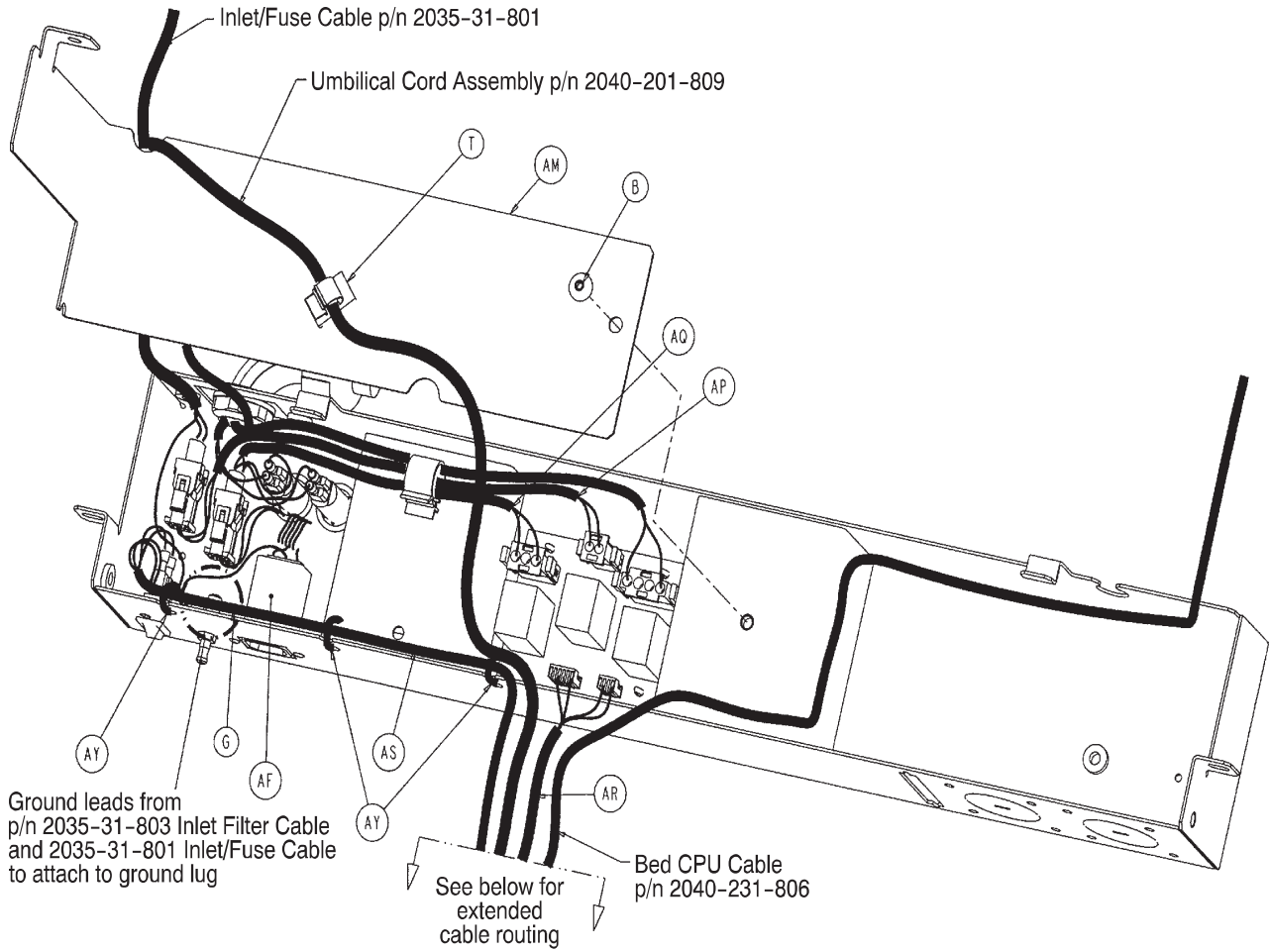
DISPLAY HOUSING ASSEMBLY

EPIC II[®]+, Optional Litter Assembly

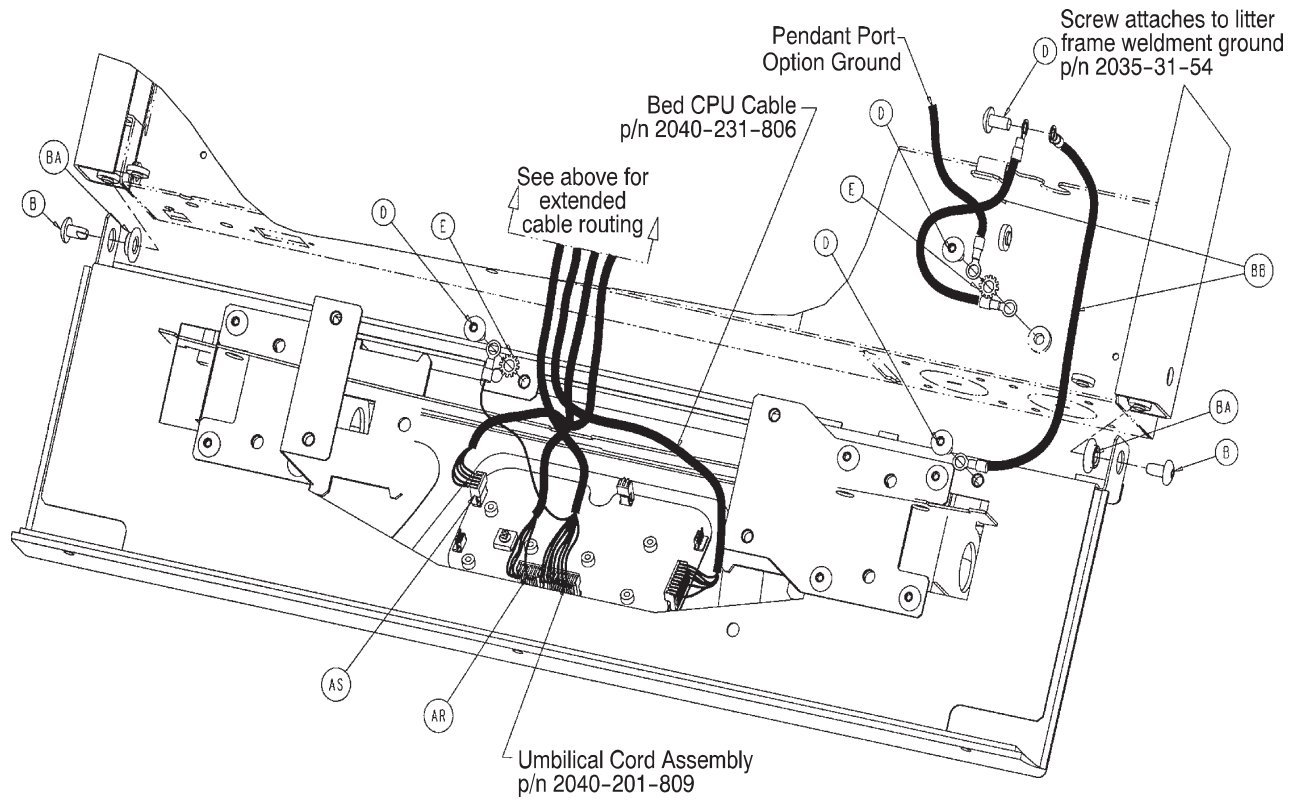


[Return To Table of Contents](#)

EPIC II[®]+, Optional Litter Assembly

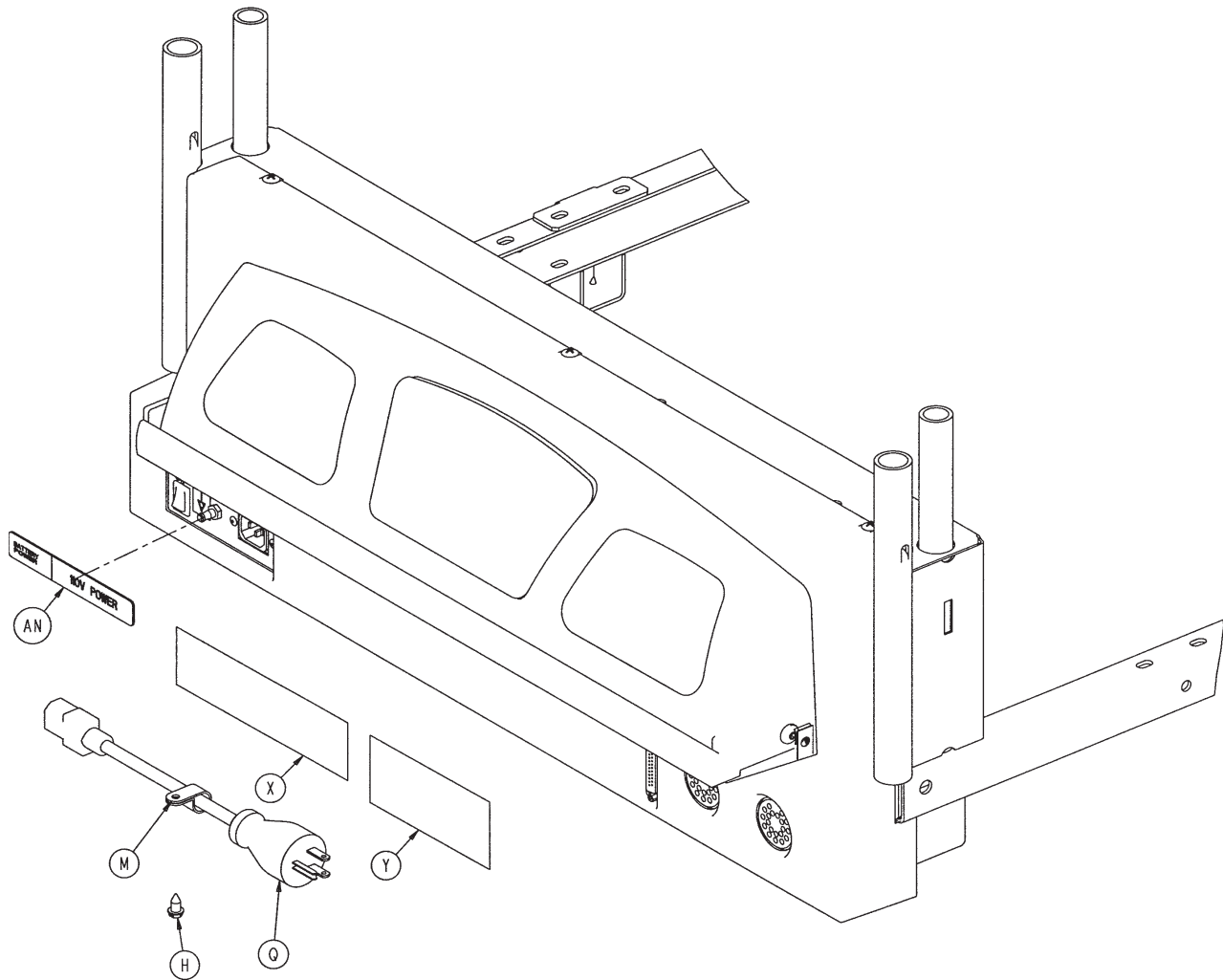


EPIC II[®]+, Optional Litter Assembly



[Return To Table of Contents](#)

EPIC II[®]+, Optional Litter Assembly

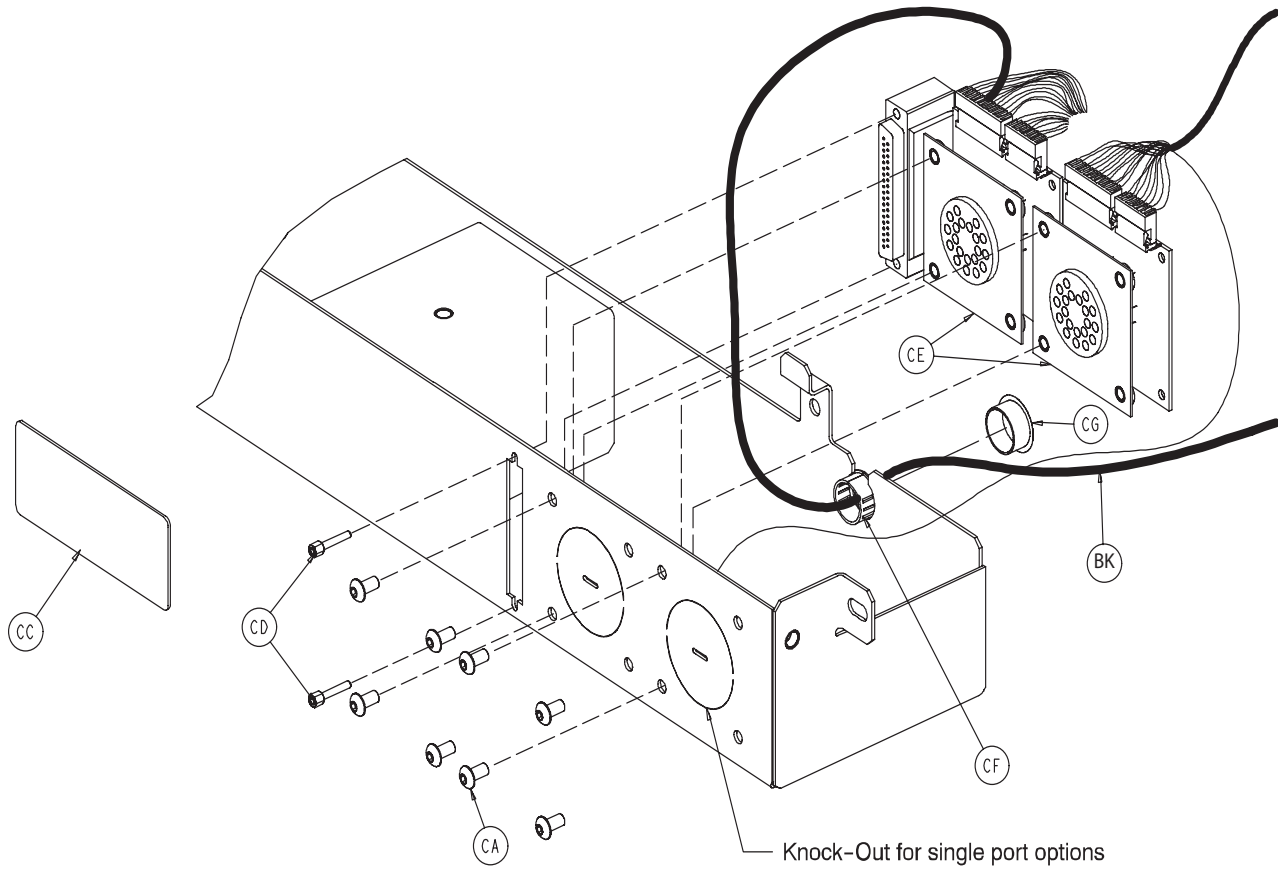


Item	Part No.	Part Name	Qty.
A	0004-142-000	Soc. Hd. Cap Screw	2
B	0007-052-000	Truss Hd. Torx	18
C	0007-056-000	Truss Hd. Torx	4
D	0007-058-000	Truss Hd. Torx	4
E	0013-010-000	External Tooth Lock Washer	5
G	0016-033-000	Kep Nut	2
H	0023-025-000	Hex Washer Hd. Screw	1
J	0023-080-000	Truss Hd. Screw	3
K	0023-112-000	Pan Hd. Screw	6
M	0034-022-000	Cord Clamp	1
N	0036-046-000	Ground Label	1
P	0036-115-000	Ground Label	1
Q	0039-254-000	Power Cord	1
R	0055-027-000	"U" Type Nut	4
S	0059-133-000	Push-Mount Wire Clip	1
T	0059-136-000	Push-Mount Wire Clip	1
U	0059-195-000	3.0 A Circuit Breaker	2

EPIC II[®]+, Optional Litter Assembly

Item	Part No.	Part Name	Qty.
V	0059-191-000	On/Off Switch	1
X	1550-090-001	Hospital Plug Label	1
Y	2011-001-104	Anesthetics Danger Label	1
AA	2030-031-007	EPIC II [®] + Logo Label	2
AB	2030-031-009	Instruction Label	1
AC	2030-031-010	EPIC II [®] + Head End Label	1
AD	2030-031-208	Top Display Housing	1
AE	2030-031-910	Display/CPU Board	1
AG	2040-031-053	Bottom Head End Enclosure	1
AH	2040-031-054	Bumper Attachment Weldment	1
AK	2040-031-063	Top Head End Enclosure	1
AL	2040-031-077	Cover Plate	1
AM	2040-031-092	Head End Electronics Cover	1
AN	2040-031-103	Power Label	1
AP	2040-031-807	Bed AC Power Jumper Cable	1
AQ	2040-031-808	Charger AC Jumper Cable	1
AR	2040-031-809	CPU/Crossover PCB Jumper Cable	1
AS	2040-031-810	On/Off Cable	1
AT	2040-031-900	AC Switchover PCB	1
AU	2040-231-075	Head End Reinforcement Bracket	2
AV	2040-031-110	Pivot Bracket, Right	1
AW	2040-031-111	Pivot Bracket, Left	1
AX	2040-231-069	Display Bumper	1
AY	3000-300-114	4" Wire Tie	3
AZ	3000-300-115	Standoff	4
BA	3001-300-099	Pivot Bearing	2
BB	3001-300-870	8" Ground Strap	2
BC	3001-400-953	Switch Cap	6
BD	7000-001-326	Foam Tape (26.75")	1
BE	8800-380-000	Foam Tape (26.25")	1
BF	8800-380-000	Foam Tape (1.25")	2
BH	2040-031-805	Umbilical Cord Support Plate	1
BJ	0007-065-000	Truss Hd. Torx	2
BK	2035-031-806	Headwall Interface Cable	1
BL	0059-205-000	Connector Lock	1
BM	0050-032-000	Pan Head Screw	2
BN	0016-023-000	Nylock Hex Nut	2

EPIC II[®]+, Optional Litter Assembly



2030-031-200 Head Wall Communication Option

Item	Part No	Part Name	Qty.
CD	3001-300-007	M/F Screw	2
CF	0030-038-000	Grommet	1

2030-031-201 Head Wall Comm. W/Nurse Call

Item	Part No	Part Name	Qty.
CD	3001-300-007	M/F Screw	2
CF	0030-038-000	Grommet	1

2030-031-202 HW Comm. W/NC & 1 Stryker Port

Item	Part No	Part Name	Qty.
CA	0004-307-000	But. Hd. Cap Screw	4
CB	0013-010-000	Ext. Tooth Lock Washer	2
CC	2040-031-104	Cord Out Label	1
CD	3001-300-007	M/F Screw	2
CE	3001-314-920	Head Wall Pend. Port PCB	1
CF	0030-038-000	Grommet	1

2030-031-203 HW Comm. W/NC & 2 Stryker Ports

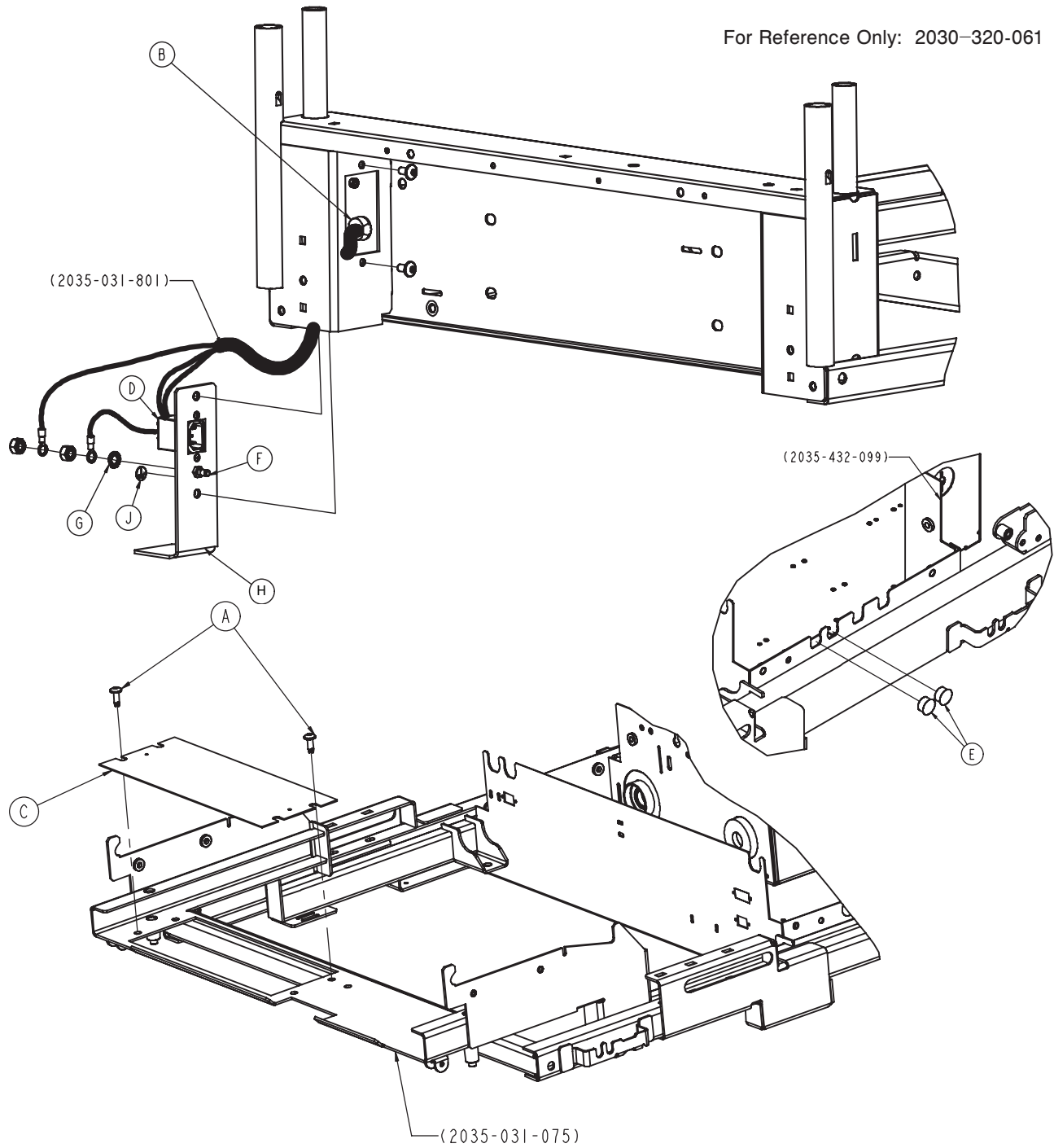
Item	Part No	Part Name	Qty.
CA	0004-307-000	But. Hd. Cap Screw	8
CB	0013-010-000	Ext. Tooth Lock Washer	2
CC	2040-031-104	Cord Out Label	1
CD	3001-300-007	M/F Screw	2
CE	3001-314-920	Head Wall Pend. Port PCB	2
CF	0030-038-000	Grommet	1

2030-031-204 No Head Wall Options

Item	Part No	Part Name	Qty.
CG	0037-030-000	Hole Plug	1

EPIC II[®], No Optional 110V Outlet Assembly

For Reference Only: 2030-320-061

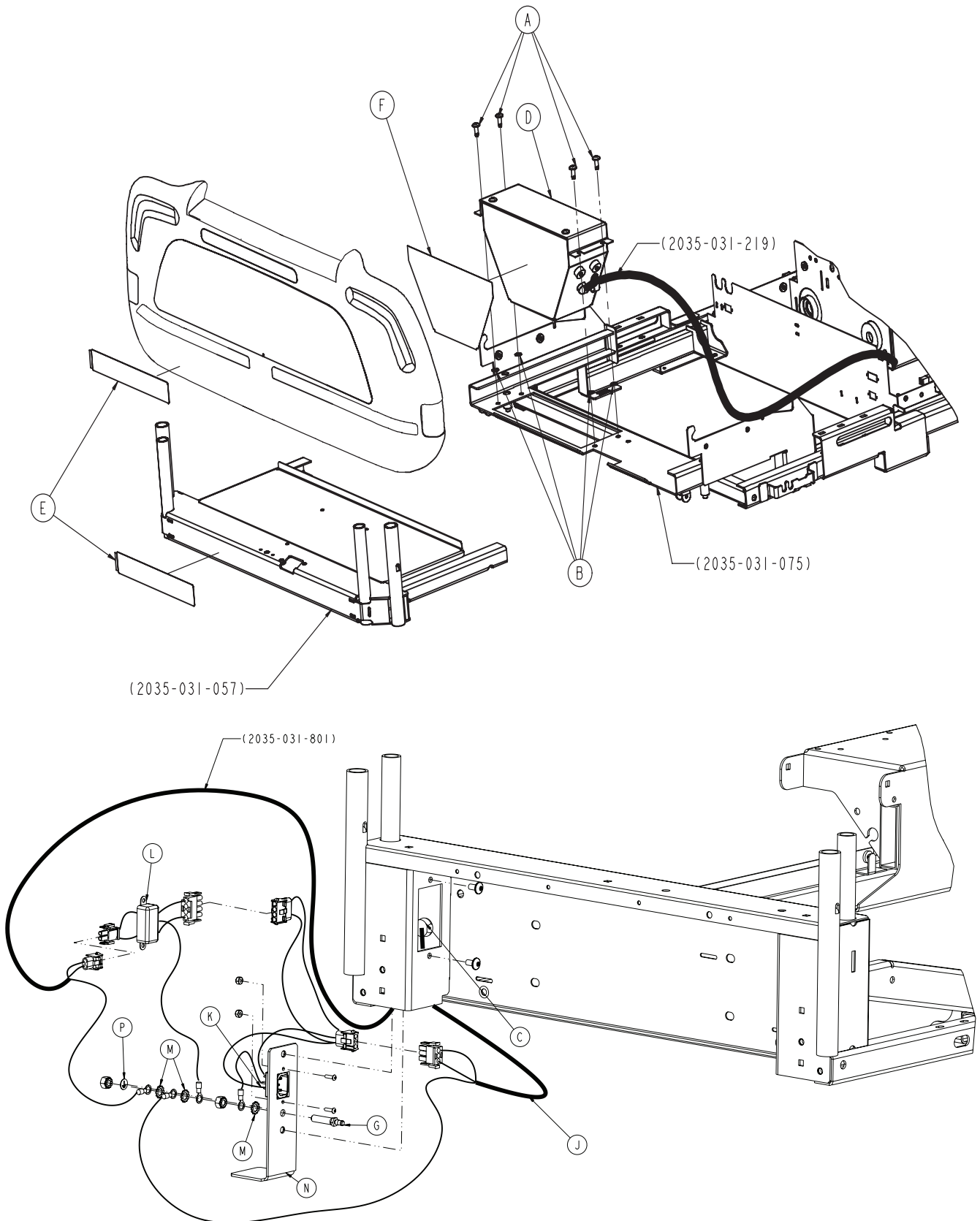


Item	Part No.	Part Name	Qty.
A	0007-058-000	Truss Hd. Screw	2
B	0030-027-000	Strain Relief Bushing	1
C	2035-031-203	Foot Cross Brace Cover	1
D	2035-031-880	Power Inlet Cable	1
E	0037-085-000	Hole Plug	2
F	2011-001-215	Grounding Lug	1
G	0013-038-000	Washer	1
H	2035-231-070	Mounting Plate, A/C Filter	1
J	0036-046-000	Ground Label	1

[Return To Table of Contents](#)

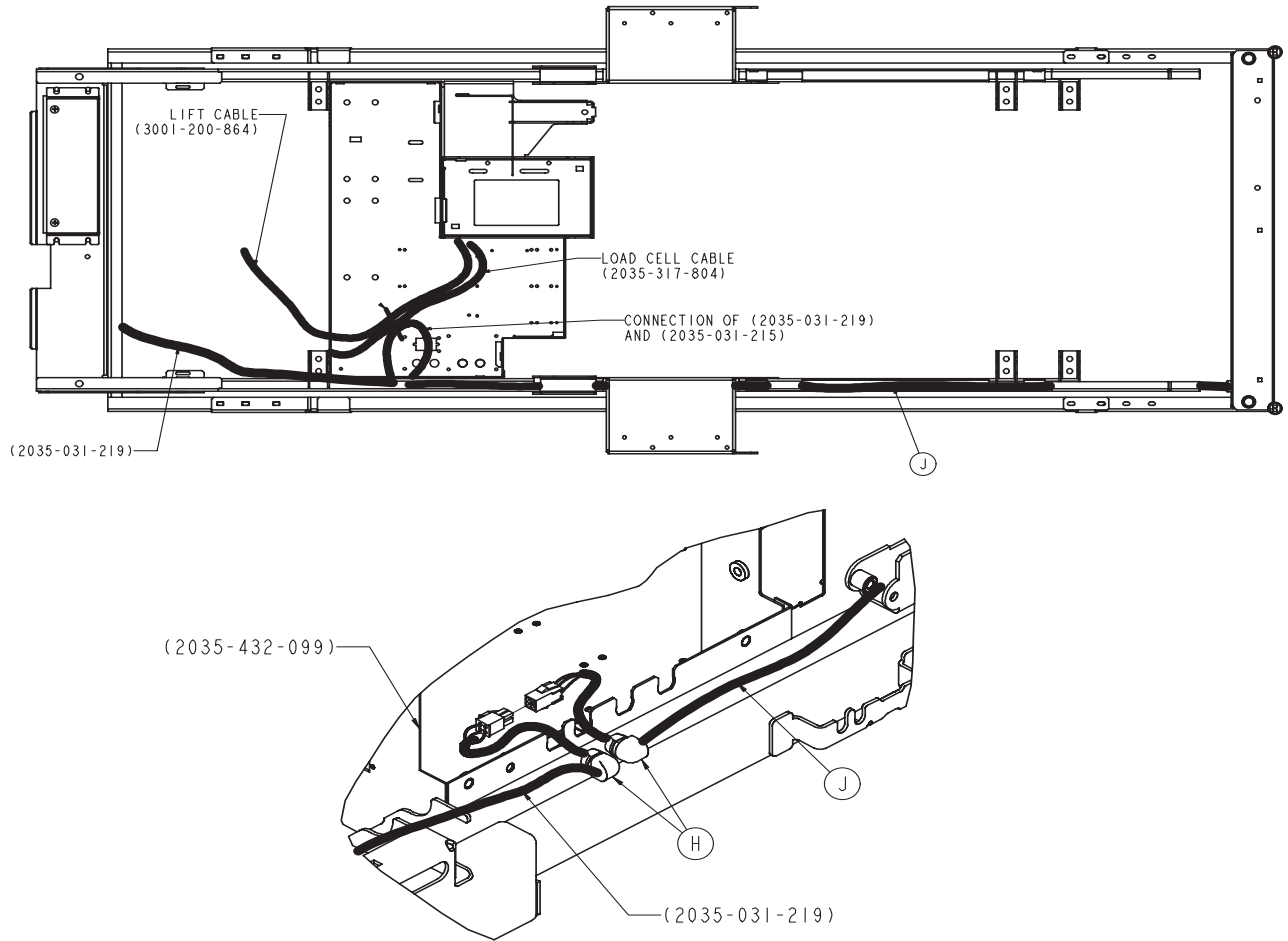
EPIC II[®], Optional 110V Outlet Assembly

For Reference Only: 2030-320-060



[Return To Table of Contents](#)

EPIC II[®], Optional 110V Outlet Assembly

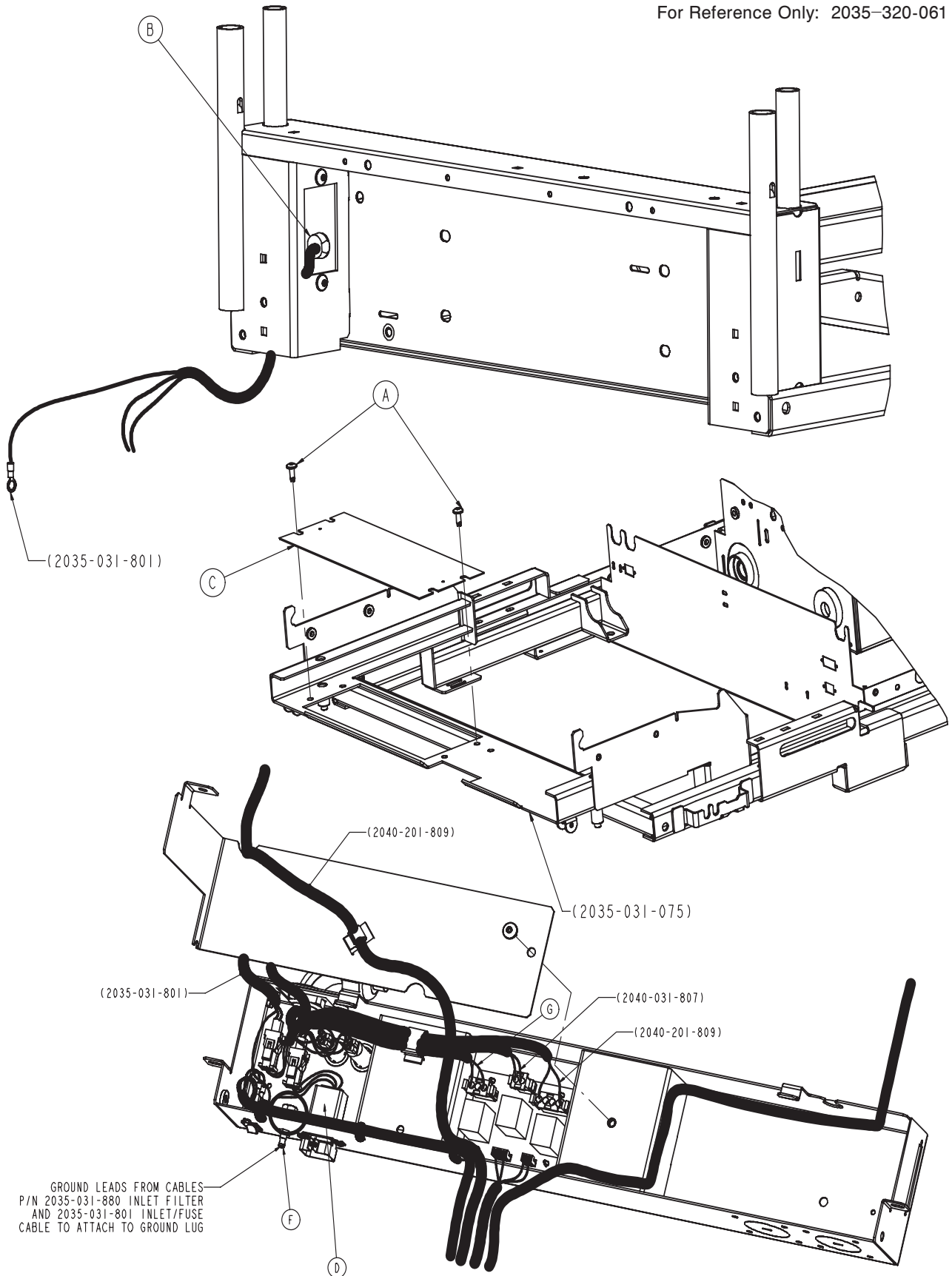


Item	Part No.	Part Name	Qty.
A	0007-058-000	Truss Hd. Screw	4
B	0013-010-000	External Tooth Lock Washer	4
C	0059-106-000	Heyco	1
D	2035-031-220	110V Box Assembly (pg. 151)	1
E	2035-031-204	110V Outlet Caution Label	2
F	2035-031-205	EPIC II [®] Box Label	1
G	2030-001-215	Lug	1
H	0030-047-000	Heyco	2
J	2035-031-215	110V Supply Cable	1
K	2035-031-216	110V Head End Cable	1
L	2035-031-218	EPIC II [®] 110V Filter	1
M	0013-038-000	Washer	3
N	2035-231-070	Mounting Plate, A/C Filter	1
P	0036-046-000	Ground Label	1

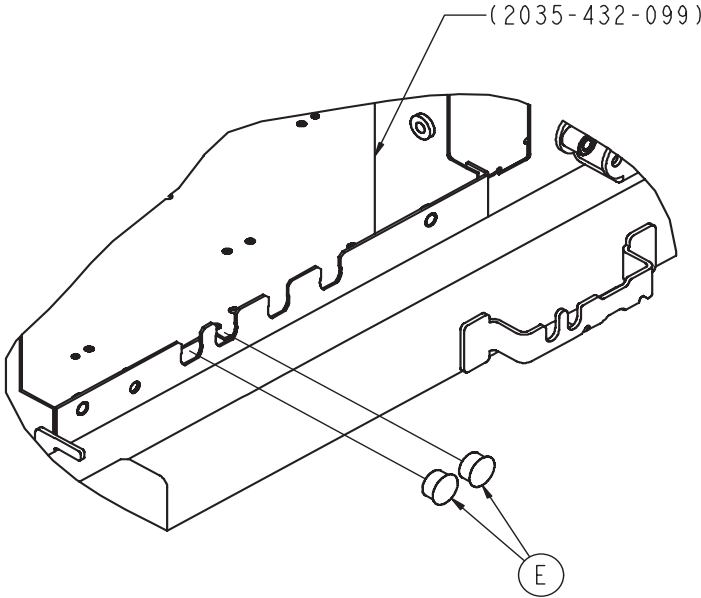
[Return To Table of Contents](#)

EPIC II[®]+, No Optional 110V Outlet Assembly

For Reference Only: 2035-320-061



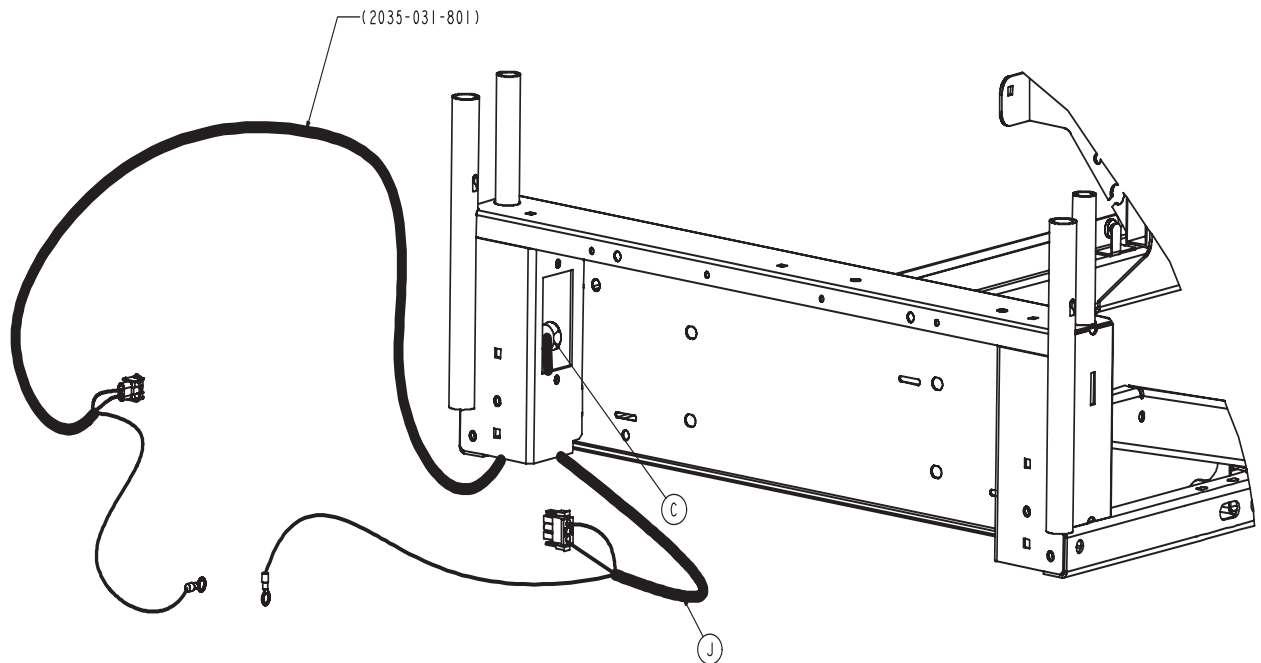
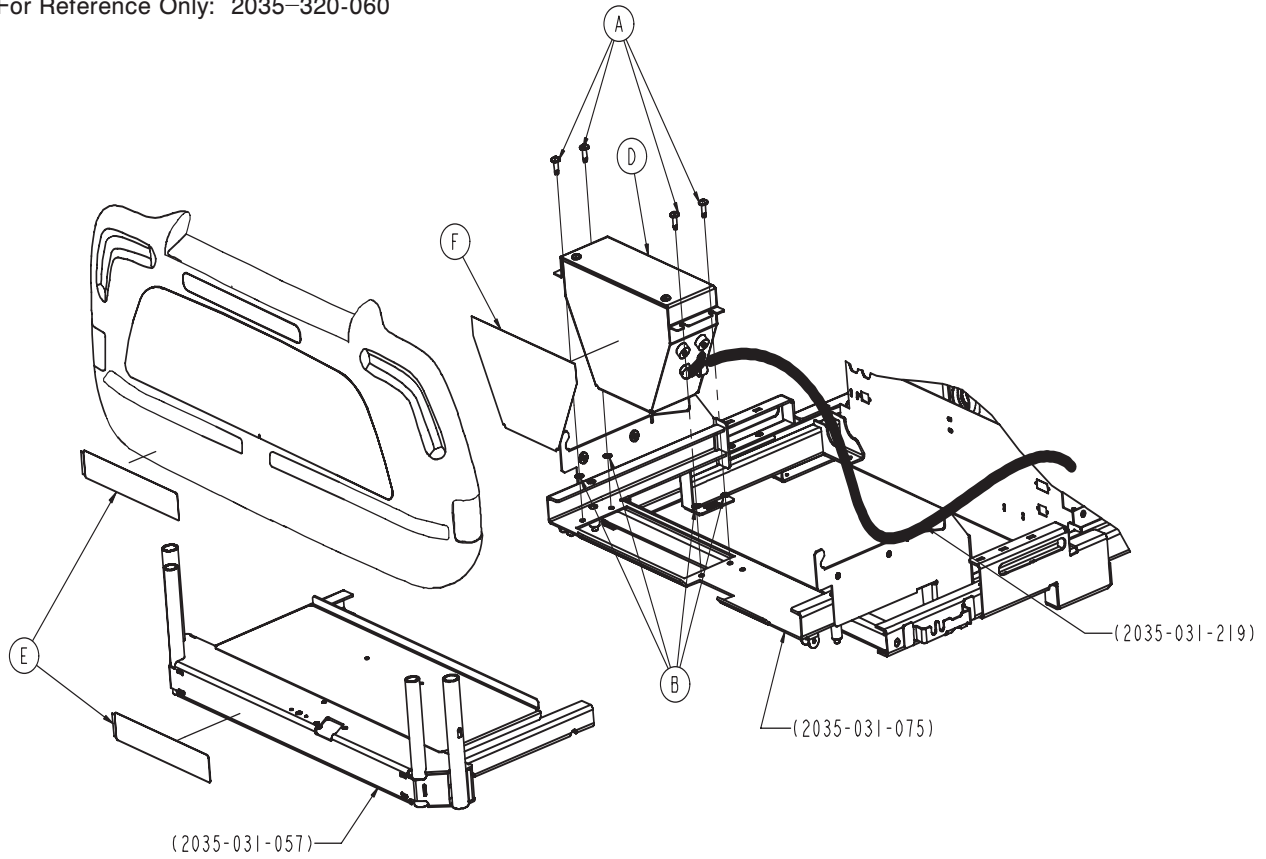
EPIC II[®]+, No Optional 110V Outlet Assembly



Item	Part No.	Part Name	Qty.	
A	0007-058-000	Truss Head Screw		2
B	0030-027-000	Strain Relief Bushing	1	
C	2035-031-203	Foot Cross Brace Cover	1	
D	2035-031-880	Power Inlet Cable	1	
E	0037-085-000	Hole Plug	2	
F	2030-001-215	Lug, Grounding	1	
G	2040-031-808	AC Jumper Charger	1	

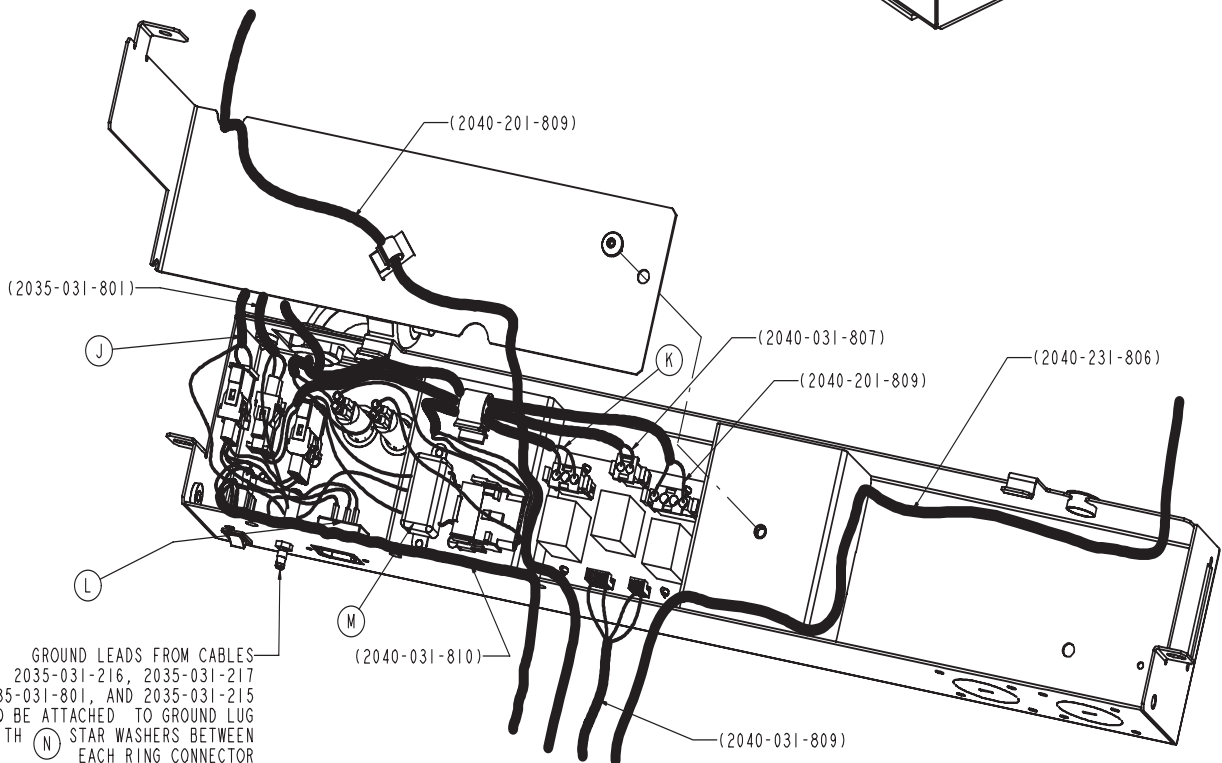
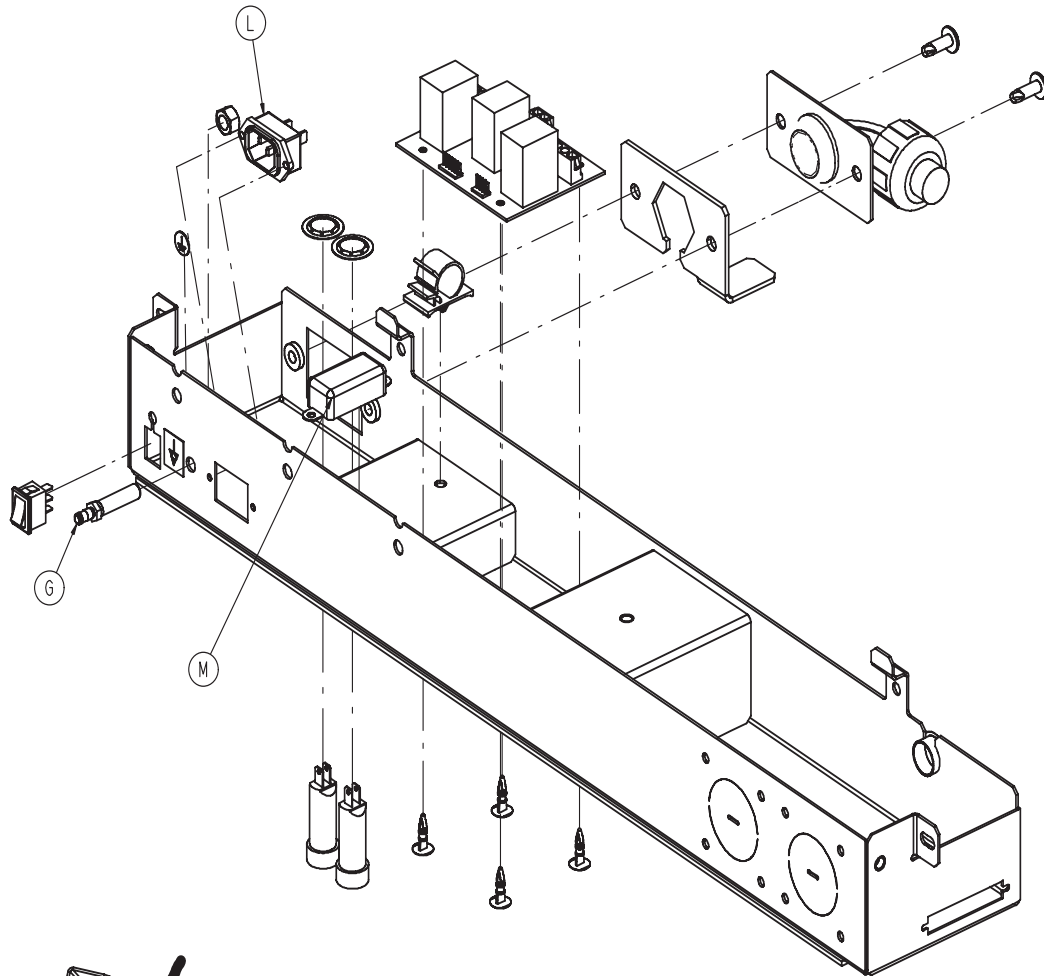
EPIC II[®]+, Optional 110V Outlet Assembly

For Reference Only: 2035-320-060



[Return To Table of Contents](#)

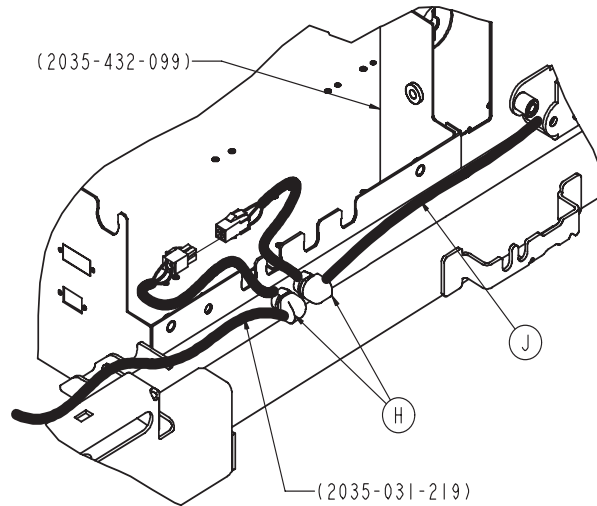
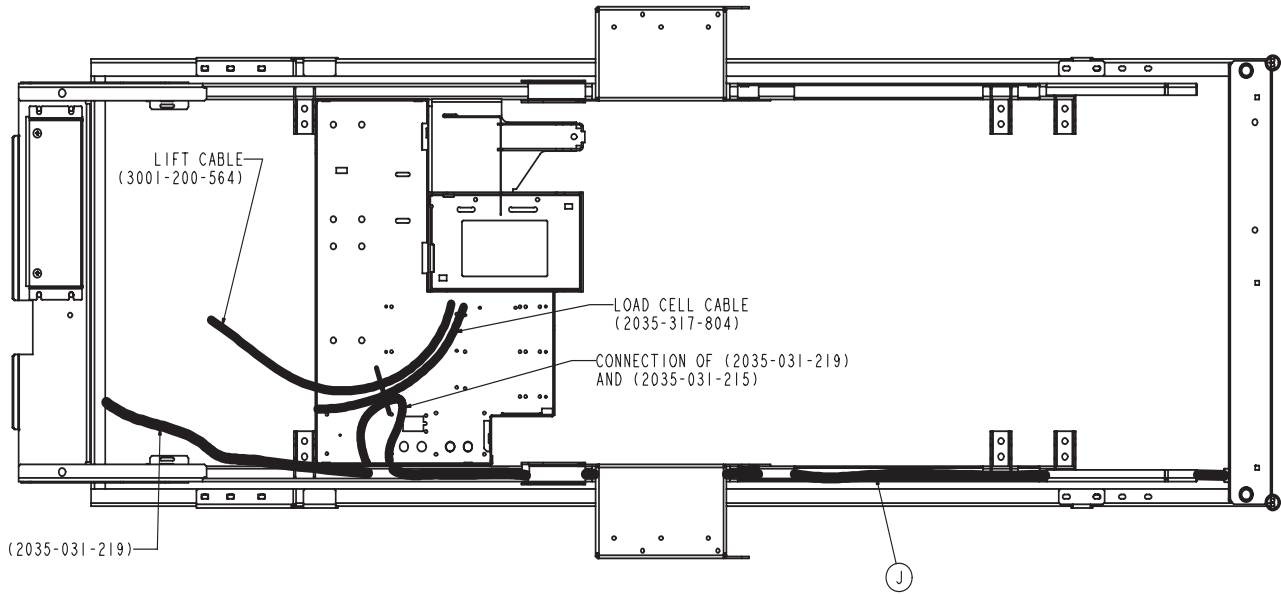
EPIC II[®]+, Optional 110V Outlet Assembly



GROUND LEADS FROM CABLES
2035-031-216, 2035-031-217
2035-031-801, AND 2035-031-215
TO BE ATTACHED TO GROUND LUG
WITH (N) STAR WASHERS BETWEEN
EACH RING CONNECTOR

[Return To Table of Contents](#)

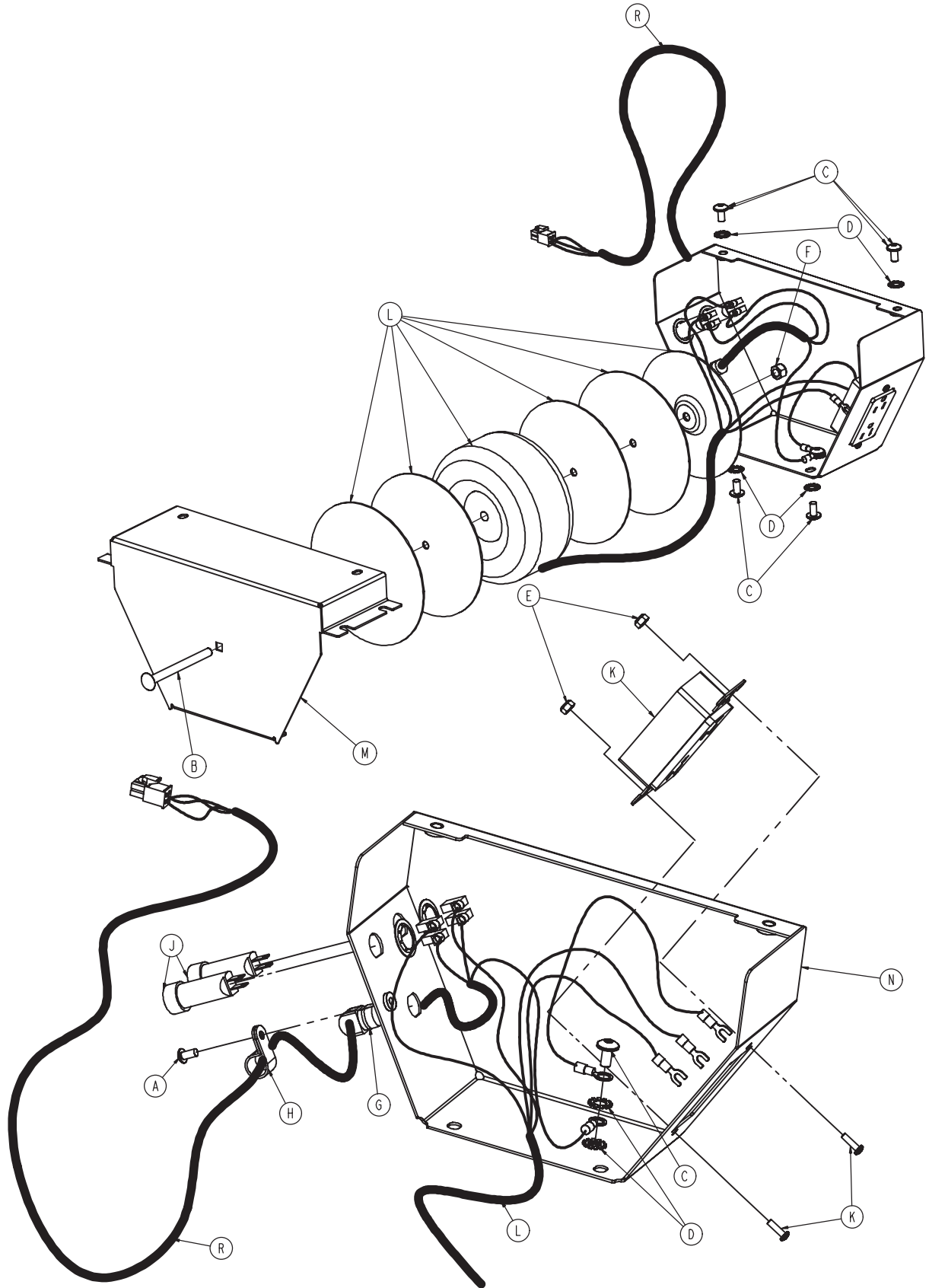
EPIC II[®]+, Optional 110V Outlet Assembly



Item	Part No.	Part Name	Qty.
A	0007-058-000	Truss Head Screw	4
B	0013-010-000	External Tooth Lock Washer	4
C	0059-106-000	Heyco	1
D	2035-031-220	110V Box Assembly	1
E	2035-031-204	110V Outlet Caution Label	2
F	2035-031-205	EPIC II [®] Box Label	1
G	2030-001-215	Lug, grounding	1
H	0030-047-000	Heyco	2
J	2035-031-215	Cable, 110V Supply	1
K	2040-031-811	Charger AC Jumper	1
L	2035-031-216	Cable, 110V Head End	1
M	2035-031-217	Filter, 110V ZOOM [®]	1
N	0013-038-000	Washer	3

110V Box Assembly

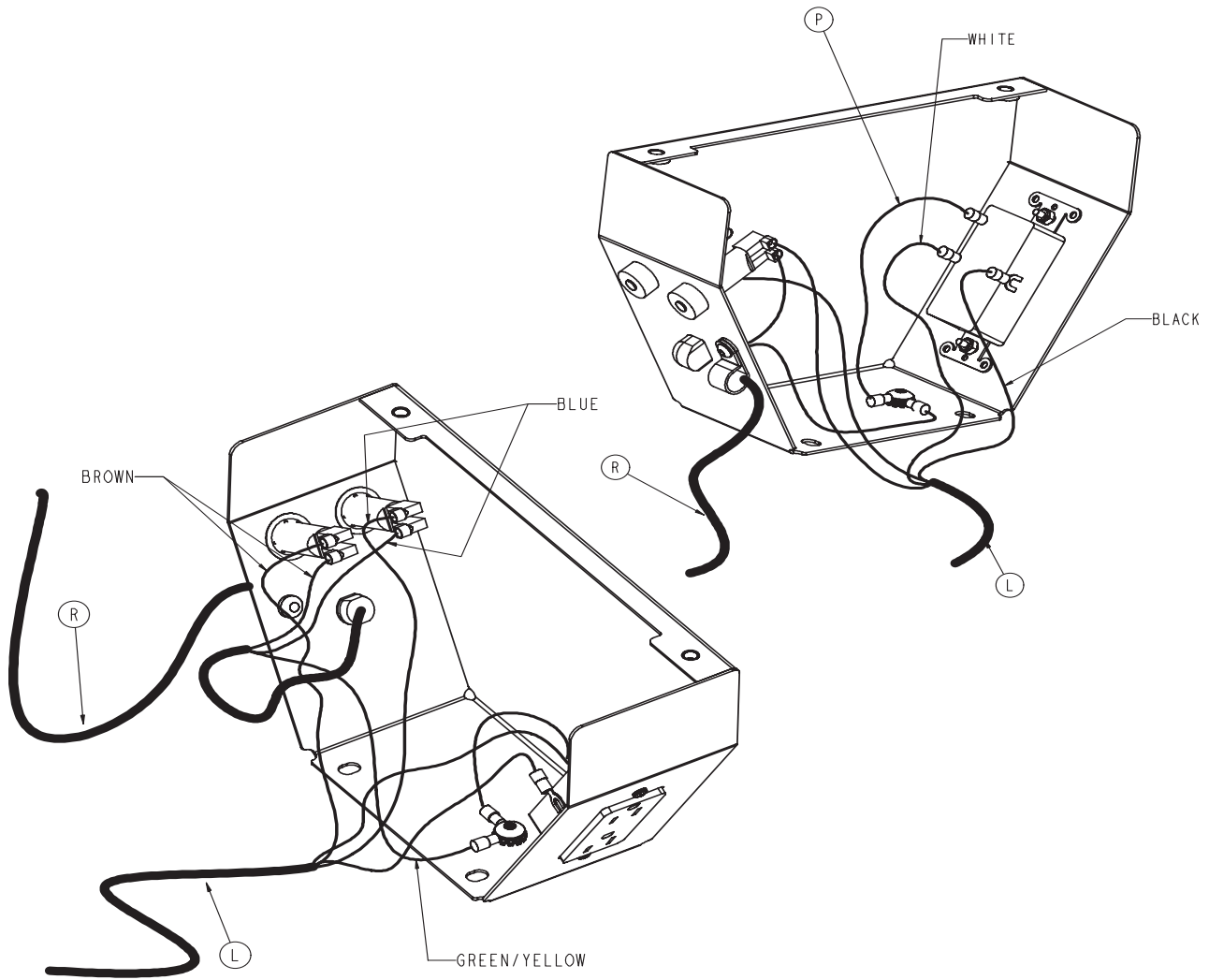
2035-031-220



[Return To Table of Contents](#)

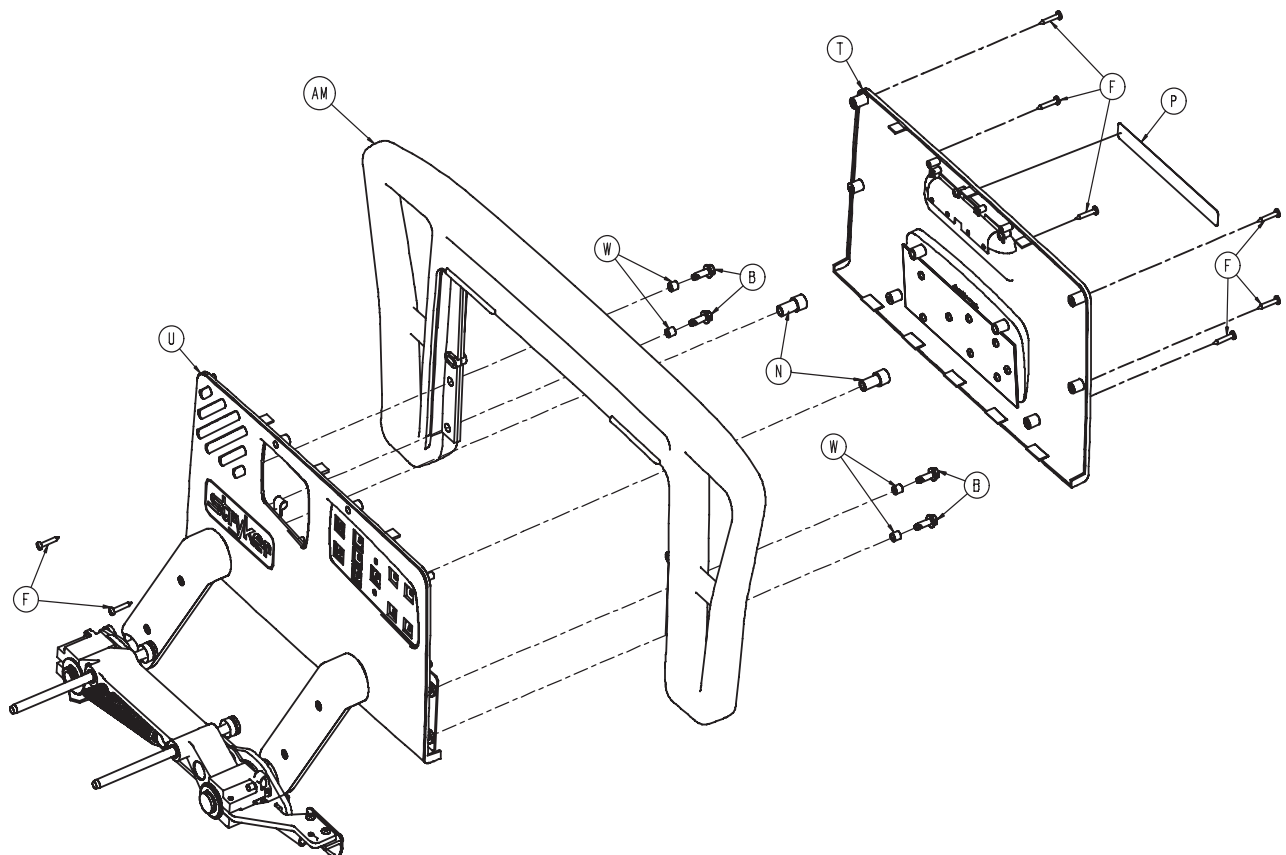
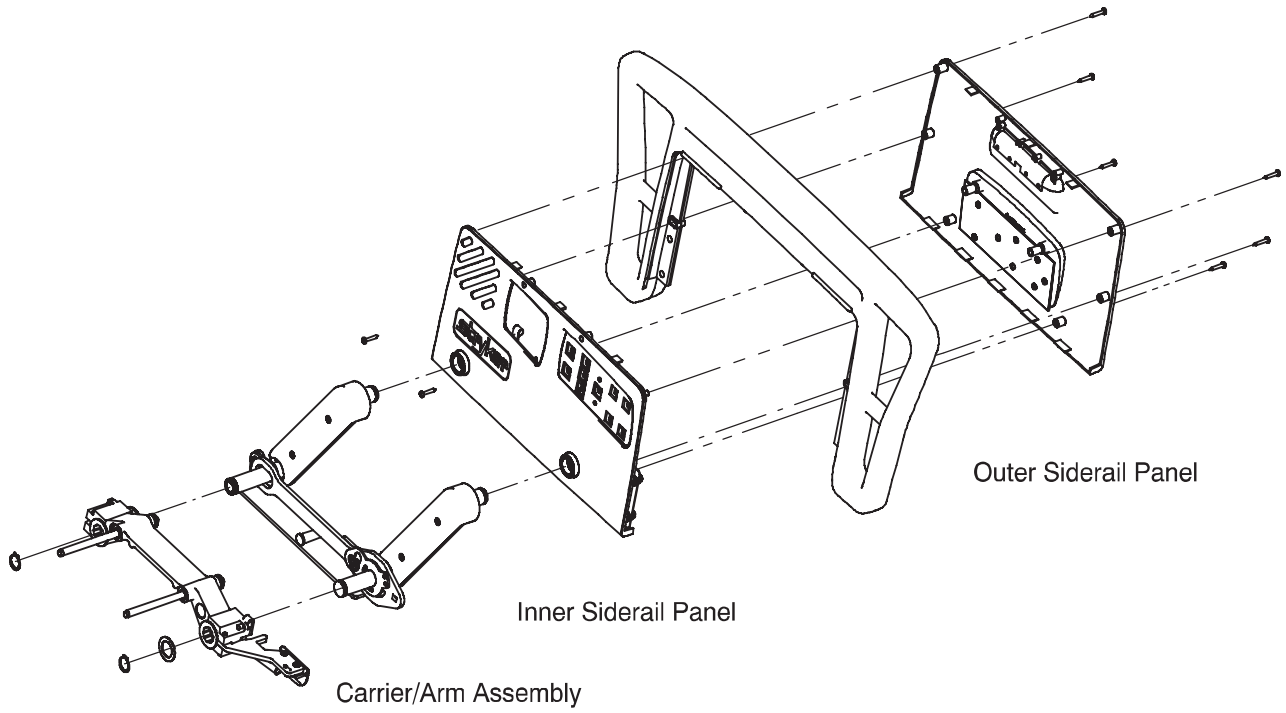
110V Box Assembly

2035-031-220



Item	Part No.	Part Name	Qty.
A	0004-442-000	But. Hd. Cap Screw	1
B	0005-043-000	Carriage Bolt	1
C	0007-058-000	Truss Hd. Mach. Screw	5
D	0013-038-000	Ext. Tooth Lock Washer	6
E	0016-023-000	Fiberlock Hex Nut	2
F	0016-036-000	Nylock Hex Nut	1
G	0030-047-000	Heyco	1
H	0034-022-000	Cord Clamp	1
J	0059-043-000	5 Amp. Circuit Breaker	2
K	0059-732-000	HG Duplex Receptacle	1
L	2030-001-009	Transformer	1
M	2030-031-201	110V Box Cover	1
N	2035-031-202	110V Box	1
P	2035-031-214	110V Ground Cable	1
R	2035-031-219	110V Supply Cable	1

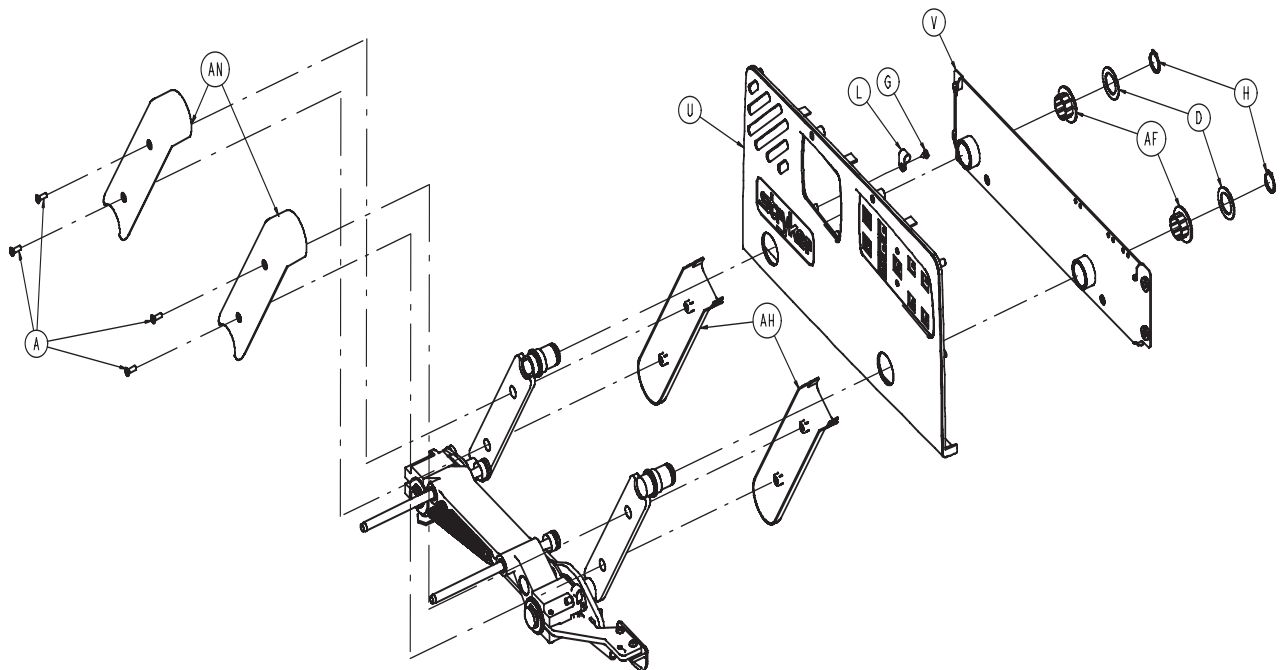
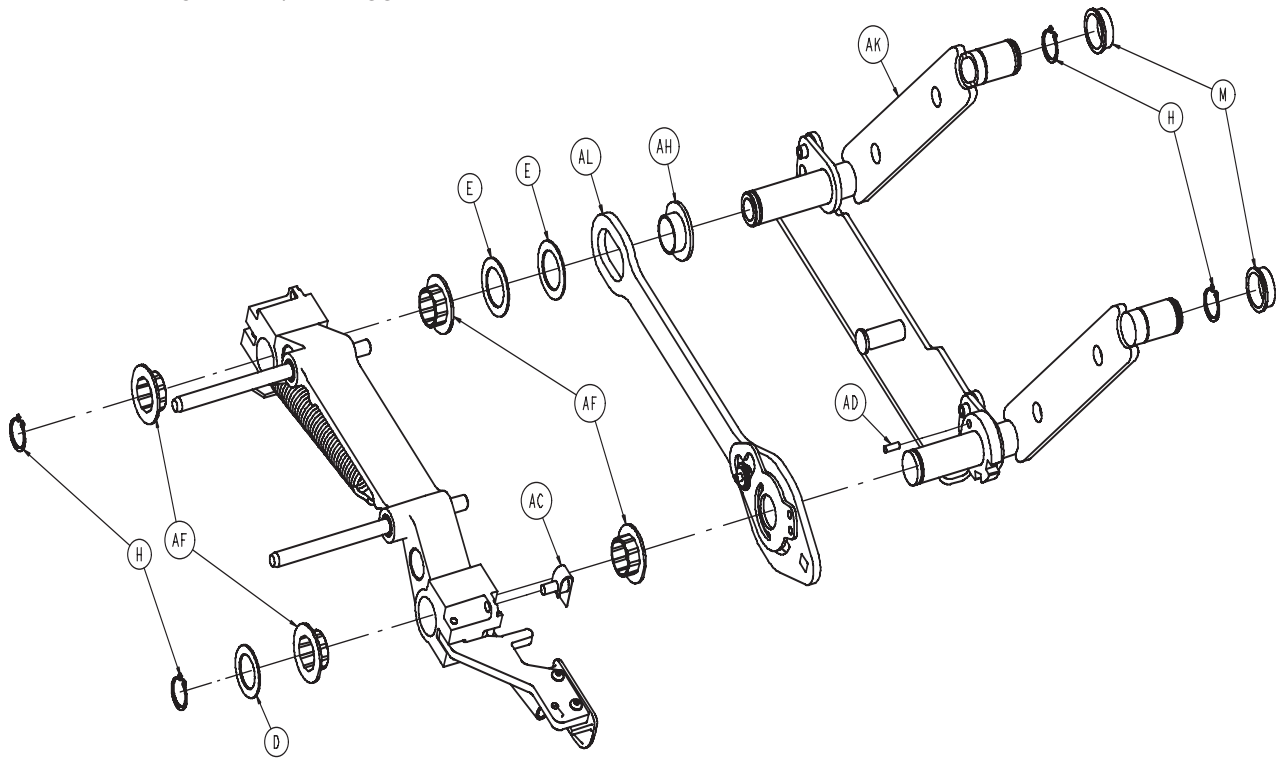
Head End Siderail Assembly



[Return To Table of Contents](#)

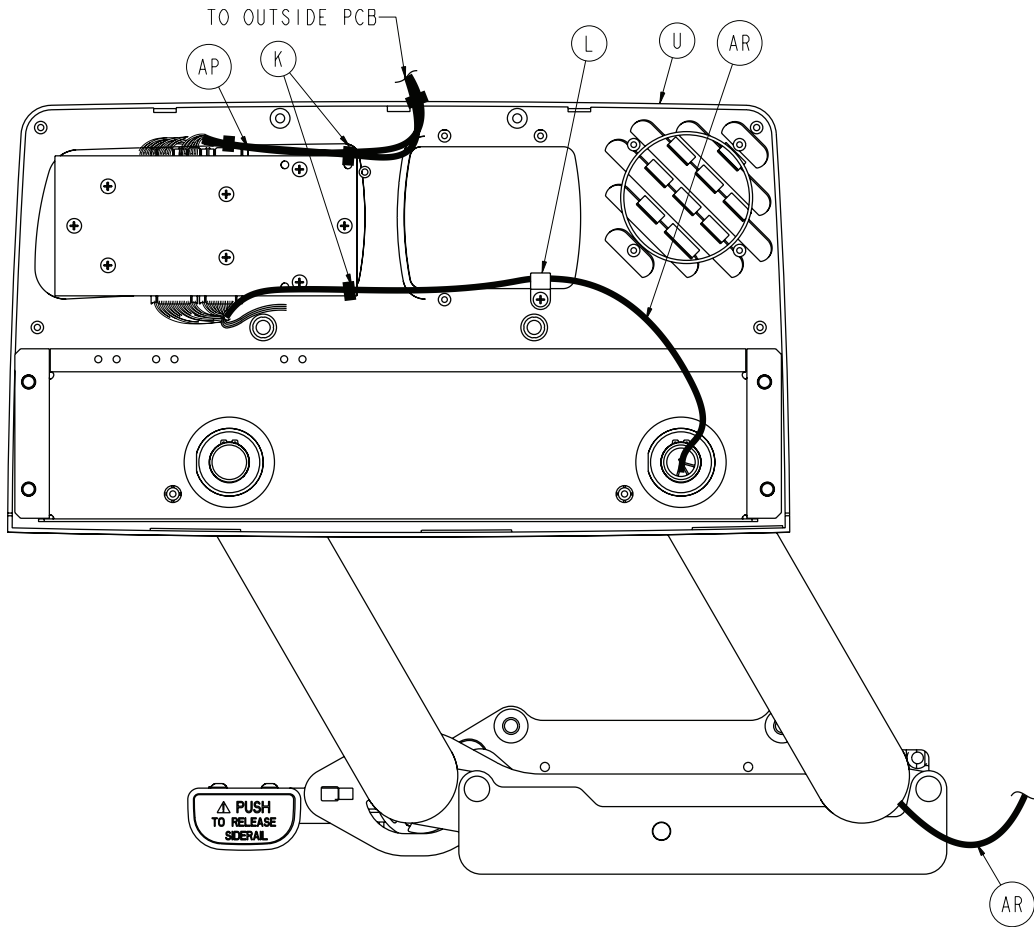
Head End Siderail Assembly

CARRIER/ARM ASSEMBLY

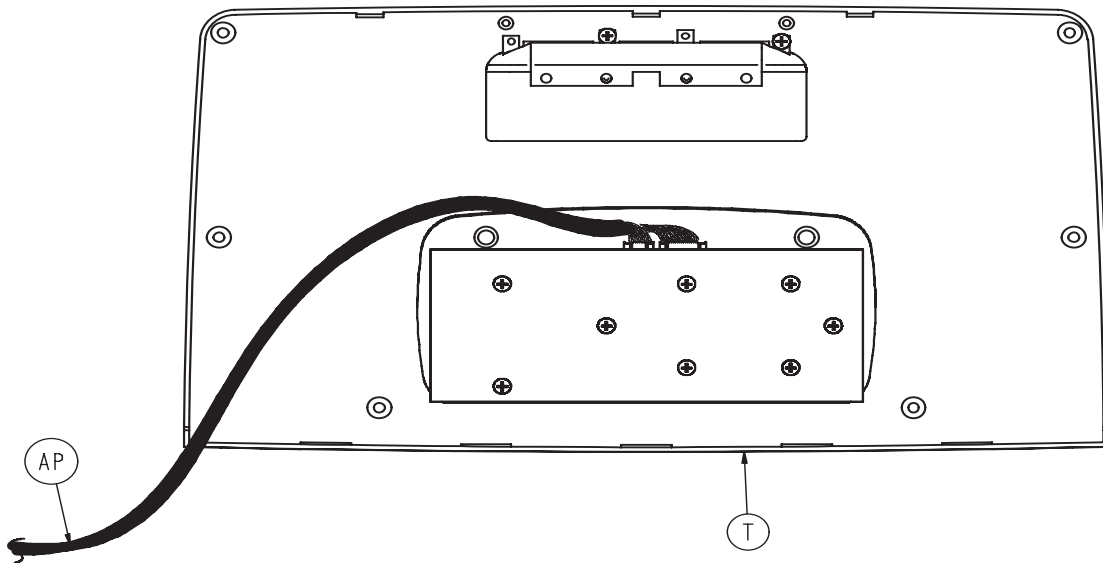


[Return To Table of Contents](#)

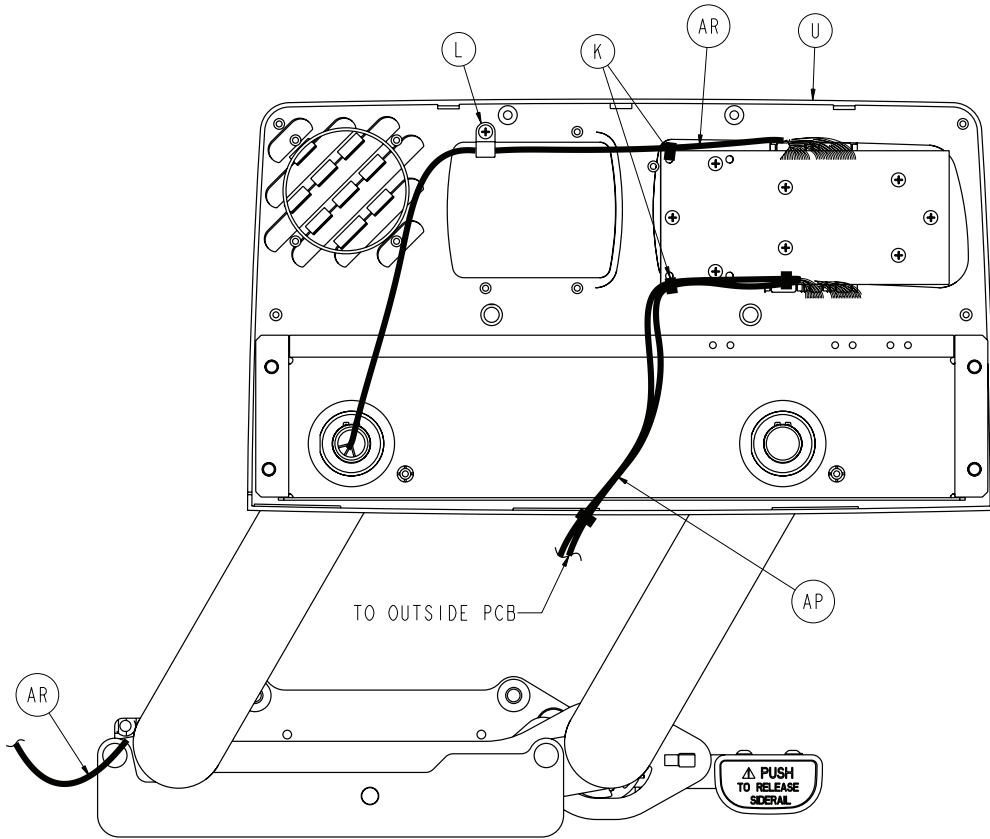
Head End Siderail Assembly



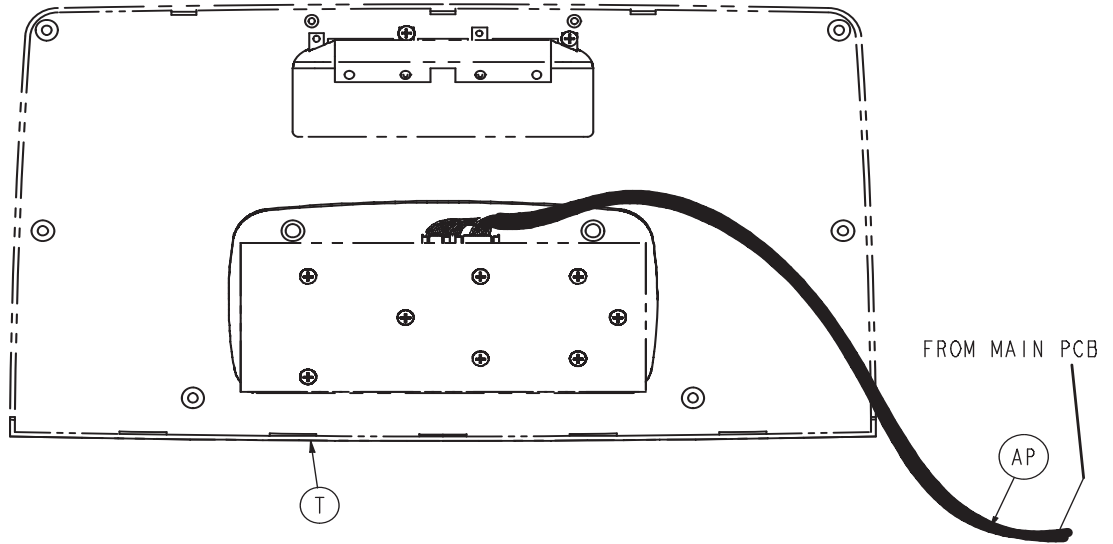
LEFT HEAD END SIDERAIL WIRE ROUTING



Head End Siderail Assembly



RIGHT HEAD END SIDERAIL WIRE ROUTING



[Return To Table of Contents](#)

Head End Siderail Assembly

2032-402-105 Left Standard Components

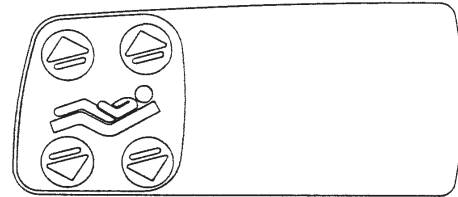
2032-402-205 Right Standard Components

Item	Part No	Part Name	Qty.	Item	Part No	Part Name	Qty.
A	0001-072-000	Ph. Flat Hd. Mach. Screw	4	A	0001-072-000	Ph. Flat Hd. Mach. Screw	4
B	0003-226-000	Hex Washer Hd. Screw	4	B	0003-226-000	Hex Washer Hd. Screw	4
C	0003-344-000	Hex Hd. Screw	2	C	0003-344-000	Hex Hd. Screw	2
D	0011-343-000	Shim Washer	3	D	0011-343-000	Shim Washer	3
E	0014-093-000	Washer	2	E	0014-093-000	Washer	2
F	0023-090-000	High-Low Tapping Screw	8	F	0023-090-000	High-Low Tapping Screw	8
G	0023-112-000	High-Low Tapping Screw	1	G	0023-112-000	High-Low Tapping Screw	1
H	0028-128-000	Retaining Ring	6	H	0028-128-000	Retaining Ring	6
J	3000-200-334	Release Lever Spring	1	J	3000-200-334	Release Lever Spring	1
K	3000-300-114	Cable Tie	2	K	3000-300-114	Cable Tie	2
L	3000-300-478	CPR Conduit Clamp	1	L	3000-300-478	CPR Conduit Clamp	1
M	3000-400-513	Wear Bushing	2	M	3000-400-513	Wear Bushing	2
N	3000-400-523	Panel Spacer	2	N	3000-400-523	Panel Spacer	2
P	3000-400-556	Warning Label	1	P	3000-400-556	Warning Label	1
R	3000-400-557	Sleeve Bearing	4	R	3000-400-557	Sleeve Bearing	4
T	2032-400-050	Outer Panel Assembly (pg. 161)	1	T	2032-400-050	Outer Panel Assembly (pg. 161)	1
U	3001-400-040	Inner Panel Assembly, Lt. (pg. 162)	1	U	3001-400-045	Inner Panel Assembly, Rt. (pg. 162)	1
V	3003-400-130	Support Weldment HE Lt.	1	V	3003-400-230	Support Weldment HE Rt.	1
W	3001-400-558	Siderail Spacer	4	W	3001-400-558	Siderail Spacer	4
Y	2035-400-570	Glide Rod	2	Y	3001-400-570	Glide Rod	2
AA	3001-400-619	Outer Arm Cover	2	AA	3001-400-619	Outer Arm Cover	2
AB	3002-400-055	Release Lever Ass'y, Left	1	AB	3002-400-065	Release Lever Ass'y, Right	1
AC	3002-400-090	Ball Detent Clip Assembly	1	AC	3002-400-090	Ball Detent Clip Assembly	1
AD	3002-400-505	Bypass Pin	1	AD	3002-400-505	Bypass Pin	1
AE	3002-400-509	Spacer	1	AE	3002-400-509	Spacer	1
AF	3002-400-513	Pivot Bushing	6	AF	3002-400-513	Pivot Bushing	6
AG	3003-402-517	Foot Rail Tuck Spring	1	AG	3003-402-517	Foot Rail Tuck Spring	1
AH	3002-400-519	Latch Bushing	1	AH	3002-400-519	Latch Bushing	1
AJ	3002-400-528	Carrier	1	AJ	3002-400-528	Carrier	1
AK	3003-402-005	HE Timing Link Ass'y Lt. (pg. 163) (pg. 164)	1 1	AK	3003-402-010	HE Timing Link Ass'y RH	
AL	3003-400-070	Latch Ass'y, Head, Left (pg. 167)	1	AL	3003-400-075	Latch Ass'y, Head, Right (pg. 168)	1
AM	3003-400-515	Head Rail	1	AM	3003-400-515	Head Rail	1
AN	5000-020-005	Inner Arm Cover	2	AN	5000-020-005	Inner Arm Cover	2
AP	2035-020-804	Main Outside Cable, Lt.	1	AP	2035-020-804	Main Outside Cable, Rt.	1
AR	2035-020-802	Siderail Cable	1	AR	2035-020-803	Siderail Cable	1
AT	3003-402-114	Spring Attachment Pin	1	AT	3003-402-114	Spring Attachment Pin	1
AU	0030-040-000	Grommet	2	AU	0030-010-000	Grommet	2

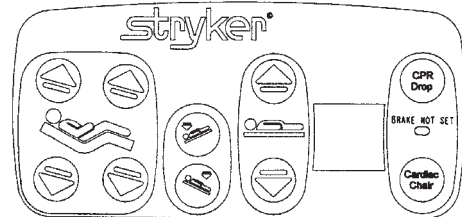
Head End Siderail Assembly

2030-020-011 Standard Siderail

Item	Part No	Part Name	Qty.
CA	2035-000-100	Label, Standard, Left	1
CA	2035-000-200	Label, Standard, Right	1
CC	3001-400-953	Switch Cap	28
CD	3001-400-522	Filler Cap	18
CE	3001-400-517	Speaker Seal	2
CF	3001-400-535	Inner Panel Blank Module	2
CH	2030-000-300	Label, Standard, Left	1
CH	2030-000-400	Label, Standard, Right	1



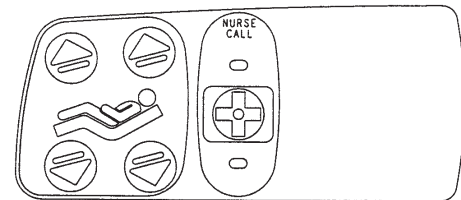
Right Inner Siderail Label



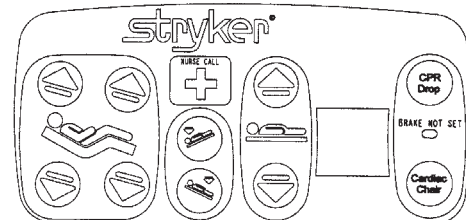
Right Outer Siderail Label

2030-020-012 Standard Siderail with Nurse Call

Item	Part No	Part Name	Qty.
CA	2035-000-101	Label, Standard, NC, Left	1
CA	2035-000-201	Label, Standard, NC, Right	1
CC	3001-400-953	Switch Cap	32
CD	3001-400-522	Filler Cap	14
CE	3001-403-831	Speaker with Cable	2
CF	3001-400-535	Inner Panel Blank Module	2
CH	2030-000-301	Label, Standard, NC, Left	1
CH	2030-000-401	Label, Standard, NC, Right	1



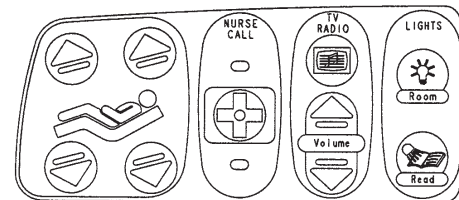
Right Inner Siderail Label



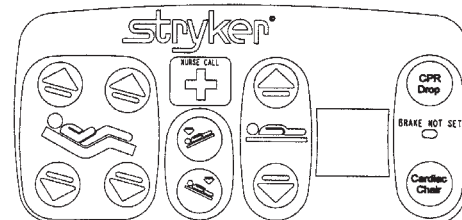
Right Outer Siderail Label

2030-020-015 Standard Siderail W/NC & Comm.

Item	Part No	Part Name	Qty.
CA	2035-000-102	Label, Standard, Left	1
CA	2035-000-202	Label, Standard, Right	1
CC	3001-400-953	Switch Cap	42
CD	3001-400-522	Filler Cap	4
CE	3001-403-831	Speaker with Cable	2
CF	3001-400-535	Inner Panel Blank Module	2
CH	2030-000-301	Label, Standard, NC, Lt.	1
CH	2030-000-401	Label, Standard, NC, Rt.	1



Right Inner Siderail Label



Right Outer Siderail Label

2030-020-015 Standard Siderail W/NC & Comm.

Item	Part No	Part Name	Qty.
CA	2035-000-102	Label, Standard, Left	1

[Return To Table of Contents](#)

Head End Siderail Assembly

2030-020-021 Standard Siderail W/NC & STV Comm.

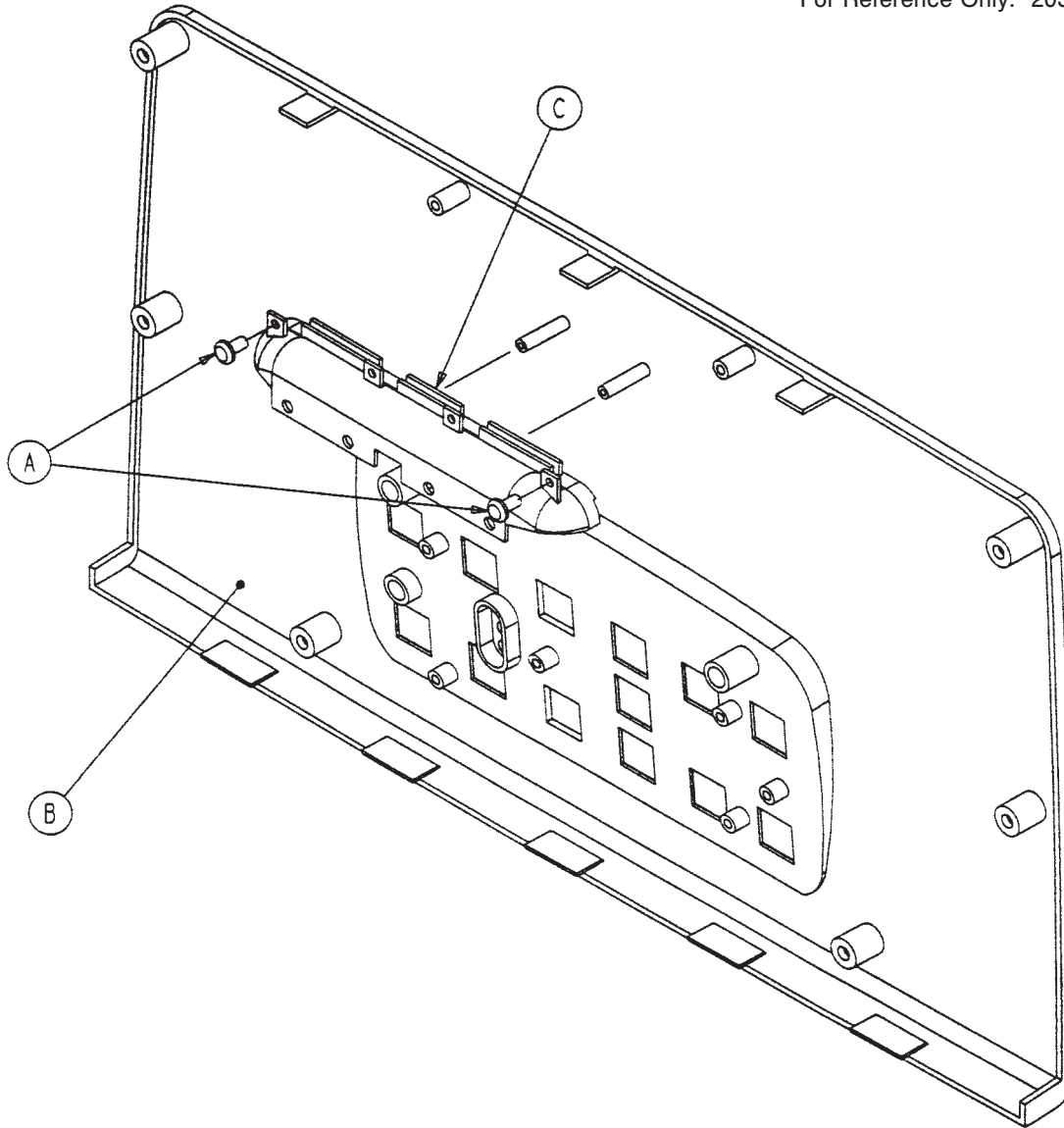
Item	Part No	Part Name	Qty.
AN	3000-300-114	Cable Tie	3
CA	2035-000-106	Label, Std, NC, STV-Comm Rt.	1
CA	2035-000-206	Label, Std, NC, STV-Comm Lt.	1
CB	2035-000-109	STV-CC & Mute, Lt.	1
CB	2035-000-029	STV-CC & Mute, Rt.	1
CC	3001-400-953	Switch Cap	42
CD	3001-400-522	Filler Cap	4
CE	3001-403-831	Speaker with Cable	2
CF	2035-400-051	Lumbar/TV Module, LH	1
CF	2035-400-053	Lumbar/TV Module, RH	1
CH	2035-000-301	Label, Std, NC	1
CH	2030-000-401	Label, Std, NC	1
CJ	3001-402-804	Cable LH	2



Right Inner Siderail Label

Head End Siderail Outer Panel Assembly

For Reference Only: 2032-400-050

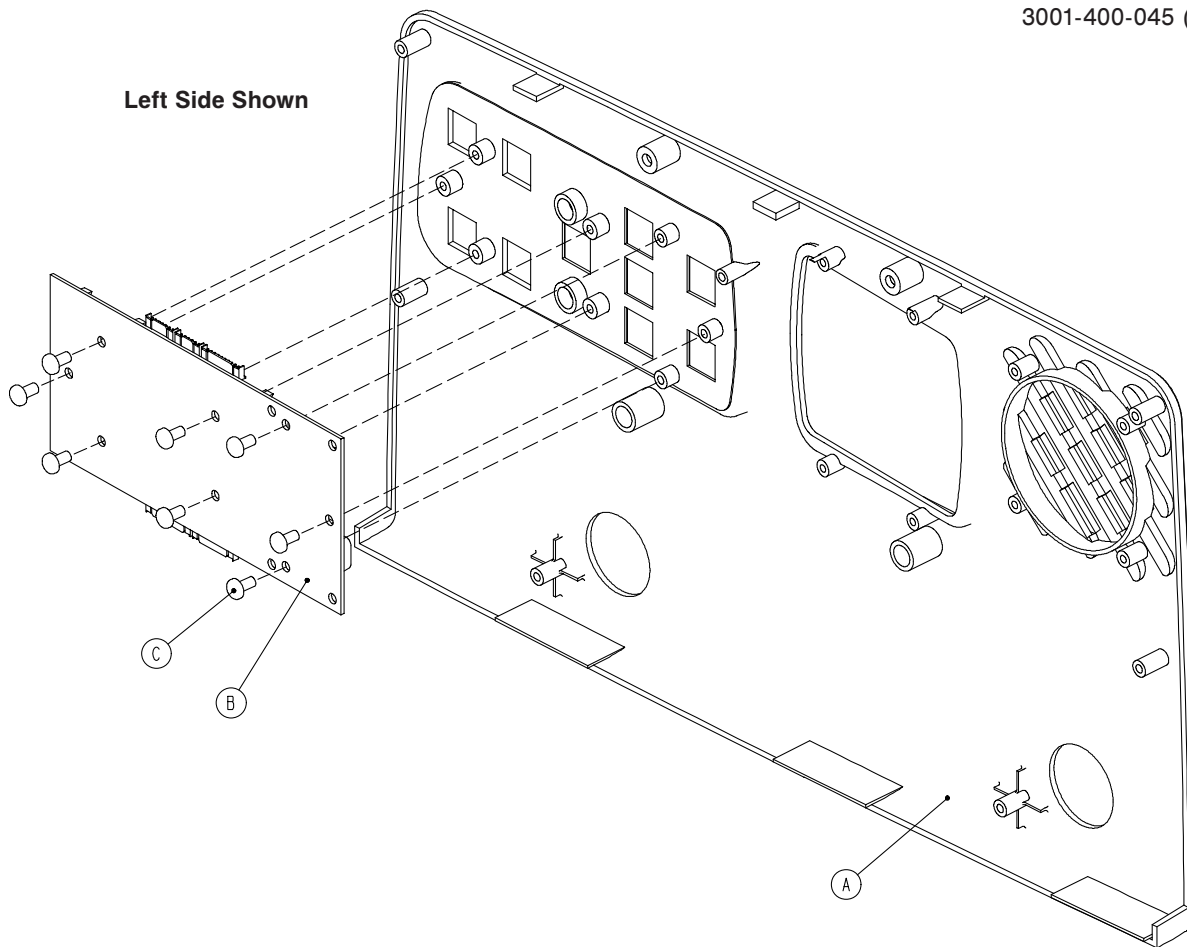


Item	Part No.	Part Name	Qty.
A	0023-112-000	Hi-Low Tapping Screw	2
B	2035-400-102	Outer Panel	1
C	3001-400-599	Handle Insert	1

[Return To Table of Contents](#)

Head End Siderail Inner Panel Assembly

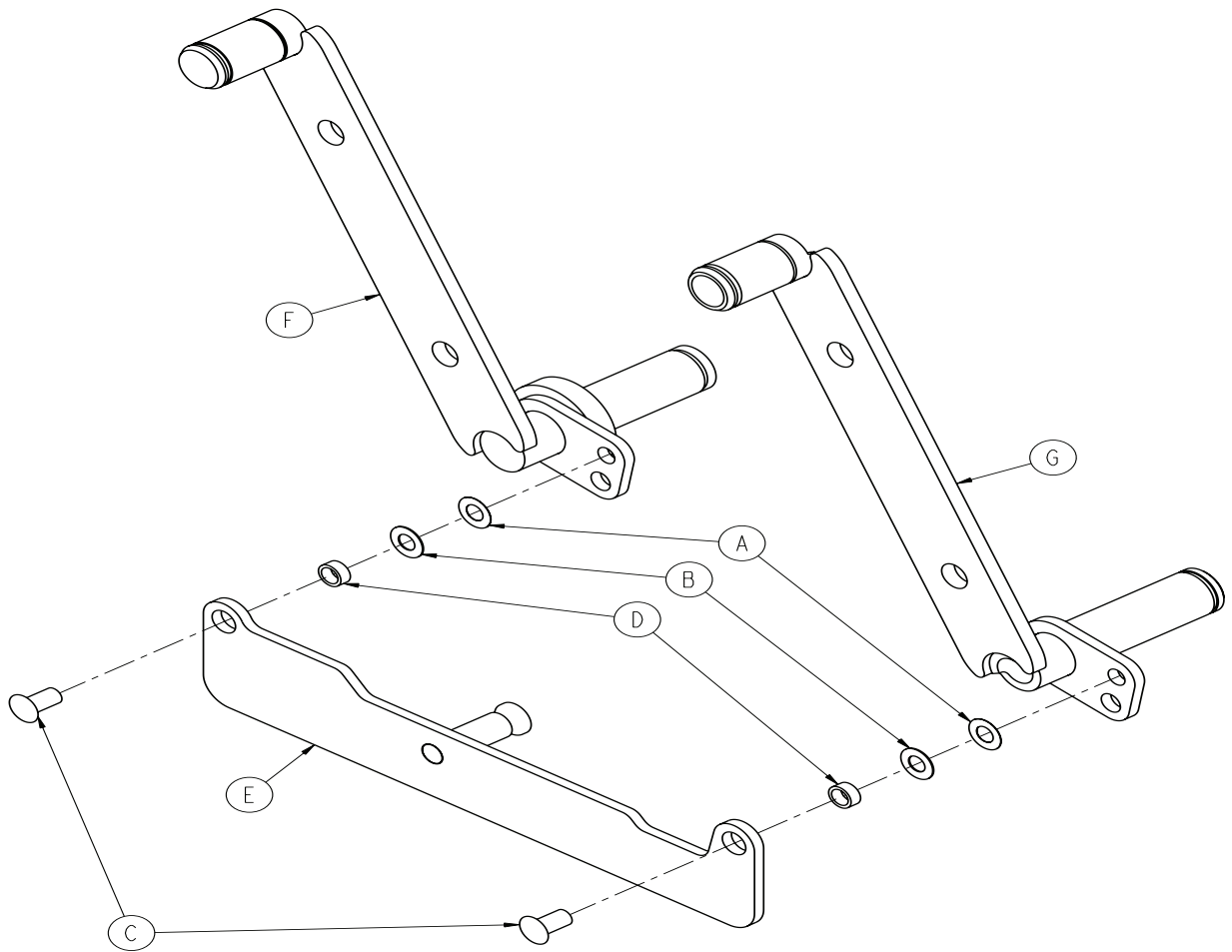
For Reference Only:
 3001-400-040 (Left) &
 3001-400-045 (Right)



Item	Part No.	Part Name	Qty.
A	3001-400-101	Left Inner Panel	1
	3001-400-201	Right Inner Panel	1
B	3001-400-900	Inner Siderail PCB Assembly	1
C	0023-112-000	Hi-Low Tapping Screw	8

Timing Link Assembly, Head End, Left

3003-402-005

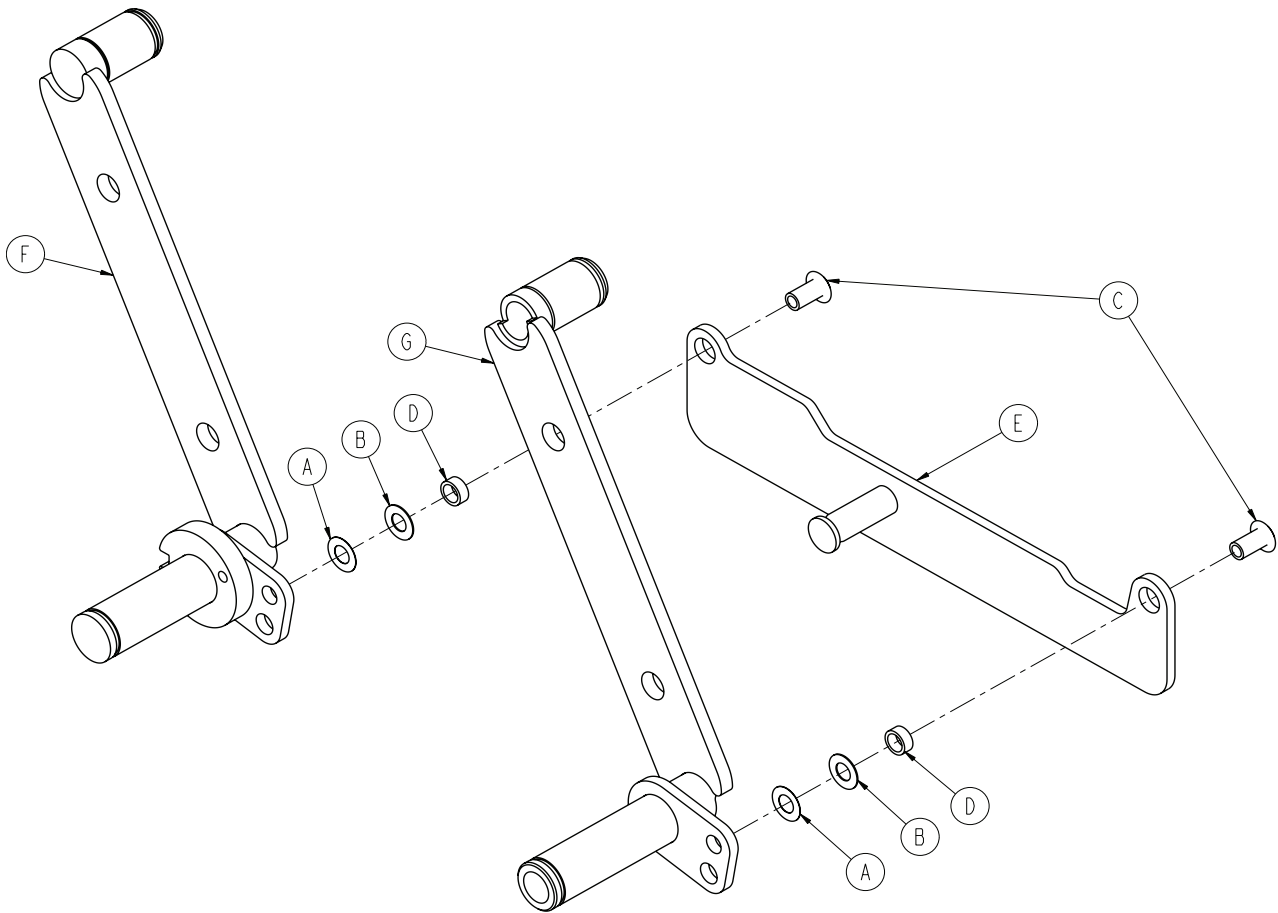


Item	Part No.	Part Name	Qty.
A	0011-377-000	Washer	2
B	0011-491-000	Washer	2
C	3001-400-501	Siderail Linkage Rivot	2
D	3003-401-001	Bushing	2
E	3003-402-117	Timing Link	1
F	3003-402-227	Arm Weldment - LHF	1
G	3003-402-228	Arm Weldment - LHH	1

[Return To Table of Contents](#)

Timing Link Assembly, Head End, Right

3003-402-010

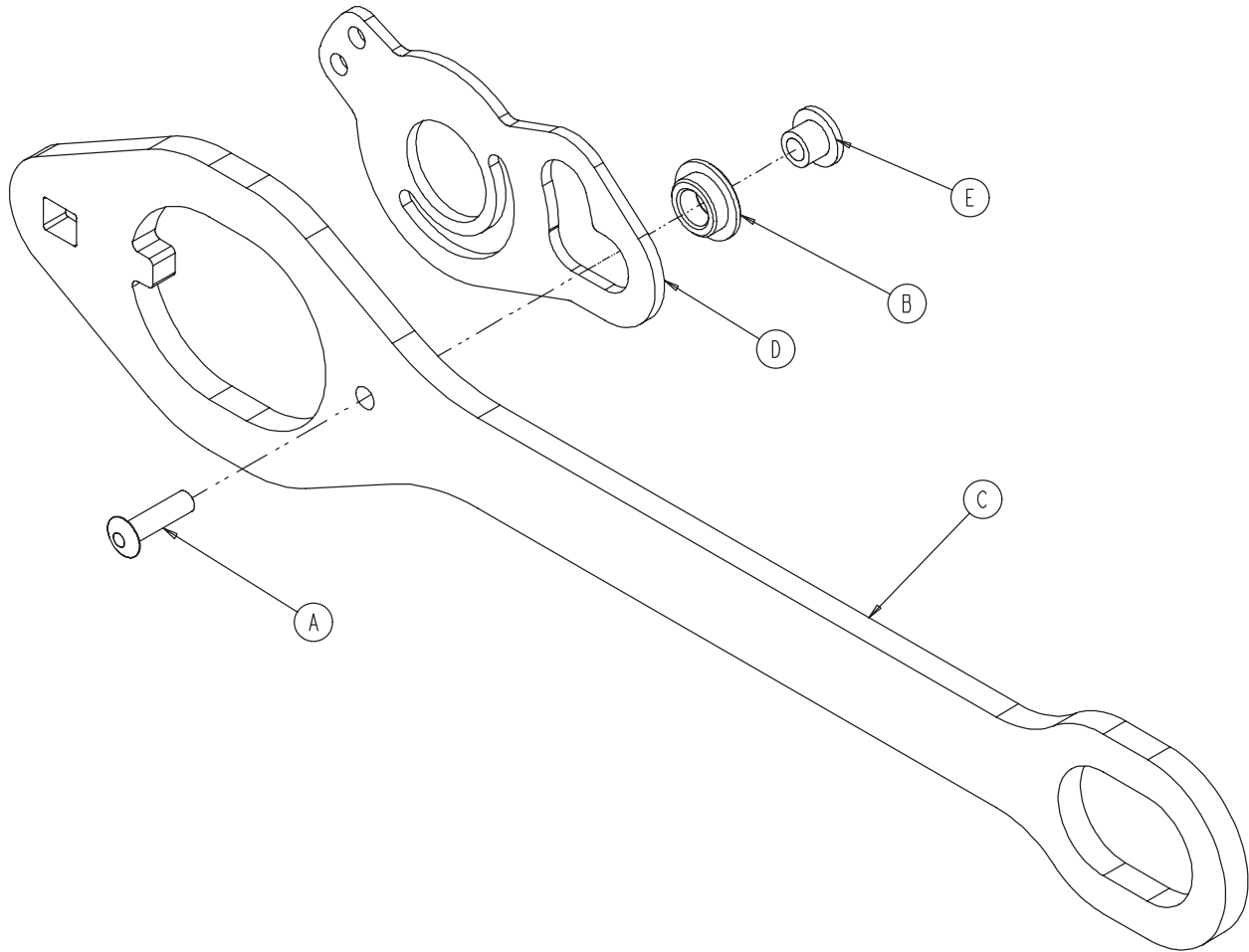


Item	Part No.	Part Name	Qty.
A	0011-377-000	Washer	2
B	0011-491-000	Washer	2
C	3001-400-501	Siderail Linkage Rivot	2
D	3003-401-001	Bushing	2
E	3003-402-117	Timing Link	1
F	3003-402-227	Arm Weldment - LHF	1
G	3003-402-228	Arm Weldment - LHH	1

Siderail Latch Assembly, Head End, Left

3002-400-070

(Outside the U.S. and Canada)



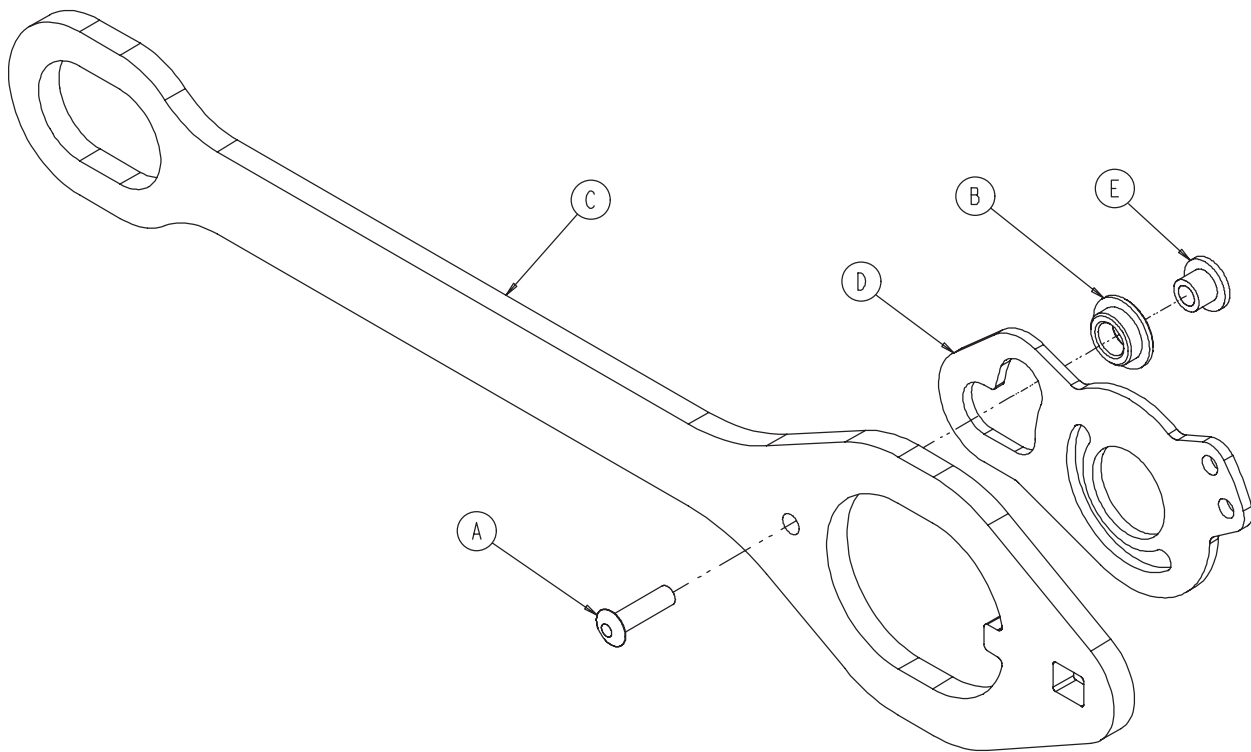
Item	Part No.	Part Name	Qty.
A	0025-086-000	Blind Rivet	1
B	0081-317-000	Bronze Bushing	1
C	3002-400-501	Latch	1
D	3002-400-503	Head End Bypass Plate	1
E	3002-400-509	Bypass Bushing Spacer	1

[Return To Table of Contents](#)

Siderail Latch Assembly, Head End, Right

3002-400-075

(Outside the U.S. and Canada)

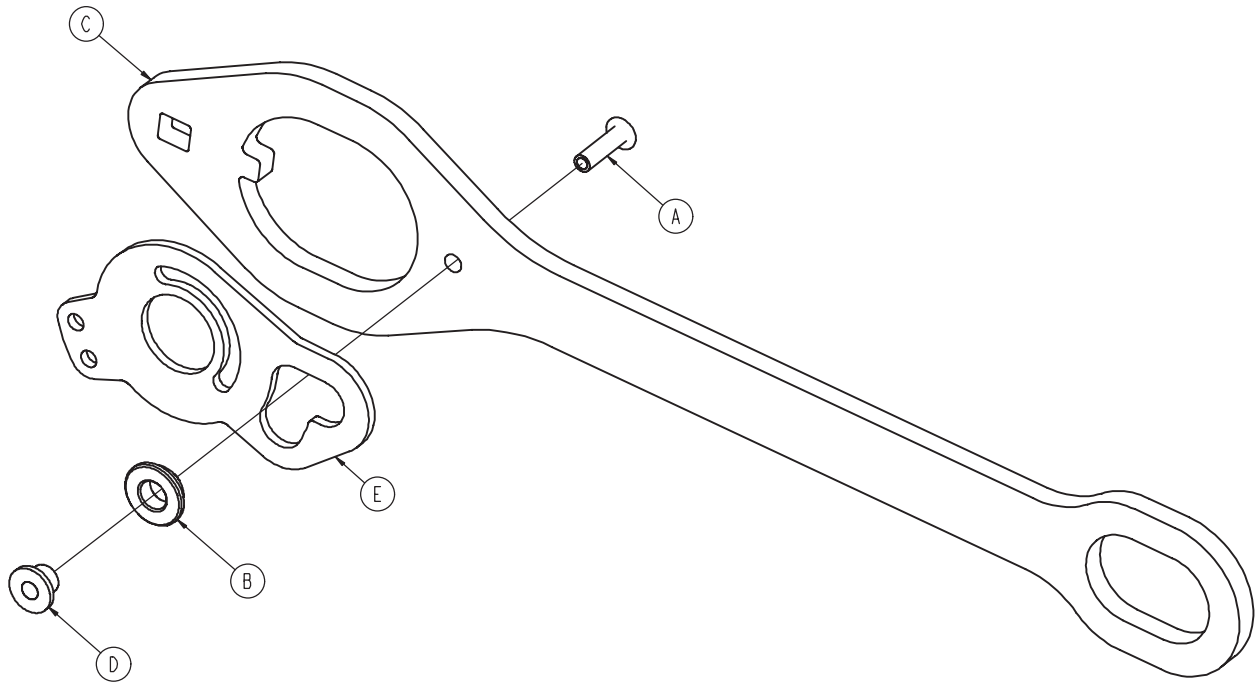


Item	Part No.	Part Name	Qty.
A	0025-086-000	Blind Rivet	1
B	0081-317-000	Bronze Bushing	1
C	3002-400-501	Latch	1
D	3002-400-503	Head End Bypass Plate	1
E	3002-400-509	Bypass Bushing Spacer	1

Siderail Latch Assembly, Head End, Left

3003-400-070

(Inside the U.S. and Canada)



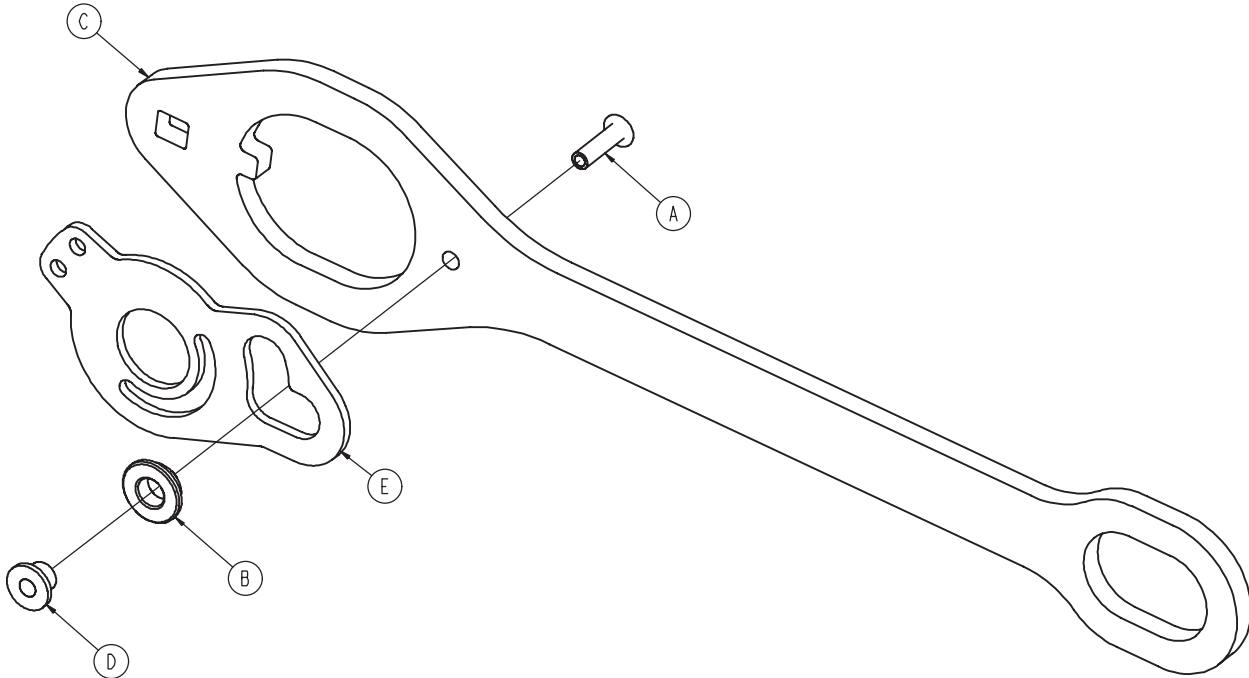
Item	Part No.	Part Name	Qty.
A	0025-086-000	Blind Rivet	1
B	0081-317-000	Bronze Bushing	1
C	3002-400-501	Latch	1
D	3002-400-509	Bypass Bushing Spacer	1
E	3003-400-503	Head End Bypass Plate	1

[Return To Table of Contents](#)

Siderail Latch Assembly, Head End, Right

3003-400-075

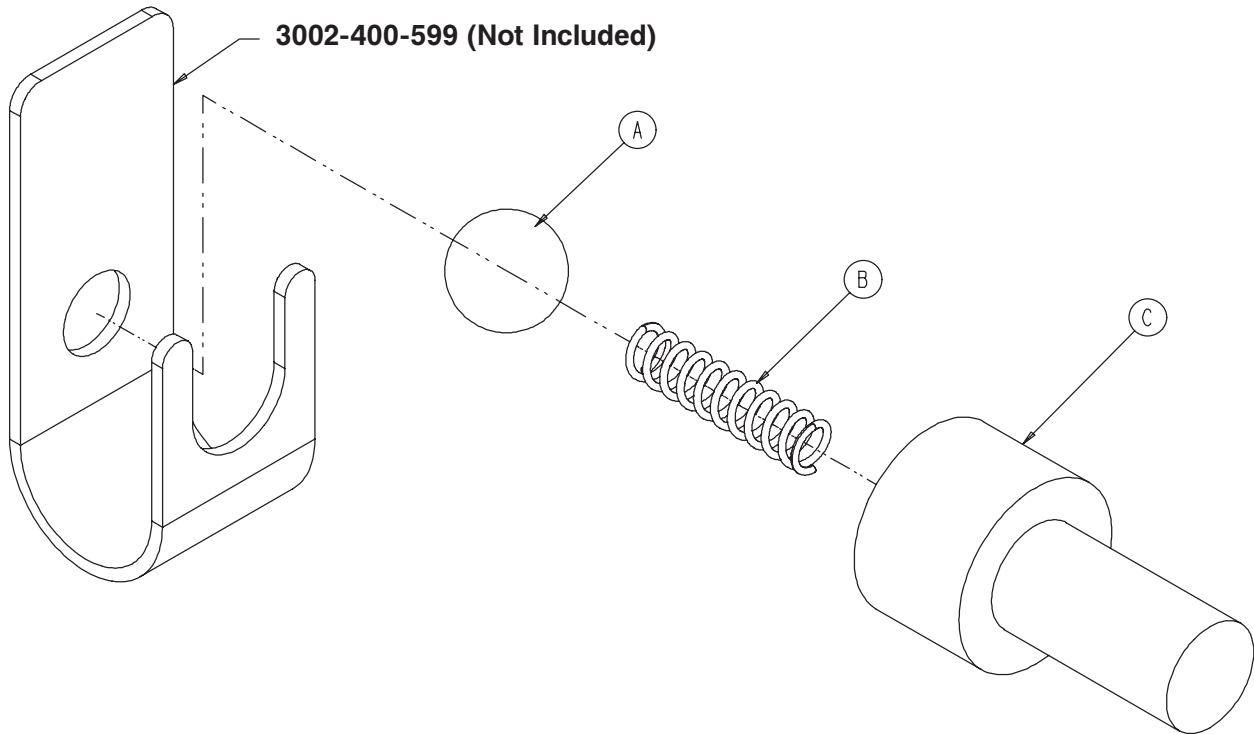
(Inside the U.S. and Canada)



Item	Part No.	Part Name	Qty.
A	0025-086-000	Blind Rivet	1
B	0081-317-000	Bronze Bushing	1
C	3002-400-501	Latch	1
D	3002-400-509	Bypass Bushing Spacer	1
E	3003-400-503	Head End Bypass Plate	1

Siderail Bypass Detent Clip Assembly

For Reference Only: 3002-400-090

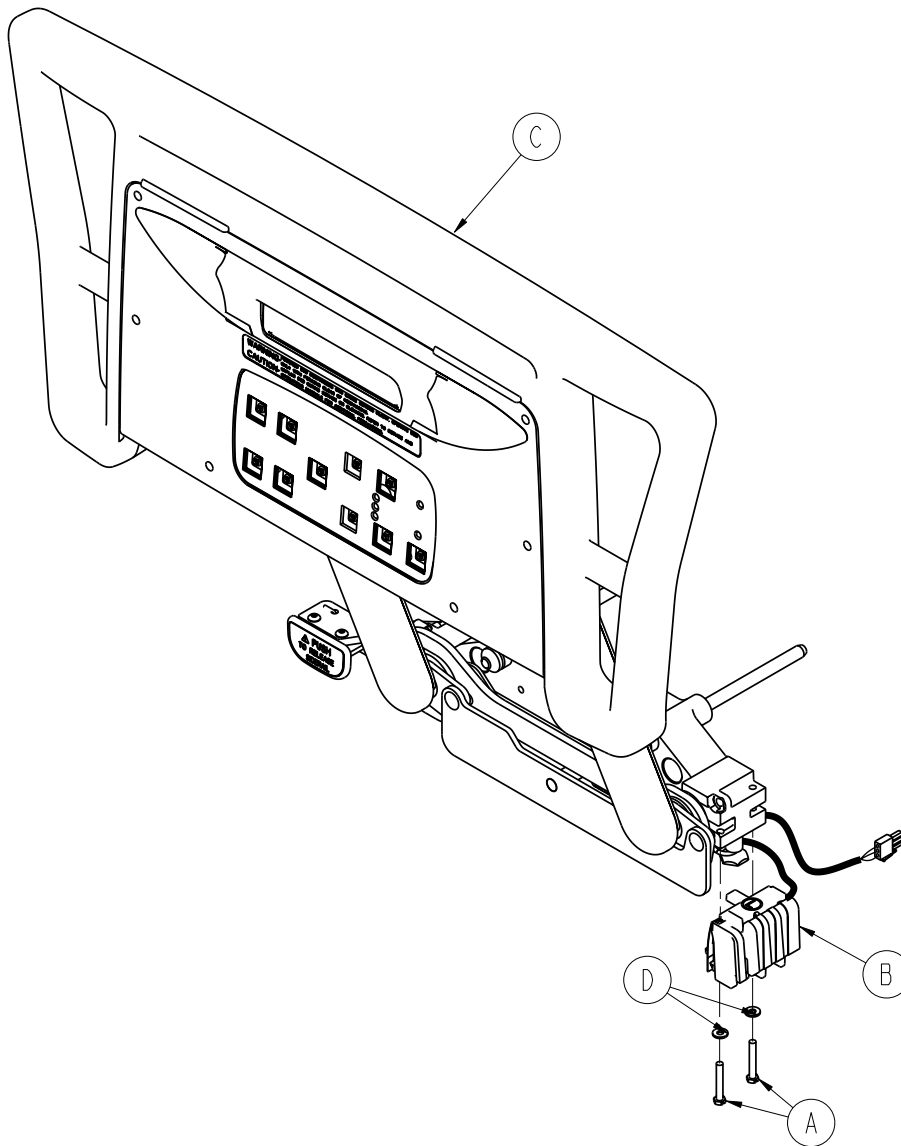


Item	Part No.	Part Name	Qty.
A	0031-137-000	Steel Ball	1
B	0038-464-000	Compression Spring	1
C	3002-400-524	Bypass Detent Housing	1

[Return To Table of Contents](#)

Siderail Assembly, iBED Awareness Option, Head End, Left

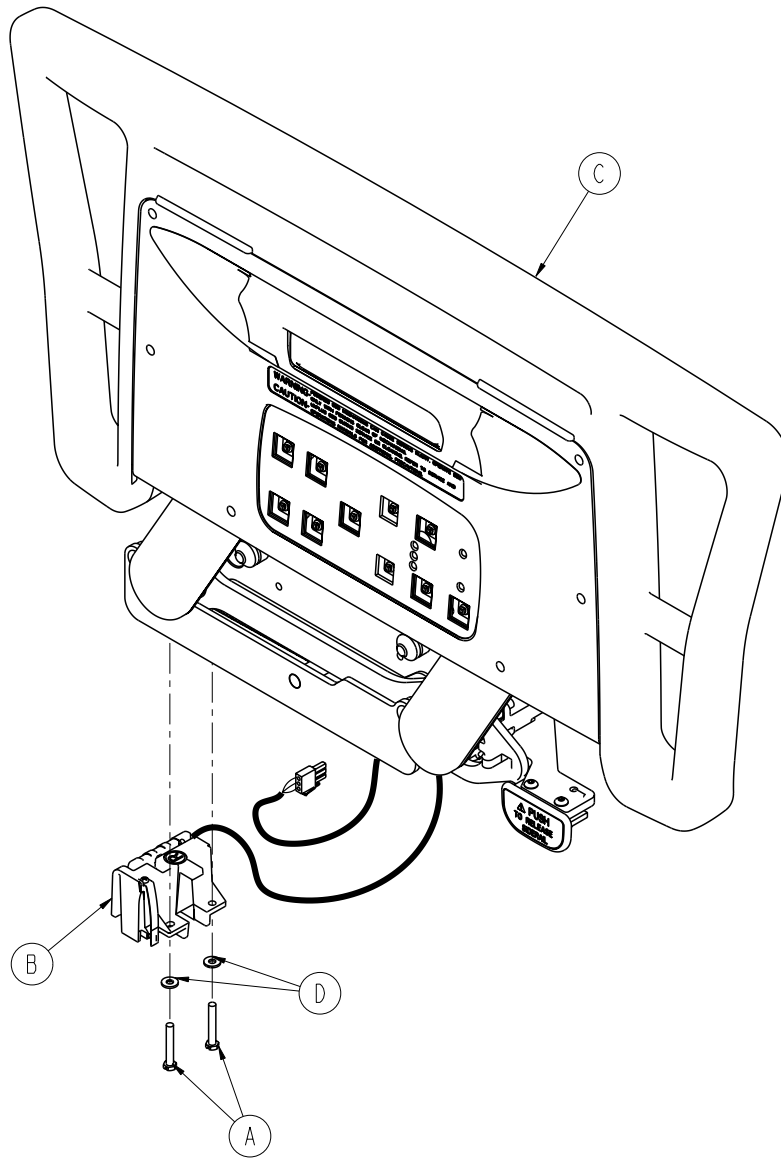
2032-403-105



Item	Part No.	Part Name	Qty.
A	0003-344-000	Hex Head Mounting Screw	2
B	2032-030-015	Siderail Switch Assembly, HE, Left (pg.172)	1
C	2032-402-105	Siderail Assembly, HE, Left (pg.158)	1
D	0011-062-000	Washer	2

Siderail Assembly, iBED Awareness Option, Head End, Right

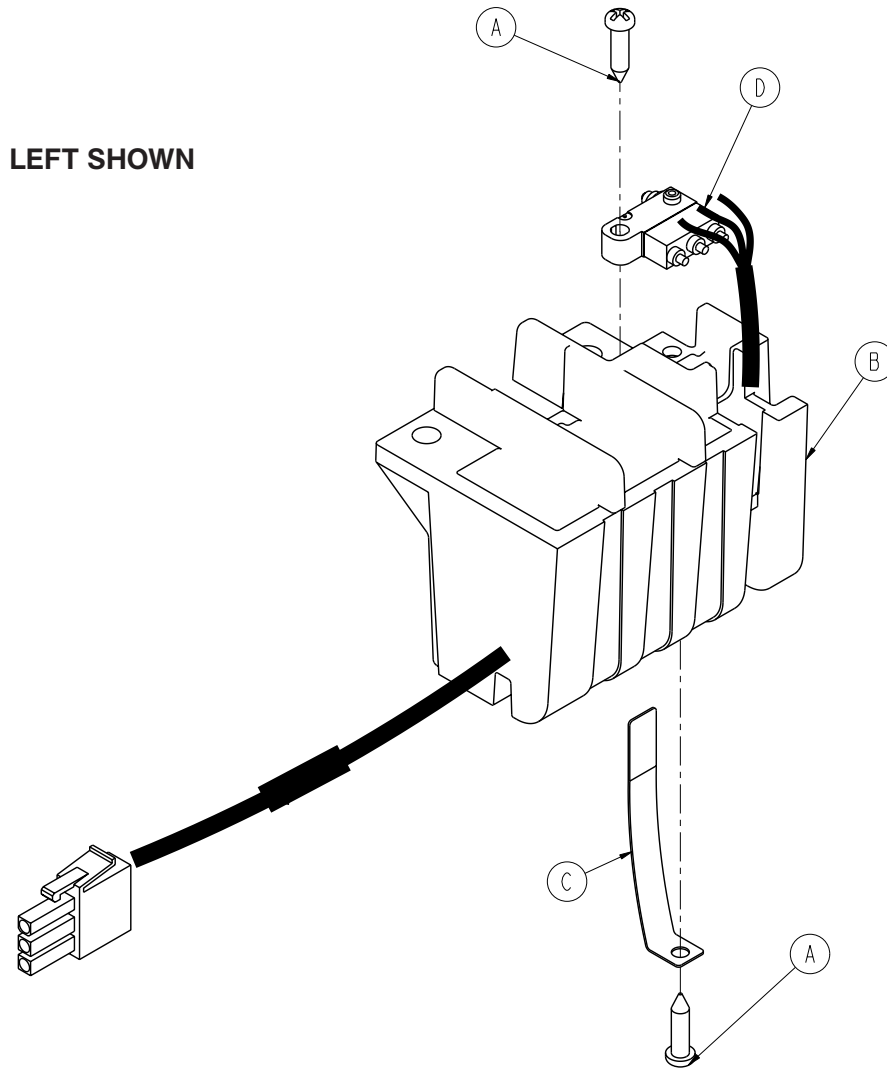
2032-403-205



Item	Part No.	Part Name	Qty.
A	0003-344-000	Hex Head Mounting Screw	2
B	2032-030-020	Siderail Switch Assembly, HE, Right (pg.172)	1
C	2032-402-205	Siderail Assembly, HE, Right (pg.158)	1
D	0011-062-000	Washer	2

[Return To Table of Contents](#)

Switch Assembly, iBED Awareness Option, Head End

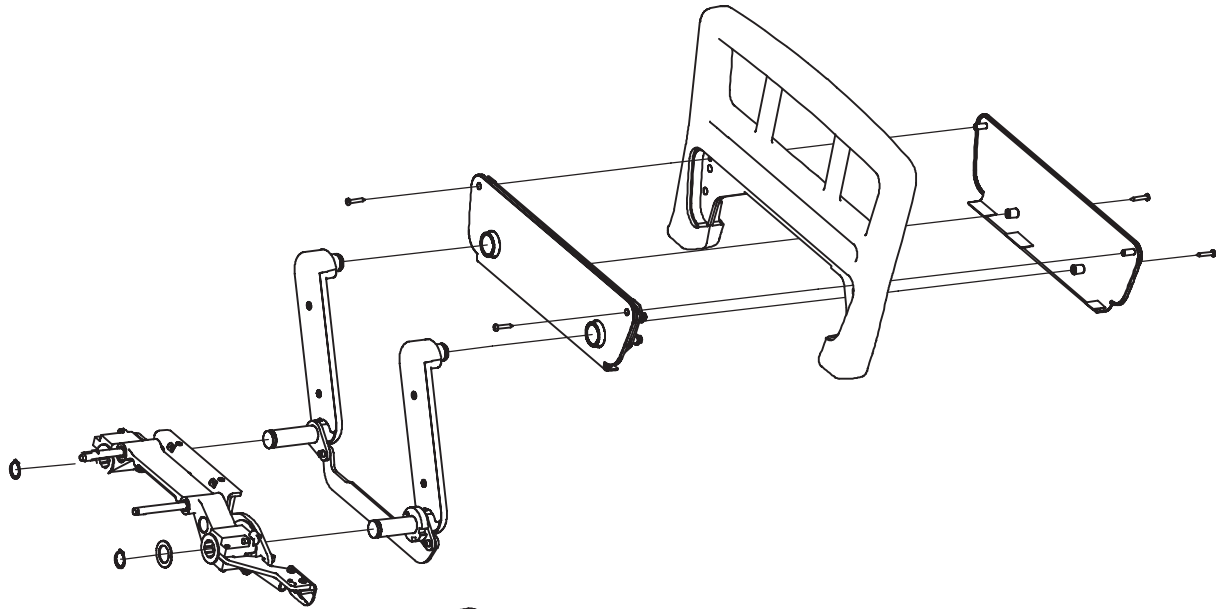


HEAD END LEFT - 2032-030-015 / HEAD END RIGHT - 2032-030-020

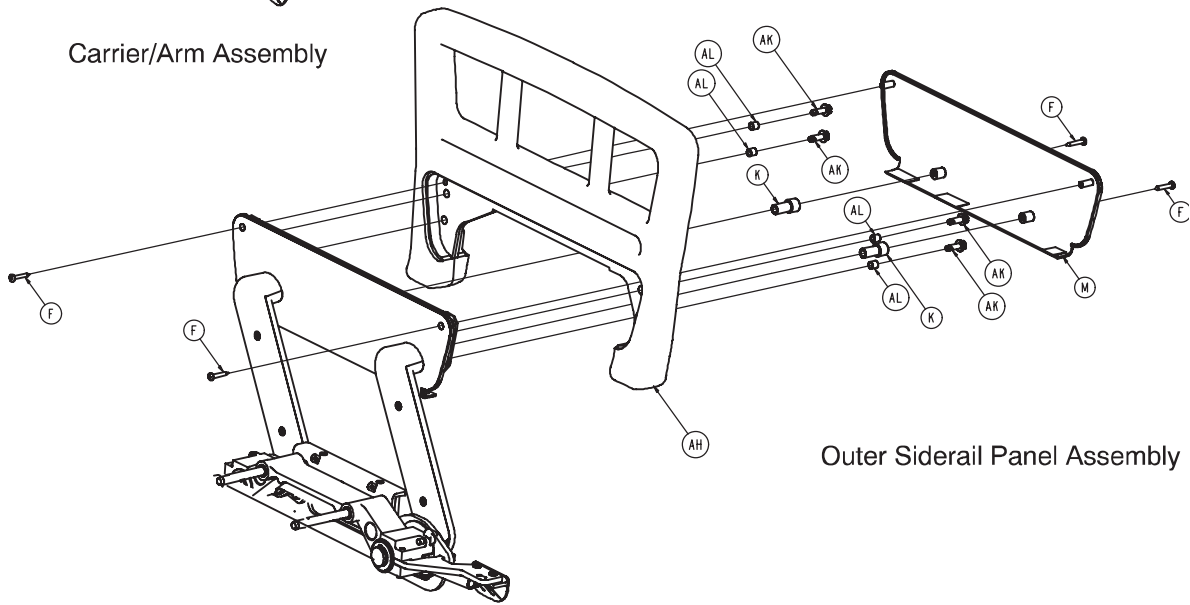
Item	Part No.	Part Name	Qty.
A	0023-294-000	High-Low Tapping Screw	1
B	3003-400-300	Switch Holder, Left	1
	3003-400-400	Switch Holder, Right	1
C	3003-400-500	Switch Holder, Spring Blade	1
D	2032-400-802	Epic Head, Siderail Switch Cable	1

Foot End Siderail Assembly

(Inside the U.S. and Canada)



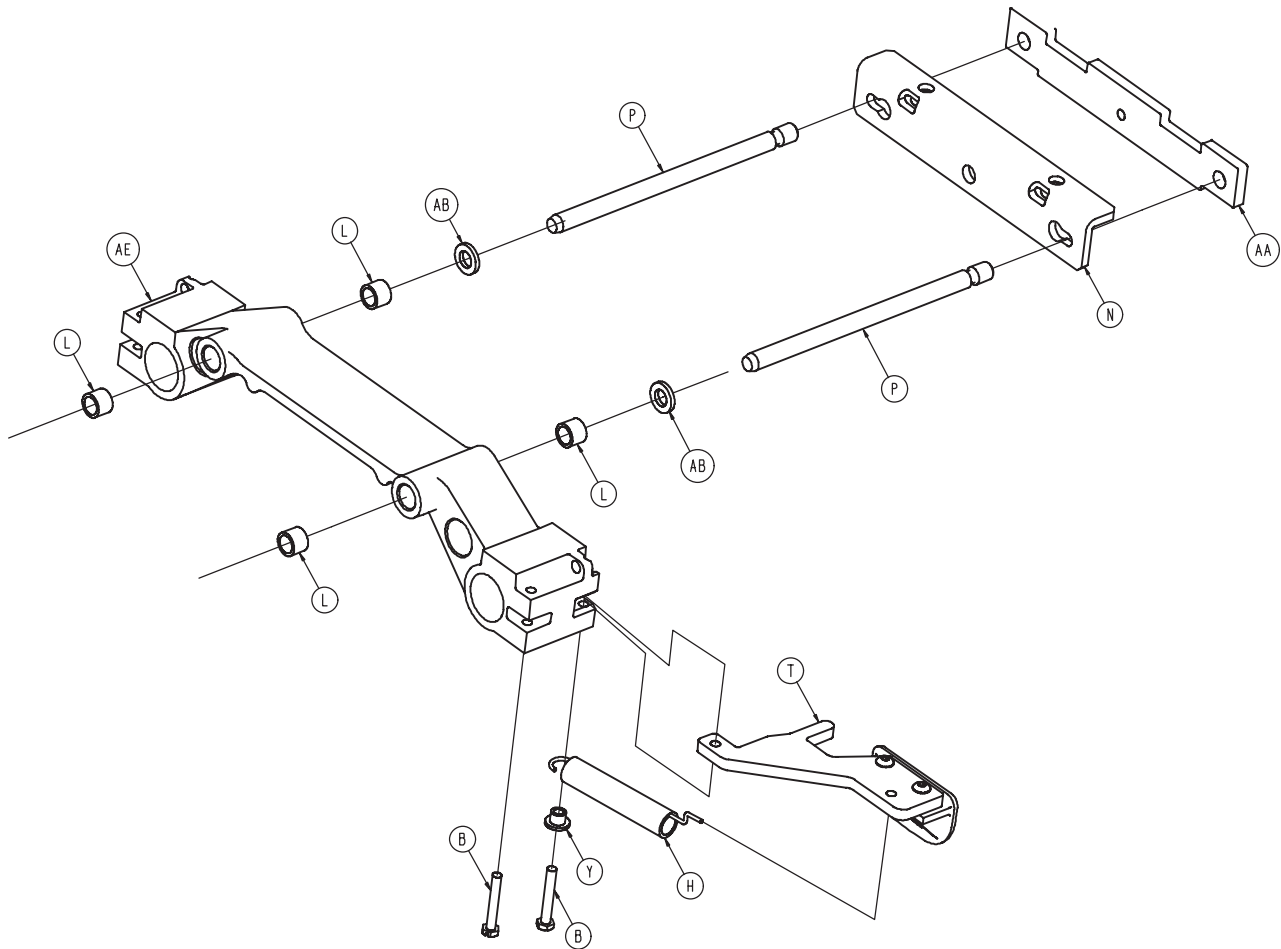
Carrier/Arm Assembly



Outer Siderail Panel Assembly

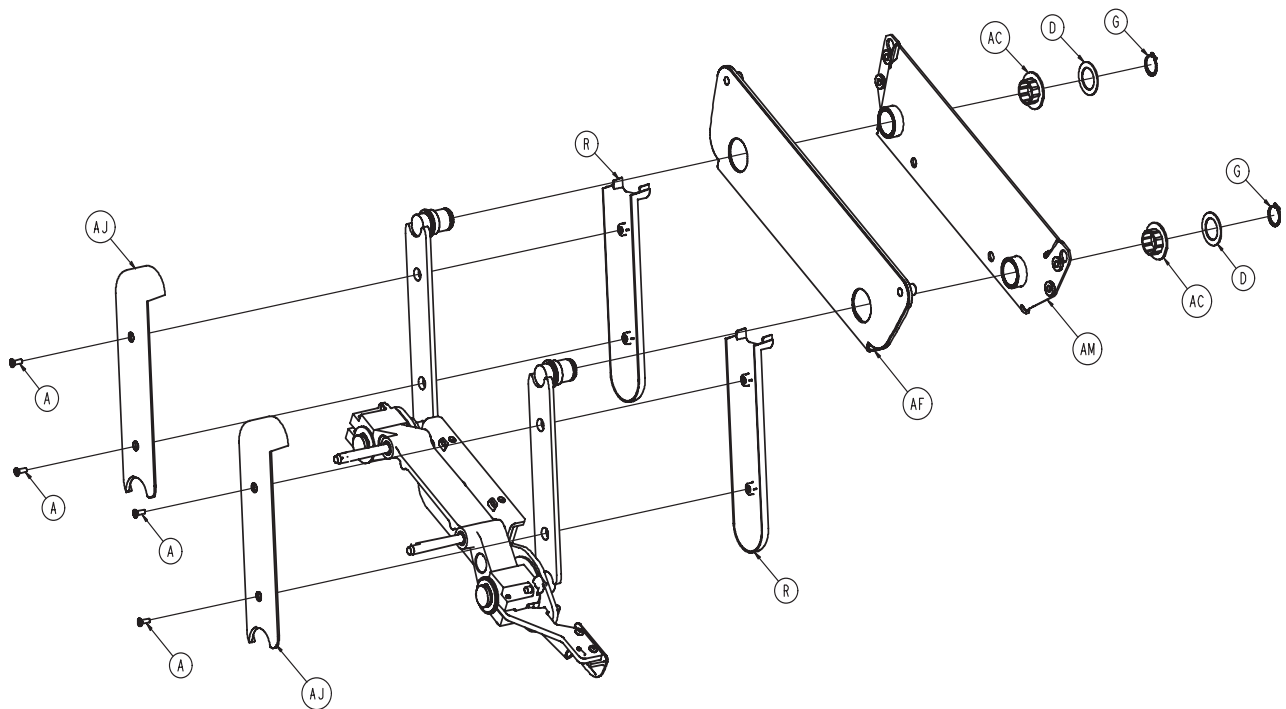
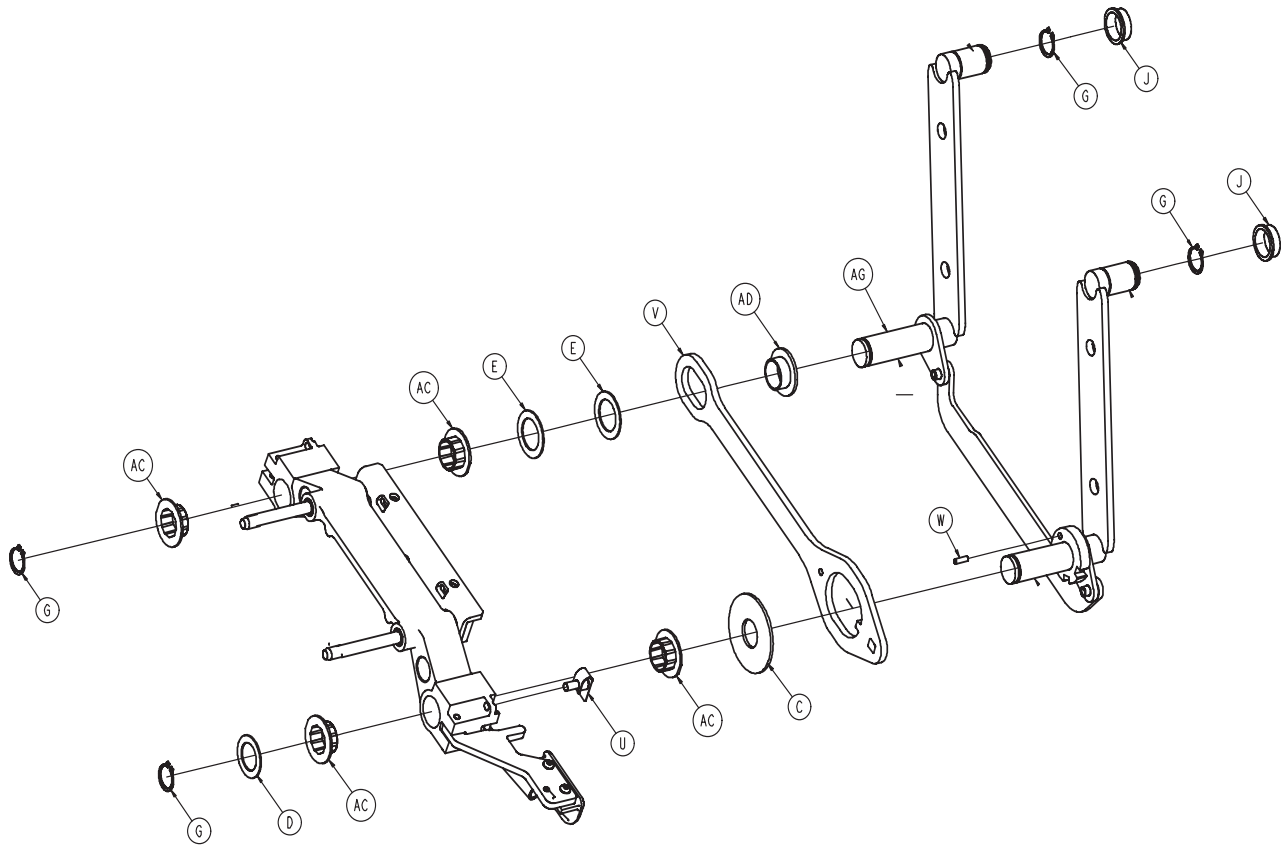
Foot End Siderail Assembly

(Inside the U.S. and Canada)



Foot End Siderail Assembly

(Inside the U.S. and Canada)



[Return To Table of Contents](#)

Foot End Siderail Assembly

(Inside the U.S. and Canada)

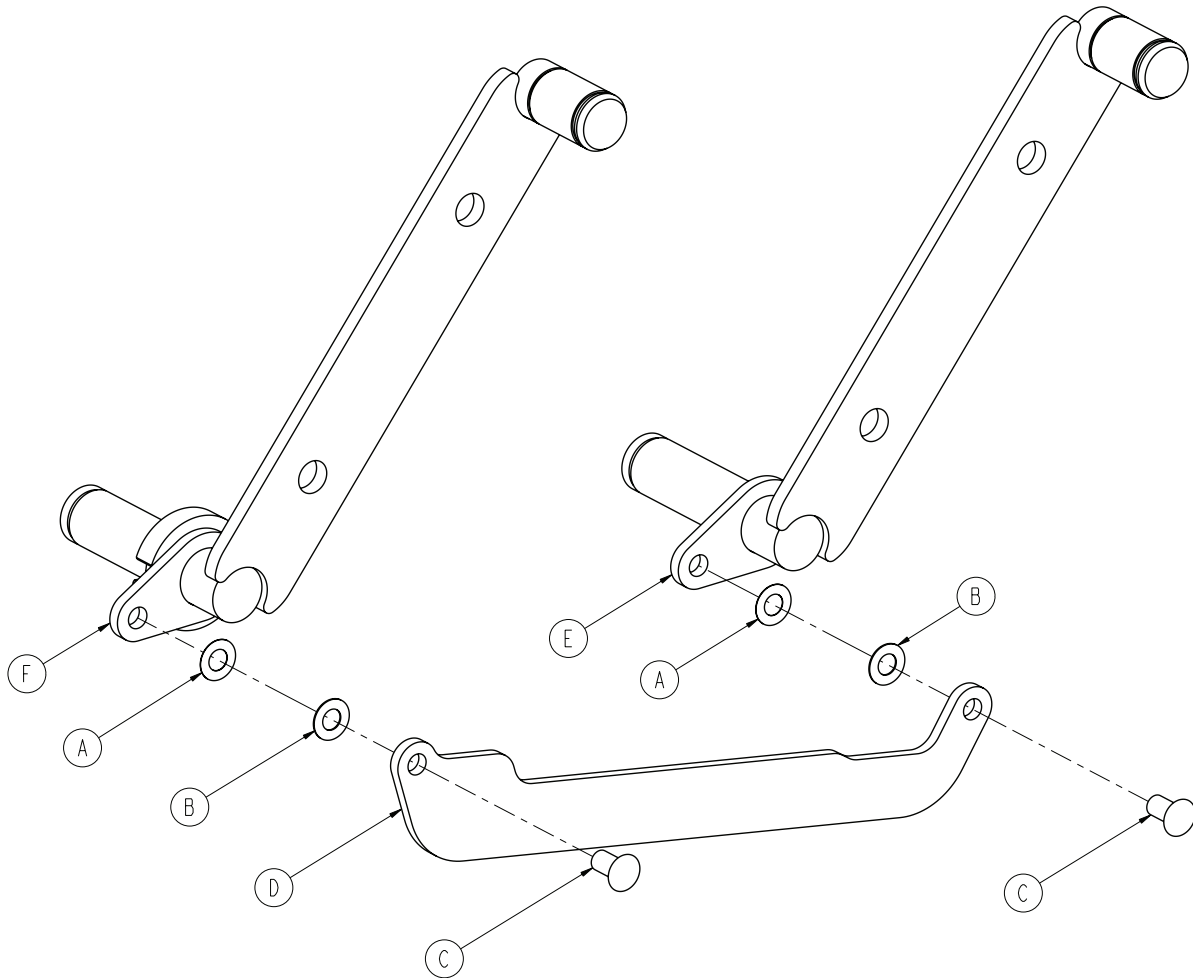
2032-401-305 Left Common Components

2032-401-405 Right Common Components

Item	Part No	Part Name	Qty.	Item	Part No	Part Name	Qty.
A	0001-072-000	Ph. Flat Hd. Mach. Screw	4	A	0001-072-000	Ph. Flat Hd. Mach. Screw	4
B	0003-344-000	Hex Hd. Cap Screw	2	B	0003-344-000	Hex Hd. Cap Screw	2
C	0011-185-000	Washer	1	C	0011-185-000	Washer	1
D	0011-343-000	Shim Washer	3	D	0011-343-000	Shim Washer	3
E	0014-093-000	Washer	2	E	0014-093-000	Washer	2
F	0023-090-000	Pan Hd. Tapping Screw	4	F	0023-090-000	Pan Hd. Tapping Screw	4
G	0028-128-000	Retaining Ring	6	G	0028-128-000	Retaining Ring	6
H	3000-200-334	Extension Spring	1	H	3000-200-334	Extension Spring	1
J	3000-400-513	Wear Bushing	2	J	3000-400-513	Wear Bushing	2
K	3000-400-523	Panel Spacer	2	K	3000-400-523	Panel Spacer	2
L	3000-400-557	Sleeve Bearing	4	L	3000-400-557	Sleeve Bearing	4
M	3001-400-527	Outer Rail	1	M	3001-400-527	Outer Rail	1
N	3001-400-555	Mounting Bracket	1	N	3001-400-555	Mounting Bracket	1
P	3001-400-564	Glide Rod	2	P	3001-400-564	Glide Rod	2
R	3001-400-619	Outer Arm Cover	2	R	3001-400-619	Outer Arm Cover	2
T	3002-400-055	Release Lever Ass'y, Lt. (pg. 179)	1	T	3002-400-065	Release Lever Ass'y, Rt.	
	(pg. 180)		1				
U	3002-400-090	Ball Detent Clip Ass'y (pg. 169)	1	U	3002-400-090	Ball Detent Clip Ass'y (pg. 169)	1
V	3002-400-501	Latch	1	V	3002-400-501	Latch	1
W	3002-400-505	Bypass Pin	1	W	3002-400-505	Bypass Pin	1
Y	3002-400-509	Bypass Bushing Spacer	1	Y	3002-400-509	Bypass Bushing Spacer	1
AA	3002-400-511	Glide Rod Bumper Pad	2	AA	3002-400-511	Glide Rod Bumper Pad	2
AB	3002-400-512	Bumper Washer	2	AB	3002-400-512	Bumper Washer	2
AC	3002-400-513	Pivot Bushing	6	AC	3002-400-513	Pivot Bushing	6
AD	3002-400-519	Latch Bushing	1	AD	3002-400-519	Latch Bushing	1
AE	3002-400-528	Siderail Carrier	1	AE	3002-400-528	Siderail Carrier	1
AF	3003-400-526	Inner Panel	1	AF	3003-400-526	Inner Panel	1
AG	2032-401-030	FE Timing Link Ass'y, LH (pg. 177)	1	AG	2032-401-025	FE Timing Link Ass'y, RH (pg. 178)	1
AH	3003-400-520	Foot Rail	1	AH	3003-400-520	Foot Rail	1
AJ	5000-020-005	Inner Arm Cover	2	AJ	5000-020-005	Inner Arm Cover	2
AK	0003-226-000	Hex Washer Head Screw	4	AK	0003-226-000	Hex Washer Head Screw	4
AL	3001-400-558	Spacer	4	AL	3001-400-558	Spacer	4
AM	3003-400-580	Weldment, FE Support Plate	1	AM	3003-400-580	Weldment, FE Support Plate	1

Timing Link Assembly, Foot End, Left

2032-401-030

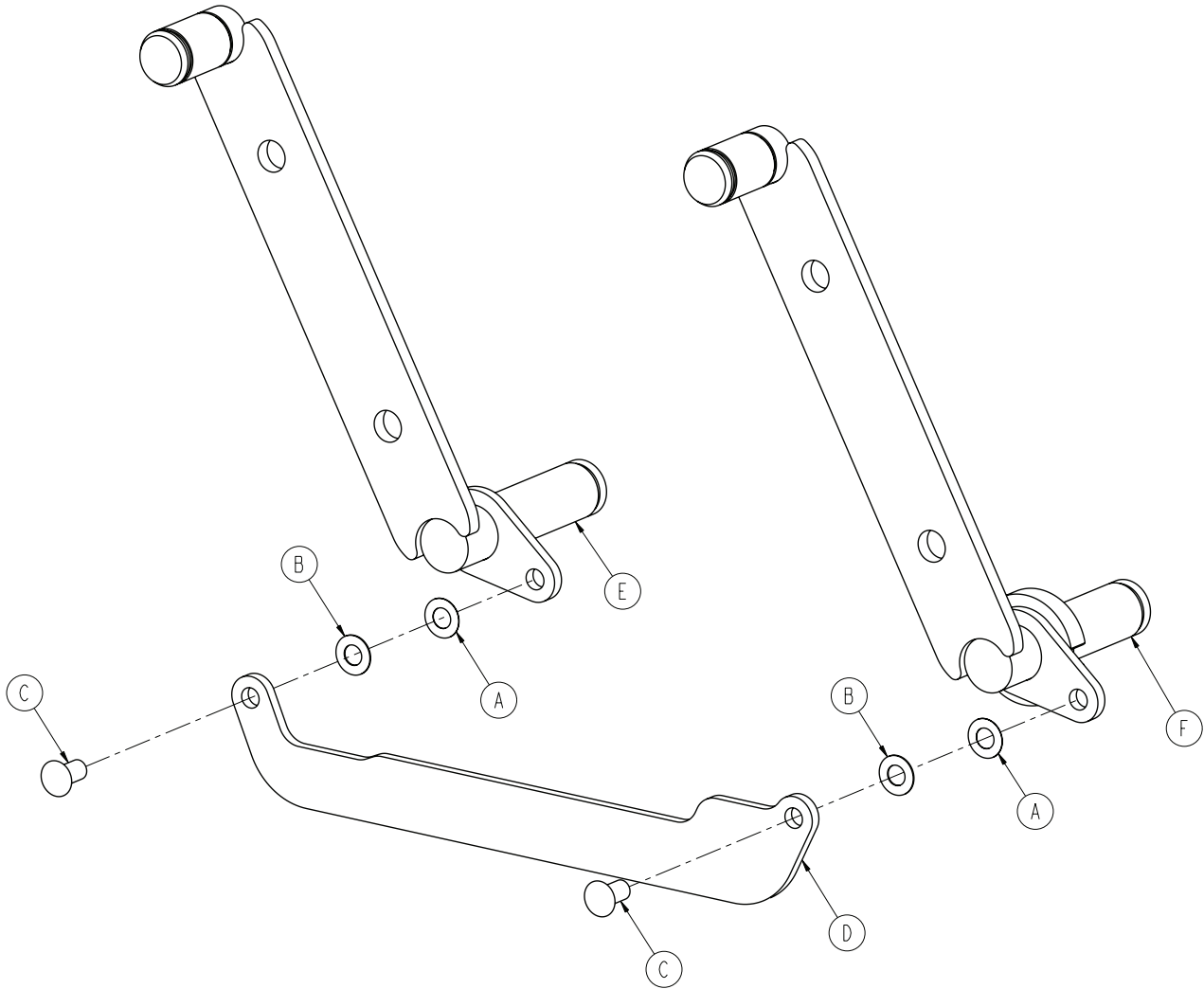


Item	Part No.	Part Name	Qty.
A	0011-377-000	Washer	2
B	0011-491-000	Washer	2
C	3001-400-501	Siderail Linkage Rivet	2
D	3003-400-011	Timing Link	1
E	3003-401-327	Arm Weldment - LHH	1
F	2032-401-328	Arm Weldment - LHF	1

[Return To Table of Contents](#)

Timing Link Assembly, Foot End, Right

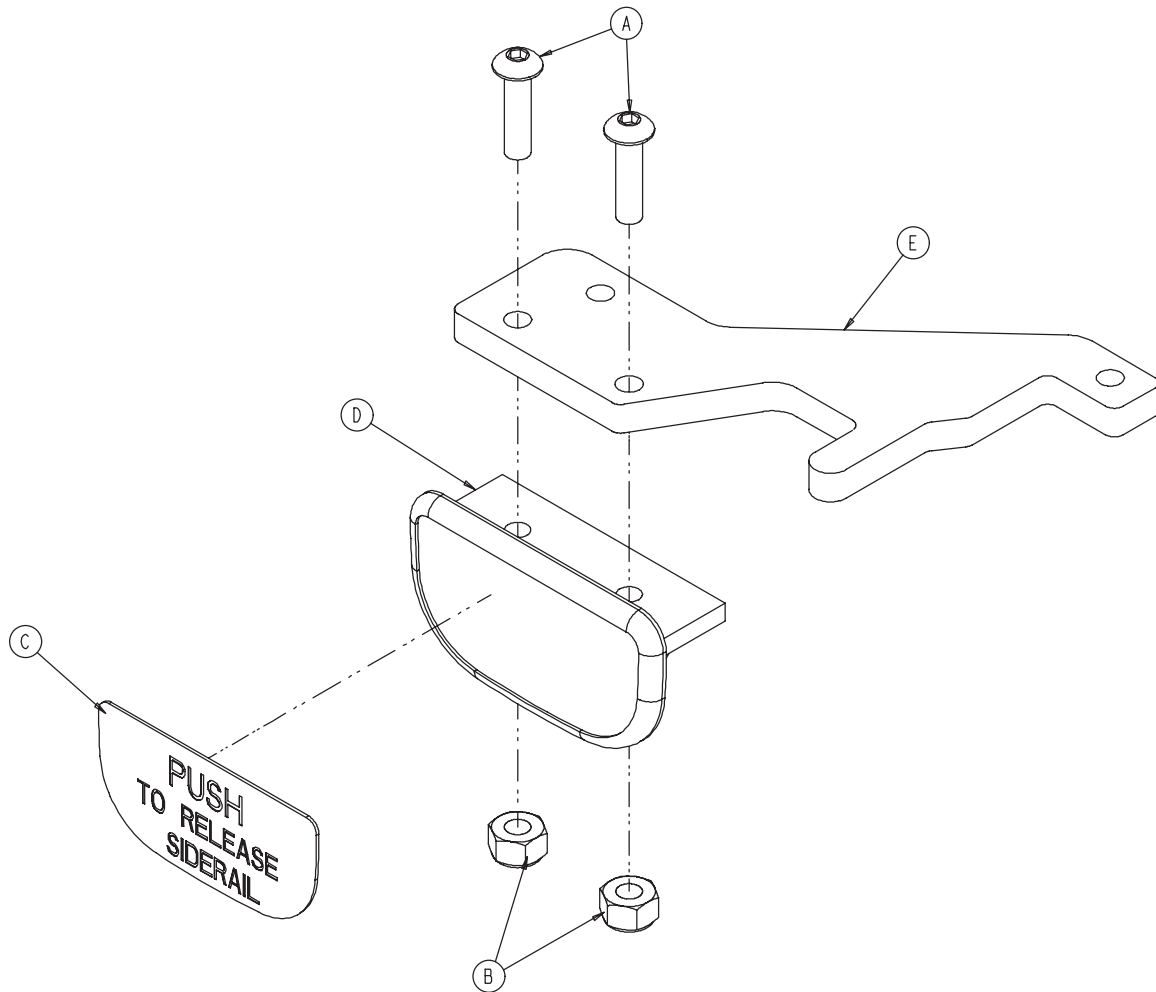
2032-401-025



Item	Part No.	Part Name	Qty.
A	0011-377-000	Washer	2
B	0011-491-000	Washer	2
C	3001-400-501	Siderail Linkage Rivet	2
D	3003-400-011	Timing Link	1
E	3003-401-427	Arm Weldment - RHH	1
F	2032-401-428	Arm Weldment - RHF	1

Siderail Release Lever Assembly, Left

3002-400-055

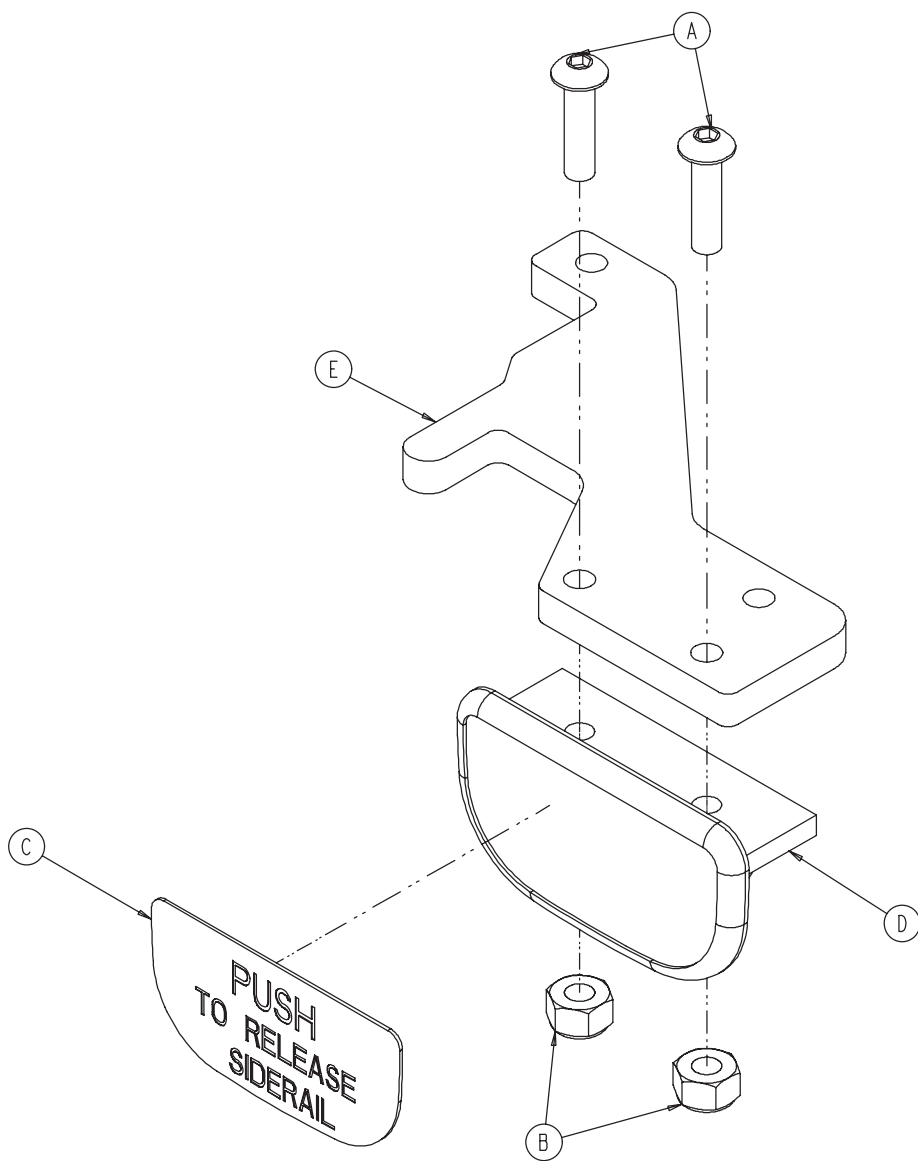


Item	Part No.	Part Name	Qty.
A	0004-278-000	Socket But. Hd. Cap Screw	2
B	0016-002-000	Hex Nut	2
C	3003-503-901	Release Label	1
D	3001-400-514	Release Lever Pad	1
E	3002-400-510	Release Lever	1

[Return To Table of Contents](#)

Siderail Release Lever Assembly, Right

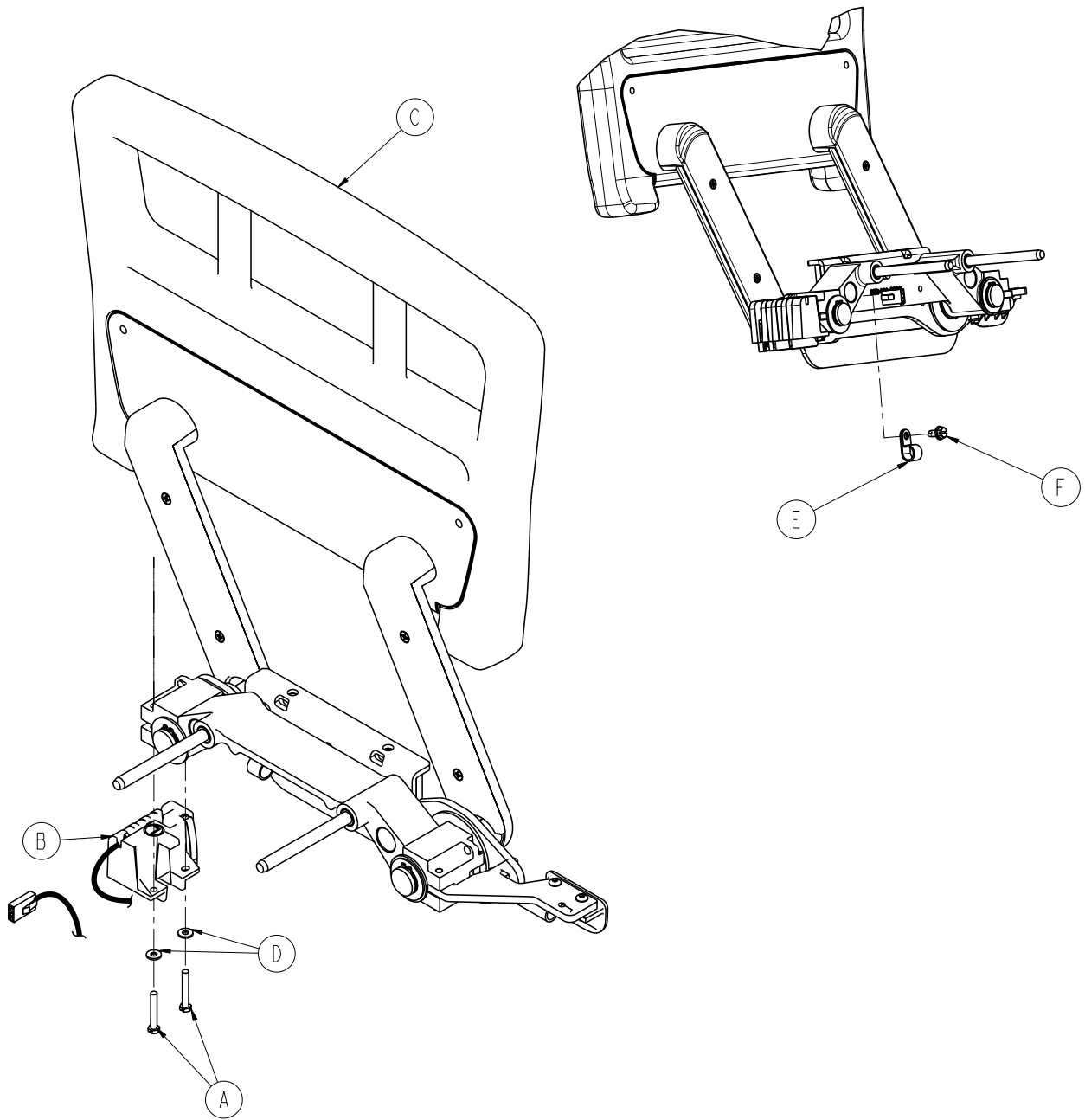
3002-400-065



Item	Part No.	Part Name	Qty.
A	0004-278-000	Socket But. Head Cap Screw	2
B	0016-002-000	Hex Nut	2
C	3003-503-901	Release Label	1
D	3001-400-514	Release Lever Pad	1
E	3002-400-510	Release Lever	1

Siderail Assembly, iBED Awareness Option, Foot End, Left

2032-403-305

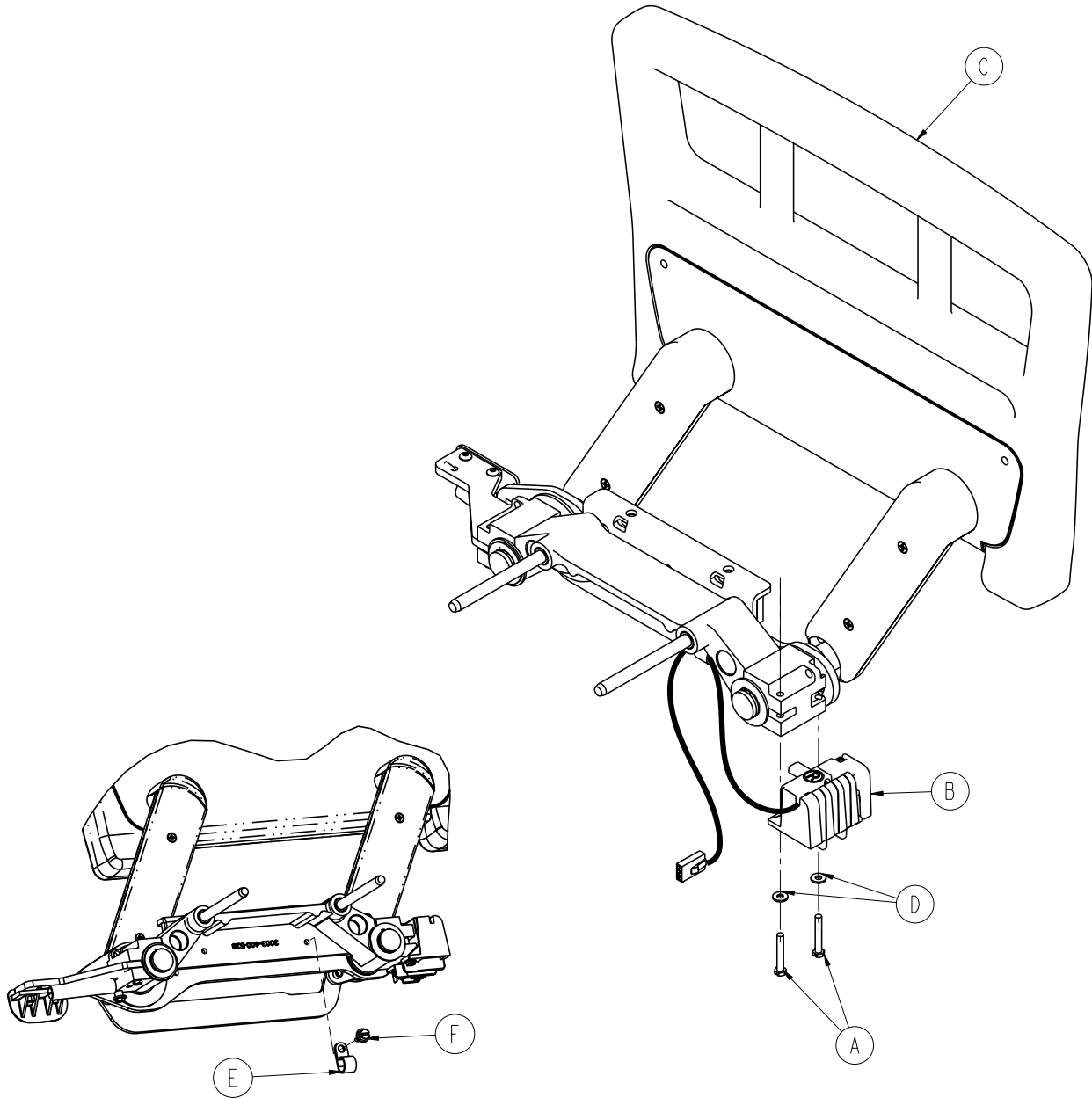


Item	Part No.	Part Name	Qty.
A	0003-344-000	Hex Head Mounting Screw	2
B	2032-030-025	Siderail Switch Assembly, FE, Left (pg.183)	1
C	2032-401-305	Siderail Assembly, FE, Left (pg.)	1
D	0011-062-000	Washer	2
E	0034-443-000	Cord Clamp	1
F	0003-221-000	Hex Washer Head Screw	1

[Return To Table of Contents](#)

Siderail Assembly, iBED Awareness Option, Foot End, Right

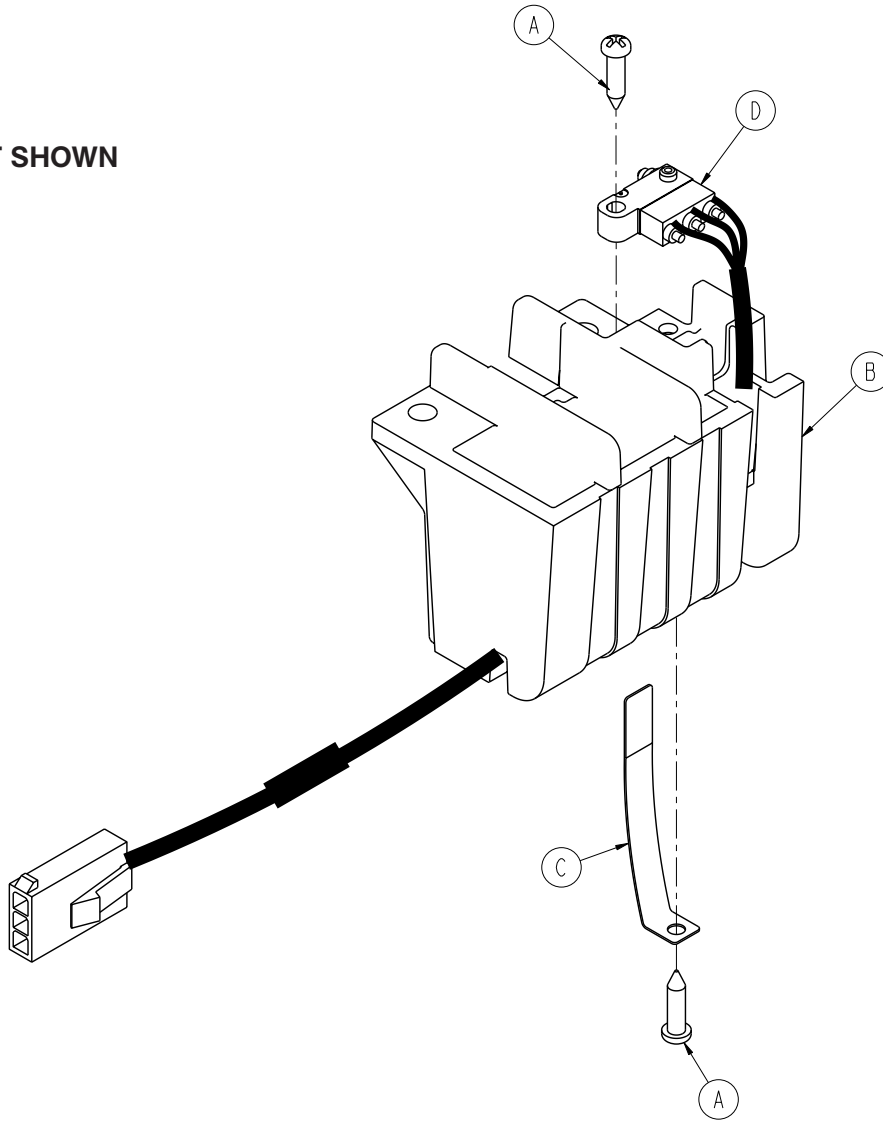
2032-403-405



Item	Part No.	Part Name	Qty.
A	0003-344-000	Hex Head Mounting Screw	2
B	2032-030-010	Siderail Switch Assembly, FE, Right (pg.183)	1
C	2032-401-405	Siderail Assembly, FE, Right (pg.176)	1
D	0011-062-000	Washer	2
E	0034-443-000	Cord Clamp	1
F	0003-221-000	Hex Washer Head Screw	1

Switch Assembly, iBED Awareness Option, Foot End

LEFT SHOWN



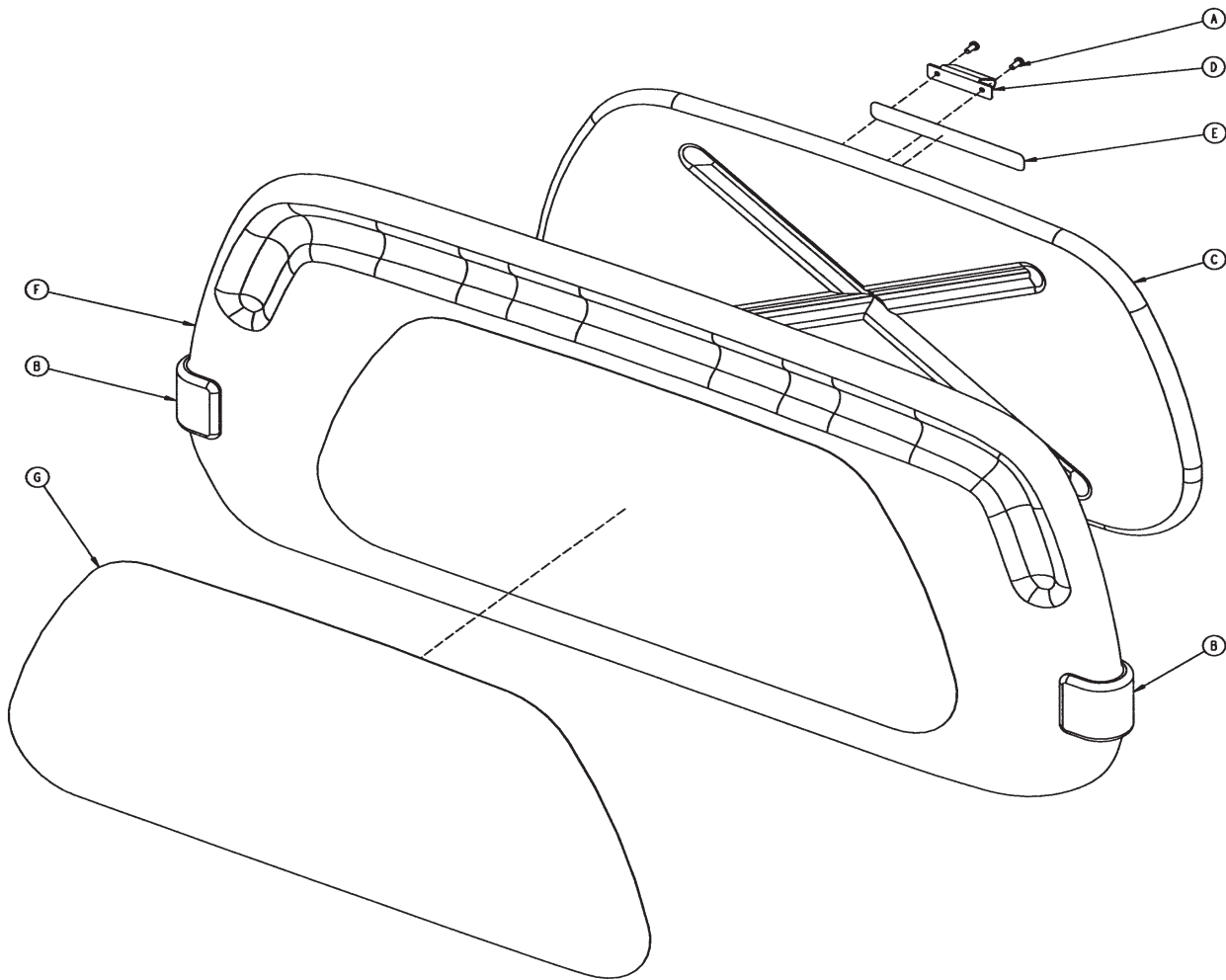
FOOT END LEFT - 2032-030-025 / HEAD END RIGHT - 2032-030-010

Item	Part No.	Part Name	Qty.
A	0023-294-000	High-Low Tapping Screw	1
B	3003-400-300	Switch Holder, Left	1
	3003-400-400	Switch Holder, Right	1
C	3003-400-500	Switch Holder, Spring Blade	1
D	2032-400-802	Epic Head, Siderail Switch Cable	1

[Return To Table of Contents](#)

Head Board Assembly

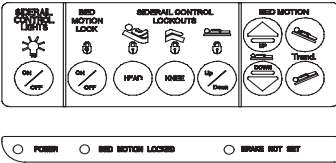
2035-130-010



Item	Part No.	Part Name	Qty.
A	0023-088-000	Pan Head Screw	2
B	2035-500-007	Dark Blue "C" Bumper	2
C	3000-526-001	CPR Board	1
D	3000-526-002	CPR Board Clip	1
E	3000-526-003	CPR Board Label	1
F	3000-600-010	Head Board Clam Shell Assembly	1
G	3000-600-056	Beige Head Board Laminate	1

Foot Board Assembly

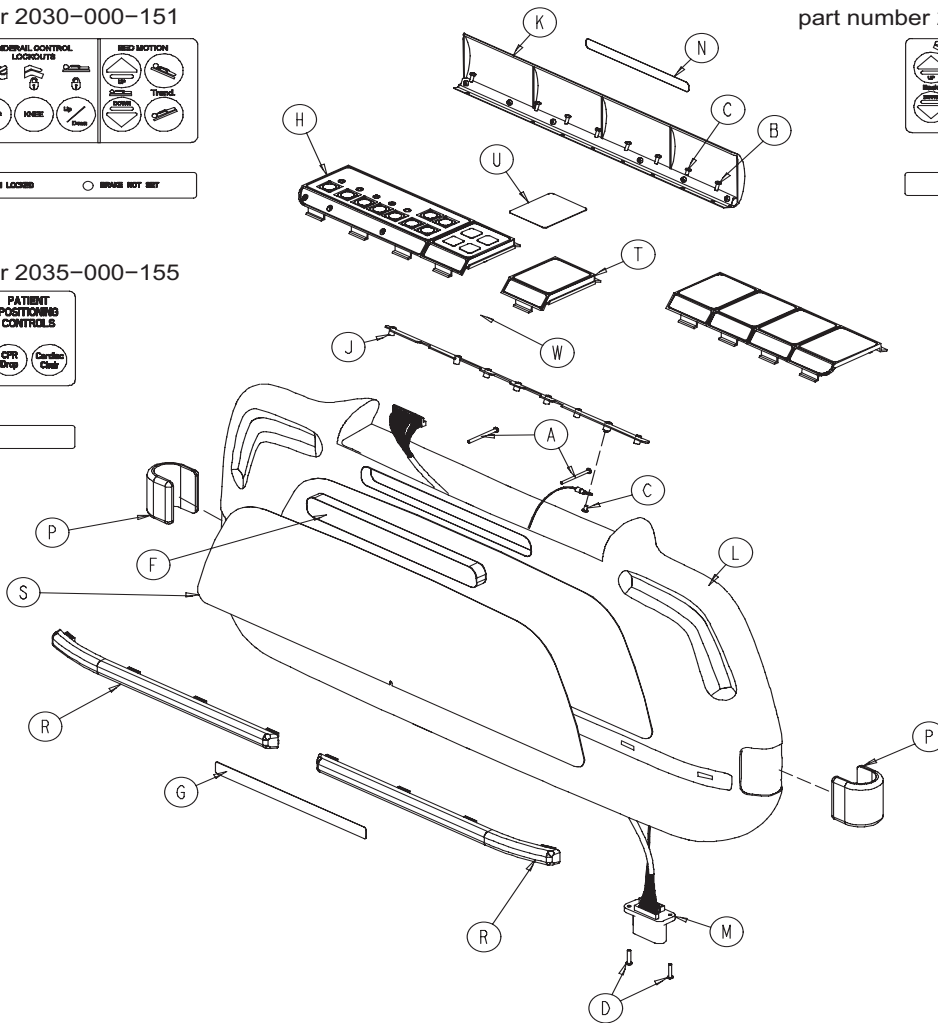
part number 2030-000-151



part number 2035-000-153



part number 2035-000-155



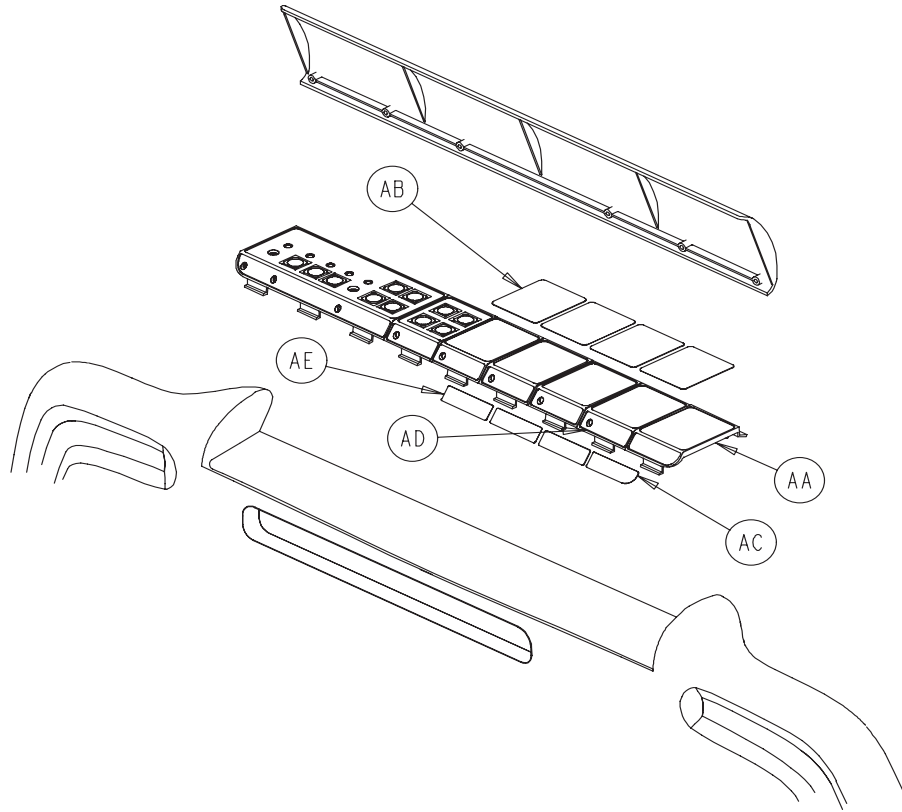
2030-135-010 Foot Board Standard Components

Item	Part No.	Part Name	Qty.
A	0023-118-000	Phil. Pan Hd. Tap. Screw	2
B	0023-103-000	Pan Hd. Hi/Lo Tap. Screw	7
C	0050-038-000	Pan Hd. Mach. Screw	2
D	0050-039-000	Pan Hd. Mach. Screw	2
F	3000-500-008	Chart Rack Cover	1
G	3000-500-029	Hazard Label	1
H	2030-235-020	Main Module	1
J	3001-500-064	Hinge Plate	1
K	3001-500-001	Lid Assembly	1
L	3001-500-010	Clamshell Assembly	1
M	3001-500-801	Foot Board Drawer Cable	1
N	3000-500-025	Lid Label	1
P	2035-500-007	Blue "C" Bumper	2
R	2035-500-008	Strip Bumper	2
S	3000-500-056	Beige Laminate	1
T	2025-136-021	E-Drop/Card. Ch. Module	1
U	2035-000-155	E-Drop/Card. Ch. Label	1
W	2025-136-801	E-Drop/Card. Ch. Cable	1

[Return To Table of Contents](#)

Foot Board Assembly, No Options

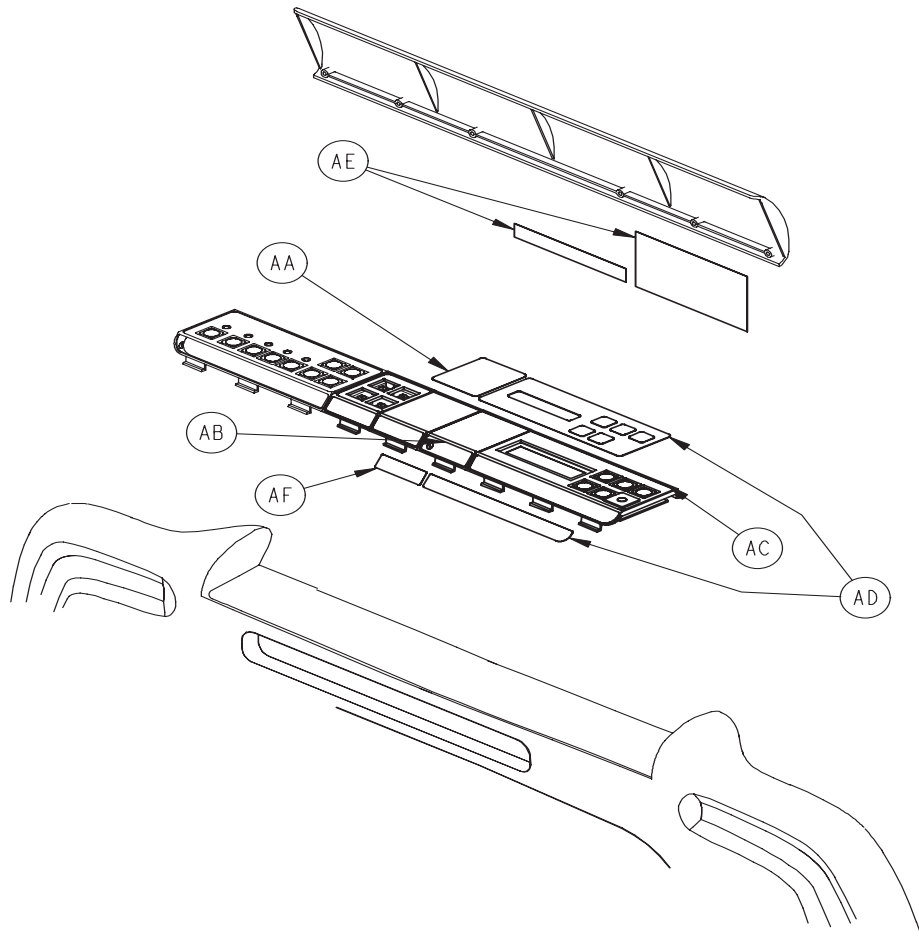
2030-135-011



Item	Part No.	Part Name	Qty.
AA	3000-500-004	End Module	1
AB	2035-500-101	Foot Board Blank Label	4
AC	3000-500-027	Blank End Label	1
AD	3001-500-003	Blank Module	3
AE	3000-500-026	Blank Module Label	3

Foot Board Assembly, Scale Option

2030-015-013

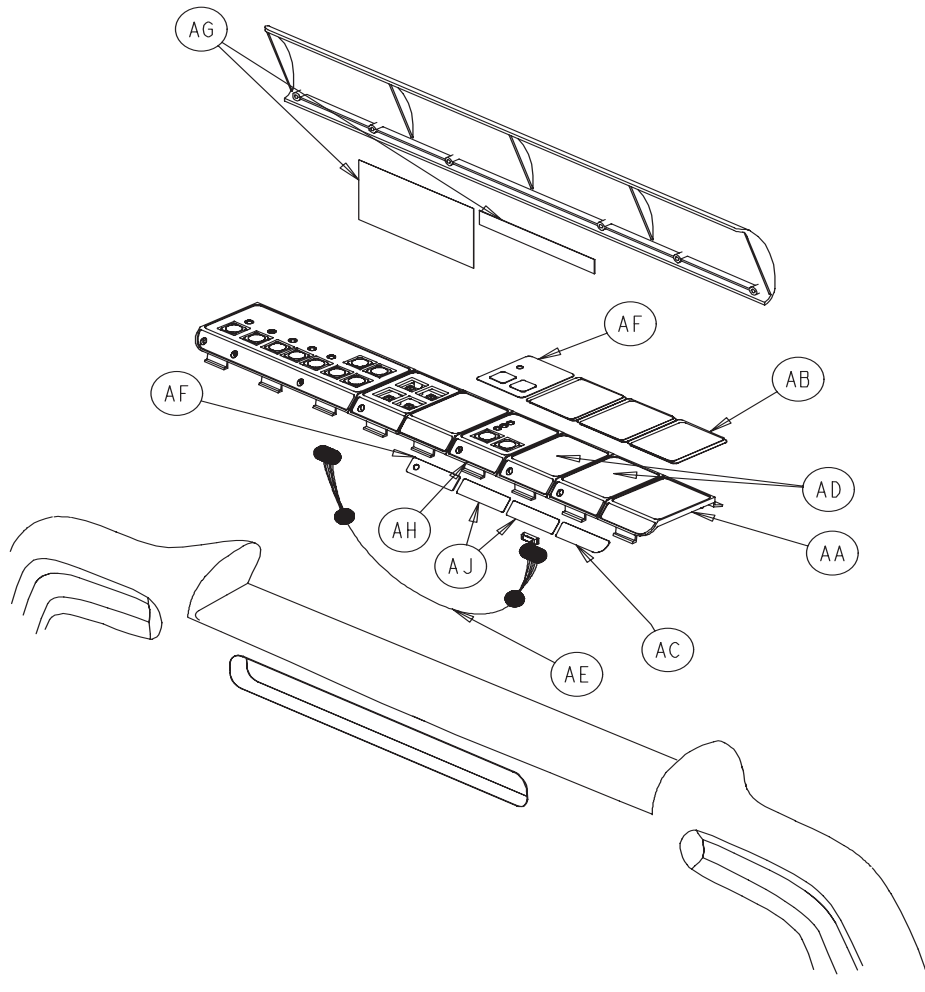


Item	Part No.	Part Name	Qty.
AA	2035-500-101	Foot Board Blank Label	1
AB	3001-500-003	Blank Module	1
AC	3002-507-030	Scale Module Assembly	1
AD	2030-000-902	Scale Module Label	1
AE	3002-507-011	Scale Lid Label	1
AF	3000-500-026	Blank Label	1

[Return To Table of Contents](#)

Foot Board Assembly, Bed Exit Option

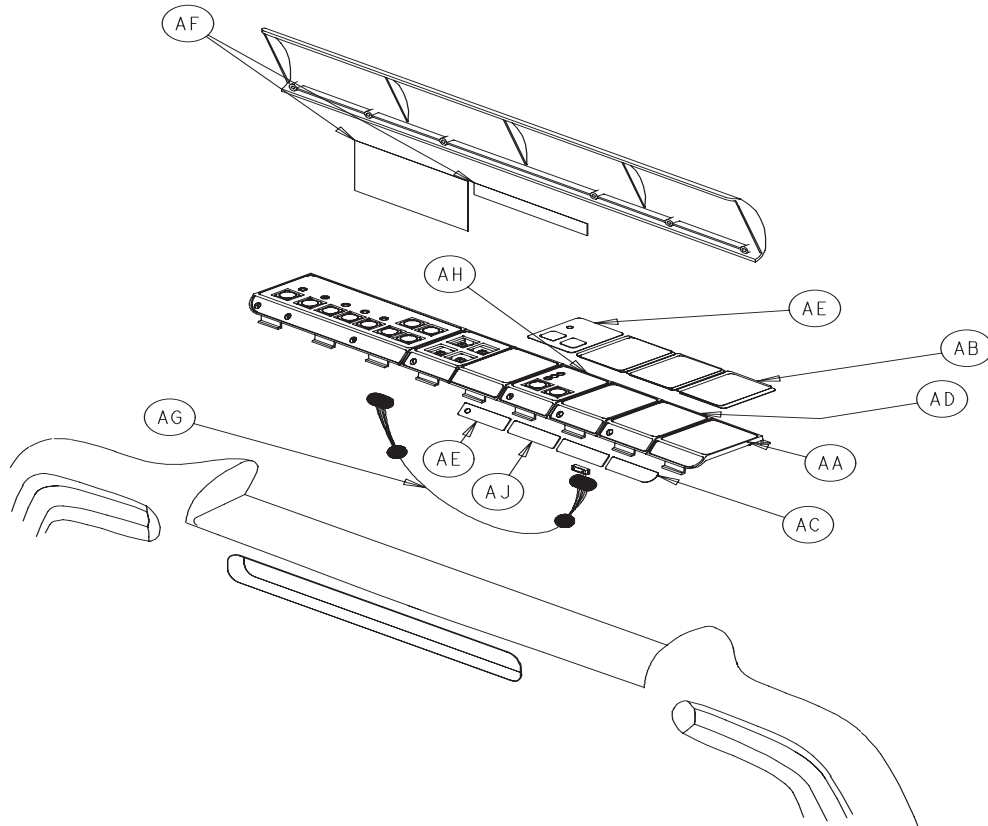
2030-135-012



Item	Part No.	Part Name	Qty.
AA	3000-500-004	End Module	1
AB	2035-500-101	Foot Board Blank Label	3
AC	3000-500-027	Blank End Label	1
AD	3001-500-003	Blank Module	2
AE	3001-508-800	Bed Exit Keypad Cable	1
AF	2030-000-154	Bed Exit Label	1
AG	3002-508-010	Bed Exit Lid Label	1
AH	3001-508-030	Bed Exit Module	1
AJ	3000-500-026	Blank Module Assembly	2

Foot Board Assembly, Bed Exit w/Zone Control Option

2030-135-015

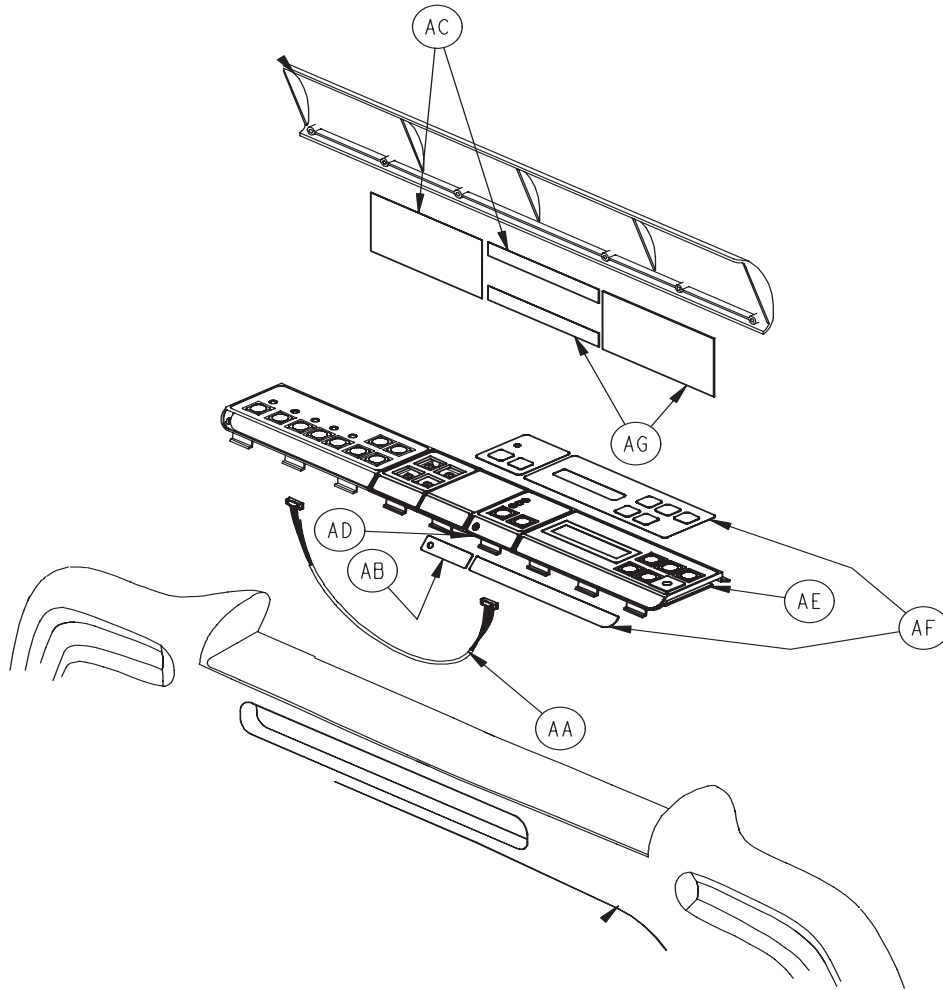


Item	Part No.	Part Name	Qty.
AA	3000-500-004	End Module	1
AB	2035-500-101	Foot Board Blank Label	3
AC	3000-500-027	Blank End Label	1
AD	3001-500-003	Blank Module	2
AE	2030-000-156	Chaperone II Module Label	1
AF	3002-508-012	Chaperone II Label	1
AG	3002-508-800	Zone Control Keypad Cable	1
AH	3002-508-030	Zone Bed Exit Module	1
AJ	3000-500-026	Blank Module Label	2

[Return To Table of Contents](#)

Foot Board Assembly, Bed Exit/Scale Option

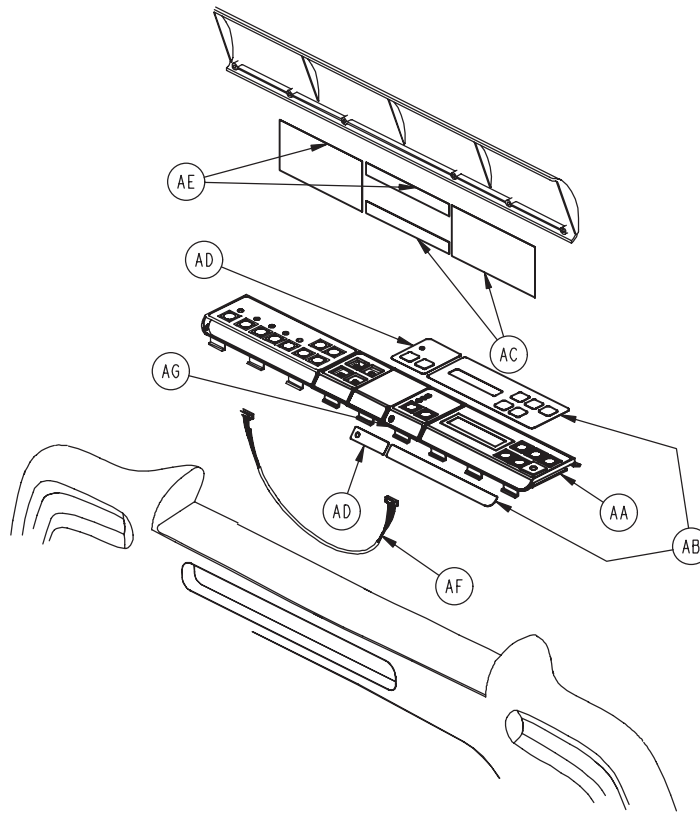
2030-015-014



Item	Part No.	Part Name	Qty.
AA	3001-508-800	Bed Exit Keypad Cable	1
AB	2030-000-154	Bed Exit Label	1
AC	3002-508-010	Bed Exit Lid Label	1
AD	3001-508-030	Bed Exit Module	1
AE	3002-507-030	Scale Module	1
AF	2030-000-902	Scale Module Label	1
AG	3002-507-011	Scale Lid Label	1

Foot Board Assembly, Scale/Bed Exit w/Zone Control Option

2030-015-016



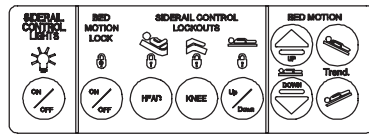
Item	Part No.	Part Name	Qty.
AA	3002-507-030	Scale Module Assembly	1
AB	2030-000-902	Scale Module Label	1
AC	3002-507-011	Scale Lid Label	1
AD	2030-000-156	Chaperone II Module Label	1
AE	3002-508-012	Chaperone II Label	1
AF	3002-508-800	Zone Control Keypad Cable	1
AG	3002-508-030	Zone Bed Exit Module	1

[Return To Table of Contents](#)

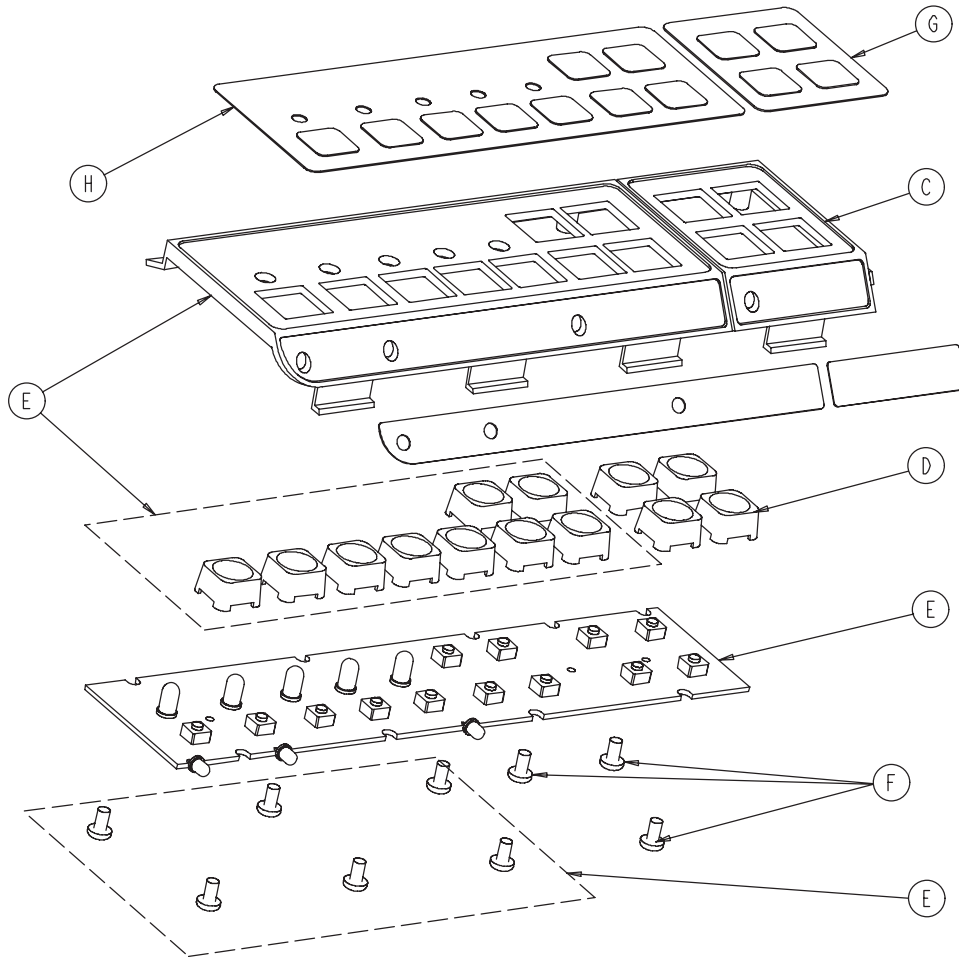
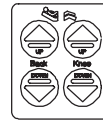
Foot Board Main Module Assembly

2030-235-020

part number 2030-000-151



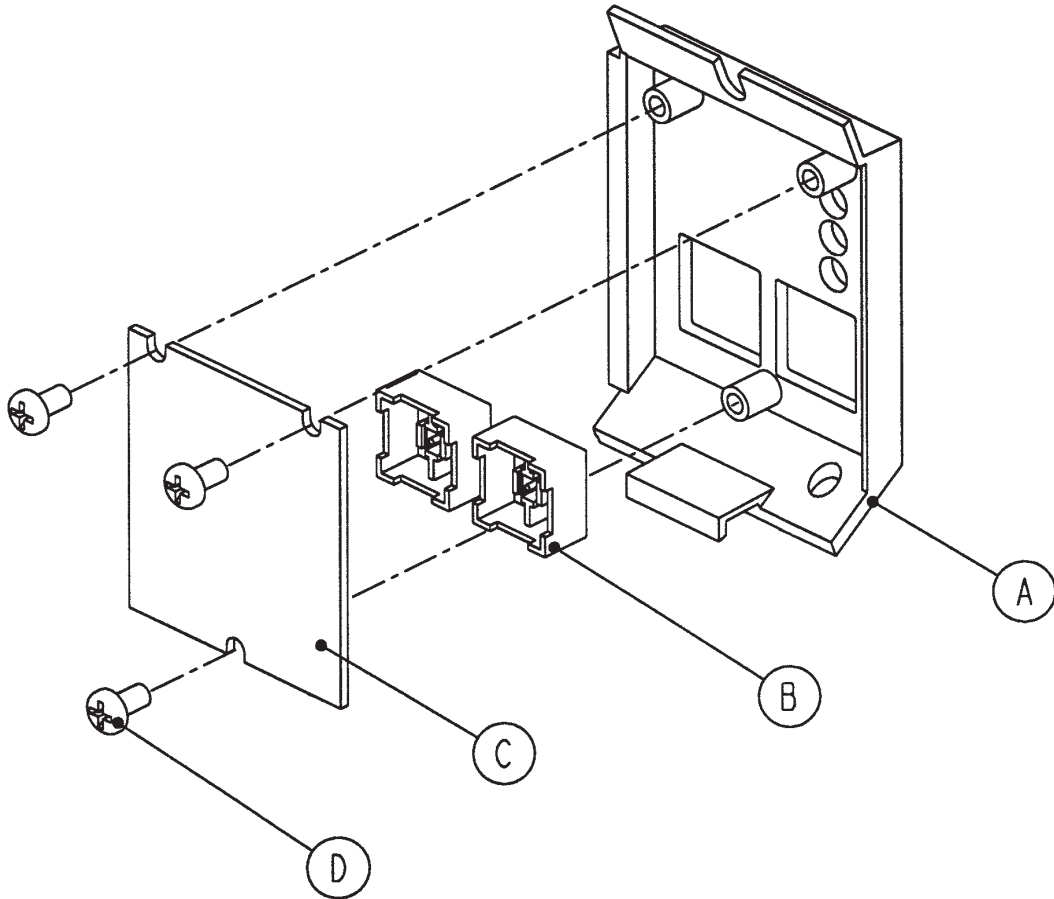
part number 2035-000-153



Item	Part No.	Part Name	Qty.
C	3000-501-001	Gatch/Fowler Module	1
D	3001-400-953	Switch Cap	4
E	3001-500-028	Foot Board Std. Module	1
F	0023-087-000	Pan Hd. Tapping Screw	3
G	2035-000-153	Gatch/Fowler Label	1
H	2030-000-151	Foot Board Std. Module Label	1

Optional Foot Board Emergency Drop/Cardiac Chair Module

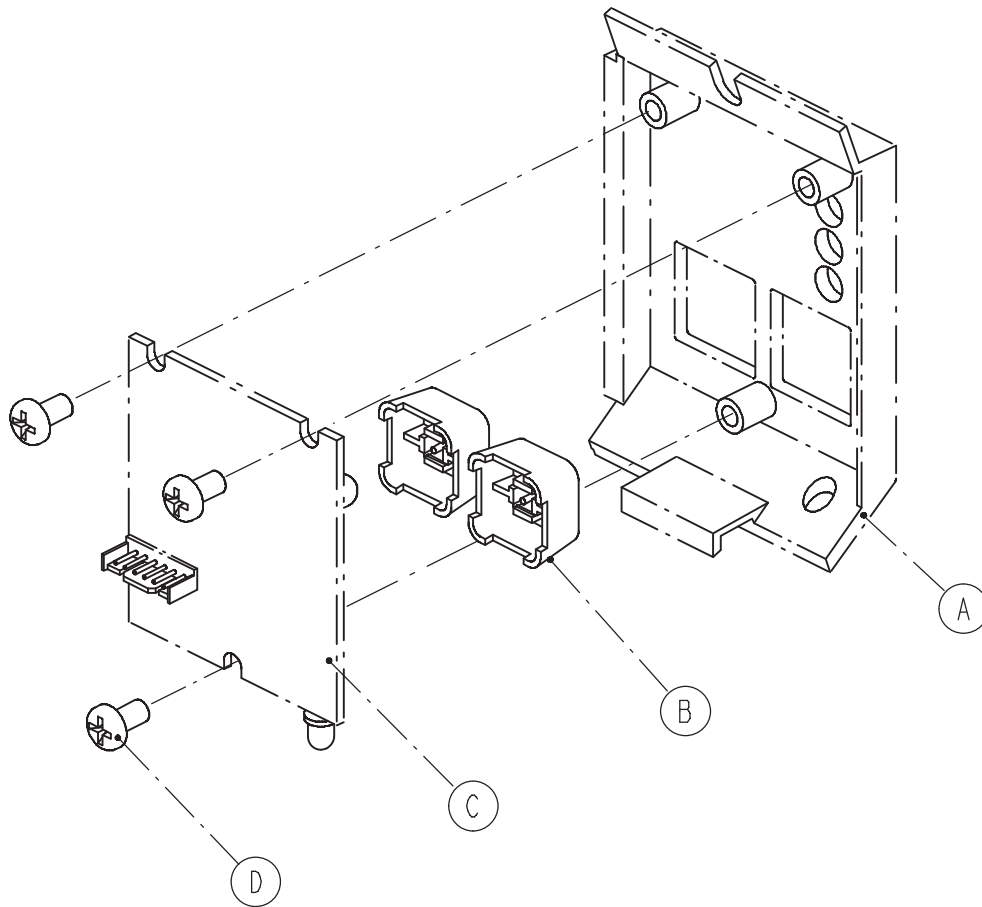
2025-136-021



Item	Part No.	Part Name	Qty.
A	3000-508-001	Bed Exit Module Panel	1
B	3001-400-953	Switch Cap	2
C	2025-136-900	CPR Drop/Card. Ch. Keypad	1
D	0023-087-000	Hi-Low Tapping Screw	3

Optional Foot Board Bed Exit Module

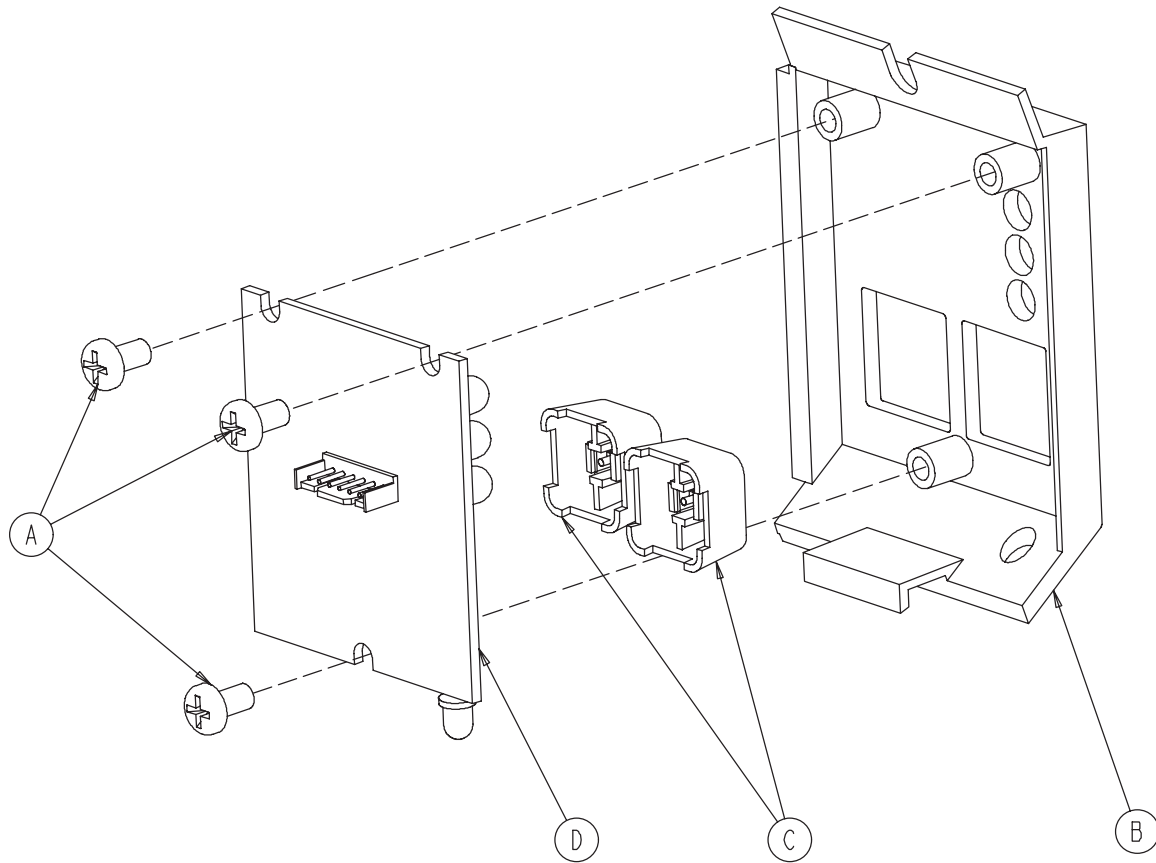
3001-508-030



Item	Part No.	Part Name	Qty.
A	3000-508-001	Bed Exit Module Panel	1
B	3001-400-953	Switch Cap	2
C	3001-508-910	Bed Exit Keypad Assembly	1
D	0023-087-000	Hi-Low Tapping Screw	3

Optional Foot Board Bed Exit Module

3002-508-030

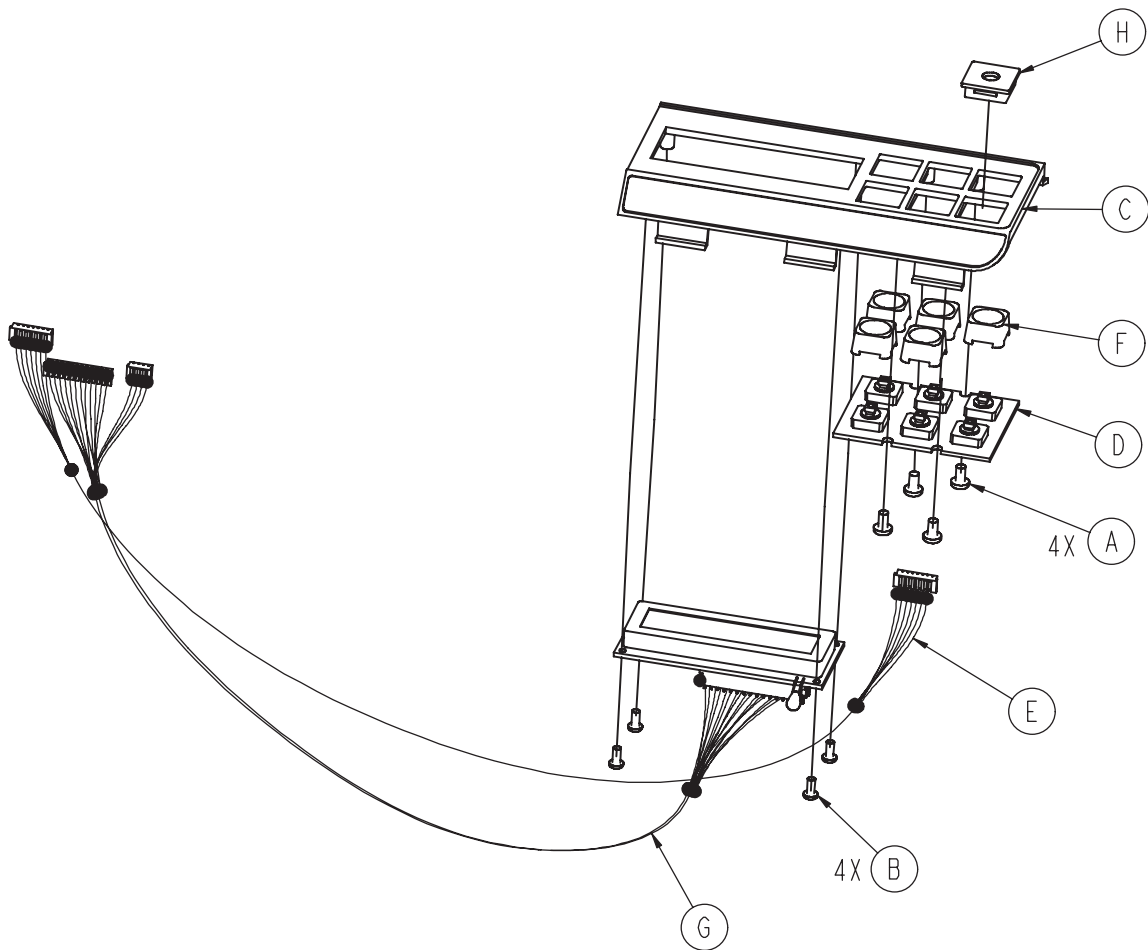


Item	Part No.	Part Name	Qty.
A	0023-087-000	Hi-Low Tapping Screw	3
B	3000-508-001	End Exit Module Panel	1
C	3001-400-953	Switch Cap	2
D	3002-508-900	Bed Exit Board	1

[Return To Table of Contents](#)

Optional Foot Board Scale Module Assembly

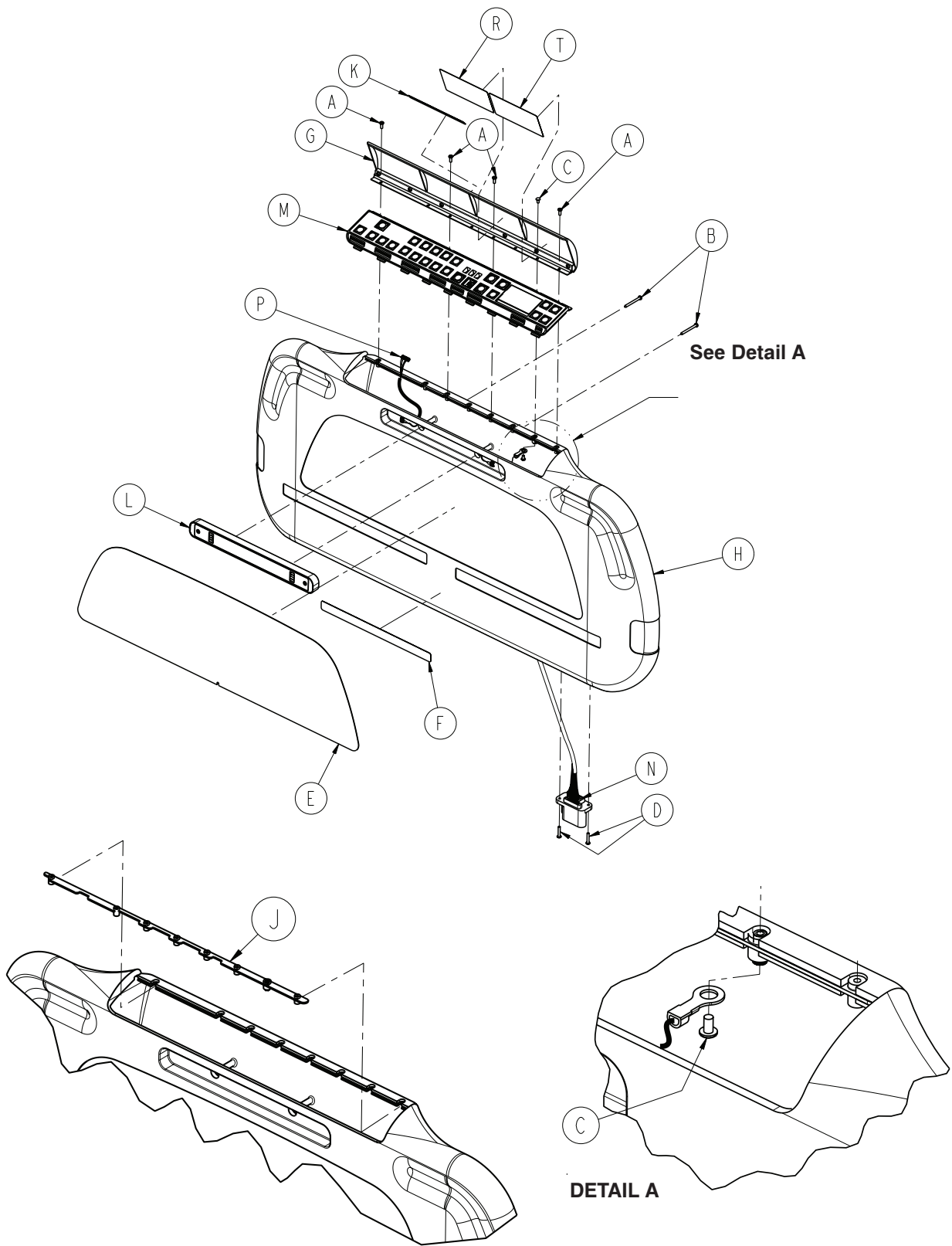
3002-507-030



Item	Part No.	Part Name	Qty.
A	0023-087-000	Pan Hd. Hi-Lo Tapping Screw	4
B	0023-091-000	Pan Hd. Hi-Lo Tapping Screw	4
C	3001-507-001	Scale Module	1
D	3001-507-910	Scale Keypad	1
E	3001-507-800	Scale Keypad Cable	1
F	3001-400-953	Switch Cap	5
G	3002-507-900	Scale Display Cable	1
H	3001-400-552	Filler Cap	1

Foot Board Assembly, iBED Awareness Option, Std. Comp.

For Reference Only: 3004-500-010



[Return To Table of Contents](#)

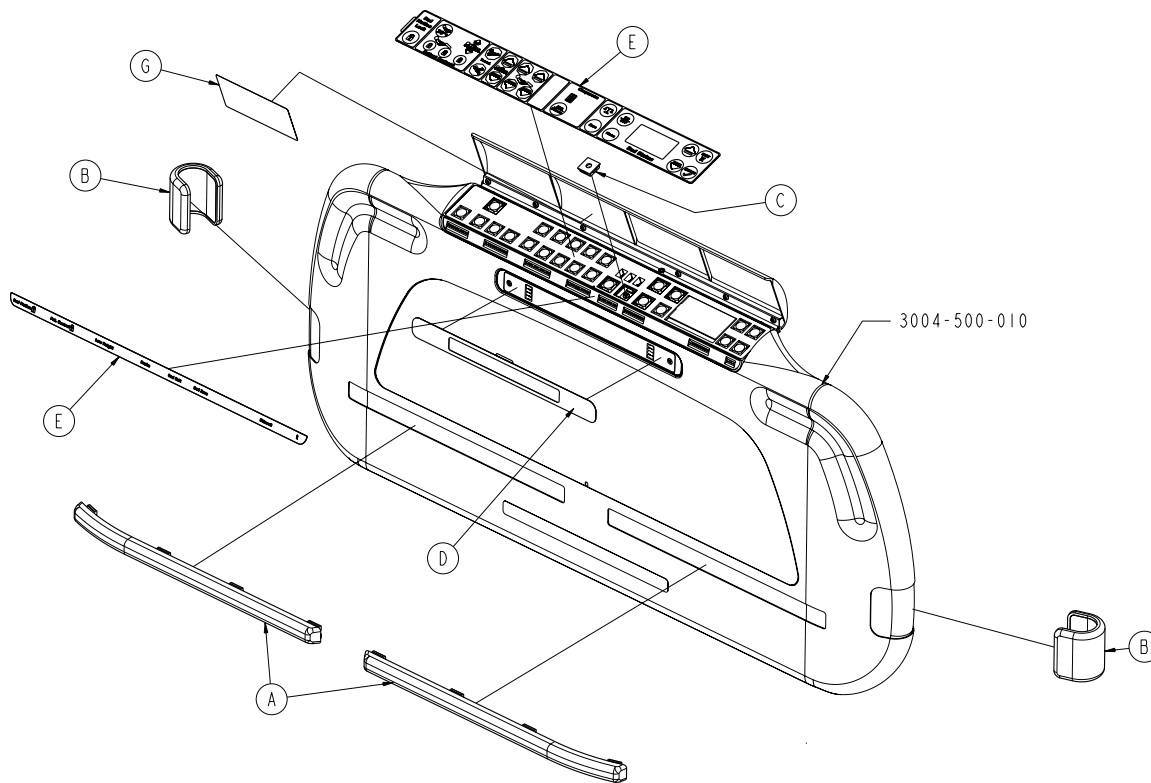
Foot Board Assembly, iBED Awareness Option, Std. Comp.

3004-500-010 Foot Board Assembly, Standard Components, LBS Option

Item	Part No.	Part Name	Qty.
A	0023-103-000	Pan Head Hi - Low Tapping Screw	4
B	0023-118-000	Pan Head Screw	2
C	0050-039-000	Pan Head Screw	2
D	0050-039-000	Pan Head Screw	2
E	3000-050-400	Foot Board Laminate	1
F	3000-500-029	Hazard Label	1
G	3001-500-001	Lid Assembly	1
H	3001-500-010	Foot Board Assembly	1
J	3001-500-064	Hinge Plate	1
K	3002-500-025	Lid Label	1
L	3004-500-008	LBS Foot Board Indicator Light, Ass'y.	1
M	3004-553-011	LBS Foot Board PCB Assembly	1
N	3003-500-801	Foot Board CAN Cable	1
P	3003-500-804	Lens Foot Board Cable	1
R	3003-508-007	Scale Label	1
T	3003-508-008	Bed Status Label	1

Foot Board Assembly, iBED Awareness Option w/Bed Exit

2032-500-012

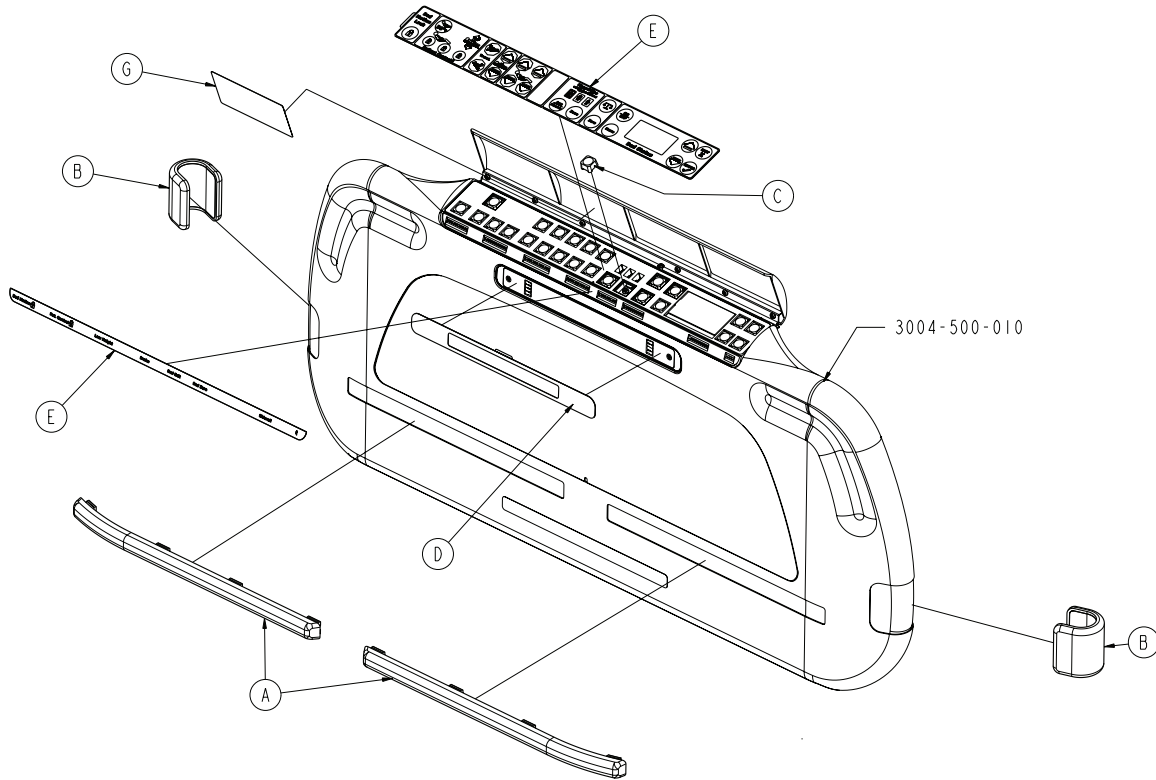


Item	Part No.	Part Name	Qty.
A	2035-500-008	Bumper Strip	2
B	2035-500-007	"C" Bumper	2
C	3001-400-522	Button Cap	1
D	2032-508-004	LBS Foot Board Lens Label	1
E	2032-508-003	Single Zone Foot Board Label	1
F	0072-002-071	Cyanoacrylate Adhesive (grams)	0.30
G	3003-508-006	Bed Exit Label	1

[Return To Table of Contents](#)

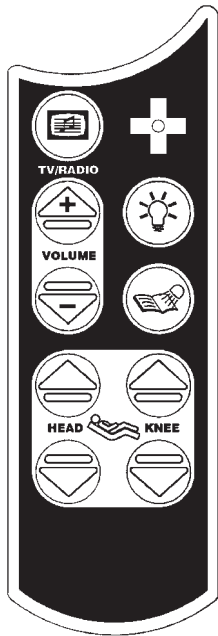
Foot Board Assembly, iBED Awareness Option w/Zone Control

2032-500-011

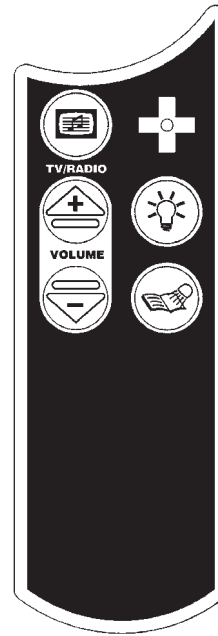


Item	Part No.	Part Name	Qty.
A	2035-500-008	Bumper Strip	2
B	2035-500-007	"C" Bumper	2
C	3001-400-953	Switch Cap	1
D	2032-508-004	LBS Foot Board Lens Label	1
E	2032-508-002	Multi Zone Foot Board Label	1
F	0072-002-071	Cyanoacrylate Adhesive (grams)	0.30
G	3003-508-009	Bed Exit With Zone Control Label	1

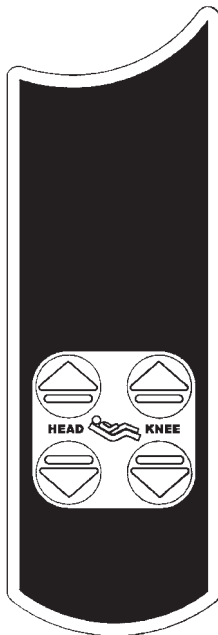
Pendants Assembly



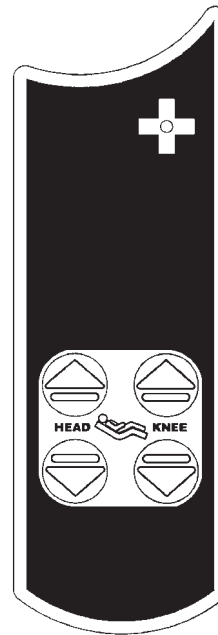
**3001-315-012 Combination Pendant
Motion/Communication**



**3001-315-016 Combination Pendant
Communication Only**



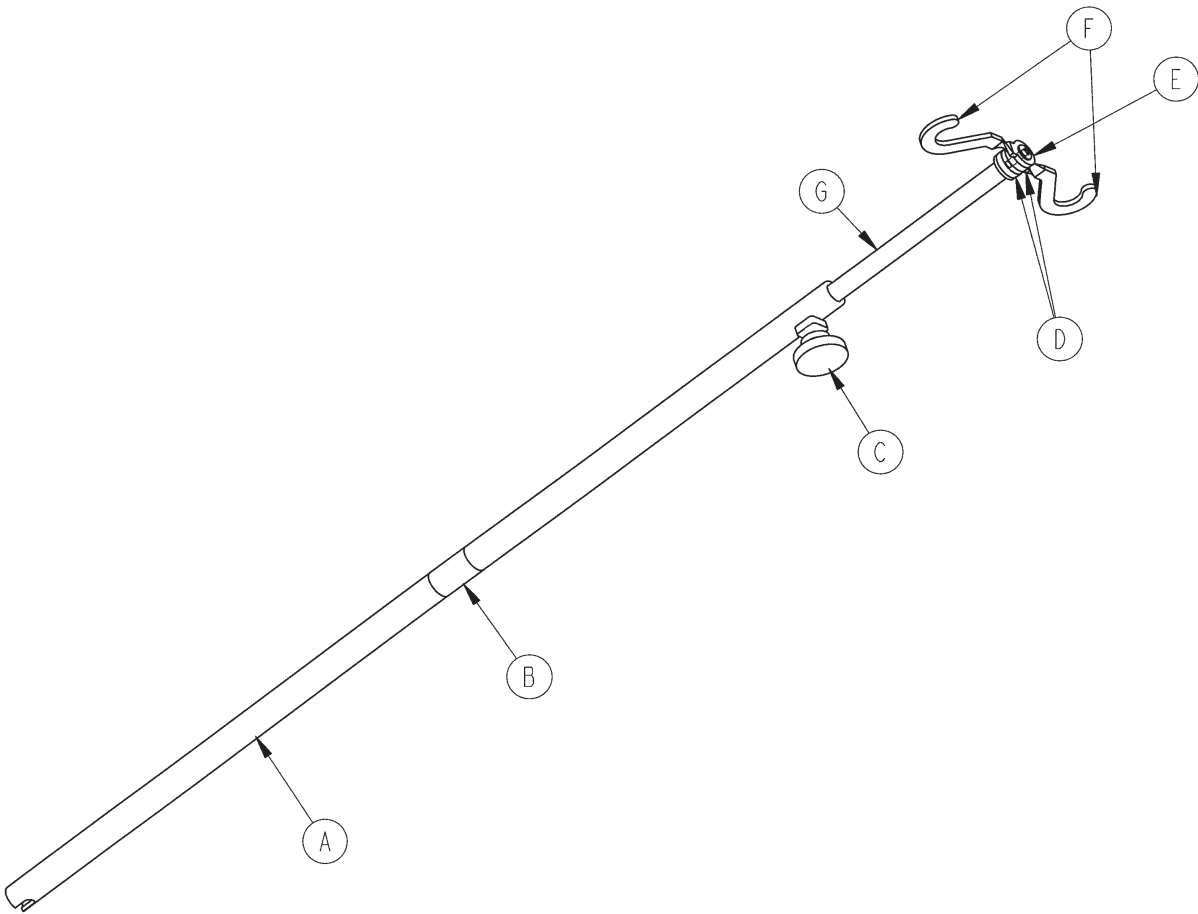
**3001-315-014 Combination Pendant
Motion Only**



**3001-315-018 Combination Pendant
Motion/NurseCall**

Optional Removable I.V. Pole Assembly

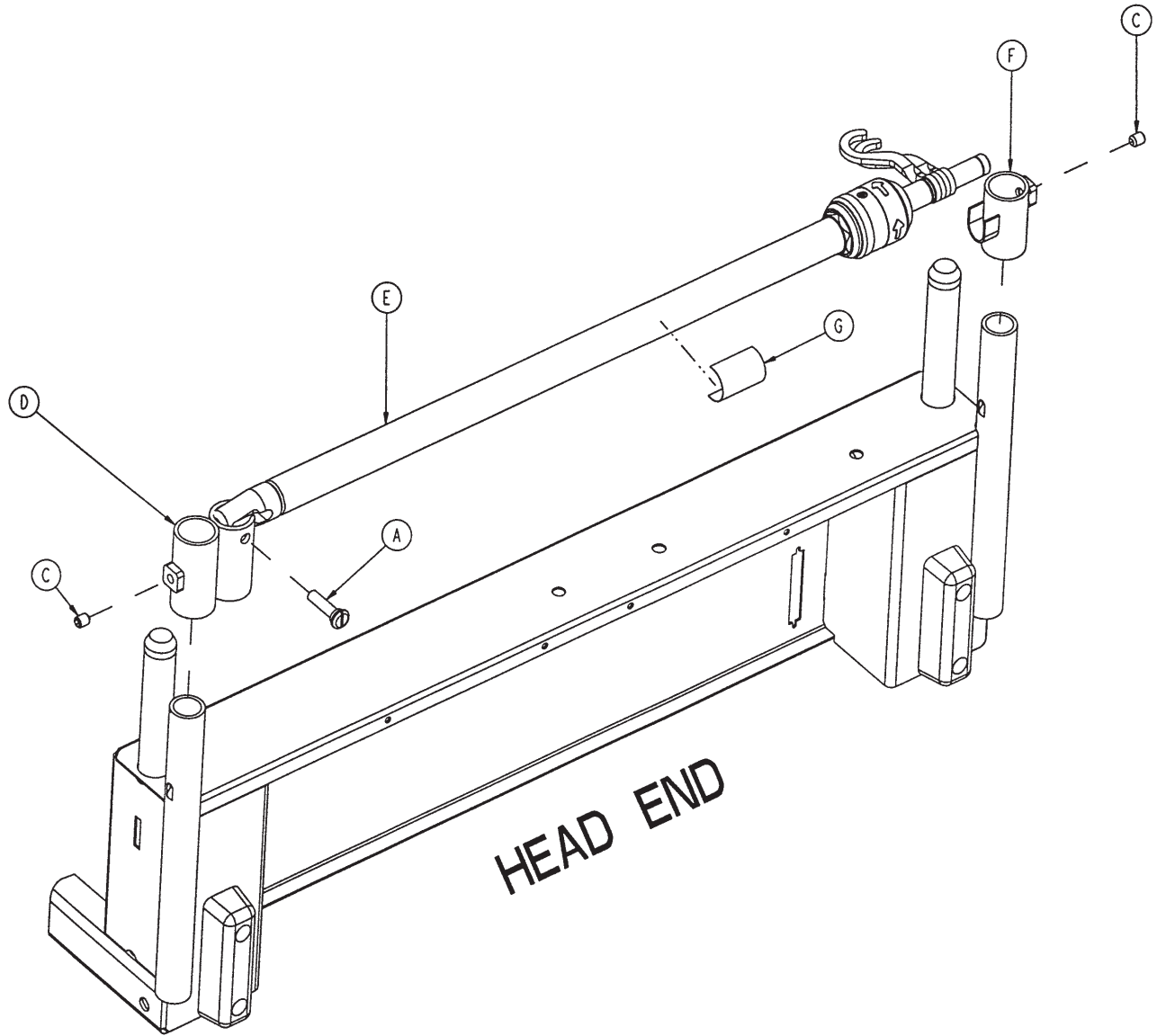
3000-300-080



Item	Part No.	Part Name	Qty.
A	3000-300-081	Outer Tube	1
B	3000-300-089	Label	1
C	0024-050-000	Fluted Knob	1
D	0052-017-000	Spacer	2
E	0007-040-000	Phillips Truss Head Screw	1
F	0010-059-016	I.V. Hook	2
G	3000-300-085	Inner Tube Assembly	1

Optional Head End 2-Stage I.V. Assembly

2035-112-000

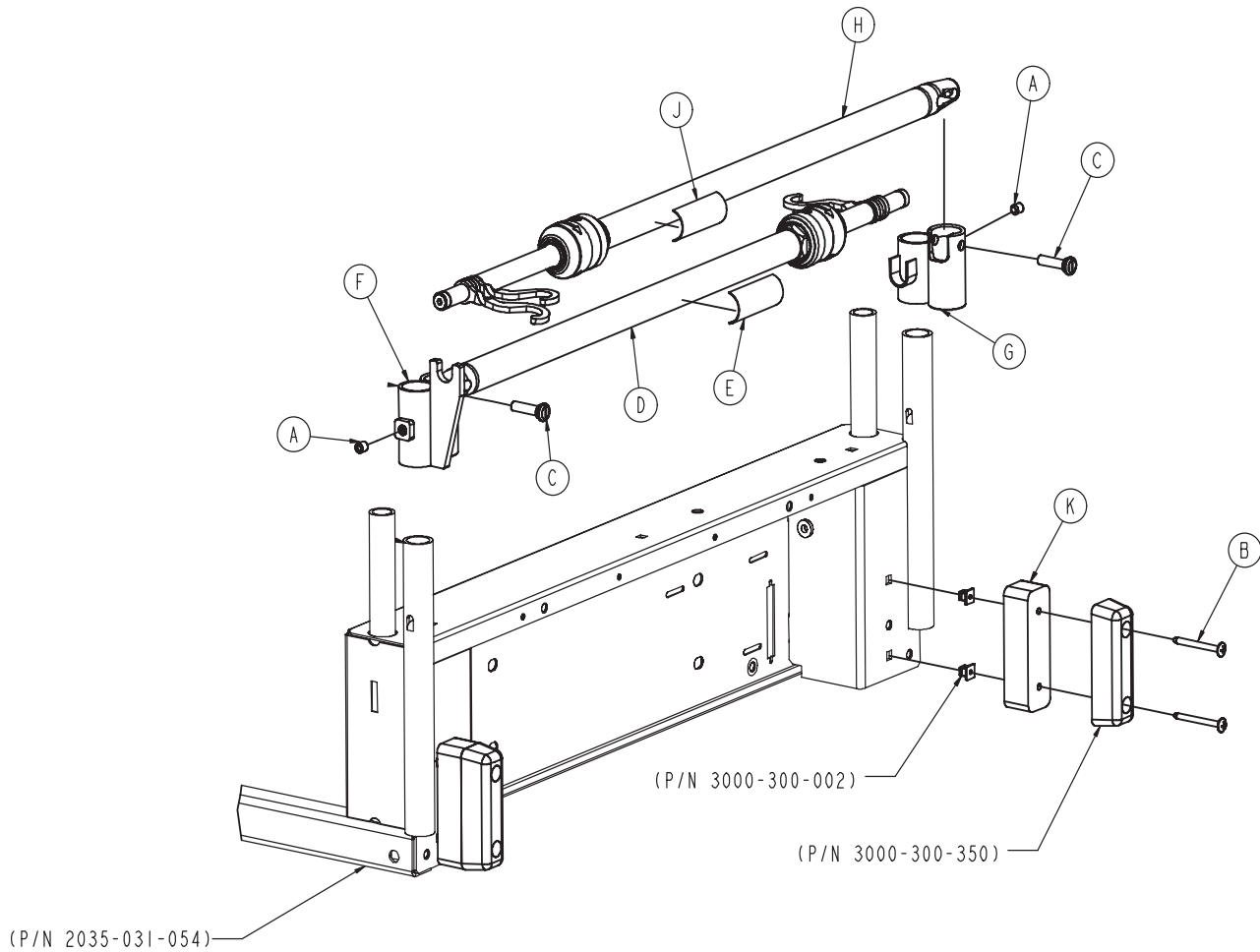


Item	Part No.	Part Name	Qty.
A	1015-024-035	Retaining Pin	1
C	0021-140-000	Set Screw	2
D	2035-112-001	I.V. Receptacle, Head, Left	1
E	2035-112-010	I.V. Pole Assembly, Left (pg. 205)	1
F	3000-311-016	I.V. Rest	1
G	2035-112-110	Specification Label	1

[Return To Table of Contents](#)

Optional Dual Head End 2-Stage I.V. Ass'y

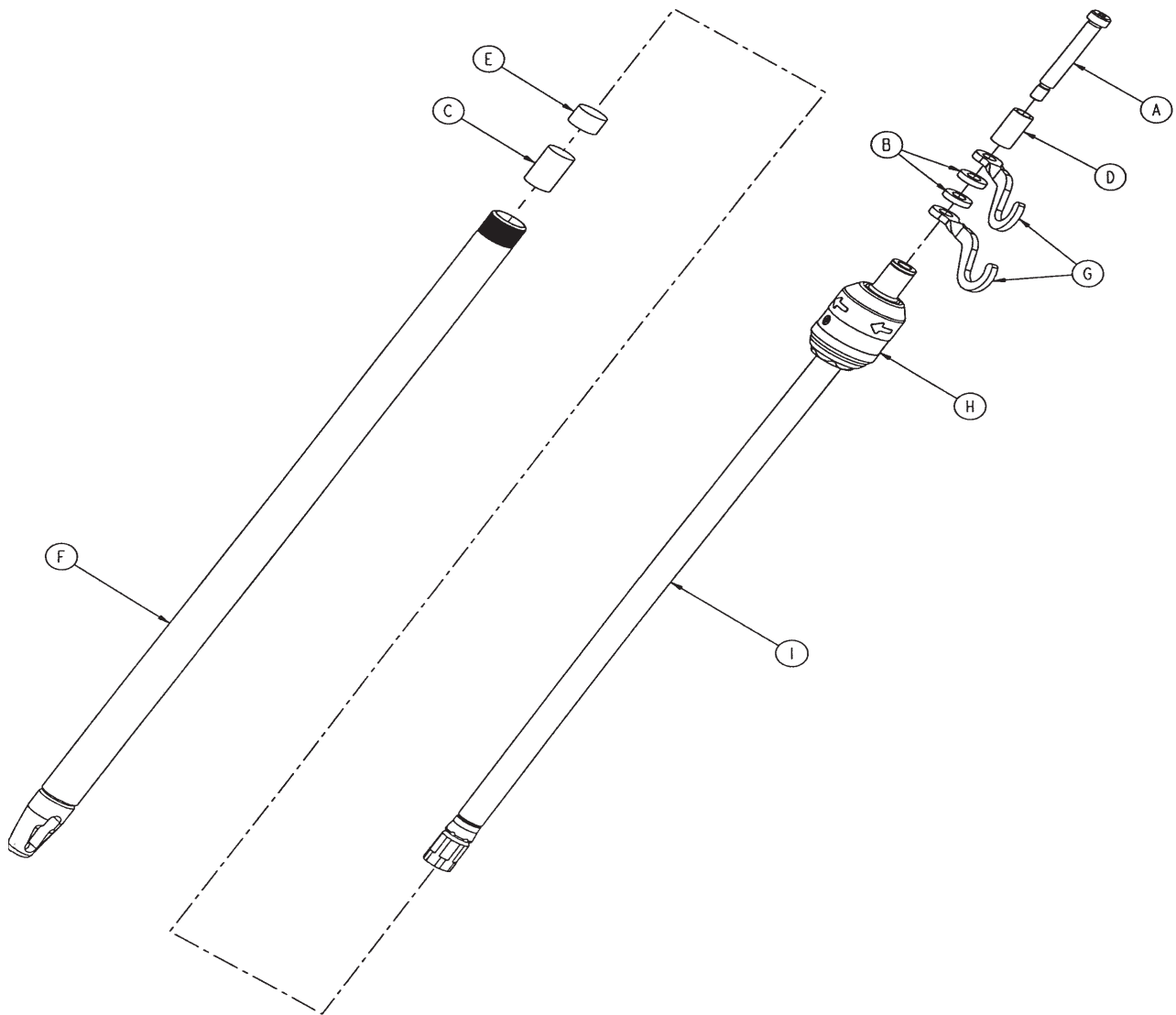
2035-113-000



Item	Part No.	Part Name	Qty.
A	0021-140-000	Set Screw	2
B	0023-277-000	Truss Head Screw	4
C	1015-024-035	Retaining Pin	2
D	2035-112-010	I.V. Pole Assembly, Left (pg. 205)	1
E	2035-112-110	Specification Label	1
F	2035-113-001	I.V. Receptacle, Dual Head, Lt.	1
G	2035-113-002	I.V. Receptacle, Dual Head, Rt.	1
H	2035-113-011	I.V. Pole Assembly, Right (pg. 205)	1
J	2035-113-111	Specification Label	1
K	2035-113-006	Head End Bumper Spacer	2

2-Stage I.V. Pole

2035-112-010 & 2035-113-011



2035-112-010 Head End, Left

Item	Part No	Part Name	Qty.
A	0008-031-000	Soc. Hd. Shoulder Screw	1
B	0052-017-000	Washer	2
C	0052-310-000	Spacer	1
D	0926-400-162	Spacer	1
E	1001-259-013	Dampener	1
F	1001-259-032	Base Tube Weldment	1
G	1010-259-016	I.V. Hook	2
H	0785-035-103	I.V. Pole Latch (pg. 206)	1
I	1211-110-029	2nd Stage Assembly	1

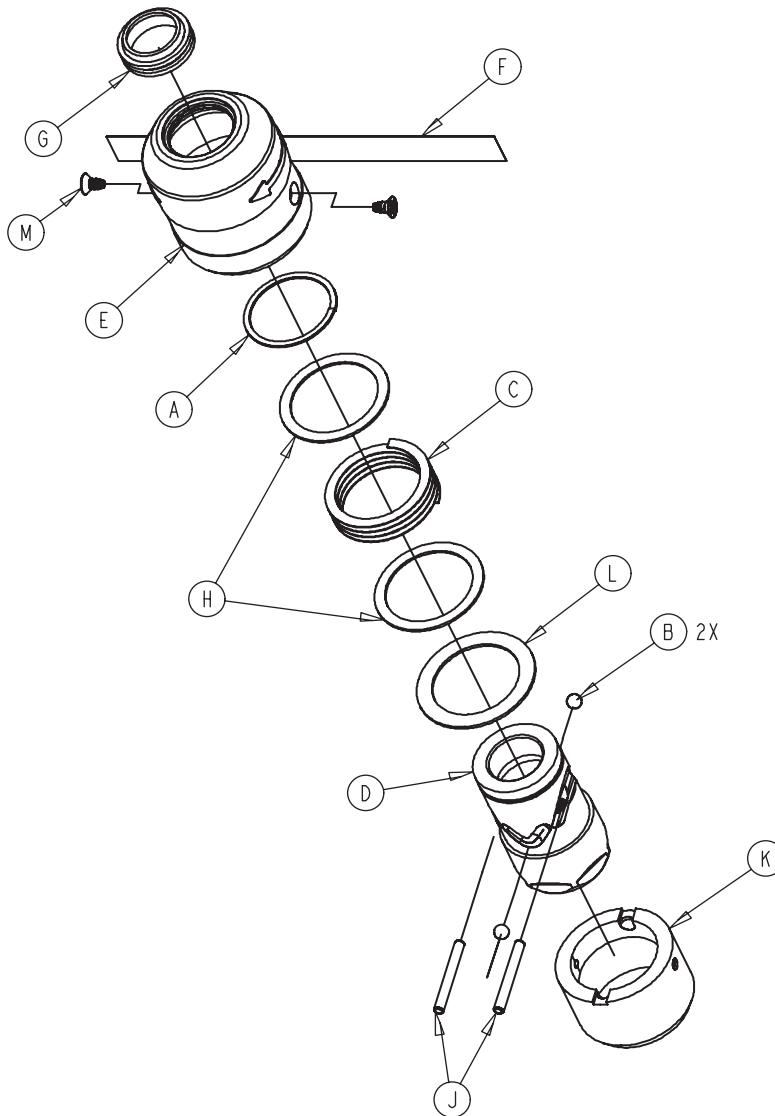
2035-113-011 Foot End, Right

Item	Part No	Part Name	Qty.
A	0008-031-000	Soc. Hd. Shoulder Screw	1
B	0052-017-000	Washer	2
C	0052-311-000	Spacer	1
D	0926-400-162	Spacer	1
E	1001-259-013	Dampener	1
F	1001-259-032	Base Tube Weldment	1
G	1010-259-016	I.V. Hook	2
H	0785-035-103	I.V. Pole Latch (pg. 206)	1
I	1211-110-029	2nd Stage Assembly	1

[Return To Table of Contents](#)

I.V. Pole Latch Assembly

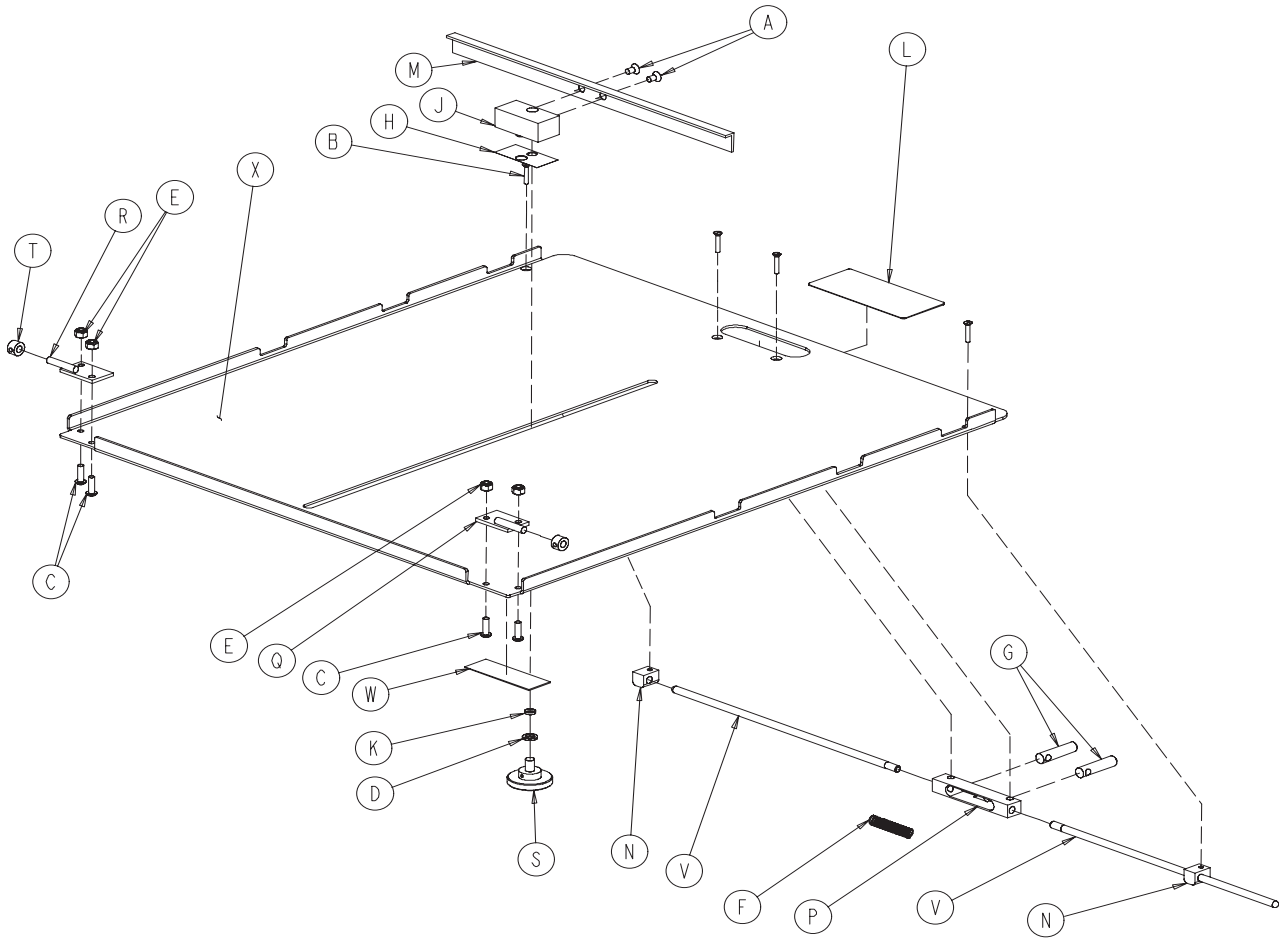
0785-035-103



Item	Part No.	Part Name	Qty.
A	0028-167-000	Retaining Ring	1
B	0031-004-000	Steel Ball	2
C	0038-392-000	Wave Spring	1
D	0785-035-023	I.V. Latch ID Housing	1
E	0785-035-024	I.V. Latch OD Housing	1
F	0785-035-029	I.V. Release Label	2
G	1211-011-018	I.V. Latch Seal	2
H	1211-110-020	Washer	2
J	1211-110-021	I.V. Latch Locking Pin	2
K	1211-110-022	I.V. Latch Guide	1
L	1211-110-035	Washer	1
M	1211-110-036	Self-Tapping Screw	2

Optional Fowler X-Ray Cassette Holder Assembly

2032-140-010

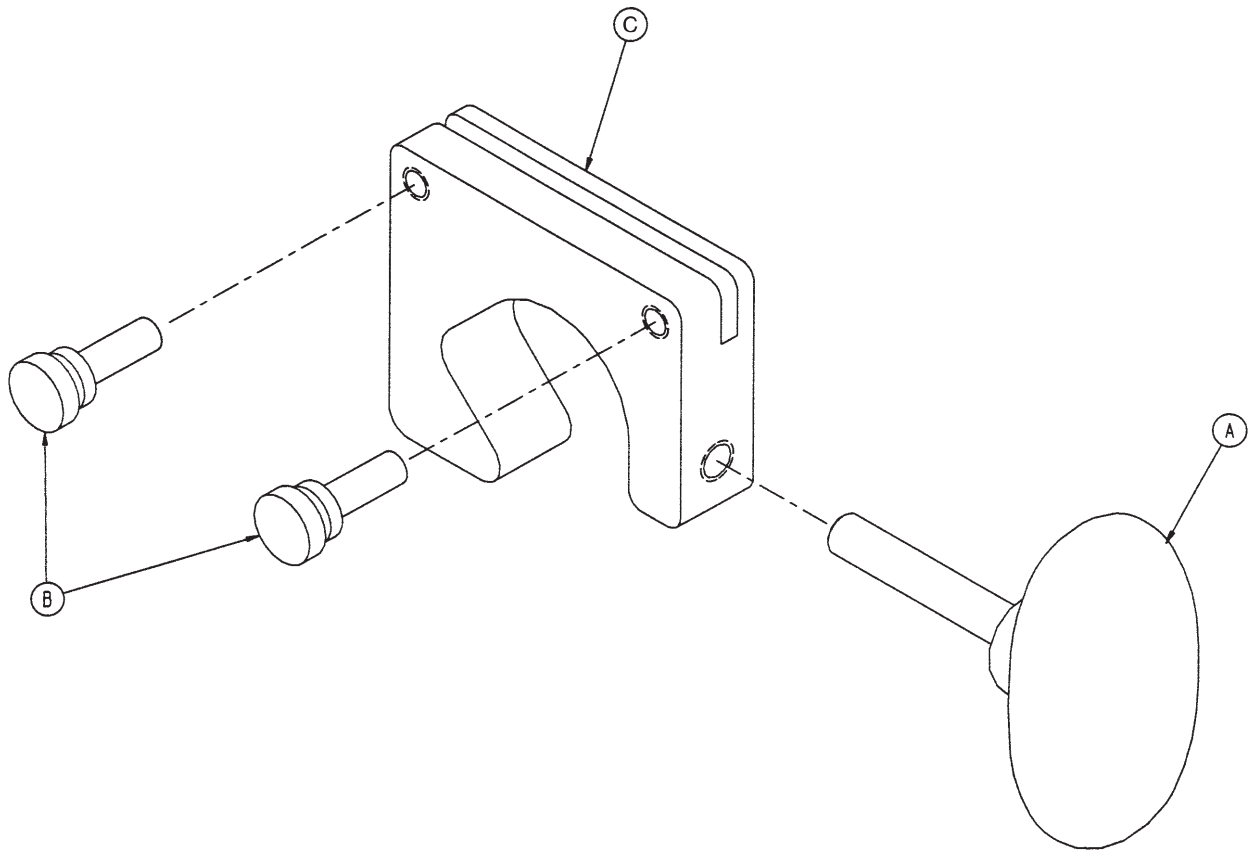


Item	Part No	Part Name	Qty.	Item	Part No	Part Name	Qty.
A	0001-020-000	Flat C'sunk Hd. Mach Scr.	2	M	1010-023-028	Tray Angle	1
B	0004-049-000	H. Soc. But. Hd. Cap Scr.	4	N	1010-023-037	Cassette Rod Guide	2
C	0004-149-000	H. Soc. But. Hd. Cap Scr.	4	P	1020-023-016	Cassette Post Housing	1
D	0014-003-000	Washer	1	Q	1020-023-019	Tray Hinge Wldmt., Rt.	1
E	0016-003-000	Hex Nut	4	R	1020-023-020	Tray Hinge Wldmt., Lt.	1
F	0038-122-000	Spring	1	S	1020-023-021	Knob	1
G	0926-023-064	Tray Post	2	T	0042-013-000	Collar W/Set Screw	2
H	0926-023-069	Cassette Washer	1	V	2025-140-002	Cassette Actuating Rod	2
J	0926-023-070	Cassette Block Sub Ass'y	1	W	2035-140-025	Specification Label	1
K	0926-023-071	Cassette Bushing	1	X	2032-140-099	Cassette Tray	1
L	1010-023-019	Instruction Label	1				

[Return To Table of Contents](#)

Optional I.V. Pole Transducer Mount Assembly

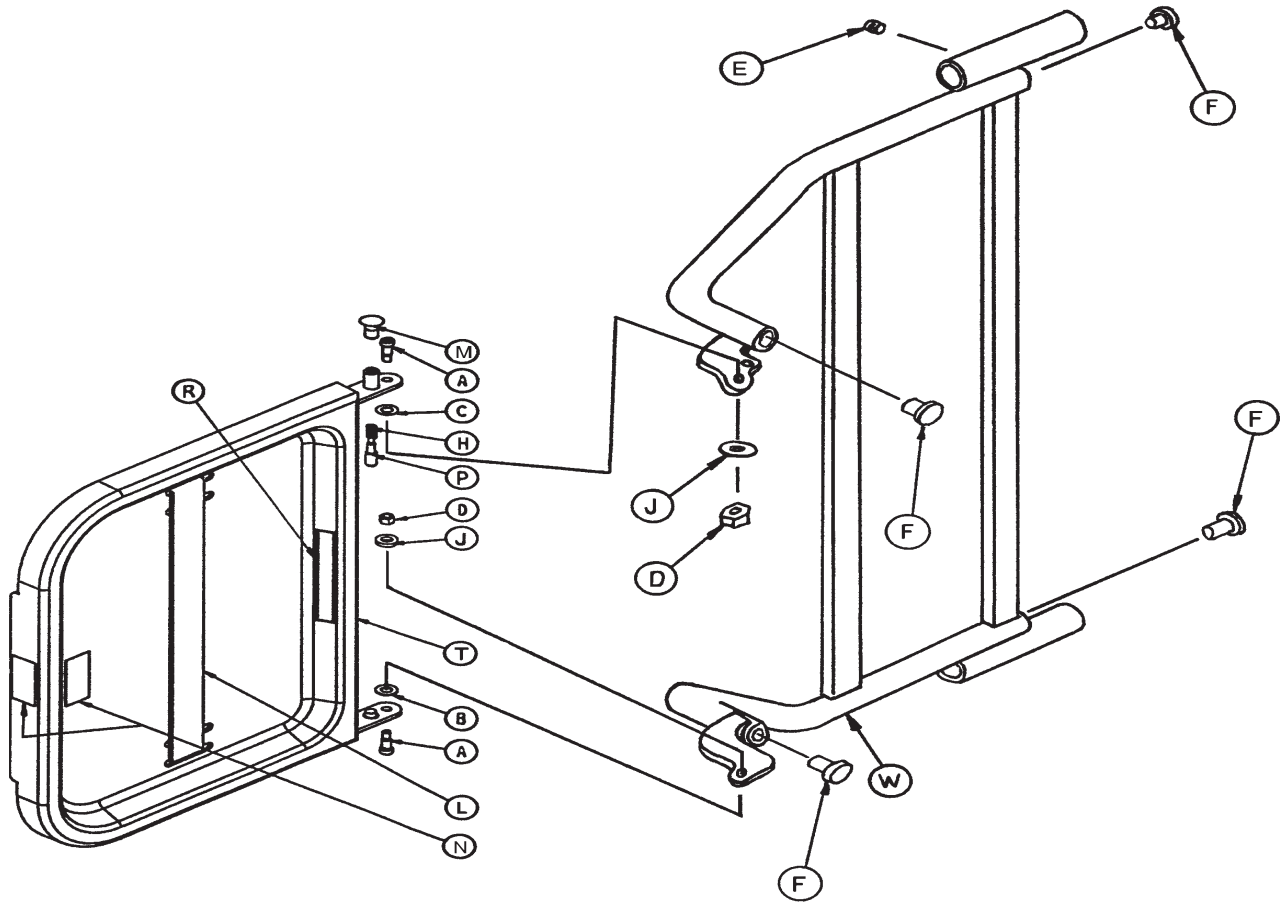
2035-018-010



Item	Part No.	Part Name	Qty.
A	0024-063-000	T-Knob	1
B	0024-064-000	Thumb Screw	2
C	2035-018-011	Transducer Mount	1

Optional Defibrillator Tray Assembly

2025-120-010

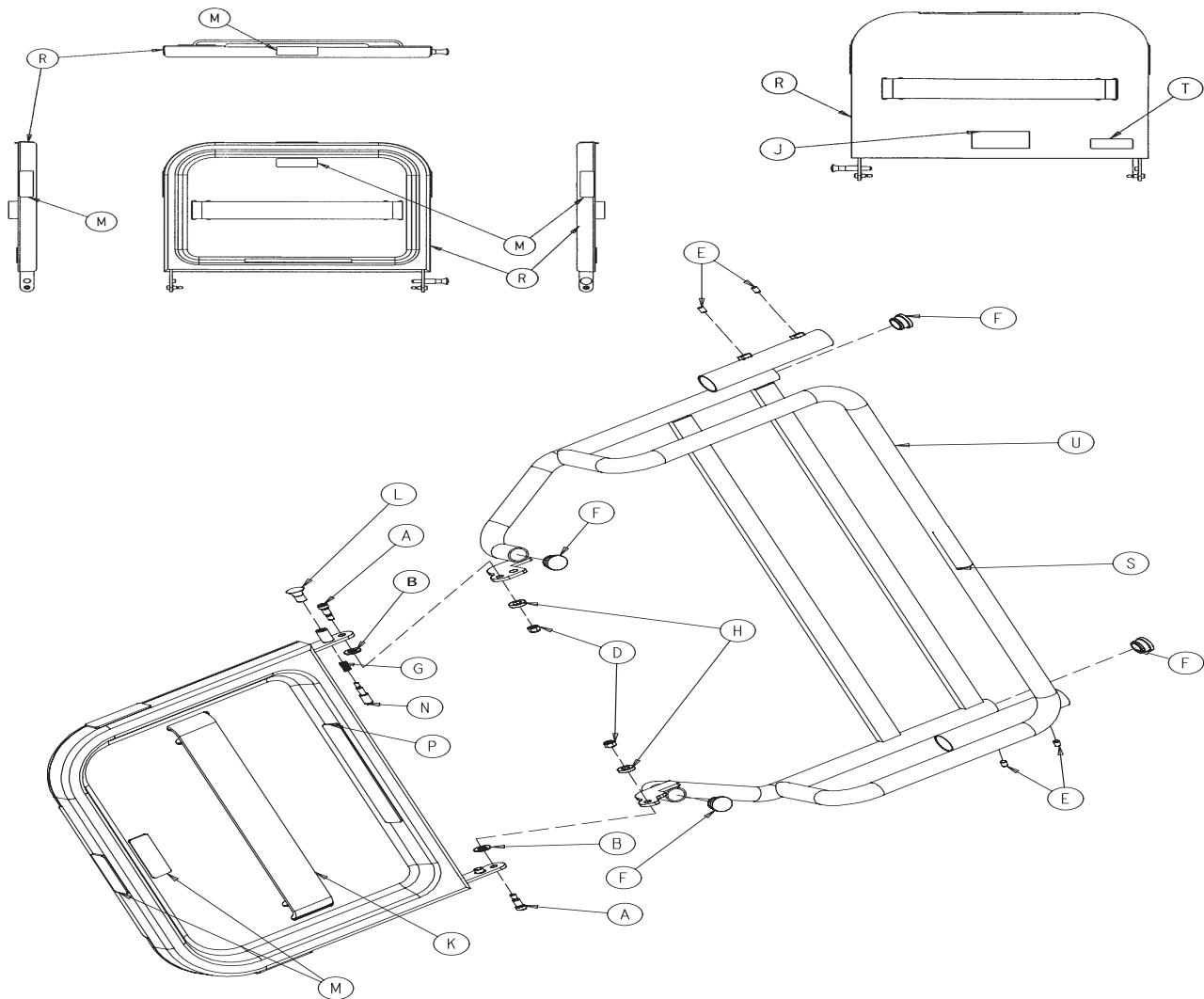


Item	Part No.	Part Name	Qty.
A	0008-049-000	Socket Head Shoulder Bolt	2
B	0014-020-000	Thrust Washer	1
D	0016-028-000	Fiberlock Nut	2
E	0021-017-000	Set Screw	4
F	0037-214-000	Hole Plug	4
H	0038-133-000	Spring	1
J	0052-017-000	Spacer	2
K	1010-050-019	"Push/Pull" Label	1
L	1010-050-021	Long Strap	1
M	1010-050-050	Knob	1
N	1010-050-057	Max. Weight Label	4
P	1010-050-242	Lock Pin	1
R	2025-120-005	Equipment Label	1
S	2025-120-006	Specification Label	1
T	2025-120-018	Tray Assembly	1
W	2025-120-025	Pivot Weldment Frame	1

[Return To Table of Contents](#)

Optional Pleur-Evac Rack with Defibrillator Tray

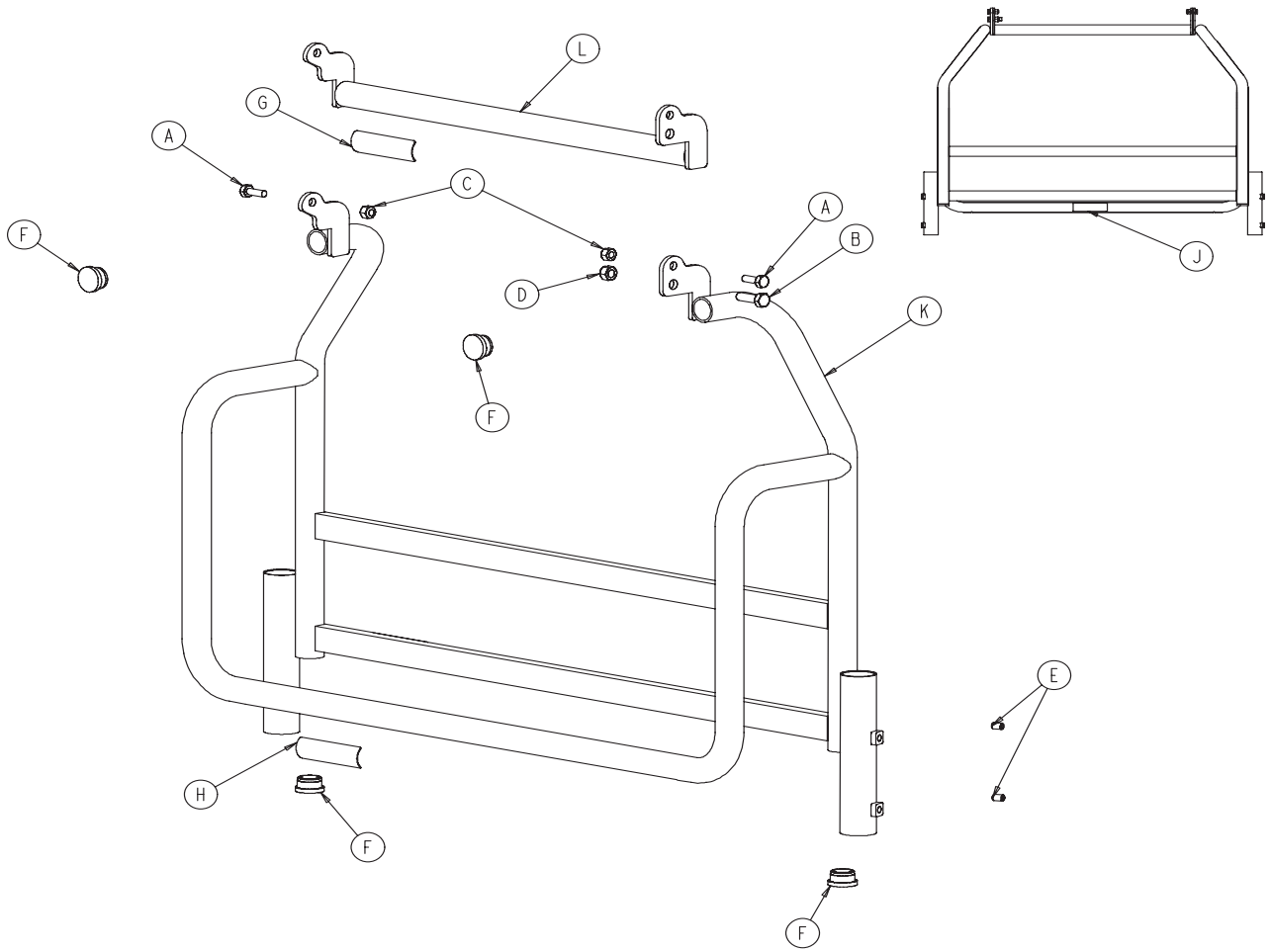
2040-120-004



Item	Part No.	Part Name	Qty.
A	0008-049-000	Socket Head Shoulder Bolt	2
B	0014-020-000	Thrust Washer	2
D	0016-028-000	Fiberlock Nut	2
E	0021-017-000	Set Screw	4
F	0037-214-000	Hole Plug	4
G	0038-133-000	Spring	1
H	0052-017-000	Spacer	2
J	1010-050-019	"Push/Pull" Label	1
K	1010-050-021	Long Strap	1
L	1010-050-050	Knob	1
M	1010-050-057	"Max. Weight" Label	4
N	1010-050-242	Lock Pin	1
P	2025-120-005	Equipment Label	1
R	2025-120-018	Tray Assembly	1
S	2040-090-001	Warning Label	1
T	2040-090-005	Specification Label	1
U	2040-120-003	Rack Weldment	1

Optional Pleur-Evac Rack Assembly

2040-120-020

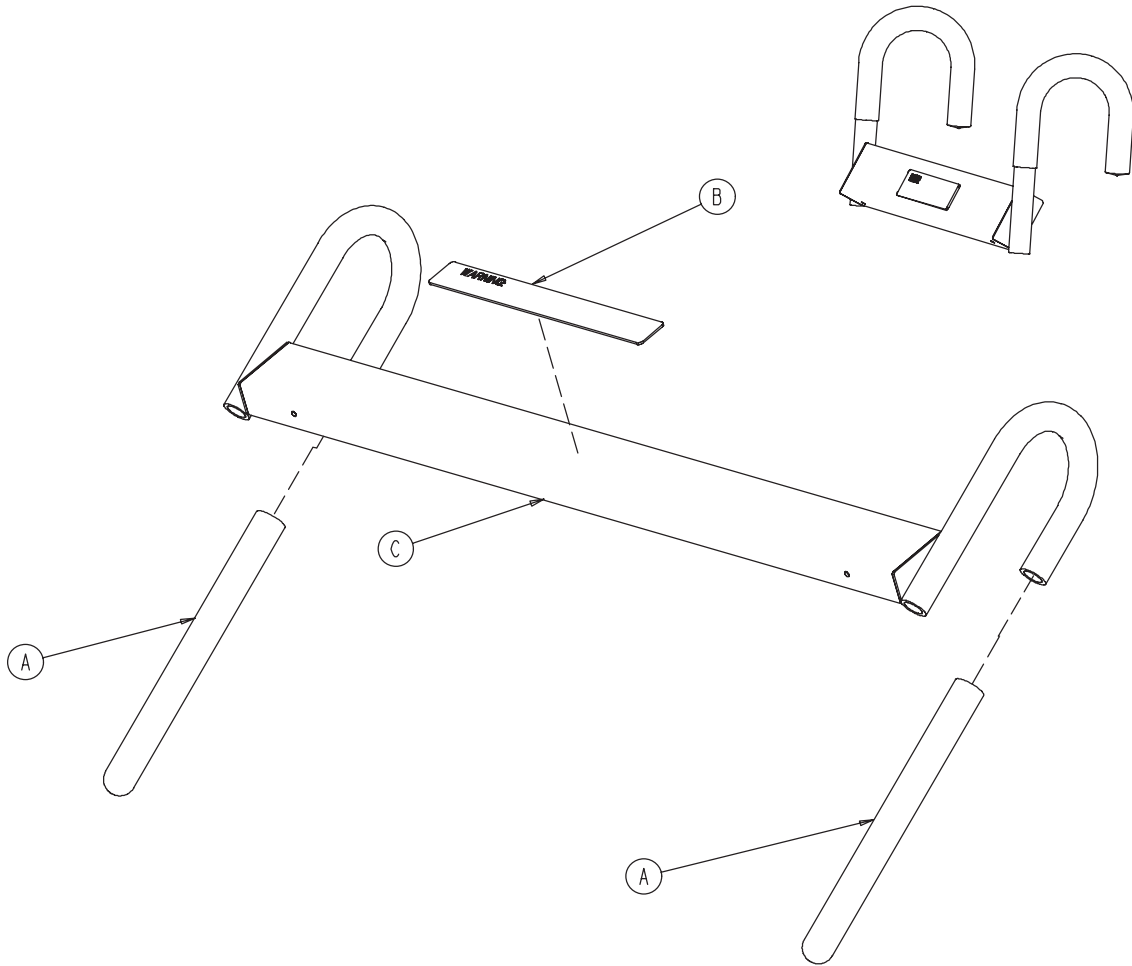


Item	Part No.	Part Name	Qty.
A	0003-050-000	Hexagonal Head Cap Screw	2
B	0003-085-000	Hexagonal Head. Cap Screw	1
C	0015-028-000	Nylock Nut	2
D	0016-036-000	Nylock Nut	1
E	0021-017-000	Set Screw	4
F	0037-214-000	Hole Plug	4
G	1010-050-057	Maximum Weight Label	1
H	2040-090-001	Acc. Rail Warning Label	1
J	2040-090-004	Specification Label	1
K	2040-120-003	Rack Weldment	1
L	2040-120-010	Rack Top Weldment	1

[Return To Table of Contents](#)

Optional Pump Rack Assembly

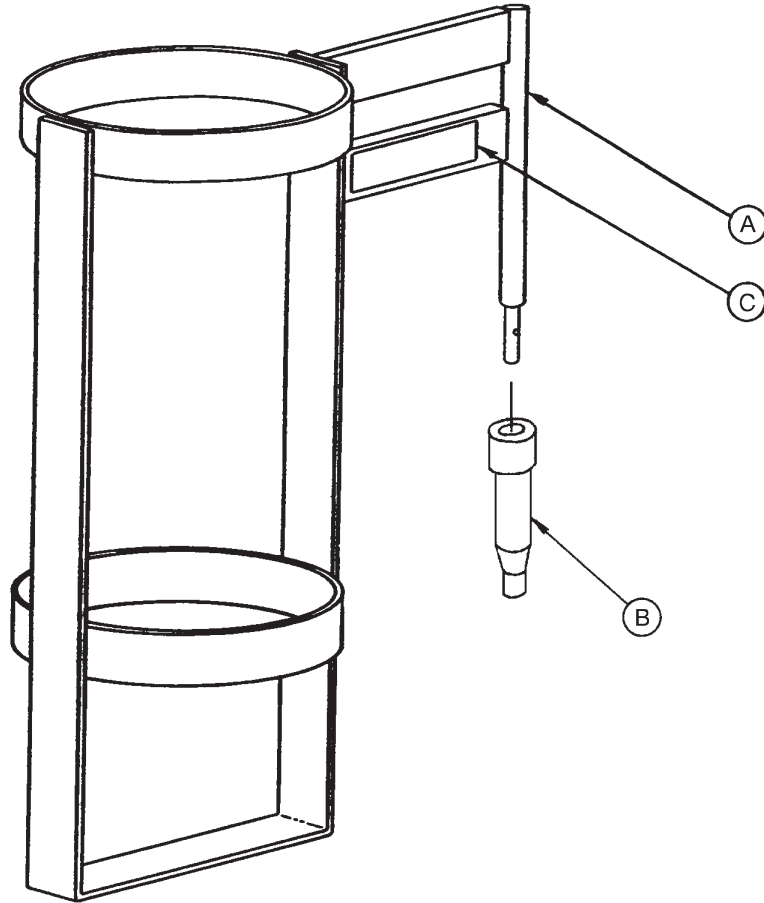
2040-111-000



Item	Part No.	Part Name	Qty.
A	0058-087-000	End Cap	2
B	2030-140-002	Pump Rack Label	1
C	2040-111-005	Pump Rack Tube	1

Optional Upright Oxygen Bottle Holder

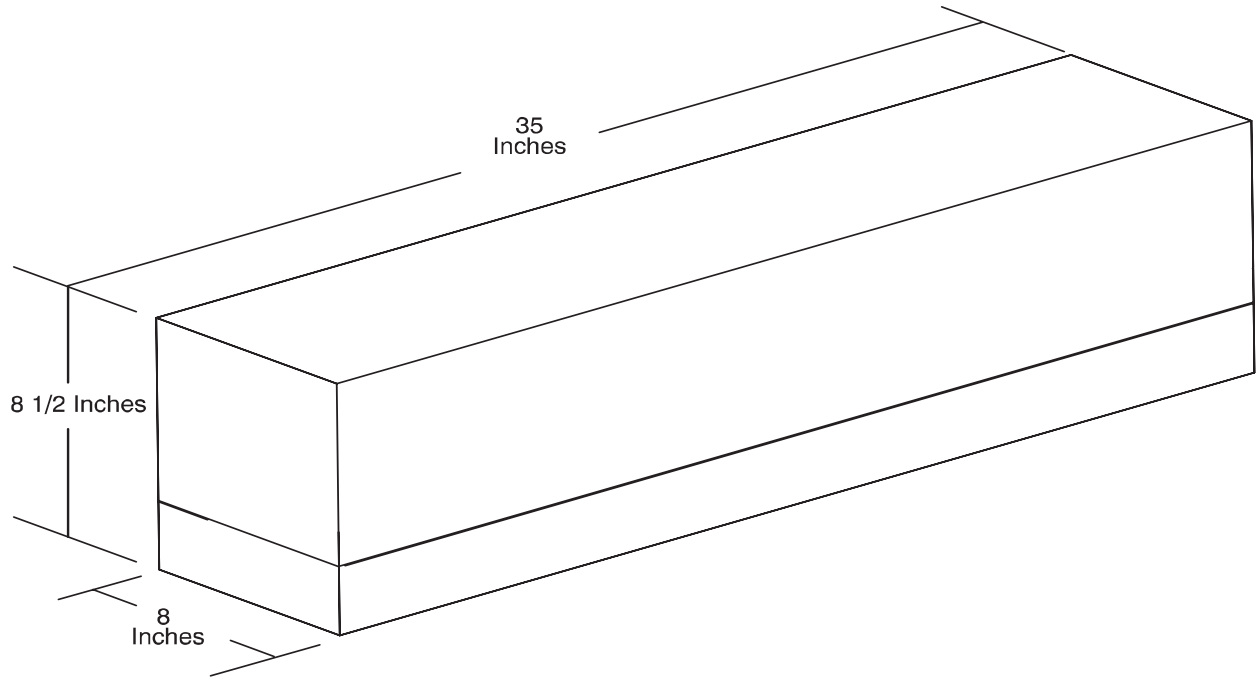
2025-150-010



Item	Part No.	Part Name	Qty.
A	1010-030-011	Upright Bottle Holder	1
B	2025-150-001	Bottle Holder Adapter	1
C	2025-150-002	Specification Label	1

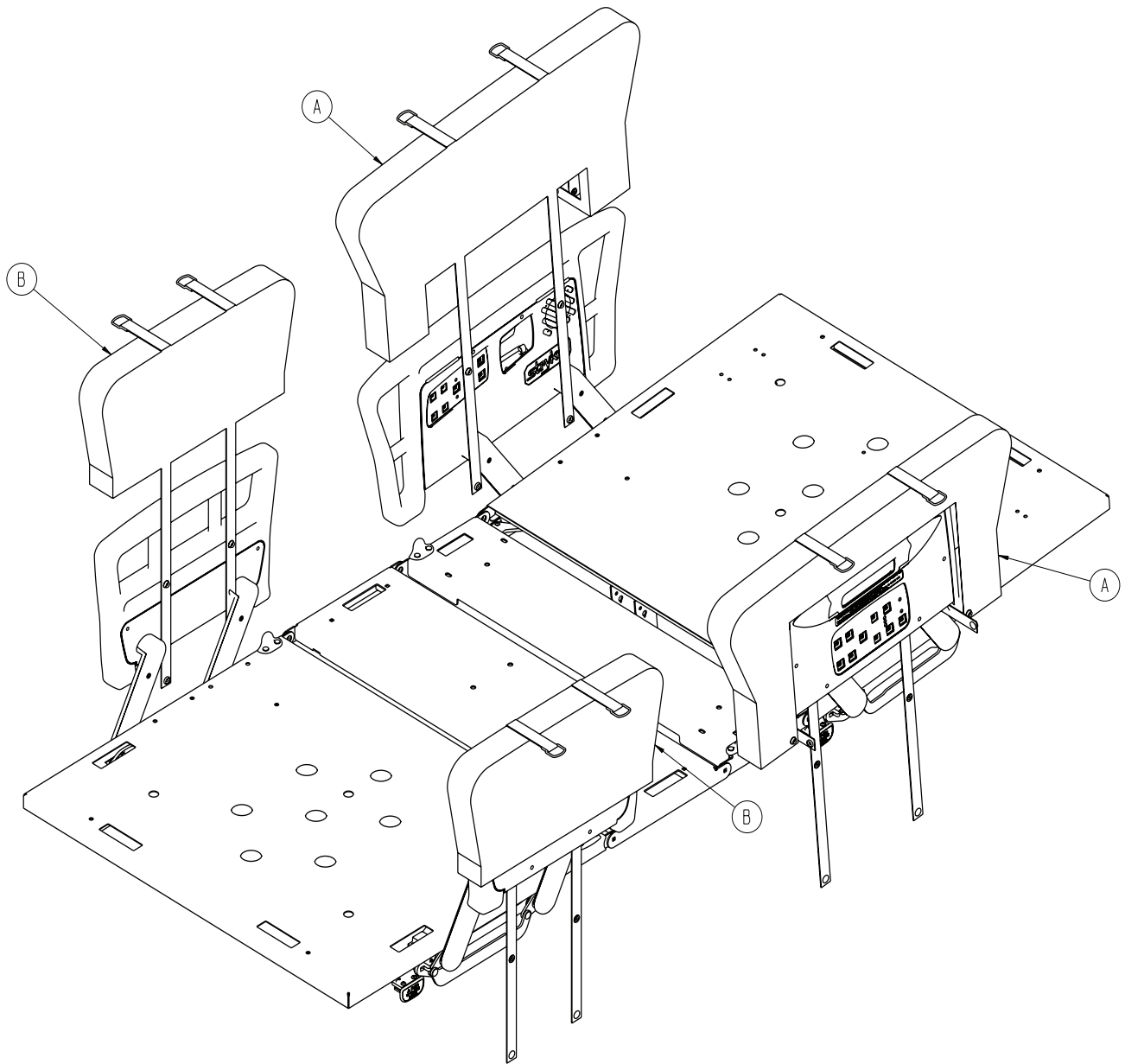
Optional Bed Extender Pad

2025-040-010



Optional Siderail Pad Set

3003-336-020

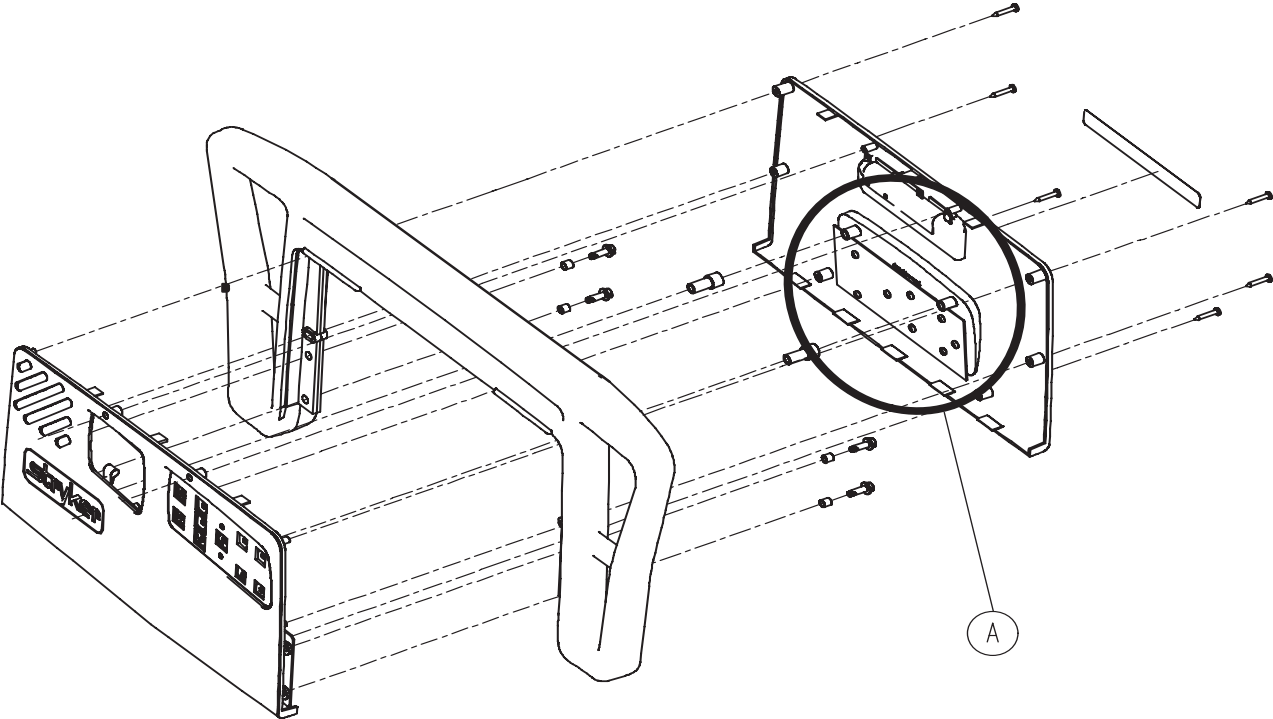


Item	Part No.	Part Name	Qty.
A	3003-336-011	Siderail Padded Cover, Head End	1
B	3003-336-013	Siderail Padded Cover, Foot End	1

[Return To Table of Contents](#)

Recycling Passport

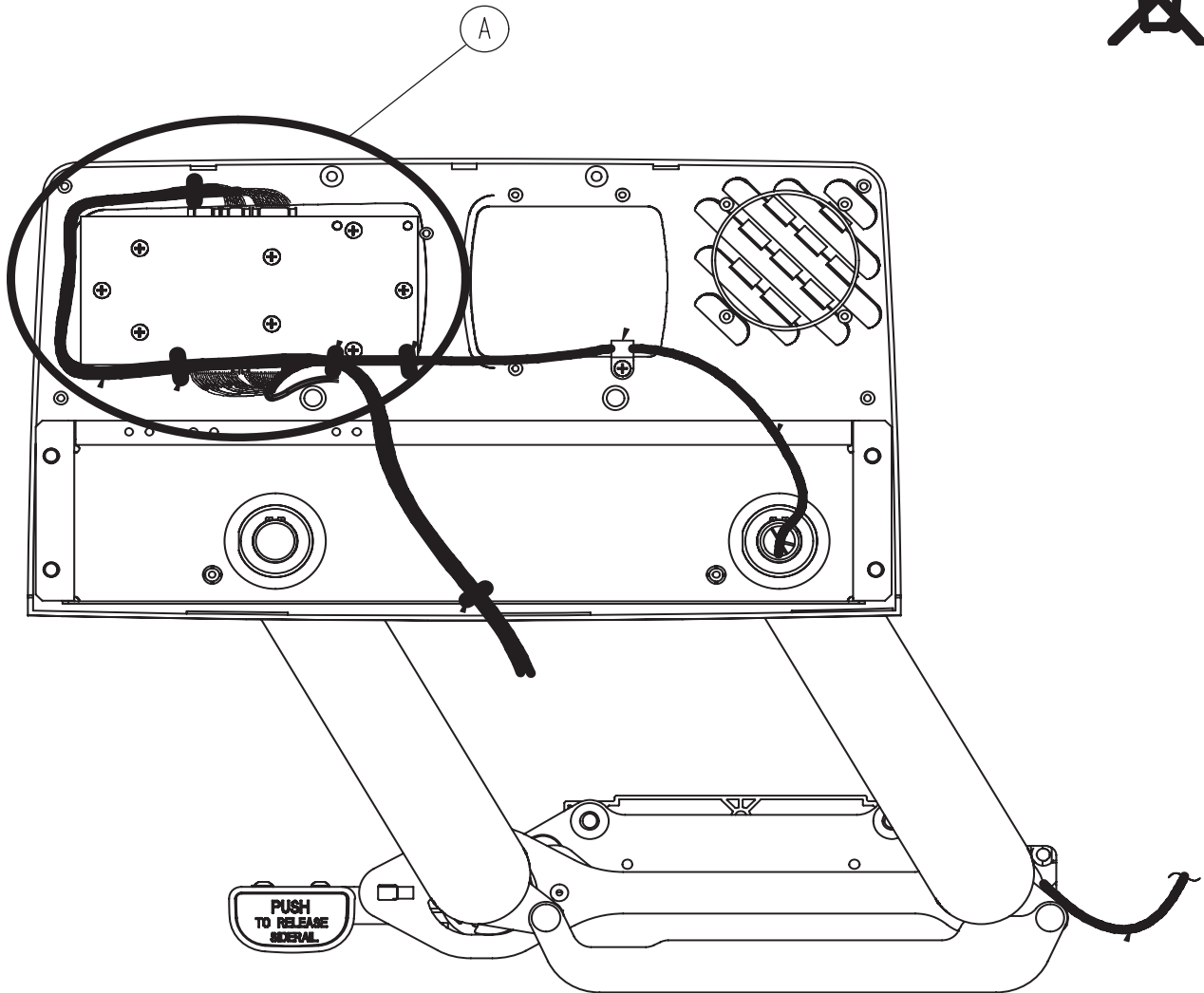
2032-402-105 & 2032-402-205 (REFERENCE ONLY)



Item	Recycling/Material Code	Important Information	Qty
A	Printed Circuit Board		2 per bed

Recycling Passport

2032-402-105 & 2032-402-205 (REFERENCE ONLY)

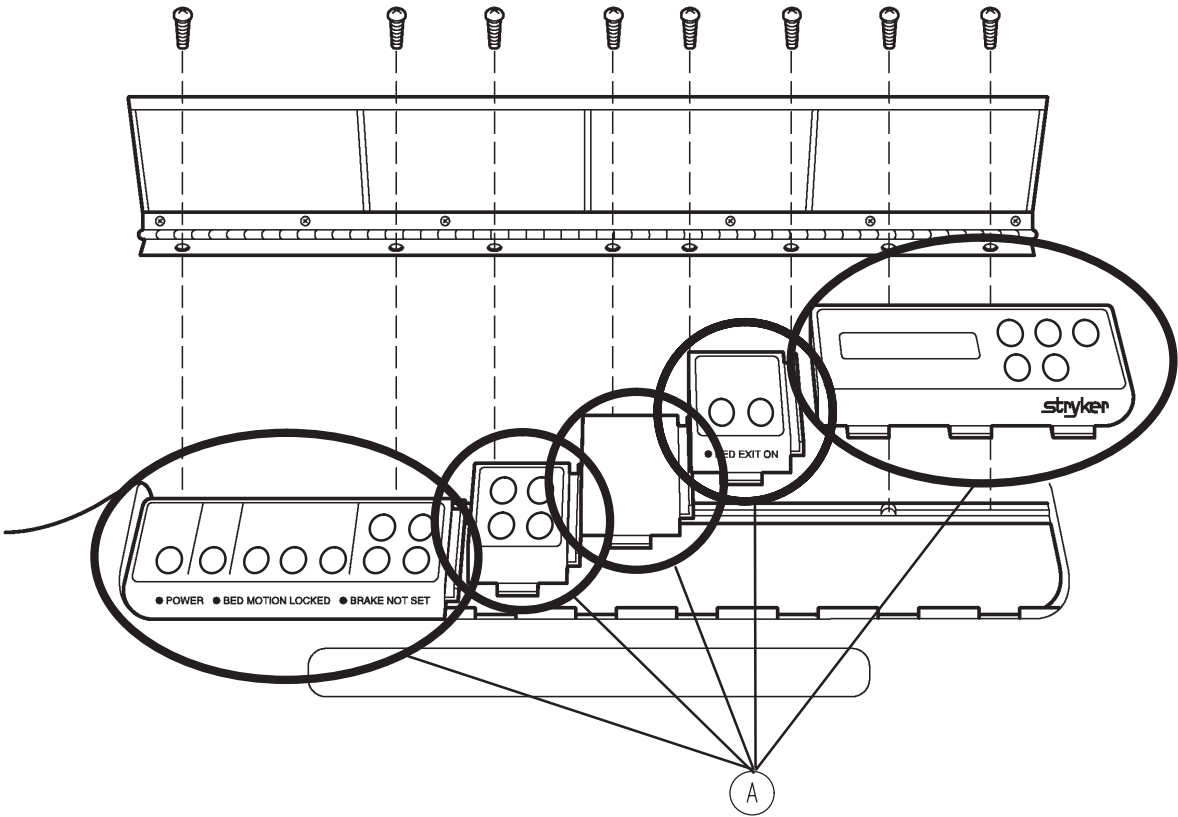


Item	Recycling/Material Code	Important Information	Qty
A	Printed Circuit Board		2 per bed

[Return To Table of Contents](#)

Recycling Passport

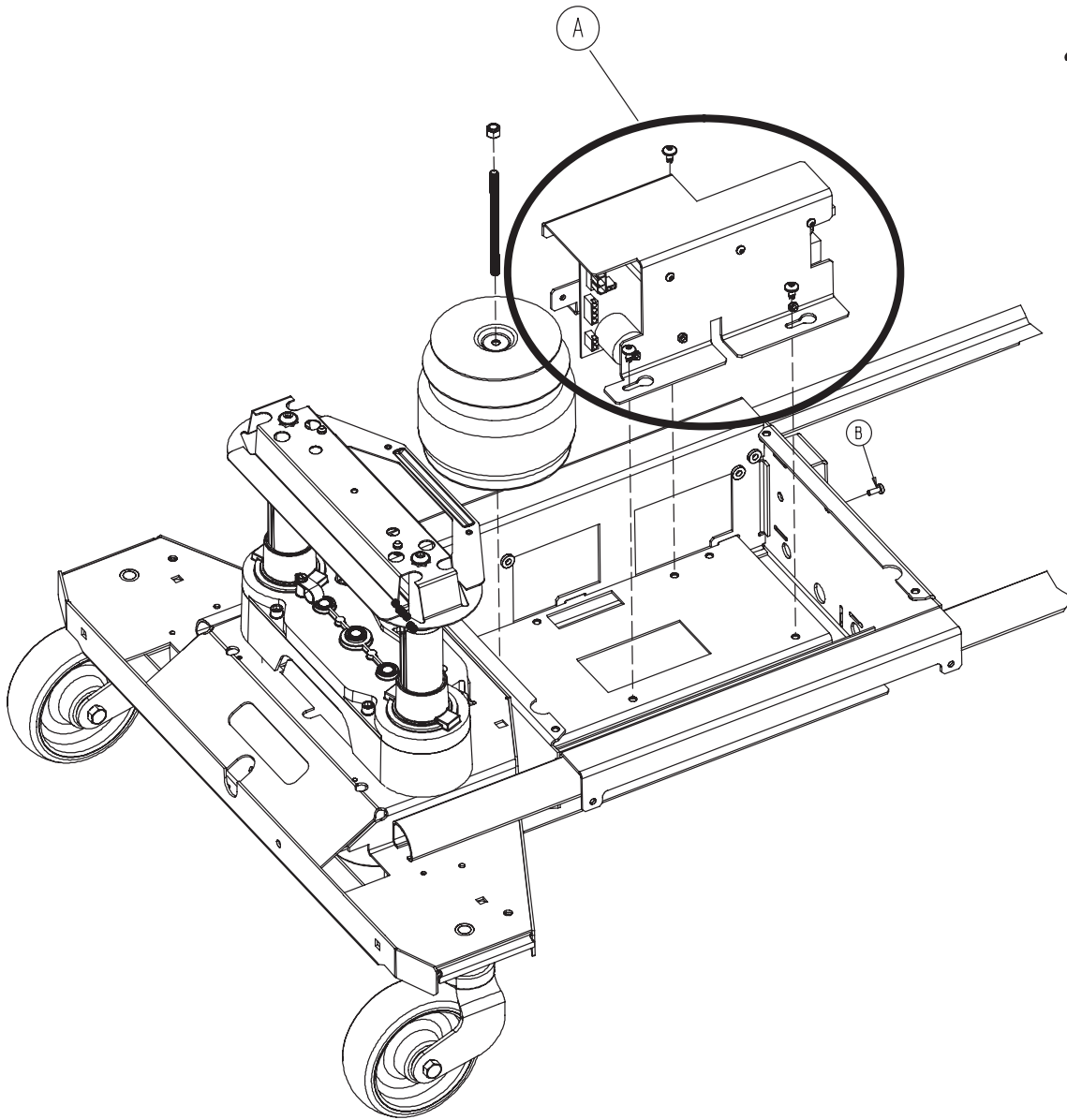
FOOT BOARD



Item	Recycling/Material Code	Important Information	Qty
A	Printed Circuit Board		5

Recycling Passport

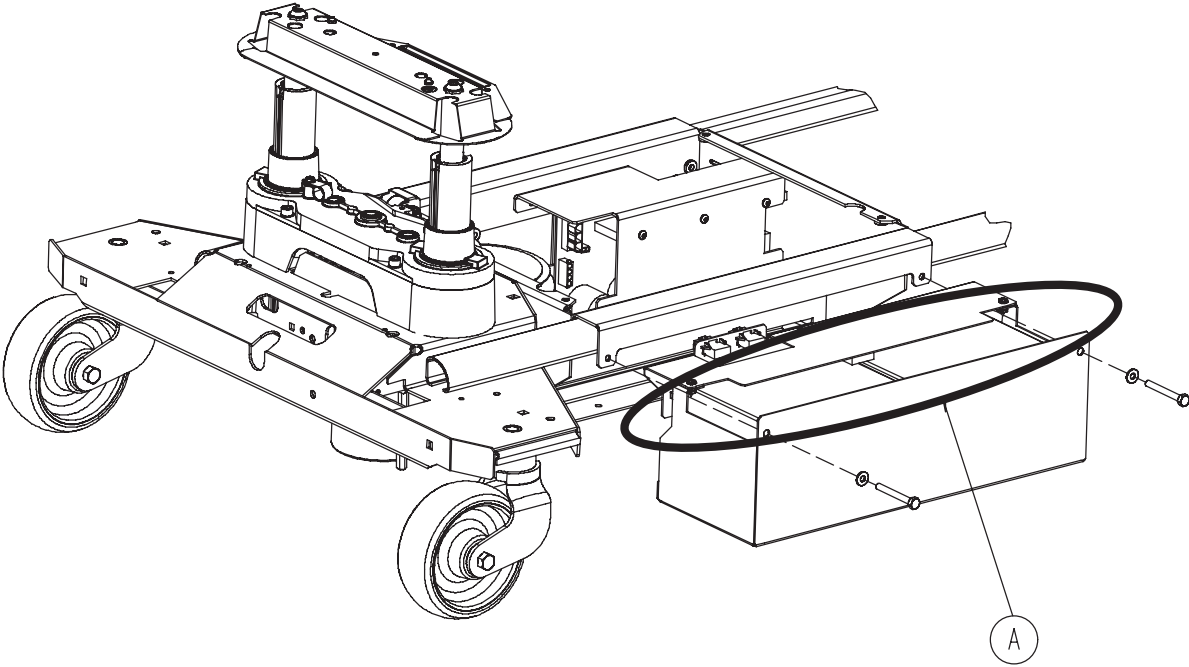
2030-201-210 (REFERENCE ONLY)



Item	Recycling/Material Code	Important Information	Qty
A	Printed Circuit Board		1

Recycling Passport

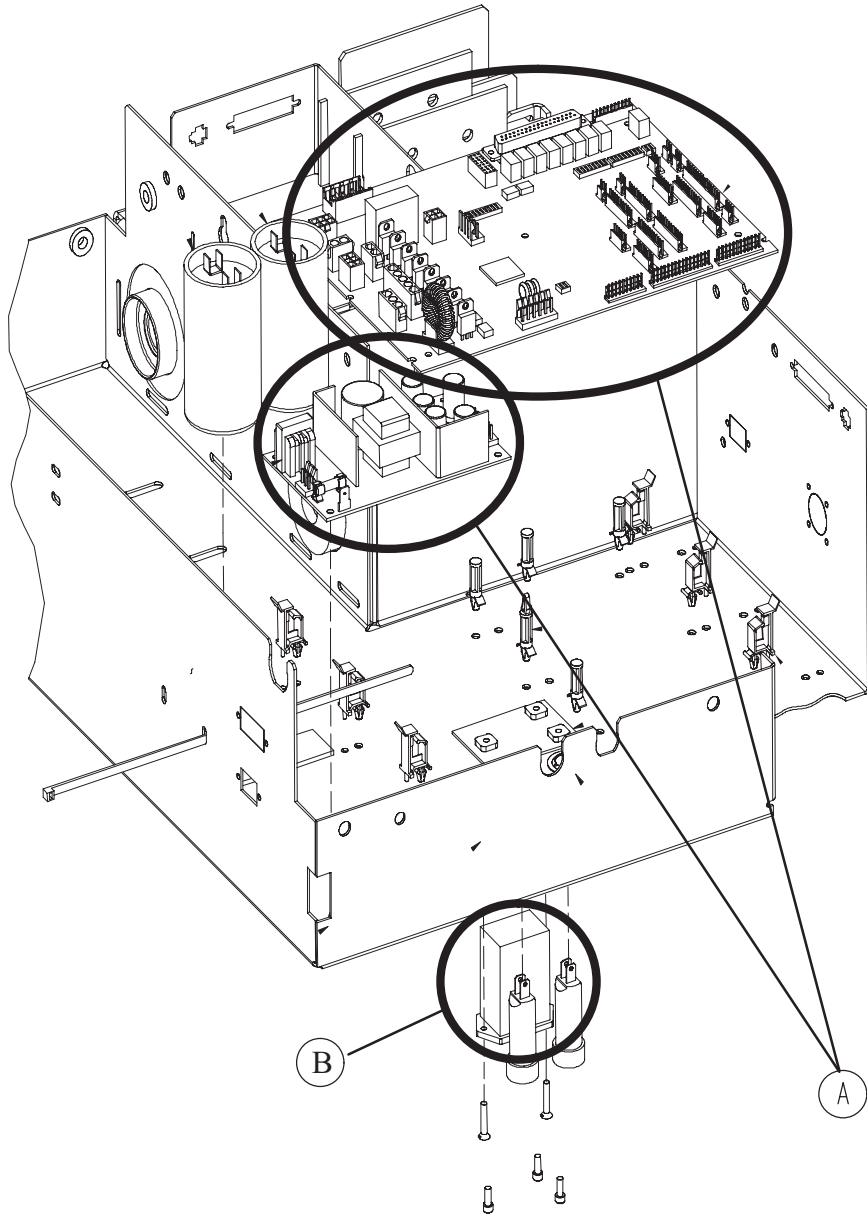
2030-201-210 (REFERENCE ONLY)



Item	Recycling/Material Code	Important Information	Qty
A	Batteries		2

Recycling Passport

2032-231-010 (REFERENCE ONLY)

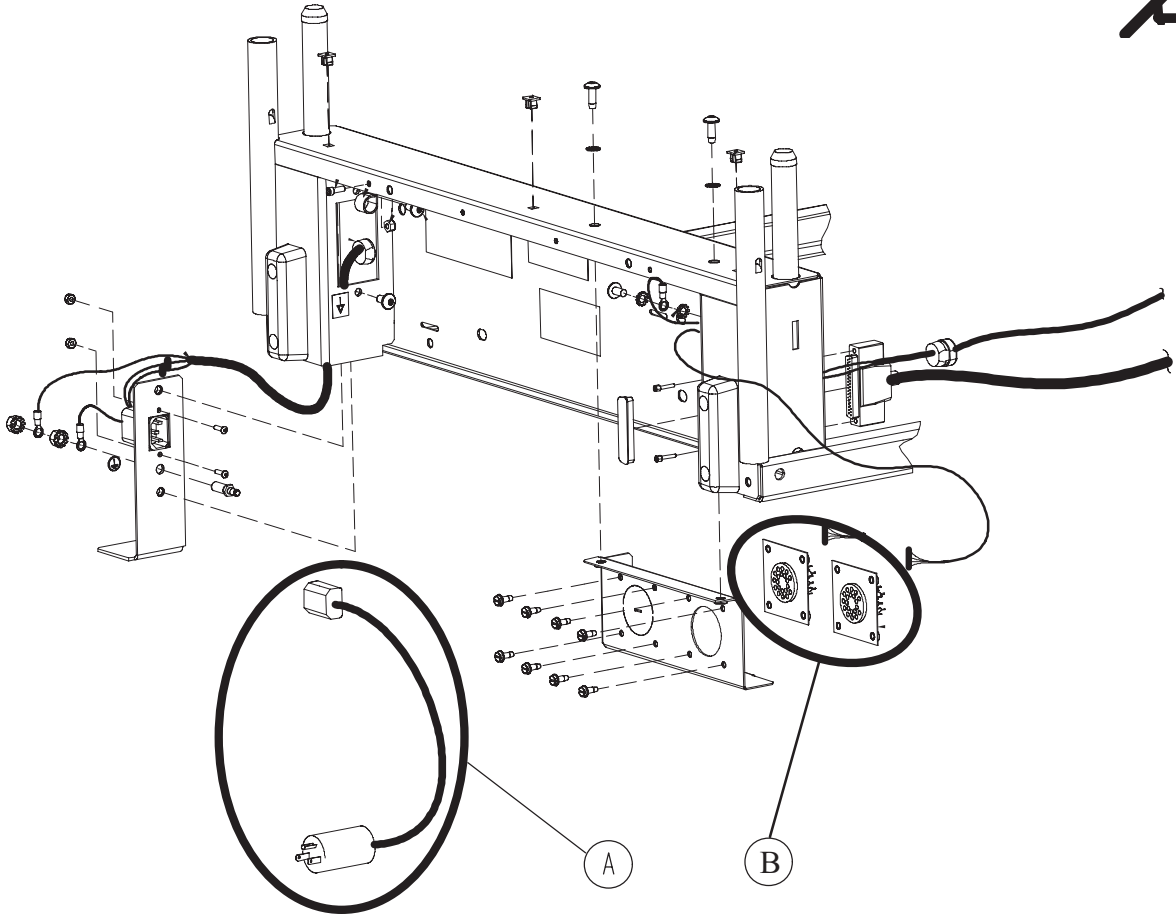


Item	Recycling/Material Code	Important Information	Qty
A	Printed Circuit Board		2
B	9V Battery		1

[Return To Table of Contents](#)

Recycling Passport

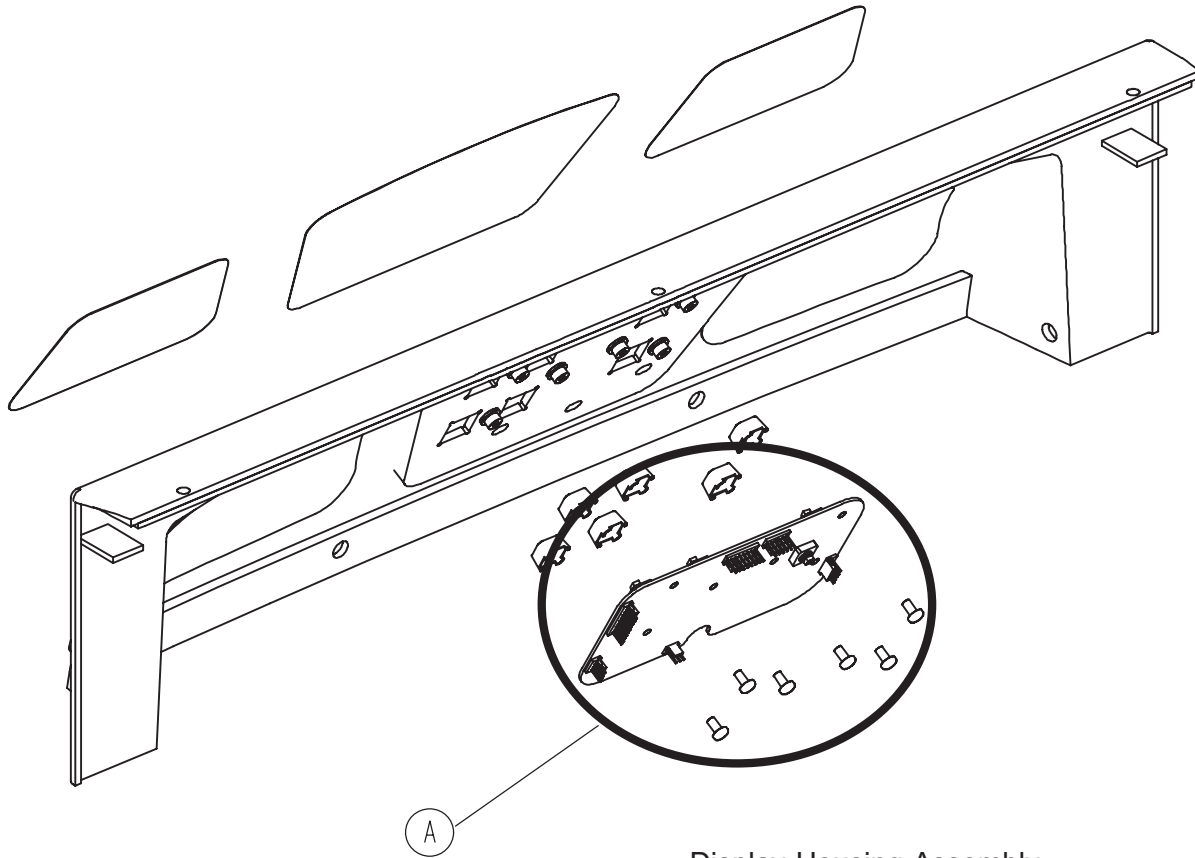
2032-231-010 (REFERENCE ONLY)



Item	Recycling/Material Code	Important Information	Qty
A	Power Cord		1
B	Printed Circuit Board		2

Recycling Passport

2030-031-210 (REFERENCE ONLY)

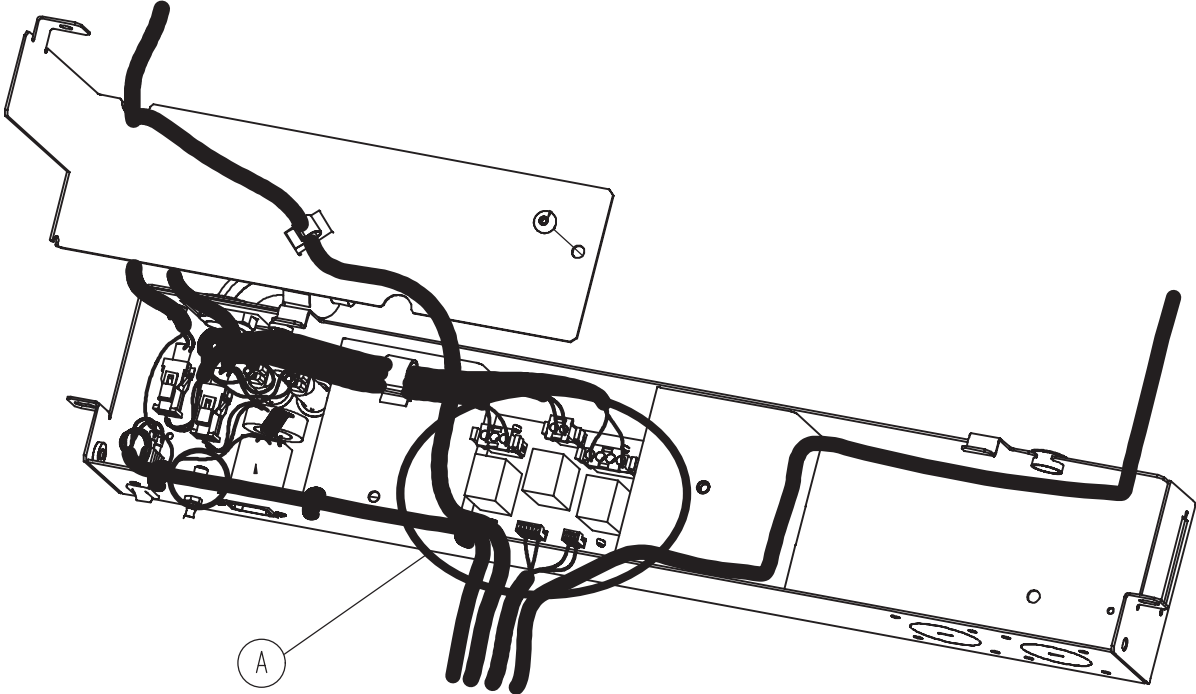


Display Housing Assembly

Item	Recycling/Material Code	Important Information	Qty
A	Printed Circuit Board		1

Recycling Passport

2030-031-210 (REFERENCE ONLY)



Item	Recycling/Material Code	Important Information	Qty
A	Printed Circuit Board		1

Warranty

Limited Warranty

Stryker Medical Division, a division of Stryker Corporation, warrants to the original purchaser the 2030 Epic II® Critical Care Bed to be free from defects in material and workmanship for a period of One (1) years after date of delivery. Stryker's obligation under this warranty is expressly limited to supplying replacement parts and labor for, or replacing, at its option, any product which is, in the sole discretion of Stryker, found to be defective. If requested by Stryker, products or parts for which a warranty claim is made shall be returned prepaid to the factory. Any improper use or any alteration or repair by others in such manner as in Stryker's judgment affects the product materially and adversely shall void this warranty. Any repair of Stryker products using parts not provided or authorized by Stryker shall void this warranty. No employee or representative of Stryker is authorized to change this warranty in any way.

Stryker Medical Bed products are designed for a 15 year expected service life under normal use, conditions, and with appropriate periodic maintenance as described in the maintenance manual for each device. Stryker warrants to the original purchaser that the welds on its Bed products will be free from structural defects for the expected 15 year life of the Bed product as long as the original purchaser owns the product.

This statement constitutes Stryker's entire warranty with respect to the aforesaid equipment. **Stryker makes no other warranty or representation, either expressed or implied, except as set forth herein. There is no warranty of merchantability and there are no warranties of fitness for any particular purpose. In no event shall Stryker be liable here under for incidental or consequential damages arising from or in any manner related to sales or use of any such equipment.**

To Obtain Parts and Service

Stryker products are supported by a nationwide network of dedicated Stryker Field Service Representatives. These representatives are factory trained, available locally, and carry a substantial spare parts inventory to minimize repair time. Simply call your local representative, or call Stryker Customer Service USA at 1-800-327-0770, Canada 1-888-233-6888.

Service Contract Coverage

Stryker has developed a comprehensive program of service contract options designed to keep your equipment operating at peak performance at the same time it eliminates unexpected costs. We recommend that these programs be activated before the expiration of the new product warranty to eliminate the potential of additional equipment upgrade charges.

A Service Contract helps to:

- Ensure equipment reliability.
- Stabilize maintenance budgets.
- Diminish downtime.
- Establish documentation for JCAHO.
- Increase product life.
- Enhance trade-in value.
- Address risk management and safety.

Warranty

Service Contract Programs

Stryker offers the following service contract programs:

Service Agreement Options *	Gold	Silver	Parts	Labor	PM
Annually scheduled preventative maintenance	X				X
All parts	X	X	X		
All labor and travel	X	X		X	
Unlimited emergency service calls	X	X		X	
Priority one contact: two hour phone response	X	X	X	X	
Most repairs completed within 3 days	X	X		X	
JCAHO documentation	X	X		X	X
On-site record of PM & emergency service	X				X
Factory-trained Stryker service technician	X	X		X	X
Stryker authorized parts used	X	X	X	X	X
Service during regular business hours (8–5)	X	X	X	X	X

* Does not include maintenance due to abuse or for any disposable items. Stryker reserves the right to change options without notice.

Stryker Medical also offers personalized service contracts.
Pricing is determined by age, location, model and condition of product.

**For more information on our service contracts,
please call your local representative.**

Return Authorization

Merchandise cannot be returned without approval from the Stryker Customer Service Department. An authorization number will be provided which must be printed on the returned merchandise. Stryker reserves the right to charge shipping and restocking fees on returned items. **Special, modified, or discontinued, items not subject to return.**

Damaged Merchandise

ICC Regulations require that claims for damaged merchandise must be made with the carrier within fifteen (15) days of receipt of merchandise. **Do not accept damaged shipments unless such damage is noted on the delivery receipt at the time of receipt.** Upon prompt notification, Stryker will file a freight claim with the appropriate carrier for damages incurred. Claim will be limited in amount to the actual replacement cost. In the event that this information is not received by Stryker within the fifteen (15) day period following the delivery of the merchandise, or the damage was not noted on the delivery receipt at the time of receipt, the customer will be responsible for payment of the original invoice in full. Claims for any short shipment must be made within thirty (30) days of invoice.

International Warranty Clause

This warranty reflects U.S. domestic policy. Warranty outside the U.S. may vary by country. Please contact your local Stryker Medical representative for additional information.

UNITED STATES
Stryker Medical
3800 E. Centre Ave.,
Portage, Michigan USA
49002

CANADA
Stryker Canada
45 Innovation Drive
Hamilton, Ontario Canada
L9H 7L8

EC	REP
----	-----

European Representative
Stryker France
ZAC Satolas Green Pusignan
Av. De Satolas Green
69881 MEYZIEU Cedex
France

stryker[®]