

EPIC II®
Critical Care Bed
Model 2031

stryker®

Parts Manual









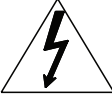
For Parts or Technical Assistance:
USA: 1-800-327-0770

CE




















Table of Contents

Product Labels	4	3002-400-065.....	89
2032-200-003.....	11	2032-130-010.....	90
2032-300-201 / 2032-300-251	19	2032-135-010.....	91
3002-301-201 / 3002-301-251	19	2031-999-140.....	92
3000-200-275	20	2032-235-020	93
3001-200-214.....	23	2025-136-021	94
3001-200-340	24	3001-315-012 / 3001-315-016	95
3001-200-345.....	24	3001-315-014 / 3001-315-018	95
3002-201-330	25	3000-300-080.....	96
3002-200-335.....	26	2035-112-000.....	97
3001-200-060	27	2035-113-000.....	98
3001-200-050	28	2035-112-010 / 2035-113-011	99
5000-002-010	29	0785-035-103	100
3001-200-022	30	2032-140-010.....	101
2031-999-110	31	2035-018-010	102
2031-043-102.....	36	2025-120-010.....	103
2032-300-010	41	2040-111-000	104
2031-999-130.....	52	2025-150-010.....	105
2031-999-131	52	2025-040-010	106
2031-999-034 (Europe).....	53	3003-336-020.....	107
2031-999-035 (British)	53	Recycling Passport	108
2035-432-075.....	54		
3221-300-705	55		
3001-300-775	56		
2031-030-201	57		
2031-030-202	58		
2031-030-204	59		
2031-030-205	60		
2031-400-105 / 2031-400-205	61		
2031-999-161	67		
2032-400-050.....	73		
3001-400-045 / 3001-400-040	74		
3003-402-005.....	75		
3003-402-010.....	76		
3002-400-070.....	77		
3002-400-075.....	78		
3003-400-070.....	79		
3003-400-075.....	80		
3002-400-090.....	81		
2031-400-305 / 2031-400-405.....	82		
2032-401-030	86		
2032-401-025	87		
3002-400-055.....	88		



Product Labels

Label Part Number	Label
2031-231-128	    <p>REF Critical Care Bed-Model 2031</p> <p>SN Serial No.  Date of Mfg.</p> <p>230V~, 50/60 Hz, 7.0A</p> <p>Max Load = 227 Kg.</p> <p>Rated Duty Cycle: 3 min. On / 30 min. Off</p> <p>This product is in conformity with performance standards for diagnostic x-ray systems and their major components under 21 CFR Part 1020. Patents Applied for.</p> <p> Stryker Medical - Portage, MI 49002-5826, USA Made in U.S.A.</p>
0988-002-708	<div style="border: 1px solid black; padding: 10px; text-align: center;"> <p>CAUTION</p> <p>NO USER SERVICEABLE PART INSIDE. TO REDUCE THE RISK OF ELECTRIC SHOCK, DO NOT REMOVE COVER.</p>  <p>REFER SERVICING TO QUALIFIED SERVICE PERSONNEL.</p> </div>
1550-090-001	<div style="border: 1px solid black; padding: 10px; text-align: center;"> <p>CAUTION</p> <p>ADEQUATE GROUNDING RELIABILITY CAN ONLY BE ACHIEVED WHEN THE EQUIPMENT IS CONNECTED TO AN EQUIVALENT RECEPTACLE MARKED "HOSPITAL GRADE"</p> </div>
2011-001-104	<div style="border: 1px solid black; padding: 10px; text-align: center;"> <p>DANGER</p> <p>EXPLOSION HAZARD. DO NOT USE IN THE PRESENCE OF FLAMMABLE ANESTHETICS.</p> <p>DANGER</p> <p>RISQUE D'EXPLOSION NE PAS EMPLOYER EN PRESENCE D'ANESTHESIQUES INFLAMMABLES.</p> <p>EXPLOSIONSGEFAHR!</p> <p>NICHT IN DER NAEHE VON FEUERGERAEHRLICHEN ANASTHESIEMITTENLN VERWENDEN.</p> </div>

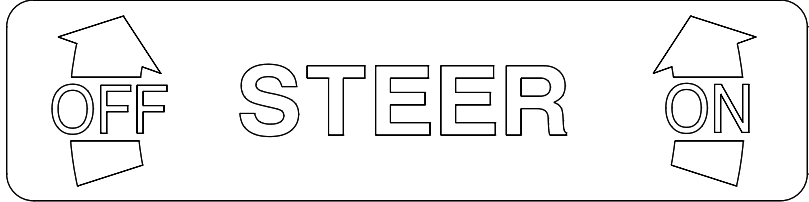
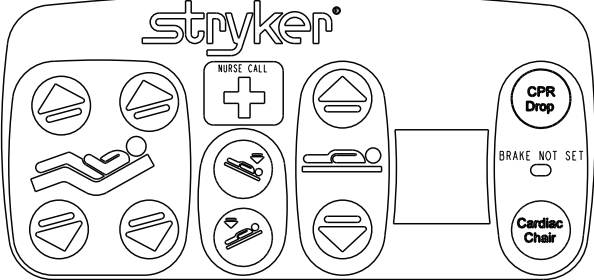
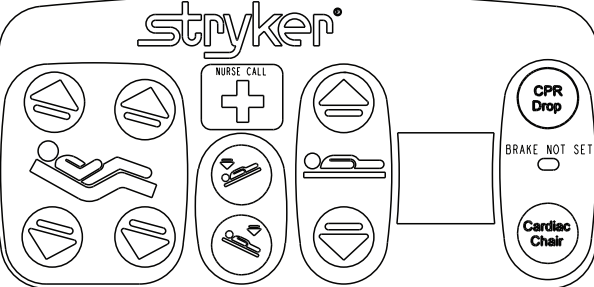
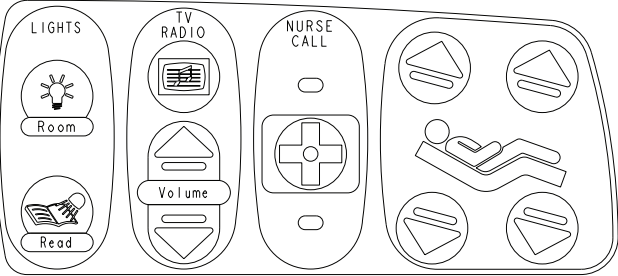
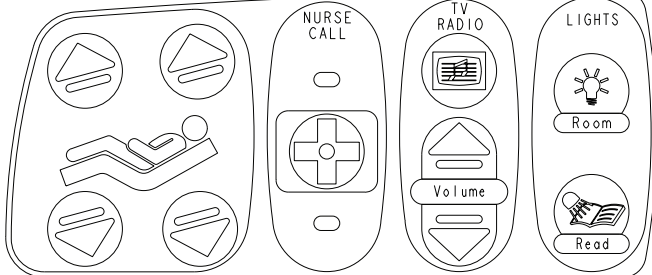
Product Labels

Label Part Number	Label
2030-000-151	<div style="border: 1px solid black; padding: 5px;"> <div style="display: flex; justify-content: space-between;"> <div style="width: 20%;"> <p>SIDERAIL CONTROL LIGHTS</p>   </div> <div style="width: 20%;"> <p>BED MOTION LOCK</p>   </div> <div style="width: 20%;"> <p>SIDERAIL CONTROL LOCKOUTS</p>     </div> <div style="width: 20%;"> <p>BED MOTION</p>     </div> </div> <div style="margin-top: 10px; display: flex; justify-content: space-around;"> <input type="radio"/> POWER <input type="radio"/> BED MOTION LOCKED <input type="radio"/> BRAKE NOT SET </div> </div>
2035-000-153	<div style="border: 1px solid black; padding: 10px; text-align: center;">  <div style="display: flex; justify-content: space-around; margin-top: 5px;"> <div style="text-align: center;">  <p>Back</p>  </div> <div style="text-align: center;">  <p>Knee</p>  </div> </div> </div>
2035-000-155	<div style="border: 1px solid black; padding: 10px; text-align: center;"> <p>PATIENT POSITIONING CONTROLS</p> <div style="display: flex; justify-content: space-around; margin-top: 10px;"> <div style="border: 1px solid black; border-radius: 50%; padding: 5px; text-align: center;"> <p>CPR Drop</p> </div> <div style="border: 1px solid black; border-radius: 50%; padding: 5px; text-align: center;"> <p>Cardiac Chair</p> </div> </div> </div>
2040-090-100	<div style="border: 1px solid black; padding: 10px; text-align: center;">   <p style="font-size: 24px; font-weight: bold;">500 LB • 227 KG</p> </div>
3000-200-601	<div style="border: 1px solid black; padding: 20px; text-align: center;"> <p style="font-size: 48px; font-weight: bold; letter-spacing: 0.5em;">BRAKE</p> <p style="font-size: 24px; font-weight: bold; letter-spacing: 0.5em;">PRESS TO SET OR RELEASE</p> </div>

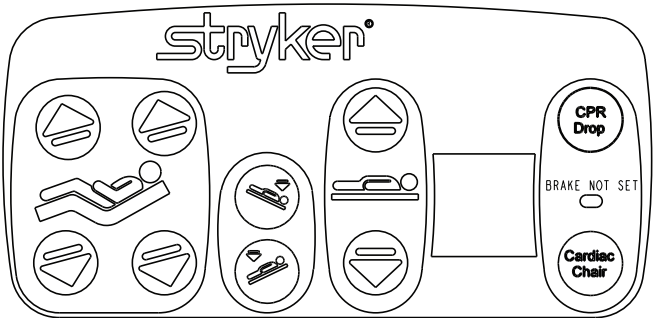
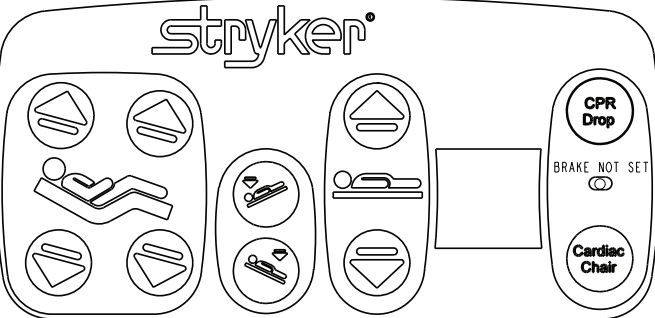
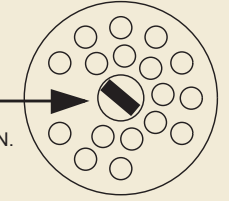
Product Labels

Label Part Number	Label
3000-300-641	<div style="border: 1px solid black; padding: 10px; text-align: center;"> <p>CAUTION</p> <p>BED MUST BE PLUGGED INTO GROUNDED OUTLET PRIOR TO INITIAL INSTALLATION OF FOOTBOARD.</p> </div>
3000-400-556	<div style="border: 1px solid black; padding: 10px;"> <p>WARNING- POWERED BED MECHANISMS CAN CAUSE SERIOUS INJURY. OPERATE BED ONLY WITH PERSONS CLEAR OF MECHANISMS.</p> <p>CAUTION- UNPLUG BED DURING SERVICE OR CLEANING. REFER TO SERVICE AND OPERATIONS MANUALS FOR ADDITIONAL PRECAUTIONS.</p> </div>
3000-500-025	<div style="border: 1px solid black; border-radius: 15px; padding: 10px; text-align: center; background-color: #f0f0f0;"> <p>FOR HOSPITAL STAFF USE ONLY</p> </div>
3000-500-029	<div style="border: 1px solid black; padding: 10px;"> <p>CAUTION- POSSIBLE FIRE HAZARD WHEN USED WITH OXYGEN ADMINISTERING EQUIPMENT OF OTHER THAN THE NASAL OR MASK TYPE. LOCK CONTROL AT FOOT OF BED WHEN USING OXYGEN ADMINISTERING EQUIPMENT.</p> </div>
3000-526-003	<div style="border: 1px solid black; border-radius: 15px; padding: 10px; text-align: center;"> <p>PULL OUT FOR CPR</p> </div>
3001-300-603	<div style="border: 1px solid black; border-radius: 15px; padding: 10px; text-align: center;"> <p>CPR RELEASE SQUEEZE HERE</p>  </div>
3003-503-901	<div style="border: 1px solid black; border-radius: 15px; padding: 10px; text-align: center;">  <p>PUSH TO RELEASE SIDERAIL</p> </div>


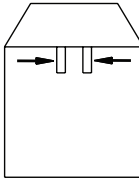


Product Labels

Label Part Number	Label
5000-090-013	 <p>OFF STEER ON</p> <p>5000-090-013</p>
2030-000-301	 <p>stryker®</p> <p>NURSE CALL</p> <p>CPR Drop</p> <p>BRAKE NOT SET</p> <p>Cardiac Chair</p>
2030-000-401	 <p>stryker®</p> <p>NURSE CALL</p> <p>CPR Drop</p> <p>BRAKE NOT SET</p> <p>Cardiac Chair</p>
2035-000-102	 <p>LIGHTS</p> <p>TV RADIO</p> <p>NURSE CALL</p> <p>Room</p> <p>Read</p> <p>Volume</p>
2035-000-202	 <p>NURSE CALL</p> <p>TV RADIO</p> <p>LIGHTS</p> <p>Room</p> <p>Read</p> <p>Volume</p>


Product Labels

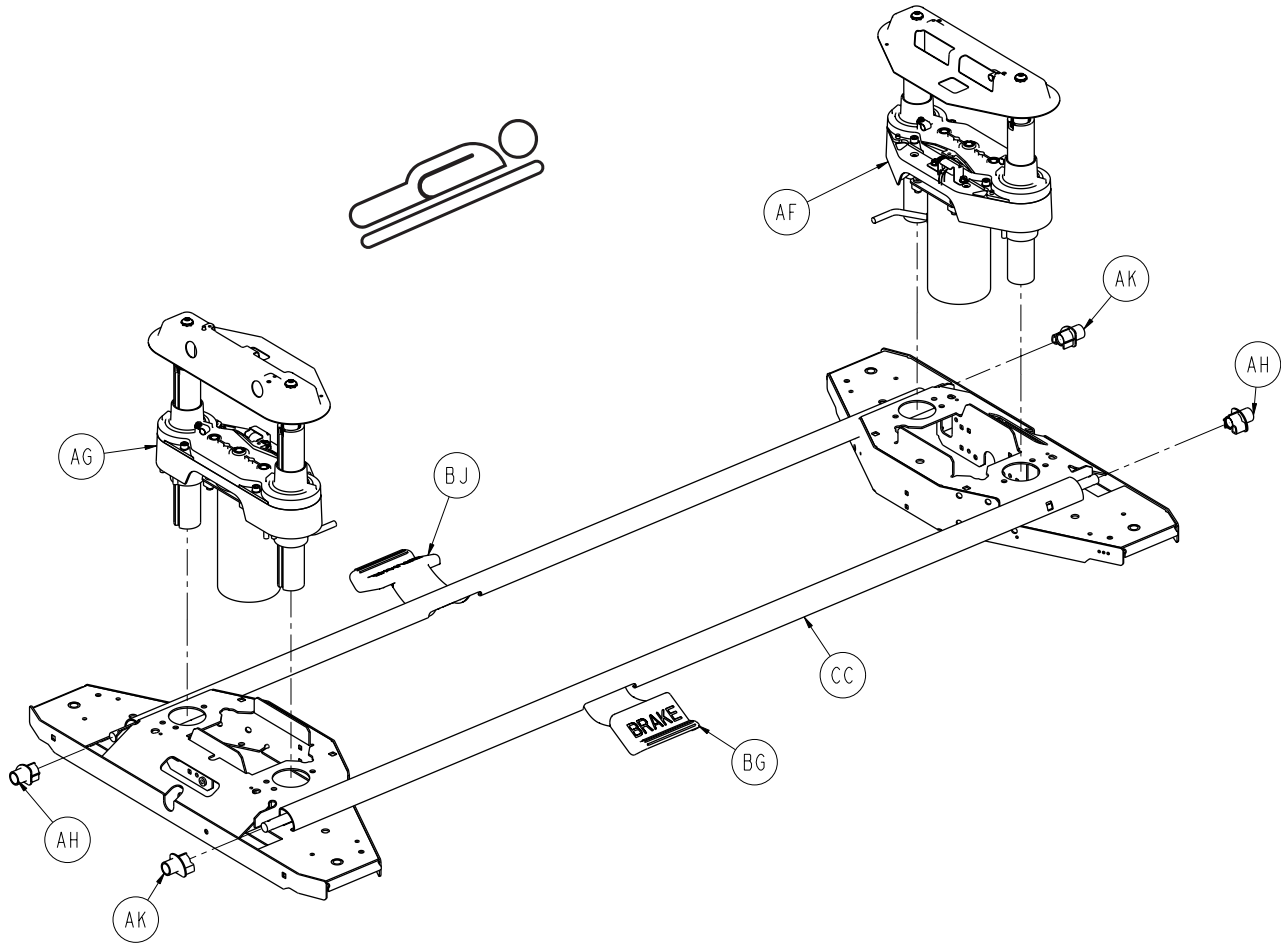
Label Part Number	Label
2030-000-300	
2030-000-400	
5000-090-028	<p>NOTE: TO PREVENT A LOW BATTERY CONDITION: WHEN BED IS NOT PLUGGED IN, POSITION THE CORD OUT SWITCH TO THE OFF POSITION.</p> 
2035-112-110	<p>stryker[®] Medical</p> <p>2035-112-010 Two Stage Permanent I.V. Pole</p> <p>Portage, MI 49002 Made In U.S.A.</p> <p>CAUTION: Not Intended For Use As A Pushing Device</p>
2035-113-111	<p>stryker[®] Medical</p> <p>2035-113-011 Two Stage Permanent I.V. Pole</p> <p>Portage, MI 49002 Made In U.S.A.</p> <p>CAUTION: Not Intended For Use As A Pushing Device</p>

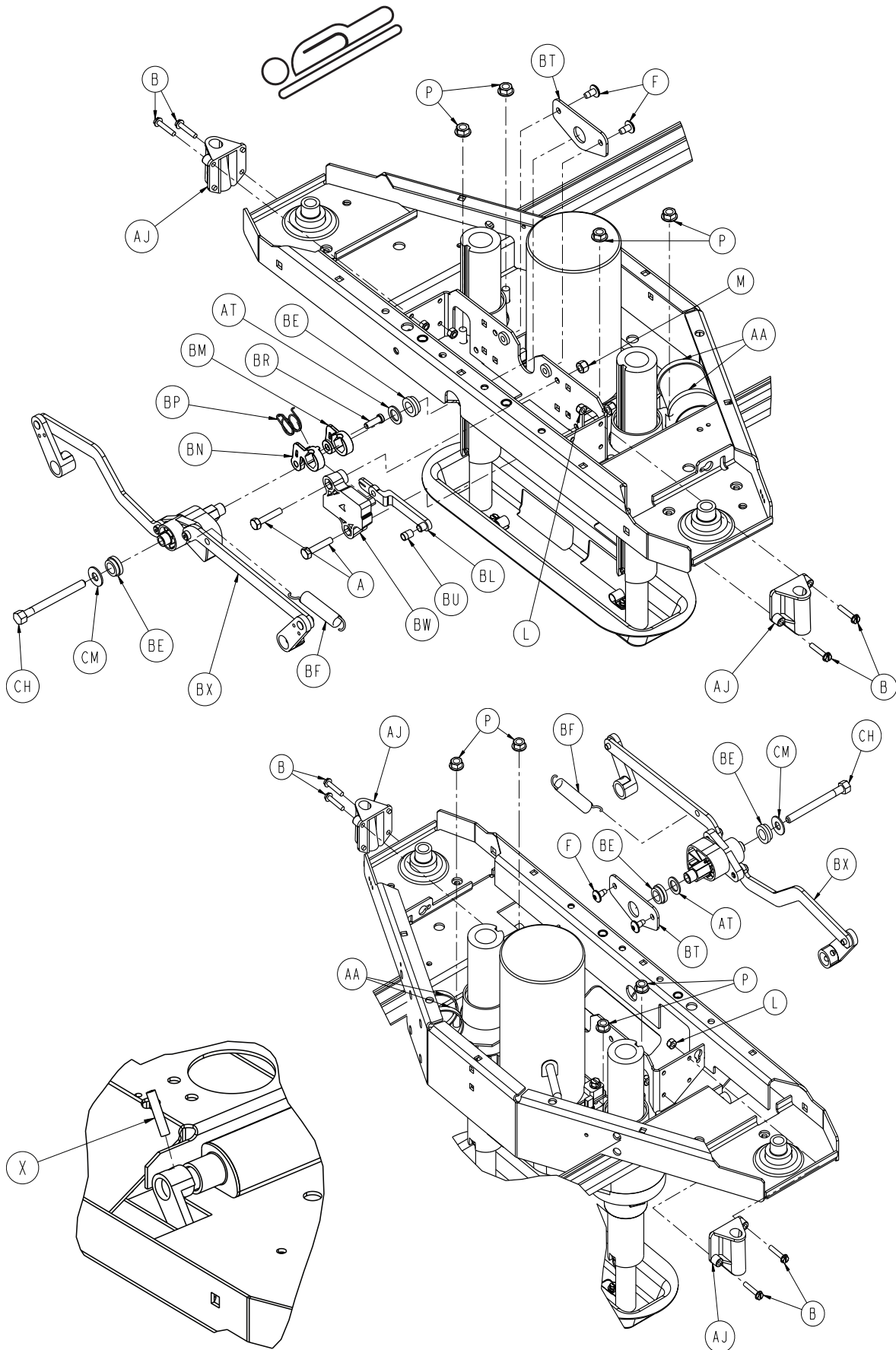
Product Labels

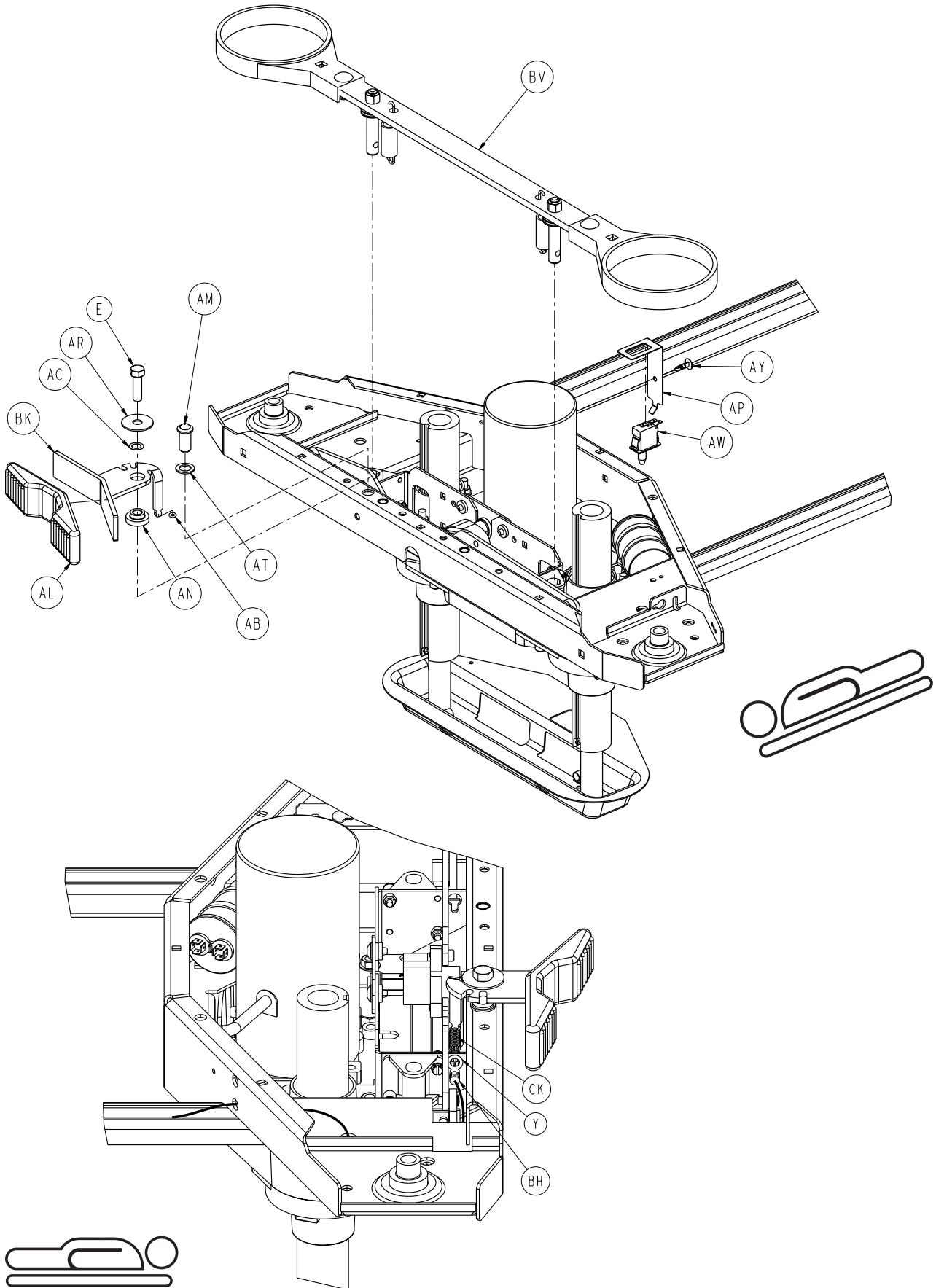
Label Part Number	Label
3000-300-089	<div style="border: 1px solid black; padding: 10px; text-align: center;">  <p>3000-300-080 I.V. POLE</p> <p>Portage, MI 49002 Made In U.S.A.</p> </div>
1010-023-019	<div style="border: 2px solid black; padding: 10px; text-align: center;">  <p>To Remove Tray, Grasp Latch Pins as Shown</p> </div>
2035-140-025	<div style="border: 1px solid black; padding: 10px; text-align: center;">  <p>2035-140 Fowler X-Ray Cassette Holder</p> <p>Portage, MI 49002 Made in U.S.A.</p> </div>
2025-150-002	<div style="border: 1px solid black; padding: 10px; text-align: center;">  <p>2025-150 02 Bottle Holder</p> <p>Portage, MI 49002 Made in the U.S.A.</p> </div>
1010-050-019	<div style="border: 2px solid black; padding: 10px; text-align: center;"> <p>NOT INTENDED FOR USE AS A PUSH/PULL DEVICE</p> </div>
1010-050-057	<div style="border: 2px solid black; border-radius: 15px; padding: 10px; text-align: center;"> <p>Maximum Weight 40 lbs.</p> </div>

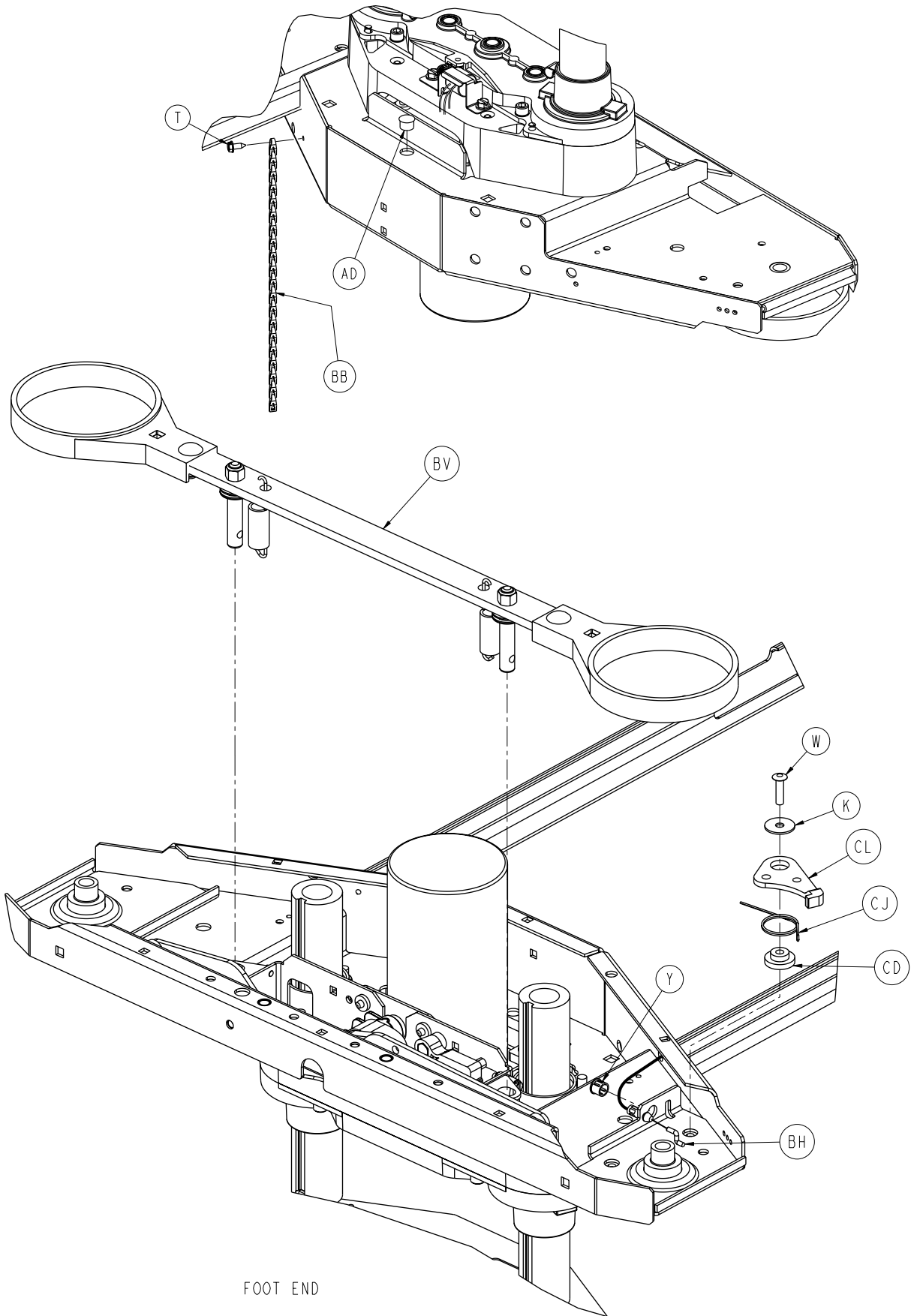
Product Labels

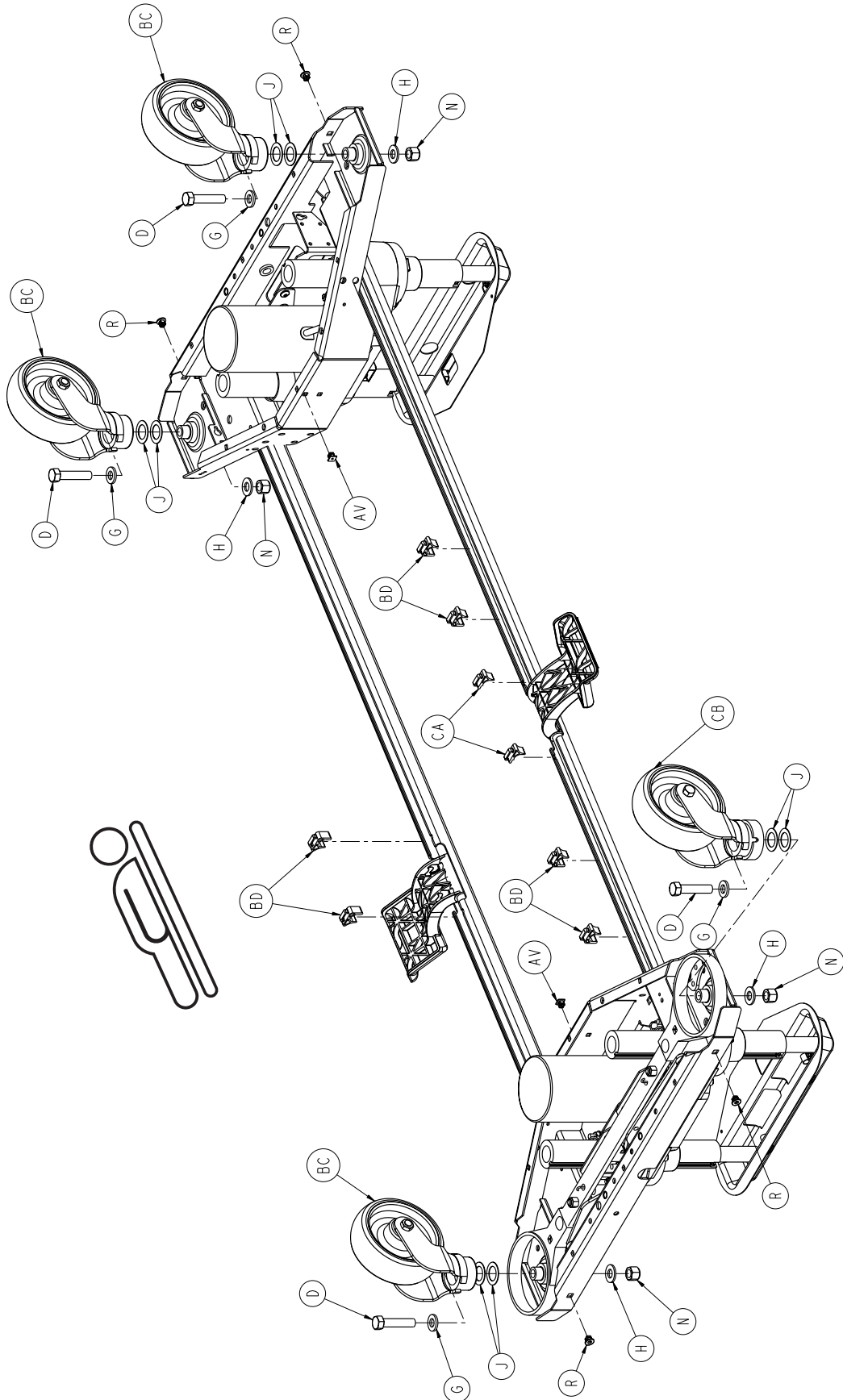
Label Part Number	Label
2025-120-005	<div style="border: 1px solid black; padding: 10px; width: fit-content; margin: auto;"> <p>EQUIPMENT MUST BE STRAPPED TO TRAY</p> </div>
2025-120-006	<div style="border: 1px solid black; padding: 10px; width: fit-content; margin: auto;">  <p>2025-120-006 Defibrillator Tray</p> <p><small>Portage, MI 49002 Made In U.S.A.</small></p> </div>
2030-140-002	<div style="border: 1px solid black; padding: 10px; width: fit-content; margin: auto;"> <p>Warning: Do not use as a Push/Pull device. Maximum Load 45 lbs.</p> <p>Note: Items added and subtracted from the hanger after arming the BED EXIT or SCALE system will affect the sensitivity and accuracy of these systems.</p> </div>

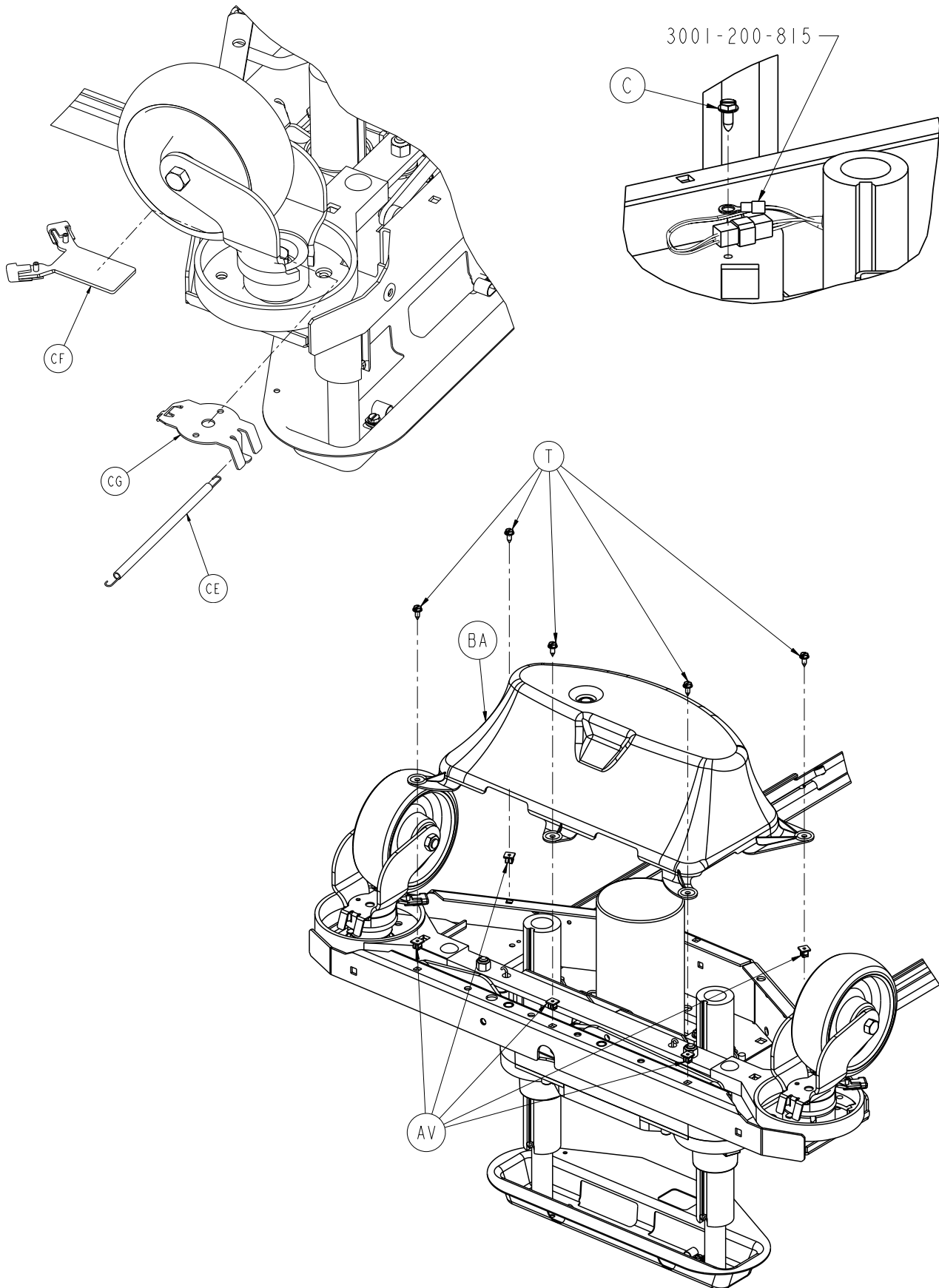


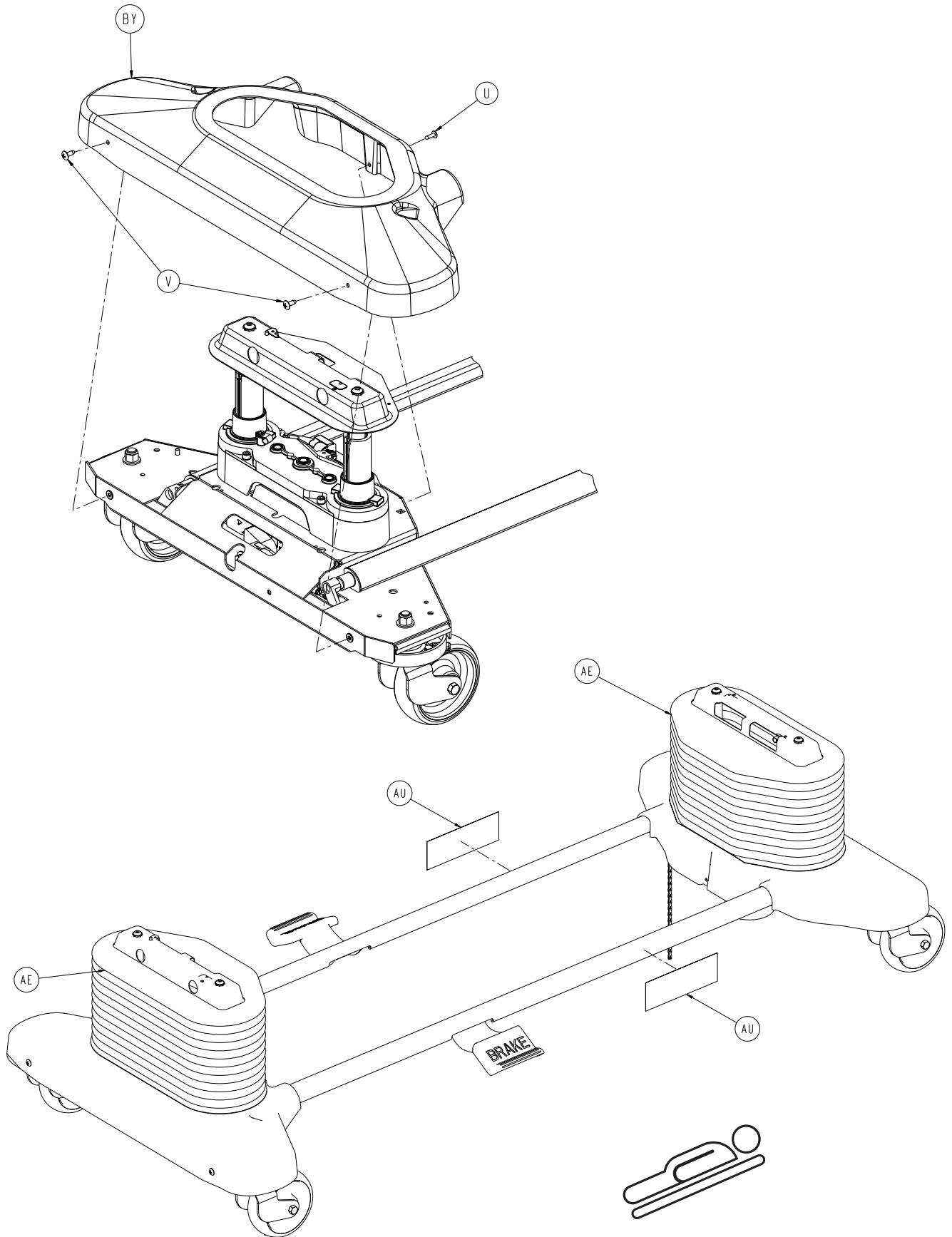








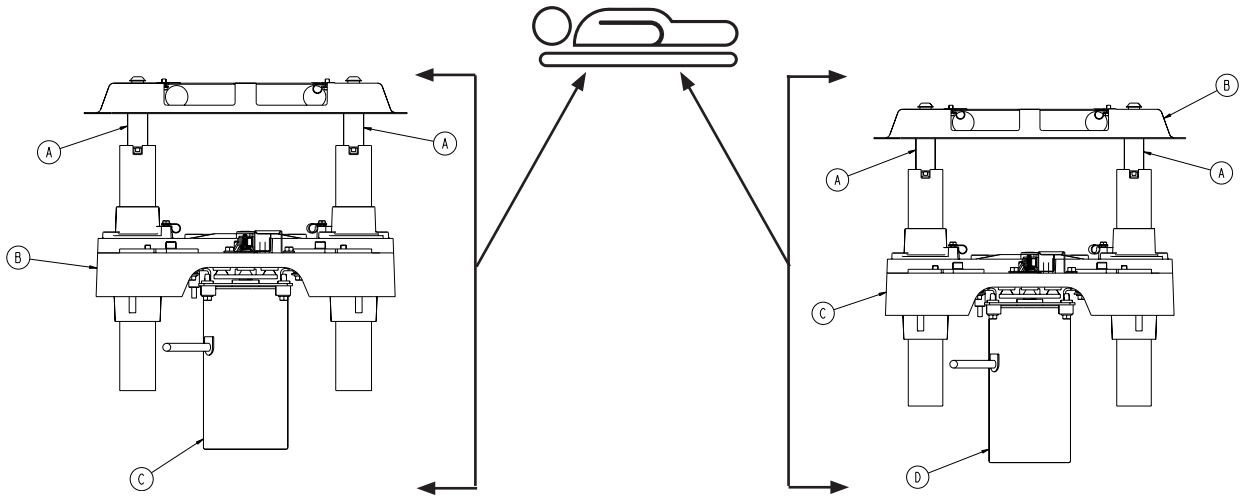




2032-200-003

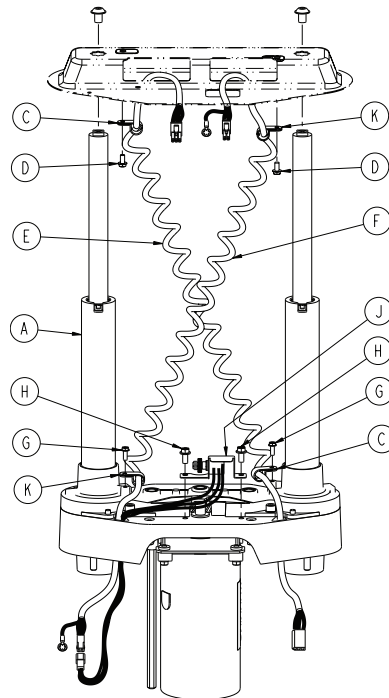
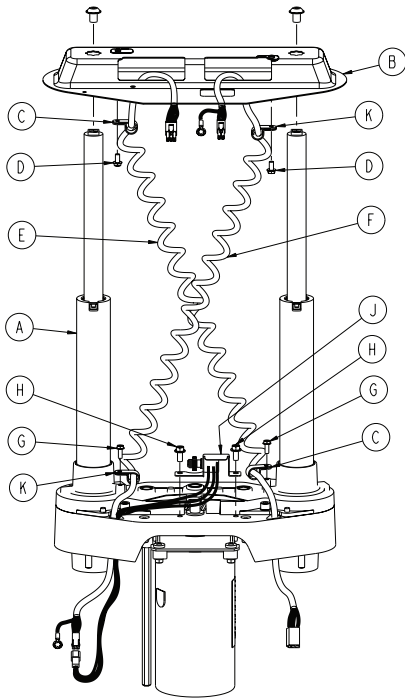
A	0003-074-000	2	BM	3002-200-305	1
B	0003-122-000	8	BN	3002-200-306	1
C	0003-224-000	2	BP	3002-200-307	1
D	0003-333-000	4	BR	3002-200-308	1
E	0003-349-000	1	BT	3002-200-314	2
F	0007-052-000	4	BU	3002-200-316	1
G	0011-310-000	4	BV	3002-200-335	2
H	0011-333-000	4	BW	3002-201-301	1
J	0011-343-000	8	BX	3002-201-330	2
K	0011-611-000	1	BY	3002-300-009	2
L	0016-002-000	8	CA	3002-316-000	2
M	0016-028-000	2	CB	3006-200-054	1
N	0016-049-000	4	CC	3006-200-105	1
P	0016-098-000	8	CD	3006-200-339	1
R	0018-036-000	4	CE	3006-200-352	4
T	0023-025-000	12	CF	3006-200-354	4
U	0023-080-000	2	CG	3006-200-356	4
V	0023-092-000	4	CH	3006-200-362	2
W	0025-191-000	1	CJ	3006-200-378	1
X	0026-014-000	4	CK	3006-200-380	1
Y	0030-052-000	2	CL	3006-200-381	1
AA	0038-151-000	4	CM	0011-193-000	2
AB	0045-008-000	1			
AC	0052-305-000	1			
AD	0059-100-000	2			
AE	2030-001-103	2			
AF	2032-300-201	1			
AG	2032-300-251	1			
AH	3000-200-305	2			
AJ	3000-200-328	4			
AK	3000-200-331	2			
AL	3000-200-336	1			
AM	3000-200-337	1			
AN	3000-200-341	1			
AP	3000-200-343	1			
AR	3000-200-348	1			
AT	3000-200-349	3			
AU	3000-200-602	2			
AV	3000-300-002	12			
AW	3000-300-058	1			
AX	3000-300-113	6			
AY	3000-300-115	1			
BA	3001-200-022	2			
BB	3001-200-052	2			
BC	3001-200-060	3			
BD	3001-200-306	6			
BE	3001-200-317	4			
BF	3001-200-334	2			
BG	3001-200-340	1			
BH	3001-200-342	1			
BJ	3001-200-345	1			
BK	3001-200-371	1			
BL	3002-200-302	1			

2032-300-201 / 2032-300-251



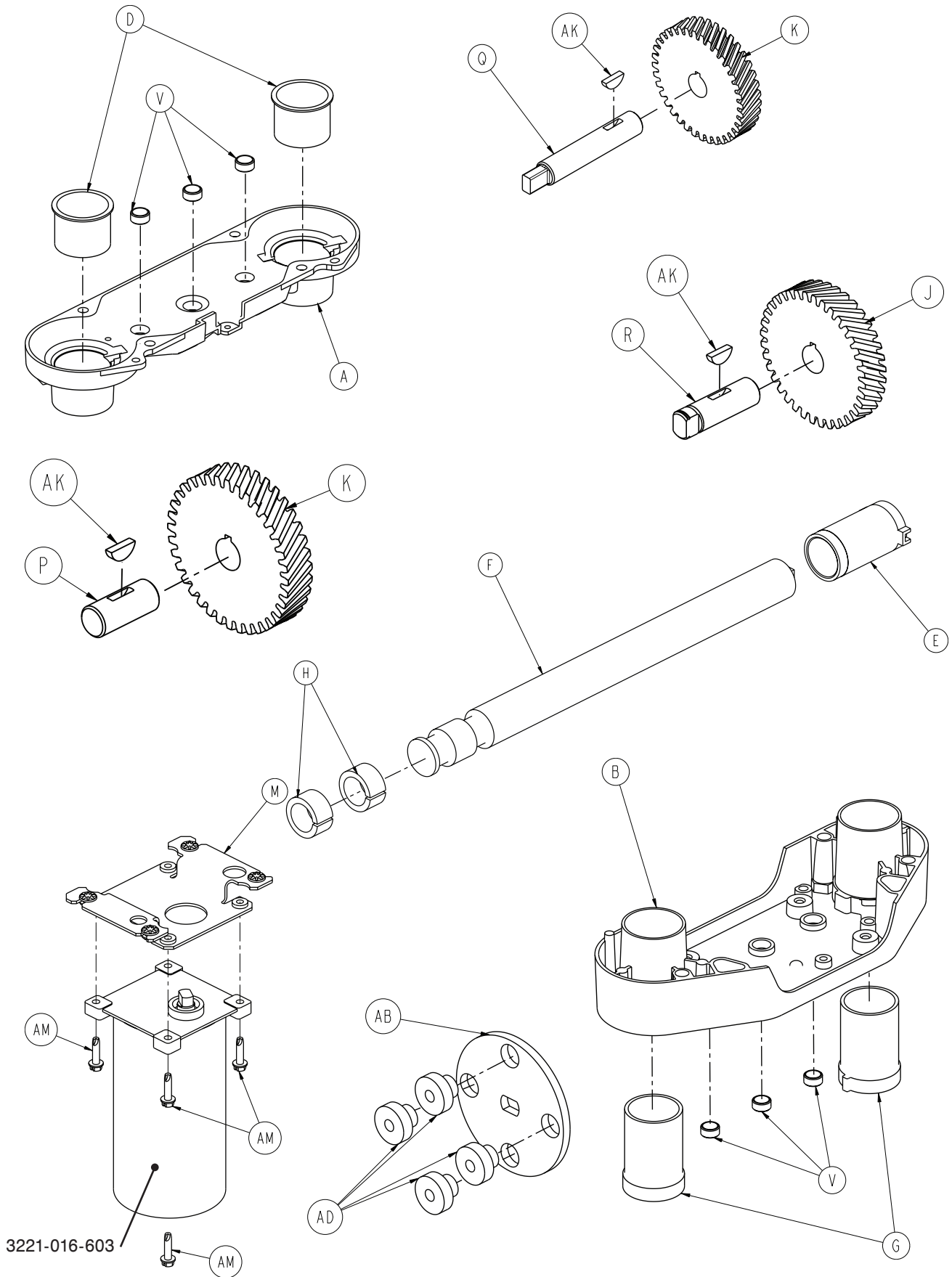
A	2040-200-249	2	A	2040-200-249	2
B	3002-301-201	1	B	3002-200-052	1
C	3221-016-603	1	C	3002-301-251	1
			D	3221-016-603	1

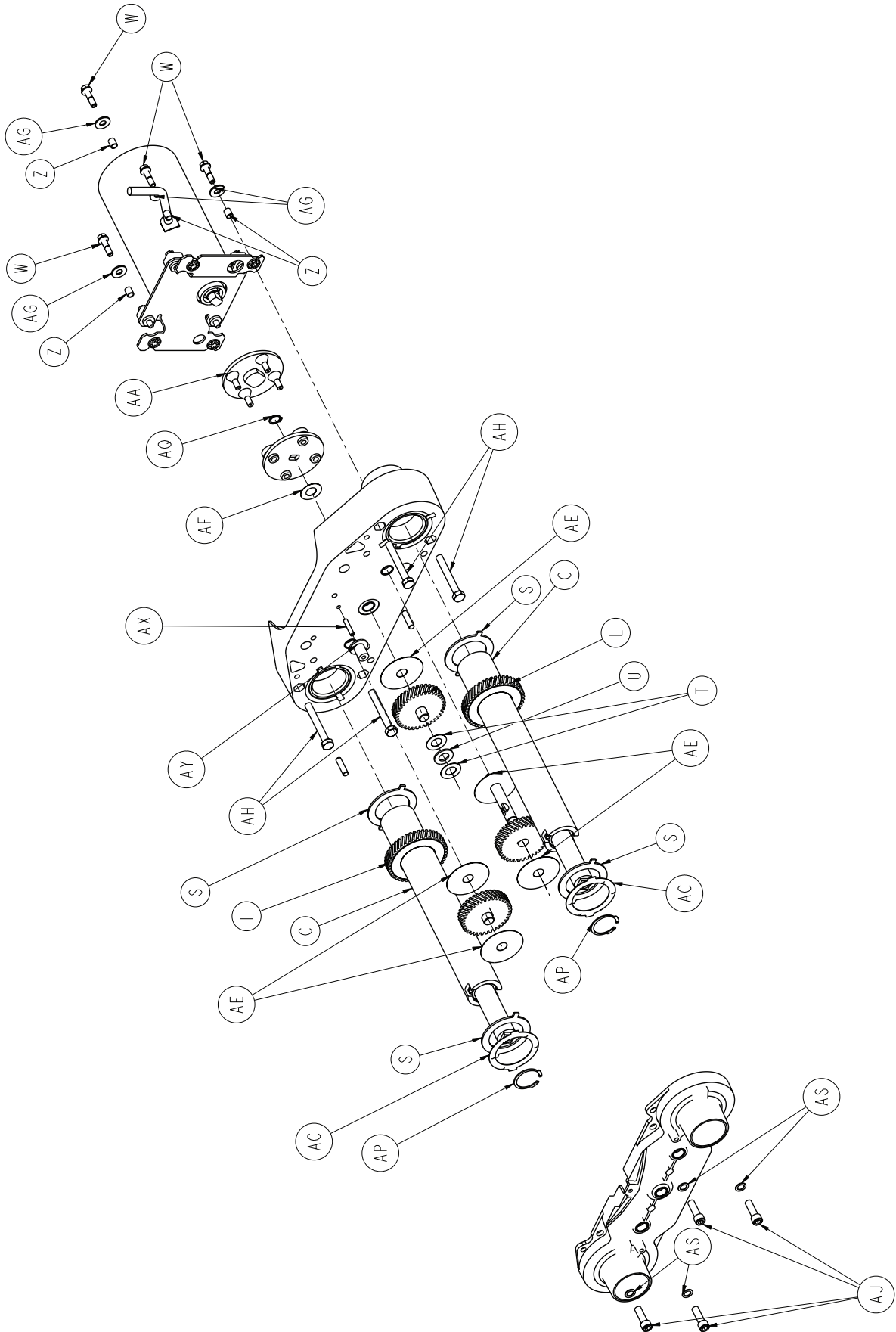
3002-301-201 / 3002-301-251



A	3000-200-275	1	A	3000-200-275	1
B	3002-200-052	1	C	0034-022-000	2
C	0034-022-000	2	D	0023-164-000	2
D	0023-164-000	2	E	3001-200-864	1
E	3001-200-864	1	F	3001-200-815	1
F	3001-200-815	1	G	0003-128-000	2
G	0003-128-000	2	H	0003-121-000	2
H	0003-121-000	2	J	3001-200-230	1
J	3001-200-240	1	K	0034-381-000	2
K	0034-381-000	2			

[Return To Table of Contents](#)



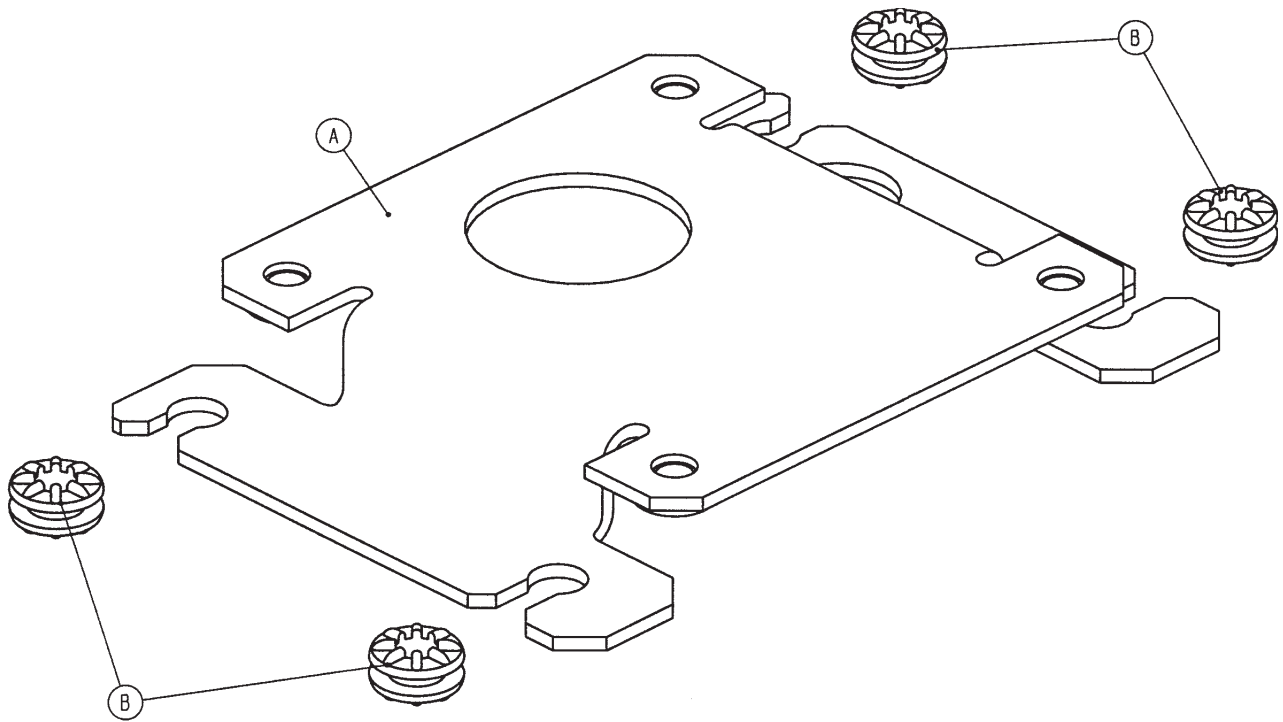


[Return To Table of Contents](#)

3000-200-275

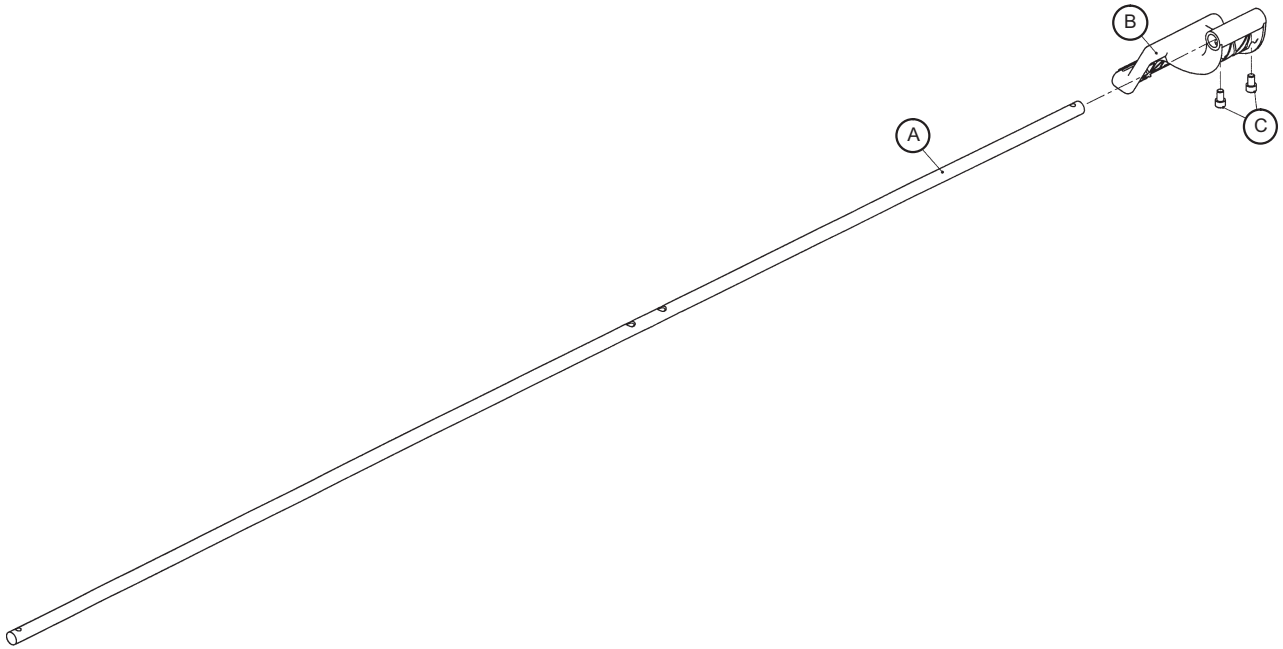
A	3000-200-201	1
B	3000-200-202	1
C	3000-200-251	2
D	3000-200-204	2
E	3000-200-205	2
G	3000-200-207	2
H	3000-200-208	4
J	3000-200-209	1
K	3000-200-210	2
L	3000-200-252	2
M	3001-200-214	1
P	3000-200-218	1
Q	3002-200-235	1
R	3000-200-220	1
S	3000-200-223	4
T	3000-200-224	2
U	0081-212-000	1
V	3000-200-226	6
W	3001-200-228	4
Z	3001-300-019	4
AA	3000-200-233	1
AB	3000-200-234	1
AC	3000-200-241	2
AD	3000-300-455	4
AE	3000-200-245	5
AF	3000-200-246	1
AG	0011-408-000	4
AH	0003-082-000	4
AJ	0004-213-000	4
AK	0058-044-000	3
AM	0003-331-000	4
AP	0028-121-000	2
AQ	0028-097-000	1
AS	0011-308-000	4
AX	3000-200-239	1
AY	3000-200-216	1
AZ	0051-022-000	4

3001-200-214

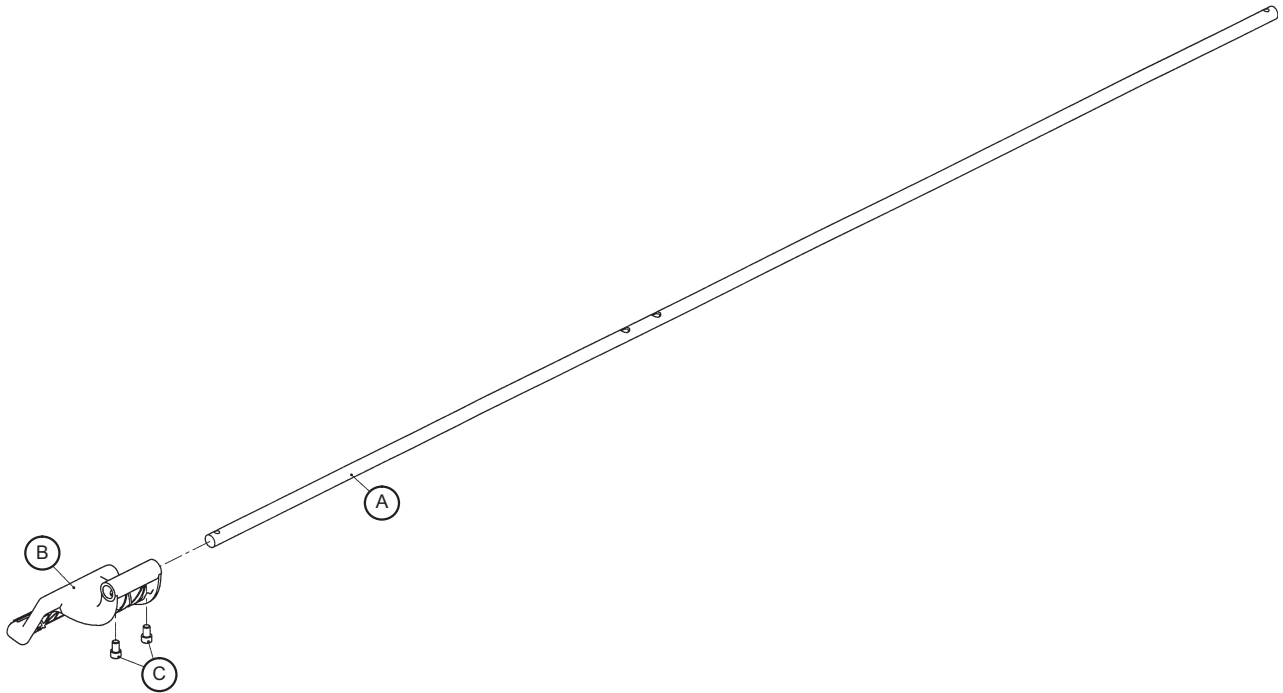


A	3001-200-213	1
B	3000-300-442	4

3001-200-340

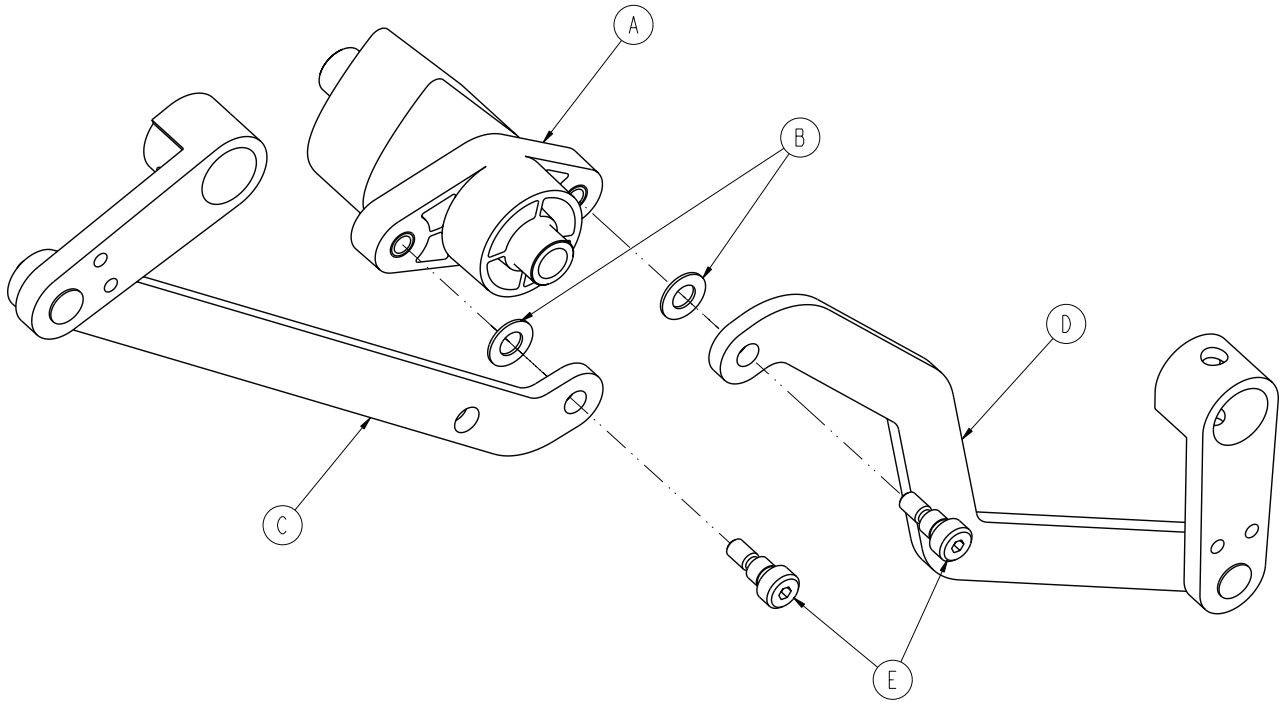


3001-200-345



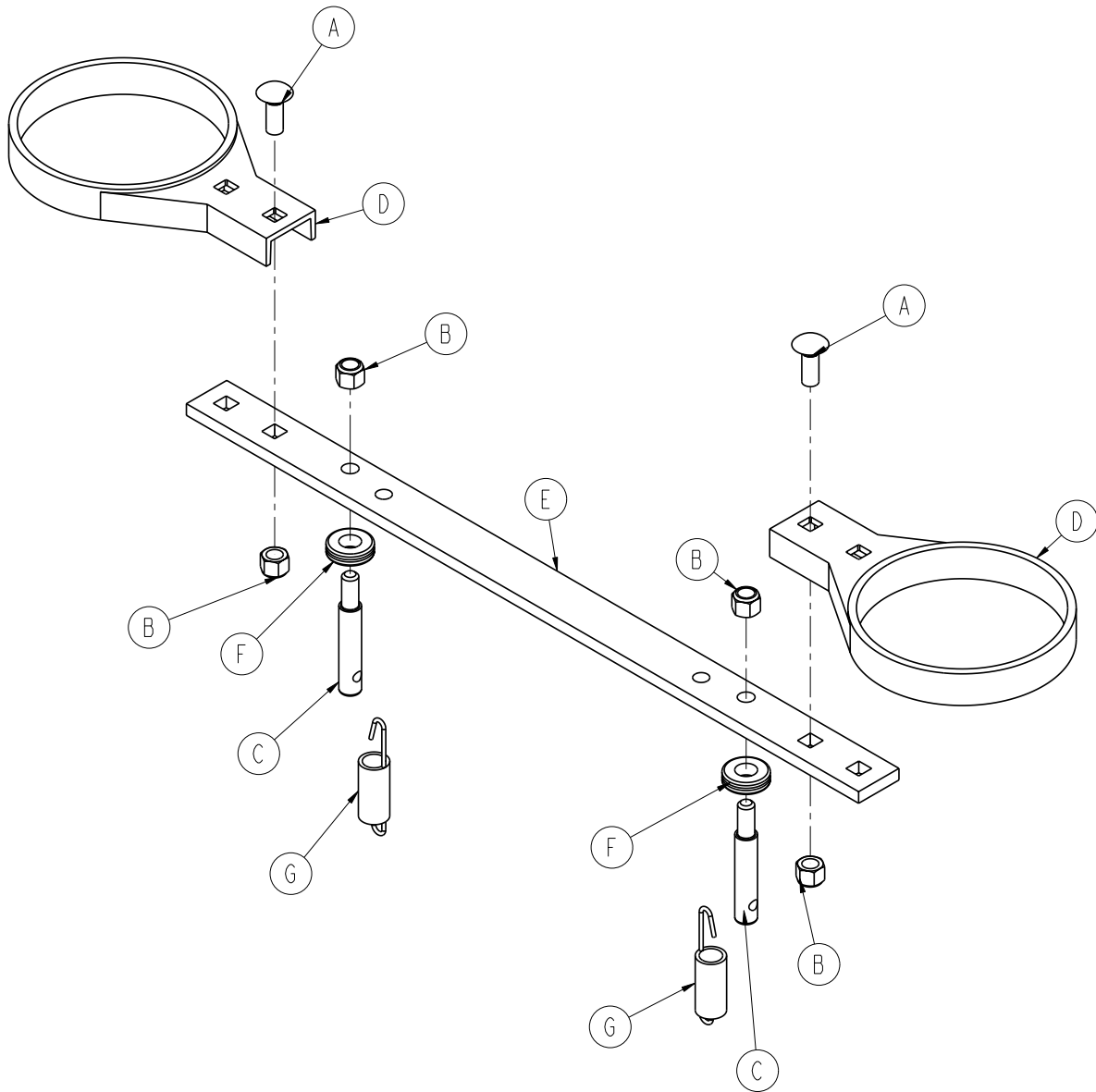
A	3000-200-314	1
B	3001-200-325	1
C	0004-270-000	2

3002-201-330



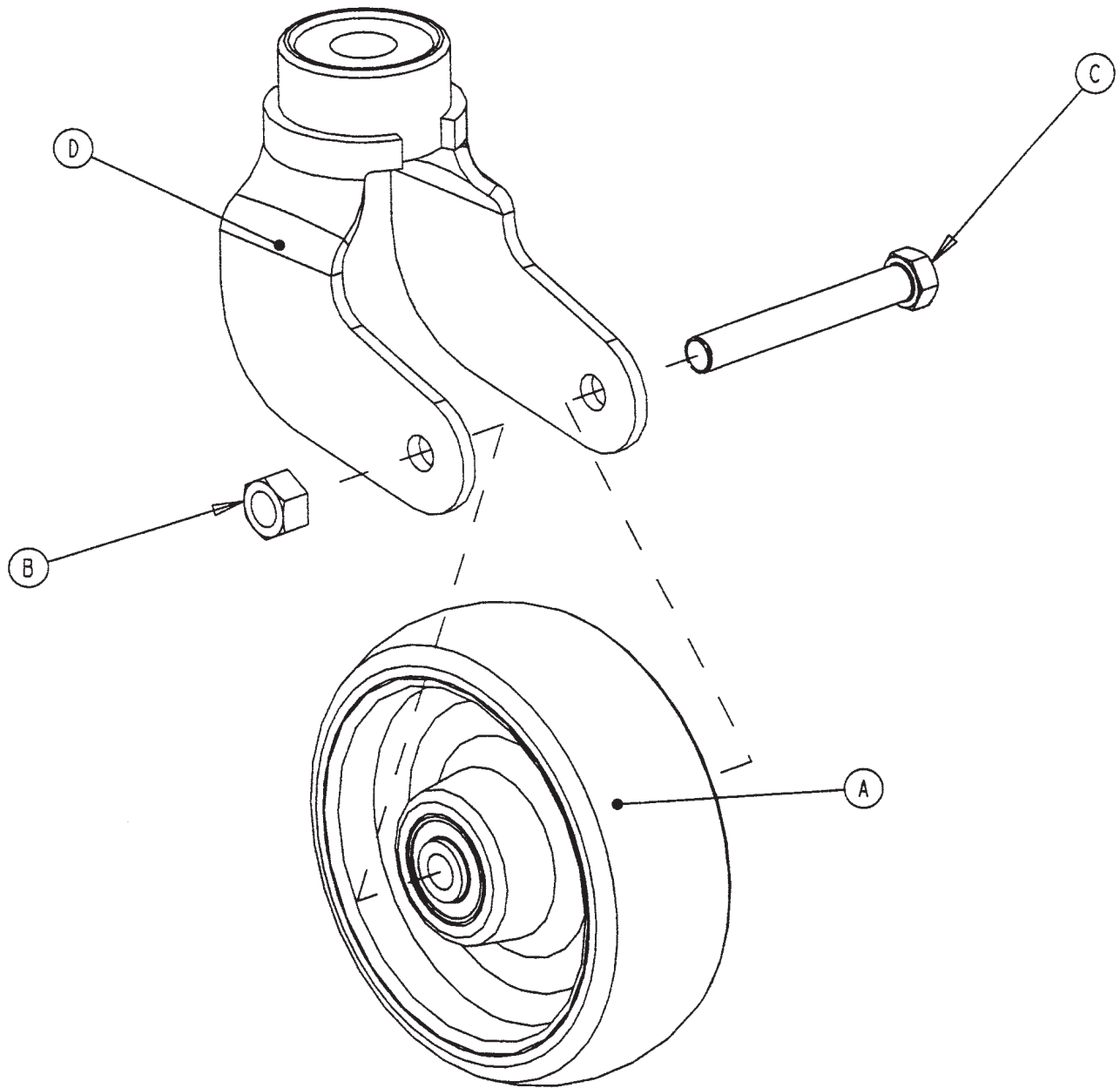
A	3002-201-309	1
B	0014-004-000	2
C	3002-200-331	1
D	3002-200-332	1
E	0002-108-000	2

3002-200-335



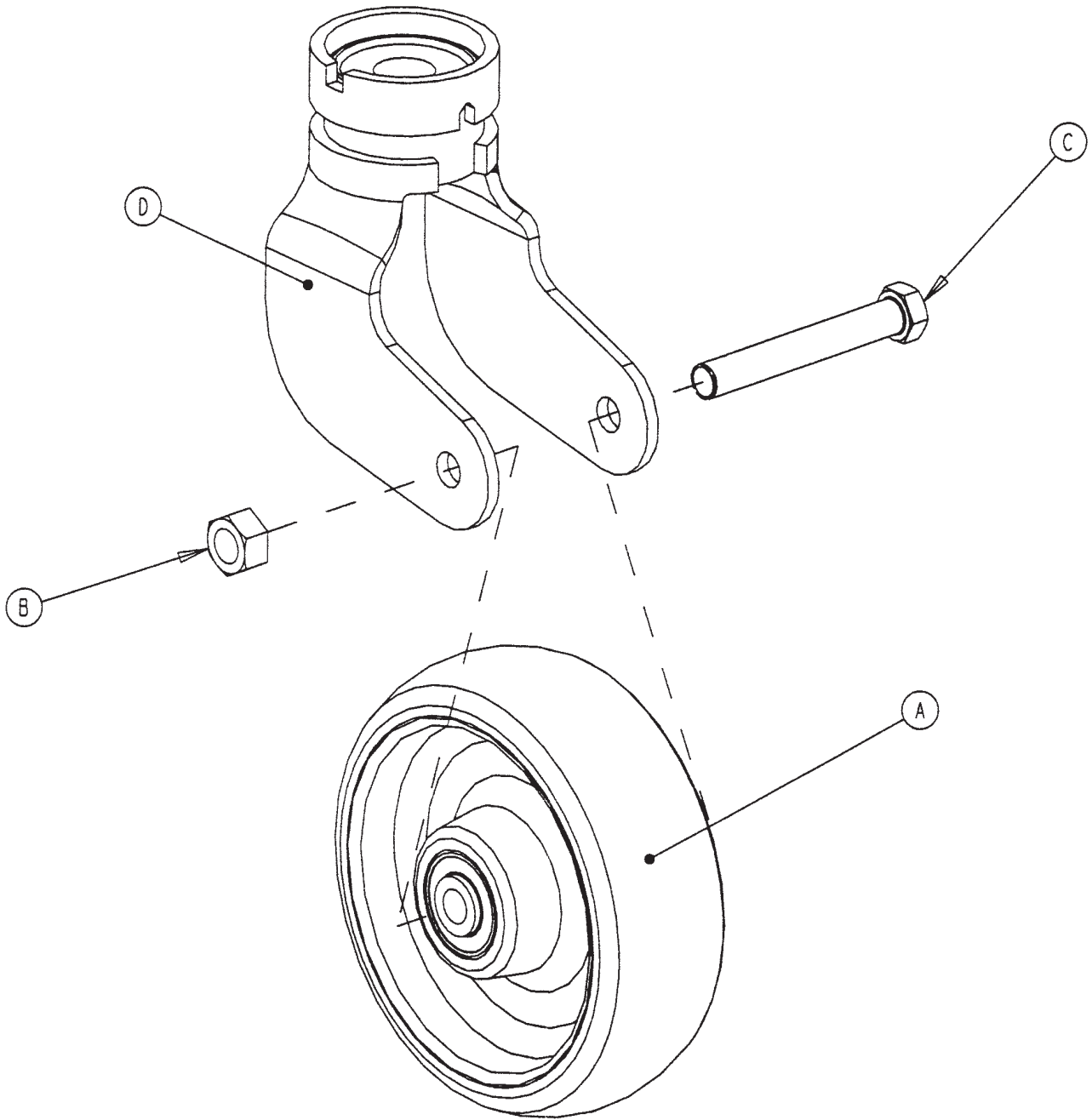
A	0005-018-000	2
B	0016-035-000	4
C	3000-200-318	2
D	3000-200-321	2
E	3000-200-323	1
F	3000-200-324	2
G	3002-200-310	2

3001-200-060



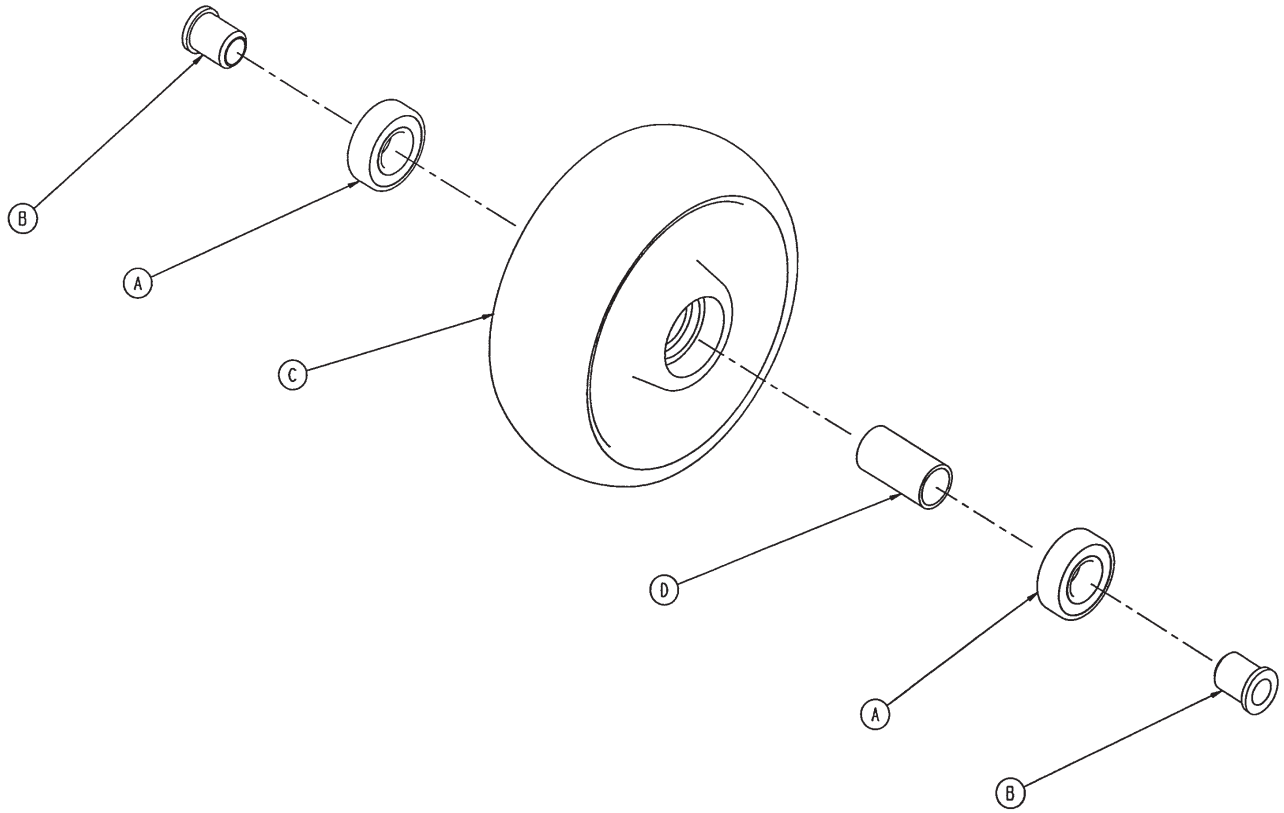
A	5000-002-010	1
B	0016-060-000	1
C	0003-342-000	1
D	3001-200-061	1

3001-200-050

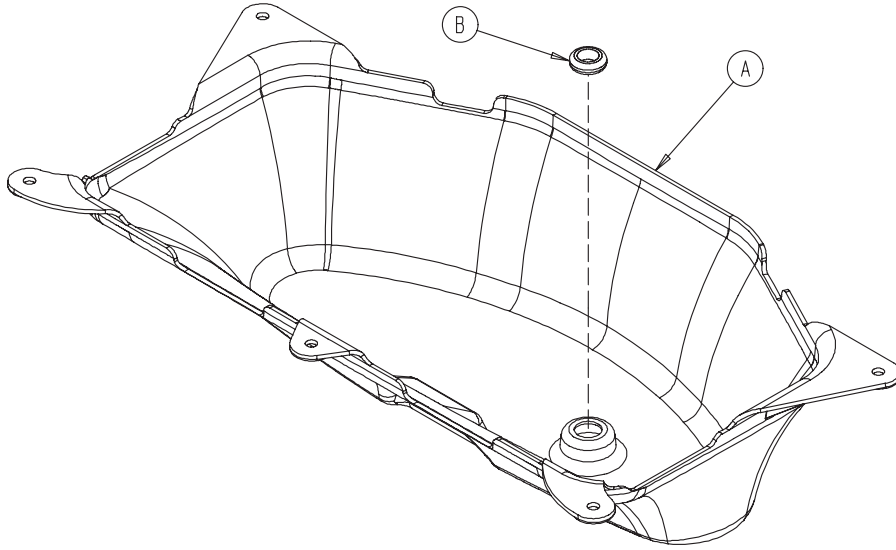


A	5000-002-010	1
B	0016-060-000	1
C	0003-342-000	1
D	3001-200-051	1

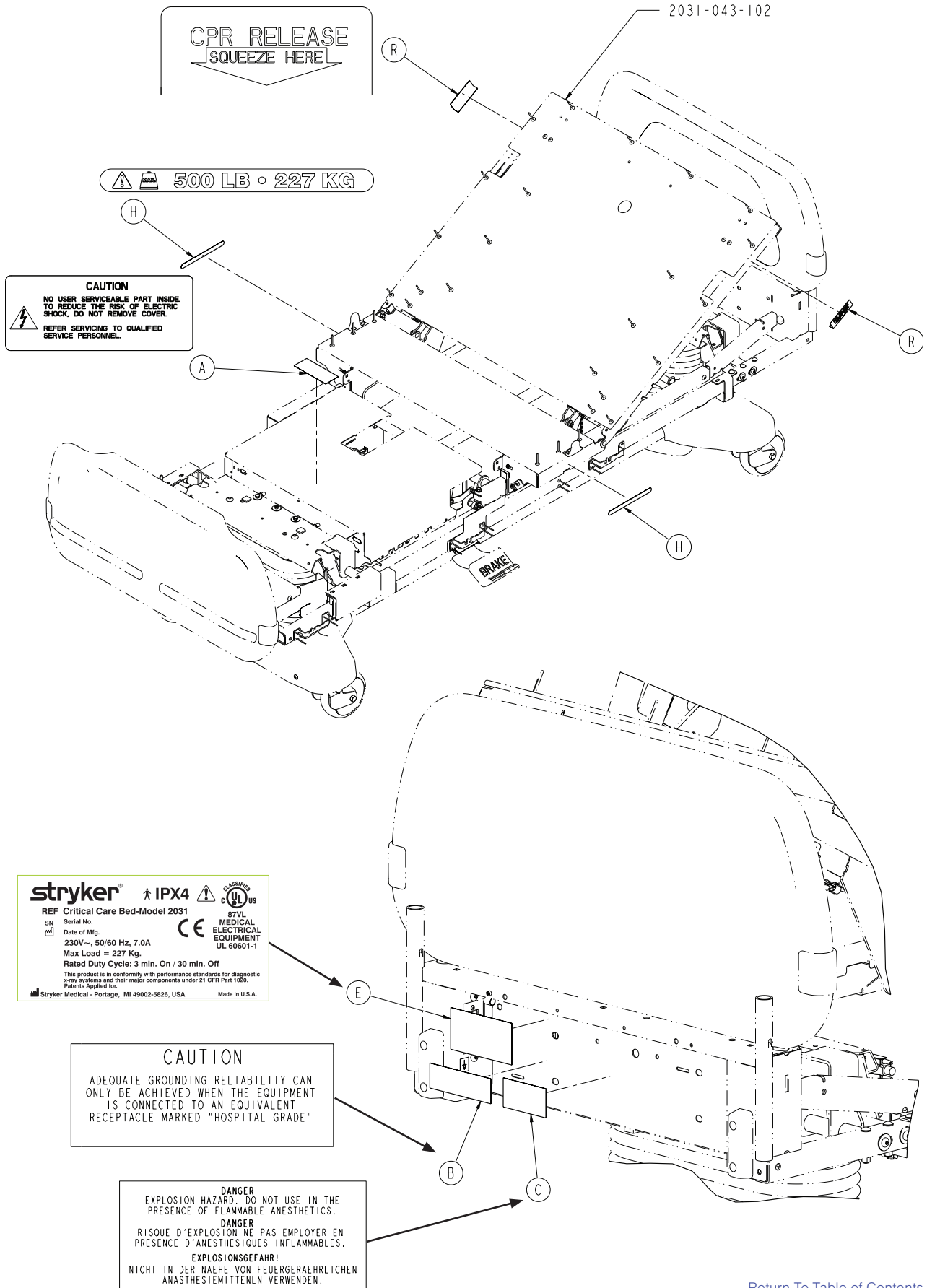
5000-002-010

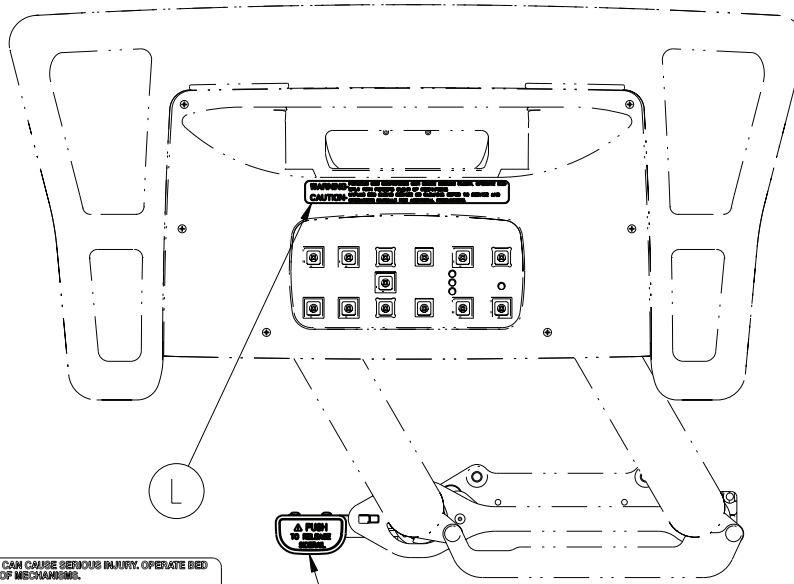


A	0081-226-000	2
B	0715-001-255	2
C	5000-002-020	1
D	6060-002-046	1

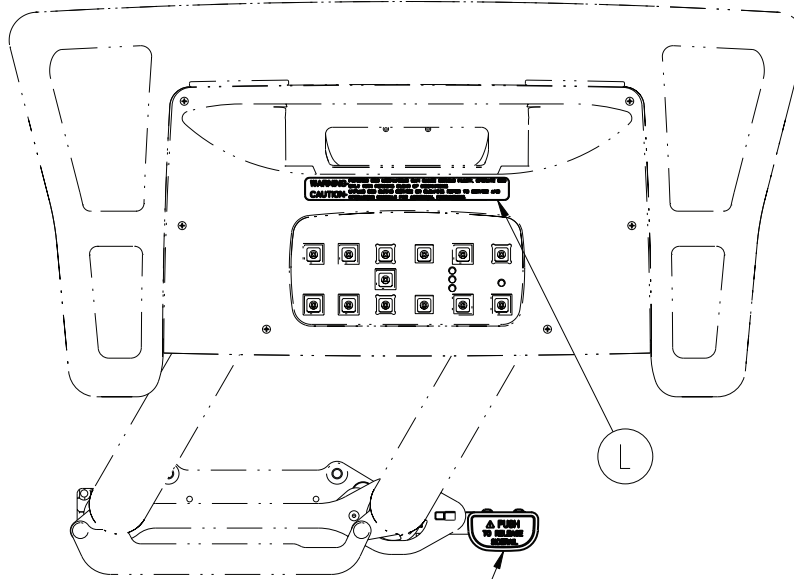


A	3002-001-100	1
B	3000-000-039	1

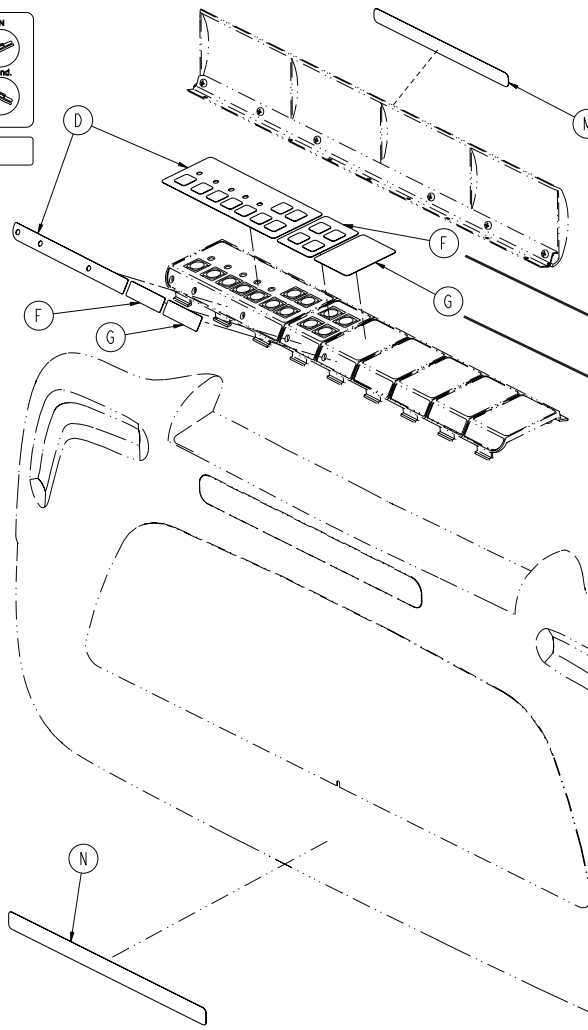
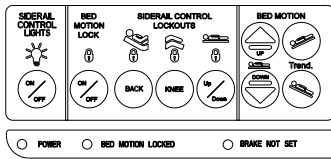
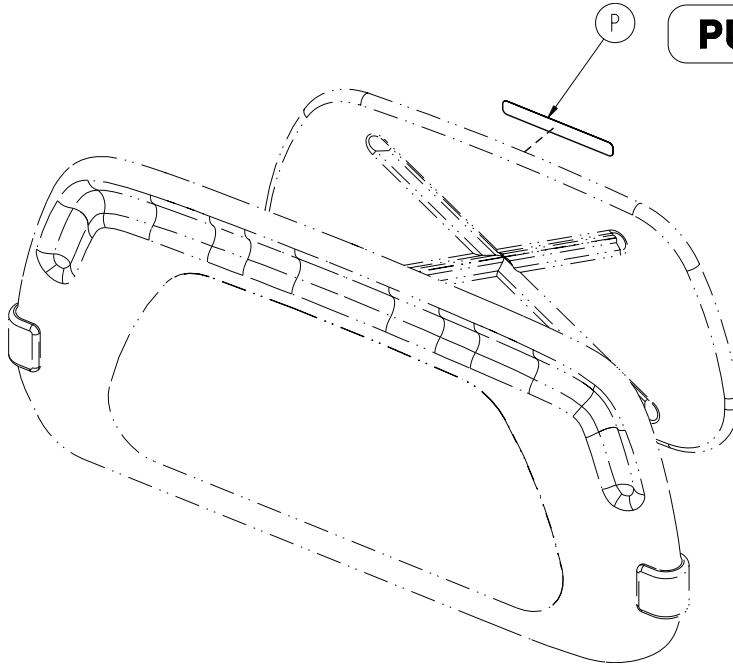




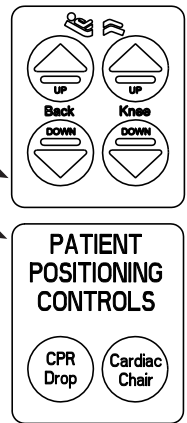
WARNING- POWERED BED MECHANISMS CAN CAUSE SERIOUS INJURY. OPERATE BED ONLY WITH PERSONS CLEAR OF MECHANISMS.
CAUTION- UNPLUG BED DURING SERVICE OR CLEANING. REFER TO SERVICE AND OPERATIONS MANUALS FOR ADDITIONAL PRECAUTIONS.



PULL OUT FOR CPR



FOR HOSPITAL STAFF USE ONLY

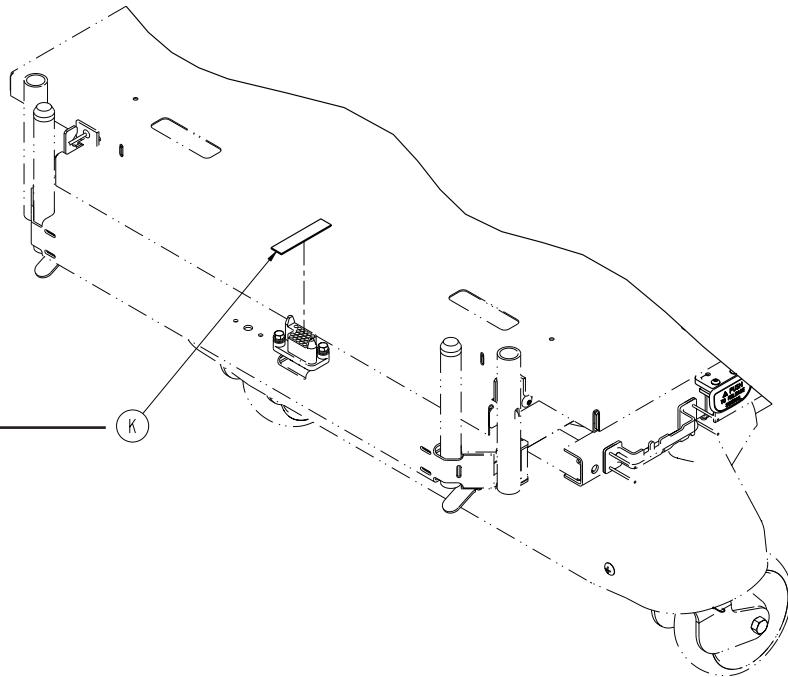


CAUTION- POSSIBLE FIRE HAZARD WHEN USED WITH OXYGEN ADMINISTERING EQUIPMENT OF OTHER THAN THE NASAL OR MASK TYPE LOCK CONTROL AT FOOT OF BED WHEN USING OXYGEN ADMINISTERING EQUIPMENT.

CAUTION

BED MUST BE PLUGGED INTO GROUNDED OUTLET PRIOR TO INITIAL INSTALLATION OF FOOTBOARD.

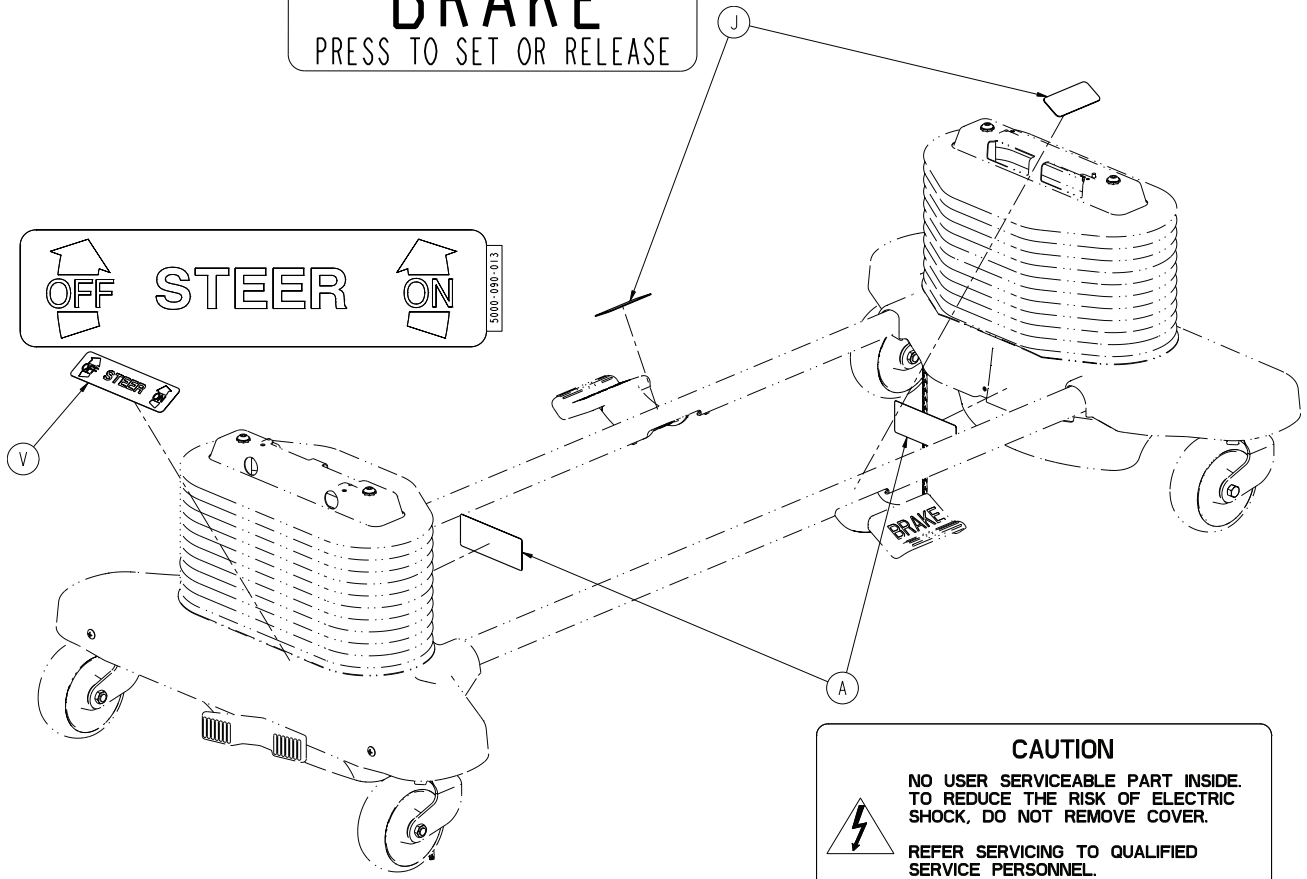
PULL HERE TO REMOVE



BRAKE
PRESS TO SET OR RELEASE

OFF STEER ON

3000-096-013



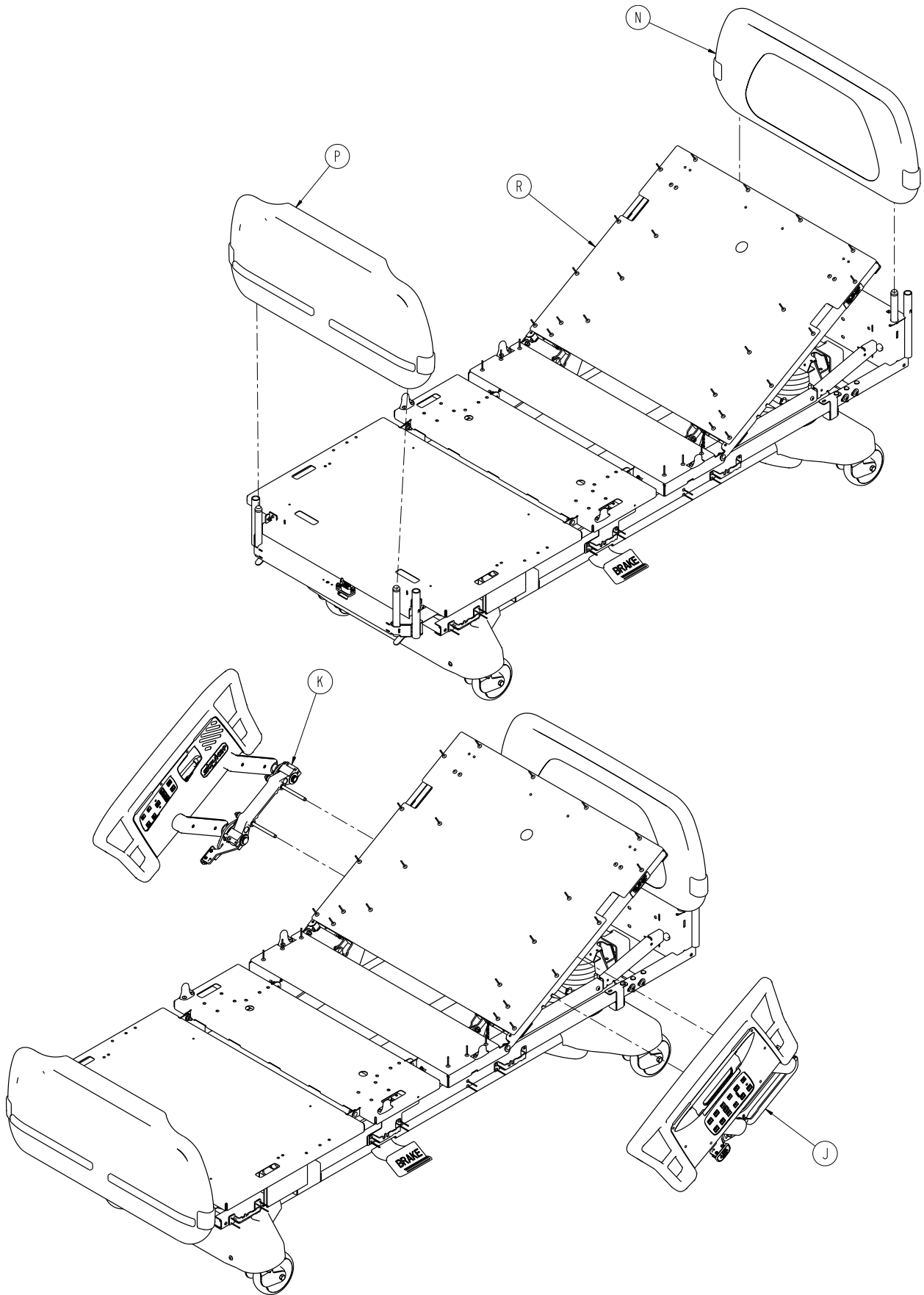
CAUTION

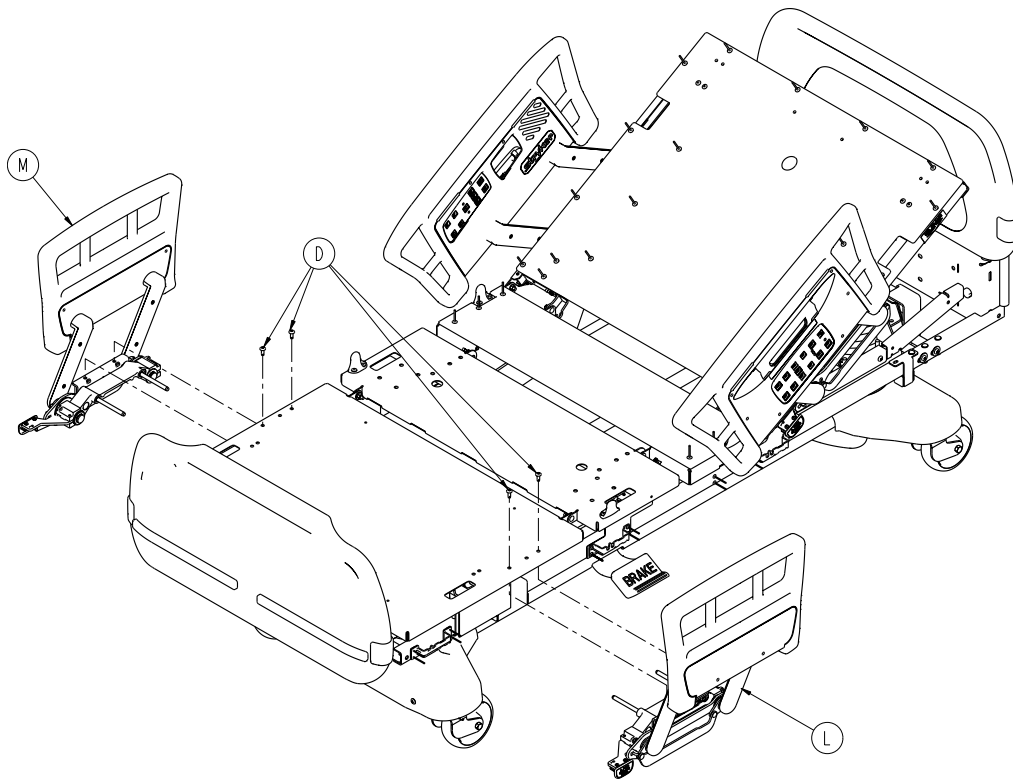
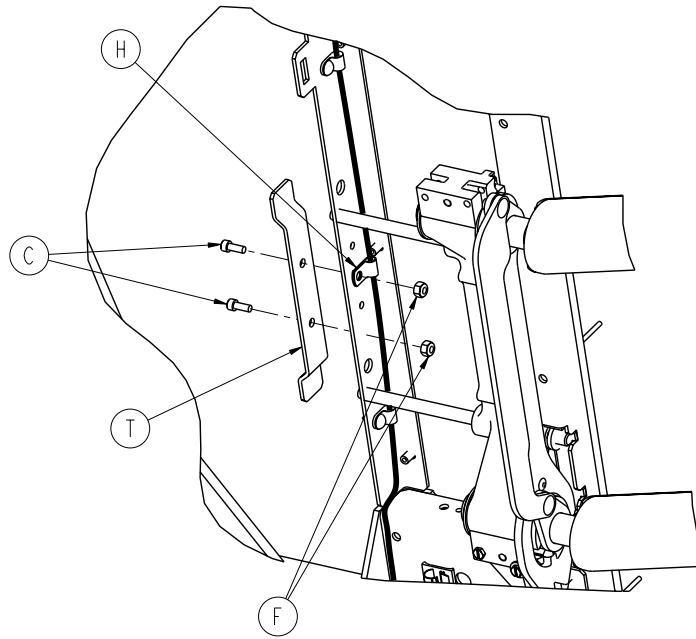
NO USER SERVICEABLE PART INSIDE. TO REDUCE THE RISK OF ELECTRIC SHOCK, DO NOT REMOVE COVER.

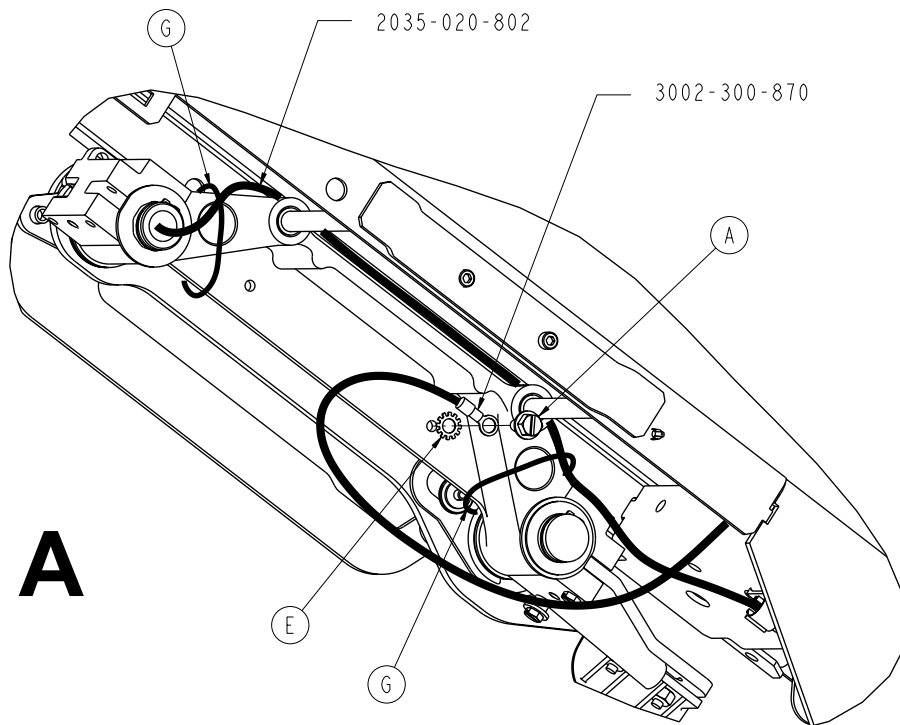
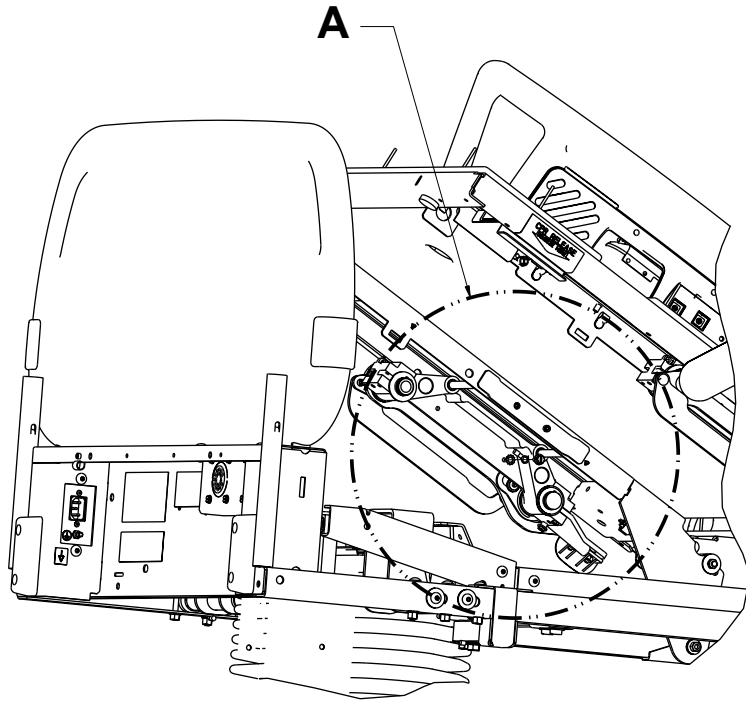
REFER SERVICING TO QUALIFIED SERVICE PERSONNEL.

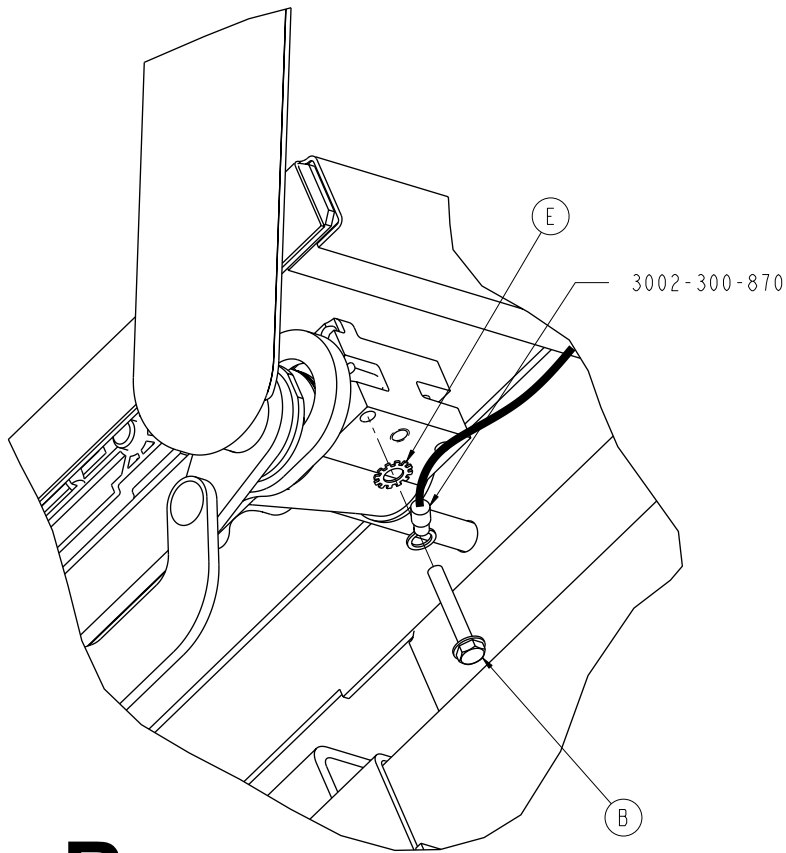
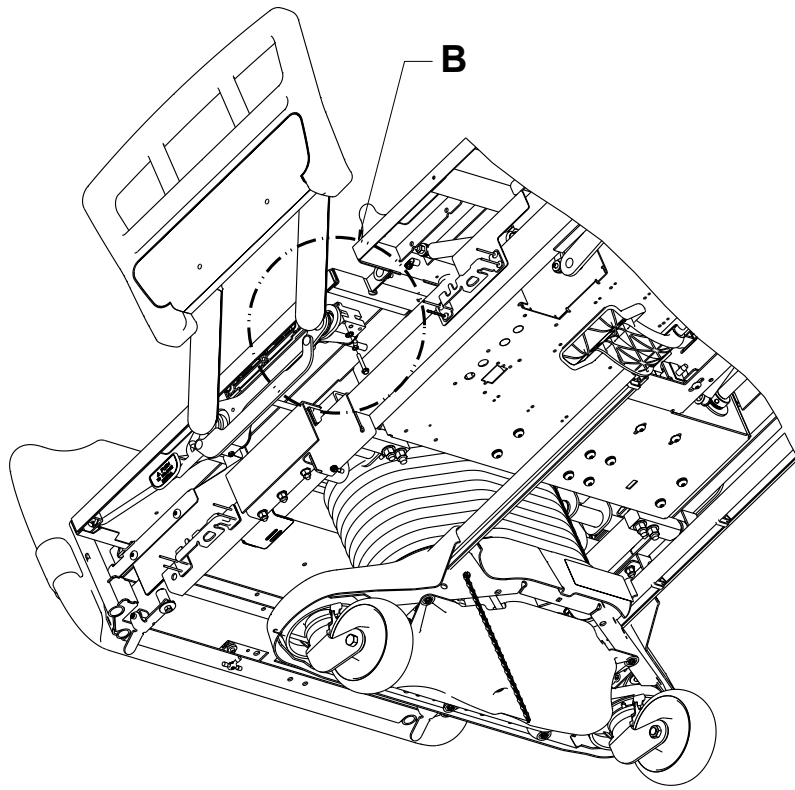
2031-999-110

A	0988-002-708	3
B	1550-090-001	1
C	2011-001-104	1
D	2030-000-151	1
E	2031-231-128	1
F	2035-000-153	1
G	2035-000-155	1
H	2040-090-100	2
J	3000-200-601	2
K	3000-300-641	1
L	3000-400-556	2
M	3000-500-025	1
N	3000-500-029	1
P	3000-526-003	1
R	3001-300-603	2
T	3002-400-055	2
U	3002-400-065	2
V	5000-090-013	1





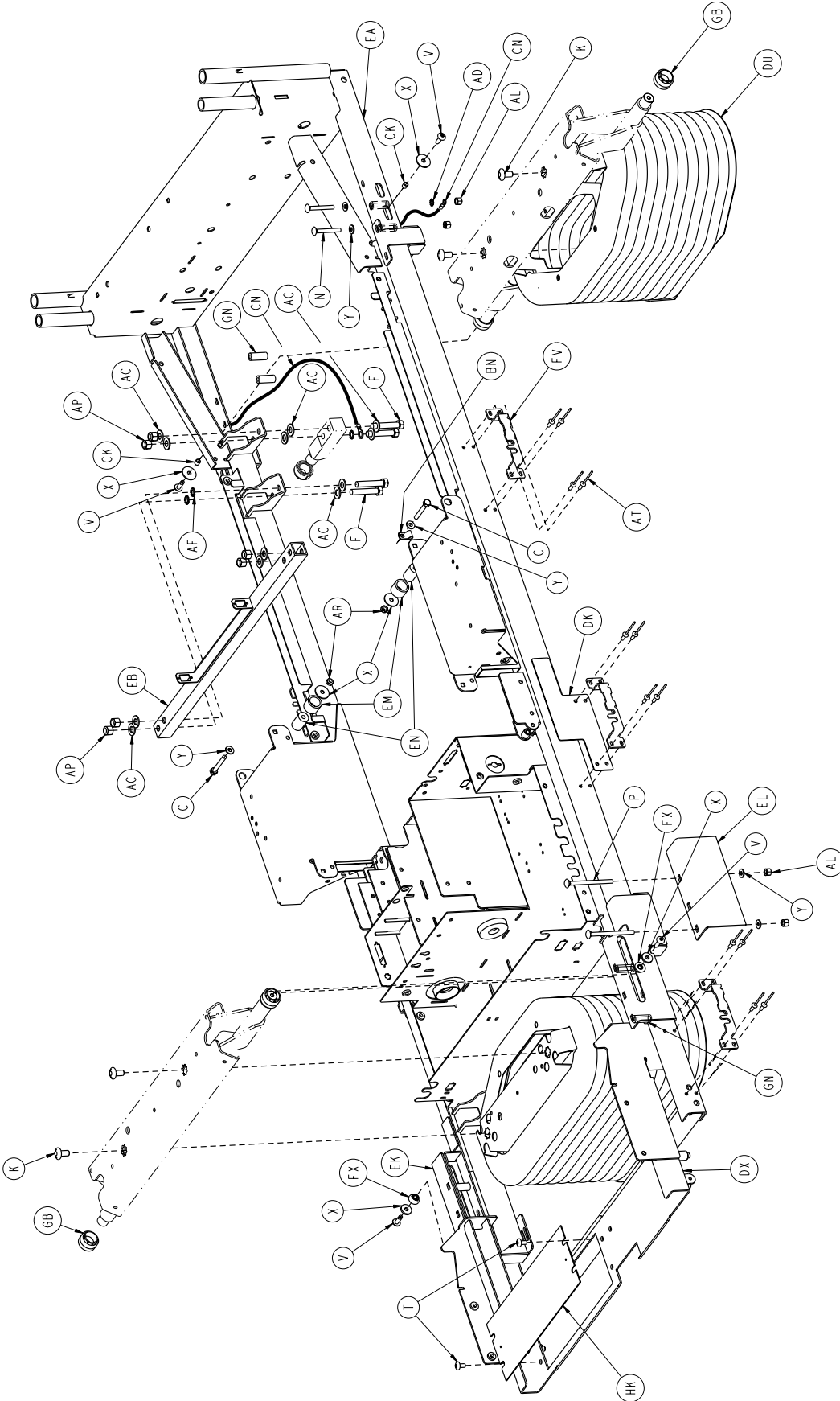


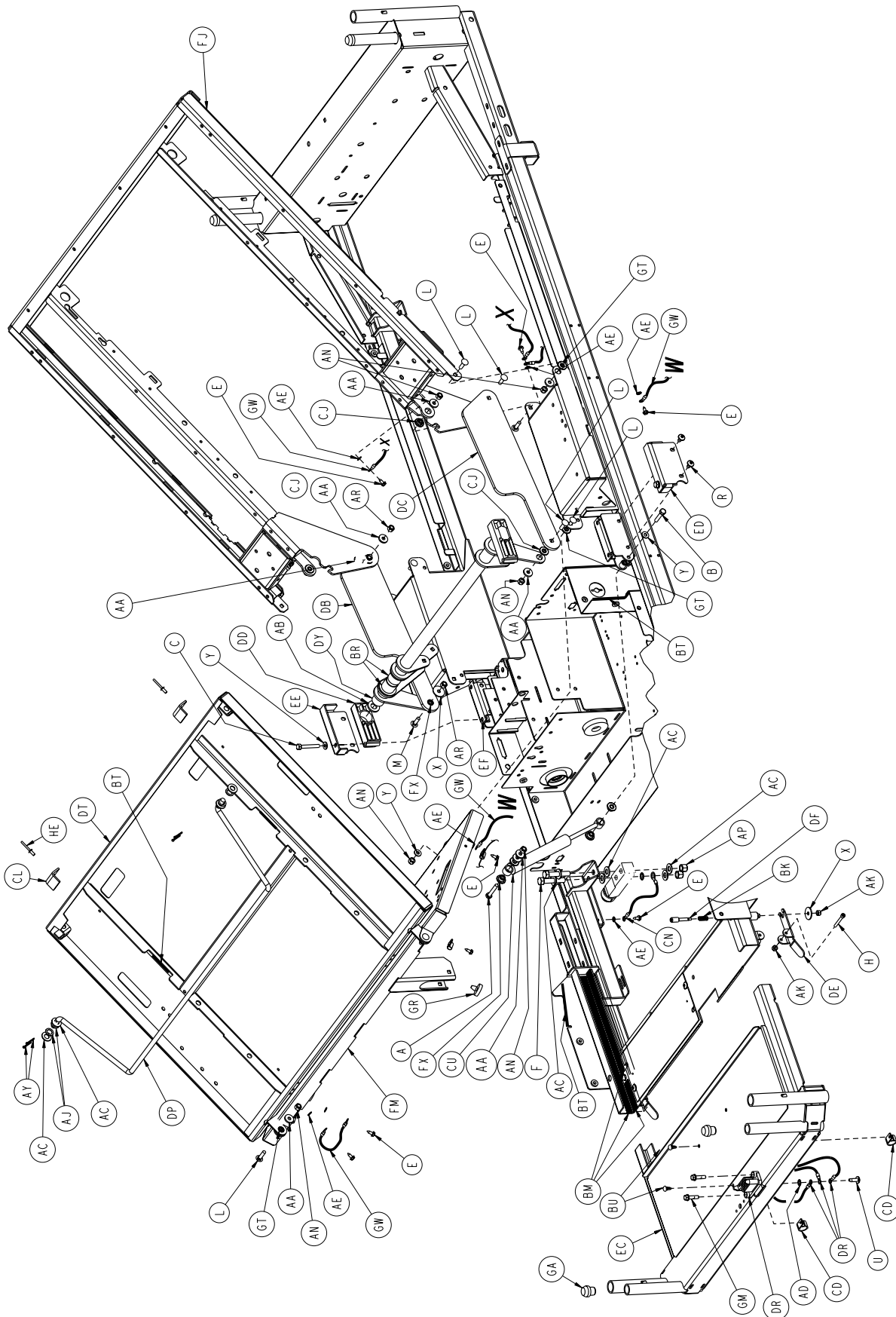


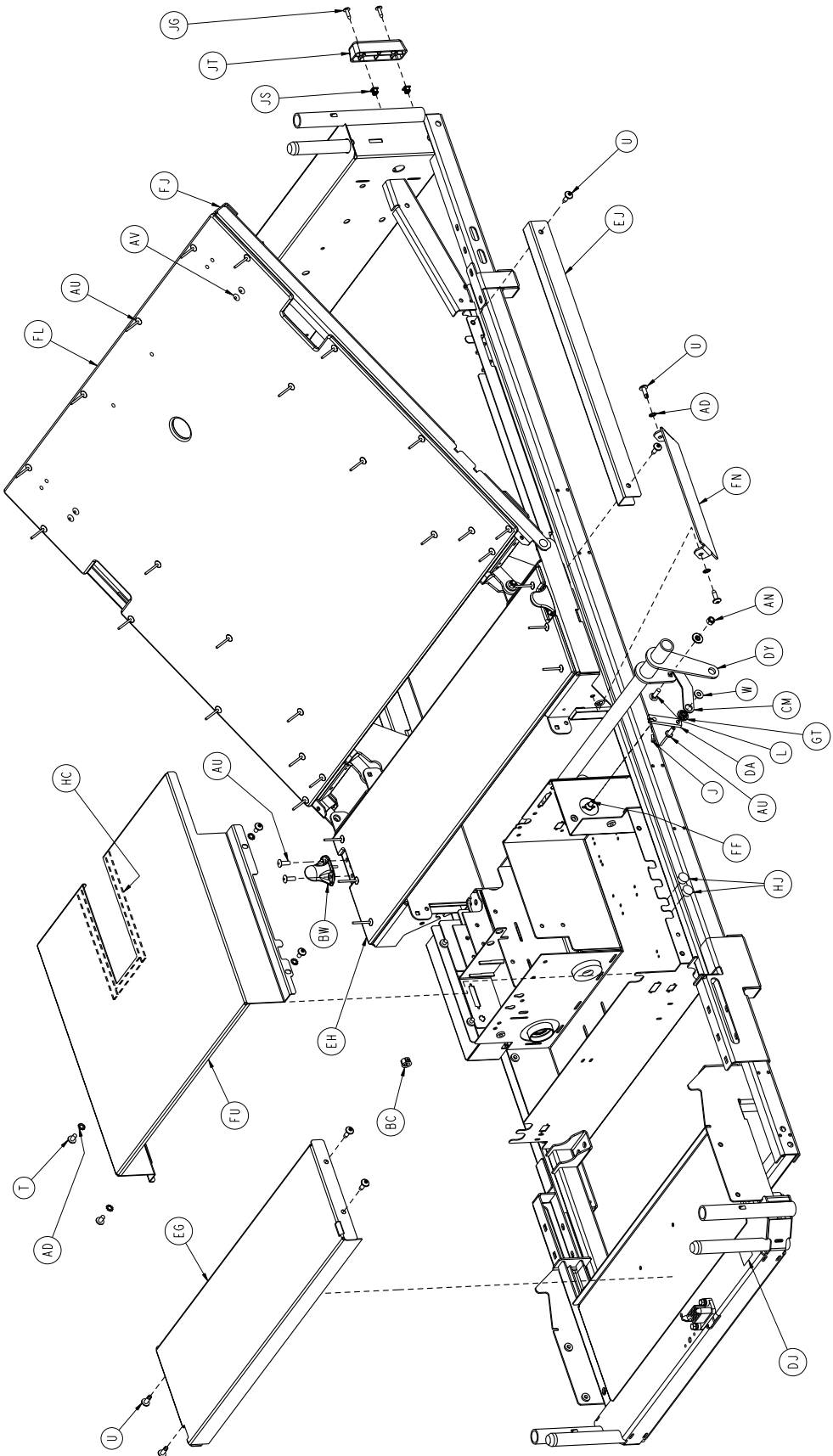
B

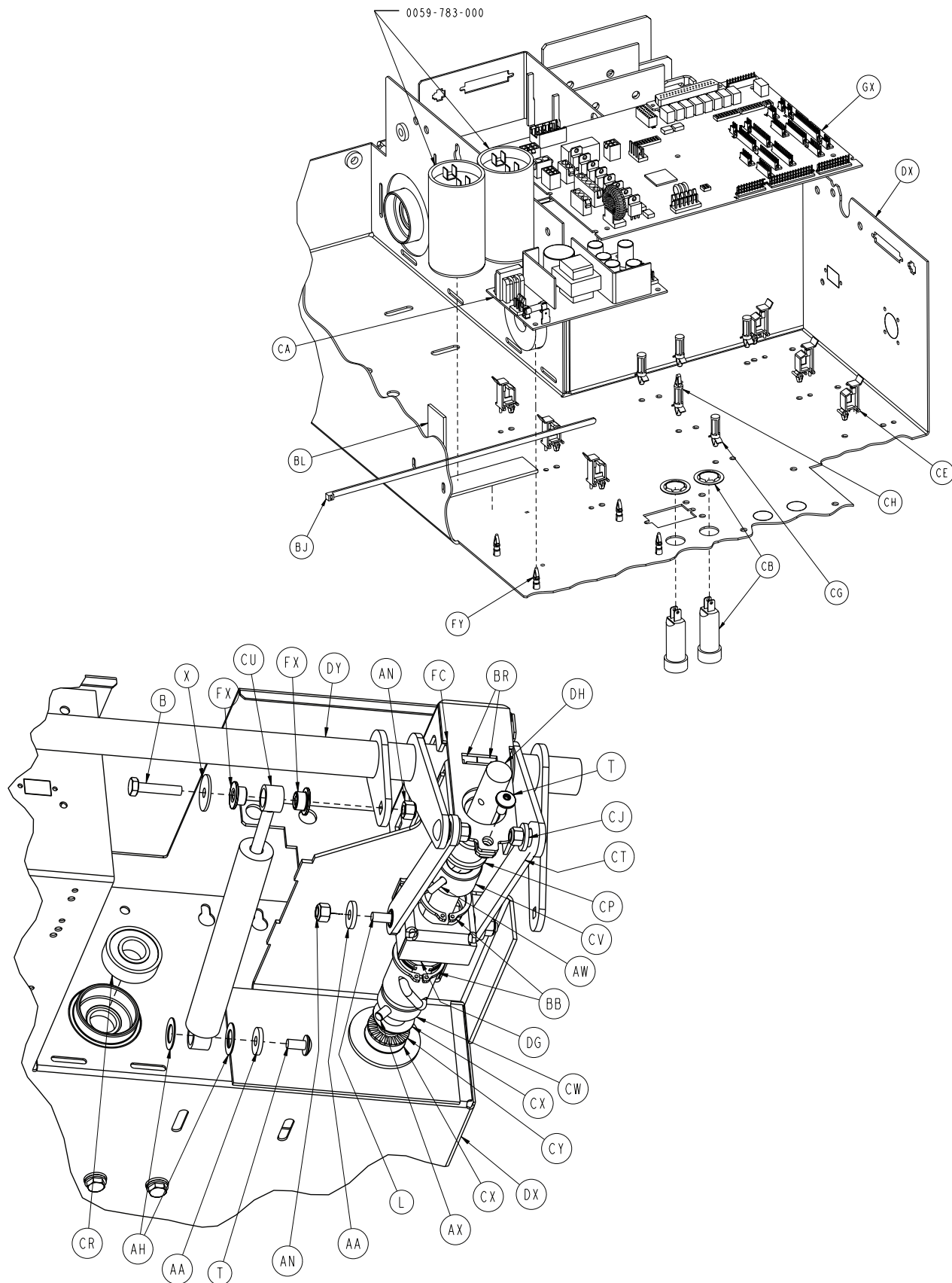
2031-043-102

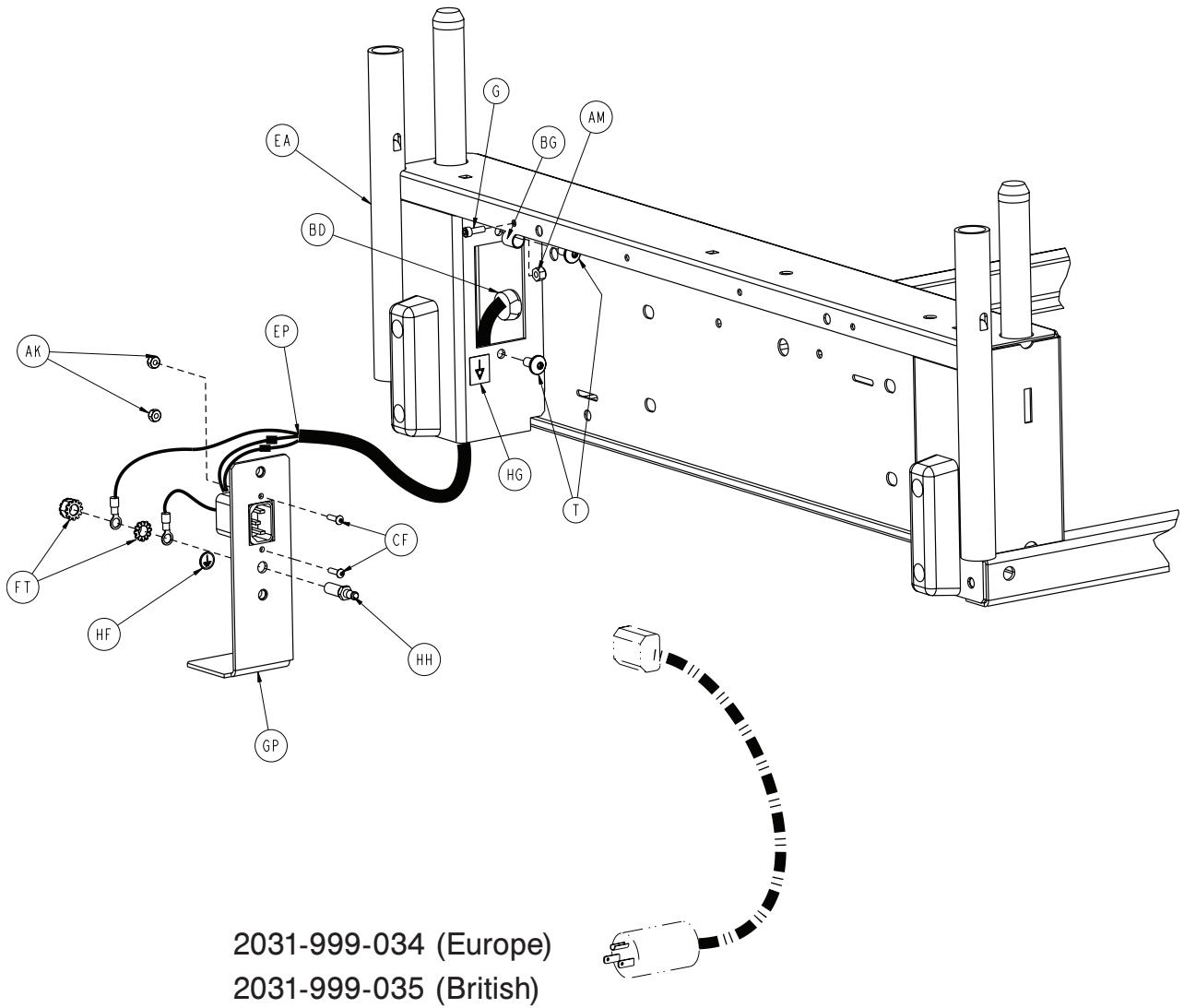
A	0003-221-000	2
B	0003-369-000	2
C	0004-032-000	4
D	0007-065-000	4
E	0013-010-000	4
F	0016-003-000	4
G	0038-151-000	4
H	0059-767-000	2
J	2031-400-105	1
K	2031-400-205	1
L	2031-400-305	1
M	2031-400-405	1
N	2032-130-010	1
P	2032-135-010	1
R	2032-300-010	1
T	2035-400-565	2



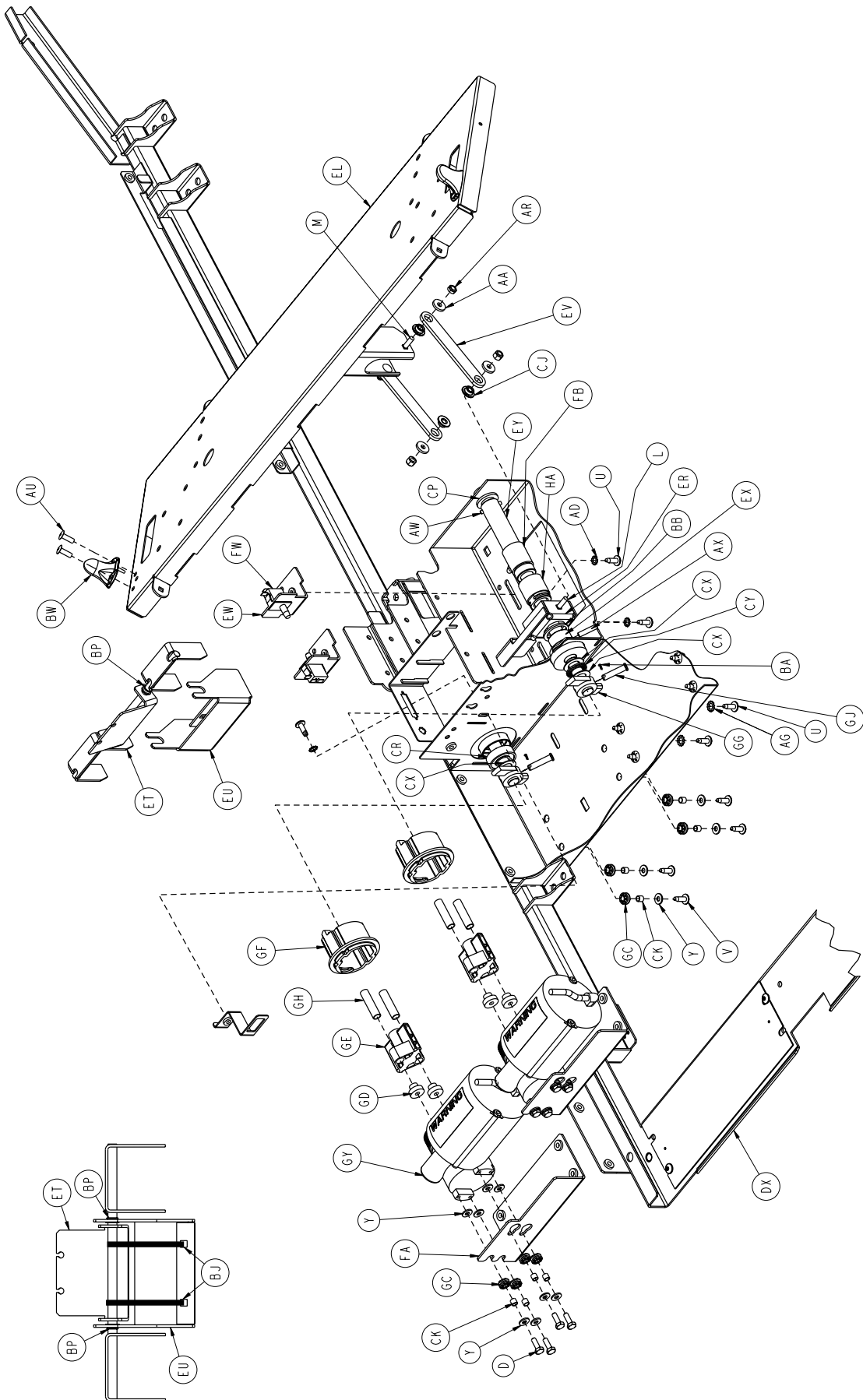


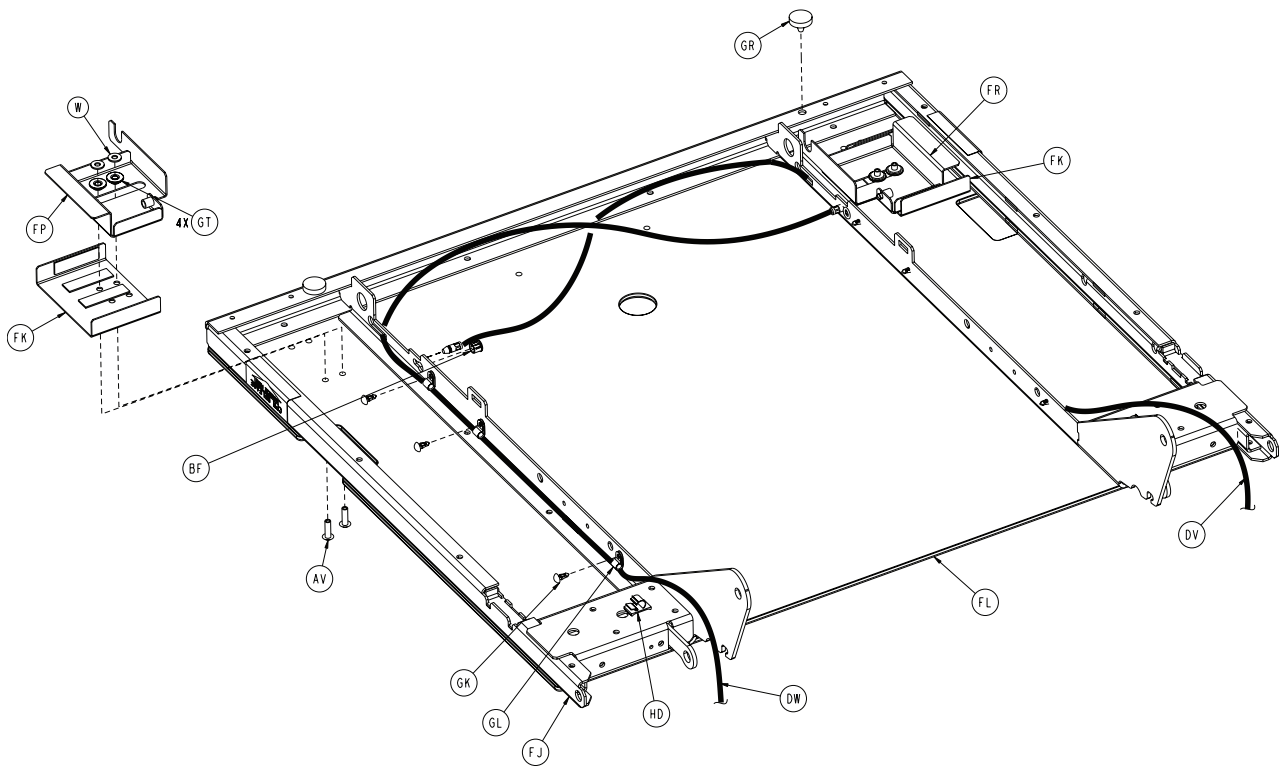
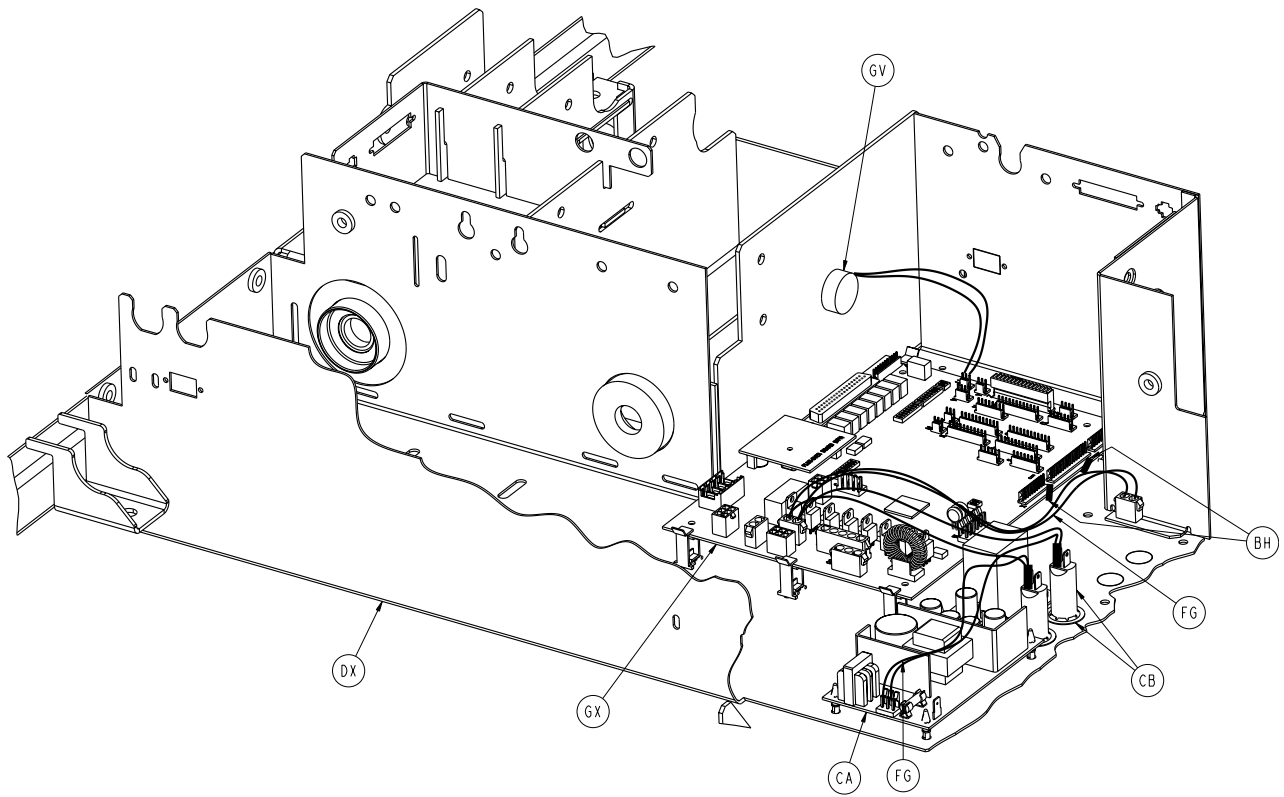


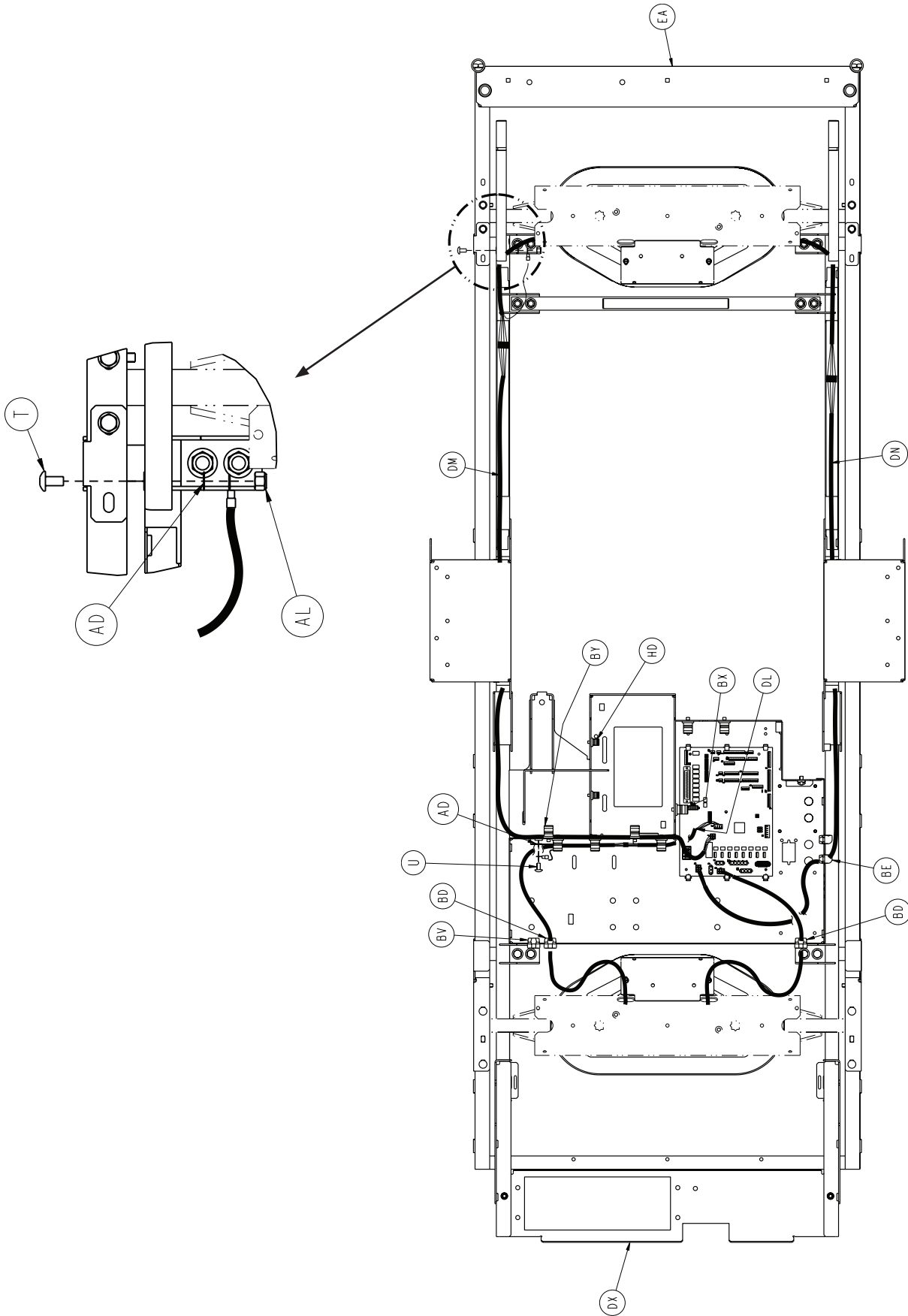


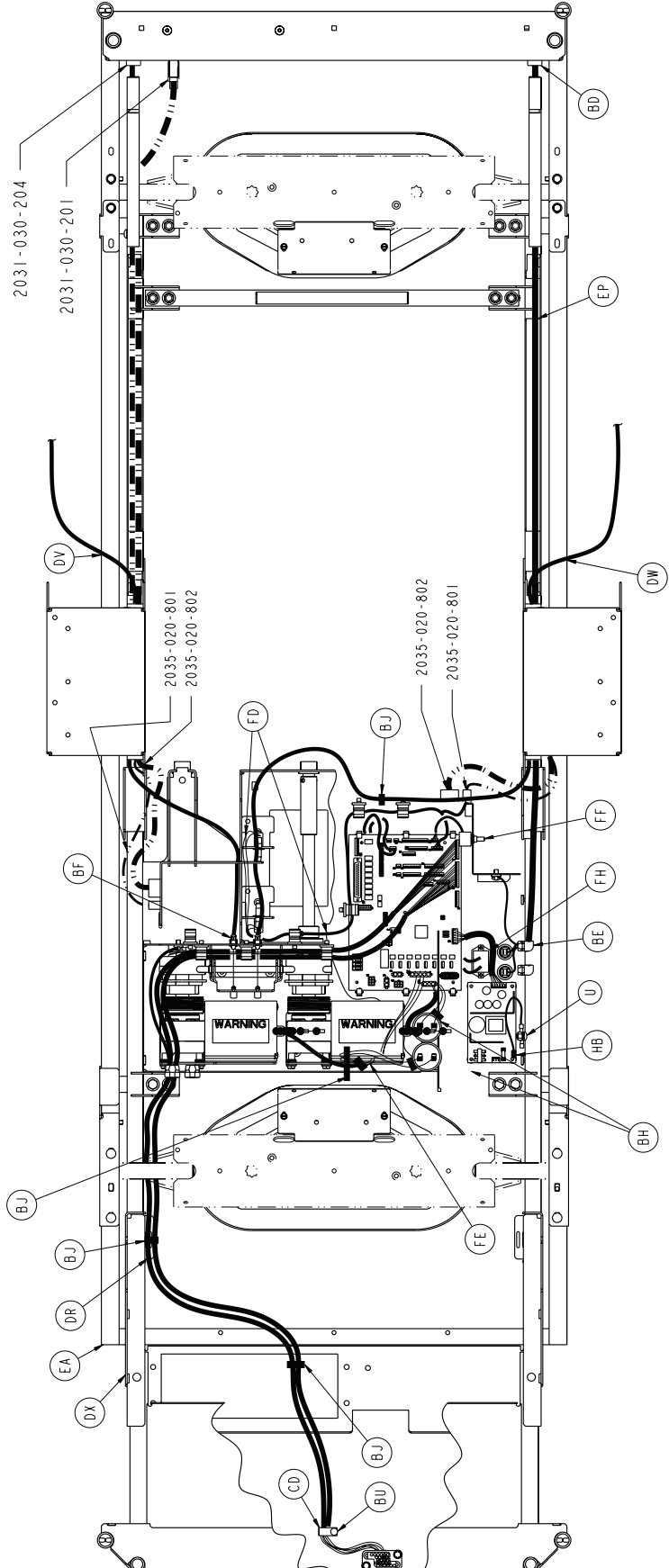


2031-999-034 (Europe)
2031-999-035 (British)









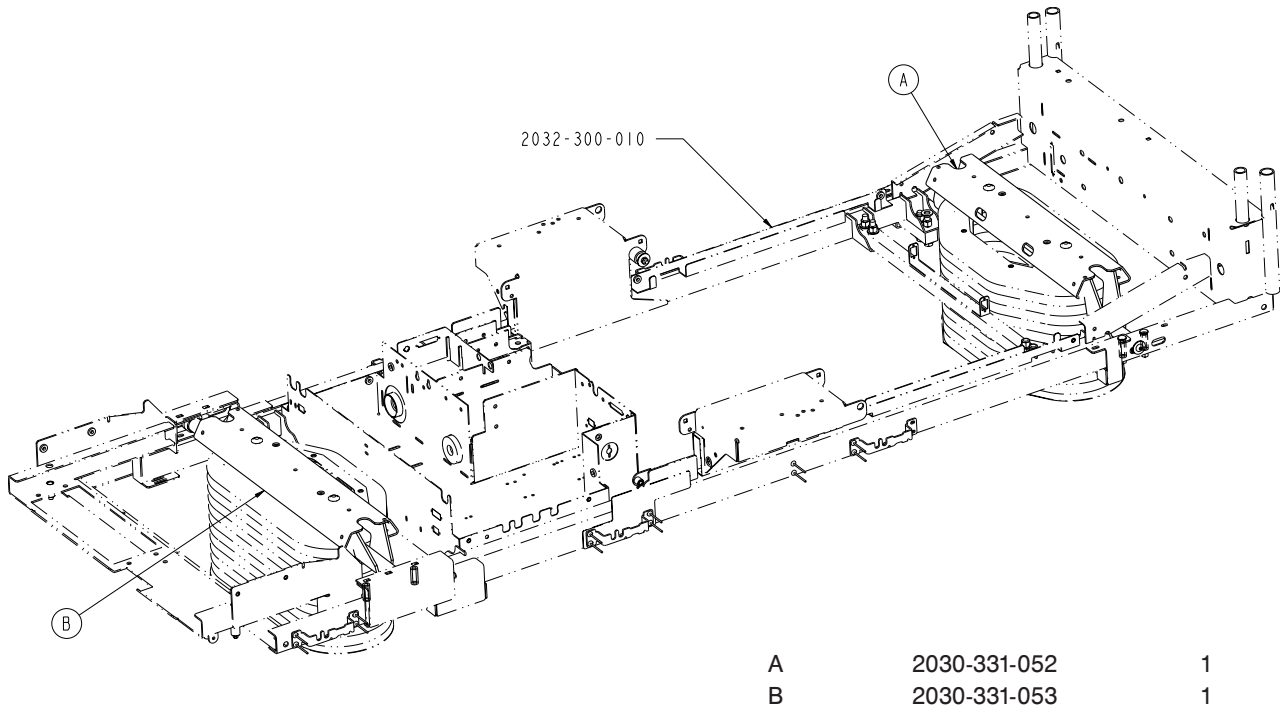
2032-300-010

A	0003-005-000	1	BM	0044-032-000	50"
B	0003-074-000	2	BN	0052-104-000	1
C	0003-078-000	4	BP	0052-759-000	2
D	0003-214-000	8	BR	0052-762-000	2
E	0003-224-000	16	BT	0058-056-000	2'
F	0003-347-000	12	BU	0058-076-000	2
G	0004-005-000	1	BV	0059-106-000	1
H	0004-085-000	2	BW	3003-300-033	4
J	0004-101-000	1	BX	0059-133-000	1
K	0004-338-000	4	BY	0059-135-000	8
L	0005-019-000	18	CA	0059-157-000	1
M	0005-023-000	3	CB	0059-179-000	2
N	0005-024-000	4	CC	0059-194-000	1
P	0005-029-000	4	CD	0059-743-000	2
R	0007-052-000	4	CE	0059-751-000	6
T	0007-058-000	11	CF	0004-126-000	2
U	0007-063-000	19	CG	0059-773-000	4
V	0007-065-000	12	CH	0059-774-000	1
W	0011-002-000	5	CJ	0081-268-000	13
X	0011-053-000	10	CK	0715-001-333	18
Y	0011-063-000	39	CL	2020-034-758	2
AA	0011-158-000	22	CM	2025-031-062	1
AB	0011-310-000	2	CN	2025-031-088	5
AC	0011-539-000	36	CP	2025-032-068	2
AD	0013-010-000	15	CR	2025-032-076	2
AE	0013-018-000	14	CT	2025-032-077	2
AF	0013-032-000	4	CU	2025-032-082	2
AG	0013-038-000	2	CV	2025-032-084	1
AH	0014-007-000	2	CW	2025-032-085	1
AJ	0014-008-000	4	CX	2025-032-086	5
AK	0016-023-000	2	CY	2025-032-087	2
AL	0016-006-000	9	DA	2025-231-061	1
AM	0016-014-000	1	DB	2025-231-088	1
AN	0016-028-000	16	DC	2025-231-089	1
AP	0016-035-000	12	DD	2025-231-090	2
AR	0016-102-000	7	DE	2025-231-099	2
AT	0025-050-000	24	DF	2025-231-112	2
AU	0025-142-000	37	DG	2025-232-089	1
AV	0025-147-000	4	DH	2025-232-090	1
AW	0026-012-000	2	DJ	2030-009-901	1
AX	0026-168-000	2	DK	2030-031-148	1
AY	0027-015-000	4	DL	2030-031-801	1
BA	0027-017-000	2	DM	2030-031-802	1
BB	0028-120-000	3	DN	2030-031-803	1
BC	0030-036-000	4	DP	2030-035-096	1
BD	0030-045-000	4	DR	2030-049-801	1
BE	0030-047-000	2	DT	2032-035-150	1
BF	0030-052-000	4	DU	2032-200-003	1
BG	0034-021-000	1	DV	2035-031-048	1
BH	0038-111-000	10	DW	2035-031-049	1
BJ	0038-151-000	18	DX	2032-031-050	1
BK	0038-382-000	2	DY	2035-031-051	1
BL	0044-029-000	1	EA	2035-031-054	1

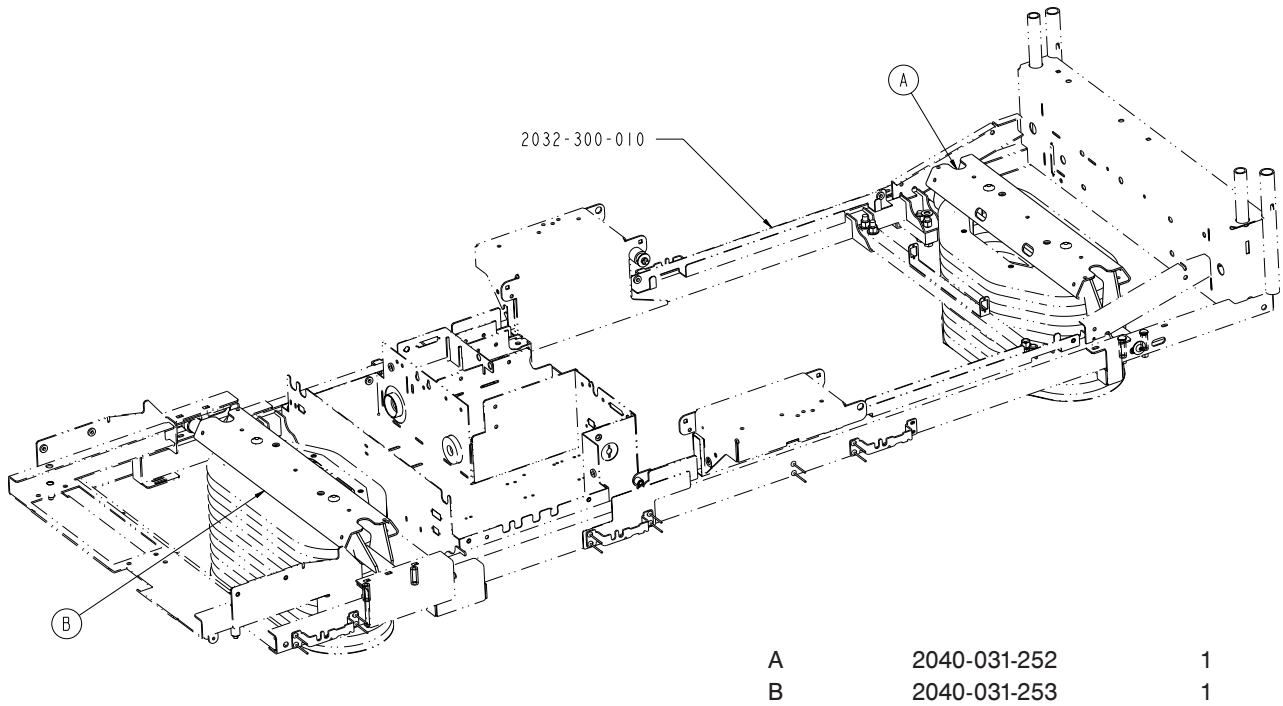
2032-300-010

EB	2035-031-055	1	GN	3001-300-004	8
EC	2035-031-057	1	GP	2035-231-070	1
ED	2035-031-064	1	GR	3001-300-008	4
EE	2035-031-065	1	GT	3001-300-099	12
EF	2035-031-066	2	GU	3001-300-663	10
EG	2035-031-094	1	GV	3001-508-870	1
EH	2035-031-097	1	GW	3002-300-870	8
EJ	2035-031-100	2	GX	3002-407-950	1
EK	2035-031-115	1	GY	3221-300-705	2
EL	2035-031-116	1	HA	5000-030-366	1
EM	2035-031-126	2	HB	5010-080-007	1
EN	2035-031-127	2	HC	8800-380-000	1.5'
EP	2035-031-801	1	HD	8815-001-100	4
ER	2035-032-052	1	HE	0025-079-000	2
ET	2035-032-054	1	HF	0036-046-000	1
EU	2035-032-072	1	HG	0036-115-000	1
EV	2035-032-077	2	HH	2011-001-215	1
EW	2035-032-079	2	HJ	0037-085-000	2
EX	2035-032-084	1	HK	2035-031-203	1
EY	2035-032-085	1			
FA	2035-032-088	2			
FB	2035-032-090	1			
FC	2035-032-096	1			
FD	2035-032-801	1			
FE	2035-032-802	1			
FF	2035-032-803	1			
FG	2035-032-804	1			
FH	2035-032-805	1			
FJ	2032-033-050	1			
FK	2035-033-062	2			
FL	2035-033-063	1			
FM	2032-034-050	1			
FN	2035-231-085	2			
FP	2035-233-064	1			
FR	2035-233-065	1			
FT	0016-033-000	2			
FU	2035-432-075	1			
FV	2040-031-056	6			
FW	3000-300-058	2			
FX	3000-300-099	8			
FY	3000-300-115	4			
GA	3000-300-349	4			
GB	3000-300-353	4			
GC	3000-300-442	16			
GD	3000-300-455	4			
GE	3000-300-456	2			
GF	3000-300-461	2			
GG	3000-300-462	2			
GH	3000-300-464	4			
GJ	3000-300-473	2			
GK	3000-300-477	6			
GL	3000-300-478	6			
GM	3001-200-228	2			

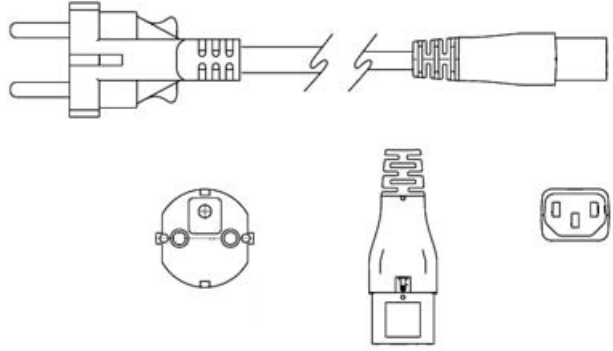
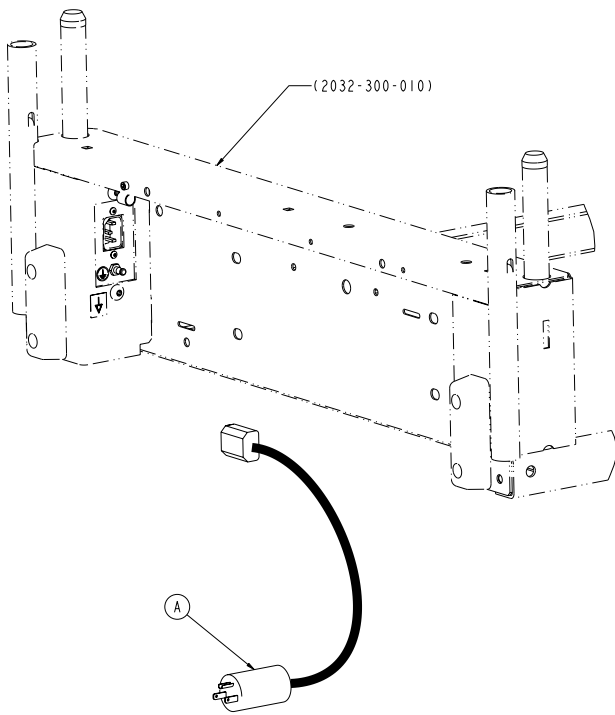
2031-999-130



2031-999-131

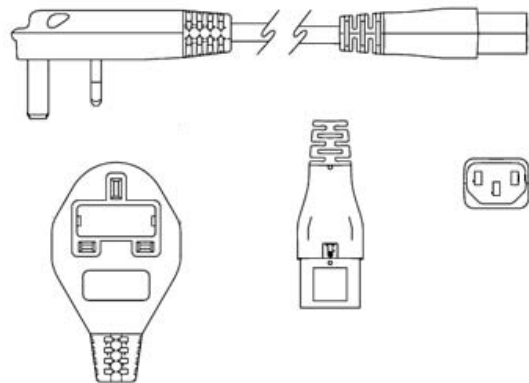
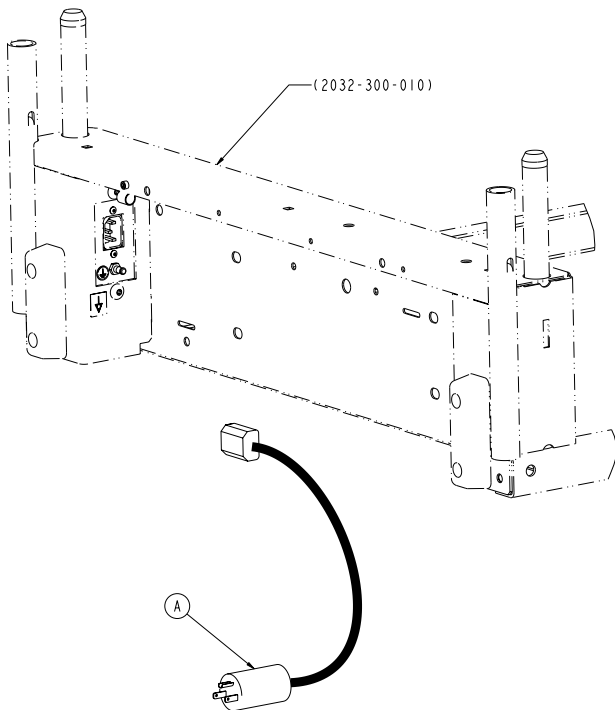


2031-999-034 (Europe)

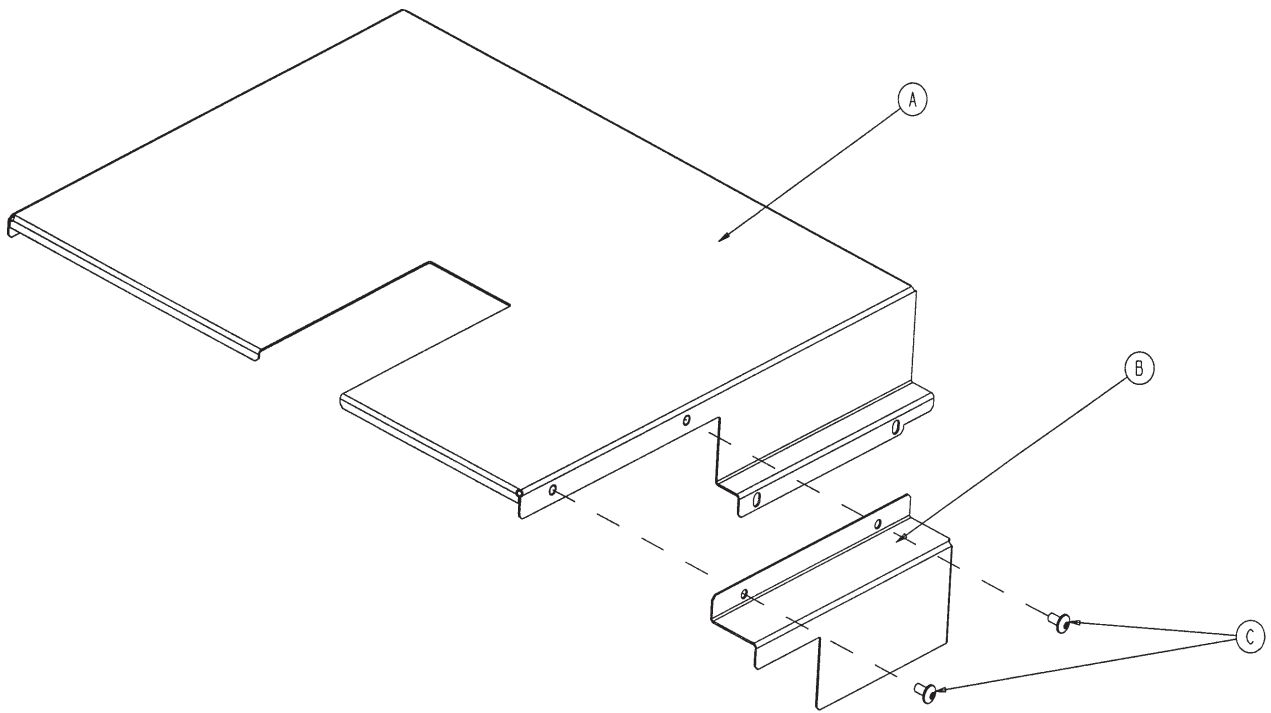


A 0059-168-000 1

2031-999-035 (British)

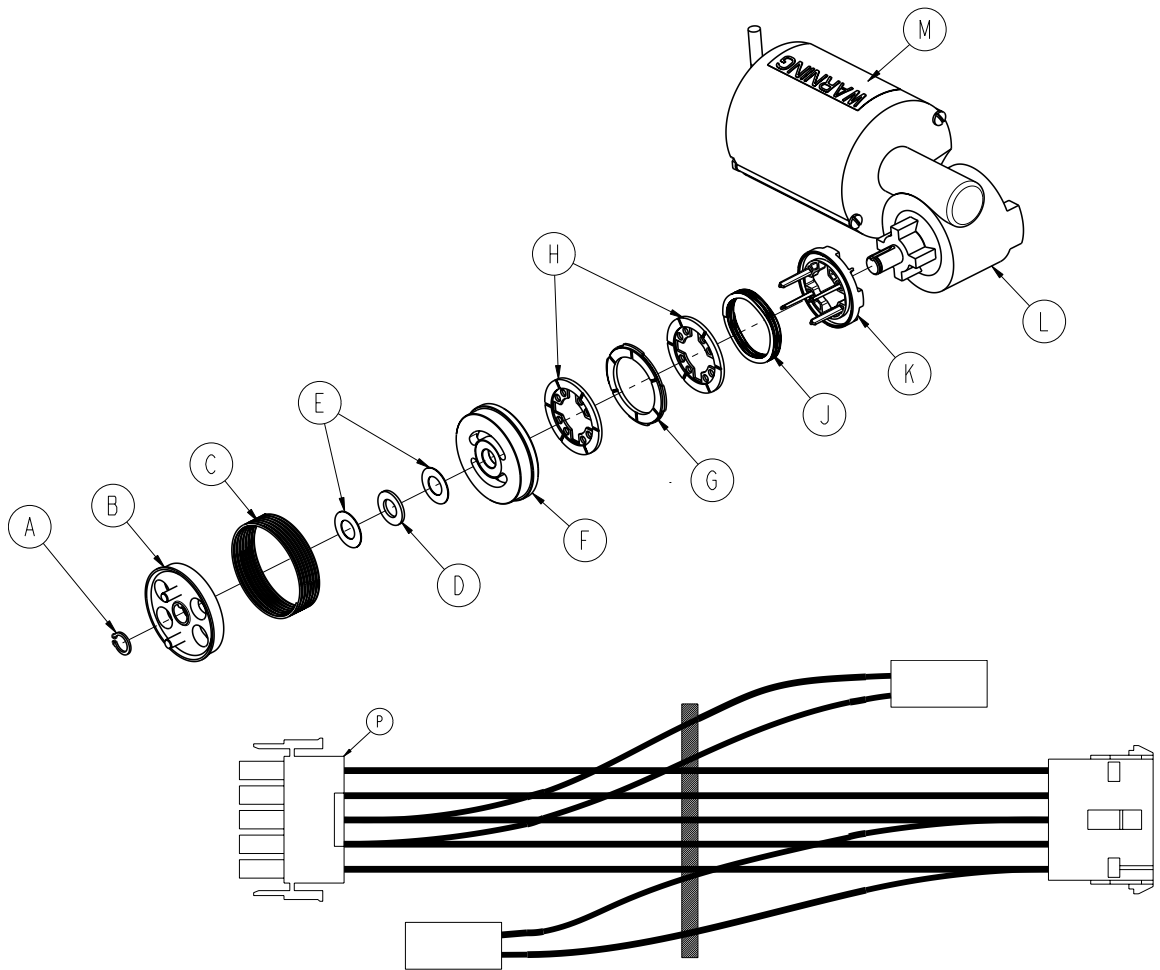


A 0059-772-000 1



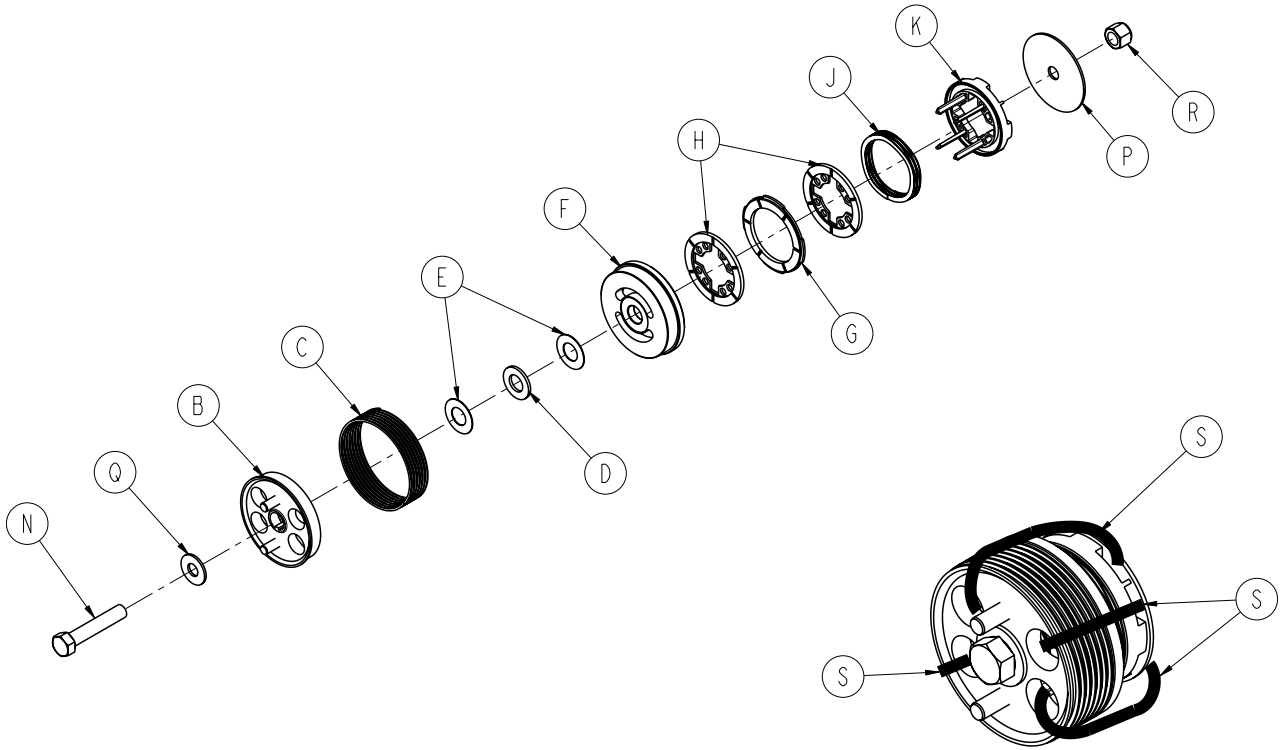
A	2035-332-075	1
B	2035-332-076	1
C	0007-058-000	2

3221-300-705



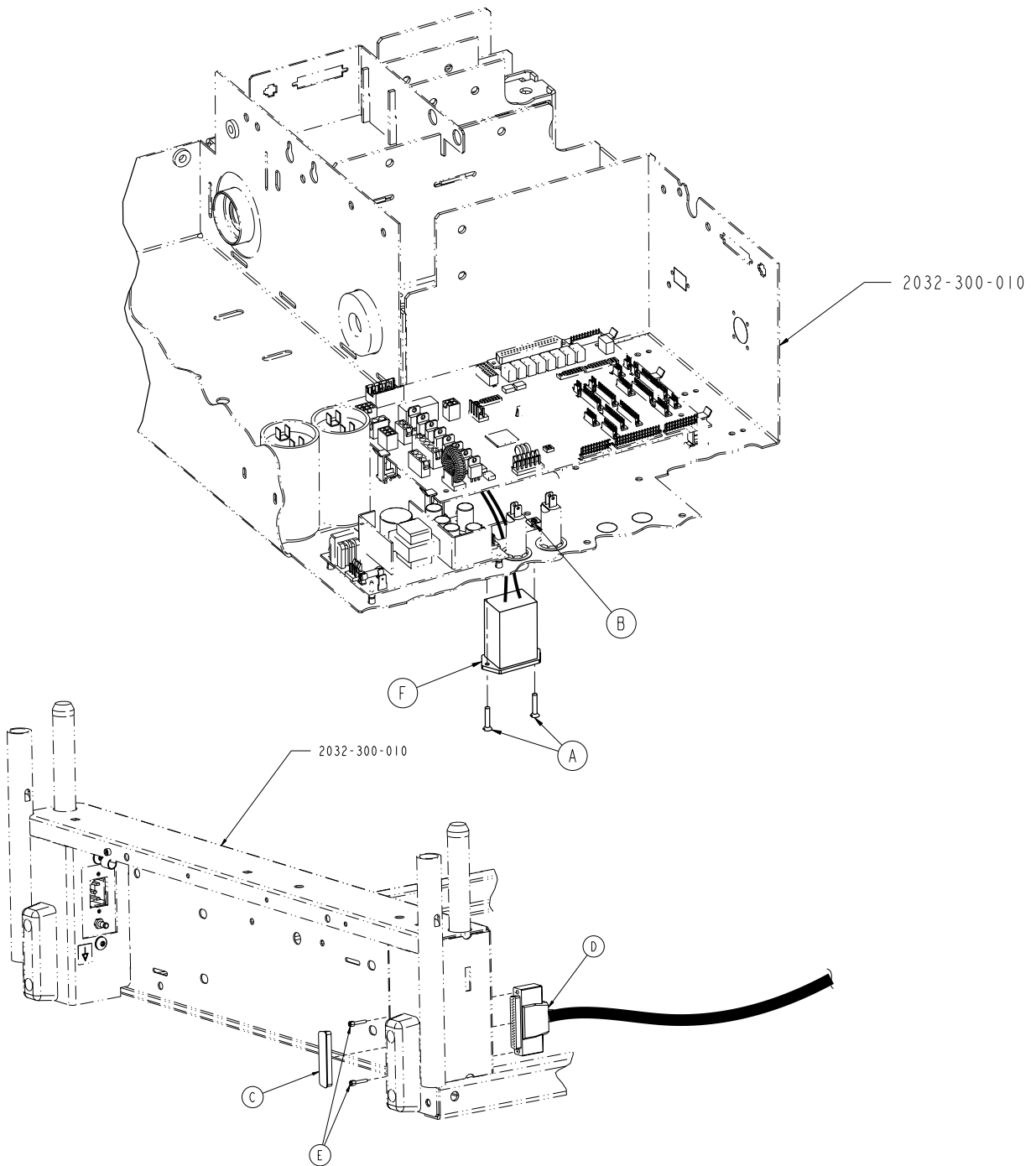
A	0028-131-000	1
B	3001-300-455	1
C	3000-300-465	1
D	0081-212-000	1
E	3000-200-224	2
F	3001-300-569	1
G	3001-300-552	1
H	3001-300-551	2
J	3001-300-563	1
K	3001-300-570	1
L	4712-116-004	1
M	3000-300-604	1
P	3221-300-271	1

3001-300-775

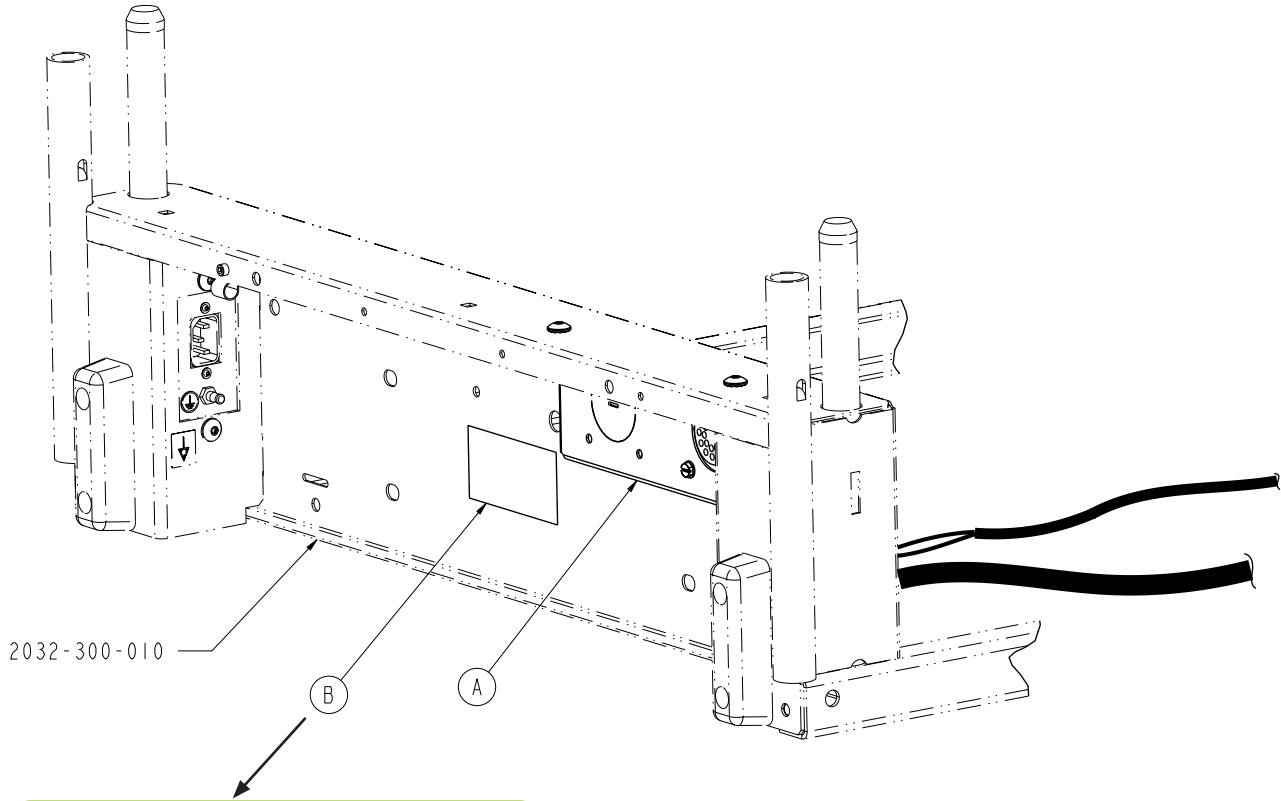


B	3001-300-455	1
C	3000-300-465	1
D	0081-212-000	1
E	3000-200-224	2
F	3001-300-569	1
G	3001-300-552	1
H	3001-300-551	2
J	3001-300-563	1
K	3001-300-570	1
N	0003-064-000	1
P	3001-300-776	1
Q	0011-193-000	1
R	0016-035-000	1
S	3000-300-113	4

2031-030-201



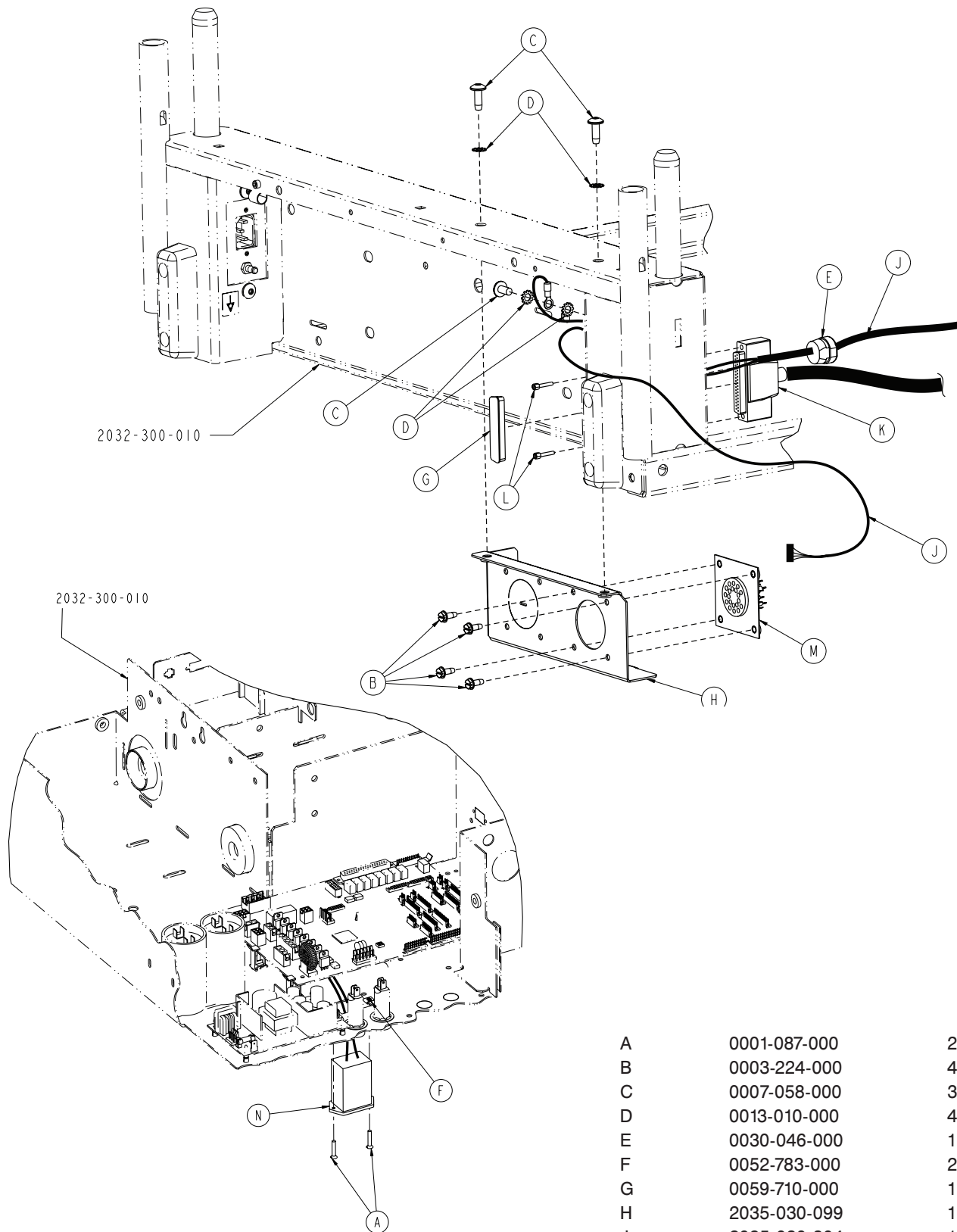
A	0001-087-000	2
B	0052-783-000	2
C	0059-710-000	1
D	2035-031-806	1
E	3001-300-007	2
F	5010-080-020	1



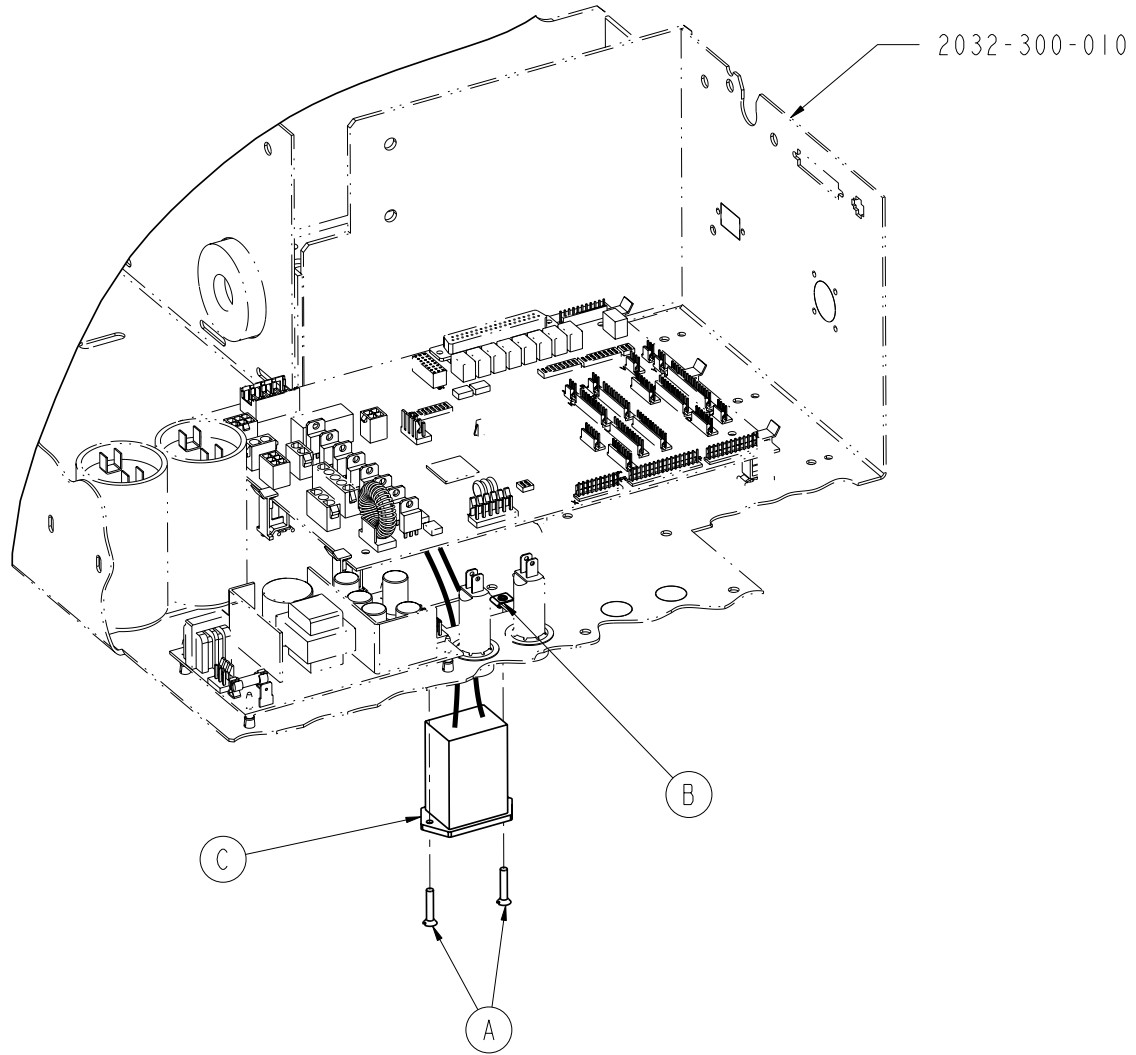
NOTE:
 TO PREVENT A LOW BATTERY
 CONDITION: WHEN BED IS NOT
 PLUGGED IN, POSITION THE CORD
 OUT SWITCH TO THE OFF POSITION.

The diagram shows a circular cord out switch with a central toggle. An arrow points to the toggle, which is currently in the 'off' position (pointing towards the left).

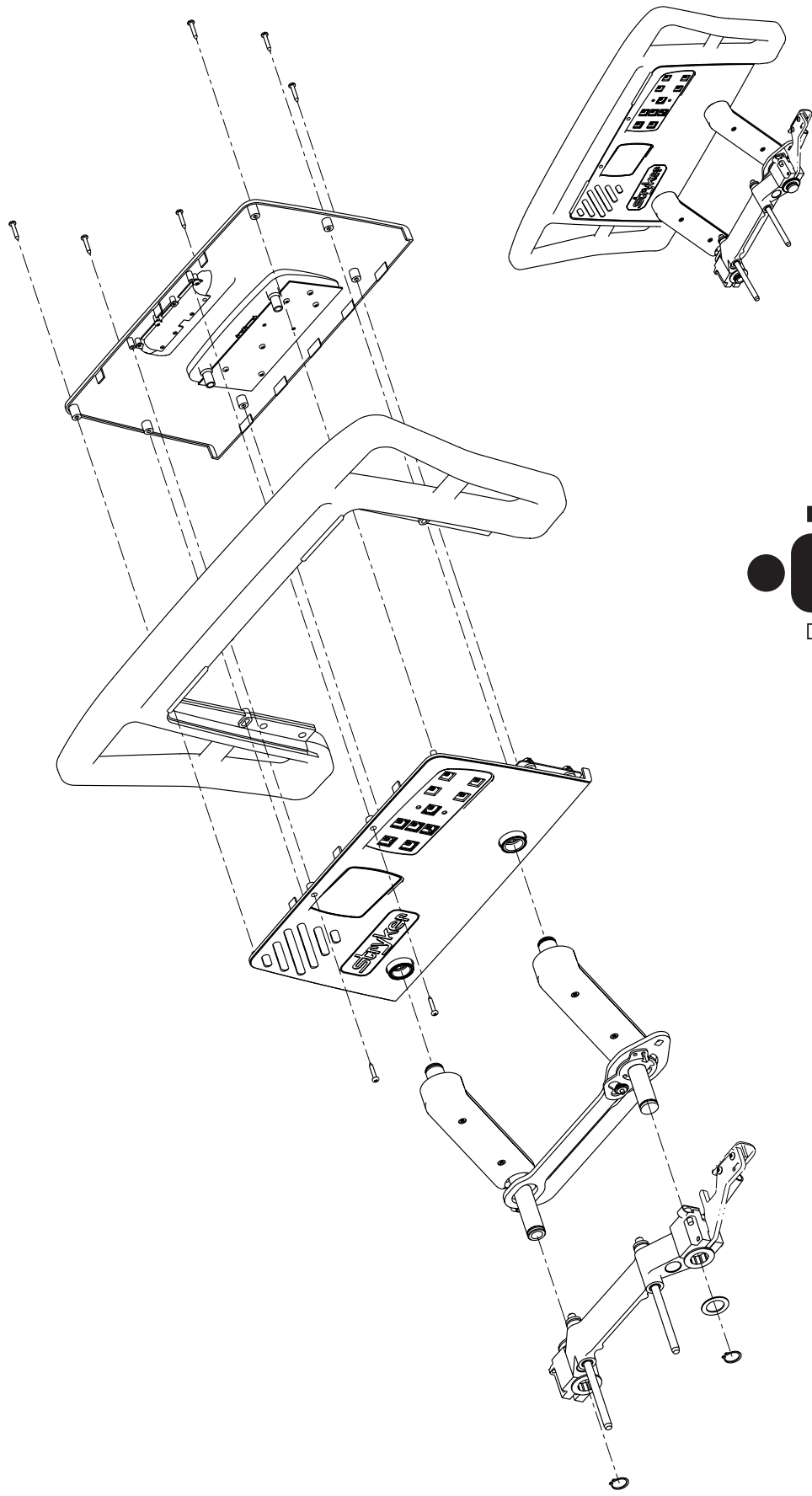
A	2031-030-204	1
B	5000-090-028	1

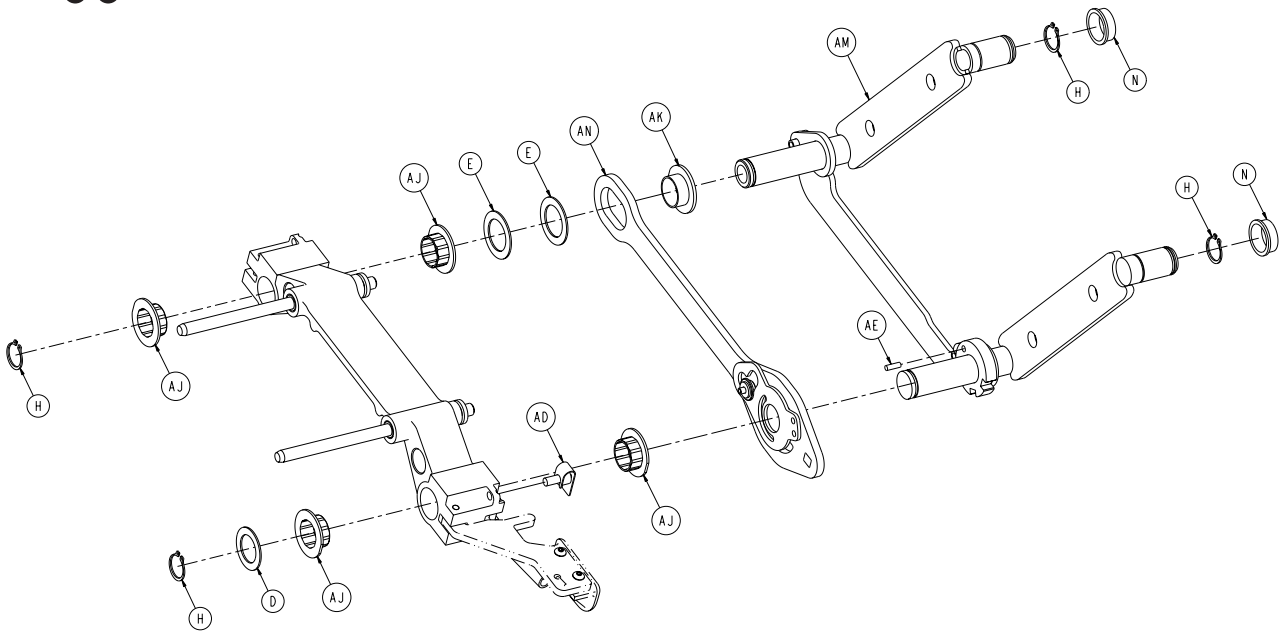
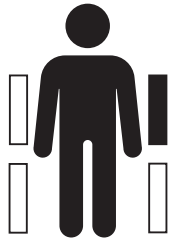
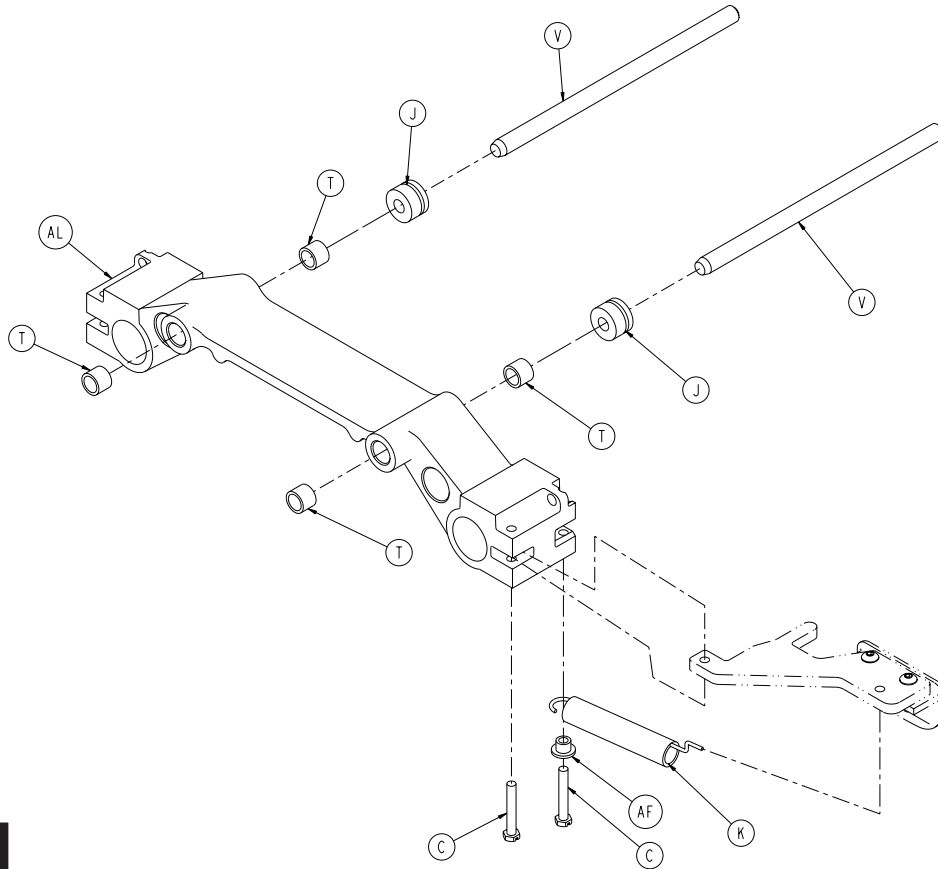


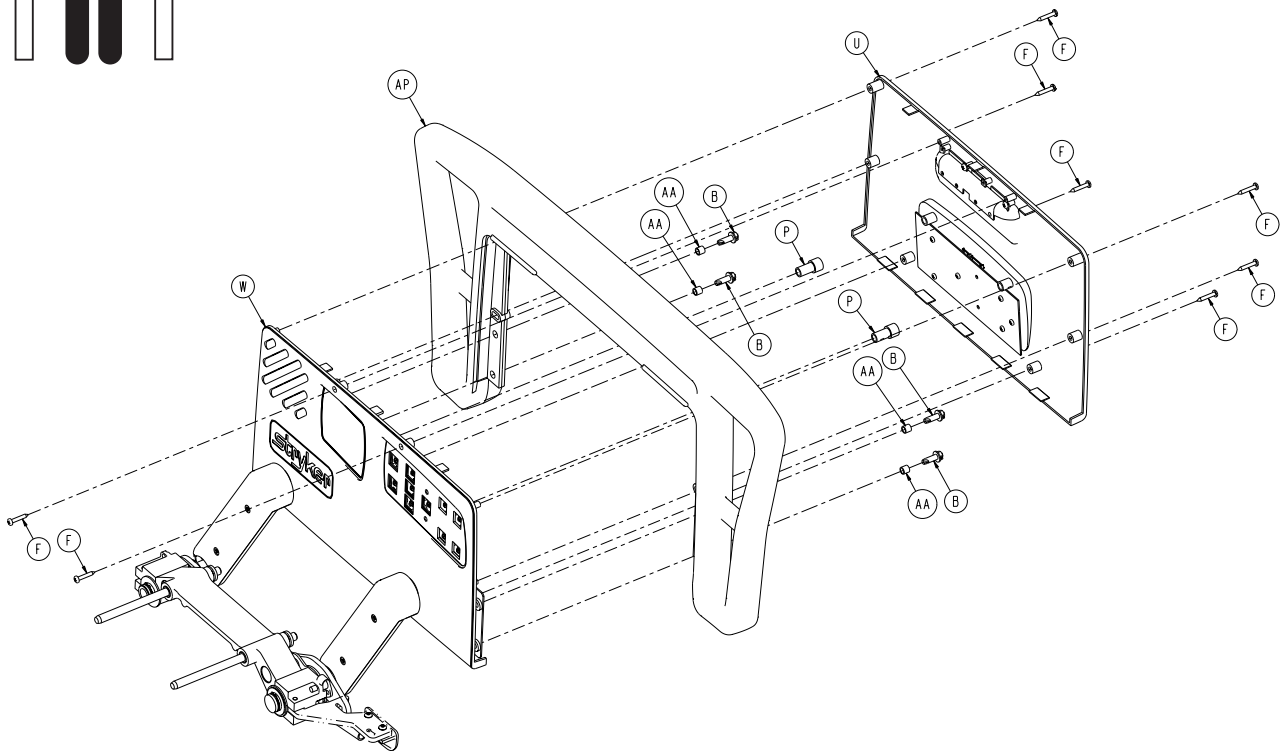
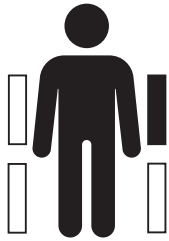
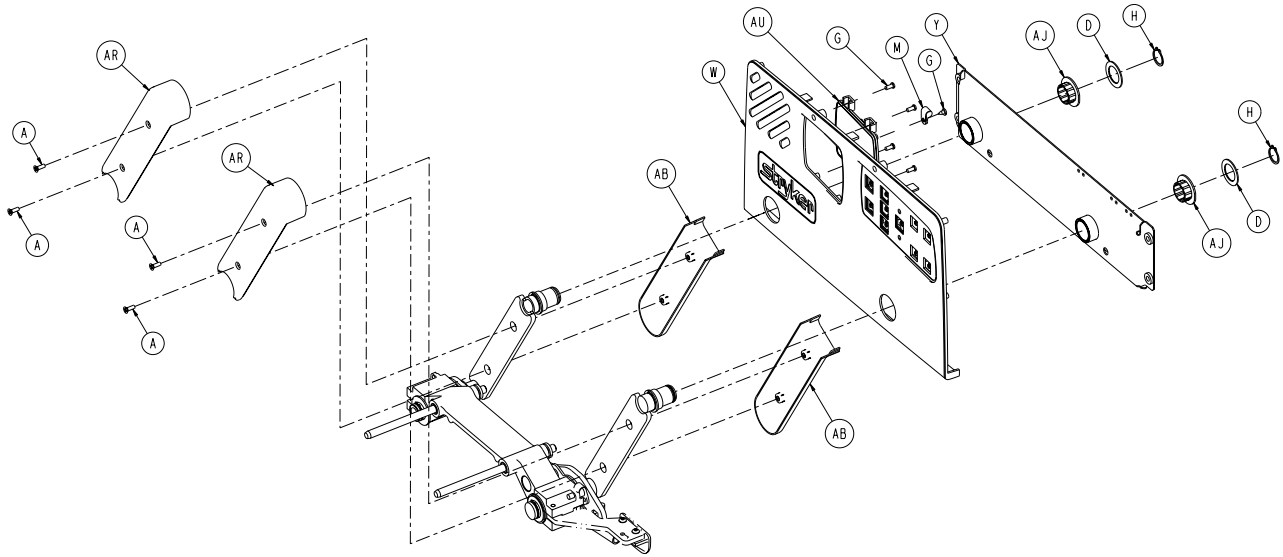
A	0001-087-000	2
B	0003-224-000	4
C	0007-058-000	3
D	0013-010-000	4
E	0030-046-000	1
F	0052-783-000	2
G	0059-710-000	1
H	2035-030-099	1
J	2035-030-804	1
K	2035-031-806	1
L	3001-300-007	2
M	3001-314-920	1
N	5010-080-020	1

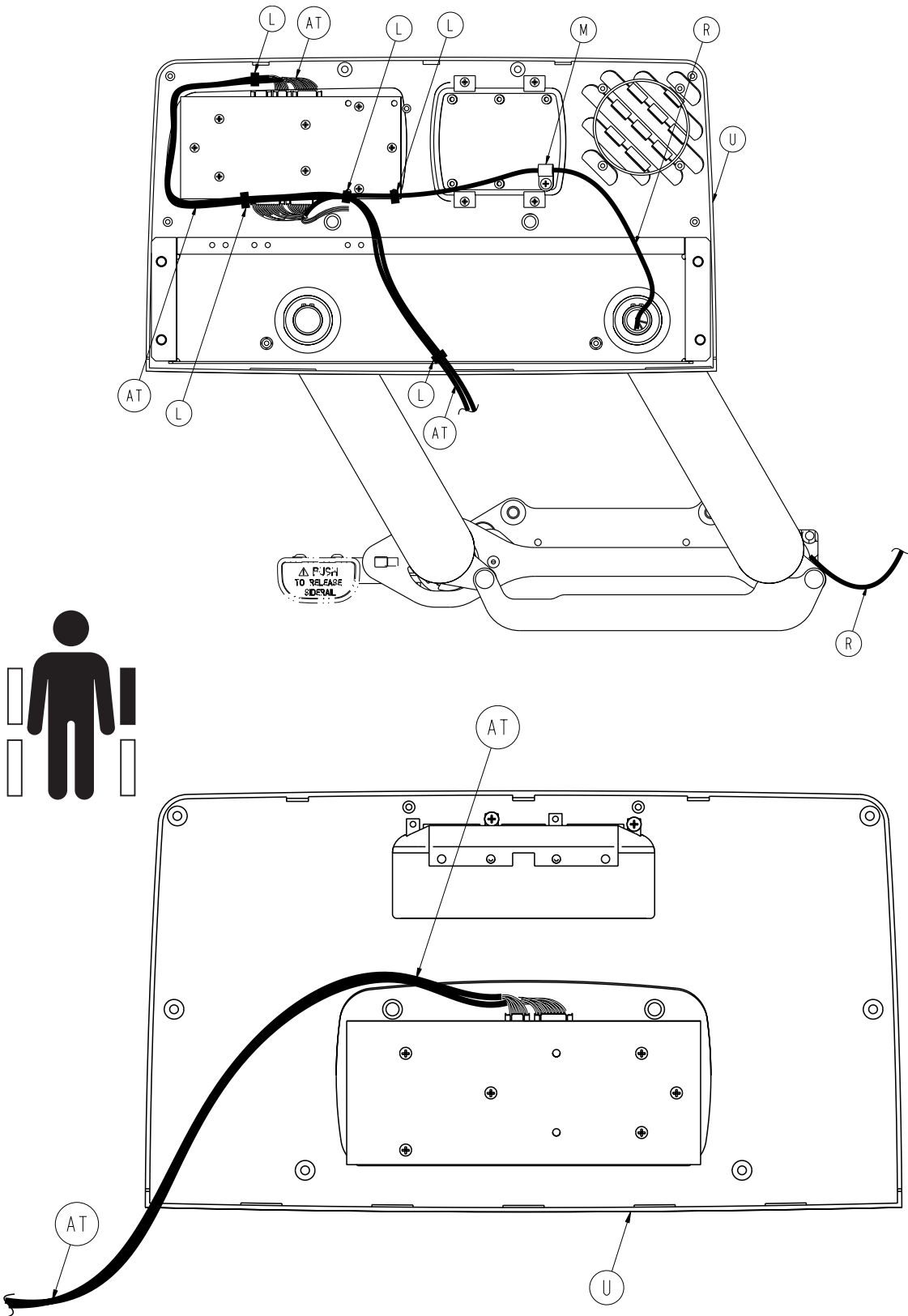


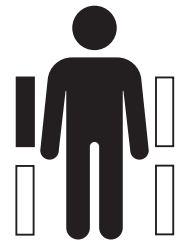
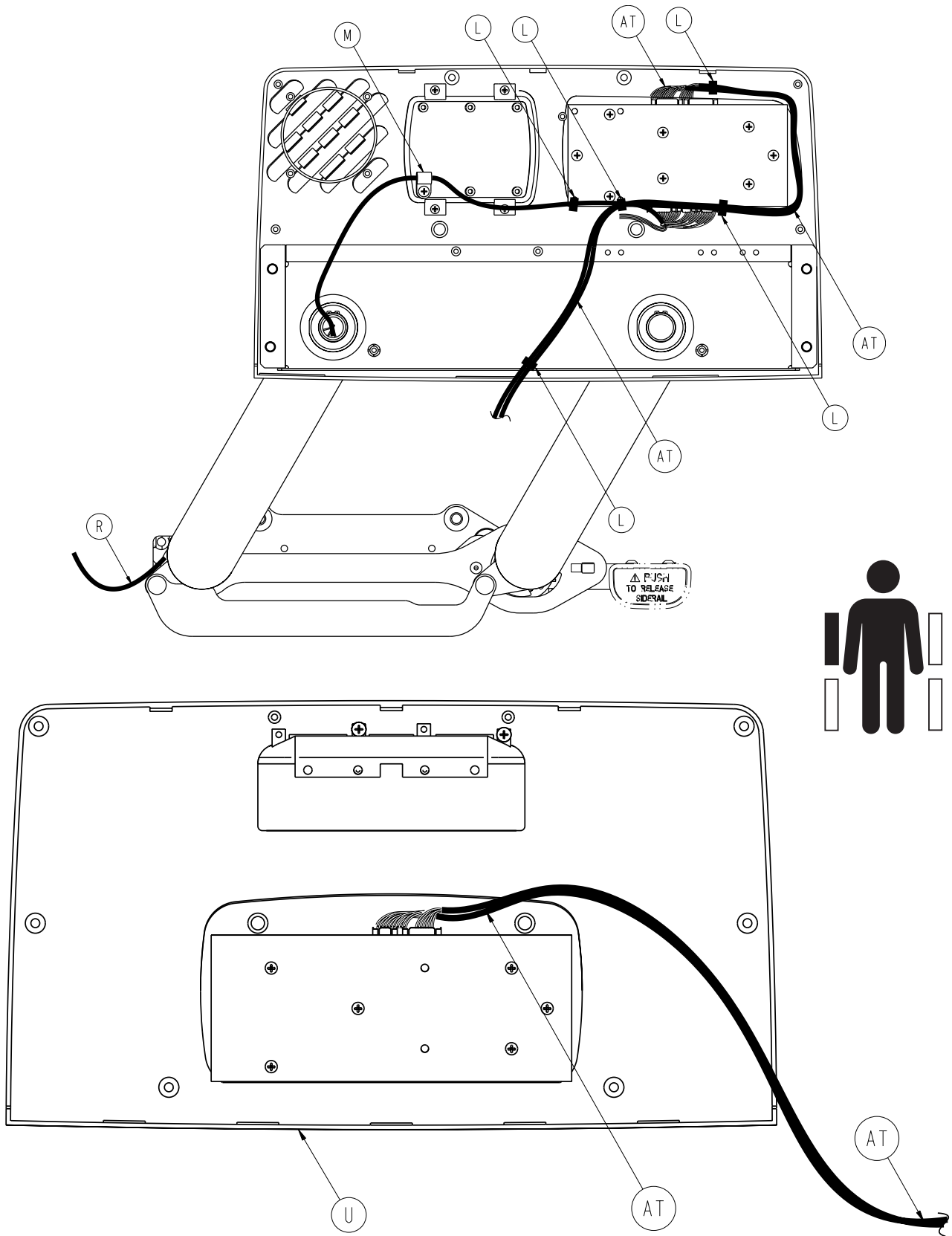
A	0001-087-000	2
B	0052-783-000	2
C	5010-080-020	1





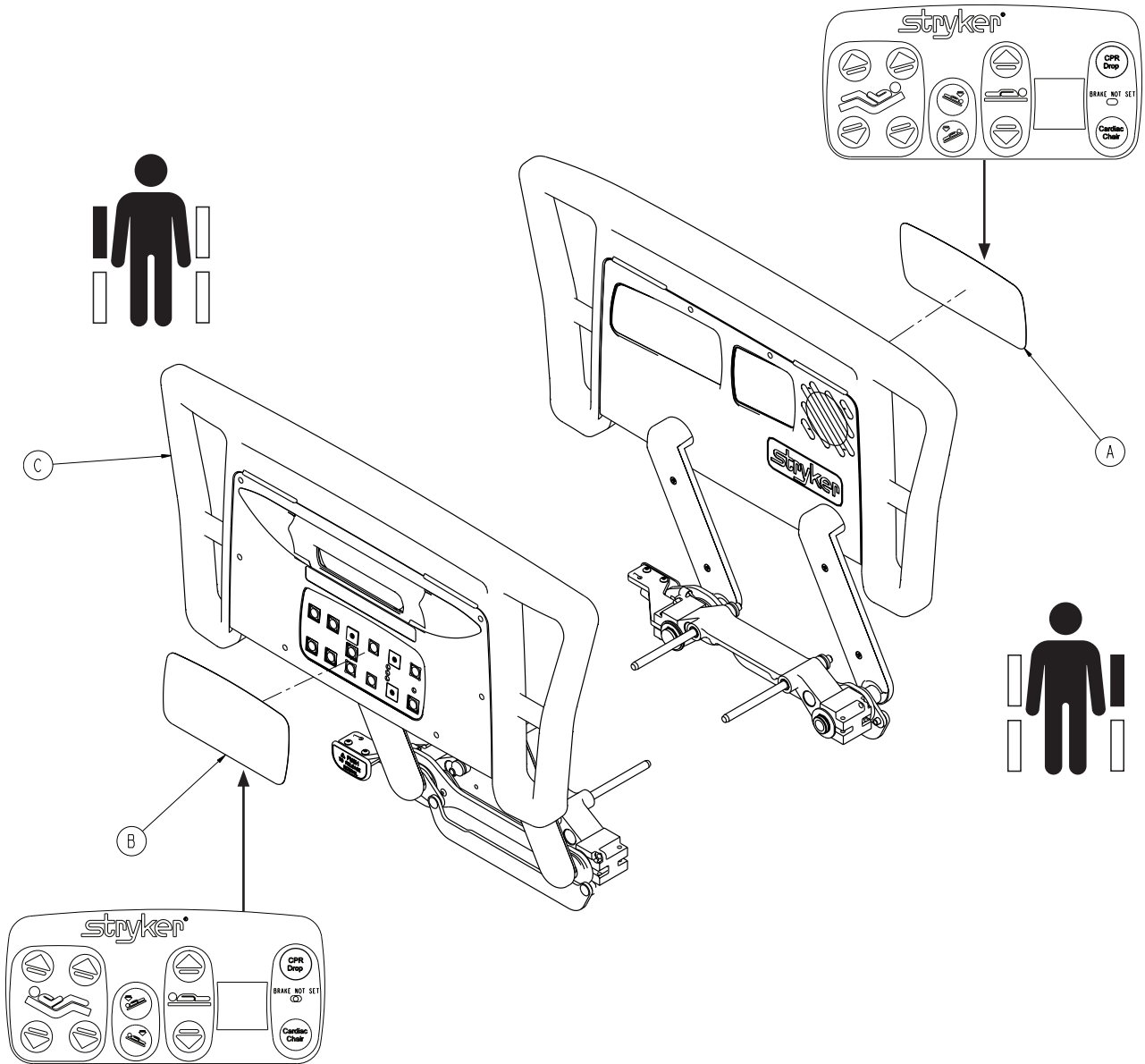




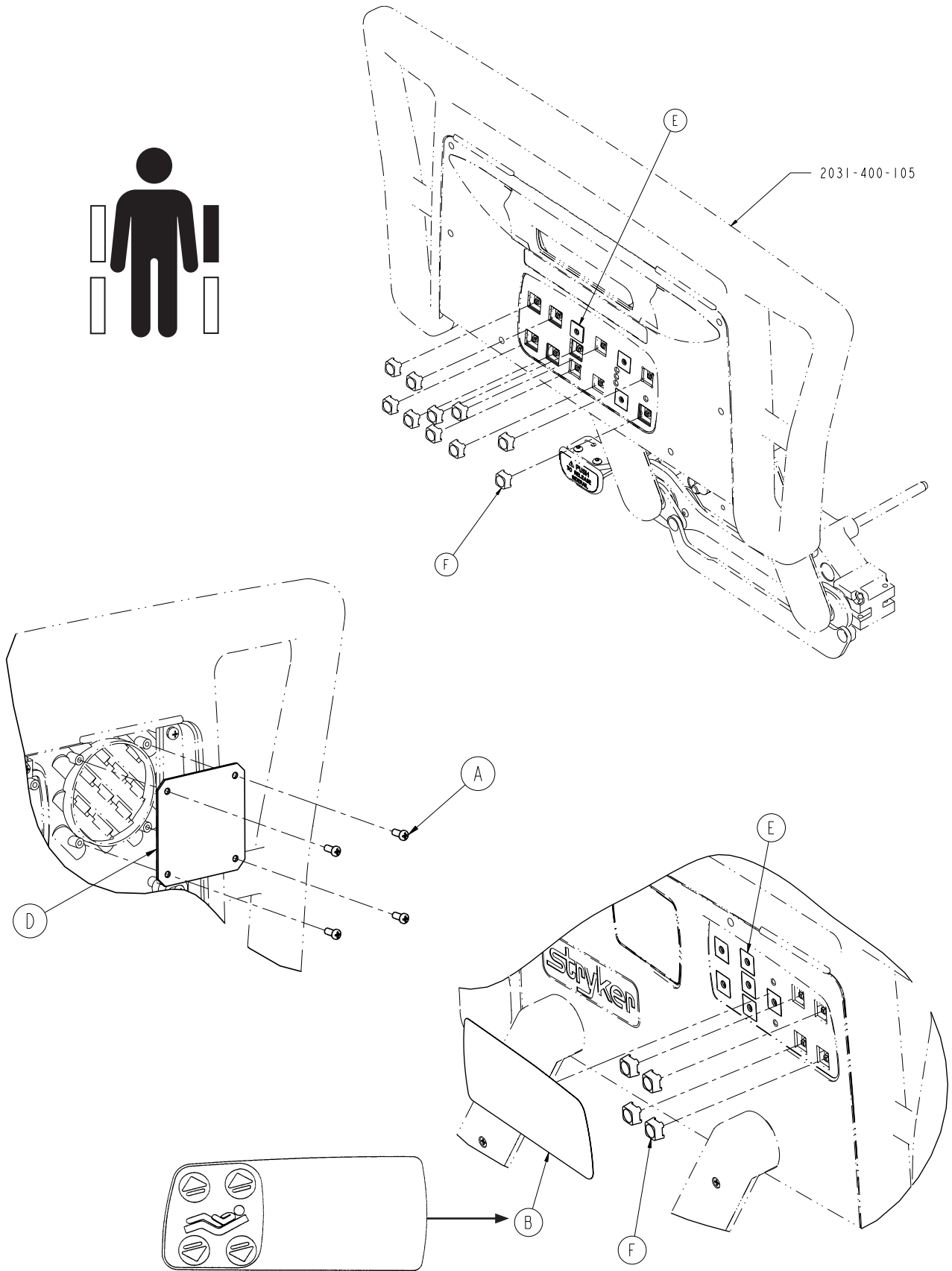


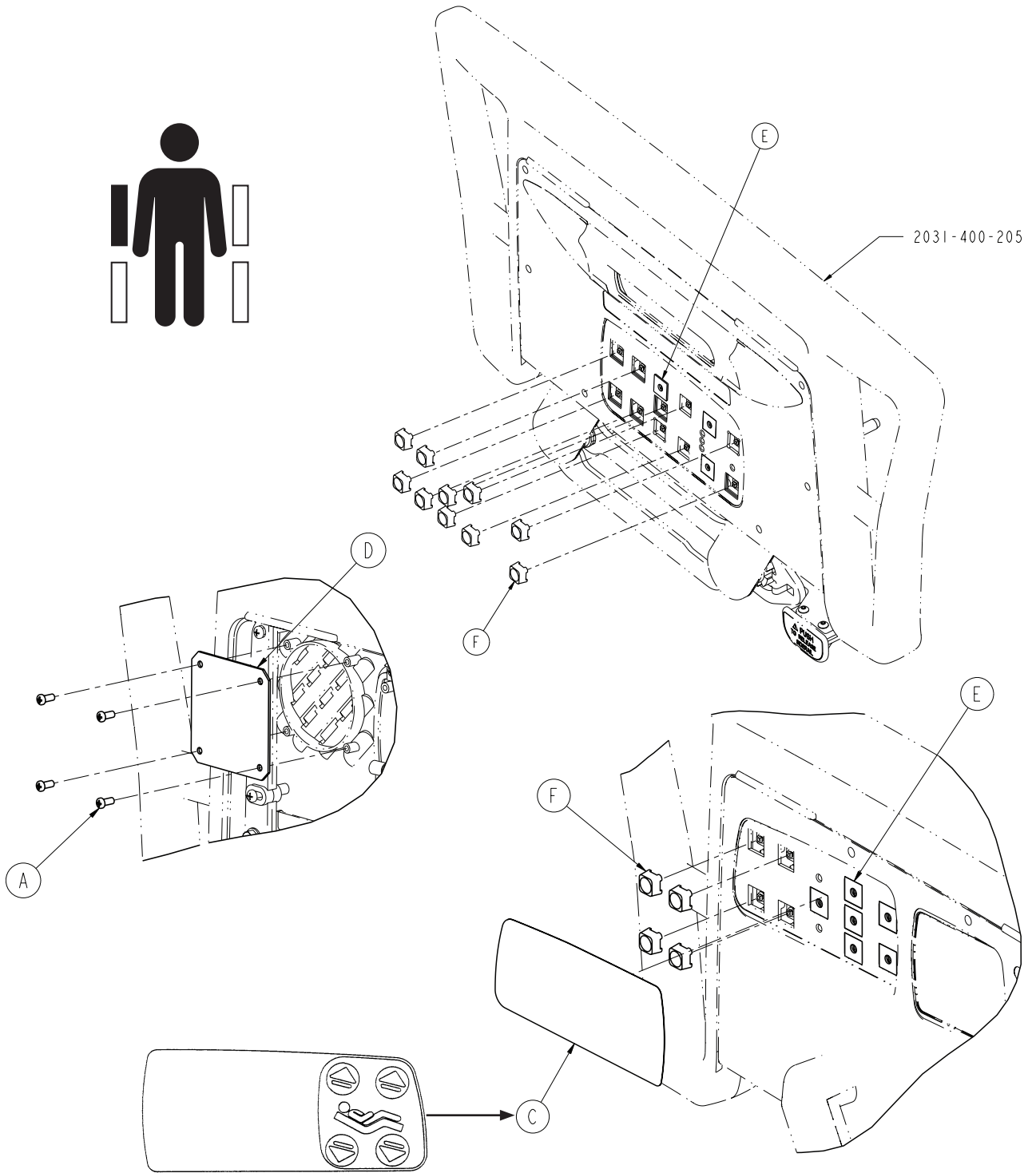
2031-400-105 / 2031-400-205

2031-400-105			2031-400-205		
A	0001-072-000	4	A	0001-072-000	4
B	0003-226-000	4	B	0003-226-000	4
C	0003-344-000	2	C	0003-344-000	2
D	0011-343-000	3	D	0011-343-000	3
E	0014-093-000	2	E	0014-093-000	2
F	0023-090-000	8	F	0023-090-000	8
G	0023-088-000	5	G	0023-088-000	5
H	0028-128-000	6	H	0028-128-000	6
J	0030-040-000	2	J	0030-040-000	2
K	3000-200-334	1	K	3000-200-334	1
L	3000-300-114	5	L	3000-300-114	5
M	3000-300-478	1	M	3000-300-478	1
N	3000-400-513	2	N	3000-400-513	2
P	3000-400-523	2	P	3000-400-523	2
R	2035-020-802	1	R	2035-020-802	1
T	3000-400-557	4	T	3000-400-557	4
U	2032-400-050	1	U	2032-400-050	1
V	2035-400-570	2	V	2035-400-570	2
W	3001-400-040	1	W	3001-400-045	1
Y	3003-400-130	1	Y	3003-400-230	1
AA	3001-400-558	4	AA	3001-400-558	4
AB	3001-400-619	2	AB	3001-400-619	2
AD	3002-400-090	1	AD	3002-400-090	1
AE	3002-400-505	1	AE	3002-400-505	1
AF	3002-400-509	1	AF	3002-400-509	1
AH	3002-400-512	2	AH	3002-400-512	2
AJ	3002-400-513	6	AJ	3002-400-513	6
AK	3002-400-519	1	AK	3002-400-519	1
AL	3002-400-528	1	AL	3002-400-528	1
AM	3003-400-005	1	AM	3003-400-010	1
AN	3003-400-070	1	AN	3003-400-075	1
AP	3003-400-515	1	AP	3003-400-515	1
AR	5000-020-005	2	AR	5000-020-005	2
AT	2035-020-804	1	AT	2035-020-803	1
AU	3001-400-535	1	AU	3001-400-535	1

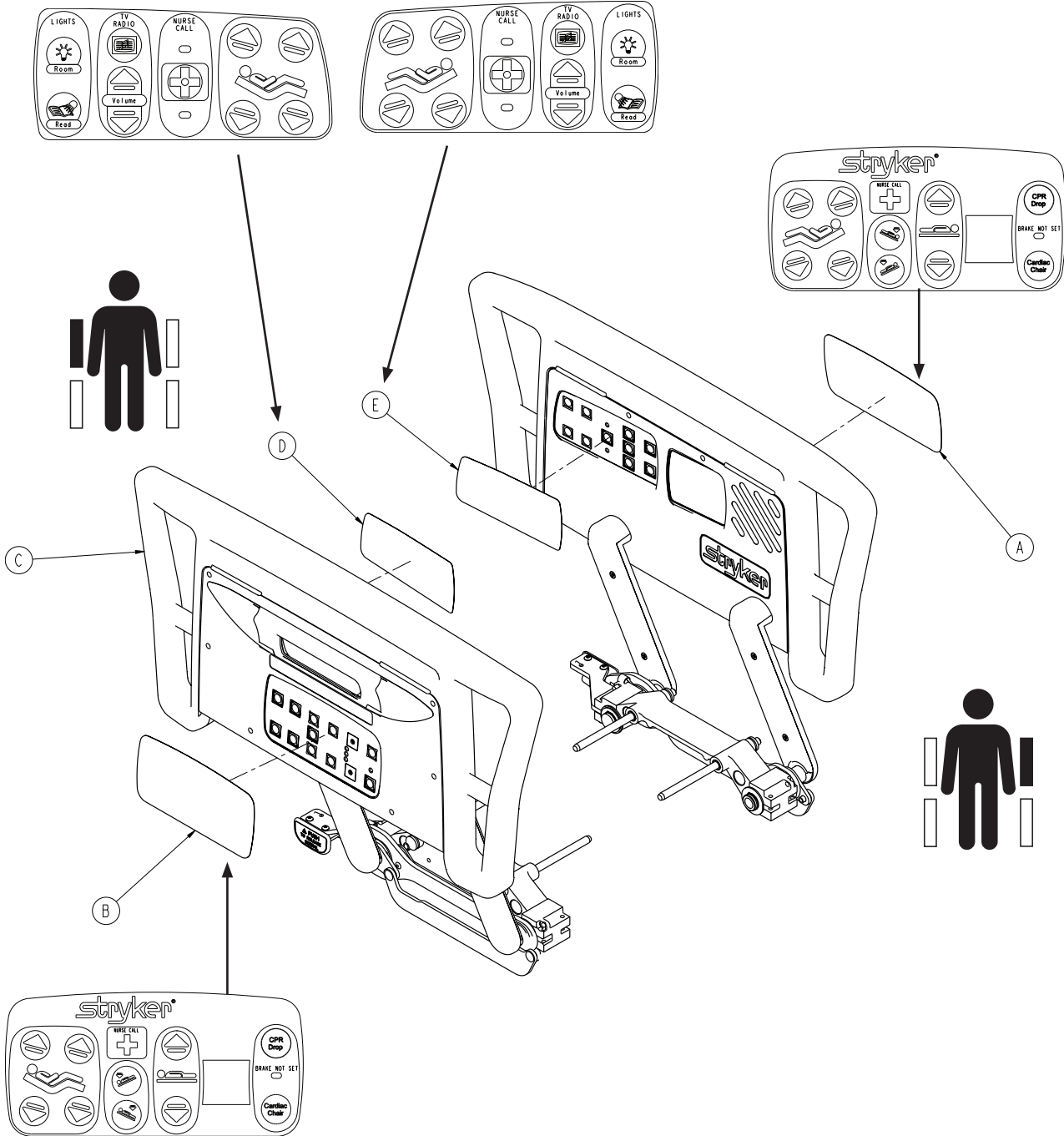


A	2030-000-300	1
B	2030-000-400	1
C	2031-999-160	1

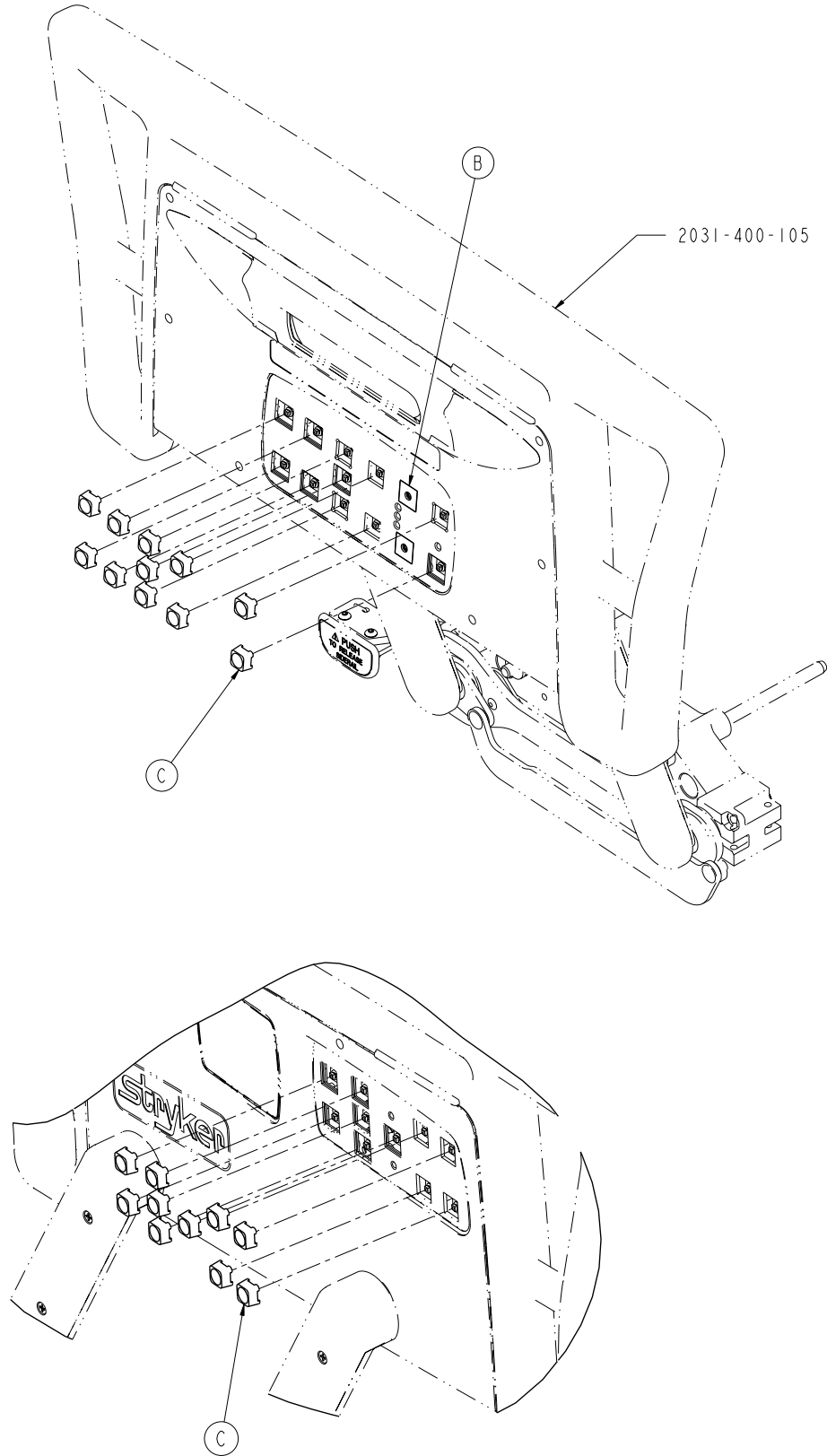
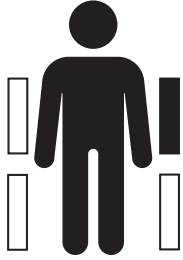


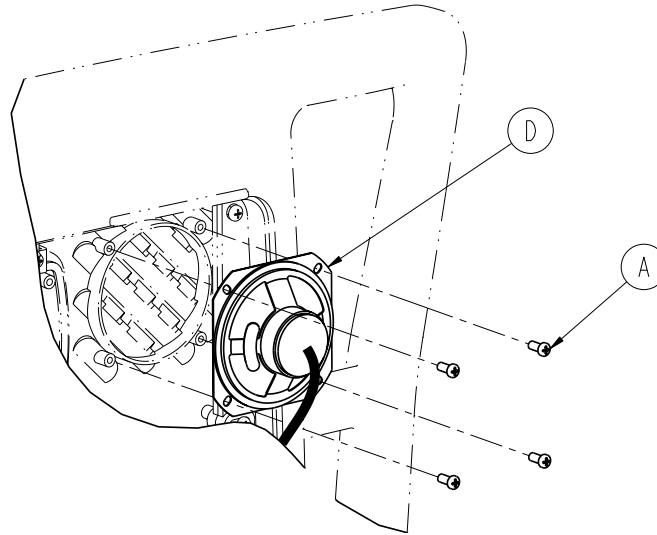
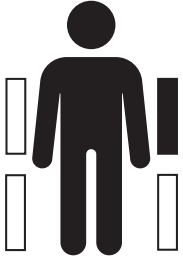


A	0023-088-000	8
B	2035-000-100	1
C	2035-000-200	1
D	3001-400-517	2
E	3001-400-522	18
F	3001-400-953	28

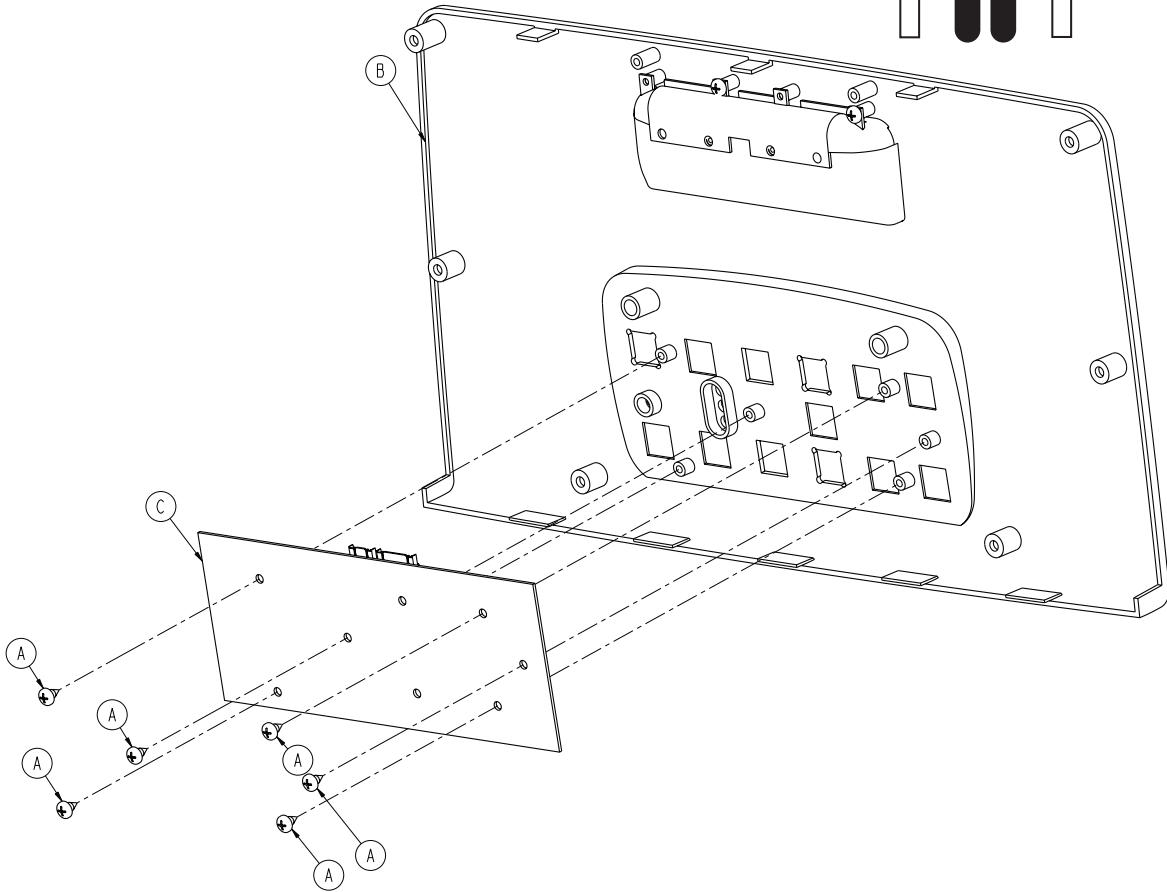
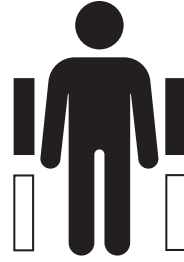


A	2030-000-301	1
B	2030-000-401	1
C	2031-999-170	1
D	2035-000-102	1
E	2035-000-202	1



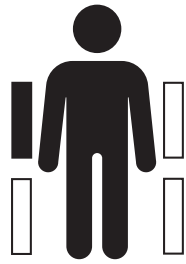


A	0023-088-000	8
B	3001-400-522	4
C	3001-400-953	42
D	3001-403-831	2

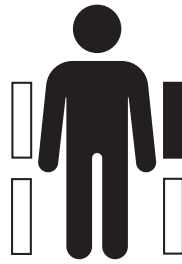


A	0023-112-000	6
B	2035-400-050	1
C	2035-400-900	1

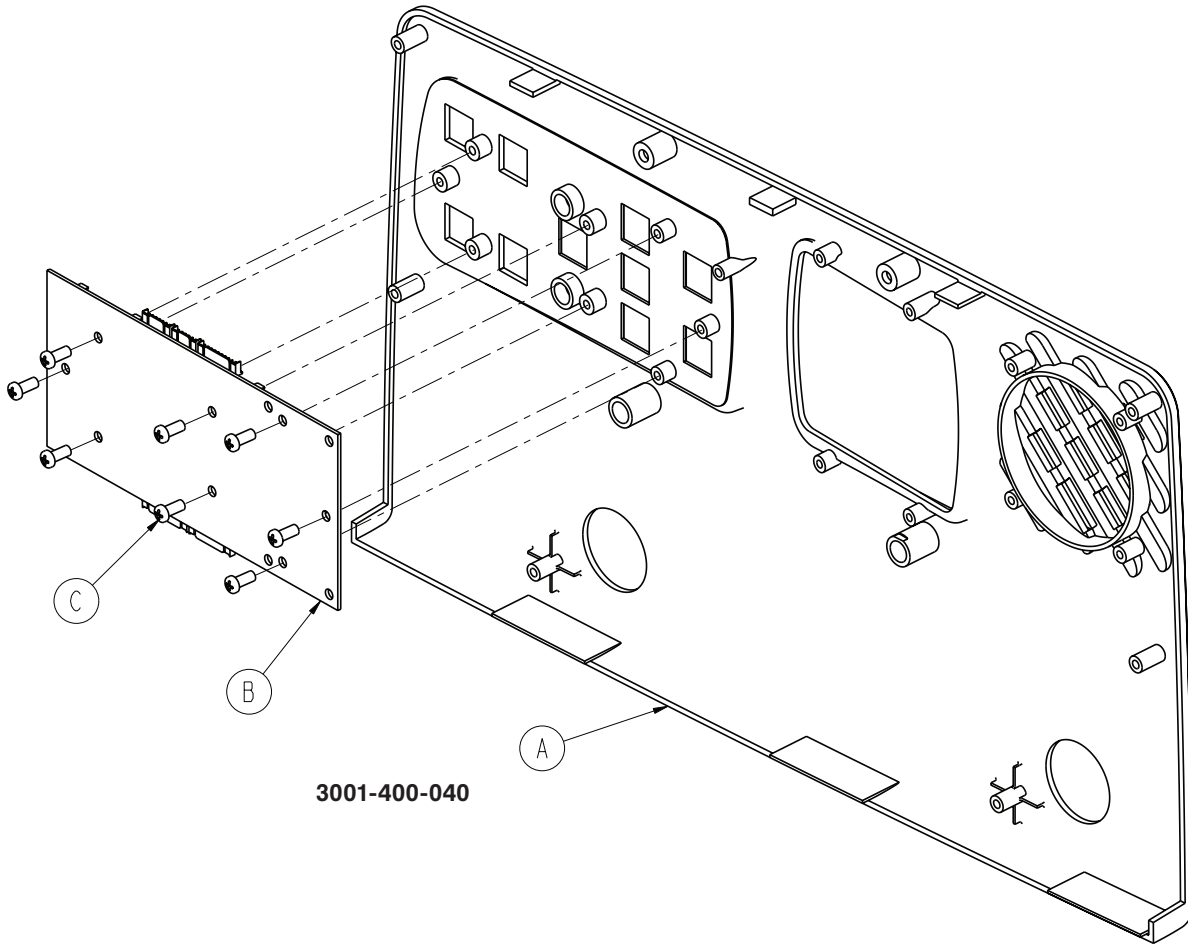
3001-400-045 / 3001-400-040



3001-400-045

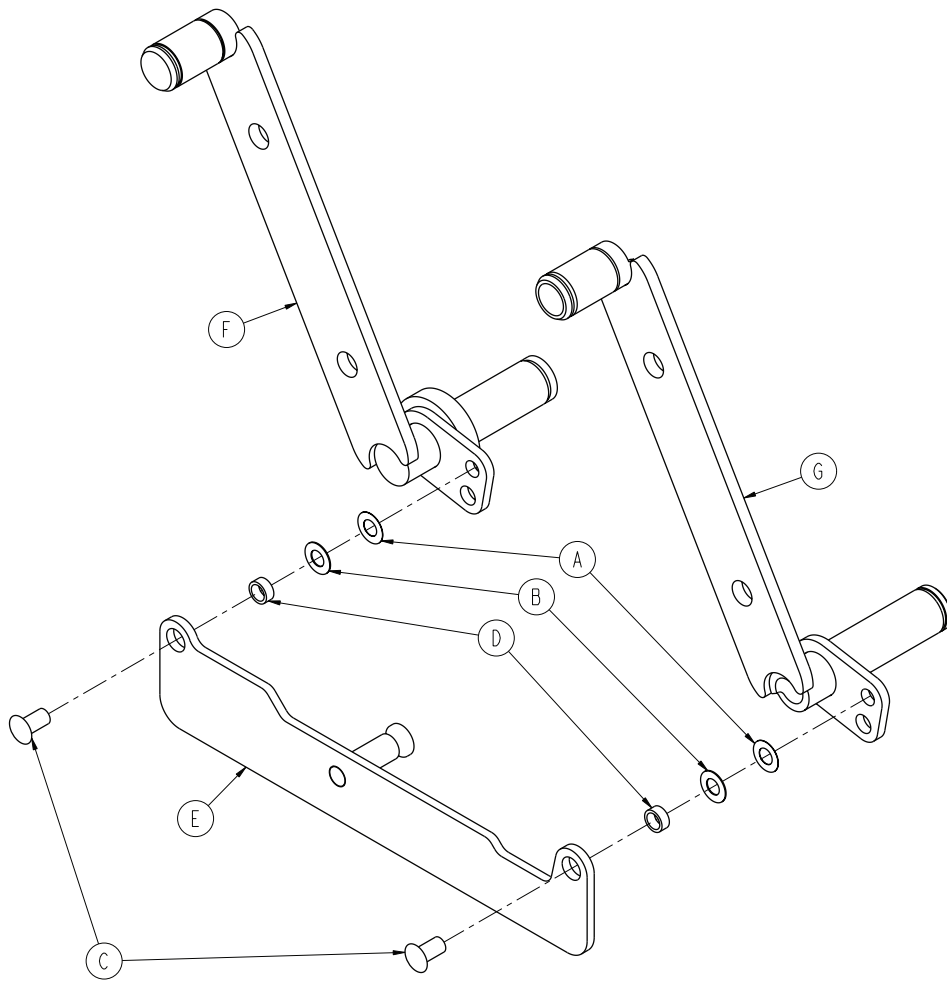
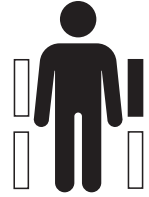


3001-400-040

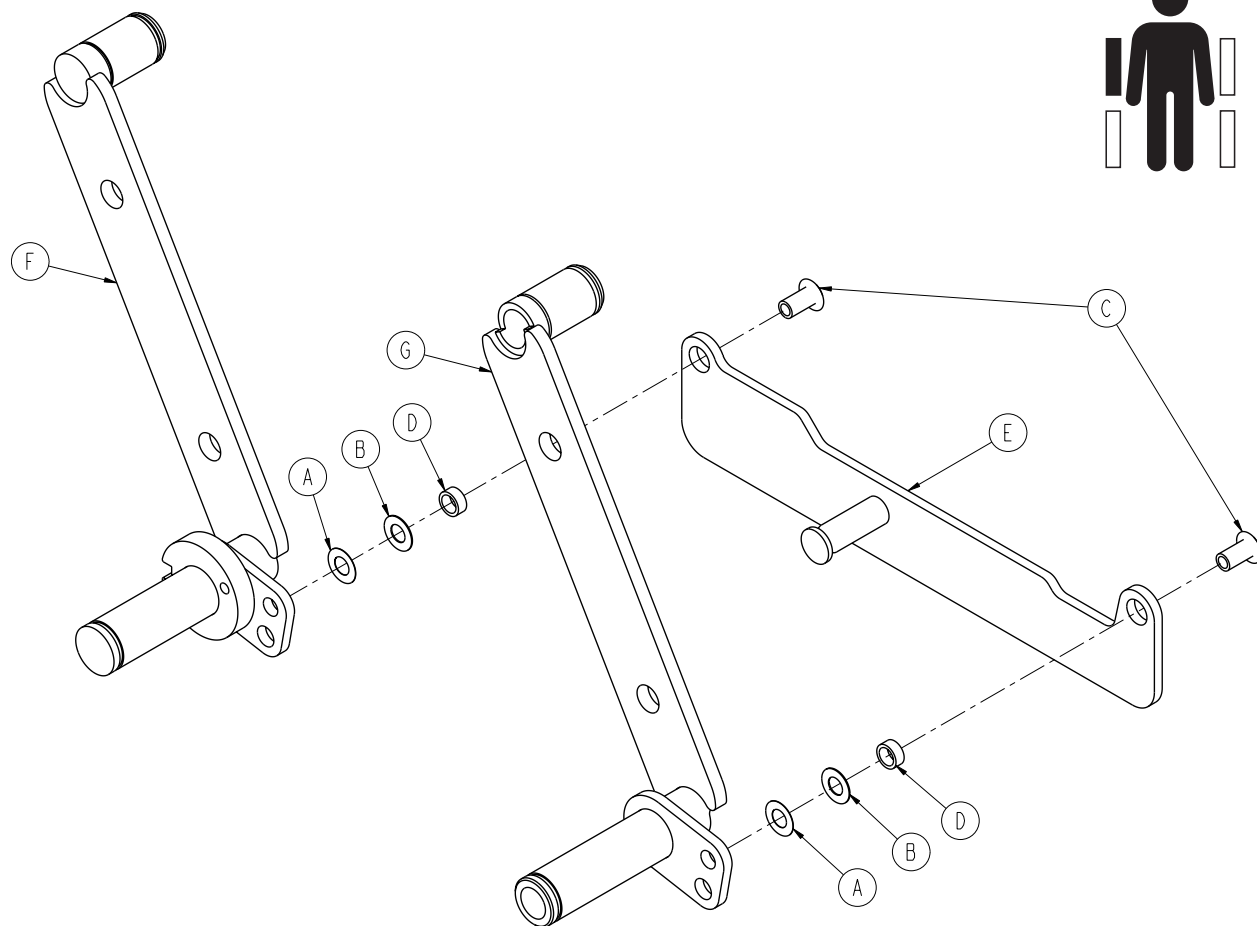


3001-400-040

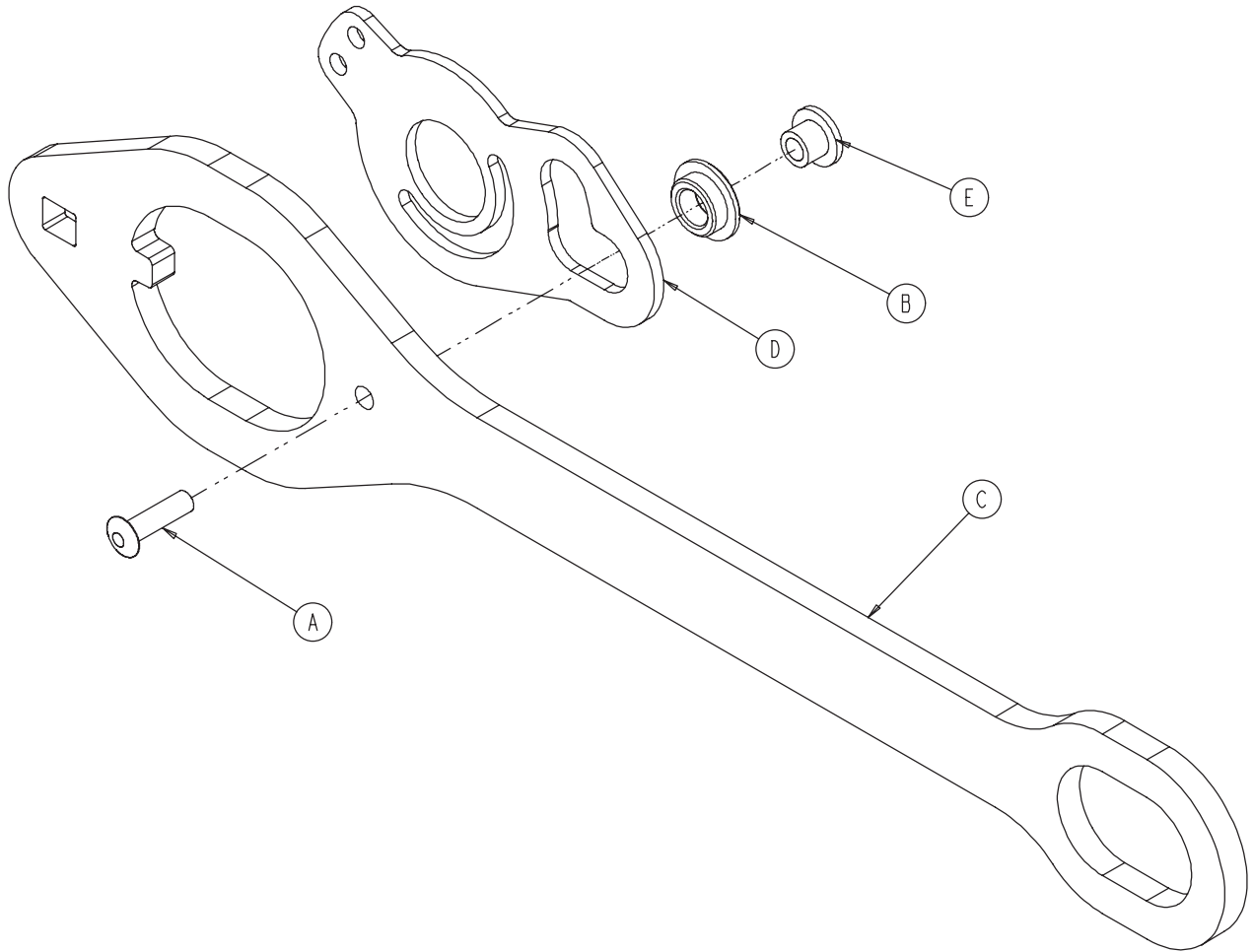
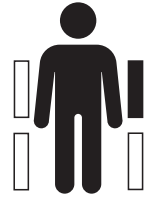
A	3001-400-101	1
	3001-400-201	1
B	3001-400-930	1
C	0023-088-000	8



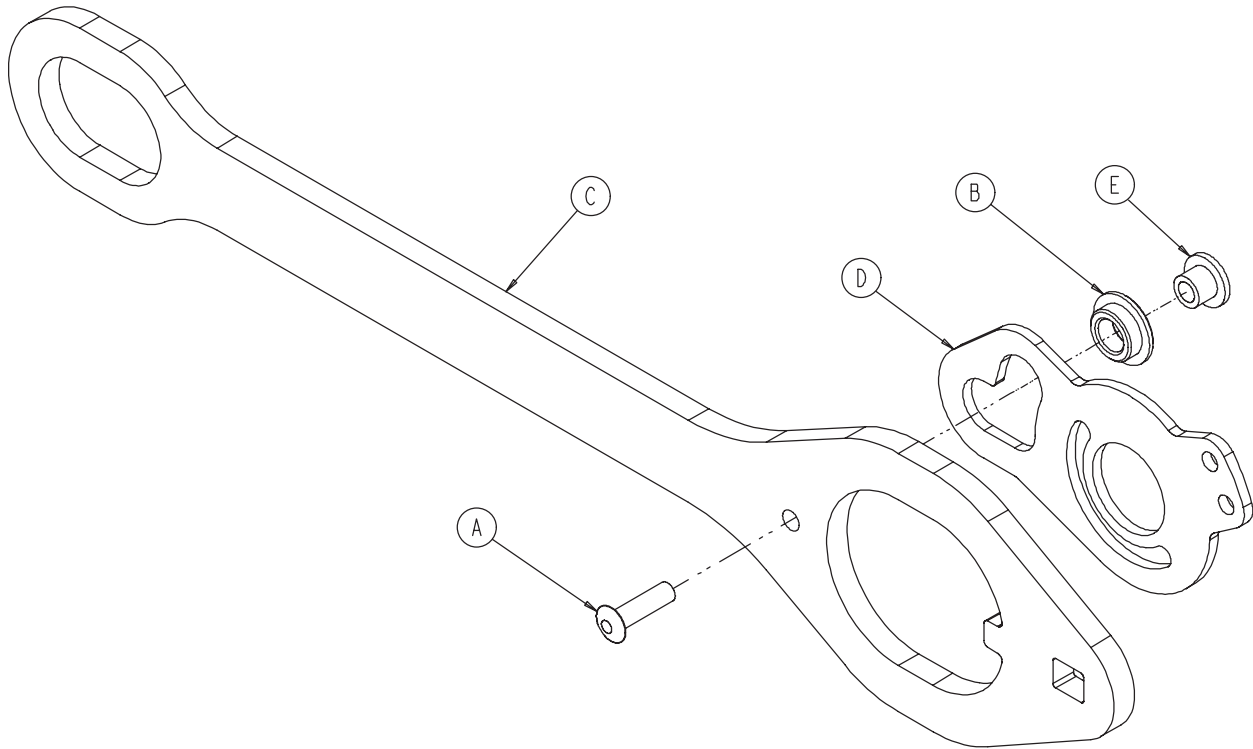
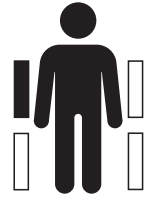
A	0011-377-000	2
B	0011-491-000	2
C	3001-400-501	2
D	3003-401-001	2
E	3003-402-112	1
F	3003-402-127	1
G	3003-402-128	1



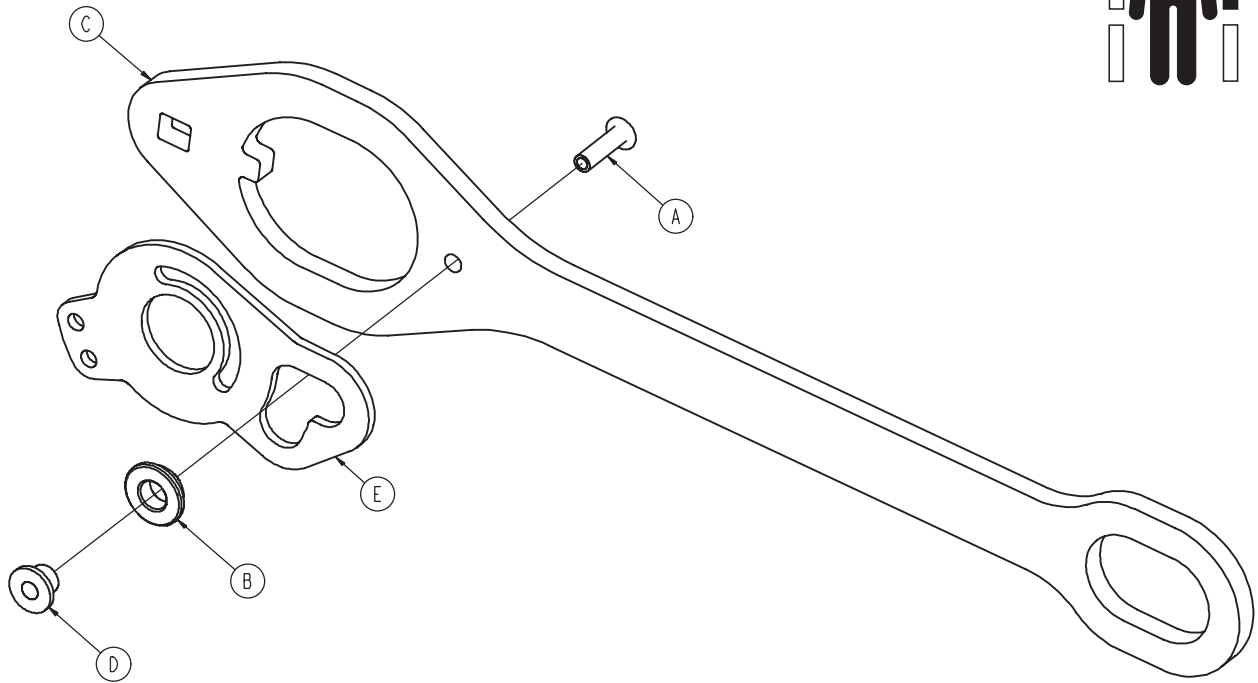
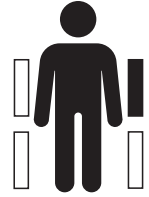
A	0011-377-000	2
B	0011-491-000	2
C	3001-400-501	2
D	3003-401-001	2
E	3003-402-117	1
F	3003-402-227	1
G	3003-402-228	1



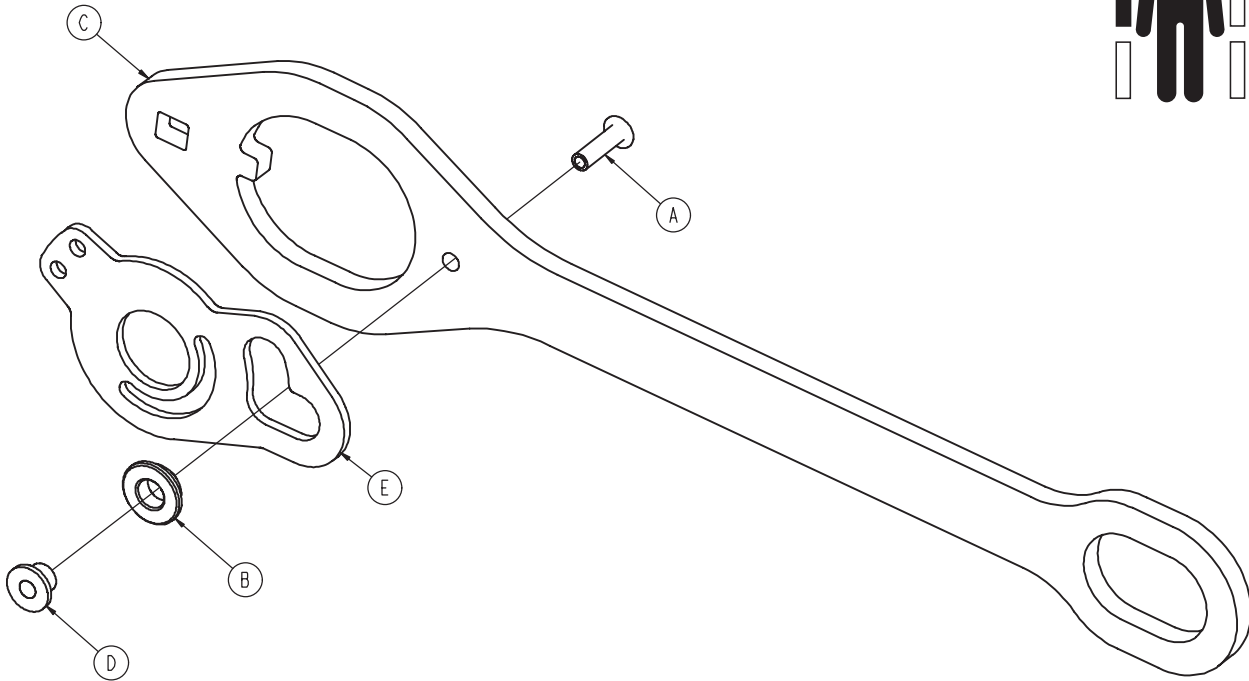
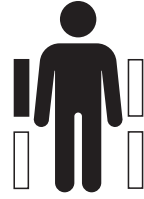
A	0025-086-000	1
B	0081-317-000	1
C	3002-400-501	1
D	3002-400-503	1
E	3002-400-509	1



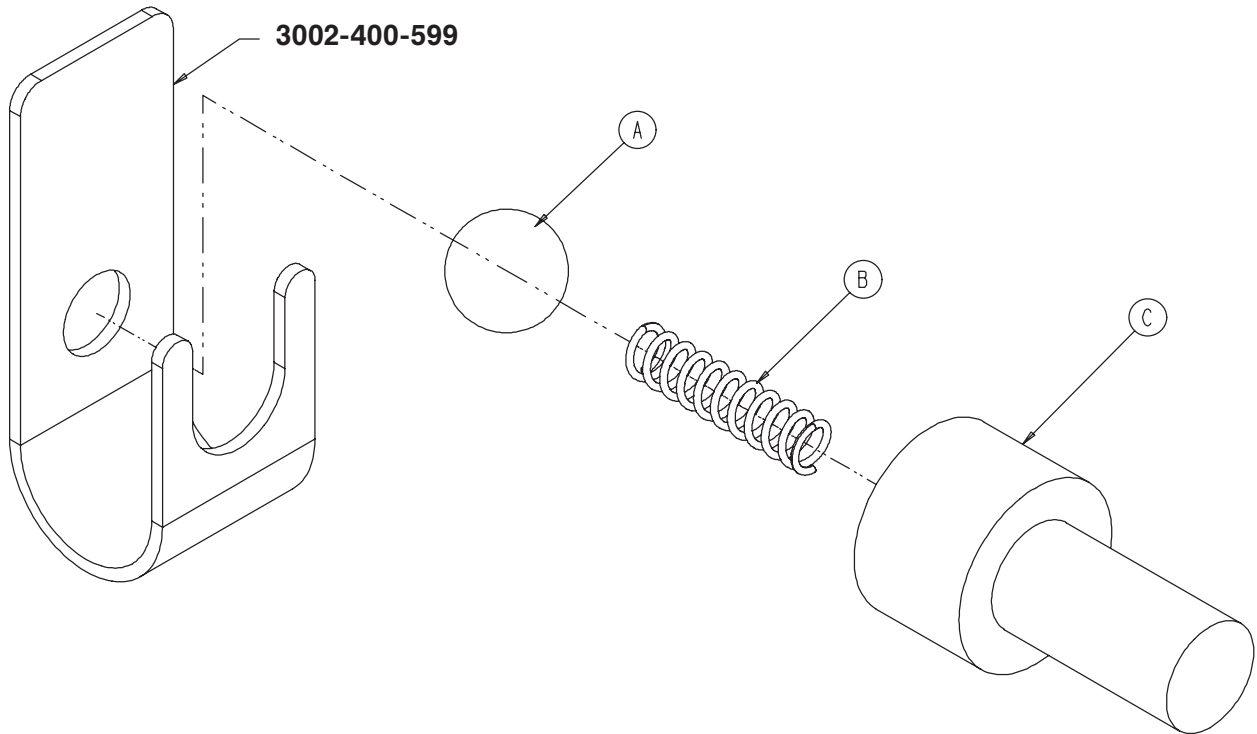
A	0025-086-000	1
B	0081-317-000	1
C	3002-400-501	1
D	3002-400-503	1
E	3002-400-509	1



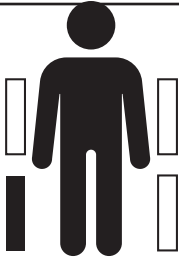
A	0025-086-000	1
B	0081-317-000	1
C	3002-400-501	1
D	3002-400-509	1
E	3003-400-503	1



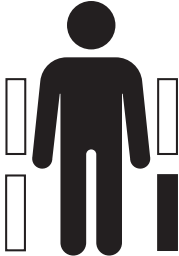
A	0025-086-000	1
B	0081-317-000	1
C	3002-400-501	1
D	3002-400-509	1
E	3003-400-503	1



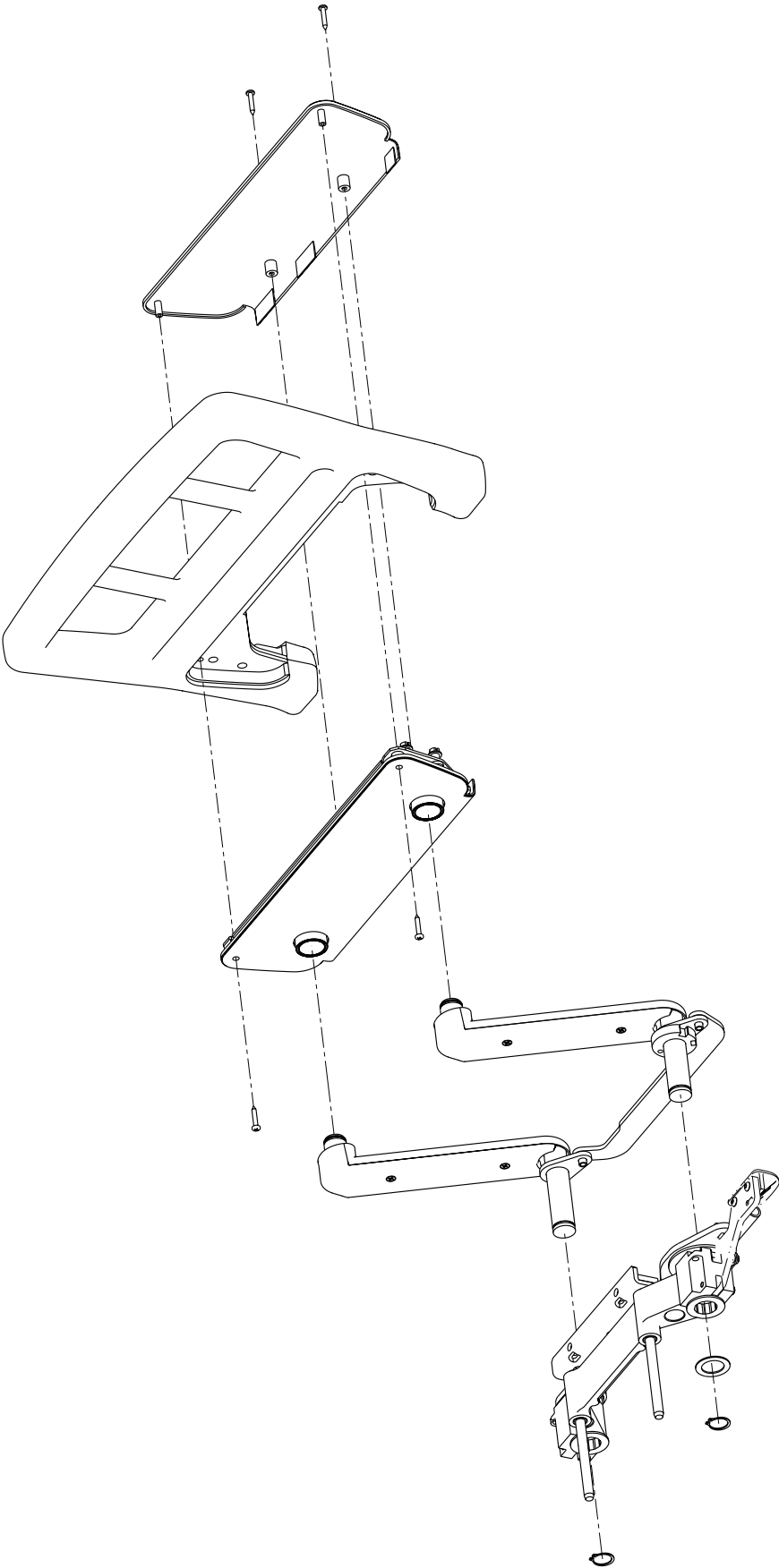
A	0031-137-000	1
B	0038-464-000	1
C	3002-400-524	1

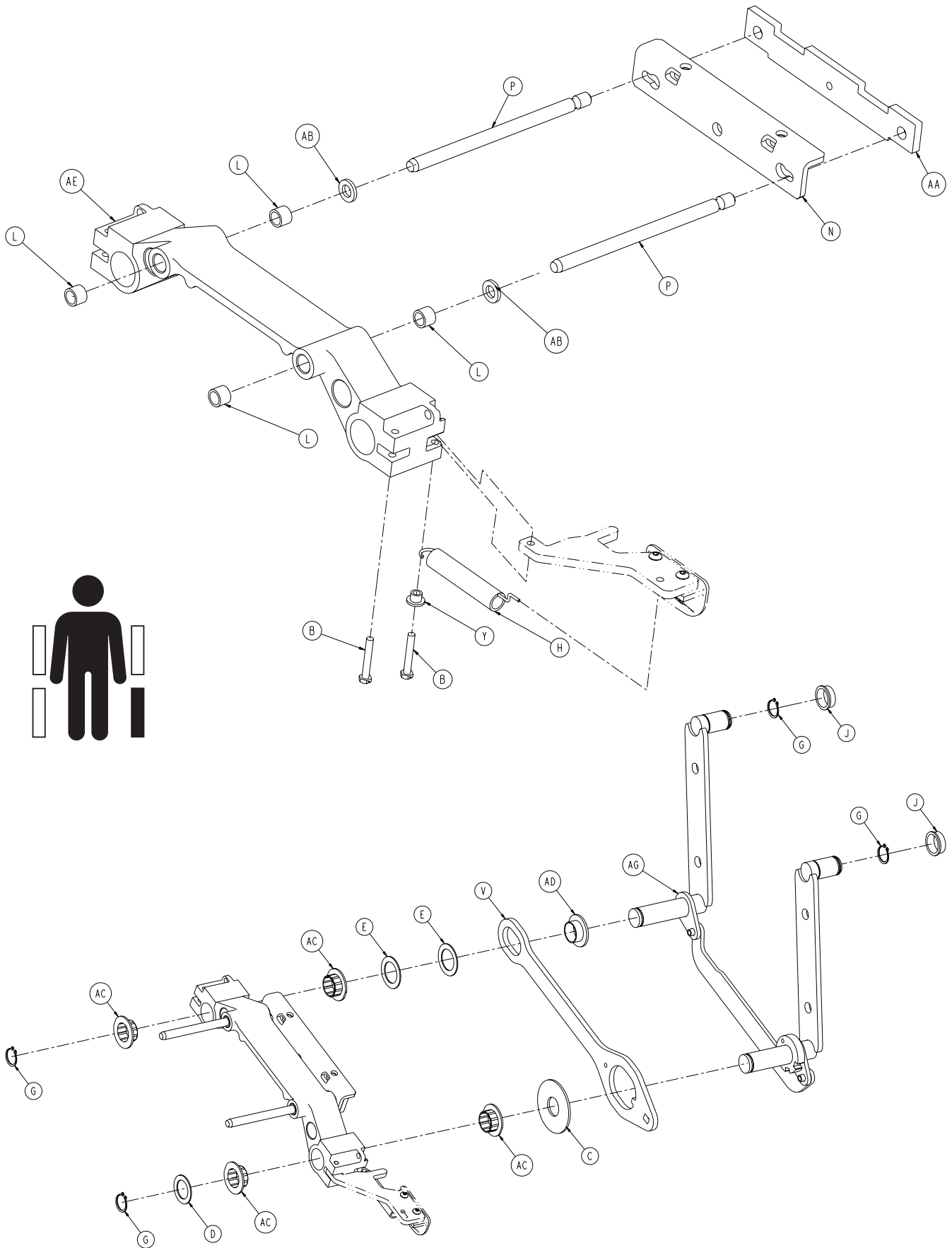


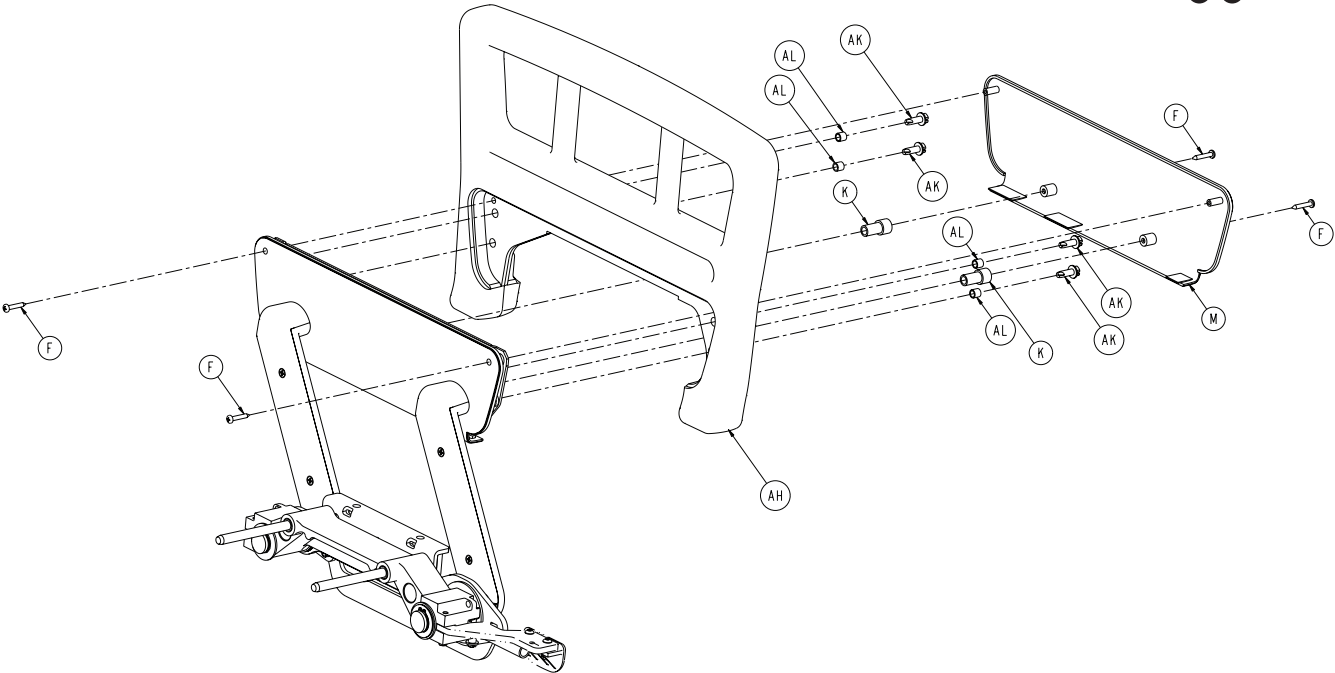
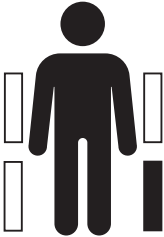
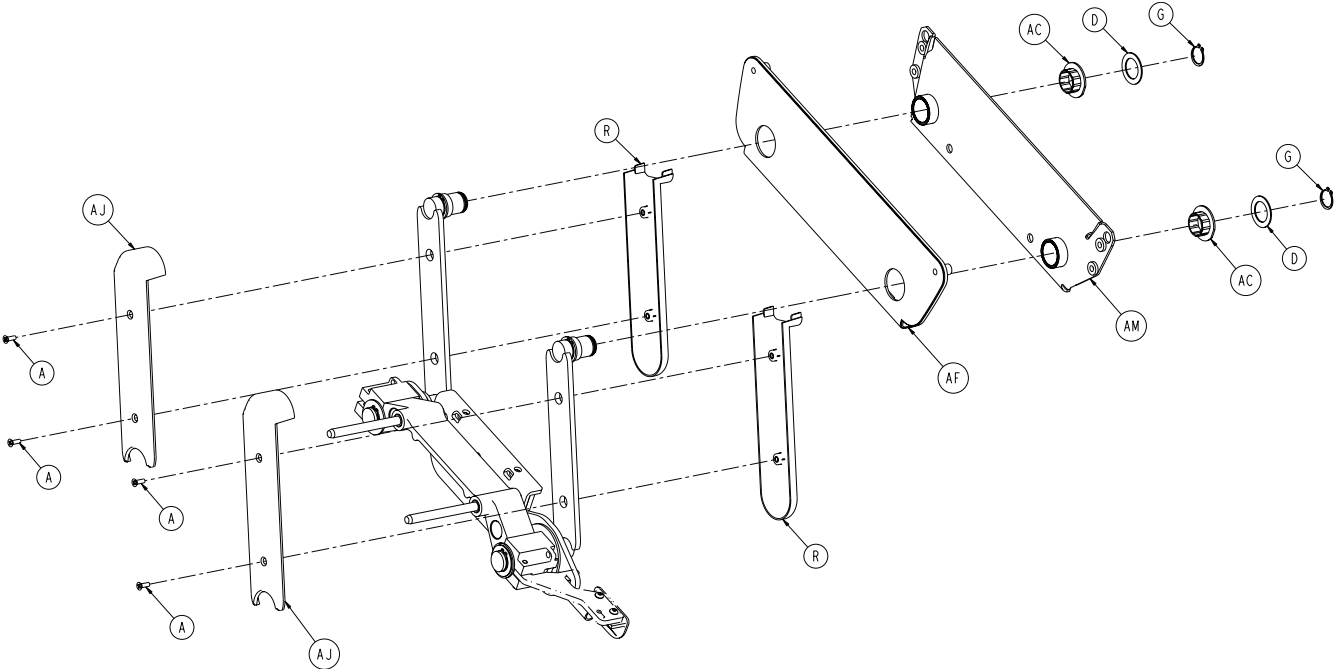
2031-400-305



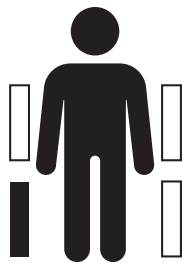
2031-400-405



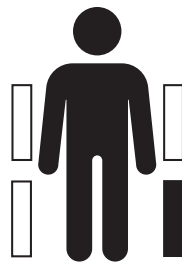




2031-400-305 / 2031-400-405

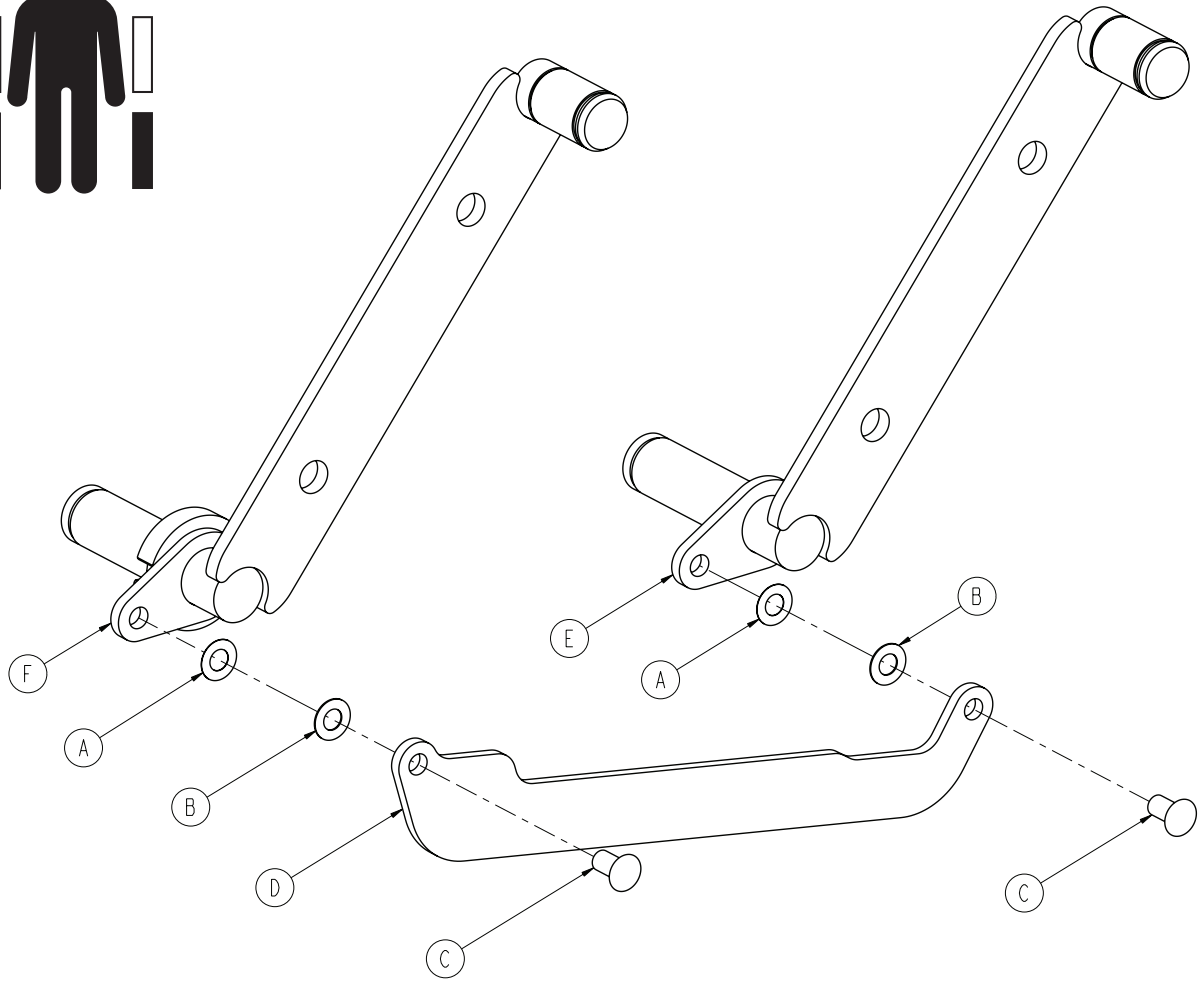
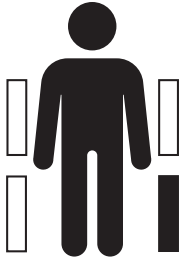


2031-400-305



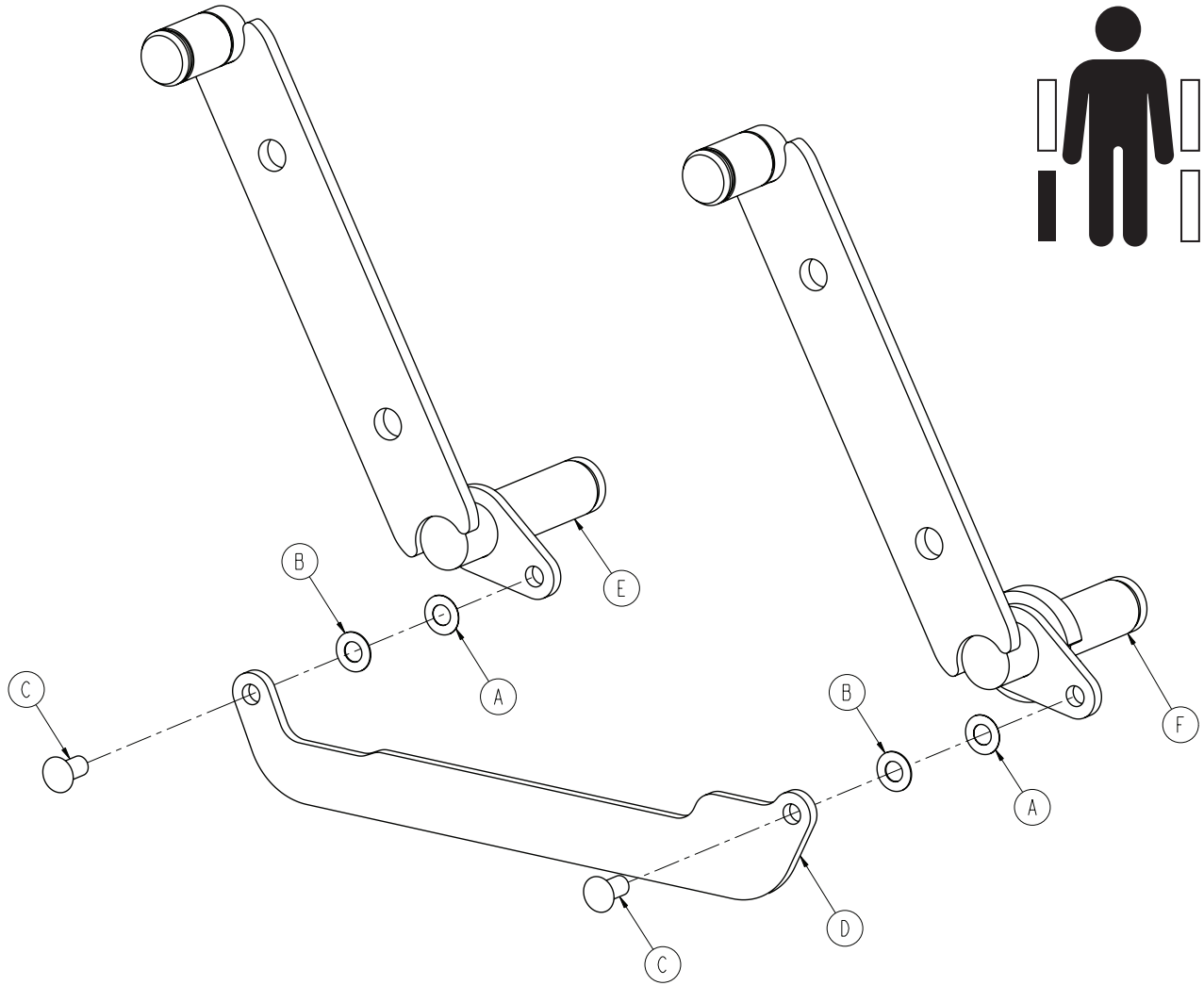
2031-400-405

2031-400-305			2031-400-405		
A	0001-072-000	4	A	0001-072-000	4
B	0003-344-000	2	B	0003-344-000	2
C	0011-185-000	1	C	0011-185-000	1
D	0011-343-000	3	D	0011-343-000	3
E	0014-093-000	2	E	0014-093-000	2
F	0023-090-000	4	F	0023-090-000	4
G	0028-128-000	6	G	0028-128-000	6
H	3000-200-334	1	H	3000-200-334	1
J	3000-400-513	2	J	3000-400-513	2
K	3000-400-523	2	K	3000-400-523	2
L	3000-400-557	4	L	3000-400-557	4
M	3001-400-527	1	M	3001-400-527	1
N	3001-400-555	1	N	3001-400-555	1
P	3001-400-564	2	P	3001-400-564	2
R	3001-400-619	2	R	3001-400-619	2
V	3002-400-501	1	V	3002-400-501	1
Y	3002-400-509	1	Y	3002-400-509	1
AA	3002-400-511	1	AA	3002-400-511	1
AB	3002-400-512	2	AB	3002-400-512	2
AC	3002-400-513	6	AC	3002-400-513	6
AD	3002-400-519	1	AD	3002-400-519	1
AE	3003-400-528	1	AE	3003-400-528	1
AF	3003-400-526	1	AF	3003-400-526	1
AG	2032-401-030	1	AG	2032-401-025	1
AH	3003-400-520	1	AH	3003-400-520	1
AJ	5000-020-005	2	AJ	5000-020-005	2
AK	0003-226-000	4	AK	0003-226-000	4
AL	3001-400-558	4	AL	3001-400-558	4
AM	3003-400-580	1	AM	3003-400-580	1

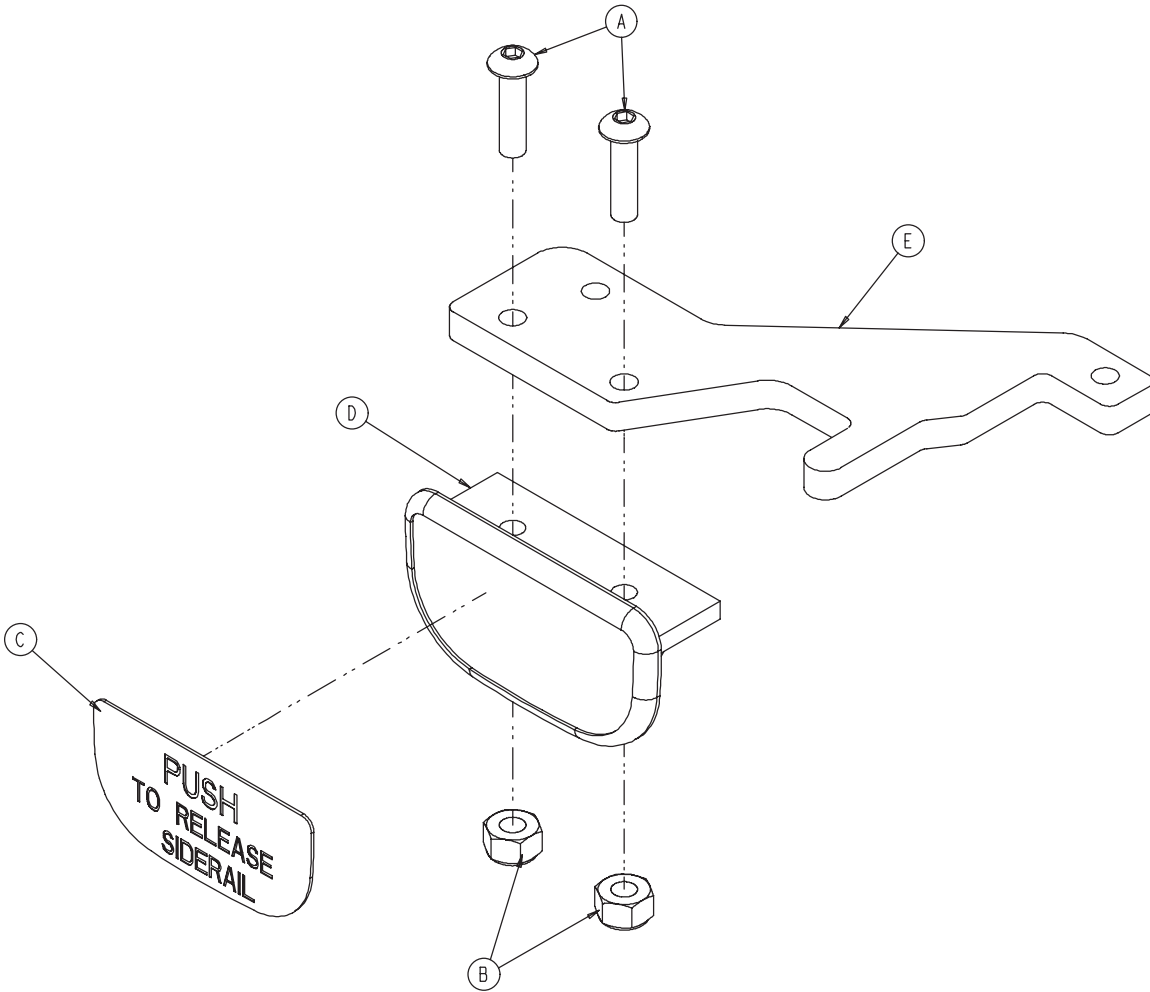


A	0011-377-000	2
B	0011-491-000	2
C	3001-400-501	2
D	3003-400-011	1
E	3003-401-327	1
F	2032-401-328	1

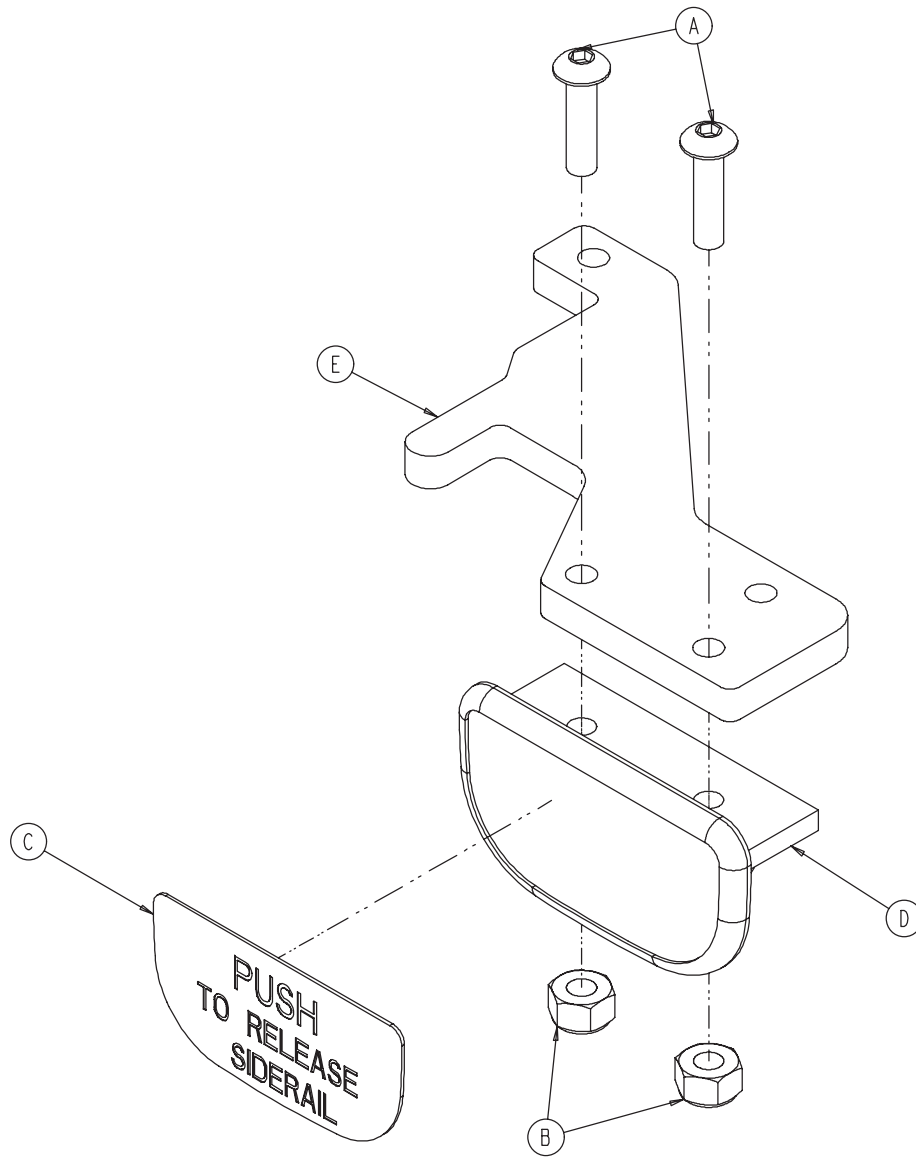
2032-401-025



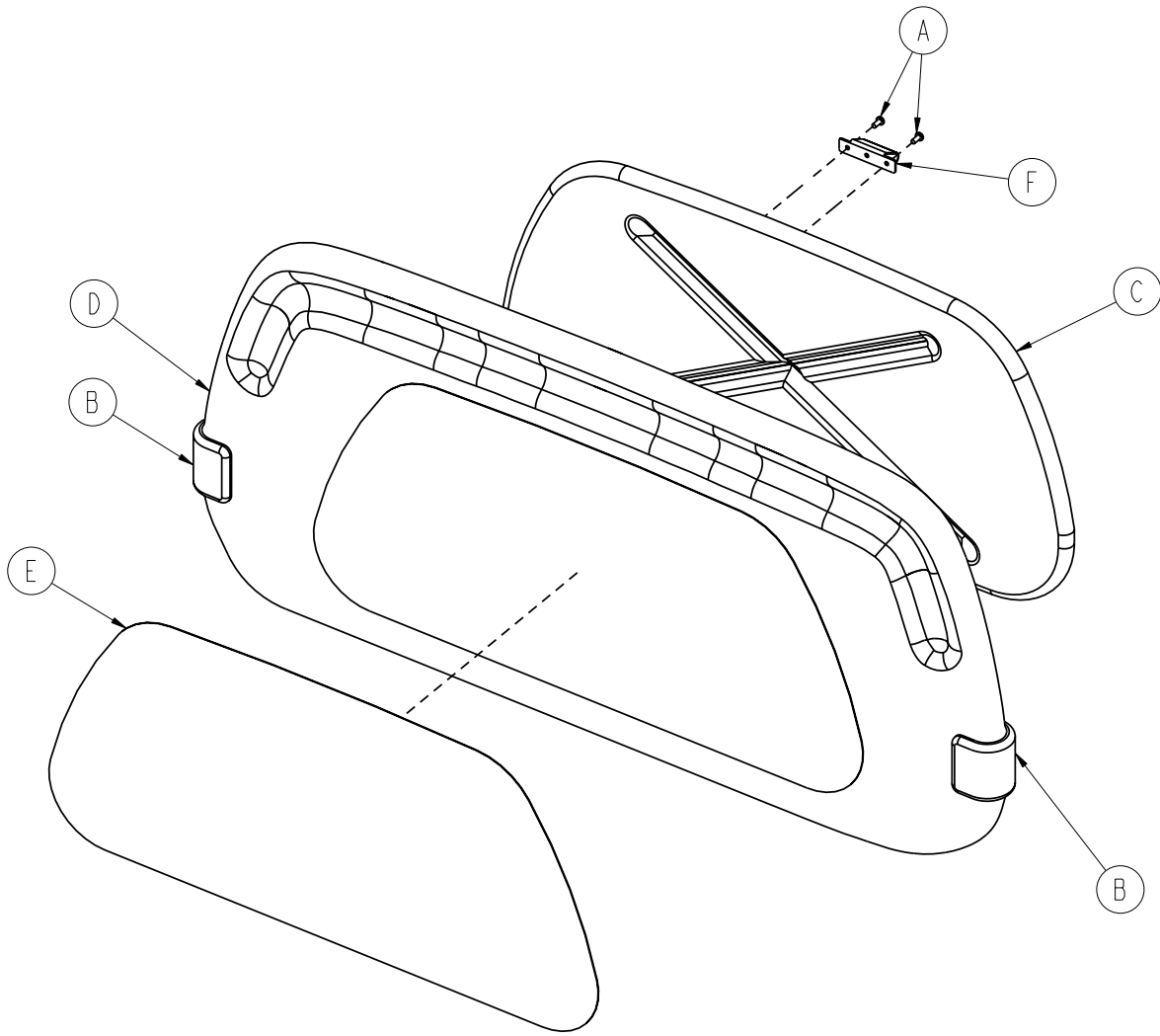
A	0011-377-000	2
B	0011-491-000	2
C	3001-400-501	2
D	3003-400-011	1
E	3003-401-427	1
F	2032-401-428	1



A	0004-278-000	2
B	0016-002-000	2
C	3003-503-901	1
D	3001-400-514	1
E	3002-400-510	1

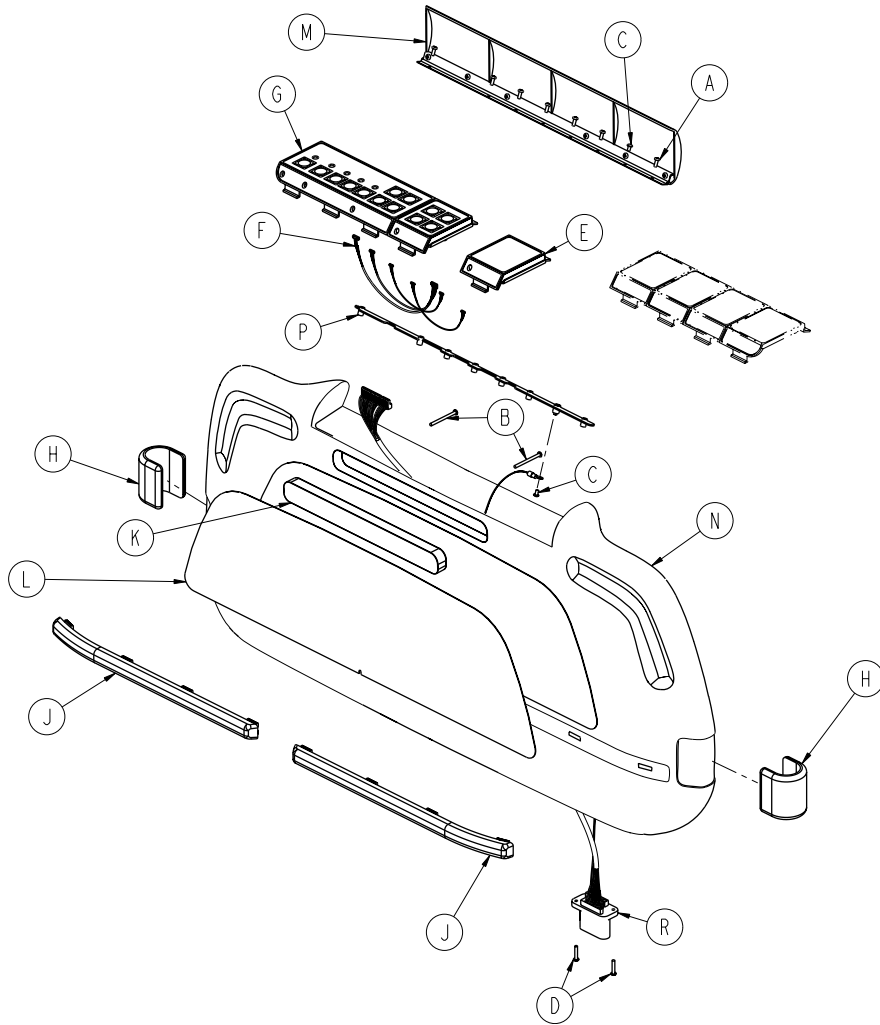


A	0004-278-000	2
B	0016-002-000	2
C	3003-503-901	1
D	3001-400-514	1
E	3002-400-510	1



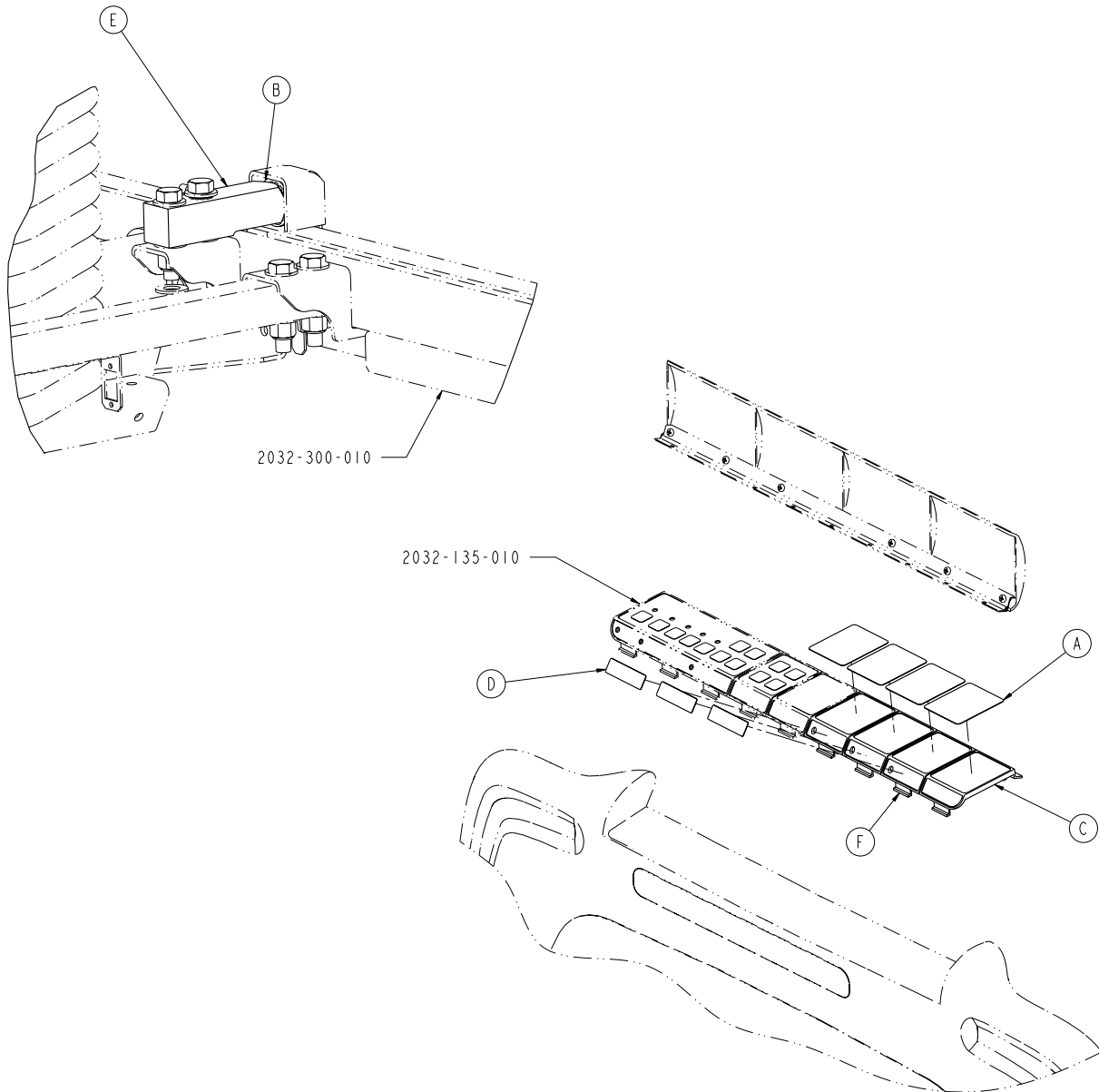
A	0023-088-000	2
B	2035-500-007	2
C	3000-526-001	1
D	3000-600-010	1
E	3000-600-056	1
F	3006-526-002	1

2032-135-010

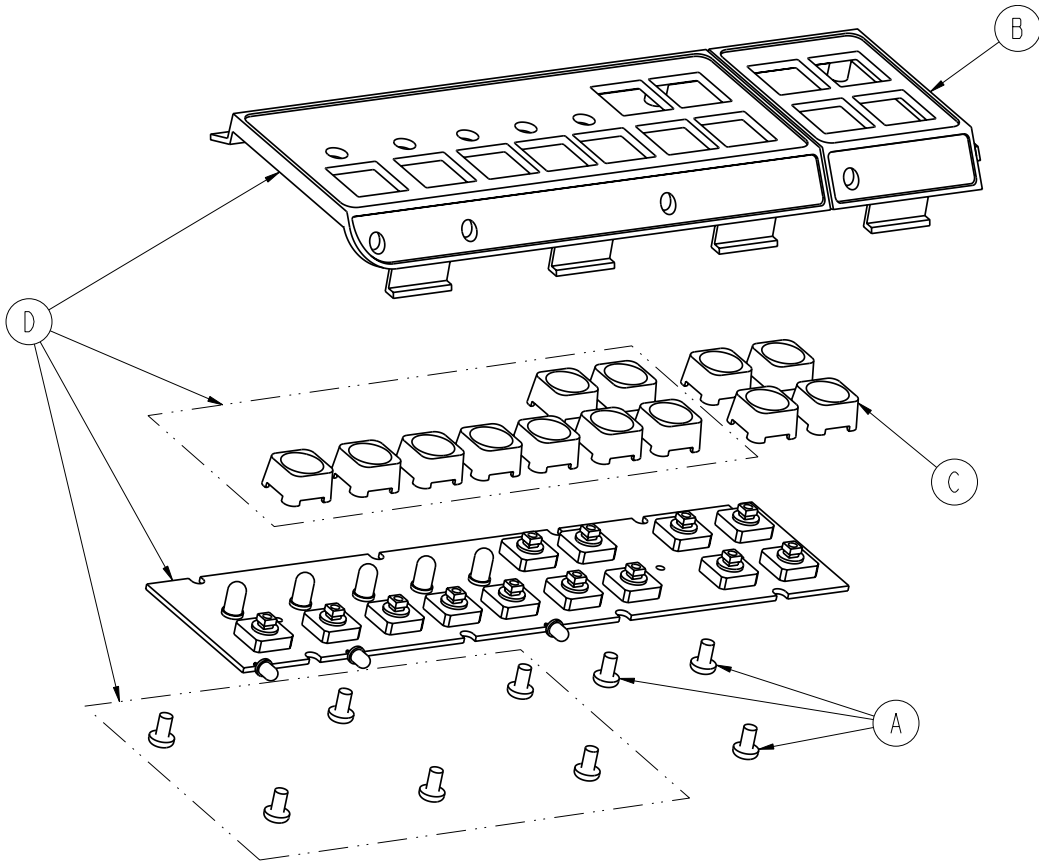


A	0023-103-000	7
B	0023-118-000	2
C	0050-038-000	2
D	0050-039-000	2
E	2025-136-021	1
F	2025-136-801	1
G	2032-235-020	1
H	2035-500-007	2
J	2035-500-008	2
K	3000-500-008	1
L	3000-500-056	1
M	3001-500-001	1
N	3001-500-010	1
P	3001-500-064	1
R	3001-500-801	1

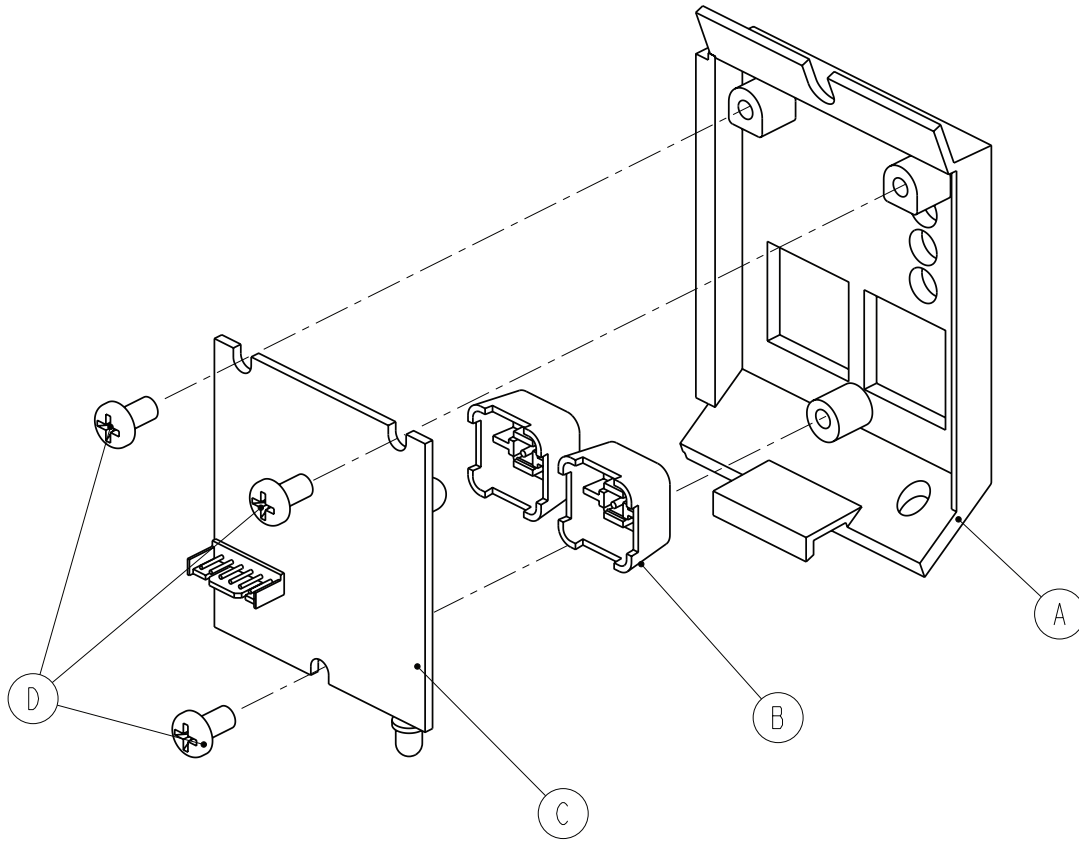
2031-999-140



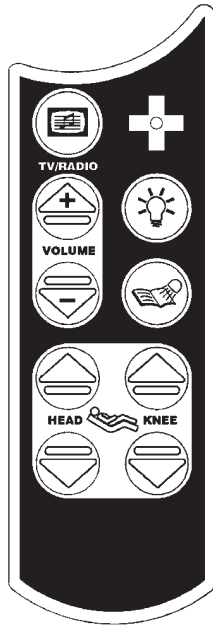
A	2035-500-101	4
B	3000-300-353	4
C	3000-500-004	1
D	3000-500-026	3
E	3001-300-511	4
F	3001-500-003	3



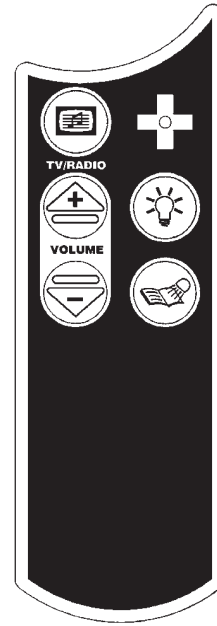
A	0023-087-000	3
B	3000-501-001	1
C	3001-400-953	4
D	3001-500-028	1



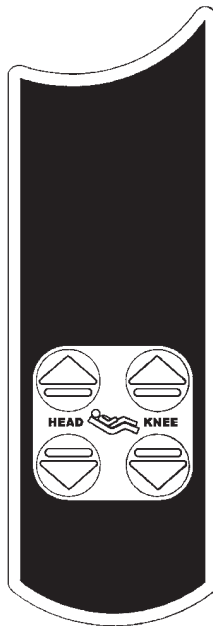
A	3000-508-001	1
B	3001-400-953	2
C	2025-136-900	1
D	0023-087-000	3



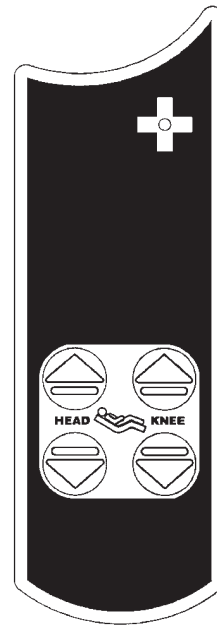
3001-315-012



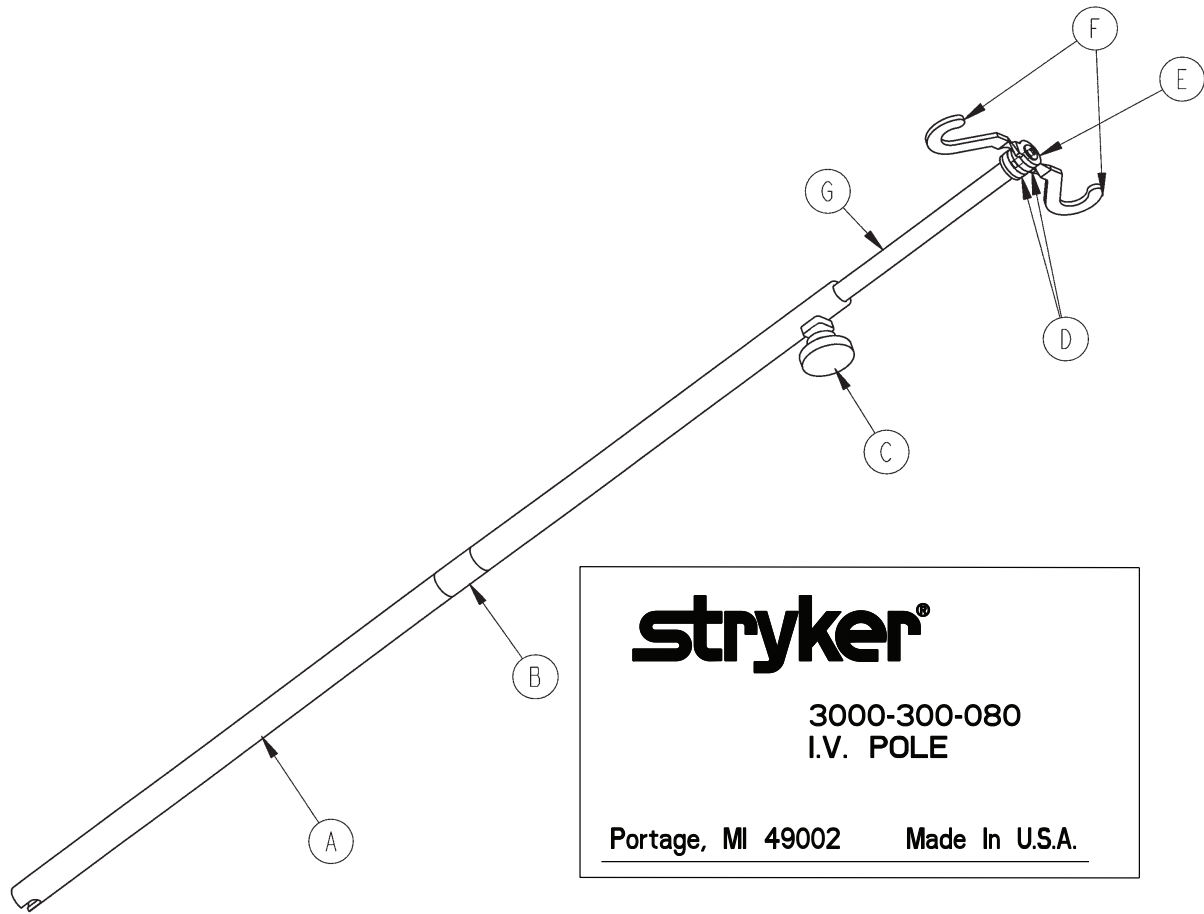
3001-315-016



3001-315-014



3001-315-018



A	3000-300-081	1
B	3000-300-089	1
C	0024-050-000	1
D	0052-017-000	2
E	0007-040-000	1
F	1010-059-016	2
G	3000-300-085	1

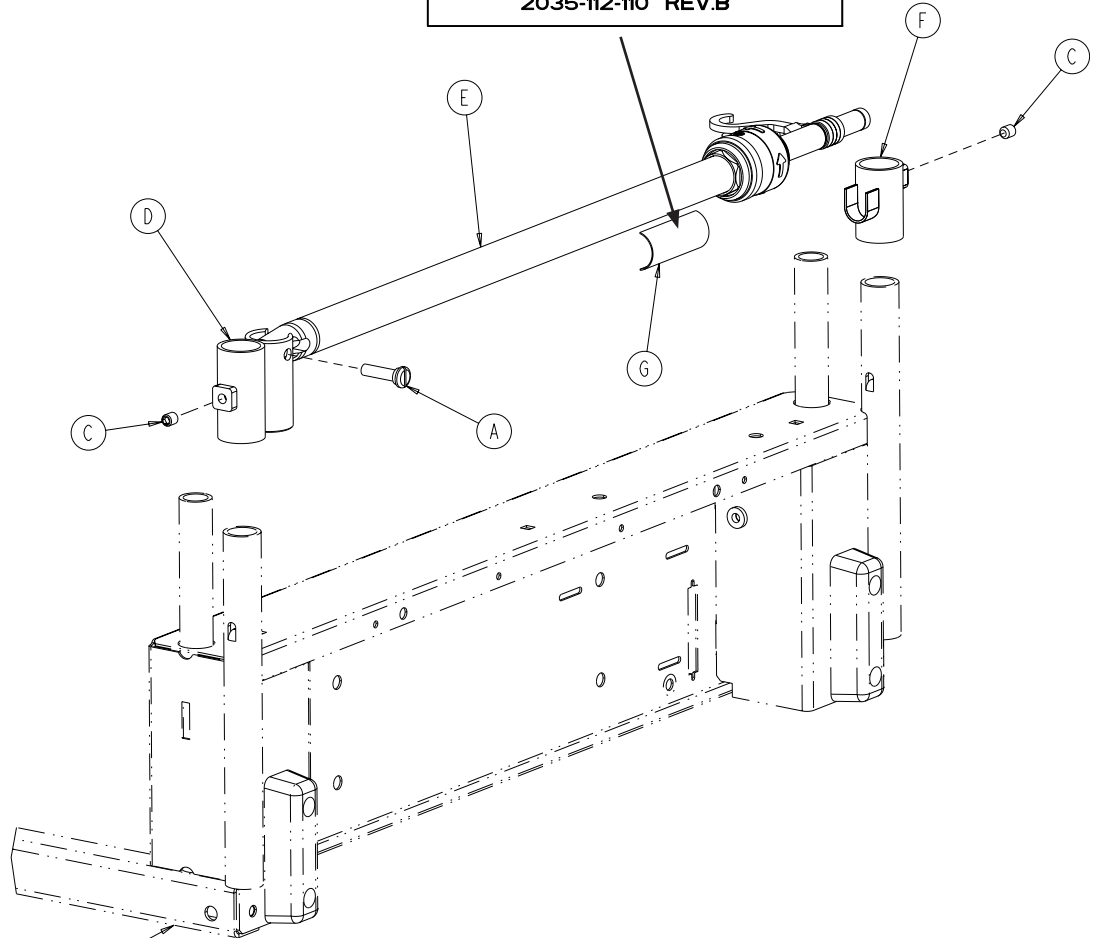
stryker[®]
Medical

2035-112-010 Two Stage
Permanent I.V. Pole

Portage, MI 49002 Made In U.S.A.

**CAUTION: Not Intended For
Use As A Pushing Device**

2035-112-110 REV.B



2035-031-054

A	1015-024-035	1
C	0021-140-000	2
D	2035-112-001	1
E	2035-112-010	1
F	3000-311-016	1
G	2035-112-110	1

2035-113-000

stryker[®]
Medical

2035-112-010 Two Stage
Permanent I.V. Pole

Portage, MI 49002 Made in U.S.A.

**CAUTION: Not Intended For
Use As A Pushing Device**

2035-112-110 REV.B

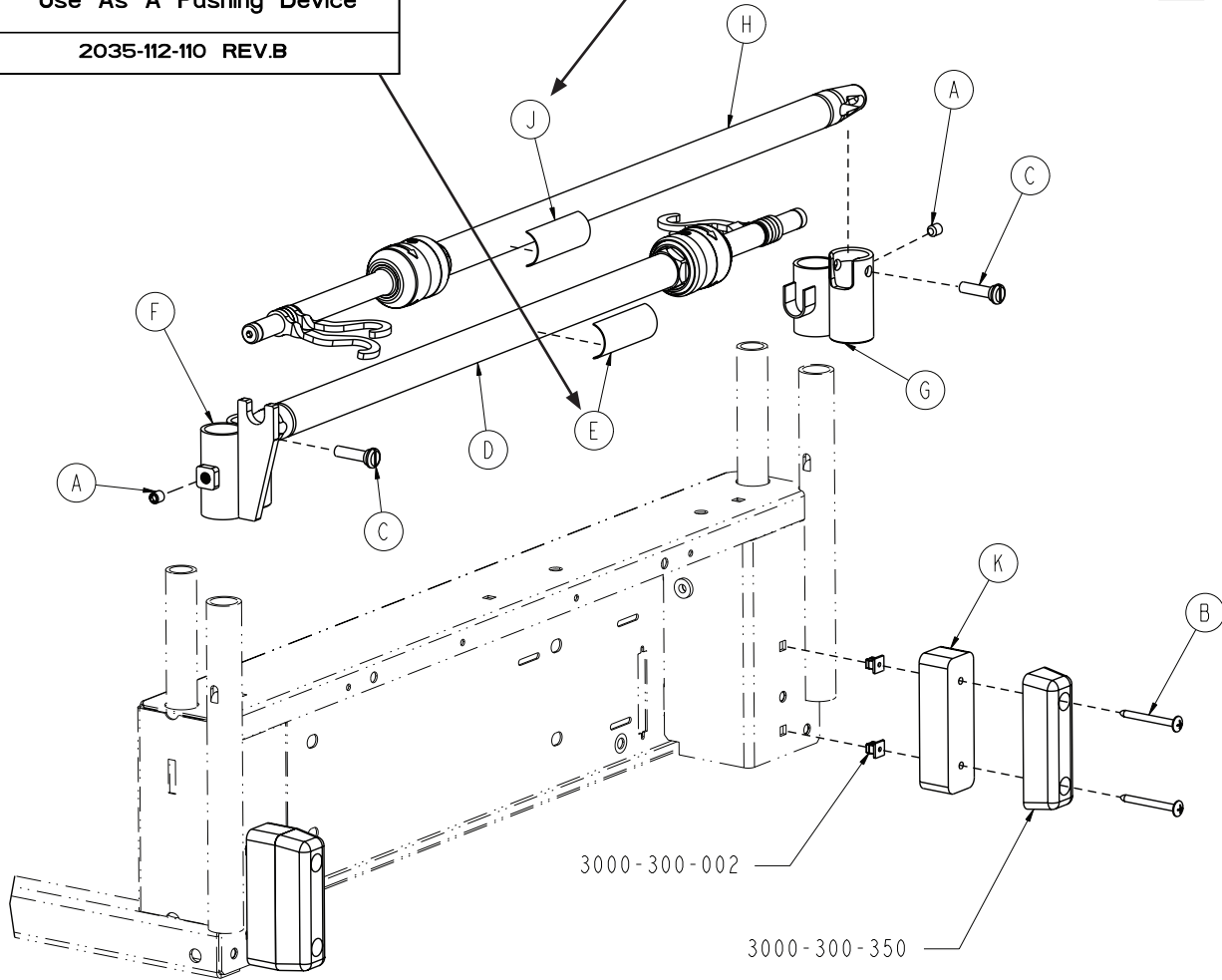
stryker[®]
Medical

2035-113-011 Two Stage
Permanent I.V. Pole

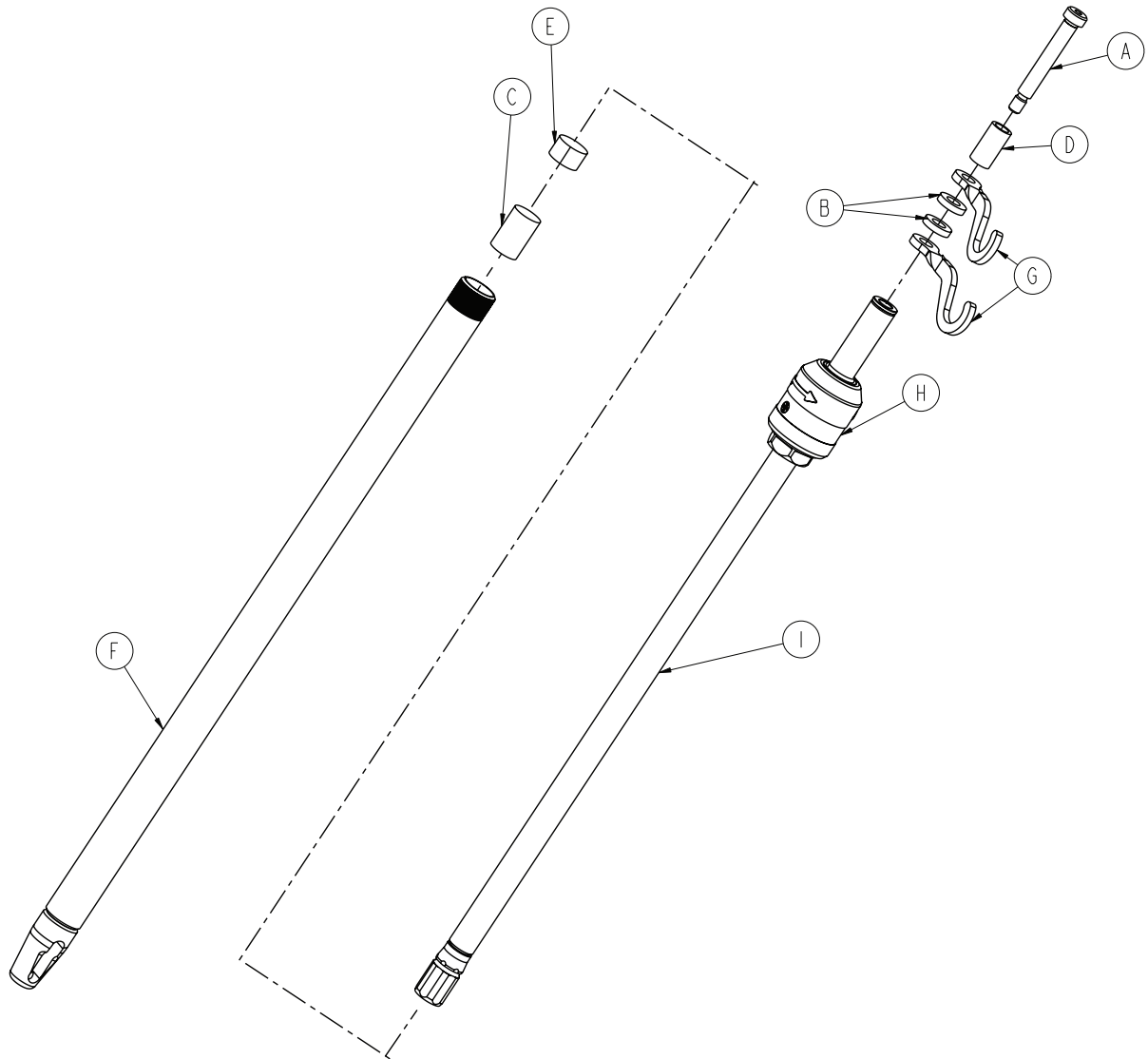
Portage, MI 49002 Made in U.S.A.

**CAUTION: Not Intended For
Use As A Pushing Device**

2035-113-111 REV. A



A	0021-193-000	2
B	0023-277-000	4
C	1015-024-035	2
D	2035-112-010	1
E	2035-112-110	1
F	2035-113-002	1
G	2035-113-001	1
H	2035-113-011	1
J	2035-113-111	1
K	2035-113-006	2



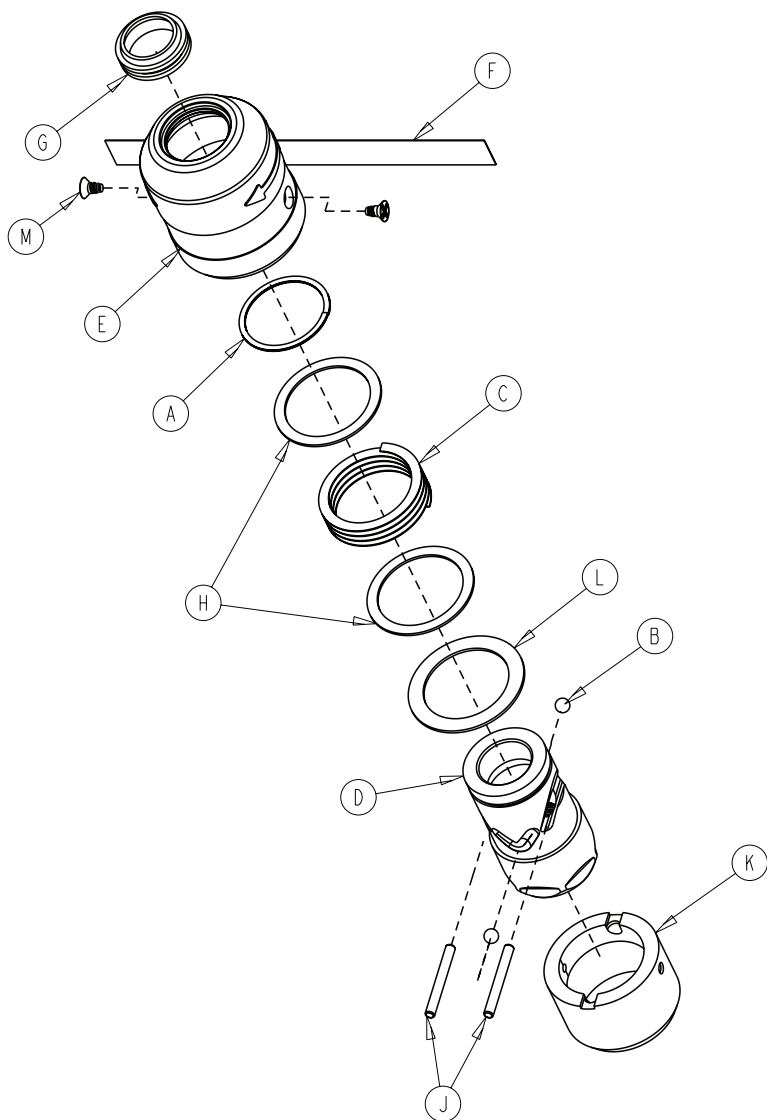
2035-112-010

A	0008-031-000	1
B	0052-017-000	2
C	0052-310-000	1
D	0926-400-162	1
E	1001-259-013	1
F	1001-259-032	1
G	1010-259-016	2
H	0785-035-103	1
I	1211-110-029	1

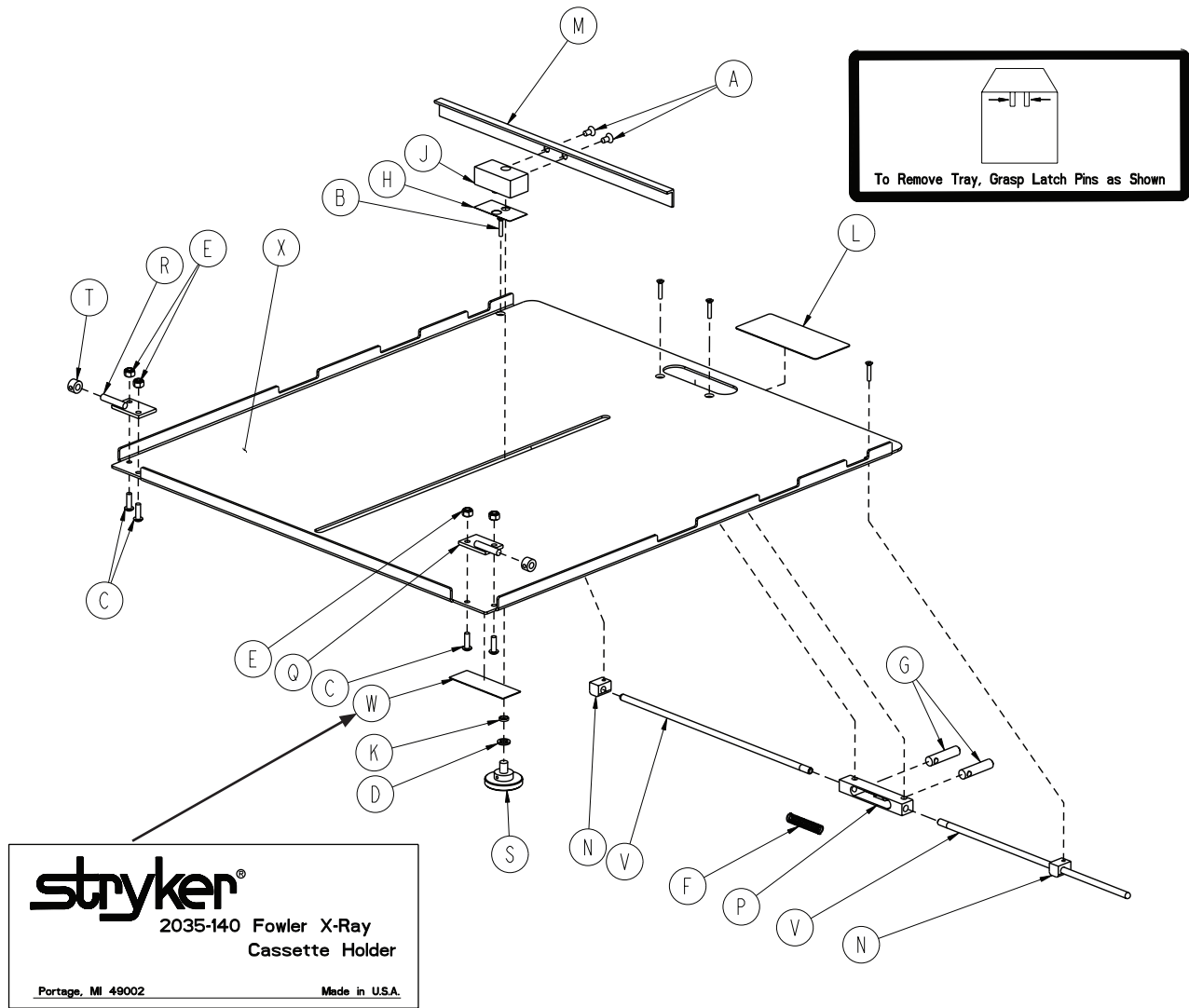
2035-113-011

A	0008-031-000	1
B	0052-017-000	2
C	0052-311-000	1
D	0926-400-162	1
E	1001-259-013	1
F	1001-259-032	1
G	1010-259-016	2
H	0785-035-103	1
I	1211-110-029	1

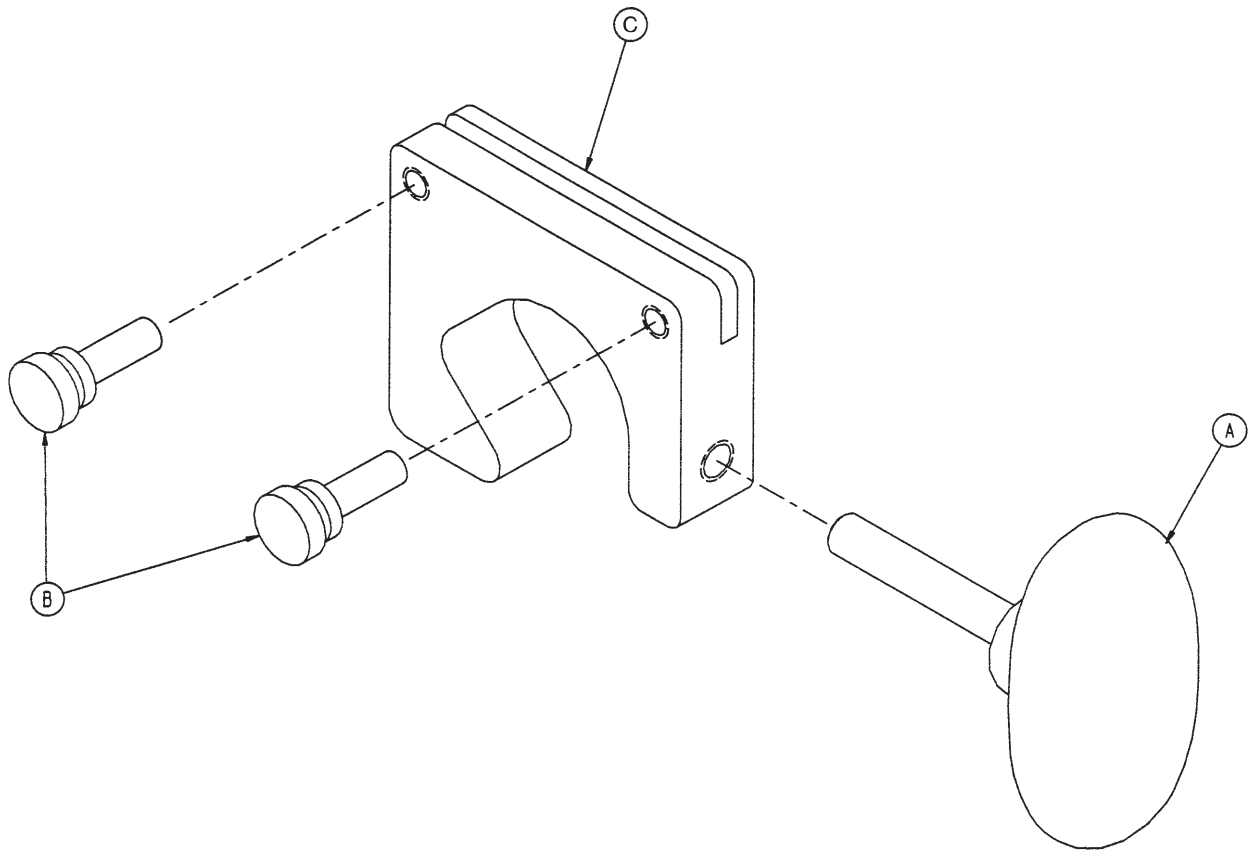
0785-035-103



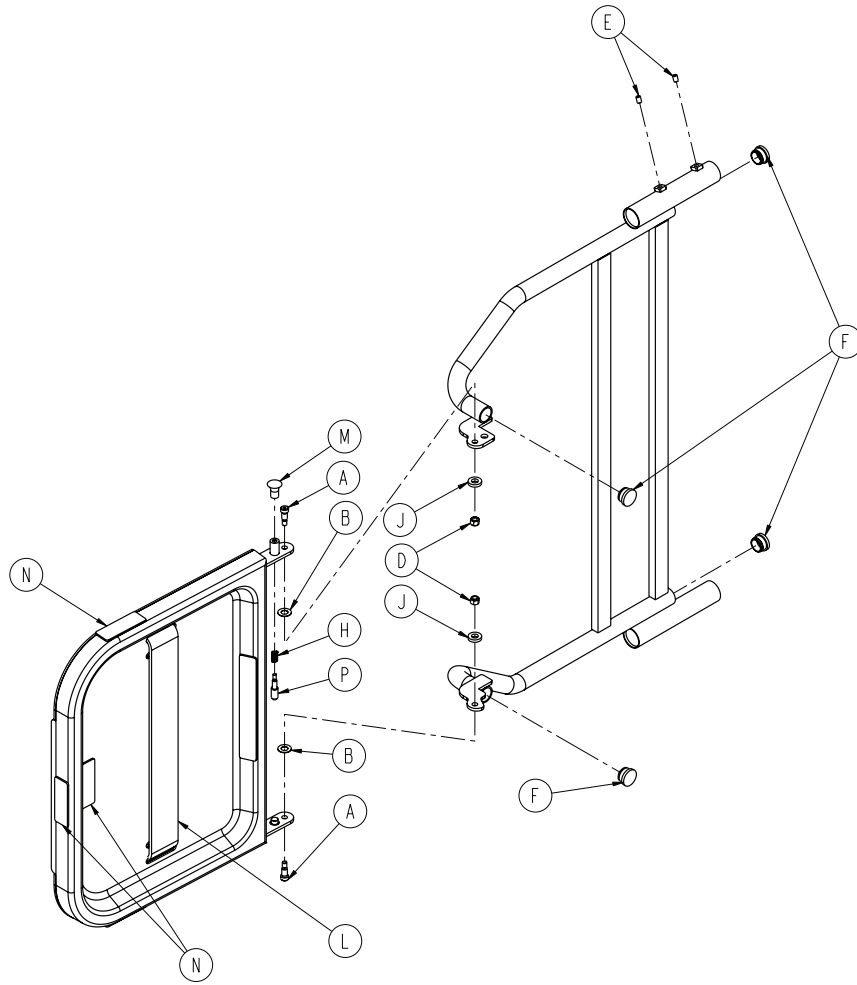
A	0028-167-000	1
B	0031-004-000	2
C	0038-392-000	1
D	0785-035-023	1
E	0785-035-024	1
F	0785-035-029	1
G	1211-110-018	1
H	1211-110-020	2
J	1211-110-021	2
K	1211-110-022	1
L	1211-110-035	1
M	1211-110-036	2



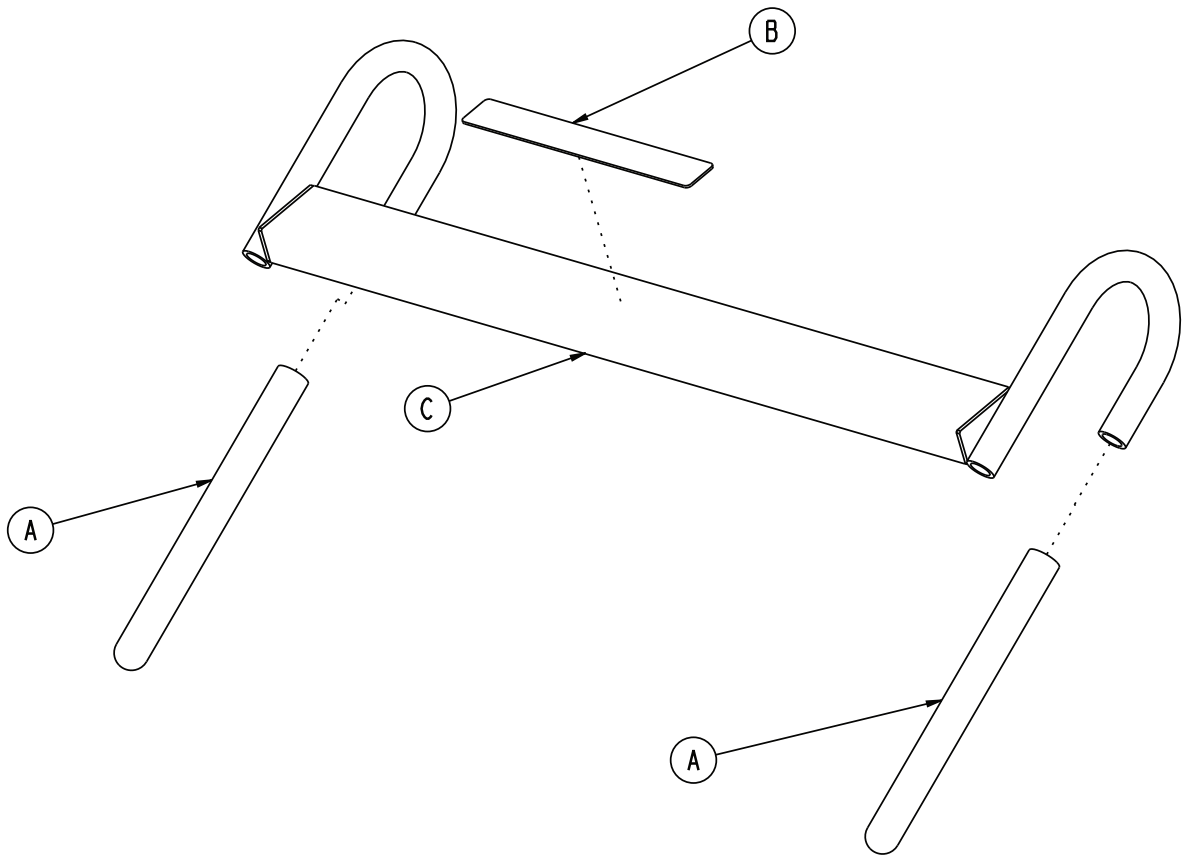
A	0001-020-000	2	M	2025-023-028	1
B	0004-049-000	4	N	1010-023-037	2
C	0004-149-000	4	P	1020-023-016	1
D	0014-003-000	1	Q	1020-023-019	1
E	0016-003-000	4	R	1020-023-020	1
F	0038-122-000	1	S	1020-023-021	1
G	0926-023-064	2	T	0042-013-000	2
H	0926-023-069	1	V	2025-140-002	2
J	0926-023-070	1	W	2035-140-025	1
K	0926-023-071	1	X	2032-140-099	1
L	1010-023-019	1			



A	0024-063-000	1
B	0024-064-000	2
C	2035-018-011	1

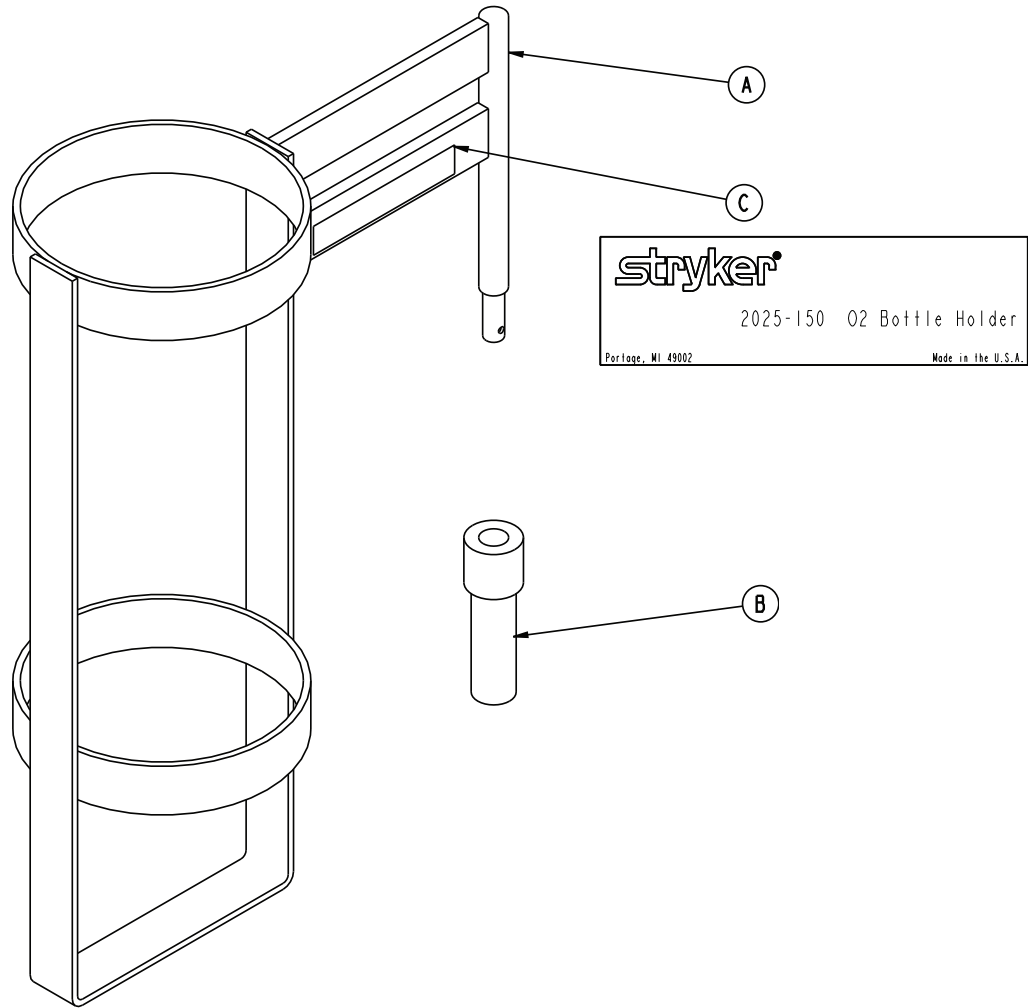


A	0008-049-000	2
B	0014-020-000	2
D	0016-028-000	2
E	0021-017-000	4
F	0037-214-000	4
H	0038-133-000	1
J	0052-017-000	2
K	1010-050-019	1
L	1010-050-021	1
M	1010-050-050	1
N	1010-050-057	4
P	1010-050-242	1
R	2025-120-005	1
S	2025-120-006	1
T	2025-120-018	1
W	2025-120-025	1

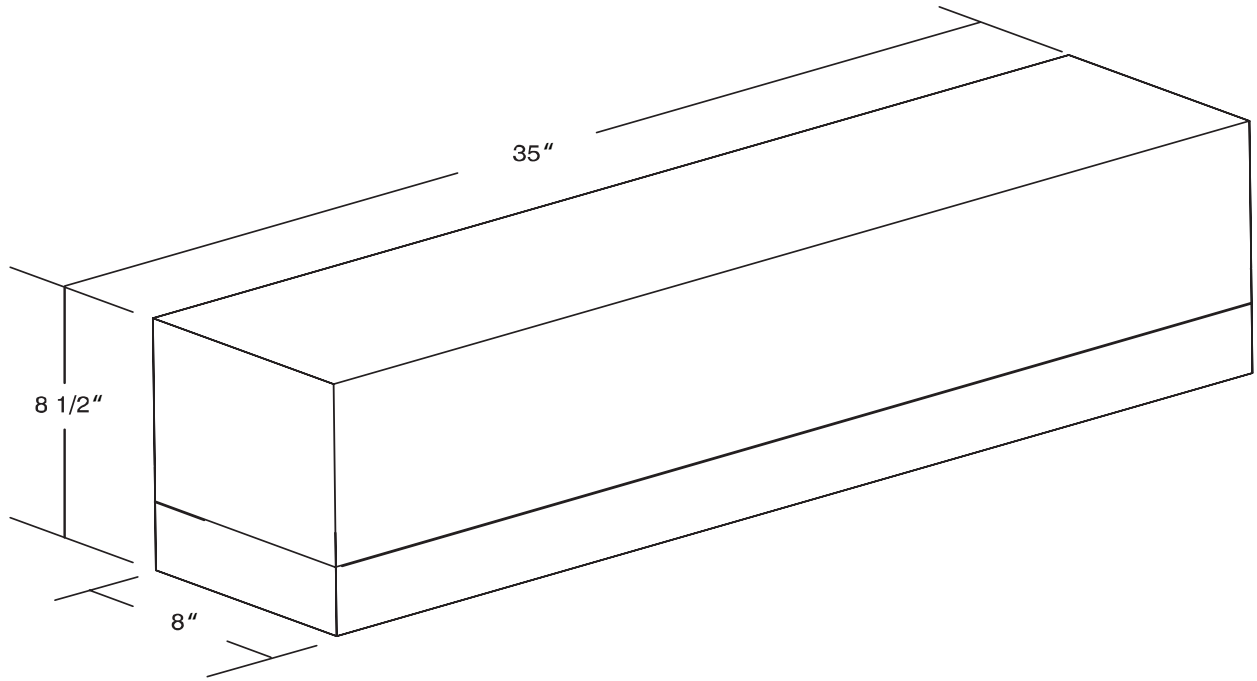


A	0058-087-000	2
B	2030-140-002	1
C	2040-111-005	1

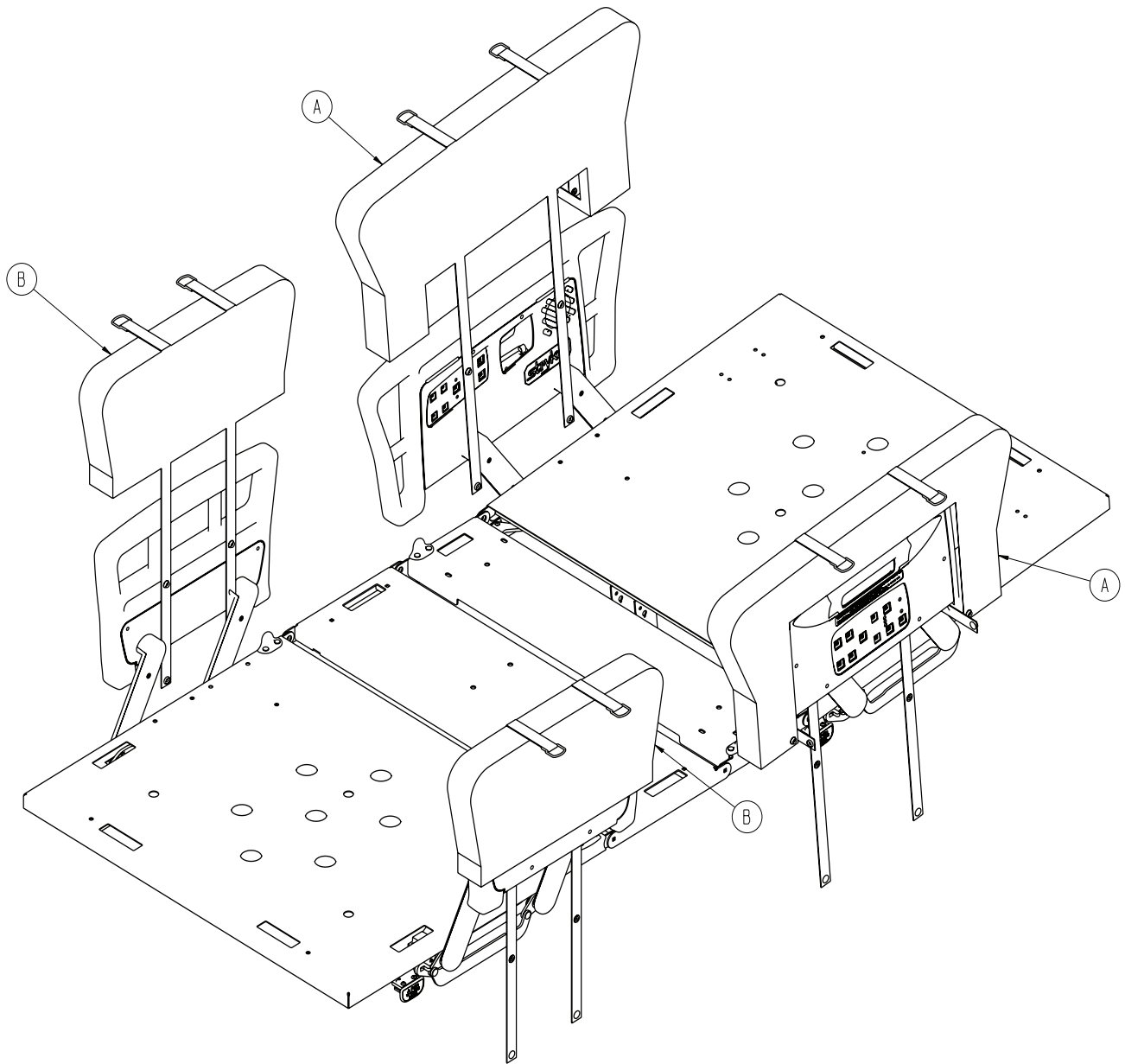
2025-150-010



A	3002-045-001	1
B	2025-150-001	1
C	2025-150-002	1



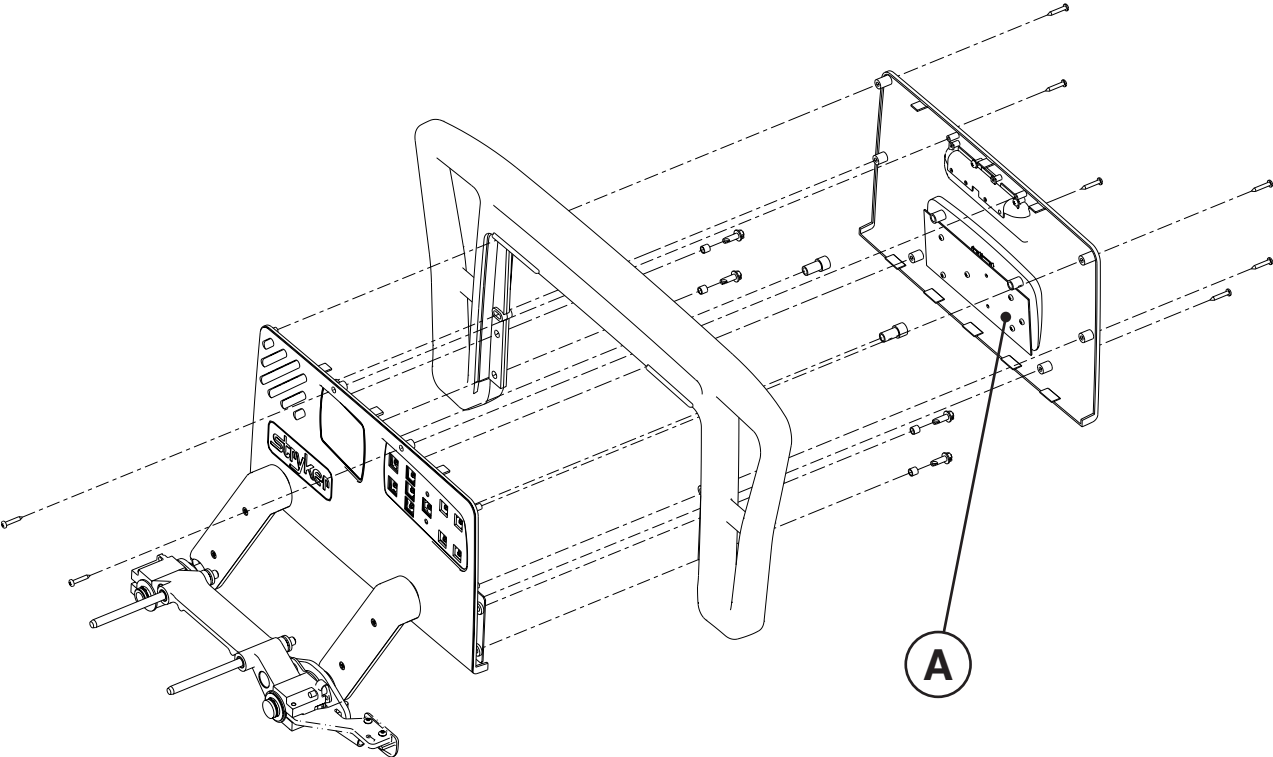
3003-336-020



A	3003-336-011	1
B	3003-336-013	1

Recycling Passport

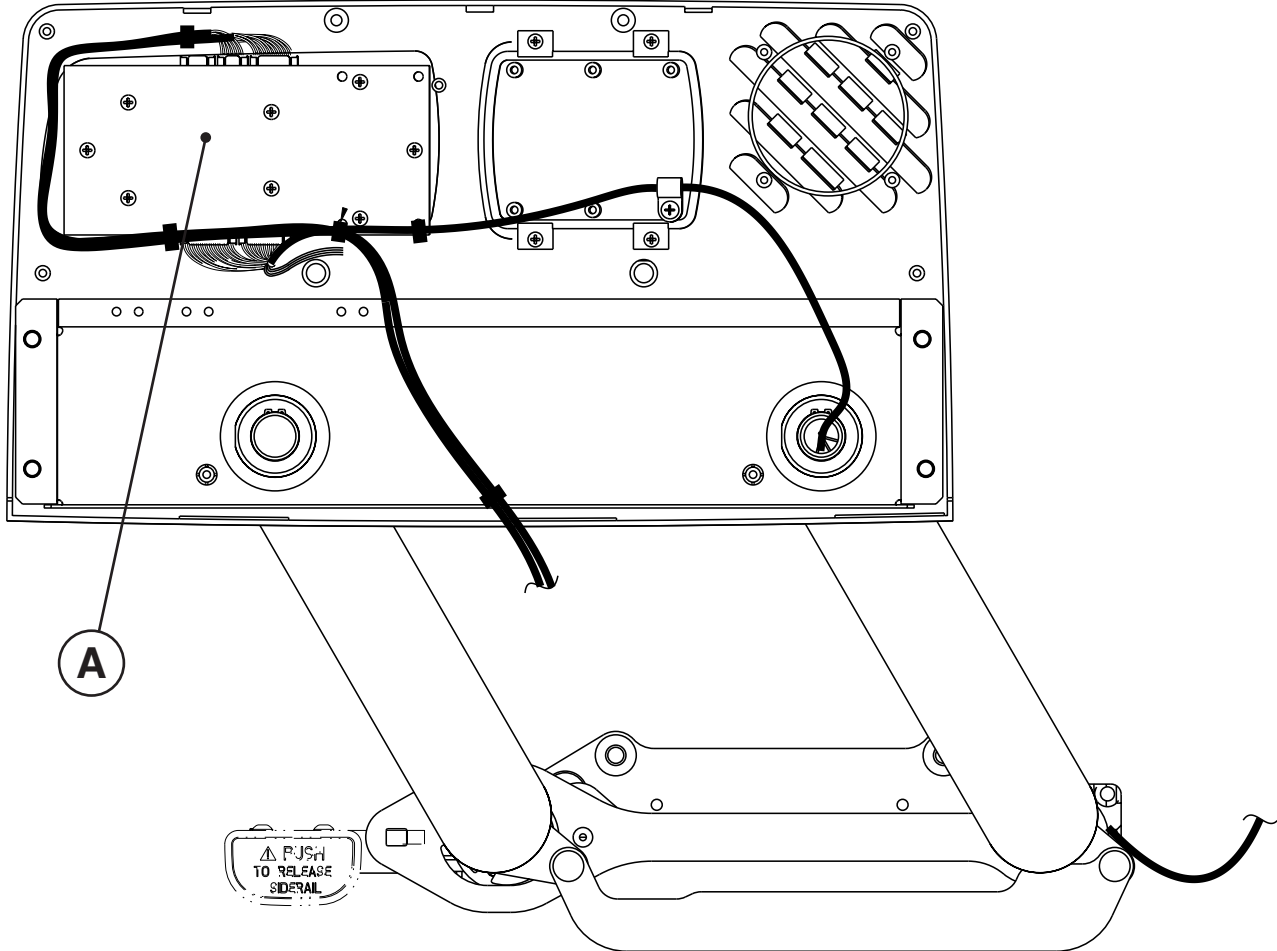
2031-400-105 / 2031-400-205



A	2035-400-900	2
---	--------------	---

Recycling Passport

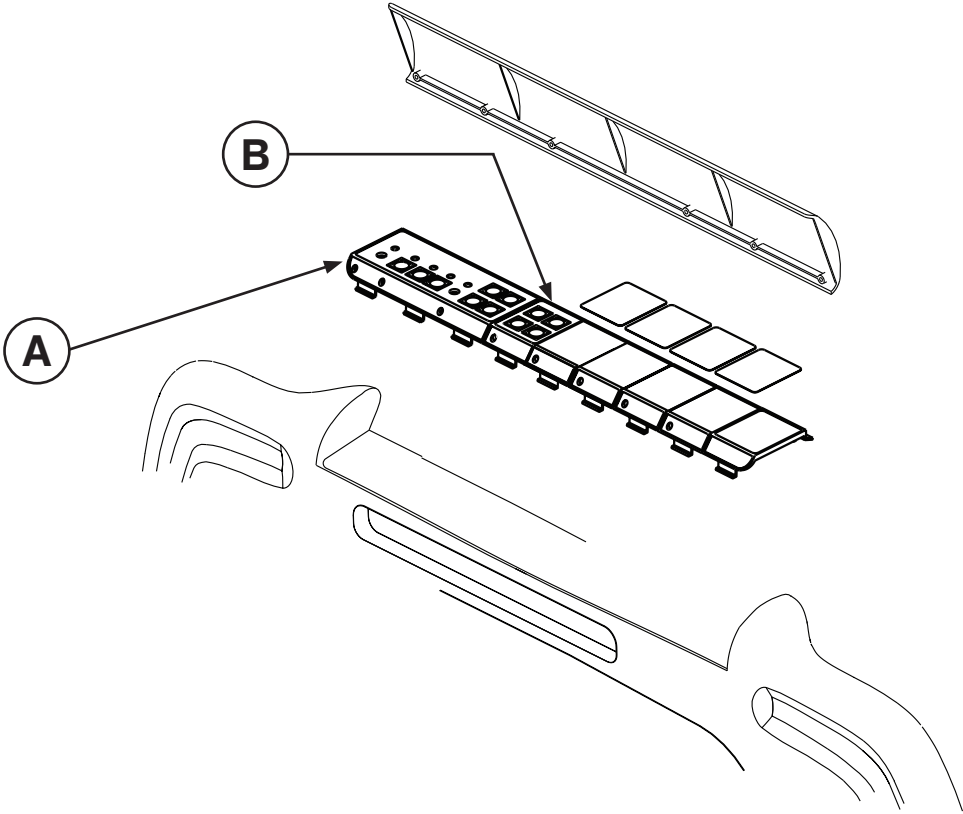
2031-400-105 & 2031-400-205



A	3001-400-930	2
---	--------------	---

Recycling Passport

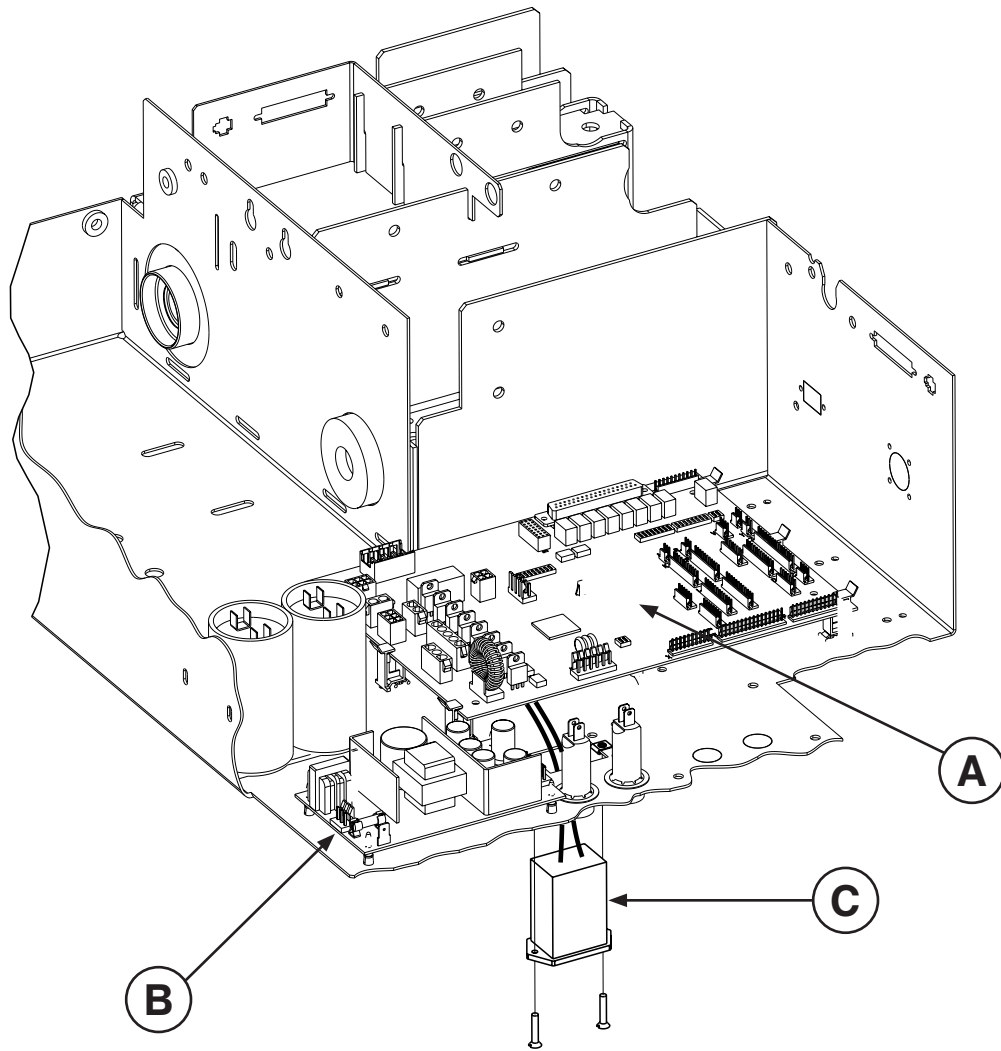
2032-135-010



A	2032-235-010	1
B	2025-136-021	1

Recycling Passport

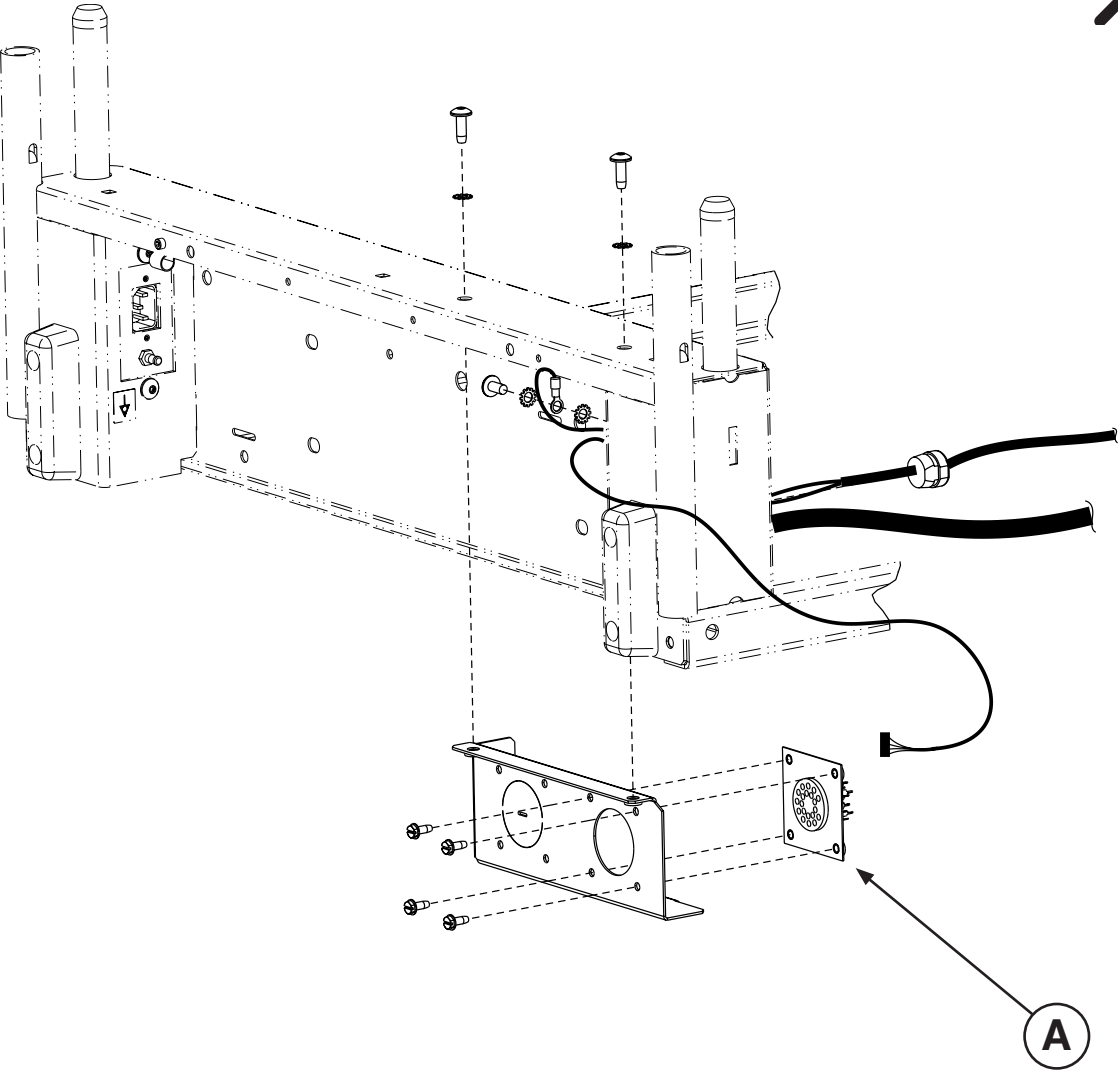
2031-030-201 / 2031-030-205



A	3002-407-950	1
B	0059-157-000	1
C	3000-303-871	1

Recycling Passport

2031-030-204



A	3001-314-920	1
---	--------------	---



UNITED STATES
Stryker Medical
3800 E. Centre Ave.,
Portage, Michigan USA
49002



European Representative
Stryker France
ZAC Satolas Green Pusignan
Av. De Satolas Green
69881 MEYZIEU Cedex
France



stryker[®]