

**InTouch® Critical Care Bed**  
Version 4.0 with Wi-Fi / Isolibrium™ (2971) support surface  
**REF** FL27 (2131/2141)

# stryker®

















## Operations Manual













# Symbols

	General warning
	Caution
	Consult instructions for use
	Catalogue number
	Serial number
	Manufacturer
	Date of manufacture
	Safe working load
	Alternating current
	Dangerous voltage
	Fuse rating for beds with the 100VAC or 120VAC electric system
	Unit provides terminal for connection of a potential equalization conductor. The potential equalization conductor provides direct connection between the unit and potential equalization busbar of the electrical installation.
	Protective Earth terminal
<b>IPX4</b>	Protection from liquid splash
	Type B applied part
	Medical Equipment Classified by Underwriters Laboratories Inc. With Respect to Electric Shock, Fire, and Mechanical Hazards Only in Accordance with ANSI/AAMI ES60601-1: 2005 and CAN/CSA-C22.2 No. 60601-1:08.
	In accordance with European Directive 2012/19/EU on Waste Electrical and Electronic Equipment, this symbol indicates that the product must not be disposed of as unsorted municipal waste, but should be collected separately. Refer to your local distributor for return or collection systems available in your country.

# Symbols

	Non-ionizing radiation such as RF transmitter (Wi-Fi)
	iBed Locator is connected
	iBed Locator is not connected
	Wireless Network is connected
	Wireless Network is not connected
	Support surface call maintenance

# Table of Contents

---

Warning/Caution/Note Definition .....	4
Introduction .....	5
Product description .....	5
Intended use: InTouch Critical Care bed .....	5
Indications for use .....	6
Expected service life .....	6
Contraindications .....	6
Specifications .....	7
Product illustration .....	10
Contact information .....	11
Serial number location .....	11
Specification label location .....	11
Summary of safety precautions .....	12
Setup .....	16
Installation .....	17
Installing the XPRT Therapy support surface (optional) .....	17
Installing the PositionPRO support surface (optional) .....	17
Installing the Isolibrium support surface (optional) .....	17
Installing iBed® Wireless (120V North American only) (optional) .....	17
Operation .....	18
Battery modes .....	18
Applying or releasing the manual brake .....	19
Applying or releasing the electric brakes .....	21
Transporting <b>InTouch</b> with steer lock (Model 2131) .....	21
Transporting <b>InTouch</b> by using the Zoom motorized drive (Model 2141) (option) .....	22
Activating the CPR release pedal .....	24
Locating the foley bag hooks .....	25
Locating the patient restraint strap tie-ins .....	26
Operating nurse call (option) .....	27
Connecting peripheral equipment to the built-in 110 volt auxiliary power outlet (optional) and the auxiliary mattress connector .....	27
Removing or replacing the headboard .....	28
Removing or replacing the footboard .....	29
Raising or lowering the siderails .....	30
Motion control panel (outside siderail) .....	31
Brake control panel (outside siderail) .....	33
Patient control pendant (optional) .....	34
Head end control panel (optional) .....	35
Footboard control panel .....	36
Footboard LED indicators .....	37
Accessing functions and features with the touch screen display and navigation bar .....	38
Main menu: Patient information .....	39
Clearing and entering new patient information .....	40

# Table of Contents

---

Configuring the visibility of patient information .....	41
Main menu: Bed controls .....	42
Main menu: Scale .....	43
Recording patient weight with a delay .....	44
Setting the scale to zero .....	45
Viewing weight history .....	46
Changing the patient weight .....	47
Measuring weight gain or loss .....	48
Main menu: Chaperone Bed exit .....	49
Arming or disarming Chaperone Bed exit .....	50
Setting the alarm tones .....	51
Connecting a support surface to InTouch .....	52
Main menu: Surfaces .....	52
XPRT Therapy support surface (optional) .....	53
PositionPRO support surface (optional) .....	53
Restarting a support surface function .....	54
Isolibrium support surface (optional) .....	55
Preparing Isolibrium for a new patient .....	56
Positioning a patient on the support surface .....	57
Preparing for Lateral Rotation .....	61
Activating and resetting CPR .....	66
Viewing and clearing history .....	67
Main menu: Options .....	68
Setting the time and date .....	69
Configuring Smart TV (optional) .....	69
Changing the displayed screen language .....	70
Viewing parameter history .....	71
Changing the control panel LED backlight intensity .....	73
Viewing general maintenance status information .....	74
Viewing advanced alarm options .....	75
Viewing the Wi-Fi connection status (optional) .....	76
Resetting the Wi-Fi connection .....	76
Viewing the iBed Locator connection status (optional) .....	77
Main menu: Lockouts .....	78
Enabling or disabling lockouts .....	79
Main menu: iBed (optional) .....	80
Configuring iBed Awareness .....	81
Acknowledging the event manager .....	83
Setting a protocol reminder .....	84
Accessing the in-screen calculator .....	87
Accessing the in-screen converter .....	87
Reading and listening to translated clinical phrases .....	88
Taking the Braden Scale for Predicting Pressure Sore Risk survey .....	89

# Table of Contents

---

Viewing logged information using Documentation (optional) .....	90
Playing music using sound therapy (optional) .....	91
Creating or editing a playlist using sound therapy (optional) .....	92
Accessories .....	93
Installing the optional bed extender .....	94
Installing the optional single two-stage IV pole .....	95
Operating the optional single two-stage IV pole .....	96
Installing the optional dual two-stage IV pole .....	97
Operating the optional dual two-stage IV pole .....	98
Installing the optional line management clip .....	99
Installing the optional patient control pendant clip .....	100
Installing the optional monitor tray .....	101
Operating the optional monitor tray .....	102
Installing the optional upright oxygen bottle holder .....	103
Installing the optional right fit oxygen bottle holder .....	104
Installing the optional patient control pendant .....	105
Installing the optional traction sleeves .....	106
Installing the optional wall saver .....	107
Installing the optional X-ray cassette holder .....	108
Cleaning .....	109
Cleaning a support surface .....	109
Preventive Maintenance .....	110
Warranty .....	112
Limited warranty .....	112
Warranty exclusion and damage limitations .....	112
To obtain parts and service .....	112
Return authorization .....	112
Damaged product .....	112
International warranty clause .....	112

# Warning/Caution/Note Definition

---

The words **WARNING**, **CAUTION**, and **NOTE** carry special meanings and should be carefully reviewed.

---

## **WARNING**

Alerts the reader about a situation which, if not avoided, could result in death or serious injury. It may also describe potential serious adverse reactions and safety hazards.

---

## **CAUTION**

Alerts the reader of a potentially hazardous situation which, if not avoided, may result in minor or moderate injury to the user or patient or damage to the product or other property. This includes special care necessary for the safe and effective use of the device and the care necessary to avoid damage to a device that may occur as a result of use or misuse.

---

**Note:** Provides special information to make maintenance easier or important instructions clearer.

# Introduction

---

This manual assists you with the operation or maintenance of the Stryker Model FL27 (2131/2141) **InTouch®** Critical Care bed. Read this manual thoroughly before operating or maintaining this product. Set methods and procedures to educate and train your staff on the safe operation or maintenance of this product.

---

## **WARNING**

- Improper usage of the product can cause injury to the patient or operator. Operate the product only as described in this manual.
  - Do not modify the product or any components of the product. Modifying the product can cause unpredictable operation resulting in injury to patient or operator. Modifying the product also voids its warranty.
- 

## **Notes**

- This manual should be considered a permanent part of the product and should remain with the product even if the product is subsequently sold.
- Stryker continually seeks advancements in product design and quality. Therefore, while this manual contains the most current product information available at the time of printing, there may be minor discrepancies between your product and this manual. If you have any questions, contact Stryker Customer Service or Technical Support at 1-800-327-0770.

## **Product description**

**InTouch** is an AC-powered, adjustable hospital bed designed to position human patients for procedures, therapy, and recovery in a healthcare environment, and transport patients between bays and procedural rooms. **InTouch** measures and displays patient weight. The scale output is not intended to be used to determine diagnosis or treatment. The nurse call allows patients to alert an operator when the patient requires assistance. There is a 30° head of bed (HOB) button that puts the patient at a 30° angle that is calculated relative to the base to assist in ventilator-associated pneumonia (VAP) prevention. When the Chaperone bed exit system is active, it monitors a chosen zone, and alerts the operator of a deliberate or non-deliberate bed exit. **InTouch** has 39 prerecorded clinical phrases in 24 languages, and a sound feature that offers various environmental and musical selections.

## **Intended use: InTouch Critical Care bed**

**InTouch** is intended for use by patients in an acute care setting. The safe working load (the sum of the patient, the mattress, and accessory weight) for **InTouch** is 550 lb (249 kg).

**InTouch** is intended to support a human patient. The frame can come in contact with human skin, but a patient should never be on the frame without a support surface in use.

**InTouch** is intended for use in acute care. These settings may include critical care, step down, progressive care, med/surg, sub-acute care, and post anesthesia care unit (PACU), or other locations, as prescribed. Intended operators are healthcare professionals (nurses, nurse aids, doctors) that can use all bed operations (such as bed motion functions, nurse call, siderail communications, bed exit, therapy options), patient and bystander that can use bed motion functions, nurse call and siderail communications, and trained professionals for installation, service, and calibration.

The product is intended for use in a healthcare environment, including hospitals, surgery centers, long term acute care centers, and rehabilitation centers.

The product is compatible with 35 in. x 84 in. support surfaces, the facility nurse call system, standard med/surg equipment, and the facility infrastructure. **InTouch** is intended for use with a 6 in. to 8.5 in. support surface. You may use a support surface or overlay greater than 6 in. that offers therapeutic value with added patient supervision.

The Chaperone bed exit system is intended only to aid in the detection of a patient exiting the product. It is not intended to replace patient monitoring protocol.

# Introduction

---

## Indications for use

The intended use for the **iBed**® Wireless (with **iBed** Awareness) is to assist clinical staff to monitor bed parameters on specific Stryker beds. The desired bed parameters are set by operators at the bedside. The **iBed** Wireless software is only intended for use with specifically enabled Stryker beds that have been verified and validated with the **iBed** Wireless software, and is not intended to provide bed status information for non-Stryker beds. The **iBed** Wireless software is not intended to communicate any patient status information, nor to permanently store any type of data. The **iBed** Wireless with **iBed** Awareness System is not intended to provide automated treatment decisions or as a substitute for professional healthcare judgment. The **iBed** Wireless with **iBed** Awareness System is not a replacement or substitute for vital signs monitoring or alert equipment. All patient medical diagnosis and treatment are to be performed under direct supervision and oversight of an appropriate healthcare professional.

## Expected service life

**InTouch** has a 10 year expected service life under normal use conditions and with appropriate periodic maintenance.

## Contraindications

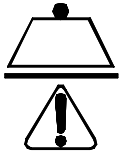
**InTouch** is not intended to:

- be used without a support surface
- use the scale output to determine diagnosis or treatment
- be used with an oxygen tent
- support more than one individual at a time
- be used with patients that are 35 in. or less
- be used with patients that weigh 50 lb or less
- be used on patient less than two years old
- be used in a home healthcare environment
- be used in the presence of flammable anesthetics



# Introduction

## Specifications

	Safe working load <b>Note:</b> Safe working load indicates the sum of the patient, mattress, and accessory weight	550 lb	249 kg
Product weight		750 lb	340,2 kg
Product length		90 in.	228,6 cm
Product width	Siderails up	42 in.	106,7 cm
	Siderails down	40 in.	102,9 cm
Base	Under product clearance	5 in.	12,7 cm
Litter	Patient surface	<ul style="list-style-type: none"> <li>• 35 in.</li> <li>• 84 in.</li> <li>• 90 in.</li> </ul>	<ul style="list-style-type: none"> <li>• 88,9 cm</li> <li>• 213,4 cm</li> <li>• 228,6 cm</li> </ul>
	Seat depth	18.5 in.	47 cm
	Foot	<ul style="list-style-type: none"> <li>• 29 in.</li> <li>• 0° to 50° (± 5°)</li> </ul>	<ul style="list-style-type: none"> <li>• 73,7 cm</li> <li>• 0° to 50° (± 5°)</li> </ul>
	Fowler width	36 in.	91,4 cm
	Fowler length	34 in. to 35 in.	86,4 cm - 88,9 cm
	Fowler angle	<ul style="list-style-type: none"> <li>• 0° to 70°</li> <li>• (0°-40° and 50°-70° ± 3°)</li> <li>• (40°-50° ± 5°)</li> </ul>	<ul style="list-style-type: none"> <li>• 0° to 70°</li> <li>• (0°-40° and 50°-70° ± 3°)</li> <li>• (40°-50° ± 5°)</li> </ul>
	Gatch	<ul style="list-style-type: none"> <li>• 18 in.</li> <li>• 34 in. to 35 in.</li> <li>• 0° to 15° (± 3°)</li> </ul>	<ul style="list-style-type: none"> <li>• 45,7 cm</li> <li>• 86,4 cm - 88,9 cm</li> <li>• 0° to 15° (± 3°)</li> </ul>
	Cardiac chair position	<ul style="list-style-type: none"> <li>• Standard</li> <li>• Enhanced</li> </ul>	<ul style="list-style-type: none"> <li>• Head: 65°, Seat: 17°, Foot: 30°, Trend: 3°</li> <li>• Head: 70°, Seat: 19°, Foot: 47°, Trend: 3°</li> </ul>
Fowler	Length	36.5 in.	92,7 cm
Lift system	Height (high) to top of litter	33 in.	83,8 cm
	Height (low) to top of litter	16 in.	40,6 cm
	Trendelenburg/Reverse Trendelenburg	12° (± 2°)	
	Product lift time	35 seconds maximum from lowest to highest position	
Scale system	Capacity	550 lb	249 kg

# Introduction

## Specifications (Continued)

	<p>Accuracy:</p> <ul style="list-style-type: none"> <li>• For weight from 100 lb to 550 lb</li> <li>• For weight from 100 lb to 550 lb</li> <li>• For weight under 100 lb</li> <li>• For weight under 100 lb</li> </ul>	<p>± 2% when in Trendelenburg or Reverse Trendelenburg</p> <p>± 2% when flat</p> <p>± 2 lb when in Trendelenburg or Reverse Trendelenburg</p> <p>± 2 lb when flat</p>	
CPR system	<p>Speed to level product from any position</p> <ul style="list-style-type: none"> <li>• Fowler</li> <li>• Foot and seat</li> </ul>	<ul style="list-style-type: none"> <li>• 15 seconds</li> <li>• 60 seconds</li> </ul>	
<b>Zoom®</b> motorized drive (Model 2141) (option)	<p>Speed</p> <ul style="list-style-type: none"> <li>• Forward</li> <li>• Backward</li> </ul>	<ul style="list-style-type: none"> <li>• 2.98 mph</li> <li>• 1.79 mph</li> </ul>	<ul style="list-style-type: none"> <li>• 4.8 km/h</li> <li>• 2.88 km/h</li> </ul>
Maximum currency consumption	Without optional auxiliary outlet (120 V ~ only)	4.0 Amps	
	With optional auxiliary outlets (120 V ~ only)	9.8 Amps	
Electrical requirements	All electrical requirements meet CSA C22.2 No. 601.1, UL 60601-1 and IEC 60601-1.60601-2-38 specifications	<ul style="list-style-type: none"> <li>• 120 ± 10% V~, 50/60Hz - two 250V, 10A fuses</li> <li>• 120 V~, 50-60Hz, 4.0A (9.8A with 120V optional auxiliary outlet) - two 250V, 10A fuses</li> </ul>	
<i>i</i> Bed Wireless radio ( optional)	<p>802.11 b/g, 2.4 GHz</p> <ul style="list-style-type: none"> <li>• Minimum operational signal strength: -65 dB</li> <li>• Supported security protocols:</li> </ul> <p>WEP</p> <p>WPA-PSK (TKIP)</p> <p>WPA2-PSK (CCMP/AES)</p> <p>WPA2-Enterprise (Only with PEAP-MS-CHAPv2)</p> <p>802.1x</p> <ul style="list-style-type: none"> <li>• PEAP-MS-CHAPv2 (Without certificate)</li> <li>• Supports IPv4 and DHCPv4</li> </ul>		
Battery	<p>12 V, 17.6 Ahr, sealed lead-acid battery (part number QDF9188)</p> <p>3.0 V 220mAh lithium battery, size 20mm - Varta Int. CR2032</p> <p>Coin cell PC battery holder, size 20mm - MDP Int. BA2032</p>		

**Note:** For **Isolibrium™** specifications, see the **Isolibrium** operations/maintenance manual.

# Introduction

## Specifications (Continued)

Recommended Mattress Size	35 in. x 84 in. x 6 in.	88,9 cm x 213,4 cm x 15,2 cm
With Bed Extender DM64196 ( <b>PositionPRO</b> ® and <b>Isolibrium</b> ) (35 in. x 6 in. x 4 in.)	35 in. x 90 in. x 4 in.	88,9 cm x 228,6 cm x 10,1 cm
With Bed Extender DM64197 ( <b>XPRT</b> ™) (35 in. x 6 in. x 5.5 in.)	35 in. x 90 in. x 5.5 in.	88,9 cm x 228,6 cm x 13,9 cm

Recommended air mattress size	35 in. x 84 in. x 6 in. - 8.5 in.	88,9 cm x 213,4 cm x 15,2 cm - 21,6 cm
With Bed Extender DM64196 ( <b>PositionPRO</b> and <b>Isolibrium</b> ) (35 in. x 6 in. x 4 in.)	35 in. x 90 in. x 4 in.	88,9 cm x 228,6 cm x 10,1 cm
With Bed Extender DM64197 ( <b>XPRT</b> ™) (35 in. x 6 in. x 5.5 in.)	35 in. x 90 in. x 5.5 in.	88,9 cm x 228,6 cm x 13,9 cm

Environmental conditions	Operation	Storage and transportation
Ambient temperature	<p>50 °F (10 °C) — 104 °F (40 °C)</p>	<p>-40 °F (-40 °C) — 158 °F (70 °C)</p>
Relative humidity (Non-condensing)	<p>30% — 75%</p>	<p>10% — 95%</p>
Atmospheric pressure	<p>700 hPa — 1060 hPa</p>	<p>500 hPa — 1060 hPa</p>
Scale accuracy	<p>64 °F (18 °C) — 77 °F (25 °C)</p>	

Specifications listed are approximate and may vary slightly from product to product or by power supply fluctuations.

Stryker reserves the right to change specifications without notice.

# Introduction

## Product illustration

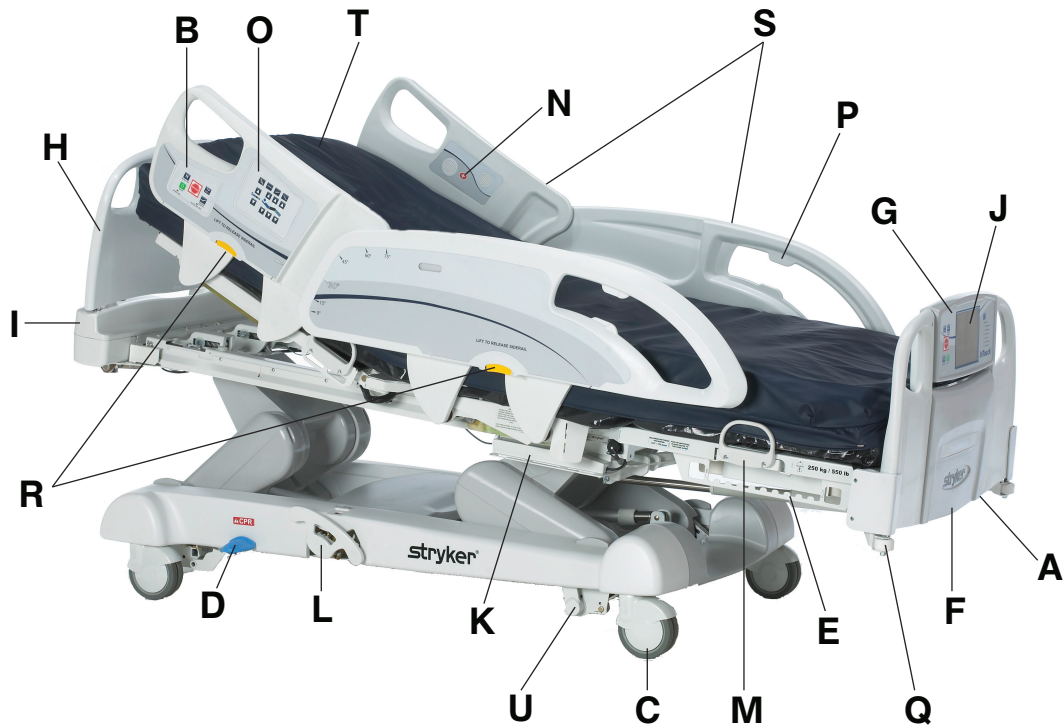


Figure 1: InTouch Critical Care bed

A	110V outlet (optional)	L	Manual backup brake
B	Brake control panel (outside siderail)	M	Mattress retainer
C	Caster	N	Nurse call (inside siderail) (option)
D	CPR release pedal	O	Motion control panel (outside siderail)
E	Foley bag hooks	P	Pendant holder
F	Footboard	Q	Roller bumpers
G	Footboard control panel	R	Siderail release levers
H	Headboard	S	Siderails
I	Head end control panel (optional)	T	Support surface (optional)
J	<b>InTouch</b> touch screen	U	<b>Zoom</b> motorized drive (Model 2141) (option)
K	Isolated foley bag hooks		

# Introduction

## Contact information

Contact Stryker Customer Service or Technical Support at: 1-800-327-0770.

Stryker Medical  
3800 E. Centre Avenue  
Portage, MI 49002  
USA

To view your operations or maintenance manual online, see <https://techweb.stryker.com/>.

Have the serial number (A) of your Stryker product available when calling Stryker Customer Service or Technical Support. Include the serial number in all written communication.

## Serial number location

You can find the serial number plate behind the patient right siderail near the foot end of the product.



Figure 2: Serial number location

## Specification label location

You can find the specification label behind the head end cover on the patient right side of the product.

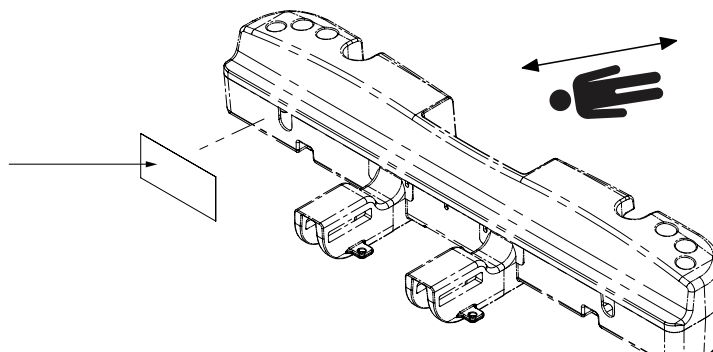


Figure 3: Specification label location

# Summary of safety precautions

---

Always read and strictly follow the warnings and cautions listed on this page. Service only by qualified personnel.

---

## **WARNING**

- Improper usage of the product can cause injury to the patient or operator. Operate the product only as described in this manual.
  - Do not modify the product or any components of the product. Modifying the product can cause unpredictable operation resulting in injury to patient or operator. Modifying the product also voids its warranty.
  - Always allow the product to reach room temperature before conducting any setup or testing functional operations to prevent permanent product damage.
  - Always operate the product when all operators are clear of the mechanisms.
  - Always plug the product directly into a properly grounded, three-prong receptacle. You can only achieve grounding reliability when you use a hospital-grade receptacle. This product is equipped with a hospital-grade plug for protection against electric shock hazard.
  - Always properly handle the power cord to avoid the risk of entanglement, damage to the power cord, or potential shock hazards. If the power cord is damaged, immediately remove the product from service and contact the appropriate maintenance personnel.
  - Do not attach the power cord to any moving parts of **InTouch**.
  - Always unplug the power cord, turn the battery switch to the **OFF (O)** position, press the **N/Brake Off** button, and call maintenance if unanticipated motion occurs.
  - Always unplug the product power cord from the wall when using oxygen administering equipment. Possible fire hazard exists when this product is used with oxygen administering equipment other than nasal, mask type, or half bed-length tent type.
  - The optional **iBed Wireless** function is only intended to provide remote information of product status and parameter conditions. It is not intended to replace patient monitoring protocol.
  - The line of sight between an **iBed Locator** and the head end of bed must be free of obstruction at all times. Any interference could interrupt communication between the **iBed Locator** and the IR module.
  - You must use an **iBed Wireless** compatible footboard with an **iBed Wireless** compatible product. You will lose **iBed Wireless** functionality if you use an older version of the footboard.
  - You must verify all **iBed Wireless** functionality after installation. Verify that the **iBed Locator** communicates the product's positions, and that **iBed Wireless** communicates with the wireless access point. Failure to do may result in the loss of information or the transmission of incorrect information.
  - You must install the **iBed Locators** more than 71 in. apart from one another in the same room (such as in a semi-private room with more than one product). Failure to do may result in the product transmitting information to the incorrect **iBed Locator**.
  - Do not use **iBed Wireless** to replace the existing nurse call system. **iBed Wireless** products are only intended to transmit product information. They are not intended to transmit nurse call information.
  - Always correctly associate or map the **iBed Locator** to the room or location to provide accurate location information. Failure to properly map the **iBed Locator** to the room or location may result in the product transmitting incorrect information.
  - If you move an **iBed Locator** after it has been installed and mapped, you must remap to the new room or location in which it is moved to. You must also remap the **iBed Locator** if you change the room or location information after initial installation.
  - Always wash your hands after handling a battery. Battery posts, terminals and related accessories contain lead and lead compounds, chemicals known to the State of California to cause cancer and birth defects or other reproductive harm. Properly dispose of batteries when required.
  - Power save mode activates after one hour on battery power with no motion release switch activation. Bed exit, scale, and product motion stops operating when the product enters the power save mode.
  - Always keep feet clear from the area above the base cover or below the base cover when lowering the product or when applying the brakes or releasing the brakes.
-

# Summary of safety precautions

---

## WARNING (CONTINUED)

- Always apply the brakes when a patient is getting in the product or out of the product to avoid instability.
- Always apply the brakes when the patient is unattended.
- Do not apply the brake to slow or stop the product while it is in motion.
- Always lock the siderails in the full up position with the sleep surface horizontal in the lowest position when transporting a patient.
- Do not use the **Zoom** motorized drive when the batteries become discharged. Press **N/Brake Off** to place the drive wheel in neutral and push the product manually. Recharge the batteries before using the **Zoom** motorized drive again to avoid the risk of battery damage and the drive wheel getting stuck in the down position.
- Use caution while maneuvering the product with the drive wheel activated. Always make sure that there are no obstacles near the product while the **Zoom** motorized drive is activated. Injury to the patient, user or bystanders or damage to the frame or surrounding equipment could occur if you collide with an obstacle.
- Make sure that the brakes are completely released before attempting to move the product. Attempting to move the product with the brakes applied could result in injury to the patient or operator.
- Do not attempt to move the product manually when you activate the Zoom motorized drive. Always place the drive wheel into the neutral position and release the brakes before attempting to move the product manually.
- Do not attempt to move the product laterally after you apply the **Zoom** motorized drive. The **Zoom** motorized drive cannot swivel.
- Always make sure that all persons and equipment are away from the area below and around the product before you activate the CPR release. The CPR release is for emergency use only.
- Always determine the proper use of the restraint straps and restraint strap locations. Improperly adjusted restraint straps can cause serious injury to a patient. Stryker is not responsible for the type or use of restraint straps on any of Stryker's products.
- Only use hospital-grade electric equipment consuming 5A or less with the auxiliary power outlet (optional). The use of standard electric equipment may bring the current leakage to a level unacceptable for hospital equipment.
- Always lock the siderails in the full up position with the sleep surface horizontal in the lowest position. Always lock the siderails unless a patient's condition requires extra safety measures.
- Do not use siderails as restraint devices to keep the patient from exiting the product. The design of the siderails keep the patient from rolling off the product. The operator must determine the degree of restraint necessary to make sure that the patient is safe. Failure to use the siderails as intended could result in serious patient injury.
- Always keep the siderails outside of the oxygen tent.
- The scale system is intended to assist in the monitoring of the patient's weight variation. Under no circumstances should its reading be used as sole reference for medical treatment.
- Bed exit is intended only to aid in the detection of a patient exiting the product. It is not intended to replace patient monitoring protocol.
- Bed exit is not designed to be used with patients weighing less than 50 lb (23 kg).
- Do not use extension cords with support surfaces. Support surfaces are only intended to be powered by **InTouch** with the power cord supplied.
- Do not route cables between the support surface and **InTouch**.
- Always make sure that all of the patient's limbs are within the raised and locked siderails when the support surface is articulating to avoid the risk of patient injury.
- Always center the patient on the support surface. Align the patient's head toward the headboard before starting functions. Check the patient frequently to make sure that you maintain the proper positioning.
- Always make sure that the tubing and wiring that is connected to the patient is long enough, stable, and secure during Lateral Rotation or Turn Assist.
- Always raise all of the **InTouch** bed siderails before starting Turn Assist or Lateral Rotation functions.

# Summary of safety precautions

---

## WARNING (CONTINUED)

- Do not exceed the safe working load of the **Isolibrium** support surface. Excess weight could cause unpredictable safety and performance of this system.
- Always use extra caution when reading radiology images taken of a patient on a support surface because internal components can cause artifacts and distort readings.
- Do not extubate or intubate patients during Lateral Rotation or Turn Assist. The functions could interfere with the performance of the ancillary devices.
- Do not zero the bed scales or weigh the patient with Lateral Rotation or Turn Assist active. Motion from the support surface functions may adversely affect the scale system performance.
- Do not arm bed exit with Lateral Rotation or Turn Assist active. The patient motion and position that results from the support surface may adversely affect bed exit system performance.
- Do not leave the patient unattended during Turn Assist.
- Always deflate the **Isolibrium** support surface before beginning CPR.
- Always lock the control panel when you leave the patient unattended. Always lock the control panel when the patient's condition requires extra safety measures.
- Do not use *iBed*® Awareness as a lock indicator for siderails. *iBed*® Awareness is only intended to detect the position of the siderails. It is not intended to replace patient monitoring protocol.
- The *iBed*® Awareness LED light bars are only intended to monitor the product status and parameter conditions. It is not intended to replace patient monitoring protocol.
- You must physically verify that the siderails are locked before arming *iBed*® Awareness.
- Always securely set the footboard connector on the optional bed extender into the footboard connector slot at the foot end of the product.
- Do not pinch the power cord or cables when installing the optional bed extender.
- Do not sit on the optional bed extender. This may cause the product to tip.
- Do not allow the optional line management clip to interfere with a mechanical or electronic mechanism of the product.
- Do not pinch tubes inside the clip.
- Do not clean the clip with a liquid solution.
- Always adjust the scale or bed exit system if an option is added while the scale or bed exit system is armed.
- Do not place objects that exceed 40 lb (18 kg) onto the optional monitor tray.
- Do not exceed the 150 lb (68 kg) load capacity for the tray support pole.
- Do not clean, service, or perform maintenance while the product is in use.
- Always unplug the power cord and turn the battery switch to the OFF (O) position before cleaning, servicing, or performing maintenance.
- Always immediately unplug the power cord from the wall outlet when large spills occur near the circuit boards, cables, and motors. Remove the patient from the product, clean up the fluid, and have service personnel completely inspect the product. Fluids can cause unpredictable operation and decreased functionality of any electrical product. Do not return the product to service until it is completely dry and has been thoroughly tested for safe operation.



# Summary of safety precautions

---

## CAUTION

- Always plug the product into a wall outlet (regulated AC power source) when not in use to maintain a sufficient battery charge and to maximize product performance while operating on battery power.
- Always immediately replace batteries that have corrosion at the terminals, display cracking, have expanded or bulging sides, or no longer can maintain a full charge.
- Always use only Stryker authorized batteries when replacing the batteries. Use of non-Stryker batteries may lead to unpredictable system performance.
- Upon a Battery Low alarm (Battery Low LED on Footboard and audible beep), stop using the **Zoom** motorized drive and recharge the batteries immediately. Ignoring the Battery Low alarms may cause your batteries to degrade quicker than normal and may decrease battery life.
- Always clean Velcro® after each use. Saturate Velcro with disinfectant and allow disinfectant to evaporate. Appropriate disinfectant for nylon Velcro should be determined by the hospital.
- Do not move footboards from one product to another. Individual products may have different options. Mixing footboards could result in unpredictable operation of the product.
- Do not use the siderails to move the product. Always move the product using the integrated handles in the headboard and footboard.
- Do not use pencils, pen caps, pen tips, or other pointed objects to tap the touch screen display. Using excessive pressure may damage the footboard control panel and the touch screen display.
- Always use extra supervision when using a mattress or support surface thicker than six in. (15,4 cm).
- Do not allow sharp objects to come into contact with the support surface that could puncture, tear, or cut the cover.
- Do not allow sharp edges from the X-ray plate to come in contact with the support surface cover. The recommendation is you cover the X-ray plate with a pillow case or other device before placement under the patient. If damaged, remove the support surface cover from service immediately to prevent cross contamination.
- Make sure that you set the desired product parameters before enabling *iBed*® Awareness.
- Do not use accessories that cover the footboard and outside siderail LED light bars.
- Do not turn off the *iBed*® Awareness alarm. You will lose access to the event manager that displays the compromised parameter condition.
- Do not hang IV bags that exceed 22 lb (10 kg) onto the IV pole.
- Always make sure that the IV pole is at a low height to pass safely through door openings.
- Do not use the IV pole as a push/pull device.
- Always make sure that the clip is stable when installed.
- Do not inset tubes that are larger than 0.75 in. into the line management clip.
- Always sterilize the clip after each use.
- Always make sure that the clip is stable when installed.
- Always unplug the product before cleaning or servicing.
- Always unplug the product, set the brakes, and place blocks under the litter frame for support when working under the product.
- Always make sure that you wipe each product with clean water and thoroughly dry each product after cleaning. Some cleaning products are corrosive in nature and may cause damage to the product if you use them improperly. If you do not properly rinse and dry the product, a corrosive residue may be left on the surface of the product that could cause premature corrosion of critical components. Failure to follow these cleaning instructions may void your warranty.
- Do not steam clean, pressure wash, ultrasonically clean, or immerse any part of the product in water. Exposure to water may damage the internal electric parts. These methods of cleaning are not recommended and may void this product's warranty.

# Setup

---

To unpack your product, see the unpacking instructions that are attached to the product inside of the shipping crate.

---

## **WARNING**

- Always allow the product to reach room temperature before conducting any setup or testing functional operations to prevent permanent product damage.
  - Always operate the product when all operators are clear of the mechanisms.
  - Always plug the product directly into a properly grounded, three-prong receptacle. You can only achieve grounding reliability when you use a hospital-grade receptacle. This product is equipped with a hospital-grade plug for protection against electric shock hazard.
  - Always properly handle the power cord to avoid the risk of entanglement, damage to the power cord, or potential shock hazards. If the power cord is damaged, immediately remove the product from service and contact the appropriate maintenance personnel.
  - Do not attach the power cord to any moving parts of **InTouch**.
  - Always unplug the power cord, turn the battery switch to the **OFF (O)** position, press the **N/Brake Off** button, and call maintenance if unanticipated motion occurs.
- 

To turn on the product:

1. Plug the power cord into a properly grounded, hospital-grade wall outlet.
2. Turn the battery switch to the **ON (I)** position.

Before placing the product into service, make sure that these components are working properly:

1. Visually inspect the product for any signs of shipping damage.
2. Flip down and depress the manual brake pedal and make sure that the neutral, drive, and brake functions of the manual brake pedal hold.
3. Press **BRAKE** on each control panel and make sure that the neutral, drive, and brake functions of the electric brake hold.
4. Test the **Zoom** motorized drive (Model 2141) (option).
5. Raise and lower the siderails to make sure that they move smoothly and lock securely in the full up position.
6. Press each button on the head end control panel (optional), motion control panel, brake control panel, footboard control panel, and patient control pendant (optional) to make sure that each function operates properly.
7. Make sure that the footboard operates properly.
8. Make sure that the scale system operates properly.
9. Make sure that the bed exit system operates properly.
10. Make sure that the CPR release pedal operates properly.
11. Make sure that the support surface operates properly (optional).
12. Make sure that optional accessories are properly installed and operate as described.

---

## **WARNING**

Always unplug the product power cord from the wall when using oxygen administering equipment. Possible fire hazard exists when this product is used with oxygen administering equipment other than nasal, mask type, or half bed-length tent type.

---

# Installation

---

## Installing the XPRT Therapy support surface (optional)

To install the **XPRT** support surface option onto **InTouch**, see the installation instructions in the **XPRT** support surface operations manual.

## Installing the PositionPRO support surface (optional)

To install the **PositionPRO** support surface option onto **InTouch**, see the installation instructions in the **PositionPRO** support surface operations manual.

## Installing the Isolibrium support surface (optional)

To install the **Isolibrium** support surface option onto **InTouch**, see the installation instructions in the **Isolibrium** support surface operations manual.

## Installing *i*Bed® Wireless (120V North American only) (optional)

---

### **WARNING**

- The optional **i**Bed Wireless function is only intended to provide remote information of product status and parameter conditions. It is not intended to replace patient monitoring protocol.
  - The line of sight between an **i**Bed Locator and the head end of bed must be free of obstruction at all times. Any interference could interrupt communication between the **i**Bed Locator and the IR module.
  - You must use an **i**Bed Wireless compatible footboard with an **i**Bed Wireless compatible product. You will lose **i**Bed Wireless functionality if you use an older version of the footboard.
  - You must verify all **i**Bed Wireless functionality after installation. Verify that the **i**Bed Locator communicates the product's positions, and that **i**Bed Wireless communicates with the wireless access point. Failure to do may result in the loss of information or the transmission of incorrect information.
  - You must install the **i**Bed Locators more than 71 in. apart from one another in the same room (such as in a semi-private room with more than one product). Failure to do may result in the product transmitting information to the incorrect **i**Bed Locator.
  - Do not use **i**Bed Wireless to replace the existing nurse call system. **i**Bed Wireless products are only intended to transmit product information. They are not intended to transmit nurse call information.
- 

You must install the **i**Bed Locator on the wall at the head end of the product. The **i**Bed Locator communicates with the IR Module that is installed onto the product.

To install the **i**Bed Locator, see the installation instructions that were included with your **i**Bed Locator installation kit. After you install the **i**Bed Locator, you must configure the wireless connection settings for the **i**Bed Server application.

To configure the **i**Bed Server application, see the installation and configuration instructions in the **i**Bed Server Installation/Configuration manual.

---

### **WARNING**

- Always correctly associate or map the **i**Bed Locator to the room or location to provide accurate location information. Failure to properly map the **i**Bed Locator to the room or location may result in the product transmitting incorrect information.
  - If you move an **i**Bed Locator after it has been installed and mapped, you must remap to the new room or location in which it is moved to. You must also remap the **i**Bed Locator if you change the room or location information after initial installation.
- 

If you have any problems during the **i**Bed Wireless installation process, contact Stryker Technical Support at 1-800-327-0770.

# Operation

---

## Battery modes

**InTouch** is equipped with two batteries that charge when the product is plugged in to a wall outlet. The battery modes begin when the product is unplugged, or during a power failure. The **InTouch** battery back-up functionality activates when you unplug the product.

---

### **WARNING**

- Always wash your hands after handling a battery. Battery posts, terminals and related accessories contain lead and lead compounds, chemicals known to the State of California to cause cancer and birth defects or other reproductive harm. Properly dispose of batteries when required.
- Power save mode activates after one hour on battery power with no motion release switch activation. Bed exit, scale, and product motion stops operating when the product enters the power save mode.

---

### **CAUTION**

- Always plug the product into a wall outlet (regulated AC power source) when not in use to maintain a sufficient battery charge and to maximize product performance while operating on battery power.
- Always immediately replace batteries that have corrosion at the terminals, display cracking, have expanded or bulging sides, or no longer can maintain a full charge.
- Always use only Stryker authorized batteries when replacing the batteries. Use of non-Stryker batteries may lead to unpredictable system performance.
- Upon a Battery Low alarm (Battery Low LED on Footboard and audible beep), stop using the **Zoom** motorized drive and recharge the batteries immediately. Ignoring the Battery Low alarms may cause your batteries to degrade quicker than normal and may decrease battery life.

---

**Note:** The settings for lockout controls, scale calibration data, and bed exit are preserved when the product is unplugged, or during a power failure.

The **InTouch** batteries cycle through various modes of operation:

Mode	Operation
Sleep	Occurs if no power is being supplied to the product, if no control panel or touch screen activity has been detected within five minutes, or if no product activity is detected while on DC power within one hour
Alarm mode before dead	Occurs if the batteries are weak, bed exit is armed during sleep mode, or if no control panel activity is detected within four hours
Dead	Occurs if power is not restored to the product or no control panel activity has been detected within 15 minutes after the product has been in alarm mode before dead mode, if the batteries are weak, bed exit is not armed during sleep mode, or if no control panel activity is detected within one hour
Power up	Occurs if power is restored to the product. The product exits dead mode and enters power up mode if the batteries are charging. After the batteries are fully charged, the product returns to normal mode.
Normal	Occurs if power is restored to the product, control panel activity is detected, or the touch screen is not in calibration mode

## Applying or releasing the manual brake

---

### **WARNING**

- Always keep feet clear from the area above the base cover or below the base cover when lowering the product or when applying the brakes or releasing the brakes.
  - Always apply the brakes when a patient is getting in the product or out of the product to avoid instability.
  - Always apply the brakes when the patient is unattended.
  - Do not apply the brake to slow or stop the product while it is in motion.
- 

**InTouch** is equipped with both a manual and an electric braking system.

You can find the manual brake pedal on the patient right side of the product.

To apply the manual brakes:

1. Flip down the brake pedal (A) ([Figure 5 on page 20](#)).
2. Fully depress the brake pedal (A) until **Brake** appears in the brake pedal window (B) ([Figure 6 on page 20](#)).

**Note:** The **Brake** button and **Brake Set** LED illuminate when you apply the brakes.

To release the manual brakes, depress the pedal until **Neutral** or **Drive** appears in the brake pedal window (B) ([Figure 6 on page 20](#)).

**Note:** If you set the brakes manually, they can be released electronically.

# Operation

## Applying or releasing the manual brake (Continued)

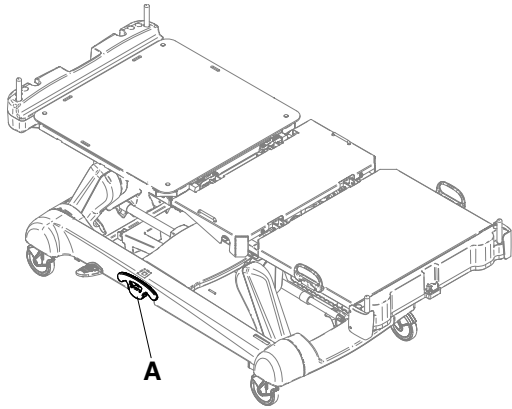


Figure 4: Manual brake pedal

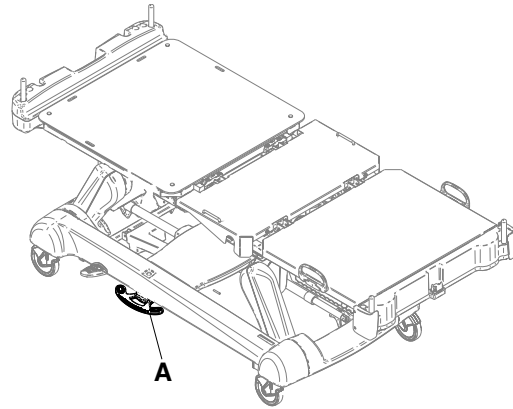


Figure 5: Flipped manual brake pedal

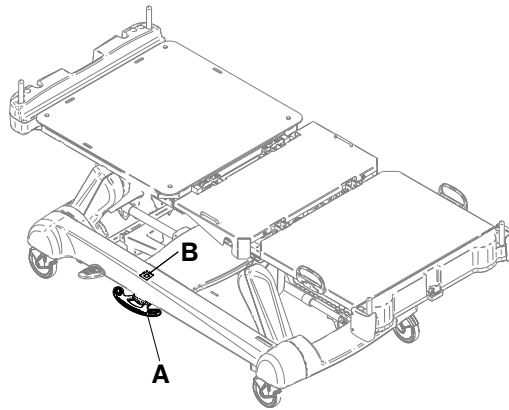


Figure 6: Brake pedal window

# Operation

---

## Applying or releasing the electric brakes

---

### **WARNING**

- Always keep feet clear from the area above the base cover or below the base cover when lowering the product or when applying the brakes or releasing the brakes.
  - Always apply the brakes when a patient is getting in the product or out of the product to avoid instability.
  - Always apply the brakes when the patient is unattended.
  - Do not apply the brake to slow or stop the product while it is in motion.
- 

The electric brakes are available on the brake control panel (see [Brake control panel \(outside siderail\) on page 33](#)), footboard control panel (see [Footboard control panel on page 36](#)), or head end control panel (optional) (see [Head end control panel \(optional\) on page 35](#)).

To apply the electric brakes, press **Brake**.

**Note:** The **Brake** button and **Brake Set** LED illuminate when you apply the brakes.

To release the electric brakes, press **N/Brake Off**.

**Note:** The **N/Brake Off** button and **Brake Not Set** LED illuminate when you release the brakes.

**Note:** If you set the brakes electronically, they can be released manually.

## Transporting InTouch with steer lock (Model 2131)

---

### **WARNING**

Always lock the siderails in the full up position with the sleep surface horizontal in the lowest position when transporting a patient.

---

The steer lock function locks both of the foot end casters for better tracking of the product when transporting a patient.

The steer lock function is available on the brake control panel (see [Brake control panel \(outside siderail\) on page 33](#)), footboard control panel (see [Footboard control panel on page 36](#)), or head end control panel (optional) (see [Head end control panel \(optional\) on page 35](#)).

To transport InTouch with steer lock, press **D/Drive**.

To release steer lock, press **N/Brake Off**.

# Operation

## Transporting InTouch by using the Zoom motorized drive (Model 2141) (option)

### WARNING

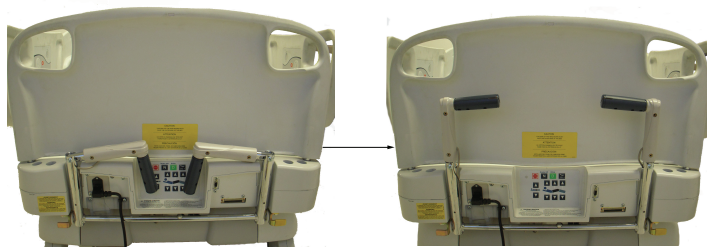
- Do not use the **Zoom** motorized drive when the batteries become discharged. Press **N/Brake Off** to place the drive wheel in neutral and push the product manually. Recharge the batteries before using the **Zoom** motorized drive again to avoid the risk of battery damage and the drive wheel getting stuck in the down position.
- Use caution while maneuvering the product with the drive wheel activated. Always make sure that there are no obstacles near the product while the **Zoom** motorized drive is activated. Injury to the patient, user or bystanders or damage to the frame or surrounding equipment could occur if you collide with an obstacle.
- Make sure that the brakes are completely released before attempting to move the product. Attempting to move the product with the brakes applied could result in injury to the patient or operator.
- Always lock the siderails in the full up position with the sleep surface horizontal in the lowest position when transporting a patient.
- Do not attempt to move the product manually when you activate the Zoom motorized drive. Always place the drive wheel into the neutral position and release the brakes before attempting to move the product manually.
- Do not attempt to move the product laterally after you apply the **Zoom** motorized drive. The **Zoom** motorized drive cannot swivel.

**Note:** To move the product in any direction, including laterally, press **N/Brake Off** on the brake control panel (see [Brake control panel \(outside siderail\) on page 33](#)), footboard control panel (see [Footboard control panel on page 36](#)), or head end control panel (optional) (see [Head end control panel \(optional\) on page 35](#)).

**InTouch** may be equipped with a **Zoom** motorized drive. The **Zoom** motorized drive provides mobility and efficient transport of the product.

To transport **InTouch** using the drive wheel:

1. Unplug the power cord from the wall outlet.  
**Note:** The **Zoom** motorized drive does not operate if the power cord is plugged into a wall outlet.
2. Store the power cord on the Zoom handle brackets.
3. Unfold the drive handles from the head end of the product ([Figure 7 on page 22](#)). Make sure that the drive handles lock into the upright position.



**Figure 7: Unfolding the Zoom motorized drive handles**

4. Press **N/Brake Off** to release the brakes.
5. Press **D/Drive** on the brake control panel, footboard control panel, or head end control panel (optional).  
**Note:** The **D/Drive** button illuminates when the drive wheel is activated.



# Operation

---

## Transporting InTouch by using the Zoom motorized drive (Model 2141) (option) (Continued)

6. Make sure that the product is ready for driving.  
Two LEDs on the drive handle indicate whether the product is ready for driving (Figure 8 on page 23):



Figure 8: Zoom motorized drive handle LEDs

### Notes

- If the green LED is on, the battery is charged, and you may use the Zoom motorized drive for driving.
  - If the amber LED is on and the battery is at low charge, the **Zoom** motorized drive should not be used. **InTouch** requires two 12 volt batteries to provide power to the **Zoom** motorized drive. The **Zoom** motorized drive will not operate properly if the batteries are not sufficiently charged. Plug **InTouch** into a wall outlet to charge the batteries before using the **Zoom** motorized drive.
7. Grasp the yellow triggers on the Zoom drive handles.  
**Note:** You can squeeze one or both triggers to enable movement, but you must release both triggers to stop movement.
  8. While squeezing the triggers, push the handles away from you or pull the handles toward you to initiate motion in the desired direction. The speed increases proportionally to the amount of force applied to the drive handles. When you reach the desired speed, the Zoom motorized drive maintains the speed and direction with no extra push force.
  9. To accelerate, push or pull the handles again until you reach the desired speed.
  10. Relax the force to a neutral position to maintain speed.
  11. To slow down, push or pull the handles in the opposite direction the product is currently moving.
  12. To stop motion, you must release both triggers on the drive handles.

---

### **WARNING**

Do not use the brake to slow or stop the product while it is in motion.

---

# Operation

---

## Activating the CPR release pedal

---

**⚠ WARNING**

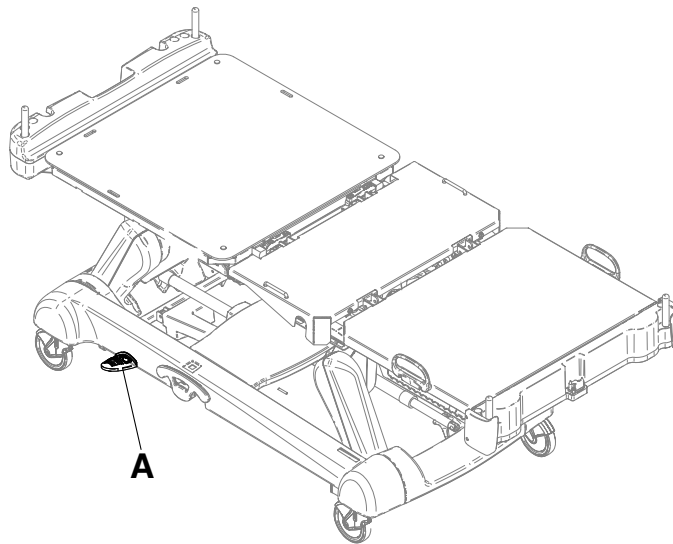
Always make sure that all persons and equipment are away from the area below and around the product before you activate the CPR release. The CPR release is for emergency use only.

---

When the product is raised and quick access to the patient is needed, you can position **InTouch** quickly to 0° by activating the CPR release.

Two instant CPR release pedals are located at the head end section on both the left and right sides of the litter (A) ([Figure 9 on page 24](#)).

To activate the CPR release pedal, fully depress the CPR pedal. The product instantly flattens to 0°.



**Figure 9: CPR release pedal**

# Operation

---

## Locating the foley bag hooks

There are two isolated foley bag hooks under the seat section (B) on both sides of the product ([Figure 10 on page 25](#)). If you weigh the patient with the scale system, the isolated foley bag weight is not included with the patient weight.

There are four foley bag hooks under the fowler section (A) and foot section (C) on both sides of the product ([Figure 10 on page 25](#)). If you weigh the patient with the scale system, the foley bag weight is included with the patient weight.

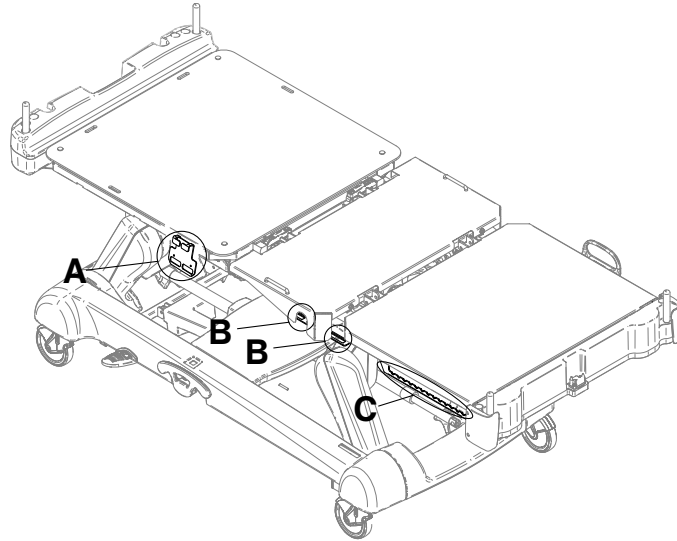


Figure 10: Foley bag hooks

# Operation

---

## Locating the patient restraint strap tie-ins

---

### **WARNING**

Always determine the proper use of the restraint straps and restraint strap locations. Improperly adjusted restraint straps can cause serious injury to a patient. Stryker is not responsible for the type or use of restraint straps on any of Stryker's products.

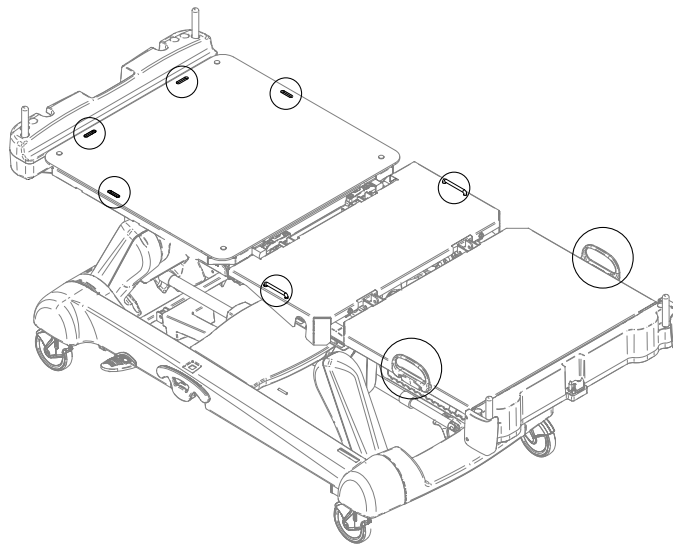
---

### **CAUTION**

Always clean Velcro® after each use. Saturate Velcro with disinfectant and allow disinfectant to evaporate. Appropriate disinfectant for nylon Velcro should be determined by the hospital.

---

There are eight patient restraint strap tie-in locations on the litter assembly for installing patient restraint straps. Four of them are located on the fowler section, two are located on the seat section, and the remaining two are the mattress retainers located on the foot section ([Figure 11 on page 26](#)).



**Figure 11: Restraint strap tie-in locations**

# Operation

---

## Operating nurse call (option)

Nurse call allows a patient to alert an operator when they require assistance.

To activate nurse call, press the **nurse call** button on the inside siderail (N) (Figure 1 on page 10) or on the optional patient control pendant (see [Patient control pendant \(optional\)](#) on page 34). Communication between the patient and the nurse station is established when the nursing staff responds to the nurse call signal.

**Note:** If the communication between the product and the nurse station is interrupted following a power failure, the disconnection of the nurse call communication cable, or the switching off of InTouch, the nurse call system automatically sends a signal to the nurse station.

## Connecting peripheral equipment to the built-in 110 volt auxiliary power outlet (optional) and the auxiliary mattress connector

---

### **WARNING**

Only use hospital-grade electric equipment consuming 5A or less with the auxiliary power outlet (optional). The use of standard electric equipment may bring the current leakage to a level unacceptable for hospital equipment.

---

You can use the 110 volt **InTouch** auxiliary power outlet as a built-in power source for peripheral equipment. The outlet is located beneath the foot end on the patient left side of the product (A) (Figure 1 on page 10). There is a one and two plug option for the **InTouch** auxiliary outlet (A) (Figure 12 on page 27).

There is also an auxiliary mattress connector outlet for connecting a support surface option to InTouch (B) (Figure 12 on page 27). A 5A breaker is also integrated into this power outlet.

### **Note:**

To install a support surface option onto **InTouch**, see the installation instructions in the support surface operations manual.

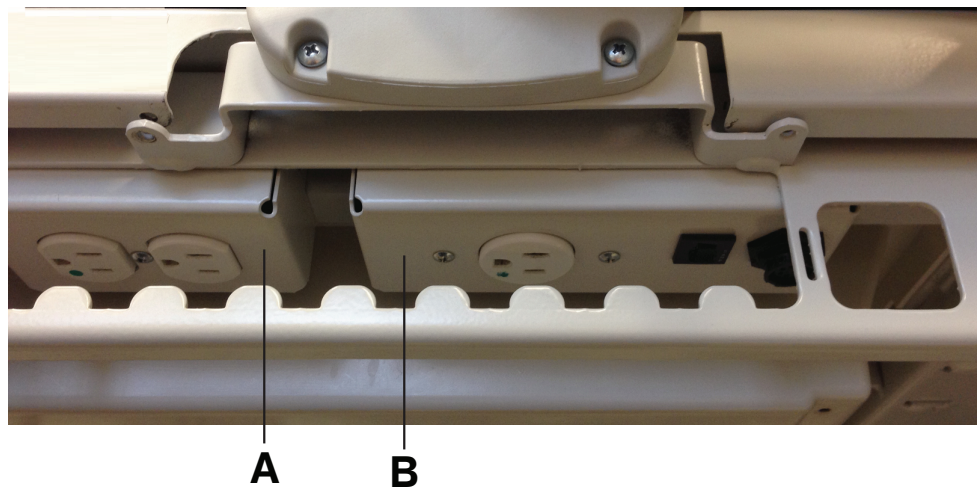


Figure 12: Optional InTouch auxiliary outlets

# Operation

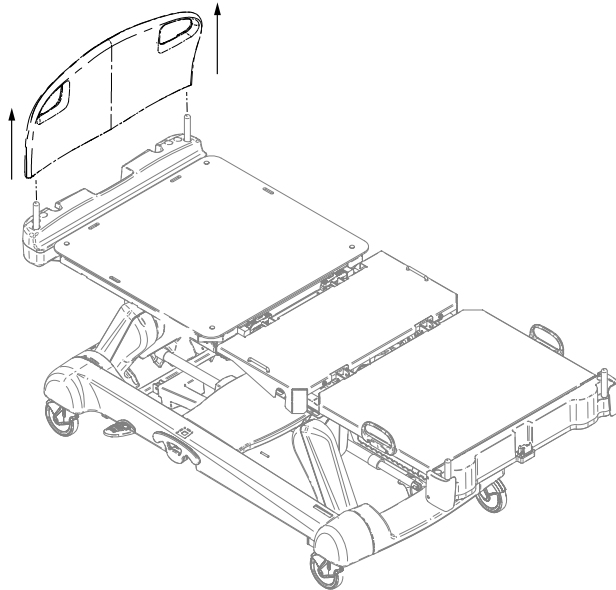
---

## Removing or replacing the headboard

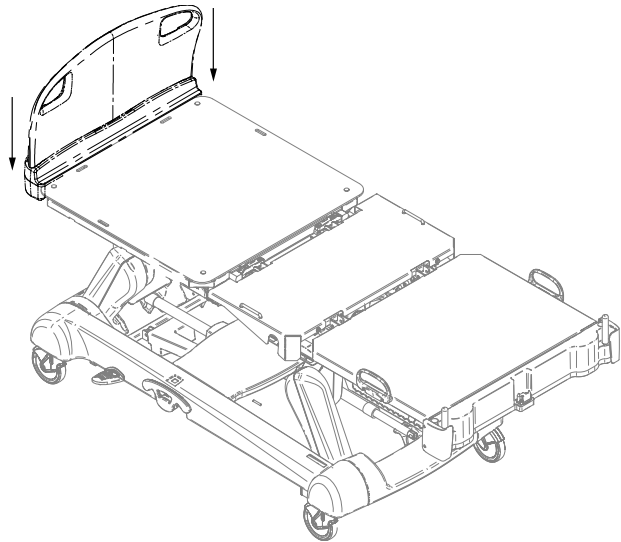
You can easily remove the headboard for patient accessibility and cleaning.

To remove the headboard, grasp the handles and lift the headboard straight up and off the product (Figure 13 on page 28).

To replace the headboard, align the bottom of the headboard with the pegs at the head end of the product, and then lower the headboard until it completely seats onto the pegs (Figure 14 on page 28).



**Figure 13: Removing the headboard**



**Figure 14: Replacing the headboard**

# Operation

---

## Removing or replacing the footboard

---

### CAUTION

Do not move footboards from one product to another. Individual products may have different options. Mixing footboards could result in unpredictable operation of the product.

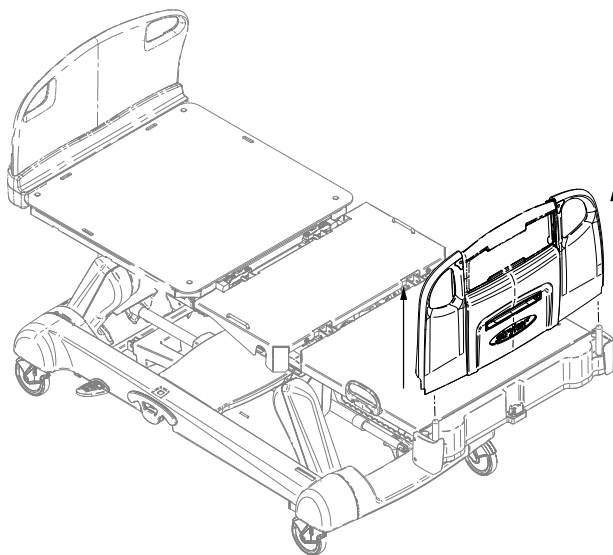
---

**Note:** Do not lock the control panel functions from the footboard if you must access the control panel functionality when you remove the footboard.

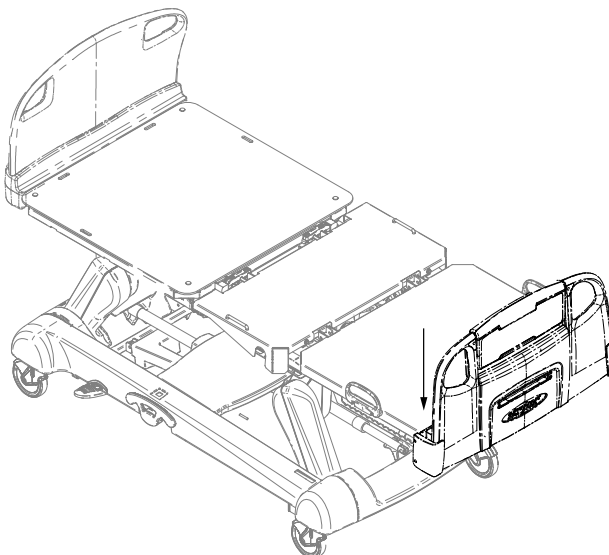
You can easily remove the footboard for patient accessibility, cleaning, and attachment of the bed extender (optional).

To remove the footboard, grasp the handles and lift the footboard straight up and off the product ([Figure 15 on page 29](#)).

To replace the footboard, lower the footboard onto the footboard connector. Make sure that the footboard properly fits onto the footboard connector on the foot end of the litter ([Figure 16 on page 29](#)).



**Figure 15: Removing the footboard**



**Figure 16: Replacing the footboard**

# Operation

## Raising or lowering the siderails

### WARNING

- Always lock the siderails in the full up position with the sleep surface horizontal in the lowest position. Always lock the siderails unless a patient's condition requires extra safety measures.
- Do not use siderails as restraint devices to keep the patient from exiting the product. The design of the siderails keep the patient from rolling off the product. The operator must determine the degree of restraint necessary to make sure that the patient is safe. Failure to use the siderails as intended could result in serious patient injury.
- Always keep the siderails outside of the oxygen tent.

### CAUTION

Do not use the siderails to move the product. Always move the product using the integrated handles in the headboard and footboard.

You can lower both the head end and foot end siderails with only one hand. Siderails only lock in the full up position.

When raising the siderails, listen for the “click” that indicates that the siderail has locked in the raised position. Pull firmly on the siderail to make sure that it is locked into position.

To raise the siderails, grasp the yellow release latch (A) (Figure 17 on page 30) and rotate the siderail backward.

To lower the siderails, grasp the yellow release latch (A) (Figure 17 on page 30) and rotate the siderail forward.

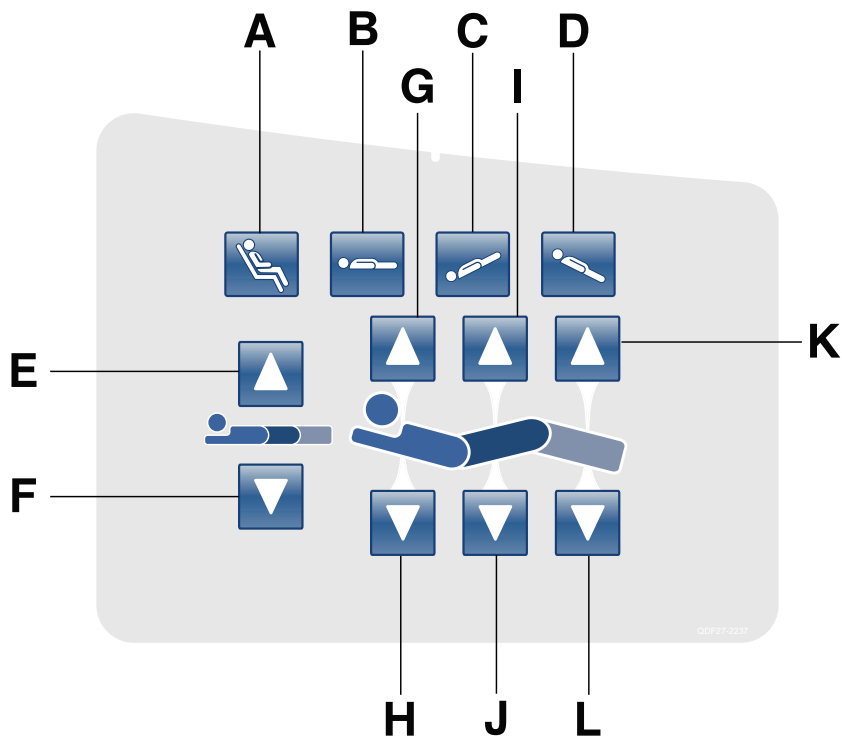


Figure 17: Raising or lowering the siderails



# Operation

## Motion control panel (outside siderail)



	Name	Function
A	Cardiac chair/Enhanced cardiac chair position	Press and hold once to place the product into the cardiac chair position. Press and hold a second time to place the product into the enhanced cardiac chair position.
B	Flat position	Places the product into the flat position (0°)
C	Trendelenburg	Places the product into the Trendelenburg position (head down with foot up)
D	Reverse Trendelenburg	Places the product into the Reverse Trendelenburg position (head up with foot down)
E	Litter up	Raises the litter
F	Litter down	Lowers the litter
G	Fowler up	Raises the fowler section
H	Fowler down	Lowers the fowler section
I	Gatch up	Raises the gatch section
J	Gatch down	Lowers the gatch section
K	Foot up	Raises the foot section
L	Foot down	Lowers the foot section

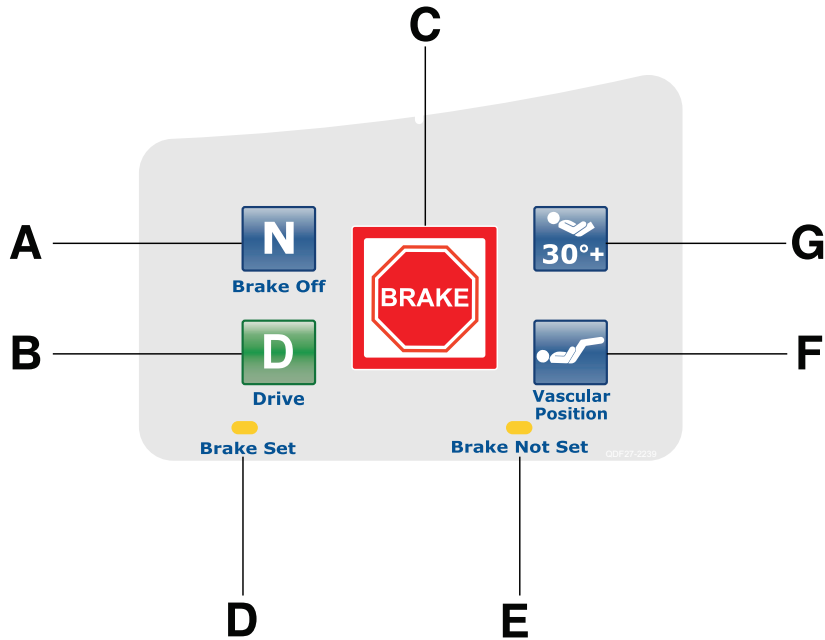
## Motion control panel (outside siderail) (Continued)

### Notes

- Do not lock the motion control panel functions from the footboard if you must access the motion control panel functionality when you remove the footboard.
- The addition of accessories affects the motion of the bed.
- Foot end section mobility stops when you insert an accessory into the traction socket at the foot end of the product.
- The maximum angle of inclination during the Trendelenburg and reverse Trendelenburg position is 15°.
- You must have a minimum clearance of 20 in. for the Trendelenburg and Reverse Trendelenburg positions.
- You can lower the height while in Trendelenburg without changing the angle.

# Operation

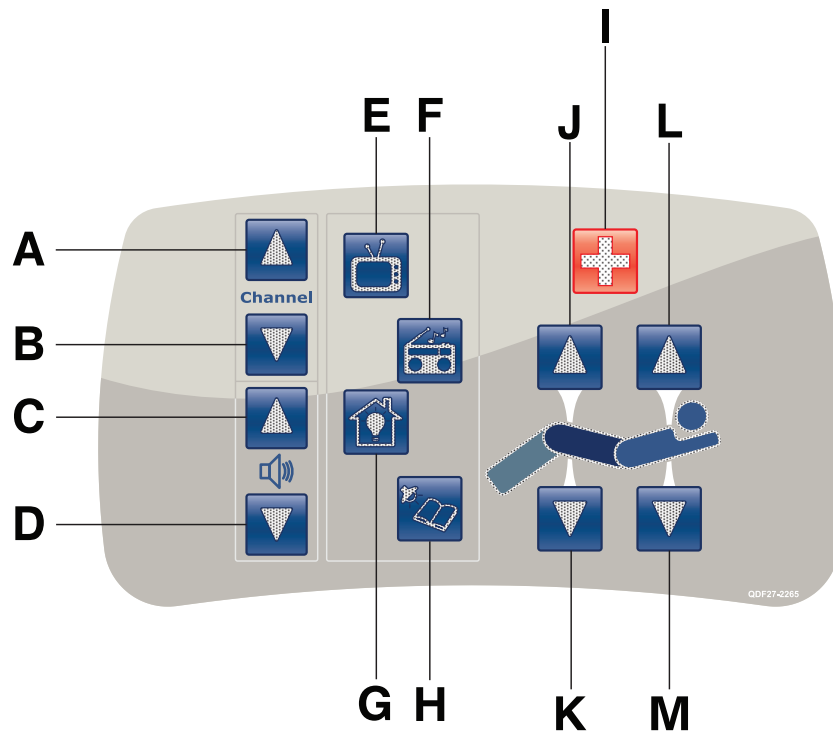
## Brake control panel (outside siderail)



	Name	Function
A	Neutral/Brake Off (N/Brake Off)	<ul style="list-style-type: none"> <li><b>Model 2131:</b> releases the brakes and the steer function</li> <li><b>Model 2141:</b> releases the brakes and deactivates the <b>Zoom</b> motorized drive</li> </ul> <p><b>Note:</b> The <b>N/Brake Off</b> button and <b>Brake Not Set</b> LED illuminate when you release the brakes.</p>
B	D/Drive (Activates steer lock activation and the <b>Zoom</b> motorized drive)	<ul style="list-style-type: none"> <li><b>Model 2131:</b> releases the brakes and locks the foot end casters for the steer lock function</li> <li><b>Model 2141:</b> activates the <b>Zoom</b> motorized drive</li> </ul> <p><b>Note:</b> The <b>Drive</b> button illuminates when you activate steer lock or the <b>Zoom</b> motorized drive.</p>
C	Brake	Applies the electric brakes. <b>Note:</b> The <b>Brake</b> button and <b>Brake Set</b> LED illuminate when you apply the brakes.
D	Brake set LED	Illuminates amber when you apply the brakes
E	Brake not set LED	Flashes amber when you release the brakes
F	Vascular Position	Raises the foot section to the vascular position
G	HOB 30° position	Raises the fowler section/head of bed (HOB) to 30°

# Operation

## Patient control pendant (optional)

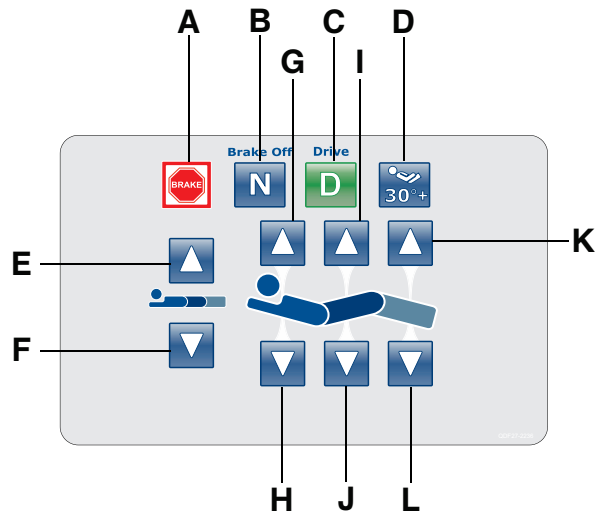


(All options shown)

	Name	Function
A	Channel up	Changes the TV channel up
B	Channel down	Changes the TV channel down
C	Volume up	Increases the volume
D	Volume down	Decreases the volume
E	TV	Turns the TV on or off
F	Radio	Turns the radio on or off
G	Room light	Turns the room light on or off
H	Reading light	Turns the reading light on or off
I	Nurse call	Activates nurse call
J	Gatch up	Raises the gatch section
K	Gatch down	Lowers the gatch section
L	Fowler up	Raises the fowler section
M	Fowler down	Lowers the fowler section

# Operation

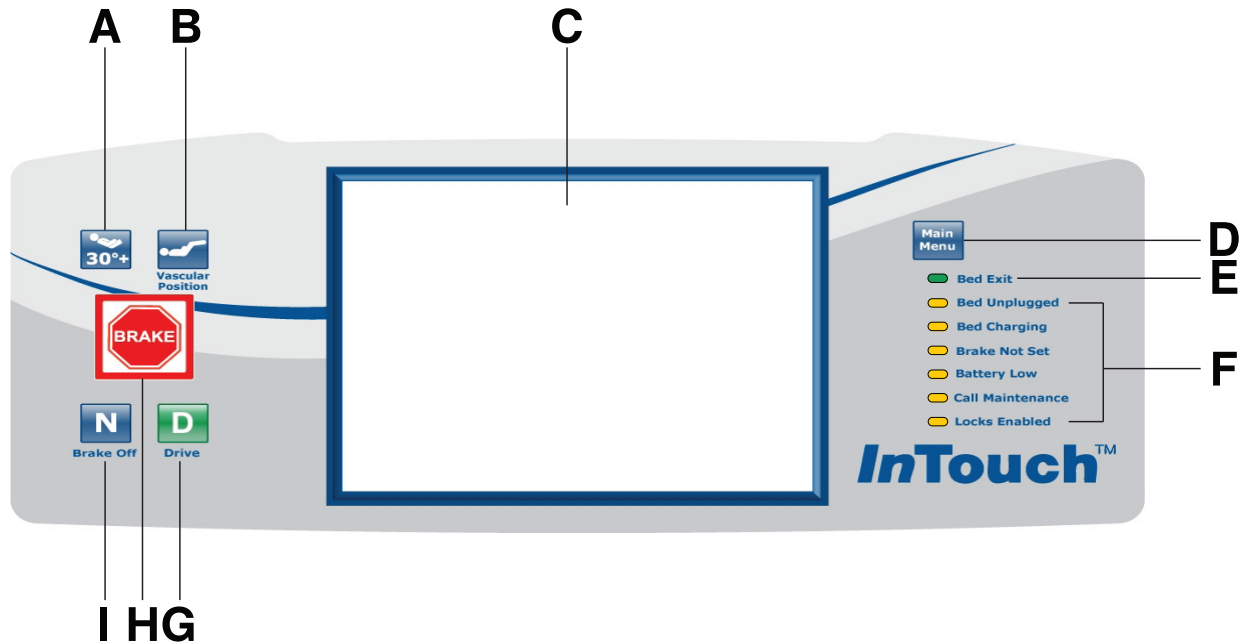
## Head end control panel (optional)



	Name	Function
A	Brake	Applies the electric brakes. <b>Note:</b> The <b>Brake</b> button and <b>Brake Set</b> LED illuminate when you apply the brakes.
B	Neutral/Brake Off (N/Brake Off)	<ul style="list-style-type: none"> <li><b>Model 2131:</b> releases the brakes and the steer function</li> <li><b>Model 2141:</b> releases the brakes and deactivates the <b>Zoom</b> motorized drive</li> </ul> <b>Note:</b> The <b>N/Brake Off</b> button and <b>Brake Not Set</b> LED illuminate when you release the brakes.
C	D/Drive (Activates steer lock activation and the <b>Zoom</b> motorized drive)	<ul style="list-style-type: none"> <li><b>Model 2131:</b> releases the brakes and locks the foot end casters for the steer lock function</li> <li><b>Model 2141:</b> activates the <b>Zoom</b> motorized drive</li> </ul> <b>Note:</b> The <b>Drive</b> button illuminates when you activate steer lock or the <b>Zoom</b> motorized drive.
D	HOB 30° position	Raises the fowler section/head of bed (HOB) to 30°
E	Litter up	Raises the litter
F	Litter down	Lowers the litter
G	Fowler up	Raises the fowler section
H	Fowler down	Lowers the fowler section
I	Gatch up	Raises the gatch section
J	Gatch down	Lowers the gatch section
K	Foot up	Raises the foot section
L	Foot down	Lowers the foot section

# Operation

## Footboard control panel





	Name	Function
A	HOB 30° position	Raises the fowler section/head of bed (HOB) to 30°
B	Vascular Position	Raises foot section to the vascular position
C	Touch screen display	Displays <b>InTouch</b> features and functions
D	Main menu	Returns to the Patient Information screen or awakens the touch screen from sleep mode
E	Bed exit indicator	Illuminates green when you arm Bed Exit
F	Footboard LED indicators	Indicates current product state (see <a href="#">Footboard LED indicators on page 37</a> )
G	D/Drive (Activates steer lock activation and the <b>Zoom</b> motorized drive)	<ul style="list-style-type: none"> <li><b>Model 2131:</b> releases the brakes and locks the foot end casters for the steer lock function</li> <li><b>Model 2141:</b> activates the <b>Zoom</b> motorized drive</li> </ul> <b>Note:</b> The <b>Drive</b> button illuminates when you activate steer lock or the <b>Zoom</b> motorized drive.
H	Brake	Applies the electric brakes. <b>Note:</b> The <b>Brake</b> button and <b>Brake Set</b> LED illuminate when you apply the brakes.
I	Neutral/Brake Off (N/Brake Off)	<ul style="list-style-type: none"> <li><b>Model 2131:</b> releases the brakes and the steer function</li> <li><b>Model 2141:</b> releases the brakes and deactivates the <b>Zoom</b> motorized drive</li> </ul> <b>Note:</b> The <b>N/Brake Off</b> button and <b>Brake Not Set</b> LED illuminate when you release the brakes.

# Operation

---

## Footboard LED indicators

The LED indicators on the footboard control panel illuminate when there is a parameter change on the product.

LED	Indicator
Bed unplugged	<p>Illuminates amber when you unplug the product. Battery back-up functionality activates when you unplug the product.</p> <hr/> <p> <b>CAUTION</b></p> <p>Plug the product into a wall outlet (regulated AC power source) when not in use to maintain a sufficient battery charge and to maximize product performance while on battery power.</p> <hr/>
Bed charging	<p>Illuminates amber when you connect the product to a wall outlet and the batteries are recharging. The batteries fully charge in approximately eight hours. When the batteries are fully charged, the LED no longer illuminates.</p> <p>If the batteries are not connected, or if the battery switch is in the <b>OFF</b> position (O), the LED indicator does not illuminate.</p>
Brake not set	<p>Flashes amber when you release the brakes</p>
Battery low	<p>Flashes amber when the battery charge is low</p> <p>To recharge the <b>InTouch</b> batteries, plug the power cord into a properly grounded, hospital-grade wall outlet.</p> <hr/> <p> <b>CAUTION</b></p> <p>Do not use the <b>Zoom</b> motorized drive when you hear a battery low alarm (Battery Low LED on Footboard and audible beep). Stop using the <b>Zoom</b> motorized drive and recharge the batteries immediately. If you ignore the battery low alarms, the batteries may degrade quicker than normal and may decrease battery life.</p> <hr/>
Call maintenance	<p>Illuminates amber when the product requires maintenance or repairs. Contact the appropriate maintenance personnel to restore proper functionality.</p>
Locks enabled	<p>Illuminates amber on the footboard control panel when one lock or a total lockout is set (see <a href="#">Main menu: Lockouts on page 78</a>).</p>

# Operation

---

## Accessing functions and features with the touch screen display and navigation bar

---

### CAUTION

Do not use pencils, pen caps, pen tips, or other pointed objects to tap the touch screen display. Using excessive pressure may damage the footboard control panel and the touch screen display.

---

The **InTouch** footboard control panel has a touchable user interface (touch screen display) that displays the main menu for **InTouch** functions and features.

To access a main menu option, tap the menu item in the **Navigation bar** (Figure 18 on page 38).



Figure 18: Navigation bar

### Notes

- Unless a submenu or a notification is open, the navigation bar is always available for navigation.
- If no control panel or touch screen activity is detected within two minutes, the touch screen lighting dims to 10%.
- If no control panel or touch screen activity is detected within four minutes, the touch screen enters sleep mode.

To awaken the touch screen from sleep mode, press any button on the footboard control panel, or tap the touch screen display.

**Note:** The touch screen display shows the **Patient Information** screen by default when it awakes from sleep mode.



# Operation

## Main menu: Patient information

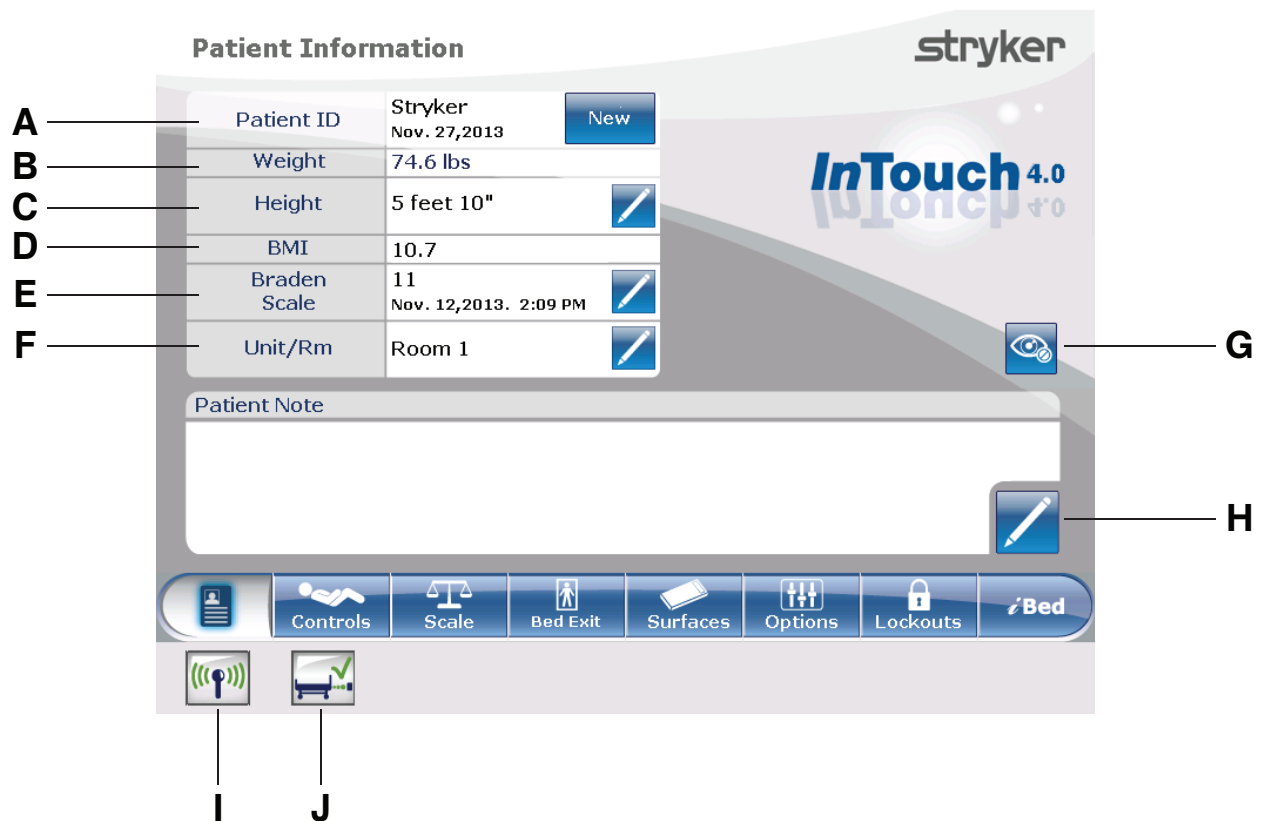


Figure 19: Patient information

	Name	Function
A	Patient ID	Displays patient name and date admitted
B	Weight	Displays patient weight
C	Height	Displays patient height
D	BMI	Displays the patient's body mass index (BMI)
E	Braden Scale for Predicting Pressure Sore Risk <sup>1</sup>	Displays the patient's last Braden Scale score and the time and date the score was recorded. Tap the pencil to enter the Braden Scale menu.
F	Unit/Rm	Tap the pencil to enter unit/room number
G	Configure privacy	Configures the visibility of patient information displayed on the Patient Information screen
H	Patient note	Tap the pencil to enter patient notes
I	Wi-Fi (Optional)	View the Wi-Fi connection status ( <a href="#">Figure 63 on page 76</a> )
J	iBed Locator (Optional)	View the iBed Locator connection status ( <a href="#">Figure 66 on page 77</a> )

<sup>1</sup>Copyright. Barbara Braden and Nancy Bergstrom, 1988. Reprinted with permission.

## Clearing and entering new patient information

Clear all previous product parameters and patient history before placing a new patient onto **InTouch**.

To enter new patient information, tap **New** (Figure 19 on page 39).

To clear previous product parameters and patient history:

1. Tap the option that you want to clear.  
**Note:** Options change from blue (deactivated) to green (activated) when tapped.

2. Tap **Ok**.

To enter a new Patient ID:

1. Tap the pencil (Figure 20 on page 40).
2. Enter the Patient ID.
3. Tap **Ok**.

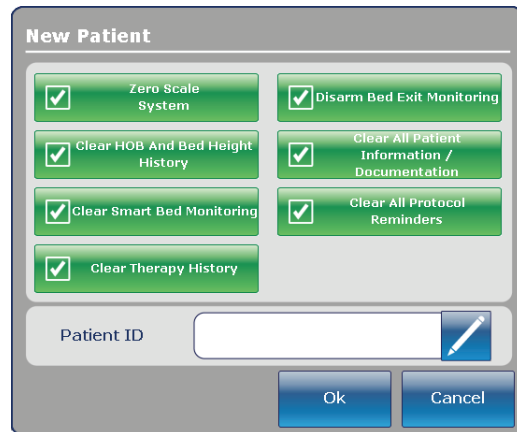


Figure 20: New patient

## Configuring the visibility of patient information

The **Configure** screen allows you to choose what patient information is displayed on the **Patient Information** screen.

To configure the visibility of patient information, tap **Configure privacy** (Figure 19 on page 39).

To enable visibility of patient information on the Patient Information screen:

1. Tap the option in the **Configure** screen that you want to display (Figure 21 on page 41).

**Note:** Options change from blue (deactivated) to green (activated) when tapped.

2. Tap **Ok**.

**Note:** If the option is not tapped to enable visibility of patient information, dashes are displayed for the missing value in the **Patient Information** screen.

**Display Height:** Displays the patient's height.

- To increase patient height by 1 (in. or cm), tap the up arrow (Figure 21 on page 41).
- To decrease patient height by 1 (in. or cm), tap the down arrow (Figure 21 on page 41).

**Display Weight From Scale System:** Displays the patient's weight as measured by the scale system.

**Calculate BMI:** Displays the patient's body mass index (BMI). You must tap both the **Display Height** and **Display Weight From Scale System** options to calculate the BMI.

**Display Last Braden Scale Score:** Displays the patient's last Braden Scale score and the time and date the score was recorded. If no score has been measured, dashes are displayed for the missing value.

**Display Patient ID:** Displays the Patient ID. You can enter the Patient ID on the **New Patient** screen (Figure 20 on page 40).

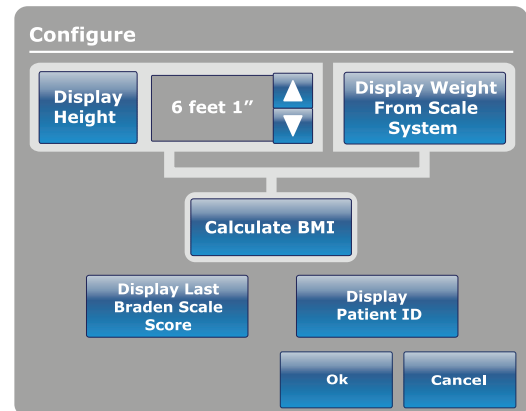
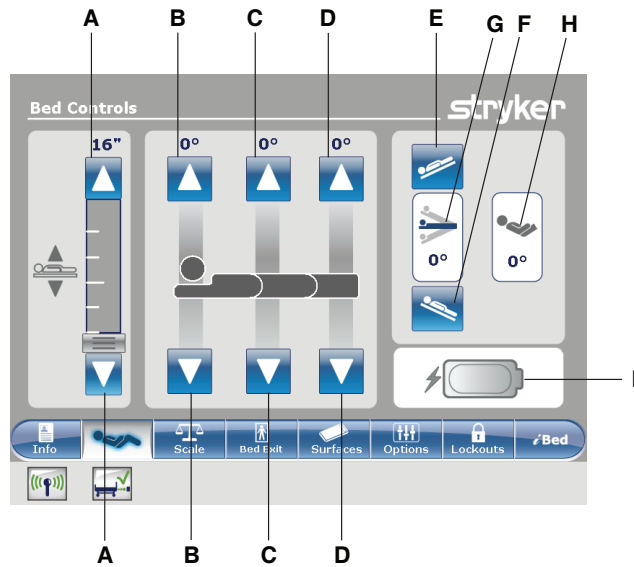


Figure 21: Configuring private patient information

# Operation

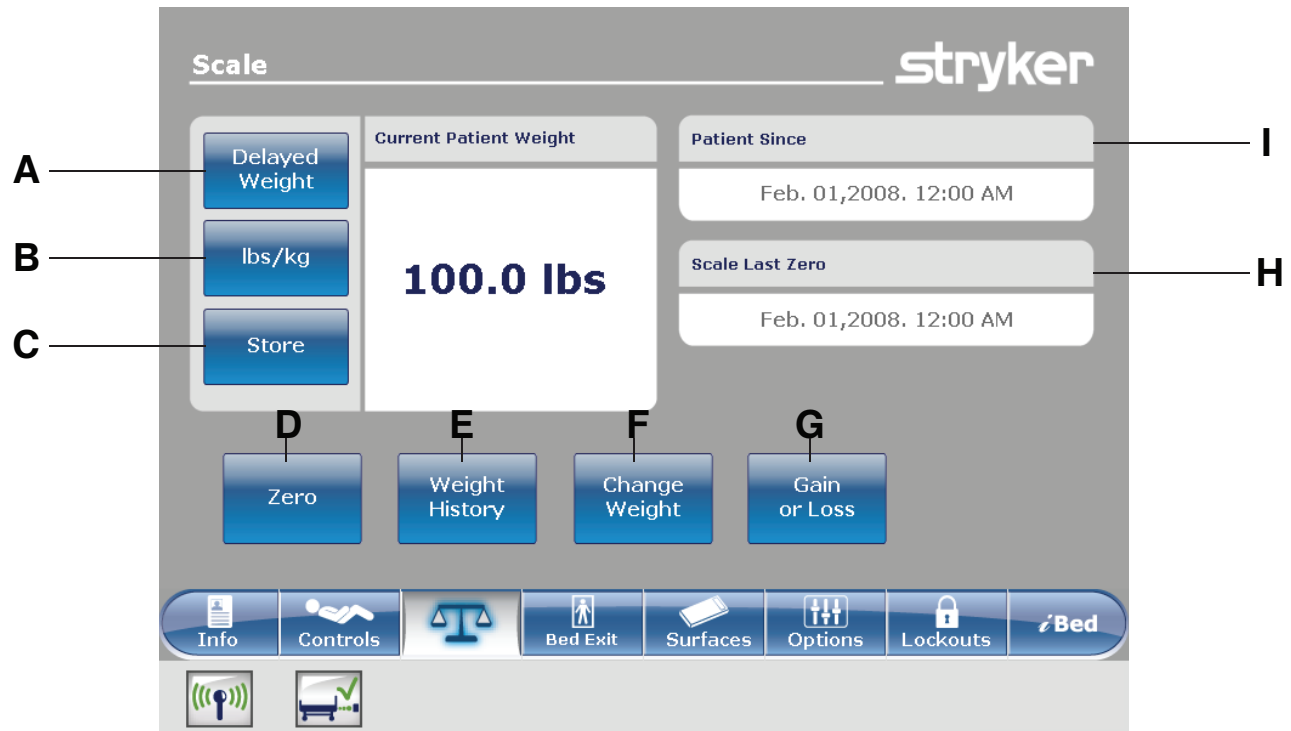
## Main menu: Bed controls



	Name	Function
A	Bed height up/down	Raises or lowers the litter
B	Fowler up/down	Raises or lowers the fowler
C	Gatch up/down	Raises or lowers the gatch
D	Foot up/down	Raises or lowers the foot section
E	Trendelenburg	Places the product into the Trendelenburg position (head down with foot up)
F	Reverse Trendelenburg	Places the product into the Reverse Trendelenburg position (head up with foot down)
G	Angle indicator	Shows the angle of Trendelenburg or Reverse Trendelenburg
H	HOB angle indicator	Shows the angle of head of bed (HOB)
I	Battery status indicator	Indicates the charge left in the battery

# Operation

## Main menu: Scale



	Name	Function
A	Delayed Weight	Records patient weight with a delay. Tap to start a delayed weight measurement.
B	lbs/kg	Changes the displayed measuring unit (lbs or kg)
C	Store	Tap to store the current weight reading
D	Zero	Zeros the scale settings
E	Weight History	Accesses stored patient weight history
F	Change Weight	Change the weight of a patient
G	Gain or Loss	Displays the initial patient weight measured, current patient weight, and weight the patient has gained or lost from the initial patient weight
H	Scale Last Zero	Date and time of the last zero of the scale
I	Patient Since	Patient's admittance date

### WARNING

- The scale system is intended to assist in the monitoring of the patient's weight variation. Under no circumstances should its reading be used as sole reference for medical treatment.
- Power save mode activates after one hour on battery power with no motion release switch activation. Bed exit, scale, and product motion stops operating when the product enters the power save mode.

## Recording patient weight with a delay

### Notes

- The delayed time is set to 15 seconds.
- The patient must be still while the scale records their weight. If the scale cannot measure a stable weight value, no weight entry is recorded.

To record patient weight with a delay:

1. Tap **Delayed Weight** (see [Main menu: Scale on page 43](#)).

**Note:** The 15 second timer starts.

2. Remove or lift up any equipment you do not want calculated into the patient's weight. This includes anything lying on the product or resting on the patient.

**Note:** To cancel the request, tap **Cancel** ([Figure 22 on page 44](#)).

- The scale beeps after 10 seconds elapses.
- The scale calculates the weight of the patient for the next five seconds.
- The scale beeps again, and then the **Delayed Weight** screen appears ([Figure 23 on page 44](#)).

3. Return the equipment to its original position.

To change the displayed measuring unit, tap **lbs/kg** ([Figure 23 on page 44](#)).

To return to the **Scale** screen, tap **Close** ([Figure 23 on page 44](#)).

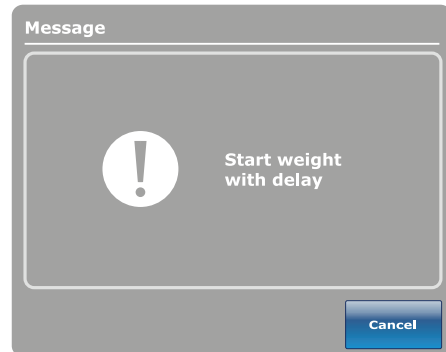


Figure 22: Start weight with delay



Figure 23: Delayed Weight

## Setting the scale to zero

The zero function clears all of the stored values for weight history, change patient weight, and gain or loss.

To set the scale to zero:

1. Tap **Zero** (Main menu: [Scale on page 43](#)).
2. To confirm setting the scale to zero, tap **Ok** ([Figure 24 on page 45](#)).

To cancel the request, tap **Cancel** ([Figure 24 on page 45](#)).

**Note:** The request is cancelled if the bed goes into auto shutoff.

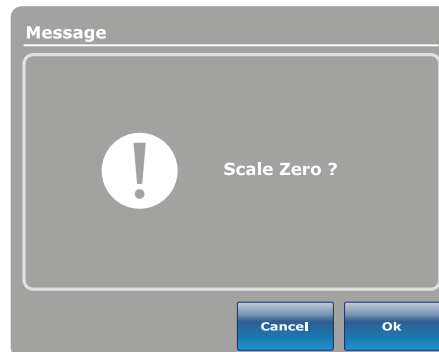


Figure 24: Scale Zero?

After confirming setting the scale to zero, a notification appears ([Figure 25 on page 45](#)).

**Note:** To cancel the request, tap **Close**.

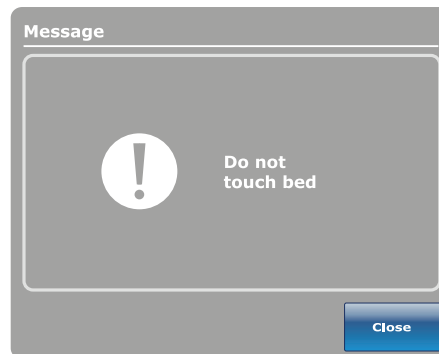


Figure 25: Do not touch bed

A confirmation notification indicates that setting the scale to zero was successful ([Figure 26 on page 45](#)).



Figure 26: Zero success!

## Viewing weight history

Weight history displays measured and stored weight values. The system stores a maximum of 50 weight measurements. Any new measurement taken after the fiftieth measurement deletes the oldest measurement taken.

To view weight history, tap **Weight History** (Main menu: [Scale on page 43](#)).

To reset the stored weight histories, tap **Reset** ([Figure 27 on page 46](#)).

To change the displayed measuring unit, tap **lbs/kg** ([Figure 27 on page 46](#)).

To view values that are not currently visible on the screen, tap the arrows to scroll from the left to right. The cursor only moves by one value at a time.

To store the current weight reading, tap **Store** ([Figure 27 on page 46](#)).

To return to the **Scale** screen, tap **Close** ([Figure 27 on page 46](#)).

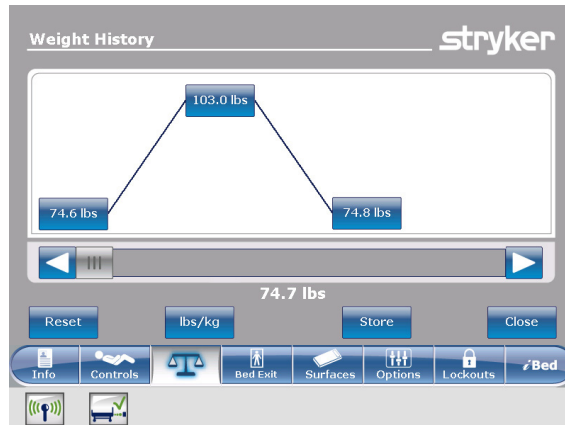


Figure 27: Weight history

To view specific weight history information:

1. Tap a weight value in the weight history screen ([Figure 27 on page 46](#)). Each value displays the time and date of the measurement ([Figure 28 on page 46](#)).
2. Tap **Previous** to see the previous weight measured ([Figure 28 on page 46](#)).
3. Tap **Next** to see the next weight measured ([Figure 28 on page 46](#)).
4. To return to the **Weight History** screen, tap **Cancel** ([Figure 28 on page 46](#)).

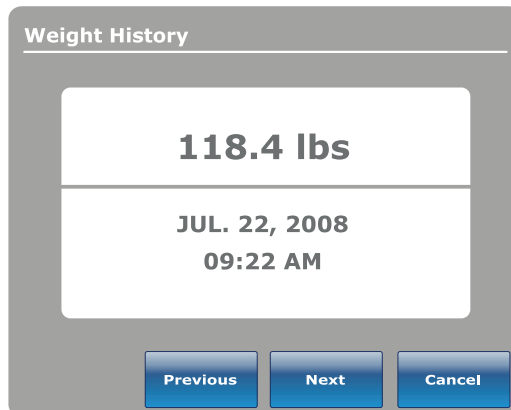


Figure 28: Weight history information



## Changing the patient weight

To change the patient weight:

Tap **Change Weight** (Main menu: Scale on page 43).

To confirm changing the patient weight, tap **Ok** (Figure 29 on page 47).

To cancel the request, tap **Cancel** (Figure 29 on page 47).

**Note:** The request is cancelled if the bed goes into auto shutoff.

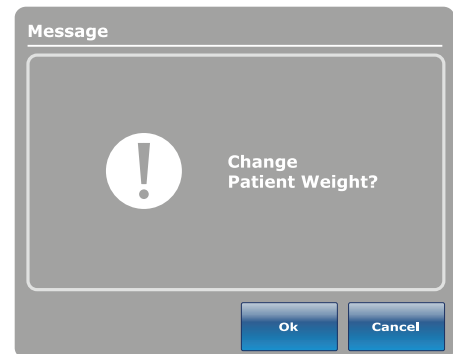


Figure 29: Change patient weight?

While changing patient weight, a notification appears (Figure 30 on page 47).

**Note:** To cancel the request, tap **Close**.

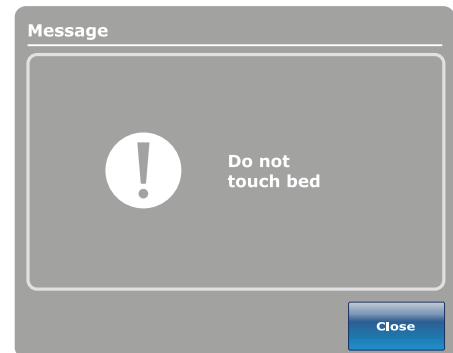


Figure 30: Do not touch bed

After the scale calibration, you can change the patient weight (Figure 31 on page 47).

- To increase patient weight by .1 (lb or kg), tap the up arrow.
- To decrease patient weight by .1 (lb or kg), tap the down arrow.
- To increase patient weight by 1.0 (lb or kg), hold the up arrow.
- To decrease patient weight by 1.0 (lb or kg), hold the down arrow.
- To save the desired weight, tap **Ok**.
- To cancel the request, tap **Cancel**.



Figure 31: Change patient weight

## Measuring weight gain or loss

The gain or loss function compares the initial patient weight to the current patient weight. It then displays the weight the patient has gained or lost since the initial patient weight reading.

To view gain or loss, tap **Gain or Loss** (see [Main menu: Scale on page 43](#)).

To change the displayed measuring unit, tap **lbs/kg** ([Figure 32 on page 48](#)).

To reset the gain or loss measurement, tap **Reset** ([Figure 32 on page 48](#)).

To return to the **Scale** screen, tap **Close** ([Figure 32 on page 48](#)).

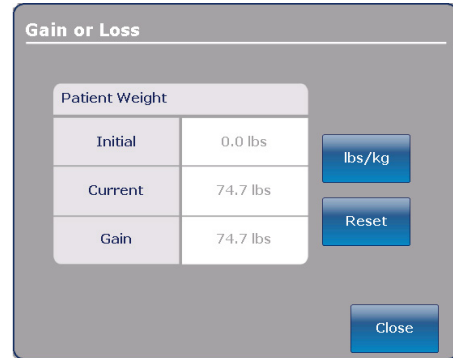


Figure 32: Gain or loss

To reset the gain or loss measurement, tap **Ok** ([Figure 33 on page 48](#)).

To cancel the request, tap **Cancel** ([Figure 33 on page 48](#)).

**Note:** The request is cancelled if the bed goes into auto shutoff.

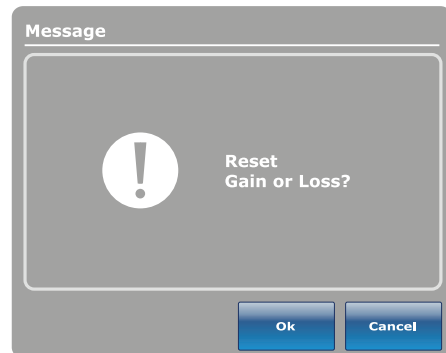


Figure 33: Reset gain or loss?

A confirmation notification indicates that the resetting of the gain or loss is complete ([Figure 34 on page 48](#)).

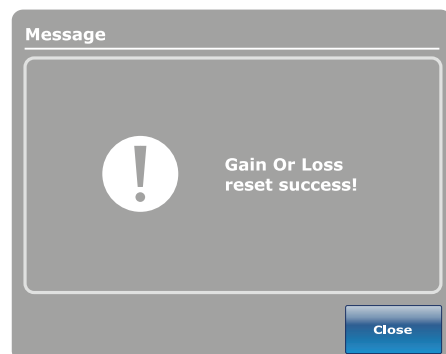
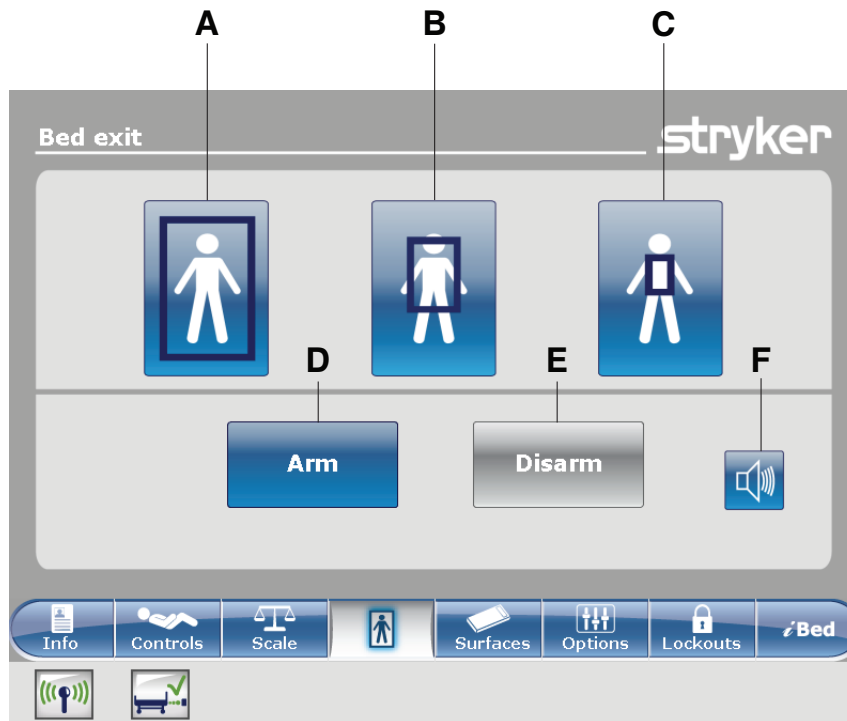


Figure 34: Gain or loss reset success!

# Operation

## Main menu: Chaperone Bed exit



	Name	Function
A	Zone 1	The patient can move freely, but the alarm sounds when the patient attempts to leave the product.
B	Zone 2	The patient can move with limited movement. The alarm sounds when the patient approaches the siderails or moves toward the foot end.
C	Zone 3	The patient can move with minimal movement. The alarm sounds when the patient moves out of the center of gravity.
D	Arm	Arms bed exit
E	Disarm	Disarms bed exit
F	Alarm	Accesses the alarm settings menu

### WARNING

- Bed exit is intended only to aid in the detection of a patient exiting the product. It is not intended to replace patient monitoring protocol.
- Bed exit is not designed to be used with patients weighing less than 50 lb (23 kg).
- Power save mode activates after one hour on battery power with no motion release switch activation. Bed exit, scale, and product motion stops operating when the product enters the power save mode.

## Arming or disarming Chaperone Bed exit

When armed, Chaperone® Bed Exit monitors the patient's position on the product.

**Note:** A notification appears if there is not enough weight on the product to arm bed exit.

To arm bed exit:

1. Tap the desired zone (see [Main menu: Chaperone Bed exit on page 49](#)).
2. Tap **Arm** (D) (see [Main menu: Chaperone Bed exit on page 49](#)).

After arming bed exit, the LED light bars on the outside siderails and footboard illuminate green, the bed exit indicator LED on the footboard control panel illuminates, and the selected zone in the **Bed exit** screen is highlighted green.

If the patient moves from the armed zone and compromises the bed exit parameter, the LED light bars on the outside siderails and footboard flash amber, the bed exit indicator LED on the footboard control panel flashes, a sound alarm is triggered, the compromised zone is highlighted red, and the **Event Manager** screen appears ([Figure 69 on page 83](#)).

**Note:** If **InTouch** is equipped with the optional *i*Audio feature, voice alarms are available. Voice alarms replace the buzzer alarm and play through the inside siderail speakers.

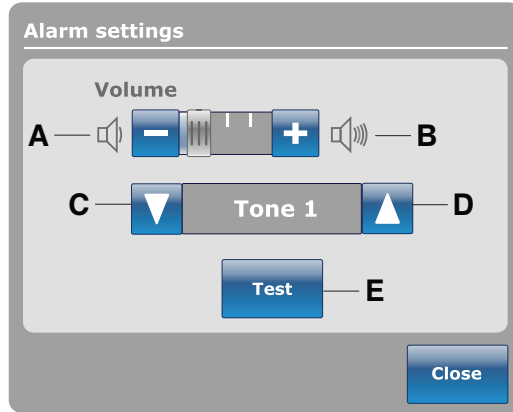
To disarm bed exit, tap **Disarm**.

# Operation

## Setting the alarm tones

InTouch has 10 alarm tone settings.

**Note:** If InTouch is equipped with the optional /Audio feature, voice alarms are available. Voice alarms replace the buzzer alarm and play through the inside siderail speakers.



	Name	Function
A	Volume down	Decreases the volume
B	Volume up	Increases the volume
C	Change tone	Scrolls to the next tone
D	Change tone	Scrolls to the previous tone
E	Test	Tests the selected volume and tone setting

# Operation

## Connecting a support surface to InTouch

### WARNING

- Do not use extension cords with support surfaces. Support surfaces are only intended to be powered by **InTouch** with the power cord supplied.
- Do not route cables between the support surface and **InTouch**.

1. Install the support surface onto **InTouch**.

**Note:** To install a support surface option onto **InTouch**, see the installation procedures in the appropriate support surface operations manual.

2. Connect the integration cable from the support surface to the auxiliary mattress connector (B) (Figure 35 on page 52).
3. Plug the support surface power cord into the auxiliary mattress connector outlet (A) (Figure 35 on page 52).

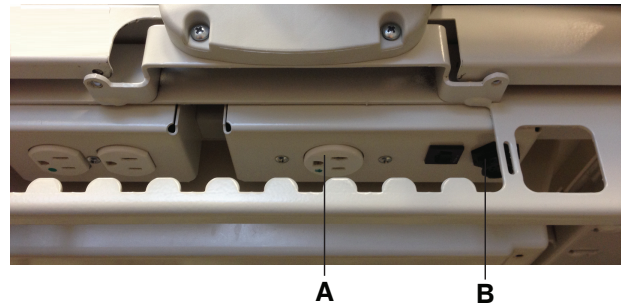


Figure 35: Auxiliary mattress connector outlet

## Main menu: Surfaces

**InTouch** can detect if a support surface is connected to the auxiliary mattress connector.

If you tap **Surfaces** on the navigation bar (Figure 37 on page 52) and there is no support surface connected to **InTouch**, a notification appears (Figure 36 on page 52).

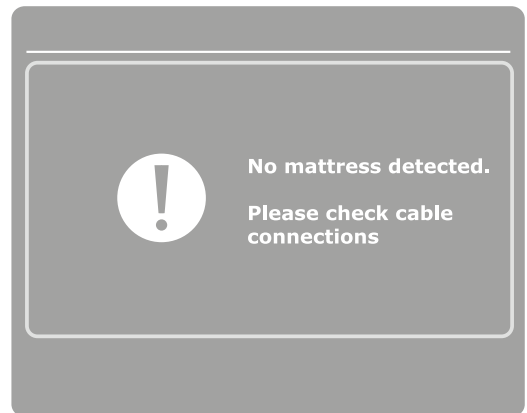


Figure 36: No mattress detected

Figure 37: Navigation Bar

## XPRT Therapy support surface (optional)

If you tap **Surfaces** on the navigation bar and **XPRT** is connected to **InTouch**, the home screen for **XPRT** appears (Figure 38 on page 53).

To install the **XPRT** Therapy support surface while integrated with **InTouch**, see the **XPRT** Therapy support surface operations manual.

### **⚠ WARNING**

Always make sure that all of the patient's limbs are within the raised and locked siderails when the support surface is articulating to avoid the risk of patient injury.

### **⚠ CAUTION**

Always use extra supervision when using a mattress or support surface thicker than six in. (15,4 cm).



Figure 38: XPRT home screen on InTouch

## PositionPRO support surface (optional)

If you tap **Surfaces** on the navigation bar and **PositionPRO** is connected to **InTouch**, the home screen for **PositionPRO** appears (Figure 39 on page 53).

To install the **PositionPRO** support surface while integrated with **InTouch**, see the **PositionPRO** support surface operations manual.

### **⚠ WARNING**

Always make sure that all of the patient's limbs are within the raised and locked siderails when the support surface is articulating to avoid the risk of patient injury.

### **⚠ CAUTION**

Always use extra supervision when using a mattress or support surface thicker than six in. (15,4 cm).

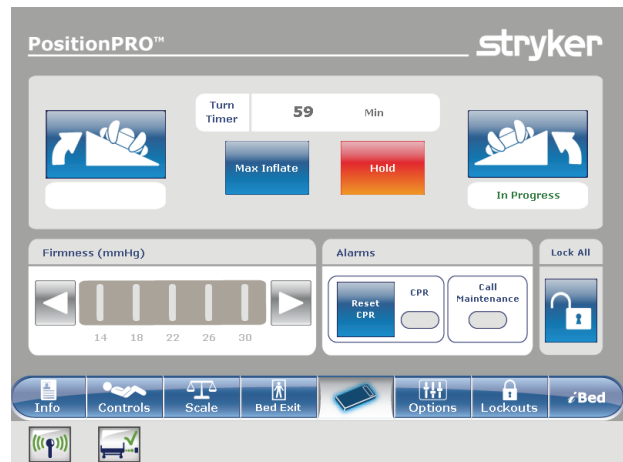


Figure 39: PositionPRO home screen on InTouch

## Restarting a support surface function

A notification appears (Figure 40 on page 54) after **InTouch** has reset and the Turn Assist or Max Inflate support surface functions were active. You may need to restart the interrupted function after receiving this message.

To restart an **XPRT** support surface function, see the instructions in the **XPRT** support surface operations manual.

To restart a **PositionPRO** support surface function, see the instructions in the **PositionPRO** support surface operations manual.

To restart an **Isolibrium** support surface function, see or .

### Notes

- The firmness settings for **XPRT** and **PositionPRO** are preserved when the product resets.
- The Pressure Redistribution settings for **Isolibrium** are preserved when the product resets.
- The settings for Protocol Reminders are lost when the product resets.

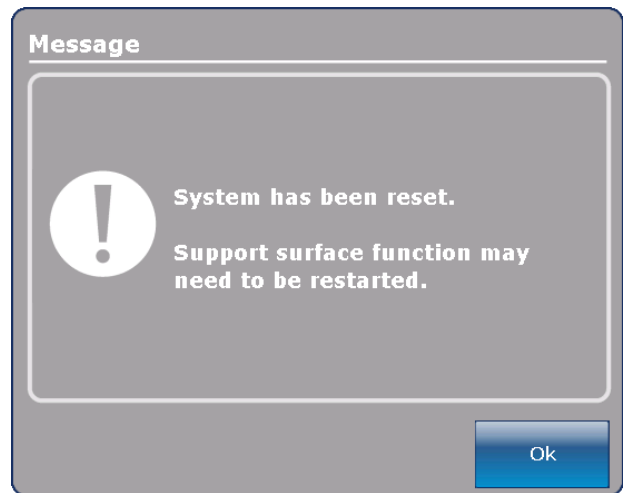


Figure 40: System reset message



Isolibrium support surface (optional)

## **Main support surface screen for Isolibrium**

## Preparing Isolibrium for a new patient

---

 **WARNING**

Do not exceed the safe working load of the **Isolibrium** support surface. Excess weight could cause unpredictable safety and performance of this system.

---

There are two options for clearing the therapy history and are located:

- **New Patient** display
- Surface settings display (see ).

**Figure 41: InTouch New Patient screen**

# Operation

## Positioning a patient on the support surface

### WARNING

- Always center the patient on the support surface. Align the patient's head toward the headboard before starting functions. Check the patient frequently to make sure that you maintain the proper positioning.
- Always make sure that the tubing and wiring that is connected to the patient is long enough, stable, and secure during Lateral Rotation or Turn Assist.
- Always raise all of the **InTouch** bed siderails before starting Turn Assist or Lateral Rotation functions.
- Do not exceed the safe working load of the **Isolibrium** support surface. Excess weight could cause unpredictable safety and performance of this system.
- Always use extra caution when reading radiology images taken of a patient on a support surface because internal components can cause artifacts and distort readings.

### CAUTION

- Do not allow sharp objects to come into contact with the support surface that could puncture, tear, or cut the cover.
- Do not allow sharp edges from the X-ray plate to come in contact with the support surface cover. The recommendation is you cover the X-ray plate with a pillow case or other device before placement under the patient. If damaged, remove the support surface cover from service immediately to prevent cross contamination.

To position the patient:

1. Max Inflate the support surface.
2. Position the patient in the center of the support surface, align the patient's head toward the head board ([Figure 42 on page 57](#)).
3. Check the patient frequently during Lateral Rotation for proper positioning and support surface inflation ([Figure 43 on page 57](#) and [Figure 44 on page 57](#)).

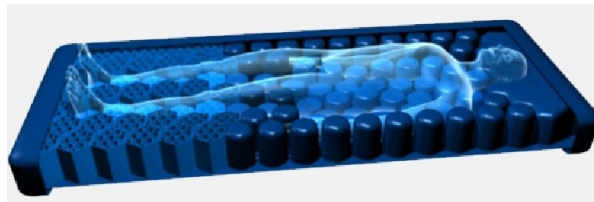


Figure 42: Center the patient



Figure 43: Correct patient positioning



Figure 44: Incorrect patient positioning

## **Preparing bed positions for support surface functions**

## **Initializing Pressure Redistribution**

## Selecting patient weight range

**Selecting to retain or clear therapy history**

**Changing Pressure Redistribution**

# Operation

---

## Preparing for Lateral Rotation

Lateral Rotation allows the operator to rotate the patient from left to right by increasing or decreasing the rotation levels and hold times.

---

### **WARNING**

- Always make sure that the tubing and wiring that is connected to the patient is long enough, stable, and secure during Lateral Rotation or Turn Assist.
  - Do not extubate or intubate patients during Lateral Rotation or Turn Assist. The functions could interfere with the performance of the ancillary devices.
  - Always raise all of the **InTouch** bed siderails before beginning Turn Assist or Lateral Rotation.
  - Do not zero the bed scales or weigh the patient with Lateral Rotation or Turn Assist active. Motion from the support surface functions may adversely affect the scale system performance.
  - Do not arm bed exit with Lateral Rotation or Turn Assist active. The patient motion and position that results from the support surface may adversely affect bed exit system performance.
  - Always deflate the **Isolibrium** support surface before beginning CPR.
  - Always center the patient on the support surface. Align the patient's head toward the headboard before starting functions. Check the patient frequently to make sure that you maintain the proper positioning.
- 

To prepare for lateral rotation:

1. Position the patient in the center of the support surface.
2. Raise all of the bed siderails.
3. Lower the bed height to the lowest practical position.
4. Set the head of bed angle between -5° to 60°.

### **Notes**

- A healthcare professional should determine the use of the **Isolibrium** support surface and therapies outside of the therapeutic weight range of 50 lb to 350 lb (22.7 kg to 158.7 kg).
- Lateral Rotation will not function if the siderails are down. However, Pressure Redistribution, Max Inflate and Turn Assist will still activate without the siderails up. If a siderail is lowered or unlocked during Lateral Rotation, the function will automatically stop.

# Starting Lateral Rotation



**Starting a one-sided Lateral Rotation**

**Pausing or stopping Lateral Rotation**

**Changing head of bed angle during  
Lateral Rotation**

**Timing duration Lateral Rotation**

**Starting and stopping Turn Assist**

# Starting and stopping Max Inflate

## Activating and resetting CPR

---

### **WARNING**

Always deflate the **Isolibrium** support surface before beginning CPR.

---

To activate CPR:

1. Options to activating CPR include:
  - a. Pull either the patient left ([Figure 46 on page 66](#)), patient right or both CPR straps that are located at the foot end of the support surface until it locks.
  - b. Depress the **InTouch** CPR release pedal, located toward the head end of the bed to deflate the support surface and flatten the **InTouch** bed frame.
  - c. Both of the CPR straps and the **InTouch** CPR release pedal can be activated ([Figure 47 on page 66](#)).
2. After you activate the CPR straps or CPR release pedal the screen displays ([Figure 45 on page 66](#)).

#### **Figure 45: CPR Activated — Surface is deflating**

3. Tap **OK** to confirm. The screen displays **CPR Activated** until you reset CPR ([Figure 46 on page 66](#) and [Figure 47 on page 66](#)).

**Figure 46: CPR activated, patient left**

**Figure 47: CPR activated, both straps and pedal**

To reset the CPR straps, pull down on the CPR straps until they snap back into their fully seated position.

To reset the **InTouch** CPR release pedal, tap **OK** ([Figure 47 on page 66](#)).

## Cancelling functions

## Locking support surface functions

## Unlocking support surface functions

## Turning Low Air Loss (LAL) on or off

### Viewing and clearing history

The **Therapy History** screen provides details about the therapies that were performed for a patient. This information resets when you tap **New Patient** (see [Preparing Isolibrium for a new patient on page 56](#)) or **Clear History** (see [Figure 49 on page 67](#)).

To view therapy history, tap **Therapy History** (see [Figure 48 on page 67](#)). Tap the up and down arrows to the far right of the screen to scroll through the report (see [Figure 49 on page 67](#)).

**Figure 48: Therapy history button**

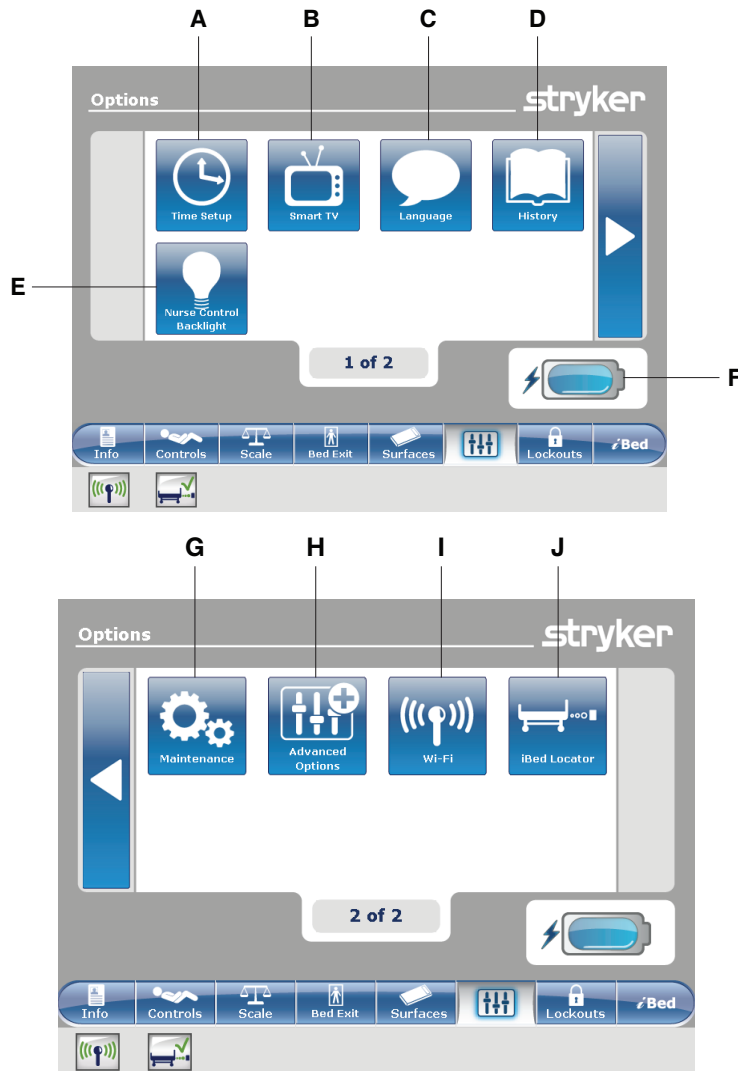
To clear therapy history, tap **Clear History**.

To exit therapy history, tap **X** or tap **Therapy History**.

**Figure 49: View history or clear history**

## Support surface malfunctioning

Main menu: Options



	Name	Function
A	Time Setup	Set up the time and date
B	Smart TV	Configure Smart TV
C	Language	Change the displayed language on the InTouch screen
D	History	View weight history, head of bed history, and bed height history
E	Nurse Control Backlight	Change the LED backlight intensity for the control panels
F	Battery status indicator	Indicates the charge left in the battery
G	Maintenance	View general status information for error codes and signal values
H	Advanced Options	Activate or deactivate alarms for Bed Exit, <i>iBed</i> Awareness, and Protocol Reminders

# Operation

## Main menu: Options (Continued)

	Name	Function
I	Wi-Fi (Optional)	View the Wi-Fi connection status (Figure 63 on page 76)
J	iBed Locator (Optional)	View the iBed Locator connection status (Figure 66 on page 77)

## Setting the time and date

To set the time or date:

Tap **Time Setup** (see [Main menu: Options on page 68](#)).

To increase the value, tap +.

To decrease the value, tap -.

To accept the changes, tap **Accept** (Figure 50 on page 69).

To cancel the request, tap **Cancel** (Figure 50 on page 69).

### Notes

- The request is cancelled if the bed goes into auto shutoff.
- Time setup does not automatically adjust for daylight savings time.

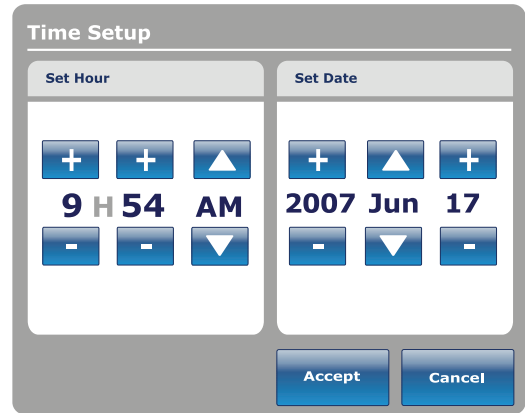


Figure 50: Time setup

## Configuring Smart TV (optional)

**Note:** A smart TV board must be installed before configuring this option.

To configure smart TV:

Tap **Smart TV** (see [Main menu: Options on page 68](#)).

Tap the TV Configuration number that corresponds to the model of television (1-6) (Figure 51 on page 69).

To configure smart TV automatically, tap **Autoconfig** (Figure 51 on page 69).

To configure a digital TV automatically, tap **Auto Dig Vol** (Figure 51 on page 69).

To accept the changes, tap **Accept** (Figure 51 on page 69).

To cancel the request, tap **Cancel** (Figure 51 on page 69).

**Note:** The request is cancelled if the bed goes into auto shutoff.

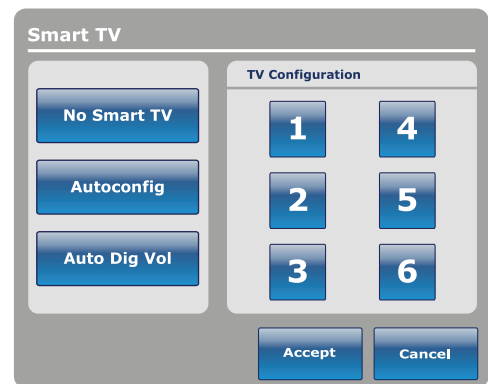


Figure 51: Smart TV configuration

## Changing the displayed screen language

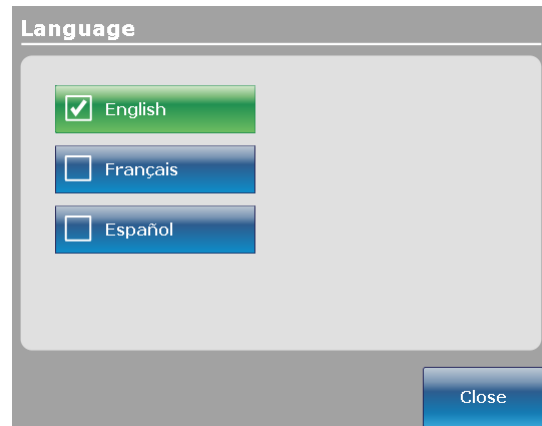
To change the displayed language on the **InTouch** touch screens:

Tap **Language** (see [Main menu: Options on page 68](#)).

Tap the desired language ([Figure 52 on page 70](#)).

**Note:** Options change from blue (deactivated) to green (activated) when tapped.

Tap **Close** ([Figure 52 on page 70](#)).



**Figure 52: Language**



## Viewing parameter history

The **History** option stores historical values for weight history of the scale, head of bed, and bed height.

To view the History options:

Tap **History** (see [Main menu: Options on page 68](#)).

To view weight history ([Figure 27 on page 46](#)), tap **Scale** ([Figure 53 on page 71](#)).

To return to the **Options** screen, tap **Close** ([Figure 53 on page 71](#)).

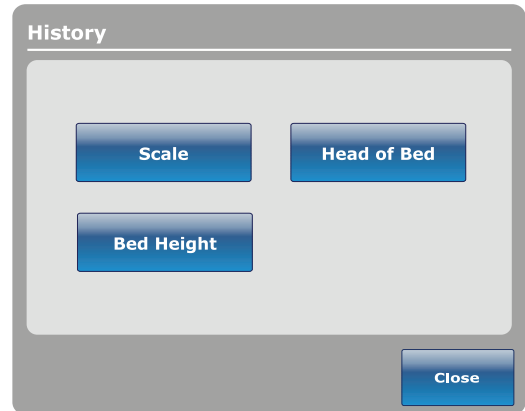


Figure 53: History

Head of Bed history provides values for the date, time, and duration a specific angle was set.

To view head of bed history, tap **Head of Bed** ([Figure 53 on page 71](#)).



Figure 54: Head of Bed

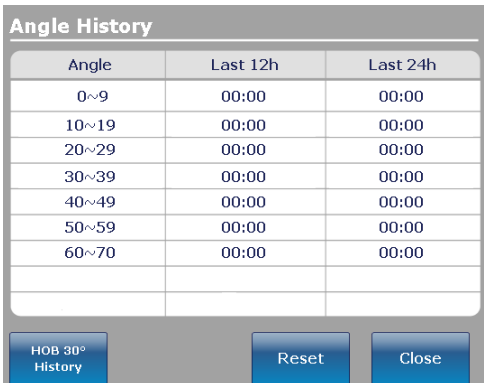
Angle History provides values for specific angles and how long the angle was held within the last 12 to 24 hours.

**Note:** The maximum time frame for an angled position history is 30 days.

To view angle history, tap **Angle History** ([Figure 54 on page 71](#)).

To reset the stored angle histories, tap **Reset** ([Figure 55 on page 71](#)).

To return to the **History** screen, tap **Close** ([Figure 55 on page 71](#)).

The screenshot shows an 'Angle History' window. At the top, the title 'Angle History' is visible. Below the title is a table with three columns: 'Angle', 'Last 12h', and 'Last 24h'. The table contains seven rows of data. At the bottom, there are three blue buttons: 'HOB 30° History', 'Reset', and 'Close'.

Angle	Last 12h	Last 24h
0~9	00:00	00:00
10~19	00:00	00:00
20~29	00:00	00:00
30~39	00:00	00:00
40~49	00:00	00:00
50~59	00:00	00:00
60~70	00:00	00:00

Figure 55: Angle History

## Viewing parameter history (Continued)

Bed Height history provides values for the date, time, and duration a specific bed height was set.

To view bed height history, tap **Bed Height** (Figure 53 on page 71).

To return to the **History** screen, tap **Close** (Figure 56 on page 72).



Figure 56: Bed Height

Height History provides values for specific heights and how long the height was held within the last 12 to 24 hours.

**Note:** The maximum time frame for a bed height history is 30 days.

To view height history, tap **Height History** (Figure 56 on page 72).

To view Low height history, tap **Low height history** (Figure 57 on page 72).

To reset the stored height histories, tap **Reset** (Figure 57 on page 72).

To return to the **History** screen, tap **Close** (Figure 57 on page 72).

The screenshot shows a window titled "Height History". It contains a table with three columns: "Height", "Last 12h", and "Last 24h". The table lists eight rows of height ranges and their durations. At the bottom, there are three buttons: "Low height history", "Reset", and "Close".

Height	Last 12h	Last 24h
16.0" ~ 18.0"	00:01	00:10
18.1" ~ 20.0"	00:02	00:20
20.1" ~ 22.0"	00:03	00:30
22.1" ~ 24.0"	00:04	00:40
24.1" ~ 26.0"	00:05	00:50
26.1" ~ 28.0"	00:06	01:00
28.1" ~ 30.0"	00:07	01:10
30.1" ~ 33"	00:08	01:20

Figure 57: Height History

## Changing the control panel LED backlight intensity

The nurse control backlight changes the LED backlight intensity for all control panels (motion control panel, brake control panel, footboard control panel, and head end control panel (optional)).

Five settings are available for the control panel LED intensity (from left to right):

- Setting one: Off — no LED backlight appears when you push a control panel button
- Setting two: nurse call indicator only — only the nurse call LED backlight illuminates (inside siderails)
- Setting three: low LED intensity for control panels
- Setting four: medium LED intensity for control panels
- Setting five: high LED intensity for control panels

To change the intensity of the LED backlight:

1. Tap **Nurse Control Backlight** ([Main menu: Options on page 68](#)).
2. Tap the left or right arrow ([Figure 58 on page 73](#)).
3. To save the LED intensity setting, tap **Close** ([Figure 58 on page 73](#)).

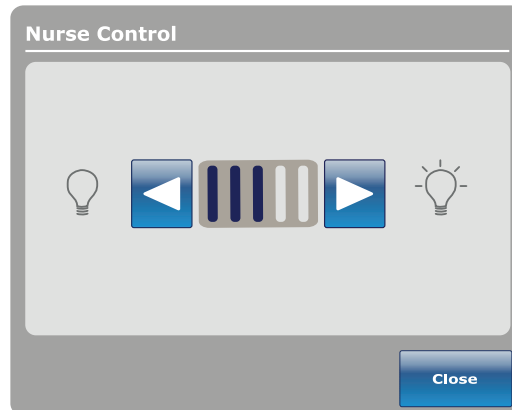


Figure 58: Nurse control LED intensity

# Operation

## Viewing general maintenance status information

The **Maintenance** menu contains general status information for technicians and maintenance personnel to help troubleshoot **InTouch**. To view the full diagnostics menu or calibration information, see the **InTouch** maintenance manual.

To access the maintenance menu, tap **Maintenance** (see [Main menu: Options on page 68](#)).

**Error Codes:** Displays the current active errors and the error log ([Figure 60 on page 74](#)). See the **InTouch** maintenance manual for the definition of the error codes.

**Signal Values:** Lists all the sensors and their current signal values ([Figure 61 on page 74](#)).

For more detailed information about **Boards**, **Buttons Pressed**, **Bed Information**, and **Input States**, see the **InTouch** maintenance manual.

To return to the **Options** screen, tap **Close** ([Figure 59 on page 74](#)).

To return to the **Maintenance** screen, tap **Back**.

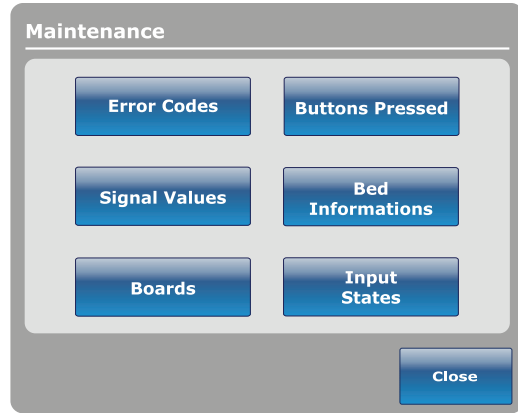


Figure 59: Maintenance

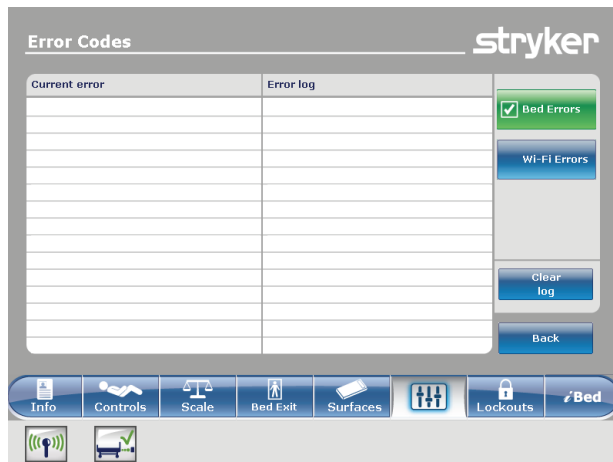


Figure 60: Error Codes

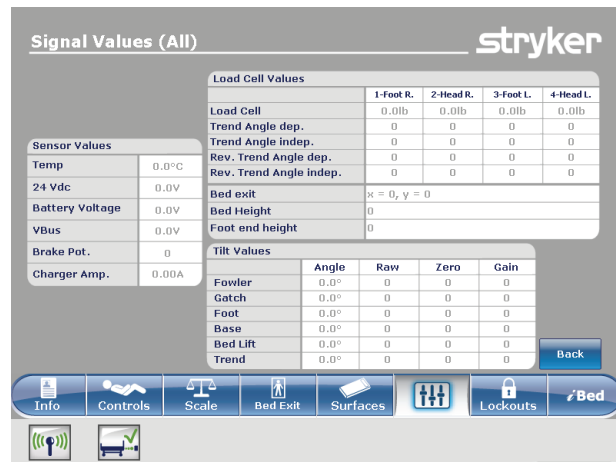


Figure 61: Signal Values

## Viewing advanced alarm options

Advanced options allows you to activate or deactivate alarms for Bed Exit, *i*Bed Awareness, and Protocol Reminders.

To access the advanced options, tap **Advanced Options** (see [Main menu: Options on page 68](#)).

To activate an alarm, tap the alarm to activate it.

**Note:** Options change from blue (deactivated) to green (activated) when tapped.

**Bed Exit:** Always activated. **InTouch** sends a signal through the nurse call system when a parameter condition is compromised.

***i*Bed Awareness:** **InTouch** sends a signal through the nurse call system when a parameter condition is compromised.

**Reminder:** **InTouch** sends a signal through the nurse call system when a parameter condition is compromised.

### Notes

- Options that are not configured for your model are grayed out.
- If **InTouch** is equipped with the optional *i*Audio feature, voice alarms are available. Voice alarms replace the buzzer alarm and play through the inside siderail speakers.

To return to the **Options** main menu, tap **Back** ([Figure 62 on page 75](#)).



Figure 62: Advanced Options

## Viewing the Wi-Fi connection status (optional)

**Note:** *i*Bed Wireless must be installed and configured in order to view this option.

To view the Wi-Fi connection status, tap **Wi-Fi** (see [Main menu: Options on page 68](#)) or tap the Wi-Fi connectivity icon at the bottom of the touch screen.

Wi-Fi ON displays the connection status of the wireless network.

To configure the Wi-Fi option, see the **InTouch** maintenance manual.

To return to the **Options** screen, tap **Back** ([Figure 63 on page 76](#)).

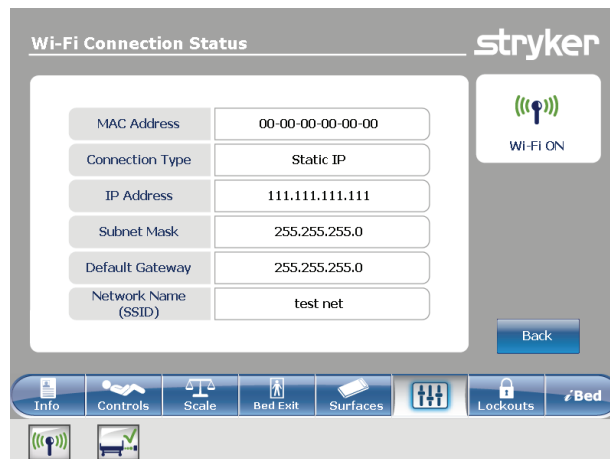


Figure 63: Wi-Fi Connection Status

## Resetting the Wi-Fi connection

When the Wi-Fi connection is lost and cannot reconnect to the network, you must reset the Wi-Fi connection.

To reset the Wi-Fi connection, tap **Reset** ([Figure 64 on page 76](#)).

### Notes

- After you reset, **InTouch** reboots to the **Patient Information** screen ([19 Patient information on page 39](#)).
- The settings for lockout controls, scale calibration data, bed exit, and *i*Bed® Awareness are preserved when you reset the product.
- The settings for Isolibrium patient information and patient weight are preserved when you reset the product.
- The settings for Protocol Reminders are lost when you reset the product.

To cancel the request, tap **Cancel** ([Figure 64 on page 76](#)).

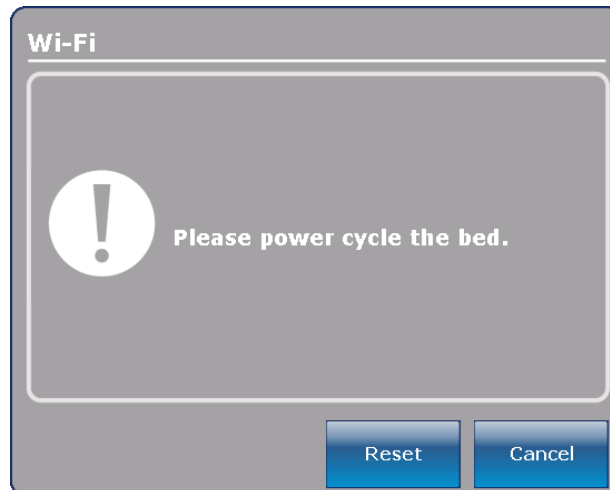


Figure 64: Resetting the Wi-Fi connection

# Operation

## Viewing the *i*Bed Locator connection status (optional)

**Note:** The *i*Bed Locator must be installed and configured in order to view this option.

To view the *i*Bed Locator connection status, tap ***i*Bed Locator** (see [Main menu: Options on page 68](#)) or tap the *i*Bed Locator connectivity icon at the bottom of the touch screen.

**Locator ID:** Displays the *i*Bed Locator ID.

**Battery Status:** Indicates the charge left in the *i*Bed Locator battery.

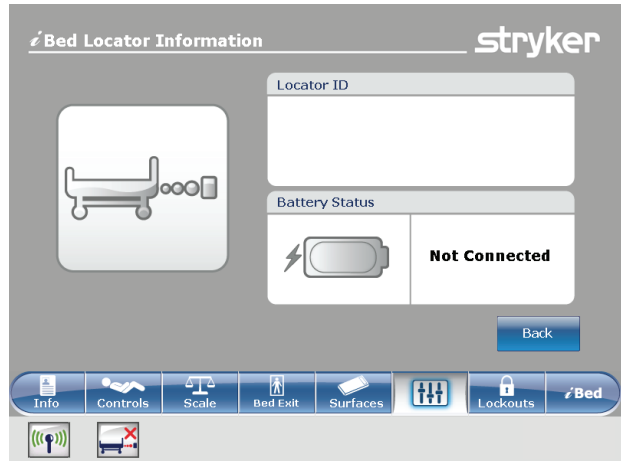
**Note:** Replace the *i*Bed Locator batteries as necessary.

If the *i*Bed Locator is not connected, a red X appears next to the *i*Bed Locator connectivity icon, no Locator ID is displayed, and the **Battery Status** field displays **Not Connected** ([Figure 65 on page 77](#)).

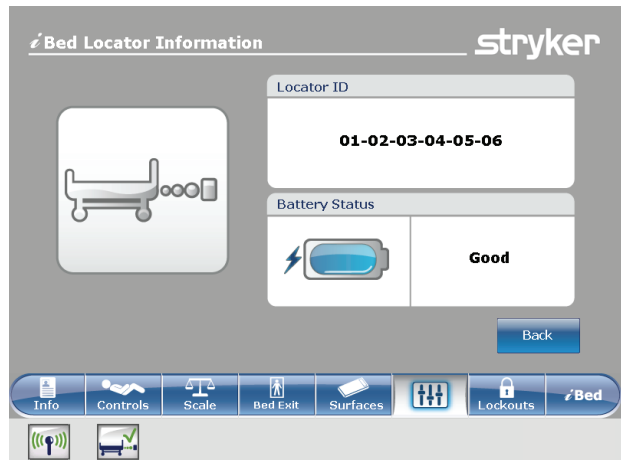
To return to the **Options** screen, tap **Back** ([Figure 65 on page 77](#)).

If the *i*Bed Locator is connected, a green check mark appears next to the *i*Bed Locator connectivity icon, a valid Locator ID is displayed, and the **Battery Status** field displays **Good** or **Low**, depending on the battery charge ([Figure 66 on page 77](#)).

To return to the **Options** screen, tap **Back** ([Figure 66 on page 77](#)).



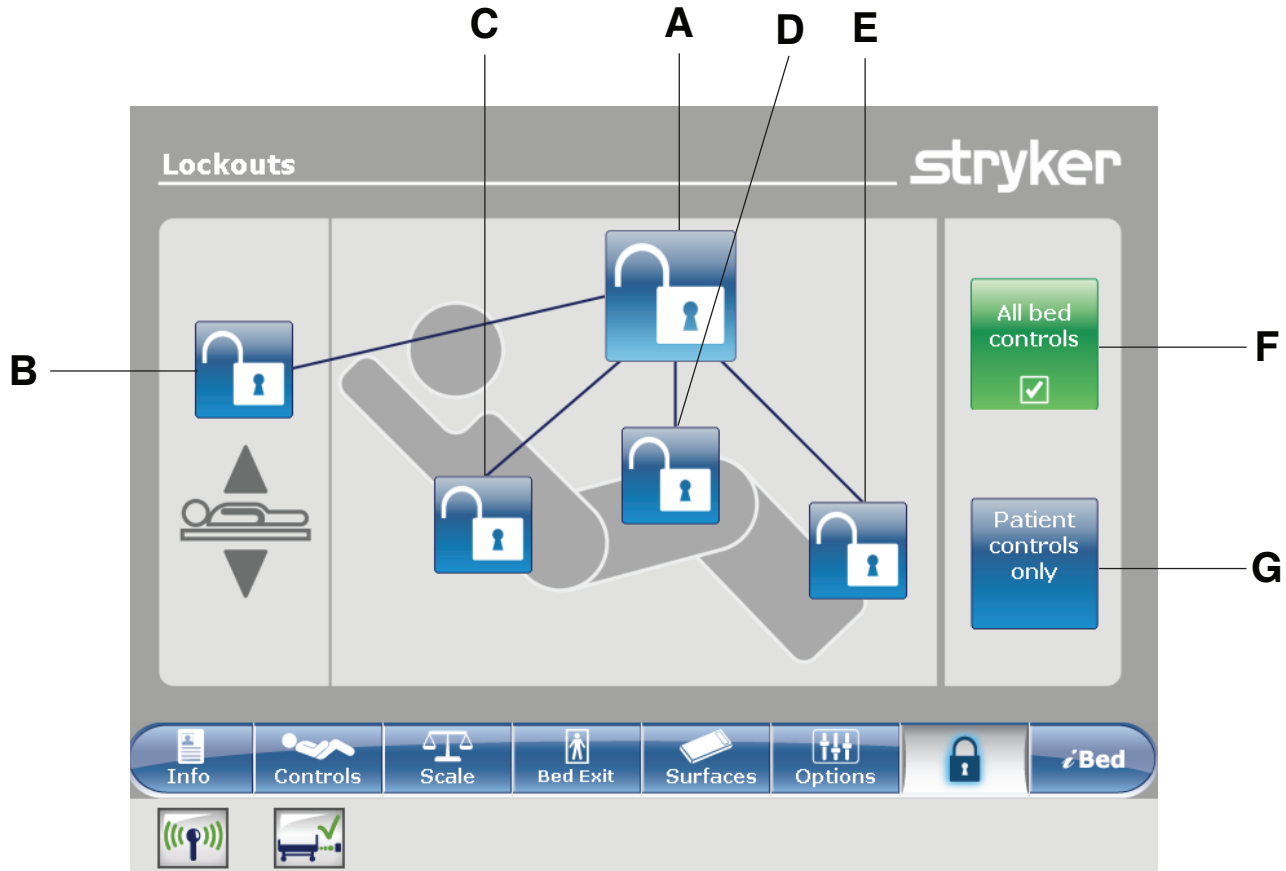
**Figure 65: *i*Bed Locator Information (not connected)**



**Figure 66: *i*Bed Locator Information (connected)**

# Operation

## Main menu: Lockouts



	Name	Function
A	Total lockout	Locks all motion controls
B	Bed height lock	Enables or disables the lock for the bed height
C	Fowler lock	Enables or disables the lock of the fowler section
D	Gatch lock	Enables or disables the lock of the gatch section
E	Foot lock	Enables or disables the lock of the foot section
F	All bed controls	Locks all bed controls
G	Patient controls only	Locks all siderail patient controls

### **WARNING**

Always lock the control panel when you leave the patient unattended. Always lock the control panel when the patient's condition requires extra safety measures.



## Enabling or disabling lockouts

Lockouts can lock out product motion input from the motion control panel, footboard control panel, and head end control panel (optional). The brake control panel, Bed Exit, scale, and optional nurse call features are still available.

**Note:** Locks change from blue (deactivated) to amber (activated) when tapped.

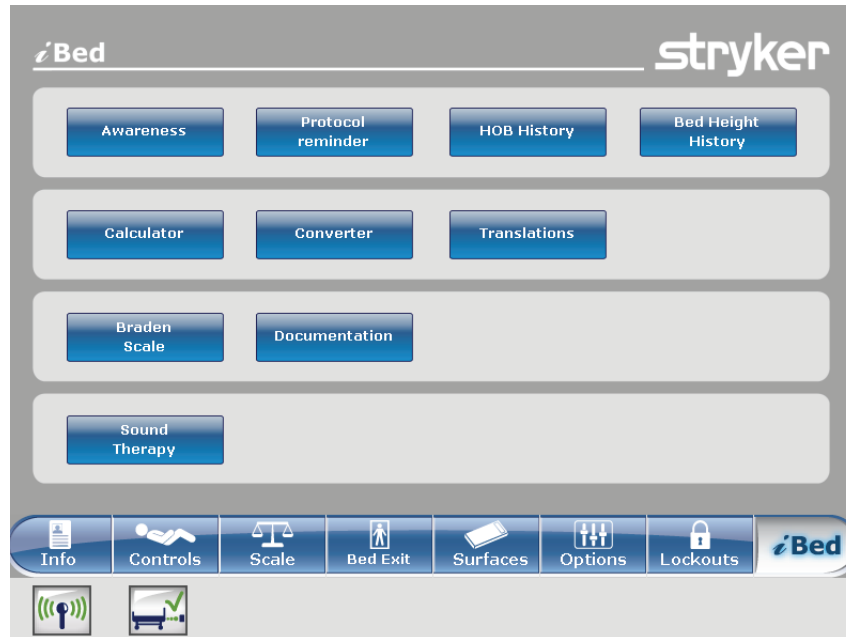
- To perform a total lockout, tap (A) ([Main menu: Lockouts on page 78](#)).
- To lock the bed height, tap (B) ([Main menu: Lockouts on page 78](#)).
- To lock a specific litter section, tap the corresponding lock (C, D, or E) ([Main menu: Lockouts on page 78](#)).
- To lock all bed controls, tap (F) ([Main menu: Lockouts on page 78](#)). This allows all lockout options to appear.
- To lock all the patient controls, tap (G) ([Main menu: Lockouts on page 78](#)). This allows only the total lockout, fowler lock, and gatch lock options to appear.

### Notes

- If the product is held in a specific position when a lock is enabled, the product will be locked in that position.
- The **Locks Enabled** LED illuminates amber on the footboard control panel whether one lock or a total lockout is set.
- Lock parameters are saved when the product is unplugged, or during a power failure.
- Do not lock the control panel functions from the footboard if you must access the control panel functionality when you remove the footboard.

# Operation

## Main menu: *i*Bed (optional)



Name	Function
Awareness	Configure status and parameter conditions for the product
<b>Protocol Reminder™</b>	Set reminders for critical intervention practices
HOB History	Provides values for the date, time, and duration a specific angle was set (Figure 54 on page 71)
Bed Height History	Provides values for the date, time, and duration a specific bed height was set (Figure 56 on page 72)
Calculator	View the in-screen calculator (Figure 76 on page 87)
Converter	View the in-screen converter (Figure 77 on page 87)
Translations	View and listen to translations of clinical phrases to communicate with Limited English Proficiency (LEP) patients
Braden Scale	Take the Braden Scale for Predicting Pressure Sore Risk survey to assess a patient's risk of developing pressure ulcers
Documentation (optional)	View logged information from Bed Exit, protocol reminders, scale system, <i>i</i> Bed Awareness, and <b>InTouch</b> bed system
<b>Sound Therapy™</b> (optional)	Listen to or create playlists of previously loaded music selections or sounds of nature

### Notes

- If your product is equipped with the ***i*Bed** option, the ***i*Bed** tab appears in the navigation bar.
- If your product is equipped with the Documentation option, the Documentation option appears in the ***i*Bed** main menu.
- If your product is equipped with the *i*Audio option, the *i*Audio option appears in the ***i*Bed** main menu.

## Configuring *i*Bed Awareness

When enabled, *i*Bed Awareness helps to monitor InTouch's status and parameter conditions.

---

### **WARNING**

- Do not use *i*Bed® Awareness as a lock indicator for siderails. *i*Bed® Awareness is only intended to detect the position of the siderails. It is not intended to replace patient monitoring protocol.
  - The *i*Bed® Awareness LED light bars are only intended to monitor the product status and parameter conditions. It is not intended to replace patient monitoring protocol.
  - You must physically verify that the siderails are locked before arming *i*Bed® Awareness.
- 

### **CAUTION**

- Make sure that you set the desired product parameters before enabling *i*Bed® Awareness.
  - Do not use accessories that cover the footboard and outside siderail LED light bars.
  - Do not turn off the *i*Bed® Awareness alarm. You will lose access to the event manager that displays the compromised parameter condition.
-

## Configuring *i*Bed Awareness (Continued)

To enter the **Smart bed position** screen, tap **Awareness** (see [Main menu: \*i\*Bed \(optional\) on page 80](#)).

To monitor a parameter, tap the desired function to monitor ([Figure 67 on page 82](#)).

**Note:** Options change from blue (deactivated) to green (activated) when tapped.

To monitor the product's currently monitored functions, tap **Monitor current bed situation** ([Figure 67 on page 82](#)).

To stop monitoring a parameter, tap the activated parameter or tap **Deselect all**.

To set an alarm tone for *i*Bed Awareness, tap the bell icon to access the alarm settings ([Setting the alarm tones on page 51](#)).

**Note:** If **InTouch** is equipped with the optional *i*Audio feature, voice alarms are available. Voice alarms replace the buzzer alarm and play through the inside siderail speakers.

To return to the *i*Bed screen, tap **Back** ([Figure 67 on page 82](#)).

If no parameter conditions are selected for *i*Bed Awareness, the LED light bars on the outside siderails and footboard do not activate.

If parameter conditions are selected for *i*Bed Awareness, the LED light bars on the outside siderails and footboard illuminate green.

If the parameter conditions selected for *i*Bed Awareness are compromised, the LED light bars on the outside siderails and footboard flash amber, a sound alarm is triggered, the compromised parameter condition is highlighted amber ([Figure 68 on page 82](#)), and the **Event Manager** screen appears ([Figure 69 on page 83](#)).

To return to the *i*Bed screen, tap **Back** ([Figure 68 on page 82](#)).

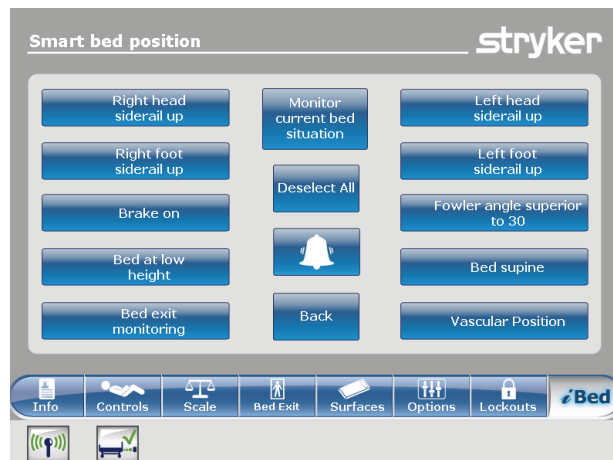


Figure 67: *i*Bed Awareness

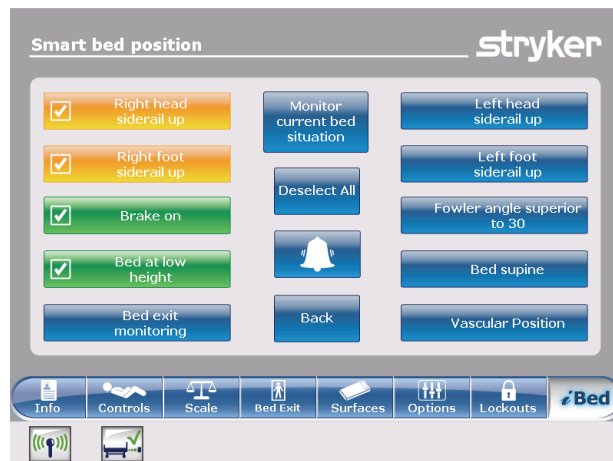


Figure 68: *i*Bed Awareness compromised

## Acknowledging the event manager

The **Event Manager** screen displays the compromised parameter condition when an alarm is triggered. To disarm the alarm, the compromised parameter condition must be acknowledged and resolved in the event manager.

To acknowledge a compromised parameter condition, return the condition back to its original state, or tap:

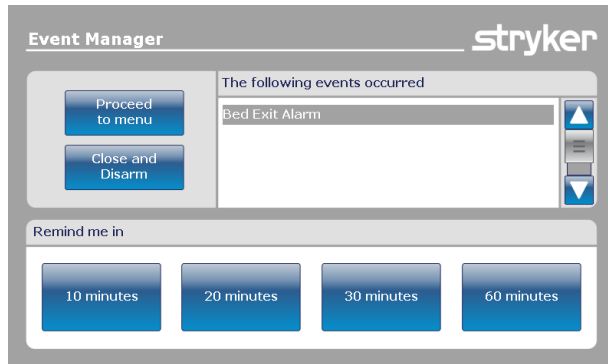
**Proceed to menu:** Displays the menu related to the compromised parameter condition.

**Close and Disarm:** Disarms the alarm, and the parameter condition is no longer monitored.

**Remind me in:** Disarms the alarm, and the alarm sounds after the selected time interval elapses.

**Note:** If you tap a time interval, the compromised parameter condition stays highlighted amber ([Figure 68 on page 82](#)).

After acknowledging and resolving the condition, the LED light bars illuminates green, the sound alarm stops, and the event manager window disappears.



**Figure 69: Event Manager**

## Setting a protocol reminder

Protocol reminders allow you to set patient reminders to make sure that critical intervention practices are performed consistently.

There are nine groups of interventions that can be set, including a custom reminder. There are up to nine reminders in each intervention group. You can set a one-time reminder or a repeating reminder.

**View reminders list:** View a list of reminders and the values for the date, time, and reminder that was set (Figure 74 on page 86).

**View reminders log:** View a list of reminders and the values for the date, time, and reminder that was logged (Figure 75 on page 86).

To set an alarm tone for a reminder, tap the bell icon to access the alarm settings (Setting the alarm tones on page 51).

**Note:** If InTouch is equipped with the optional iAudio feature, voice alarms are available. Voice alarms replace the buzzer alarm and play through the inside siderail speakers.

To return to the iBed main menu, tap **Back** (Figure 70 on page 84).

To set a one-time reminder:

1. Tap **Protocol reminder** (see [Main menu: iBed \(optional\)](#) on page 80).
2. Tap the intervention group (Figure 70 on page 84).
3. Tap the reminder to be set.
4. Set the desired date and time of the reminder (Figure 71 on page 84).
5. Tap **Add to reminders list**.

**Note:** The reminder is added to the **Reminders List** (Figure 74 on page 86).

**Note:** You can set up multiple reminders at a time.

To return to the **Reminder** screen, tap **Back** (Figure 71 on page 84).

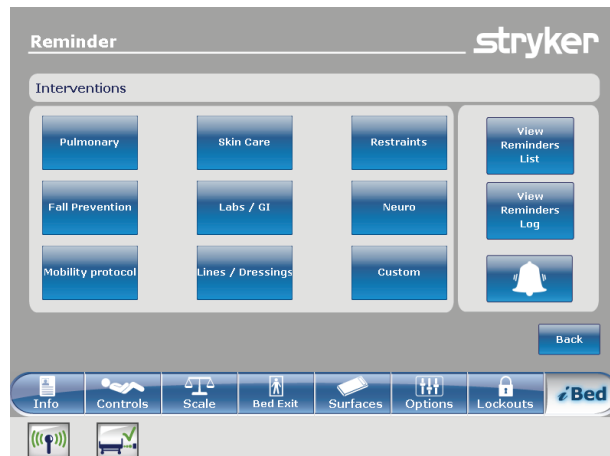


Figure 70: Reminder interventions



Figure 71: Setting a one-time reminder

## Setting a protocol reminder (Continued)

To set a repeating reminder:

1. Tap **Protocol reminder** (see [Main menu: iBed \(optional\) on page 80](#)).
2. Tap the intervention group ([Figure 70 on page 84](#)).
3. Tap the reminder to be set.
4. Set the desired date and time of the reminder ([Figure 71 on page 84](#)).
5. Tap **Repeated Task** ([Figure 71 on page 84](#)).
6. Set the desired time interval for the repeated reminder ([Figure 72 on page 85](#)).

**Note:** **Repeat Every** can be set to minutes, hours, or days.

7. Tap **Add to reminders list**.

**Note:** The reminder is added to the **Reminders List** ([Figure 74 on page 86](#)).

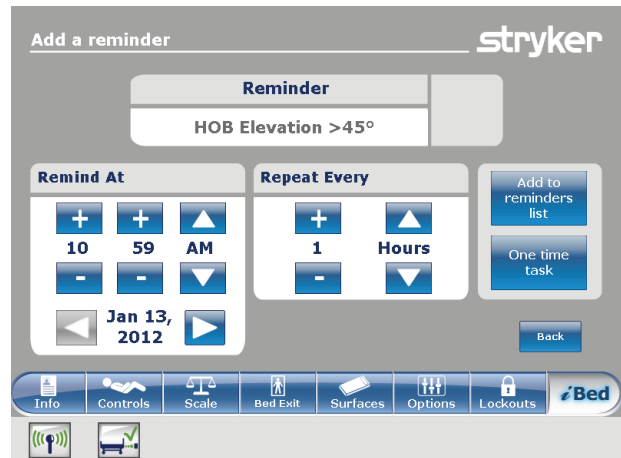


Figure 72: Setting a repeating reminder

**Note:** You can set up multiple repeating reminders.

To return to the **Reminder** screen, tap **Back** ([Figure 72 on page 85](#)).

The reminder alarm displays the set reminder when a reminder time interval is reached. To disarm the alarm, the reminder must be acknowledged and resolved in the reminder alarm ([Figure 73 on page 85](#)).

**Have done / Will do the necessary action:** Tap to acknowledge that the protocol reminder action has been performed on the patient. The reminder alarm is disarmed, and the reminder is logged ([Figure 75 on page 86](#)).

**Did not / cannot do the necessary action:** Tap to explain why the protocol reminder action cannot be performed on the patient. The reminder is not disarmed, and the reminder is logged ([Figure 75 on page 86](#)).

**Remind me in:** Disarms the alarm, and the alarm sounds after the selected time interval elapses.

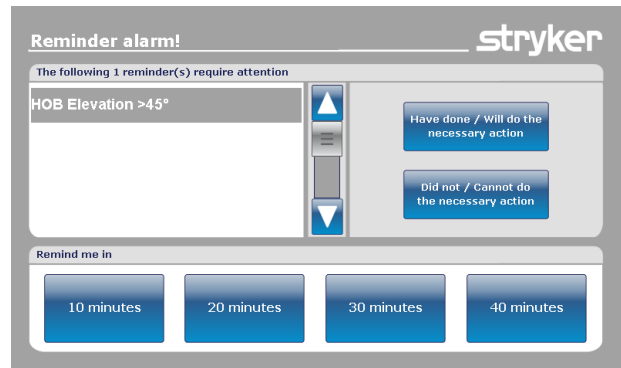


Figure 73: Reminder alarm!

## Setting a protocol reminder (Continued)

The **Reminders List** screen lists reminders and the values for the date, time, and reminder that was set (Figure 74 on page 86).

To edit a time interval for a reminder, tap **Edit** (Figure 74 on page 86).

To remove the highlighted reminder from the reminders list, tap **Remove from reminders** (Figure 74 on page 86).

To remove all reminders from the reminders list, tap **Remove all reminders** (Figure 74 on page 86).

To return to the **Reminder** screen, tap **Back** (Figure 74 on page 86).

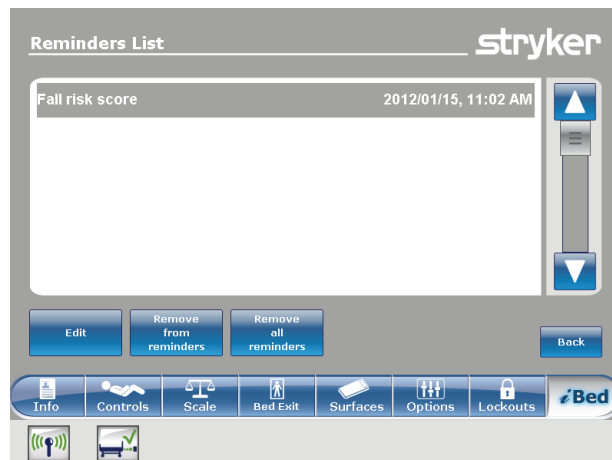


Figure 74: Reminders List

The **Reminders Log** screen lists reminders and the values for the date, time, and reminder that was logged (Figure 75 on page 86).

Logged reminders also include reminders that have alarmed on **InTouch** and alarms that were acknowledged (Figure 73 on page 85).

To clear the highlighted reminder from the reminders log, tap **Clear log** (Figure 75 on page 86).

To return to the **Reminder** screen, tap **Back** (Figure 75 on page 86).



Figure 75: Reminders Log



## Accessing the in-screen calculator

An in-screen calculator is available so you can perform calculations at the bedside.

To access the in-screen calculator, tap **Calculator** (see [Main menu: /Bed \(optional\) on page 80](#)).



Figure 76: Calculator

## Accessing the in-screen converter

The conversion calculator allows you to convert units of measure from the imperial system to the metric system.

To access the in-screen converter:

Tap **Calculator** (see [Main menu: /Bed \(optional\) on page 80](#)).

Tap **Converter** (Figure 76 on page 87).



Figure 77: Converter

# Operation

## Reading and listening to translated clinical phrases

**InTouch** is equipped with translated and spoken clinical phrases to help improve communication with Limited English Proficiency (LEP) patients at the point of care. These simple questions and patient commands can reduce the risk of injury to non-English speaking patients.

To view translated clinical phrases:

Tap **Translations** (see [Main menu: iBed \(optional\) on page 80](#)).

**Theme:** There are seven themes that the clinical phrases originate from.

To select a theme, tap the up and down arrows to scroll through the available themes in the **Theme** area (A) ([Figure 78 on page 88](#)).

**Note:** The theme that is currently selected is highlighted in gray (B) ([Figure 78 on page 88](#)).

The clinical phrase related to the **Theme** appears in English in the **Theme:** area (C) ([Figure 78 on page 88](#)).

To select a clinical phrase, tap the up and down arrows to scroll through the available phrases in the **Theme:** area (C).

**Note:** The clinical phrase that is currently selected is highlighted in gray (D) ([Figure 78 on page 88](#)).

**Language:** Several languages are available for readable and spoken translations of the clinical phrases.

To select a language, tap the up and down arrows to scroll through the available languages in the **Language** area (E) ([Figure 78 on page 88](#)).

**Note:** The language that is currently selected is highlighted in gray (F) ([Figure 78 on page 88](#)).

**Translation:** A corresponding written translation of the clinical phrase from the **Themes:** area (C) appears in the **Translation** area (G) ([Figure 78 on page 88](#)).

**Note:** The *iAudio* option must be equipped to hear the spoken translations.

- To decrease the volume of the spoken translation, tap **-**.
- To increase the volume of the spoken translation, tap **+**.
- To play the spoken translation, tap **Play**.
- To stop the spoken translation, tap **Stop**.
- To return to the **iBed** main menu, tap **Back** ([Figure 78 on page 88](#)).



**Figure 78: Translations**

## Taking the Braden Scale for Predicting Pressure Sore Risk survey

The Braden Scale for Predicting Pressure Sore Risk is a survey used to assess a patient's risk of developing pressure ulcers.

To take the **Braden Scale for Predicting Pressure Sore Risk** survey:

1. Tap **Braden scale** (see [Main menu: /Bed \(optional\) on page 80](#)).
2. Tap the corresponding value (1-4) in each category ([Figure 79 on page 89](#)).

**Note:** To view a complete description of a value, tap the magnifying glass icon ([Figure 79 on page 89](#)). Another window appears with the complete value description ([Figure 80 on page 89](#)).

Ability to respond meaningfully to pressure-related discomfort	
1 Completely Limited	Unresponsive (does not moan flinch or grasp) to painful stimuli due to diminished level of consciousness or sedation. OR Limited ability to feel ...
2 Very Limited	Responds only to painful stimuli. Cannot communicate discomfort except by moaning or restlessness OR has a sensory impairment which limits the abil...
3 Slightly Limited	Responds to verbal commands but cannot always communicate discomfort or the need to be turned. OR has some sensory impairment which limits abili...
4 No Impairment	Responds to verbal commands. Has no sensory deficit which would limit ability to feel or voice pain or discomfort.

**Figure 79: Braden scale for predicting pressure sore risk**

**2 Very Limited**

Responds only to painful stimuli. Cannot communicate discomfort except by moaning or restlessness OR has a sensory impairment which limits the ability to feel pain or discomfort over half of the body.

Back

**Figure 80: Complete value information**

## Taking the Braden Scale for Predicting Pressure Sore Risk survey (Continued)

After each category is completed, a result summary that contains a score for each category and total score (the braden score) is populated (Figure 81 on page 90).

**Note:** The total score is the score displayed in the Braden Scale section of the **Patient Information** screen (Figure 19 on page 39). To configure whether this score is displayed, see [Configuring the visibility of patient information on page 41](#).

Braden Scale for Predicting Pressure Sore Risk <span style="float: right;">stryker</span>	
Result Summary	
1. Sensory Perception	3
2. Moisture	3
3. Activity	3
4. Mobility	3
5. Nutrition	3
6. Friction and Shear	3
<b>Total Score:</b>	<b>18</b>

Copyright: Barbara Braden and Nancy Bergstrom 1988. Reprinted with permission.

[Close](#)

Info Controls Scale Bed Exit Surfaces Options Lockouts iBed

Figure 81: Braden scale result summary

## Viewing logged information using Documentation (optional)

The **InTouch** documentation feature logs all information and alarms generated from Bed Exit, protocol reminders, scale system, **iBed** Awareness, and the **InTouch** bed system.

The documentation feature logs the event, time of the event, and the details or actions taken when the event happened.

To view logged documentation, tap **Documentation** (see [Main menu: iBed \(optional\) on page 80](#)).

To view from a specific date, enter the year, month, and day, and then tap **View** (Figure 82 on page 90).

**Note:** A notification message appears if an entered date contains no information.

To display logged information from a specific feature, tap the feature in the **Display** area (Figure 82 on page 90).

### Notes

- The documentation feature only logs information from the last 90 days.
- Only one day of documentation is viewable at a time.
- Events are recorded from 00:00 to 23:59.
- Logs are displayed in chronological order from the most recent to the least recent.

To sort the logged documentation, tap **Sort** (Figure 82 on page 90).

To return to the **iBed** screen, tap **Back** (Figure 82 on page 90).

Documentation stryker

Date: 2012 January 13 [View](#)

Display: Bed Exit Reminder Scale iBed Pos. System

Event	Time	Details / Actions Taken
Vascular position Disarm	10:57 AM	Vascular position Disarm
Bed Exit monitoring Disarmed	10:57 AM	Bed Exit monitoring Disarmed
Bed Supine Disarmed	10:57 AM	Bed Supine Disarmed
Low Height Disarmed	10:57 AM	Low Height Disarmed
HOB 30 Disarmed	10:57 AM	HOB 30 Disarmed
Brake Disarmed	10:57 AM	Brake Disarmed

Sort [Back](#)

Info Controls Scale Bed Exit Surfaces Options Lockouts iBed

Figure 82: Documentation

# Operation

## Playing music using sound therapy (optional)

The **InTouch** sound therapy feature provides a choice of music selections or sounds of nature to help create a soothing environment.

To play a music selection or sound of nature:

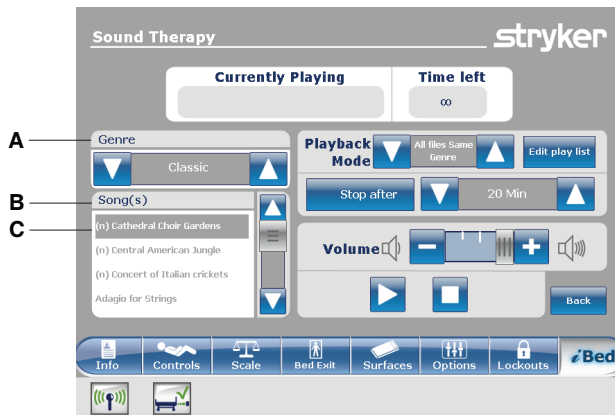
1. Tap **Sound Therapy** (see [Main menu: iBed \(optional\) on page 80](#)).
2. Tap the up and down arrows to select a genre (A) ([Figure 83 on page 91](#)).
3. Tap the up and down arrows to scroll through the available songs in the **Song(s)** area (B) ([Figure 83 on page 91](#)).

**Note:** The song that is currently selected is highlighted in gray (C) ([Figure 83 on page 91](#)).

4. Tap the up and down arrows to select a playback mode.
5. Tap the up and down arrows to select a desired time duration.

- To decrease the volume, tap -.
- To increase the volume, tap +.
- To play sound therapy, tap **Play**.
- To stop sound therapy, tap **Stop**.

To return to the **iBed** main menu, tap **Back** ([Figure 83 on page 91](#)).



**Figure 83: Sound therapy**

## Creating or editing a playlist using sound therapy (optional)

To create or edit a playlist:

Tap **Edit play list** (Figure 83 on page 91).

Tap the up and down arrows to select a genre (A) (Figure 84 on page 92).

Tap the up and down arrows to scroll through the available songs in the **Song(s)** area (B) (Figure 84 on page 92).

**Note:** The song that is currently selected is highlighted in gray (C) (Figure 84 on page 92).

Tap **Add** to add a song from the **Song(s)** area (B) to the **Play list** area (D) (Figure 84 on page 92).

Tap **Remove** to remove a song from the **Play list** area (D) to the **Song(s)** area (B) (Figure 84 on page 92).

Tap **Remove all** to remove all songs from the **Play list** area (D) to the **Song(s)** area (B) (Figure 84 on page 92).

**Note:** A music note icon appears at the bottom of the touch screen when music is playing (E) (Figure 84 on page 92).

To return to the **Sound therapy** screen, tap **Back** (Figure 84 on page 92).



Figure 84: Play list

## Accessories

These accessories may be available for use with your product. Confirm availability for your configuration or region. Call Stryker Customer Service: 1-800-327-0770.

Name	Part number
Bed extender	FA64234-XXX
Two-stage IV pole, permanent - Left	FA64221-XXX
Two-stage IV pole, permanent - Right	FA64238-XXX
Two-stage IV pole, dual head end permanently attached	FA64202-XXX
Line management clip	FA64210-XXX
Patient control pendant clip	FA64186-XXX
Monitor tray	FA64214-XXX
Upright oxygen bottle holder	FA64187-XXX
Right fit oxygen bottle holder	FA64203
Patient control pendant	FA64225-XXX through FA64228-XXX
Traction sleeve 4 in. x 1/2 in.	FA64215-XXX through FA64219-XXX
Traction sleeve 4 in. x 3/4 in.	
Traction sleeve 8 in. x 1/2 in.	
Traction sleeve 8 in. x 3/4 in.	
Traction sleeve 6-1/2 in. x 3/4 in.	
Wall saver	FA64208
X-ray cassette holder	FA64205-XXX

## Installing the optional bed extender

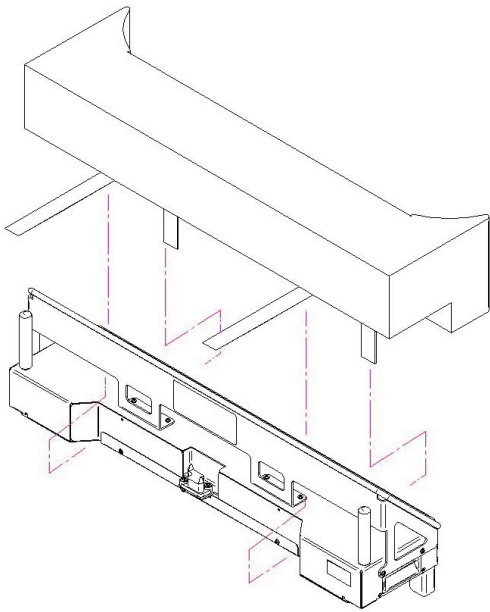
### WARNING

- Always securely set the footboard connector on the optional bed extender into the footboard connector slot at the foot end of the product.
- Do not pinch the power cord or cables when installing the optional bed extender.
- Do not sit on the optional bed extender. This may cause the product to tip.

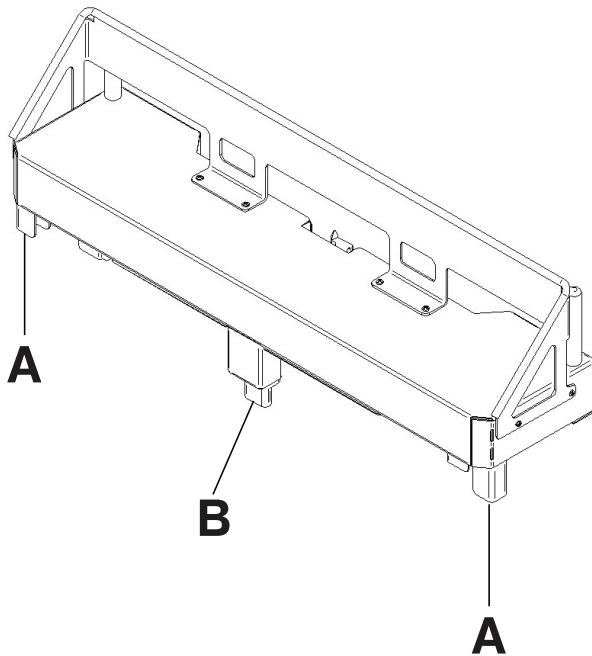
The optional bed extender lengthens the product by six inches.

To install the optional bed extender:

1. Strap the appropriate mattress extender cushion onto the optional bed extender ([Figure 85 on page 94](#)).
2. Remove the footboard (see [Removing or replacing the footboard on page 29](#)).
3. Insert the optional bed extender legs (A) and the footboard connector (B) onto the foot end of the product ([Figure 86 on page 94](#)).



**Figure 85: Strapping the mattress to the optional bed extender**



**Figure 86: Attaching the optional bed extender**



# Accessories

## Installing the optional single two-stage IV pole

The optional single two-stage IV pole is permanently attached to the head end of the product. It is equipped with a telescopic pole that extends to provide a second height position. You can also fold and store the IV pole when not in use.

### Tools required:

- Two washers
- Two bolts
- 3/8 in. drive ratchet
- 1/2 in. socket

To install the optional IV pole:

1. Using a 3/8 in. drive ratchet and a 1/2 in. socket, install one washer (C) and one bolt (D) to secure the IV pole to the socket at the head end of the product (A) (Figure 87 on page 95).
2. Using a 3/8 in. drive ratchet and a 1/2 in. socket, install one washer (C) and one bolt (D) to secure the IV pole support into the socket at the head end of the product (B) (Figure 87 on page 95).

**Note:** The bolts are coated in Scotch Grip. You must replace the bolt with an identical equivalent if the bolt is removed during a service procedure.

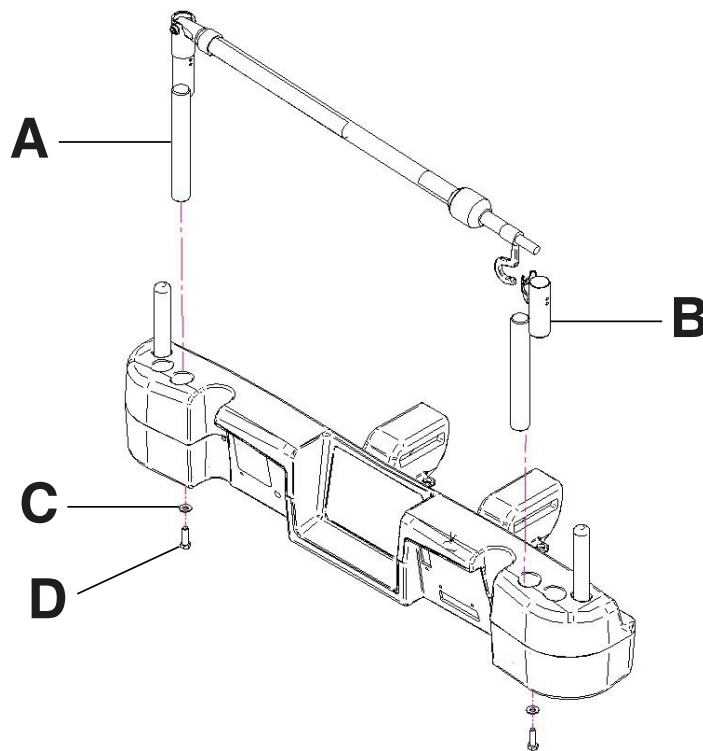


Figure 87: Single two stage IV pole (Left side shown)

## Operating the optional single two-stage IV pole

### CAUTION

- Do not hang IV bags that exceed 22 lb (10 kg) onto the IV pole.
- Always make sure that the IV pole is at a low height to pass safely through door openings.
- Do not use the IV pole as a push/pull device.

To operate the optional IV pole:

1. Lift and pivot the pole from the storage position.
2. Push the IV pole down until it locks into place.
3. To raise the height of the pole, pull up on the telescoping portion (A) until it locks into place at its fully raised position ([Figure 88 on page 96](#)).
4. Rotate the IV hangers to the desired position and hang the IV bags (B) ([Figure 88 on page 96](#)).
5. To lower the IV pole, turn the latch (C) until the telescoping portion lowers ([Figure 88 on page 96](#)).

To store the optional IV pole:

1. Lift up on the IV pole to release it from its receptacle.
2. Pivot the IV pole from its upward position.
3. Fold the IV pole down into the head end of the product.

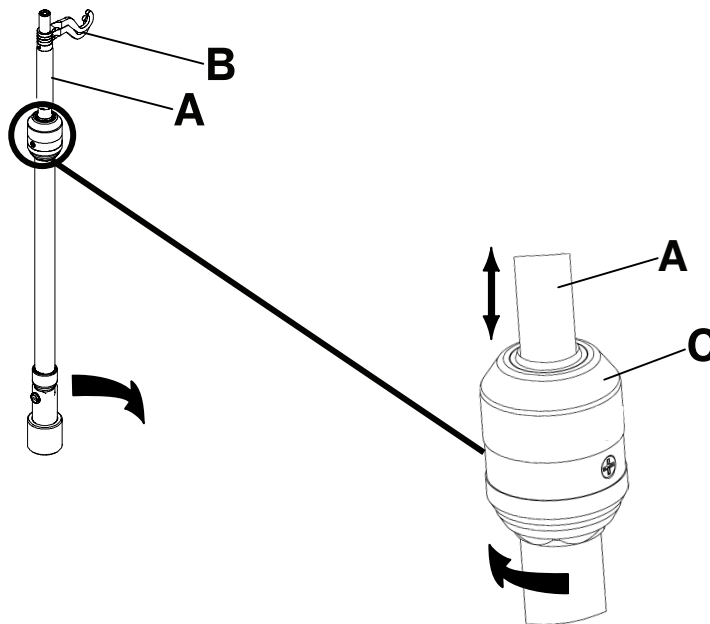


Figure 88: Operating the IV pole

## Installing the optional dual two-stage IV pole

The optional dual two-stage IV pole is permanently attached to the head end of the product. It is equipped with a telescopic pole that extends to provide a second height position. You can also fold and store the IV pole when not in use.

### Tools required:

- Two washers
- Two bolts
- 3/8 in. drive ratchet
- 1/2 in. socket

To install the optional IV pole:

1. Using a 3/8 in. drive ratchet and a 1/2 in. socket, install one washer (C) and one bolt (D) to secure the IV pole into the socket at the head end of the product (A) (Figure 89 on page 97).
2. Using a 3/8 in. drive ratchet and a 1/2 in. socket, install one washer (C) and one bolt (D) to secure the IV pole support into the socket at the head end of the product (B) (Figure 89 on page 97).

**Note:** The bolts are coated in Scotch Grip. You must replace the bolt with an identical equivalent if the bolt is removed during a service procedure.

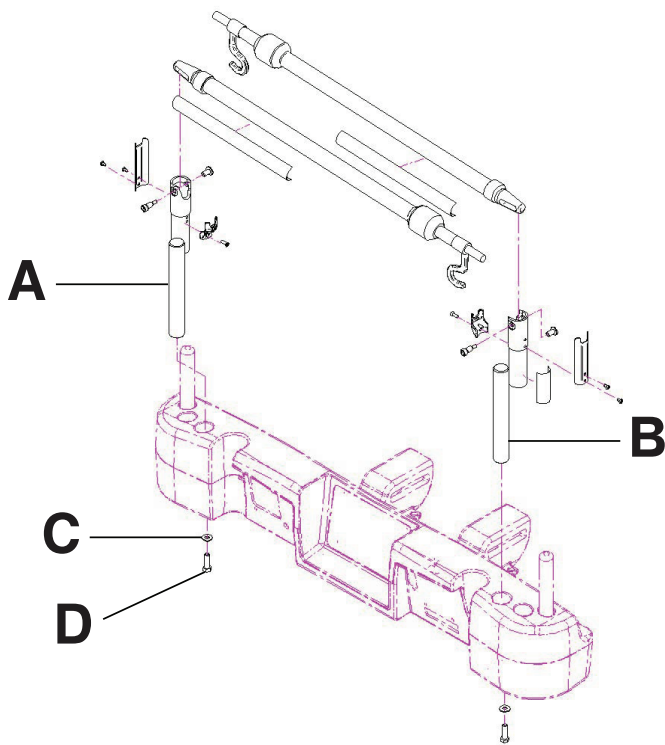


Figure 89: Dual two stage IV pole

## Operating the optional dual two-stage IV pole

### CAUTION

- Do not hang IV bags that exceed 22 lb (10 kg) onto the IV pole.
- Always make sure that the IV pole is at a low height to pass safely through door openings.
- Do not use the IV pole as a push/pull device.

To operate the optional IV pole:

1. Lift and pivot the pole from the storage position.
2. Push the IV pole down until it locks into place.
3. To raise the height of the pole, pull up on the telescoping portion (A) until it locks into place at its fully raised position ([Figure 90 on page 98](#)).
4. Rotate the IV hangers to the desired position and hang the IV bags (B) ([Figure 90 on page 98](#)).
5. To lower the IV pole, turn the latch (C) until the telescoping portion lowers ([Figure 90 on page 98](#)).

To store the optional IV pole:

1. Lift up on the IV pole to release it from its receptacle.
2. Pivot the IV pole from its upward position.
3. Fold the IV pole down into the head end of the product.

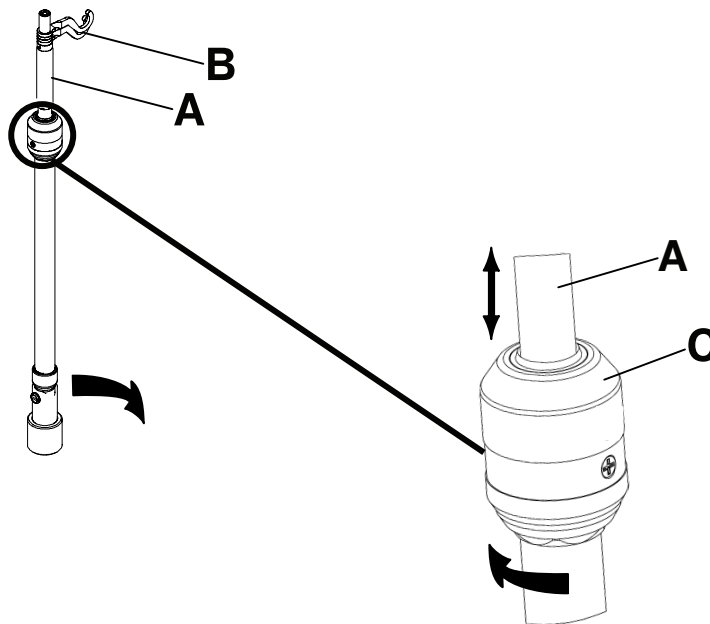


Figure 90: Operating the IV pole

# Accessories

---

## Installing the optional line management clip

---

### **WARNING**

Do not allow the optional line management clip to interfere with a mechanical or electronic mechanism of the product.

---

### **CAUTION**

Always make sure that the clip is stable when installed.

---

The optional line management clip holds tubes that are hung around the product. The clip can hold four 1/2" tubes.

To install the optional line management clip:

1. Open the clip (A) ([Figure 91 on page 99](#)).
2. Secure the line management clip to the headboard, footboard, or siderail.

To insert a tube into the line management clip:

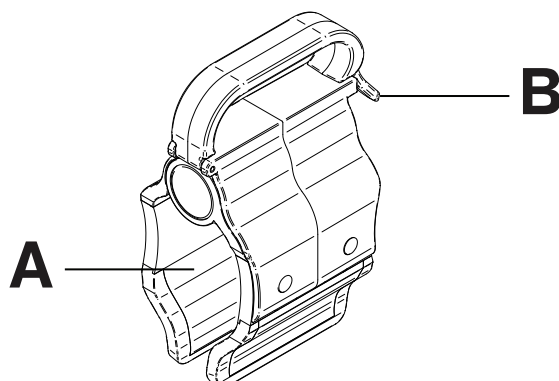
1. Raise the clip prong (B) ([Figure 91 on page 99](#)).
  2. Insert the tube into the clip opening.
  3. Release the clip prong to secure the tube into the line management clip.
- 

### **WARNING**

- Do not pinch tubes inside the clip.
  - Do not clean the clip with a liquid solution.
- 

### **CAUTION**

- Do not inset tubes that are larger than 0.75 in. into the line management clip.
  - Always sterilize the clip after each use.
  - Always make sure that the clip is stable when installed.
- 



**Figure 91: Line management clip**

# Accessories

---

## Installing the optional patient control pendant clip

---

### **WARNING**

- Do not allow the optional line management clip to interfere with a mechanical or electronic mechanism of the product.
  - Do not pinch tubes inside the clip.
  - Do not clean the clip with a liquid solution.
- 

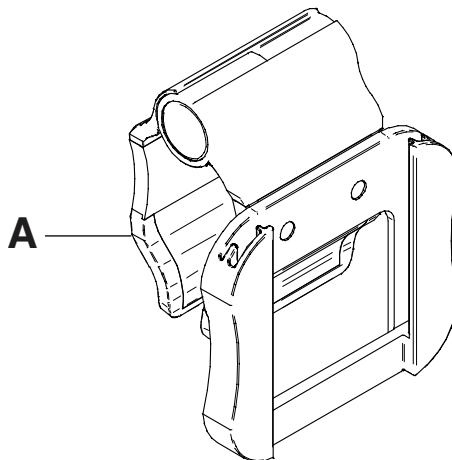
### **CAUTION**

- Always sterilize the clip after each use.
  - Always make sure that the clip is stable when installed.
- 

The optional patient control pendant clip supports the patient control pendant in a stable location close to the patient.

To install the optional patient control pendant clip:

1. Raise the clip (A) ([Figure 92 on page 100](#)).
2. Secure the patient control pendant clip to a siderail.



**Figure 92: Patient control pendant clip**

# Accessories

## Installing the optional monitor tray

### WARNING

Always adjust the scale or bed exit system if an option is added while the scale or bed exit system is armed.

The optional monitor tray supports a monitor at the foot end of the product.

**Note:** Make sure that the litter is flat before you install the optional monitor tray.

To install the optional monitor tray:

1. Install the bracket back (A) and the bracket (B) (Figure 93 on page 101) onto the end of the foot end foley bag hook at the foot end of the product (C and D) (Figure 94 on page 101).
2. Install the screw knob onto the bracket back (E) (Figure 95 on page 101).
3. Rotate the bracket over the socket at the foot end of the product.
4. Install the tray support pole into the bracket (F) and into the socket at the head end or foot end of the product (Figure 96 on page 101).

#### Notes

- Make sure that the tray support pole is anchored correctly into the hole of the assembled bracket and the foot end socket.
- Foot end functionality stops when you insert equipment into the sockets at the foot end of the product.

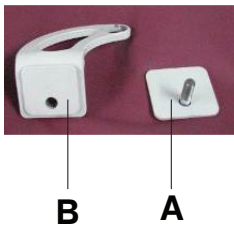


Figure 93: Bracket and bracket back

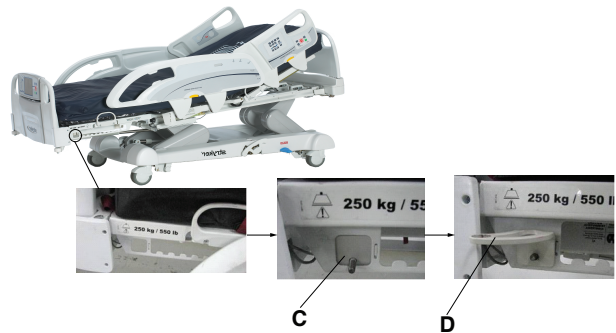


Figure 94: Installing the bracket back and bracket

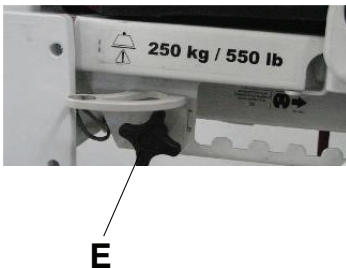


Figure 95: Installing the screw knob

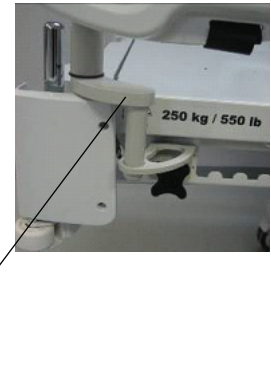


Figure 96: Installing the tray support

# Accessories

## Operating the optional monitor tray

### WARNING

- Do not place objects that exceed 40 lb (18 kg) onto the optional monitor tray.
- Do not exceed the 150 lb (68 kg) load capacity for the tray support pole.

To operate the optional monitor tray:

1. Pull down the tray support pole lock (G) (Figure 97 on page 102).
2. Swing the tray support pole out 90° (H) (Figure 98 on page 102).
3. Grasp the bottom of the monitor tray and flip it up onto the tray support pole (I) (Figure 99 on page 102).
4. Press the monitor tray into the tray support pole to secure the monitor tray.
5. Using the strap, strap the monitor to the monitor tray.

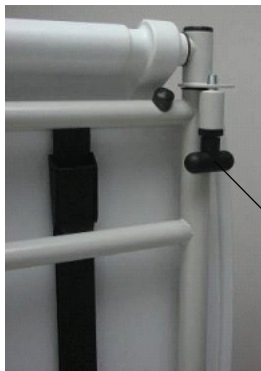


Figure 97: Tray support lock

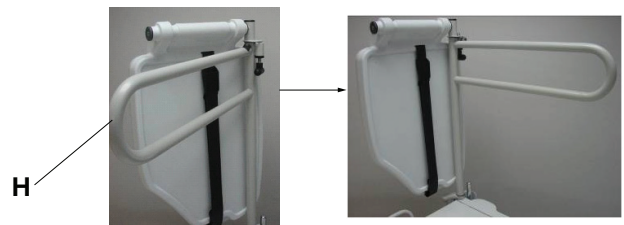


Figure 98: Swinging out the tray support pole

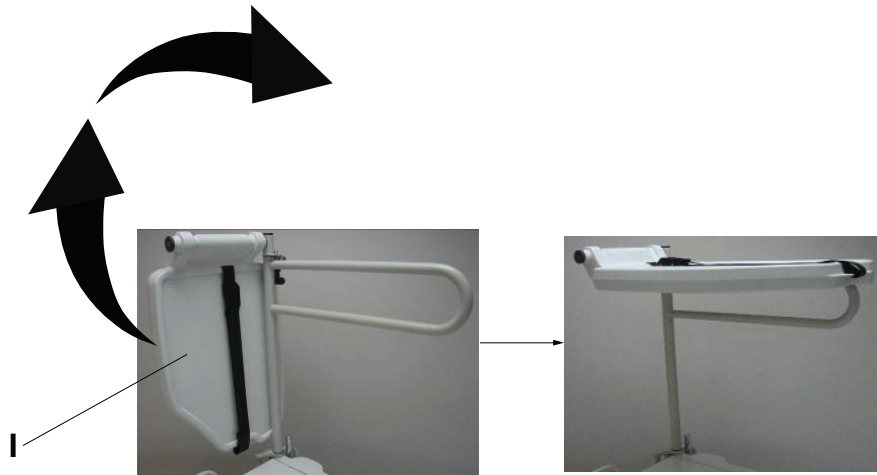


Figure 99: Flipping up the monitor tray



## Installing the optional upright oxygen bottle holder

**⚠ WARNING**

Always adjust the scale or bed exit system if an option is added while the scale or bed exit system is armed.

The optional upright oxygen bottle holder supports an oxygen bottle in a vertical position.

To install the optional upright oxygen bottle holder:

1. Insert the support bar into the socket at the head end or foot end of the product on either side (A) ([Figure 100 on page 103](#)).  
**Note:** Foot end functionality stops when you insert equipment into the sockets at the foot end of the product.
2. Insert the security chain pin (B) through the support bar hole ([Figure 100 on page 103](#)) to secure the bottle holder to the product.

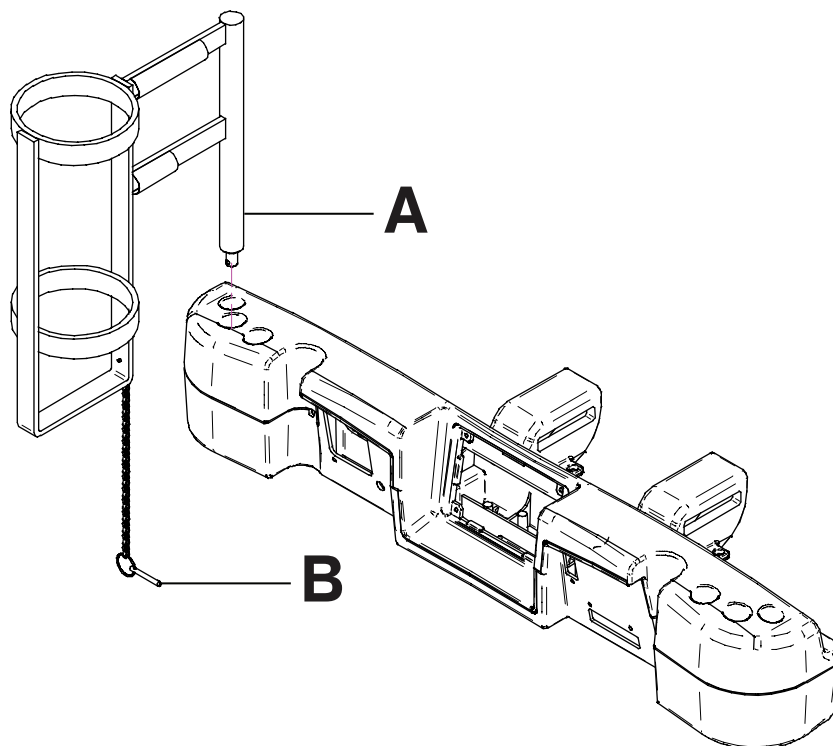


Figure 100: Upright oxygen bottle holder

## Installing the optional right fit oxygen bottle holder

**⚠ WARNING**

Always adjust the scale or bed exit system if an option is added while the scale or bed exit system is armed.

The optional right fit oxygen bottle holder supports an oxygen bottle in a horizontal position on top of the headboard.

To install the optional right fit oxygen bottle holder:

1. Place the oxygen bottle holder on top of the headboard (A) (Figure 101 on page 104).
2. Screw on the oxygen bottle holder clasp onto the headboard (B) (Figure 101 on page 104) to secure the bottle holder to the product.
3. Route the bottom straps (C) through the headboard handles (Figure 101 on page 104).
4. Attach the bottom straps to their respective fasteners.
5. Insert the oxygen bottle into the bottle holder.
6. Place the oxygen bottle holder cover on top of the oxygen bottle (D) (Figure 101 on page 104).

**Note:** You can orient the oxygen bottle holder cover opening to face the right or left side of the product.

7. Fasten the oxygen bottle holder cover straps together (E) (Figure 101 on page 104).

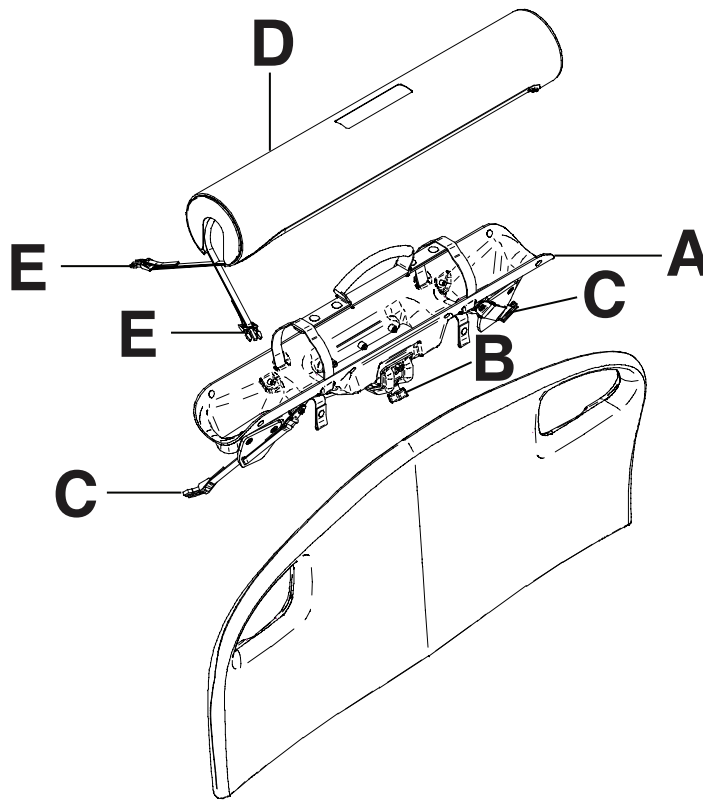


Figure 101: Right fit oxygen bottle holder

# Accessories

## Installing the optional patient control pendant

### **WARNING**

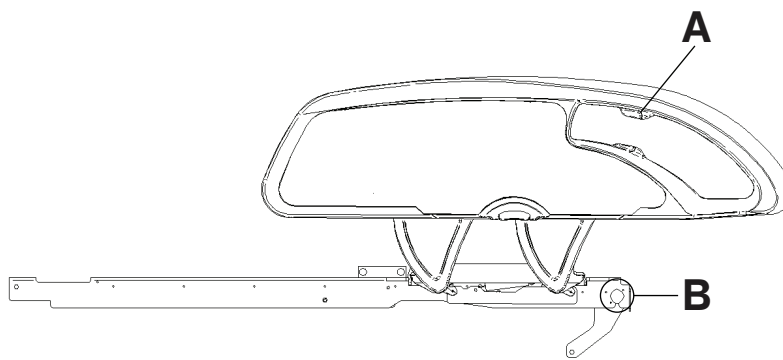
Always adjust the scale or bed exit system if an option is added while the scale or bed exit system is armed.

The optional patient control pendant allows the patient to control product motion and other **InTouch** features.

### **Tools required: None**

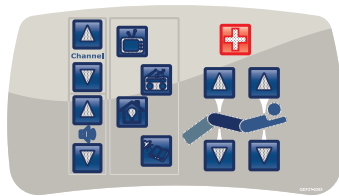
To install the optional patient control pendant onto **InTouch**:

1. Slide the pendant into the molded pendant holder inside the foot end siderail handle (A) ([Figure 102 on page 105](#)).
2. Plug the pendant cable connector into the pendant connector that is located behind the foot end siderail (B) ([Figure 102 on page 105](#)).

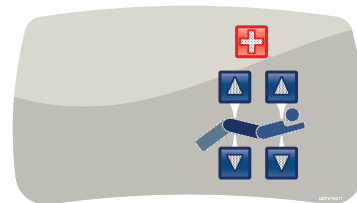


**Figure 102: Installing the optional patient control pendant**

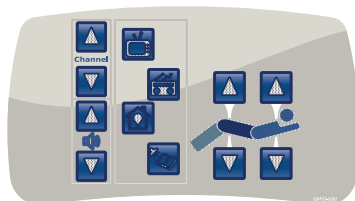
### Optional patient control pendants



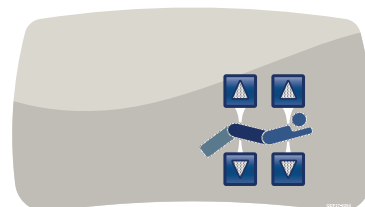
**With motion control, nurse call, and smart TV (FA64225)**



**With motion control and nurse call (FA64226)**



**With motion control and smart TV (FA64227)**



**With motion control (FA64228)**

## Installing the optional traction sleeves

The optional traction sleeves allow you to install traction equipment. Five different traction sizes are available. You can use these installation instructions to install all size configurations.

### Tools required:

- Four washers
- Four bolts
- 7/16 in. combination wrench

To install the optional traction sleeves:

1. Install the traction sleeves into the sockets at the head end and foot end of the product (A) ([Figure 103 on page 106](#)).

**Note:** Foot end functionality stops when you insert equipment into the sockets at the foot end of the product.

2. Using a 7/16 in. combination wrench, install one washer (B) and one bolt (C) to secure the traction sleeve in the socket ([Figure 103 on page 106](#)).

**Note:** The bolts are coated in Scotch Grip. You must replace the bolt with an identical equivalent if the bolt is removed during a service procedure.

3. Repeat step 2 to install the remaining traction sleeves.

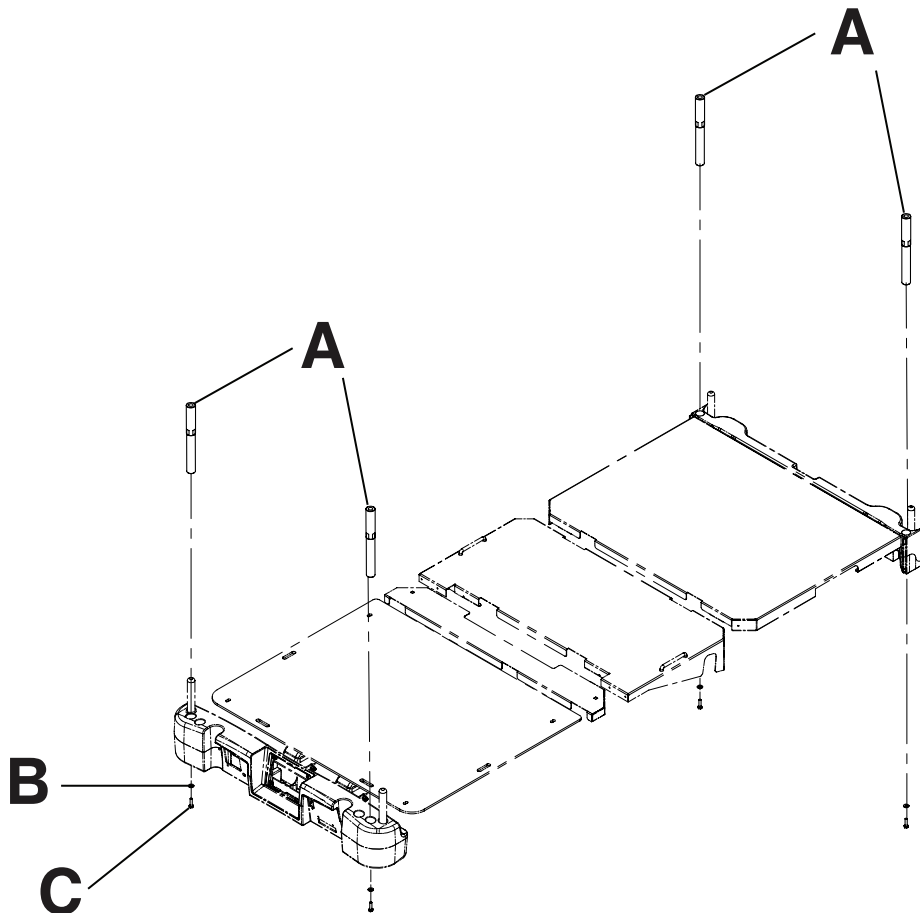


Figure 103: Traction sleeves

## Installing the optional wall saver

The optional wall saver helps mitigate damage to the wall and to the product by disconnecting the 37 pin connector when you move the product away from the wall without first unplugging the product.

### Tools required: None

To install the optional wall saver:

1. Insert the pin end of the first connector (A) into the head end of the product (Figure 104 on page 107).
2. Screw the connector fasteners (B) in to secure the connector to the product (Figure 104 on page 107).
3. Connect the back end of the second connector into the back end of the first connector (C) (Figure 104 on page 107).
4. Insert the pin end of the second connector (D) into the wall (Figure 104 on page 107).
5. Screw the connector fasteners (E) in to secure the connector to the wall (Figure 104 on page 107).

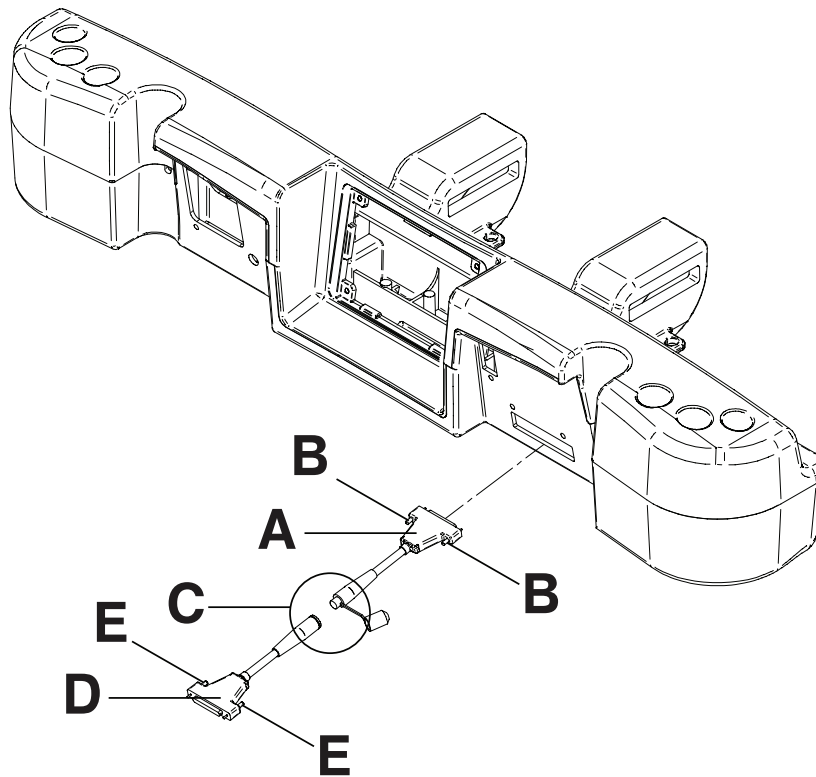


Figure 104: Wall saver connections

## Installing the optional X-ray cassette holder

The optional X-ray cassette holder attaches to the fowler to support X-ray cassettes. You can take X-rays while a patient is on the product. You can also adjust the cassette's position before taking an X-ray.

### Tools required:

- #2 Phillips screwdriver

To install the optional X-ray cassette holder:

1. Apply the brakes.
2. Raise the fowler section to its full height.
3. Turn the battery switch to the OFF (O) position.
4. Unplug the power cord from the wall outlet.
5. Using a #2 Phillips screwdriver, install two screws to secure the fastener (A) to the top of the fowler frame (Figure 105 on page 108).
6. Using a #2 Phillips screwdriver, install four screws to secure the two cassette holder pivot brackets (B) into the lower fowler section (Figure 105 on page 108).
7. Using a #2 Phillips screwdriver, install two screws and two spacers to secure the X-ray cassette holder (C) into the cassette holder pivot brackets (B) (Figure 105 on page 108).

**Note:** Always close the X-ray cassette holder when not in use.

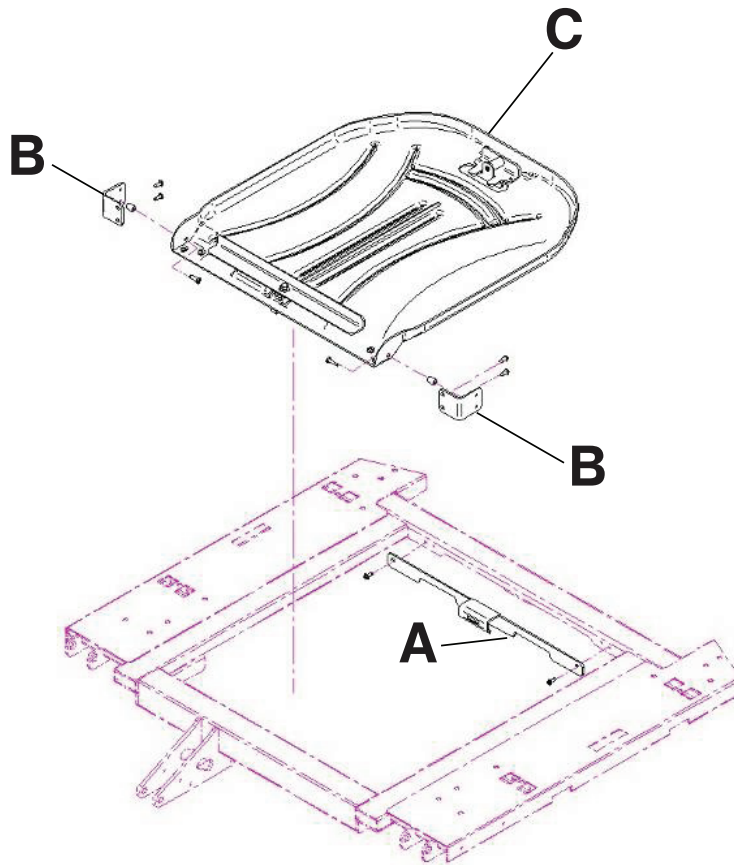


Figure 105: X-ray cassette holder

# Cleaning

---

## WARNING

- Do not clean, service, or perform maintenance while the product is in use.
  - Always unplug the power cord and turn the battery switch to the OFF (O) position before cleaning, servicing, or performing maintenance.
  - Always immediately unplug the power cord from the wall outlet when large spills occur near the circuit boards, cables, and motors. Remove the patient from the product, clean up the fluid, and have service personnel completely inspect the product. Fluids can cause unpredictable operation and decreased functionality of any electrical product. Do not return the product to service until it is completely dry and has been thoroughly tested for safe operation.
- 

## CAUTION

- Always unplug the product before cleaning or servicing.
  - Always unplug the product, set the brakes, and place blocks under the litter frame for support when working under the product.
- 

The recommended cleaners for this product's surfaces include the following:

- Quaternary cleaners (active ingredient - ammonium chloride)
- Phenolic cleaners (active ingredient - o-phenylphenol)
- Chlorinated bleach solution (5.25% - less than 1 part bleach to 100 parts water)

Hand wash all surfaces of the product with warm water and mild detergent. Dry thoroughly.

Avoid oversaturation and make sure the product does not stay wet longer than the chemical manufacturer's guidelines for proper disinfecting.

---

## CAUTION

- Always make sure that you wipe each product with clean water and thoroughly dry each product after cleaning. Some cleaning products are corrosive in nature and may cause damage to the product if you use them improperly. If you do not properly rinse and dry the product, a corrosive residue may be left on the surface of the product that could cause premature corrosion of critical components. Failure to follow these cleaning instructions may void your warranty.
  - Do not steam clean, pressure wash, ultrasonically clean, or immerse any part of the product in water. Exposure to water may damage the internal electric parts. These methods of cleaning are not recommended and may void this product's warranty.
  - Always clean **Velcro**® after each use. Saturate **Velcro** with disinfectant and allow the disinfectant to evaporate. Appropriate disinfectant for nylon **Velcro** should be determined by hospital protocol.
- 

## Cleaning a support surface

To clean and disinfect a support surface, see the cleaning and disinfecting instructions in the support surface operations manual.

# Preventive Maintenance

---

## WARNING

Do not clean, service, or perform maintenance while the product is in use.

---

At a minimum, check all items listed during annual preventive maintenance for all Stryker Medical products. You may need to perform preventive maintenance checks more frequently based on your level of product usage.

Remove product from service before performing preventive maintenance. Preventive maintenance should only be performed by trained or certified personnel.

### Notes

- Clean and disinfect the exterior of the support surface before inspection, if applicable.
- For **Isolibrium** preventive maintenance items, see the **Isolibrium** operations/maintenance manual.

Inspect the following items:

- \_\_\_\_\_ All welds and all fasteners are secure
- \_\_\_\_\_ Tubing or sheet metal for bends or breaks
- \_\_\_\_\_ Casters are free of debris
- \_\_\_\_\_ Casters are secure and swivel properly
- \_\_\_\_\_ Casters lock securely by depressing the brake pedal
- \_\_\_\_\_ Manual and electric brakes apply and release properly
- \_\_\_\_\_ Brake Not Set LED on the footboard and head end siderails when brakes are not engaged
- \_\_\_\_\_ Locking steer caster engages and disengages properly (model 2131)
- \_\_\_\_\_ Steer caster latches properly
- \_\_\_\_\_ Fowler operates properly
- \_\_\_\_\_ Litter up/down operates properly
- \_\_\_\_\_ Trend operates properly
- \_\_\_\_\_ IV pole is intact and operating properly (optional)
- \_\_\_\_\_ Support surface cover after each use
- \_\_\_\_\_ Support surface cover for rips or cracks
- \_\_\_\_\_ Headboard, footboard, and siderail panels for cracks or splits
- \_\_\_\_\_ All covers are not damaged and are not producing sharp edges
- \_\_\_\_\_ Night light operating properly
- \_\_\_\_\_ CPR release operating properly
- \_\_\_\_\_ All siderail motion functionality
- \_\_\_\_\_ Siderails move, latch, and stow properly
- \_\_\_\_\_ Siderail switches working properly (**iBed** Awareness option)
- \_\_\_\_\_ **iBed** Awareness light bars on footboard and siderails are working properly (**iBed** Awareness option)
- \_\_\_\_\_ All functions on head end siderails working properly (including LEDs)
- \_\_\_\_\_ All functions on footboard working properly (buttons, touch screen display, and LEDs)
- \_\_\_\_\_ Touch screen is accurately calibrated
- \_\_\_\_\_ Product is accurately calibrated
- \_\_\_\_\_ Scale and bed exit system operating properly
- \_\_\_\_\_ Drive wheel to make sure it is operating properly (Zoom motorized drive) (Model 2141) (option)
- \_\_\_\_\_ Motion release switches working properly (Zoom motorized drive) (Model 2141) (option)
- \_\_\_\_\_ Head end **Zoom** handle functionality operates properly (Zoom motorized drive) (Model 2141) (option)
- \_\_\_\_\_ Batteries for replacement (every two years) (use only QDF9188 for battery replacement)
- \_\_\_\_\_ Batteries for corrosion at the terminals, cracking, expanded or bulging at the sides, or can no longer maintain a full charge
- \_\_\_\_\_ Nurse call functionality (optional)
- \_\_\_\_\_ Lubricate where required
- \_\_\_\_\_ Pendant for any physical damage



# Preventive Maintenance

---

- \_\_\_\_\_ Power cord not frayed
- \_\_\_\_\_ Cables not worn or pinched
- \_\_\_\_\_ All electrical connections tight
- \_\_\_\_\_ All grounds secure to the frame
- \_\_\_\_\_ Ground impedance not more than 100 mΩ (milliohms)
- \_\_\_\_\_ Current leakage not more than 300 μA (microamps)
- \_\_\_\_\_ Ground chains are clean, intact, and have at least two links touching the floor
- \_\_\_\_\_ Enclosure is free from wear, tear, stresses and mechanical damage
- \_\_\_\_\_ No rust or corrosion of parts
- \_\_\_\_\_ Labels for legibility, proper adherence, and integrity
- \_\_\_\_\_ **iBed** Wireless Module and IR Module are intact and footboard icons are displaying (**iBed** Wireless option)

Product Serial Number:		

Completed by: \_\_\_\_\_ Date: \_\_\_\_\_

# Warranty

---

## Limited warranty

Stryker Medical Division, a division of Stryker Corporation, warrants to the original purchaser the **InTouch** Critical Care bed, Model FL27 (2131/2141) to be free from defects in material and workmanship for a period of **two (2)** years after date of delivery. Stryker's obligation under this warranty is expressly limited to supplying replacement parts and labor for, or replacing, at its option, any product which is, in the sole discretion of Stryker, found to be defective. If requested by Stryker, products or parts for which a warranty claim is made shall be returned prepaid to the factory. Any improper use or any alteration or repair by others in such manner as in Stryker's judgment affects the product materially and adversely shall void this warranty. Any repair of Stryker products using parts not provided or authorized by Stryker shall void this warranty. No employee or representative of Stryker is authorized to change this warranty in any way.

2 year parts, labor, and travel warranty with 1 preventive maintenance inspection per year.

Stryker Medical Bed products are designed for a 10 year expected service life under normal use, conditions, and with appropriate periodic maintenance as described in the maintenance manual for each device. Stryker warrants to the original purchaser that the welds on its bed products will be free from structural defects for the expected 10 year life of the bed product as long as the original purchaser owns the product.

## Warranty exclusion and damage limitations

The express warranty set forth herein is the only warranty applicable to the product. **Any and all other warranties, whether express or implied, including any implied warranty of merchantability or fitness for a particular purpose are expressly excluded by Stryker.** In no event shall Stryker be liable for incidental or consequential damages.

## To obtain parts and service

Stryker products are supported by a nationwide network of dedicated Stryker Field Service Representatives. These representatives are factory trained, available locally, and carry a substantial spare parts inventory to minimize repair time. Simply call your local representative or call Stryker Customer Service at 1-800-327-0770.

## Return authorization

Product cannot be returned without prior approval from the Stryker Customer Service Department. An authorization number will be provided which must be printed on the returned product. Stryker reserves the right to charge shipping and restocking fees on returned product. Special, modified, or discontinued products are not subject to return.

## Damaged product

ICC Regulations require that claims for damaged product must be made within fifteen (15) days of receipt of the product. Do not accept damaged shipments unless such damage is noted on the delivery receipt at the time of receipt. Upon prompt notification, Stryker will file a freight claim with the appropriate carrier for damages incurred. Claims will be limited in amount to the actual replacement cost. In the event that this information is not received by Stryker within the fifteen (15) day period following the delivery of the product, or the damage was not noted on the delivery receipt at the time of receipt, the customer will be responsible for payment of the original invoice in full within thirty (30) days of receipt. Claims for any incomplete shipments must be made within thirty (30) days of invoice.

## International warranty clause

This warranty reflects U.S. domestic policy. Warranty outside the U.S. may vary by country. Contact your local Stryker Medical representative for additional information.



Stryker Medical  
3800 E. Centre Avenue  
Portage, MI 49002  
USA

**stryker**<sup>®</sup>