

stryker®

Operations/ Maintenance Manual

Medical

Model 6082 Rugged®
MX-PRO R3

Important
Information

File in your
maintenance
records

For parts or technical
assistance call
800 327 0770 (option 2)



Table of Contents

Introduction	
Specifications	3
Warning / Caution / Note Definition	4
Warranty	5, 6
Summary of Safety Precautions	7, 8
Set-Up Procedures	10
Component Identification	11
Vehicle Safety Hook Installation	12, 13
Cot Positions	14
Using Restraint Straps	15, 16
Optional Pedi-Mate™ Instructions	17, 18
Transferring the Patient to the Cot	19
Rolling the Cot	19
Loading the Cot into a Vehicle	20
Loading an Empty Cot into a Vehicle	21
Unloading the Cot from a Vehicle	22
Using Additional Assistance	23
Operating Optional Wheel Lock	24
Adjusting the Wheel Locking Force	25
Changing Cot Height with Two Operators	26
Changing the Height of an Empty Cot	27
Adjusting Leg Rest	28
Operating Backrest	29
Operating Siderails	29
Operating Breakaway Head Section	30
Operating I.V. Poles	31, 32
Preventative Maintenance	
Cleaning	33, 34
Preventative Maintenance Schedule & Checklist	35
Base Lubrication	36
Pneumatic Fowler Adjustment	37
Maintenance Record	39
Training Record	40

Table of Contents

Assembly Drawings and Parts Lists

Cot Assembly	41–46
Base Assembly	47–50
Wheel Assembly	51
Lift Tube Assembly	52, 53
Lock Bar Assembly	54
Wheel Lock Options	55
Wheel Lock Assembly	56
Litter/Base Adapter Assembly	57, 58
Litter Assembly	59–64
Lift Tube Assembly	66–69
Release Handle Assembly	70
Siderail Assembly	71
Breakaway Head Assembly	72–74
I.V. Pole Mounting Assembly, Right	75
2–Stage I.V. Assembly, Right	76
3–Stage I.V. Assembly, Right	77
I.V. Pole Mounting Assembly, Left	78
2–Stage I.V. Assembly, Left	79
3–Stage I.V. Assembly, Left	80
I.V. Pole Assembly	81 – 83
Hanging Oxygen Bottle Holder Assembly	84
Permanent Oxygen Bottle Holder Assembly, Foot End	85
Foot End Bottle Holder Tray Assembly	86
Permanent Oxygen Bottle Holder Assembly, Head End	87
Head End Bottle Holder Tray Assembly	88
Pull Handle Assembly	89
Base Lift Bar Assembly	90
Base Storage Tray Assembly	91
X–Frame Guard Assembly	92
Retaining Post Options	93, 94
Head End Storage Tray	95, 96
Head Extension Option	97, 98
Backrest Pouch Option	99
Restraint Strap Package	100
Storage Pouch Options	101
Quick Reference Replacement Parts List	102, 103

Introduction

INTRODUCTION

This manual is designed to assist you with the operation and maintenance of the 6082 **RUGGED** MX-PRO Ambulance Cot. Read it thoroughly before using the equipment or beginning any maintenance on it.

SPECIFICATIONS

Overall Length/Minimum Length/Width	80.5"/62"/23"
Height ¹ – Position 1	13.5"
Position 2	21.0"
Position 3	25.5"
Position 4	29.0"
Position 5	32.0"
Position 6	35.0"
Position 7	37.5"
(see page 14 for positions)	
Backrest Articulation/Shock Position	2° to 73° / +14°
Weight ²	81 pounds
Maximum Weight Capacity	650 pounds
Caster Diameter/Width	6"/2"
Minimum Operators Required for Loading/Unloading an Occupied Cot	2
Recommended Fastener Systems	Model 6370/6374/6377/6378 Floor Mount Type Model 6371/6375 Wall Mount Type
Recommended Floor Height ³	Up to 32"
Roll-In Style	Yes
Single Wheel Lock / Double Wheel Lock	Optional

¹ Height measured from bottom of mattress at seat section to ground level.

² Cot is weighed without mattress and restraints.

³ Cot may be loaded from any height and a height limiting kit (p/n 6060–202) is available to limit the load height of the cot. Stryker reserves the right to change specifications without notice.

The MX-PRO is designed to conform to the Federal Specification for the Star-of-Life Ambulance KKK-A-1822-D.

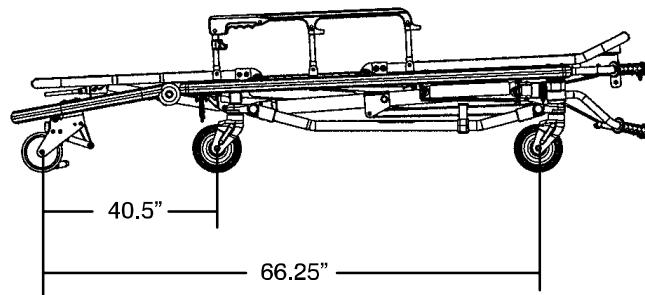


Figure 1 – Lowest Height Position

Introduction

WARNING / CAUTION / NOTE DEFINITION

The words WARNING, CAUTION and NOTE carry special meanings and should be carefully reviewed.

WARNING

Alerts the reader about a situation, which if not avoided, could result in death or serious injury. It may also describe potential serious adverse reactions and safety hazards.

CAUTION

Alerts the reader of a potentially hazardous situation, which if not avoided, may result in minor or moderate injury to the user or patient or damage to the equipment or other property. This includes special care necessary for the safe and effective use of the device and the care necessary to avoid damage to a device that may occur as a result of use or misuse.

NOTE

This provides special information to make maintenance easier or important instructions clearer.

Warranty

Stryker EMS, a division of the Stryker Corporation, offers two distinct warranty options in the United States:

One (1) year parts and labor. Under this option, Stryker EMS warrants to the original purchaser that its products should be free from manufacturing non-conformances that affect product performance and customer satisfaction for a period of one (1) year after date of delivery. Stryker's obligation under this warranty is expressly limited to supplying replacement parts and labor for, or replacing, at its option, any product that is, in the sole discretion of Stryker, found to be defective.

Two (2) year parts. Under this option, Stryker EMS warrants to the original purchaser that non-expendable components of its products should be free from manufacturing non-conformances that affect product performance and customer satisfaction for a period of two (2) years after date of delivery. Stryker's obligation under this warranty is expressly limited to supplying replacement parts for, or replacing, at its option, any product which is, in the sole discretion of Stryker, found to be defective. Expendable components, i.e. mattresses, restraints, IV poles, storage nets, storage pouches, O2 straps, and other soft goods, have a one (1) year limited warranty with this option.

Under either warranty option, Stryker EMS warrants to the original purchaser that welds on its products will be free from structural non-conformances that affect product performance for the full service life of the product. Original purchasers will also obtain a three (3) year limited parts warranty for the X frame components of the MX-PRO R3 stretcher provided they also purchase X-frame guards at the time of the original purchase and the guards are installed on the MX-PRO before it is put into service.

If Stryker requests, products or parts for which an original purchaser makes a warranty claim, the purchaser shall return the product or part prepaid freight to Stryker's factory.

Any improper use or alteration or repair by unauthorized service providers in such a manner as in Stryker's judgment affects the product materially and adversely, shall void this warranty. Any repair of Stryker products using parts not provided or authorized by Stryker shall void this warranty. No employee or representative of Stryker is authorized to change this warranty in any way.

This statement constitutes Stryker EMS's entire warranty with respect to the aforesaid equipment. STRYKER MAKES NO OTHER WARRANTY OR REPRESENTATION EITHER EXPRESSED OR IMPLIED, EXCEPT AS SET FORTH HERIN. THERE IS NO WARRANTY OF MERCHANTABILITY AND THERE ARE NO WARRANTIES OF FITNESS FOR ANY PARTICULAR PURPOSE. IN NO EVENT SHALL STRYKER BE LIABLE HEREUNDER FOR INCIDENTAL OR CONSEQUENTIAL DAMAGES ARISING FROM OR IN ANY MANNER RELATED TO SALES OR USE OF ANY SUCH EQUIPMENT.

Warranty

Stryker EMS Return Policy

Cots, Stair Chairs, Evacuation Chairs, Cot Fasteners and Aftermarket Accessories: may be returned up to 180 days of receipt if they meet the following guidelines:

Prior to 30 Days

- 30 day money back guarantee in effect
- Stryker EMS is responsible for all charges
- Returns will not be approved on modified items

Prior to 90 Days

- Product must be **unused, undamaged** and in the original packaging
- Customer is responsible for a 10% restocking fee

Prior to 180 Days

- Product must be **unused, undamaged** and in the original packaging
- Customer is responsible for a 25% restocking fee

Return Authorization:

Merchandise cannot be returned without approval from the Stryker Customer Service Department. An authorization number will be provided which must be printed on the returned merchandise. Stryker reserves the right to charge shipping and restocking fees on returned items.

SPECIAL, MODIFIED, OR DISCONTINUED ITEMS NOT SUBJECT TO RETURN.

Damaged Merchandise:

ICC Regulations require that claims for damaged merchandise must be made with the carrier within fifteen (15) days of receipt of merchandise. **DO NOT ACCEPT DAMAGED SHIPMENTS UNLESS SUCH DAMAGE IS NOTED ON THE DELIVERY RECEIPT AT THE TIME OF RECEIPT.** Upon prompt notification, Stryker will file a freight claim with the appropriate carrier for damages incurred. Claim will be limited in amount to the actual replacement cost. In the event that this information is not received by Stryker within the fifteen (15) day period following the delivery of the merchandise, or the damage was not noted on the delivery receipt at the time of receipt, the customer will be responsible for payment of the original invoice in full.

Claims for any short shipment must be made within thirty (30) days of invoice.

International Warranty Clause:

This warranty reflects U.S. domestic policy. Warranty outside the U.S. may vary by country. Please contact your local Stryker Medical representative for additional information.

Patent Information

Rugged® Products are manufactured under the following patents:

United States	5,575,026	6,276,010
	5,537,700	6,125,485

Other Patents Pending

Summary of Safety Precautions

The following is a list of safety precautions that must be observed when operating or servicing this unit. The precautions are repeated throughout the manual, where applicable. Carefully read this list before using or servicing the unit.

WARNING

- Improper usage of the **▲RUGGED▲** Cot can cause injury to the patient or operator. Operate the cot only as described in this manual.
- Install the safety hook at least 1/8 inch from the edge of the rear ambulance door. After installation, verify the cot legs lock into the load position without contacting the ambulance bumper.
- Have the vehicle safety hook installed by a certified mechanic. Improper safety hook installation can result in injury to the patient or operator or damage to the unit.
- Failure to install the vehicle safety hook can result in injury to the patient or operator. Install and use the safety hook as described in this manual.
- To avoid injury, verify the safety bar has engaged the safety hook before removing the cot from the patient compartment.
- Always use all restraint straps to secure the patient on the cot. An unrestrained patient may fall from the cot and be injured.
- To avoid accidental release of the Pedi-Mate™, and possible injury to the infant, ensure the buckle is located away from obstructions on the cot or head end storage pouch.
- Siderails are not intended to serve as a patient restraint device. Refer to pages 15 and 16 for proper restraint strap usage. Failure to utilize the siderails properly could result in patient injury.
- Never leave a patient unattended on the cot or injury could result. Hold the cot securely while a patient is on the cot.
- Never apply the optional wheel lock(s) while a patient is on the cot. Tipping could occur if the cot is moved while wheel locks are applied, resulting in injury to the patient or operator and/or damage to the cot.
- Wheel locks are only intended to help prevent the cot from rolling while unattended. Wheel locks may not provide sufficient resistance on all surfaces or under loads.
- Never install or use wheel locks on a cot with excessively worn wheels. Installing or using wheel locks on wheels with less than a 6" diameter could compromise the holding ability of the wheel lock, resulting in injury to the patient or operator and/or damage to the cot or other equipment.
- Be sure the undercarriage has engaged and locked before removing the loading wheels from the patient compartment floor of the vehicle. An unlocked undercarriage will not support the cot and injury to the patient and/or operator could result.
- Grasping the **▲RUGGED▲** Cot improperly can cause injury. Grasp only the lifting bars to lift the cot. Keep hands, fingers and feet away from moving parts. To avoid injury, use extreme caution when placing your feet near the base tubes while raising and lowering the cot.
- Do not pull or lift on the safety bar when unloading the cot. Damage to the safety bar could result and injury to the patient or operator could occur.
- The one person loading and unloading procedures are for use only with an empty cot. Do not use the procedures when unloading a patient. Injury to the patient or operator could result.
- The **▲RUGGED▲** cot must have at least 5/8" of clearance between the ambulance bumper and the cot to disengage the safety bar when unloading the cot from the ambulance. Verify the cot legs lock into the load position before disengaging the safety bar from the safety hook. Failure to properly lock the cot into position can cause injury to the patient or operator and/or damage to the cot.
- Do not allow untrained helpers to assist in the operation of the cot. Untrained technicians/helpers can cause injury to the patient or themselves.

Summary of Safety Precautions

WARNING

- When the optional head end storage pouch is being used, ensure it does not interfere with the operation of the safety bar and safety hook. Injury to the patient or operator could occur.
 - Use any appropriate personal safety equipment (goggles, respirator, etc.) to avoid the risk of inhaling contagion. Use of powerwashing equipment can aerate contamination collected during the use of the cot.
 - Do not ride on the base of the **▲RUGGED▲** cot. Damage to the cot could occur, resulting in injury to the patient or operator.
 - Failure to properly clean or dispose of contaminated mattress or cot components will increase the risk of exposure to bloodborne pathogens and may cause injury to the patient or the operator.
 - Do not modify the **▲RUGGED▲** Cot. Modifying the cot can cause unpredictable operation resulting in injury to the patient or operator. Modifying the cot will also void its warranty.
-

CAUTION

- Height limit kit is recommended for ambulance deck heights less than 30 inches (76 cm) – Stryker part number 6091–202–000.
- Damage to the cot can occur if the cot is lowered in the shortened position. Use only positions 5–7 (see page 14) when the cot is shortened.
- Do not allow the cot undercarriage to drop unassisted (commonly known as a “hot drop”) when removing the cot from the vehicle. Repeated hot dropping will cause premature wear or damage to the cot.
- Do not store items under the cot mattress. Storing items under the mattress can interfere with the operation of the cot.
- The weight of the IV bags or equipment must not exceed 40 pounds.
- Improper maintenance can cause injury or damage to the unit. Maintain the cot as described in this manual. Use only Stryker approved parts and maintenance procedures. Using unapproved parts and procedures could cause unpredictable operation and/or injury and will void the product warranty.

Notes

Set-Up Procedures

Unpack the cartons and check all items for proper operation. It is important that the **ARUGGED** Cot is working properly before it is put into service. Have a qualified service person use the following list and the operation instructions to check the cot before it is put into service.

- All fasteners secure (reference all assembly drawings)
- All welds intact, not cracked or broken
- No bent or broken tubing or sheet metal
- No debris in wheels
- All wheels secure, rolling and swivelling properly
- Siderails move and latch properly
- Backrest operating properly
- Optional accessories intact and operating properly
- Height positioning latch functioning properly
- Cot secure in each height position
- Undercarriage folds properly
- Breakaway head section operating properly
- Safety bar operating properly
- Foot rest operating properly
- No rips or cracks in mattress cover
- Body restraints intact and working properly
- Wheel lock(s) operating properly (optional equipment)
- Does the vehicle safety hook engage the safety bar so that the cot loads and unloads easily from the vehicle?
- Is there an approved crash-stable fastener (Stryker part number 6370/6374/6377/6378 or 6371/6375 – not included) installed in the vehicle?

The patient compartment of the vehicle in which the **ARUGGED** Cot will be used must have:

- A smooth rear edge for cot loading.
- A level floor large enough for the folded cot.
- Stryker 6370/6374/6377/6378/6379 or 6371/6375 crash stable cot fastener (not included).
- 32" (81 cm.) maximum loading height.
- Space to install the safety hook.

When necessary, modify the vehicle to fit the cot. Do not modify the cot.

WARNING

Do not modify the **ARUGGED** Cot. Modifying the cot can cause unpredictable operation resulting in injury to the patient or operator. Modifying the cot will also void its warranty (see page 5).

Component Identification

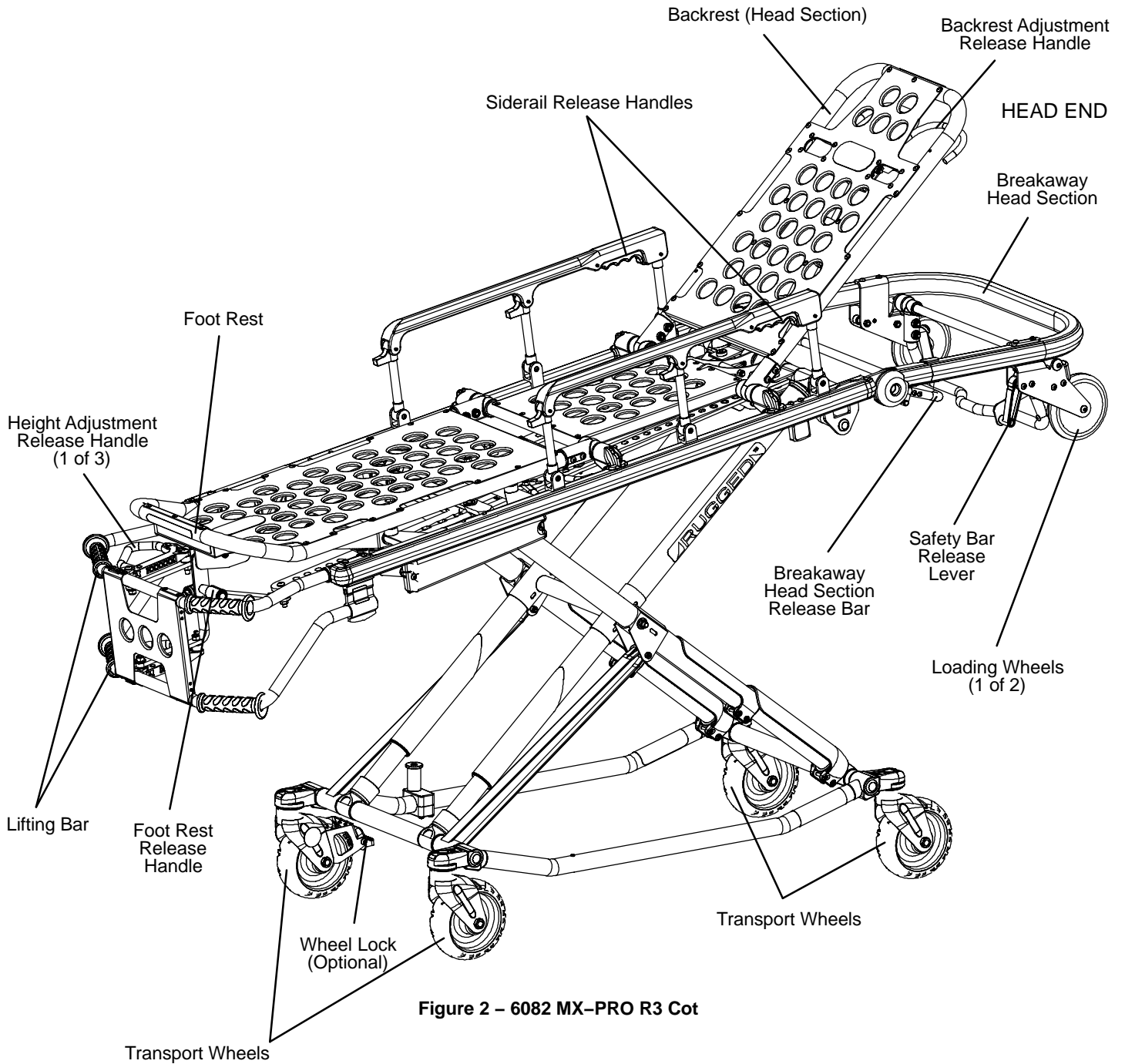
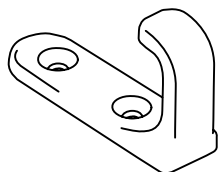
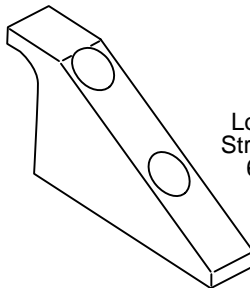


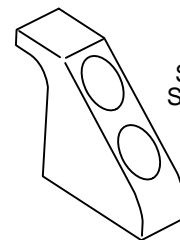
Figure 2 – 6082 MX-PRO R3 Cot



J Safety Hook
Stryker part number
6092-036-018



Long Safety Hook
Stryker part number
6060-036-018



Short Safety Hook
Stryker part number
6060-036-017

Vehicle Safety Hook Installation

The vehicle safety hook is a device shipped with the cot. The safety hook activates the safety bar and prevents the cot from being removed from the vehicle accidentally. The vehicle safety hook was designed to ensure compatibility and proper operation of the cot during unloading when used in an ambulance vehicle compliant with Federal Regulation KKK-A-1822, Revision E.

According to federal regulations (reference KKK-A-1822E), the bumper height of the ambulance shall be installed equidistant ± 5 cm (2 inches) from the ambulance floor to the ground level, defined as the ambulance deck height (Figure 3a). The bumper step shall have a minimum depth of 13 cm (5 inches) and a maximum depth of 25 cm (10 inches). If the bumper length is greater than 18 cm (7 inches), then the bumper must be able to fold. Installation of the safety hook into any ambulance vehicle compliant with this federal specification will provide adequate clearance for the cot base to lower to its fully extended position (Figure 3b). The cot is compatible with all ambulance deck heights up to 32 inches as long as the ambulance meets the federal specifications outlined in KKK-A-1822, revision E.

CAUTION

Height limit kit is recommended for ambulance deck heights less than 30 inches (76 cm) – Stryker part number 6091-202-000.

Installation of the safety hook should be done by a certified mechanic familiar with ambulance construction. Consult the vehicle manufacturer before installing the safety hook and be sure the installation of the safety hook does not damage or interfere with the brake lines, oxygen lines, fuel lines, fuel tank or electrical wiring of the vehicle.

WARNING

Have the vehicle safety hook installed by a certified mechanic. Improper safety hook installation can cause injury to the patient and/or operator or damage to the cot.

Failure to install the safety hook can cause injury to the patient or operator. Install and use the safety hook as described in this manual.

To avoid injury, verify the safety bar has engaged the safety hook before removing the cot from the patient compartment.

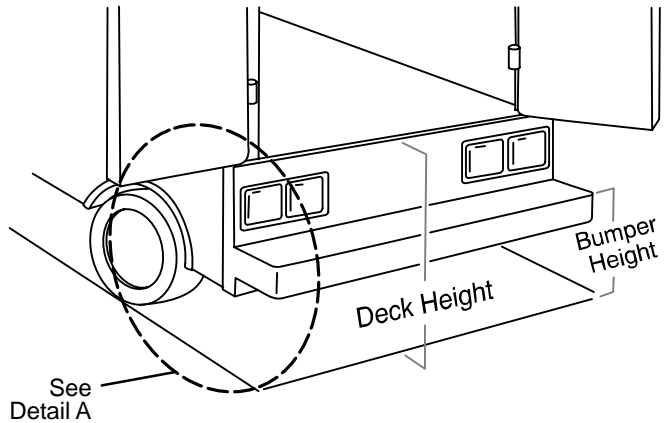


Figure 3a – Ambulance Configuration

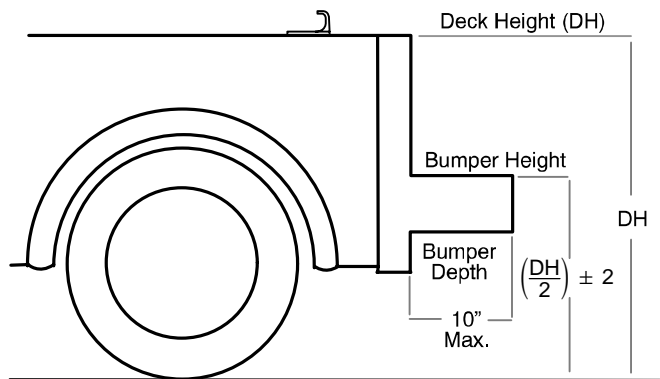


Figure 3b – Ambulance Configuration

Vehicle Safety Hook Installation

Required Hardware for Installation of the Safety Hook (Not Supplied)

- (2) Grade 5, 1/4"–20 Socket Head Cap Screws* (Stryker part number 6060–36–17 & 6060–36–18)
- (2) Grade 5, 1/4"–20 Flat Socket Head Cap Screws* (Stryker part number 6092–36–18)
- (2) Flat Washers (2) Lock Washers
- (2) 1/4"–20 Nuts

* The length of the socket head cap screws depends on the thickness of the vehicle floor. Use screws long enough to go completely through the patient compartment floor, washer and nut by at least two full threads.

WARNING

Install the safety hook at least 1/8 inch from the edge of the rear ambulance door. After installation, verify the cot legs lock into the load position without contacting the ambulance bumper.

Positioning and Installing the Safety Hook

1. Place the cot in the cot fastener.
2. Remove the cot from the fastener and unload it from the vehicle. While the cot is being removed, note the position of the loading wheels and the safety bar.
3. Center the safety hook (Figure 4a) on the cot safety bar. Be sure the hook is facing the front of the vehicle.
4. Mark the position of the safety hook on the patient compartment floor. The safety hook should be installed as close as possible to the rear of the vehicle while allowing the vehicle doors to close (Figure 4b). Be sure the bumper and bumper step don't interfere with the folding and unfolding of the cot's undercarriage.
5. Drill the holes for the socket head cap screws.
6. Attach the safety hook to the patient compartment floor.
7. Verify the safety hook *always* engages the cot safety bar when the cot is unloaded from the vehicle (Figure 5). If the ambulance floor is wider than normal, an additional safety hook may be required.

WARNING

The **ARUGGED**™ cot must have at least 5/8" of clearance between the ambulance bumper and the cot to disengage the safety bar when unloading the cot from the ambulance. Verify the cot legs lock into the load position before disengaging the safety bar from the safety hook. Failure to properly lock the cot into position can cause injury to the patient or operator and/or damage to the cot.

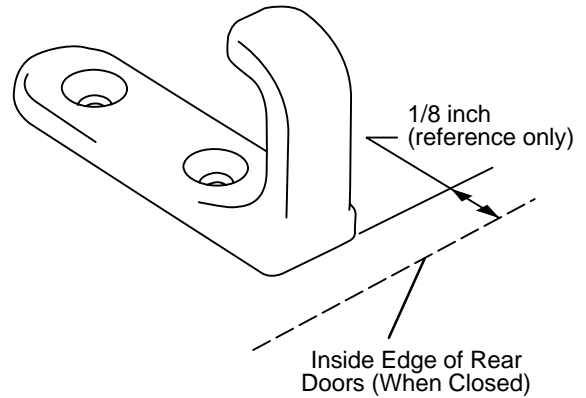


Figure 4a – "J" Safety Hook Placement

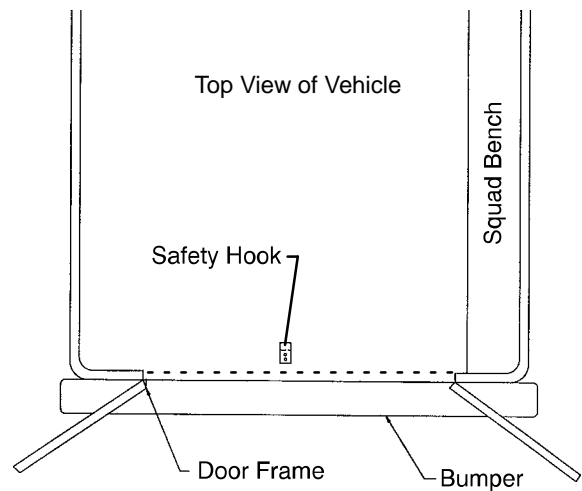


Figure 4b – Safety Hook Placement

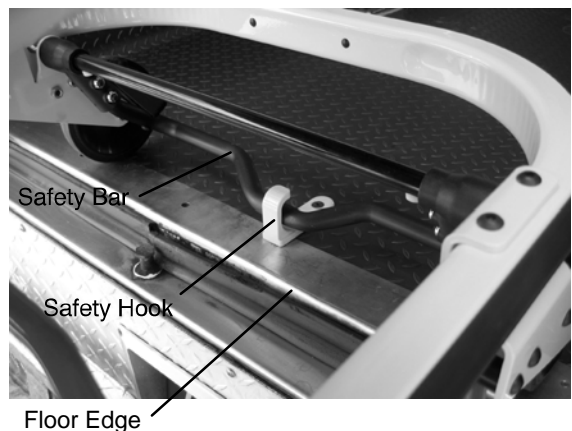
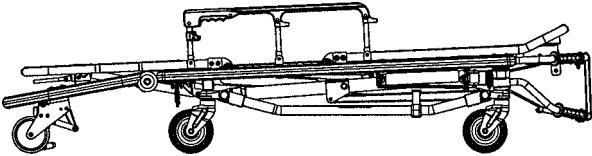
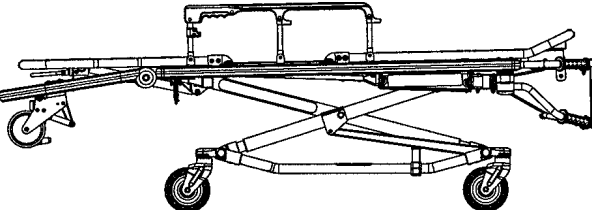


Figure 5 – Safety Bar Engaging Safety Hook

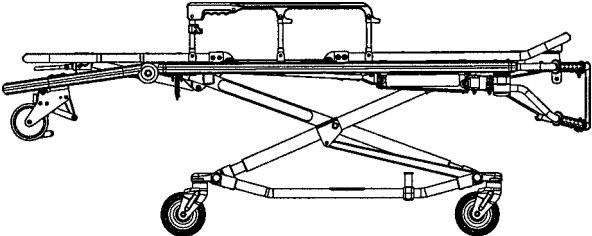
Cot Positions



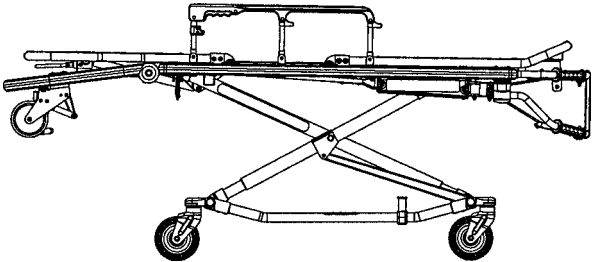
Position 1 – Use for patient transfer.



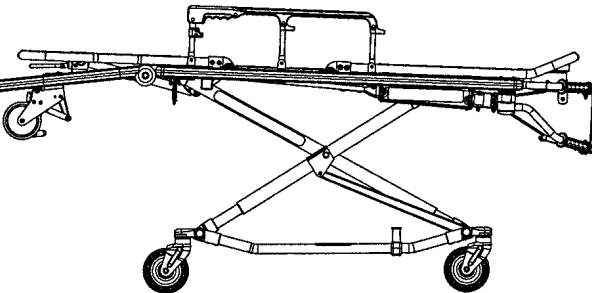
Position 2 – Use for patient transfer/cot rolling.



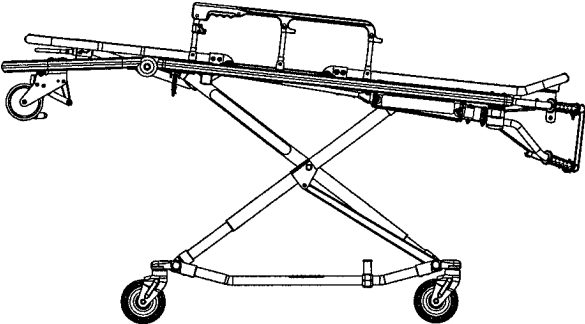
Position 3 – Use for patient transfer/cot rolling.



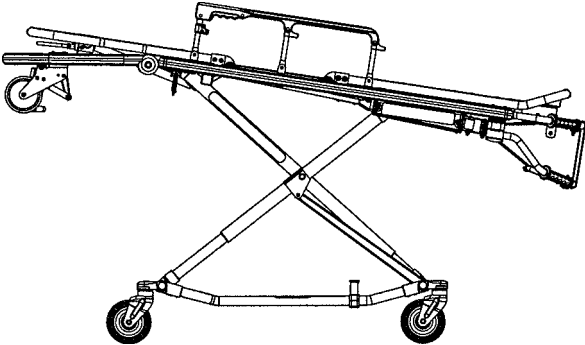
Position 4 – Use for patient transfer/cot rolling.



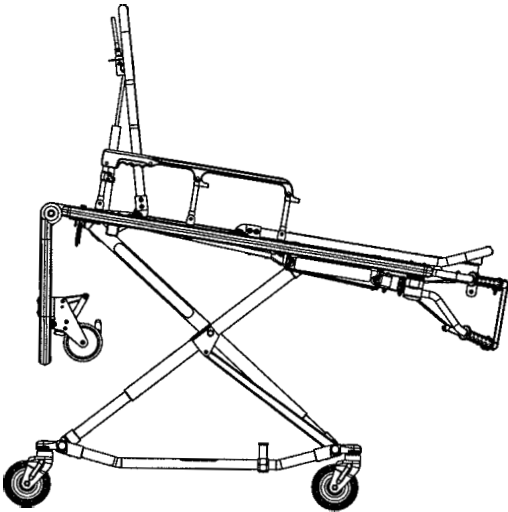
Position 5 – use for patient transfer/cot rolling.



Position 6 – Use for patient transfer/cot rolling.



Position 7 – Use for patient transfer/cot rolling.



Use for cot rolling in position 5–7 when space is limited.

Cot Operation

Using Restraint Straps



Figure 6 – Safety Restraints

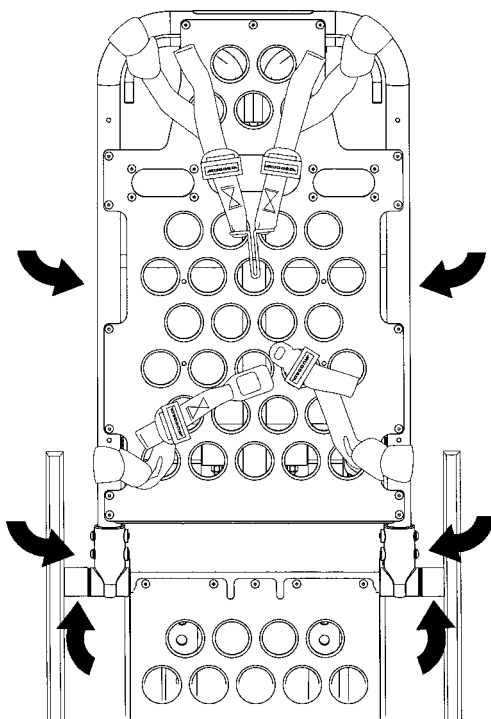


Figure 7 – Head Section Restraints

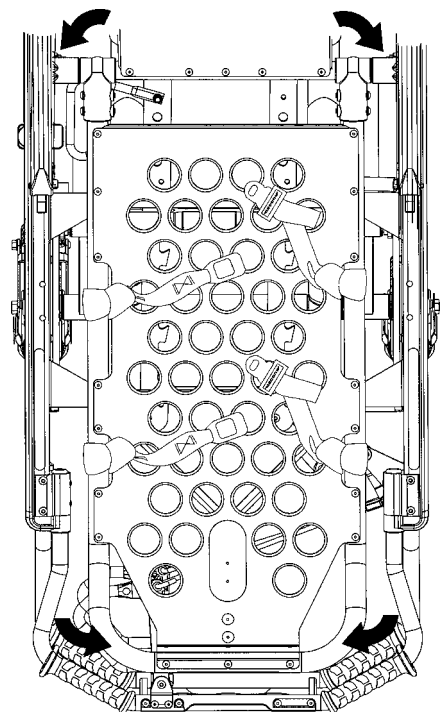


Figure 8 – Foot Section Restraints

WARNING

Always use all restraint straps to secure the patient on the cot. An unrestrained patient may fall from the cot and be injured.

Always secure the patient on the cot with all the restraint straps. Buckle the restraints across the patient's chest/shoulders, waist and legs (Figure 6). Keep the restraint straps buckled when the cot is not being used with a patient to avoid damage to the buckles and straps.

When attaching the restraint straps to the cot, keep in mind the attachment points should provide strong anchorage and proper restraint position while not interfering with equipment and accessories. Wrap the strap around the cot frame and back through the loop on the end of the strap as shown in Figures 7 and 8. The arrows indicate alternate attachment areas.

Cot Operation

Using Restraint Straps (Continued)

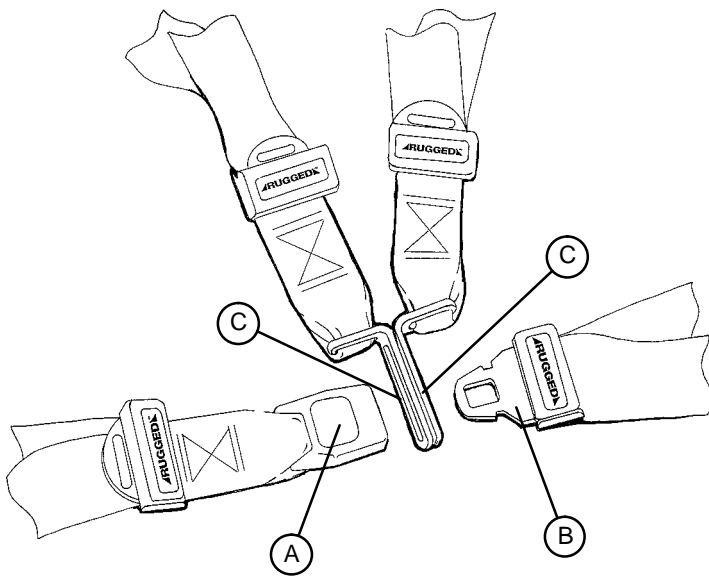


Figure 9 – Buckling the Safety Restraints

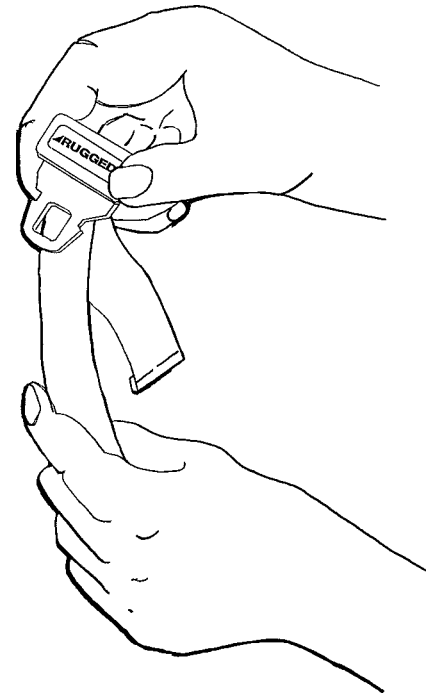


Figure 10 – Lengthening the Safety Restraint

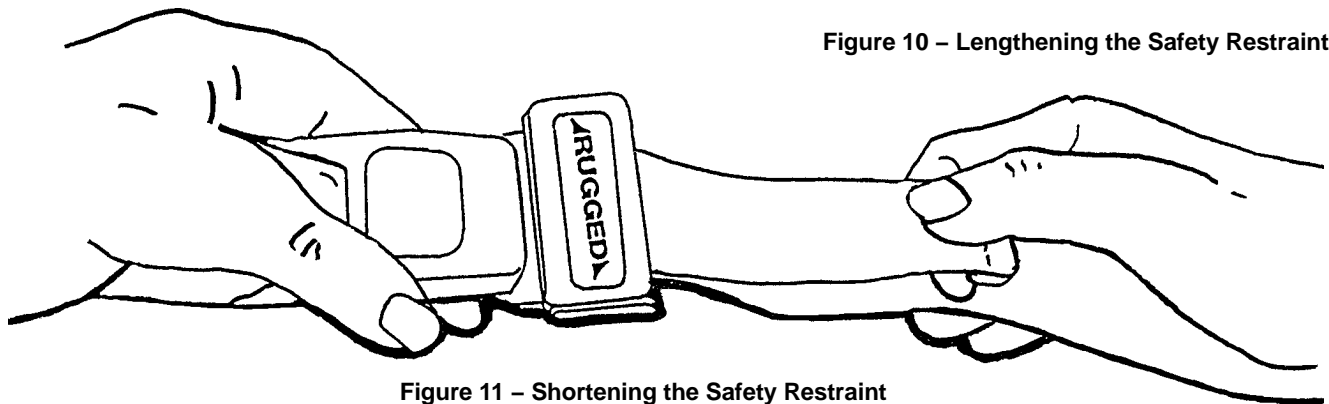


Figure 11 – Shortening the Safety Restraint

When the cot is put into service, the restraints are opened and placed to either side of the cot until the patient is positioned on the cot mattress. The restraint is lengthened, buckled around the patient and shortened until the required tightness is achieved.

To open the restraint, press the red button (A) on the front of the buckle "receiver". This releases the buckle "tang" (B) which can then be pulled out of the receiver (Figure 9).

To close the restraint, push the tang into the receiver until a "click" is heard. When fastening the chest restraint be sure the tang passes through both links (C) on the shoulder strap (Figure 9).

To lengthen the restraint, grasp the buckle tang, turn it at an angle to the webbing, then pull it out (Figure 10). A hemmed tab at the end of the webbing prevents the tang from coming off the strap.

To shorten the restraint, grasp the hemmed tab and pull the webbing back through the tang until the required tightness is achieved (Figure 11).

Whenever a restraint is buckled on a patient, the attendant should check to be sure the tang is fully engaged and that the extra webbing is not tangled in the cot or hanging loose.

Inspection of the restraints should be done at least once a month (more frequently if used heavily). Inspection should include checking for a bent or broken receiver or tang, torn or frayed webbing, etc. Any restraint showing wear or not operating properly must be replaced immediately.

Pedi-Mate™ Infant Restraint System Attachment Instructions

Refer to the Pedi-Mate™ users manual for the manufacturer's recommendations for the use, operation and care of the Pedi-Mate™ Infant Restraint System.

Securing the Pedi-Mate™ to the cot

1. Remove any restraints already attached to the cot.
2. Raise the cot backrest to the full upright position.
3. Position the Pedi-Mate™ pad flat on the backrest with the black backrest straps out (see Figure 12).



Figure 12 – Positioning the Pedi-Mate™

4. Wrap the straps around the backrest and insert the ends of the straps through the brackets. Securely fasten the buckle (see Figure 13).

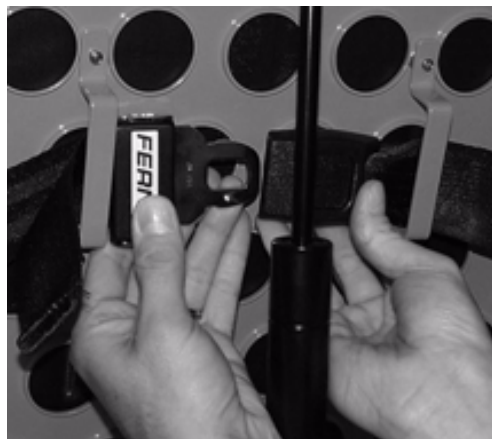


Figure 13 – Fastening the Pedi-Mate™ Buckle

WARNING

To avoid accidental release of the Pedi-Mate™, and possible injury to the infant, ensure the buckle is located away from obstructions on the cot or head end storage pouch.

Pedi-Mate™ Infant Restraint System Attachment Instructions

5. Pull firmly on the end of the adjustable backrest strap and tighten it securely.
6. Insert the mainframe straps between the cot frame and the mattress. To ensure the release button is toward the foot end of the cot, insert the buckle behind the litter crossbrace and bring it up in front of the crossbrace. Secure the buckle around the crossbrace, leaving a little slack in the strap for final adjustment (see Figure 14).



Figure 14 – Securing the Safety Restraints on a Rugged™ Cot

WARNING

To avoid accidental release of the Pedi-Mate™, and possible injury to the infant, ensure the buckle is located away from obstructions on the cot.

7. Verify all the straps are snug and fastened securely (see Figure 15).



Figure 15– Pedi-Mate™ Strapped to a Rugged™ Cot

These are general instructions for installation of the Pedi-Mate™. Safe and proper use of the Pedi-Mate™ is solely at the discretion of the user. Stryker recommends all users be trained on the proper use of the Pedi-Mate™ before using it in an actual situation.

Retain these instructions for future reference. Include them with the product in the event of transfer to new users. Pedi-Mate™ is a trademark of Ferno-Washington Inc.

Cot Operation

Operating Guidelines

- Use the **▲RUGGED▲** Cot only as described in this manual.
- Read all labels and instructions on the cot before using the cot.
- Use a minimum of two operators to manipulate the cot while a patient is on the cot.
- Do not adjust, roll or load the cot without advising the patient. Stay with the patient and control the cot at all times.
- Never apply the optional wheel lock while a patient is on the cot.
- Always use the restraint straps and keep the siderails up when a patient is on the cot.
- Use properly trained helpers when necessary to control the cot and patient.

Transferring the Patient to the **▲RUGGED▲** Cot

1. Roll the cot to the patient.
2. Place the cot beside the patient and raise/lower the cot to the patient's level.
3. Lower the siderails and open the restraint straps.
4. Transfer the patient to the cot using accepted EMS procedures.
5. Use all the restraints to secure the patient to the cot (see page 15 for restraint strap usage instructions).
6. Raise the siderails and adjust the backrest and leg rest as necessary.

WARNING

Always use all restraint straps to secure the patient on the cot. An unrestrained patient may fall from the cot and be injured.

Never apply the optional wheel lock while a patient is on the cot. Tipping could occur if the cot is moved while the wheel lock is applied, resulting in injury to the patient or operator and/or damage to the cot.

Rolling the **▲RUGGED▲** Cot

1. Make sure all the restraint straps are securely buckled around the patient (see page 15 & 16 for restraint strap usage instructions).
2. Place the cot in positions 2–7 for rolling (see page 14 for cot positions).
3. When rolling the cot, position an operator at the foot end and one at the head end at all times.

NOTES

Loose items or debris on the patient compartment floor can interfere with the operation of the safety hook and cot fastener. Keep the patient compartment floor clear.

The cot can be loaded with the siderails down only if the restraint belts are properly buckled around the patient.

Raising/Lowering the **▲RUGGED▲** Cot

1. Both users must lift weight up off the base
2. The user at the foot end must pull the release handle
3. Both users must lower the cot to the ground or raise the cot up.

Cot Operation

Loading the **ARUGGED** Cot into a Vehicle with Two Operators

When loading the cot into a vehicle, an operator should remember the following important issues:

- Two operators must be present when the cot is occupied.
 - There must be a safety hook properly installed in the vehicle so that the bumper does not interfere with the front legs of the base frame. (See page 12 for safety hook installation instructions.)
 - Operators must be able to lift the total weight of the patient, cot and any items on the cot.
 - The higher an operator must lift the cot, the more difficult it becomes to hold the weight. An operator may need help loading the cot if he/she is too short or if the patient is too heavy to lift safely. The operator must be able to lift the cot high enough for the cot's legs to unfold completely and lock when the cot is unloaded. A shorter operator will have to raise his/her arms higher to enable the undercarriage to unfold.
1. Place the cot in a loading position (any position where the loading wheels meet the vehicle floor height). Roll the cot to the open door of the patient compartment. Lift the vehicle bumper to the raised position (if possible).
 2. Push the cot forward until the loading wheels are on the patient compartment floor and the safety bar passes the safety hook (Figure 16).
 3. For maximum clearance to lift the base, pull the cot back until the safety bar engages the safety hook. Operator two should verify that the bar engages the safety hook.

WARNING

Failure to use the safety hook can result in injury. Install and use the hook as described in this manual.

4. Operator 1 – Grasp the cot frame at the foot end. Lift the foot end of the cot until the weight is off the latching mechanism. Squeeze and hold the release handle (location A or B).
5. Operator 2 – Stabilize the cot by placing your hand on the outer rail (location C). Grasp the base frame where indicated (location D). After the foot end operator has lifted the cot and squeezed the release handle, raise the undercarriage until it stops in the uppermost position and hold it there (Figure 17).
6. Both Operators – Push the cot into the patient compartment (Figure 18), engaging the cot fastener (not included).



Figure 16 – Safety Bar Engaging Safety Hook

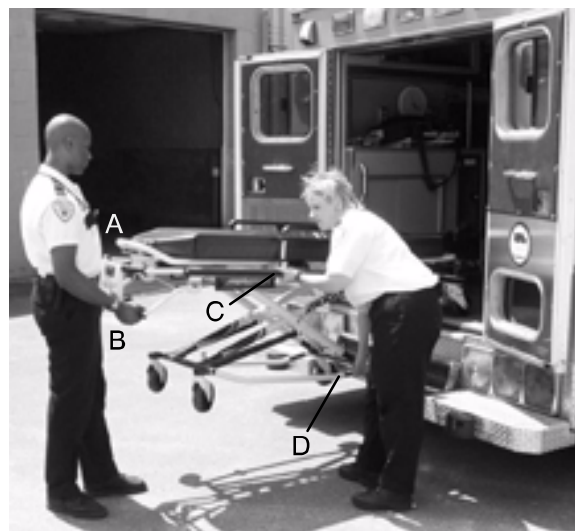


Figure 17 – 2 Operators – One Lifting the Base



Figure 18 – 2 Operators – Base Full Up

Cot Operation

Loading an Empty **ARUGGED** Cot into a Vehicle with One Operator

WARNING

This procedure is for use only with an empty cot. Do not use this procedure when loading a patient. Injury to the patient and/or operator could result.

1. Place the cot in a loading position (any position in which the load wheels meet the vehicle floor height – see page 14).
2. Roll the cot to the open door of the patient compartment.
3. Lift the vehicle bumper to the raised position (if possible).
4. Push the cot forward until the loading wheels are on the compartment floor and the safety bar passes the safety hook.
5. Pull the cot back until the safety bar engages the safety hook.
6. Grasp the cot frame at the foot end and squeeze and hold the release handle (A or B) (Figure 19).
7. Lower the foot end of the cot to the ground, making sure the cot locks in position 1 (Figure 20).
8. Lift the foot end of the cot until it is level with the compartment floor.
9. Grasp the base of the cot with one hand and pull up the base of the cot towards the litter, reducing the space between the base and the litter (Figure 21).
10. Push the cot into the patient compartment, guiding it into the cot fastener.



Figure 19 – Squeeze the Release Handle



Figure 20 – Lower the Foot End of the Cot



Figure 21 – Pull Up the Base of the Cot

Cot Operation

Unloading the Cot from a Vehicle with Two Operators

1. Disengage the cot from the cot fastener. (For more detailed instructions, reference the cot fastener installation/operation manual – Stryker part number 6370–90–10).
2. Operator 1 – Grasp the cot frame. Pull the cot out of the patient compartment until the safety bar engages the safety hook.

WARNING

Failure to use the safety hook can cause injury to the patient or operator. Install and use the safety hook as described in this manual.

To avoid injury, verify the safety bar has engaged the safety hook before removing the cot from the patient compartment.

3. Operator 2 – Grasp the base frame where indicated, lift slightly, and lower the base frame to its fully extended position while operator 1 squeezes and holds the release handle.
4. Operator 1 – Let go of the release handle and be sure the undercarriage locks into place.
5. Operator 2 – Disengage the safety bar from the safety hook by pushing the safety bar release lever forward.
6. Remove the cot loading wheels from the vehicle. Place the cot in a rolling position (positions 2–7 – see page 14).

CAUTION

Do not allow the cot undercarriage to drop unassisted (commonly known as a “hot drop”) when removing the cot from the vehicle. Repeated hot dropping will cause premature wear or damage to the cot.

WARNING

Be sure the undercarriage has engaged before removing the loading wheels from the patient compartment floor of the vehicle. An unlocked undercarriage will not support the cot and injury to the patient or operator could result.

Unloading an Empty **RUGGED** Cot from a Vehicle with One Operator

WARNING

This procedure is for use only with an empty cot. Do not use this procedure when unloading a patient. Injury to the patient and/or operator could result.

1. Lift the vehicle bumper to the raised position (if possible).
2. Grasp the cot frame at the foot end; pull the cot from the vehicle until the safety bar engages the safety hook.
3. Lower the foot end of the cot to the ground (see Figure 20).
4. Squeeze and hold the release handle (A or B – see Figure 21) and raise the foot end of the cot back to a level position with the compartment floor.
5. Disengage the safety bar from the safety hook by pushing the safety bar release lever forward and roll the cot out of the vehicle.

Cot Operation

USING ADDITIONAL ASSISTANCE

	Changing Levels	Rolling	Loading/Unloading
<p>Two Operators</p> <p>Two Helpers</p>			
<p>Two Operators</p> <p>Four Helpers</p>			

Cot Operation

OPERATING THE OPTIONAL WHEEL LOCK(S)

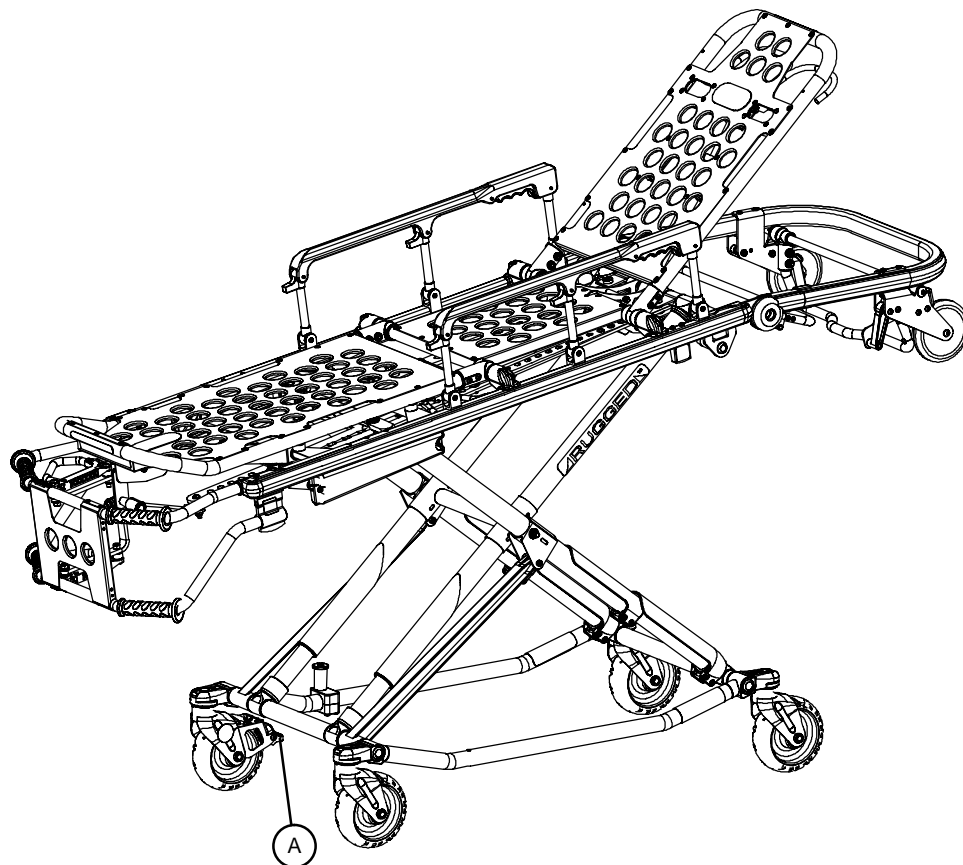


Figure 22 – Rugged® Wheel Lock

1. To activate the optional wheel lock(s), press fully down on the pedal (A) until it stops.
2. To release the optional wheel lock(s), depress the upper face of the pedal with your foot or lift up with your toe under the pedal. The upper portion of the pedal will rest against the caster frame when the wheel lock is released.

WARNING

Never apply the optional wheel lock(s) while a patient is on the cot. Tipping could occur if the cot is moved while a wheel lock is applied, resulting in injury to the patient or operator and/or damage to the cot.

Wheel lock(s) are only intended to help prevent the cot from rolling while unattended. A wheel lock may not provide sufficient resistance on all surfaces or under loads.

Never leave a patient unattended on the cot or injury could result. Hold the cot securely while a patient is on the cot.

Never install or use a wheel lock on a cot with excessively worn wheels. Installing or using a wheel lock on a wheel with less than a 6" diameter could compromise the holding ability of the wheel lock, possibly resulting in injury to the patient or operator and/or damage to the cot or other equipment.

Cot Operation

ADJUSTING THE WHEEL LOCKING FORCE

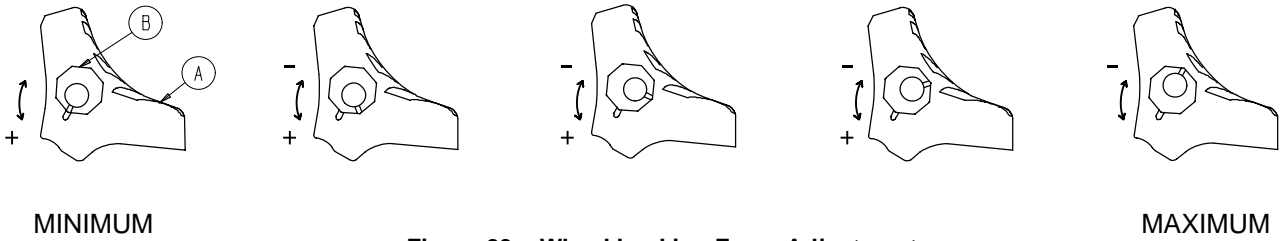


Figure 23 – Wheel Locking Force Adjustment

1. To adjust the wheel locking force, remove the hex socket screw from the center of the lock pedal. The wheel lock is initially assembled with the pedal set at the minimum locking force. The marker on the pedal (item A) is aligned with the marker on the octagonal sleeve (item B).
2. Remove the sleeve (B). Rotate the sleeve counterclockwise to increase the pedal locking force and clockwise to decrease the locking force. Insert the sleeve into the pedal. Reinstall the hex socket screw.
3. Test the pedal locking force and verify it holds properly before returning the cot to service.

Cot Operation

CHANGING COT HEIGHT WITH TWO OPERATORS

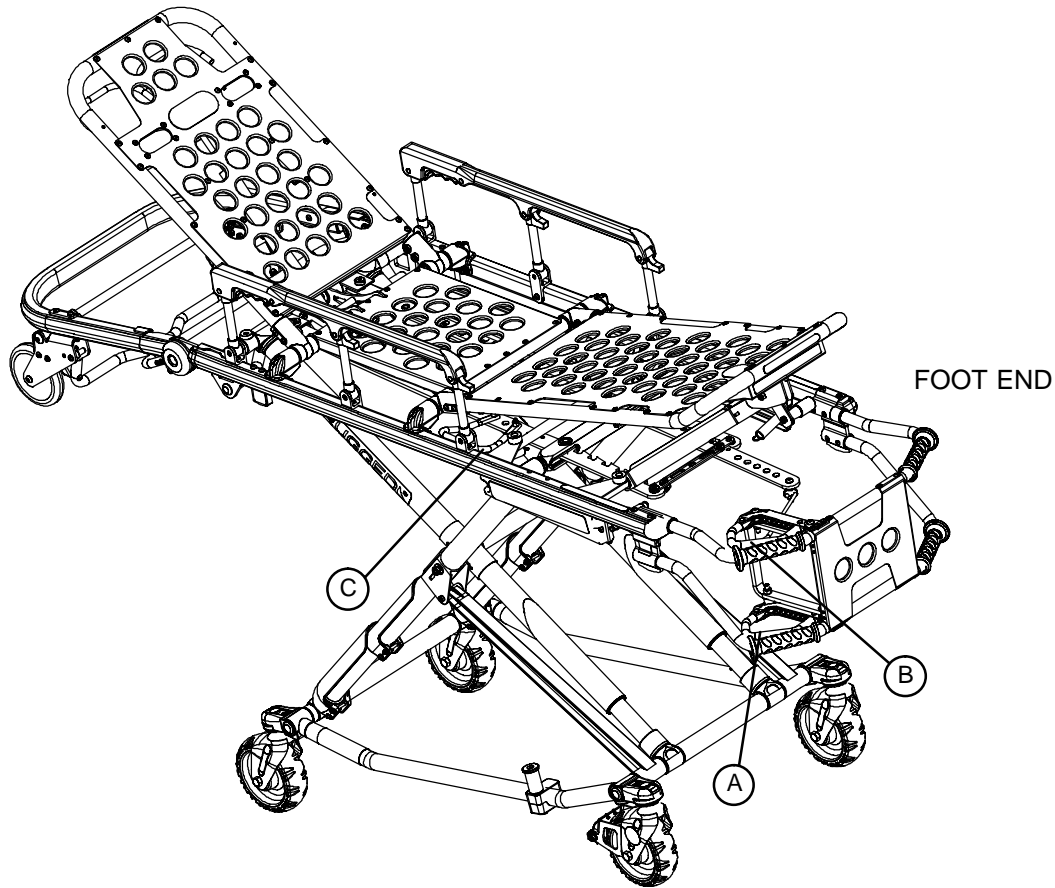


Figure 24 – Release Handle Locations

NOTE

Changing the height while a patient is on the cot requires a minimum of two operators, positioned at both ends or on each side of the cot. Each operator must grasp the cot frame securely.

To lower the cot from the ends, the operator at the foot end of the cot positions his/her hands so the release handle (A or B) can be squeezed while a secure grip is maintained on the lifting bars. Both operators must lift the cot until the weight is off the latching mechanism (approximately 1/4"). The operator at the foot end squeezes and holds the release handle and both operators then raise or lower the cot together. The handle is released when the desired position is reached. Both operators should maintain a secure grip on the litter frame until the latching mechanism is securely locked into position.

To lower the cot from the sides, the operator on the patient's right positions his/her hands so he/she can reach the release handle at the midpoint of the litter (C). Both operators must lift the cot until the weight is off the latching mechanism (approximately 1/4"). The operator at the patient's right squeezes and holds the release handle. Both operators then raise or lower the cot together. The handle is released when the desired position is reached. Both operators should maintain a secure grip on the litter frame until the latching mechanism is securely locked into position.

WARNING

Grasping the **ARUGGED** Cot improperly can cause injury. Grasp only the litter frame or the lifting bar to lift the cot. Keep hands, fingers and feet away from moving parts. To avoid injury, use extreme caution when placing your feet near the base tubes while raising and lowering the cot.

Cot Operation

Changing the Height of an Empty Cot with One Operator

To raise/lower the cot from the foot end:

1. Standing at the foot end of the cot, grasp the lower foot end lift tube.
2. Tip the cot up onto the load wheels (Figure 25).
3. Squeeze and hold the release handle and raise or lower the foot end to the desired position.
4. Lower the cot back onto the four base wheels (Figure 26).



Figure 25 – Cot Tipped on Load Wheels



Figure 26 – Cot Lowered to Ground

To raise/lower the cot from the side:

1. Place one foot on the outer base tube.
2. Grasp the side release handle with one hand. Place your other hand on the outer support rail to help stabilize the cot (Figure 27).
3. Squeeze the side release handle and raise or lower the cot to the desired position.

WARNING

If lowering the cot to the lowest position (position 1), remove your foot from the base tube or injury could result (Figure 28).



Figure 27 – Holding Outer Support Rail



Figure 28 – Lowering Cot From Side

Cot Operation

Adjusting the Leg Rest

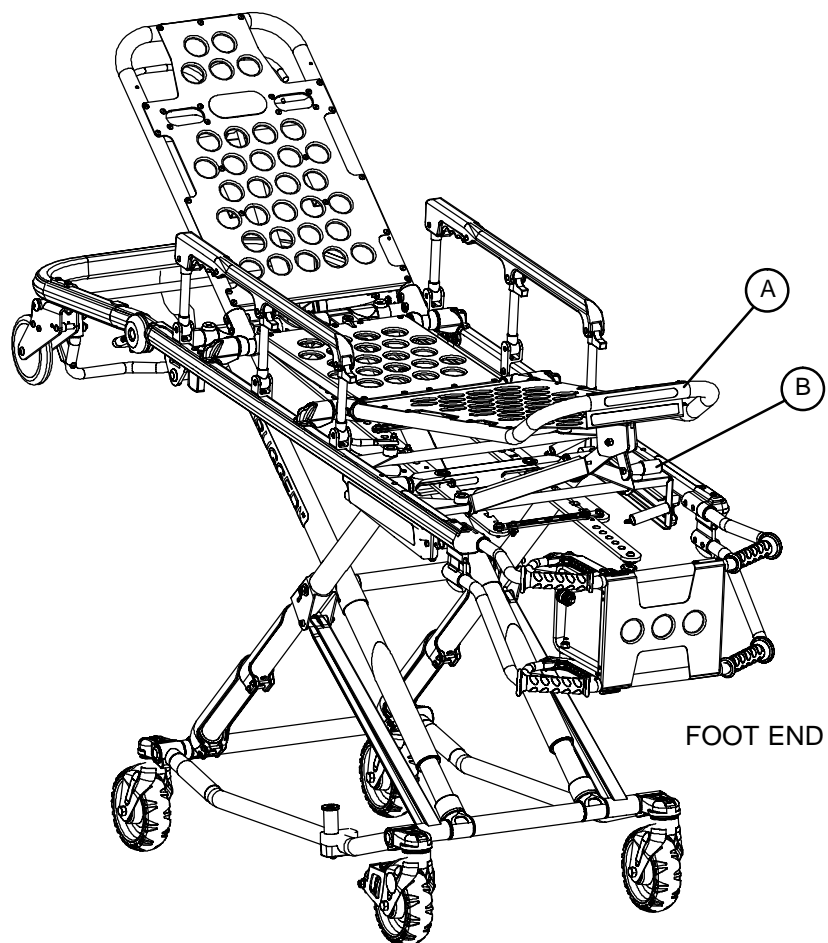


Figure 29 – Leg Rest Elevated

The leg rest is adjustable to allow for elevation of the patient's legs.

To raise the leg rest, lift the leg rest frame (A) as high as possible. The support bracket will engage automatically. Release the frame after the support bracket has engaged.

To lower the leg rest, lift the leg rest frame (A) and, while holding the frame, lift up on the release handle (B) until the bracket disengages. Lower the leg rest until flat.

Cot Operation

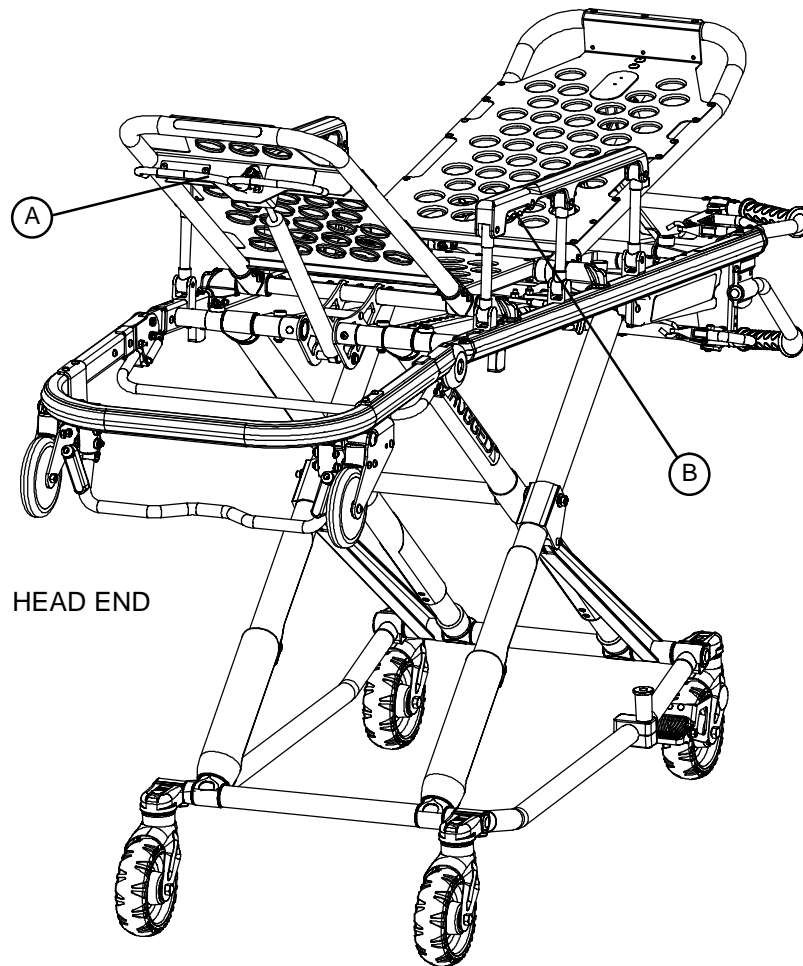


Figure 30 – Backrest Elevated and Siderails Raised

Operating the Backrest

To raise, squeeze handle (A) for pneumatic assist in lifting the Backrest to the desired height. Remove hand(s) from handle when desired height is achieved.

To lower, squeeze handle (A) and push down on the Backrest frame until the Backrest has reached the desired height. Remove hand(s) from handle when desired height is achieved.

Operating the Siderails

To raise, lift up until the latch clicks and the siderail locks into place. When a patient is on the cot, always keep the siderails in the raised position unless the patient is being transferred.

To lower, squeeze handle (B) to release the siderail latch. Guide the siderail down toward the foot end until flat.

WARNING

Siderails are not intended to serve as a patient restraint device. Refer to pages 15 and 16 for proper restraint strap usage. Failure to utilize the siderails properly could result in patient injury.

Cot Operation

Operating the Breakaway Head Section

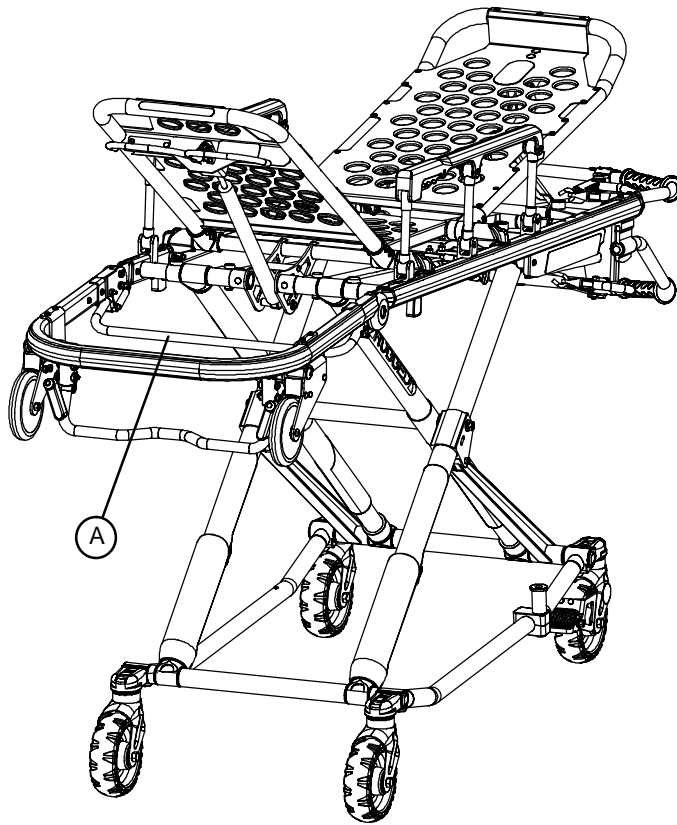


Figure 31 – Breakaway Head Section Release Bar

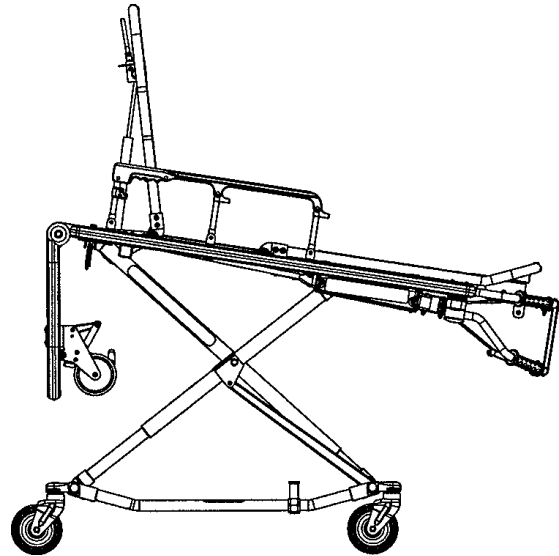


Figure 32 – Lowered Breakaway Head Section

The head end of the cot litter folds down to shorten the length of the cot and allow for maneuvering when space is limited in elevators, halls, etc.

The breakaway head section should only be used when the cot is in positions 5–7 (see page 14).

To lower the breakaway head section, raise the backrest to its uppermost position (see page 29 for backrest operation instructions). Squeeze the release bar (A) at the head end of the cot with one hand while supporting the head section with the other hand. Lower the head section.

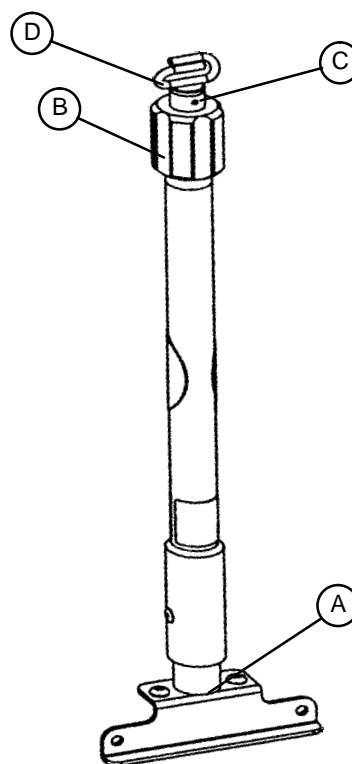
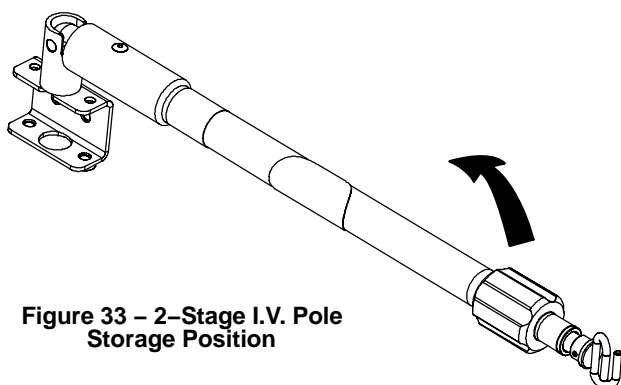
To raise the breakaway head section, lift the break-away head section until the release bar clicks and the head section locks into place.

CAUTION

Damage to the cot can occur if the cot is lowered in the shortened position. Use only positions 5–7 (see page 14) when the cot is shortened.

Cot Operation

Operating the 2-Stage I.V. Pole



1. Lift and pivot the pole from the storage position and push down until it is locked into receptacle (A).
2. To raise the height of the pole, turn the lock actuator (B) counterclockwise and pull up on the telescoping portion (C) of the pole to raise it to the desired height.
3. Turn the lock actuator (B) clockwise to lock the telescoping portion in place.
4. Hang I.V. bags on the I.V. hook (D).

CAUTION

The weight of the I.V. bags or equipment must not exceed 40 pounds.

Cot Operation

Operating the 3-Stage I.V. Pole (Optional Equipment)

1. Lift and pivot the pole from the storage position and push down until it is locked into receptacle (A).
2. To raise the height of the pole, turn the lock actuator (B) counter-clockwise and pull up on the bottom telescoping portion (C) of the pole to raise it to the desired height.
3. Turn the lock actuator (B) clockwise to lock the bottom telescoping portion in place.
4. For a higher I.V. pole, pull up on section (D) until the spring clip (E) engages.
5. Hang I.V. bags on the I.V. hook (F).

CAUTION

The weight of the I.V. bags or equipment must not exceed 40 pounds.

6. To lower the I.V. pole, push in on the spring clip (E) and slide section (D) down into section (C). Turn the lock actuator (B) counter-clockwise and slide section (C) into the bottom tube.
7. Lift up and pivot the pole down into the storage position.

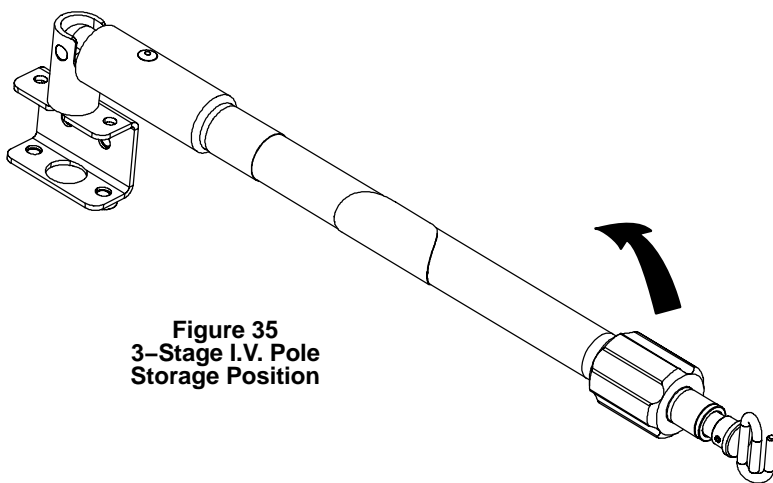


Figure 35
3-Stage I.V. Pole
Storage Position

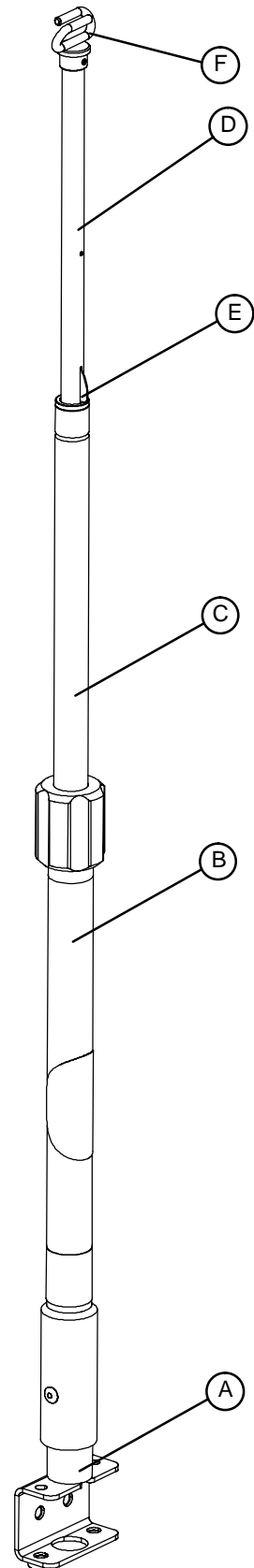


Figure 36 – 3-Stage I.V. Pole

Cleaning

The 6082 MX-PRO® ambulance cot is designed to be power-washable. The unit may show some signs of oxidation or discoloration from continuous washing, however, no degradation of the cot's performance characteristics or functionality will occur due to power washing as long as the proper procedures are followed.

Clean Velcro **AFTER EACH USE**. Saturate Velcro with disinfectant and allow disinfectant to evaporate. (Appropriate disinfectant for nylon Velcro should be determined by the hospital.)

Washing Procedure:

- Follow the cleaning solution manufacturer's dilution recommendations exactly.
- The preferred method Stryker Medical recommends for power washing the 6082 cot is with the standard hospital surgical cart washer or hand held wand unit.

Washing Limitations:

WARNING

Use any appropriate personal safety equipment (goggles, respirator, etc.) to avoid the risk of inhaling contagion. Use of powerwashing equipment can aerate contamination collected during the use of the cot.

DO NOT STEAM CLEAN OR ULTRASONICALLY CLEAN THE UNIT.

Maximum water temperature should not exceed 180°F/82°C.

Maximum air dry temperature (cart washers) is 240°F/115°C.

Maximum water pressure should not exceed 1500 psi/130.5 bar. If a hand held wand is being used to wash the unit, the pressure nozzle must be kept a minimum of 24 inches/61 centimeters from the unit.

Towel dry all casters and interface points between the cot and the breakaway head section.

After washing the cot, follow the lubrication procedure on page 36.

Failure to comply with these instructions may invalidate any/all warranties.

In general, when used in those concentrations recommended by the manufacturer, either phenolic type or quaternary type disinfectants can be used. Iodophor type disinfectants are not recommended for use because staining may result.

Suggested cleaners for the 6082 cot surfaces:

Quaternary Cleaners (active ingredient – ammonium chloride)

Phenolic Cleaners (active ingredient – o-phenylphenol)

Chlorinated Bleach Solution (5.25% – less than 1 part bleach to 100 parts water)

Cleaning

Avoid over-saturation and ensure the product does not stay wet longer than the chemical manufacturer's guidelines for proper disinfecting.

WARNING

SOME CLEANING PRODUCTS ARE CORROSIVE IN NATURE AND MAY CAUSE DAMAGE TO THE PRODUCT IF USED IMPROPERLY. If the products described above are used to clean the Stryker patient care equipment, measure must be taken to insure the cots are wiped with clean water and thoroughly dried following cleaning. Failure to properly rinse and dry the cots will leave a corrosive residue on the surface of the cots, possibly causing premature corrosion of the critical components.

NOTE

Failure to follow the above directions when using these types of cleaners may void this product's warranty.

REMOVAL OF IODINE COMPOUNDS

Use a solution of 1–2 tablespoons Sodium Thiosulfate in a pint of warm water to clean the stained area. Clean as soon as possible after staining occurs. If stains are not immediately removed, allow solution to soak or stand on the surface. Rinse surfaces which have been exposed to the solution in clear water before returning unit to service.

WARNING

Failure to properly clean or dispose of contaminated mattress or cot components will increase the risk of exposure to bloodborne pathogens and may cause injury to the patient or the operator.

Preventative Maintenance

Operation	Schedule	Procedure
Cleaning & Disinfecting	Each use.	See page 33.
Inspection	For 1–25 calls per month, inspect cot every 6 months. For 26–200 calls per month, inspect cot every 3 months. For 201+ calls per month, inspect cot monthly.	See below for checklist.

NOTE

Keep up-to-date maintenance records using the form on page 39.

Parts, Service or Technical Assistance:

Contact Stryker Customer Service at 1–800–327–0770 or
 Stryker Medical
 3800 E. Centre Ave.
 Portage, MI 49002
 ATTN: Customer Service

CHECKLIST

- _____ All fasteners secure (reference all assembly drawings)
- _____ All welds intact, not cracked or broken
- _____ No bent or broken tubing or sheet metal
- _____ No debris in wheels
- _____ All wheels secure, rolling and swivelling properly
- _____ Optional wheel lock holds wheel securely when on and clears wheel when off
- _____ Siderails move and latch properly
- _____ Backrest operating properly
- _____ Optional accessories intact and operating properly
- _____ Height positioning latch functioning properly
- _____ Cot secure in each height position
- _____ Undercarriage folds properly
- _____ Breakaway head section operating properly
- _____ Safety bar operating properly
- _____ Foot rest operating properly
- _____ No rips or cracks in mattress cover
- _____ Body restraints intact and working properly
- _____ Lubricate base tubes (optional)

Serial No. _____

Completed By: _____

Date: _____

Preventative Maintenance

BASE LUBRICATION

NOTE

The **RUGGED** MX-PRO® has been designed to operate without the need for lubrication. Tri-Flow™ with Teflon® lubricant may be used to reduce the force required to raise the undercarriage and to minimize wear. Do not use silicone, WD-40™, or lithium grease. They could harm the moving parts of the cot.

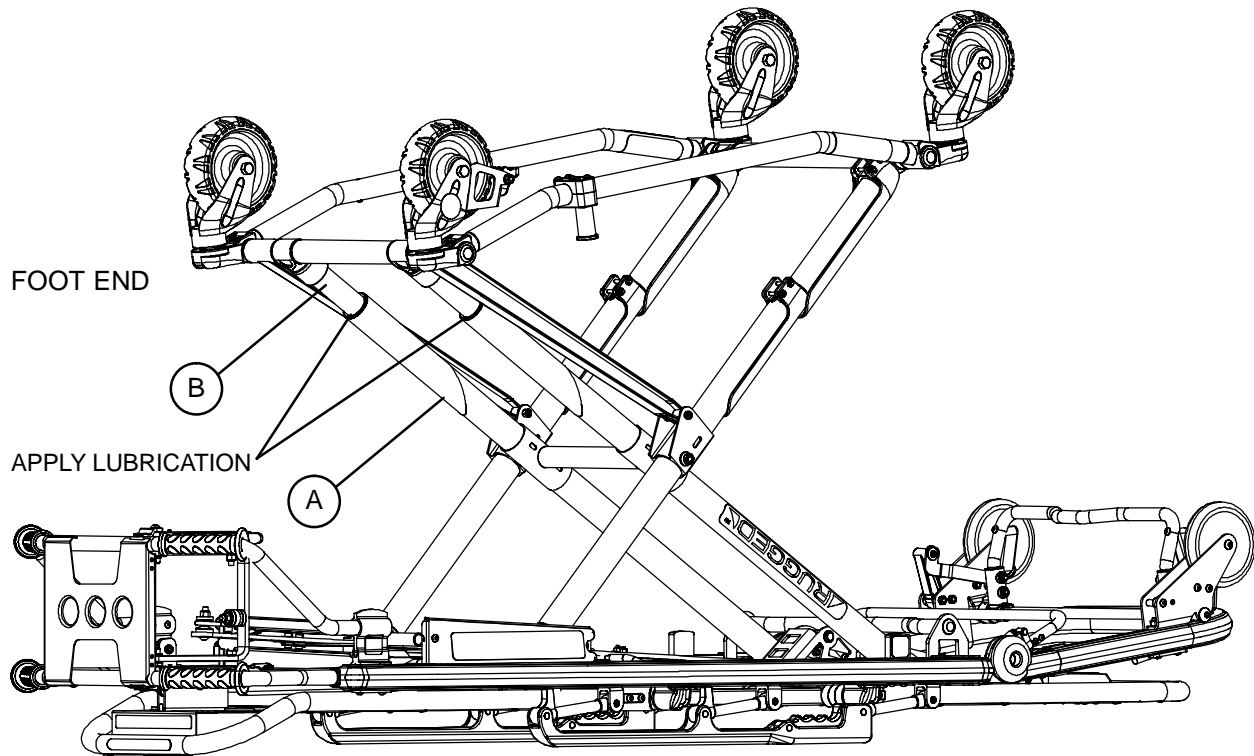


Figure 37 – Base Lubrication Locations

1. Place the cot in the highest position.
2. Turn the cot upside down with the base legs facing up.
3. Using the plastic applicator tube, spray Tri-Flow™ with Teflon® lubricant (Stryker part number 6082-199-12) in the gap between the upper (item A) and lower lift tubes (item B) on both foot end legs.
4. Let the cot sit for 5 minutes.
5. Turn the cot back over. Raise and lower the cot a few times to work the lubricant through the base tubes.
6. Wipe any excess lubricant from the base tubes.

Preventative Maintenance

PNEUMATIC BACKREST ADJUSTMENT

Required Tools:

1/2" Wrench

5/32" Allen Wrench

Locktite

3/32" Allen Wrench

Adjustment Procedure:

1. For easier access, move backrest to 75 degrees.

NOTE

Before continuing with the backrest adjustment procedure, be sure the cylinder (item A) is completely threaded into the yoke (item B) so no threads are showing on the shaft of the cylinder. If threads are showing, use a 3/32" Allen wrench to remove the set screw (item C) in the center of the yoke and remove the E-clip and pin (items D & E) holding the bottom of the pneumatic cylinder. Thread cylinder shaft (item A) completely into yoke (item B). Replace the E-clip and pin (items D & E) and replace the set screw (item C) using Locktite.

2. Using a 1/2" wrench, loosen the hex nut (item F) on the backrest pivot (item J) while holding the set screw (item H) fixed in the pivot.
3. Using a 5/32" Allen wrench, turn the set screw (item H) until there is no play between the backrest release handle (item K) and the pneumatic cylinder release button.
4. Be sure the backrest will travel from flat to at least 75 degrees. If it doesn't, turn the set screw (item H) clockwise 1/2 turn. Repeat until at least 75 degrees of travel is achieved.
5. Lower the backrest to a 5–10 degree angle and release the handle. Apply approximately 50 pounds downward force to the end of the backrest. If the backrest drifts down, turn the set screw (item H) counter-clockwise. Repeat until the backrest does not drift downward.
6. Using the 1/2" wrench, tighten the hex nut (item F) while holding the set screw (item H) fixed in the pivot.

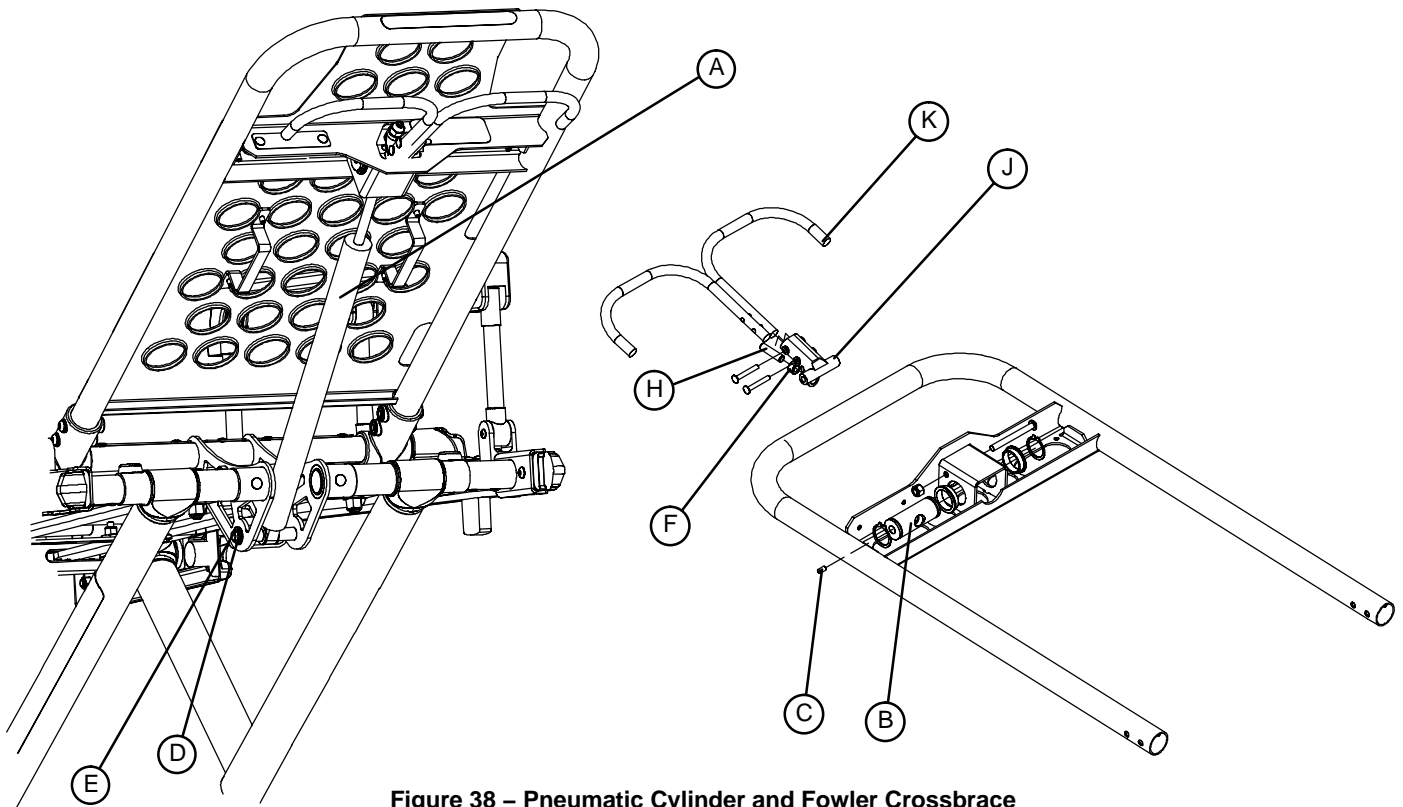
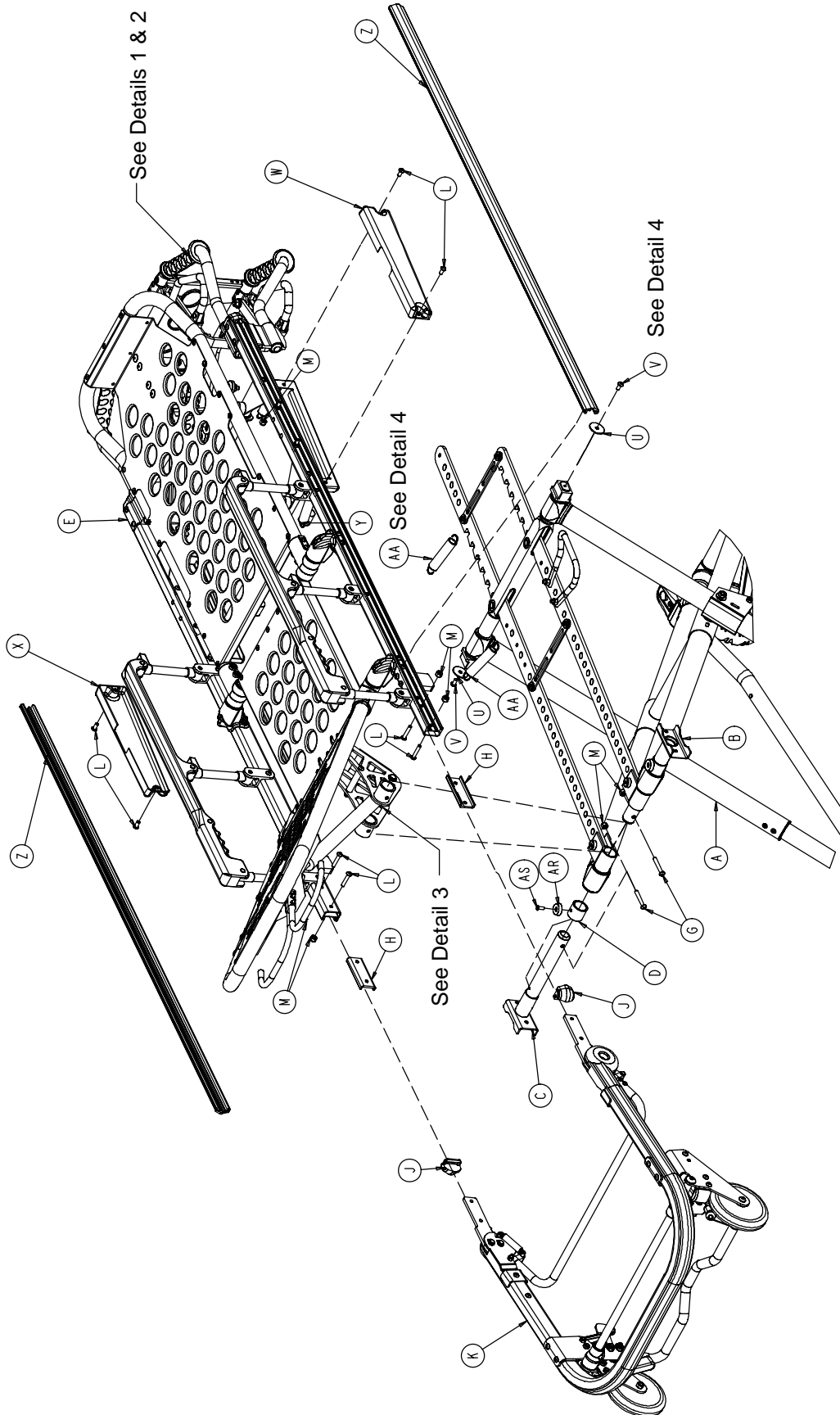


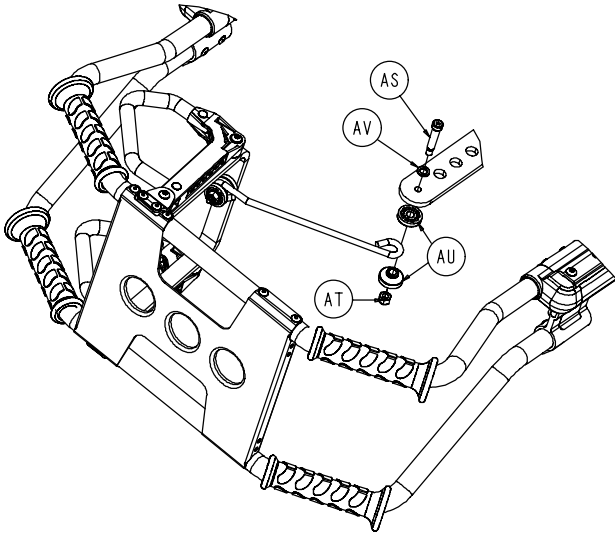
Figure 38 – Pneumatic Cylinder and Fowler Crossbrace

Notes

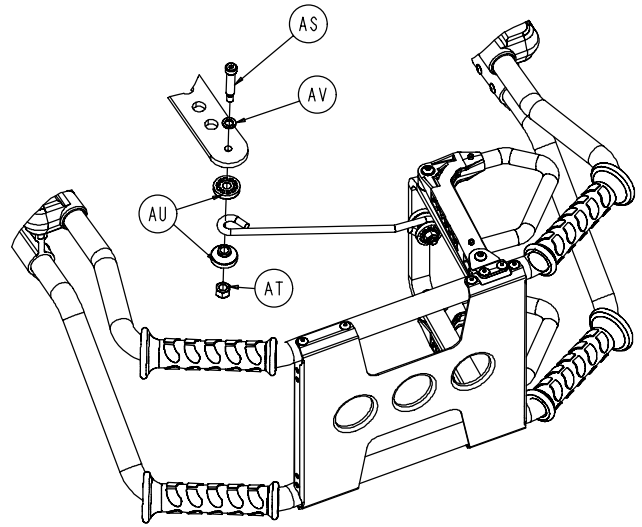
Cot Assembly



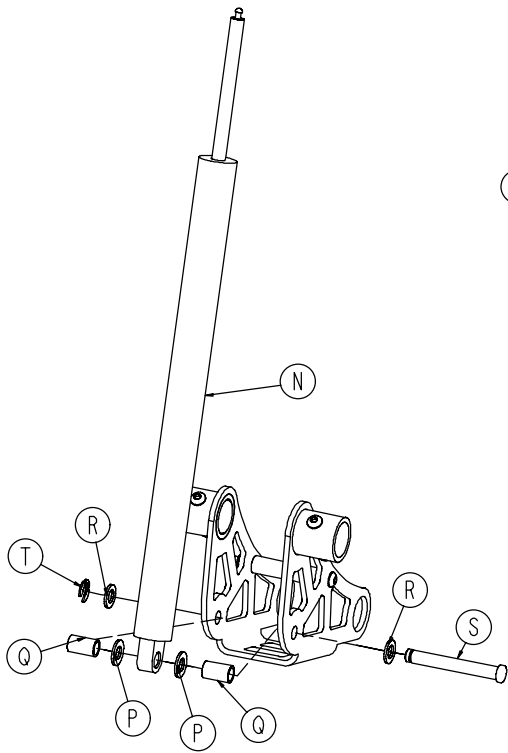
Cot Assembly



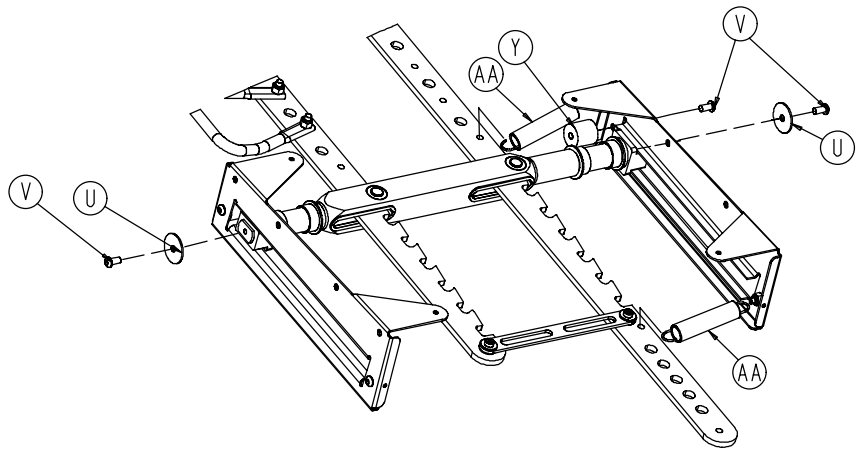
DETAIL 1
LEFT HAND RELEASE OPTION



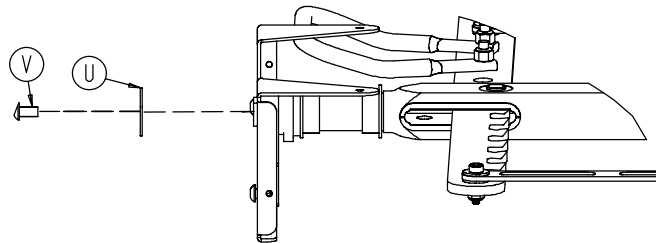
DETAIL 2
RIGHT HAND RELEASE OPTION



DETAIL 3

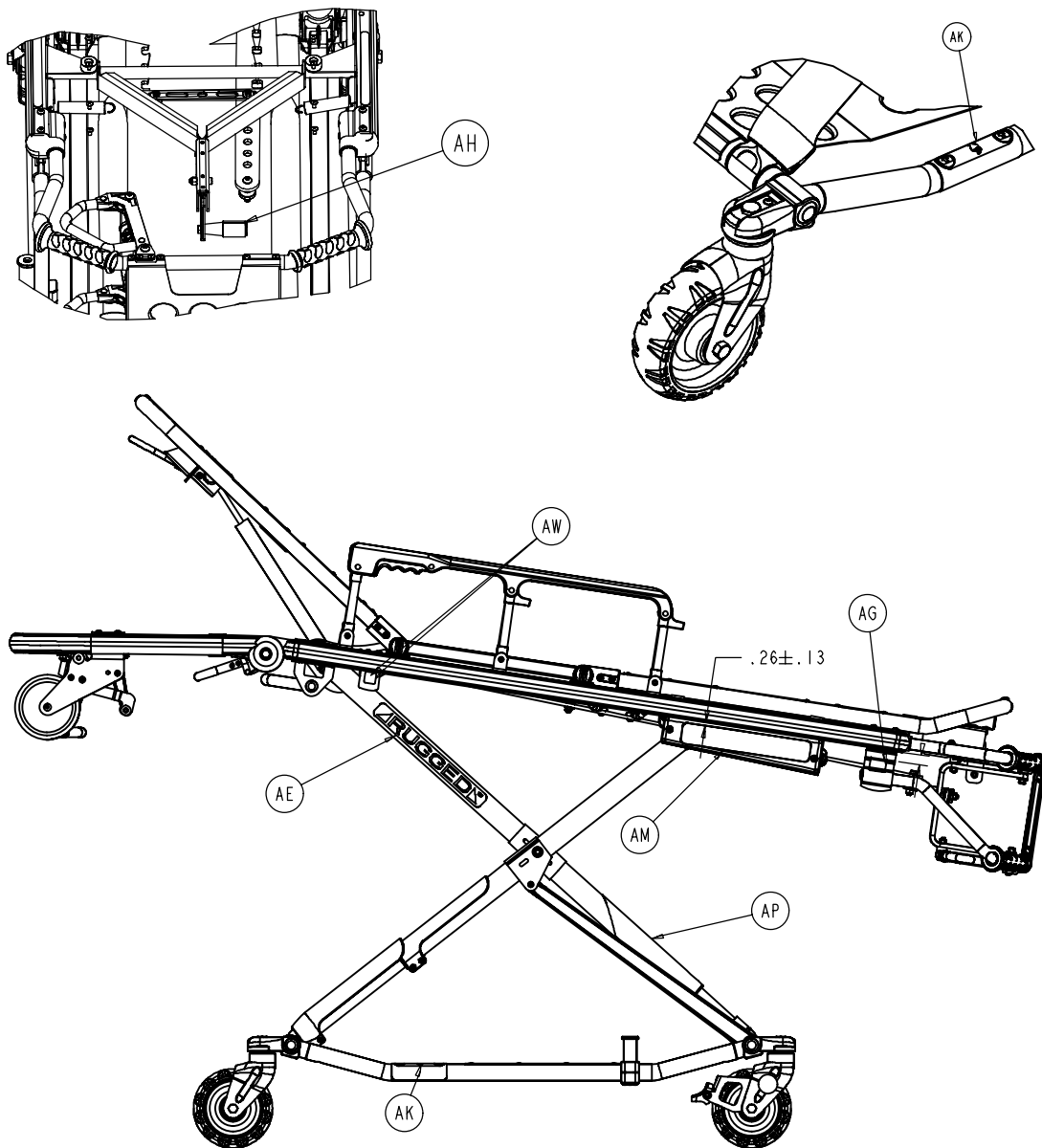


DETAIL 4

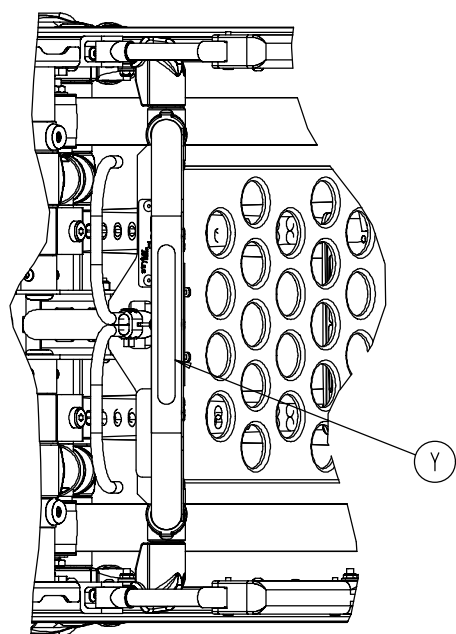
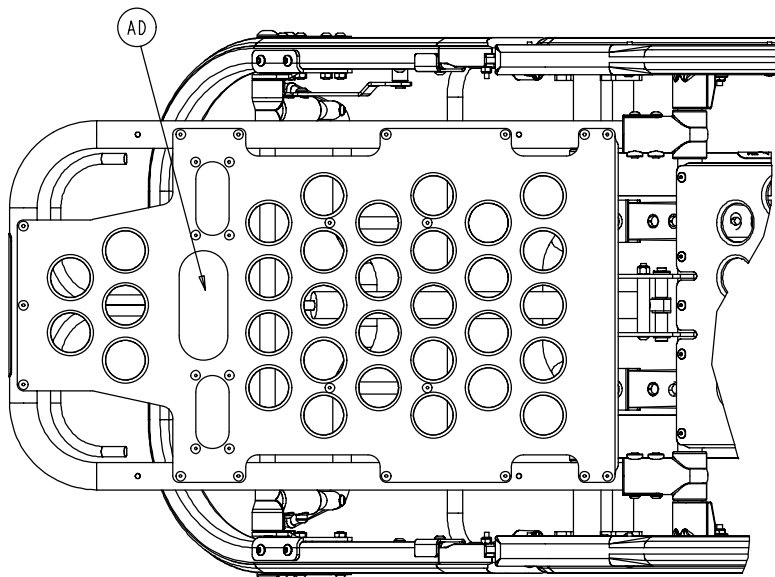
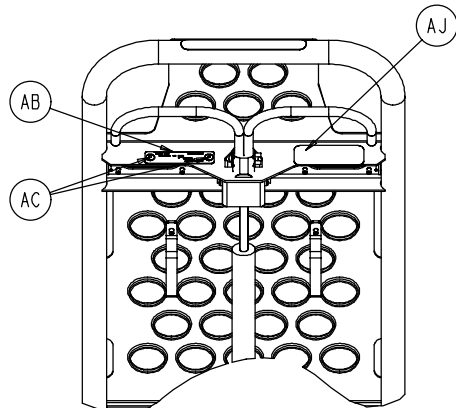
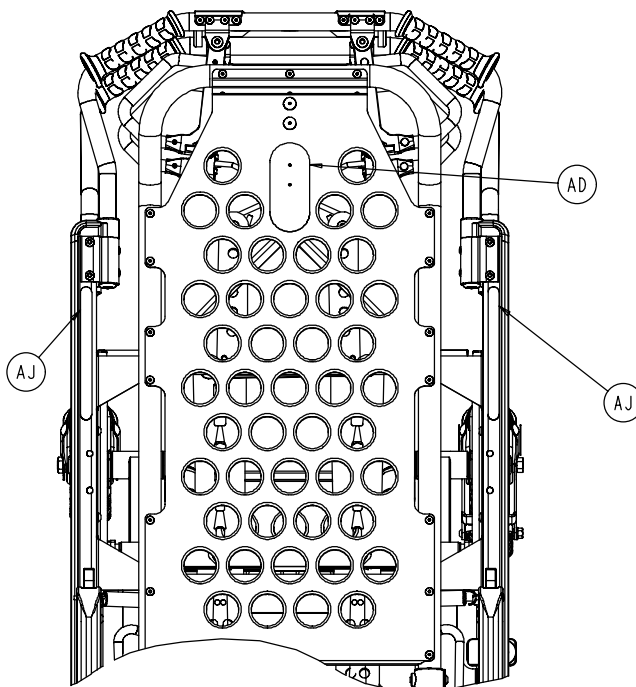
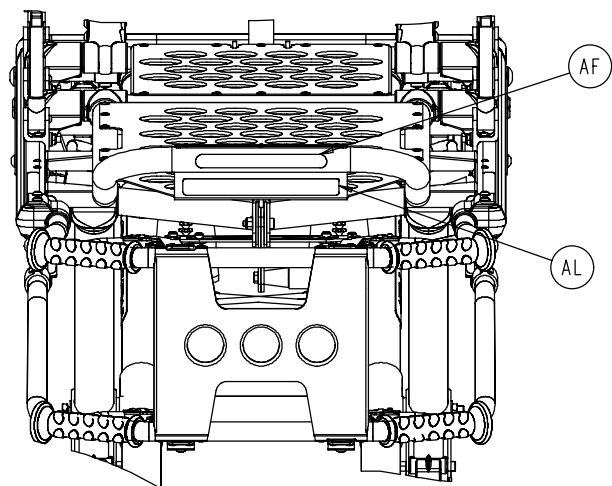


DETAIL 5

Cot Assembly



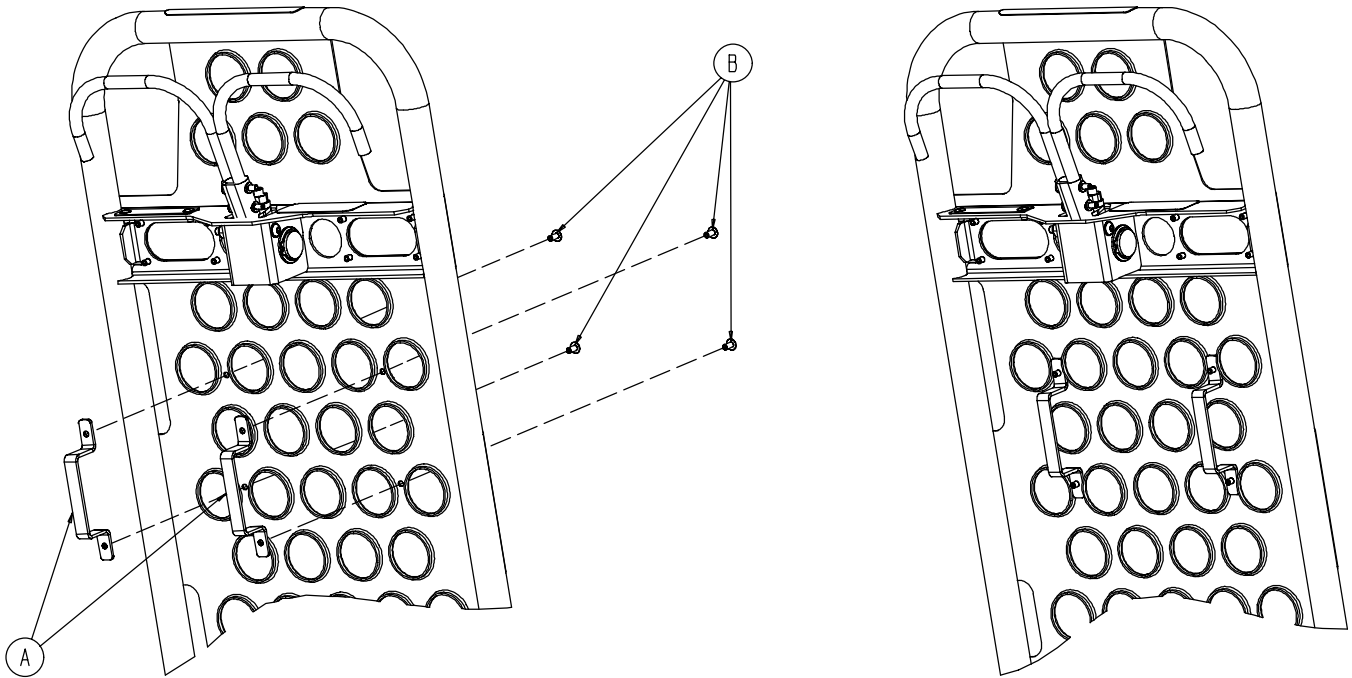
Cot Assembly



Cot Assembly

Item	Part No.	Part Name	Qty.
A	(page 47–50)	Base Assembly	1
B	(page 57)	Litter/Base Adapter Ass'y, Right	1
C	(page 58)	Litter/Base Adapter Ass'y, Left	1
D	6082–205–60	Litter/Base Adapter Spacer Sleeve	2
E	(page 59–64)	Litter Assembly	1
F	4–135	Button Head Cap Screw	2
G	4–204	Button Head Cap Screw	2
H	6060–37–26	Pivot Spacer Plate	2
J	6060–37–35	Outer Rail End Cap	2
K	(page 72–74)	Breakaway Head Section Ass'y	1
L	4–198	Button Head Cap Screw	7
M	16–28	Hex Nut	10
N	1010–31–77	Gas Cylinder	1
P	14–21	Washer	2
Q	6082–31–46	Litter/Base Interface Pivot Spacer	2
R	11–448	Washer	2
S	6082–31–31	Clevis Pin	1
T	28–181	Retaining Ring	1
U	11–355	Washer	2
V	4–325	Button Head Cap Screw	2
W	6082–33–37	Retainer Plate Cover, Right	1
X	6082–33–36	Retainer Plate Cover, Left	1
Y	37–82	Vibration Mount	2
Z	6080–30–43	Litter Frame Bumper	2
AA	38–508	Extension Spring	2
AB	6060–90–2	Serial Number Tag	1
AC	25–79	Blind Rivet	2
AD	6060–32–46	2" Adhesive Loop Pile	2
AE	6082–90–3	Large "Rugged" Label	2
AF	6060–90–4	Small "Rugged" Label	1
AG	6060–90–114	"Keep Hands Clear" Label	2
AH	6070–90–107	"Lift to Release" Label	1
AJ	6082–190–111	"650 Lb. Max" Label	1
AK	6080–90–108	"Lift Here" Label	2
AL	6080–90–9	Damage Warning Label	1
AM	6082–90–110	MX-PRO Label	2
AN	6082–90–40	Leg Label	1
AP	946–1–155	Bumper	2
AR	25–133	Blind Rivet	2
AS	8–33	Soc. Hd. Shoulder Bolt	1
AT	16–28	Hex Nut	1
AU	6082–40–25	Link Bushing	2
AV	11–352	Washer	1
AW	6082–90–114	"Keep Hands Clear" Label	2

Cot Assembly

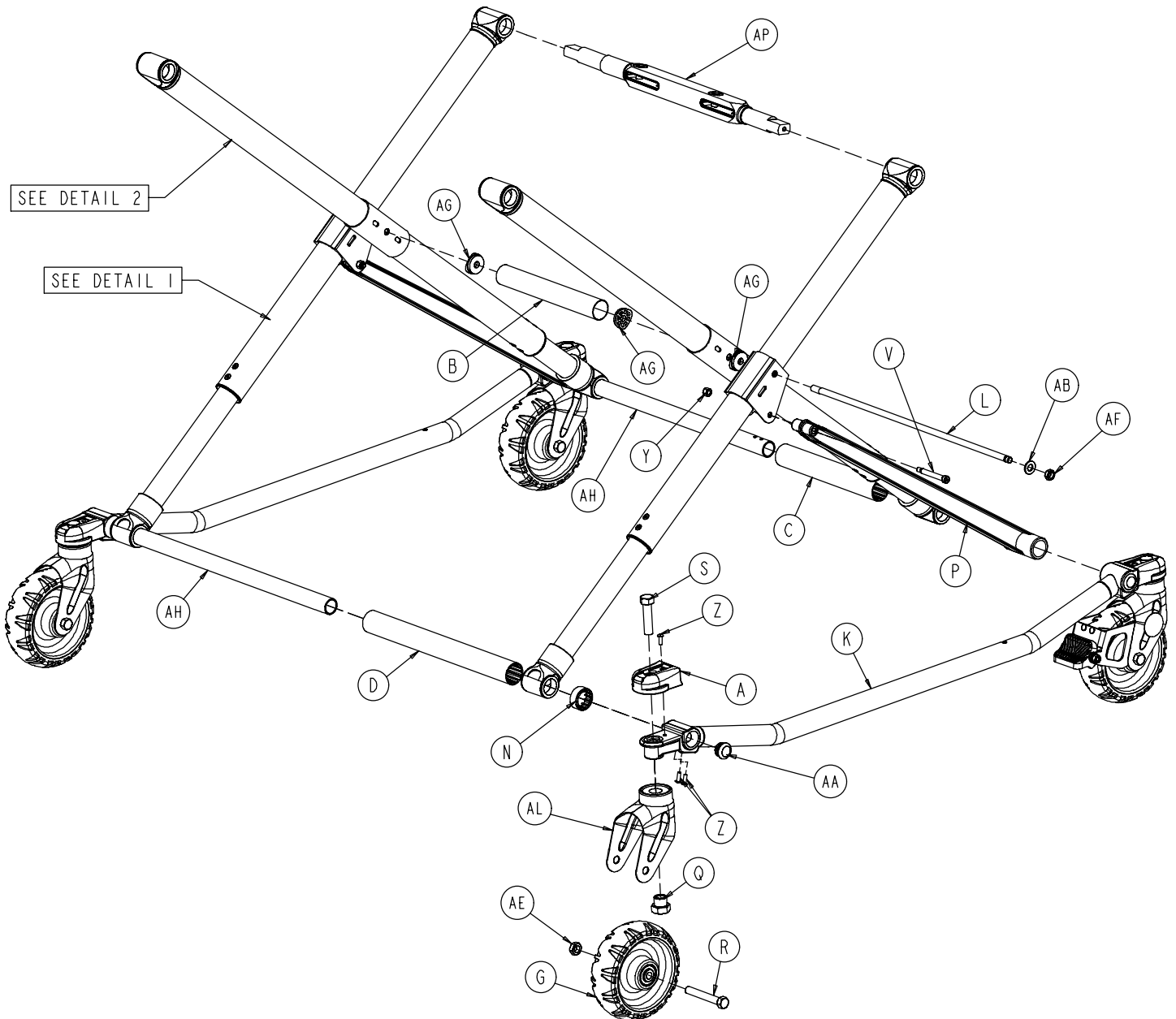


6080-300-10 Pedi-Mate™ Restraint Bracket Option

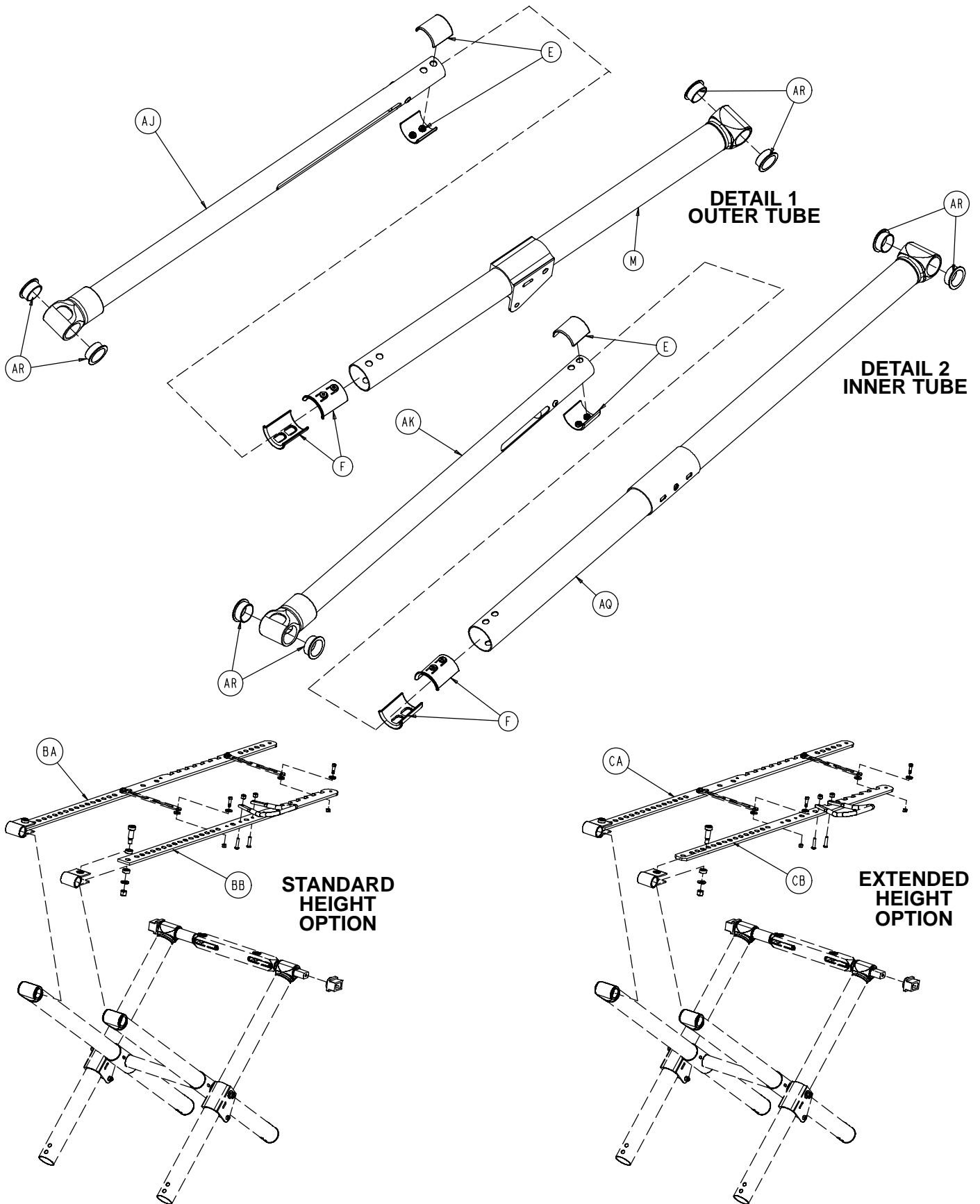
Item	Part No.	Part Name	Qty.
A	6080-32-60	Restraint Bracket	2
B	25-79	Rivet	4

Base Assembly

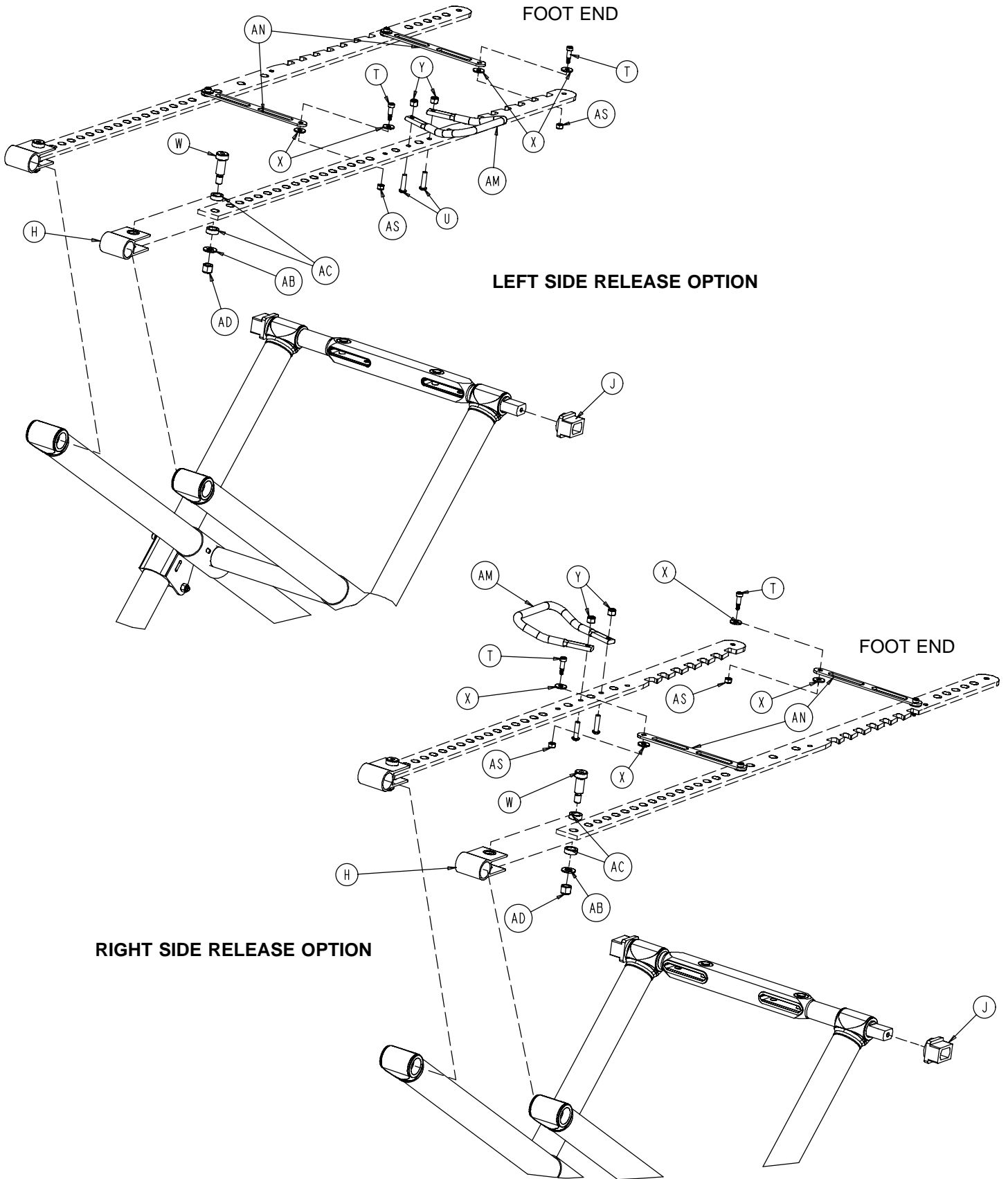
Assembly part number 6082-101-11 (reference only)



Base Assembly



Base Assembly



Base Assembly

Item	Part No.	Part Name	Qty.
A	6060-1-21	Caster Mount Cover	4
B	6060-1-30	Center Base Spacer	1
C	6060-1-31	Inner Base Spacer, Foot End	1
D	6060-1-32	Inner Base Spacer, Head End	1
E	6060-1-70	Upper Frame Tube Bearing	8
F	6060-1-71	Lower Frame Tube Bearing	8
G	(page 51)	Wheel Assembly	4
H	6060-5-29	Height Adj. Rack Mounting Pivot	2
J	6060-5-44	Lock Bar Slide Bearing	2
K	6060-101-15	Outer Base Tube Ass'y	2
L	6060-101-28	Base Connecting Rod	1
M	6060-201-53	Litter Pivot Outer Lift Tube	2
N	6080-1-29	Outer Base Spacer, Head End	2
P	6080-1-46	Support Link	2
Q	6090-1-9	Caster Nut	4
R	3-205	Hex Head Cap Screw	4
S	3-353	Hex Hd. Cap Screw	4
T	8-10	Shoulder Bolt	4
U	4-197	Button Head Cap Screw	2
V	8-28	Hex Socket Head Shoulder Bolt	2
W	8-45	Hex Socket Head Shoulder Bolt	2
X	11-224	Nylon Washer	8
Y	16-28	Hex Nut	4
Z	25-133	Blind Rivet	12
AA	37-225	Tube Plug	4
AB	11-4	Washer	4
AC	11-350	Washer	4
AD	16-35	Hex Nut	2
AE	16-60	Hex Nut	4
AF	16-89	Hex Nut	2
AG	6082-1-27	Connecting Rod Bearing	4
AH	6082-1-43	Base Tube	2
AJ	(page 52)	Base Pivot Outer Lift Tube Ass'y	2
AK	(page 53)	Base Pivot Inner Lift Tube Ass'y	2
AL	6082-2-12	Caster Horn	*
AM	6082-5-26	Side Release Handle	1
AN	6082-5-38	Height Adj. Rack Cross Brace	2
AP	(page 54)	Lock Bar Assembly	1
AQ	6082-101-55	Litter Pivot Inner Lift Tube	2
AR	81-244	Flange Bearing	16
AS	16-2	Fiberlock Nut	4

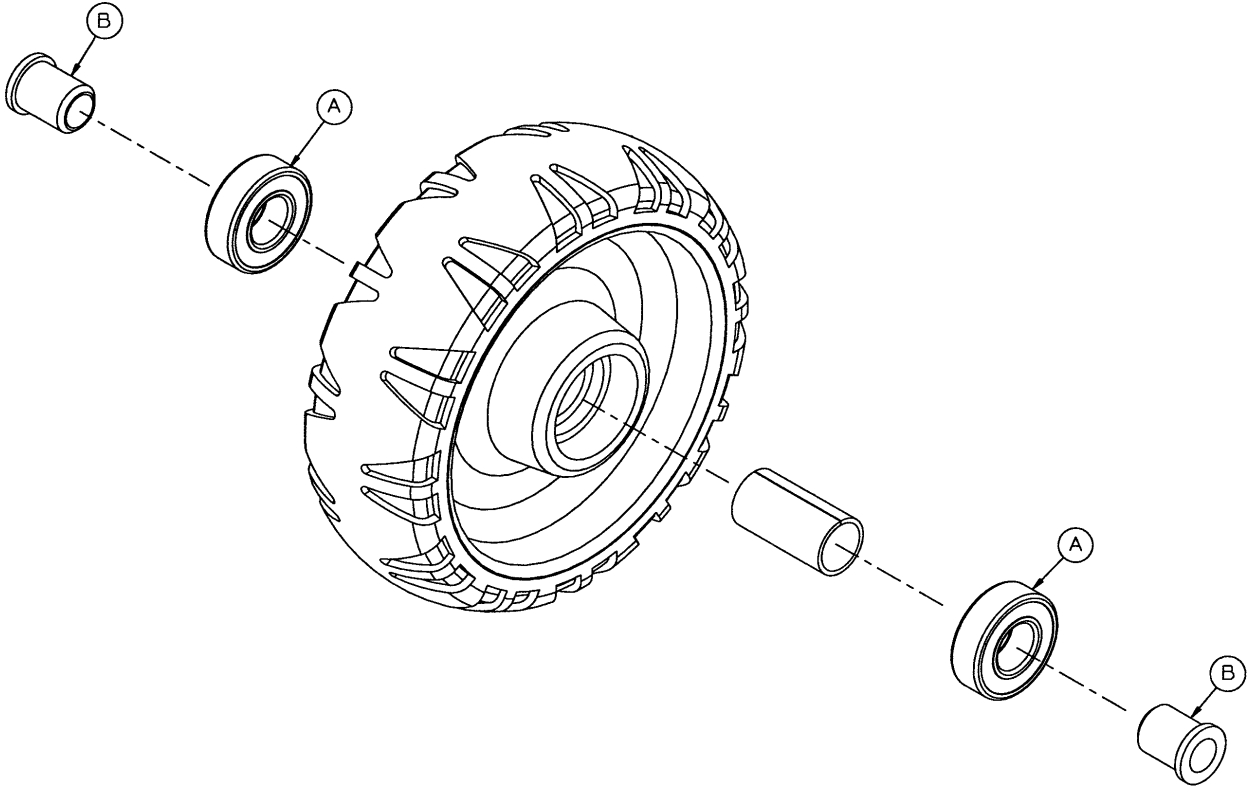
* If the cot is not equipped with the wheel lock option, item AT, Caster Horn, is a quantity of 4. If the cot is equipped with the wheel lock option, item AT, Caster Horn, is a quantity of 3.

6082-39 Standard Height

6082-40 Extended Height

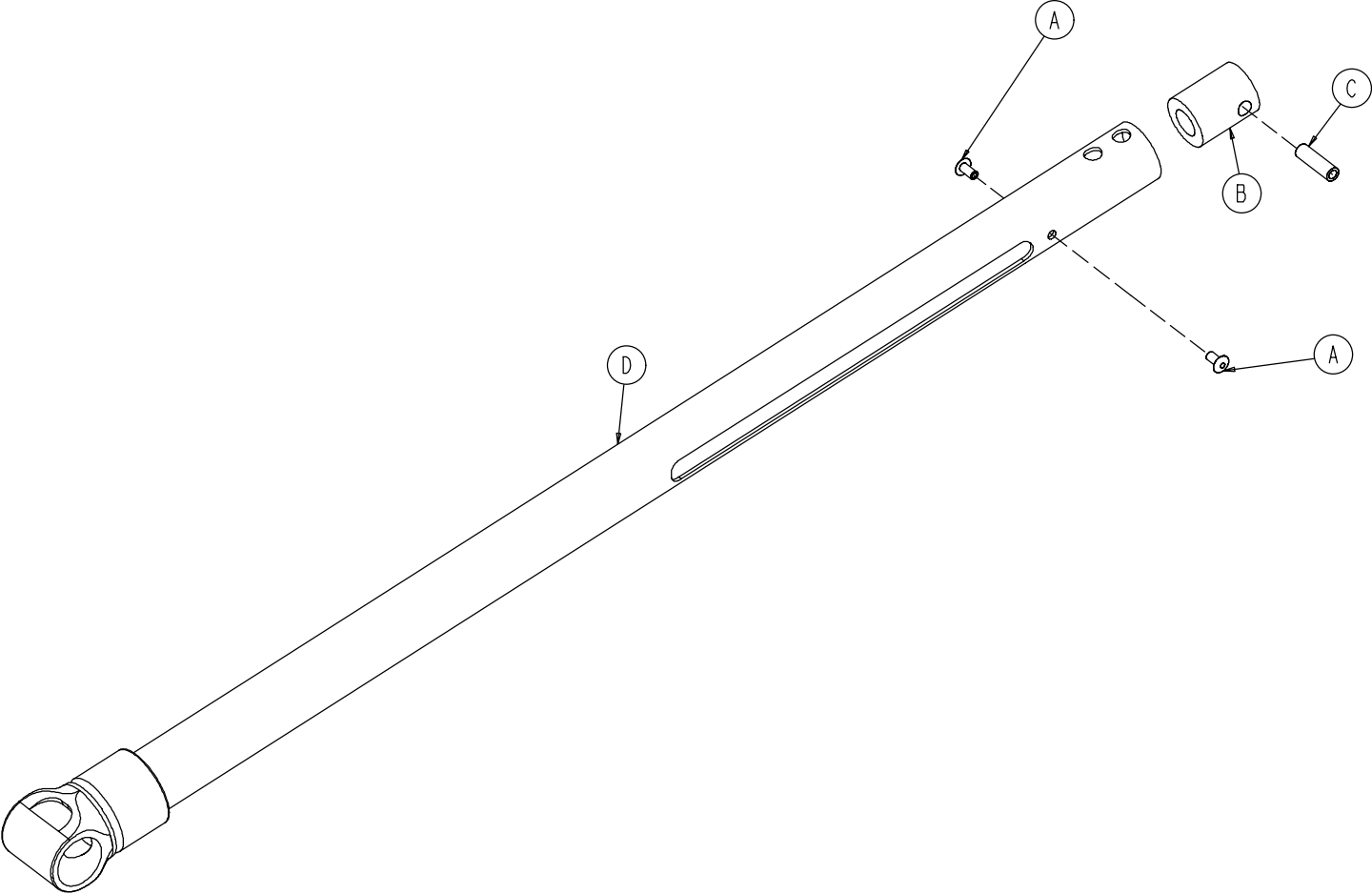
Item	Part No.	Part Name	Qty.	Item	Part No.	Part Name	Qty.
BA	6082-105-57	Height Adj. Rack, Left	1	CA	6082-343-82	Height Adj. Rack, Right	1
BB	6082-305-52	Height Adj. Rack, Right	1	CB	6082-343-83	Height Adj. Rack, Left	1

6060-2-10 Wheel Assembly



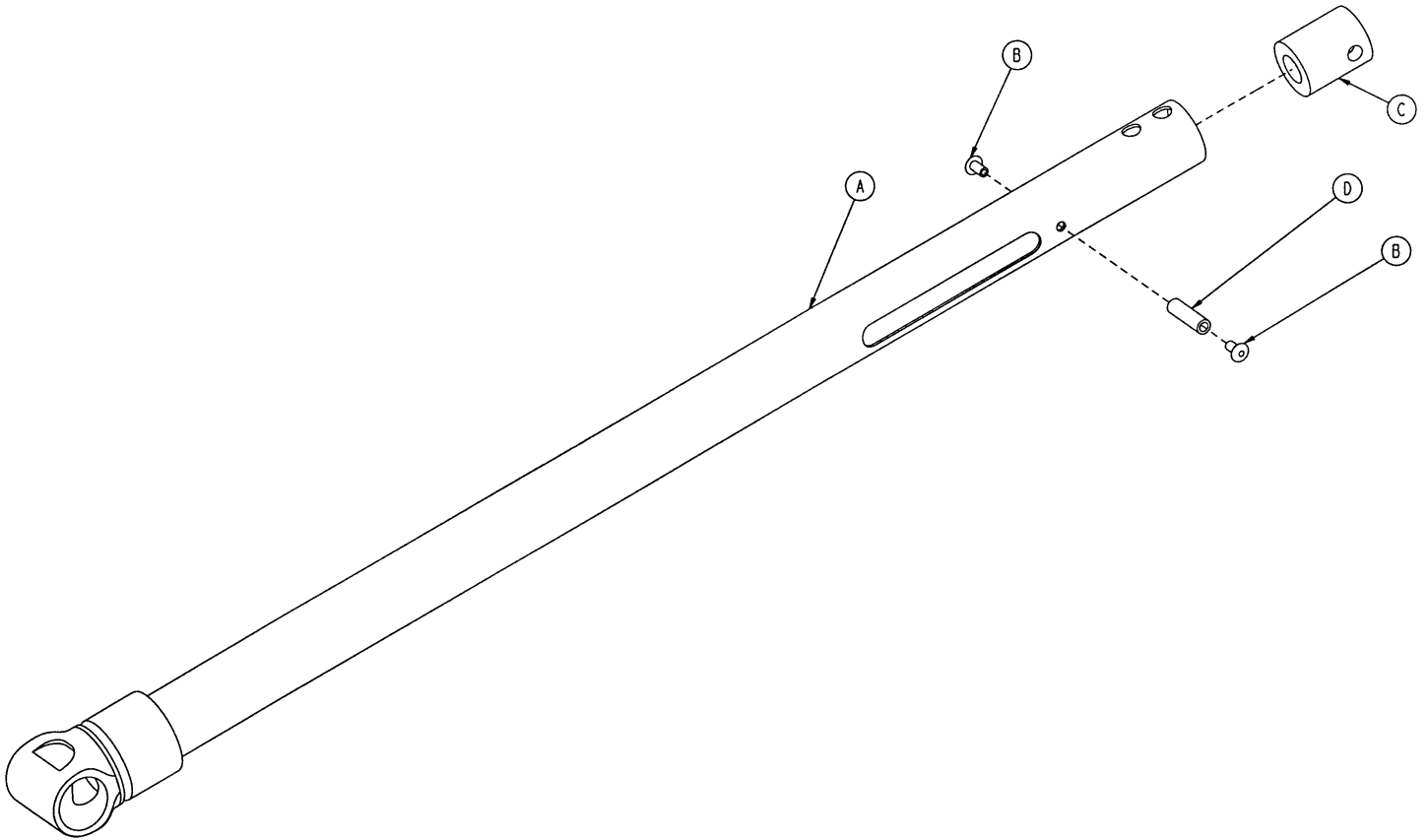
Item	Part No.	Part Name	Qty.
A	81-226	Bearing	2
B	715-1-255	Wheel Bushing	2

6082-1-67 Base Pivot Outer Lift Tube Assembly



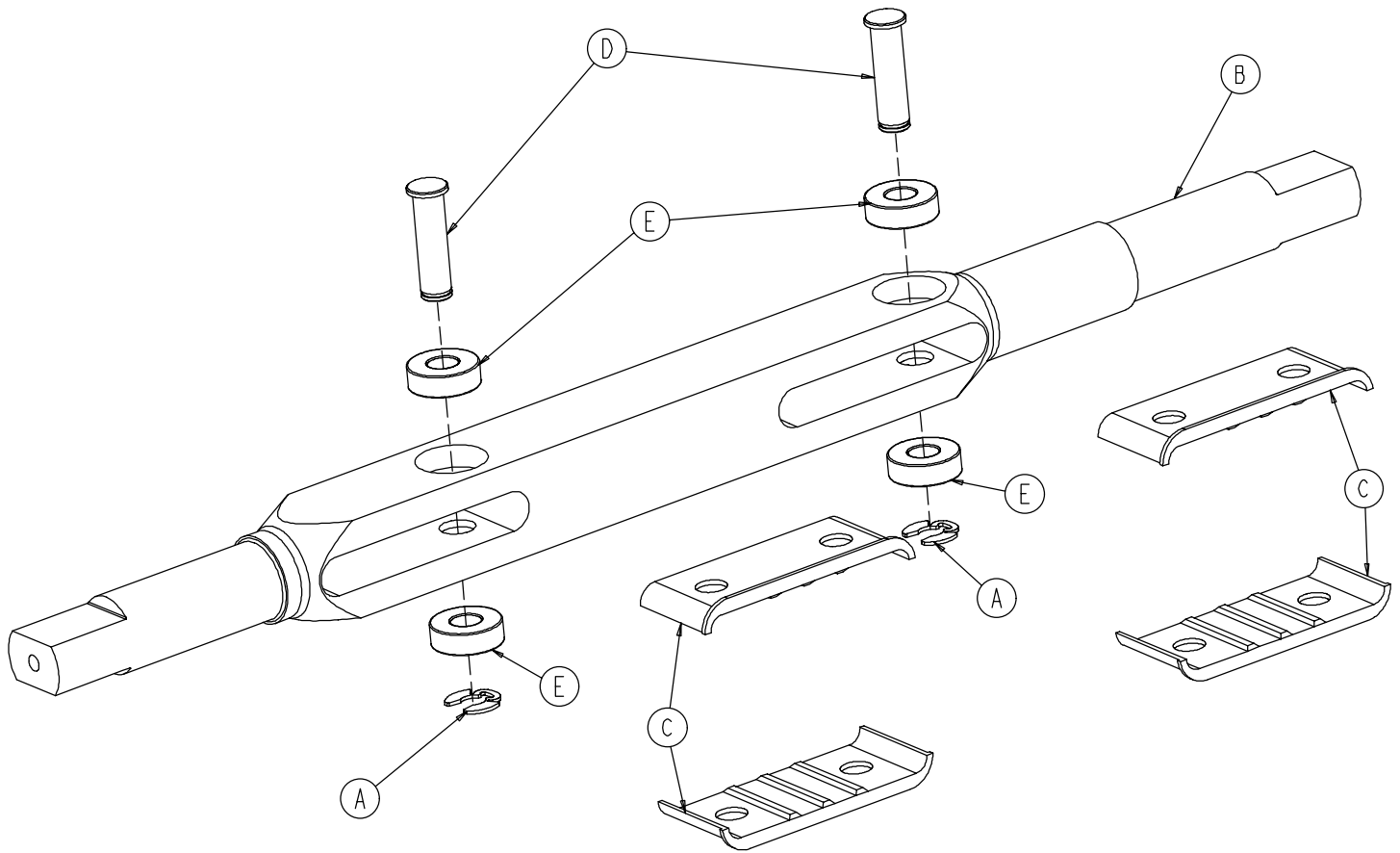
Item	Part No.	Part Name	Qty.
A	25-79	Blind Rivet	2
B	6082-1-35	Dampener	1
C	6082-1-36	Dampener Sleeve	1
D	6082-1-57	Outer Lift Tube Weldment	1

6082-1-69 Base Pivot Inner Lift Tube Assembly



Item	Part No.	Part Name	Qty.
A	6082-1-59	Inner Lift Tube Weldment	1
B	25-79	Blind Rivet	2
C	6082-1-35	Dampener	1
D	6082-1-36	Dampener Sleeve	1

6082-5-56 Height Adjustment Lock Bar Assembly

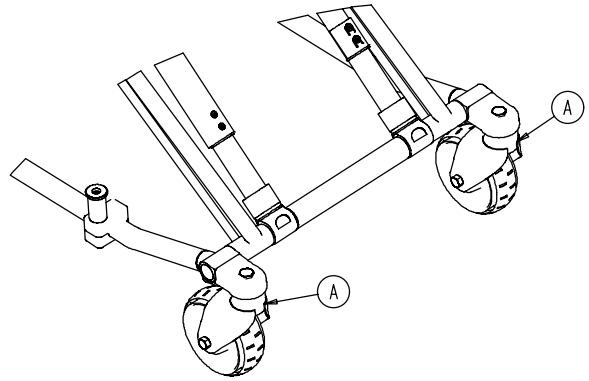


Item	Part No.	Part Name	Qty.
A	28-181	Retaining Ring	2
B	6082-5-55	Height Adj. Rack Lock Bar	1
C	6082-5-65	Lock Bar Slide Plate	4
D	6082-5-96	Height Adj. Rack Latch Pin	2
E	81-248	Bearing	4

Wheel Lock Options

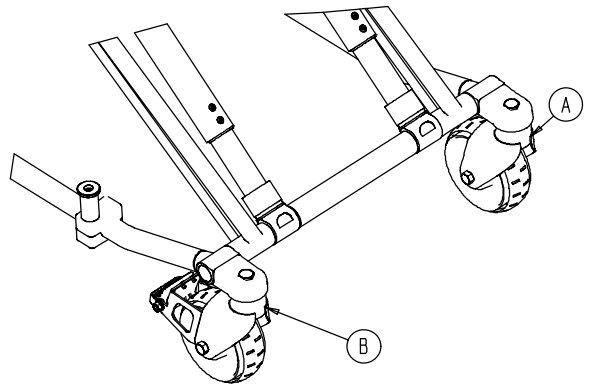
6082-500-10 No Wheel Lock Option

Item	Part No.	Part Name	Qty.
A	6082-2-12	Caster Horn	2



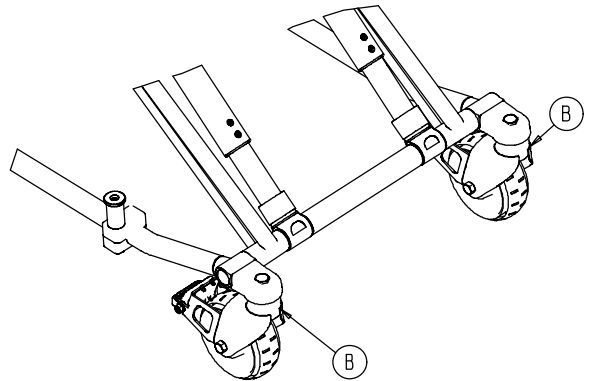
6082-501-10 Single Wheel Lock Option

Item	Part No.	Part Name	Qty.
A	6082-2-12	Caster Horn	1
B	(page 56)	Wheel Lock Ass'y	1

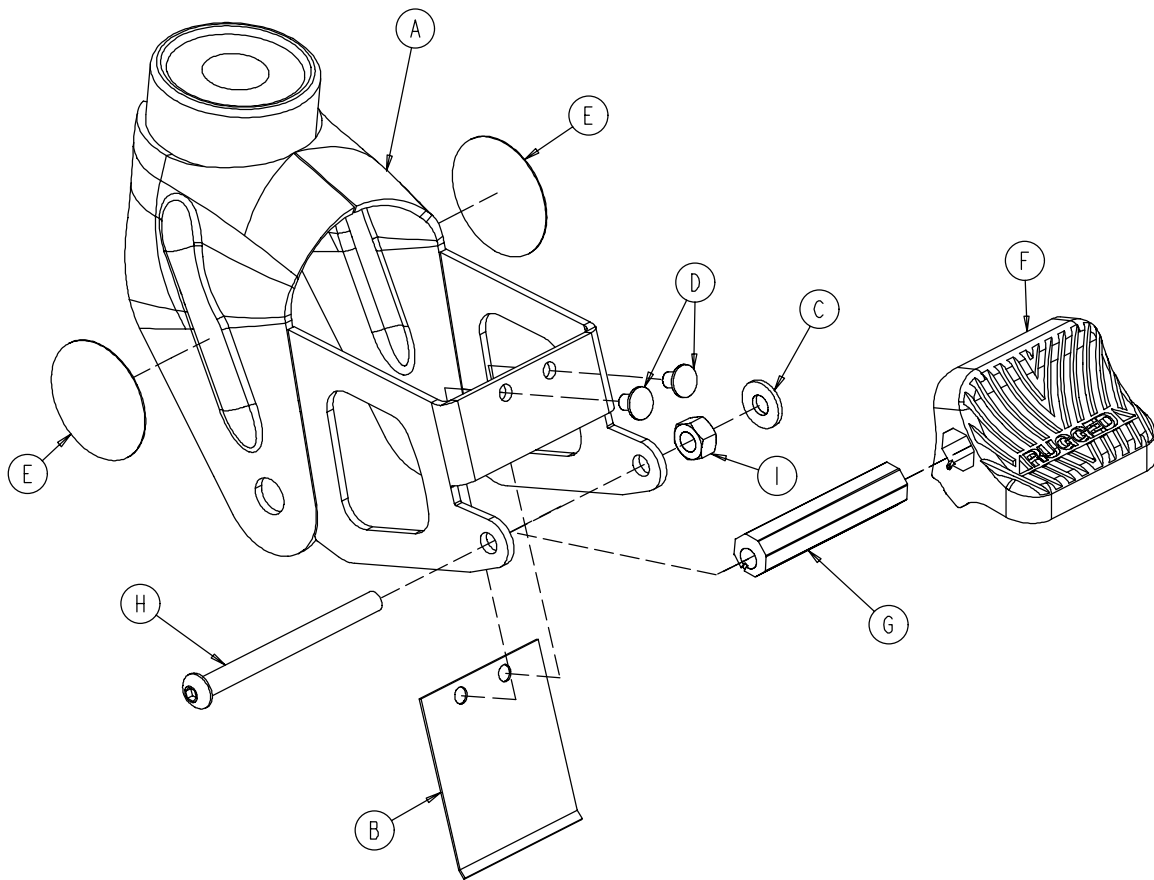


6082-502-10 Dual Wheel Lock Option

Item	Part No.	Part Name	Qty.
B	(page 56)	Wheel Lock Ass'y	2

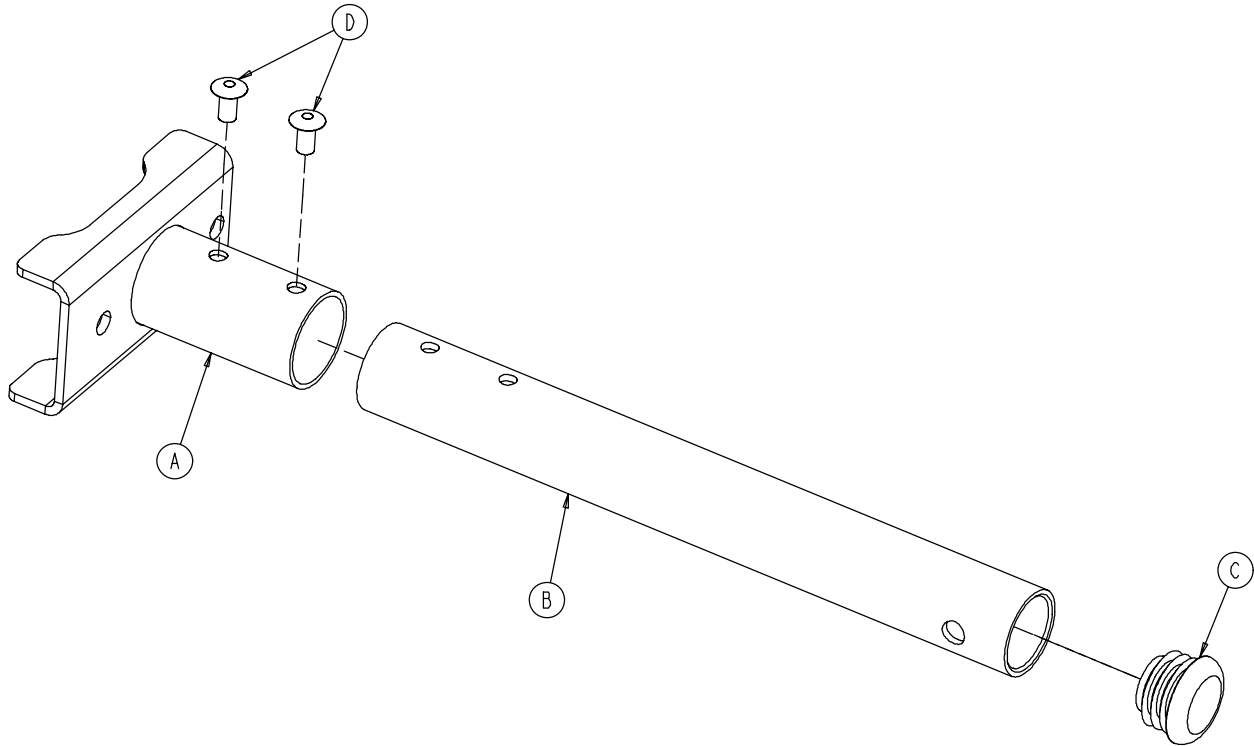


6082-200-10 Adjustable Wheel Lock Assembly



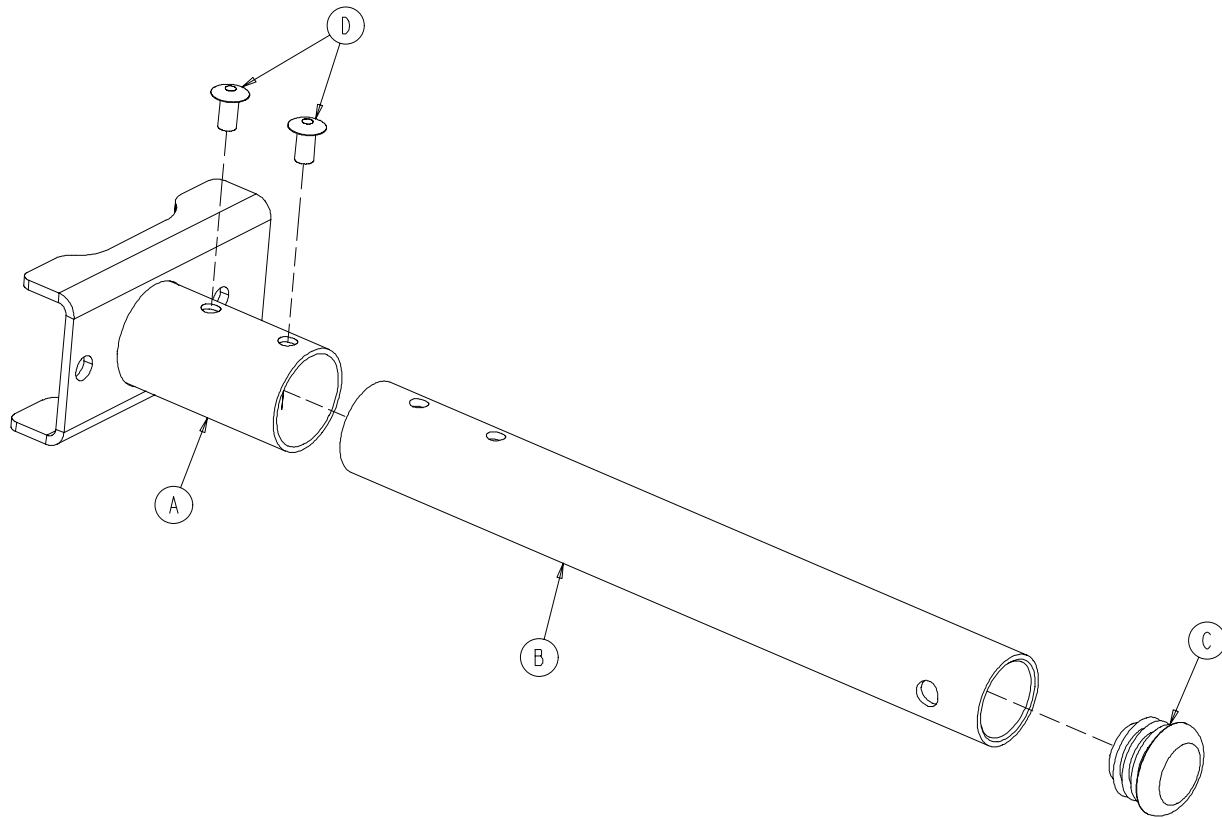
Item	Part No.	Part Name	Qty.
A	6082-100-12	Caster Horn	1
B	6080-100-32	Spring	1
C	11-456	Washer	1
D	25-153	Semi-Tubular Rivet	2
E	6080-90-101	Warning Label	2
F	6080-200-30	Adjustable Pedal	1
G	6080-200-41	Octagonal Sleeve	1
H	4-98	Hex Soc. But. Hd. Cap Screw	1
I	16-118	Centerlock Nut	1

6082-205-50 Litter/Base Adapter Assembly, Right



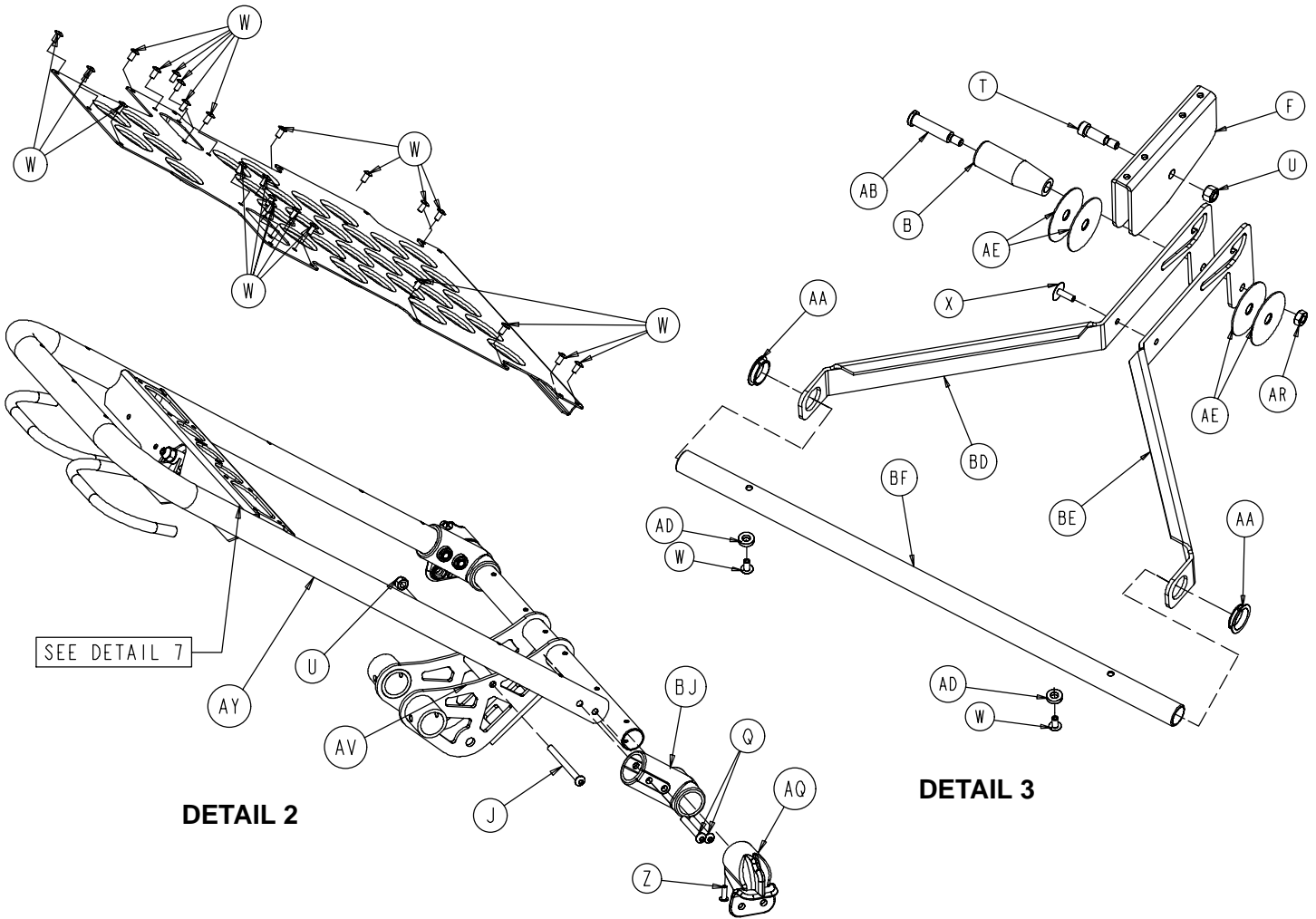
Item	Part No.	Part Name	Qty.
A	6082-5-34	Adapter Mounting Bracket, Rt.	1
B	6082-5-51	Adapter Pivot Tube	1
C	37-225	Hole Plug	1
D	25-79	Blind Rivet	2

6082-205-53 Litter/Base Adapter Assembly, Left



Item	Part No.	Part Name	Qty.
A	6082-5-35	Adapter Mounting Bracket, Lt.	1
B	6082-5-51	Adapter Pivot Tube	1
C	37-225	Hole Plug	1
D	25-79	Blind Rivet	2

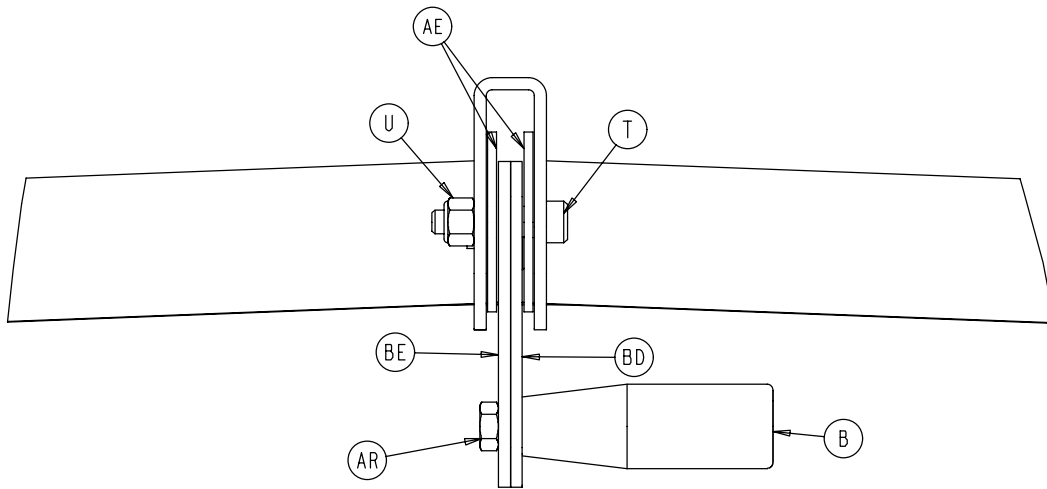
Litter Assembly



SEE DETAIL 7

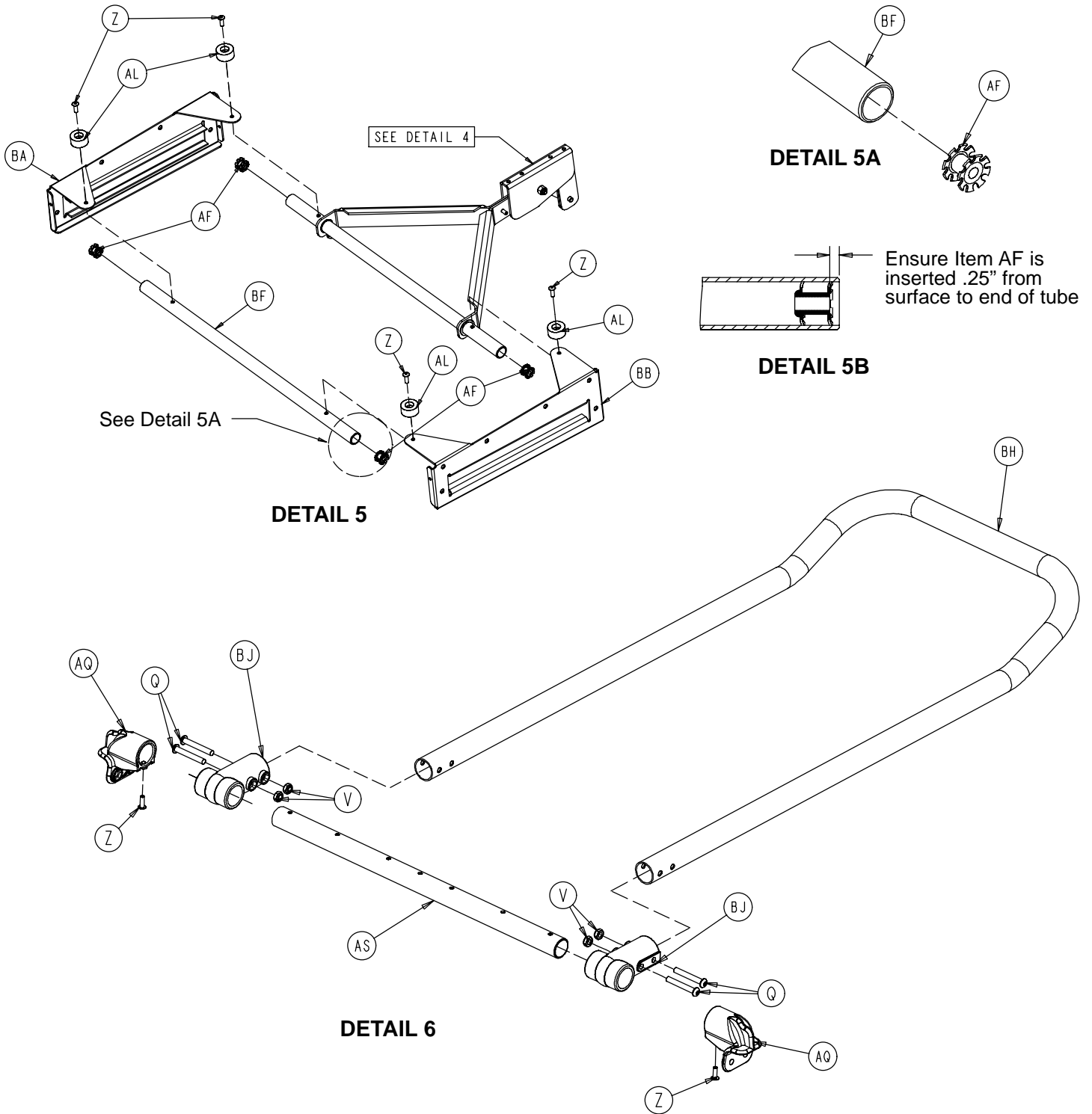
DETAIL 2

DETAIL 3

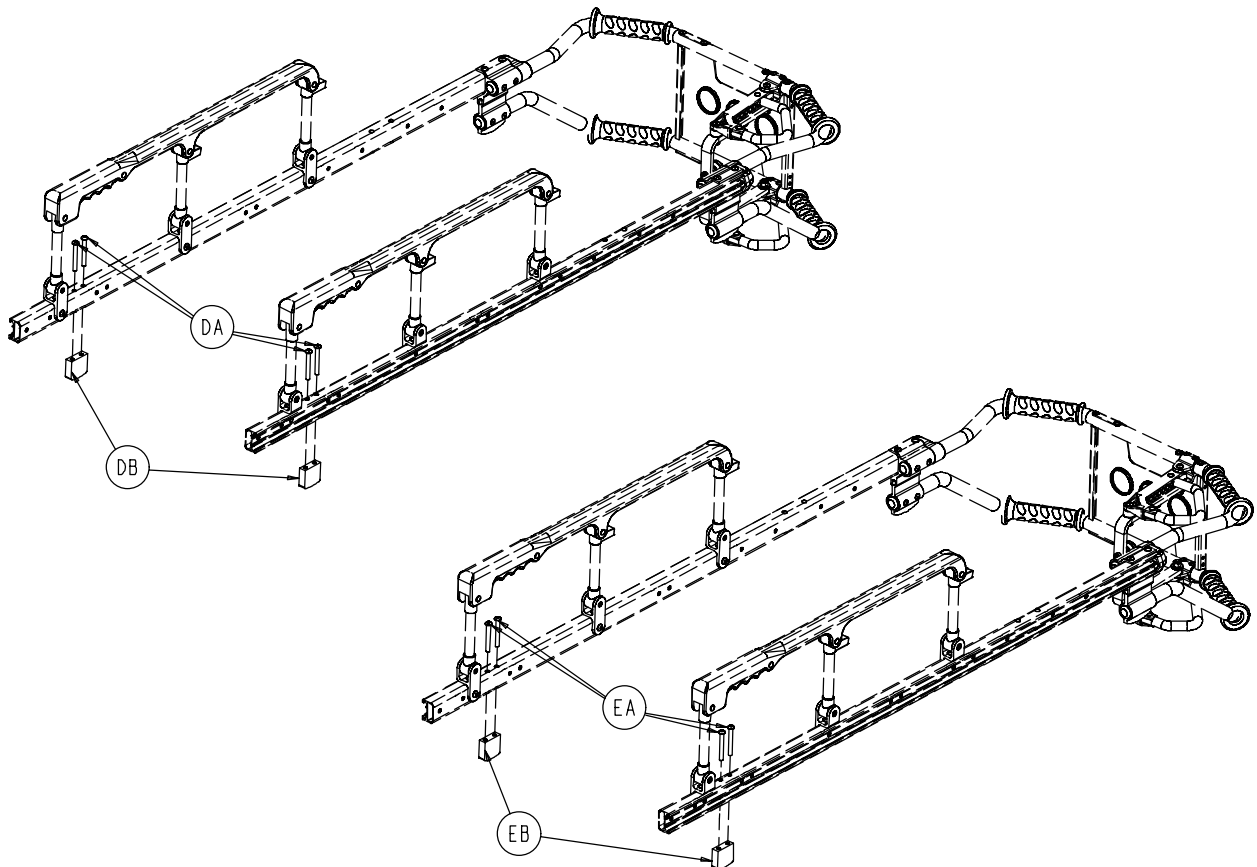
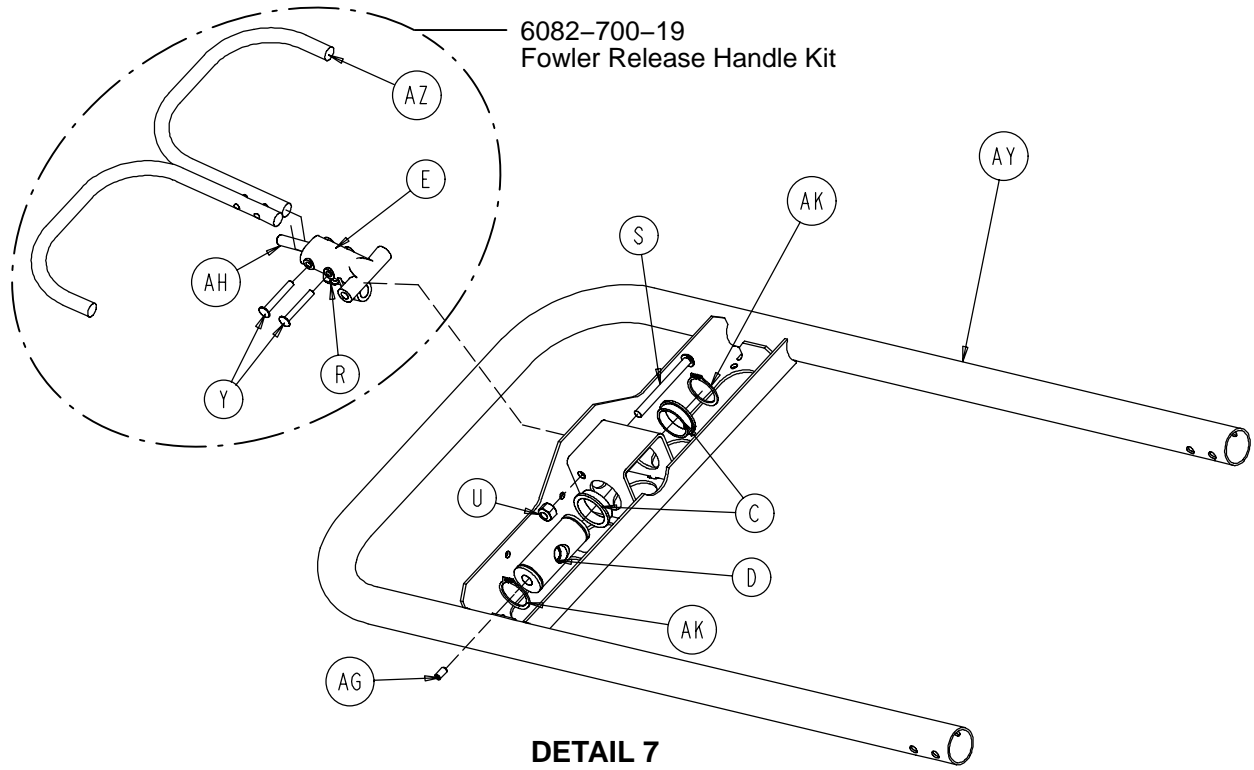


**DETAIL 4
TREND ASSEMBLY VIEW**

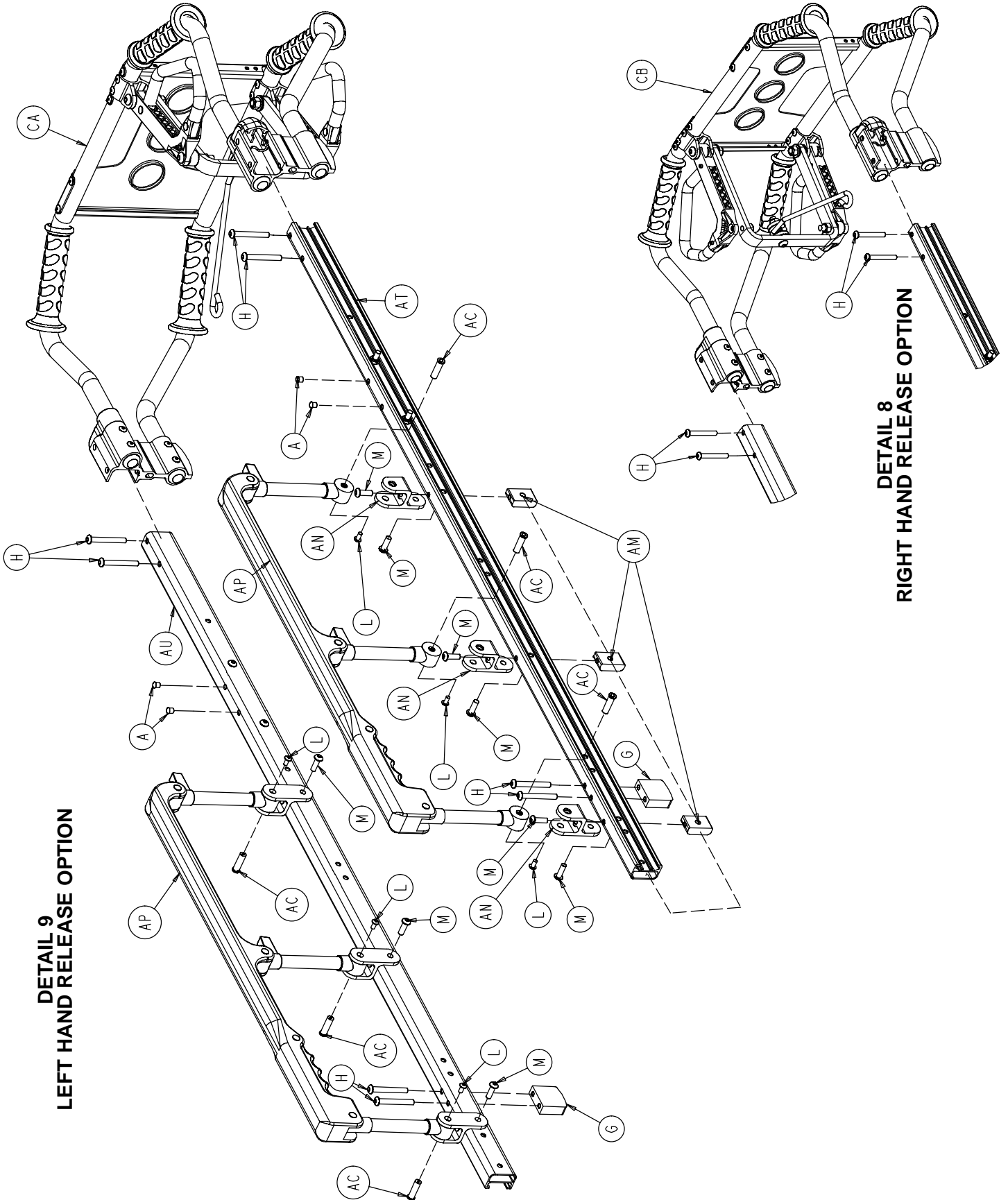
Litter Assembly



Litter Assembly



Litter Assembly



**DETAIL 9
LEFT HAND RELEASE OPTION**

**DETAIL 8
RIGHT HAND RELEASE OPTION**

Litter Assembly

Item	Part No.	Part Name	Qty.	Item	Part No.	Part Name	Qty.
A	721-31-65	Hole Plug	4	AF	18-38	Umbrella Nut	4
B	938-1-177	Knob	1	AG	21-119	Set Screw	1
C	946-35-25	Liner	2	AH	21-138	Set Screw	1
D	6060-32-38	Gas Cylinder Yoke	1	AJ	25-132	Blind Rivet	4
E	6060-32-40	Fowler Lift Pivot	1	AK	28-76	External Retaining Ring	2
F	6070-38-33	Calf Stand Retainer	1	AL	56-16	Bumper	4
G	6080-30-40	Litter Stop	2	AM	6082-25-33	Pivot Mount Spacer	6
H	4-97	Button Head Cap Screw	8	AN	6082-25-55	Pivot Mount	6
J	4-98	Button Head Cap Screw	1	AP	(page 71)	Siderail Assembly	2
K	4-503	Button Head Cap Screw	4	AQ	6082-30-31	Crossbrace Supt. Mount	4
L	4-515	Button Head Cap Screw	6	AR	16-78	Centerlock Nut	1
M	4-468	Button Head Cap Screw	12	AS	6082-30-42	Litter Cross Brace	2
N	4-198	Button Head Cap Screw	12	AT	6082-30-46	Outer Support Rail, Right	1
Q	4-204	Button Head Cap Screw	9	AU	6082-30-47	Outer Support Rail, Left	1
R	15-50	Hex Nut	1	AV	6082-31-30	Litter/Base Interface	1
S	4-234	Button Head Cap Screw	1	AW	6082-31-47	Lit./Base IF Pivot Spacer	1
T	8-27	Shoulder Bolt	1	AX	6082-32-45	Fowler Skin	1
U	16-28	Hex Nut	12	AY	6082-32-50	Fowler Weldment	1
V	16-102	Hex Nut	12	AZ	6082-32-52	Fowler Lift Rel. Handle	1
W	25-79	Blind Rivet	52	BA	6082-33-32	Slide Plate, Left	1
X	25-128	Blind Rivet	1	BB	6082-33-33	Slide Plate, Right	1
Y	25-131	Semi-Tubular Rivet	2	BC	6082-34-46	Midsection Skin	1
Z	25-133	Blind Rivet	8	BD	6082-38-31	Calf Stand Support, Lt.	1
AA	81-255	Split Bearing	2	BE	6082-38-32	Calf Stand Support, Rt.	1
AB	378-24-29	Shoulder Bolt	1	BF	6082-38-35	Litter Crossbrace	2
AC	721-26-66	Pivot Screw	6	BG	6082-38-45	Foot Section Skin	1
AD	14-67	Washer	2	BH	6082-38-46	Foot Section Tube	1
AE	14-55	Washer	4	BJ	6100-3-125	Straight "T" Pivot	4

6082-40-1 Left Hand Release Option

Item	Part No.	Part Name	Qty.
CA	(page 66)	Lift Bar Assembly	1

6082-40-2 Right Hand Release Option

Item	Part No.	Part Name	Qty.
CB	(page 68)	Lift Bar Assembly	1

6082-41 Standard Height Litter Stop Option

Item	Part No.	Part Name	Qty.
DA	4-97	Button Hd. Cap Screw	4
DB	6080-30-40	Litter Stop	2

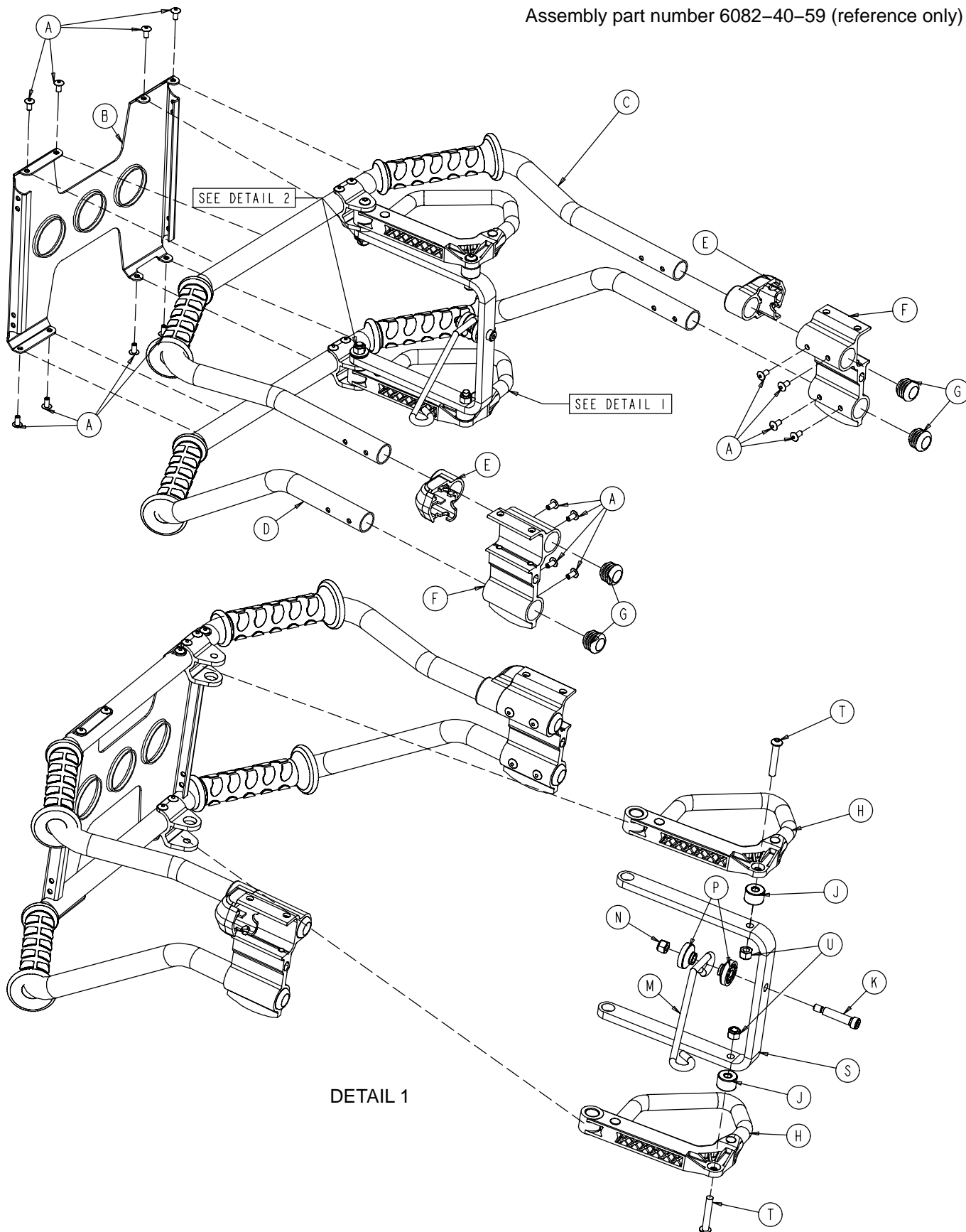
6082-42 Extended Height Litter Stop Option

Item	Part No.	Part Name	Qty.
EA	4-97	Button Hd. Cap Screw	4
EB	6082-343-81	Extended Litter Stop	2

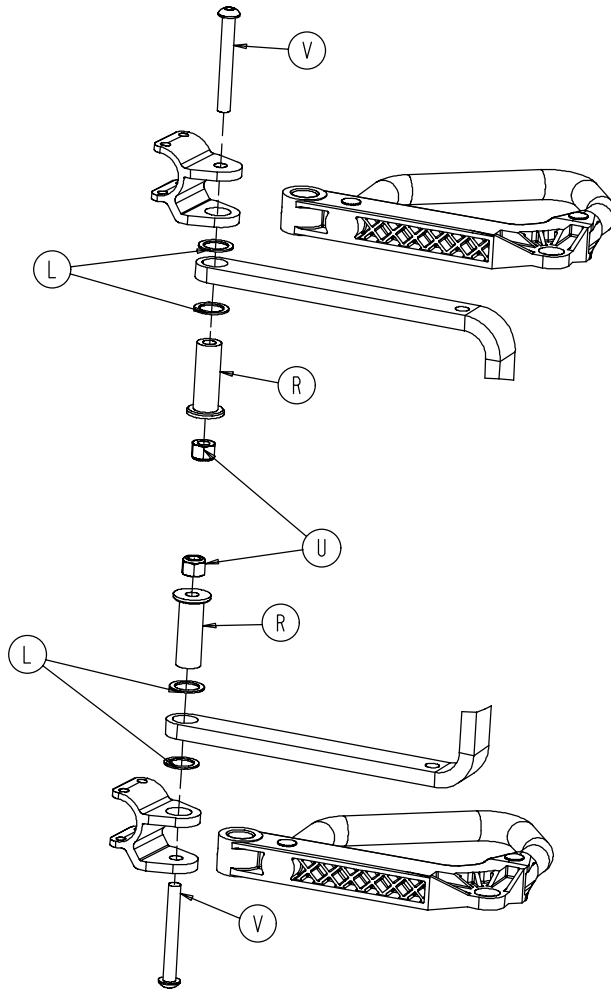
Notes

Lift Tube Assembly, Left Side Release Option

Assembly part number 6082-40-59 (reference only)



Lift Tube Assembly, Left Side Release Option

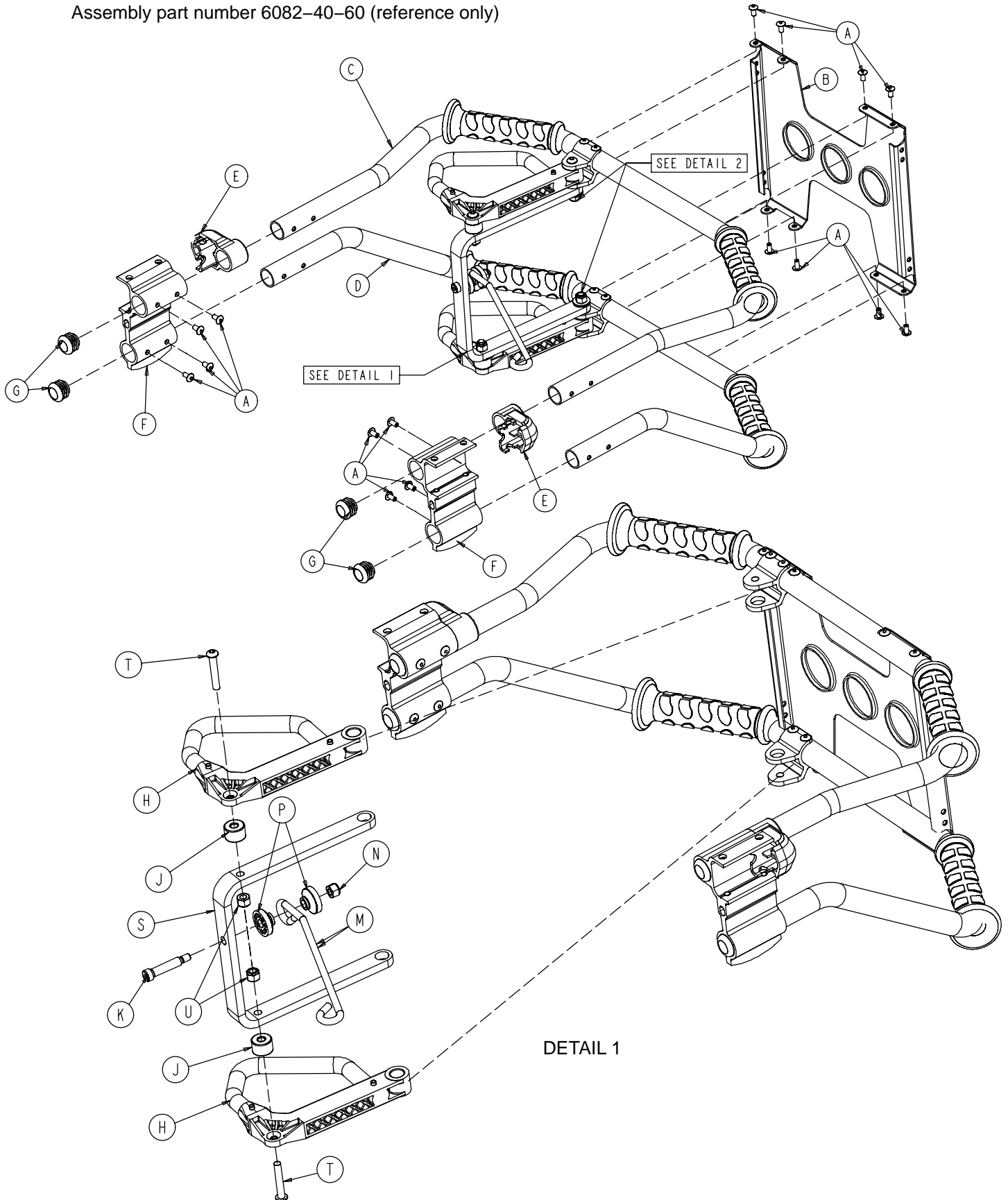


DETAIL 2

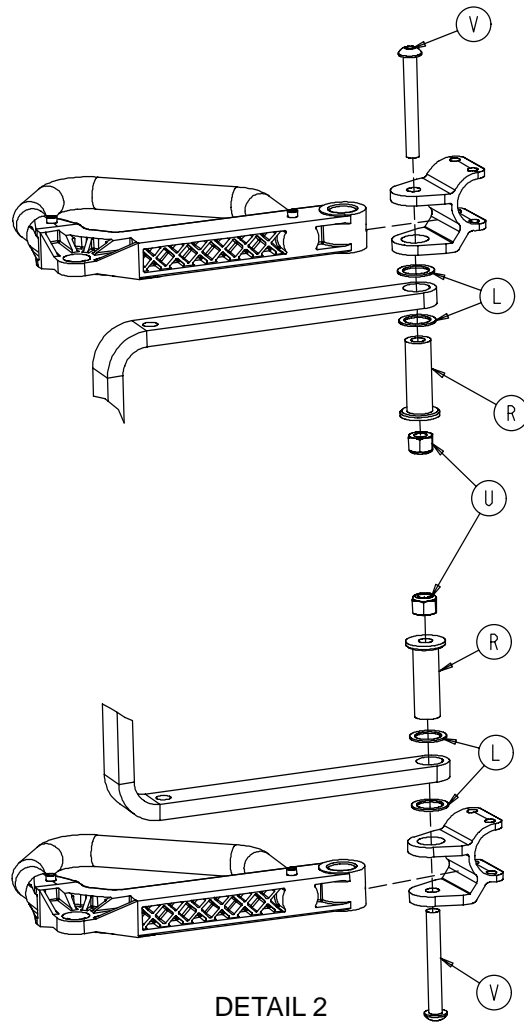
Item	Part No.	Part Name	Qty.
A	25-79	Rivet	16
B	6082-140-30	Lift Brace	1
C	6082-140-53	Upper Lift Tube Assembly	1
D	6082-140-54	Lower Lift Tube Assembly	1
E	6080-40-12	End Cap	2
F	6082-130-38	Litter Stop	2
G	37-238	Hole Plug	4
H	(page 70)	Handle	2
J	6082-40-32	Spacer	2
K	8-33	Soc. Hd. Shoulder Bolt	1
L	14-79	Washer	4
M	6082-40-21	Link	1
N	16-28	Nut	1
P	6082-40-25	Link Bushing	2
R	6082-40-33	Bushing	2
S	6082-40-31	"C" Bracket	1
T	4-135	But. Hd. Cap Screw	2
U	16-28	Hex Nut	4
V	4-97	But. Hd. Cap Screw	2

Lift Tube Assembly, Right Side Release Option

Assembly part number 6082-40-60 (reference only)

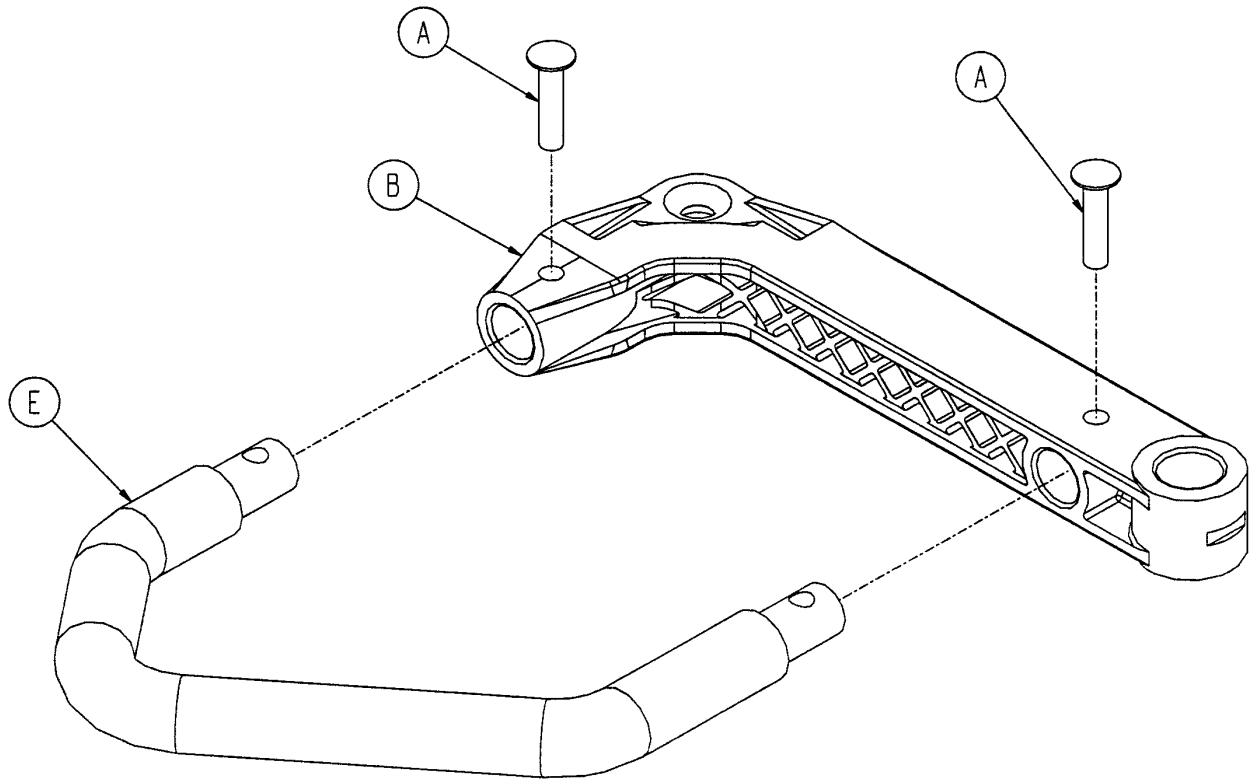


Lift Tube Assembly, Right Side Release Option



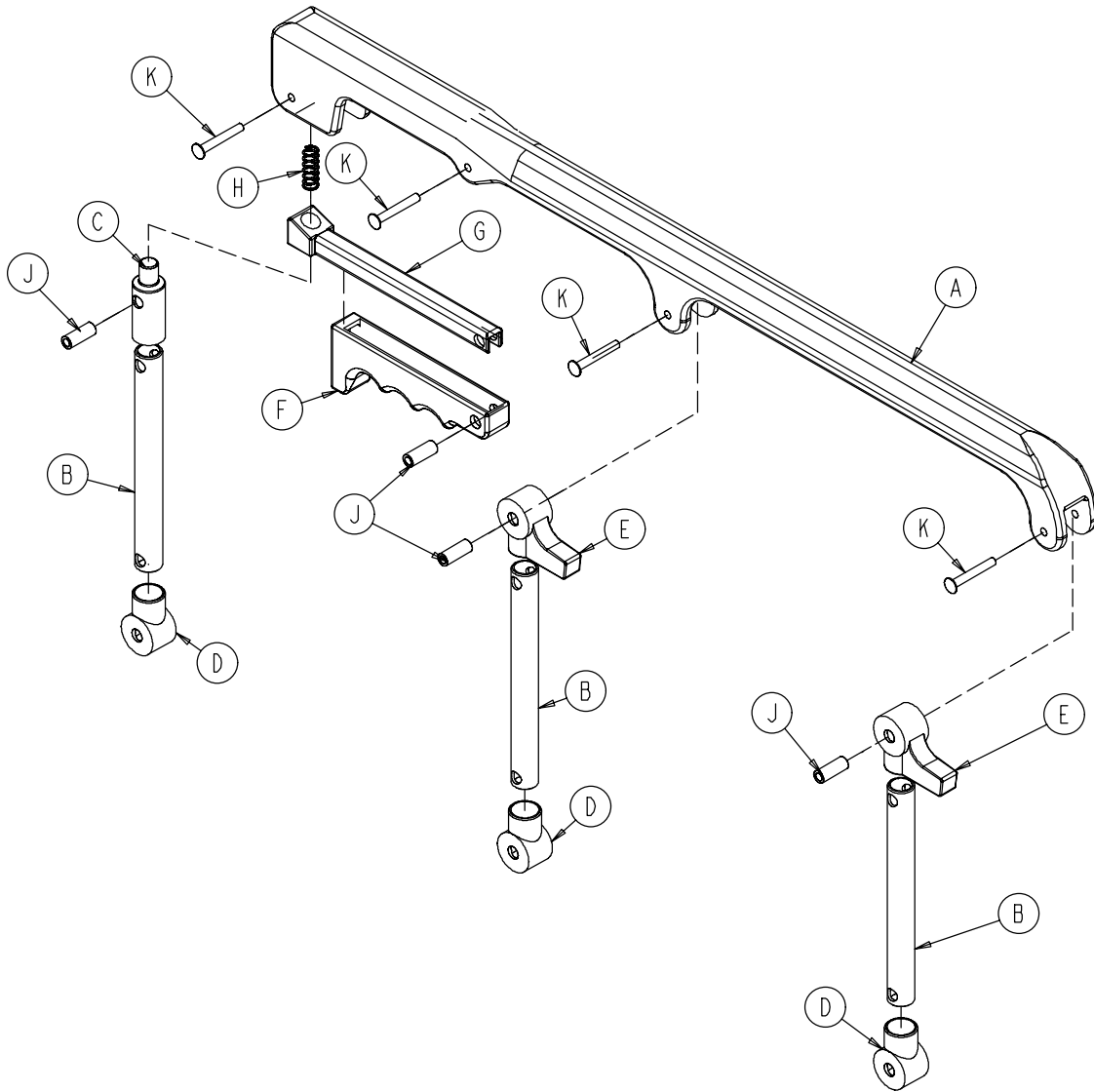
Item	Part No.	Part Name	Qty.
A	25-79	Rivet	16
B	6082-140-30	Lift Brace	1
C	6082-40-57	Upper Lift Tube Assembly	1
D	6082-40-58	Lower Lift Tube Assembly	1
E	6080-40-12	End Cap	2
F	6082-130-38	Litter Stop	2
G	37-238	Hole Plug	4
H	(page 70)	Handle	2
J	6082-40-32	Spacer	2
K	8-33	Soc. Hd. Shoulder Bolt	1
L	14-79	Washer	4
M	6082-40-29	Link	1
N	16-28	Nut	1
P	6082-40-25	Link Bushing	2
R	6082-40-33	Bushing	2
S	6082-40-34	"C" Bracket, Right Side	1
T	4-135	But. Hd. Cap Screw	2
U	16-28	Hex Nut	4
V	4-97	But. Hd. Cap Screw	2

6080-40-40 Release Handle Assembly



Item	Part No.	Part Name	Qty.
A	25-125	Rivet	2
B	6080-40-41	Release Handle Link	1
E	6080-40-50	Side Release Handle Ass'y	1

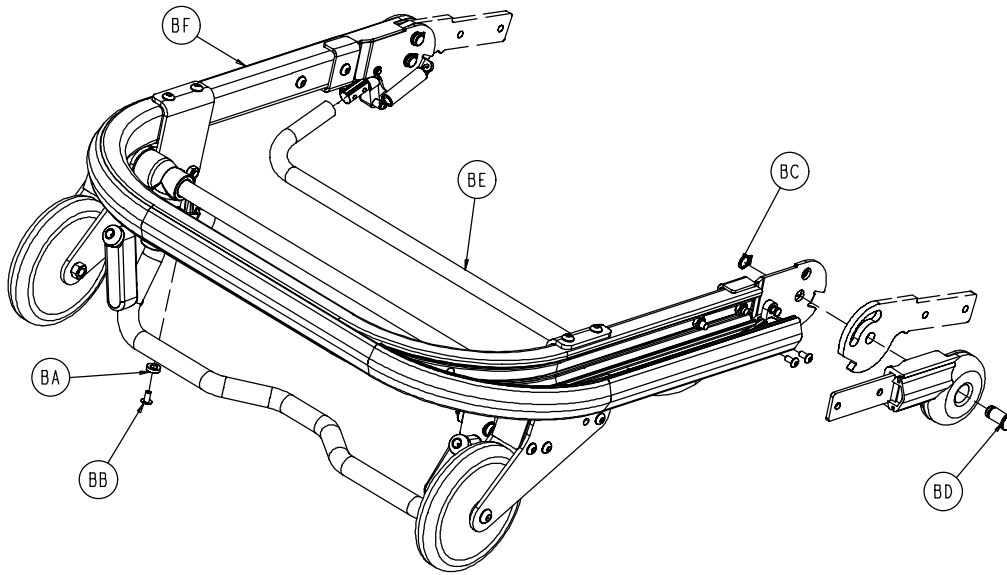
6082-26-10 Siderail Assembly



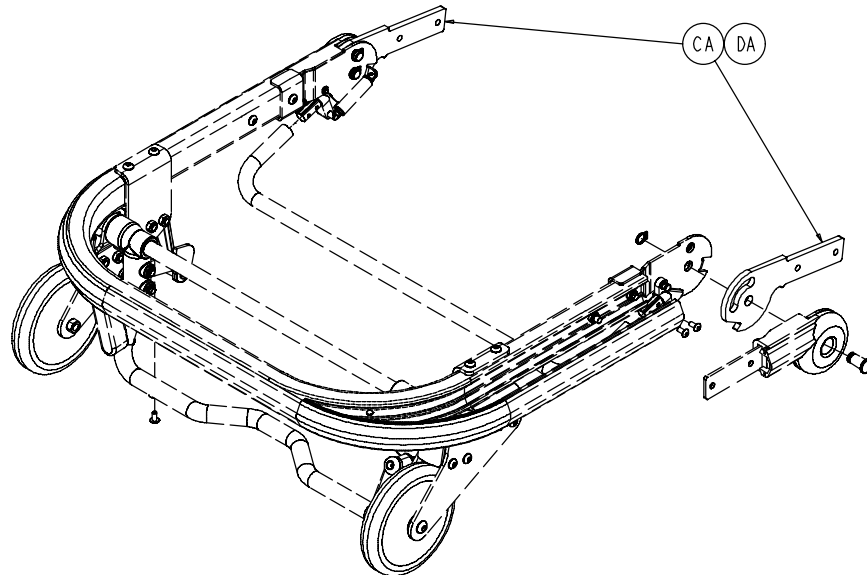
Item	Part No.	Part Name	Qty.
A	6060-25-24	Top Rail	1
B	6060-25-43	Spindle	3
C	6060-25-47	Spindle Lock	1
D	6060-25-41	Spindle Pivot	3
E	6060-25-40	Spindle Pivot Stop	2
F	6060-25-29	Lock Release Grip	1
G	6061-125-30	Lock Bar	1
H	38-344	Compression Spring	1
J	6060-25-35	Pivot Bushing	4
K	25-131	Rivet	4

Breakaway Head Assembly

Assembly part number 6080-37-10 (reference only)



Item	Part No.	Part Name	Qty.
BA	14-67	Nylon Flat Washer	2
BB	25-79	Rivet	2
BC	28-138	Retaining Ring	2
BD	6080-36-25	Pivot Pin	2
BE	6080-36-47	Bent Release Crossbar	1
BF	(page 74)	Breakaway Head Section	1



6082-37 Standard Height Option

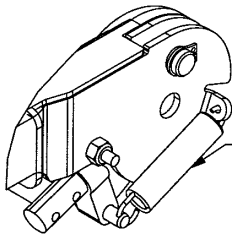
Item	Part No.	Part Name	Qty.
CA	6082-37-40	Center Pivot	2

6082-38 Extended Height Option

Item	Part No.	Part Name	Qty.
DA	6082-343-85	Center Pivot	2

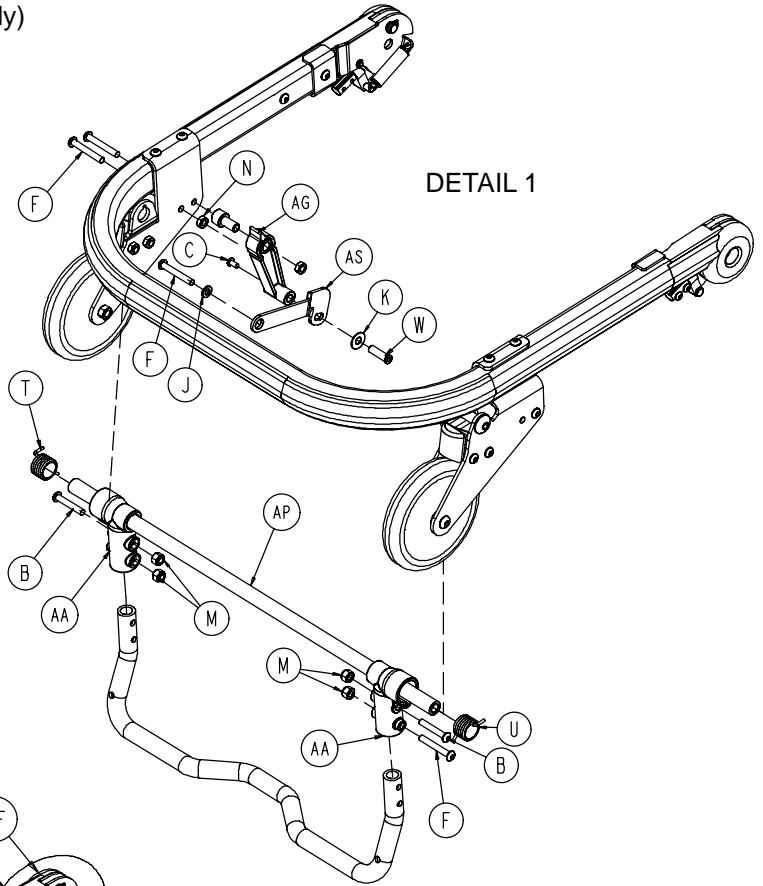
Breakaway Head Assembly

Assembly part number 6080-37-55 (reference only)

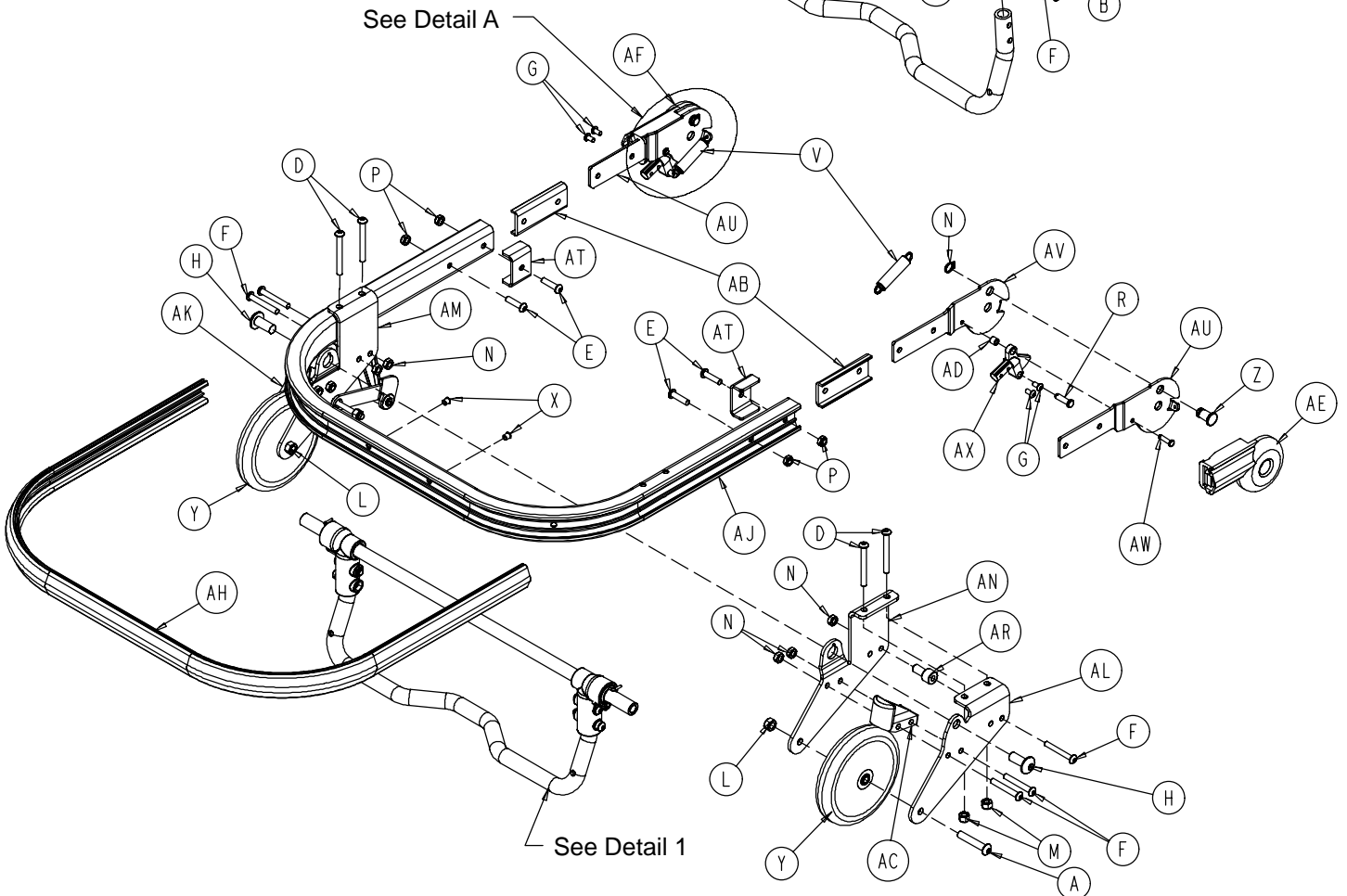


DETAIL A

Spring (both sides)
should be installed
with lower hook opening
facing foot end.

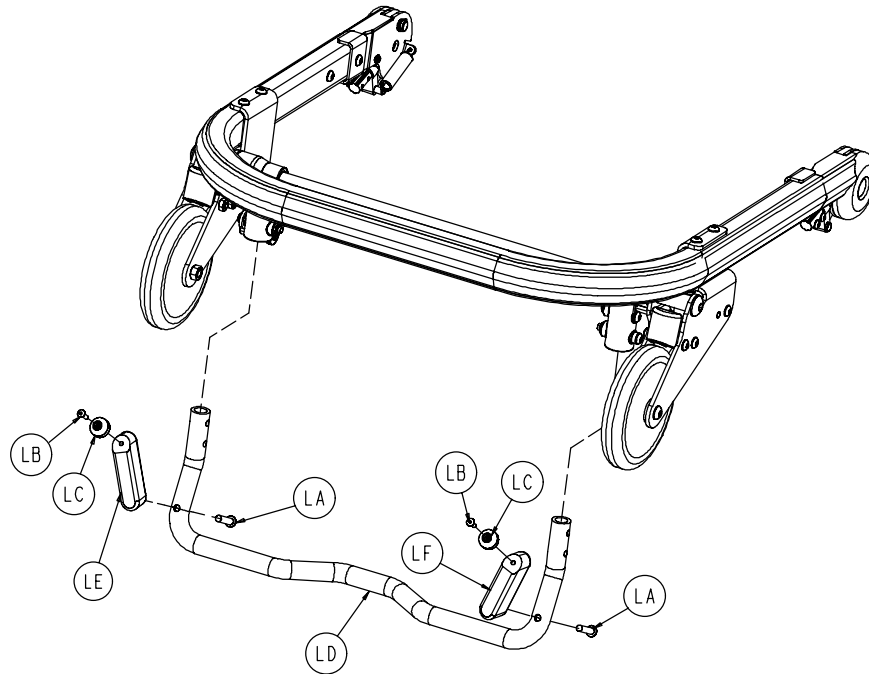


DETAIL 1



Breakaway Head Assembly

Item	Part No.	Part Name	Qty.	Item	Part No.	Part Name	Qty.
A	4-54	H. Soc. But. Hd. Cap Scr.	2	Z	6060-36-24	Pivot Stop Pin	2
B	4-135	H. Soc. But. Hd. Cap Scr.	2	AA	6060-37-21	Safety Hook Pivot	1
C	4-136	Pan Hd. Machine Screw	1	AB	6060-37-26	Pivot Spacer Plate	2
D	4-163	H. Soc. But. Hd. Cap Scr.	4	AC	6060-37-33	Horn Stop Block	1
E	4-197	H. Soc. But. Hd. Cap Scr.	4	AD	6060-37-36	Trigger Lock Spacer	2
F	4-204	H. Soc. But. Hd. Cap Scr.	9	AE	6060-37-37	Pivot Cover, Right	1
G	4-231	H. Soc. But. Hd. Cap Scr.	4	AF	6060-37-38	Pivot Cover, Left	1
H	4-310	Button Hd. Cap Screw	2	AG	6060-37-47	Safety Hook Release Handle	1
J	11-65	Flat Washer	1	AH	6080-36-44	Bumper	1
K	11-179	Flat Washer	1	AJ	6080-36-45	Outer Rail	1
L	16-20	Centerlock Hex Nut	2	AK	6080-37-27	Outer Caster Horn, Left	1
M	16-28	Fiberlock Hex Nut	8	AL	6080-37-28	Outer Caster Horn, Right	1
N	16-78	Centerlock Hex Nut	7	AM	6080-37-29	Inner Caster Horn, Left	1
P	16-102	Nylock Hex Nut	4	AN	6080-37-30	Inner Caster Horn, Right	1
R	26-269	Clevis Pin	2	AP	6080-37-34	Safety Hook Pivot Tube	1
S	28-138	Retaining Ring	2	AR	6080-37-49	Saf. Hook Rel. Hand. Spacer	2
T	38-408	Torsion Spring	1	AS	6080-237-48	Safety Hook Release Arm	1
U	38-409	Torsion Spring	1	AT	6082-37-25	Strength Bracket	2
V	38-410	Extension Spring	2	AU	6082-37-42	Hd. Section Pivot, Right	2
W	721-26-66	Pivot Screw	1	AV	6082-37-43	Hd. Section Pivot, Left	2
X	721-31-65	Hole Plug	2	AW	6082-37-57	Clevis Pin Assembly	2
Y	6060-36-20	5" Wheel Assembly	2	AX	6090-37-39	Trigger Lock	2



6091-156-16 Lift Option

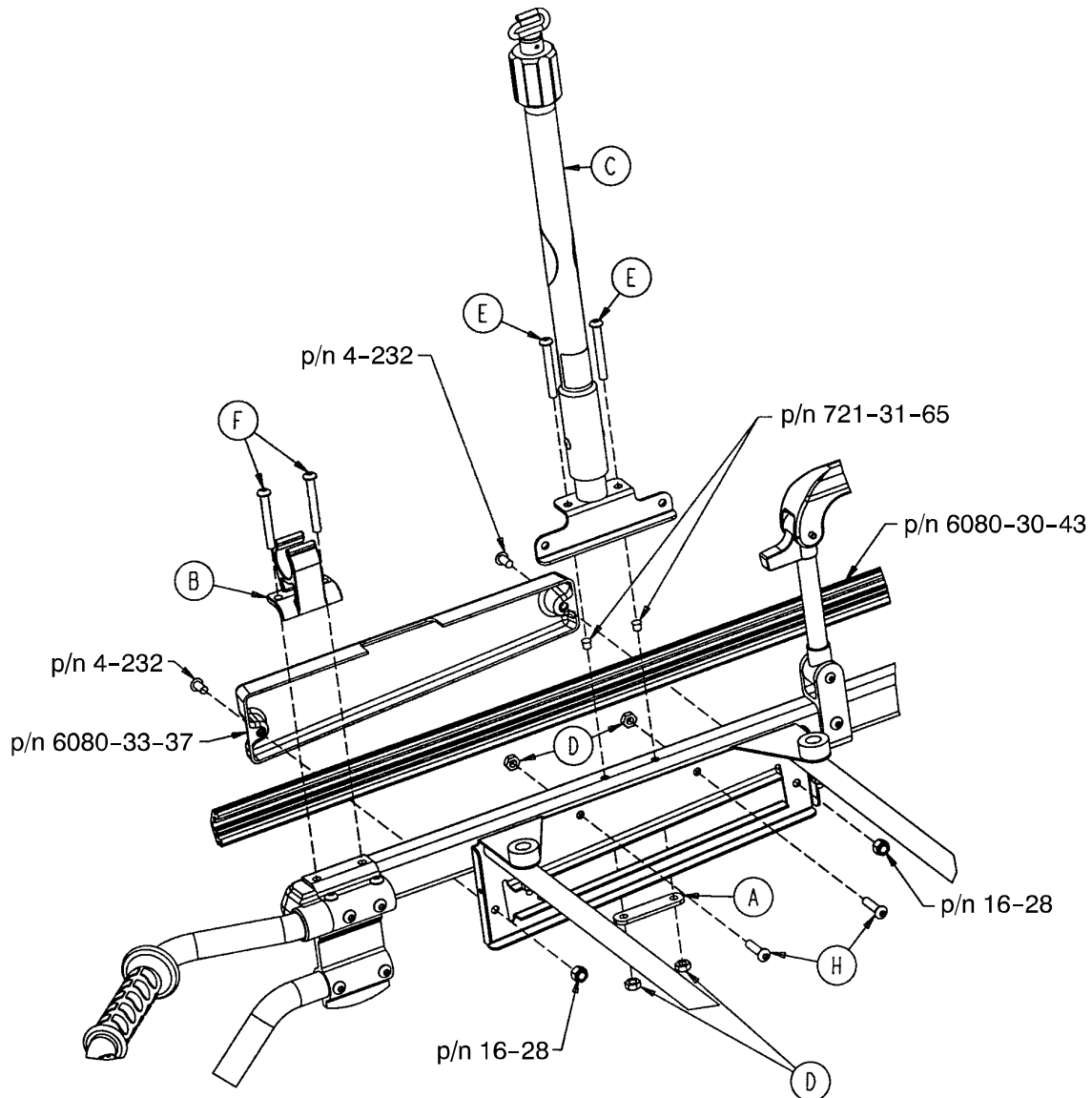
Item	Part No.	Part Name	Qty.
LA	4-440	But. Hd. Cap Screw	2
LB	25-157	Dome Head Rivet	2
LC	56-19	Bumper	2
LD	6080-37-23	Lift Capable Hook Tube	1
LE	6091-160-21	Lift Nub, Left	1
LF	6091-160-22	Lift Nub, Right	1

6091-156-15 No Lift Option

Item	Part No.	Part Name	Qty.
LD	6080-37-22	Hook Tube	1

6080-210-10 Optional 2-Stage I.V. Mounting Ass'y, Rt.

6080-215-10 Optional 3-Stage I.V. Mounting Ass'y, Rt.

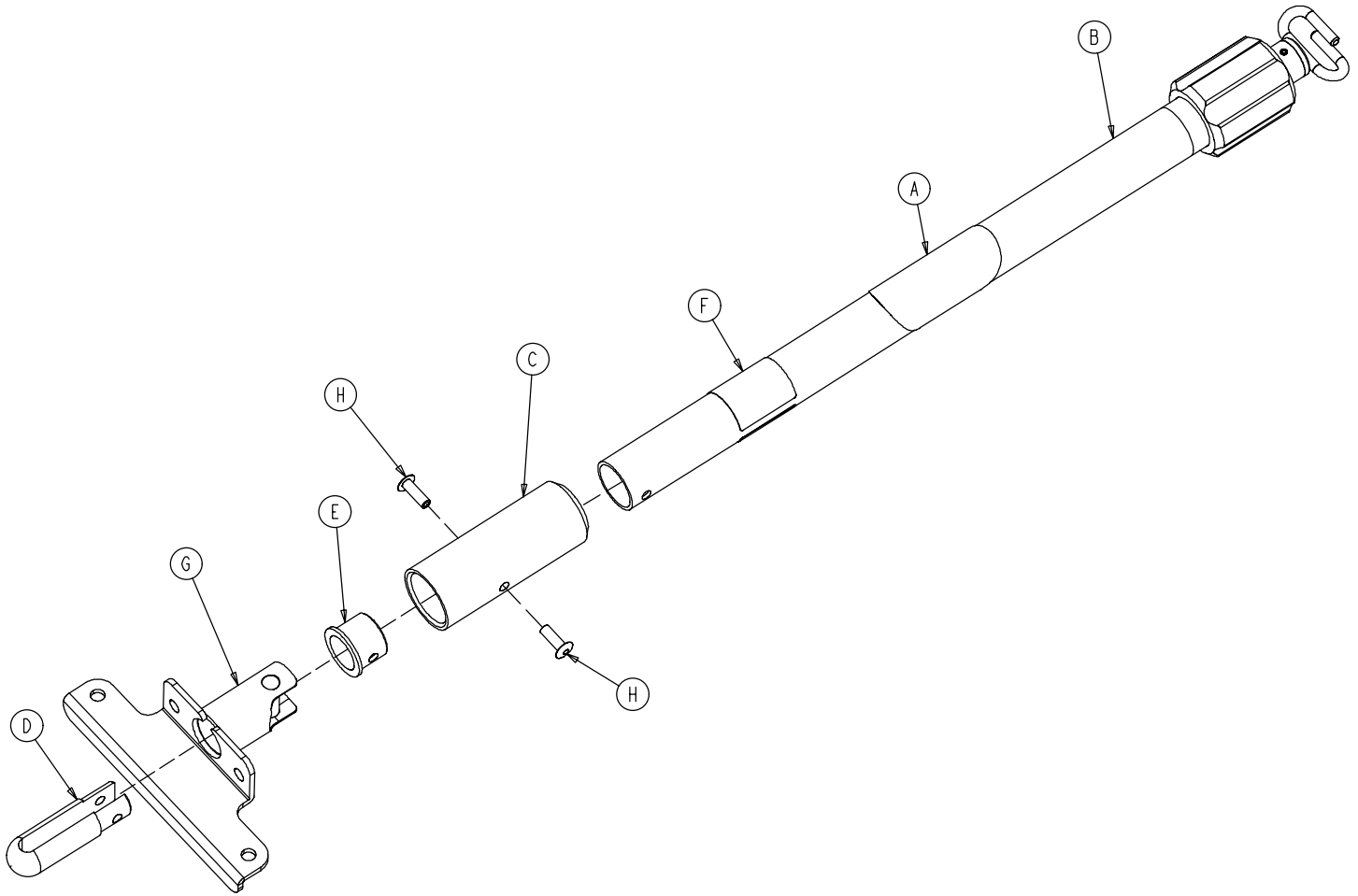


6080-210-10

6080-215-10

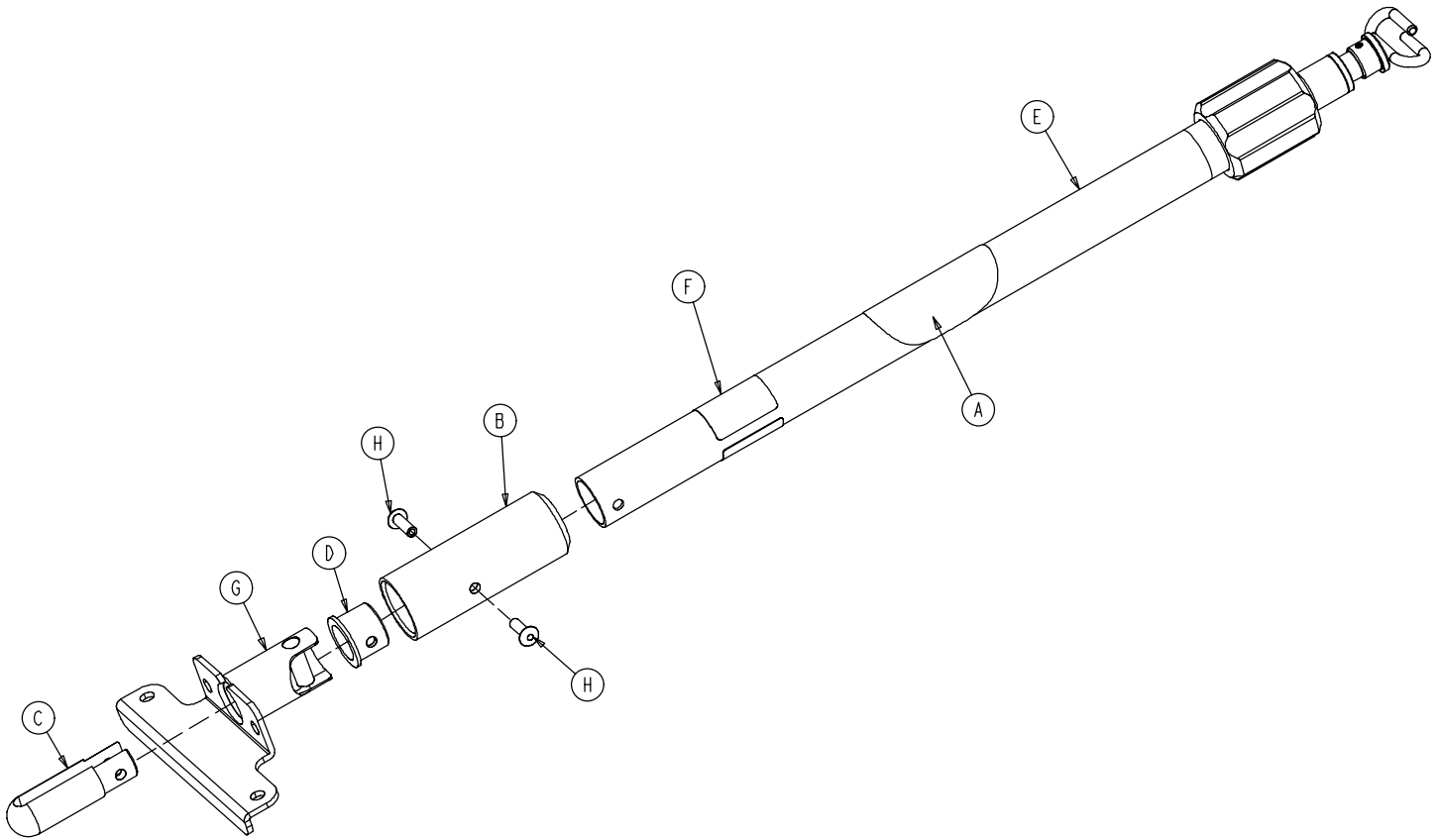
Item	Part No.	Part Name	Qty.	Item	Part No.	Part Name	Qty.
A	6070-110-32	I.V. Retainer Plate	1	A	6070-110-32	I.V. Retainer Plate	1
B	6080-110-35	I.V. Clip	1	B	6080-110-35	I.V. Clip	1
C	(page 76)	2-Stage I.V. Pole, Right	1	C	(page 77)	3-Stage I.V. Pole, Right	1
D	16-78	Centerlock Hex Nut	4	D	16-78	Centerlock Hex Nut	4
E	4-97	Hex Soc. But. Hd. Cap Scr.	2	E	4-97	Hex Soc. But. Hd. Cap Scr.	2
F	4-163	Hex Soc. But. Hd. Cap Scr.	2	F	4-163	Hex Soc. But. Hd. Cap Scr.	2
G	4-197	Hex Soc. But. Hd. Cap Scr.	2	G	4-197	Hex Soc. But. Hd. Cap Scr.	2

6080-210-20 2-Stage I.V. Assembly, Patient Right



Item	Part No.	Part Name	Qty.
A	6070-90-105	Caution Label	1
B	(page 81)	2-Stage I.V. Pole Assembly	1
C	6070-210-45	I.V. Pole Sleeve	1
D	6070-210-46	I.V. Pivot	1
E	6070-210-49	I.V. Pivot Ring	1
F	6080-90-31	Specification Label	1
G	6080-210-52	I.V. Socket Weldment, Right	1
H	25-133	Rivet	2

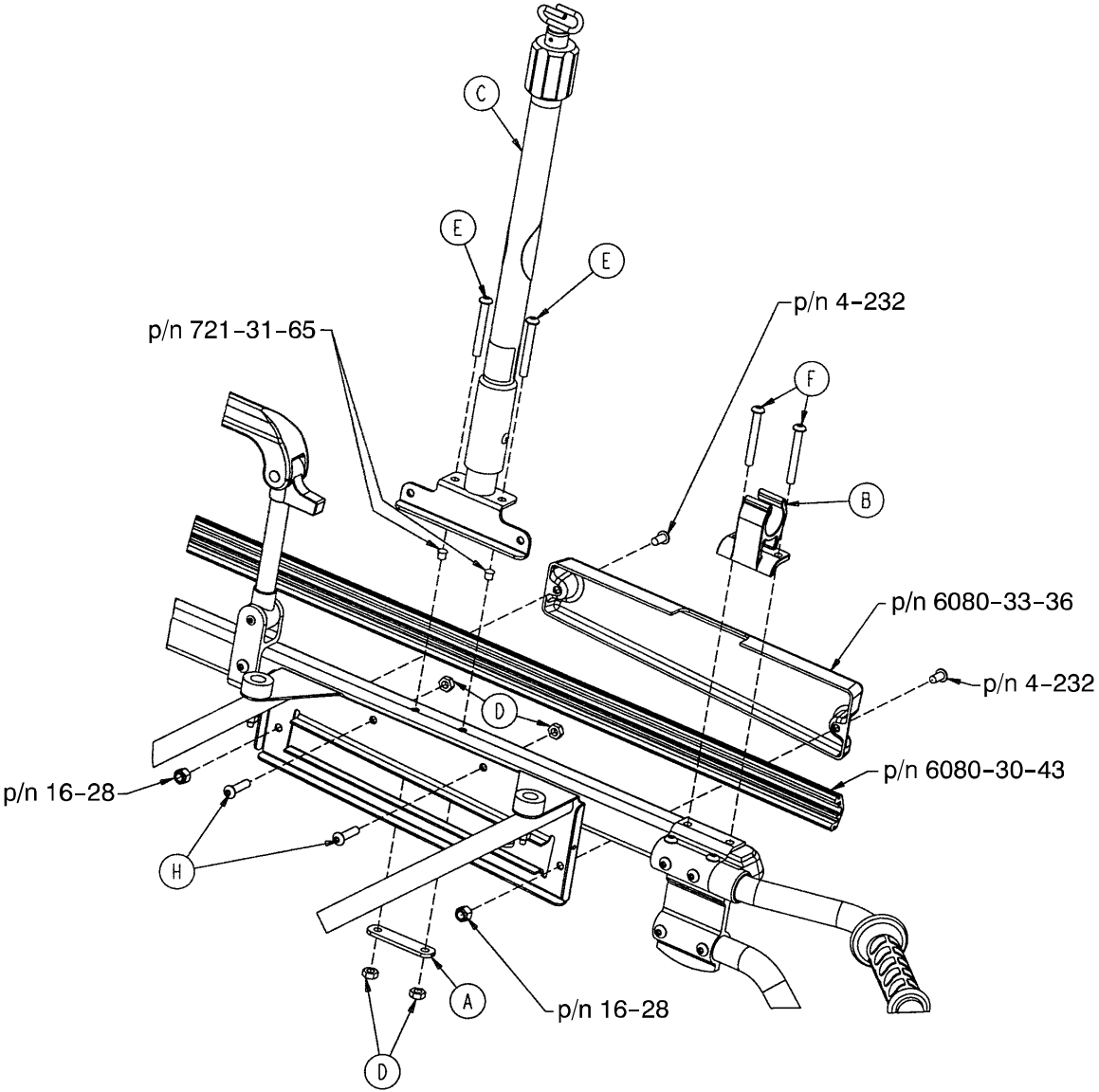
6080-215-20 3-Stage I.V. Assembly, Patient Right



Item	Part No.	Part Name	Qty.
A	6070-90-105	Caution Label	1
B	6070-210-45	I.V. Pole Sleeve	1
C	6070-210-46	I.V. Pivot	1
D	6070-210-49	I.V. Pivot Ring	1
E	(page 82)	3-Stage I.V. Pole Assembly	1
F	6080-90-33	Specification Label	1
G	6080-210-52	I.V. Socket Weldment, Right	1
H	25-133	Rivet	2

6080-211-10 Optional 2-Stage I.V. Mounting Ass'y, Left

6080-216-10 Optional 3-Stage I.V. Mounting Ass'y, Left

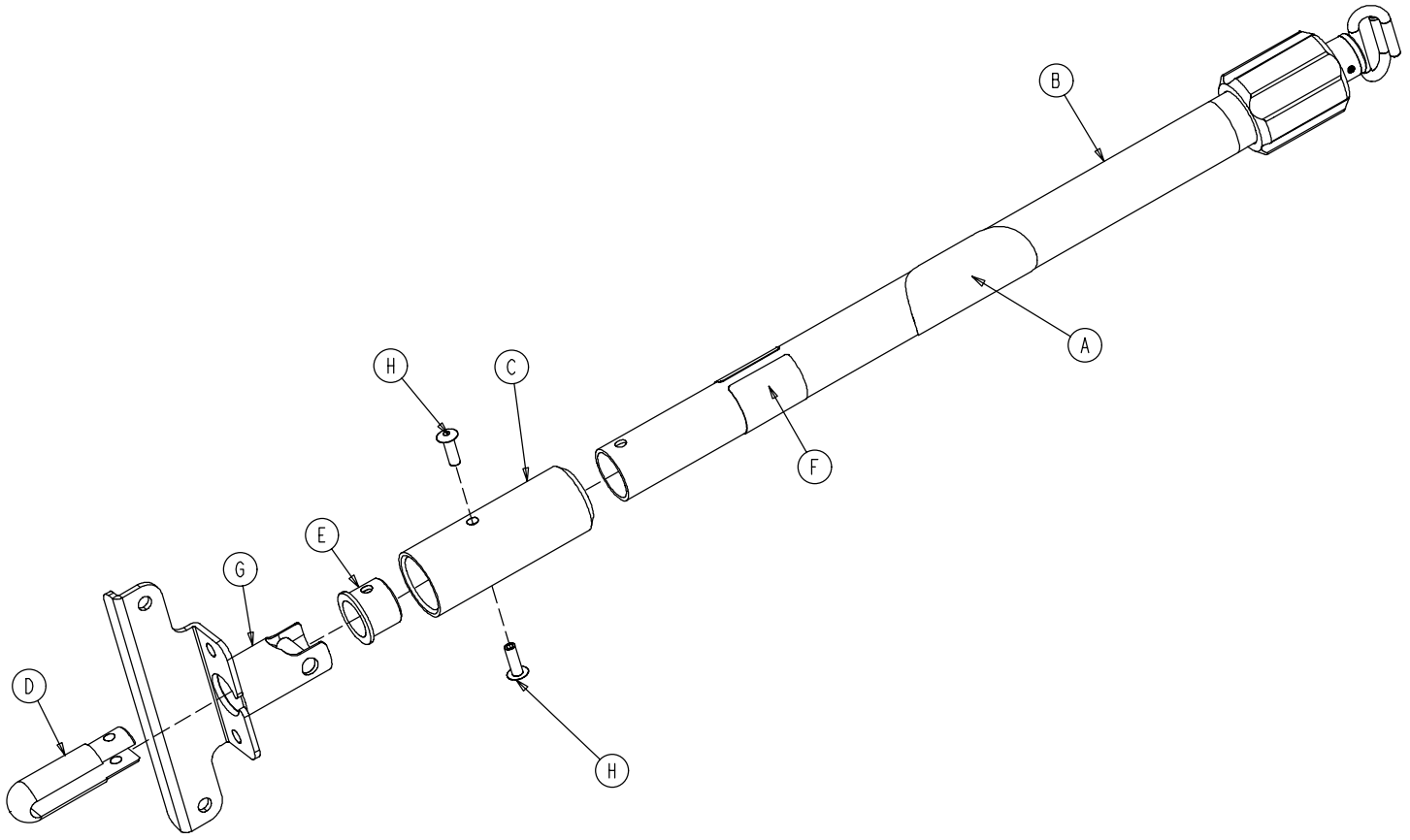


6080-211-10

6080-216-10

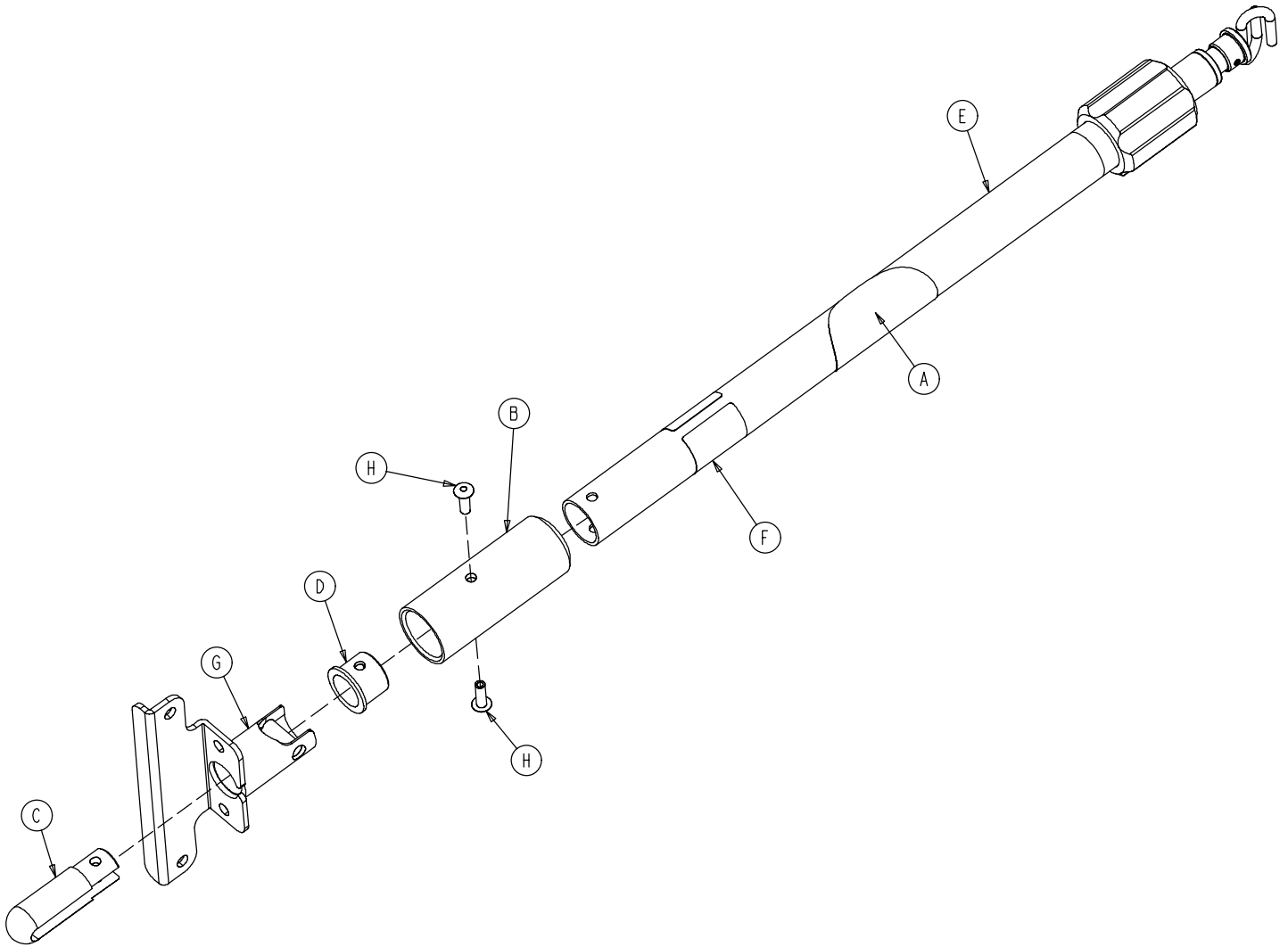
Item	Part No.	Part Name	Qty.	Item	Part No.	Part Name	Qty.
A	6070-110-32	I.V. Retainer Plate	1	A	6070-110-32	I.V. Retainer Plate	1
B	6080-110-35	I.V. Clip	1	B	6080-110-35	I.V. Clip	1
C	(page 79)	2-Stage I.V. Pole, Left	1	C	(page 80)	3-Stage I.V. Pole, Left	1
D	16-78	Centerlock Hex Nut	4	D	16-78	Centerlock Hex Nut	4
E	4-97	H. Soc. But. Hd. Cap Scr.	2	E	4-97	H. Soc. But. Hd. Cap Scr.	2
F	4-163	H. Soc. But. Hd. Cap Scr.	2	F	4-163	H. Soc. But. Hd. Cap Scr.	2
G	4-197	H. Soc. But. Hd. Cap Scr.	2	G	4-197	H. Soc. But. Hd. Cap Scr.	2

6080-211-20 2-Stage I.V. Assembly, Patient Left



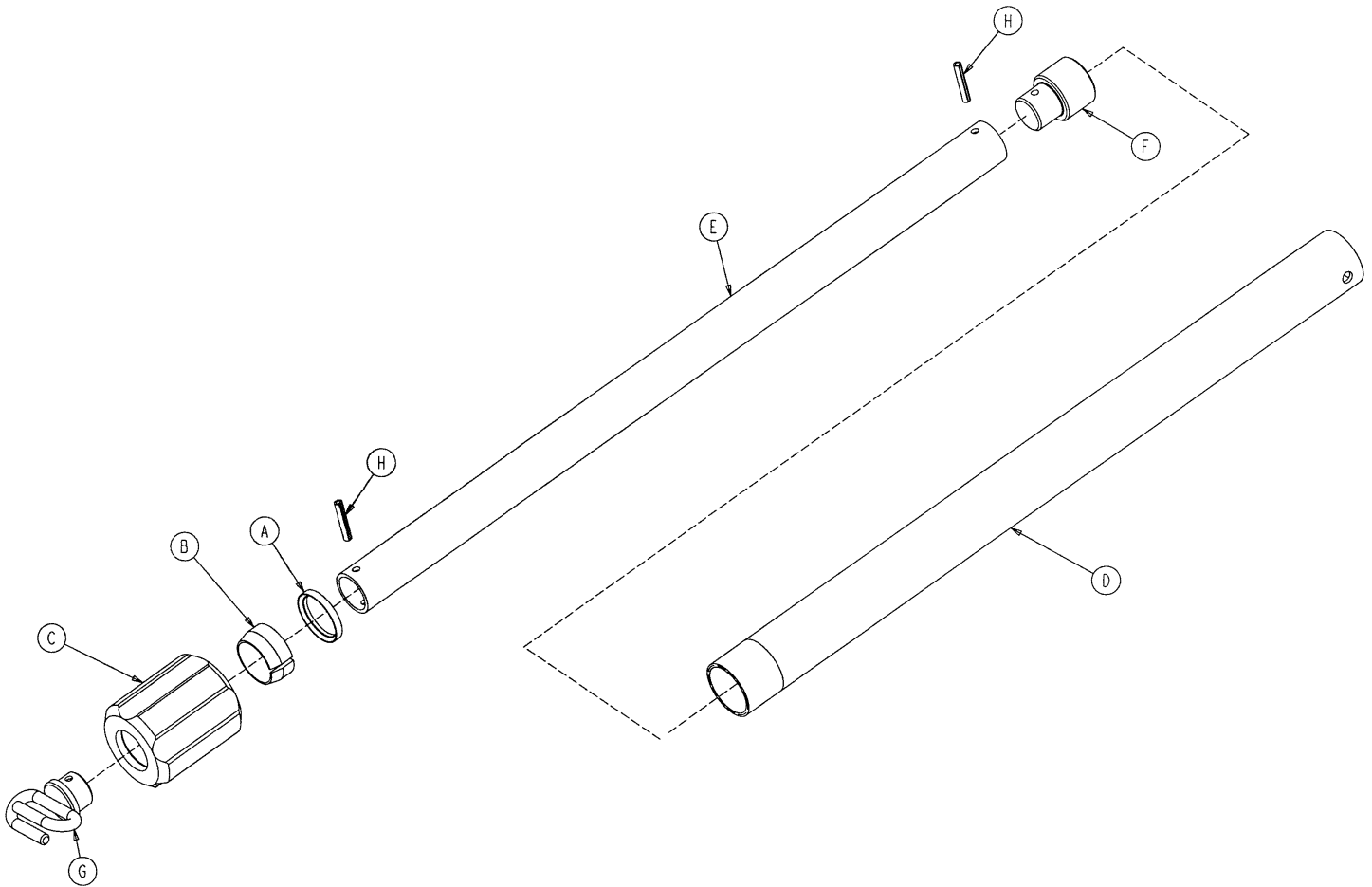
Item	Part No.	Part Name	Qty.
A	6070-90-105	Caution Label	1
B	(page 81)	2-Stage I.V. Pole Assembly	1
C	6070-210-45	I.V. Pole Sleeve	1
D	6070-210-46	I.V. Pivot	1
E	6070-210-49	I.V. Pivot Ring	1
F	6080-90-32	Specification Label	1
G	6080-211-52	I.V. Socket Weldment, Left	1
H	25-133	Rivet	2

6080-216-20 3-Stage I.V. Assembly, Patient Left



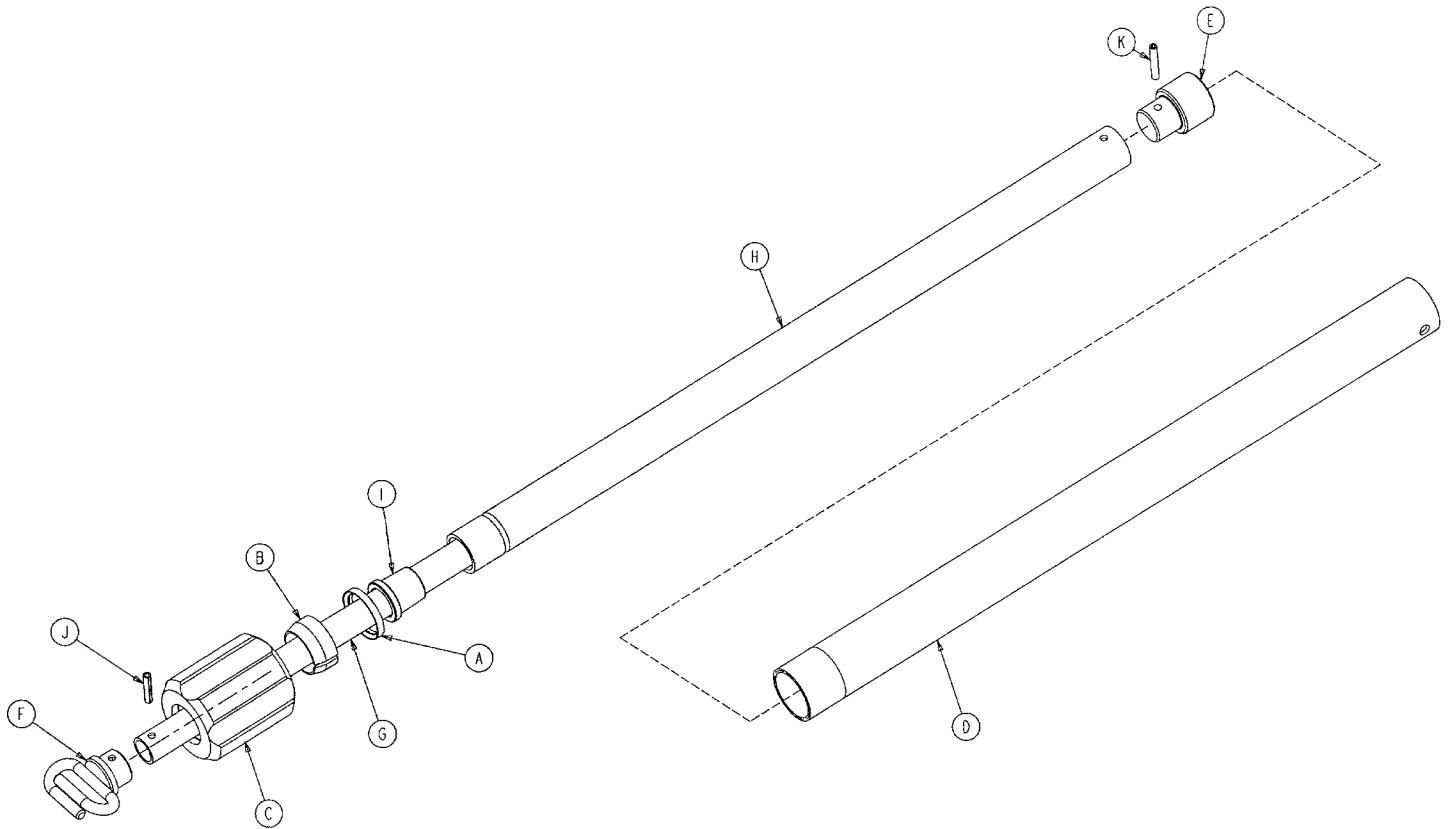
Item	Part No.	Part Name	Qty.
A	6070-90-105	Caution Label	1
B	6070-210-45	I.V. Pole Sleeve	1
C	6070-210-46	I.V. Pivot	1
D	6070-210-49	I.V. Pivot Ring	1
E	(page 82)	3-Stage I.V. Pole Assembly	1
F	6080-90-34	Specification Label	1
G	6080-211-52	I.V. Socket Weldment, Left	1
H	25-133	Blind Rivet	2

6070-210-40 2-Stage I.V. Pole Assembly



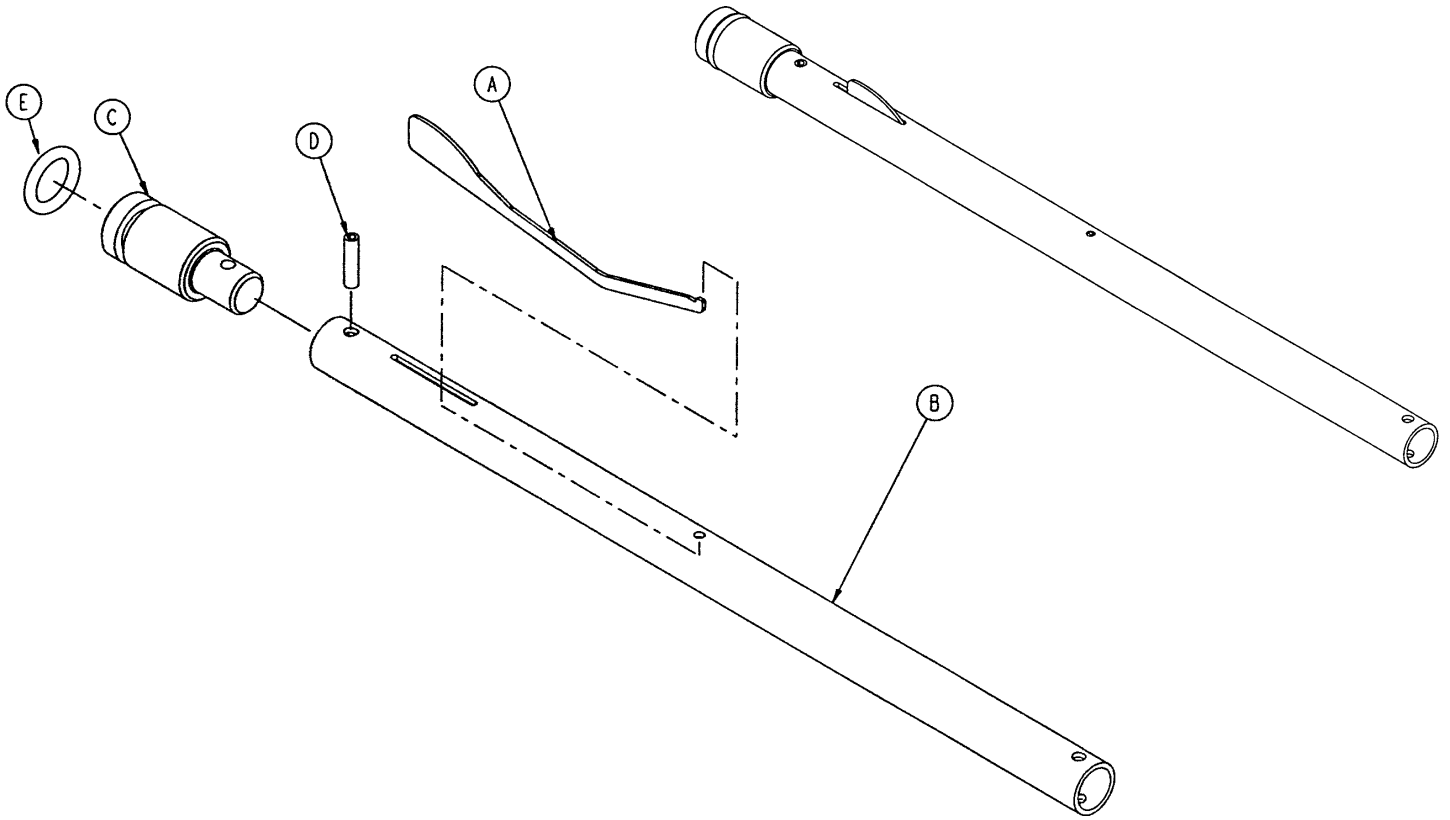
Item	Part No.	Part Name	Qty.
A	1210-110-46	Back-Up Ring	1
B	1210-110-47	Lock Ring	1
C	1210-110-49	Molded Actuator	1
D	6070-210-41	Base Tube	1
E	6070-110-42	2nd Stage Tube	1
F	6070-110-44	2nd Stage Slide Plug	1
G	6070-110-50	Hook Weldment	1
H	26-6	Roll Pin	2

6070-215-40 3-Stage I.V. Pole Assembly



Item	Part No.	Part Name	Qty.
A	1210-110-46	Back-Up Ring	1
B	1210-110-47	Lock Ring	1
C	1210-110-49	Molded Actuator	1
D	6070-210-41	Base Tube	1
E	6070-110-44	2nd Stage Slide Plug	1
F	6070-110-50	Hook Weldment	1
G	(page 83)	3rd Stage Assembly	1
H	6070-115-42	2nd Stage Tube	1
I	6070-115-45	Bearing Plug	1
J	26-5	Spring Pin	1
K	26-6	Spring Pin	1

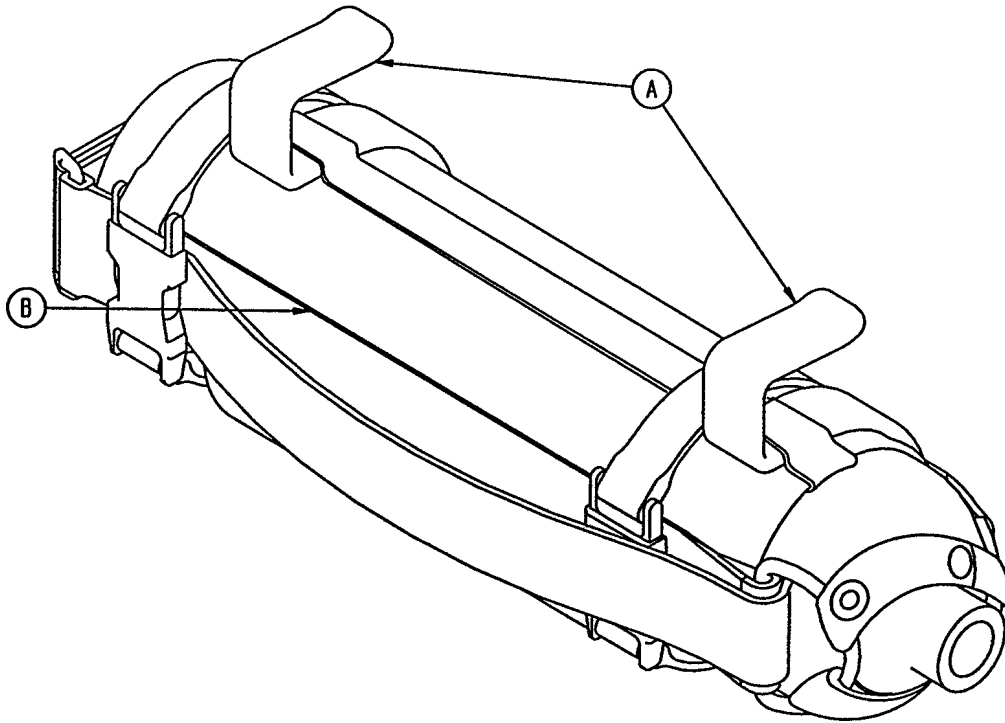
6070-115-30 3rd Stage Ass'y – Optional 3-Stage I.V. Pole



Item	Part No.	Part Name	Qty.
A	6070-115-141	Spring Clip	1
B	6070-115-143	3rd Stage Tube	1
C	6070-115-44	3rd Stage Slide Plug	1
D	26-4	Roll Pin	1
E	45-139	O-Ring	1

6080-140 Optional Hanging Oxygen Bottle Holder Ass'y

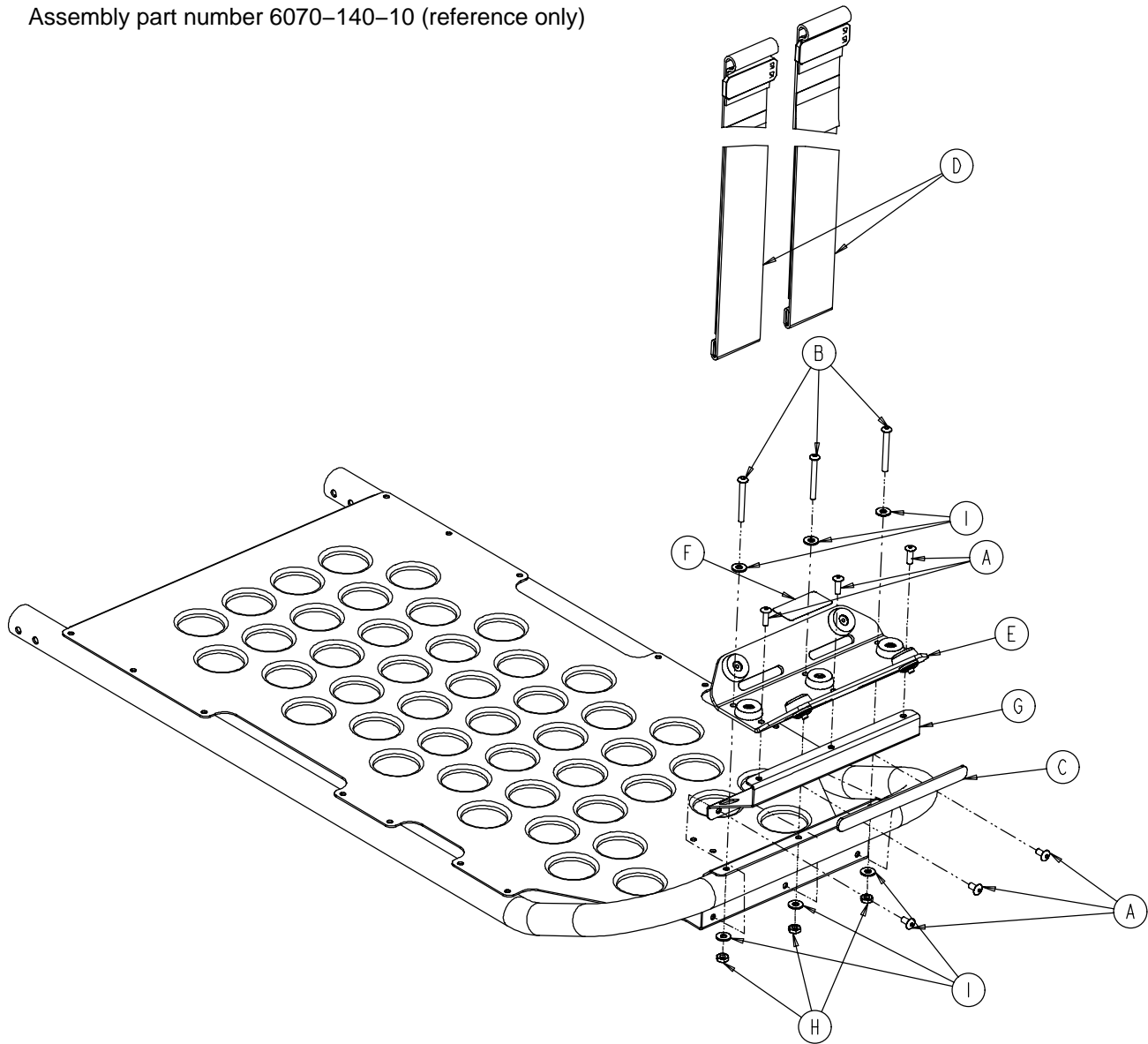
Assembly part number 6080-140-10 (reference only)



Item	Part No.	Part Name	Qty.
A	6080-140-11	Bottle Holder Hanger	2
B	6080-140-12	Oxygen Bottler Holder	1

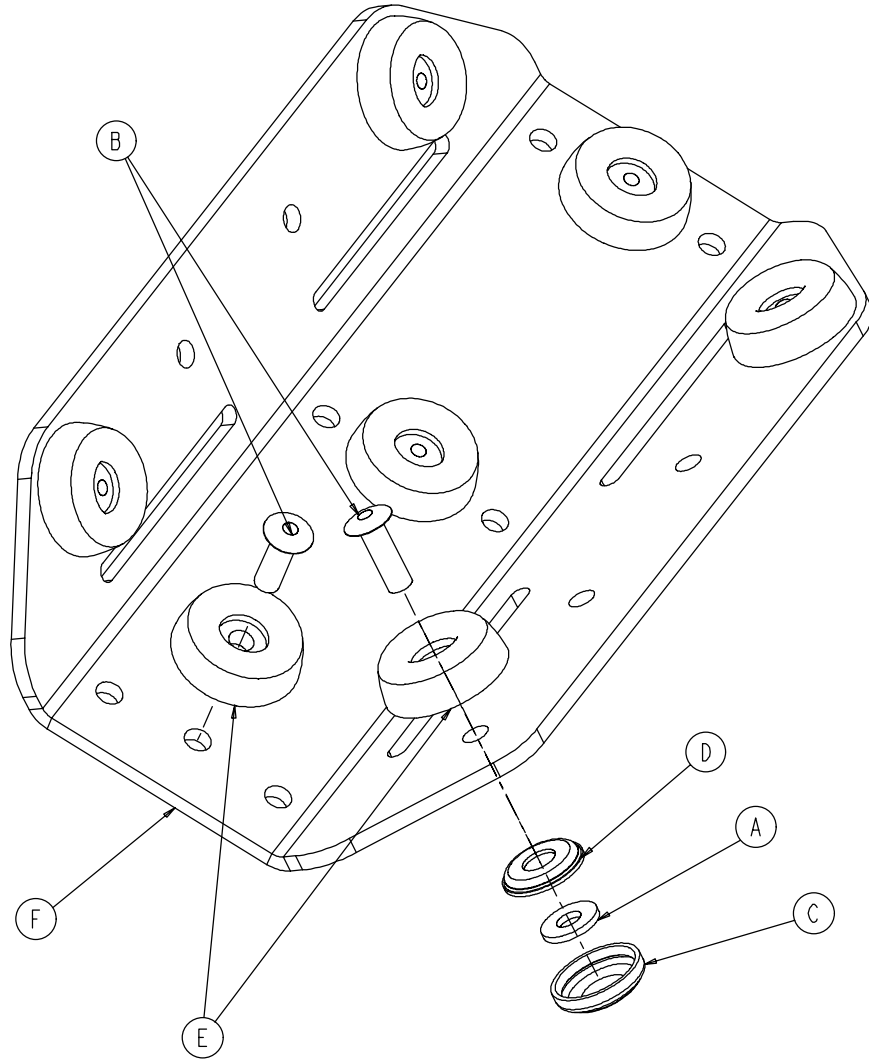
6070-140 Optional Foot End Oxygen Bottle Holder

Assembly part number 6070-140-10 (reference only)



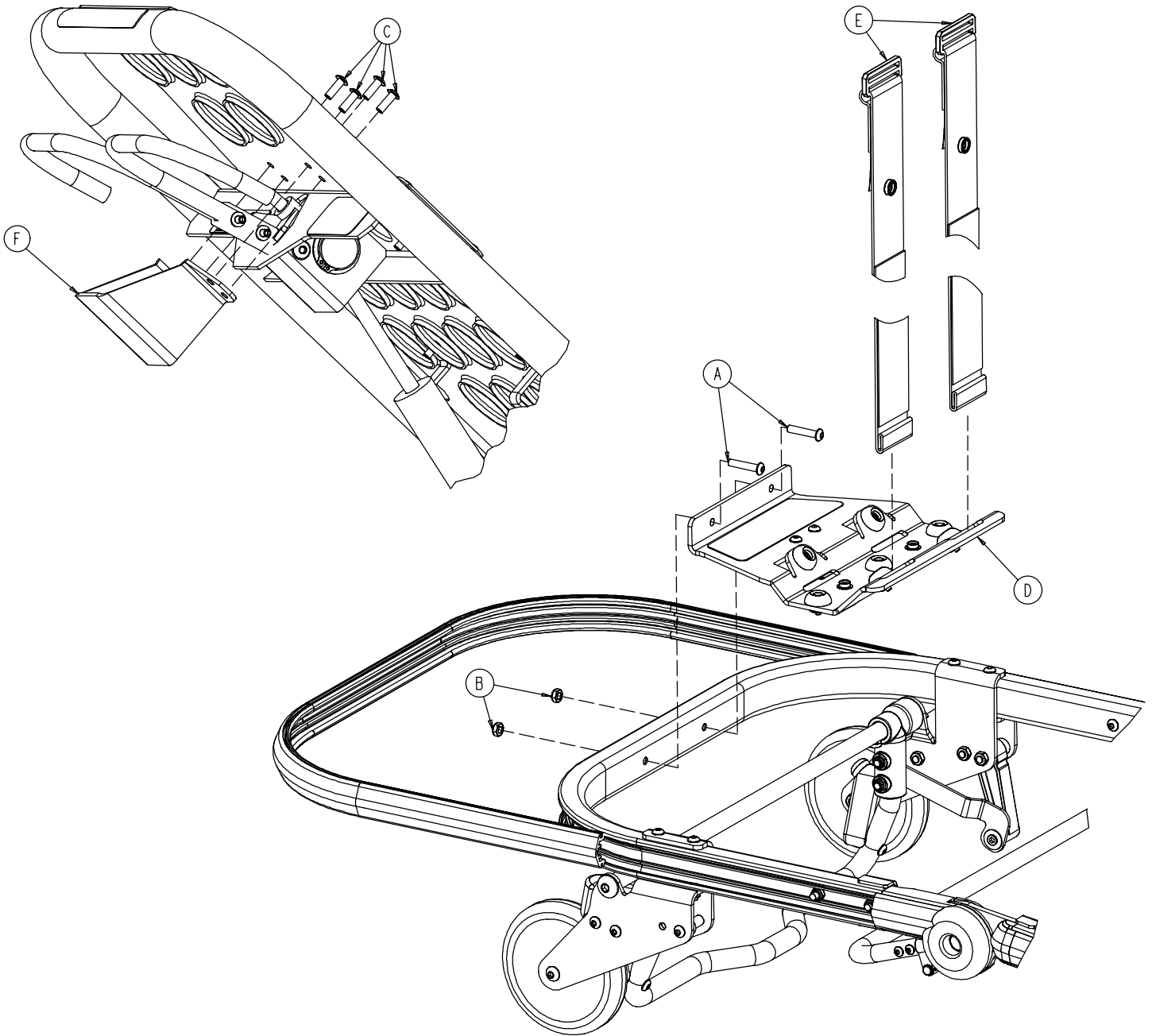
Item	Part No.	Part Name	Qty.
A	25-79	Rivet	6
B	4-508	But. Hd. Cap Screw	3
C	6060-90-4	"Rugged" Label	1
D	6060-140-13	Strap Assembly	2
E	(page 86)	Bottle Holder Tray Ass'y	1
F	6070-90-14	Specification Label	1
G	6070-140-17	Support Bracket	1
H	16-111	Centerlock Nut	3
I	11-1	Flat Washer	6

6060-140-20 Foot End O2 Bottle Holder Tray



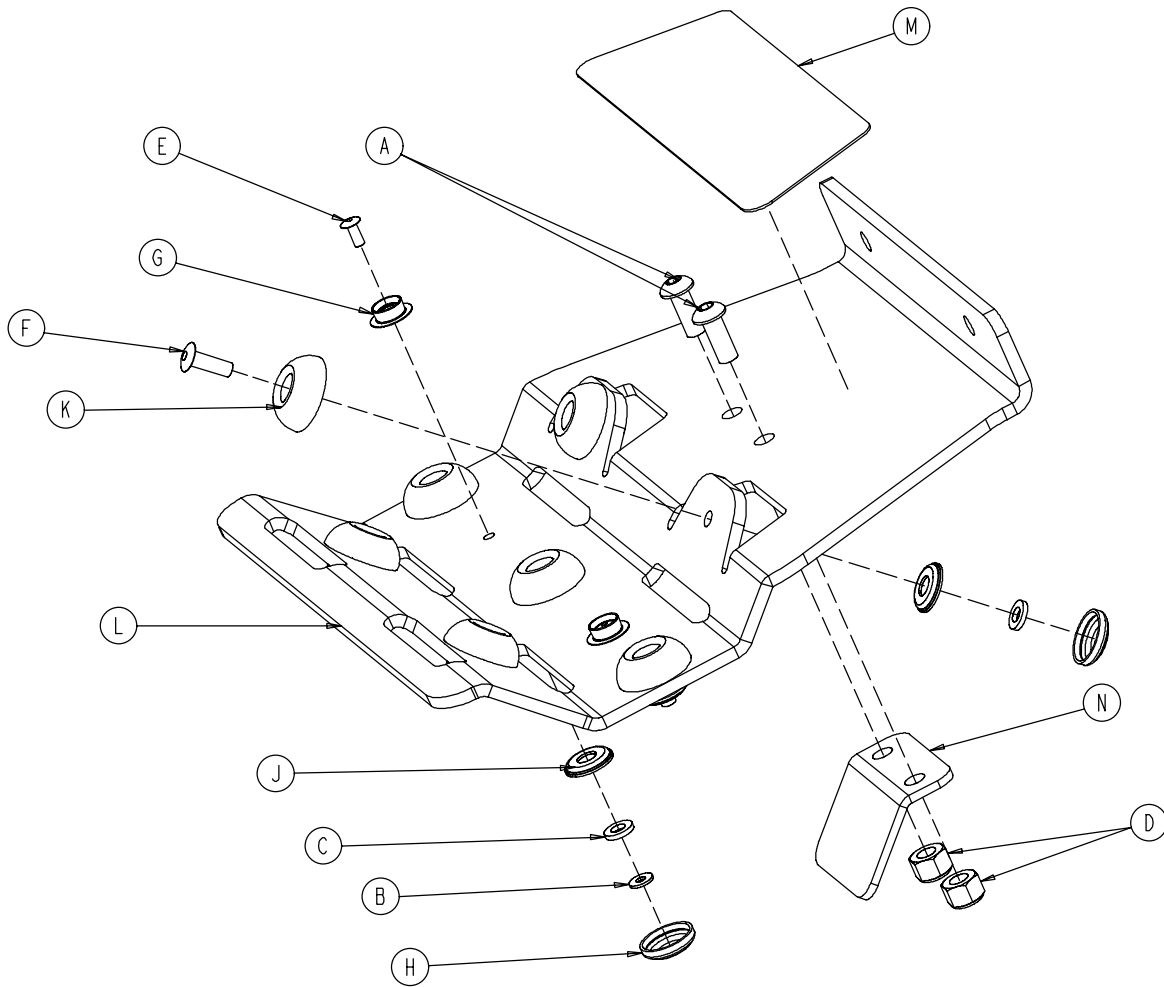
Item	Part No.	Part Name	Qty.
A	11-436	Flat Washer	4
B	25-133	Rivet	7
C	37-55	Cap	4
D	37-56	Washer	4
E	946-1-155	Bumper	7
F	6060-140-15	Bottle Holder Tray	1

6082-140-000 Optional Head End O2 Bottle Holder



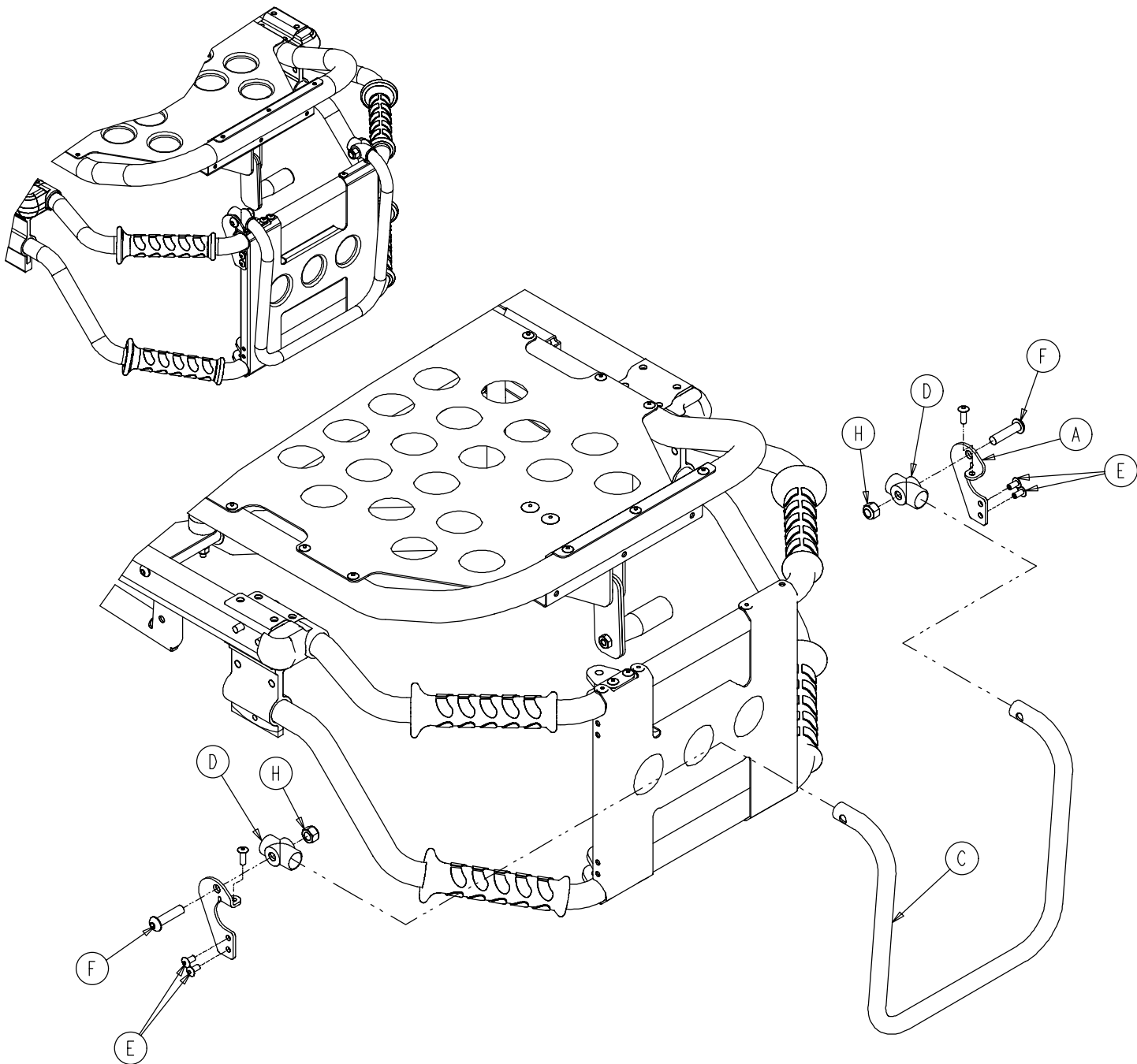
Item	Part No.	Part Name	Qty.
A	4-197	Hex Soc. But. Hd. Cap Screw	2
B	16-102	Nylock Hex Nut	2
C	25-79	Blind Rivet	4
D	(page 88)	Tray Assembly	1
E	6082-140-43	Strap Assembly	2
F	6082-140-44	Fowler Handle Guard	1

6082-140-40 Head End O2 Bottle Holder Tray



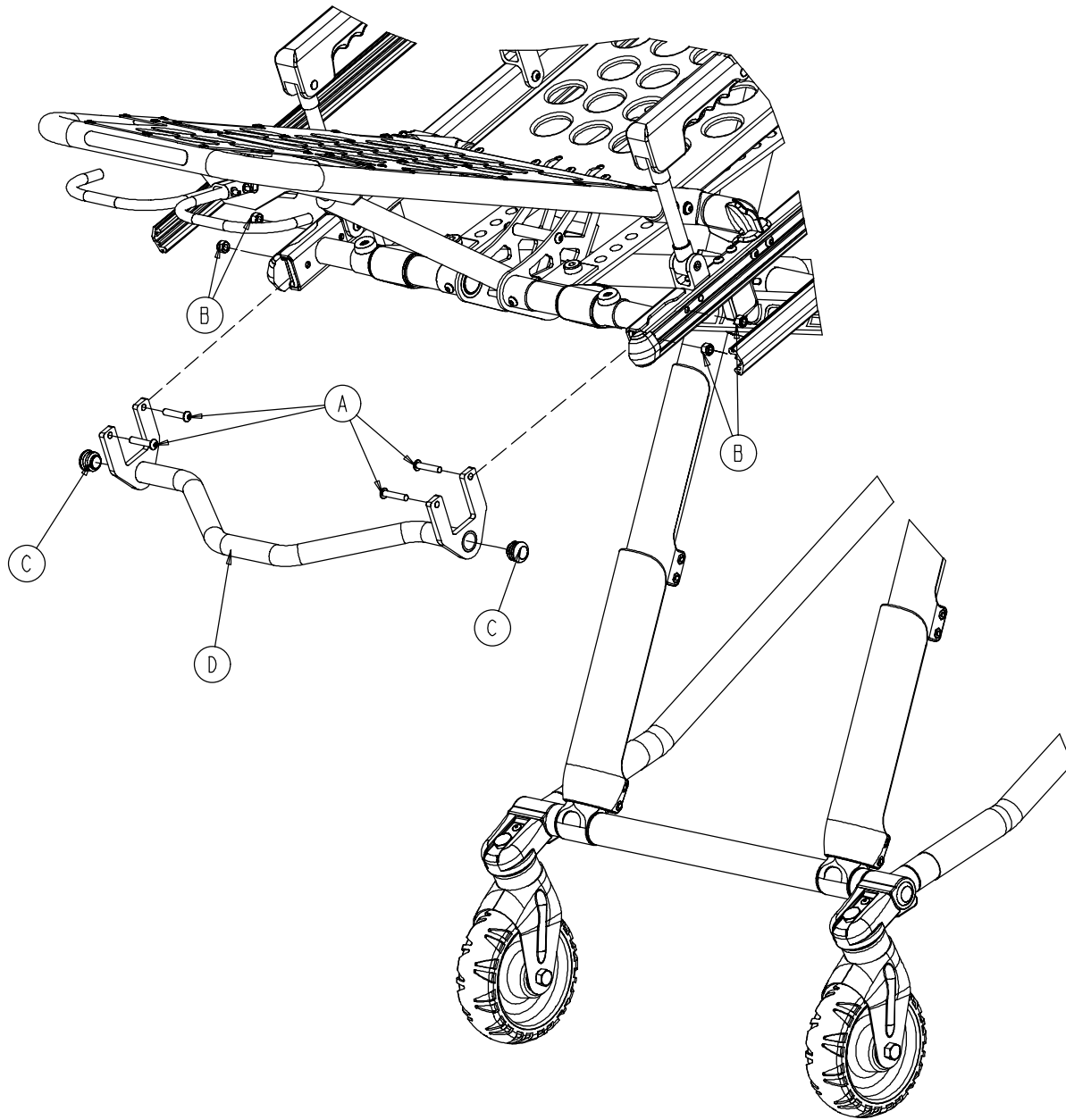
Item	Part No.	Part Name	Qty.
A	4-455	But. Hd. Cap Screw	2
B	11-52	Washer	2
C	11-436	Washer	9
D	16-28	Hex Nut	2
E	25-99	Dome Head Rivet	2
F	25-133	Dome Head Rivet	7
G	29-3	Brass Eyelet	2
H	37-55	Black Protective Cap	9
J	37-56	Retaining Washer	9
K	946-1-155	Bumper	7
L	6082-140-41	Bottle Holder Tray	1
M	6082-140-42	Label	1
N	6082-140-45	Bottle Holder Bracket	1

6080-155-20 Optional Pull Handle Assembly



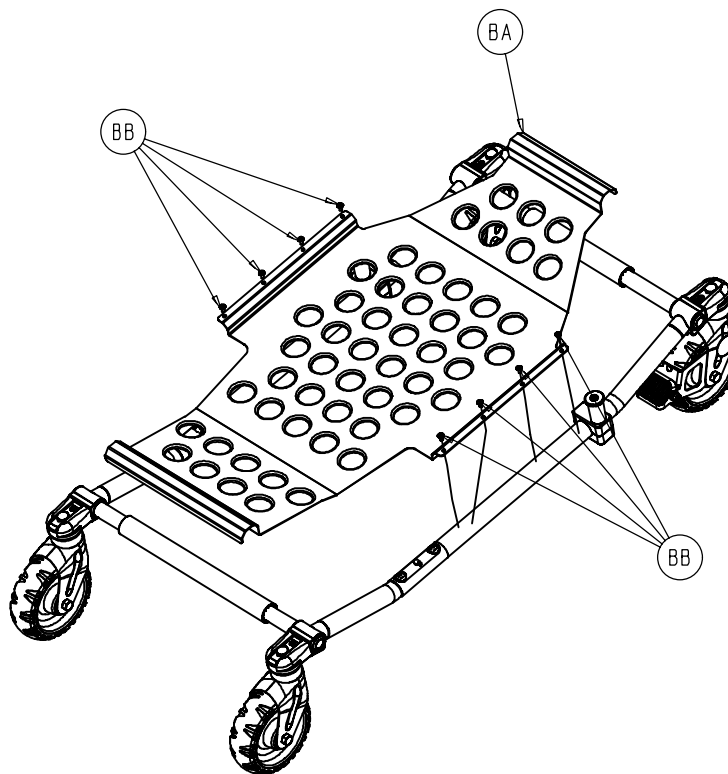
Item	Part No	Part Name	Qty.
A	6080-255-1	Pull Handle Bracket, Left	1
B	6080-255-2	Pull Handle Bracket, Right	1
C	6080-255-3	Pull Handle	1
D	721-26-69	Upright Sleeve	2
E	25-79	Dome Hd. Rivet	4
F	4-130	Hex Soc. But. Hd. Cap Screw	2
H	16-36	Nylock Hex Nut	2

6080-157 Optional Base Lift Bar Assembly



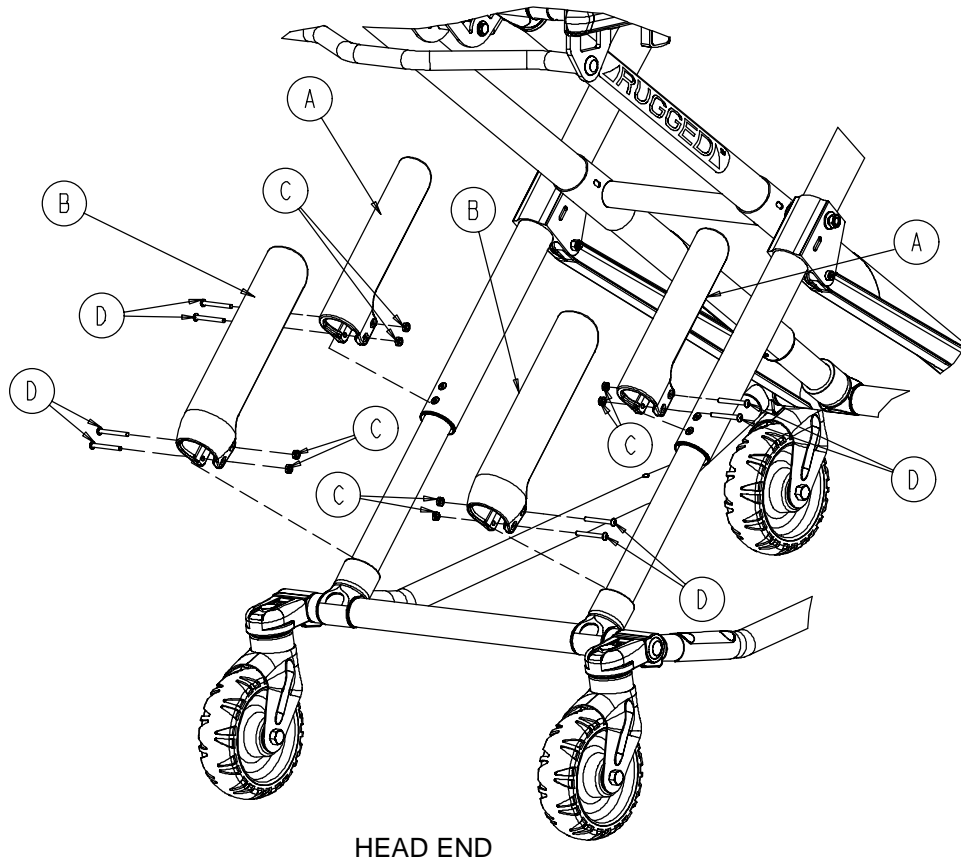
Item	Part No.	Part Name	Qty.
A	4-135	Hex Soc. But. Hd. Cap Screw	4
B	16-28	Nylock Hex Nut	4
C	37-238	Tube Plug	2
D	6080-157-13	Breakaway Lift Bar Weldment	1

6082-150-15 Optional Base Storage Tray



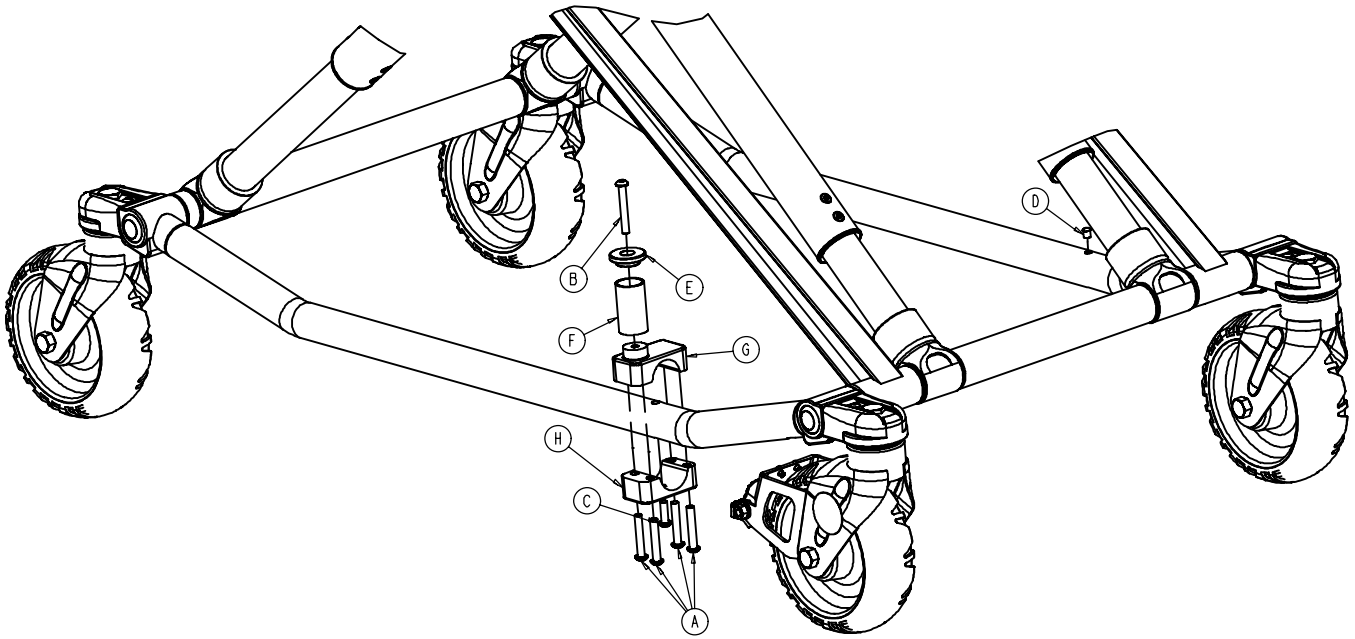
Item	Part No.	Part Name	Qty.
BA	6082-150-20	Base Storage Tray	1
BB	25-79	Rivet	8

6082-700-14 X-Frame Guard Retrofit Kit



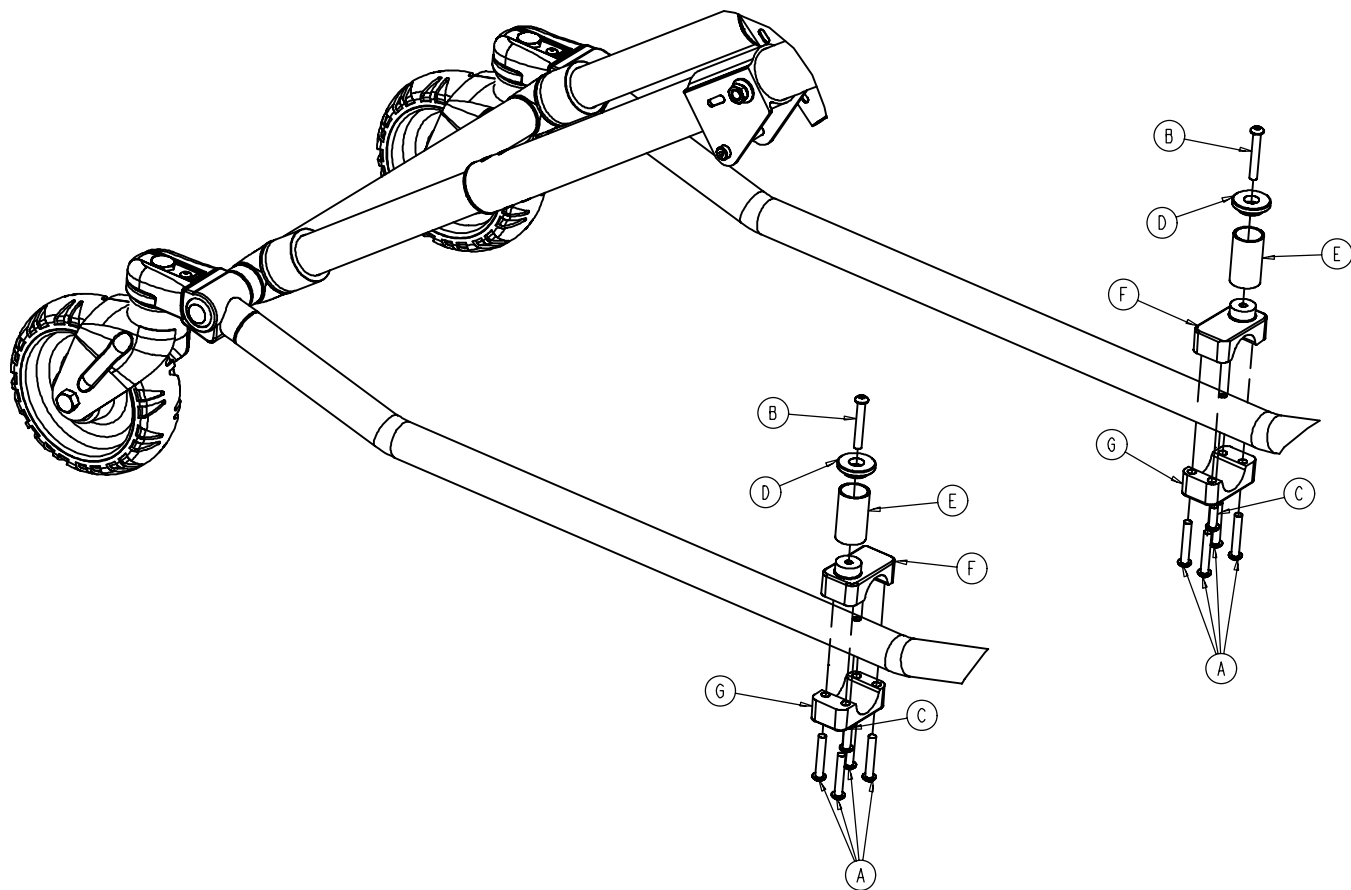
Item	Part No.	Part Name	Qty.
A	6080-145-1	Upper Frame Guard	2
B	6080-145-2	Lower Frame Guard	2
C	16-3	Hex Nut	8
D	4-508	Button Hd. Cap Screw	8

6082-200 Patient Right Side Retaining Post Option



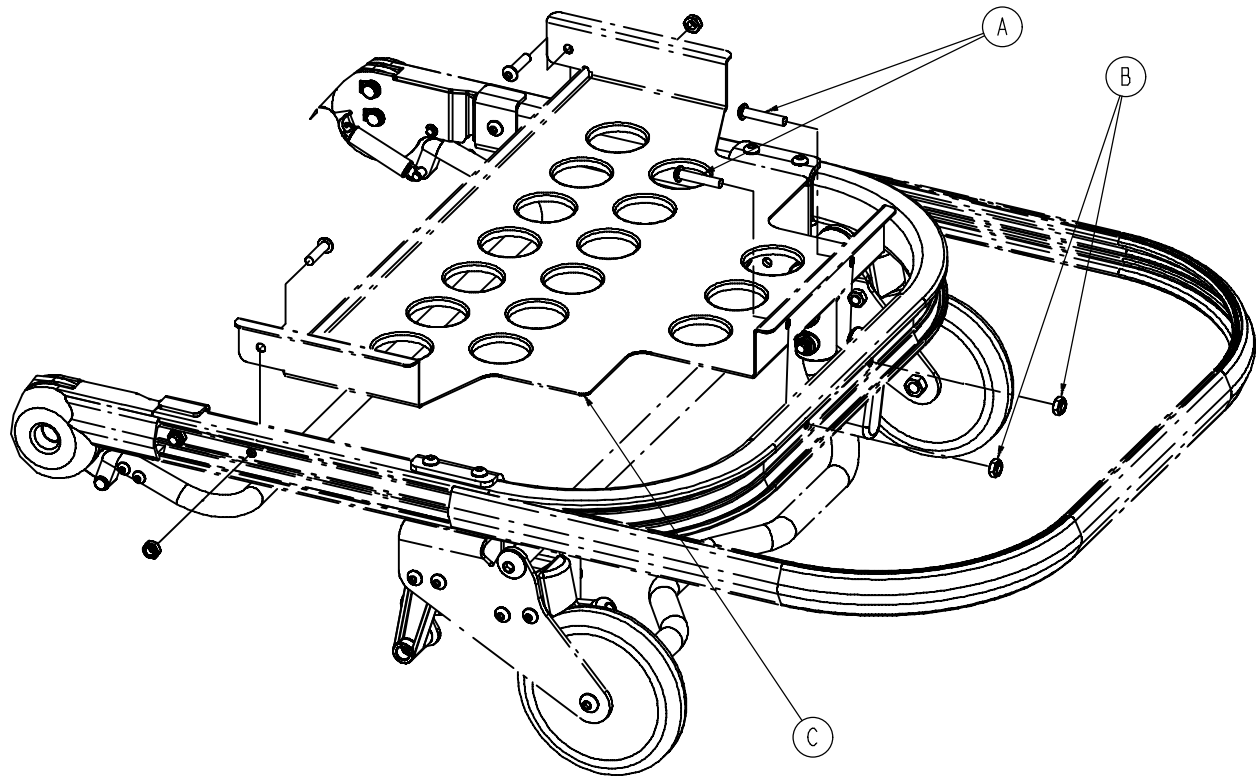
Item	Part No.	Part Name	Qty.
A	4-135	Button Head Cap Screw	4
B	4-503	Button Head Cap Screw	1
C	4-161	Button Head Cap Screw	1
D	721-31-65	Hole Plug	1
E	6060-4-43	Retaining Post Cap	1
F	6060-4-44	Retaining Post Tube	1
G	6080-4-45	Top Retaining Post Bracket	1
H	6080-4-46	Bottom Retaining Post Bracket	1

6082-190 Dual Retaining Post Option



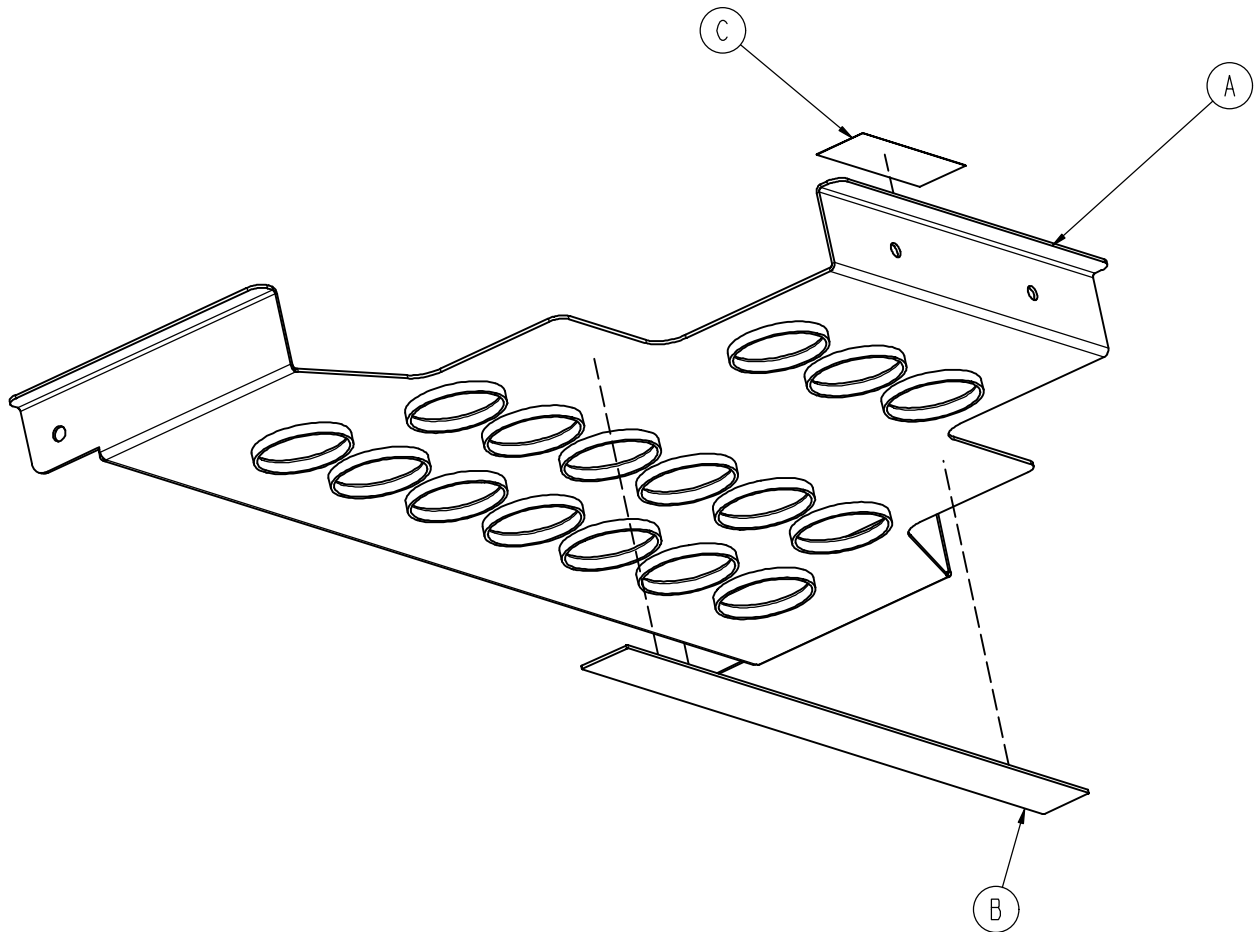
Item	Part No.	Part Name	Qty.
A	4-135	Button Head Cap Screw	8
B	4-503	Button Head Cap Screw	2
C	4-161	Button Head Cap Screw	2
D	6060-4-43	Retaining Post Cap	2
E	6060-4-44	Retaining Post Tube	2
F	6080-4-45	Top Retaining Post Bracket	2
G	6080-4-46	Bottom Retaining Post Bracket	2

6082-128-000 Optional Head End Storage Tray



Item	Part No.	Part Name	Qty.
A	4-197	Button Hd. Cap Screw	2
B	16-102	Nylock Nut	2
C	(page 96)	Tray Assembly	1

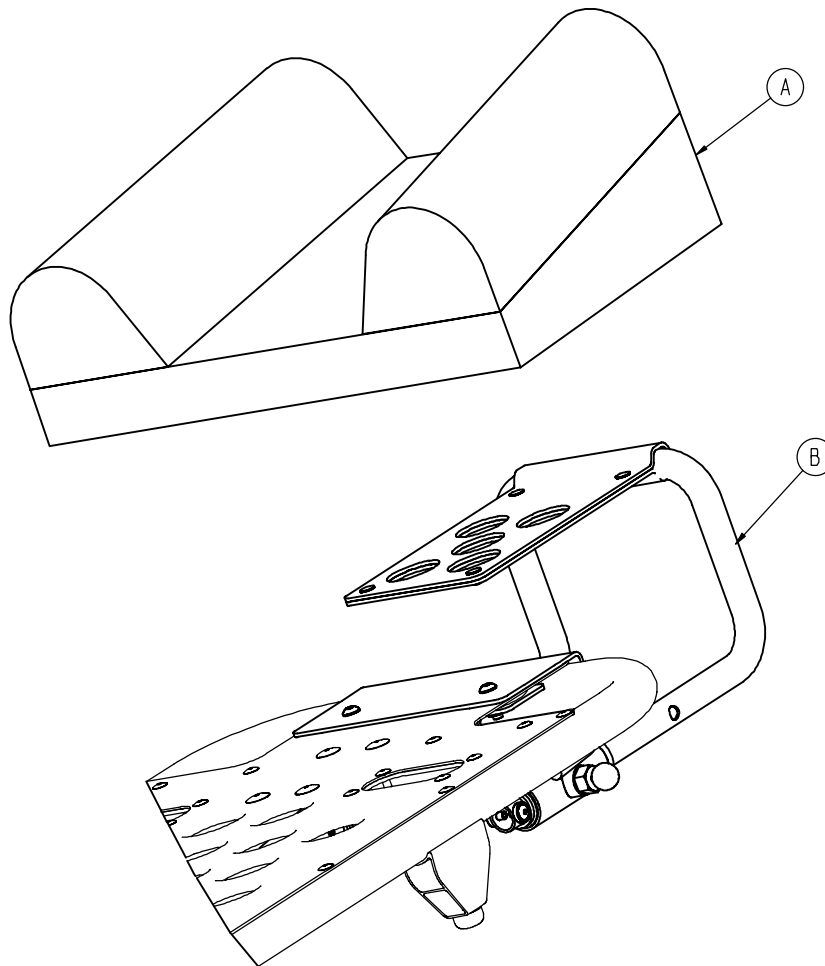
6082-128-20 Head End Storage Tray



Item	Part No.	Part Name	Qty.
A	6082-128-80	Breakaway Tray	1
B	6082-128-19	Adhesive Loop Pile	1
C	6081-91-57	Caution Label	1

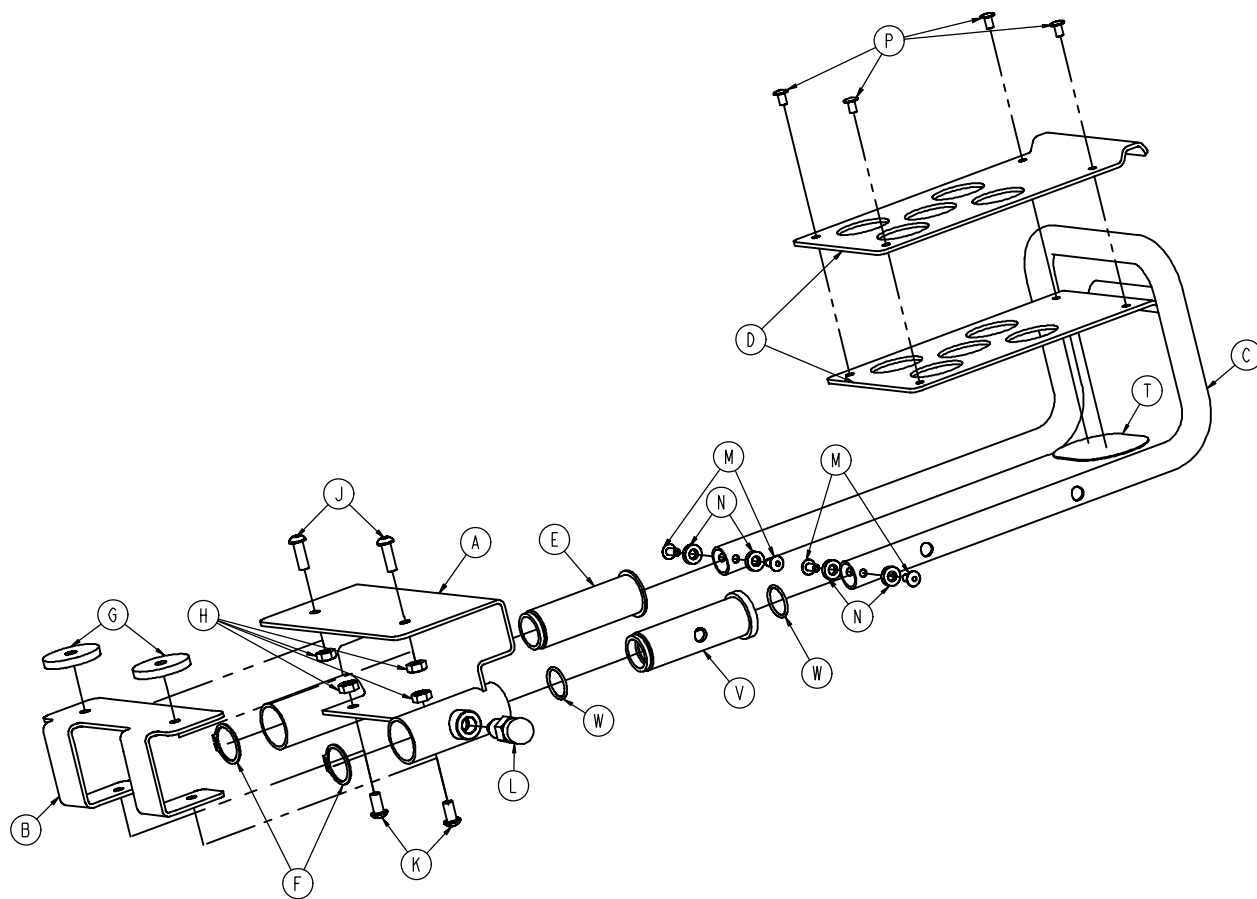
6100-700-012 Head Extension Option Kit

6100-044-000 Head Extension Option



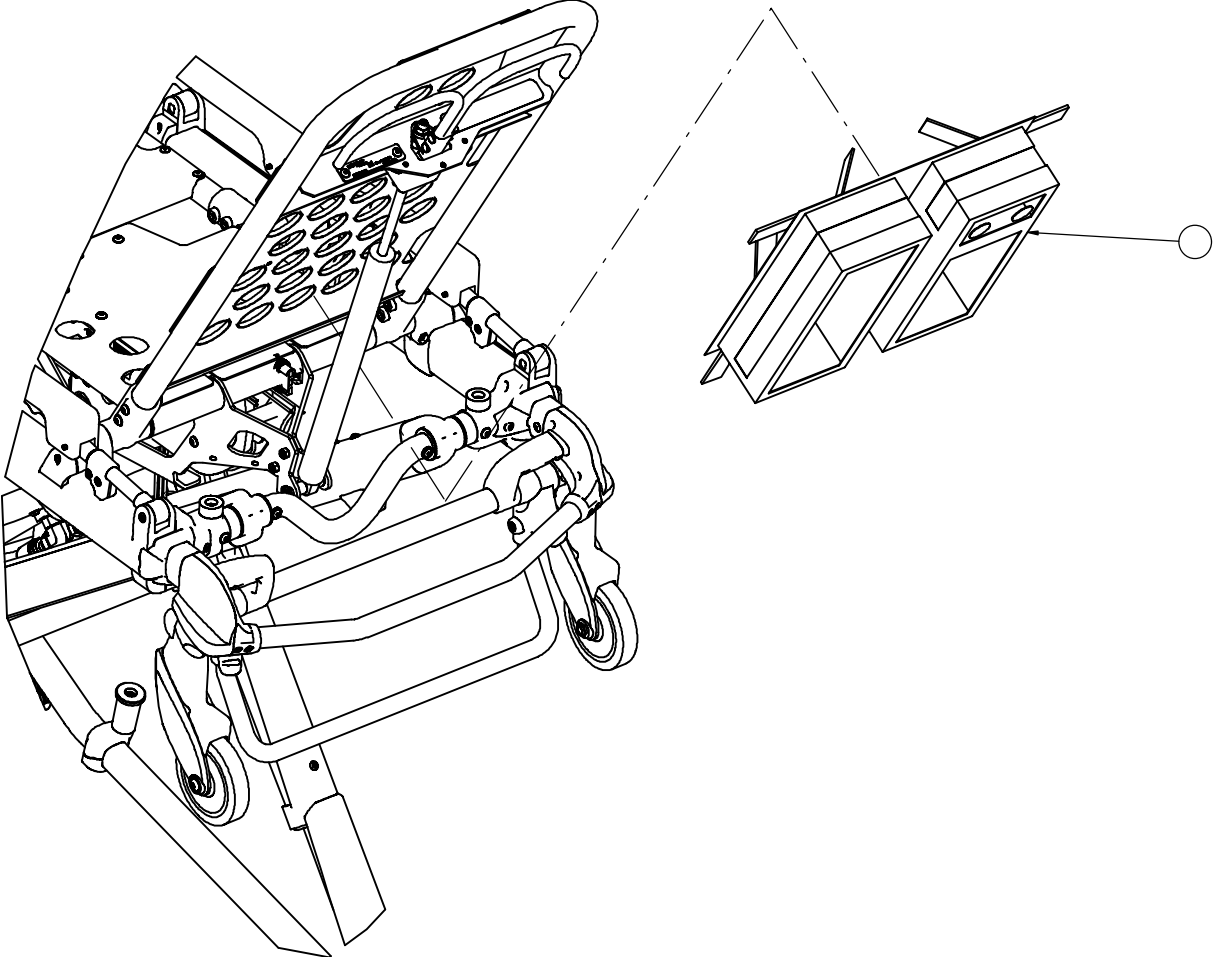
Item	Part No.	Part Name	Qty.
A	6100-41-30	Head Extension Pillow	1
B	6100-44-12	Head Extension Assembly	1

6100-044-012 Head Extension Assembly



Item	Part No.	Part Name	Qty.
A	6100--44-10	Bracket Weldment	1
B	6100-44-7	Support	1
C	6100-44-11	Extension Tube	1
D	6100-44-8	Pillow Support	2
E	6100-44-5	Insert	1
F	28-76-0	Clip	2
G	6100-44-6	Spacer	2
H	16-28-0	Nylock Nut	4
J	4-161-0	Button Head Cap Screw	2
K	4-232-0	Button Head Cap Screw	2
L	6372-10-16	Pull Pin Assembly	1
M	25-79-0	Rivet	4
N	14-67-0	Washer	4
P	25-31-0	Semi-Tubular Rivet	4
R	6060-90-4	Label (small) RUGGED	1
S	6100-90-13	Spec Label	1
T	6100-44-13	Velcro (hook)	1
V	6100-44-4	Insert	1
W	45-999-603	O-Ring	2

6500-130-000 Backrest Pouch Option



Item	Part No.	Part Name	Qty.
------	----------	-----------	------

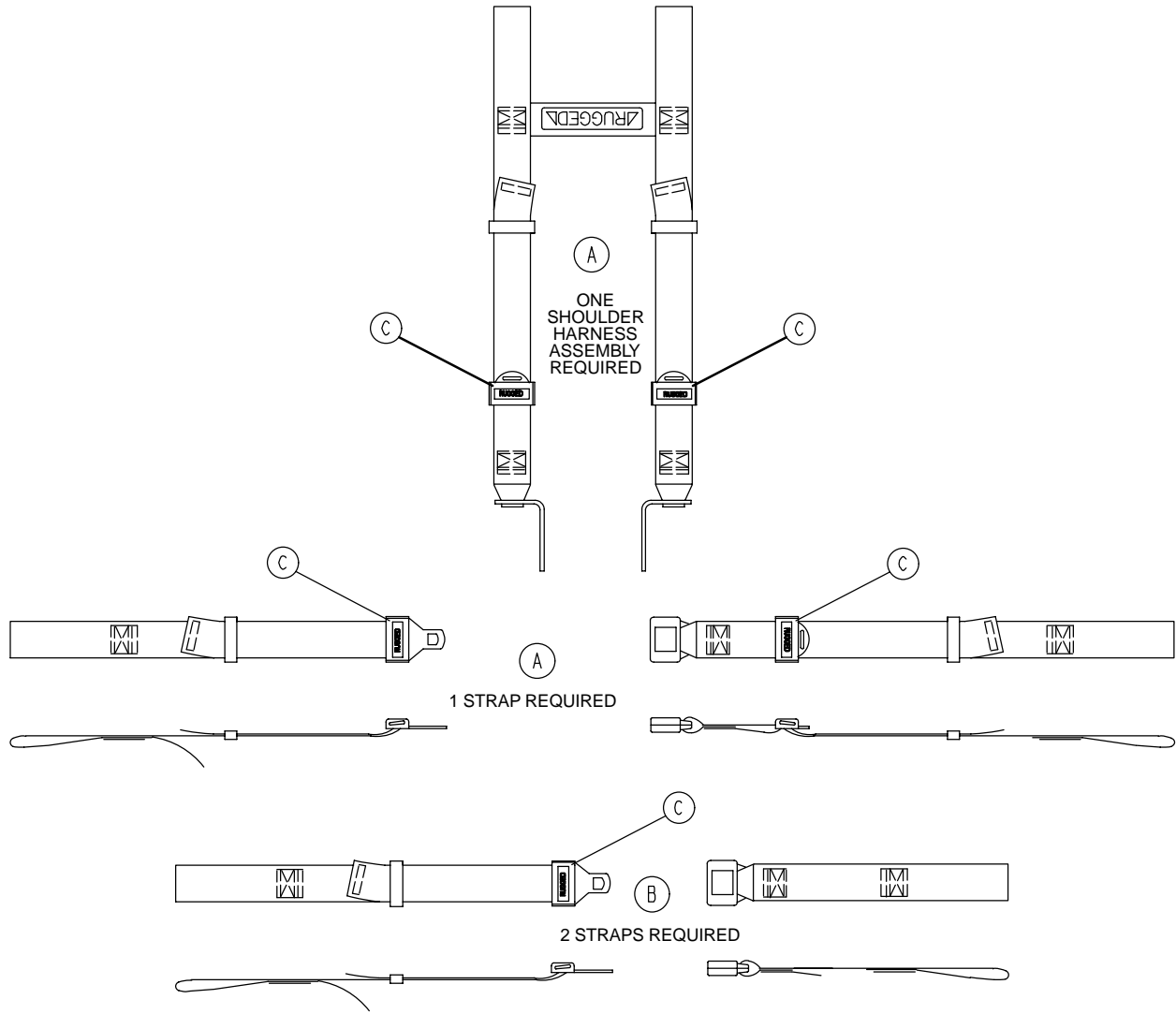
A

6500-130-000

Backrest Pouch Option

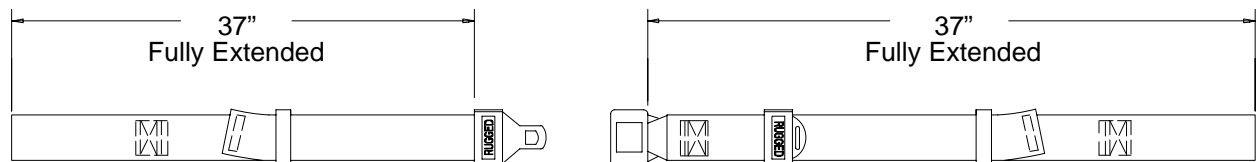
1

6082-260-10 Restraint Strap Package

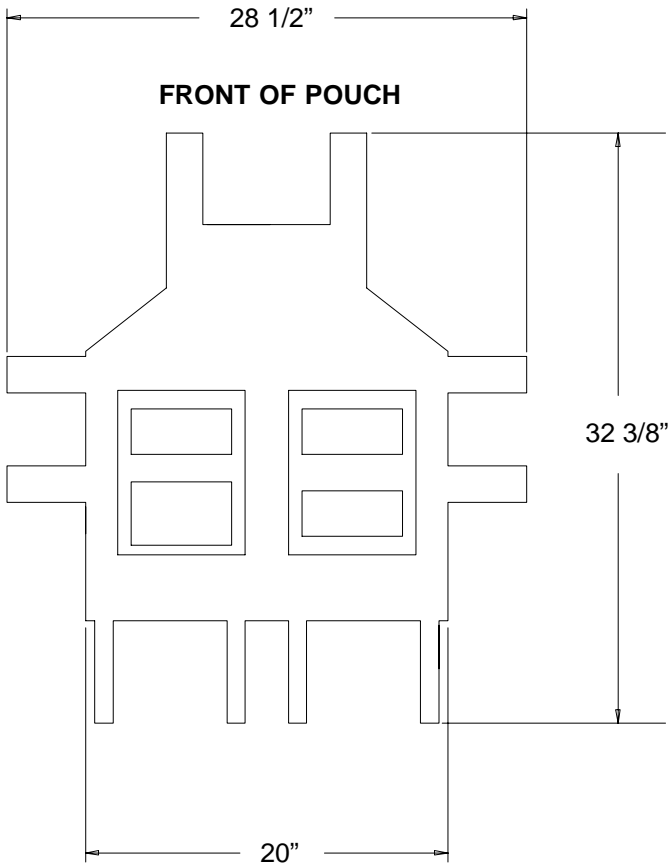


Item	Part No.	Part Name	Qty.
A	6060-260-45	Four Point Harness	1
B	6060-160-44	Lap Belt	2
C	6082-160-51	Plastic Cap	1

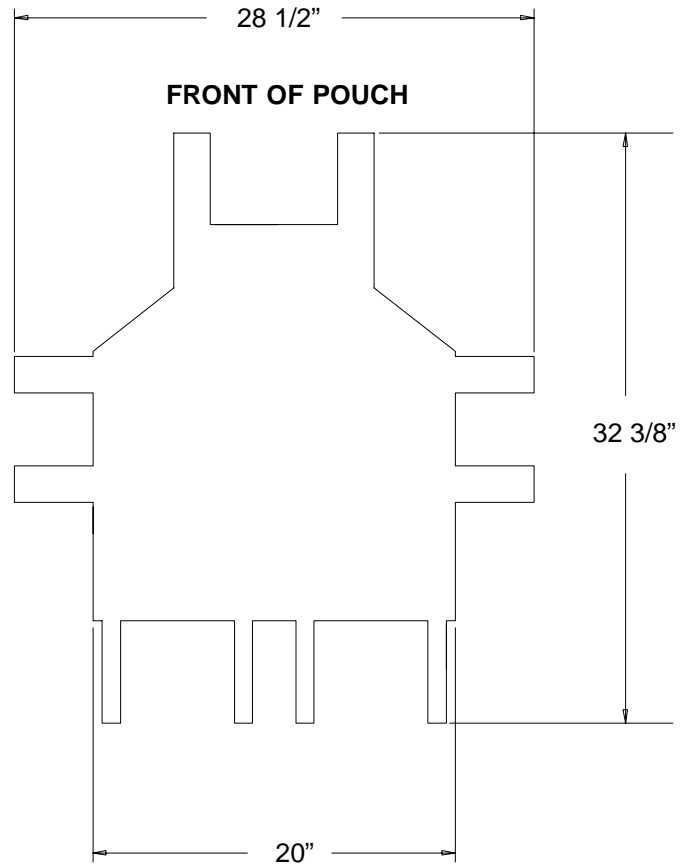
6060-260-46 Chest Restraint Strap



Head End Storage Pouch Options

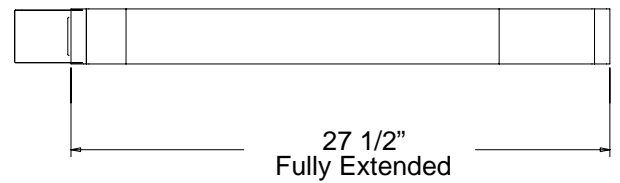
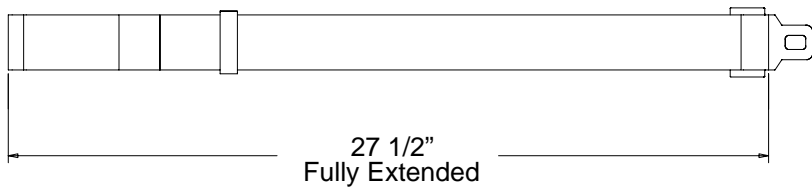


**6082-128-10
Pouch with Pockets**



**6082-128-12
Flat Pouch**

6082-160-52 Optional Accessory Strap



Quick Reference Replacement Parts List

NOTE

The parts and accessories listed on this page are all currently available for purchase. Some of the parts identified on the assembly drawings pages in this manual may not be individually available for purchase. Please call Stryker Customer Service at 1-800-327-0770 for availability and pricing.

<u>ITEM</u>	<u>PART NUMBER</u>
Accessory Strap	6082-160-52
Base Storage Kit	6082-700-025
Bolster Mattress	6100-041-010
Bumper, Fowler	946-1-155
Bumper, Litter Foot Section	6080-30-43
Bumper, Litter Break-Away Head Section	6080-36-44
Extension Spring, Height Adjustment	38-348
Gas Cylinder, Fowler	1010-31-77
Handle, Pull	6080-155
Head Extension Option Kit	6100-700-12
Head Extension Pillow Only Option	6100-45-0
Height Limit Kit	6060-202
I.V. Pole Kit, 2-Stage, Right	6080-210
I.V. Pole Kit, 2-Stage, Left	6080-211
I.V. Pole Kit, 3-Stage, Right	6080-215
I.V. Pole Kit, 3-Stage, Left	6080-216
Label, Base, "Lift Here"	6080-90-8
Label, I.V. Pole Caution	6070-90-5
Label, Damage Warning	6080-90-9
Litter Retainer Plate Cover Kit	6082-700-22
Lubricant, Tri-Flow™ with Teflon®	6082-199-12
Manual, Installation/Operation, Cot Fastener	6370-90-10
Mattress, Bolster, Standard	6090-41-10
Mattress, Flat, Optional	6090-42-10
Oxygen Bottle Holder, Permanently Attached, Foot End	6070-140
Oxygen Bottle Holder, Permanently Attached, Head End	6082-700-6
Oxygen Bottle Holder, Hanging	6080-140
Restraint Belt Extension	6082-160-50
Restraint, Chest	6060-260-46
Restraint, Lap Belt (2 Used per Unit)	6060-160-44
Restraint Package, Domestic	6082-260-10
Restraint Package, Extended	6082-260-11

Quick Reference Replacement Parts List

Restraint, Shoulder Harness	6060-260-45
Restraint Strap Plastic Cap	6082-160-51
Retaining Post Kit	6082-700-16
Safety Hook, Long	6060-36-18
Safety Hook, Short	6060-36-17
Storage Net, Base	6080-150-10
Storage Pouch, Head End, Flat	6082-128-12
Storage Pouch, Head End, with Pockets	6082-128-10
Storage Tray, Base	6080-150-15
Touch-Up Paint (Yellow)	6060-199-10
Touch-Up Paint (Black)	6060-199-11
Velcro Adhesive Loop Pile, Litter	6060-32-46
Video, In-Service	6082-90-20
Wheel Assembly, Base	6060-2-10
Wheel Bearing	81-226
Wheel Lock	6082-200-10
Wheel Mount Cover	6060-1-21
X-Frame Guard Kit	6082-700-14

European Representative

Stryker EMEA RA/QA Director
Stryker France
ZAC Satolas Green Pusignan
Av. De Satolas Green
69881 MEYZIEU Cedex
France

stryker[®]

3800 E. Centre Ave, Portage, MI 49002
(800) 327-0770
www.stryker.com



JH 10/05 6082-090-014 REV F