

MX-PRO R3
Ambulance Cot
Model 6082 RUGGED®

stryker®

Operations/Maintenance Manual



For Parts or Technical Assistance:
USA: 1-800-327-0770 (option 2)

CE

Table of Contents

Introduction	6
Specifications	6
WARNING / CAUTION / NOTE DEFINITION.	7
Product Illustration	8
Symbols and Definitions	9
Warranty	10
Stryker EMS Return Policy	11
Return Authorization	11
Damaged Merchandise	11
International Warranty Clause	11
Patent Information	11
Summary of Safety Precautions	12
Setup Procedures	14
Vehicle Safety Hook Installation	15
Ambulance Configuration	15
Required Hardware for Installation of the Safety Hook (Not Supplied)	15
Positioning and Installing the Safety Hook	16
Cot Positions	18
Cot Operations	19
Using Patient Restraint Straps	19
Using Patient Restraint Straps (Continued)	20
Pedi-Mate™ Infant Restraint System Attachment Instructions (Optional Equipment)	21
Operating Guidelines	23
Transferring the Patient to the ▲RUGGED▲ Cot	23
Rolling the ▲RUGGED▲ Cot	23
Raising/Lowering the ▲RUGGED▲ Cot	23
Loading the ▲RUGGED▲ Cot into a Vehicle with Two Operators	24
Loading an Empty ▲RUGGED▲ Cot into a Vehicle with One Operator	25
Unloading The ▲RUGGED▲ Cot From a Vehicle with Two Operators	26
Unloading The ▲RUGGED▲ Cot From a Vehicle with Two Operators	26
Using Additional Assistance	27
Operating the Optional Wheel Lock(s)	28
Adjusting the Wheel Locking Force	29
Changing the ▲RUGGED▲ Cot Height with Two Operators	30
Changing The Height of an Empty ▲RUGGED▲ Cot With One Operator	31
Adjusting the Leg Rest	32
Operating the Backrest	33
Operating the Siderails	33
Operating the Breakaway Head Section	34
Operating the 2-Stage I.V. Pole (Optional Equipment)	35
Operating the 3-Stage I.V. Pole (Optional Equipment)	36

Table of Contents

Cleaning	37
Washing Limitations	37
Removal of Iodine Compounds	38
Preventative Maintenance	39
Checklist	39
Base Lubrication	40
Pneumatic Backrest Adjustment	41
Maintenance Record	42
Training Record	43
Assembly Drawings	44
Cot Assembly	44
Base Assembly	49
Wheel Assembly - 6060-002-010	53
Base Pivot Outer Lift Tube Assembly - 6082-001-067	54
Base Pivot Inner Lift Tube Assembly - 6082-001-069	55
Height Adjustment Lock Bar Assembly - 6082-005-056	56
Adjustable Wheel Lock Assembly - 6082-200-010	57
Optional Single Wheel Lock Assembly - 6082-501-010	58
Optional Dual Wheel Lock Assembly - 6082-502-010	58
Litter/Base Adapter Assembly, Right - 6082-205-050	59
Litter/Base Adapter Assembly, Left - 6082-205-053	60
Litter Assembly	61
Siderail Assembly - 6082-026-010	68
Optional Lift Tube Assembly, Left Side Release - 6082-140-059	70
Optional Lift Tube Assembly, Right Side Release - 6082-140-060	72
Release Handle Assembly, Left - 6082-040-061	74
Release Handle Assembly, Right - 6082-040-062	75
Breakaway Head Assembly	76
Optional 2-Stage I.V. Mounting Assembly, Right - 6080-210-010	81
Optional 3-Stage I.V. Mounting Assembly, Right - 6080-215-010	81
Optional 2-Stage I.V. Assembly, Patient Right - 6080-210-020	82
Optional 3-Stage I.V. Assembly, Patient Right - 6080-215-020	83
Optional 2-Stage I.V. Mounting Assembly, Left - 6080-211-010	84
Optional 3-Stage I.V. Mounting Assembly, Left - 6080-216-010	84
Optional 2-Stage I.V. Assembly, Patient Left - 6080-211-020	85
Optional 3-Stage I.V. Assembly, Patient Left - 6080-216-020	86
Optional 2-Stage I.V. Pole Assembly - 6070-210-070	87
Optional 3-Stage I.V. Pole Assembly - 6070-215-070	88
Optional 3-Stage I.V. Pole Assembly, 3rd Stage - 6070-115-030	89
Optional Oxygen Bottle Holder Assembly, Hanging - 6080-140-000	90
Optional Oxygen Bottle Holder Assembly, FE - 6080-140-010	91
Optional Oxygen Bottle Holder Tray Assembly, FE - 6060-140-020	92
Optional Oxygen Bottle Holder Assembly, HE - 6082-140-000	93

Table of Contents


Assembly Drawings (Continued)

Optional Oxygen Bottle Holder Tray Assembly, HE - 6082-140-040	94
Optional Pull Handle Assembly - 6080-155-000.	95
Optional Base Lift Bar Assembly - 6080-157-010.	96
Optional Base Storage Tray Assembly - 6082-150-015	97
Optional X-Frame Guard Assembly (Pair) - 6080-145-000	98
Optional Pedi-Mate Restraint Assembly - 6080-150-012	99
Optional Retaining Post, Patient Right - 6082-200-000	100
Optional Retaining Post, Dual - 6082-190-000	101
Optional Storage Tray, HE - 6082-128-000	102
Optional Tray Assembly, HE - 6082-128-020	103
Optional Head Extension Kit Assembly - 6100-044-000.	104
Optional Head Extension Assembly - 6100-044-012	105
Optional Backrest Pouch Assembly - 6500-130-000	106
Optional Defibrillator Platform Assembly - 6082-170-000	107
Optional Equipment Hook Assembly - 6500-147-000	108
Optional Transfer Flat - 6083-001-200	109
Standard Restraint Strap Package - 6082-260-010	110
Standard Restraint Strap Package - 6060-260-046	110
Optional Head End Storage Pouch - 6082-128-010/6082-128-012	111
Optional Accessory Restraint - 6082-160-052	111
Quick Replacement Part List.	112

Introduction

This manual is designed to assist you with the operation and maintenance of the 6082 **RUGGED** MX-PRO Ambulance Cot. Read it thoroughly before using the equipment or beginning any maintenance on it.

SPECIFICATIONS

Maximum Cot Load Capacity		650 pounds	295 kg
Overall Length/Minimum Length/Width		80.5" / 62" / 23"	204 cm / 157 cm / 58 cm
Height ¹	Position 1	13.5"	34,2 cm
(See Page 18 for Positions)	Position 2	21.0"	53,3 cm
	Position 3	25.5"	64,7 cm
	Position 4	29.0"	73,6 cm
	Position 5	32.0"	81,2 cm
	Position 6	35.0"	88,9 cm
	Position 7	37.5"	95,2 cm
Weight ²		81 pounds	37,7 kg
Caster Diameter/Width		6" / 2"	15,2 cm / 5,1 cm
Backrest Articulation/Shock Position		2° to 73° / +14°	
Minimum Operators Required for Loading/Unloading an Occupied Cot		2	
Recommended Fastener Systems		Model 6370/6374/6377/6378 Floor Mount Type Model 6371/6375 Wall Mount Type	
Recommended Floor Height ³		Up to 32"	81,2 cm
Roll-In Style		Yes	
Single Wheel Lock / Double Wheel Lock		Optional	

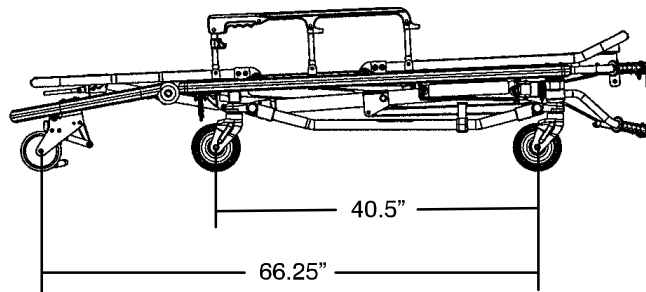
¹ Height measured from bottom of mattress at seat section to ground level.

² Cot is weighed without mattress and restraints.

³ Cot may be loaded from any height and a height limiting kit (p/n 6060-202) is available to limit the load height of the cot.

Stryker reserves the right to change specifications without notice.

The MX-PRO is designed to conform to the Federal Specification the Star-of-Life Ambulance KKK-A-1822-F.



The yellow and black color scheme is a proprietary trademark of Stryker Corporation.

Introduction

WARNING / CAUTION / NOTE DEFINITION

The words WARNING, CAUTION and NOTE carry special meanings and should be carefully reviewed.

WARNING

Alerts the reader about a situation, which if not avoided, could result in death or serious injury. It may also describe potential serious adverse reactions and safety hazards.

CAUTION

Alerts the reader of a potentially hazardous situation, which if not avoided, may result in minor or moderate injury to the user or patient or damage to the equipment or other property. This includes special care necessary for the safe and effective use of the device and the care necessary to avoid damage to a device that may occur as a result of use or misuse.

NOTE

This provides special information to make maintenance easier or important instructions clearer.

Product Illustration

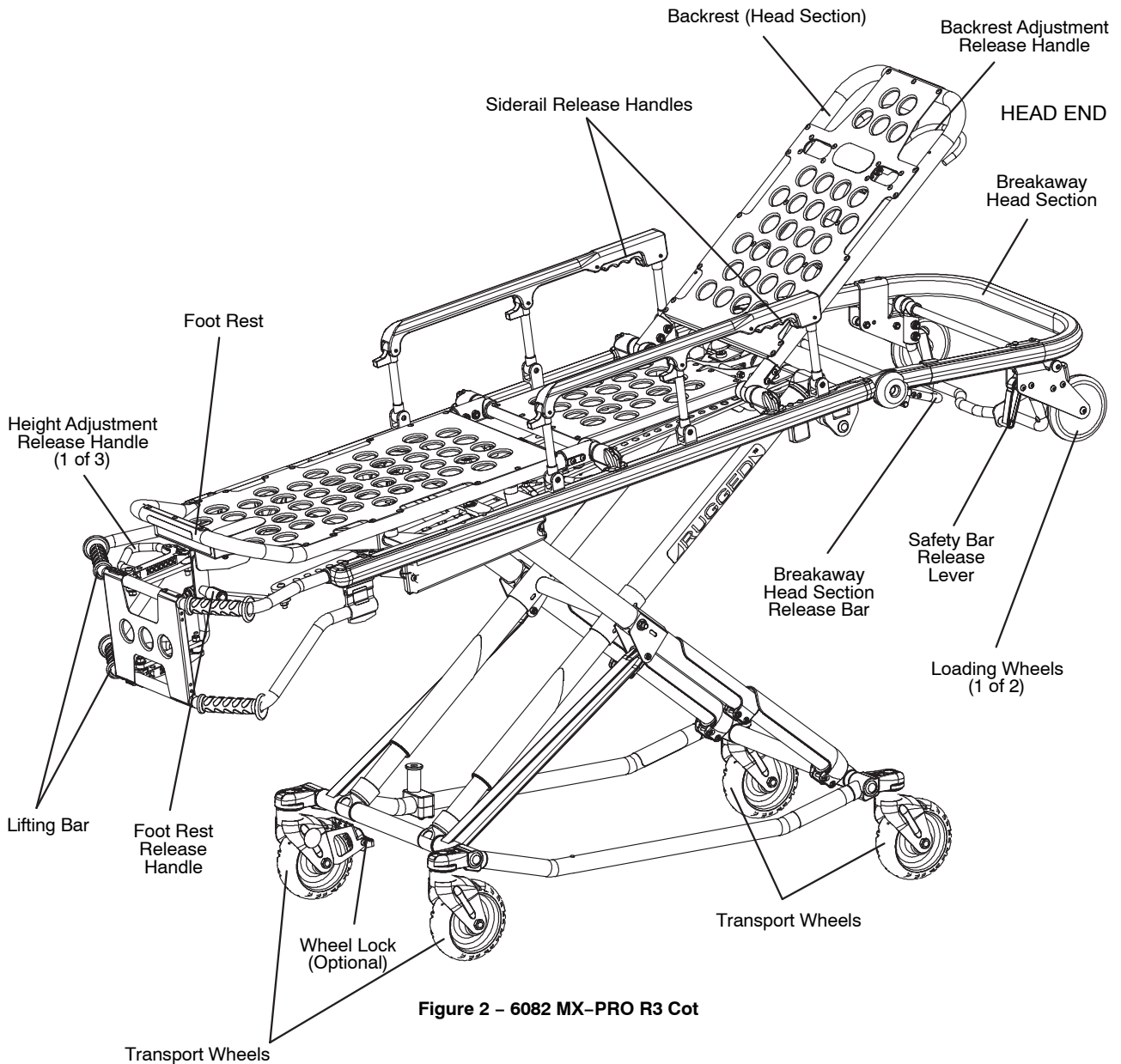
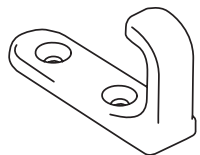
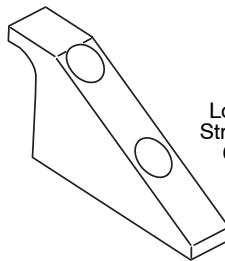


Figure 2 - 6082 MX-PRO R3 Cot



J Safety Hook
Stryker part number
6092-036-018



Long Safety Hook
Stryker part number
6060-036-018



Short Safety Hook
Stryker part number
6060-036-017

Symbols and Definitions



Warning, consult accompanying documentation



Safe Working Load Symbol

Warranty

Stryker EMS, a division of the Stryker Corporation, offers two distinct warranty options in the United States:

One (1) year parts and labor. Under this option, Stryker EMS warrants to the original purchaser that its products should be free from manufacturing non-conformances that affect product performance and customer satisfaction for a period of one (1) year after date of delivery. Stryker's obligation under this warranty is expressly limited to supplying replacement parts and labor for, or replacing, at its option, any product that is, in the sole discretion of Stryker, found to be defective.

Two (2) year parts. Under this option, Stryker EMS warrants to the original purchaser that non-expendable components of its products should be free from manufacturing non-conformances that affect product performance and customer satisfaction for a period of two (2) years after date of delivery. Stryker's obligation under this warranty is expressly limited to supplying replacement parts for, or replacing, at its option, any product which is, in the sole discretion of Stryker, found to be defective. Expendable components, i.e. mattresses, restraints, IV poles, storage nets, storage pouches, O2 straps, and other soft goods, have a one (1) year limited warranty with this option.

Under either warranty option, Stryker EMS products are designed for a 7 year expected service life under normal use, conditions, and with appropriate periodic maintenance as described in the maintenance manual for each device. Stryker warrants to the original purchaser that the welds on its EMS products will be free from structural defects for the expected 7 year life of the EMS product as long as the original purchaser owns the product. Original purchasers will also obtain a three (3) year limited parts warranty for the X-frame components of the MX-PRO R3 stretcher provided they also purchase X-frame guards at the time of the original purchase and the guards are installed on the MX-PRO before it is put into service.

If Stryker requests, products or parts for which an original purchaser makes a warranty claim, the purchaser shall return the product or part prepaid freight to Stryker's factory.

Any improper use or alteration or repair by unauthorized service providers in such a manner as in Stryker's judgment affects the product materially and adversely, shall void this warranty. Any repair of Stryker products using parts not provided or authorized by Stryker shall void this warranty. No employee or representative of Stryker is authorized to change this warranty in any way.

This statement constitutes Stryker EMS's entire warranty with respect to the aforesaid equipment. STRYKER MAKES NO OTHER WARRANTY OR REPRESENTATION EITHER EXPRESSED OR IMPLIED, EXCEPT AS SET FORTH HERIN. THERE IS NO WARRANTY OF MERCHANTABILITY AND THERE ARE NO WARRANTIES OF FITNESS FOR ANY PARTICULAR PURPOSE. IN NO EVENT SHALL STRYKER BE LIABLE HEREUNDER FOR INCIDENTAL OR CONSEQUENTIAL DAMAGES ARISING FROM OR IN ANY MANNER RELATED TO SALES OR USE OF ANY SUCH EQUIPMENT.

Warranty

STRYKER EMS RETURN POLICY

Cots, Stair Chairs, Evacuation Chairs, Cot Fasteners and Aftermarket Accessories may be returned up to 180 days of receipt if they meet the following guidelines:

Prior to 30 Days

- 30 day money back guarantee in effect
- Stryker EMS is responsible for all charges
- Returns will not be approved on modified items

Prior to 90 Days

- Product must be **unused, undamaged** and in the original packaging
- Customer is responsible for a 10% restocking fee

Prior to 180 Days

- Product must be **unused, undamaged** and in the original packaging
- Customer is responsible for a 25% restocking fee

RETURN AUTHORIZATION

Merchandise cannot be returned without approval from the Stryker Customer Service Department. An authorization number will be provided which must be printed on the returned merchandise. Stryker reserves the right to charge shipping and restocking fees on returned items.

SPECIAL, MODIFIED, OR DISCONTINUED ITEMS NOT SUBJECT TO RETURN.

DAMAGED MERCHANDISE

ICC Regulations require that claims for damaged merchandise must be made with the carrier within fifteen (15) days of receipt of merchandise. **DO NOT ACCEPT DAMAGED SHIPMENTS UNLESS SUCH DAMAGE IS NOTED ON THE DELIVERY RECEIPT AT THE TIME OF RECEIPT.** Upon prompt notification, Stryker will file a freight claim with the appropriate carrier for damages incurred. Claim will be limited in amount to the actual replacement cost. In the event that this information is not received by Stryker within the fifteen (15) day period following the delivery of the merchandise, or the damage was not noted on the delivery receipt at the time of receipt, the customer will be responsible for payment of the original invoice in full.

Claims for any short shipment must be made within thirty (30) days of invoice.

INTERNATIONAL WARRANTY CLAUSE

This warranty reflects U.S. domestic policy. Warranty outside the U.S. may vary by country. Please contact your local Stryker Medical representative for additional information.

PATENT INFORMATION

RUGGED products are covered by one or more of the following patents:

United States	5,575,026	6,276,010	6,648,343	6,908,133	6,796,757
	5,537,700	6,125,485	6,735,794	7,100,224	D527,103

Other Patents Pending

Summary of Safety Precautions

The following is a list of safety precautions that must be observed when operating or servicing this unit. The precautions are repeated throughout the manual, where applicable. Carefully read this list before using or servicing the unit.

WARNING

- Improper usage of the Cot can cause injury to the patient or operator. Operate the cot only as described in this manual.
- Install the safety hook at least 1/8 inch from the edge of the rear ambulance door. After installation, verify the cot legs lock into the load position without contacting the ambulance bumper.
- Have the vehicle safety hook installed by a certified mechanic. Improper safety hook installation can result in injury to the patient or operator or damage to the unit.
- Failure to install the vehicle safety hook can result in injury to the patient or operator. Install and use the safety hook as described in this manual.
- To avoid injury, verify the safety bar has engaged the safety hook before removing the cot from the patient compartment.
- Always use all restraint straps to secure the patient on the cot. An unrestrained patient may fall from the cot and be injured.
- To avoid accidental release of the Pedi-Mate™, and possible injury to the infant, ensure the buckle is located away from obstructions on the cot or head end storage pouch.
- Siderails are not intended to serve as a patient restraint device. Refer to pages 15 and 16 for proper restraint strap usage. Failure to utilize the siderails properly could result in patient injury.
- Never leave a patient unattended on the cot or injury could result. Hold the cot securely while a patient is on the cot.
- Never apply the optional wheel lock(s) while a patient is on the cot. Tipping could occur if the cot is moved while wheel locks are applied, resulting in injury to the patient or operator and/or damage to the cot.
- Wheel locks are only intended to help prevent the cot from rolling while unattended. Wheel locks may not provide sufficient resistance on all surfaces or under loads.
- Never install or use wheel locks on a cot with excessively worn wheels. Installing or using wheel locks on wheels with less than a 6" diameter could compromise the holding ability of the wheel lock, resulting in injury to the patient or operator and/or damage to the cot or other equipment.
- Be sure the undercarriage has engaged and locked before removing the loading wheels from the patient compartment floor of the vehicle. An unlocked undercarriage will not support the cot and injury to the patient and/or operator could result.
- Grasping the Cot improperly can cause injury. Grasp only the lifting bars to lift the cot. Keep hands, fingers and feet away from moving parts. To avoid injury, use extreme caution when placing your feet near the base tubes while raising and lowering the cot.
- Do not pull or lift on the safety bar when unloading the cot. Damage to the safety bar could result and injury to the patient or operator could occur.
- The one person loading and unloading procedures are for use only with an empty cot. Do not use the procedures when unloading a patient. Injury to the patient or operator could result.
- The cot must have at least 5/8" of clearance between the ambulance bumper and the cot to disengage the safety bar when unloading the cot from the ambulance. Verify the cot legs lock into the load position before disengaging the safety bar from the safety hook. Failure to properly lock the cot into position can cause injury to the patient or operator and/or damage to the cot.
- Do not allow untrained helpers to assist in the operation of the cot. Untrained technicians/helpers can cause injury to the patient or themselves.
- When the optional head end storage pouch is being used, ensure it does not interfere with the operation of the safety bar and safety hook. Injury to the patient or operator could occur.
- Use any appropriate personal safety equipment (goggles, respirator, etc.) to avoid the risk of inhaling contagion. Use of power washing equipment can aerate contamination collected during the use of the cot.
- Do not ride on the base of the cot. Damage to the cot could occur, resulting in injury to the patient or operator.
- Failure to properly clean or dispose of contaminated mattress or cot components will increase the risk of exposure to bloodborne pathogens and may cause injury to the patient or the operator.

Summary of Safety Precautions

WARNING (CONTINUED)

- Do not modify the Cot. Modifying the cot can cause unpredictable operation resulting in injury to the patient or operator. Modifying the cot will also void its warranty.
- Operating the cot with the breakaway head section lowered may cause injury to the patient or operator or damage to the cot. Use only positions 5–7 (see page 14) when using this configuration.

CAUTION

- Height limit kit is recommended for ambulance deck heights less than 30 inches (76 cm) – Stryker part number 6060–202–000.
- Damage to the cot can occur if the cot is lowered in the shortened position. Use only positions 5–7 (see page 14) when the cot is shortened.
- Do not allow the cot undercarriage to drop unassisted (commonly known as a “hot drop”) when removing the cot from the vehicle. Repeated hot dropping will cause premature wear or damage to the cot.
- Do not store items under the cot mattress. Storing items under the mattress can interfere with the operation of the cot.
- The weight of the IV bags or equipment must not exceed 40 pounds.
- Improper maintenance can cause injury or damage to the unit. Maintain the cot as described in this manual. Use only Stryker approved parts and maintenance procedures. Using unapproved parts and procedures could cause unpredictable operation and/or injury and will void the product warranty.
- The weight of the monitoring equipment must not exceed 75 pounds (34 kg) with the defibrillator platform (if equipped). Monitoring equipment should not be stored on the cot or on the defibrillator platform when in the ambulance vehicle.

Setup Procedures

Unpack the cartons and check all items for proper operation. It is important that the Cot is working properly before it is put into service. Have a qualified service person use the following list and the operation instructions to check the cot before it is put into service.

Note

Ensure that all shipping and packaging materials have been removed from the product(s) prior to use.

- All fasteners secure (reference all assembly drawings)
- All welds intact, not cracked or broken
- No bent or broken tubing or sheet metal
- No debris in wheels
- All wheels secure, rolling and swivelling properly
- Siderails move and latch properly
- Backrest operating properly
- Optional accessories intact and operating properly
- Height positioning latch functioning properly
- Cot secure in each height position
- Undercarriage folds properly
- Breakaway head section operating properly
- Safety bar operating properly
- Foot rest operating properly
- No rips or cracks in mattress cover
- Body restraints intact and working properly
- Wheel lock(s) operating properly (optional equipment)
- Does the vehicle safety hook engage the safety bar so that the cot loads and unloads easily from the vehicle?
- Is there an approved crash-stable fastener (Stryker part number 6370/6374/6377/6378 or 6371/6375 – not included) installed in the vehicle?

The patient compartment of the vehicle in which the Cot will be used must have:

- A smooth rear edge for cot loading.
- A level floor large enough for the folded cot.
- Stryker 6370/6374/6377/6378/6379 or 6371/6375 crash stable cot fastener (not included).
- 32" (81 cm.) maximum loading height.
- Space to install the safety hook.

When necessary, modify the vehicle to fit the cot. Do not modify the cot.

WARNING

Do not modify the Cot. Modifying the cot can cause unpredictable operation resulting in injury to the patient or operator. Modifying the cot will also void its warranty (see [page 10](#)).

Vehicle Safety Hook Installation

AMBULANCE CONFIGURATION

The vehicle safety hook is a device shipped with the cot. The safety bar and hook are designed to keep the cot from being accidentally removed from the ambulance and to provide increased operator assurance and confidence when unloading. The vehicle safety hook was designed to ensure compatibility and proper operation of the cot during unloading when used in an ambulance vehicle compliant with Federal Regulation KKK-A-1822.

According to federal regulations (reference KKK- A-1822), the bumper height of the ambulance shall be installed equidistant 2 inches (5 cm) from the ambulance floor to the ground level, defined as the ambulance deck height (refer to Figure 3a). The bumper step shall have a minimum depth of 5 inches (13 cm) and a maximum depth of 10 inches (25 cm). If the bumper length is greater than 7 inches (18 cm), then the bumper must be able to fold. Installation of the safety hook into any ambulance vehicle compliant with this federal specification will provide adequate clearance for the cot base to lower to its fully extended position (refer to Figure 3b). The cot is compatible with all ambulance deck heights up to 32 inches (81 cm) as long as the ambulance meets the federal specifications outlined in KKK-A-1822.

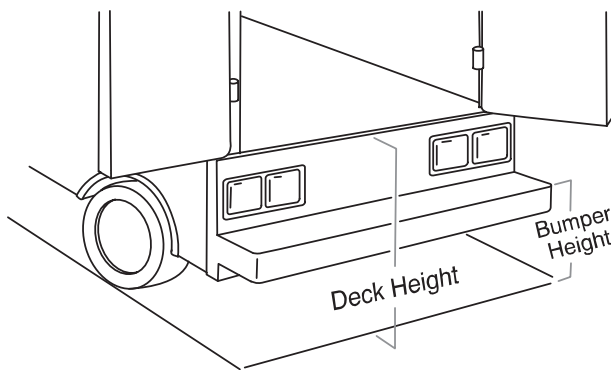


Figure 3a - Ambulance Deck Height

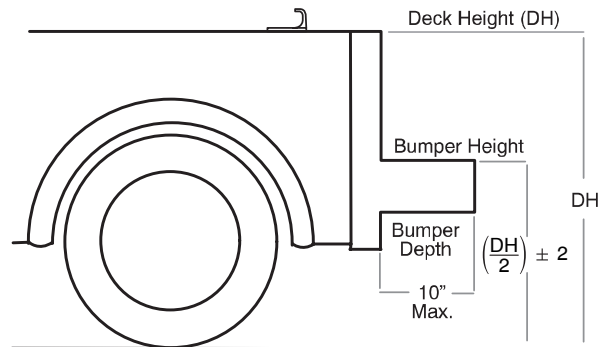


Figure 3b - Ambulance Deck Height

CAUTION

- Height limit kit is recommended for ambulance deck heights less than 30 inches (76 cm) – Stryker part number 6060-202-000.
- Installation of the safety hook should be done by a certified mechanic familiar with ambulance construction. Consult the vehicle manufacturer before installing the safety hook and be sure the installation of the safety hook does not damage or interfere with the brake lines, oxygen lines, fuel lines, fuel tank or electrical wiring of the vehicle.

REQUIRED HARDWARE FOR INSTALLATION OF THE SAFETY HOOK (NOT SUPPLIED)

- (2) Grade 5, 1/4"-20 Socket Head Cap Screws*
- (2) Grade 5, 1/4"-20 Flat Socket Head Cap Screws*
- (2) Flat Washers
- (2) Lock Washers
- (2) 1/4"-20 Nuts

* The length of the socket head cap screws depends on the thickness of the vehicle floor. Use screws long enough to go completely through the patient compartment floor, washer and nut by at least two full threads.

Vehicle Safety Hook Installation

POSITIONING AND INSTALLING THE SAFETY HOOK

WARNING

- Have the vehicle safety hook installed by a certified mechanic. Improper safety hook installation can cause injury to the patient and/or operator or damage to the cot.
- Failure to install the safety hook can cause injury to the patient or operator. Install and use the safety hook as described in this manual.
- Install the safety hook at least 1/8 inch from the edge of the rear ambulance door. After installation, verify the cot legs lock into the load position without contacting the ambulance bumper.
- To avoid injury, verify the safety bar has engaged the safety hook before removing the cot from the patient compartment.

Note:

Stryker EMS recommends that, prior to installation, the certified mechanic plan the placement of the safety hook in the rear of the vehicle.

Procedure:

1. Remove the cot from the fastener and unload it from the vehicle.
2. While the cot is being removed, note the position of the load wheels and the safety bar.
3. Center the safety hook on the cot safety bar, with the hook facing the front of the vehicle (Figure 4a). For best results, the face of the safety hook which engages the safety bar should be at least 3-3/4" from the leading edge of the door sill (Figure 4b).

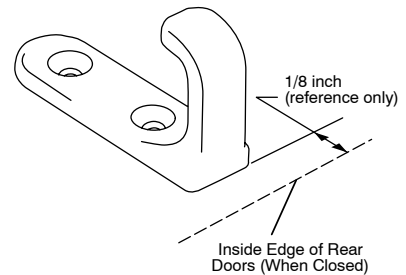


Figure 4a - Safety Hook Placement

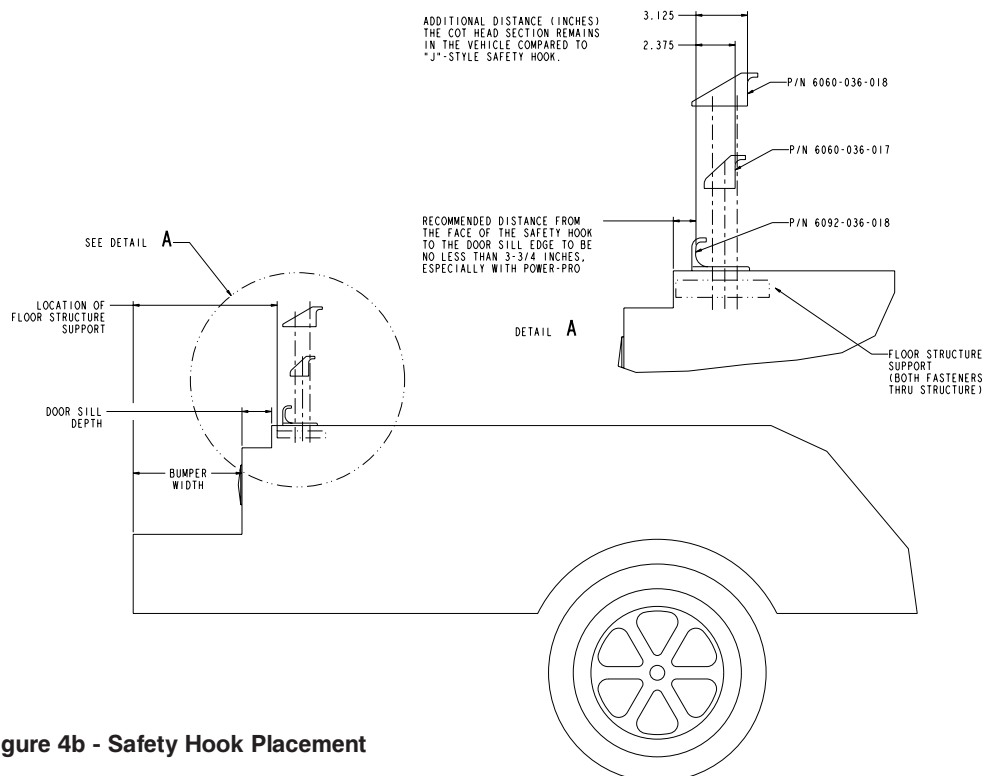


Figure 4b - Safety Hook Placement

Vehicle Safety Hook Installation

POSITIONING AND INSTALLING THE SAFETY HOOK (CONTINUED)

4. Mark the position of the safety hook on the patient compartment floor. The safety hook should be installed as close as possible to the rear of the vehicle while allowing the vehicle doors to close and checking that the load wheels always remain on the patient compartment floor (i.e., wheels do not roll off the door sill when the cot safety bar engages the safety hook) when the cot is loaded and unloaded from road and/or curb height (Figure 4c).
5. Ensure the bumper and bumper step do not interfere with the operation of the cot.
6. Drill the holes for the socket head cap screws.
7. Fasten the safety hook to the patient compartment floor and verify that the safety hook always engages the cot safety bar when the cot is unloaded from the vehicle (Figure 4d).

Note

If the ambulance cot can be removed by rolling to one side of the vehicle and not engaging the safety hook, an additional safety hook should be installed.

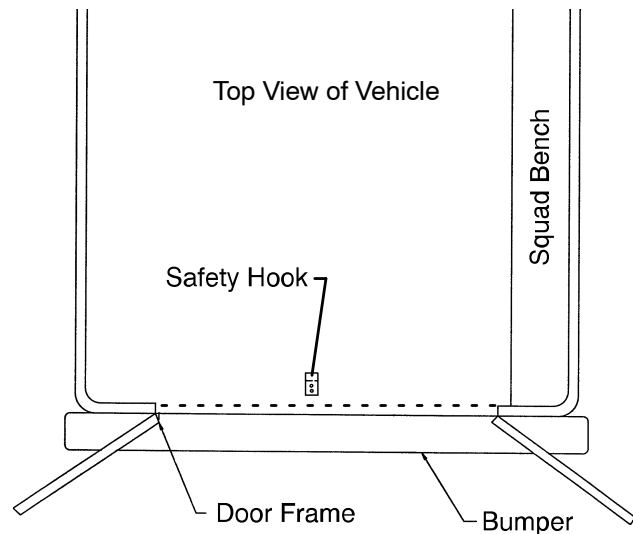


Figure 4C - Safety Hook Placement

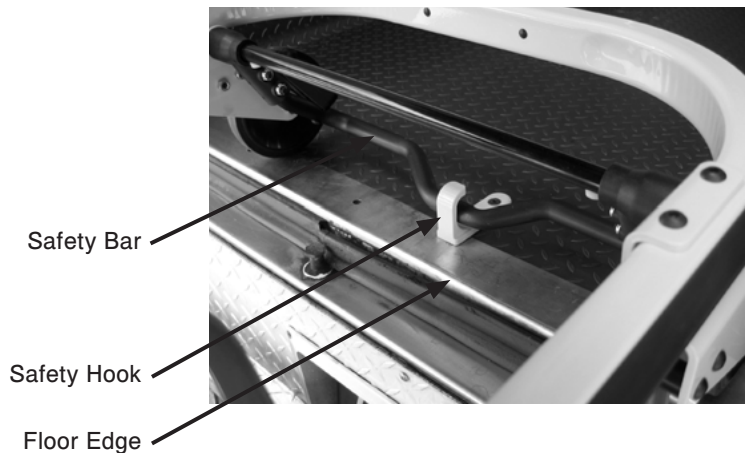
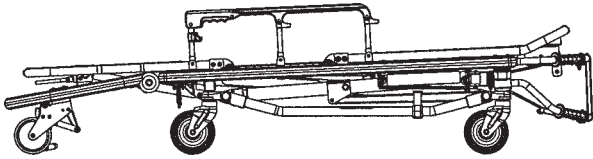


Figure 4d - Safety Bar Engaging Safety Hook

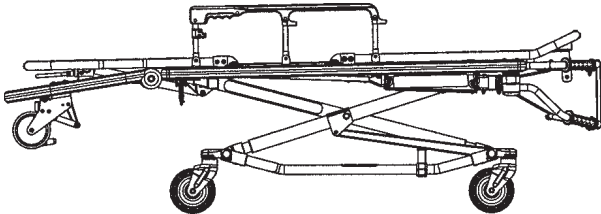
WARNING

- The cot must have at least 5/8" of clearance between the ambulance bumper and the cot to disengage the safety bar when unloading the cot from the ambulance. Verify the cot legs lock into the load position before disengaging the safety bar from the safety hook. Failure to properly lock the cot into position can cause injury to the patient or operator and/or damage to the cot.

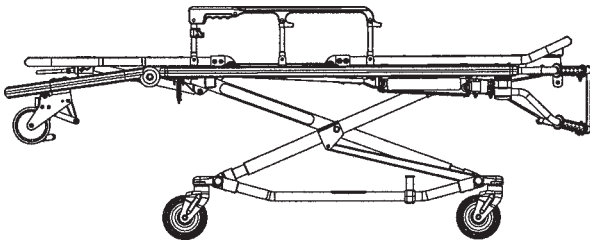
Cot Positions



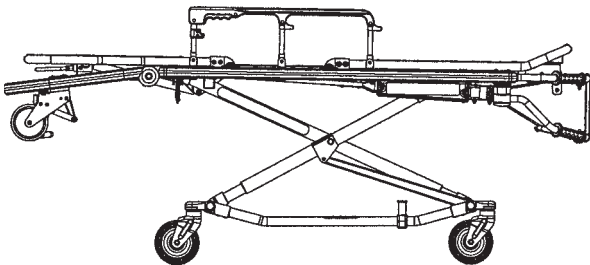
Position 1 - Use for patient transfer.



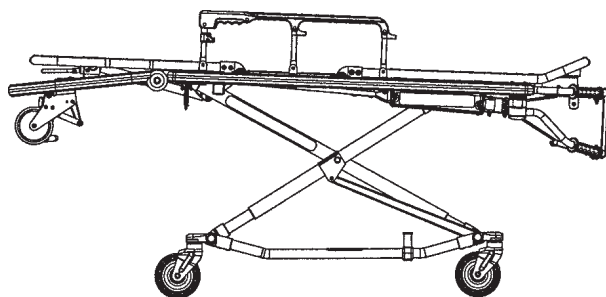
Position 2 - Use for patient transfer/cot rolling.



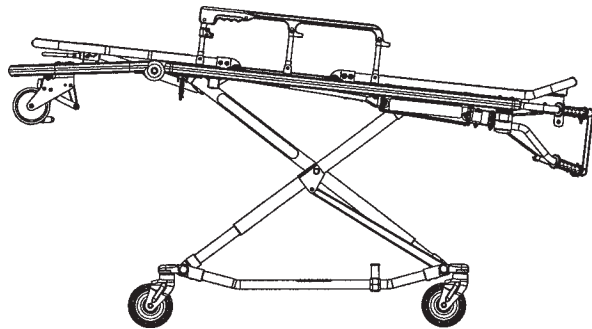
Position 3 - Use for patient transfer/cot rolling.



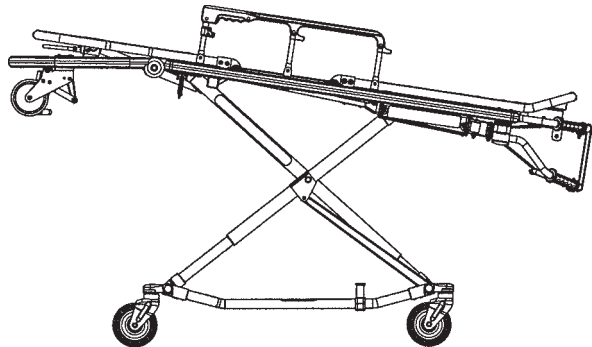
Position 4 - Use for patient transfer/cot rolling.



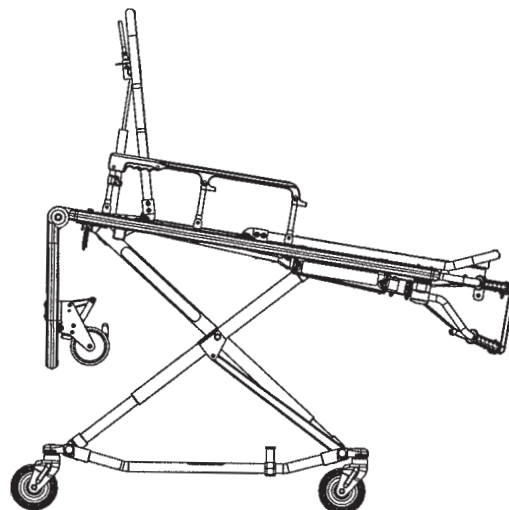
Position 5 - Use for patient transfer/cot rolling.



Position 6 - Use for patient transfer/cot rolling.



Position 7 - Use for patient transfer/cot rolling.



WARNING - Operating the cot with the breakaway head section lowered may cause injury to the patient or operator or damage to the cot. Use only positions 5-7 when using this configuration.

Cot Operations

USING PATIENT RESTRAINT STRAPS

WARNING

Always use all restraint straps to secure the patient on the cot. An unrestrained patient may fall from the cot and be injured.



Figure 6 - Safety Restraints

Always secure the patient on the cot with all the restraint straps. Buckle the restraints across the patient's chest/shoulders, waist and legs as shown in Figure 6. Keep the restraint straps buckled when the cot is not being used with a patient to avoid damage to the buckles and straps.

When attaching the restraint straps to the cot, keep in mind the attachment points should provide strong anchorage and proper restraint position while not interfering with equipment and accessories. Wrap the strap around the cot frame and back through the loop on the end of the strap as shown in Figures 7 and 8. The arrows indicate alternate attachment areas.

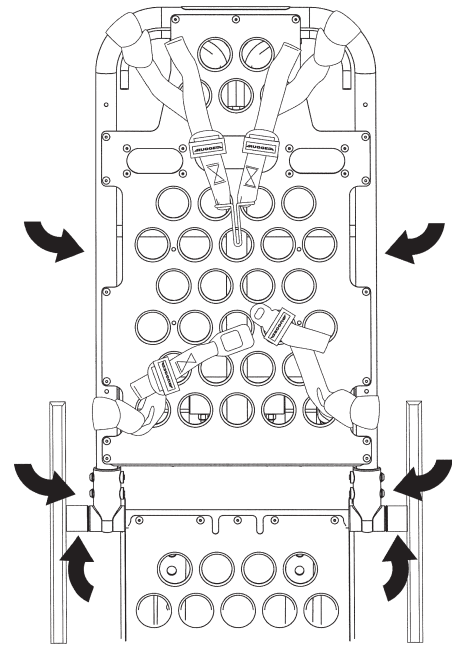


Figure 7 - Back Rest Restraints

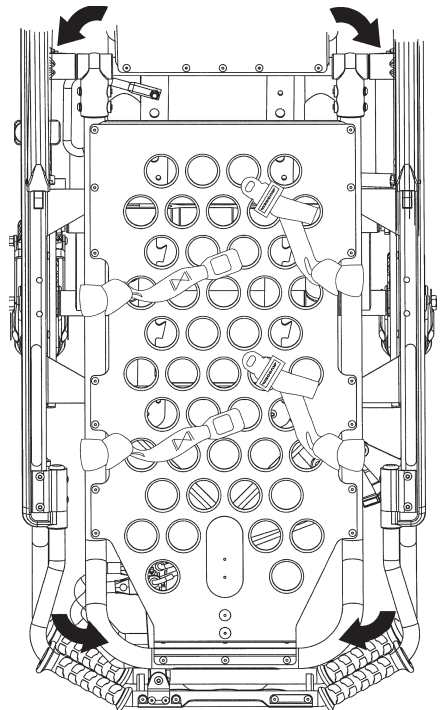


Figure 8 - Foot Section Restraints

Cot Operations

USING PATIENT RESTRAINT STRAPS (CONTINUED)

When the cot is put into service, the restraints are opened and placed to either side of the cot until the patient is positioned on the cot mattress. The restraint is lengthened, buckled around the patient and shortened until the required tightness is achieved.

To Open the Safety Restraint:

- Press the red button (A) on the front of the buckle "receiver". This releases the buckle tang (B) which can then be pulled out of the receiver as shown in Figure 9.

To Close the Safety Restraint:

- Push the tang into the receiver until a "click" is heard. When fastening the chest restraint, be sure the tang passes through both links (C) on the shoulder strap as shown in Figure 9.

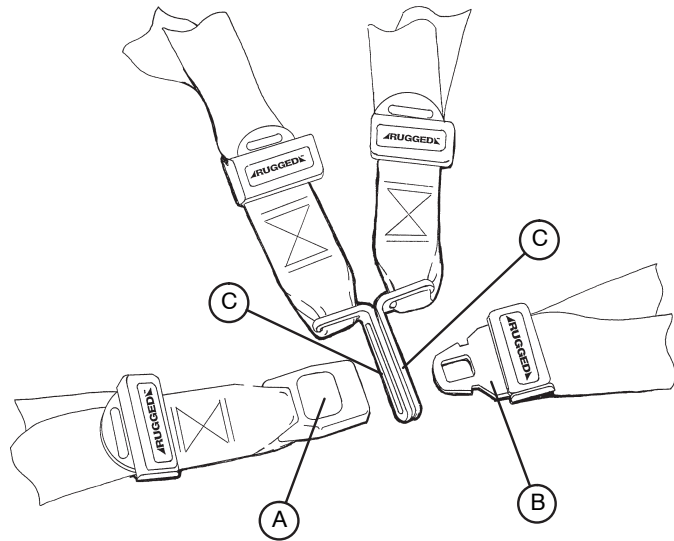


Figure 9 - Buckling the Safety Restraints

To Lengthen the Safety Restraint:

- Grasp the buckle tang, turn it at an angle to the webbing, then pull it out as shown in Figure 10. A hemmed tab at the end of the webbing prevents the tang from coming off the strap.

To Shorten the Safety Restraint:

- Grasp the hemmed tab and pull the webbing back through the tang until the required tightness is achieved as shown in Figure 11.

Note

- Whenever a restraint is buckled on a patient, the attendant should check to be sure the tang is fully engaged and that the extra webbing is not tangled in the cot or hanging loose.
- Inspection of the restraints should be done at least once a month (more frequently if used heavily). Inspection should include checking for a bent or broken receiver or tang, torn or frayed webbing, etc. Any restraint showing wear or not operating properly must be replaced immediately.

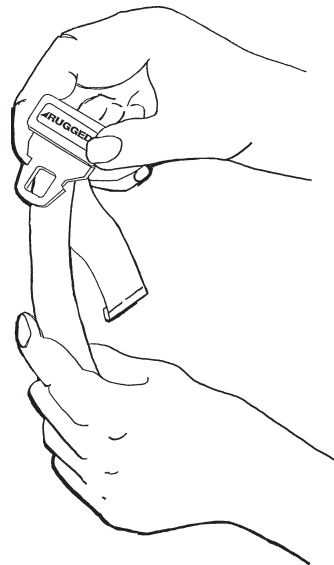


Figure 10 - Lengthening the Safety Restraint

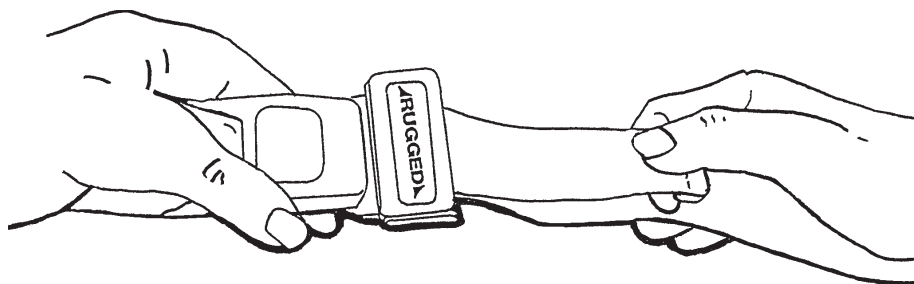


Figure 11 - Shortening the Safety Restraint

Cot Operations

PEDI-MATE™ INFANT RESTRAINT SYSTEM ATTACHMENT INSTRUCTIONS (OPTIONAL EQUIPMENT)

Refer to the Pedi-Mate™ users manual for the manufacturer's recommendations for the use, operation and care of the Pedi-Mate™ Infant Restraint System.

Securing the Pedi-Mate™ to the cot:

1. Remove any restraints already attached to the cot.
2. Raise the cot backrest to the full upright position.
3. Position the Pedi-Mate™ pad flat on the backrest with the black backrest straps out (see Figure 12).



Figure 12 - Positioning the Pedi-Mate™

4. Wrap the straps around the backrest and insert the ends of the straps through the brackets. Securely fasten the buckle (see Figure 13).

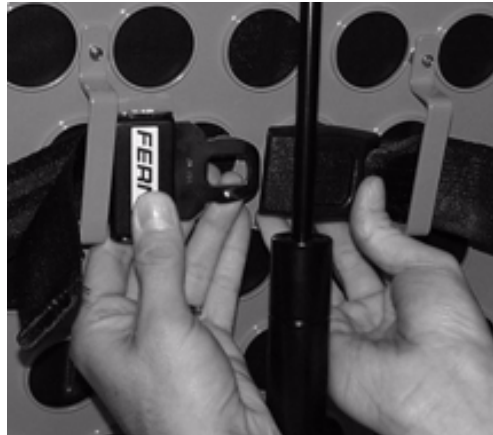


Figure 13 - Fastening the Pedi-Mate™ Buckle

WARNING

To avoid accidental release of the Pedi-Mate™, and possible injury to the infant, ensure the buckle is located away from obstructions on the cot or head end storage pouch.

Cot Operations

PEDI-MATE™ INFANT RESTRAINT SYSTEM ATTACHMENT INSTRUCTIONS (CONTINUED)

5. Pull firmly on the end of the adjustable backrest strap and tighten it securely.
6. Insert the mainframe straps between the cot frame and the mattress. To ensure the release button is toward the foot end of the cot, insert the buckle behind the litter crossbrace and bring it up in front of the crossbrace. Secure the buckle around the crossbrace, leaving a little slack in the strap for final adjustment (see Figure 14).



Figure 14 - Securing the Safety Restraints on a **RUGGED** Cot

WARNING

To avoid accidental release of the Pedi-Mate™, and possible injury to the infant, ensure the buckle is located away from obstructions on the cot.

7. Verify all the straps are snug and fastened securely (see Figure 15).



Figure 15- Pedi-Mate™ Strapped to a **RUGGED** Cot

NOTE

- These are general instructions for installation of the Pedi-Mate™. Safe and proper use of the Pedi-Mate™ is solely at the discretion of the user. Stryker recommends all users be trained on the proper use of the Pedi-Mate™ before using it in an actual situation.
- Retain these instructions for future reference. Include them with the product in the event of transfer to new users.
- Pedi-Mate™ is a trademark of Ferno-Washington Inc.

Cot Operations

OPERATING GUIDELINES

- Use the **▲RUGGED▲** Cot only as described in this manual.
- Read all labels and instructions on the cot before using the cot.
- Use a minimum of two operators to manipulate the cot while a patient is on the cot.
- Do not adjust, roll or load the cot without advising the patient. Stay with the patient and control the cot at all times.
- Never apply the optional wheel lock while a patient is on the cot.
- Always use the restraint straps and keep the siderails up when a patient is on the cot.
- Use properly trained helpers when necessary to control the cot and patient.

TRANSFERRING THE PATIENT TO THE **▲RUGGED▲** COT

- 1 Roll the cot to the patient.
- 2 Place the cot beside the patient and raise/lower the cot to the patient's level.
- 3 Lower the siderails and open the restraint straps.
- 4 Transfer the patient to the cot using accepted EMS procedures.
- 5 Use all the restraints to secure the patient to the cot (see [page 19](#) for restraint strap usage instructions).
- 6 Raise the siderails and adjust the backrest and leg rest as necessary.

WARNING

- Always use all restraint straps to secure the patient on the cot. An unrestrained patient may fall from the cot and be injured.
- Never apply the optional wheel lock while a patient is on the cot. Tipping could occur if the cot is moved while the wheel lock is applied, resulting in injury to the patient or operator and/or damage to the cot.

ROLLING THE **▲RUGGED▲** COT

1. Make sure all the restraint straps are securely buckled around the patient (see page 15 & 16 for restraint strap usage instructions).
2. Place the cot in positions 2–7 for rolling (see [page 18](#) for cot positions).
3. When rolling the cot, position an operator at the foot end and one at the head end at all times.

NOTES

- Loose items or debris on the patient compartment floor can interfere with the operation of the safety hook and cot fastener. Keep the patient compartment floor clear.
- The cot can be loaded with the siderails down only if the restraint belts are properly buckled around the patient.

WARNING

Operating the cot with the breakaway head section lowered may cause injury to the patient or operator or damage to the cot. Use only positions 5–7 (see [page 18](#)) when using this configuration.

RAISING/LOWERING THE **▲RUGGED▲** COT

1. Both users must lift weight up off the base.
2. The user at the foot end must pull the release handle.
3. Both users must lower the cot to the ground or raise the cot up.

Cot Operations

LOADING THE **RUGGED** COT INTO A VEHICLE WITH TWO OPERATORS

When loading the cot into a vehicle, an operator should remember the following important issues:

- Two operators must be present when the cot is occupied.
- There must be a safety hook properly installed in the vehicle so that the bumper does not interfere with the front legs of the base frame. (See [page 15](#) for safety hook installation instructions.)
- Operators must be able to lift the total weight of the patient, cot and any items on the cot.
- The higher an operator must lift the cot, the more difficult it becomes to hold the weight. An operator may need help loading the cot if he/she is too short or if the patient is too heavy to lift safely. The operator must be able to lift the cot high enough for the cot's legs to unfold completely and lock when the cot is unloaded. A shorter operator will have to raise his/her arms higher to enable the undercarriage to unfold.

WARNING

Failure to use the safety hook can result in injury. Install and use the hook as described in this manual.

1. Place the cot in a loading position (any position where the loading wheels meet the vehicle floor height). Roll the cot to the open door of the patient compartment. Lift the vehicle bumper to the raised position (if possible).
2. Push the cot forward until the loading wheels are on the patient compartment floor and the safety bar passes the safety hook as shown in Figure 16.
3. For maximum clearance to lift the base, pull the cot back until the safety bar engages the safety hook. Operator two should verify that the bar engages the safety hook.
4. **Operator 1** – Grasp the cot frame at the foot end. Lift the foot end of the cot until the weight is off the latching mechanism. Squeeze and hold the release handle (location A or B).
5. **Operator 2** – Stabilize the cot by placing your hand on the outer rail (location C). Grasp the base frame where indicated (location D). After the foot end operator has lifted the cot and squeezed the release handle, raise the undercarriage until it stops in the uppermost position and hold it there (Figure 17).
6. **Both Operators** – Push the cot into the patient compartment (Figure 18), engaging the cot fastener (not included).



Figure 16 - Safety Bar Engaging Safety Hook

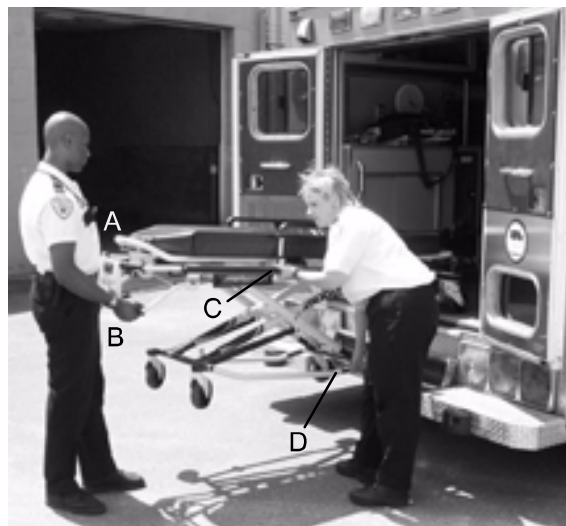


Figure 17 - 2 Operators - One Lifting the Base



Figure 18 - 2 Operators - Base Full Up

Cot Operations

LOADING AN EMPTY **RUGGED** COT INTO A VEHICLE WITH ONE OPERATOR

WARNING

This procedure is for use only with an empty cot. Do not use this procedure when loading a patient. Injury to the patient and/or operator could result.

1. Place the cot in a loading position (any position in which the load wheels meet the vehicle floor height – see [page 18](#)).
2. Roll the cot to the open door of the patient compartment.
3. Lift the vehicle bumper to the raised position (if possible).
4. Push the cot forward until the loading wheels are on the compartment floor and the safety bar passes the safety hook.
5. Pull the cot back until the safety bar engages the safety hook.
6. Grasp the cot frame at the foot end and squeeze and hold the release handle (A or B) (Figure 19).
7. Lower the foot end of the cot to the ground, making sure the cot locks in position 1 (Figure 20).
8. Lift the foot end of the cot until it is level with the compartment floor.
9. Grasp the base of the cot with one hand and pull up the base of the cot towards the litter, reducing the space between the base and the litter (Figure 21).
10. Push the cot into the patient compartment, guiding it into the cot fastener.



Figure 19 - Squeeze the Release Handle



Figure 20 - Lower the Foot End of the Cot



Figure 21 - Pull Up the Base of the Cot

Cot Operations

UNLOADING THE **ARUGGED** COT FROM A VEHICLE WITH TWO OPERATORS

WARNING

Failure to use the safety hook can cause injury to the patient or operator. Install and use the safety hook as described in this manual. To avoid injury, verify the safety bar has engaged the safety hook before removing the cot from the patient compartment.

1. Disengage the cot from the cot fastener. (For more detailed instructions, reference the Cot Fastener Operations Manual – Model 6370).
2. Operator 1 – Grasp the cot frame. Pull the cot out of the patient compartment until the safety bar engages the safety hook.
3. Operator 2 – Grasp the base frame where indicated, lift slightly, and lower the base frame to its fully extended position while operator 1 squeezes and holds the release handle.
4. Operator 1 – Let go of the release handle and be sure the undercarriage locks into place.
5. Operator 2 – Disengage the safety bar from the safety hook by pushing the safety bar release lever forward.
6. Remove the cot loading wheels from the vehicle. Place the cot in a rolling position (cot positions 2–7 – see [page 18](#)).

CAUTION

Do not allow the cot undercarriage to drop unassisted (commonly known as a “hot drop”) when removing the cot from the vehicle. Repeated hot dropping will cause premature wear or damage to the cot.

WARNING

Be sure the undercarriage has engaged before removing the loading wheels from the patient compartment floor of the vehicle. An unlocked undercarriage will not support the cot and injury to the patient or operator could result.

UNLOADING THE **ARUGGED** COT FROM A VEHICLE WITH TWO OPERATORS

WARNING

This procedure is for use only with an empty cot. Do not use this procedure when unloading a patient. Injury to the patient and/or operator could result.

1. Lift the vehicle bumper to the raised position (if possible).
2. Grasp the cot frame at the foot end; pull the cot from the vehicle until the safety bar engages the safety hook.
3. Lower the foot end of the cot to the ground (see Figure 20 on previous page).
4. Squeeze and hold the release handle (A or B – see Figure 21 on previous page) and raise the foot end of the cot back to a level position with the compartment floor.
5. Disengage the safety bar from the safety hook by pushing the safety bar release lever forward and roll the cot out of the vehicle.

Cot Operations

USING ADDITIONAL ASSISTANCE

	Changing Levels	Rolling	Loading/Unloading
<p>Two Operators</p> <p>Two Helpers</p>			
<p>Two Operators</p> <p>Four Helpers</p>			

Cot Operations

OPERATING THE OPTIONAL WHEEL LOCK(S)

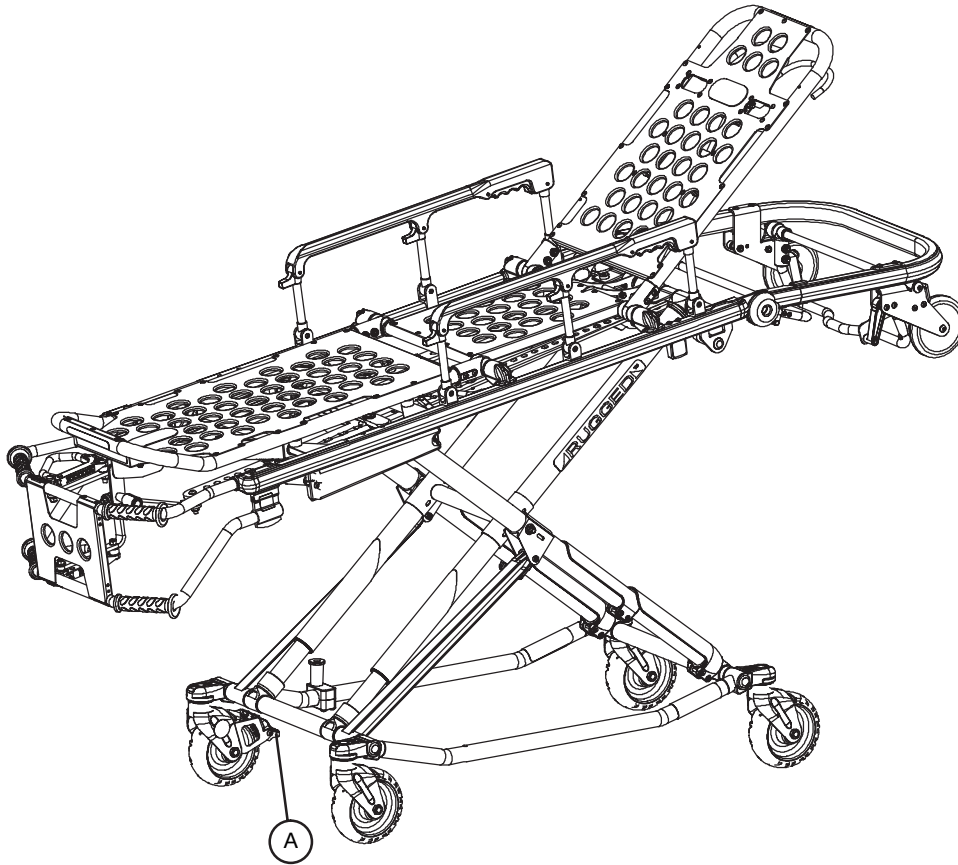


Figure 22 - **RUGGED** Wheel Lock

1. To activate the optional wheel lock(s), press down fully on the pedal (A) until it stops.
2. To release the optional wheel lock(s), depress the upper face of the pedal with your foot or lift up with your toe under the pedal. The upper portion of the pedal will rest against the caster frame when the wheel lock is released.

WARNING

- Never apply the optional wheel lock(s) while a patient is on the cot. Tipping could occur if the cot is moved while a wheel lock is applied, resulting in injury to the patient or operator and/or damage to the cot.
- Wheel lock(s) are only intended to help prevent the cot from rolling while unattended. A wheel lock may not provide sufficient resistance on all surfaces or under loads.
- Never leave a patient unattended on the cot or injury could result. Hold the cot securely while a patient is on the cot.
- Never install or use a wheel lock on a cot with excessively worn wheels. Installing or using a wheel lock on a wheel with less than a 6" diameter could compromise the holding ability of the wheel lock, possibly resulting in injury to the patient or operator and/or damage to the cot or other equipment.

Cot Operations

ADJUSTING THE WHEEL LOCKING FORCE

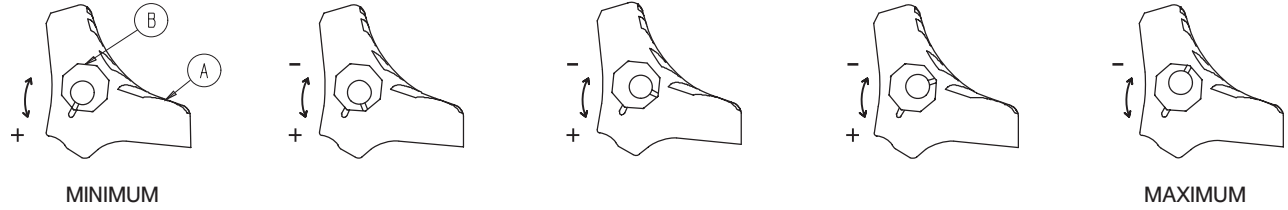


Figure 26 - Wheel Locking Force Adjustment

1. To adjust the wheel locking force, remove the socket screw from the center of the lock pedal. The wheel lock is initially assembled with the pedal set at the minimum locking force. The marker on the pedal (item A) is aligned with the marker on the octagonal sleeve (item B).
2. Remove the sleeve (B). Rotate the sleeve counterclockwise to increase the pedal locking force and clockwise to decrease the locking force. Insert the sleeve into the pedal. Reinstall the socket screw.
3. Test the pedal locking force and verify the pedal holds properly before returning the cot to service.

Cot Operations

CHANGING THE **RUGGED** COT HEIGHT WITH TWO OPERATORS

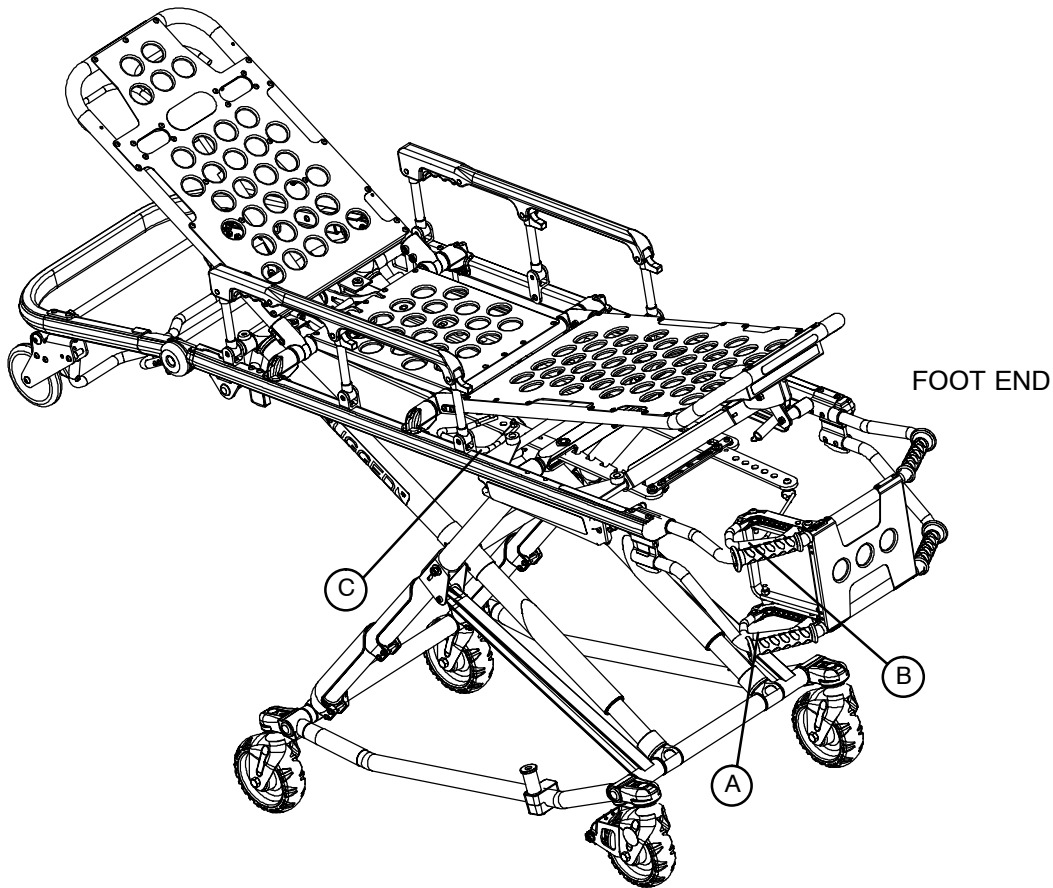


Figure 24 - Release Handle Locations

NOTE

Changing the height while a patient is on the cot requires a minimum of two operators, positioned at both ends or on each side of the cot. Each operator must grasp the cot frame securely.

To lower the cot from the ends, the operator at the foot end of the cot positions his/her hands so the release handle (A or B) can be squeezed while a secure grip is maintained on the lifting bars. Both operators must lift the cot until the weight is off the latching mechanism (approximately 1/4"). The operator at the foot end squeezes and holds the release handle and both operators then raise or lower the cot together. The handle is released when the desired position is reached. Both operators should maintain a secure grip on the litter frame until the latching mechanism is securely locked into position.

To lower the cot from the sides, the operator on the patient's right positions his/her hands so he/she can reach the release handle at the midpoint of the litter (C). Both operators must lift the cot until the weight is off the latching mechanism (approximately 1/4"). The operator at the patient's right squeezes and holds the release handle. Both operators then raise or lower the cot together. The handle is released when the desired position is reached. Both operators should maintain a secure grip on the litter frame until the latching mechanism is securely locked into position.

WARNING

Grasping the Cot improperly can cause injury. Grasp only the litter frame or the lifting bar to lift the cot. Keep hands, fingers and feet away from moving parts. To avoid injury, use extreme caution when placing your feet near the base tubes while raising and lowering the cot.

Cot Operations

CHANGING THE HEIGHT OF AN EMPTY **RUGGED** COT WITH ONE OPERATOR

To raise/lower the cot from the foot end:

1. Standing at the foot end of the cot, grasp the lower foot end lift tube.
2. Tip the cot up onto the load wheels (Figure 25).
3. Squeeze and hold the release handle and raise or lower the foot end to the desired position.
4. Lower the cot back onto the four base wheels (Figure 26).



Figure 25 - Cot Tipped on Load Wheels



Figure 26 - Cot Lowered to Ground

To raise/lower the cot from the side:

1. Place one foot on the outer base tube.
2. Grasp the side release handle with one hand. Place your other hand on the outer support rail to help stabilize the cot (Figure 27).
3. Squeeze the side release handle and raise or lower the cot to the desired position.

WARNING

If lowering the cot to the lowest position (position 1), remove your foot from the base tube or injury could result (Figure 28).



Figure 27 - Holding Outer Support Rail



Figure 28 - Lowering Cot From Side

Cot Features

ADJUSTING THE LEG REST

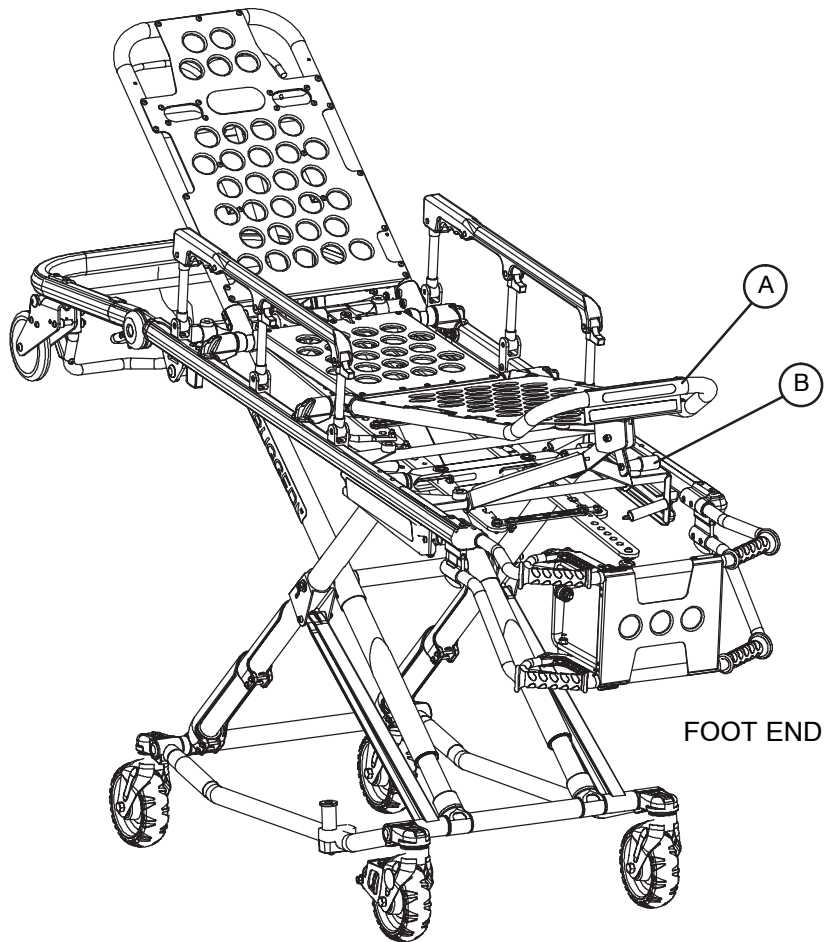


Figure 29 - Leg Rest Elevated

The leg rest is adjustable to allow for elevation of the patient's legs.

To raise the leg rest, lift the leg rest frame (A) as high as possible. The support bracket will engage automatically. Release the frame after the support bracket has engaged.

To lower the leg rest, lift the leg rest frame (A) and, while holding the frame, lift up on the release handle (B) until the bracket disengages. Lower the leg rest until flat.

Cot Features

OPERATING THE BACKREST

To raise, squeeze handle (A) for pneumatic assist in lifting the Backrest to the desired height. Remove hand(s) from handle when desired height is achieved.

To lower, squeeze handle (A) and push down on the Backrest frame until the Backrest has reached the desired height. Remove hand(s) from handle when desired height is achieved.

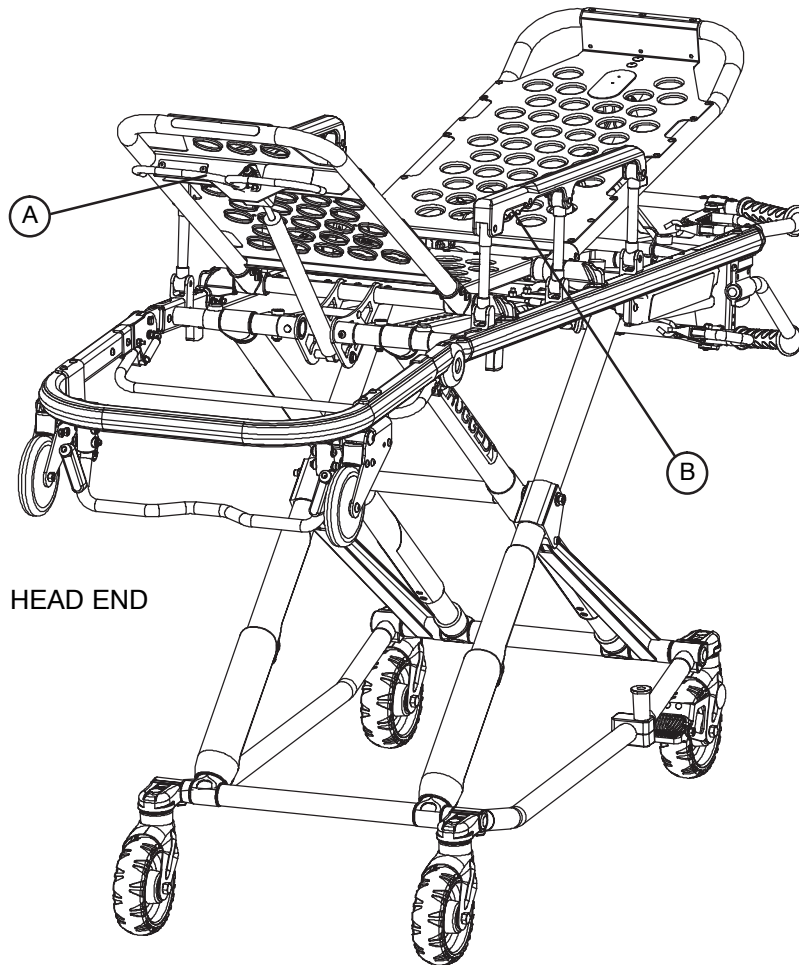


Figure 30 - Backrest Elevated and Siderails Raised

OPERATING THE SIDERAILS

To raise, lift up until the latch clicks and the siderail locks into place. When a patient is on the cot, always keep the siderails in the raised position unless the patient is being transferred.

To lower, squeeze handle (B) to release the siderail latch. Guide the siderail down toward the foot end until flat.

WARNING

Siderails are not intended to serve as a patient restraint device. Refer to [page 19](#) for proper restraint strap usage. Failure to utilize the siderails properly could result in patient injury.

Cot Features

OPERATING THE BREAKAWAY HEAD SECTION

The head end of the cot litter folds down to shorten the length of the cot and allow for maneuvering when space is limited in elevators, halls, etc.

The breakaway head section should only be used when the cot is in positions 5–7 (see [page 18](#)).

WARNING

Operating the cot with the breakaway head section lowered may cause injury to the patient or operator or damage to the cot. Use only positions 5–7 (see [page 18](#)) when using this configuration.

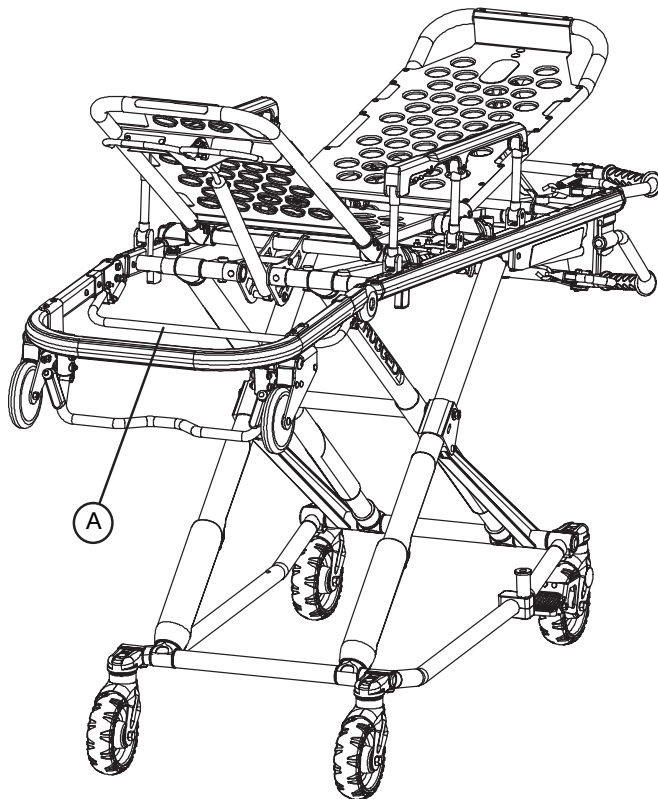


Figure 31 - Breakaway Head Section Release Bar

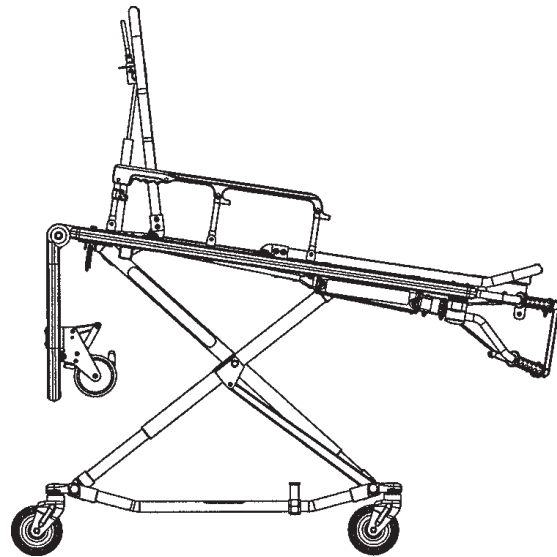


Figure 32 - Lowered Breakaway Head Section

To lower the breakaway head section, raise the backrest to its uppermost position (see [page 33](#) for backrest operation instructions). Squeeze the release bar (A) at the head end of the cot with one hand while supporting the head section with the other hand. Lower the head section.

To raise the breakaway head section, lift the breakaway head section until the release bar clicks and the head section locks into place.

CAUTION

Damage to the cot can occur if the cot is lowered in the shortened position. Use only positions 5–7 (see [page 18](#)) when the cot is shortened.

Cot Features

OPERATING THE 2-STAGE I.V. POLE (OPTIONAL EQUIPMENT)

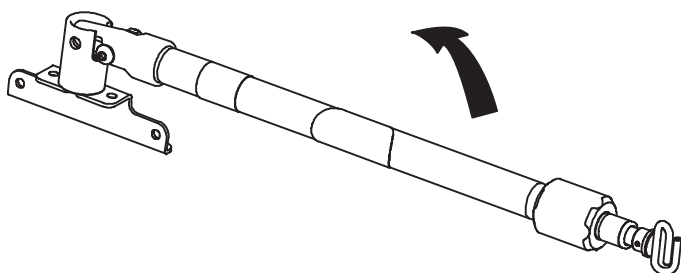


Figure 33 - 2-Stage I.V. Pole Storage Position

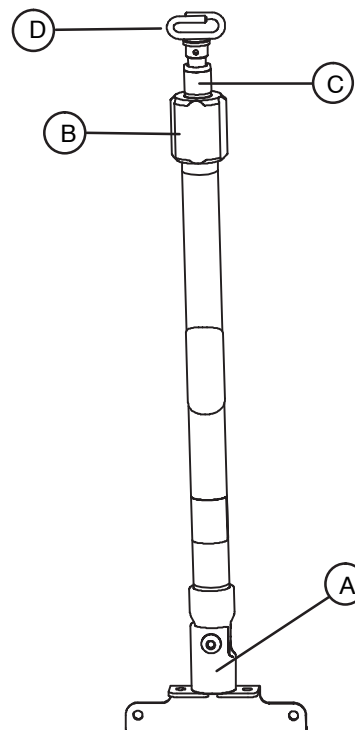


Figure 34 - 2-Stage I.V. Pole

1. Lift and pivot the pole from the storage position and push down until it is locked into receptacle (A).
2. To raise the height of the pole, turn the lock actuator (B) counterclockwise and pull up on the telescoping portion (C) of the pole to raise it to the desired height.
3. Turn the lock actuator (B) clockwise to lock the telescoping portion in place.
4. Hang I.V. bags on the I.V. hook (D).

 **CAUTION**

- The weight of the I.V. bags or equipment must not exceed 40 pounds.

Cot Features

OPERATING THE 3-STAGE I.V. POLE (OPTIONAL EQUIPMENT)

1. Lift and pivot the pole from the storage position and push down until it is locked into receptacle (A).
2. To raise the height of the pole, turn the lock actuator (B) counterclockwise and pull up on the bottom telescoping portion (C) of the pole to raise it to the desired height.
3. Turn the lock actuator (B) clockwise to lock the bottom telescoping portion in place.
4. For a higher I.V. pole, pull up on section (D) until the spring clip (E) engages.
5. Hang I.V. bags on the I.V. hook (F).
6. To lower the I.V. pole, push in on the spring clip (E) and slide section (D) down into section (C). Turn the lock actuator (B) counterclockwise and slide section (C) into the bottom tube.
7. Lift up and pivot the pole down into the storage position.

CAUTION

- The weight of the I.V. bags or equipment must not exceed 40 pounds.

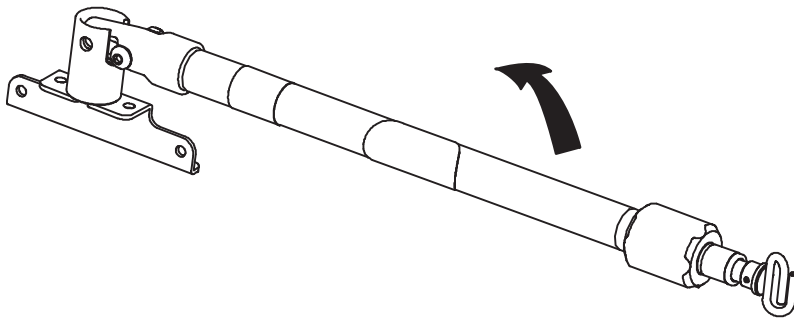


Figure 35 - 3-Stage I.V. Pole Storage Position

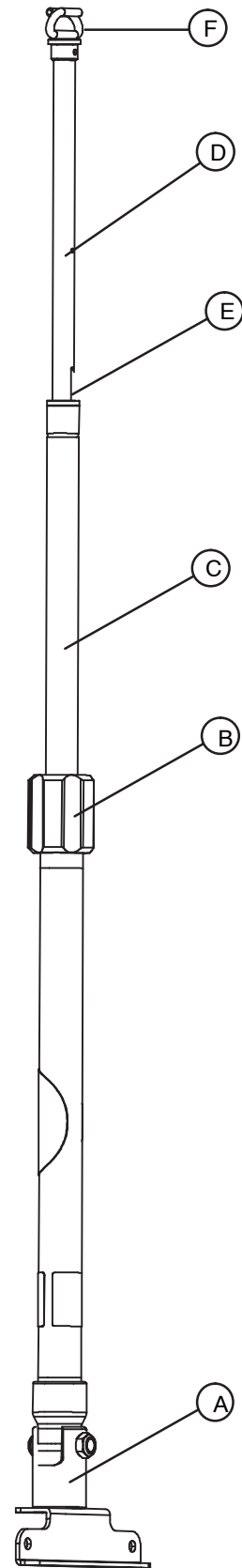


Figure 36 - 3-Stage I.V. Pole

Cleaning

The 6082 **RUGGED** MX-PRO ambulance cot is designed to be power washable. The unit may show some signs of oxidation or discoloration from continuous washing, however, no degradation of the cot's performance characteristics or functionality will occur due to power washing as long as the proper procedures are followed.

Clean Velcro AFTER EACH USE. Saturate Velcro with disinfectant and allow disinfectant to evaporate. (Appropriate disinfectant for nylon Velcro should be determined by the hospital.)

WASHING LIMITATIONS

WARNING

Use any appropriate personal safety equipment (goggles, respirator, etc.) to avoid the risk of inhaling contagion. Use of power washing equipment can aerate contamination collected during the use of the cot.

CAUTION

- DO NOT STEAM CLEAN OR ULTRASONICALLY CLEAN THE UNIT
- Maximum water temperature should not exceed 180°F/ 82°C.
- Maximum air dry temperature (cart washers) is 240°F /115°C.
- Maximum water pressure should not exceed 1500 psi/130.5 bar. If a hand held wand is being used to wash the unit, the pressure nozzle must be kept a minimum of 24 inches/61 cm from the unit.
- Towel dry all casters and interface points.
- After washing the cot, follow the lubrications procedure on [page 40](#).
- Failure to comply with these instructions may invalidate any/all warranties.

Cleaning

In general, when used in those concentrations recommended by the manufacturer, either phenolic type or quaternary type disinfectants can be used. Iodophor type disinfectants are not recommended for use because staining may result.

Suggested cleaners for the 6082 **RUGGED** MX-PRO R3 cot surface:

- Quaternary Cleaners (active ingredient - ammonium chloride)
- Phenolic Cleaners (active ingredient - o-phenylphenol)
- Chlorinated Bleach Solution (5.25% - less than 1 part bleach to 100 parts water)

Avoid over saturation and ensure the product does not stay wet longer than the chemical manufacturer's guidelines for proper disinfecting.

WARNING

- SOME CLEANING PRODUCTS ARE CORROSIVE IN NATURE AND MAY CAUSE DAMAGE TO THE PRODUCT IF USED IMPROPERLY. If the products described above are used to clean Stryker patient care equipment, measures must be taken to insure the cots are wiped with a cloth soaked in clean water and thoroughly dried following cleaning.
- Failure to properly rinse and dry the cots will leave a corrosive residue on the surface of the cots, possibly causing premature corrosion of critical components.

NOTE

Failure to follow the above directions when using these types of cleaners may void this product's warranty.

REMOVAL OF IODINE COMPOUNDS

Use a solution of 1-2 tablespoons Sodium Thiosulfate in a pint of warm water to clean the stained area. Clean as soon as possible after staining occurs. If stains are not immediately removed, allow solution to soak or stand on the surface. Rinse surfaces which have been exposed to the solution in clear water before returning unit to service.

WARNING

Failure to properly clean or dispose of contaminated mattress or cot components will increase the risk of exposure to blood borne pathogens and may cause injury to the patient or the operator.

Preventative Maintenance

Operation	Schedule	Procedure
Cleaning and Disinfecting	Each Use.	See page 37
Inspection	For 1-25 calls per month, inspect cot every 6 months For 26-200 calls per month, inspect cot every 3 months For 200+ calls per month, inspect cot monthly.	See below for checklist

Note

Keep up to date maintenance records using the Maintenance Record form on [page 42](#).

CHECKLIST

- _____ All fasteners secure (reference all assembly drawings).
- _____ All welds intact, not cracked or broken.
- _____ No bent or broken tubing or sheet metal.
- _____ No debris in wheels.
- _____ All wheels secure, rolling and swiveling properly.
- _____ Optional wheel lock holds wheel securely when on and clears wheel when off.
- _____ Siderails move and latch properly.
- _____ Backrest operating properly.
- _____ Optional accessories intact and operating properly.
- _____ Height positioning latch functioning properly.
- _____ Cot secure in each height position.
- _____ Undercarriage folds properly.
- _____ Breakaway head section operating properly.
- _____ Safety bar operating properly.
- _____ Foot rest operating properly.
- _____ No rips or cracks in mattress cover.
- _____ Body restraints intact and working properly.
- _____ Lubricate base tubes (optional).

Serial Number:		

Completed by: _____ Date: _____

Preventative Maintenance

BASE LUBRICATION

Note

The MX-PRO® has been designed to operate without the need for lubrication. Tri-Flow™ with Teflon® lubricant may be used to reduce the force required to raise the undercarriage and to minimize wear. Do not use silicone, WD-40™, or lithium grease. They could harm the moving parts of the cot.

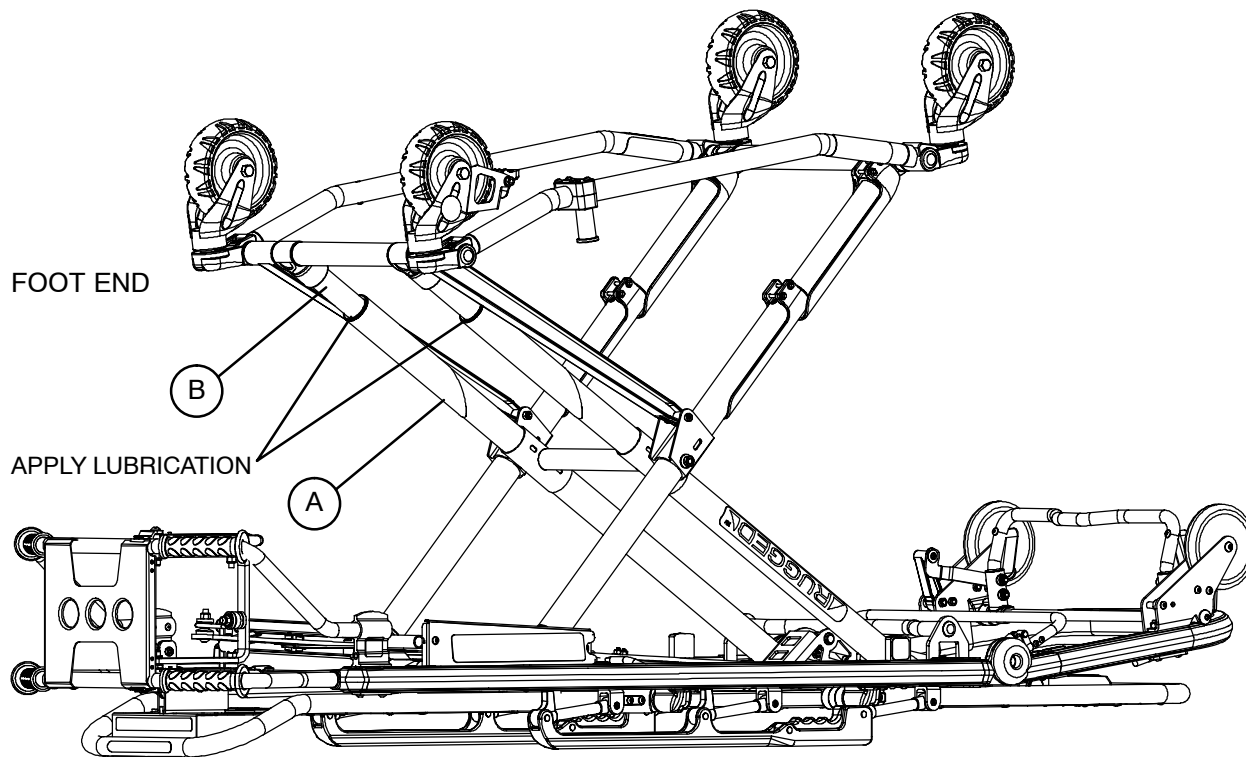
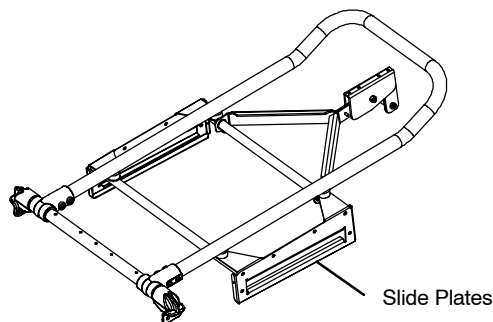
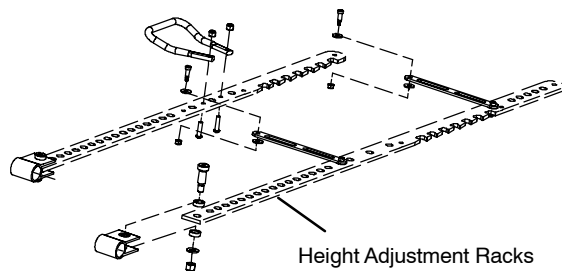


Figure 37 - Base Lubrication Locations

1. Place the cot in the highest position.
2. Turn the cot upside down with the base legs facing up.
3. Using the plastic applicator tube, spray Tri-Flow™ with Teflon® lubricant (Stryker part number 6082-199-12) in the gap between the upper (item A) and lower lift tubes (item B) on both foot end legs.
4. Apply Tri-Flow™ to right and left height adjustment racks providing an even application.
5. Apply Tri-Flow™ to the right and left slide plates providing an even application.
6. Let the cot sit for 5 minutes.
7. Turn the cot back over. Raise and lower the cot a few times to work the lubricant throughout the applied areas.
8. Wipe any excess lubricant from the base tubes. Slide Plates



Preventative Maintenance

PNEUMATIC BACKREST ADJUSTMENT

Tools Required:

1/2" Wrench

5/32" Allen Wrench

Loctite

3/32" Allen Wrench

Adjustment Procedure:

1. For easier access, move the backrest to 75 degrees.
Note: Before continuing with the backrest adjustment procedure, be sure the cylinder (item A) is completely threaded into the yoke (item B) so no threads are showing on the shaft of the cylinder. If threads are showing, use a 3/32" Allen wrench to remove the set screw (item C) in the center of the yoke and remove the E-clip and pin (items D & E) holding the bottom of the pneumatic cylinder. Thread cylinder shaft (item A) completely into yoke (item B). Replace the E-clip and pin (items D & E) and replace the set screw (item C) using Loctite.
2. Using a 1/2" wrench, loosen the hex nut (item F) on the backrest pivot (item J) while holding the set screw (item H) fixed in the pivot.
3. Using a 5/32" Allen wrench, turn the set screw (item H) until there is no play between the backrest release handle

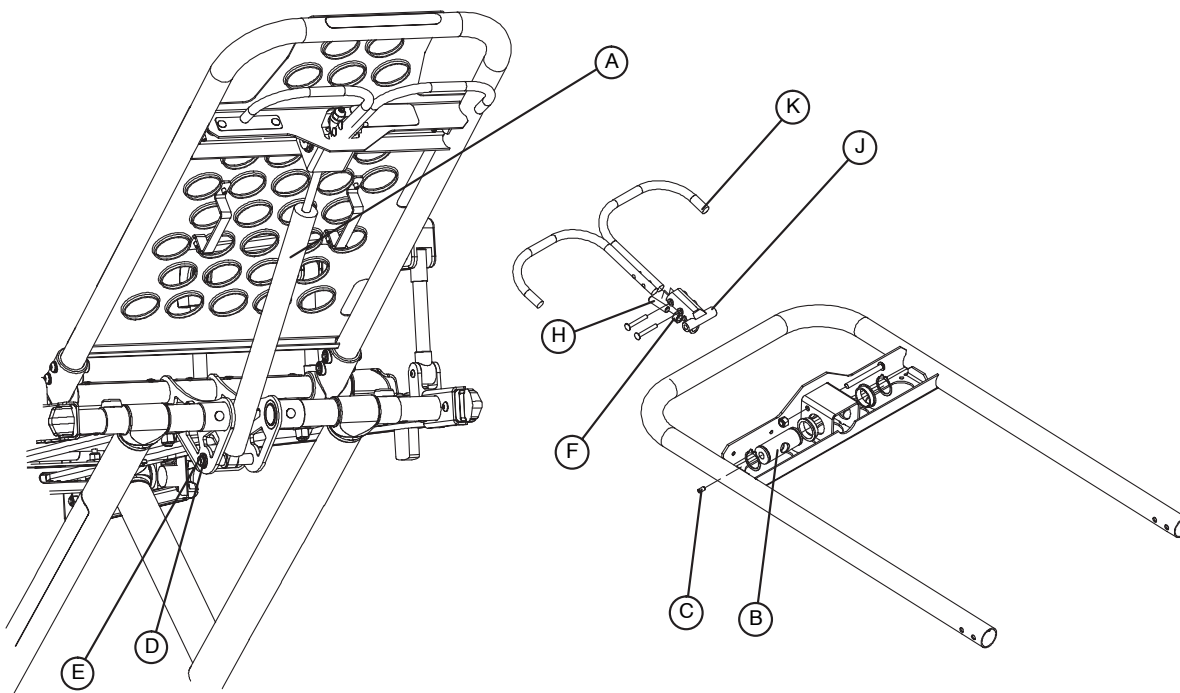


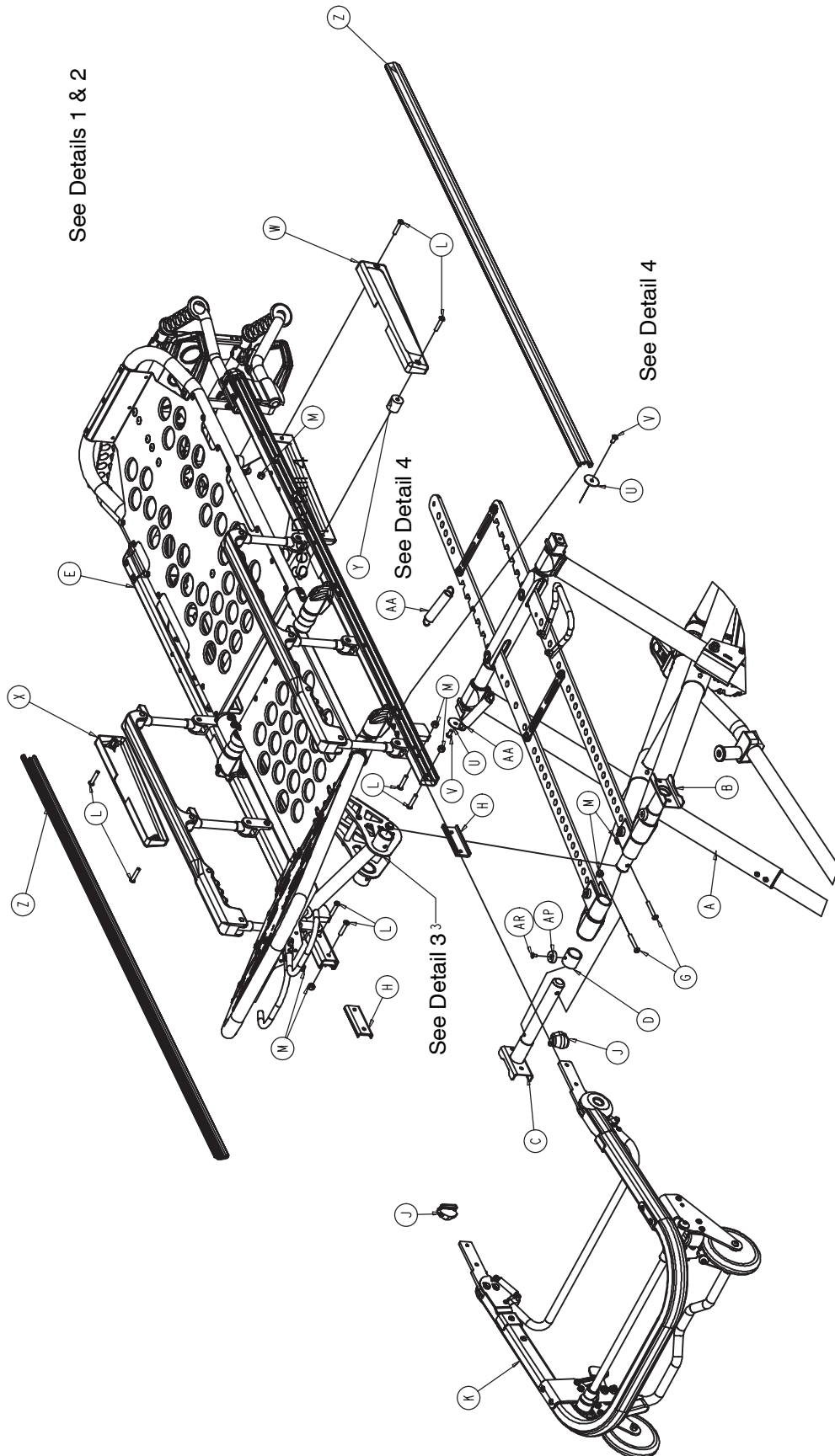
Figure 38 - Pneumatic Cylinder and Fowler Crossbrace

(item K) and the pneumatic cylinder release button.

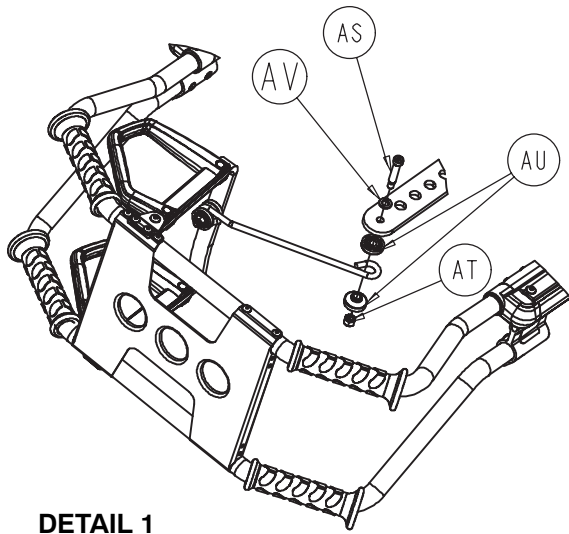
4. Be sure the backrest will travel from flat to at least 75 degrees. If it doesn't, turn the set screw (item H) clockwise 1/2 turn. Repeat until at least 75 degrees of travel is achieved.
5. Lower the backrest to a 5–10 degree angle and release the handle. Apply approximately 50 pounds downward force to the end of the backrest. If the backrest drifts down, turn the set screw (item H) counterclockwise. Repeat until the backrest does not drift downward.
6. Using the 1/2" wrench, tighten the hex nut (item F) while holding the set screw (item H) fixed in the pivot.

Cot Assembly

For Reference Only: 6082-150-012

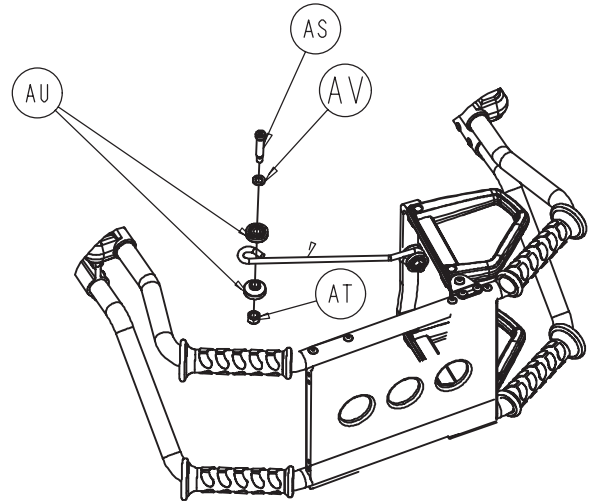


Cot Assembly



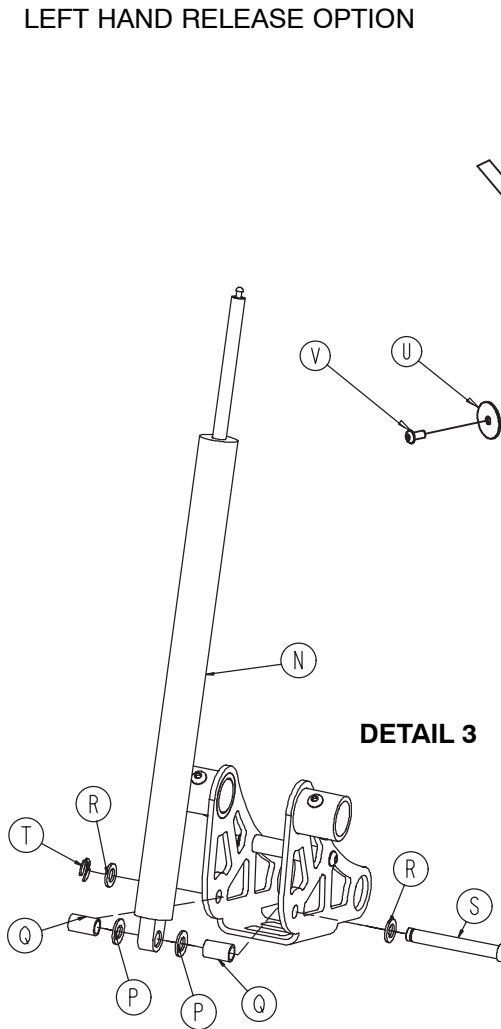
DETAIL 1

LEFT HAND RELEASE OPTION

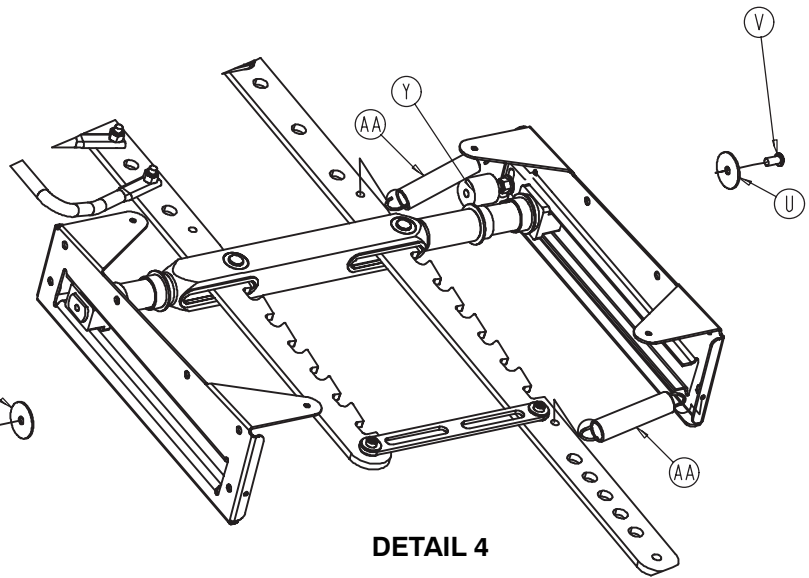


DETAIL 2

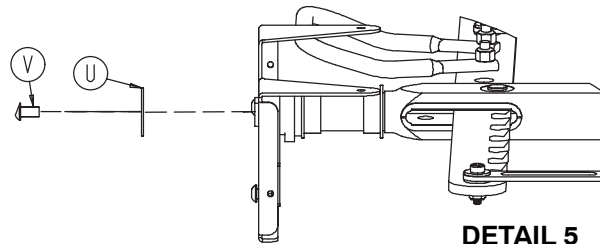
RIGHT HAND RELEASE OPTION



DETAIL 3

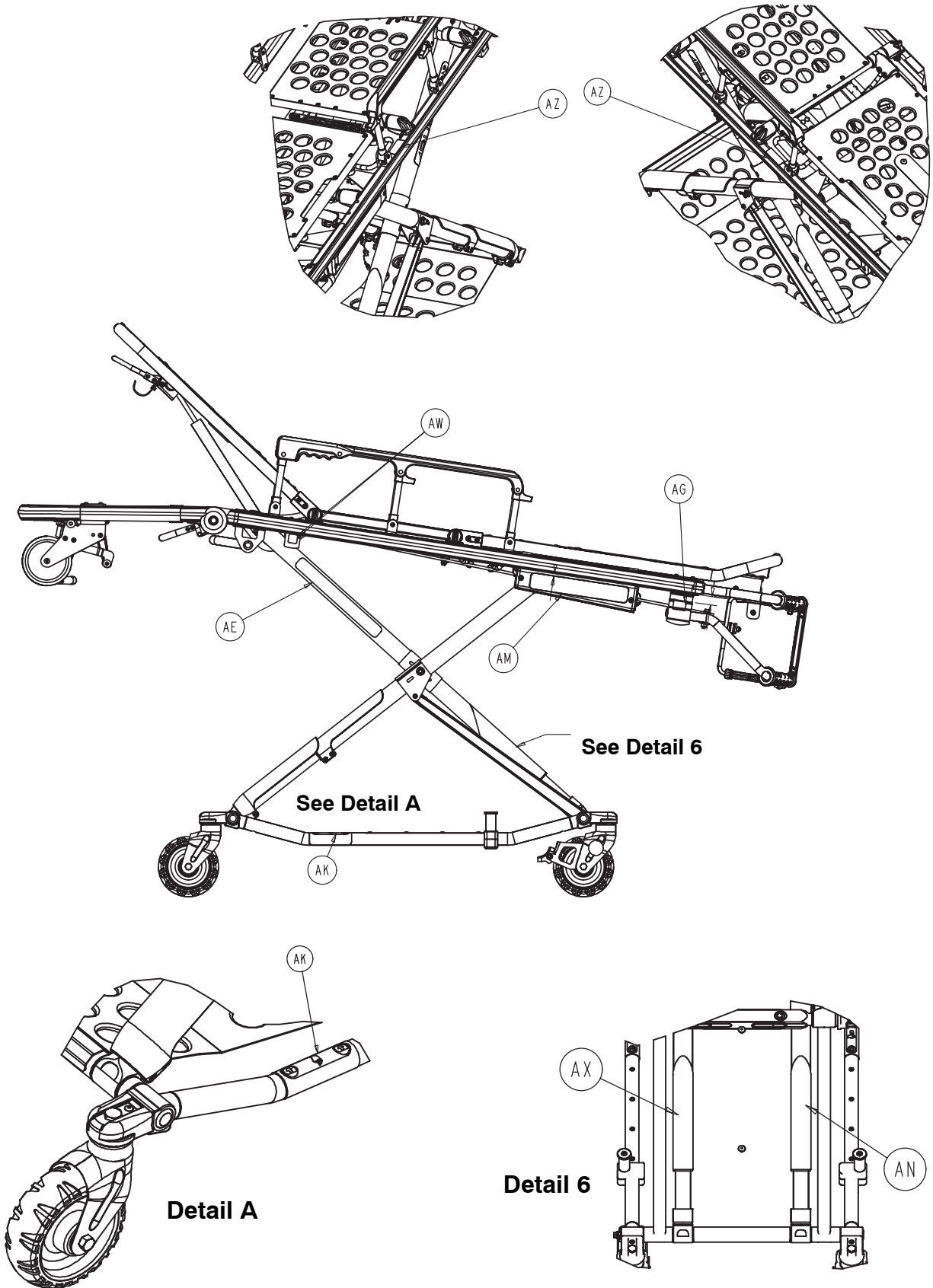


DETAIL 4

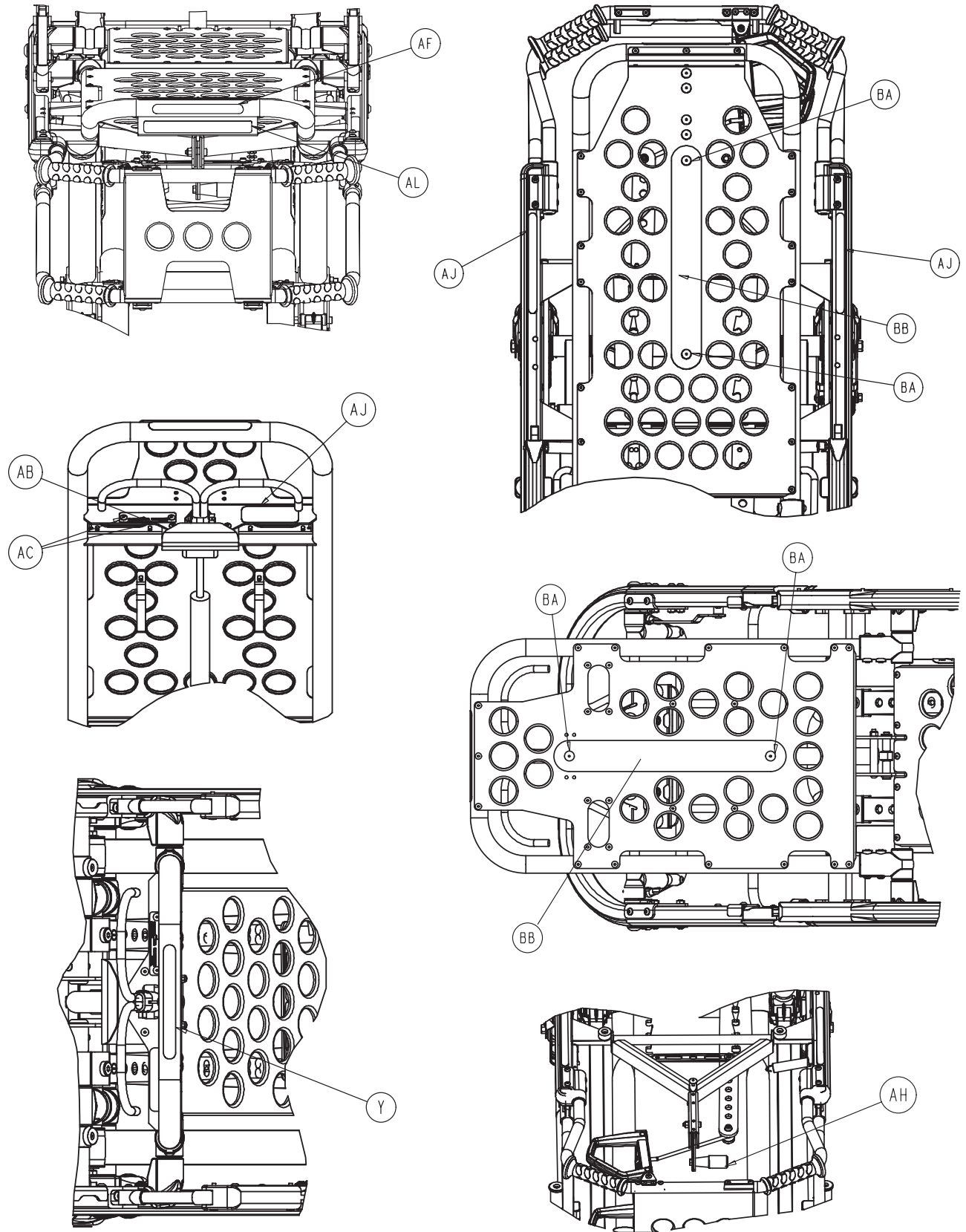


DETAIL 5

Cot Assembly



Cot Assembly



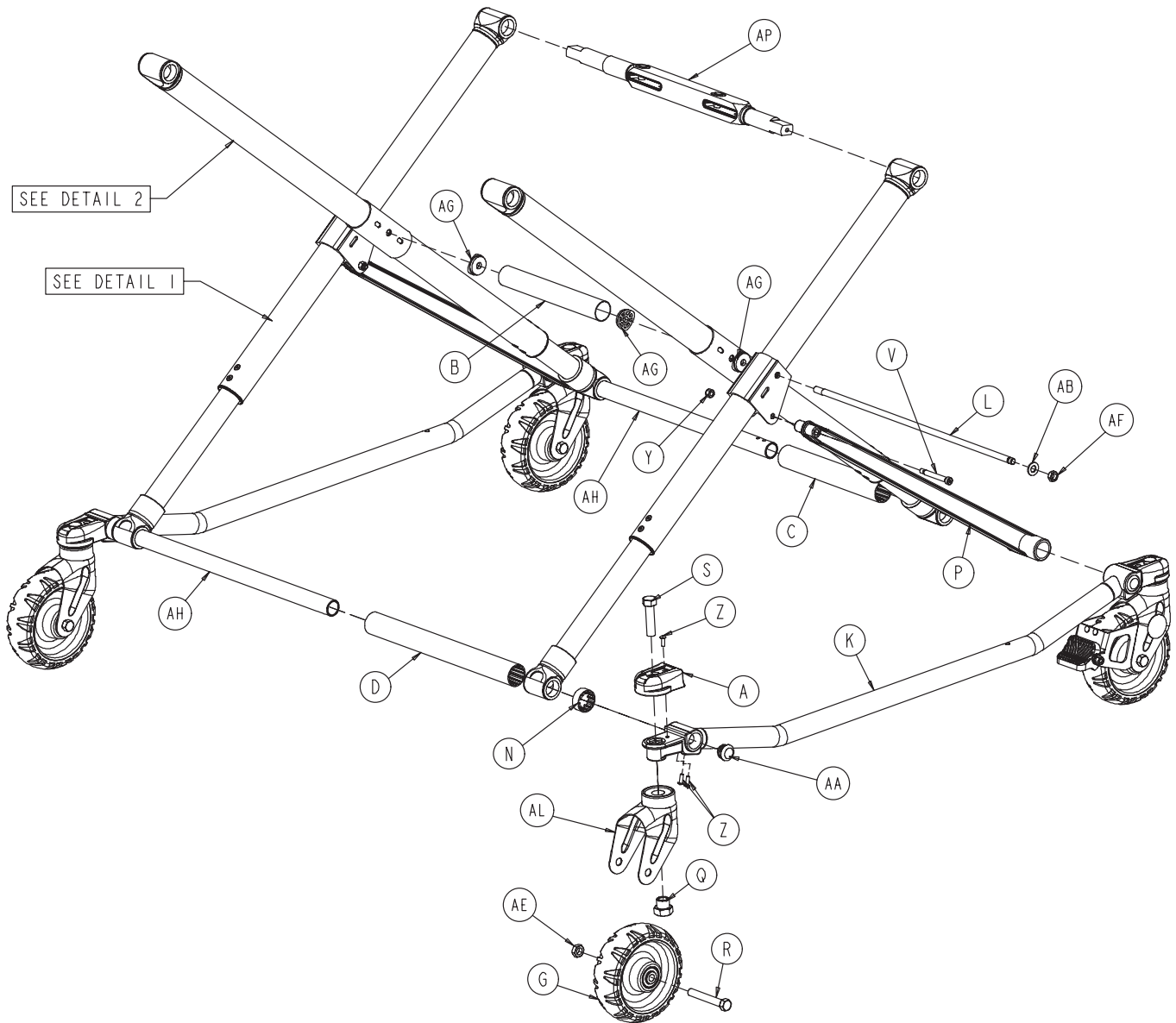
Cot Assembly

Cot Assembly - Components - 6082-150-011 (reference only)

Item	Part No.	Part Name	Qty.
A	6082-101-011	Base Assembly	1
B	6082-205-050	Litter/Base Adapter Ass'y, Right (Pg. 59)	1
C	6082-205-053	Litter/Base Adapter Ass'y, Left (pg. 60)	1
D	6082-205-060	Litter/Base Adapter Spacer Sleeve	2
E	6082-130-011	Litter Assembly (pg. 61)	1
F	0004-135-000	Button Head Cap Screw	2
G	0004-204-000	Button Head Cap Screw	2
H	6060-037-026	Pivot Spacer Plate	2
J	6060-037-035	Outer Rail End Cap	2
K	6082-037-010	Breakaway Head Section Assembly (pg. 78)	1
L	0004-198-000	Button Head Cap Screw	7
M	0016-028-000	Hex Nut	10
N	1010-031-077	Gas Spring	1
P	0014-021-000	Washer	2
Q	6082-031-046	Litter/Base Interface Pivot Spacer	2
R	0011-448-000	Washer	2
S	6082-031-031	Clevis Pin	1
T	0028-181-000	Truarc Ring	1
U	0011-355-000	Washer	2
V	0004-325-000	Button Head Cap Screw	2
W	6082-033-037	Retainer Plate Cover, Right	1
X	6082-033-036	Retainer Plate Cover, Left	1
Y	0037-082-000	Vibration Mount	2
Z	6080-030-043	Litter Frame Bumper	2
AA	0038-508-000	Extension Spring	2
AB	6060-090-002	Serial Number Tag	1
AC	0025-079-000	Blind Rivet	2
AE	6082-090-043	Stryker Label	2
AF	6060-090-004	Small "Rugged" Label	1
AG	6060-090-114	"Keep Hands Clear" Label	2
AH	6070-090-107	"Lift to Release" Label	1
AJ	6082-090-045	"MX-PRO R3" Spec Label	1
AK	6080-090-108	"Lift Here" Label	2
AL	6080-090-009	"Warning" Label	1
AM	6082-090-110	"MX-PRO R3" Label	2
AN	6082-090-040	MX-PRO Tube Label, Patient Left	1
AP	0946-001-155	Bumper	2
AR	0025-133-000	Blind Rivet	2
AS	0008-033-000	Socket Head Shoulder Bolt	1
AT	0016-028-000	Hex Nut	1
AU	6082-040-025	Link Bushing	2
AV	0011-352-000	Washer	1
AW	6082-090-114	"Keep Hands Clear" Label	2
AX	6082-090-039	MX-PRO Tube Label, Patient Right	1
AZ	6082-090-004	Side Release Label	1
BA	0025-132-000	Flange Rivet	4
BB	6082-001-085	2" Adhesive Loop Pile	2
BC	6082-090-046	650 lb Weight Capacity Label	2

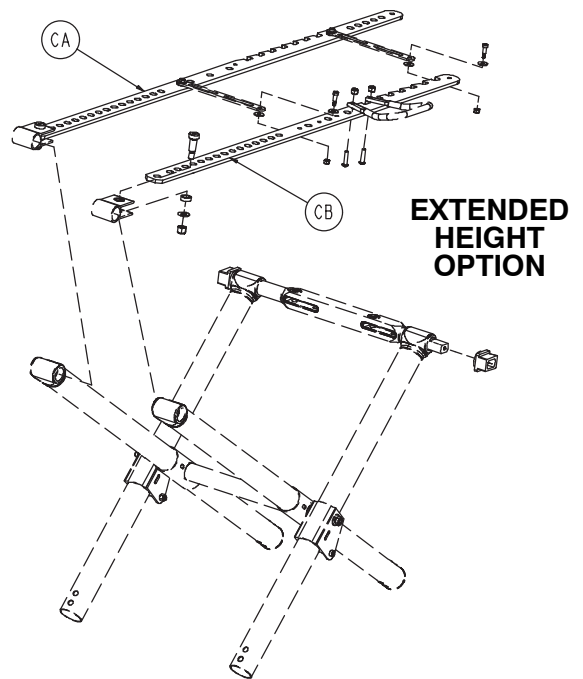
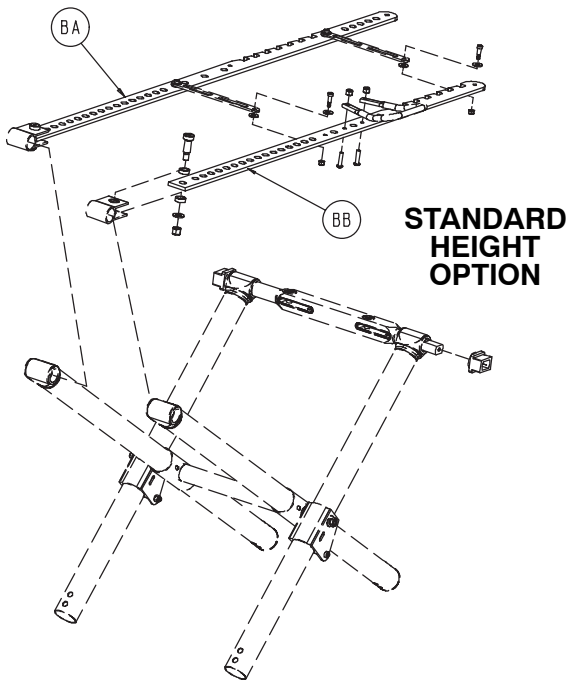
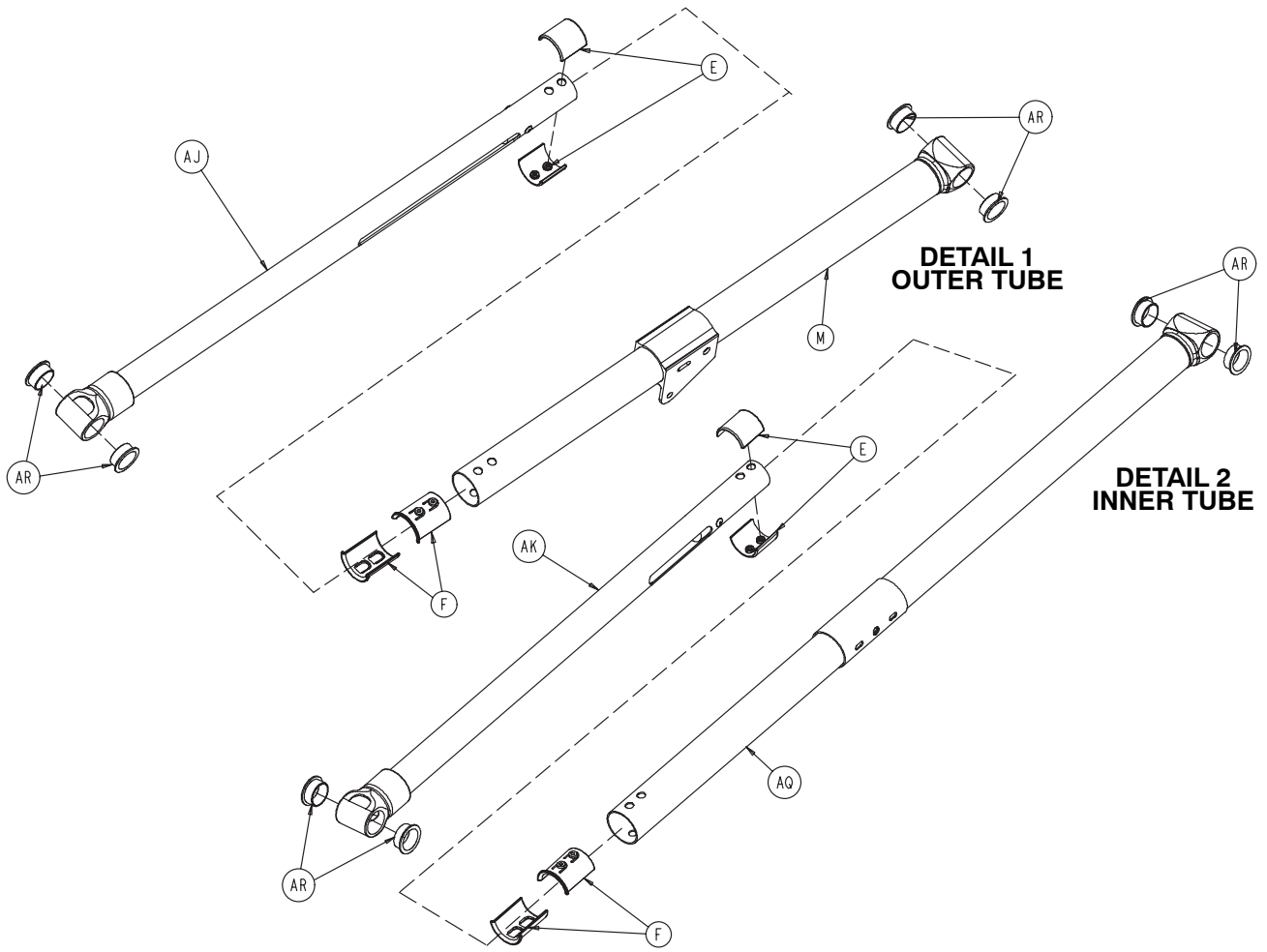
Base Assembly

For Reference Only: 6082-101-011

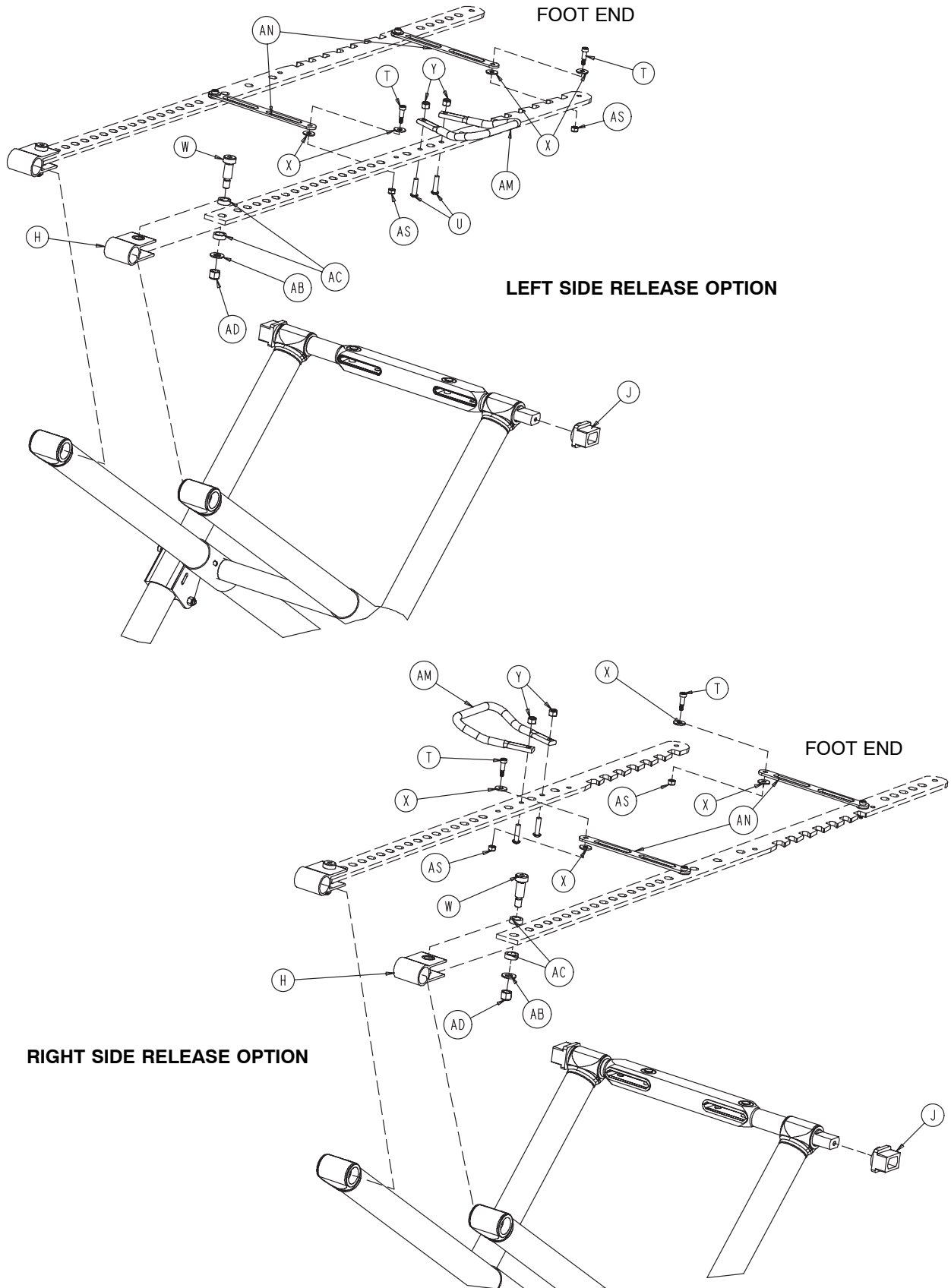


[Return To Table of Contents](#)

Base Assembly



Base Assembly



Base Assembly

Base Assembly - Components - 6082-101-011 (reference only)

Item	Part No.	Part Name	Qty.
A	6060-001-021	Caster Mount Cover	4
B	6060-001-030	Center Base Spacer	1
C	6060-001-031	Inner Base Spacer, Foot End	1
D	6060-001-032	Inner Base Spacer, Head End	1
E	6060-001-070	Upper Frame Tube Bearing	8
F	6060-001-071	Lower Frame Tube Bearing	8
G	6060-002-010	6 inch Wheel Assembly (pg. 53)	4
H	6060-005-029	Height Adj. Rack Mounting Pivot	2
J	6060-005-044	Lock Bar Slide Bearing	2
K	6060-101-015	Outer Base Tube Ass'y	2
L	6060-101-028	Base Connecting Rod	1
M	6060-201-053	Litter Pivot Outer Lift Tube	2
N	6080-001-029	Outer Base Spacer, Head End	2
P	6080-001-046	Support Link	2
Q	6090-001-009	Caster Nut	4
R	0003-205-000	Hex Head Cap Screw	4
S	0003-353-000	Hex Head Cap Screw	4
T	0008-010-000	Shoulder Bolt	4
U	0004-197-000	Button Head Cap Screw	2
V	0008-028-000	Socket Head Shoulder Bolt	2
W	0008-045-000	Socket Head Shoulder Bolt	2
X	0011-224-000	Nylon Washer	8
Y	0016-028-000	Hex Nut	4
Z	0025-133-000	Blind Rivet	12
AA	0037-225-000	Hole Plug	4
AB	0011-004-000	Washer	4
AC	0011-350-000	Washer	4
AD	0016-035-000	Hex Nut	2
AE	0016-060-000	Hex Nut	4
AF	0016-089-000	Hex Nut	2
AG	6082-001-027	Connecting Rod Bearing	4
AH	6082-001-043	Base Tube	2
AJ	6082-001-067	Base Pivot Outer Lift Tube Ass'y (pg. 54)	2
AK	6082-001-069	Base Pivot Inner Lift Tube Ass'y (pg. 55)	2
AL	6082-002-012	Caster Assembly	*
AM	6082-005-026	Side Release Handle	1
AN	6082-005-038	Height Adj. Rack Cross Brace	2
AP	6082-005-056	Lock Bar Assembly (pg. 56)	1
AQ	6082-101-055	Litter Pivot Inner Lift Tube	2
AR	0081-244-000	Flange Bearing	16
AS	0016-002-000	Fiberlock Nut	4

Note

* If the cot is not equipped with the wheel lock option, item AT, Caster Horn, is a quantity of 4.

* If the cot is equipped with the wheel lock option, item AT, Caster Horn, is a quantity of 3.

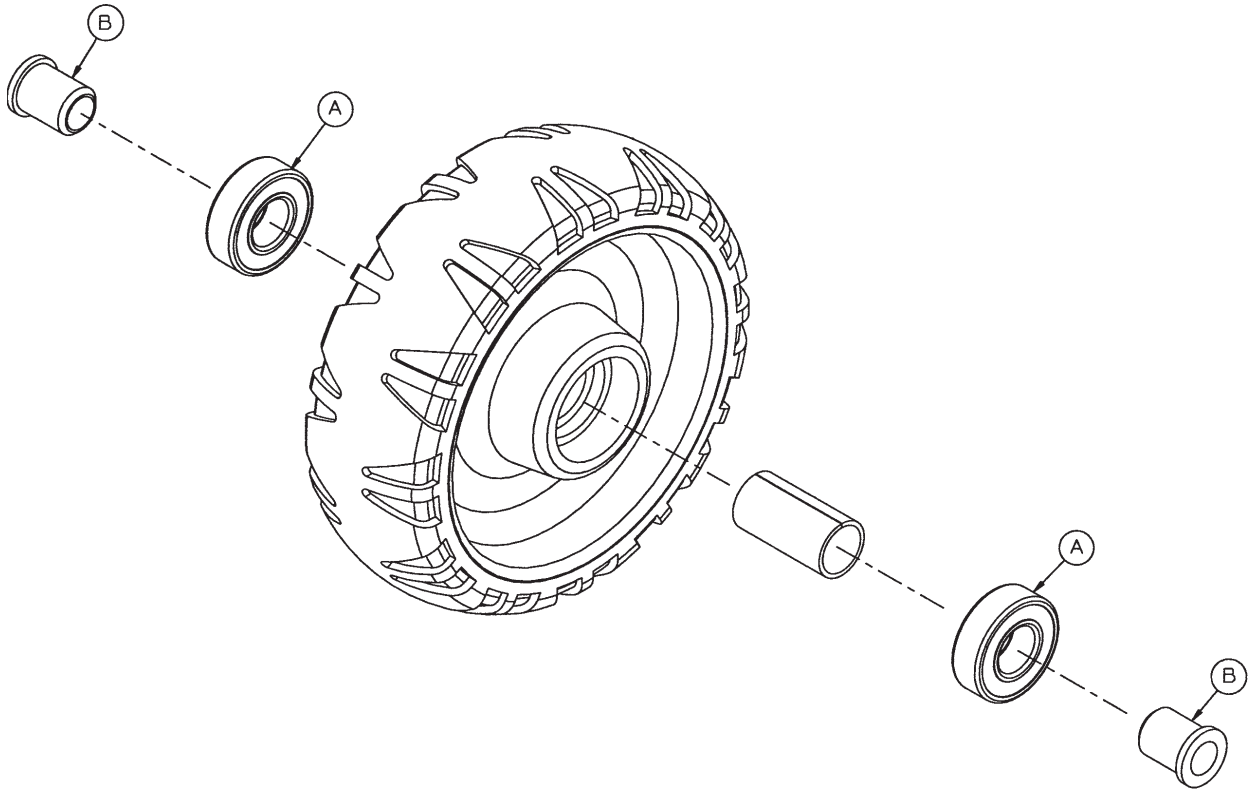
6082-039-000 Standard Height

BA	6082-105-057	Height Adj. Rack, Left	1
BB	6082-305-052	Height Adj. Rack, Right	1

6082-039-000 Standard Height

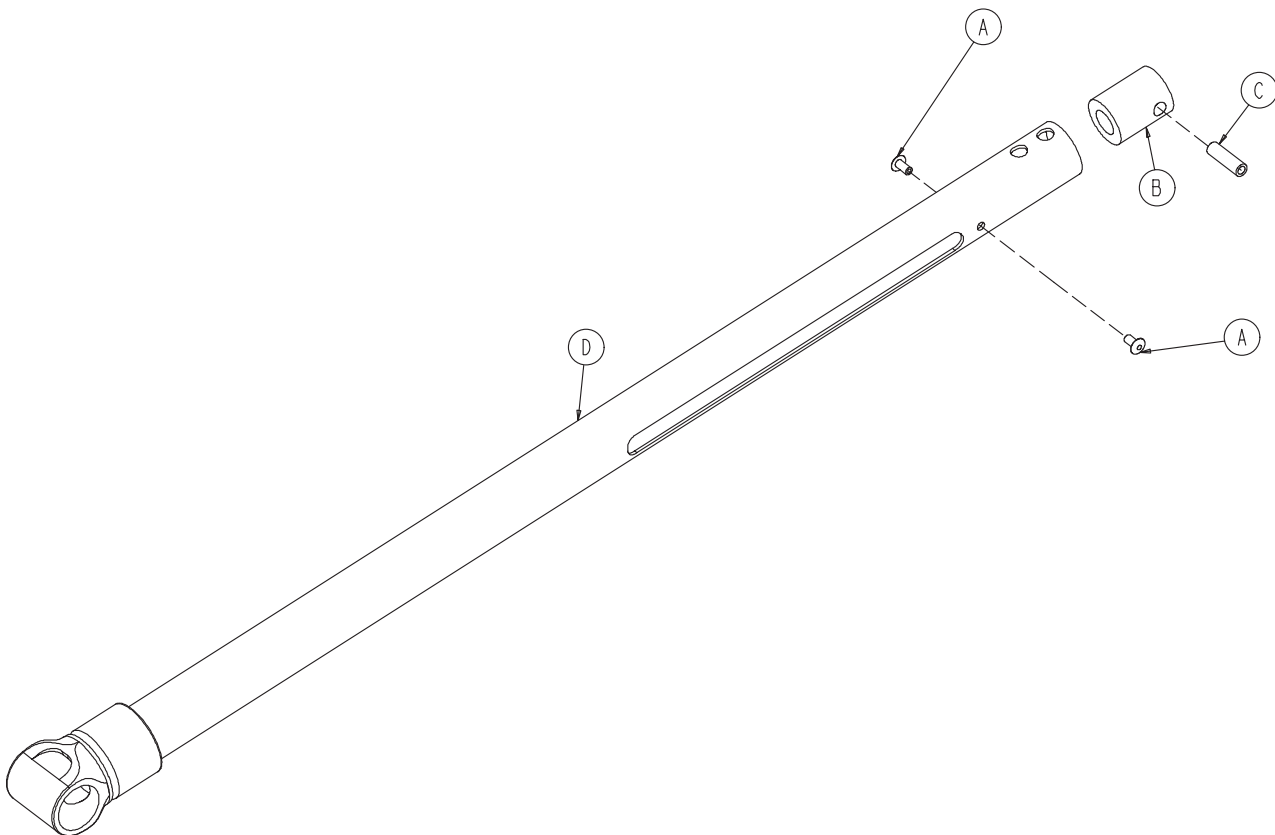
CA	6082-343-082	Height Adj. Rack, Right	1
CB	6082-343-083	Height Adj. Rack, Left	1

Wheel Assembly - 6060-002-010



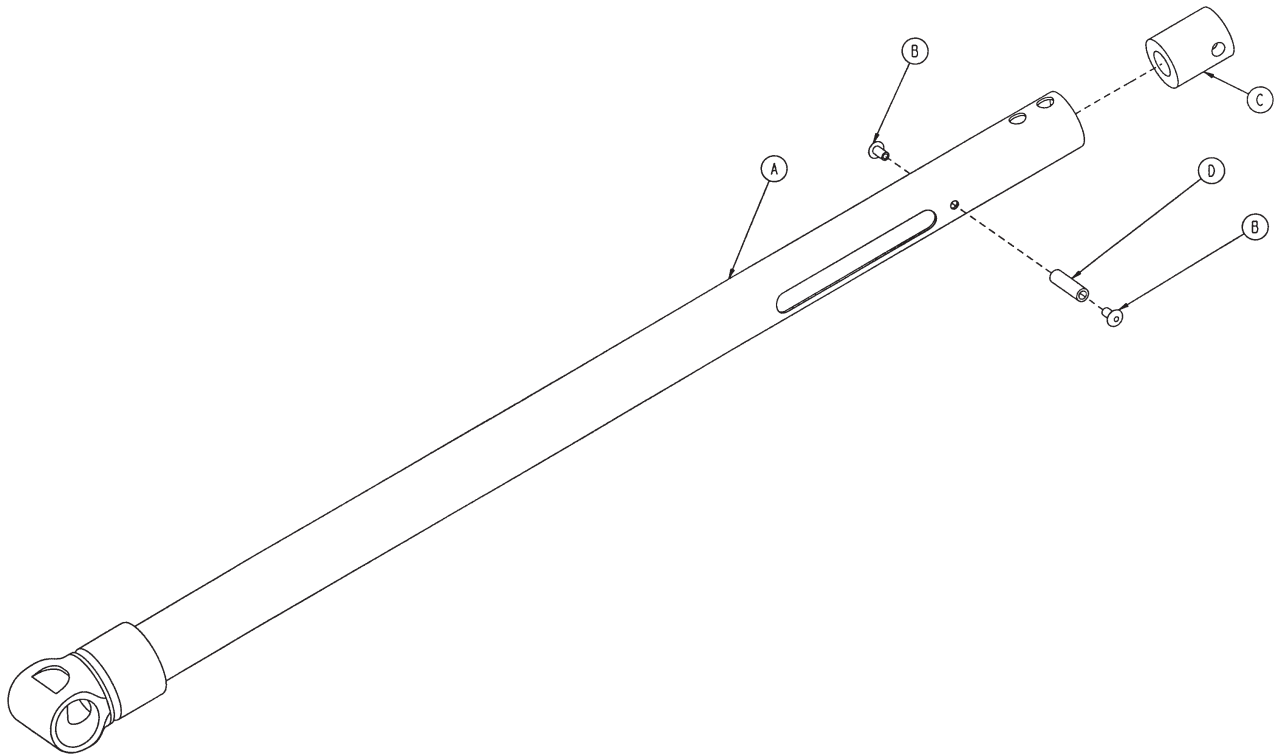
Item	Part No.	Part Name	Qty.
A	0081-226-000	Bearing	2
B	0715-001-255	Wheel Bushing	2

Base Pivot Outer Lift Tube Assembly - 6082-001-067



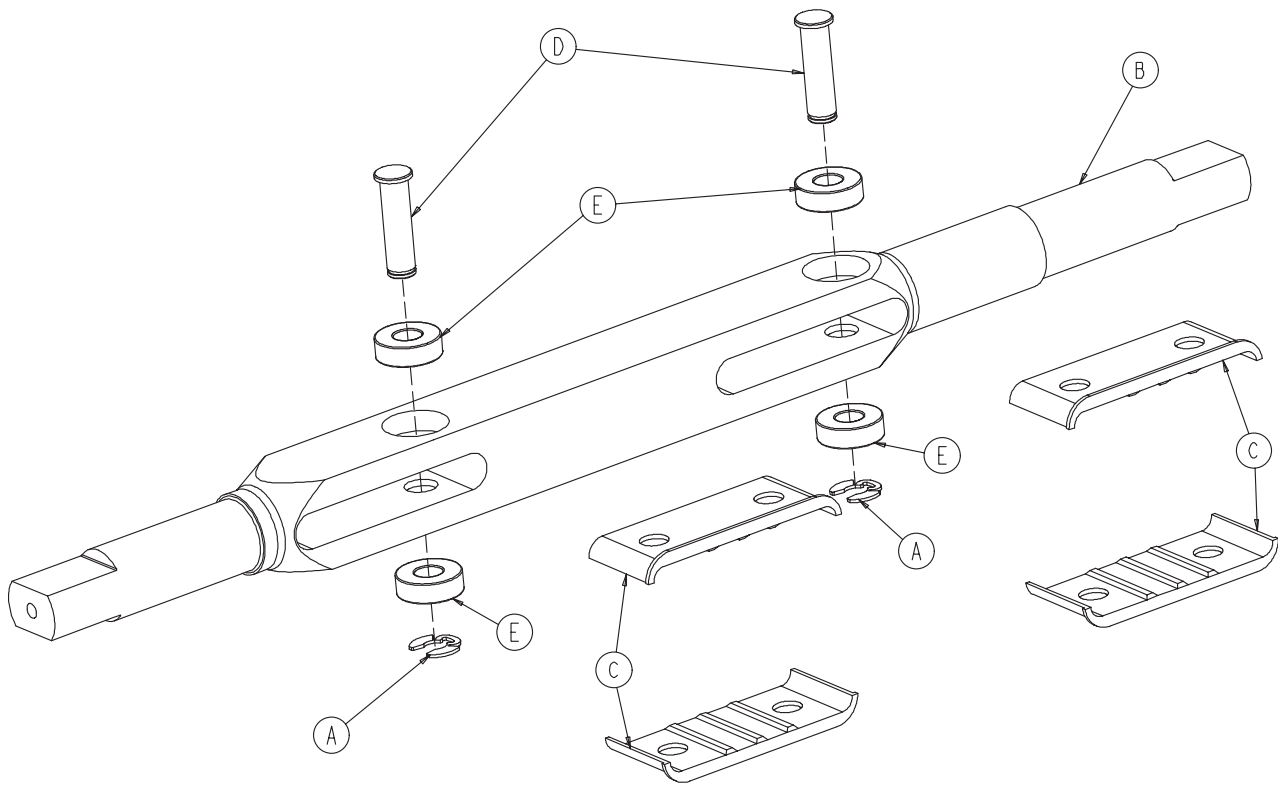
Item	Part No.	Part Name	Qty.
A	0025-079-000	Blind Rivet	2
B	6082-001-035	Dampener	1
C	6082-001-036	Dampener Sleeve	1
D	6082-001-057	Outer Lift Tube Weldment	1

Base Pivot Inner Lift Tube Assembly - 6082-001-069



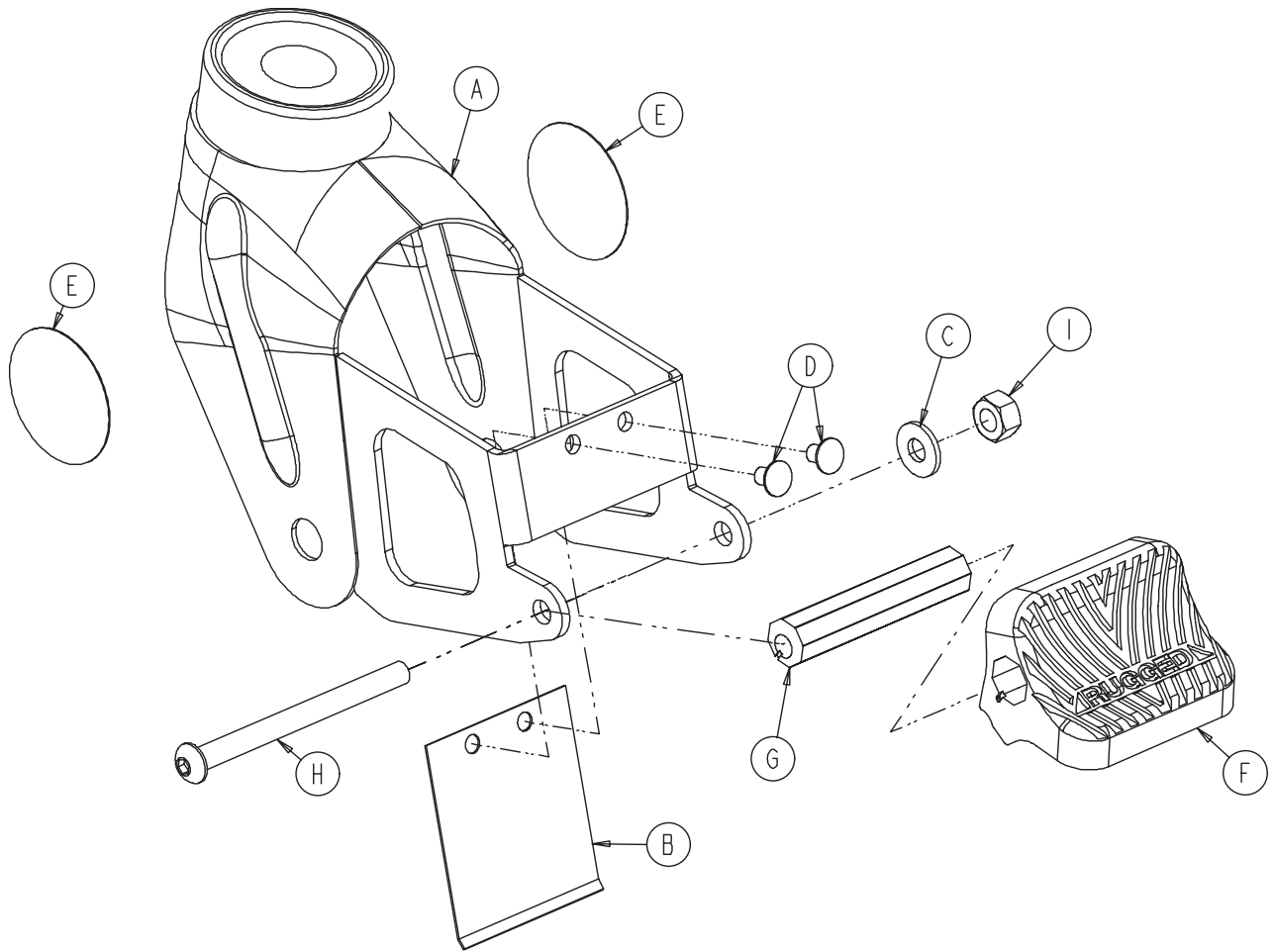
Item	Part No.	Part Name	Qty.
A	6082-001-059	Inner Lift Tube Weldment	1
B	0025-079-000	Blind Rivet	2
C	6082-001-035	Dampener	1
D	6082-001-036	Dampener Sleeve	1

Height Adjustment Lock Bar Assembly - 6082-005-056



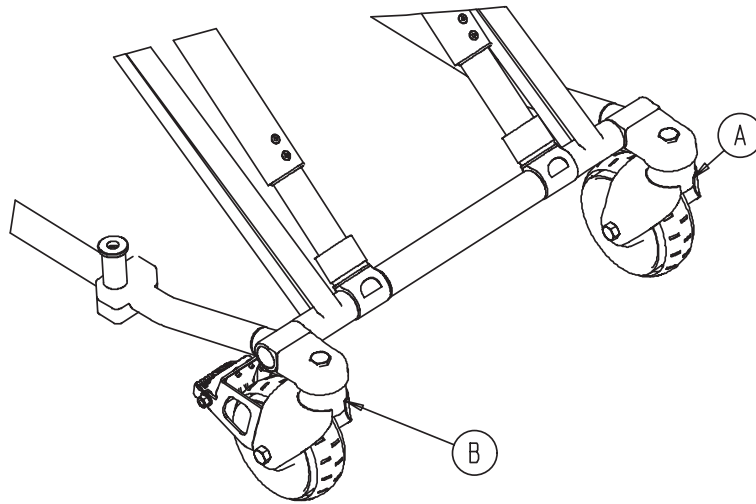
Item	Part No.	Part Name	Qty.
A	0028-181-000	Retaining Ring	2
B	6082-005-055	Height Adjustment Rack Lock Bar	1
C	6082-005-065	Lock Bar Slide Plate	4
D	6082-005-096	Height Adjustment Rack Latch Pin	2
E	0081-248-000	Bearing	4

Adjustable Wheel Lock Assembly - 6082-200-010



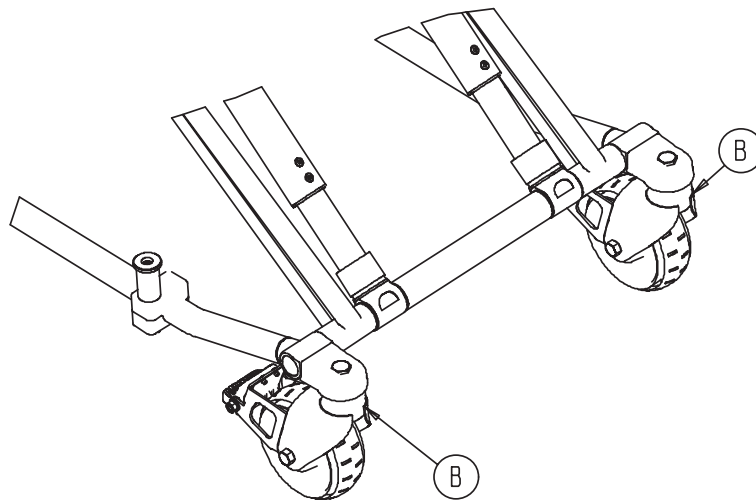
Item	Part No.	Part Name	Qty.
A	6082-100-012	Caster Horn	1
B	6082-100-032	Spring	1
C	0011-456-000	Washer	1
D	0025-153-000	Semi-Tubular Rivet	2
E	6080-090-101	Warning Label	2
F	6080-200-030	Adjustable Pedal	1
G	6080-200-041	Octagonal Sleeve	1
H	0004-098-000	Hex Socket Button Head Cap Screw	1
I	0016-118-000	Centerlock Nut	1

Optional Single Wheel Lock Assembly - 6082-501-010



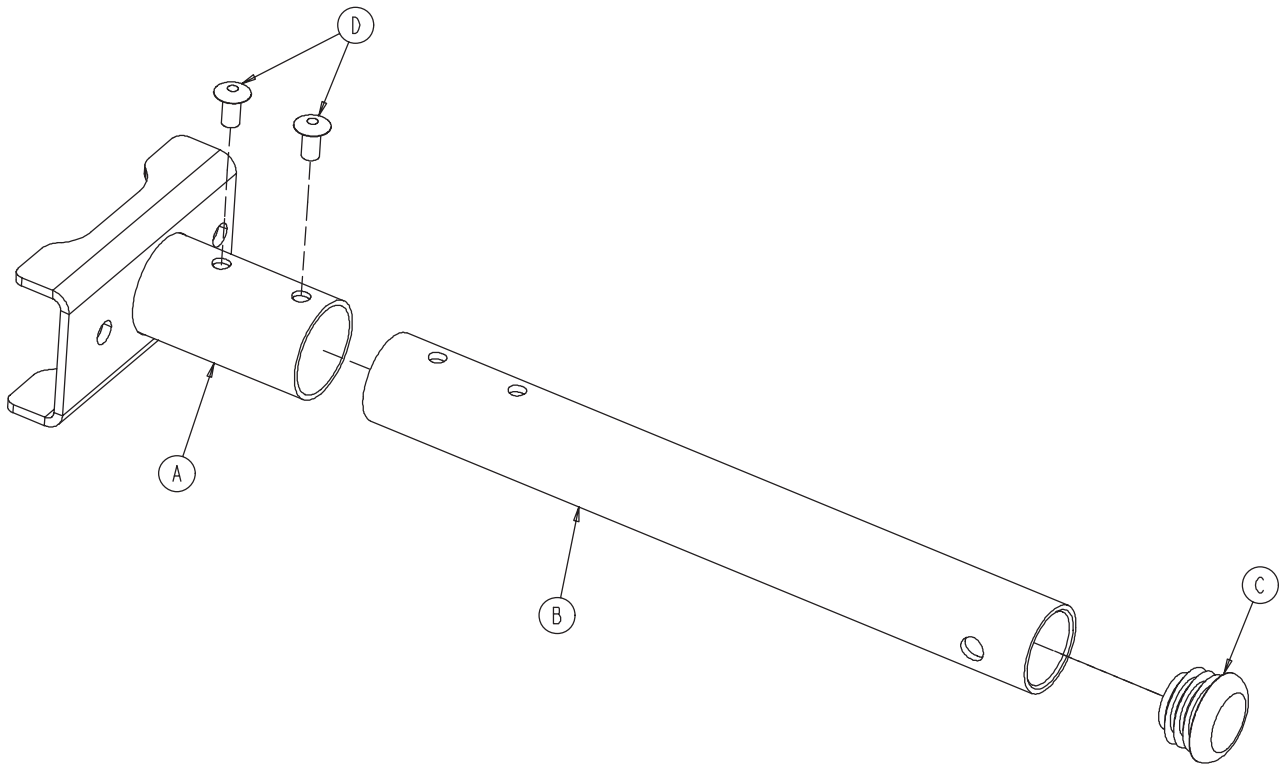
Item	Part No.	Part Name	Qty.
A	6082-002-012	Caster Horn	1
B	6082-200-010	Wheel Lock Assembly (pg. 57)	1

Optional Dual Wheel Lock Assembly - 6082-502-010



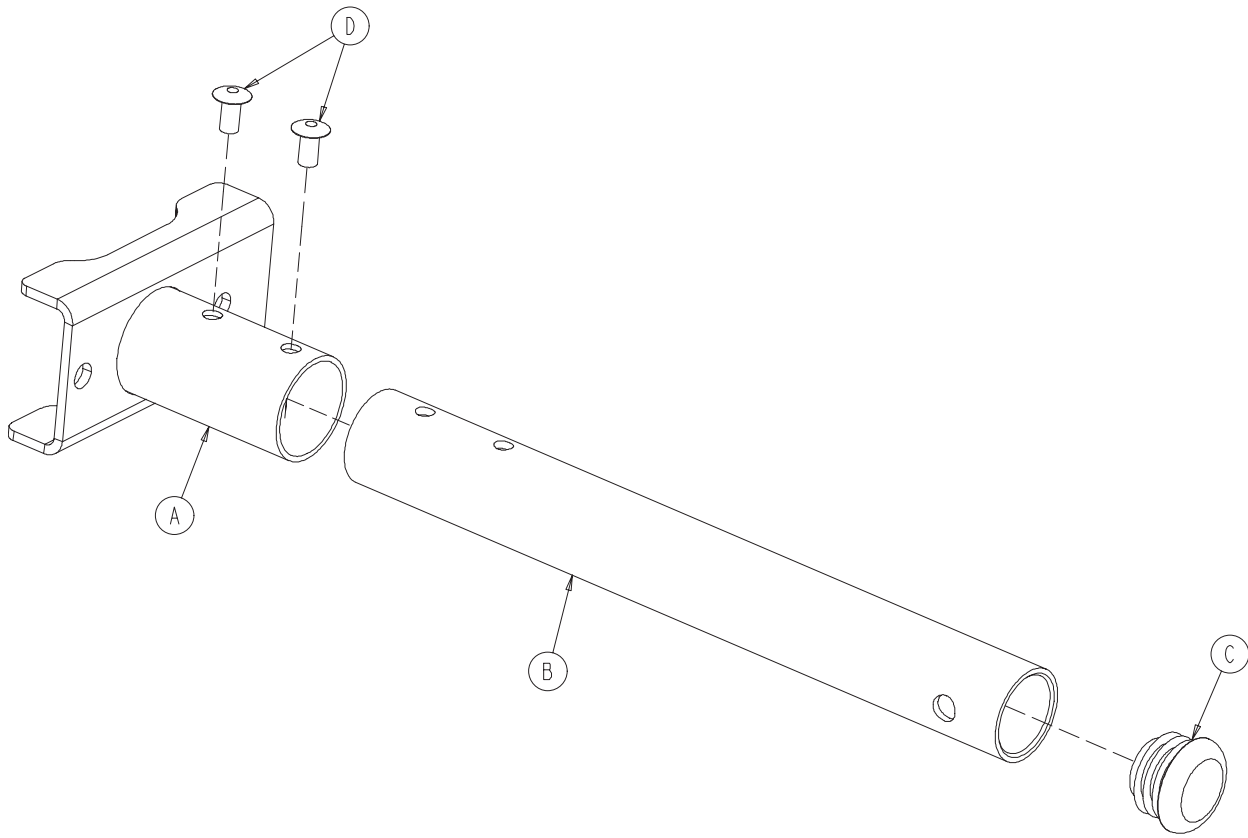
Item	Part No.	Part Name	Qty.
B	6082-200-010	Wheel Lock Assembly (pg. 57)	2

Litter/Base Adapter Assembly, Right - 6082-205-050



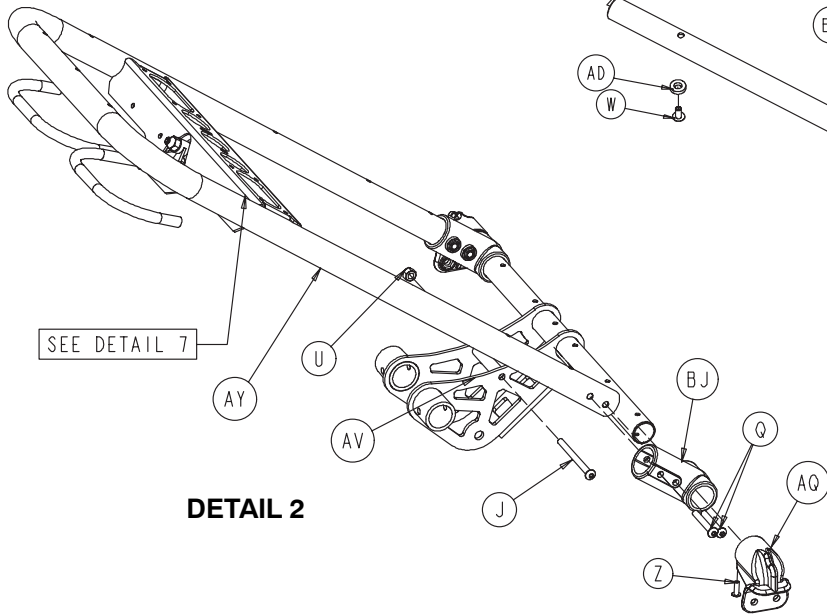
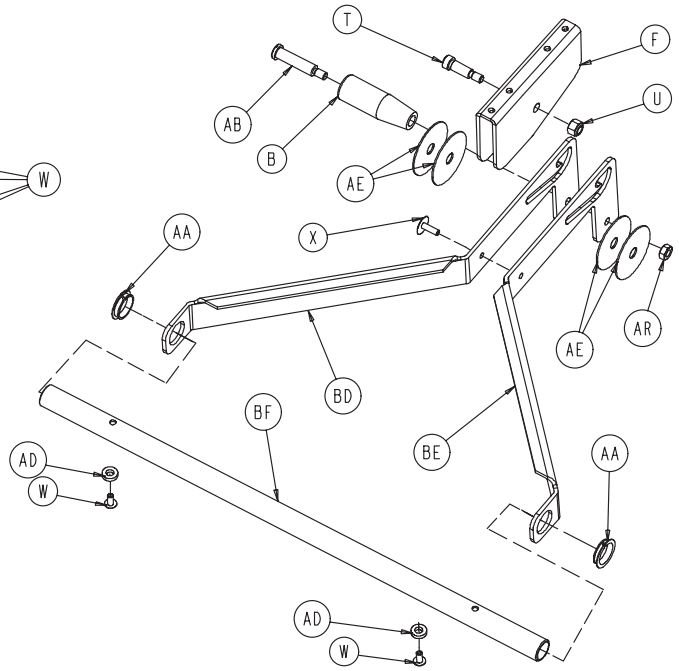
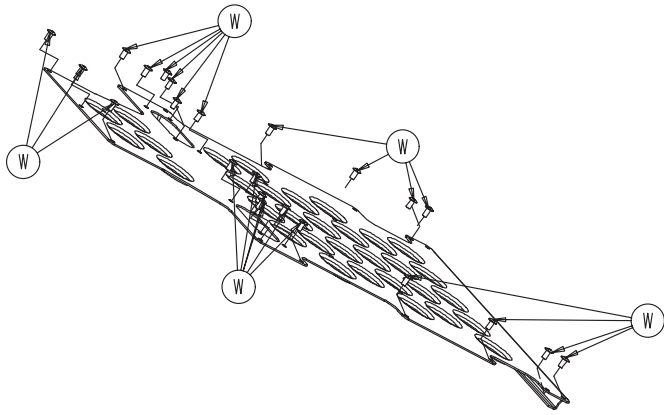
Item	Part No.	Part Name	Qty.
A	6082-005-034	Adapter Mounting Bracket, Right	1
B	6082-005-051	Adapter Pivot Tube	1
C	0037-225-000	Hole Plug	1
D	0025-079-000	Blind Rivet	2

Litter/Base Adapter Assembly, Left - 6082-205-053



Item	Part No.	Part Name	Qty.
A	6082-005-035	Adapter Mounting Bracket, Left	1
B	6082-005-051	Adapter Pivot Tube	1
C	0037-225-000	Hole Plug	1
D	0025-079-000	Blind Rivet	2

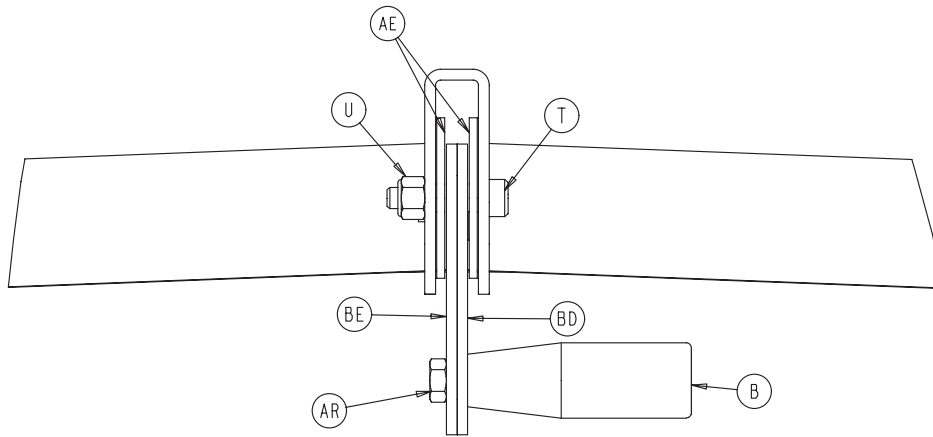
Litter Assembly



SEE DETAIL 7

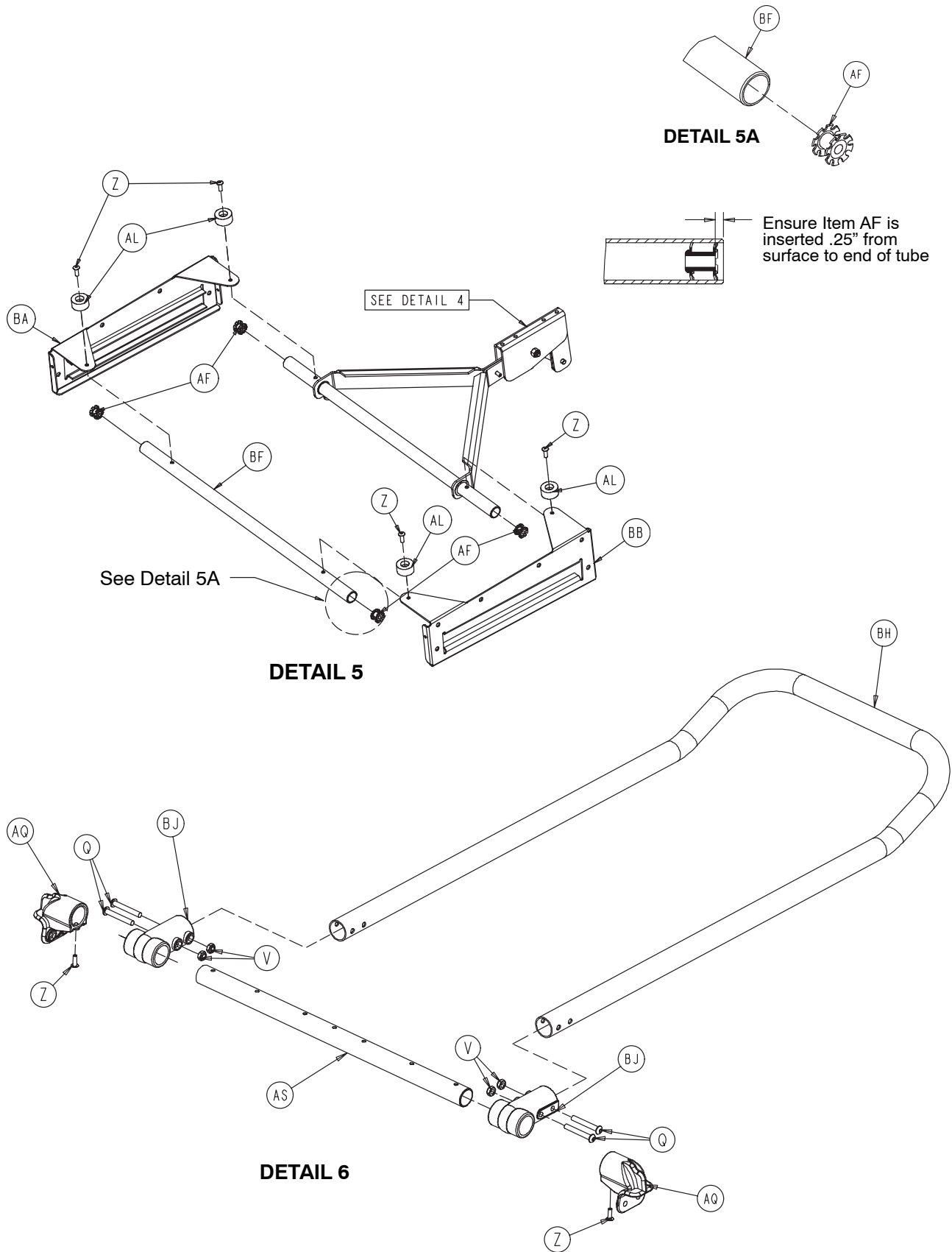
DETAIL 2

DETAIL 3

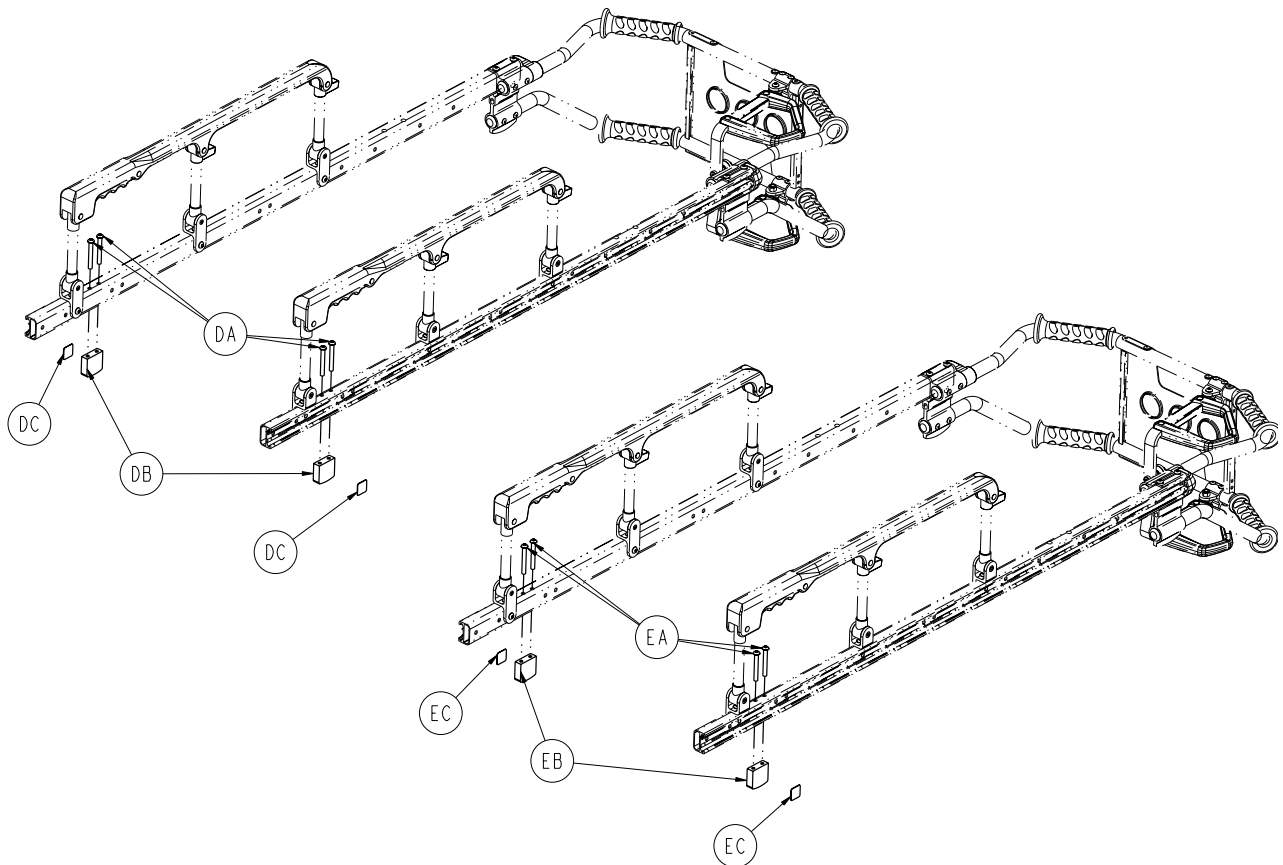
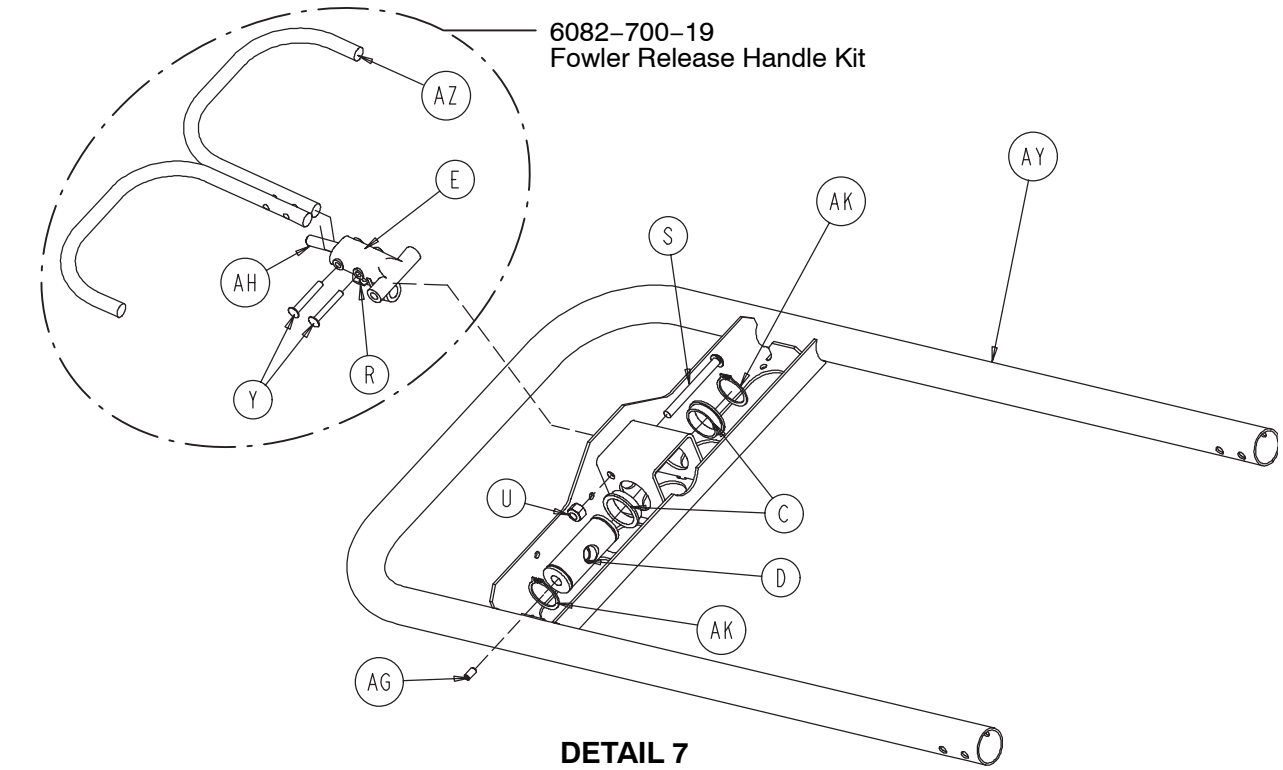


**DETAIL 4
TREND ASSEMBLY VIEW**

Litter Assembly

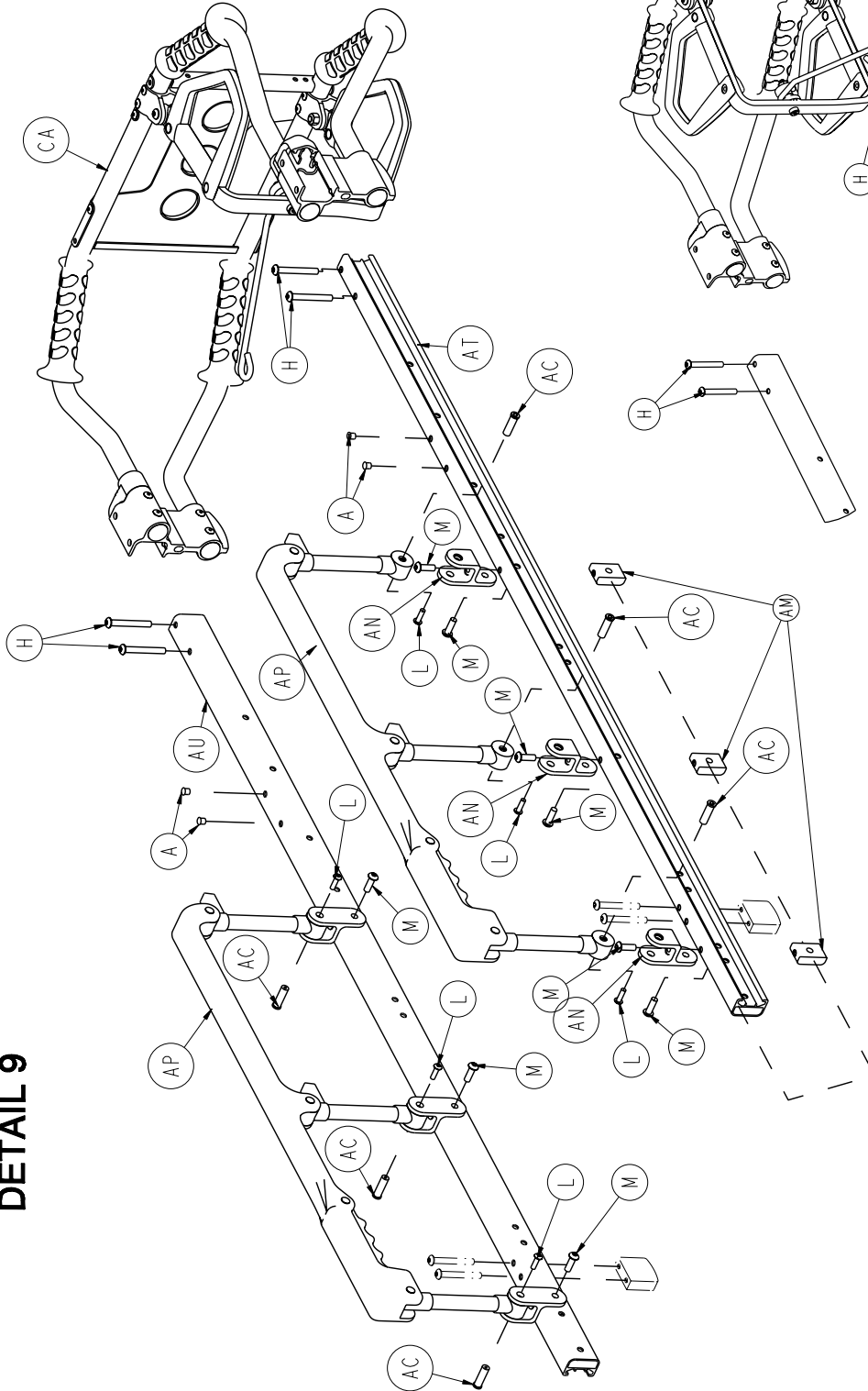


Litter Assembly

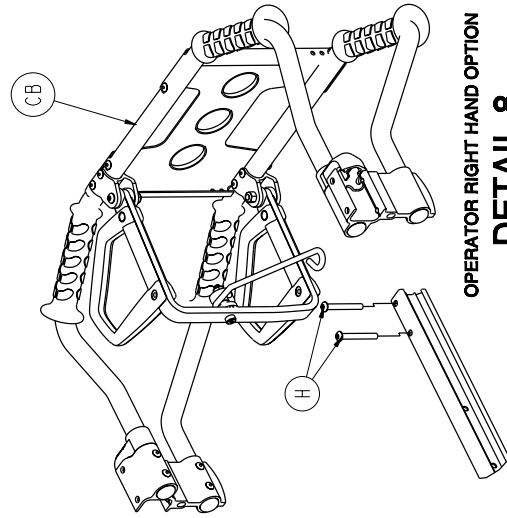


Litter Assembly

OPERATOR LEFT HAND OPTION
DETAIL 9



OPERATOR RIGHT HAND OPTION
DETAIL 8



Litter Assembly

Litter Assembly - Components - 6082-130-011 (reference only)

Item	Part No.	Part Name	Qty.
A	0721-031-065	Hole Plug	4
B	0938-001-177	Knob	1
C	0946-035-025	Liner	2
D	6060-032-038	Gas Cylinder Yoke	1
E	6060-032-040	Fowler Lift Pivot	1
F	6070-038-033	Calf Stand Retainer	1
G	0004-197-000	Litter Stop	2
H	0004-097-000	Button Head Cap Screw	8
J	0004-098-000	Button Head Cap Screw	1
K	0004-503-000	Button Head Cap Screw	4
L	0004-203-000	Button Head Cap Screw	6
M	0004-468-000	Button Head Cap Screw	12
N	0004-198-000	Button Head Cap Screw	12
Q	0004-204-000	Button Head Cap Screw	9
R	0015-050-000	Hex Nut	1
S	0004-234-000	Button Head Cap Screw	1
T	0008-027-000	Shoulder Bolt	1
U	0016-028-000	Hex Nut	12
V	0016-102-000	Hex Nut	12
W	0025-079-000	Blind Rivet	52
X	0025-128-000	Blind Rivet	1
Y	0025-131-000	Semi-Tubular Rivet	2
Z	0025-133-000	Blind Rivet	8
AA	0081-255-000	Split Bearing	2
AB	0378-024-029	Shoulder Bolt	1
AC	0721-026-066	Pivot Screw	6
AD	0014-067-000	Washer	2
AE	0014-055-000	Washer	4
AF	0018-038-000	Umbrella Nut	4
AG	0021-119-000	Set Screw	1
AH	0021-138-000	Set Screw	1
AJ	0025-132-000	Blind Rivet	4
AK	0028-076-000	External Retaining Ring	2
AL	0056-016-000	Bumper	4
AM	6082-025-033	Pivot Mount Spacer	6
AN	6082-025-055	Pivot Mount	6
AP	6082-026-010	Siderail Assembly (pg. 68)	2
AQ	6082-030-031	Crossbrace Support Mount	4
AR	0016-078-000	Centerlock Nut	1
AS	6082-030-042	Litter Cross Brace	2
AT	6082-030-046	Outer Support Rail, Right	1
AU	6082-030-047	Outer Support Rail, Left	1
AV	6082-031-030	Litter/Base Interface	1
AW	6082-031-047	Litter/Base IF Pivot Spacer	1
AX	6082-032-045	Fowler Skin	1
AY	6082-032-050	Fowler Weldment	1
AZ	6082-032-052	Fowler Lift Release Handle	1
BA	6082-033-032	Slide Plate, Left	1
BB	6082-033-033	Slide Plate, Right	1
BC	6082-034-046	Midsection Skin	1
BD	6082-038-031	Calf Stand Support, Left	1

Litter Assembly

Litter Assembly - Components - 6082-130-011 (reference only) (Continued)

Item	Part No.	Part Name	Qty.
BE	6082-038-032	Calf Stand Support, Right	1
BF	6082-038-035	Litter Crossbrace	2
BG	6082-038-045	Foot Section Skin	1
BH	6082-038-046	Foot Section Tube	1
BJ	6100-003-125	Straight "T" Pivot	4

Left Hand Release Option - 6082-040-001

Item	Part No.	Part Name	Qty.
CA	6082-140-059	Lift Bar Assembly (pg. 70)	1

Right Hand Release Option - 6082-040-002

Item	Part No.	Part Name	Qty.
CB	6082-140-060	Lift Bar Assembly (pg. 72)	1

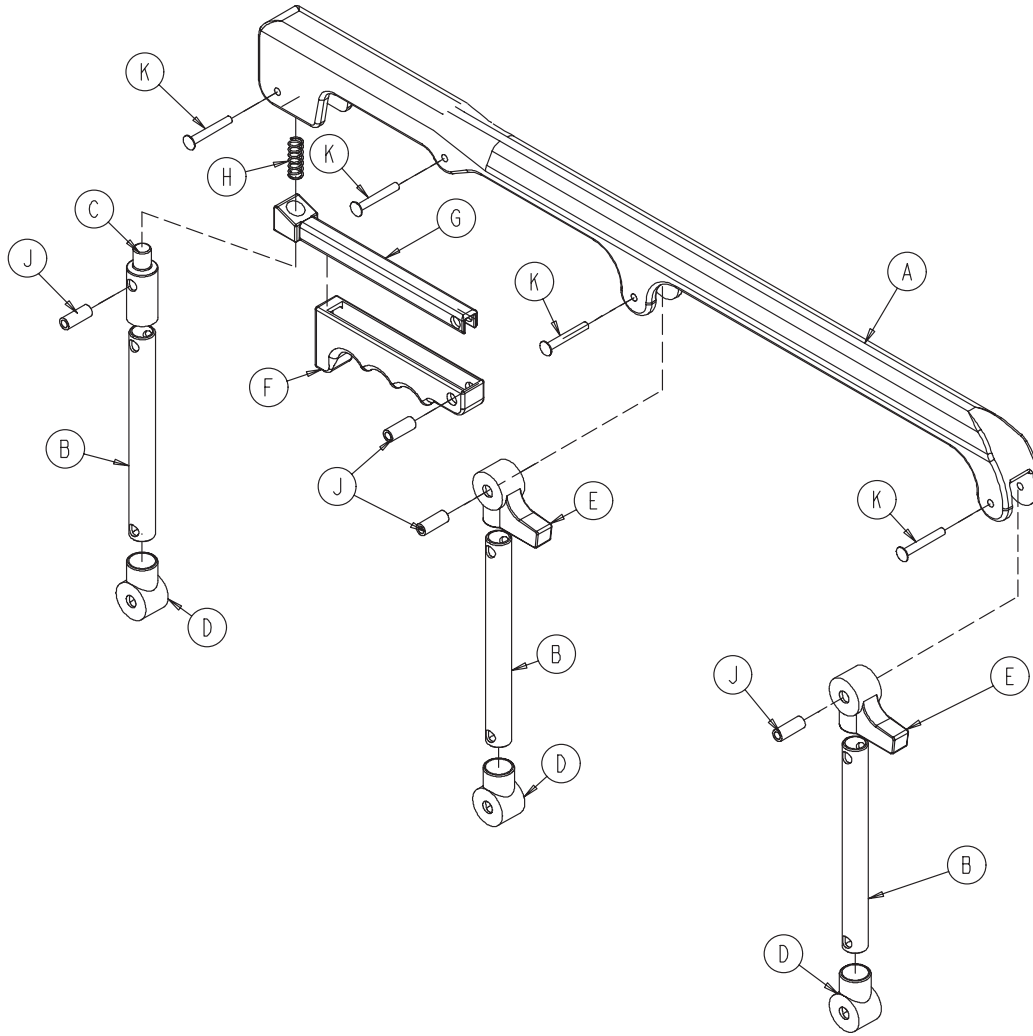
Standard Height Litter Stop Option - 6082-041-000

Item	Part No.	Part Name	Qty.
DA	0004-097-000	Button Head Cap Screw	4
DB	6080-030-040	Litter Stop	2
DC	6060-090-114	Warning Label	2

Extended Height Litter Stop Option - 6082-042-000

Item	Part No.	Part Name	Qty.
EA	0004-135-000	Button Head Cap Screw	4
EB	6082-343-081	Extended Litter Stop	2
EC	6082-090-114	"Keep Hands Clear" Label	2

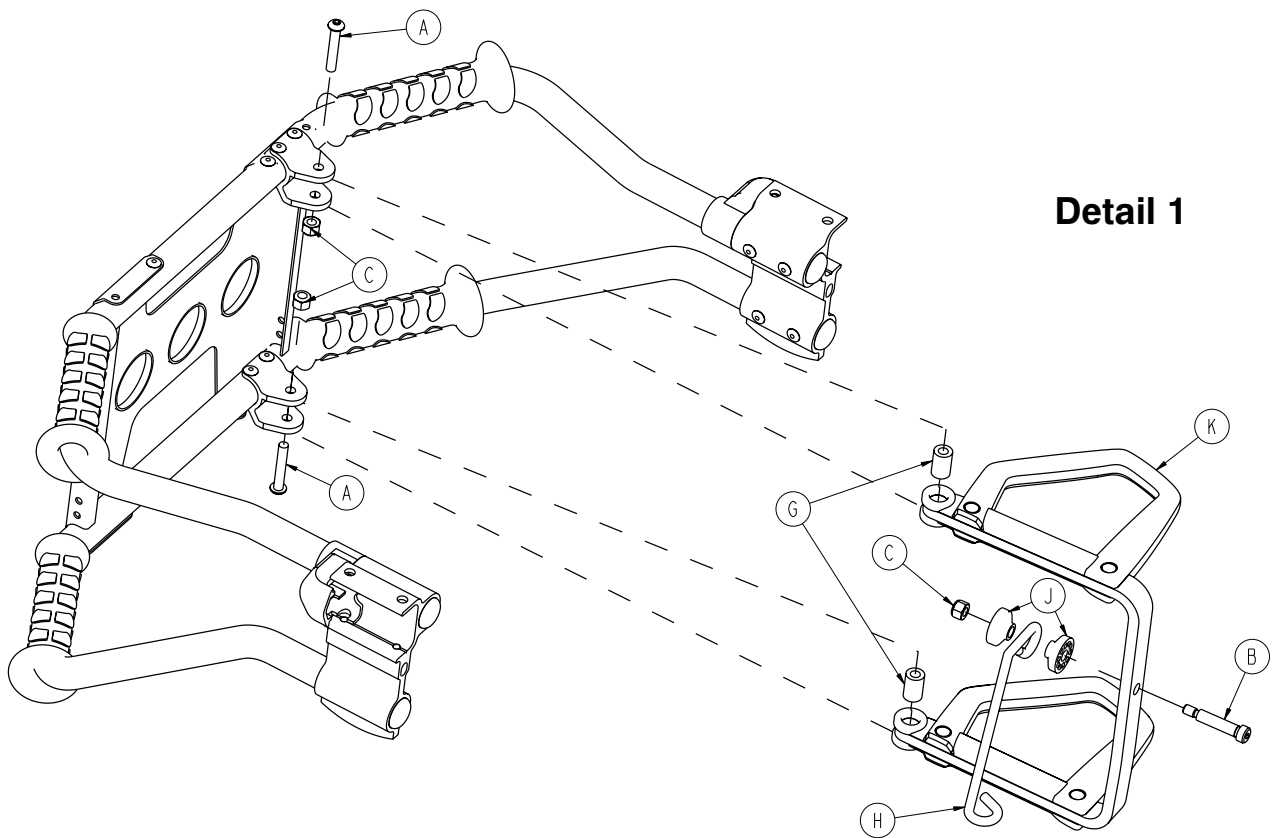
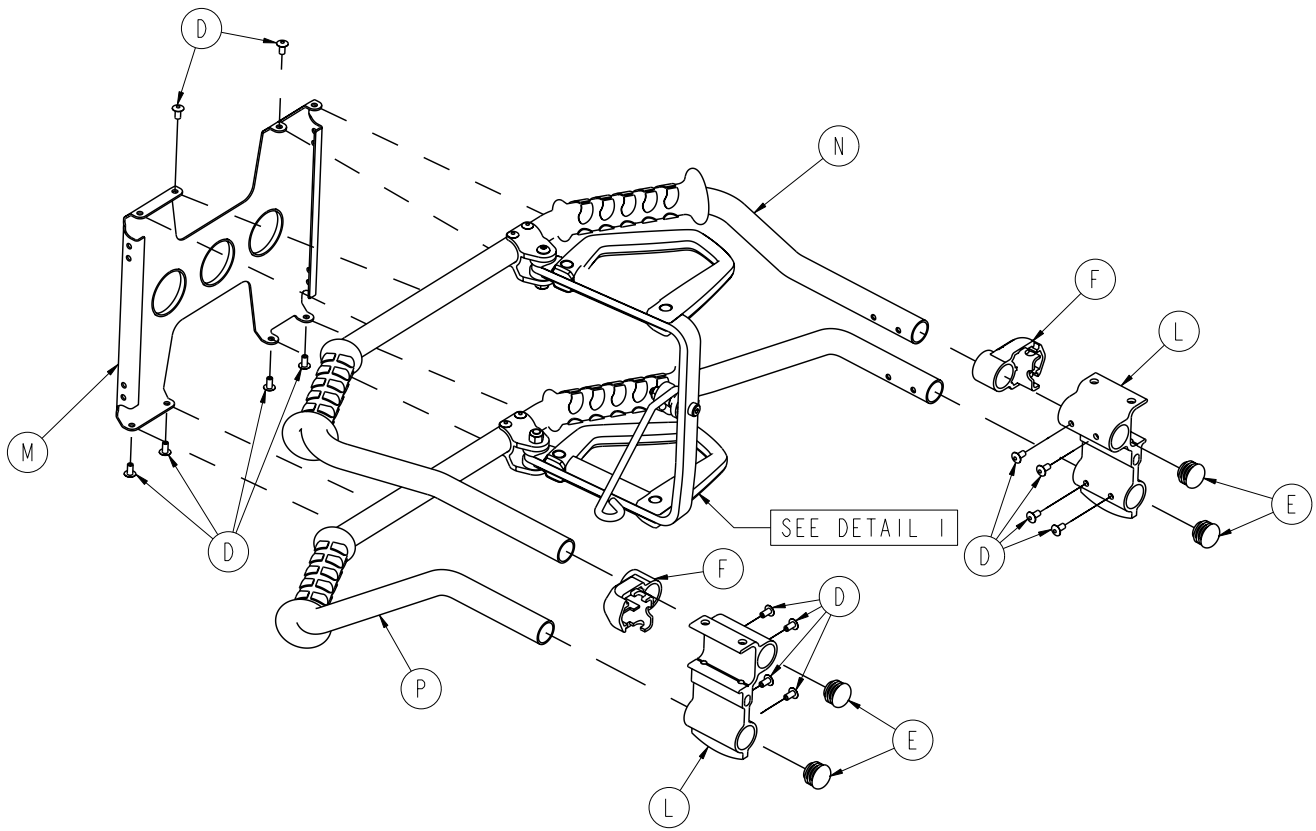
Siderail Assembly - 6082-026-010



Item	Part No.	Part Name	Qty.
A	6060-025-024	Top Rail	1
B	6060-025-043	Spindle	3
C	6060-025-047	Spindle Lock	1
D	6060-025-041	Spindle Pivot	3
E	6060-025-040	Spindle Pivot Stop	2
F	6060-025-029	Lock Release Grip	1
G	6061-125-030	Lock Bar	1
H	0038-344-000	Compression Spring	1
J	6060-025-035	Pivot Bushing	4
K	0025-131-000	Rivet	4

Notes

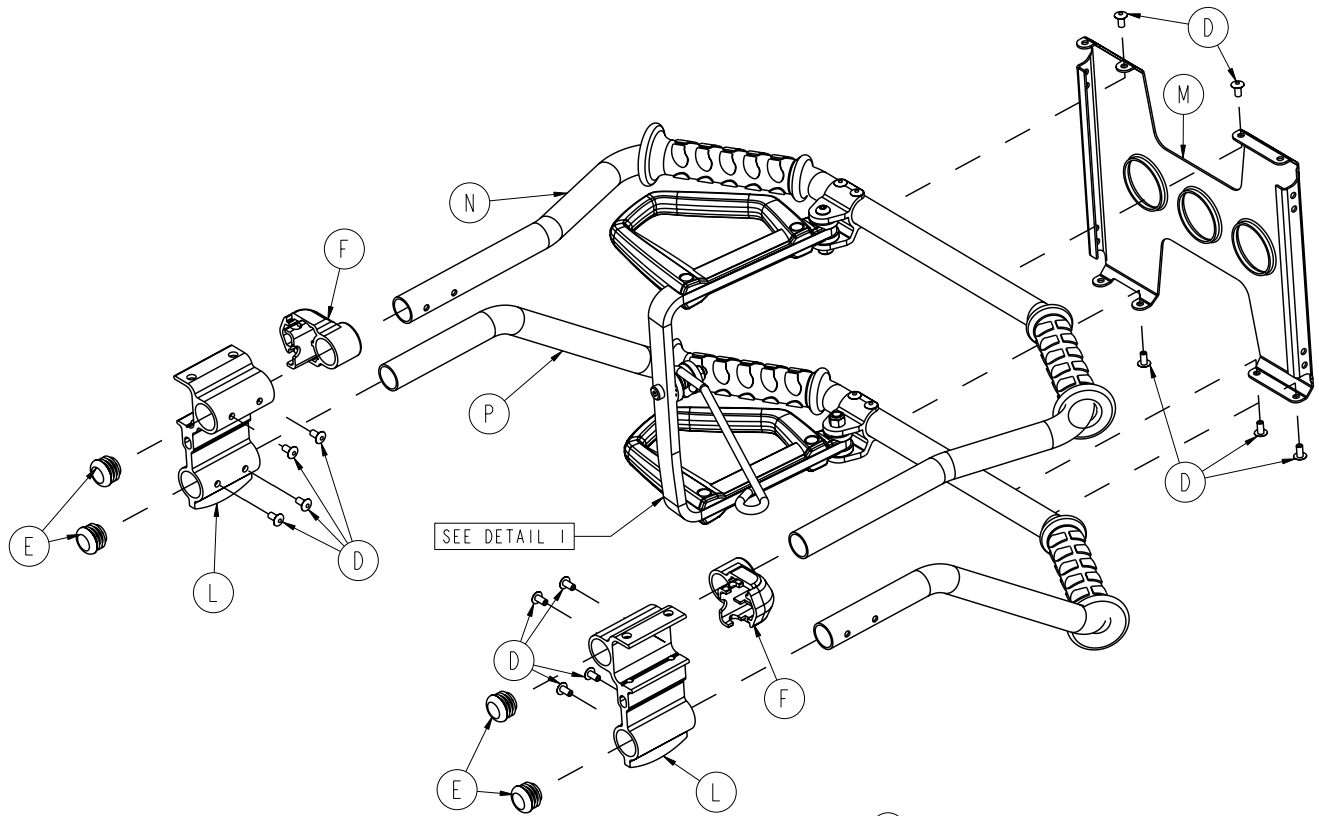
Optional Lift Tube Assembly, Left Side Release - 6082-140-059



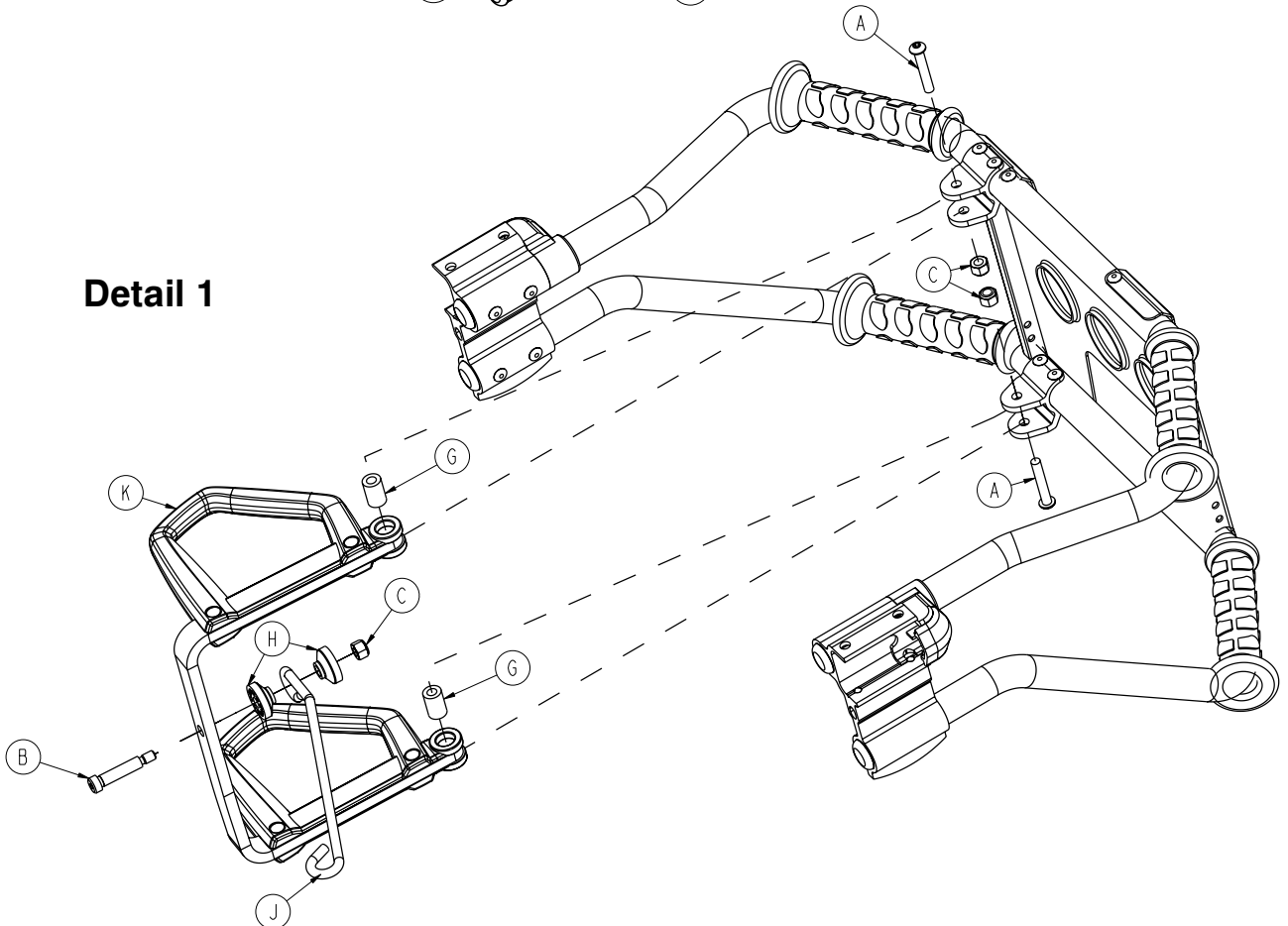
Optional Lift Tube Assembly, Left Side Release - 6082-140-059

Item	Part No.	Part Name	Qty.
A	0004-135-000	Button Head Cap Screw	2
B	0008-033-000	Socket Head Shoulder Bolt	1
C	0016-028-000	Fiberlock Hex Nut	3
D	0025-079-000	Dome Head Rivet	14
E	0037-238-000	Tube Plug	4
F	6080-040-012	End Cap, Outer Rail, Foot End	2
G	6080-040-044	Spacer, Link Release	2
H	6082-040-021	Pull Handle Link	1
J	6082-040-025	Link Bushing, End	2
K	6082-040-061	Release Handle Ass'y (pg. 74)	1
L	6082-130-038	Litter Stop, Foot End	2
M	6082-140-030	Lift Brace	1
N	6082-240-053	Lift Tube Ass'y, with Grips, Upper	1
P	6082-240-054	Lift Tube Ass'y, with Grips, Lower	1

Optional Lift Tube Assembly, Right Side Release - 6082-140-060



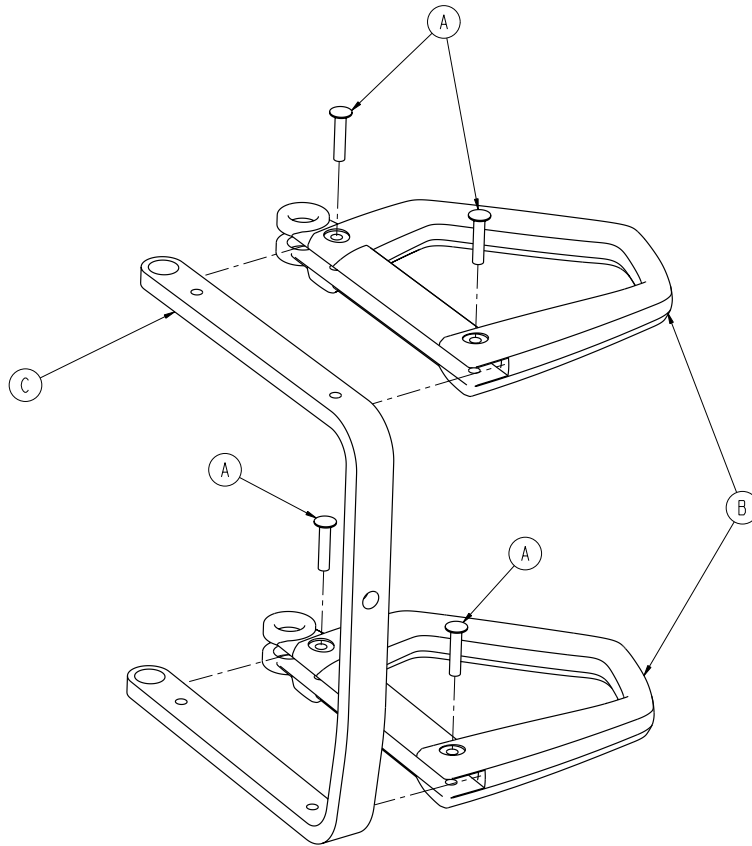
Detail 1



Optional Lift Tube Assembly, Right Side Release - 6082-140-060

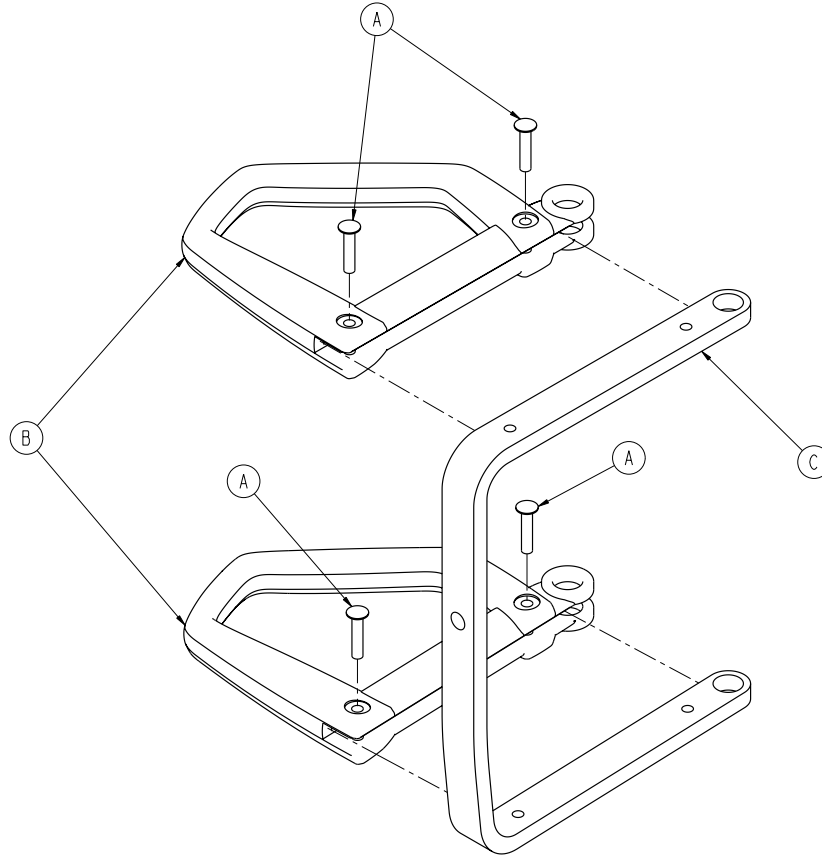
Item	Part No.	Part Name	Qty.
A	0004-135-000	Button Head Cap Screw	2
B	0008-033-000	Socket Head Shoulder Bolt	1
C	0016-028-000	Fiberlock Hex Nut	3
D	0025-079-000	Dome Head Rivet	14
E	0037-238-000	Tube Plug	4
F	6080-040-012	End Cap, Outer Rail, Foot End	2
G	6080-040-044	Spacer, Link Release	2
H	6082-040-025	Link Bushing, End	2
J	6082-040-029	Pull Handle Link	1
K	6082-040-062	Release Handle (pg. 75)	1
L	6082-130-038	Litter Stop, Foot End	2
M	6082-140-030	Lift Brace	1
N	6082-140-057	Lift Tube Ass'y, with Grips, Upper	1
P	6082-140-058	Lift Tube Ass'y, with Grips, Lower	1

Release Handle Assembly, Left - 6082-040-061



Item	Part No.	Part Name	Qty.
A	0025-127-000	Rivet	4
B	6082-001-081	Release Handle	2
C	6082-140-034	Release Handle Brace	1

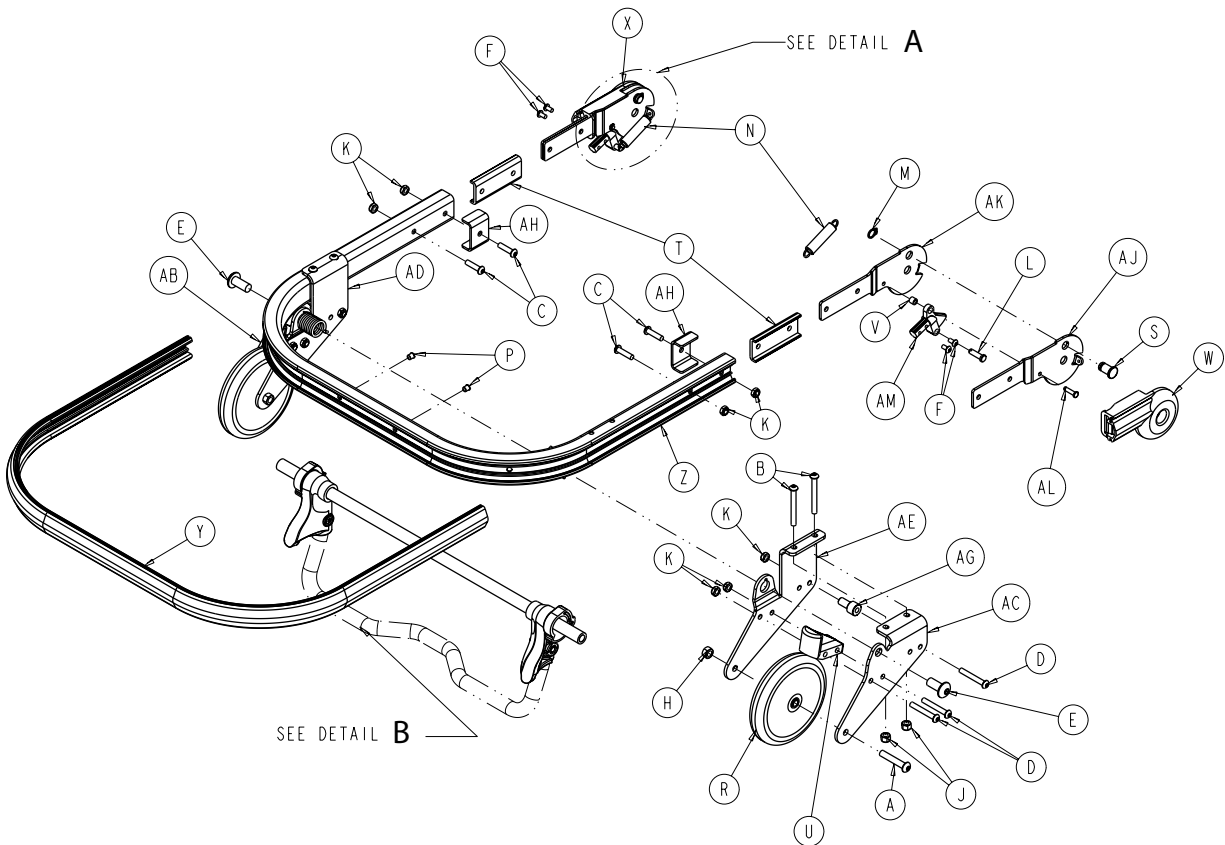
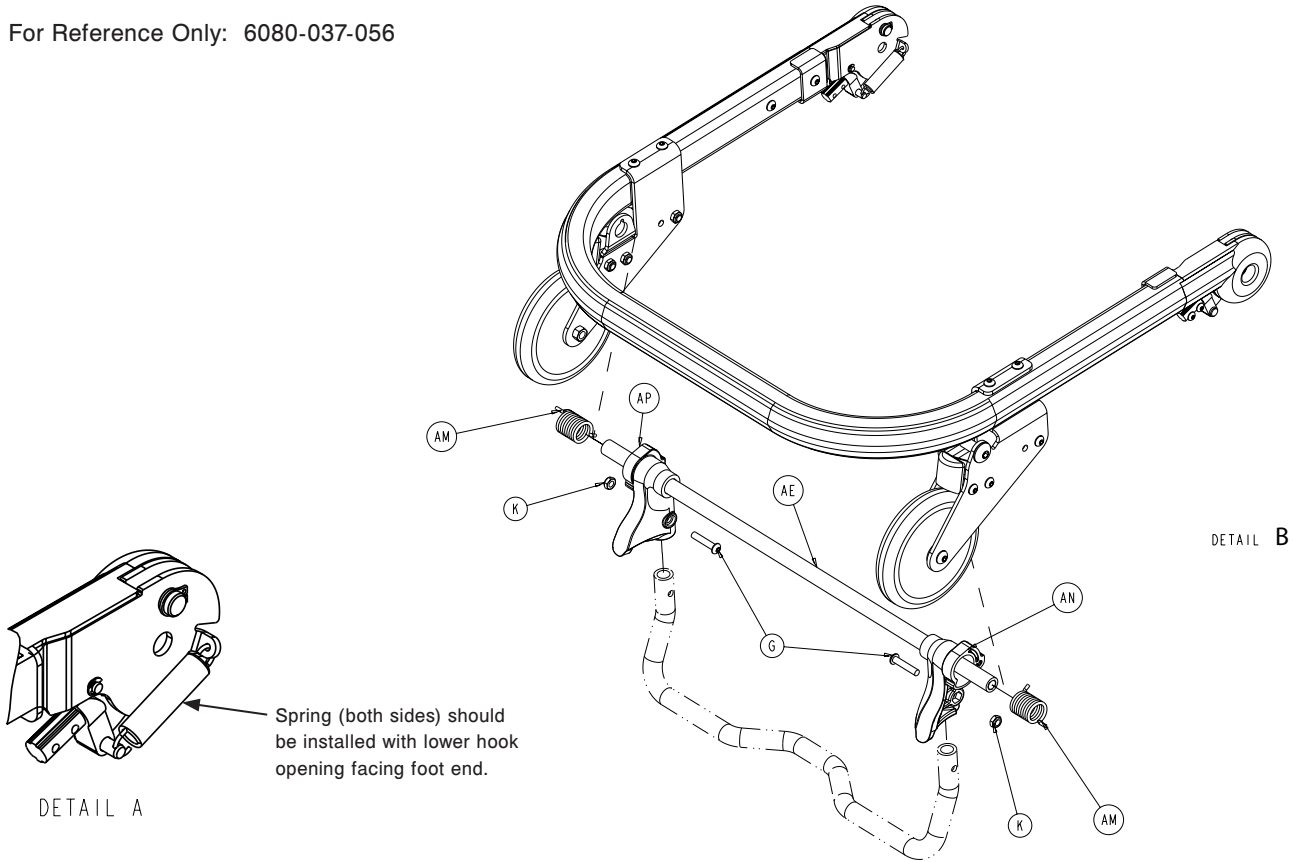
Release Handle Assembly, Right - 6082-040-062



Item	Part No.	Part Name	Qty.
A	0025-127-000	Rivet	4
B	6082-001-081	Release Handle	2
C	6082-140-035	Release Handle Brace	1

Breakaway Head Assembly

For Reference Only: 6080-037-056

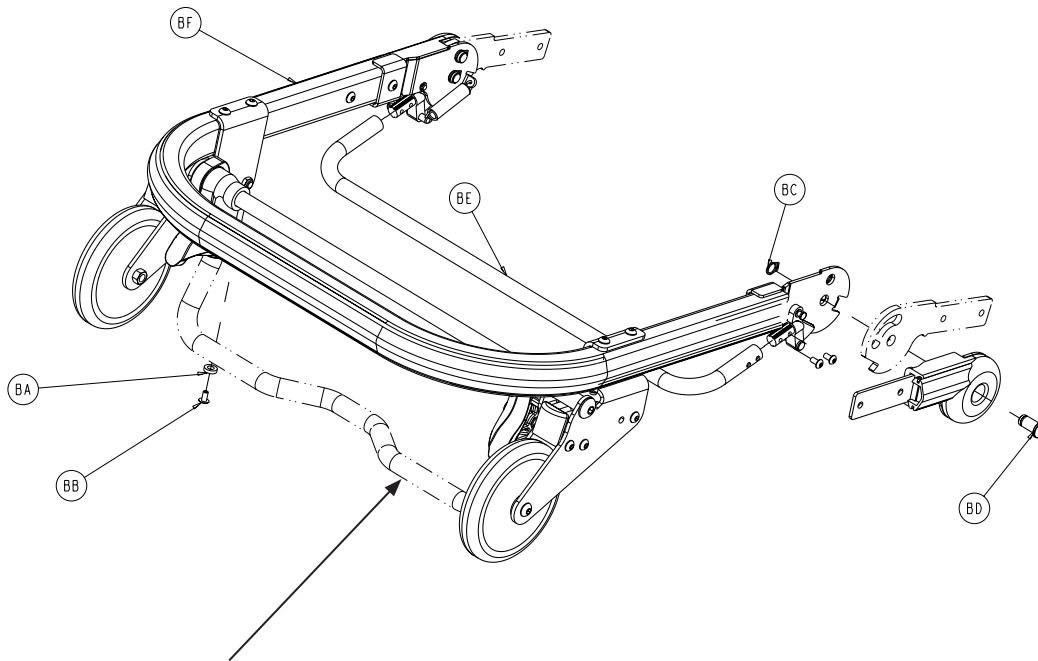


Breakaway Head Assembly

Breakaway Head Assembly - Standard Components - 6080-037-056 (reference only)

Item	Part No.	Part Name	Qty.
A	0004-054-000	Button Head Cap Screw	2
B	0004-163-000	Button Head Cap Screw	4
C	0004-197-000	Button Head Cap Screw	4
D	0004-204-000	Button Head Cap Screw	6
E	0004-209-000	Button Head Cap Screw	2
F	0004-231-000	Button Head Cap Screw	4
G	0004-612-000	Button Head Cap Screw	2
H	0016-020-000	Centerlock Hex Jam Nut	2
J	0016-028-000	Fiberlock Hex Nut	4
K	0016-102-000	Nylock Hex Nut	12
L	0026-269-000	Clevis Pin	2
M	0028-138-000	External Retaining Ring	2
N	0038-410-000	Extension Spring	2
P	0721-031-065	Hole Plug	2
R	6060-036-020	Wheel Assembly, 5 inch	2
S	6060-036-024	Pivot Stop Pin, Breakaway Head	2
T	6060-037-026	Spacer Plate, Pivot	2
U	6060-037-033	Horn Stop Block, Breakaway Head	2
V	6060-037-036	Spacer, Trigger Lock, Pivot	2
W	6060-037-037	Pivot Cover, Right	1
X	6060-037-038	Pivot Cover, Left	1
Y	6080-036-044	Bumper	1
Z	6080-036-045	Outer Rail, Breakaway Head	1
AA	6080-037-027	Outer Caster Horn, Left	1
AB	6080-037-028	Outer Caster Horn Right	1
AC	6080-037-029	Inner Caster Horn, Left	1
AD	6080-037-030	Inner Caster Horn, Right	1
AE	6080-037-034	Pivot Tube, Safety Hook	1
AF	6080-037-049	Safety Hook, Rel. Handle, Spacer	2
AG	6082-037-025	Bracket, Litter/Base Adapter	2
AH	6082-037-042	Pivot, Form Right	2
AJ	6082-037-043	Pivot, Form, Left	2
AK	6082-037-057	Grooved Clevis Pin Assembly	2
AL	6090-037-039	Trigger Lock	2
AM	6500-001-321	Safety Bar Torsion Spring	2
AN	6500-001-323	Pivot, Safety Hook, Patient Right	1
AP	6500-001-324	Pivot, Safety Hook, Patient Left	1

Breakaway Head Assembly

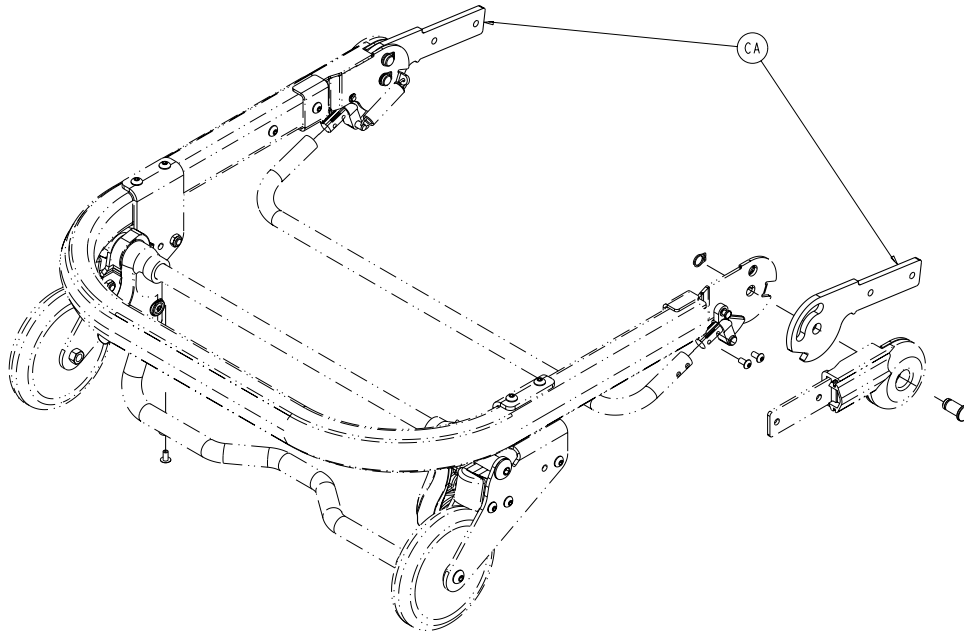


Note: Need to order Lift option (6091-156-016) to complete functional head section.

Breakaway Head Assembly - Standard Components - 6080-037-010 (reference only)

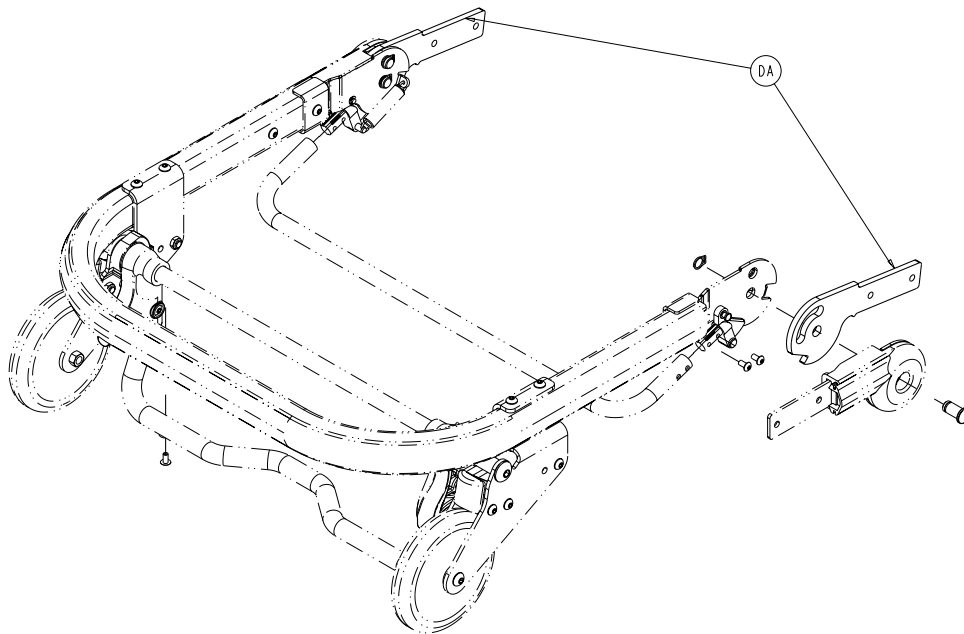
Item	Part No.	Part Name	Qty.
BA	0014-067-000	Nylon Flat Washer	2
BB	0025-079-000	Dome Head Rivet	2
BC	0028-138-000	Retaining Ring	2
BD	6080-036-025	Pivot Pin	2
BE	6080-036-047	Crossbar, Release, Bent	1
BF	6080-037-055	Breakaway Head Section	1

Breakaway Head Assembly



Breakaway Head Assembly - Standard Height Option - 6082-037-000 (reference only)

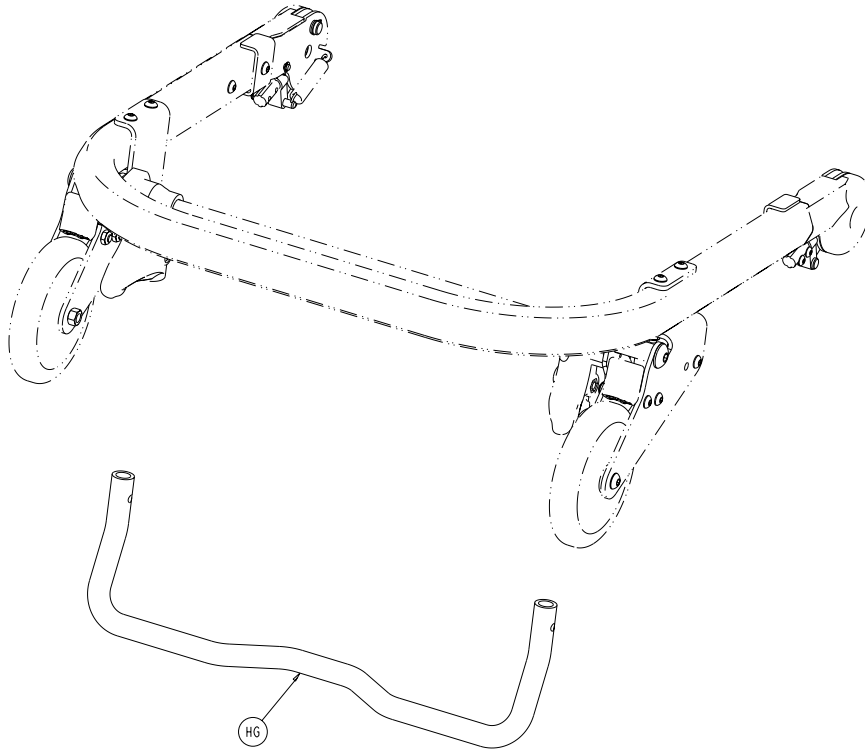
Item	Part No.	Part Name	Qty.
CA	6082-037-040	Center Pivot, Head Section	2



Breakaway Head Assembly - Extended Height Option - 6082-038-000 (reference only)

Item	Part No.	Part Name	Qty.
DA	6082-343-085	Center Pivot, Ext, Head Section	2

Breakaway Head Assembly

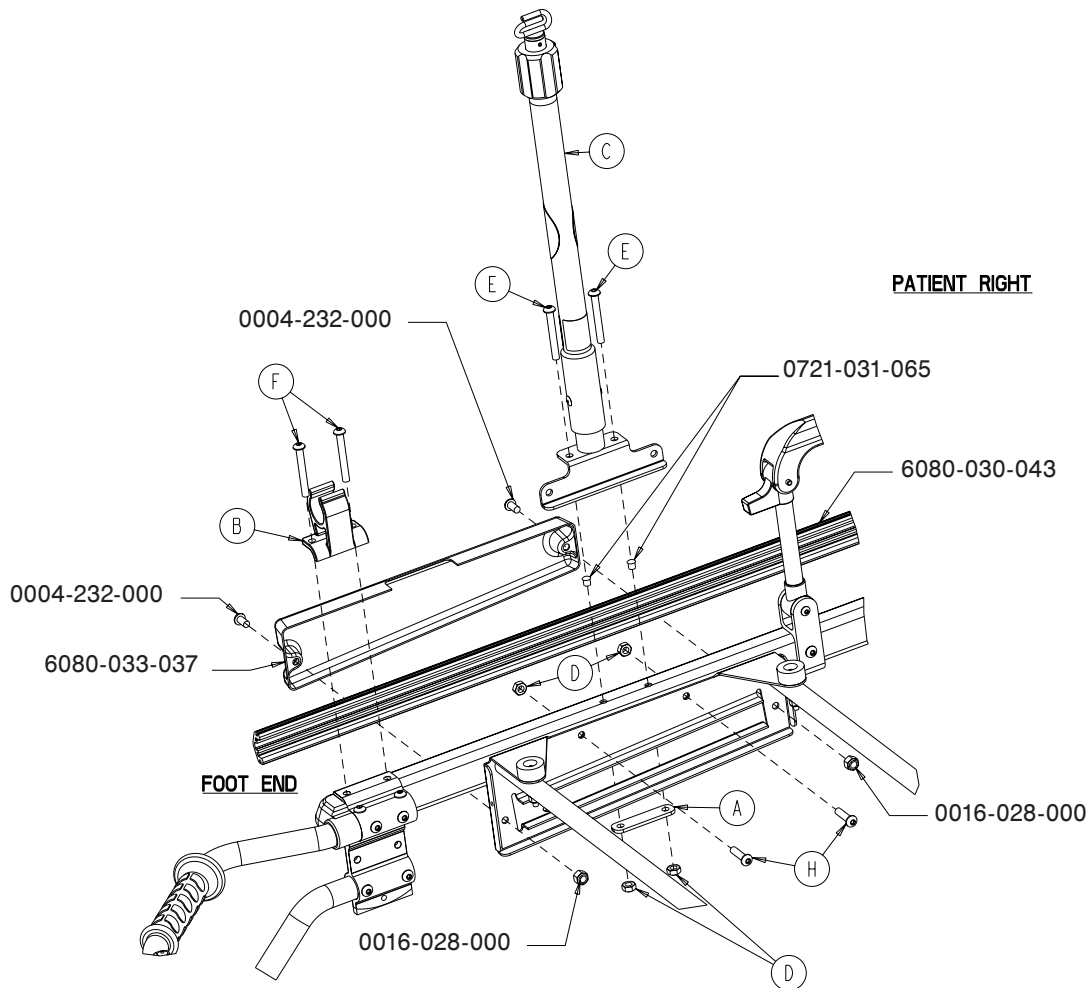


Breakaway Head Assembly - Lift Option - 6091-156-016 (reference only)

Item	Part No.	Part Name	Qty.
HG	6080-037-024	Breakaway Head Section Safety Bar	1

Optional 2-Stage I.V. Mounting Assembly, Right - 6080-210-010

Optional 3-Stage I.V. Mounting Assembly, Right - 6080-215-010



6080-210-010 Components

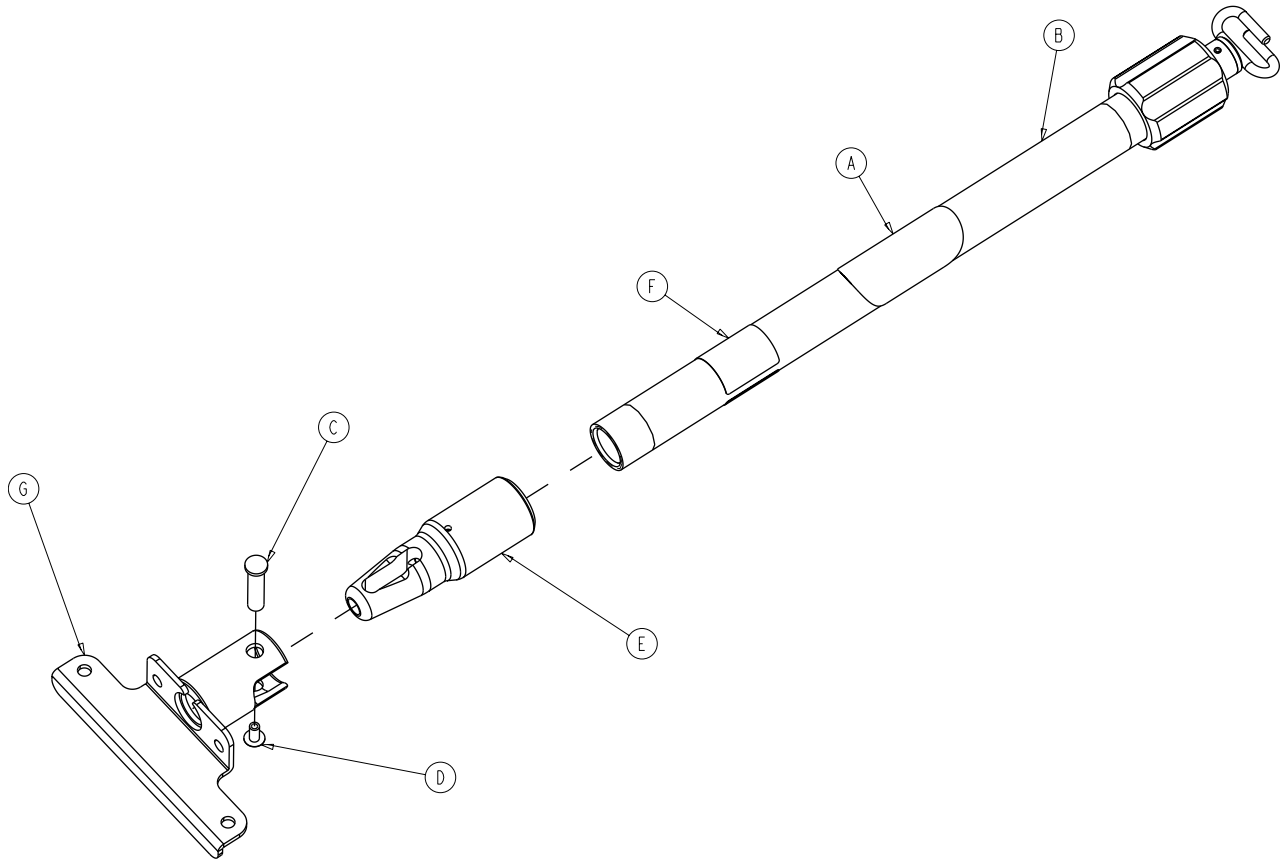
Item	Part No.	Part Name	Qty.
A	6070-110-032	I.V. Retainer Plate	1
B	6080-110-035	I.V. Clip	1
C	6080-210-020	2-Stage I.V. Pole, Right (pg. 82)	1
D	0016-078-000	Centerlock Hex Nut	4
E	0004-097-000	Button Head Cap Screw	2
F	0004-163-000	Button Head Cap Screw	2
G	0004-197-000	Button Head Cap Screw	2

6080-215-010 Components

Item	Part No.	Part Name	Qty.
A	6070-110-032	I.V. Retainer Plate	1
B	6080-110-035	I.V. Clip	1
C	6080-215-020	3-Stage I.V. Pole, Right (pg. 83)	1
D	0016-078-000	Centerlock Hex Nut	4
E	0004-097-000	Button Head Cap Screw	2
F	0004-163-000	Button Head Cap Screw	2
G	0004-197-000	Button Head Cap Screw	2

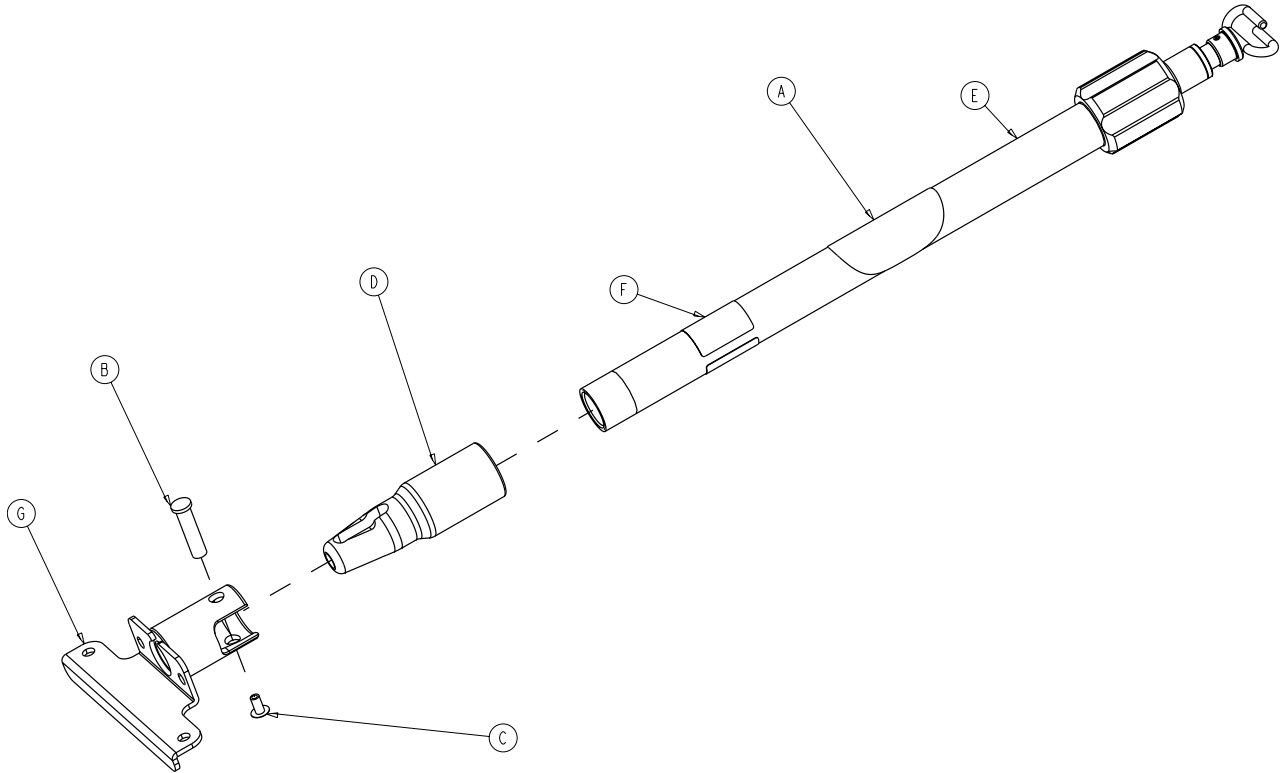
[Return To Table of Contents](#)

Optional 2-Stage I.V. Assembly, Patient Right - 6080-210-020



Item	Part No.	Part Name	Qty.
A	6070-090-105	Caution Label	1
B	6070-210-070	2-Stage I.V. Pole Assembly (pg. 87)	1
C	6070-110-037	I.V. Pivot Pin	1
D	0025-079-000	Dome Head Rivet	1
E	6070-110-012	I.V. Pole Pivot	1
F	6080-090-031	Spec Label	1
G	6080-210-053	I.V. Socket Weldment, Right	1

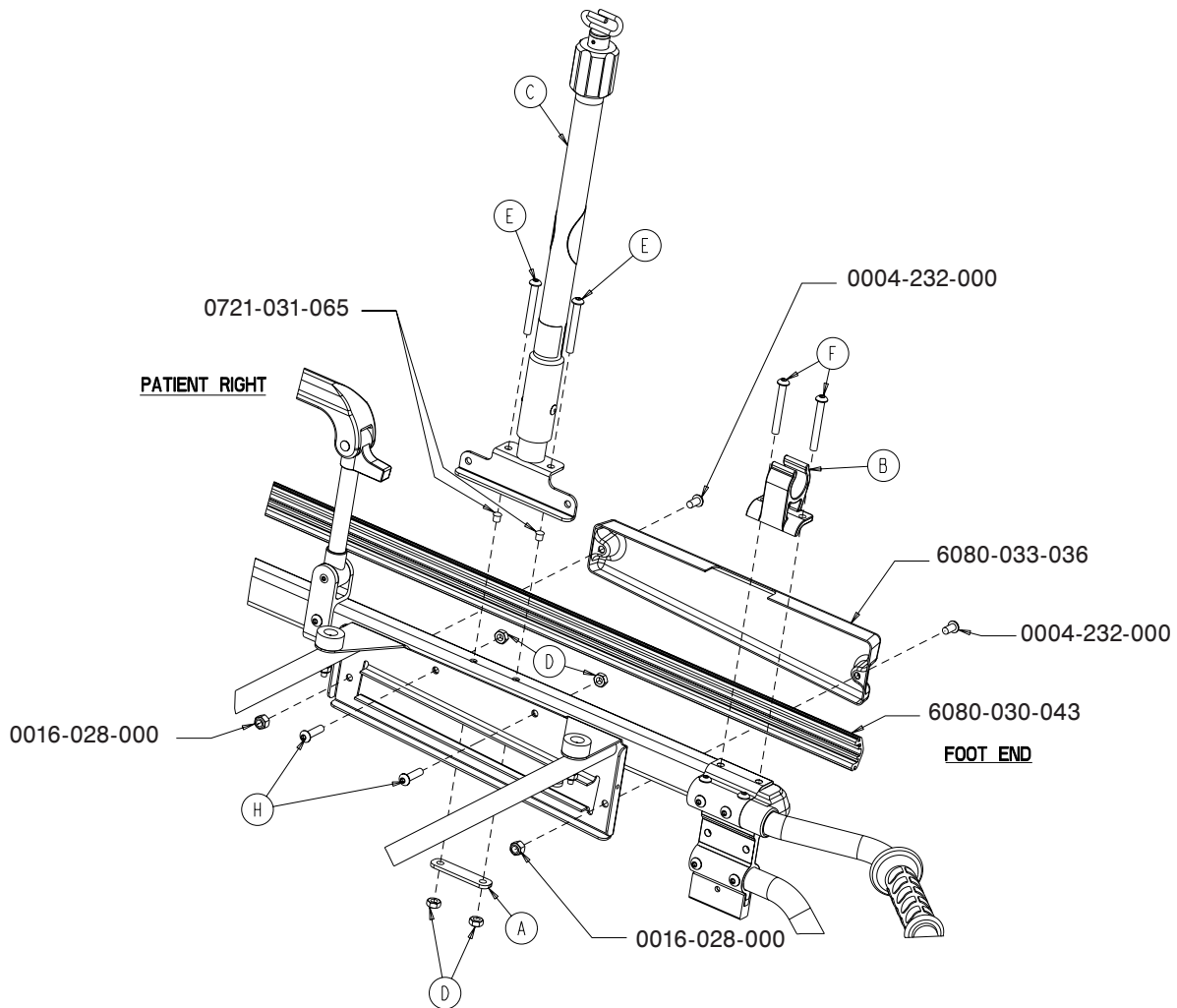
Optional 3-Stage I.V. Assembly, Patient Right - 6080-215-020



Item	Part No.	Part Name	Qty.
A	6070-090-105	Caution Label	1
B	6070-110-037	I.V. Pivot Pin	1
C	0025-079-000	Dome Head Rivet	1
D	6070-110-012	I.V. Pole Pivot	1
E	6070-215-070	3-Stage I.V. Pole Assembly (pg. 88)	1
F	6080-090-033	Spec Label	1
G	6080-210-053	I.V. Socket Weldment, Right	1

Optional 2-Stage I.V. Mounting Assembly, Left - 6080-211-010

Optional 3-Stage I.V. Mounting Assembly, Left - 6080-216-010

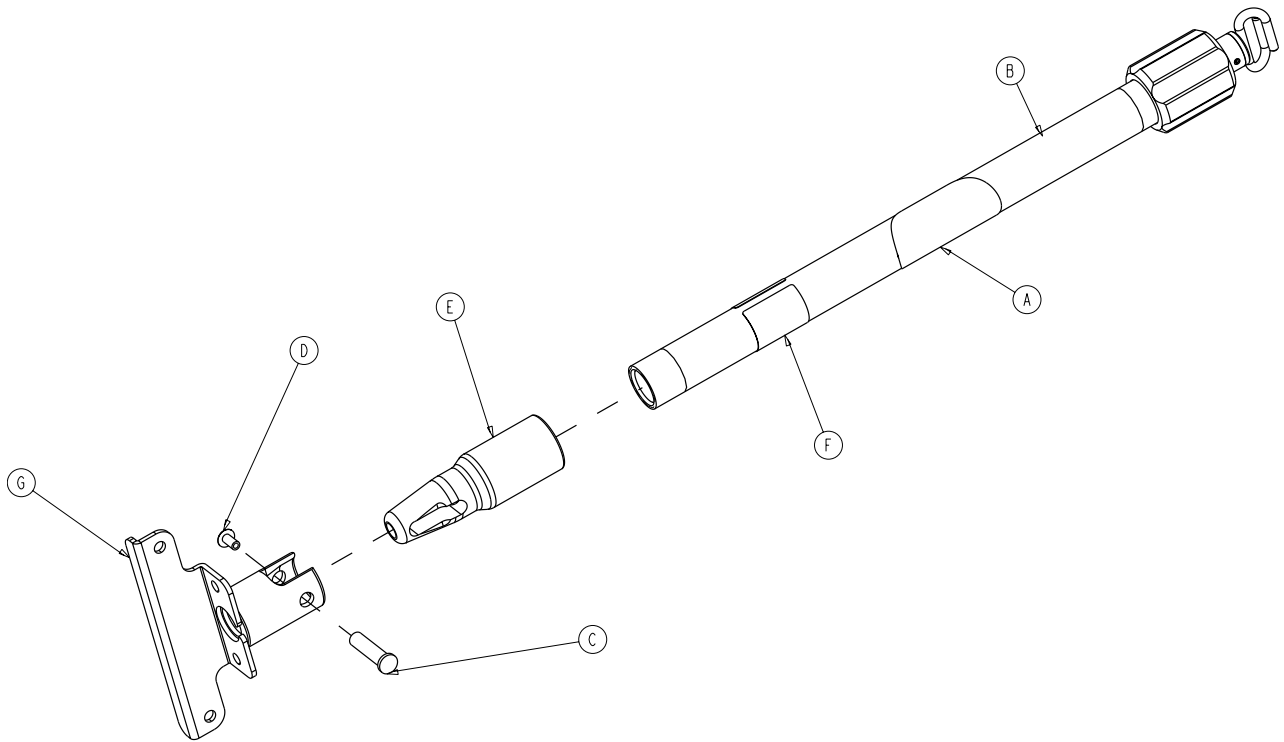


6080-211-010 Components

6080-216-010 Components

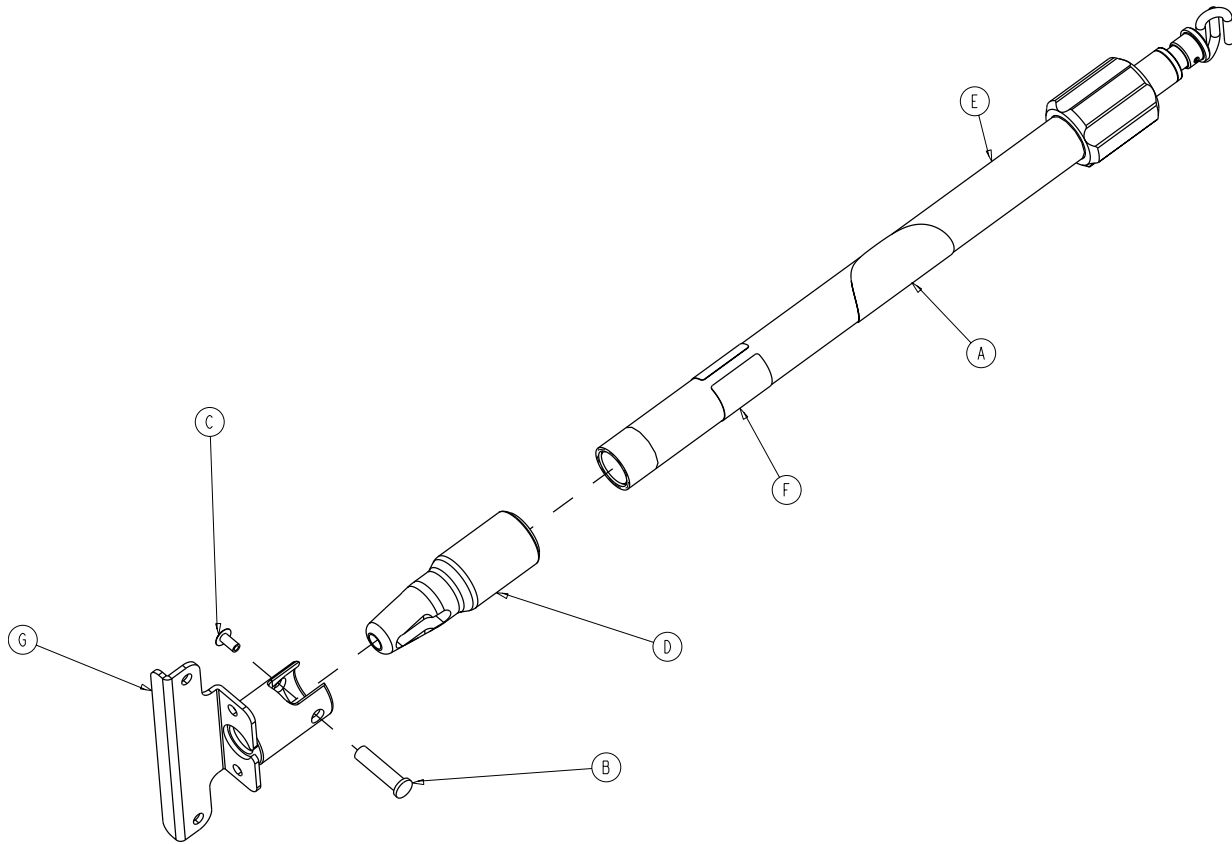
Item	Part No.	Part Name	Qty.	Item	Part No.	Part Name	Qty.
A	6070-110-032	I.V. Retainer Plate	1	A	6070-110-032	I.V. Retainer Plate	1
B	6080-110-035	I.V. Clip	1	B	6080-110-035	I.V. Clip	1
C	6080-211-020	2-Stage I.V. Pole, Left (pg. 85)	1	C	6080-216-020	3-Stage I.V. Pole, Left (pg. 86)	1
D	0016-078-000	Centerlock Hex Nut	4	D	0016-078-000	Centerlock Hex Nut	4
E	0004-097-000	Button Head Cap Screw	2	E	0004-097-000	Button Head Cap Screw	2
F	0004-163-000	Button Head Cap Screw	2	F	0004-163-000	Button Head Cap Screw	2
G	0004-197-000	Button Head Cap Screw	2	G	0004-197-000	Button Head Cap Screw	2

Optional 2-Stage I.V. Assembly, Patient Left - 6080-211-020



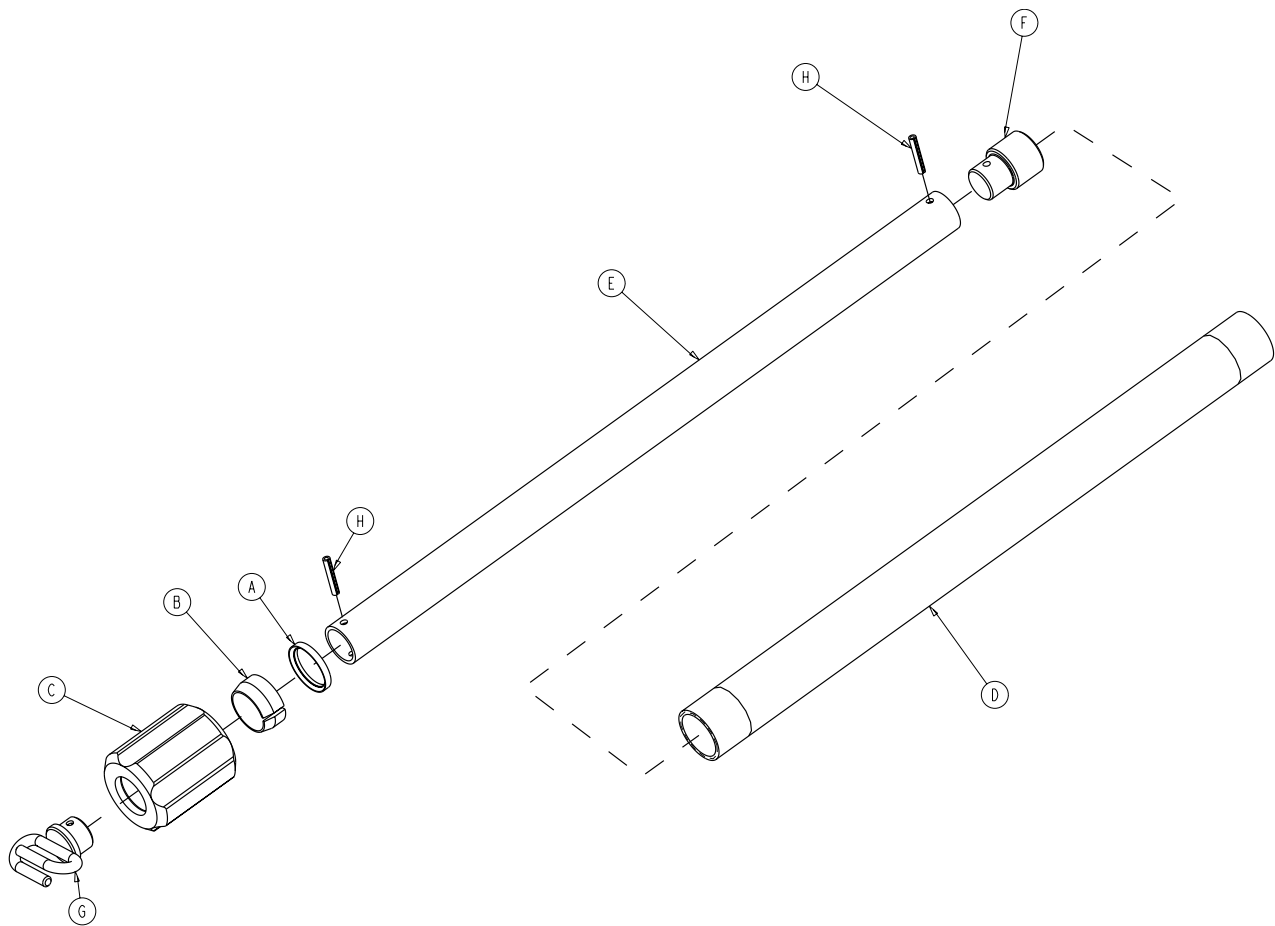
Item	Part No.	Part Name	Qty.
A	6070-090-105	Caution Label	1
B	6070-210-070	2-Stage I.V. Pole Assembly (pg. 87)	1
C	6070-110-037	I.V. Pivot Pin	1
D	0025-079-000	Dome Head Rivet	1
E	6070-110-012	I.V. Pole Pivot	1
F	6080-090-032	Spec Label	1
G	6080-211-053	I.V. Socket Weldment, Left	1

Optional 3-Stage I.V. Assembly, Patient Left - 6080-216-020



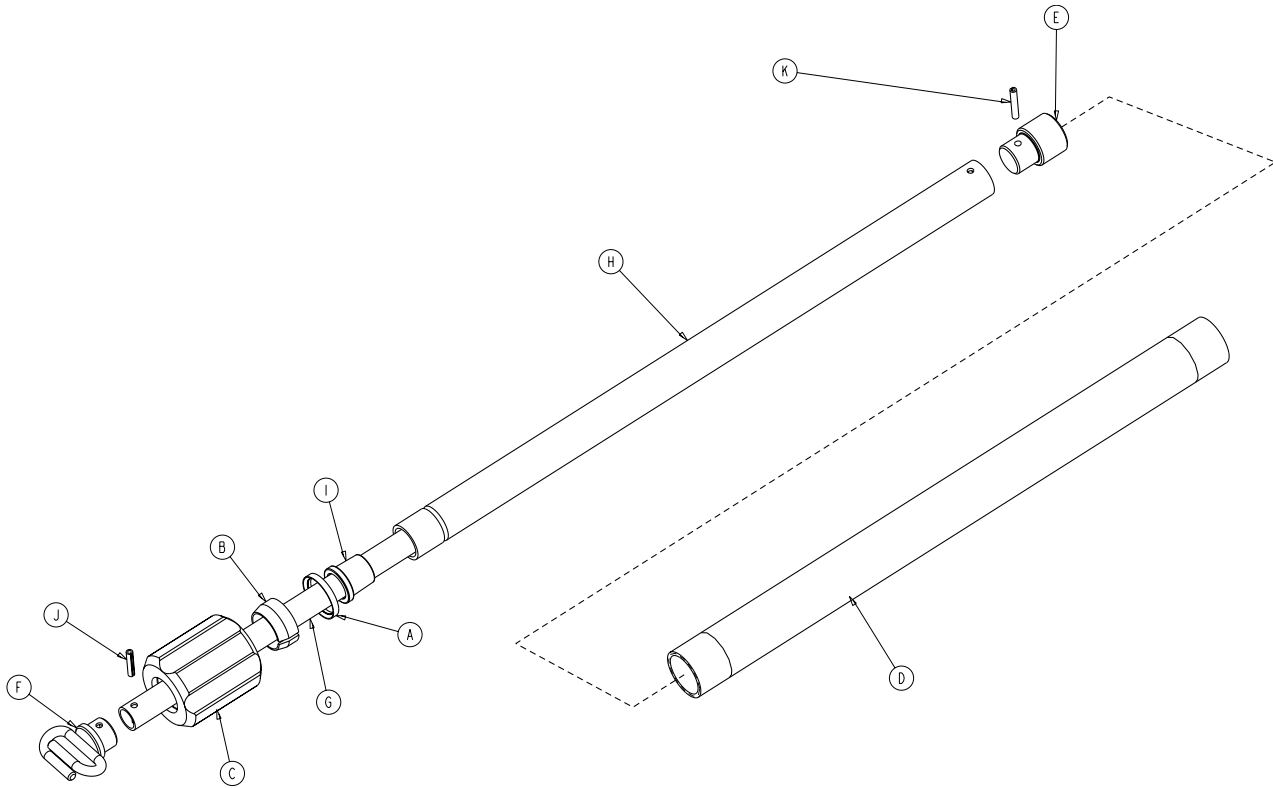
Item	Part No.	Part Name	Qty.
A	6070-090-105	Caution Label	1
B	6070-110-037	I.V. Pivot Pin	1
C	0025-079-000	Dome Head Rivet	1
D	6070-110-012	I.V. Pole Pivot	1
E	6070-215-070	3-Stage I.V. Pole Assembly (pg. 88)	1
F	6080-090-034	Spec Label	1
G	6080-211-053	I.V. Socket Weldment, Left	1

Optional 2-Stage I.V. Pole Assembly - 6070-210-070



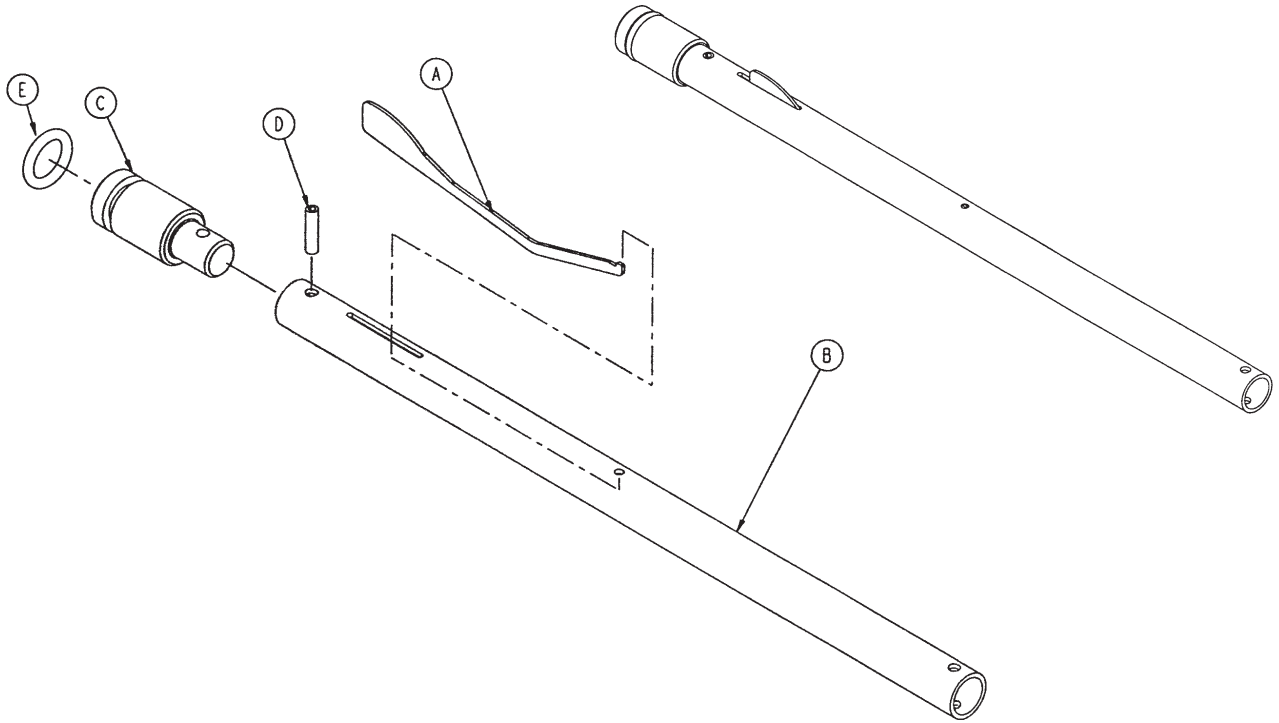
Item	Part No.	Part Name	Qty.
A	1210-110-046	Back Up Ring	1
B	1210-110-047	Lock Ring	1
C	1210-110-049	Molded Actuator	1
D	6070-210-051	Base Tube	1
E	6070-110-042	2nd Stage Tube	1
F	6070-110-051	2nd Stage Slide Plug	1
G	6070-110-050	Hook Weldment	1
H	0026-006-000	Roll Pin	2

Optional 3-Stage I.V. Pole Assembly - 6070-215-070



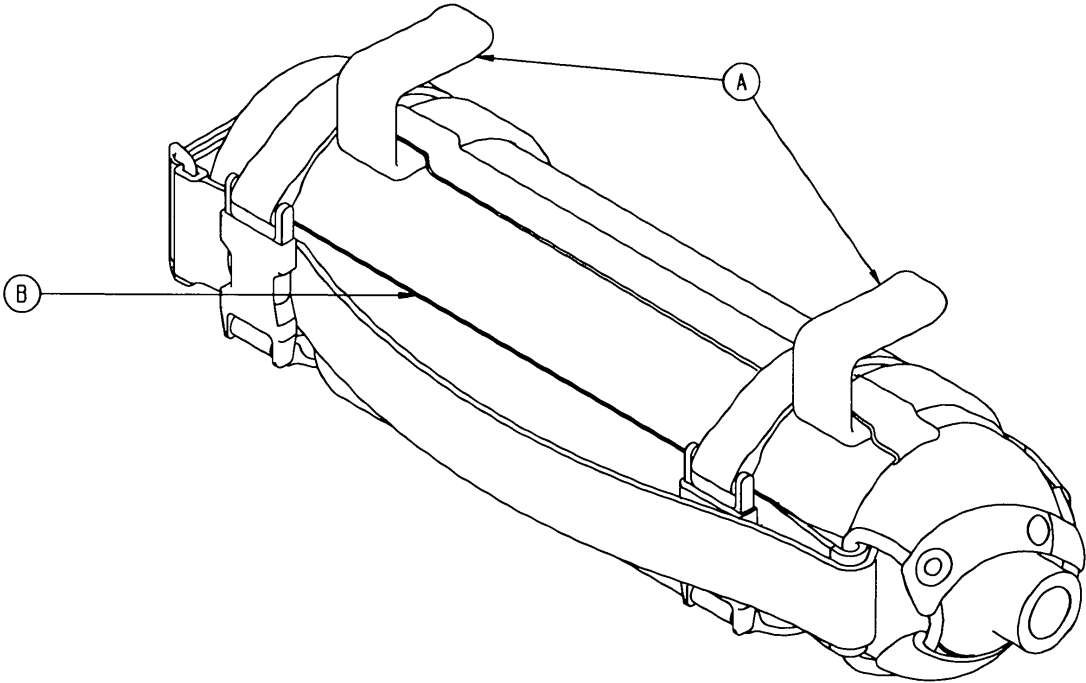
Item	Part No.	Part Name	Qty.
A	1210-110-046	Back Up Ring	1
B	1210-110-047	Lock Ring	1
C	1210-110-049	Molded Actuator	1
D	6070-210-051	Base Tube	1
E	6070-110-051	2nd Stage Slide Plug	1
F	6070-110-050	Hook Weldment	1
G	6070-115-030	3rd Stage Assembly (pg. 89)	1
H	6070-115-042	2nd Stage Tube	1
I	6070-115-045	Bearing Plug	1
J	0026-005-000	Roll Pin	1
K	0026-006-000	Roll Pin	1

Optional 3-Stage I.V. Pole Assembly, 3rd Stage - 6070-115-030



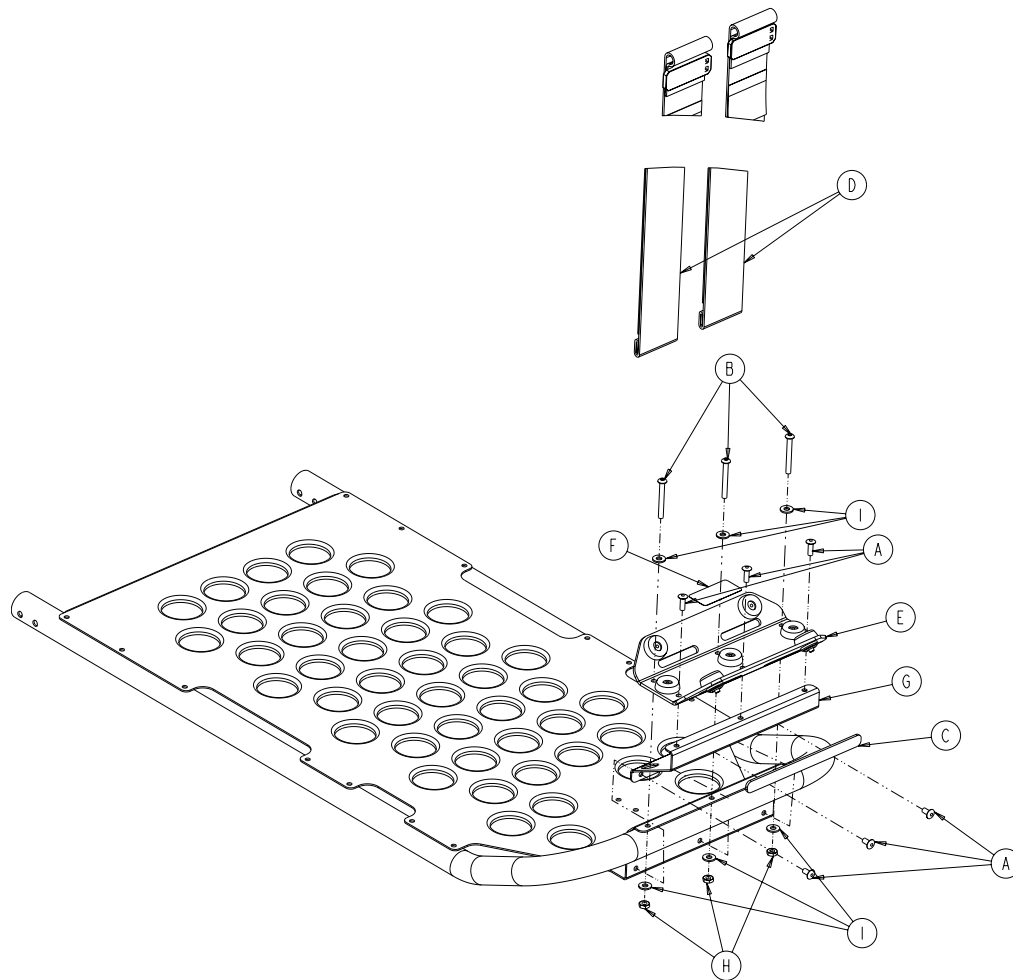
Item	Part No.	Part Name	Qty.
A	6070-115-141	Spring Clip	1
B	6070-115-143	3rd Stage Tube	1
C	6070-115-044	3rd Stage Slide Plug	1
D	0026-004-000	Roll Pin	1
E	0045-139-000	O-Ring	1

Optional Oxygen Bottle Holder Assembly, Hanging - 6080-140-000



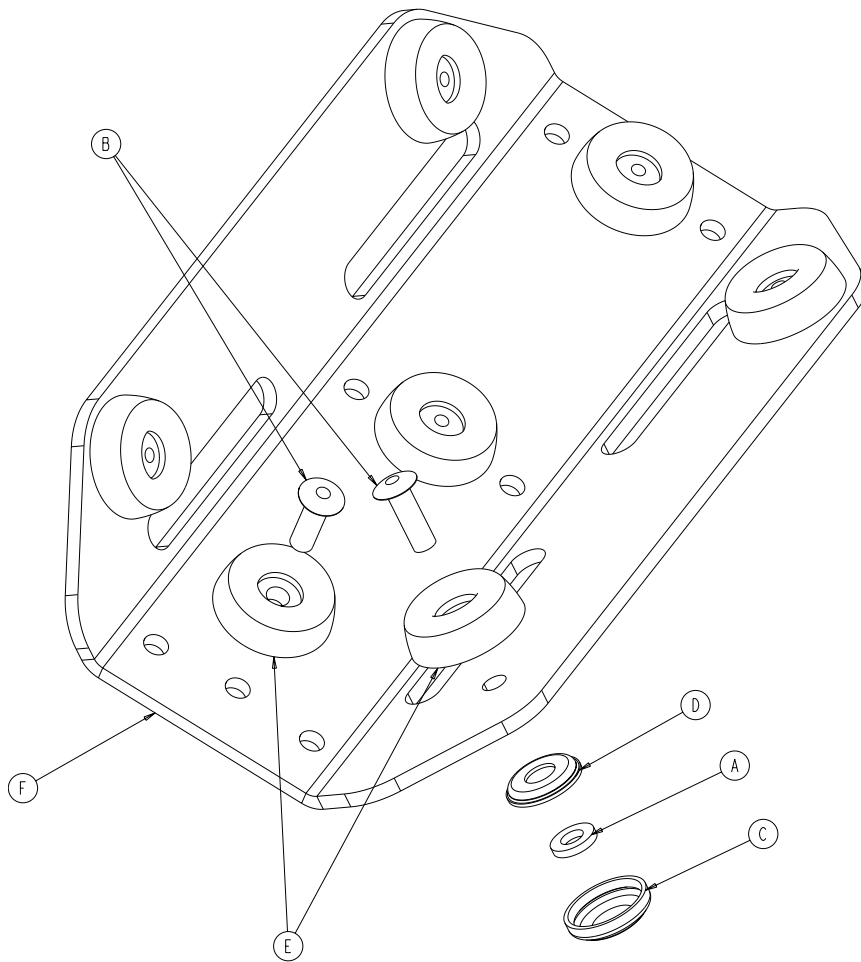
Item	Part No.	Part Name	Qty.
A	6080-140-011	Bottle Holder Hanger	2
B	6080-140-012	Oxygen Bottle Holder	1

Optional Oxygen Bottle Holder Assembly, FE - 6080-140-010



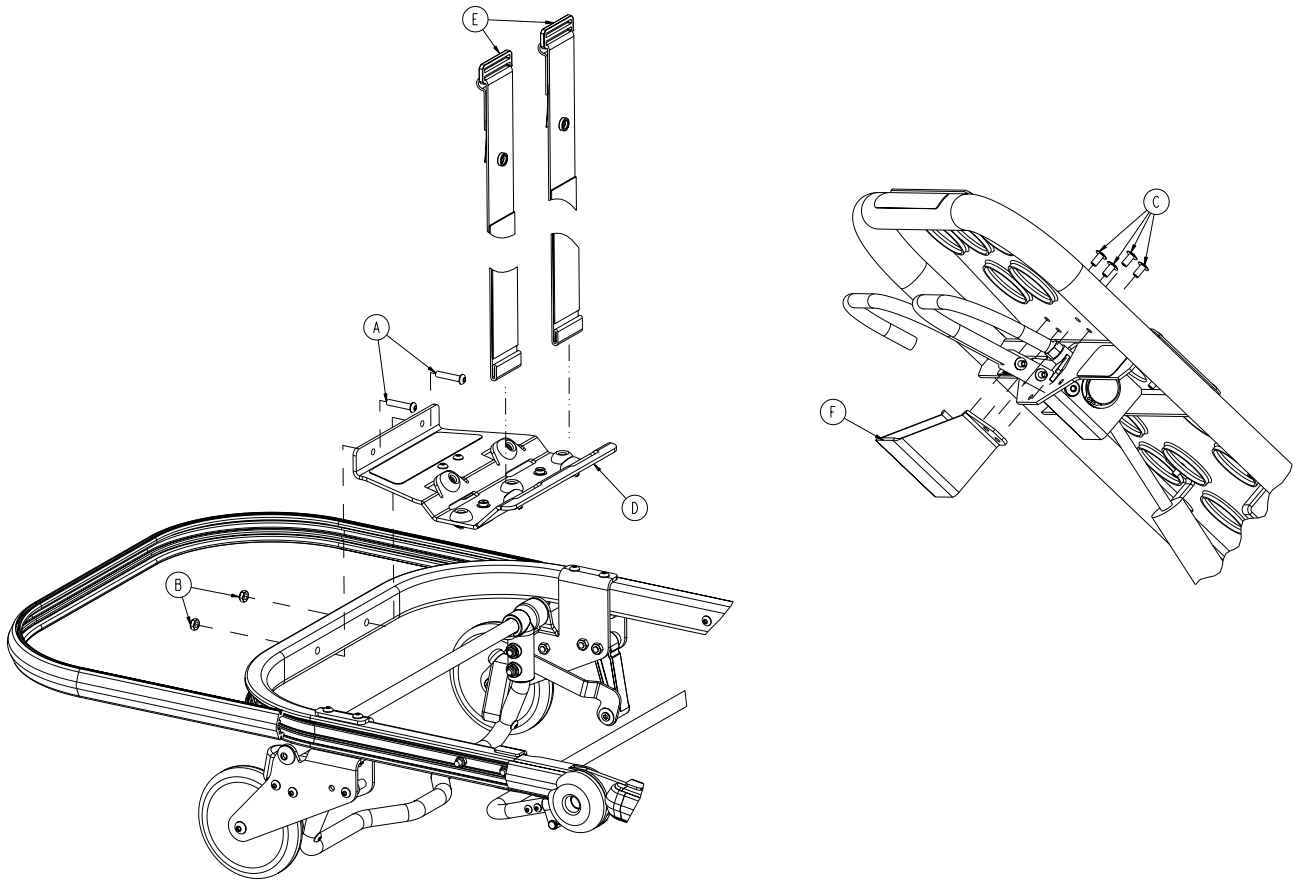
Item	Part No.	Part Name	Qty.
A	0025-079-000	Rivet	6
B	0004-508-000	Button Head Cap Screw	3
C	6060-090-004	Label "Rugged" Small	1
D	6060-140-013	Strap Assembly	2
E	6060-140-020	Oxygen Bottle Holder Tray Ass'y (pg. 92)	1
F	6070-090-014	Oxygen Bottle Holder Label Spec	1
G	6070-140-017	Support Bracket	1
H	0016-111-000	Centerlock Nut	3
I	0011-001-000	Flat Washer	6

Optional Oxygen Bottle Holder Tray Assembly, FE - 6060-140-020



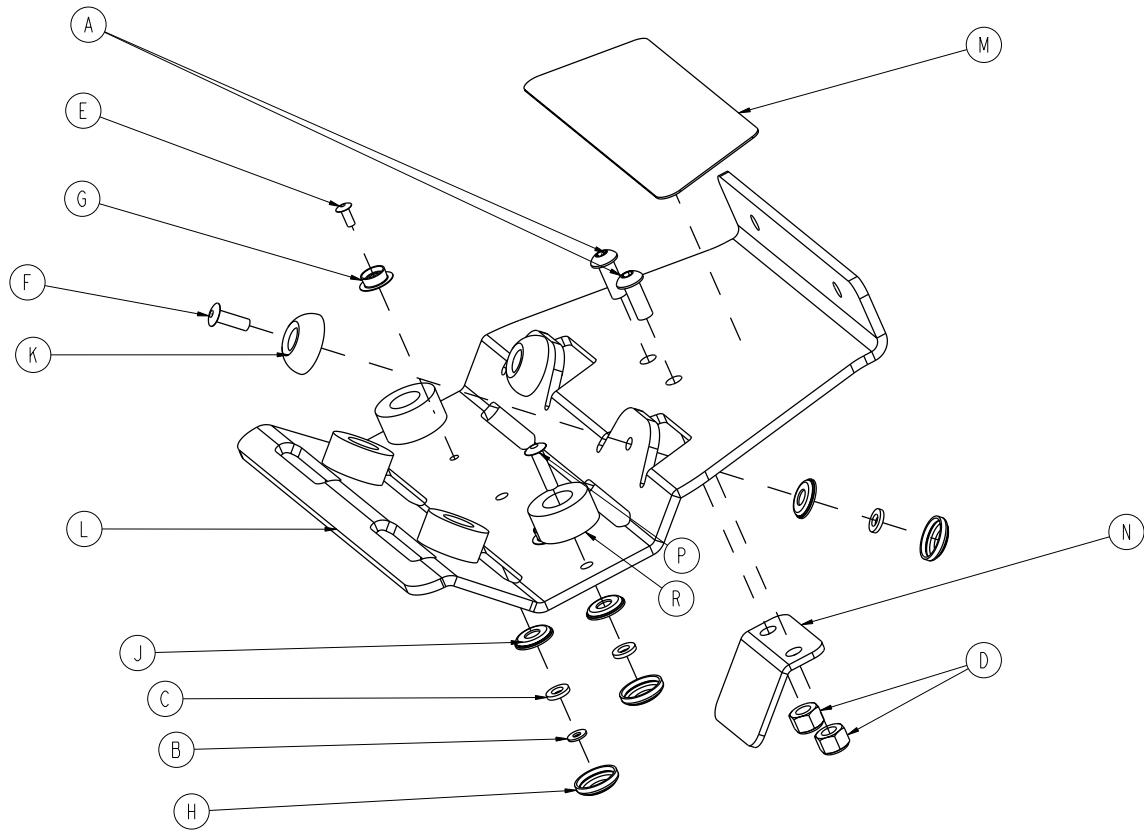
Item	Part No.	Part Name	Qty.
A	0011-046-000	Flat Washer	4
B	0025-133-000	Rivet	7
C	0037-055-000	Cap	4
D	0037-056-000	Washer	4
E	0946-001-155	Bumper	7
F	6060-140-015	Bottler Holder Tray	1

Optional Oxygen Bottle Holder Assembly, HE - 6082-140-000



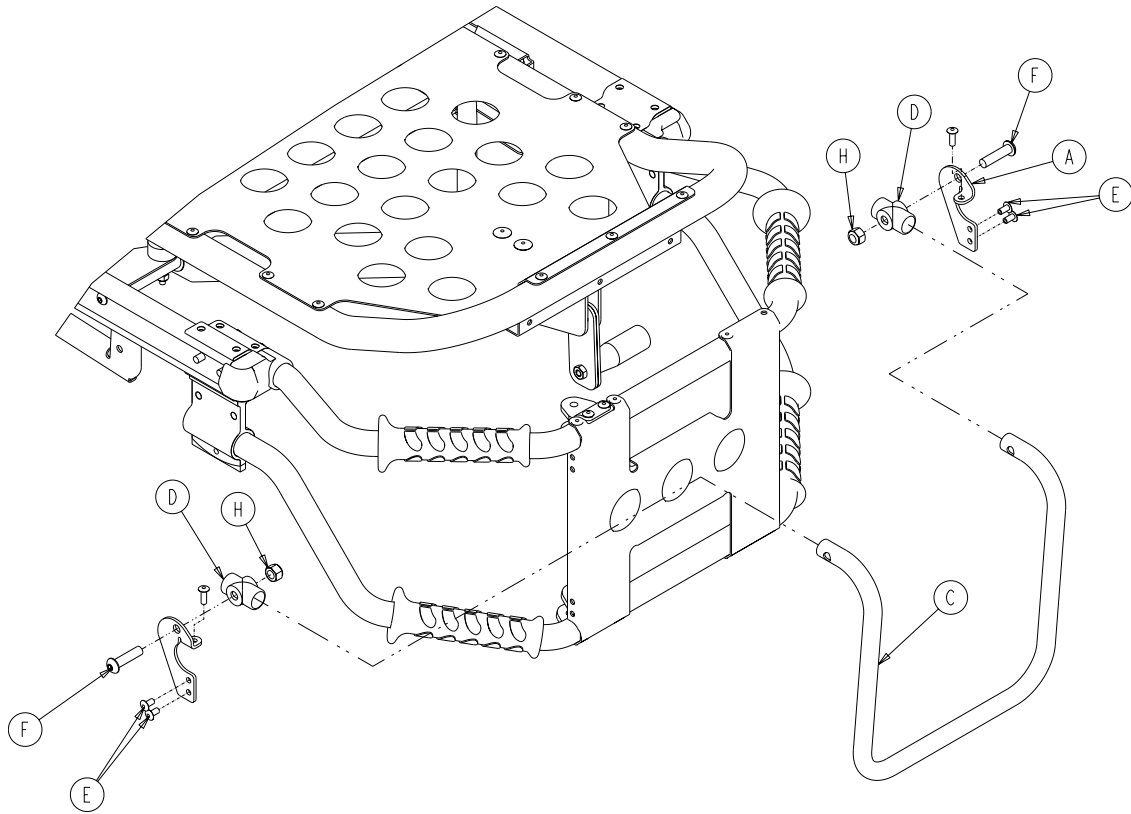
Item	Part No.	Part Name	Qty.
A	0004-197-000	Button Head Cap Screw	2
B	0016-102-000	Nylock Hex Nut	2
C	0025-079-000	Rivet	4
D	6082-140-040	Oxygen Bottle Holder Tray Assembly, Head End (pg 94)	1
E	6082-140-043	Strap Assembly	2
F	6082-140-044	Fowler Lift Release Handle	1

Optional Oxygen Bottle Holder Tray Assembly, HE - 6082-140-040



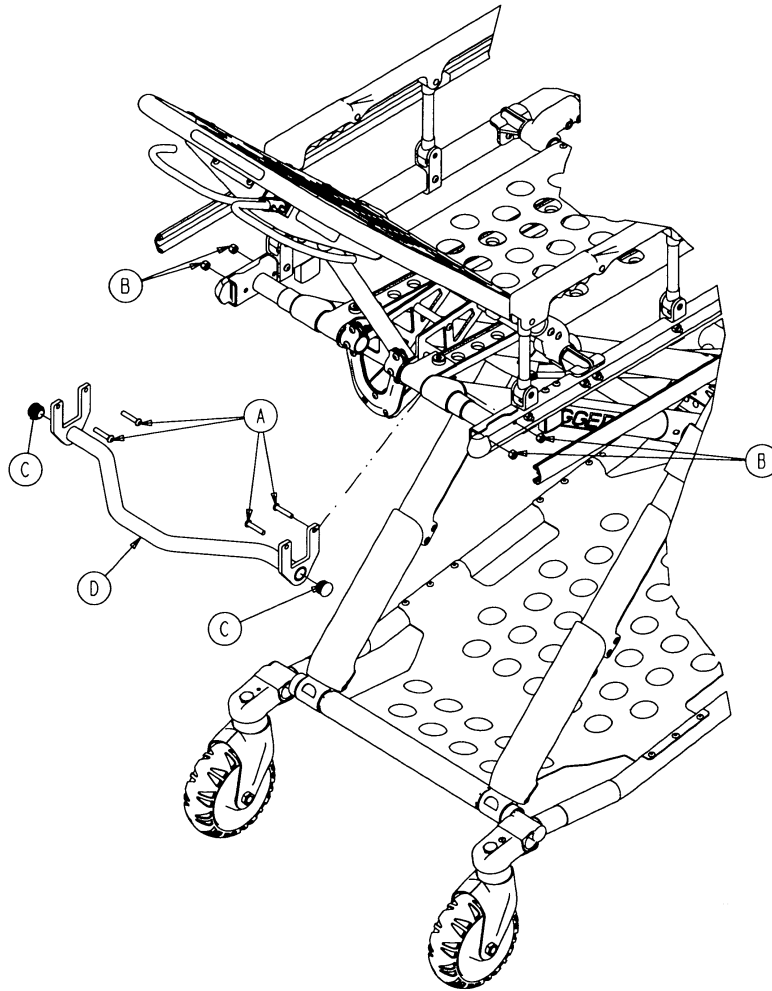
Item	Part No.	Part Name	Qty.
A	0004-455-000	Button Head Cap Screw	2
B	0011-199-000	Washer	2
C	0011-436-000	Washer	8
D	0016-028-000	Fiberlock Hex Nut	2
E	0025-099-000	Dome Head Rivet	2
F	0025-133-000	Dome Head Rivet	2
G	0029-003-000	Brass Eyelet	2
H	0037-055-000	Black Protective Cap	8
J	0037-056-000	Retaining Washer	8
K	0946-001-155	Bumper	2
L	6082-140-041	Oxygen Bottle Holder Tray, HE	1
M	6082-140-042	Oxygen Bottle Holder Label	1
N	6082-140-045	Oxygen Bottle Holder Bracket	1
P	0025-086-000	Blind Rivet	4
R	0056-016-000	Bumper	4

Optional Pull Handle Assembly - 6080-155-000



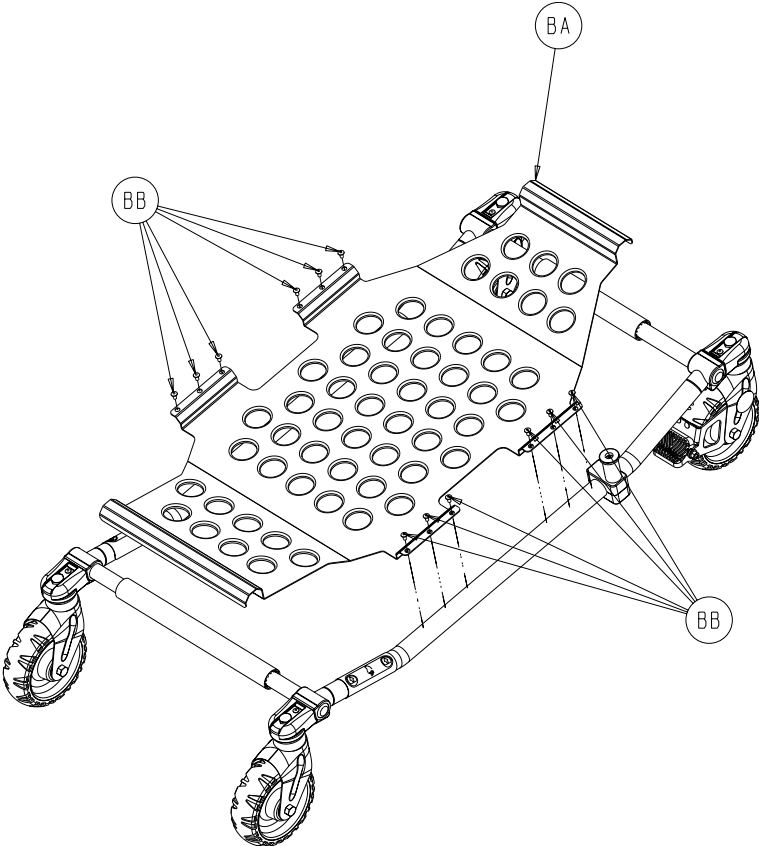
Item	Part No.	Part Name	Qty.
A	6080-255-001	Pull Handle Bracket, Left	1
B	6080-255-002	Pull Handle Bracket, Right	1
C	6080-255-003	Pull Handle	1
D	0721-026-069	Upright Sleeve	2
E	0025-079-000	Dome Head Rivet	4
F	0004-130-000	Button Head Cap Screw	2
H	0016-036-000	Nylock Hex Nut	2

Optional Base Lift Bar Assembly - 6080-157-010



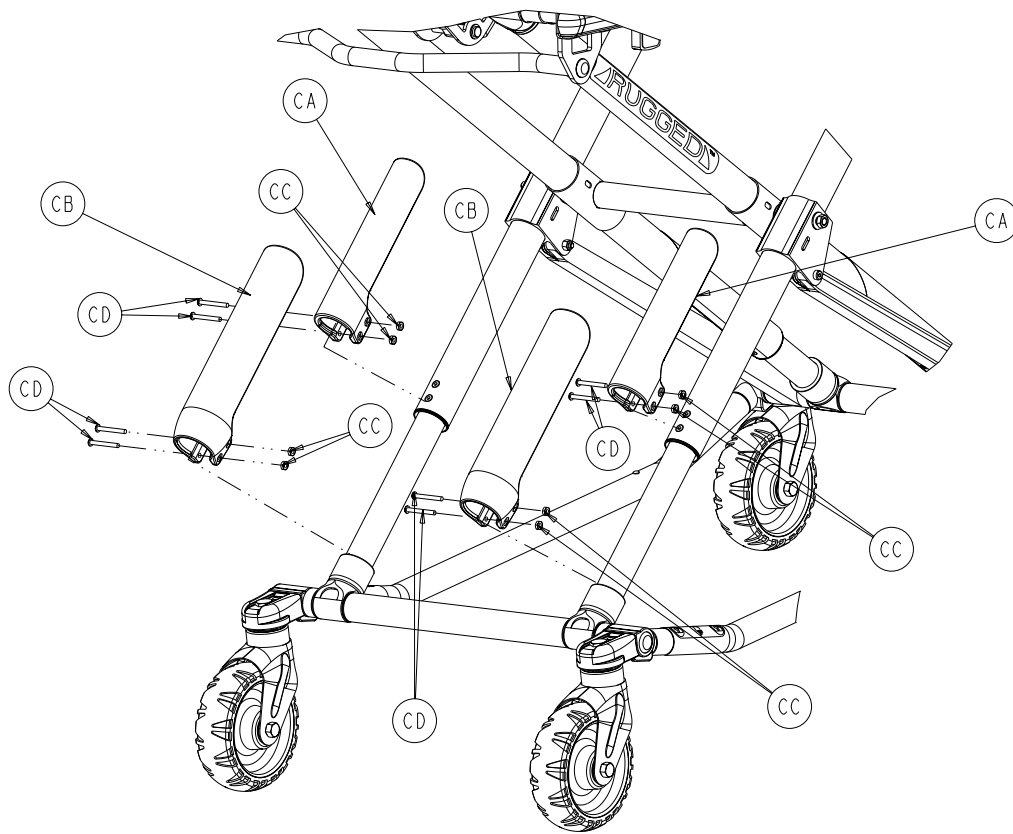
Item	Part No.	Part Name	Qty.
A	0004-135-000	Button Head Cap Screw	4
B	0016-028-000	Nylock Hex Nut	4
C	0037-238-000	Tube Plug	2
D	6080-157-013	Breakaway Lift Bar Weldment	1

Optional Base Storage Tray Assembly - 6082-150-015



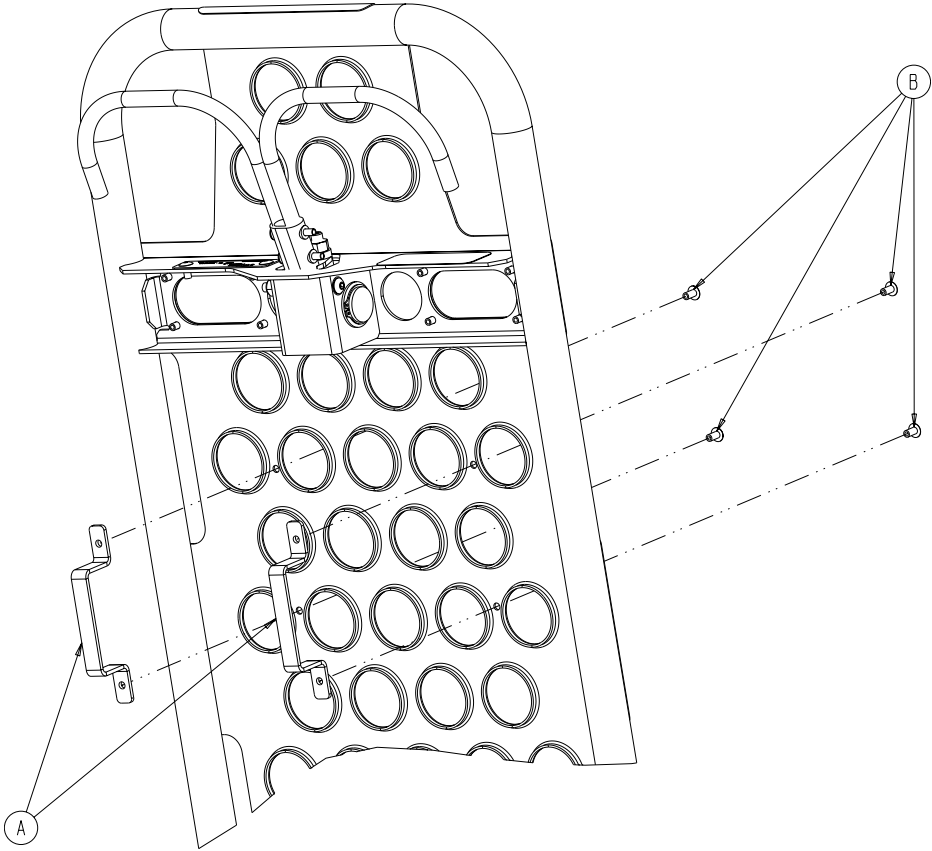
Item	Part No.	Part Name	Qty.
BA	6082-150-020	Base Storage Tray	1
BB	0025-079-000	Rivet	8

Optional X-Frame Guard Assembly (Pair) - 6080-145-000



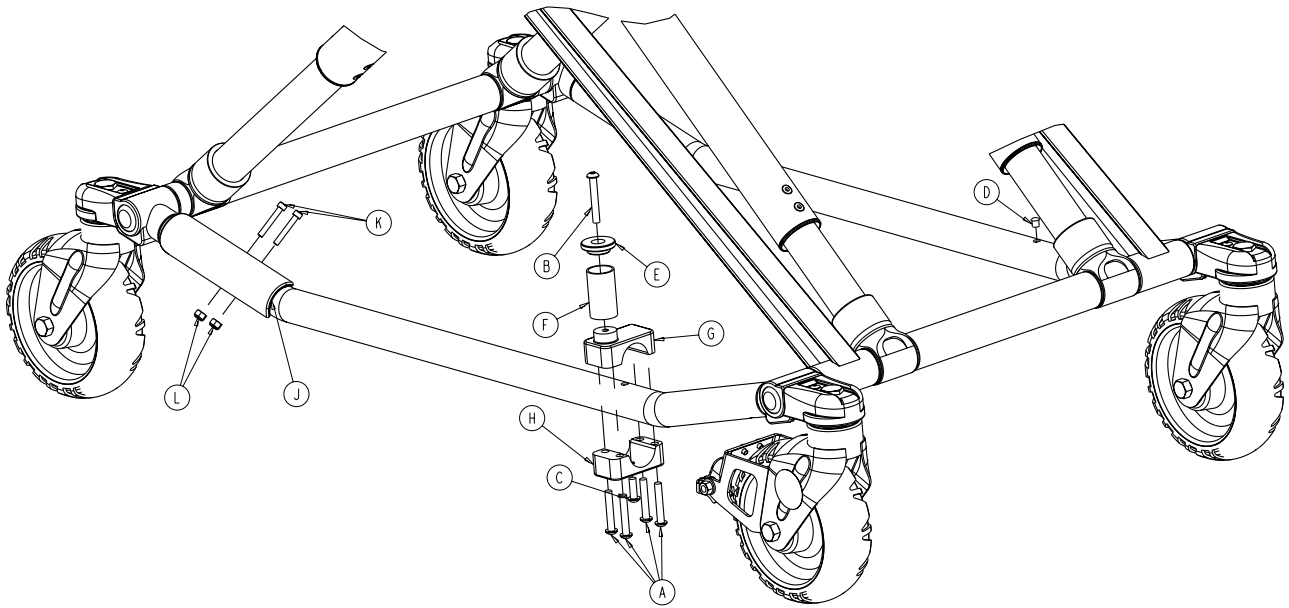
Item	Part No.	Part Name	Qty.
CA	6082-145-000	X-Frame Guard, Upper	2
CB	0025-079-000	X-Frame Guard, Lower	2
CC	0016-003-000	Hex Nut	8
CD	0004-508-000	Button Head Cap Screw	8

Optional Pedi-Mate Restraint Assembly - 6080-150-012



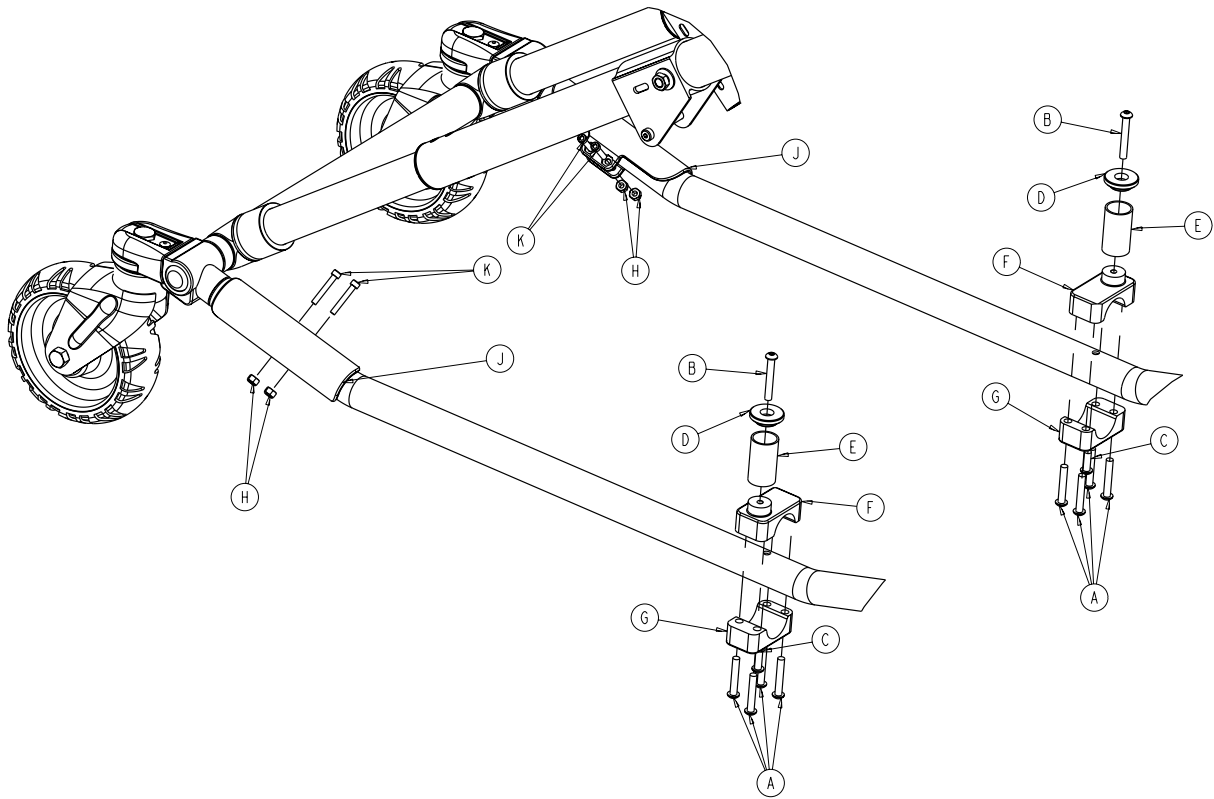
Item	Part No.	Part Name	Qty.
A	6080-032-060	Restraint Bracket	2
B	0025-079-000	Rivet	4

Optional Retaining Post, Patient Right - 6082-200-000



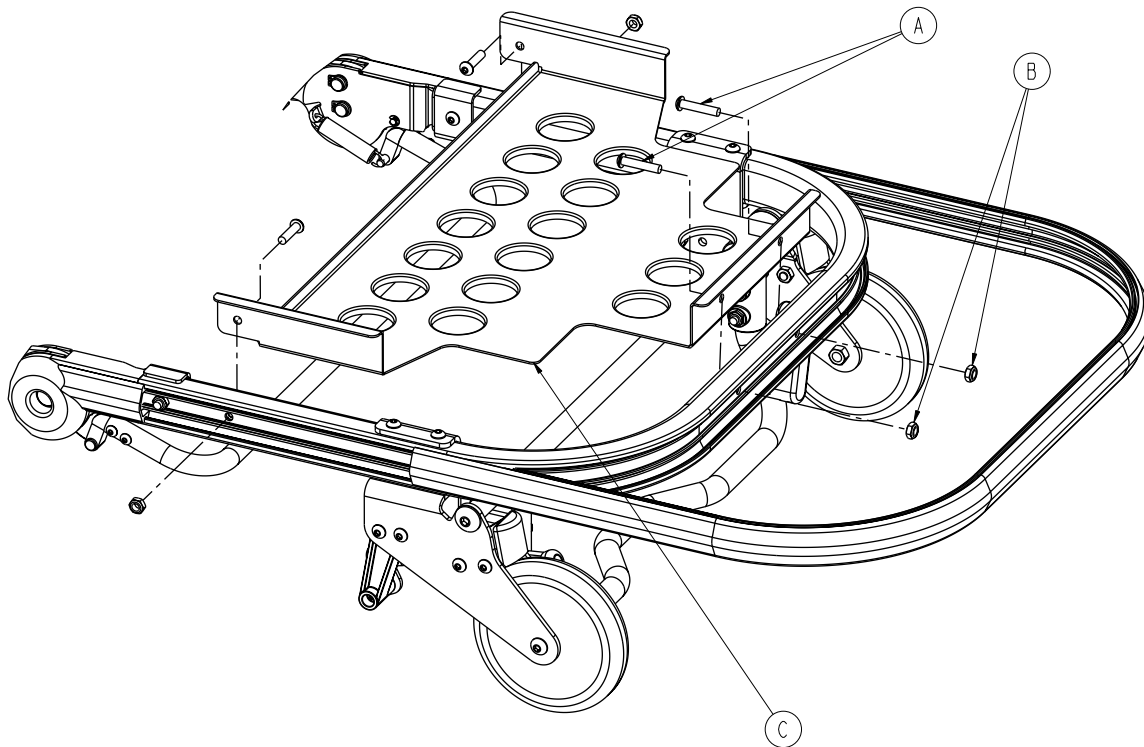
Item	Part No.	Part Name	Qty.
A	0004-135-000	Button Head Cap Screw	4
B	0004-503-000	Button Head Cap Screw	1
C	0004-161-000	Button Head Cap Screw	1
D	0721-031-065	Heyco Hole Plug	1
E	6060-004-043	Retaining Post Cap	1
F	6060-004-044	Retaining Post Tube	1
G	6060-004-045	Retaining Post Top	1
H	6080-004-046	Retaining Post Bottom	1
J	6082-001-044	Retaining Post Protector	1
K	0004-160-000	Socket Head Cap Screw	2
L	0016-003-000	Nylock Hex Nut	2

Optional Retaining Post, Dual - 6082-190-000



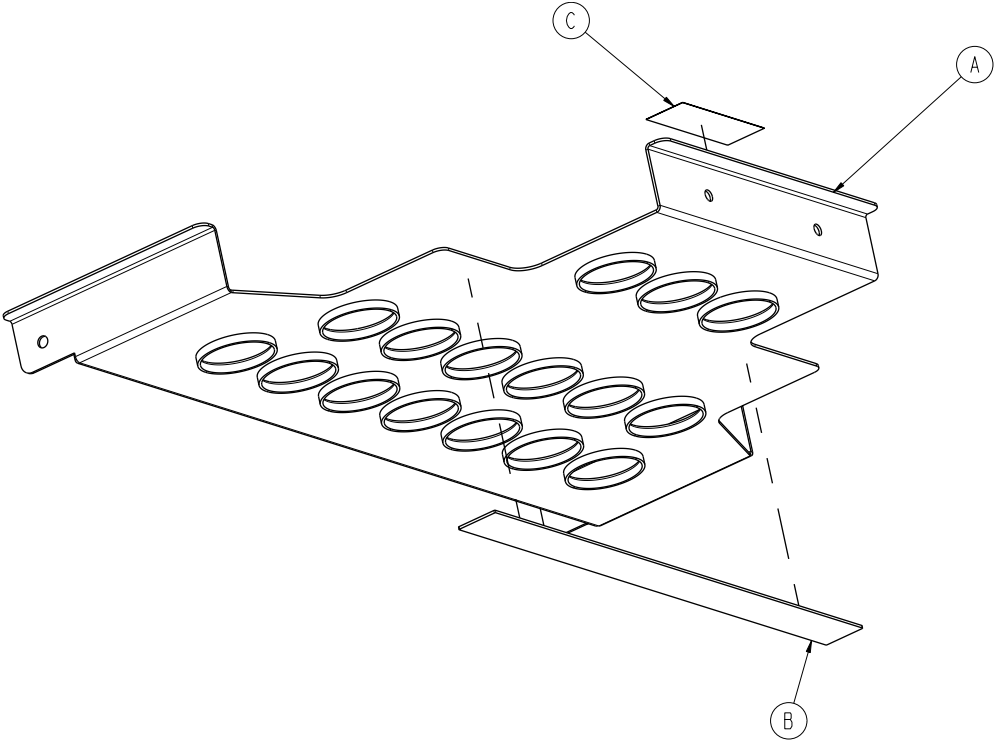
Item	Part No.	Part Name	Qty.
A	0004-135-000	Button Head Cap Screw	8
B	0004-503-000	Button Head Cap Screw	2
C	0004-161-000	Button Head Cap Screw	2
D	6060-004-043	Retaining Post Cap	2
E	6060-004-044	Retaining Post Tube	2
F	6060-004-045	Retaining Post Top	2
G	6080-004-046	Retaining Post Bottom	2
H	0016-003-000	Nylock Hex Nut	4
J	6082-001-044	Retaining Post Protector	2
K	0004-160-000	Socket Head Cap Screw	4

Optional Storage Tray, HE - 6082-128-000



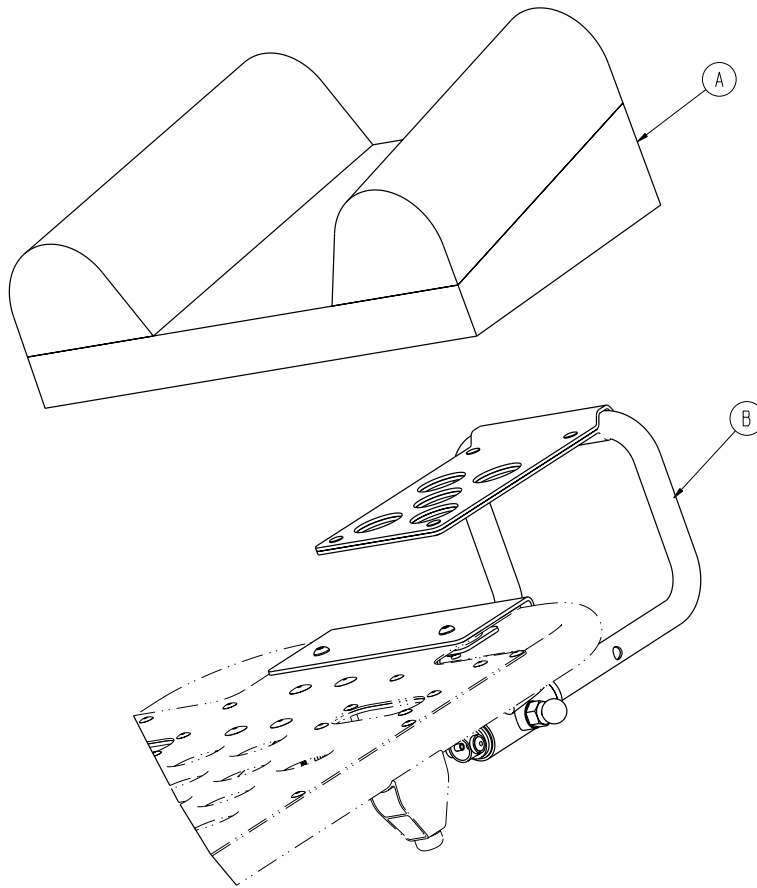
Item	Part No.	Part Name	Qty.
A	0004-197-000	Button Head Cap Screw	2
B	0016-102-000	Nylock Hex nut	2
C	6082-128-020	Tray Assembly (pg. 103)	1

Optional Tray Assembly, HE - 6082-128-020



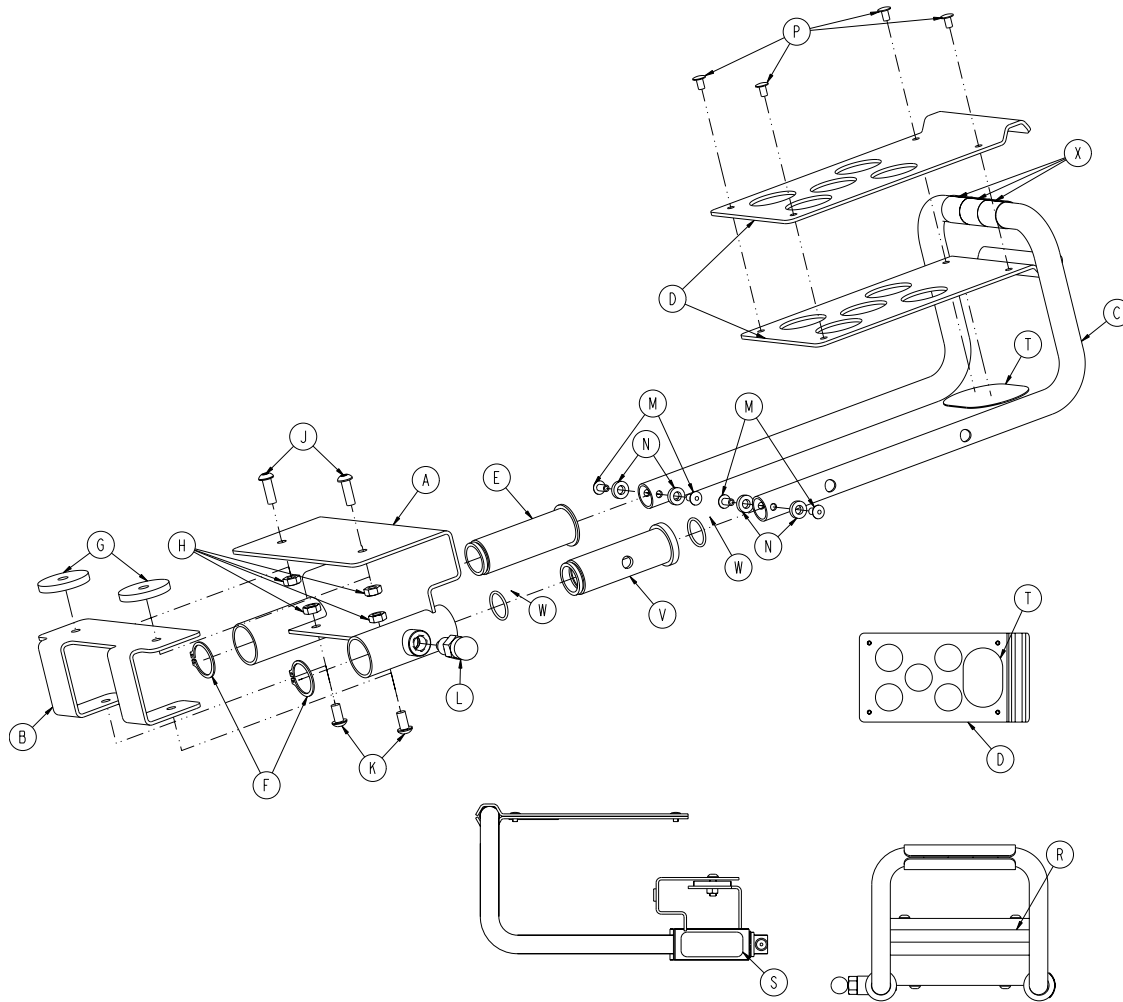
Item	Part No.	Part Name	Qty.
A	6082-128-080	Breakaway Tray	1
B	6082-128-019	1" Adhesive Loop Pile	1
C	6081-091-057	Caution Label	1

Optional Head Extension Kit Assembly - 6100-044-000



Item	Part No.	Part Name	Qty.
A	6100-041-030	Head Extension Pillow	1
B	6100-044-012	Head Extension Assembly (pg. 105)	1

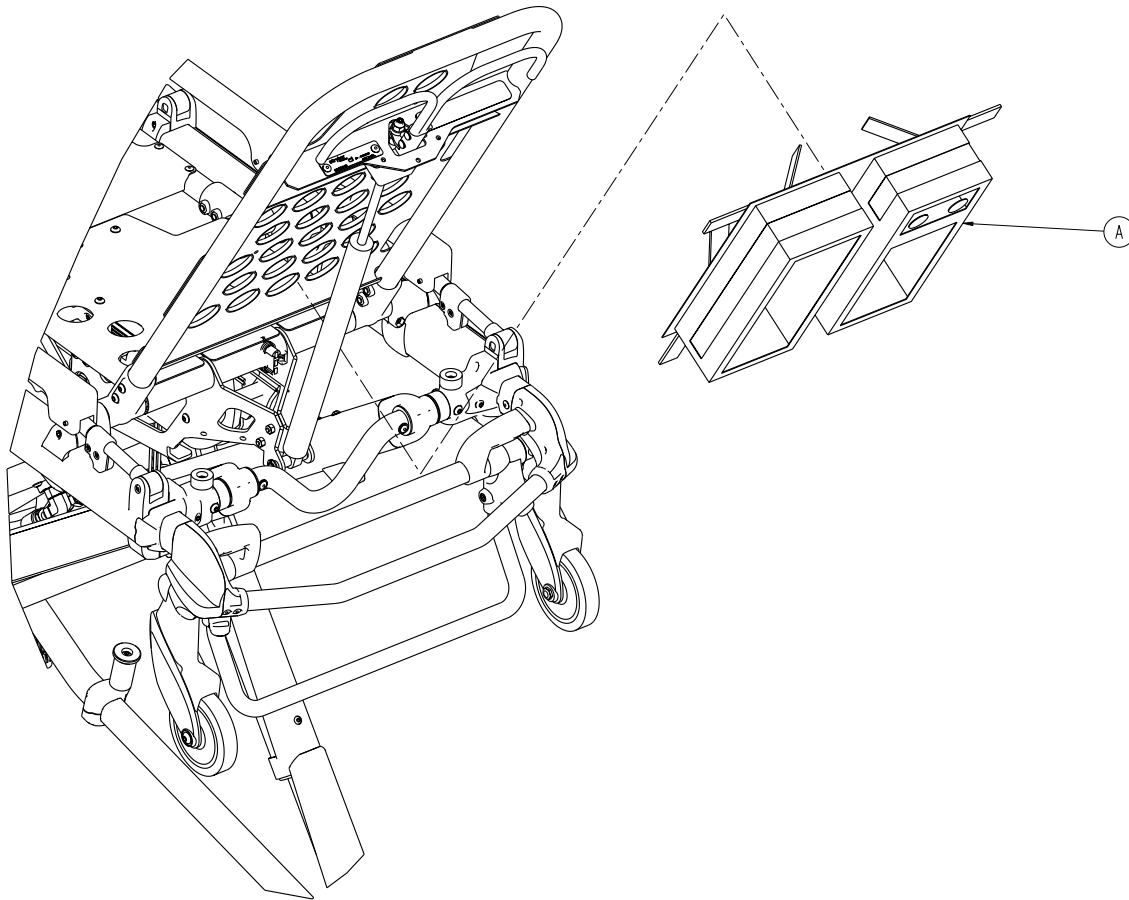
Optional Head Extension Assembly - 6100-044-012



Item	Part No.	Part Name	Qty.
A	6100-044-010	Bracket Weldment	1
B	6100-044-007	Support	1
C	6100-044-011	Extension Tube	1
D	6100-044-008	Pillow Support	2
E	6100-044-005	Insert	1
F	0028-076-000	Clip	2
G	6100-044-006	Spacer	2
H	0016-028-000	Nylock Nut	4
J	0004-161-000	Button Head Cap Screw	2
K	0004-232-000	Button Head Cap Screw	2
L	6372-010-016	Pull Pin Assembly	1
M	0025-079-000	Rivet	4
N	0014-067-000	Washer	4
P	0025-031-000	Semi-Tubular Rivet	4
R	6060-090-004	Label "Rugged" Small	1
S	6100-090-013	Spec Label	1
T	6100-044-013	Velcro (Hook)	1
V	6100-044-004	Insert	1
W	0045-999-603	O-Ring	2
X	6100-044-014	Head Extension Tape	3

[Return To Table of Contents](#)

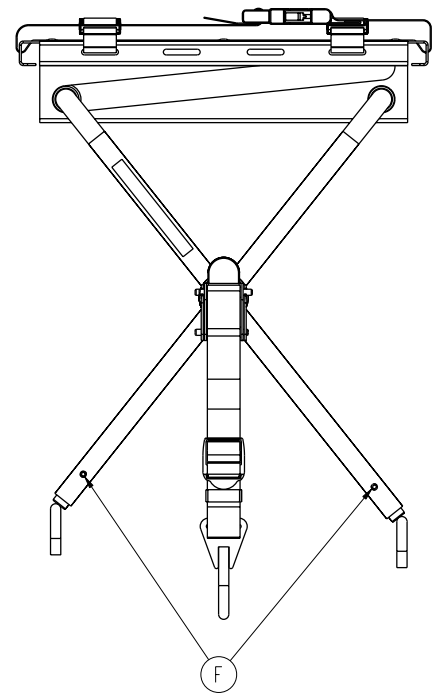
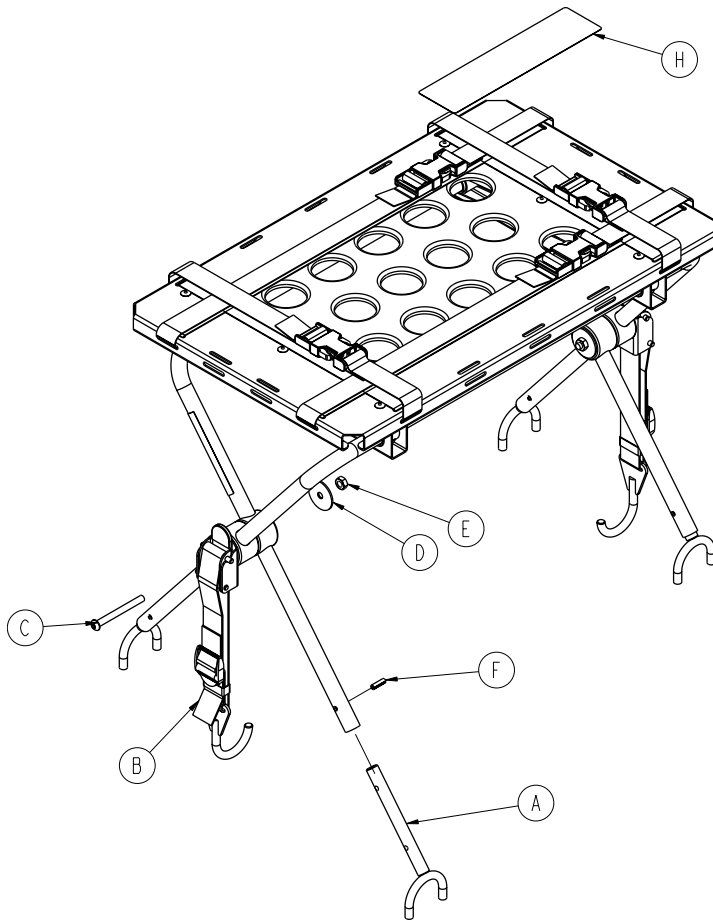
Optional Backrest Pouch Assembly - 6500-130-000



Item	Part No.	Part Name	Qty.
A	6500-001-241	Pocketed Backrest Storage Pouch	1

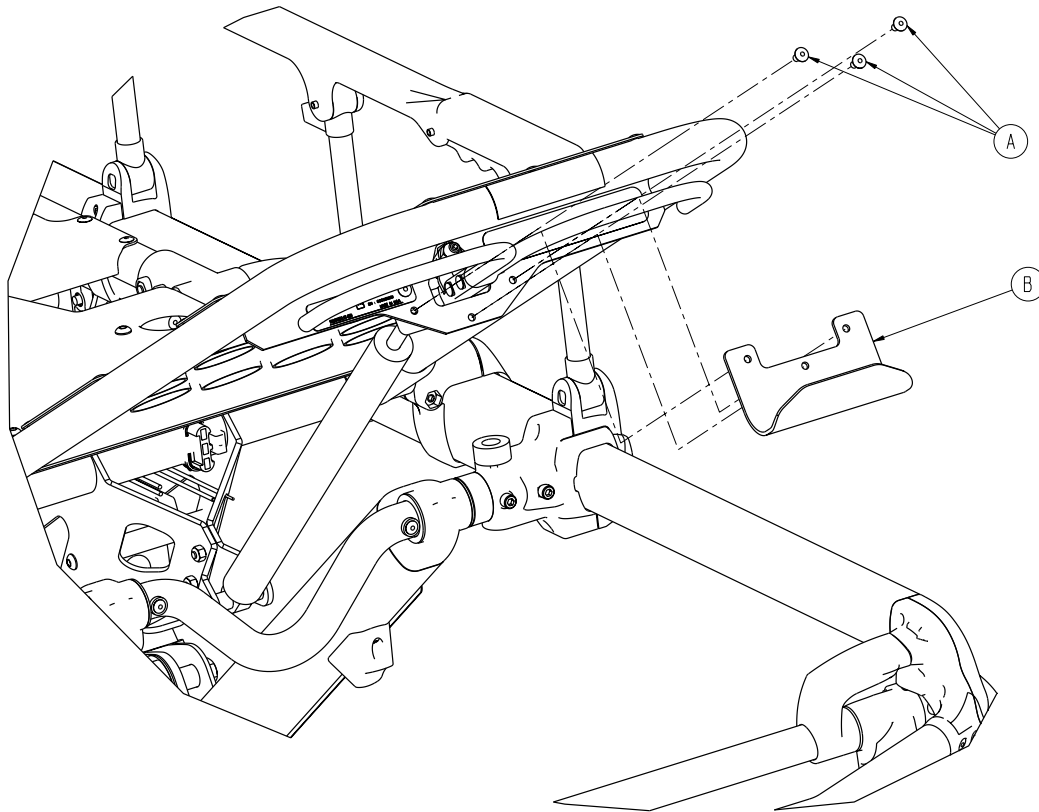
Optional Defibrillator Platform Assembly - 6082-170-000

For Reference Only: 6082-170-010



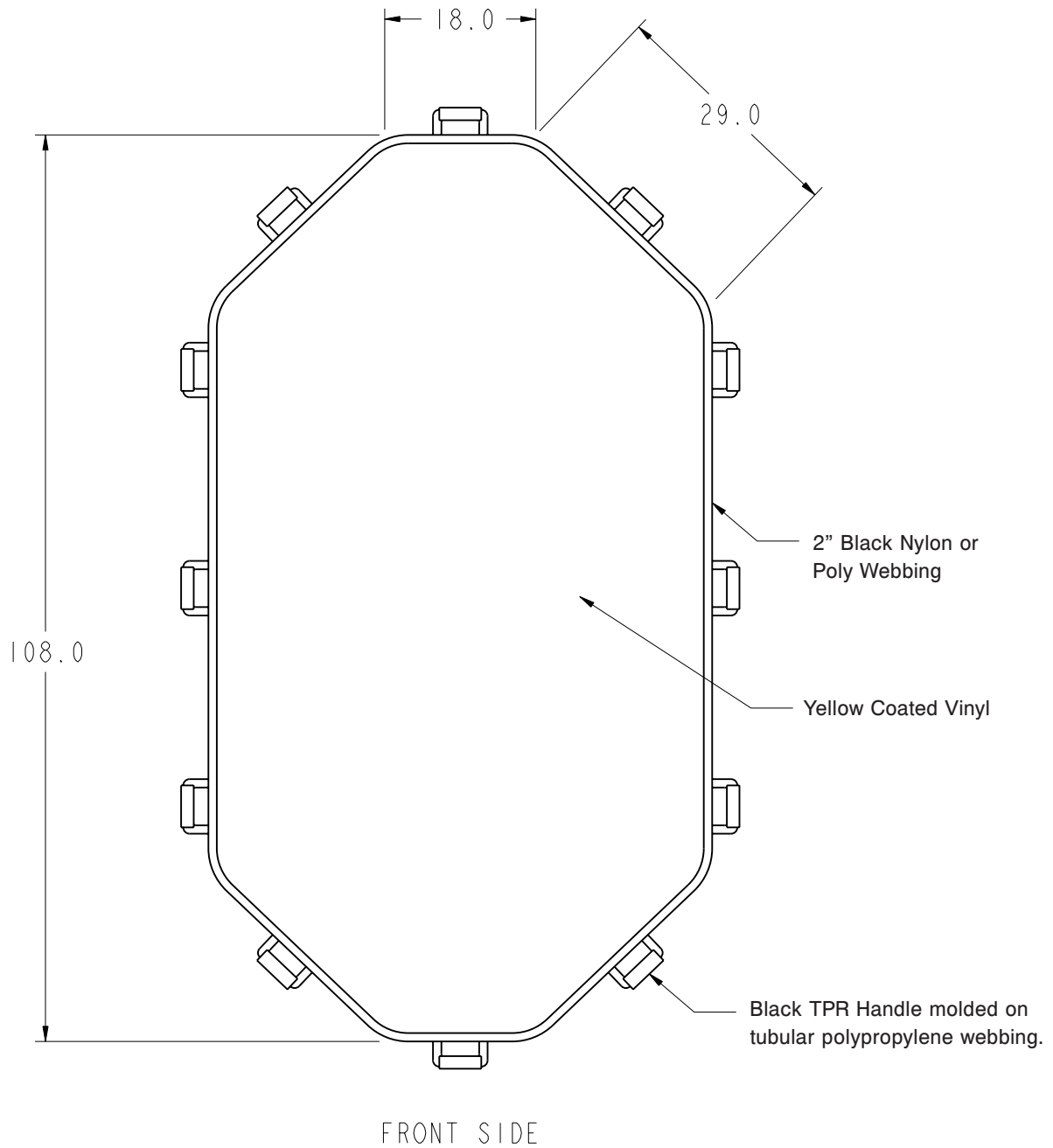
Item	Part No.	Part Name	Qty.
A	6082-170-050	Defib U-Foot Weldment	4
B	6080-170-020	Defiib Latch Strap Assembly	2
C	0004-234-000	Button Head Cap Screw	2
D	0011-355-000	Washer	2
E	0016-078-000	Centerlock Hex Nut	2
F	0026-172-000	Slotted Sprin Pin	4
H	6082-090-022	Label, "Specification and Warning"	1

Optional Equipment Hook Assembly - 6500-147-000

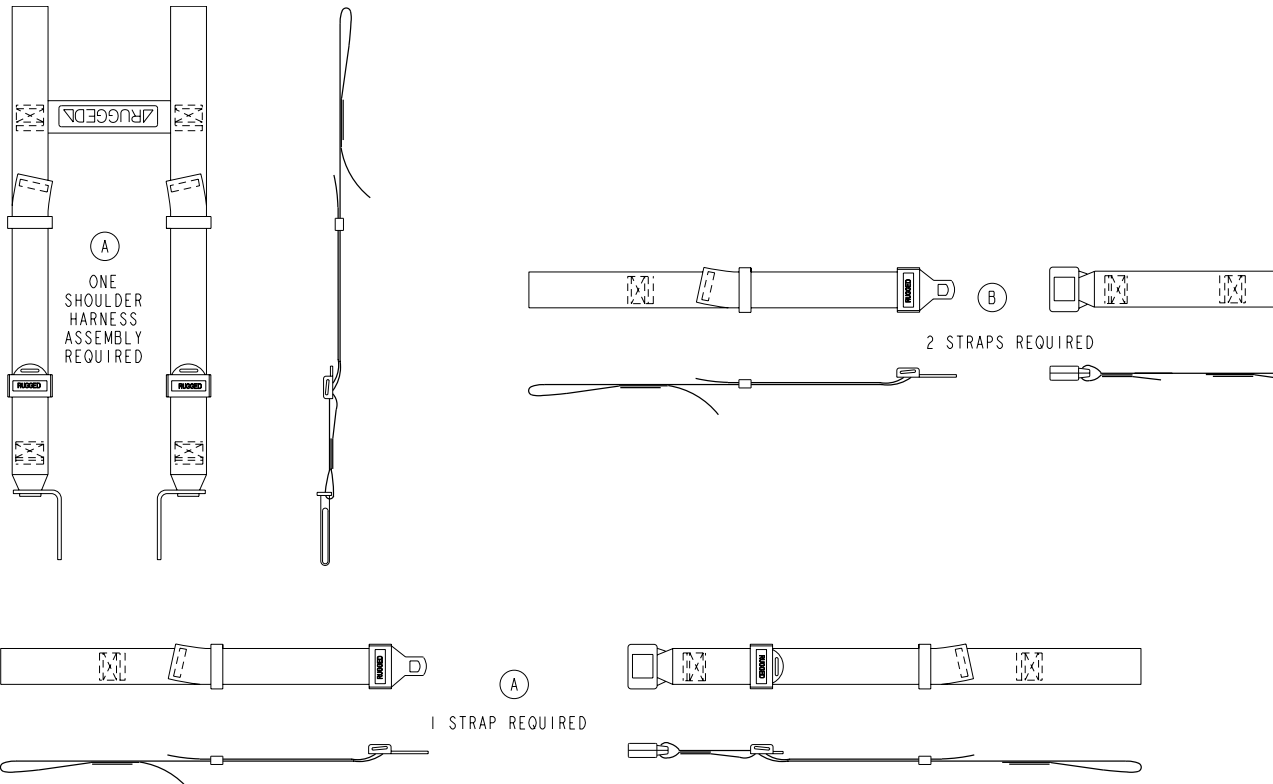


Item	Part No.	Part Name	Qty.
A	0025-079-000	Dome Head Rivet	3
B	6500-001-237	Equipment Hook	1

Optional Transfer Flat - 6083-001-200

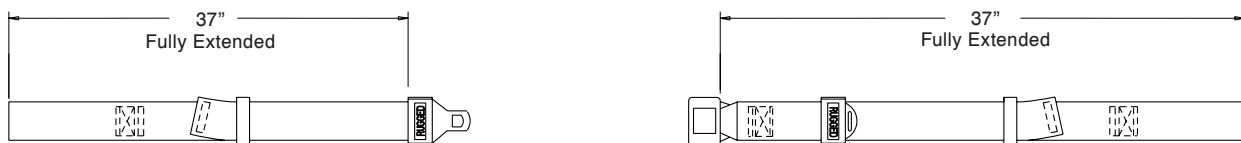


Standard Restraint Strap Package - 6082-260-010

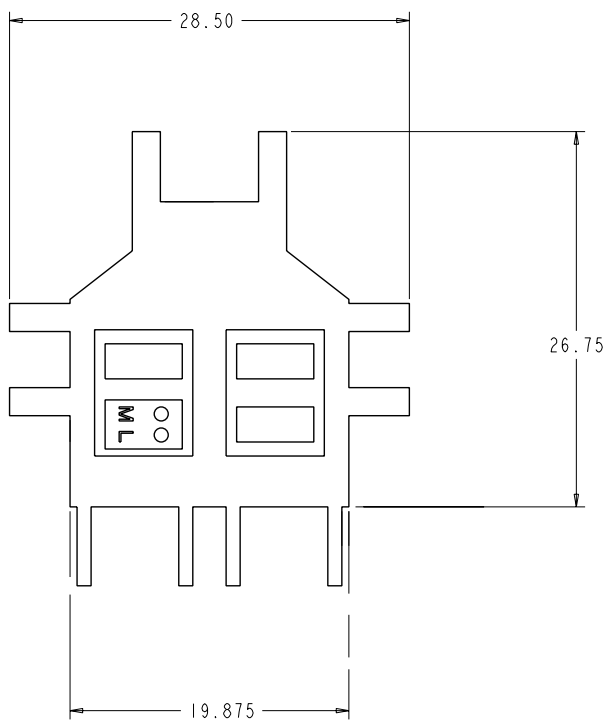


Item	Part No.	Part Name	Qty.
A	6060-260-045	Four Point Harness	1
B	6060-160-044	Lap Belt	2
C	6082-161-051	Plastic Cap	1

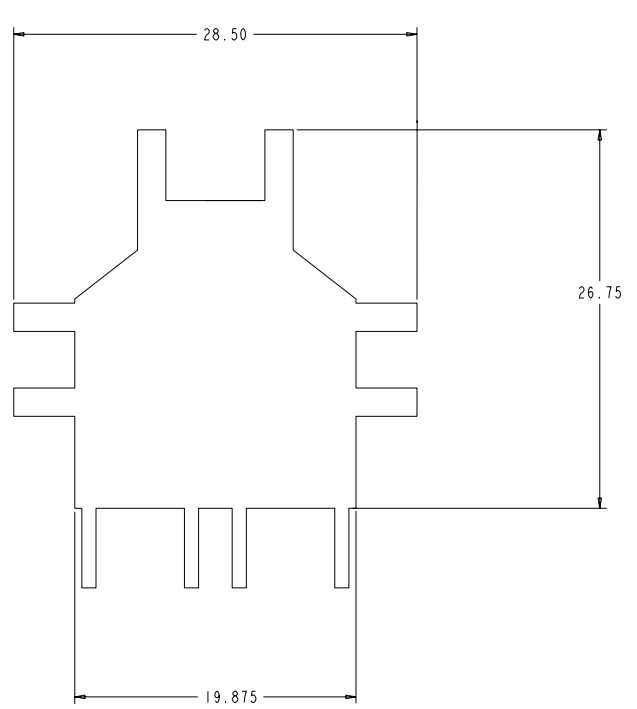
Standard Restraint Strap Package - 6060-260-046



Optional Head End Storage Pouch - 6082-128-010/6082-128-012

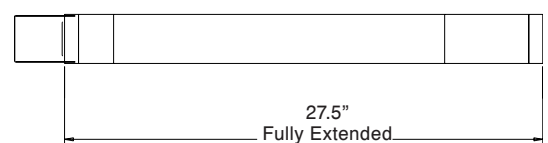
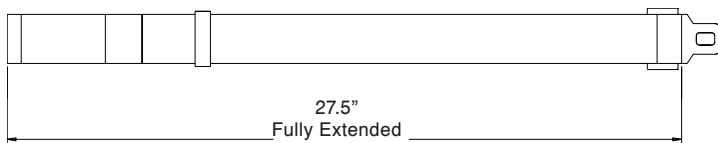


6082-128-010
Head End Storage Pouch with Pockets



6082-128-012
Head End Storage Pouch without Pockets

Optional Accessory Restraint - 6082-160-052



Quick Replacement Part List

The parts and accessories listed on this page are all currently available for purchase. Some of the parts identified on the assembly drawing parts in this manual may not be individually available for purchase. Please call Stryker Customer Service (800)-327-0770 (Option 2), for availability and pricing.

Part Name	Part Number
Brake Kit, Single Wheel, Foot Right	6080-201-000
Brake Kit, Dual Wheel, Foot Left and Right	6080-202-000
Brake Adjuster Kit	6080-700-018
I.V. Pole, 2 Stage, Patient Left	6080-211-010
I.V. Pole, 2 Stage, Patient Right	6080-210-010
I.V. Pole, 3 Stage, Patient Left	6080-216-010
I.V. Pole, 3 Stage, Patient Right	6080-215-010
Kit, Base Tube Protector	6082-700-029
Kit, Head End Lift Bar (for Base)	6080-157-000
Kit, Height Limiter	6060-202-000
Kit, Outer X-Frame Repair	6080-700-009
Kit, Pull Handle	6080-155-020
Kit, X-Frame	6080-700-004
Kit, X-Frame Bolt	6080-700-008
Kit, X-Frame Guard	6082-700-014
Kit, Cot Retaining Post	6082-200-000
Kit, Dual Cot Retaining Post	6082-190-000
Kit, Lift Capable Safety Bar	6091-156-016
Kit, Fowler Release Handle	6082-700-019
Kit, Slide Plate Covers and Labels	6082-700-022
Kit, Extended Height	6082-700-024
Kit, Pedi-Mate Restraint Bracket	6091-700-006
Kit, Release Mechanism Upgrade	6082-700-004
Kit, Head Extension	6100-700-012
Mattress, Bolster	6090-041-010
Mattress, Flat	6090-042-010
Oxygen Bottle Holder, Hanging	6080-140-000
Oxygen Bottle Holder, Permanent	6082-140-015
Oxygen Bottler Holder, Head End (Mounts on the Breakaway)	6082-700-006
Paint, Touch-up (Black)	7000-001-322
Paint, Touch-up (Yellow)	6060-199-010

Quick Replacement Part List

Part Name	Part Number
Pneumatic Cylinder	1010-031-077
Restraint, Accessory	6082-160-052
Restraint, Lap Belt	6060-160-044
Restraint, Extension	6082-160-050
Restraint, Chest Straps	6060-260-046
Restraint, Package (2 Lap Belts and 1 Shoulder Harness)	6082-260-010
Restraint, Shoulder Harness	6060-260-045
Restraint, Cap, Tall	6082-160-051
Restraint Cap, Short	6082-160-055
Safety Hook, Short	6060-036-017
Safety Hook, Long (Standard)	6060-036-018
Safety Hook, "J" Hook	6092-036-018
Siderail Assembly	6082-026-010
Storage Tray, (For Base - Aluminum)	6082-700-025
Storage Tray, (For Breakaway - Aluminum)	6082-700-021
Storage Net (For Base)	6080-150-010
Storage Pouch, Head End (For Breakaway with Pouches)	6082-128-010
Storage Pouch, Head End (For Breakaway without Pouches)	6082-128-012
Video, In-Service	6082-090-002

UNITED STATES
Stryker Medical
3800 E. Centre Ave.,
Portage, Michigan USA
49002

EC	REP
----	-----

European Representative
Stryker France
ZAC Satolas Green Pusignan
Av. De Satolas Green
69881 MEYZIEU Cedex
France

stryker[®]