

MX-PRO® R3

Maintenance Manual

REF 6082



Table of Contents

Warning/Caution/Note Definition	3
Introduction for service	4
Expected service life	4
Contact information	4
Serial number location	4
Preventive maintenance	5
Base lubrication	5
Maintenance record	7
Training record	8
Service	9
Wheel locking force adjustment	9
Backrest adjustment	9
Cot assembly	12
Base assembly	17
6 in. molded wheel assembly	21
Base pivot outer lift tube assembly	22
Base pivot inner lift tube assembly	23
Lock bar assembly	24
Adjustable caster lock assembly	25
Single wheel lock option - 6082-501-010	26
Dual wheel lock option - 6082-502-010	27
No wheel lock option - 6082-500-010	28
Dual diagonal wheel lock option - 6082-503-010	29
Four wheel lock option - 6082-504-010	30
Caster horn assembly	31
Litter/base adapter assembly, right	32
Litter/base adapter assembly, left	33
Litter assembly	34
Siderail assembly	42
Lift tube assembly, left side release option - 6082-140-059	43
Lift tube assembly, right side release option - 6082-140-060	44
Release handle assembly, left	46
Release handle assembly, right	47
Breakaway head assembly	48
HAVASU™ IV pole option, two-stage, patient right - 6080-210-010	54
IV pole assembly, two-stage, patient right	55
HAVASU IV pole option, three-stage, patient right - 6080-215-010	56
IV pole assembly, three-stage, patient right	57
HAVASU IV pole option, two-stage, patient left - 6080-211-010	58
IV pole assembly, two-stage, patient left	59
HAVASU IV pole option, three-stage, patient left - 6080-216-010	60
IV pole assembly, three-stage, patient left	61
IV pole assembly, two-stage	62
IV pole assembly, three-stage	63
IV pole, 3rd stage assembly	64
IV pole option, none, patient right - 6080-212-010	65

IV pole option, none, patient left - 6080-213-010	66
Removable oxygen bottle holder option - 6080-140-000	67
Oxygen bottle holder option, foot end - 6070-140-000.....	68
Oxygen bottle holder tray assembly, foot end	69
Oxygen bottle holder option, head end - 6082-140-000.....	70
Oxygen bottle holder tray assembly, head end	71
Pull handle assembly	72
Base lift bar assembly	73
Base tray storage option - 6082-150-015	74
X-frame guard assembly option - 6080-145-000.....	75
Pedi-Mate® restraint option - 6080-300-010	76
Retaining post option, patient right - 6082-200-000	77
Retaining post option, dual - 6082-190-000	78
Storage tray option, head end - 6082-128-000	79
Tray assembly option, head end	80
Head extension option - 6100-044-000	81
Pillow option - 6100-045-000	82
Head extension assembly	83
Base storage net option - 6080-150-010	84
Backrest pouch option - 6500-130-000	85
Defibrillator platform assembly option - 6082-170-000	86
Equipment hook option - 6500-147-000	87
EMS restraint strap package option - 6082-260-010	88
Chest restraint option - 6060-260-046.....	89
Belt extension option - 6082-160-050.....	90
Storage pouch with pockets option, head end - 6082-128-010.....	91
Storage pouch without pockets option, head end - 6082-128-012	92
Accessory strap assembly option - 6082-160-052	93
Bolster mattress option - 6090-041-010	94
Flat mattress option - 6090-042-010	95
Safety hook, short - 6060-036-017/Safety hook, long - 6060-036-018/Safety hook, J - 6092-036-018.....	96

Warning/Caution/Note Definition

The words **WARNING**, **CAUTION**, and **NOTE** carry special meanings and should be carefully reviewed.

WARNING

Alerts the reader about a situation which, if not avoided, could result in death or serious injury. It may also describe potential serious adverse reactions and safety hazards.

CAUTION

Alerts the reader of a potentially hazardous situation which, if not avoided, may result in minor or moderate injury to the user or patient or damage to the product or other property. This includes special care necessary for the safe and effective use of the device and the care necessary to avoid damage to a device that may occur as a result of use or misuse.

Note - Provides special information to make maintenance easier or important instructions clearer.

Introduction for service

This manual assists you with the service of your Stryker product. Read this manual to service this product. This manual does not address the operation of this product. See the Operations Manual for operating and use instructions. To view your Operations Manual online, see <https://techweb.stryker.com/>.

Expected service life

MX PRO R3 has a 5 year expected service life under normal use conditions and with appropriate periodic maintenance.

Contact information

Contact Stryker Customer Service or Technical Support at: 1-800-327-0770.

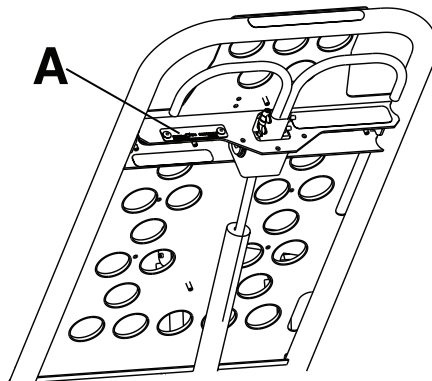
Stryker Medical
3800 E. Centre Avenue
Portage, MI 49002
USA

Note - The user and/or the patient should report any serious product-related incident to both the manufacturer and the Competent authority of the European Member State where the user and/or patient is established.

To view your operations or maintenance manual online, see <https://techweb.stryker.com/>.

Have the serial number (A) of your Stryker product available when calling Stryker Customer Service or Technical Support. Include the serial number in all written communication.

Serial number location



Preventive maintenance

Operation	Schedule	Procedure
Cleaning and disinfecting	Each use	See <i>Cleaning</i> in the Operations Manual.
Inspection	For 1-25 calls per month, inspect cot every 6 months For 26-200 calls per month, inspect cot every 3 months For 200+ calls per month, inspect cot monthly	See below for checklist.

Note - Keep up to date maintenance records using the Maintenance Record form in your maintenance manual.

- _____ All fasteners secure (reference all assembly drawings)
- _____ All welds intact, not cracked or broken
- _____ No bent or broken tubing or sheet metal
- _____ No debris in wheels
- _____ All wheels secure, roll, and swivel
- _____ Wheel lock option holds wheel secure when on and clears wheel when off
- _____ Siderails move and latch
- _____ Backrest operates
- _____ Accessories and parts operate
- _____ Height positioning latch operates
- _____ Cot secure in each height position
- _____ Base frame folds
- _____ Breakaway head section operates
- _____ Safety bar operates
- _____ Footrest operates
- _____ No rips or cracks in mattress cover
- _____ Body restraints intact and operate
- _____ Lubricate base tubes (option)

Serial number:
Completed by:
Date:

Base lubrication

Note - The product is designed to operate without the need for lubrication. **Tri-Flow™** with **Teflon®** lubricant may be used to reduce the force required to raise the undercarriage and to minimize wear. Do not use silicone, **WD-40™**, or lithium grease to avoid harm to the moving parts of the cot.

1. Place the cot in the highest height position.
2. Turn the cot upside down with the base legs facing up.

- Using the plastic applicator tube, spray **Tri-Flow™** with **Teflon®** lubricant (6082-199-012) in the gap between the upper (A) and lower lift tubes (B) on both foot end legs (Figure 1).

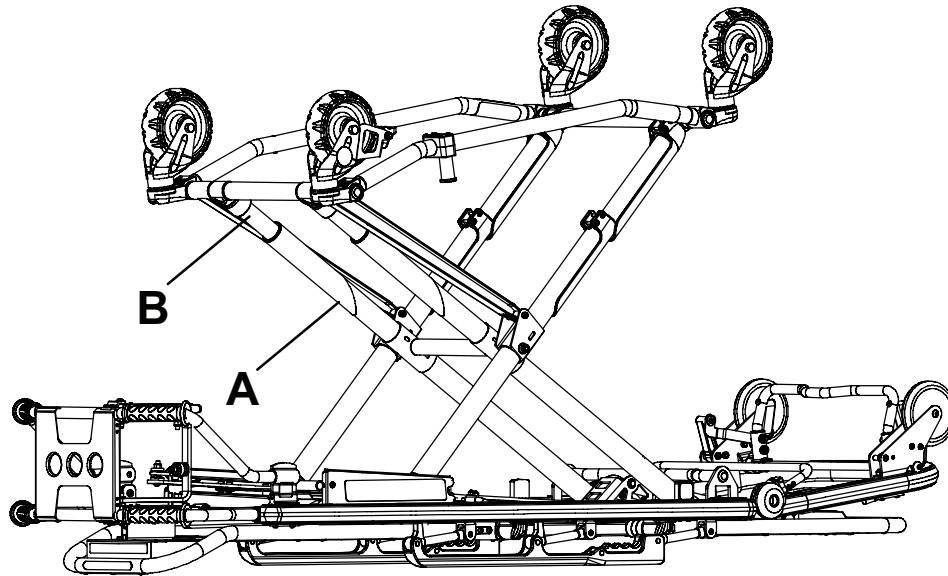


Figure 1 – Base lubrication locations

- Apply **Tri-Flow™** to the right and left height adjustment racks (C) (Figure 2). Provide an even application.
- Apply **Tri-Flow™** to the right and left slide plates (D) (Figure 2). Provide an even application.

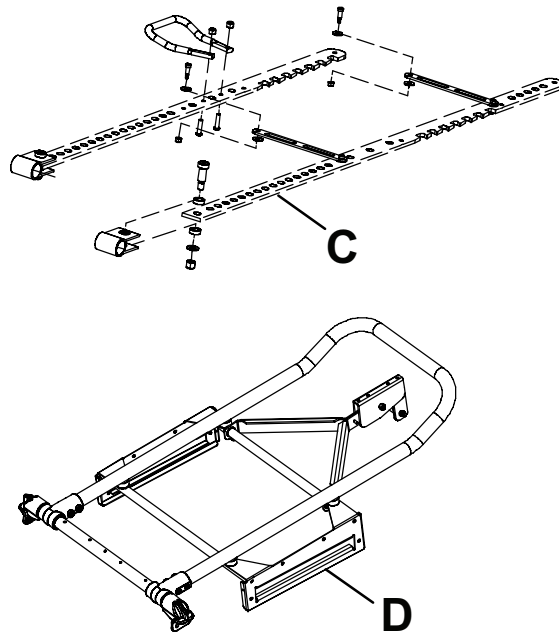


Figure 2 – Height adjustment racks and side plates

- Let the cot sit for five minutes.
- Turn the cot back over. Raise and lower the cot a few times to work the lubricant throughout the applied areas.
- Wipe any excess lubricant from the base tubes.
- Verify proper operation before you return the cot to service.

Service

Wheel locking force adjustment

Tools required:

- 5/32" hex wrench
- 7/16" combination wrench or socket

Procedure:

1. Using the 5/32" hex wrench and 7/16" combination wrench or socket, remove the socket screw from the center of the lock pedal. Save the screw. The wheel lock is initially assembled with the pedal set at the minimum locking force. The marker on the pedal (A) is aligned with the marker on the octagonal sleeve (B) (Figure 3).
2. Remove the octagonal sleeve (B). Rotate the octagonal sleeve counterclockwise to increase the pedal locking force and clockwise to decrease the locking force. Insert the octagonal sleeve into the pedal.
3. Using the 5/32" hex wrench and 7/16" combination wrench or socket, reinstall the socket screw (removed in step 1).
4. Test the pedal locking force and make sure that the pedal holds before you return the product to service.

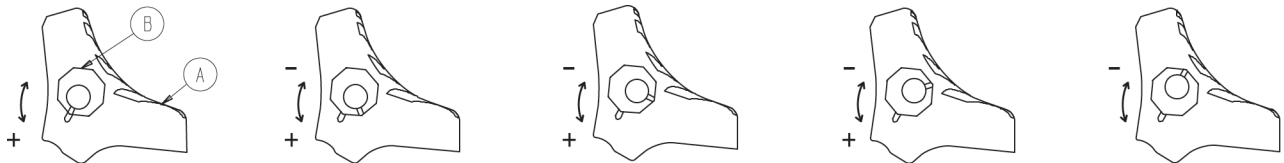


Figure 3 – Wheel locking force adjustment

Backrest adjustment

Tools required:

- 1/2" combination wrench
- 5/32" hex wrench
- 3/32" hex wrench
- Small slotted screwdriver
- **Loctite®**

Procedure:

1. Move the backrest to 73 degrees for easier access.

Note

- Before you continue with the backrest adjustment procedure, make sure that the cylinder (A) is threaded into the yoke (B) so no threads are showing on the shaft of the cylinder (Figure 4 and Figure 5).
- If threads are showing:
 - a. Using a 3/32" hex wrench, remove the set screw (C) from the center of the yoke. Save the screw.
 - b. Using a small slotted screwdriver, remove the E-clip (D) and pin (E) that secures the bottom of the pneumatic cylinder.
 - c. Thread the cylinder shaft (A) into the yoke (B) so no threads are showing.
 - d. Using a small slotted screwdriver, replace the E-clip (D), pin (E), and set screw (C) using **Loctite®** (Figure 4 and Figure 5).

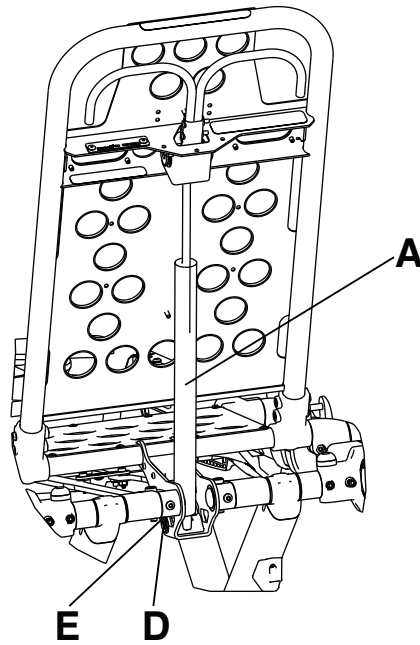


Figure 4 – Backrest adjustment

2. Using a 1/2" combination wrench, loosen the hex nut (F) on the backrest pivot (J) while you hold the set screw (H) fixed in the pivot (Figure 5).
3. Using a 5/32" hex wrench, turn the set screw (H) until there is no play between the backrest release handle (K) and the pneumatic cylinder release button (Figure 5).

Note - Make sure that the backrest moves from flat to at least 73 degrees. If not, turn the set screw clockwise 1/2 turn. Repeat until at least 73 degrees of movement is achieved.

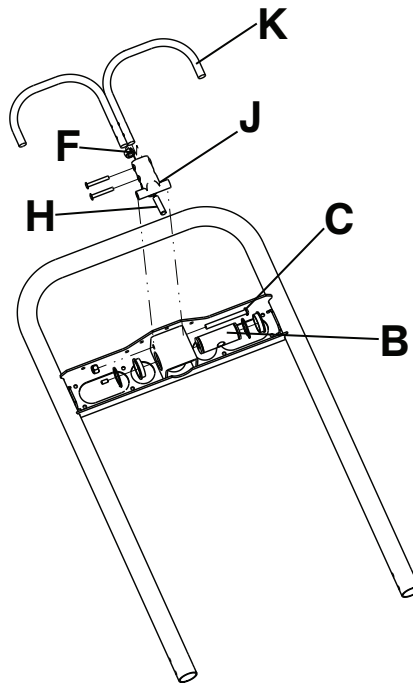


Figure 5 – Remove the backrest components

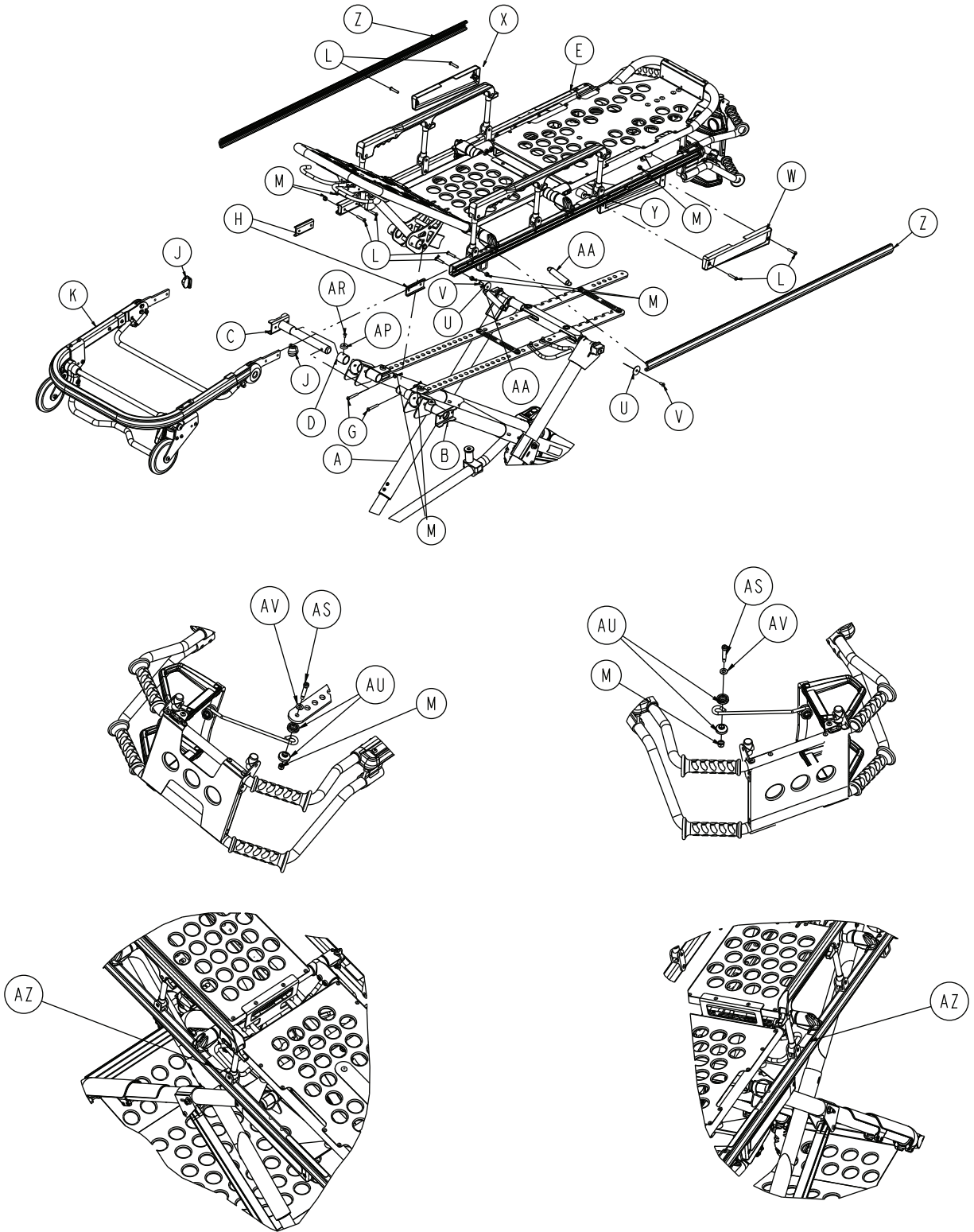
4. Lower the backrest to a 5-10 degree angle and release the handle.
5. Apply approximately 50 lb of force to the end of the backrest.

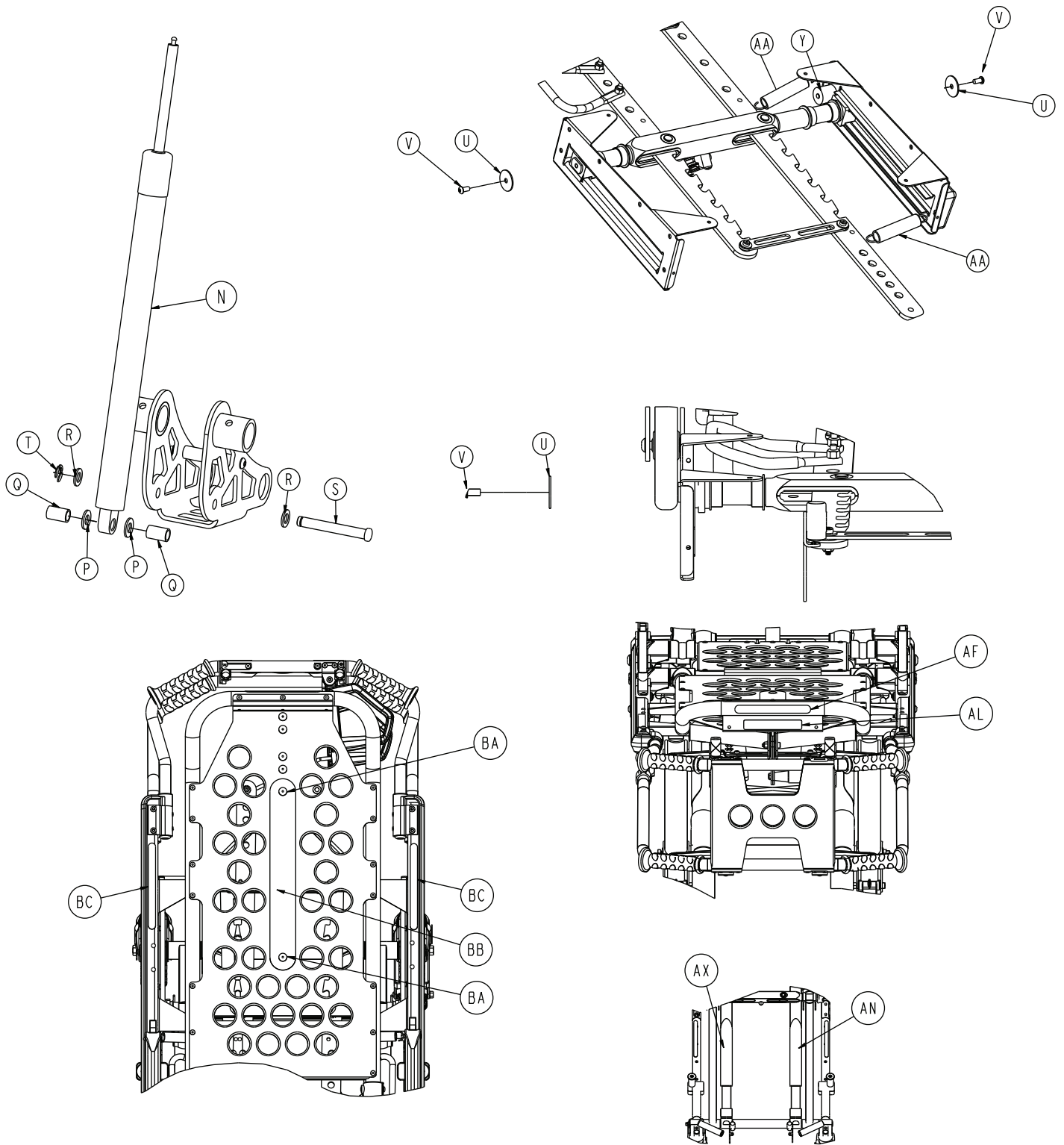
Note - If the backrest drifts down, turn the set screw counterclockwise. Repeat until the backrest does not drift down.

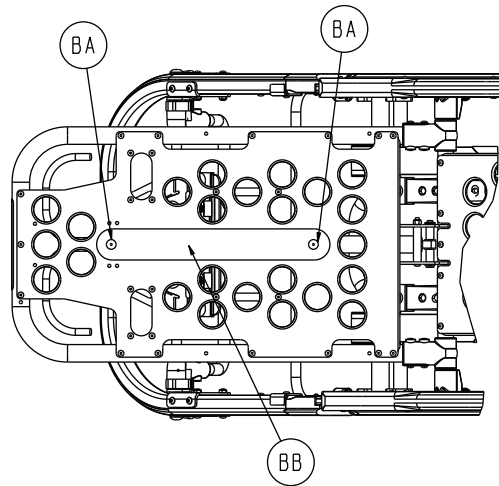
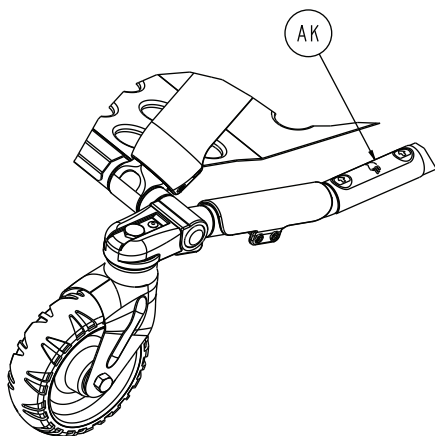
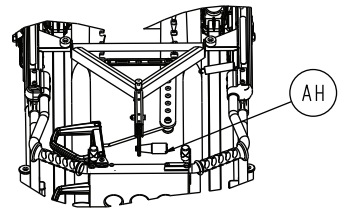
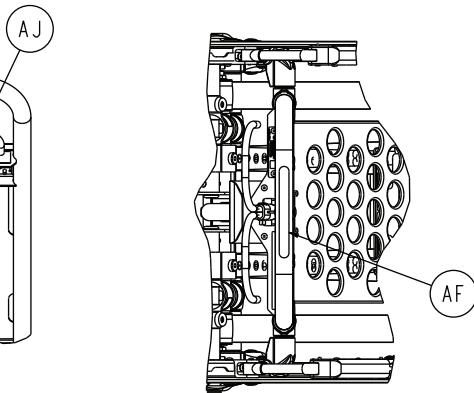
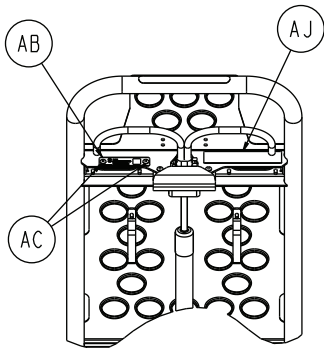
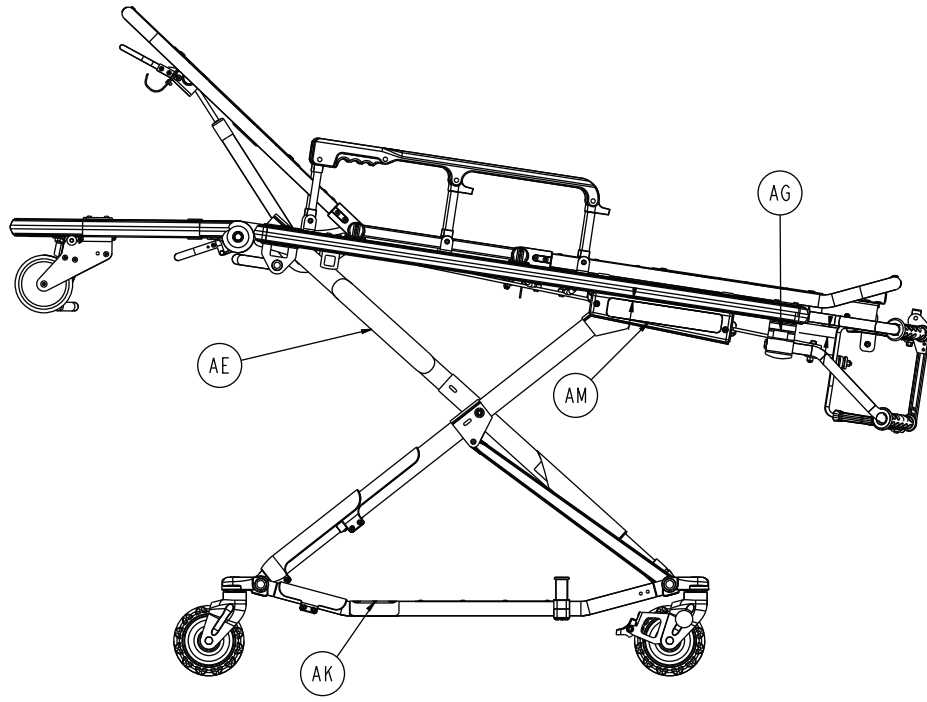
6. Using a 1/2" combination wrench, tighten the hex nut (F) while you hold the set screw fixed in the pivot (Figure 5).
7. Verify proper operation before you return the product to service.

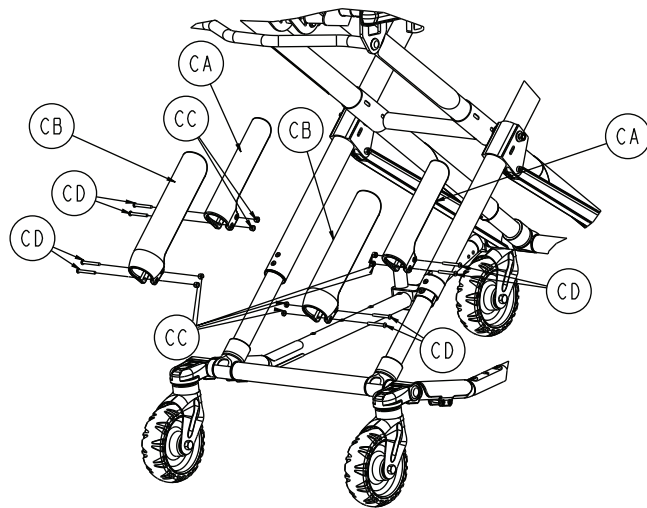
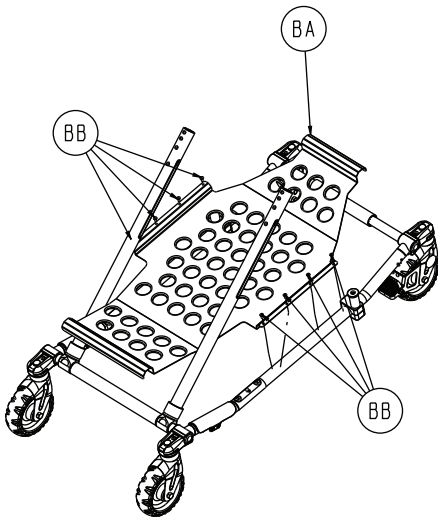
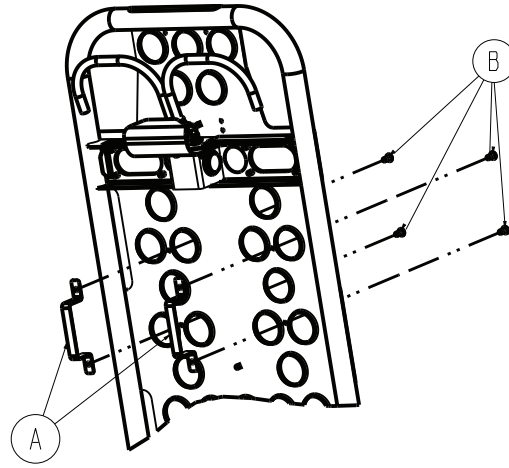
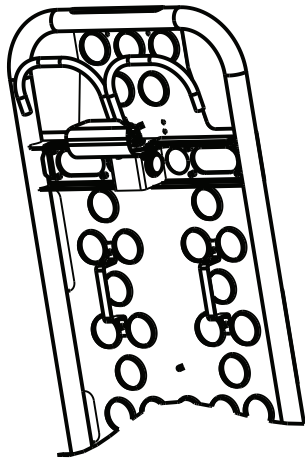
Cot assembly

6082-150-011 Rev AA (Reference only)







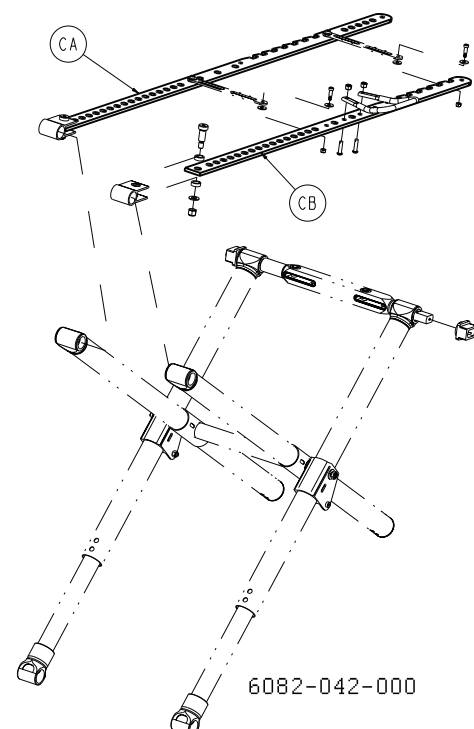
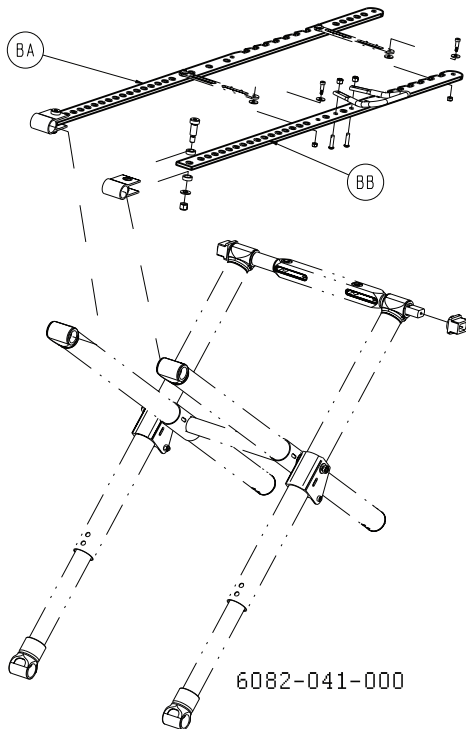
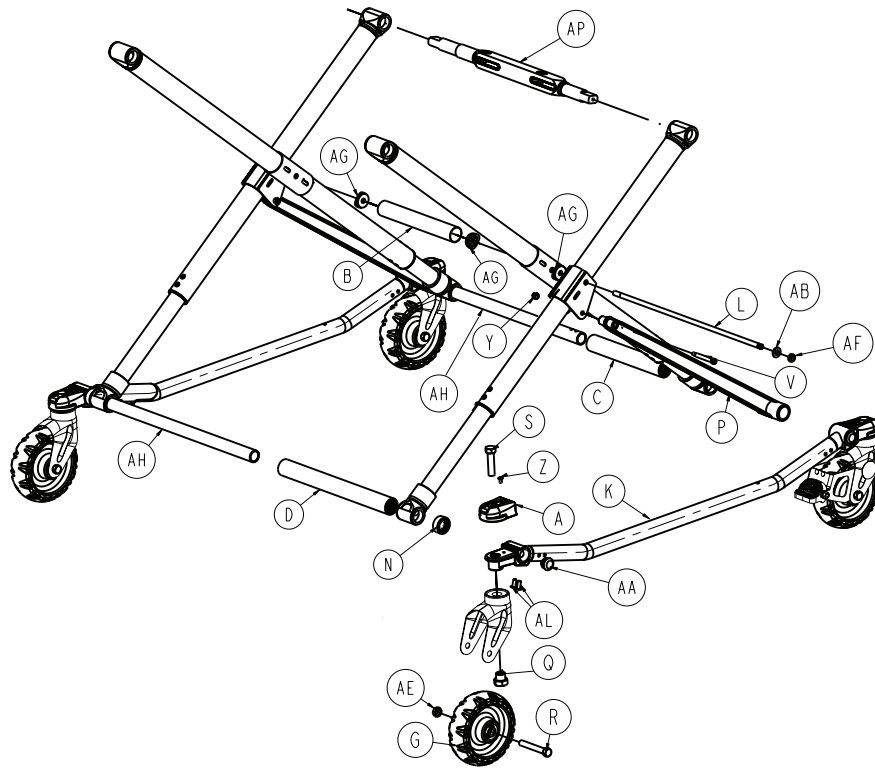


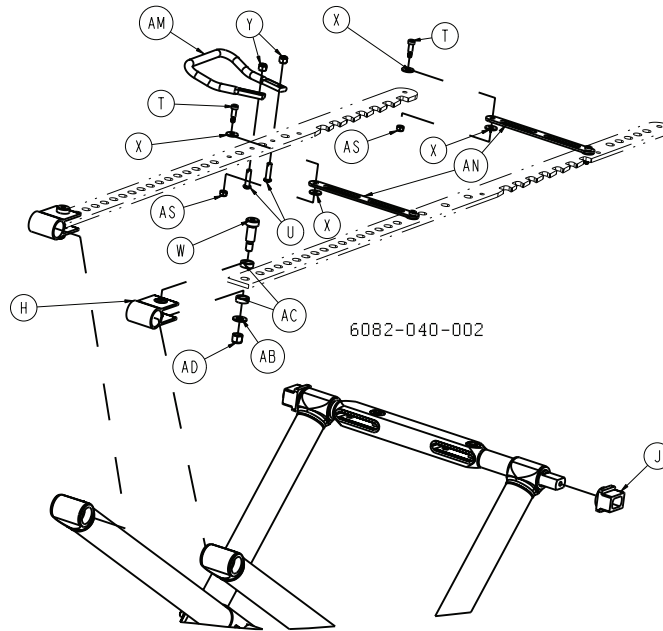
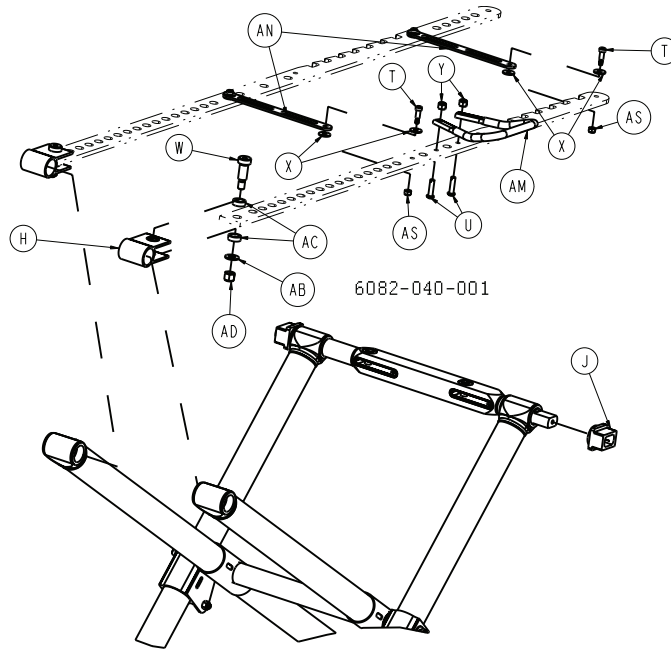
Item	Number	Name	Quantity
A	6082-101-011	Base assembly (page 17)	1
B	6082-205-050	Litter/base adapter assembly, right (page 32)	1
C	6082-205-053	Litter/base adapter assembly, left (page 33)	1
D	6082-205-060	Spacer sleeve, litter/base adapter	2
E	6082-130-011	Litter assembly (page 34)	1
G	0004-204-000	Button head cap screw	2
H	6060-037-026	Spacer plate, pivot, break away head section	2
J	6060-037-035	End cap, outer rail	2
K	6080-037-010	Breakaway head assembly, 6080	1
L	0004-198-000	Button head cap screw	8
M	0016-028-000	Fiberlock hex nut	9
N	6500-031-077	Gas cylinder	1
P	0014-021-000	Flat washer	2
Q	6082-031-046	Pivot spacer, litter/base interface	2
R	0011-448-000	Plain washer	2
S	6082-031-031	Clevis pin	1
T	0028-181-000	Truarc ring	1
U	0011-355-000	Flat washer	2

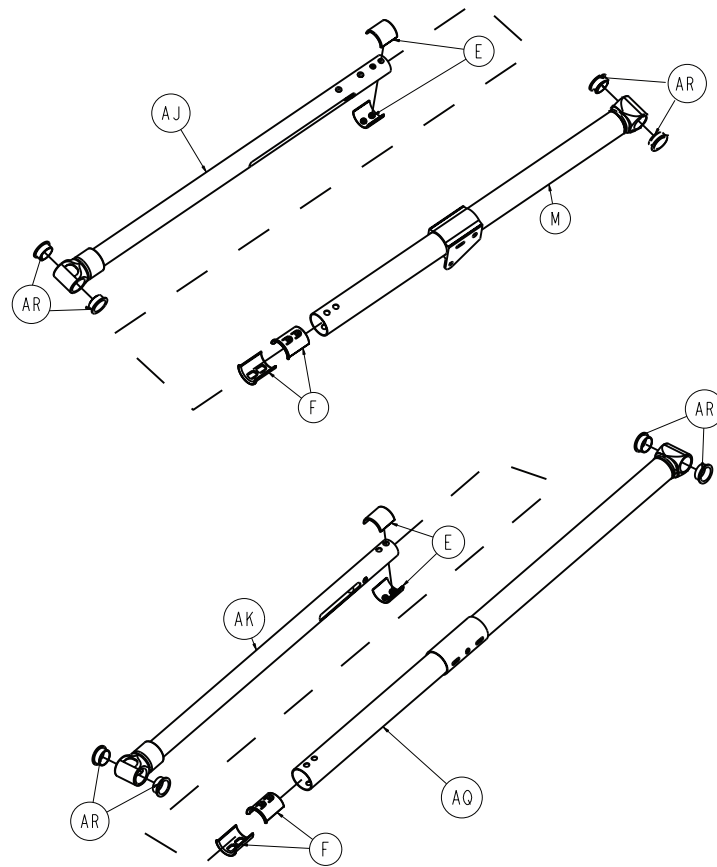
Item	Number	Name	Quantity
V	0004-325-000	Socket button head cap screw	2
W	6082-033-037	Retainer plate cover, right	1
X	6082-033-036	Retainer plate cover, left	1
Y	0037-082-000	Vibration mount	2
Z	6080-030-043	Bumper, outer support rail, litter frame	2
AA	0038-508-000	Extension spring	2
AB	6082-001-926	Label, serial number tag, 6082	1
AC	0025-079-000	Dome head pop rivet	2
AE	6082-090-043	Label, 11" Stryker	2
AF	6060-090-004	Label, RUGGED small	2
AG	6060-090-114	Label, warning	2
AH	6070-090-107	Label, lift to release	1
AJ	6082-090-045	Label, specification, MX-PRO R3	1
AK	6080-090-108	Label, lift, head end	2
AM	6082-090-110	Label, MX-PRO , side cover	2
AN	6082-090-040	Label, MX-PRO tube, patient left	1
AP	0946-001-155	Bumper	2
AR	0025-133-000	Dome head pop rivet	2
AS	0008-033-000	Socket head shoulder bolt	1
AU	6082-040-025	Link bushing	2
AV	0011-352-000	Flat washer	1
AX	6082-090-039	Label, MX-PRO tube, patient right	1
AZ	6082-090-004	Label, side release	1
BA	0025-132-000	Large flange rivet	4
BB	6082-001-085	2" adhesive loop pile	2
BC	6082-090-046	Label, 650 lb weight capacity	2

Base assembly

6082-101-011 Rev G (Reference only)







Item	Number	Name	Quantity
A	6060-001-021	Caster mount cover	4
B	6060-001-030	Base spacer, center	1
C	6060-001-031	Base spacer, inner, foot end	1
D	6060-001-032	Base spacer, inner, head end	1
E	6060-001-070	Frame tube bearing, upper	8
F	6060-001-071	Frame tube bearing, lower	8
G	6060-002-010	6 in. molded wheel assembly (page 21)	4
H	6060-005-029	Height adjustment rack mounting pivot	2
J	6060-005-044	Lock bar slide bearing	2
K	6083-101-050	Outer base tube assembly	2
L	6060-101-028	Base connecting rod	1
M	6060-201-053	Outer lift tube weldment, litter pivot	2
N	6080-001-029	Base spacer, outer, head end	2
P	6080-001-046	Support link	2
Q	6090-001-009	Caster nut	4
R	0003-205-000	Hex head cap screw	4
S	0003-353-000	Hex head cap screw	4
T	0008-010-000	Shoulder bolt	4
U	0004-197-000	Button head cap screw	2
V	0008-028-000	Socket head shoulder screw	2
W	0008-045-000	Socket head shoulder screw	2
X	0011-224-000	Nylon washer	8
Y	0016-028-000	Fiberlock hex nut	4

Item	Number	Name	Quantity
Z	0025-133-000	Blind rivet	4
AA	0037-225-000	Hole plug	4
AB	0011-004-000	Washer	4
AC	0011-350-000	Washer	4
AD	0016-035-000	Nylock hex nut	2
AE	0016-060-000	Centerlock hex jam nut	4
AF	0016-089-000	Centerlock hex jam nut	2
AG	6082-001-027	Connecting rod bearing	4
AH	6082-101-043	Base tube, head/foot	2
AJ	6082-201-067	<i>Base pivot outer lift tube assembly (page 22)</i>	2
AK	6082-001-069	<i>Base pivot inner lift tube assembly (page 23)</i>	2
AL	0025-116-000	Dome head blind rivet	8
AM	6082-005-026	Side release handle	1
AN	6082-005-038	Height adjustment rack cross brace	2
AP	6082-005-056	<i>Lock bar assembly (page 24)</i>	1
AQ	6082-101-055	Inner lift tube weldment, litter pivot	2
AR	0081-244-000	Flange bearing	16
AS	0016-002-000	Fiberlock nut	4

6082-039-000 Rev A Standard height

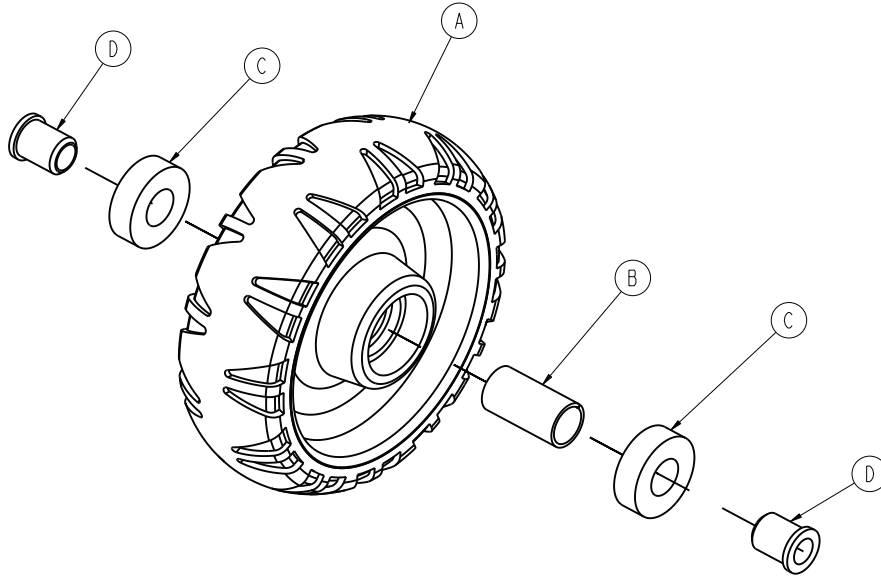
Item	Number	Name	Quantity
BA	6082-105-057	Height adjustment rack, patient left	1
BB	6082-305-052	Height adjustment rack, patient right	1

6082-040-000 Rev A Extended height

Item	Number	Name	Quantity
CA	6082-343-082	Height adjustment rack, patient right	1
CB	6082-343-083	Height adjustment rack, patient left	1

6 in. molded wheel assembly

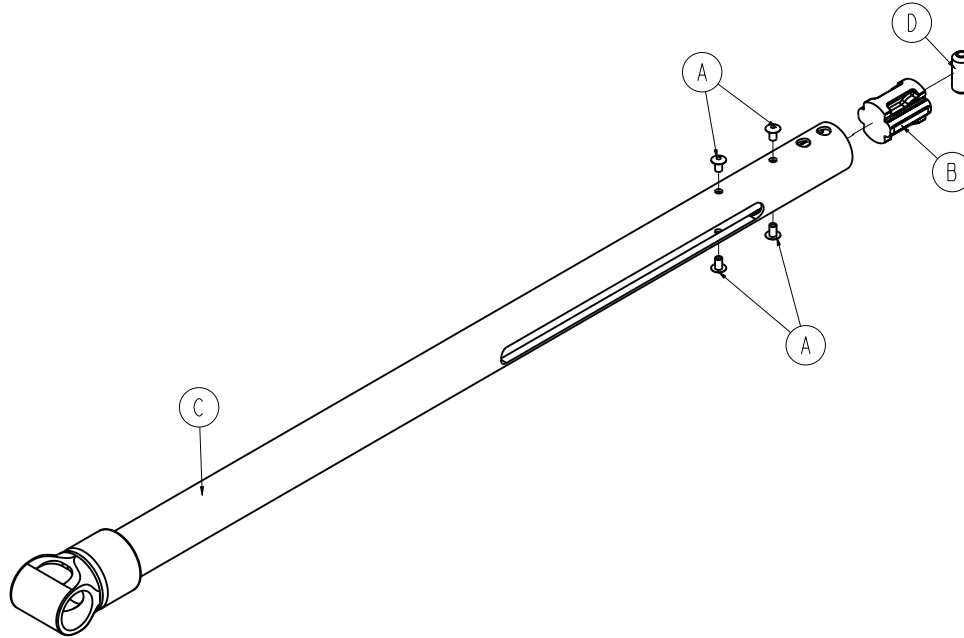
6060-002-010 Rev D (Reference only)



Item	Number	Name	Quantity
A	6060-002-045	6 in. molded wheel	1
B	6060-002-046	Bearing spacer	1
C	0081-226-000	Bearing	2
D	0715-001-255	Wheel bushing	2

Base pivot outer lift tube assembly

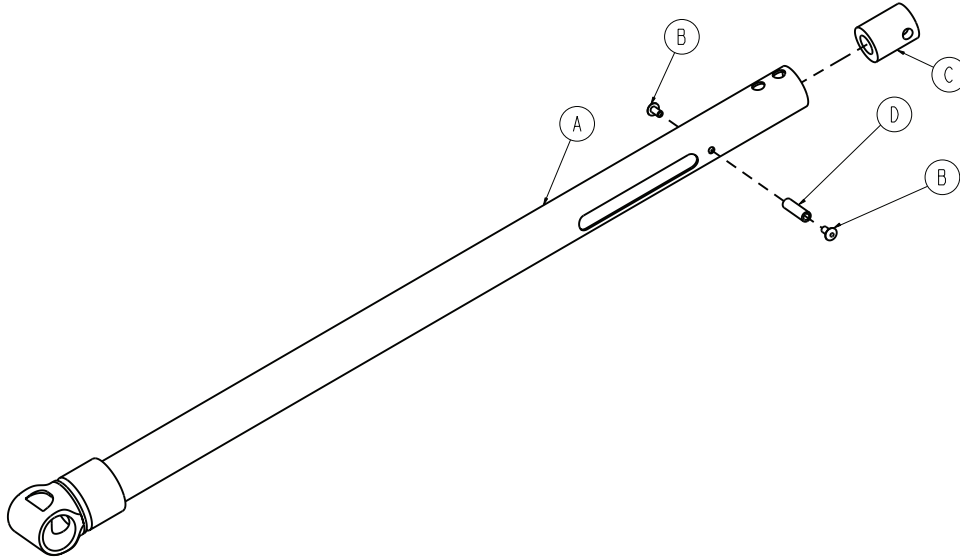
6082-201-067 Rev B (Reference only)



Item	Number	Name	Quantity
A	0025-079-000	Dome head pop rivet	4
B	6085-001-112	Inner leg bumper	1
C	6082-101-057	Outer lift tube weldment, base pivot	1
D	6085-001-126	Hot drop dampener retainer	1

Base pivot inner lift tube assembly

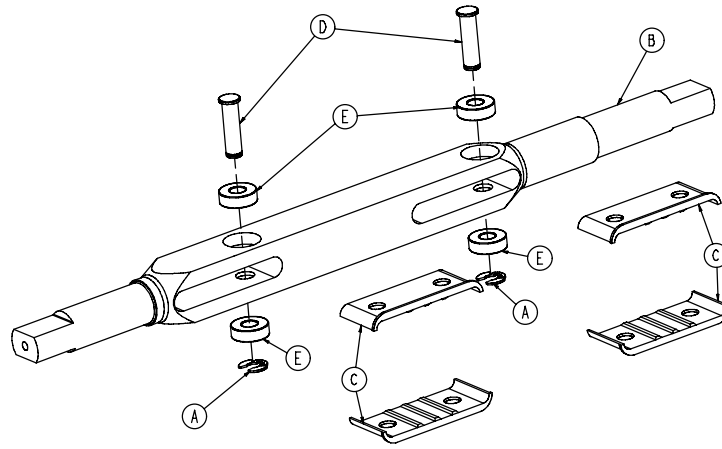
6082-001-069 Rev A (Reference only)



Item	Number	Name	Quantity
A	6082-001-059	Inner lift tube weldment, litter pivot	1
B	0025-079-000	Blind rivet	2
C	6082-101-035	Hot drop dampener	1
D	6082-001-036	Hot drop dampener sleeve	1

Lock bar assembly

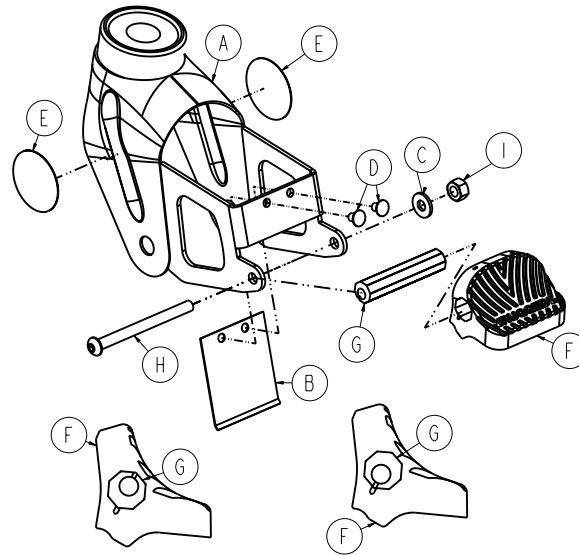
6082-005-056 Rev - (Reference only)



Item	Number	Name	Quantity
A	0028-181-000	Truarc ring	2
B	6082-005-055	Lock bar, height adjustment rack	1
C	6082-005-065	Lock bar, slide plate	4
D	6082-005-096	Latch pin, height adjustment rack	2
E	0081-248-000	Bearing	4

Adjustable caster lock assembly

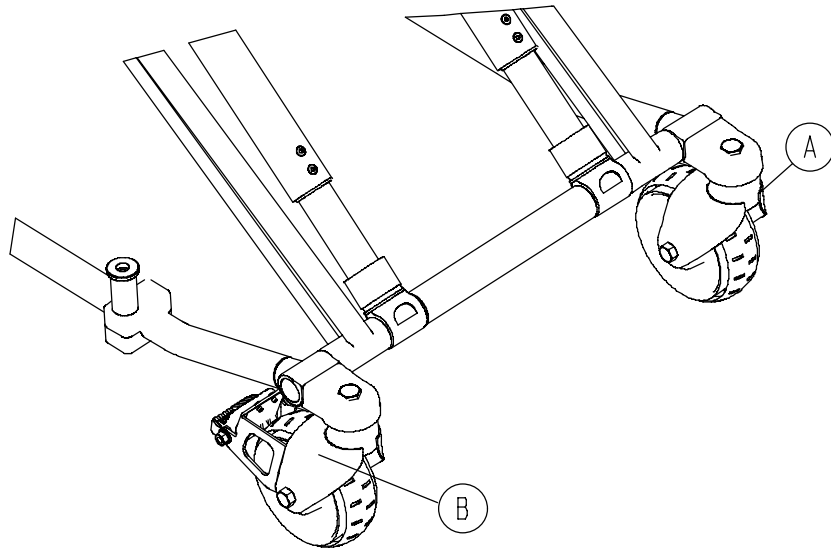
6082-200-010 Rev B (Reference only)



Item	Number	Name	Quantity
A	6082-100-012	Caster horn	1
B	6080-100-032	Spring	1
C	0011-456-000	Washer	1
D	0025-153-000	Semi-tubular rivet	2
E	6080-090-101	Label, warning	2
F	6080-300-030	Pedal, adjustable caster lock pedal	1
G	6080-200-041	Octagonal sleeve, adjustable caster lock	1
H	0004-098-000	Hex socket button head cap screw	1
I	0016-118-000	Centerlock nut	1

Single wheel lock option - 6082-501-010

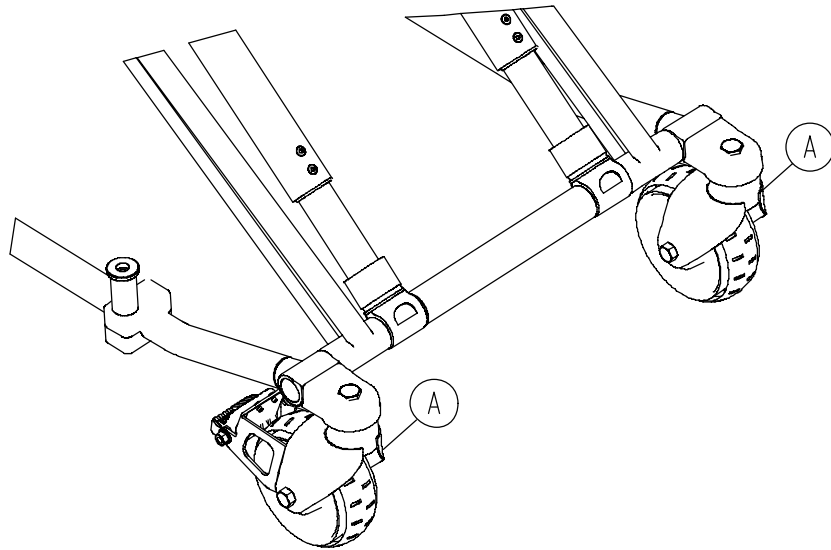
Rev B (Reference only)



Item	Number	Name	Quantity
A	6082-002-012	Caster horn assembly (page 31)	3
B	6082-200-010	Adjustable caster lock assembly (page 25)	1

Dual wheel lock option - 6082-502-010

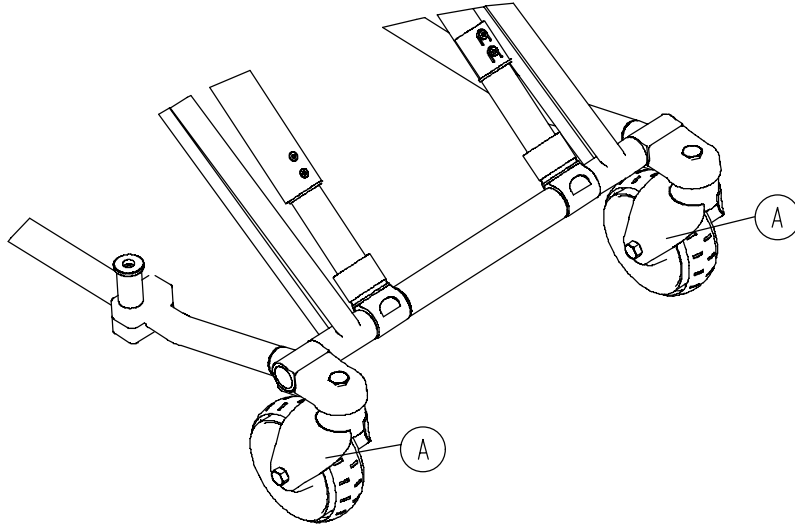
Rev B (Reference only)



Item	Number	Name	Quantity
A	6082-200-010	Adjustable caster lock assembly (page 25)	2
B	6082-002-012	Caster horn assembly (page 31)	2

No wheel lock option - 6082-500-010

Rev B (Reference only)



Item	Number	Name	Quantity
A	6082-002-012	Caster horn assembly (page 31)	4

Dual diagonal wheel lock option - 6082-503-010

Rev A (Reference only)

Item	Number	Name	Quantity
A	6082-002-012	<i>Caster horn assembly (page 31)</i>	2
B	6082-200-010	<i>Adjustable caster lock assembly (page 25)</i>	2

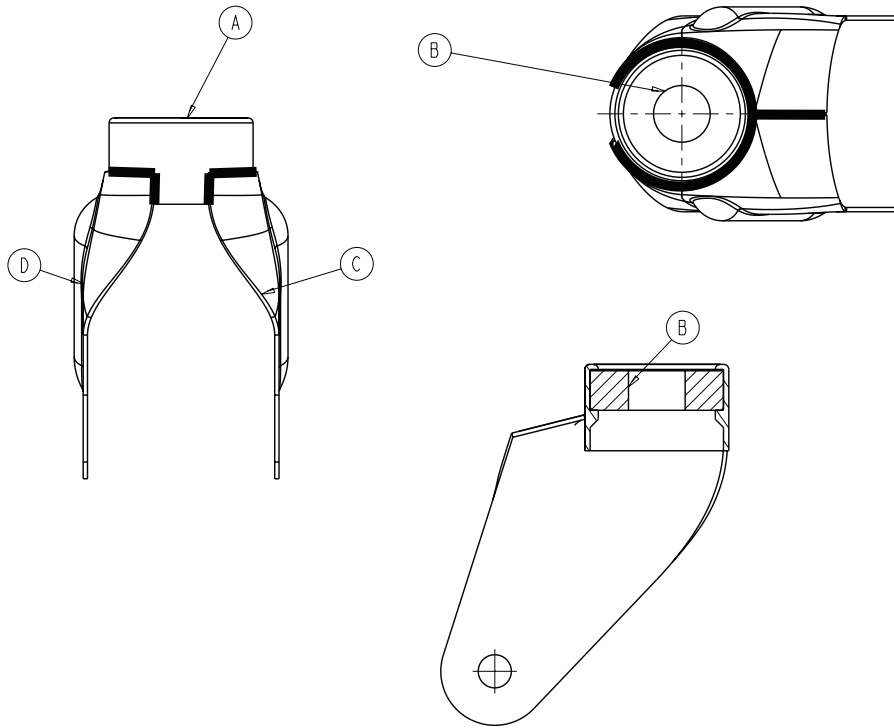
Four wheel lock option - 6082-504-010

Rev A (Reference only)

Item	Number	Name	Quantity
A	6082-200-010	<i>Adjustable caster lock assembly (page 25)</i>	4

Caster horn assembly

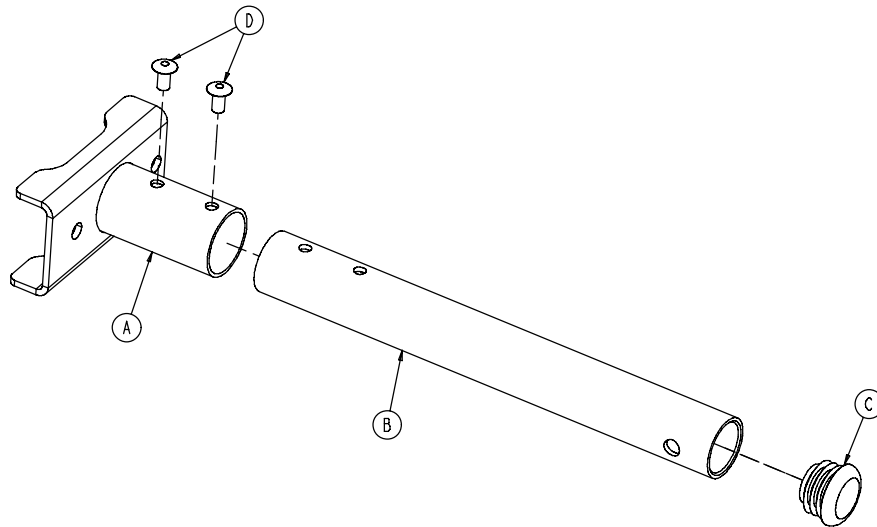
6082-002-012 Rev C (Reference only)



Item	Number	Name	Quantity
A	6082-002-039	Bearing retainer	1
B	0081-227-000	Bearing	1
C	6082-002-042	Caster horn plate, left	1
D	6082-002-043	Caster horn plate, right	1

Litter/base adapter assembly, right

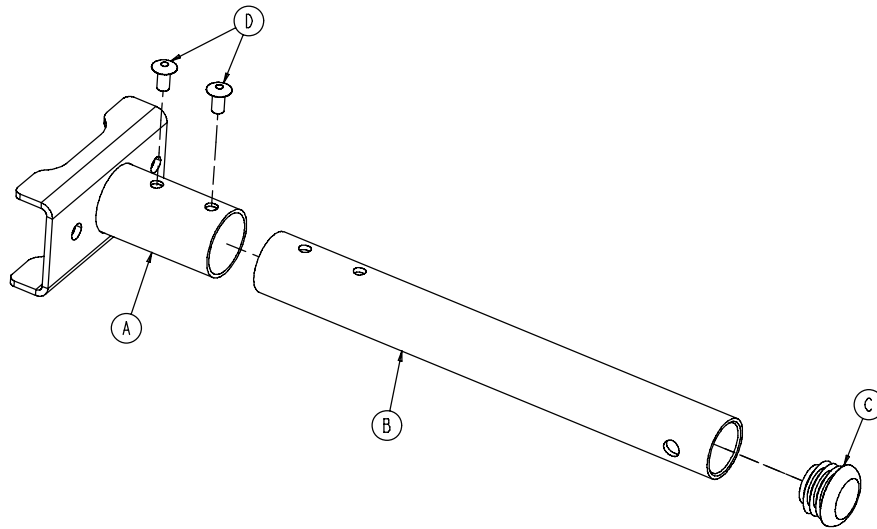
6082-205-050 Rev A (Reference only)



Item	Number	Name	Quantity
A	6082-005-034	Litter/base adapter mounting bracket	1
B	6082-005-051	Litter/base adapter pivot tube	1
C	0037-225-000	Hole plug	1
D	0025-079-000	Blind rivet	2

Litter/base adapter assembly, left

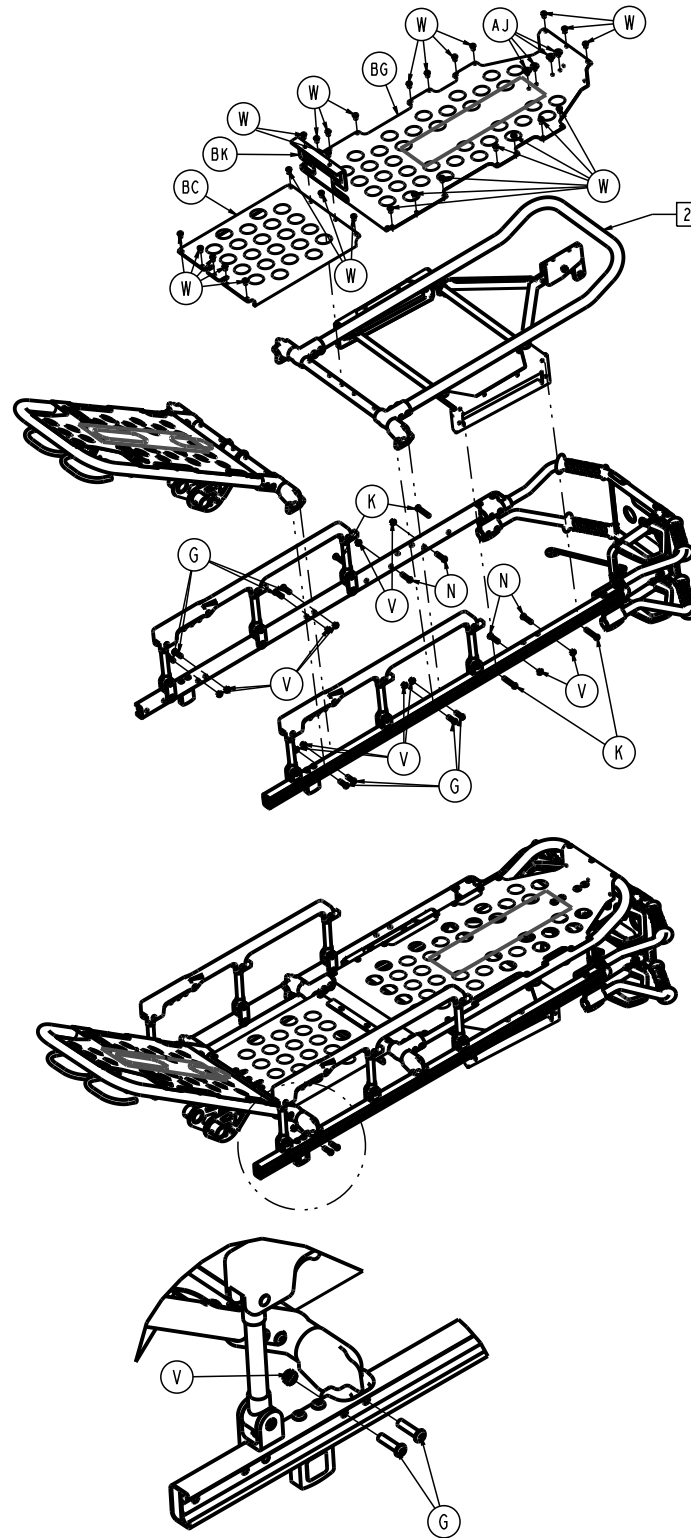
6082-205-053 Rev A (Reference only)

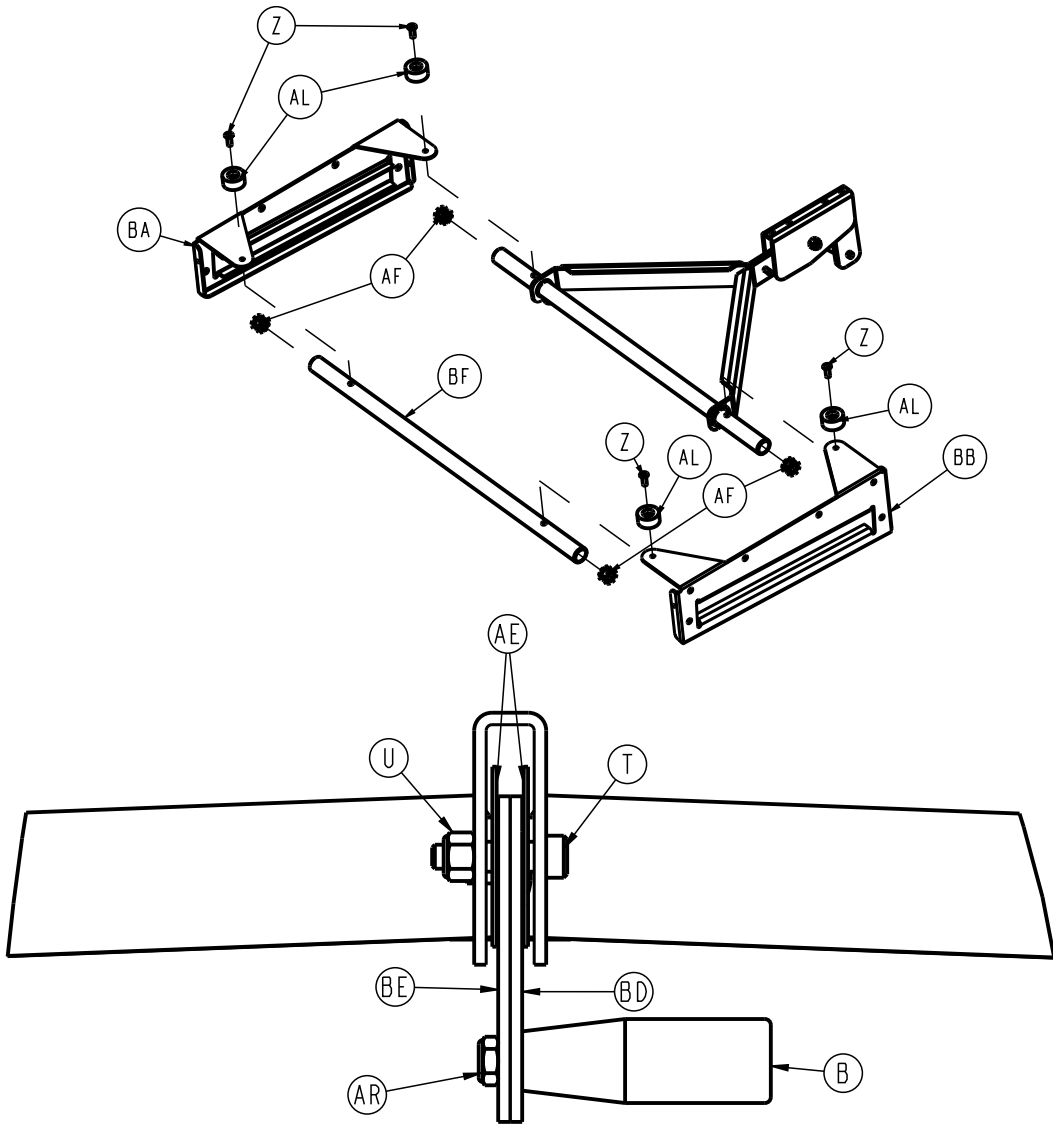


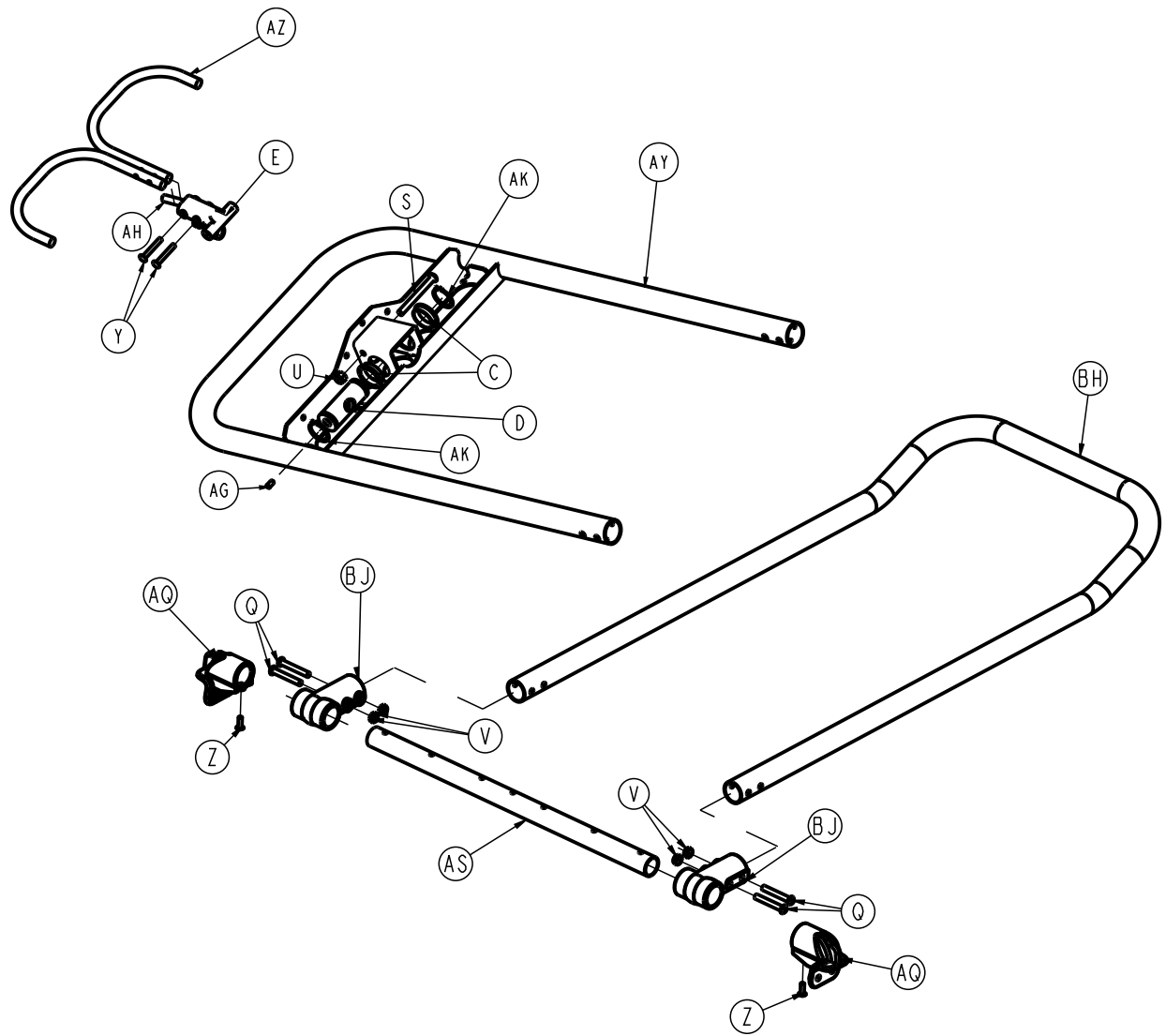
Item	Number	Name	Quantity
A	6082-005-035	Litter/base adapter mounting bracket	1
B	6082-005-051	Litter/base adapter pivot tube	1
C	0037-225-000	Hole plug	1
D	0025-079-000	Blind rivet	2

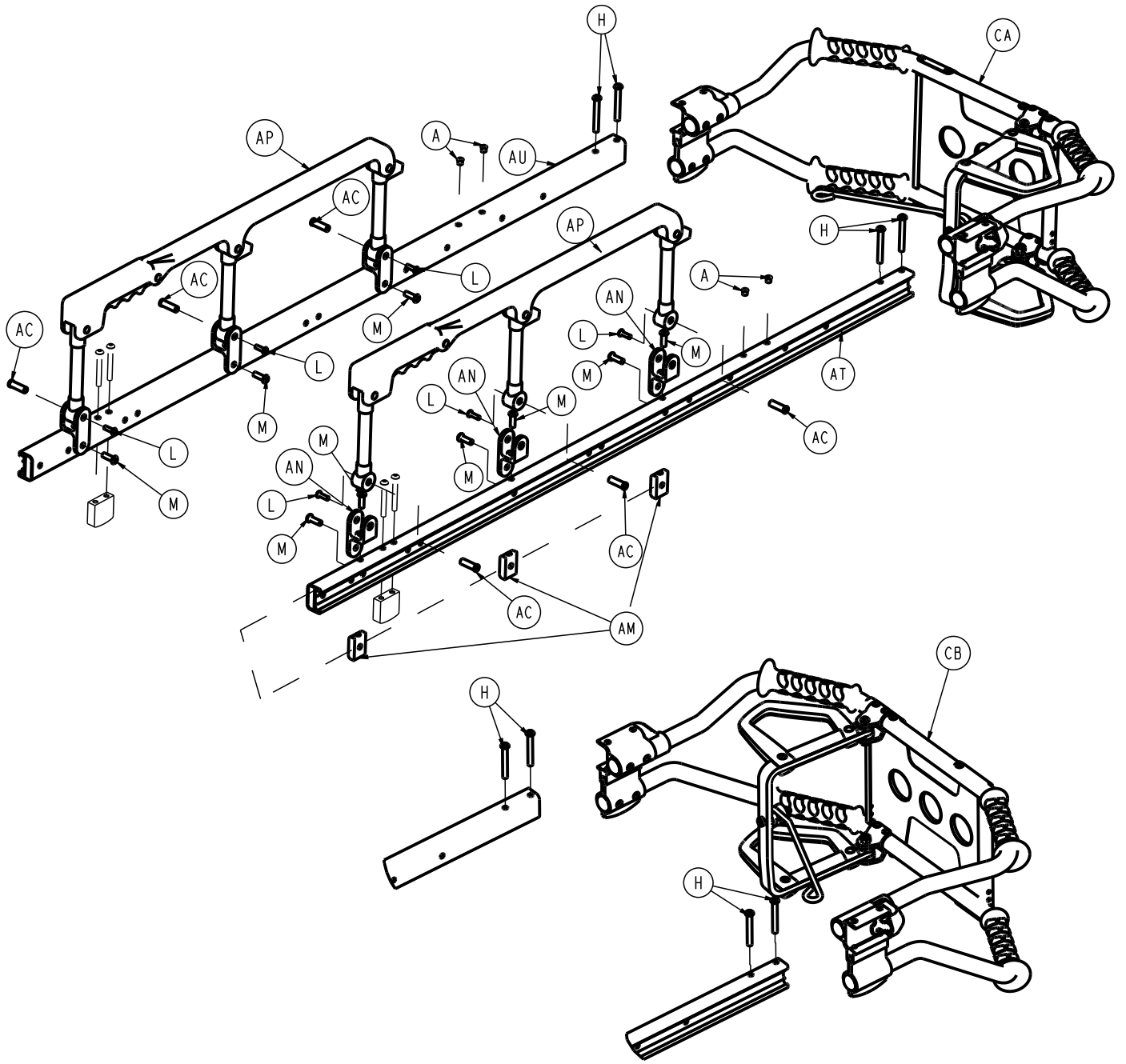
Litter assembly

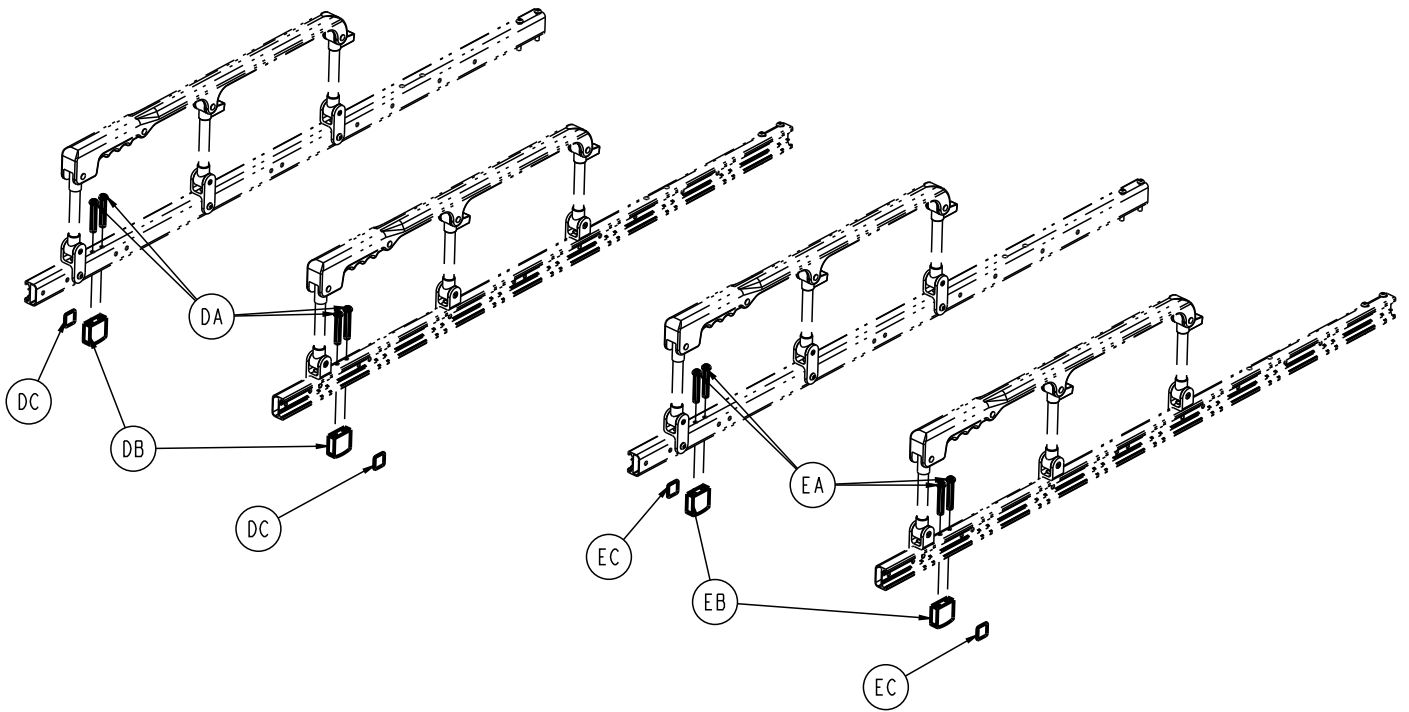
6082-130-012 Rev P (Reference only)











Item	Number	Name	Quantity
A	0721-031-065	Hole plug	4
B	0938-001-177	Knob	1
C	0946-035-025	Liner	2
D	6060-032-038	Gas spring yoke	1
E	6060-032-040	Fowler lift pivot	1
F	6070-038-033	Calf stand retainer	1
G	0004-197-000	Button head cap screw	8
H	0004-097-000	Button head cap screw	4
J	0004-098-000	Button head cap screw	1
K	0004-503-000	Button head cap screw	4
L	0004-203-000	Button head cap screw	6
M	0004-468-000	Button head cap screw	12
N	0004-198-000	Button head cap screw	4
Q	0004-204-000	Button head cap screw	9
R	0015-050-000	Hex nut	1
S	0004-597-000	Button head cap screw	1
T	0008-027-000	Socket head set screw	1
U	0016-028-000	Fiberlock nut	4
V	0016-102-000	Nylock nut	20
W	0025-079-000	Dome head pop rivet	52
X	0025-128-000	Blind rivet	1
Y	0025-131-000	Semi-tubular rivet	2
Z	0025-133-000	Blind rivet	8
AA	0081-255-000	Split bearing	2
AB	0378-024-029	Slot head shoulder bolt	1
AC	0721-026-066	Pivot screw	6
AD	0014-067-000	Washer	2

Item	Number	Name	Quantity
AE	0014-055-000	Flat washer	2
AF	0018-038-000	Hex nut	4
AG	0021-180-000	Set screw	1
AH	0021-138-000	Set screw	1
AJ	0025-132-000	Blind rivet	4
AK	0028-076-000	External retaining ring	2
AL	0056-016-000	Bumper	4
AM	6082-025-033	Pivot mount spacer	6
AN	6082-025-055	Pivot mount	6
AP	6082-026-010	<i>Siderail assembly (page 42)</i>	2
AQ	6082-030-031	Cross brace support mount	4
AR	0016-078-000	Centerlock nut	1
AS	6082-030-042	Litter cross brace	2
AT	6082-030-046	Outer support rail, right	1
AU	6082-030-047	Outer support rail, left	1
AV	6082-031-030	Litter/base interface, weldment	1
AW	6082-031-047	Litter/base interface pivot spacer	1
AX	6082-032-045	Fowler skin	1
AY	6082-032-050	Fowler weldment	1
AZ	6082-032-052	Fowler lift release handle weldment	1
BA	6082-033-032	Slide plate, left	1
BB	6082-033-033	Slide plate, right	1
BC	6082-034-046	Midsection skin	1
BD	6082-038-031	Calf stand support, left	1
BE	6082-038-032	Calf stand support, right	1
BF	6082-038-035	Litter cross brace	2
BG	6082-038-045	Foot section skin	1
BH	6082-038-046	Foot section tube	1
BJ	6100-003-125	Straight "T" pivot	4
BK	6082-030-100	Height adjustment bracket	1

6082-040-001 Rev C Release handle assembly, left

Item	Number	Name	Quantity
CA	6082-140-059	<i>Lift tube assembly, left side release option - 6082-140-059 (page 43)</i>	1

6082-040-002 Rev C Release handle assembly, right

Item	Number	Name	Quantity
CB	6082-140-060	<i>Lift tube assembly, right side release option - 6082-140-060 (page 44)</i>	1

6082-041-000 Rev B Standard height litter stop option

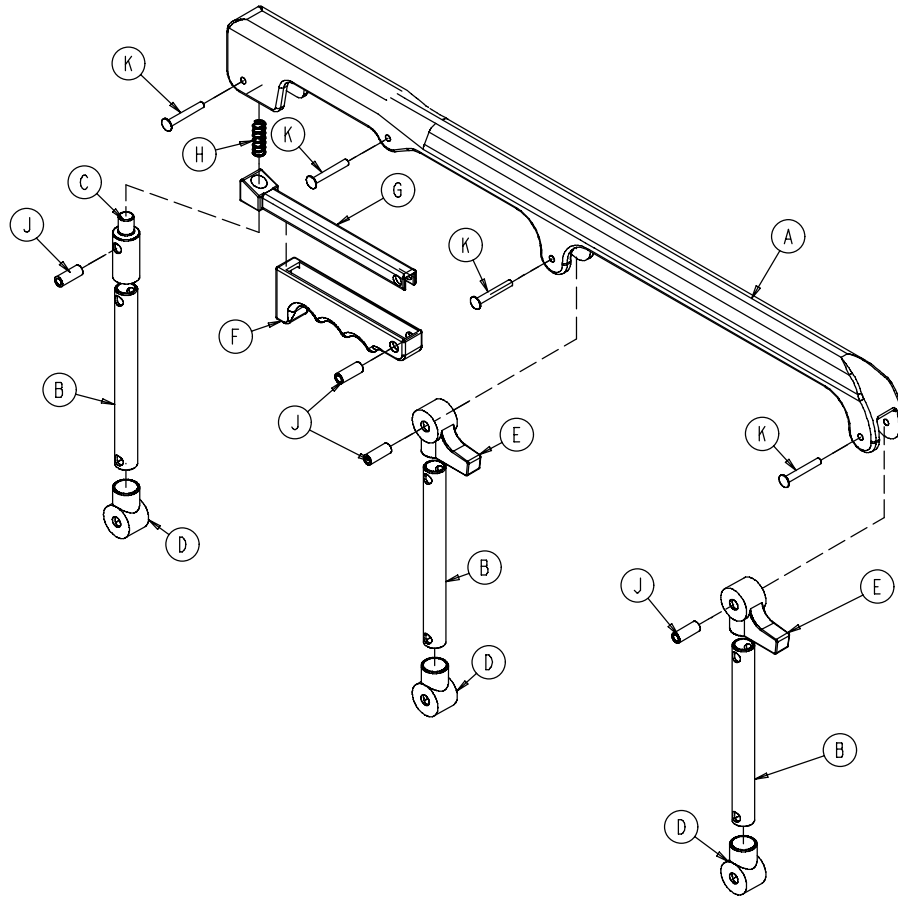
Item	Number	Name	Quantity
DA	0004-097-000	Button head cap screw	4
DB	6080-030-040	Litter stop	2
DC	6060-090-114	Label, warning	2

6082-042-000 Rev B Extended height litter stop option

Item	Number	Name	Quantity
EA	0004-135-000	Button head cap screw	4
EB	6082-343-081	Extended litter stop	2
EC	6082-090-114	Label, keep hands clear	2

Siderail assembly

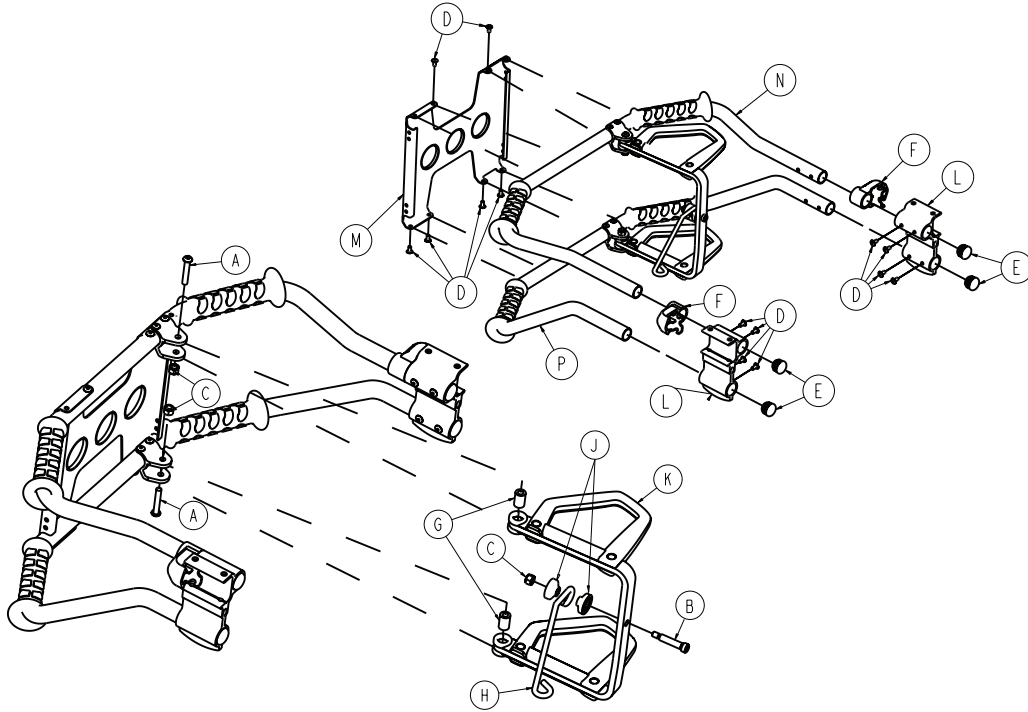
6082-026-010 Rev B (Reference only)



Item	Number	Name	Quantity
A	6060-025-024	Top rail	1
B	6060-025-043	Spindle	3
C	6060-025-047	Spindle lock	1
D	6060-025-041	Spindle pivot	3
E	6060-025-040	Spindle pivot stop	2
F	6060-025-029	Lock release grip	1
G	6061-125-030	Lock bar casting	1
H	0038-344-000	Lock release compression spring	1
J	6060-025-035	Pivot bushing	4
K	0025-131-000	Rivet	4

Lift tube assembly, left side release option - 6082-140-059

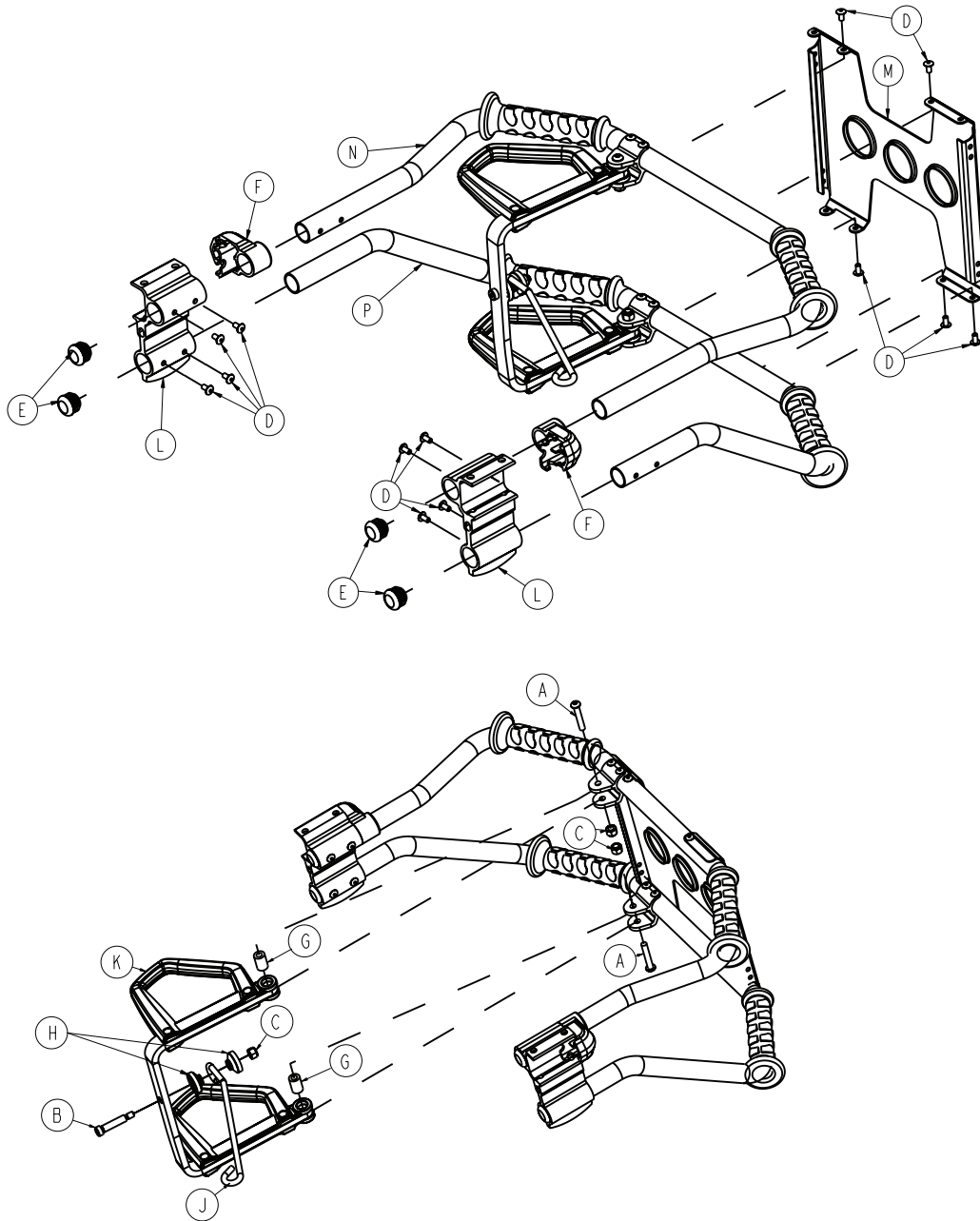
Rev B (Reference only)



Item	Number	Name	Quantity
A	0004-135-000	Button head cap screw	2
B	0008-033-000	Socket head shoulder screw	1
C	0016-028-000	Fiberlock hex nut	3
D	0025-079-000	Dome head rivet	14
E	0037-238-000	Tube plug	4
F	6080-040-012	End cap, outer rail, foot end	2
G	6080-040-044	Spacer, link release	2
H	6082-040-021	Pull handle link	1
J	6082-040-025	Link bushing, end	2
K	6082-040-061	Release handle assembly, left (page 46)	1
L	6082-130-038	Litter stop, foot end	2
M	6082-140-030	Lift brace	1
N	6082-240-053	Lift tube assembly, with grips, upper	1
P	6082-240-054	Lift tube assembly, with grips, lower	1

Lift tube assembly, right side release option - 6082-140-060

Rev B (Reference only)

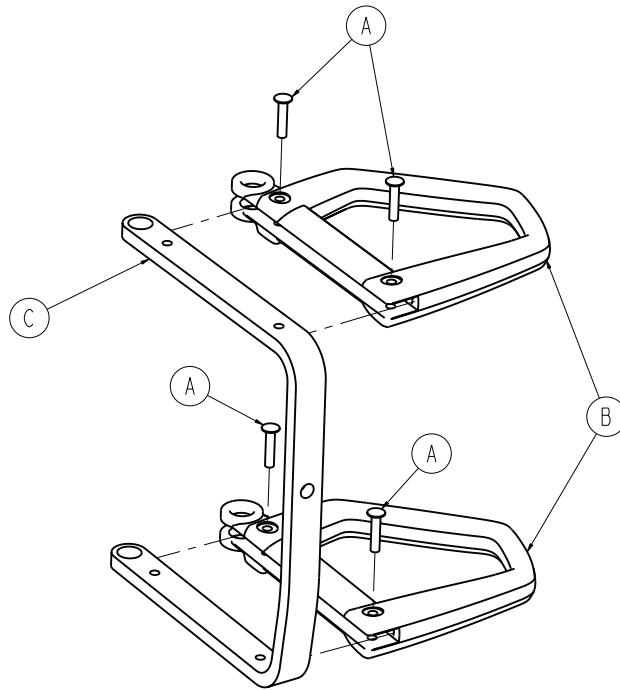


Item	Number	Name	Quantity
A	0004-135-000	Button head cap screw	2
B	0008-033-000	Socket head shoulder screw	1
C	0016-028-000	Fiberlock hex nut	3
D	0025-079-000	Dome head rivet	14
E	0037-238-000	Tube plug	4
F	6080-040-012	End cap, outer rail, foot end	2
G	6080-040-044	Spacer, link release	2
H	6082-040-025	Link bushing, end	2
J	6082-040-029	Pull handle link	1

Item	Number	Name	Quantity
K	6082-040-062	<i>Release handle assembly, right (page 47)</i>	1
L	6082-130-038	Litter stop, foot end	2
M	6082-140-030	Lift brace	1
N	6082-140-057	Lift tube assembly, with grips, upper	1
P	6082-140-058	Lift tube assembly, with grips, lower	1

Release handle assembly, left

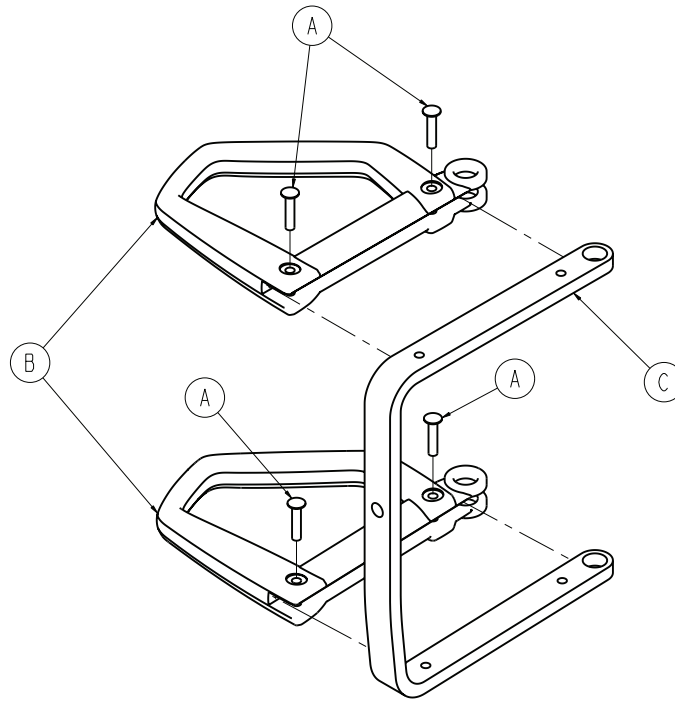
6082-040-061 Rev A (Reference only)



Item	Number	Name	Quantity
A	0025-127-000	Semi-tubular rivet	4
B	6082-001-081	Release handle	2
C	6082-140-034	Release handle brace	1

Release handle assembly, right

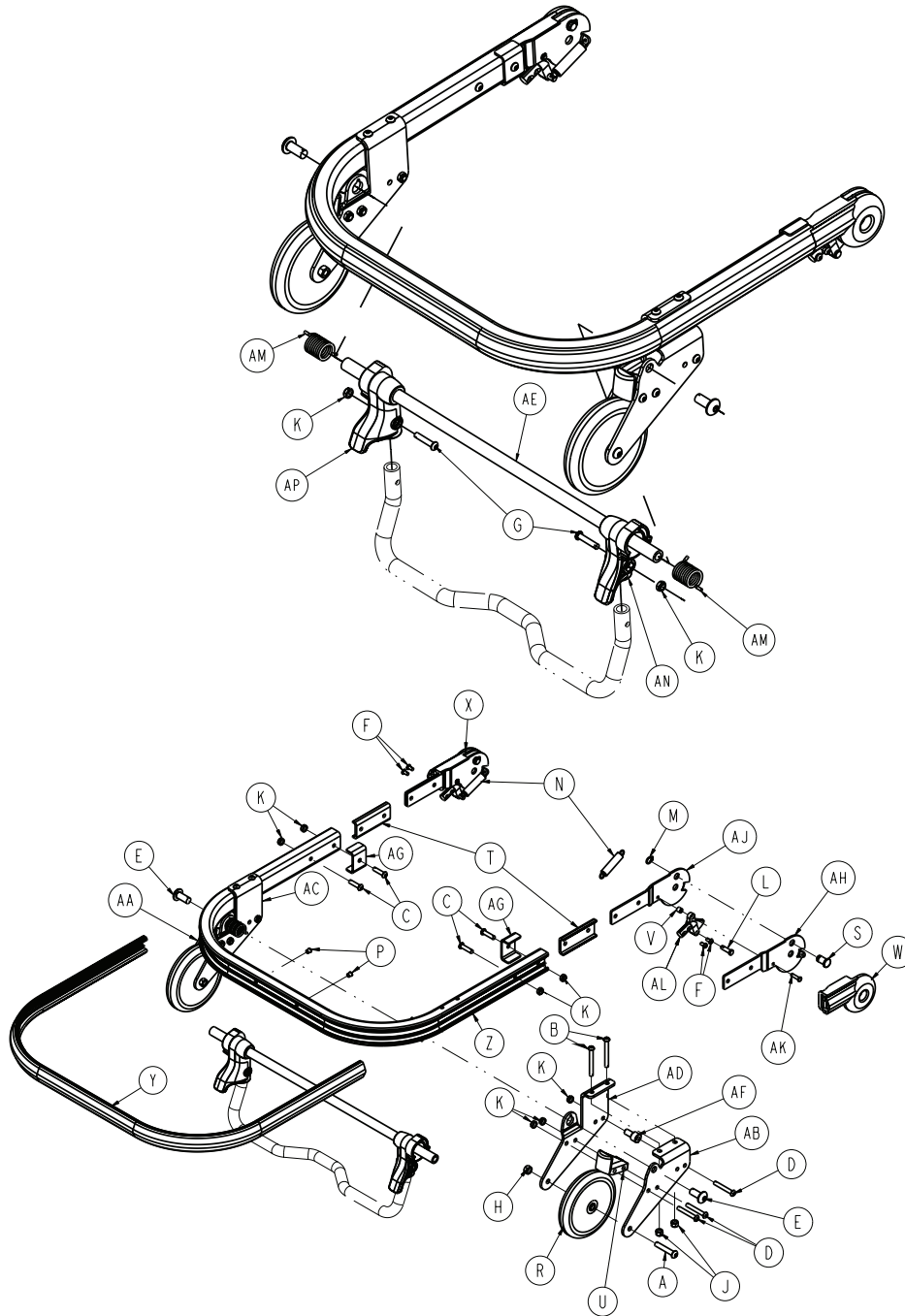
6082-040-062 Rev A (Reference only)



Item	Number	Name	Quantity
A	0025-127-000	Semi-tubular rivet	4
B	6082-001-081	Release handle	2
C	6082-140-035	Release handle brace	1

Breakaway head assembly

6080-037-055 Rev K (Reference only)

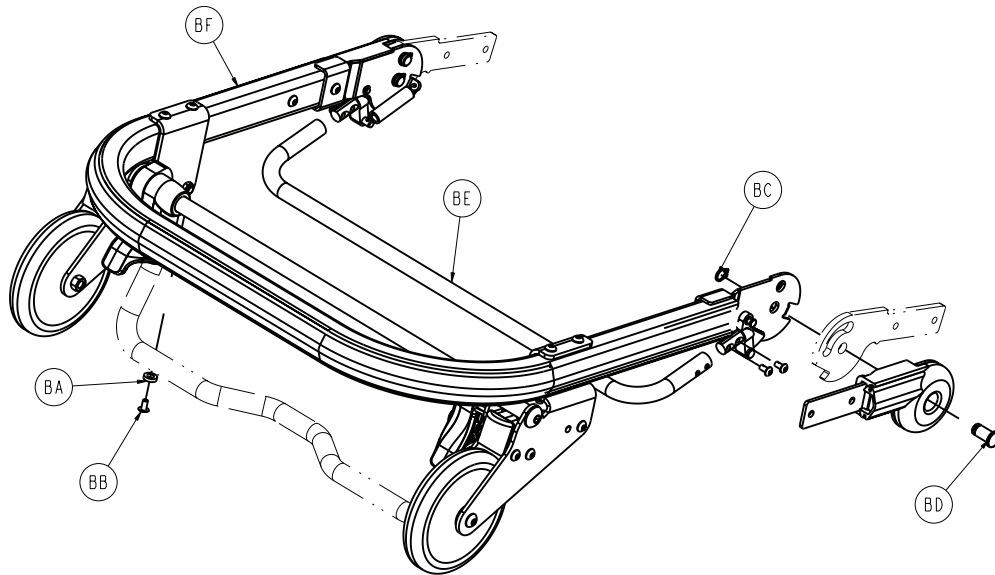


Breakaway head assembly - standard components - 6080-037-055 Rev K

Item	Number	Name	Quantity
A	0004-054-000	Button head cap screw	2
B	0004-163-000	Button head cap screw	4
C	0004-197-000	Button head cap screw	4
D	0004-204-000	Button head cap screw	6
E	0004-209-000	Button head cap screw	2
F	0004-231-000	Button head cap screw	4
G	0004-612-000	Button head cap screw	2

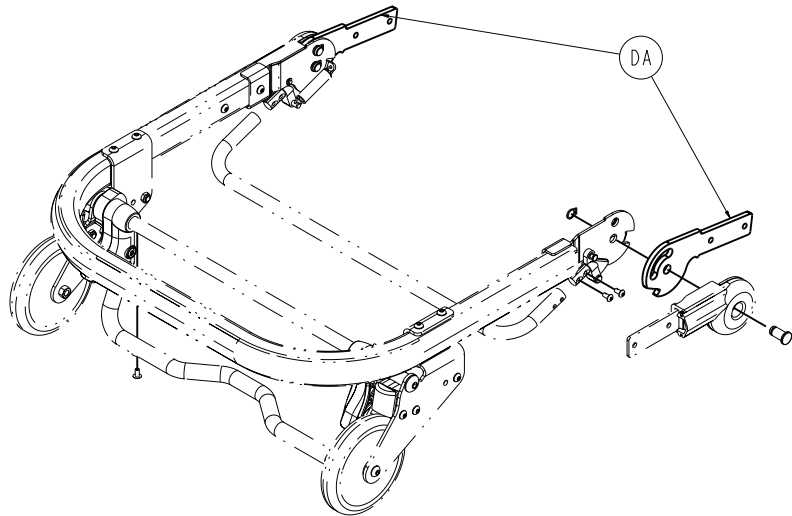
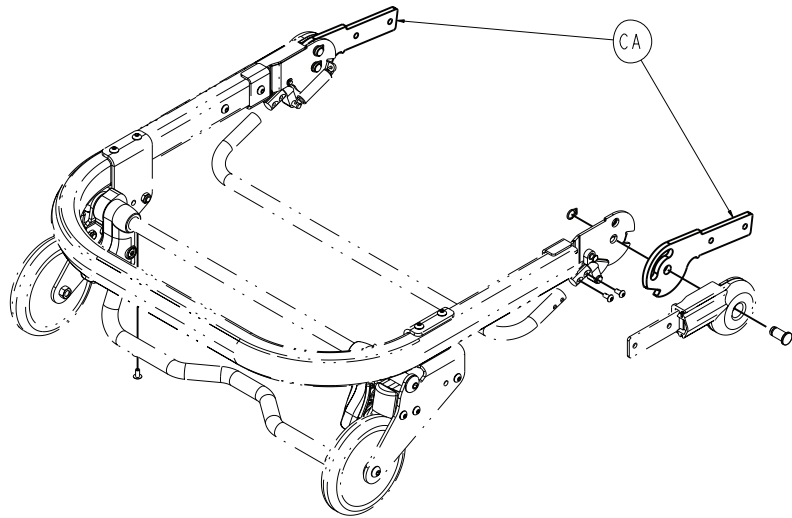
Breakaway head assembly - standard components - 6080-037-055 Rev K

Item	Number	Name	Quantity
H	0016-020-000	Centerlock hex jam nut	2
J	0016-028-000	Fiberlock hex nut	4
K	0016-102-000	Nylock hex nut	12
L	0026-269-000	Clevis pin	2
M	0028-138-000	External retaining ring	2
N	0038-410-000	Extension spring	2
P	0721-031-065	Hole plug	2
R	6060-036-020	Wheel assembly, 5 in.	2
S	6060-036-024	Pivot stop pin	2
T	6060-037-026	Pivot spacer plate	2
U	6060-037-033	Horn stop block	2
V	6060-037-036	Spacer, trigger lock, pivot	2
W	6060-037-037	Pivot cover, right	1
X	6060-037-038	Pivot cover, left	1
Y	6080-036-044	Bumper	1
Z	6080-036-045	Outer rail	1
AA	6080-037-027	Outer caster horn, left	1
AB	6080-037-028	Outer caster horn right	1
AC	6080-037-029	Inner caster horn, left	1
AD	6080-037-030	Inner caster horn, right	1
AE	6080-037-034	Safety hook pivot tube	1
AF	6080-037-049	Safety hook, release handle, spacer	2
AG	6082-037-025	Bracket, litter/base adapter	2
AH	6082-037-042	Pivot, form, right	2
AJ	6082-037-043	Pivot, form, left	2
AK	6082-037-057	Grooved clevis pin assembly	2
AL	6090-037-039	Trigger lock	2
AM	6500-001-321	Safety bar torsion spring	2
AN	6500-002-107	Safety bar pivot, patient right	1
AP	6500-002-108	Safety bar pivot, patient left	1



Breakaway head assembly - standard components - 6080-037-010 Rev K

Item	Number	Name	Quantity
BA	0014-067-000	Nylon flat washer	2
BB	0025-079-000	Dome head rivet	2
BC	0028-138-000	Retaining ring	2
BD	6080-036-025	Pivot pin	2
BE	6080-036-047	Crossbar, release, bent	1
BF	6080-037-055	Breakaway head section	1

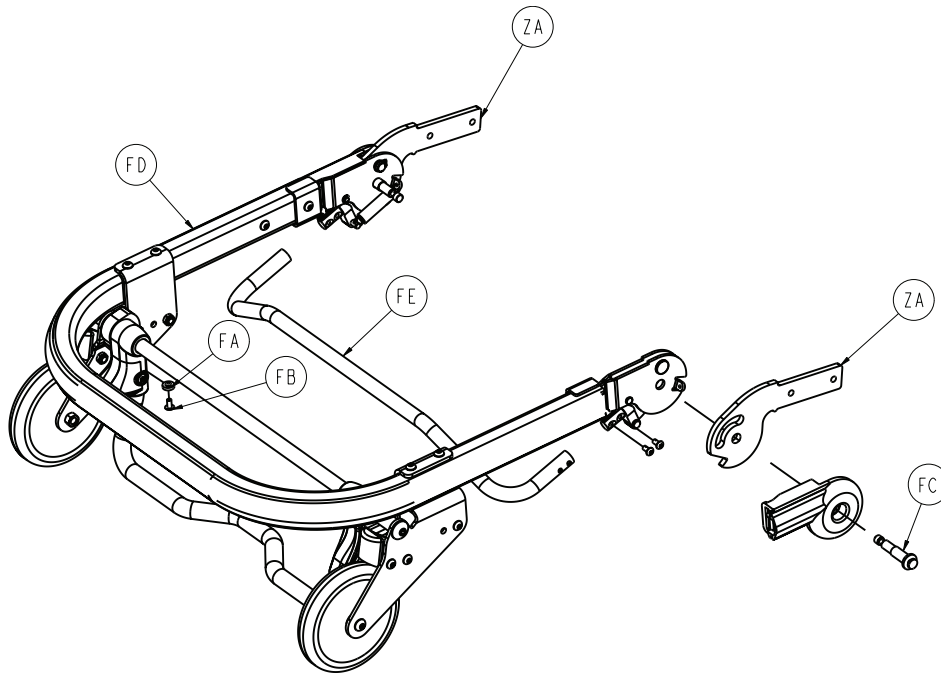


Breakaway head assembly - standard height option - 6082-037-000 Rev A

Item	Number	Name	Quantity
CA	6082-037-040	Center pivot, head section	2

Breakaway head assembly - extended height option - 6082-038-000 Rev A

Item	Number	Name	Quantity
DA	6082-343-085	Center pivot, extended, head section	2



6091 breakaway head assembly - 6091-037-010 Rev E

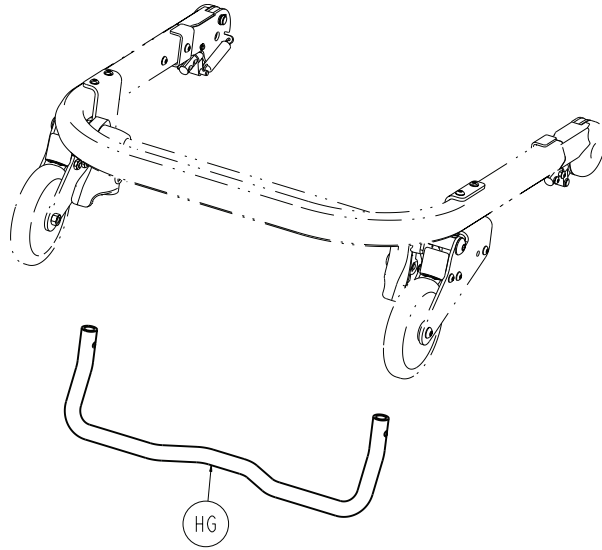
Item	Number	Name	Quantity
FA	0014-067-000	Nylon flat washer	2
FB	0025-079-000	Dome head rivet	2
FC	6092-037-046	Shoulder pivot pin	2
FD	6080-037-055	Breakaway head section	1
FE	6090-036-046	Crossbar, release, bent	1

Standard height option - 6092-201-010 Rev B

Item	Number	Name	Quantity
ZA	6092-037-040	Center pivot	2
ZB	6090-030-038	Dead stop c-channel (not shown)	2

Height limiting option - 6092-202-010 Rev B

Item	Number	Name	Quantity
ZA	6092-037-041	Center pivot	2
ZB	6092-030-038	Dead stop c-channel, height limit option (not shown)	2

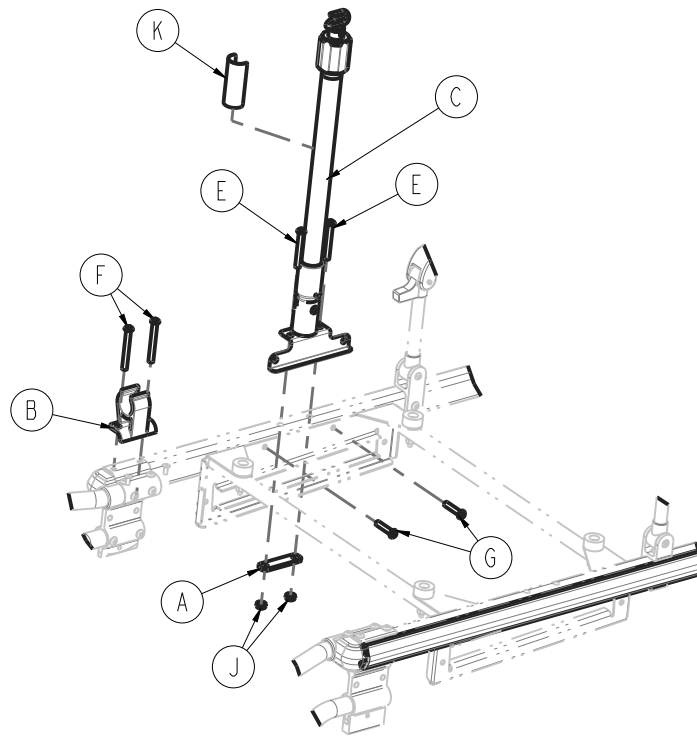


Lift option - 6091-156-016 Rev C

Item	Number	Name	Quantity
HG	6080-037-024	Breakaway head section safety bar	1

HAVASU™ IV pole option, two-stage, patient right - 6080-210-010

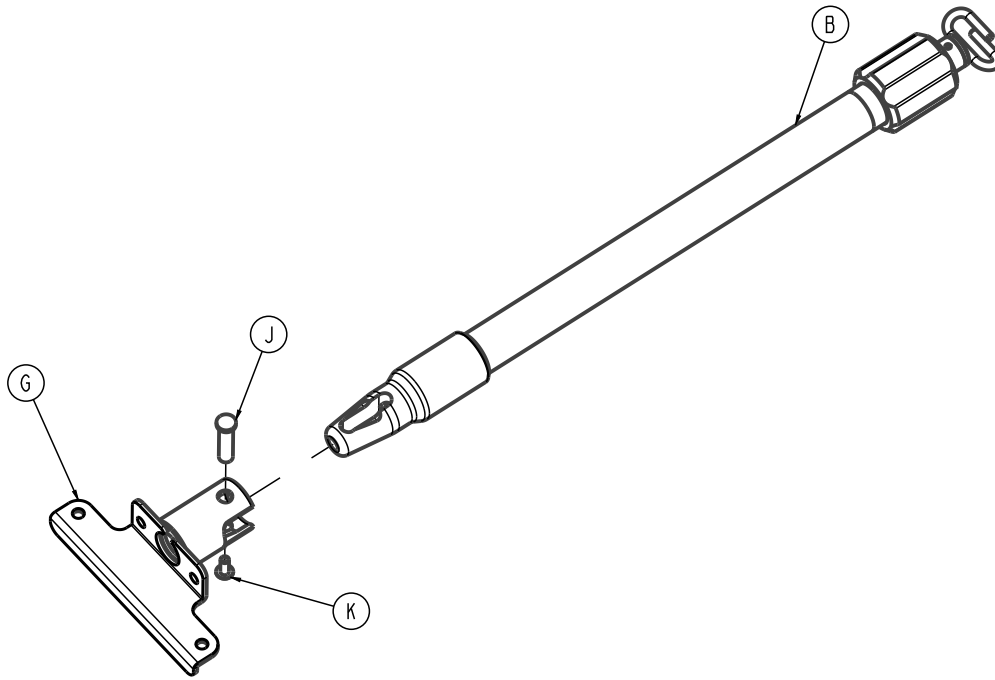
Rev AA (Reference only)



Item	Number	Name	Quantity
A	6070-110-032	IV retainer plate	1
B	6080-110-035	IV clip	1
C	6080-210-020	IV pole assembly, two-stage, patient right (page 55)	1
E	0004-097-000	Hex socket button head cap screw	2
F	0004-163-000	Hex socket button head cap screw	2
G	0004-198-000	Button head cap screw	2
J	0016-102-000	Nylock nut	4
K	6080-090-031	Label, specification	1

IV pole assembly, two-stage, patient right

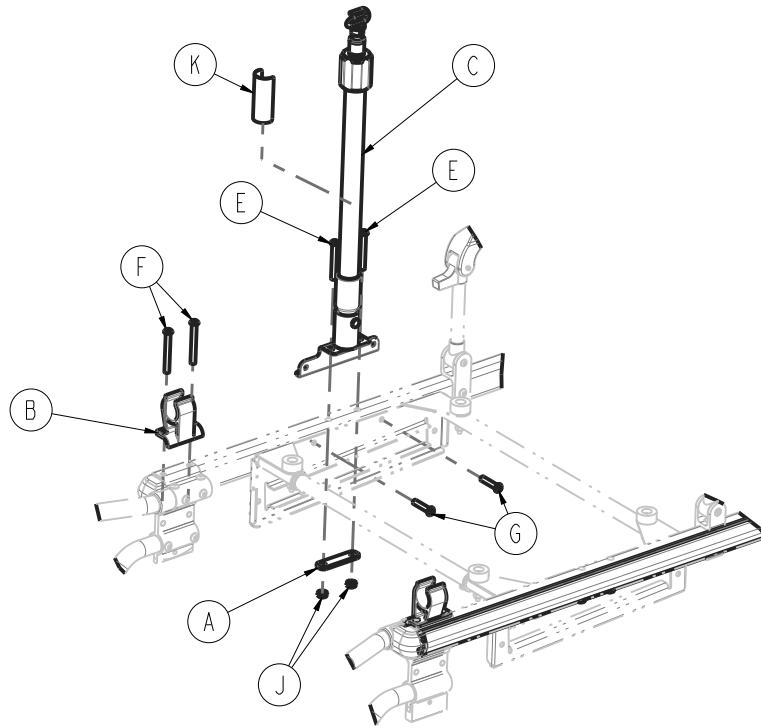
6080-210-020 Rev AA (Reference only)



Item	Number	Name	Quantity
B	6070-210-070	IV pole assembly, two-stage (page 62)	1
G	6080-210-053	IV socket weldment, right	1
J	6070-110-037	IV pivot pin	1
K	0025-079-000	Dome head rivet	1

HAVASU IV pole option, three-stage, patient right - 6080-215-010

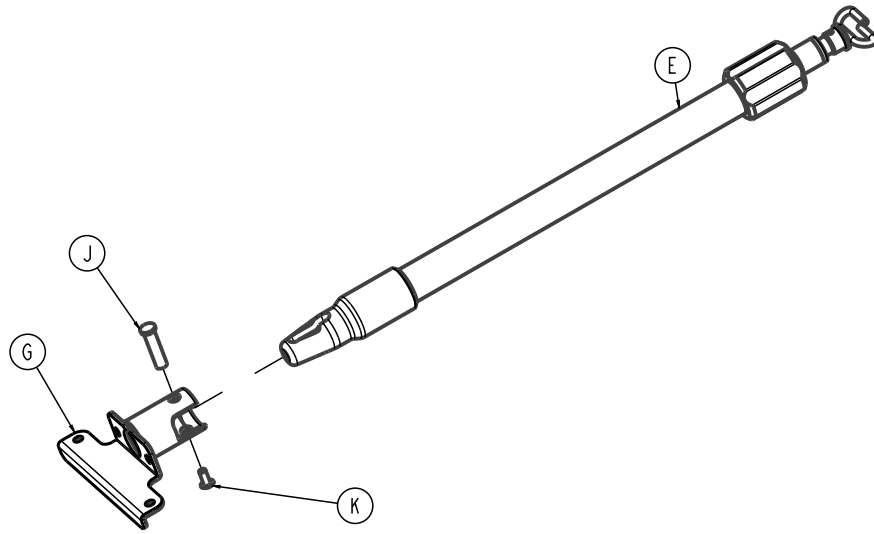
Rev AA (Reference only)



Item	Number	Name	Quantity
A	6070-110-032	IV retainer plate	1
B	6080-110-035	IV clip	1
C	6080-215-020	IV pole assembly, three-stage, patient right (page 57)	1
E	0004-097-000	Hex socket button head cap screw	2
F	0004-163-000	Hex socket button head cap screw	2
G	0004-198-000	Button head cap screw	2
J	0016-102-000	Nylock nut	4
K	6080-090-033	Label, specification	1

IV pole assembly, three-stage, patient right

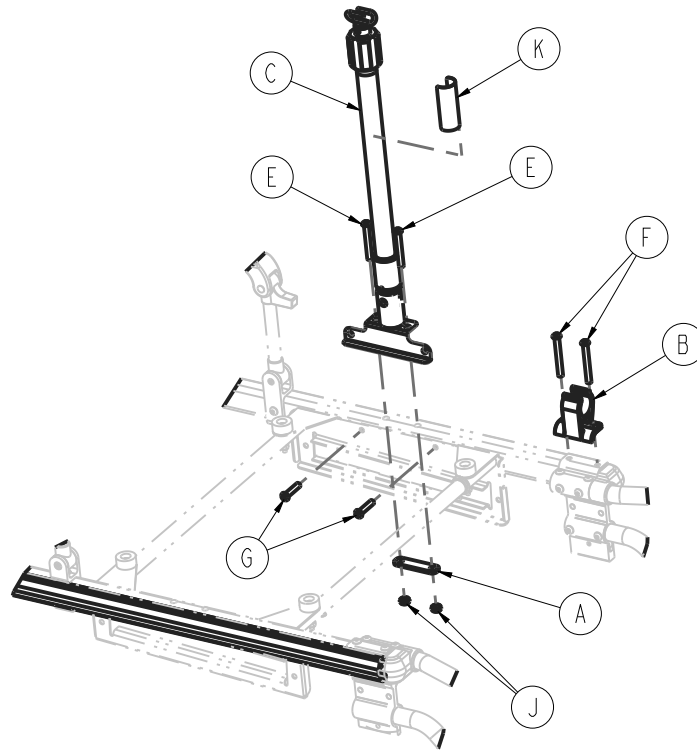
6080-215-020 Rev AA (Reference only)



Item	Number	Name	Quantity
E	6070-215-070	IV pole assembly, three-stage (page 63)	1
G	6080-210-053	IV socket weldment, right	1
J	6070-110-037	IV pivot pin	1
K	0025-079-000	Dome head rivet	1

HAVASU IV pole option, two-stage, patient left - 6080-211-010

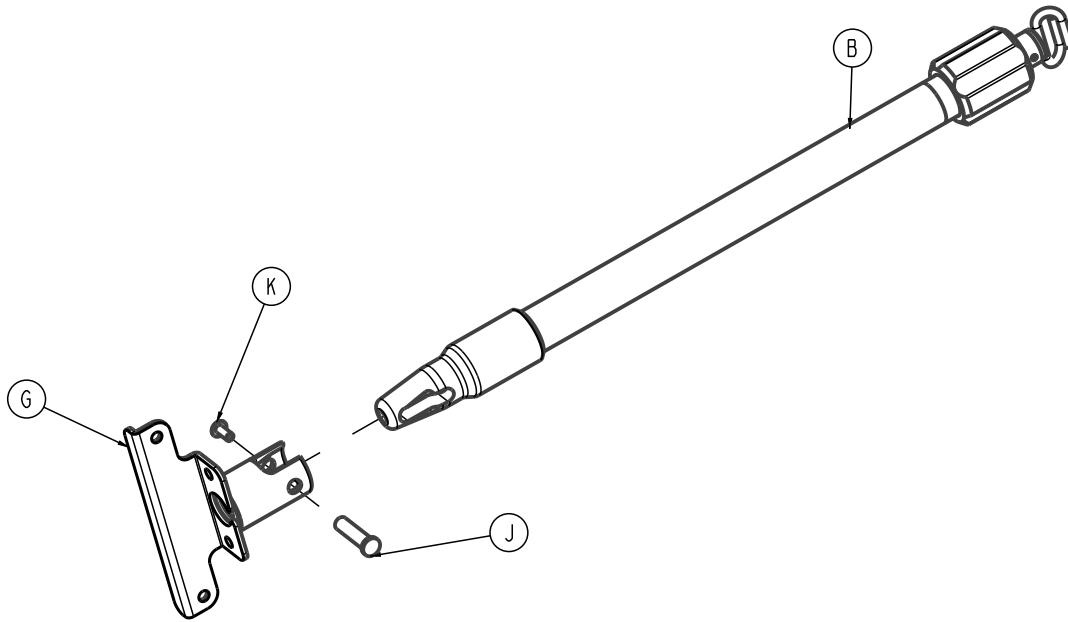
Rev AA (Reference only)



Item	Number	Name	Quantity
A	6070-110-032	IV retainer plate	1
B	6080-110-035	IV clip	1
C	6080-211-020	<i>IV pole assembly, two-stage, patient left</i> (page 59)	1
E	0004-097-000	Hex socket button head cap screw	2
F	0004-163-000	Hex socket button head cap screw	2
G	0004-198-000	Button head cap screw	2
J	0016-102-000	Nylock nut	4
K	6080-090-032	Label, specification	1

IV pole assembly, two-stage, patient left

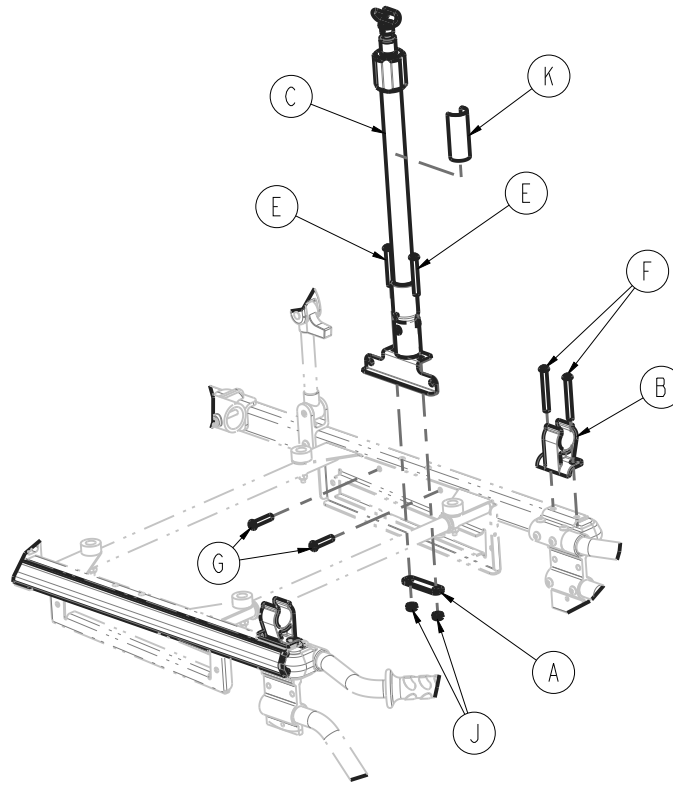
6080-211-020 Rev AA (Reference only)



Item	Number	Name	Quantity
B	6070-210-070	IV pole assembly, two-stage (page 62)	1
G	6080-210-053	IV socket weldment, left	1
J	6070-110-037	IV pivot pin	1
K	0025-079-000	Dome head rivet	1

HAVASU IV pole option, three-stage, patient left - 6080-216-010

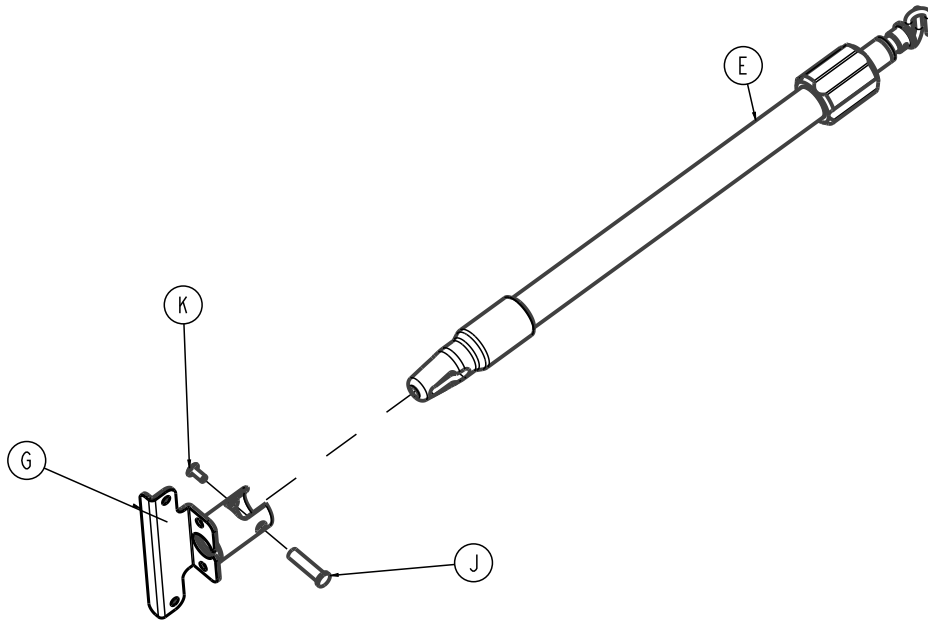
Rev AA (Reference only)



Item	Number	Name	Quantity
A	6070-110-032	IV retainer plate	1
B	6080-110-035	IV clip	1
C	6080-216-020	<i>IV pole assembly, three-stage, patient left (page 61)</i>	1
E	0004-097-000	Hex socket button head cap screw	2
F	0004-163-000	Hex socket button head cap screw	2
G	0004-198-000	Button head cap screw	2
J	0016-102-000	Nylock nut	4
K	6080-090-034	Label, specification	1

IV pole assembly, three-stage, patient left

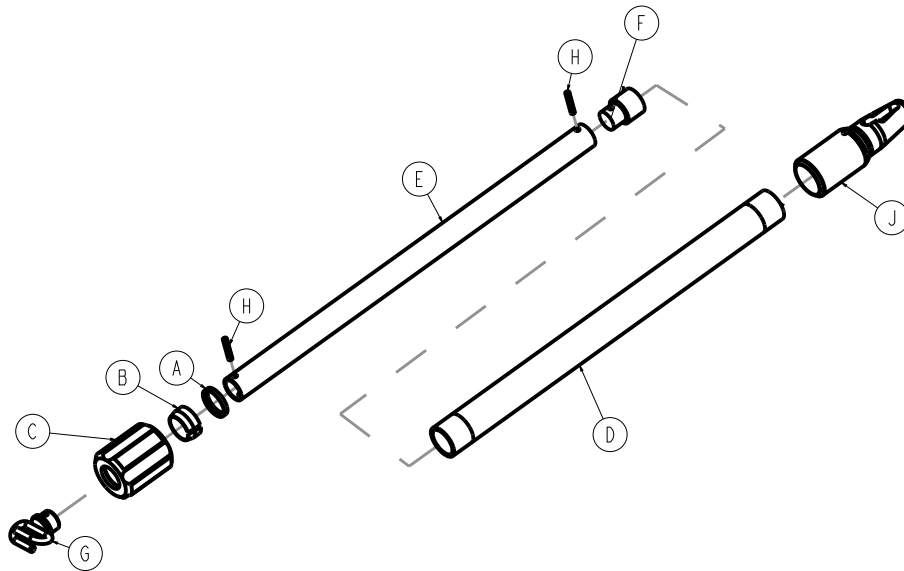
6080-216-020 Rev AA (Reference only)



Item	Number	Name	Quantity
E	6070-215-070	IV pole assembly, three-stage (page 63)	1
G	6080-211-053	IV socket weldment, left	1
J	6070-110-037	IV pivot pin	1
K	0025-079-000	Dome head rivet	1

IV pole assembly, two-stage

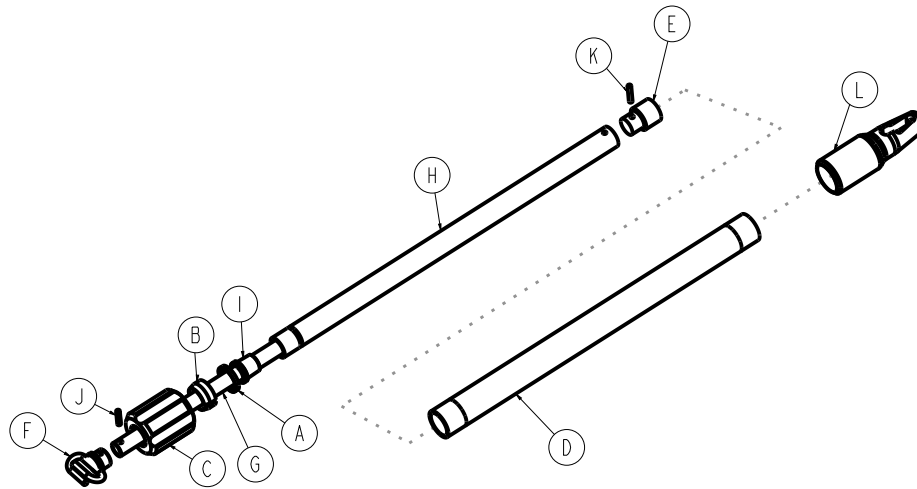
6070-210-070 Rev AA (Reference only)



Item	Number	Name	Quantity
A	1210-110-046	Back-up ring	1
B	1210-110-047	Lock ring	1
C	1210-110-049	IV pole actuator, molded	1
D	6070-210-051	Base tube, cot IV	1
E	6070-110-042	Second stage tube, cot IV	1
F	6070-110-051	Second stage slide plug	1
G	6070-110-050	Hook weldment, cot IV	1
H	0026-006-000	Roll pin	2
J	6070-110-012	IV pole pivot	1

IV pole assembly, three-stage

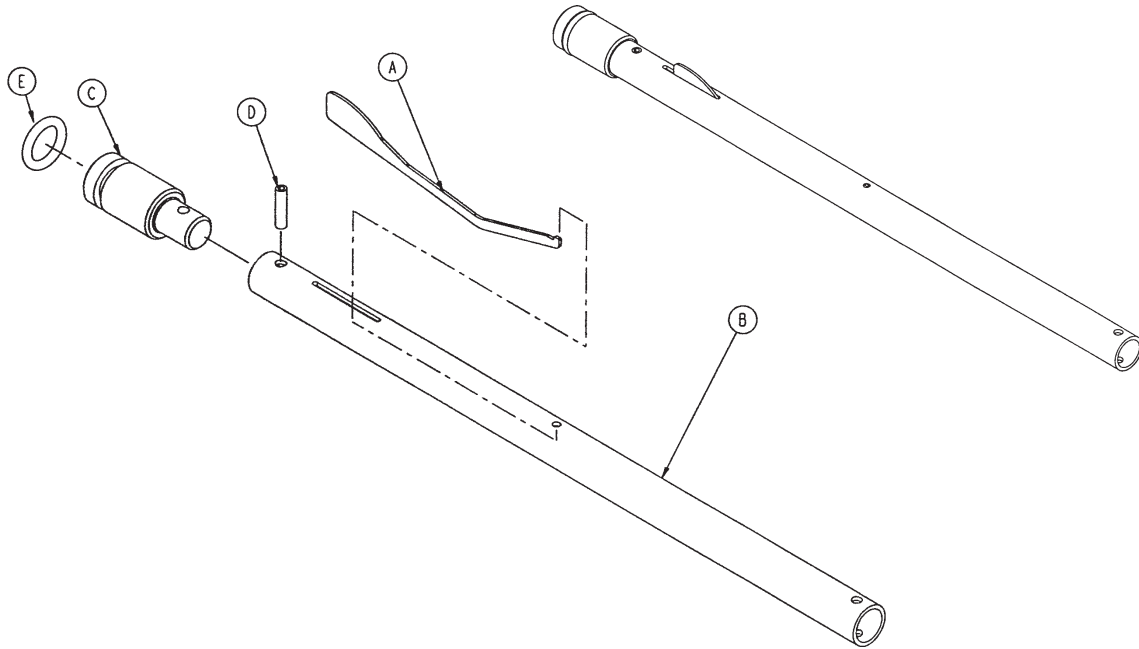
6070-215-070 Rev AA (Reference only)



Item	Number	Name	Quantity
A	1210-110-046	Back-up ring	1
B	1210-110-047	Lock ring	1
C	1210-110-049	IV pole actuator, molded	1
D	6070-210-051	Base tube, cot IV	1
E	6070-110-051	Second stage slide plug	1
F	6070-110-050	Hook weldment, cot IV	1
G	6070-115-030	Third stage assembly (<i>IV pole, 3rd stage 1 assembly (page 64)</i>)	1
H	6070-115-042	Second stage tube, cot IV	1
I	6070-115-045	Bearing plug	1
J	0026-005-000	Roll pin	1
K	0026-006-000	Roll pin	1
L	6070-110-012	IV pole pivot	1

IV pole, 3rd stage assembly

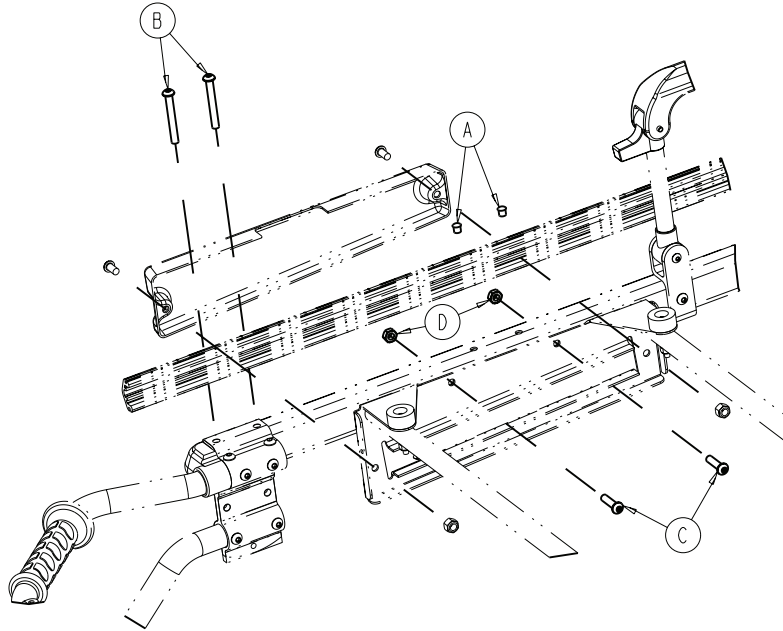
6070-115-030 Rev B (Reference only)



Item	Number	Name	Quantity
A	6070-115-141	Spring clip	1
B	6070-115-143	3rd stage tube, cot IV	1
C	6070-115-044	Slide plug, 3rd stage	1
D	0026-004-000	Roll pin	1
E	0045-139-000	O-ring	1

IV pole option, none, patient right - 6080-212-010

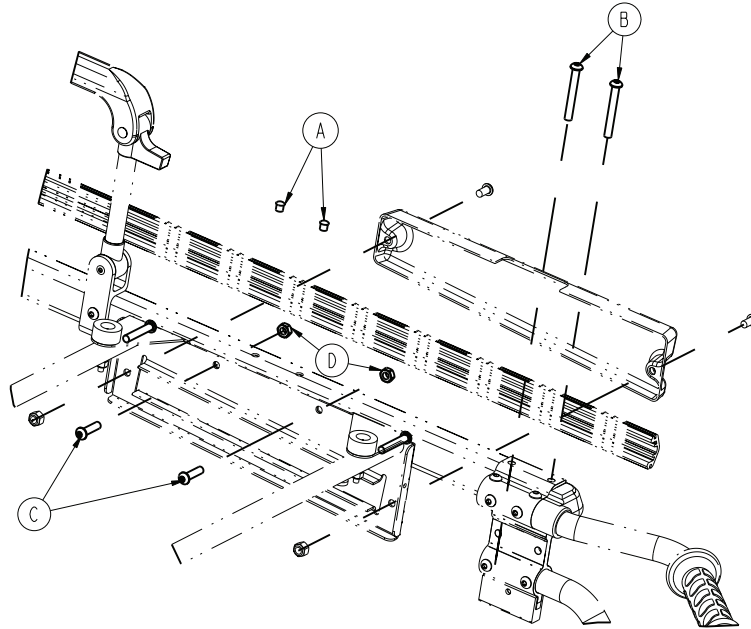
Rev A (Reference only)



Item	Number	Name	Quantity
A	0721-031-065	Hole plug	2
B	0004-163-000	Hex socket button head cap screw	2
C	0004-198-000	Button head cap screw	2
D	0016-102-000	Nylock nut	2

IV pole option, none, patient left - 6080-213-010

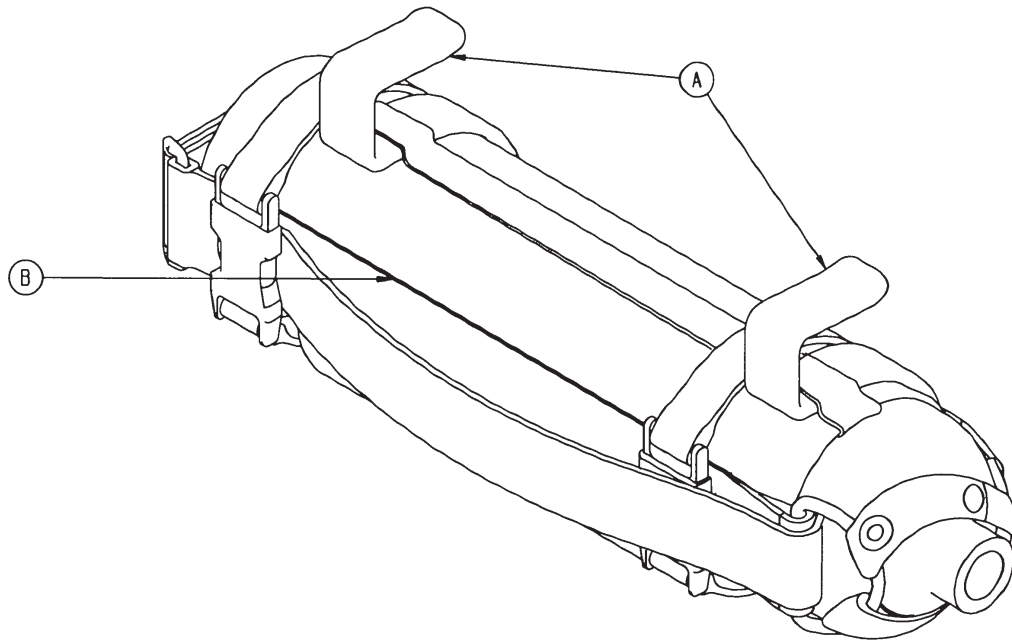
Rev A (Reference only)



Item	Number	Name	Quantity
A	0721-031-065	Hole plug	2
B	0004-163-000	Hex socket button head cap screw	2
C	0004-198-000	Button head cap screw	2
D	0016-102-000	Nylock nut	2

Removable oxygen bottle holder option - 6080-140-000

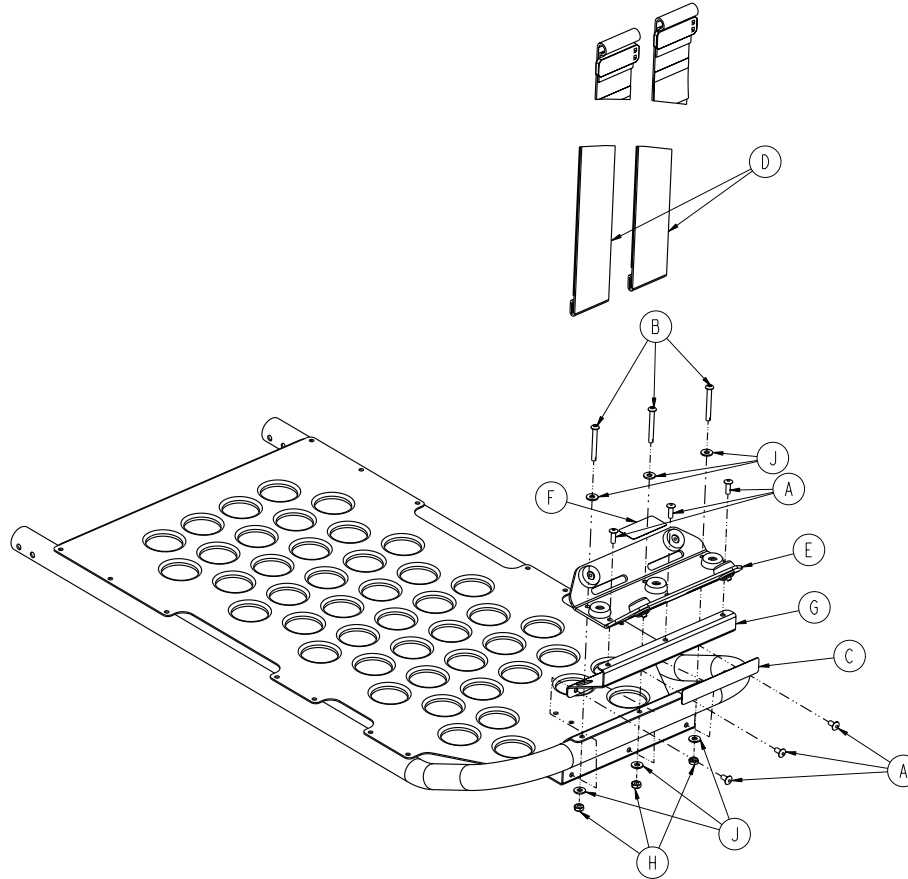
6080-140-010 Rev A (Reference only)



Item	Number	Name	Quantity
A	6080-140-011	Oxygen bottle holder hanger	2
B	6080-140-012	Oxygen bottle holder	1

Oxygen bottle holder option, foot end - 6070-140-000

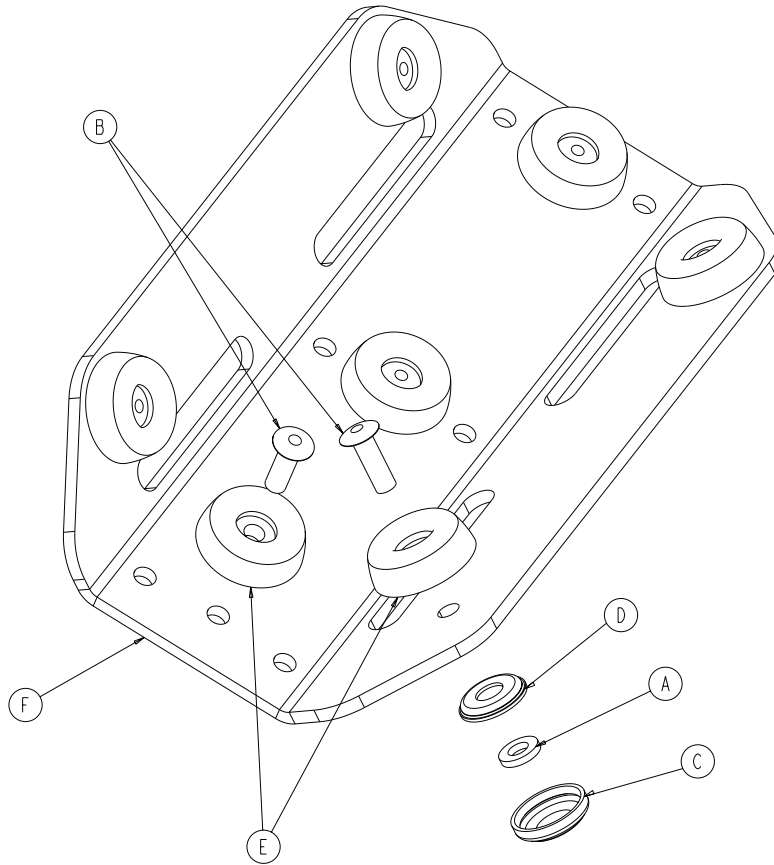
6070-140-010 Rev D (Reference only)



Item	Number	Name	Quantity
A	0025-079-000	Rivet	6
B	0004-862-000	Button head cap screw	3
C	6080-090-109	Label, warning	1
D	6060-140-013	Strap assembly	2
E	6060-140-020	Oxygen bottle holder tray assembly, foot 1 end (page 69)	
F	6070-090-014	Label, oxygen bottle holder specification	1
G	6070-140-017	Support bracket	1
H	0016-131-000	Nylock hex nut	3
J	0011-001-000	Washer	6

Oxygen bottle holder tray assembly, foot end

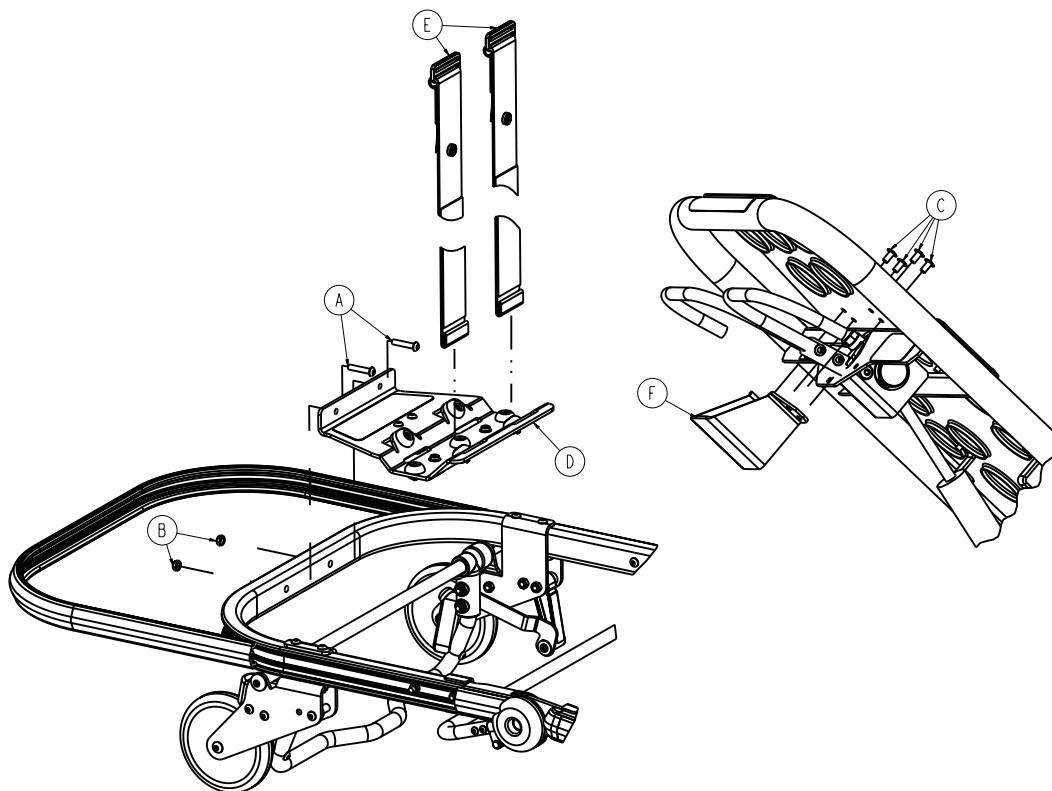
6060-140-020 Rev C (Reference only)



Item	Number	Name	Quantity
A	0011-436-000	Washer	4
B	0025-133-000	Blind rivet	7
C	0037-055-000	Black protective cap	4
D	0037-056-000	Retaining washer	4
E	0946-001-155	Bumper	7
F	6060-140-015	Oxygen bottler holder tray	1

Oxygen bottle holder option, head end - 6082-140-000

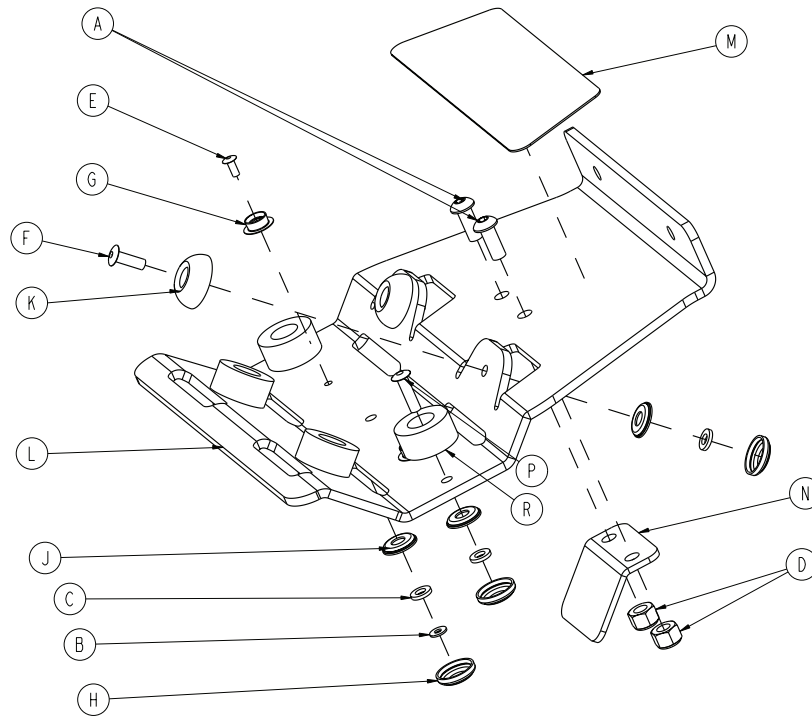
Rev F (Reference only)



Item	Number	Name	Quantity
A	0004-197-000	Button head cap screw	2
B	0016-102-000	Nylock hex nut	2
C	0025-079-000	Rivet	4
D	6082-140-040	Oxygen bottle holder tray assembly, head end (page 71)	1
E	6082-140-043	Strap assembly	2
F	6082-140-044	Fowler lift release handle guard	1

Oxygen bottle holder tray assembly, head end

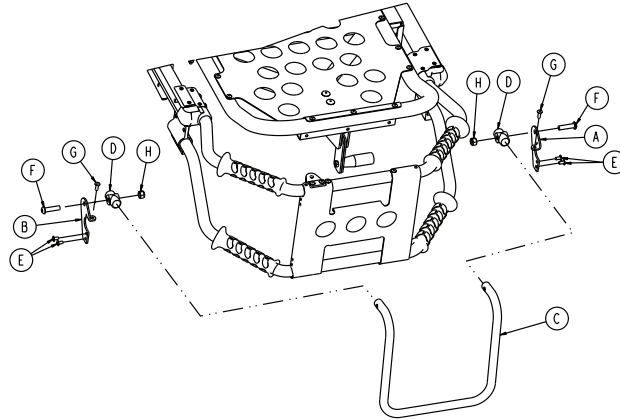
6082-140-040 Rev C (Reference only)



Item	Number	Name	Quantity
A	0004-455-000	Button head cap screw	2
B	0011-199-000	Washer	2
C	0011-436-000	Washer	8
D	0016-028-000	Fiberlock hex nut	2
E	0025-099-000	Dome head rivet	2
F	0025-133-000	Dome head rivet	2
G	0029-003-000	Brass eyelet	2
H	0037-055-000	Black protective cap	8
J	0037-056-000	Retaining washer	8
K	0946-001-155	Bumper	2
L	6082-140-041	Oxygen bottle holder tray, head end	1
M	6082-140-042	Label, oxygen bottle holder	1
N	6082-140-045	Oxygen bottle holder bracket	1
P	0025-086-000	Blind rivet	4
R	0056-016-000	Bumper	4

Pull handle assembly

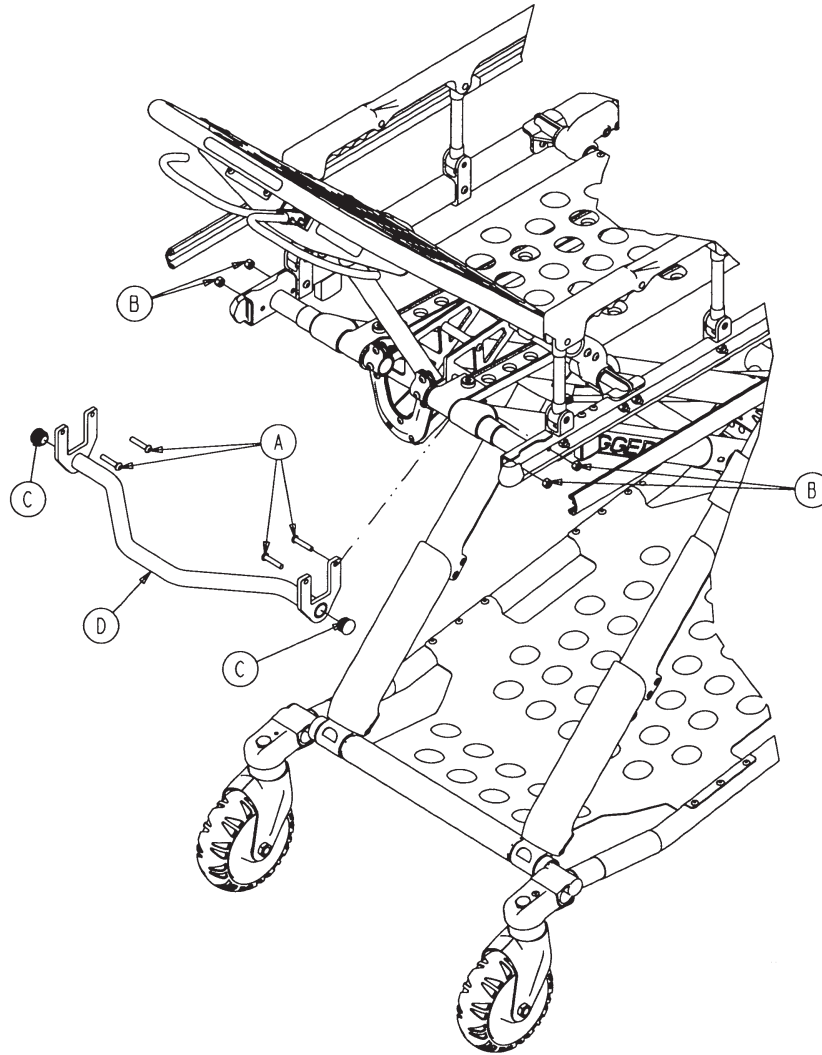
6080-155-000 Rev B (Reference only)



Item	Number	Name	Quantity
A	6080-255-001	Pull handle bracket, left	1
B	6080-255-002	Pull handle bracket, right	1
C	6080-255-003	Pull handle	1
D	0721-026-069	Upright sleeve	2
E	0025-079-000	Dome head rivet	4
F	0004-130-000	Button head cap screw	2
G	0025-133-000	Dome head pop rivet	2
H	0016-036-000	Nylock hex nut	2

Base lift bar assembly

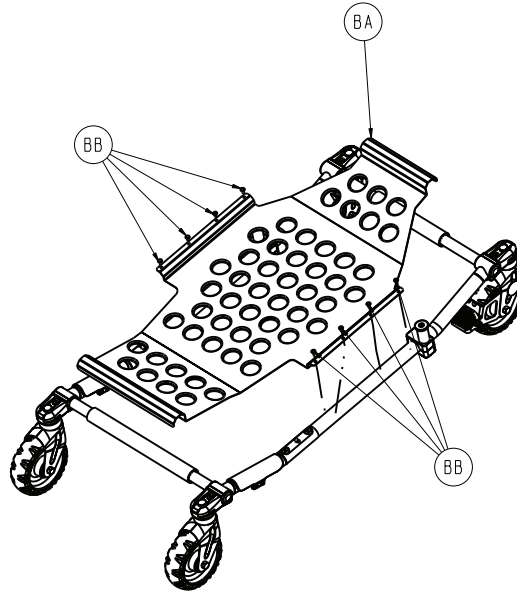
6080-157-010 Rev B (Reference only)



Item	Number	Name	Quantity
A	0004-135-000	Hex socket button head cap screw	4
B	0016-028-000	Nylock hex nut	4
C	0037-238-000	Tube plug	2
D	6080-157-013	Breakaway lift bar weldment	1

Base tray storage option - 6082-150-015

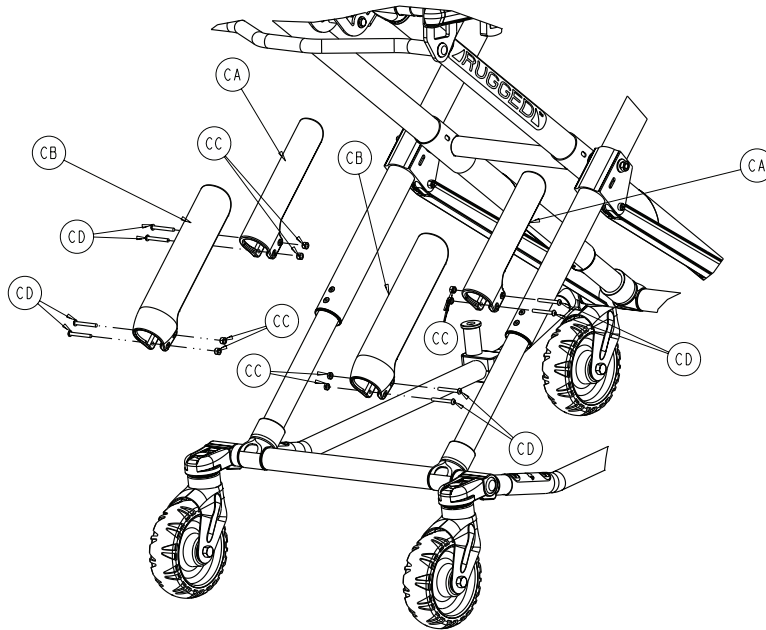
6082-150-012 Rev AA (Reference only)



Item	Number	Name	Quantity
BA	6082-150-020	Base storage tray	1
BB	0025-079-000	Rivet	8

X-frame guard assembly option - 6080-145-000

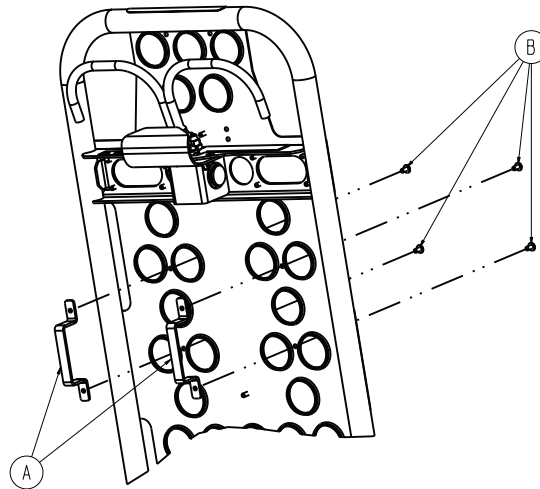
6082-150-012 Rev AA (Reference only)



Item	Number	Name	Quantity
CA	6080-145-001	X-frame guard, upper	2
CB	6080-145-002	X-frame guard, lower	2
CC	0016-003-000	Hex nut	8
CD	0004-508-000	Button head cap screw	8

Pedi-Mate® restraint option - 6080-300-010

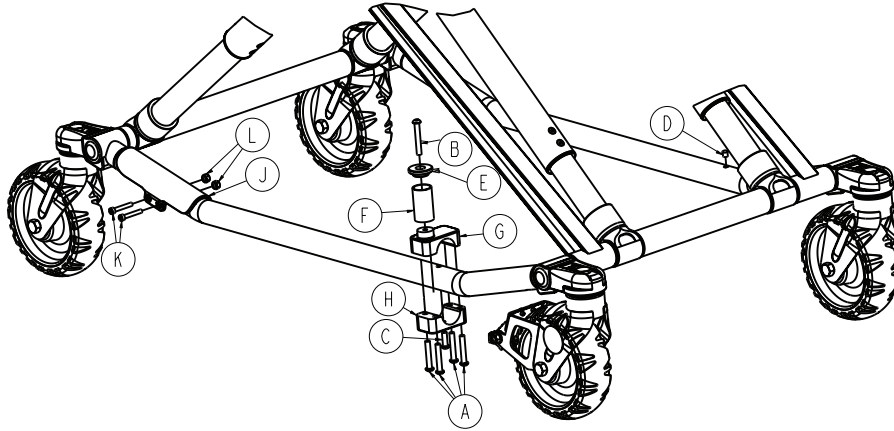
6082-150-012 Rev AA (Reference only)



Item	Number	Name	Quantity
A	6080-032-060	Restraint bracket	2
B	0025-079-000	Rivet	4

Retaining post option, patient right - 6082-200-000

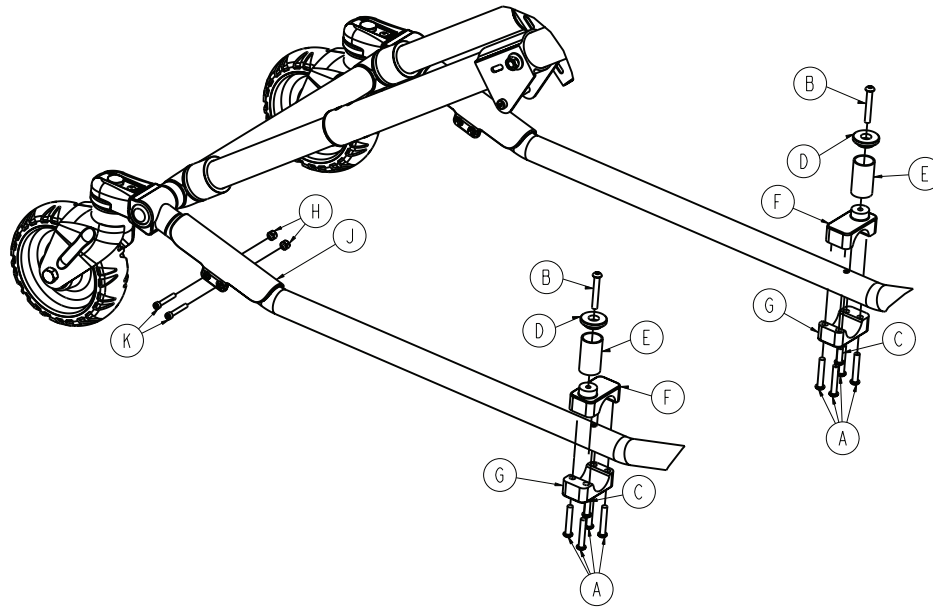
Rev E (Reference only)



Item	Number	Name	Quantity
A	0004-207-000	Button head cap screw	4
B	0004-503-000	Button head cap screw	1
C	0004-468-000	Button head cap screw	1
D	0721-031-065	Hole plug	1
E	6060-004-043	Retaining post cap	1
F	6060-004-044	Retaining post tube	1
G	6080-004-045	Retaining post top	1
H	6080-004-046	Retaining post bottom	1
J	6082-001-044	Base tube protector	1
K	0004-160-000	Socket head cap screw	2
L	0016-003-000	Nylock hex nut	2

Retaining post option, dual - 6082-190-000

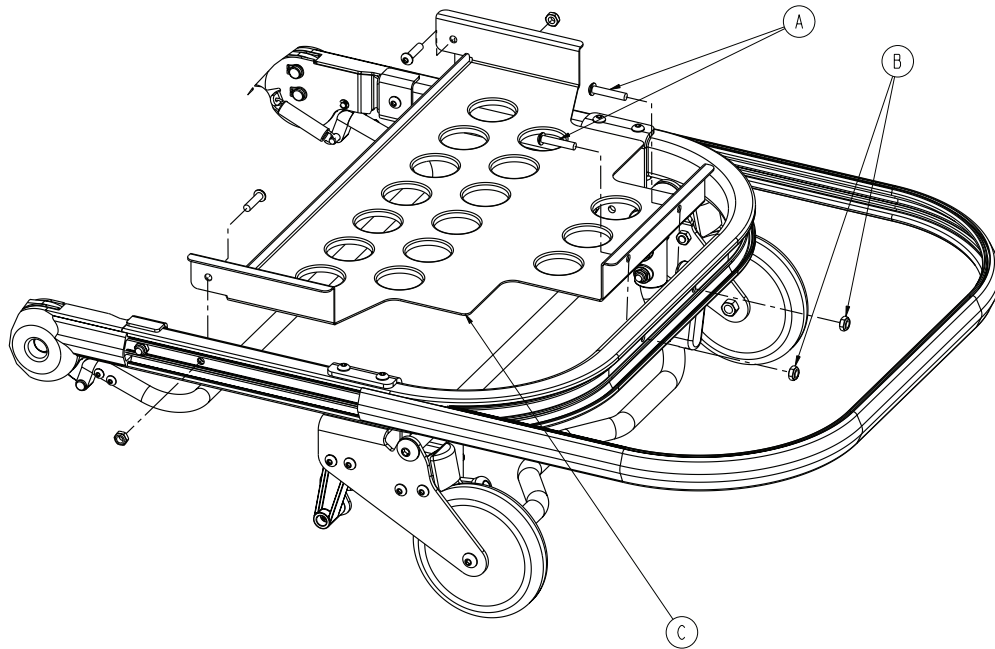
Rev E (Reference only)



Item	Number	Name	Quantity
A	0004-207-000	Button head cap screw	8
B	0004-503-000	Button head cap screw	2
C	0004-468-000	Button head cap screw	2
D	6060-004-043	Retaining post cap	2
E	6060-004-044	Retaining post tube	2
F	6080-004-045	Retaining post top	2
G	6080-004-046	Retaining post bottom	2
H	0016-003-000	Nylock hex nut	4
J	6082-001-044	Base tube protector	2
K	0004-160-000	Socket head cap screw	4

Storage tray option, head end - 6082-128-000

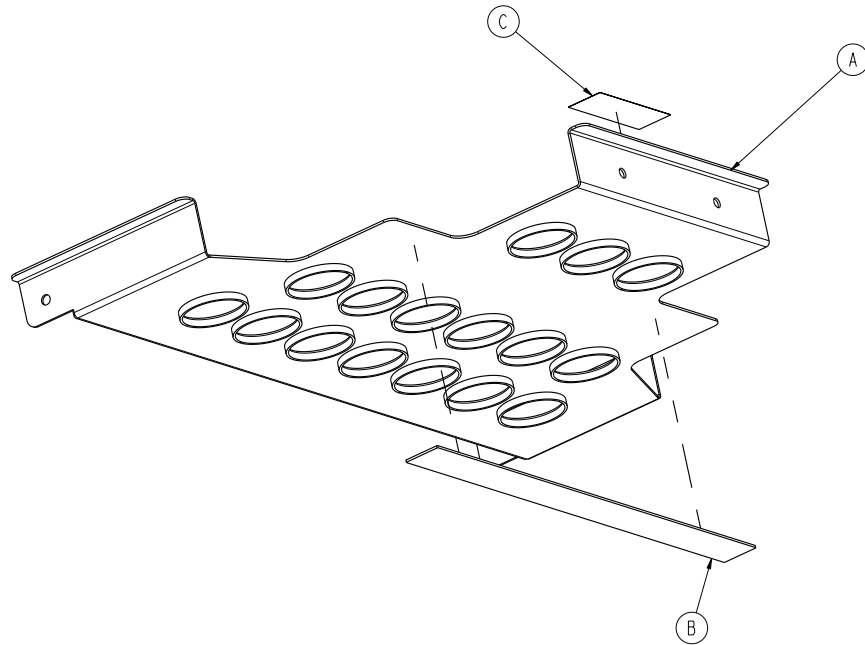
6082-128-020 Rev A (Reference only)



Item	Number	Name	Quantity
A	0004-197-000	Button head cap screw	2
B	0016-102-000	Nylock nut	2
C	6082-128-020	Tray assembly option, head end (page 80)	1

Tray assembly option, head end

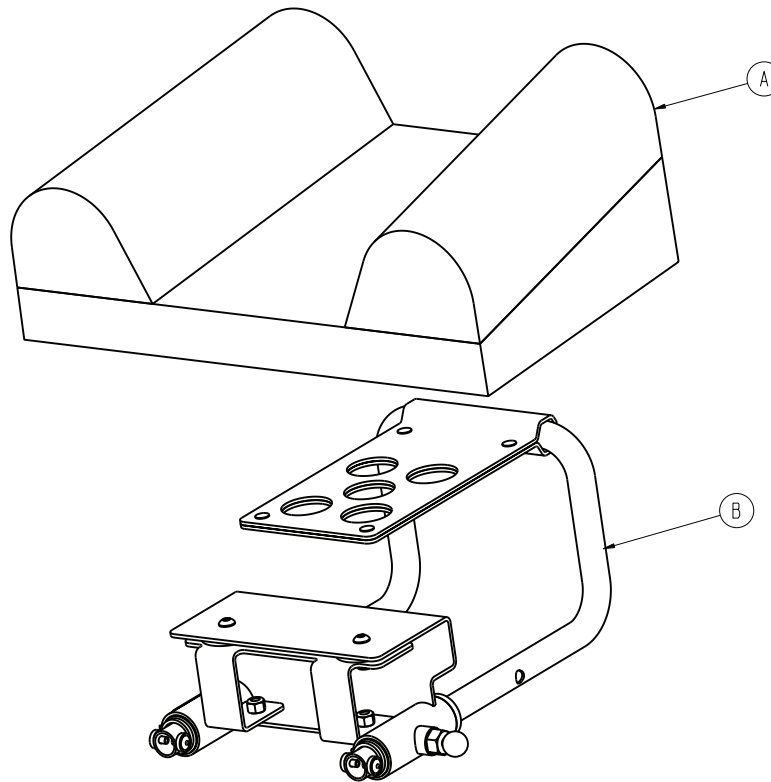
6082-128-020 Rev A (Reference only)



Item	Number	Name	Quantity
A	6082-128-080	Breakaway tray	1
B	6082-128-019	1 in. adhesive loop pile	1
C	6081-091-057	Label, caution	1

Head extension option - 6100-044-000

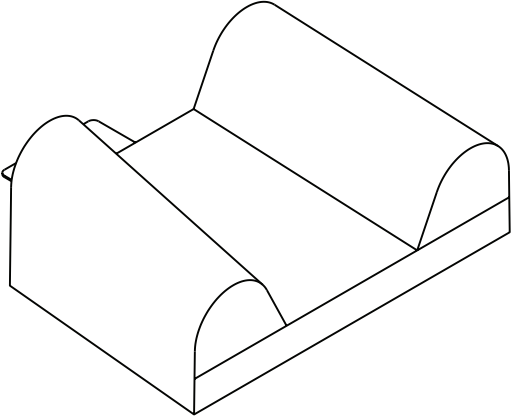
Rev B (Reference only)



Item	Number	Name	Quantity
A	6100-041-030	<i>Pillow option - 6100-045-000 (page 82)</i>	1
B	6100-044-012	<i>Head extension assembly (page 83)</i>	1

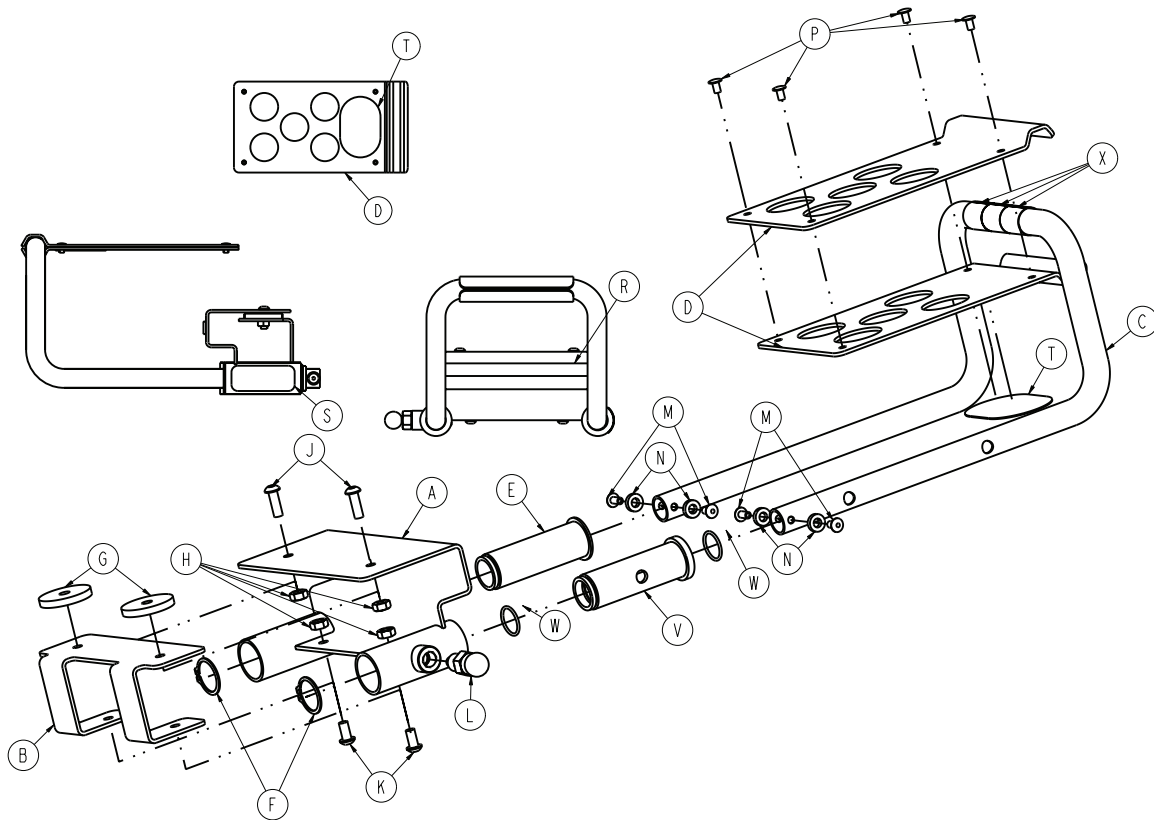
Pillow option - 6100-045-000

6100-041-030 Rev AA (Reference only)



Head extension assembly

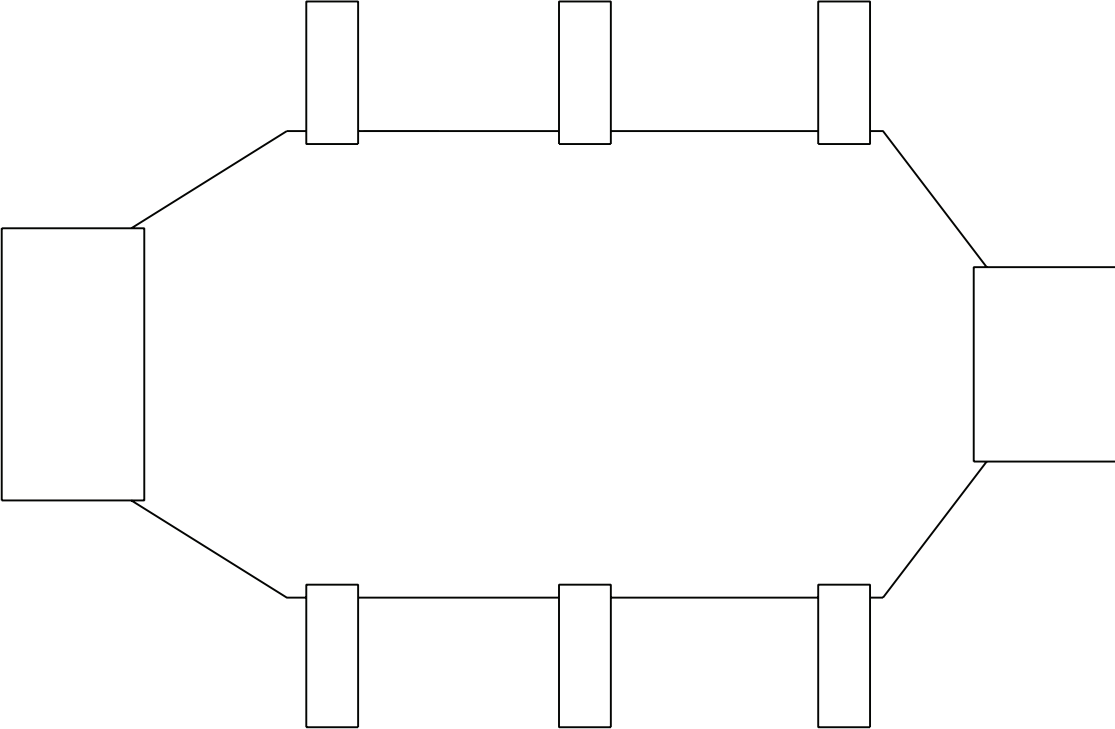
6100-044-012 Rev F (Reference only)



Item	Number	Name	Quantity
A	6100-044-010	Bracket weldment	1
B	6100-044-007	Support	1
C	6100-044-011	Extension tube	1
D	6100-044-008	Pillow support	2
E	6100-044-005	Insert	1
F	0028-076-000	Clip	2
G	6100-044-006	Spacer	2
H	0016-028-000	Nylock nut	4
J	0004-161-000	Button head cap screw	2
K	0004-232-000	Button head cap screw	2
L	6372-010-016	Pull pin assembly	1
M	0025-079-000	Rivet	4
N	0014-067-000	Washer	4
P	0025-031-000	Semi-tubular rivet	4
R	6060-090-004	Label, (small) RUGGED	1
S	6100-090-013	Label, specification	1
T	6100-044-013	Velcro® hook	1
V	6100-044-004	Insert	1
W	0045-999-603	O-ring	2
X	6100-011-014	Head extension tape	3

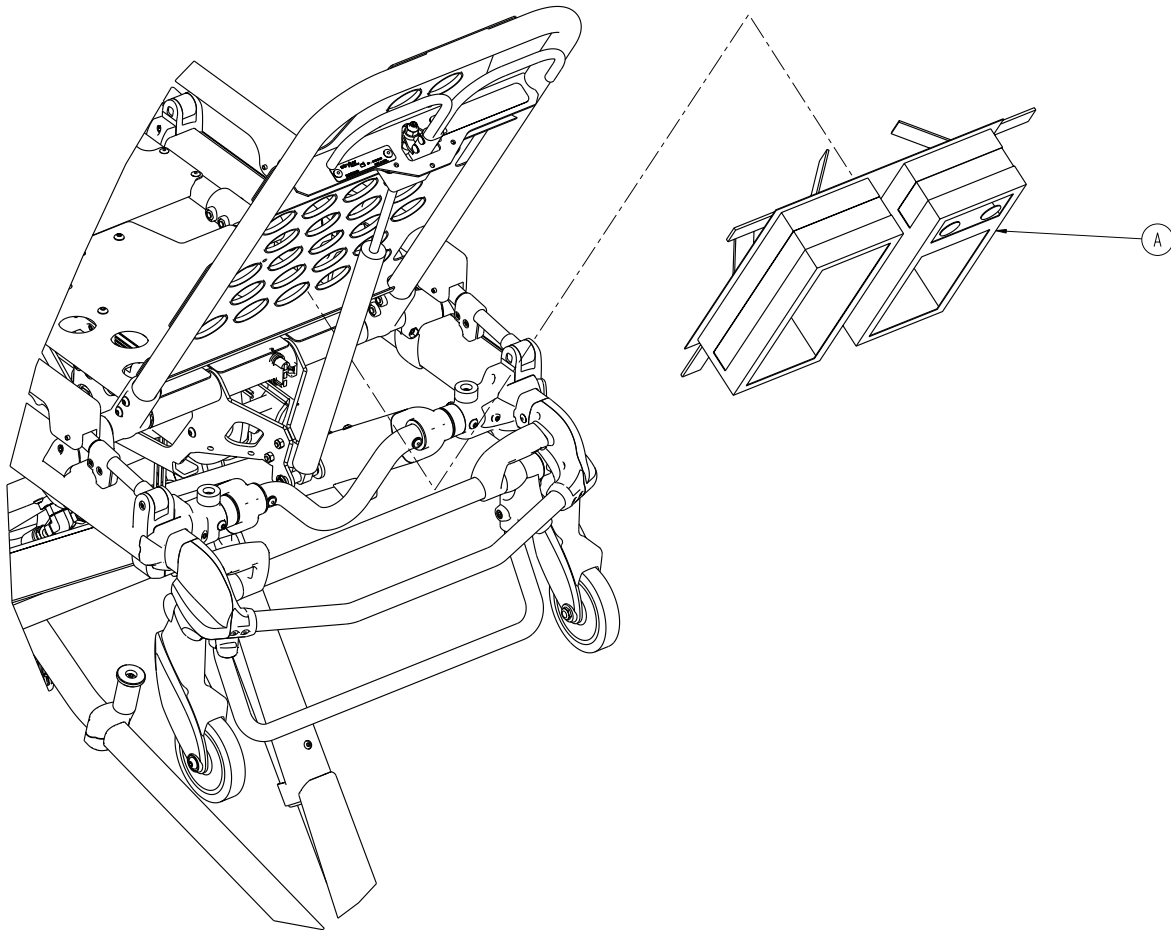
Base storage net option - 6080-150-010

Rev C (Reference only)



Backrest pouch option - 6500-130-000

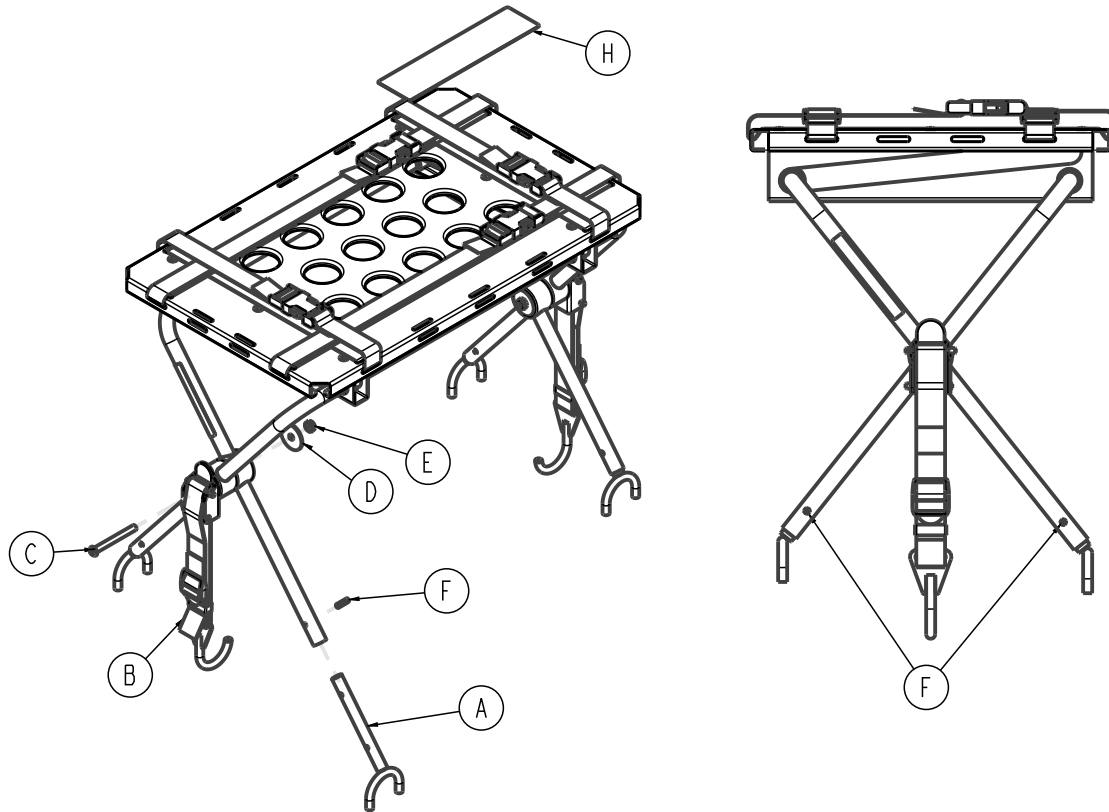
Rev A (Reference only)



Item	Number	Name	Quantity
A	6500-001-241	Pocketed backrest storage pouch	1

Defibrillator platform assembly option - 6082-170-000

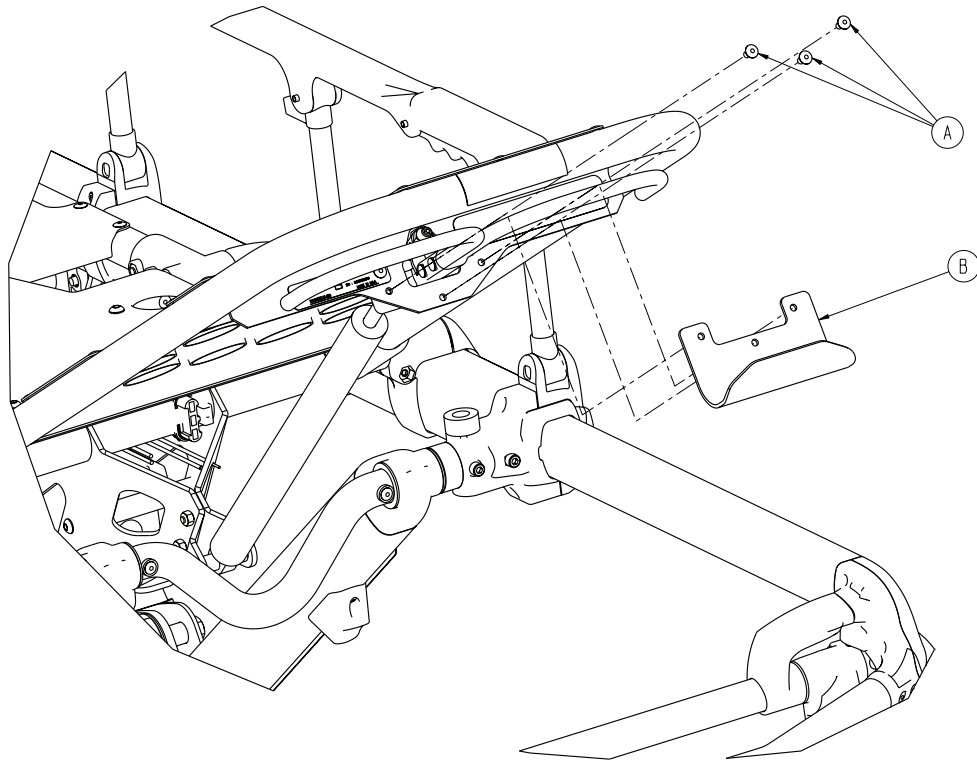
6082-170-010 Rev AA (Reference only)



Item	Number	Name	Quantity
A	6082-170-050	Defibrillator U-foot weldment	4
B	6080-170-020	Defibrillator latch strap assembly	2
C	0004-234-000	Button head cap screw	2
D	0011-355-000	Washer	2
E	0016-102-000	Nylock nut	2
F	0026-172-000	Slotted spring pin	4
H	6082-090-022	Label, specification and warning	1
J	6082-170-020	Defibrillator platform common components	1

Equipment hook option - 6500-147-000

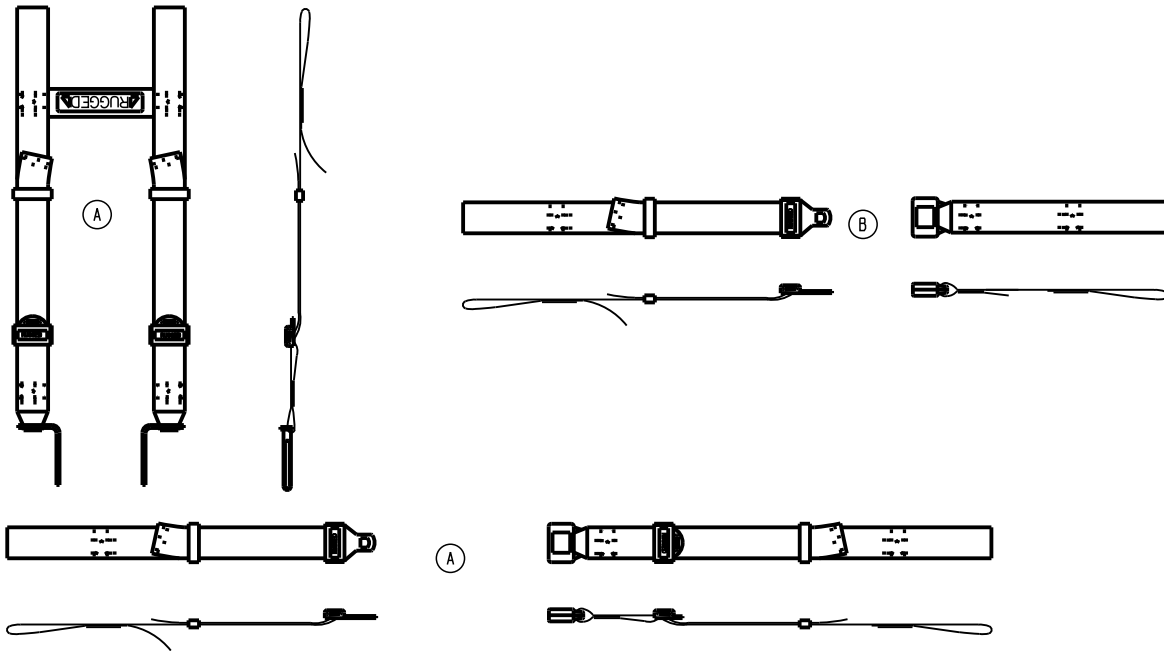
Rev B (Reference only)



Item	Number	Name	Quantity
A	0025-079-000	Dome head rivet	3
B	6500-001-237	Equipment hook	1

EMS restraint strap package option - 6082-260-010

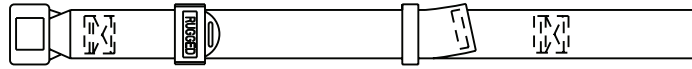
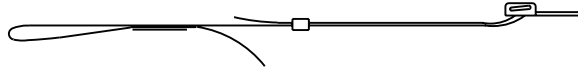
Rev F (Reference only)



Item	Number	Name	Quantity
A	6060-260-045	Four point harness	1
B	6060-160-050	Waist restraint	2

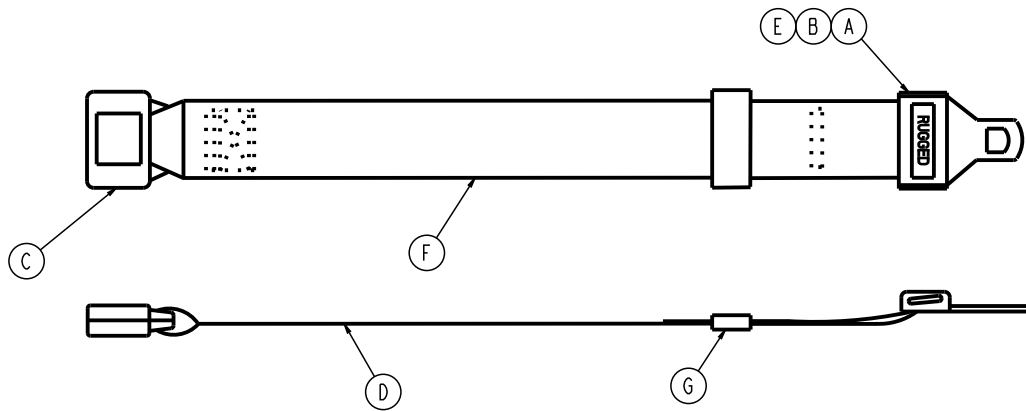
Chest restraint option - 6060-260-046

Rev B (Reference only)



Belt extension option - 6082-160-050

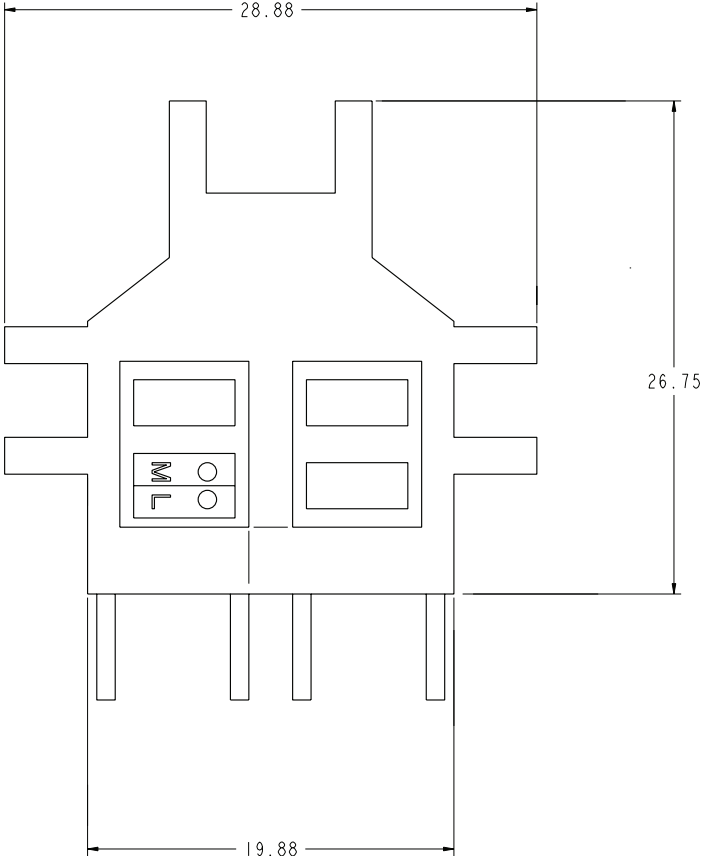
Rev C (Reference only)



Item	Number	Name	Quantity
A		Tongue (Intertek p/n 2122681)	
B		Cap (Intertek p/n 2122525)	
C		Buckle (Intertek p/n 2122682)	
D	6082-090-001	Label, belt extension	1
E	6060-090-011	Label, RUGGED	1
F		Belt, 2" wide, black	
G		Belt retainer	

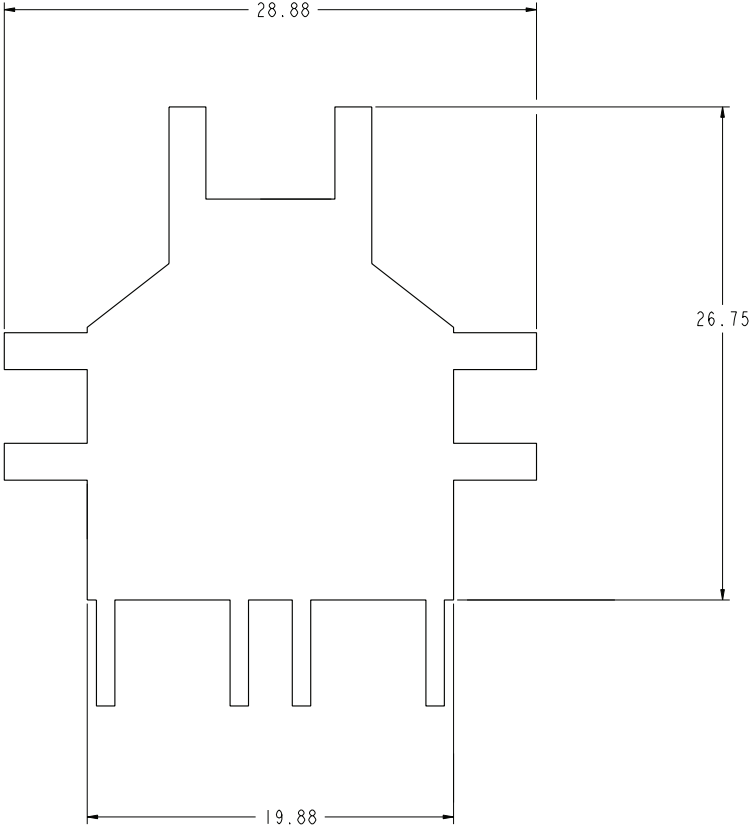
Storage pouch with pockets option, head end - 6082-128-010

Rev C (Reference only)



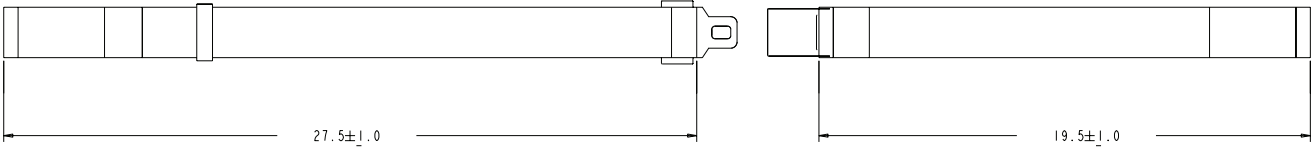
Storage pouch without pockets option, head end - 6082-128-012

Rev B (Reference only)



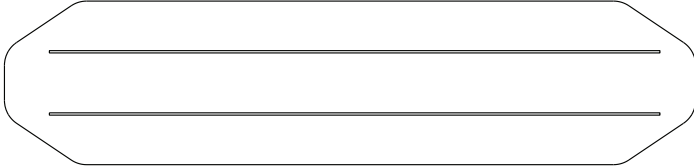
Accessory strap assembly option - 6082-160-052

Rev A (Reference only)



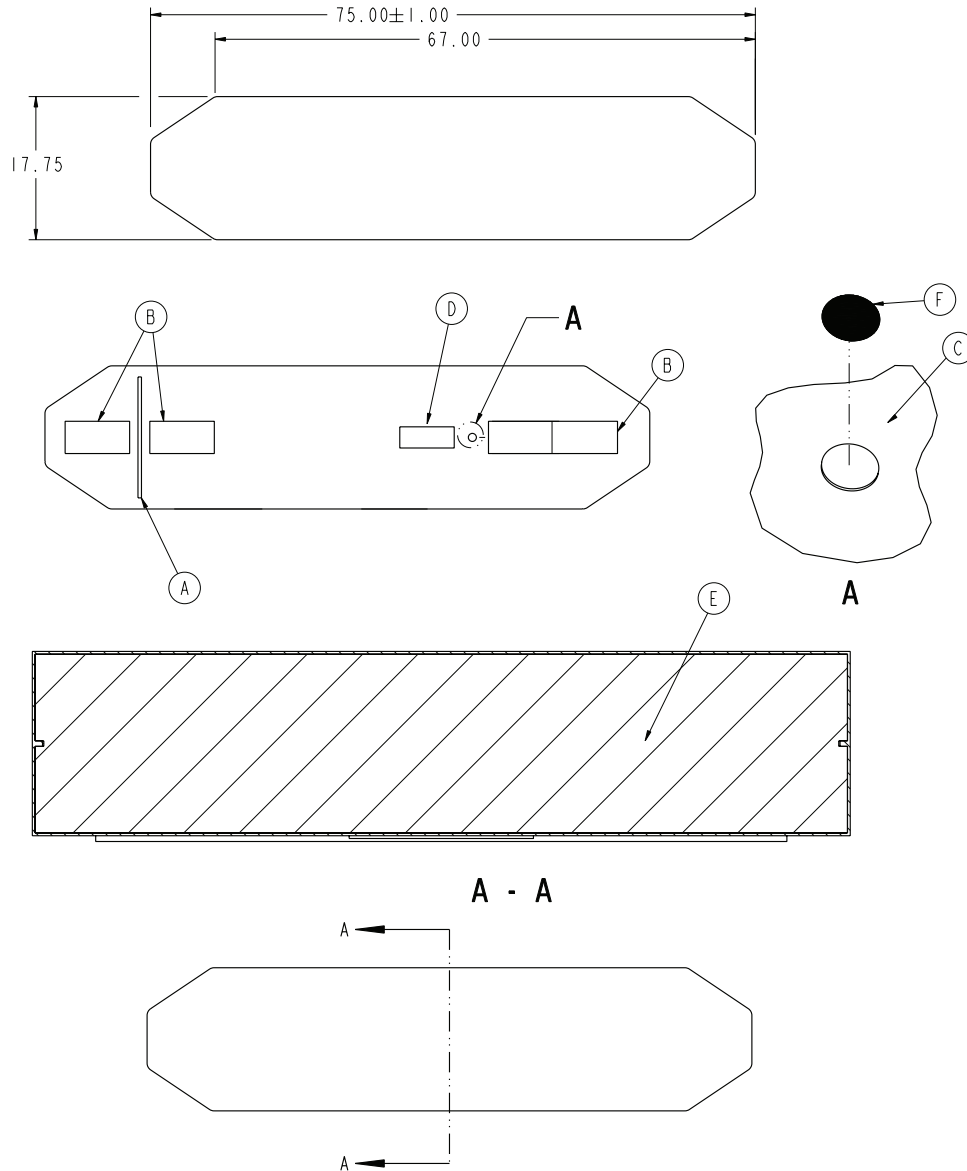
Bolster mattress option - 6090-041-010

Rev AA (Reference only)



Flat mattress option - 6090-042-010

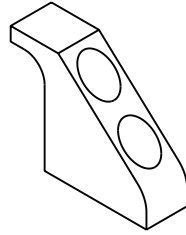
Rev AA (Reference only)



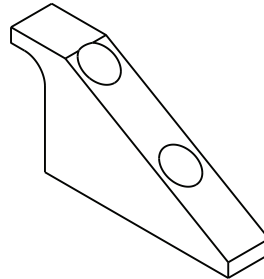
Item	Number	Name	Quantity
A	7900-001-338	PVC splash guard nylon coil	15"
B	7900-001-317	4" hook fastener	32"
C	7900-001-318	Black cooley	A/R
D	6090-090-019	Label, specification	1
E	6090-042-011	Foam pad, flat	1
F	6080-040-016	Breather vent	1

Safety hook, short - 6060-036-017/Safety hook, long - 6060-036-018/ Safety hook, J - 6092-036-018

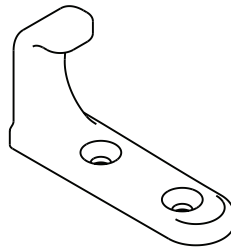
Safety hook, short - 6060-036-017 Rev A (Reference only)



Safety hook, long - 6060-036-018 Rev D (Reference only)



Safety hook, J - 6092-036-018 Rev A (Reference only)



stryker



Stryker Medical
3800 E. Centre Avenue
Portage, MI 49002
USA