

## MX-PRO® R3













Operations Manual

REF 6082





# Symbols

	Consult instructions for use
	General warning
	Caution
	No pushing
	Safe working load
	Catalogue number
	Serial number
<b>MADE IN U.S.A.</b>	Product made in the United States of America
	Manufacturer
	Date of manufacture
	Importer
	Unique device identifier
	Type B applied part





# Table of Contents

Warning/Caution/Note Definition .....	2
Summary of safety precautions .....	2
Introduction .....	4
Product description .....	4
Indications for use .....	4
Clinical benefits .....	4
Contraindications .....	5
Expected service life .....	5
Disposal/recycle .....	5
Specifications .....	5
Product illustration .....	6
Contact information .....	7
Serial number location .....	7
Date of manufacture .....	7
Setup .....	8
Installation .....	9
Installing the cot fastener .....	9
Selecting the vehicle safety hook .....	9
Vehicle configuration .....	10
Positioning of the vehicle safety hook, front to back .....	11
Positioning of the vehicle safety hook, side to side .....	12
Installing the vehicle safety hook .....	13
Cot positions .....	15
Operation .....	17
Operating guidelines .....	17
Transferring the patient to the cot .....	17
Raising or lowering the cot .....	17
Applying or releasing a wheel lock .....	17
Rolling the cot with a patient .....	18
Securing the patient with restraint straps .....	18
Adding a restraint strap extension .....	20
Securing the patient with the Pedi-Mate® infant restraint system .....	20
Loading a cot into a vehicle with an antler style cot fastener .....	21
Unloading a cot from a vehicle with an antler style cot fastener .....	22
Positioning operators and helpers .....	23
Raising or lowering the cot with two operators .....	24
Raising or lowering the cot with one operator .....	25
Raising or lowering the footrest .....	25
Raising or lowering the backrest .....	25
Raising or lowering the siderails .....	25
Raising or lowering the breakaway head section .....	26
Attaching the defibrillator platform .....	26
Positioning the two-stage IV pole option .....	28
Positioning the three-stage IV pole option .....	29
Accessories and parts .....	31
Cleaning and disinfecting with SideKick® .....	32
Cleaning .....	33
Suggested cleaners .....	33
Removal of iodine compounds .....	33
Preventive maintenance .....	34
Base lubrication .....	34

# Warning/Caution/Note Definition

The words **WARNING**, **CAUTION**, and **NOTE** carry special meanings and should be carefully reviewed.

## **WARNING**

Alerts the reader about a situation which, if not avoided, could result in death or serious injury. It may also describe potential serious adverse reactions and safety hazards.

## **CAUTION**

Alerts the reader of a potentially hazardous situation which, if not avoided, may result in minor or moderate injury to the user or patient or damage to the product or other property. This includes special care necessary for the safe and effective use of the device and the care necessary to avoid damage to a device that may occur as a result of use or misuse.

**Note** - Provides special information to make maintenance easier or important instructions clearer.

## Summary of safety precautions

Always read and strictly follow the warnings and cautions listed on this page. Service only by qualified personnel.

---

### **WARNING**

- Always install the cot fastener by qualified personnel only. Improper installation could result in injury to the patient or operator.
- Always make sure that all cots meet the installation specifications for the Stryker cot fastener system.
- Always adjust the rail clamp assembly to match the cot retaining post position for the cot manufacturer and model number.
- Always adjust the mounting location to maintain the proper position of the vehicle safety hook face when you replace an existing vehicle safety hook with a new style.
- Always have a certified mechanic, familiar with ambulance vehicle construction, install the vehicle safety hook to avoid injury to the patient or operator.
- Always consult the vehicle manufacturer before you install the vehicle safety hook. Make sure that the installation of the vehicle safety hook does not damage or interfere with the brake lines, oxygen lines, fuel lines, fuel tank, or electrical wiring of the vehicle.
- Do not modify the cot or the vehicle safety hook. If the cot safety bar does not connect with the vehicle safety hook in any of these positions (left, center, or right), modify the vehicle.
- Always make sure that the cot safety bar connects with the vehicle safety hook every time before you install the vehicle safety hook.
- Always make sure that the cot safety bar connects with the vehicle safety hook before you remove the cot from the vehicle patient compartment to avoid the risk of injury.
- Always use screws that are long enough to go through the vehicle patient compartment floor, washer, and nut, with at least two full threads in the nut. The socket head cap screw length depends on the thickness of the vehicle floor.
- Always have at least 5/8" of clearance between the vehicle bumper and the cot to disengage the safety bar when unloading the cot from the vehicle. Make sure that the cot legs lock into the loading position before removing the safety bar from the safety hook. Failure to lock the cot into position may cause injury to the patient or operator and damage to the cot.
- Do not operate the product with the breakaway head section lowered to avoid injury to the patient or operator or damage to the product. Use only positions 5-7 with this configuration.
- Always use all restraint straps to secure the patient on the product. An unrestrained patient may fall from the product and be injured.
- Do not apply a wheel lock when a patient is on the product or when you move the product to avoid the risk of tipping.
- Do not install or apply a wheel lock on a product with worn wheels that are less than 6 in. diameter.
- Do not leave a patient or occupant unattended. Hold the product while a patient or occupant is on the product.
- Always locate the buckle away from obstructions or accessories on the cot to avoid the risk of accidental release of **Pedi-Mate®** infant restraint system and injury to the infant.
- Always support the load of the patient, cot, and accessories after the weight is off of the ground.

- Always use two operators when a cot is occupied.
  - Always follow proper hand placement on hand grips. Keep all hands clear of the red safety bar pivots when you load or unload the cot or change cot height position.
  - Do not pull or lift on the cot safety bar when you unload the cot.
  - Always lock the undercarriage before you remove the loading wheels from the vehicle patient compartment floor. An unlocked undercarriage will not support the cot and injury to the patient or operator could result.
  - Do not allow the cot undercarriage to drop unassisted (commonly known as a hot drop) when you remove the cot from the vehicle. Repeated hot dropping causes premature wear or damage to the cot.
  - Always keep hands, fingers, and feet away from moving parts. Use caution when placing your hands and feet near the base tubes while you raise or lower the cot.
  - Always keep hands away from the foot end release handle when you raise or lower the cot with the side release handle.
  - Always remove your foot from the base tube when you lower the cot to the lowest position.
  - Do not use siderails as a patient restraint device.
  - Do not operate the cot with the breakaway head section lowered to avoid injury to the patient or operator or damage to the cot. Use only positions 5-7 with this configuration.
  - Always secure the defibrillator platform to the product when you use the defibrillator platform.
  - Always use and adjust the straps that are provided with the defibrillator platform to secure the defibrillator.
  - Always use any appropriate personal protective equipment while power washing to avoid inhaling contagion. Power washing equipment may aerate contamination.
  - Always clean or dispose of contaminated mattress or cot components to avoid the risk of exposure to blood borne pathogens and injury to the patient or the operator.
- 

## **CAUTION**

- Improper usage of the product can cause injury to the patient or operator. Operate the product only as described in this manual.
  - Do not modify the product or any components of the product. Modifying the product can cause unpredictable operation resulting in injury to patient or operator. Modifying the product also voids its warranty.
  - Always set the cot load height before you place the cot into service.
  - Do not lower the cot in the shortened position to avoid damage to the cot. Use only positions 5-7 when you shorten the cot.
  - Always change the attachment location or adjust the straps for your specific defibrillator size or shape.
  - Do not load the defibrillator platform above the safe working load of 75 lb (34 kg).
  - Do not load the IV pole above the safe working load of 40 lb (18.1 kg).
  - Do not steam clean or ultrasonically clean the product.
  - Do not exceed 180 °F (82 °C) as the maximum water temperature.
  - Do not exceed 240° F (115° C) as the maximum air dry temperature (cart washers).
  - Do not exceed 1500 psi (103.4 bar) as the maximum water pressure. If you use a hand held wand to wash the product, keep the pressure nozzle at a minimum of 24 in. (61 cm) from the product.
  - Always towel dry all casters and interface points.
  - Do not clean, service, or perform maintenance while the product is in use.
-

# Introduction

This manual assists you with the operation or maintenance of your Stryker product. Read this manual before operating or maintaining this product. Set methods and procedures to educate and train your staff on the safe operation or maintenance of this product.

---

## CAUTION

- Improper usage of the product can cause injury to the patient or operator. Operate the product only as described in this manual.
  - Do not modify the product or any components of the product. Modifying the product can cause unpredictable operation resulting in injury to patient or operator. Modifying the product also voids its warranty.
- 

## Note

- This manual is a permanent part of the product and should remain with the product even if the product is sold.
- Stryker continually seeks advancements in product design and quality. This manual contains the most current product information available at the time of printing. There may be minor discrepancies between your product and this manual. If you have any questions, contact Stryker Customer Service or Technical Support at 1-800-327-0770.

## Product description

The Stryker Model 6082 **MX-PRO**® R3 is a manual ambulance cot that consists of a platform, including a mattress, mounted on a wheeled X-frame designed to support and transport a maximum weight of 650 lb (294.8 kg) in pre-hospital and hospital environments. The cot is collapsible for use in emergency vehicles and has an adjustable load height feature to allow the cot to be set to different ambulance deck heights for proper body mechanics during loading and unloading. Duplicate foot end controls on the upper and lower lift bars accommodate different operator positions or sizes and the side release handle allows a single operator to raise and lower an unoccupied cot. The device is equipped with a breakaway head section, siderails, patient restraint straps, an adjustable pneumatic backrest, wheel locks, and various optional accessories that assist with transport of the patient. The cot litter can be articulated in multiple positions.

**MX-PRO** R3 is compatible with Model 6371 wall mount and Model 6370/6377/6378/6379 floor mount fasteners.

## Indications for use

**MX-PRO** R3 is intended to support patients in a supine (horizontal) or sitting position and facilitate the transportation of associated medical equipment (such as oxygen bottles, monitors, or pumps) in emergency or transport vehicles. The cot is intended for use in pre-hospital and hospital environments, in emergency and non-emergency applications. The intended operators of the device are trained professionals including emergency medical service and medical care center personnel, as well as medical first responders.

**MX-PRO** R3 is not intended for extended stay, use as a hospital bed, or devices that modify air pressure, such as hyperbaric chambers.

## Clinical benefits

Cot: patient transport

Fastener: support cot for transport

Cot and fastener system: support and transport patients

## Contraindications

None known.


## Expected service life

MX PRO R3 has a 5 year expected service life under normal use conditions and with appropriate periodic maintenance.

## Disposal/recycle

Always follow the current local recommendations and/or regulations governing environmental protection and the risks associated with recycling or disposing of the equipment at the end of its useful life.

## Specifications

Maximum cot load capacity 		650 lb	294.8 kg
Overall length		80.5 in.	204.5 cm
Minimum length		62 in.	157.5 cm
Width		23 in.	58.4 cm
Height <sup>1</sup> See <i>Cot positions</i> (page 15).	Position 1	13.5 in.	34.3 cm
	Position 2	21 in.	53.3 cm
	Position 3	25.5 in.	64.8 cm
	Position 4	29 in.	73.7 cm
	Position 5	32 in.	81.3 cm
	Position 6	35 in.	88.9 cm
	Position 7	37.5 in.	95.3 cm
Weight <sup>2</sup>		81 lb	37.7 kg
Caster diameter/width		6 in./2 in.	15.2 cm/5.1 cm
Backrest articulation/shock position		2° - 73° / +14°	
Minimum operators required for loading/unloading an occupied cot		2	
Recommended fastener systems		Model 6370/6377/6378/6379 floor mount type or Model 6371 wall mount type	
Recommended floor height <sup>3</sup>		Up to 32 in.	81.3 cm
Roll-in style		Yes	
Single wheel lock/double wheel lock		Option	

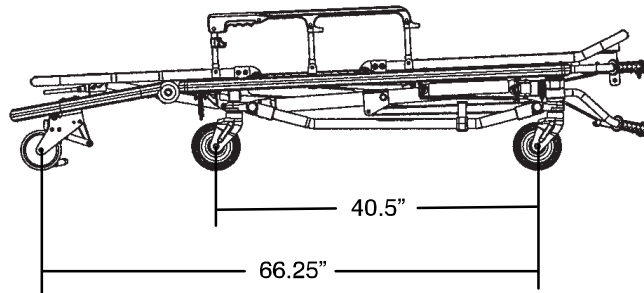
<sup>1</sup> Height measured from bottom of mattress at seat section to ground level.

<sup>2</sup> Cot is weighed without mattress and restraints.

<sup>3</sup> Cot may be loaded from any height and a height limiting kit (6060-202-011) is available to limit the load height of the cot. Stryker reserves the right to change specifications without notice.

The yellow and black color scheme is a proprietary trademark of Stryker Corporation.

**MX-PRO** is designed to conform to the Federal Specification for the Star-of-Life Ambulance (KKK-A-1822-F).



## Product illustration

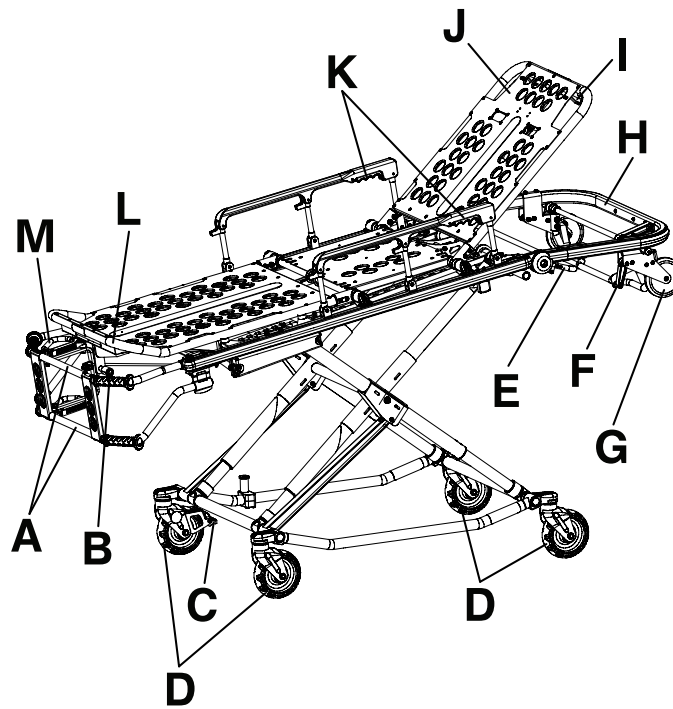
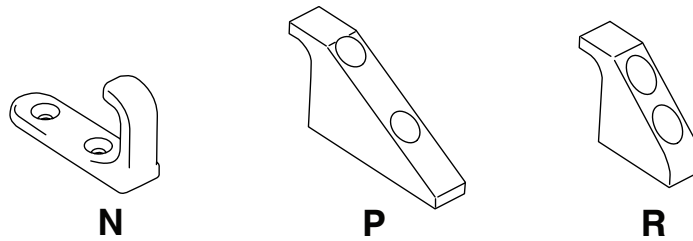


Figure 1 – MX-PRO R3 cot

A	Lifting bar	H	Breakaway head section
B	Footrest release handle	I	Backrest adjustment release handle
C	Wheel lock	J	Backrest (head section)
D	Transport wheel	K	Siderail release handle
E	Breakaway head section release bar	L	Footrest
F	Safety bar release lever	M	Height adjustment release handle (1 of 3)
G	Loading wheel (1 of 2)		



N	J safety hook	6092-036-018
P	Long safety hook	6060-036-018
R	Short safety hook	6060-036-017

## Contact information

Contact Stryker Customer Service or Technical Support at: 1-800-327-0770.

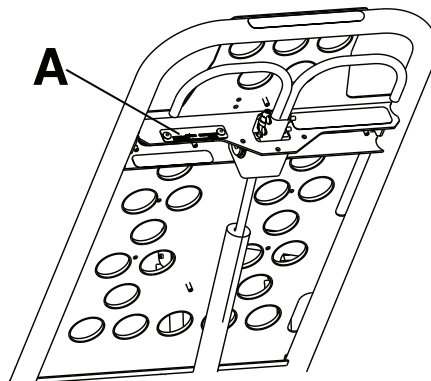
Stryker Medical  
 3800 E. Centre Avenue  
 Portage, MI 49002  
 USA

**Note** - The user and/or the patient should report any serious product-related incident to both the manufacturer and the Competent authority of the European Member State where the user and/or patient is established.

To view your operations or maintenance manual online, see <https://techweb.stryker.com/>.

Have the serial number (A) of your Stryker product available when calling Stryker Customer Service or Technical Support. Include the serial number in all written communication.

## Serial number location



## Date of manufacture

The year of manufacture is the first 2 digits of the serial number.

# Setup

During setup, unpack the cartons and check all items for proper operation. Confirm proper operation before you place the product into service.

Remove all the shipping and packaging materials from the product before use.

The vehicle patient compartment where the product will be used must have a:

- Smooth rear edge for product loading
- Level floor large enough for the folded product
- Model 6370//6371/6377/6378/6379 crash-stable cot fastener (not included)
- Tie-downs to secure the foot end of the cot are recommended (Model 6083 only)
- Space to install the safety hook
- 32 in. (81 cm) maximum loading height

**Note** - Loose items or debris on the vehicle patient compartment floor can interfere with the operation of the vehicle safety hook and product fastener. Keep the vehicle patient compartment floor clear.

When necessary, modify the vehicle to fit the cot. Do not modify the cot.



# Installation

## Installing the cot fastener

The Stryker cot fastener systems are compatible only with cots that conform to the installation specifications.

---

### WARNING

- Always install the cot fastener by qualified personnel only. Improper installation could result in injury to the patient or operator.
  - Always make sure that all cots meet the installation specifications for the Stryker cot fastener system.
  - Always adjust the rail clamp assembly to match the cot retaining post position for the cot manufacturer and model number.
- 

These instructions are intended for cots with antler style cot fastener systems. For crash-rated cot fasteners, see the appropriate Operations Manual for installation instructions.

## Selecting the vehicle safety hook

The vehicle safety hook is a device that ships with the cot. The cot safety bar and vehicle safety hook keep the cot from being accidentally removed from the vehicle and provide increased operator assurance and confidence when loading and unloading.

---

**WARNING** - Always adjust the mounting location to maintain the proper position of the vehicle safety hook face when you replace an existing vehicle safety hook with a new style.

---

**Note** - These instructions are intended for cots with antler style cot fastener systems. For crash-rated cot fasteners, see the appropriate Operations Manual for installation instructions. Crash-rated cot fasteners are shipped and installed with a vehicle safety hook, so no additional hook is needed.

The vehicle safety hook was designed for compatibility and proper operation when loading and unloading the cot from a vehicle that is compliant with Federal Regulation KKK-A-1822. Stryker offers three different types of vehicle safety hooks that are ordered and shipped with your cot. These vehicle safety hook types meet the needs of various emergency vehicle configurations, specifically the length and location of the floor structure support that is located in the rear of the vehicle.

To select which vehicle safety hook is appropriate for your vehicle configuration:

- Consider the location of the floor structure support where there is adequate room to mount the vehicle safety hook.
- Mount the vehicle safety hook into the back of the vehicle. Provide bumper clearance to allow the operators to load and unload the cot from the vehicle.
- Note the differences in vehicle design. Each vehicle safety hook provides a different mounting location option to maintain the appropriate distance between the face of the vehicle safety hook and the edge of the door sill.

Due to the differences in vehicle dimensions and the floor structure support locations, each vehicle safety hook allows for a different mounting location. Select the correct position for your vehicle safety hook installation.

- *Positioning of the vehicle safety hook, front to back* (page 11)
- *Positioning of the vehicle safety hook, side to side* (page 12)

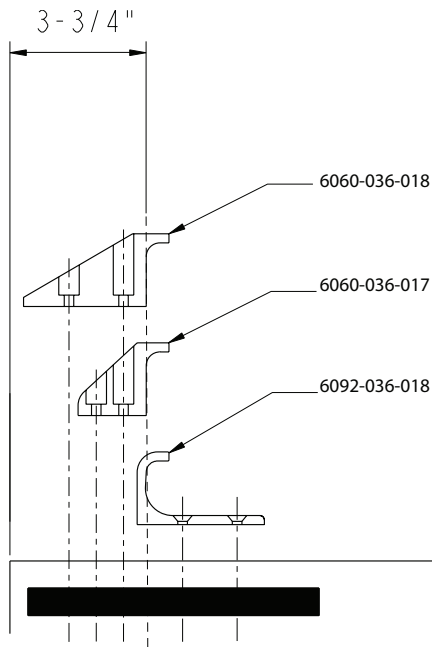


Figure 2 – Vehicle safety hook types

## Vehicle configuration

### WARNING

- Always have a certified mechanic, familiar with ambulance vehicle construction, install the vehicle safety hook to avoid injury to the patient or operator.
- Always consult the vehicle manufacturer before you install the vehicle safety hook. Make sure that the installation of the vehicle safety hook does not damage or interfere with the brake lines, oxygen lines, fuel lines, fuel tank, or electrical wiring of the vehicle.

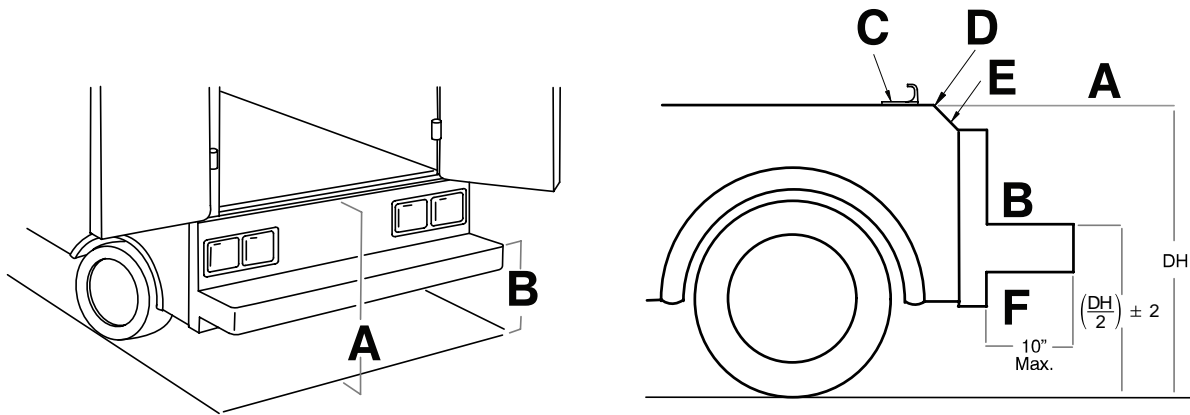
**CAUTION** - Always set the cot load height before you place the cot into service.

The cot is compatible with all vehicle deck heights that meet the Federal Specification for the Star-of-Life Ambulance KKK-A-1822. See specifications for maximum load height.

According to Federal Specification for the Star-of-Life Ambulance KKK-A-1822:

- The rear of the ambulance shall be furnished with a sturdy, full-width, rear bumper, with a step secured to the vehicle's chassis frame.
- The tread of the step shall have a minimum depth of 5 in. (13 cm) and a maximum depth of 10 in. (25 cm).
- If the step protrudes more than 7 in. (18 cm) from the rear of the vehicle, a fold-up step shall be furnished.

According to Federal Specification for the Star-of-Life Ambulance KKK-A-1822, the bumper height of the vehicle shall be installed equidistant  $\pm 2$  in. ( $\pm 5$  cm) from the vehicle floor to the ground level, which is defined as the vehicle deck height. Installation of the vehicle safety hook into any vehicle compliant with this federal specification provides adequate clearance for the cot base to lower to its fully extended position.



**Figure 3 – Deck and bumper height**

A	Deck height (DH)
B	Bumper height
C	Vehicle safety hook
D	Sill edge
E	Sill
F	Bumper depth

## Positioning of the vehicle safety hook, front to back

Before vehicle safety hook installation, check the front to back and side to side positioning when you unload and load the cot.

To check the front to back positioning:

1. Select the appropriate vehicle safety hook. See *Selecting the vehicle safety hook* (page 9).
2. Position the vehicle safety hook at least 3-3/4 in. from the leading edge of the door sill (A) (Figure 4). The recommended distance from the face of the safety hook is no less than 3-3/4 in.
3. Check that you can secure the vehicle safety hook to the mount in the back of the vehicle.
4. Check that you have adequate bumper clearance to allow the cot to be loaded and unloaded from the vehicle.
5. Confirm the side to side placement of the vehicle safety hook. See *Positioning of the vehicle safety hook, side to side* (page 12).

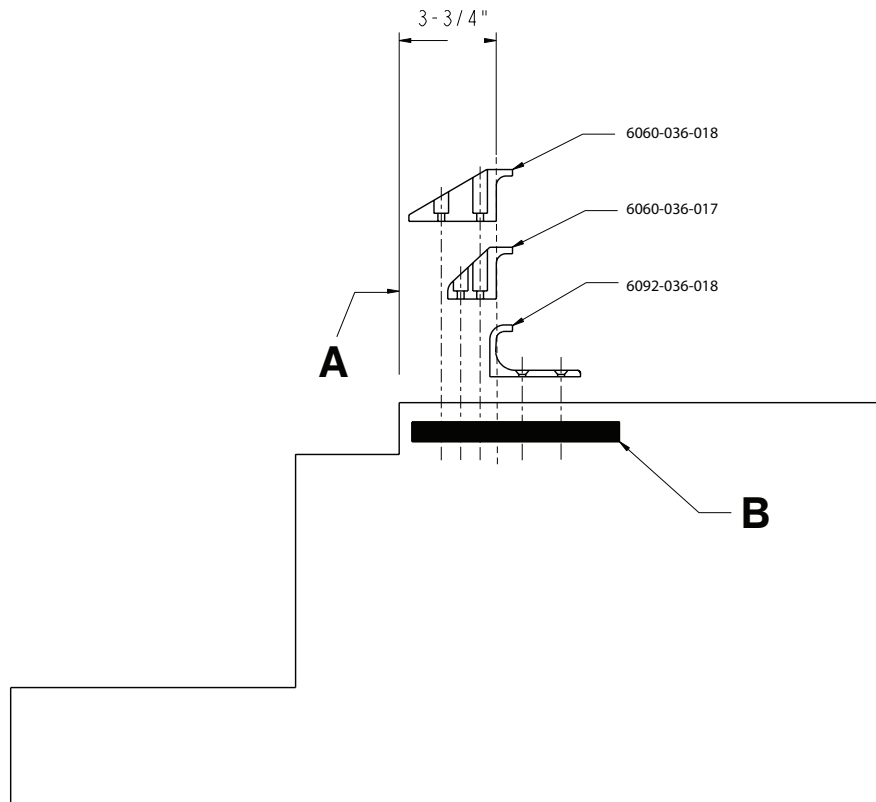


Figure 4 – Vehicle safety hook placement

A	Sill
B	Floor structure support

## Positioning of the vehicle safety hook, side to side

Before vehicle safety hook installation, check the front to back and side to side positioning when you unload and load the cot.

### WARNING

- Do not modify the cot or the vehicle safety hook. If the cot safety bar does not connect with the vehicle safety hook in any of these positions (left, center, or right), modify the vehicle.
- Always make sure that the cot safety bar connects with the vehicle safety hook every time before you install the vehicle safety hook.

To check the side to side positioning:

1. Remove the cot from the cot fastener and unload it from the vehicle.

**Note** - Pay attention to the position of the cot load wheels and the cot safety bar when you remove the cot.

2. Mark the center of the cot safety bar on the vehicle floor.
3. Check that the position marked in step 2 is where the cot safety bar connects with the vehicle safety hook every time when you unload the cot in a variety of positions (such as all the way to the left and all the way to the right).

## Installing the vehicle safety hook

Before vehicle safety hook installation, the certified mechanic should plan for the placement of the vehicle safety hook in the rear of the vehicle patient compartment.

---

### WARNING

- Always have a certified mechanic, familiar with ambulance vehicle construction, install the vehicle safety hook to avoid injury to the patient or operator.
- Always consult the vehicle manufacturer before you install the vehicle safety hook. Make sure that the installation of the vehicle safety hook does not damage or interfere with the brake lines, oxygen lines, fuel lines, fuel tank, or electrical wiring of the vehicle.
- Always make sure that the cot safety bar connects with the vehicle safety hook before you remove the cot from the vehicle patient compartment to avoid the risk of injury.
- Always use screws that are long enough to go through the vehicle patient compartment floor, washer, and nut, with at least two full threads in the nut. The socket head cap screw length depends on the thickness of the vehicle floor.
- Always have at least 5/8" of clearance between the vehicle bumper and the cot to disengage the safety bar when unloading the cot from the vehicle. Make sure that the cot legs lock into the loading position before removing the safety bar from the safety hook. Failure to lock the cot into position may cause injury to the patient or operator and damage to the cot.

---

### Hardware required (not supplied):

- (2) Grade 5, minimum 1/4"-20 socket head cap screws \* for the short vehicle safety hook or long vehicle safety hook
- (2) Grade 5, minimum 1/4"-20 flat socket head cap screws \* for the J vehicle safety hook
- (2) Flat washers
- (2) Lock washers
- (2) 1/4"-20 nuts

\*The length of the socket head cap screws depends on the thickness of the vehicle floor. Use screws that are long enough to go completely through the patient compartment floor, washer, and nut by at least two full threads.

1. Determine the correct vehicle safety hook front to back and side to side positioning, so the cot safety bar connects to the vehicle safety hook every time.
  - *Positioning of the vehicle safety hook, front to back* (page 11)
  - *Positioning of the vehicle safety hook, side to side* (page 12)
2. Drill the holes for the screws.
3. Fasten the vehicle safety hook to the vehicle patient compartment floor.
4. Check that the cot safety bar connects with the vehicle safety hook before you remove the cot from the vehicle patient compartment.



Figure 5 – Safety bar secured in the vehicle safety hook

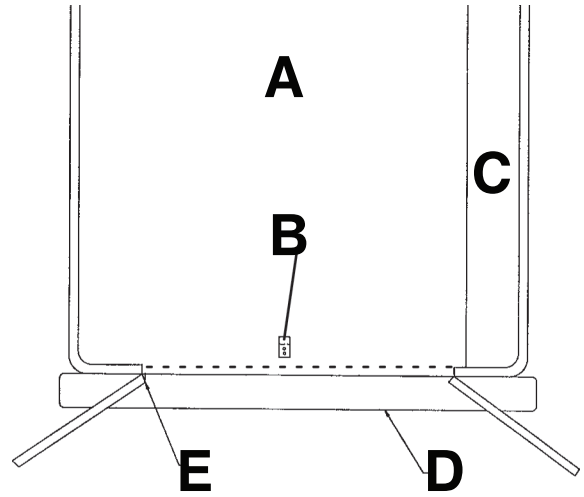
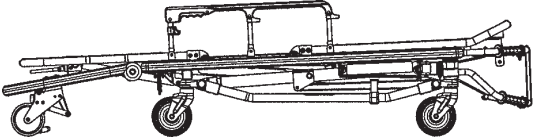
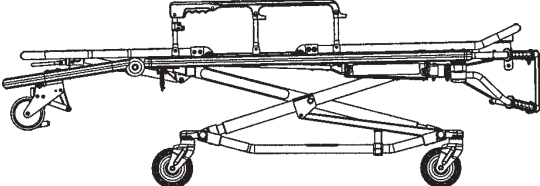
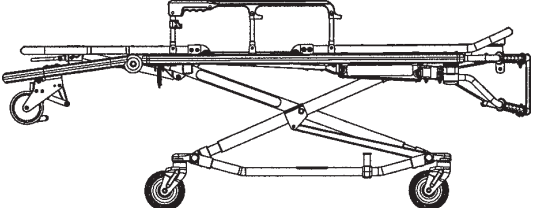
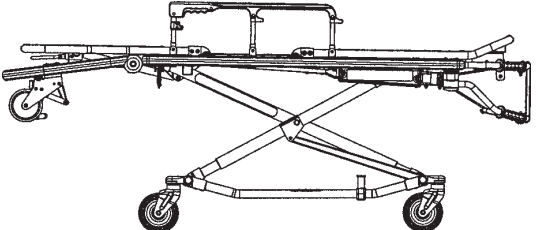
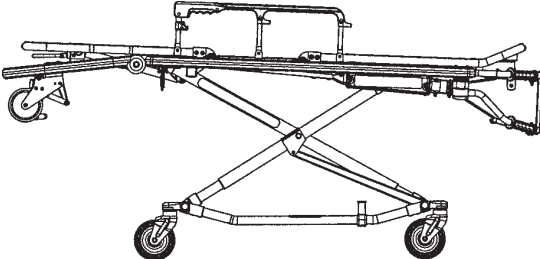
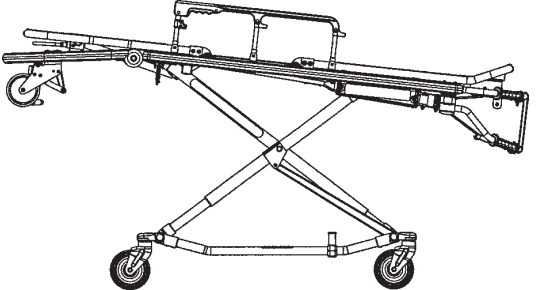


Figure 6 – Vehicle safety hook placement

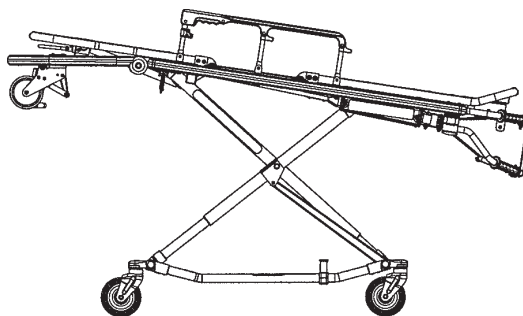
A	Top view of vehicle
B	Vehicle safety hook
C	Squad bench
D	Bumper
E	Door frame

After installation, check that the cot legs lock into the loading position without contacting the vehicle bumper.

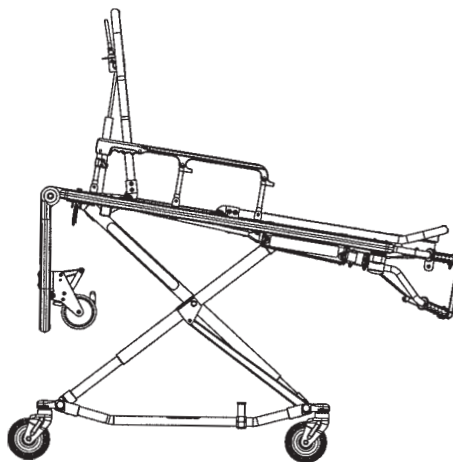
# Cot positions

Position 1 - Use for patient transfer	
Position 2 - Use for patient transfer/cot rolling	
Position 3 - Use for patient transfer/cot rolling	
Position 4 - Use for patient transfer/cot rolling	
Position 5 - Use for patient transfer/cot rolling	
Position 6 - Use for patient transfer/cot rolling	

Position 7 - Use for patient transfer/cot rolling



**WARNING** - Do not operate the product with the breakaway head section lowered to avoid injury to the patient or operator or damage to the product. Use only positions 5-7 with this configuration.





# Operation

## Operating guidelines

- Use the product only as described in this manual.
- Read all labels and instructions on the product before use.
- Always load or unload an occupied cot with a minimum of two trained operators. Two operators must be present when a cot is occupied. Stryker recommends that both operators are at the foot end to reduce the load on each operator. One or two operators can lift from the foot end of the cot.
- Do not adjust, roll, or load the cot into a vehicle without advising the patient. Stay with the patient and control the product at all times.
- Only use the wheel locks during patient transfer or without a patient on the product.
- Do not apply a wheel lock when an patient is on the product or when you move the product to avoid the risk of tipping.
- Always use all restraint straps and keep the siderails up when a patient is on the product.
- Use trained helpers to control the product, when necessary.

## Transferring the patient to the cot

---

### WARNING

- Always use all restraint straps to secure the patient on the product. An unrestrained patient may fall from the product and be injured.
  - Do not apply a wheel lock when a patient is on the product or when you move the product to avoid the risk of tipping.
- 

To transfer the patient to the product:

1. Roll the product to the patient.
2. Place the product beside the patient and raise or lower the product to the level of the patient.
3. Lower the siderails and open the restraint straps.
4. Transfer the patient to the product. Follow accepted EMS procedures.
5. Secure the patient to the product with all of the restraint straps.
6. Raise the siderails and adjust the backrest and footrest as necessary.

## Raising or lowering the cot

1. Both users must lift the weight off of the base.
2. The user at the foot end must pull the release handle.
3. Both users must lower the cot to the ground or raise the cot up.

## Applying or releasing a wheel lock

---

### WARNING

- Do not apply a wheel lock when a patient is on the product or when you move the product to avoid the risk of tipping.
  - Do not install or apply a wheel lock on a product with worn wheels that are less than 6 in. diameter.
  - Do not leave a patient or occupant unattended. Hold the product while a patient or occupant is on the product.
- 

To apply a wheel lock, press down on the pedal until it stops and is resting against the surface of the wheel.

To release a wheel lock, press down on the top of the pedal with your foot or lift up on the pedal with your toe. The top of the pedal will rest against the caster frame when you release the wheel lock.

**Note** - Wheel locks help prevent the product from rolling while unattended. Wheel locks may not provide sufficient resistance on all surfaces or under loads.

## Rolling the cot with a patient

---

**WARNING** - Do not operate the product with the breakaway head section lowered to avoid injury to the patient or operator or damage to the product. Use only positions 5-7 with this configuration.

---

1. Make sure all the restraint straps are secure and buckled around the patient (*Securing the patient with restraint straps* (page 18)).
2. Place the product in positions 2-7 for rolling (*Cot positions* (page 15)).
3. When rolling the product, position an operator at the foot end and one at the head end at all times.

### Note

- Loose items or debris on the patient compartment floor can interfere with the operation of the safety hook and cot fastener. Keep the patient compartment floor clear.
- The product can be loaded with the siderails down only if the restraint belts are buckled around the patient.

## Securing the patient with restraint straps

---

**WARNING** - Always use all restraint straps to secure the patient on the product. An unrestrained patient may fall from the product and be injured.

---

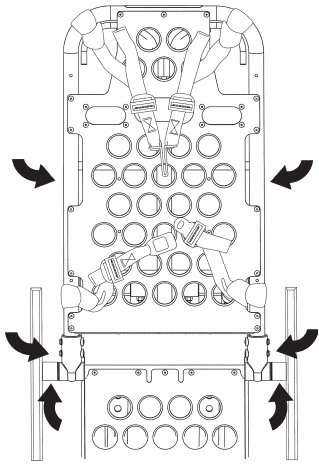
Restraint strap attachment locations should provide strong anchorage and proper restraint position. Do not allow restraint straps to interfere with equipment or accessories. Buckle all restraint straps when the cot is not in use to avoid damage to the buckles and straps.



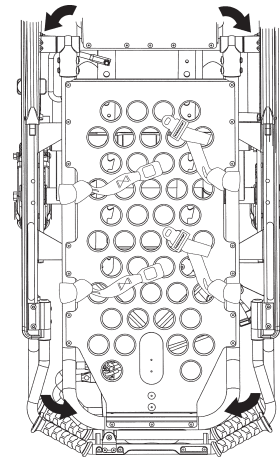
**Figure 7 – Restraint straps**

Buckle the restraint straps across the patient's chest/shoulders, waist, and legs (Figure 7).

Wrap the strap around the cot frame and back through the loop on the end of the strap (Figure 8 and Figure 9). The arrows indicate alternate attachment areas.



**Figure 8 – Backrest restraints**



**Figure 9 – Foot section restraints**

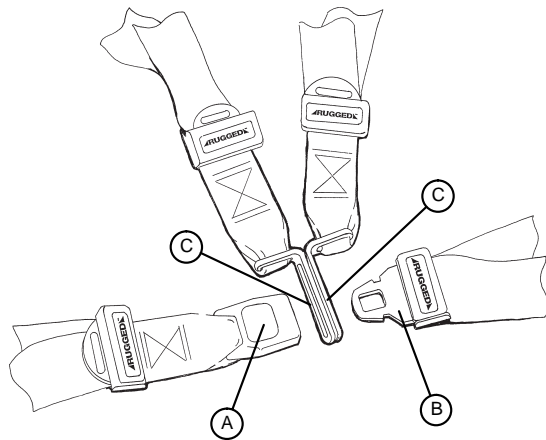
Open and place the restraints to either side of the cot until the patient is positioned on the cot mattress. Lengthen and buckle the restraint around the patient. Shorten the restraint until the required tightness is achieved.

**To open the restraint:**

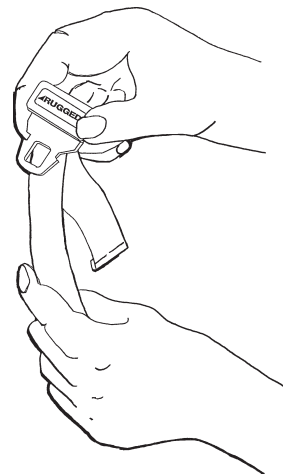
Press the red button (A) on the front of the buckle receiver to release the buckle tang (B) (Figure 10). Pull the buckle tang out of the receiver.

**To close the restraint:**

Push the tang into the receiver until you hear a click. Make sure that the buckle tang passes through both links (C) when you fasten the chest restraint (Figure 10).



**Figure 10 – Buckle the restraints**



**Figure 11 – Lengthen the restraint**

**To lengthen the restraint:**

Grasp the buckle tang, turn it at an angle to the webbing, then pull it out (Figure 11). A hemmed tab at the end of the webbing prevents the buckle tang from coming off the strap.

**To shorten the restraint:**

Grasp the hemmed tab and pull the webbing back through the buckle tang until the required tightness is achieved (Figure 12).

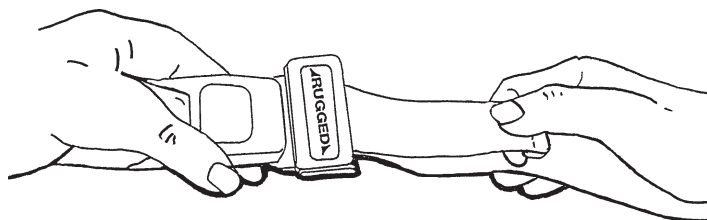


Figure 12 – Shorten the restraint

#### Note

- When you buckle a restraint strap around a patient, secure the latch plate and remove any loose webbing from the cot.
- Inspect the restraint straps at least once a month (more if used often). Check for a bent or broken receiver or latch plate, or torn or frayed webbing. Replace any worn or inoperable restraint strap.

## Adding a restraint strap extension

Add a restraint strap extension (6082-160-050) for extra length when you buckle the lap belt around larger patients.

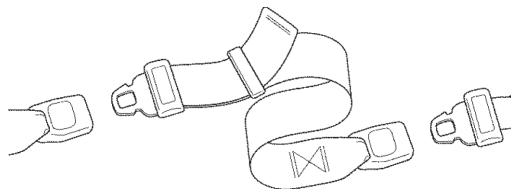


Figure 13 – Restraint strap extension

## Securing the patient with the Pedi-Mate® infant restraint system

---

**WARNING** - Always locate the buckle away from obstructions or accessories on the cot to avoid the risk of accidental release of **Pedi-Mate®** infant restraint system and injury to the infant.

---

To secure the patient with the **Pedi-Mate®** infant restraint system:

1. Remove any restraints from the cot.
2. Raise the cot backrest to the full upright position.
3. Position the **Pedi-Mate®** pad flat on the cot backrest with the black backrest straps facing out.
4. Wrap the straps around the cot backrest and insert the ends of the straps through the brackets.
5. Fasten the buckle.
6. Pull on the end of the adjustable backrest strap to tighten.
7. Insert the mainframe straps between the product frame and the mattress.
8. Insert the buckle behind the litter cross brace and bring it up in front of the litter cross brace.
9. Fasten the buckle around the litter cross brace. Leave slack in the strap for final adjustment.
10. Tighten all straps.

**Note** - For more information about the **Pedi-Mate®** infant restraint system, see the manufacturer's instructions for use, operation, and care. Safe and proper use of the **Pedi-Mate®** infant restraint system is at the discretion of the user. Set methods and procedures to educate and train your staff on the safe operation or maintenance of this product. These are general instructions only. Keep these instructions for future reference. These instructions are a permanent part of the product and should remain with the product even if the product is sold.

**Pedi-Mate®** is a registered trademark of Ferno Washington, Inc.

## Loading a cot into a vehicle with an antler style cot fastener

Always load an occupied cot with a minimum of two trained operators. Two operators must be present when a cot is occupied. Operators must be able to lift the total weight of the patient, cot, and any items on the cot.

### WARNING

- Always support the load of the patient, cot, and accessories after the weight is off of the ground.
- Always use two operators when a cot is occupied.
- Always follow proper hand placement on hand grips. Keep all hands clear of the red safety bar pivots when you load or unload the cot or change cot height position.

The higher an operator must lift the cot, the more difficult it may be to hold the weight. The operator must be able to lift the cot high enough for the cot legs to extend when the cot is unloaded. An operator may need help if they are too short or if the patient is too heavy to lift when unloading the cot. If you are a shorter operator, you may need to raise your arms higher to allow the cot legs to extend.

**Note** - You can load an unoccupied cot into a vehicle with one operator.

To load the cot into a vehicle:

1. Place the cot in a loading position. A loading position is any position where the load wheels meet the vehicle floor height.
2. Lift the vehicle bumper, if equipped, to the raised position.
3. Roll the cot to the open door of the vehicle patient compartment.
4. Push the cot forward until the load wheels are on the vehicle patient compartment floor and the cot safety bar passes the vehicle safety hook.
5. Pull the cot back until the cot safety bar connects to the vehicle safety hook for maximum clearance to lift the base.
6. Make sure that the cot safety bar connects with the vehicle safety hook.
7. Load the cot.

With one operator at the foot end and one operator on the side	With one operator (when loading an unoccupied cot)
<ol style="list-style-type: none"> <li>a. Operator 1 (at the foot end):               <ol style="list-style-type: none"> <li>i. Grasp the cot frame at the foot end.</li> <li>ii. Lift the foot end of the cot until you lift the weight off of the latching mechanism. Squeeze and hold the release handle.</li> </ol> </li> <li>b. Operator 2 (on the side):               <ol style="list-style-type: none"> <li>i. Grasp the cot outer rail to stabilize the cot.</li> <li>ii. Grasp the base frame.</li> <li>iii. After the foot end operator lifts the cot and squeezes the release handle, raise the undercarriage until it stops in the uppermost position and hold it there.</li> <li>iv. The foot end operator should release the handle to lock the base in the retracted position.</li> </ol> </li> </ol>	<ol style="list-style-type: none"> <li>a. Grasp the cot frame at the foot end and squeeze and hold the release handle.</li> <li>b. Lower the foot end of the cot to the ground.</li> <li>c. Lift the foot end of the cot until it is level with the compartment floor.</li> <li>d. Grasp the base of the cot with one hand and pull up the base of the cot towards the litter, reducing the space between the base and the litter.</li> </ol>

8. Push the cot into the vehicle patient compartment.
9. Make sure that the cot is secured in the cot fastener (not included).

## Unloading a cot from a vehicle with an antler style cot fastener

Always unload an occupied cot with a minimum of two trained operators. Two operators must be present when a cot is occupied. Operators must be able to lift the total weight of the patient, cot, and any items on the cot.

### WARNING

- Always support the load of the patient, cot, and accessories after the weight is off of the ground.
- Always use two operators when a cot is occupied.
- Always follow proper hand placement on hand grips. Keep all hands clear of the red safety bar pivots when you load or unload the cot or change cot height position.
- Always make sure that the cot safety bar connects with the vehicle safety hook before you remove the cot from the vehicle patient compartment to avoid the risk of injury.
- Do not pull or lift on the cot safety bar when you unload the cot.
- Always lock the undercarriage before you remove the loading wheels from the vehicle patient compartment floor. An unlocked undercarriage will not support the cot and injury to the patient or operator could result.
- Do not allow the cot undercarriage to drop unassisted (commonly known as a hot drop) when you remove the cot from the vehicle. Repeated hot dropping causes premature wear or damage to the cot.

**Note** - You can unload an unoccupied cot from a vehicle with one operator.

To unload the cot from a vehicle:

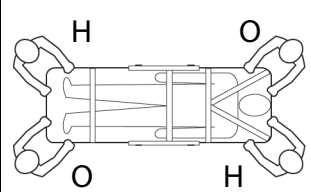
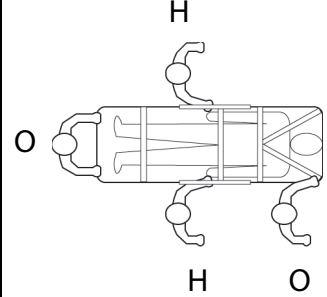
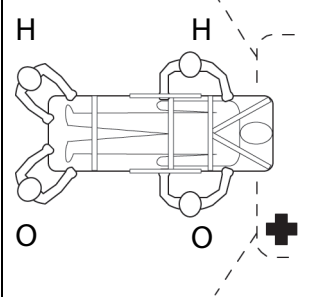
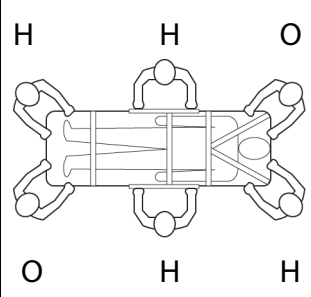
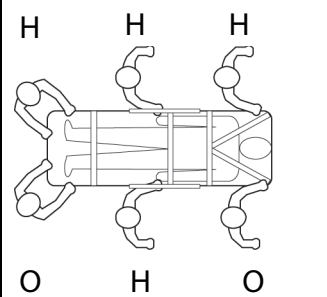
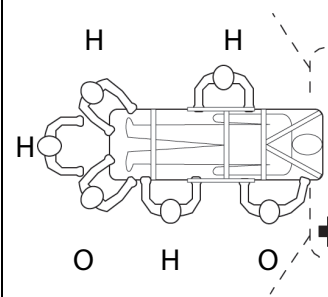
1. Lift the vehicle bumper, if equipped, to the raised position.
2. Remove the cot from the cot fastener.
3. Unload the cot.

With one operator at the foot end and one operator on the side	With one operator (when unloading an unoccupied cot)
<ol style="list-style-type: none"> <li>a. Operator 1: Grasp the cot frame at the foot end. Pull the cot out of the vehicle patient compartment until the safety bar connects with the vehicle safety hook.</li> <li>b. Operator 2: Make sure that the safety bar connects with the vehicle safety hook. Grasp the base frame, lift slightly, and lower the base frame to its fully extended position while operator 1 squeezes and holds the release handle.</li> <li>c. Operator 1: Let go of the release handle and make sure that the undercarriage locks into place. Set the cot onto the ground.</li> <li>d. Operator 2: Push the cot safety bar release lever forward to remove the cot safety bar from the vehicle safety hook.</li> </ol>	<ol style="list-style-type: none"> <li>a. Grasp the cot frame at the foot end.</li> <li>b. Pull the cot out of the vehicle patient compartment until the safety bar connects with the vehicle safety hook.</li> <li>c. Lower the foot end of the cot to the ground.</li> <li>d. Squeeze and hold the release handle and raise the foot end of the cot back to a level position with the vehicle patient compartment floor.</li> <li>e. Push the cot safety bar release lever forward to remove the cot safety bar from the vehicle safety hook.</li> </ol>

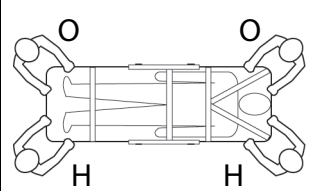
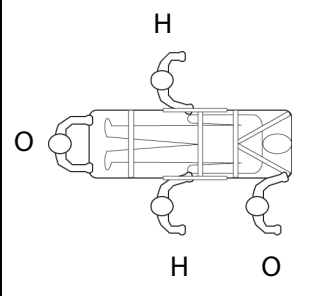
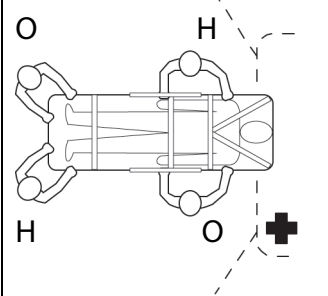
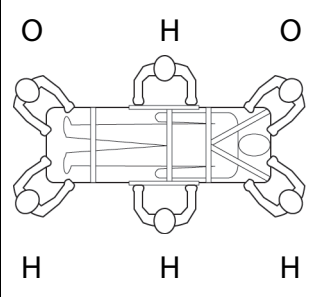
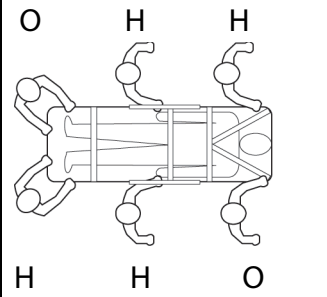
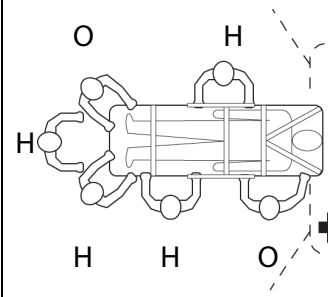
4. Remove the load wheels from the vehicle patient compartment floor.
5. Place the cot in any position, except full down for rolling.

# Positioning operators and helpers

If equipped with the right hand release option:

	Changing levels	Rolling	Loading/unloading
Two operators (O) Two helpers (H)			
Two operators (O) Four helpers (H)			

If equipped with the left hand release option:

	Changing levels	Rolling	Loading/unloading
Two operators (O) Two helpers (H)			
Two operators (O) Four helpers (H)			

## Raising or lowering the cot with two operators

Always raise or lower an occupied cot with a minimum of two trained operators. Two operators must be present when a cot is occupied. Operators must be able to lift the total weight of the patient, cot, and any items on the cot.

---

### WARNING

- Always keep hands, fingers, and feet away from moving parts. Use caution when placing your hands and feet near the base tubes while you raise or lower the cot.
  - Always follow proper hand placement on hand grips. Keep all hands clear of the red safety bar pivots when you load or unload the cot or change cot height position.
  - Always keep hands away from the foot end release handle when you raise or lower the cot with the side release handle.
- 

To raise or lower the cot:

From the head end and foot end	From the left side and right side
<ol style="list-style-type: none"><li>1. Operator 1 (at the foot end): Squeeze the release handle with a secure grip on the lifting bars.</li><li>2. Both operators:<ol style="list-style-type: none"><li>2.1. Lift the foot end of the cot until you lift the weight off of the latching mechanism.</li><li>2.2. Operator 1 (at the foot end): Squeeze and hold the release handle while both operators raise or lower the cot together.</li><li>2.3. Operator 1 (at the foot end): Release the release handle when you reach the desired height.</li><li>2.4. Maintain a secure grip on the litter frame until the latching mechanism locks into place.</li></ol></li></ol>	<ol style="list-style-type: none"><li>1. Check the cot to determine if the side release handle is on the patient left or patient right side.</li><li>2. Operator 1 (on the side with the release handle): Reach the release handle at the midpoint of the litter.</li><li>3. Both operators:<ol style="list-style-type: none"><li>3.1. Lift the foot end of the cot until you lift the weight off of the latching mechanism (approximately 1/4").</li><li>3.2. Operator 1 (on the side with the release handle): Squeeze and hold the release handle.</li><li>3.3. Raise or lower the cot.</li><li>3.4. Operator 1 (on the side with the release handle): Release the release handle when you reach the desired height.</li><li>3.5. Maintain a secure grip on the litter frame until the latching mechanism locks into place.</li></ol></li></ol>



## Raising or lowering the cot with one operator

You can raise or lower an unoccupied cot into a vehicle with one operator.

---

### WARNING

- Always keep hands, fingers, and feet away from moving parts. Use caution when placing your hands and feet near the base tubes while you raise or lower the cot.
  - Always follow proper hand placement on hand grips. Keep all hands clear of the red safety bar pivots when you load or unload the cot or change cot height position.
  - Always remove your foot from the base tube when you lower the cot to the lowest position.
  - Always keep hands away from the foot end release handle when you raise or lower the cot with the side release handle.
- 

To raise or lower the cot:

From the foot end	From the side
<ol style="list-style-type: none"><li>1. Grasp the lower foot end lift tube.</li><li>2. Tip the cot up on its load wheels.</li><li>3. Squeeze and hold the release handle and raise or lower the cot.</li><li>4. Release the release handle when you reach the desired height.</li><li>5. Lower the cot back on onto the four base wheels.</li></ol>	<ol style="list-style-type: none"><li>1. Place one foot on the outer base tube.</li><li>2. Grasp the side release handle with one hand. Place your other hand on the outer support rail to stabilize the cot.</li><li>3. Squeeze and hold the release handle and raise or lower the cot.</li><li>4. Release the release handle when you reach the desired height.</li></ol>

## Raising or lowering the footrest

You can adjust the footrest to elevate the patient's legs.

To raise the footrest, lift the frame as high as possible. The support bracket automatically secures the frame when you release the footrest.

To lower the footrest, lift the frame and lift up on the footrest release handle until the frame releases the support bracket. Lower the footrest until it lays flat.

## Raising or lowering the backrest

To raise the backrest, squeeze the backrest adjustment handle to move the backrest to the desired height.

To lower the backrest, squeeze the backrest adjustment handle while you push down on the backrest to the desired height.

## Raising or lowering the siderails

Always lower the siderails when you transfer a patient to the cot or from the cot.

---

**WARNING** - Do not use siderails as a patient restraint device.

---

To raise the siderails, lift up on the siderail until the latch clicks and the siderail locks into place. Always keep the siderails in the raised position unless you are transferring the patient.

To lower the siderails, squeeze the siderail release handle to release the siderail latch. Guide the siderail down toward the foot end of the cot until the siderail lays flat. Always lower the siderails when you transfer a patient to or from the cot.

## Raising or lowering the breakaway head section

Fold the breakaway head section down to shorten the length of the cot and allow for improved mobility and maneuvering in limited spaces (elevators, halls, etc.). Only use the breakaway head section when the cot is in positions 5-7. See *Cot positions* (page 15).

---

**WARNING** - Do not operate the cot with the breakaway head section lowered to avoid injury to the patient or operator or damage to the cot. Use only positions 5-7 with this configuration.

---

**CAUTION** - Do not lower the cot in the shortened position to avoid damage to the cot. Use only positions 5-7 when you shorten the cot.

---

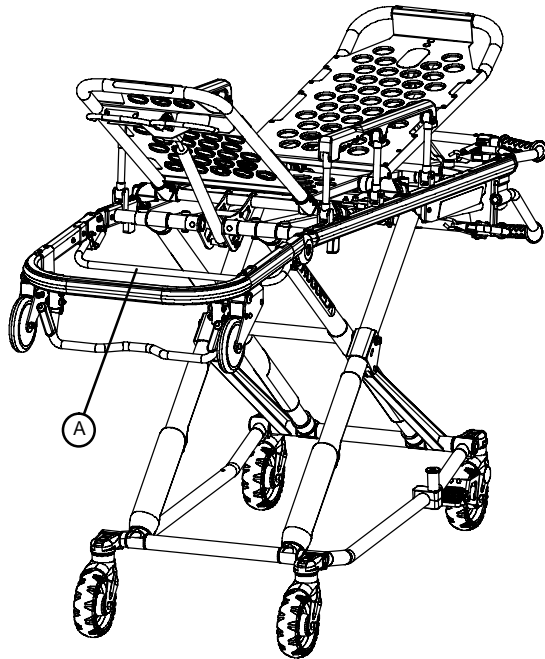


Figure 14 – Breakaway head section release bar

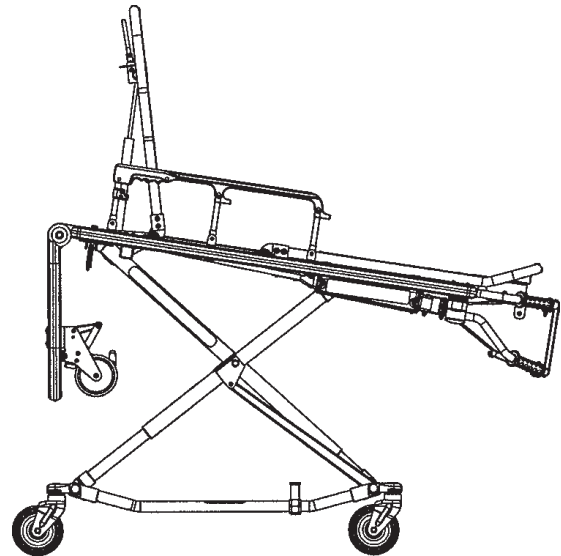


Figure 15 – Lowered breakaway head section

To lower the breakaway head section, raise the backrest to its highest position. See *Raising or lowering the backrest* (page 25). Squeeze the release bar at the head end of the cot with one hand while you support the head section with your other hand. Lower the head section.

To raise the breakaway head section, lift the breakaway head section until the release bar clicks and the head section locks into place.

## Attaching the defibrillator platform

---

### WARNING

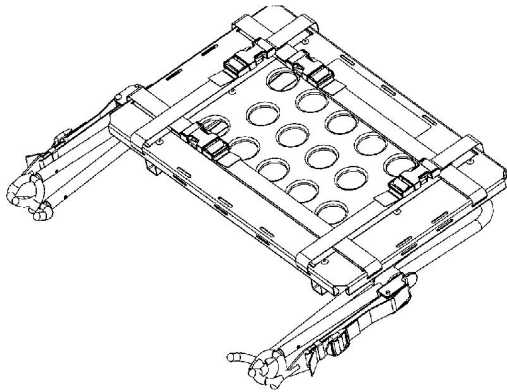
- Always secure the defibrillator platform to the product when you use the defibrillator platform.
  - Always use and adjust the straps that are provided with the defibrillator platform to secure the defibrillator.
- 

### CAUTION

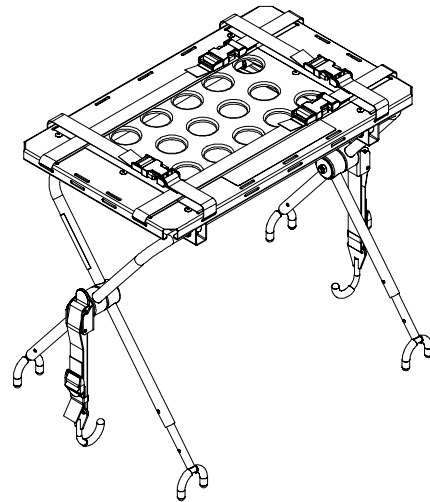
- Always change the attachment location or adjust the straps for your specific defibrillator size or shape.
  - Do not load the defibrillator platform above the safe working load of 75 lb (34 kg).
-

To attach the defibrillator platform:

1. Place the defibrillator platform in the stored position (Figure 16).
2. Open and expand the defibrillator platform legs (Figure 17).

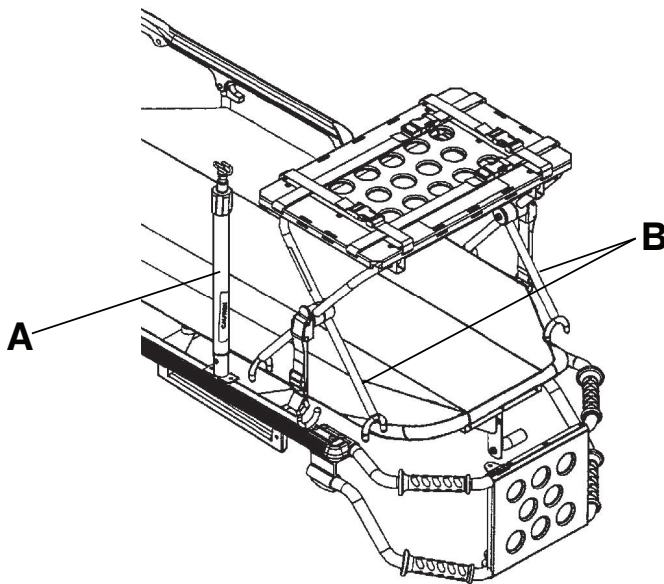


**Figure 16 – Stored position**

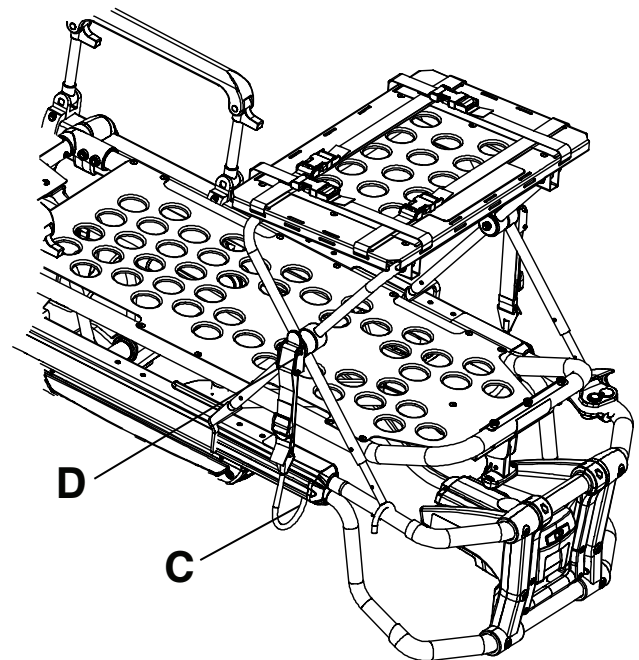


**Figure 17 – Open defibrillator platform legs**

3. If the product is equipped with an IV pole, raise the IV pole (A) to the up position (Figure 18).
4. Place the defibrillator platform on the product frame.
5. Position the inside legs (B) of the defibrillator platform toward the head end of the product (Figure 18).
6. Place the latch hook (C) under the litter frame or foot end fastener and push the tab (D) up until it locks into place on one side with an audible click (Figure 19). Repeat on the other side.



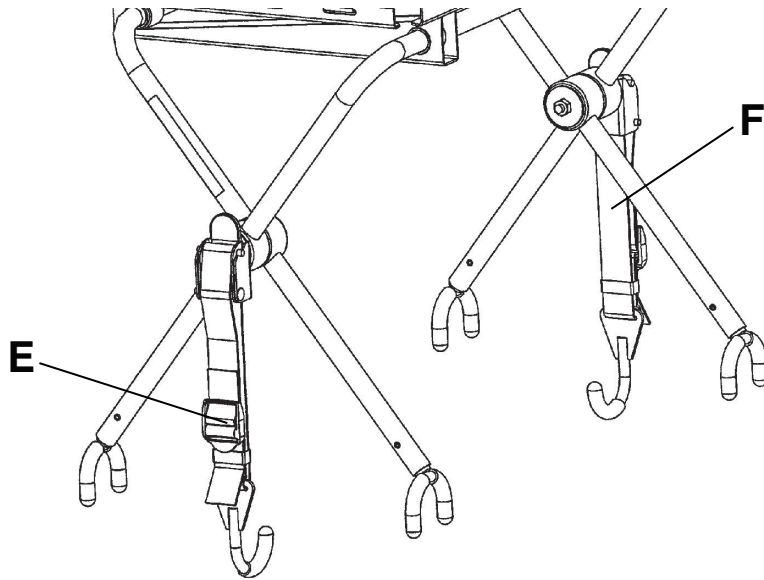
**Figure 18 – Raise IV pole and position defibrillator tray (Model 6506 shown)**



**Figure 19 – Latch hook placement (Model 6506 shown)**

7. Make sure that the defibrillator platform is secured to the product.

- Place the defibrillator on the defibrillator platform.
- Secure the straps (E) to hold the defibrillator on the defibrillator platform (Figure 20).



**Figure 20 – Attach defibrillator platform to the cot**

**Note** - If the defibrillator platform is not attached to the product after you connect both latch hooks, unlatch the tab. To adjust, loosen or tighten the strap and then push the tab up until it locks into place with an audible click.

## Positioning the two-stage IV pole option

---

**CAUTION** - Do not load the IV pole above the safe working load of 40 lb (18.1 kg).

---

To position the IV pole (Figure 21):

- Lift and pivot the IV pole from the storage position. Push down until the IV pole locks into the receptacle (A).
- To raise the height of the IV pole, turn the locking collar (B) counterclockwise and pull up on the telescoping section (C). Raise the IV pole to the desired height.
- Turn the locking collar (B) clockwise to lock the telescoping section (C) in place.
- Hang the IV bags on the IV hook (D).
- Turn the locking collar (B) counterclockwise and slide the telescoping section (C) into the bottom tube.
- Turn the locking collar (B) clockwise to tighten.
- Lift up and pivot the IV pole down into the storage position (Figure 22).

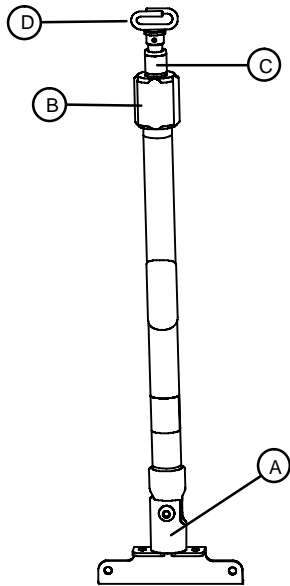


Figure 21 – Two-stage IV pole

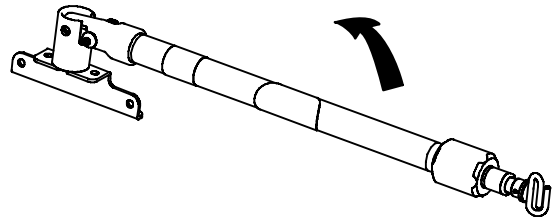


Figure 22 – Two-stage IV pole storage position

## Positioning the three-stage IV pole option

---

**CAUTION** - Do not load the IV pole above the safe working load of 40 lb (18.1 kg).

---

To position the IV pole (Figure 23):

1. Lift and pivot the IV pole from the storage position. Push down until the IV pole locks into the receptacle (A).
2. To raise the height of the IV pole, turn the locking collar (B) counterclockwise and pull up on the telescoping section (C). Raise the IV pole to the desired height.
3. Turn the locking collar (B) clockwise to lock the telescoping section (C) in place.
4. For a higher IV pole, pull up on the slide section (D) until the spring clip (E) connects.
5. Hang IV bags on the IV hook (F).
6. To lower the IV pole, push in on the spring clip (E) and slide section (D) down into the telescoping section (C). Turn the locking collar (B) counterclockwise and slide the telescoping section (C) into the bottom tube.
7. Turn the locking collar (B) clockwise to tighten.
8. Lift up and pivot the IV pole down into the storage position (Figure 24).

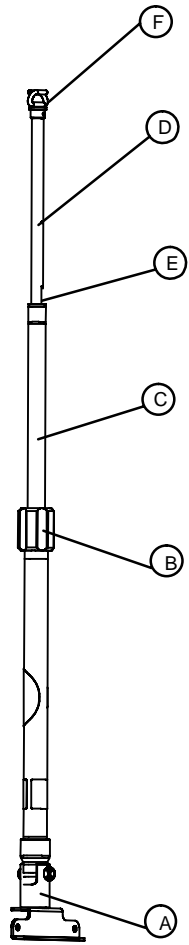


Figure 23 – Three-stage IV pole

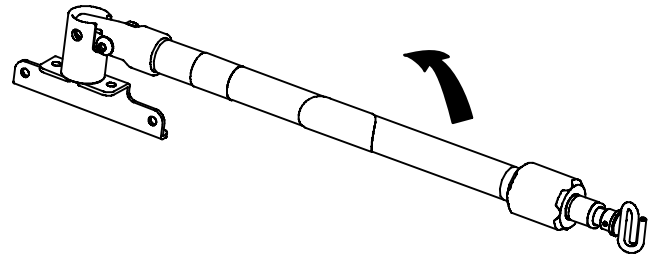


Figure 24 – Three-stage IV pole storage position

## Accessories and parts

These accessories may be available for use with your product. Confirm availability for your configuration or region. Call Stryker Customer Service: 1-800-327-0770.

Name	Number
Belt extension	6082-160-050
Cot height limit option	6060-202-000
Defibrillator platform	6082-170-000
Equipment hook option	6500-147-000
Head extension option	6100-044-000
Height option, extended	6082-203-000
Height option, standard	6082-201-000
IV pole assembly, two-stage, patient right	6080-210-010
IV pole assembly, two-stage, patient left	6080-211-010
IV pole assembly, three-stage, patient right	6080-215-010
IV pole assembly, three-stage, patient left	6080-216-010
Oxygen bottle holder, head end, permanent	6082-140-000
Oxygen bottle holder, removable	6080-140-000
Patient right assembly, no IV pole option	6080-212-010
Patient left assembly, no IV pole option	6080-213-013
Pull handle option, none	6082-156-000
Pull handle option	6080-955-000
Restraint bracket option	6091-300-010
Safety bar lift option	6091-956-016
Storage pouch, backrest	6500-130-000
Storage pouch, flat, head end	6082-128-012
Storage pouch, pocketed, head end	6082-128-010
Storage net, base	6080-150-010
Storage tray option, base	6082-150-015
Storage tray option, rigid, head end	6082-128-000

# Cleaning and disinfecting with SideKick®

For United States only. Confirm availability for your configuration or region. Call Stryker Customer Service: 1-800-327-0770.

Stryker's preferred wipes (2060-000-001 6" x 10" or 2060-000-002 9" x 12") and spray (2070-000-001) include the following active ingredients:

- n-Alkyl (60% C14, 30% C16, 5% C12, 5% C18) dimethyl benzyl ammonium chloride - 0.154%
- n-Alkyl (68% C12, 32% C14) dimethyl ethylbenzyl ammonium chloride - 0.154%
- Isopropanol - 21.000%

Non-active ingredient: Ethylene Glycol Monobutyl Ether – < 3%

**Note** - For safety information, read the product label.

## To clean or disinfect the external product surface with SideKick wipe:

### To clean:

1. Wipe down the external product surface with a fresh, clean wipe to remove all visible soils.
2. Repeat as necessary until the external product surface is visibly clean.
3. Wipe dry with a cloth or allow the external product surface to air dry before you return the product to service.

**Note** - Use as many wipes as necessary.

### To disinfect:

1. Clean first.
2. Wipe down the external product surface with a fresh, clean wipe until wet.
3. Allow the external product surface to remain wet for two minutes at room temperature.
4. Wipe dry with a cloth or allow the external product surface to air dry before you return the product to service.

## To clean or disinfect the external product surface with SideKick spray:

### To clean:

1. Spray **SideKick** on a mop, sponge, paper cloth, or cloth towel.
2. Wipe down the external product surface with a fresh, clean mop, sponge, paper cloth, or cloth towel to remove all visible soils.
3. Repeat as necessary until the external product surface is visibly clean.
4. Wipe dry with a cloth or allow the external product surface to air dry before you return the product to service.

### To disinfect:

1. Clean first.
2. Spray **SideKick** on a mop, sponge, paper cloth, or cloth towel.
3. Wipe down the external product surface with a fresh, clean mop, sponge, paper cloth, or cloth towel until wet.
4. Allow the external product surface to remain wet for two minutes at room temperature.
5. Wipe dry with a cloth or allow the external product surface to air dry before you return the product to service.

**Note** - Follow your hospital protocols to launder cloth towels or dispose of wipes or paper cloths.



# Cleaning

---

**WARNING** - Always use any appropriate personal protective equipment while power washing to avoid inhaling contagion. Power washing equipment may aerate contamination.

---

## CAUTION

- Do not steam clean or ultrasonically clean the product.
  - Do not exceed 180 °F (82 °C) as the maximum water temperature.
  - Do not exceed 240° F (115° C) as the maximum air dry temperature (cart washers).
  - Do not exceed 1500 psi (103.4 bar) as the maximum water pressure. If you use a hand held wand to wash the product, keep the pressure nozzle at a minimum of 24 in. (61 cm) from the product.
  - Always towel dry all casters and interface points.
  - Do not clean, service, or perform maintenance while the product is in use.
- 

The product is power washable. The product may show some signs of oxidation or discoloration from continuous washing. No degradation of the product's performance will occur from power washing as long as you follow the proper procedures.

- Follow the cleaning solution manufacturer's dilution recommendations exactly.
- Clean **Velcro®** after every use. Saturate the **Velcro®** with disinfectant, rinse with water, and allow the disinfectant to evaporate. Appropriate disinfectant for nylon **Velcro®** should be determined by the service.
- Immersing restraint strap metal buckles can cause buckle corrosion and is not recommended. Rinse with clean water and allow to air dry to reduce chance of corrosion. Replace restraints if metal buckles are corroded.
- Direct skin contact with visibly soiled, permeable material may increase the risk of infection.

## Suggested cleaners

In general, when used in concentrations recommended by the manufacturer, either phenolic type or quaternary (excluding **Virex® TB**) type disinfectants can be used. Iodophor type disinfectants are not recommended for use because staining may occur.

Suggested cleaners include:

- Quaternary cleaners (active ingredient - ammonium chloride) that contain less than 3% glycol ether
- Phenolic cleaners (active ingredient - o-phenylphenol)
- Chlorinated bleach solution (5.25% - less than 1 part bleach to 100 parts water)
- ≤ 21% isopropanol alcohol

Avoid oversaturation. Do not allow the product to stay wet longer than the chemical manufacturer's guidelines for proper disinfecting.

## Note

- Failure to follow the above directions when using these types of cleaners may void this product's warranty.
- Always wipe the product with clean water and dry after cleaning. Some cleaning products are corrosive in nature and may cause damage to the product. Failure to rinse and dry the product leaves a corrosive residue on the surface of the product and may cause premature corrosion of critical components.

## Removal of iodine compounds

---

**WARNING** - Always clean or dispose of contaminated mattress or cot components to avoid the risk of exposure to blood borne pathogens and injury to the patient or the operator.

---

Use a solution of 1-2 tablespoons sodium thiosulfate in a pint of warm water to clean the stained area. Clean as soon as possible after staining occurs. If stains are not immediately removed, allow solution to soak or stand on the surface. Rinse surfaces which have been exposed to the solution in clear water before returning unit to service.

## Preventive maintenance

Operation	Schedule	Procedure
Cleaning and disinfecting	Each use	See <i>Cleaning</i> (page 33).
Inspection	For 1-25 calls per month, inspect cot every 6 months  For 26-200 calls per month, inspect cot every 3 months  For 200+ calls per month, inspect cot monthly	See below for checklist.

**Note** - Keep up to date maintenance records using the Maintenance Record form in your maintenance manual.

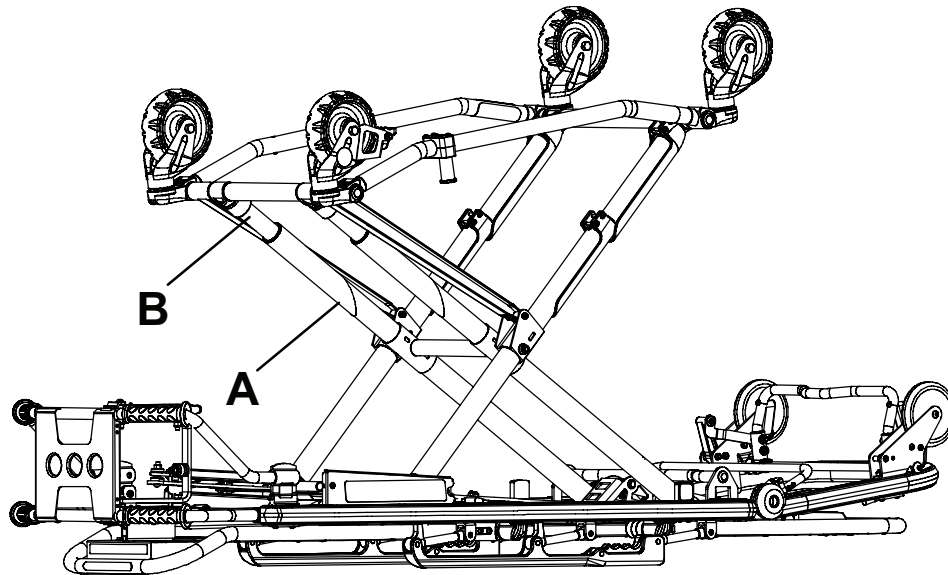
- \_\_\_\_\_ All fasteners secure (reference all assembly drawings)
- \_\_\_\_\_ All welds intact, not cracked or broken
- \_\_\_\_\_ No bent or broken tubing or sheet metal
- \_\_\_\_\_ No debris in wheels
- \_\_\_\_\_ All wheels secure, roll, and swivel
- \_\_\_\_\_ Wheel lock option holds wheel secure when on and clears wheel when off
- \_\_\_\_\_ Siderails move and latch
- \_\_\_\_\_ Backrest operates
- \_\_\_\_\_ Accessories and parts operate
- \_\_\_\_\_ Height positioning latch operates
- \_\_\_\_\_ Cot secure in each height position
- \_\_\_\_\_ Base frame folds
- \_\_\_\_\_ Breakaway head section operates
- \_\_\_\_\_ Safety bar operates
- \_\_\_\_\_ Footrest operates
- \_\_\_\_\_ No rips or cracks in mattress cover
- \_\_\_\_\_ Body restraints intact and operate
- \_\_\_\_\_ Lubricate base tubes

Serial number:
Completed by:
Date:

## Base lubrication

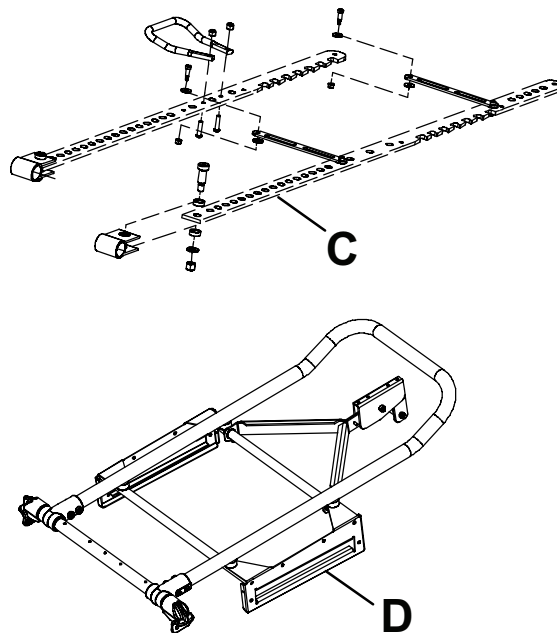
**Note** - The product is designed to operate without the need for lubrication. **Tri-Flow™** with **Teflon®** lubricant may be used to reduce the force required to raise the undercarriage and to minimize wear. Do not use silicone, **WD-40™**, or lithium grease to avoid harm to the moving parts of the cot.

1. Place the cot in the highest height position.
2. Turn the cot upside down with the base legs facing up.
3. Using the plastic applicator tube, spray **Tri-Flow™** with **Teflon®** lubricant (6082-199-012) in the gap between the upper (A) and lower lift tubes (B) on both foot end legs (Figure 25).



**Figure 25 – Base lubrication locations**

4. Apply **Tri-Flow™** to the right and left height adjustment racks (C) (Figure 26). Provide an even application.
5. Apply **Tri-Flow™** to the right and left slide plates (D) (Figure 26). Provide an even application.



**Figure 26 – Height adjustment racks and side plates**

6. Let the cot sit for five minutes.
7. Turn the cot back over. Raise and lower the cot a few times to work the lubricant throughout the applied areas.
8. Wipe any excess lubricant from the base tubes.
9. Verify proper operation before you return the cot to service.

# stryker



Stryker Medical  
3800 E. Centre Avenue  
Portage, MI 49002  
USA