

stryker®

Operations/ Maintenance Manual

Medical

Model 6083 Rugged®
MX-PRO
Bariatric Transport

**Important
Information**

File in your
maintenance
records

For parts or technical
assistance call
800 327 0770 (option 2)



Table of Contents

Introduction	
Specifications	3
Warning / Caution / Note Definition	4
Warranty	5, 6
Summary of Safety Precautions	7, 8
Setup Procedures	9, 10
Component Identification	11
Vehicle Safety Hook Installation	12, 13
Cot Positions	14
Using the Restraint Straps	15, 16
Using the Optional Patient Security Strap	16
Transferring the Patient to the Cot	17
Rolling the Cot	17
Additional Considerations when Handling Large Patients	
Using the Optional Transfer Flat	18
Using the Optional Push/Pull Handle	18
Using the Restraint Belt Extension	19
Using the Side Lift Handles	19
Loading/Unloading the Cot Using the Optional Tow Package	20
Securing the Cot Using Tie-Downs	21
Using Additional Assistance	21
Loading the Cot into a Vehicle	22, 23
Unloading the Cot from a Vehicle	24
Operating Optional Wheel Lock	25
Adjusting the Wheel Locking Force	26
Changing Cot Height	27, 28
Adjusting Leg Rest	29
Operating Backrest	30
Operating Siderails	30
Operating Breakaway Head Section	31
Operating IV Poles	32, 33
Preventative Maintenance	
Cleaning	34, 35
Preventative Maintenance Schedule & Checklist	36, 37
Base Lubrication	38
Pneumatic Fowler Adjustment	39
Maintenance Record	40
Training Record	41

Table of Contents

Assembly Drawings and Parts Lists

Cot Assembly	42–44
Base Assembly	45–47
Wheel Assembly	48
Lock Bar Assembly	49
Outer Lift Tube Assembly	50
Wheel Lock Options	51
Wheel Lock Assembly	52
Litter Assembly	53–56
Siderail Assembly	57
Lift Tube Assembly	58–60
Release Handle Assembly	61
Breakaway Head Assembly	62–65
Antler Post Assembly	66
No IV Option	67
2–Stage IV Pole Mounting Assembly	68
2–Stage IV Assembly	69–71
3–Stage IV Pole Mounting Assembly	72
3–Stage IV Assembly	73–76
Dual IV Pole Mounting Assembly	77
Hanging Oxygen Bottle Holder Assembly	78
Permanent Oxygen Bottle Holder Assembly, Foot End	79, 80
No Tow Package Option	81
Tow Package Assembly	82
Litter / Base Adapter Assembly	83–86
Base Storage Tray Assembly	87
No Push / Pull Handle Option	89
Push / Pull Handle Assembly	90–92
Safety Hook Assembly	93, 94
No Side Lift Handle Option	95
Side Lift Handle Assembly	96
X–Frame Guard Assembly	97
Mattress	98
Storage Pouch	99
Patient Security Strap	100
Quick Reference Replacement Parts List	101

Introduction

INTRODUCTION

This manual is designed to assist you with the operation and maintenance of the 6083 **ARUGGED** MX-PRO® Bariatric Transport Ambulance Cot. Read it thoroughly before using the equipment or beginning any maintenance on it.

SPECIFICATIONS

Overall Length/Minimum Length/Width	80.5"/62"/29"
Height ¹ – Position 1	13.5"
Position 2	24.5"
Position 3	28.0"
Position 4	31.5"
Position 5	34.0"
Position 6 (see page 14 for positions)	37"
Backrest Articulation/Shock Position	2° to 73° / +14°
Weight ²	111 pounds
Maximum Weight Capacity	850 pounds – 1600 pounds in the lowest height position
Caster Diameter/Width	6"/2"
Minimum Operators Required for Loading/ Unloading an Occupied Cot	2
Recommended Fastener Systems	Model 6370/6374/6377/6378 Floor Mount Type Model 6371/6375 Wall Mount Type
Recommended Floor Height ³	Up to 32"
Roll-In Style	Yes
Single Wheel Lock / Double Wheel Lock	Optional

¹ Height measured from bottom of mattress at seat section to ground level.

² Cot is weighed without mattress and restraints.

³ Cot may be loaded from any height and a height limiting kit (p/n 6060–202) is available to limit the load height of the cot.

Stryker reserves the right to change specifications without notice.

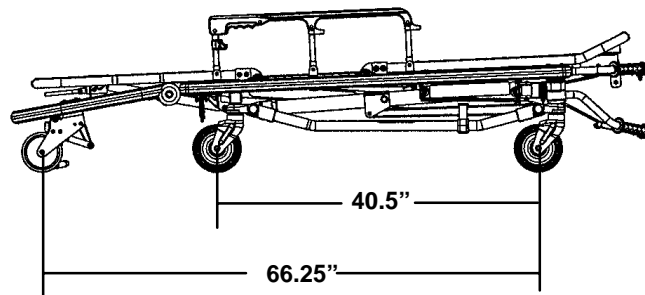


Figure 1 – Lowest Height Position

Introduction

WARNING / CAUTION / NOTE DEFINITION

The words WARNING, CAUTION and NOTE carry special meanings and should be carefully reviewed.

WARNING

The personal safety of the patient or user may be involved. Disregarding this information could result in injury to the patient or user.

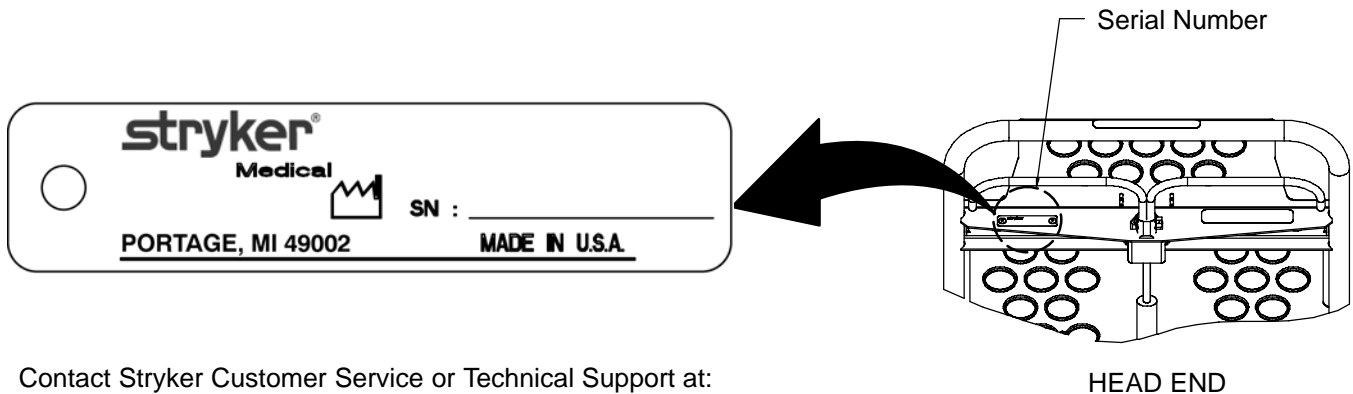
CAUTION

These instructions point out special procedures or precautions that must be followed to avoid damaging the equipment.

NOTE

This provides special information to make maintenance easier or important instructions clearer.

SERIAL NUMBER LOCATION



Contact Stryker Customer Service or Technical Support at:
(800) 327-0770 or:
Stryker Medical
3800 E. Centre Ave.
Portage, MI 49002

Please have the serial number of your Stryker product when calling Stryker Customer Service or Technical Support. Include the serial number in all written communication.

Warranty

Stryker EMS, a division of the Stryker Corporation, offers two distinct warranty options in the United States:

One (1) year parts and labor. Under this option, Stryker EMS warrants to the original purchaser that its products should be free from manufacturing non-conformances that affect product performance and customer satisfaction for a period of one (1) year after date of delivery. Stryker's obligation under this warranty is expressly limited to supplying replacement parts and labor for, or replacing, at its option, any product that is, in the sole discretion of Stryker, found to be defective.

Two (2) year parts. Under this option, Stryker EMS warrants to the original purchaser that non-expendable components of its products should be free from manufacturing non-conformances that affect product performance and customer satisfaction for a period of two (2) years after date of delivery. Stryker's obligation under this warranty is expressly limited to supplying replacement parts for, or replacing, at its option, any product which is, in the sole discretion of Stryker, found to be defective. Expendable components, i.e. mattresses, restraints, IV poles, storage nets, storage pouches, O2 straps, and other soft goods, have a one (1) year limited warranty with this option.

Under either warranty option, Stryker Medical EMS products are designed for a 7 year expected service life under normal use, conditions, and with appropriate periodic maintenance as described in the maintenance manual for each device. Stryker warrants to the original purchaser that the welds on its EMS products will be free from structural defects for the expected 7 year life of the EMS product as long as the original purchaser owns the product. Original purchasers will also obtain a three (3) year limited parts warranty for the X frame components of the MX-PRO R3 stretcher provided they also purchase X-frame guards at the time of the original purchase and the guards are installed on the MX-PRO before it is put into service.

If Stryker requests, products or parts for which an original purchaser makes a warranty claim, the purchaser shall return the product or part prepaid freight to Stryker's factory.

Any improper use or alteration or repair by unauthorized service providers in such a manner as in Stryker's judgment affects the product materially and adversely, shall void this warranty. Any repair of Stryker products using parts not provided or authorized by Stryker shall void this warranty. No employee or representative of Stryker is authorized to change this warranty in any way.

This statement constitutes Stryker EMS's entire warranty with respect to the aforesaid equipment. STRYKER MAKES NO OTHER WARRANTY OR REPRESENTATION EITHER EXPRESSED OR IMPLIED, EXCEPT AS SET FORTH HERIN. THERE IS NO WARRANTY OF MERCHANTABILITY AND THERE ARE NO WARRANTIES OF FITNESS FOR ANY PARTICULAR PURPOSE. IN NO EVENT SHALL STRYKER BE LIABLE HEREUNDER FOR INCIDENTAL OR CONSEQUENTIAL DAMAGES ARISING FROM OR IN ANY MANNER RELATED TO SALES OR USE OF ANY SUCH EQUIPMENT.

Warranty

Stryker EMS Return Policy

Cots, Stair Chairs, Evacuation Chairs, Cot Fasteners and Aftermarket Accessories: may be returned up to 180 days of receipt if they meet the following guidelines:

Prior to 30 Days

- 30 day money back guarantee in effect
- Stryker EMS is responsible for all charges
- Returns will not be approved on modified items

Prior to 90 Days

- Product must be **unused, undamaged** and in the original packaging
- Customer is responsible for a 10% restocking fee

Prior to 180 Days

- Product must be **unused, undamaged** and in the original packaging
- Customer is responsible for a 25% restocking fee

Return Authorization:

Merchandise cannot be returned without approval from the Stryker Customer Service Department. An authorization number will be provided which must be printed on the returned merchandise. Stryker reserves the right to charge shipping and restocking fees on returned items.

SPECIAL, MODIFIED, OR DISCONTINUED ITEMS NOT SUBJECT TO RETURN.

Damaged Merchandise:

ICC Regulations require that claims for damaged merchandise must be made with the carrier within fifteen (15) days of receipt of merchandise. **DO NOT ACCEPT DAMAGED SHIPMENTS UNLESS SUCH DAMAGE IS NOTED ON THE DELIVERY RECEIPT AT THE TIME OF RECEIPT.** Upon prompt notification, Stryker will file a freight claim with the appropriate carrier for damages incurred. Claim will be limited in amount to the actual replacement cost. In the event that this information is not received by Stryker within the fifteen (15) day period following the delivery of the merchandise, or the damage was not noted on the delivery receipt at the time of receipt, the customer will be responsible for payment of the original invoice in full.

Claims for any short shipment must be made within thirty (30) days of invoice.

International Warranty Clause:

This warranty reflects U.S. domestic policy. Warranty outside the U.S. may vary by country. Please contact your local Stryker Medical representative for additional information.

Patent Information

Rugged® Products are manufactured under the following patents:

United States	5,575,026	6,276,010
	5,537,700	6,125,485

Other Patents Pending

Summary of Safety Precautions

The following is a list of safety precautions that must be observed when operating or servicing this unit. The precautions are repeated throughout the manual, where applicable. Carefully read this list before using or servicing the unit.

WARNING

- Improper usage of the **▲RUGGED▲** cot can cause injury to the patient or operator. Operate the cot only as described in this manual.
 - Always use all restraint straps to secure the patient on the cot. An unrestrained patient may fall from the cot and be injured.
 - Siderails are not intended to serve as a patient restraint device. Refer to pages 15 and 16 for proper restraint strap usage. Failure to utilize the siderails properly could result in patient injury.
 - Never leave a patient unattended on the cot or injury could result. Hold the cot securely while a patient is on the cot.
 - Never apply the optional wheel lock(s) while a patient is on the cot. Tipping could occur if the cot is moved while wheel locks are applied, resulting in injury to the patient or operator and/or damage to the cot.
 - Wheel locks are only intended to help prevent the cot from rolling while unattended. Wheel locks may not provide sufficient resistance on all surfaces or under loads.
 - Never install or use wheel locks on a cot with excessively worn wheels. Installing or using wheel locks on wheels with less than a 6" diameter could compromise the holding ability of the wheel lock, resulting in injury to the patient or operator and/or damage to the cot or other equipment.
 - Be sure the undercarriage has engaged and locked before removing the loading wheels from the patient compartment floor of the vehicle. An unlocked undercarriage will not support the cot and injury to the patient and/or operator could result.
 - Do not allow untrained helpers to assist in the operation of the cot. Untrained technicians/helpers can cause injury to the patient or themselves.
 - To avoid injury, operators must be able to lift the total weight of the patient, cot and any items on the cot.
 - Grasping the cot improperly can cause injury. Grasp only the lifting bars to lift the cot. Keep hands, fingers and feet away from moving parts. To avoid injury, use extreme caution when placing your feet near the base tubes while raising and lowering the cot.
 - Improper safety hook installation can cause injury or damage to the cot.
 - Have a certified mechanic install the vehicle safety hook. Failure to install the vehicle safety hook can cause injury to the patient or operator. Install and use the safety hook as described in this manual.
 - Install the safety hook at least 1/8 inch from the edge of the rear ambulance door. After installation, verify the cot legs lock into the load position without contacting the ambulance bumper.
 - The **▲RUGGED▲** cot must have at least 5/8" of clearance between the ambulance bumper and the cot to disengage the safety bar when unloading the cot from the ambulance. Failure to properly lock the cot into position can cause injury to the patient or operator and/or damage to the cot.
 - To avoid injury, verify the safety bar has engaged the safety hook before removing the cot from the patient compartment.
 - Do not pull or lift on the safety bar when unloading the cot. Damage to the safety bar could result and injury to the patient or operator could occur.
 - Do not modify the **▲RUGGED▲** cot. Modifying the cot can cause unpredictable operation resulting in injury to the patient or operator. Modifying the cot will also void its warranty.
 - Do not ride on the base of the cot. Damage to the cot could occur, resulting in injury to the patient or operator.
 - Do not put the entire weight of the patient on the leg rest. Injury to the patient and/or operator or damage to the cot could occur. The leg rest is designed to support only the weight of the patient's legs.
-

Summary of Safety Precautions

WARNING

- Failure to properly clean or dispose of contaminated mattress or cot components will increase the risk of exposure to bloodborne pathogens and may cause injury to the patient or the operator.
 - After transporting a large patient, inspect the cot for damage. A damaged cot could cause injury to the patient and/or operator.
 - To avoid injury or damage, do not use the push / pull handle to lift the cot.
 - Do not attempt to push the bariatric cot up a ramp and into an ambulance. Injury could result. Use of the optional tow package and a winch is recommended.
 - To avoid injury, do not stand behind the cot when using a winch and the optional tow package to load the bariatric cot into an ambulance.
 - Use any appropriate personal safety equipment (goggles, respirator, etc.) to avoid the risk of inhaling contagion. Use of powerwashing equipment can aerate contamination collected during the use of the cot.
 - Operating the cot with the breakaway head section lowered may cause injury to the patient or operator or damage to the cot. Use only positions 4–6 (see page 14) when using this configuration.
-

CAUTION

- Damage to the cot can occur if the cot is lowered in the shortened position. Use only positions 4–6 (see page 14) when the cot is shortened.
- Height limit kit is recommended for ambulance deck heights less than 30 inches (76 cm).
- To avoid damage, it may be necessary to remove the push / pull handle before loading the cot into a vehicle.
- To avoid damage, retract the side lift handles whenever they're not in use and, when loading the cot, before the cot is fully inside the vehicle.
- Do not allow the cot undercarriage to drop unassisted (commonly known as a “hot drop”) when removing the cot from the vehicle. Repeated hot dropping will cause premature wear or damage to the cot.
- To avoid damage, do not pull the cot using the backrest release handle.
- To avoid damage, the weight of the I.V. bags or equipment must not exceed 40 pounds.
- Do not store items under the cot mattress. Storing items under the mattress can interfere with the operation of the cot.
- Improper maintenance can cause injury to the patient or operator or damage to the unit. Maintain the cot as described in this manual. Use only Stryker approved parts and maintenance procedures. Using unapproved parts and procedures could cause unpredictable operation and/or injury and will void the product warranty.

Setup Procedures

Unpack the cartons and check all items for proper operation. It is important that the **RUGGED** Cot is working properly before it is put into service. Have a qualified service person use the following list and the operation instructions to check the cot before it is put into service.

- All fasteners secure (reference all assembly drawings)
- All welds intact, not cracked or broken
- No bent or broken tubing or sheet metal
- No debris in wheels
- All wheels secure, rolling and swivelling properly
- Siderails move and latch properly
- Backrest operating properly
- Optional accessories intact and operating properly
- Height positioning latch functioning properly
- Cot secure in each height position
- Undercarriage folds properly
- Breakaway head section operating properly
- Safety bar operating properly
- Foot rest operating properly
- No rips or cracks in mattress cover
- Body restraints intact and working properly
- Wheel lock(s) operating properly (optional equipment)
- Does the vehicle safety hook engage the safety bar so that the cot loads and unloads easily from the vehicle?
- Is there an approved crash–stable fastener (Stryker part number 6370/6374/6377/6378/6379 or 6371/6375 – not included) installed in the vehicle?

NOTE

To prevent weight shift resulting in instability of the ambulance, Stryker EMS recommends centering the cot in the ambulance.

The patient compartment of the vehicle in which the **RUGGED** Cot will be used must have:

- A smooth rear edge for cot loading.
- A level floor large enough for the folded cot.
- Stryker 6370/6374/6377/6378/6379 or 6371/6375 crash stable cot fastener (not included).
- Tie–downs to secure the foot end of the cot are recommended (see page 21).
- 32" (81 cm.) maximum loading height.
- Space to install the safety hook.

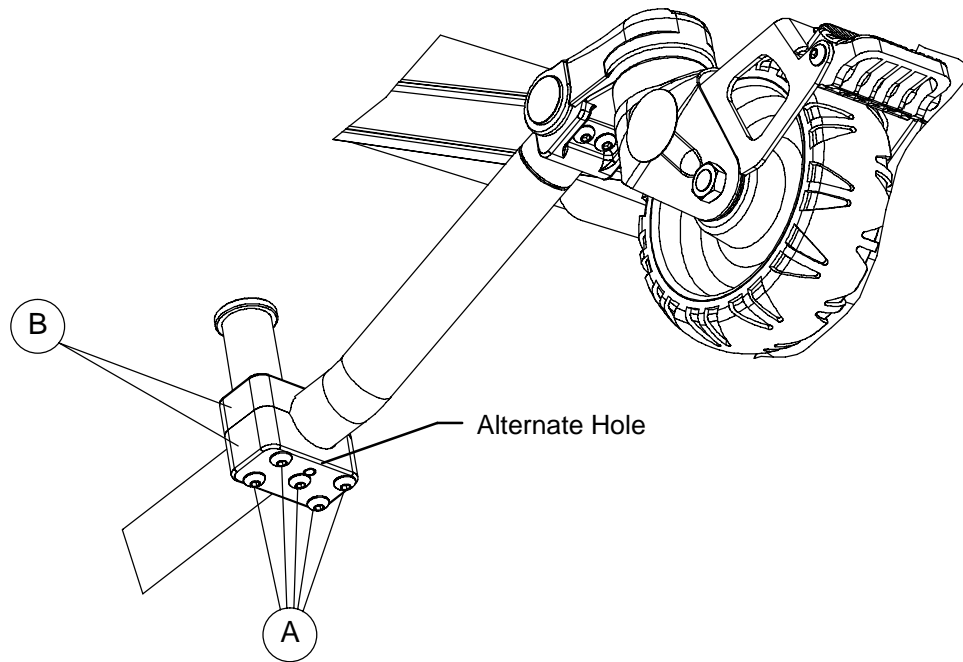
When necessary, modify the vehicle to fit the cot. Do not modify the cot.

WARNING

Do not modify the **RUGGED** Cot. Modifying the cot can cause unpredictable operation resulting in injury to the patient or operator. Modifying the cot will also void its warranty (see page 5).

Setup Procedures

COT RETAINING POST



If the ambulance cot fastener is set up for an H-frame style cot, the cot retaining post must be moved to accommodate the fastener.

1. Remove the five bolts (A) holding the two retaining post brackets (B) to the base frame.
2. Reinstall the bolts. Start with the center bolt and install it in the alternate hole in the center of the bottom bracket.

Component Identification

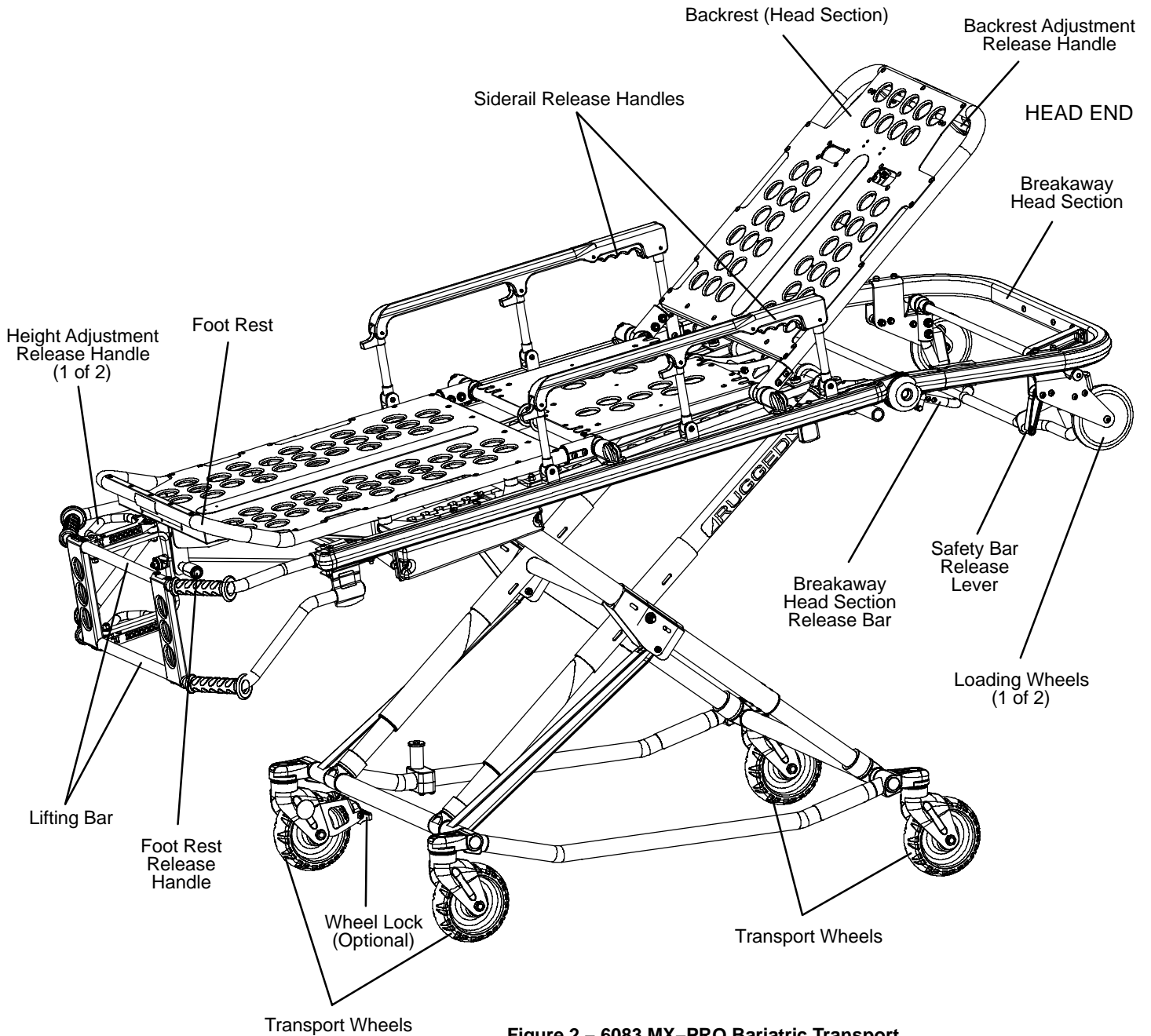
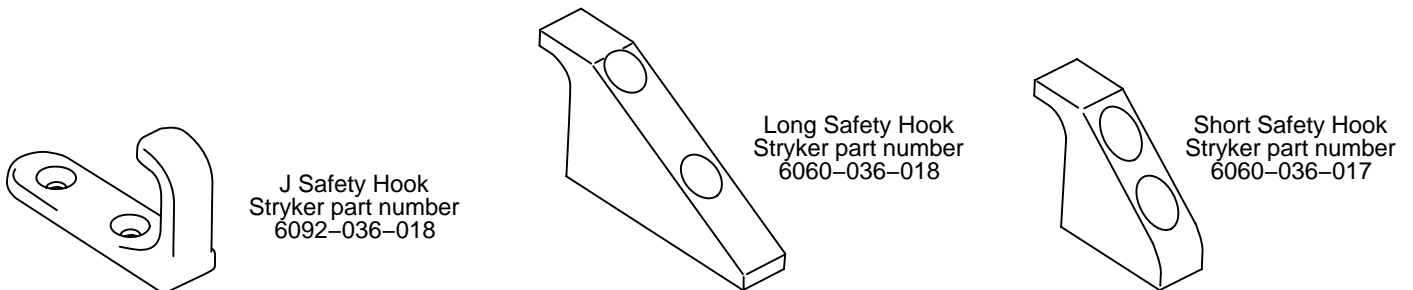


Figure 2 – 6083 MX-PRO Bariatric Transport



J Safety Hook
Stryker part number
6092-036-018

Long Safety Hook
Stryker part number
6060-036-018

Short Safety Hook
Stryker part number
6060-036-017

Vehicle Safety Hook Installation

The vehicle safety hook is a device shipped with the cot. The safety hook activates the safety bar and prevents the cot from being removed from the vehicle accidentally. The vehicle safety hook was designed to ensure compatibility and proper operation of the cot during unloading when used in an ambulance vehicle compliant with Federal Regulation KKK-A-1822, Revision E.

According to federal regulations (reference KKK-A-1822E), the bumper height of the ambulance shall be installed equidistant ± 5 cm (2 inches) from the ambulance floor to the ground level, defined as the ambulance deck height (Figure 3). The bumper step shall have a minimum depth of 13 cm (5 inches) and a maximum depth of 25 cm (10 inches). If the bumper length is greater than 18 cm (7 inches), then the bumper must be able to fold. Installation of the safety hook into any ambulance vehicle compliant with this federal specification will provide adequate clearance for the cot base to lower to its fully extended position (Figure 4). The cot is compatible with all ambulance deck heights up to 32 inches as long as the ambulance meets the federal specifications outlined in KKK-A-1822, revision E.

CAUTION

Height limit kit is recommended for ambulance deck heights less than 30 inches (76 cm) – Stryker part number 6060-202-000.

Installation of the safety hook should be done by a certified mechanic familiar with ambulance construction. Consult the vehicle manufacturer before installing the safety hook and be sure the installation of the safety hook does not damage or interfere with the brake lines, oxygen lines, fuel lines, fuel tank or electrical wiring of the vehicle.

WARNING

Improper safety hook installation can cause injury to the patient and/or operator or damage to the cot. Have a certified mechanic install the safety hook. Failure to install the safety hook can cause injury to the patient or operator. Install and use the safety hook as described in this manual.

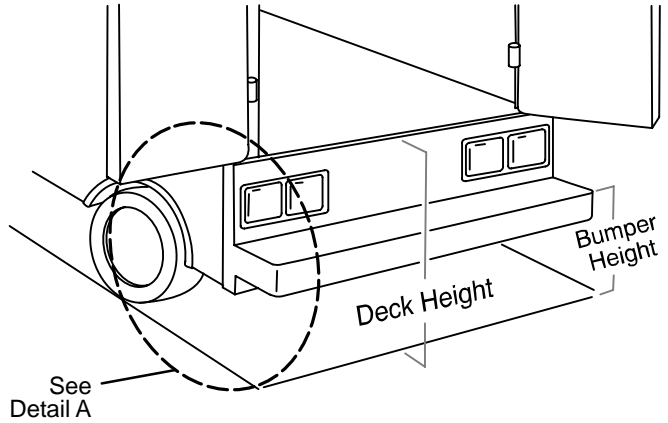


Figure 3 – Ambulance Configuration

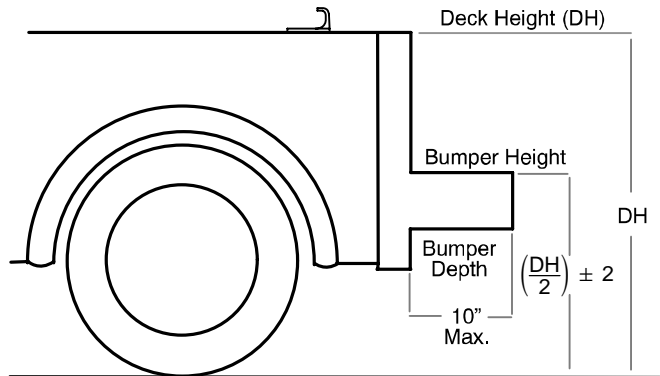


Figure 4 – Ambulance Configuration

Vehicle Safety Hook Installation

Required Hardware for Installation of the Safety Hook (Not Supplied)

- (2) Grade 5, 1/4"–20 Socket Head Cap Screws*
- (2) Grade 5, 1/4"–20 Flat Socket Head Cap Screws*
- (2) Flat Washers (2) Lock Washers
- (2) 1/4"–20 Nuts

* The length of the socket head cap screws depends on the thickness of the vehicle floor. Use screws long enough to go completely through the patient compartment floor, washer and nut by at least two full threads.

WARNING

Install the safety hook at least 1/8 inch from the edge of the rear ambulance door. After installation, verify the cot legs lock into the load position without contacting the ambulance bumper.

Positioning and Installing the Safety Hook

3. Place the cot in the cot fastener.
4. Remove the cot from the fastener and unload it from the vehicle. While the cot is being removed, note the position of the loading wheels and the safety bar.
5. Center the safety hook (Figure 5) on the cot safety bar. Be sure the hook is facing the front of the vehicle.
6. Mark the position of the safety hook on the patient compartment floor. The safety hook should be installed as close as possible to the rear of the vehicle while allowing the vehicle doors to close (Figure 6). Be sure the bumper and bumper step don't interfere with the folding and unfolding of the cot's undercarriage.
7. Drill the holes for the socket head cap screws.
8. Attach the safety hook to the patient compartment floor.
9. Verify the safety hook *a/ways* engages the cot safety bar when the cot is unloaded from the vehicle (Figure 7). If the ambulance floor is wider than normal, an additional safety hook may be required.

WARNING

The **ARUGGED™** cot must have at least 5/8" of clearance between the ambulance bumper and the cot to disengage the safety bar when unloading the cot from the ambulance. Failure to properly lock the cot into position can cause injury to the patient or operator and/or damage to the cot.

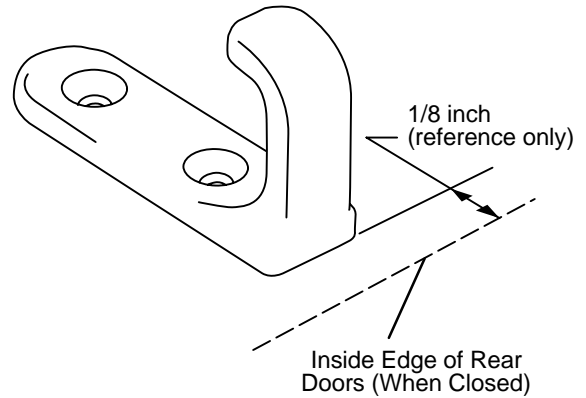


Figure 5 – Illustration of J Safety Hook

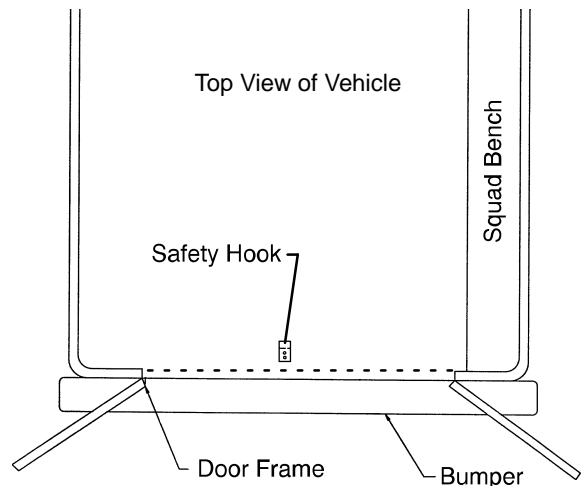


Figure 6 – Safety Hook Placement

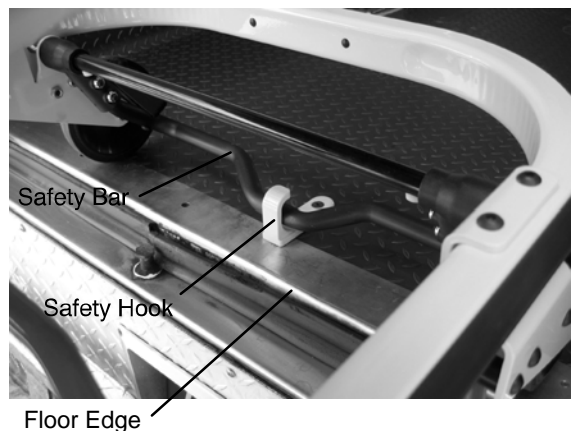
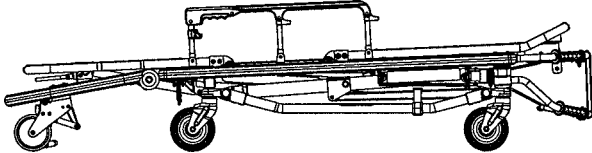
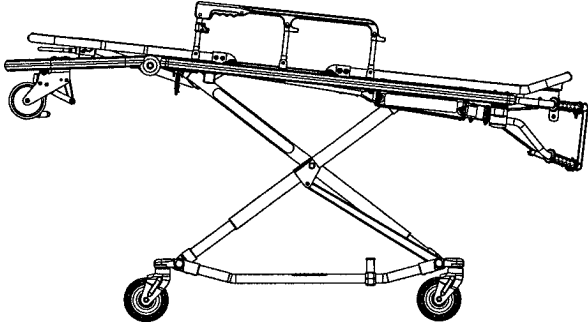


Figure 7 – Safety Bar Engaging Safety Hook

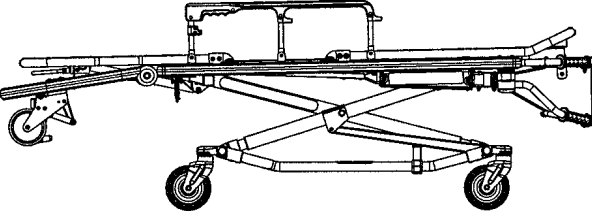
Cot Positions



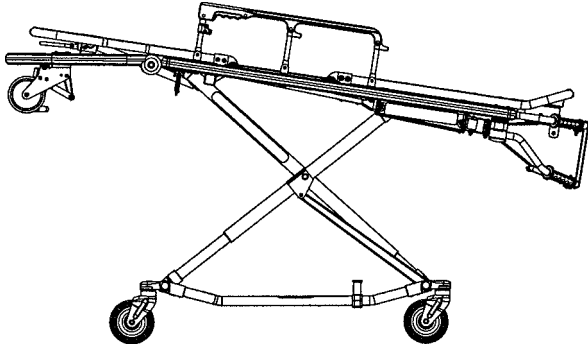
Position 1 – Use for patient transfer/cot rolling.



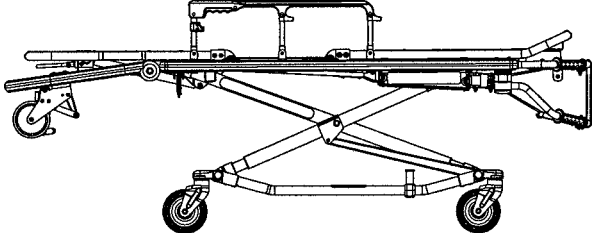
Position 5 – Use for patient transfer/cot rolling.



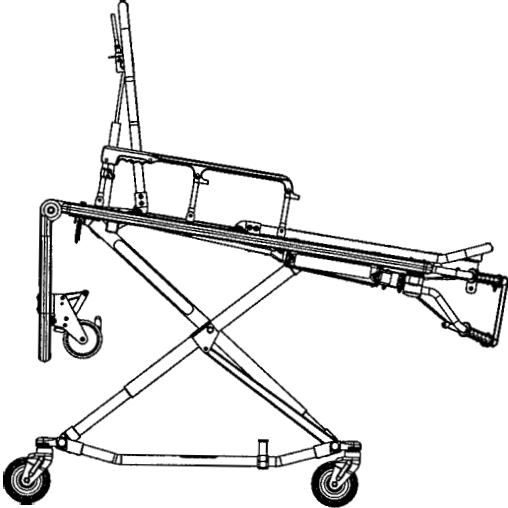
Position 2 – Use for patient transfer/cot rolling.



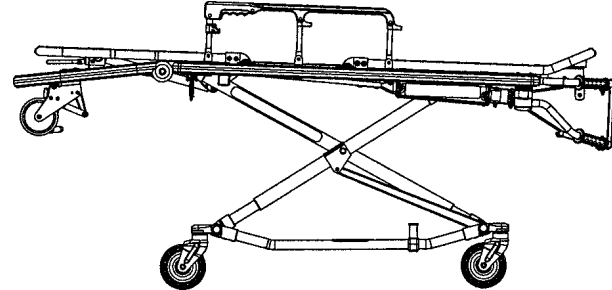
Position 6 – Use for patient transfer/cot rolling.



Position 3 – Use for patient transfer/cot rolling.



Use for cot rolling in position 4–6 when space is limited.



Position 4 – Use for patient transfer/cot rolling.

WARNING – Operating the cot with the breakaway head section lowered may cause injury to the patient or operator or damage to the cot. Use only positions 4–6 when using this configuration.

Cot Operation

USING THE RESTRAINT STRAPS



Figure 8 – Safety Restraints

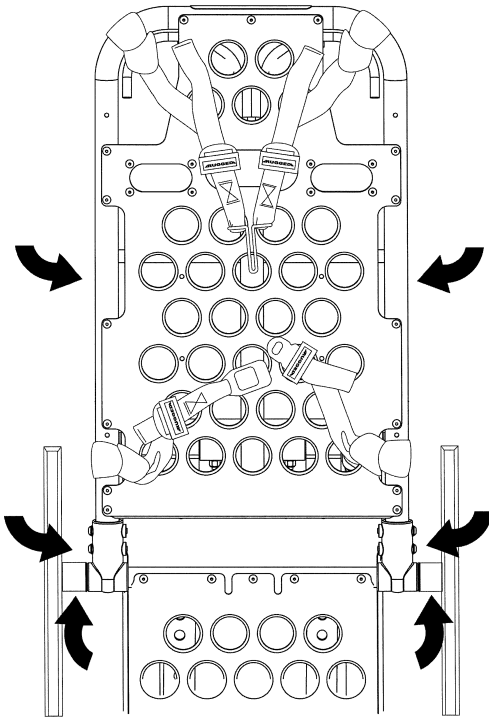


Figure 9 – Head Section Restraints

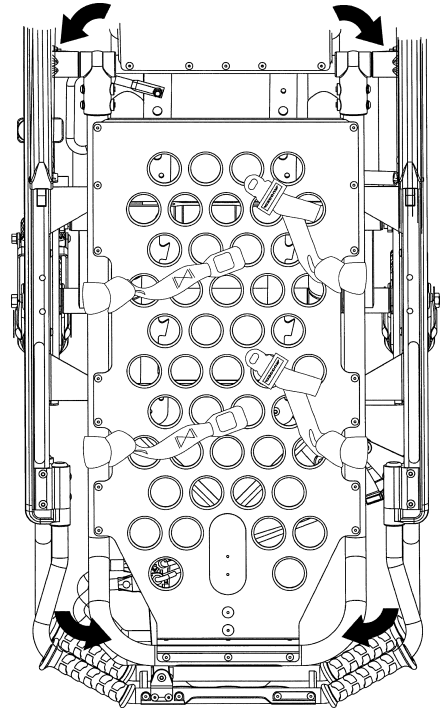


Figure 10 – Foot Section Restraints

WARNING

Always use all restraint straps to secure the patient on the cot. An unrestrained patient may fall from the cot and be injured.

Always secure the patient on the cot with all the restraint straps. Buckle the restraints across the patient's chest/shoulders, waist and legs (Figure 8). Keep the restraint straps buckled when the cot is not being used with a patient to avoid damage to the buckles and straps.

When attaching the restraint straps to the cot, keep in mind the attachment points should provide strong anchorage and proper restraint position while not interfering with equipment and accessories. Wrap the strap around the cot frame and back through the loop on the end of the strap as shown in Figures 9 and 10. The arrows indicate alternate attachment areas.

Cot Operation

USING THE RESTRAINT STRAPS (CONTINUED)

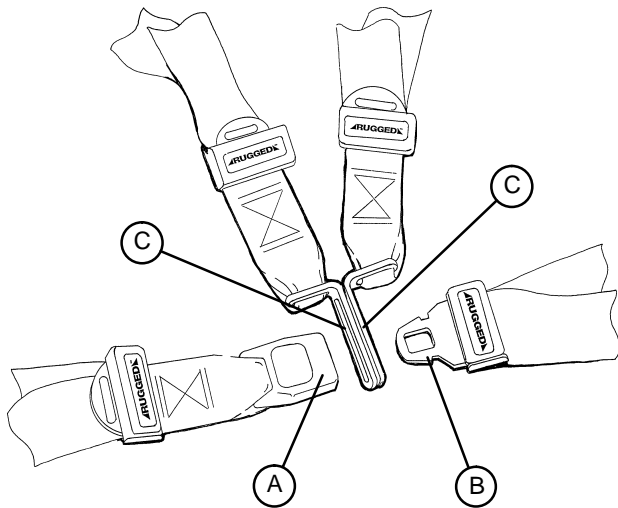


Figure 11 – Buckling the Safety Restraints



Figure 12 – Lengthening the Safety Restraint

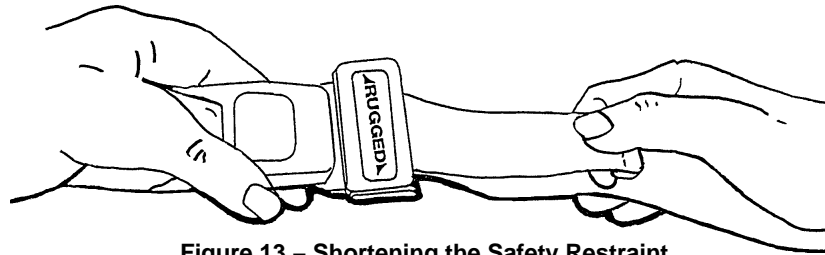


Figure 13 – Shortening the Safety Restraint

When the cot is put into service, the restraints are opened and placed to either side of the cot until the patient is positioned on the cot mattress. The restraint is lengthened, buckled around the patient and shortened until the required tightness is achieved.

To open the restraint, press the red button (A) on the front of the buckle "receiver". This releases the buckle "tang" (B) which can then be pulled out of the receiver (Figure 11).

To close the restraint, push the tang into the receiver until a "click" is heard. When fastening the chest restraint be sure the tang passes through both links (C) on the shoulder strap (Figure 11).

To lengthen the restraint, grasp the buckle tang, turn it at an angle to the webbing, then pull it out (Figure 12). A hemmed tab at the end of the webbing prevents the tang from coming off the strap.

To shorten the restraint, grasp the hemmed tab and pull the webbing back through the tang until the required tightness is achieved (Figure 13). When necessary, use the belt extender (Stryker part number 6082-160-050) to ensure the lap belt fits around the patient.

Whenever a restraint is buckled on a patient, the attendant should check to be sure the tang is fully engaged and that the extra webbing is not tangled in the cot or hanging loose.

Inspection of the restraints should be done at least once a month (more frequently if used heavily). Inspection should include checking for a bent or broken receiver or tang, torn or frayed webbing, etc. Any restraint showing wear or not operating properly must be replaced immediately.

USING THE OPTIONAL PATIENT SECURITY STRAP

The optional patient security strap can be attached to the litter frame at any of the same attachment points used for the restraint straps (see page 15 for locations). To attach the security strap, wrap the strap around the frame and back through the loop on the end of the strap.

Cot Operation

OPERATING GUIDELINES

- Use the **▲RUGGED▲** Cot only as described in this manual.
- Read all labels and instructions on the cot before using the cot.
- Use a minimum of two operators to manipulate the cot while a patient is on the cot.
- Do not adjust, roll or load the cot without advising the patient. Stay with the patient and control the cot at all times.
- Never apply the optional wheel lock while a patient is on the cot.
- Always use the restraint straps and keep the siderails up when a patient is on the cot.
- Use properly trained helpers when necessary to control the cot and patient.

TRANSFERRING THE PATIENT TO THE **▲RUGGED▲** COT

1. Roll the cot to the patient.
2. Place the cot beside the patient and raise/lower the cot to the patient's level.
3. Lower the siderails and open the restraint straps.
4. Transfer the patient to the cot using accepted EMS procedures.
5. Use all the restraints to secure the patient to the cot (see page 15 for restraint strap usage instructions).
6. Raise the siderails and adjust the backrest and leg rest as necessary.

WARNING

Always use all restraint straps to secure the patient on the cot. An unrestrained patient may fall from the cot and be injured.

Never apply the optional wheel lock while a patient is on the cot. Tipping could occur if the cot is moved while the wheel lock is applied, resulting in injury to the patient or operator and/or damage to the cot.

ROLLING THE **▲RUGGED▲** COT

1. Make sure all the restraint straps are securely buckled around the patient (see page 15 & 16 for restraint strap usage instructions).
2. When rolling the cot, position an operator at the foot end and one at the head end at all times.

NOTE

The cot can be loaded with the siderails down only if the restraint belts are properly buckled around the patient.

WARNING

Operating the cot with the breakaway head section lowered may cause injury to the patient or operator or damage to the cot. Use only positions 4–6 (see page 14) when using this configuration.

Cot Operation

ADDITIONAL CONSIDERATIONS WHEN HANDLING LARGE PATIENTS

WARNING

After transporting a large patient, inspect the cot for damage. A damaged cot could cause injury to the patient and/or operator.

USING THE OPTIONAL **RUGGED** TRANSFER FLAT

When transferring large patients, use of the Rugged® Transfer Flat (part number 6083-001-200) is recommended.

USING THE OPTIONAL PUSH / PULL HANDLE

The optional push / pull handle is used to assist with transporting the cot in the lowest position and can be used to transport patients weighing up to 1,600 pounds.

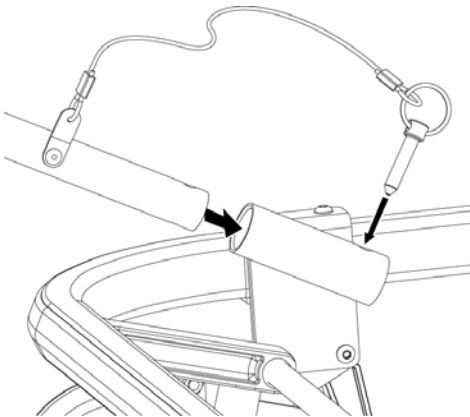


Figure 14 – Attaching the Push / Pull Handle

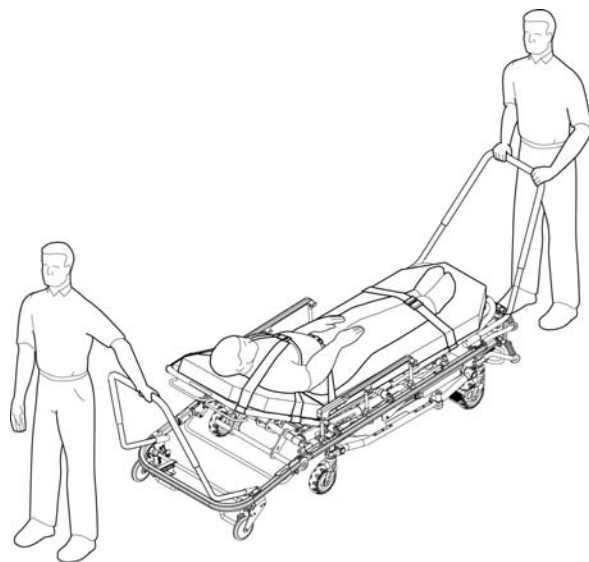


Figure 15 – Using the Push / Pull Handles

WARNING

To avoid injury or damage, do not use the push / pull handle to lift the cot.

1. Insert the optional push / pull handles into the sockets at the head and foot ends of the cot.
2. Insert the pins into the holes to secure the handle to the cot.

When the push / pull handle is not in use on a cot, insert the pins into the holes for storage.

CAUTION

To avoid damage, it may be necessary to remove the push / pull handles before loading the cot into a vehicle.

Cot Operation

USING THE RESTRAINT BELT EXTENSION

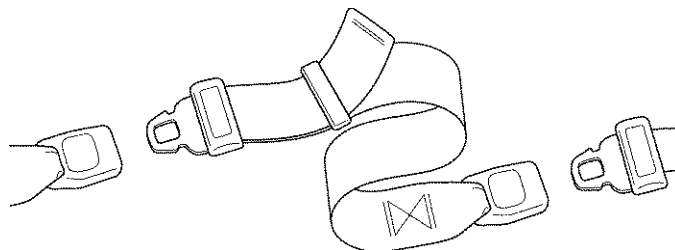


Figure 16 – Attaching the Restraint Belt Extension

Use the restraint belt extension for extra length when buckling the lap belt around large patients.

USING THE SIDE LIFT HANDLES

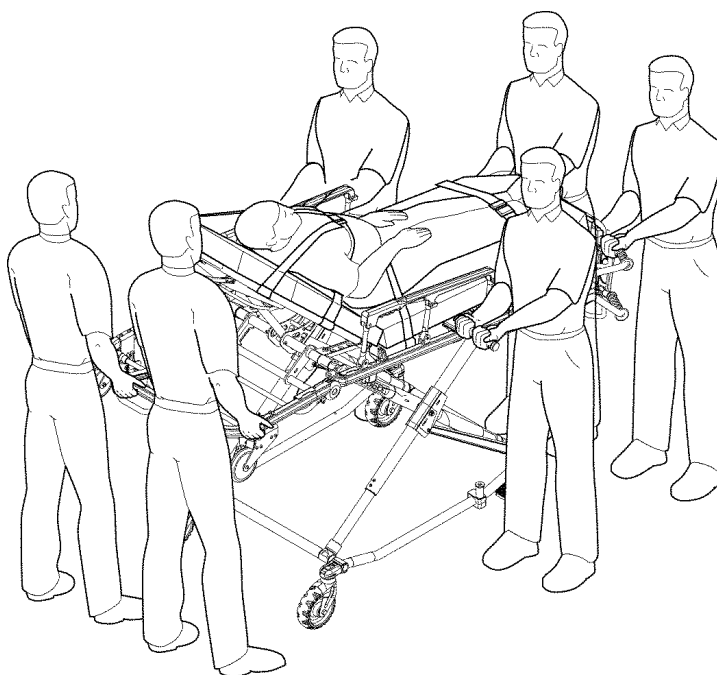


Figure 17 – Using the Side Lift Handles

Pull out the side lift handles for use when raising and lowering the cot and when loading the cot into a vehicle. Push in the handles to retract them when not in use.

CAUTION

To avoid damage, retract the side lift handles whenever they're not in use and, when loading the cot, before the cot is fully inside the vehicle.

Cot Operation

LOADING/UNLOADING THE COT USING THE OPTIONAL TOW PACKAGE

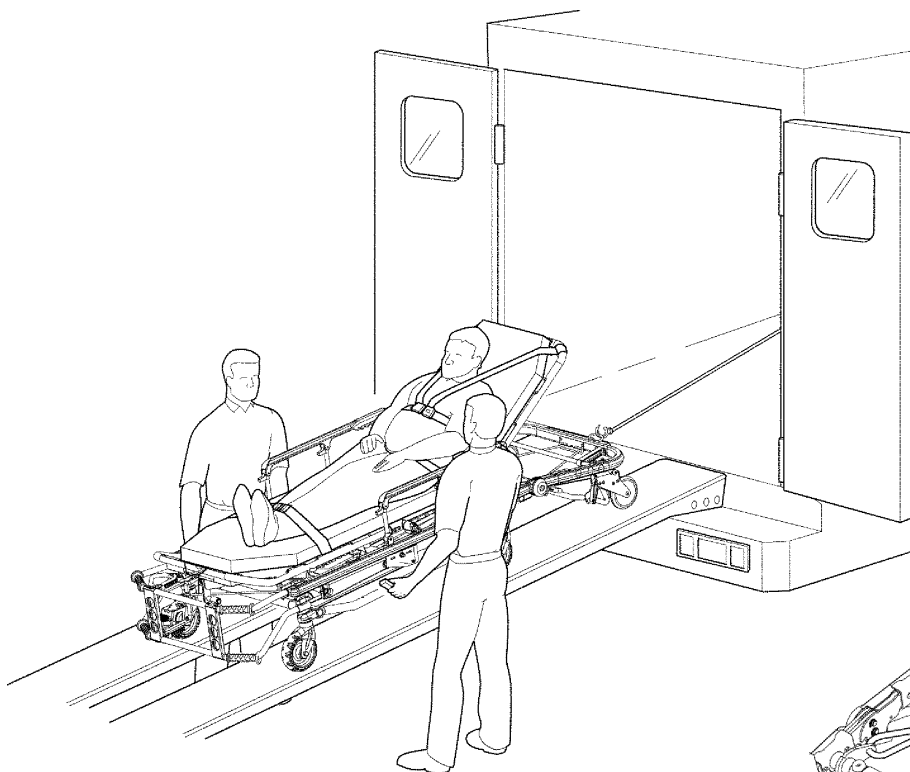


Figure 18 – Using the Tow Package

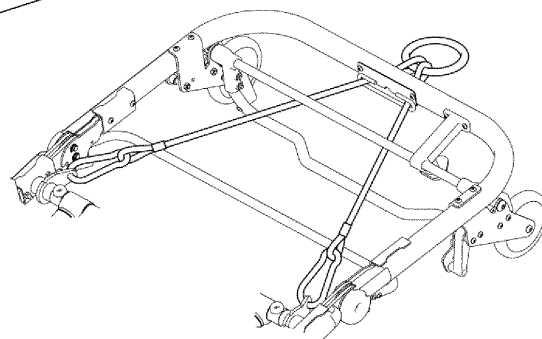


Figure 19 – Tow Package Cables

Clip the winch cable to the ring on the tow package. The tow package cables can be unclipped and removed from the cot when not in use. When reattaching the cables, be sure to put them above the red release bar and below the black bar.

WARNING

Do not attempt to push the bariatric cot up a ramp and into an ambulance. Injury could result. Use of the optional tow package and a winch is recommended.

To avoid injury, do not stand behind the cot when using a winch and the optional tow package to load the bariatric cot into an ambulance.

The length of the loading ramp should be at least 12 feet. Verify the ramp can support the weight of the cot, patient and equipment.

NOTE

With the cot in the lowest position, the optional tow package can be used to load patients weighing up to 1,600 pounds.

Cot Operation

SECURING THE COT USING TIE-DOWNS

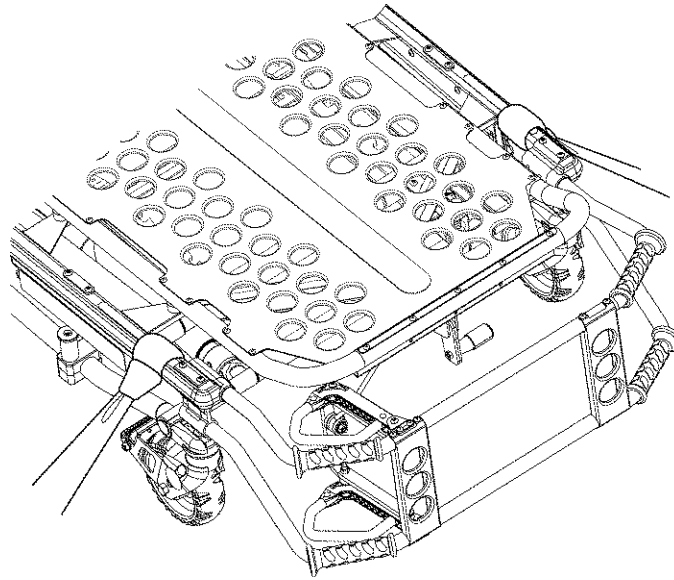


Figure 20 – Using Tie-Downs

When transporting the Model 6083 Bariatric Cot, using tie-downs to secure the cot inside the ambulance is recommended. Q-Straint® Model L aluminum tracks are the suggested style.

USING ADDITIONAL ASSISTANCE

	Changing Levels	Rolling	Loading/Unloading
Two Operators Two Helpers			
Two Operators Four Helpers			

Cot Operation

LOADING THE **ARUGGED** COT INTO A VEHICLE WITH TWO OPERATORS

When loading the cot into a vehicle, an operator should remember the following important issues:

- Two operators must be present when the cot is occupied.
- There must be a safety hook properly installed in the vehicle so that the bumper does not interfere with the front legs of the base frame. (See page 12 for safety hook installation instructions.)

WARNING

To avoid injury, operators must be able to lift the total weight of the patient, cot and any items on the cot.

- The higher an operator must lift the cot, the more difficult it becomes to hold the weight. An operator may need help loading the cot if he/she is too short or if the patient is too heavy to lift safely. The operator must be able to lift the cot high enough for the cot's legs to unfold completely and lock when the cot is unloaded. A shorter operator will have to raise his/her arms higher to enable the undercarriage to unfold.

1. Place the cot in a loading position (any position where the loading wheels meet the vehicle floor height). Roll the cot to the open door of the patient compartment. Lift the vehicle bumper to the raised position (if possible).
2. Push the cot forward until the loading wheels are on the patient compartment floor and the safety bar passes the safety hook (Figure 21).
3. For maximum clearance to lift the base, pull the cot back until the safety bar engages the safety hook. Operator two should verify that the bar engages the safety hook.

WARNING

Failure to install the safety hook can result in injury. Install and use the hook as described in this manual.

4. Operator 1 – Grasp the cot frame at the foot end. Lift the foot end of the cot until the weight is off the latching mechanism. Squeeze and hold the release handle (location A or B).
5. Operator 2 – Stabilize the cot by placing your hand on the outer rail (location C). Grasp the base frame where indicated (location D). After the foot end operator has lifted the cot and squeezed the release handle, raise the undercarriage until it stops in the uppermost position and hold it there (Figure 22).
6. Both Operators – Push the cot into the patient compartment (Figure 23), engaging the cot fastener (not included).



Figure 21 – Safety Bar Engaging Safety Hook

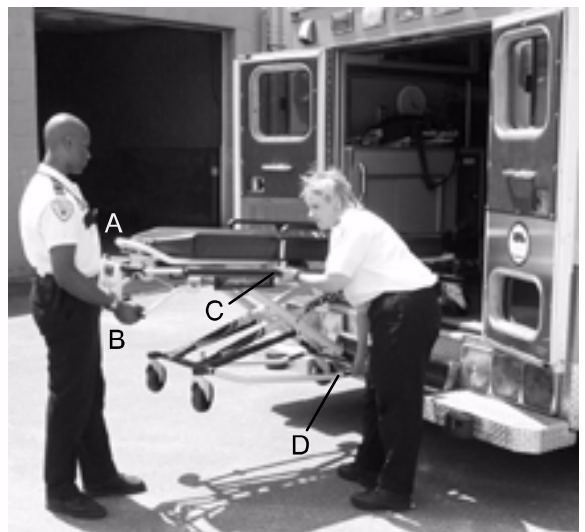


Figure 22 – 2 Operators – 1 Lifting the Base



Figure 23 – 2 Operators – Base Full Up

Cot Operation

LOADING AN EMPTY **RUGGED** COT INTO A VEHICLE WITH ONE OPERATOR

WARNING

This procedure is for use only with an empty cot. Do not use this procedure when loading a patient. Injury to the patient and/or operator could result.

1. Place the cot in a loading position (any position in which the load wheels meet the vehicle floor height – see page 14).
2. Roll the cot to the open door of the patient compartment.
3. Lift the vehicle bumper to the raised position (if possible).
4. Push the cot forward until the loading wheels are on the compartment floor and the safety bar passes the safety hook.
5. Pull the cot back until the safety bar engages the safety hook.
6. Grasp the cot frame at the foot end and squeeze and hold the release handle (A or B) (Figure 24).
7. Lower the foot end of the cot to the ground, making sure the cot locks in position 1 (Figure 25).
8. Lift the foot end of the cot until it is level with the compartment floor.
9. Grasp the base of the cot with one hand and pull up the base of the cot towards the litter, reducing the space between the base and the litter (Figure 26).
10. Push the cot into the patient compartment, guiding it into the cot fastener.

NOTE

Loose items or debris on the patient compartment floor can interfere with the operation of the safety hook and cot fastener. Keep the patient compartment floor clear.



Figure 24 – Squeeze the Release Handle



Figure 25 – Lower the Foot End of the Cot



Figure 26 – Pull Up the Base of the Cot

Cot Operation

UNLOADING THE COT FROM A VEHICLE WITH TWO OPERATORS

1. Disengage the cot from the cot fastener. (For more detailed instructions, reference the cot fastener installation/operation manual – Stryker part number 6370–90–10).
2. Operator 1 – Grasp the cot frame. Pull the cot out of the patient compartment until the safety bar engages the safety hook.

WARNING

To avoid injury, verify the safety bar has engaged the safety hook before removing the cot from the patient compartment.

Failure to install the safety hook can cause injury to the patient or operator. Install and use the safety hook as described in this manual.

3. Operator 2 – Grasp the base frame where indicated, lift slightly, and lower the base frame to its fully extended position while operator 1 squeezes and holds the release handle.
4. Operator 1 – Let go of the release handle and be sure the undercarriage locks into place.
5. Operator 2 – Disengage the safety bar from the safety hook by pushing the safety bar release lever forward.
6. Remove the cot loading wheels from the vehicle.

CAUTION

Do not allow the cot undercarriage to drop unassisted (commonly known as a “hot drop”) when removing the cot from the vehicle. Repeated hot dropping will cause premature wear or damage to the cot.

WARNING

Be sure the undercarriage has engaged before removing the loading wheels from the patient compartment floor of the vehicle. An unlocked undercarriage will not support the cot and injury to the patient or operator could result.

UNLOADING AN EMPTY **▲RUGGED▲** COT FROM A VEHICLE WITH ONE OPERATOR

WARNING

This procedure is for use only with an empty cot. Do not use this procedure when unloading a patient. Injury to the patient and/or operator could result.

1. Lift the vehicle bumper to the raised position (if possible).
2. Grasp the cot frame at the foot end; pull the cot from the vehicle until the safety bar engages the safety hook.
3. Lower the foot end of the cot to the ground (see Figure 25).
4. Squeeze and hold the release handle (A or B – see Figure 24) and raise the foot end of the cot back to a level position with the compartment floor.
5. Disengage the safety bar from the safety hook by pushing the safety bar release lever forward and roll the cot out of the vehicle.

Cot Operation

OPERATING THE OPTIONAL WHEEL LOCK(S)

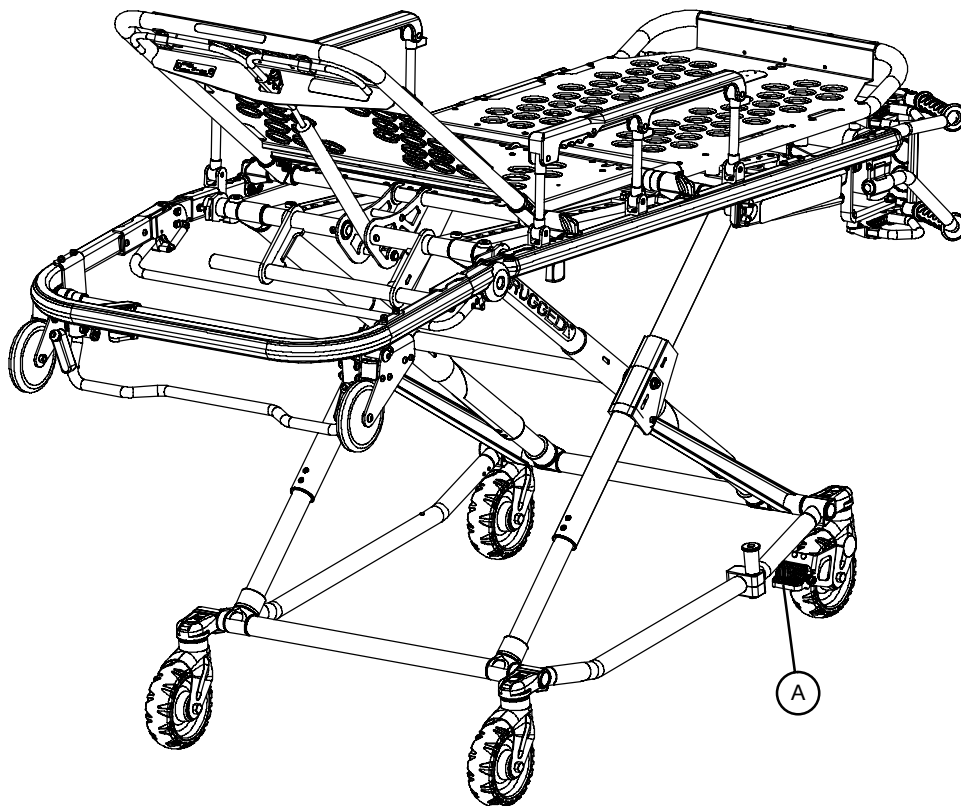


Figure 27 – Rugged® Wheel Lock

1. To activate the optional wheel lock(s), press fully down on the pedal (A) until it stops.
2. To release the optional wheel lock(s), depress the upper face of the pedal with your foot or lift up with your toe under the pedal. The upper portion of the pedal will rest against the caster frame when the wheel lock is released.

WARNING

Never apply the optional wheel lock(s) while a patient is on the cot. Tipping could occur if the cot is moved while a wheel lock is applied, resulting in injury to the patient or operator and/or damage to the cot.

Wheel lock(s) are only intended to help prevent the cot from rolling while unattended. A wheel lock may not provide sufficient resistance on all surfaces or under loads.

Never leave a patient unattended on the cot or injury could result. Hold the cot securely while a patient is on the cot.

Never install or use a wheel lock on a cot with excessively worn wheels. Installing or using a wheel lock on a wheel with less than a 6" diameter could compromise the holding ability of the wheel lock, possibly resulting in injury to the patient or operator and/or damage to the cot or other equipment.

Cot Operation

ADJUSTING THE WHEEL LOCKING FORCE

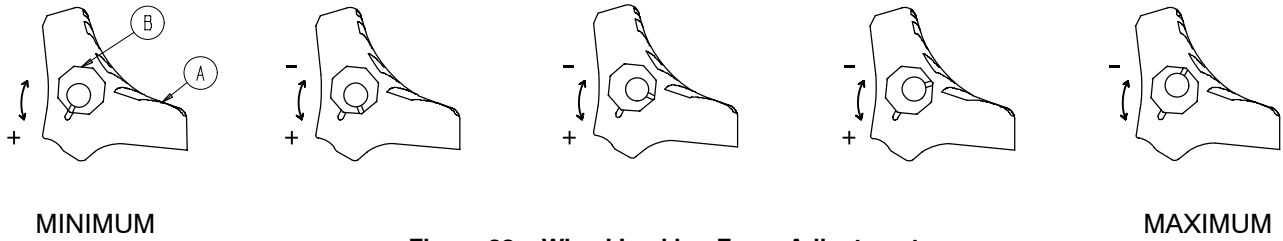


Figure 28 – Wheel Locking Force Adjustment

1. To adjust the wheel locking force, remove the hex socket screw from the center of the lock pedal. The wheel lock is initially assembled with the pedal set at the minimum locking force. The marker on the pedal (item A) is aligned with the marker on the octagonal sleeve (item B).
2. Remove the sleeve (B). Rotate the sleeve counterclockwise to increase the pedal locking force and clockwise to decrease the locking force. Insert the sleeve into the pedal. Reinstall the hex socket screw.
3. Test the pedal locking force and verify it holds properly before returning the cot to service.

Cot Operation

CHANGING COT HEIGHT WITH TWO OPERATORS

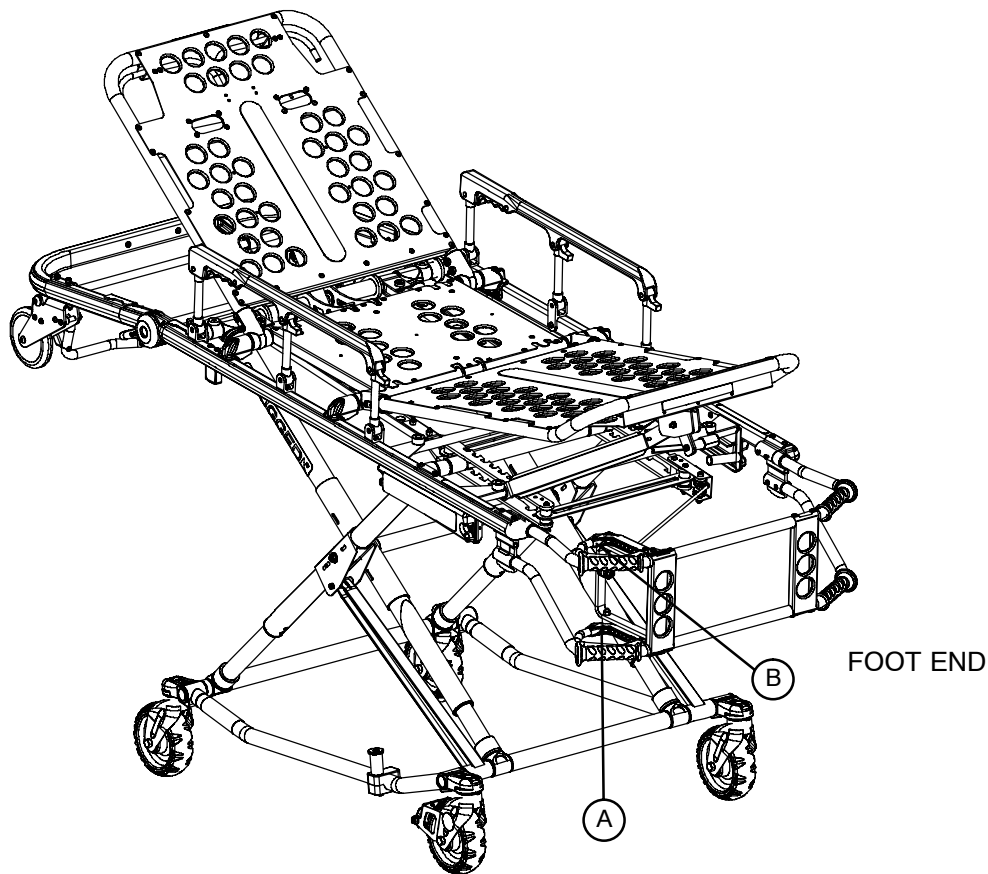


Figure 29 – Release Handle Locations

NOTE

Changing the height while a patient is on the cot requires a minimum of two operators, positioned at both ends or on each side of the cot. Each operator must grasp the cot frame securely.

To lower the cot from the ends, the operator at the foot end of the cot positions his/her hands so the release handle (A or B) can be squeezed while a secure grip is maintained on the lifting bars. Both operators must lift the cot until the weight is off the latching mechanism (approximately 1/4"). The operator at the foot end squeezes and holds the release handle and both operators then raise or lower the cot together. The handle is released when the desired position is reached. Both operators should maintain a secure grip on the litter frame until the latching mechanism is securely locked into position.

WARNING

Grasping the **RUGGED** Cot improperly can cause injury. Grasp only the litter frame or the lifting bar to lift the cot. Keep hands, fingers and feet away from moving parts. To avoid injury, use extreme caution when placing your feet near the base tubes while raising and lowering the cot.

To avoid injury, operators must be able to lift the total weight of the patient, cot and any items on the cot.

Cot Operation

CHANGING THE HEIGHT OF AN EMPTY COT WITH ONE OPERATOR

To raise/lower the cot from the foot end:

1. Standing at the foot end of the cot, grasp the lower foot end lift tube.
2. Tip the cot up onto the load wheels (Figure 30).
3. Squeeze and hold the release handle and raise or lower the foot end to the desired position.
4. Lower the cot back onto the four base wheels (Figure 31).



Figure 30 – Cot Tipped on Load Wheels



Figure 31 – Cot Lowered to Ground

Cot Operation

Adjusting the Leg Rest

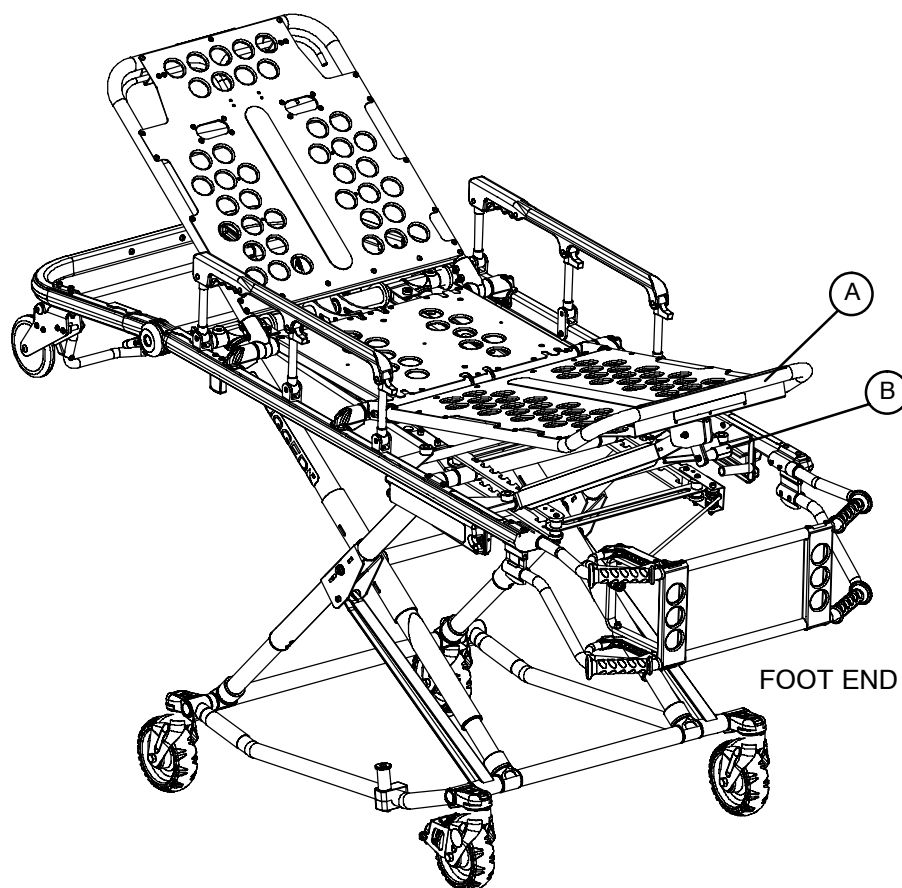


Figure 32 – Leg Rest Elevated

The leg rest is adjustable to allow for elevation of the patient's legs.

To raise the leg rest, lift the leg rest frame (A) as high as possible. The support bracket will engage automatically. Release the frame after the support bracket has engaged.

To lower the leg rest, lift the leg rest frame (A) and, while holding the frame, lift up on the release handle (B) until the bracket disengages. Lower the leg rest until flat.

WARNING

Do not put the entire weight of the patient on the leg rest. Injury or damage to the cot could occur. The leg rest is designed to support only the weight of the patient's legs.

Cot Operation

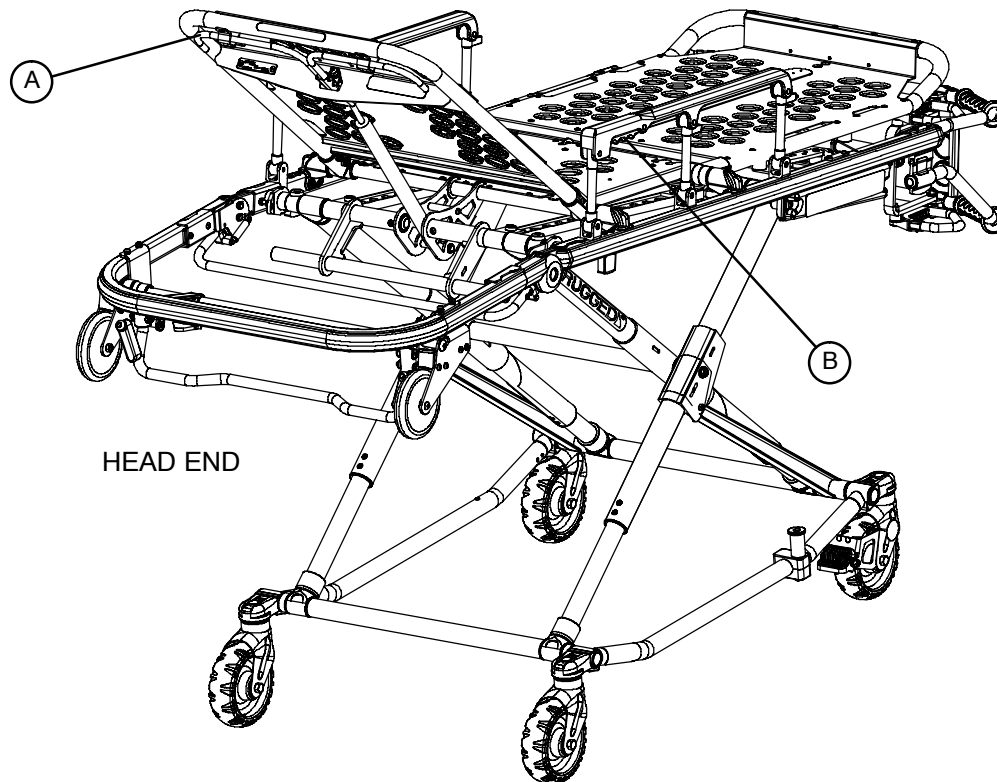


Figure 33 – Backrest Elevated and Siderails Raised

Operating the Backrest

To raise, squeeze handle (A) for pneumatic assist in lifting the Backrest to the desired height. Remove hand(s) from handle when desired height is achieved.

To lower, squeeze handle (A) and push down on the Backrest frame until the Backrest has reached the desired height. Remove hand(s) from handle when desired height is achieved.

CAUTION

To avoid damage, do not pull the cot using the backrest release handle.

NOTE

It's recommended to put the backrest in the full up position before putting a patient weighing over 850 pounds on the cot and to leave it fully raised while the patient is on the cot.

Operating the Siderails

To raise, lift up until the latch clicks and the siderail locks into place. When a patient is on the cot, always keep the siderails in the raised position unless the patient is being transferred.

To lower, squeeze handle (B) to release the siderail latch. Guide the siderail down toward the foot end until flat.

WARNING

Siderails are not intended to serve as a patient restraint device. Refer to pages 15 and 16 for proper restraint strap usage. Failure to utilize the siderails properly could result in patient injury.

Cot Operation

Operating the Breakaway Head Section

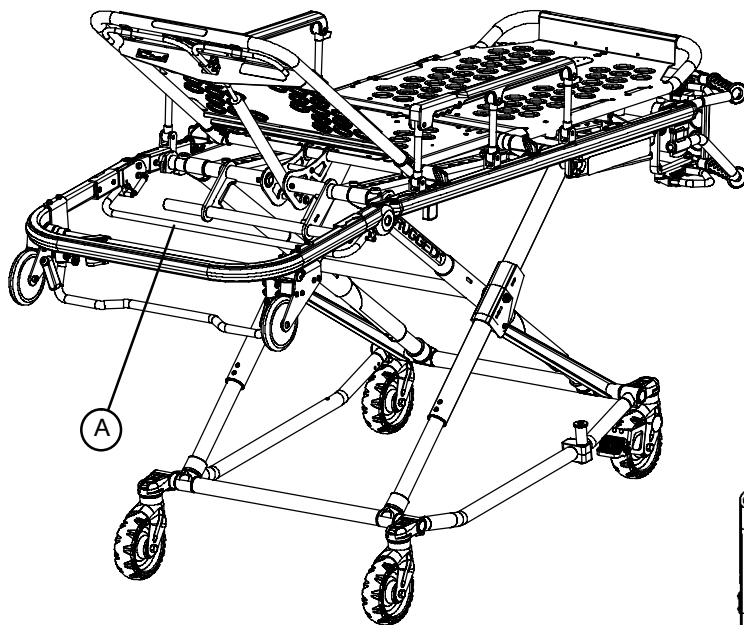


Figure 34 – Breakaway Head Section Release Bar

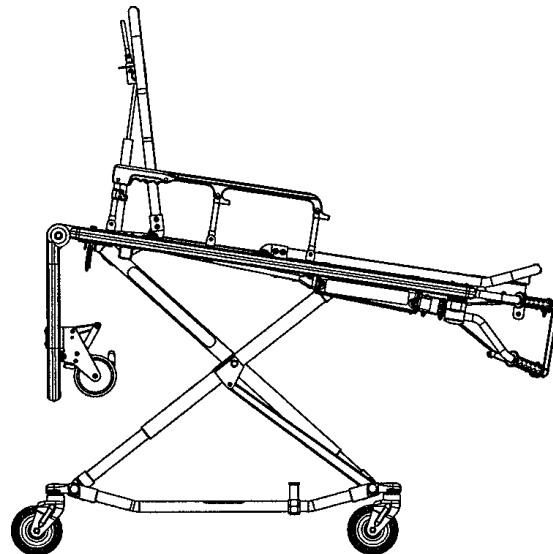


Figure 35 – Lowered Breakaway Head Section

The head end of the cot litter folds down to shorten the length of the cot and allow for maneuvering when space is limited in elevators, halls, etc.

WARNING

Operating the cot with the breakaway head section lowered may cause injury to the patient or operator or damage to the cot. Use only positions 4–6 when using this configuration.

To lower the breakaway head section, raise the backrest to its uppermost position (see page 30 for backrest operation instructions). Squeeze the release bar (A) at the head end of the cot with one hand while supporting the head section with the other hand. Lower the head section.

To raise the breakaway head section, lift the break-away head section until the release bar clicks and the head section locks into place.

CAUTION

Damage to the cot can occur if the cot is lowered in the shortened position. Use only positions 4–6 (see page 14) when the cot is shortened.

Cot Operation

Operating the 2-Stage IV Pole

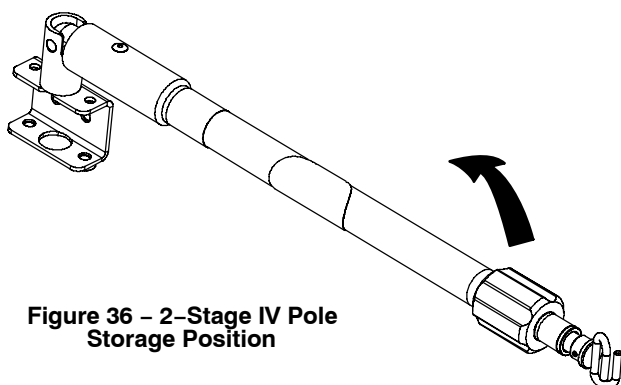


Figure 36 – 2-Stage IV Pole
Storage Position

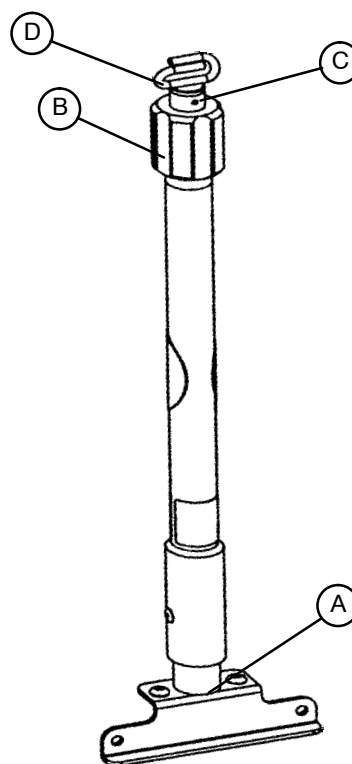


Figure 37 – 2-Stage IV Pole

1. Lift and pivot the pole from the storage position and push down until it is locked into receptacle (A).
2. To raise the height of the pole, turn the lock actuator (B) counterclockwise and pull up on the telescoping portion (C) of the pole to raise it to the desired height.
3. Turn the lock actuator (B) clockwise to lock the telescoping portion in place.
4. Hang I.V. bags on the IV hook (D).

CAUTION

To avoid damage, the weight of the IV bags or equipment must not exceed 40 pounds.

Cot Operation

Operating the 3-Stage IV Pole (Optional Equipment)

1. Lift and pivot the pole from the storage position and push down until it is locked into receptacle (A).
2. To raise the height of the pole, turn the lock actuator (B) counter-clockwise and pull up on the bottom telescoping portion (C) of the pole to raise it to the desired height.
3. Turn the lock actuator (B) clockwise to lock the bottom telescoping portion in place.
4. For a higher IV pole, pull up on section (D) until the spring clip (E) engages.
5. Hang IV bags on the IV hook (F).

CAUTION

To avoid damage, the weight of the IV bags or equipment must not exceed 40 pounds.

6. To lower the IV pole, push in on the spring clip (E) and slide section (D) down into section (C). Turn the lock actuator (B) counterclockwise and slide section (C) into the bottom tube.
7. Lift up and pivot the pole down into the storage position.

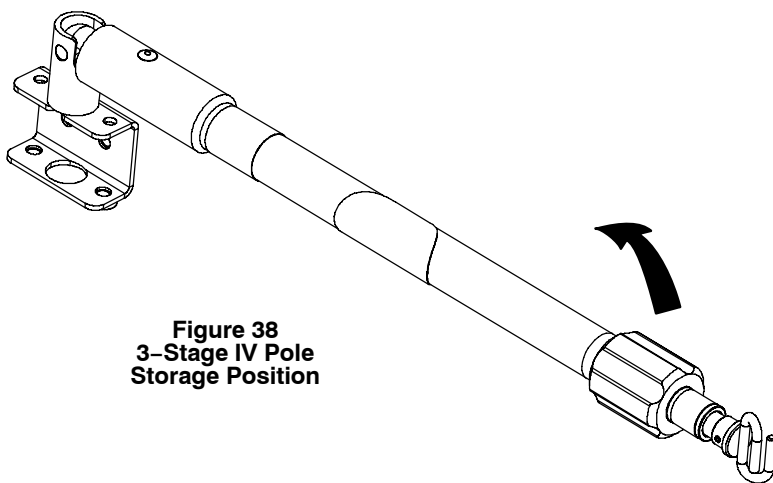


Figure 38
3-Stage IV Pole
Storage Position

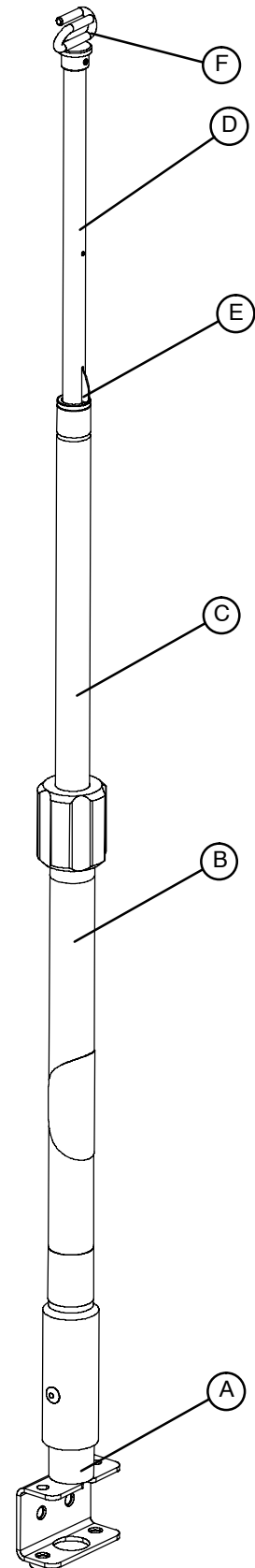


Figure 39 – 3-Stage IV Pole

Cleaning

The 6083 ambulance cot is designed to be power-washable. The unit may show some signs of oxidation or discoloration from continuous washing, however, no degradation of the cot's performance characteristics or functionality will occur due to power washing as long as the proper procedures are followed.

Clean Velcro **AFTER EACH USE**. Saturate Velcro with disinfectant and allow disinfectant to evaporate. (Appropriate disinfectant for nylon Velcro should be determined by the hospital.)

Washing Procedure:

- Follow the cleaning solution manufacturer's dilution recommendations exactly.
- The preferred method Stryker Medical recommends for power washing the 6082 cot is with the standard hospital surgical cart washer or hand held wand unit.

Washing Limitations:

WARNING

Use any appropriate personal safety equipment (goggles, respirator, etc.) to avoid the risk of inhaling contamination. Use of powerwashing equipment can aerate contamination collected during the use of the cot.

DO NOT STEAM CLEAN OR ULTRASONICALLY CLEAN THE UNIT.

Maximum water temperature should not exceed 180°F/82°C.

Maximum air dry temperature (cart washers) is 240°F/115°C.

Maximum water pressure should not exceed 1500 psi/130.5 bar. If a hand held wand is being used to wash the unit, the pressure nozzle must be kept a minimum of 24 inches/61 centimeters from the unit.

Towel dry all casters and interface points between the cot and the breakaway head section.

After washing the cot, follow the lubrication procedure on page 38.

Failure to comply with these instructions may invalidate any/all warranties.

In general, when used in those concentrations recommended by the manufacturer, either phenolic type or quaternary type disinfectants can be used. Iodophor type disinfectants are not recommended for use because staining may result.

Suggested cleaners for the 6083 cot surfaces:

Quaternary Cleaners (active ingredient – ammonium chloride)

Phenolic Cleaners (active ingredient – o-phenylphenol)

Chlorinated Bleach Solution (5.25% – less than 1 part bleach to 100 parts water)

Cleaning

Avoid over-saturation and ensure the product does not stay wet longer than the chemical manufacturer's guidelines for proper disinfecting.

WARNING

SOME CLEANING PRODUCTS ARE CORROSIVE IN NATURE AND MAY CAUSE DAMAGE TO THE PRODUCT IF USED IMPROPERLY. If the products described above are used to clean the Stryker patient care equipment, measure must be taken to insure the cots are wiped with clean water and thoroughly dried following cleaning. Failure to properly rinse and dry the cots will leave a corrosive residue on the surface of the cots, possibly causing premature corrosion of the critical components.

NOTE

Failure to follow the above directions when using these types of cleaners may void this product's warranty.

REMOVAL OF IODINE COMPOUNDS

Use a solution of 1–2 tablespoons Sodium Thiosulfate in a pint of warm water to clean the stained area. Clean as soon as possible after staining occurs. If stains are not immediately removed, allow solution to soak or stand on the surface. Rinse surfaces which have been exposed to the solution in clear water before returning unit to service.

WARNING

Failure to properly clean or dispose of contaminated mattress or cot components will increase the risk of exposure to bloodborne pathogens and may cause injury to the patient or the operator.

Preventative Maintenance

Operation	Schedule	Procedure
Cleaning & Disinfecting	Each use.	See page 35.
Inspection	After large patient transport. For 1–25 calls per month, inspect cot every 6 months. For 26–200 calls per month, inspect cot every 3 months. For 201+ calls per month, inspect cot monthly.	See page 37 for checklist.

WARNING

After transporting a large patient, inspect the cot for damage. A damaged cot could cause injury to the patient and/or operator.

NOTE

Keep up-to-date maintenance records using the form on page 40.

Parts, Service or Technical Assistance:

Contact Stryker Customer Service at 1–800–327–0770 or

Stryker Medical

3800 E. Centre Ave.

Portage, MI 49002

ATTN: Customer Service

Preventative Maintenance

CHECKLIST

- _____ All fasteners secure (reference all assembly drawings)
- _____ All welds intact, not cracked or broken
- _____ No bent or broken tubing or sheet metal
- _____ No debris in wheels
- _____ All wheels secure, rolling and swivelling properly
- _____ Optional wheel lock holds wheel securely when on and clears wheel when off
- _____ Siderails move and latch properly
- _____ Backrest operating properly
- _____ Optional accessories intact and operating properly
- _____ Height positioning latch functioning properly
- _____ Cot secure in each height position
- _____ Undercarriage folds properly
- _____ Breakaway head section operating properly
- _____ Safety bar operating properly
- _____ Foot rest operating properly
- _____ No rips or cracks in mattress cover
- _____ Body restraints intact and working properly
- _____ Lubricate base tubes (optional)

Serial No. _____

Completed By: _____

Date: _____

Preventative Maintenance

BASE LUBRICATION

NOTE

The **ARUGGED** MX-PRO Bariatric Transport has been designed to operate without the need for lubrication. Tri-Flow™ with Teflon® lubricant may be used to reduce the force required to raise the undercarriage and to minimize wear. Do not use silicone, WD-40™, or lithium grease. They could harm the moving parts of the cot.

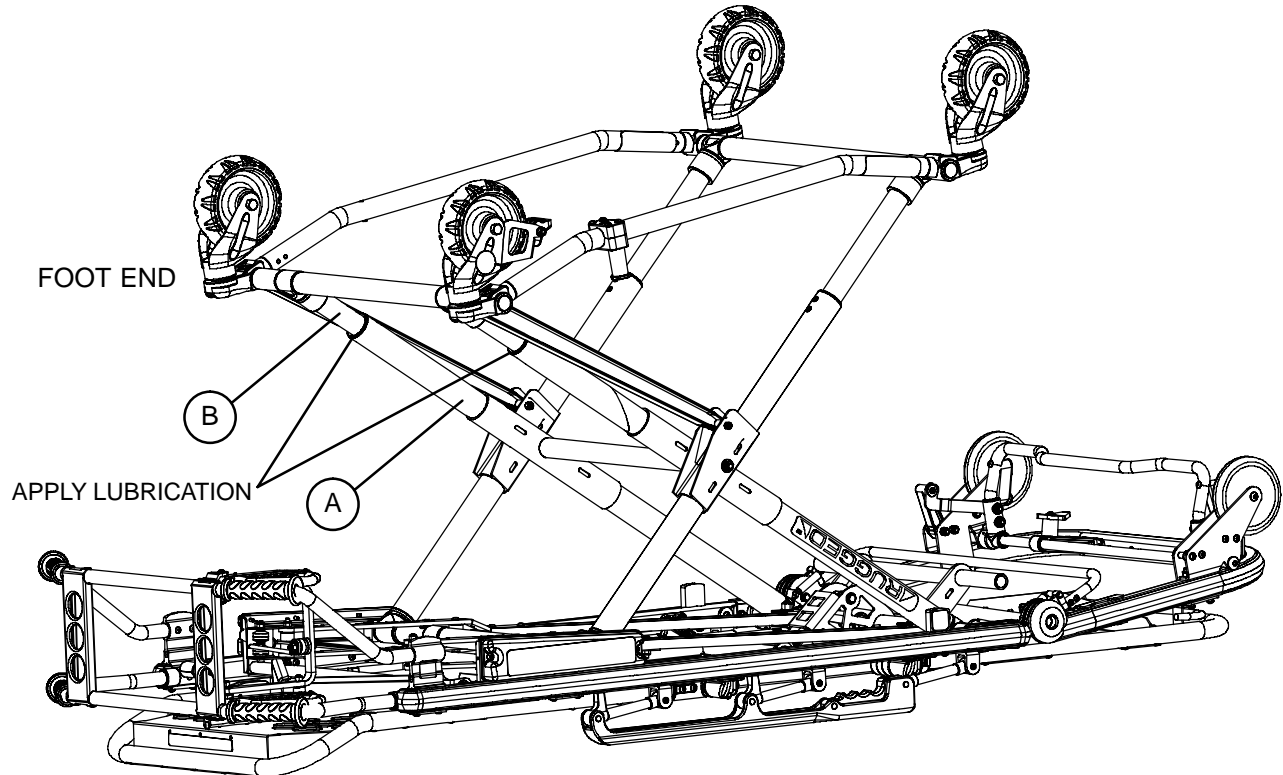


Figure 40 – Base Lubrication Locations

1. Place the cot in the highest position.
2. Turn the cot upside down with the base legs facing up.
3. Using the plastic applicator tube, spray Tri-Flow™ with Teflon® lubricant (Stryker part number 6082-199-12) in the gap between the upper (item A) and lower lift tubes (item B) on both foot end legs.
4. Let the cot sit for 5 minutes.
5. Turn the cot back over. Raise and lower the cot a few times to work the lubricant through the base tubes.
6. Wipe any excess lubricant from the base tubes.

Preventative Maintenance

PNEUMATIC BACKREST ADJUSTMENT

Required Tools:

1/2" Wrench

5/32" Allen Wrench

Locktite

3/32" Allen Wrench

Adjustment Procedure:

1. For easier access, move backrest to 75 degrees.

NOTE

Before continuing with the backrest adjustment procedure, be sure the pneumatic cylinder (item A) is completely threaded into the yoke (item B) so no threads are showing on the shaft of the cylinder. If threads are showing, use a 3/32" Allen wrench to remove the set screw (item C) in the center of the yoke and remove the E-clip and pin (items D & E) holding the bottom of the pneumatic cylinder. Thread cylinder shaft (item A) completely into yoke (item B). Replace the E-clip and pin (items D & E) and replace the set screw (item C) using Locktite.

2. Using a 1/2" wrench, loosen the hex nut (item F) on the backrest pivot (item J) while holding the set screw (item H) fixed in the pivot.
3. Using a 5/32" Allen wrench, turn the set screw (item H) until there is no play between the backrest release handle (item K) and the pneumatic cylinder release button.
4. Be sure the backrest will travel from flat to at least 75 degrees. If it doesn't, turn the set screw (item H) clockwise 1/2 turn. Repeat until at least 75 degrees of travel is achieved.
5. Lower the backrest to a 5–10 degree angle and release the handle. Apply approximately 50 pounds downward force to the end of the backrest. If the backrest drifts down, turn the set screw (item H) counter-clockwise. Repeat until the backrest does not drift downward.
6. Using the 1/2" wrench, tighten the hex nut (item F) while holding the set screw (item H) fixed in the pivot.

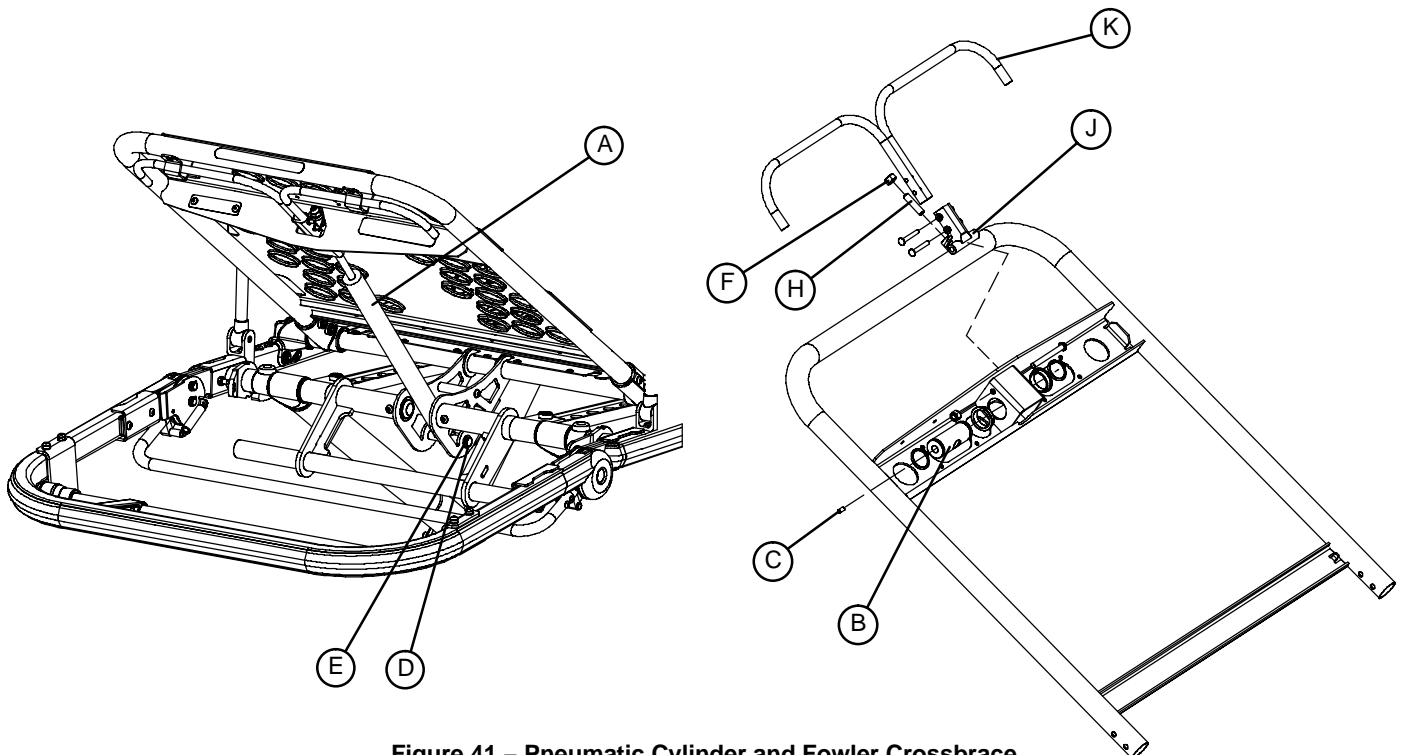
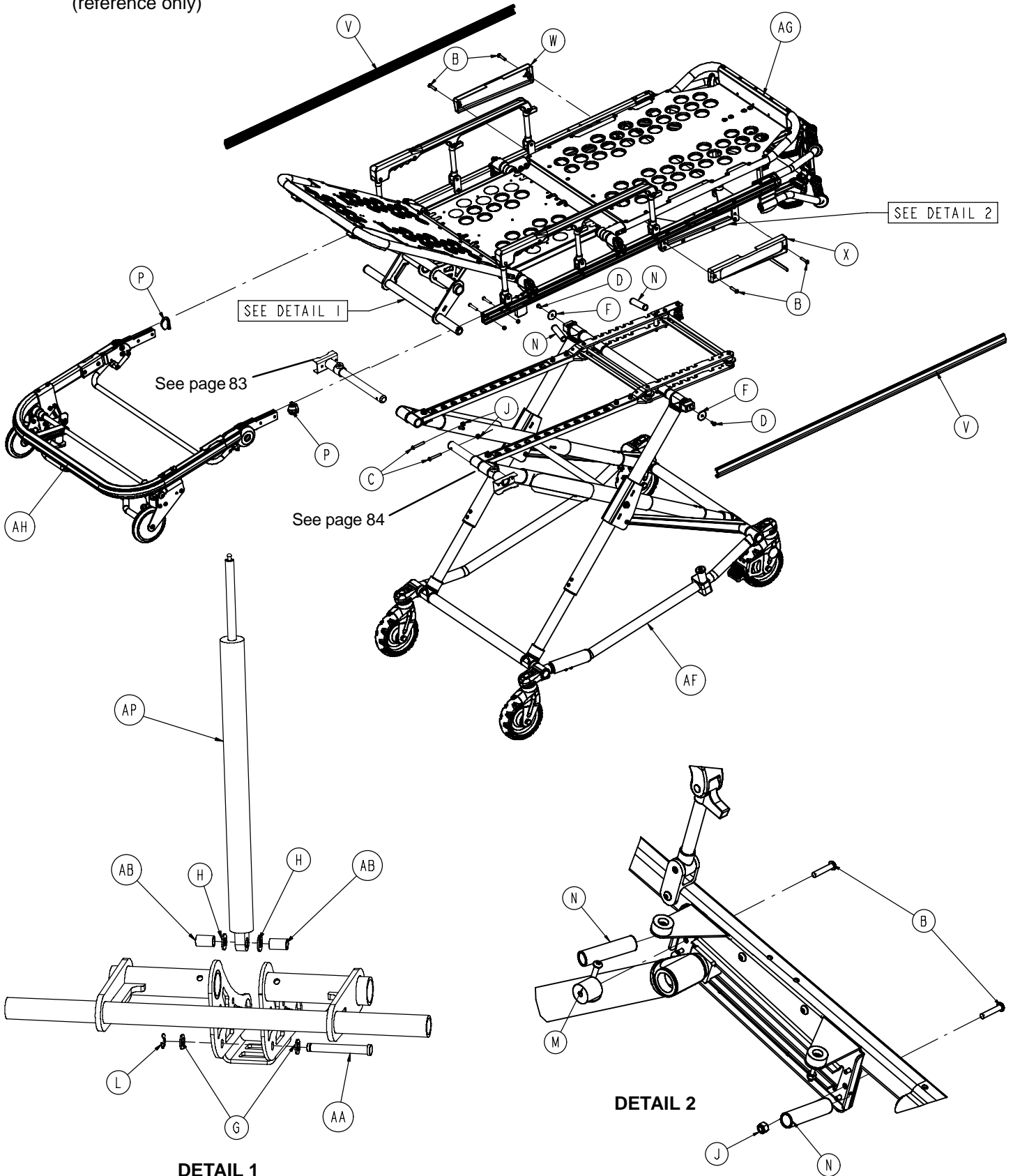


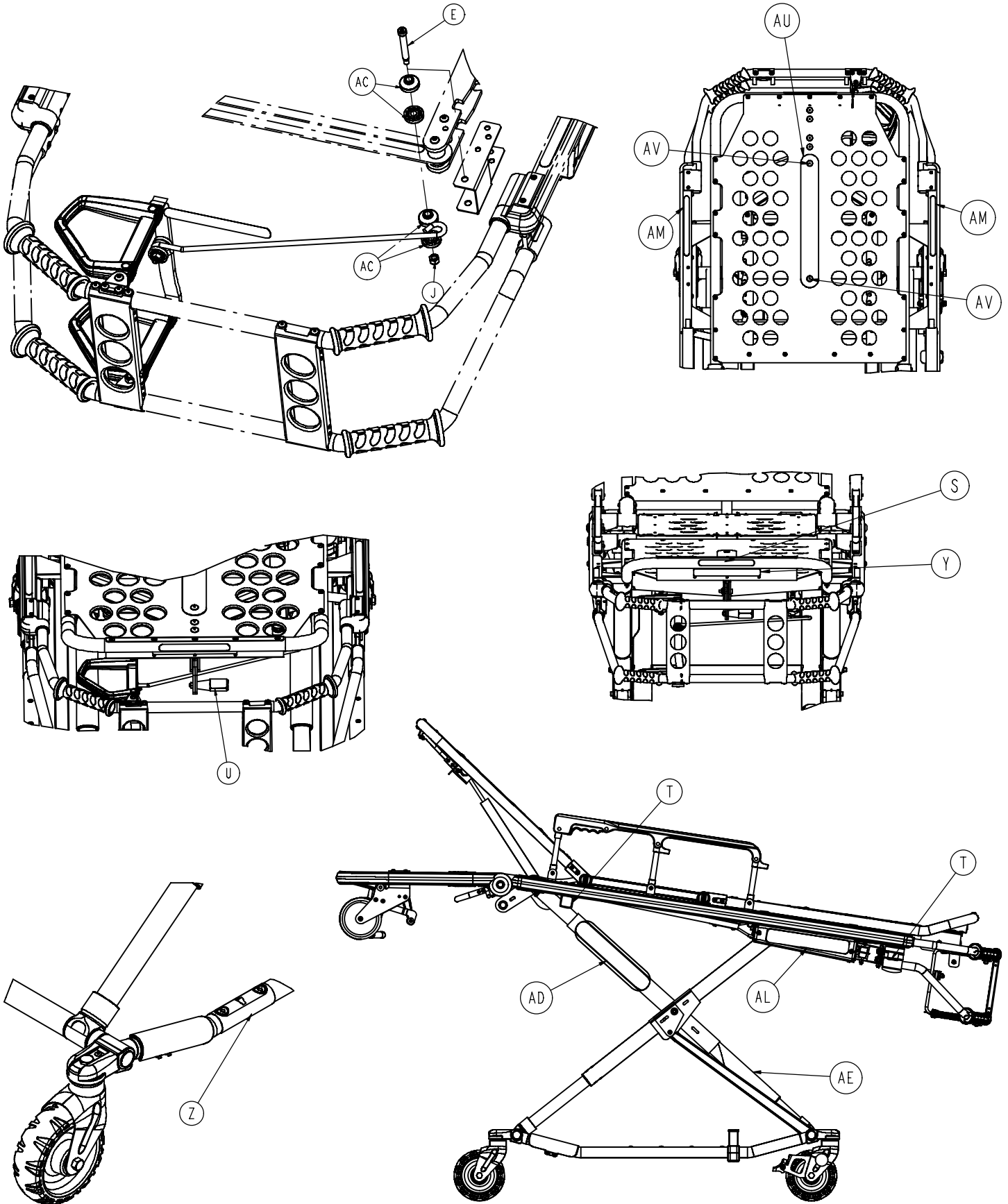
Figure 41 – Pneumatic Cylinder and Fowler Crossbrace

6083 Cot Assembly

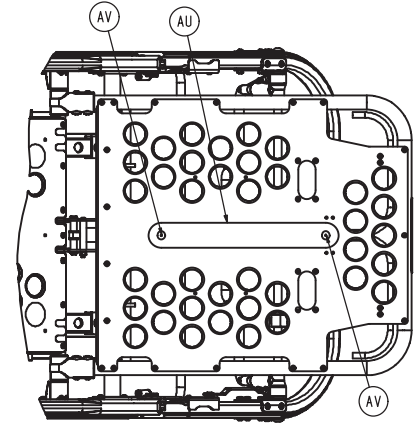
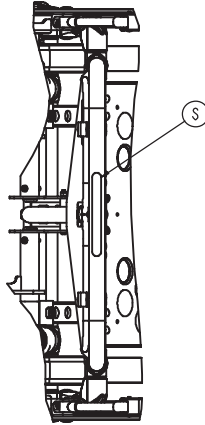
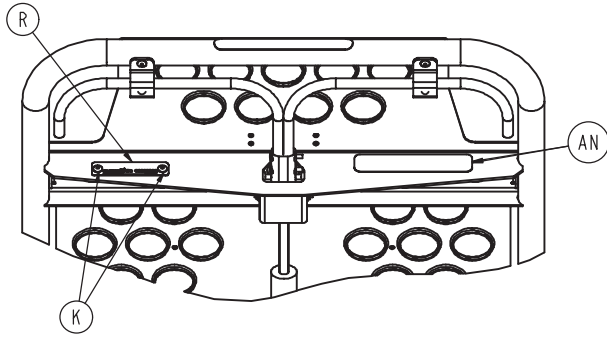
Assembly part number 6083-001-012
(reference only)



6083 Cot Assembly



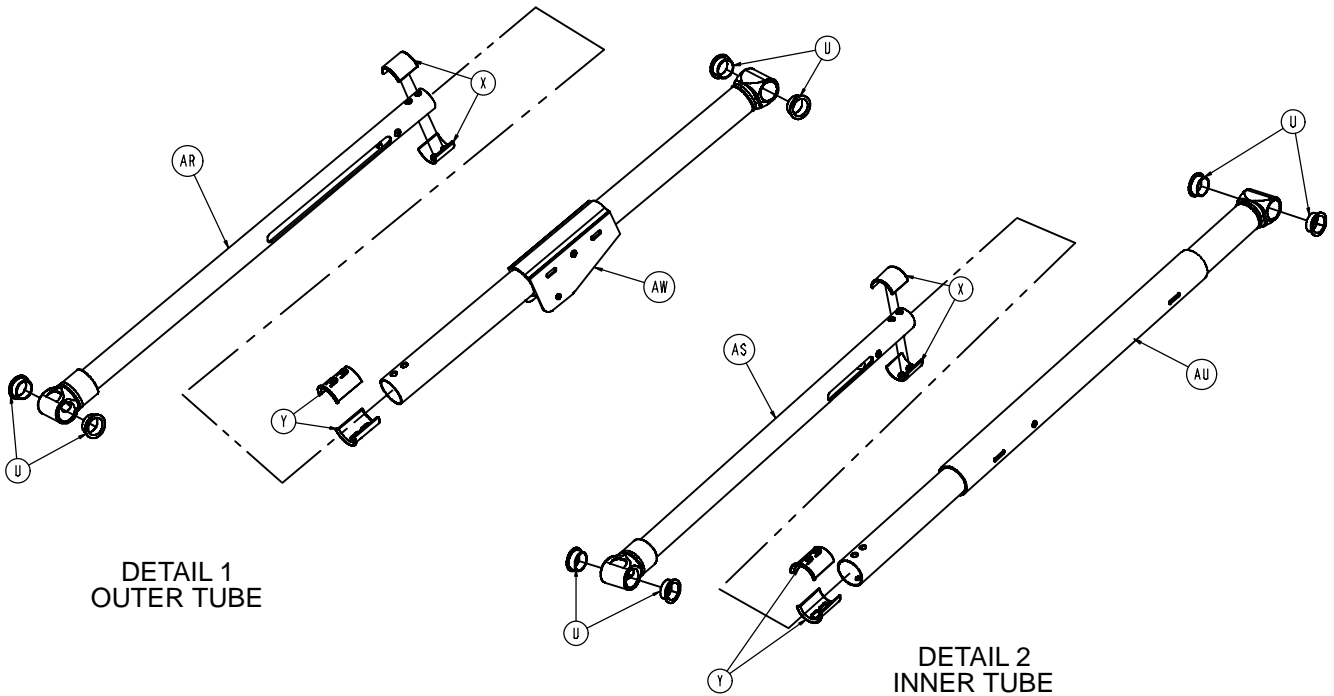
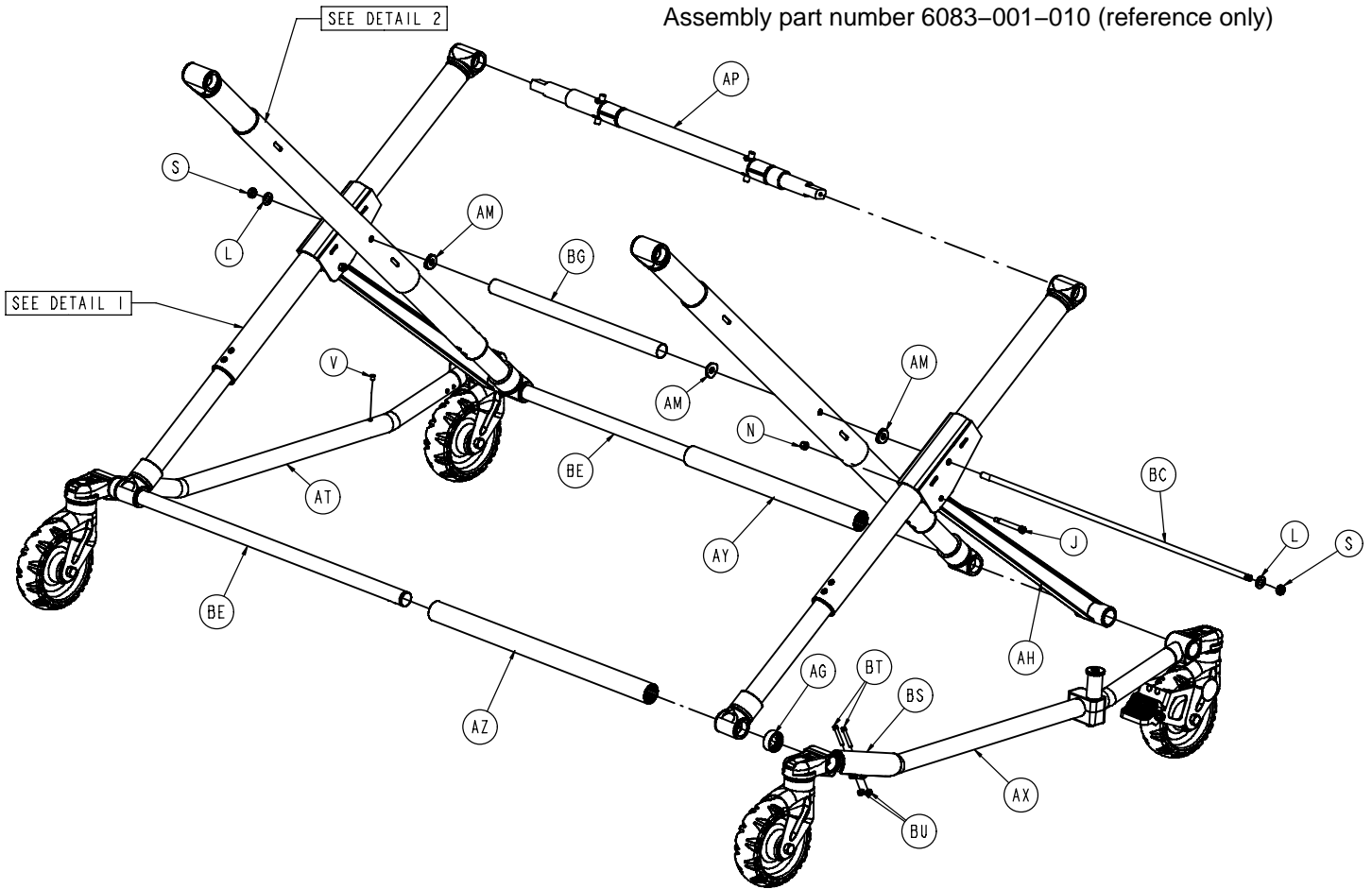
6083 Cot Assembly



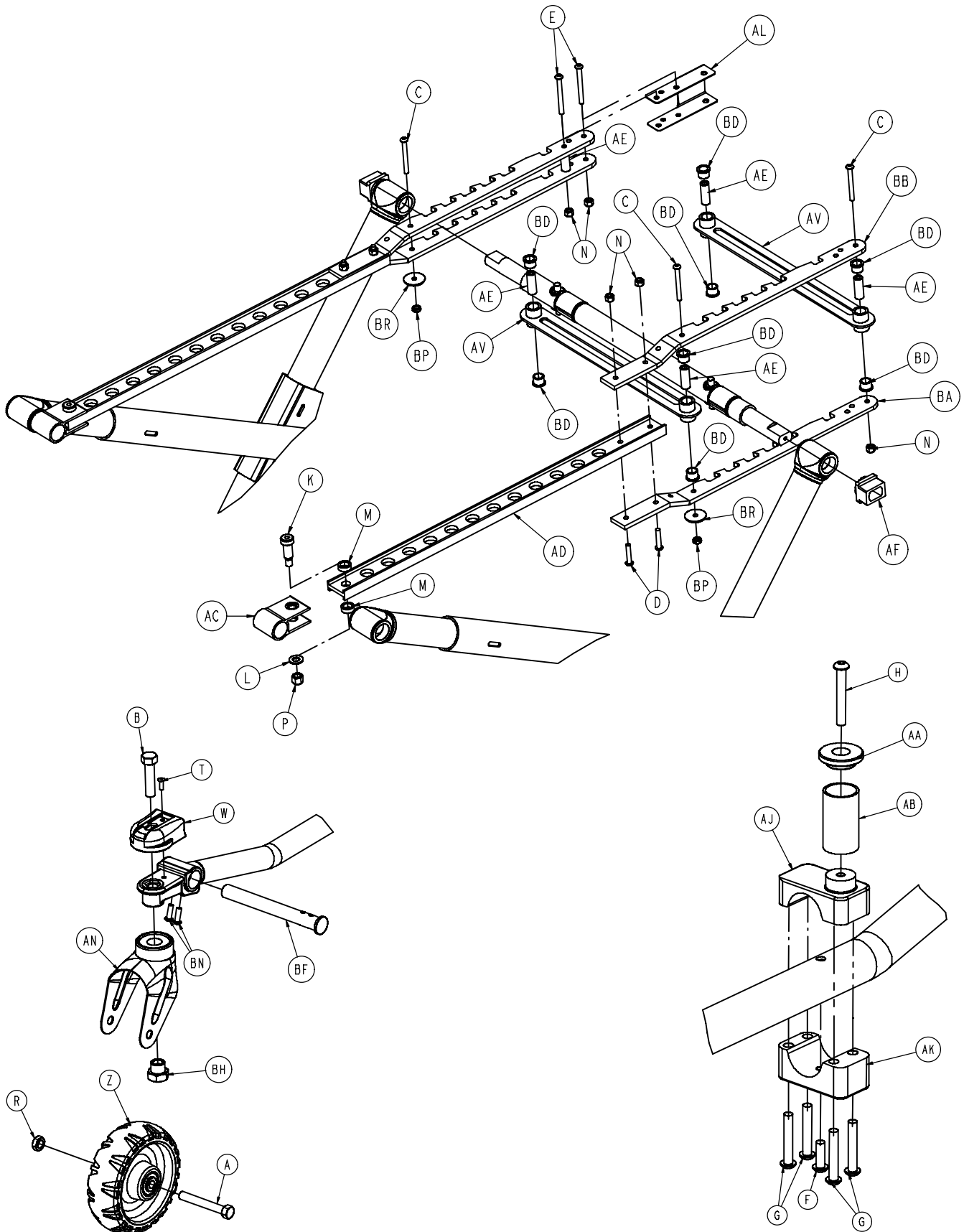
Item	Part No.	Part Name	Qty.
B	0004-161-000	Button Head Cap Screw	4
C	0004-204-000	Button Head Cap Screw	2
D	0004-325-000	Button Head Cap Screw	2
E	0008-028-000	Soc. Hd. Shoulder Bolt	1
F	0011-355-000	Washer	2
G	0011-448-000	Washer	2
H	0014-021-000	Washer	2
J	0016-028-000	Hex Nut	5
K	0025-079-000	Blind Rivet	2
L	0028-181-000	Retaining Ring	1
M	0037-082-000	Vibration Mount	2
N	0038-348-000	Extension Spring	2
P	6060-037-035	Outer Rail End Cap	2
R	6060-090-002	Serial Number Tag	1
S	6060-090-004	Small "Rugged" Label	1
T	6060-090-114	"Keep Hands Clear" Label	2
U	6070-090-107	"Lift to Release" Label	1
V	6080-030-043	Litter Frame Bumper	2
W	6082-033-036	Retainer Plate Cover, Left	1
X	6082-033-037	Retainer Plate Cover, Right	1
Y	6080-090-009	Damage Warning Label	1
Z	6080-090-108	"Lift Here" Label	2
AA	6082-031-031	Clevis Pin	1
AB	6082-031-046	Litter/Base Interface Pivot Spacer	2
AC	6082-040-025	Link Bushing	4
AD	6082-090-043	Stryker Label	2
AE	6083-090-040	Leg Label	1
AF	(page 45)	Base Assembly	1
AG	(page 53)	Litter Assembly	1
AH	(page 62)	Breakaway Head Section Ass'y	1
AL	6083-001-128	Bariatric Transport Label	2
AM	6083-001-163	Weight Label	2
AN	6083-001-130	Specification Label	1
AP	6083-001-135	Gas Strut	1
AU	6082-001-085	2" Adhesive Loop Pile	2
AV	0025-132-000	Large Flange Rivet	4

Base Assembly

Assembly part number 6083-001-010 (reference only)



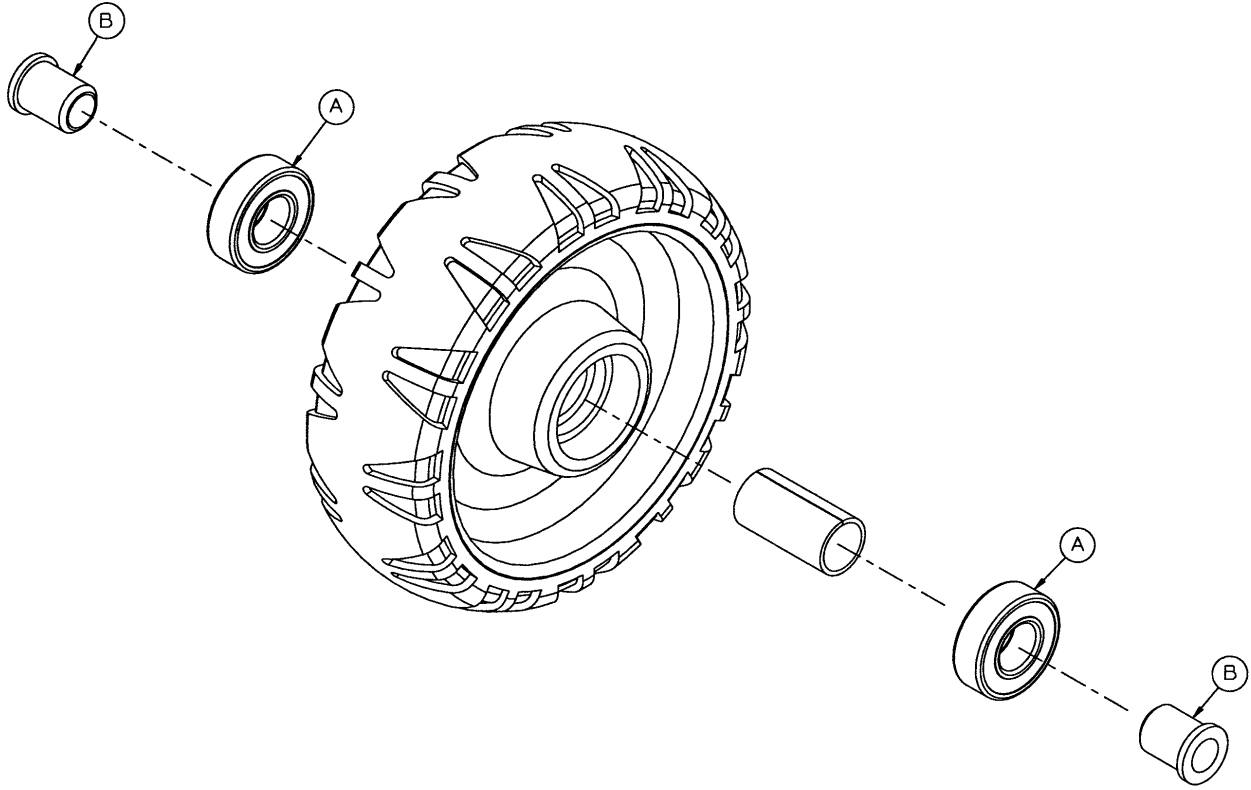
Base Assembly



Base Assembly

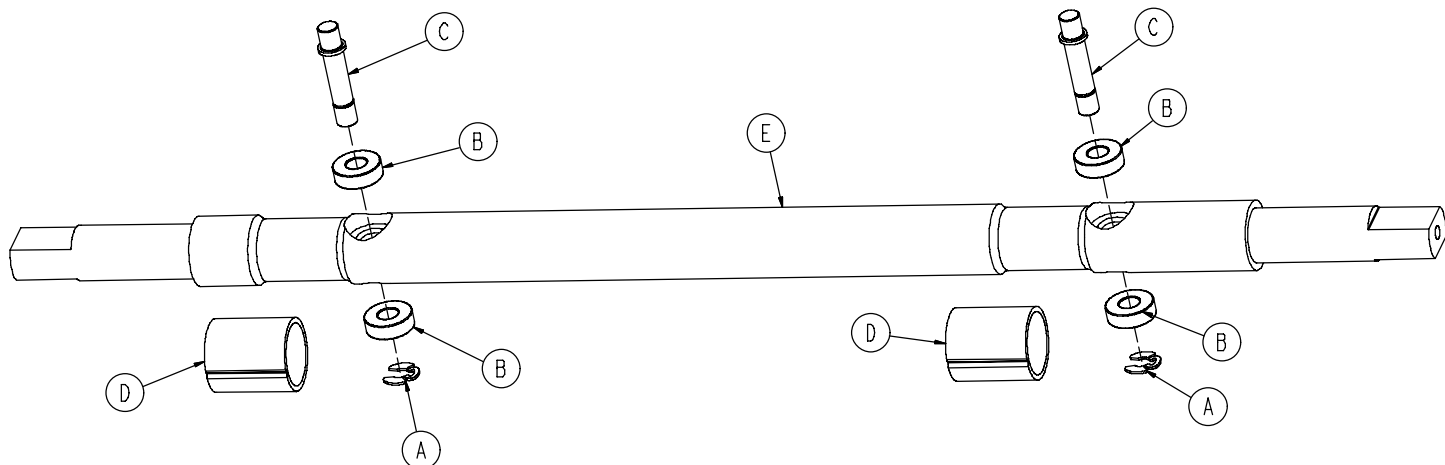
Item	Part No.	Part Name	Qty.	Item	Part No.	Part Name	Qty.
A	0003-205-000	Hex Hd. Cap Screw	4	AG	6080-001-029	Outer Base Spacer, Hd.	2
B	0003-353-000	Hex Hd. Cap Screw	4	AH	6080-001-046	Support Link	2
C	0004-163-000	But. Hd. Cap Screw	3	AJ	6080-004-045	Pin Bracket Top	1
D	0004-198-000	But. Hd. Cap Screw	4	AK	6083-001-166	Pin Bracket Bottom	1
E	0004-234-000	But. Hd. Cap Screw	2	AL	6080-040-088	Link Bracket	1
F	0004-161-000	But. Hd. Cap Screw	1	AM	6082-001-169	Connecting Rod Brg.	4
G	0004-135-000	But. Hd. Cap Screw	4	AN	6082-002-012	Caster Horn	2
H	0004-503-000	But. Hd. Cap Screw	1	AP	(page 49)	Lock Bar Assembly	1
J	0008-028-000	H. Soc. Hd. Shoulder Bolt	2	AR	(page 50)	Base Outer Lift Tube	2
K	0008-045-000	H. Soc. Hd. Shoulder Bolt	2	AS	(page 50)	Base Inner Lift Tube	2
L	0011-004-000	Washer	4	AT	6083-001-050	Outer Base Tube, Left	1
M	0011-350-000	Washer	4	AU	6083-001-051	Lit. Pivot Inner Lift Tube	2
N	0016-028-000	Hex Nut	9	AV	6083-001-058	Rack Spacer Link	2
P	0016-035-000	Hex Nut	2	AW	6083-001-062	Lit. Pivot Outer Lift Tube	2
R	0016-060-000	Hex Nut	4	AX	6083-001-063	Outer Base Tube, Right	1
S	0016-089-000	Hex Nut	2	AY	6083-001-101	Spacer	1
T	0025-133-000	Blind Rivet	4	AZ	6083-001-102	Spacer	1
U	0081-244-000	Flange Bearing	16	BA	6083-001-227	Height Adj. Rack, Lower	2
V	0721-031-065	Hole Plug	1	BB	6083-001-228	Height Adj. Rack, Upper	2
W	6060-001-021	Caster Mount Cover	4	BC	6083-001-105	Base Connecting Rod	1
X	6060-001-070	Upper Frame Tube Brg.	8	BD	6083-001-108	Flanged Bearing	8
Y	6060-001-071	Lower Frame Tube Brg.	8	BE	6083-001-109	Base Tube, Hd./Foot	2
Z	(page 48)	Wheel Assembly	4	BF	6083-001-137	Base Tube Insert	4
AA	6060-004-043	Retaining Post Cap	1	BG	6083-001-131	Center Base Spacer	1
AB	6060-004-044	Retaining Post Tube	1	BH	6090-001-009	Caster Nut	4
AC	6060-005-029	Height Adj. Rack Mtg. Pivot	2	BN	0004-468-000	Button Hd. Cap Screw	8
AD	6060-005-032	Height Adjustment Bar	2	BP	0016-102-000	Nylock Nut	2
AE	6060-005-037	Spacer Link Spacer	5	BR	6083-001-180	Rack Bumper	2
AF	6060-005-044	Lock Bar Slide Bearing	2	BS	6082-001-044	Base Tube Protector	1
				BT	0004-160-000	Socket Head Cap Screw	2
				BU	0016-003-000	Nylock Hex Nut	2

6060-002-010 Wheel Assembly



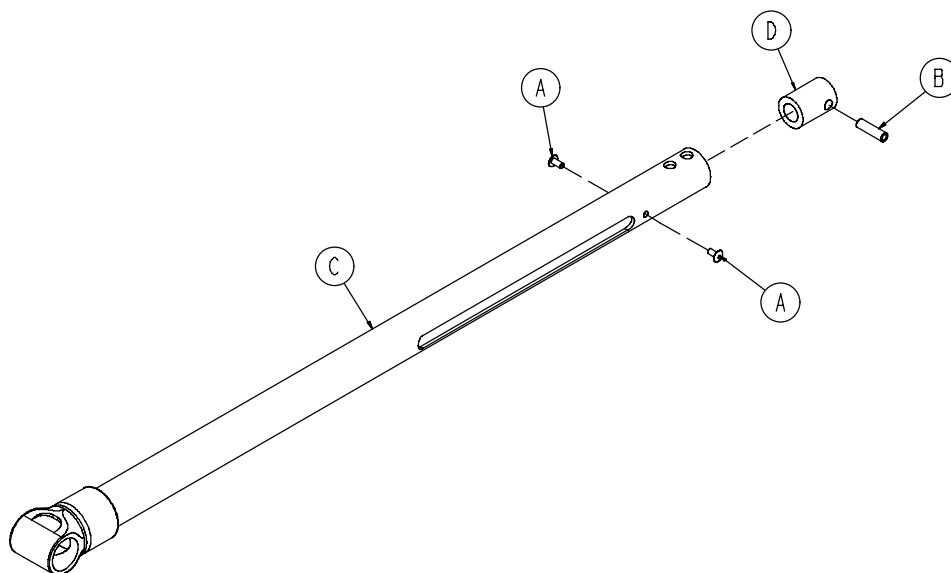
Item	Part No.	Part Name	Qty.
A	0081-226-000	Bearing	2
B	0715-001-255	Wheel Bushing	2

6083-001-025 Lock Bar Assembly



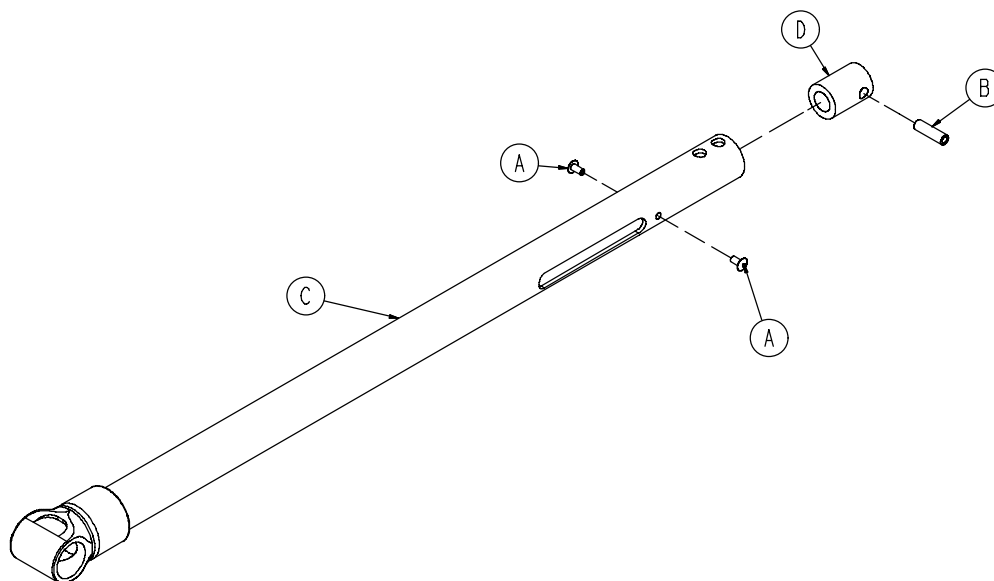
Item	Part No.	Part Name	Qty.
A	0025-181-000	Retaining Ring	2
B	0081-248-000	Bearing	4
C	6060-005-096	Latch Pin	2
D	6080-005-036	Wear Ring	2
E	6083-001-106	Lock Bar	1

6083-001-026 Base Pivot Outer Lift Tube Assembly



Item	Part No.	Part Name	Qty.
A	0025-079-000	Rivet	2
B	6082-001-036	Dampener Sleeve	1
C	6083-001-052	Outer Lift Tube	1
D	6083-001-139	Dampener	1

6083-001-027 Base Pivot Inner Lift Tube Assembly

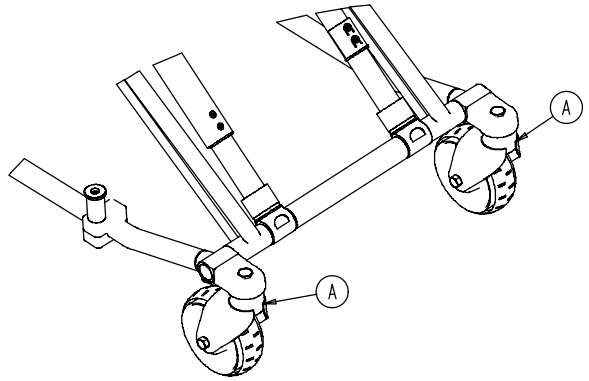


Item	Part No.	Part Name	Qty.
A	0025-079-000	Rivet	2
B	6082-001-036	Dampener Sleeve	1
C	6083-001-053	Inner Lift Tube	1
D	6083-001-139	Dampener	1

Wheel Lock Options

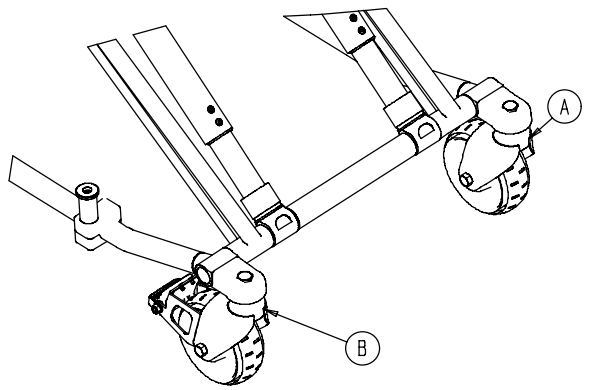
6082-500-010 No Wheel Lock Option

Item	Part No.	Part Name	Qty.
A	6082-002-012	Caster Horn	2



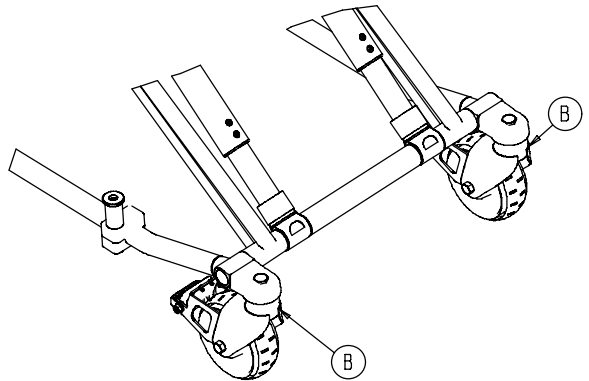
6082-501-010 Single Wheel Lock Option

Item	Part No.	Part Name	Qty.
A	6082-002-012	Caster Horn	1
B	(page 52)	Wheel Lock Ass'y	1

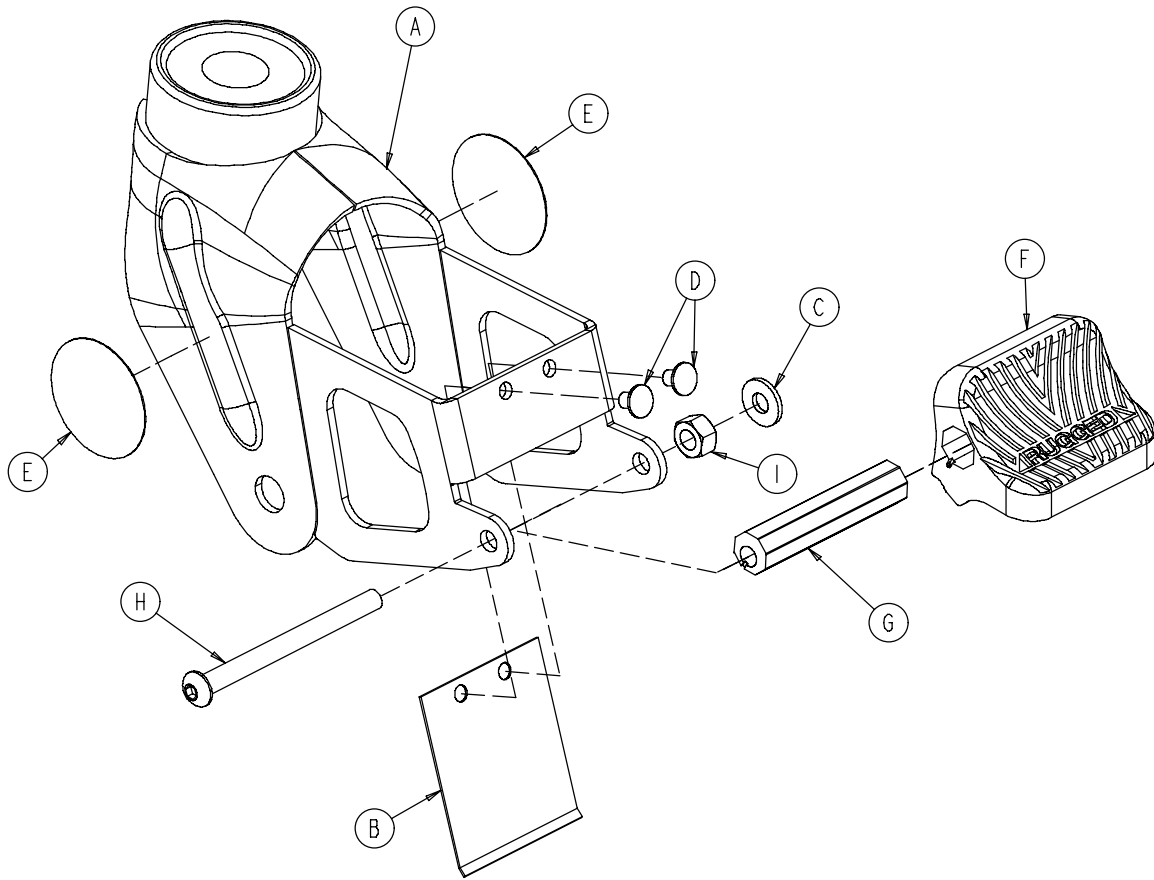


6082-502-010 Dual Wheel Lock Option

Item	Part No.	Part Name	Qty.
B	(page 52)	Wheel Lock Ass'y	2



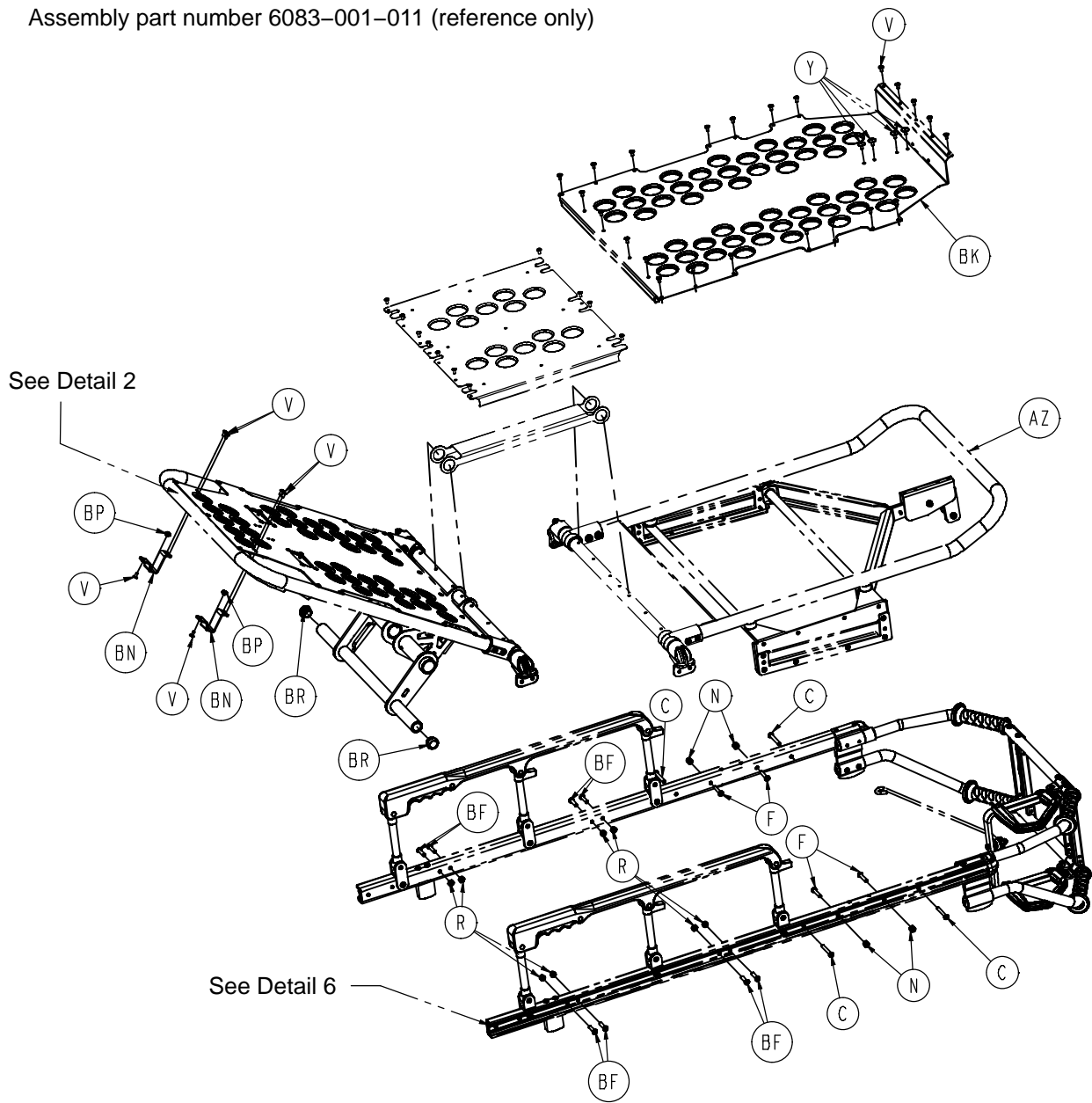
6082-200-010 Adjustable Wheel Lock Assembly



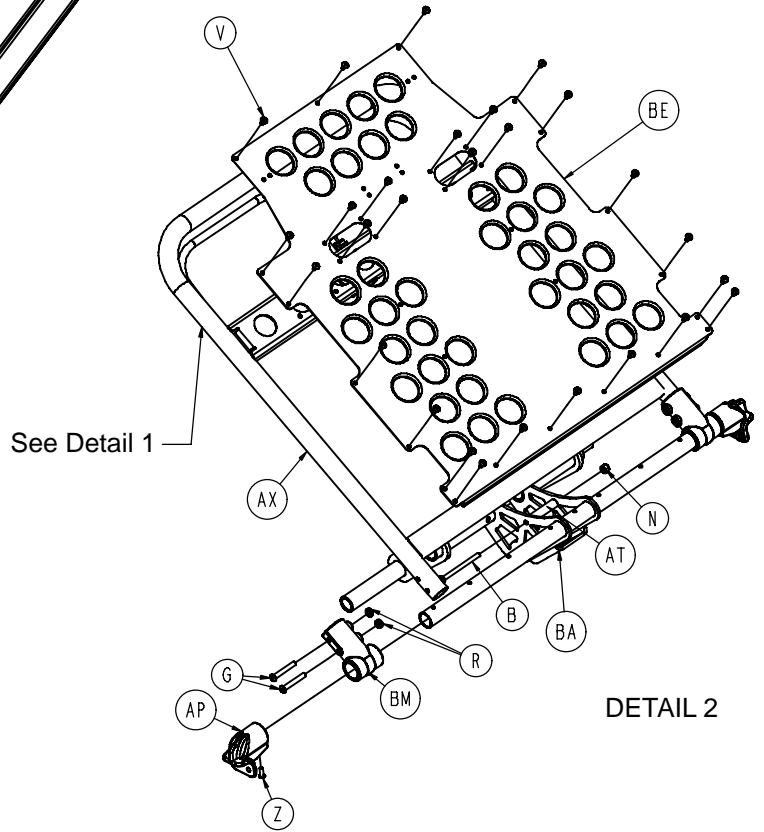
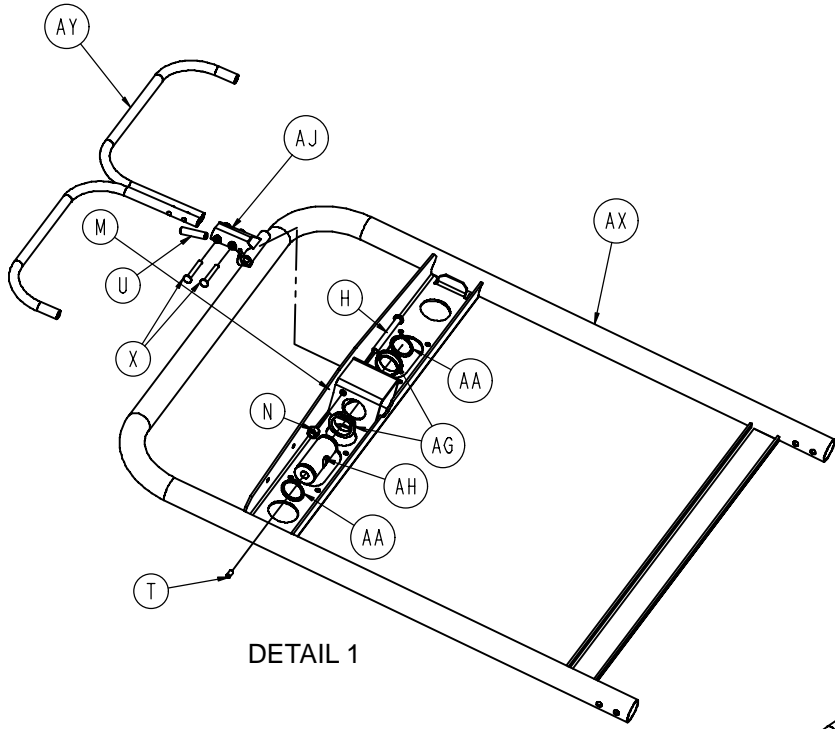
Item	Part No.	Part Name	Qty.
A	6082-100-012	Caster Horn	1
B	6080-100-032	Spring	1
C	0011-456-000	Washer	1
D	0025-153-000	Semi-Tubular Rivet	2
E	6080-090-101	Warning Label	2
F	6080-200-030	Adjustable Pedal	1
G	6080-200-041	Octagonal Sleeve	1
H	0004-098-000	Hex Soc. But. Hd. Cap Screw	1
I	0016-118-000	Centerlock Nut	1

Litter Assembly

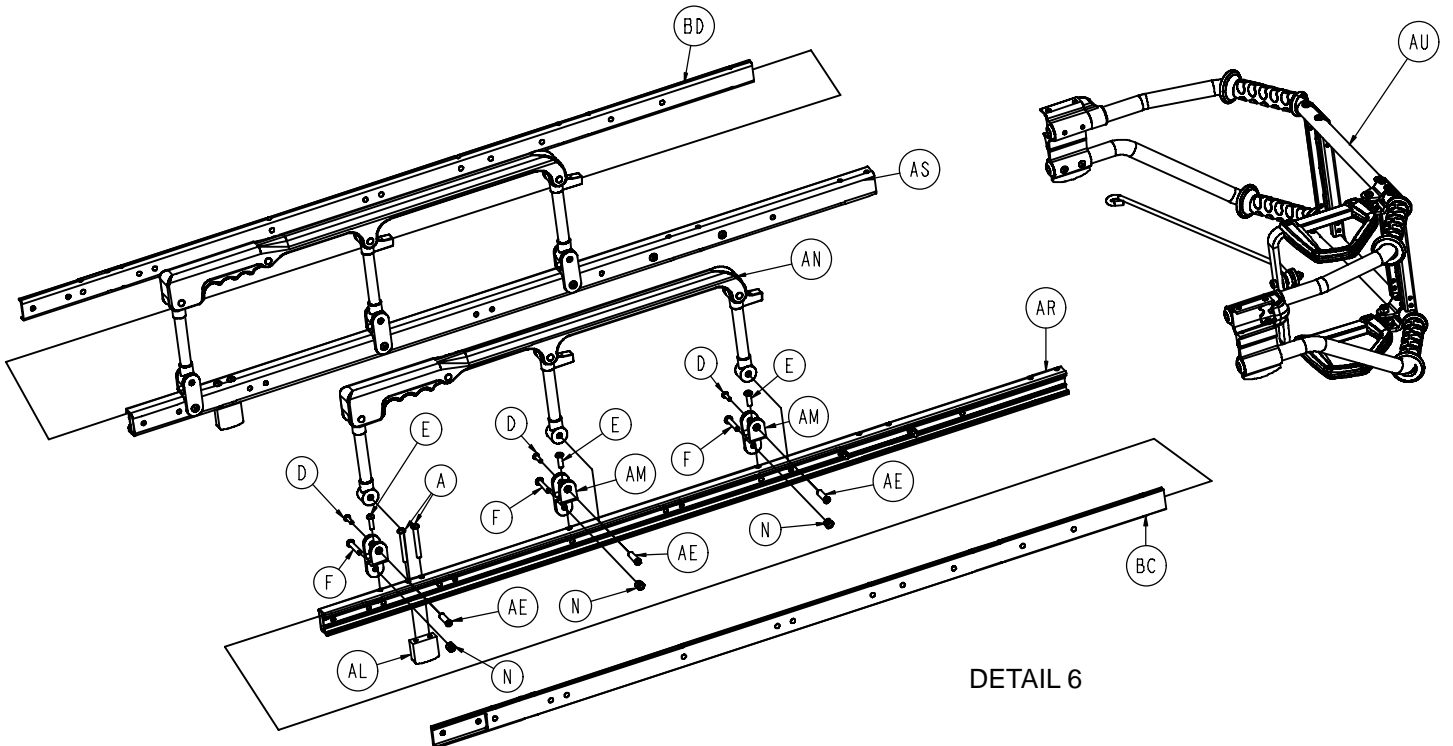
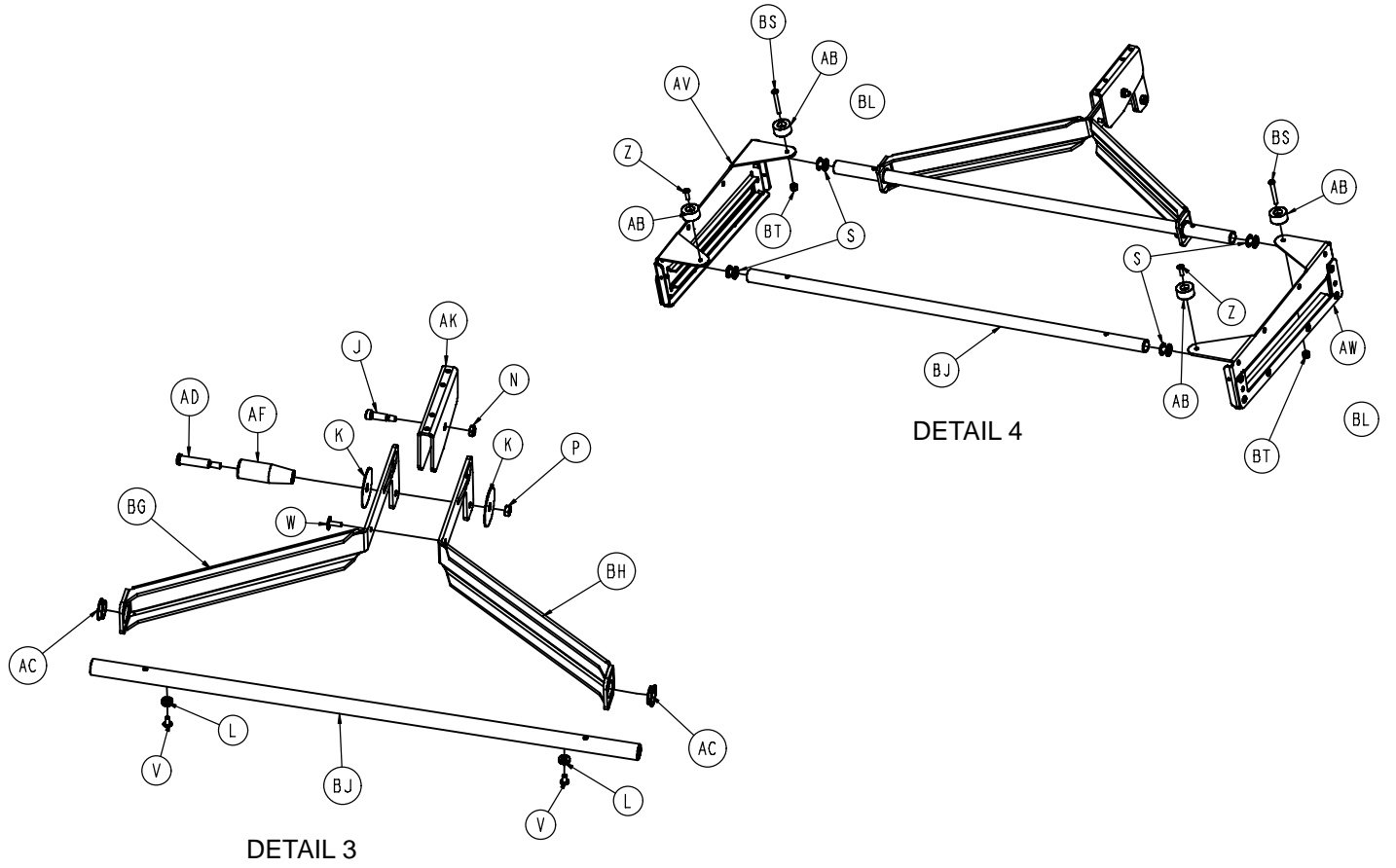
Assembly part number 6083-001-011 (reference only)



Litter Assembly



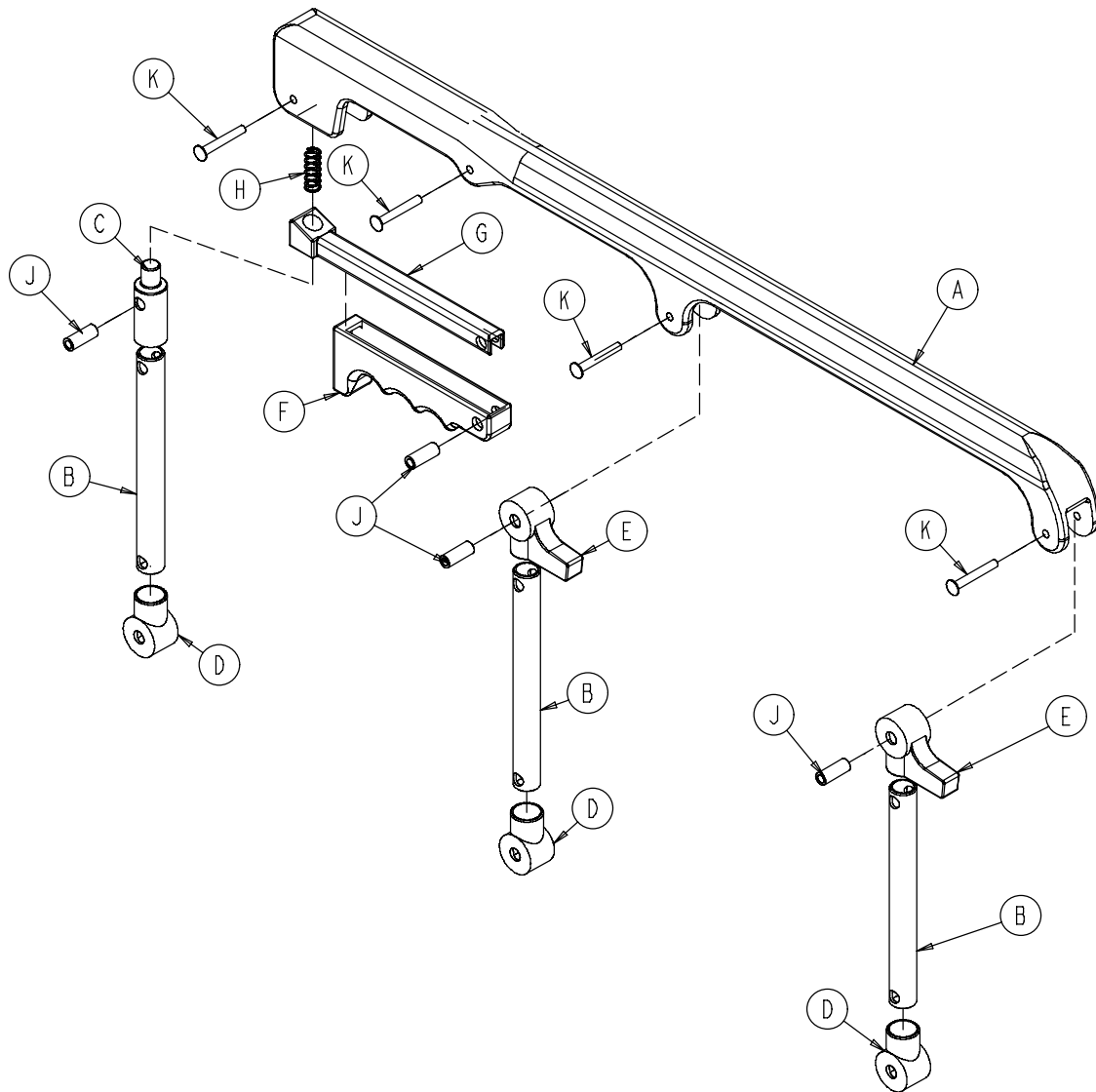
Litter Assembly



Litter Assembly

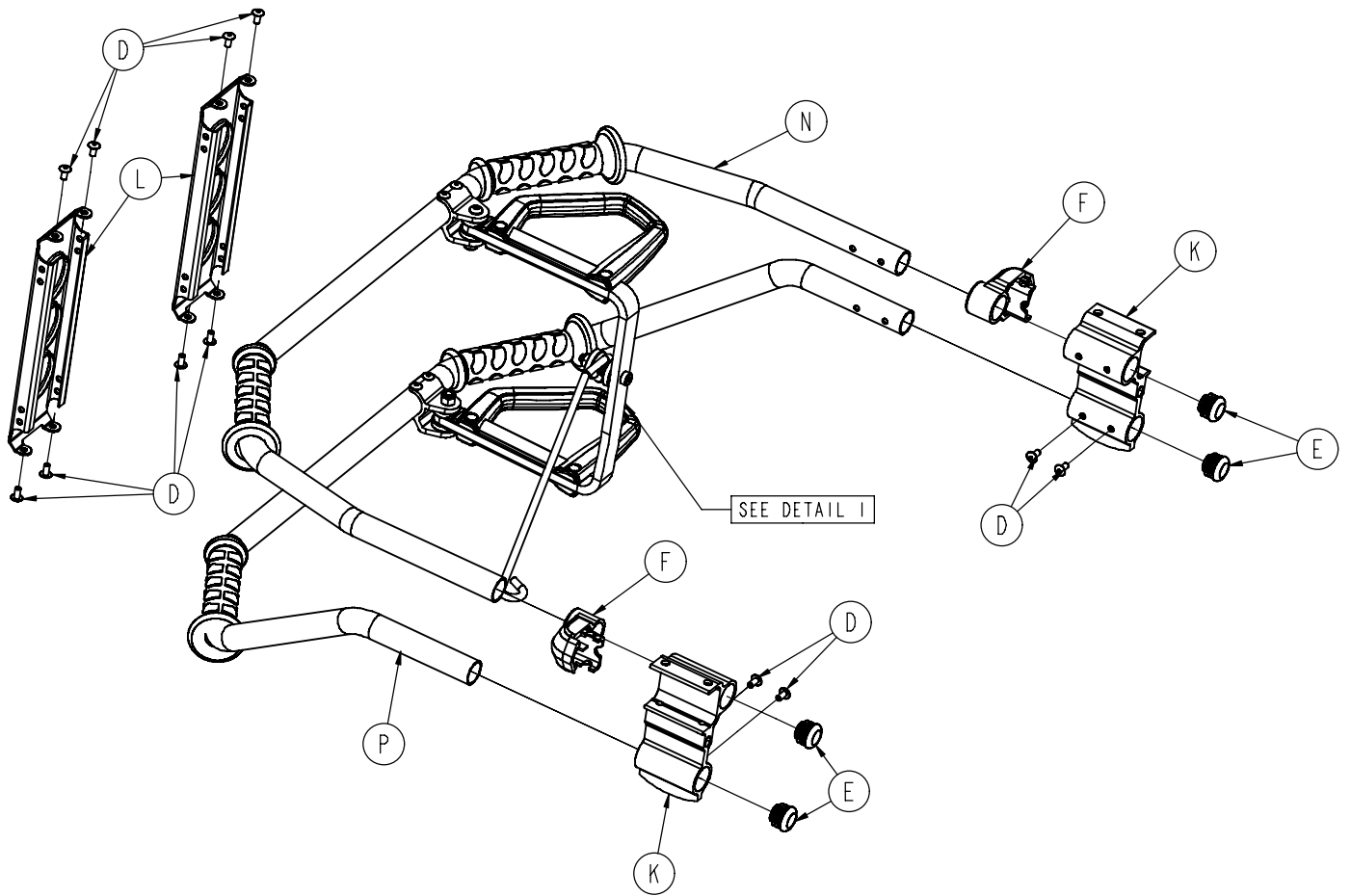
Item	Part No.	Part Name	Qty.	Item	Part No.	Part Name	Qty.
A	0004-097-000	Button Head Cap Screw	8	AJ	6060-032-040	Fowler Lift Pivot	1
B	0004-098-000	Button Head Cap Screw	1	AK	6070-038-033	Calf Stand Retainer	1
C	0004-135-000	Button Head Cap Screw	4	AL	6080-030-040	Litter Stop	2
D	0004-203-000	Button Head Cap Screw	6	AM	6082-025-055	Pivot Mount	6
E	0004-468-000	Button Head Cap Screw	6	AN	(page 57)	Siderail Assembly	2
F	0004-198-000	Button Head Cap Screw	4	AP	6082-030-031	Crossbrace Supt. Mount	2
G	0004-204-000	Button Head Cap Screw	5	AR	6082-030-046	Outer Support Rail, Right	1
H	0004-234-000	Button Head Cap Screw	1	AS	6082-030-047	Outer Support Rail, Left	1
J	0008-027-000	Socket Head Shoulder Bolt	2	AT	6082-031-047	Lit./Base IF Pivot Spacer	1
K	0014-055-000	Washer	2	AU	(page 58)	Lift Tube Assembly	1
L	0014-067-000	Washer	2	AV	6083-001-030	Slide Plate, Left	1
M	0015-050-000	Hex Nut	1	AW	6083-001-031	Slide Plate, Right	1
N	0016-028-000	Nylock Hex Nut	8	AX	6083-001-054	Fowler Weldment	1
P	0016-078-000	Centerlock Nut	1	AY	6083-001-055	Release Handle Wldmnt	1
R	0016-102-000	Nylock Nut	12	AZ	6083-001-057	Foot Section Weldment	1
S	0018-038-000	Hex Nut	4	BA	6083-001-061	Litter/Base Interface	1
T	0021-119-000	Set Screw	1	BB	6083-001-110	Litter Cross Brace	2
U	0021-138-000	Set Screw	1	BC	6083-001-111	Rail Insert, Left	1
V	0025-079-000	Rivet	56	BD	6083-001-112	Rail Insert, Right	1
W	0025-128-000	Blind Rivet	1	BE	6083-001-113	Fowler Skin	1
X	0025-131-000	Semi-Tubular Rivet	2	BF	0004-197-000	Button Head Cap Screw	8
Y	0025-132-000	Blind Rivet	4	BG	6083-001-117	Calf Stand Supt., Left	1
Z	0025-133-000	Rivet	6	BH	6083-001-118	Calf Stand Supt., Right	1
AA	0028-076-000	External Retaining Ring	2	BJ	6083-001-119	Litter Cross Brace	2
AB	0056-016-000	Bumper	4	BK	6083-001-120	Foot Section Skin	1
AC	0081-255-000	Split Bearing	2	BL	6083-001-181	Spacer	2
AD	6083-001-168	Slot Hd. Shoulder Bolt	1	BM	6100-003-125	Straight "T" Pivot	2
AE	0721-026-066	Pivot Screw	6	BN	6083-001-147	Fowler Handle Support	2
AF	0938-001-177	Knob	1	BP	0037-052-000	Bumper	2
AG	0946-035-025	Liner	2	BR	0037-225-000	Plug	2
AH	6060-032-038	Gas Cylinder Yoke	1	BS	0004-215-000	But. Hd. Cap Screw	2
				BT	0016-003-000	Nylock Nut	2

6082-026-010 Siderail Assembly

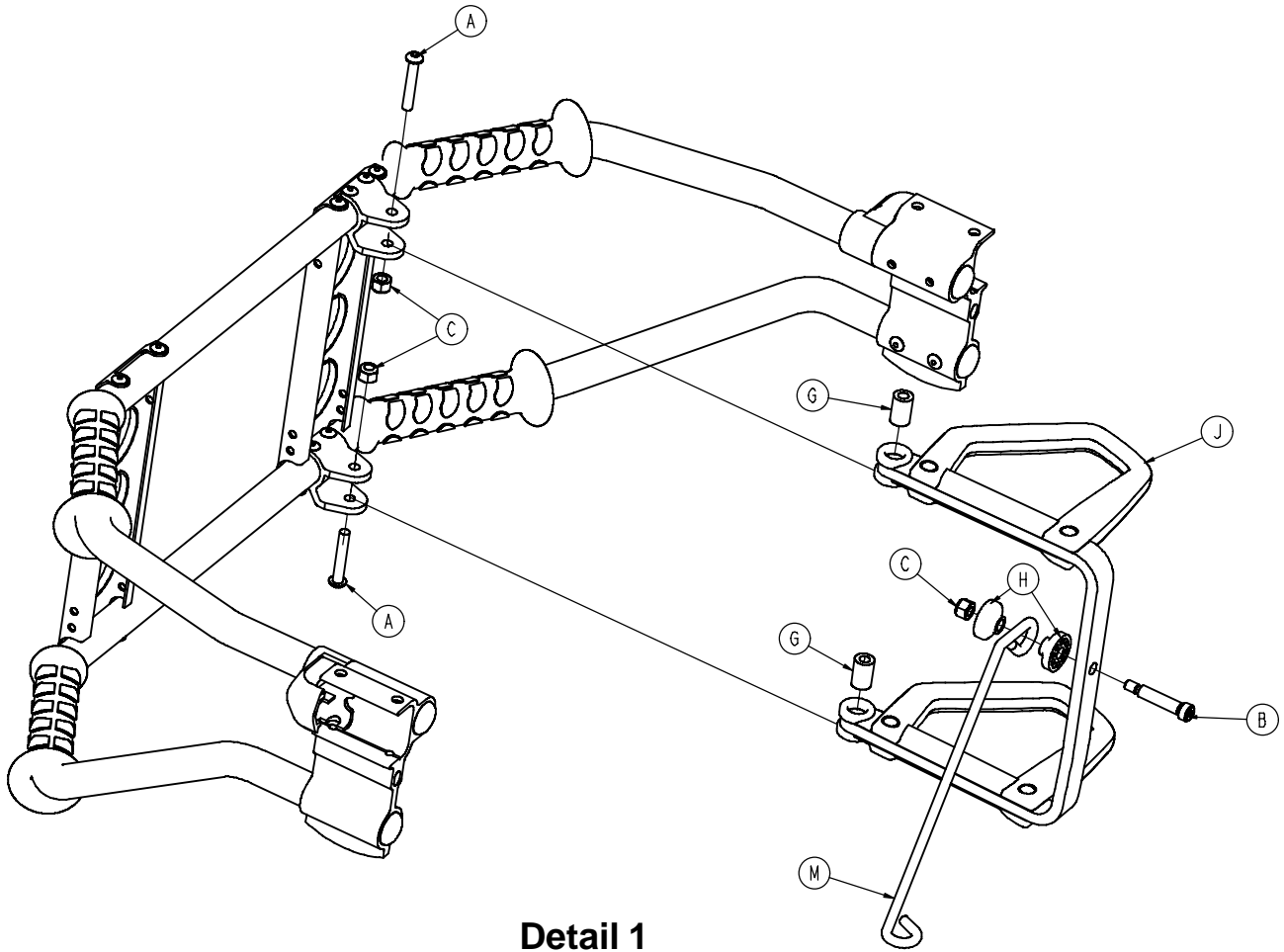


Item	Part No.	Part Name	Qty.
A	6060-025-024	Top Rail	1
B	6060-025-043	Spindle	3
C	6060-025-047	Spindle Lock	1
D	6060-025-041	Spindle Pivot	3
E	6060-025-040	Spindle Pivot Stop	2
F	6060-025-029	Lock Release Grip	1
G	6061-125-030	Lock Bar	1
H	0038-344-000	Compression Spring	1
J	6060-025-035	Pivot Bushing	4
K	0025-131-000	Rivet	4

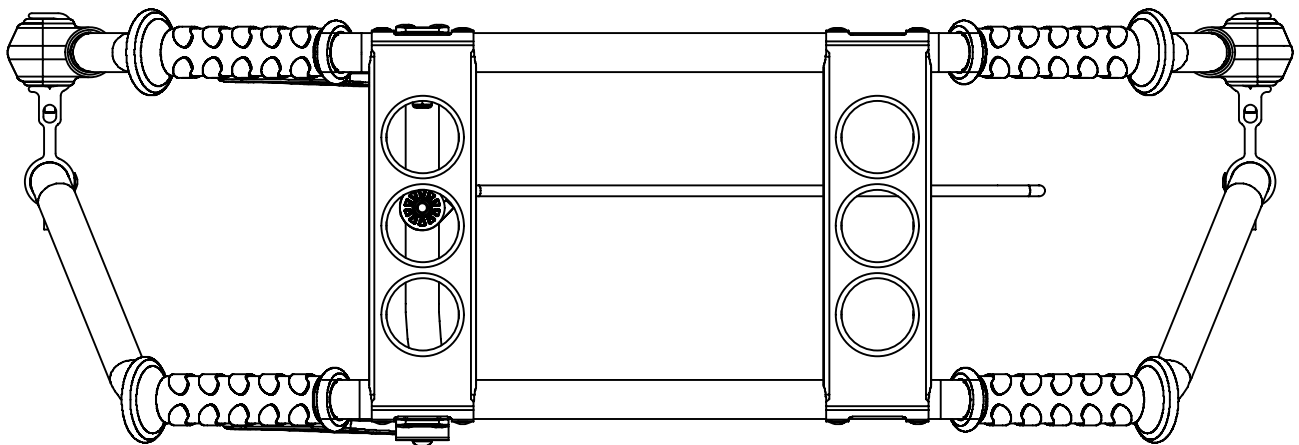
6083-101-020 Lift Tube Assembly



6083-101-020 Lift Tube Assembly



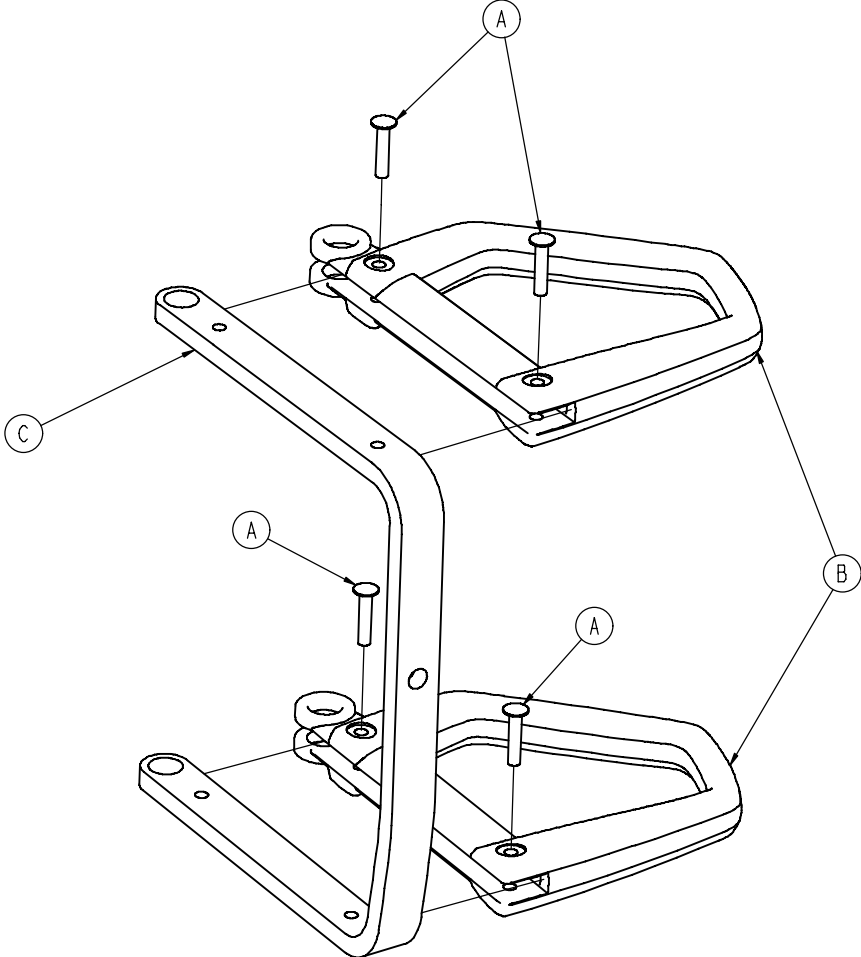
Detail 1



6083-101-020 Lift Tube Assembly

Item	Part No.	Part Name	Qty.
A	0004-135-000	But. Hd. Cap Screw	2
B	0008-033-000	Soc. Hd. Shoulder Bolt	1
C	0016-028-000	Fiberlock Hex Nut	3
D	0025-079-000	Rivet	12
E	0037-238-000	Tube Plug	4
F	6080-040-012	End Cap	2
G	6080-040-044	Link Release Spacer	2
H	6082-040-025	Link Bushing	2
J	(page 61)	Release Handle Assembly	1
K	6082-130-038	Litter Stop	2
L	6083-001-100	Lift Brace	2
M	6083-001-184	Pull Handle Link	1
N	6083-101-023	Upper Lift Bar Assembly	1
P	6083-101-024	Lower Lift Bar Assembly	1

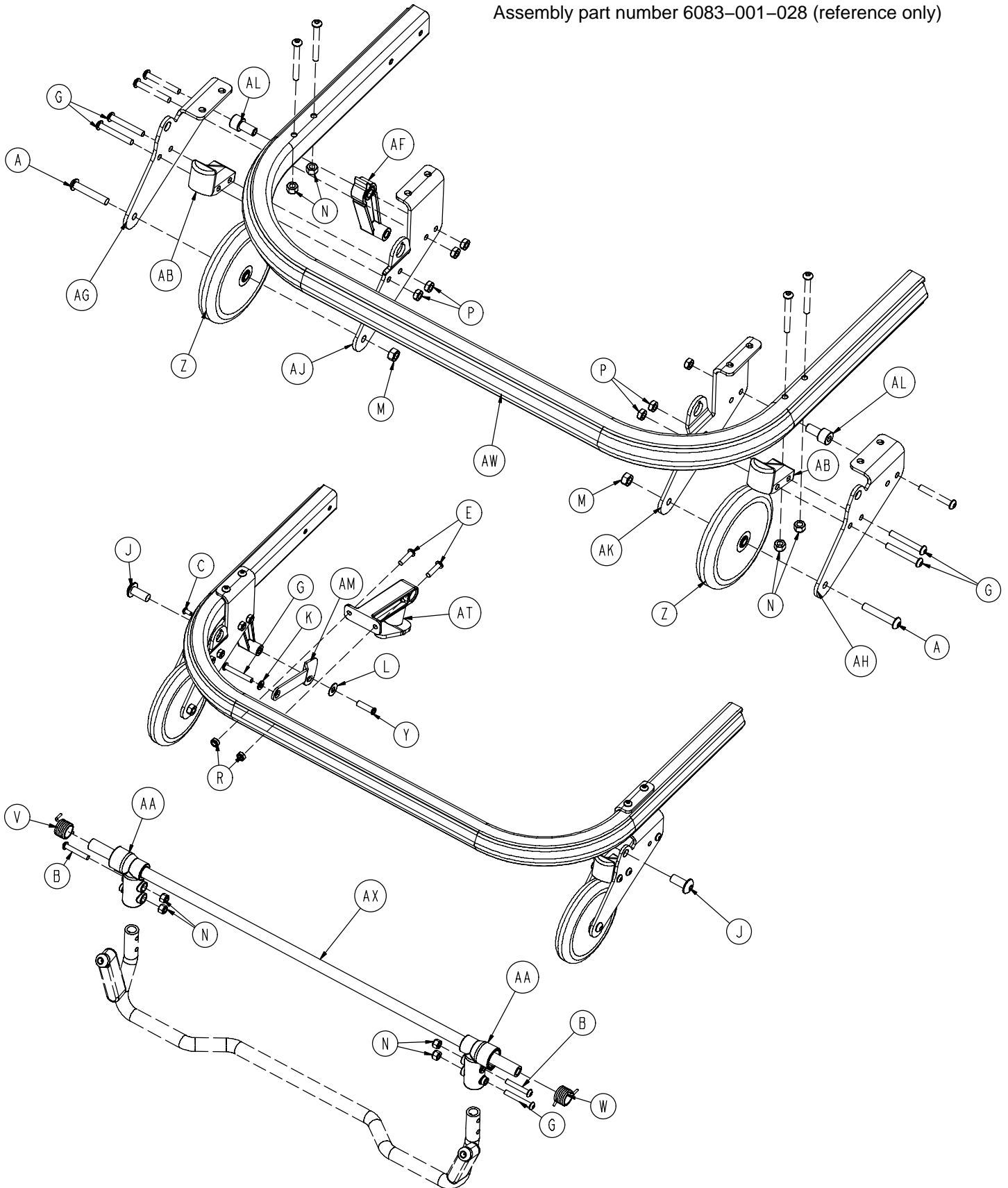
6082-040-061 Release Handle Assembly



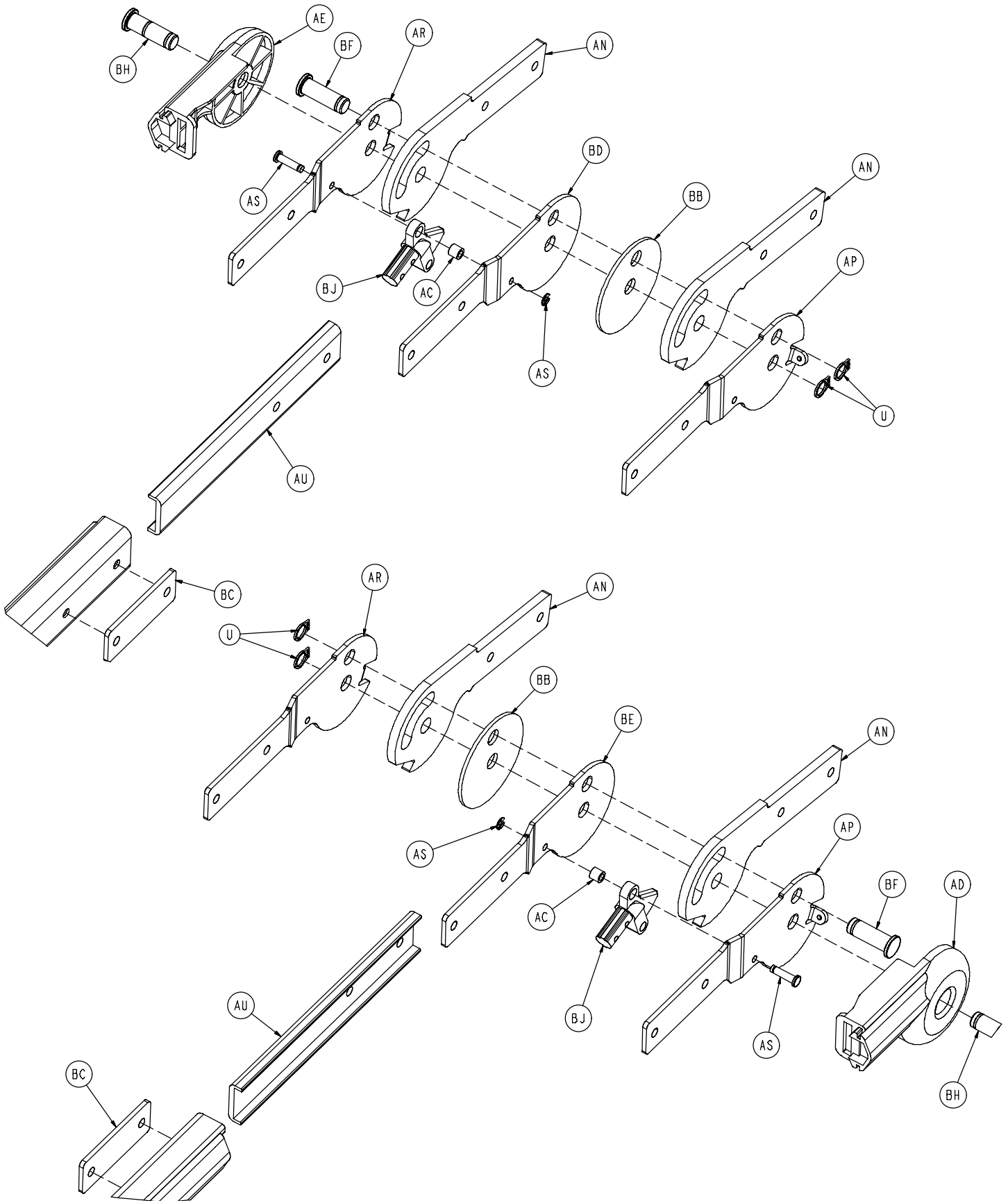
Item	Part No.	Part Name	Qty.
A	0025-127-000	Rivet	4
B	6082-001-081	Release Handle	2
C	6082-140-034	Release Handle Brace	1

Breakaway Head Assembly

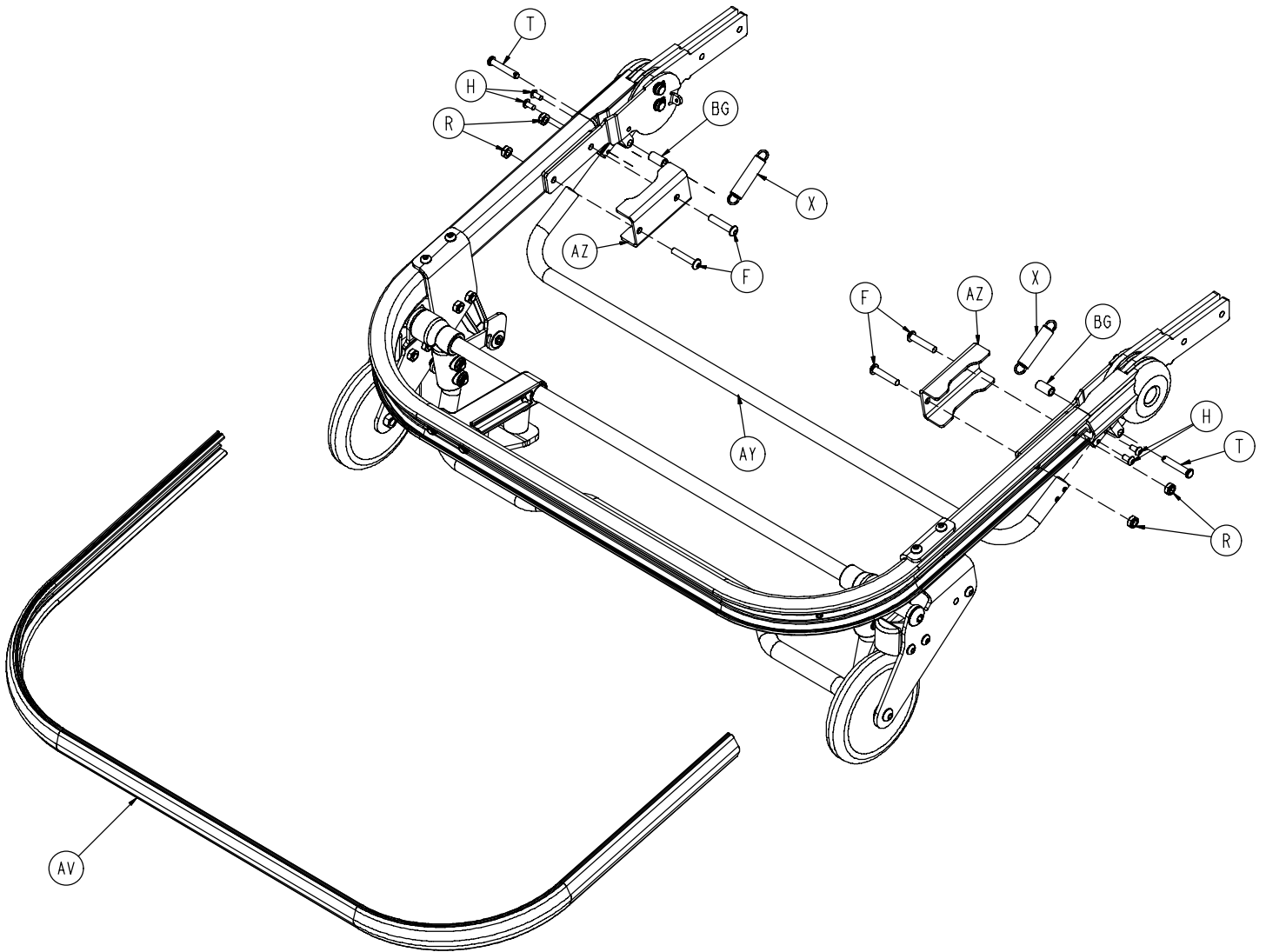
Assembly part number 6083-001-028 (reference only)



Breakaway Head Assembly



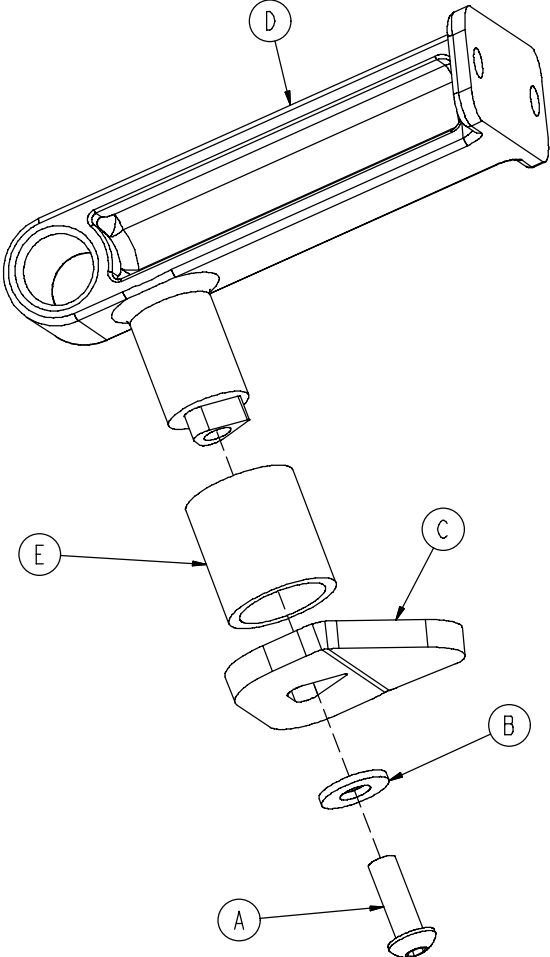
Breakaway Head Assembly



Breakaway Head Assembly

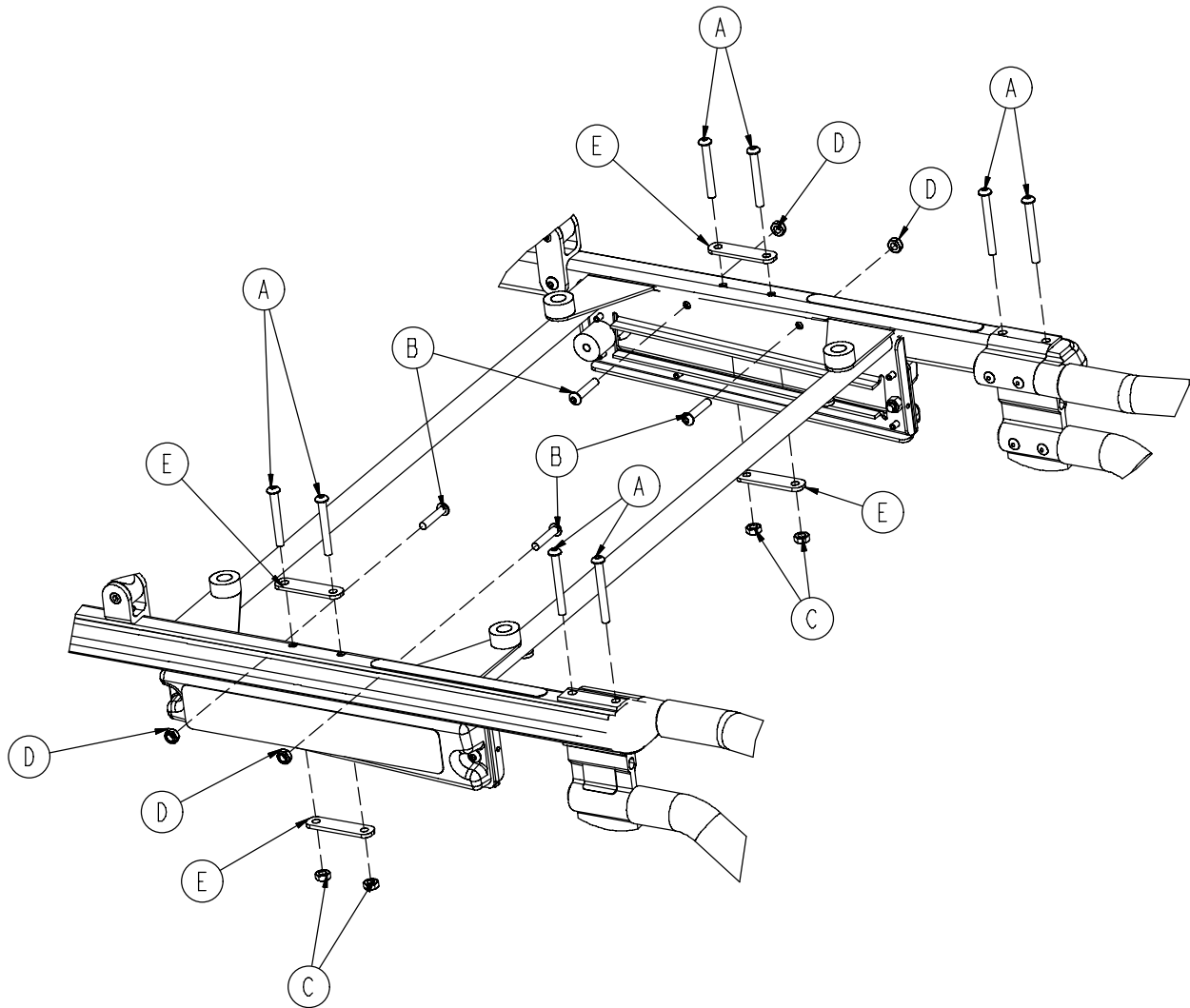
Item	Part No.	Part Name	Qty.
A	0004-054-000	H. Soc. But. Hd. Cap Scr.	2
B	0004-135-000	H. Soc. But. Hd. Cap Scr.	2
C	0004-136-000	Pan Hd. Machine Screw	1
E	0004-197-000	H. Soc. But. Hd. Cap Scr.	2
F	0004-198-000	H. Soc. But. Hd. Cap Scr.	4
G	0004-204-000	H. Soc. But. Hd. Cap Scr.	6
H	0004-231-000	H. Soc. But. Hd. Cap Scr.	4
J	0004-310-000	Button Hd. Cap Screw	2
K	0011-065-000	Flat Washer	1
L	0011-179-000	Flat Washer	1
M	0016-020-000	Centerlock Hex Nut	2
N	0016-028-000	Fiberlock Hex Nut	8
P	0016-078-000	Centerlock Hex Nut	7
R	0016-102-000	Nylock Hex Nut	6
T	0026-273-000	Clevis Pin	2
U	0028-138-000	Retaining Ring	4
V	0038-408-000	Torsion Spring	1
W	0038-409-000	Torsion Spring	1
X	0038-410-000	Extension Spring	2
Y	0721-026-066	Pivot Screw	1
Z	6060-036-020	5" Wheel Assembly	2
AA	6060-037-021	Safety Hook Pivot	2
AB	6060-037-033	Horn Stop Block	2
AC	6060-037-036	Trigger Lock Spacer	2
AD	6060-037-037	Pivot Cover, Right	1
AE	6060-037-038	Pivot Cover, Left	1
AF	6060-037-047	Safety Hook Release Handle	1
AG	6080-037-027	Outer Caster Horn, Left	1
AH	6080-037-028	Outer Caster Horn, Right	1
AJ	6080-037-029	Inner Caster Horn, Left	1
AK	6080-037-030	Inner Caster Horn, Right	1
AL	6080-037-049	Saf. Hook Rel. Hand. Spacer	2
AM	6080-237-048	Safety Hook Release Arm	1
AN	6082-037-040	Center Pivot	4
AP	6082-037-042	Hd. Section Pivot, Right	2
AR	6082-037-043	Hd. Section Pivot, Left	2
AS	6082-037-057	Clevis Pin Assembly	2
AT	(page 66)	Antler Post Assembly	1
AU	6083-001-121	Pivot Spacer Plate	2
AV	6083-001-122	Bumper	1
AW	6083-001-123	Outer Rail	1
AX	6083-001-124	Safety Hook Pivot Tube	1
AY	6083-001-125	Release Crossbar	1
AZ	6083-001-126	Strength Bracket	2
BB	6083-001-148	Breakaway Pivot Spacer	2
BC	6083-001-149	Breakaway Support Spacer	2
BD	6083-001-150	Pivot, Right Hand	1
BE	6083-001-151	Pivot, Left Hand	1
BF	6083-001-155	Pivot Stop Pin	2
BG	6083-001-156	Breakaway Pin Spacer	2
BH	6083-001-157	Pivot Stop Pin	2
BJ	6090-037-039	Trigger Lock	2

6082-001-029 Antler Post Assembly



Item	Part No.	Part Name	Qty.
A	0004-161-000	But. Hd. Cap Screw	1
B	0011-077-000	Washer	1
C	6083-001-141	Foot	1
D	6083-001-142	Post Casting	1
E	6083-001-143	Post Cover	1

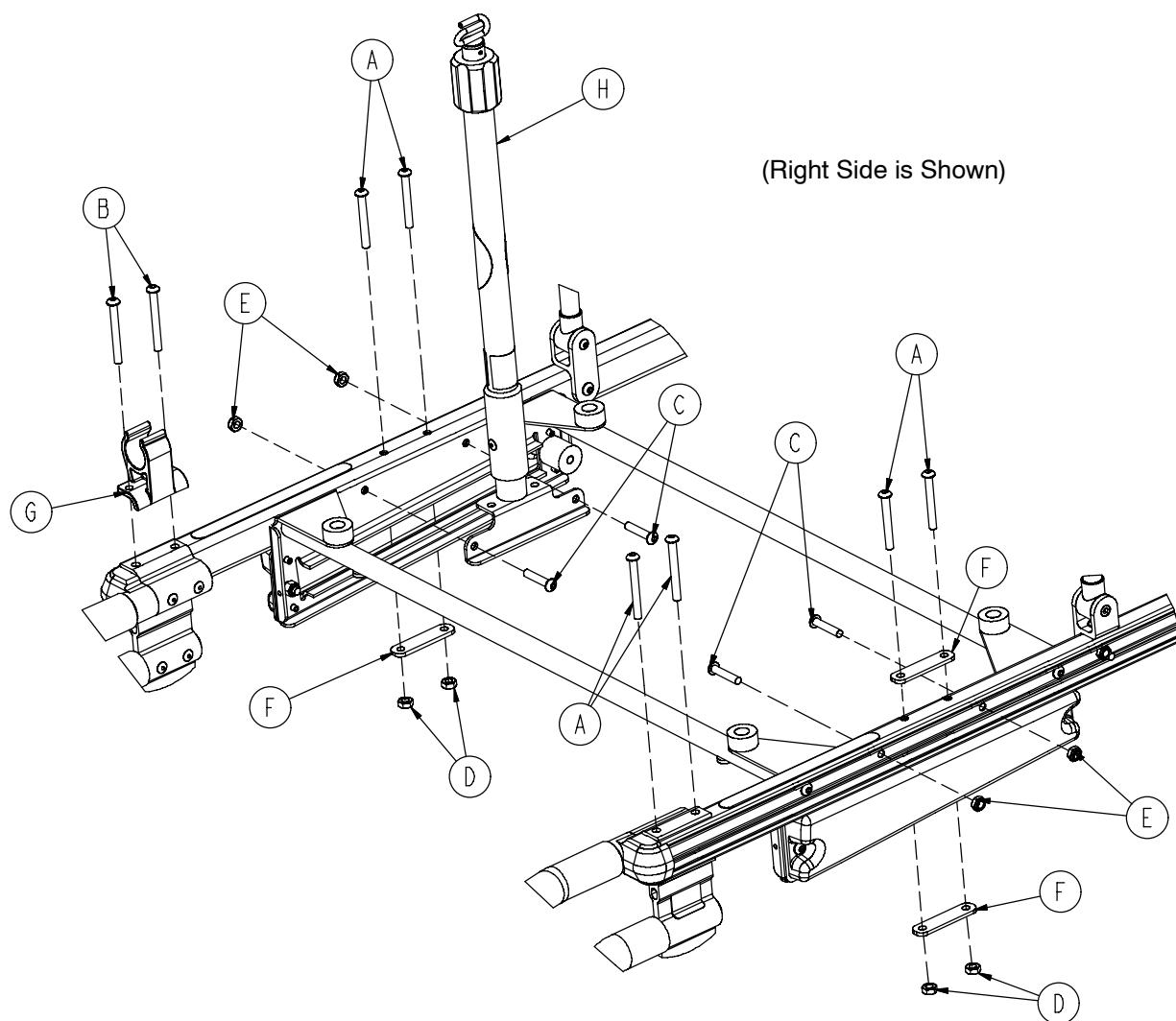
6083-031-000 No IV Pole Option



Item	Part No.	Part Name	Qty.
A	0004-097-000	Button Hd. Cap Screw	8
B	0004-198-000	Button Hd. Cap Screw	4
C	0016-078-000	Centerlock Hex Nut	4
D	0016-102-000	Nylock Nut	4
E	6070-110-032	IV Retainer Plate	4

6083-032-000 Optional 2-Stage IV Pole, Patient Right

6083-033-000 Optional 2-Stage IV Pole, Patient Left

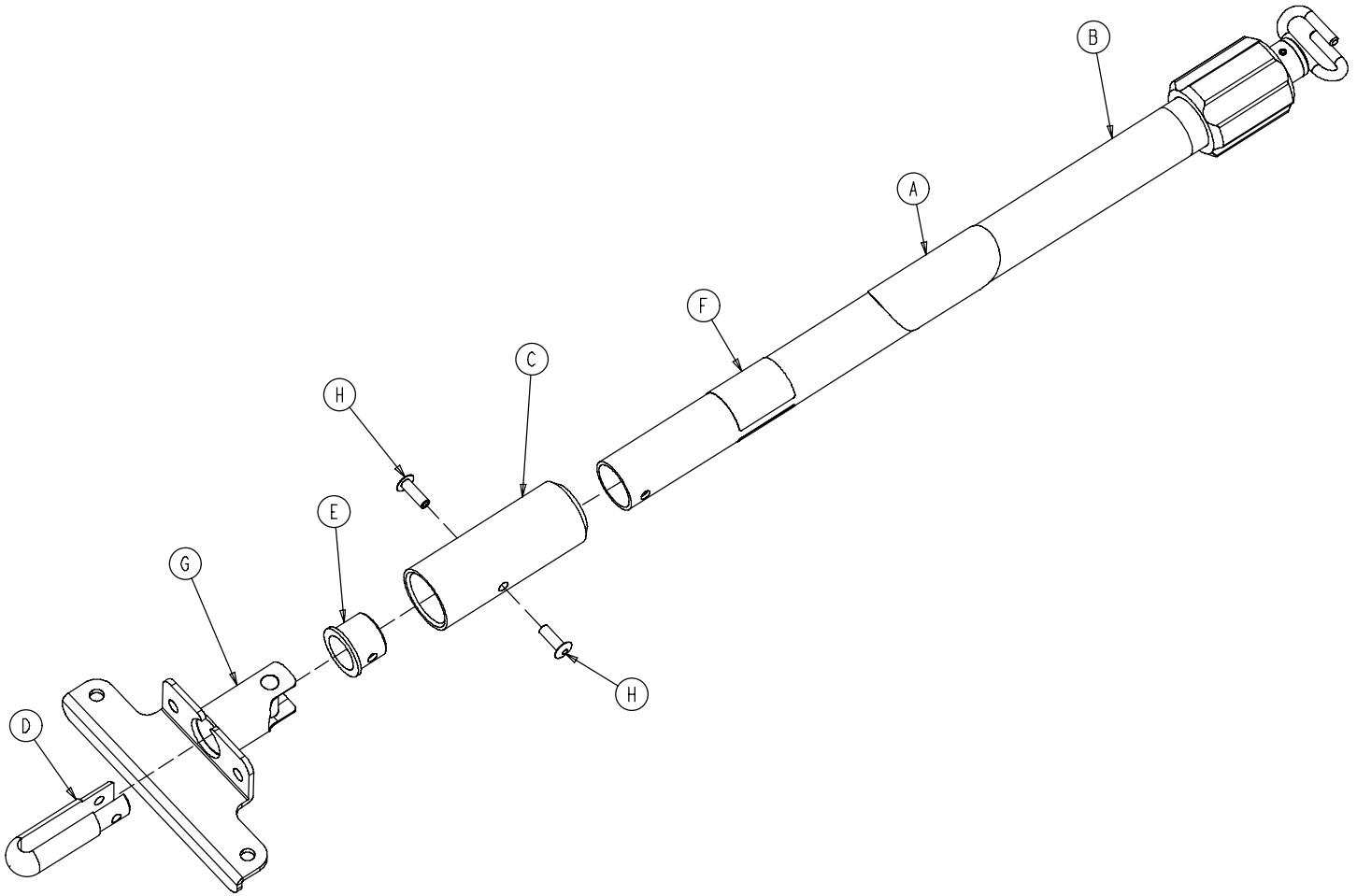


6083-032-000

6083-033-000

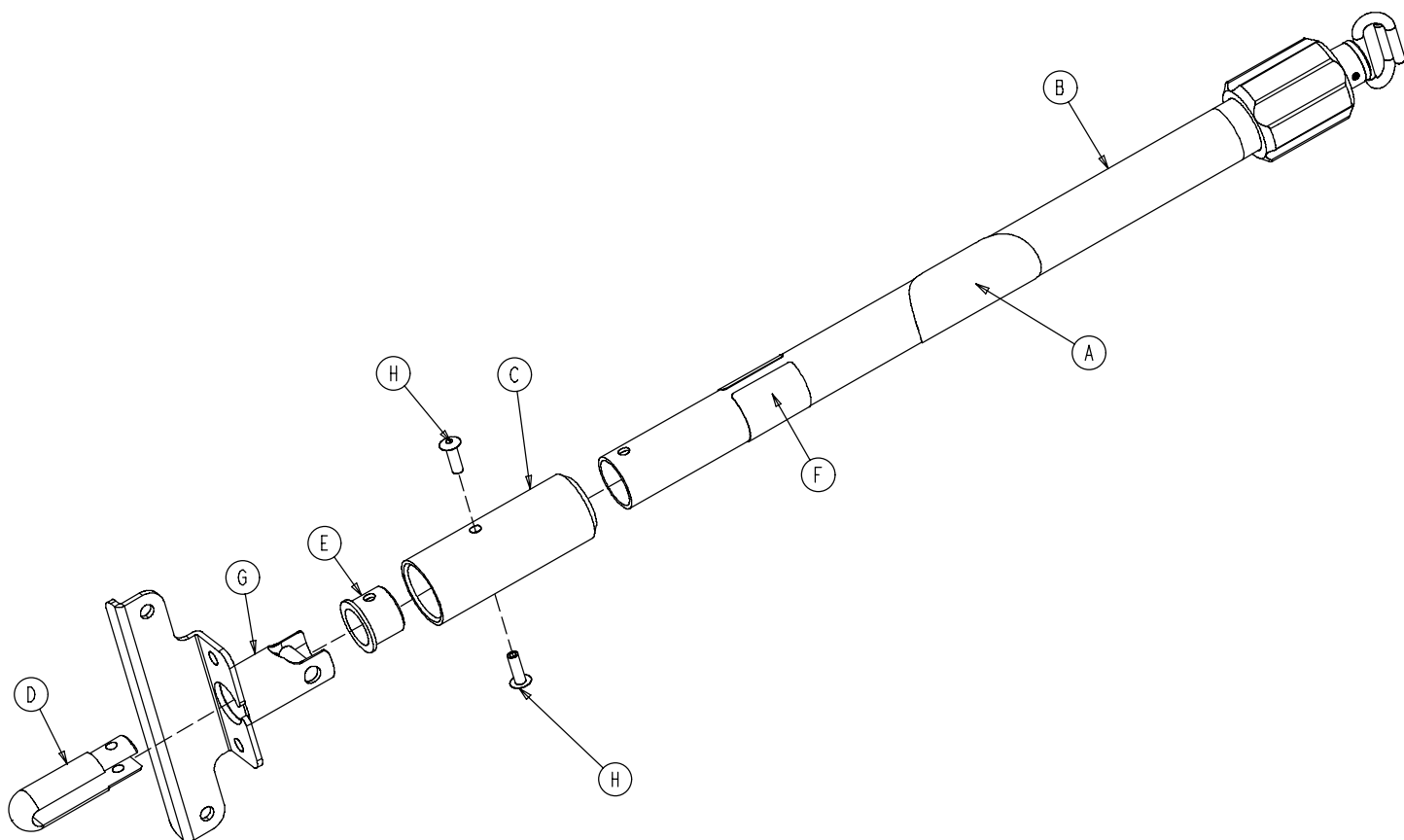
Item	Part No.	Part Name	Qty.	Item	Part No.	Part Name	Qty.
A	0004-097-000	H. Soc. But. Hd. Cap Scr.	6	A	0004-097-000	H. Soc. But. Hd. Cap Scr.	6
B	0004-163-000	H. Soc. But. Hd. Cap Scr.	2	B	0004-163-000	H. Soc. But. Hd. Cap Scr.	2
C	0004-198-000	H. Soc. But. Hd. Cap Scr.	4	C	0004-198-000	H. Soc. But. Hd. Cap Scr.	4
D	0016-078-000	Centerlock Hex Nut	4	D	0016-078-000	Centerlock Hex Nut	4
E	0016-102-000	Nylock Nut	4	E	0016-102-000	Nylock Nut	4
F	6070-110-032	IV Retainer Plate	3	F	6070-110-032	IV Retainer Plate	3
G	6080-110-035	IV Clip	1	G	6080-110-035	IV Clip	1
H	(page 69)	2-Stage I.V. Pole, Right	1	H	(page 1)	2-Stage I.V. Pole, Left	1

6080-210-020 2-Stage IV Assembly, Patient Right



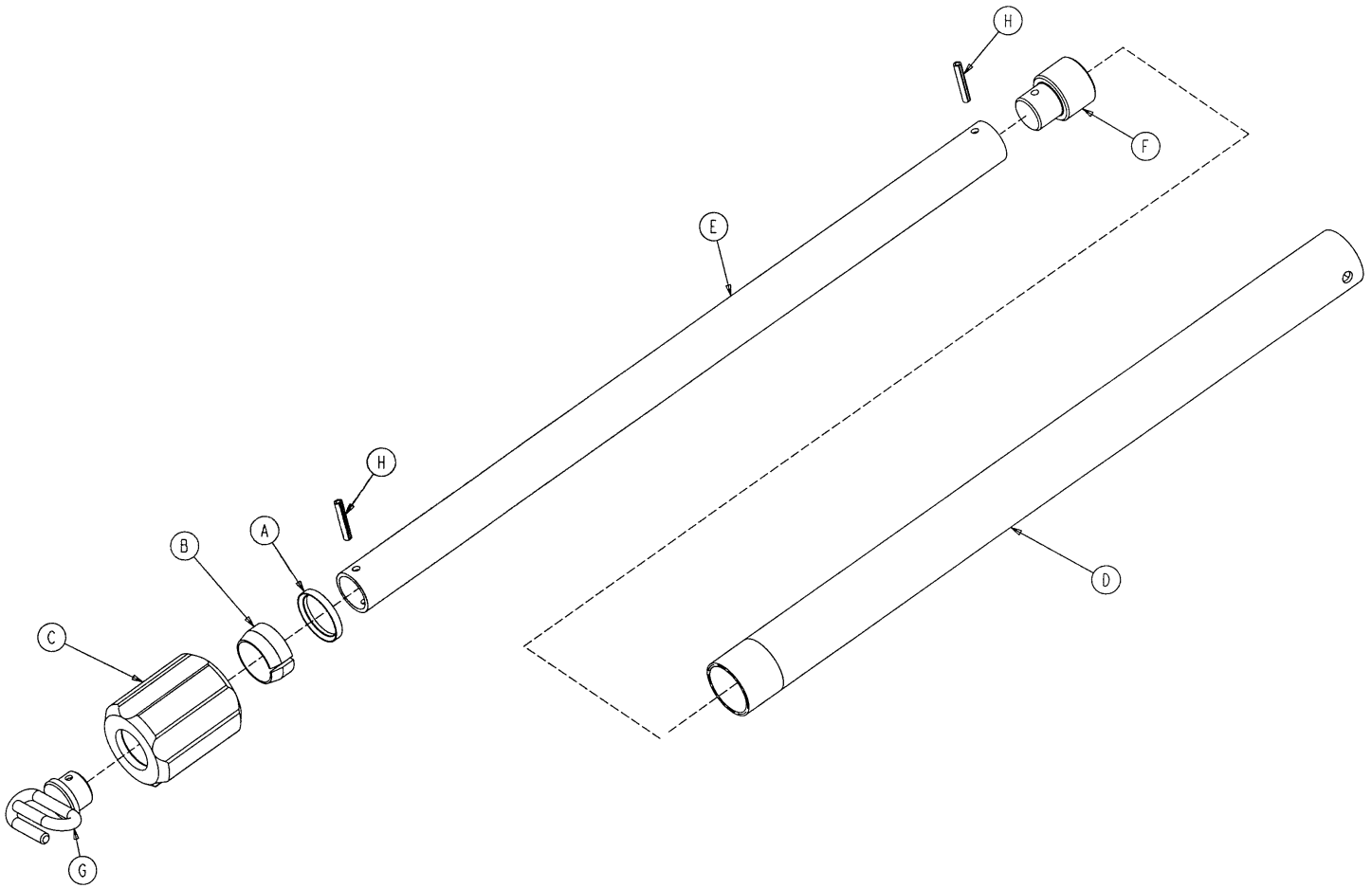
Item	Part No.	Part Name	Qty.
A	6070-090-105	Caution Label	1
B	(page 71)	2-Stage IV Pole Assembly	1
C	6070-210-045	IV Pole Sleeve	1
D	6070-210-046	IV Pivot	1
E	6070-210-049	IV Pivot Ring	1
F	6080-090-031	Specification Label	1
G	6080-210-052	IV Socket Weldment, Right	1
H	0025-133-000	Rivet	2

6080-211-020 2-Stage IV Assembly, Patient Left



Item	Part No.	Part Name	Qty.
A	6070-090-105	Caution Label	1
B	(page 71)	2-Stage IV Pole Assembly	1
C	6070-210-045	IV Pole Sleeve	1
D	6070-210-046	IV Pivot	1
E	6070-210-049	IV Pivot Ring	1
F	6080-090-032	Specification Label	1
G	6080-211-052	IV Socket Weldment, Left	1
H	0025-133-000	Rivet	2

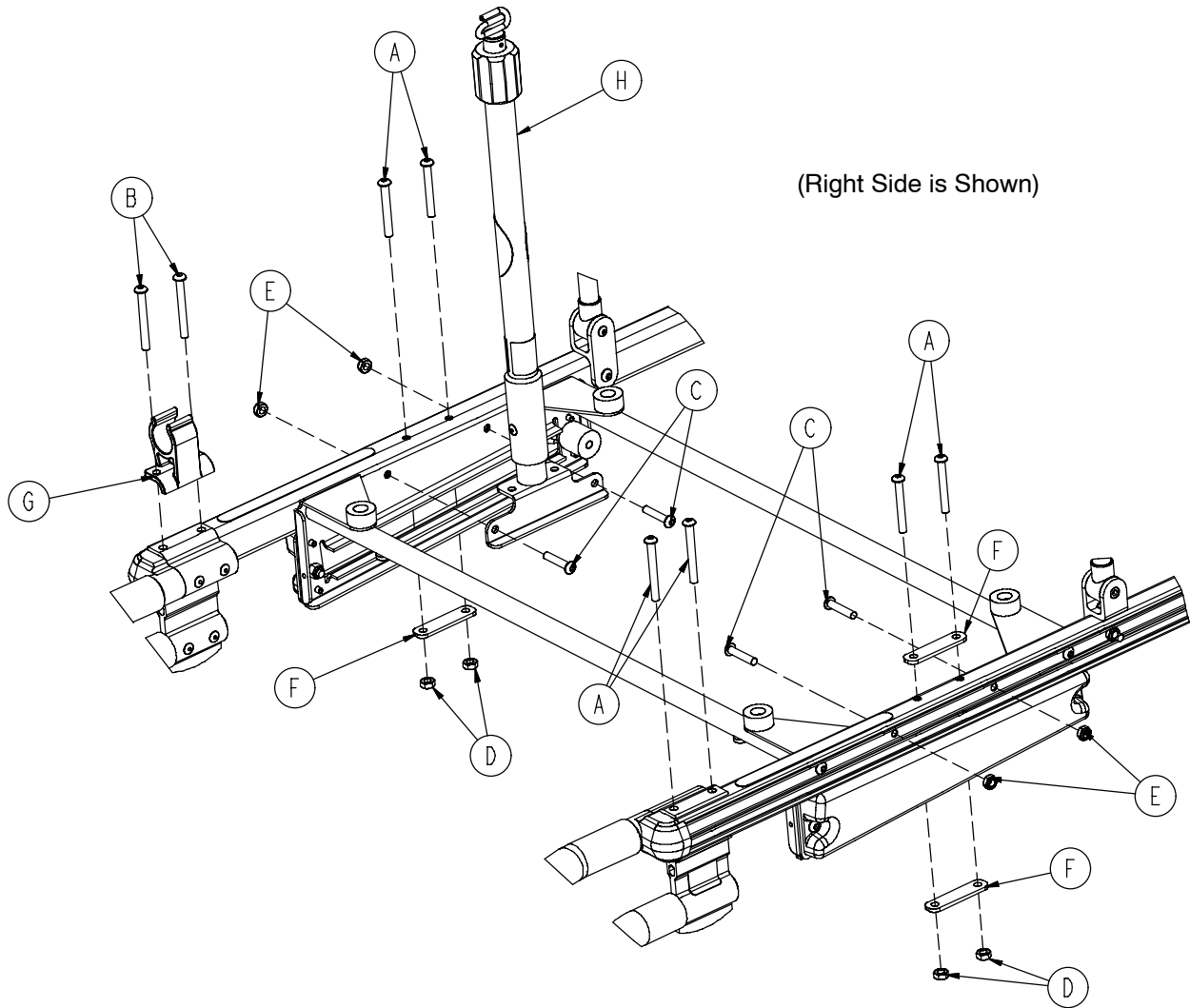
6070-210-040 2-Stage IV Pole Assembly



Item	Part No.	Part Name	Qty.
A	1210-110-046	Back-Up Ring	1
B	1210-110-047	Lock Ring	1
C	1210-110-049	Molded Actuator	1
D	6070-210-041	Base Tube	1
E	6070-110-042	2nd Stage Tube	1
F	6070-110-044	2nd Stage Slide Plug	1
G	6070-110-050	Hook Weldment	1
H	0026-006-000	Roll Pin	2

6083-034-000 Optional 3-Stage IV Pole, Patient Right

6083-035-000 Optional 3-Stage IV Pole, Patient Left

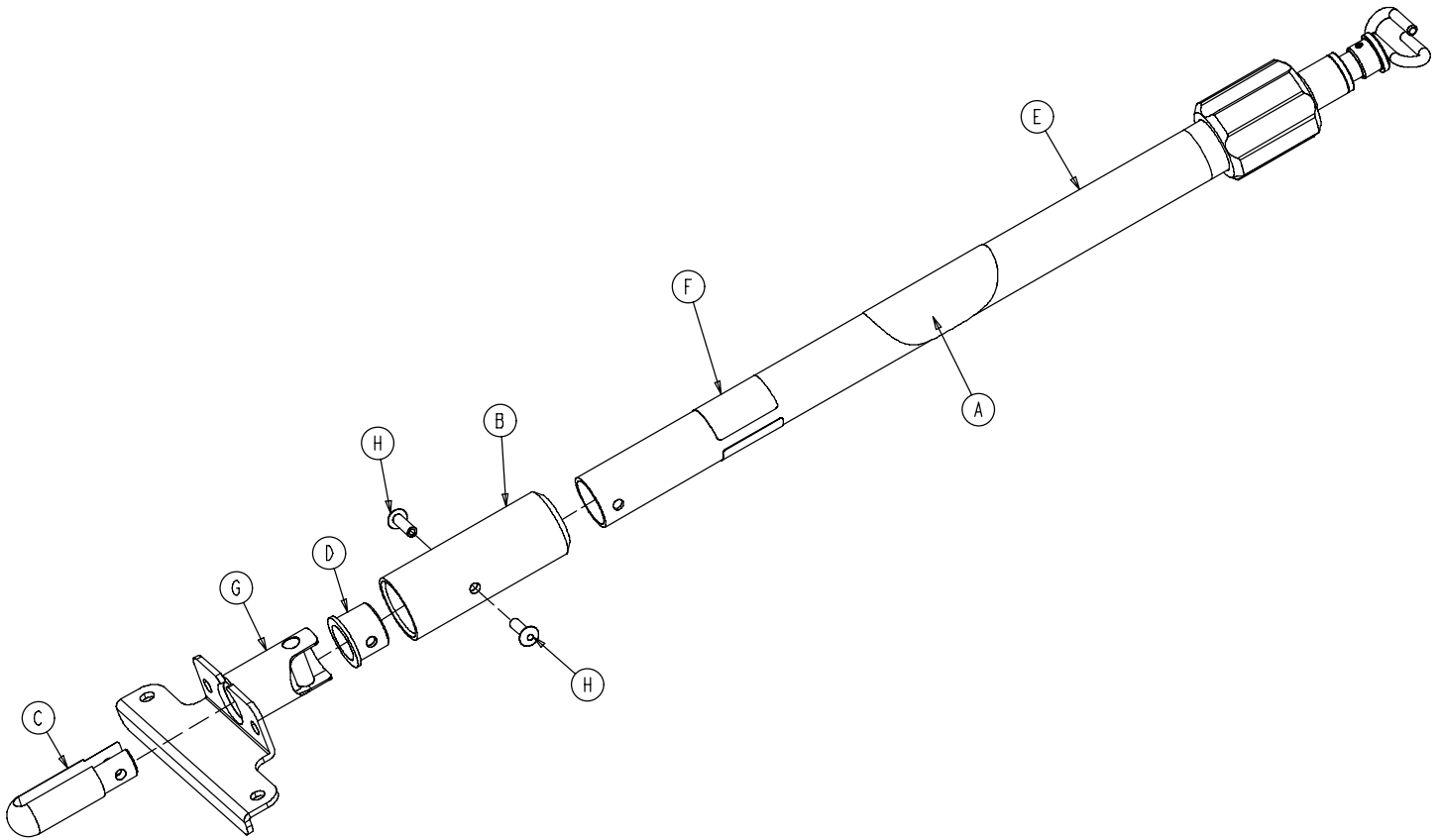


6083-034-000

6083-035-000

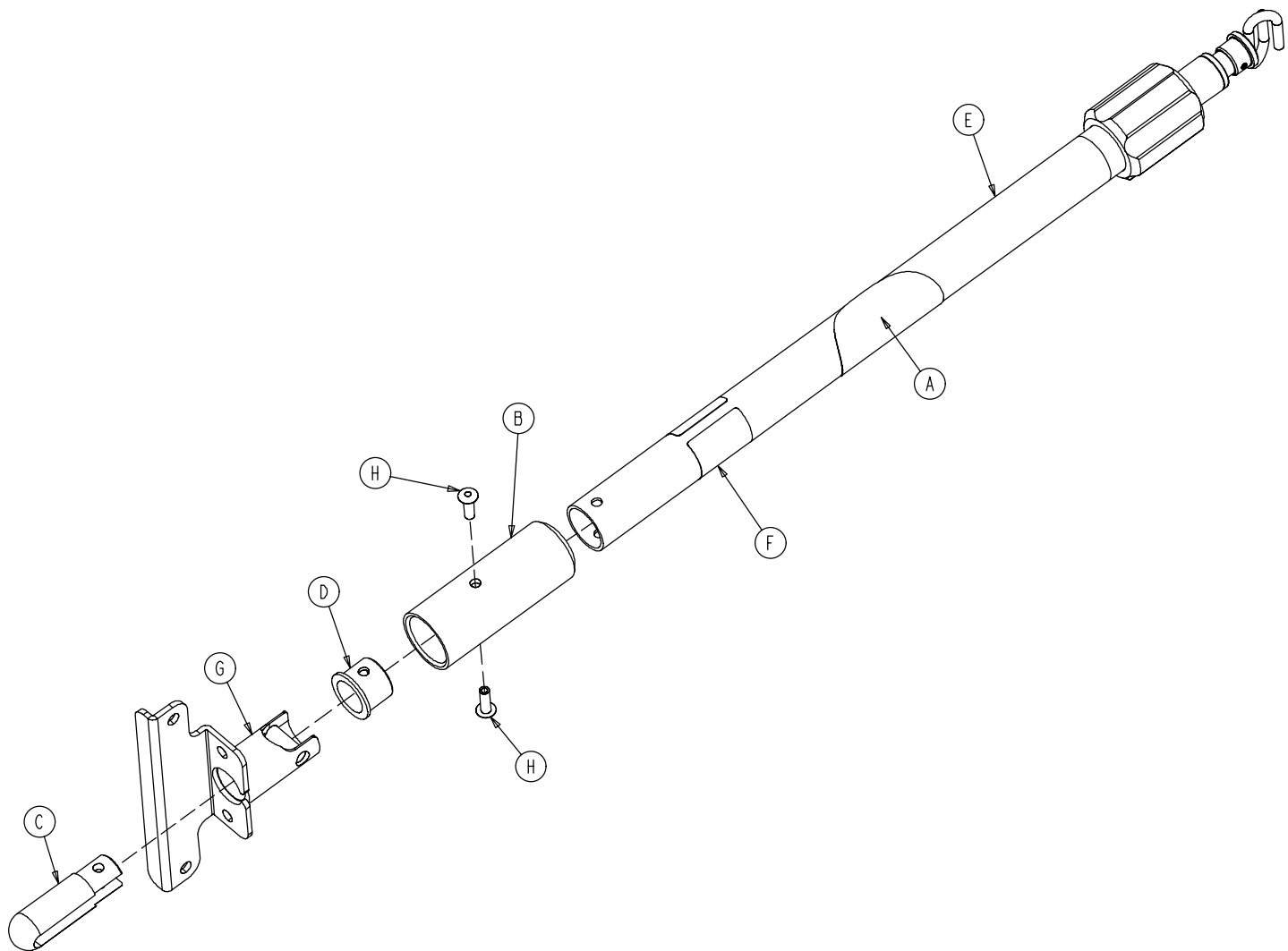
Item	Part No.	Part Name	Qty.	Item	Part No.	Part Name	Qty.
A	0004-097-000	H. Soc. But. Hd. Cap Scr.	6	A	0004-097-000	H. Soc. But. Hd. Cap Scr.	6
B	0004-163-000	H. Soc. But. Hd. Cap Scr.	2	B	0004-163-000	H. Soc. But. Hd. Cap Scr.	2
C	0004-198-000	H. Soc. But. Hd. Cap Scr.	4	C	0004-198-000	H. Soc. But. Hd. Cap Scr.	4
D	0016-078-000	Centerlock Hex Nut	4	D	0016-078-000	Centerlock Hex Nut	4
E	0016-102-000	Centerlock Hex Nut	4	E	0016-102-000	Centerlock Hex Nut	4
F	6070-110-032	IV Retainer Plate	3	F	6070-110-032	IV Retainer Plate	3
G	6080-110-035	IV Clip	1	G	6080-110-035	IV Clip	1
H	(page 73)	3-Stage IV Pole, Right	1	H	(page 74)	3-Stage IV Pole, Left	1

6080-215-020 3-Stage IV Assembly, Patient Right



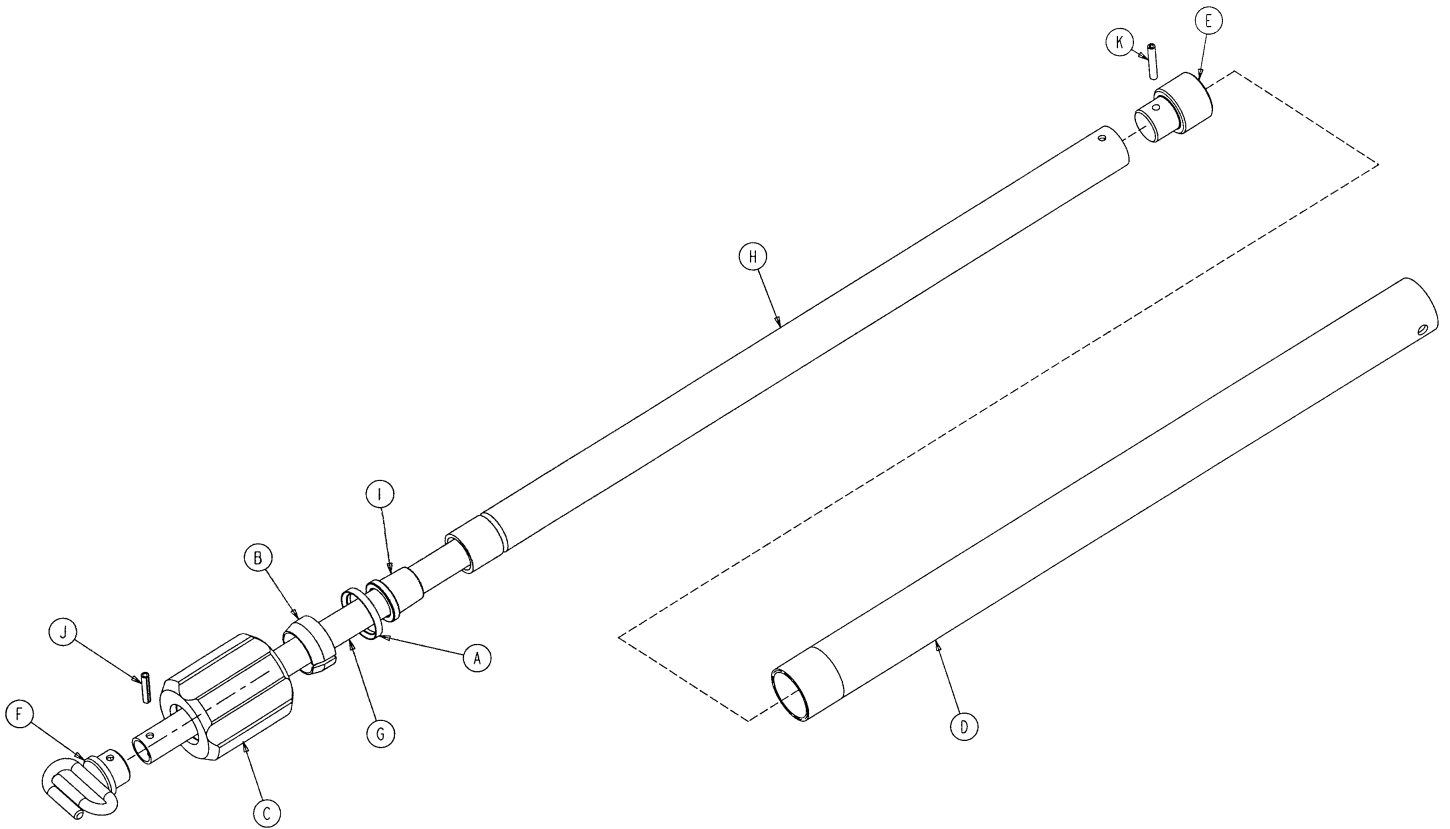
Item	Part No.	Part Name	Qty.
A	6070-090-105	Caution Label	1
B	6070-210-045	IV Pole Sleeve	1
C	6070-210-046	IV Pivot	1
D	6070-210-049	IV Pivot Ring	1
E	(page 75)	3-Stage IV Pole Assembly	1
F	6080-090-033	Specification Label	1
G	6080-210-052	IV Socket Weldment, Right	1
H	0025-133-000	Rivet	2

6080-216-020 3-Stage IV Assembly, Patient Left



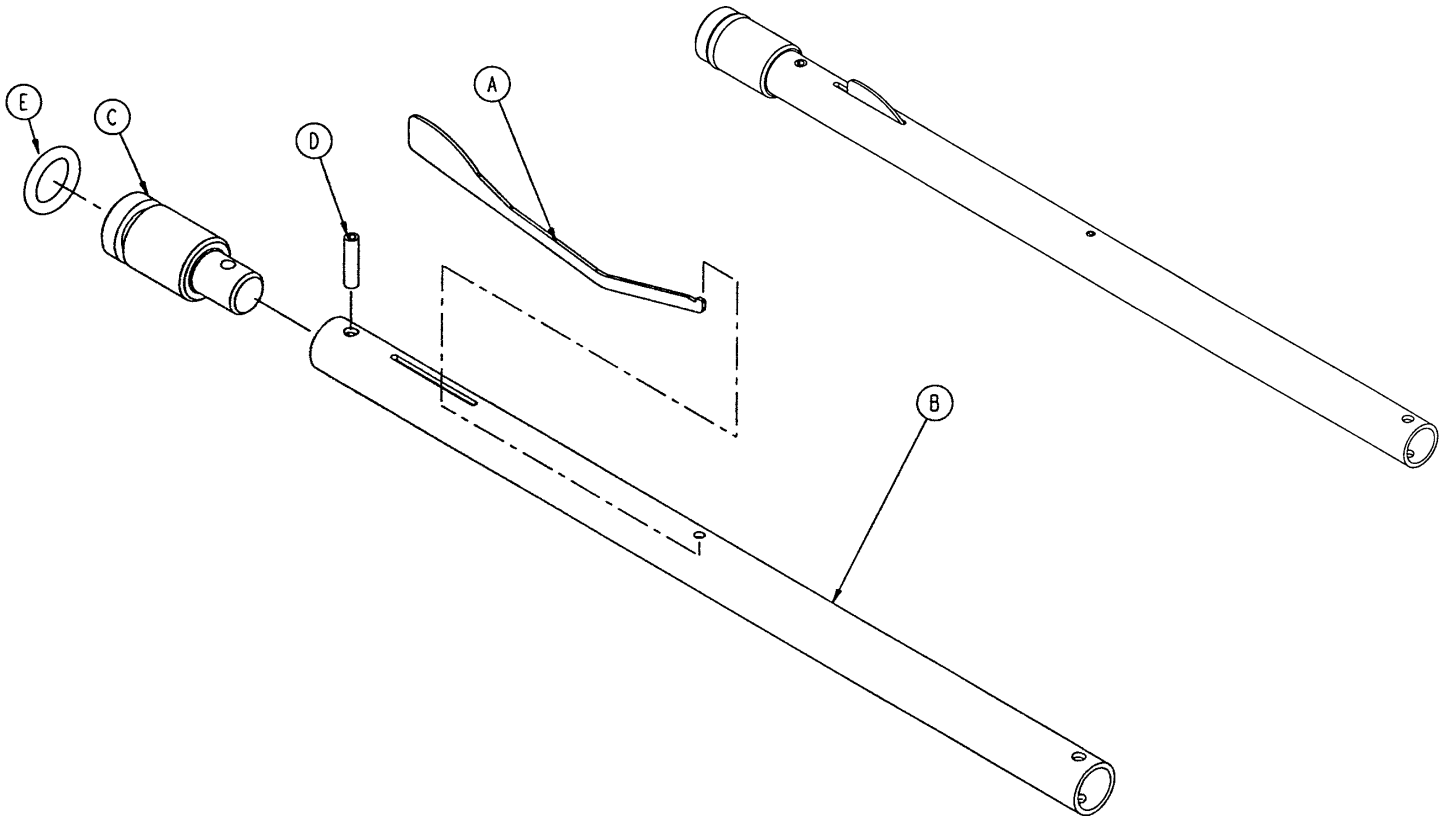
Item	Part No.	Part Name	Qty.
A	6070-090-105	Caution Label	1
B	6070-210-045	IV Pole Sleeve	1
C	6070-210-046	IV Pivot	1
D	6070-210-409	IV Pivot Ring	1
E	(page 75)	3-Stage IV Pole Assembly	1
F	6080-090-034	Specification Label	1
G	6080-211-052	IV Socket Weldment, Left	1
H	0025-133-000	Blind Rivet	2

6070-215-001 3-Stage IV Pole Assembly



Item	Part No.	Part Name	Qty.
A	1210-110-046	Back-Up Ring	1
B	1210-110-047	Lock Ring	1
C	1210-110-049	Molded Actuator	1
D	6070-210-041	Base Tube	1
E	6070-110-044	2nd Stage Slide Plug	1
F	6070-110-050	Hook Weldment	1
G	(page 76)	3rd Stage Assembly	1
H	6070-115-042	2nd Stage Tube	1
I	6070-115-045	Bearing Plug	1
J	0026-005-000	Spring Pin	1
K	0026-006-000	Spring Pin	1

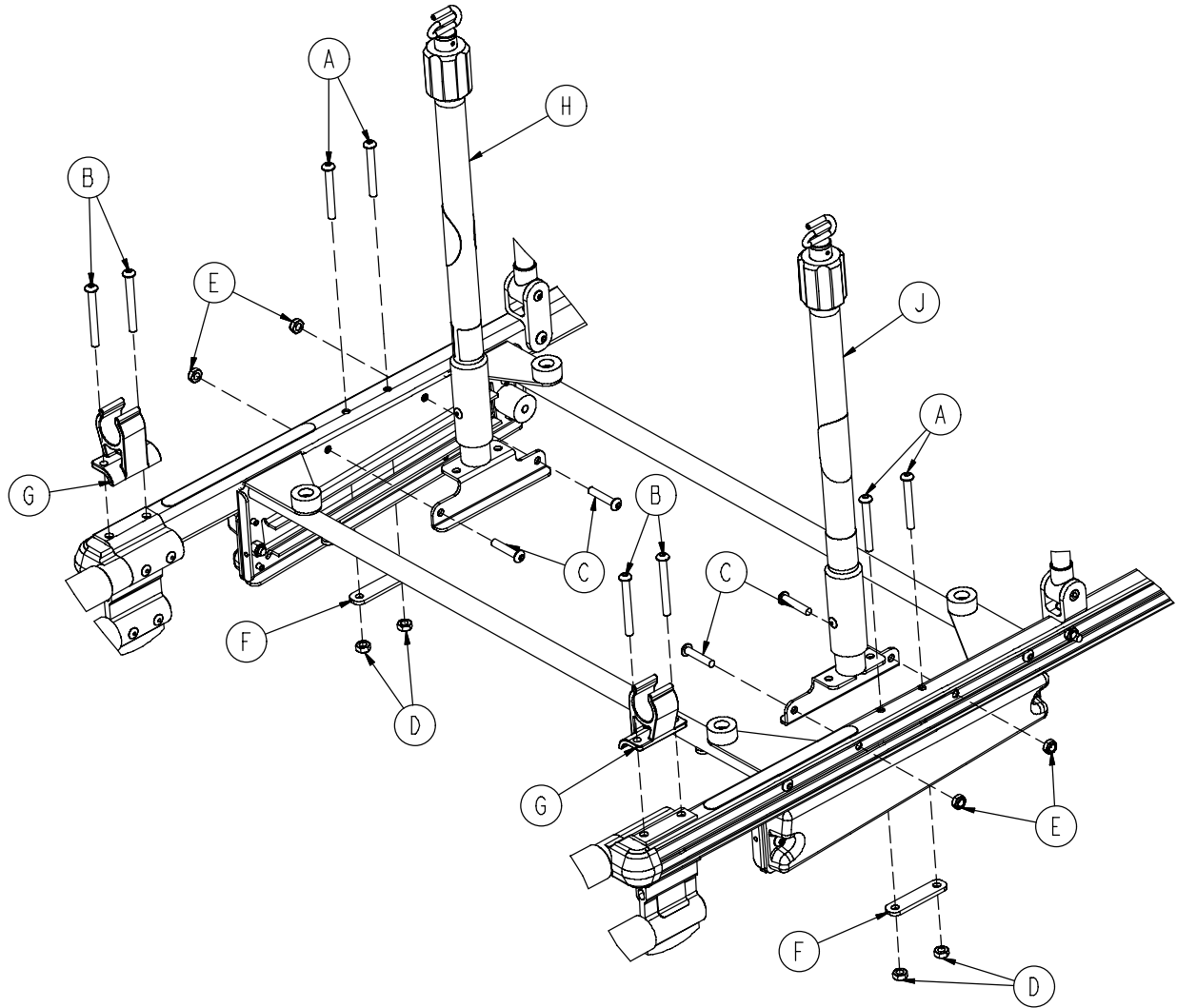
6070-115-030 3rd Stage Ass'y – Optional 3-Stage IV Pole



Item	Part No.	Part Name	Qty.
A	6070-115-141	Spring Clip	1
B	6070-115-143	3rd Stage Tube	1
C	6070-115-044	3rd Stage Slide Plug	1
D	0026-004-000	Roll Pin	1
E	0045-139-000	O-Ring	1

6083-036-000 Optional Dual 2-Stage IV Pole

6083-037-000 Optional Dual 3-Stage IV Pole



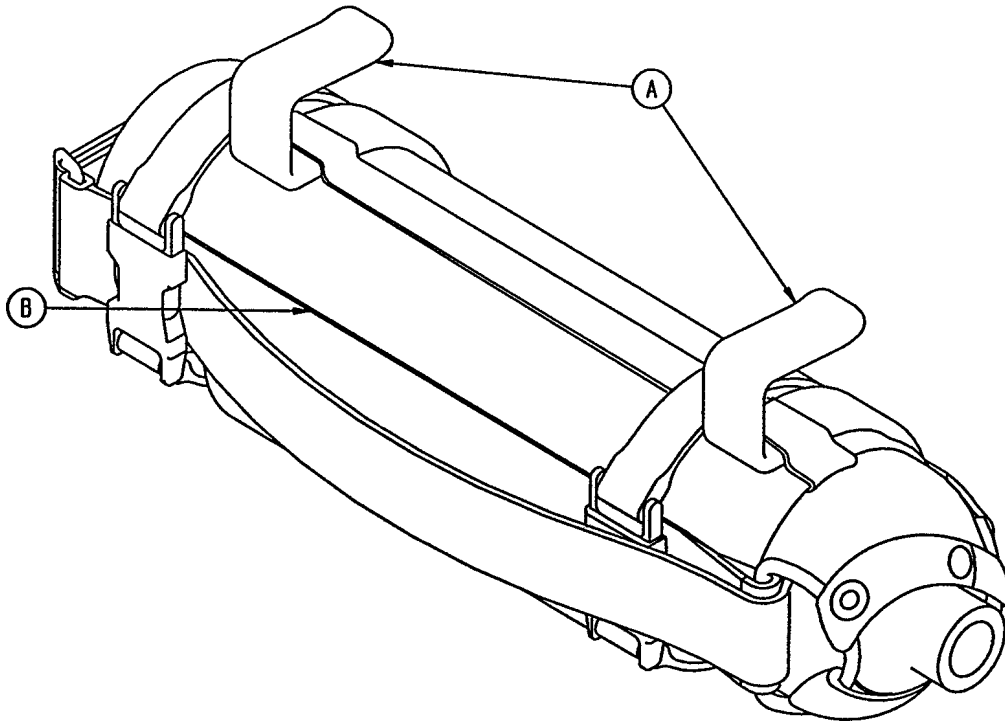
6083-036-000

6083-037-000

Item	Part No.	Part Name	Qty.	Item	Part No.	Part Name	Qty.
A	0004-097-000	H. Soc. But. Hd. Cap Scr.	4	A	0004-097-000	H. Soc. But. Hd. Cap Scr.	4
B	0004-163-000	H. Soc. But. Hd. Cap Scr.	4	B	0004-163-000	H. Soc. But. Hd. Cap Scr.	4
C	0004-198-000	H. Soc. But. Hd. Cap Scr.	4	C	0004-198-000	H. Soc. But. Hd. Cap Scr.	4
D	0016-078-000	Centerlock Hex Nut	4	D	0016-078-000	Centerlock Hex Nut	4
E	0016-102-000	Nylock Nut	4	E	0016-102-000	Nylock Nut	4
F	6070-110-032	IV Retainer Plate	2	F	6070-110-032	IV Retainer Plate	2
G	6080-110-035	IV Clip	2	G	6080-110-035	IV Clip	2
H	(page 69)	2-Stage IV Pole, Right	1	H	(page 73)	3-Stage IV Pole, Right	1
J	(page 1)	2-Stage IV Pole, Left	1	J	(page 74)	3-Stage IV Pole, Left	1

6080-140-000 Optional Hanging Oxygen Bottle Holder

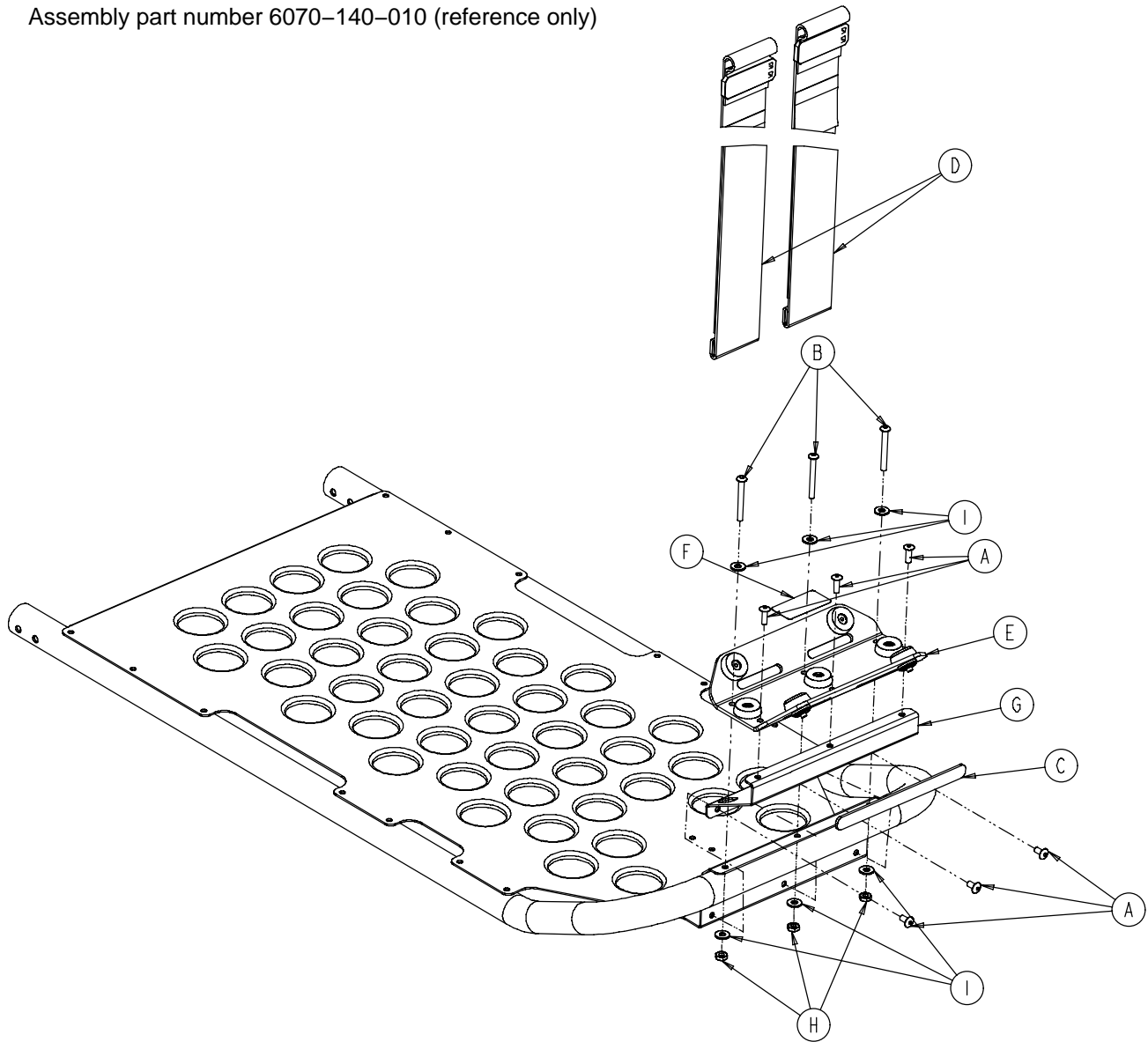
Assembly part number 6080-140-010 (reference only)



Item	Part No.	Part Name	Qty.
A	6080-140-011	Bottle Holder Hanger	2
B	6080-140-012	Oxygen Bottler Holder	1

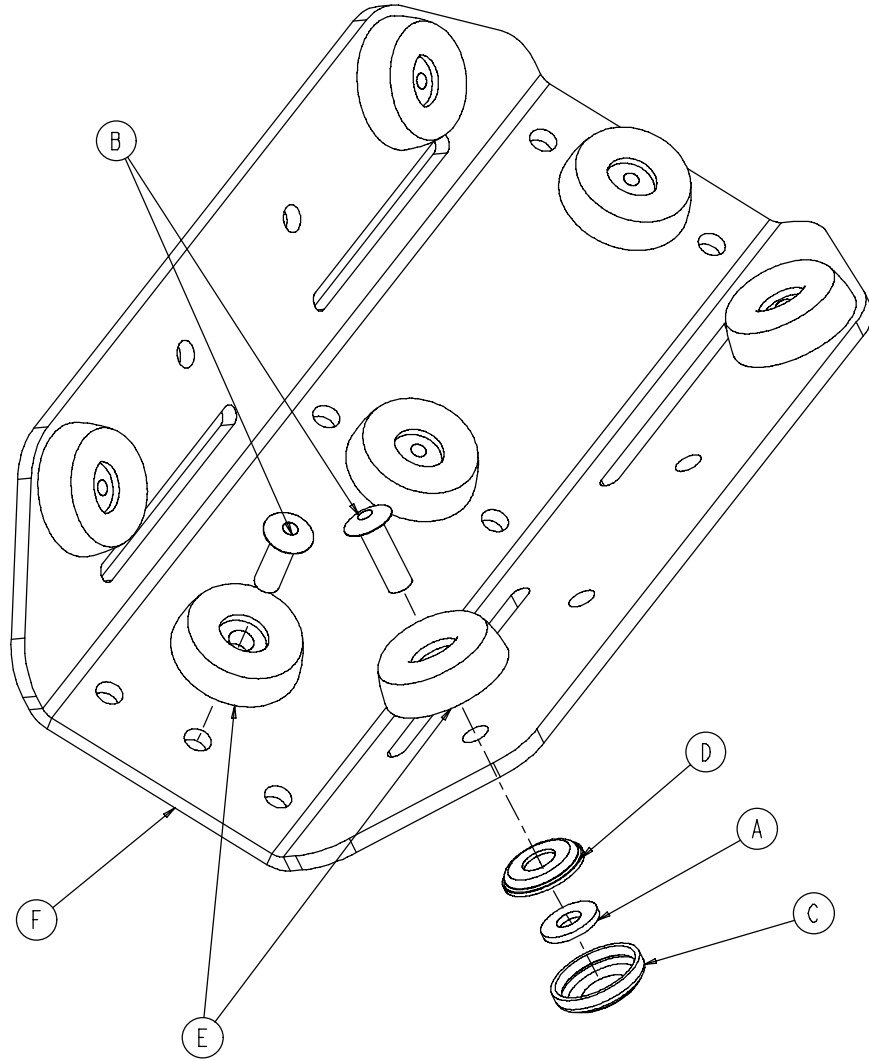
6070-140-000 Optional Foot End Oxygen Bottle Holder

Assembly part number 6070-140-010 (reference only)



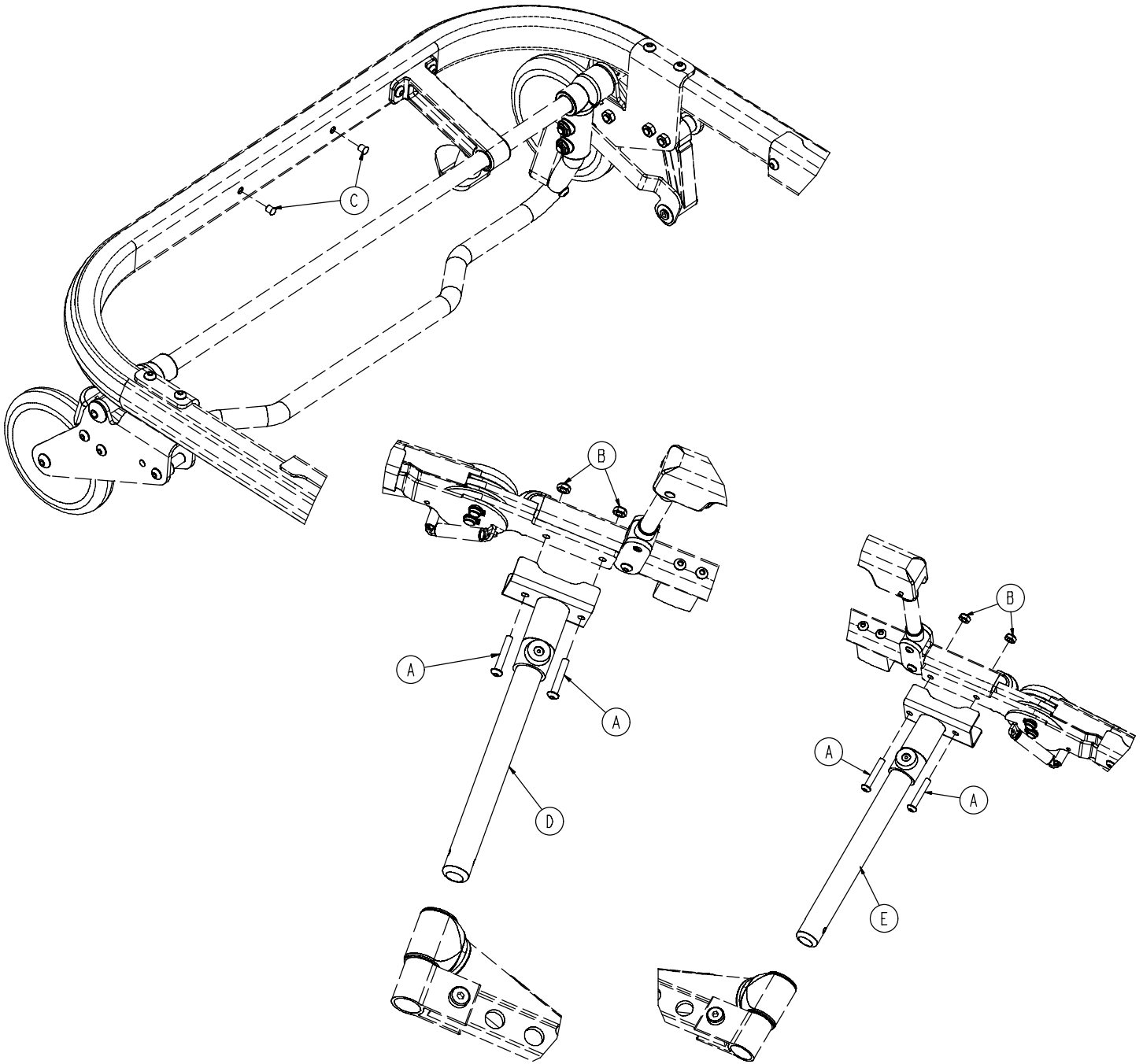
Item	Part No.	Part Name	Qty.
A	0025-079-000	Rivet	6
B	0004-508-000	But. Hd. Cap Screw	3
C	6060-090-004	"Rugged" Label	1
D	6060-140-013	Strap Assembly	2
E	(page 80)	Bottle Holder Tray Ass'y	1
F	6070-090-014	Specification Label	1
G	6070-140-017	Support Bracket	1
H	0016-111-000	Centerlock Nut	3
I	0011-001-000	Flat Washer	6

6060-140-020 Foot End O2 Bottle Holder Tray



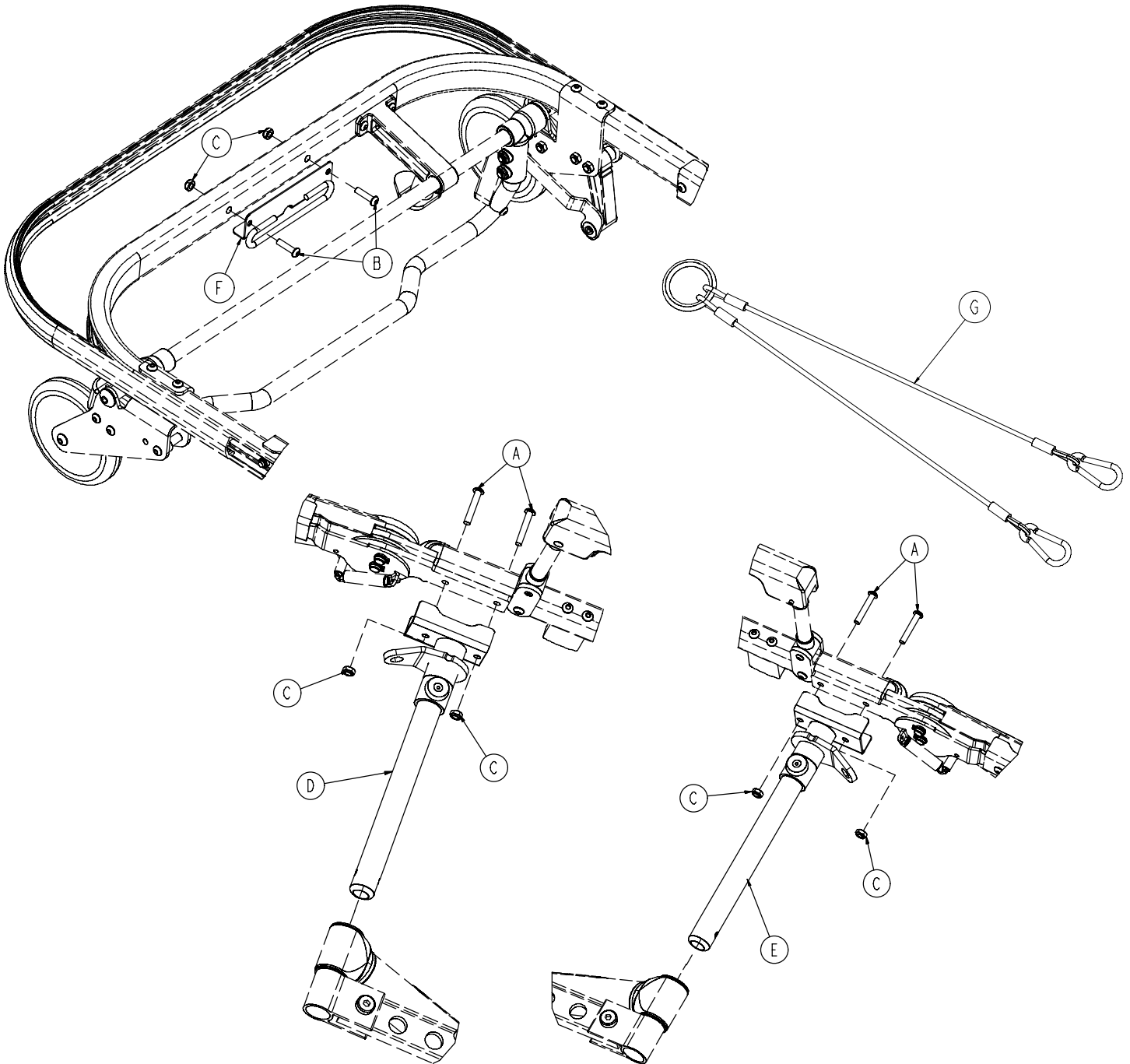
Item	Part No.	Part Name	Qty.
A	0011-436-000	Flat Washer	4
B	0025-133-000	Rivet	7
C	0037-055-000	Cap	4
D	0037-056-000	Washer	4
E	0946-001-155	Bumper	7
F	6060-140-015	Bottle Holder Tray	1

6083-044-000 No Tow Package Option



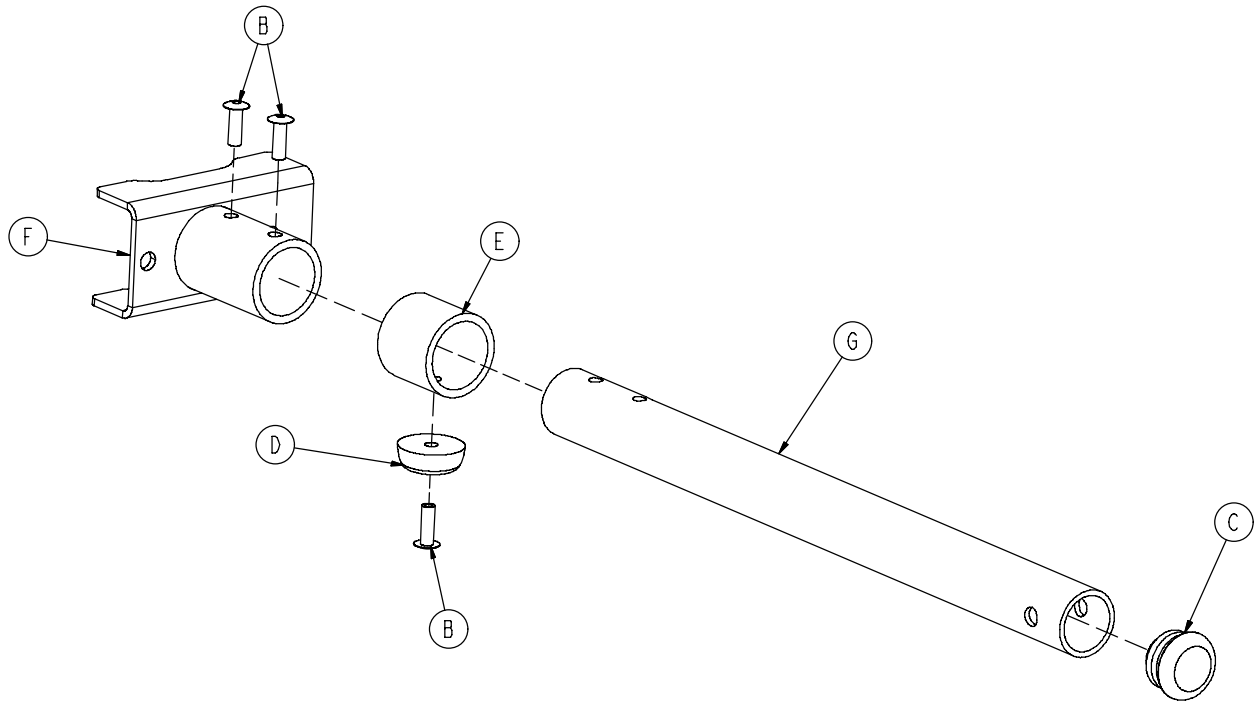
Item	Part No.	Part Name	Qty.
A	0004-135-000	Button Hd. Cap Screw	4
B	0016-102-000	Nylock Hex Nut	4
C	0721-031-065	Hole Plug	2
D	(page 83)	Litter/Base Adapter, Left	1
E	(page 84)	Litter/Base Adapter, Right	1

6083-039-000 Optional Tow Package Assembly



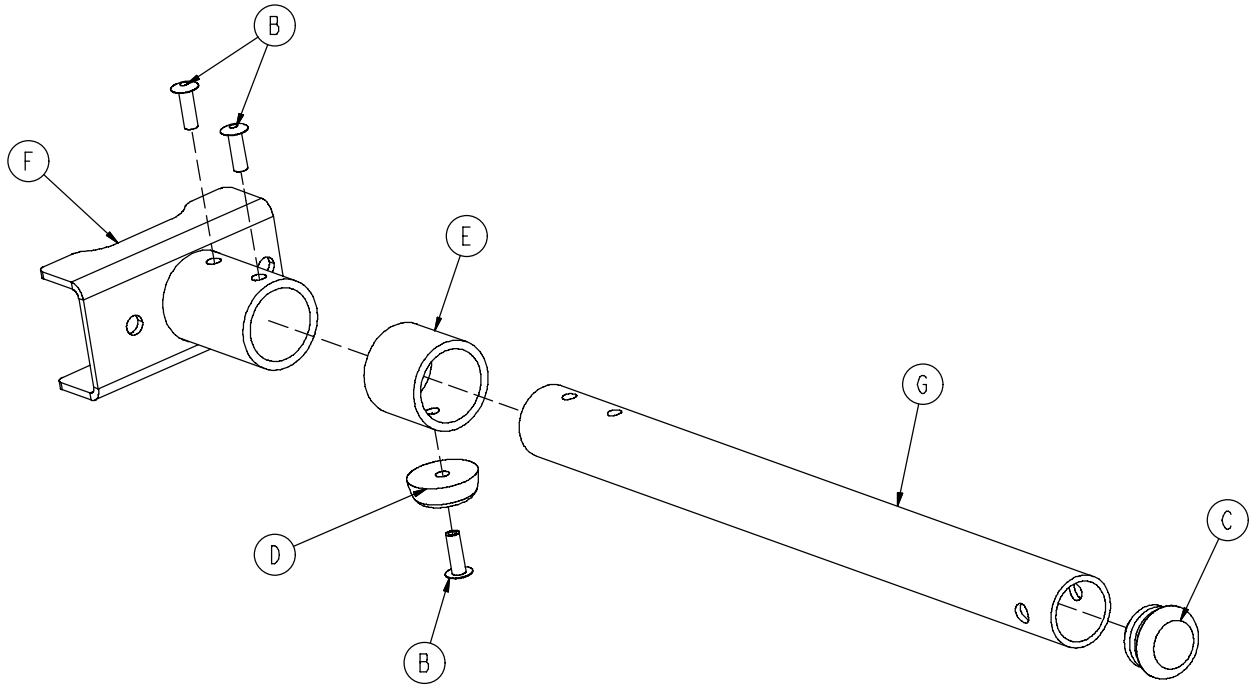
Item	Part No.	Part Name	Qty.
A	0004-135-000	Button Hd. Cap Screw	4
B	0004-197-000	Button Hd. Cap Screw	2
C	0016-102-000	Nylock Hex Nut	6
D	(page 85)	Litter/Base Adapter, Left	1
E	(page 86)	Litter/Base Adapter, Right	1
F	6083-001-070	Tow Harness Loop Bracket	1
G	6083-001-215	Tow Harness	1

6083-001-034 Litter / Base Adapter Assembly, Left



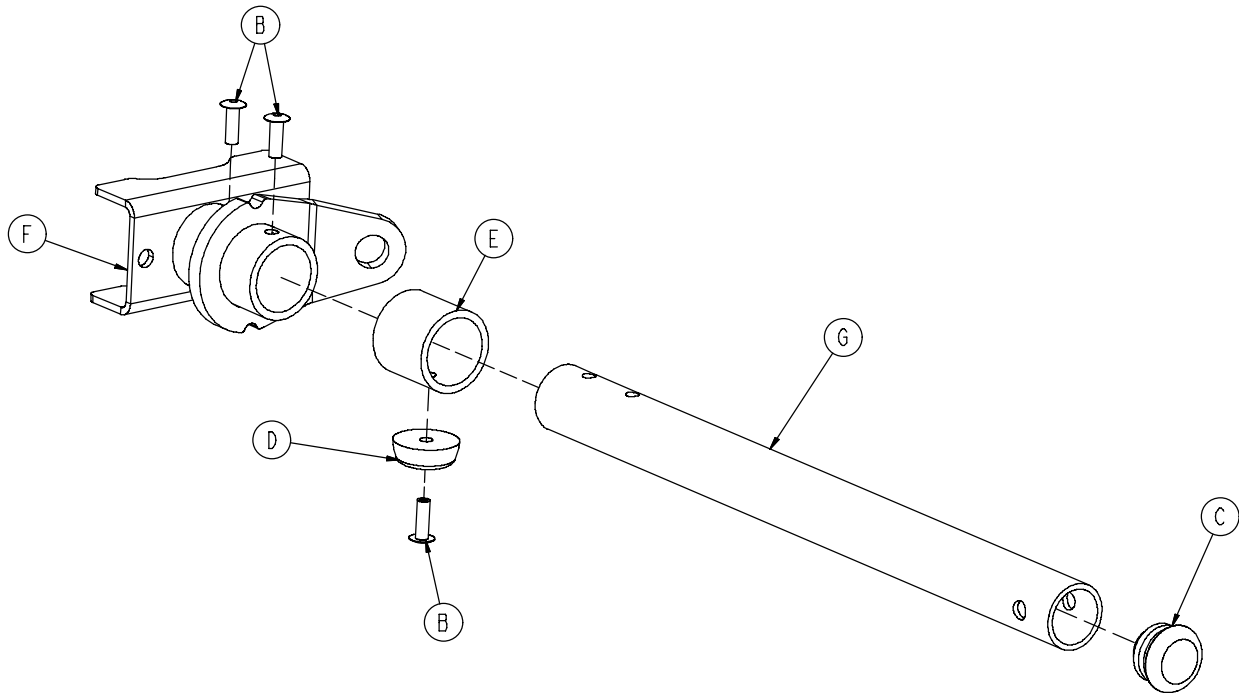
Item	Part No.	Part Name	Qty.
B	0025-133-000	Rivet	3
C	0037-225-000	Tube Plug	1
D	0946-001-155	Bumper	1
E	6082-205-060	Spacer Sleeve	1
F	6083-001-071	Litter/Base Adapter, Left	1
G	6083-001-152	Adapter Pivot Tube	1

6083-001-035 Litter / Base Adapter Assembly, Right



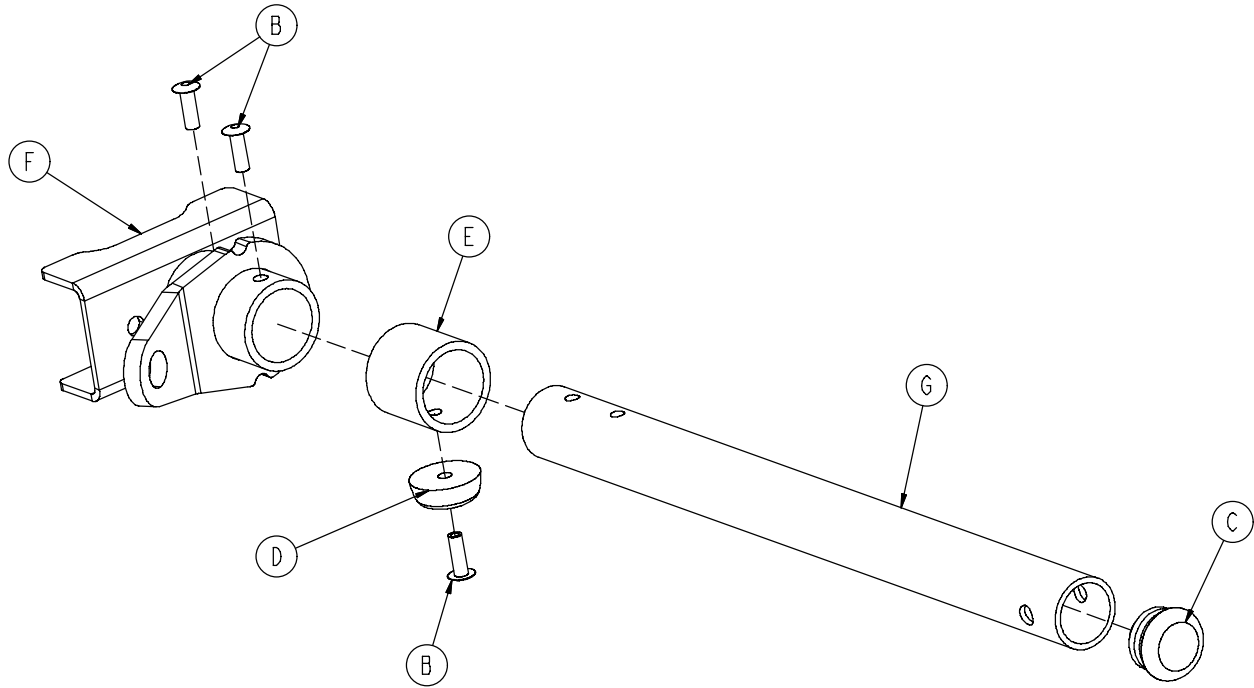
Item	Part No.	Part Name	Qty.
B	0025-133-000	Rivet	3
C	0037-225-000	Tube Plug	1
D	0946-001-155	Bumper	1
E	6082-205-060	Spacer Sleeve	1
F	6083-001-072	Litter/Base Adapter, Right	1
G	6083-001-152	Adapter Pivot Tube	1

6083-001-036 Litter/Base Adapter Assembly, Left



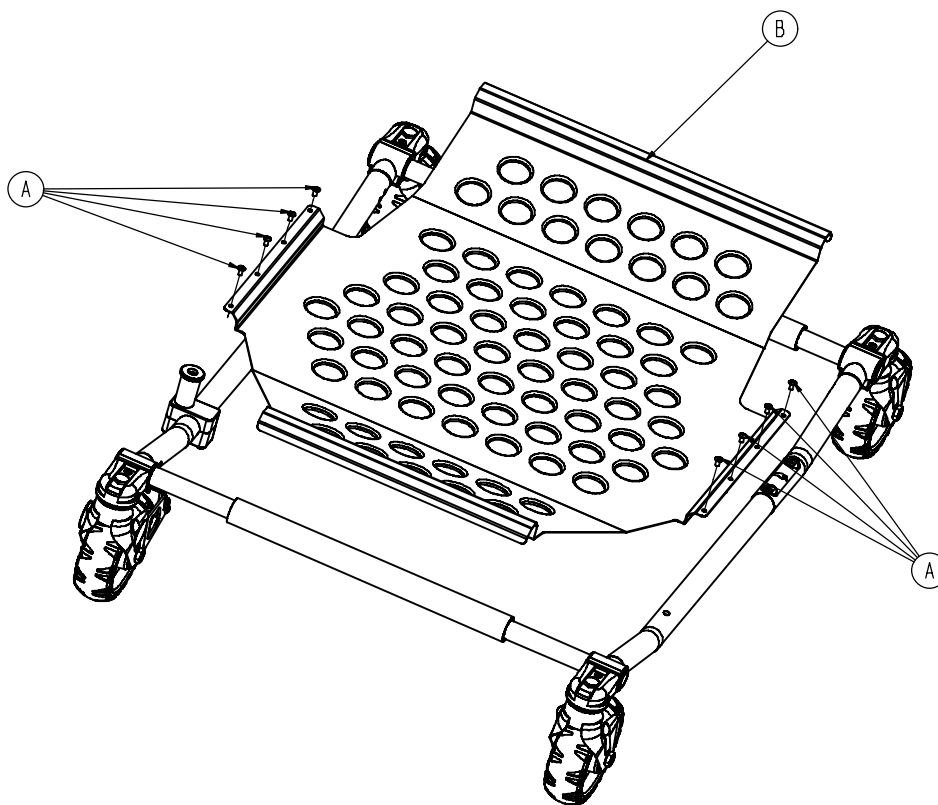
Item	Part No.	Part Name	Qty.
B	0025-133-000	Rivet	3
C	0037-225-000	Tube Plug	1
D	0946-001-155	Bumper	1
E	6082-205-060	Spacer Sleeve	1
F	6083-001-073	Litter/ Base Adapter, Left	1
G	6083-001-152	Pivot Tube	1

6083-001-037 Litter/Base Adapter Assembly, Right



Item	Part No.	Part Name	Qty.
B	0025-133-000	Rivet	3
C	0037-225-000	Tube Plug	1
D	0946-001-155	Bumper	1
E	6082-205-060	Spacer Sleeve	1
F	6083-001-074	Litter/Base Adapter, Right	1
G	6083-001-152	Pivot Tube	1

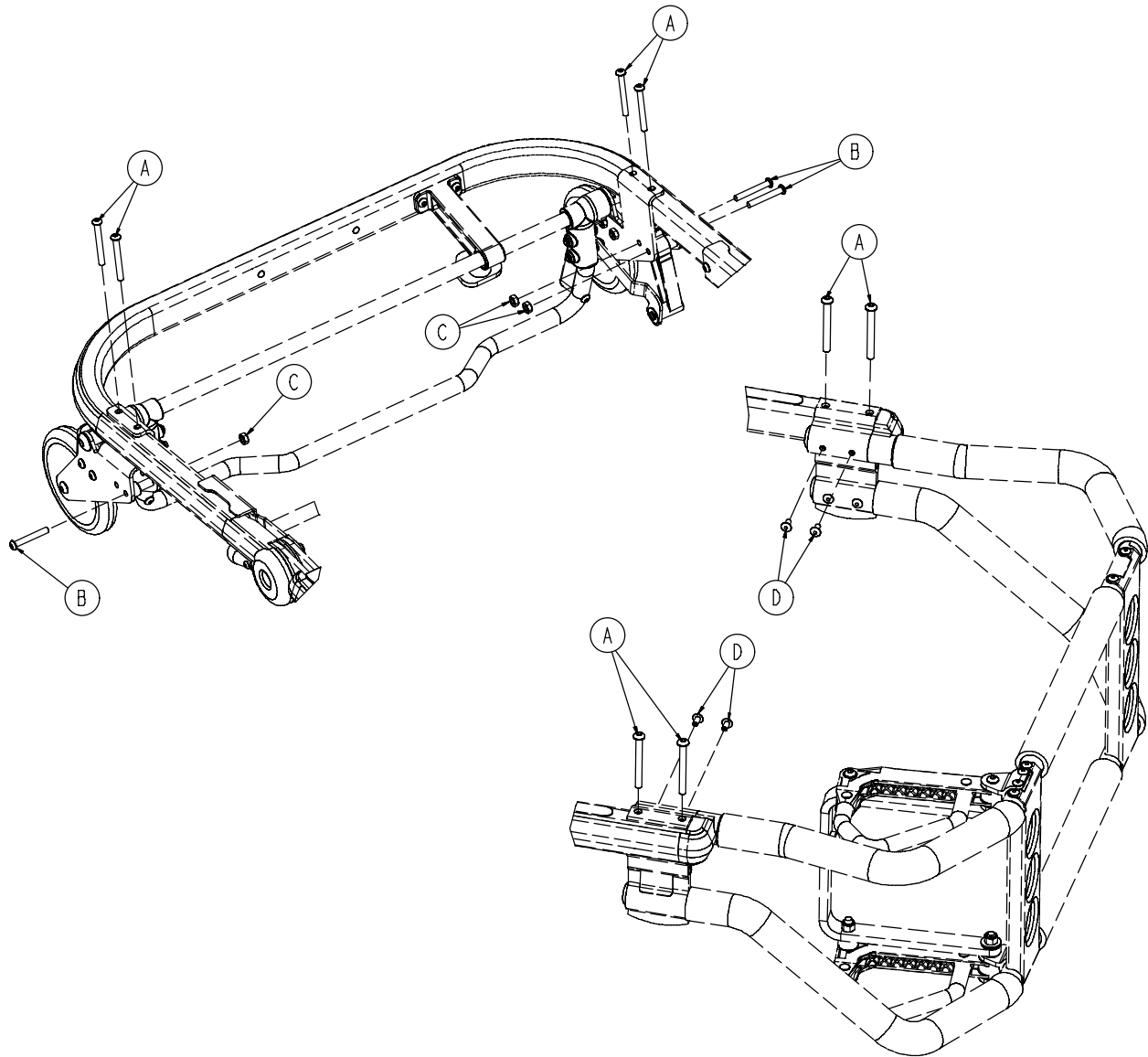
6083-027-000 Optional Base Storage Tray



Item	Part No.	Part Name	Qty.
A	0025-079-000	Rivet	8
B	6083-001-160	Storage Tray	1

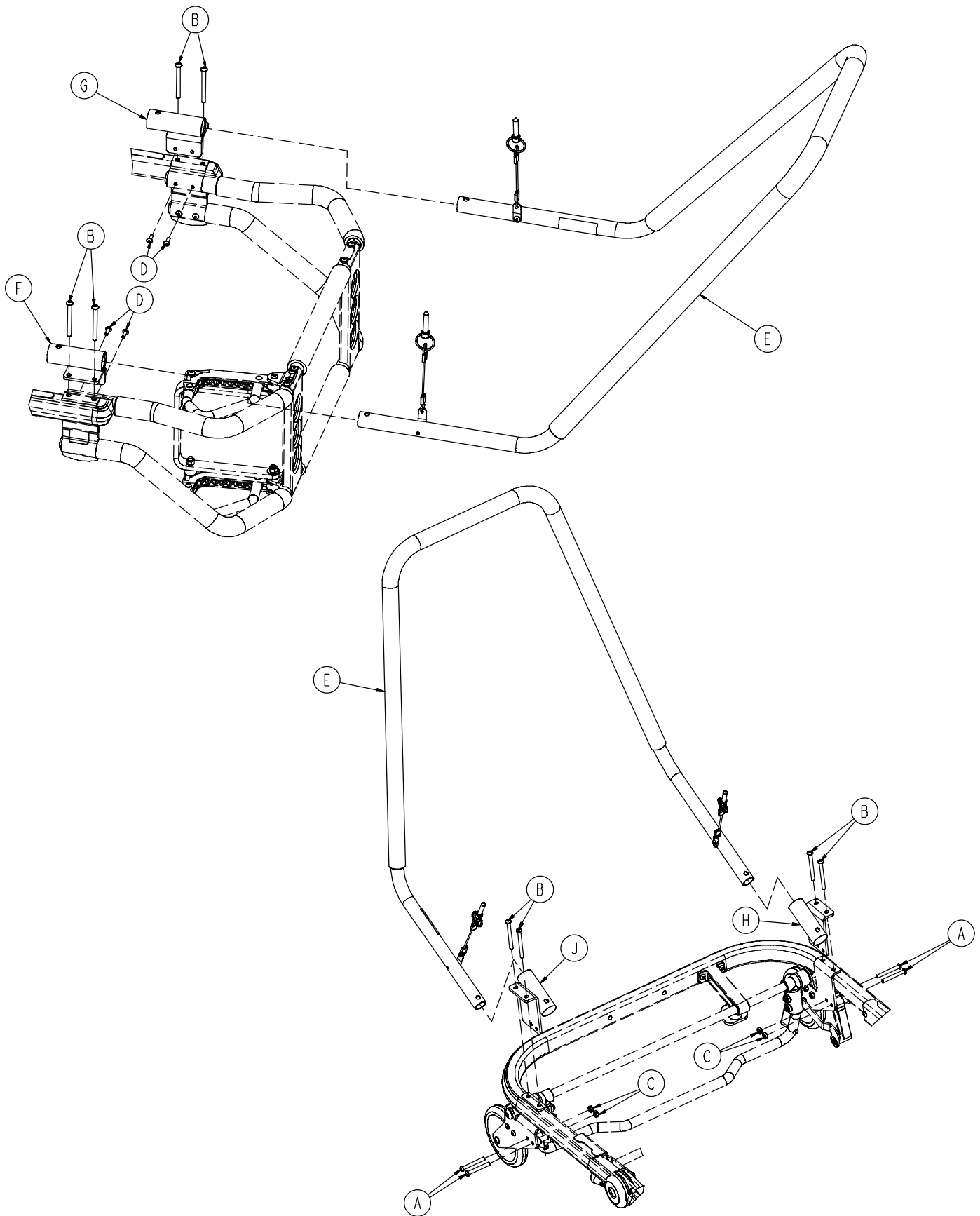
Notes

6083-045-000 No Push / Pull Handle Option



Item	Part No.	Part Name	Qty.
A	0004-163-000	But. Hd. Cap Screw	8
B	0004-204-000	But. Hd. Cap Screw	3
C	0016-078-000	Centerlock Nut	3
D	0025-079-000	Rivet	4

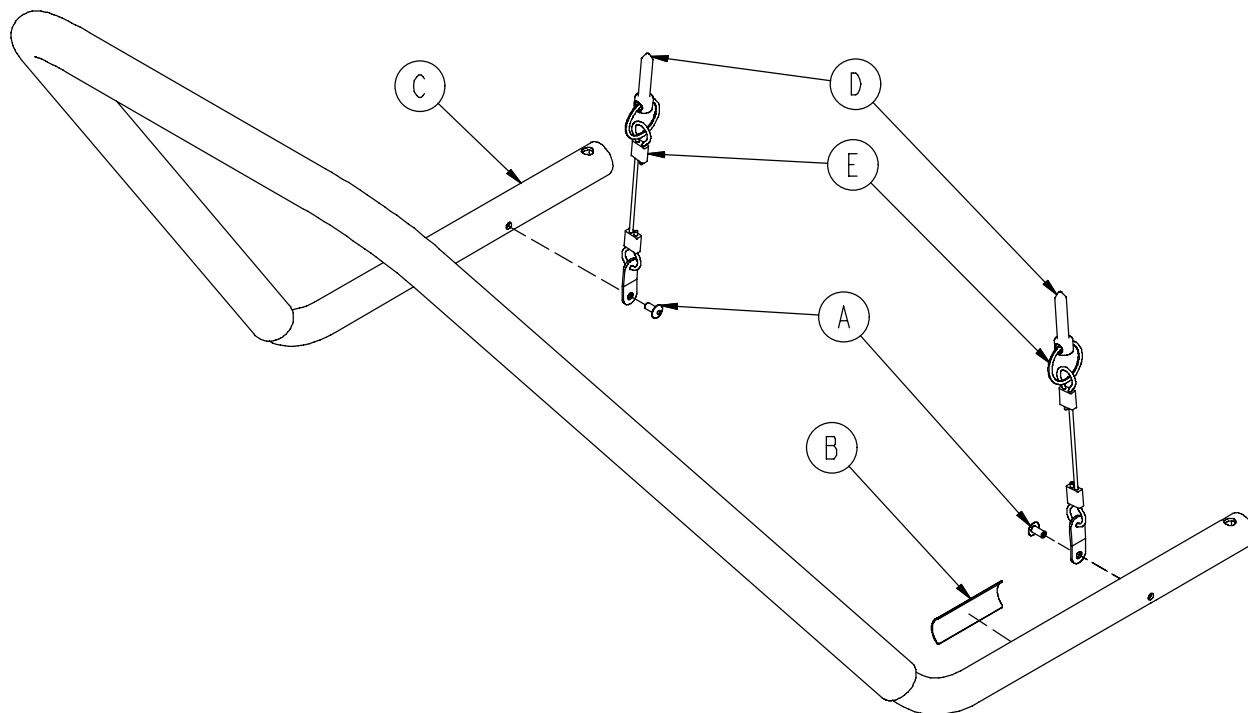
6083-040-000 Optional Push / Pull Handle Assembly



6083-040-000 Optional Push / Pull Handle Assembly

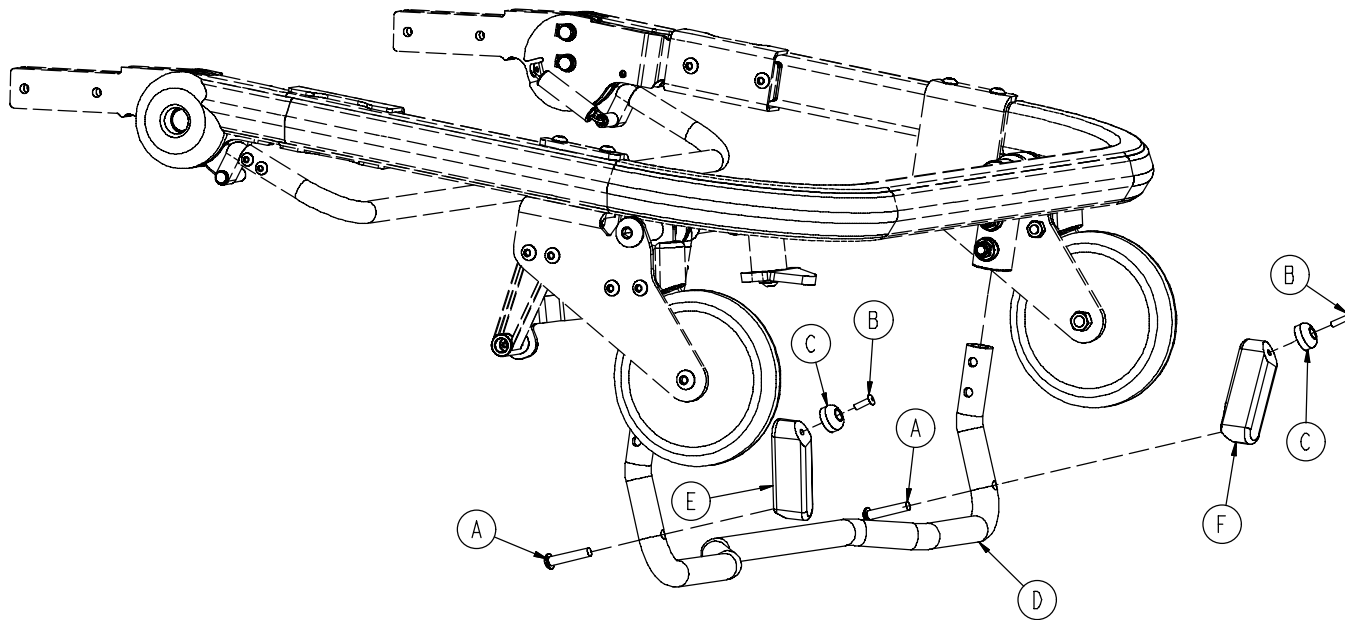
Item	Part No.	Part Name	Qty.
A	0004-097-000	But. Hd. Cap Screw	4
B	0004-234-000	But. Hd. Cap Screw	8
C	0016-078-000	Centerlock Nut	4
D	0025-133-000	Rivet	4
E	(page 92)	Push / Pull Handle	2
F	6083-001-064	Handle Socket, Foot End, Right	1
G	6083-001-065	Handle Socket, Foot End, Left	1
H	6083-001-066	Handle Socket, Head End, Left	1
J	6083-001-067	Handle Socket, Head End, Right	1

6083-001-038 Optional Push / Pull Handle



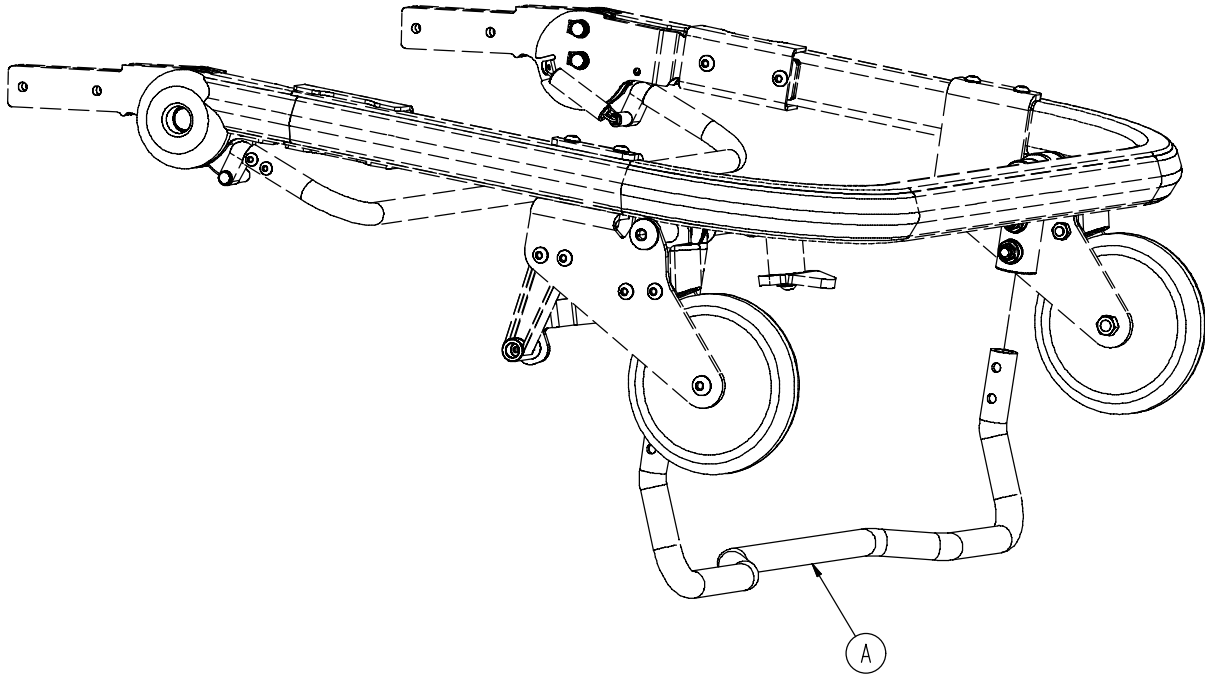
Item	Part No.	Part Name	Qty.
A	0025-079-000	Rivet	2
B	6083-001-167	Label	1
C	6083-001-170	Handle	1
D	6083-001-175	Pin	2
E	6083-001-176	Lanyard Ring	2

6083-042-000 Lift Capable Safety Hook Assembly



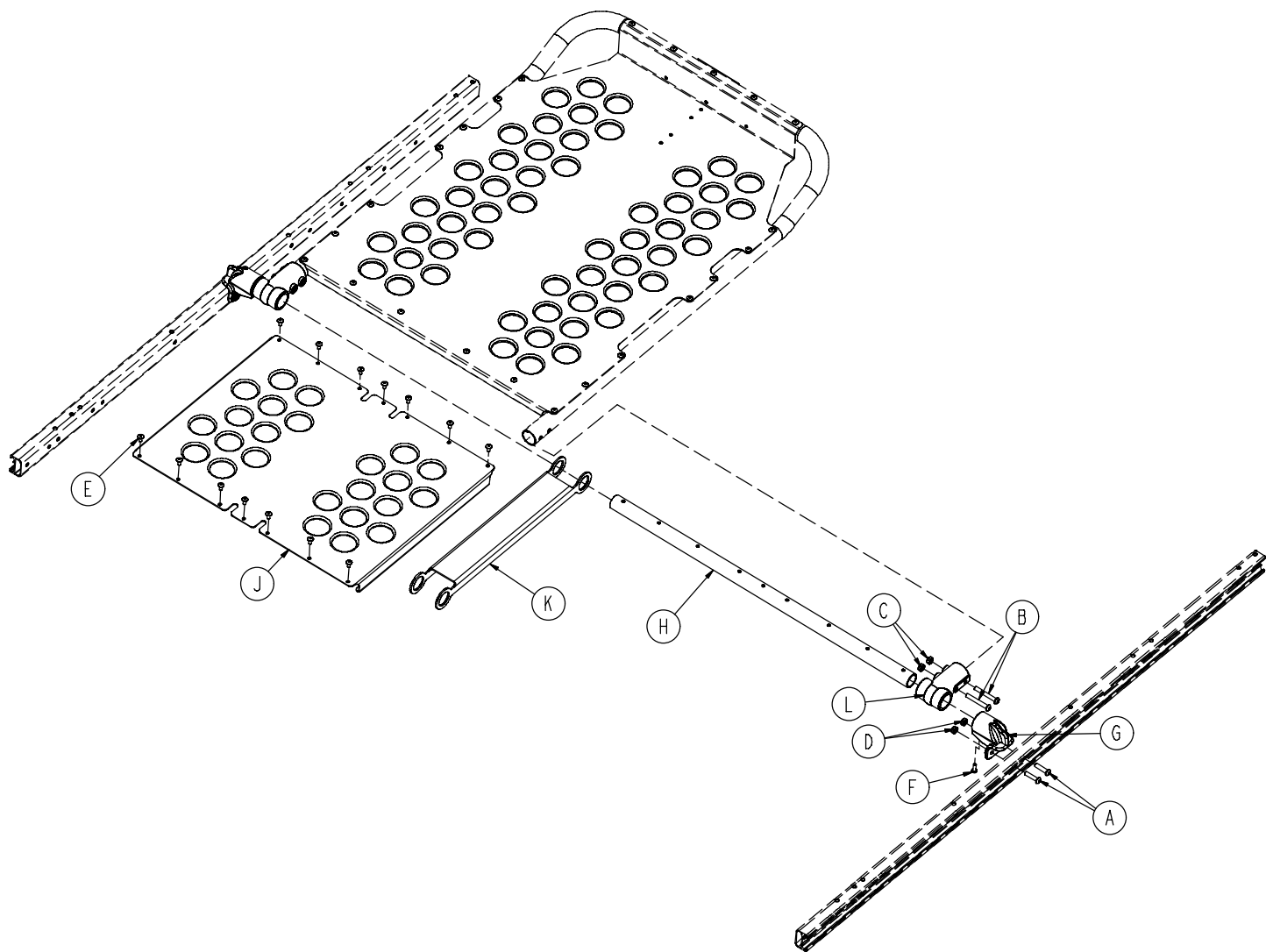
Item	Part No.	Part Name	Qty.
A	0004-440-000	Button Hd. Cap Screw	2
B	0025-157-000	Rivet	2
C	0056-019-000	Bumper	2
D	6083-001-164	Lift Capable Hook Tube	1
E	6091-160-021	Lift Nub, Left	1
F	6091-160-022	Lift Nub, Right	1

6083-043-000 Non-Lift Capable Safety Hook



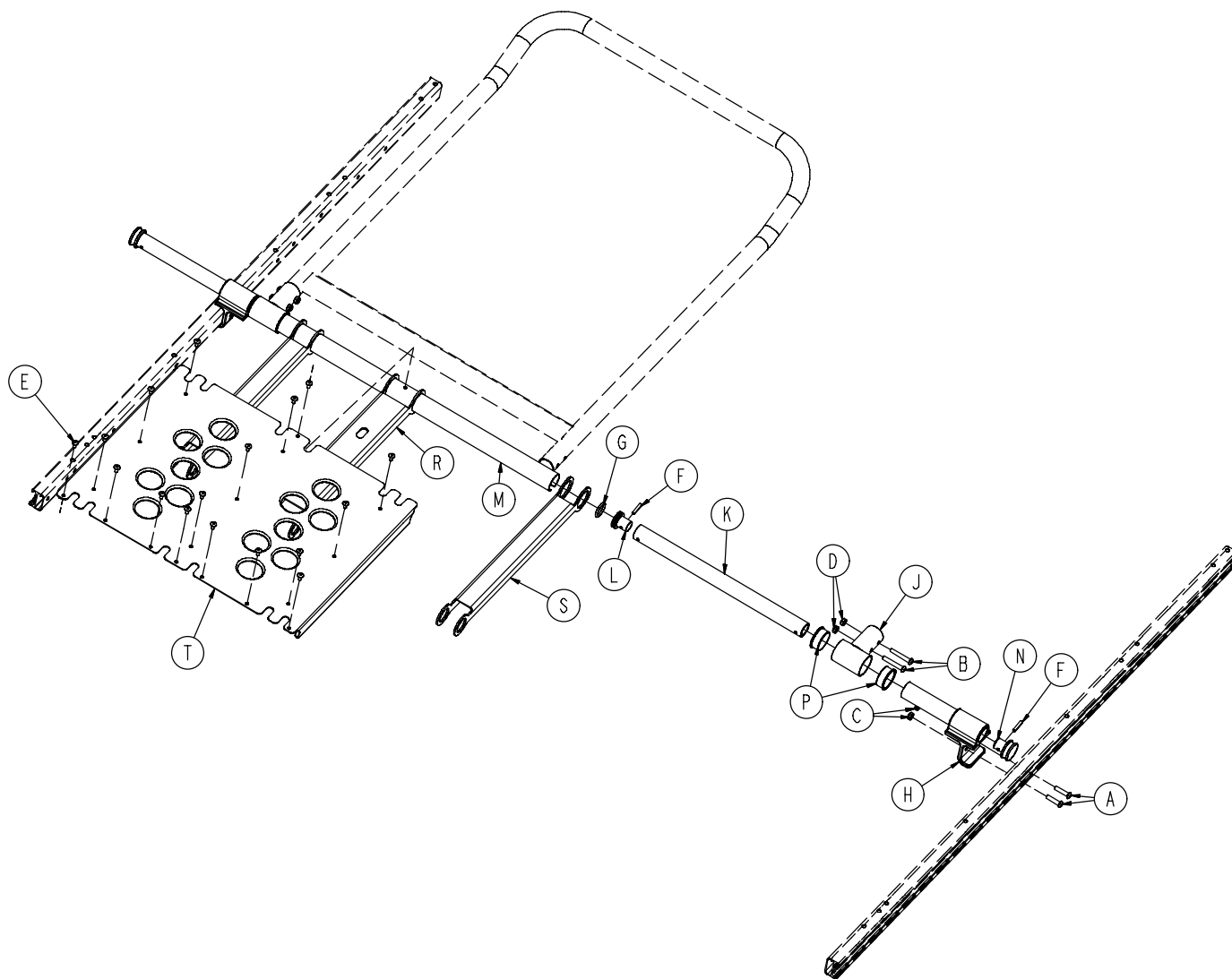
Item	Part No.	Part Name	Qty.
A	6083-001-127	Hook Tube	1

6083-046-000 No Side Lift Handle Option



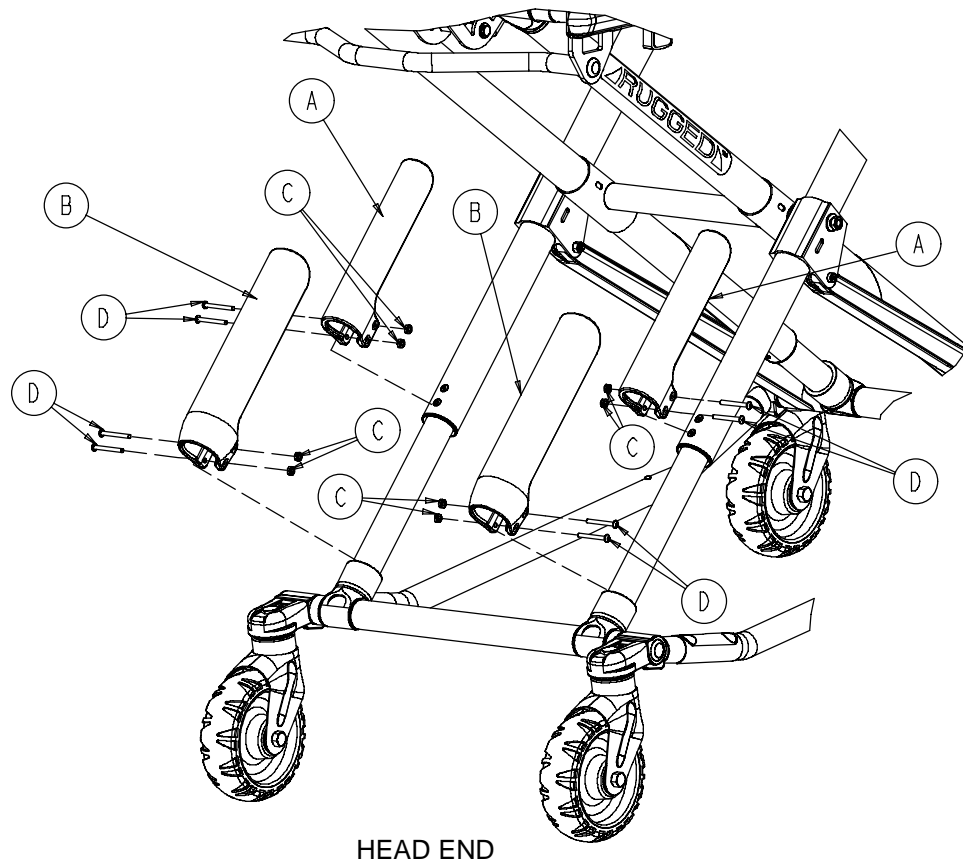
Item	Part No.	Part Name	Qty.
A	0004-135-000	But. Hd. Cap Screw	4
B	0004-204-000	But. Hd. Cap Screw	4
C	0016-028-000	Nylock Nut	4
D	0016-102-000	Nylock Nut	4
E	0025-079-000	Rivet	14
F	0025-133-000	Rivet	2
G	6082-030-031	Cross Brace Supt. Mount	4
H	6083-001-110	Cross Tube	1
J	6083-001-116	Midsection Skin	1
K	6083-001-138	Midsection Skin Support	1
L	6100-003-125	Pivot	2

6083-041-000 Optional Side Lift Handle Assembly



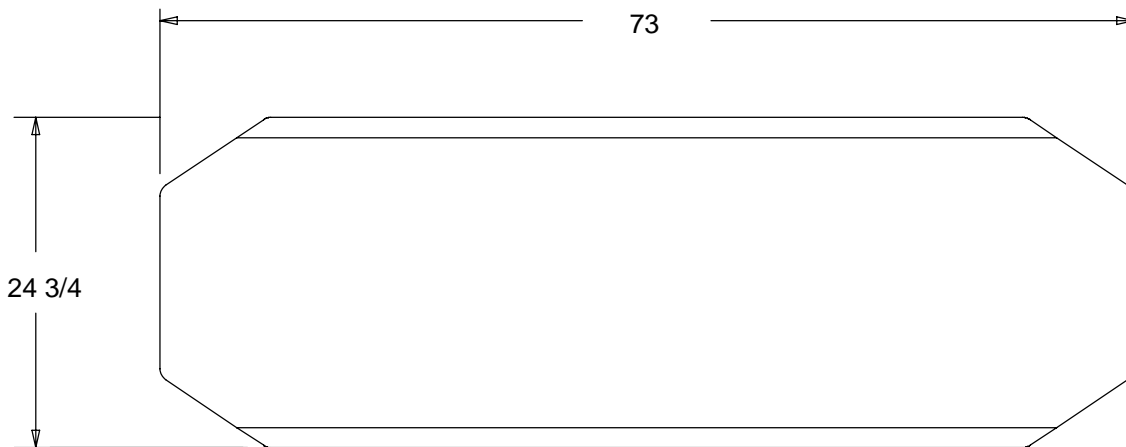
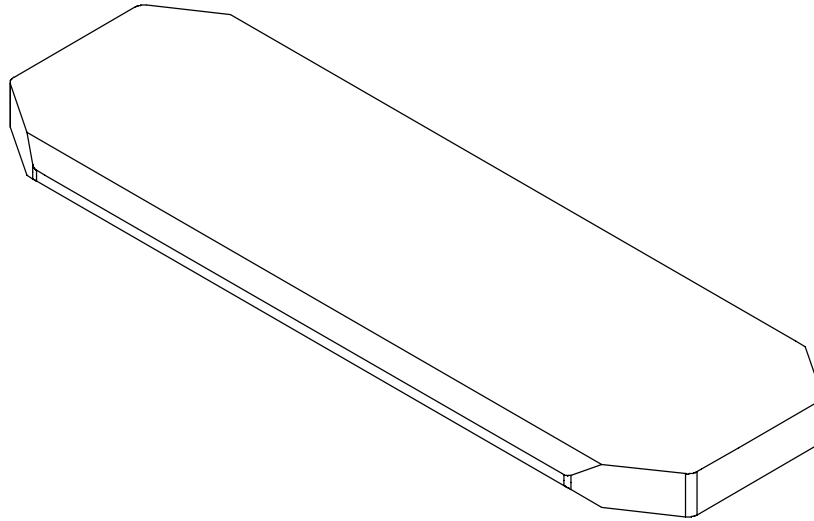
Item	Part No.	Part Name	Qty.
A	0004-135-000	But. Hd. Cap Screw	4
B	0004-198-000	But. Hd. Cap Screw	4
C	0016-028-000	Nylock Nut	4
D	0016-102-000	Nylock Nut	4
E	0025-079-000	Rivet	14
F	0026-311-000	Roll Pin	4
G	0045-999-607	O-Ring	2
H	6083-001-068	Lift Handle Mount Stop	2
J	6083-001-069	T-Pivot	2
K	6083-001-205	Telescoping Tube	2
L	6083-001-206	Plug	2
M	6083-001-207	Outer Tube	1
N	6083-001-208	Plug	2
P	6083-001-211	Flange Bearing	4
R	6083-001-212	Midsection Center Support	1
S	6083-001-213	Midsection Outer Support	2
T	6083-001-214	Midsection Skin	1

6082-700-014 X-Frame Guard Retrofit Kit

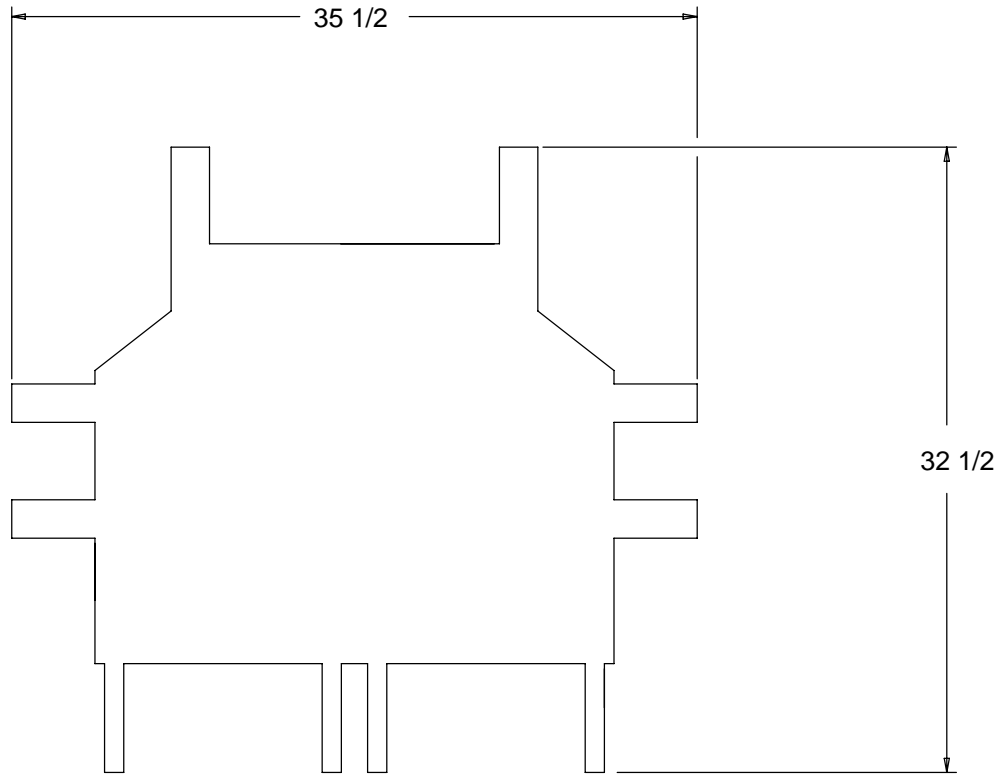


Item	Part No.	Part Name	Qty.
A	6080-145-001	Upper Frame Guard	2
B	6080-145-002	Lower Frame Guard	2
C	0016-003-000	Hex Nut	8
D	0004-508-000	Button Hd. Cap Screw	8

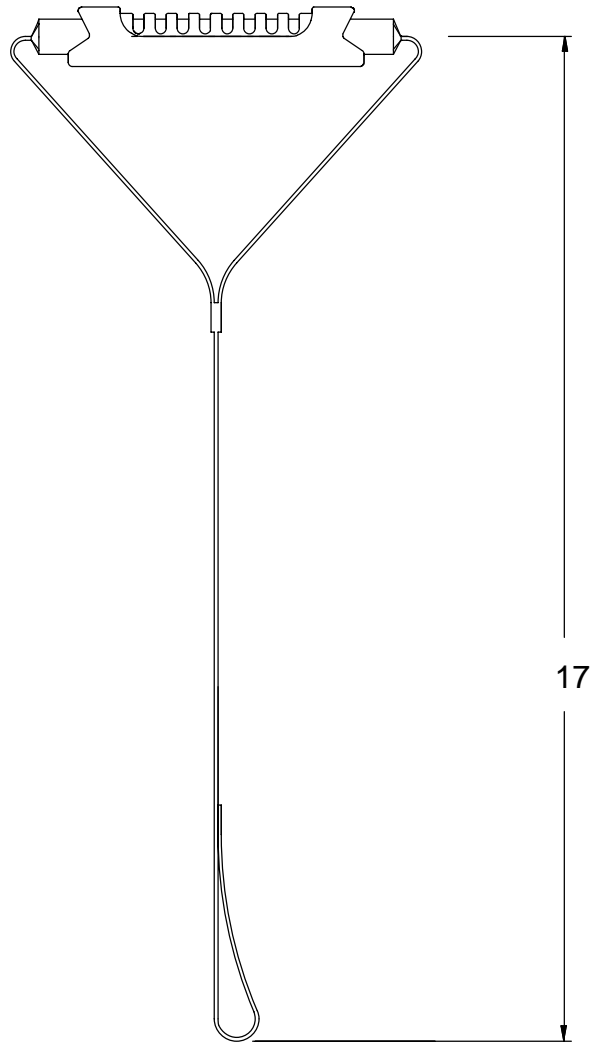
6083-001-132 Bariatric Cot Mattress



6083-001-202 Head End Storage Pouch



6083-001-201 Patient Security Strap



Quick Reference Replacement Parts List

NOTE

The parts and accessories listed on this page are all currently available for purchase. Some of the parts identified on the assembly drawings pages in this manual may not be individually available for purchase. Please call Stryker Customer Service at 1-800-327-0770 for availability and pricing.

<u>ITEM</u>	<u>PART NUMBER</u>
Accessory Strap	6082-160-052
Base Storage Tray Kit	6083-700-003
Breakaway Head Torsion Spring Kit	6080-700-001
Bumper, Fowler	0946-001-155
Gas Cylinder, Fowler	6083-001-135
Height Limit Kit	6060-202-000
Inner Lift Tube Upgrade Kit	6083-700-010
Litter Retainer Plate Cover Kit	6082-700-022
Lubricant, Tri-Flow™ with Teflon®	6082-199-012
Manual, Installation/Operation, Cot Fastener	6370-090-010
Mattress	6083-001-132
Permanently Attached Oxygen Bottle Holder, Foot End	6070-140-010
Oxygen Bottle Holder (Hanging)	6080-140-000
Restraint Extension	6082-160-050
Restraint, Lap Belt (2 Used per Unit)	6060-160-044
Restraint Package	6060-160-010
Restraint, Shoulder Harness	6060-160-045
Restraint Strap Plastic Cap	6082-160-051
Permanent IV Pole, 2-Stage, Right	6083-032-000
Permanent IV Pole, 2-Stage, Left	6083-033-000
Permanent IV Pole, 3-Stage, Right	6083-034-000
Permanent IV Pole, 3-Stage, Left	6083-035-000
Pull / Push Handle Assembly	6083-040-000
Security Strap	6083-001-201
Siderail Assembly (Complete)	6082-026-010
Storage Pouch, Head, End	6083-001-202
Touch-Up Paint (Yellow)	6060-199-010
Touch-Up Paint (Black)	6060-199-011
Velcro Adhesive Loop Pile, Litter, Foot	6083-001-158
Velcro Adhesive Loop Pile, Litter, Head	6083-001-159
Video, In-Service	6083-001-161
Wheel Assembly, Base	6060-002-010
Wheel Bearing	0081-226-000
Wheel Lock Assembly	6082-200-010
Wheel Lock Kit, One Wheel	6080-201-000
Wheel Lock Kit, Two Wheels	6080-202-000
X-Frame Guard Kit	6082-700-014

European Representative

Stryker EMEA RA/QA Director
Stryker France
ZAC Satolas Green Pusignan
Av. De Satolas Green
69881 MEYZIEU Cedex
France

stryker[®]

3800 E. Centre Ave., Portage, MI 49002
(800) 327-0770
www.stryker.com



JH 10/06 6083-001-179 REV D