

MX-PRO® Bariatric Transport Cot

Maintenance Manual

REF 6083



Table of Contents

Warning/Caution/Note Definition	3
Introduction for service	4
Expected service life	4
Contact information	4
Serial number location	4
Preventive maintenance	5
Base lubrication	5
Maintenance record	7
Training record	8
Service	9
Wheel locking force adjustment	9
Cot assembly	10
Base assembly	13
6 in. molded wheel assembly	17
Lock bar assembly	18
Outer lift tube assembly, base pivot	19
Inner lift tube assembly, base pivot	20
No wheel lock option - 6082-500-010	21
Single wheel lock option - 6082-501-010	22
Dual wheel lock option - 6082-502-010	23
Adjustable caster lock assembly	24
Caster horn assembly	25
Litter assembly	26
Siderail assembly	30
Lift tube assembly	31
Release handle assembly, left	33
Breakaway head assembly	34
Antler post assembly	38
IV pole assembly, none - 6083-031-000	39
HAVASU™ IV pole, two-stage, patient right - 6083-032-000	40
IV pole, two-stage, patient left - 6083-033-000	41
IV pole assembly, two-stage, patient right	42
IV pole assembly, two-stage, patient left	43
IV pole assembly, two-stage	44
HAVASU IV pole, three-stage, patient right - 6083-034-000	45
HAVASU IV pole, three-stage, patient left - 6083-035-000	46
IV pole assembly, three-stage, patient right	47
IV pole assembly, three-stage, patient left	48
IV pole assembly, three-stage	49
IV pole, 3rd stage assembly	50
IV pole, two-stage, dual - 6083-036-000	51
IV pole, three-stage, dual - 6083-037-000	52
Removable oxygen bottle holder option - 6080-140-000	53
Oxygen bottle holder option, foot end - 6070-140-000	54
Oxygen bottle holder tray assembly, foot end	55

Tow package, none - 6083-044-000.....	56
Tow package - 6083-039-000.....	57
Litter/base adapter assembly, left.....	58
Litter/base adapter assembly, right.....	59
Litter/base adapter assembly, left.....	60
Litter/base adapter assembly, right.....	61
Base storage tray option - 6083-027-000.....	62
Push/pull handle option, none - 6083-045-000.....	63
Push/pull handle option - 6083-040-000.....	64
Push/pull bar assembly.....	65
Lift capable safety hook option - 6083-042-000.....	66
Side lift handle option, none - 6083-046-000.....	67
Side lift handle option - 6083-041-000.....	68
X-frame guard assembly option - 6080-145-000.....	69
Mattress, bariatric transport - 6083-001-132.....	70
Storage pouch, head end - 6083-001-202.....	71
Backrest pouch option - 6500-130-000.....	72
Patient security strap option - 6083-001-201.....	73
Accessory strap assembly option - 6082-160-052.....	74
Belt extension option - 6082-160-050.....	75

Warning/Caution/Note Definition

The words **WARNING**, **CAUTION**, and **NOTE** carry special meanings and should be carefully reviewed.

WARNING

Alerts the reader about a situation which, if not avoided, could result in death or serious injury. It may also describe potential serious adverse reactions and safety hazards.

CAUTION

Alerts the reader of a potentially hazardous situation which, if not avoided, may result in minor or moderate injury to the user or patient or damage to the product or other property. This includes special care necessary for the safe and effective use of the device and the care necessary to avoid damage to a device that may occur as a result of use or misuse.

Note - Provides special information to make maintenance easier or important instructions clearer.

Introduction for service

This manual assists you with the service of your Stryker product. Read this manual to service this product. This manual does not address the operation of this product. See the Operations Manual for operating and use instructions. To view your Operations Manual online, see <https://techweb.stryker.com/>.

Expected service life

MX-PRO® bariatric transport cot has a 5 year expected service life under normal use conditions and with appropriate periodic maintenance.

Contact information

Contact Stryker Customer Service or Technical Support at: 1-800-327-0770.

Stryker Medical
3800 E. Centre Avenue
Portage, MI 49002
USA

Note - The user and/or the patient should report any serious product-related incident to both the manufacturer and the Competent authority of the European Member State where the user and/or patient is established.

To view your operations or maintenance manual online, see <https://techweb.stryker.com/>.

Have the serial number (A) of your Stryker product available when calling Stryker Customer Service or Technical Support. Include the serial number in all written communication.

Serial number location

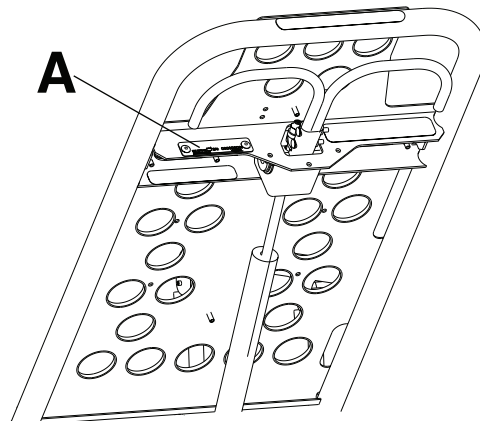


Figure 1 – Serial number location

Preventive maintenance

Operation	Schedule	Procedure
Cleaning and disinfecting	Each use	See <i>Cleaning</i> in the Operations Manual.
Inspection	After large patient transport For 1-25 calls per month, inspect cot every 6 months For 26-200 calls per month, inspect cot every 3 months For 200+ calls per month, inspect cot monthly	See below for checklist.

Note - Keep up to date maintenance records using the Maintenance Record form in your maintenance manual.

- _____ All fasteners secure (reference all assembly drawings)
- _____ All welds intact, not cracked or broken
- _____ No bent or broken tubing or sheet metal
- _____ No debris in wheels
- _____ All wheels secure, roll, and swivel
- _____ Wheel lock option holds wheel secure when on and clears wheel when off
- _____ Siderails move and latch
- _____ Backrest operates
- _____ Accessories and parts operate
- _____ Height positioning latch operates
- _____ Cot secure in each height position
- _____ Base frame folds
- _____ Breakaway head section operates
- _____ Safety bar operates
- _____ Footrest operates
- _____ No rips or cracks in mattress cover
- _____ Body restraints intact and operate
- _____ Lubricate base tubes (option)

Serial number:
Completed by:
Date:

Base lubrication

Note - The product is designed to operate without the need for lubrication. **Tri-Flow™** with **Teflon®** lubricant may be used to reduce the force required to raise the undercarriage and to minimize wear. Do not use silicone, **WD-40™**, or lithium grease to avoid harm to the moving parts of the cot.

1. Place the cot in the highest height position.

2. Turn the cot upside down with the base legs facing up.
3. Using the plastic applicator tube, spray **Tri-Flow™** with **Teflon®** lubricant (6082-199-012) in the gap between the upper (A) and lower lift tubes (B) on both foot end legs (Figure 2).

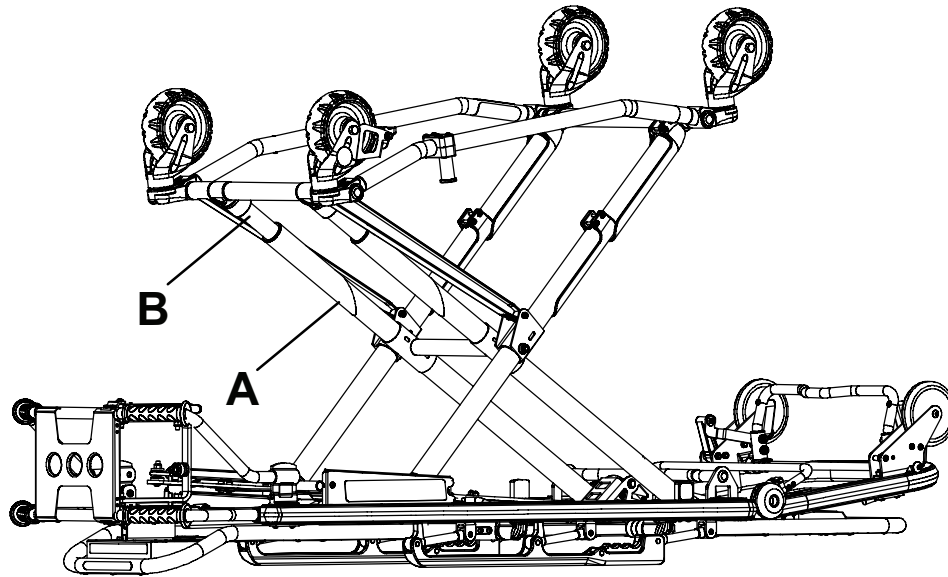


Figure 2 – Base lubrication locations

4. Apply **Tri-Flow™** to the right and left height adjustment racks (C) (Figure 3). Provide an even application.
5. Apply **Tri-Flow™** to the right and left side plates (D) (Figure 3). Provide an even application.

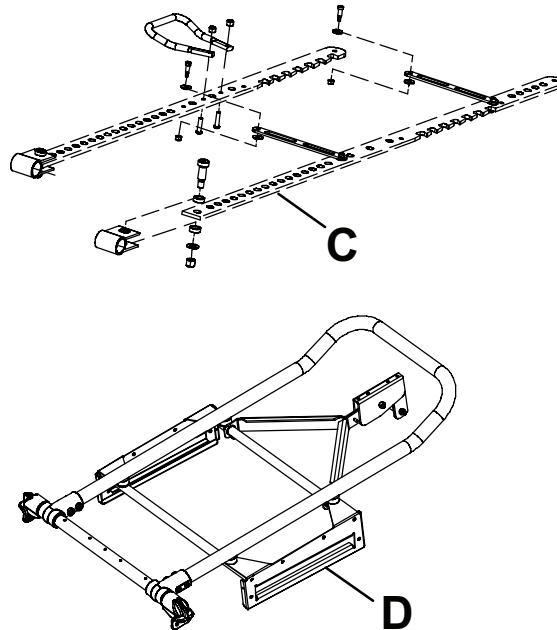


Figure 3 – Height adjustment racks and side plates

6. Let the cot sit for five minutes.
7. Turn the cot back over. Raise and lower the cot a few times to work the lubricant throughout the applied areas.
8. Wipe any excess lubricant from the base tubes.
9. Verify proper operation before you return the cot to service.

Maintenance record

Date	Maintenance operation performed	By	Hours

Training record

Trainee name	Training date		Owner's manual, in-service, formal class, etc.
	Basic training	Refresher update	

Service

Wheel locking force adjustment

Tools required:

- 5/32" hex wrench
- 7/16" combination wrench or socket

Procedure:

1. Using the 5/32" hex wrench and 7/16" combination wrench or socket, remove the socket screw from the center of the lock pedal. Save the screw. The wheel lock is initially assembled with the pedal set at the minimum locking force. The marker on the pedal (A) is aligned with the marker on the octagonal sleeve (B) (Figure 4).
2. Remove the octagonal sleeve (B). Rotate the octagonal sleeve counterclockwise to increase the pedal locking force and clockwise to decrease the locking force. Insert the octagonal sleeve into the pedal.
3. Using the 5/32" hex wrench and 7/16" combination wrench or socket, reinstall the socket screw (removed in step 1).
4. Test the pedal locking force and make sure that the pedal holds before you return the product to service.

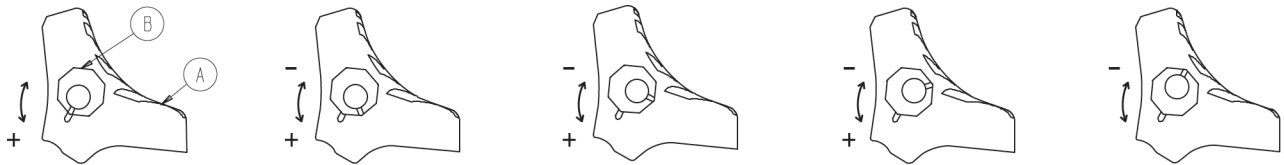
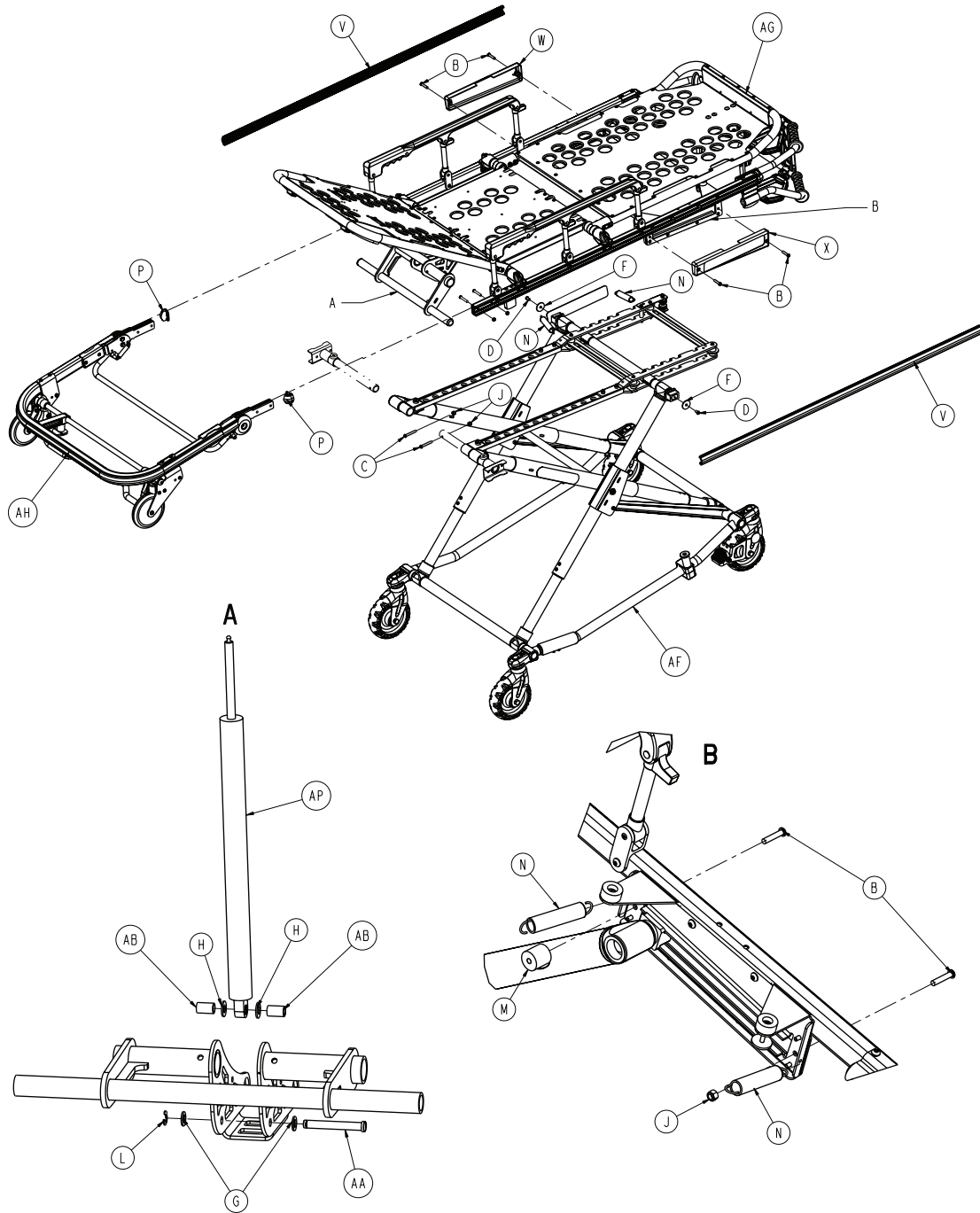
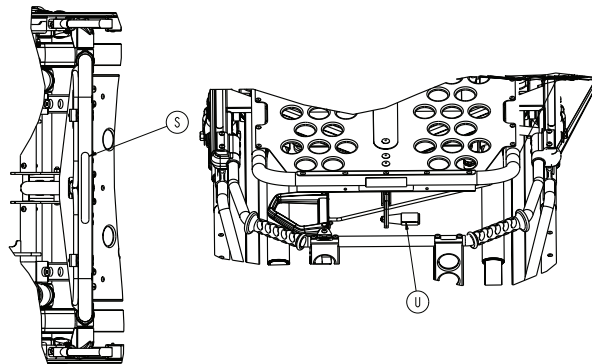
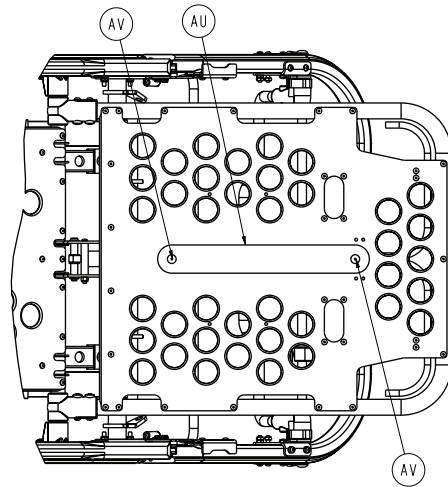
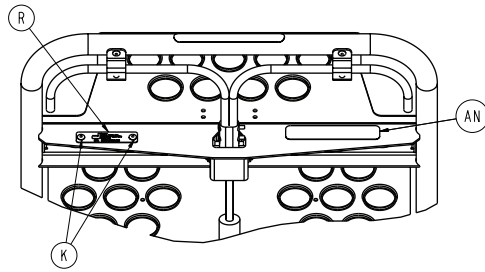
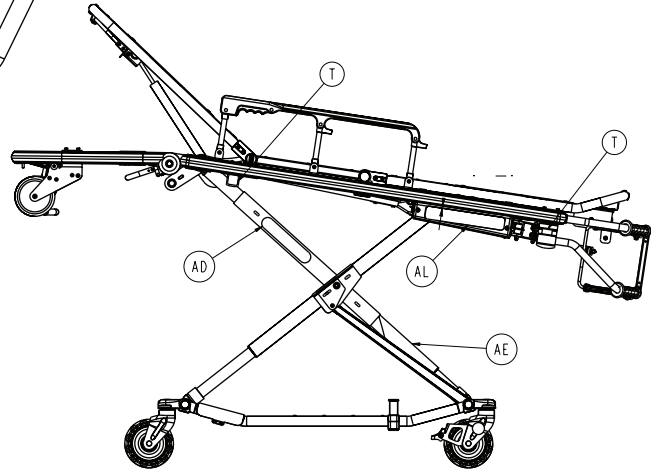
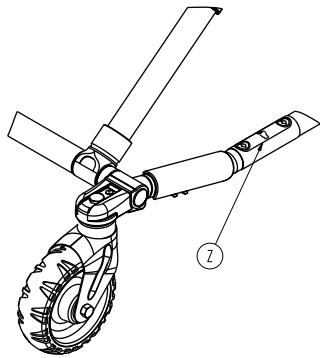
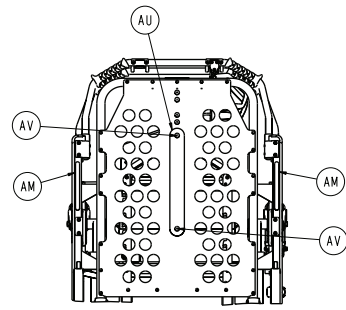
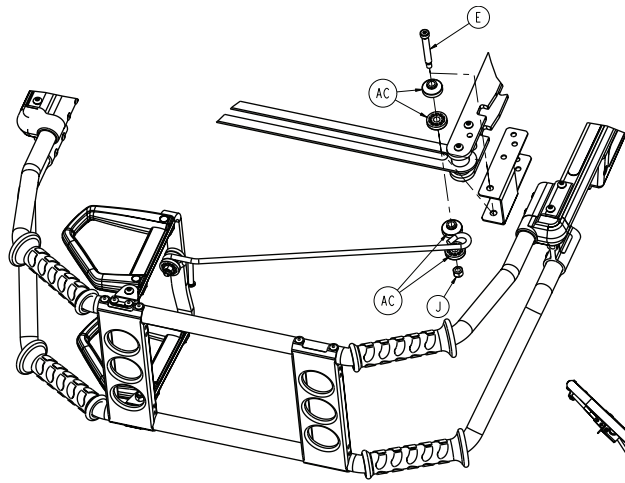


Figure 4 – Wheel locking force adjustment

Cot assembly

6083-001-012 Rev M (Reference only)

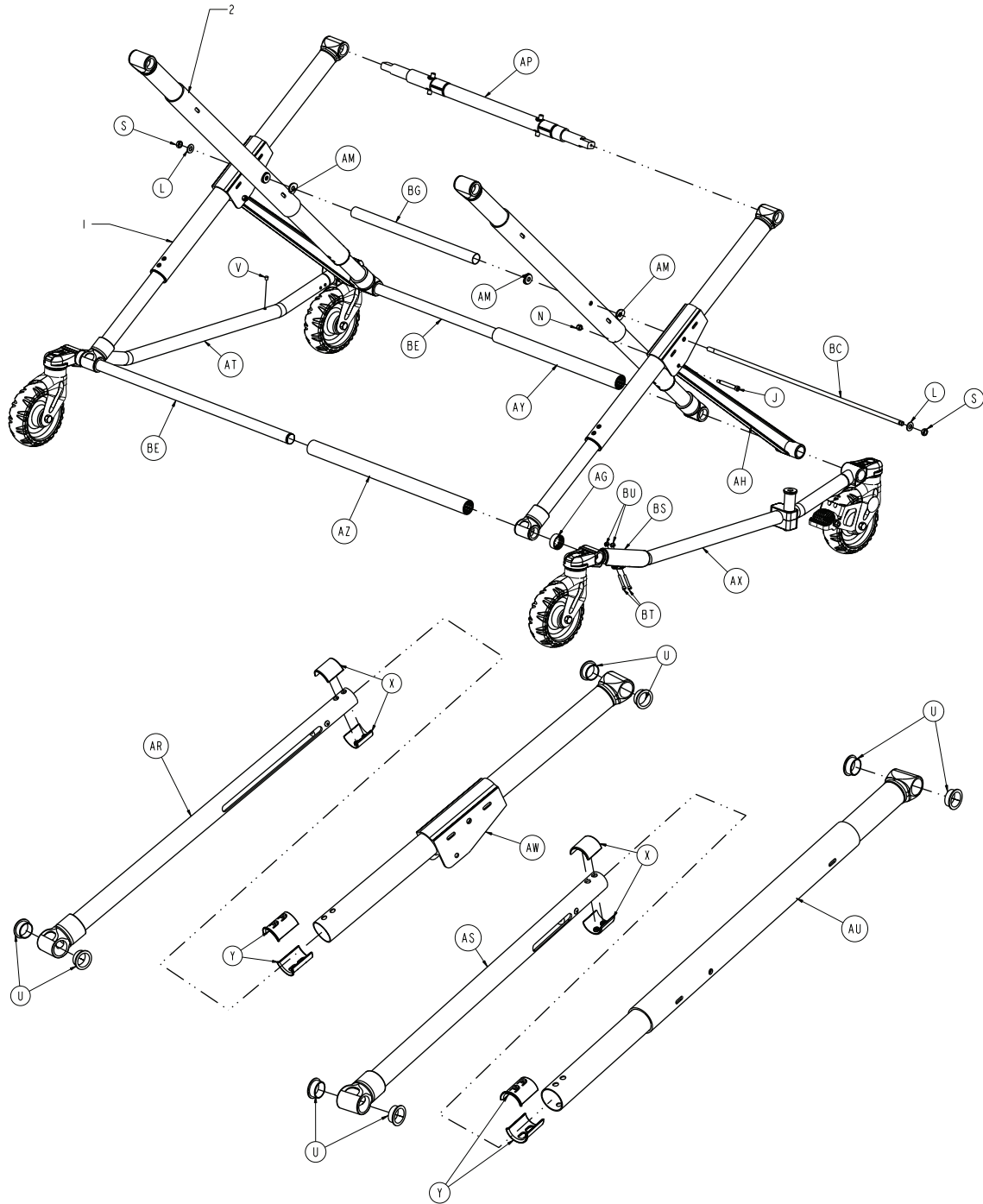


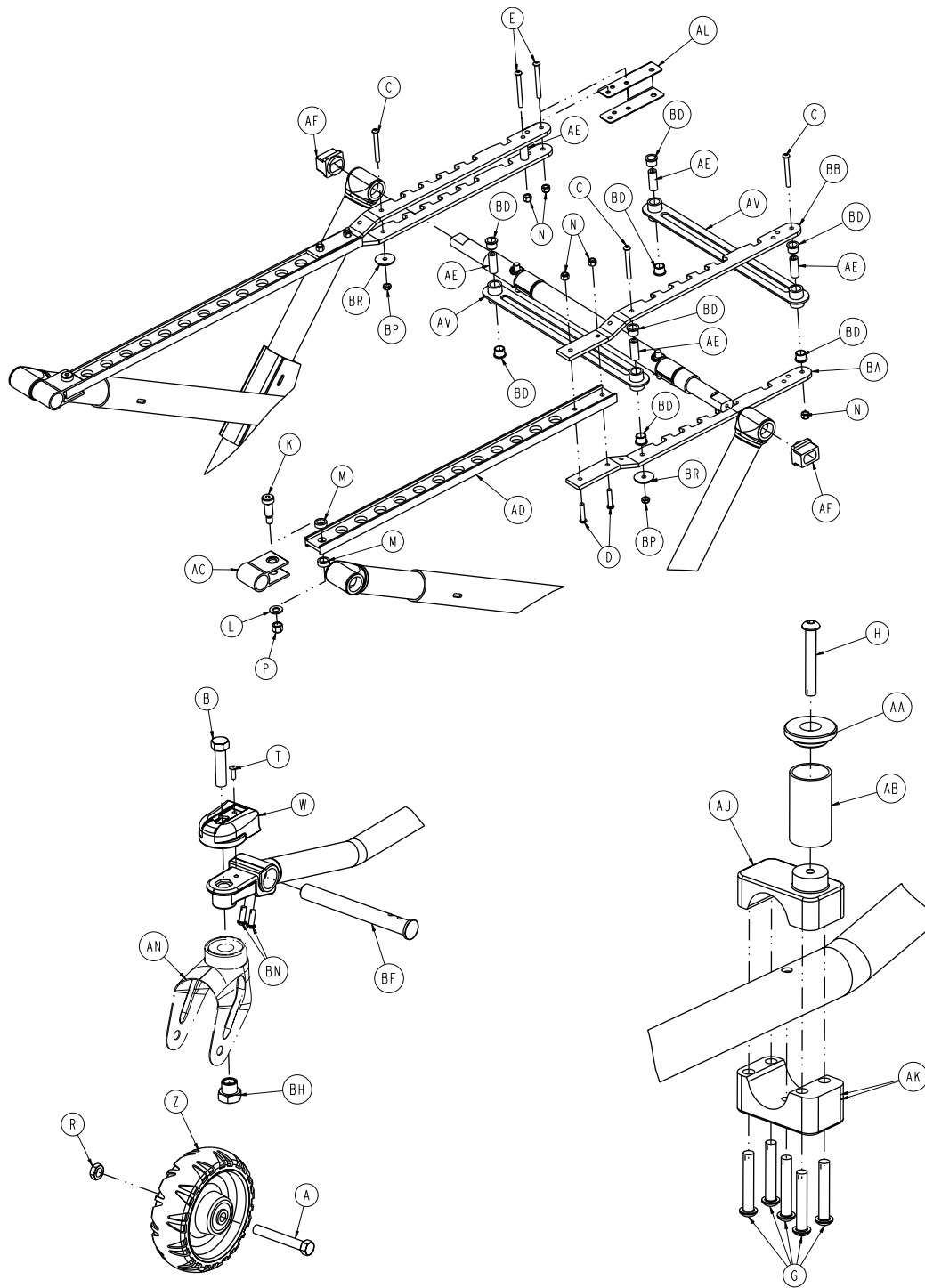


Item	Number	Name	Quantity
B	0004-198-000	Button head cap screw	4
C	0004-204-000	Button head cap screw	2
D	0004-325-000	Button head cap screw	2
E	0008-028-000	Socket head shoulder screw	1
F	0011-355-000	Washer	2
G	0011-448-000	Washer	2
H	0014-021-000	Washer	2
J	0016-028-000	Hex nut	5
K	0025-079-000	Dome head rivet	2
L	0028-181-000	Truarc ring	1
M	0037-082-000	Vibration mount	2
N	0038-348-000	Extension spring	2
P	6060-037-035	Outer rail end cap	2
R	6083-001-926	Label, serial number	1
S	6060-090-004	Label, small RUGGED	1
T	6060-090-114	Label, keep hands clear	4
U	6070-090-107	Label, lift to release	1
V	6080-030-043	Litter frame bumper	2
W	6082-033-036	Retainer plate cover, left	1
X	6082-033-037	Retainer plate cover, right	1
Z	6080-090-108	Label, lift here	2
AA	6082-031-031	Clevis pin	1
AB	6082-031-046	Litter/base interface pivot spacer	2
AC	6082-040-025	End link bushing	4
AD	6082-090-042	Label, 8" Stryker	2
AE	6083-090-040	Label, 6083 inner lift tube	1
AF	6083-001-010	<i>Base assembly (page 13)</i>	1
AG	6083-001-011	<i>Litter assembly (page 26)</i>	1
AH	6083-001-028	<i>Breakaway head assembly (page 34)</i>	1
AL	6083-001-128	Label, bariatric transport	2
AM	6083-001-163	Label, weight	2
AN	6083-001-130	Label, specification	1
AP	6083-001-135	Gas strut	1
AU	6082-001-085	2" adhesive loop pile	2
AV	0025-132-000	Large flange rivet	4

Base assembly

6083-001-010 Rev J (Reference only)





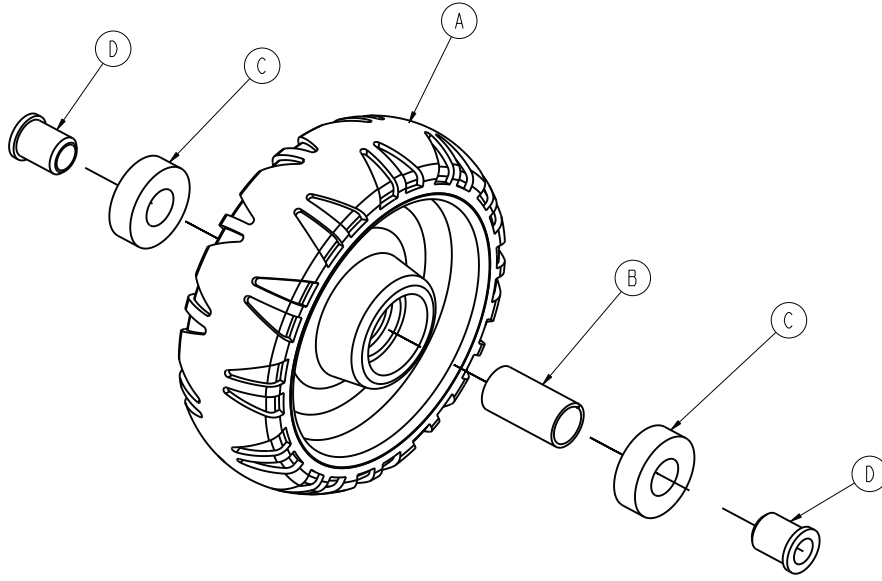
Item	Number	Name	Quantity
A	0003-205-000	Hex head cap screw	4
B	0003-353-000	Hex head cap screw	4
C	0004-163-000	Button head cap screw	3
D	0004-198-000	Button head cap screw	4
E	0004-234-000	Button head cap screw	2
G	0004-207-000	Button head cap screw	5
H	0004-503-000	Button head cap screw	1
J	0008-028-000	Socket head shoulder screw	2

Item	Number	Name	Quantity
K	0008-045-000	Socket head shoulder screw	2
L	0011-004-000	Washer	4
M	0011-350-000	Washer	4
N	0016-028-000	Hex nut	9
P	0016-035-000	Nylock hex nut	2
R	0016-060-000	Toplock hex jam nut	4
S	0016-089-000	Centerlock hex jam nut	2
T	0025-133-000	Dome head rivet	4
U	0081-244-000	Flange bearing	16
V	0721-031-065	Hole plug	1
W	6060-001-021	Caster mount cover	4
X	6060-001-070	Upper frame tube bearing	8
Y	6060-001-071	Lower frame tube bearing	8
Z	6060-002-010	<i>6 in. molded wheel assembly (page 17)</i>	4
AA	6060-004-043	Retaining post cap	1
AB	6060-004-044	Retaining post tube	1
AC	6060-005-029	Mounting pivot extrusion	2
AD	6060-005-032	Height adjustment bar	2
AE	6060-005-037	Spacer link spacer	5
AF	6060-005-044	Lock bar slide bearing	2
AG	6080-001-029	Plastic extrusion spacer	2
AH	6080-001-046	Support link	2
AJ	6080-004-045	Pin bracket top	1
AK	6083-001-166	Pin bracket bottom	1
AL	6080-040-088	Link bracket	1
AM	6083-001-169	Connecting rod bearing	4
AP	6083-001-025	<i>Lock bar assembly (page 18)</i>	1
AR	6083-001-026	<i>Outer lift tube assembly, base pivot (page 19)</i>	2
AS	6083-001-027	<i>Inner lift tube assembly, base pivot (page 20)</i>	2
AT	6083-001-050	Outer base tube weldment, left	1
AU	6083-001-051	Inner pivot inner lift tube weldment	2
AV	6083-001-058	Rack spacer link	2
AW	6083-001-062	Litter pivot outer lift tube weldment	2
AX	6083-001-063	Outer base tube weldment, right	1
AY	6083-001-101	Spacer	1
AZ	6083-001-102	Spacer	1
BA	6083-001-227	Height adjustment rack, lower	2
BB	6083-001-228	Height adjustment rack, upper	2
BC	6083-001-105	Base connecting rod	1
BD	6083-001-108	Flanged bearing	8
BE	6083-001-109	Base tube, head/foot	2
BF	6083-001-137	Base tube insert	4
BG	6083-001-131	Center base spacer	1
BH	6090-001-009	Caster nut	4

Item	Number	Name	Quantity
BN	0004-468-000	Button head cap screw	8
BP	0016-102-000	Nylock nut	2
BR	6083-001-180	Rack bumper	2
BS	6082-001-044	Base tube protector	1
BT	0004-160-000	Socket head cap screw	2
BU	0016-003-000	Nylock hex nut	2

6 in. molded wheel assembly

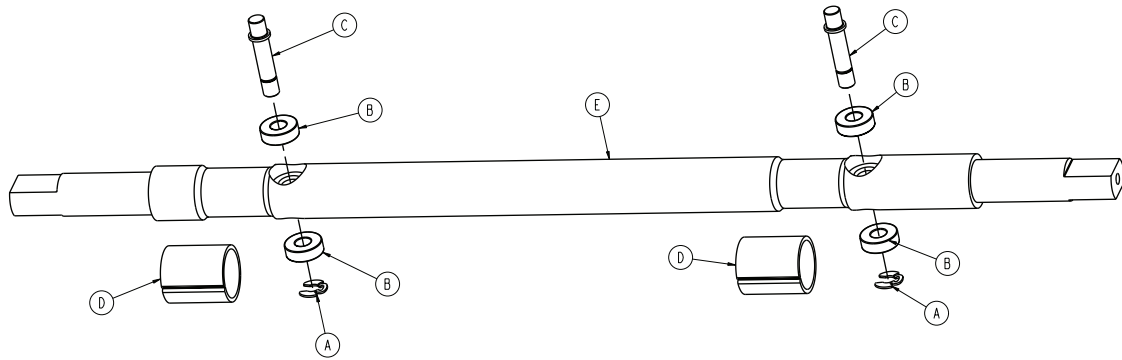
6060-002-010 Rev D (Reference only)



Item	Number	Name	Quantity
A	6060-002-045	6 in. molded wheel	1
B	6060-002-046	Bearing spacer	1
C	0081-226-000	Bearing	2
D	0715-001-255	Wheel bushing	2

Lock bar assembly

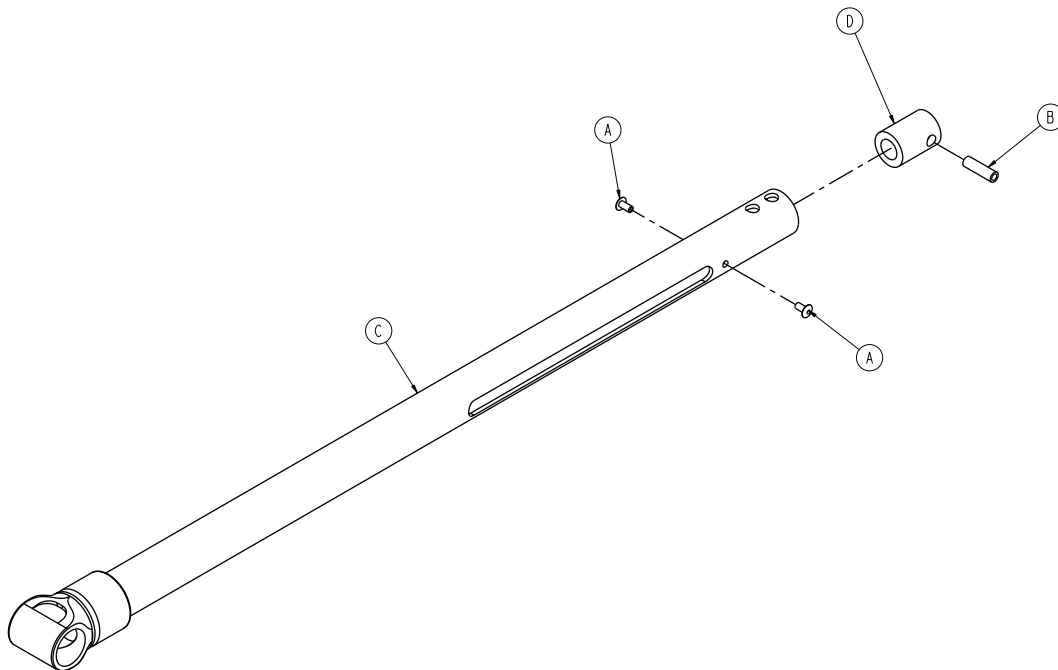
6083-001-025 Rev A (Reference only)



Item	Number	Name	Quantity
A	0028-181-000	Truarc ring	2
B	0081-248-000	Bearing	4
C	6060-005-096	Latch pin	2
D	6080-005-036	Wear ring	2
E	6083-001-106	Lock bar	1

Outer lift tube assembly, base pivot

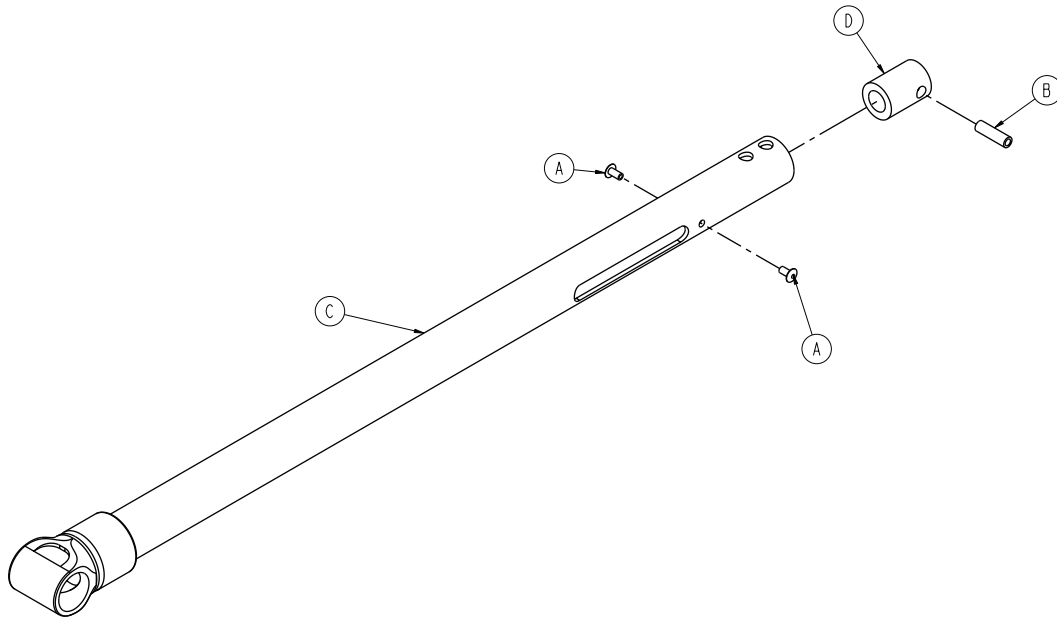
6083-001-026 Rev A (Reference only)



Item	Number	Name	Quantity
A	0025-079-000	Dome head rivet	2
B	6082-001-036	Dampener sleeve	1
C	6083-001-052	Outer lift tube weldment	1
D	6083-001-139	Dampener	1

Inner lift tube assembly, base pivot

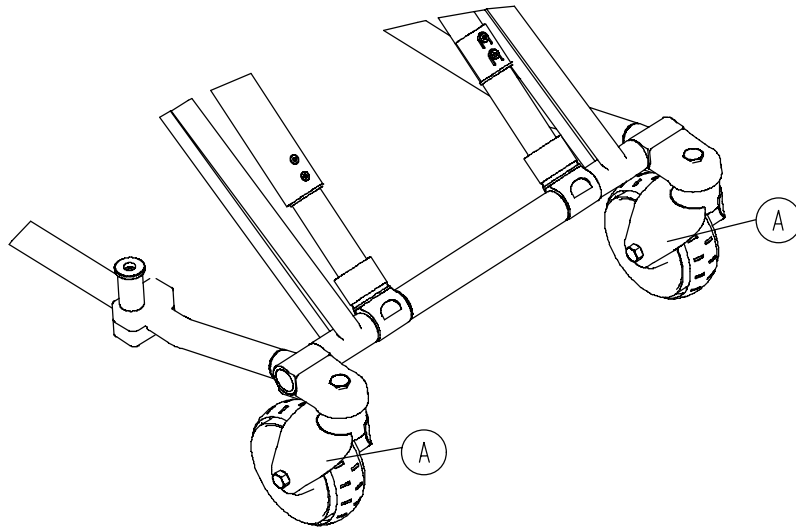
6083-001-027 Rev A (Reference only)



Item	Number	Name	Quantity
A	0025-079-000	Dome head rivet	2
B	6082-001-036	Dampener sleeve	1
C	6083-001-053	Inner lift tube weldment	1
D	6083-001-139	Dampener	1

No wheel lock option - 6082-500-010

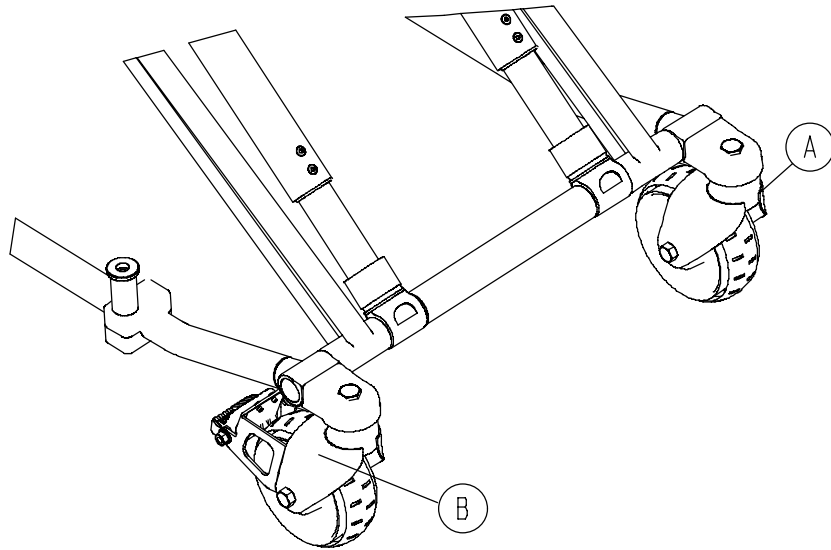
Rev B (Reference only)



Item	Number	Name	Quantity
A	6082-002-012	Caster horn assembly (page 25)	4

Single wheel lock option - 6082-501-010

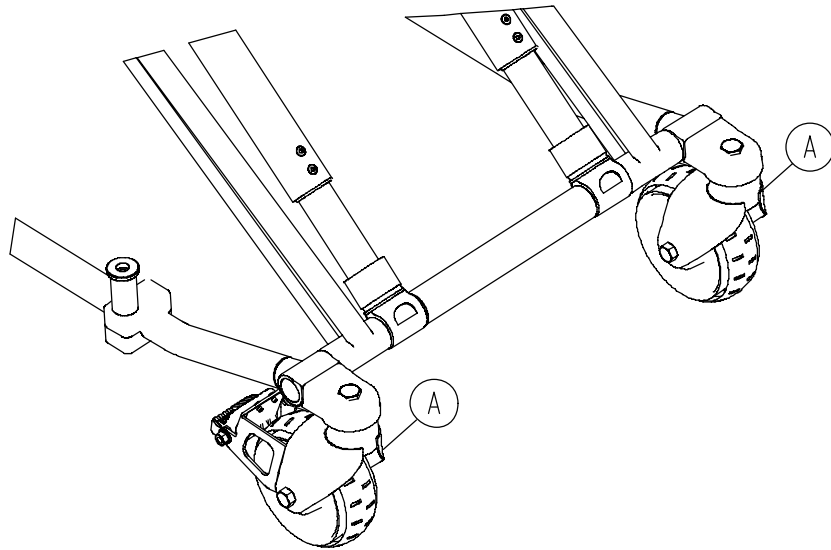
Rev B (Reference only)



Item	Number	Name	Quantity
A	6082-002-012	Caster horn assembly (page 25)	3
B	6082-200-010	Adjustable caster lock assembly (page 24)	1

Dual wheel lock option - 6082-502-010

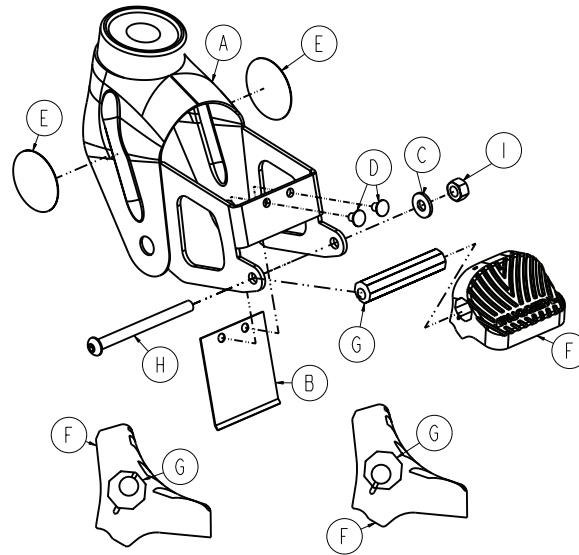
Rev B (Reference only)



Item	Number	Name	Quantity
A	6082-200-010	Adjustable caster lock assembly (page 24)	2
B	6082-002-012	Caster horn assembly (page 25)	2

Adjustable caster lock assembly

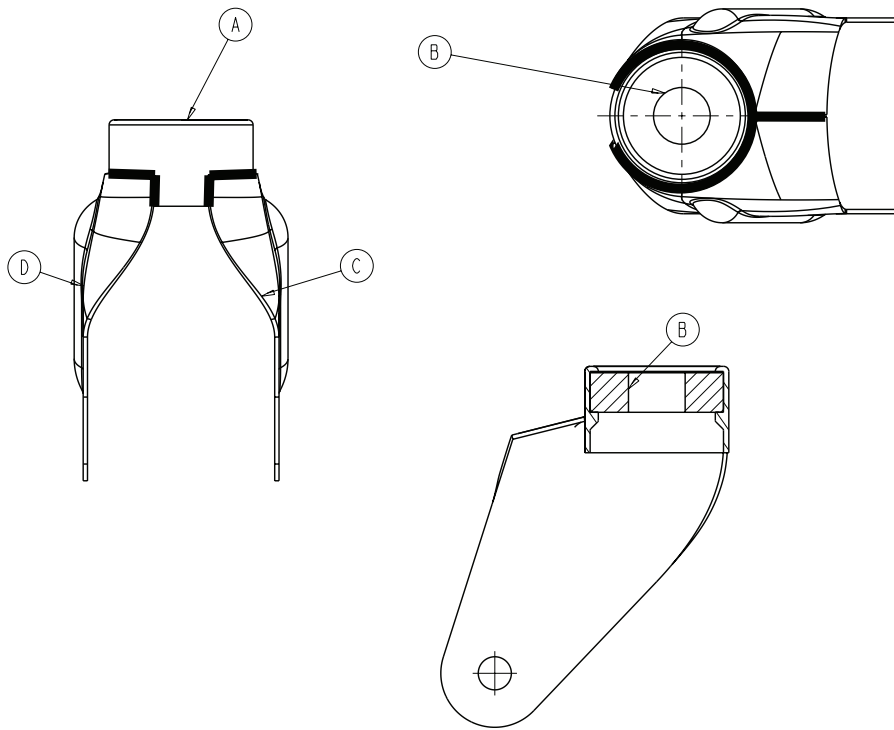
6082-200-010 Rev B (Reference only)



Item	Number	Name	Quantity
A	6082-100-012	Caster horn	1
B	6080-100-032	Spring	1
C	0011-456-000	Washer	1
D	0025-153-000	Semi-tubular rivet	2
E	6080-090-101	Label, warning	2
F	6080-300-030	Pedal, adjustable caster lock pedal	1
G	6080-200-041	Octagonal sleeve, adjustable caster lock	1
H	0004-098-000	Hex socket button head cap screw	1
I	0016-118-000	Centerlock nut	1

Caster horn assembly

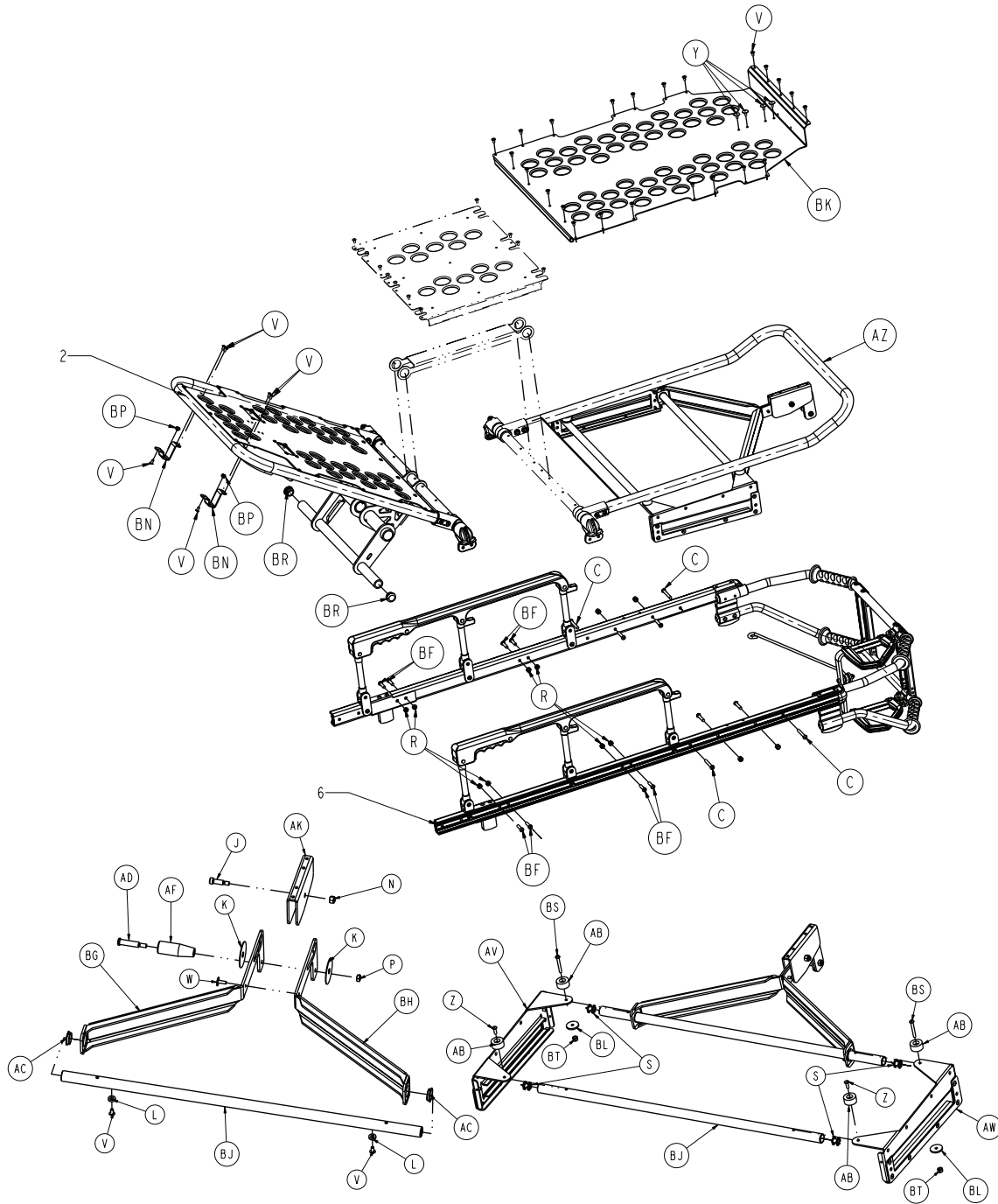
6082-002-012 Rev C (Reference only)

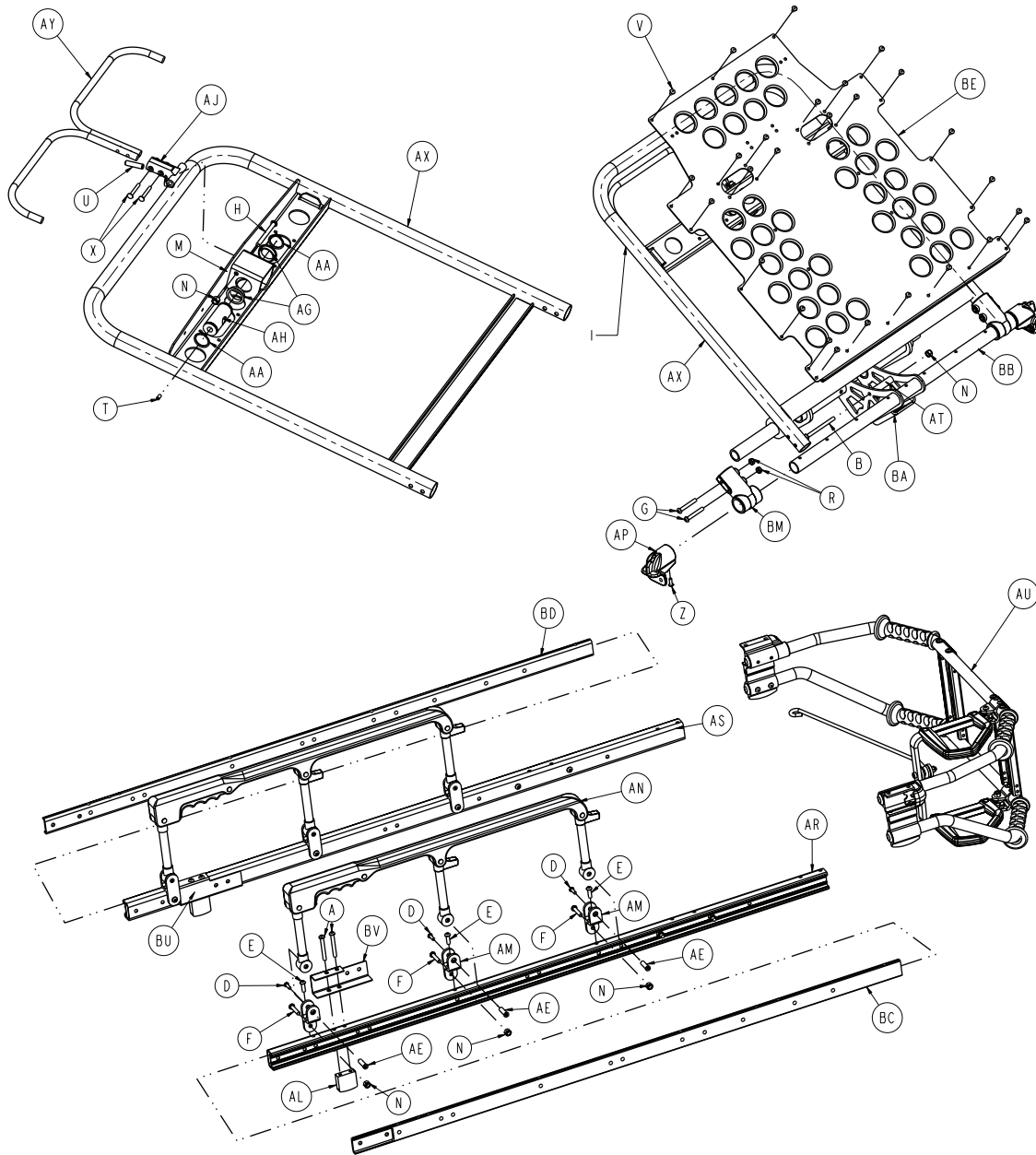


Item	Number	Name	Quantity
A	6082-002-039	Bearing retainer	1
B	0081-227-000	Bearing	1
C	6082-002-042	Caster horn plate, left	1
D	6082-002-043	Caster horn plate, right	1

Litter assembly

6083-001-011 Rev M (Reference only)





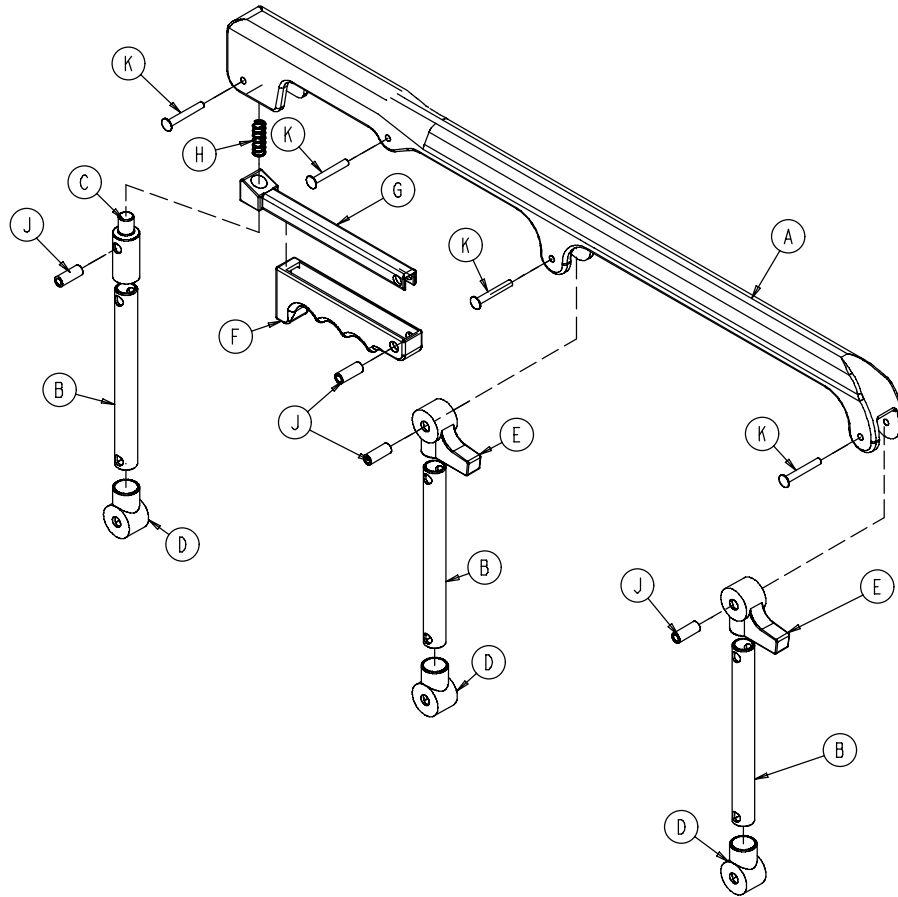
Item	Number	Name	Quantity
A	0004-097-000	Button head cap screw	8
B	0004-098-000	Button head cap screw	1
C	0004-503-000	Button head cap screw	4
D	0004-203-000	Button head cap screw	6
E	0004-468-000	Button head cap screw	6
F	0004-198-000	Button head cap screw	6
G	0004-204-000	Button head cap screw	5
H	0004-597-000	Button head cap screw	1
J	0008-027-000	Socket head shoulder screw	1
K	0014-055-000	Washer	2
L	0014-067-000	Washer	2
M	0015-050-000	Hex nut	1
N	0016-028-000	Nylock nut	9

Item	Number	Name	Quantity
P	0016-078-000	Centerlock nut	1
R	0016-102-000	Nylock nut	12
S	0018-038-000	Hex nut	4
T	0021-180-000	Set screw	1
U	0021-138-000	Set screw	1
V	0025-079-000	Rivet	56
W	0025-128-000	Blind rivet	1
Y	0025-132-000	Blind rivet	4
X	0025-131-000	Semi-tubular rivet	2
Z	0025-133-000	Rivet	6
AA	0028-076-000	Retaining ring	2
AB	0056-016-000	Bumper	4
AC	0081-255-000	Split bearing	2
AD	6083-001-168	Slot head shoulder bolt	1
AE	0721-026-066	Pivot screw	6
AF	0938-001-177	Knob	1
AG	0946-035-025	Liner	2
AH	6060-032-038	Gas spring yoke	1
AJ	6060-032-040	Fowler lift pivot	1
AK	6070-038-033	Calf stand retainer	1
AL	6080-030-040	Litter stop	2
AM	6082-025-055	Pivot mount	6
AN	6082-026-010	<i>Siderail assembly (page 30)</i>	2
AP	6082-030-031	Cross brace support mount	2
AR	6082-030-046	Outer support rail, right	1
AS	6082-030-047	Outer support rail, left	1
AT	6082-031-047	Pivot spacer, litter/base	1
AU	6083-101-020	<i>Lift tube assembly (page 31)</i>	1
AV	6083-001-030	Slide plate, left	1
AW	6083-001-031	Slide plate, right	1
AX	6083-001-054	Fowler weldment	1
AY	6083-001-055	Release handle weldment	1
AZ	6083-001-057	Foot section weldment	1
BA	6083-001-061	Litter/base interface	1
BB	6083-001-110	Litter cross brace	1
BC	6083-001-111	Rail insert, left	1
BD	6083-001-112	Rail insert, right	1
BE	6083-001-113	Fowler skin	1
BF	0004-197-000	Button head cap screw	8
BG	6083-001-117	Calf stand support, left	1
BH	6083-001-118	Calf stand support, right	1
BJ	6083-001-119	Litter cross brace	2
BK	6083-001-120	Foot section skin	1
BL	6083-001-181	Spacer	2
BM	6100-003-125	Straight "t" pivot	2

Item	Number	Name	Quantity
BN	6083-001-147	Fowler handle support	2
BP	0037-052-000	Bumper	2
BR	0037-225-000	Plug	2
BS	0004-215-000	Button head cap screw	2
BT	0016-003-000	Nylock nut	2
BU	6083-210-030	Bar support, left	1
BV	6083-210-301	Bar support, right	1

Siderail assembly

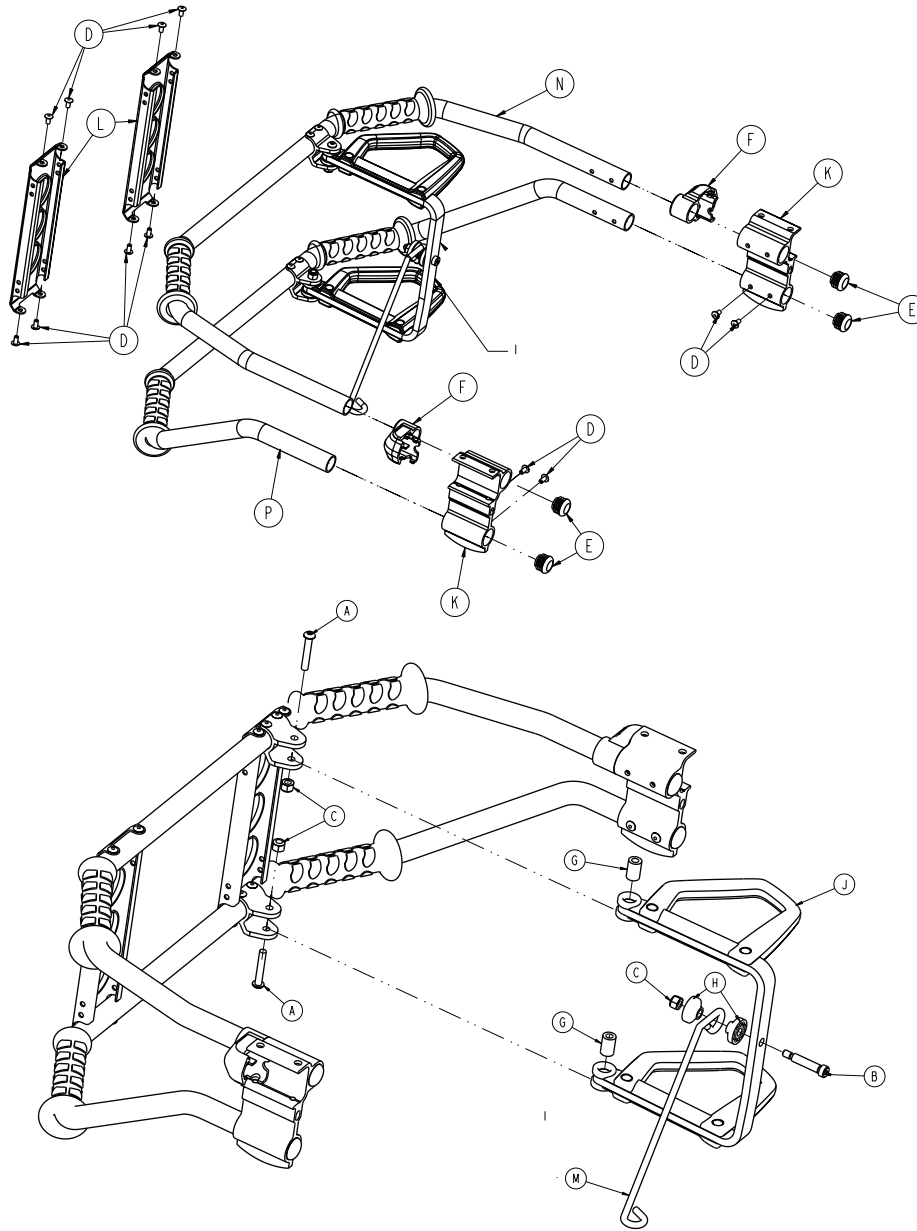
6082-026-010 Rev B (Reference only)



Item	Number	Name	Quantity
A	6060-025-024	Top rail	1
B	6060-025-043	Spindle	3
C	6060-025-047	Spindle lock	1
D	6060-025-041	Spindle pivot	3
E	6060-025-040	Spindle pivot stop	2
F	6060-025-029	Lock release grip	1
G	6061-125-030	Lock bar casting	1
H	0038-344-000	Lock release compression spring	1
J	6060-025-035	Pivot bushing	4
K	0025-131-000	Rivet	4

Lift tube assembly

6083-101-020 Rev A (Reference only)

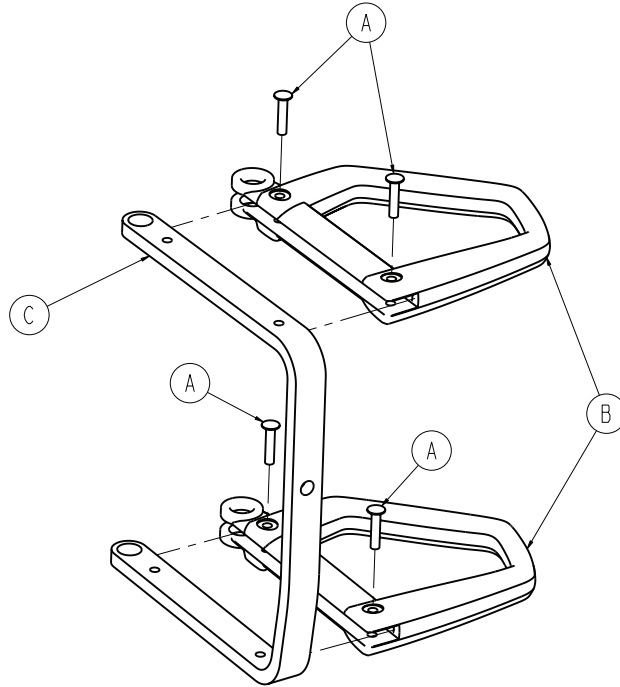


Item	Number	Name	Quantity
A	0004-135-000	Button head cap screw	2
B	0008-033-000	Socket head shoulder screw	1
C	0016-028-000	Fiberlock hex nut	3
D	0025-079-000	Dome head rivet	12
E	0037-238-000	Tube plug	4
F	6080-040-012	Outer rail end cap, foot end	2
G	6080-040-044	Link release spacer	2
H	6082-040-025	End link bushing	2
J	6082-040-061	Release handle assembly, left (page 33)	1
K	6082-130-038	Litter stop, foot end	2
L	6083-001-100	Lift brace	2

Item	Number	Name	Quantity
M	6083-001-184	Pull handle link	1
N	6083-101-023	Lift tube assembly, upper	1
P	6083-101-024	Lift tube assembly, lower	1

Release handle assembly, left

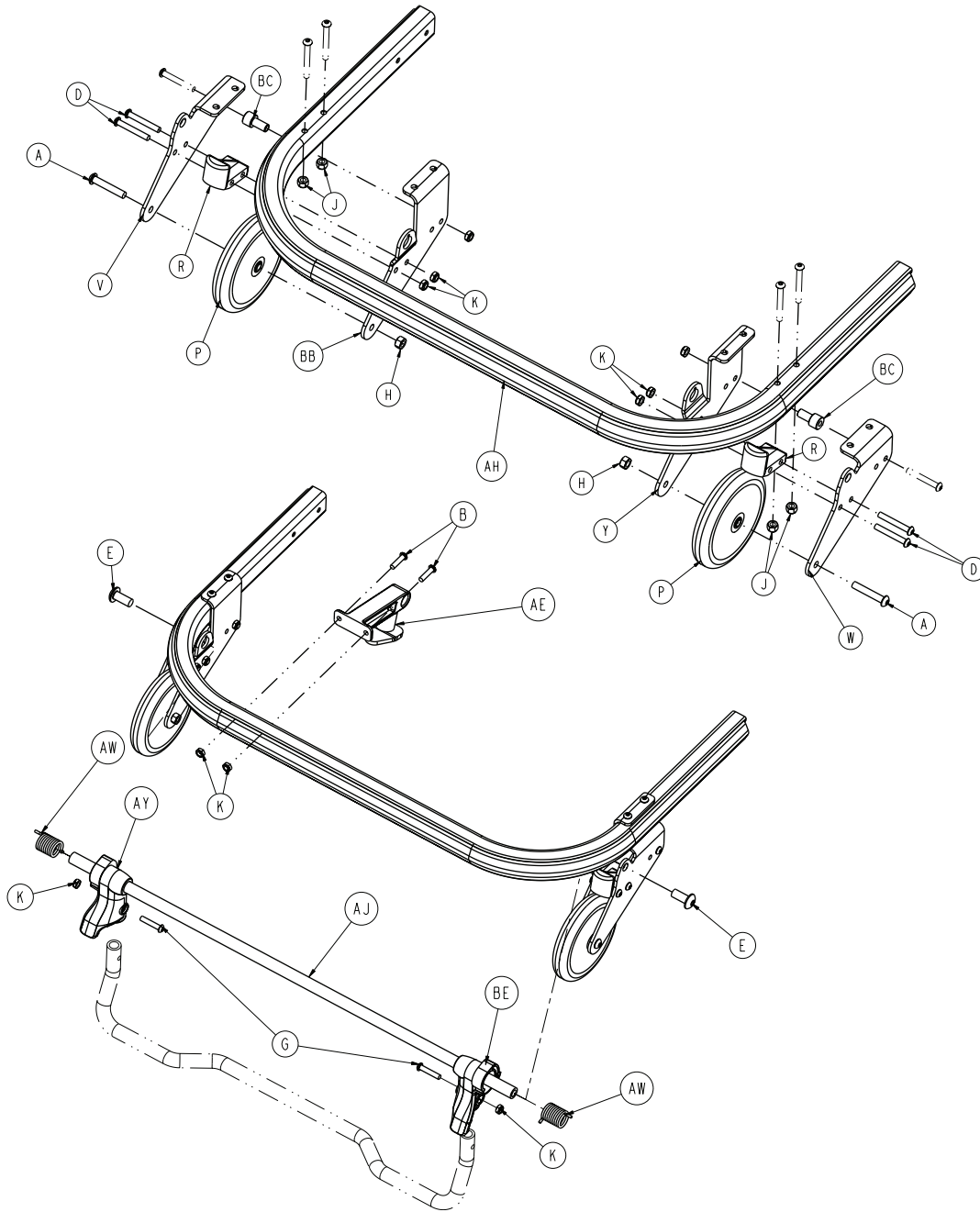
6082-040-061 Rev A (Reference only)

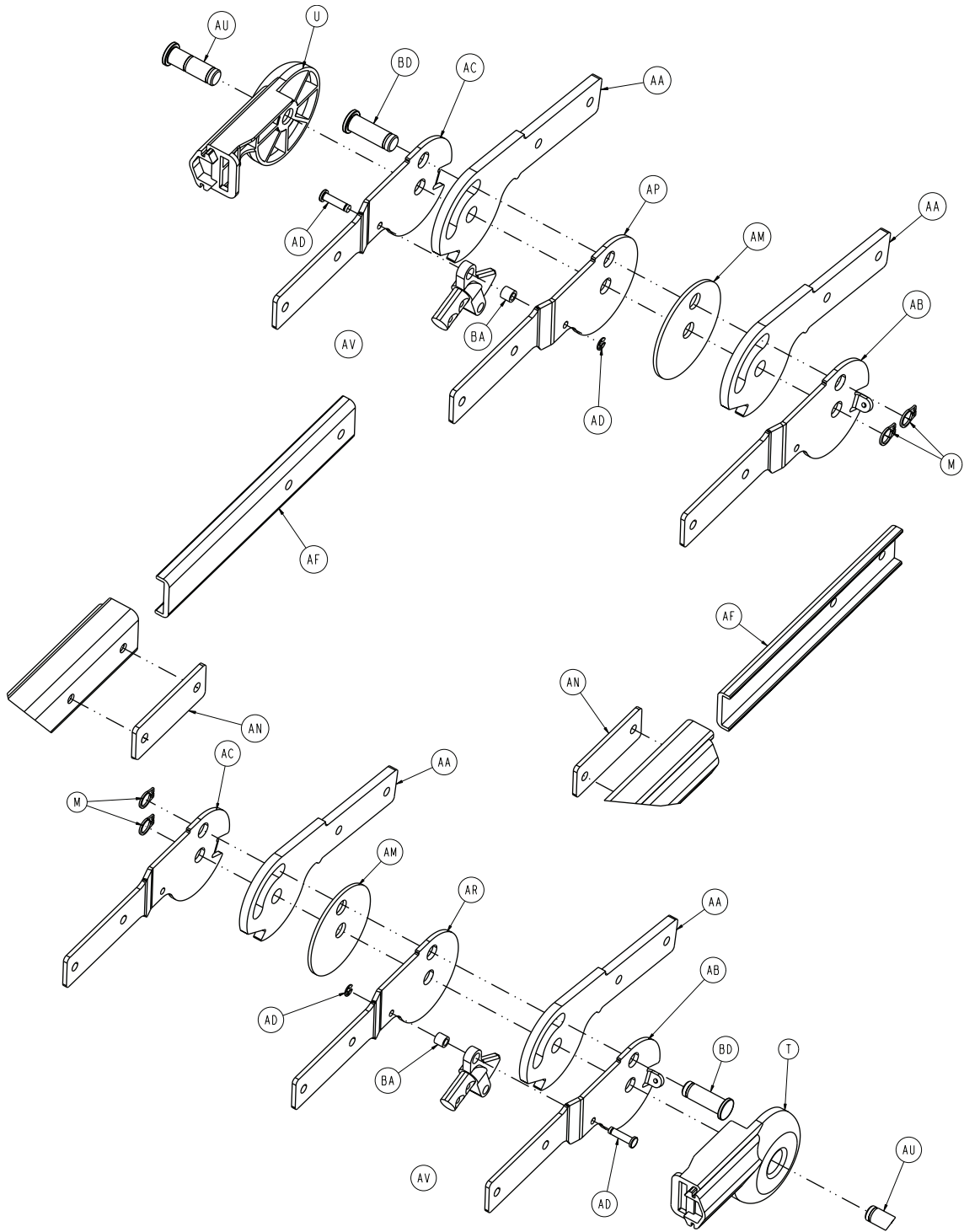


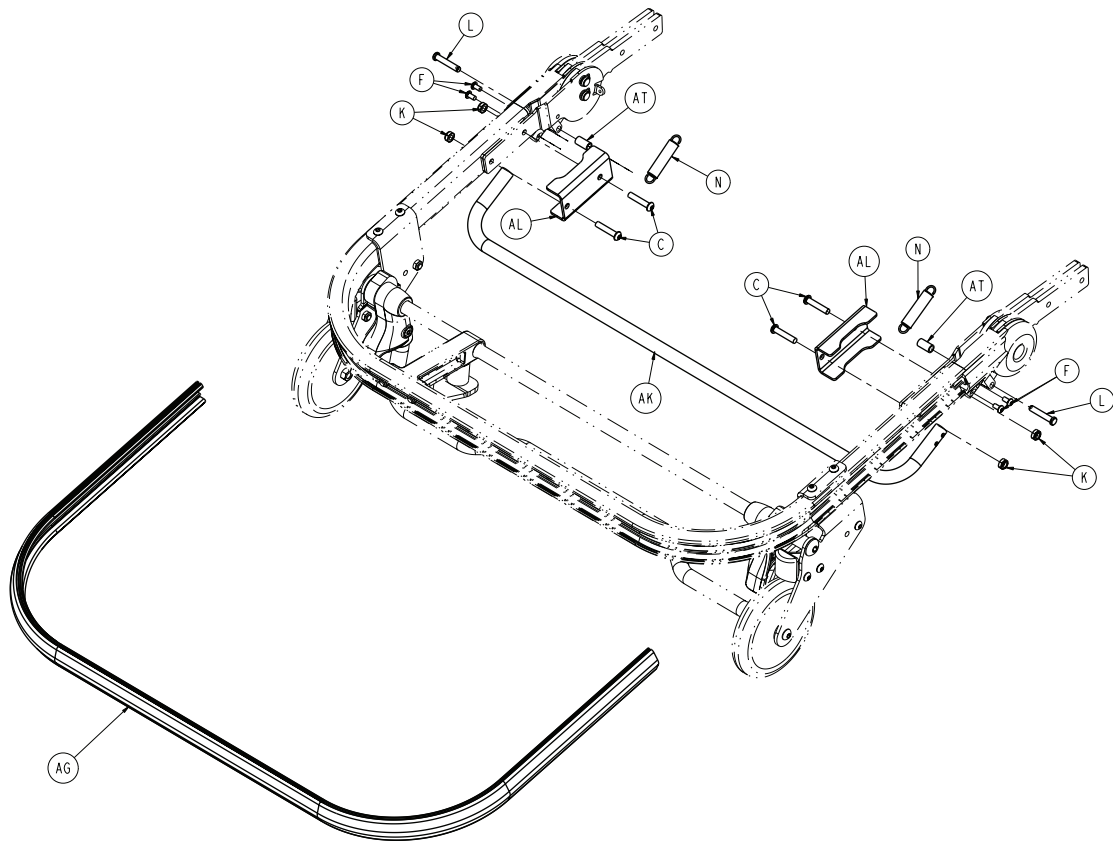
Item	Number	Name	Quantity
A	0025-127-000	Semi-tubular rivet	4
B	6082-001-081	Release handle	2
C	6082-140-034	Release handle brace	1

Breakaway head assembly

6083-001-028 Rev E (Reference only)





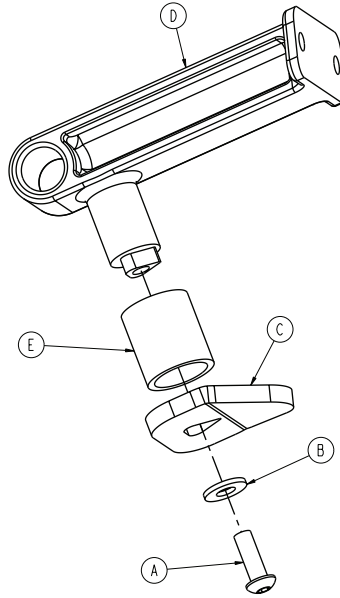


Item	Number	Name	Quantity
A	0004-054-000	Button head cap screw	2
B	0004-197-000	Button head cap screw	2
C	0004-198-000	Button head cap screw	4
D	0004-204-000	Button head cap screw	6
E	0004-209-000	Button head cap screw	2
F	0004-231-000	Button head cap screw	4
G	0004-612-000	Button head cap screw	2
H	0016-020-000	Centerlock hex jam nut	2
J	0016-028-000	Fiberlock hex nut	4
K	0016-102-000	Nylock hex nut	12
L	0026-273-000	Clevis pin	2
M	0028-138-000	External retaining ring	4
N	0038-410-000	Extension spring	2
P	6060-036-020	5 in. wheel assembly	2
R	6060-037-033	Horn stop block	2
T	6060-037-037	Pivot cover, right	1
U	6060-037-038	Pivot cover, left	1
V	6080-037-027	Outer caster horn, left	1
W	6080-037-028	Outer caster horn, right	1
Y	6080-037-030	Inner caster horn, right	1
AA	6082-037-040	Pivot, center	4
AB	6082-037-042	Pivot, form, right	2
AC	6082-037-043	Pivot, form, left	2
AD	6082-037-057	Grooved clevis pin assembly	2

Item	Number	Name	Quantity
AE	6083-001-029	<i>Antler post assembly</i> (page 38)	1
AF	6083-001-121	Breakaway head pivot spacer plate	2
AG	6083-001-122	Bumper	1
AH	6083-001-123	Breakaway head outer rail	1
AJ	6083-001-124	Safety hook pivot tube	1
AK	6083-001-125	Bent release crossbar	1
AL	6083-001-126	Strength bracket	2
AM	6083-001-148	Breakaway pivot spacer	2
AN	6083-001-149	Breakaway support spacer	2
AP	6083-001-150	Pivot, right	1
AR	6083-001-151	Pivot, left	1
AT	6083-001-156	Breakaway pin spacer	2
AU	6083-001-157	Breakaway head pivot stop pin	2
AV	6090-037-039	Trigger lock	2
AW	6500-001-321	Safety bar torsion spring	2
AY	6500-002-108	Safety hook pivot, left	1
BA	6060-037-036	Pivot trigger lock spacer	2
BB	6080-037-029	Inner caster horn, left	1
BC	6080-037-049	Safety hook release handle spacer	2
BD	6083-001-155	Breakaway head pivot stop pin	2
BE	6500-002-107	Safety hook pivot, right	1

Antler post assembly

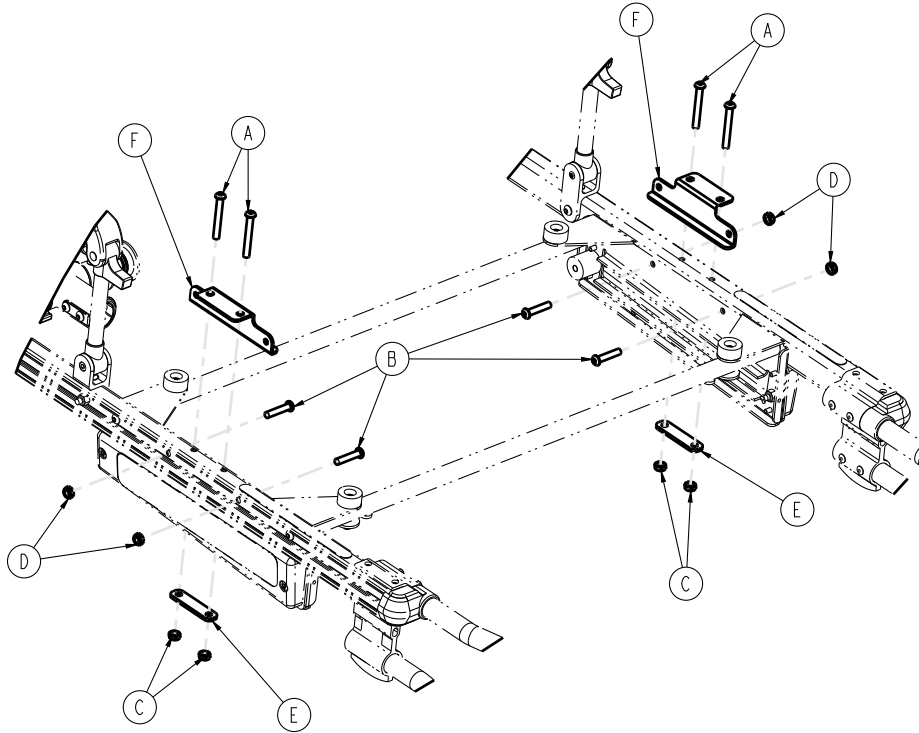
6083-001-029 Rev A (Reference only)



Item	Number	Name	Quantity
A	0004-161-000	Button head cap screw	1
B	0011-077-000	Washer	1
C	6083-001-141	Antler post foot	1
D	6083-001-142	Post casting	1
E	6083-001-143	Post cover	1

IV pole assembly, none - 6083-031-000

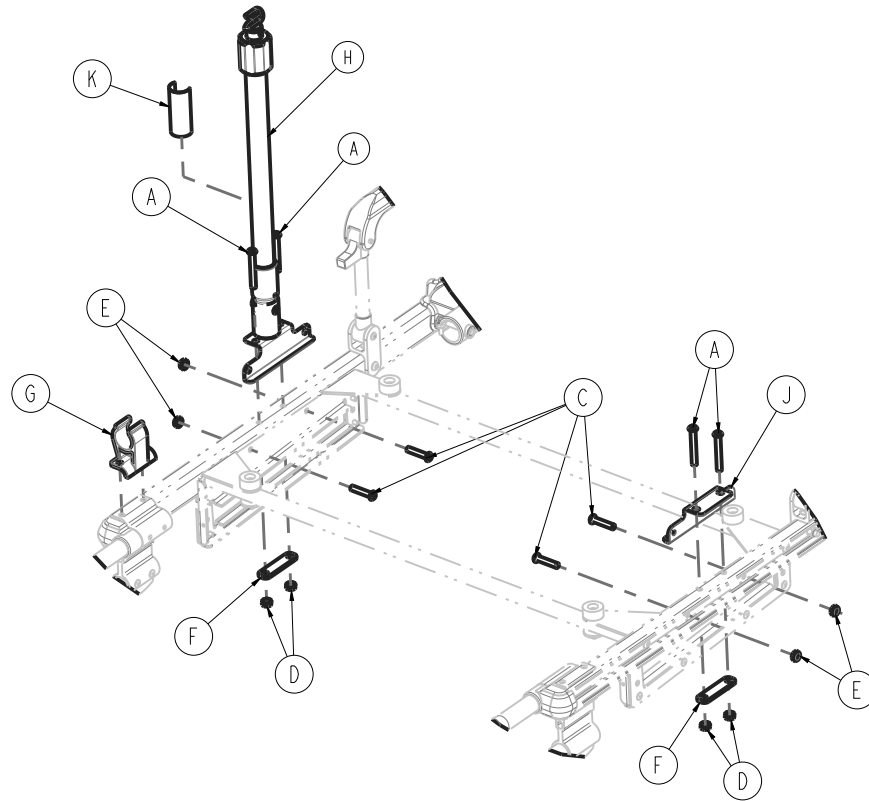
Rev C (Reference only)



Item	Number	Name	Quantity
A	0004-097-000	Button head cap screw	4
B	0004-198-000	Button head cap screw	4
C	0016-078-000	Centerlock hex jam nut	4
D	0016-102-000	Nylock nut	4
E	6070-110-032	IV retainer plate	2
F	6083-210-032	Side brace	2

HAVASU™ IV pole, two-stage, patient right - 6083-032-000

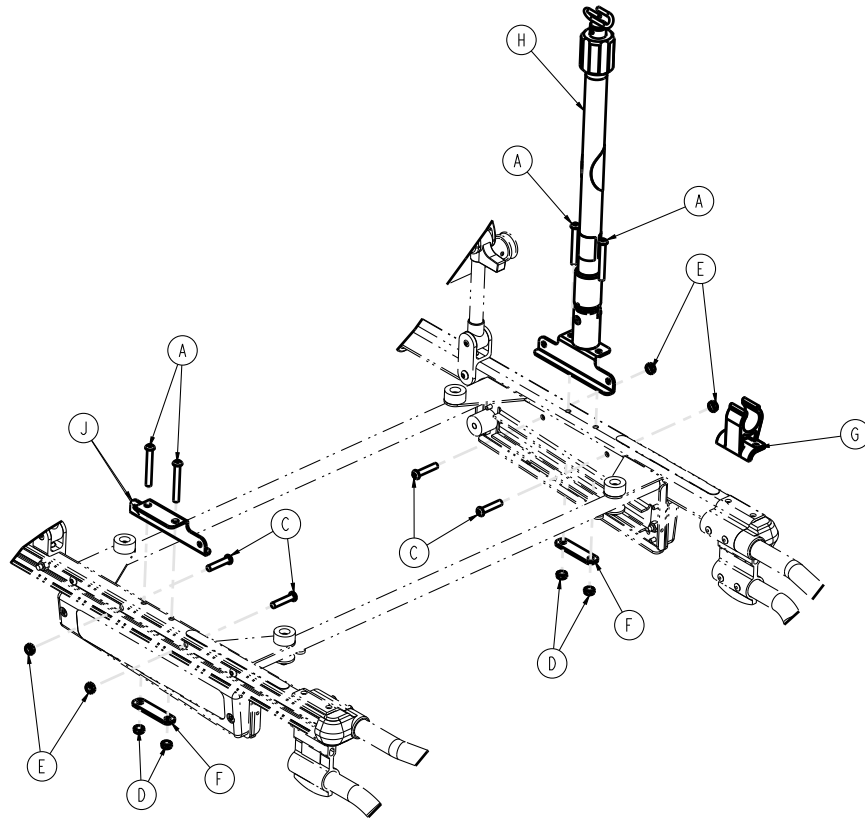
Rev AA (Reference only)



Item	Number	Name	Quantity
A	0004-097-000	Button head cap screw	4
C	0004-198-000	Button head cap screw	4
D	0016-078-000	Centerlock hex jam nut	4
E	0016-102-000	Nylock nut	4
F	6070-110-032	IV retainer plate	2
G	6080-110-035	IV pole clip	1
H	6080-210-020	<i>IV pole assembly, two-stage, patient right (page 42)</i>	1
J	6083-210-032	Side brace	1
K	608300350901	Label, specification	1

IV pole, two-stage, patient left - 6083-033-000

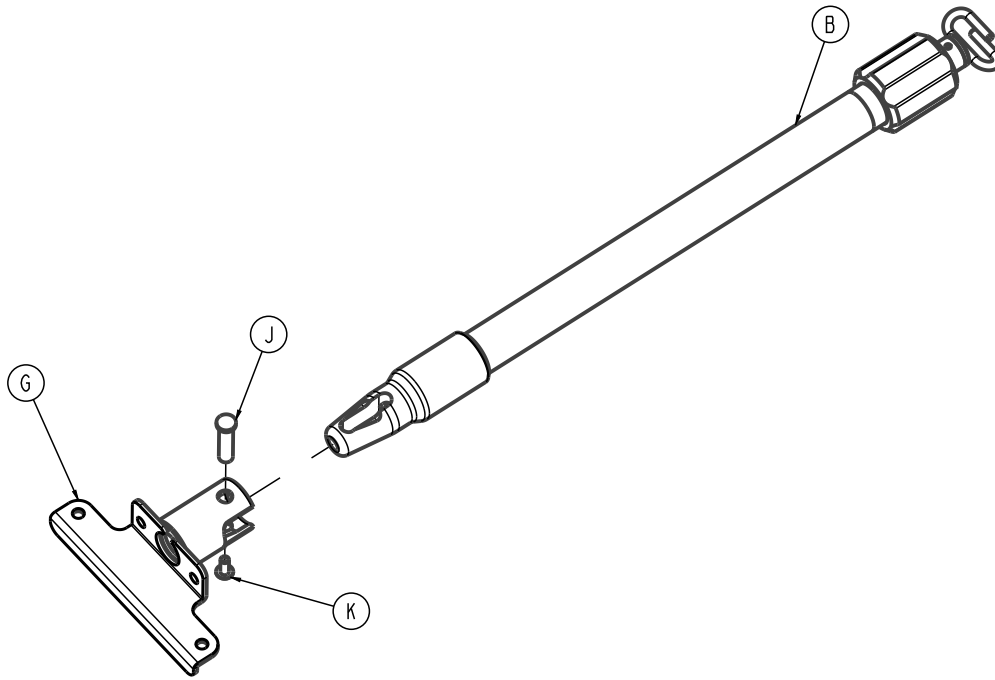
Rev C (Reference only)



Item	Number	Name	Quantity
A	0004-097-000	Button head cap screw	4
C	0004-198-000	Button head cap screw	4
D	0016-078-000	Centerlock hex jam nut	4
E	0016-102-000	Nylock nut	4
F	6070-110-032	IV retainer plate	2
G	6080-110-035	IV pole clip	1
H	6080-211-020	<i>IV pole assembly, two-stage, patient left</i> (page 43)	1
J	6083-210-032	Side brace	1

IV pole assembly, two-stage, patient right

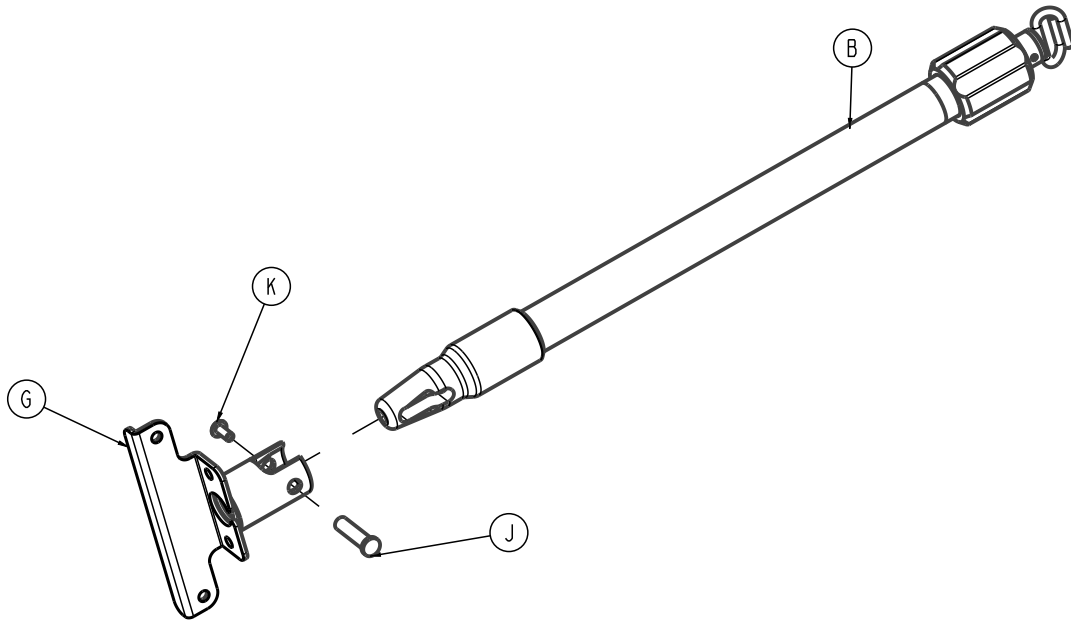
6080-210-020 Rev AA (Reference only)



Item	Number	Name	Quantity
B	6070-210-070	IV pole assembly, two-stage (page 44)	1
G	6080-210-053	IV socket weldment, right	1
J	6070-110-037	IV pivot pin	1
K	0025-079-000	Dome head rivet	1

IV pole assembly, two-stage, patient left

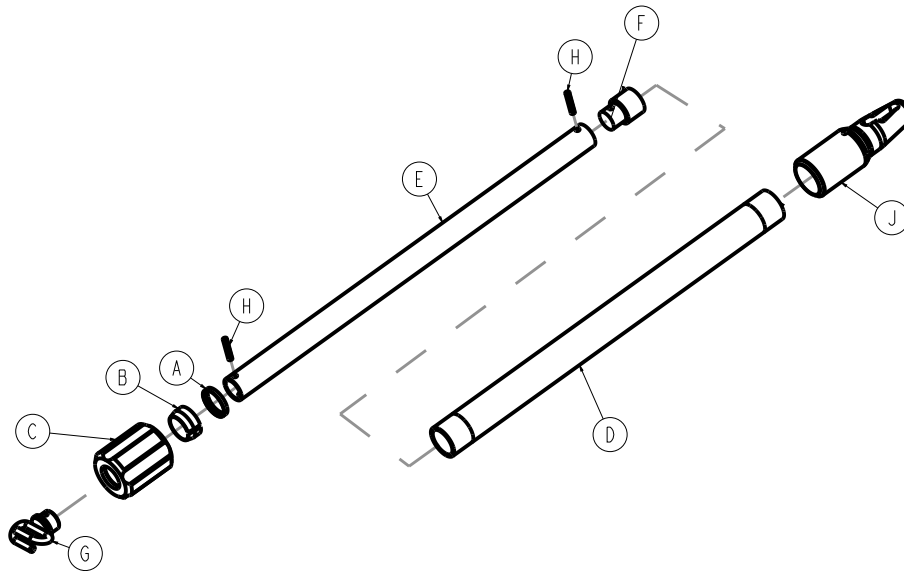
6080-211-020 Rev AA (Reference only)



Item	Number	Name	Quantity
B	6070-210-070	IV pole assembly, two-stage (page 44)	1
G	6080-210-053	IV socket weldment, left	1
J	6070-110-037	IV pivot pin	1
K	0025-079-000	Dome head rivet	1

IV pole assembly, two-stage

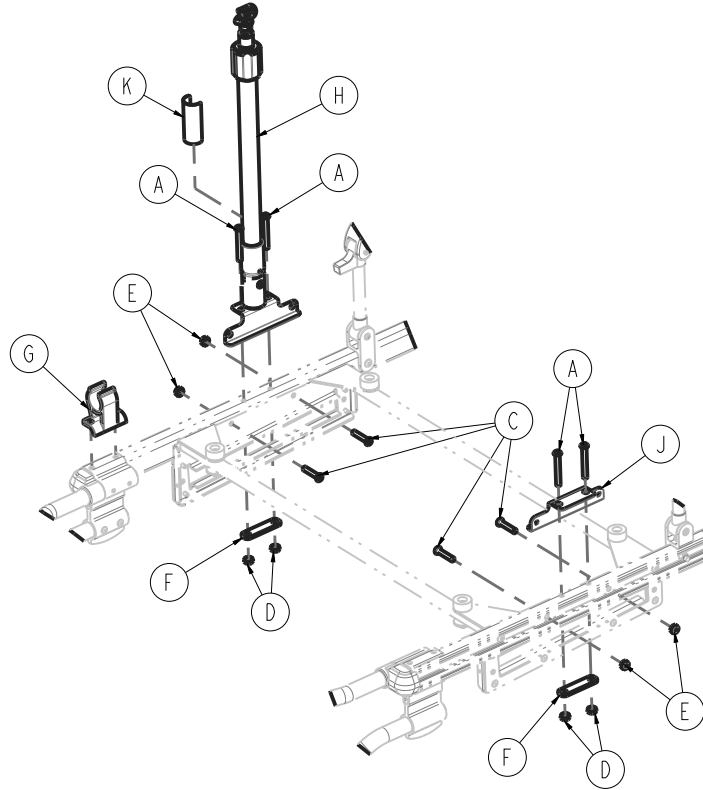
6070-210-070 Rev AA (Reference only)



Item	Number	Name	Quantity
A	1210-110-046	Back-up ring	1
B	1210-110-047	Lock ring	1
C	1210-110-049	IV pole actuator, molded	1
D	6070-210-051	Base tube, cot IV	1
E	6070-110-042	Second stage tube, cot IV	1
F	6070-110-051	Second stage slide plug	1
G	6070-110-050	Hook weldment, cot IV	1
H	0026-006-000	Roll pin	2
J	6070-110-012	IV pole pivot	1

HAVASU IV pole, three-stage, patient right - 6083-034-000

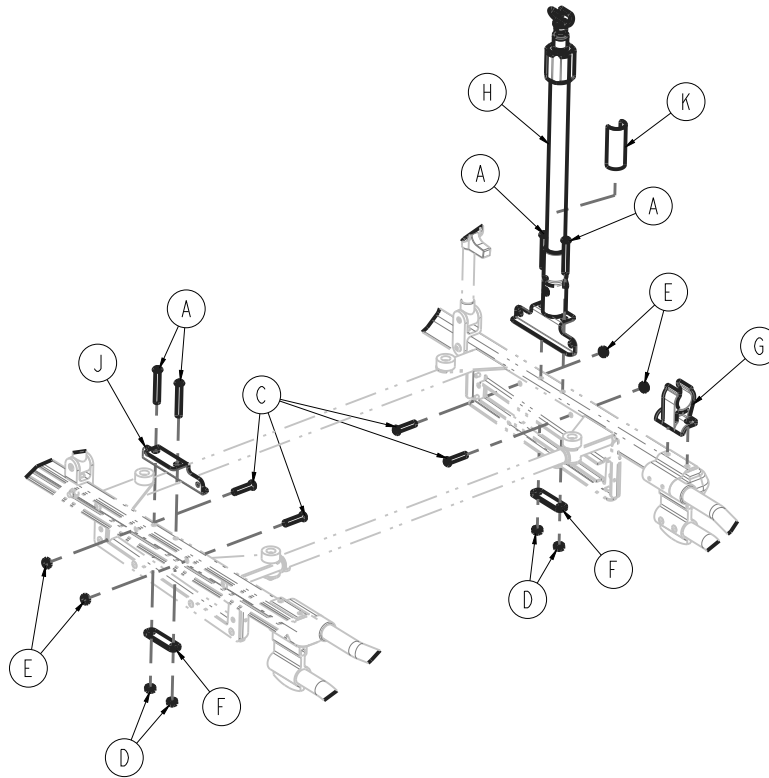
Rev AA (Reference only)



Item	Number	Name	Quantity
A	0004-097-000	Button head cap screw	4
C	0004-198-000	Button head cap screw	4
D	0016-078-000	Centerlock hex jam nut	4
E	0016-102-000	Nylock nut	4
F	6070-110-032	IV retainer plate	2
G	6080-110-035	IV pole clip	1
H	6080-215-020	IV pole assembly, three-stage, patient right (page 47)	1
J	6083-210-032	Side brace	1
K	608300350902	Label, specification	1

HAVASU IV pole, three-stage, patient left - 6083-035-000

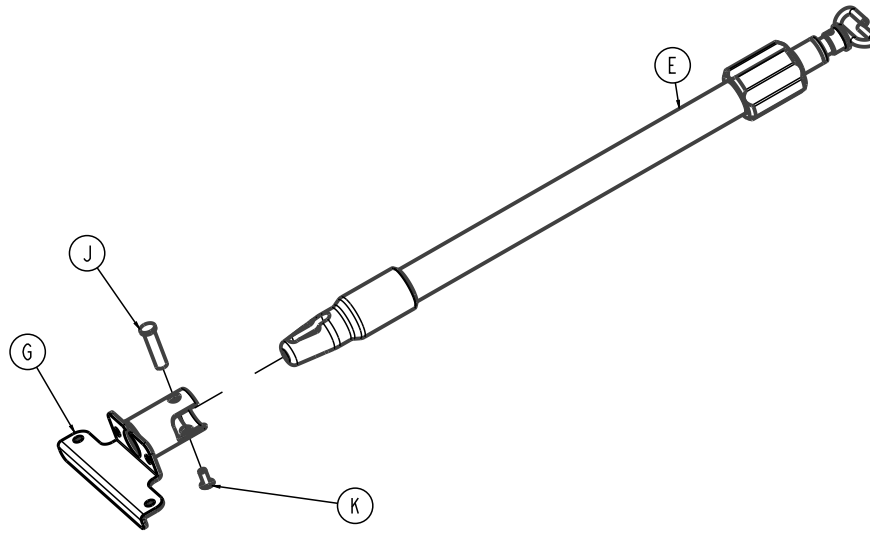
Rev AA (Reference only)



Item	Number	Name	Quantity
A	0004-097-000	Button head cap screw	4
C	0004-198-000	Button head cap screw	4
D	0016-078-000	Centerlock hex jam nut	4
E	0016-102-000	Nylock nut	4
F	6070-110-032	IV Retainer plate	2
G	6080-110-035	IV Pole clip	1
H	6080-216-020	<i>IV pole assembly, three-stage, patient left (page 48)</i>	1
J	6083-210-032	Side brace	1
K	608300350903	Label, specification	1

IV pole assembly, three-stage, patient right

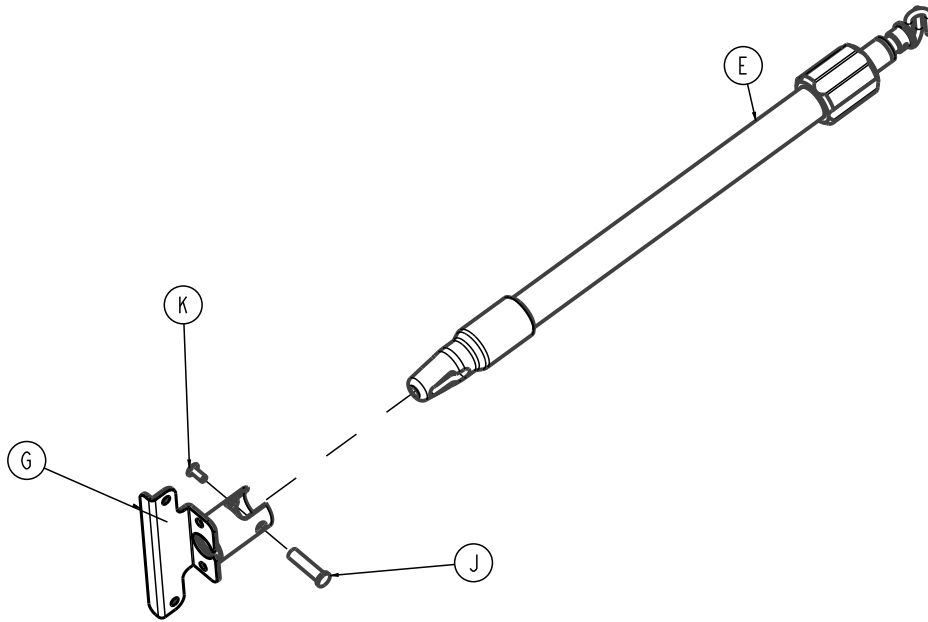
6080-215-020 Rev AA (Reference only)



Item	Number	Name	Quantity
E	6070-215-070	IV pole assembly, three-stage (page 49)	1
G	6080-210-053	IV socket weldment, right	1
J	6070-110-037	IV pivot pin	1
K	0025-079-000	Dome head rivet	1

IV pole assembly, three-stage, patient left

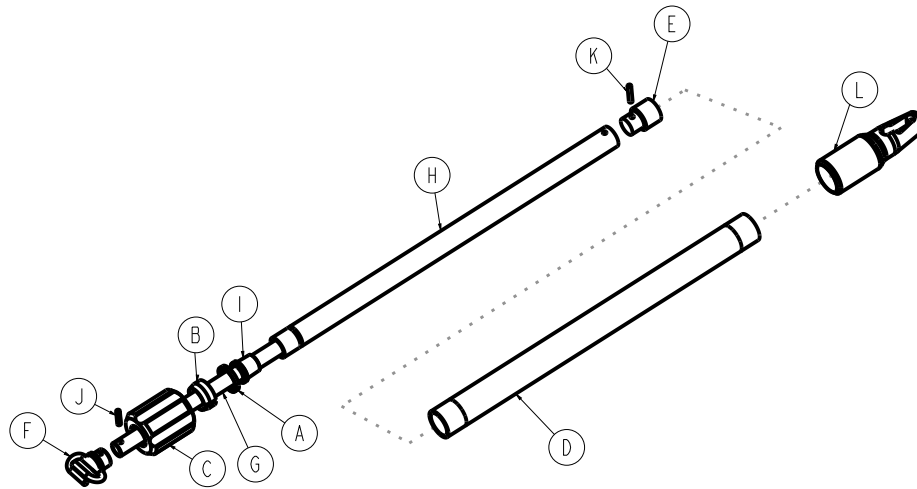
6080-216-020 Rev AA (Reference only)



Item	Number	Name	Quantity
E	6070-215-070	IV pole assembly, three-stage (page 49)	1
G	6080-211-053	IV socket weldment, left	1
J	6070-110-037	IV pivot pin	1
K	0025-079-000	Dome head rivet	1

IV pole assembly, three-stage

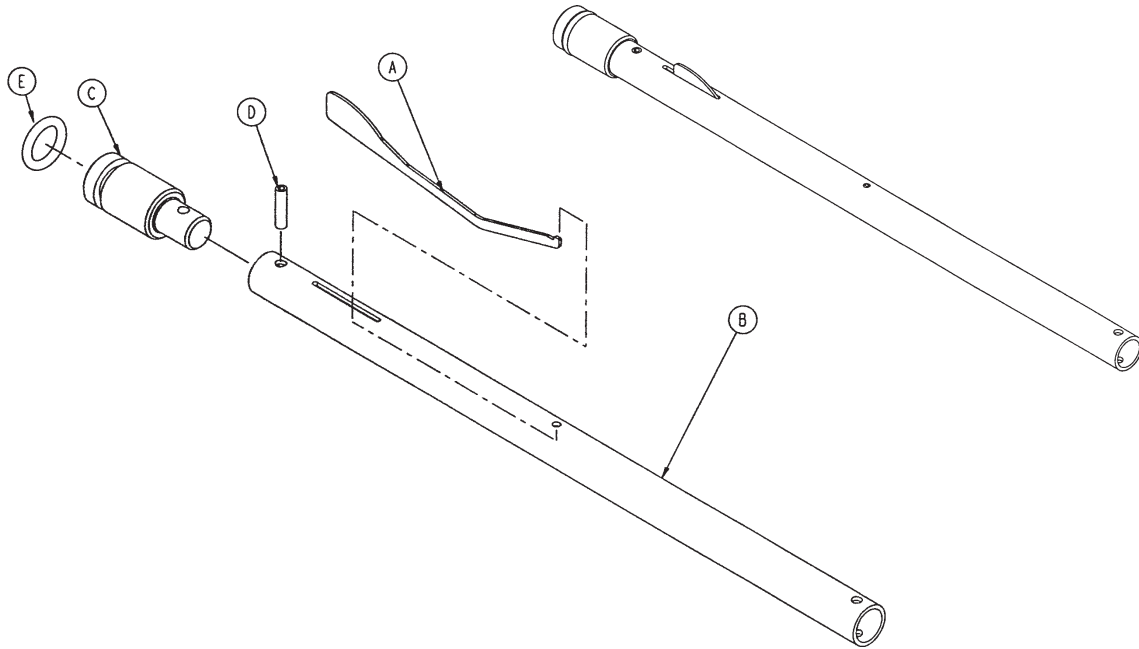
6070-215-070 Rev AA (Reference only)



Item	Number	Name	Quantity
A	1210-110-046	Back-up ring	1
B	1210-110-047	Lock ring	1
C	1210-110-049	IV pole actuator, molded	1
D	6070-210-051	Base tube, cot IV	1
E	6070-110-051	Second stage slide plug	1
F	6070-110-050	Hook weldment, cot IV	1
G	6070-115-030	Third stage assembly (<i>IV pole, 3rd stage 1 assembly (page 50)</i>)	1
H	6070-115-042	Second stage tube, cot IV	1
I	6070-115-045	Bearing plug	1
J	0026-005-000	Roll pin	1
K	0026-006-000	Roll pin	1
L	6070-110-012	IV pole pivot	1

IV pole, 3rd stage assembly

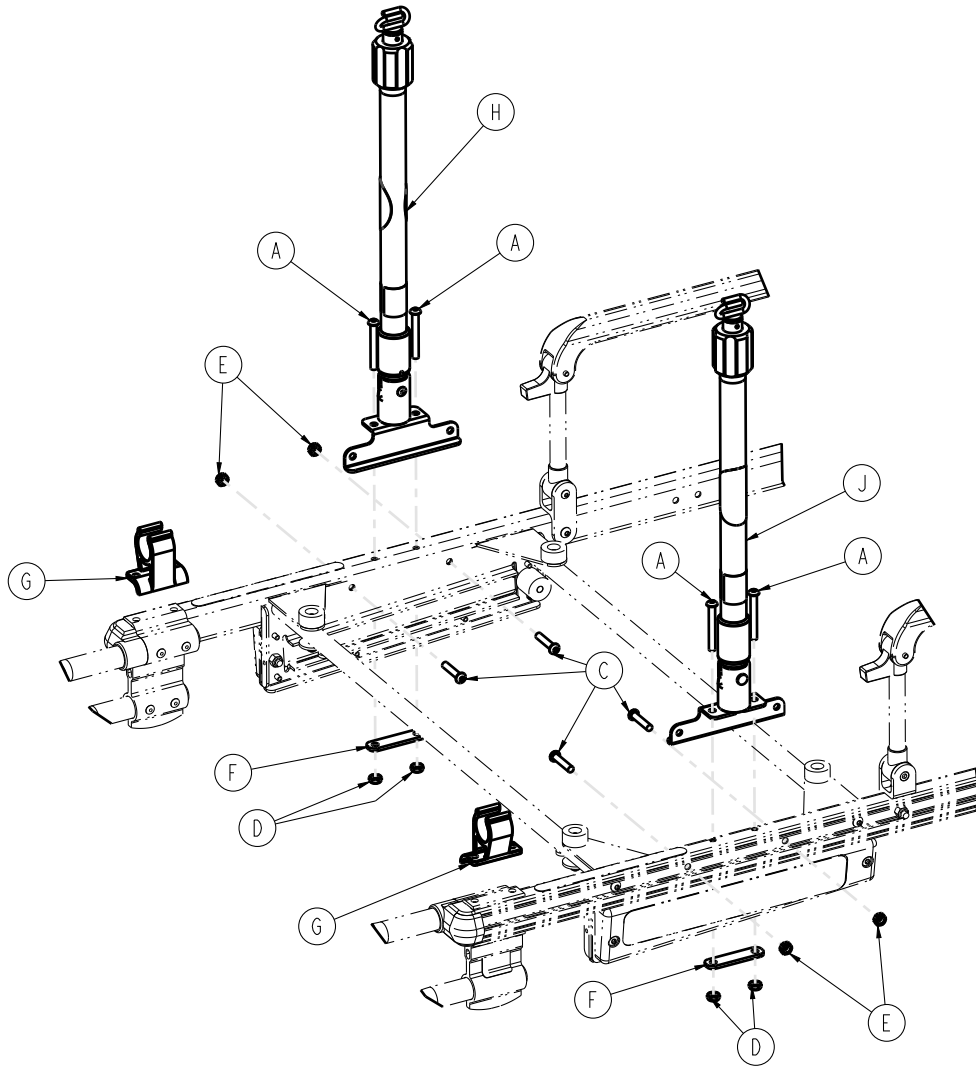
6070-115-030 Rev B (Reference only)



Item	Number	Name	Quantity
A	6070-115-141	Spring clip	1
B	6070-115-143	3rd stage tube, cot IV	1
C	6070-115-044	Slide plug, 3rd stage	1
D	0026-004-000	Roll pin	1
E	0045-139-000	O-ring	1

IV pole, two-stage, dual - 6083-036-000

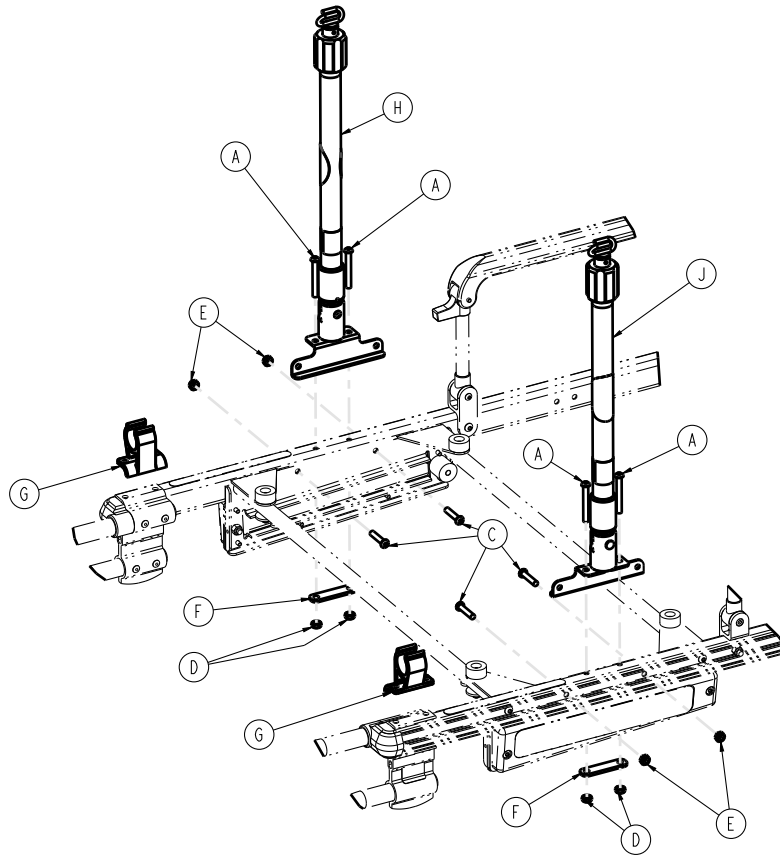
Rev B (Reference only)



Item	Number	Name	Quantity
A	0004-097-000	Button head cap screw	4
C	0004-198-000	Button head cap screw	4
D	0016-078-000	Centerlock hex jam nut	4
E	0016-102-000	Nylock nut	4
F	6070-110-032	IV retainer plate	2
G	6080-110-035	IV pole clip	1
H	6080-210-020	IV pole assembly, two-stage, patient right (page 42)	1
J	6080-211-020	IV pole assembly, two-stage, patient left 1 (page 43)	1

IV pole, three-stage, dual - 6083-037-000

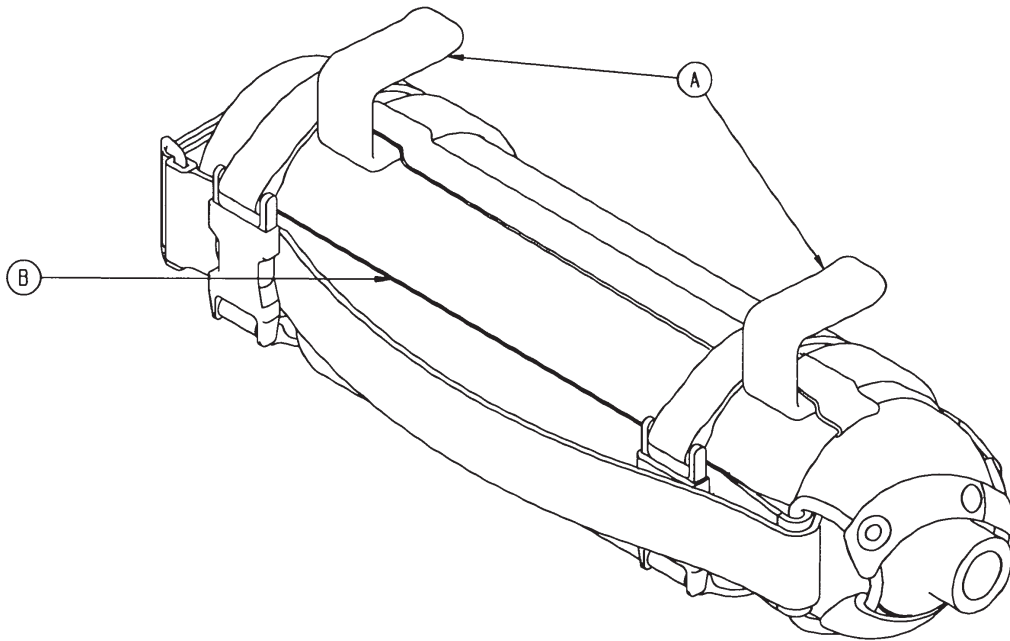
Rev C (Reference only)



Item	Number	Name	Quantity
A	0004-097-000	Button head cap screw	4
C	0004-198-000	Button head cap screw	4
D	0016-078-000	Centerlock hex jam nut	4
E	0016-102-000	Nylock nut	4
F	6070-110-032	IV retainer plate	2
G	6080-110-035	IV pole clip	1
H	6080-215-020	IV pole assembly, three-stage, patient right (page 47)	1
J	6080-216-020	IV pole assembly, three-stage, patient left (page 48)	1

Removable oxygen bottle holder option - 6080-140-000

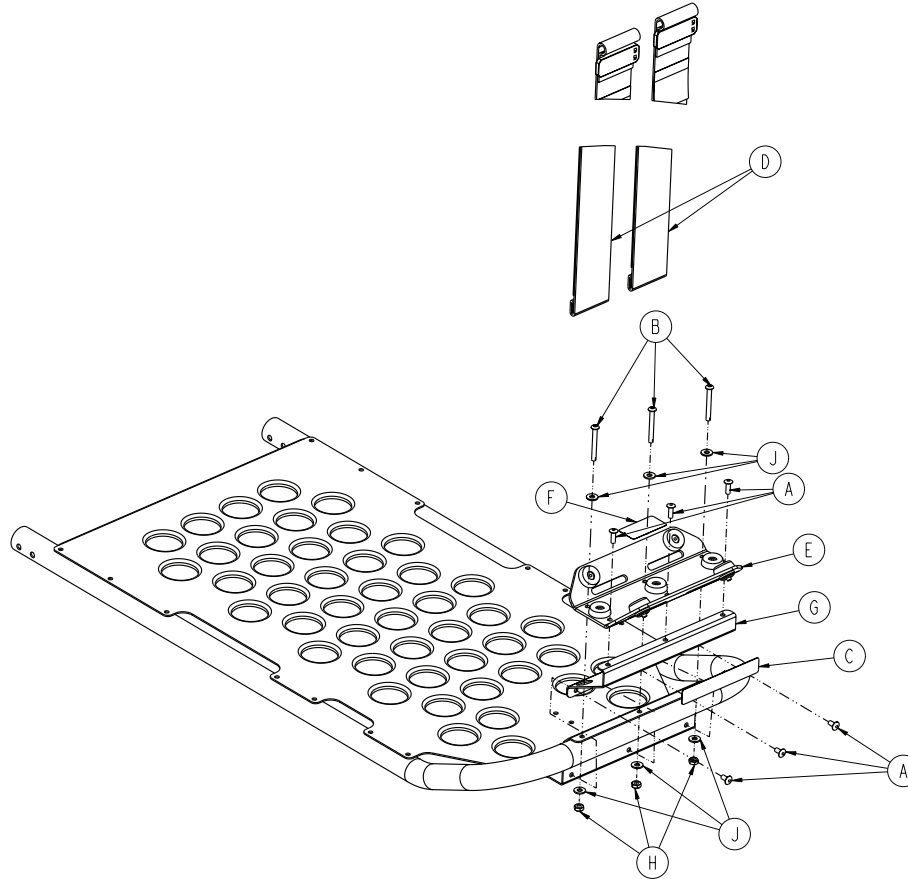
6080-140-010 Rev A (Reference only)



Item	Number	Name	Quantity
A	6080-140-011	Oxygen bottle holder hanger	2
B	6080-140-012	Oxygen bottle holder	1

Oxygen bottle holder option, foot end - 6070-140-000

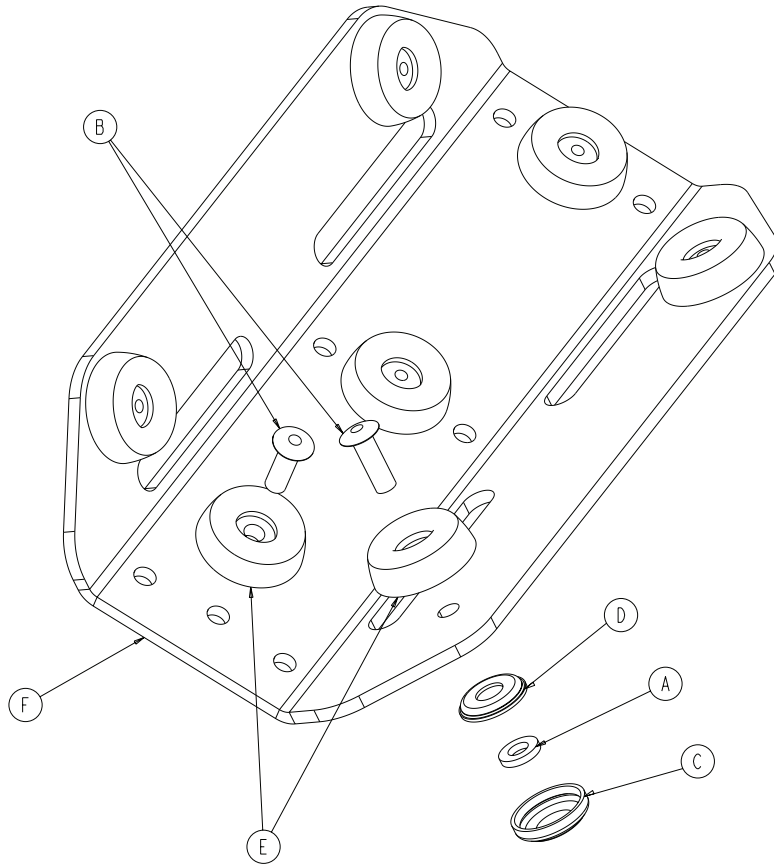
6070-140-010 Rev D (Reference only)



Item	Number	Name	Quantity
A	0025-079-000	Rivet	6
B	0004-862-000	Button head cap screw	3
C	6080-090-109	Label, warning	1
D	6060-140-013	Strap assembly	2
E	6060-140-020	Oxygen bottle holder tray assembly, foot 1 end (page 55)	
F	6070-090-014	Label, oxygen bottle holder specification	1
G	6070-140-017	Support bracket	1
H	0016-131-000	Nylock hex nut	3
J	0011-001-000	Washer	6

Oxygen bottle holder tray assembly, foot end

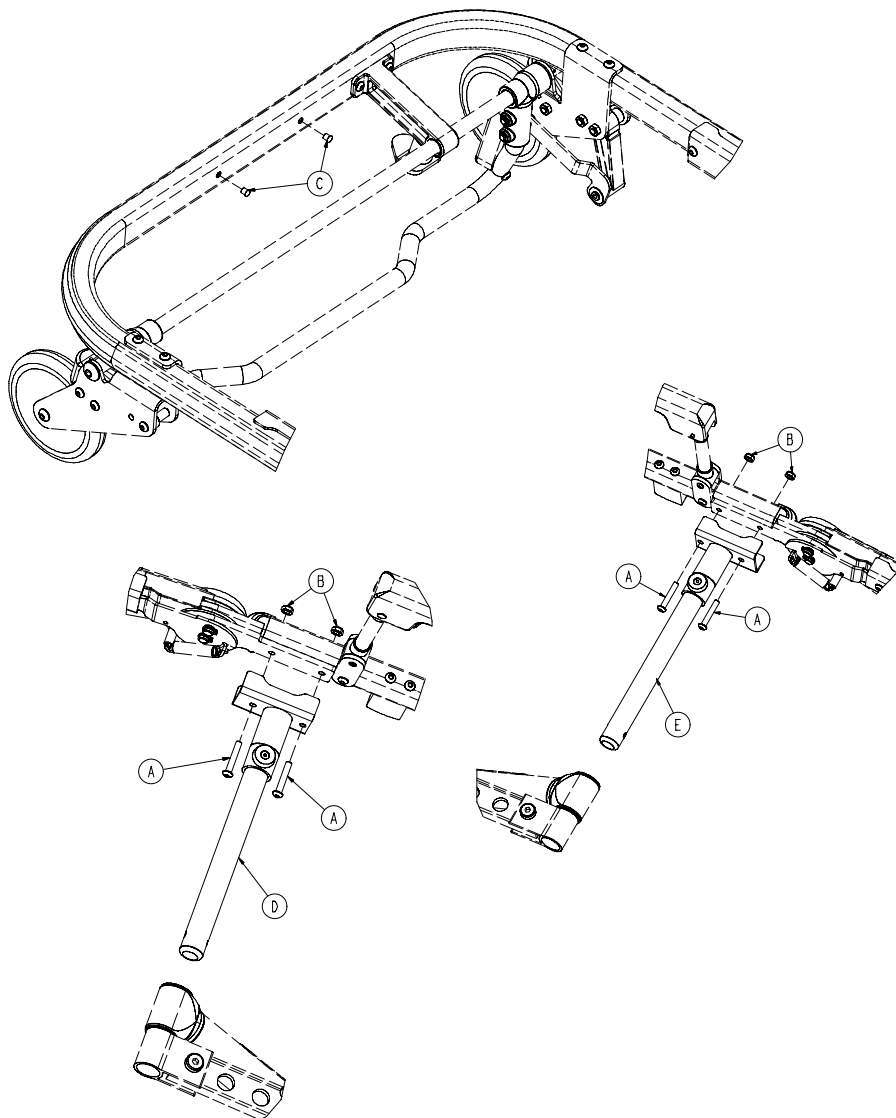
6060-140-020 Rev C (Reference only)



Item	Number	Name	Quantity
A	0011-436-000	Washer	4
B	0025-133-000	Blind rivet	7
C	0037-055-000	Black protective cap	4
D	0037-056-000	Retaining washer	4
E	0946-001-155	Bumper	7
F	6060-140-015	Oxygen bottler holder tray	1

Tow package, none - 6083-044-000

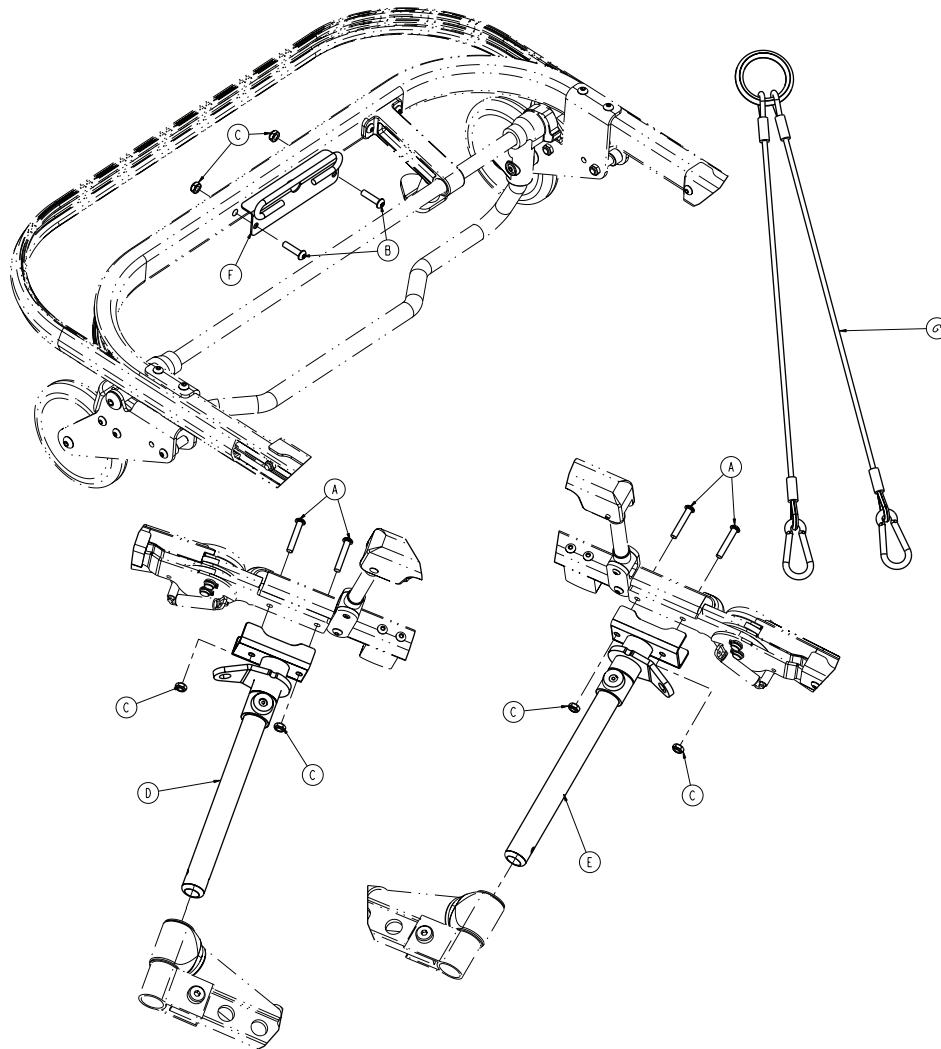
Rev A (Reference only)



Item	Number	Name	Quantity
A	0004-135-000	Button head cap screw	4
B	0016-102-000	Nylock hex nut	4
C	0721-031-065	Hole plug	2
D	6083-001-034	<i>Litter/base adapter assembly, left (page 1 58)</i>	1
E	6083-001-035	<i>Litter/base adapter assembly, right (page 59)</i>	1

Tow package - 6083-039-000

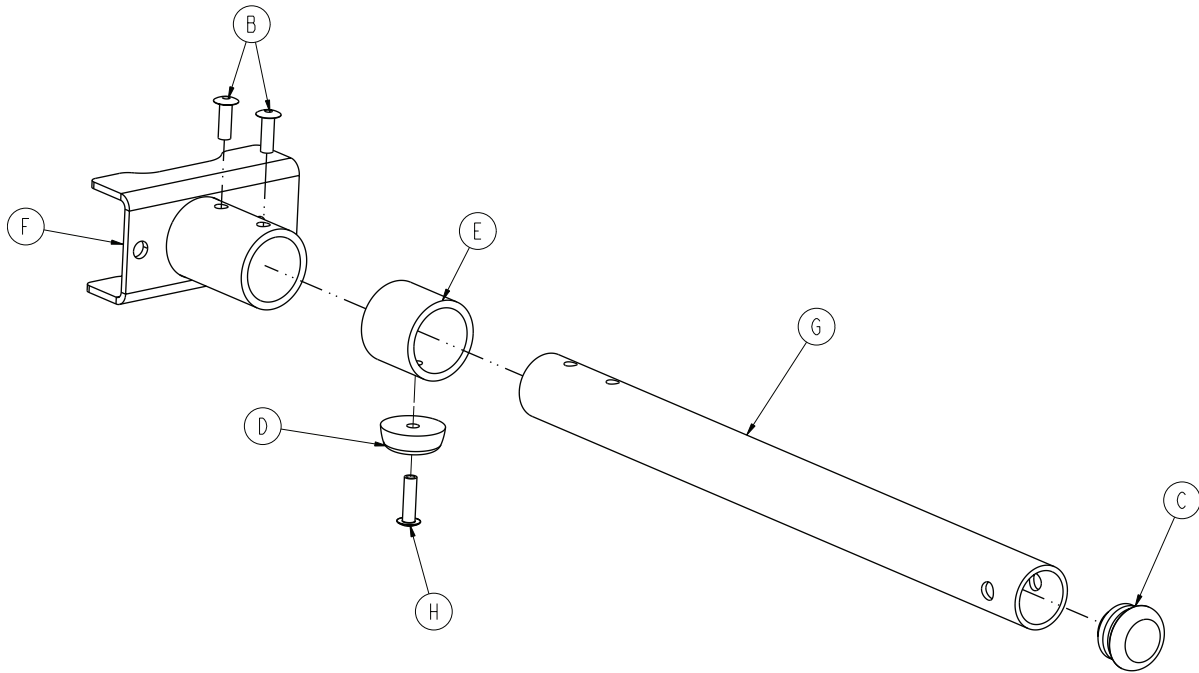
Rev C (Reference only)



Item	Number	Name	Quantity
A	0004-135-000	Button head cap screw	4
B	0004-197-000	Button head cap screw	2
C	0016-102-000	Nylock hex nut	6
D	6083-001-036	Litter/base adapter assembly, left (page 60)	1
E	6083-001-037	Litter/base adapter assembly, right (page 61)	1
F	6083-001-070	Tow harness loop bracket	1
G	6083-001-215	Tow harness	1

Litter/base adapter assembly, left

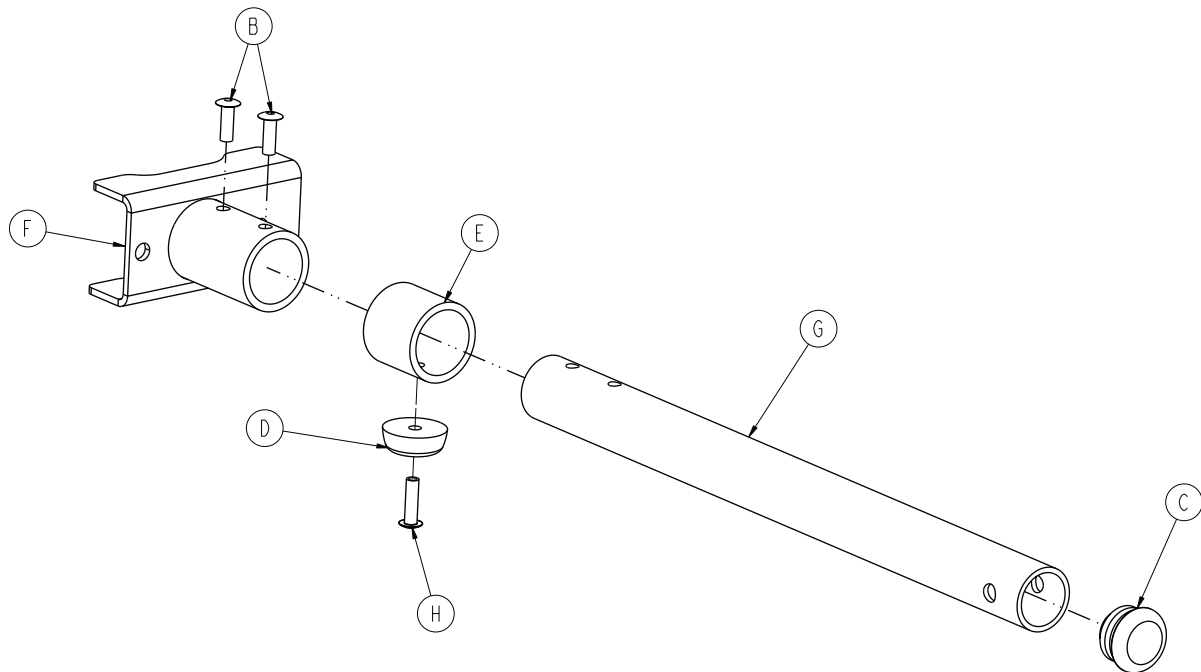
6083-001-034 Rev C (Reference only)



Item	Number	Name	Quantity
B	0025-133-000	Dome head rivet	2
C	0037-225-000	Tube plug	1
D	0946-001-155	Bumper	1
E	6082-205-060	Litter/base adapter spacer sleeve	1
F	6083-001-071	Litter/base adapter, left	1
G	6083-001-152	Litter/base adapter pivot tube	1
H	0025-086-000	Dome head rivet	1

Litter/base adapter assembly, right

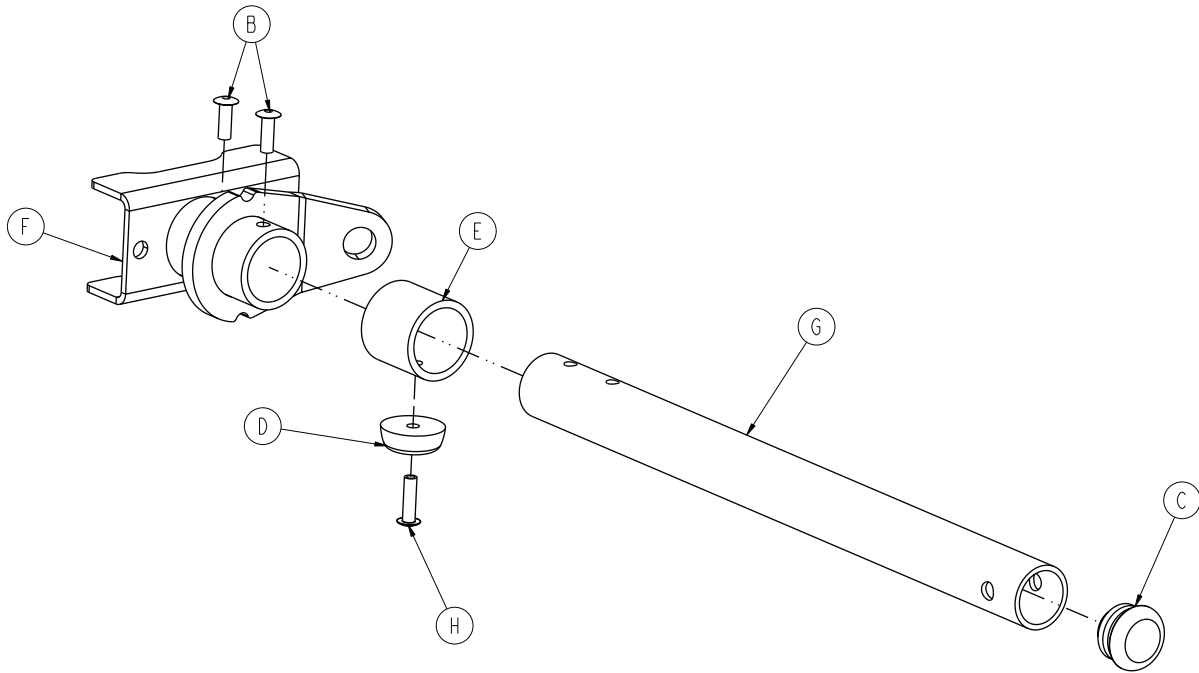
6083-001-035 Rev C (Reference only)



Item	Number	Name	Quantity
B	0025-133-000	Dome head rivet	2
C	0037-225-000	Tube plug	1
D	0946-001-155	Bumper	1
E	6082-205-060	Litter/base adapter spacer sleeve	1
F	6083-001-072	Litter/base adapter, right	1
G	6083-001-152	Litter/base adapter pivot tube	1
H	0025-086-000	Dome head rivet	1

Litter/base adapter assembly, left

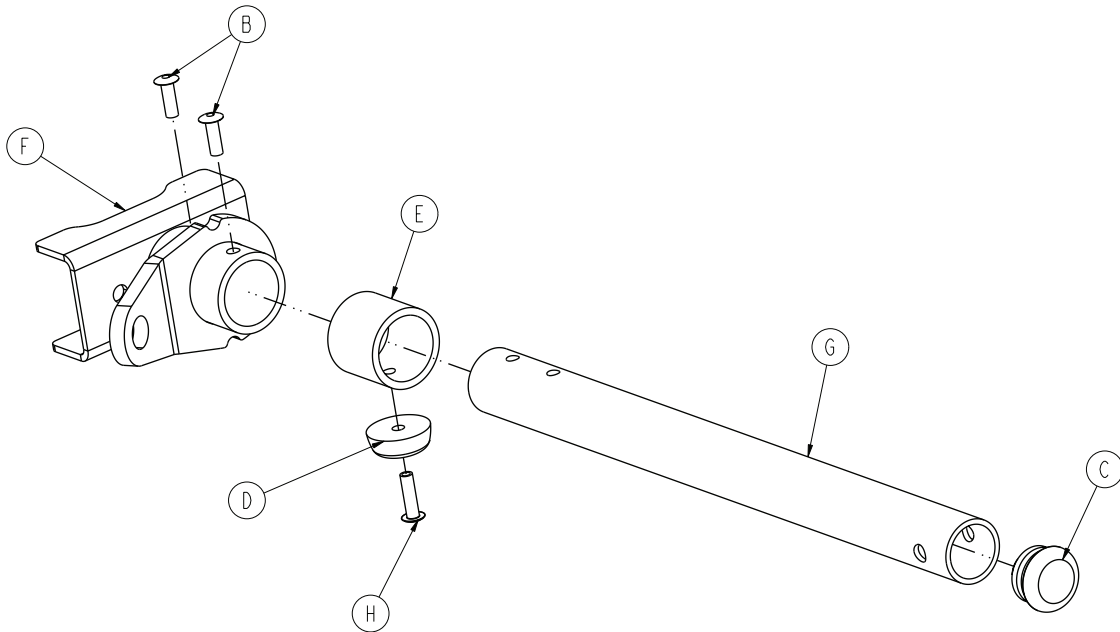
6083-001-036 Rev C (Reference only)



Item	Number	Name	Quantity
B	0025-133-000	Dome head rivet	2
C	0037-225-000	Tube plug	1
D	0946-001-155	Bumper	1
E	6082-205-060	Litter/base adapter spacer sleeve	1
F	6083-001-073	Litter/base adapter, left	1
G	6083-001-152	Litter/base adapter pivot tube	1
H	0025-086-000	Dome head rivet	1

Litter/base adapter assembly, right

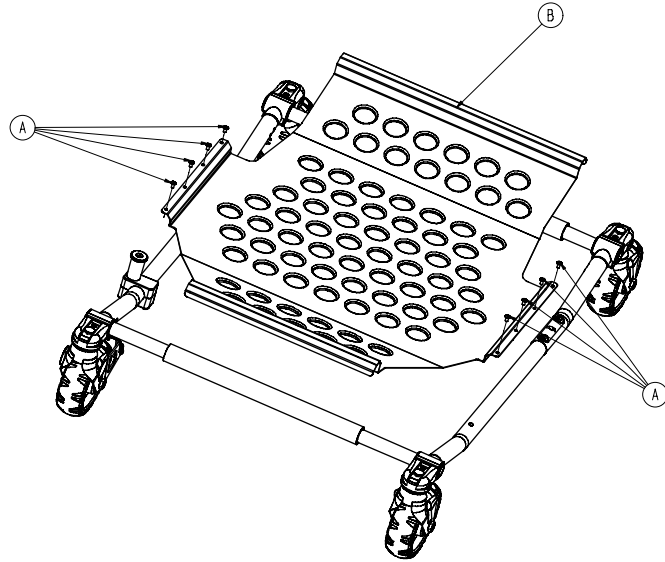
6083-001-037 Rev C (Reference only)



Item	Number	Name	Quantity
B	0025-133-000	Dome head rivet	2
C	0037-225-000	Tube plug	1
D	0946-001-155	Bumper	1
E	6082-205-060	Litter/base adapter spacer sleeve	1
F	6083-001-074	Litter/base adapter, right	1
G	6083-001-152	Litter/base adapter pivot tube	1
H	0025-086-000	Dome head rivet	1

Base storage tray option - 6083-027-000

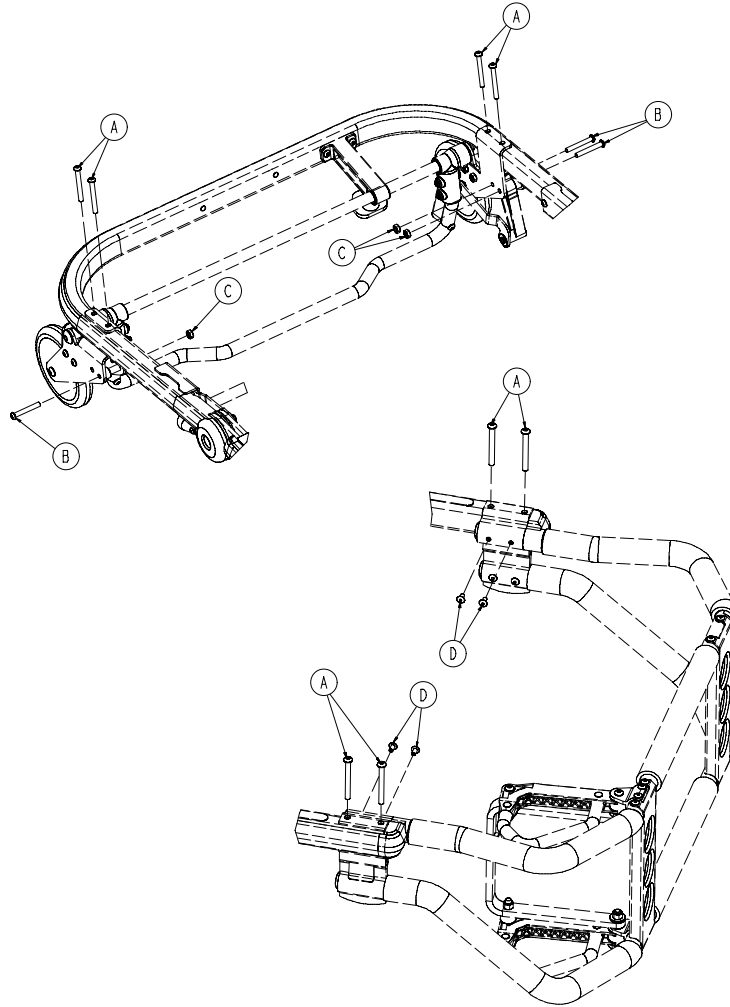
Rev B (Reference only)



Item	Number	Name	Quantity
A	0025-079-000	Dome head rivet	8
B	6083-001-160	Base storage tray	1

Push/pull handle option, none - 6083-045-000

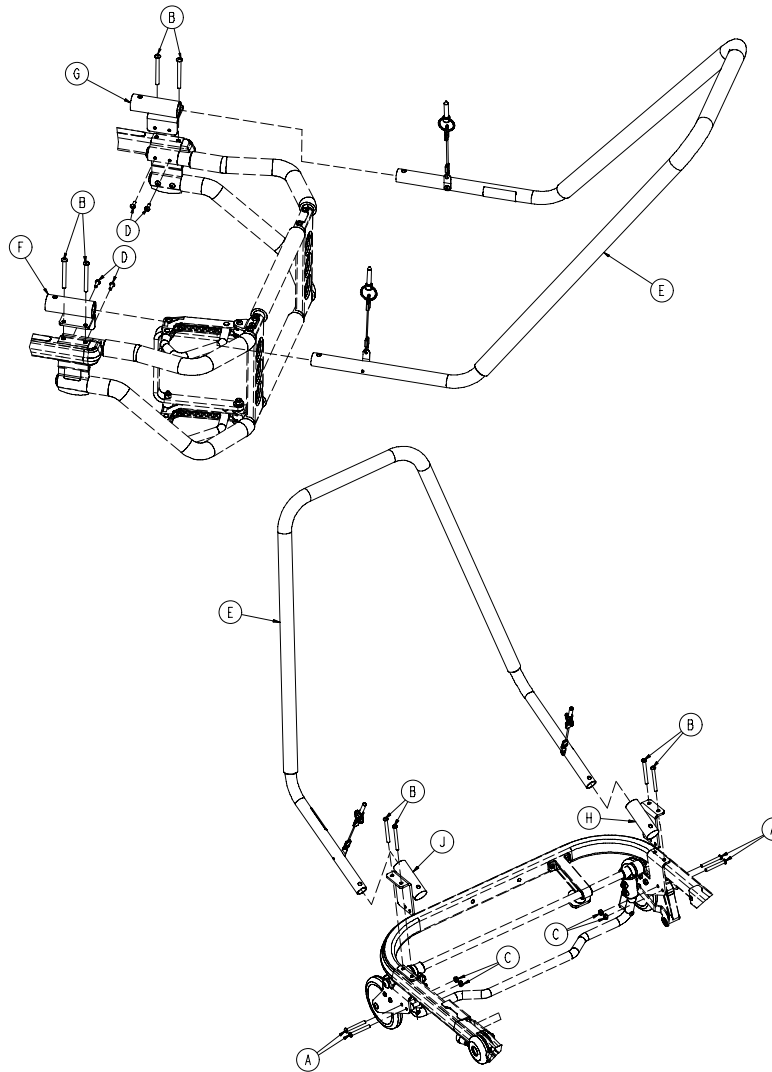
Rev A (Reference only)



Item	Number	Name	Quantity
A	0004-163-000	Button head cap screw	8
B	0004-204-000	Button head cap screw	3
C	0016-078-000	Centerlock nut	3
D	0025-079-000	Rivet	4

Push/pull handle option - 6083-040-000

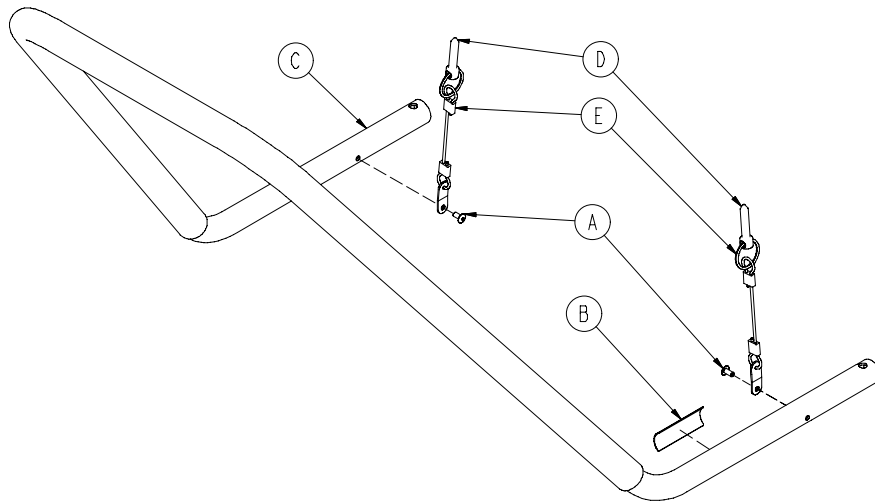
Rev A (Reference only)



Item	Number	Name	Quantity
A	0004-097-000	Button head cap screw	4
B	0004-234-000	Button head cap screw	8
C	0016-078-000	Centerlock nut	4
D	0025-133-000	Rivet	4
E	6083-001-038	Push/pull bar assembly (page 65)	2
F	6083-001-064	Pull handle socket, foot end, right	1
G	6083-001-065	Pull handle socket, foot end, left	1
H	6083-001-066	Pull handle socket, head end, left	1
J	6083-001-067	Pull handle socket, head end, right	1

Push/pull bar assembly

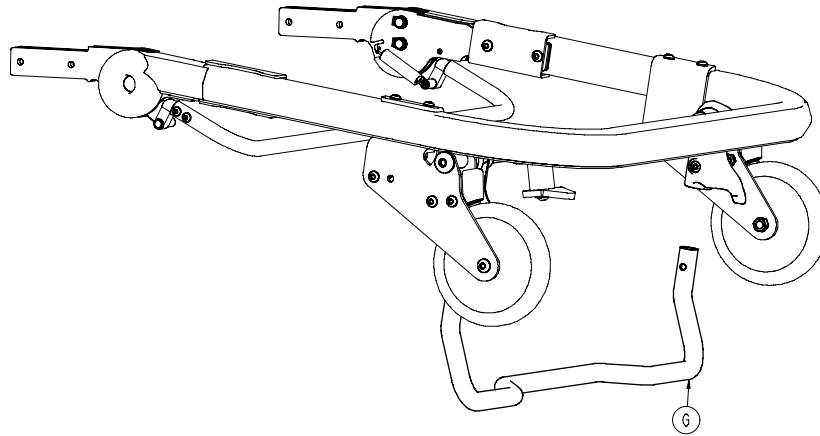
6083-001-038 Rev A (Reference only)



Item	Number	Name	Quantity
A	0025-079-000	Dome head rivet	2
B	6083-001-167	Label, push/pull bar	1
C	6083-001-170	Push/pull handle	1
D	6083-001-175	Push/pull handle pin	2
E	6083-001-176	Lanyard ring	2

Lift capable safety hook option - 6083-042-000

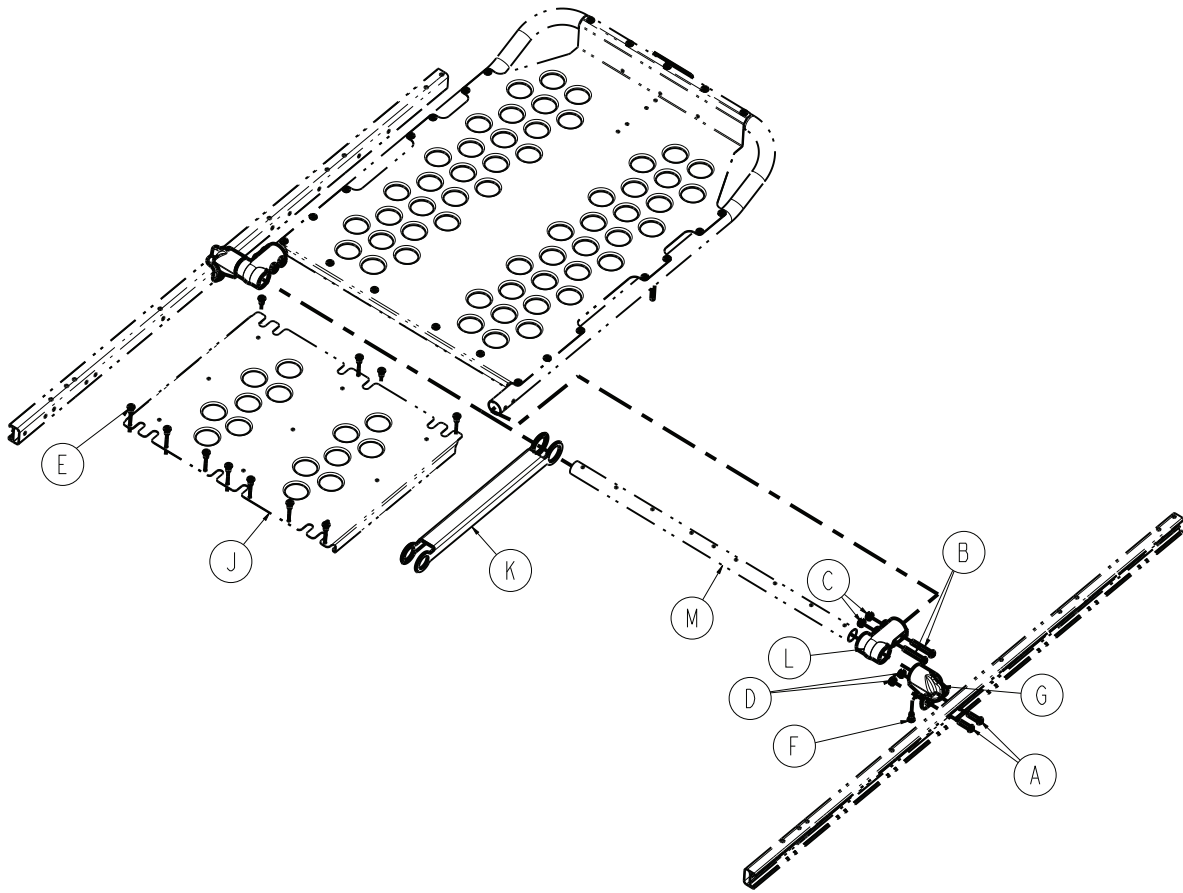
Rev C (Reference only)



Item	Number	Name	Quantity
G	6083-001-230	Breakaway safety bar	1

Side lift handle option, none - 6083-046-000

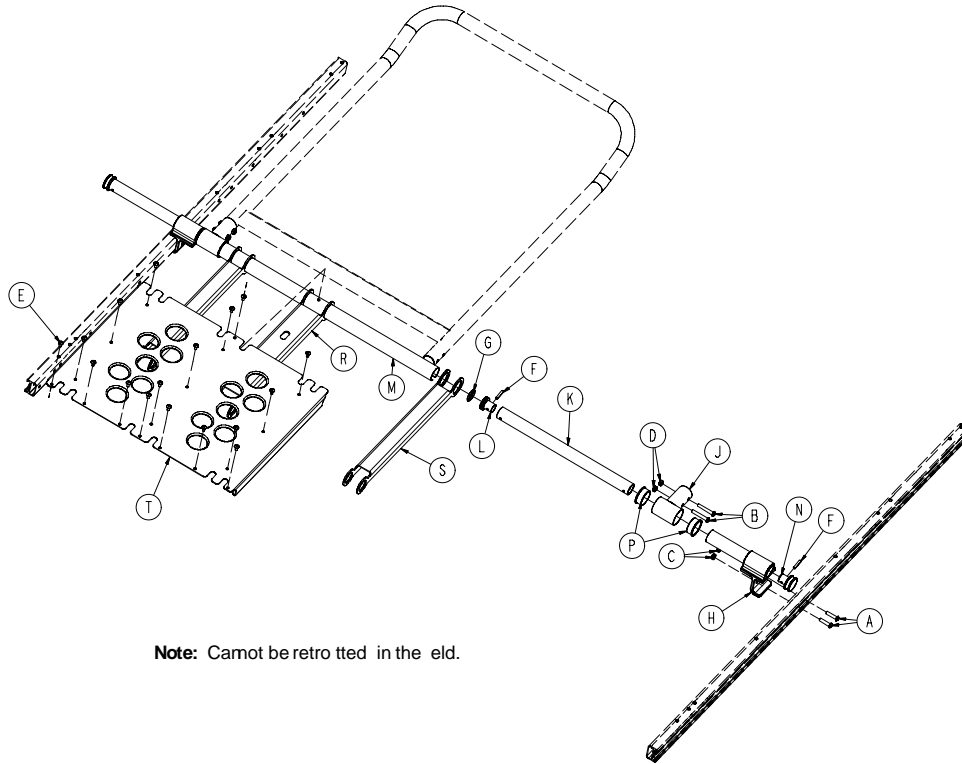
Rev AA (Reference only)



Item	Number	Name	Quantity
A	0004-135-000	Button head cap screw	4
B	0004-204-000	Button head cap screw	4
C	0016-028-000	Fiberlock hex nut	4
D	0016-102-000	Nylock nut	4
E	0025-079-000	Dome head pop rivet	14
F	0025-133-000	Dome head pop rivet	2
G	6082-030-031	Cross brace support mount	4
J	6083-001-116	Midsection skin	1
K	6083-001-138	Midsection center support	1
L	6100-003-125	Straight T pivot	2
M	6083-001-110	Litter cross brace	1

Side lift handle option - 6083-041-000

Rev A (Reference only)

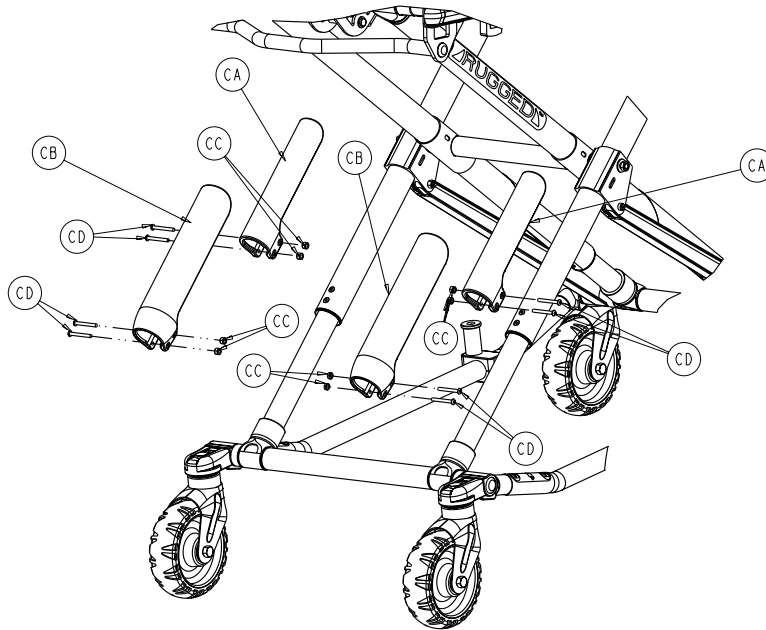


Note: Cannot be retro fited in the eld.

Item	Number	Name	Quantity
A	0004-135-000	Button head cap screw	4
B	0004-198-000	Button head cap screw	4
C	0016-028-000	Nylock nut	4
D	0016-102-000	Nylock nut	4
E	0025-079-000	Rivet	14
F	0026-311-000	Roll pin	4
G	0045-999-607	O-ring	2
H	6083-001-068	Side lift handle stop mount	2
J	6083-001-069	T-pivot	2
K	6083-001-205	Side lift handle telescoping tube	2
L	6083-001-206	Side lift handle plug	2
M	6083-001-207	Side lift handle outer tube	1
N	6083-001-208	Side lift handle plug	2
P	6083-001-211	Flange bearing	4
R	6083-001-212	Midsection center support	1
S	6083-001-213	Midsection outer support	2
T	6083-001-214	Midsection skin	1

X-frame guard assembly option - 6080-145-000

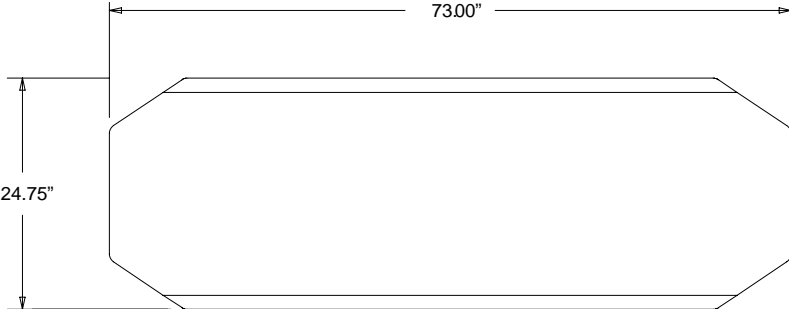
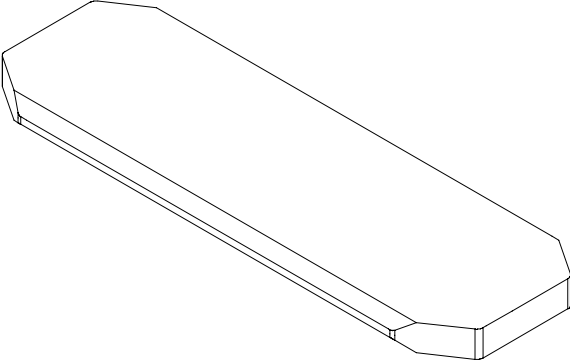
6082-150-012 Rev AA (Reference only)



Item	Number	Name	Quantity
CA	6080-145-001	X-frame guard, upper	2
CB	6080-145-002	X-frame guard, lower	2
CC	0016-003-000	Hex nut	8
CD	0004-508-000	Button head cap screw	8

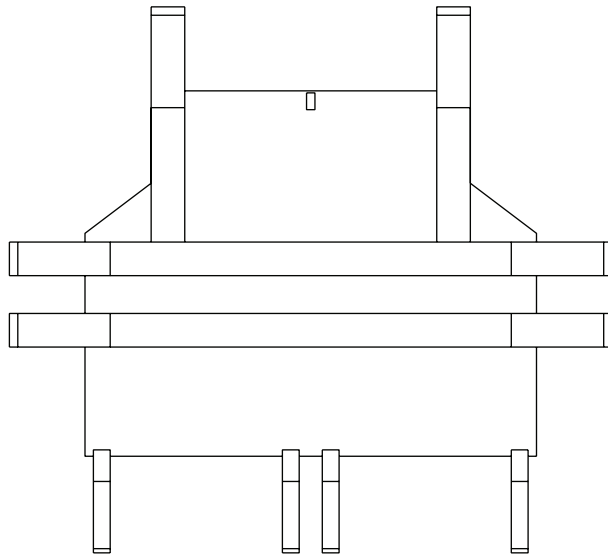
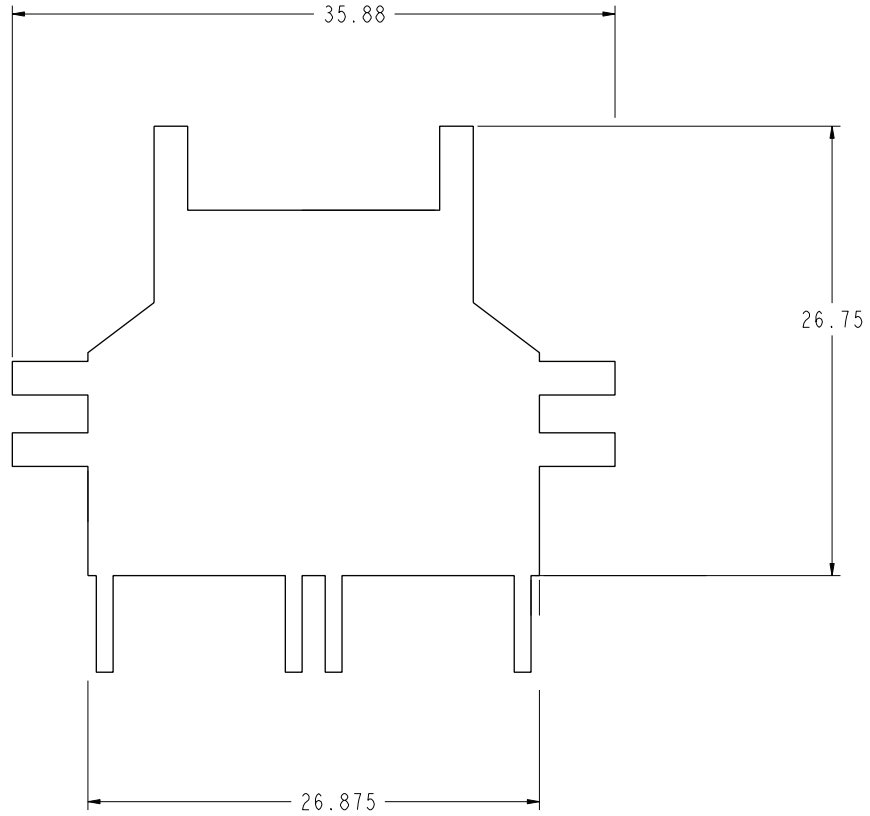
Mattress, bariatric transport - 6083-001-132

Rev AA (Reference only)



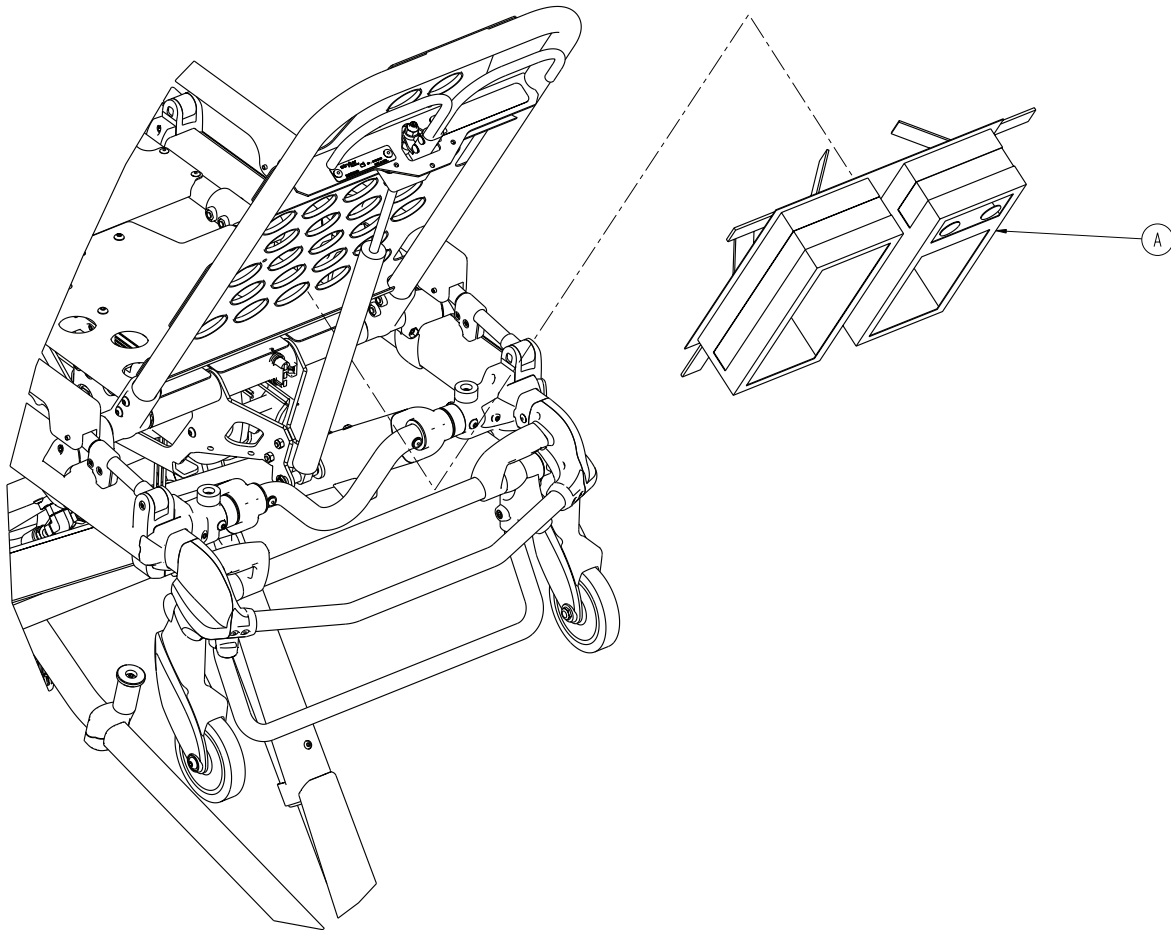
Storage pouch, head end - 6083-001-202

Rev D (Reference only)



Backrest pouch option - 6500-130-000

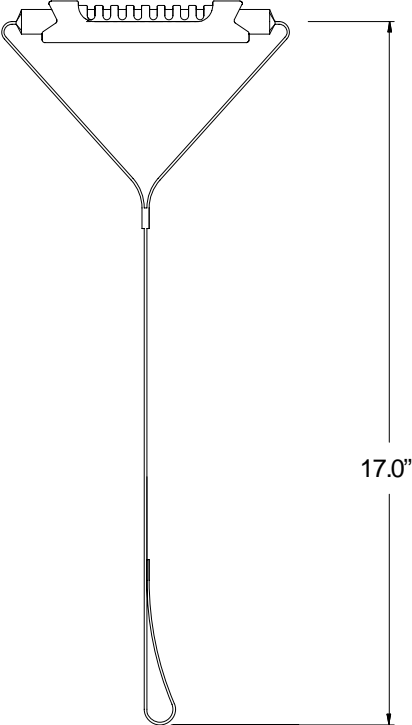
Rev A (Reference only)



Item	Number	Name	Quantity
A	6500-001-241	Pocketed backrest storage pouch	1

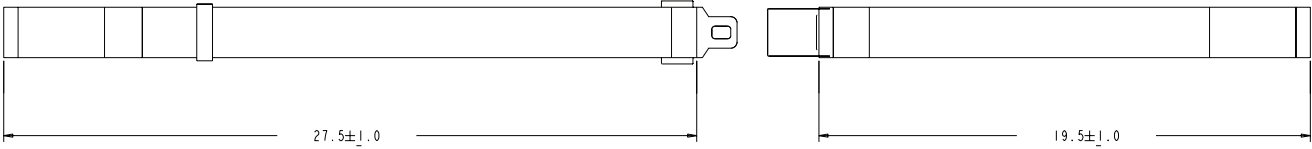
Patient security strap option - 6083-001-201

Rev B (Reference only)



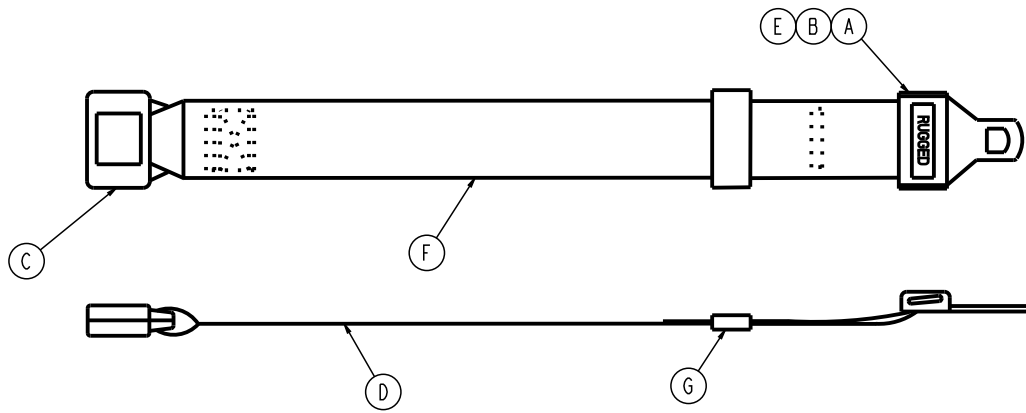
Accessory strap assembly option - 6082-160-052

Rev A (Reference only)



Belt extension option - 6082-160-050

Rev C (Reference only)



Item	Number	Name	Quantity
A		Tongue (Intertek p/n 2122681)	
B		Cap (Intertek p/n 2122525)	
C		Buckle (Intertek p/n 2122682)	
D	6082-090-001	Label, belt extension	1
E	6060-090-011	Label, RUGGED	1
F		Belt, 2" wide, black	
G		Belt retainer	

stryker



Stryker Medical
3800 E. Centre Avenue
Portage, MI 49002
USA