

Performance-PRO™ XT

REF 6086

stryker®

Parts Manual



CE

International Addresses



EUROPE HEADQUARTERS

Stryker SA
Cite-Centre, Grand-Rue 90
P.O. Box 1568
1820 Montreux, Switzerland
Phone: 41-21-966-12-01
Fax: 41-21-966-12-00

EASTERN EUROPE

Stryker SA - Export Business
Grand-Rue 90
P.O. Box 1567
1820 Montreux, Switzerland
Phone: 41-21-966-14-00
Fax: 41-21-966-14-01

AUSTRALIA

Stryker Australia
8 Herbert Street
St Leonards NSW 2065
Australia
Phone: 61-2-9467-1000
Fax: 61-2-9467-1010

AUSTRIA

Stryker GmbH
Euro Plaza, Gebäude G
Am Euro Platz 2
1120 Wien
Austria
Phone: 43-1-8132000
Fax: 43-1-8131616

BELGIUM

NV Stryker SA
Ikaros Business Park- Fase III
Ikaroslaan 12
1930 Zaventem, Brussels
Belgium
Phone: 32-2-717-9210
Fax: 32-2-717-9249

DENMARK

Stryker Denmark
Filial of Stryker AB
Postbox 772
1532 Copenhagen
Denmark
Phone: 45-33-93-6099
Fax: 45-33-93-2069

UK/IRELAND

Stryker UK Limited
Stryker House
Hambridge Road
Newbury, Berkshire
RG14 5EG, England
Phone: 44-1635-556-500
Phone: 44-1635-262-400
Fax: 44-1635-580-300

FINLAND

Stryker AB, Finland
PO 80 Makelankatu 2
00501 Helsinki
Finland
Phone: 35-89-774-4680
Fax: 35-89-774-46820

FRANCE

Stryker France S.A.S.
ZAC - Avenue de Satolas Green
69330 Pusignan
France
Phone: 33-472-45-36-00
Fax: 33-472-45-36-99

GERMANY

Stryker Howmedica GmbH
Dr. Homer Stryker Platz 1
47228 Duisburg
Germany
Phone: 49-2065-837-0
Fax: 49-2065-837-837

GREECE

Stryker Hellas EPE
455 Messogion Ave
153 43 Agia Paraskevi
Athens, Greece
Phone: 30-2-10-600-32-22
Fax: 30-2-10-600-48-12

ITALY

Stryker Italia Srl
Via Ghisalba 15B
00188 Roma
Italy
Phone: 39-06-33-05-41
Fax: 39-06-33-614-067

MIDDLE EAST / NORTH AFRICA

Stryker Osteonics SA
Twin Towers
11th Floor, Suite 1101 & 1102
P.O. Box 41446
Baniyas Road
Dubai, Deira, UAE
Phone: 97-14-222-2842
Fax: 97-14-224-7381

NEDERLANDS

Stryker Nederlands BV
(P.O. Box 13, 4180 BA Waardenburg)
4181 CD Waardenburg
The Netherlands
Phone: 31-418-569-700
Fax: 31-418-569-777

NORWAY

Stryker Norway
Norsk Filial
Nedre Vollgate 3
0158 Oslo
Norway
Phone: 47-22-42-22-44
Fax: 47-22-42-22-54

POLAND

Stryker Polska Sp. ZO.O
Kolejowa 5/7
01-217 Warsaw
Poland
Phone: 48-22-434-88-50
Fax: 48-22-434-88-60

PORTUGAL

Stryker Portugal Produtos Medicos, LTDA.
Avenida Marechal Gomes da Costa, 35
1800-255 Lisboa
Portugal
Phone: 35-1-21-839-49-10
Fax: 35-1-21-839-49-19

ROMANIA

Stryker Osteonics Romania S.R.L.
19, Leonida Str.
District 2
7000 Bucharest
Romania
Phone: 40-2-12-12-11-22
Fax: 40-2-12-12-11-33

SOUTH AFRICA

Stryker Osteonics PTY. LTD.
3 Susan Street
Strydom Park
Johannesburg, 2194 - South Africa
Mailing Address:
P.O. Box 48039
2129 Roosevelt Park
Johannesburg, South Africa
Phone: 27-11-791-4644
Fax: 27-11-791-4696

SPAIN

Stryker Iberia SL
c/Sepulveda n17
28108 Alcobendas
Madrid
Spain
Phone: 34-91-728-35-00
Phone: 34-91-358-20-44
Fax: 34-91-358-07-48

SWEDEN

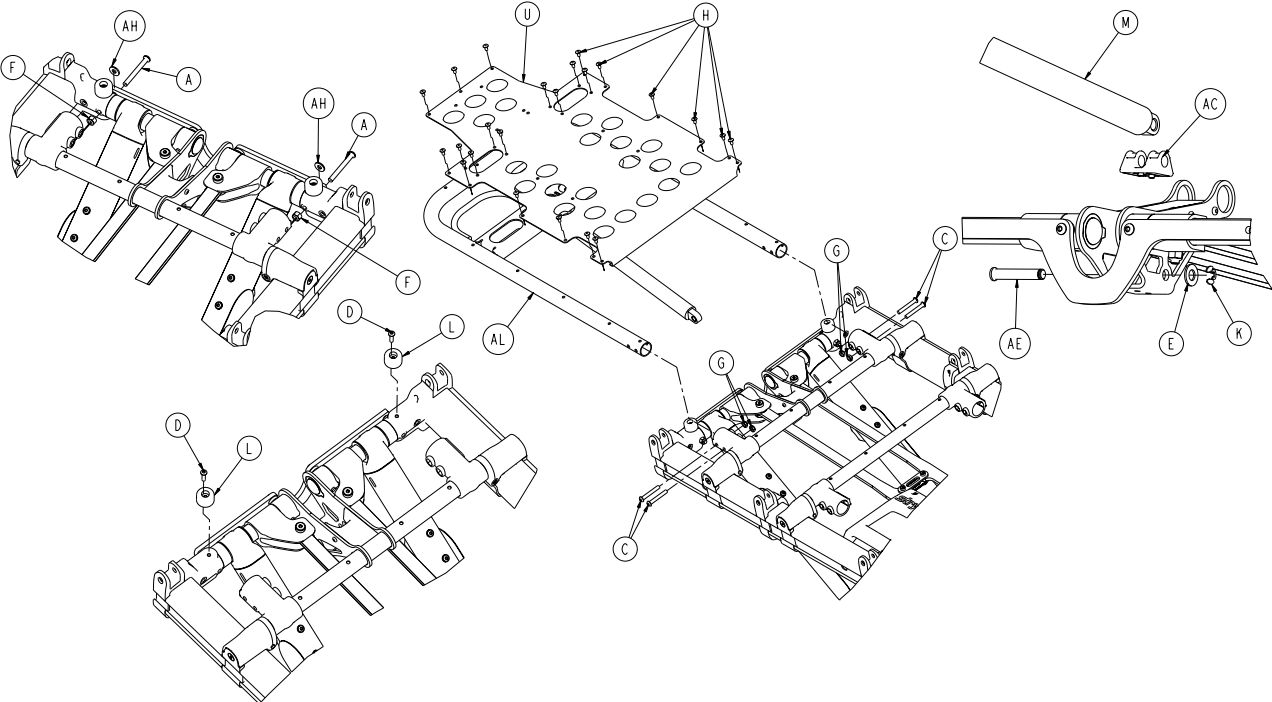
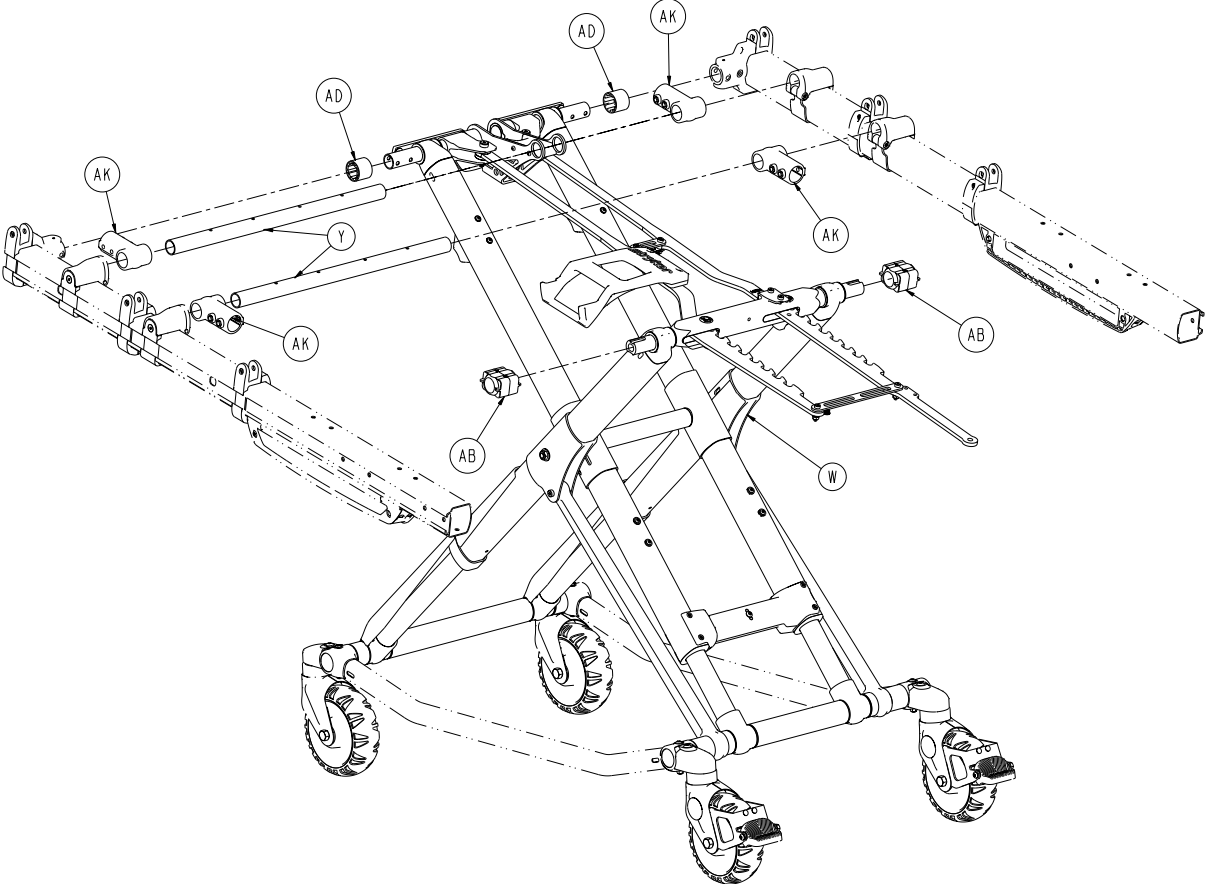
Stryker AB/Scandinavia
Box 50425
SE-204 14 Malmo
Sweden
Phone: 46-40-691-81-00
Fax: 46-40-691-81-91

Table of Contents

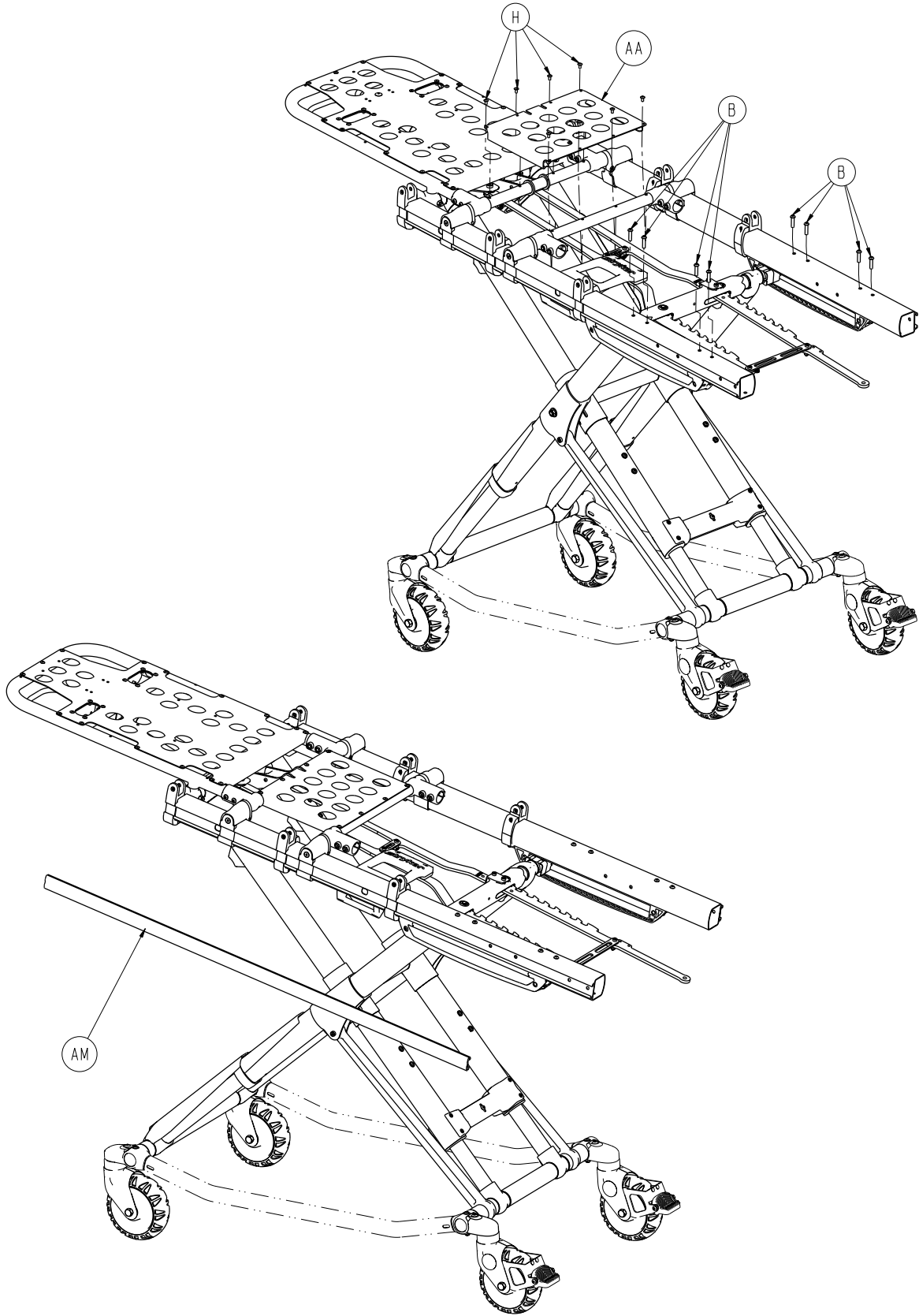
6086-001-010	7
6086-001-012	11
6086-500-010	15
6086-601-010	16
6086-602-010	17
6082-002-012	18
6086-200-010	19
6506-037-000	20
6060-002-010	21
6085-033-000	22
6085-034-000	23
6085-102-000	24
6085-002-016	25
6085-001-017	26
6085-001-023	27
6085-001-024	28
6085-001-026	29
6085-001-013	30
6086-058-000	31
6082-026-010	32
6086-001-025	33
6086-001-027	34
6085-001-028	35
6085-001-029	36
6086-032-000	37
6500-003-034	38
6500-003-044	39
6085-001-015	40
6085-001-016	42
6085-027-000	44
6500-002-023	45
6500-002-024	47
6500-001-026	48
6086-029-000	49
6086-030-000	51
6500-001-018	53
6086-050-000	54
6500-002-020	56
6500-001-027	58
6506-036-000	59
6086-055-000	60
6085-001-032	62
6085-031-000	64

Table of Contents

6085-032-000	65
6085-001-030	66
6085-001-031	69
6500-002-030	70
6082-160-050	71
6506-170-000	72
6082-170-020	73
6500-147-000	74
6100-044-000	75
6100-044-012	76
6500-310-000/6500-315-000	77
6500-101-041	78
6500-101-043	79
6500-311-000/6500-316-000	80
6500-101-042	81
6500-101-044	82
6500-312-000/6500-317-000	83
6500-240-000	84
6500-101-040	85
6500-241-000	86
6080-140-000	87
6085-046-000	88
6500-160-000	89
6500-130-000	90
6500-128-000	91
6005-001-001	92
6506-034-000	93
6500-003-130	94
6060-036-017/6060-036-018/6092-036-018	95



Cot Assembly

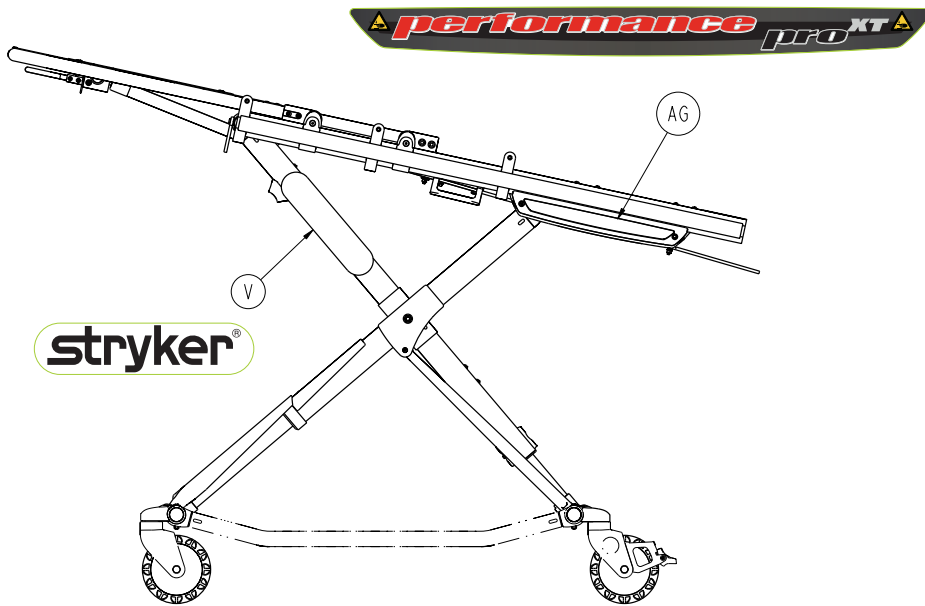
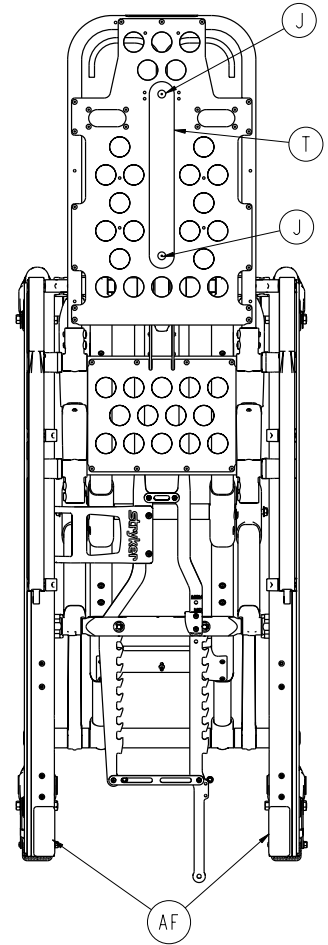
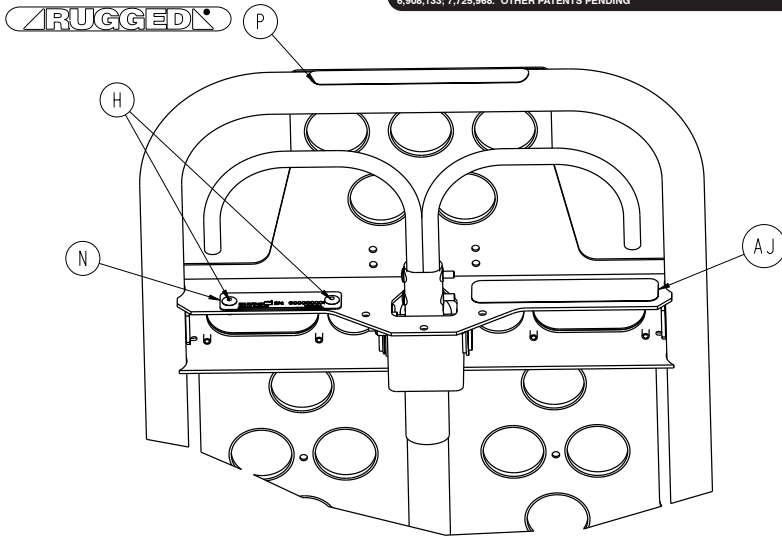


Cot Assembly


stryker[®]
 REF 6086 PERFORMANCE-PRO™ XT
 3800 E. Centre Ave. Portage, MI 49002 USA
 COVERED BY ONE OR MORE OF THE FOLLOWING PATENTS: 5,575,026; 5,537,700;
 6,908,133; 7,725,968. OTHER PATENTS PENDING





MADE IN U.S.A.



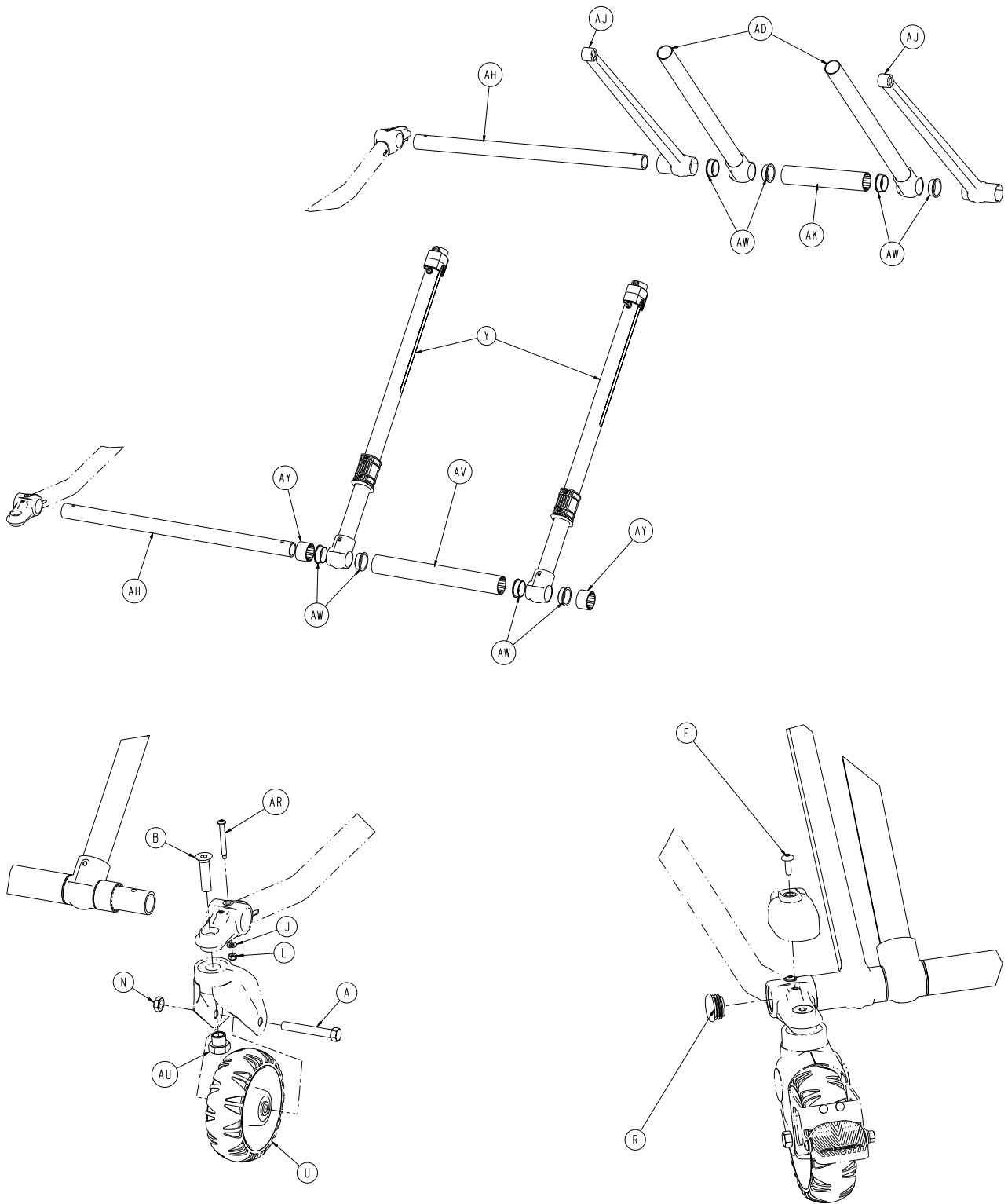
stryker[®]

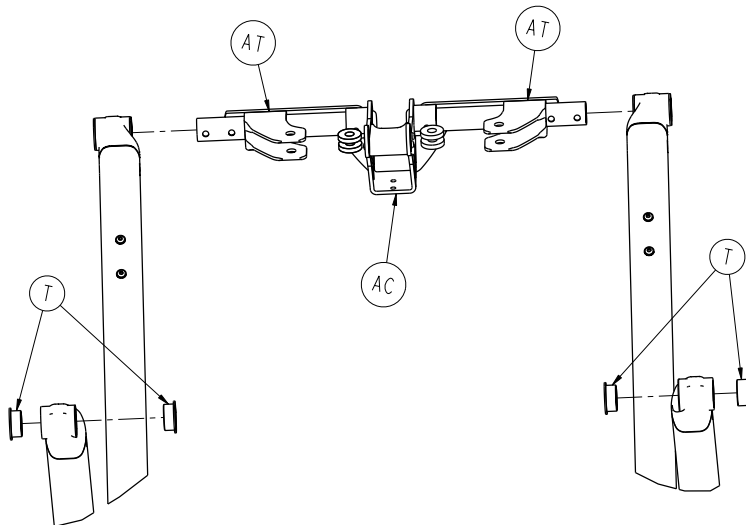
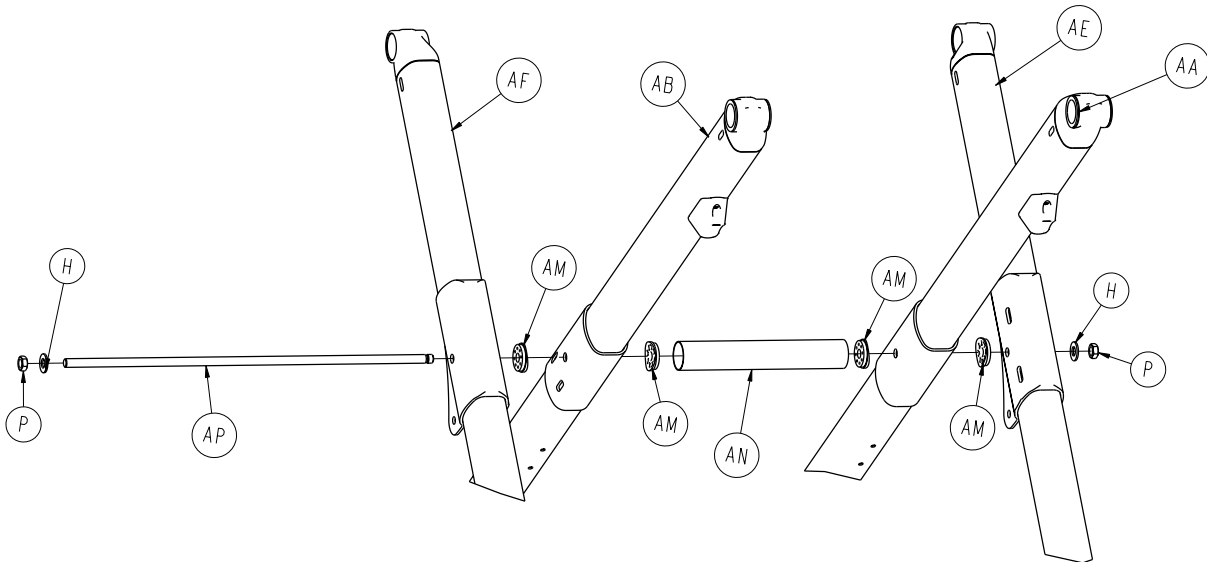
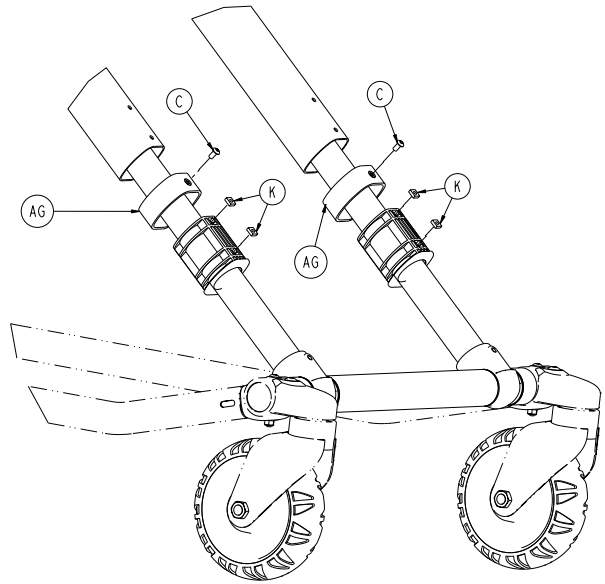
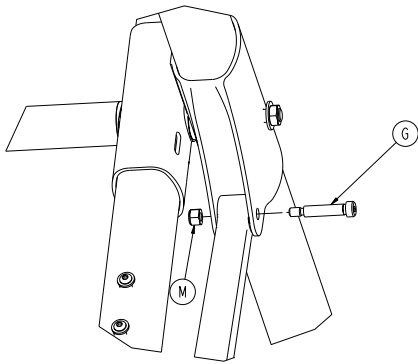
 = 700lb / 318kg

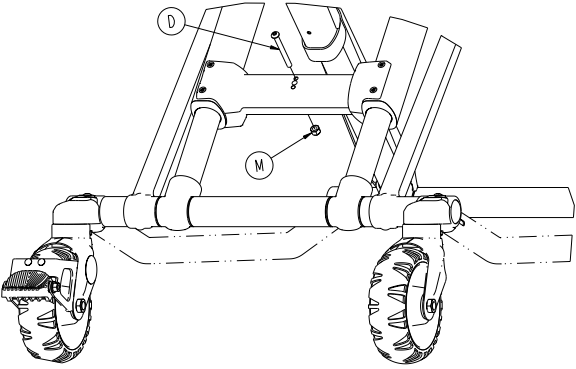
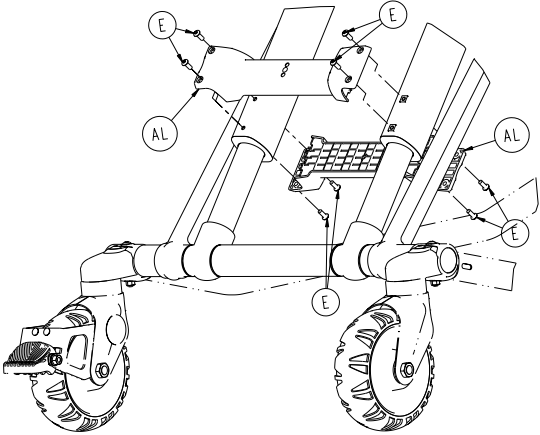
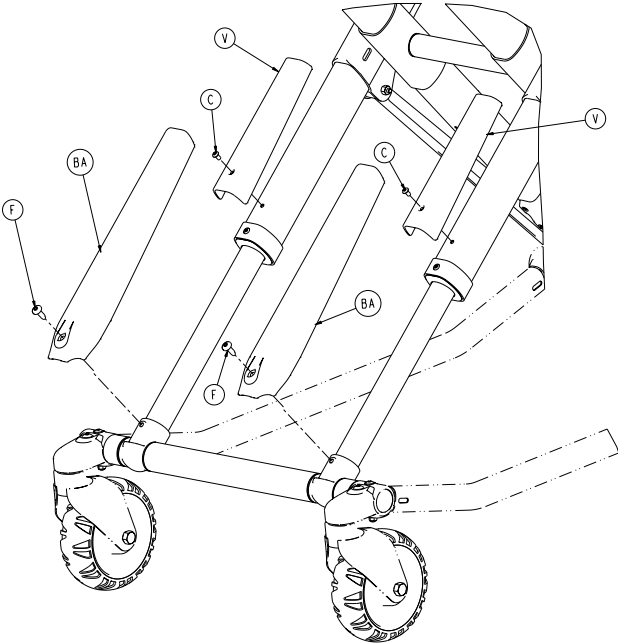


6086-001-010

A	0004-163-000	2
B	0004-594-000	8
C	0004-596-000	4
D	0004-614-000	2
E	0011-004-000	1
F	0016-028-000	2
G	0016-102-000	4
H	0025-079-000	33
J	0025-132-000	2
K	0028-181-000	1
L	0056-028-000	2
M	1010-031-077	1
N	6060-090-002	1
P	6060-090-004	1
R	6080-090-109	1
T	6082-001-085	1
U	6082-032-045	1
V	6082-090-043	2
W	6086-001-012	1
Y	6085-001-110	2
AA	6085-001-113	1
AB	6085-001-127	2
AC	6085-001-132	1
AD	6085-001-134	2
AE	6085-101-143	1
AF	6085-101-155	2
AG	6085-101-156	2
AH	6085-001-177	2
AJ	6086-101-100	1
AK	6100-003-125	4
AL	6500-001-018	1
AM	6500-001-127	2

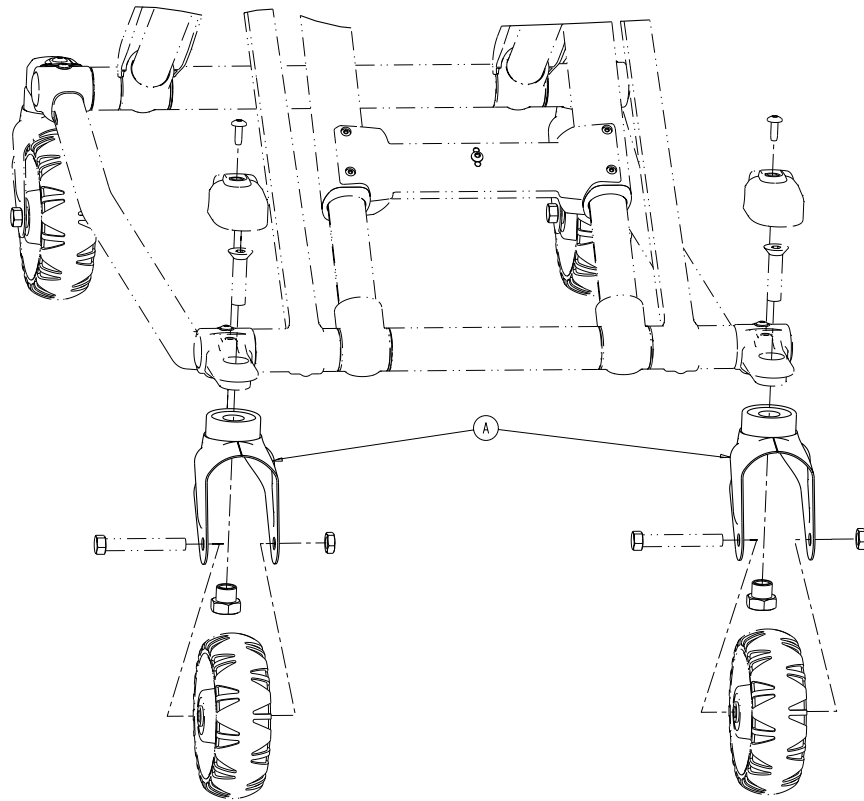






6086-001-012

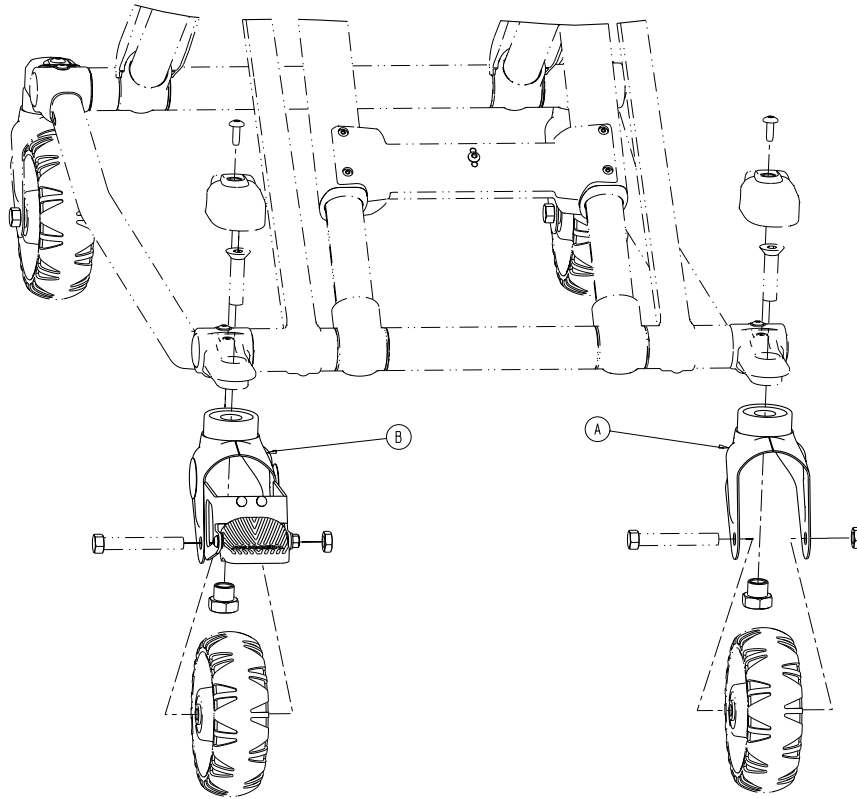
A	0003-205-000	4
B	0004-319-000	4
C	0004-587-000	4
D	0004-597-000	1
E	0004-634-000	8
F	0007-086-000	6
G	0008-057-000	2
H	0011-004-000	2
J	0014-002-000	4
K	0015-051-000	4
L	0016-002-000	4
M	0016-028-000	3
N	0016-060-000	4
P	0016-089-000	2
R	0037-083-000	4
T	0081-244-000	4
U	6060-002-010	4
V	6500-001-180	2
Y	6085-001-017	2
AA	6085-001-023	1
AB	6085-001-024	1
AC	6085-001-026	1
AD	6085-001-051	2
AE	6085-001-052	1
AF	6085-001-053	1
AG	6500-001-228	2
AH	6500-001-229	2
AJ	6085-101-082	2
AK	6085-001-086	1
AL	6085-001-087	2
AM	6085-001-088	4
AN	6085-001-090	1
AP	6085-001-091	1
AR	6085-001-097	4
AT	6085-001-129	2
AU	6090-001-009	4
AV	6500-001-129	1
AW	6500-001-166	8
AY	6500-001-178	2
BA	6500-001-179	2
BB	6500-001-183	2
BC	6500-001-230	1



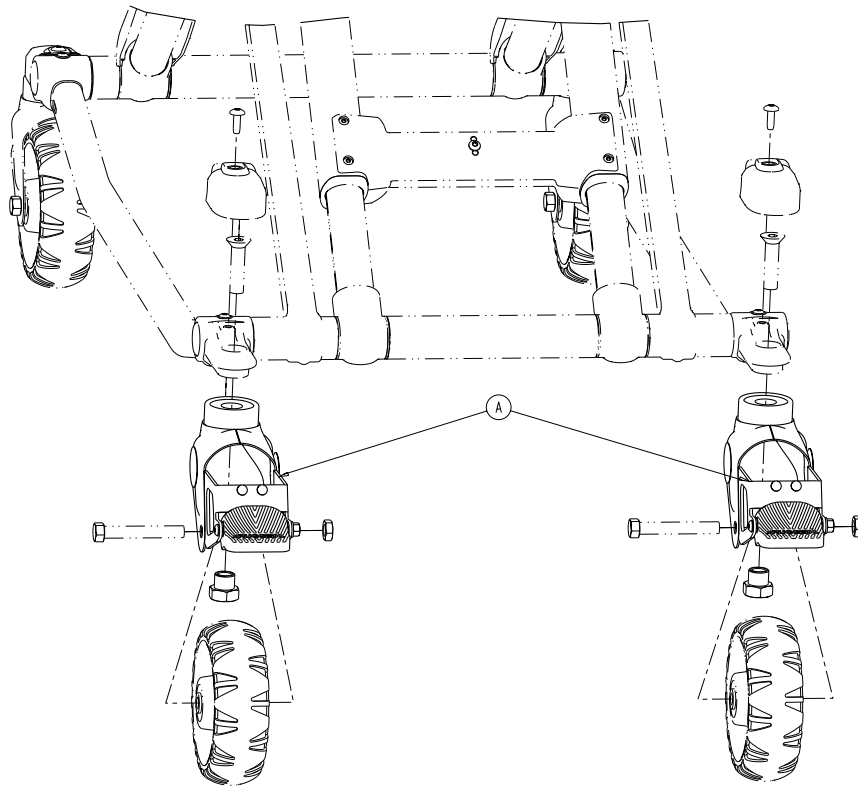
A

6082-002-012

2



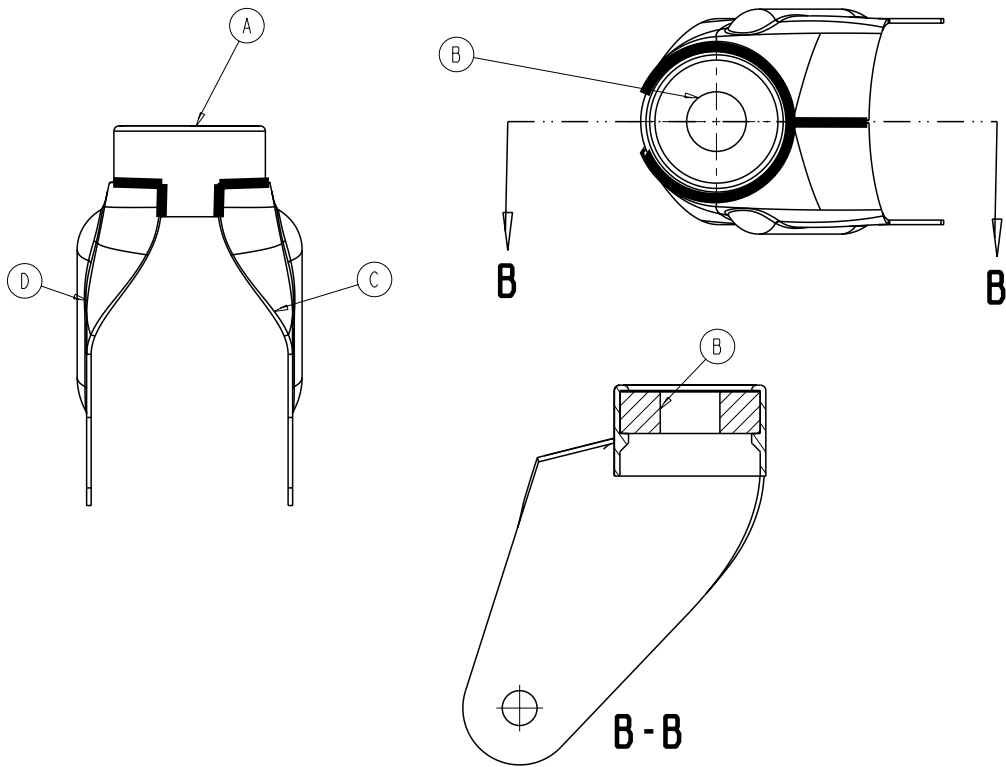
A	6082-002-012	1
B	6086-200-010	1



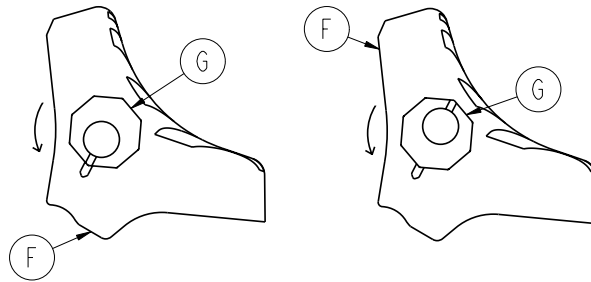
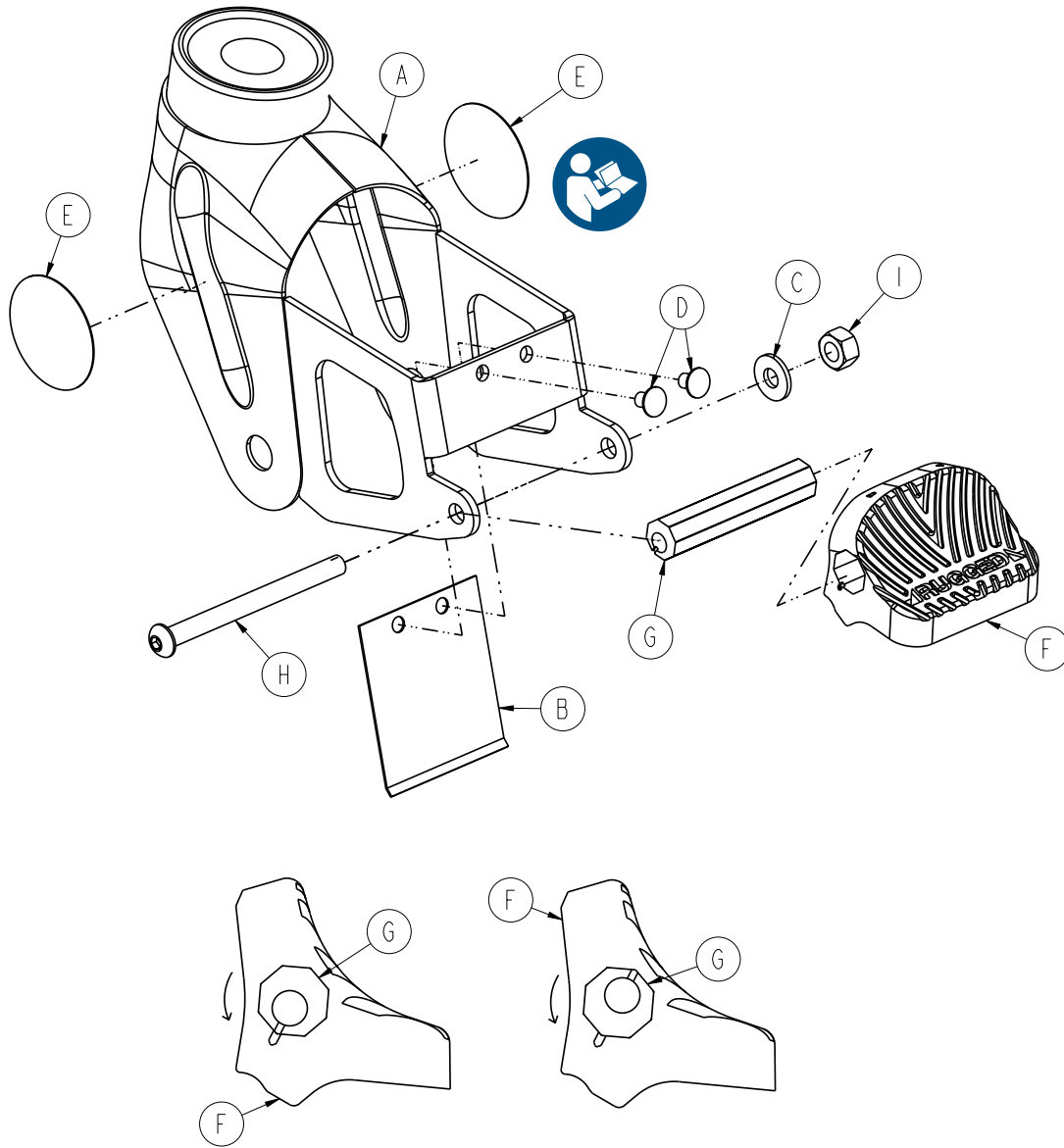
A

6082-002-012

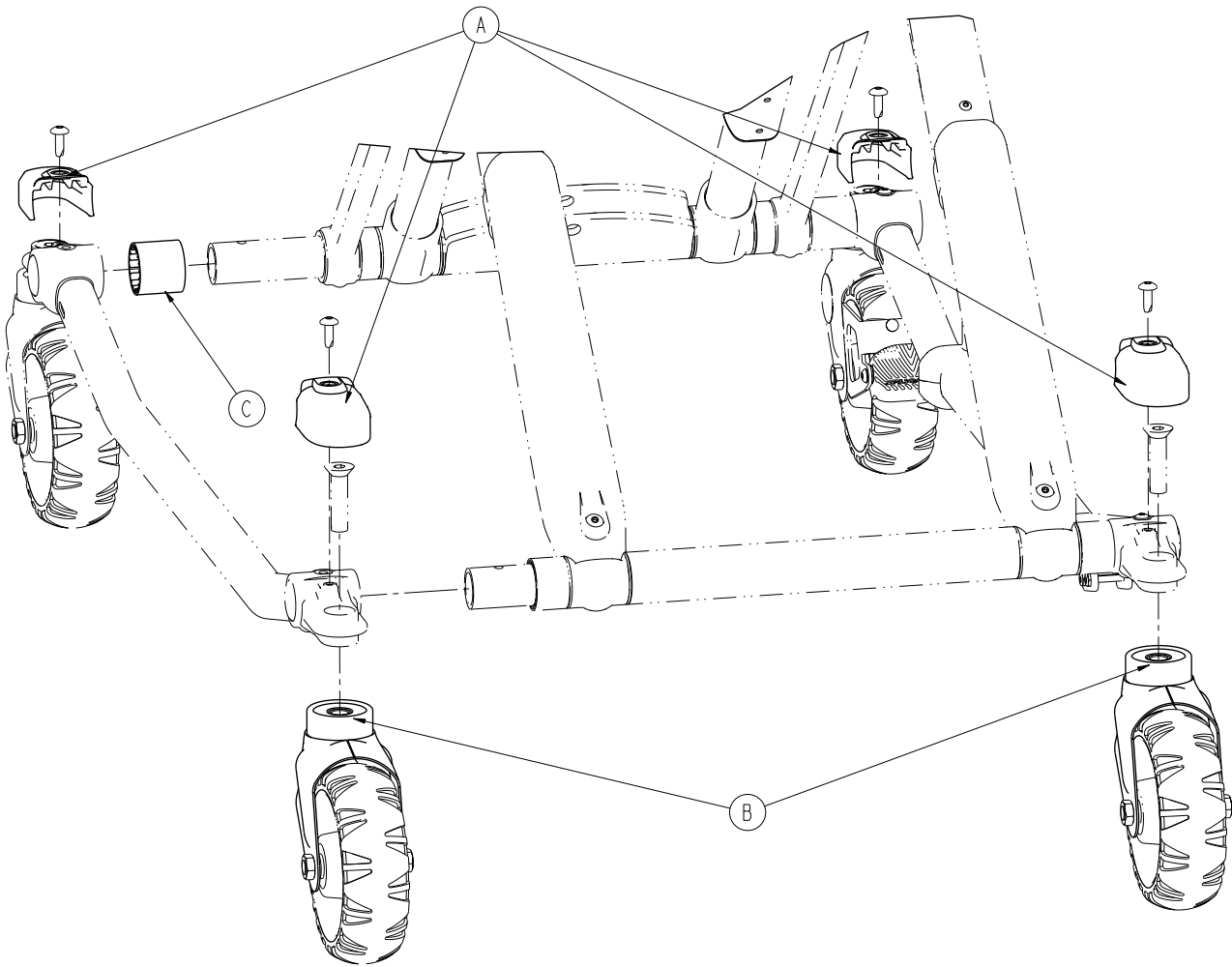
2



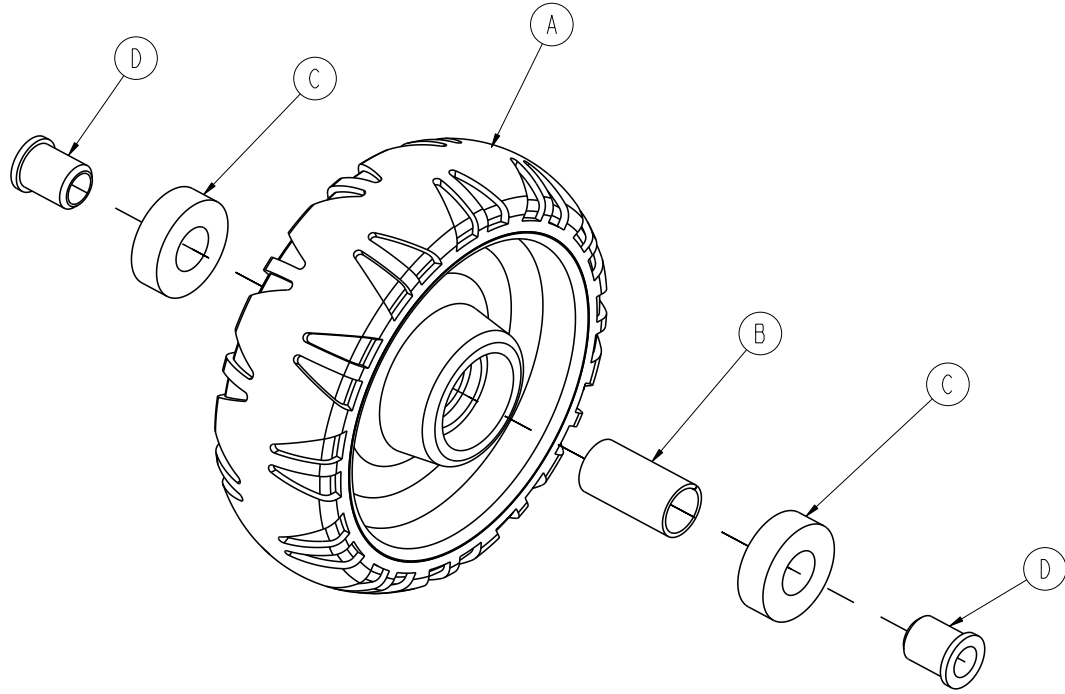
A	6082-002-039	1
B	0081-227-000	1
C	6082-002-042	1
D	6082-002-043	1



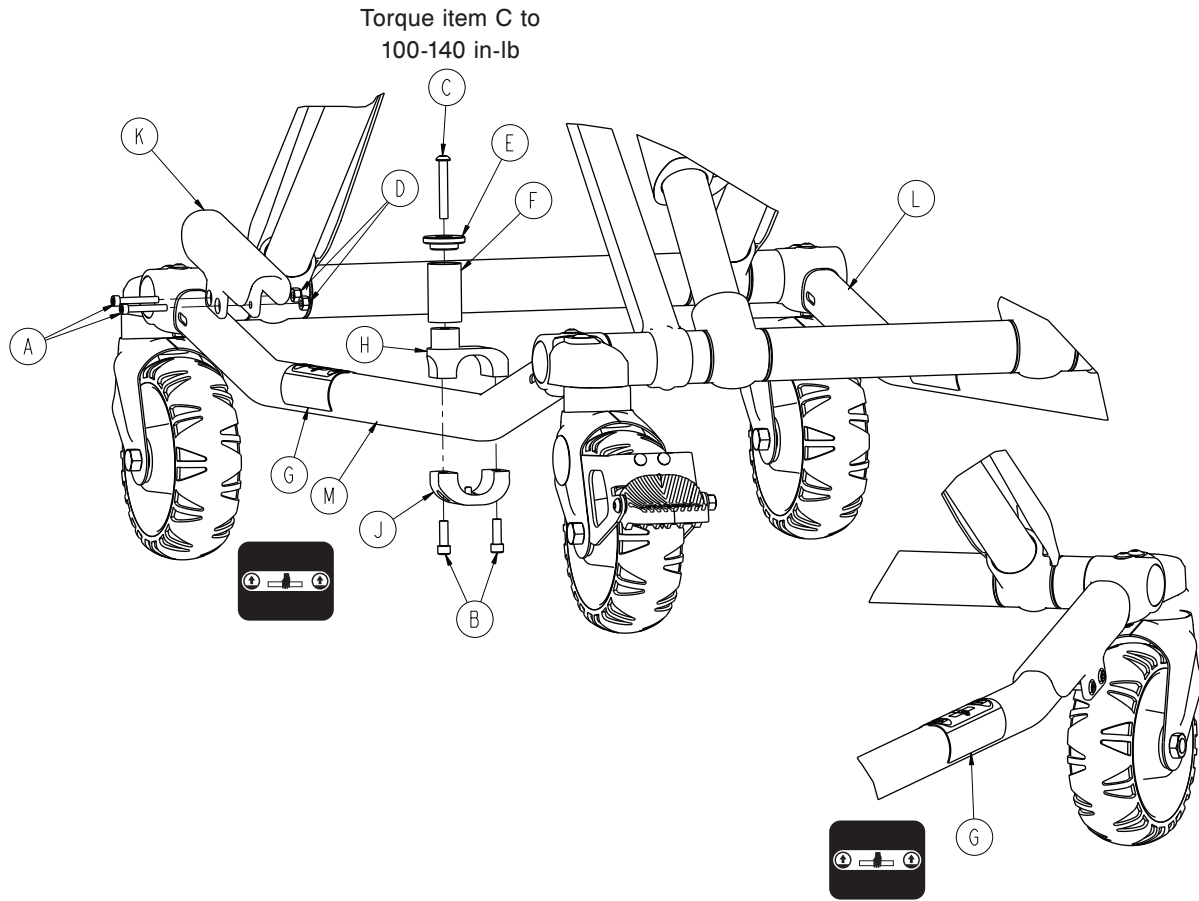
A	6082-100-012	1
B	6080-100-032	1
C	0011-456-000	1
D	0025-153-000	2
E	6506-001-900	2
F	6080-300-030	1
G	6080-200-041	1
H	0004-098-000	1
I	0016-118-000	1



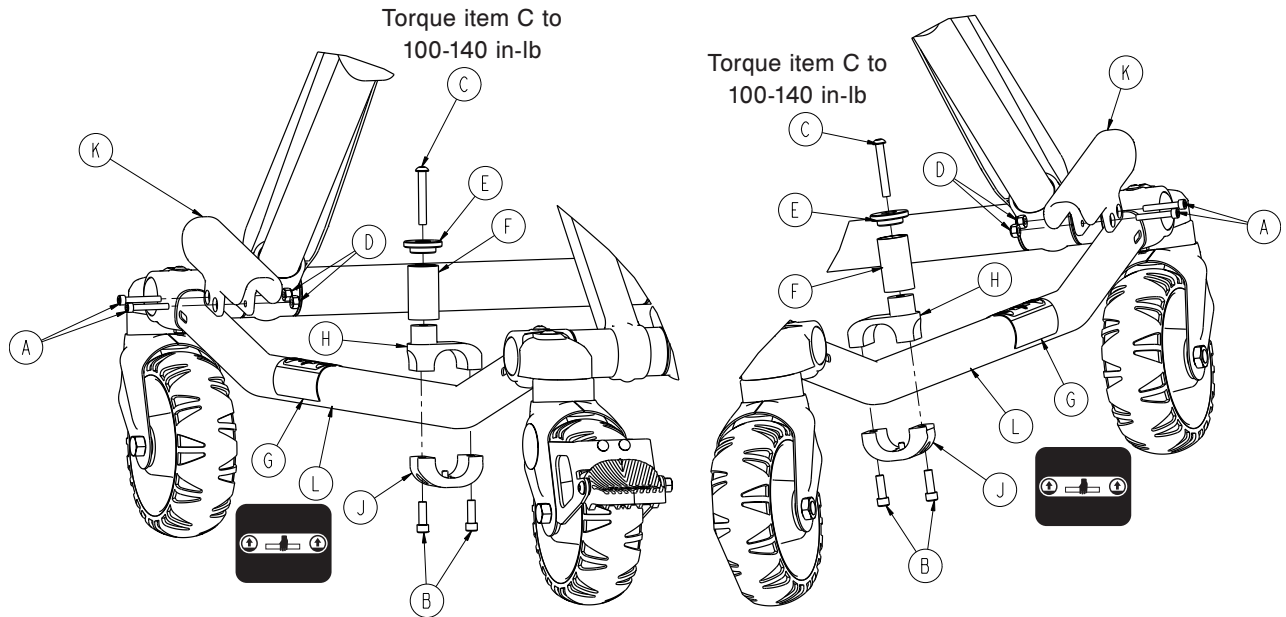
A	6500-001-177	4
B	6082-002-012	2
C	6500-001-230	1



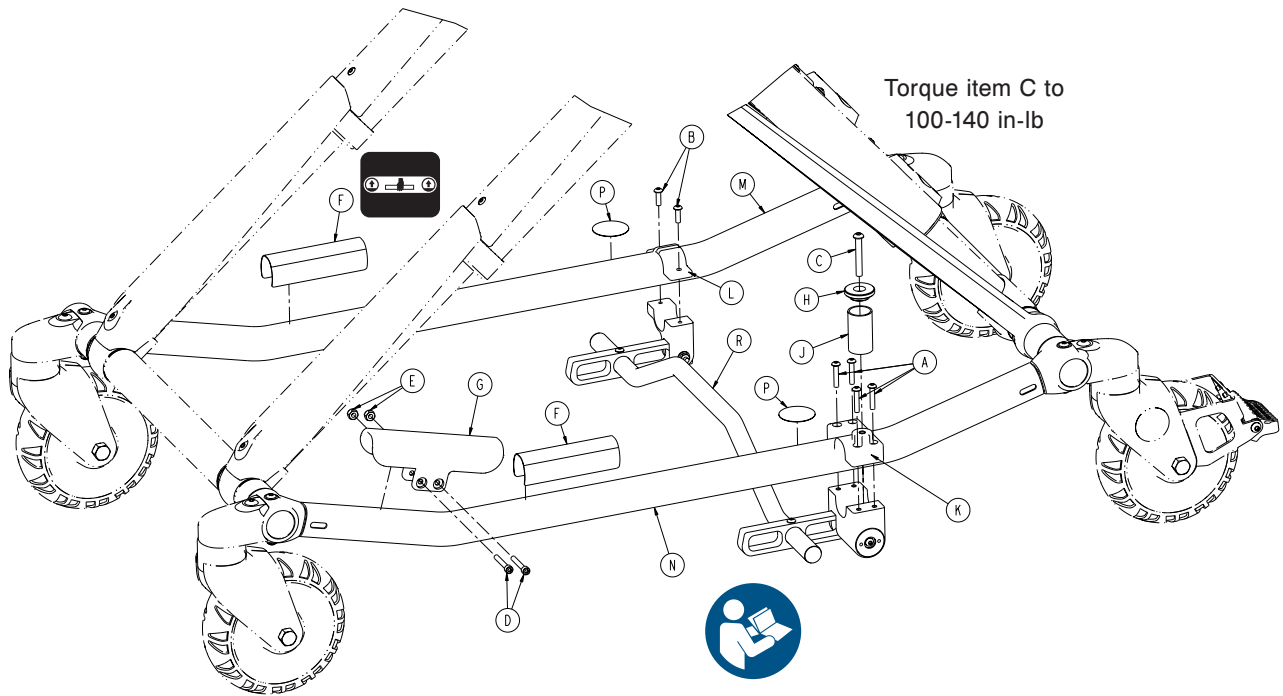
A	6060-002-045	1
B	6060-002-046	1
C	0081-226-000	2
D	0715-001-255	2



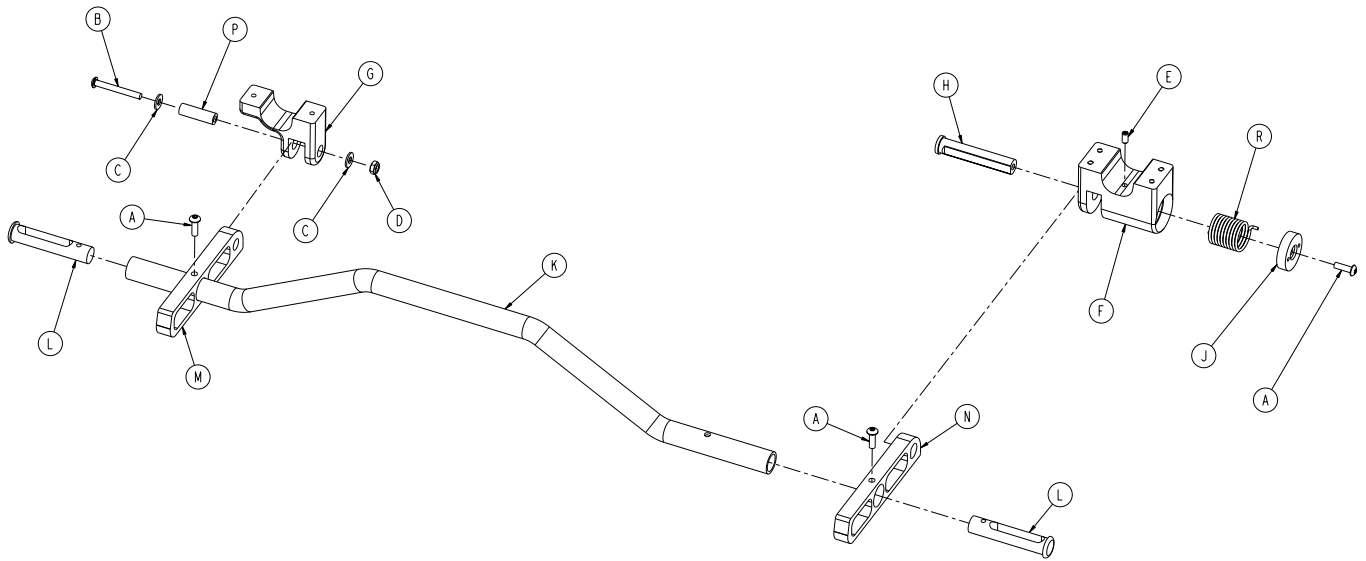
A	0004-160-000	2
B	0004-591-000	2
C	0004-503-000	1
D	0016-003-000	2
E	6060-004-043	1
F	6060-004-044	1
G	6080-090-108	2
H	6500-101-189	1
J	6500-101-190	1
K	6500-001-302	1
L	6085-001-056	1
M	6085-001-057	1



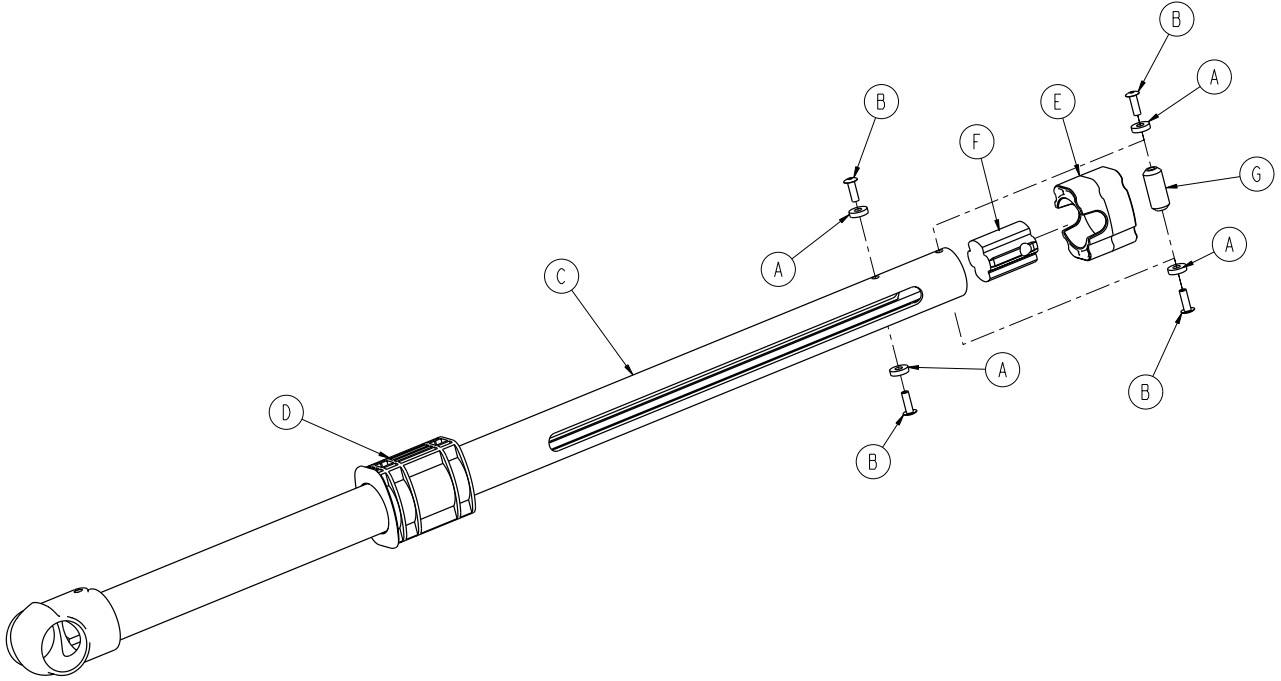
A	0004-160-000	4
B	0004-591-000	4
C	0004-503-000	2
D	0016-003-000	4
E	6060-004-043	2
F	6060-004-044	2
G	6080-090-108	2
H	6500-101-189	2
J	6500-101-190	2
K	6500-001-302	2
L	6085-001-057	2



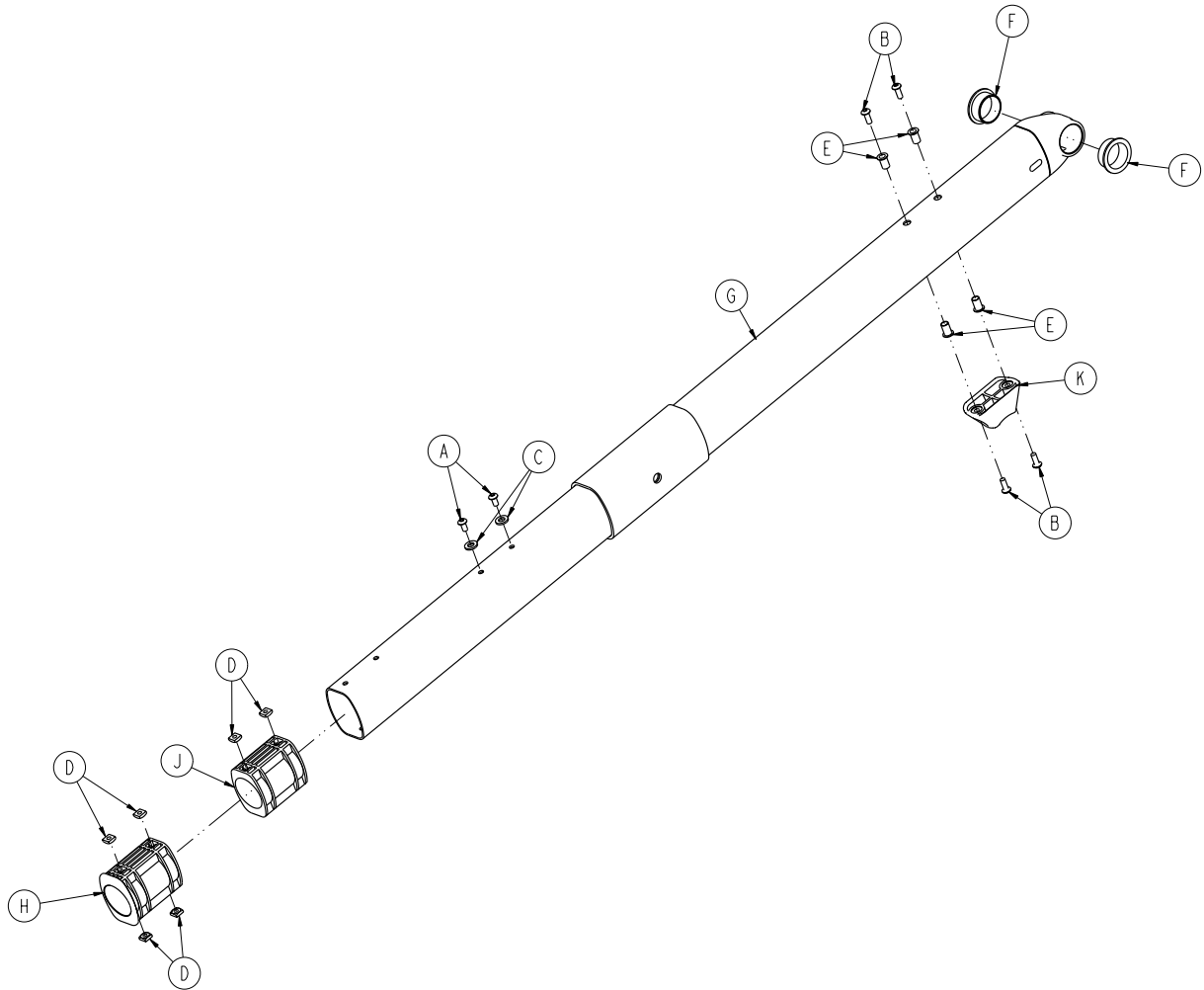
A	0004-460-000	4
B	0004-515-000	2
C	0004-503-000	1
D	0004-160-000	2
E	0016-003-000	2
F	6080-090-108	2
G	6500-001-302	1
H	6060-004-043	1
J	6060-004-044	1
K	6085-002-001	1
L	6085-002-002	1
M	6085-001-056	1
N	6085-001-057	1
P	6506-001-900	2
R	6085-002-016	1



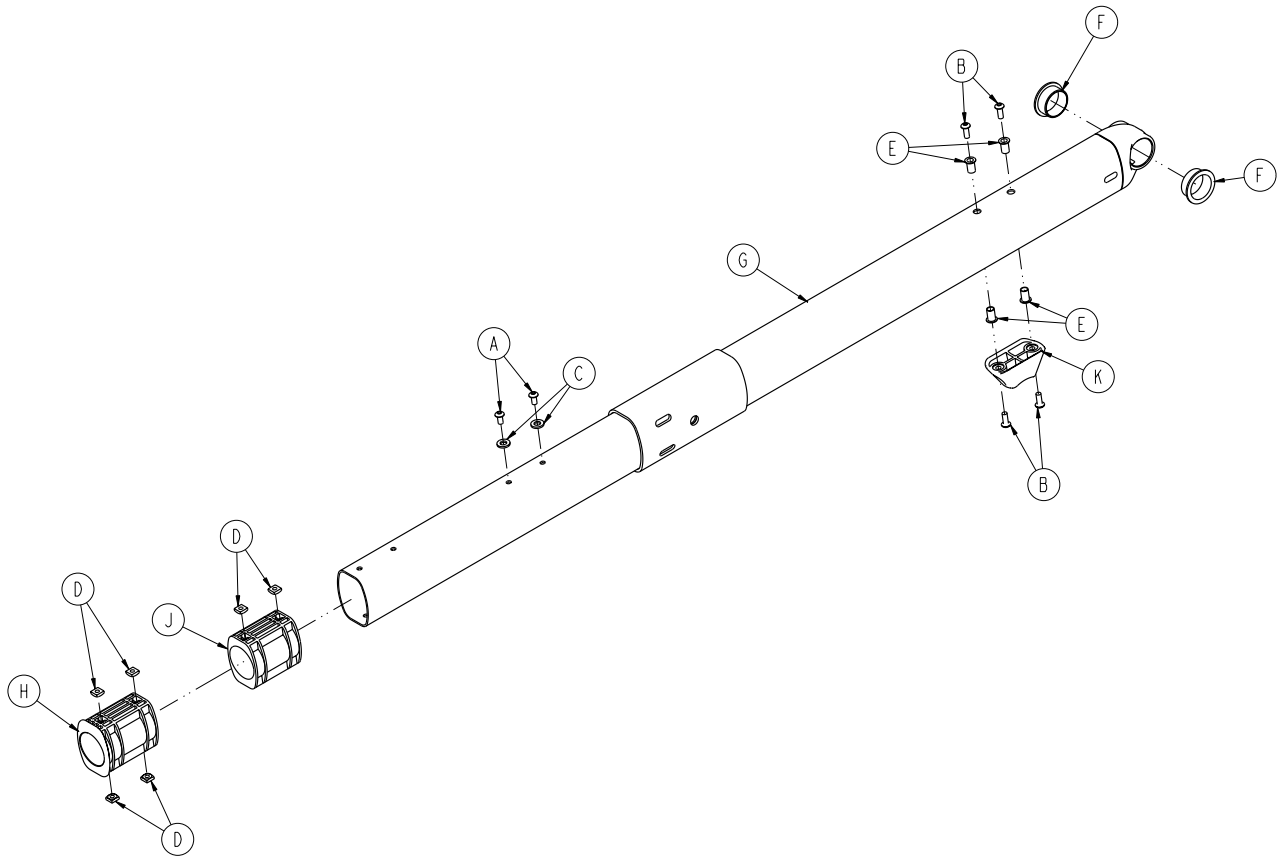
A	0004-515-000	3
B	0004-636-000	1
C	0011-302-000	2
D	0016-131-000	1
E	0021-180-000	1
F	6085-002-003	1
G	6085-002-004	1
H	6085-002-006	1
J	6085-002-007	1
K	6085-002-008	1
L	6085-002-009	2
M	6085-002-011	1
N	6085-002-012	1
P	6085-002-013	1
R	6085-002-014	1



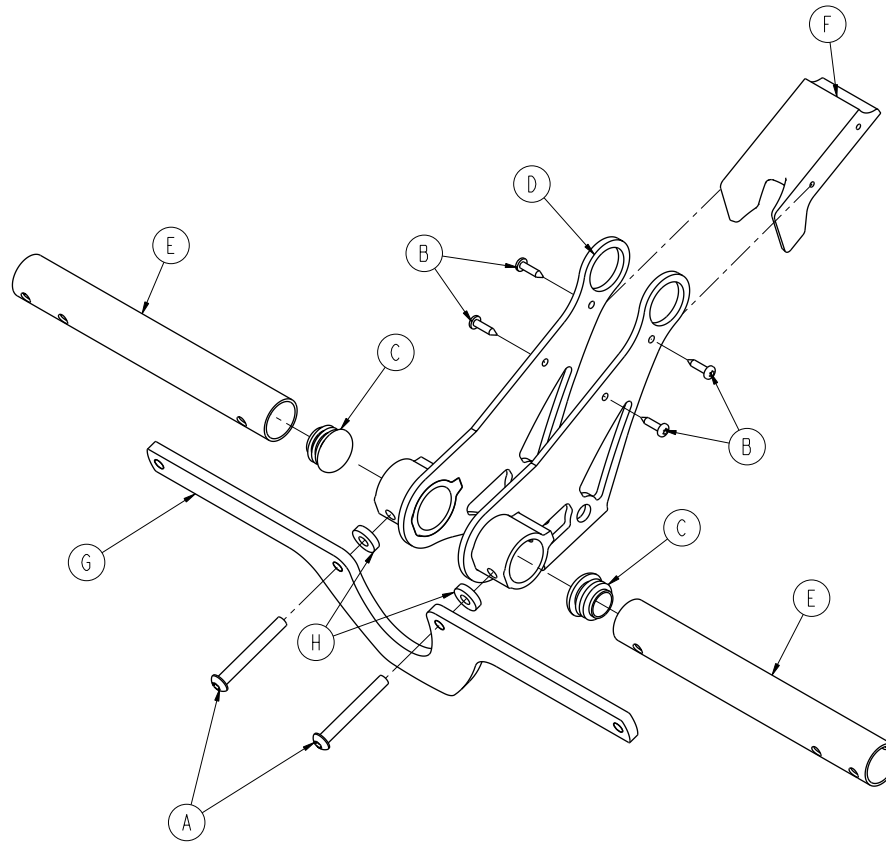
A	0014-115-000	4
B	0025-133-000	4
C	6085-001-050	1
D	6085-001-095	1
E	6085-001-102	1
F	6085-001-112	1
G	6085-001-126	1



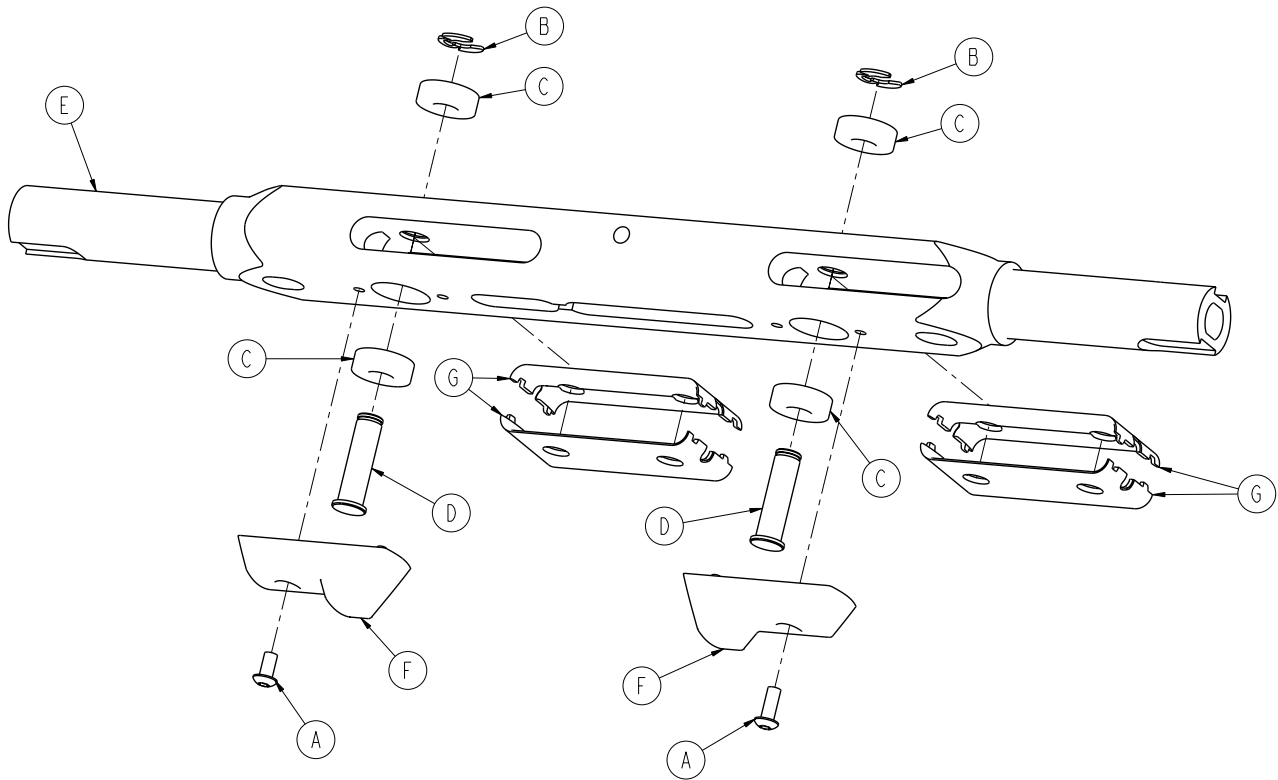
A	0004-587-000	2
B	0004-634-000	4
C	0014-002-000	2
D	0015-051-000	6
E	0055-100-075	4
F	0081-244-000	2
G	6085-001-054	1
H	6085-001-095	1
J	6085-001-096	1
K	6500-001-125	1



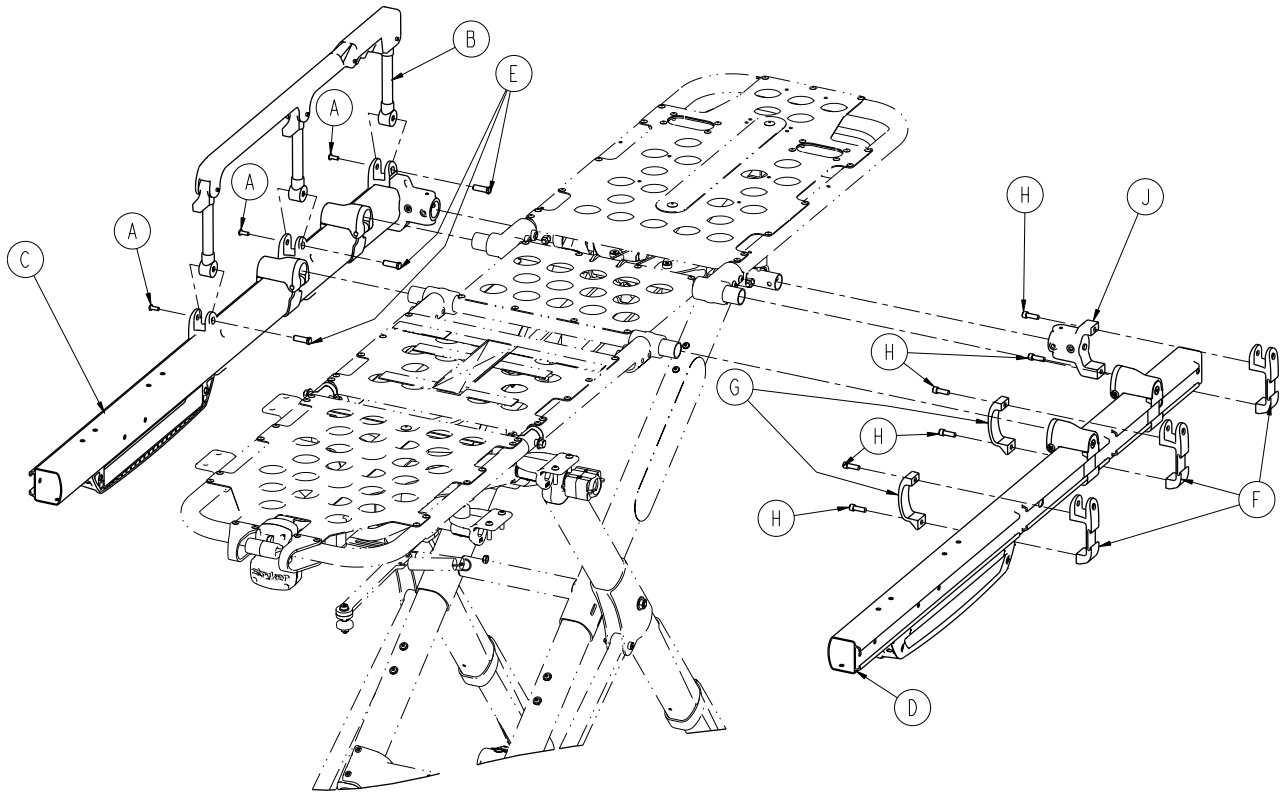
A	0004-587-000	2
B	0004-634-000	4
C	0014-002-000	2
D	0015-051-000	6
E	0055-100-075	4
F	0081-244-000	2
G	6085-001-054	1
H	6085-001-095	1
J	6085-001-096	1
K	6500-001-125	1



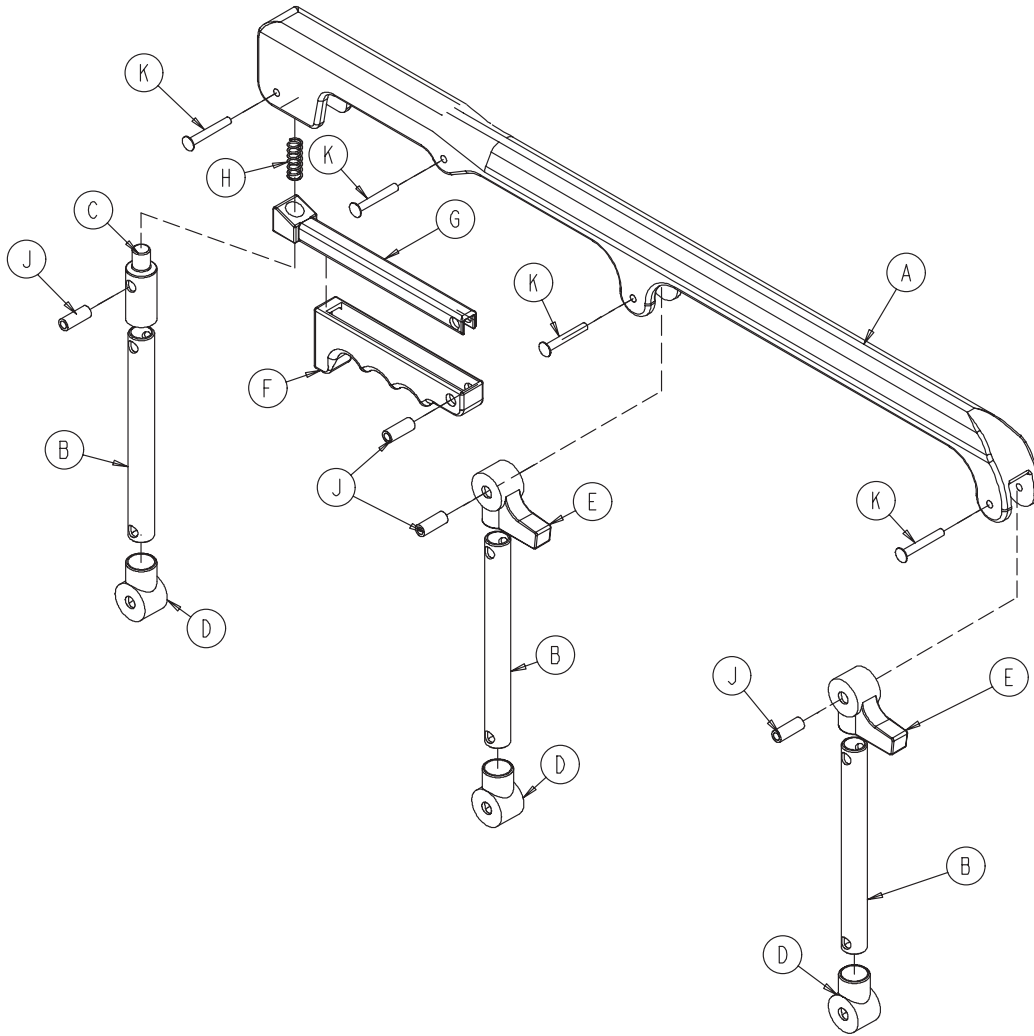
A	0004-388-000	2
B	0023-162-000	4
C	0037-243-000	2
D	6085-001-055	1
E	6085-001-131	2
F	6085-001-140	1
G	6085-001-176	1
H	6085-001-178	2



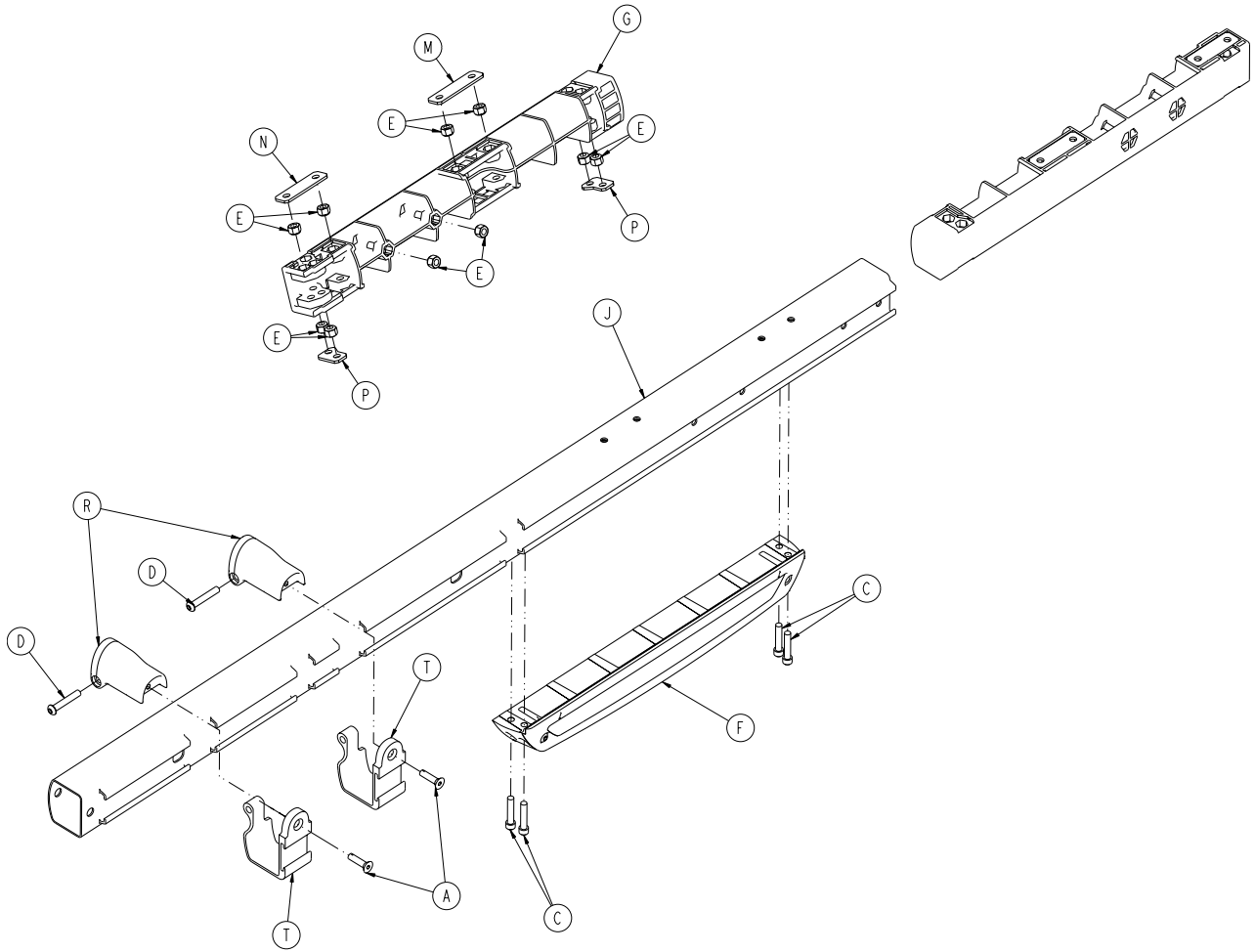
A	0004-634-000	2
B	0028-181-000	2
C	0081-248-000	4
D	6082-005-096	2
E	6085-001-093	1
F	6085-001-094	2
G	6085-001-136	4



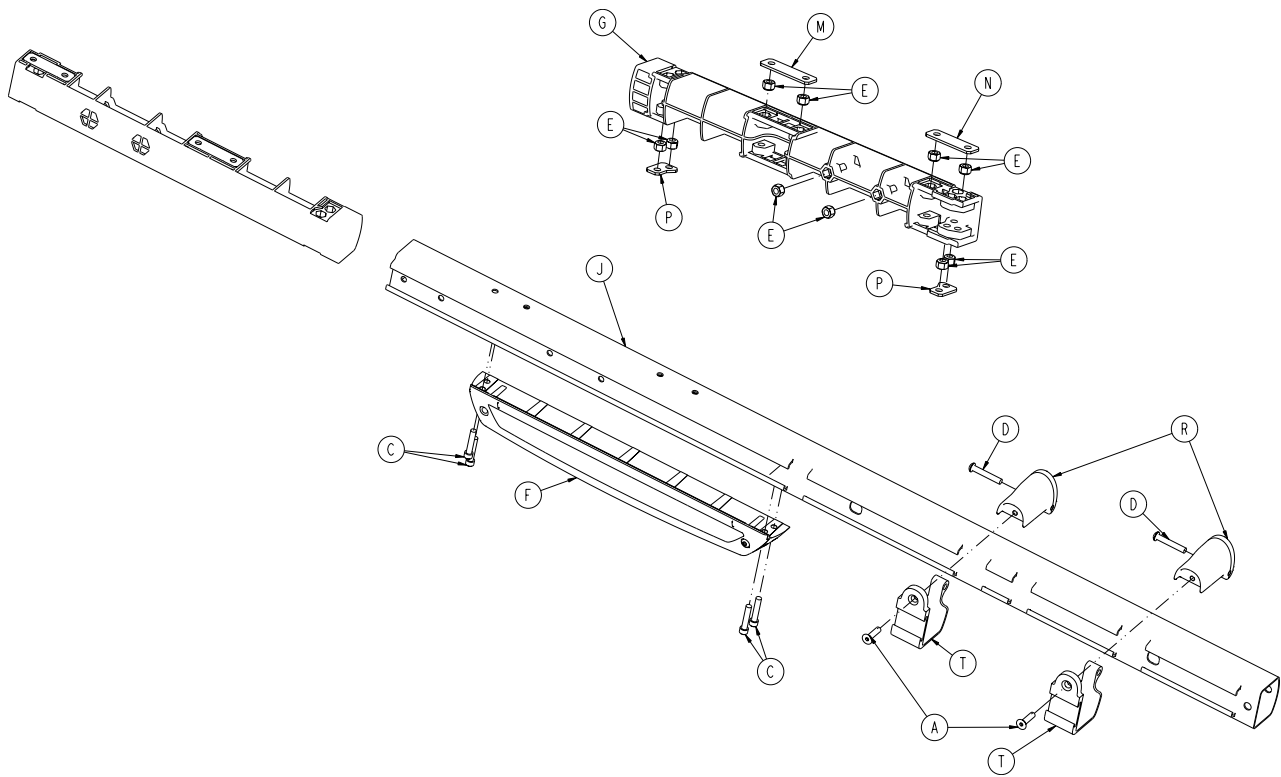
A	0004-585-000	6
B	6082-026-010	2
C	6086-001-025	1
D	6086-001-027	1
E	6500-001-118	6
F	6500-001-116	6
G	6500-001-117	4
H	0004-591-000	12
J	6500-001-102	2



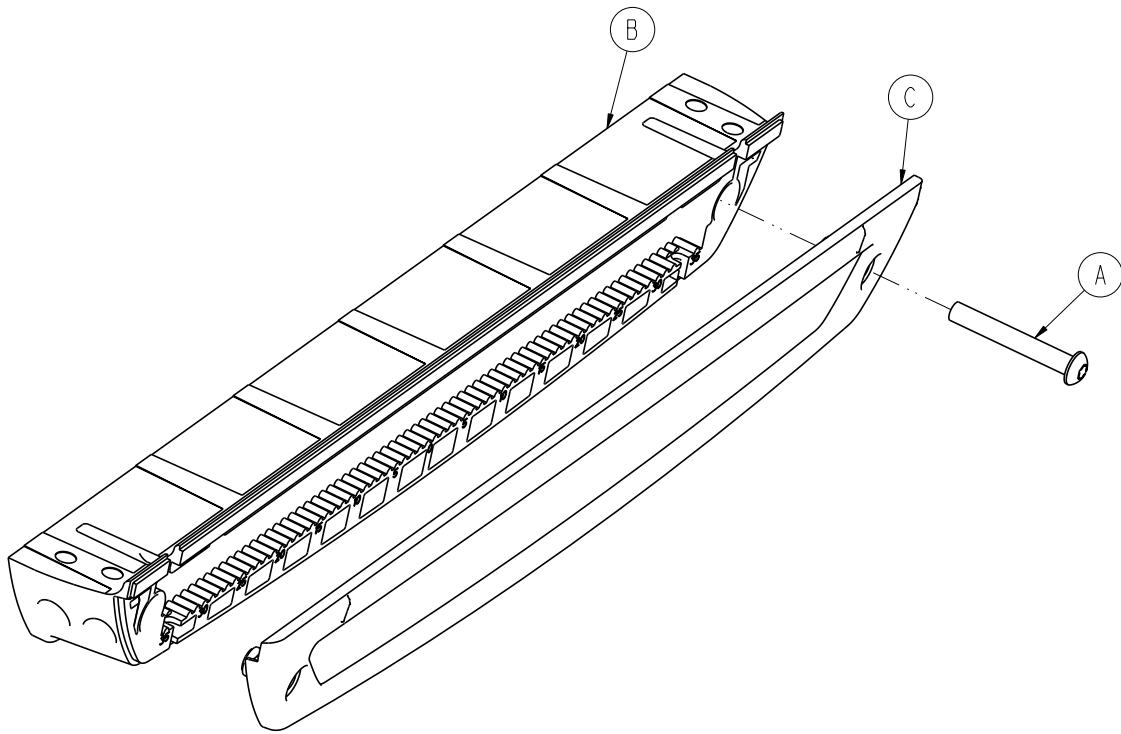
A	6060-025-024	1
B	6060-025-043	3
C	6060-025-047	1
D	6060-025-041	3
E	6060-025-040	2
F	6060-025-029	1
G	6061-125-030	1
H	0038-344-000	1
J	6060-025-035	4
K	0025-131-000	4



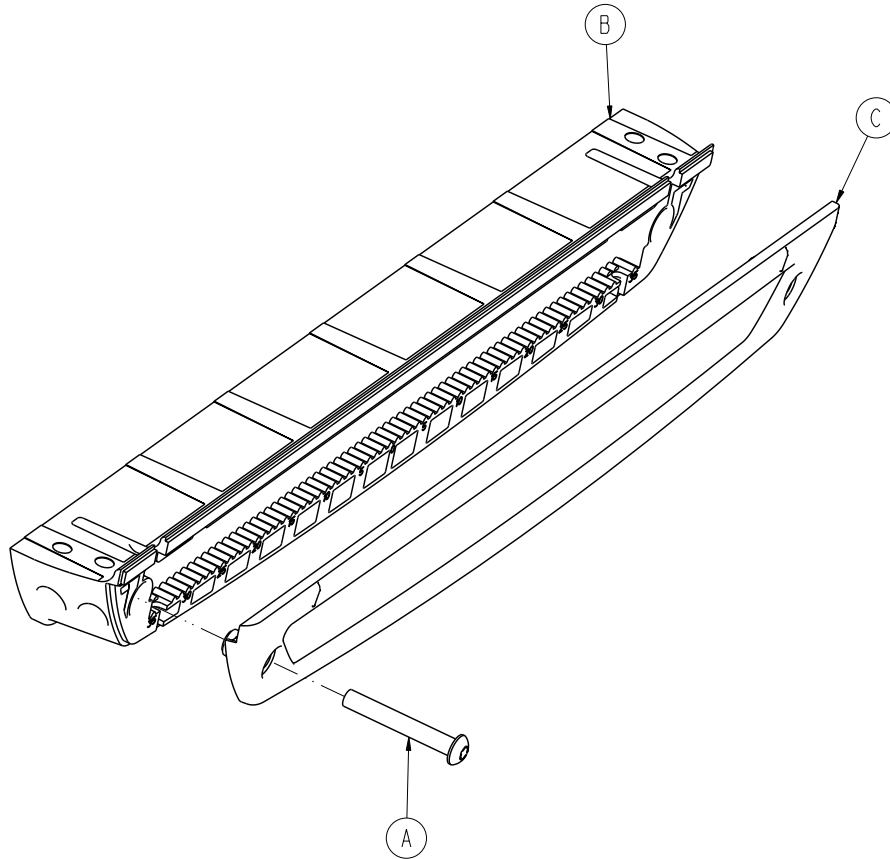
A	0001-004-011	2
C	0004-613-000	4
D	0004-848-000	2
E	0016-028-000	10
F	6085-001-029	1
G	6500-001-098	1
J	6500-001-114	1
M	6500-001-243	1
N	6500-001-244	1
P	6500-001-245	2
R	6500-002-130	2
T	6500-002-131	2



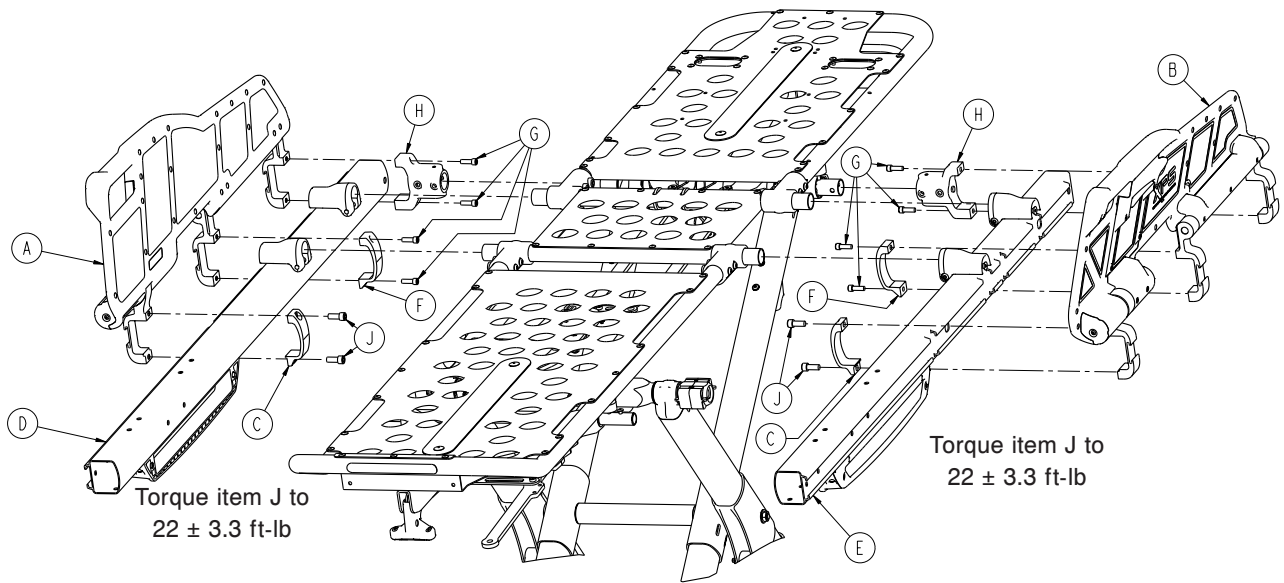
A	0001-004-011	2
C	0004-613-000	4
D	0004-848-000	2
E	0016-028-000	10
F	6085-001-028	1
G	6500-001-098	1
J	6500-001-115	1
M	6500-001-243	1
N	6500-001-244	1
P	6500-001-245	2
R	6500-002-130	2
T	6500-002-131	2



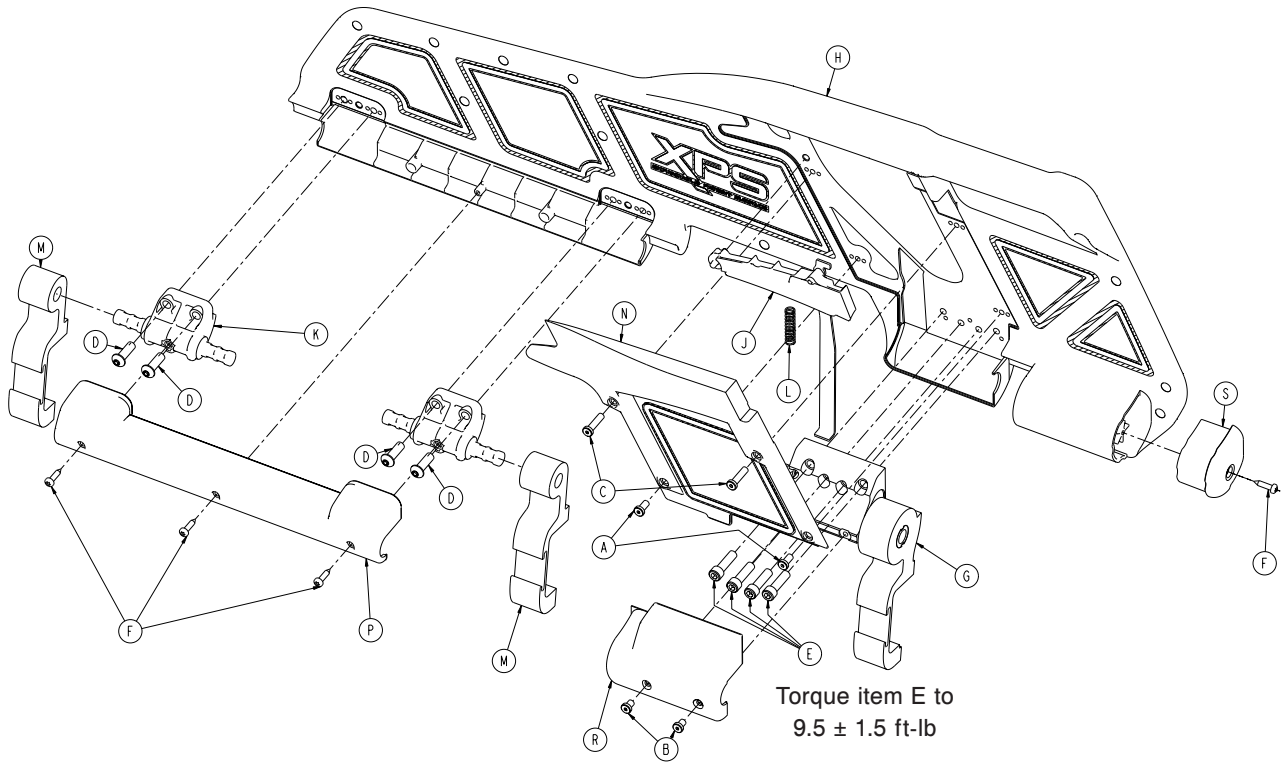
A	0004-596-000	1
B	6500-001-124	1
C	6500-001-199	1



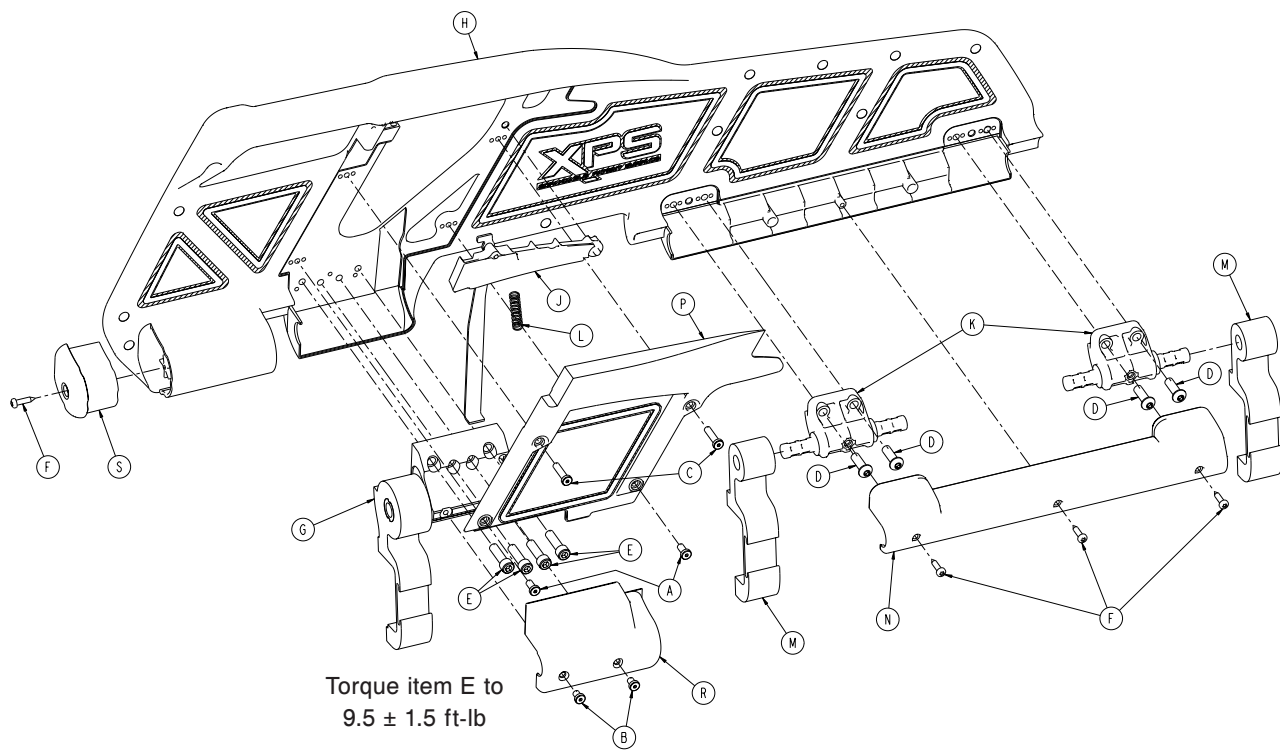
A	0004-596-000	1
B	6500-001-124	1
C	6500-001-199	1



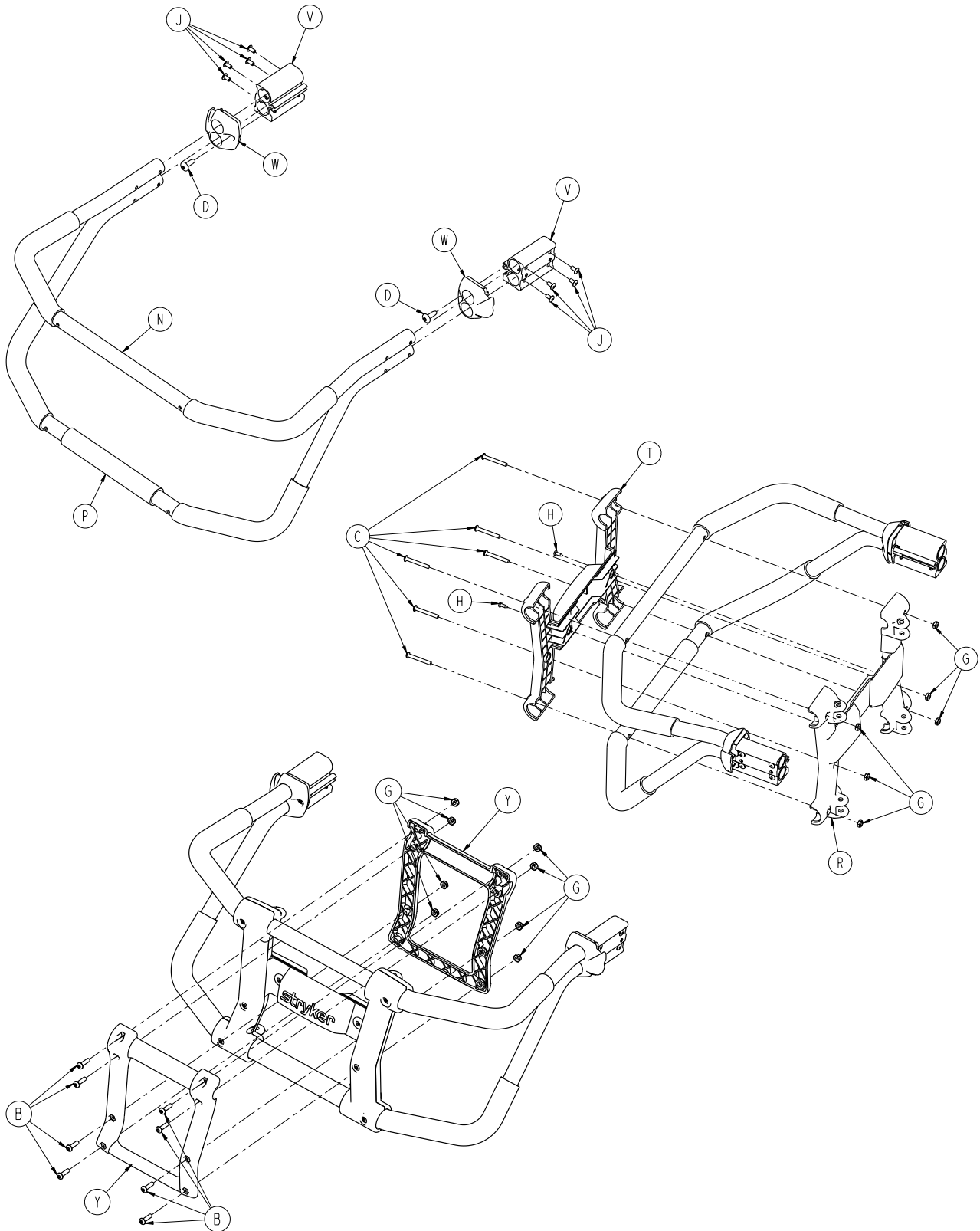
A	6500-003-034	1
B	6500-003-044	1
C	6500-003-099	2
D	6086-001-025	1
E	6086-001-027	1
F	6500-001-117	2
G	0004-591-000	8
H	6500-001-102	2
J	0004-900-000	4



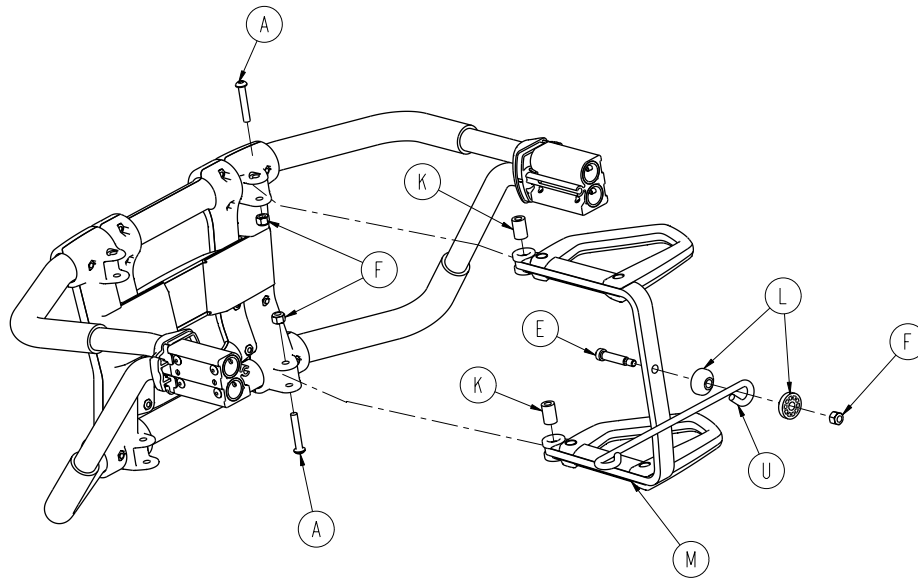
A	0004-400-000	2
B	0004-402-000	2
C	0004-403-000	2
D	0004-468-000	4
E	0004-661-000	4
F	0023-162-000	4
G	6500-003-035	1
H	6500-003-037	1
J	6500-003-043	1
K	6500-003-084	2
L	6500-003-085	1
M	6500-003-086	2
N	6500-003-094	1
P	6500-003-097	1
R	6500-003-119	1
S	6500-003-121	1



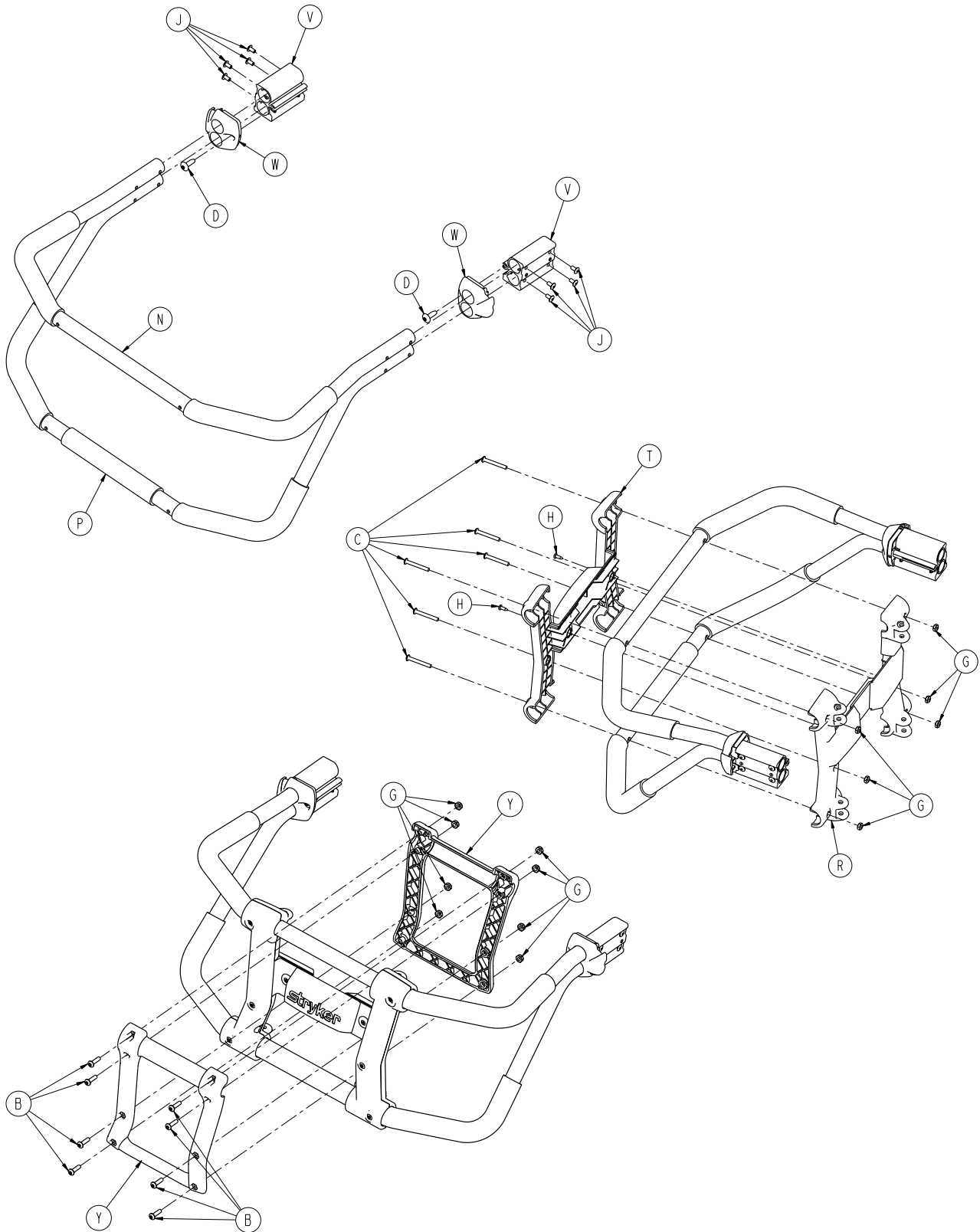
A	0004-400-000	2
B	0004-402-000	2
C	0004-403-000	2
D	0004-468-000	4
E	0004-661-000	4
F	0023-162-000	4
G	6500-003-036	1
H	6500-003-038	1
J	6500-003-045	1
K	6500-003-084	2
L	6500-003-085	1
M	6500-003-086	2
N	6500-003-097	1
P	6500-003-102	1
R	6500-003-120	1
S	6500-003-122	1



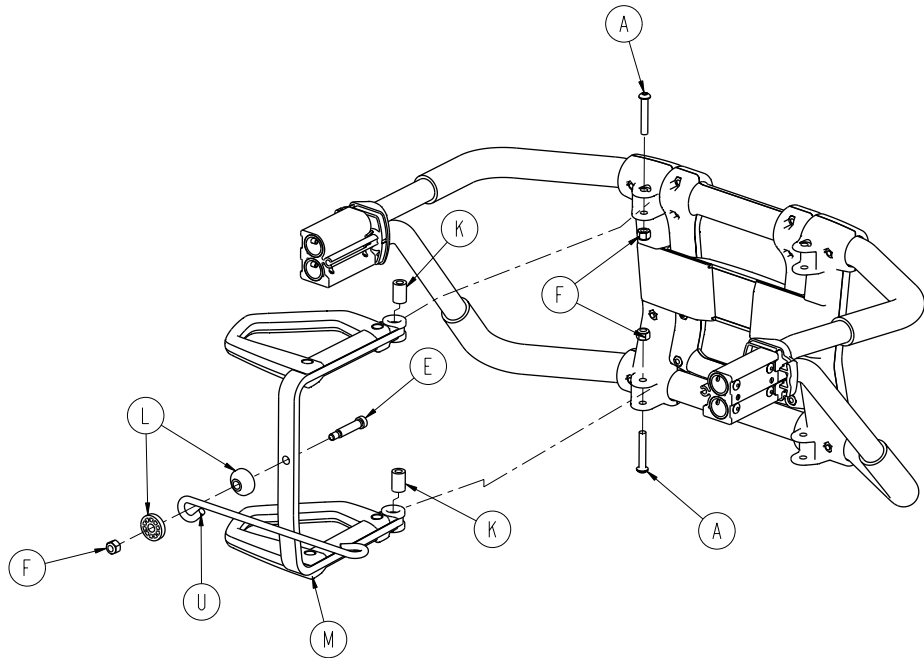
6085-001-015



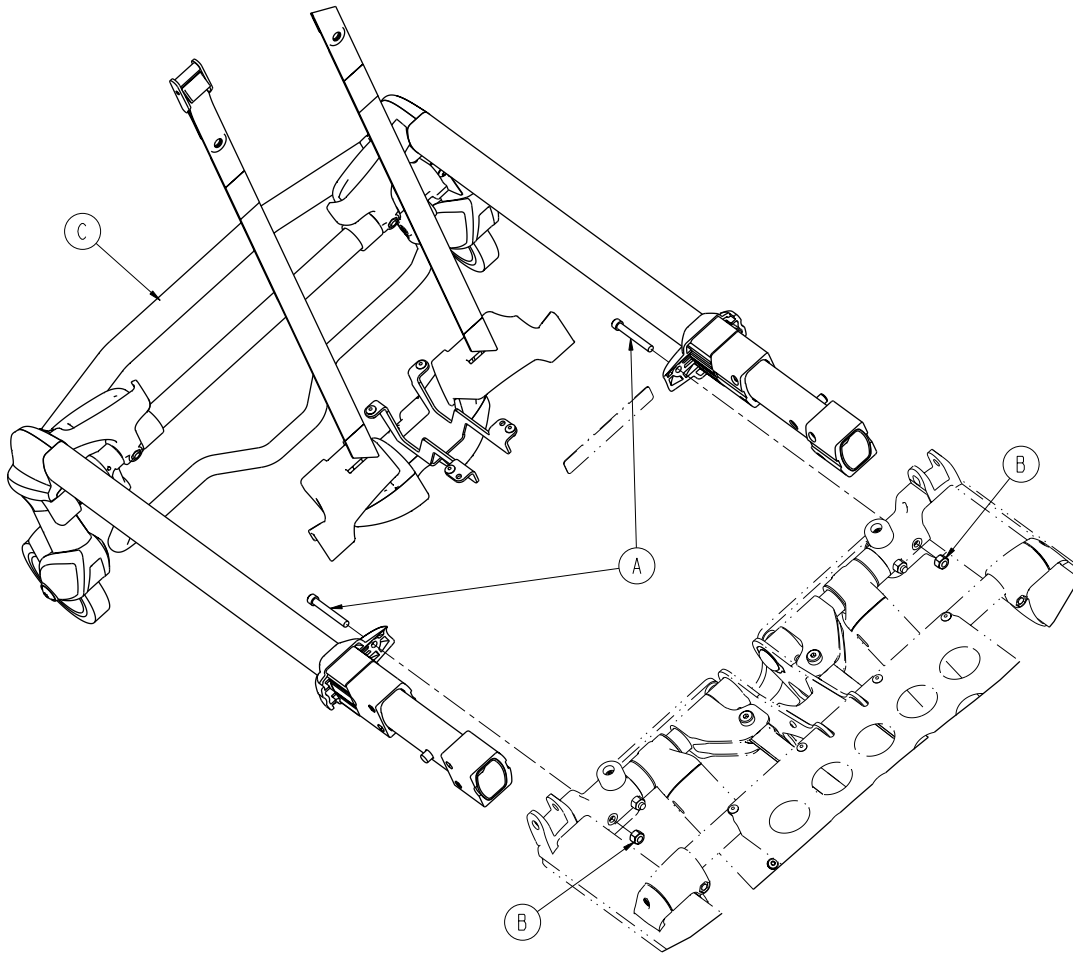
A	0004-376-000	2
B	0004-614-000	8
C	0004-615-000	6
D	0007-086-000	2
E	0008-033-000	1
F	0016-028-000	3
G	0016-131-000	14
H	0023-167-000	2
J	0025-079-000	8
K	6080-040-044	2
L	6082-040-025	2
M	6082-040-061	1
N	6085-001-106	1
P	6085-001-107	1
R	6085-001-108	1
T	6085-001-109	1
U	6085-001-111	1
V	6500-001-133	2
W	6500-001-144	2
Y	6500-001-154	2



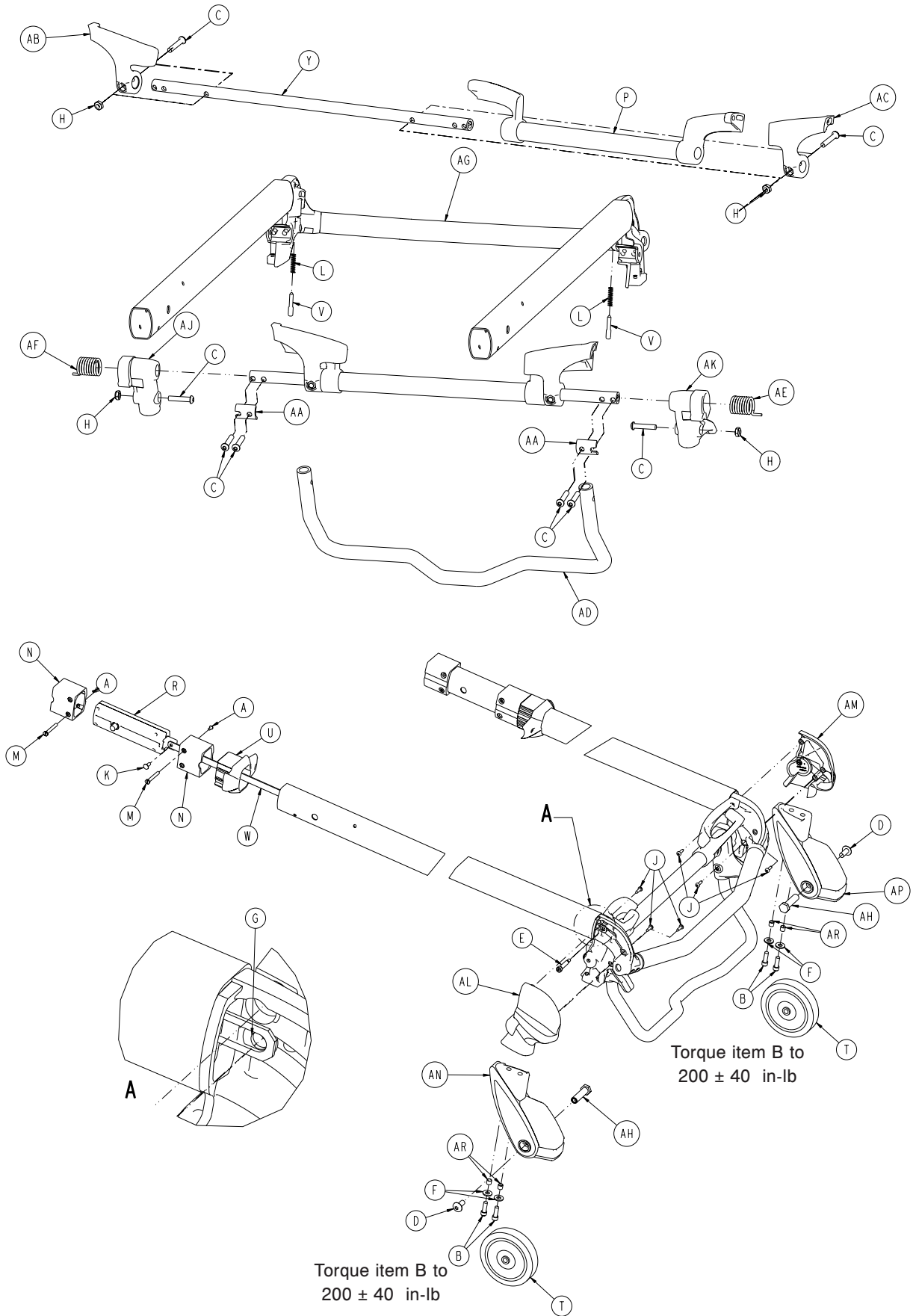
6085-001-016



A	0004-376-000	2
B	0004-614-000	8
C	0004-615-000	6
D	0007-086-000	2
E	0008-033-000	1
F	0016-028-000	3
G	0016-131-000	14
H	0023-167-000	2
J	0025-079-000	8
K	6080-040-044	2
L	6082-040-025	2
M	6082-040-062	1
N	6085-001-106	1
P	6085-001-107	1
R	6085-001-108	1
T	6085-001-109	1
U	6085-001-111	1
V	6500-001-133	2
W	6500-001-144	2
Y	6500-001-154	2

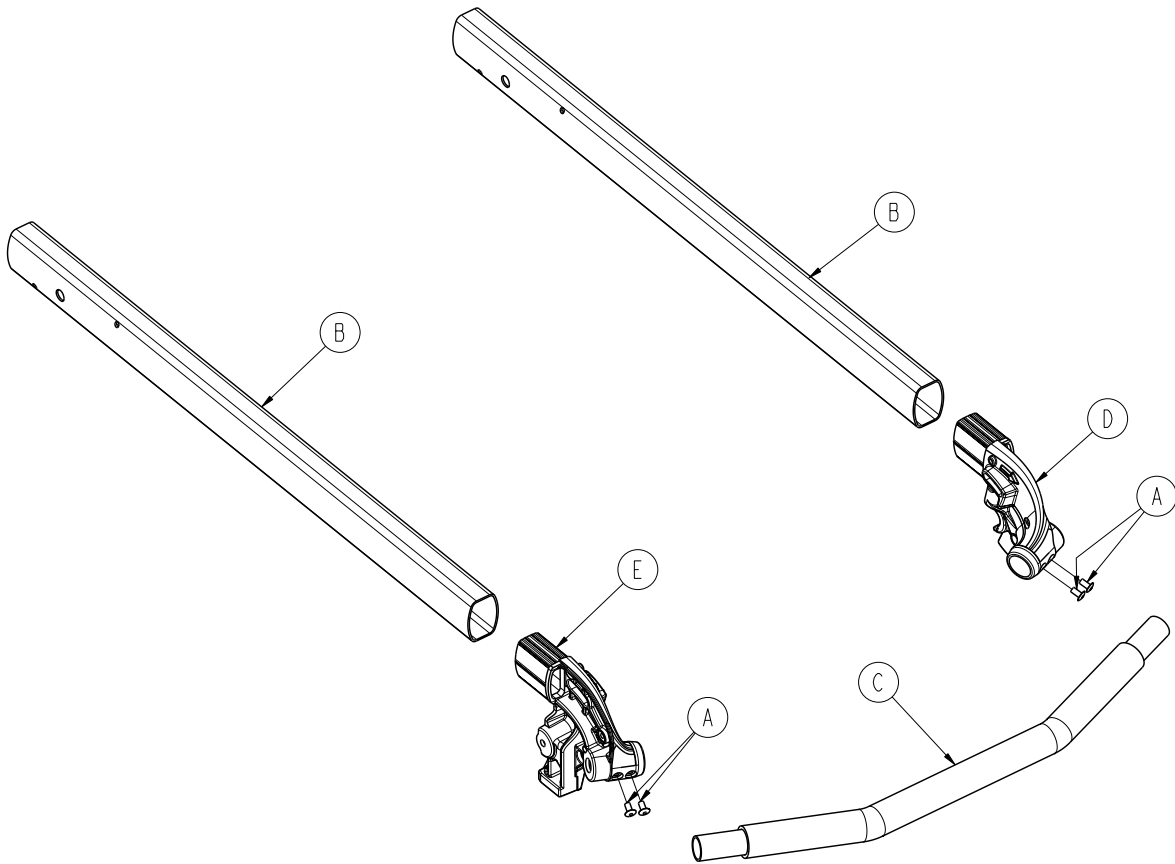


A	0004-595-000	2
B	0016-028-000	2
C	6500-002-023	1

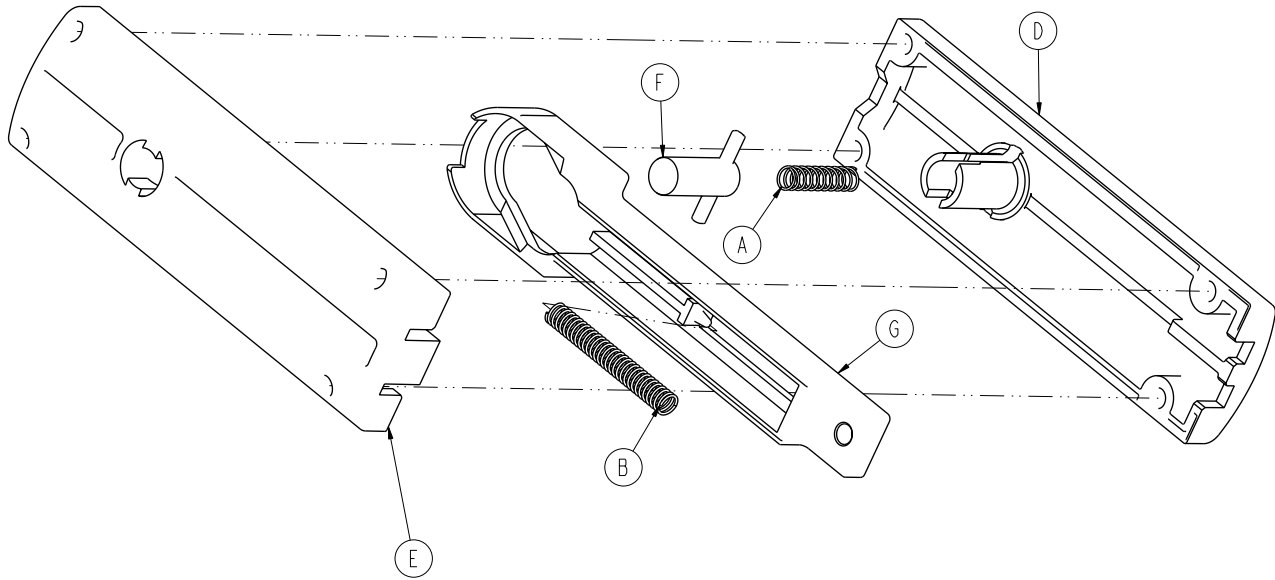


6500-002-023

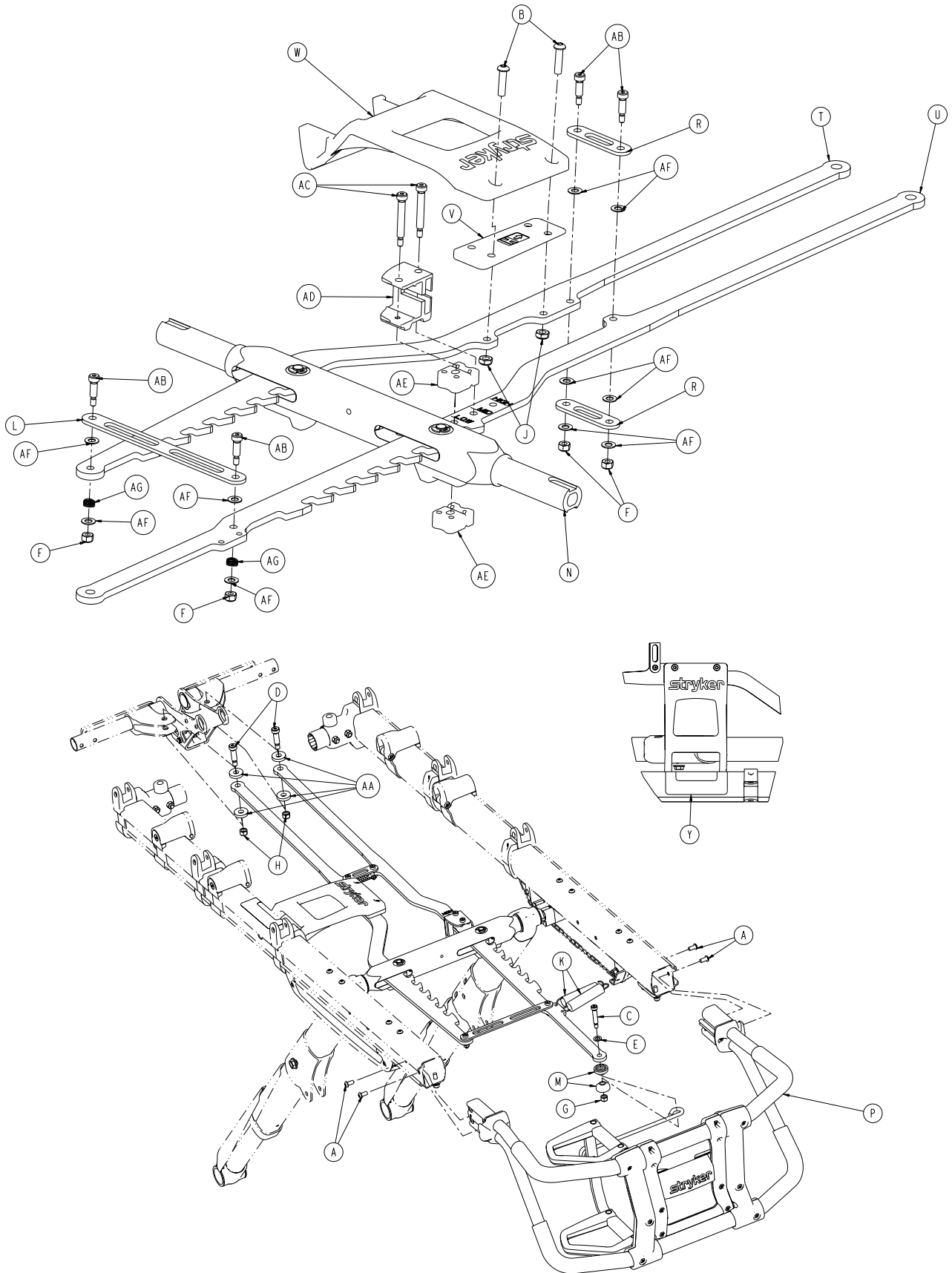
A	0004-168-000	4
B	0004-591-000	4
C	0004-612-000	8
D	0007-556-000	2
E	0008-030-000	2
F	0011-624-000	4
G	0014-002-000	2
H	0016-102-000	4
J	0023-162-000	4
K	0025-126-000	2
L	0038-570-000	2
M	6085-001-169	4
N	6085-001-170	4
P	6500-001-023	1
R	6500-001-026	2
T	6500-001-086	2
U	6500-001-087	2
V	6500-001-093	2
W	6500-001-096	2
Y	6500-001-220	1
AA	6500-001-221	2
AB	6500-001-280	1
AC	6500-001-281	1
AD	6500-001-322	1
AE	6500-001-325	1
AF	6500-001-326	1
AG	6500-002-024	1
AH	6500-002-106	2
AJ	6500-002-107	1
AK	6500-002-108	1
AL	6500-002-109	1
AM	6500-002-110	1
AN	6500-002-120	1
AP	6500-002-121	1
AR	6500-002-114	4



A	0025-079-000	4
B	6085-001-144	2
C	6500-001-084	1
D	6500-002-080	1
E	6500-002-081	1

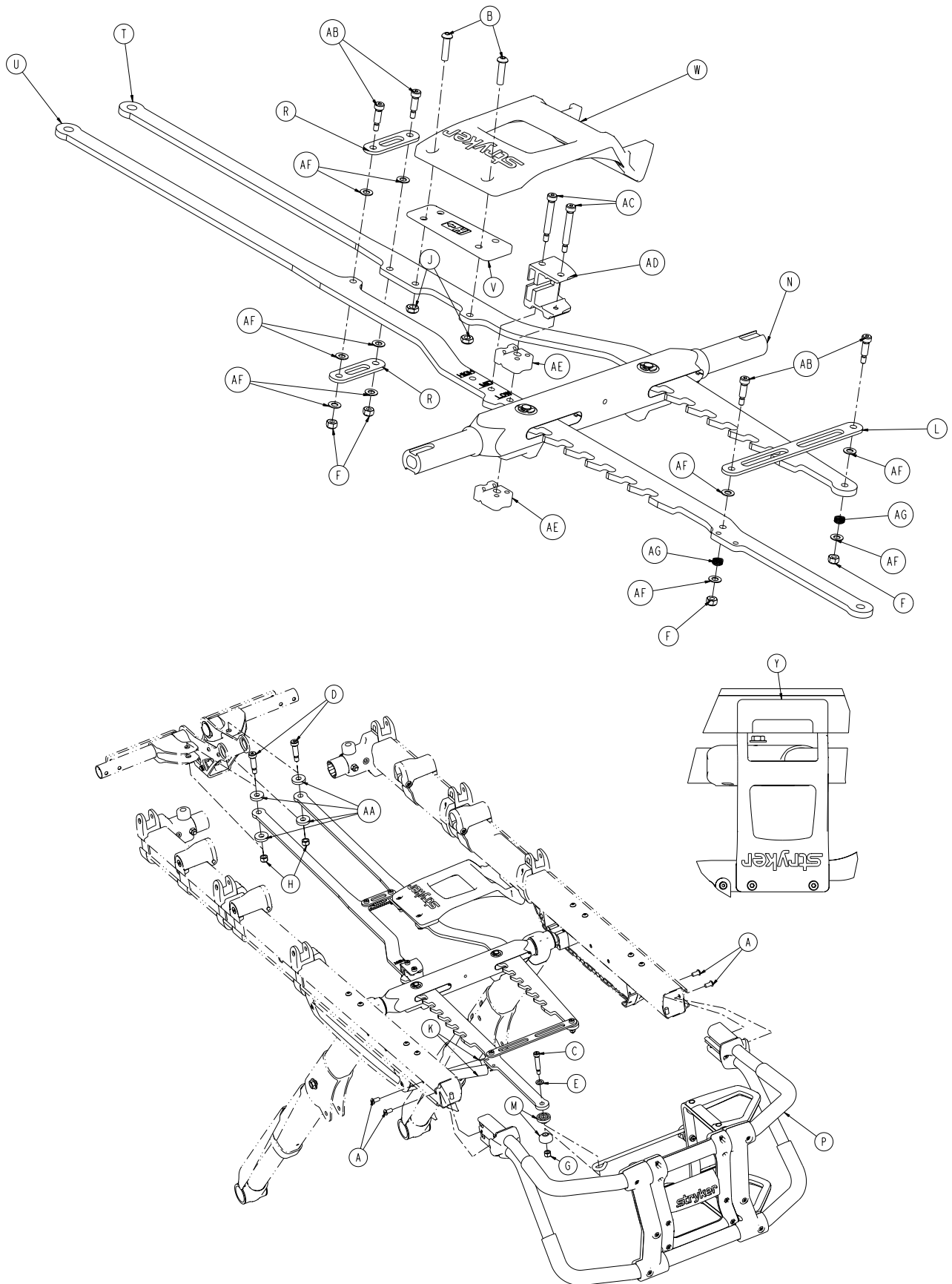


A	0038-570-000	1
B	0038-134-000	1
D	6500-001-091	1
E	6500-001-092	1
F	6500-001-025	1
G	6500-001-095	1



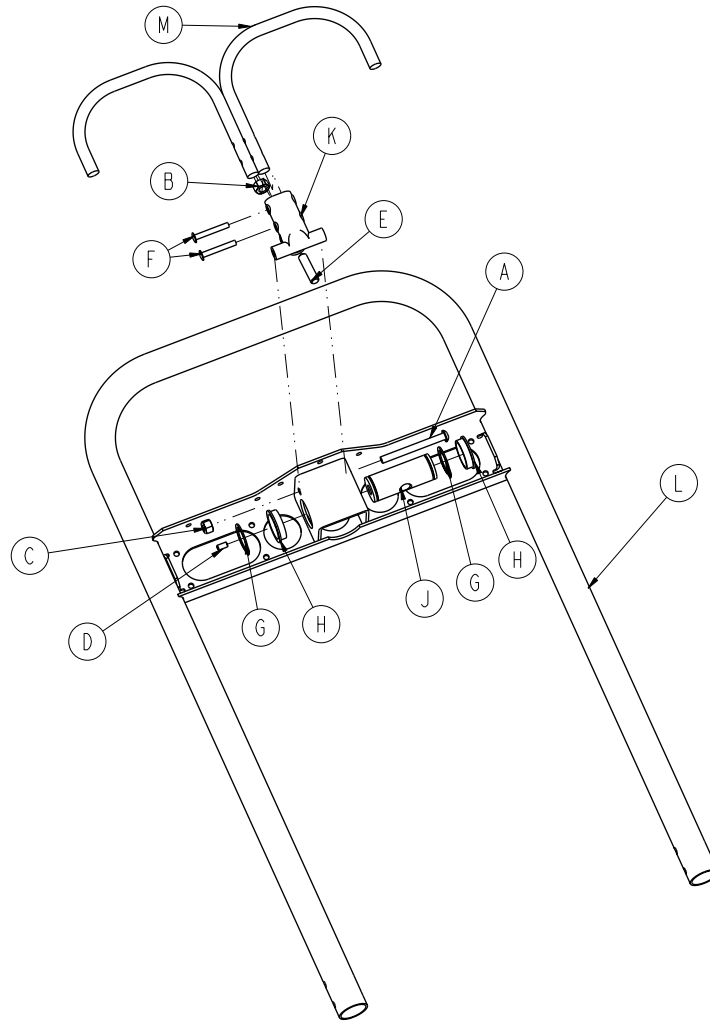
6086-029-000

A	0004-589-000	4
B	0004-594-000	2
C	0008-033-000	1
D	0008-081-000	2
E	0011-352-000	1
F	0016-002-000	4
G	0016-028-000	1
H	0016-036-000	2
J	0016-102-000	2
K	0038-508-000	2
L	6082-005-038	1
M	6082-040-025	2
N	6085-001-013	1
P	6085-001-015	1
R	6085-001-089	2
T	6085-001-099	1
U	6085-001-100	1
V	6085-001-141	1
W	6085-001-142	1
Y	6085-001-159	1
AA	6085-001-175	4
AB	0008-020-000	4
AC	0008-079-000	2
AD	6085-001-098	1
AE	6085-001-101	2
AF	0014-004-000	1
AG	0038-374-000	2

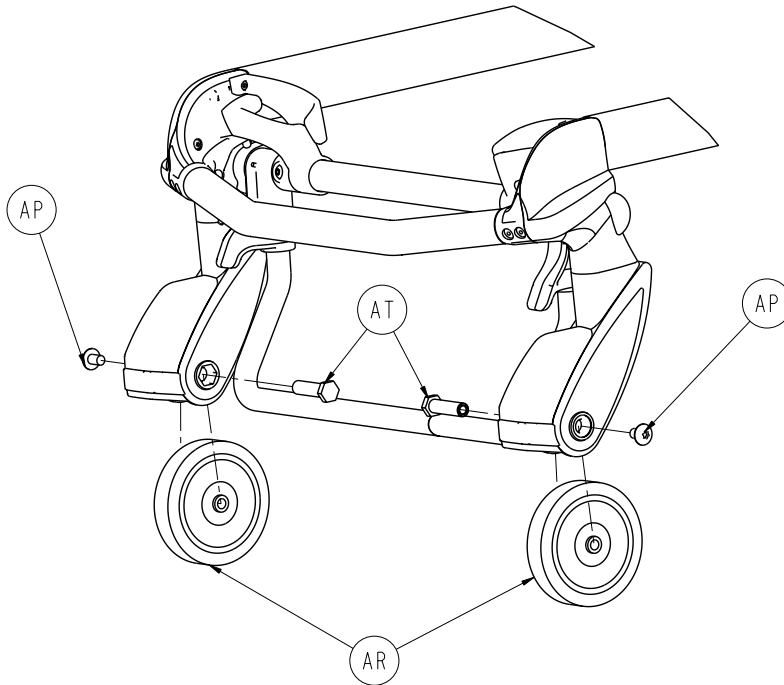
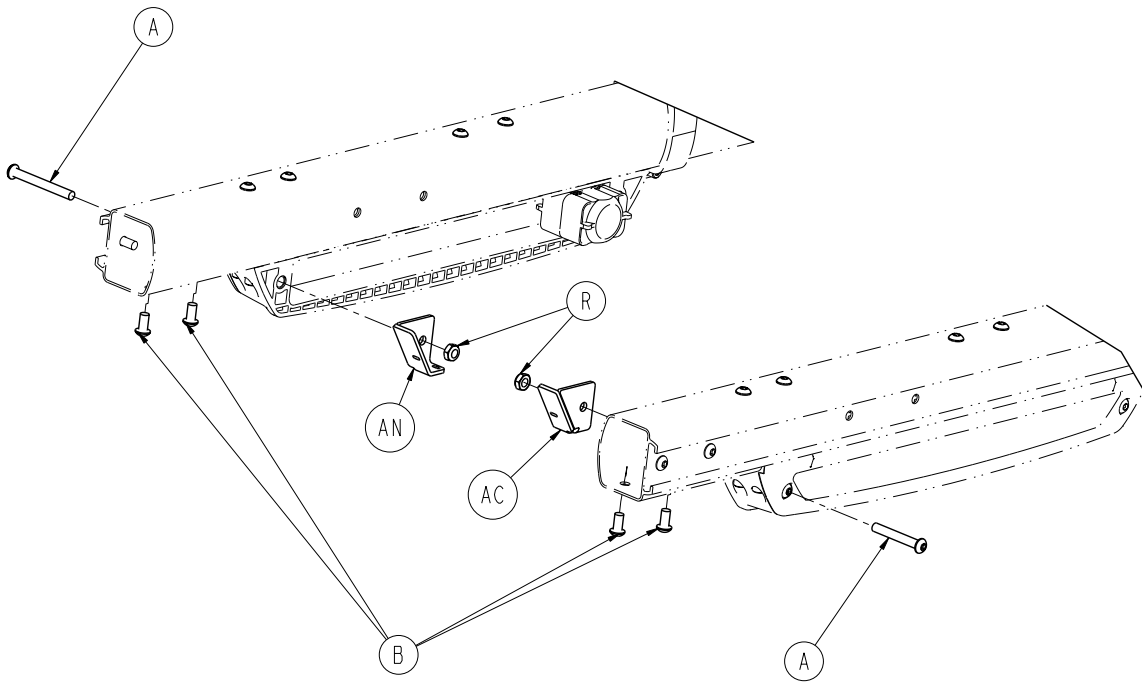


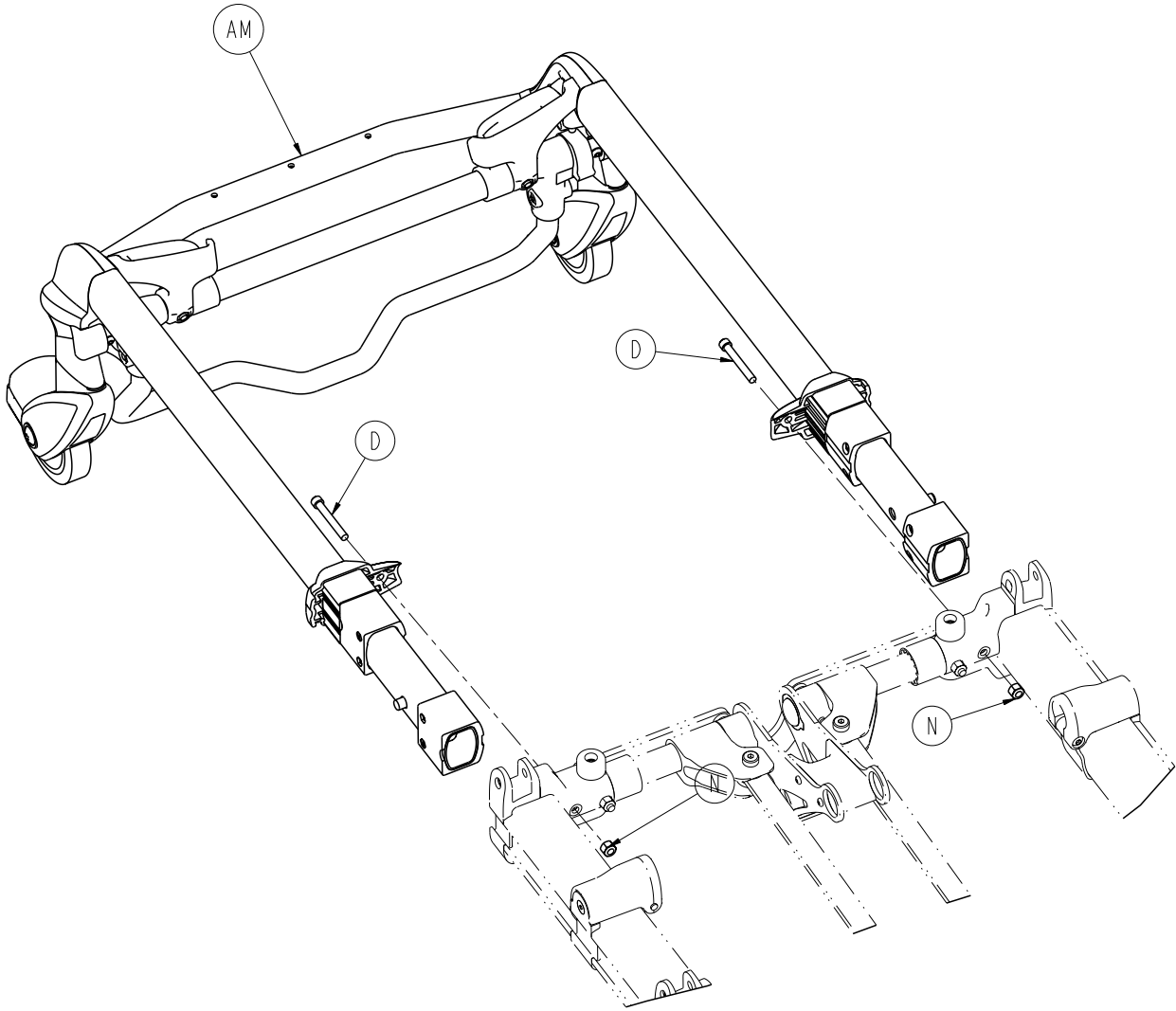
6086-030-000

A	0004-589-000	4
B	0004-594-000	2
C	0008-033-000	1
D	0008-081-000	2
E	0011-352-000	1
F	0016-002-000	4
G	0016-028-000	1
H	0016-036-000	2
J	0016-102-000	2
K	0038-508-000	2
L	6082-005-038	1
M	6082-040-025	2
N	6085-001-013	1
P	6085-001-015	1
R	6085-001-089	2
T	6085-001-099	1
U	6085-001-100	1
V	6085-001-141	1
W	6085-001-142	1
Y	6085-001-159	1
AA	6085-001-175	4
AB	0008-020-000	4
AC	0008-079-000	2
AD	6085-001-128	1
AE	6085-001-101	2
AF	0014-004-000	10
AG	0038-374-000	2

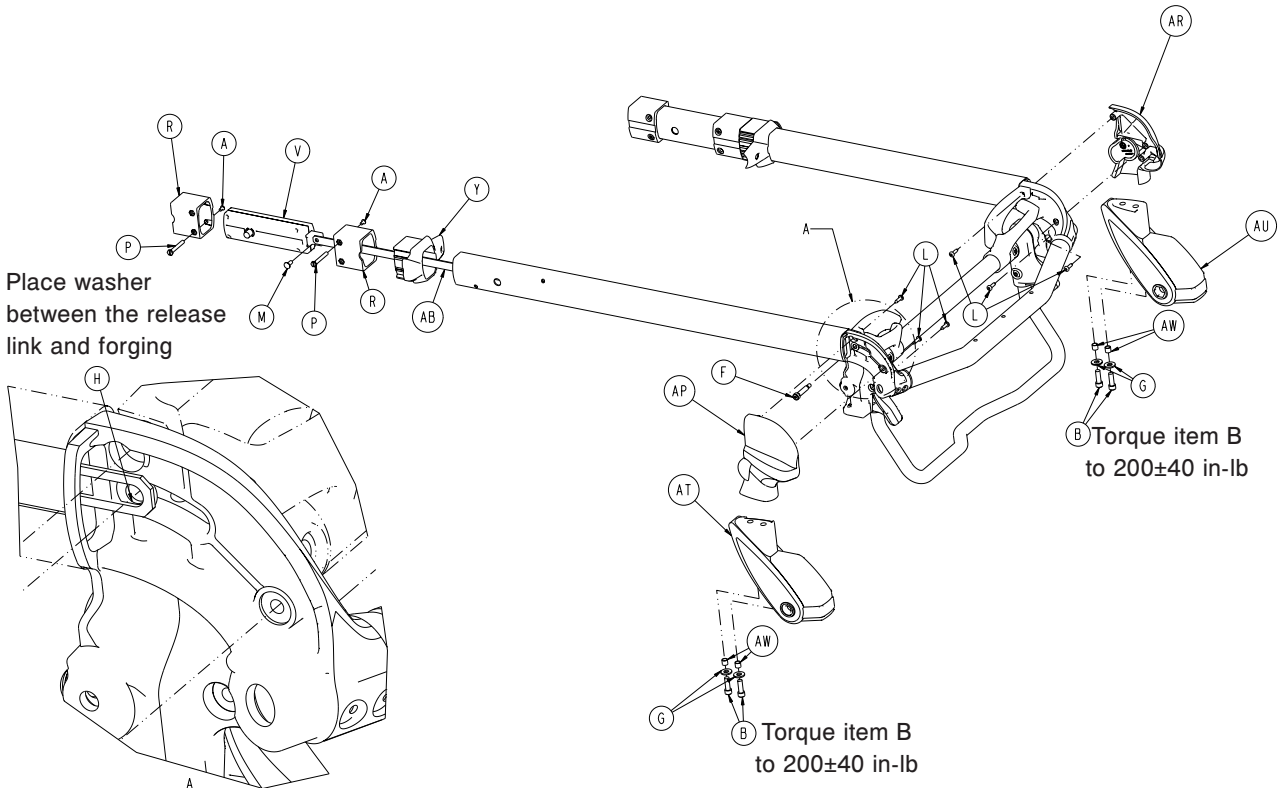
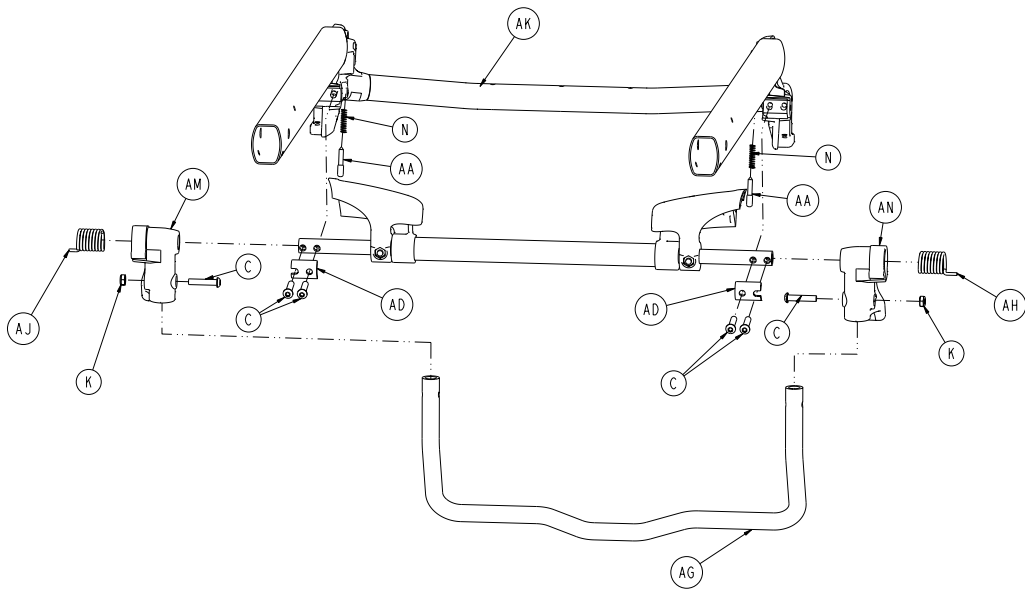
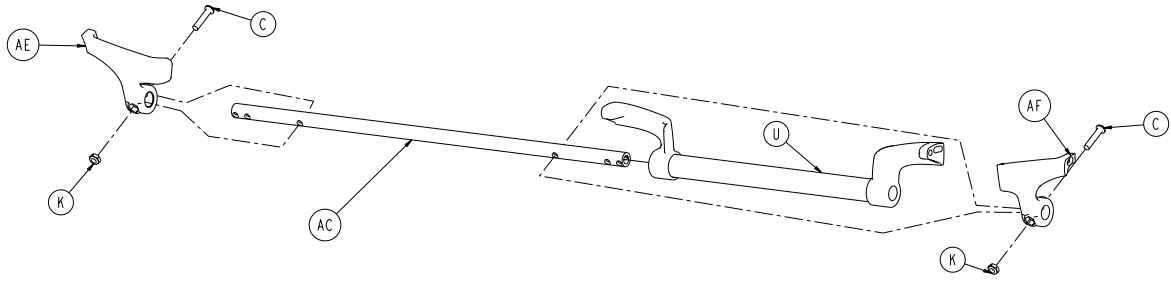


A	0004-597-000	1
B	0015-050-000	1
C	0016-028-000	1
D	0021-180-000	1
E	0021-138-000	1
F	0025-131-000	2
G	0028-076-000	2
H	0946-035-025	2
J	6060-032-038	1
K	6060-032-040	1
L	6082-032-050	1
M	6082-032-052	1



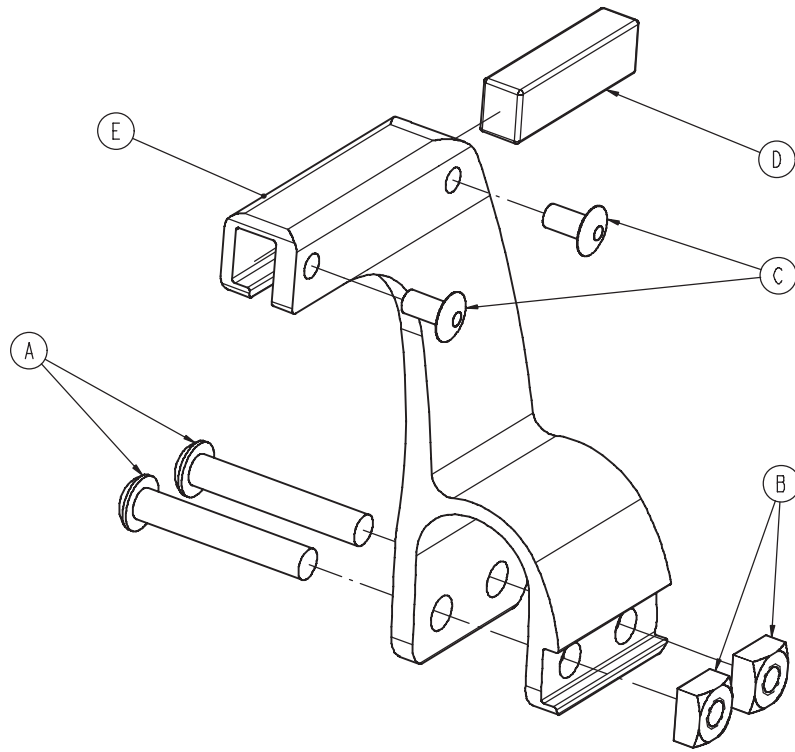


A	0004-387-000	2
B	0004-589-000	4
D	0004-595-000	2
N	0016-028-000	2
R	0016-102-000	2
AC	6085-001-092	1
AM	6500-002-020	1
AN	6085-001-104	1
AP	0007-556-000	2
AR	6500-001-086	2
AT	6500-002-106	2

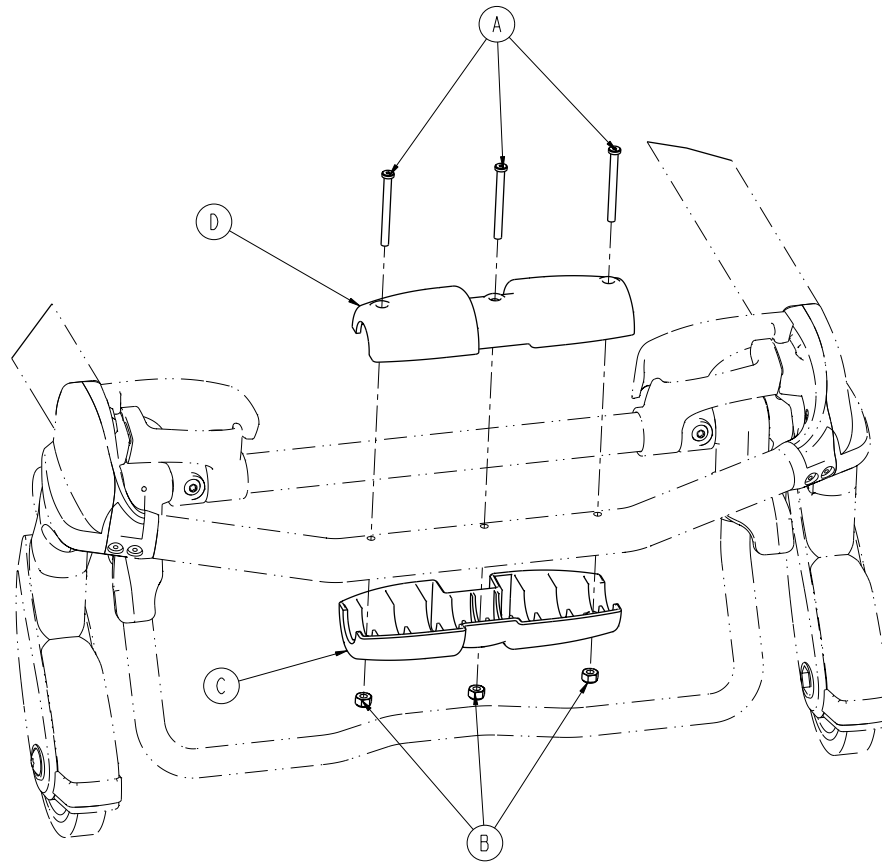


6500-002-020

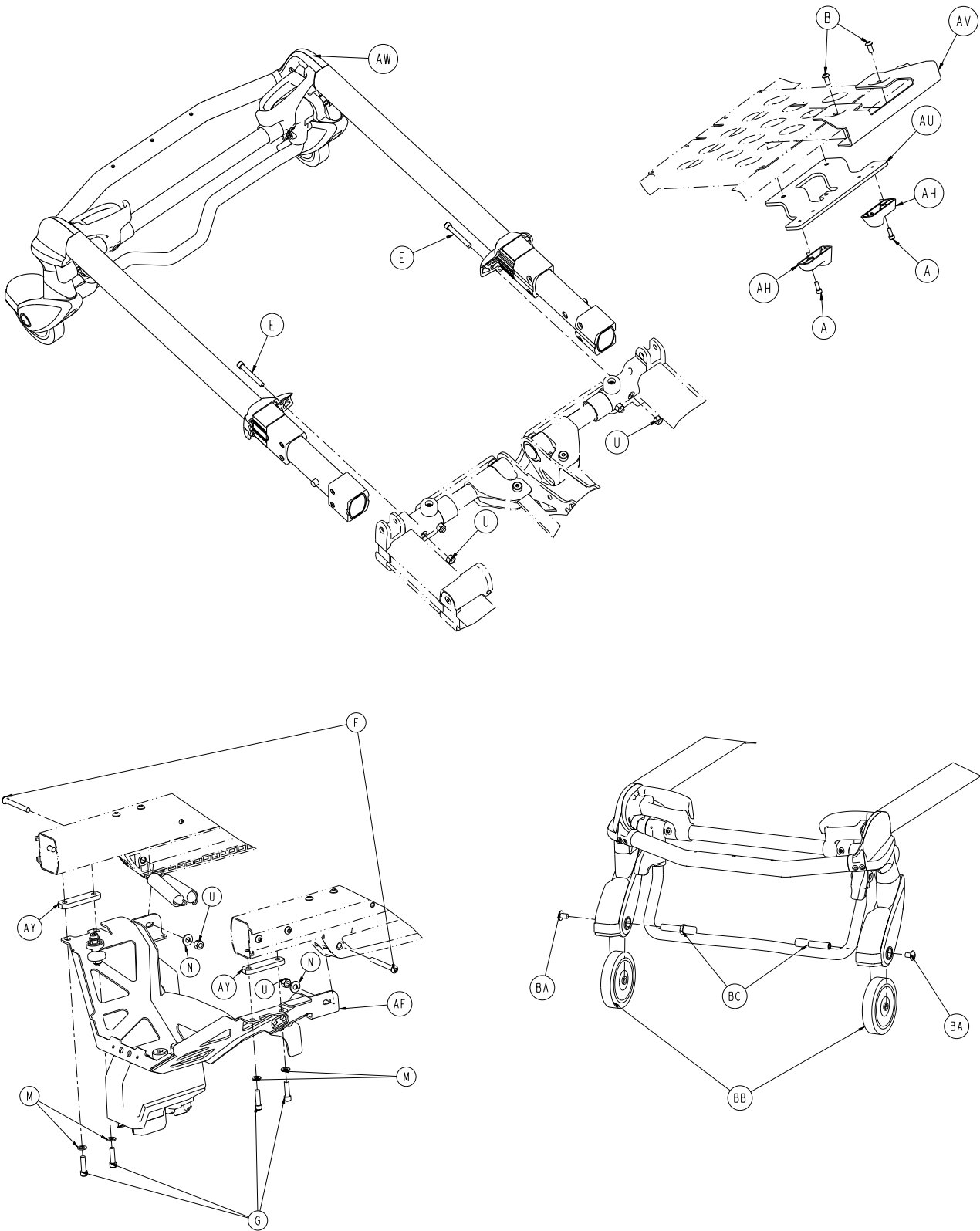
A	0004-168-000	4
B	0004-591-000	4
C	0004-612-000	8
F	0008-030-000	2
G	0011-624-000	4
H	0014-002-000	2
K	0016-102-000	4
L	0023-162-000	6
M	0025-126-000	2
N	0038-570-000	2
P	6085-001-169	4
R	6085-001-170	4
U	6500-001-023	1
V	6500-001-026	2
Y	6500-001-087	2
AA	6500-001-093	2
AB	6500-001-096	2
AC	6500-001-220	1
AD	6500-001-221	2
AE	6500-001-280	1
AF	6500-001-281	1
AG	6500-001-322	1
AH	6500-001-325	1
AJ	6500-001-326	1
AK	6500-002-025	1
AM	6500-002-107	1
AN	6500-002-108	1
AP	6500-002-109	1
AR	6500-002-110	1
AT	6500-002-120	1
AU	6500-002-121	1
AW	6500-002-114	4



A	0004-376-000	2
B	0015-016-000	2
C	0025-079-000	2
D	6500-001-271	1
E	6500-001-272	1

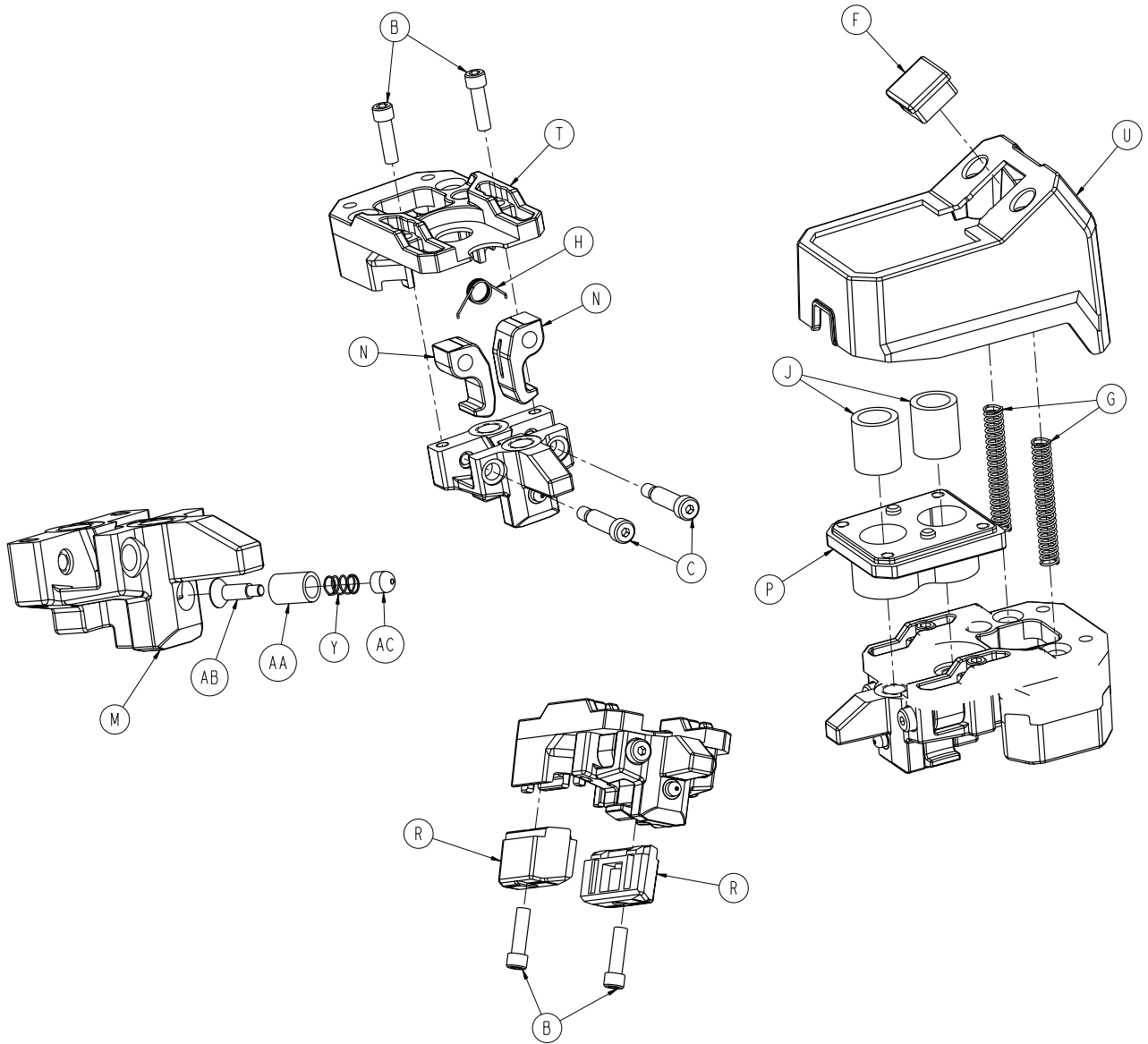


A	0004-656-000	3
B	0016-002-000	3
C	6085-001-174	1
D	6500-002-156	1

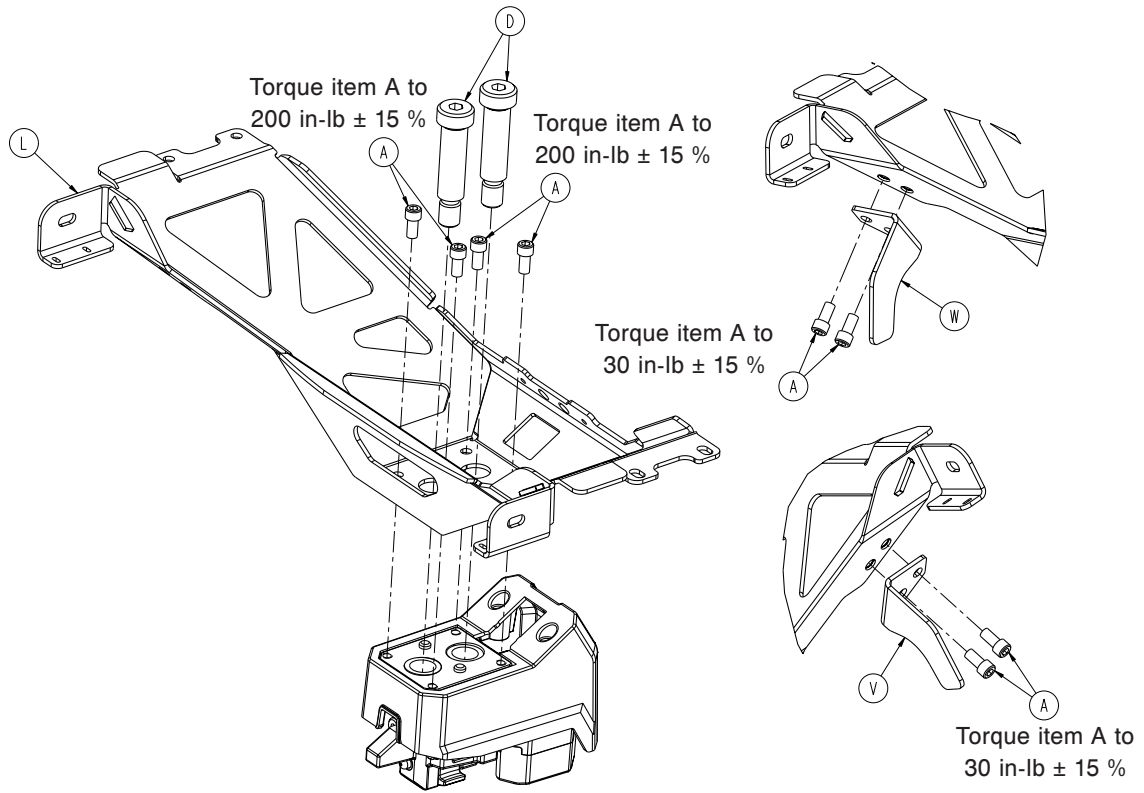


6086-055-000

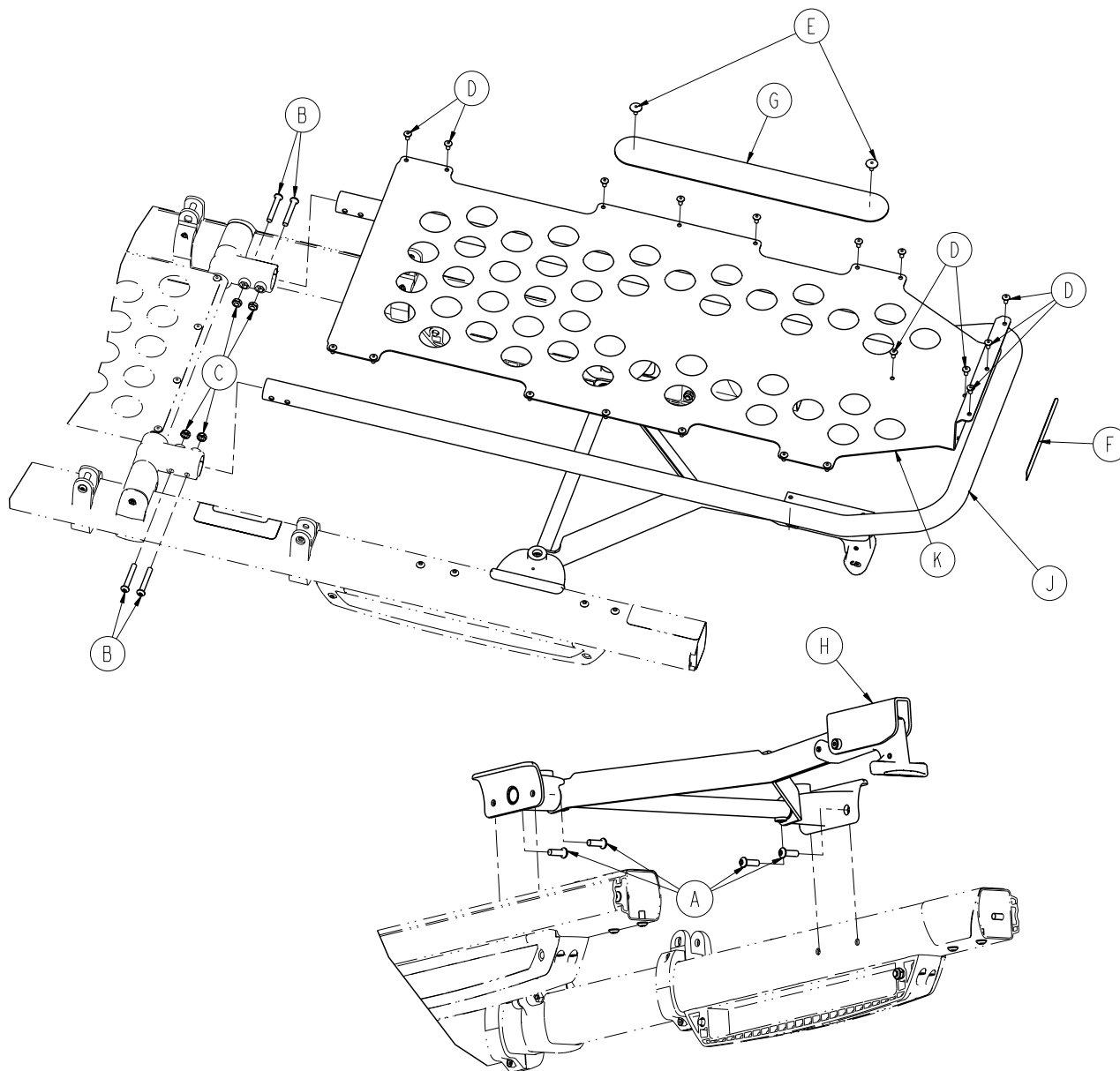
A	0004-348-000	2
B	0004-589-000	2
E	0004-495-000	2
F	0004-387-000	2
G	0004-661-000	4
M	0011-065-000	4
N	0011-077-000	2
U	0016-028-000	4
AF	6085-001-032	1
AH	6085-001-094	2
AU	6085-001-181	1
AV	6085-001-182	1
AW	6500-002-020	1
AY	6500-002-126	2
BA	0007-556-000	2
BB	6500-001-086	2
BC	6500-002-104	2



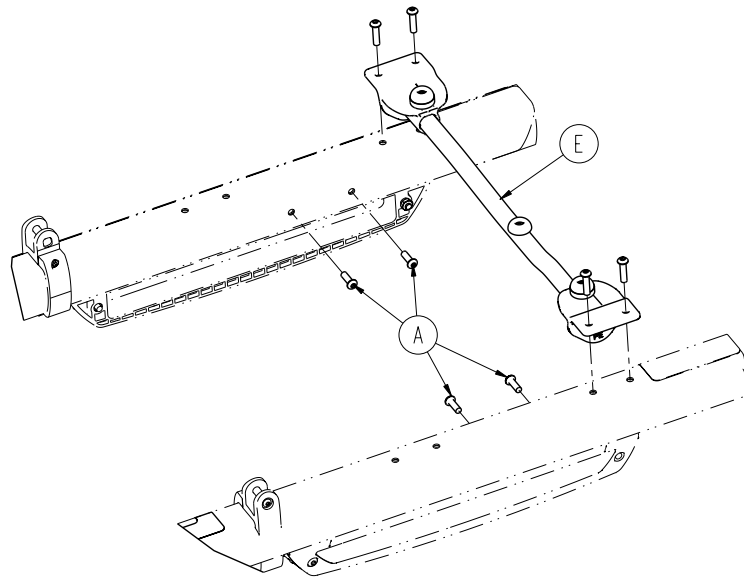
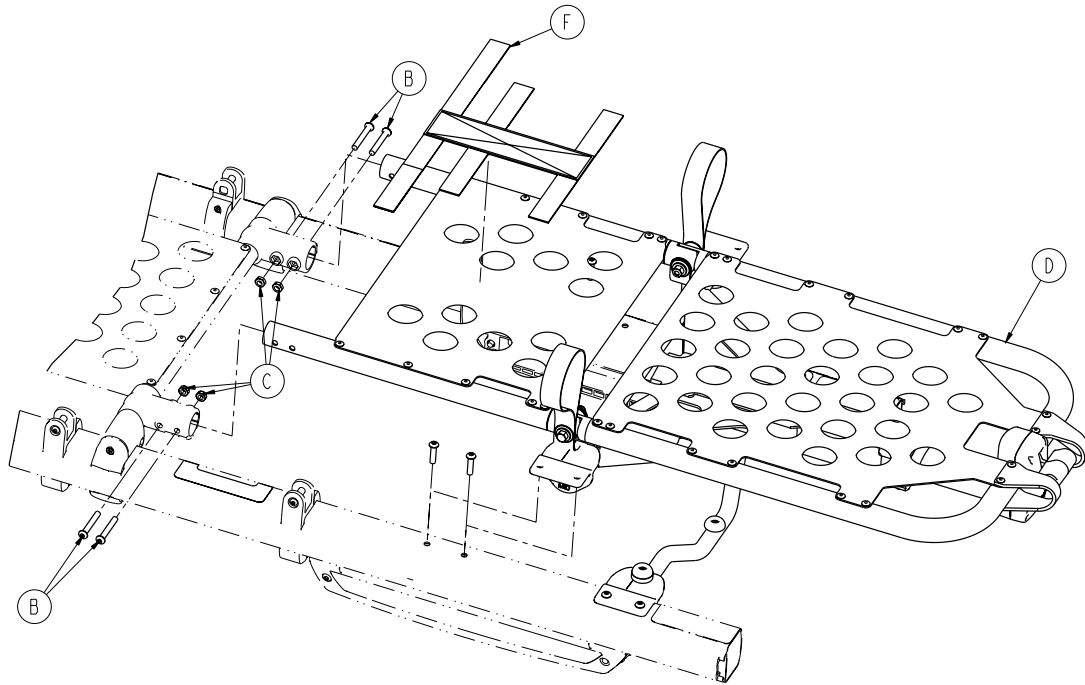
6085-001-032



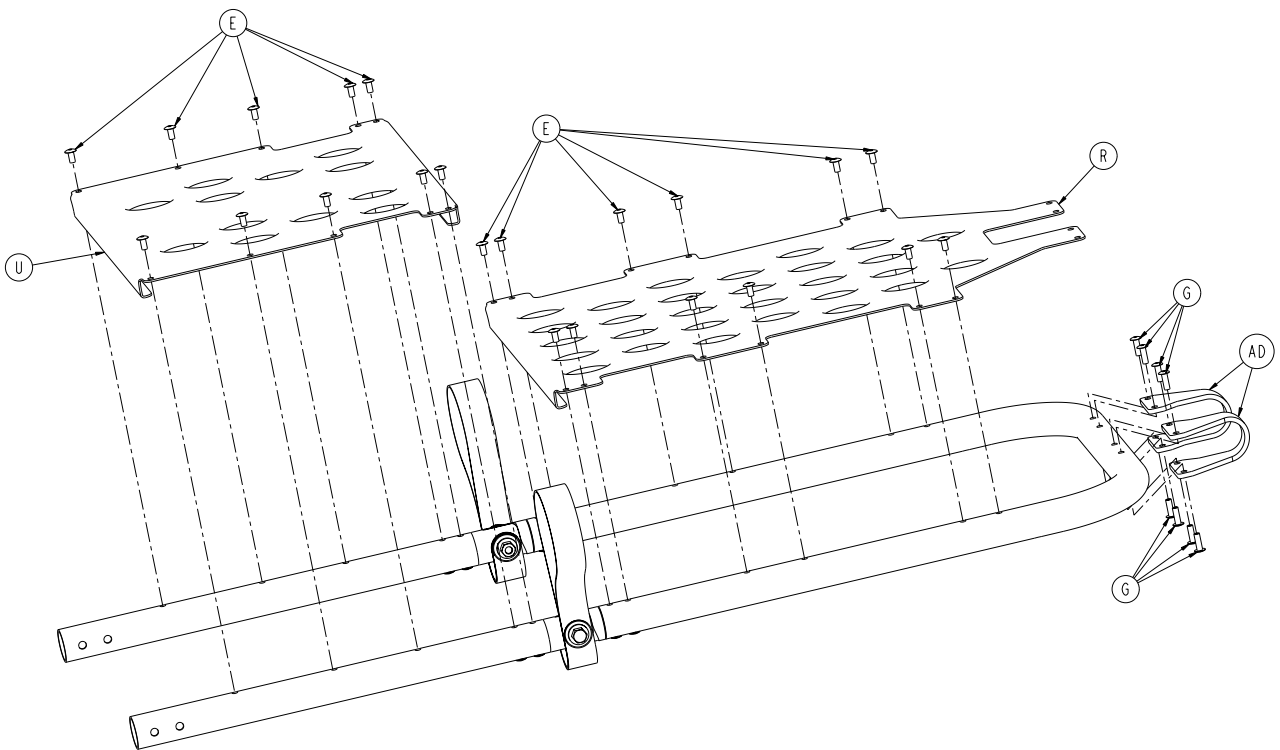
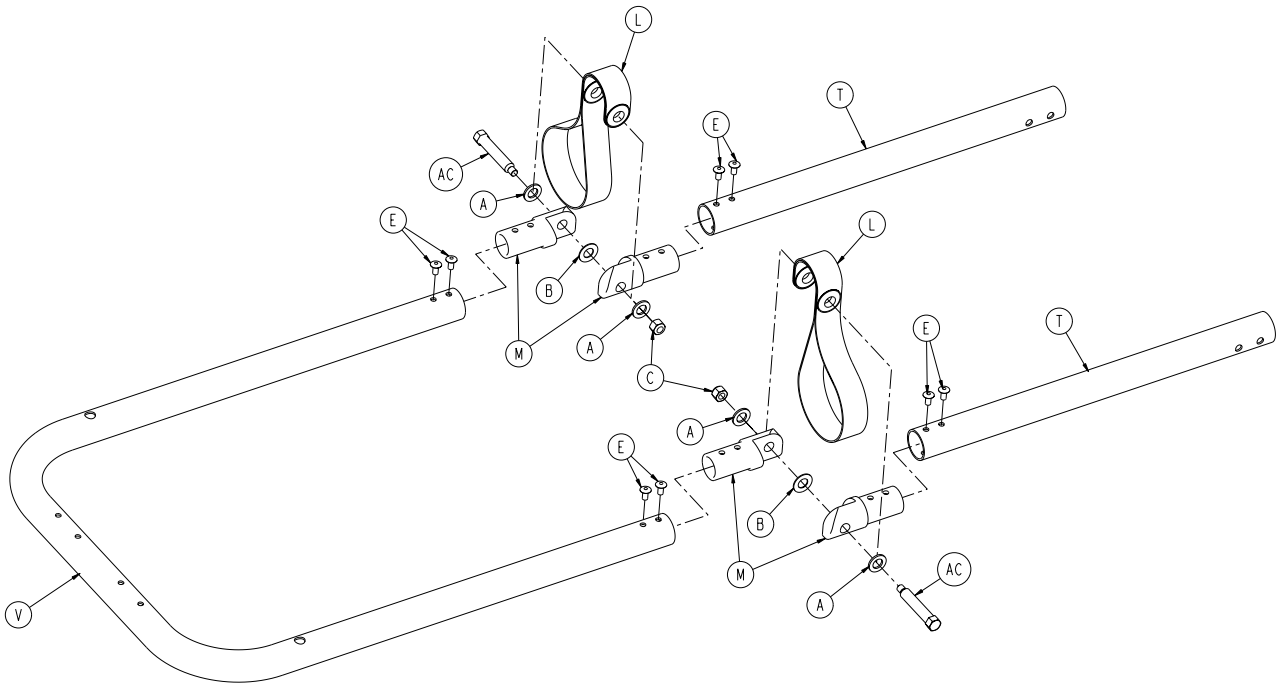
A	0004-660-000	8
B	0004-661-000	4
C	0008-088-000	2
D	0008-087-000	2
F	0037-010-000	1
G	0038-889-000	2
H	0038-891-000	1
J	0081-437-000	2
L	6500-002-050	1
M	6500-002-111	1
N	6500-002-112	2
P	6500-002-113	1
R	6500-002-122	2
T	6500-002-129	1
U	6500-002-136	1
V	6500-002-146	1
W	6500-002-147	1
Y	0038-001-012	1
AA	6500-002-148	1
AB	6500-002-149	1
AC	6500-002-152	1

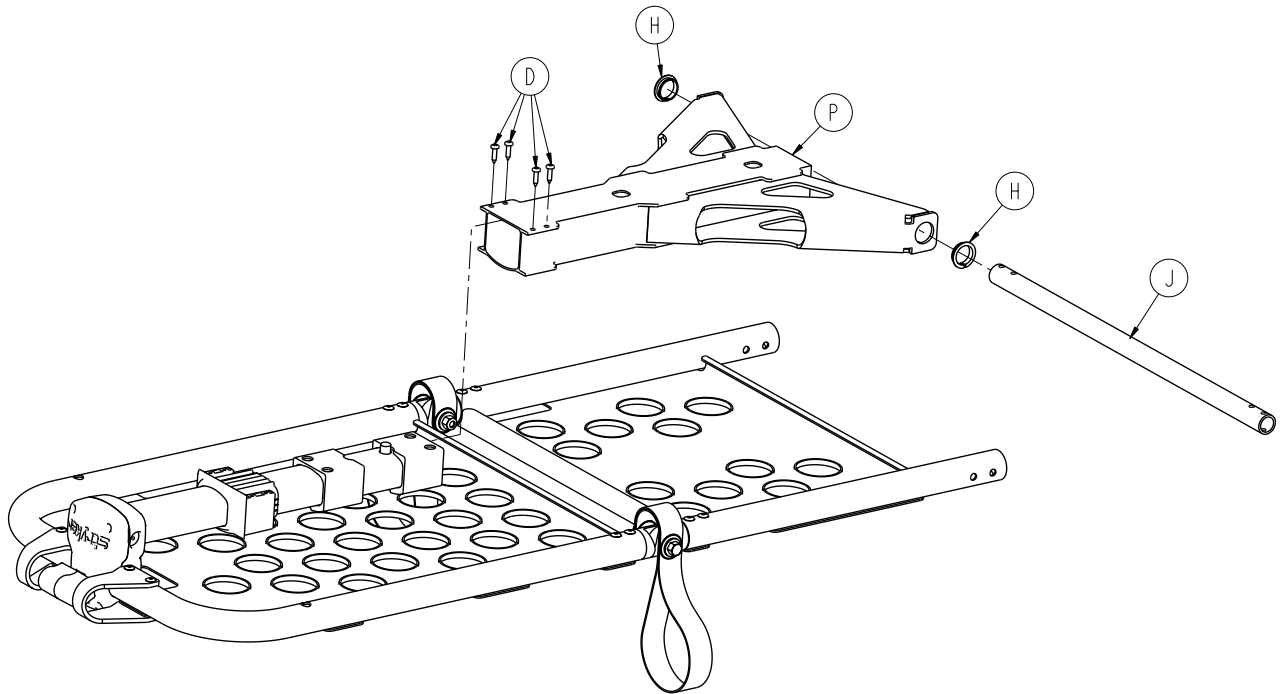
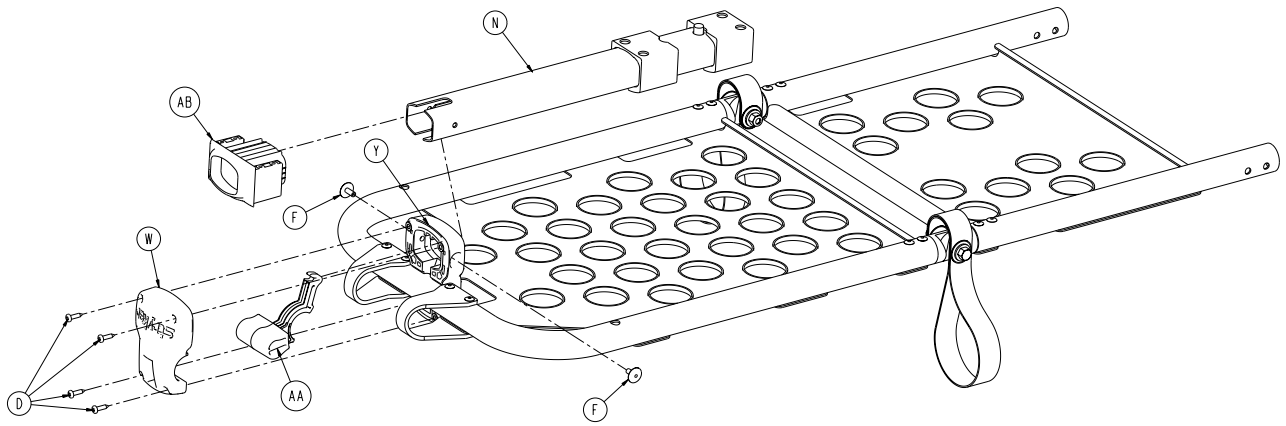


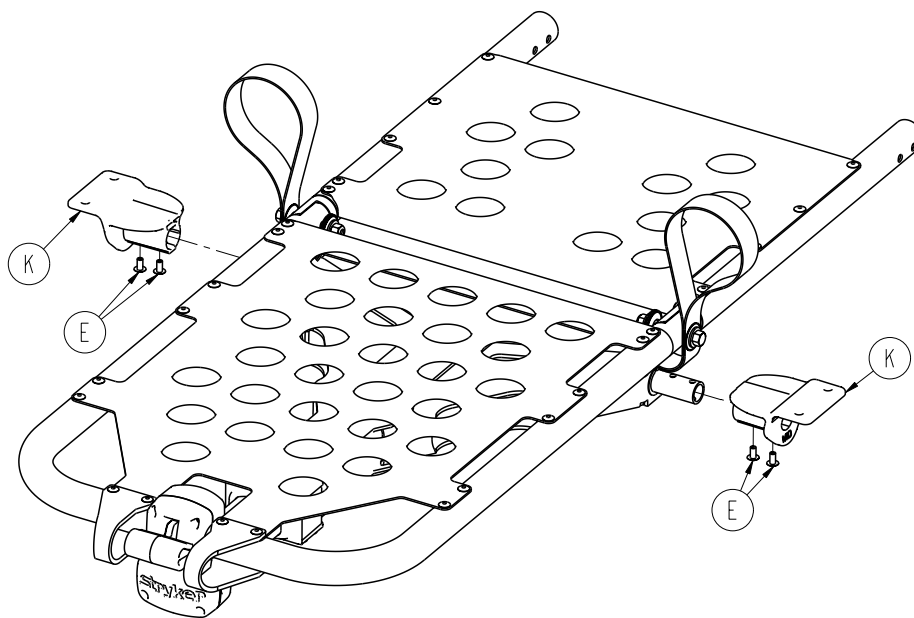
A	0004-592-000	4
B	0004-596-000	4
C	0016-102-000	4
D	0025-079-000	19
E	0025-132-000	2
F	6060-090-004	1
G	6082-001-085	1
H	6500-001-019	1
J	6500-001-197	1
K	6500-001-198	1



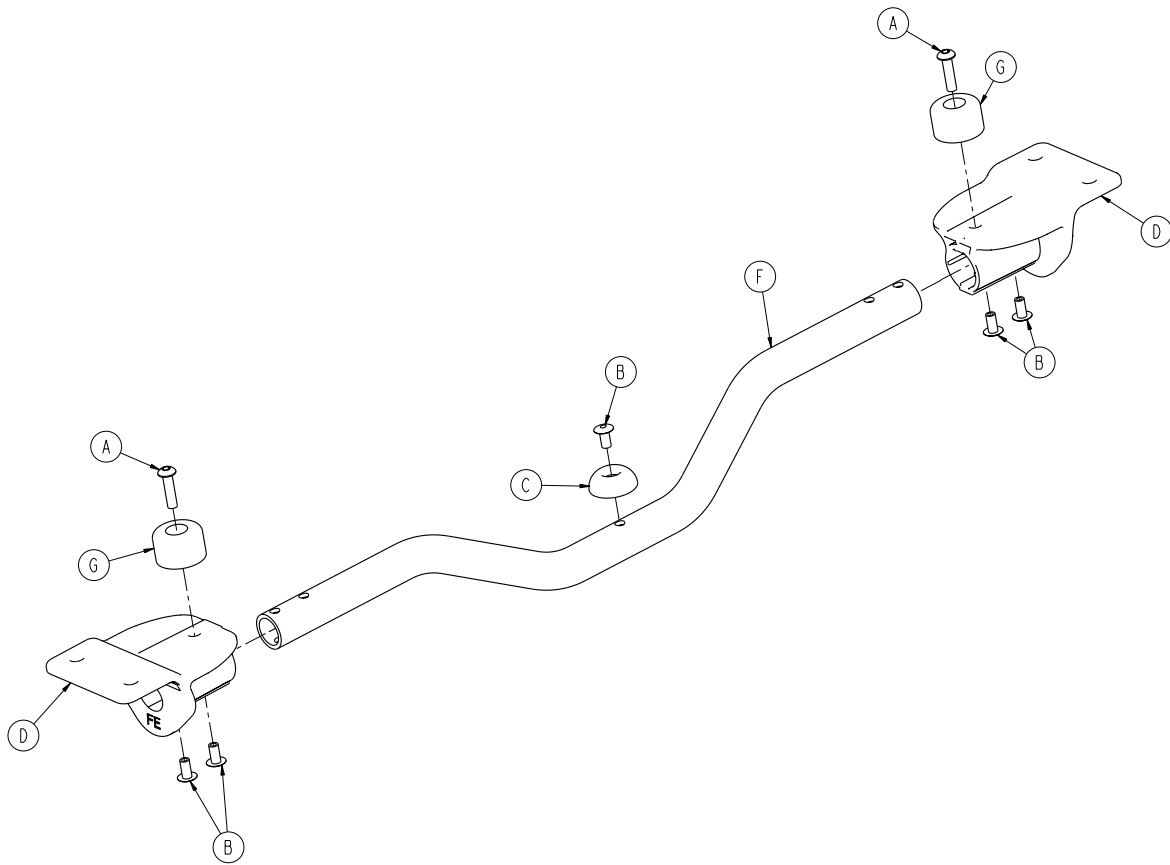
A	0004-592-000	4
B	0004-596-000	4
C	0016-102-000	4
D	6085-001-030	1
E	6085-001-031	1
F	6550-001-197	1



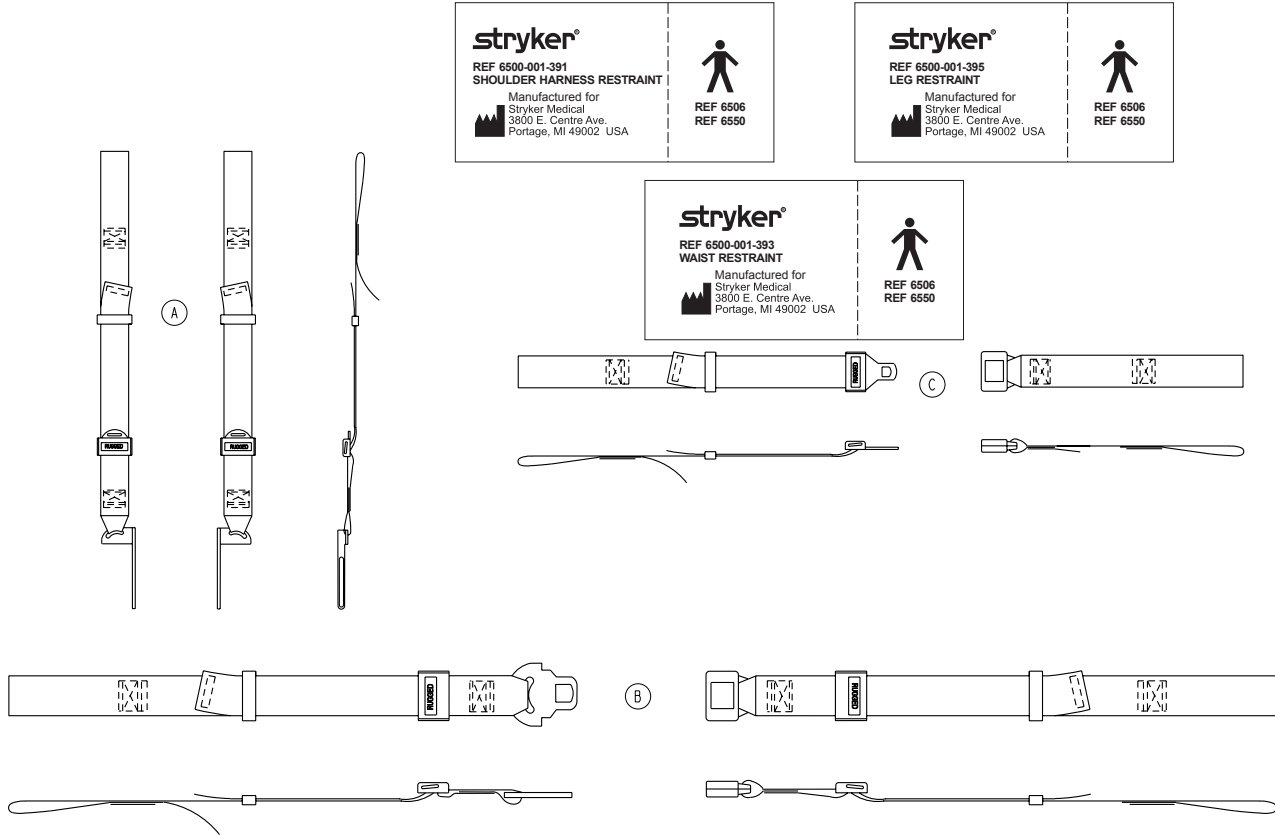




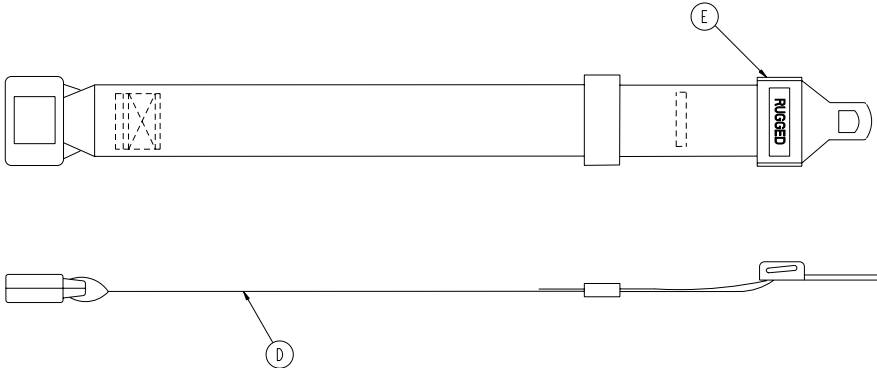
A	0011-448-000	4
B	0014-020-000	2
C	0016-028-000	2
D	0023-162-000	8
E	0025-079-000	34
F	0025-132-000	2
G	0025-133-000	8
H	0081-255-000	2
J	6085-001-123	1
K	6085-001-125	2
L	6100-031-096	2
M	6100-031-108	4
N	6550-001-017	1
P	6550-001-057	1
R	6550-001-110	1
T	6550-001-111	2
U	6550-001-112	1
V	6550-001-116	1
W	6550-001-124	1
Y	6550-001-125	1
AA	6550-001-126	1
AB	6550-001-131	1
AC	6550-001-186	2
AD	6550-001-193	2



A	0004-614-000	2
B	0025-079-000	5
C	0946-001-155	1
D	6085-001-135	2
F	6500-001-346	1
G	0056-028-000	2



A	6500-001-391	1
B	6500-001-393	1
C	6500-001-395	2
D	6500-009-030	1



D	6082-090-001	1
E	6060-090-011	1

6506-170-000

6500-101-046 Rev A (Reference Only)

stryker
3800 E. CENTER AVE., PORTAGE, MI 49001 USA

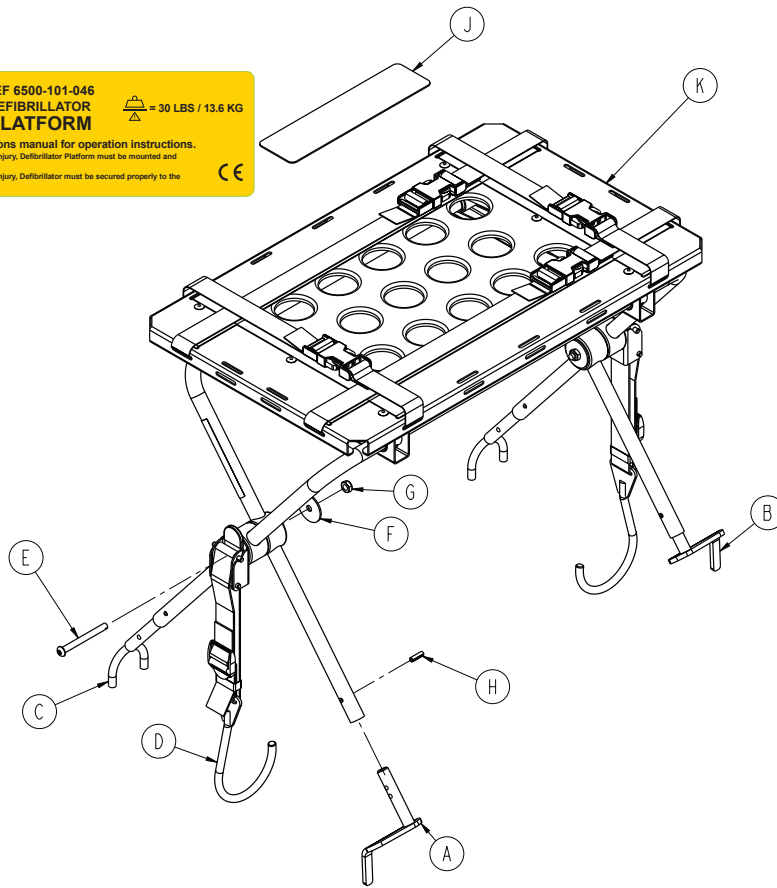
REF 6500-101-046
**DEFIBRILLATOR
 PLATFORM**

 = 30 LBS / 13.6 KG

Refer to Defibrillator Platform operations manual for operation instructions.

 To avoid equipment damage and/or patient injury, Defibrillator Platform must be mounted and secured properly to the Rugged cot.

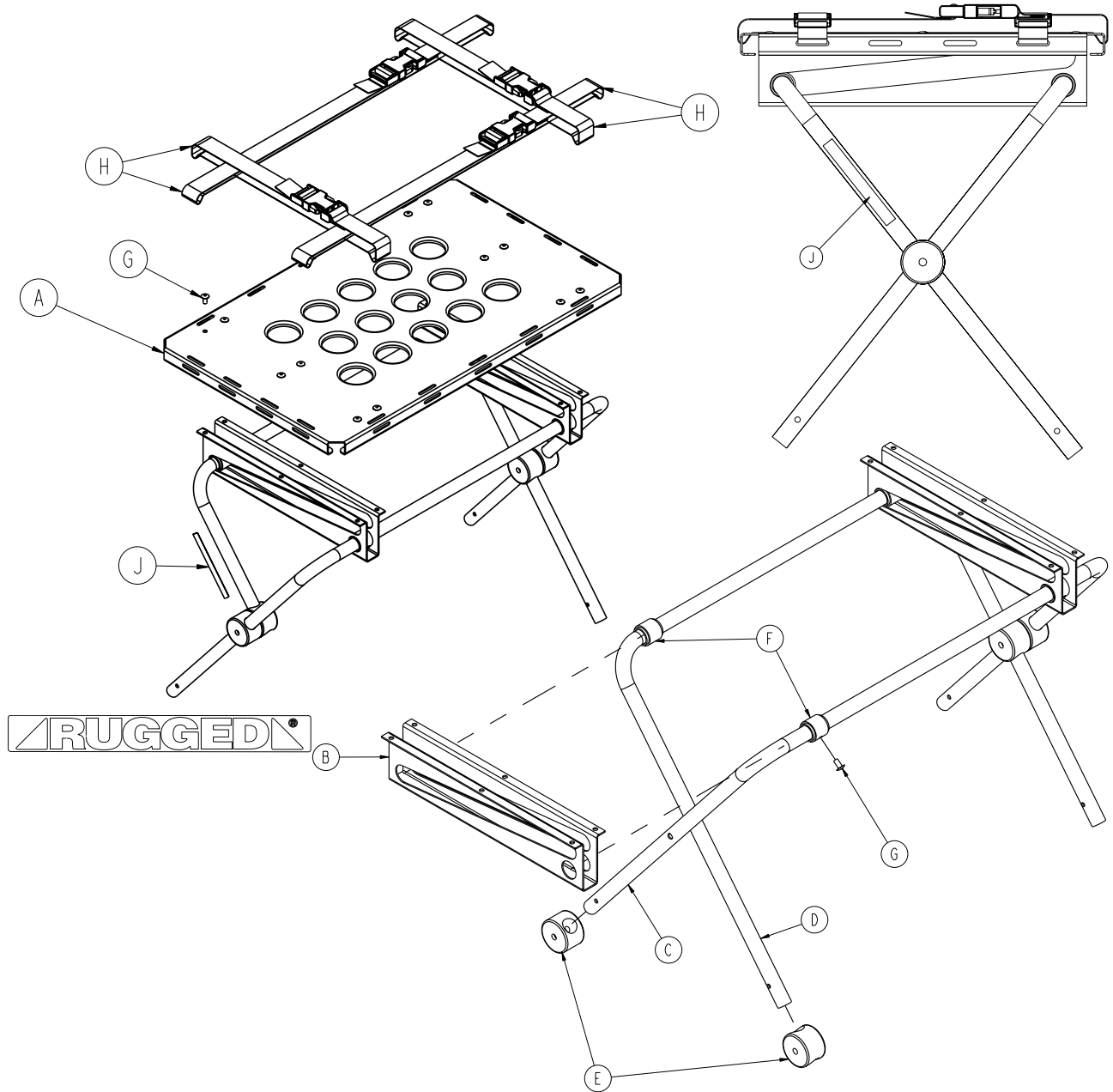
 To avoid equipment damage and/or patient injury, Defibrillator must be secured properly to the Defibrillator Platform with straps provided. 



A	6100-170-050	1
B	6100-170-051	1
C	6082-170-050	2
D	6100-170-020	2
E	0004-234-000	2
F	0011-355-000	2
G	0016-102-000	2
H	0026-172-000	4
J	6500-101-298	1
K	6082-170-020	1

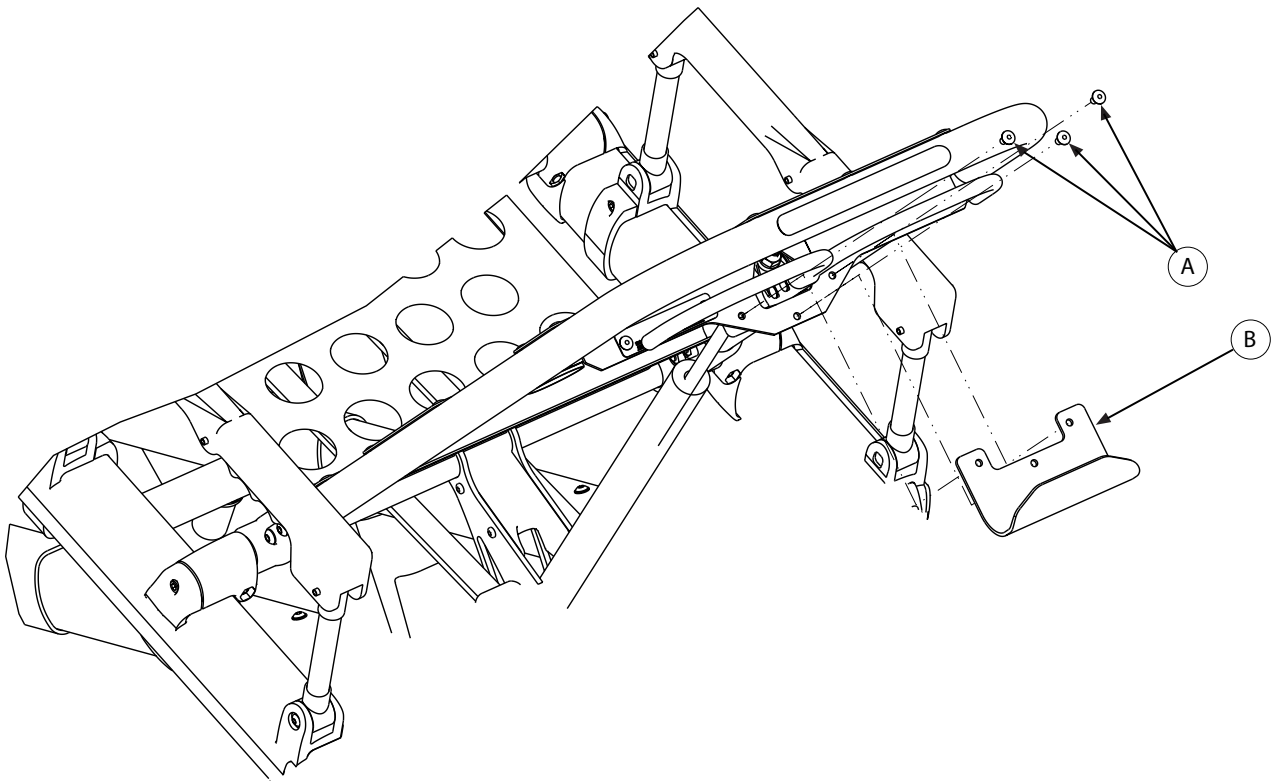
6082-170-020

Rev B

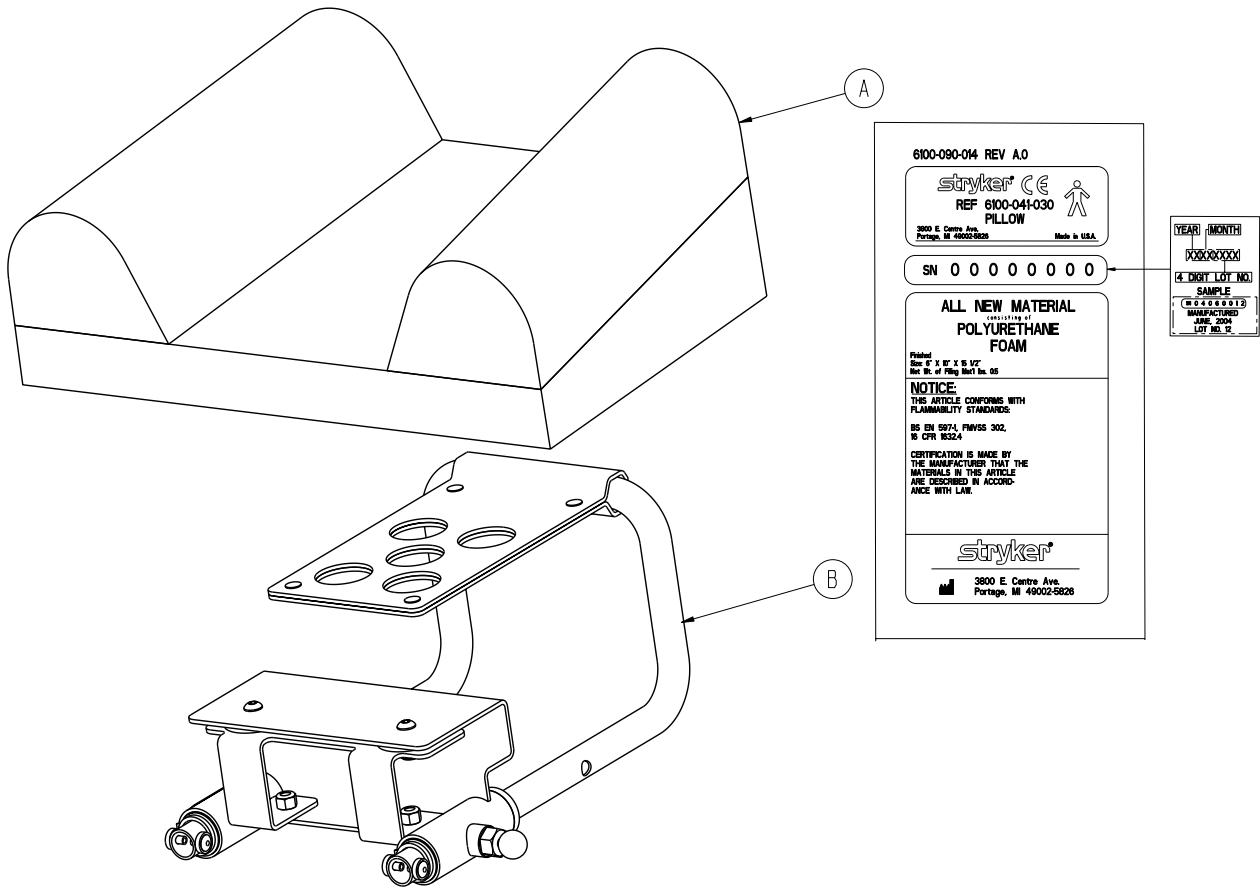


A	6080-170-011	1
B	6080-170-012	2
C	6080-170-013	1
D	6080-170-014	1
E	6080-170-015	4
F	6080-170-016	4
G	0025-079-000	16
H	6060-170-022	4
J	6080-090-023	2

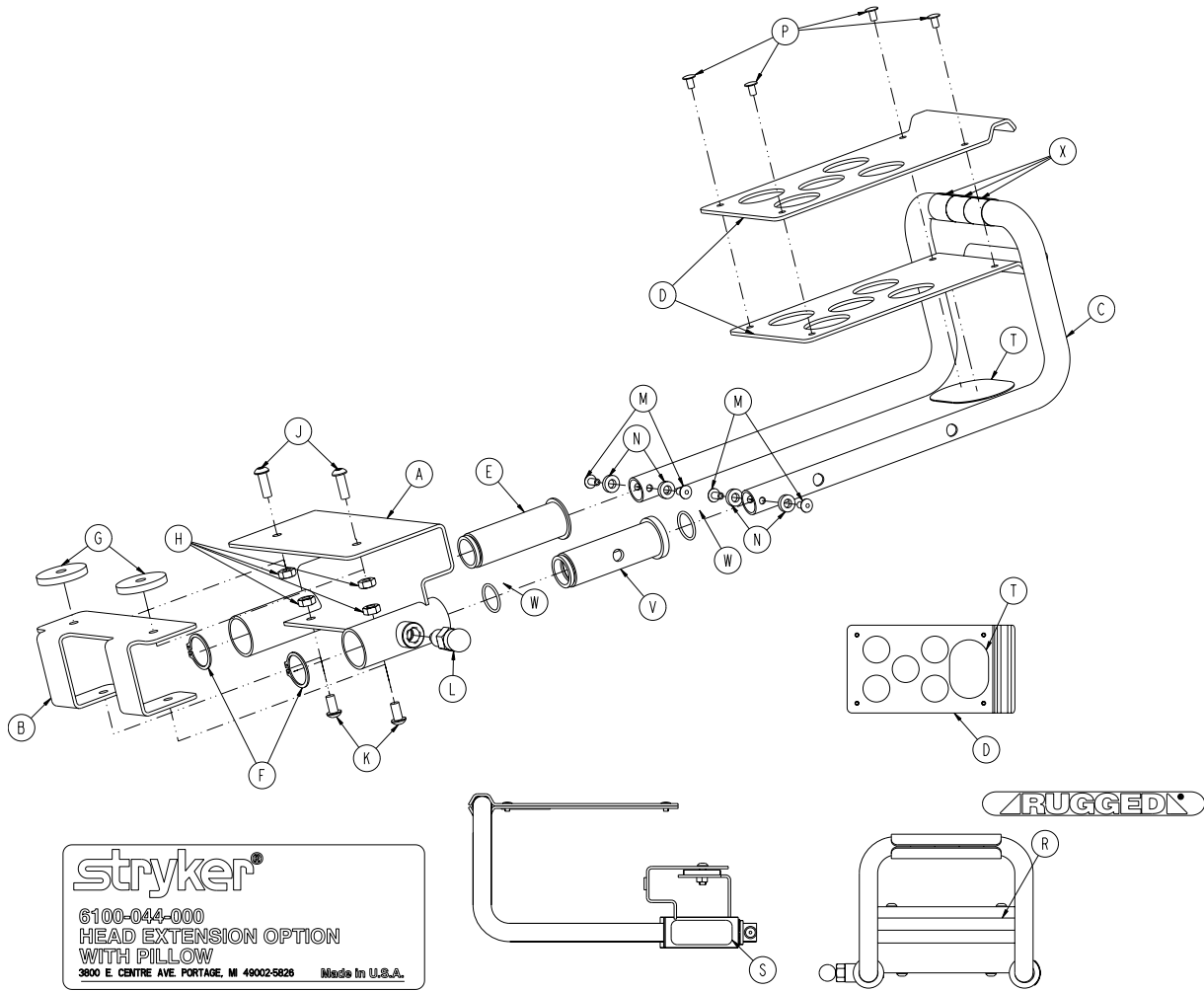
[Return To Table of Contents](#)



A	0025-079-000	3
B	6500-001-237	1

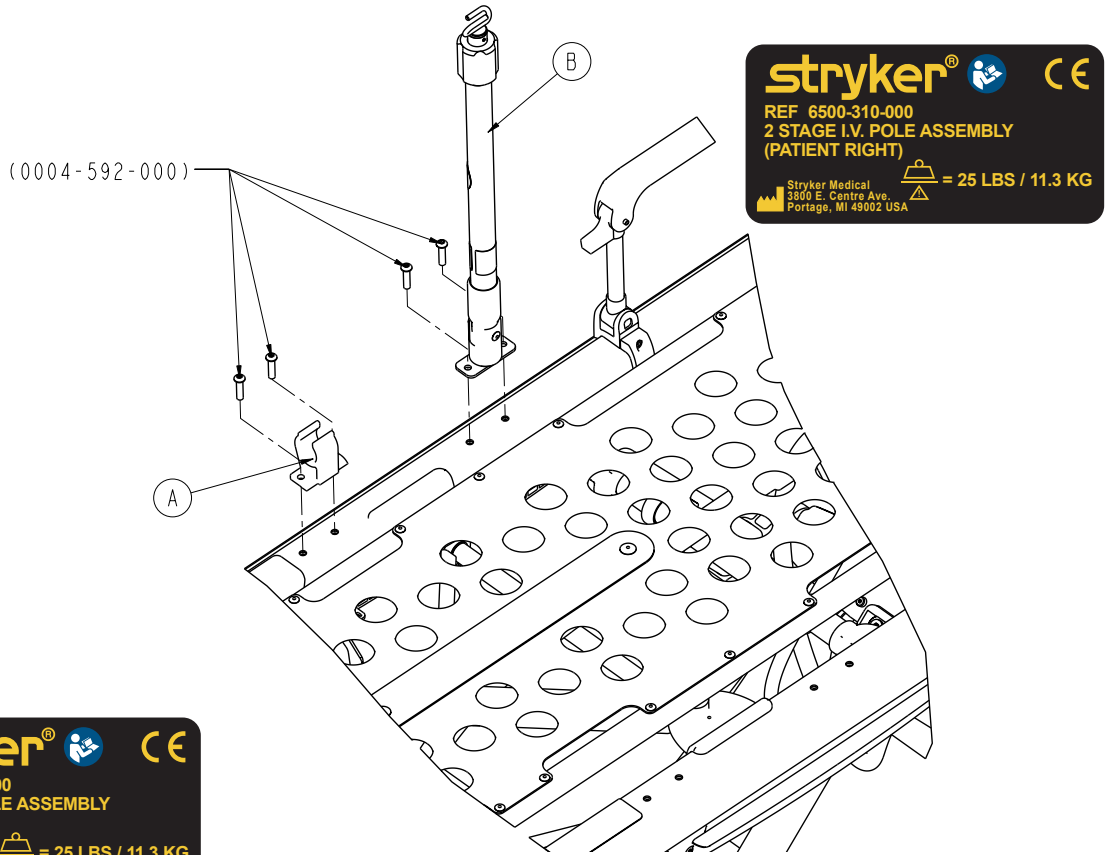




A	6100-041-030	1
B	6100-044-012	1




stryker[®]
 6100-044-000
 HEAD EXTENSION OPTION
 WITH PILLOW
 3900 E. CENTRE AVE. PORTAGE, MI 49002-5826 Made in U.S.A.

A	6100-044-010	1
B	6100-044-007	1
C	6100-044-011	1
D	6100-044-008	2
E	6100-044-005	1
F	0028-076-000	2
G	6100-044-006	2
H	0016-028-000	4
J	0004-161-000	2
K	0004-232-000	2
L	6372-010-016	1
M	0025-079-000	4
N	0014-067-000	4
P	0025-031-000	4
R	6060-090-004	1
S	6100-090-013	1
T	6100-044-013	1
V	6100-044-004	1
W	0045-999-603	2
X	6100-044-014	3





stryker®  

REF 6500-315-000
3 STAGE I.V. POLE ASSEMBLY
(PATIENT RIGHT)

 = 25 LBS / 11.3 KG

Stryker Medical
3800 E. Centre Ave.
Portage, MI 49002 USA

stryker®  

REF 6500-310-000
2 STAGE I.V. POLE ASSEMBLY
(PATIENT RIGHT)

 = 25 LBS / 11.3 KG

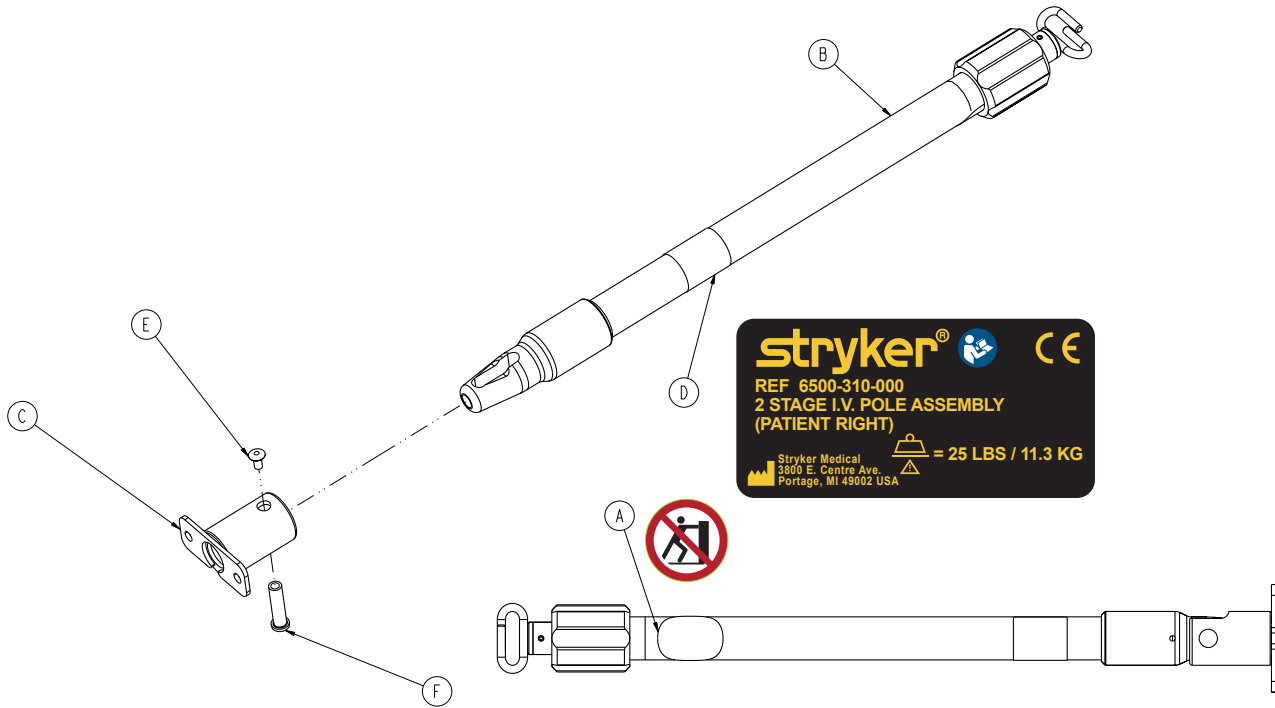
Stryker Medical
3800 E. Centre Ave.
Portage, MI 49002 USA

6500-310-000

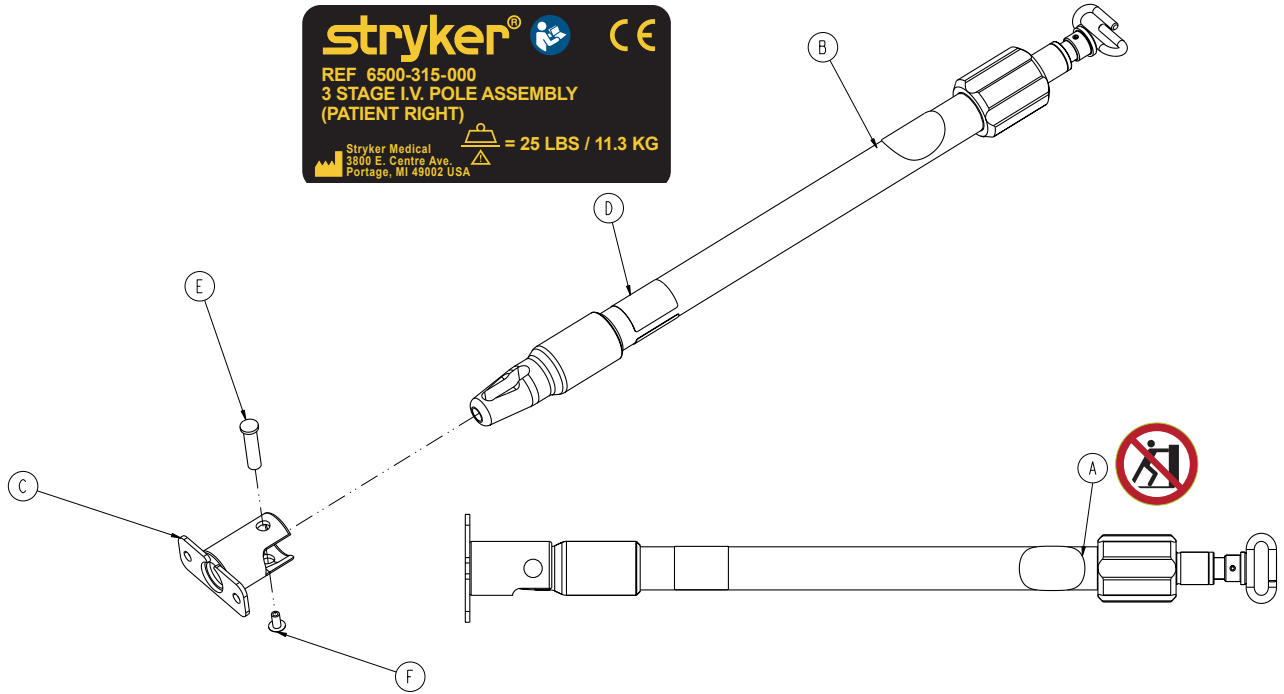
A	6100-115-060	1
B	6500-101-041	1

6500-315-000

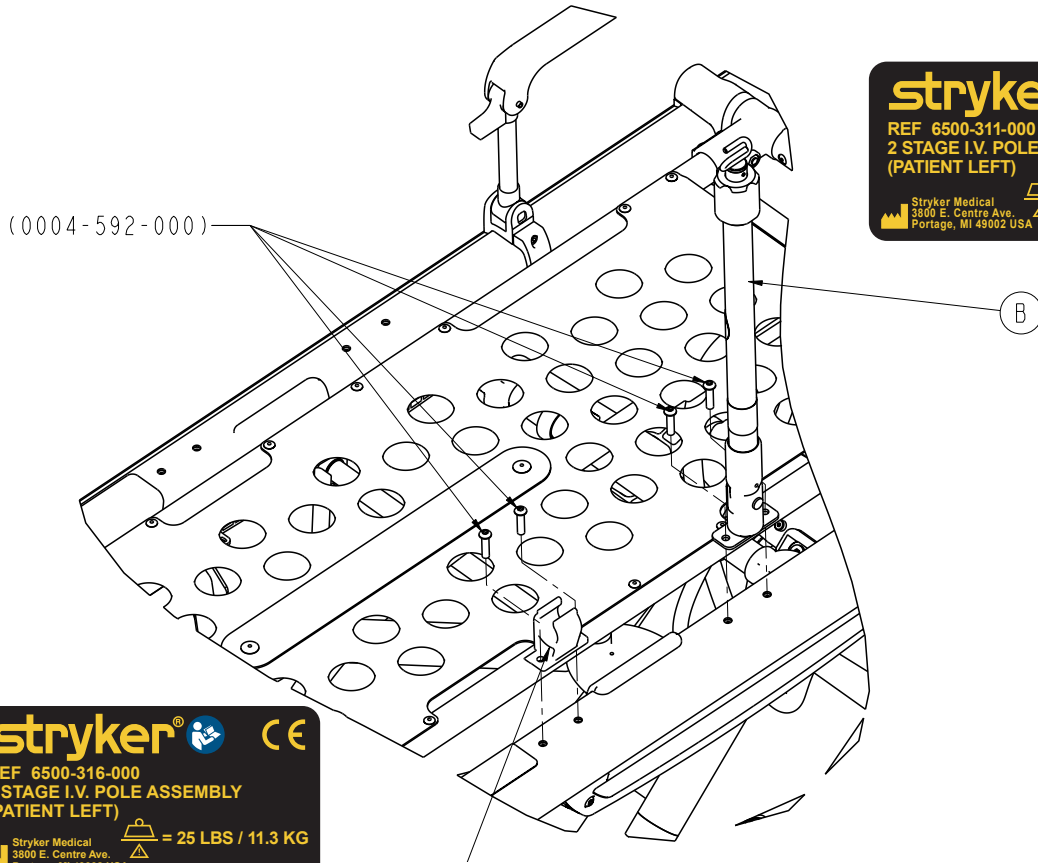
A	6100-115-060	1
B	6500-101-043	1



A	6506-001-901	1
B	6070-210-070	1
C	6100-115-051	1
D	6500-101-253	1
E	0025-079-000	1
F	6070-110-037	1



A	6506-001-901	1
B	6070-215-070	1
C	6100-115-051	1
D	6500-101-255	1
E	6070-110-037	1
F	0025-079-000	1

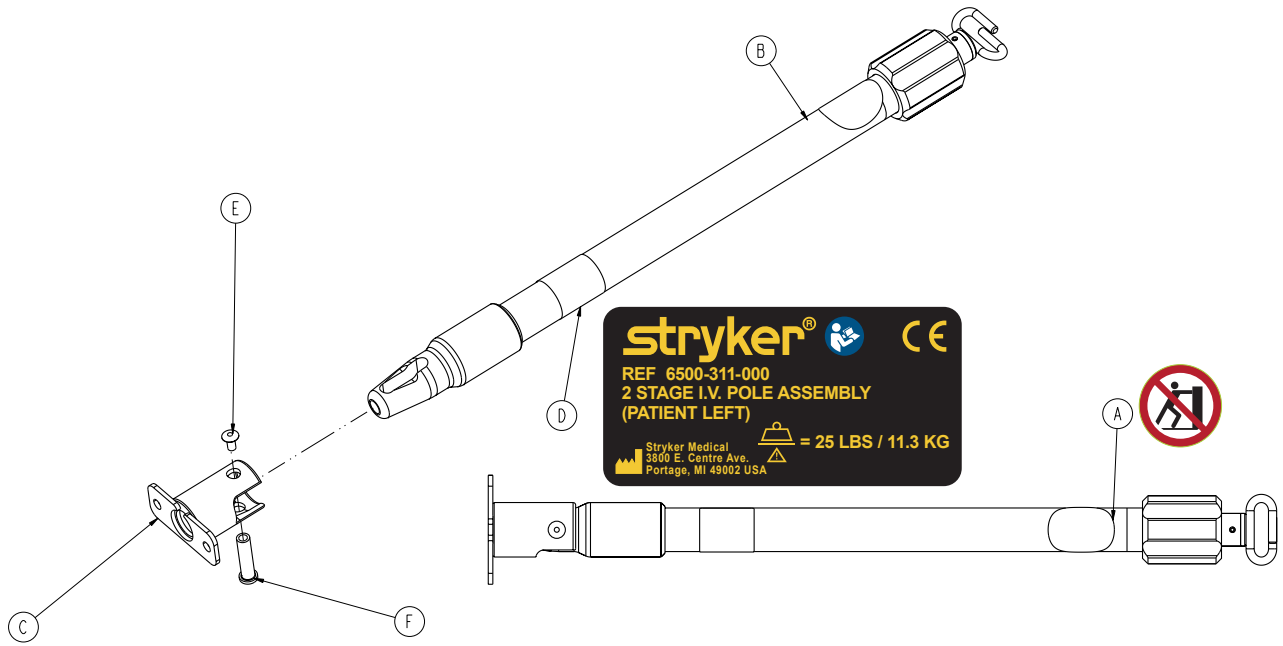


6500-311-000

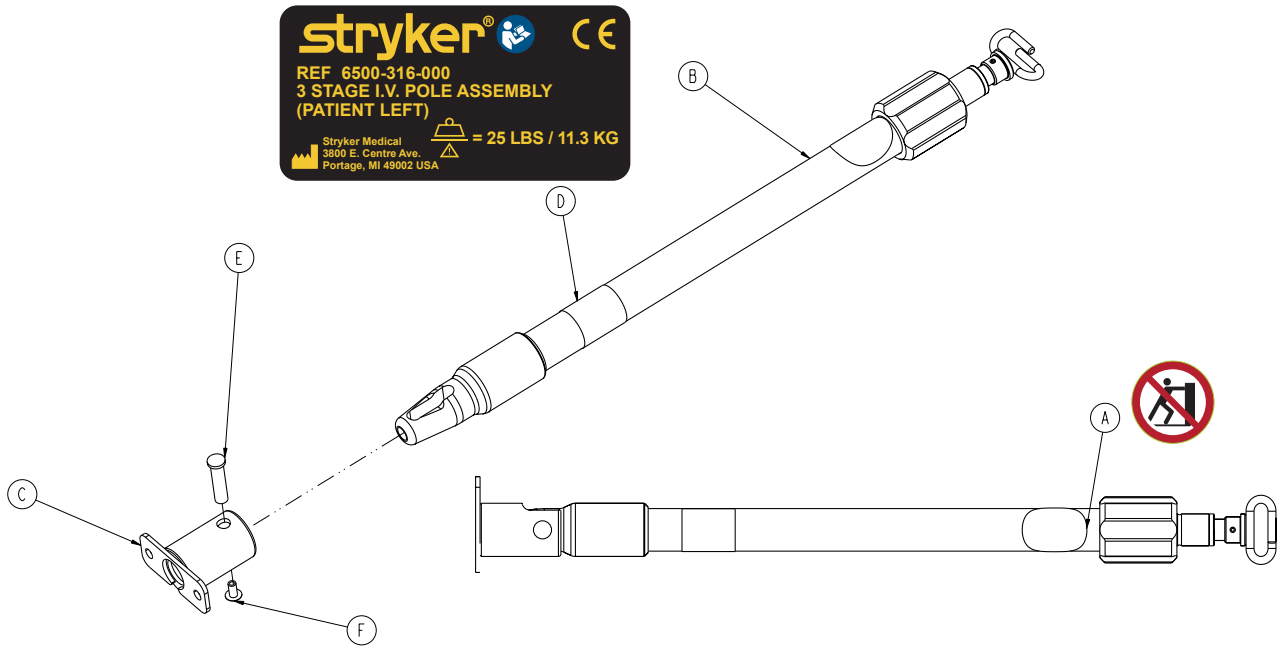
A	6100-115-060	1
B	6500-101-042	1

6500-316-000

A	6100-115-060	1
B	6500-101-044	1

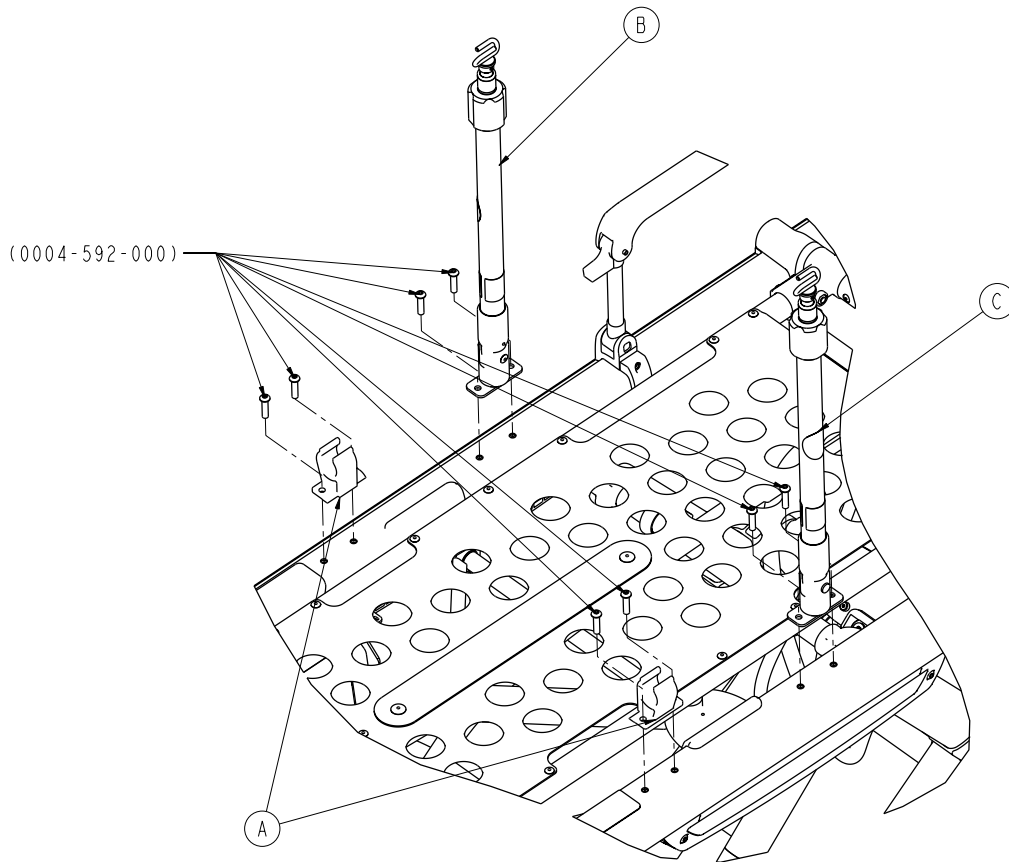


A	6506-001-901	1
B	6070-210-070	1
C	6100-115-051	1
D	6500-101-254	1
E	0025-079-000	1
F	6070-110-037	1



stryker®  
 REF 6500-316-000
 3 STAGE I.V. POLE ASSEMBLY
 (PATIENT LEFT)
 = 25 LBS / 11.3 KG
 Stryker Medical
 3800 E. Centre Ave.
 Portage, MI 49002 USA

A	6506-001-901	1
B	6070-215-070	1
C	6100-115-051	1
D	6500-101-256	1
E	6070-110-037	1
F	0025-079-000	1




6500-312-000


A	6100-115-060	2
B	6500-101-041	1
C	6500-101-042	1

6500-317-000

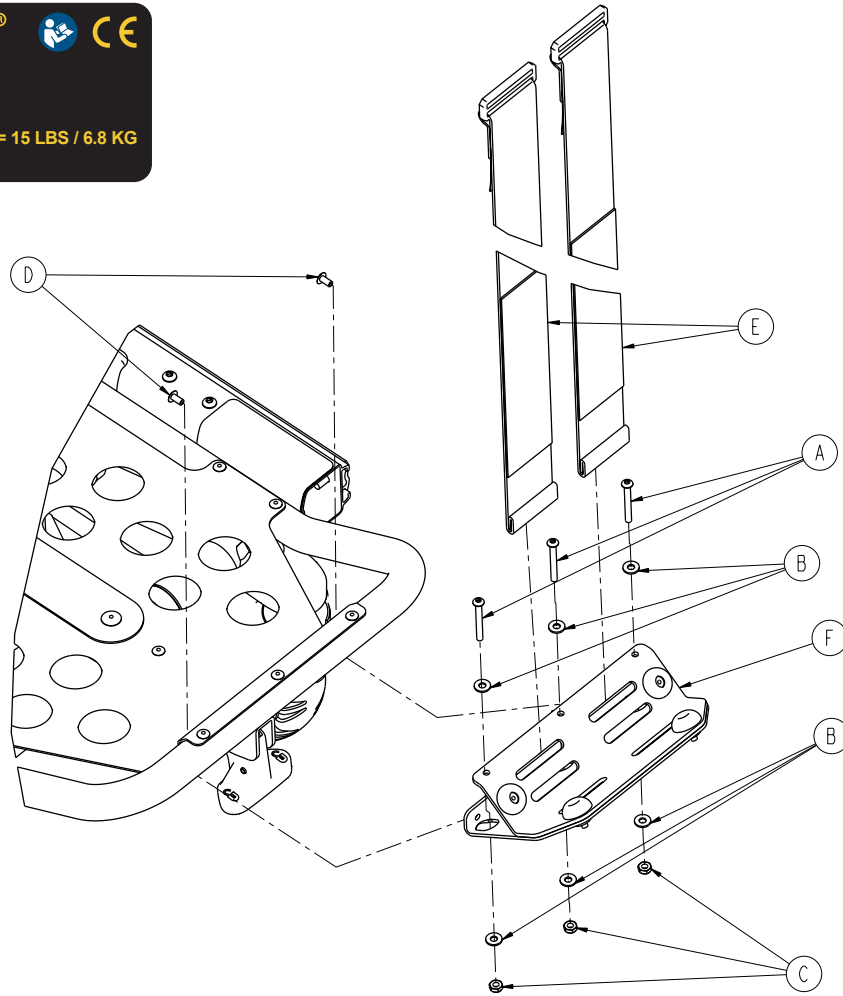
A	6100-115-060	2
B	6500-101-043	1
C	6500-101-044	1

stryker[®] 

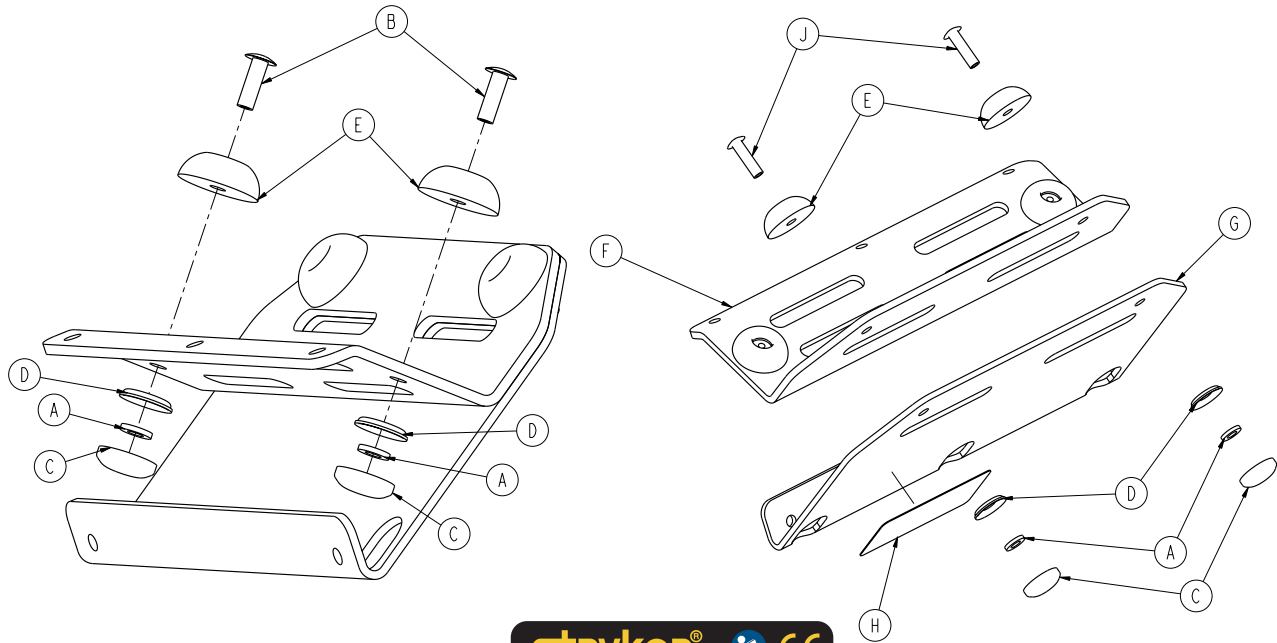
REF 6500-240-000
 FOOT END OXYGEN
 BOTTLE HOLDER


 = 15 LBS / 6.8 KG

Stryker Medical
 3800 E. Centre Ave.
 Portage, MI 49002 USA




A	0004-862-000	3
B	0011-001-000	6
C	0016-131-000	3
D	0025-079-000	2
E	6060-140-013	2
F	6500-101-040	1



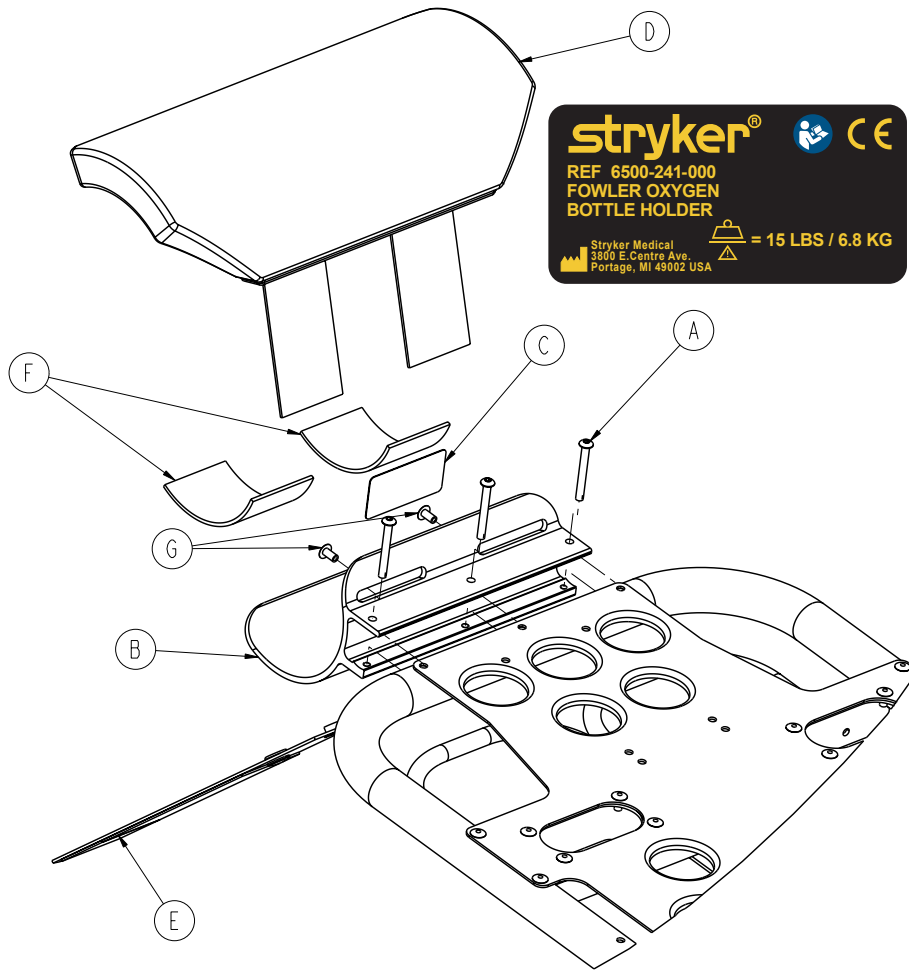
stryker® 

REF 6500-240-000
 FOOT END OXYGEN
 BOTTLE HOLDER

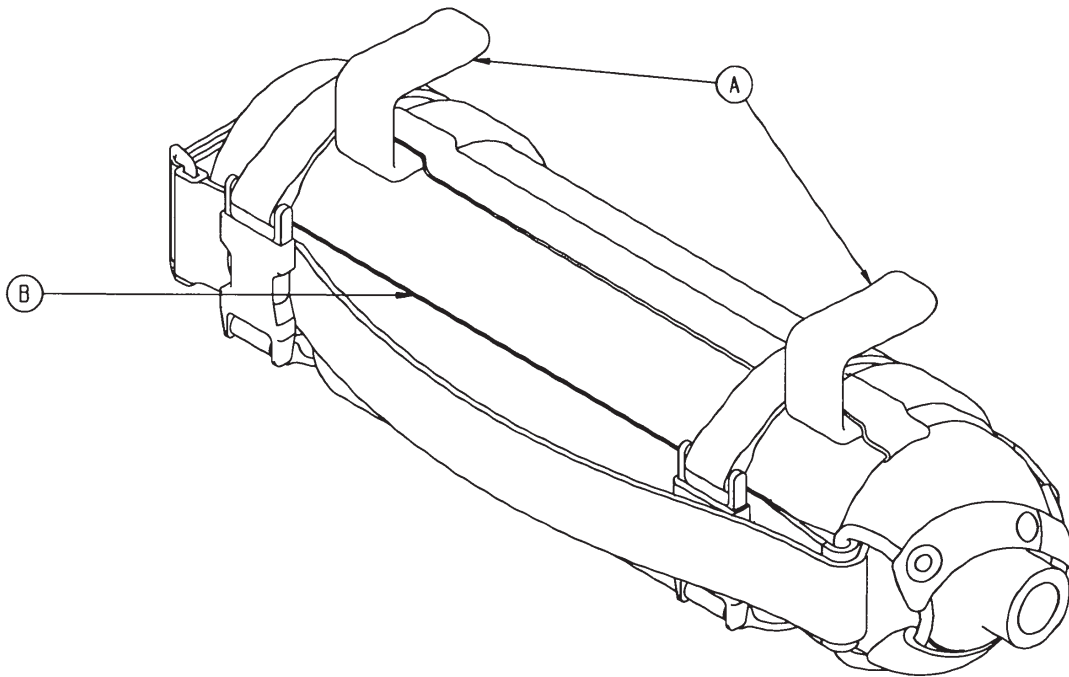
 = 15 LBS / 6.8 KG

Stryker Medical
 3800 E. Centre Ave.
 Portage, MI 49002 USA

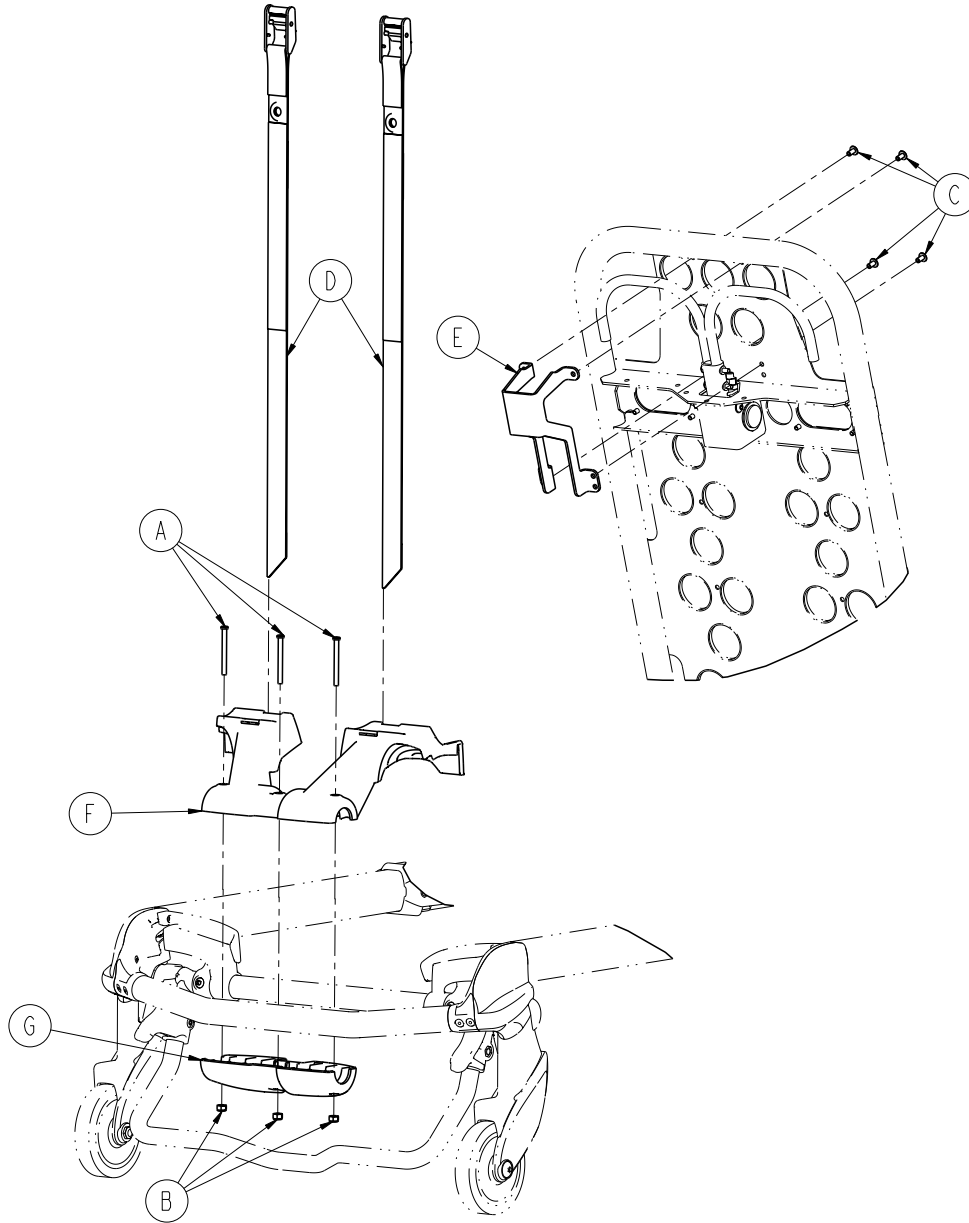
A	0011-436-000	4
B	0025-133-000	2
C	0037-055-000	4
D	0037-056-000	4
E	0946-001-155	4
F	6500-001-239	1
G	6500-001-240	1
H	6500-101-257	1
J	0025-086-000	2



A	0004-636-000	3
B	6500-001-119	1
C	6500-101-231	1
D	6500-001-260	1
E	6500-001-261	1
F	6500-001-262	2
G	0025-079-000	2

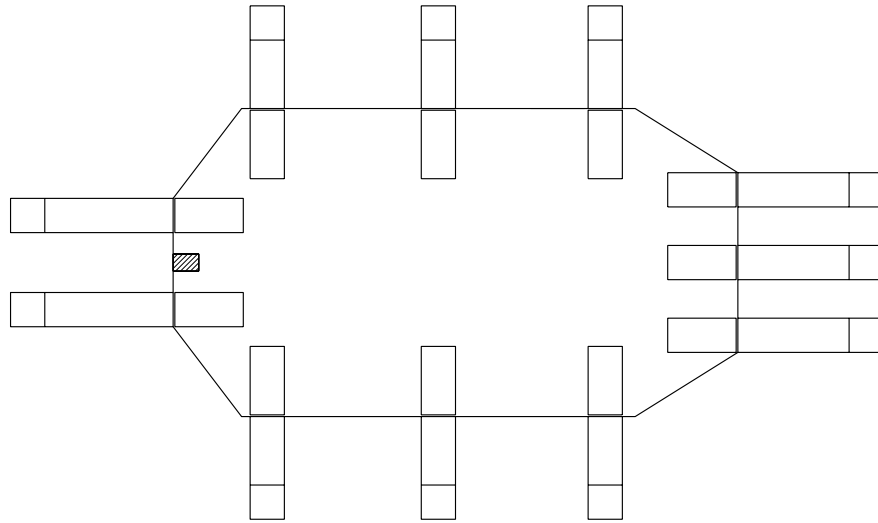


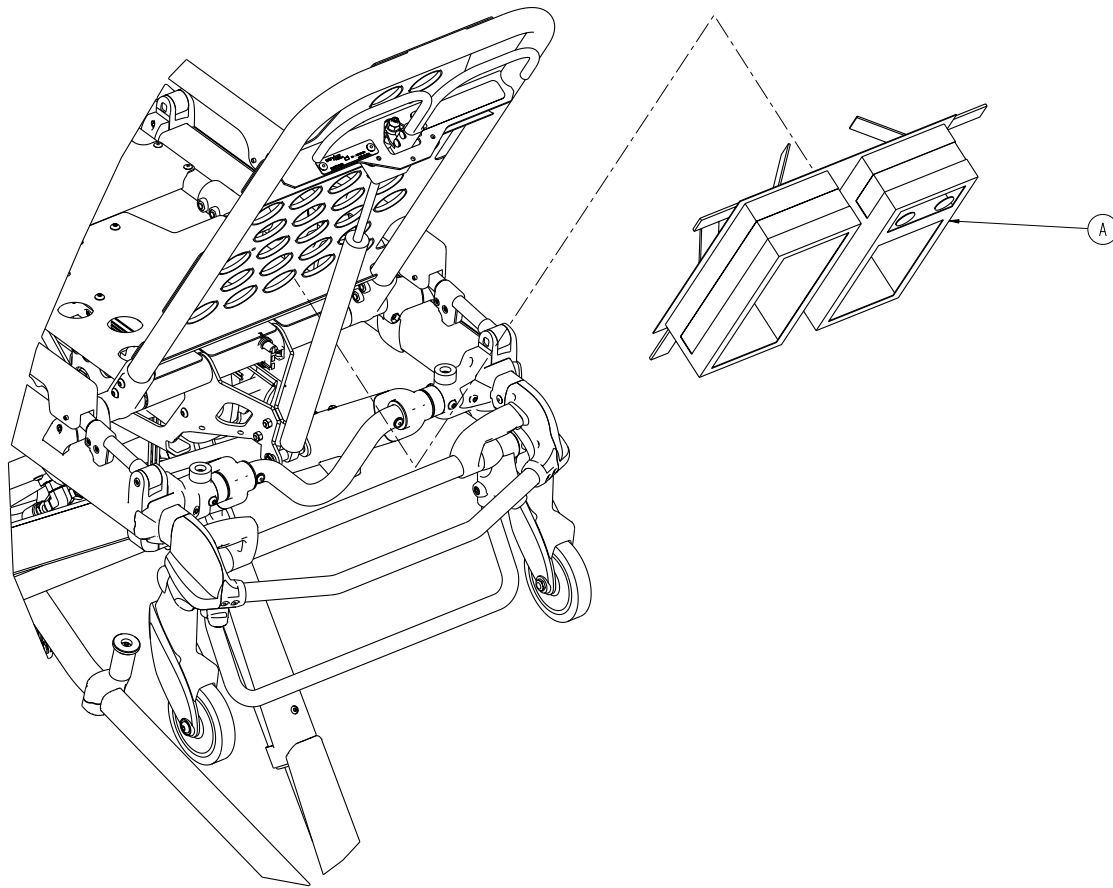
A	6080-140-011	2
B	6080-140-012	1



A	0004-656-000	3
B	0016-002-000	3
C	0025-079-000	4
D	6085-001-171	2
E	6085-001-172	1
F	6085-001-173	1
G	6085-001-174	1

6500-001-126 Rev D

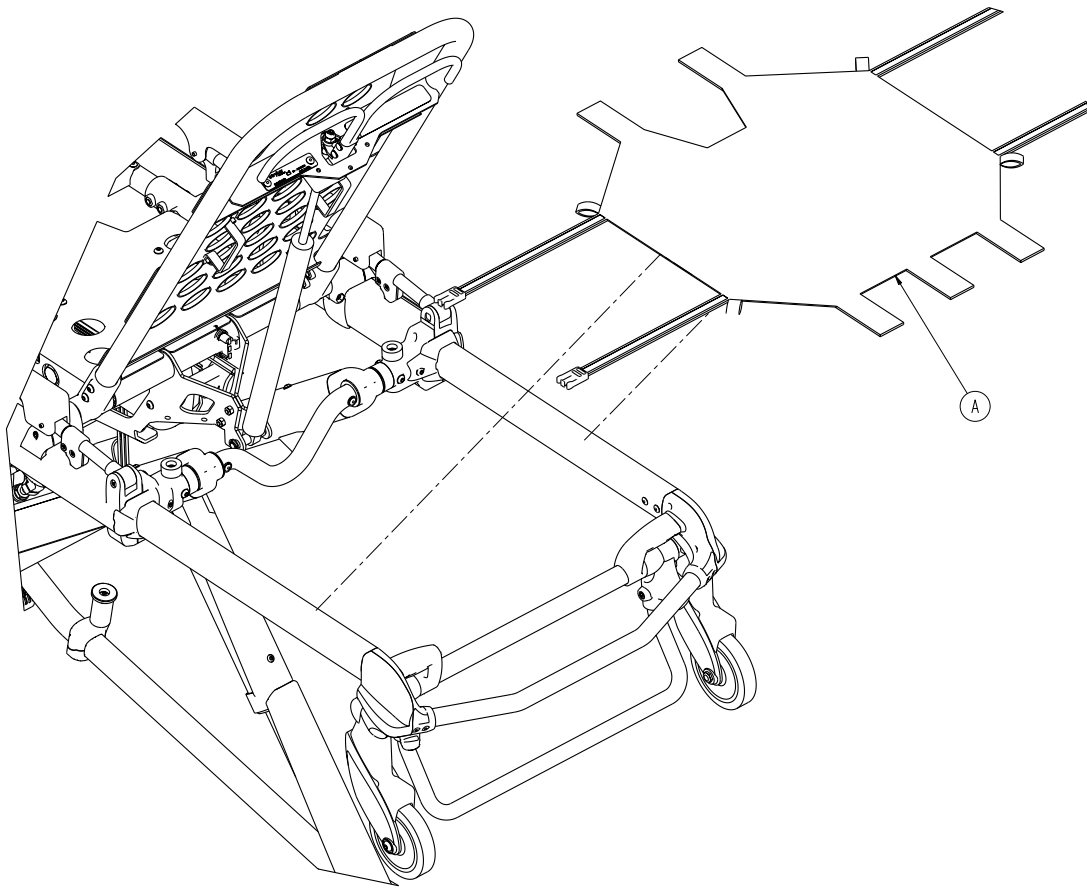




A

6500-001-241

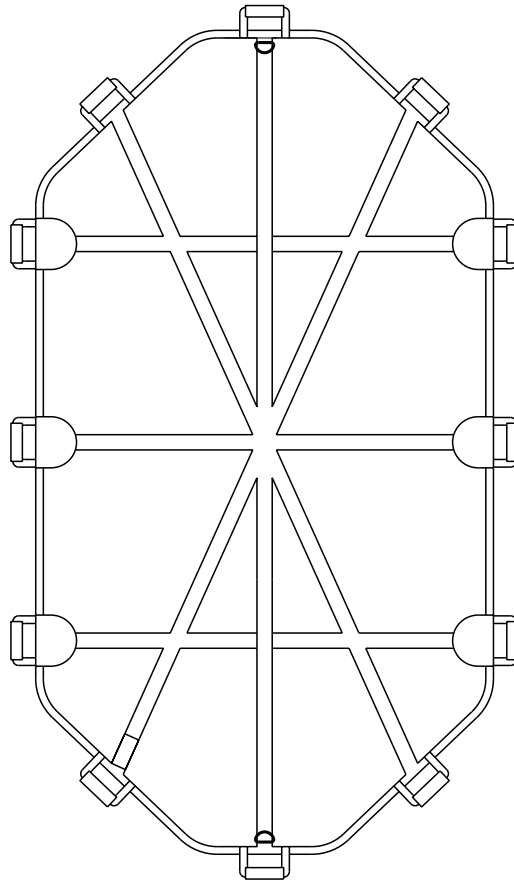
1



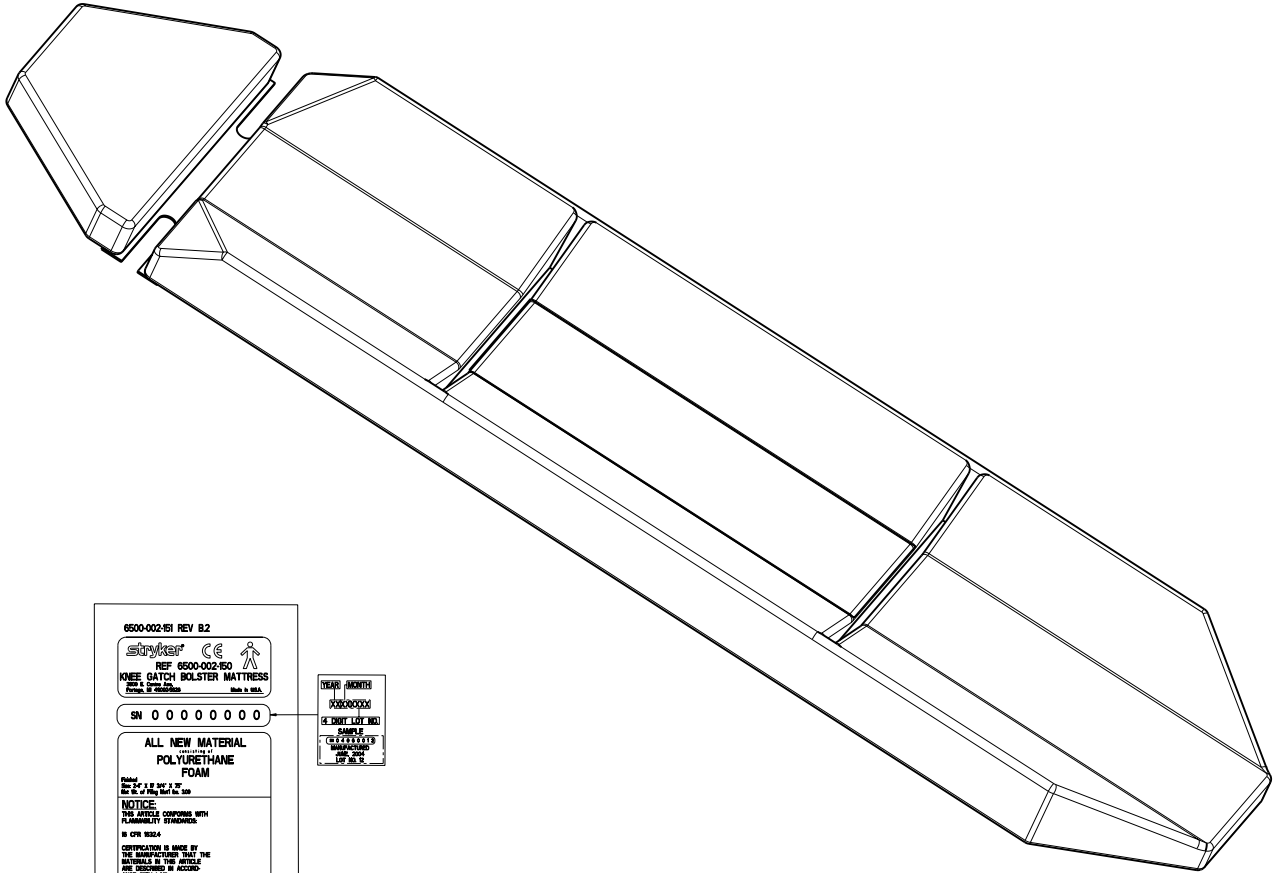
A


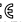

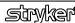
6500-001-232

1

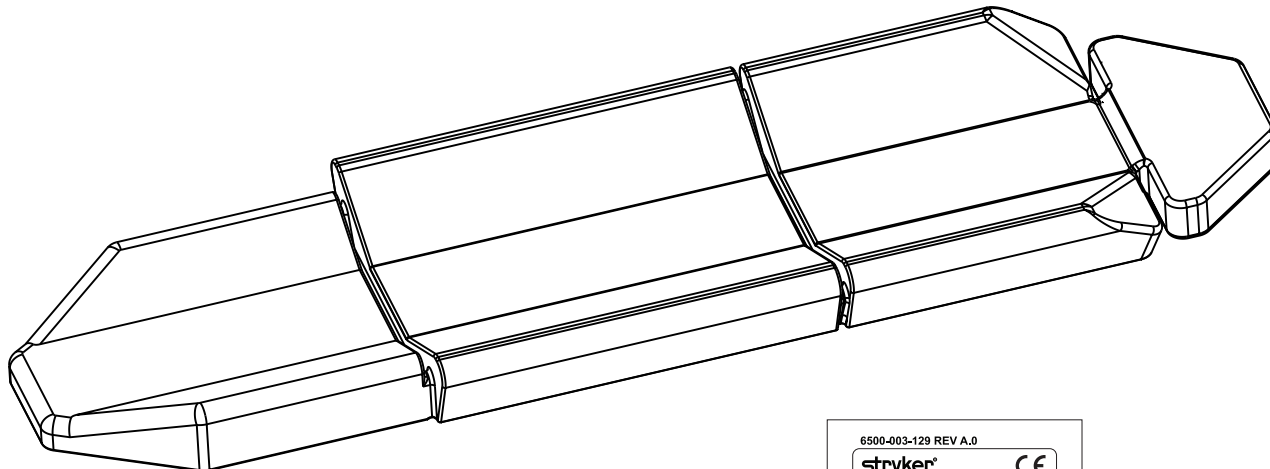


6500-002-150 Rev F (Reference Only)




6500-002-151 REV B2	
  	
REF 6500-002-150	
KNEE CATCH BOLSTER MATTRESS	
<small>Model 6500-002-150 Stryker, Inc. Kalamazoo, MI, USA</small>	
SN 0 0 0 0 0 0 0 0	
ALL NEW MATERIAL	
POLYURETHANE	
FOAM	
<small>Model 6500-002-150 Rev F Ref ID: 150 Rev F 150</small>	
<small>NOTICE: THIS ARTICLE COMPLIES WITH FLAMMABILITY STANDARDS IN CFR 16264</small>	
<small>CERTIFICATION IS MADE BY THE MANUFACTURER THAT THE MATERIALS IN THIS ARTICLE ARE COMPLIANT AS ACCORD ANCE WITH LAW.</small>	
	
<small>3800 E. Center Ave. Portage, MI 49002-9828</small>	

YEARS MONTHS
0 0 0 0 0 0 0 0
SE (FIRST LAST MID)
SAMPLE
CHECKED BY
DATE
LOT NO



6500-003-129 REV A.0

stryker 

REF 6500-003-130
XPS KNEE GATCH BOLSTER MATTRESS
3850 E. Center Ave.
Portage, MI 49002, U.S.A. Made in the U.S.A.


SN 0 0 0 0 0 0 0 0
0 0 0 0 0 0

ALL NEW MATERIAL
CONSISTS OF
**POLYURETHANE
FOAM**

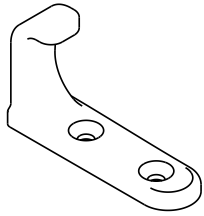
Finished
Size: 24" x 21 1/4" x 75"
Net Wt. of Filling Matt Box 3.50

NOTICE:
THIS ARTICLE CONFORMS
WITH FLAMMABILITY
STANDARDS:
16 CFR 1632.4

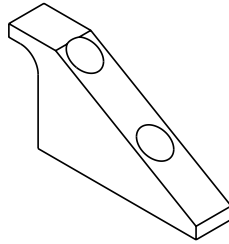
CERTIFICATION IS MADE BY
THE MANUFACTURER THAT
THE MATERIALS IN THIS
ARTICLE ARE DESCRIBED IN
ACCORDANCE
WITH LAW.

 REF 6506
REF 6550
REF 6500

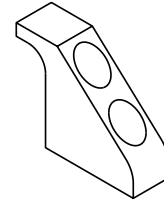
YEAR	MONTH
SN X X X X X X X X	
4 DIGIT LOT NO.	
YEAR	MONTH
X X X X X X X X	
SAMPLE	
SN 0 4 0 6 0 0 1 2	
2 0 0 4 0 6	
MANUFACTURED	
JUNE, 2004	
LOT NO. 12	



6092-036-018



6060-036-018



6060-036-017

English Equivalence Part Number: 6086-109-001 REV B



Stryker Medical
3800 E. Centre Ave.
Portage, Michigan 49002
USA



Stryker EMEA RA/QA Director
ZAC - Avenue de Satolas Green
69881 MEYZIEU Cedex
France



stryker[®]