

---

**IMPORTANT**  
Keep manual  
on file at all  
times.

**stryker**<sup>®</sup>  
**Medical**



**Model 6090 EZ-PRO**<sup>™</sup>

---

**▲RUGGED▲**<sup>™</sup> **Ambulance Cot**

---

**OPERATIONS/MAINTENANCE MANUAL**

For Cots with serial numbers of 980739011 and above

For Parts or Technical Assistance  
1-800-327-0770

---



# Table of Contents

---

Introduction	
Warning / Caution / Note Definition	3
Specifications	4
Warranty	
Obtaining Parts and Service	5
Supplemental Warranty Coverage	5
Return Authorization	6
Freight Damage Claims	6
Safety Precautions	7, 8
Set-Up Procedures	9
Component Identification	10
Cot Operation	
Cot Positions	11
Using Restraint Straps	12, 13
Guidelines for Operation	14
Auxiliary Lock	15
Changing Cot Height	15, 16
Folding and Unfolding an Empty Cot	17
Wheel Brake	17.1
Transferring the Patient to the Cot	18
Rolling the Cot	18
Loading the Cot into a Vehicle	19
Unloading the Cot from a Vehicle	20
Using Additional Assistance	21
Adjusting Leg Rest	22
Operating Backrest	23
Operating Siderails	23
Operating Breakaway Head Section	24
Operating 2-Stage I.V. Pole	25
Operating 3-Stage I.V. Pole	26
Cleaning	27
Preventive Maintenance	28
Service Information	
Pneumatic Backrest Adjustment	29
Head End Release Handle Adjustment	30
Foot End Release Handle Adjustment	31
Auxiliary Lock Handle Adjustment	32
Maintenance Record	33
Training Record	34

# Table of Contents

---

## Assembly Drawings and Parts Lists

Cot Assembly .....	35-38
Release Handle Assembly .....	39
Base Assembly .....	40-42
Wheel Assembly .....	43
Lock Tube Assembly .....	44
Lock Tube Bearing Assembly .....	45
Track Roller Assembly .....	45
Auxiliary Lock Housing Assembly .....	46
Optional Wheel Brake .....	46.1
Litter Assembly .....	47-50
Breakaway Head Assembly .....	51
Siderail Assembly .....	52
2-Stage I.V. Pole Mounting Assembly, Right .....	53
2-Stage I.V. Pole Assembly, Right .....	54
2-Stage I.V. Pole Mounting Assembly, Left .....	55
2-Stage I.V. Pole Assembly, Left .....	56
I.V. Pole Base Assembly .....	57
2-Stage I.V. Pole 2nd Stage Assembly .....	58
3-Stage I.V. Pole Mounting Assembly, Right .....	59
3-Stage I.V. Pole Assembly, Right .....	60
3-Stage I.V. Pole Mounting Assembly, Left .....	61
3-Stage I.V. Pole Assembly, Left .....	62
3-Stage I.V. Pole 2nd Stage Assembly .....	63
3-Stage I.V. Pole 3rd Stage Assembly .....	64
Hanging Oxygen Bottle Holder Assembly .....	65
Oxygen Bottle Holder Assembly .....	66
Bottle Holder Tray Assembly .....	67
Quick Reference Parts List .....	68

# Introduction

---

## INTRODUCTION

This manual is designed to assist you with the operation and maintenance of the **RUGGED™** EZ-PRO Ambulance Cot. Read it thoroughly before using the equipment or beginning any maintenance on it.

## WARNING / CAUTION / NOTE DEFINITION

The words WARNING, CAUTION and NOTE carry special meanings and should be carefully reviewed.

---

### WARNING

The personal safety of the patient or user may be involved. Disregarding this information could result in injury to the patient or user.

---

---

### CAUTION

These instructions point out special procedures or precautions that must be followed to avoid damaging the equipment.

---

### NOTE

This provides special information to make maintenance easier or important instructions clearer.

# Introduction

## SPECIFICATIONS

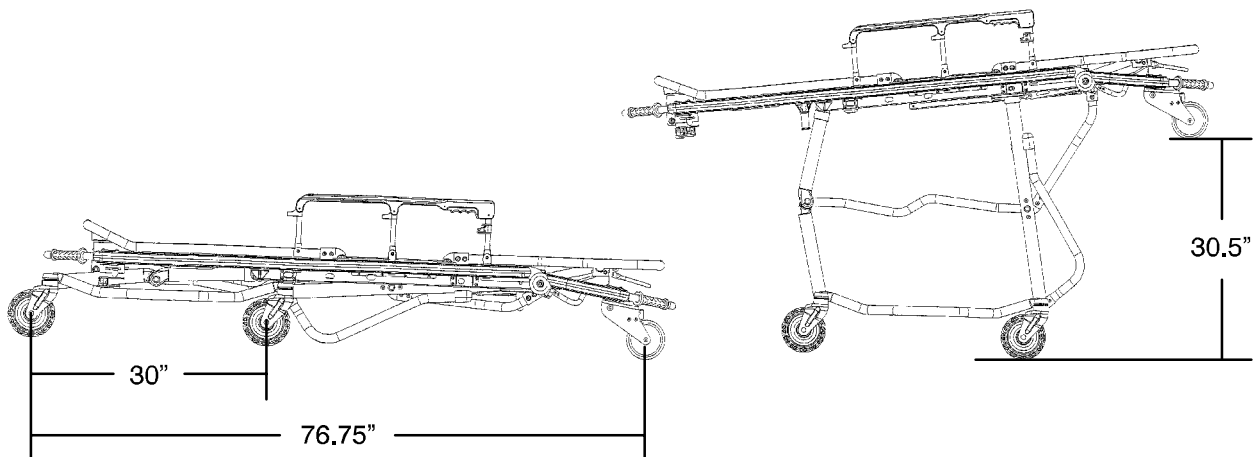
Overall Length/Minimum Length/Width	81"/66"/23"
Height <sup>1</sup> - Position 1 (folded position)	11.5" (0 degrees)
Position 2 (intermediate height position)	21.5"
Position 3 (intermediate height position)	29.0"
Position 4 (intermediate height position)	33.5"
Position 5 (loading position)	37.5" (7 degrees)
Patient Surface	Fowler: 28" Trendelenburg: 32" Midsection: 13"
Backrest Articulation/Shock Position	0° to 75°/+14°
Weight <sup>2</sup>	90 pounds
Maximum Weight Capacity	500 pounds
Caster Diameter/Width	6"/2"
Recommended Fastener Systems	Model 6370 Floor Mount Type Model 6371 Wall Mount Type
Recommended Ambulance Floor Height	Up to 33"
Roll-In Style	Yes
Wheel Brake	Optional

<sup>1</sup> Height measured from bottom of mattress at seat section to ground level.

<sup>2</sup> Cot is weighed without mattress and restraints.

Stryker reserves the right to change specifications without notice.

The EZ-PRO is designed to conform to the Federal Specification for the Star-of-Life Ambulance KKK-A-1822-D.



# Warranty

---

## **Limited Warranty:**

Stryker Medical Division, a division of Stryker Corporation, warrants to the original purchaser that its products should be free from defects in material and workmanship for a period of one (1) year after date of delivery. Stryker's obligation under this warranty is expressly limited to supplying replacement parts and labor for, or replacing, at its option, any product which is, in the sole discretion of Stryker, found to be defective. Stryker warrants to the original purchaser that the frame and welds on its beds will be free from structural defects for as long as the original purchaser owns the bed. If requested by Stryker, products or parts for which a warranty claim is made shall be returned prepaid to Stryker's factory. Any improper use or any alteration or repair by others in such manner as in Stryker's judgement affects the product materially and adversely shall void this warranty. No employee or representative of Stryker is authorized to change this warranty in any way.

This statement constitutes Stryker's entire warranty with respect to the aforesaid equipment. STRYKER MAKES NO OTHER WARRANTY OR REPRESENTATION, EITHER EXPRESSED OR IMPLIED, EXCEPT AS SET FORTH HEREIN. THERE IS NO WARRANTY OF MERCHANTABILITY AND THERE ARE NO WARRANTIES OF FITNESS FOR ANY PARTICULAR PURPOSE. IN NO EVENT SHALL STRYKER BE LIABLE HEREUNDER FOR INCIDENTAL OR CONSEQUENTIAL DAMAGES ARISING FROM OR IN ANY MANNER RELATED TO SALES OR USE OF ANY SUCH EQUIPMENT.

## **To Obtain Parts and Service:**

Stryker products are supported by a nationwide network of dedicated Stryker Field Service Representatives. These representatives are factory trained, available locally, and carry a substantial spare parts inventory to minimize repair time. Simply call your local representative, or call Stryker Customer Service at (800) 327-0770.

## **Supplemental Warranty Coverage:**

Stryker has developed a comprehensive program of extended warranty options designed to keep your equipment operating at peak performance at the same time it eliminates unexpected costs. We recommend that these programs be activated *before* the expiration of the new product warranty to eliminate the potential of additional equipment upgrade charges. Stryker offers the following Supplemental Warranties:

### **Extended (Parts and Labor)**

- All replacement parts (excluding mattresses and consumable items)
- Labor and travel for *all* scheduled and unscheduled calls
- Annual Preventive Maintenance Inspections and repairs
- JCAHO paperwork for preventive maintenance
- Priority Emergency Service

### **Standard (Labor Only):**

- Labor and travel for *all* scheduled and unscheduled calls
- Annual Preventive Maintenance Inspections and repairs
- JCAHO paperwork for preventive maintenance
- Priority Emergency Service

### **Basic (Parts Only):**

- All replacement parts (excluding mattresses and consumable items)
- Priority Emergency Service

**Please call your local representative, or call (800) 327-0770 for further information**

# Warranty

---

## **Return Authorization:**

Merchandise cannot be returned without approval from the Stryker Customer Service Department. An authorization number will be provided which must be printed on the returned merchandise. Stryker reserves the right to charge shipping and restocking fees on returned items.

SPECIAL, MODIFIED, OR DISCONTINUED ITEMS NOT SUBJECT TO RETURN.

## **Damaged Merchandise:**

ICC Regulations require that claims for damaged merchandise must be made with the carrier within fifteen (15) days of receipt of merchandise. **DO NOT ACCEPT DAMAGED SHIPMENTS UNLESS SUCH DAMAGE IS NOTED ON THE DELIVERY RECEIPT AT THE TIME OF RECEIPT.** Upon prompt notification, Stryker will file a freight claim with the appropriate carrier for damages incurred. Claim will be limited in amount to the actual replacement cost. In the event that this information is not received by Stryker within the fifteen (15) day period following the delivery of the merchandise, or the damage was not noted on the delivery receipt at the time of receipt, the customer will be responsible for payment of the original invoice in full.

Claims for any short shipment must be made within thirty (30) days of invoice.

## **International Warranty Clause:**

This warranty reflects U.S. domestic policy. Warranty outside the U.S. may vary by country. Please contact your local Stryker Medical representative for additional information.

## **Patent Information**

Rugged Products are manufactured under the following patents:

United States      5,575,026  
                                 5,537,700

Other Patents Pending



# Summary of Safety Precautions

---

The following is a list of safety precautions that must be observed when operating or servicing this unit. The precautions are repeated throughout the manual, where applicable. Carefully read this list before using or servicing the unit.

---

## WARNING

- Improper usage of the **▲RUGGED™** Cot can cause injury to the patient or operator. Operate the cot only as described in this manual.
- Always use all restraint straps to secure the patient on the cot. An unrestrained patient may fall from the cot and be injured.
- Never install the wheel brake on a cot with excessively worn wheels. Installing the brake on a wheel with less than a 6" diameter could compromise the holding ability of the brake.
- Never leave a patient unattended on the cot or injury could result. Hold the cot securely while a patient is on the cot.
- The wheel brake is only intended to help prevent the cot from rolling while unattended. The brake may not provide sufficient resistance on all surfaces or under loads.
- Never apply the optional wheel brake while a patient is on the cot. Tipping could occur if the cot is moved while the brake is applied, resulting in injury to the patient or operator and/or damage to the cot.
- Loading, unloading and changing the position of the cot requires a minimum of two trained operators working together. The operator(s) must be able to lift the total weight of the patient, cot and any other items on the cot. (If additional assistance is needed, see the reference chart on page 21).
- When changing the height of the cot, always verify the base frame is securely locked into position before releasing your grip on the litter frame.
- Be sure the undercarriage has engaged and locked before removing the loading wheels from the patient compartment floor of the vehicle. An unlocked undercarriage will not support the cot and injury to the patient and/or operator could result.
- Rolling the **▲RUGGED™** Cot in the loading position can cause it to tip. Use an intermediate transport position to roll the cot.
- Unlock the auxiliary lock only when exiting the loading position. Improper use can cause injury to the patient or operator.
- Do not allow untrained helpers to assist in the operation of the cot. Untrained technicians/helpers can cause injury to the patient or themselves.
- Do not modify the **▲RUGGED™** Cot. Modifying the cot can cause unpredictable operation resulting in injury to the patient or operator. Modifying the cot will also void its warranty (see page 5).
- Improper maintenance can cause injury or damage to the unit. Maintain the cot as described in this manual. Use only Stryker approved parts and maintenance procedures. Using unapproved parts and procedures could cause unpredictable operation and/or injury and will void the product warranty.
- Do not step or ride on the base of the **▲RUGGED™** Cot. Damage to the cot could occur, resulting in injury to the patient or operator.
- Failure to properly clean or dispose of contaminated mattress or cot components will increase the risk of exposure to bloodborne pathogens and may cause injury to the patient or the operator.

---

## CAUTION

- Damage to the cot can occur if the cot is lowered in the shortened position. Use only positions 2 - 5 (see page 11) when the cot is shortened.
- Do not steam clean, pressure wash, hose off or ultrasonically clean this unit. High pressure water or steam can remove lubricants and cause corrosion. Clean the cot as described on page 27.

# Summary of Safety Precautions

## SAFETY LABELS

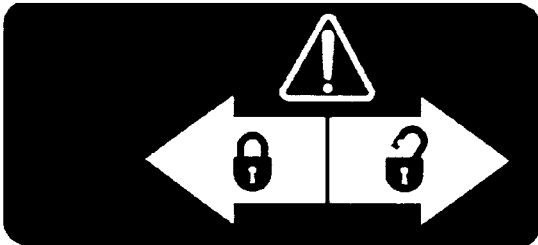
The safety labels shown below are critical to the safe operation of the cot. If they are not present and in good condition, they must be replaced.



Maximum Load Capacity Warning Label (part number 6080-90-106). This label identifies the maximum load capacity of the cot and corresponds to the maximum weight allowed for a patient and any additional equipment.



Operation and Maintenance Warning Label (part number 6080-90-9). This label reminds the operator to use and maintain the cot as described in the operations/maintenance manual.

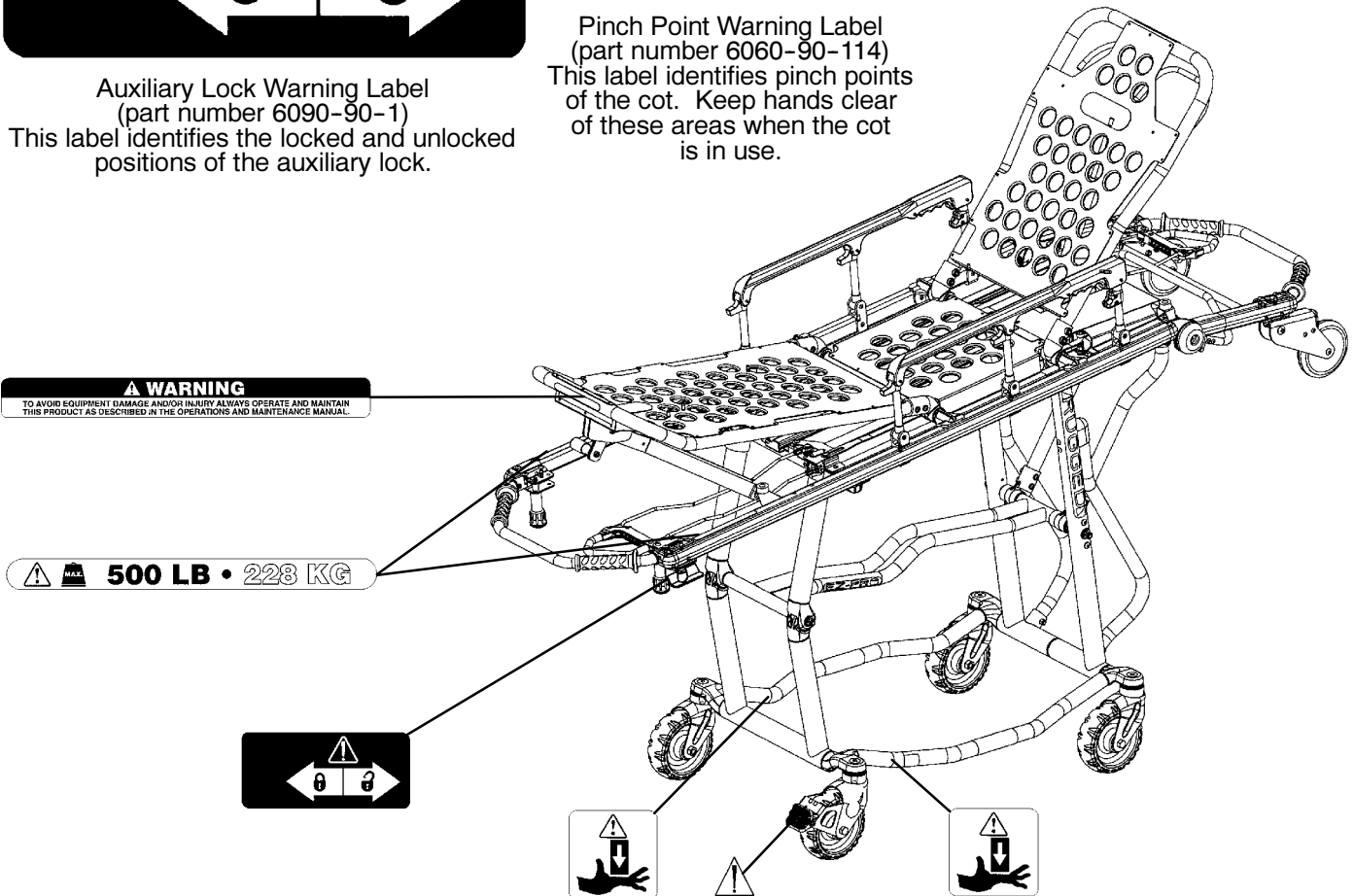


Auxiliary Lock Warning Label (part number 6090-90-1)  
This label identifies the locked and unlocked positions of the auxiliary lock.



Pinch Point Warning Label (part number 6060-90-114)  
This label identifies pinch points of the cot. Keep hands clear of these areas when the cot is in use.

Never apply the optional wheel brake while a patient is on the cot. Tipping could occur if the cot is moved while the brake is applied, resulting in injury to the patient or operator and/or damage to the cot.



# Set-Up Procedures

---

Unpack the cartons and check all items for proper operation. It is important that the **▲RUGGED™** Cot is working properly before it is put into service. Have a qualified service person use the following list and the operation instructions to check the cot before it is put into service.

- All fasteners secure (reference all assembly prints)
- All welds intact, not cracked or broken
- No bent or broken tubing or sheet metal
- No debris in wheels
- All wheels secure, rolling and swivelling properly
- Siderails move and latch properly
- Backrest operating properly
- Optional accessories intact and operating properly
- Height positioning latch functioning properly
- Auxiliary lock operating properly (see page 14)
- Cot secure in each height position
- Undercarriage folds properly
- Break-away head section operating properly
- Foot rest operating properly
- No rips or cracks in mattress cover
- Body restraints intact and working properly
- Wheel brake operating properly (optional equipment)
- Is there an approved crash-stable fastener (Stryker part number 6370 or 6371 – not included) installed in the vehicle?

The patient compartment of the vehicle in which the **▲RUGGED™** Cot will be used must have:

- A smooth rear edge for cot loading.
- A level floor large enough for the folded cot.
- Stryker 6370 or 6371 crash stable cot fastener (not included).
- 33" (84 cm.) maximum loading height.

When necessary, modify the vehicle to fit the cot. Do not modify the cot.

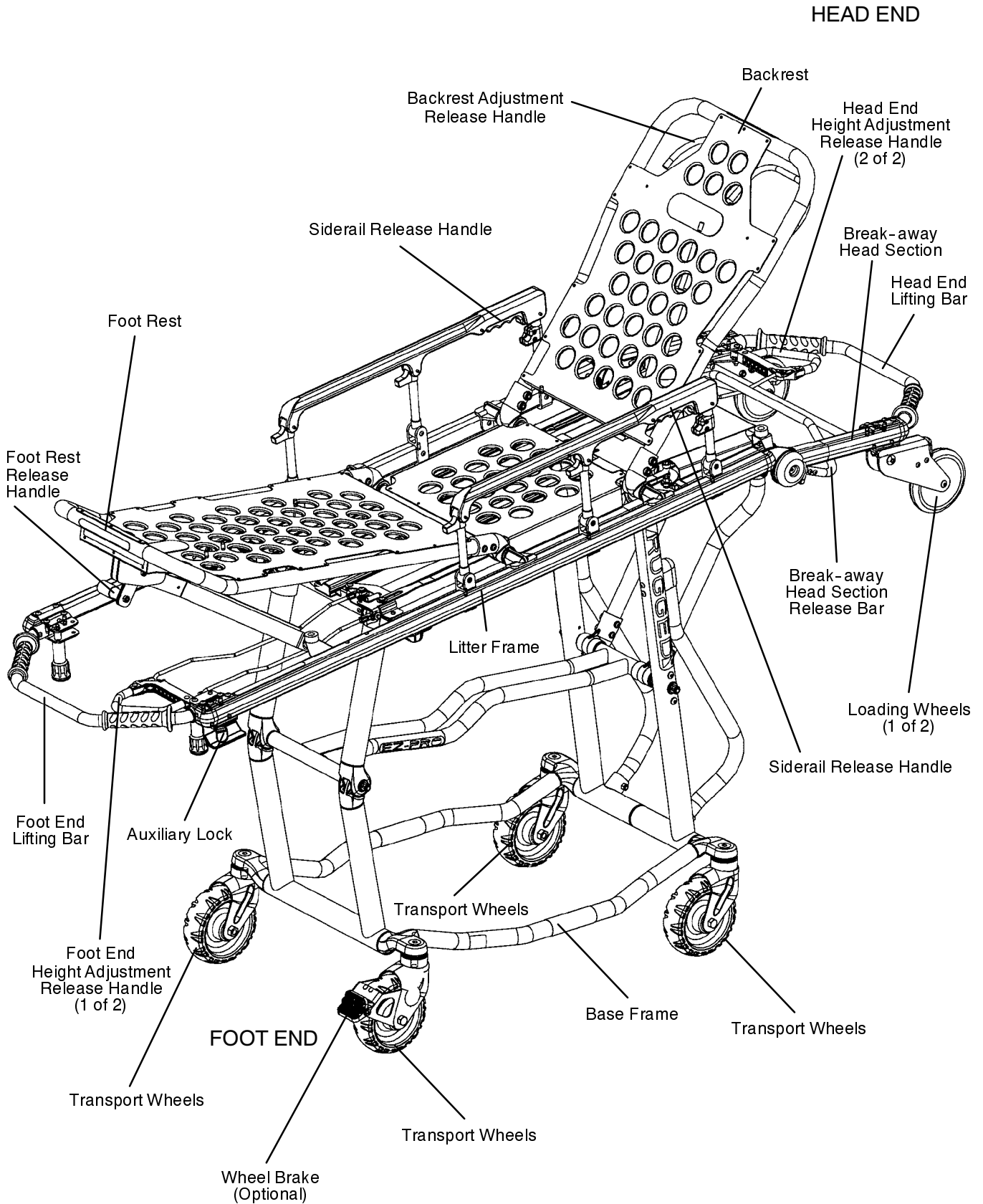
---

## **WARNING**

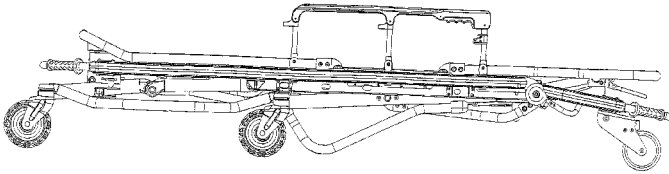
Do not modify the **▲RUGGED™** Cot. Modifying the cot can cause unpredictable operation resulting in injury to the patient or operator. Modifying the cot will also void its warranty (see page 5).

---

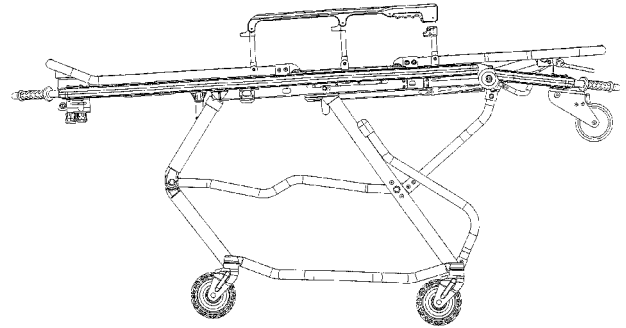
# Component Identification



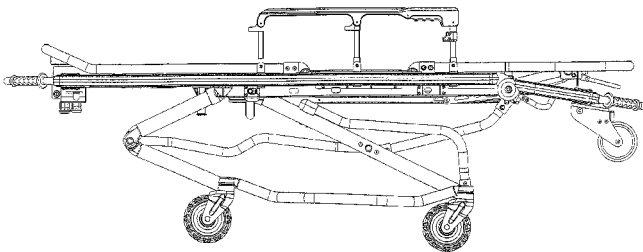
# Cot Positions



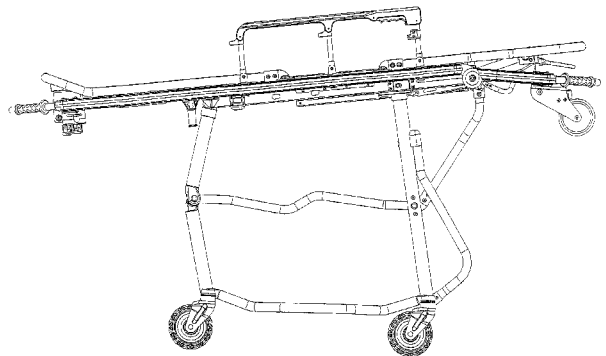
Position 1 - Folded Position - Use for patient transfer and transporting in an ambulance.



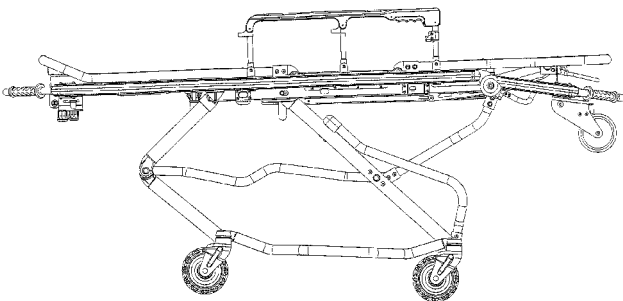
Position 4 - Intermediate Height Position  
Use for patient transfer/cot rolling.



Position 2 - Intermediate Height Position  
Use for patient transfer/cot rolling.



Position 5 - Loading Position  
Use for folding or loading the cot.



Position 3 - Intermediate Height Position  
Use for patient transfer/cot rolling.



Use for cot rolling when space is limited

# Cot Operation

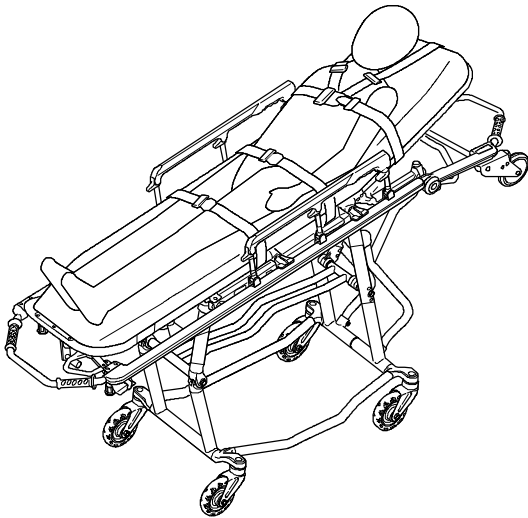
## Using Restraint Straps

### WARNING

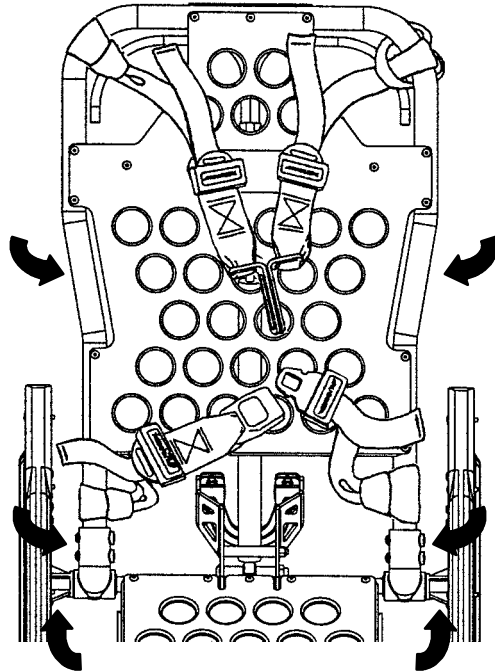
Always use all restraint straps to secure the patient on the cot. An unrestrained patient may fall from the cot and be injured.

Always secure the patient on the cot with all the restraint straps. Buckle the restraints across the patient's chest/shoulders, waist and legs (View 1). Keep the restraint straps buckled when the cot is not being used with a patient to avoid damage to the buckles and straps.

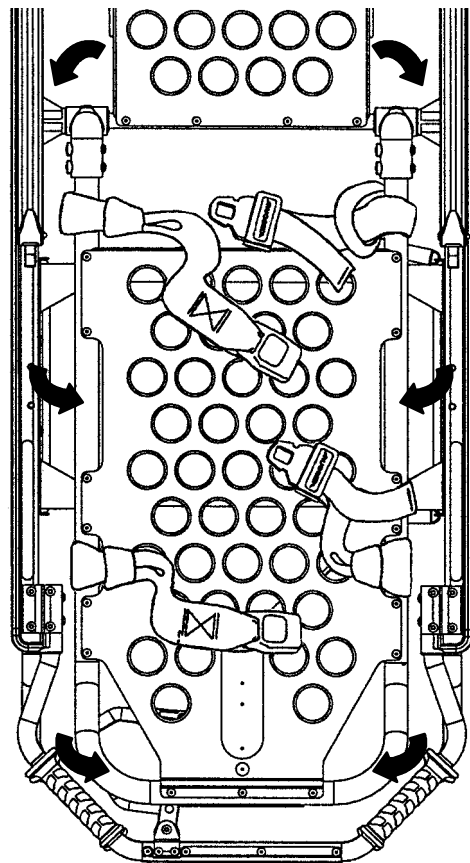
When attaching the restraint straps to the cot, keep in mind the attachment points should provide strong anchorage and proper restraint position while not interfering with equipment and accessories. Wrap the strap around the cot frame and back through the loop on the end of the strap as shown in views 2 and 3. The arrows indicate alternate attachment areas.



View 1



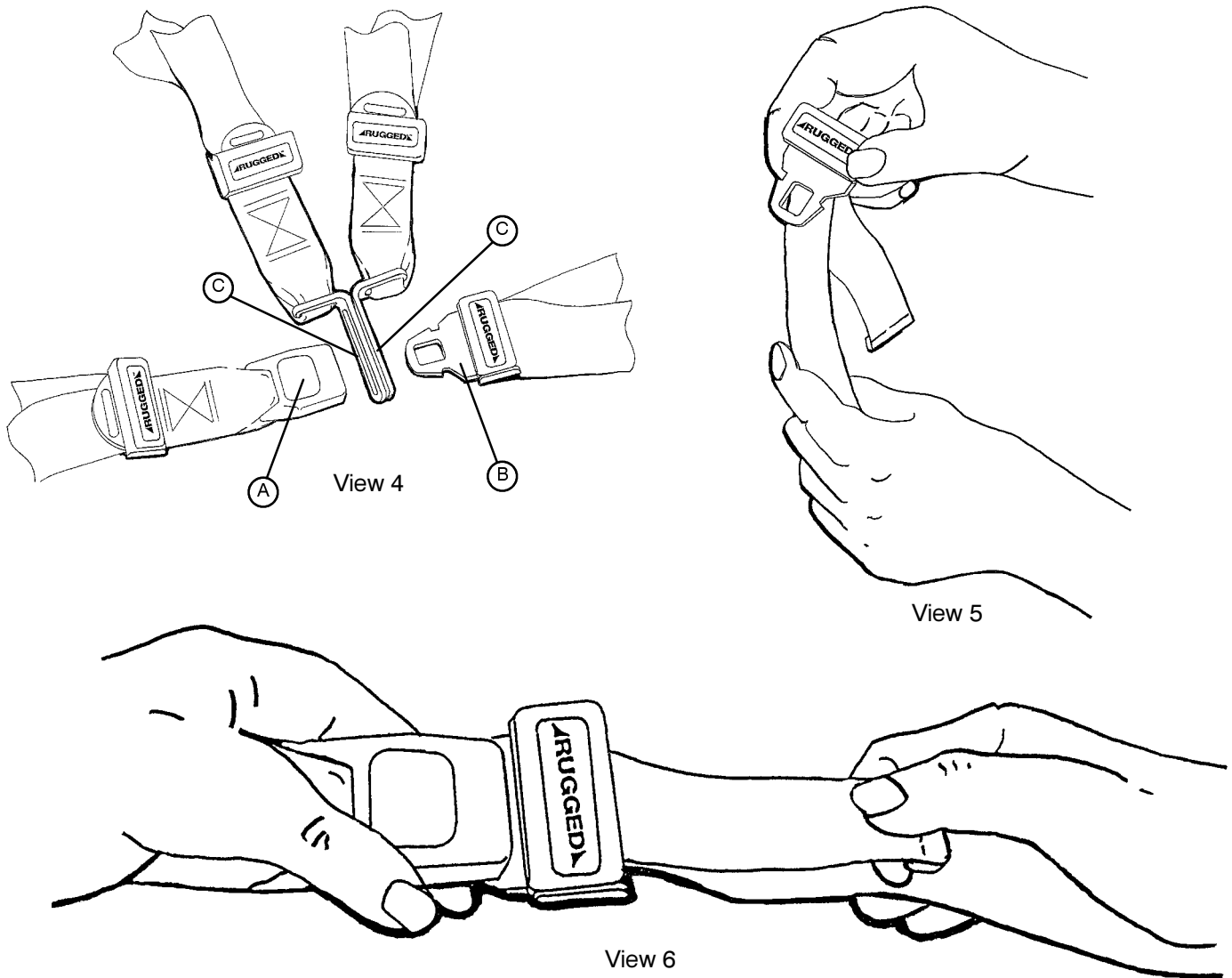
View 2 (Head Section)



View 3 (Foot Section)

# Cot Operation

## Using Restraint Straps (Continued)



When the cot is put into service, the restraints are opened and placed to either side of the cot until the patient is positioned on the cot mattress. The restraint is lengthened, buckled around the patient and shortened until the required tightness is achieved.

To open the restraint, press the red button (A) on the front of the buckle "receiver". This releases the buckle "tang" (B) which can then be pulled out of the receiver (View 4).

To close the restraint, push the tang into the receiver until a "click" is heard. When fastening the chest restraint be sure the tang passes through both links (C) on the shoulder strap (View 4).

To lengthen the restraint, grasp the buckle tang, turn it at an angle to the webbing, then pull out (View 5). A hemmed tab at the end of the webbing prevents the tang from coming off the strap.

To shorten the restraint, grasp the hemmed tab and pull the webbing back through the tang until the required tightness is achieved (View 6).

Whenever a restraint is buckled on a patient, the attendant should check to be sure the tang is fully engaged and that the extra webbing is not tangled in the cot or hanging loose.

Inspection of the restraints should be done at least once a month (more frequently if used heavily). Inspection should include checking for a bent or broken receiver or tang, torn or frayed webbing, etc. Any restraint showing wear or not operating properly must be replaced immediately.

# Cot Operation

---

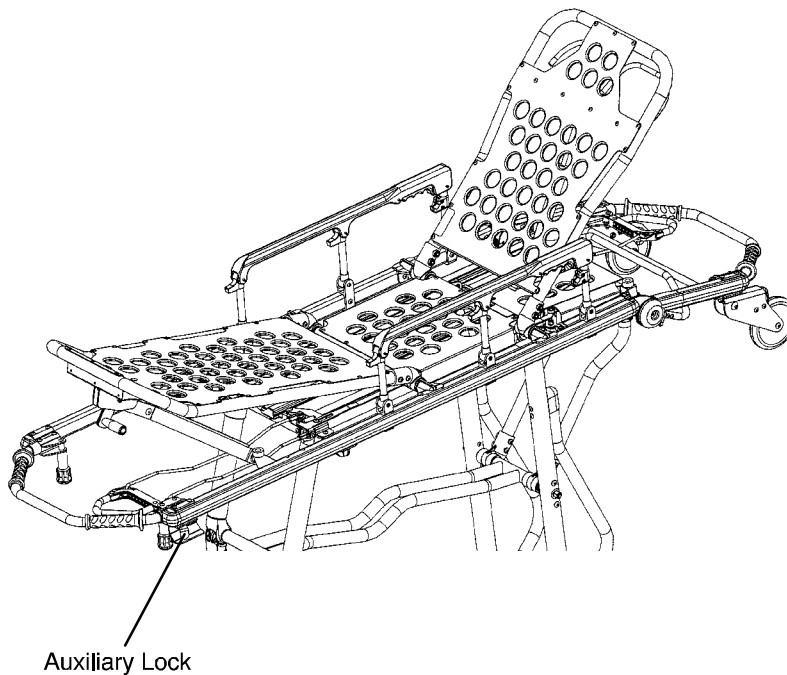
## Guidelines for Operation

- Use the **▲RUGGED▲** Cot only as described in this manual.
- Read all labels and instructions on the cot before using the cot.
- Use a minimum of two operators to manipulate the cot. (If additional assistance is required, see page 21 for a reference chart).
- Do not adjust, roll or load the cot without advising the patient. Stay with the patient and control the cot at all times.
- Always use the restraint straps and keep the siderails up when a patient is on the cot.
- Use properly trained helpers when necessary to control the cot and patient.

## Auxiliary Lock

The auxiliary lock keeps the base frame from inadvertently exiting the loading position. Unlock the auxiliary lock when going from the loading position to the folded position, the loading position to an intermediate height position or when loading the cot into the ambulance.

To unlock the auxiliary lock, put the cot in the loading position (see page 11). Move the lock lever to the right to the unlocked position. Fold, change height position or load the cot.



### NOTE

The auxiliary lock can be unlocked only when the cot is in the loading position. The auxiliary lock will reset to the locked position once the foot end release handle is actuated.

---

### WARNING

Practice folding, changing height position and loading the cot until operation of the auxiliary lock is fully understood. Improper use can cause injury. Unlock the auxiliary lock only to fold, change height position or load the cot.

---



# Cot Operation

---

## CHANGING COT HEIGHT

---

### WARNING

Loading, unloading and changing the position of the cot requires a minimum of two trained operators working together. The operator(s) must be able to lift the total weight of the patient, cot and any other items on the cot. (If additional assistance is needed, see the reference chart on page 21).

---

The **ARUGGED™** EZ-PRO has five height positions (see page 11):

- The highest or “Loading” position,
- three intermediate Transport positions,
- a “Folded” position.

### CHANGING BETWEEN LOADING AND FOLDED POSITIONS:

#### Changing From the Loading to the Folded Position:

To lower the cot from its Loading position to its Folded position, two operators stand at opposite ends of the cot and grasp the litter frame with palms facing up (as shown in Figure 1).

The foot end operator unlocks the cot’s auxiliary lock, located at the foot end on the patient’s left side.

(The auxiliary lock provides added security to help prevent inadvertent drops.)

While both operators maintain their grip on the litter frame, the foot end operator squeezes the height adjustment release handle to lower the cot to the Folded position.

### NOTE

The auxiliary lock resets automatically when the foot end height adjustment release handle is activated.

#### Changing From the Folded to the Loading Position:

To raise the cot to its “Loading” position, two operators grasp both ends of the litter frame and raise the cot until the base frame has locked into place (as shown in Figure 2).

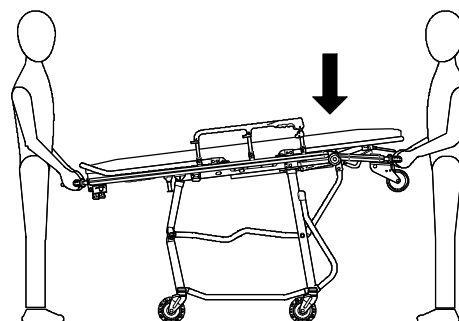


FIGURE 1

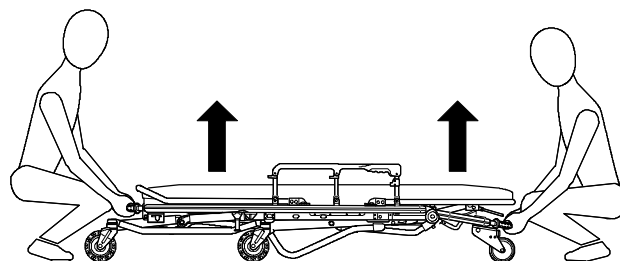


FIGURE 2

### WARNING

Always verify the base frame is securely locked into position before releasing your grip on the litter frame.

---

# Cot Operation

## CHANGING COT HEIGHT (CONTINUED)

### Changing Between the Load Position and an Intermediate Transport Position:

To lower the cot from the loading position to any of the three intermediate “Transport” positions, two operators firmly grasp the litter frame at opposite ends with their palms facing up (as shown in Figure 3).

The foot end operator unlocks the auxiliary lock.

While both operators maintain their grip on the litter frame, they simultaneously squeeze the head and foot end height adjustment release handles.

As downward motion of the cot begins, both operators relax their grip *on the release handles* to stop the cot in the first intermediate transport position.

To raise the cot back up to the load position, two operators firmly grasp the litter frame at opposite ends with palms facing up. Both operators lift slightly to take the weight off the base frame and simultaneously squeeze the foot and head end release handles (as shown in Figure 4). As upward motion begins, both operators relax their grip on the release handles to stop in the load position.

### WARNING

Always verify the base frame is securely locked into position before releasing your grip on the litter frame.

### Changing Between Two Intermediate Transport Positions:

Two operators firmly grasp the litter frame at opposite ends with palms facing up. Both operators lift slightly to take the weight off the base frame and simultaneously squeeze the foot and head end release handles (as shown in Figures 5, 6, and 7). As upward or downward motion begins, both operators relax their grip on the release handles to stop in the desired position.

### WARNING

Always verify the base frame is securely locked into position before releasing your grip on the litter frame.

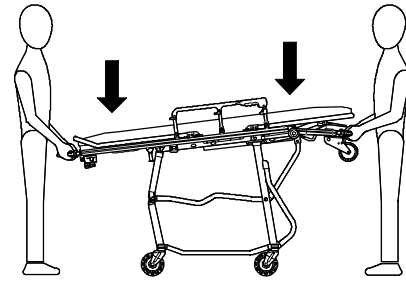


FIGURE 3

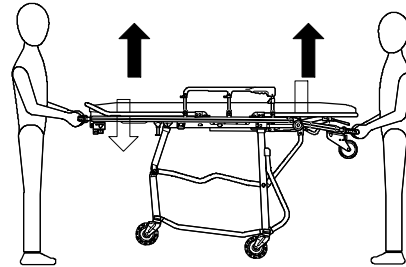


FIGURE 4

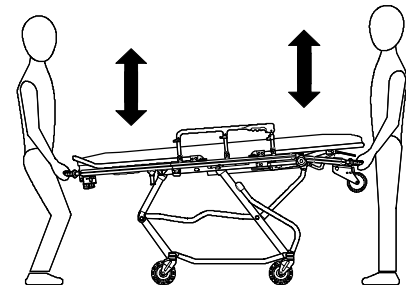


FIGURE 5

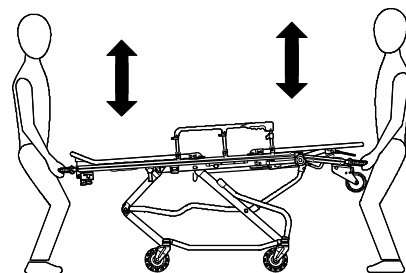


FIGURE 6

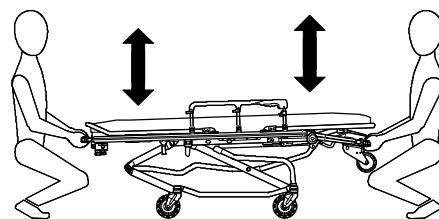


FIGURE 7

# Cot Operation

---

## CHANGING COT HEIGHT (CONTINUED)

### Changing Between the Loading and the Folded Position with One Operator and an Empty Cot

When a cot is empty, one trained operator can fold the cot or put it into the loading position.

#### Changing From the Loading to the Folded Position:

Stand at the foot end of the cot and lift the foot end so the loading wheels on the break-away head section touch the floor (as shown in Figure 8). Unlock the auxiliary lock. Squeeze the foot end height adjustment release handle and lower the cot to the Folded position.

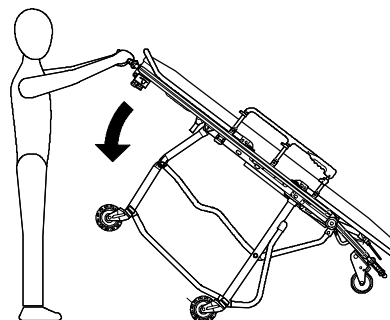


FIGURE 8

#### Changing From the Folded to the Loading Position:

To return the cot to the Loading position, grasp the foot end firmly and lift until the base frame securely locks into place (as shown in Figure 9).

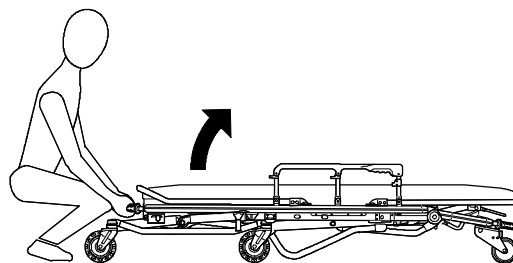


FIGURE 9

---

#### WARNING

Always verify the base frame is securely locked into position before releasing your grip on the litter frame.

---

# Cot Operation

---

## OPERATING WHEEL BRAKE (OPTIONAL)



1. To activate the optional wheel brake, press fully down on the pedal (A) until it stops.
2. To release the optional wheel brake, depress the upper face of the brake pedal with your foot or lift up with your toe under the pedal. The upper portion of the pedal will rest against the caster frame when the wheel brake is released.

---

### WARNING

Never apply the optional wheel brake while a patient is on the cot. Tipping could occur if the cot is moved while the brake is applied, resulting in injury to the patient or operator and/or damage to the cot.

The wheel brake is only intended to help prevent the cot from rolling while unattended. The brake may not provide sufficient resistance on all surfaces or under loads.

Never leave a patient unattended on the cot or injury could result. Hold the cot securely while a patient is on the cot.

---

# Notes

---

# Cot Operation

---

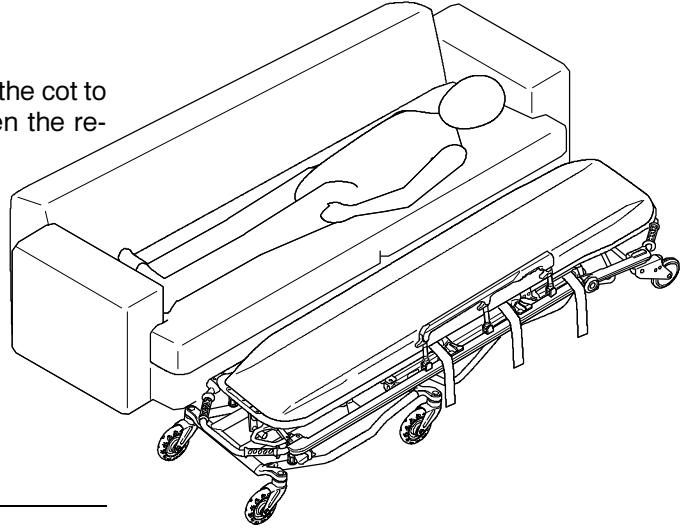
## Transferring the Patient to the **▲RUGGED™** Cot

Roll the cot to the patient.

Place the cot beside the patient and raise/lower the cot to the patient's level. Lower the siderails and open the restraint straps.

Transfer the patient to the cot using accepted EMS procedures.

Use all the restraints to secure the patient to the cot (see pages 12 & 13 for restraint strap usage instructions). Raise the siderails and adjust the backrest and leg rest as necessary.



---

### WARNING

Always use all restraint straps to secure the patient on the cot. An unrestrained patient may fall from the cot and be injured.

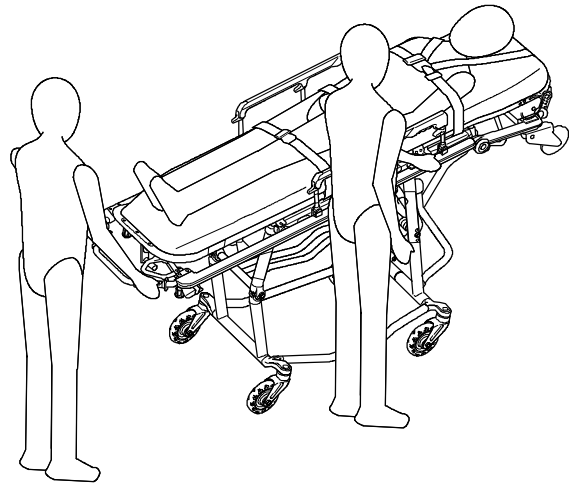
Never apply the optional wheel brake while a patient is on the cot. Tipping could occur if the cot is moved while the brake is applied, resulting in injury to the patient or operator and/or damage to the cot.

---

## Rolling the **▲RUGGED™** Cot

Make sure all the restraint straps are securely buckled around the patient (see pages 12 & 13 for restraint strap usage instructions). Place the cot in positions 2-4 for rolling (see page 11 for cot positions). When rolling the cot, position an operator at the foot end and one at the head end or the side at all times. (If additional assistance is needed, see the reference chart on page 21).

During transport, approach door sills or other low obstacles squarely and lift each set of wheels over the obstacle separately.



---

### WARNING

Rolling the cot in the loading position can cause it to tip, possibly injuring the patient or operators. Place the cot in positions 2-4 for rolling (see page 11 for cot positions).

High obstacles such as curbing, steps or rough terrain can cause the cot to tip, possibly causing patient or operator injury. If possible, obtain additional assistance (see page 21 for a reference chart) or take an alternate route.

---

# Cot Operation

## Loading the **RUGGED™** Cot into a Vehicle

When loading the cot into a vehicle, an operator should remember the following important information:

- The higher the operator must lift the cot, the more difficult it becomes to hold the weight. The operator may need help loading the cot into a vehicle if he/she is too short or if the patient is too heavy for the operator to lift safely. (If additional assistance is needed, see the reference chart on page 21).
- The operator must be able to lift the cot high enough for the cot's base frame to unfold completely and lock when the cot is unloaded. A shorter operator will have to raise his/her arms higher to enable the base frame to unfold. (If additional assistance is needed, see the reference chart on page 21).

### WARNING

Loading, unloading and changing the position of the cot requires a minimum of two trained operators working together. The operator(s) must be able to lift the total weight of the patient, cot and any other items on the cot. (If additional assistance is needed, see the reference chart on page 21).

Place the cot in the loading position (see page 11). Roll the cot to the open door of the patient compartment, approaching the vehicle squarely. Fold the vehicle bumper to the raised position (if available). Roll the cot into the vehicle until both loading wheels are on the patient compartment floor.

Operator 1 - Release the auxiliary lock.

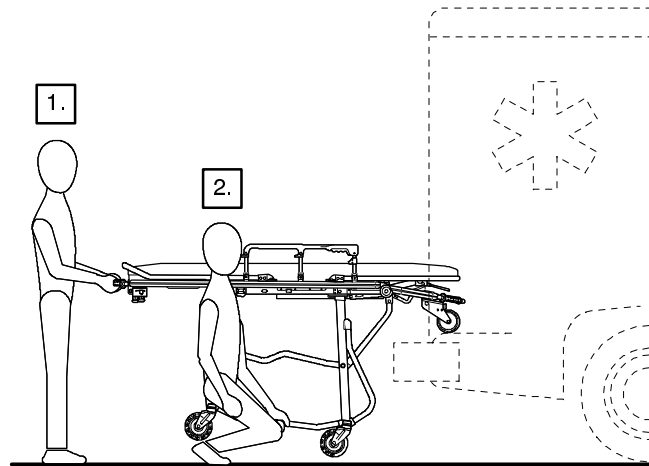
Operator 1 - Grasp and support the cot litter frame at the foot end using an underhand grip.

Operator 1 - Lift the foot end of the cot until the transport wheels are off the ground. Squeeze and hold the foot end release handle and push the cot into the vehicle.

Operator 2 - As Operator 1 pushes the cot into the vehicle, lift on the base frame to help the base frame fold as the cot loads into the vehicle.

Both operators - Push the cot into the patient compartment, engaging the cot fastener (not included).

Operator 1 - Let go of the foot end release handle.



### NOTE

Loose items or debris on the patient compartment floor can interfere with the smooth rolling of the cot and the operation of the cot fastener. Keep the patient compartment floor clear.

### IMPORTANT NOTE

To recover from a loading attempt halted by the auxiliary lock, do the following:

1. Release the foot end release handle.
2. Be sure the auxiliary lock is in the locked position.
3. Return the cot to its transport wheels, and make sure the base frame is securely locked into position.
4. Retry the folding or loading procedure.

# Cot Operation

---

## Unloading the Cot from a Vehicle

---

### **WARNING**

Loading, unloading and changing the position of the cot requires a minimum of two trained operators working together. The operator(s) must be able to lift the total weight of the patient, cot and any other items on the cot. If additional assistance is needed, see the reference chart on page 21).

---

Disengage the cot from the cot fastener.

Operator 1 - Grasp the foot end of the cot frame using an underhand grip. Pull the cot from the patient compartment. As the cot is pulled out of the patient compartment, the base frame unfolds. The Operator must keep the foot end of the cot high enough for the base frame to unfold completely and lock into place *before* the transport wheels make contact with the ground.

Operator 2 - As Operator 1 pulls the cot out of the patient compartment, grasp the base frame where indicated and lower it to its fully extended position. Verify the base frame is securely locked into position and the cot is in the loading position.

---

### **WARNING**

**Always** verify the base frame is securely locked into position before removing the loading wheels from the patient compartment floor of the vehicle. An unlocked base frame will not support the cot and injury to the patient or operator could result.

---

Operator 1 - When the base frame is unfolded and securely locked, lower the cot until the transport wheels are on the ground. Pull the cot away from the ambulance until the loading wheels clear the patient compartment floor.

Both Operators - Change the cot to one of the three intermediate transport positions before transporting the patient (see page 11 for cot positions).



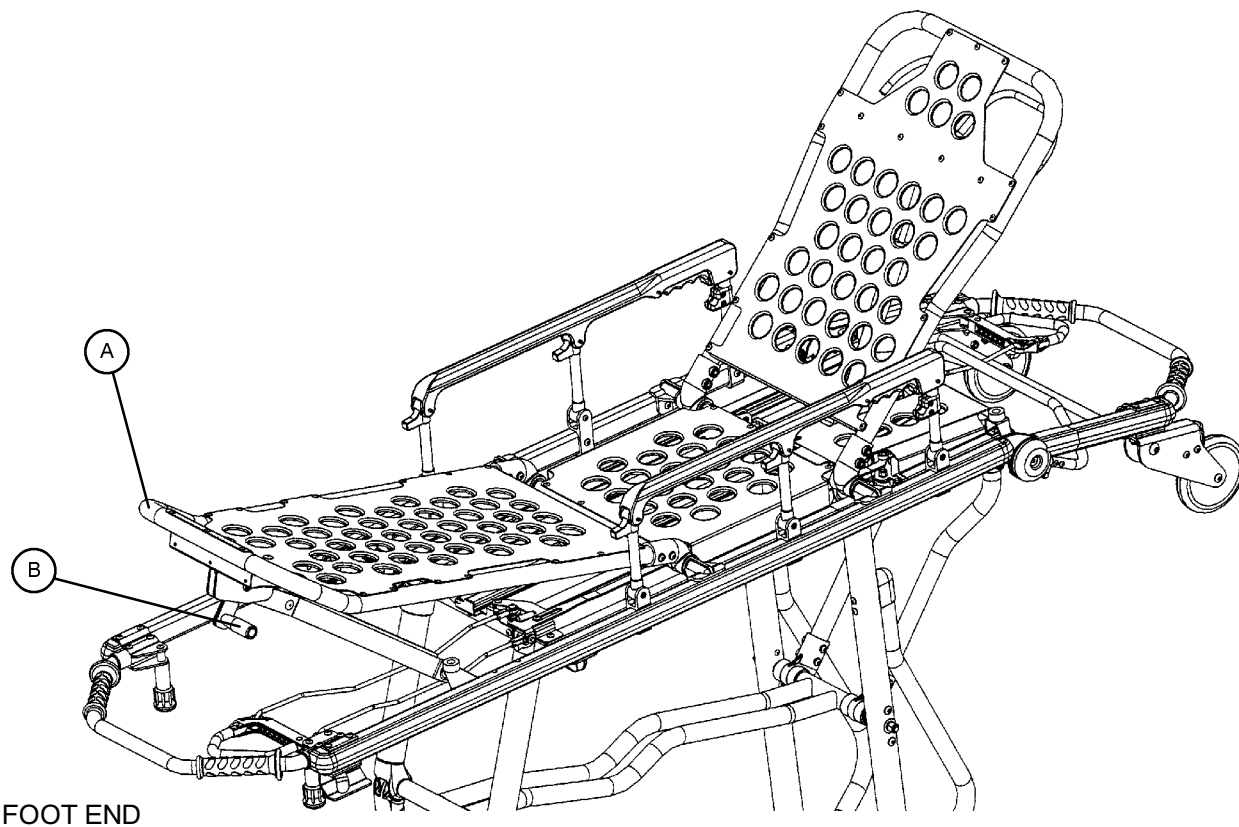
# Cot Operation

## Using Additional Assistance

	Changing Levels	Rolling	Loading/Unloading
<p>Two Operators</p> <p>Two Helpers</p>			
<p>Two Operators</p> <p>Four Helpers</p>			

# Cot Operation

## Adjusting Leg Rest



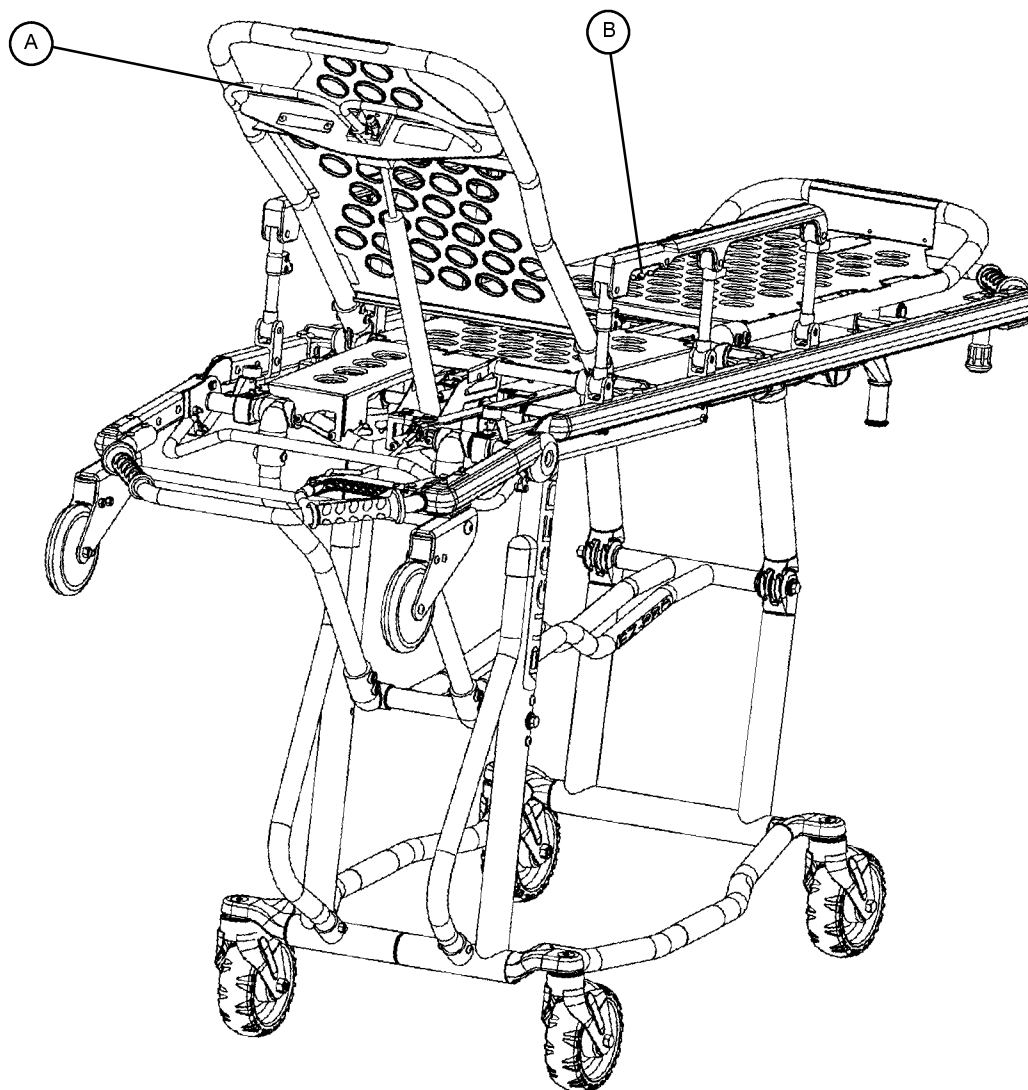
The leg rest is adjustable to allow for elevation of the patient's legs.

**To raise the leg rest**, lift the leg rest frame (A) as high as possible. The support bracket will engage automatically. Release the frame after the support bracket has engaged.

**To lower the leg rest**, lift the leg rest frame (A) and, while holding the frame, lift up on the release handle (B) until the bracket disengages. Lower the leg rest until flat.

# Cot Operation

---



## Operating Backrest

**To raise**, squeeze handle (A) for pneumatic assist in lifting the Backrest to the desired height. Remove hand(s) from handle when desired height is achieved.

**To lower**, squeeze handle (A) and push down on the Backrest frame until the Backrest has reached the desired height. Remove hand(s) from handle when desired height is achieved.

## Operating Siderails

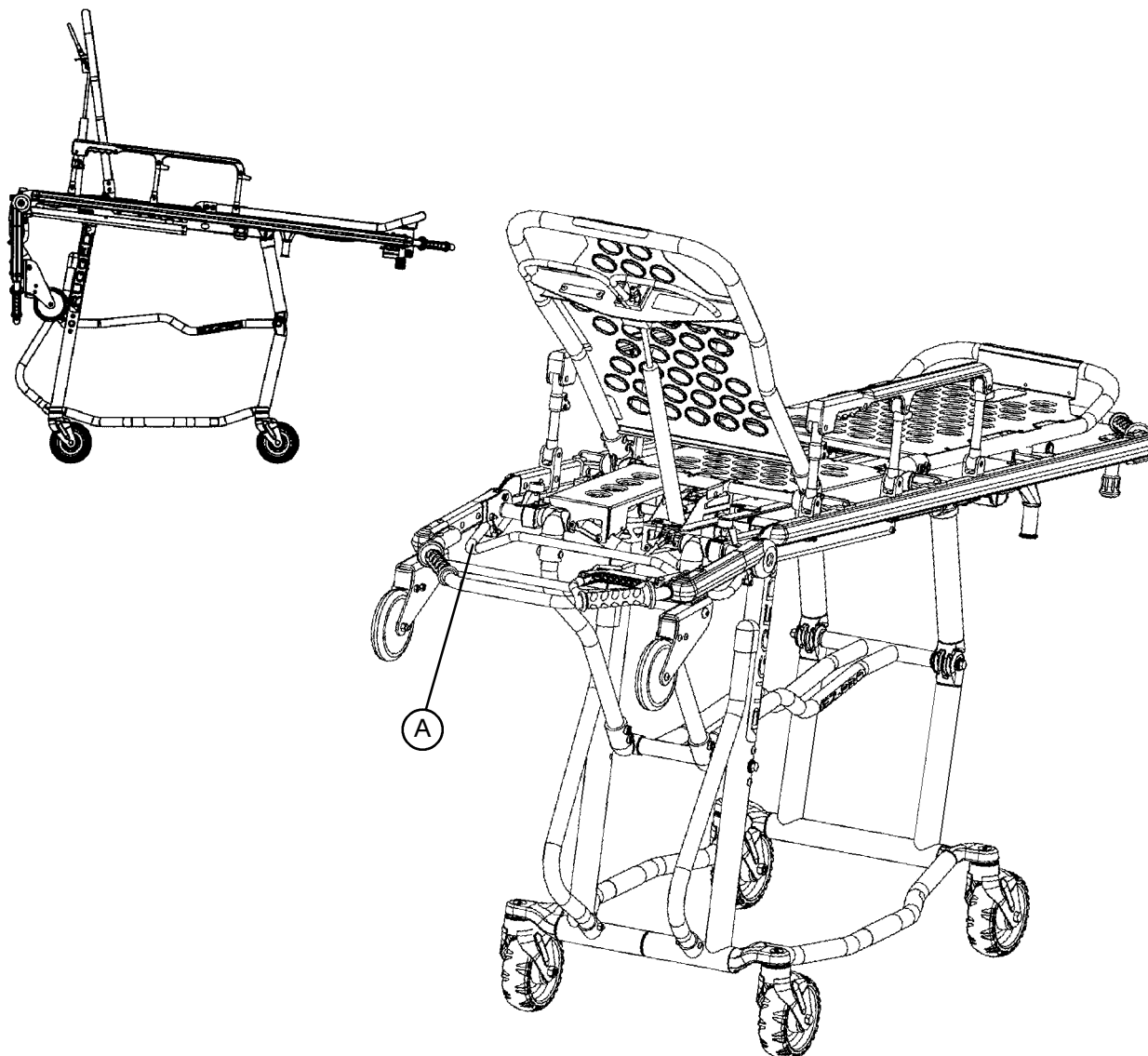
**To raise**, lift up until the latch clicks and the siderail locks into place. When a patient is on the cot, always keep the siderails in the raised position unless the patient is being transferred.

**To lower**, squeeze handle (B) to release the siderail latch. Guide the siderail down toward the foot end until flat.

# Cot Operation

---

## Operating Breakaway Head Section



The head end of the cot litter folds down to shorten the length of the cot and allow for maneuvering when space is limited in elevators, halls, etc.

The break-away head section should only be used when the cot is in positions 2-5 (see page 11).

**To lower the breakaway head section**, raise the backrest to its uppermost position (see page 23 for backrest operation instructions). Squeeze the release bar (A) at the head end of the cot with one hand while supporting the head section with the other hand. Lower the head section.

**To raise the breakaway head section**, lift the break-away head section until the release handles click and the head section locks into place.

---

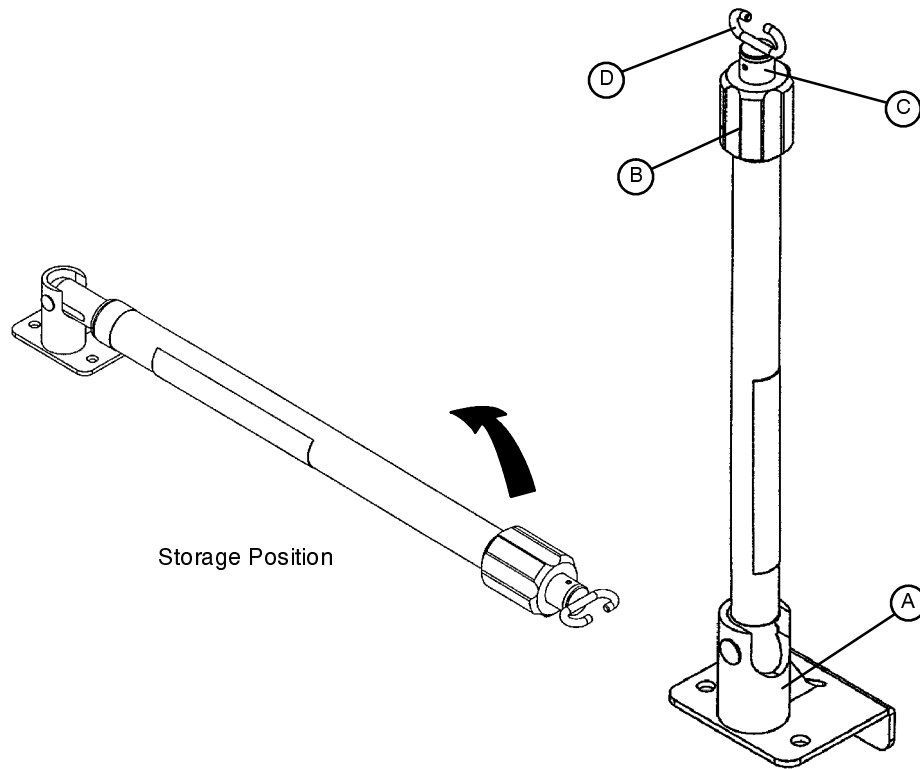
### CAUTION

Damage to the cot can occur if the cot is lowered in the shortened position. Use only positions 2-5 (see page 11) when the cot is shortened.

# Cot Operation

---

## Operating 2-Stage I.V. Pole



1. Lift and pivot the pole from the storage position and push down until it is locked into receptacle (A).
2. To raise the height of the pole, turn the lock actuator (B) counterclockwise and pull up on the telescoping portion (C) of the pole to raise it to the desired height.
3. Turn the lock actuator (B) clockwise to lock the telescoping portion in place.
4. Hang I.V. bags on the I.V. hook (D).

---

### CAUTION

The weight of the I.V. bags should not exceed 40 pounds.

---

# Cot Operation

## Operating 3-Stage I.V. Pole (Optional Equipment)

1. Lift and pivot the pole from the storage position and push down until it is locked into receptacle (A).
2. To raise the height of the pole, turn the lock actuator (B) counter-clockwise and pull up on the bottom telescoping portion (C) of the pole to raise it to the desired height.
3. Turn the lock actuator (B) clockwise to lock the bottom telescoping portion in place.
4. For a higher I.V. pole, pull up on section (D) until the spring clip (E) engages.
5. Hang I.V. bags on the I.V. hook (F).

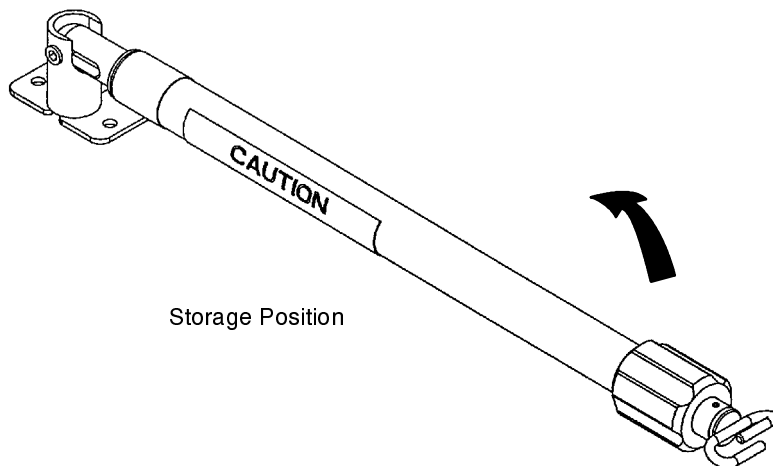
---

### CAUTION

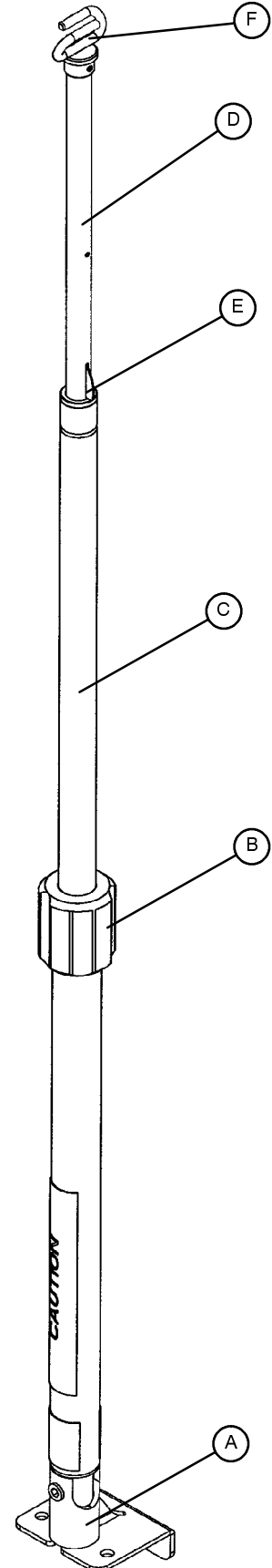
---

The weight of the I.V. bags should not exceed 40 pounds.

6. To lower the I.V. pole, push in on the spring clip (E) and slide section (D) down into section (C). Turn the lock actuator (B) counterclockwise and slide section (C) into the bottom tube.
7. Lift up and pivot the pole down into the storage position.



Storage Position



# Cleaning

Hand wash all surfaces of the cot with warm water and mild detergent. Dry thoroughly. **DO NOT STEAM CLEAN, PRESSURE WASH, HOSE OFF OR ULTRASONICALLY CLEAN.** Using these methods of cleaning is **not** recommended and may void this product's warranty.

Clean Velcro **AFTER EACH USE**. Saturate Velcro with disinfectant and allow disinfectant to evaporate. (Appropriate disinfectant for nylon Velcro should be determined by the hospital.)

In general, when used in those concentrations recommended by the manufacturer, either phenolic type or quaternary type disinfectants can be used. Iodophor type disinfectants are not recommended for use because staining may result. The following products have been tested and have been found not to have a harmful effect **WHEN USED IN ACCORDANCE WITH MANUFACTURERS RECOMMENDED DILUTION.\***

TRADE NAME	DISINFECTANT TYPE	MANUFACTURER	*MANUFACTURER'S RECOMMENDED DILUTION
A33	Quaternary	Airwick (Professional Products Division)	2 ounces/gallon
A33 (dry)	Quaternary	Airwick (Professional Products Division)	1/2 ounce/gallon
Beaucoup	Phenolic	Huntington Laboratories	1 ounce/gallon
Blue Chip	Quaternary	S.C. Johnson	2 ounces/gallon
Elimstaph	Quaternary	Walter G. Legge	1 ounce/gallon
Franklin Phenomysan F2500	Phenolic	Purex Corporation	1 1/4 ounce/gallon
Franklin Sentinel	Quaternary	Purex Corporation	2 ounces/gallon
Galahad	Phenolic	Puritan Churchill Chemical Company	1 ounce/gallon
Hi-Tor	Quaternary	Huntington Laboratories	1/2 ounce/gallon
LPH	Phenolic	Vestal Laboratories	1/2 ounce/gallon
Matar	Phenolic	Huntington Laboratories	1/2 ounce/gallon
Omega	Quaternary	Airwick (Professional Products Division)	1/2 ounce/gallon
Quanto	Quaternary	Huntington Laboratories	1 ounce/gallon
Sanikleen	Quaternary	West Chemical Products	2 ounces/ gallon
Sanimaster II	Quaternary	Service Master	1 ounce/gallon
Vesphene	Phenolic	Vestal Laboratories	1 1/4 ounce/ gallon

Quaternary Germicidal Disinfectants, used as directed, and/or Chlorine Bleach products, typically 5.25% Sodium Hypochlorite in **dilutions ranging between 1 part bleach to 100 parts water, and 2 parts bleach to 100 parts water are not considered mild detergents. These products are corrosive in nature and may cause damage to your stretcher if used improperly.** If these types of products are used to clean Stryker patient handling equipment, measures must be taken to insure the stretchers are rinsed with clean water and thoroughly dried following cleaning. Failure to properly rinse and dry the stretchers will leave a corrosive residue on the surface of the stretcher, possibly causing premature corrosion of critical components.

## NOTE

Failure to follow the above directions when using these types of cleaners may void this product's warranty.

## REMOVAL OF IODINE COMPOUNDS

1. Use a solution of 1–2 tablespoons Sodium Thiosulfate in a pint of warm water to clean the stained area. Clean as soon as possible after staining occurs. If stains are not immediately removed, allow solution to soak or stand on the surface. Rinse surfaces which have been exposed to the solution in clear water before returning unit to service.

## WARNING

Failure to properly clean or dispose of contaminated mattress or cot components will increase the risk of exposure to bloodborne pathogens and may cause injury to the patient or the operator.

# Preventative Maintenance

---

Operation	Schedule	Procedure
Cleaning & Disinfecting	Each use.	See page 27.
Inspection	<p>For 1–25 calls per month, inspect cot every 6 months.</p> <p>For 26–200 calls per month, inspect cot every 3 months.</p> <p>For 201+ calls per month, inspect cot monthly.</p>	See below for checklist.

**NOTE**

Keep up-to-date maintenance records using the form on page 33.

**Parts, Service or Technical Assistance:**

Contact Stryker Customer Service at 1-800-327-0770 or

Stryker Medical  
 6300 Sprinkle Road  
 Kalamazoo, MI 49001  
 ATTN: Customer Service

**CHECKLIST**

- \_\_\_\_\_ All fasteners secure (reference all assembly prints)
- \_\_\_\_\_ All welds intact, not cracked or broken
- \_\_\_\_\_ No bent or broken tubing or sheet metal
- \_\_\_\_\_ No debris in wheels
- \_\_\_\_\_ All wheels secure, rolling and swivelling properly
- \_\_\_\_\_ Optional wheel brake holds wheel securely when on and clears wheel when off
- \_\_\_\_\_ Siderails move and latch properly
- \_\_\_\_\_ Backrest operating properly
- \_\_\_\_\_ Optional accessories intact and operating properly
- \_\_\_\_\_ Height positioning latch functioning properly
- \_\_\_\_\_ Cot secure in each height position
- \_\_\_\_\_ Undercarriage folds properly
- \_\_\_\_\_ Breakaway head section operating properly
- \_\_\_\_\_ Auxiliary lock operating properly
- \_\_\_\_\_ Foot rest operating properly
- \_\_\_\_\_ No rips or cracks in mattress cover
- \_\_\_\_\_ Body restraints intact and working properly

Serial No. \_\_\_\_\_ Model No. \_\_\_\_\_

Completed By: \_\_\_\_\_ Date: \_\_\_\_\_



# Service Information

## PNEUMATIC BACKREST ADJUSTMENT

### Required Tools:

1/2" Wrench

5/32" Allen Wrench

Loctite

3/32" Allen Wrench

7/32" Allen Wrench

9/16" Wrench

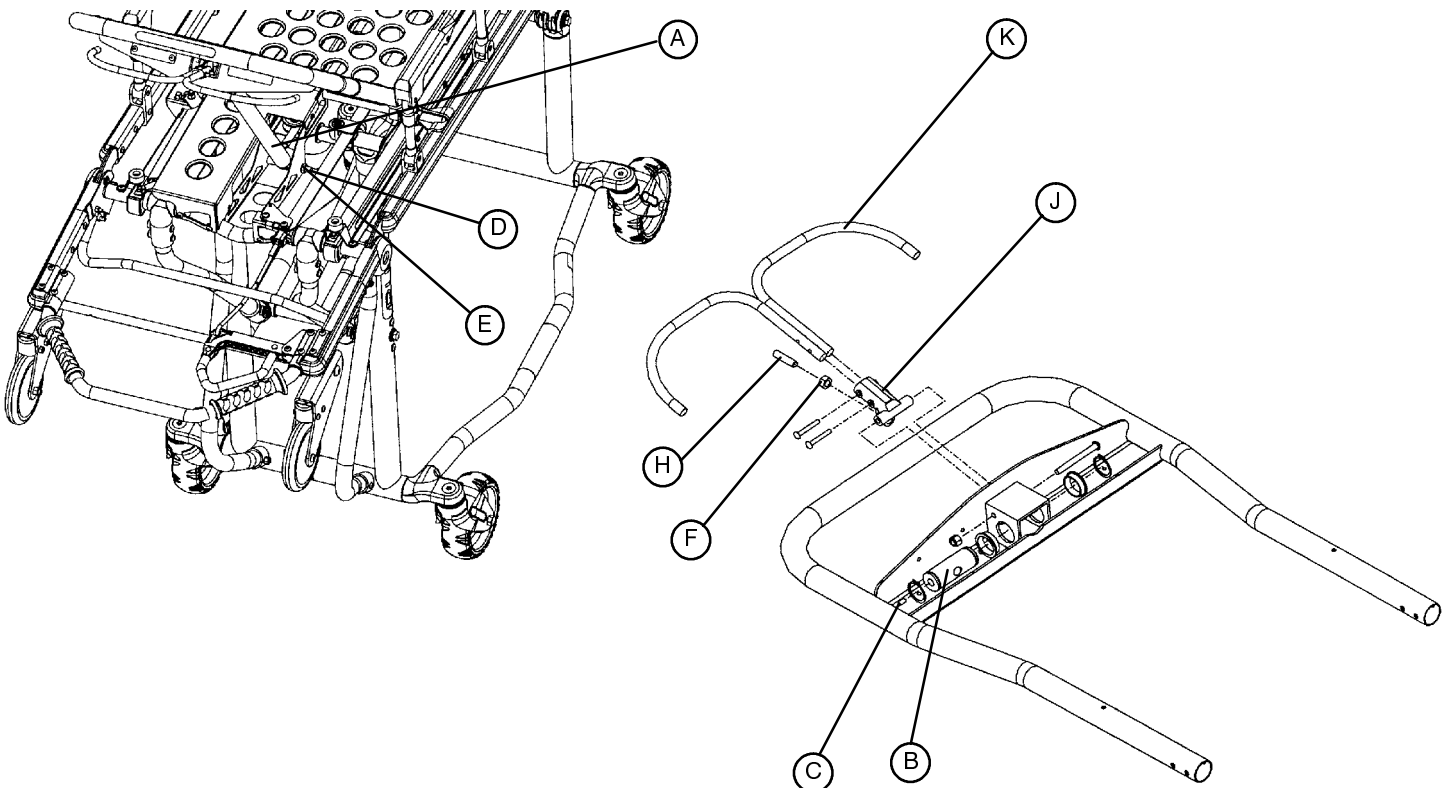
### Adjustment Procedure:

3. For easier access, move Backrest to 75 degrees.

### NOTE

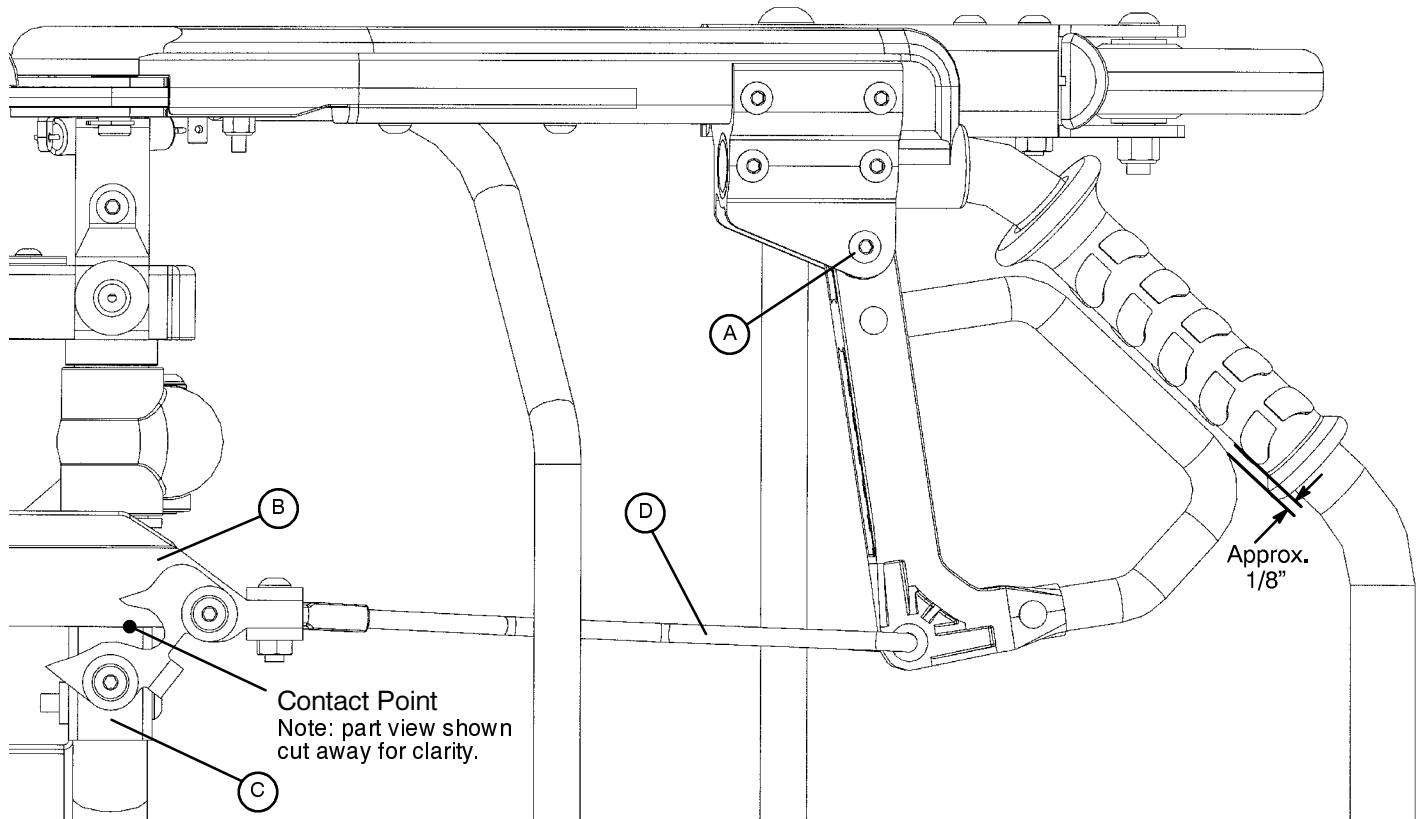
Before continuing with the Backrest adjustment procedure, be sure the pneumatic cylinder (item A) is completely threaded into the yoke (item B) so no threads are showing on the shaft of the cylinder. If threads are showing, use a 3/32" Allen wrench to remove the set screw (item C) in the center of the yoke and a 7/32" Allen wrench and 9/16" wrench to remove the nut and bolt (items D & E) holding the bottom of the pneumatic cylinder. Thread cylinder shaft (item A) completely into yoke (item B). Replace the nut and bolt (items D & E) and replace the set screw (item C) using Loctite.

4. Using a 1/2" wrench, loosen the hex nut (item F) on the Backrest pivot (item J) while holding the set screw (item H) fixed in the pivot.
5. Using a 5/32" Allen wrench, turn the set screw (item H) until there is no play between the Backrest release handle (item K) and the pneumatic cylinder release button.
6. Be sure the Backrest will travel from flat to at least 75 degrees. If it doesn't, turn the set screw (item H) clockwise 1/2 turn. Repeat until at least 75 degrees of travel is achieved.
7. Lower the Backrest to a 5-10 degree angle and release the handle. Apply approximately 50 pounds downward force to the end of the Backrest. If the Backrest drifts down, turn the set screw (item H) counterclockwise. Repeat until the Backrest does not drift downward.
8. Using the 1/2" wrench, tighten the hex nut (item F) while holding the set screw (item H) fixed in the pivot.



# Service Information

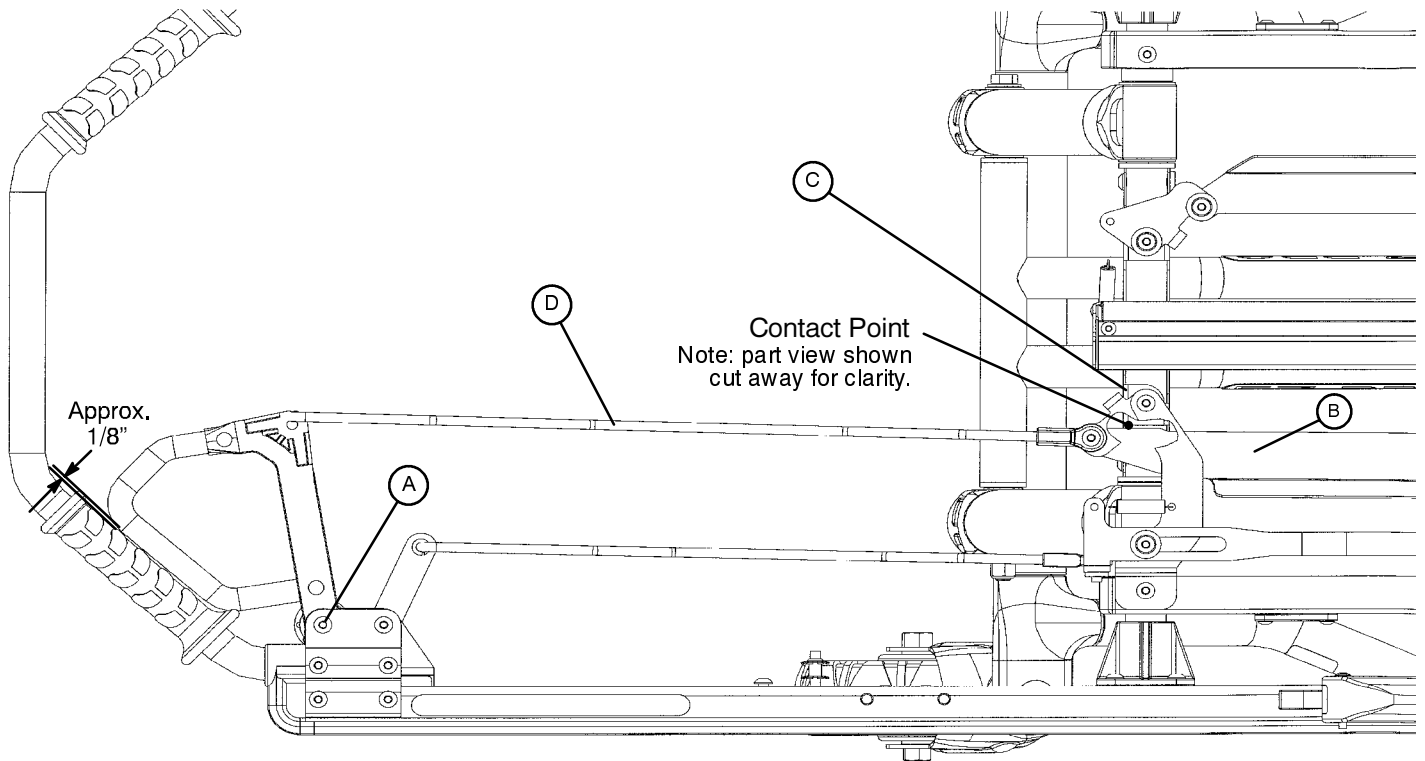
## HEAD END RELEASE HANDLE ADJUSTMENT



1. Pull the head end release handle and verify the patient right latch bar (B) is touching the Fowler support bracket weldment (C), at the contact point shown above. Verify there is approximately 1/8" of clearance between the release handle and the grip on the lift bar (as shown above).
2. If the release handle requires adjustment, remove the bolt (A) holding the release handle in place. Be careful not to lose the link release spacer (shown as item AE on page 35) in the release handle.
3. Turn the head release link (D) clockwise or counterclockwise until the conditions described in step one are achieved.
4. Place the link release spacer (item AE on page 35) in the release handle and reinstall the release handle.

# Service Information

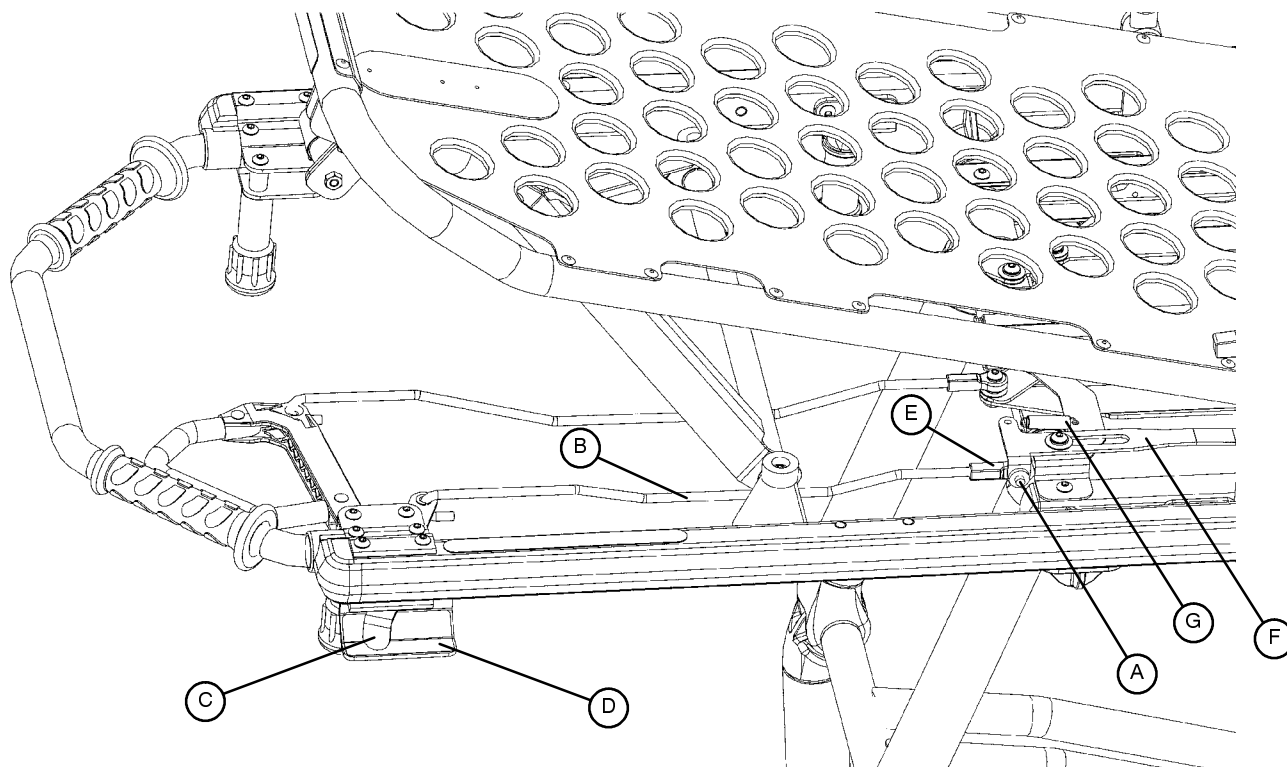
## FOOT END RELEASE HANDLE ADJUSTMENT



1. Pull the foot end release handle and verify the patient left latch bar (B) is touching the foot end lever support bracket (C), at the contact point shown above. Verify there is approximately 1/8" of clearance between the release handle and the grip on the lift bar (as shown above).
2. If the release handle requires adjustment, remove the bolt (A) holding the release handle in place. Be careful not to lose the link release spacer (shown as item AE on page 35) in the release handle.
3. Turn the foot release link (D) clockwise or counterclockwise until the conditions described in step one are achieved.
4. Place the link release spacer (item AE on page 35) in the release handle and reinstall the release handle.

# Service Information

## AUXILIARY LOCK HANDLE ADJUSTMENT



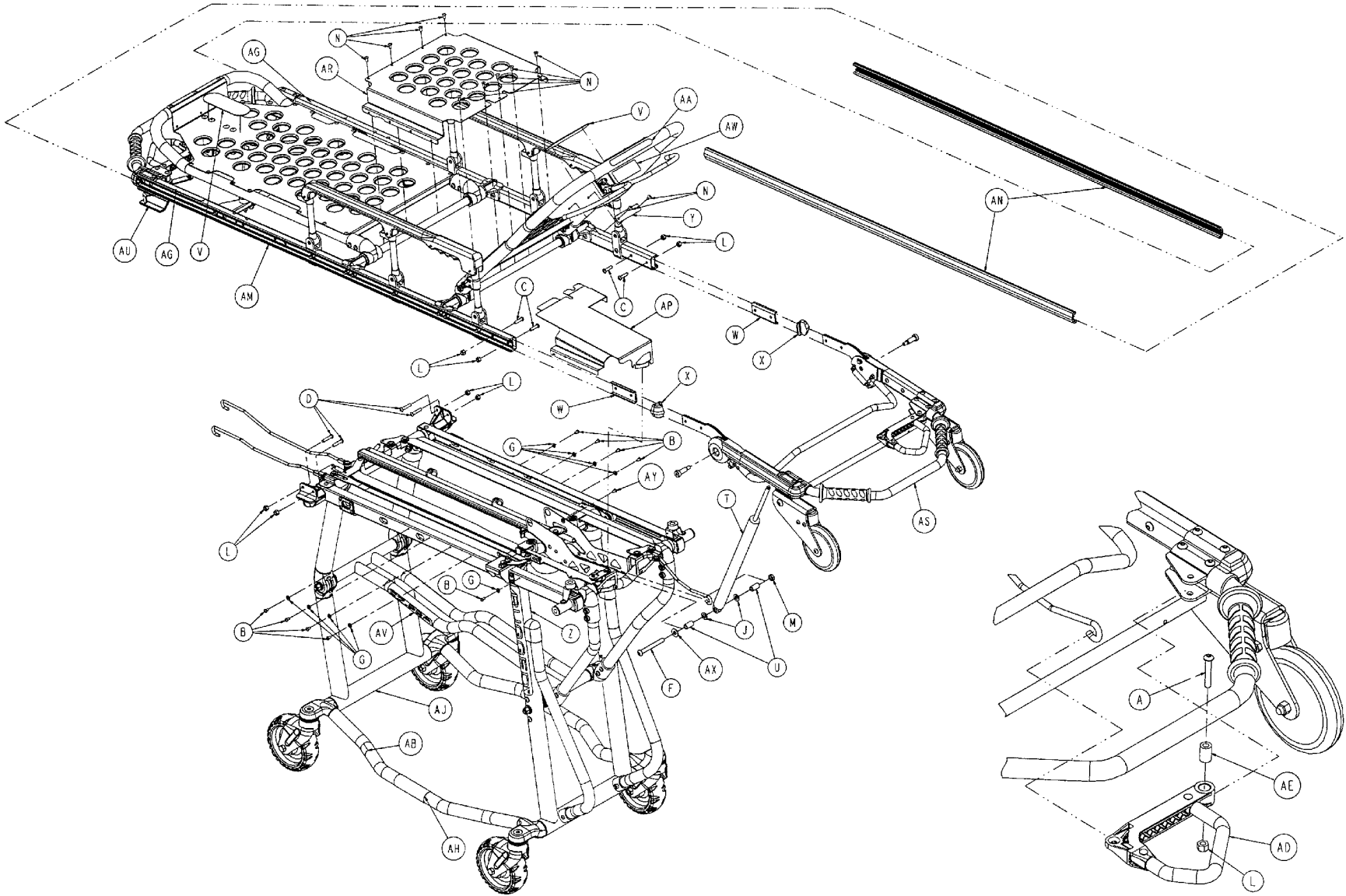
1. Remove bolt (A).
2. Pull and hold the auxiliary lock release link (B) toward the head end of the cot until the auxiliary lock lever (C) bottoms in the slot of the lever guard (D),
3. Turn the rod end (E) clockwise or counterclockwise until the hole in the rod end (E) aligns with the weld nut in the auxiliary lock slide link (F) which is being held in position by the spring (G). Reinstall the bolt (A).



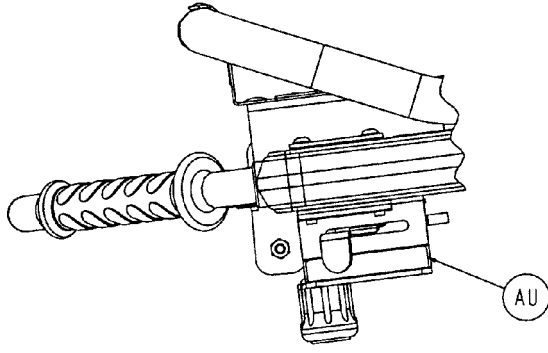
# Training Record

Trainee Name	Training Date		Training Method
	Basic Training	Refresher Update	Owner's Manual, In-Service, Formal Class, Etc.

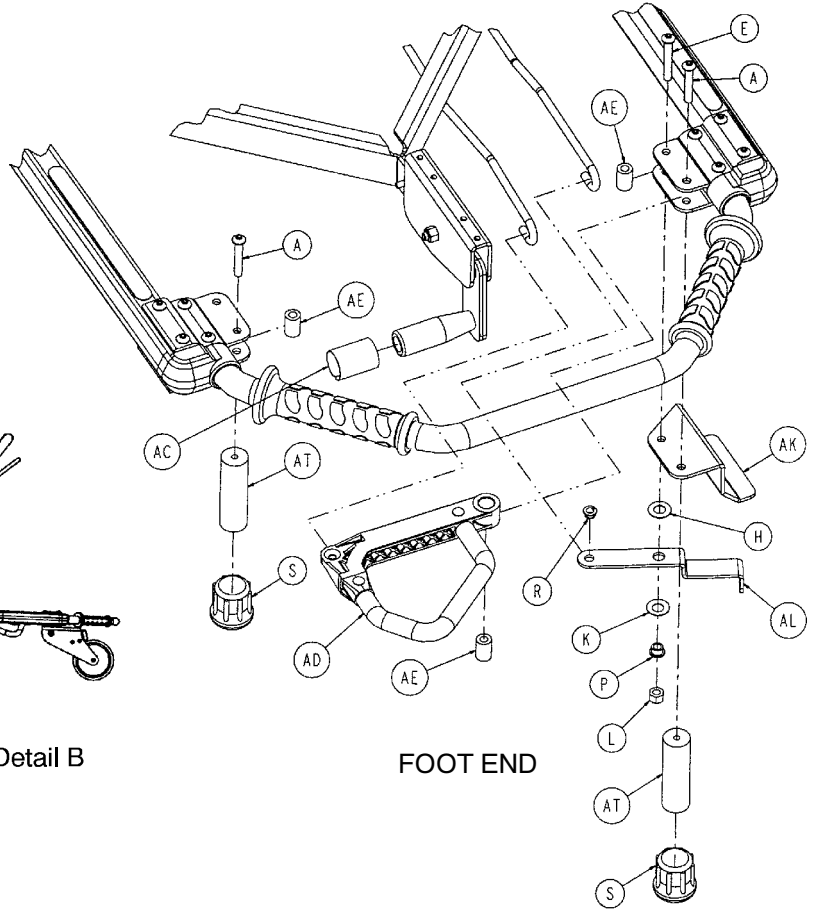
Assembly part number 6090-50-11 (reference only)



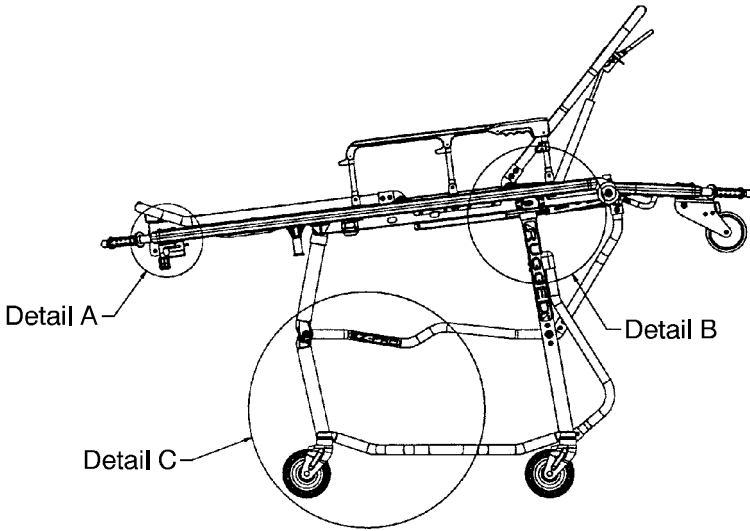
# Cot Assembly



DETAIL A



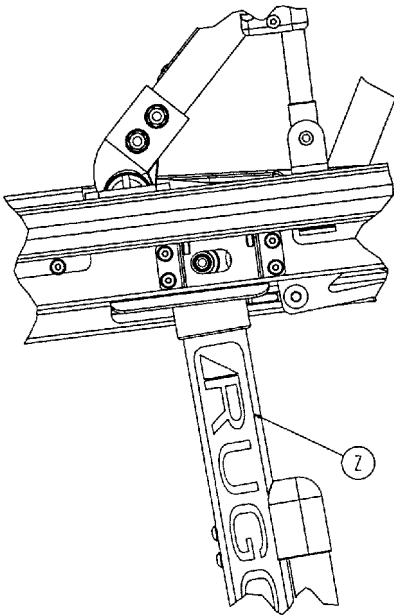
FOOT END



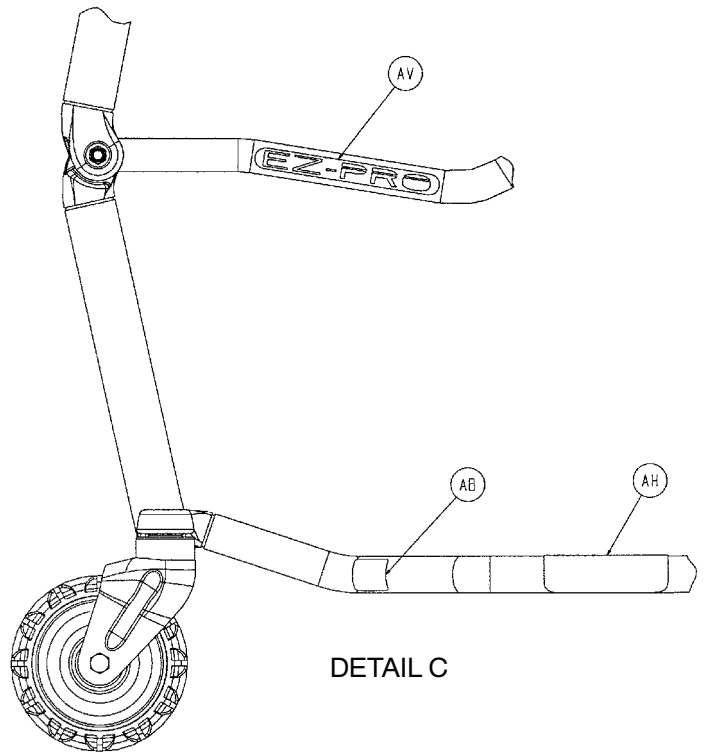
Detail A

Detail B

Detail C



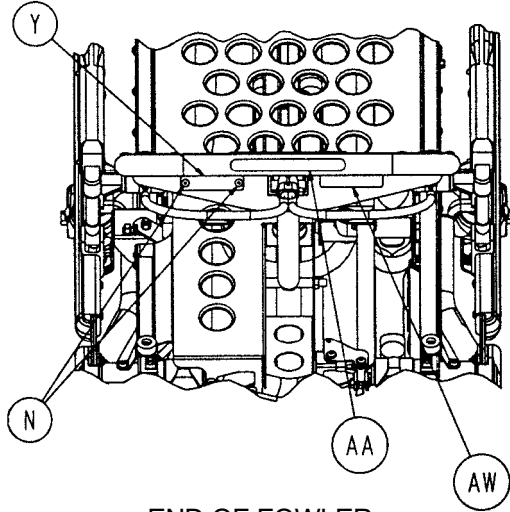
DETAIL B



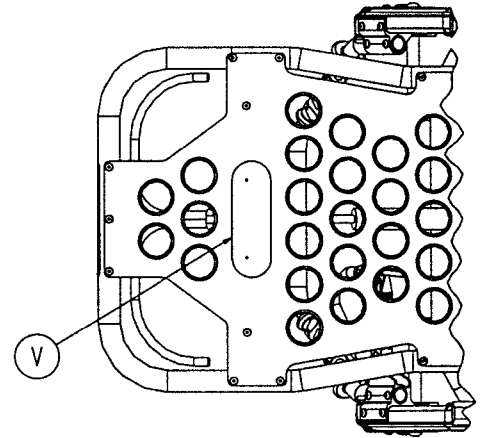
DETAIL C



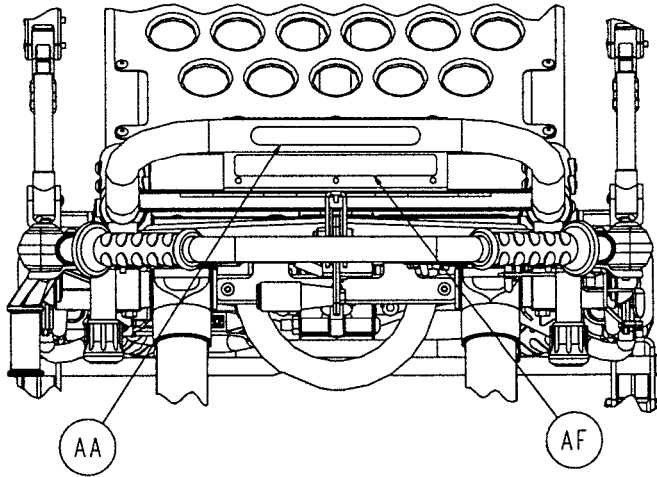
# Cot Assembly



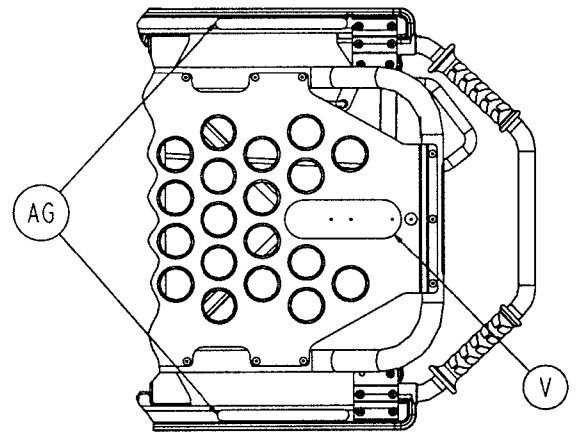
END OF FOWLER



FOWLER SKIN



END OF FOOT SECTION



FOOT SECTION SKIN

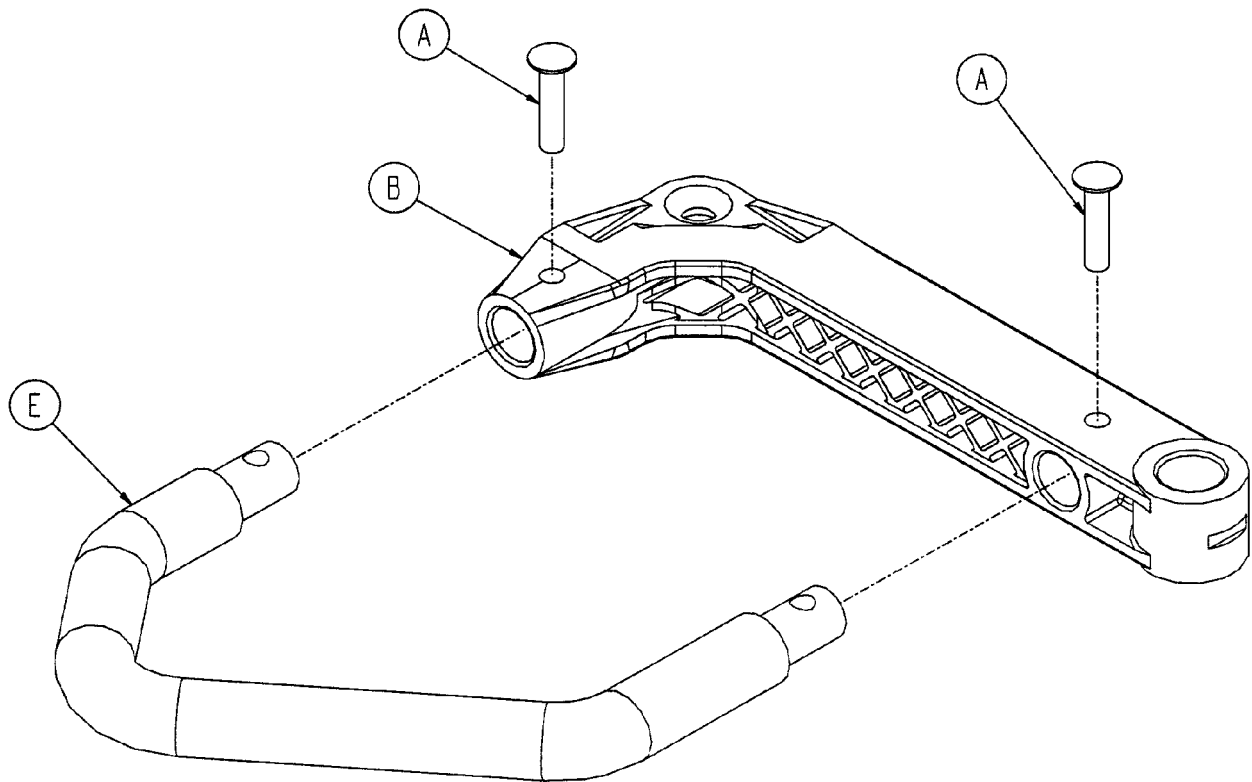
# Cot Assembly

---

Item	Part No.	Part Name	Qty.
A	4-135	Hex Soc. But. Hd. Cap Screw	3
B	4-136	Pan Hd. Machine Screw	9
C	4-197	Hex Soc. But. Hd. Cap Screw	4
D	4-198	Hex Soc. But. Hd. Cap Screw	4
E	4-204	Hex Soc. But. Hd. Cap Screw	1
F	4-240	Hex Soc. But. Hd. Cap Screw	1
G	11-16	Flat Washer	9
H	14-20	Flat Washer	1
J	14-21	Flat Washer	2
K	14-86	Belleville Washer	1
L	16-28	Fiberlock Nut	10
M	16-89	Centerlock Nut	1
N	25-79	Dome Hd. Rivet	11
P	81-293	Flange Bearing	1
R	81-298	Split Bearing	1
S	830-10-35	Crutch Tip	2
T	1010-31-77	Gas Cylinder	1
U	6060-31-46	Lit./Base Interface Pivot Spacer	2
V	6060-32-46	Adhesive Loop Pile	2
W	6060-37-26	Pivot Spacer Plate	2
X	6060-37-35	Outer Rail End Cap	2
Y	6060-90-2	Serial Number Tag	1
Z	6060-90-3	Large "Rugged" Label	2
AA	6060-90-4	Small "Rugged" Label	2
AB	6060-90-114	"Keep Hands Clear" Label	2
AC	6070-90-107	"Lift to Release" Label	1
AD	(page 39)	Release Handle Assembly	2
AE	6080-40-44	Link Release Spacer	4
AF	6080-90-9	Warning Label	1
AG	6080-90-106	Weight Label	2
AH	6080-90-108	"Lift Here" Label	2
AJ	(page 40-42)	Base Assembly	1
AK	6090-6-18	Aux. Lock Lever Guard	1
AL	6090-6-22	Aux. Lock Coated Lever	1
AM	(page 47-50)	Litter Assembly	1
AN	6090-30-43	Bumper	2
AP	6090-31-37	Cover	1
AR	6090-34-46	Midsection Skin	1
AS	(page 51)	Breakaway Head Section Ass'y	1
AT	6090-40-45	Foot End Litter Stop	2
AU	6090-90-1	Aux. Lock Warning Label	1
AV	6090-90-2	"EZ-PRO" Label	2
AW	6090-90-38	Specification Label	1
AX	11-193	Flat Washer	1
AY	4-307	Hex Soc. But. Hd. Cap Screw	1

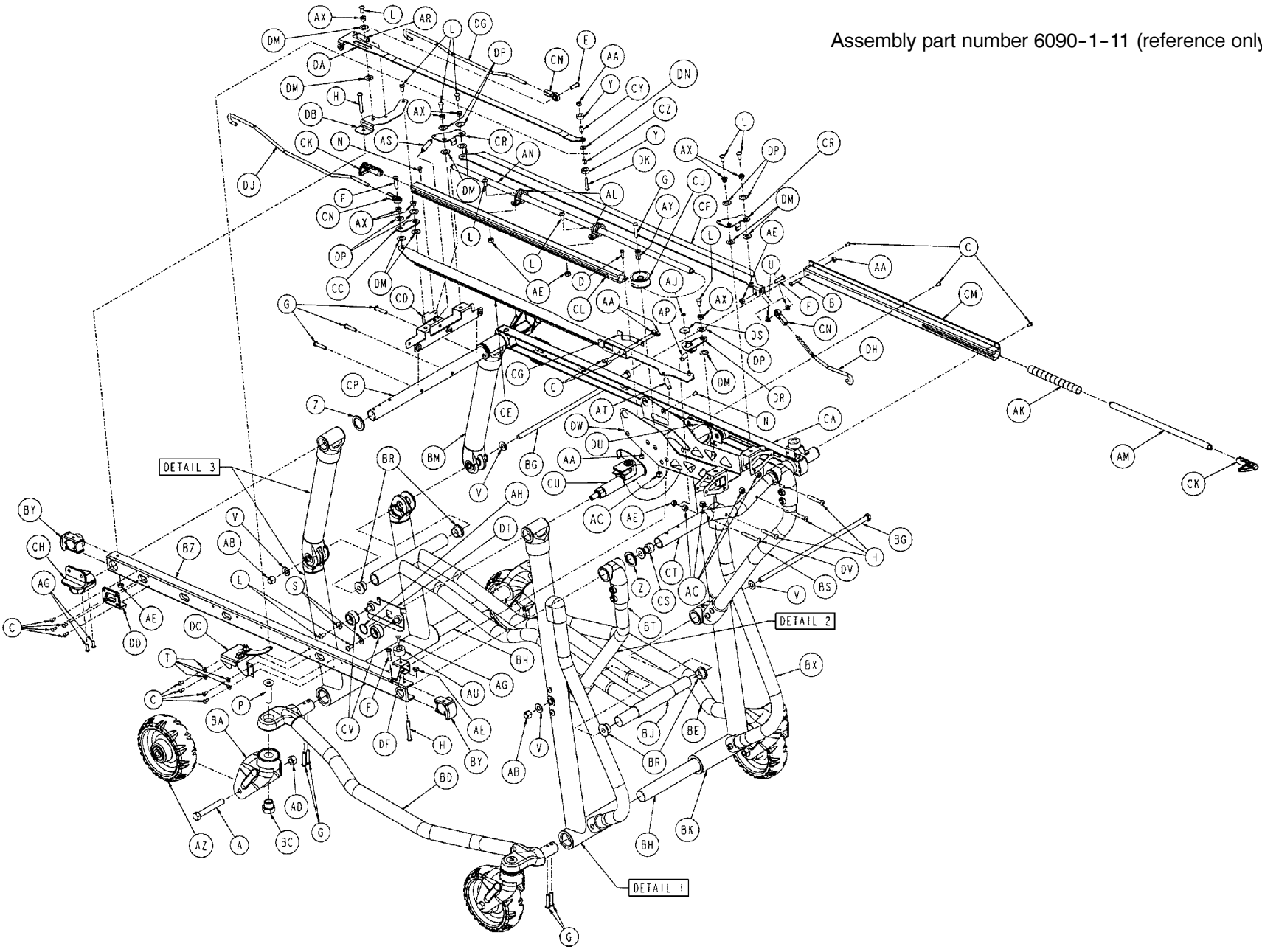
# 6080-40-40 Release Handle Assembly

---

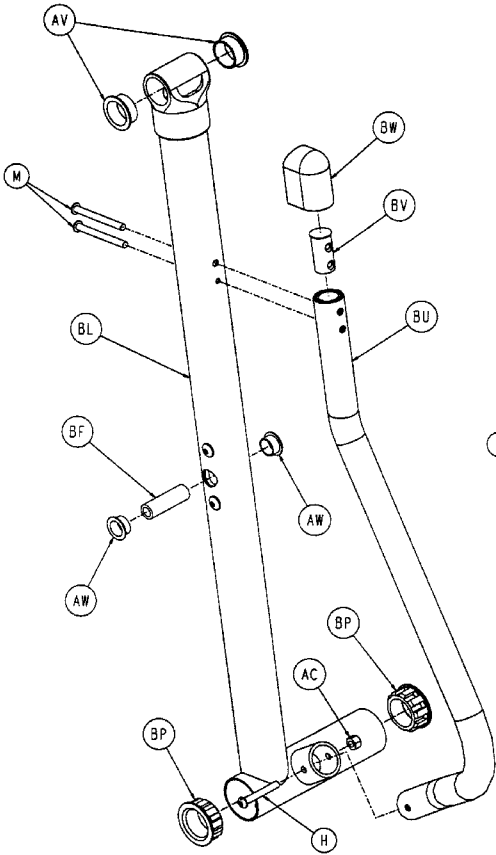


Item	Part No.	Part Name	Qty.
A	25-125	Rivet	2
B	6080-40-41	Release Handle Link	1
E	6080-40-50	Side Release Handle Ass'y	1

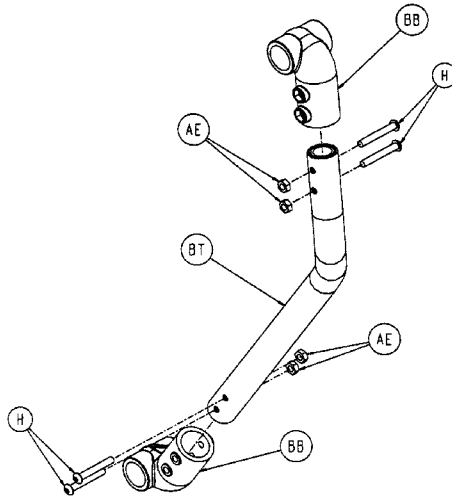
Assembly part number 6090-1-11 (reference only)



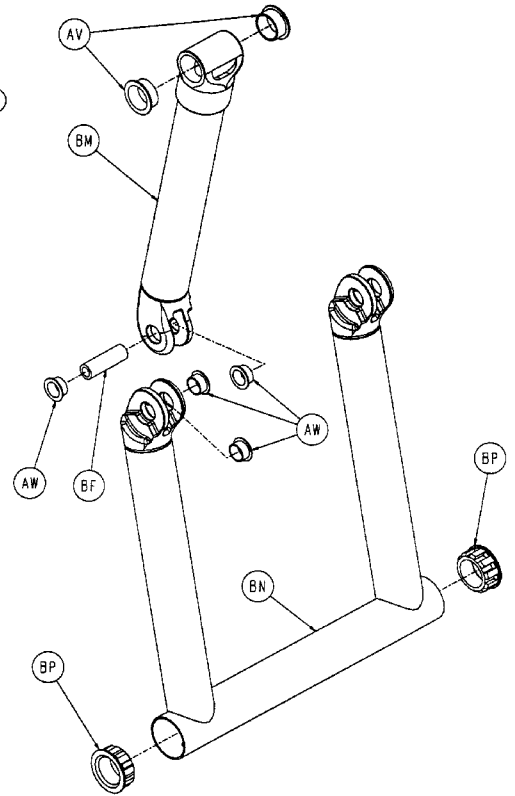
# Base Assembly



DETAIL 1

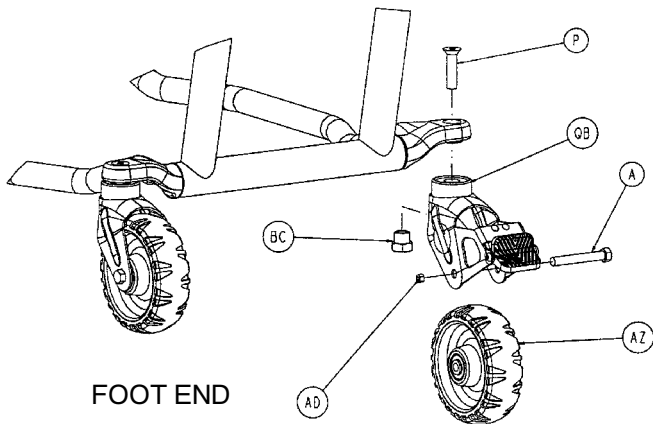


DETAIL 2



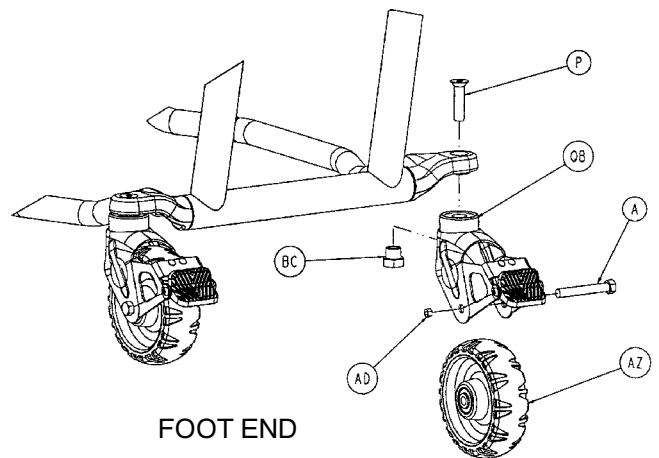
DETAIL 3

## Domestic Brake Option - One Brake



FOOT END

## International Brake Option - Two Brakes



FOOT END

# Base Assembly

Item	Part No.	Part Name	Qty.	Item	Part No.	Part Name	Qty.
A	3-205	Hex Hd. Cap Screw	4	BL	6090-1-53	Front Leg, Left	1
B	4-45	H. Soc. But. Hd. Cap Scr.	2	BM	6090-1-57	Upper Back Leg	2
C	4-136	Torx Pan Hd. Mach. Scr.	17	BN	6090-1-59	Lower Back Leg	1
D	4-149	H. Soc. But. Hd. Cap Scr.	1	BP	6090-1-70	Base Lower Bearing	6
E	4-161	H. Soc. But. Hd. Cap Scr.	1	BR	6090-1-72	Center Bushing	4
F	4-197	H. Soc. But. Hd. Cap Scr.	4	BS	6090-1-80	Tie Rod Assembly, Right	1
G	4-198	H. Soc. But. Hd. Cap Scr.	12	BT	6090-1-83	Tie Rod Assembly, Left	1
H	4-204	H. Soc. But. Hd. Cap Scr.	17	BU	6090-1-85	Bumper Tube Assembly	1
L	4-232	H. Soc. But. Hd. Cap Scr.	13	BV	6090-1-88	Bumper Plug	2
M	4-234	H. Soc. But. Hd. Cap Scr.	4	BW	6090-1-89	Bumper Cap	2
N	4-307	H. Soc. But. Hd. Cap Scr.	1	BX	6090-1-90	Bumper Tube Ass'y, Right	1
P	4-319	Flat Hd. Countersunk Scr.	4	BY	6090-5-28	C-Channel End Cap	4
S	11-2	Flat Washer	4	BZ	6090-5-29	C-Channel, Left	1
T	11-16	Flat Washer	4	CA	6090-5-30	C-Channel, Right	1
U	11-65	Flat Washer	1	CC	6090-5-32	Latch Lever, Foot, Left	1
V	11-418	Flat Washer	4	CD	6090-5-34	Lever Support, Foot	1
Y	11-423	Spacer	2	CE	6090-5-36	Latch Bar, Left	1
Z	11-427	Flat Washer	4	CF	6090-5-38	Latch Bar, Right	1
AA	16-3	Fiberlock Hex Nut	5	CG	6090-5-39	Latch Bar Spring Clip	1
AB	16-35	Fiberlock Hex Nut	2	CH	6090-5-40	Litter/Base Connector	2
AC	16-28	Fiberlock Hex Nut	7	CJ	6090-5-41	Spring Pulley	1
AD	16-60	Centerlock Nut	4	CK	6090-5-42	Spring Plunger	2
AE	16-78	Centerlock Hex Nut	16	CL	6090-5-43	Return Spring Hsg., Center	1
AG	25-133	Dome Hd. Rivet	6	CM	6090-5-44	Return Spring Hsg., Right	1
AH	28-178	Retaining Ring	2	CN	6090-5-46	Rod End	3
AJ	28-180	Retaining Ring	1	CP	6090-5-47	Foot End Cross Tube	1
AK	34-273	Harness Wrap	1	CR	6090-5-48	Latch Lever, Right	2
AL	34-274	Cable Clamp	2	CS	6090-5-50	Pivot Tube Boss, Head	2
AM	38-423	Extension Spring	1	CT	6090-5-51	Head End Cross Tube	1
AN	38-424	Extension Spring	1	CU	(page 44)	Lock Tube Assembly	1
AP	38-425	Extension Spring	1	CV	(page 45)	Track Roller Assembly	4
AR	38-427	Extension Spring	1	CY	6090-6-15	Aux. Lock Top Spacer	1
AS	38-428	Extension Spring	1	CZ	6090-6-21	Aux. Lock Bottom Spacer	1
AT	38-429	Extension Spring	1	DA	6090-6-23	Aux. Lock Slide Link Wldmt.	1
AU	56-16	Bumper	2	DB	6090-6-24	Aux. Lock Supt. Brkt. Wldmt.	1
AV	81-244	Flange Bearing	8	DC	(page 46)	Aux. Lock Housing Ass'y	1
AW	81-291	Flange Bearing	12	DD	6090-30-38	C-Channel Dead Stop	2
AX	81-293	Flange Bearing	8	DF	6090-31-38	Fowler Bumper Supt. Brkt.	2
AY	81-294	Flange Bearing	1	DG	6090-40-20	Aux. Lock Release Link	1
AZ	(page 43)	6 Inch Wheel Assembly	4	DH	6090-40-22	Head Release Link	1
BA	6060-2-12	Caster Horn Assembly	*	DJ	6090-40-23	Foot Release Link	1
BB	6060-32-42	Fowler/Gatch Adapter Piv.	4	DM	14-20	Flat Washer	9
BC	6090-1-9	Caster Nut	4	DN	14-30	Flat Washer	1
BD	6090-1-15	Outer Base Tube, Left	2	DP	14-86	Belleville Washer	7
BF	6090-1-27	Spindle Tube	4	DR	6090-5-65	Latch Lever, Head, Left	1
BG	6090-1-28	Base Connecting Rod	2	DS	6090-5-66	Bushing	1
BH	6090-1-32	Inner Base Spacer	2	DT	6090-5-80	Trolley Support, Left	1
BJ	6090-1-33	Center Weldment	1	DU	6090-5-82	Trolley Support, Right	1
BK	6090-1-52	Front Leg, Right	1	DV	4-97	H. Soc. But. Hd. Cap Screw	1
				DW	6090-32-10	Fowler Bracket Weldment	1

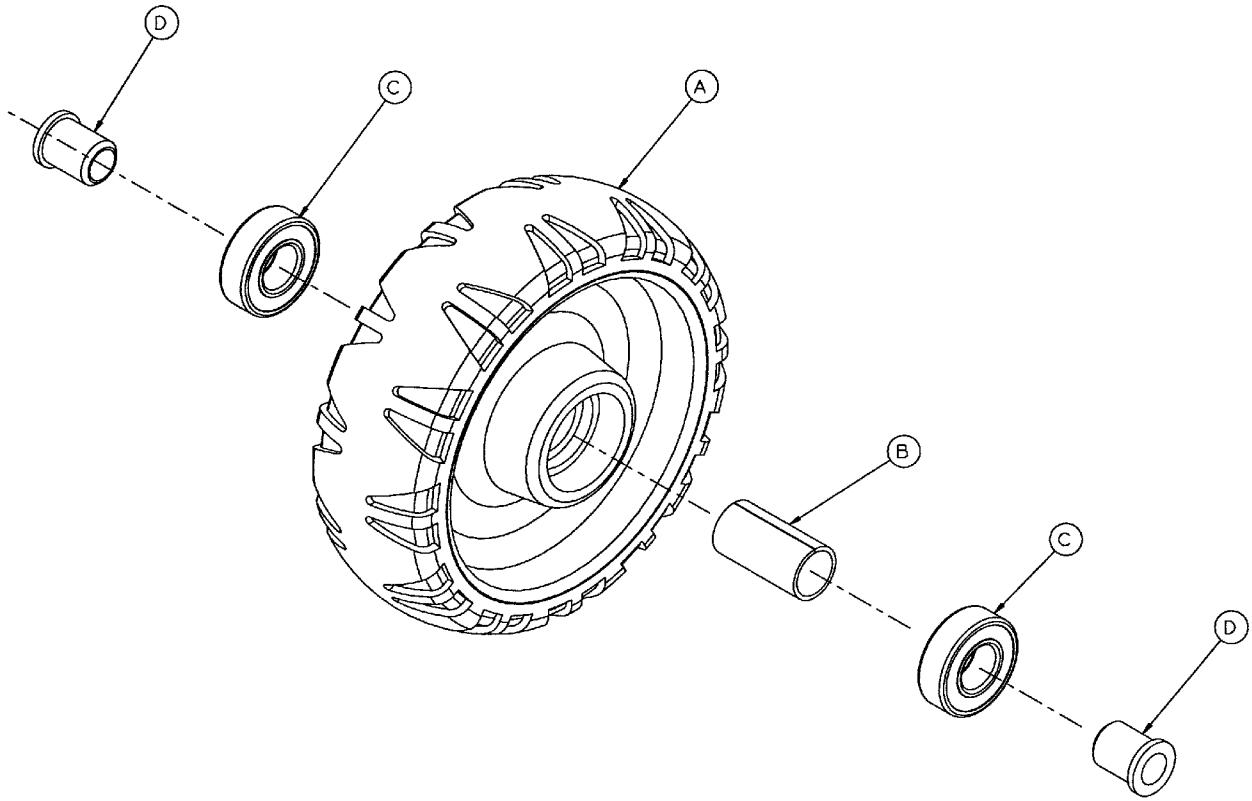
### 6080-501-10 Domestic Brake Option

### 6080-502-10 International Brake Option

Item	Part No.	Part Name	Qty.	Item	Part No.	Part Name	Qty.
QB	(page 46.1)	Brake Assembly	1	QB	(page 46.1)	Brake Assembly	2

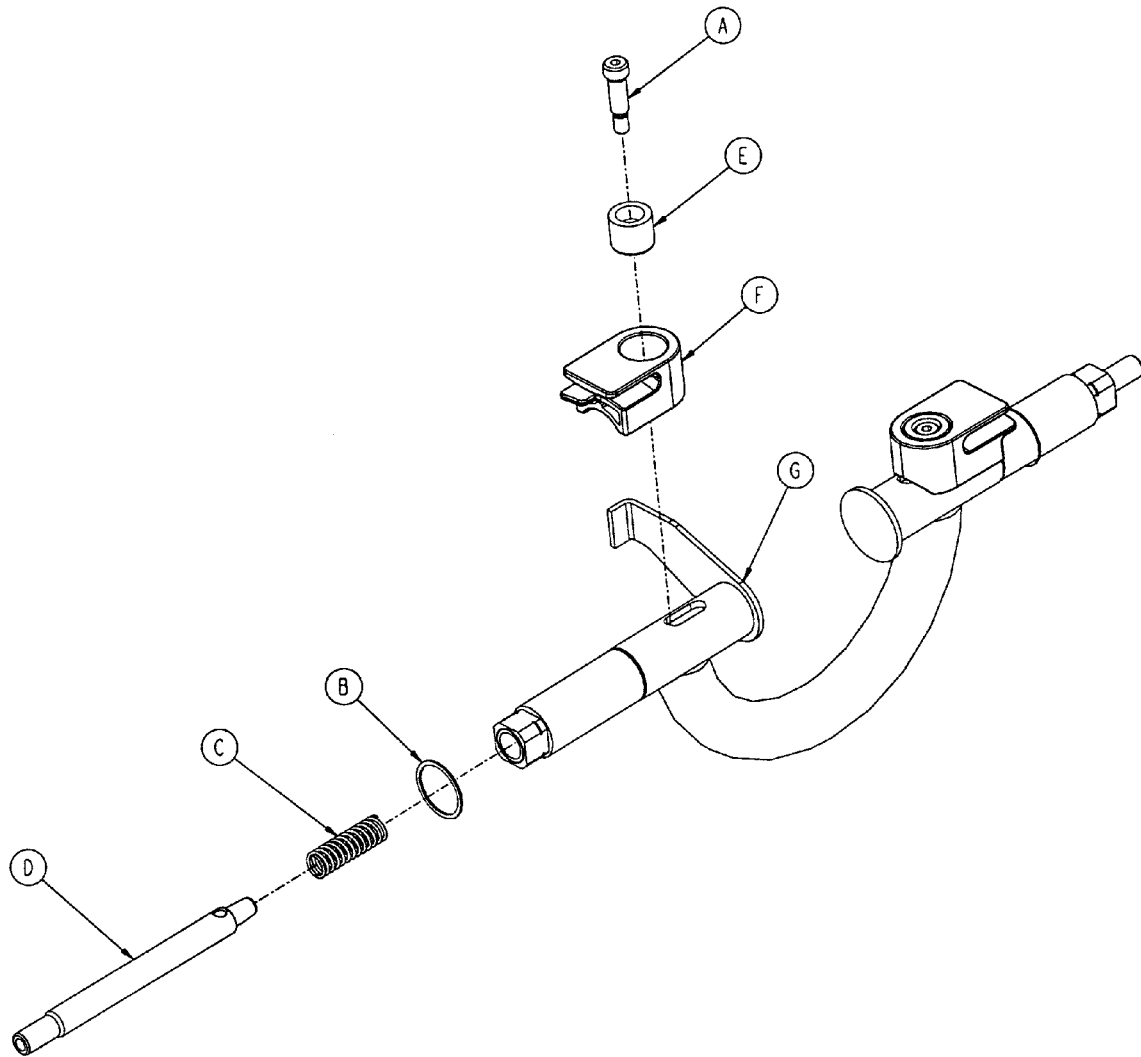
\* If the cot is not equipped with a brake option, item BA, Caster Horn is quantity of 4. If the cot is equipped with the domestic brake option, item BA, Caster Horn is quantity of 3. If the cot is equipped with the international brake option, item BA, Caster Horn is quantity of 2.

# 6060-2-10 Wheel Assembly



Item	Part No.	Part Name	Qty.
A	6060-2-45	Molded Wheel	1
B	6060-2-46	Bearing Spacer	1
C	81-226	Bearing	2
D	715-1-255	Wheel Bushing	2

# 6090-5-56 Base Lock Tube Assembly

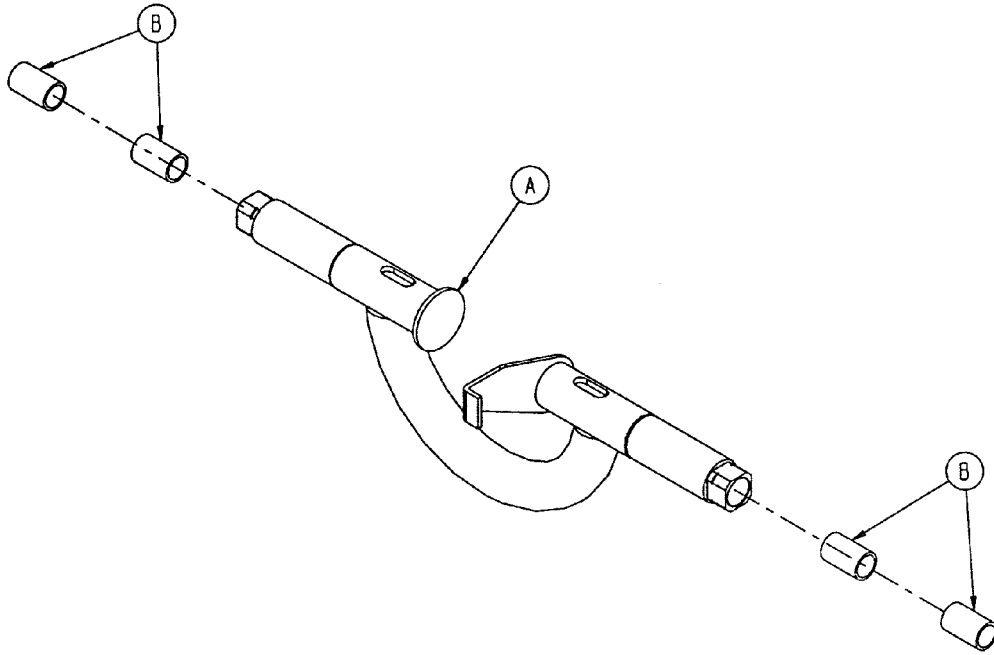


Item	Part No.	Part Name	Qty.
A	8-27	Shoulder Bolt	2
B	28-177	Retaining Ring	2
C	38-430	Compression Spring	2
D	6090-5-58	Lock Pin	2
E	6090-5-59	Lock Bar Roller	2
F	6090-5-63	Lock Bar Roller Guide	2
G	(page 45)	Lock Tube Bearing Ass'y	1



## 6090-5-64 Lock Tube Bearing Assembly

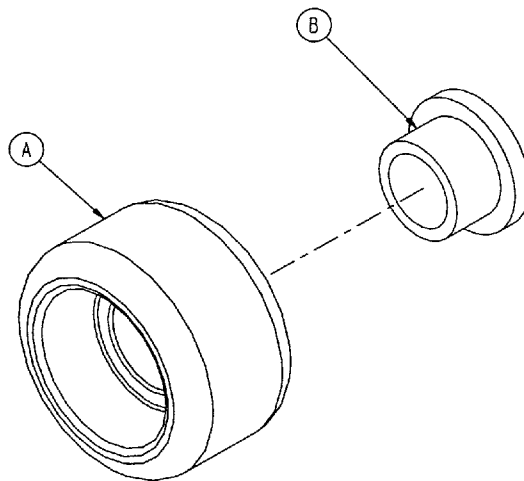
---



Item	Part No.	Part Name	Qty.
A	6090-5-68	Lock Bar Weldment	1
B	81-4	Bronze Bushing	4

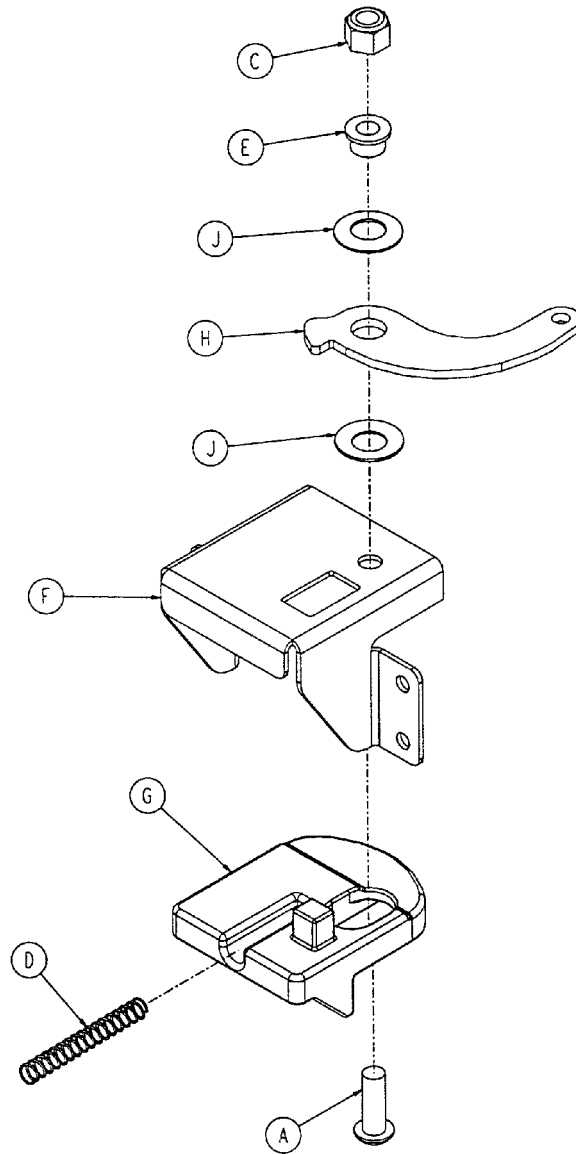
## 6090-5-70 Track Roller Assembly

---



Item	Part No.	Part Name	Qty.
A	6090-5-75	Track Roller	1
B	81-251	Track Roller Bushing	1

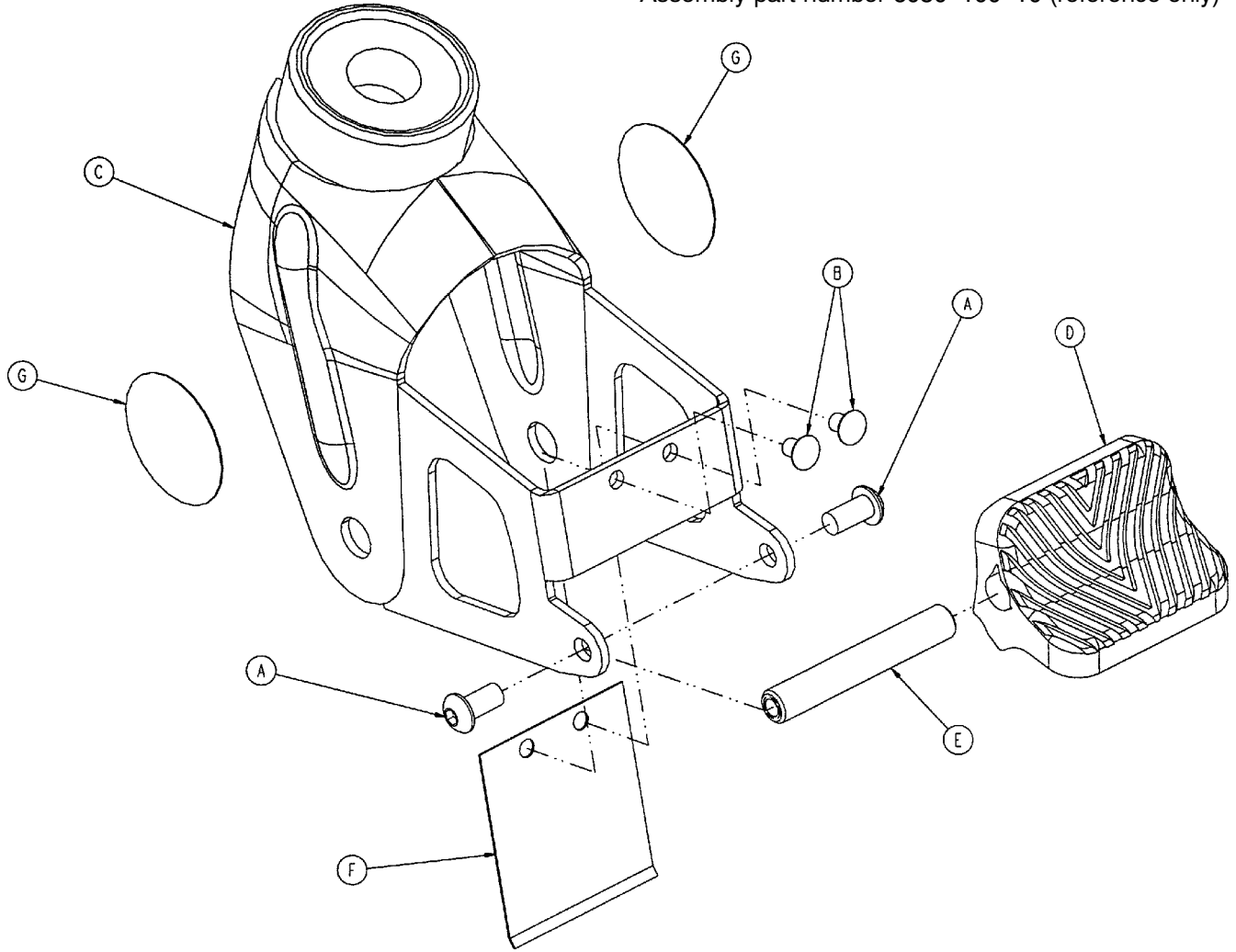
# 6090-6-25 Auxiliary Lock Housing Assembly



Item	Part No.	Part Name	Qty.
A	4-161	Hex Soc. But. Hd. Cap Screw	1
C	16-28	Fiberlock Hex Nut	1
D	38-432	Extension Spring	1
E	81-293	Flange Bearing	1
F	6090-6-26	Auxiliary Lock Housing	1
G	6090-6-27	Auxiliary Lock Slide	1
H	6090-6-28	Auxiliary Lock Lever Arm	1
J	14-86	Belleville Washer	2

# Wheel Brake Assembly

Assembly part number 6080-100-10 (reference only)

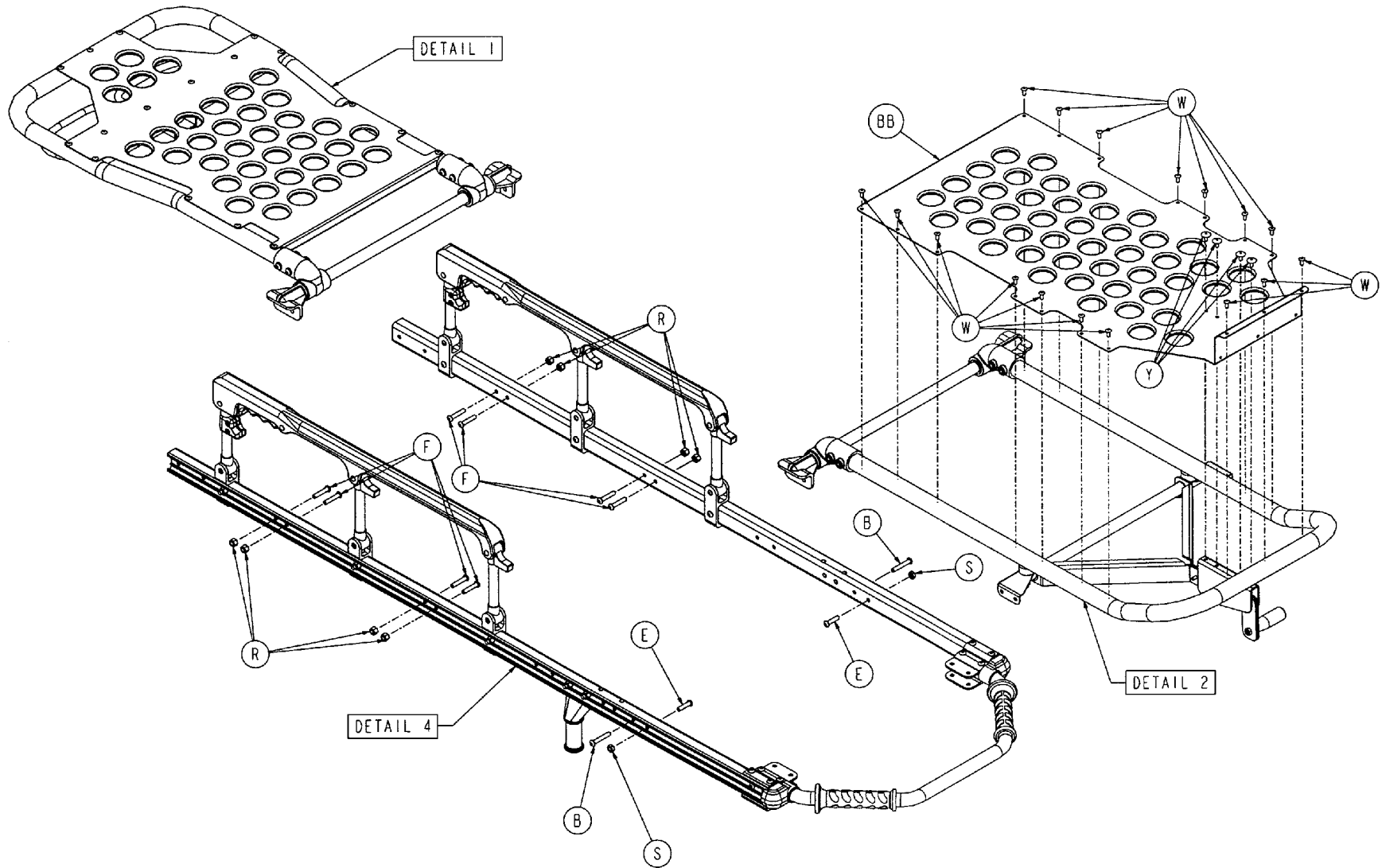


Item	Part No.	Part Name	Qty.
A	4-325	Hex Soc. But. Hd. Screw	2
B	25-153	Rivet	2
C	6080-100-12	Brake Caster Horn Ass'y	1
D	6080-100-30	Pedal	1
E	6080-100-31	Sleeve	1
F	6080-100-32	Brake Spring	1
G	6080-90-101	Brake Warning Label	2

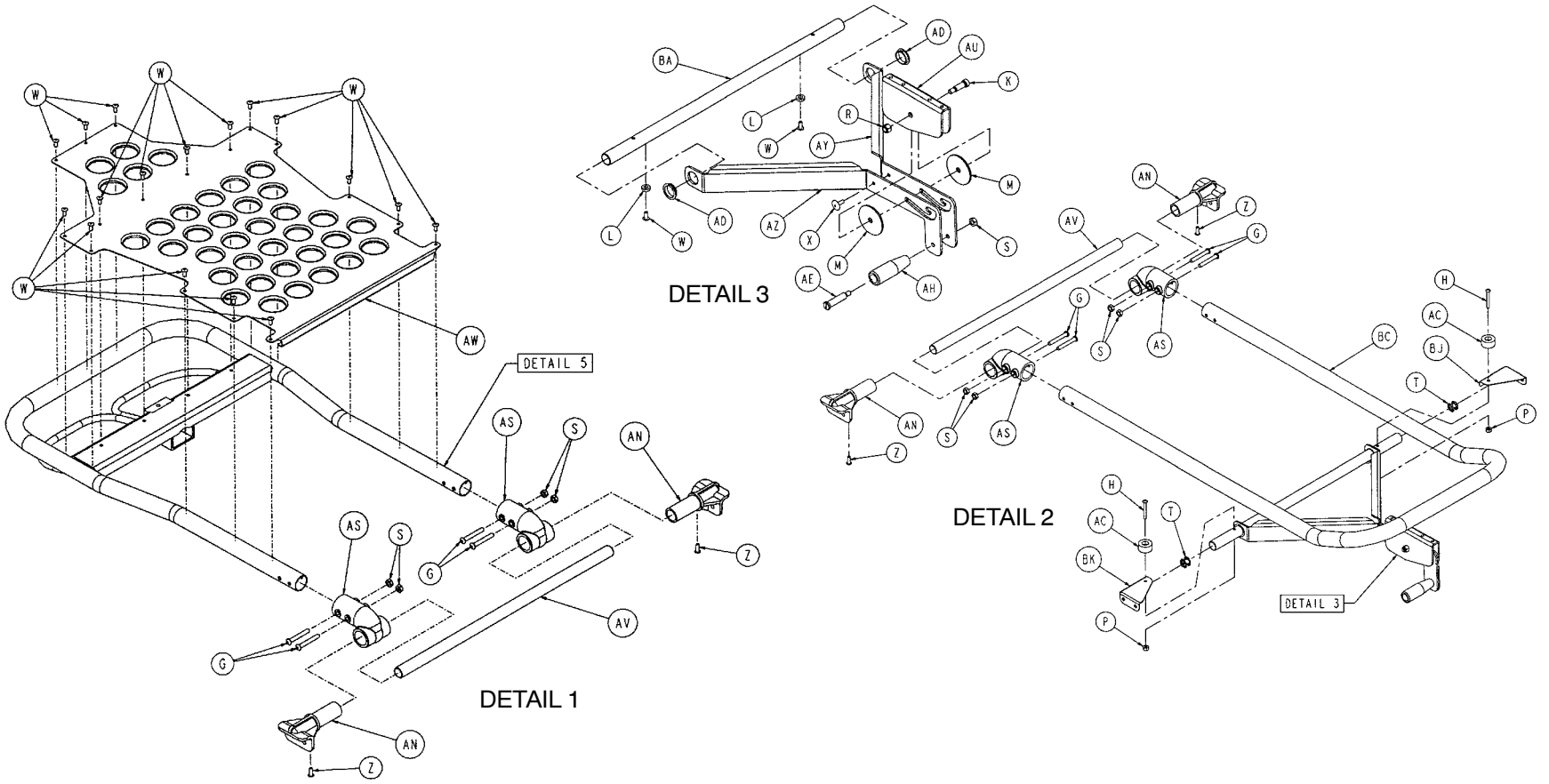
# Notes

---

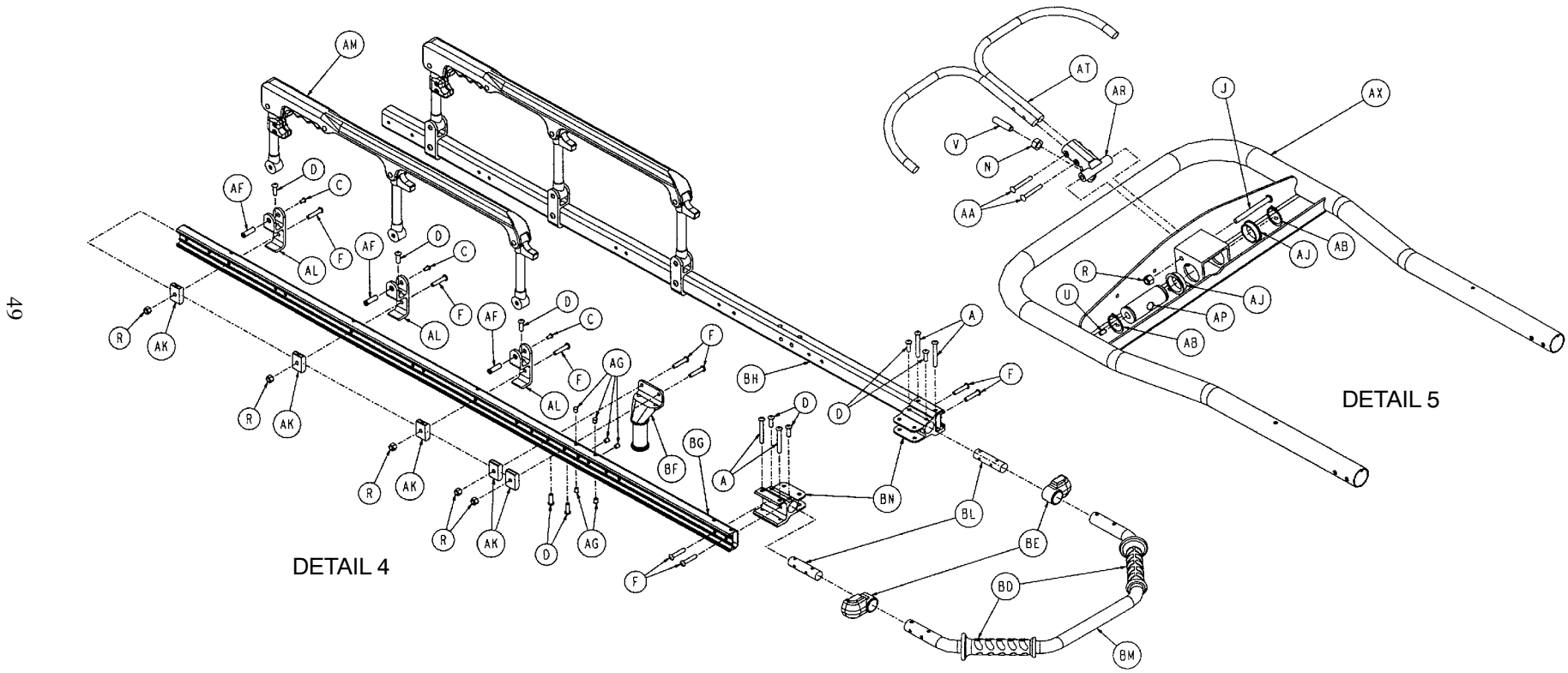
Assembly part number 6090-30-11 (reference only)



Assembly part number 6090-30-11 (reference only)



Assembly part number 6090-30-11 (reference only)



49

DETAIL 4

DETAIL 5

Litter Assembly

# Litter Assembly

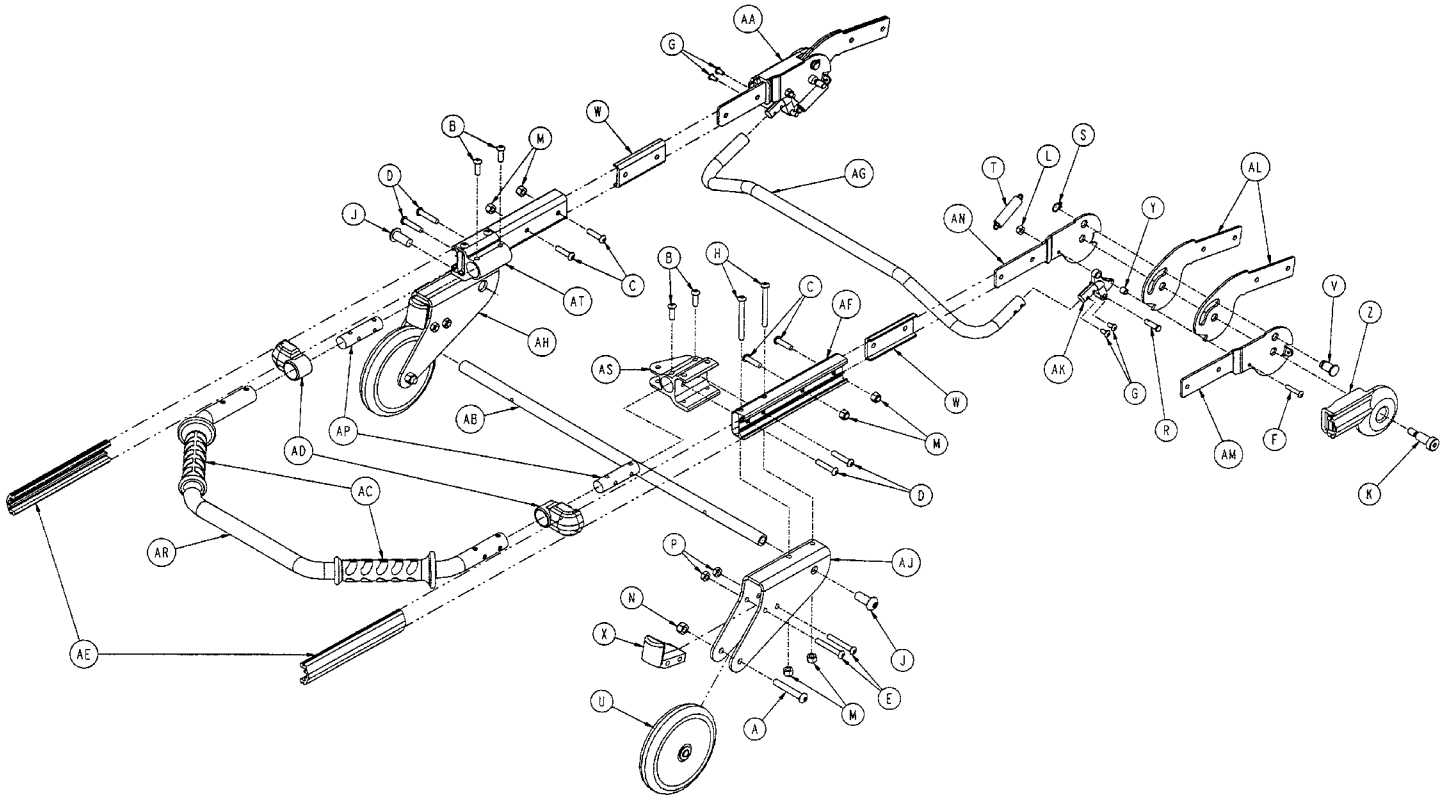
---

Item	Part No.	Part Name	Qty.
A	4-97	Hex Soc. But. Hd. Cap Screw	4
B	4-135	Hex Soc. But. Hd. Cap Screw	2
C	4-136	Pan Hd. Machine Screw	6
D	4-161	Hex Soc. But. Hd. Cap Screw	12
E	4-197	Hex Soc. But. Hd. Cap Screw	2
F	4-198	Hex Soc. But. Hd. Cap Screw	20
G	4-204	Hex Soc. But. Hd. Cap Screw	8
H	4-215	Hex Soc. But. Hd. Cap Screw	2
J	4-234	Hex Soc. But. Hd. Cap Screw	1
K	8-27	Hex Soc. Hd. Shoulder Bolt	1
L	14-67	Flat Washer	2
M	14-73	Flat Washer	2
N	15-50	Hex Nut	1
P	16-3	Fiberlock Hex Nut	2
R	16-28	Fiberlock Hex Nut	18
S	16-78	Centerlock Hex Nut	11
T	18-38	Umbrella Nut	2
U	21-119	Hex Soc. Set Screw	1
V	21-138	Hex Soc. Set Screw	1
W	25-79	Dome Hd. Rivet	36
X	25-128	Flange Rivet	1
Y	25-132	Flange Rivet	4
Z	25-133	Dome Hd. Rivet	4
AA	25-135	Semi-Tubular Rivet	2
AB	28-76	External Retaining Ring	2
AC	56-16	Bumper	2
AD	81-255	Split Bearing	2
AE	378-24-29	Shoulder Bolt	1
AF	721-26-66	Pivot Screw	6
AG	721-31-65	Hole Plug	12
AH	938-1-177	Knob	1
AJ	946-35-25	Liner	2
AK	6060-25-33	Pivot Mount Spacer	8
AL	6060-25-55	Pivot Mount	6
AM	(page 52)	Siderail Assembly	2
AN	6060-30-31	Crossbrace Support Mount	4
AP	6060-32-38	Gas Spring Yoke	1
AR	6060-32-40	Fowler Lift Pivot	1
AS	6060-32-42	Fowler/Gatch Adapter Pivot	4
AT	6060-32-52	Release Handle Weldment	1
AU	6070-38-33	Calf Stand Retainer	1
AV	6080-30-42	Litter Crossbrace	2
AW	6080-32-45	Fowler Skin	1
AX	6080-32-50	Fowler Weldment	1
AY	6080-38-31	Calf Stand Support, Left	1
AZ	6080-38-32	Calf Stand Support, Right	1
BA	6080-38-35	Litter Cross Brace	1
BB	6080-38-45	Foot Section Skin	1
BC	6080-38-46	Foot Section Tube	1
BD	6080-40-11	Grip	2
BE	6080-40-12	Outer Rail End Cap, Foot End	2
BF	6090-4-45	Cot Fastener Bracket	1
BG	6090-30-46	Outer Rail, Right	1
BH	6090-30-47	Outer Rail, Left	1
BJ	6090-33-32	Trend Support, Left	1
BK	6090-33-33	Trend Support, Right	1
BL	6090-39-43	Lift Bar Plug	2
BM	6090-40-18	Lift Tube	1
BN	6090-40-48	Lift Tube Support	1



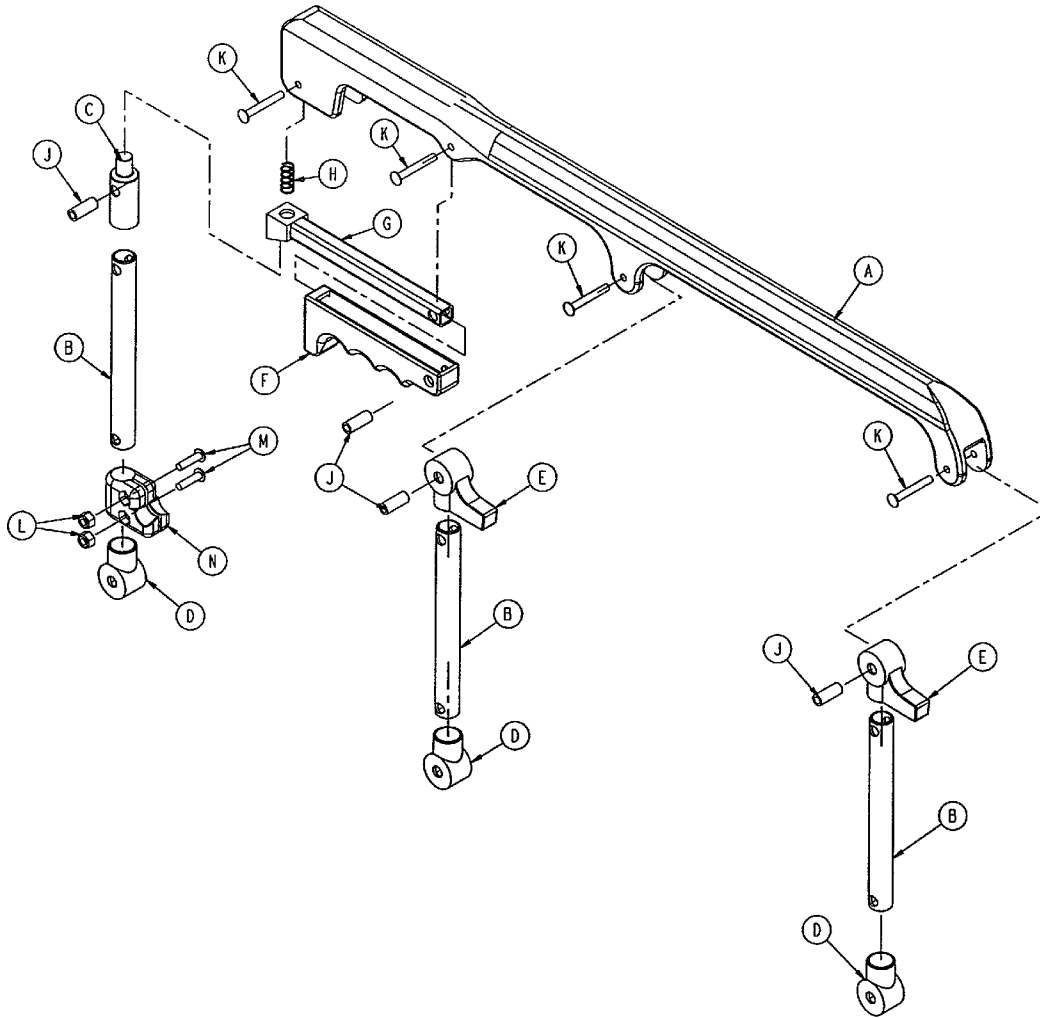
# Breakaway Head Assembly

Assembly part number 6090-37-10 (reference only)



Item	Part No.	Part Name	Qty.	Item	Part No.	Part Name	Qty.
A	4-104	H. Soc. But. Hd. Cap Scr.	2	X	6060-37-33	Horn Stop Block	2
B	4-161	H. Soc. But. Hd. Cap Scr.	4	Y	6060-37-36	Trigger Lock Pivot Spacer	2
C	4-197	H. Soc. But. Hd. Cap Scr.	4	Z	6060-37-37	Pivot Cover, Right	1
D	4-198	H. Soc. But. Hd. Cap Scr.	4	AA	6060-37-38	Pivot Cover, Left	1
E	4-204	H. Soc. But. Hd. Cap Scr.	4	AB	6080-37-34	Safety Hook Pivot Tube	1
F	4-222	H. Soc. But. Hd. Cap Scr.	2	AC	6080-40-11	Grip	2
G	4-231	H. Soc. But. Hd. Cap Scr.	4	AD	6080-40-12	Outer Rail End Cap, Ft. End	2
H	4-234	H. Soc. But. Hd. Cap Scr.	4	AE	6090-36-44	Bumper	2
J	4-310	H. Soc. But. Hd. Cap Scr.	2	AF	6090-36-45	Outer Rail	2
K	8-53	Hex Soc. Shoulder Bolt	2	AG	6090-36-46	Crossbar	1
L	16-3	Fiberlock Hex Nut	2	AH	6090-37-29	Load Wheel Support, Left	1
M	16-28	Fiberlock Hex Nut	8	AJ	6090-37-30	Load Wheel Support, Right	1
N	16-36	Nylock Hex Nut	2	AK	6090-37-39	Trigger Lock	2
P	16-78	Centerlock Hex Nut	4	AL	6090-37-40	Center Pivot	4
R	26-269	Clevis Pin	2	AM	6090-37-42	Form Pivot, Right	2
S	28-138	External Retaining Ring	2	AN	6090-37-43	Pivot Form, Left	2
T	38-410	Extension Spring	2	AP	6090-39-43	Lift Bar Plug	2
U	6060-36-20	Five Inch Wheel Ass'y	2	AR	6090-40-18	Lift Tube	1
V	6060-36-24	Pivot Stop Pin	2	AS	6090-40-46	Flanged Lift Tube Support	1
W	6060-37-26	Pivot Spacer Plate	2	AT	6090-40-47	Lift Tube Support	1

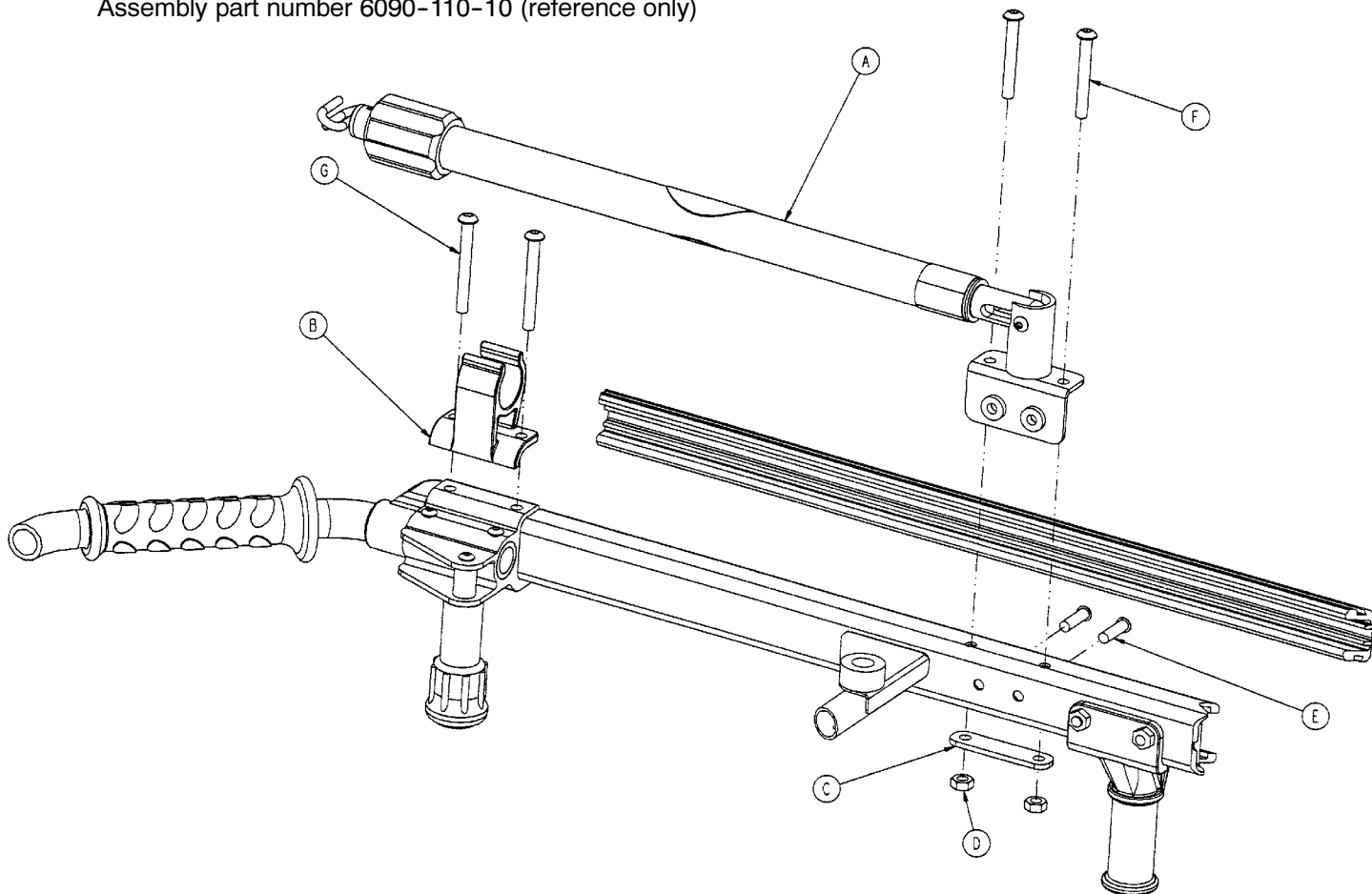
# 6060-26-10 Siderail Assembly



Item	Part No.	Part Name	Qty.
A	6060-25-24	Top Rail	1
B	6060-25-43	Spindle	3
C	6060-25-47	Spindle Lock	1
D	6060-25-41	Spindle Pivot	3
E	6060-25-40	Spindle Pivot Stop	2
F	6060-25-29	Lock Release Grip	1
G	6060-25-30	Lock Bar Weldment	1
H	38-344	Compression Spring	1
J	6060-25-35	Pivot Bushing	4
K	25-131	Rivet	4
L	16-3	Nylock Hex Nut	2
M	4-169	Hex Soc. But. Hd. Cap Screw	2
N	1001-26-32	Ring Spacer	1

# 6090-110 2-Stage I.V. Pole Assembly, Patient Right

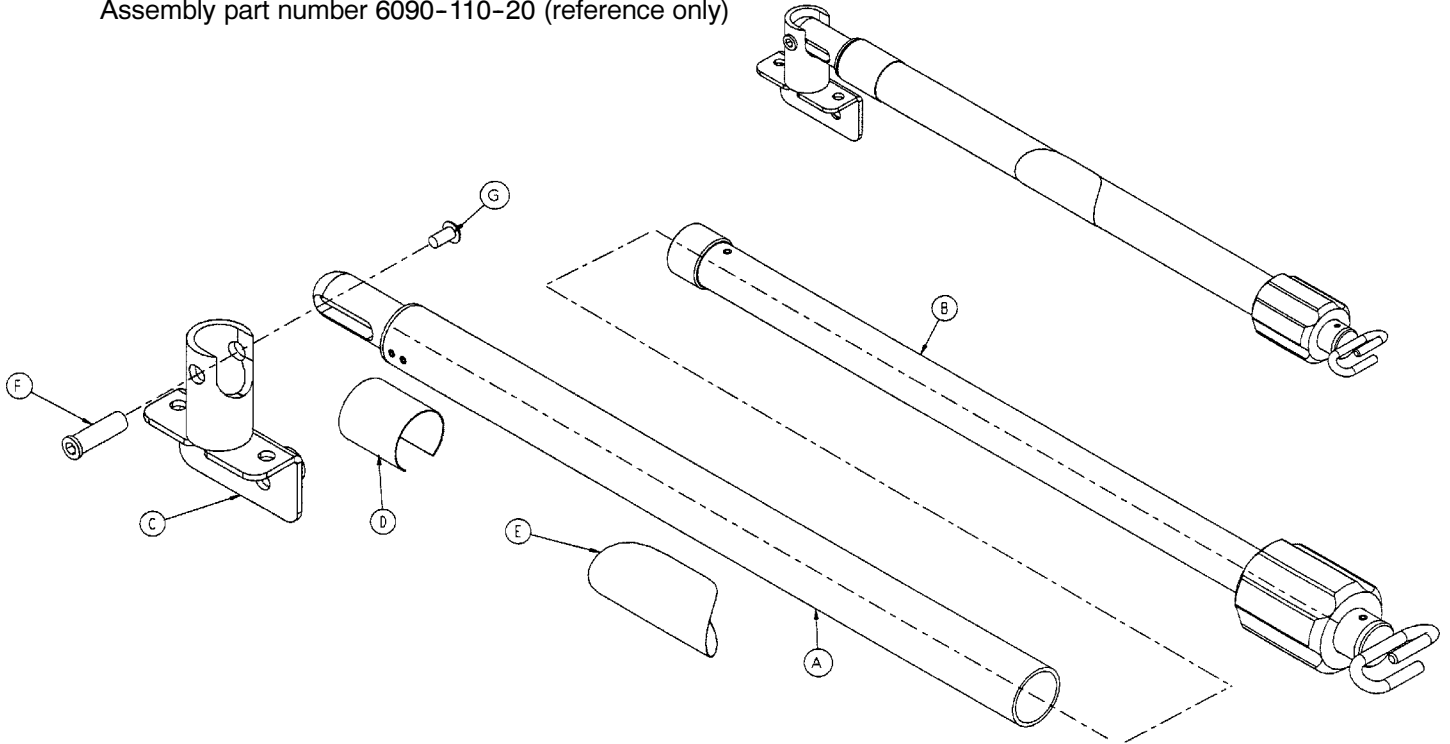
Assembly part number 6090-110-10 (reference only)



Item	Part No.	Part Name	Qty.
A	(page 54)	2-Stage I.V., Patient Rt.	1
B	6080-110-35	I.V. Clip	1
C	6070-110-32	Retainer Plate	1
D	16-78	Center Lock Hex Nut	2
E	4-46	Hex Soc. But. Hd. Cap Screw	2
F	4-97	Hex Soc. But. Hd. Cap Screw	2
G	4-163	Hex Soc. But. Hd. Cap Screw	2

# 2-Stage I.V. Pole, Patient Right

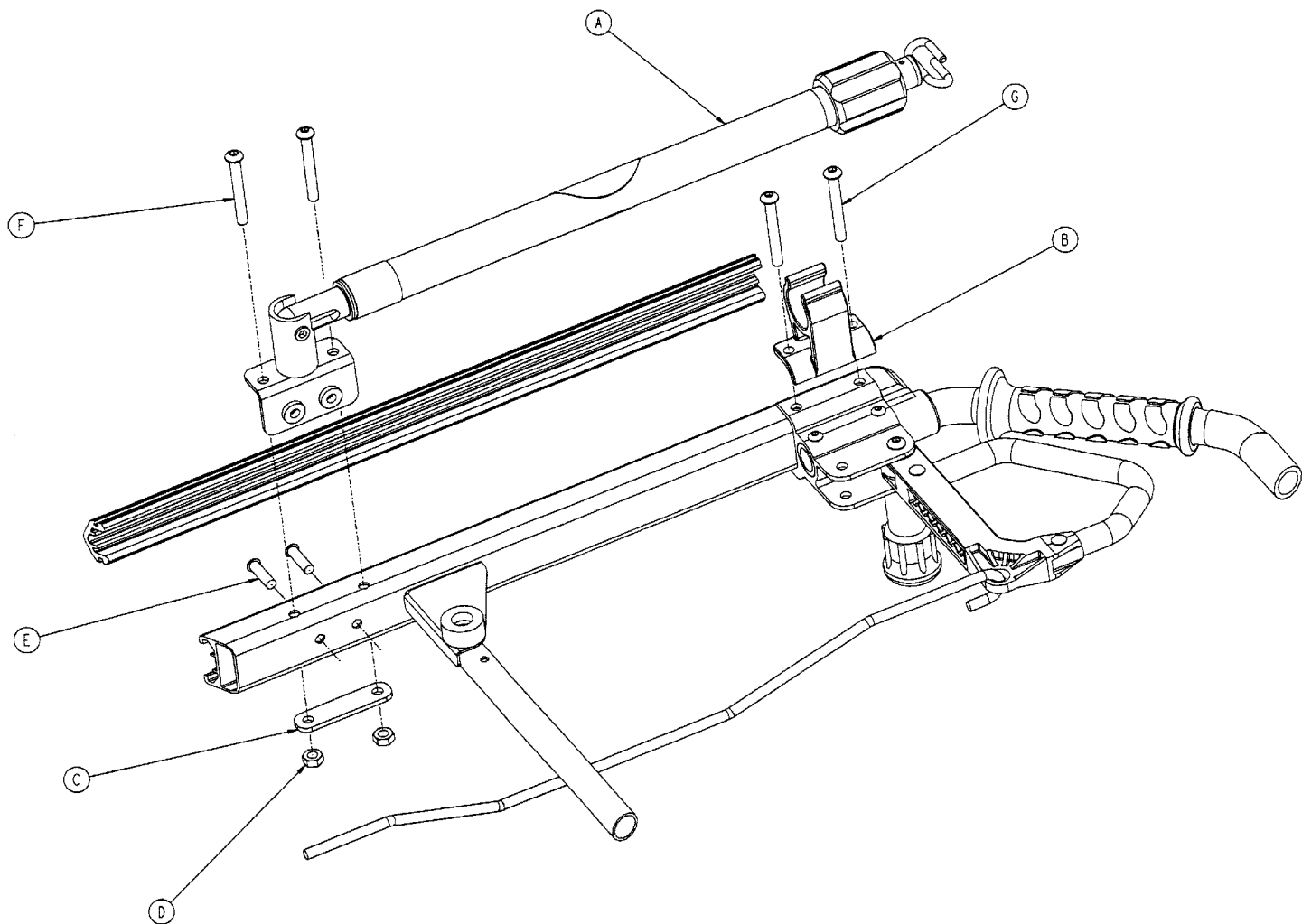
Assembly part number 6090-110-20 (reference only)



Item	Part No.	Part Name	Qty.
A	(page 57)	I.V. Pole Base Assembly	1
B	(page 58)	2-Stage I.V. Pole 2nd Stage	1
C	6090-110-52	I.V. Socket Weldment	1
D	6090-90-3	Specification Label	1
E	6070-90-105	Caution Label	1
F	721-26-66	Pivot Screw	1
G	4-136	Hex Soc. But. Hd. Cap Screw	1

# 6090-111 2-Stage I.V. Pole Assembly, Patient Left

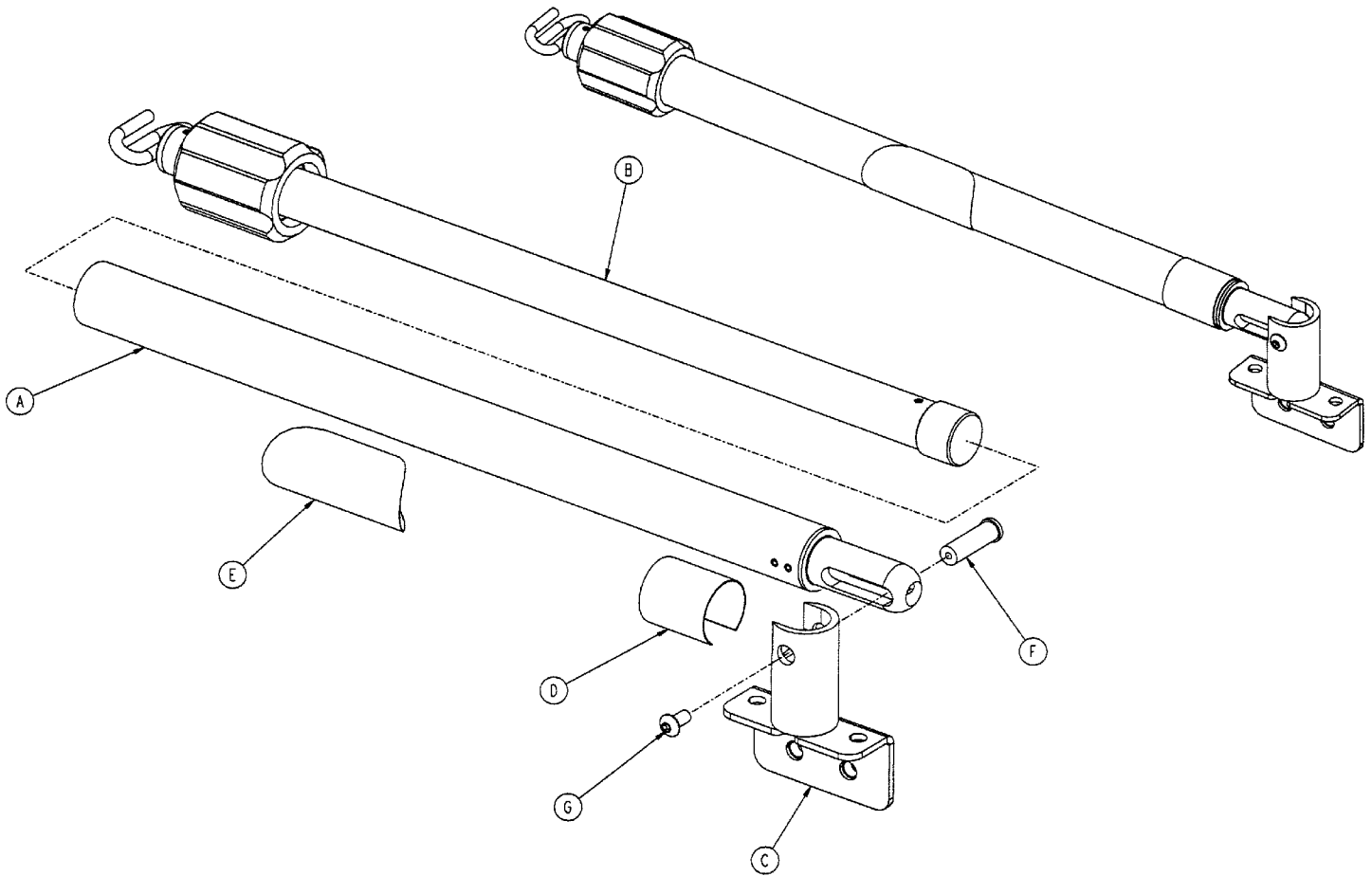
Assembly part number 6090-111-10 (reference only)



Item	Part No.	Part Name	Qty.
A	(page 56)	2-Stage I.V., Patient Left	1
B	6080-110-35	I.V. Clip	1
C	6070-110-32	Retainer Plate	1
D	16-78	Center Lock Hex Nut	2
E	4-46	Hex Soc. But. Hd. Cap Screw	2
F	4-97	Hex Soc. But. Hd. Cap Screw	2
G	4-163	Hex Soc. But. Hd. Cap Screw	2

## 2-Stage I.V. Pole, Patient Left

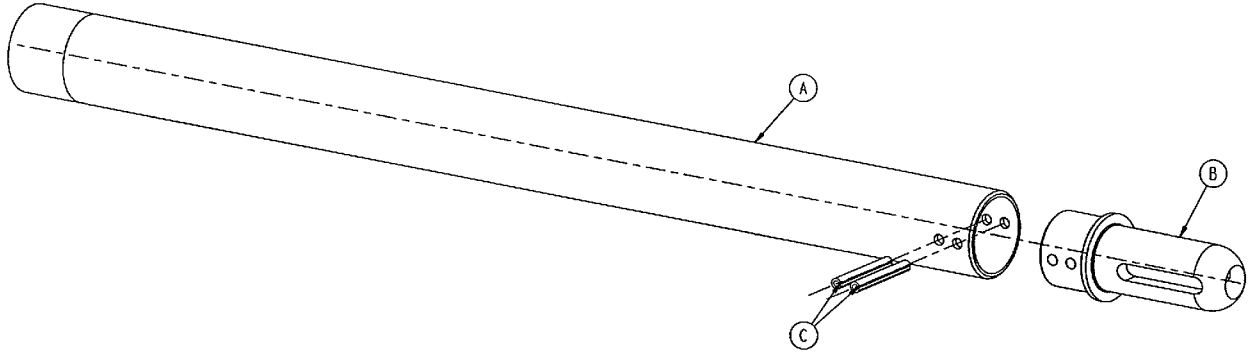
Assembly part number 6090-111-20 (reference only)



Item	Part No.	Part Name	Qty.
A	(page 57)	I.V. Base Assembly	1
B	(page 58)	2-Stage I.V. Pole 2nd Stage	1
C	6090-111-52	I.V. Socket Weldment, Left	1
D	6090-90-4	Specification Label	1
E	6070-90-105	No Push/Pull Label	1
F	721-26-66	Pivot Screw	1
G	4-136	Pan Hd. Mach. Screw	1

# 6070-110-30 I.V. Pole Base Assembly

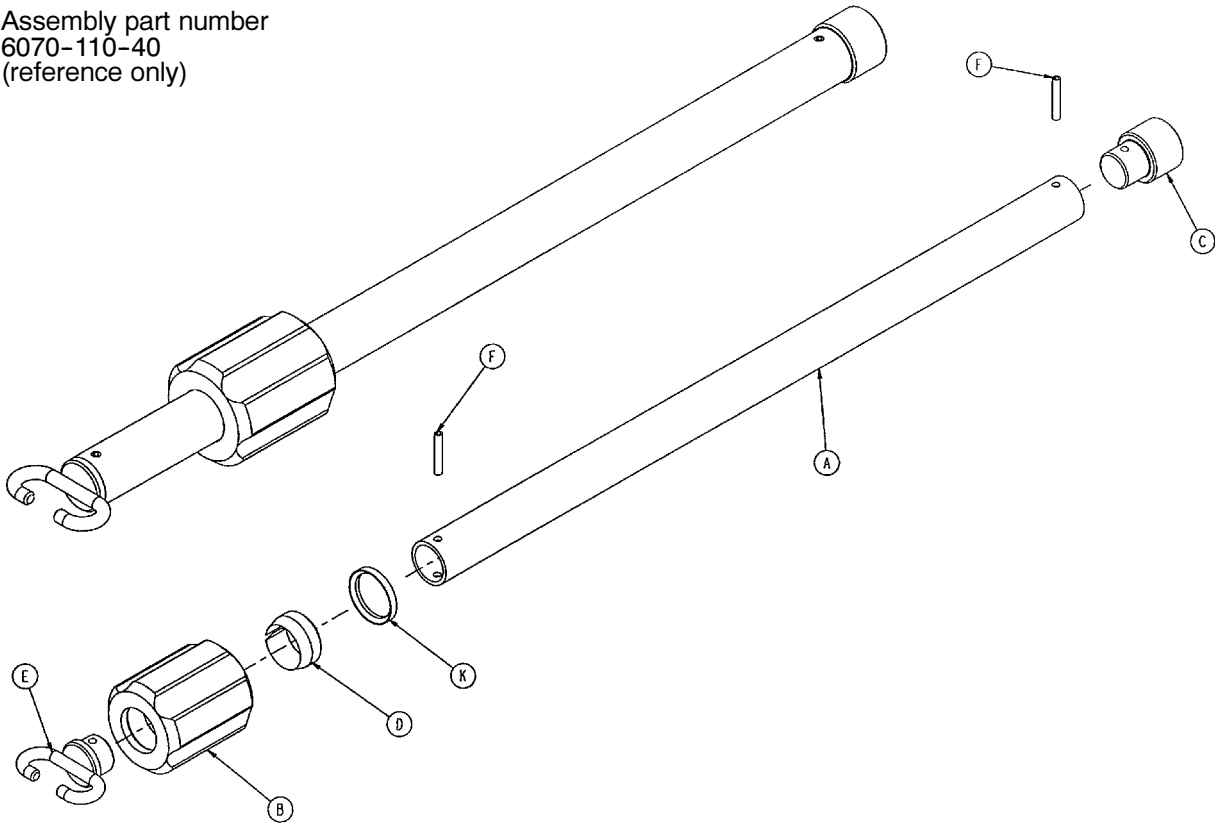
---



Item	Part No.	Part Name	Qty.
A	6070-110-41	Base Tube	1
B	6070-110-46	Pivot	1
C	26-7	Roll Pin	2

# 2nd Stage Assembly - 2-Stage I.V. Pole

Assembly part number  
6070-110-40  
(reference only)

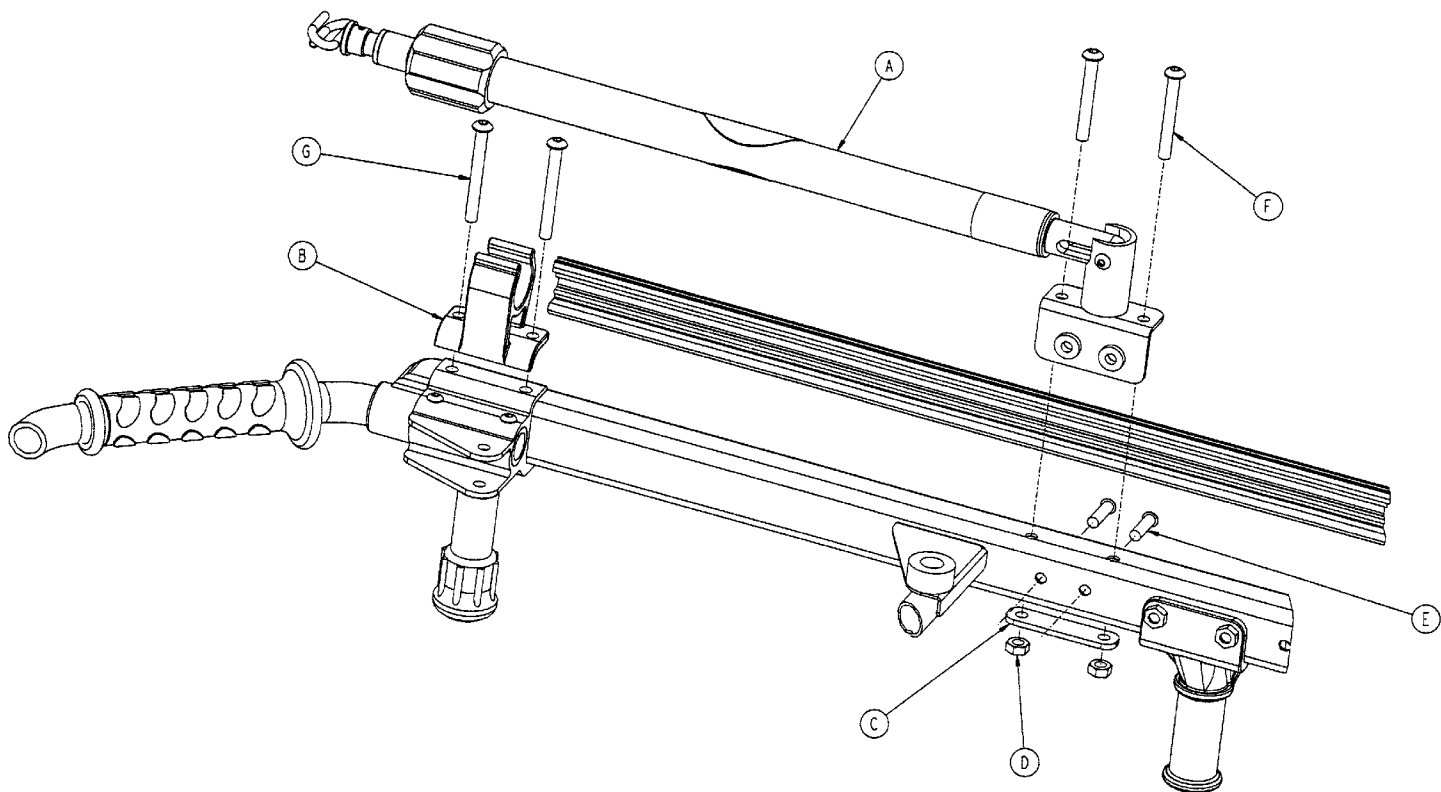


Item	Part No.	Part Name	Qty.
A	6070-110-42	2nd Stage Tube	1
B	1210-110-49	Actuator	1
C	6070-110-44	Slide Plug	1
D	1210-110-47	Lock Ring	1
E	6070-110-50	Hook Weldment	1
F	26-6	Roll Pin	2
K	1210-110-46	Back-Up Ring	1



# 6090-115 3-Stage I.V. Pole Assembly, Patient Right

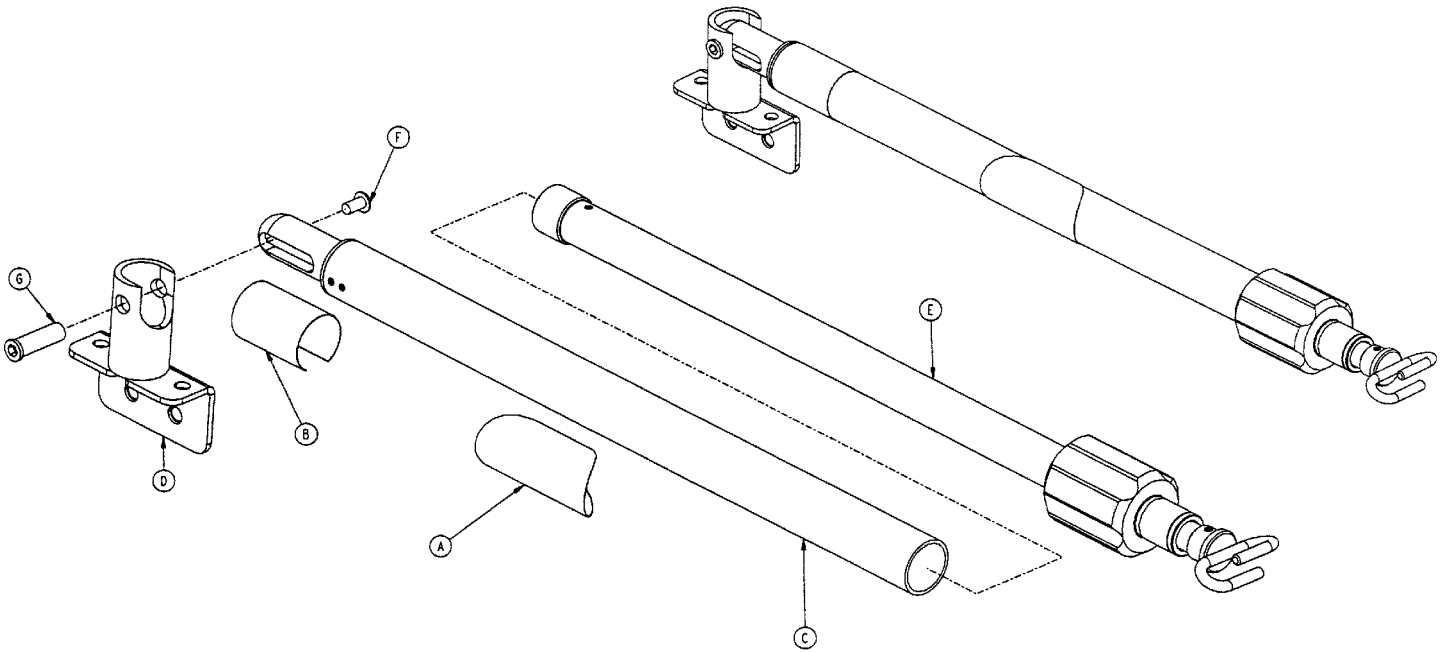
Assembly part number 6090-115-10 (reference only)



Item	Part No.	Part Name	Qty.
A	(page 60)	3-Stage I.V., Patient Rt.	1
B	6080-110-35	I.V. Clip	1
C	6070-110-32	Retainer Plate	1
D	16-78	Center Lock Hex Nut	2
E	4-46	Hex Soc. But. Hd. Cap Screw	2
F	4-97	Hex Soc. But. Hd. Cap Screw	2
G	4-163	Hex Soc. But. Hd. Cap Screw	2

# 3-Stage I.V. Pole, Patient Right

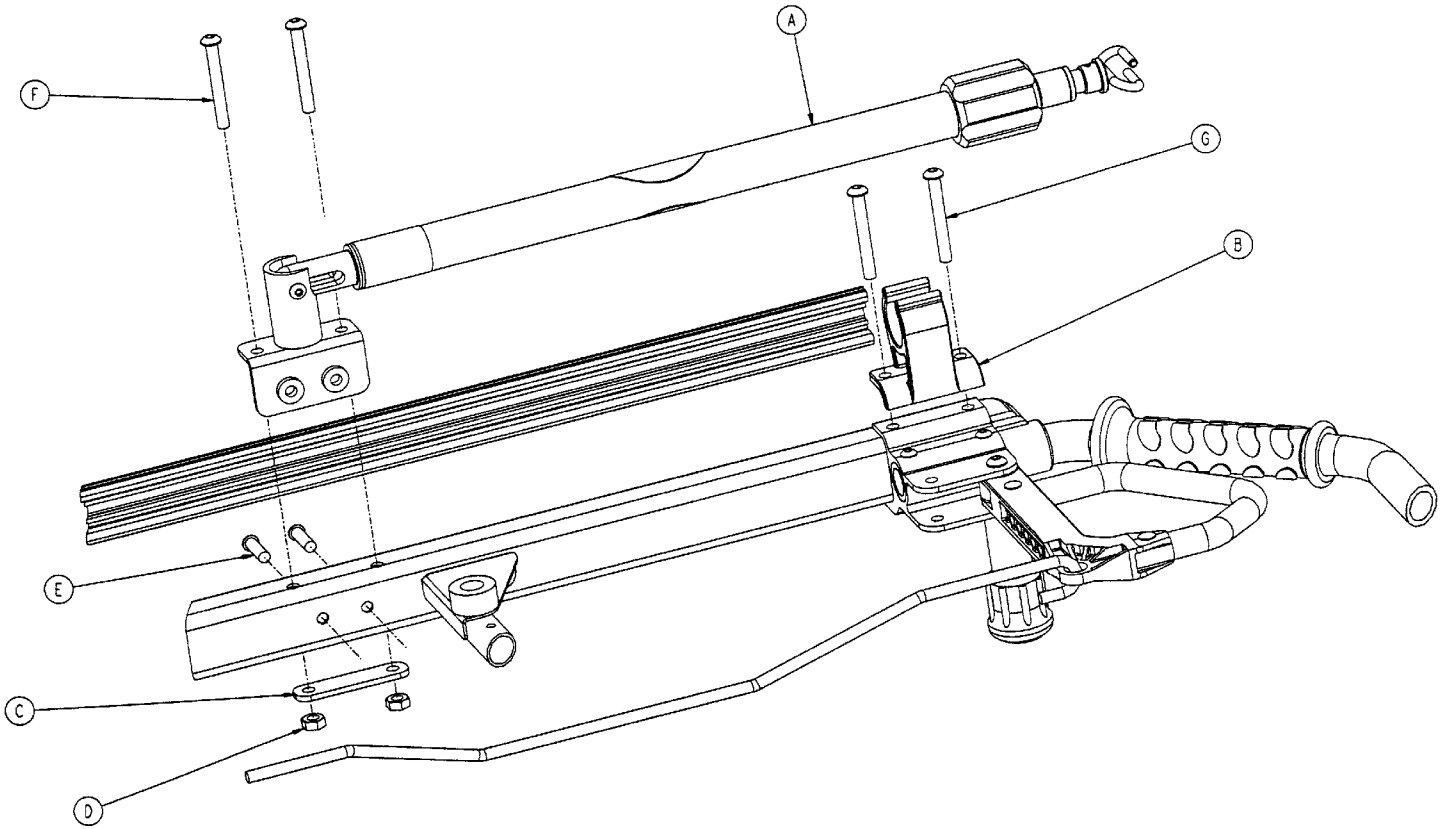
Assembly part number 6090-115-20 (reference only)



Item	Part No.	Part Name	Qty.
A	6070-90-105	Caution Label	1
B	6090-90-12	Specification Label	1
C	(page 57)	I.V. Base Assembly	1
D	6090-110-52	I.V. Socket Weldment, Right	1
E	(page 63)	2nd Stage Assembly	1
F	4-136	Hex Soc. But. Hd. Cap Screw	1
G	721-26-66	Pivot Screw	1

# 6090-116 3-Stage I.V. Pole Assembly, Patient Left

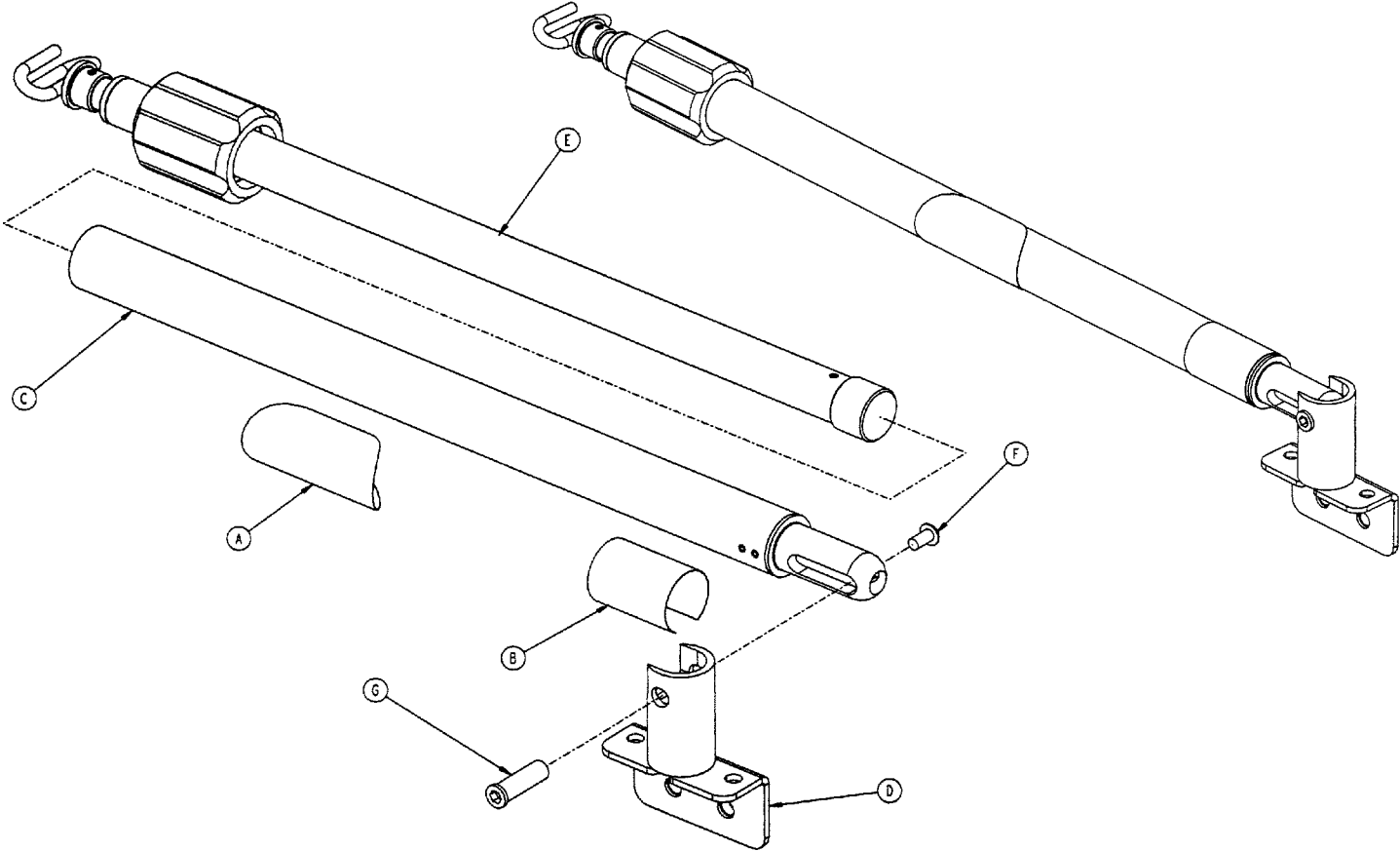
Assembly part number 6090-116-10 (reference only)



Item	Part No.	Part Name	Qty.
A	(page 62)	3-Stage I.V., Patient Lt.	1
B	6080-110-35	I.V. Clip	1
C	6070-110-32	Retainer Plate	1
D	16-78	Centerlock Hex Nut	2
E	4-46	Hex Soc. But. Hd. Cap Screw	2
F	4-97	Hex Soc. But. Hd. Cap Screw	2
G	4-163	Hex Soc. But. Hd. Cap Screw	2

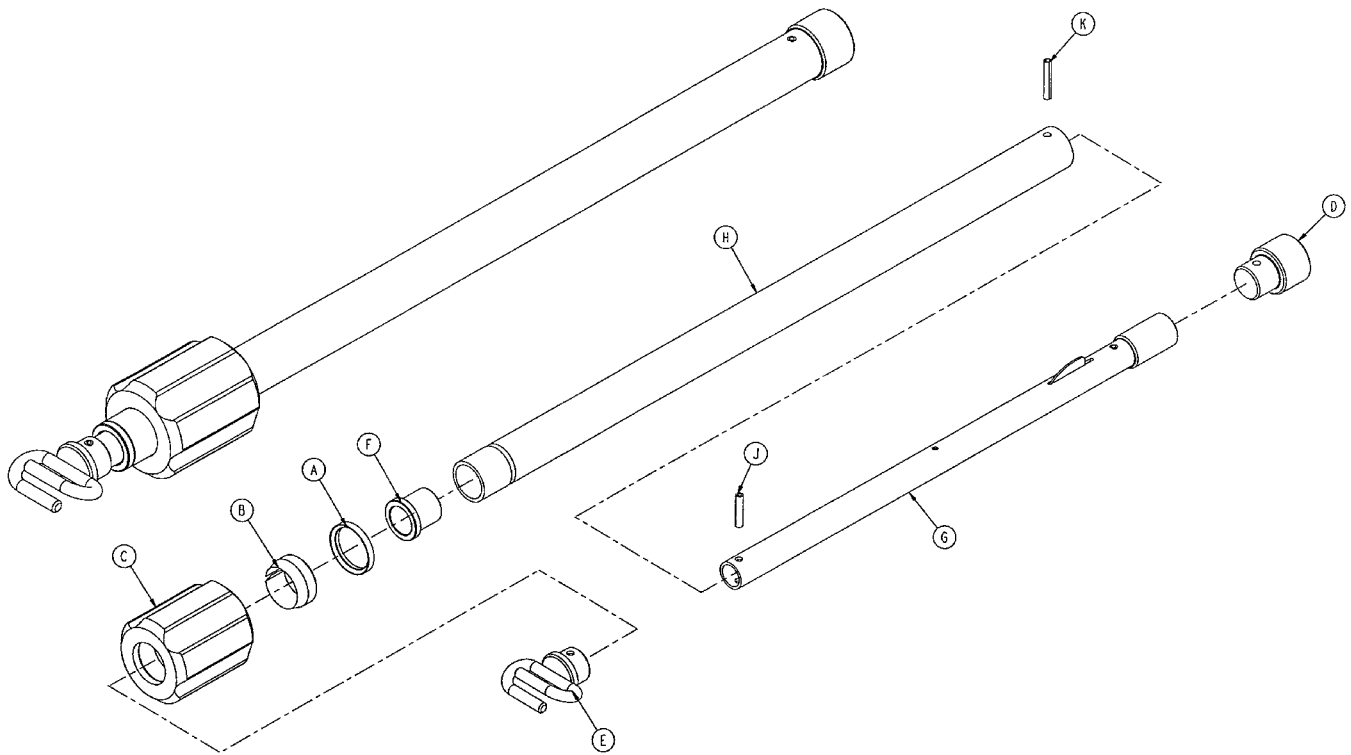
# 3-Stage I.V. Pole, Patient Left

Assembly part number 6090-116-20 (reference only)



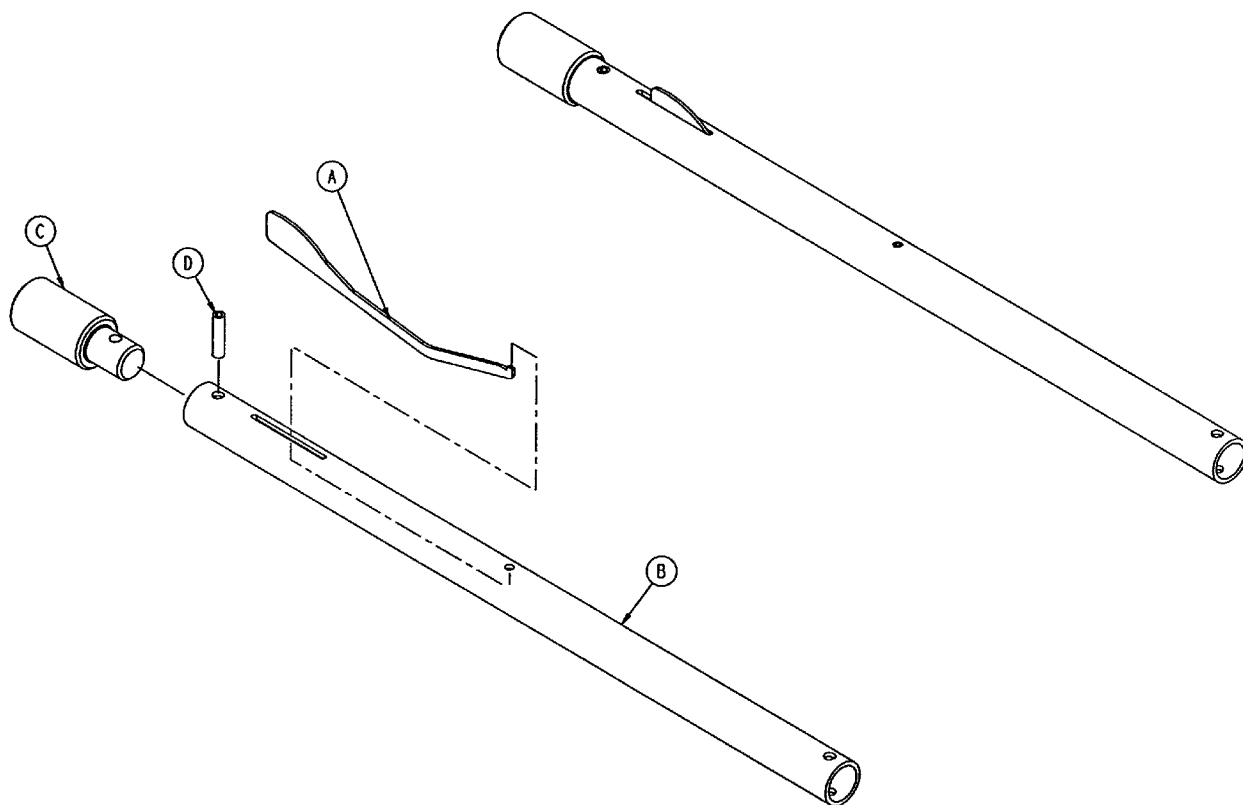
Item	Part No.	Part Name	Qty.
A	6070-90-105	Caution Label	1
B	6090-90-6	Specification Label	1
C	(page 57)	I.V. Base Assembly	1
D	6090-111-52	I.V. Socket Weldment, Left	1
E	(page 63)	2nd Stage Assembly	1
F	4-136	Hex Soc. But. Hd. Cap Screw	1
G	721-26-66	Pivot Screw	1

# 6070-115-40 2nd Stage Assembly, 3-Stage I.V. Pole



Item	Part No.	Part Name	Qty.
A	1210-110-46	Back-Up Ring	1
B	1210-110-47	Lock Ring	1
C	1210-110-49	Actuator	1
D	6070-110-44	2nd Stage Slide Plug	1
E	6070-110-50	Hook Weldment	1
F	6070-115-45	Bearing Plug	1
G	(page 64)	3rd Stage Assembly	1
H	6070-115-42	2nd Stage Tube	1
J	26-5	Roll Pin	1
K	26-6	Roll Pin	1

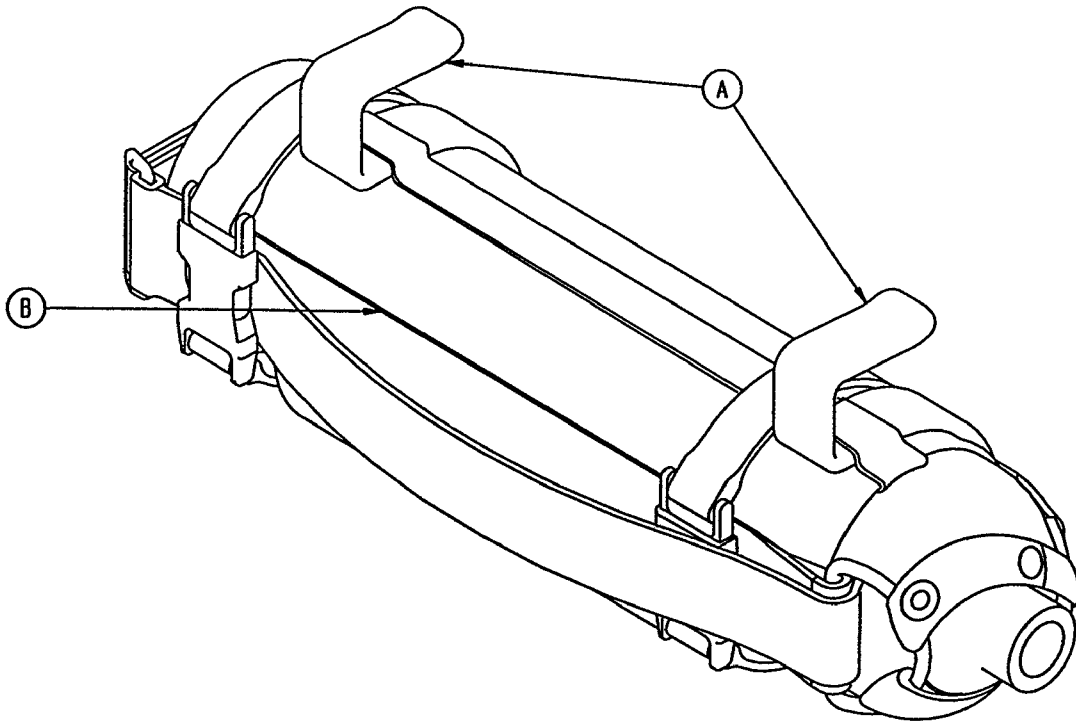
# 6070-115-30 3-Stage I.V. Pole 3rd Stage Assembly



Item	Part No.	Part Name	Qty.
A	6070-115-141	Spring Clip	1
B	6070-115-143	3rd Stage Tube	1
C	6070-115-44	3rd Stage Slide Plug	1
D	26-4	Roll Pin	1

# 6080-140 Optional Hanging Oxygen Bottle Holder Ass'y

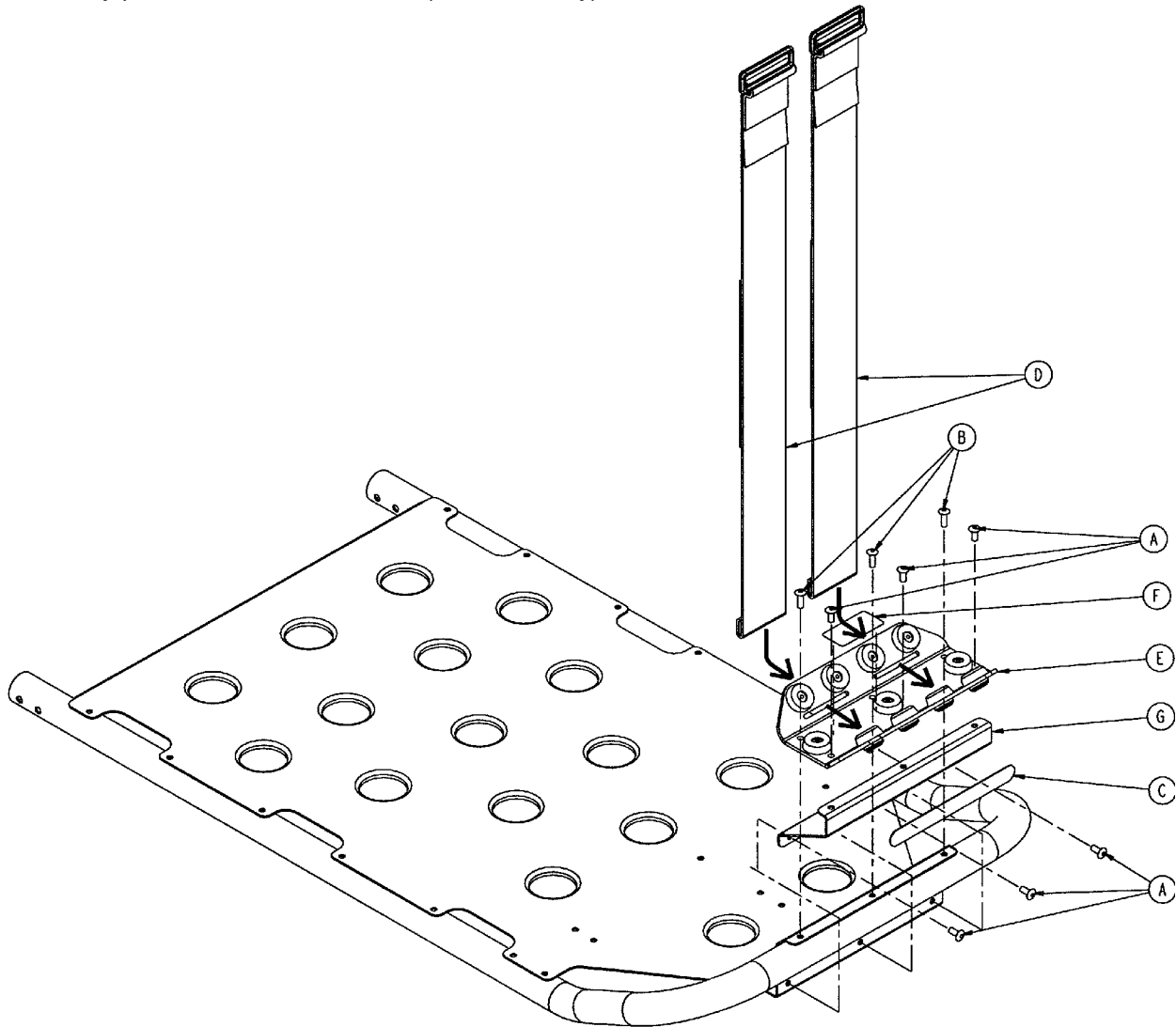
Assembly part number 6080-140-10 (reference only)



Item	Part No.	Part Name	Qty.
A	6080-140-11	Bottle Holder Hanger	2
B	6080-140-12	Oxygen Bottler Holder	1

# 6070-140 Optional Oxygen Bottle Holder Assembly

Assembly part number 6070-140-10 (reference only)

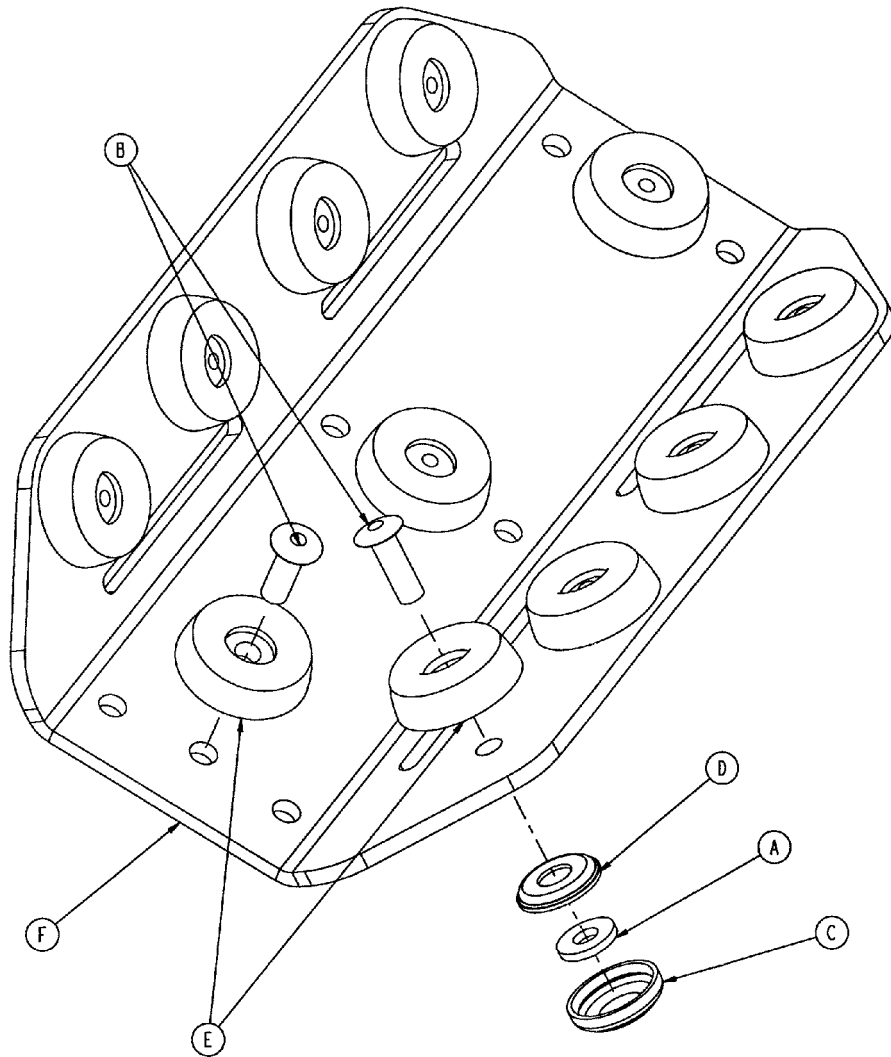


Item	Part No.	Part Name	Qty.
A	25-79	Rivet	6
B	25-133	Rivet	3
C	6060-90-4	"Rugged" Label	1
D	6060-140-13	Strap Assembly	2
E	(page 67)	Bottle Holder Tray Ass'y	1
F	6070-90-14	Specification Label	1
G	6070-140-17	Support Bracket	1



# Optional Oxygen Bottle Holder Tray Assembly

Assembly part number 6060-140-20 (reference only)



Item	Part No.	Part Name	Qty.
A	11-436	Flat Washer	8
B	25-133	Rivet	11
C	37-55	Cap	8
D	37-56	Washer	8
E	946-1-155	Bumper	11
F	6060-140-15	Bottle Holder Tray	1

# Quick Reference Part Numbers

---

<b><u>ITEM</u></b>	<b><u>PART NUMBER</u></b>
Bumper, Fowler .....	946-1-155
Extension Spring, Height Adjustment .....	38-348
Gas Cylinder, Fowler .....	1010-31-77
Handle, Break-Away Head Lock Release .....	6060-36-37
Label, Cot Base "Lift Here" .....	6080-90-8
Label, Cot I.V. Pole Caution .....	6070-90-105
Label, Damage Warning .....	6080-90-9
Manual, Maintenance/Operations, Cot .....	6090-90-11
Manual, Installation/Operation, Cot Fastener .....	6370-90-10
Mattress, Vinyl Covered .....	6080-41-10
Oxygen Bottle Holder .....	6070-140
Oxygen Bottle Holder (Hanging) .....	6080-140
Restraint, Lap Belt (2 Used per Unit) .....	6060-160-44
Restraint, Shoulder Harness .....	6060-160-45
Permanent I.V. Pole Kit, 2-Stage, Right .....	6090-110
Permanent I.V. Pole Kit, 2-Stage, Left .....	6090-111
Permanent I.V. Pole Kit, 3-Stage, Right .....	6090-115
Permanent I.V. Pole Kit, 3-Stage, Left .....	6090-116
Siderail Assembly (Complete) .....	6060-26-10
Storage Net, Base .....	6090-150-10
Storage Pouch, Head .....	6090-128-10
Touch-Up Paint (Yellow) .....	6060-199-10
Touch-Up Paint (Black) .....	6060-199-11
Velcro Adhesive Loop Pile, Litter .....	6060-32-46
Video, In-Service .....	6090-90-20
Wheel Assembly, Base .....	6060-2-10
Wheel Bearing .....	81-226
Wheel Brake Kit, Domestic .....	6080-201
Wheel Brake Kit, International .....	6080-202





### **European Representative**

Stryker France  
BP 50040-95946 Roissy Ch. de Gaulle  
Cedex-France

Phone: 33148632290  
Fax: 33148632175

**stryker<sup>®</sup>**  
**Medical**

6300 Sprinkle Road, Kalamazoo, MI 49001-9799

(800) 327-0770



---

DH 1/99 6090-90-11 REV D