
IMPORTANT
Keep manual
on file at all
times.

stryker[®]
Medical



Model 6091 EZ-PRO 2[™]

▲RUGGED▲[™] **Ambulance Cot**

OPERATIONS/MAINTENANCE MANUAL

For Parts or Technical Assistance
1-800-327-0770

Table of Contents

Introduction	
Warning / Caution / Note Definition	3
Specifications	4
Cleaning	5
Preventive Maintenance	6
Warranty	
Obtaining Parts and Service	7
Supplemental Warranty Coverage	7
Return Authorization	8
Freight Damage Claims	8
Safety Precautions	9, 10
Set-Up Procedures	11
Component Identification	12
Optional Vehicle Safety Hook Installation	13
Cot Operation	
Cot Positions	14
Using Restraint Straps	15, 16
Guidelines for Operation	17
Auxiliary Lock	17
Cot Fastener Installation	18, 19
Changing Cot Height	20, 21
Folding and Unfolding an Empty Cot	22
Operating the Wheel Brake	23
Transferring the Patient to the Cot	24
Rolling the Cot	25
Loading the Cot into a Vehicle	25
Unloading the Cot from a Vehicle	26
Using Additional Assistance	27
Adjusting the Leg Rest	28
Operating the Backrest	29
Operating the Siderails	29
Operating the Breakaway Head Section	30
Operating the 2-Stage I.V. Pole	31
Operating the 3-Stage I.V. Pole	32
Service Information	
Pneumatic Backrest Adjustment	33
Foot End Release Handle Adjustment	34
Auxiliary Lock Handle Adjustment	35
C-Channel Wax Application	36

Table of Contents

Maintenance Record	37
Training Record	38
Assembly Drawings and Parts Lists	
Cot Assembly	39–42
Release Handle Assembly	43
Base Assembly	44–46
Optional Lift Bar Assembly	47
Wheel Assembly	48
Tie Rod Assembly	49
Bumper Tube Assembly	50
Base Lock Tube Assembly	51
Lock Tube Bearing Assembly	52
Track Roller Assembly	52
Auxiliary Lock Housing Assembly	53
Optional Wheel Brake Assembly	54
Litter Assembly	55–58
Siderail Assembly	59
Breakaway Head Assembly	60, 61
Safety Hook Option Assembly	62
I.V. Pole Mounting Assembly, Right	63
2–Stage I.V. Assembly, Right	64
3–Stage I.V. Assembly, Right	65
I.V. Pole Mounting Assembly, Left	66
2–Stage I.V. Assembly, Left	67
3–Stage I.V. Assembly, Left	68
2–Stage I.V. Pole Assembly	69
3–Stage I.V. Pole Assembly	70
3rd Stage Assembly	71
Optional Hanging Oxygen Bottle Holder Assembly	72
Optional Oxygen Bottle Holder Assembly	73
Optional Bottle Holder Tray Assembly	74
Optional Pull Handle Assembly	75
Quick Reference Parts List	76

Introduction

INTRODUCTION

This manual is designed to assist you with the operation and maintenance of the **RUGGED** EZ-PRO 2™ Ambulance Cot. Read it thoroughly before using the equipment or beginning any maintenance on it.

WARNING / CAUTION / NOTE DEFINITION

The words WARNING, CAUTION and NOTE carry special meanings and should be carefully reviewed.

WARNING

The personal safety of the patient or user may be involved. Disregarding this information could result in injury to the patient or user.

CAUTION

These instructions point out special procedures or precautions that must be followed to avoid damaging the equipment.

NOTE

This provides special information to make maintenance easier or important instructions clearer.

Introduction

SPECIFICATIONS

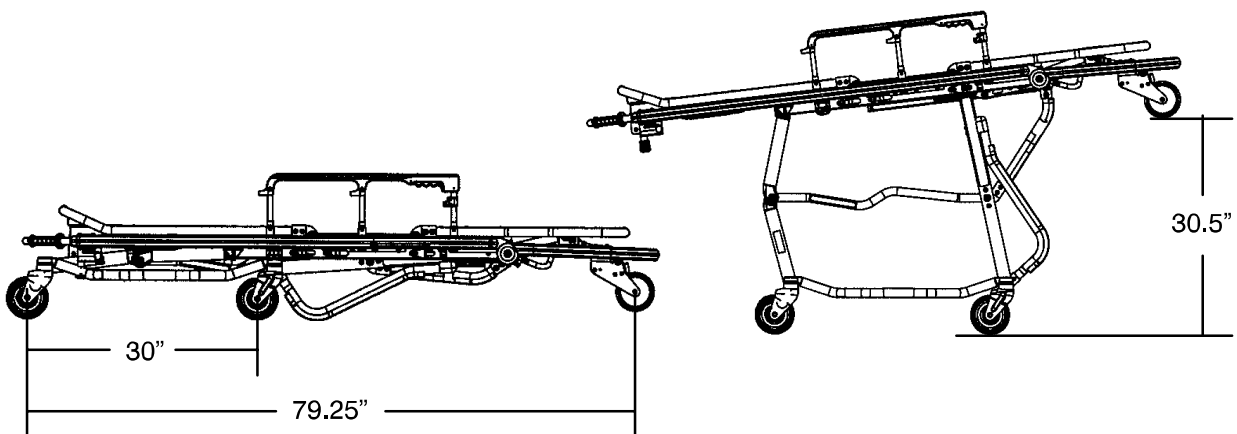
Overall Length/Minimum Length/Width	83"/66"/23"
Height ¹ – Position 1 (folded position) Position 2 (intermediate height position) Position 3 (intermediate height position) Position 4 (intermediate height position) Position 5 (loading position)	11.0" (-3 degrees) 21.0" 27.5" 31.0" 36.0" (7 degrees)
Patient Surface	Fowler: 28" Trendelenburg: 32" Midsection: 13"
Backrest Articulation/Shock Position	0° to 75°/+14°
Weight ²	90 pounds
Maximum Weight Capacity	500 pounds
Caster Diameter/Width	6"/2"
Recommended Fastener Systems	Model 6370 Floor Mount Type Model 6371 Wall Mount Type
Recommended Ambulance Floor Height	Up to 33"
Roll-In Style	Yes
Wheel Lock	Optional

¹ Height measured from bottom of mattress at seat section to ground level.

² Cot is weighed without mattress and restraints.

Stryker reserves the right to change specifications without notice.

The EZ-PRO 2 is designed to conform to the Federal Specification for the Star-of-Life Ambulance KKK-A-1822-D.



Cleaning

Hand wash all surfaces of the cot with warm water and mild detergent. Dry thoroughly. **DO NOT STEAM CLEAN, PRESSURE WASH, HOSE OFF OR ULTRASONICALLY CLEAN.** Using these methods of cleaning is **not** recommended and may void this product's warranty.

Clean Velcro **AFTER EACH USE**. Saturate Velcro with disinfectant and allow disinfectant to evaporate. (Appropriate disinfectant for nylon Velcro should be determined by the hospital.)

In general, when used in those concentrations recommended by the manufacturer, either phenolic type or quaternary type disinfectants can be used. Iodophor type disinfectants are not recommended for use because staining may result. The following products have been tested and have been found not to have a harmful effect WHEN USED IN ACCORDANCE WITH MANUFACTURERS RECOMMENDED DILUTION.*

TRADE NAME	DISINFECTANT TYPE	MANUFACTURER	*MANUFACTURER'S RECOMMENDED DILUTION
A33	Quaternary	Airwick (Professional Products Division)	2 ounces/gallon
A33 (dry)	Quaternary	Airwick (Professional Products Division)	1/2 ounce/gallon
Beaucoup	Phenolic	Huntington Laboratories	1 ounce/gallon
Blue Chip	Quaternary	S.C. Johnson	2 ounces/gallon
Elimstaph	Quaternary	Walter G. Legge	1 ounce/gallon
Franklin Phenomysan F2500	Phenolic	Purex Corporation	1 1/4 ounce/gallon
Franklin Sentinel	Quaternary	Purex Corporation	2 ounces/gallon
Galahad	Phenolic	Puritan Churchill Chemical Company	1 ounce/gallon
Hi-Tor	Quaternary	Huntington Laboratories	1/2 ounce/gallon
LPH	Phenolic	Vestal Laboratories	1/2 ounce/gallon
Matar	Phenolic	Huntington Laboratories	1/2 ounce/gallon
Omega	Quaternary	Airwick (Professional Products Division)	1/2 ounce/gallon
Quanto	Quaternary	Huntington Laboratories	1 ounce/gallon
Sanikleen	Quaternary	West Chemical Products	2 ounces/ gallon
Sanimaster II	Quaternary	Service Master	1 ounce/gallon
Vesphene	Phenolic	Vestal Laboratories	1 1/4 ounce/ gallon

Quaternary Germicidal Disinfectants, used as directed, and/or Chlorine Bleach products, typically 5.25% Sodium Hypochlorite in **dilutions ranging between 1 part bleach to 100 parts water, and 2 parts bleach to 100 parts water are not considered mild detergents. These products are corrosive in nature and may cause damage to your stretcher if used improperly.** If these types of products are used to clean Stryker patient handling equipment, measures must be taken to insure the stretchers are rinsed with clean water and thoroughly dried following cleaning. Failure to properly rinse and dry the stretchers will leave a corrosive residue on the surface of the stretcher, possibly causing premature corrosion of critical components.

NOTE

Failure to follow the above directions when using these types of cleaners may void this product's warranty.

REMOVAL OF IODINE COMPOUNDS

1. Use a solution of 1–2 tablespoons Sodium Thiosulfate in a pint of warm water to clean the stained area. Clean as soon as possible after staining occurs. If stains are not immediately removed, allow solution to soak or stand on the surface. Rinse surfaces which have been exposed to the solution in clear water before returning unit to service.

WARNING

Failure to properly clean or dispose of contaminated mattress or cot components will increase the risk of exposure to bloodborne pathogens and may cause injury to the patient or the operator.

Preventative Maintenance

Operation	Schedule	Procedure
Cleaning & Disinfecting	Each use.	See page 5.
Inspection	For 1–25 calls per month, inspect cot every 6 months. For 26–200 calls per month, inspect cot every 3 months. For 201+ calls per month, inspect cot monthly.	See below for checklist.

NOTE

Keep up-to-date maintenance records using the form on page 37.

Parts, Service or Technical Assistance:

Contact Stryker Customer Service at 1-800-327-0770 or

Stryker Medical
 6300 Sprinkle Road
 Kalamazoo, MI 49001
 ATTN: Customer Service

CHECKLIST

- All fasteners secure (reference all assembly prints)
- All welds intact, not cracked or broken
- No bent or broken tubing or sheet metal
- No debris in wheels
- All wheels secure, rolling and swivelling properly
- Optional wheel lock holds wheel securely when on and clears wheel when off
- Siderails move and latch properly
- Backrest operating properly
- Optional accessories intact and operating properly
- Height positioning latch functioning properly
- Cot secure in each height position
- Undercarriage folds properly
- Breakaway head section operating properly
- Auxiliary lock operating properly
- Foot rest operating properly
- No rips or cracks in mattress cover
- Body restraints intact and working properly

Serial No. _____ Model No. _____

Completed By: _____ Date: _____

Warranty

Limited Warranty:

Stryker Medical Division, a division of Stryker Corporation, warrants to the original purchaser that its products should be free from defects in material and workmanship for a period of one (1) year after date of delivery. Stryker's obligation under this warranty is expressly limited to supplying replacement parts and labor for, or replacing, at its option, any product which is, in the sole discretion of Stryker, found to be defective. Stryker warrants to the original purchaser that the frame and welds on its beds will be free from structural defects for as long as the original purchaser owns the bed. If requested by Stryker, products or parts for which a warranty claim is made shall be returned prepaid to Stryker's factory. Any improper use or any alteration or repair by others in such manner as in Stryker's judgement affects the product materially and adversely shall void this warranty. No employee or representative of Stryker is authorized to change this warranty in any way.

Stryker Medical ambulance cots are designed for a 5 year expected life under normal use conditions and appropriate periodic maintenance as described in the maintenance manual for each device.

This statement constitutes Stryker's entire warranty with respect to the aforesaid equipment. STRYKER MAKES NO OTHER WARRANTY OR REPRESENTATION, EITHER EXPRESSED OR IMPLIED, EXCEPT AS SET FORTH HEREIN. THERE IS NO WARRANTY OF MERCHANTABILITY AND THERE ARE NO WARRANTIES OF FITNESS FOR ANY PARTICULAR PURPOSE. IN NO EVENT SHALL STRYKER BE LIABLE HEREUNDER FOR INCIDENTAL OR CONSEQUENTIAL DAMAGES ARISING FROM OR IN ANY MANNER RELATED TO SALES OR USE OF ANY SUCH EQUIPMENT.

To Obtain Parts and Service:

Stryker products are supported by a nationwide network of dedicated Stryker Field Service Representatives. These representatives are factory trained, available locally, and carry a substantial spare parts inventory to minimize repair time. Simply call your local representative, or call Stryker Customer Service at (800) 327-0770.

Supplemental Warranty Coverage:

Stryker has developed a comprehensive program of extended warranty options designed to keep your equipment operating at peak performance at the same time it eliminates unexpected costs. We recommend that these programs be activated *before* the expiration of the new product warranty to eliminate the potential of additional equipment upgrade charges. Stryker offers the following Supplemental Warranties:

Extended (Parts and Labor)

- All replacement parts (excluding mattresses and consumable items)
- Labor and travel for *all* scheduled and unscheduled calls
- Annual Preventive Maintenance Inspections and repairs
- JCAHO paperwork for preventive maintenance
- Priority Emergency Service

Standard (Labor Only):

- Labor and travel for *all* scheduled and unscheduled calls
- Annual Preventive Maintenance Inspections and repairs
- JCAHO paperwork for preventive maintenance
- Priority Emergency Service

Basic (Parts Only):

- All replacement parts (excluding mattresses and consumable items)
- Priority Emergency Service

Please call your local representative, or call (800) 327-0770 for further information

Warranty

Return Authorization:

Merchandise cannot be returned without approval from the Stryker Customer Service Department. An authorization number will be provided which must be printed on the returned merchandise. Stryker reserves the right to charge shipping and restocking fees on returned items.

SPECIAL, MODIFIED, OR DISCONTINUED ITEMS NOT SUBJECT TO RETURN.

Damaged Merchandise:

ICC Regulations require that claims for damaged merchandise must be made with the carrier within fifteen (15) days of receipt of merchandise. **DO NOT ACCEPT DAMAGED SHIPMENTS UNLESS SUCH DAMAGE IS NOTED ON THE DELIVERY RECEIPT AT THE TIME OF RECEIPT.** Upon prompt notification, Stryker will file a freight claim with the appropriate carrier for damages incurred. Claim will be limited in amount to the actual replacement cost. In the event that this information is not received by Stryker within the fifteen (15) day period following the delivery of the merchandise, or the damage was not noted on the delivery receipt at the time of receipt, the customer will be responsible for payment of the original invoice in full.

Claims for any short shipment must be made within thirty (30) days of invoice.

International Warranty Clause:

This warranty reflects U.S. domestic policy. Warranty outside the U.S. may vary by country. Please contact your local Stryker Medical representative for additional information.

Patent Information

Rugged Products are manufactured under the following patents:

United States 5,575,026
 5,537,700

Other Patents Pending

Summary of Safety Precautions

The following is a list of safety precautions that must be observed when operating or servicing this unit. The precautions are repeated throughout the manual, where applicable. Carefully read this list before using or servicing the unit.

WARNING

- Improper usage of the **▲RUGGED™** Cot can cause injury to the patient or operator. Operate the cot only as described in this manual.
- Always use all restraint straps to secure the patient on the cot. An unrestrained patient may fall from the cot and be injured.
- Never leave a patient unattended on the cot or injury could result. Hold the cot securely while a patient is on the cot.
- The wheel lock is only intended to help prevent the cot from rolling while unattended. The wheel lock may not provide sufficient resistance on all surfaces or under loads.
- Never apply the optional wheel lock while a patient is on the cot. Tipping could occur if the cot is moved while the wheel lock is applied, resulting in injury to the patient or operator and/or damage to the cot.
- Never install or use the wheel lock on a cot with excessively worn wheels. Installing or using the wheel lock on a wheel with less than a 6" diameter could compromise the holding ability of the wheel lock, resulting in injury to the patient or operator and/or damage to the cot or other equipment.
- Loading, unloading and changing the position of the cot requires a minimum of two trained operators working together. The operator(s) must be able to lift the total weight of the patient, cot and any other items on the cot. (If additional assistance is needed, see the reference chart on page 27).
- When changing the height of the cot, always verify the base frame is securely locked into position before releasing your grip on the litter frame.
- Be sure the undercarriage has engaged and locked before removing the loading wheels from the patient compartment floor of the vehicle. An unlocked undercarriage will not support the cot and injury to the patient and/or operator could result.
- Unlock the auxiliary lock only when exiting the loading position. Improper use can cause injury to the patient or operator.
- Do not allow untrained helpers to assist in the operation of the cot. Untrained technicians/helpers can cause injury to the patient or themselves.
- Do not modify the **▲RUGGED™** Cot. Modifying the cot can cause unpredictable operation resulting in injury to the patient or operator. Modifying the cot will also void its warranty (see page 7).
- Improper maintenance can cause injury or damage to the unit. Maintain the cot as described in this manual. Use only Stryker approved parts and maintenance procedures. Using unapproved parts and procedures could cause unpredictable operation and/or injury and will void the product warranty.
- Do not step or ride on the base of the **▲RUGGED™** Cot. Damage to the cot could occur, resulting in injury to the patient or operator.
- Failure to properly clean or dispose of contaminated mattress or cot components will increase the risk of exposure to bloodborne pathogens and may cause injury to the patient or the operator.

CAUTION

- Damage to the cot can occur if the cot is lowered in the shortened position. Use only positions 2 – 5 (see page 14) when the cot is shortened.
- **Do not steam clean, pressure wash, hose off or ultrasonically clean this unit.** High pressure water or steam can remove lubricants and cause corrosion. Clean the cot as described on page 5.

Summary of Safety Precautions

SAFETY LABELS

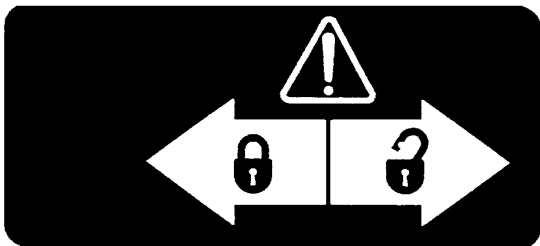
The safety labels shown below are critical to the safe operation of the cot. If they are not present and in good condition, they must be replaced.



Maximum Load Capacity Warning Label (part number 6080-90-106). This label identifies the maximum load capacity of the cot and corresponds to the maximum weight allowed for a patient and any additional equipment.



Operation and Maintenance Warning Label (part number 6080-90-9). This label reminds the operator to use and maintain the cot as described in the operations/maintenance manual.



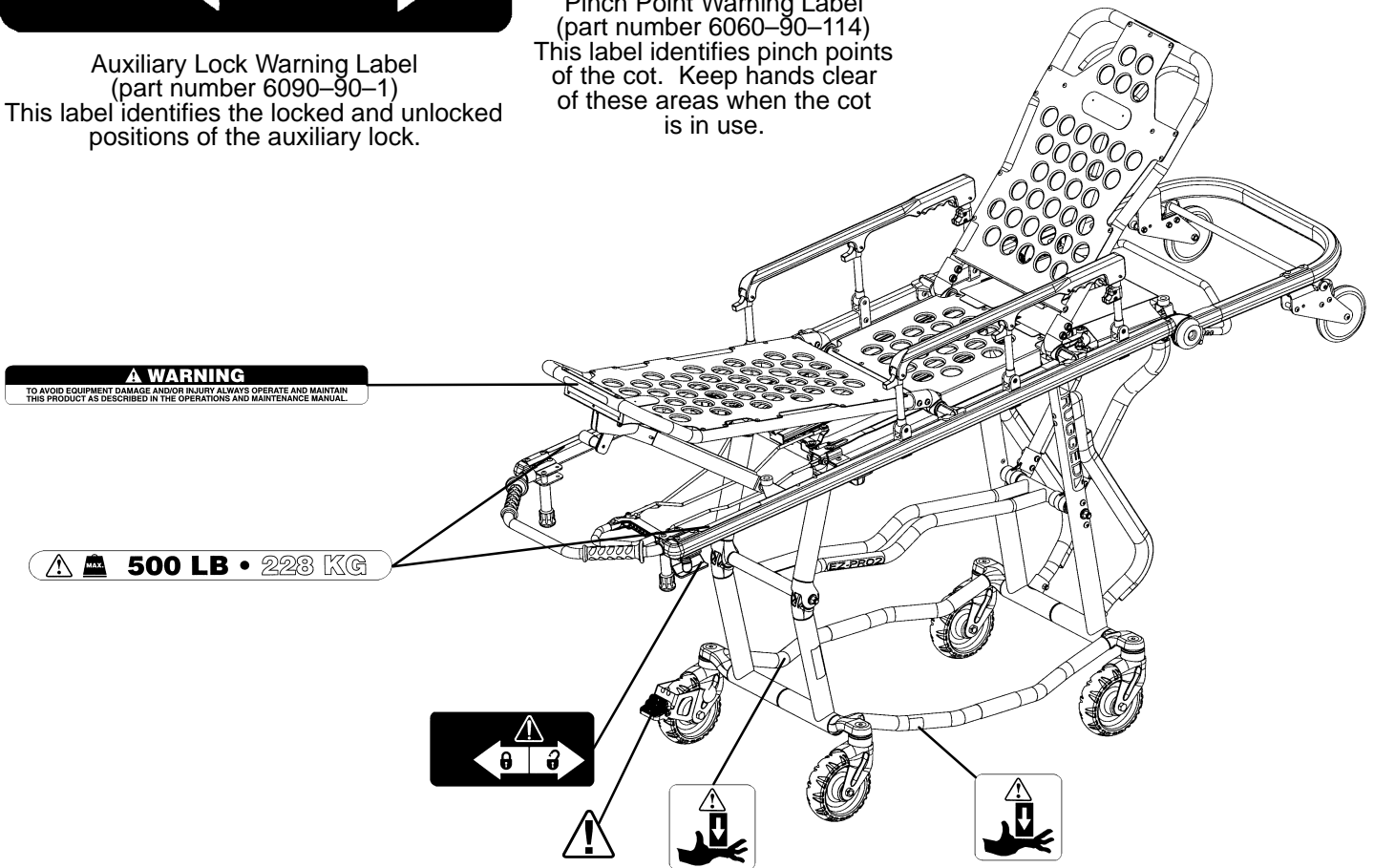
Auxiliary Lock Warning Label (part number 6090-90-1)
This label identifies the locked and unlocked positions of the auxiliary lock.



Pinch Point Warning Label (part number 6060-90-114)
This label identifies pinch points of the cot. Keep hands clear of these areas when the cot is in use.



Never apply the optional wheel lock while a patient is on the cot. Tipping could occur if the cot is moved while the wheel lock is applied, resulting in injury to the patient or operator and/or damage to the cot.



Set-Up Procedures

Unpack the cartons and check all items for proper operation. It is important that the **▲RUGGED™** Cot is working properly before it is put into service. Have a qualified service person use the following list and the operation instructions to check the cot before it is put into service.

- All fasteners secure (reference all assembly prints)
- All welds intact, not cracked or broken
- No bent or broken tubing or sheet metal
- No debris in wheels
- All wheels secure, rolling and swivelling properly
- Siderails move and latch properly
- Backrest operating properly
- Optional accessories intact and operating properly
- Height positioning latch functioning properly
- Auxiliary lock operating properly (see page 17)
- Cot secure in each height position
- Undercarriage folds properly
- Break-away head section operating properly
- Foot rest operating properly
- No rips or cracks in mattress cover
- Body restraints intact and working properly
- Wheel lock operating properly (optional equipment)
- Is there an approved crash-stable fastener (Stryker part number 6370 or 6371 – not included) installed in the vehicle?

The patient compartment of the vehicle in which the **▲RUGGED™** Cot will be used must have:

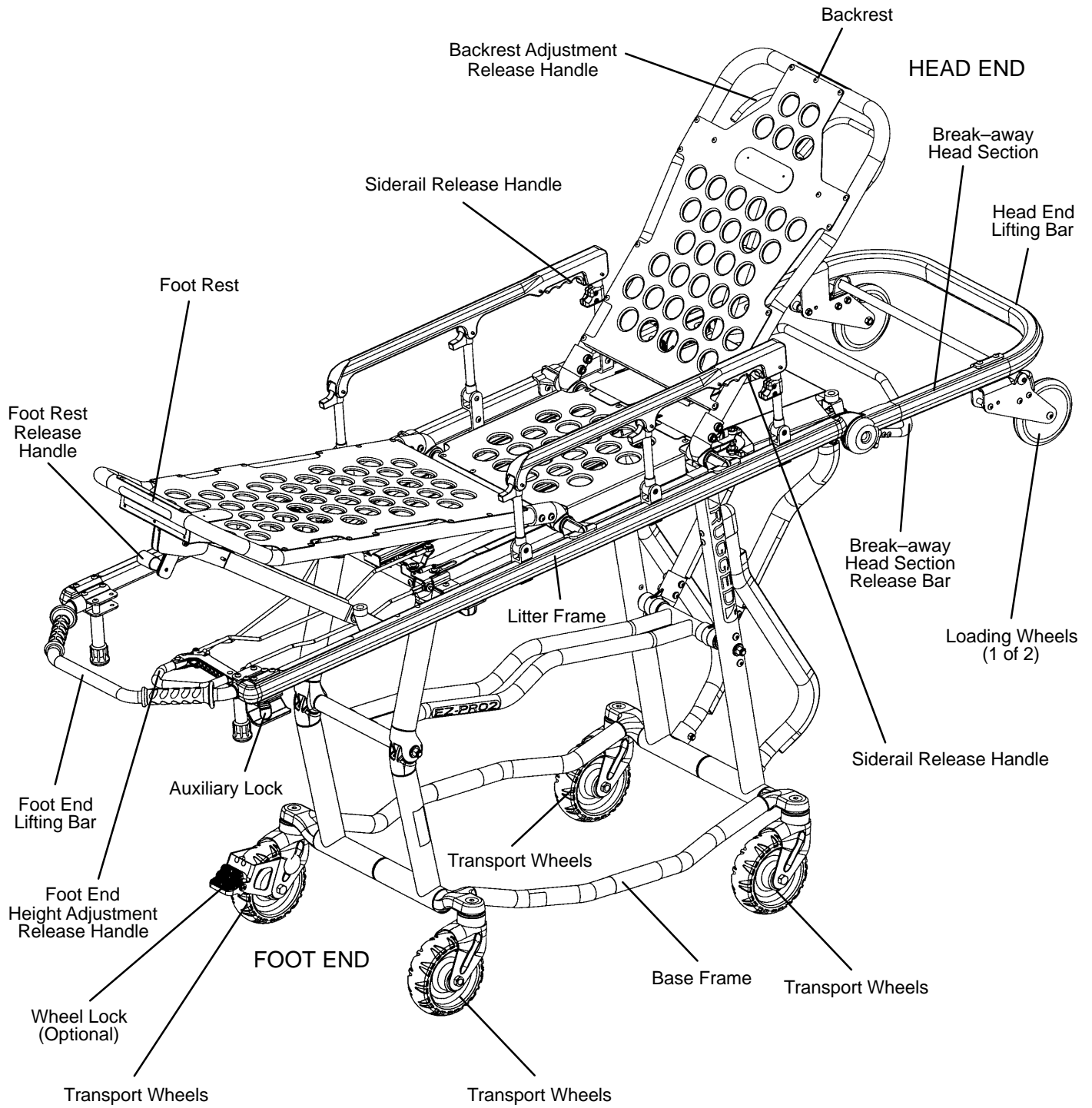
- A smooth rear edge for cot loading.
- A level floor large enough for the folded cot.
- Stryker 6370 or 6371 crash stable cot fastener (not included).
- 33" (84 cm.) maximum loading height.

When necessary, modify the vehicle to fit the cot. Do not modify the cot.

WARNING

Do not modify the **▲RUGGED™** Cot. Modifying the cot can cause unpredictable operation resulting in injury to the patient or operator. Modifying the cot will also void its warranty (see page 7).

Component Identification



Vehicle Safety Hook Installation

The vehicle safety hook is a device shipped with the cot. The safety hook activates the safety bar and prevents the cot from being removed from the vehicle accidentally.

Installation of the safety hook should be done by a certified mechanic familiar with ambulance construction. Consult the vehicle manufacturer before installing the safety hook and be sure the installation of the safety hook does not damage or interfere with the brake lines, oxygen lines, fuel lines, fuel tank or the electrical wiring of the vehicle.

Required Hardware for Installation of the Safety Hook (Not Supplied)

- (2) Grade 5, 1/4"–20 Socket Head Cap Screws*
- (2) Flat Washers
- (2) Lock Washers
- (2) 1/4"–20 Nuts

* The length of the socket head cap screws depends on the thickness of the vehicle floor. Use screws long enough to go completely through the patient compartment floor, washer and nut by at least two full threads.

Place the cot in the cot fastener. Remove the cot from the fastener and unload it from the vehicle. While the cot is being removed from the vehicle, note the position of the unloading wheels and the safety bar.

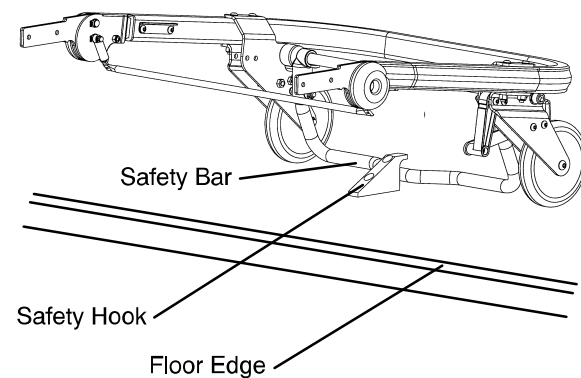
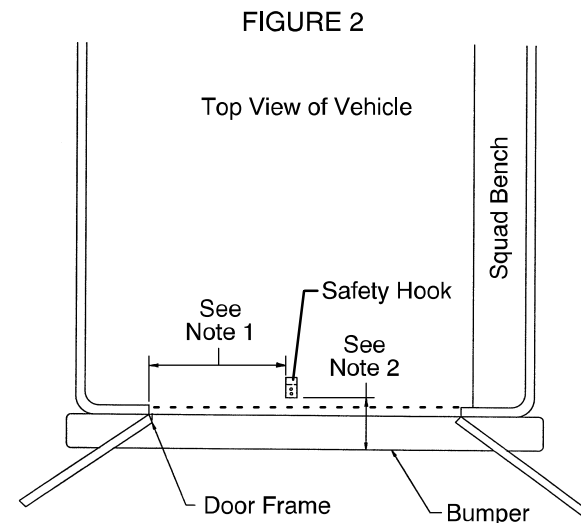
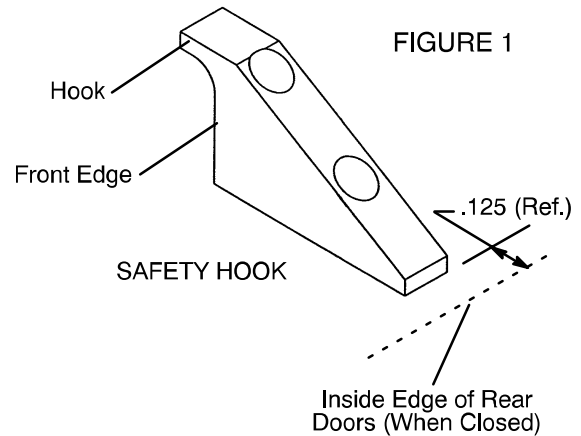
NOTE 1. Center the safety hook on the cot safety bar with the hook facing the front of the vehicle. Be sure the safety hook will always engage the safety bar when the cot is unloaded from the vehicle.

NOTE 2. The safety hook should be installed as close to the rear of the vehicle as possible while allowing the vehicle doors to close (see Figures 1 & 2). Be sure the bumper and the bumper step do not interfere with the folding and unfolding of the cot's undercarriage.

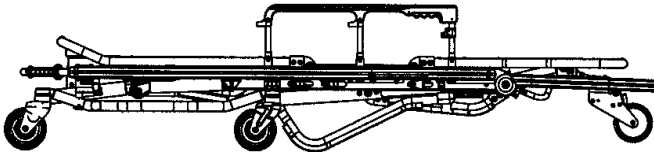
Mark the desired position of the safety hook on the patient compartment floor. Drill the holes for the socket head cap screws. Attach the safety hook to the patient compartment floor.

WARNING

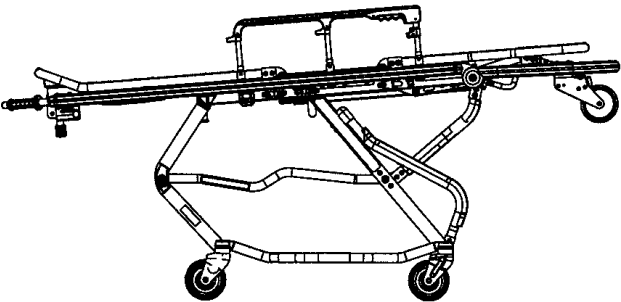
Improper safety hook installation can cause injury to the patient and/or operator or damage to the cot. Have a certified mechanic install the safety hook. Failure to install the safety hook can cause injury to the patient or operator. Install and use the safety hook as described in this manual.



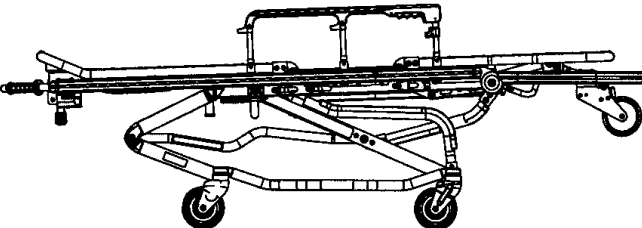
Cot Positions



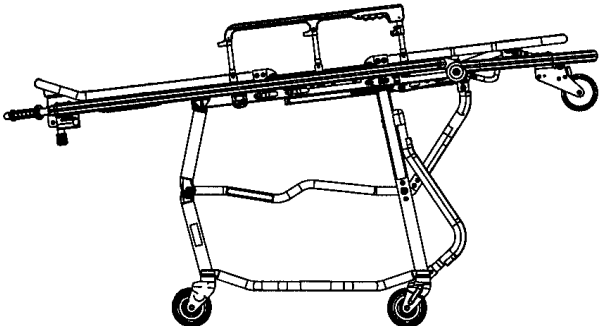
Position 1 – Folded Position – Use for patient transfer and transporting in an ambulance.



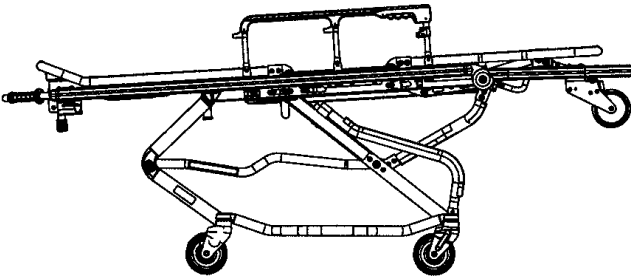
Position 4 – Intermediate Height Position
Use for patient transfer/cot rolling.



Position 2 – Intermediate Height Position
Use for patient transfer/cot rolling.



Position 5 – Loading Position
Use for patient transfer, folding or loading the cot.



Position 3 – Intermediate Height Position
Use for patient transfer/cot rolling.



Use for cot rolling when space is limited

Cot Operation

Using Restraint Straps

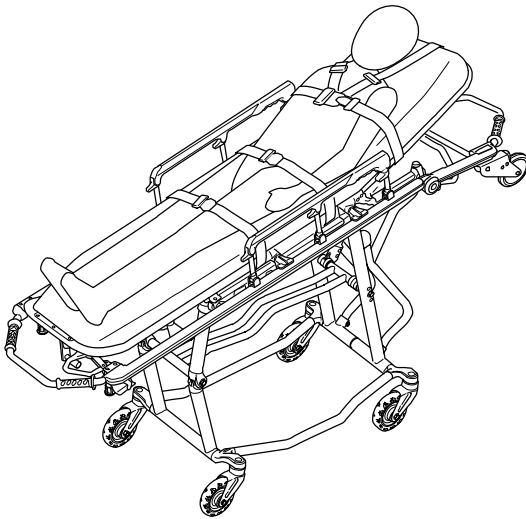
WARNING

Always use all restraint straps to secure the patient on the cot. An unrestrained patient may fall from the cot and be injured.

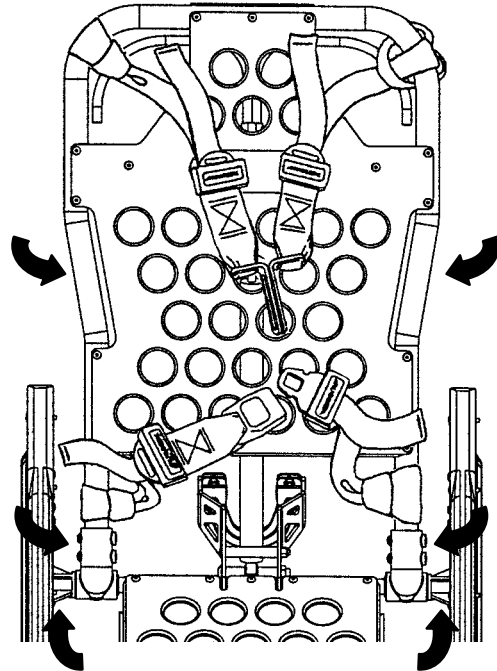
Always secure the patient on the cot with all the restraint straps. Buckle the restraints across the patient's chest/shoulders, waist and legs (View 1).

When attaching the restraint straps to the cot, keep in mind the attachment points should provide strong anchorage and proper restraint position while not interfering with equipment and accessories. Wrap the strap around the cot frame and back through the loop on the end of the strap as shown in views 2 and 3. The arrows indicate alternate attachment areas.

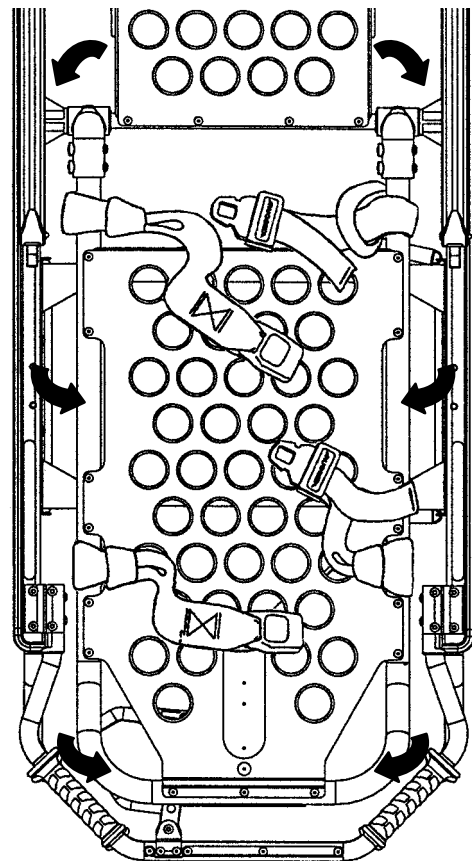
Keep the restraint straps buckled when the cot is not being used with a patient to avoid damage to the buckles and straps.



View 1



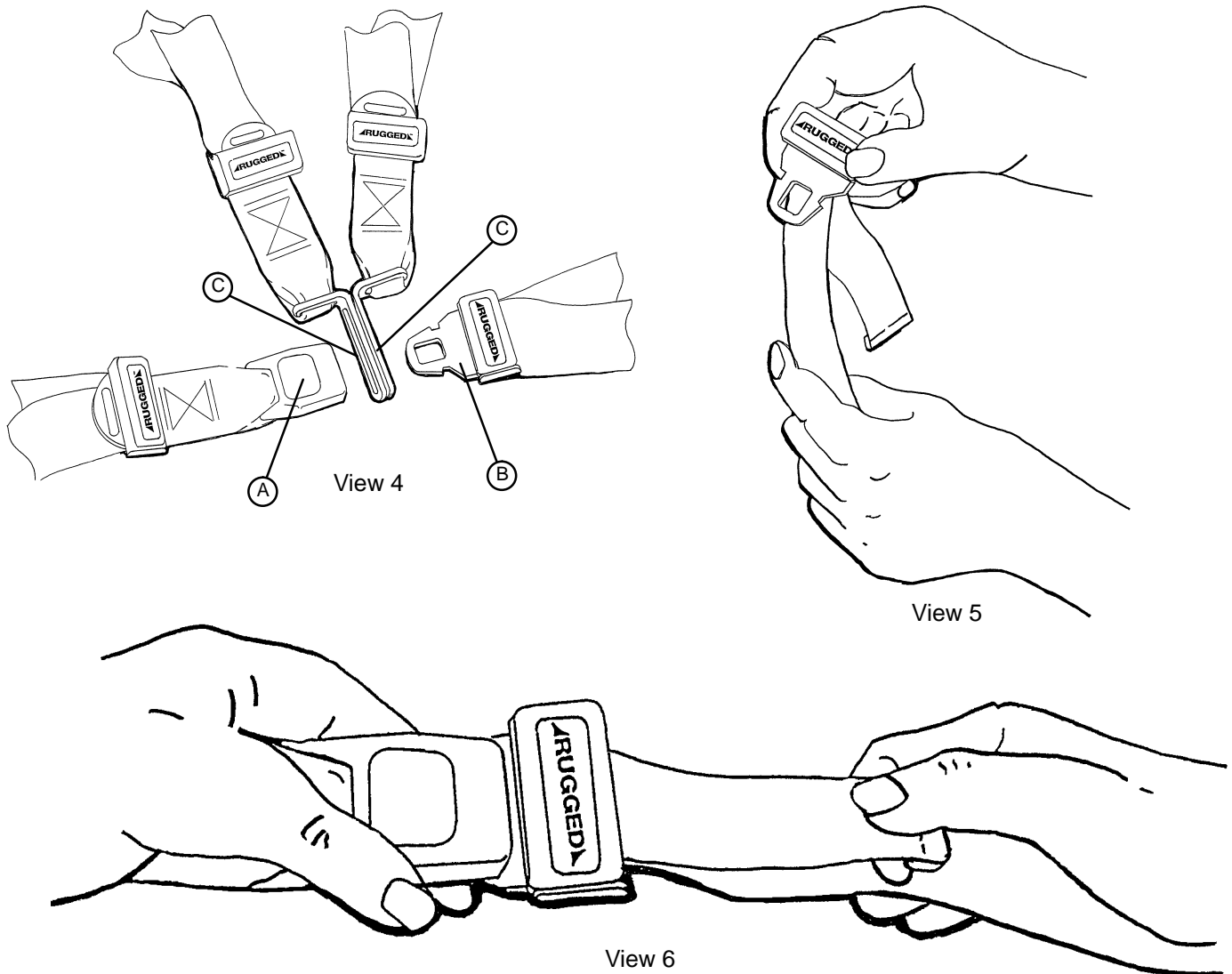
View 2 (Head Section)



View 3 (Foot Section)

Cot Operation

Using Restraint Straps (Continued)



When the cot is put into service, the restraints are opened and placed to either side of the cot until the patient is positioned on the cot mattress. The restraint is lengthened, buckled around the patient and shortened until the required tightness is achieved.

To open the restraint, press the red button (A) on the front of the buckle "receiver". This releases the buckle "tang" (B) which can then be pulled out of the receiver (View 4).

To close the restraint, push the tang into the receiver until a "click" is heard. When fastening the chest restraint be sure the tang passes through both links (C) on the shoulder strap (View 4).

To lengthen the restraint, grasp the buckle tang, turn it at an angle to the webbing, then pull out (View 5). A hemmed tab at the end of the webbing prevents the tang from coming off the strap.

To shorten the restraint, grasp the hemmed tab and pull the webbing back through the tang until the required tightness is achieved (View 6).

Whenever a restraint is buckled on a patient, the attendant should verify the tang is fully engaged and the extra webbing is not tangled in the cot or hanging loose.

Inspection of the restraints should be done at least once a month (more frequently if used heavily). Inspection should include checking for a bent or broken receiver or tang, torn or frayed webbing, etc. Any restraint showing wear or not operating properly must be replaced immediately.

Cot Operation

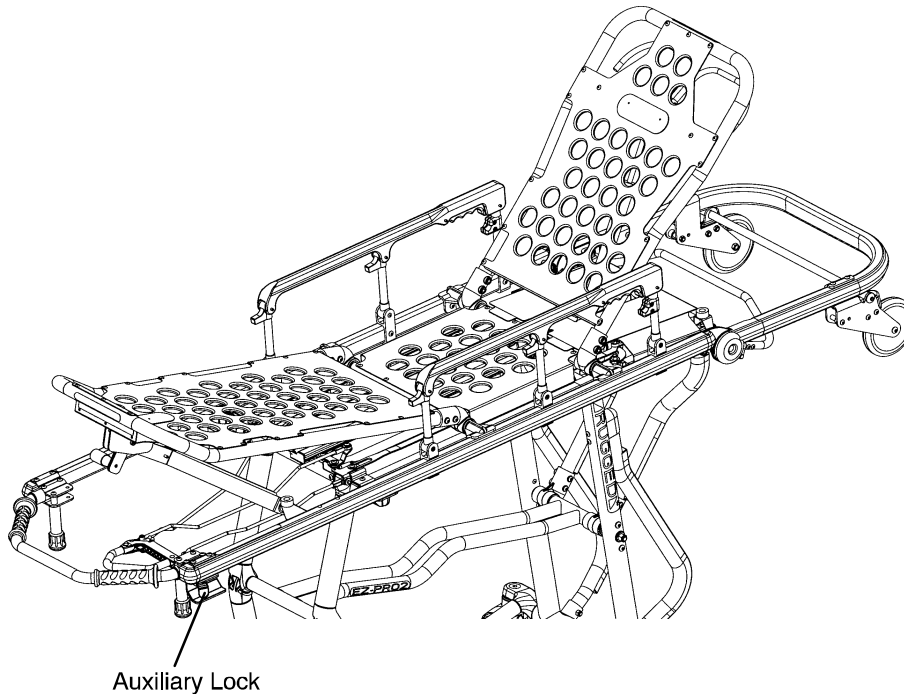
Guidelines for Operation

- Use the **ARUGGED™** Cot only as described in this manual.
- Read and understand all labels and instructions on the cot before using the cot.
- Use a minimum of two operators to manipulate the cot. (If additional assistance is required, see page 27 for a reference chart).
- Do not adjust, roll or load the cot without advising the patient. Stay with the patient and control the cot at all times.
- Always use the restraint straps and keep the siderails up when a patient is on the cot.
- Use properly trained helpers when necessary to control the cot and patient.

Auxiliary Lock

The auxiliary lock keeps the base frame from inadvertently exiting the loading position. Unlock the auxiliary lock when going from the loading position to the folded position, the loading position to an intermediate height position or when loading the cot into the ambulance.

To unlock the auxiliary lock, put the cot in the loading position (see page 14). Move the lock lever to the right to the unlocked position. Fold, change height position or load the cot.



NOTE

The auxiliary lock can be unlocked only when the cot is in the loading position. The auxiliary lock will reset to the locked position once the foot end release handle is actuated.

WARNING

Practice folding, changing height position and loading the cot until operation of the auxiliary lock is fully understood. Improper use can cause injury. Unlock the auxiliary lock only to fold, change height position or load the cot.

Cot Fastener Installation

The Stryker Model 6370 and 6371 Cot Fastener systems are designed to be compatible only with cots which conform to the installation specifications listed on page 19. Ambulance cots which currently meet these specifications are:

Stryker

Model 6060 DX Emergency Transport

Model 6070 LX Emergency Transport

Model 6080 MX-PRO

Model 6081 MX-PRO Incubator Transporter

Model 6090 EZ-PRO

Model 6091 EZ-PRO2

Ferno-Washington

Model 29-M Three Level Roll-In Cot*

Model 93 ES Squadmate™ *

Model 93 EX Squadmate™ *

Model 35-A Mobile Transporter™ *

Model 35-A+ Mobile Transporter Plus™ *

Model 35-IT Incubator Transporter*

WARNING

It is the responsibility of the cot operator to ensure that the cot being used in the Stryker Model 6370 or 6371 Cot Fastener Systems meets the installation specifications listed on page 19. Injury may result if a non-compatible cot is used in the Stryker Model 6370 or 6371 Fastener System.

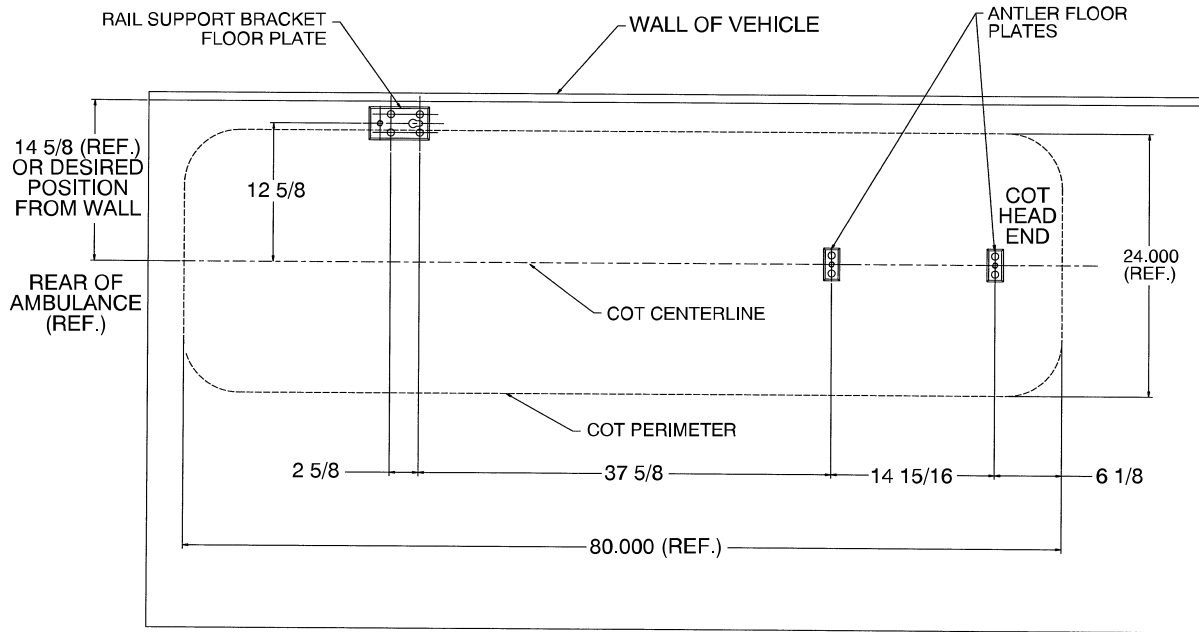
NOTE

Adjustment of the rail clamp assembly may be required in order to compensate for any variation in cot retaining post position depending on the ambulance cot manufacturer and model number.

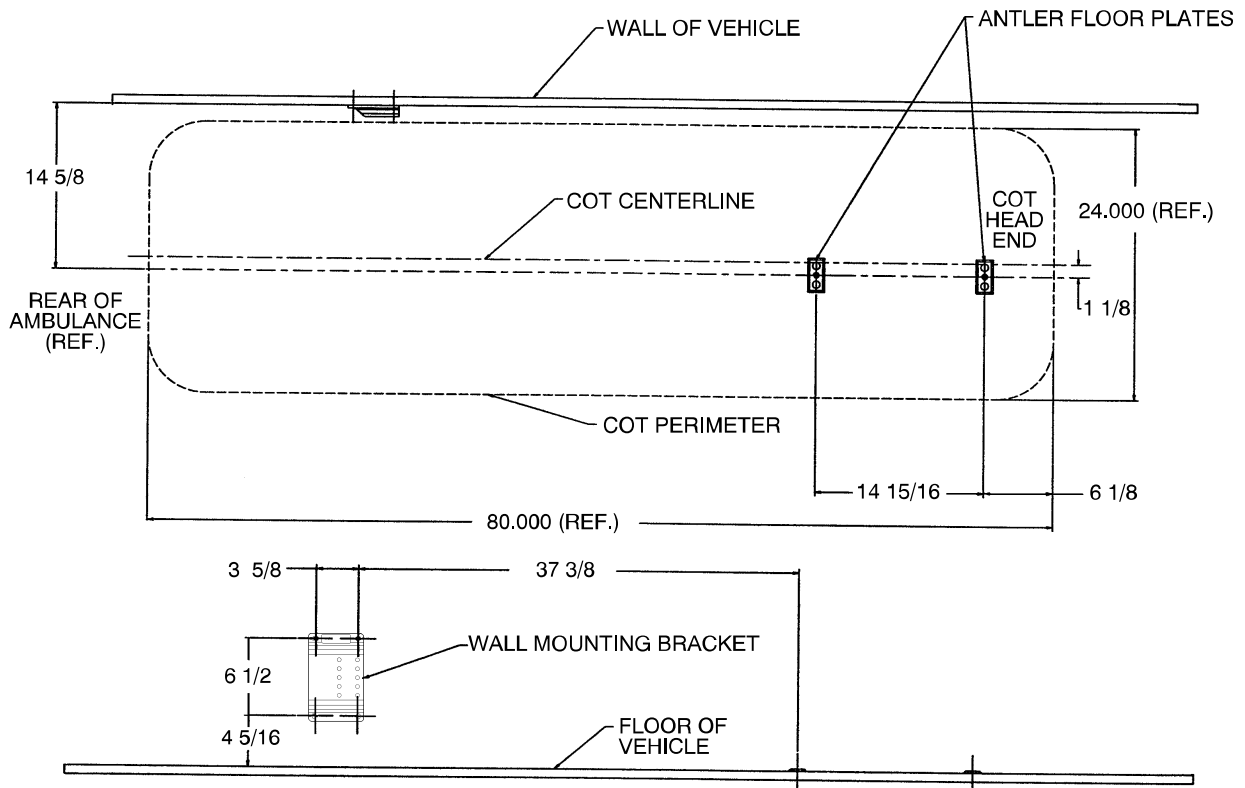
For more detailed installation and operation instructions for the Stryker Model 6370 and 6371 Cot Fastener systems, refer to part number 6370-90-10 Rugged™ Cot Fastener Installation/Operation Instructions.

* 1999 model year or earlier. Stryker is not responsible for changes in specifications to other manufacturer's cots.

Cot Fastener Installation



INSTALLATION SPECIFICATIONS – FLOOR MOUNT FASTENER (MODEL 6370)



INSTALLATION SPECIFICATIONS – WALL MOUNT FASTENER (MODEL 6371)

Cot Operation

CHANGING COT HEIGHT

WARNING

Loading, unloading and changing the position of the cot requires a minimum of two trained operators working together. The operator(s) must be able to lift the total weight of the patient, cot and any other items on the cot. (If additional assistance is needed, see the reference chart on page 27).

The **ARUGGED™** EZ-PRO 2 has five height positions (see page 14):

- The highest or “Loading” position,
- three intermediate Transport positions,
- a “Folded” position.

CHANGING BETWEEN LOADING AND FOLDED POSITIONS:

Changing From the Loading to the Folded Position:

To lower the cot from its Loading position to its Folded position, two operators stand at opposite ends of the cot and grasp the litter frame with palms facing up (as shown in Figure 1).

The foot end operator unlocks the cot’s auxiliary lock, located at the foot end on the patient’s left side.

(The auxiliary lock provides added security to help prevent inadvertent drops.)

Both operators lift the cot until the weight is off the latching mechanism (approximately 1/4”).

The foot end operator squeezes and holds the release handle and both operators lower the cot to the folded position.

NOTE

The auxiliary lock resets automatically when the foot end height adjustment release handle is activated.

Changing From the Folded to the Loading Position:

To raise the cot to its “Loading” position, two operators grasp both ends of the litter frame and raise the cot until the base frame has locked into place (as shown in Figure 2).

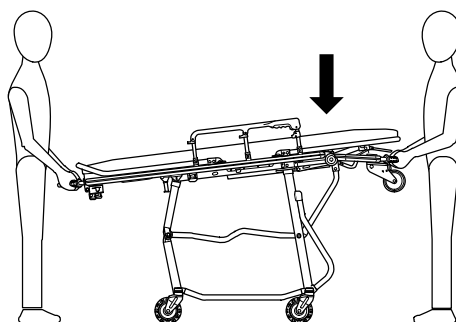


FIGURE 1

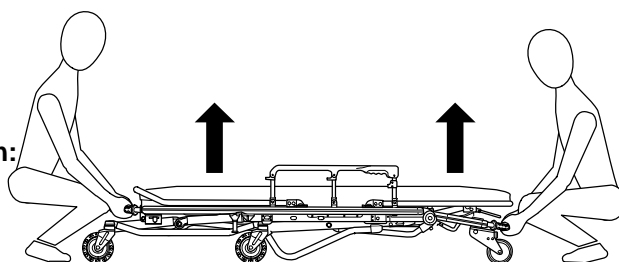


FIGURE 2

WARNING

Always verify the base frame is securely locked into position before releasing your grip on the litter frame.

Cot Operation

CHANGING COT HEIGHT (CONTINUED)

Changing Between the Load Position and an Intermediate Transport Position:

To lower the cot from the loading position to any of the three intermediate "Transport" positions, two operators firmly grasp the litter frame at opposite ends with their palms facing up (as shown in Figure 3).

The foot end operator unlocks the auxiliary lock.

Both operators lift the cot until the weight is off the latching mechanism (approximately 1/4").

The foot end operator squeezes and holds the release handle and both operators lower the cot to the folded position.

As downward motion of the cot begins, the operator at the foot end relaxes his/her grip on the release handle to stop the cot in the first intermediate transport position.

To raise the cot back up to the load position, two operators firmly grasp the litter frame at opposite ends with palms facing up. Both operators lift slightly to take the weight off the base frame (approx. 1/4"). The foot end operator squeezes and holds the release handle and both operators lift the cot to the loading position.

WARNING

Always verify the base frame is securely locked into position before releasing your grip on the litter frame.

Changing Between Two Intermediate Transport Positions:

Two operators firmly grasp the litter frame at opposite ends with palms facing up. Both operators lift slightly to take the weight off the base frame (approx 1/4"). The foot end operator squeezes the release handle. As upward or downward motion begins, the foot end operator relaxes his/her grip on the release handle to stop in the desired position.

WARNING

Always verify the base frame is securely locked into position before releasing your grip on the litter frame.

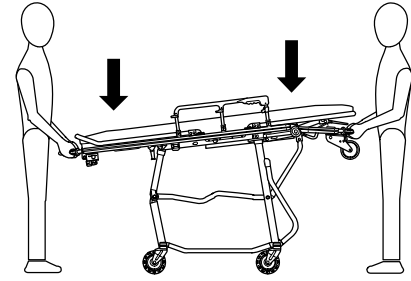


FIGURE 3

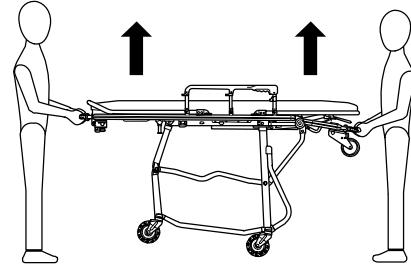


FIGURE 4

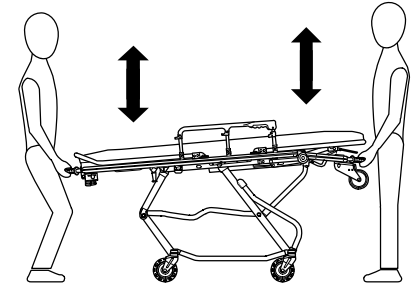


FIGURE 5

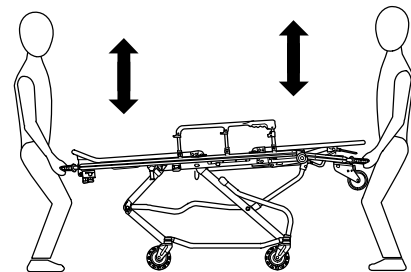


FIGURE 6

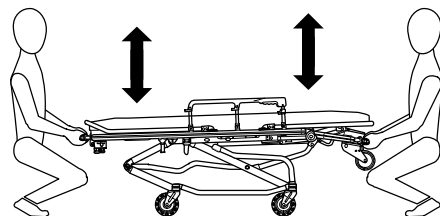


FIGURE 7

Cot Operation

CHANGING COT HEIGHT (CONTINUED)

Changing Between the Loading and the Folded Position with One Operator and an Empty Cot

When a cot is empty, one trained operator can fold the cot or put it into the loading position.

Changing From the Loading to the Folded Position:

Stand at the foot end of the cot and lift the foot end so the loading wheels on the break-away head section touch the floor (as shown in Figure 8). Unlock the auxiliary lock. Squeeze the foot end height adjustment release handle and lower the cot to the Folded position.

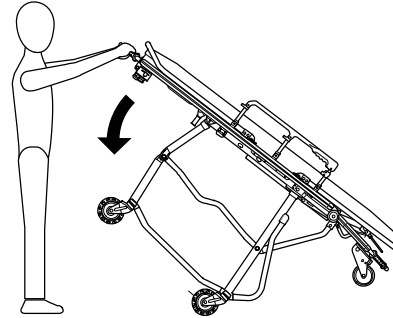


FIGURE 8

Changing From the Folded to the Loading Position:

To return the cot to the Loading position, grasp the foot end firmly and lift until the base frame securely locks into place (as shown in Figure 9).

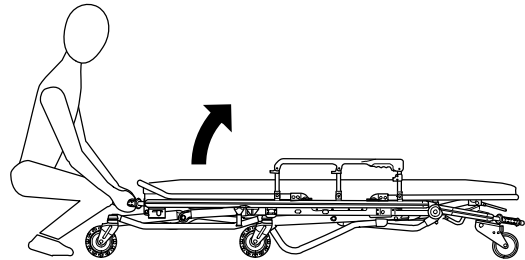


FIGURE 9

WARNING

Always verify the base frame is securely locked into position before releasing your grip on the litter frame.

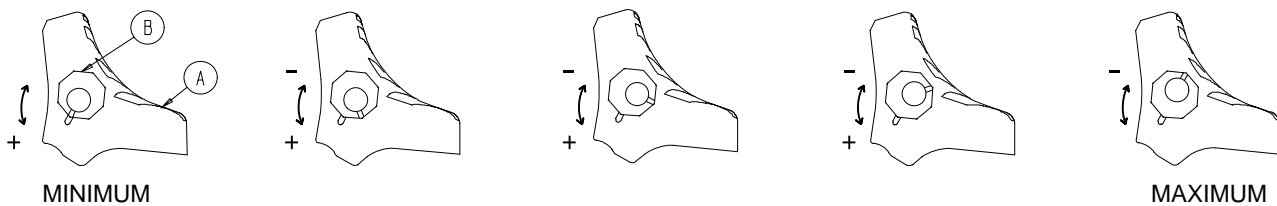
Cot Operation

OPERATING THE OPTIONAL WHEEL LOCK



1. To activate the optional wheel lock, press fully down on the pedal (A) until it stops.
2. To release the optional wheel lock, depress the upper face of the wheel lock pedal with your foot or lift up with your toe under the pedal. The upper portion of the pedal will rest against the caster frame when the wheel lock is released.

ADJUSTING THE WHEEL LOCKING FORCE



1. To adjust the wheel locking force, remove the hex socket screw from the center of the lock pedal. The wheel lock is initially assembled with the pedal set at the minimum locking force. The marker on the pedal (item A) is aligned with the marker on the octagonal sleeve (item B).
2. Remove the sleeve (B). Rotate the sleeve counterclockwise to increase the pedal locking force and clockwise to decrease the locking force. Insert the sleeve into the pedal. Reinstall the hex socket screw.
3. Test the pedal locking force before returning the cot to service.

WARNING

Never apply the optional wheel lock while a patient is on the cot. Tipping could occur if the cot is moved while the wheel lock is applied, resulting in injury to the patient or operator and/or damage to the cot.

The wheel lock is only intended to help prevent the cot from rolling while unattended. The wheel lock may not provide sufficient resistance on all surfaces or under loads.

Never leave a patient unattended on the cot or injury could result. Hold the cot securely while a patient is on the cot.

Never install or use the wheel lock on a cot with excessively worn wheels. Installing or using the wheel lock on a wheel with less than a 6" diameter could compromise the holding ability of the wheel lock, resulting in injury to the patient or operator and/or damage to the cot or other equipment.

Cot Operation

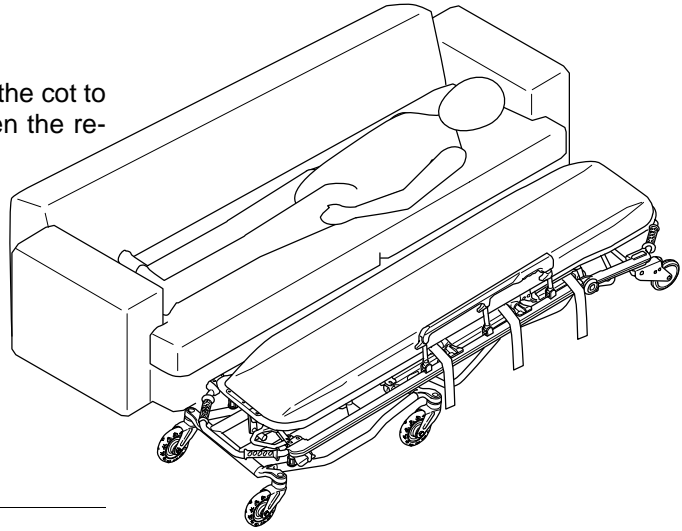
Transferring the Patient to the **▲RUGGED™** Cot

Roll the cot to the patient.

Place the cot beside the patient and raise/lower the cot to the patient's level. Lower the siderails and open the restraint straps.

Transfer the patient to the cot using accepted EMS procedures.

Use all the restraints to secure the patient to the cot (see pages 15 & 16 for restraint strap usage instructions). Raise the siderails and adjust the backrest and leg rest as necessary.



WARNING

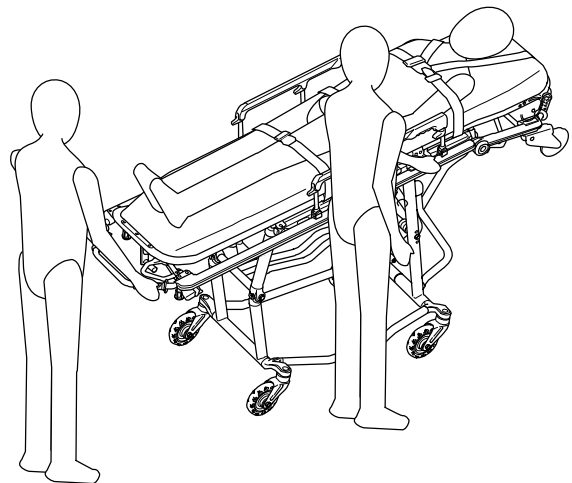
Always use all restraint straps to secure the patient on the cot. An unrestrained patient may fall from the cot and be injured.

Never apply the optional wheel lock while a patient is on the cot. Tipping could occur if the cot is moved while the wheel lock is applied, resulting in injury to the patient or operator and/or damage to the cot.

Rolling the **▲RUGGED™** Cot

Make sure all the restraint straps are securely buckled around the patient (see pages 15 & 16 for restraint strap usage instructions). Place the cot in positions 2–4 for rolling (see page 14 for cot positions). When rolling the cot, position an operator at the foot end and one at the head end or the side at all times. (If additional assistance is needed, see the reference chart on page 27).

During transport, approach door sills or other low obstacles squarely and lift each set of wheels over the obstacle separately.



WARNING

Rolling the cot in the loading position can cause it to tip, possibly injuring the patient or operators. Place the cot in positions 2–4 for rolling (see page 14 for cot positions).

High obstacles such as curbing, steps or rough terrain can cause the cot to tip, possibly causing patient or operator injury. If possible, obtain additional assistance (see page 27 for a reference chart) or take an alternate route.

Cot Operation

Loading the **ARUGGED™** Cot into a Vehicle

When loading the cot into a vehicle, an operator should remember the following important information:

- The higher the operator must lift the cot, the more difficult it becomes to hold the weight. The operator may need help loading the cot into a vehicle if he/she is too short or if the patient is too heavy for the operator to lift safely. (If additional assistance is needed, see the reference chart on page 27).
- The operator must be able to lift the cot high enough for the cot's base frame to unfold completely and lock when the cot is unloaded. A shorter operator will have to raise his/her arms higher to enable the base frame to unfold. (If additional assistance is needed, see the reference chart on page 27).

WARNING

Loading, unloading and changing the position of the cot requires a minimum of two trained operators working together. The operator(s) must be able to lift the total weight of the patient, cot and any other items on the cot. (If additional assistance is needed, see the reference chart on page 27).

Place the cot in the loading position (see page 14). Roll the cot to the open door of the patient compartment, approaching the vehicle squarely. Fold the vehicle bumper to the raised position (if available). Push the cot forward until both loading wheels are on the patient compartment floor and the safety bar passes the safety hook.

Operator 1 – Release the auxiliary lock.

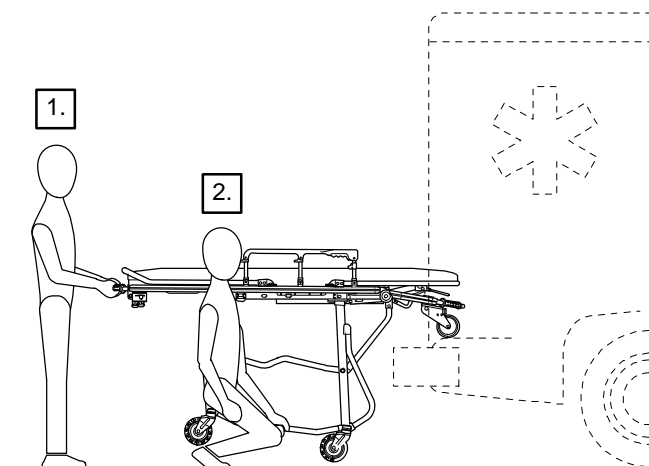
Operator 1 – Grasp and support the cot litter frame at the foot end using an underhand grip.

Operator 1 – Lift the foot end of the cot until the transport wheels are off the ground. Squeeze and hold the foot end release handle and push the cot into the vehicle.

Operator 2 – As Operator 1 pushes the cot into the vehicle, lift on the base frame to help the base frame fold as the cot loads into the vehicle.

Both operators – Push the cot into the patient compartment, engaging the cot fastener (not included).

Operator 1 – Let go of the foot end release handle.



NOTE

Loose items or debris on the patient compartment floor can interfere with the smooth rolling of the cot and the operation of the cot fastener. Keep the patient compartment floor clear.

IMPORTANT NOTE

To recover from a loading attempt halted by the auxiliary lock, do the following:

1. Release the foot end release handle.
2. Be sure the auxiliary lock is in the locked position.
3. Return the cot to its transport wheels, and make sure the base frame is securely locked into position.
4. Retry the folding or loading procedure.

Cot Operation

Unloading the Cot from a Vehicle

WARNING

Loading, unloading and changing the position of the cot requires a minimum of two trained operators working together. The operator(s) must be able to lift the total weight of the patient, cot and any other items on the cot. If additional assistance is needed, see the reference chart on page 27).

Disengage the cot from the cot fastener.

Operator 1 – Grasp the foot end of the cot frame using an underhand grip. Pull the cot from the patient compartment. As the cot is pulled out of the patient compartment, the base frame unfolds and the safety bar catches the safety hook. The Operator must keep the foot end of the cot high enough for the base frame to unfold completely and lock into place *before* the transport wheels make contact with the ground.

Operator 2 – As Operator 1 pulls the cot out of the patient compartment, grasp the base frame where indicated and lower it to its fully extended position. Verify the base frame is securely locked into position and the cot is in the loading position.

WARNING

Always verify the base frame is securely locked into position before removing the loading wheels from the patient compartment floor of the vehicle. An unlocked base frame will not support the cot and injury to the patient or operator could result.

Operator 1 – When the base frame is unfolded and securely locked, lower the cot until the transport wheels are on the ground. Pull the cot away from the ambulance until the loading wheels clear the patient compartment floor.

Both Operators – Change the cot to one of the three intermediate transport positions before transporting the patient (see page 14 for cot positions).

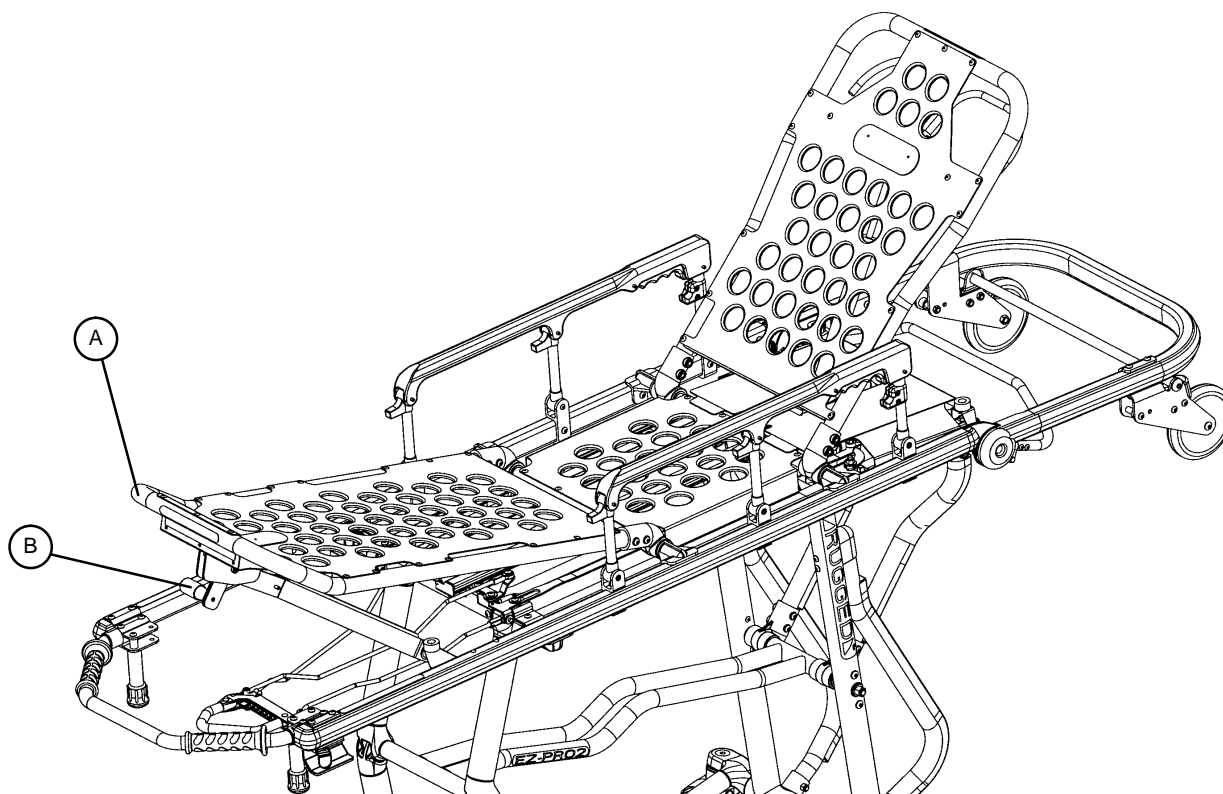
Cot Operation

Using Additional Assistance

	Changing Levels	Rolling	Loading/Unloading
<p>Two Operators</p> <p>Two Helpers</p>			
<p>Two Operators</p> <p>Four Helpers</p>			

Cot Operation

Adjusting Leg Rest



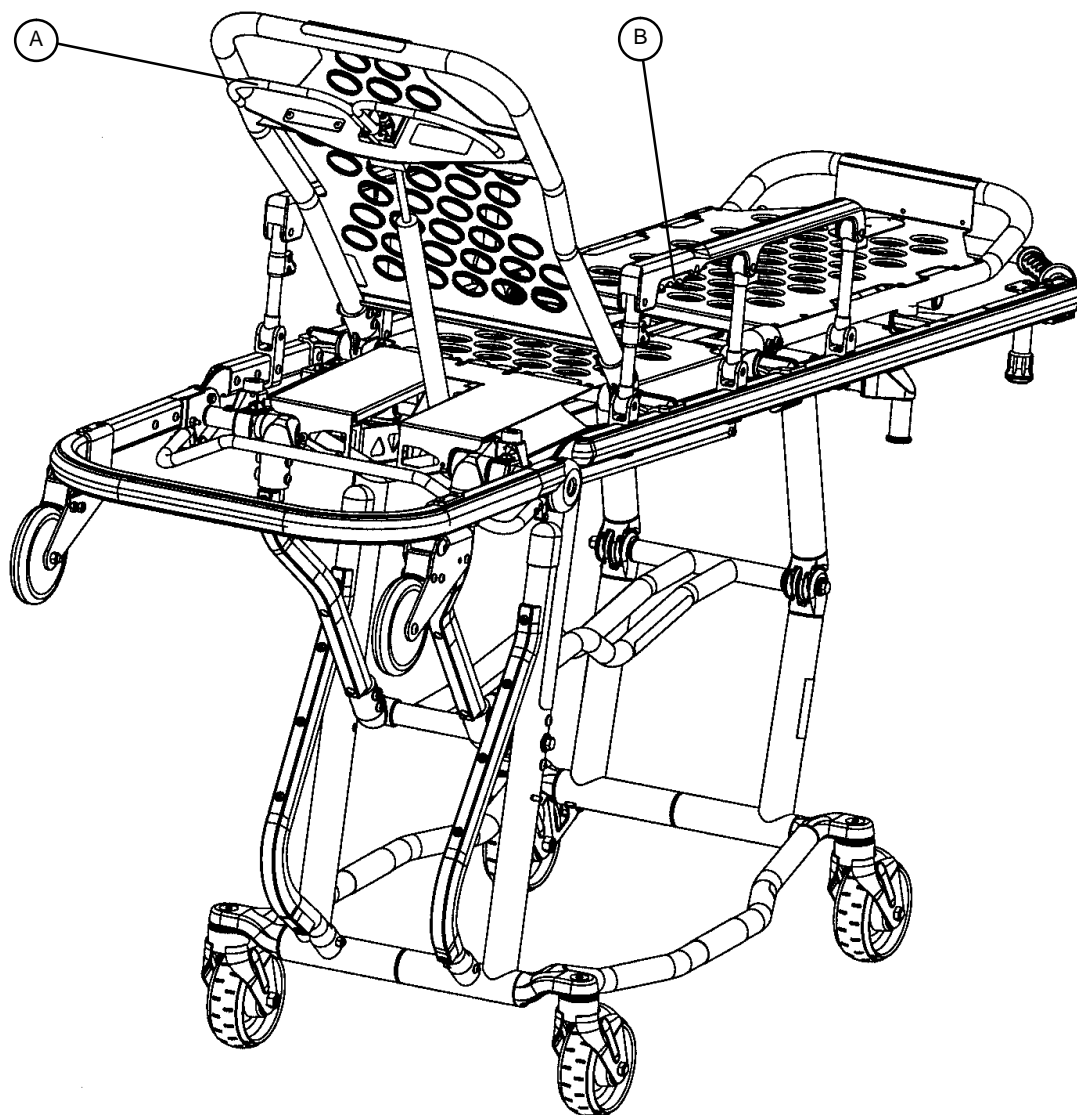
FOOT END

The leg rest is adjustable to allow for elevation of the patient's legs.

To raise the leg rest, lift the leg rest frame (A) as high as possible. The support bracket will engage automatically. Release the frame after the support bracket has engaged.

To lower the leg rest, lift the leg rest frame (A) and, while holding the frame, lift up on the release handle (B) until the bracket disengages. Lower the leg rest until flat.

Cot Operation



Operating Backrest

To raise, squeeze handle (A) for pneumatic assist in lifting the Backrest to the desired height. Remove hand(s) from handle when desired height is achieved.

To lower, squeeze handle (A) and push down on the Backrest frame until the Backrest has reached the desired height. Remove hand(s) from handle when desired height is achieved.

Operating Siderails

To raise, lift up until the latch clicks and the siderail locks into place. When a patient is on the cot, always keep the siderails in the raised position unless the patient is being transferred.

To lower, squeeze handle (B) to release the siderail latch. Guide the siderail down toward the foot end until flat.

Cot Operation

Operating Breakaway Head Section



The head end of the cot litter folds down to shorten the length of the cot and allow for maneuvering when space is limited in elevators, halls, etc.

The break-away head section should only be used when the cot is in positions 2–5 (see page 14).

To lower the breakaway head section, raise the backrest to its uppermost position (see page 29 for backrest operation instructions). Squeeze the release bar (A) at the head end of the cot with one hand while supporting the head section with the other hand. Lower the head section.

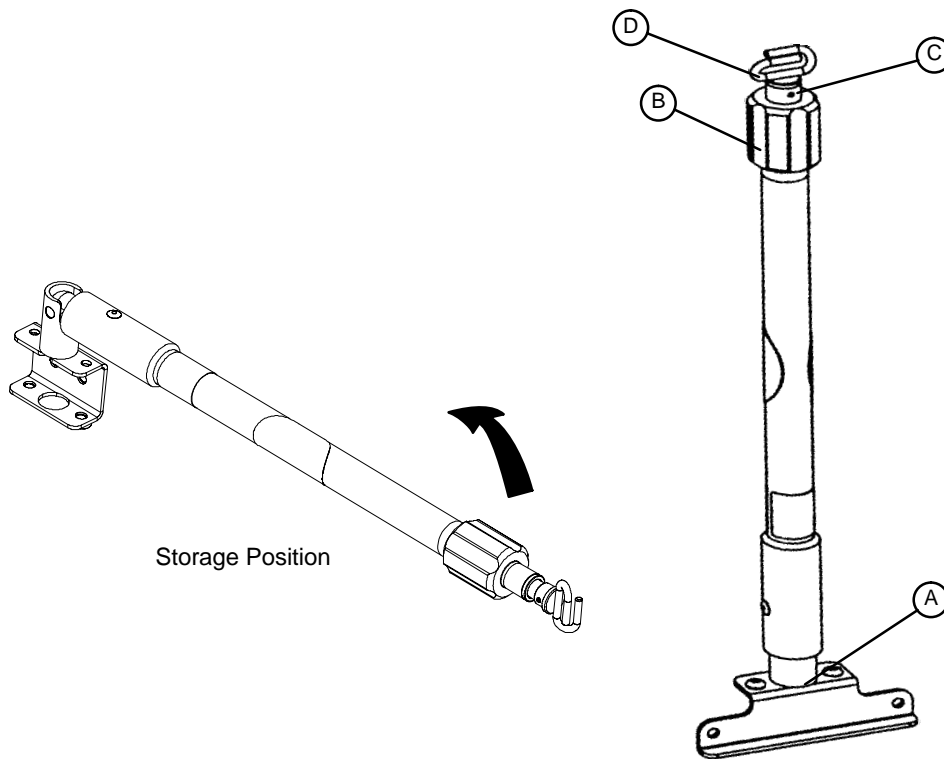
To raise the breakaway head section, lift the break-away head section until the release handles click and the head section locks into place.

CAUTION

Damage to the cot can occur if the cot is lowered in the shortened position. Use only positions 2–5 (see page 14) when the cot is shortened.

Cot Operation

Operating 2-Stage I.V. Pole



1. Lift and pivot the pole from the storage position and push down until it is locked into receptacle (A).
2. To raise the height of the pole, turn the lock actuator (B) counterclockwise and pull up on the telescoping portion (C) of the pole to raise it to the desired height.
3. Turn the lock actuator (B) clockwise to lock the telescoping portion in place.
4. Hang I.V. bags on the I.V. hook (D).

CAUTION

The weight of the I.V. bags should not exceed 40 pounds.

Cot Operation

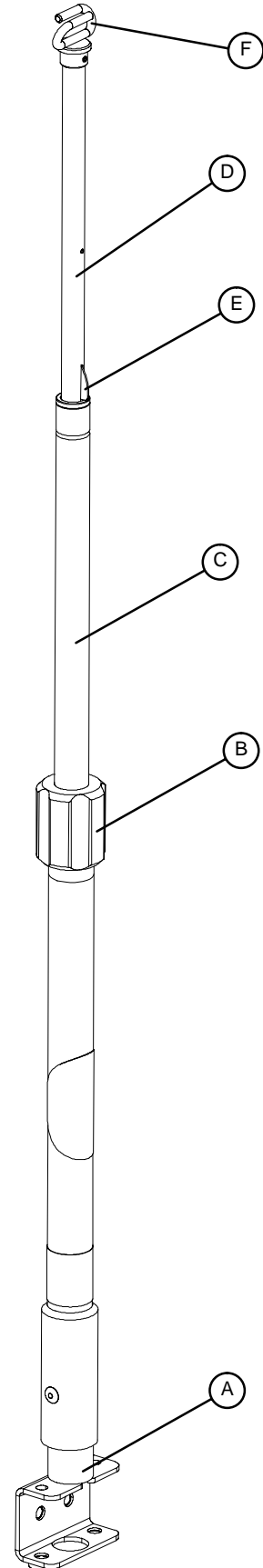
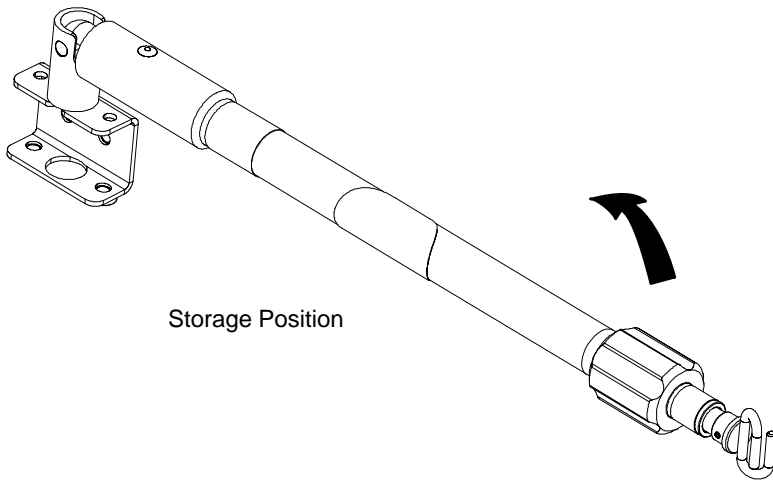
Operating 3-Stage I.V. Pole (Optional Equipment)

1. Lift and pivot the pole from the storage position and push down until it is locked into receptacle (A).
2. To raise the height of the pole, turn the lock actuator (B) counterclockwise and pull up on the bottom telescoping portion (C) of the pole to raise it to the desired height.
3. Turn the lock actuator (B) clockwise to lock the bottom telescoping portion in place.
4. For a higher I.V. pole, pull up on section (D) until the spring clip (E) engages.
5. Hang I.V. bags on the I.V. hook (F).

CAUTION

The weight of the I.V. bags should not exceed 40 pounds.

6. To lower the I.V. pole, push in on the spring clip (E) and slide section (D) down into section (C). Turn the lock actuator (B) counterclockwise and slide section (C) into the bottom tube.
7. Lift up and pivot the pole down into the storage position.



Service Information

PNEUMATIC BACKREST ADJUSTMENT

Required Tools:

1/2" Wrench

5/32" Allen Wrench

Loctite

3/32" Allen Wrench

7/32" Allen Wrench

9/16" Wrench

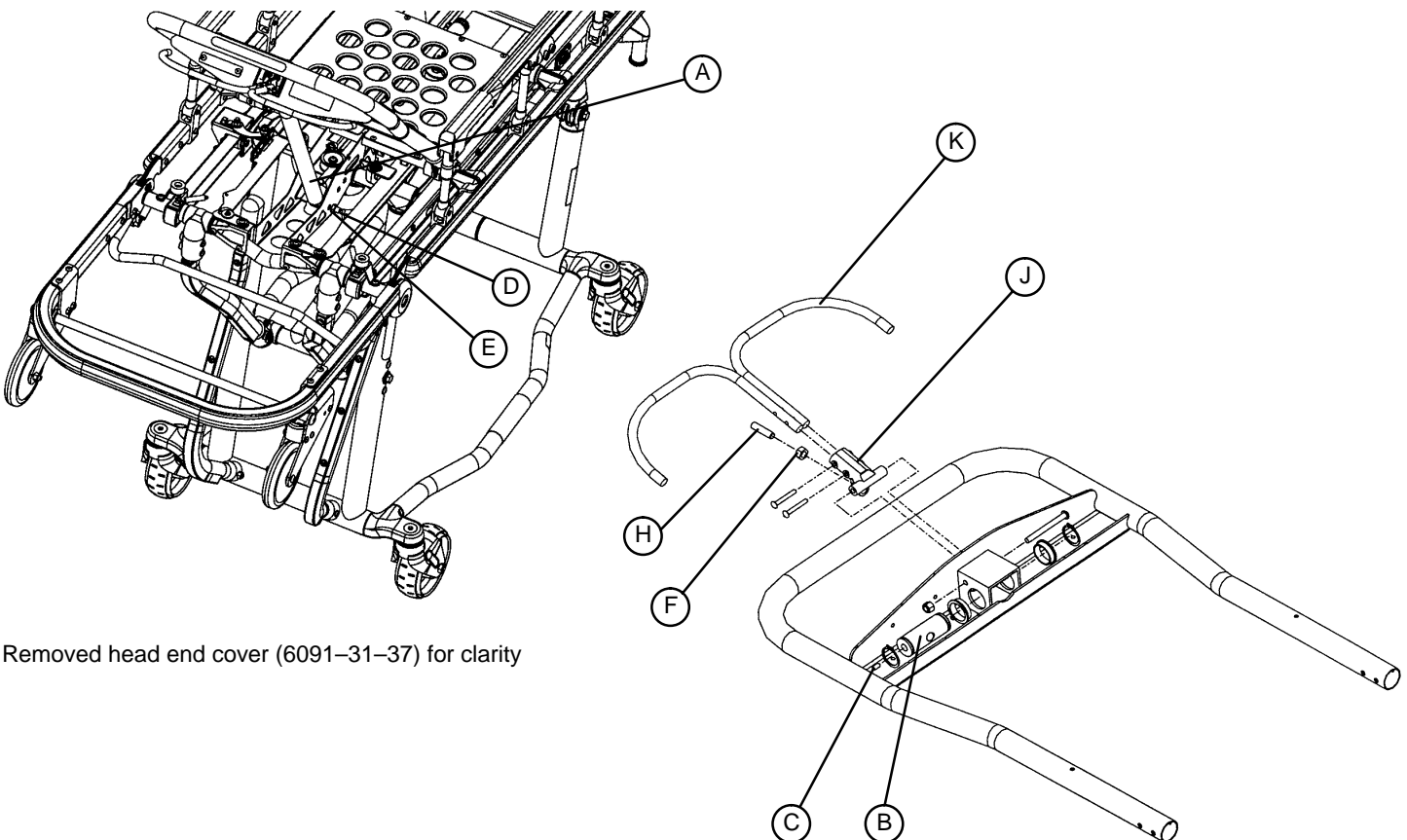
Adjustment Procedure:

1. For easier access, move Backrest to 75 degrees.

NOTE

Before continuing with the Backrest adjustment procedure, be sure the pneumatic cylinder (item A) is completely threaded into the yoke (item B) so no threads are showing on the shaft of the cylinder. If threads are showing, use a 3/32" Allen wrench to remove the set screw (item C) in the center of the yoke and a 7/32" Allen wrench and 9/16" wrench to remove the nut and bolt (items D & E) holding the bottom of the pneumatic cylinder. Thread cylinder shaft (item A) completely into yoke (item B). Replace the nut and bolt (items D & E) and replace the set screw (item C) using Loctite.

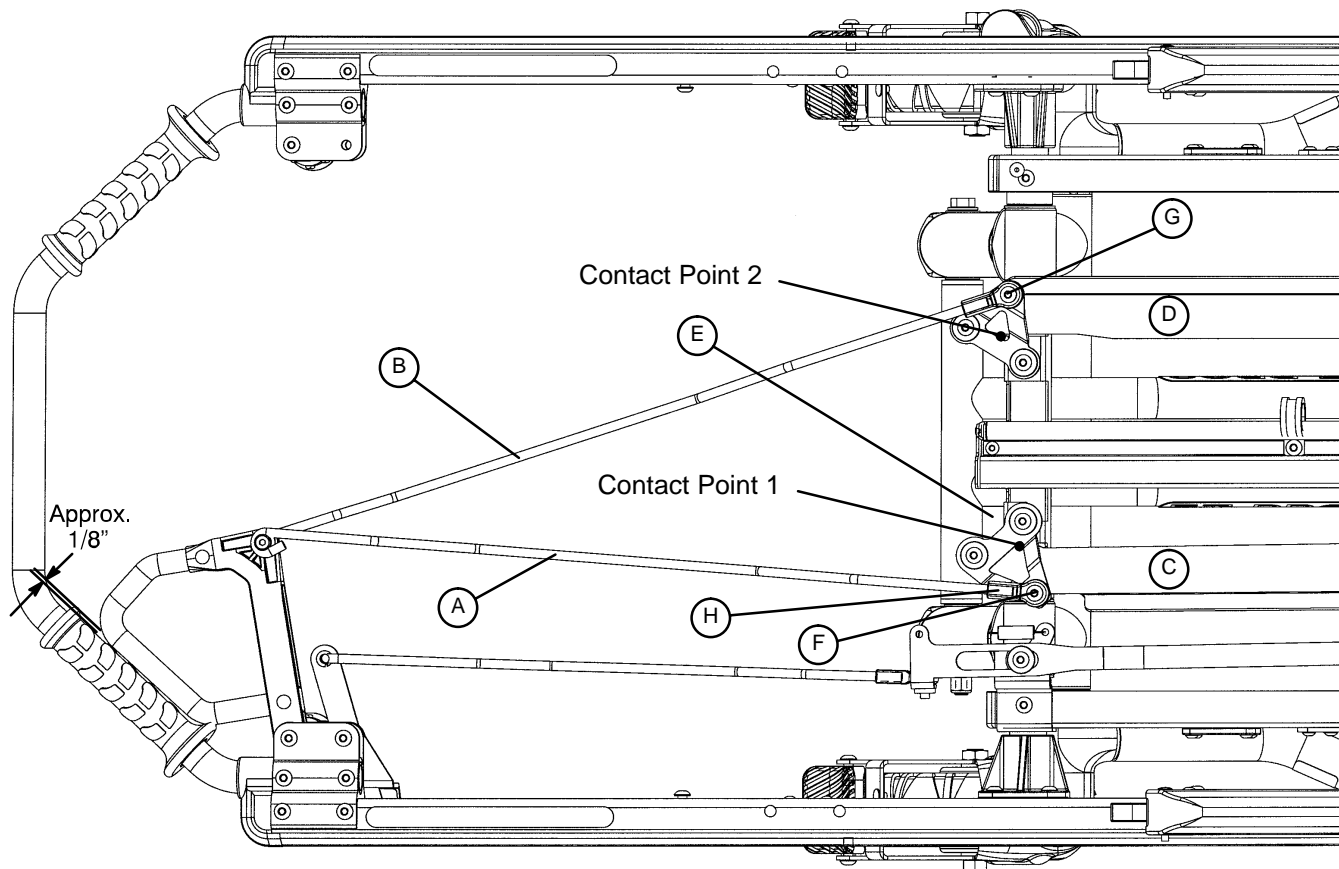
2. Using a 1/2" wrench, loosen the hex nut (item F) on the Backrest pivot (item J) while holding the set screw (item H) fixed in the pivot.
3. Using a 5/32" Allen wrench, turn the set screw (item H) until there is no play between the Backrest release handle (item K) and the pneumatic cylinder release button.
4. Be sure the Backrest will travel from flat to at least 75 degrees. If it doesn't, turn the set screw (item H) clockwise 1/2 turn. Repeat until at least 75 degrees of travel is achieved.
5. Lower the Backrest to a 5–10 degree angle and release the handle. Apply approximately 50 pounds downward force to the end of the Backrest. If the Backrest drifts down, turn the set screw (item H) counterclockwise. Repeat until the Backrest does not drift downward.
6. Using the 1/2" wrench, tighten the hex nut (item F) while holding the set screw (item H) fixed in the pivot.



Removed head end cover (6091-31-37) for clarity

Service Information

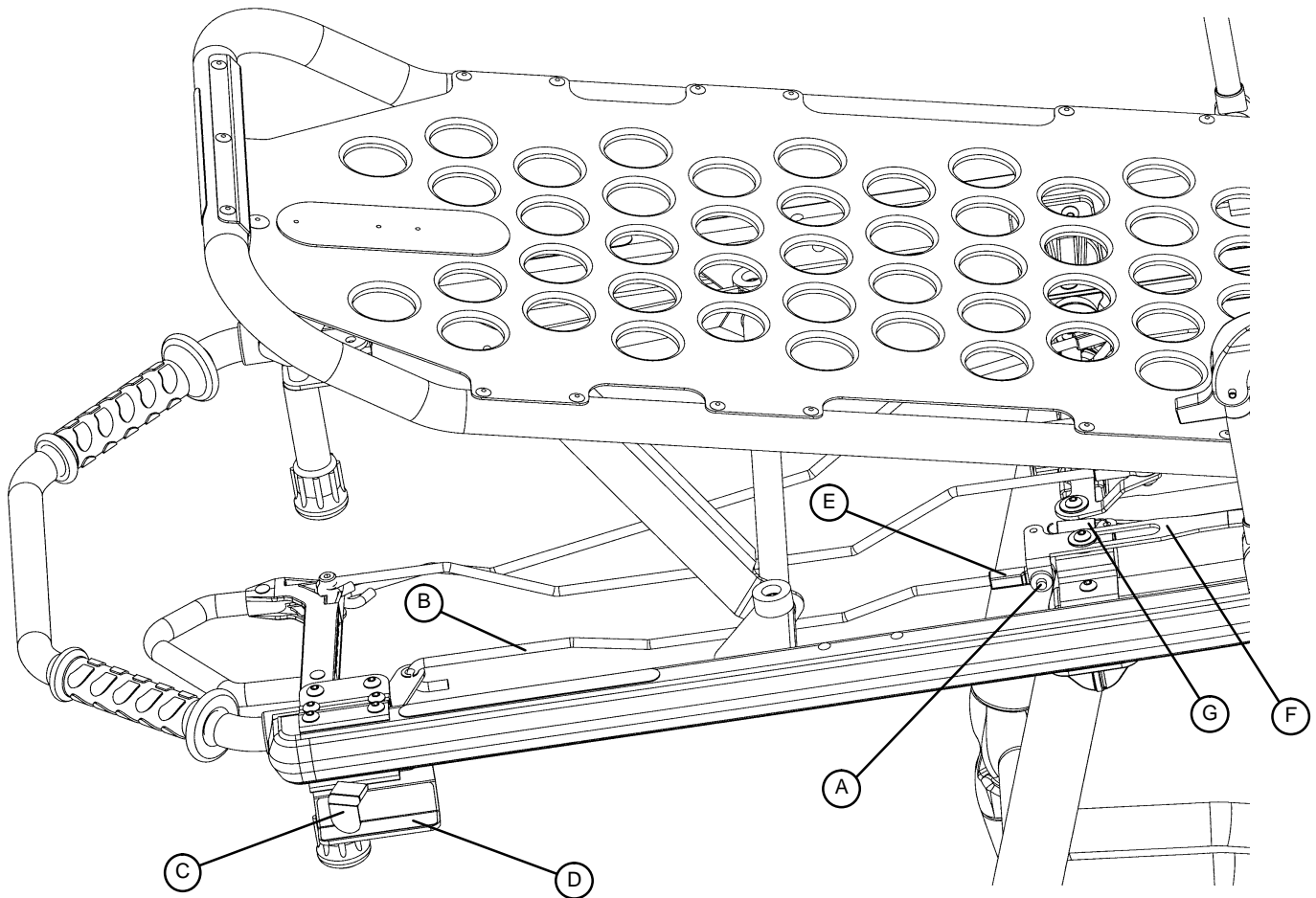
FOOT END RELEASE HANDLE ADJUSTMENT



1. Remove the bolt (G) and disconnect link (B).
2. **Lift the cot at both ends to take the weight off the base frame.** Pull the foot end release handle and verify the patient left latch bar (C) is touching the foot end lever support bracket (E) at contact point 1 as shown above.
3. If the handle requires adjustment, remove the bolt (F), turn the rod end (H), and replace the bolt (F) until the conditions described in step 1 are achieved. Verify there is approximately 1/8" of clearance between the release handle and the grip on the lift bar (as shown above).
4. Replace bolt (G) to reconnect link (B).
5. **Lift the cot at both ends to take the weight off the base frame.** Pull the foot end release handle and verify the patient right latch bar (D) is touching the foot end lever support bracket (E) , at contact point 2. Verify the patient left latch bar (C) is touching the foot end lever support bracket (E) at contact point 1. Verify there is approximately 1/8" of clearance between the release handle and the grip on the lift bar (as shown above).
6. If the handle requires adjustment, remove the bolt (G),turn the rod end (H), and replace the bolt (F) until the conditions described in step 6 are achieved.

Service Information

AUXILIARY LOCK HANDLE ADJUSTMENT



1. Remove bolt (A).
2. Pull and hold the auxiliary lock release link (B) toward the head end of the cot until the auxiliary lock lever (C) bottoms in the slot of the lever guard (D),
3. Turn the rod end (E) clockwise or counterclockwise until the hole in the rod end (E) aligns with the weld nut in the auxiliary lock slide link (F) which is being held in position by the spring (G). Reinstall the bolt (A).

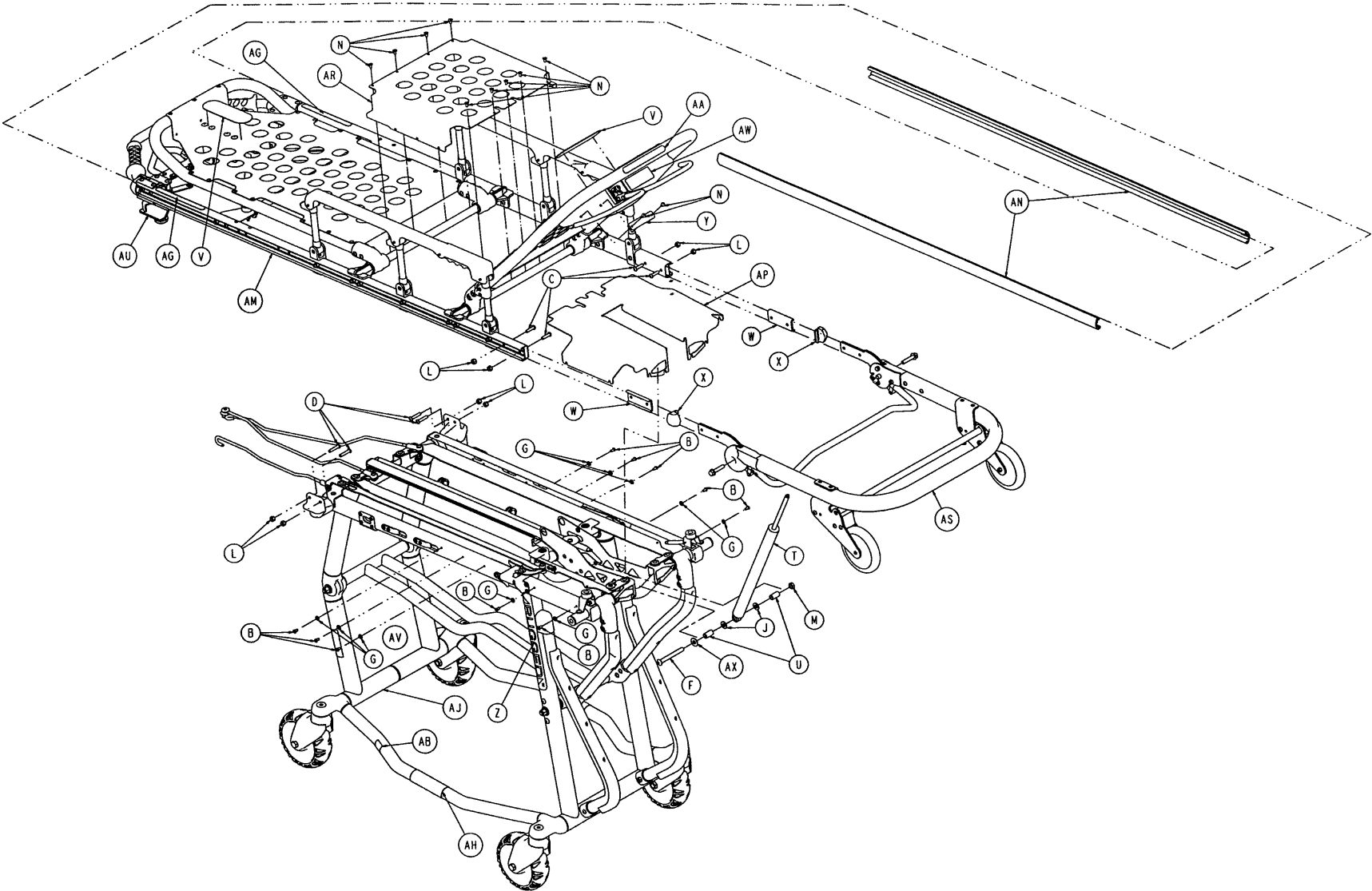
Service Information

C-CHANNEL WAX APPLICATION

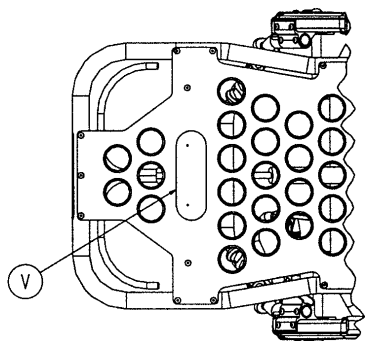


1. Reach under the cot litter frame and apply the stick wax to the inner surface of the black c-channel. Cover the entire surface between the oblong holes with a thin, even film of wax. Do not leave thick areas of wax.
2. Repeat for the c-channel on the other side of the cot.
3. Cycle the cot through all its positions two or three times to ensure adequate application of the wax. Repeat if necessary.

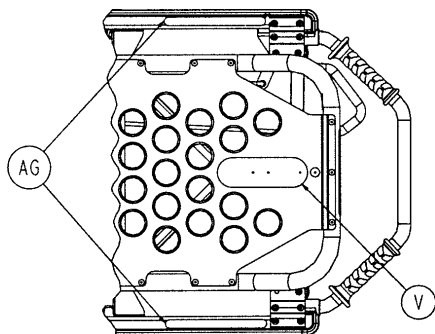
Assembly part number 6091-50-11
(reference only)



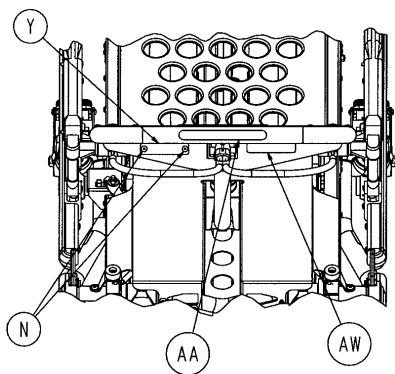
Cot Assembly



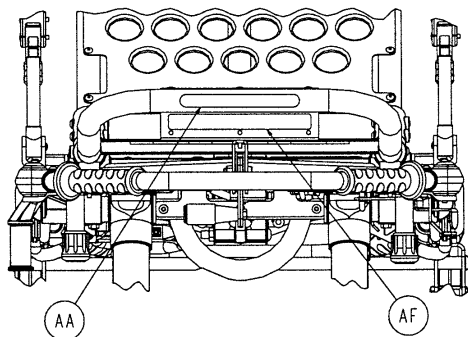
FOWLER SKIN



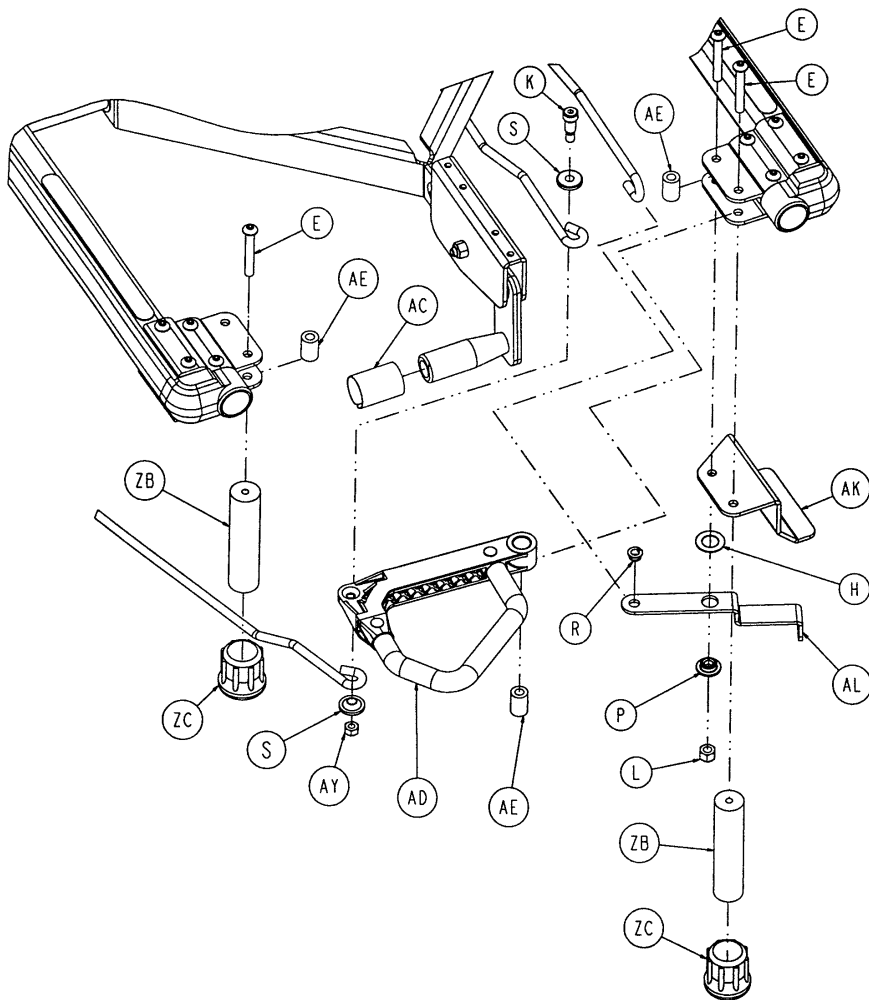
FOOT SECTION SKIN



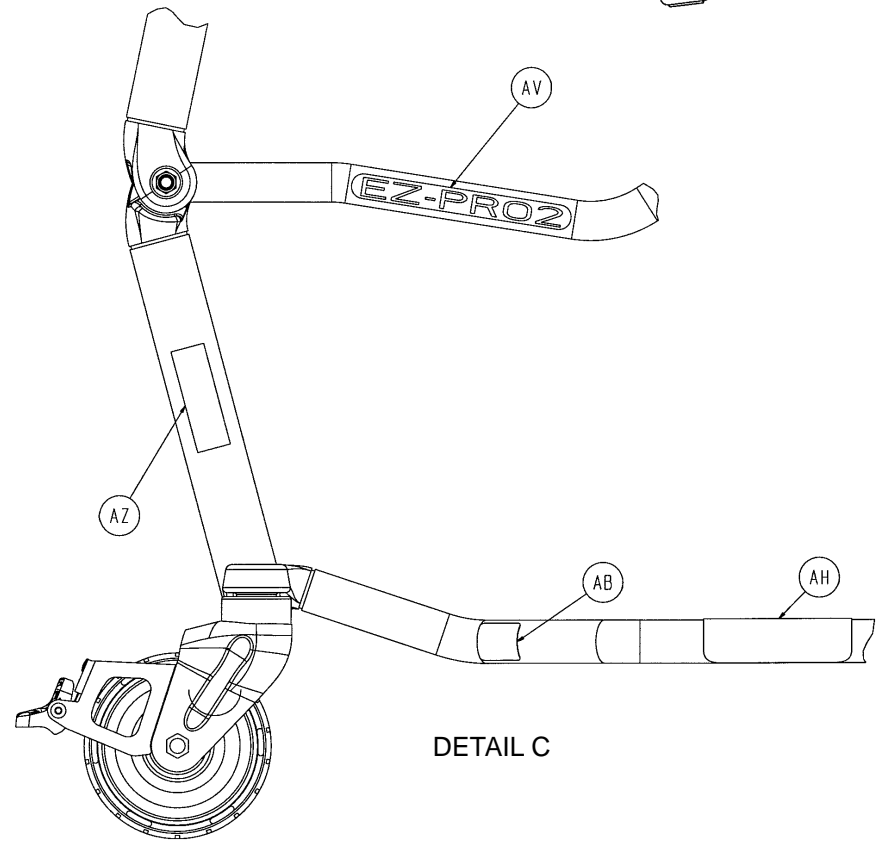
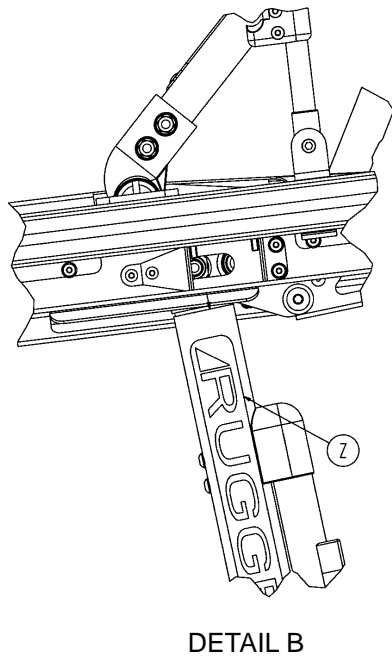
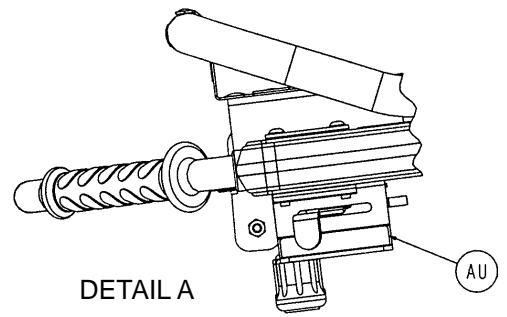
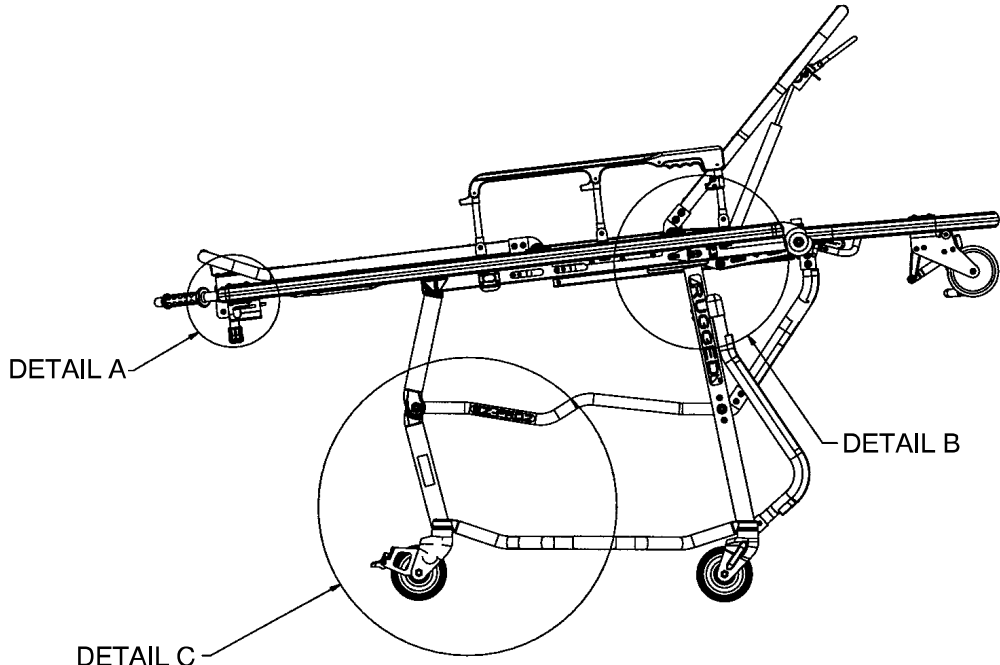
END OF FOWLER



END OF FOOT SECTION



Cot Assembly

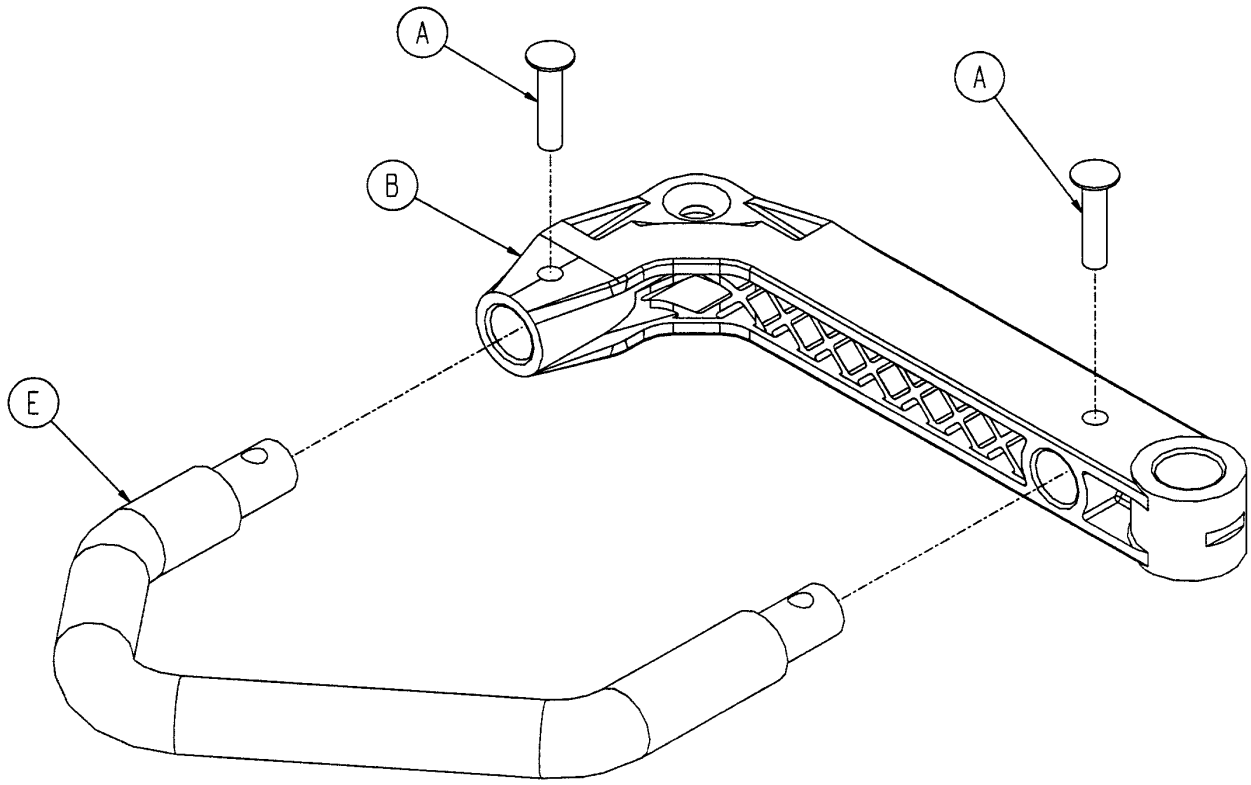


Cot Assembly

Item	Part No.	Part Name	Qty.
B	4-136	Pan Hd. Machine Screw	10
C	4-197	Hex Soc. But. Hd. Cap Screw	4
D	4-198	Hex Soc. But. Hd. Cap Screw	4
E	4-204	Hex Soc. But. Hd. Cap Screw	3
F	4-240	Hex Soc. But. Hd. Cap Screw	1
G	11-16	Flat Washer	10
H	14-7	Nylon Washer	1
J	14-21	Flat Washer	2
K	8-30	Shoulder Bolt	1
L	16-28	Fiberlock Nut	9
M	16-89	Centerlock Nut	1
N	25-79	Dome Hd. Rivet	11
P	3001-300-99	Modified Bushing	1
R	81-298	Split Bearing	1
S	6091-5-70	Spacer Bushing	2
T	1010-31-77	Gas Cylinder	1
U	6060-31-46	Lit./Base Interface Pivot Spacer	2
V	6060-32-46	Adhesive Loop Pile	2
W	6060-37-26	Pivot Spacer Plate	2
X	6060-37-35	Outer Rail End Cap	2
Y	6060-90-2	Serial Number Tag	1
Z	6060-90-3	Large "Rugged" Label	2
AA	6060-90-4	Small "Rugged" Label	2
AB	6060-90-114	"Keep Hands Clear" Label	2
AC	6070-90-107	"Lift to Release" Label	1
AD	(page 43)	Release Handle Assembly	1
AE	6080-40-44	Link Release Spacer	3
AF	6080-90-9	Warning Label	1
AG	6080-90-106	Weight Label	2
AH	6080-90-108	"Lift Here" Label	2
AJ	(page 44-46)	Base Assembly	1
AK	6090-6-18	Aux. Lock Lever Guard	1
AL	6091-6-22	Aux. Lock Coated Lever	1
AM	(page 55-58)	Litter Assembly	1
AN	6090-30-43	Bumper	2
AP	6091-31-37	Cover	1
AR	6091-34-46	Midsection Skin	1
AS	(page 60 & 61)	Breakaway Head Section Ass'y	1
AT	16-2	Nylock Nut	1
AU	6090-90-1	Aux. Lock Warning Label	1
AV	6091-90-2	"EZ-PRO 2" Label	2
AW	6091-90-38	Specification Label	1
AX	11-193	Flat Washer	1
AZ	946-1-73	Stryker Logo Label	2
ZB	6091-40-45	Foot End Litter Stop	2
ZC	830-10-35	Crutch Tip	2

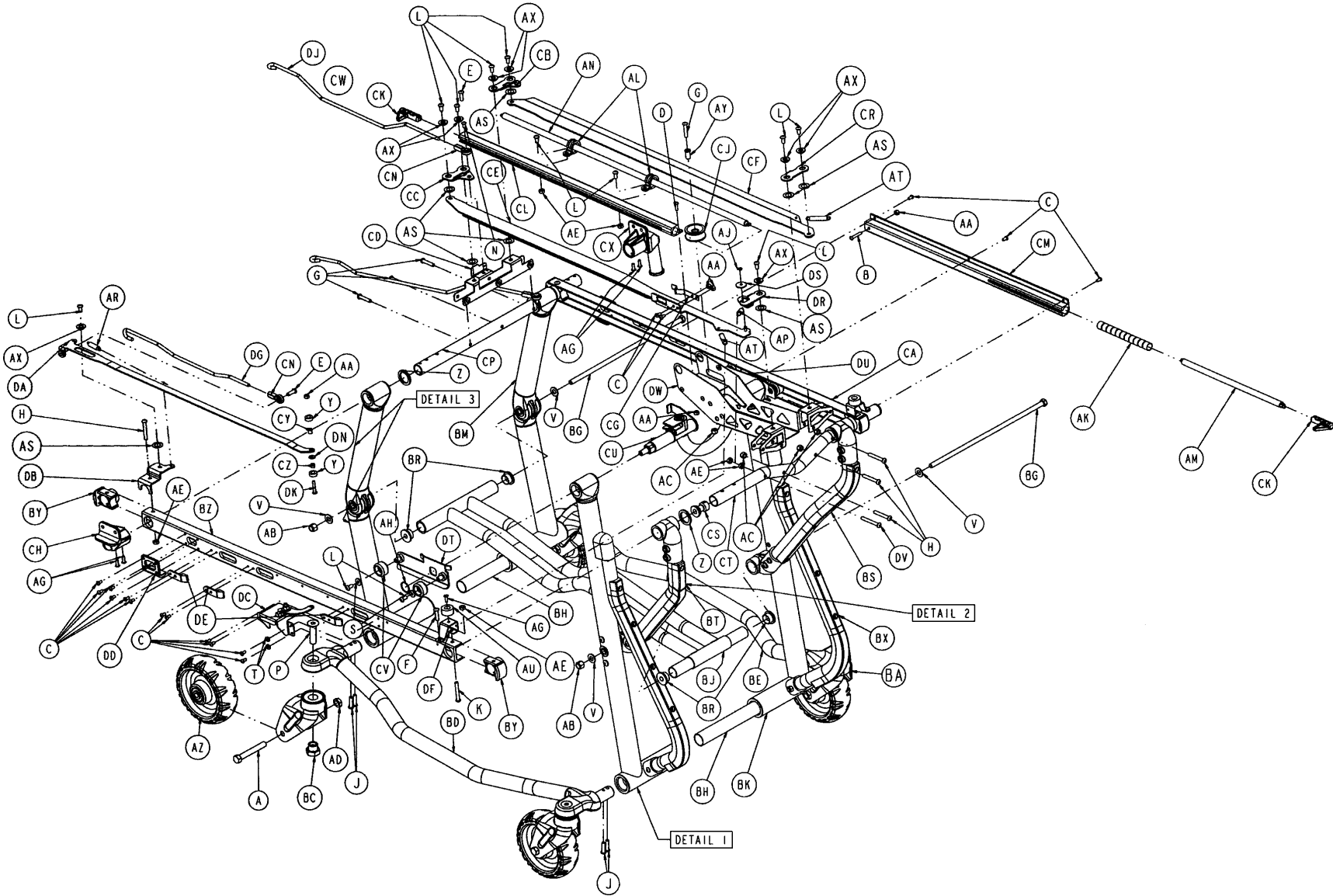
NOTE: Items ZB & ZC are part of the cot height options (see page 61).

6080-40-40 Release Handle Assembly

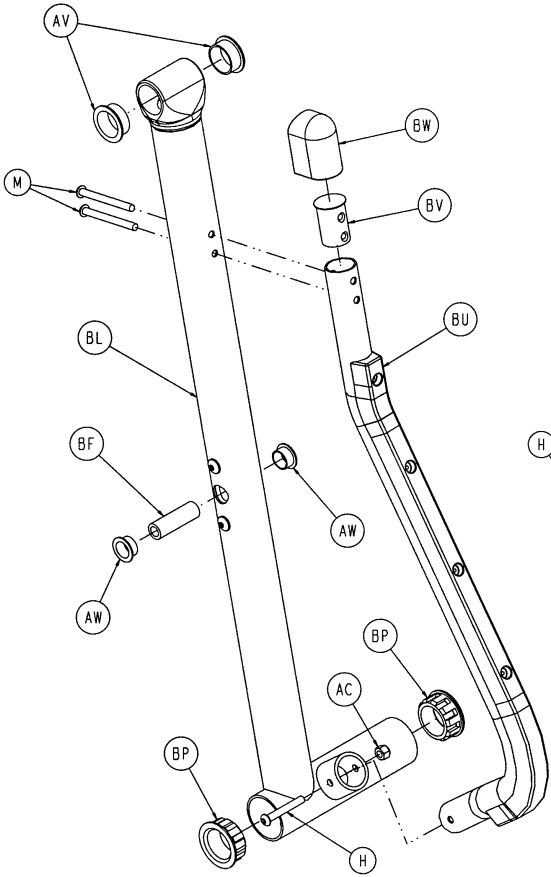


Item	Part No.	Part Name	Qty.
A	25-125	Rivet	2
B	6080-40-41	Release Handle Link	1
E	6080-40-50	Side Release Handle Ass'y	1

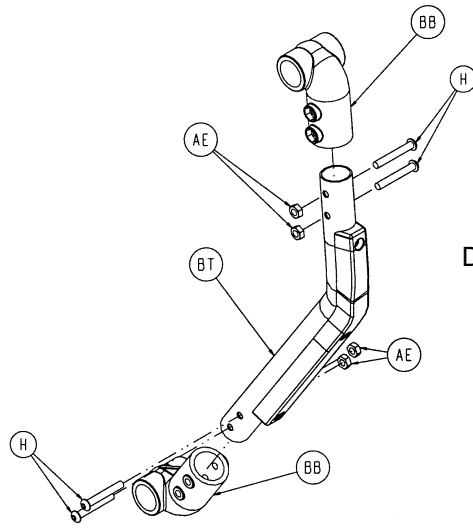
Assembly part number 6091-1-11 (reference only)



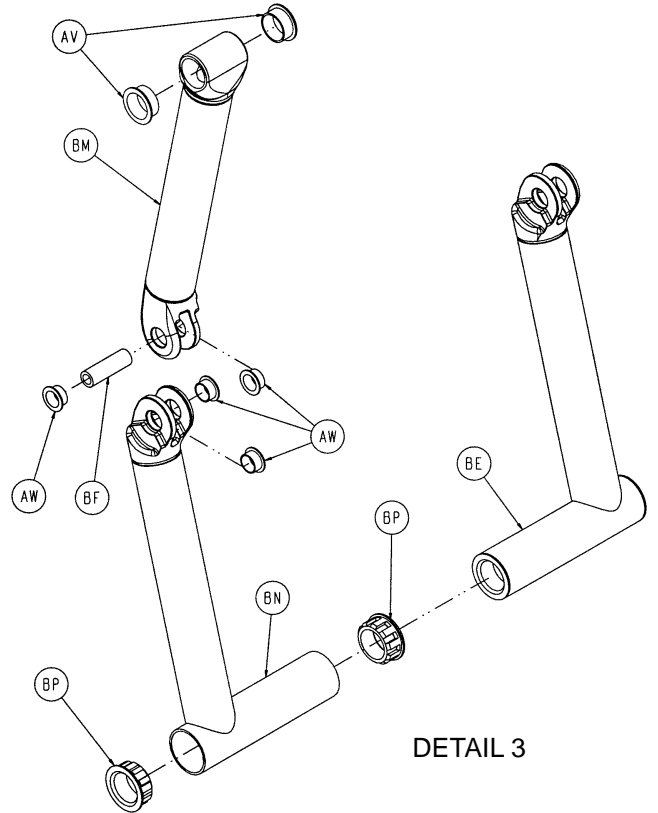
Base Assembly



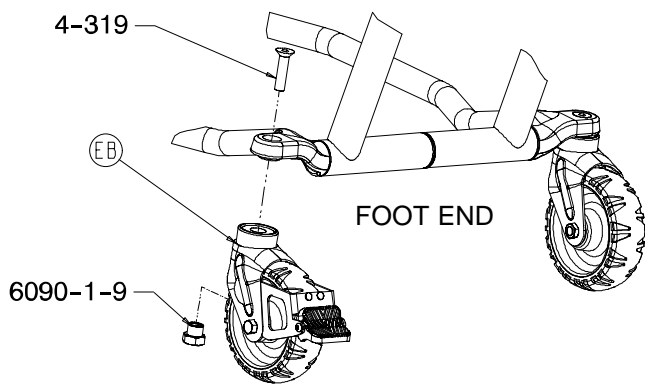
DETAIL 1



DETAIL 2



DETAIL 3



FOOT END

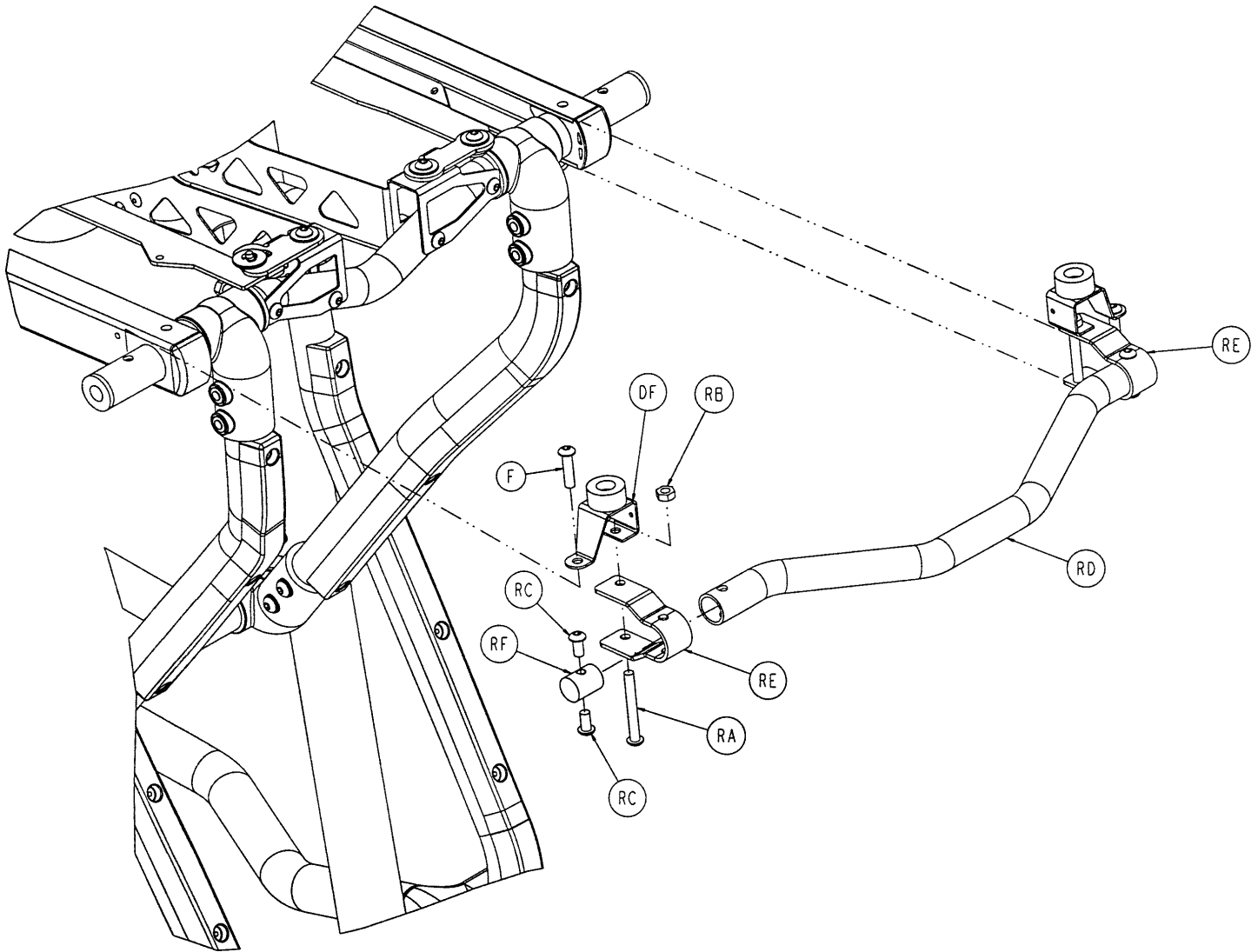
OPTIONAL WHEEL LOCK

Base Assembly

Item	Part No.	Part Name	Qty.	Item	Part No.	Part Name	Qty.
A	3-205	Hex Hd. Cap Screw	4	BM	6091-1-57	Back Leg, Lower, Right	2
B	4-45	H. Soc. But. Hd. Cap Scr.	2	BN	6091-1-59	Back Leg, Lower, Left	1
C	4-136	Torx Pan Hd. Mach. Scr.	27	BP	6091-1-70	Base Bearing, Lower	8
D	4-149	H. Soc. But. Hd. Cap Scr.	1	BR	6090-1-72	Center Bushing	4
E	4-161	H. Soc. But. Hd. Cap Scr.	3	BS	(page 49)	Tie Rod Assembly, Right	1
F	4-197	H. Soc. But. Hd. Cap Scr.	2	BT	(page 49)	Tie Rod Assembly, Left	1
G	4-198	H. Soc. But. Hd. Cap Scr.	4	BU	(page 50)	Bumper Tube Assembly, Lt.	1
H	4-204	H. Soc. But. Hd. Cap Scr.	15	BV	6091-1-88	Bumper Plug	2
J	4-334	H. Soc. But. Hd. Cap Scr.	8	BW	6090-1-89	Bumper Cap	2
K	4-97	H. Soc. But. Hd. Cap Scr.	2	BX	(page 50)	Bumper Tube Assembly, Rt.	1
L	4-325	H. Soc. But. Hd. Cap Scr.	14	BY	6090-5-28	C-Channel End Cap	4
M	4-234	H. Soc. But. Hd. Cap Scr.	4	BZ	6091-5-29	C-Channel, Left	1
N	4-307	H. Soc. But. Hd. Cap Scr.	1	CA	6091-5-30	C-Channel, Right	1
P	4-319	H. Soc. Flat Hd. Screw	4	CB	6091-105-93	Latch Weldment, Foot, Right	1
S	11-2	Flat Washer	4	CC	6091-105-91	Latch Lever, Foot, Left	1
T	11-16	Flat Washer	2	CD	6091-5-34	Lever Support, Foot End	1
V	11-418	Flat Washer	4	CE	6091-5-36	Latch Bar Weldment, Left	1
Y	11-423	Spacer	2	CF	6091-5-38	Latch Bar Weldment, Right	1
Z	11-427	Flat Washer	4	CG	6090-5-39	Latch Bar Spring Clip	1
AA	16-3	Fiberlock Hex Nut	5	CH	6090-5-40	Litter/Base Connector	1
AB	16-35	Fiberlock Hex Nut	2	CJ	6090-5-41	Spring Pulley	1
AC	16-28	Fiberlock Hex Nut	6	CK	6090-5-42	Spring Plunger	2
AD	16-60	Centerlock Nut	4	CL	6090-5-43	Center Ret. Spring Housing	1
AE	16-78	Centerlock Hex Nut	16	CM	6090-5-44	Right Return Spring Housing	1
AG	25-133	Dome Head Rivet	6	CN	6090-5-46	Rod End	3
AH	28-178	Retaining Ring	2	CP	6090-5-47	Foot End Cross Tube	1
AJ	28-180	Retaining Ring	1	CR	6091-5-32	Latch Lever, Head, Right	1
AK	34-273	Harness Wrap	1	CS	6090-5-50	Pivot Tube Boss, Head End	2
AL	34-274	Cable Clamp	2	CT	6090-5-51	Head End Cross Tube	1
AM	38-423	Extension Spring	1	CU	(page 51)	Lock Tube Assembly	1
AN	38-424	Extension Spring	1	CV	(page 52)	Track Roller Assembly	4
AP	38-458	Extension Spring	1	CX	(page 54.1)	Cot Retaining Post Ass'y	1
AR	38-427	Extension Spring	1	CY	6090-6-15	Aux. Lock Top Spacer	1
AS	14-7	Nylon Washer	8	CZ	6090-6-21	Aux. Lock Bottom Spacer	1
AT	38-429	Extension Spring	2	DA	6091-6-23	Aux. Lock Slide Link Wldmt.	1
AU	56-16	Bumper	2	DB	6091-6-24	Aux. Lock Supt. Brkt. Wldmt.	1
AV	81-244	Flange Bearing	8	DC	(page 53)	Aux. Lock Housing Ass'y	1
AW	81-291	Flange Bearing	12	DD	6090-30-38	C-Channel Dead Stop	2
AX	3001-300-99	Modified Bushing	8	DE	6091-5-62	Stepped Insert	6
AY	81-294	Flange Bearing	1	DF	6090-31-38	Fowler Bumper Supt. Brkt.	2
AZ	(page 48)	Wheel Assembly	4	DG	6090-40-20	Aux. Lock Release Link	1
BA	6060-2-12	Caster Horn	*	DJ	6091-140-23	Foot Release Upper Link	1
BB	6060-32-42	Fow./Gatch Adapter Pivot	4	DK	6091-140-25	Foot Release Lower Link	1
BC	6090-1-9	Caster Nut	4	DN	14-30	Flat Washer	1
BD	6090-1-15	Outer Base Tube	2	DR	6091-5-65	Latch Lever, Head End, Left	1
BE	6091-1-63	Back Leg, Lower, Right	1	DS	6090-5-66	J-Slot Bushing	1
BF	6090-1-27	Spindle Tube	4	DT	6091-5-80	Trolley Support, Left	1
BG	6090-1-28	Base Connecting Rod	2	DU	6091-5-82	Trolley Support, Right	1
BH	6091-1-32	Inner Base Spacer	2	DV	4-97	H. Soc. But. Hd. Cap Screw	1
BJ	6090-1-33	Center Weldment	1	DW	6090-32-10	Fowler Bracket Weldment	1
BK	6091-1-52	Front Leg, Right	1	EB	(page 54)	Optional Wheel Lock Ass'y	1
BL	6091-1-53	Front Leg, Left	1				

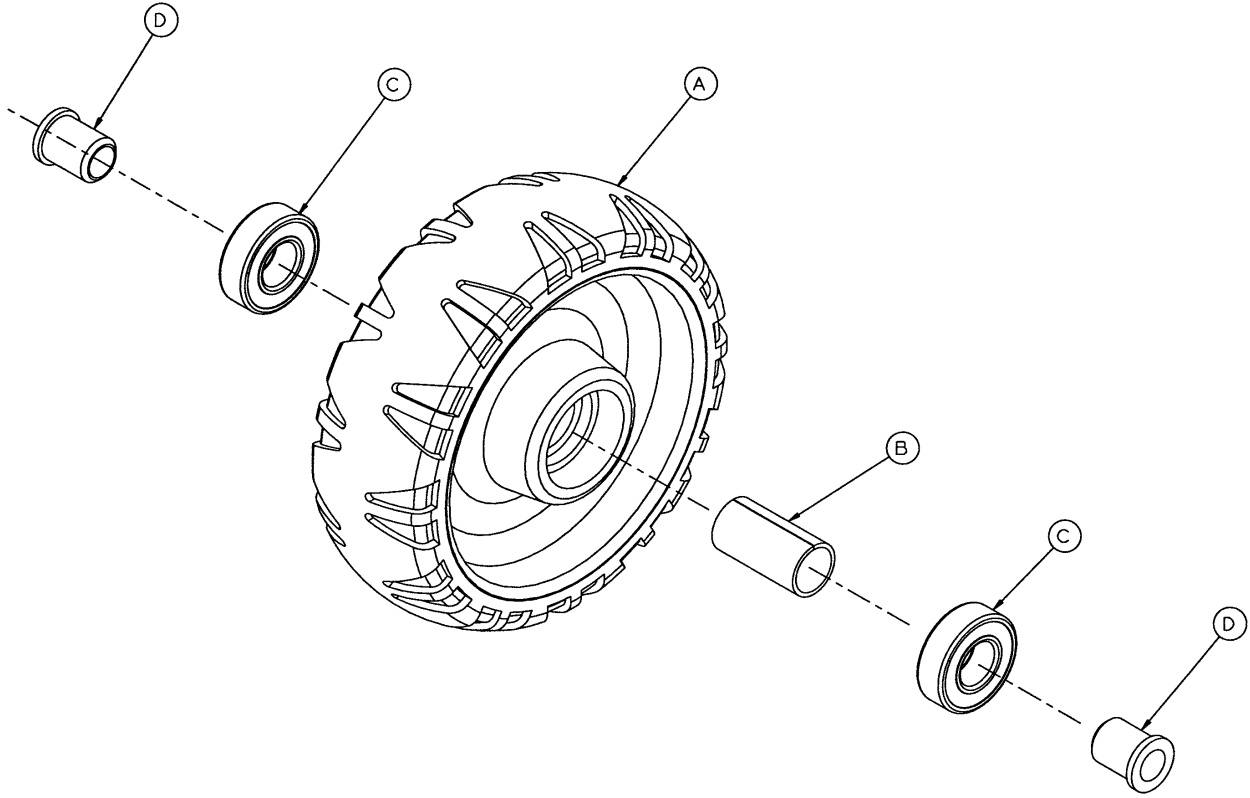
* If the cot is not equipped with the optional wheel lock, item BA, caster horn, is quantity of 4. If the cot is equipped with the wheel lock option, item BA, caster horn, is quantity of 3.

6090-157-10 Optional Lift Bar Assembly



Item	Part No.	Part Name	Qty.
RA	4-97	H. Soc. But. Hd. Cap Scr.	2
RB	16-78	Centerlock Hex Nut	2
RC	4-232	H. Soc. But. Hd. Cap Scr.	4
RD	6090-157-11	Lift Bar Tube	1
RE	6090-157-12	Lift Handle Support	2
RF	6090-157-13	Threaded Plug	2

6060-2-10 Wheel Assembly

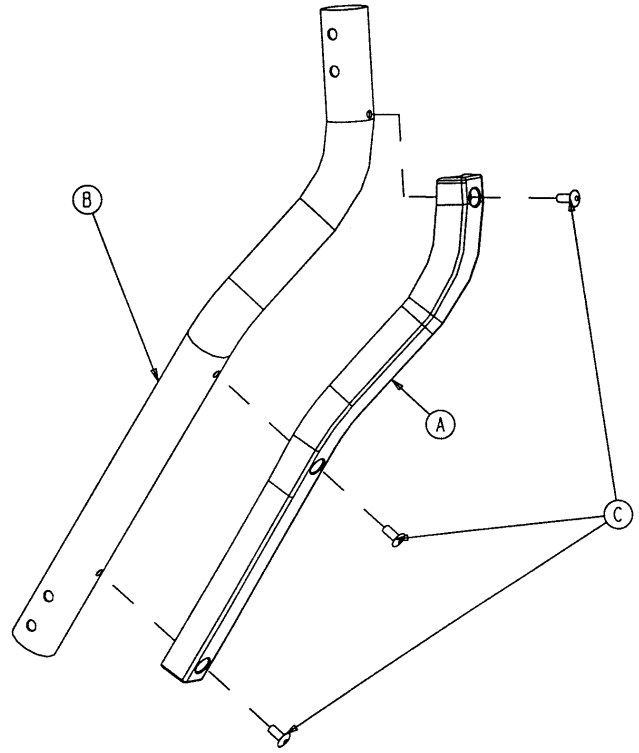
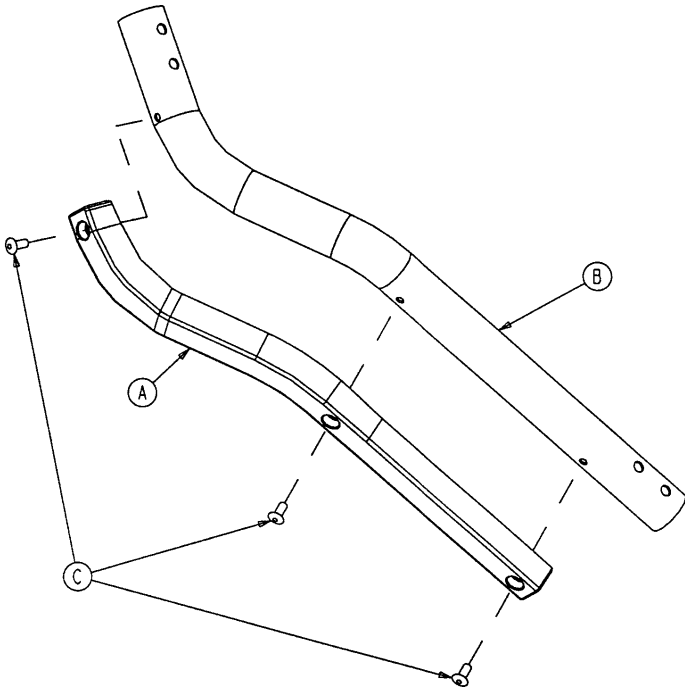


Item	Part No.	Part Name	Qty.
A	6060-2-45	Molded Wheel	1
B	6060-2-46	Bearing Spacer	1
C	81-226	Bearing	2
D	715-1-255	Wheel Bushing	2

Tie Rod Assembly, Right & Left

Left Assembly Part Number 6091-1-81
(reference only)

Right Assembly Part Number 6091-1-80
(reference only)

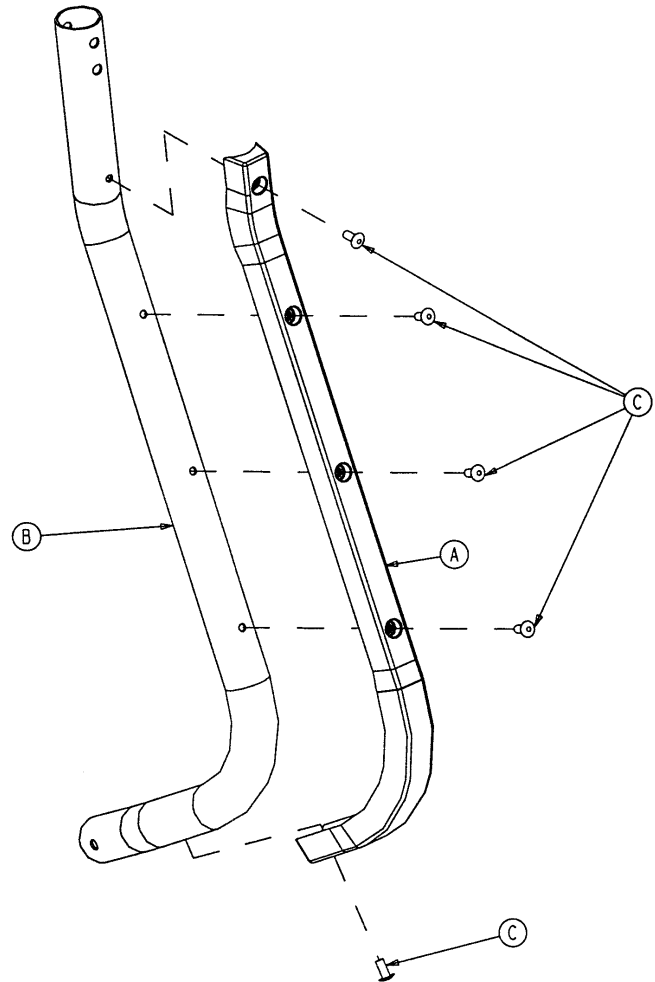
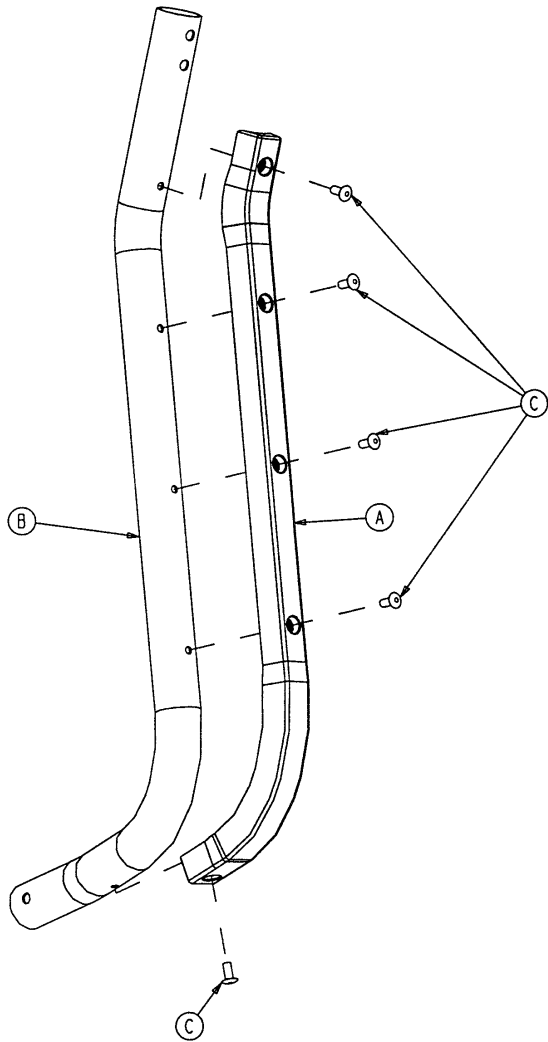


Item	Part No.	Part Name	Qty.
A	6091-1-82	Tie Rod Wear Guard, Rt.	1
	6091-1-83	Tie Rod Wear Guard, Lt.	1
B	6091-1-93	Tie Rod Tube, Rt.	1
	6091-1-94	Tie Rod Tube, Lt.	1
C	25-79	Dome Head Rivet	3

Bumper Tube Assembly

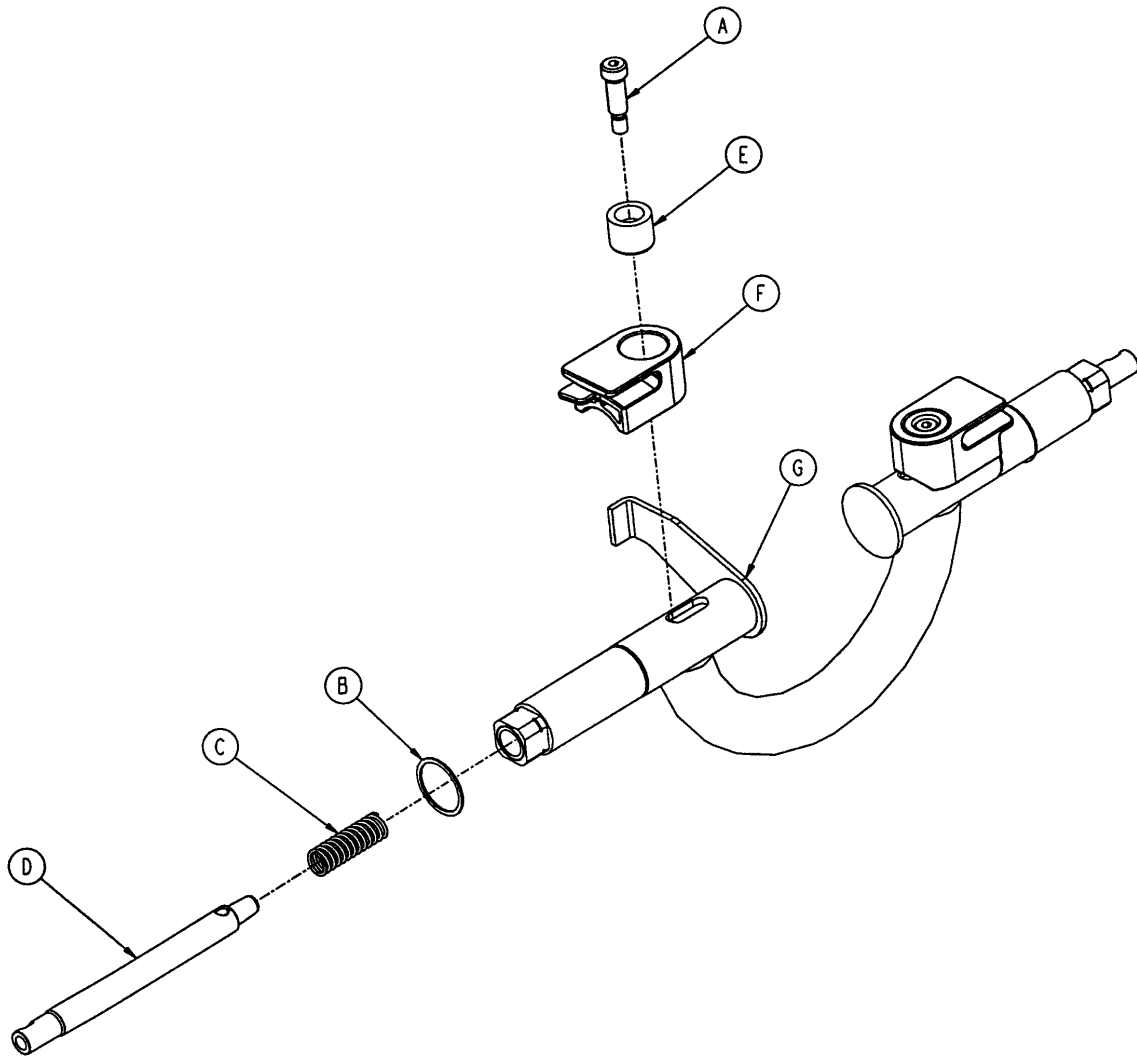
Left Assembly Part Number 6091-1-85
(reference only)

Right Assembly Part Number 6091-1-90
(reference only)



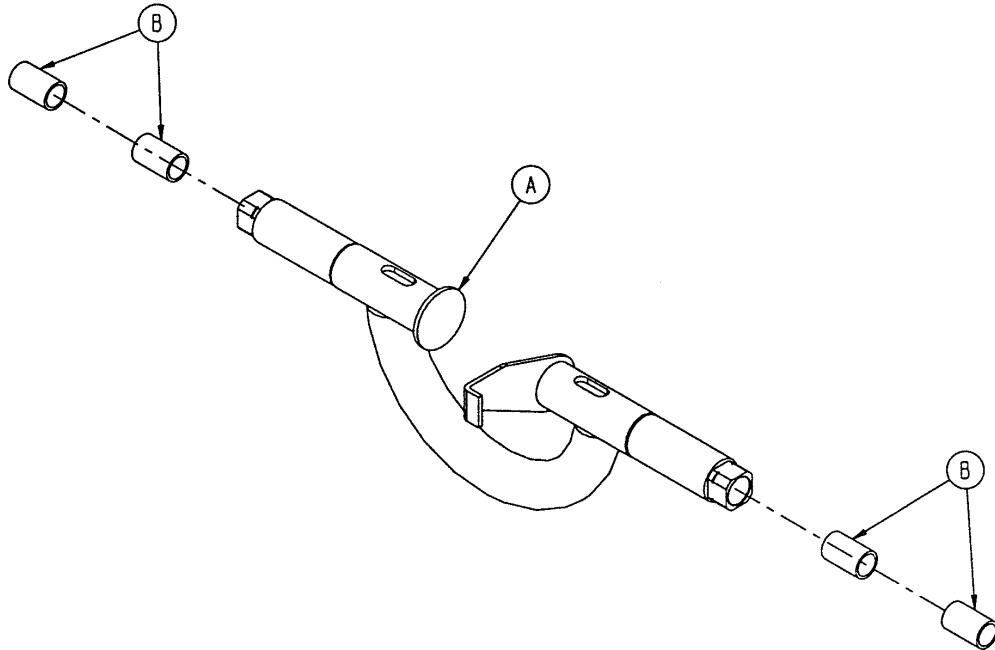
Item	Part No.	Part Name	Qty.
A	6091-1-91	Bumper Wear Guard, Rt.	1
	6091-1-86	Bumper Wear Guard, Lt.	1
B	6091-1-96	Bumper Tube, Rt.	1
	6091-1-95	Bumper Tube, Lt.	1
C	25-79	Dome Head Rivet	5

6090-5-56 Base Lock Tube Assembly



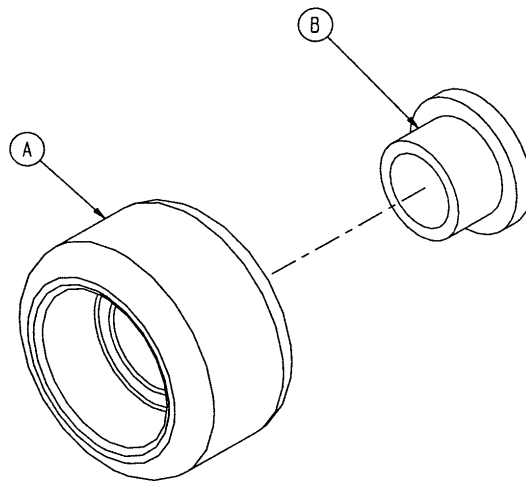
Item	Part No.	Part Name	Qty.
A	8-27	Shoulder Bolt	2
B	28-177	Retaining Ring	2
C	38-430	Compression Spring	2
D	6091-5-58	Lock Pin	2
E	6090-5-59	Lock Bar Roller	2
F	6090-5-63	Lock Bar Roller Guide	2
G	(page 52)	Lock Tube Bearing Ass'y	1

6090-5-64 Lock Tube Bearing Assembly



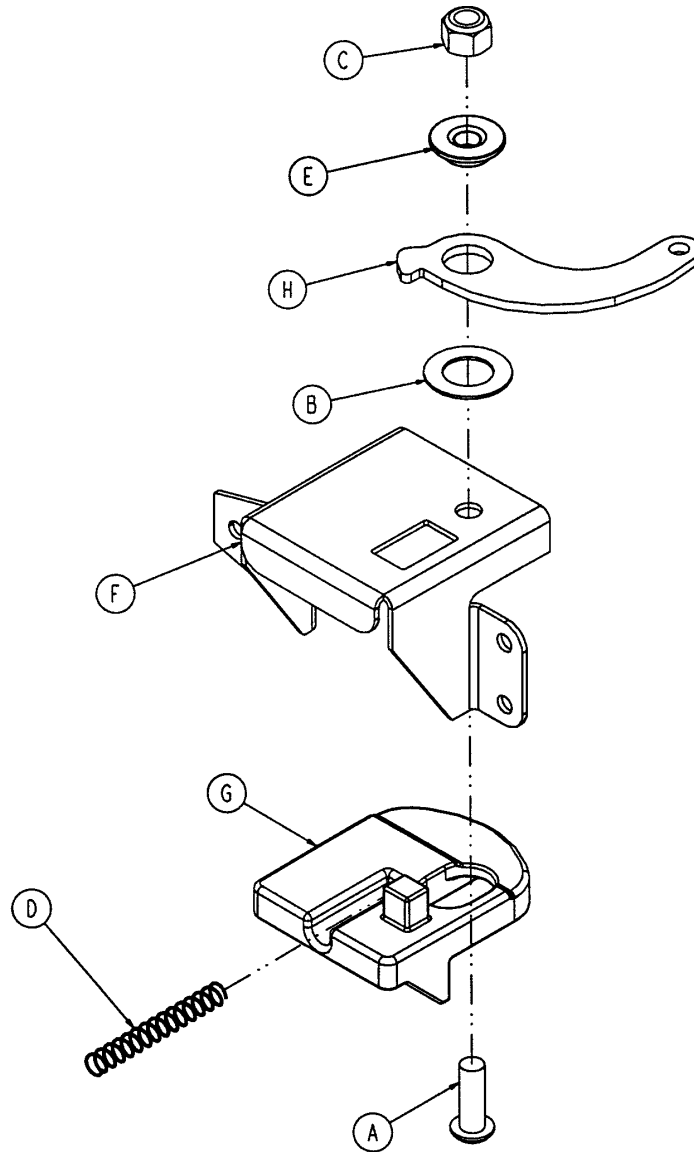
Item	Part No.	Part Name	Qty.
A	6090-5-68	Lock Bar Weldment	1
B	81-4	Bronze Bushing	4

6090-5-70 Track Roller Assembly



Item	Part No.	Part Name	Qty.
A	6090-5-75	Track Roller	1
B	81-251	Track Roller Bushing	1

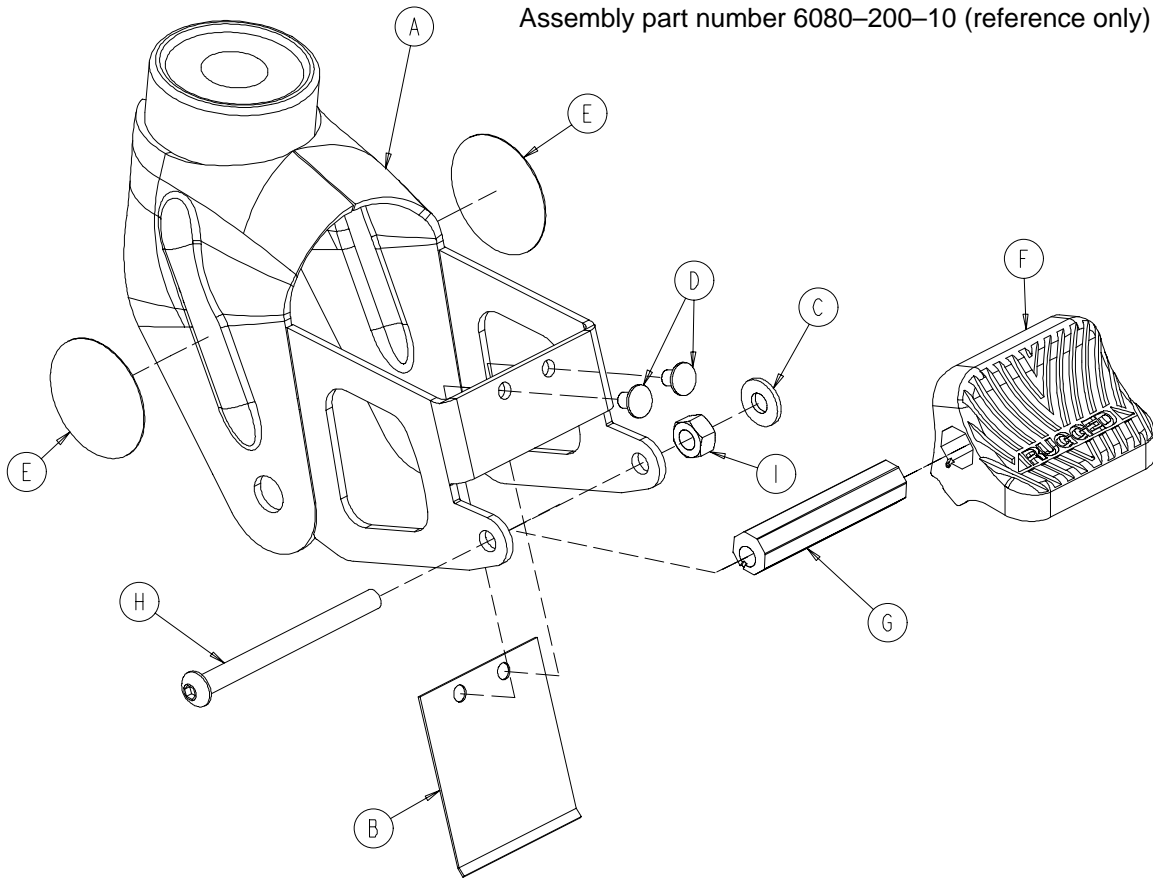
6090-6-25 Auxiliary Lock Housing Assembly



Item	Part No.	Part Name	Qty.
A	4-161	Hex Soc. But. Hd. Cap Screw	1
B	14-7	Nylon Washer	1
C	16-28	Fiberlock Hex Nut	1
D	38-432	Extension Spring	1
E	3001-300-99	Modified Bushing	1
F	6091-6-26	Auxiliary Lock Housing	1
G	6090-6-27	Auxiliary Lock Slide	1
H	6091-6-28	Auxiliary Lock Lever Arm	1

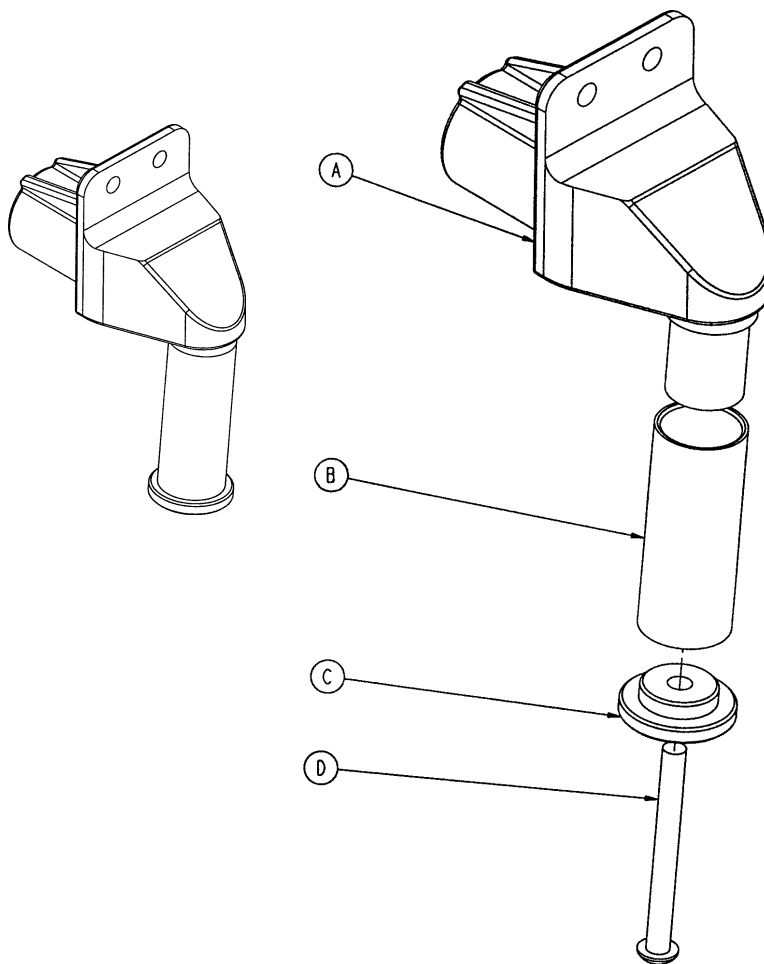
Adjustable Wheel Lock Assembly

Assembly part number 6080-200-10 (reference only)



Item	Part No.	Part Name	Qty.
A	6080-100-12	Caster Horn	1
B	6080-100-32	Spring	1
C	11-456	Washer	1
D	25-153	Semi-Tubular Rivet	2
E	6080-90-101	Warning Label	2
F	6080-200-30	Adjustable Pedal	1
G	6080-200-41	Octagonal Sleeve	1
H	4-67	Hex Soc. But. Hd. Cap Screw	1
I	16-118	Centerlock Nut	1

6091-204-45 Retaining Post Assembly

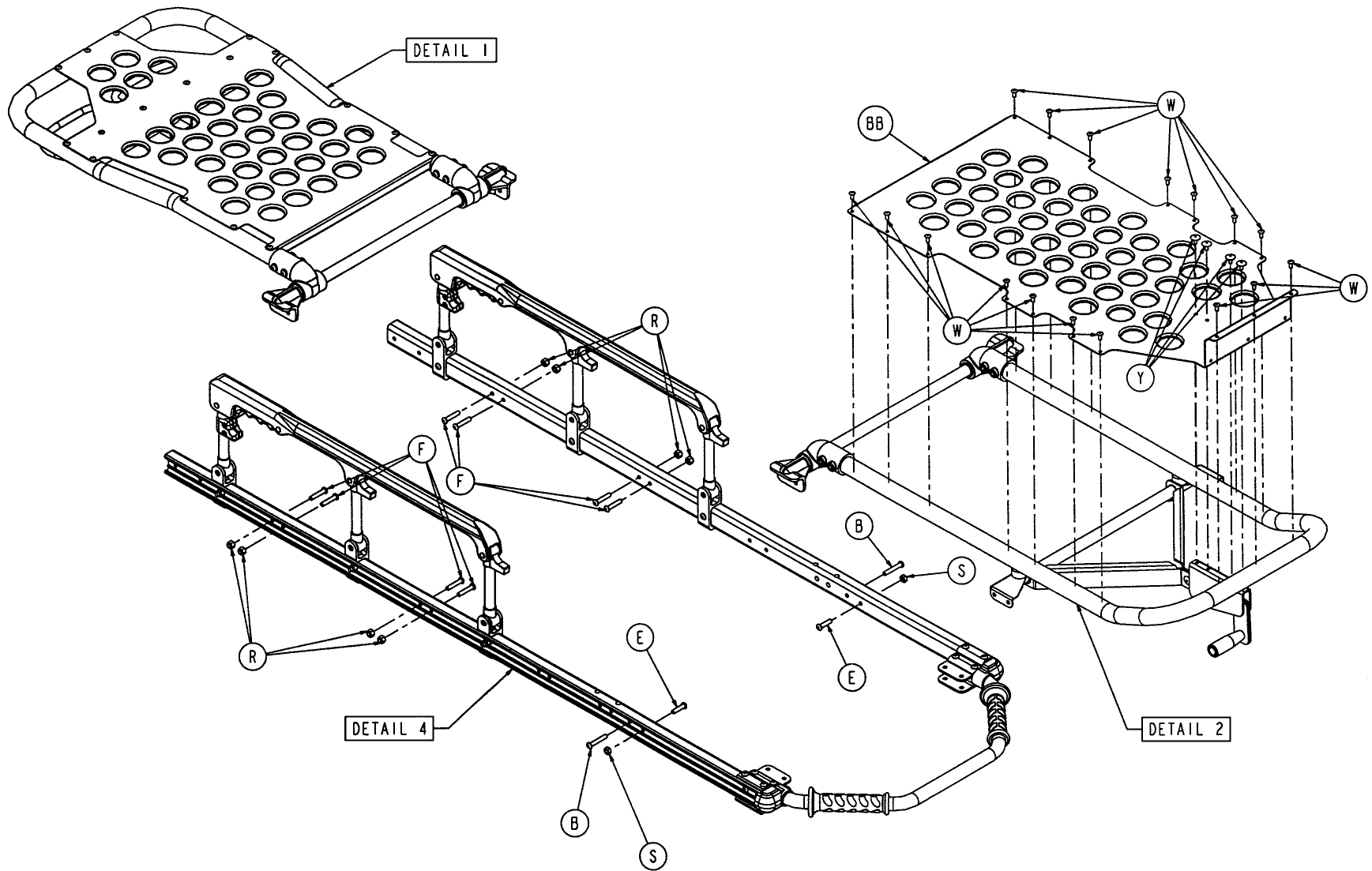


Item	Part No.	Part Name	Qty.
A	6091-204-46	Retaining Post Head	1
B	6091-204-47	Post Tube	1
C	6060-4-43	Retaining Post Cap	1
D	4-234	H. Soc. But. Hd. Cap Screw	1

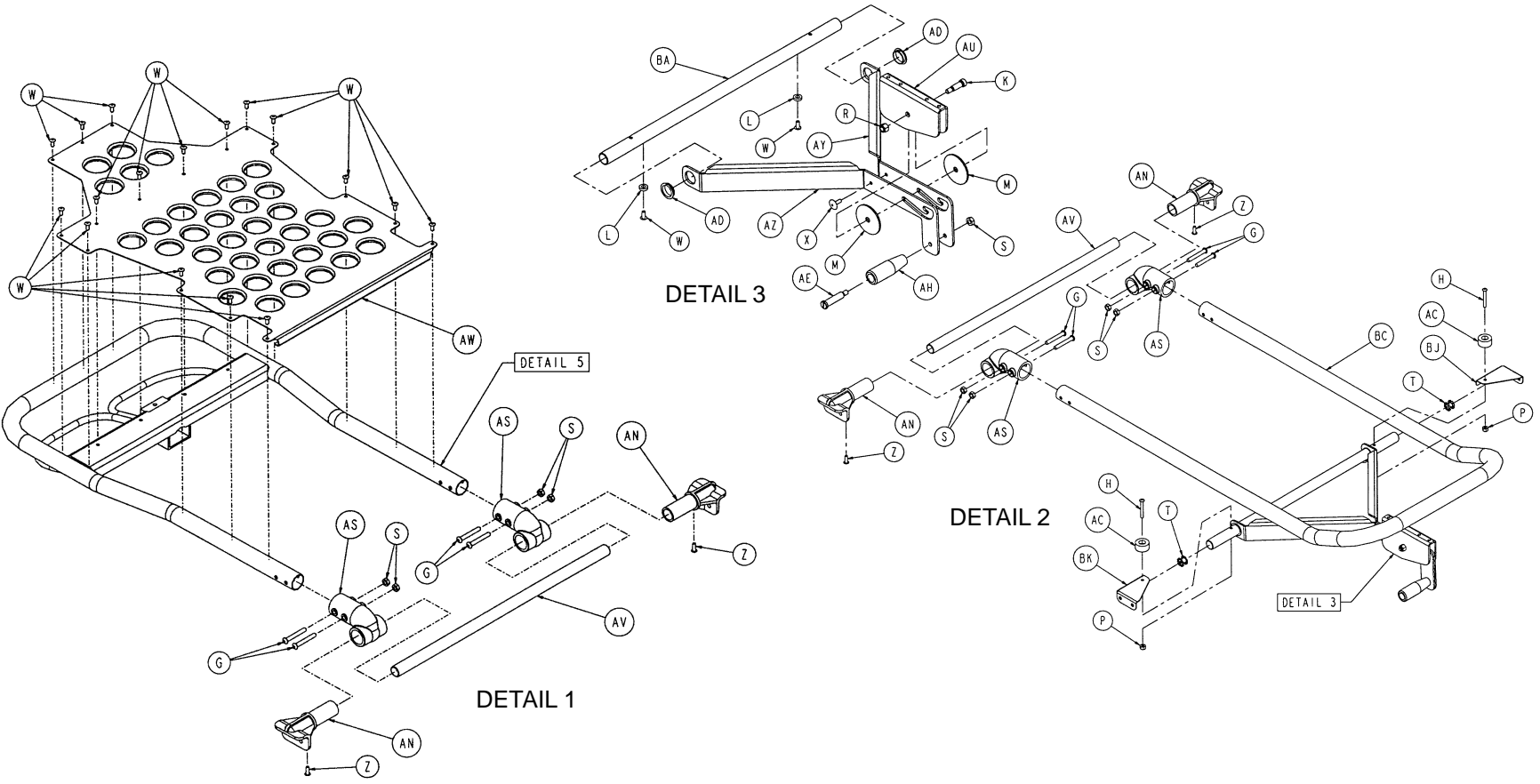
Notes

Assembly part number 6091-30-11 (reference only)

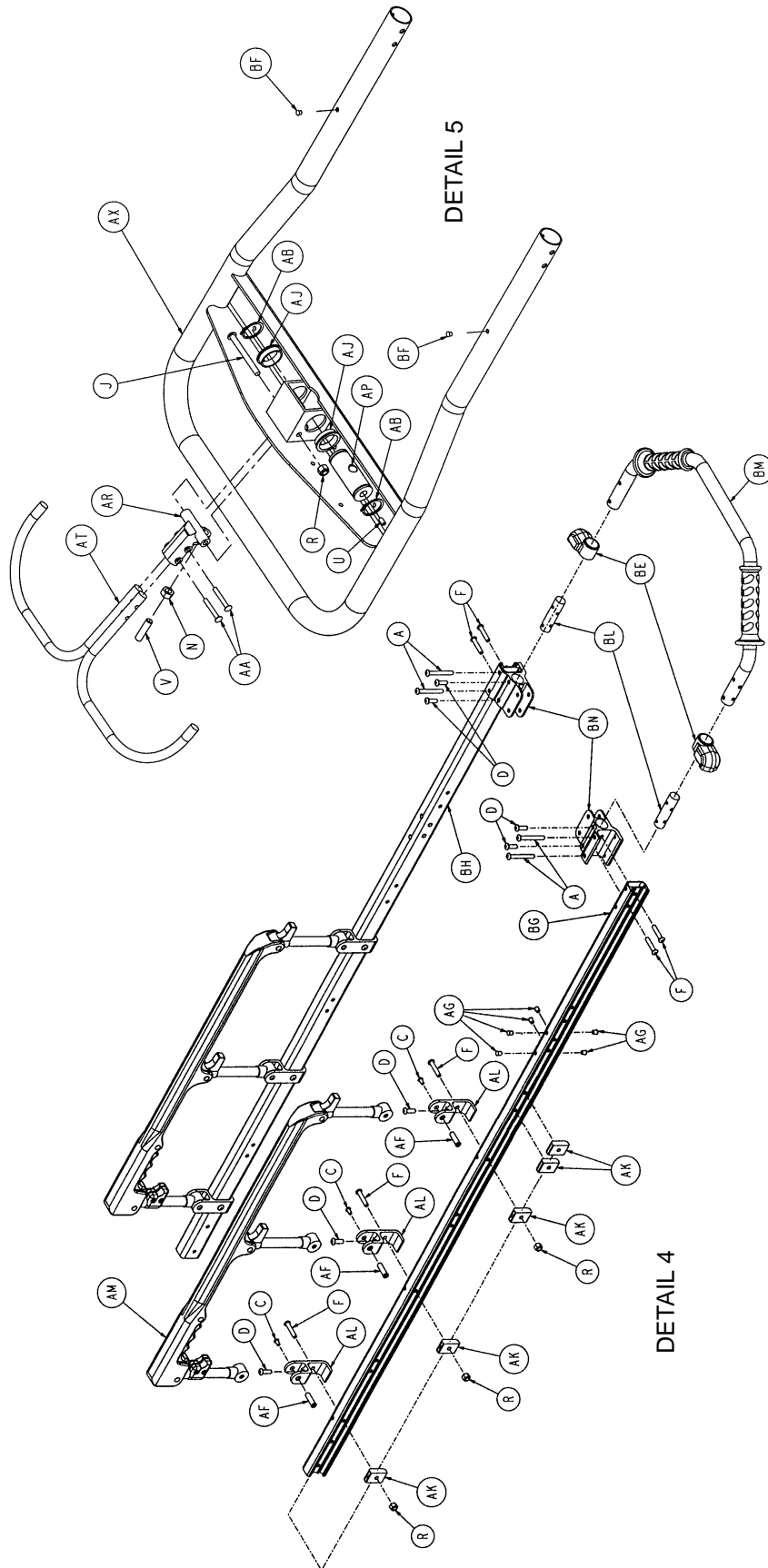
55



Litter Assembly



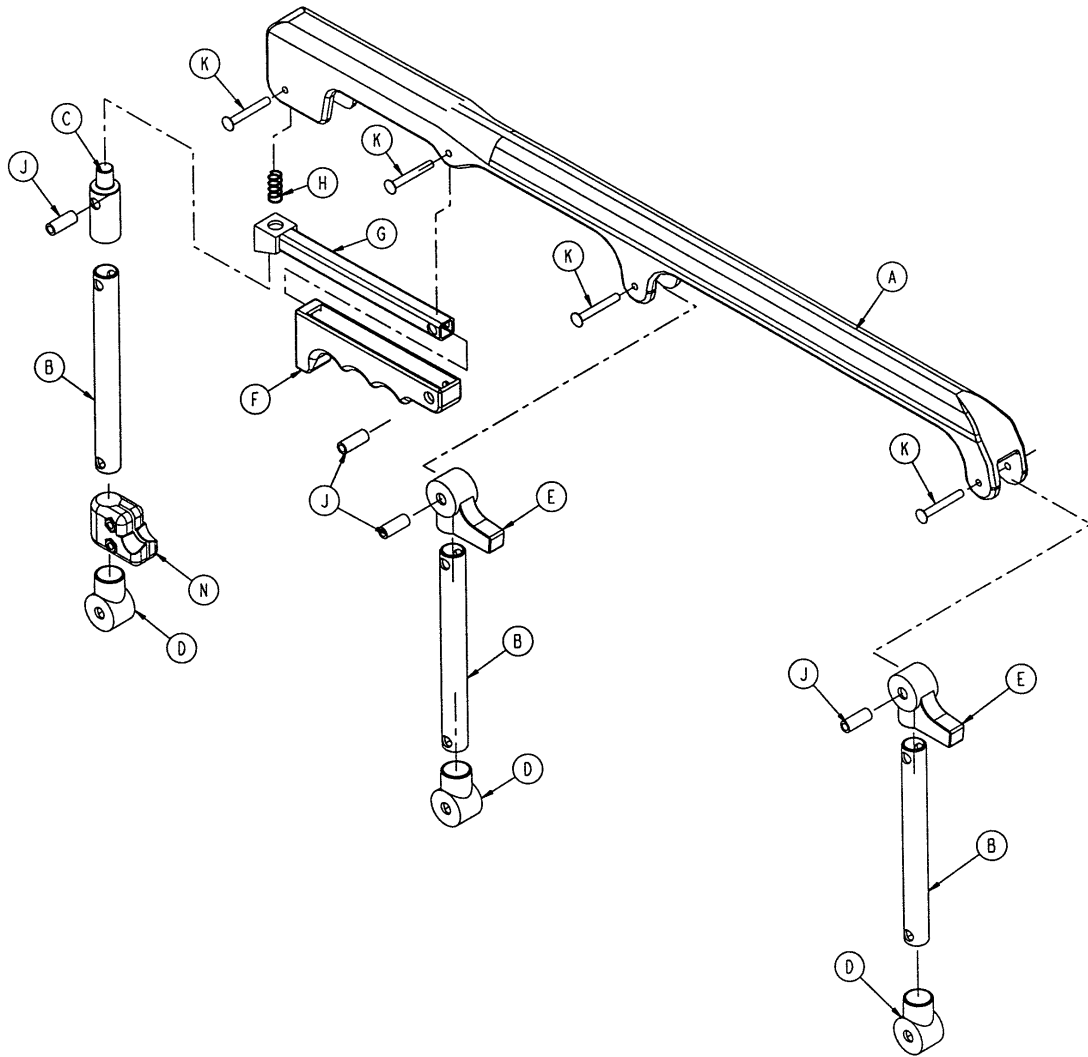
Litter Assembly



Litter Assembly

Item	Part No.	Part Name	Qty.
A	4-97	Hex Soc. But. Hd. Cap Screw	4
B	4-135	Hex Soc. But. Hd. Cap Screw	2
C	4-136	Pan Hd. Machine Screw	6
D	4-161	Hex Soc. But. Hd. Cap Screw	10
E	4-197	Hex Soc. But. Hd. Cap Screw	2
F	4-198	Hex Soc. But. Hd. Cap Screw	18
G	4-204	Hex Soc. But. Hd. Cap Screw	8
H	4-215	Hex Soc. But. Hd. Cap Screw	2
J	4-234	Hex Soc. But. Hd. Cap Screw	1
K	8-27	Hex Soc. Hd. Shoulder Bolt	1
L	14-67	Flat Washer	2
M	14-73	Flat Washer	2
N	15-50	Hex Nut	1
P	16-3	Fiberlock Hex Nut	2
R	16-28	Fiberlock Hex Nut	18
S	16-78	Centerlock Hex Nut	9
T	18-38	Umbrella Nut	2
U	21-119	Hex Soc. Set Screw	1
V	21-138	Hex Soc. Set Screw	1
W	25-79	Dome Hd. Rivet	36
X	25-128	Flange Rivet	1
Y	25-132	Flange Rivet	4
Z	25-133	Dome Hd. Rivet	4
AA	25-131	Semi-Tubular Rivet	2
AB	28-76	External Retaining Ring	2
AC	56-16	Bumper	2
AD	81-255	Split Bearing	2
AE	378-24-29	Shoulder Bolt	1
AF	721-26-66	Pivot Screw	6
AG	721-31-65	Hole Plug	12
AH	938-1-177	Knob	1
AJ	946-35-25	Liner	2
AK	6060-25-33	Pivot Mount Spacer	8
AL	6060-25-55	Pivot Mount	6
AM	(page 59)	Siderail Assembly	2
AN	6060-30-31	Crossbrace Support Mount	4
AP	6060-32-38	Gas Spring Yoke	1
AR	6060-32-40	Fowler Lift Pivot	1
AS	6060-32-42	Fowler/Gatch Adapter Pivot	4
AT	6060-32-52	Release Handle Weldment	1
AU	6070-38-33	Calf Stand Retainer	1
AV	6080-30-42	Litter Crossbrace	2
AW	6080-32-45	Fowler Skin	1
AX	6080-32-50	Fowler Weldment	1
AY	6080-38-31	Calf Stand Support, Left	1
AZ	6080-38-32	Calf Stand Support, Right	1
BA	6080-38-35	Litter Cross Brace	1
BB	6080-38-45	Foot Section Skin	1
BC	6080-38-46	Foot Section Tube	1
BE	6080-40-12	Outer Rail End Cap, Foot End	2
BF	34-74	Hole Plug	2
BG	6091-30-46	Outer Rail, Right	1
BH	6090-30-47	Outer Rail, Left	1
BJ	6090-33-32	Trend Support, Left	1
BK	6090-33-33	Trend Support, Right	1
BL	6090-39-43	Lift Bar Plug	2
BM	6091-40-51	Lift Tube	1
BN	6090-40-48	Lift Tube Support	1

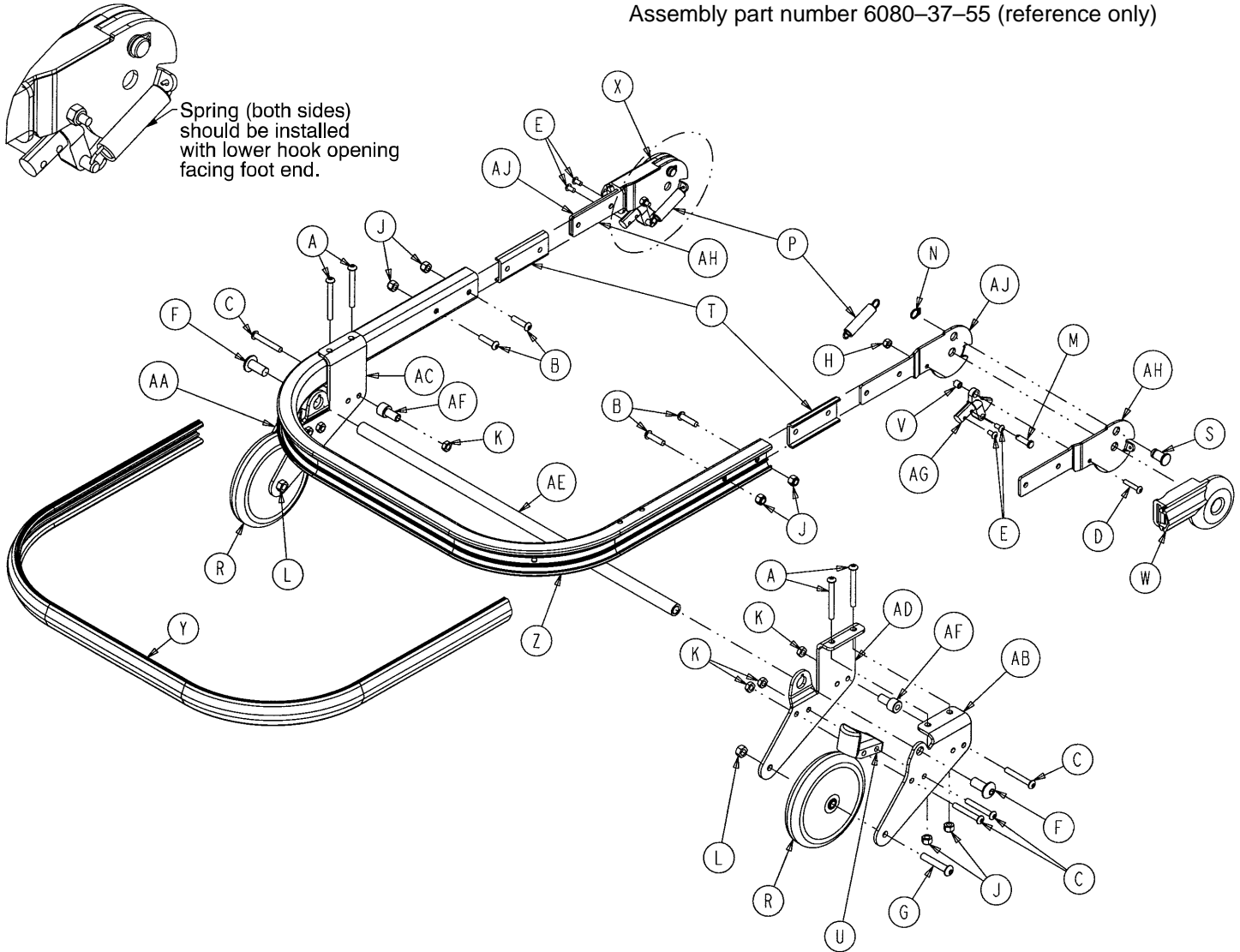
6060-26-10 Siderail Assembly



Item	Part No.	Part Name	Qty.
A	6060-25-24	Top Rail	1
B	6060-25-43	Spindle	3
C	6060-25-47	Spindle Lock	1
D	6060-25-41	Spindle Pivot	3
E	6060-25-40	Spindle Pivot Stop	2
F	6060-25-29	Lock Release Grip	1
G	6060-25-30	Lock Bar Weldment	1
H	38-344	Compression Spring	1
J	6060-25-35	Pivot Bushing	4
K	25-131	Rivet	4
N	1001-26-39	Ring Spacer Assembly	1

Breakaway Head Section Assembly

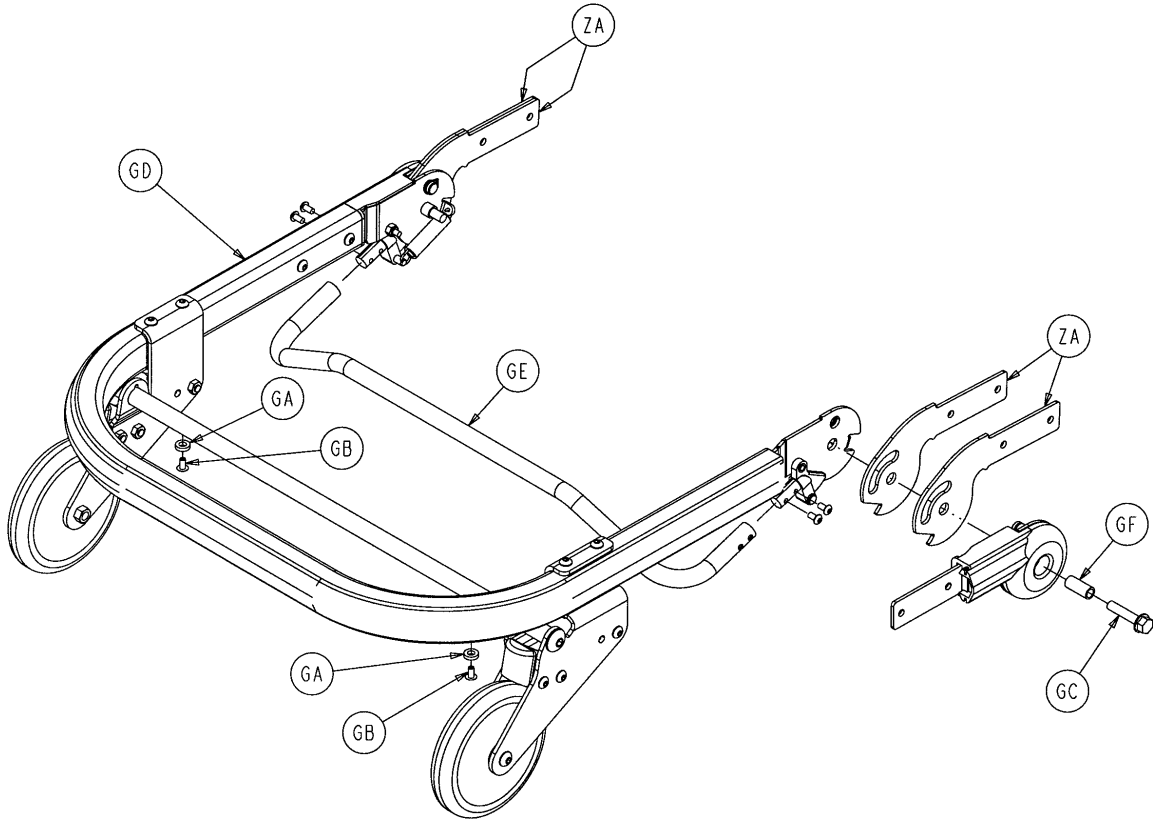
Assembly part number 6080-37-55 (reference only)



Item	Part No.	Part Name	Qty.	Item	Part No.	Part Name	Qty.
A	4-163	H. Soc. But. Hd. Cap Scr.	4	T	6060-37-26	Pivot Spacer Plate	2
B	4-197	H. Soc. But. Hd. Cap Scr.	4	U	6060-37-33	Horn Stop Block	2
C	4-204	H. Soc. But. Hd. Cap Scr.	9	V	6060-37-36	Trigger Lock Spacer	2
D	4-222	H. Soc. But. Hd. Cap Scr.	2	W	6060-37-37	Pivot Cover, Right	1
E	4-231	H. Soc. But. Hd. Cap Scr.	4	X	6060-37-38	Pivot Cover, Left	1
F	4-310	But. Hd. Cap Screw	2	Y	6080-36-44	Bumper	1
G	4-54	But. Hd. Cap Screw	2	Z	6080-36-45	Outer Rail	1
H	16-3	Fiberlock Hex Nut	2	AA	6080-37-27	Outer Caster Horn, Left	1
J	16-28	Fiberlock Hex Nut	12	AB	6080-37-28	Outer Caster Horn, Right	1
K	16-78	Centerlock Hex Nut	7	AC	6080-37-29	Inner Caster Horn, Left	1
L	16-114	Centerlock Hex Nut	2	AD	6080-37-30	Inner Caster Horn, Right	1
M	26-269	Clevis Pin	2	AE	6080-37-34	Safety Hook Pivot Tube	1
N	28-138	Retaining Ring	4	AF	6080-37-49	Release Handle Spacer	2
P	38-410	Extension Spring	2	AG	6090-37-39	Trigger Lock	2
R	6060-36-20	Five Inch Wheel Ass'y	2	AH	6082-37-42	Pivot Form, Right	2
S	6060-36-24	Pivot Stop Pin	2	AJ	6082-37-43	Pivot Form, Left	2

Breakaway Head Section Assembly

Assembly part number 6091-37-10 (reference only)



Item	Part No.	Part Name	Qty.
GA	14-67	Nylon Flat Washer	2
GB	25-79	Rivet	2
GC	49-4	Hex Flange Screw	2
GD	(page 60)	Breakaway Head Section	1
GE	6090-36-46	Bent Release Crossbar	1
GF	6090-37-45	Pivot Bushing	2

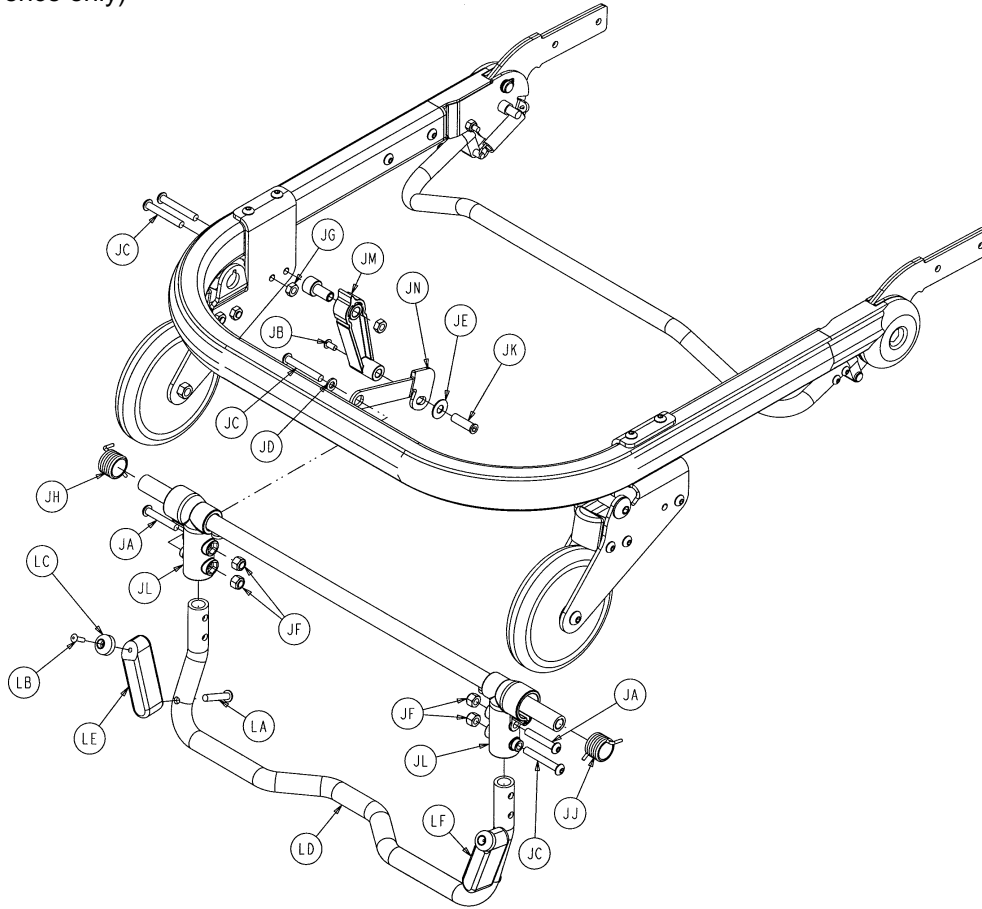
6091-201-10 Standard Height Option

6091-202-10 Height Limiting Option

Item	Part No.	Part Name	Qty.	Item	Part No.	Part Name	Qty.
ZA	6091-37-40	Center Pivot	4	ZA	6090-37-40	Center Pivot	4
ZB	6091-40-45	Foot End Litter Stop	2	ZB	6090-40-45	Foot End Litter Stop	2
ZC	830-10-35	Crutch Tip	2	ZC	830-10-35	Crutch Tip	2

Breakaway Head Section Assembly

Assembly part number 6091-156-10 – Safety Hook Option
 Assembly part number 6091-156-16 – Lift Option
 Assembly part number 6091-156-15 – No Lift Option
 (reference only)



Safety Hook Option

Item	Part No.	Part Name	Qty.
JA	4-135	H. Soc. But. Hd. Cap Scr.	2
JB	4-136	Pan Hd. Mach. Screw	1
JC	4-204	Hex Soc. But. Hd. Cap Scr.	3
JD	11-65	Flat Washer	1
JE	11-179	Flat Washer	1
JF	16-28	Fiberlock Hex Nut	4
JG	16-78	Centerlock Hex Nut	1
JH	38-408	Torsion Spring	1
JJ	38-409	Torsion Spring	1
JK	721-26-66	Pivot Screw	1
JL	6060-37-21	Safety Hook Pivot	2
JM	6060-37-47	Safety Hook Rel. Handle	1
JN	6080-237-48	Safety Hook Release Arm	1

Lift Option

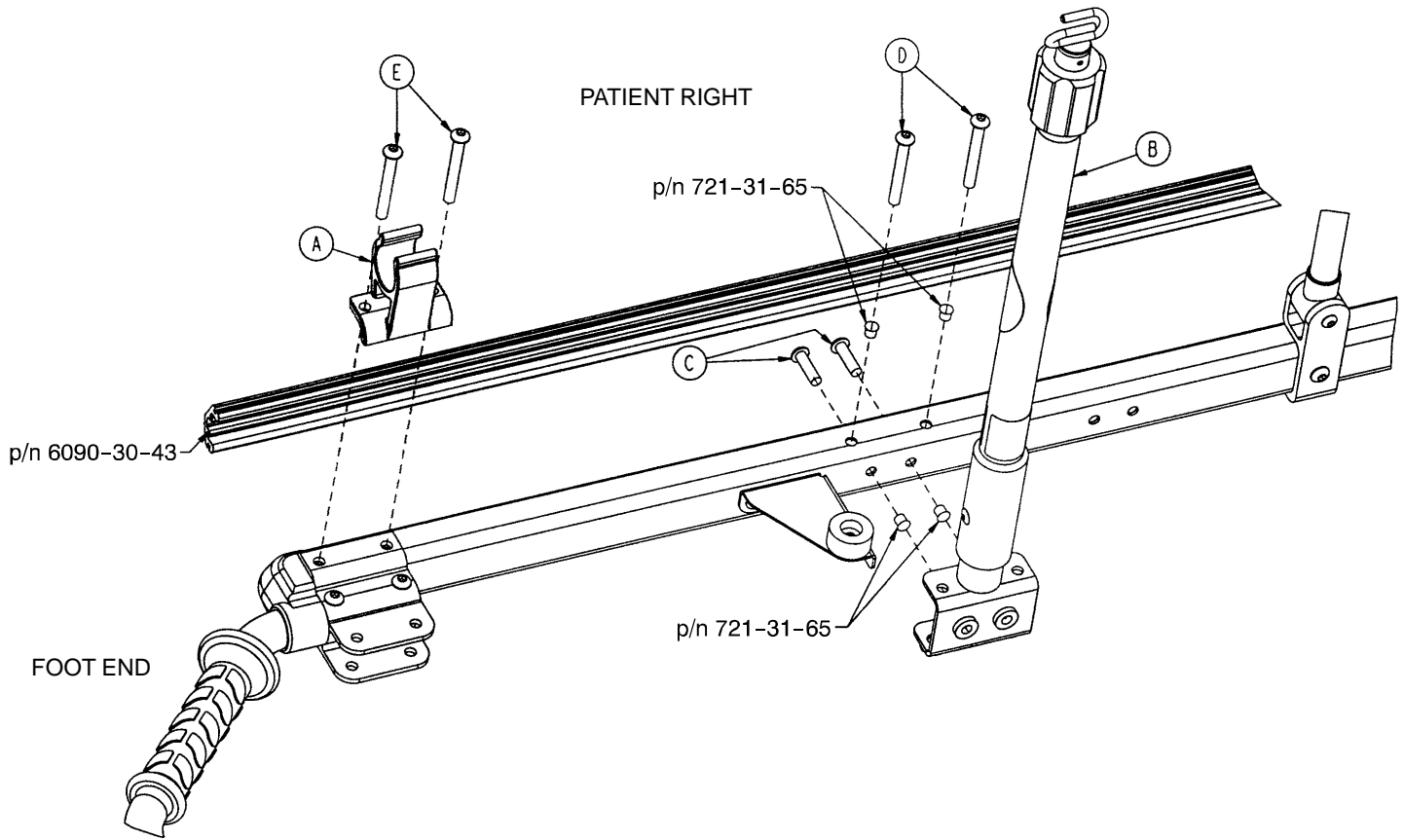
Item	Part No.	Part Name	Qty.
LA	4-440	But. Hd. Cap Screw	2
LB	25-157	Dome Head Rivet	2
LC	56-19	Bumper	2
LD	6080-37-23	Lift Capable Hook Tube	1
LE	6091-160-21	Lift Nub, Left	1
LF	6091-160-22	Lift Nub, Right	1

No Lift Option

LD	6080-37-22	Hook Tube	1
----	------------	-----------	---

6090-210-10 Optional 2-Stage I.V. Ass'y, Patient Rt.

6090-215-10 Optional 3-Stage I.V. Ass'y, Patient Rt.

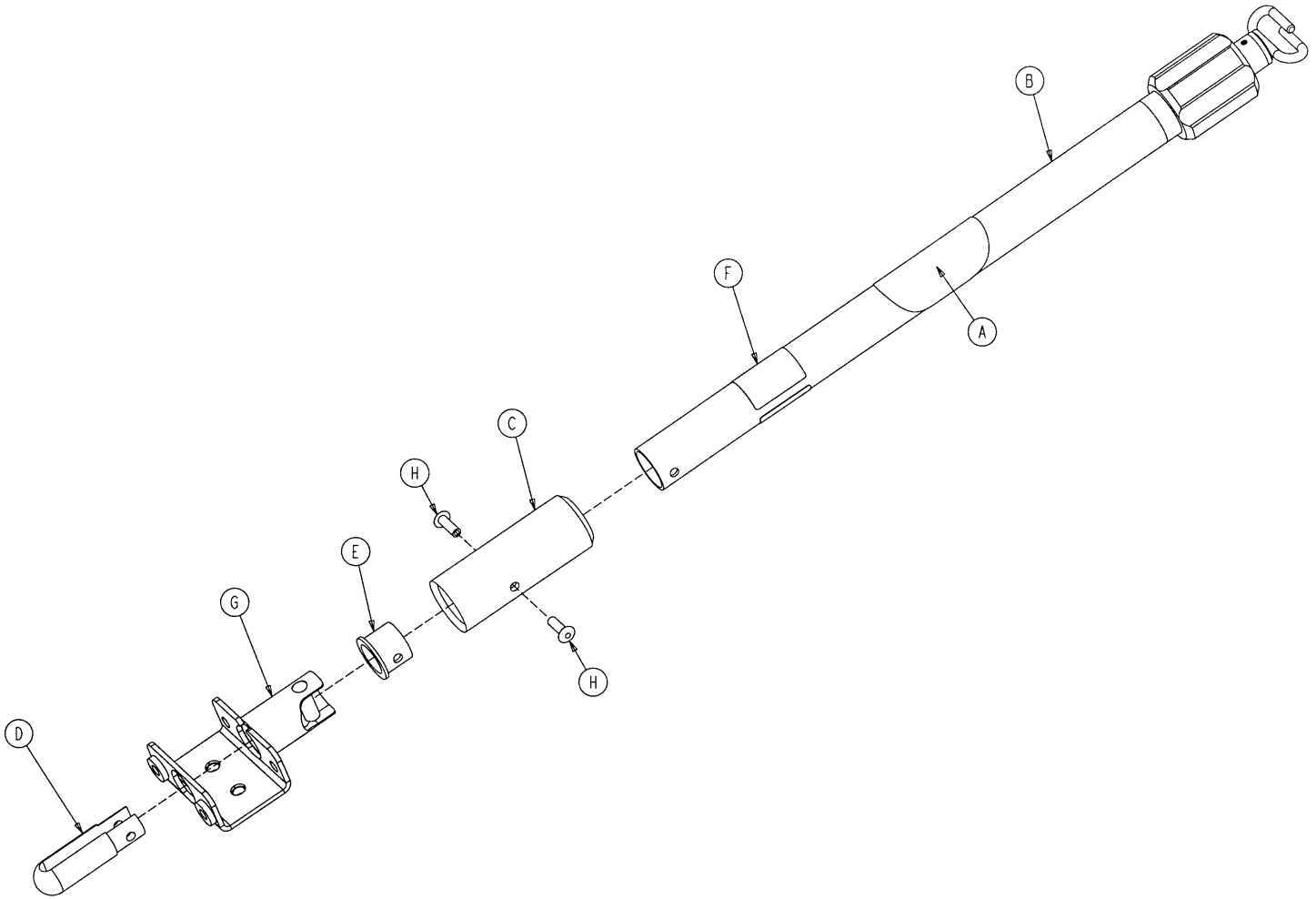


6090-210-10

6090-215-10

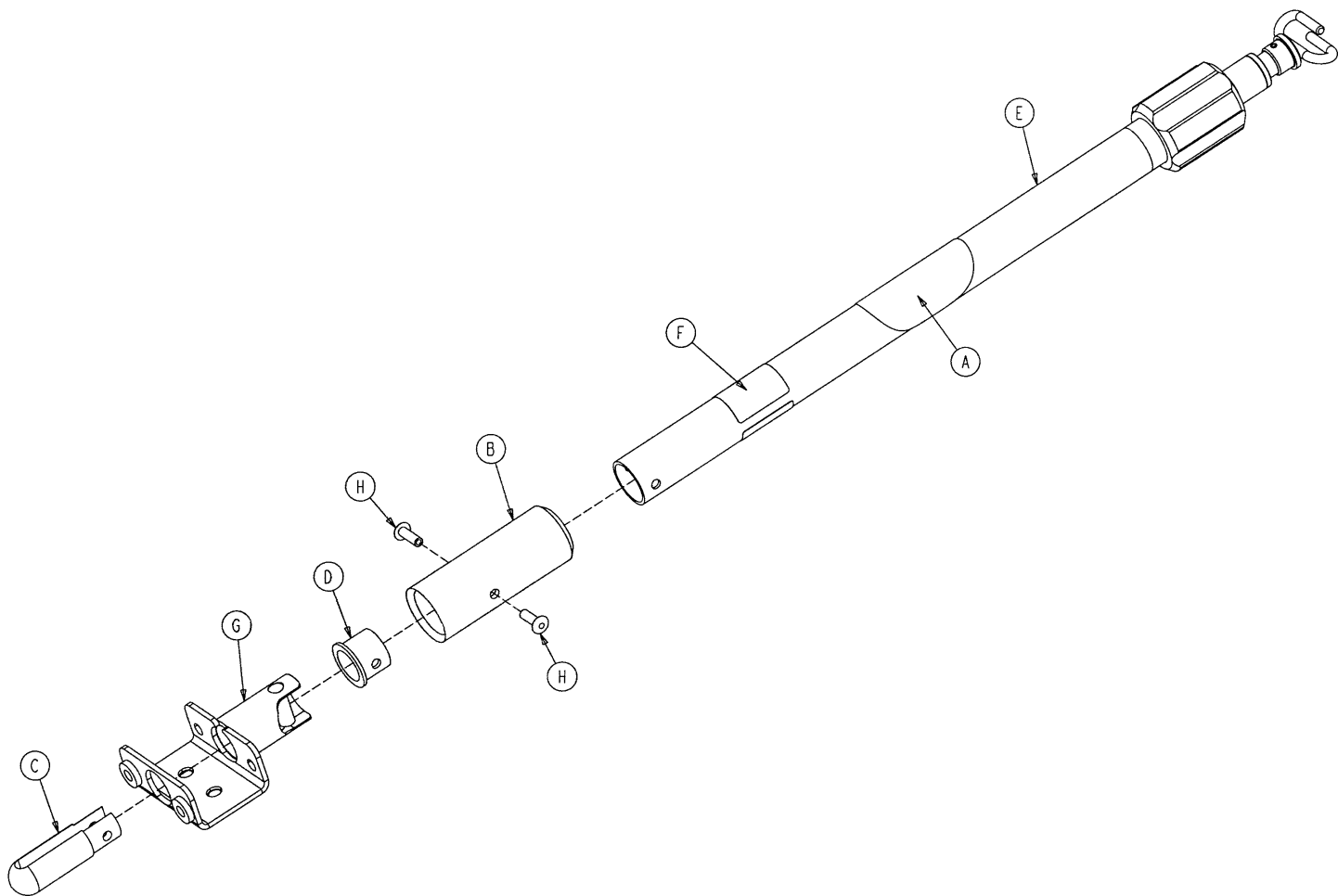
Item	Part No.	Part Name	Qty.	Item	Part No.	Part Name	Qty.
A	6080-110-35	I.V. Clip	1	A	6080-110-35	I.V. Clip	1
B	(page 64)	2-Stage I.V. Pole, Right	1	B	(page 65)	3-Stage I.V. Pole, Right	1
C	4-46	Hex Soc. But. Hd. Cap Scr.	2	C	4-46	Hex Soc. But. Hd. Cap Scr.	2
D	4-97	Hex Soc. But. Hd. Cap Scr.	2	D	4-97	Hex Soc. But. Hd. Cap Scr.	2
E	4-163	Hex Soc. But. Hd. Cap Scr.	2	E	4-163	Hex Soc. But. Hd. Cap Scr.	2

6090-210-20 2-Stage I.V. Assembly, Patient Right



Item	Part No.	Part Name	Qty.
A	6070-90-105	Caution Label	1
B	(page 69)	2-Stage I.V. Pole Assembly	1
C	6070-210-45	I.V. Pole Sleeve	1
D	6070-210-46	I.V. Pivot	1
E	6070-210-49	I.V. Pivot Ring	1
F	6090-90-31	Specification Label	1
G	6090-210-52	I.V. Socket Weldment, Right	1
H	25-133	Blind Rivet	2

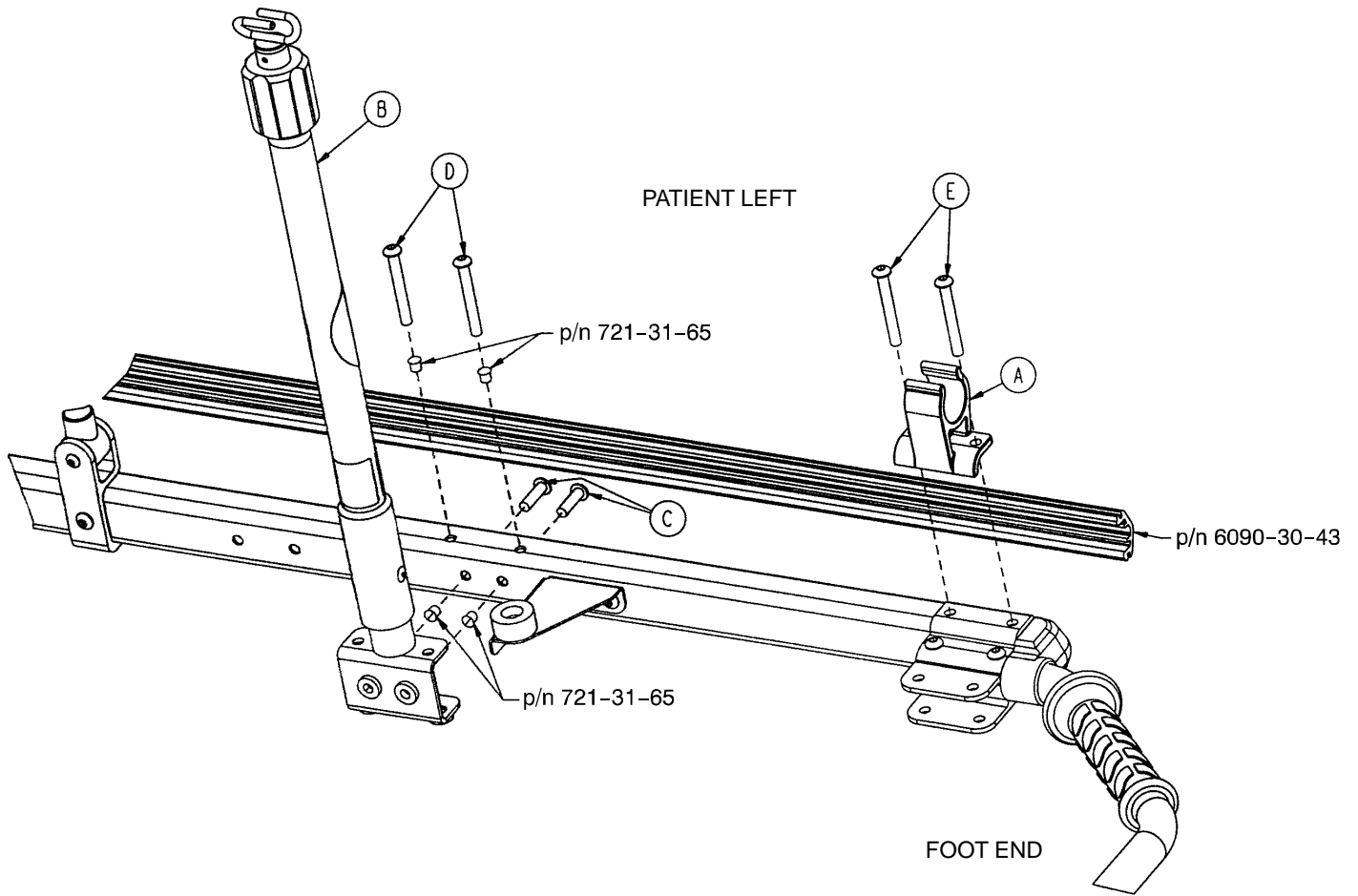
6090-215-20 3-Stage I.V. Assembly, Patient Right



Item	Part No.	Part Name	Qty.
A	6070-90-105	Caution Label	1
B	6070-210-45	I.V. Pole Sleeve	1
C	6070-210-46	I.V. Pivot	1
D	6070-210-49	I.V. Pivot Ring	1
E	(page 70)	3-Stage I.V. Pole Assembly	1
F	6090-90-33	Specification Label	1
G	6090-210-52	I.V. Socket Weldment, Right	1
H	25-133	Blind Rivet	2

6090-211-10 Optional 2-Stage I.V. Ass'y, Patient Left

6090-215-20 Optional 3-Stage I.V. Ass'y, Patient Left

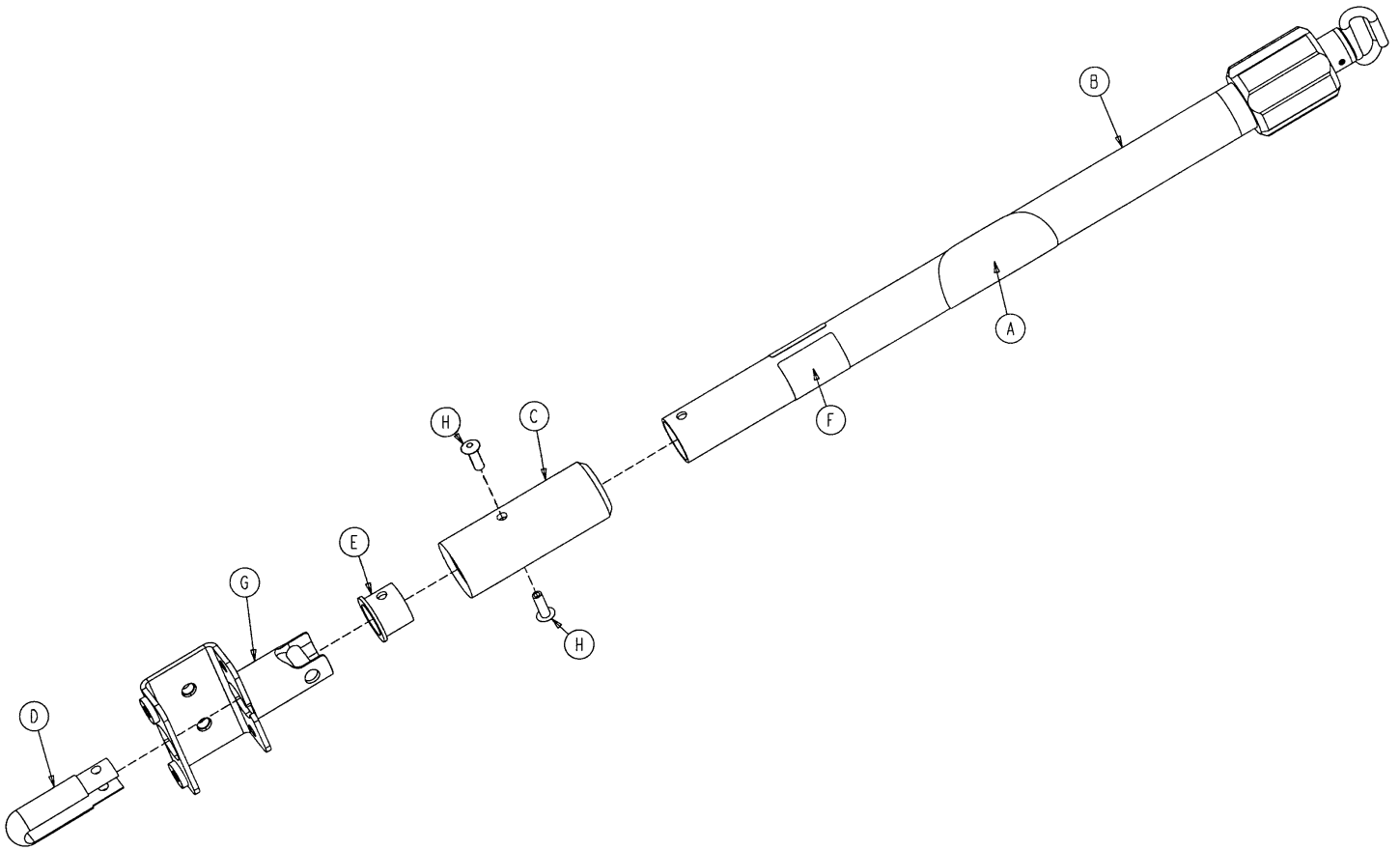


6090-211-10

6090-216-10

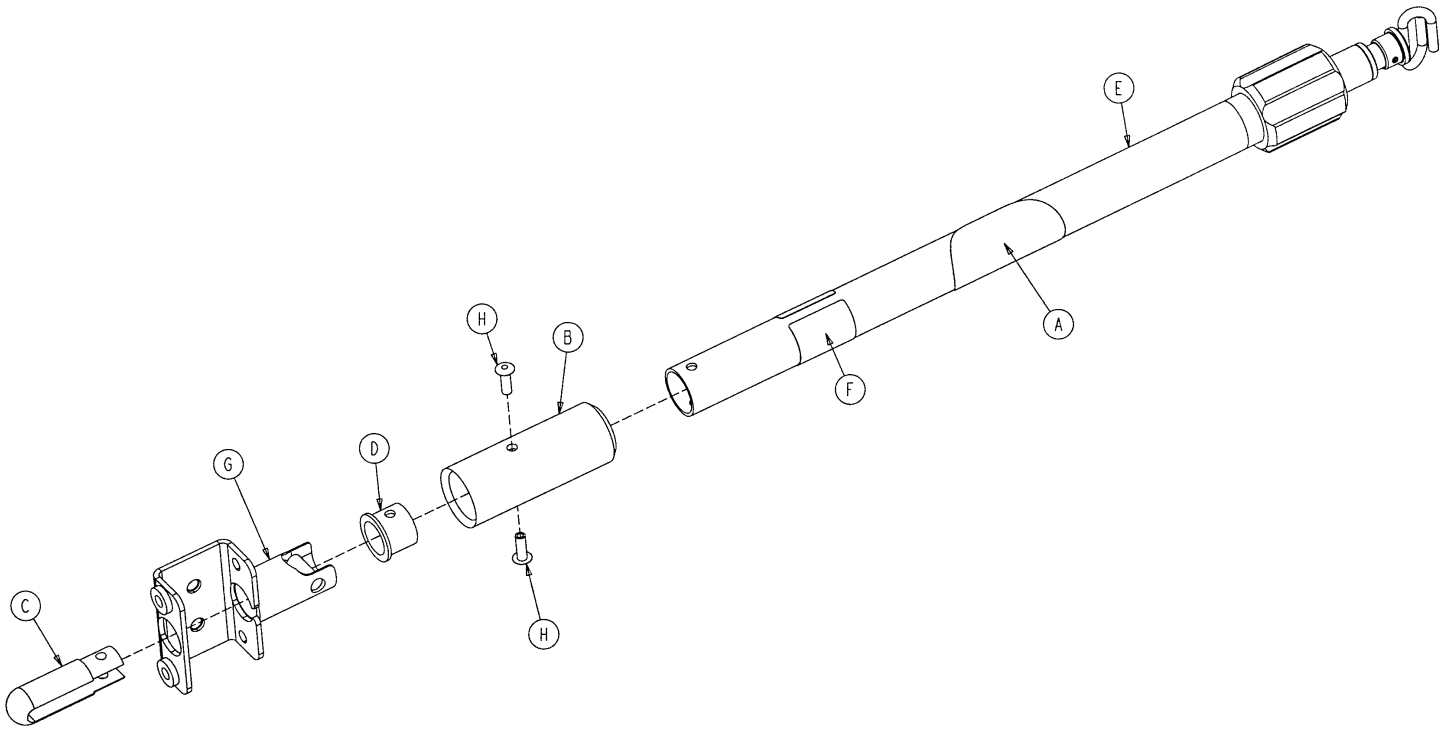
Item	Part No.	Part Name	Qty.	Item	Part No.	Part Name	Qty.
A	6080-110-35	I.V. Clip	1	A	6080-110-35	I.V. Clip	1
B	(page 64)	2-Stage I.V. Pole, Left	1	B	(page 65)	3-Stage I.V. Pole, Left	1
C	4-46	H. Soc. But. Hd. Cap Scr.	2	C	4-46	H. Soc. But. Hd. Cap Scr.	2
D	4-97	H. Soc. But. Hd. Cap Scr.	2	D	4-97	H. Soc. But. Hd. Cap Scr.	2
E	4-163	H. Soc. But. Hd. Cap Scr.	2	E	4-163	H. Soc. But. Hd. Cap Scr.	2

6090-211-20 2-Stage I.V. Assembly, Patient Left



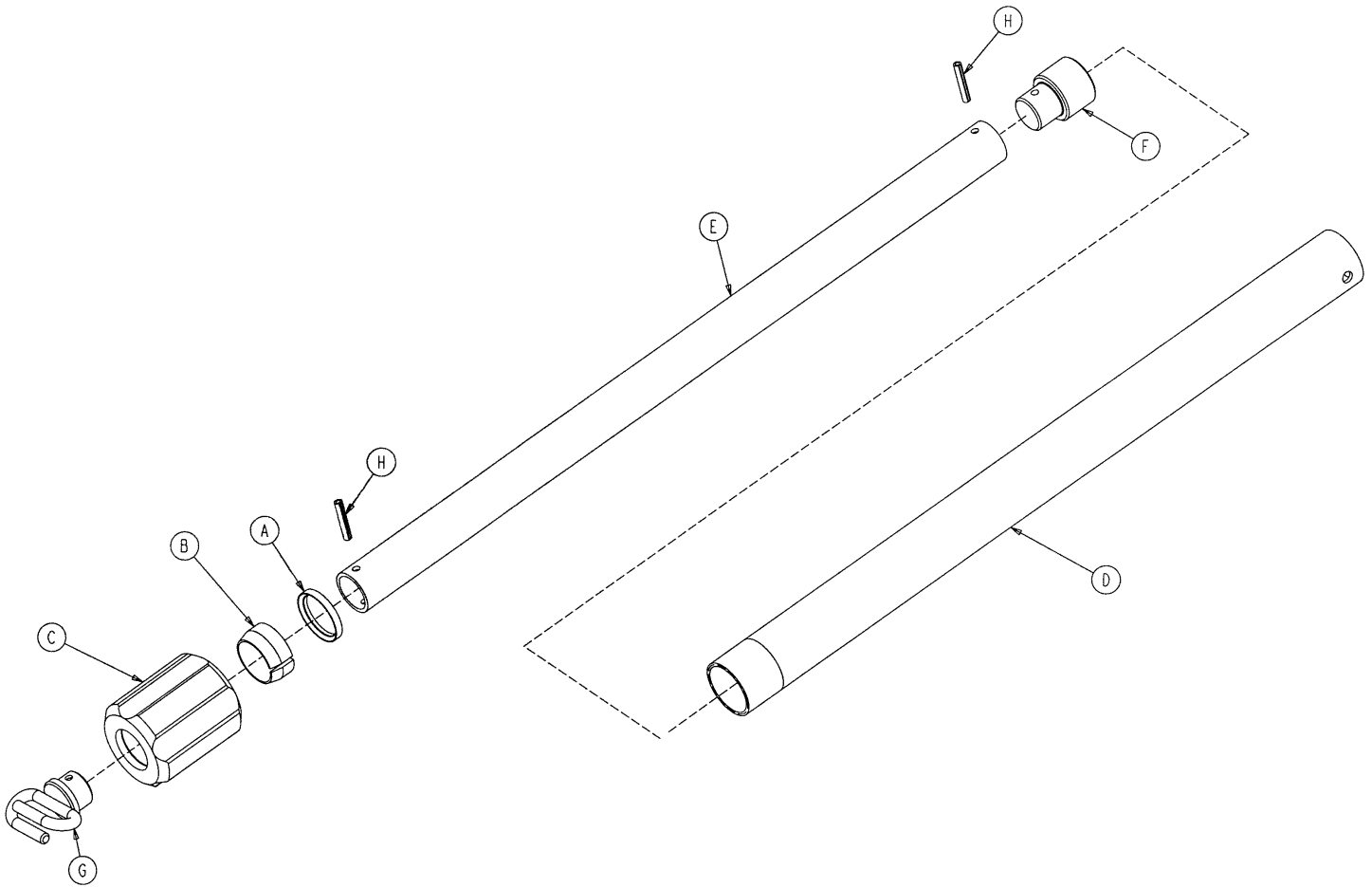
Item	Part No.	Part Name	Qty.
A	6070-90-105	Caution Label	1
B	(page 69)	2-Stage I.V. Pole Assembly	1
C	6070-210-45	I.V. Pole Sleeve	1
D	6070-210-46	I.V. Pivot	1
E	6070-210-49	I.V. Pivot Ring	1
F	6090-90-32	Specification Label	1
G	6090-211-52	I.V. Socket Weldment, Left	1
H	25-133	Blind Rivet	2

6090-216-20 3-Stage I.V. Assembly, Patient Left



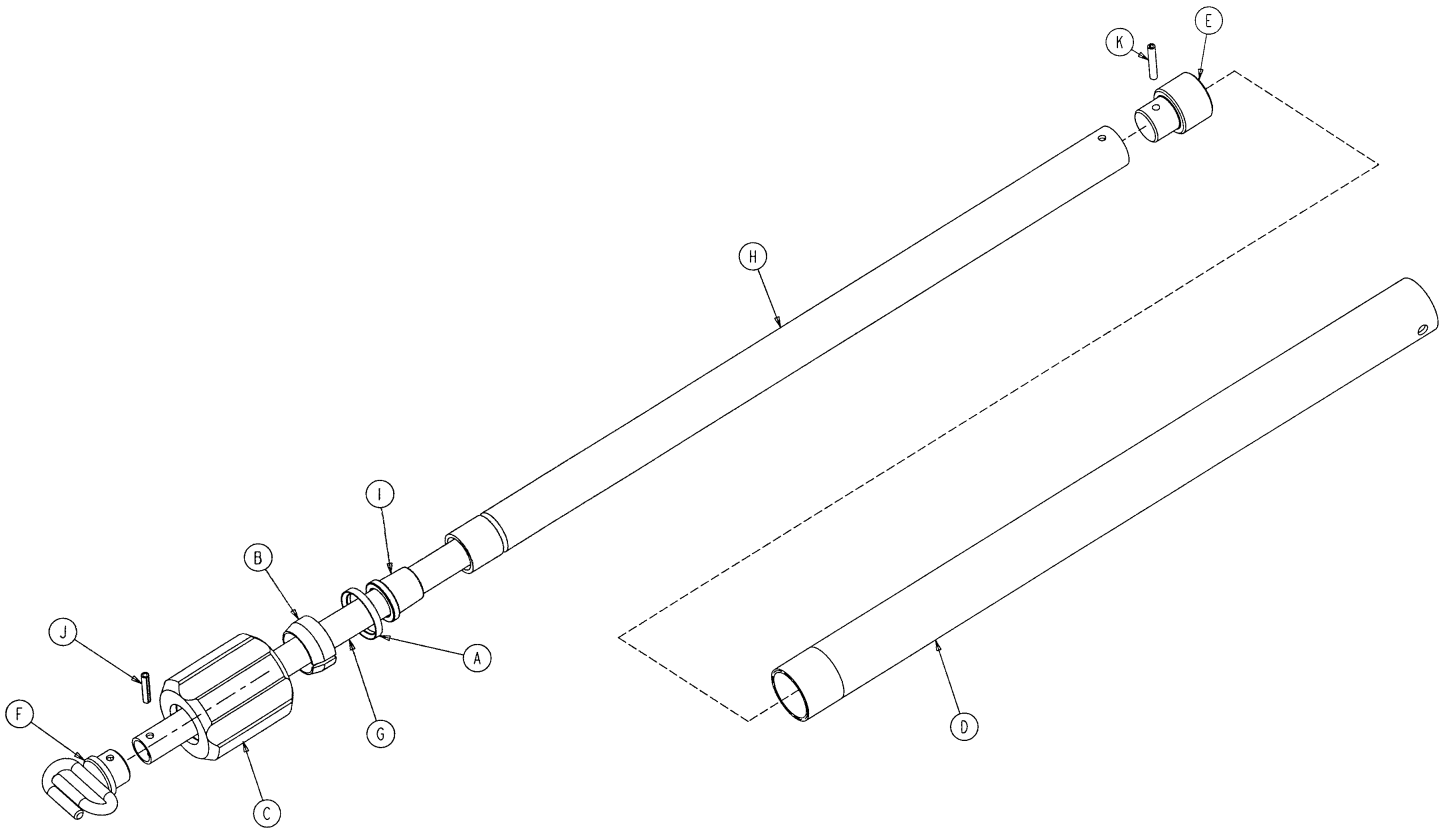
Item	Part No.	Part Name	Qty.
A	6070-90-105	Caution Label	1
B	6070-210-45	I.V. Pole Sleeve	1
C	6070-210-46	I.V. Pivot	1
D	6070-210-49	I.V. Pivot Ring	1
E	(page 70)	3-Stage I.V. Pole Assembly	1
F	6090-90-34	Specification Label	1
G	6090-211-52	I.V. Socket Weldment, Left	1
H	25-133	Blind Rivet	2

6070-210-40 2-Stage I.V. Pole Assembly



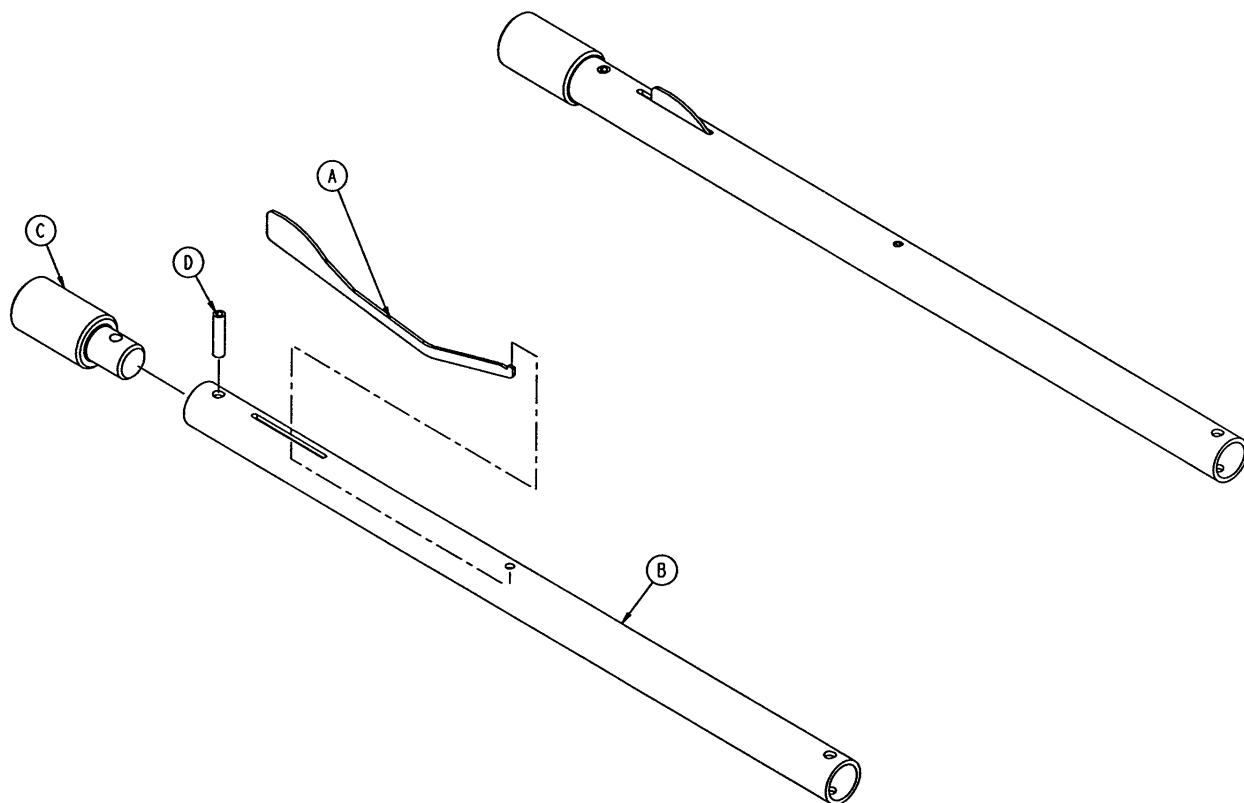
Item	Part No.	Part Name	Qty.
A	1210-110-46	Back-Up Ring	1
B	1210-110-47	Lock Ring	1
C	1210-110-49	Molded Actuator	1
D	6070-210-41	Base Tube	1
E	6070-110-42	2nd Stage Tube	1
F	6070-110-44	2nd Stage Slide Plug	1
G	6070-110-50	Hook Weldment	1
H	26-6	Roll Pin	2

6070-215-40 3-Stage I.V. Pole Assembly



Item	Part No.	Part Name	Qty.
A	1210-110-46	Back-Up Ring	1
B	1210-110-47	Lock Ring	1
C	1210-110-49	Molded Actuator	1
D	6070-210-41	Base Tube	1
E	6070-110-44	2nd Stage Slide Plug	1
F	6070-110-50	Hook Weldment	1
G	(page 71)	3rd Stage Assembly	1
H	6070-115-42	2nd Stage Tube	1
I	6070-115-45	Bearing Plug	1
J	26-5	Spring Pin	1
K	26-6	Spring Pin	1

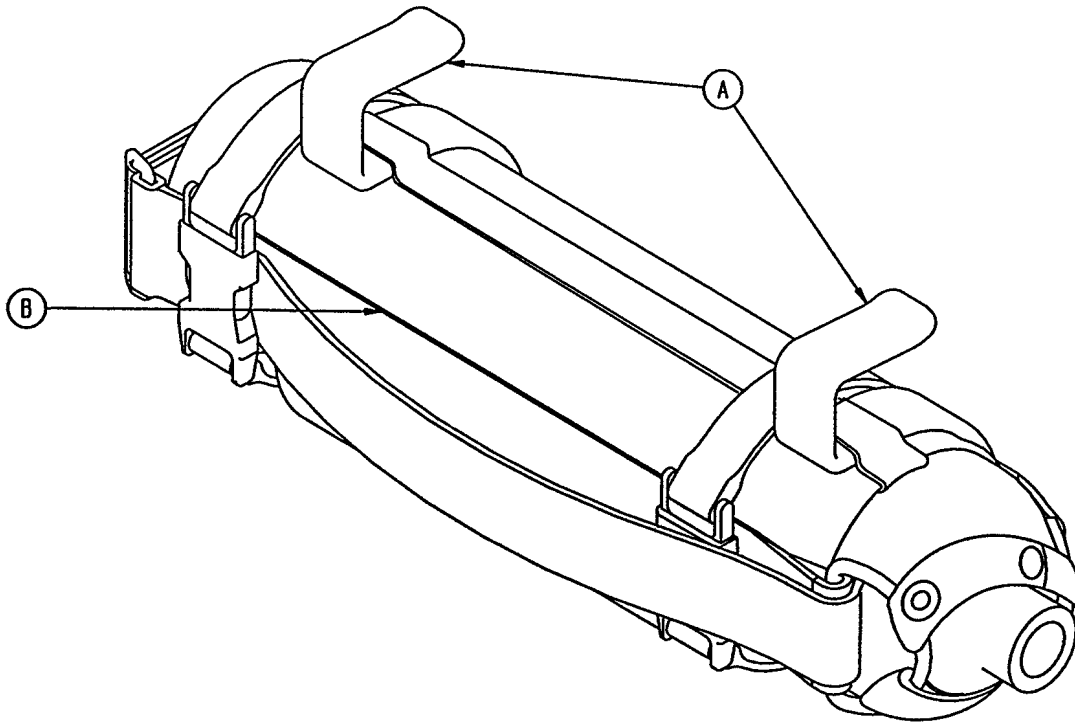
6070-115-30 3-Stage I.V. Pole 3rd Stage Assembly



Item	Part No.	Part Name	Qty.
A	6070-115-141	Spring Clip	1
B	6070-115-143	3rd Stage Tube	1
C	6070-115-44	3rd Stage Slide Plug	1
D	26-4	Roll Pin	1

6080-140 Optional Hanging Oxygen Bottle Holder Ass'y

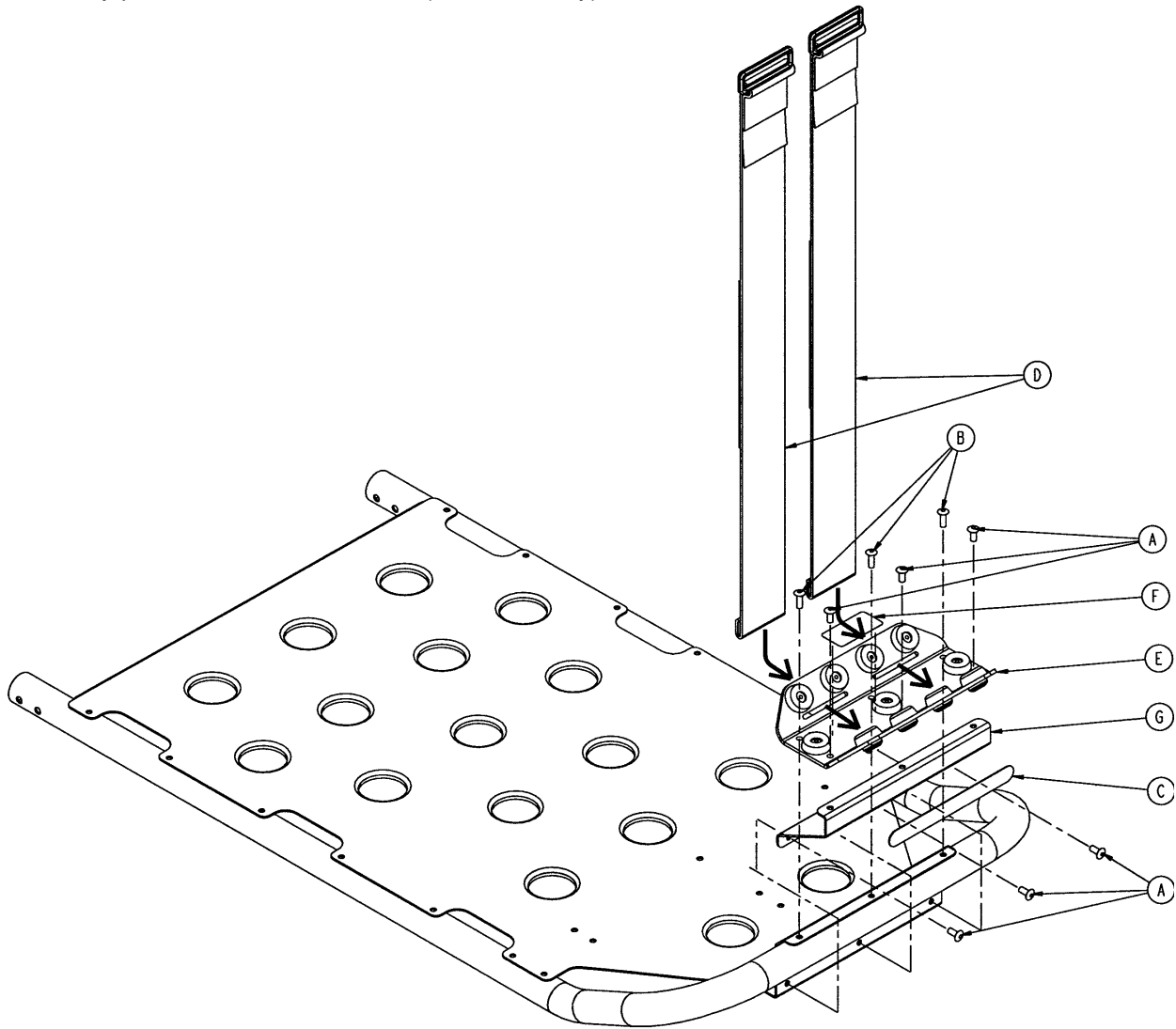
Assembly part number 6080-140-10 (reference only)



Item	Part No.	Part Name	Qty.
A	6080-140-11	Bottle Holder Hanger	2
B	6080-140-12	Oxygen Bottler Holder	1

6070-140 Optional Oxygen Bottle Holder Assembly

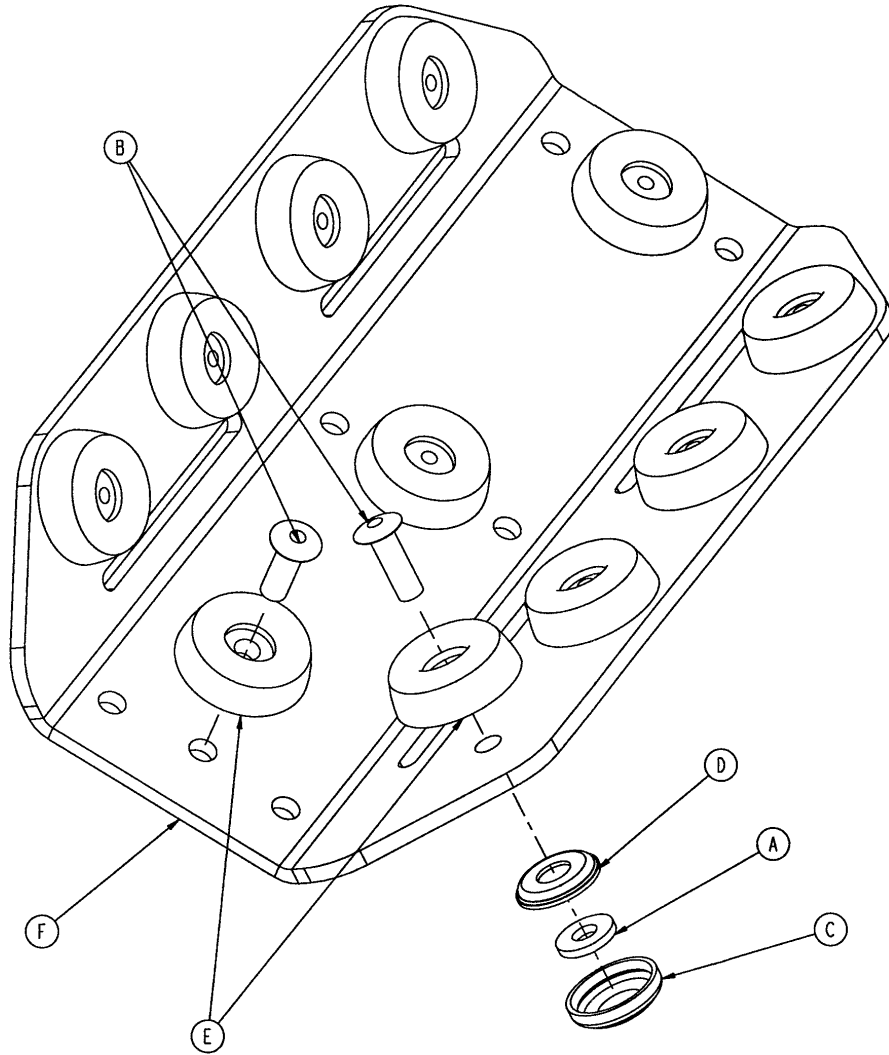
Assembly part number 6070-140-10 (reference only)



Item	Part No.	Part Name	Qty.
A	25-79	Rivet	6
B	25-133	Rivet	3
C	6060-90-4	"Rugged" Label	1
D	6060-140-13	Strap Assembly	2
E	(page 74)	Bottle Holder Tray Ass'y	1
F	6070-90-14	Specification Label	1
G	6070-140-17	Support Bracket	1

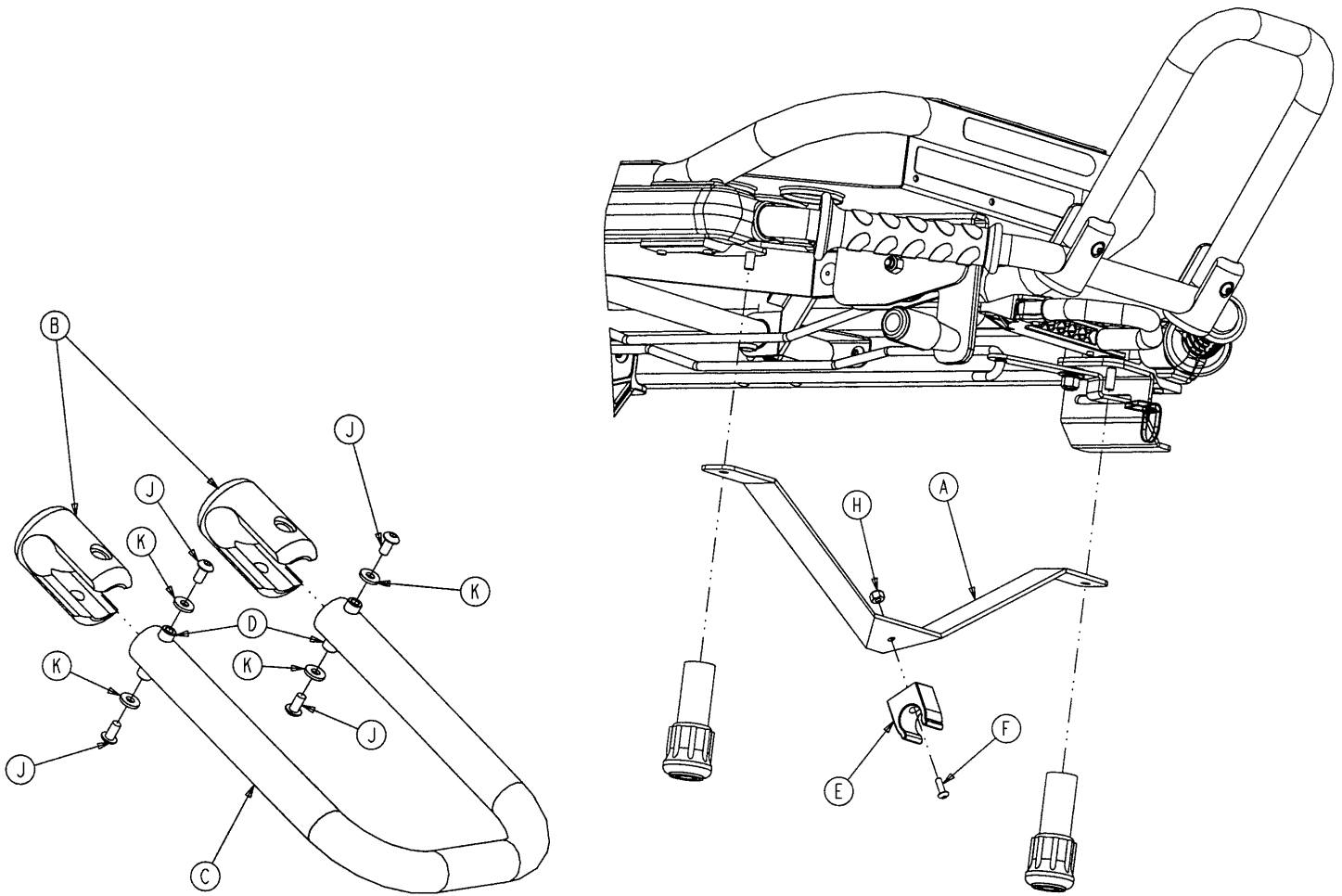
Optional Oxygen Bottle Holder Tray Assembly

Assembly part number 6060-140-20 (reference only)



Item	Part No.	Part Name	Qty.
A	11-436	Flat Washer	8
B	25-133	Rivet	11
C	37-55	Cap	8
D	37-56	Washer	8
E	946-1-155	Bumper	11
F	6060-140-15	Bottle Holder Tray	1

6090-155 Optional Pull Handle Assembly



Item	Part No.	Part Name	Qty.
A	6090-155-50	Pull Handle Holder Bracket	1
B	6090-155-51	Pull Handle Retainer Clamp	2
C	6090-155-52	Pull Handle	1
D	6090-155-53	Threaded Spacer	2
E	958-1-224	I.V. Clip	1
F	4-265	Hex Soc. But. Hd. Cap Screw	1
H	16-14	Nylock Hex Nut	1
J	4-136	But. Hd. Cap Screw	4
K	11-16	Flat Washer	4

Quick Reference Part Numbers

<u>ITEM</u>	<u>PART NUMBER</u>
Breakaway Head Section	6091-37-10
Breakaway Head Torsion Spring Kit	6080-700-1
Bumper, Fowler	946-1-155
“C” Channel Stick Wax Kit	6090-700-1
Cot Fastener, Floor Mount	6370
Cot Fastener, Wall Mount	6371
Defibrillator Platform	6080-170
Extension Spring, Height Adjustment	38-348
Gas Cylinder, Fowler	1010-31-77
Handle, Break-Away Head Lock Release	6060-36-37
Height Limit Kit	6091-202
Height Kit, Standard	6091-201
I.V. Pole Upgrade Kit, Patient Left	6090-700-3
I.V. Pole Upgrade Kit, Patient Right	6090-700-4
Label, Cot Base “Lift Here”	6080-90-8
Label, Cot I.V. Pole Caution	6070-90-105
Label, Damage Warning	6080-90-9
Lift Bar Kit	6090-157
Manual, Maintenance/Operations, Cot	6091-90-11
Manual, Installation/Operation, Cot Fastener	6370-90-10
Mattress, Bolster, Flat	6090-42-10
Mattress, Vinyl Covered, Concave	6090-41-10
Oxygen Bottle Holder	6070-140
Oxygen Bottle Holder (Hanging)	6080-140
Restraint, Lap Belt (2 Used per Unit)	6060-160-44
Restraint, Shoulder Harness	6060-160-45
Permanent I.V. Pole Kit, 2-Stage, Right	6090-210
Permanent I.V. Pole Kit, 2-Stage, Left	6090-211
Permanent I.V. Pole Kit, 3-Stage, Right	6090-215
Permanent I.V. Pole Kit, 3-Stage, Left	6090-216
Pull Handle Assembly	6090-155
Safety Hook Kit (6091 only)	6091-156
Siderail Assembly (Complete)	6060-26-10
Storage Net, Base, EZ-PRO	6090-150-10
Storage Pouch, Head	6091-128-10
Touch-Up Paint (Yellow)	6060-199-10
Touch-Up Paint (Black)	6060-199-11
Velcro Adhesive Loop Pile, Litter	6060-32-46
Video, In-Service	6091-90-20
Wheel Assembly, Base	6060-2-10
Wheel Bearing	81-226
Wheel Lock Kit	6080-201



European Representative

Stryker France
BP 50040-95946 Roissy Ch. de Gaulle
Cedex-France

Phone: 33148632290
Fax: 33148632175

stryker[®]
Medical

6300 Sprinkle Road, Kalamazoo, MI 49001-9799

(800) 327-0770



DH 10/00 6091-90-11 REV H