

stryker®

Operations/ Maintenance Manual

Medical

Model 6092 Rugged®
EZ-PRO R4

**Important
Information**

File in your
maintenance
records

For parts or technical
assistance call
800 327 0770 (option 2)



Table of Contents

Introduction	
Specifications	3
Warning / Caution / Note Definition	4
Warranty	5, 6
Safety Precautions	7, 8
Setup Procedures	9
Component Identification	10
Optional Vehicle Safety Hook Installation	11–13
Cot Operation	
Cot Positions	14
Cot User Tips	15
Using Restraint Straps	16, 17
Pedi-Mate™ Attachment Instructions	18, 19
Auxiliary Lock	20
Transferring the Patient to the Cot	21
Rolling the Cot	21
Changing Cot Height	22–24
Folding and Unfolding an Empty Cot	24
Operating the Wheel Lock	25
Adjusting the Wheel Locking Force	26
Loading the Cot into a Vehicle	26, 27
Unloading the Cot from a Vehicle	28, 29
Using Additional Assistance	30
Adjusting the Leg Rest	31
Operating the Backrest	32
Operating the Siderails	32
Operating the Breakaway Head Section	33
Operating the IV Pole	34, 35
Cleaning	36
Preventive Maintenance	37, 38
Service Information	
Pneumatic Backrest Adjustment	40
Foot End Release Handle Adjustment	41
Auxiliary Lock Handle Adjustment	42
C-Channel Wax Application	43
Cot “Swing-Through” Testing	43
Lubrication	44
Maintenance Record	45
Training Record	46

Table of Contents

Assembly Drawings and Parts Lists

Cot Assembly	47–51
Release Handle Assembly	52
Base Assembly	53–58
Optional Lift Bar Assembly	59
Wheel Assembly	60
Tie Rod Assembly	61
Bumper Tube Assembly	62
Latch Bar Assembly	63
Base Lock Tube Assembly	64
Lock Tube Bearing Assembly	65
Track Roller Assembly	65
Retaining Post Assembly	66
Auxiliary Lock Housing Assembly	67
Fowler Bracket Assembly	68
Optional Wheel Lock Assembly	69, 70
Litter Assembly	71–75
Siderail Assembly	76
Lift Tube Assembly	77
Breakaway Head Assembly	78–81
No IV Pole Option	82
IV Pole Assembly, Patient Right Side	83–85
IV Pole Assembly, Patient Left Side	86–88
2–Stage IV Pole Assembly	89
3–Stage IV Pole Assembly	90
3rd Stage Assembly	91
Dual 2–Stage IV Assembly	92
Dual 3–Stage IV Assembly	93
Optional Pull Handle Assembly	94
Optional Pedi–Mate™ Restraint Brackets	95
Optional Hanging Oxygen Bottle Holder Assembly	96
Optional Oxygen Bottle Holder Assembly	97–100
Optional Base Storage Tray Assembly	101, 102
Optional Head End Storage Tray	103
Optional Head Extension	105, 106
Backrest Pouch Option	107
Restraint Strap Package	108
Head End Storage Pouch / Accessory Strap	109
Defibrillator Platform	110
Quick Reference Parts List	111, 112

Introduction

INTRODUCTION

This manual is designed to assist you with the operation and maintenance of the **RUGGED** EZ-PRO® R4 Ambulance Cot. Read it thoroughly before using the equipment or beginning any maintenance on it.

SPECIFICATIONS

Overall Length/Minimum Length/Width	83"/66"/23"	210.8cm / 167.6cm / 58.4cm
Height ¹ – Position 1 (folded)	12.0" (-3 degrees)	30.4 cm
Position 2 (intermediate height)	22.0"	55.8 cm
Position 3 (intermediate height)	28.0"	71.1 cm
Position 4 (intermediate height)	32.0"	81.2 cm
Position 5 (loading) (see page 14 for positions)	37.0"	93.9 cm
Patient Surface	Fowler: 28.0" Trendelenburg: 32.0" Midesction: 14.0"	71.1 cm 81.2 cm 35.5 cm
Backrest Articulation/Shock Position	2° to 73° / +14°	
Weight ²	94 lbs	42.6 kg
Maximum Weight Capacity	650 pounds	294.8 kg
Caster Diameter/Width	6"/2"	15.2 cm / 5.1 cm
Minimum Operators Required for Loading/ Unloading an Occupied Cot	2	
Recommended Fastener Systems	Model 6370/6374/6377/6378 Floor Mount Type Model 6371/6375 Wall Mount Type	
Recommended Floor Height ³	Up to 32"	Up to 81.2 cm
Roll-In Style	Yes	
Single Wheel Lock / Double Wheel Lock	Optional	

¹ Height measured from bottom of mattress at seat section to ground level.

² Cot is weighed without mattress and restraints.

³ Height limit kit is recommended for ambulance deck heights less than 30 inches (67 cm) – Stryker part number 6092-202-010.

Stryker reserves the right to change specifications without notice.

The EZ-PRO® R4 is designed to conform to the Federal Specification for the Star-of-Life Ambulance KKK-A-1822.

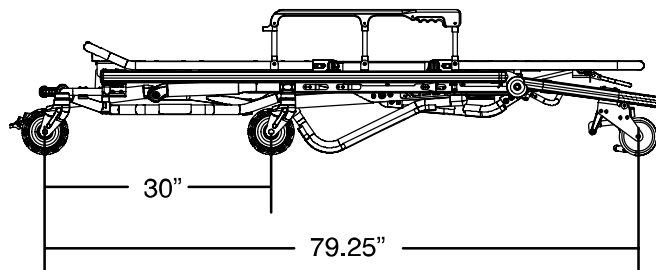


Figure 1 – Cot Length

Introduction

WARNING / CAUTION / NOTE DEFINITION

The words WARNING, CAUTION and NOTE carry special meanings and should be carefully reviewed.

WARNING

Alerts the reader about a situation, which if not avoided, could result in death or serious injury. It may also describe potential serious adverse reactions and safety hazards.

CAUTION

Alerts the reader of a potentially hazardous situation, which if not avoided, may result in minor or moderate injury to the user or patient or damage to the equipment or other property. This includes special care necessary for the safe and effective use of the device and the care necessary to avoid damage to a device that may occur as a result of use or misuse.

NOTE

This provides special information to make maintenance easier or important instructions clearer.

Warranty

Stryker EMS, a division of the Stryker Corporation, offers two distinct warranty options in the United States:

One (1) year parts and labor. Under this option, Stryker EMS warrants to the original purchaser that its products should be free from manufacturing non-conformances that affect product performance and customer satisfaction for a period of one (1) year after date of delivery. Stryker's obligation under this warranty is expressly limited to supplying replacement parts and labor for, or replacing, at its option, any product that is, in the sole discretion of Stryker, found to be defective.

Two (2) year parts. Under this option, Stryker EMS warrants to the original purchaser that non-expendable components of its products should be free from manufacturing non-conformances that affect product performance and customer satisfaction for a period of two (2) years after date of delivery. Stryker's obligation under this warranty is expressly limited to supplying replacement parts for, or replacing, at its option, any product which is, in the sole discretion of Stryker, found to be defective. Expendable components, i.e. mattresses, restraints, IV poles, storage nets, storage pouches, O2 straps, and other soft goods, have a one (1) year limited warranty with this option.

Under either warranty option, Stryker Medical EMS products are designed for a 7 year expected service life under normal use, conditions, and with appropriate periodic maintenance as described in the maintenance manual for each device. Stryker warrants to the original purchaser that the welds on its EMS products will be free from structural defects for the expected 7 year life of the EMS product as long as the original purchaser owns the product. Original purchasers will also obtain a three (3) year limited parts warranty for the X frame components of the MX-PRO R3 stretcher provided they also purchase X-frame guards at the time of the original purchase and the guards are installed on the MX-PRO before it is put into service.

If Stryker requests, products or parts for which an original purchaser makes a warranty claim, the purchaser shall return the product or part prepaid freight to Stryker's factory.

Any improper use or alteration or repair by unauthorized service providers in such a manner as in Stryker's judgment affects the product materially and adversely, shall void this warranty. Any repair of Stryker products using parts not provided or authorized by Stryker shall void this warranty. No employee or representative of Stryker is authorized to change this warranty in any way.

This statement constitutes Stryker EMS's entire warranty with respect to the aforesaid equipment. STRYKER MAKES NO OTHER WARRANTY OR REPRESENTATION EITHER EXPRESSED OR IMPLIED, EXCEPT AS SET FORTH HERIN. THERE IS NO WARRANTY OF MERCHANTABILITY AND THERE ARE NO WARRANTIES OF FITNESS FOR ANY PARTICULAR PURPOSE. IN NO EVENT SHALL STRYKER BE LIABLE HEREUNDER FOR INCIDENTAL OR CONSEQUENTIAL DAMAGES ARISING FROM OR IN ANY MANNER RELATED TO SALES OR USE OF ANY SUCH EQUIPMENT.

Warranty

Stryker EMS Return Policy

Cots, Stair Chairs, Evacuation Chairs, Cot Fasteners and Aftermarket Accessories: may be returned up to 180 days of receipt if they meet the following guidelines:

Prior to 30 Days

- 30 day money back guarantee in effect
- Stryker EMS is responsible for all charges
- Returns will not be approved on modified items

Prior to 90 Days

- Product must be **unused, undamaged** and in the original packaging
- Customer is responsible for a 10% restocking fee

Prior to 180 Days

- Product must be **unused, undamaged** and in the original packaging
- Customer is responsible for a 25% restocking fee

Return Authorization:

Merchandise cannot be returned without approval from the Stryker Customer Service Department. An authorization number will be provided which must be printed on the returned merchandise. Stryker reserves the right to charge shipping and restocking fees on returned items.

SPECIAL, MODIFIED, OR DISCONTINUED ITEMS NOT SUBJECT TO RETURN.

Damaged Merchandise:

ICC Regulations require that claims for damaged merchandise must be made with the carrier within fifteen (15) days of receipt of merchandise. **DO NOT ACCEPT DAMAGED SHIPMENTS UNLESS SUCH DAMAGE IS NOTED ON THE DELIVERY RECEIPT AT THE TIME OF RECEIPT.** Upon prompt notification, Stryker will file a freight claim with the appropriate carrier for damages incurred. Claim will be limited in amount to the actual replacement cost. In the event that this information is not received by Stryker within the fifteen (15) day period following the delivery of the merchandise, or the damage was not noted on the delivery receipt at the time of receipt, the customer will be responsible for payment of the original invoice in full.

Claims for any short shipment must be made within thirty (30) days of invoice.

International Warranty Clause:

This warranty reflects U.S. domestic policy. Warranty outside the U.S. may vary by country. Please contact your local Stryker Medical representative for additional information.

Patent Information

Rugged® Products are covered by one or more of the following patents:

United States	5,575,026	6,276,010	6,648,343	6,908,133	6,796,757
	5,537,700	6,125,485	6,735,794	7,100,224	D527,103

Other Patents Pending

Summary of Safety Precautions

The following is a list of safety precautions that must be observed when operating or servicing this unit. The precautions are repeated throughout the manual, where applicable. Carefully read this list before using or servicing the unit.

WARNING

- Improper usage of the **▲RUGGED▲** Cot can cause injury to the patient or operator and/or damage to the cot. Operate the cot only as described in this manual.
- Always use all restraint straps to secure the patient on the cot. An unrestrained or partially restrained patient may fall from the cot and be injured.
- Siderails are not intended to serve as a patient restraint device. Refer to pages 17 & 18 for proper restraint strap usage. Failure to use the siderails properly could result in patient injury or damage to the cot.
- Never leave a patient unattended on the cot or injury could result. Hold the cot securely while a patient is on the cot.
- The wheel lock is only intended to help prevent the cot from rolling while unattended. The wheel lock may not provide sufficient resistance on all surfaces or under loads.
- Never apply the optional wheel lock while a patient is on the cot. Tipping could occur if the cot is moved while the wheel lock is applied, resulting in injury to the patient or operator and/or damage to the cot.
- Never install or use the wheel lock on a cot with excessively worn wheels. Installing or using the wheel lock on a wheel with less than a 6" diameter could compromise the holding ability of the wheel lock, resulting in injury to the patient or operator and/or damage to the cot or other equipment.
- High obstacles such as curbing, steps or rough terrain can cause the cot to tip, possibly causing patient or operator injury. If possible, obtain additional assistance (see page 31 for a reference chart) or take an alternate route.
- Have the vehicle safety hook installed by a certified mechanic. Improper safety hook installation can cause injury to the patient or operator and/or damage to the cot.
- Failure to install the safety hook can cause injury to the patient or operator. Install and use the safety hook as described in this manual.
- To avoid injury, verify the safety bar has engaged the safety hook before removing the cot from the patient compartment.
- The **▲RUGGED▲** Cot must have *at least* 5/8 inch of clearance between the ambulance bumper and the cot to disengage the safety bar when unloading the cot from the ambulance. Verify the legs lock into the load position and visually inspect the lock pin (see page 30) before disengaging the safety bar from the safety hook. Failure to properly lock the cot into position can cause injury to the patient and/or operator or damage to the cot.
- When the optional head end storage pouch is being used, ensure the pouch does not interfere with the operation of the safety bar and or safety hook. Injury to the patient or operator and/or damage to the cot could occur.
- Loading, unloading and changing the position of the cot requires a minimum of two trained operators working together. The operator(s) must be able to lift the total weight of the patient, cot and any other items on the cot. (If additional assistance is needed, see the reference chart on page 31).
- When changing the height of the cot, always verify the base frame is securely locked into position before releasing your grip on the litter frame. Visually inspect the locking pin on the **patient left side** of the cot to verify the lock pin is properly engaged (see page 30).
- To avoid injury, verify the has engaged the safety hook before removing the cot from the patient compartment.

Summary of Safety Precautions

WARNING

- Be sure the undercarriage has engaged and locked before removing the loading wheels from the patient compartment floor of the vehicle.
- Always verify the base frame is securely locked into position before releasing your grip on the litter frame. Visually inspect the locking pin on the patient left side of the cot to verify the lock pin is properly engaged (see page 30). An unlocked base frame will not support the cot and injury to the patient or operator could result.
- Unlock the auxiliary lock only to fold, change height position or load the cot. Improper use can cause injury to the patient or operator.
- Practice folding, changing height position and loading the cot until operation of the auxiliary lock is fully understood. Improper use can cause injury. Unlock the auxiliary lock only to fold, change height position or load the cot.
- Do not allow untrained helpers to assist in the operation of the cot. Untrained technicians/helpers can cause injury to the patient or themselves and/or damage to the cot.
- Do not step or ride on the base of the **ARUGGED** Cot. Damage to the cot could occur, resulting in injury to the patient or operator.
- Failure to properly clean or dispose of contaminated mattress or cot components will increase the risk of exposure to bloodborne pathogens and may cause injury to the patient or the operator.
- To avoid accidental release of the Pedi-Mate™, and possible injury to the infant, ensure the buckle is located away from obstructions on the cot or head end storage pouch.
- If the cot has an optional foot end oxygen bottle holder, hold the leg rest on the sides to avoid pinching your hand between the cot frame and the oxygen bottle when lowering the leg rest.
- To avoid equipment damage and/or injury to the patient, remove all items from the optional base storage tray before loading or lowering the cot.
- When necessary, modify the vehicle to fit the cot. Do not modify the **ARUGGED** Cot. Modifying the cot can cause unpredictable operation resulting in injury to the patient or operator or damage to the cot. Modifying the cot will also void its warranty.
- Damage to the cot can occur if the cot is lowered in the shortened position. Use only positions 2 – 5 (see page 15) when the cot is shortened.
- Operating the cot with the breakaway head section lowered may cause injury to the patient or operator or damage to the cot. Use only positions 4–5(see page 14) when using this configuration.

CAUTION

- Install the safety hook at least 1/8 inch from the edge of the rear ambulance door. After installation, verify the cot legs lock into the load position without contacting the ambulance bumper.
- To properly engage the safety hook, a height limit kit is recommended for ambulance deck heights less than 30 inches (76 cm) – Stryker part number 6092-202-010.
- Do not store items under the cot mattress. Storing items under the mattress can interfere with the operation of the cot.
- **Do not steam clean, pressure wash, hose off or ultrasonically clean this unit.** High pressure water or steam can remove lubricants and cause corrosion. Clean the cot as described on page 37.
- To avoid damage, the weight of the I.V. bags should not exceed 40 pounds.
- Improper maintenance can cause injury to the patient or operator and/or damage to the unit. Maintain the cot as described in this manual. Use only Stryker approved parts and maintenance procedures. Using unapproved parts and procedures could cause unpredictable operation, damage to the cot and/or injury and will void the product warranty.
- Failure to use authorized parts, lubricants, etc. could cause damage to the cot and will void the product's warranty.

Setup Procedures

Unpack the cartons and check all items for proper operation. It is important that the **ARUGGED** Cot is working properly before it is put into service. Have a qualified service person use the following list and the operation instructions to check the cot before it is put into service.

- All fasteners secure (reference all assembly prints)
- All welds intact, not cracked or broken
- No bent or broken tubing or sheet metal
- No debris in wheels
- All wheels secure, rolling and swivelling properly
- Siderails move and latch properly
- Backrest operating properly
- Optional accessories intact and operating properly
- Height positioning latch functioning properly
- Auxiliary lock operating properly (see page 21)
- Cot secure in each height position
- Undercarriage folds properly
- Breakaway head section operating properly
- Lift capable safety bar operating properly
- Foot rest operating properly
- No rips or cracks in mattress cover
- Body restraints intact and working properly
- Wheel lock operating properly (optional equipment)
- Is there an approved crash-stable fastener (Stryker part number 6370/6374/6377/6378/6379 or 6371/6375 – not included) installed in the vehicle?
- Is there an approved vehicle safety hook (Stryker part number 6060-036-017, 6060-036-018 or 6092-036-018) installed in the vehicle?

The patient compartment of the vehicle in which the **ARUGGED** Cot will be used must have:

- A smooth rear edge for cot loading.
- A level floor large enough for the folded cot.
- Enough space to install the vehicle safety hook.
- Stryker 6370/6374/6377/6378/6379 or 6371/6375 crash stable cot fastener (not included).
- 32" (81 cm.) maximum loading height.

WARNING

To properly engage the safety hook, the height limiting option must be installed if the ambulance floor height is less than 30 inches. If the option is not installed, damage to the cot could occur, resulting in injury to the patient and/or operator.

When necessary, modify the vehicle to fit the cot. Do not modify the **ARUGGED** Cot. Modifying the cot can cause unpredictable operation resulting in injury to the patient or operator or damage to the cot. Modifying the cot will also void its warranty.

Component Identification

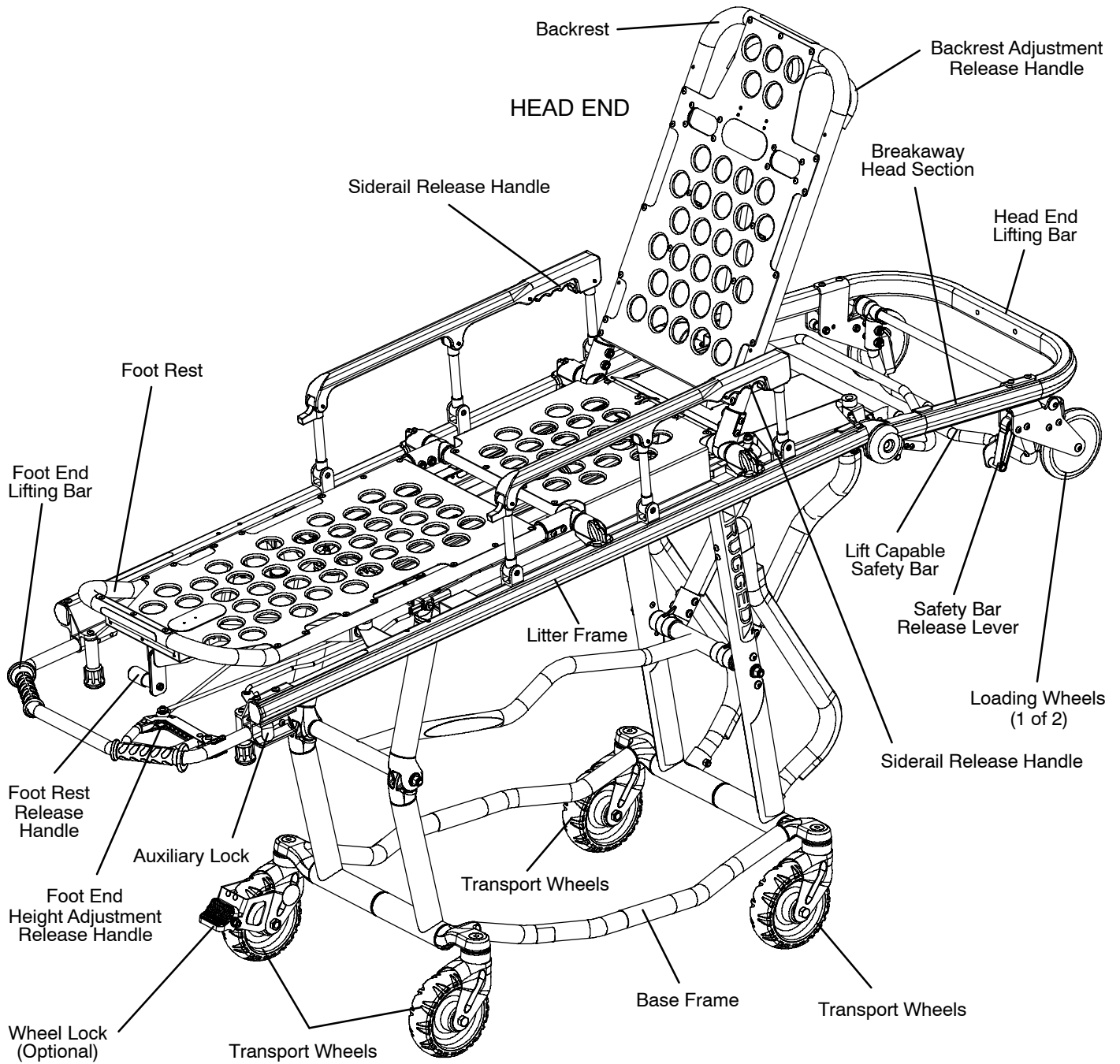
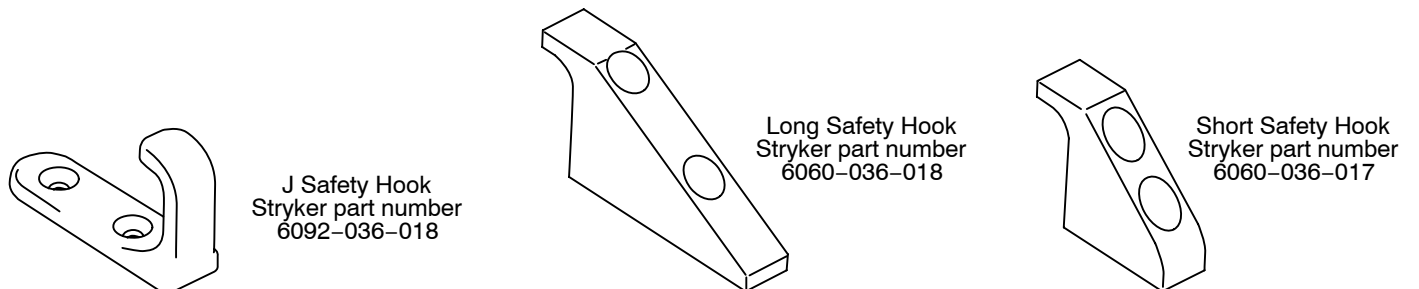


Figure 2 - EZ-PRO® R4



Vehicle Safety Hook Installation

Ambulance Configuration

The vehicle safety hook is a device shipped with the cot. The safety bar and hook are designed to keep the cot from being accidentally removed from the ambulance and to provide increased operator assurance and confidence when unloading. The vehicle safety hook was designed to ensure compatibility and proper operations of the cot during unloading when used in an ambulance vehicle compliant with Federal Regulation KKK-A-1822.

According to federal regulations (reference KKK-A-1822), the bumper height of the ambulance shall be installed equidistant 2 inches (5 cm) from the ambulance floor to the ground level, defined as the ambulance deck height (Figure 3). The bumper step shall have a minimum depth of 5 inches (13 cm) and a maximum depth of 10 inches (25 cm). If the bumper length is greater than 7 inches (18 cm), then the bumper must be able to fold. Installation of the safety hook into any ambulance vehicle compliant with this federal specification will provide adequate clearance for the cot base to lower to its fully extended position (Figure 4). The cot is compatible with all ambulance deck heights up to 32 inches as long as the ambulance meets the federal specifications outlined in KKK-A-1822.

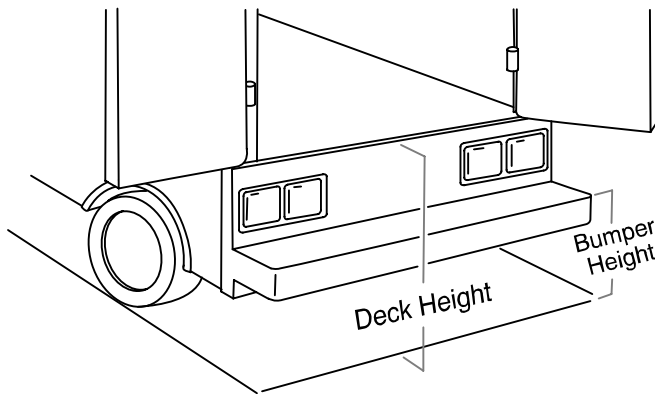


Figure 3 – Ambulance Deck Height

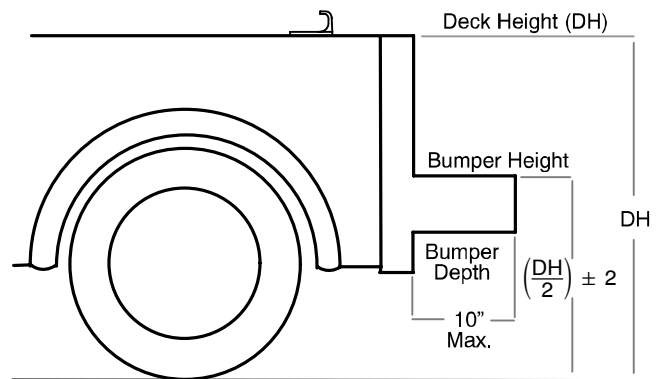


Figure 4 – Ambulance Deck Height

CAUTION

Height limit kit is recommended for ambulance deck heights less than 30 inches (76 cm) – Stryker part number 6092-202-010.

Installation of the safety hook should be done by a certified mechanic familiar with ambulance construction. Consult the vehicle manufacturer before installing the safety hook and be sure the installation of the safety hook does not damage or interfere with the brake lines, oxygen lines, fuel lines, fuel tank or electrical wiring of the vehicle.

Required Hardware for Installation of the Safety Hook (Not Supplied)

- (2) Grade 5, 1/4"–20 Socket Head Cap Screws *
- (2) Grade 5, 1/4"–20 Flat Head Cap Screws *
- (2) Flat Washers
- (2) Lock Washers
- (2) 1/4"–20 Nuts

* The length of the socket head cap screws depends on the thickness of the vehicle floor. Use screws long enough to go completely through the patient compartment floor, washer and nut by at least two full threads.

Vehicle Safety Hook Installation

Positioning and Installing the Safety Hook

WARNING

Have the vehicle safety hook installed by a certified mechanic. Improper safety hook installation can cause injury to the patient and/or operator or damage to the cot.

Failure to install the safety hook can cause injury to the patient or operator. Install and use the safety hook as described in this manual.

Install the safety hook at least 1/8 inch from the edge of the rear ambulance door. After installation, verify the cot legs lock into the load position without contacting the ambulance bumper.

To avoid injury, verify the safety bar has engaged the safety hook before removing the cot from the patient compartment.

Note: Stryker recommends that, prior to installation, the certified mechanic plan the placement of the safety hook in the rear of the vehicle.

Procedure:

1. Remove the cot from the fastener and unload it from the vehicle.
2. While the cot is being removed, note the position of the loading wheels and the safety bar.
3. Center the safety hook on the cot safety bar, with the hook facing the front of the vehicle (Figure 5a). For best results, the face of the safety hook which engages the safety bar should be at least 3–3/4" from the leading edge of the door sill (Figure 5b)

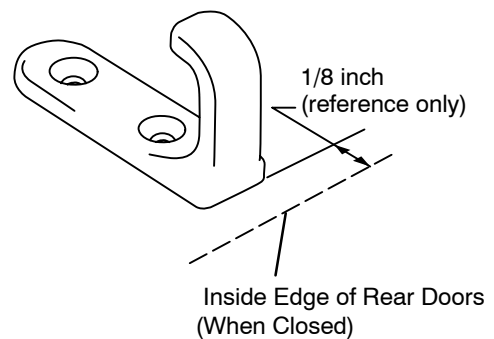


Figure 5a – Safety Hook Placement

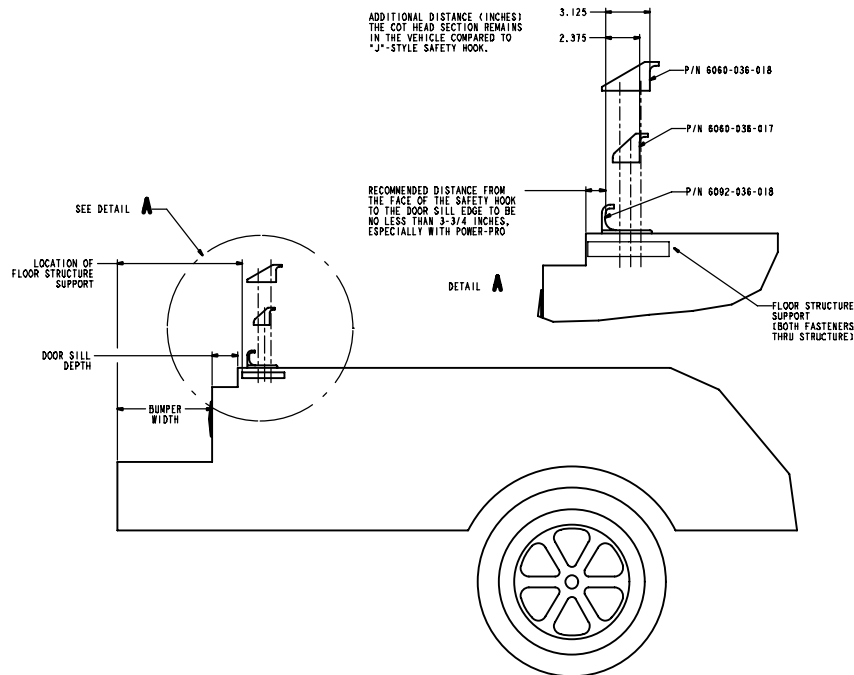


Figure 5b Safety Hook Placement

Vehicle Safety Hook Installation

Positioning and Installing the Safety Hook (Continued)

4. Mark the position of the safety hook on the patient compartment floor. The safety hook should be installed as close as possible to the rear of the vehicle while allowing the vehicle doors to close and checking that the load wheels always remain on the patient compartment floor (i.e. wheels do not roll off the door sill when the cot safety bar engages the safety hook) when the cot is loaded and unloaded from road and/or curb height (Figure 6).
5. Ensure the bumper and bumper step do not interfere with the operation of the cot.
6. Drill the holes for the socket head cap screws.
7. Fasten the safety hook to the patient compartment floor and verify that the safety hook always engages the cot safety bar when the cot is unloaded from the vehicle (Figure 7).

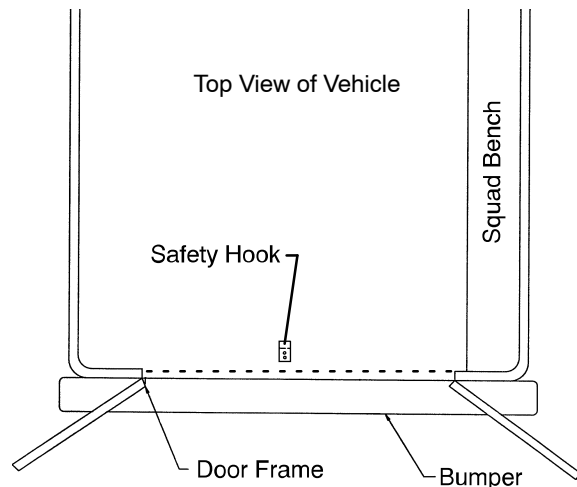


Figure 6 – Safety Hook Placement

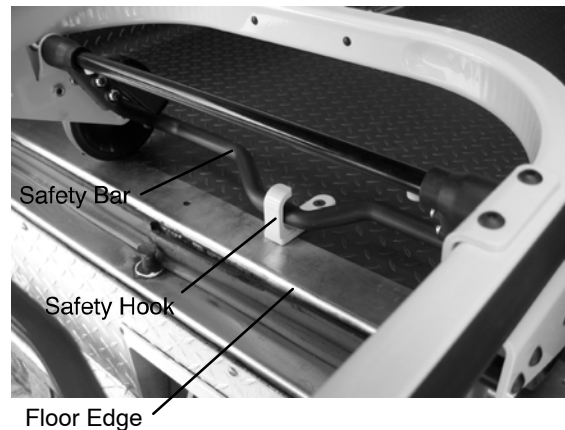
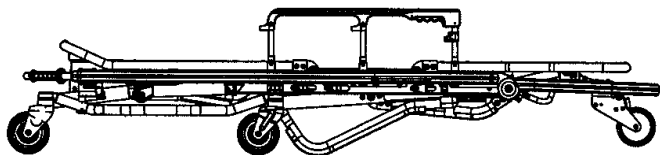


Figure 7 – Safety Bar Engaging Safety Hook

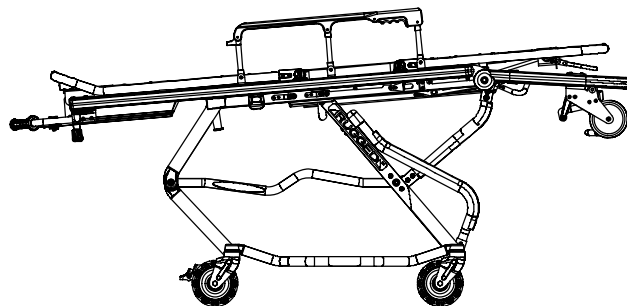
WARNING

The cot must have at least 5/8" of clearance between the ambulance bumper and the cot to disengage the safety bar when unloading the cot from the ambulance. Failure to properly lock the cot into position can cause injury to the patient or operator and/or damage to the cot.

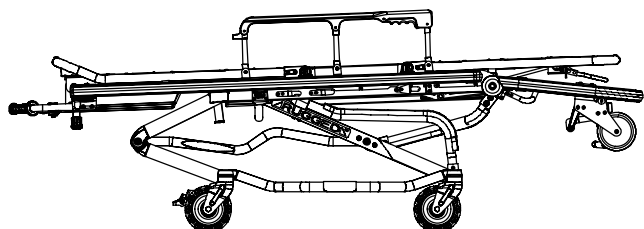
Cot Positions



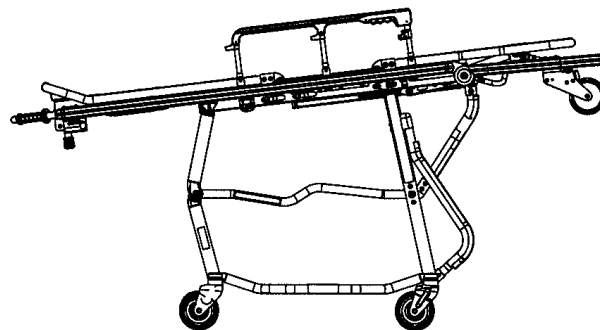
Position 1 – Folded Position – Use for patient transfer and transporting in an ambulance.



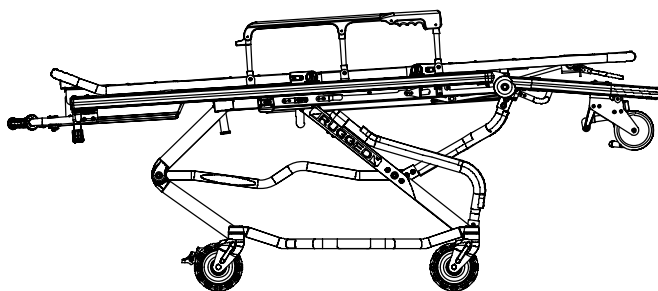
Position 4 – Intermediate Height Position
Use for patient transfer/cot rolling.



Position 2 – Intermediate Height Position
Use for patient transfer/cot rolling.



Position 5 – Loading Position
Use for patient transfer/cot rolling,
folding or loading the cot.



Position 3 – Intermediate Height Position
Use for patient transfer/cot rolling.



Warning – Operating the cot with the breakaway head section lowered may cause injury to the patient or operator or damage to the cot. Use only positions 4–5 when using this configuration.

Cot User Tips

Disengaging the auxiliary lock

The auxiliary lock must **always** be disengaged to lower the cot from the load position or to load the cot into the ambulance. It is located at the foot end of the cot on patient's left side. Push the lock lever towards the head end to disengage the auxiliary lock.

Auxiliary lock resets automatically

The auxiliary lock automatically resets after the red release handle is squeezed and released. If this occurs while the cot is still in the load (or highest) position, you must disengage the auxiliary lock again before loading or lowering the cot.

Auxiliary lock only locks in the load position

When the cot is in any position other than the load position (highest position), there is no need to disengage the auxiliary lock.

Built in safety feature (lift then squeeze)

The cot has a built in safety feature which requires **both operators to lift the cot slightly before the foot end operator squeezes the red foot-end release handle**. This feature ensures both operators are prepared to lower the cot and decreases the chance of injury to the operators and/or patient. With an empty cot, the operators may have to generate a downward force after squeezing the foot end release handle to start the cot on its downward descent.

Squeeze foot-end release completely

After raising the cot slightly from both ends, **squeeze the foot end release handle all the way to the grip** to begin lowering the cot. Relaxing your grip on the handle once the cot starts downward allows the cot to lock in any of the height positions. When raising the cot to a higher position, completely squeeze the foot end release handle.

Transport at load-height position

You may transport the cot in the load height position. This eliminates the need for changing the height of the cot prior to loading the cot into the vehicle. Note: Transport in the lowest height position appropriate to ensure patient safety.

Cot is not flat in highest transport position

The cot litter is at a slight head-up/foot-down angle (reverse Trendelenburg) when it is in its highest transport position to facilitate easy loading.

Unloading from Ambulance

It is not necessary to squeeze the foot end release handle when lowering the cot out of the ambulance.

One-step cot positioning

You can raise the cot from any position to the load position in one step.

Cot Operation

Using Restraint Straps

WARNING

Always use all restraint straps to secure the patient on the cot. An unrestrained or partially restrained patient may fall from the cot and be injured.

Always secure the patient on the cot with all the restraint straps. Buckle the restraints across the patient's chest/shoulders, waist and legs (Figure 8).

WARNING

Never leave a patient unattended on the cot or injury could result. Hold the cot securely while a patient is on the cot.

When attaching the restraint straps to the cot, keep in mind the attachment points should provide strong anchorage and proper restraint position while not interfering with equipment and accessories. Wrap the strap around the cot frame and back through the loop on the end of the strap as shown in Figures 9 and 10. The arrows indicate alternate attachment areas.

Keep the restraint straps buckled when the cot is not being used with a patient to avoid damage to the buckles and straps.

For Pedi-Mate™ restraint instructions see page 18 and 19.

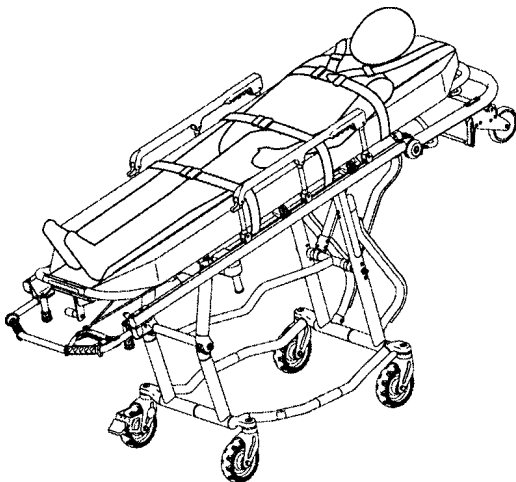


Figure 8 – Patient Restrained on EZ-PRO® R4

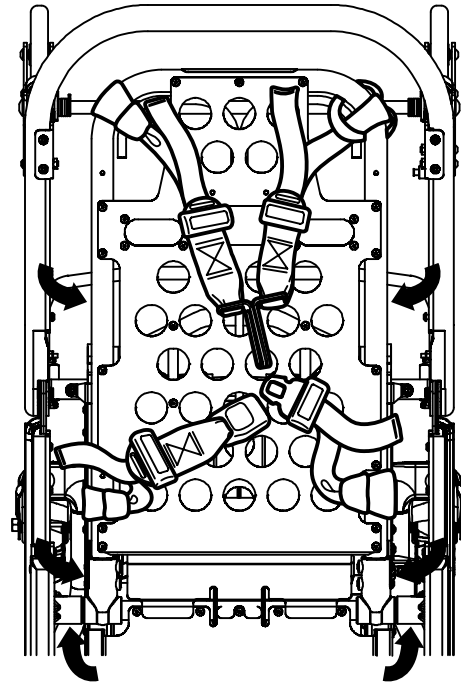


Figure 9 – Head Section Restraints

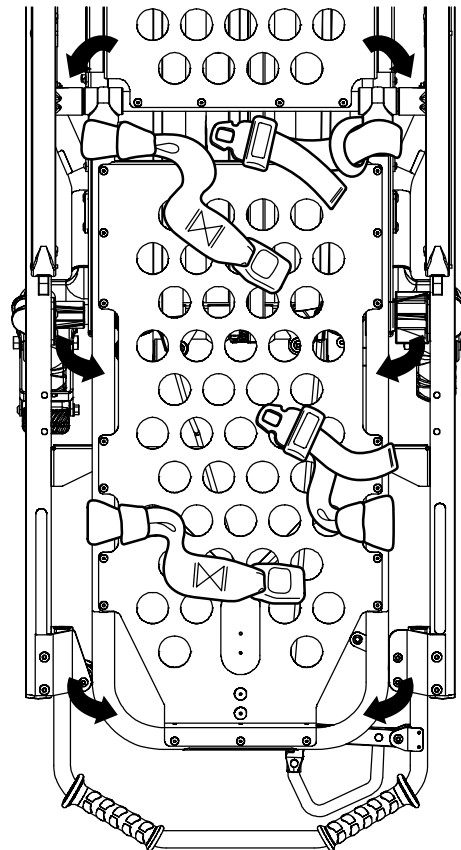


Figure 10 – Foot Section Restraints

Cot Operation

Using Restraint Straps (Continued)

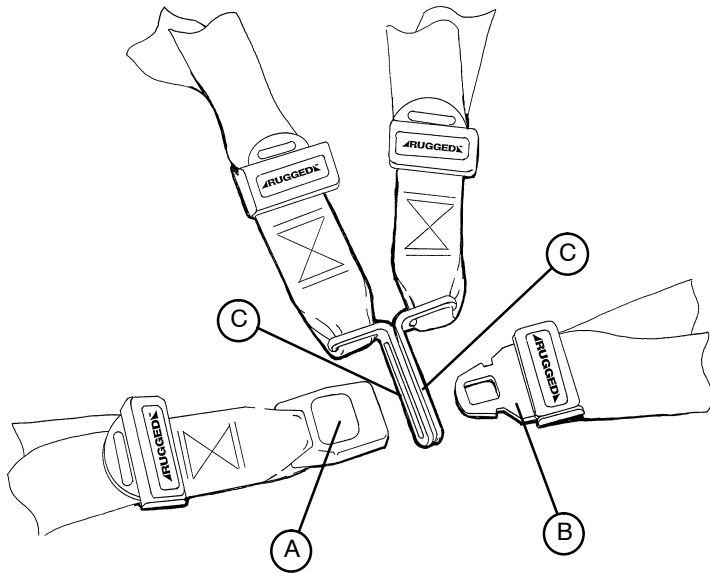


Figure 11 - Buckling the Restraints

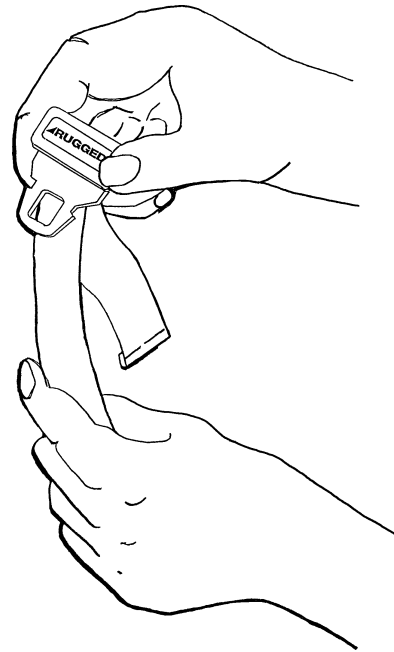


Figure 12 - Lengthening the Safety Restraints

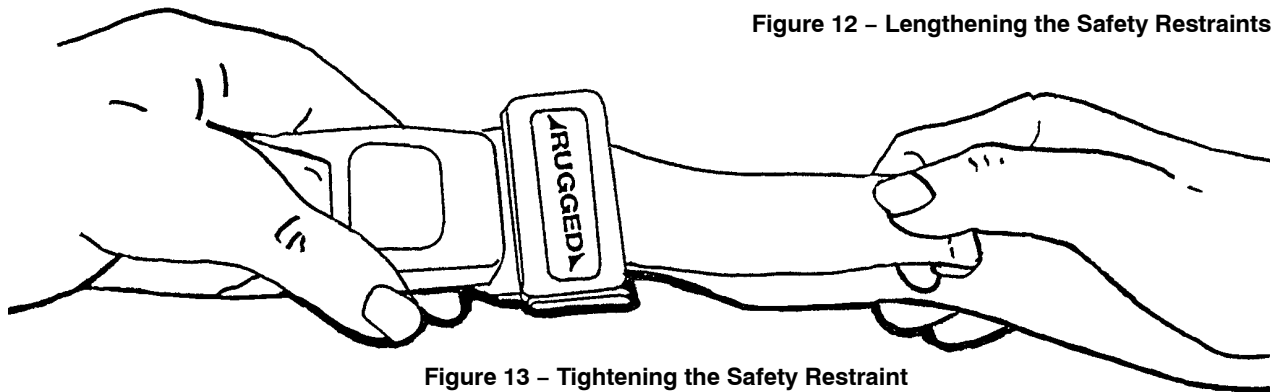


Figure 13 - Tightening the Safety Restraint

When the cot is put into service, the restraints are opened and placed to either side of the cot until the patient is positioned on the cot mattress. The restraint is lengthened, buckled around the patient and shortened until the required tightness is achieved.

To open the restraint, press the red button (A) on the front of the buckle "receiver". This releases the buckle "tang" (B) which can then be pulled out of the receiver (Figure 11).

To close the restraint, push the tang into the receiver until a "click" is heard. When fastening the chest restraint be sure the tang passes through both links (C) on the shoulder strap (Figure 11).

To lengthen the restraint, grasp the buckle tang, turn it at an angle to the webbing, then pull out (Figure 12). A hemmed tab at the end of the webbing prevents the tang from coming off the strap.

To shorten the restraint, grasp the hemmed tab and pull the webbing back through the tang until the required tightness is achieved (Figure 13).

Whenever a restraint is buckled on a patient, the attendant should verify the tang is fully engaged and the extra webbing is not tangled in the cot or hanging loose.

Inspection of the restraints should be done at least once a month (more frequently if used heavily). Inspection should include checking for a bent or broken receiver or tang, torn or frayed webbing, etc. Any restraint showing wear or not operating properly must be replaced immediately.

Pedi-Mate™ Infant Restraint System Attachment Instructions

Refer to the Pedi-Mate™ users manual for the manufacturer's recommendations for the use, operation and care of the Pedi-Mate™ Infant Restraint System.

Securing the Pedi-Mate™ to the cot

1. Remove any restraints already attached to the cot.
2. Raise the cot backrest to the full upright position.
3. Position the Pedi-Mate™ pad flat on the backrest with the black backrest straps out (Figure 14).



Figure 14 – Positioning the Pedi-Mate™

4. Wrap the straps around the backrest and insert the ends of the straps through the brackets. Securely fasten the buckle (Figure 15).

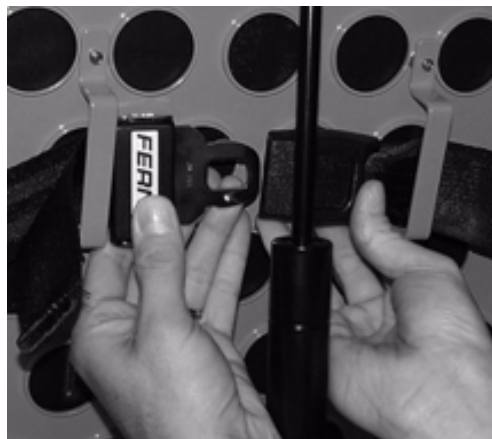


Figure 15 – Fastening the Pedi-Mate™ Buckle

WARNING

To avoid accidental release of the Pedi-Mate™, and possible injury to the infant, ensure the buckle is located away from obstructions on the cot or head end storage pouch.

Pedi-Mate™ Infant Restraint System Attachment Instructions

5. Pull firmly on the end of the adjustable backrest strap and tighten it securely.
6. Insert the mainframe straps between the cot frame and the mattress. To ensure the release button is toward the foot end of the cot, insert the buckle behind the litter crossbrace and bring it up in front of the crossbrace. Secure the buckle around the crossbrace, leaving a little slack in the strap for final adjustment (see Figure 16).



Figure 16 – Securing the Safety Restraints on a Rugged®Cot

WARNING

To avoid accidental release of the Pedi-Mate™, and possible injury to the infant, ensure the buckle is located away from obstructions on the cot.

7. Verify all the straps are snug and fastened securely (Figure 17).



Figure 17 – Pedi-Mate™ Strapped to a Rugged® Cot

These are general instructions for installation of the Pedi-Mate™. Safe and proper use of the Pedi-Mate™ is solely at the discretion of the user. Stryker recommends all users be trained on the proper use of the Pedi-Mate™ before using it in an actual situation.

Retain these instructions for future reference. Include them with the product in the event of transfer to new users. Pedi-Mate™ is a trademark of Ferno-Washington Inc.

Cot Operation

Guidelines for Operation

- Use the **▲RUGGED▲** Cot only as described in this manual.
- Read and understand all labels and instructions on the cot before using the cot.
- Use a minimum of two operators to manipulate the cot. (If additional assistance is required, see page 31 for a reference chart).
- Do not adjust, roll or load the cot without advising the patient. Stay with the patient and control the cot at all times.
- Always use the restraint straps and keep the siderails up when a patient is on the cot.
- Use properly trained helpers when necessary to control the cot and patient.

Auxiliary Lock

The auxiliary lock keeps the base frame from inadvertently exiting the loading position. Unlock the auxiliary lock when:

- going from the loading position to the folded position,
- going from the loading position to an intermediate height position,
- loading the cot into the ambulance.

Procedure

1. Put the cot in the loading position (see page 15).
2. Move the auxiliary lock lever to the right to the unlocked position.
3. Lower, change height position or load the cot.

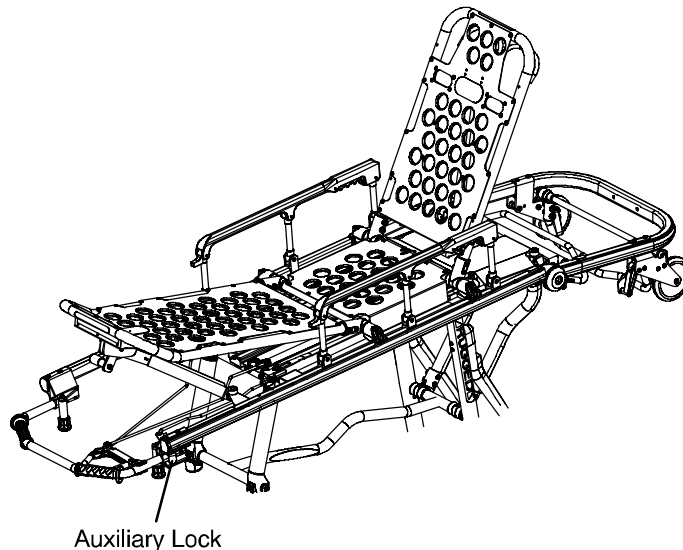


Figure 18 – Auxiliary Lock

NOTE

The auxiliary lock can be unlocked only when the cot is in the loading position. The auxiliary lock will reset to the locked position once the foot end release handle is actuated.

WARNING

Practice folding, changing height position and loading the cot until operation of the auxiliary lock is fully understood. Improper use can cause injury. Unlock the auxiliary lock only to fold, change height position or load the cot.

Cot Operation

TRANSFERRING THE PATIENT TO THE **ARUGGED** COT

1. Roll the cot to the patient.
2. Place the cot beside the patient and raise/lower the patient's level.
3. Lower the siderails and open the restraint straps.
4. Transfer the patient to the cot using accepted EMS procedures.
5. Use all the restraints to secure the patient to the cot (see pages 16 & 17 for restraint strap usage instructions).
6. Raise the siderails and adjust the backrest and leg rest as necessary.

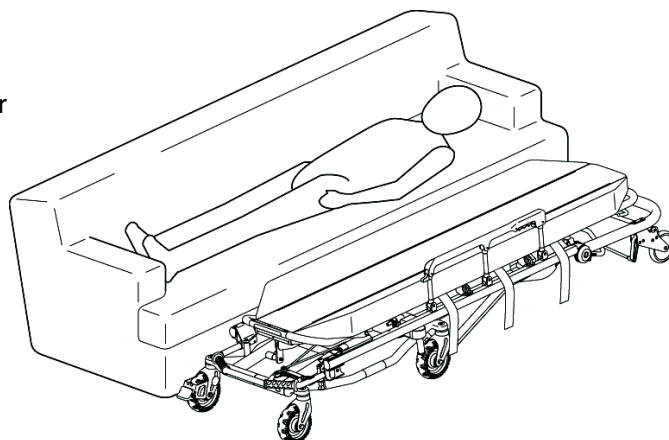


Figure 19 – Transferring the Patient to the Cot

WARNING

Always use all restraint straps to secure the patient on the cot. An unrestrained or partially restrained patient may fall from the cot and be injured.

Never apply the optional wheel lock while a patient is on the cot. Tipping could occur if the cot is moved while the wheel lock is applied, resulting in injury to the patient or operator and/or damage to the cot.

ROLLING THE **ARUGGED** COT

1. Make sure all the restraint straps are securely buckled around the patient (see pages 16 & 17 for restraint strap usage instructions).
2. Place the cot in positions 2–5 for rolling (see page 14 for cot positions).
3. When rolling the cot, position an operator at the foot end and one at the head end or the side at all times. (If additional assistance is needed, see the reference chart on page 31).
4. During transport, approach door sills or other low obstacles squarely and lift each set of wheels over the obstacle separately.

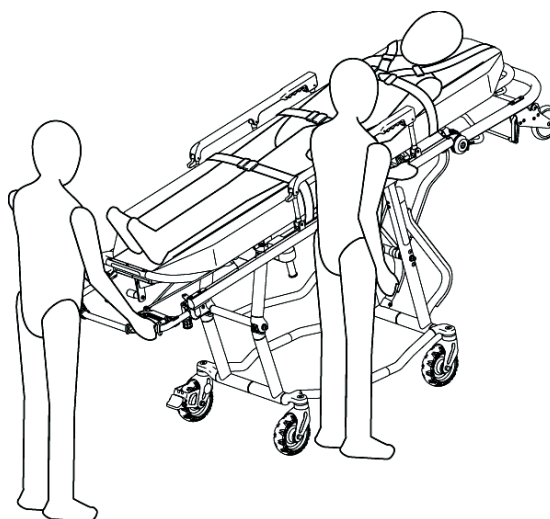


Figure 20 – Rolling the Cot

WARNING

High obstacles such as curbing, steps or rough terrain can cause the cot to tip, possibly causing patient or operator injury. If possible, obtain additional assistance (see page 31 for a reference chart) or take an alternate route.

Operating the Cot with the breakaway head section lowered may cause injury to the patient or operator or damage to the cot. Use only positions 4–5 (see page 14) when using this configuration

Cot Operation

CHANGING COT HEIGHT

WARNING

Loading, unloading and changing the position of the cot requires a minimum of two trained operators working together. The operator(s) must be able to lift the total weight of the patient, cot and any other items on the cot. (If additional assistance is needed, see the reference chart on page 30).

When changing the height of the cot, always verify the base frame is securely locked into position before releasing your grip on the litter frame. Visually inspect the locking pin on the patient left side of the cot to verify the lock pin is engaged (see page 29).

Do not step or ride on the base of the **ARUGGED** Cot. Damage to the cot could occur, resulting in injury to the patient or operator.

The **ARUGGED** EZ-PRO® R4 has five height positions (see page 14):

- The highest or loading position,
- three intermediate Transport positions,
- a “Folded” position.

CHANGING BETWEEN LOADING AND FOLDED POSITIONS:

Changing From the Loading to the Folded Position:

1. To lower the cot from its loading position to its folded position, two operators stand at opposite ends of the cot and grasp the litter frame with palms facing up (as shown in Figure 21).
2. The foot end operator unlocks the cot's auxiliary lock, located at the foot end on the patient's left side. (The auxiliary lock provides added security to help prevent inadvertent drops.)
3. Both operators lift the cot until the weight is off the latching mechanism (approximately 1/4”).
4. The foot end operator squeezes and holds the release handle and both operators lower the cot to the folded position.

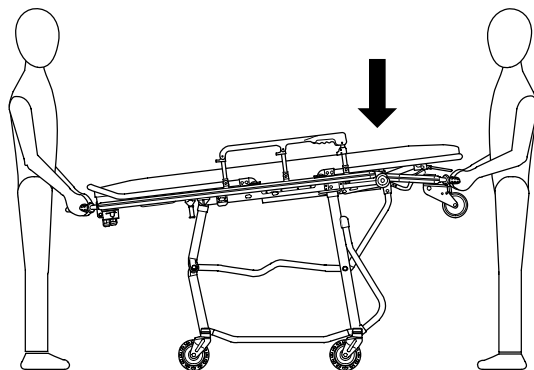


Figure 21 – Lowering the Cot to the Folded Position

NOTE

The auxiliary lock resets automatically when the foot end height adjustment release handle is activated.

Changing From the Folded to the Loading Position:

To raise the cot to its loading position, two operators grasp both ends of the litter frame and raise the cot until the base frame has locked into place (as shown in Figure 22).

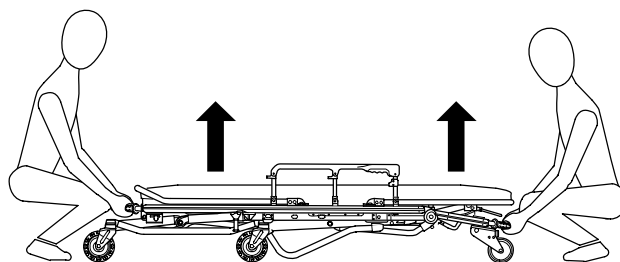


Figure 22 – Raising the Cot to the Loading Position

WARNING

Always verify the base frame is securely locked into position before releasing your grip on the litter frame. Visually inspect the locking pin on the **patient left side** of the cot to verify the lock pin is properly engaged (see page 29). An unlocked base frame will not support the cot and injury to the patient or operator could result.

Cot Operation

CHANGING COT HEIGHT (CONTINUED)

Lowering the Cot from the Load Position to an Intermediate Transport Position:

1. Two operators firmly grasp the litter frame at opposite ends with their palms facing up (Figure 23).
2. The foot end operator unlocks the auxiliary lock.
3. Both operators lift the cot until the weight is off the latching mechanism (approximately 1/4").
4. The foot end operator squeezes and holds the release handle and both operators lower the cot to the folded position.
5. As downward motion of the cot begins, the operator at the foot end relaxes his/her grip *on the release handle* to stop the cot in the first intermediate transport position.



Figure 23 – Lowering the Cot to the Intermediate Position

Raising the Cot from an Intermediate Transport Position to the Load Position:

1. Two operators firmly grasp the litter frame at opposite ends with palms facing up.
2. Both operators lift slightly to take the weight off the base frame (approximately 1/4").
3. The foot end operator squeezes and holds the release handle and both operators lift the cot to the loading position.



Figure 24 – Raising the Cot from the Intermediate Position

WARNING

Always verify the base frame is securely locked into position before releasing your grip on the litter frame. Visually inspect the locking pin on the patient left side of the cot to verify the lock pin is properly engaged (see page 29).

Changing Between Two Intermediate Transport Positions:

1. Two operators firmly grasp the litter frame at opposite ends with palms facing up.
2. Both operators lift slightly (approximately 1/4") to take the weight off the base frame.
3. The foot end operator squeezes the release handle. As upward or downward motion begins, the foot end operator relaxes his/her grip *on the release handle* to stop in the desired position.



Figure 25 – Changing Cot Height Between Intermediate Positions

WARNING

Always verify the base frame is securely locked into position before releasing your grip on the litter frame. Visually inspect the locking pin on the patient left side of the cot to verify the lock pin is properly engaged (see page 29).

Cot Operation

CHANGING COT HEIGHT (CONTINUED)

Changing Between the Loading and the Folded Position with One Operator and an Empty Cot

When a cot is *empty*, one trained operator can fold the cot or put it into the loading position.

Changing From the Loading to the Folded Position:

1. Stand at the foot end of the cot and lift the foot end so the loading wheels on the breakaway head section touch the floor (Figure 26).
2. Unlock the auxiliary lock.
3. Squeeze the foot end height adjustment release handle.
4. Lower the cot to the folded position.

Changing From the Folded to the Loading Position:

1. Grasp the foot end firmly.
2. Lift until the base frame securely locks into place (Figure 27).

WARNING

Always verify the base frame is securely locked into position before releasing your grip on the litter frame. Visually inspect the locking pin on the patient left side of the cot to verify the lock pin is properly engaged (see page 29). An unlocked base frame will not support the cot and injury to the patient or operator could result.

Changing Between a Loading and an Intermediate Position with One Operator and an Empty Cot

1. Stand at the foot end of the cot and lift the foot end so the loading wheels on the breakaway head section touch the floor (Figure 28).
2. Unlock the auxiliary lock.
3. Brace the base of the cot against your body and put one hand on the crossbrace.
4. Squeeze the foot end height adjustment release handle.
5. Pull the crossbrace toward your body until the cot locks into the desired position (Figure 29).
6. Tip the cot back onto its four wheels in the rolling position.



Figure 26 – Folding the Cot with 1 Operator



Figure 27 – Raising the Cot to Load Height with 1 Operator



Figure 28 – Tip the Cot onto Load Wheels



Figure 29 – Lower to Intermediate Position

Cot Operation

OPERATING THE OPTIONAL WHEEL LOCK

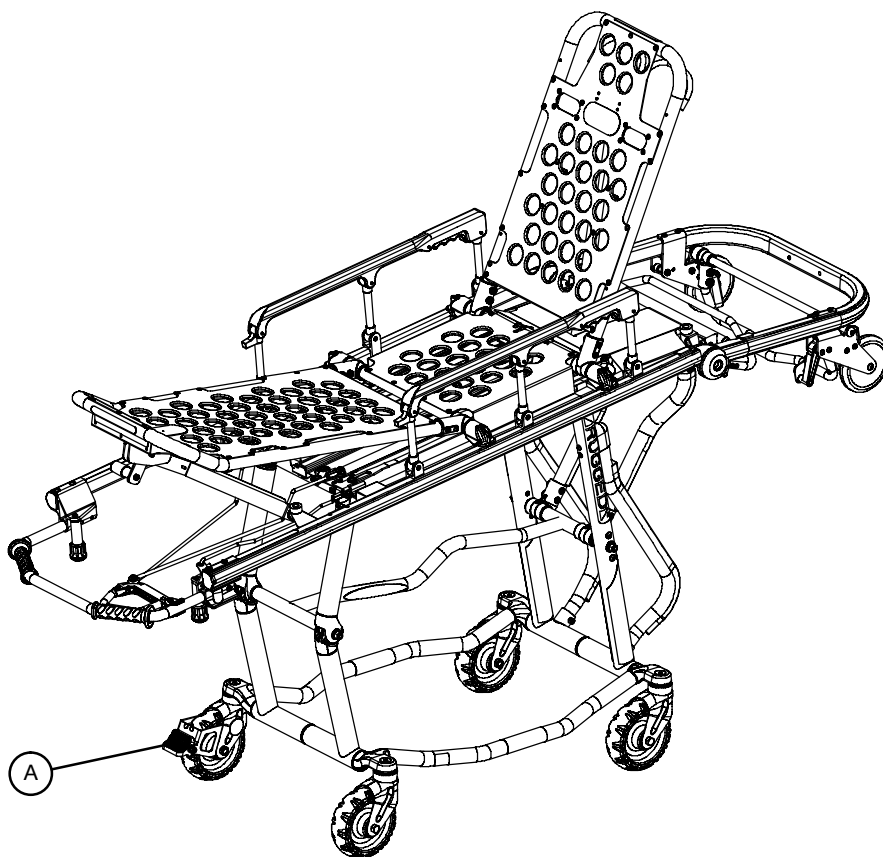


Figure 30 – Optional Wheel Lock

1. To activate the optional wheel lock, press fully down on the pedal (A) until it stops.
2. To release the optional wheel lock, depress the upper face of the wheel lock pedal with your foot or lift up with your toe under the pedal. The upper portion of the pedal will rest against the caster frame when the wheel lock is released.

WARNING

Never apply the optional wheel lock while a patient is on the cot. Tipping could occur if the cot is moved while the wheel lock is applied, resulting in injury to the patient or operator and/or damage to the cot.

The wheel lock is only intended to help prevent the cot from rolling while unattended. The wheel lock may not provide sufficient resistance on all surfaces or under loads.

Never leave a patient unattended on the cot or injury could result. Hold the cot securely while a patient is on the cot.

Never install or use the wheel lock on a cot with excessively worn wheels. Installing or using the wheel lock on a wheel with less than a 6" diameter could compromise the holding ability of the wheel lock, possibly resulting in injury to the patient or operator and/or damage to the cot or other equipment.

Cot Operation

ADJUSTING THE WHEEL LOCKING FORCE

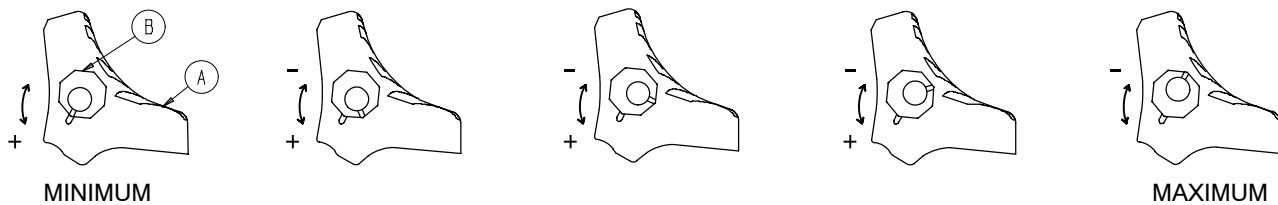


Figure 31 – Optional Wheel Lock Force Adjustment

1. To adjust the wheel locking force, remove the hex socket screw from the center of the lock pedal. The wheel lock is initially assembled with the pedal set at the minimum locking force. The marker on the pedal (item A) is aligned with the marker on the octagonal sleeve (item B).
2. Remove the sleeve (B). Rotate the sleeve counterclockwise to increase the pedal locking force and clockwise to decrease the locking force. Insert the sleeve into the pedal. Reinstall the hex socket screw.
3. Test the pedal locking force before returning the cot to service.

LOADING THE **ARUGGED** COT INTO A VEHICLE

When loading the cot into a vehicle, an operator should remember the following important information:

- The higher the operator must lift the cot, the more difficult it becomes to hold the weight. The operator may need help loading the cot into a vehicle if he/she is too short or if the patient is too heavy for the operator to lift safely. The operator should only lift the cot to a horizontal position when loading the cot. (If additional assistance is needed, see the reference chart on page 30).
- The operator must be able to lift the cot high enough for the cot's base frame to unfold completely and lock when the cot is unloaded. A shorter operator will have to raise his/her arms higher to enable the base frame to unfold. (If additional assistance is needed, see the reference chart on page 30).

WARNING

Loading, unloading and changing the position of the cot requires a minimum of two trained operators working together. The operator(s) must be able to lift the total weight of the patient, cot and any other items on the cot. (If additional assistance is needed, see the reference chart on page 30).

Cot Operation

LOADING THE **RUGGED** COT INTO A VEHICLE (CONTINUED)

1. Place the cot in the loading position (see page 15).
2. Roll the cot to the open door of the patient compartment, approaching the vehicle squarely.
3. Fold the vehicle bumper to the raised position (if available).
4. Push the cot forward until both loading wheels are on the patient compartment floor and the safety bar passes the safety hook.
5. Operator 1 – Release the auxiliary lock.

WARNING

Unlock the auxiliary lock only to fold, change height position or load the cot. Improper use can cause injury to the patient or operator.

6. Operator 1 – Grasp and support the cot litter frame at the foot end using an underhand grip.
7. Operator 1 – Lift the foot end of the cot until the transport wheels are off the ground and the cot is horizontal (Figure 32). Squeeze and hold the foot end release handle and push the cot into the vehicle.
8. Operator 2 – As Operator 1 pushes the cot into the vehicle, lift on the base frame to help the base frame fold as the cot loads into the vehicle (Figure 33).
9. Both operators – Push the cot into the patient compartment (Figure 34), engaging the cot fastener (not included).
10. Operator 1 – Let go of the foot end release handle.

NOTE

Loose items or debris on the patient compartment floor can interfere with the smooth rolling of the cot and the operation of the cot fastener. Keep the patient compartment floor clear.

IMPORTANT NOTE

To recover from a loading attempt halted by the auxiliary lock, do the following:

1. Release the foot end release handle.
2. Be sure the auxiliary lock is in the locked position.
3. Return the cot to its transport wheels, and verify the base frame is securely locked into position.
4. Retry the folding or loading procedure.



Figure 32 – Lift Cot Horizontal, Lifting the Wheels Off the Ground



Figure 33 – Folding the Base Frame



Figure 34 – Loading the Rugged® Cot

Cot Operation

UNLOADING THE COT FROM A VEHICLE

WARNING

Loading, unloading and changing the position of the cot requires a minimum of two trained operators working together. The operator(s) must be able to lift the total weight of the patient, cot and any other items on the cot. If additional assistance is needed, see the reference chart on page 30).

Disengage the cot from the cot fastener.

Operator 1 – Grasp the foot end of the cot frame using an underhand grip. Pull the cot from the patient compartment. As the cot is pulled out of the patient compartment, the base frame unfolds and the safety bar catches the safety hook. The Operator must keep the foot end of the cot high enough for the base frame to unfold completely and lock into place *before* the transport wheels make contact with the ground.

WARNING

To avoid injury, verify the safety bar has engaged the safety hook before removing the cot from the patient compartment.

Operator 2 – As Operator 1 pulls the cot out of the patient compartment, grasp the base frame where indicated by the lift here label and lower it to its fully extended position. Visually inspect the locking pin on the patient left side of the cot to verify the pin is engaged as shown in Figure 35 on page 29.

WARNING

Always verify the base frame is securely locked into position before releasing your grip on the litter frame. Visually inspect the locking pin on the patient left side of the cot to verify the lock pin is properly engaged (see page 29). An unlocked base frame will not support the cot and injury to the patient or operator could result.

Operator 1 – When the base frame is unfolded and securely locked, lower the cot until the transport wheels are on the ground. Pull the cot away from the ambulance until the loading wheels clear the patient compartment floor.

NOTE

The cot may be transported in the load height position although it may need to be lowered to an intermediate position depending on conditions and operator preference.

WARNING

High obstacles such as curbing, steps or rough terrain can cause the cot to tip, possibly causing patient or operator injury. If possible, obtain additional assistance (see page 30 for a reference chart) or take an alternate route.

Cot Operation

UNLOADING THE COT FROM A VEHICLE (CONTINUED)



Figure 35 – Locking Pin Properly Engaged



Figure 36 – Locking Pin Not Properly Engaged

Cot Operation

USING ADDITIONAL ASSISTANCE

	Changing Levels	Rolling	Loading/Unloading
<p>Two Operators</p> <p>Two Helpers</p>			
<p>Two Operators</p> <p>Four Helpers</p>			

Cot Operation

ADJUSTING LEG REST

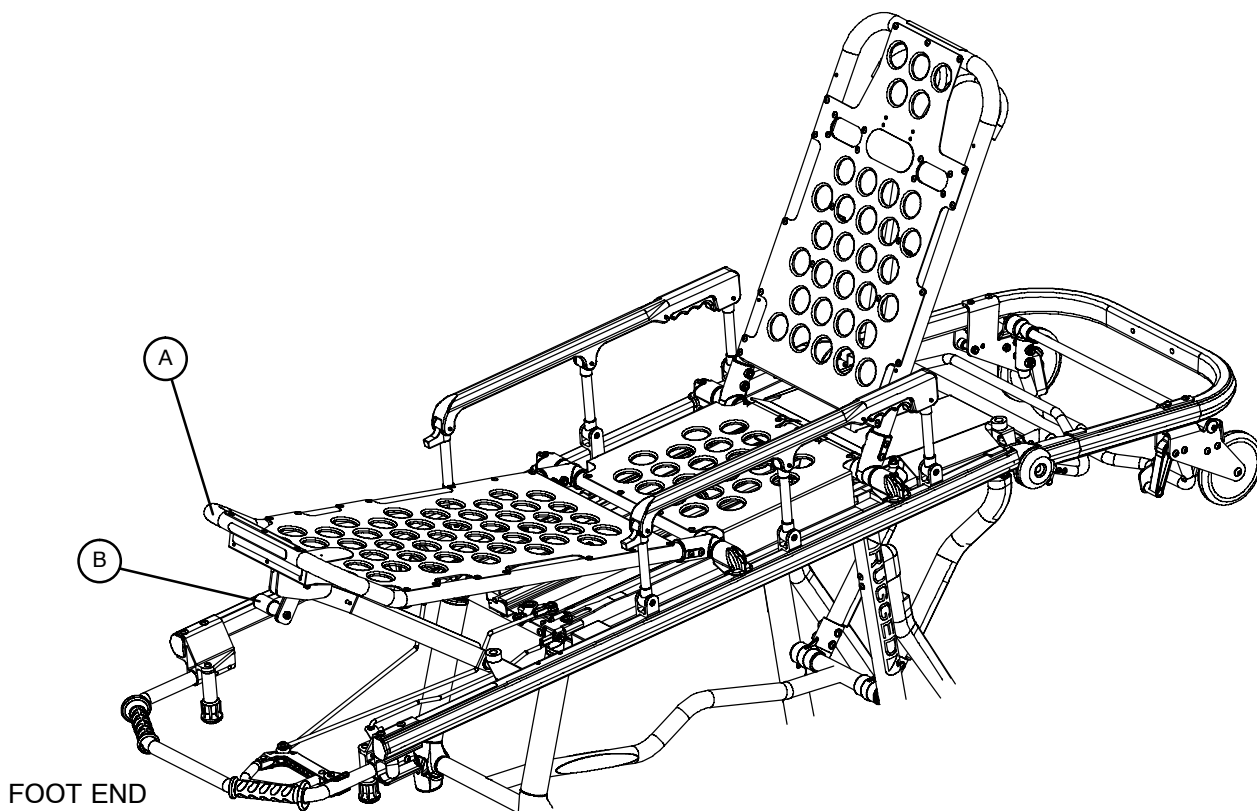


Figure 37 – Raising/Lowering the Leg Rest

The leg rest is adjustable to allow for elevation of the patient's legs.

To raise the leg rest, lift the leg rest frame (A) as high as possible. The support bracket will engage automatically. Release the frame after the support bracket has engaged.

To lower the leg rest, lift the leg rest frame (A) and, while holding the frame, lift up on the release handle (B) until the bracket disengages. Lower the leg rest until flat.

WARNING

If the cot has an optional foot end oxygen bottle holder, hold the leg rest on the sides to avoid pinching your hand between the cot frame and the oxygen bottle when lowering the leg rest.

Cot Operation

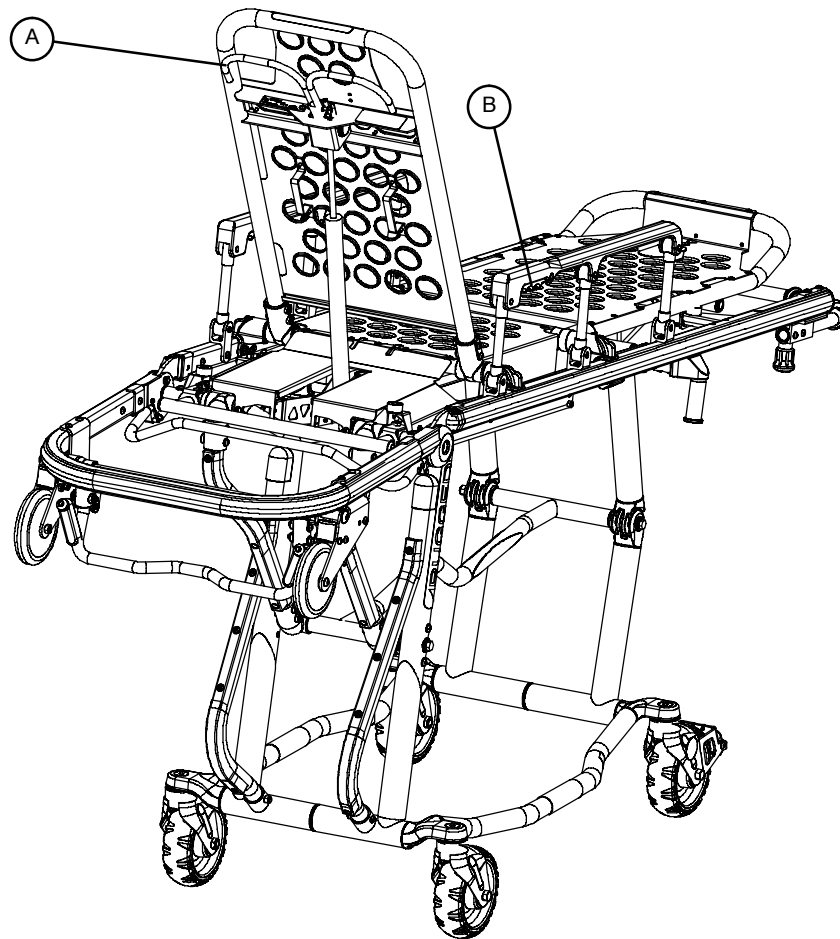


Figure 38 – Pneumatic Backrest and Siderails

OPERATING BACKREST

To raise, squeeze handle (A) for pneumatic assist in lifting the backrest to the desired height. Remove your hand(s) from the handle when the desired height is achieved.

To lower, squeeze handle (A) and push down on the backrest frame until the backrest has reached the desired height. Remove your hand(s) from the handle when the desired height is achieved.

OPERATING SIDERAILS

To raise, lift up until the latch clicks and the siderail locks into place. When a patient is on the cot, always keep the siderails in the raised position unless the patient is being transferred.

To lower, squeeze handle (B) to release the siderail latch. Guide the siderail down toward the foot end until flat.

WARNING

Siderails are not intended to serve as a patient restraint device. Refer to pages 16 & 17 for proper restraint strap usage. Failure to use the siderails properly could result in patient injury or damage to the cot.

Cot Operation

OPERATING BREAKAWAY HEAD SECTION



Figure 39 – Breakaway Head Section Lowered

The head end of the cot litter folds down to shorten the length of the cot (Figure 39) to allow easier maneuvering when space is limited in elevators, halls, etc. The breakaway head section should only be used when the cot is in positions 2–5 (see page 14).

To lower the breakaway head section, raise the backrest to its uppermost position (see page 32 for backrest operation instructions). Squeeze the release bar (A) at the head end of the cot with one hand while supporting the head section with the other hand. Lower the head section (Figure 39).

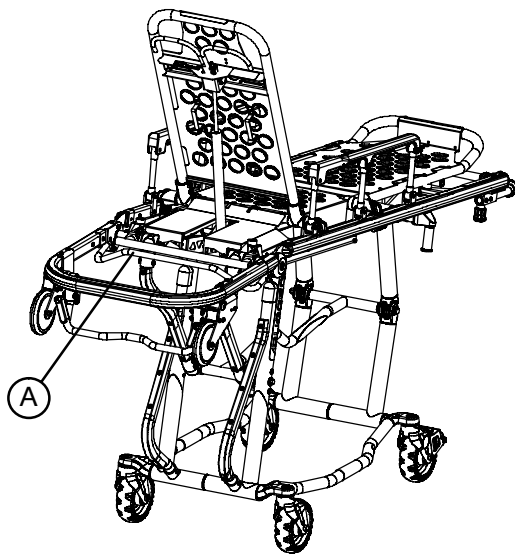


Figure 40 – Breakaway Head Section Raised

To raise the breakaway head section, lift the breakaway head section until the release handles click and the head section locks into place.

Warning – Operating the Cot with the breakaway head section lowered may cause injury to the patient or operator or damage to the cot. Use only positions 4–5 (see page 14) when using this configuration

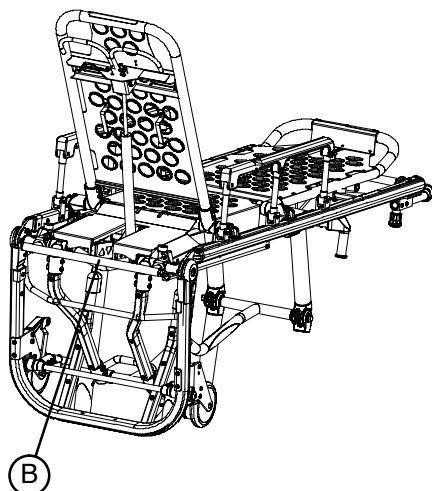


Figure 41 – Optional Lift Bar

If your cot is equipped with the optional base lift bar (B), lower the breakaway head section before using the bar to lift the cot.

Cot Operation

OPERATING 2-STAGE I.V. POLE

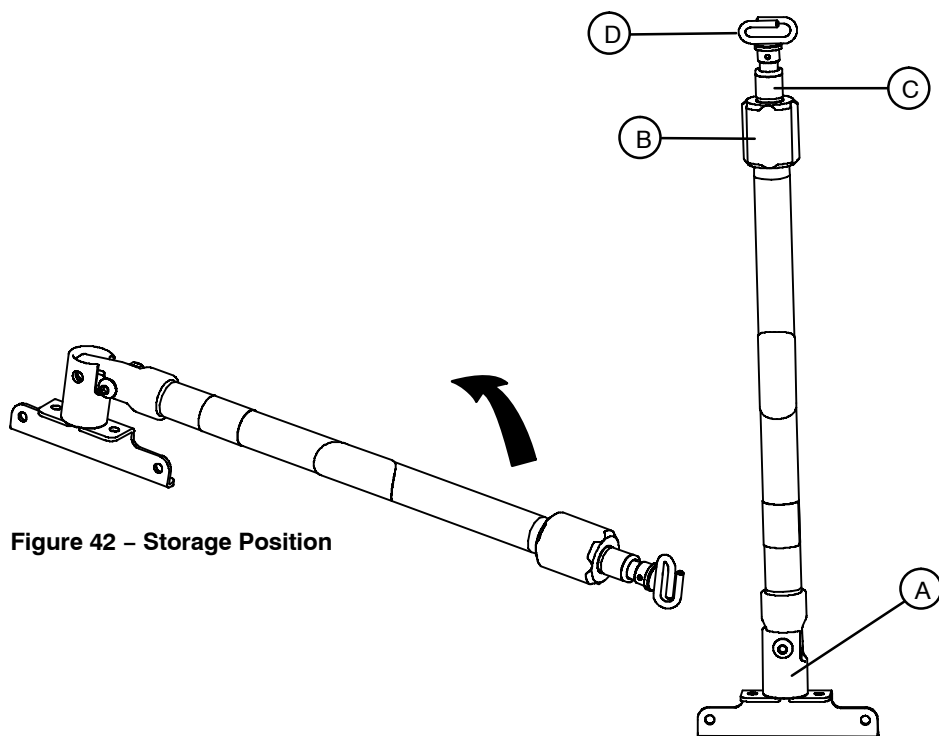


Figure 42 – Storage Position

Figure 43 – 2-Stage I.V. Pole

1. Lift and pivot the pole from the storage position and push down until it is locked into the receptacle (A).
2. To raise the height of the pole, turn the lock actuator (B) counterclockwise and pull up on the telescoping portion (C) of the pole to raise it to the desired height.
3. Turn the lock actuator (B) clockwise to lock the telescoping portion in place.
4. Hang I.V. bags on the I.V. hook (D).

CAUTION

To avoid damage, the weight of the I.V. bags should not exceed 40 pounds.

5. To lower the I.V. pole, turn the lock actuator (B) counterclockwise and slide the telescoping portion (C) into the bottom tube.
6. Lift up on the pole and pivot it into the storage position.

Cot Operation

OPERATING 3-STAGE I.V. POLE (OPTIONAL EQUIPMENT)

1. Lift and pivot the pole from the storage position and push down until it is locked into receptacle (A).
2. To raise the height of the pole, turn the lock actuator (B) counterclockwise and pull up on the bottom telescoping portion (C) of the pole to raise it to the desired height.
3. Turn the lock actuator (B) clockwise to lock the bottom telescoping portion in place.
4. For a higher I.V. pole, pull up on section (D) until the spring clip (E) engages.
5. Hang I.V. bags on the I.V. hook (F).

CAUTION

To avoid damage, the weight of the I.V. bags should not exceed 40 pounds.

6. To lower the I.V. pole, push in on the spring clip (E) and slide section (D) down into section (C). Turn the lock actuator (B) counterclockwise and slide section (C) into the bottom tube.
7. Lift up on the pole and pivot it into the storage position.

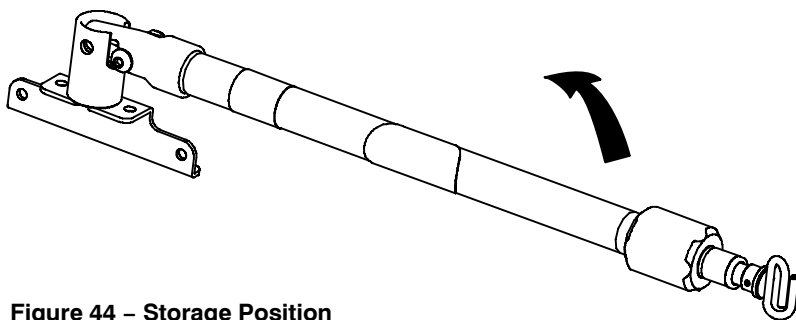


Figure 44 – Storage Position

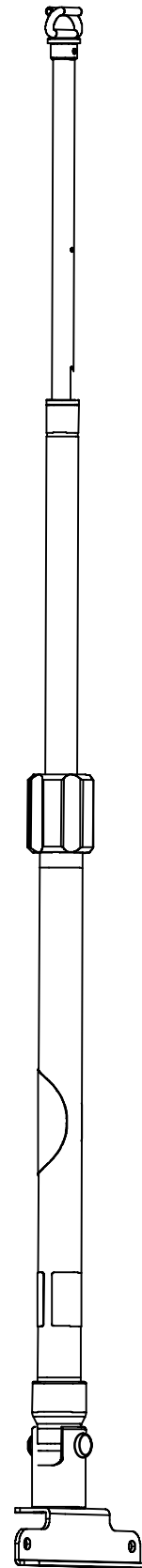


Figure 45 – 3-Stage I.V. Pole

Cleaning

Hand wash all surfaces of the cot with warm water and mild detergent. Dry thoroughly. **DO NOT STEAM CLEAN, PRESSURE WASH OR ULTRASONICALLY CLEAN.** Using these methods of cleaning is **not** recommended and may void this product's warranty.

Thoroughly clean the cot once a month. Clean Velcro **AFTER EACH USE**. Saturate Velcro with disinfectant and allow disinfectant to evaporate. (Appropriate disinfectant for nylon Velcro should be determined by the hospital.)

Washing Procedure:

Follow the cleaning solution manufacturer's dilution recommendations exactly.

In general, when used in those concentrations recommended by the manufacturer, either phenolic type or quaternary type disinfectants can be used. Iodophor type disinfectants are not recommended for use because staining may result.

Suggested cleaners for the 6092 cot surfaces:

Quaternary Cleaners (active ingredient – ammonium chloride)

Phenolic Cleaners (active ingredient – o-phenylphenol)

Chlorinated Bleach Solution (5.25% – less than 1 part bleach to 100 parts water)

Avoid over-saturation and ensure the product does not stay wet longer than the chemical manufacturer's guidelines for proper disinfecting.

WARNING

SOME CLEANING PRODUCTS ARE CORROSIVE IN NATURE AND MAY CAUSE DAMAGE TO THE PRODUCT IF USED IMPROPERLY. If the products described above are used to clean Stryker patient care equipment, measures must be taken to insure the cots are wiped with clean water and thoroughly dried following cleaning. Failure to properly rinse and dry the cots will leave a corrosive residue on the surface of the cots, possibly causing premature corrosion of critical components.

NOTE

Failure to follow the above directions when using these types of cleaners may void this product's warranty.

REMOVAL OF IODINE COMPOUNDS

Use a solution of 1/2 tablespoons Sodium Thiosulfate in a pint of warm water to clean the stained area. Clean as soon as possible after staining occurs. If stains are not immediately removed, allow solution to soak or stand on the surface. Rinse surfaces which have been exposed to the solution in clear water before returning unit to service.

WARNING

Failure to properly clean or dispose of contaminated mattress or cot components will increase the risk of exposure to bloodborne pathogens and may cause injury to the patient or the operator.

Preventative Maintenance

CAUTION

Improper maintenance can cause injury to the patient or operator and/or damage to the unit. Maintain the cot as described in this manual. Use only Stryker approved parts and maintenance procedures. Using unapproved parts and procedures could cause unpredictable operation, damage to the cot and/or injury and will void the product warranty.

Operation	Schedule	Procedure
Cleaning & Disinfecting	Each use.	See page 36.
Inspection	For 1–25 calls per month, inspect cot every 6 months. For 26–200 calls per month, inspect cot every 3 months. For 201+ calls per month, inspect cot monthly.	See page 38 for checklist.

Abuse or methods of use not outlined in the 6092 EZ-PRO® manual could cause premature wear on components of the cot and could adversely affect cot performance. A schedule of inspection frequency based on number of calls per day or time in the field may not accurately reflect wear on the cot and is only to be used as a benchmark for correct usage and proper maintenance. Inspect the cot whenever the function of the cot is in question or after misuse or abuse is suspected.

NOTE

Inspection should be conducted whenever the function of the cot is in question or has diminished. Use the checklist on page 38 to troubleshoot the operation of the cot. Even if the cot is working correctly and is being used only as described in the manual, the inspection should still be performed as outlined in the schedule above.

Keep up-to-date maintenance records using the form on page 45.

Parts, Service or Technical Assistance:

Contact Stryker Customer Service at 1-800-327-0770 or
Stryker Medical
3800 E. Centre Ave.
Portage, MI 49002
ATTN: Customer Service

CAUTION

Failure to use authorized parts, lubricants, etc. could cause damage to the cot and will void the product's warranty.

Preventative Maintenance

CHECKLIST

- _____ All fasteners secure (reference all assembly prints)
- _____ All welds intact, not cracked or broken
- _____ No bent or broken tubing or sheet metal
- _____ Lift capable safety bar operating properly
- _____ Release handle operating properly
- _____ No debris in wheels
- _____ C-channel free of debris. Apply wax, if necessary (see page 43)
- _____ All wheels secure, rolling and swivelling properly
- _____ Optional wheel lock holds wheel securely when on and clears wheel when off
- _____ Siderails move and latch properly
- _____ Backrest operating properly
- _____ Optional accessories intact and operating properly
- _____ Height positioning latch functioning properly
- _____ Cot secure in each height position
- _____ Undercarriage folds properly
- _____ Breakaway head section operating properly
- _____ Auxiliary lock operating properly
- _____ Foot rest operating properly
- _____ No rips or cracks in mattress cover
- _____ Body restraints intact and working properly
- _____ Lubricate pivot points (optional – use only approved lubricants – see page 44)
- _____ Conduct “swing-through” testing as described on page 43

Serial No. _____ Model No. _____

Completed By: _____ Date: _____

NOTE

These preventative maintenance guidelines are intended to assist with maintaining the proper function of the cot. They highlight known wear patterns and potential failure modes caused by normal operation of the cot over time. This checklist is NOT intended to be a universal inspection procedure. Abuse or misuse conditions may cause different failure modes or damage to components not on the preventative maintenance checklist. If cot performance does not improve after the checklist is performed or if you are not comfortable performing the inspection, please contact a Stryker certified service technician for assistance.

Notes

Service Information

PNEUMATIC BACKREST ADJUSTMENT

Required Tools:

1/2" Wrench

5/32" Allen Wrench

Loctite

3/32" Allen Wrench

7/32" Allen Wrench

9/16" Wrench

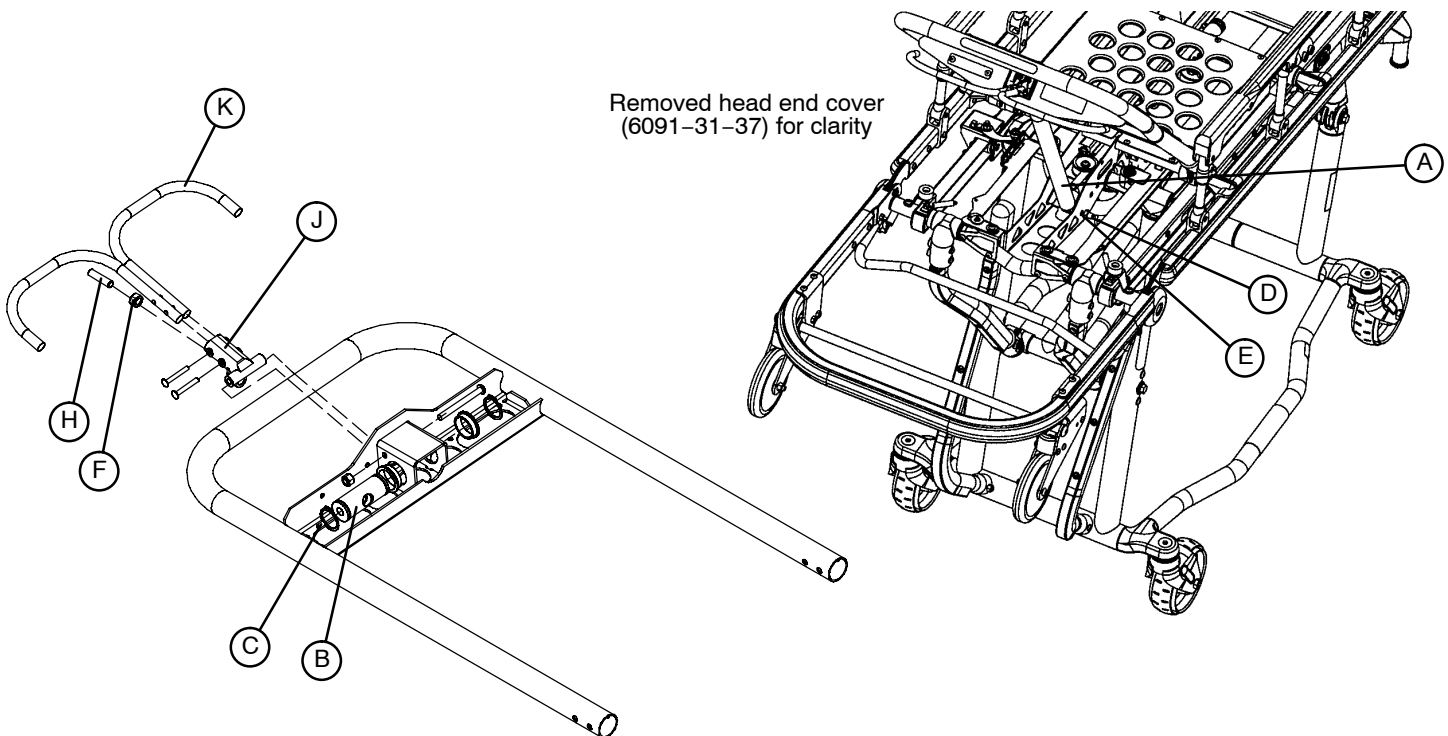
Adjustment Procedure:

1. For easier access, move the backrest to 75 degrees.

NOTE

Before continuing with the backrest adjustment procedure, be sure the pneumatic cylinder (item A) is completely threaded into the yoke (item B) so no threads are showing on the shaft of the cylinder. If threads are showing, use a 3/32" Allen wrench to remove the set screw (item C) in the center of the yoke and a 7/32" Allen wrench and 9/16" wrench to remove the nut and bolt (items D & E) holding the bottom of the pneumatic cylinder. Thread cylinder shaft (item A) completely into yoke (item B). Replace the nut and bolt (items D & E) and replace the set screw (item C) using Loctite.

2. Using a 1/2" wrench, loosen the hex nut (item F) on the backrest pivot (item J) while holding the set screw (item H) fixed in the pivot.
3. Using a 5/32" Allen wrench, turn the set screw (item H) until there is no play between the backrest release handle (item K) and the pneumatic cylinder release button.
4. Verify the backrest will travel from flat to at least 75 degrees. If it doesn't, turn the set screw (item H) clockwise 1/2 turn. Repeat until at least 75 degrees of travel is achieved.
5. Lower the backrest to a 5–10 degree angle and release the handle. Apply approximately 50 pounds downward force to the end of the backrest. If the backrest drifts down, turn the set screw (item H) counter-clockwise. Repeat until the backrest does not drift downward.
6. Using the 1/2" wrench, tighten the hex nut (item F) while holding the set screw (item H) fixed in the pivot.



Figures 46 & 47 – Pneumatic Cylinder and Fowler Crossbrace

Service Information

FOOT END RELEASE HANDLE ADJUSTMENT

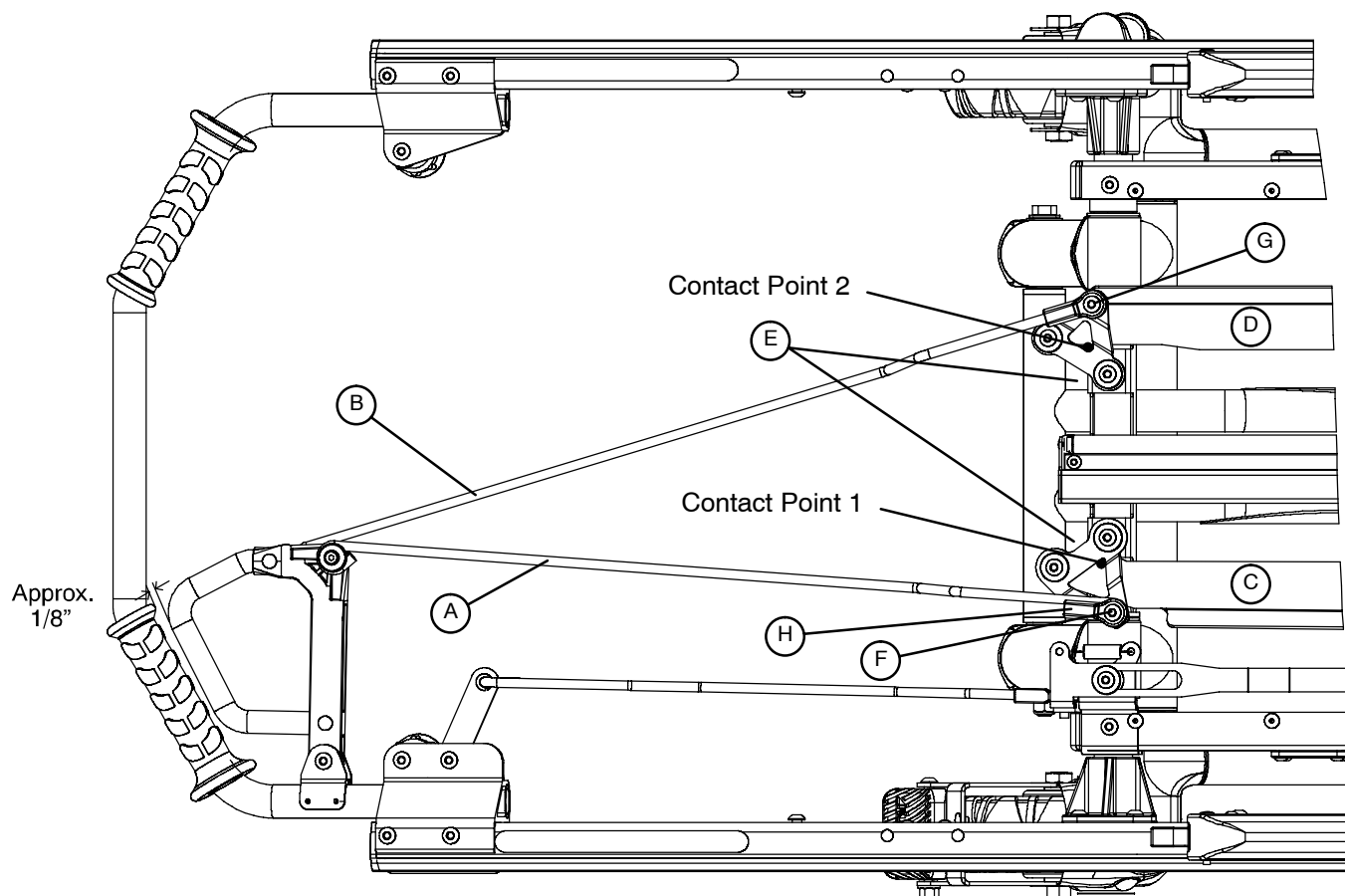


Figure 48 – Foot End Release Components

1. Remove the bolt (G) and disconnect the link (B).
2. **Lift the cot at both ends to take the weight off the base frame.** Pull the foot end release handle and verify the patient left latch bar (C) is touching the foot end lever support bracket (E) at contact point 1 as shown above.
3. If the handle requires adjustment, remove the bolt (F), turn the rod end (H), and replace the bolt (F) until the conditions described in step 1 are achieved. Verify there is approximately 1/8" of clearance between the release handle and the grip on the lift bar (as shown above).
4. Replace bolt (G) to reconnect link (B).
5. **Lift the cot at both ends to take the weight off the base frame.** Pull the foot end release handle and verify the patient right latch bar (D) is touching the foot end lever support bracket (E) , at contact point 2. Verify the patient left latch bar (C) is touching the foot end lever support bracket (E) at contact point 1. Verify there is approximately 1/8" of clearance between the release handle and the grip on the lift bar (as shown above).
6. If the handle requires adjustment, remove the bolt (G),turn the rod end (H), and replace the bolt (G) until the conditions described in step 5 are achieved.

Service Information

AUXILIARY LOCK HANDLE ADJUSTMENT

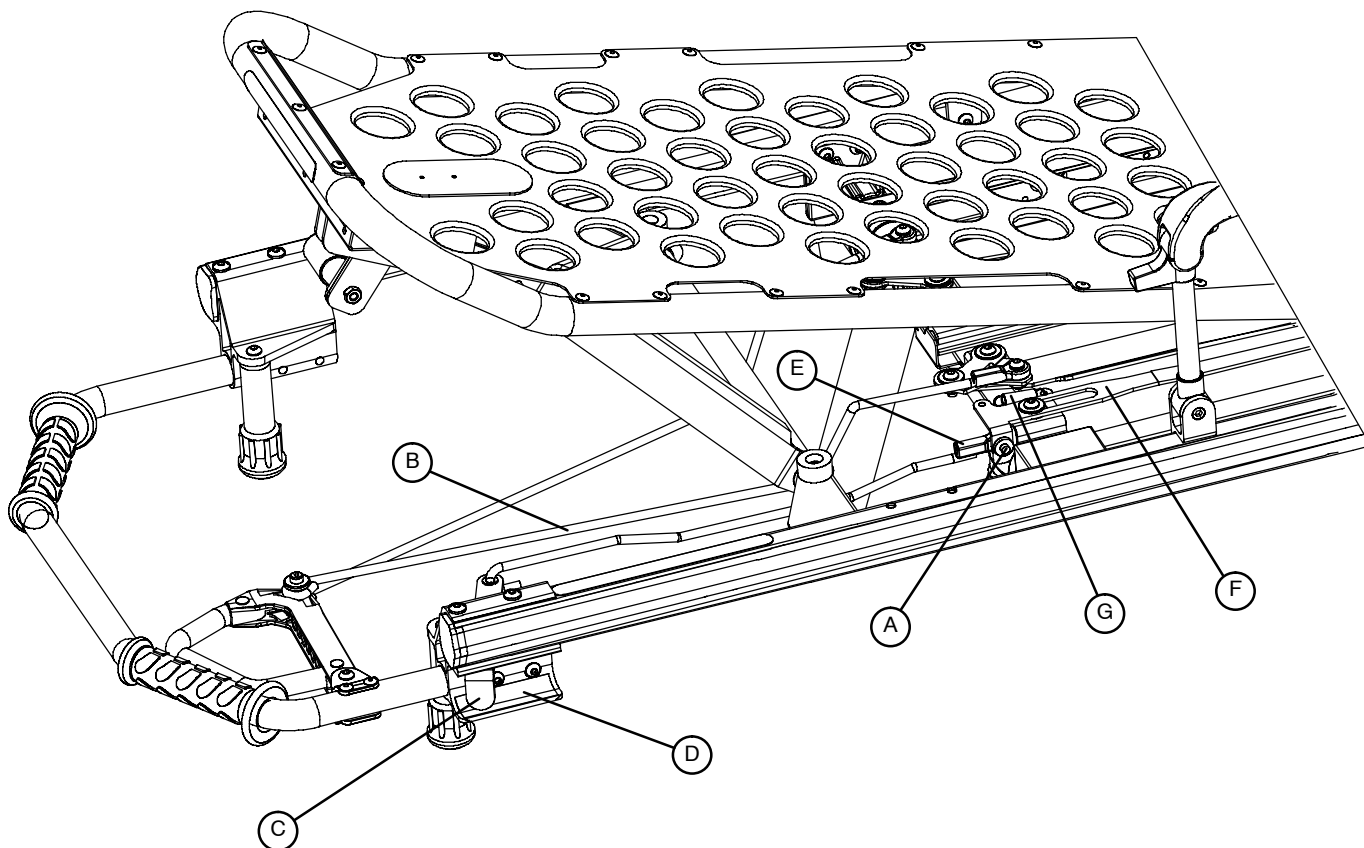


Figure 49 – Auxiliary Lock Components

1. Remove bolt (A).
2. Pull and hold the auxiliary lock release link (B) toward the head end of the cot until the auxiliary lock lever (C) bottoms in the slot of the lever guard (D),
3. Turn the rod end (E) clockwise or counterclockwise until the hole in the rod end (E) aligns with the weld nut in the auxiliary lock slide link (F) which is being held in position by the spring (G). Reinstall the bolt (A).

Service Information

C-CHANNEL WAX APPLICATION



Figure 50 – Application of Stick Wax

1. Reach under the cot litter frame and apply the stick wax (Stryker part number 6090-700-001) to the inner surface of the black c-channel. Cover the entire surface between the oblong holes with a thin, even film of wax. Do not leave thick areas of wax.
2. Repeat for the c-channel on the other side of the cot.
3. Cycle the cot through all its positions two or three times to ensure adequate application of the wax. Repeat if necessary.

COT “SWING-THROUGH” TESTING

1. Unlock the auxiliary lock (see page 21).
2. With the assistance of another person, lift the cot slightly from both ends. Fully engage the release handle at the foot end.
3. Lower the cot to position 2 (see page 15 for cot positions) and let go of the handle.
4. Fully engage the release handle again. While holding the release handle, swiftly raise the cot to the upper position. This swift raising of the cot determines whether the lock pin is properly engaging and locking.
5. The cot should stop at position 5 and securely lock into place. Repeat steps 2-4 several times to verify the cot consistently locks into place. If the cot does not consistently lock into the upper position with both pins securely locked, call a Stryker certified service technician for assistance.

Service Information

LUBRICATION

NOTE

The **RUGGED** EZ-PRO® R4 has been designed to operate without the need for lubrication. Tri-Flow™ with Teflon® lubricant (Stryker part number 6082-199-012) may be used to maintain the smooth operation of the cot. Do not use silicone, WD-40™, or lithium grease. They could harm the moving parts of the cot.

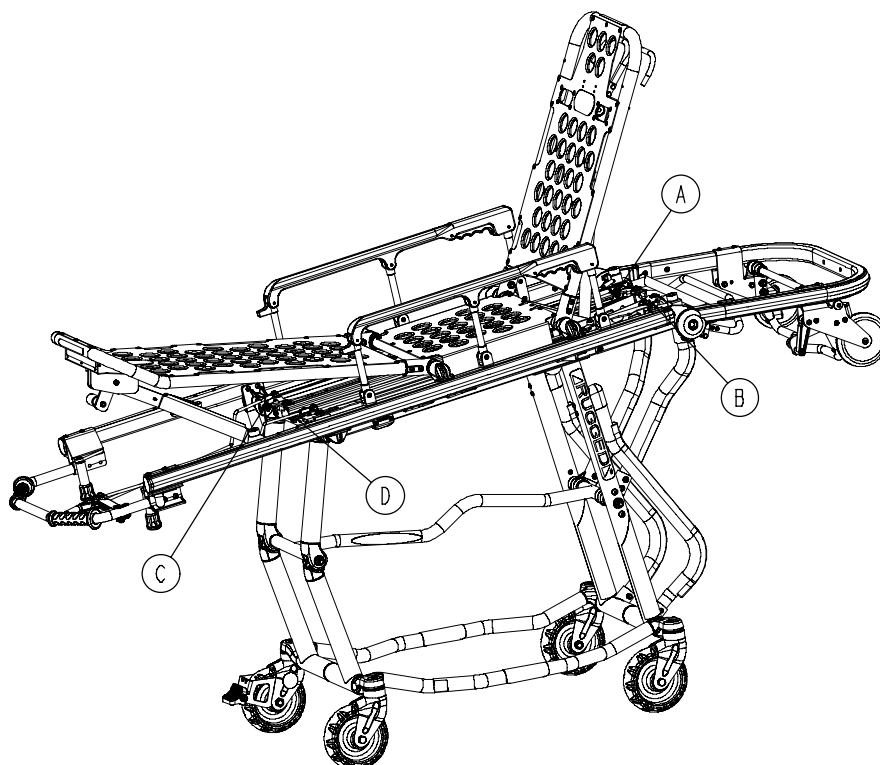
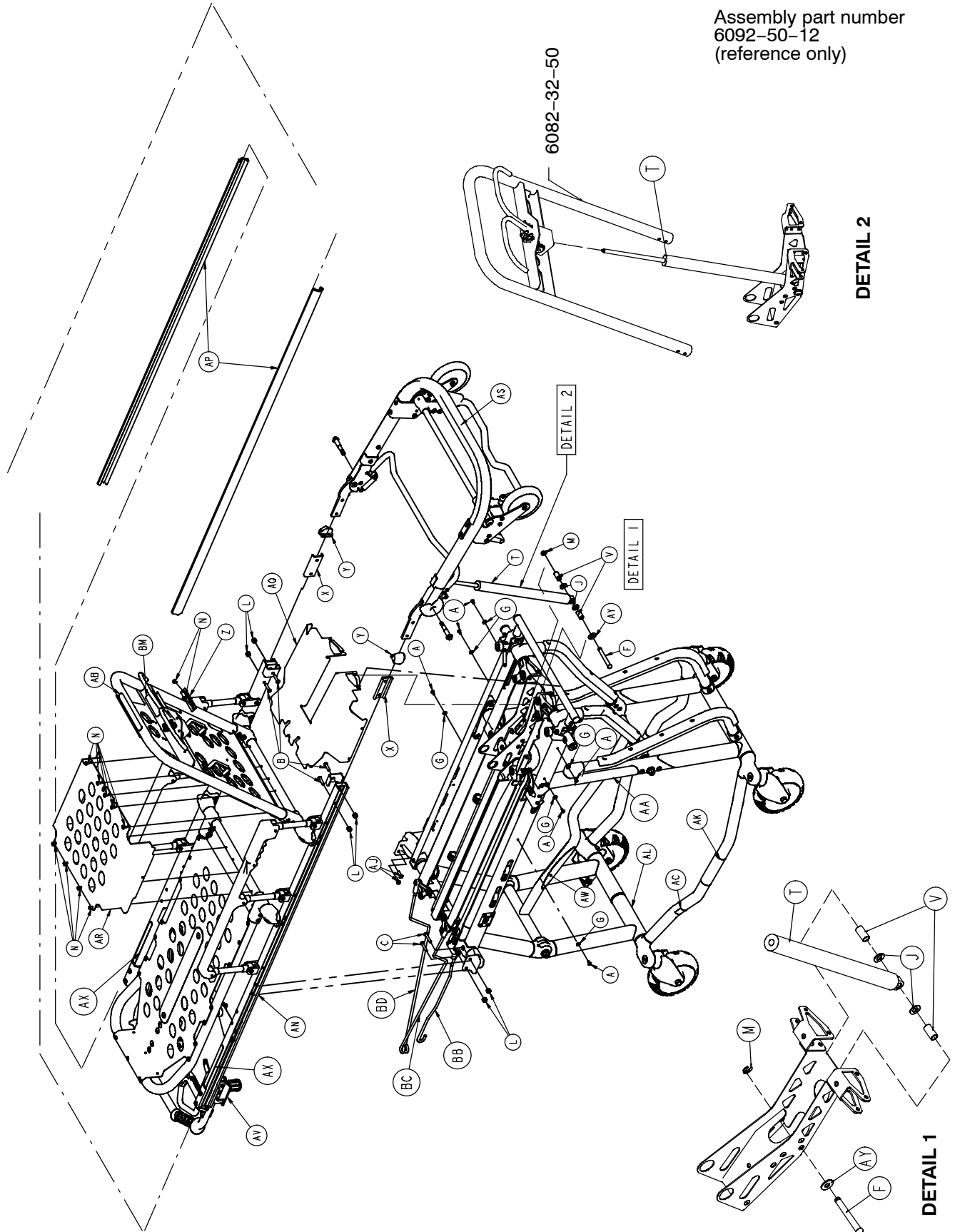


Figure 51 – Lubrication Points

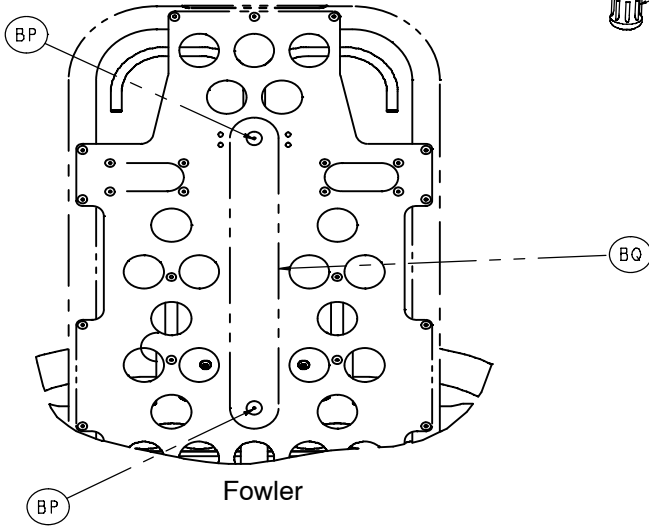
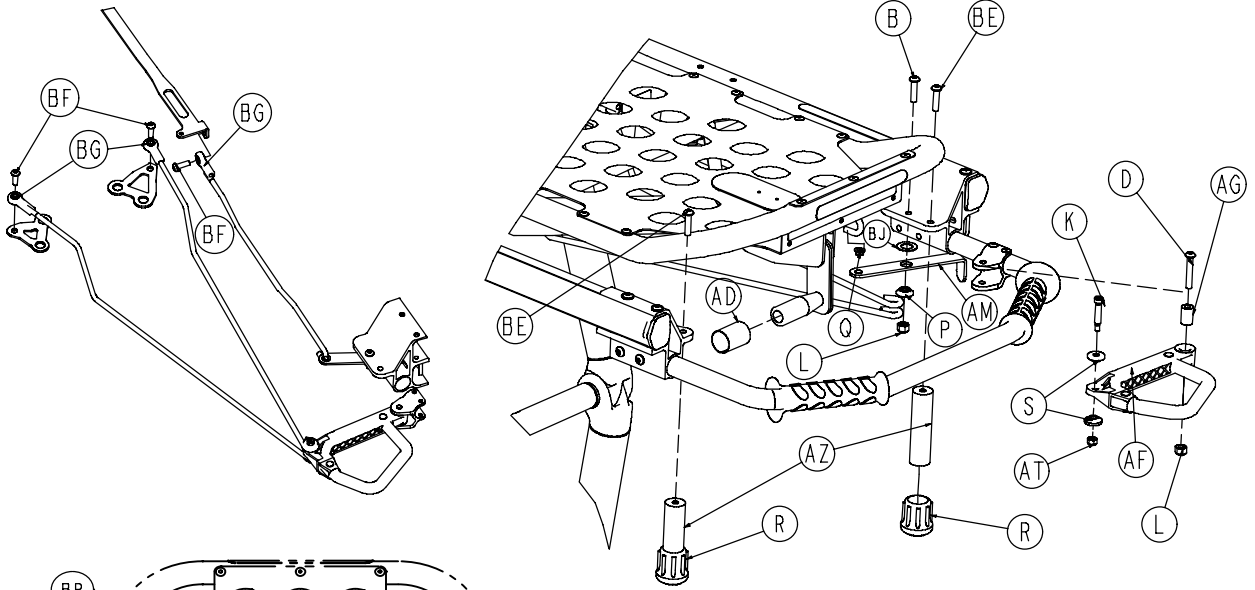
1. Place the cot in the highest position.
2. Raise the backrest to the full up position.
3. Raise the foot section to trend position.
4. Using the plastic applicator tube, spray Tri-Flow™ with Teflon® lubricant (Stryker part number 6082-199-12) on each of the pivots.
5. Let the cot sit for 5 minutes.
6. Activate the release mechanisms several times, working the lubricant into the pivots.
7. Wipe any excess lubricant from the pivots.

Cot Assembly

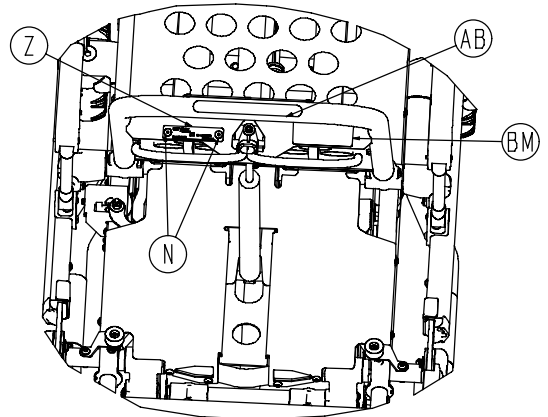
Assembly part number
6092-50-12
(reference only)



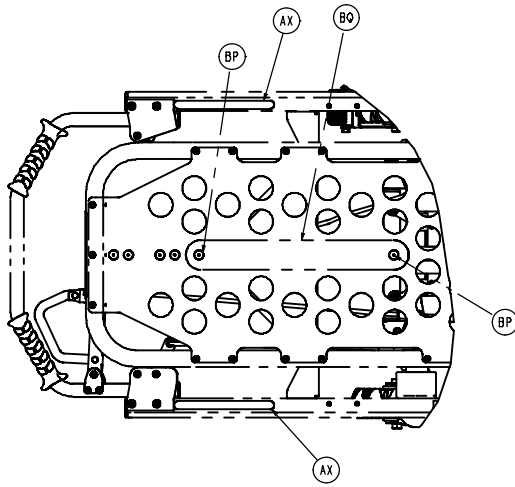
Cot Assembly



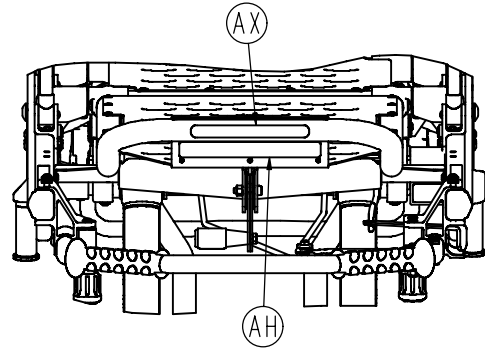
Fowler



Back of Fowler

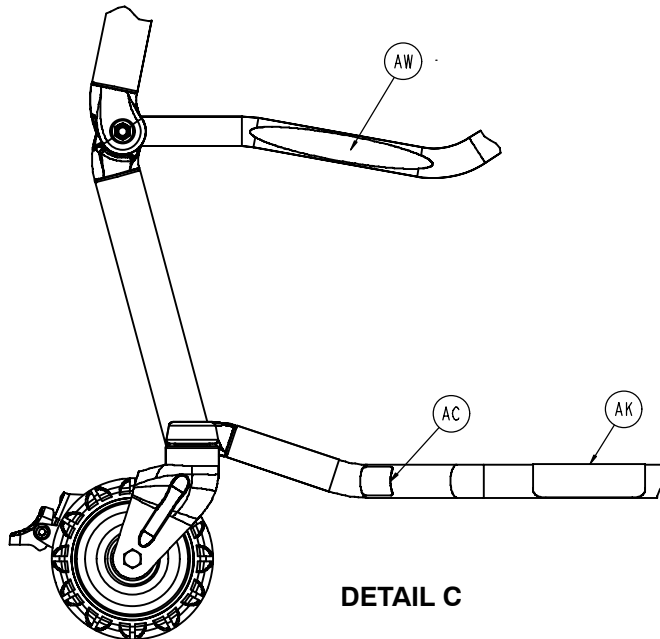
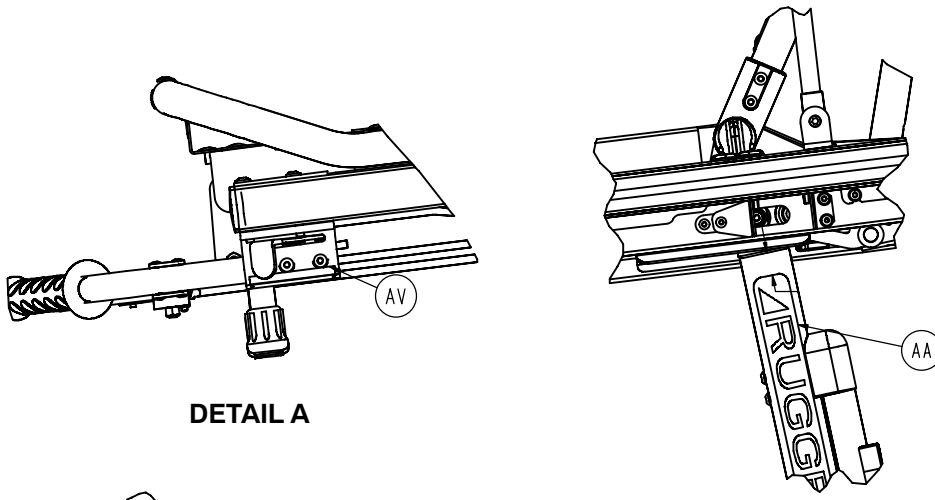
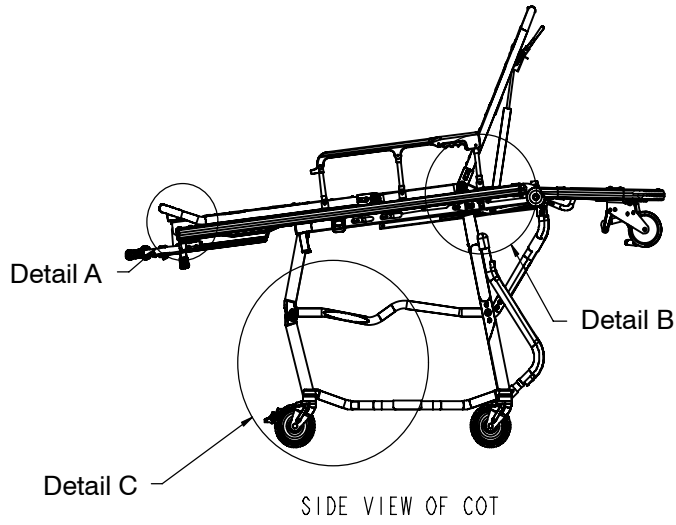


Foot Section

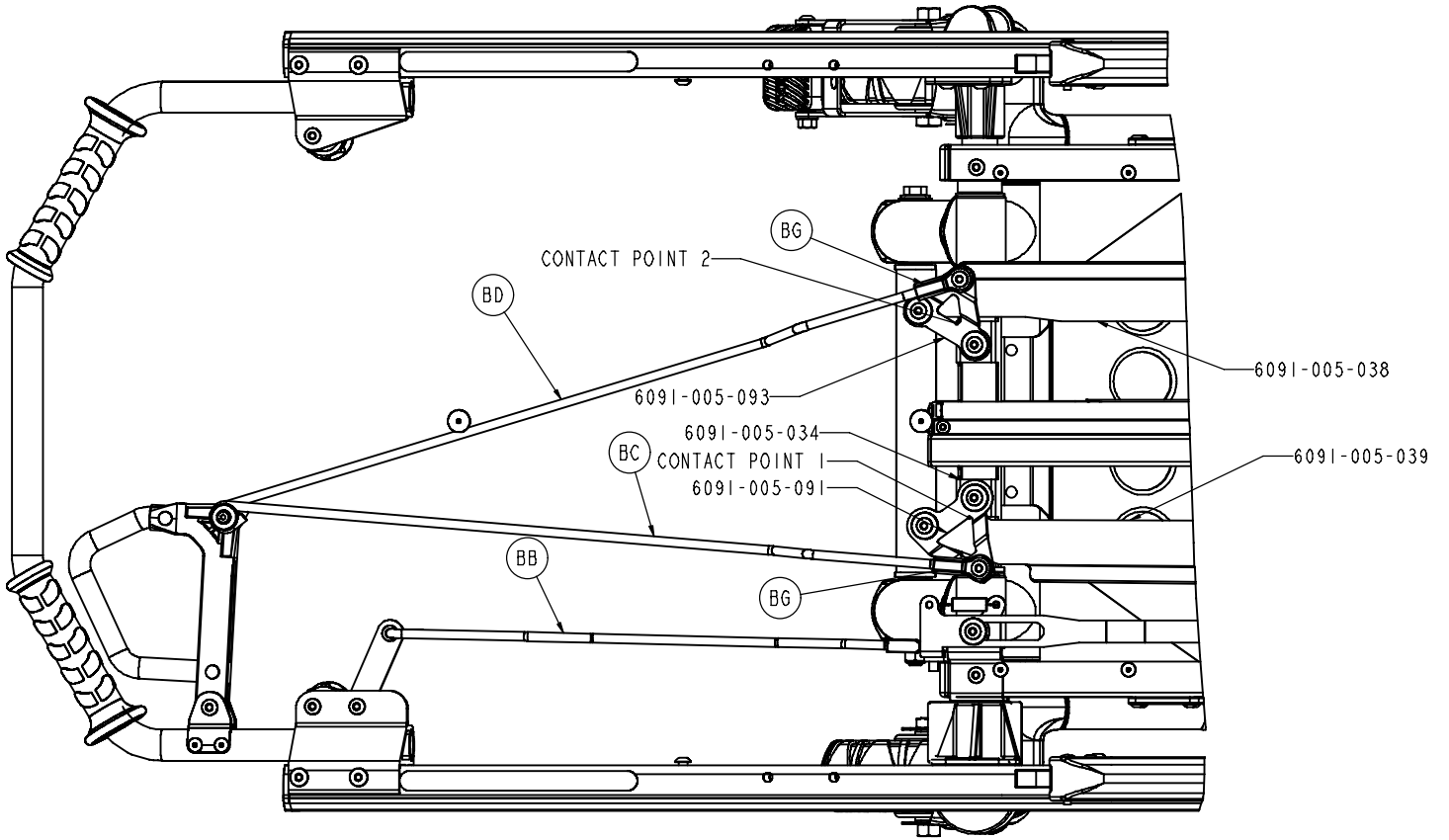


Foot Section

Cot Assembly



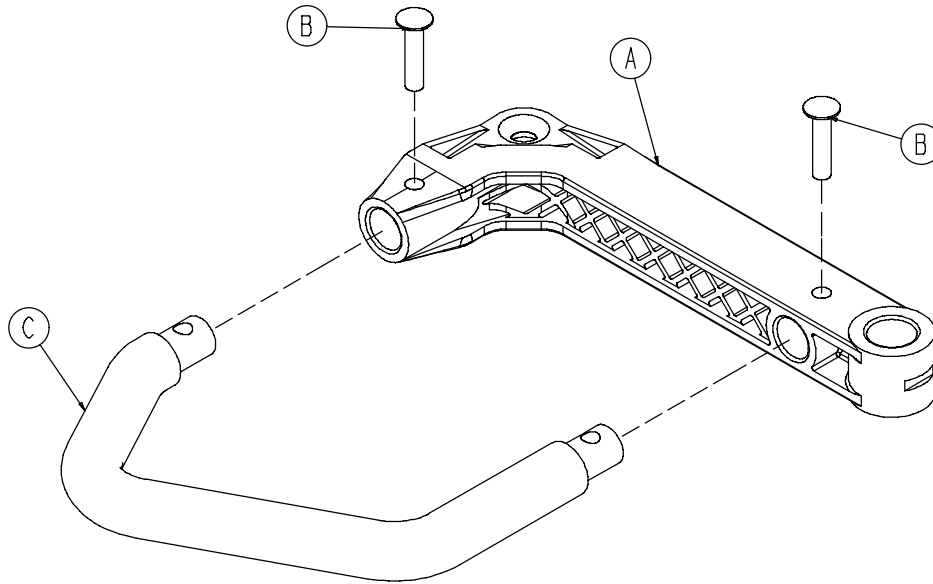
Cot Assembly



Cot Assembly

Item	Part No.	Part Name	Qty.	Item	Part No.	Part Name	Qty.
A	4-136	Pan Hd. Machine Screw	6	AG	6080-40-44	Link Release Spacer	1
B	4-197	H. Soc. But. Hd. Cap Scr.	4	AH	6080-90-9	Warning Label	1
C	4-198	H. Soc. But. Hd. Cap Scr.	2	AJ	4-161	H. Soc. But. Hd. Cap Screw	2
D	4-135	H. Soc. But. Hd. Cap Scr.	1	AK	6080-90-108	"Lift Here" Label	2
F	6082-31-31	Clevis Pin	1	AL	(page 53-58)	Base Assembly	1
G	11-16	Flat Washer	6	AM	6092-6-19	Auxiliary Lock Lever	1
H	14-7	Nylon Washer	1	AN	(page 71-75)	Litter Assembly	1
J	14-21	Flat Washer	2	AP	6092-30-43	Bumper	2
K	8-30	Shoulder Bolt	1	AQ	6092-31-37	Head End Cover	1
L	16-28	Fiberlock Nut	7	AR	6092-34-46	Midsection Skin	1
M	28-181	Retaining Ring	1	AS	(page 76)	Breakaway Head Ass'y	1
N	25-79	Dome Hd. Rivet	11	AT	16-2	Nylock Nut	1
P	6082-5-92	Modified Bushing	1	AV	6092-90-1	Aux. Lock Warning Label	1
Q	81-298	Split Bearing	1	AW	6092-190-2	EZ-PRO R4 Label	1
R	830-10-35	Crutch Tip	2	AX	6082-90-46	650lb Weight Cap. Label	2
S	6091-5-70	Spacer Bushing	2	AY	11-448	Plain Washer	1
T	1010-31-77	Gas Cylinder	1	AZ	6092-40-55	Foot End Support	2
V	6092-31-46	Lit./Base l'face Piv. Spcr.	2	BB	6092-40-20	Aux. Lock Release Link	1
X	6060-37-26	Pivot Spacer Plate	2	BC	6092-40-23	Foot Release Upper Link	1
Y	6060-37-35	Outer Rail End Cap	2	BD	6092-40-25	Foot Release Lower Link	1
Z	6060-90-2	Serial Number Tag	1	BE	4-334	H. Soc. But. Hd. Cap Scr.	2
AA	6082-90-42	8" STRYKER Label	2	BF	4-518	H. Soc. But. Hd. Cap Scr.	3
AB	6060-90-4	Small "Rugged" Label	1	BG	6090-5-46	Tie Rod	3
AC	6060-90-114	"Keep Hands Clear" Label	2	BJ	11-45	Nylon Washer	1
AD	6070-90-107	"Lift to Release" Label	1	BK	6082-37-25	Strength Bracket	2
AF	(page 52)	Release Handle Assembly	1	BL	6092-190-40	EZ-Pro Tube Label	1
				BM	6092-190-112	Specification Label	1
				BP	25-132	Large Flange Rivet	4
				BQ	6082-1-85	2" Adhesive Loop Pile	2

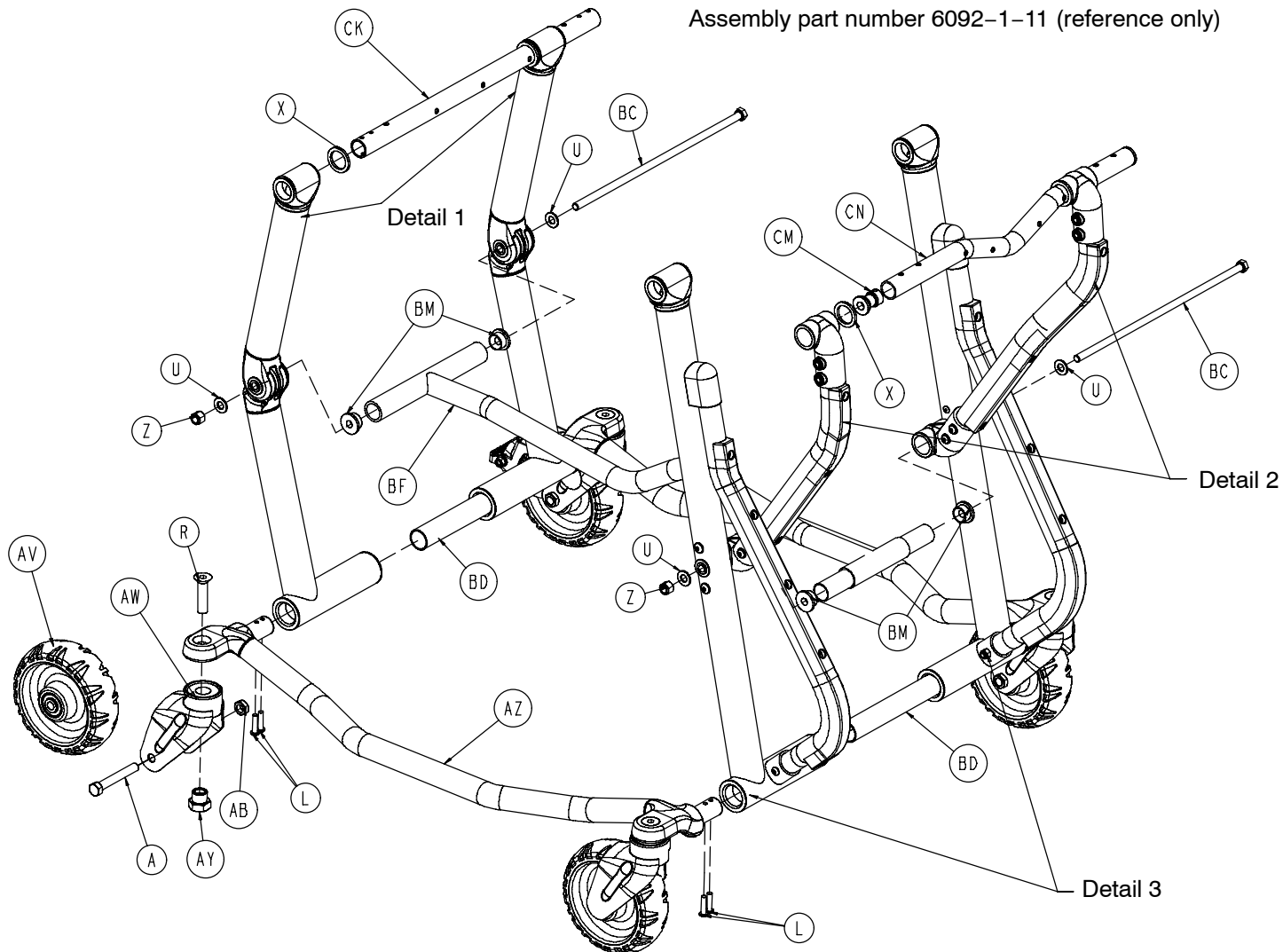
6092-40-40 Release Handle Assembly



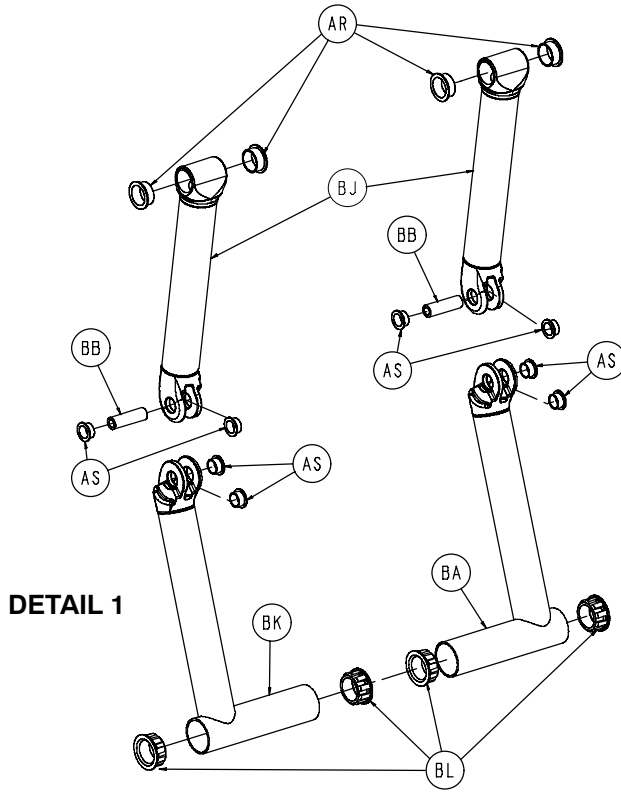
Item	Part No.	Part Name	Qty.
A	6080-40-41	Release Handle Link	1
B	25-125	Semi-Tubular Rivet	2
C	6092-40-50	Side Release Handle	1

Base Assembly

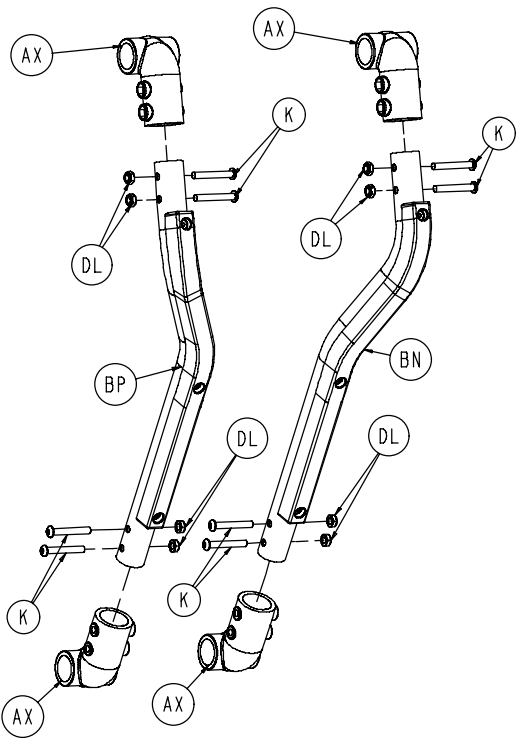
Assembly part number 6092-1-11 (reference only)



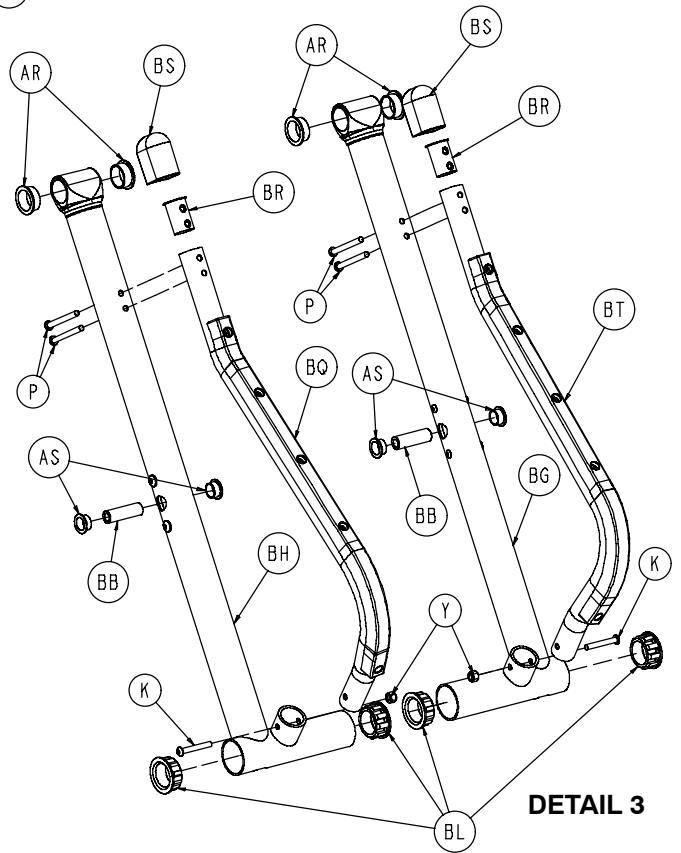
Base Assembly



DETAIL 1

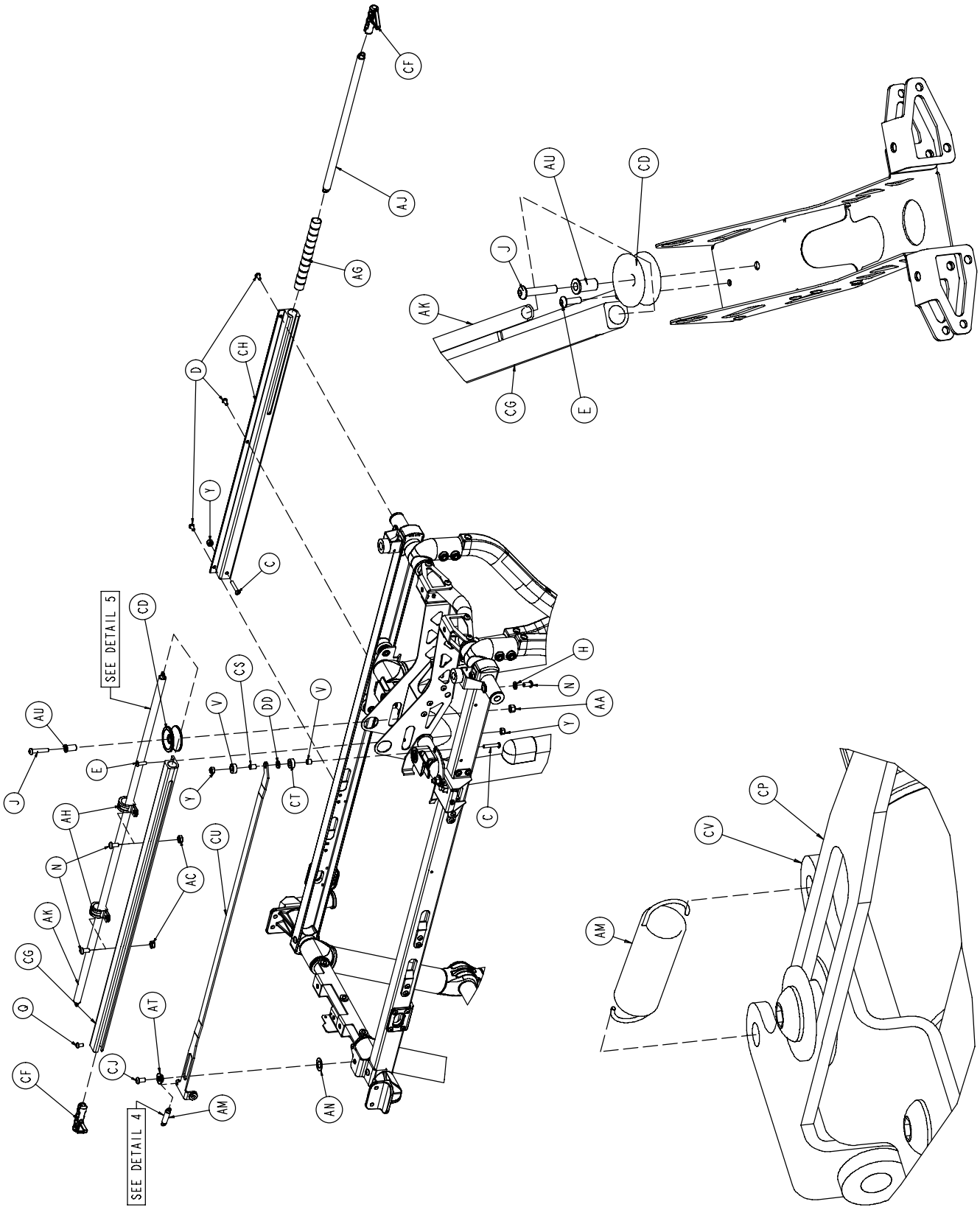


DETAIL 2



DETAIL 3

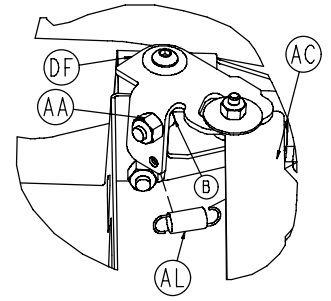
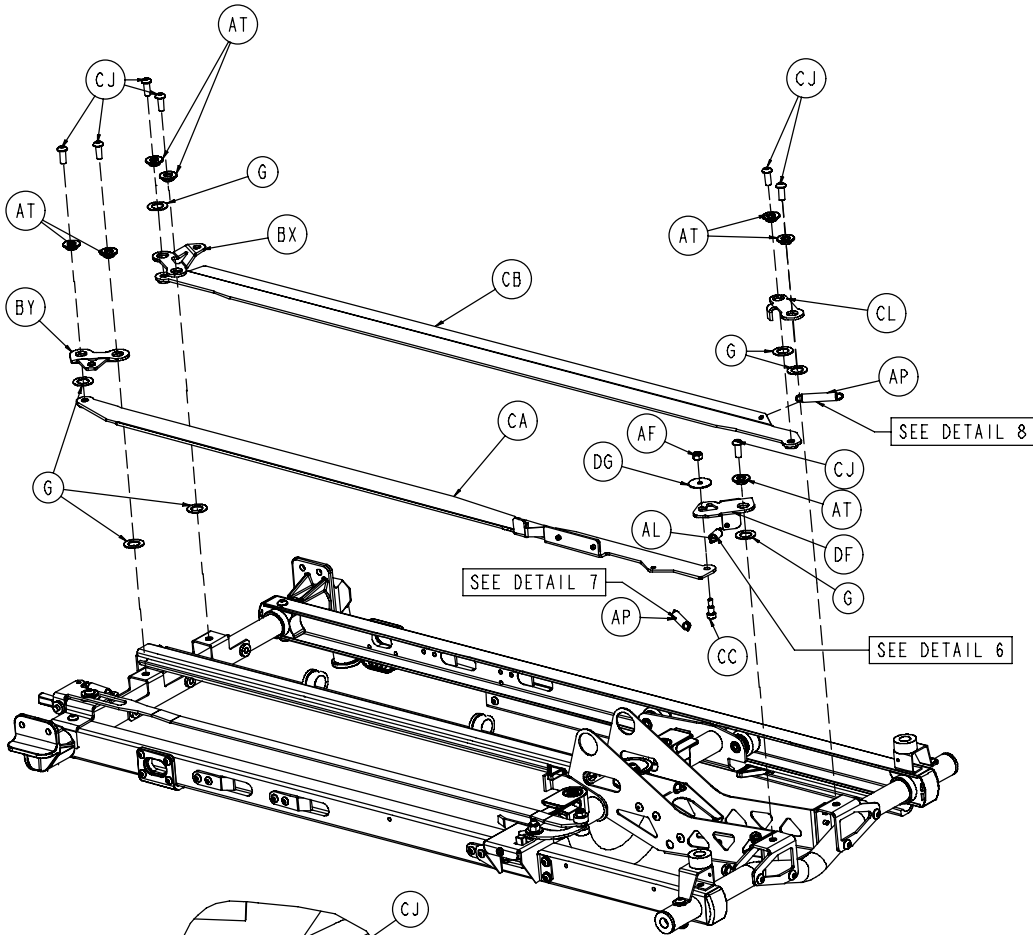
Base Assembly



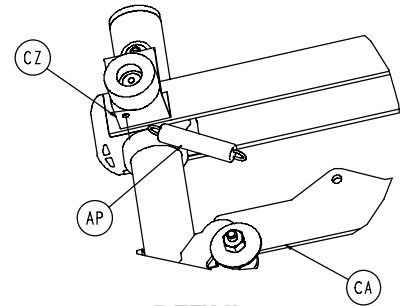
DETAIL 5

DETAIL 4

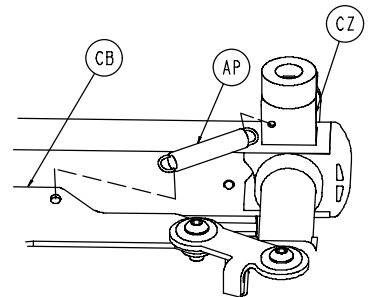
Base Assembly



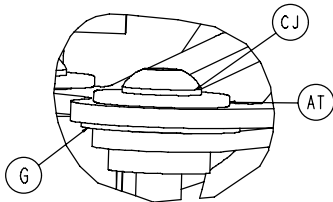
DETAIL 6



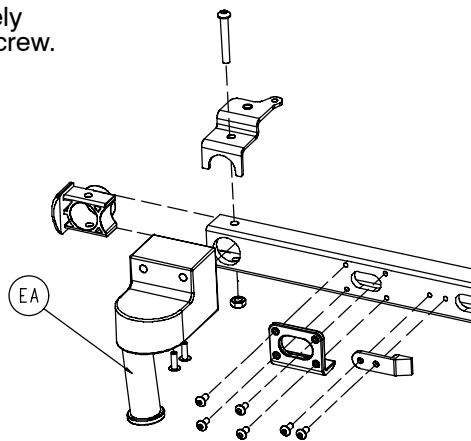
DETAIL 7



DETAIL 8



When assembling item AT bushing and item AN nylon washer, ensure the bushing is inserted completely through the nylon washer. Verify the assembly moves freely after assembling item N socket head cap screw.



Dual Retaining Post Option

Base Assembly

Item	Part No.	Part Name	Qty.	Item	Part No.	Part Name	Qty.
A	3-205	Hex Hd. Cap Screw	4	BD	6091-1-32	Inner Base Spacer	2
B	4-18	Soc. Hd. Cap Screw	2	BF	6092-1-33	Center Weldment	1
C	4-45	H. Soc. But. Hd. Cap Scr.	2	BG	6091-1-52	Front Leg, Right	1
D	4-136	Torx Pan Hd. Mach. Scr.	25	BH	6091-1-53	Front Leg, Left	1
E	4-149	H. Soc. But. Hd. Cap Scr.	1	BJ	6091-1-57	Back Leg, Lower, Right	2
F	4-161	But. Hd. Cap Screw	2	BK	6091-1-59	Back Leg, Lower, Left	1
G	11-534	Washer	7	BL	6091-1-70	Base Bearing, Lower	8
H	14-67	Washer	2	BM	6090-1-72	Center Bushing	4
J	4-198	H. Soc. But. Hd. Cap Scr.	4	BN	(page 61)	Tie Rod Assembly, Right	1
K	4-204	H. Soc. But. Hd. Cap Scr.	15	BP	(page 61)	Tie Rod Assembly, Left	1
L	4-334	H. Soc. But. Hd. Cap Scr.	8	BQ	(page 62)	Bumper Tube Assembly, Lt.	1
M	4-97	H. Soc. But. Hd. Cap Scr.	3	BR	6091-1-88	Bumper Plug	2
N	4-325	H. Soc. But. Hd. Cap Scr.	8	BS	6090-1-89	Bumper Cap	2
P	4-234	H. Soc. But. Hd. Cap Scr.	4	BT	(page 62)	Bumper Tube Assembly, Rt.	1
Q	4-307	H. Soc. But. Hd. Cap Scr.	1	BU	6090-5-28	C-Channel End Cap	4
R	4-319	H. Soc. Flat Hd. Screw	4	BV	6091-5-29	C-Channel, Left	1
S	11-2	Flat Washer	4	BW	6091-5-30	C-Channel, Right	1
T	11-16	Flat Washer	2	BX	6091-105-93	Latch Weldment, Foot, Right	1
U	11-418	Flat Washer	4	BY	6091-105-91	Latch Lever, Foot, Left	1
V	11-423	Spacer	2	BZ	6091-5-34	Lever Support, Foot End	1
X	11-427	Flat Washer	4	CA	(page 63)	Latch Bar Assembly	1
Y	16-3	Fiberlock Hex Nut	3	CB	6091-5-38	Latch Bar Weldment, Right	1
Z	16-35	Fiberlock Hex Nut	2	CC	8-68	Soc. Hd. Shoulder Bolt	1
AA	16-28	Fiberlock Hex Nut	7	CD	6090-5-41	Spring Pulley	1
AB	16-60	Centerlock Nut	4	CF	6090-5-42	Spring Plunger	2
AC	16-78	Centerlock Hex Nut	8	CG	6090-5-43	Center Ret. Spring Housing	1
AD	25-133	Dome Head Rivet	6	CH	6090-5-44	Right Return Spring Housing	1
AE	28-178	Retaining Ring	2	CJ	4-455	But. Hd. Cap Screw	8
AF	16-2	Fiberlock Nut	1	CK	6090-5-47	Foot End Cross Tube	1
AG	34-273	Harness Wrap	1	CL	6092-5-32	Latch Lever, Head, Right	1
AH	34-274	Cable Clamp	2	CM	6092-5-50	Pivot Tube Boss, Head End	2
AJ	38-423	Extension Spring	1	CN	6090-5-51	Head End Cross Tube	1
AK	38-424	Extension Spring	1	CP	(page 64)	Lock Tube Assembly	1
AL	38-458	Extension Spring	1	CQ	(page 65)	Track Roller Assembly	4
AM	38-427	Extension Spring	1	CR	(page 66)	Cot Retaining Post Ass'y	1
AN	11-45	Washer	1	CS	6090-6-15	Aux. Lock Top Spacer	1
AP	38-530	Extension Spring	2	CT	6090-6-21	Aux. Lock Bottom Spacer	1
AQ	56-16	Bumper	2	CU	6091-6-23	Aux. Lock Slide Link Wldmt.	1
AR	81-244	Flange Bearing	8	CV	6091-6-24	Aux. Lock Supt. Brkt. Wldmt.	1
AS	81-291	Flange Bearing	12	CW	(page 67)	Aux. Lock Housing Ass'y	1
AT	6082-5-92	Modified Bushing	8	CY	6091-5-62	Stepped Insert	6
AU	81-294	Flange Bearing	1	CZ	6092-31-38	Fowler Bumper Supt. Brkt.	2
AV	(page 60)	Wheel Assembly	4	DD	14-30	Flat Washer	1
AW	6082-2-12	Caster Horn	*	DF	6092-5-65	Latch Lever, Head End, Left	1
AX	6060-32-42	Fow./Gatch Adapter Pivot	4	DG	11-454	Washer	1
AY	6090-1-9	Caster Nut	4	DH	6091-5-80	Trolley Support, Left	1
AZ	6090-1-15	Outer Base Tube	2	DJ	6091-5-82	Trolley Support, Right	1
BA	6091-1-63	Back Leg, Lower, Right	1	DK	(page 68)	Fowler Bracket	1
BB	6090-1-27	Spindle Tube	4	DL	16-102	Nylock Hex Nut	8
BC	6090-1-28	Base Connecting Rod	2				

* If the cot is not equipped with the wheel lock option, item AW, Caster Horn, is a quantity of 4. If the cot is equipped with the wheel lock option, item AW, Caster Horn, is a quantity of 2 or 3.

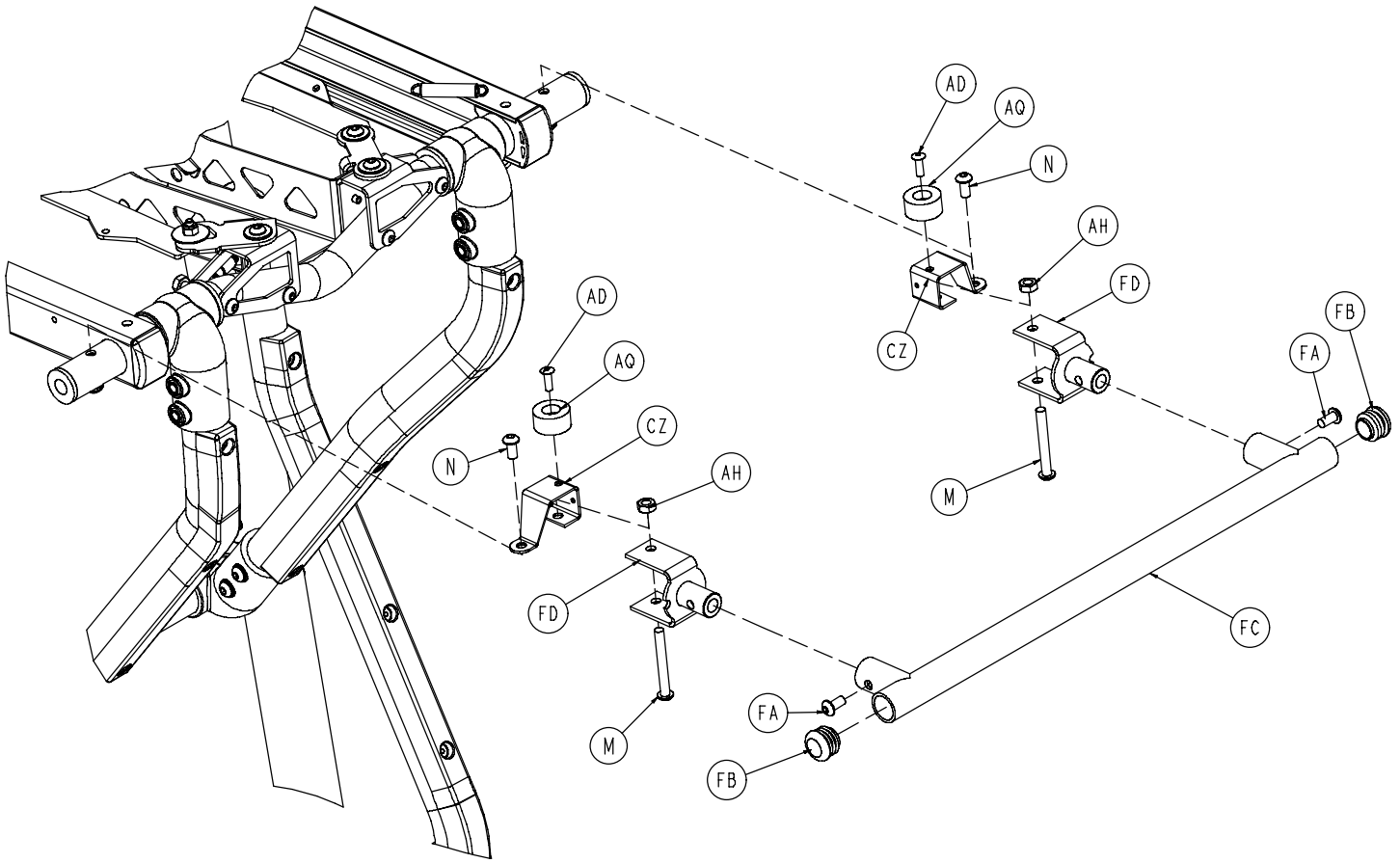
6091-190 Dual Retaining Post Option

Item	Part No.	Part Name	Qty.
EA	(page 66)	Retaining Post Ass'y	1
EB	4-440	H. Soc. But. Hd. Cap Scr.	2

6091-200 Right Retaining Post Option

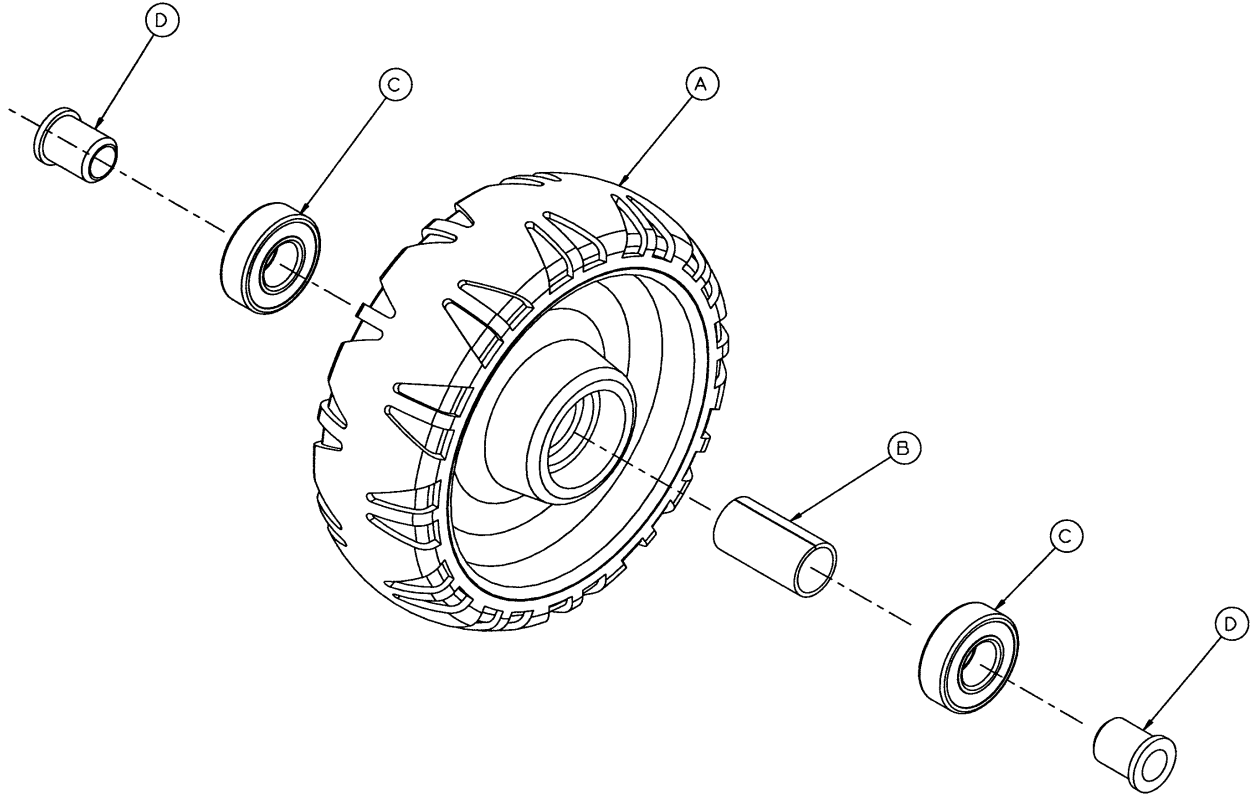
Item	Part No.	Part Name	Qty.
EA	6090-5-40	Litter/Base Connector	1
EB	4-198	H. Soc. But. Hd. Cap Scr.	2

6092-257-10 Optional Lift Bar Assembly



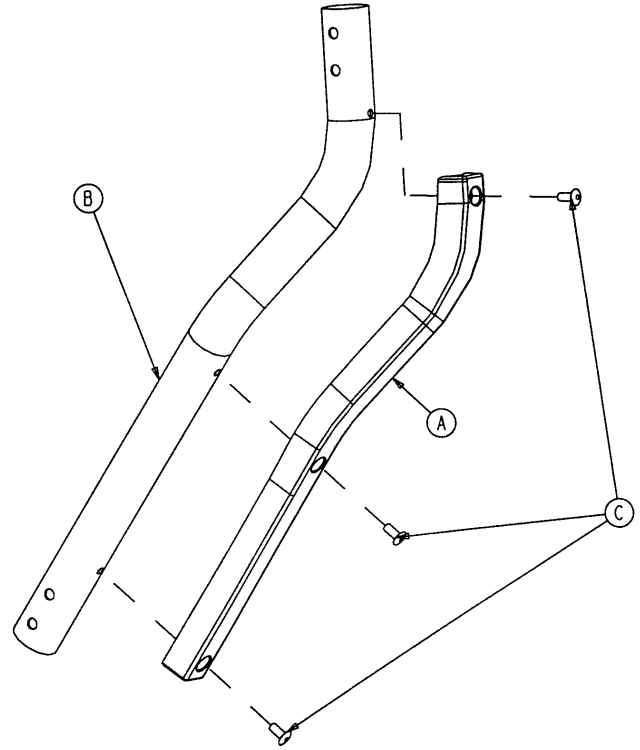
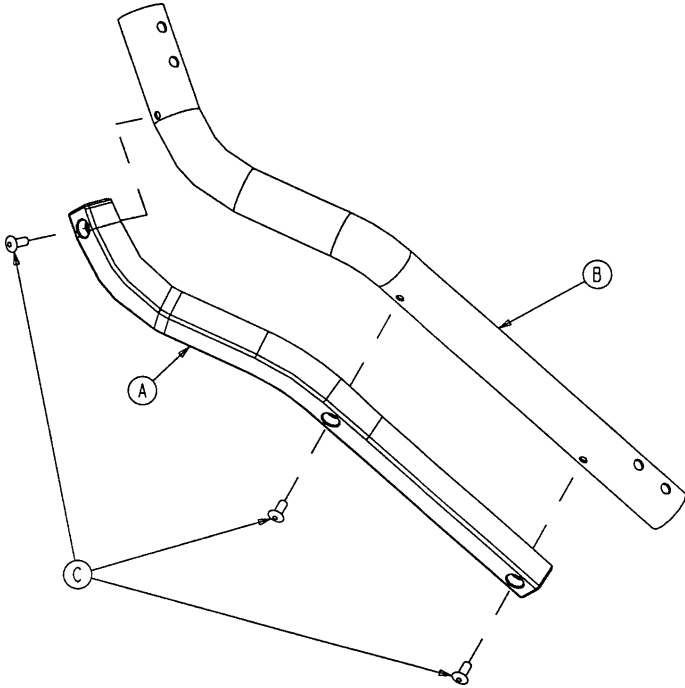
Item	Part No.	Part Name	Qty.
FA	4-235	Hex Soc. But. Hd. Cap Screw	2
FB	37-238	Hole Plug	2
FC	6092-157-11	Lift Tube	1
FD	6092-157-14	Bracket	2

6060-2-10 Wheel Assembly



Item	Part No.	Part Name	Qty.
A	6060-2-45	Molded Wheel	1
B	6060-2-46	Bearing Spacer	1
C	81-226	Bearing	2
D	715-1-255	Wheel Bushing	2

Tie Rod Assembly, Right & Left



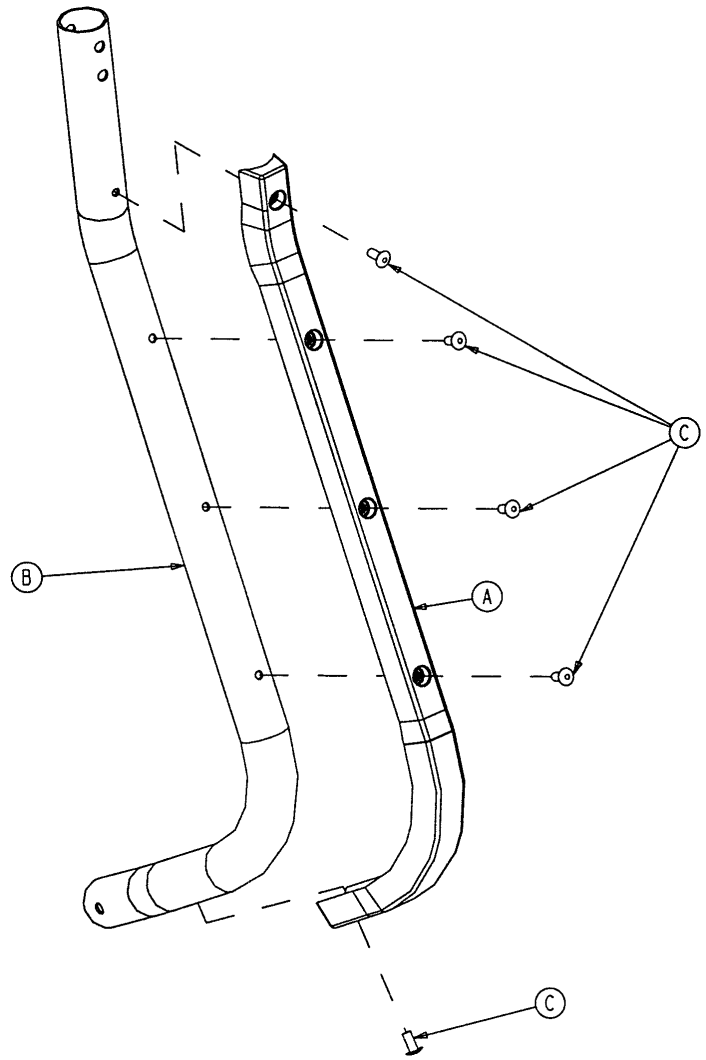
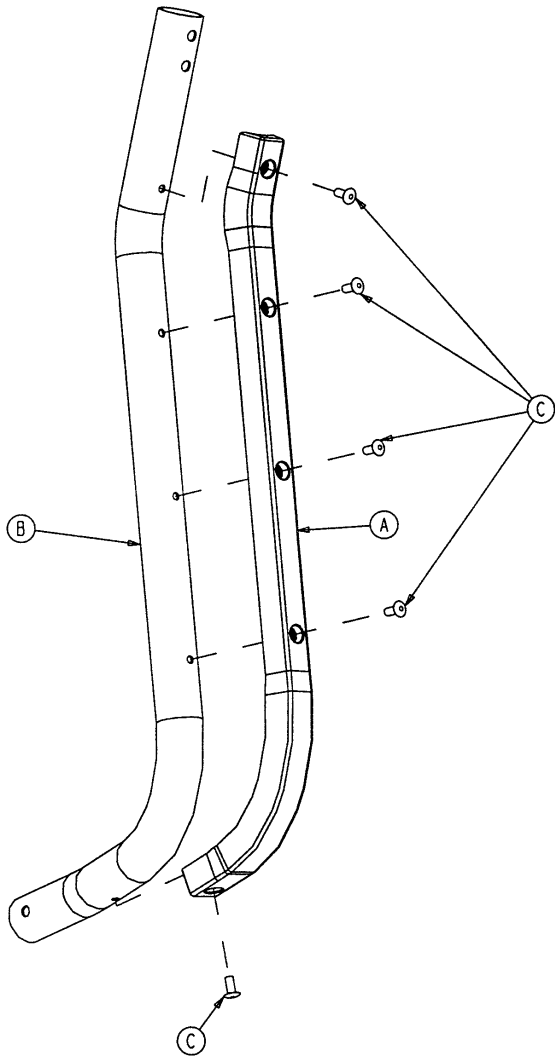
6091-1-81 Left Tie Rod

Item	Part No.	Part Name	Qty.
A	6091-1-83	Tie Rod Wear Guard, Lt.	1
B	6091-1-94	Tie Rod Tube, Lt.	1
C	25-79	Dome Head Rivet	3

6091-1-80 Right Tie Rod

Item	Part No.	Part Name	Qty.
A	6091-1-82	Tie Rod Wear Guard, Rt.	1
B	6091-1-93	Tie Rod Tube, Rt.	1
C	25-79	Dome Head Rivet	3

6090-205-000 Bumper Tube Assembly



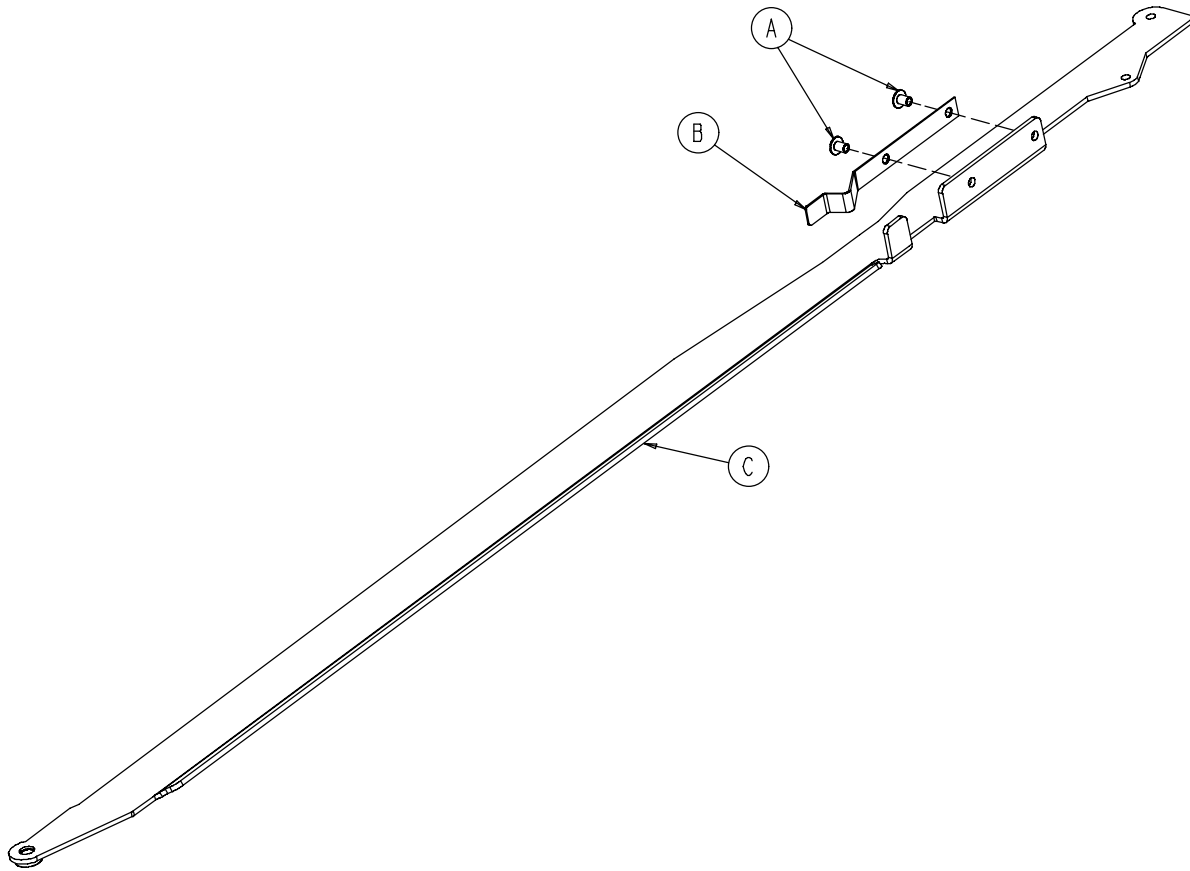
6091-1-85 Left Bumper Tube

Item	Part No.	Part Name	Qty.
A	6091-1-86	Bumper Wear Guard, Lt.	1
B	6091-1-95	Bumper Tube, Lt.	1
C	25-79	Dome Head Rivet	5

6091-1-90 Right Bumper Tube

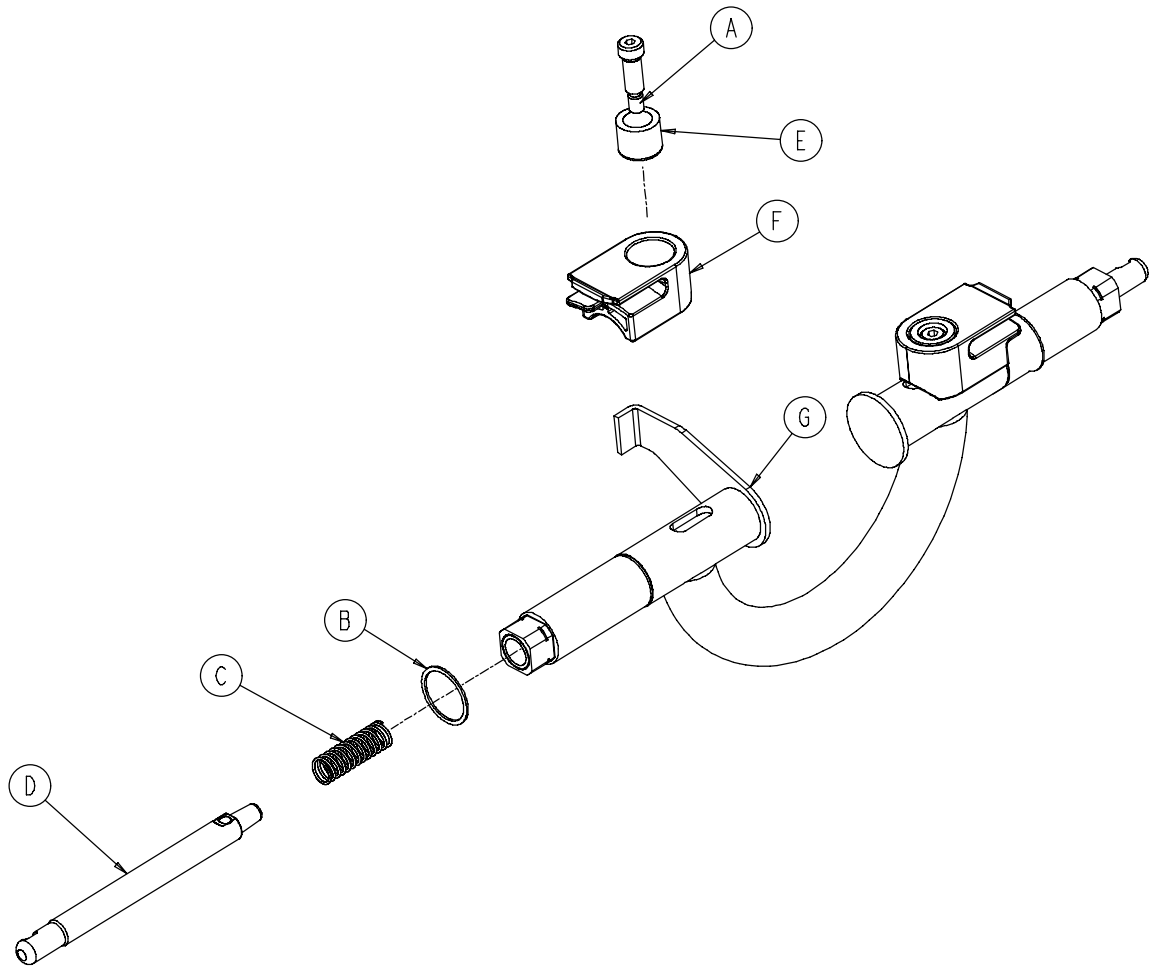
Item	Part No.	Part Name	Qty.
A	6091-1-91	Bumper Wear Guard, Rt.	1
B	6091-1-96	Bumper Tube, Rt.	1
C	25-79	Dome Head Rivet	5

6091-700-115 Latch Bar Assembly



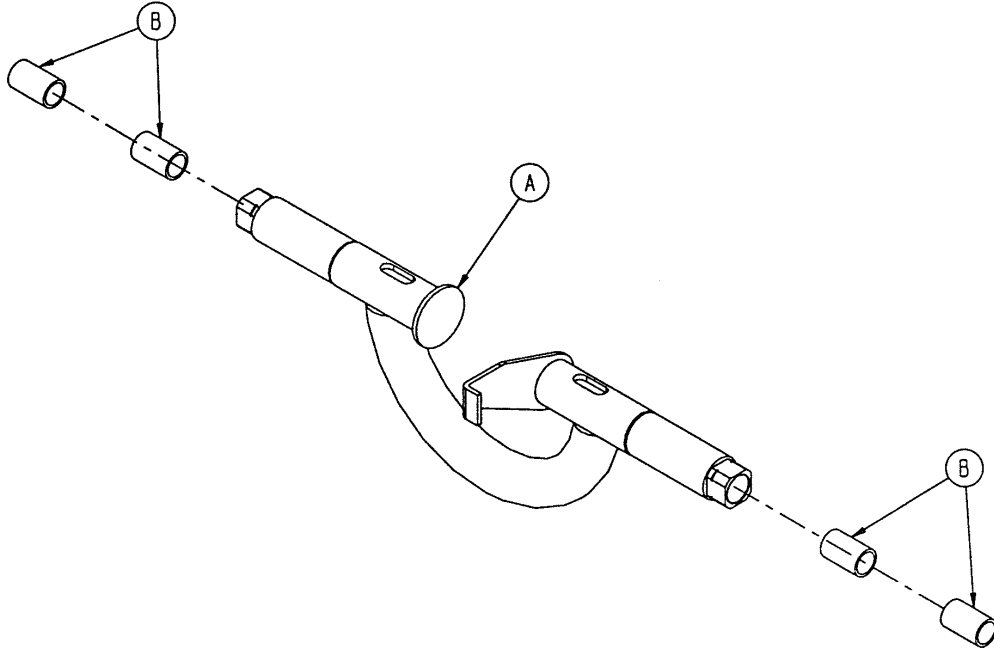
Item	Part No.	Part Name	Qty.
A	25-153	Semi-Tubular Rivet	2
B	6092-105-20	Latch Bar Spring Clip	1
C	6092-105-35	Latch Bar Weldment	1

6091-005-565 Base Lock Tube Assembly



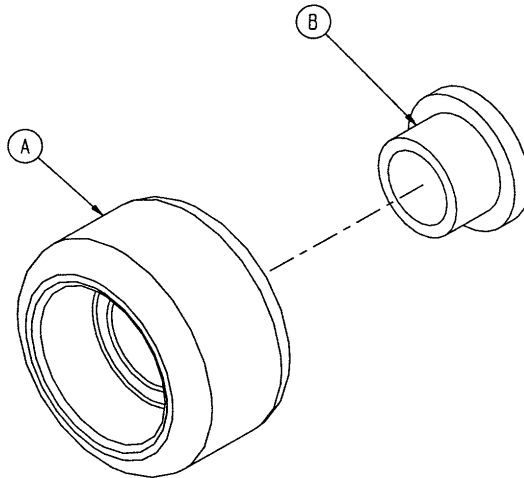
Item	Part No.	Part Name	Qty.
A	8-27	Shoulder Bolt	2
B	28-177	Retaining Ring	2
C	38-450	Compression Spring	2
D	6091-205-58	Lock Pin	2
E	6090-205-59	Lock Bar Roller	2
F	6091-5-63	Lock Bar Roller Guide	2
G	(page 65)	Lock Tube Bearing Ass'y	1

6090-5-64 Base Lock Tube Bearing Assembly



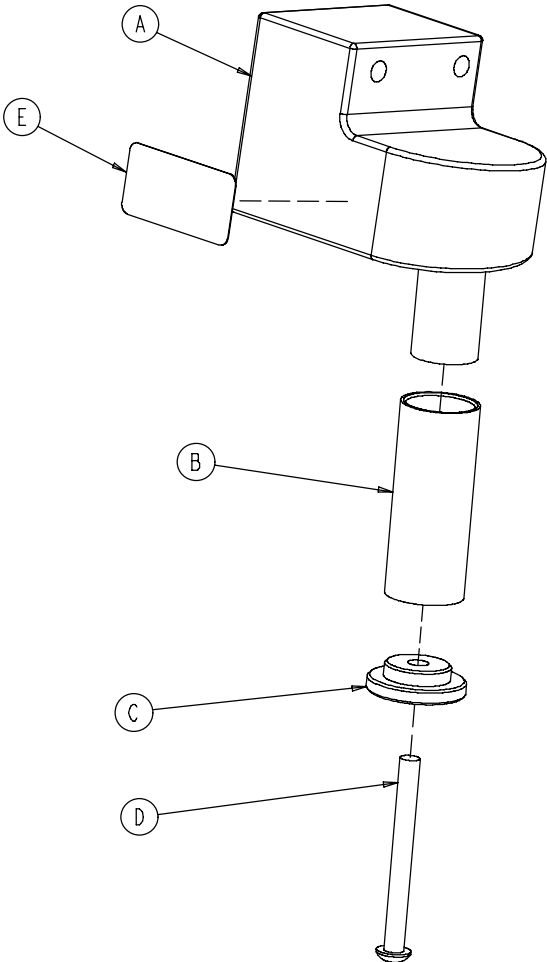
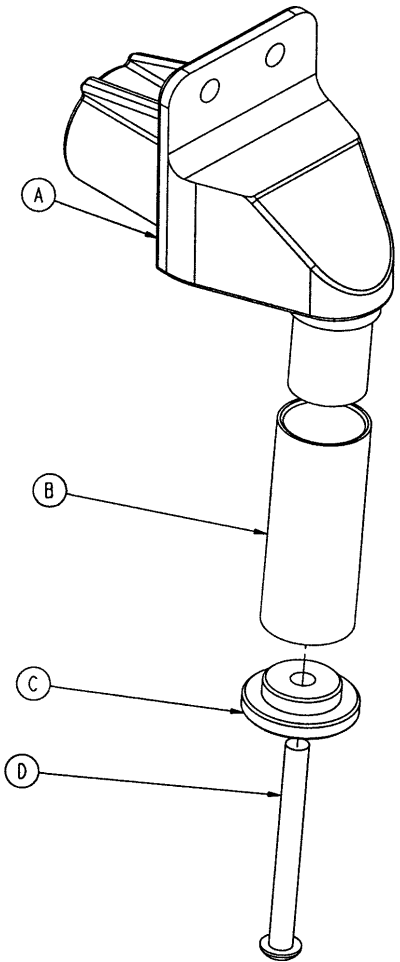
Item	Part No.	Part Name	Qty.
A	6090-5-68	Lock Bar Weldment	1
B	81-4	Bronze Bushing	4

6090-5-70 Track Roller Assembly



Item	Part No.	Part Name	Qty.
A	6090-5-75	Track Roller	1
B	81-251	Track Roller Bushing	1

Cot Retaining Post Assembly



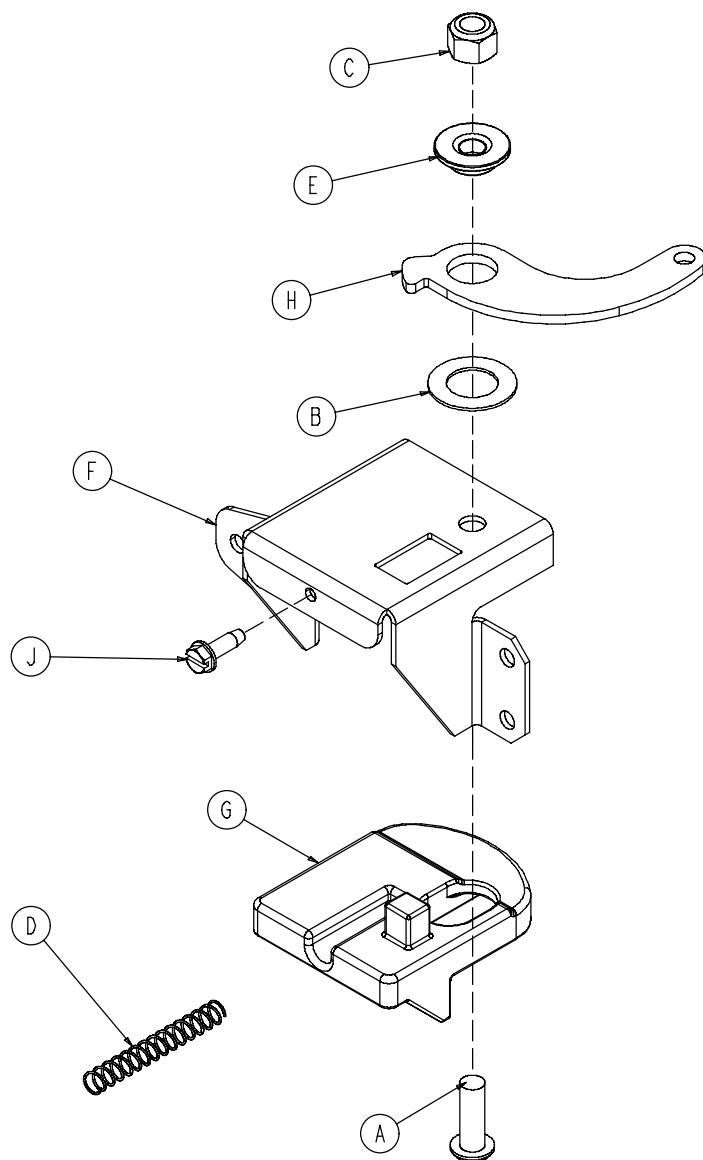
6091-204-45 Cot Retaining Post

6091-4-46 Patient Left Cot Retaining Post

Item	Part No.	Part Name	Qty.
A	6091-204-46	Retaining Post Head	1
B	6091-204-47	Post Tube	1
C	6060-4-43	Retaining Post Cap	1
D	4-163	H. Soc. But. Hd. Cap Scr.	1

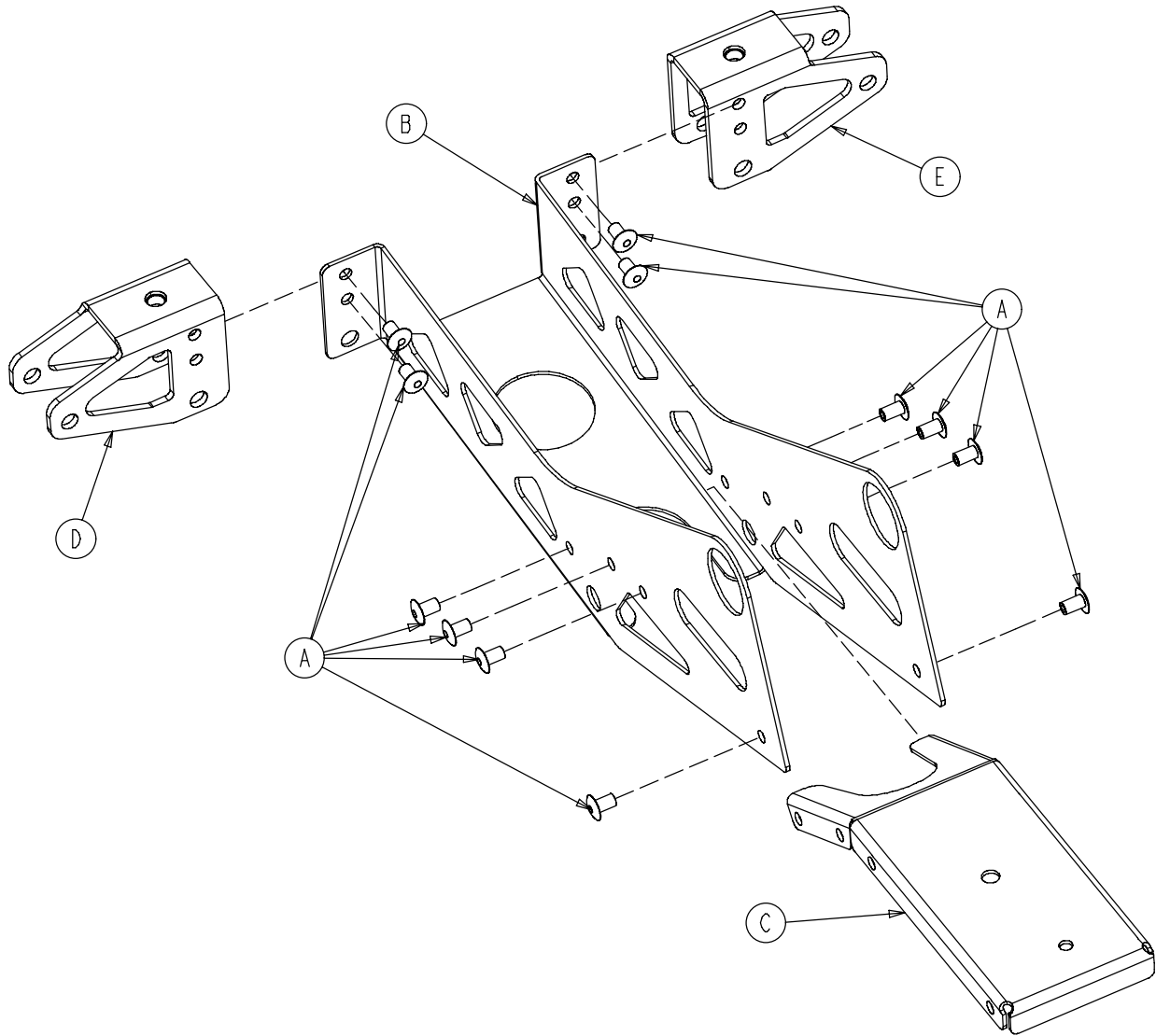
Item	Part No.	Part Name	Qty.
A	6091-204-48	Retaining Post Head, Left	1
B	6091-204-47	Post Tube	1
C	6060-4-43	Retaining Post Cap	1
D	4-163	Button Hd. Cap Screw	1
E	6091-90-3	Label	1

6092-6-25 Auxiliary Lock Housing Assembly



Item	Part No.	Part Name	Qty.
A	4-161	Hex Soc. But. Hd. Cap Screw	1
B	14-7	Nylon Washer	1
C	16-28	Fiberlock Hex Nut	1
D	38-432	Extension Spring	1
E	3001-300-99	Modified Bushing	1
F	6092-6-26	Auxiliary Lock Housing	1
G	6090-6-27	Auxiliary Lock Slide	1
H	6091-6-28	Auxiliary Lock Lever Arm	1
J	3-364	Hex Washer Hd. Screw	1

6092-32-10 Fowler Bracket Assembly

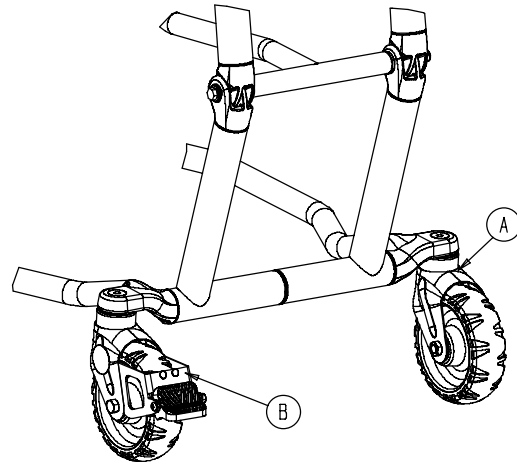


Item	Part No.	Part Name	Qty.
A	25-122	Dome Head Rivet	12
B	6092-32-11	Fowler Support Bracket	1
C	6092-32-12	Fowler Bracket Filler Panel	1
D	6092-32-13	Fowler Supt. Brkt. Mount, Rt.	1
E	6092-32-14	Fowler Supt. Brkt. Mount, Lt.	1

Wheel Lock Options

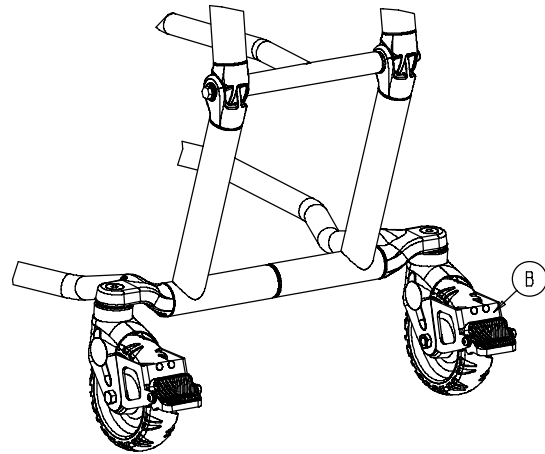
6082-501-10 One Wheel Lock Option

Item	Part No.	Part Name	Qty.
A	6082-2-12	Caster Horn	1
B	(page 70)	Wheel Lock Ass'y	1

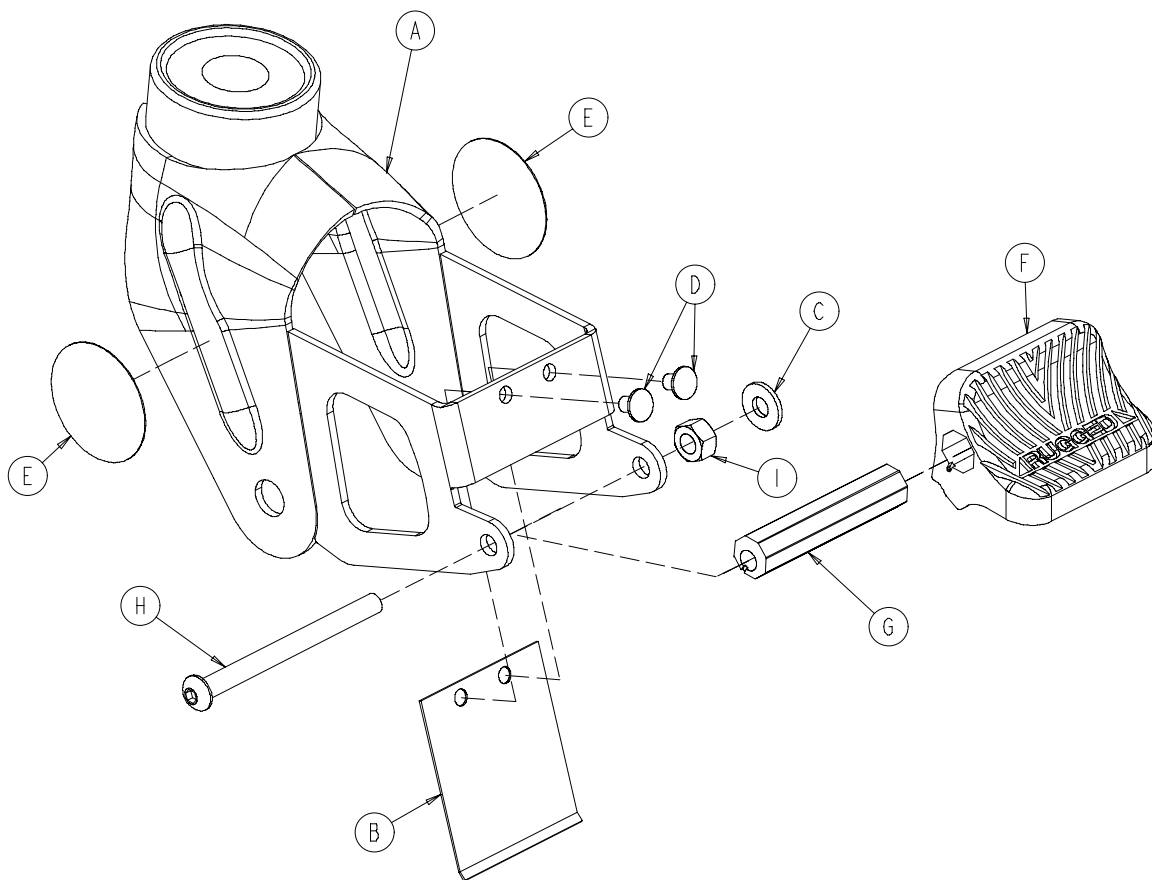


6082-502-10 Two Wheel Locks Option

Item	Part No.	Part Name	Qty.
B	(page 70)	Wheel Lock Ass'y	2



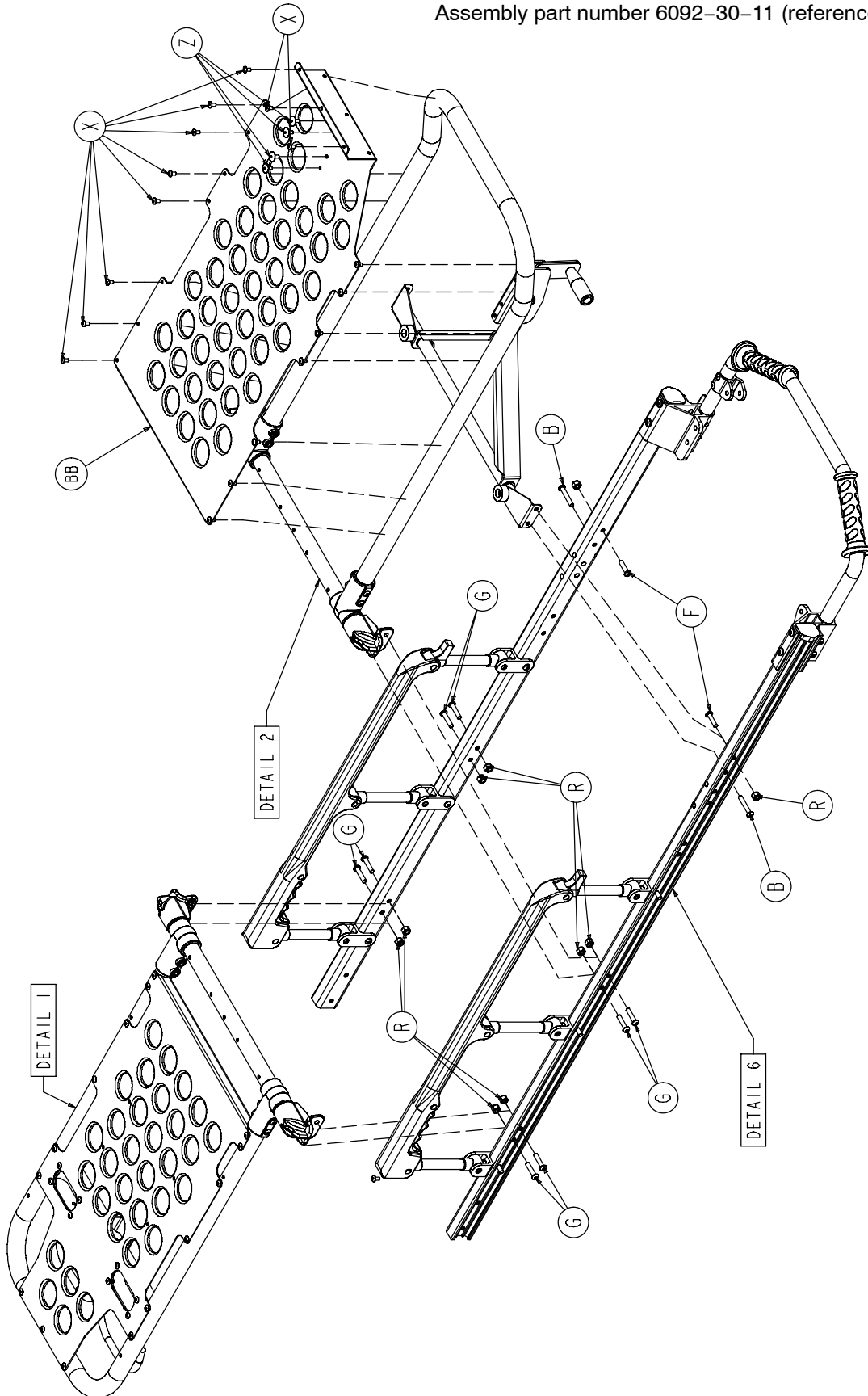
6082-200-10 Adjustable Wheel Lock Assembly



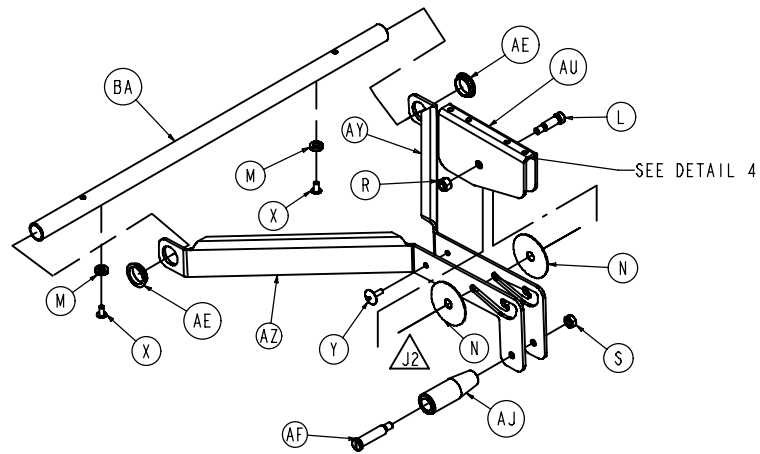
Item	Part No.	Part Name	Qty.
A	6082-100-12	Caster Horn	1
B	6080-100-32	Spring	1
C	11-456	Washer	1
D	25-153	Semi-Tubular Rivet	2
E	6080-90-101	Warning Label	2
F	6080-200-30	Adjustable Pedal	1
G	6080-200-41	Octagonal Sleeve	1
H	4-98	Hex Soc. But. Hd. Cap Screw	1
I	16-118	Centerlock Nut	1

Litter Assembly

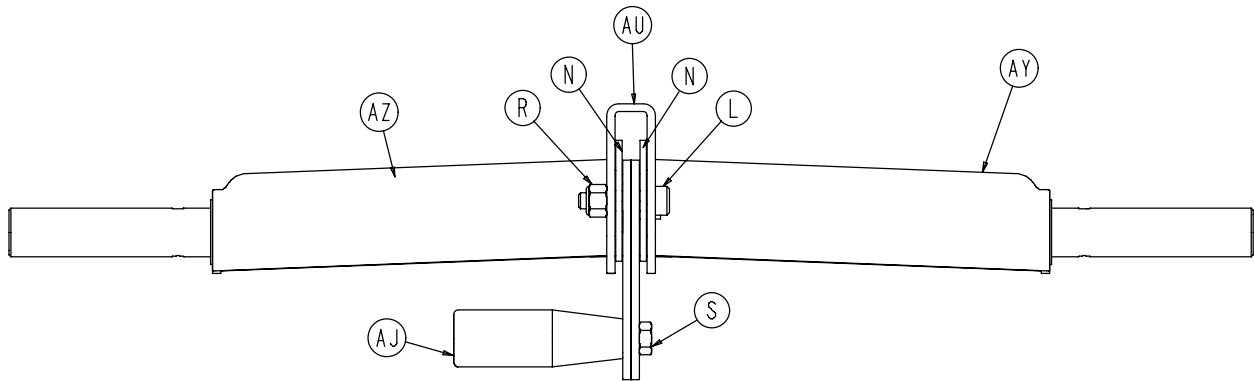
Assembly part number 6092-30-11 (reference only)



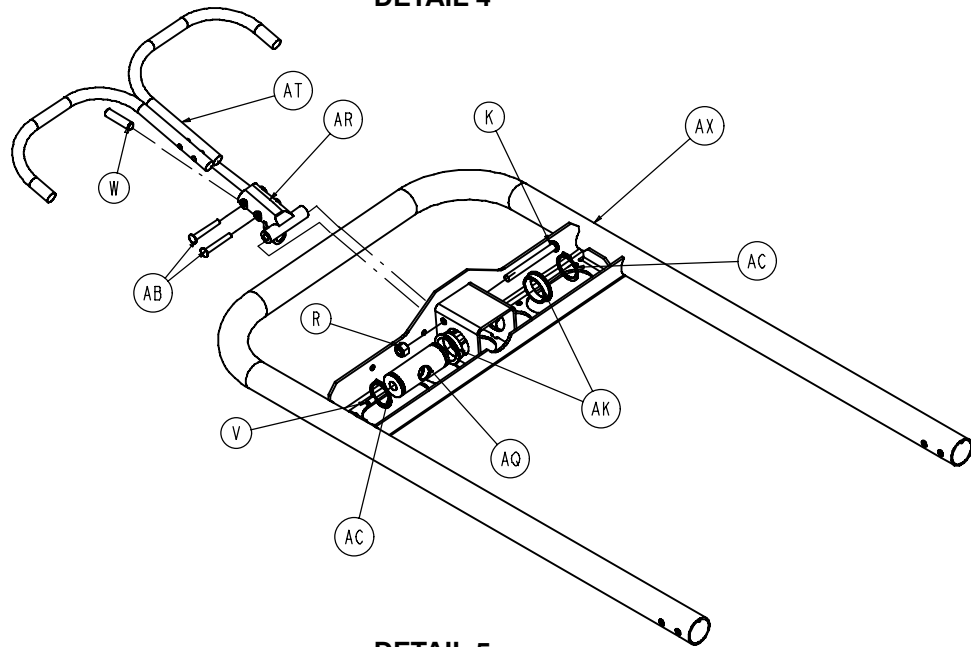
Litter Assembly



DETAIL 3



DETAIL 4

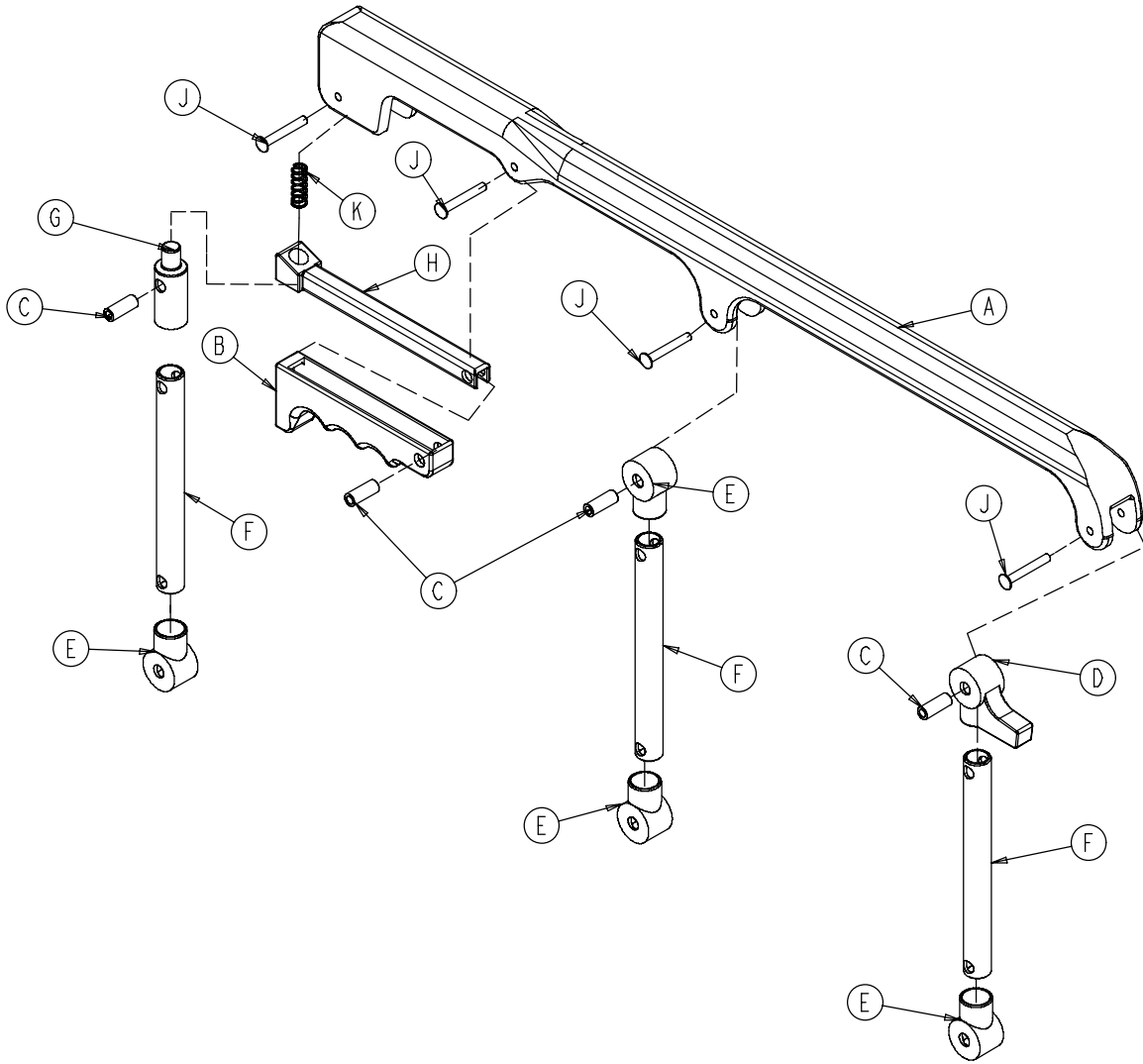


DETAIL 5

Litter Assembly

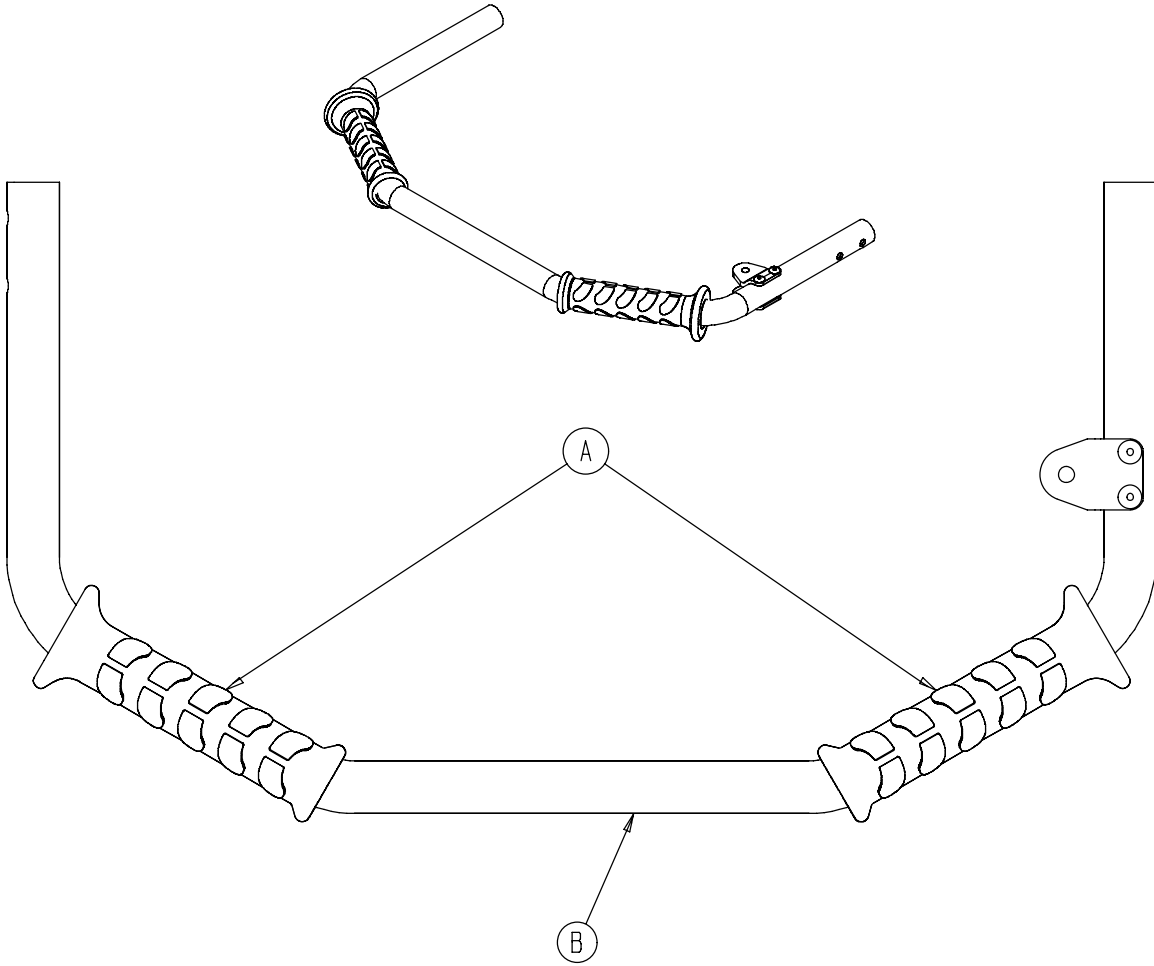
Item	Part No.	Part Name	Qty.	Item	Part No.	Part Name	Qty.
B	4-135	Hex Soc. But. Hd. Cap Scr.	2	AK	946-35-25	Liner	2
C	4-515	Pan Hd. Machine Scr.	6	AL	6082-25-33	Pivot Mount Spacer	8
D	4-161	Hex Soc. But. Hd. Cap Scr.	4	AM	6082-25-55	Pivot Mount	6
E	4-468	Hex Soc. But. Hd. Cap Scr.	12				
F	4-197	Hex Soc. But. Hd. Cap Scr.	2	AN	(page 76)	Siderail Assembly	2
G	4-198	Hex Soc. But. Hd. Cap Scr.	12	AP	6082-30-31	Crossbrace Supt. Mnt.	4
H	4-204	Hex Soc. But. Hd. Cap Scr.	8	AQ	6060-32-38	Gas Spring Yoke	1
K	4-234	Hex Soc. But. Hd. Cap Scr.	1	AR	6060-32-40	Fowler Lift Pivot	1
L	8-27	Hex Soc. Hd. Shoulder Bolt	1	AS	6100-3-125	Fow./Gatch Adptr. Pivot	4
M	14-67	Flat Washer	2	AT	6082-32-52	Rel. Handle Wldmnt.	1
N	14-55	Flat Washer	2	AU	6070-38-33	Calf Stand Retainer	1
P	15-50	Hex Nut	1	AV	6082-30-42	Litter Crossbrace	2
R	16-28	Fiberlock Hex Nut	12	AW	6082-32-45	Fowler Skin	1
S	16-78	Centerlock Hex Nut	1	AX	6082-32-50	Fowler Weldment	1
T	16-102	Nylock Nut	8	AY	6082-38-31	Calf Stand Support, Lt.	1
U	18-38	Umbrella Nut	2	AZ	6082-38-32	Calf Stand Support, Rt.	1
V	21-119	Hex Soc. Set Screw	1	BA	6082-38-35	Litter Cross Brace	1
W	21-138	Hex Soc. Set Screw	1	BB	6082-38-45	Foot Section Skin	1
X	25-79	Dome Hd. Rivet	36	BC	6082-38-46	Foot Section Tube	1
Y	25-128	Flange Rivet	1	BD	6092-40-12	Outer Rail End Cap, Ft.	2
Z	25-132	Flange Rivet	4	BE	34-74	Hole Plug	2
AA	25-133	Dome Hd. Rivet	6	BF	6092-30-46	Outer Rail, Right	1
AB	25-131	Semi-Tubular Rivet	2	BG	6092-30-47	Outer Rail, Left	1
AC	28-76	External Retaining Ring	2	BH	6092-33-32	Trend Support, Left	1
AD	56-16	Bumper	2	BJ	6092-33-33	Trend Support, Right	1
AE	81-255	Split Bearing	2	BK	6090-39-43	Lift Bar Plug	2
AF	378-24-29	Shoulder Bolt	1	BL	(page 77)	Lift Tube	1
AG	721-26-66	Pivot Screw	6	BM	6092-40-48	Lift Tube Support	1
AJ	938-1-177	Knob	1	BN	6092-40-49	Lift Tube Support, Rt.	1

6092-26-10 Folddown Siderail Assembly



Item	Part No.	Part Name	Qty.
A	6060-25-24	Top Rail	1
B	6060-25-29	Lock Release	1
C	6060-25-35	Pivot Bushing	4
D	6060-25-40	Spindle Pivot Stop	1
E	6060-25-41	Spindle Pivot	4
F	6060-25-43	Siderail Spindle	3
G	6060-25-47	Spindle Lock Post	1
H	6061-125-30	Lock Bar	1
J	25-131	Semi-Tubular Rivet	4
K	38-344	Compression Spring	1

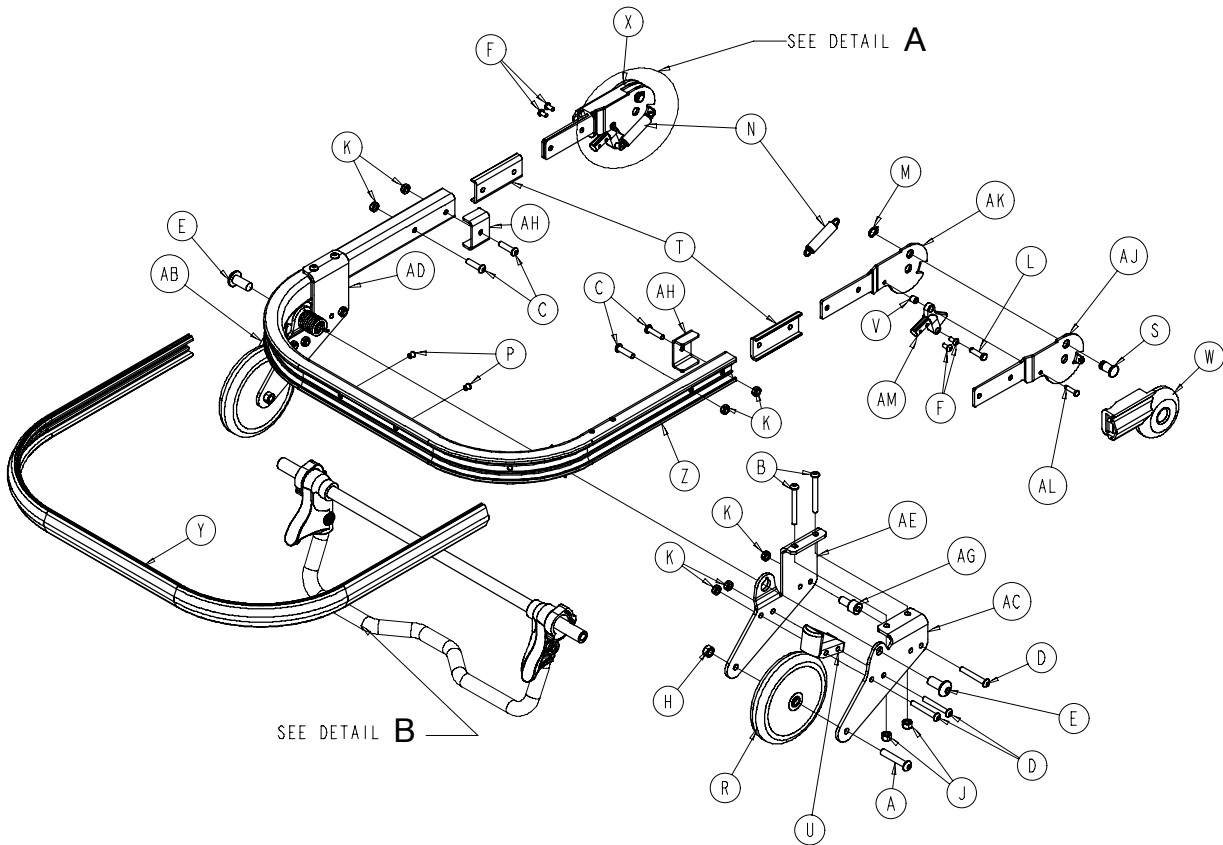
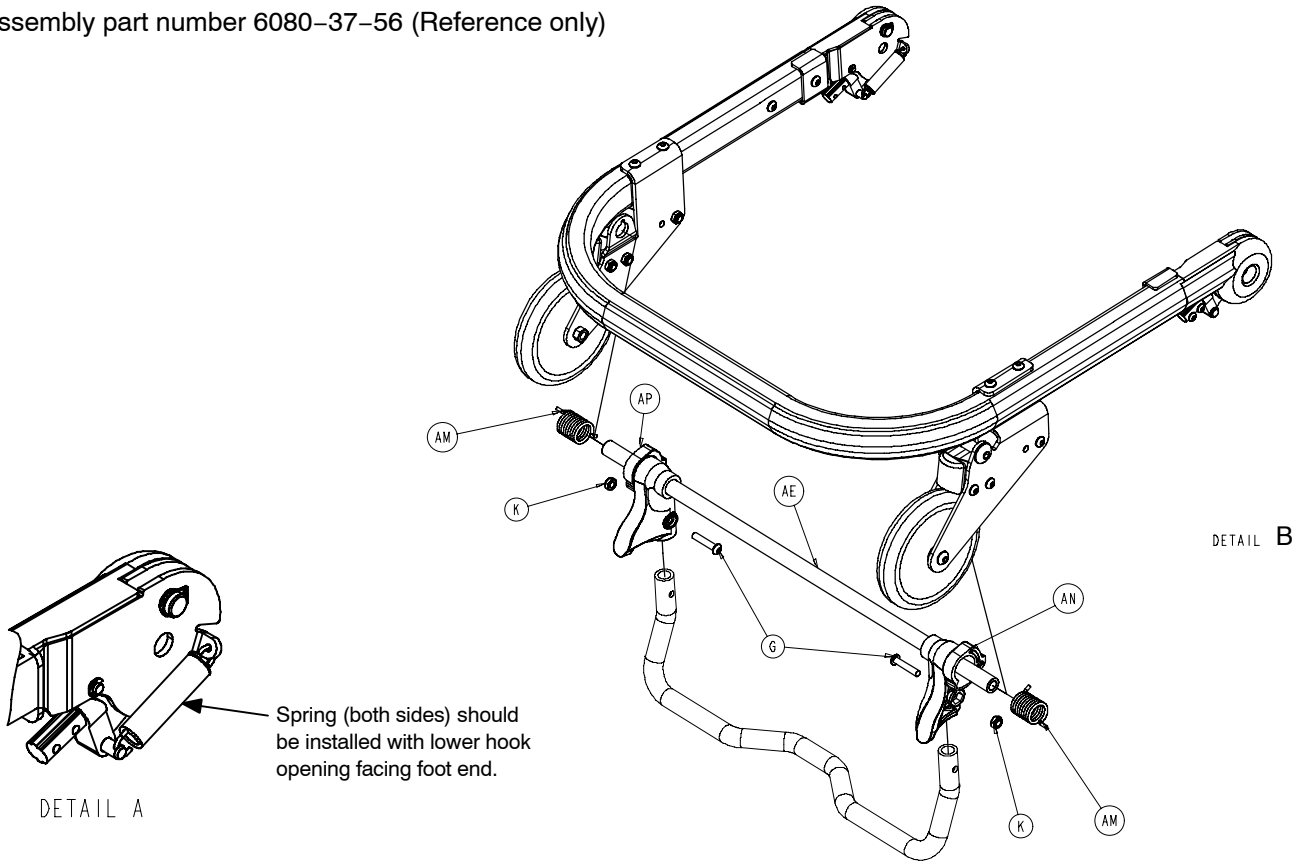
6092-40-51 Litter Lift Tube Assembly



Item	Part No.	Part Name	Qty.
A	6080-40-11	Grip	2
B	6092-40-52	Lift Tube	1

Breakaway Head Section Assembly

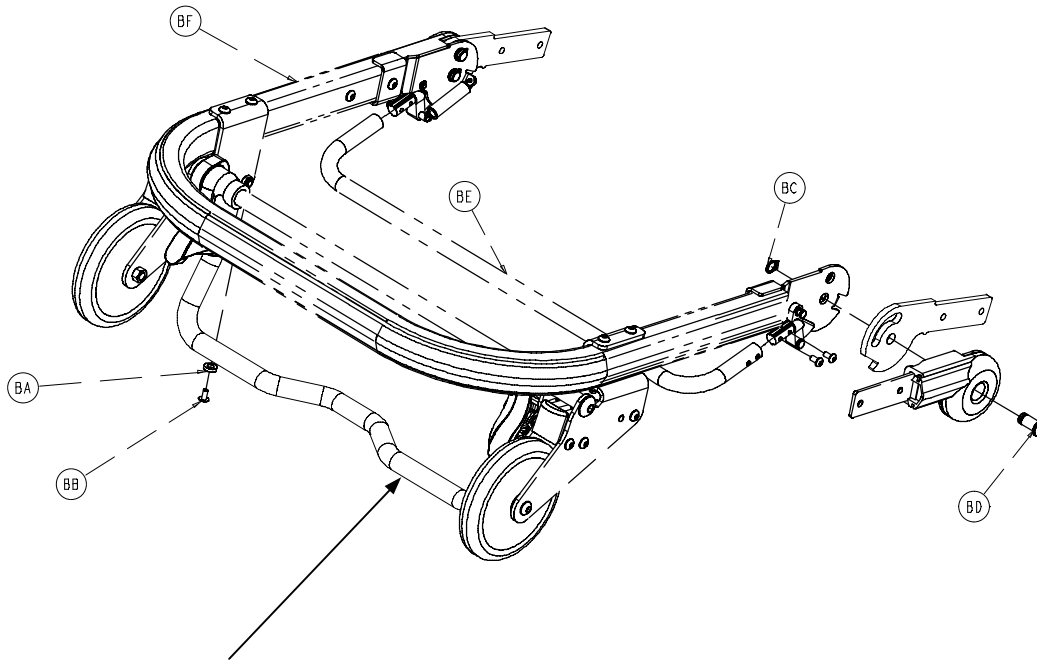
Assembly part number 6080-37-56 (Reference only)



Breakaway Head Section Assembly

Item	Part No.	Part Name	Qty.
A	4-54	Button Head Cap Screw	2
B	4-163	Button Head Cap Screw	4
C	4-197	Button Head Cap Screw	4
D	4-204	Button Head Cap Screw	6
E	4-209	Button Head Cap Screw	2
F	4-231	Button Head Cap Screw	4
G	4-612	Button Head Cap Screw	2
H	16-20	Centerlock Hex Jam Nut	2
J	16-28	Fiberlock Hex Nut	4
K	16-102	Nylock Hex Nut	12
L	26-269	Clevis Pin	2
M	28-138	External Retaining Ring	2
N	38-410	Extension Spring	2
P	721-31-65	Hole Plug	2
R	6060-36-20	Wheel Assembly, 5 inch	2
S	6060-36-24	Pivot Stop Pin, Breakaway Hd.	2
T	6060-37-26	Spacer Plate, Pivot	2
U	6060-37-33	Horn Stop Block, Breakaway Hd.	2
V	6060-37-36	Spacer, Trigger Lock, Pivot	2
W	6060-37-37	Pivot Cover, Right	1
X	6060-37-38	Pivot Cover, Left	1
Y	6080-36-44	Bumper	1
Z	6080-36-45	Outer Rail, Breakaway Head	1
AA	6080-37-27	Outer Caster Horn, Left	1
AB	6080-37-28	Outer Caster Horn, Right	1
AC	6080-37-29	Inner Caster Horn, Left	1
AD	6080-37-30	Inner Caster Horn, Right	1
AE	6080-37-34	Pivot Tube, Safety Hook	1
AF	6080-37-49	Safety Hook, Rel Hndl, Spacer	2
AG	6080-37-25	Bracket, Litter/Base Adapter	2
AH	6082-37-42	Pivot, Form, Right	2
AJ	6082-37-43	Pivot, Form, Left	2
AK	6082-37-57	Grooved Clevis Pin Assembly	2
AL	6090-37-39	Trigger Lock	2
AM	6500-1-321	Safety Bar Torsion Spring	2
AN	6500-1-323	Pivot, Safety Hook, PR	1
AP	6500-1-324	Pivot, Safety Hook, PL	1

Breakaway Head Section Assembly

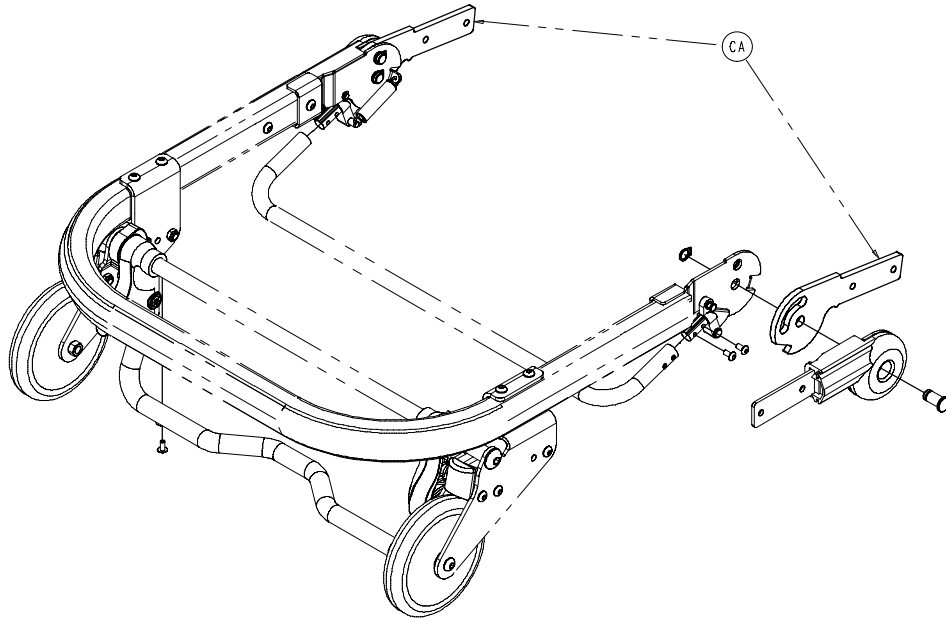


Note: Need to order Lift option (6091-156-016) to complete functional head section.

Breakaway Head Assembly - Standard Components - 6080-37-10 (reference only)

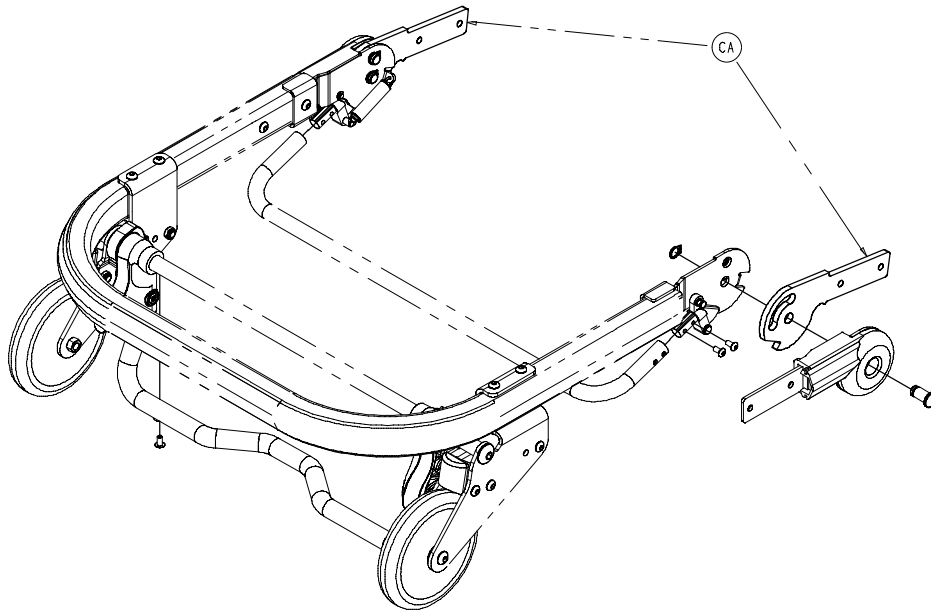
Item	Part No.	Part Name	Qty.
BA	14-67	Nylon Flat Washer	2
BB	25-79	Dome Head Rivet	2
BC	28-138	Retaining Ring	2
BD	6080-36-25	Pivot Pin	2
BE	6080-36-47	Crossbar, Release, Bent	1
BF	6080-37-55	Breakaway Head Section	1

Breakaway Head Section Assembly



Breakaway Head Assembly – Standard Height Option – 6082-37 (reference only)

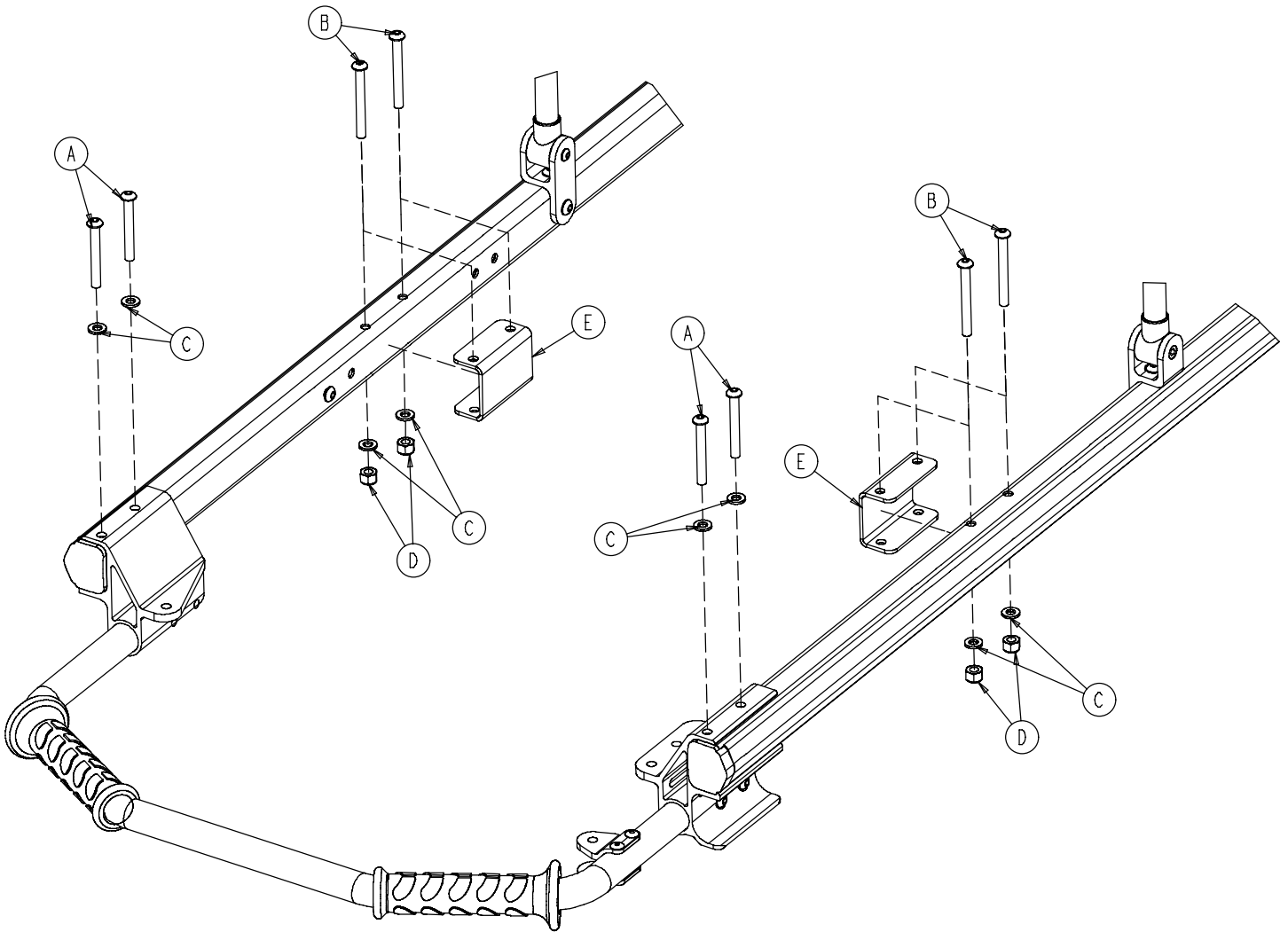
Item	Part No.	Part Name	Qty.
CA	6082-37-40	Center Pivot, Head Section	2



Breakaway Head Assembly – Extended Height Option – 6082-38 (reference only)

Item	Part No.	Part Name	Qty.
DA	6082-343-85	Center Pivot, Ext, Head Section 2	

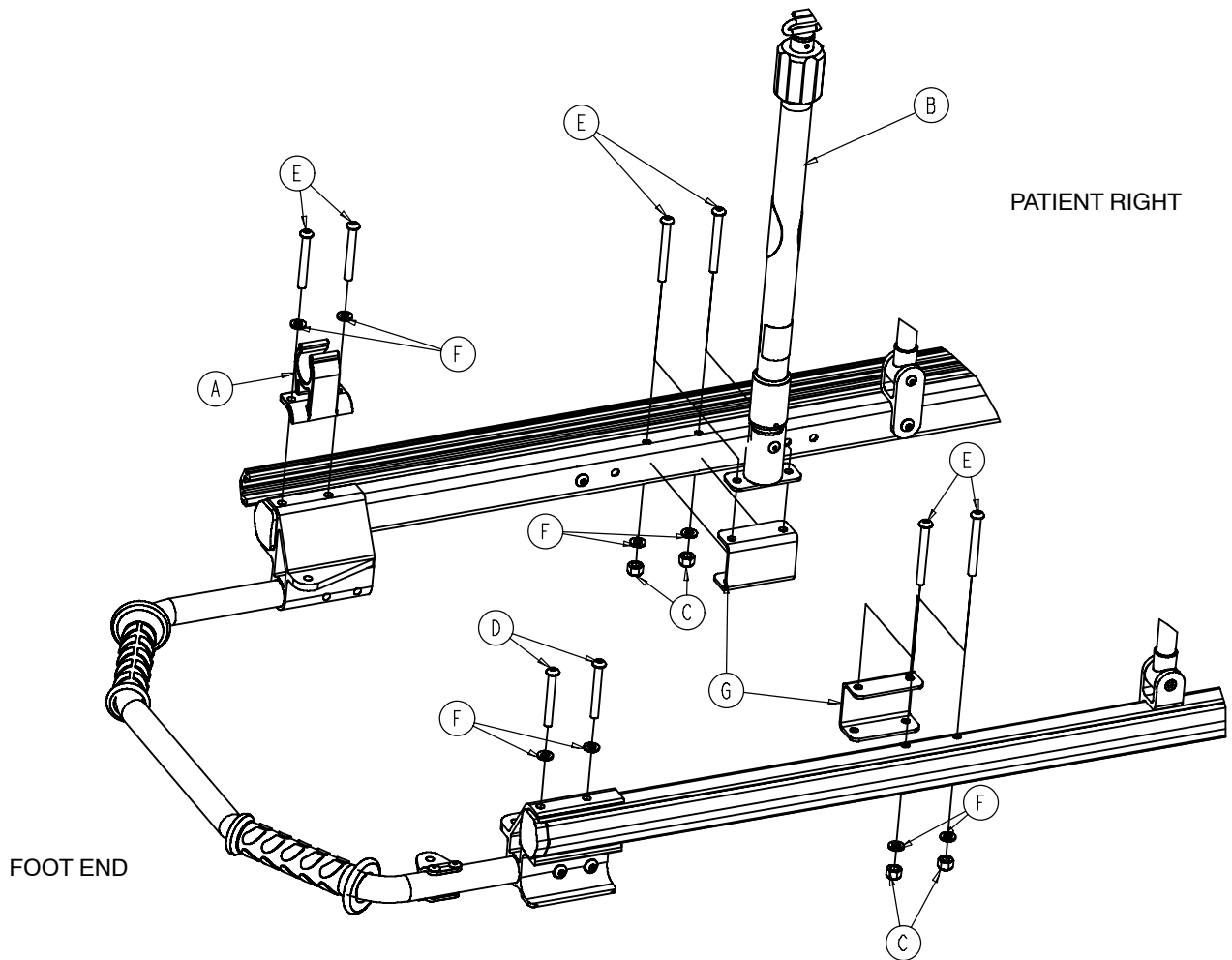
6092-213-10 No IV Pole Option



Item	Part No.	Part Name	Qty.
A	4-97	Hex Soc. But. Hd. Cap Screw	4
B	4-163	Hex Soc. But. Hd. Cap Screw	4
C	11-65	Flat Washer	8
D	16-28	Nylock Nut	4
E	6092-30-80	Siderail Bracket	2

6092-210-10 Optional 2-Stage IV, Patient Right

6092-215-10 Optional 3-Stage IV, Patient Right



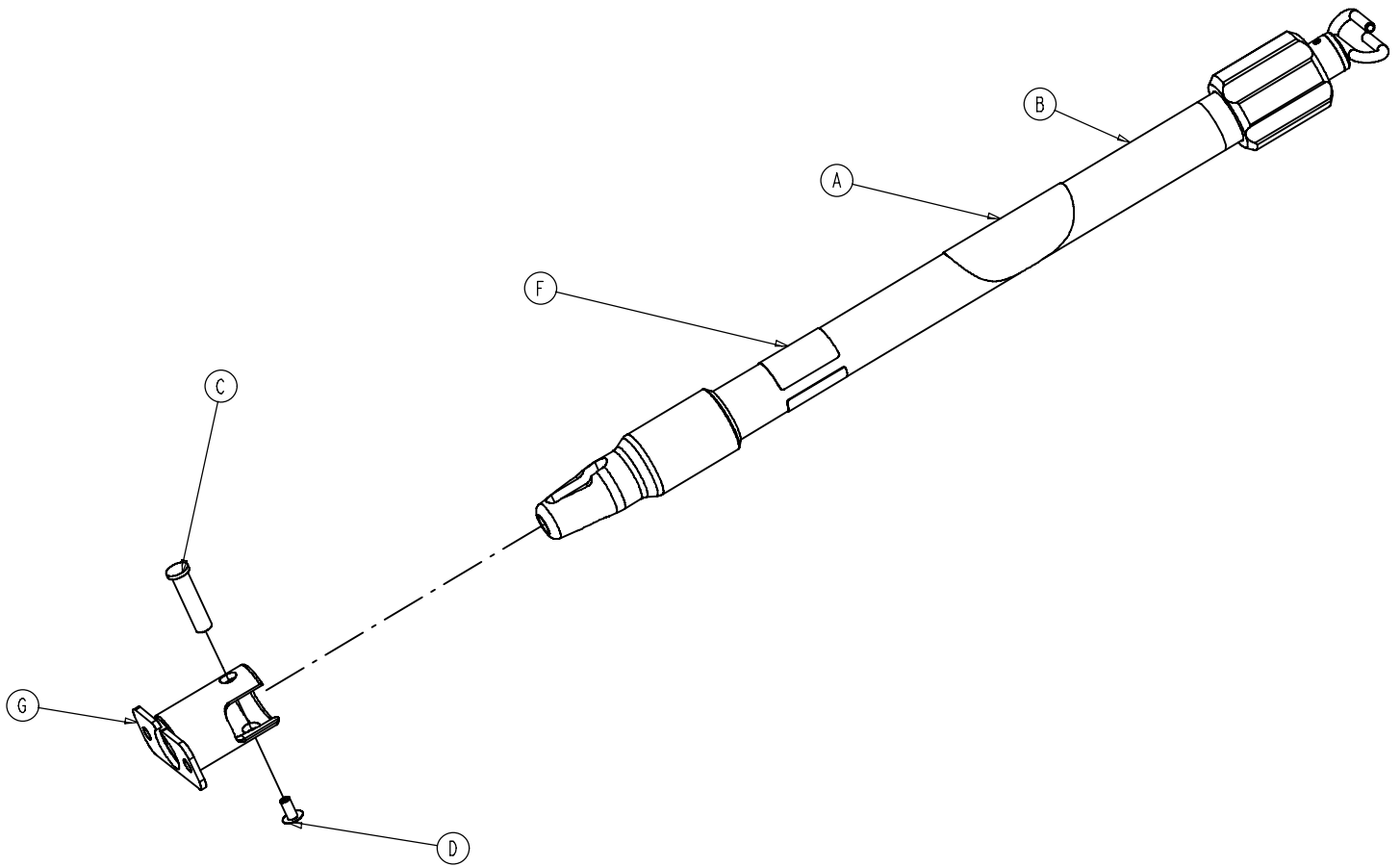
6092-210-10

Item	Part No.	Part Name	Qty.
A	6080-110-35	IV Clip	1
B	(page 84)	2-Stage IV Pole, Right	1
C	16-28	Nylock Nut	4
D	4-97	Hex Soc. But. Hd. Cap Scr.	2
E	4-163	Hex Soc. But. Hd. Cap Scr.	6
F	11-65	Flat Washer	8
G	6092-30-80	Siderail Bracket	1

6092-215-10

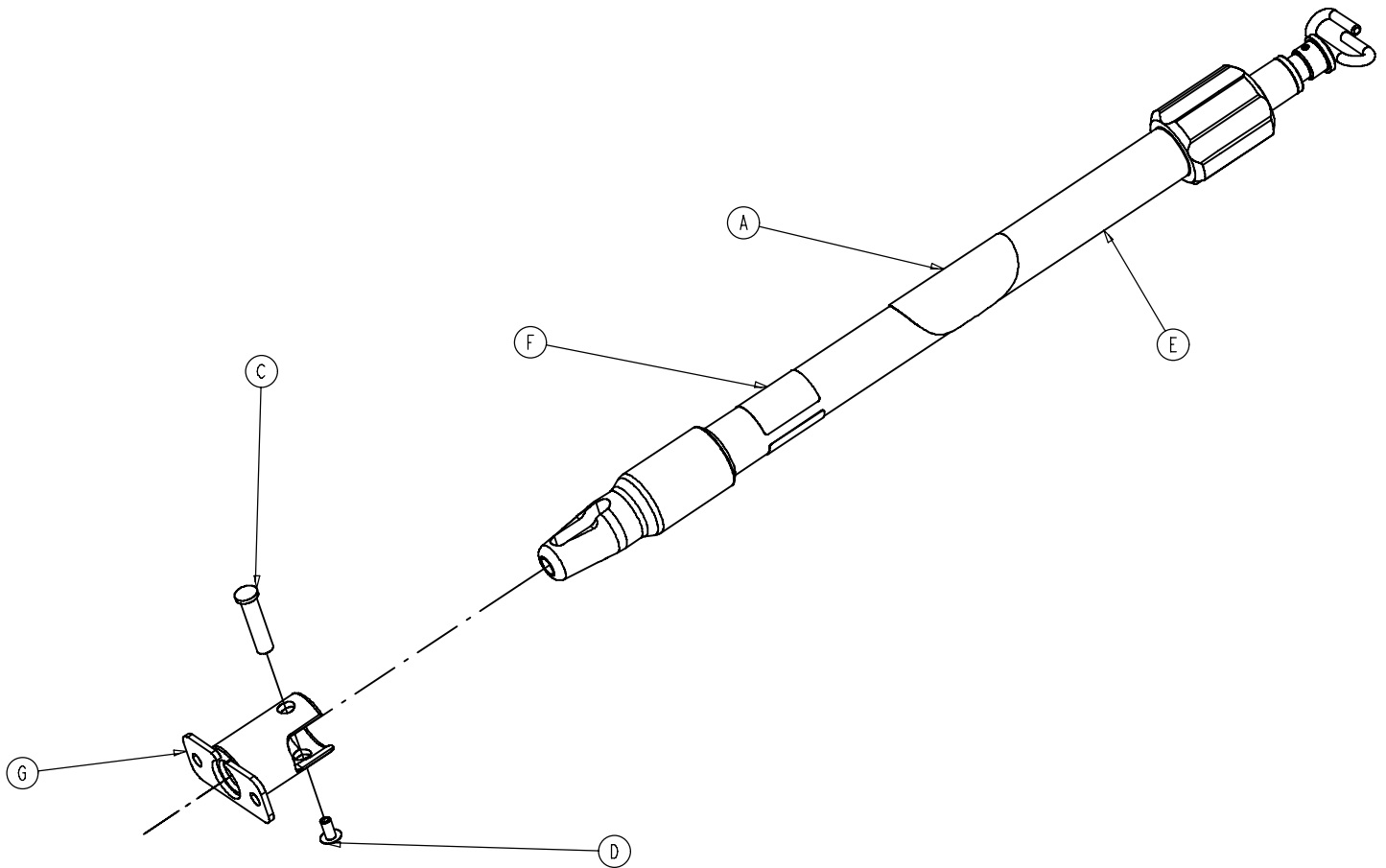
Item	Part No.	Part Name	Qty.
A	6080-110-35	IV Clip	1
B	(page 82)	3-Stage IV Pole, Right	1
C	16-28	Nylock Nut	4
D	4-97	Hex Soc. But. Hd. Cap Scr.	2
E	4-163	Hex Soc. But. Hd. Cap Scr.	6
F	11-65	Flat Washer	8
G	6092-30-80	Siderail Bracket	1

6090-210-20 2-Stage IV Assembly, Patient Right



Item	Part No.	Part Name	Qty.
A	6070-90-105	Caution Label	1
B	(page 89)	2-Stage IV Pole Assembly	1
C	6070-110-37	IV Pivot Pin	1
D	25-79	Dome Head Rivet	1
F	6090-90-31	Specification Label	1
G	6100-115-51	Socket Weldment	1

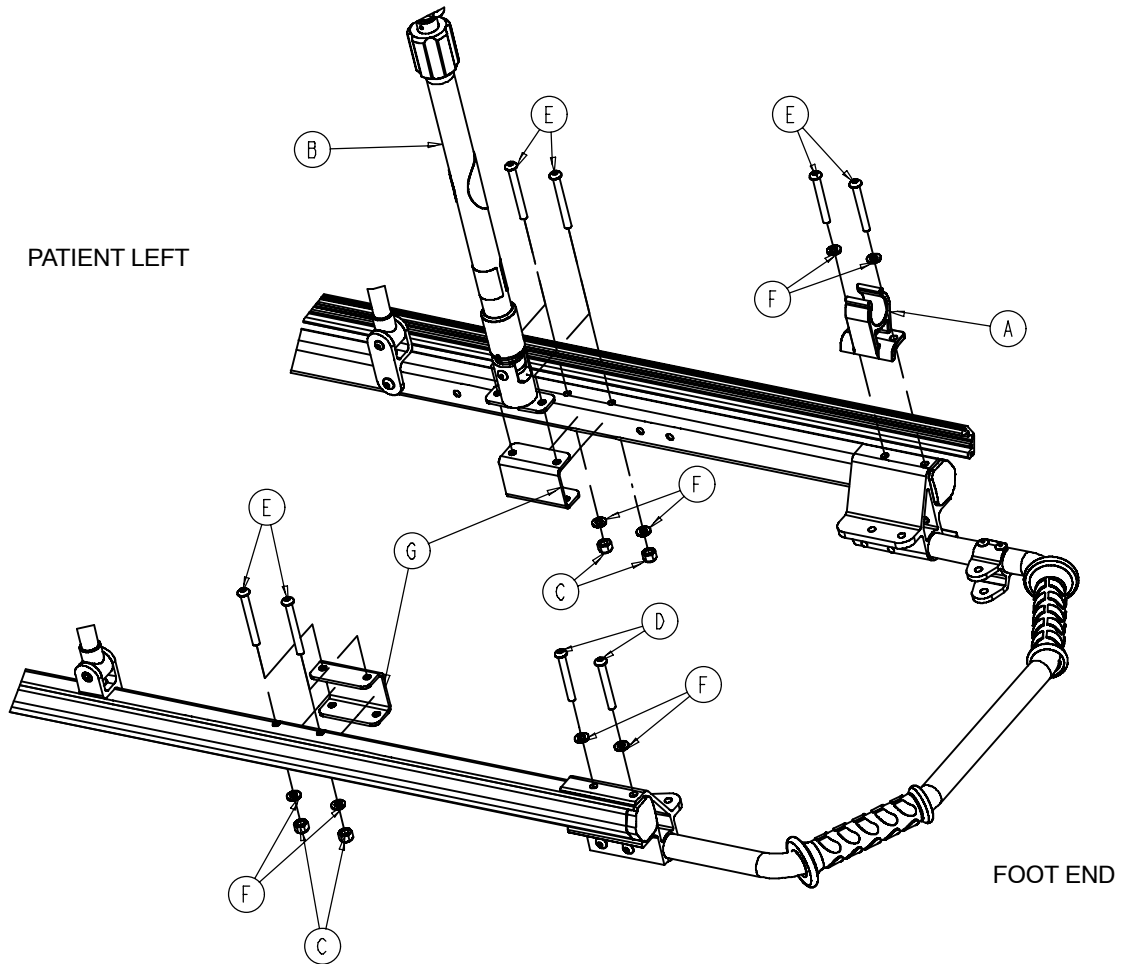
6090-215-20 3-Stage IV Assembly, Patient Right



Item	Part No.	Part Name	Qty.
A	6070-90-105	Caution Label	1
C	6070-110-37	IV Pivot Pin	1
D	25-79	Dome Head Rivet	1
E	(page 90)	3-Stage I.V. Pole Assembly	1
F	6090-90-33	Specification Label	1
G	6100-115-51	Socket Weldment	1

6092-211-10 Optional 2-Stage IV, Patient Left

6092-216-10 Optional 3-Stage IV, Patient Left

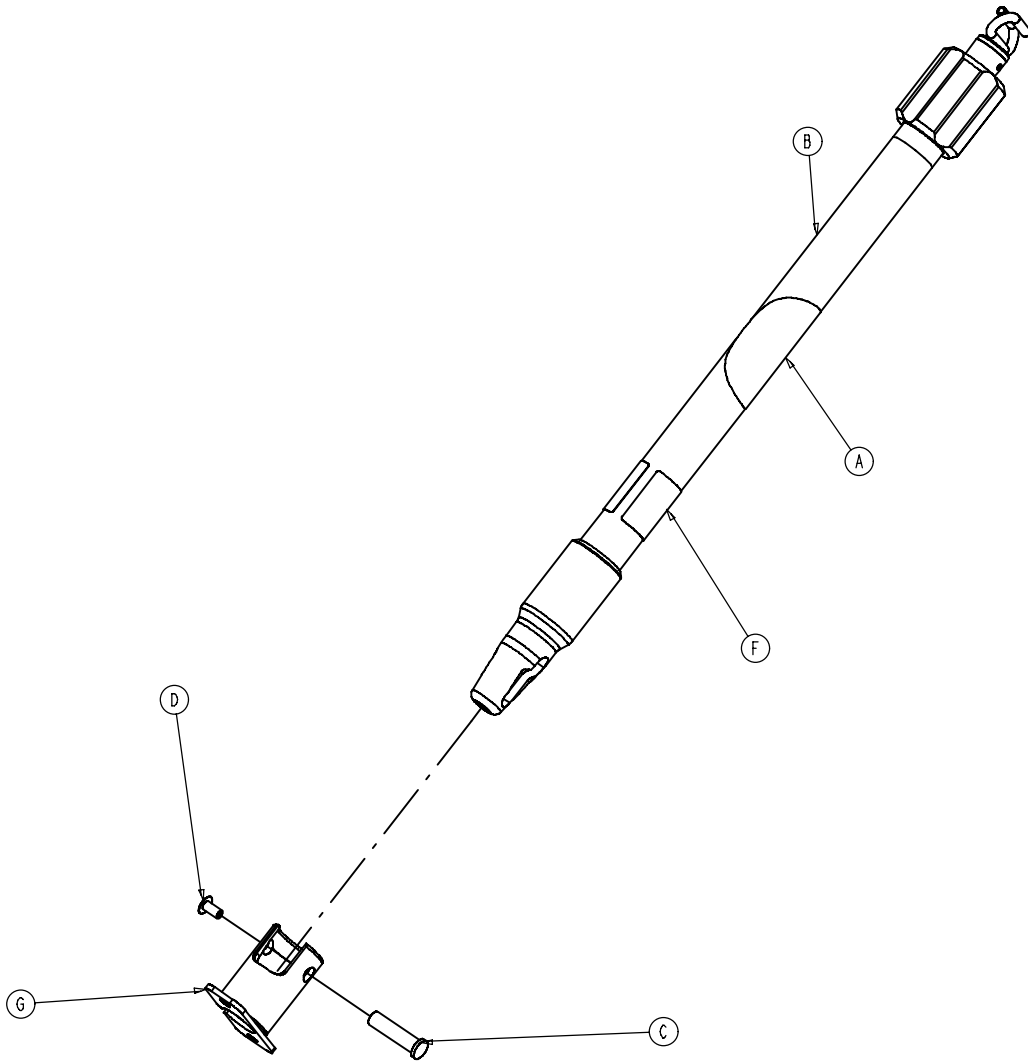


6092-211-10

6092-216-10

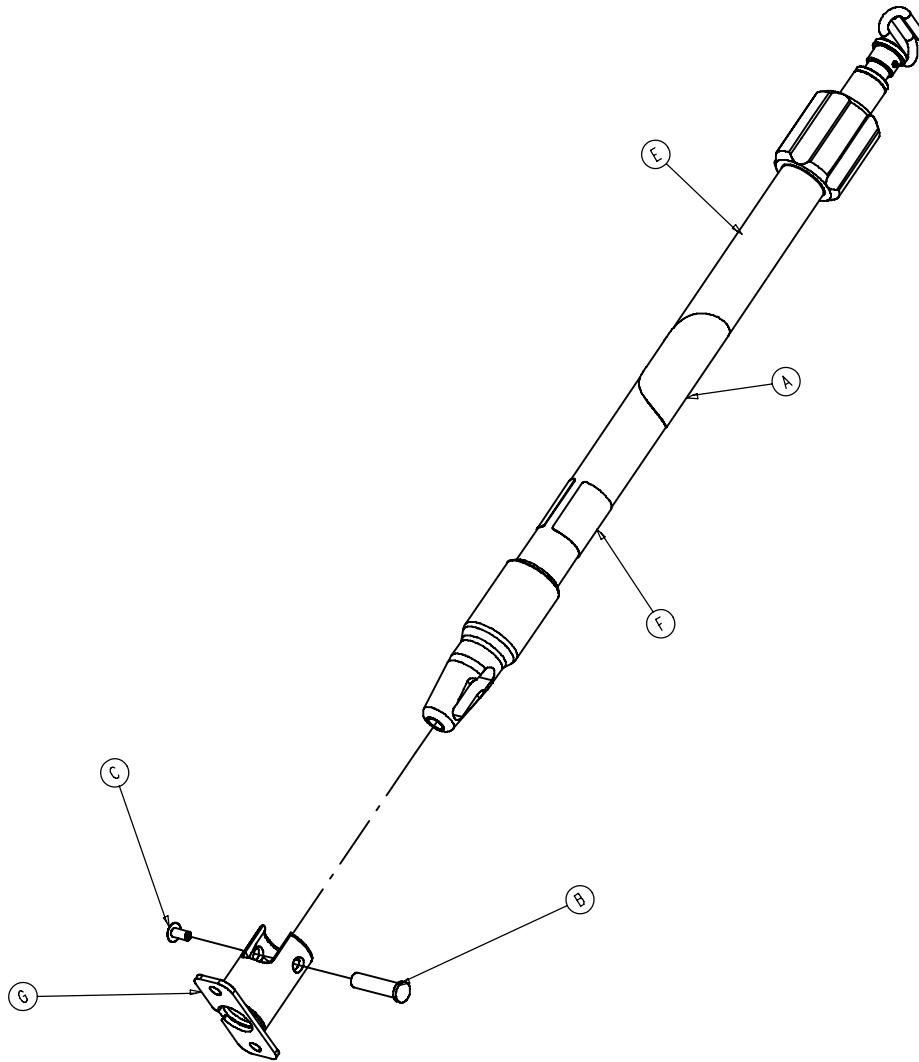
Item	Part No.	Part Name	Qty.	Item	Part No.	Part Name	Qty.
A	6080-110-35	IV Clip	1	A	6080-110-35	IV Clip	1
B	(page 87)	2-Stage IV Pole, Left	1	B	(page 88)	3-Stage IV Pole, Left	1
C	16-28	Nylock Nut	4	C	16-28	Nylock Nut	4
D	4-97	H. Soc. But. Hd. Cap Scr.	2	D	4-97	H. Soc. But. Hd. Cap Scr.	2
E	4-163	H. Soc. But. Hd. Cap Scr.	6	E	4-163	H. Soc. But. Hd. Cap Scr.	6
F	11-65	Flat Washer	8	F	11-65	Flat Washer	8
G	6092-30-80	Siderail Bracket	1	G	6092-30-80	Siderail Bracket	1

6090-211-20 2-Stage IV Assembly, Patient Left



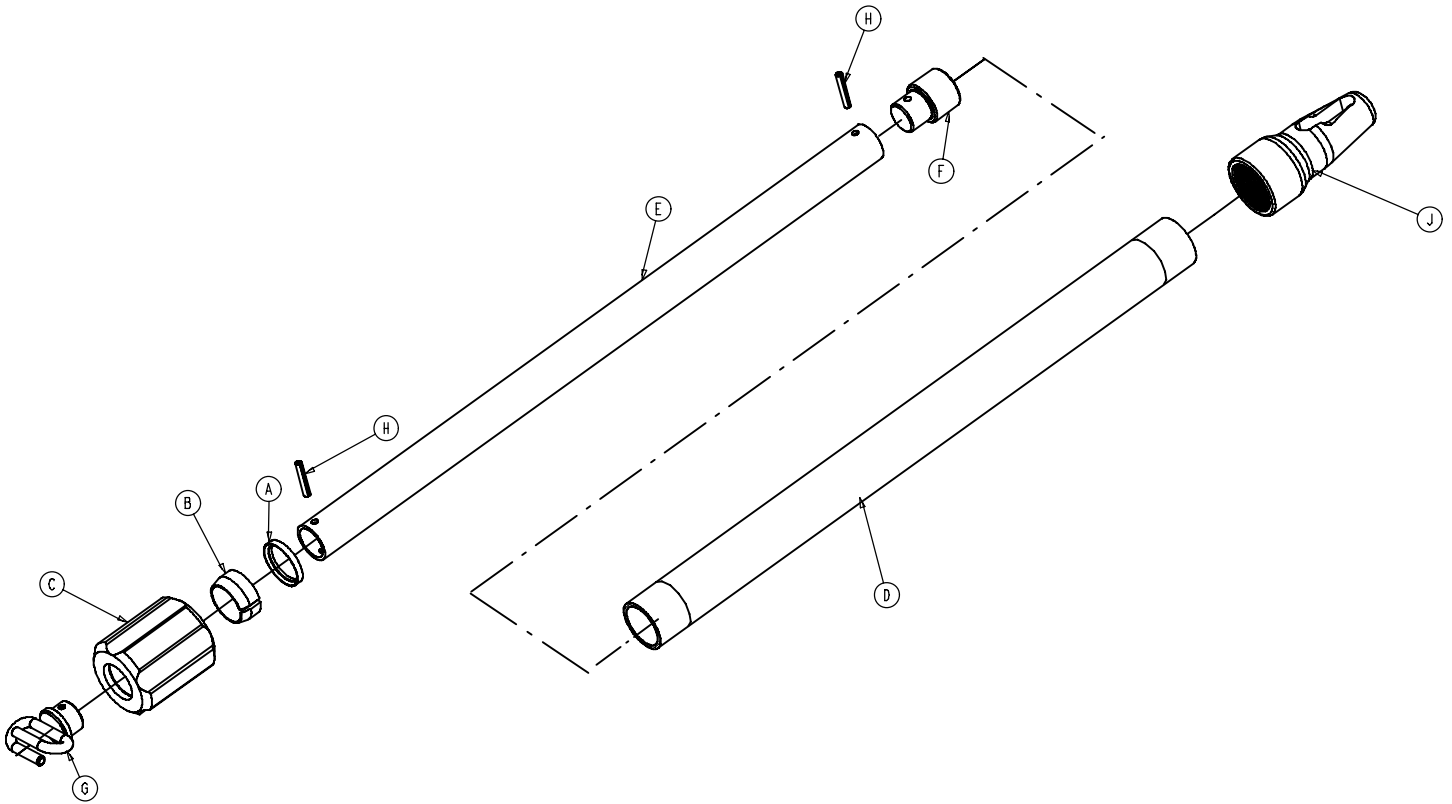
Item	Part No.	Part Name	Qty.
A	6070-90-105	Caution Label	1
B	(page 89)	2-Stage IV Pole Assembly	1
C	6070-1100-37	IV Pivot Pin	1
D	25-79	Dome Head Rivet	1
F	6090-90-32	Specification Label	1
G	6100-115-51	Socket Weldment	1

6090-216-20 3-Stage IV Assembly, Patient Left



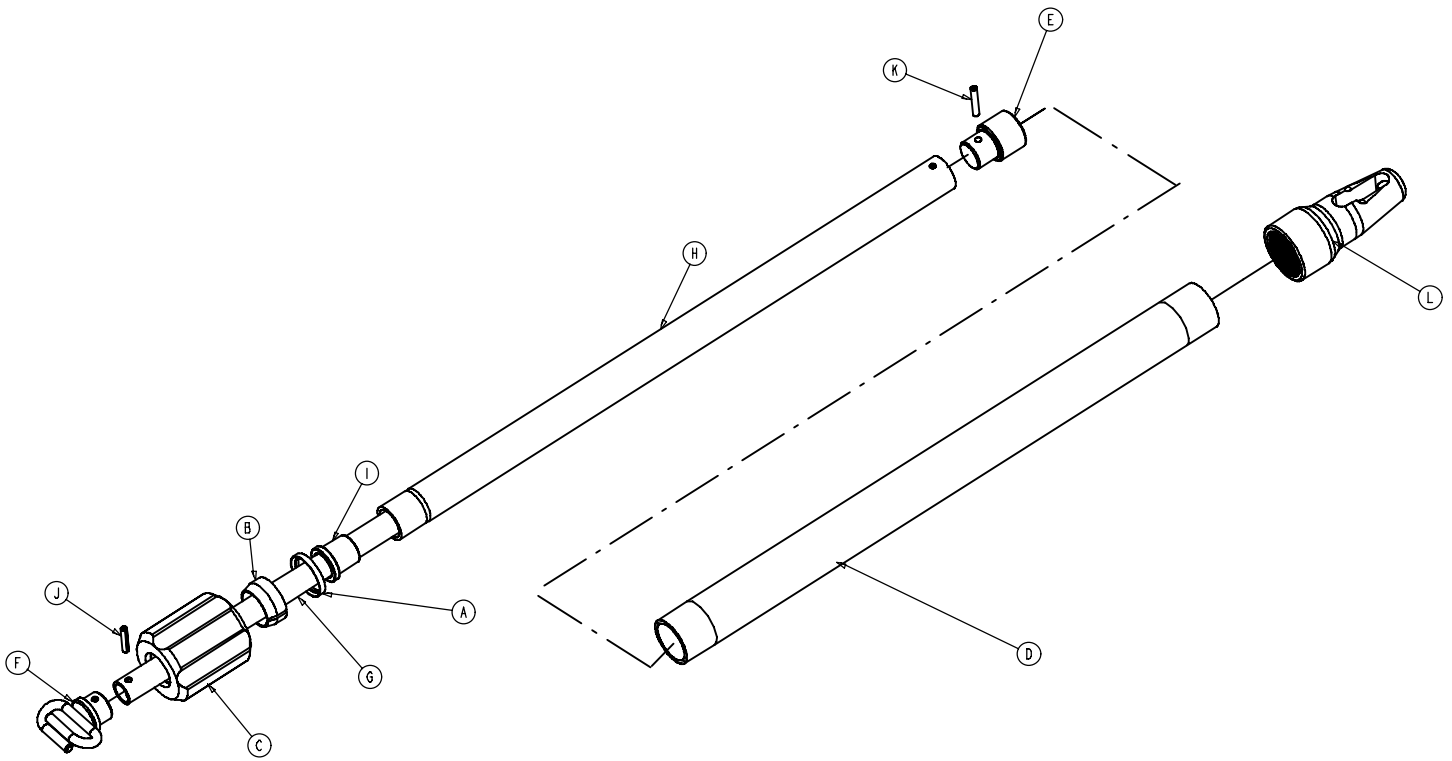
Item	Part No.	Part Name	Qty.
A	6070-90-105	Caution Label	1
B	6070-110-37	IV Pivot Pin	1
C	25-79	Dome Head Rivet	1
E	(page 90)	3-Stage IV Pole Assembly	1
F	6090-90-34	Specification Label	1
G	6100-115-51	Socket Weldment	1

6070-210-70 2-Stage IV Pole Assembly



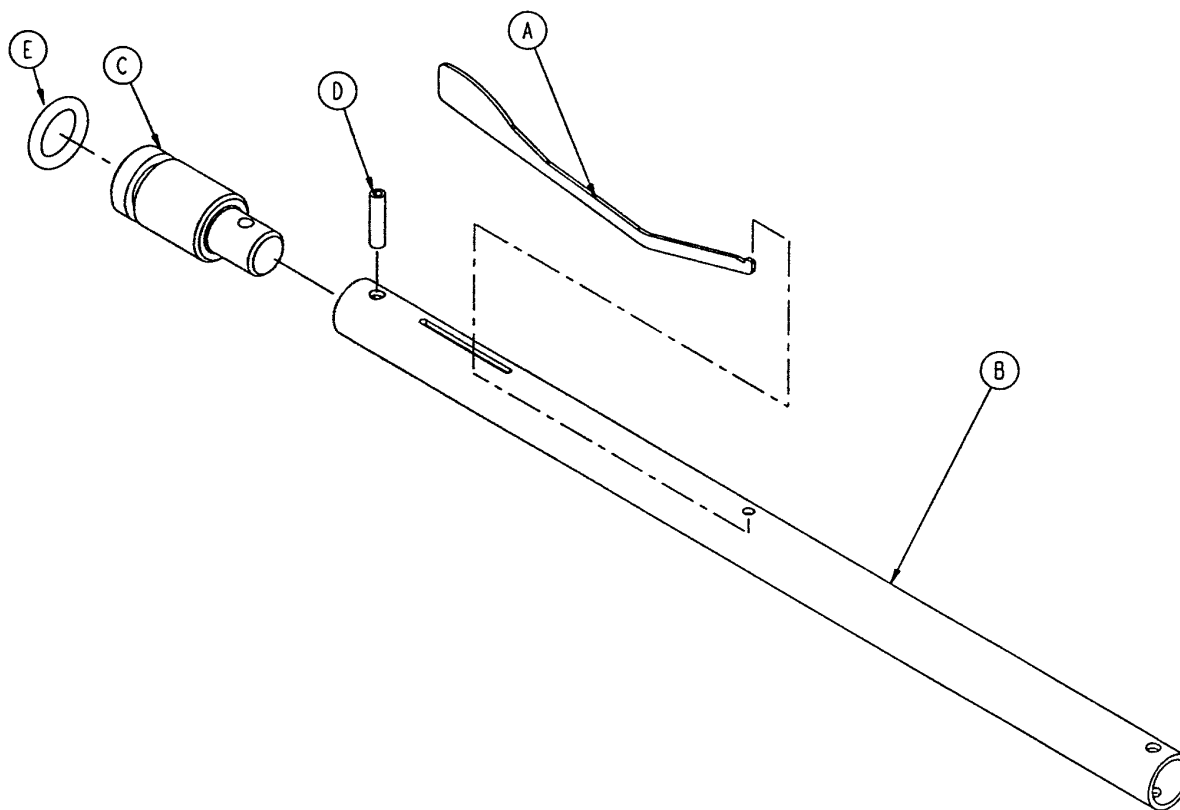
Item	Part No.	Part Name	Qty.
A	1210-110-46	Back-Up Ring	1
B	1210-110-47	Lock Ring	1
C	1210-110-49	Molded Actuator	1
D	6070-210-51	Base Tube	1
E	6070-110-42	2nd Stage Tube	1
F	6070-110-51	2nd Stage Slide Plug	1
G	6070-110-50	Hook Weldment	1
H	26-6	Roll Pin	2
J	6070-110-12	I.V. Pole Pivot	1

6070-215-70 3-Stage IV Pole Assembly



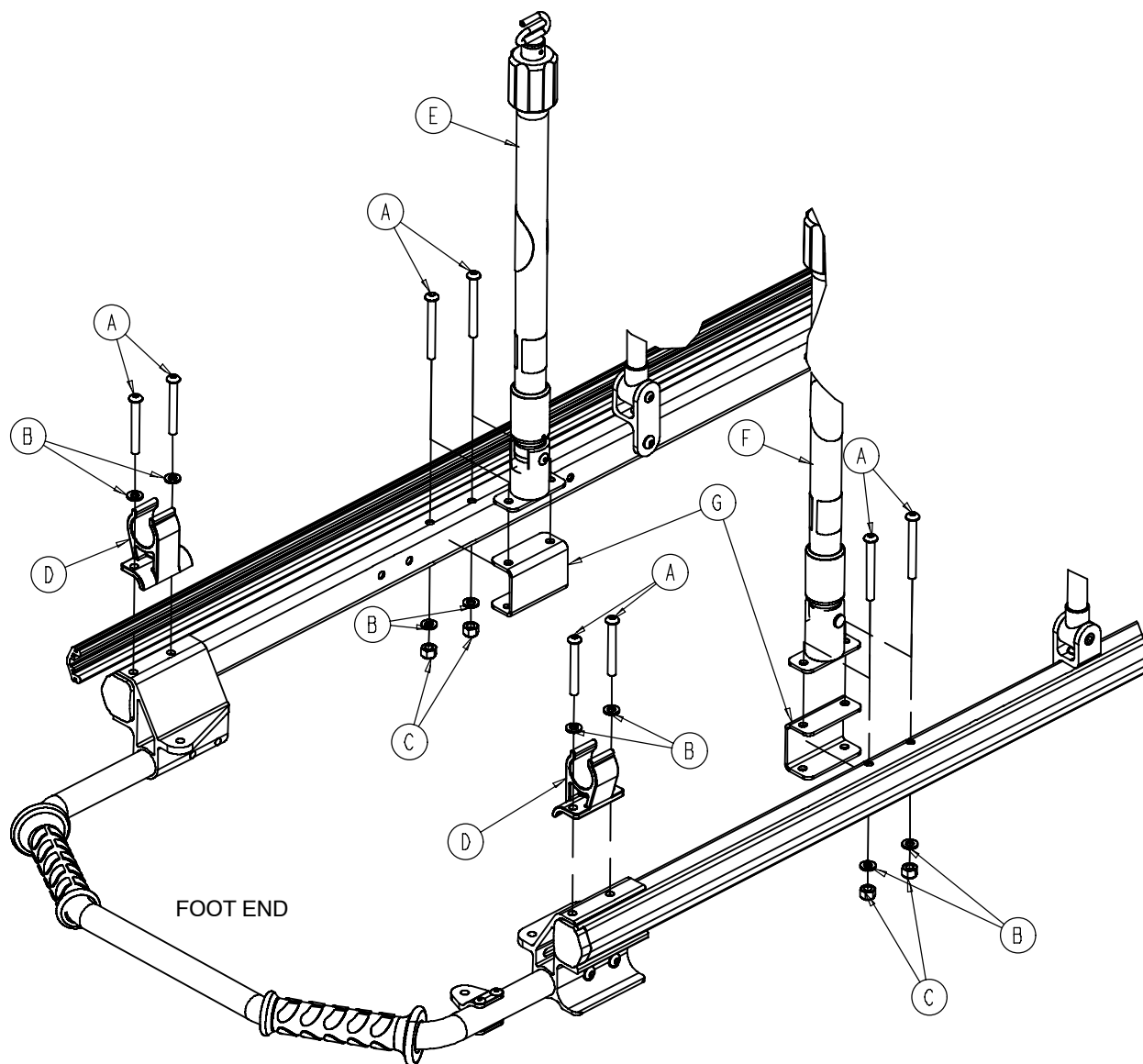
Item	Part No.	Part Name	Qty.
A	1210-110-46	Back-Up Ring	1
B	1210-110-47	Lock Ring	1
C	1210-110-49	Molded Actuator	1
D	6070-210-51	Base Tube	1
E	6070-110-51	2nd Stage Slide Plug	1
F	6070-110-50	Hook Weldment	1
G	(page 91)	3rd Stage Assembly	1
H	6070-115-42	2nd Stage Tube	1
I	6070-115-45	Bearing Plug	1
J	26-5	Spring Pin	1
K	26-6	Spring Pin	1
L	6070-110-12	I.V. Pole Pivot	1

6070-115-30 3-Stage I.V. Pole 3rd Stage Assembly



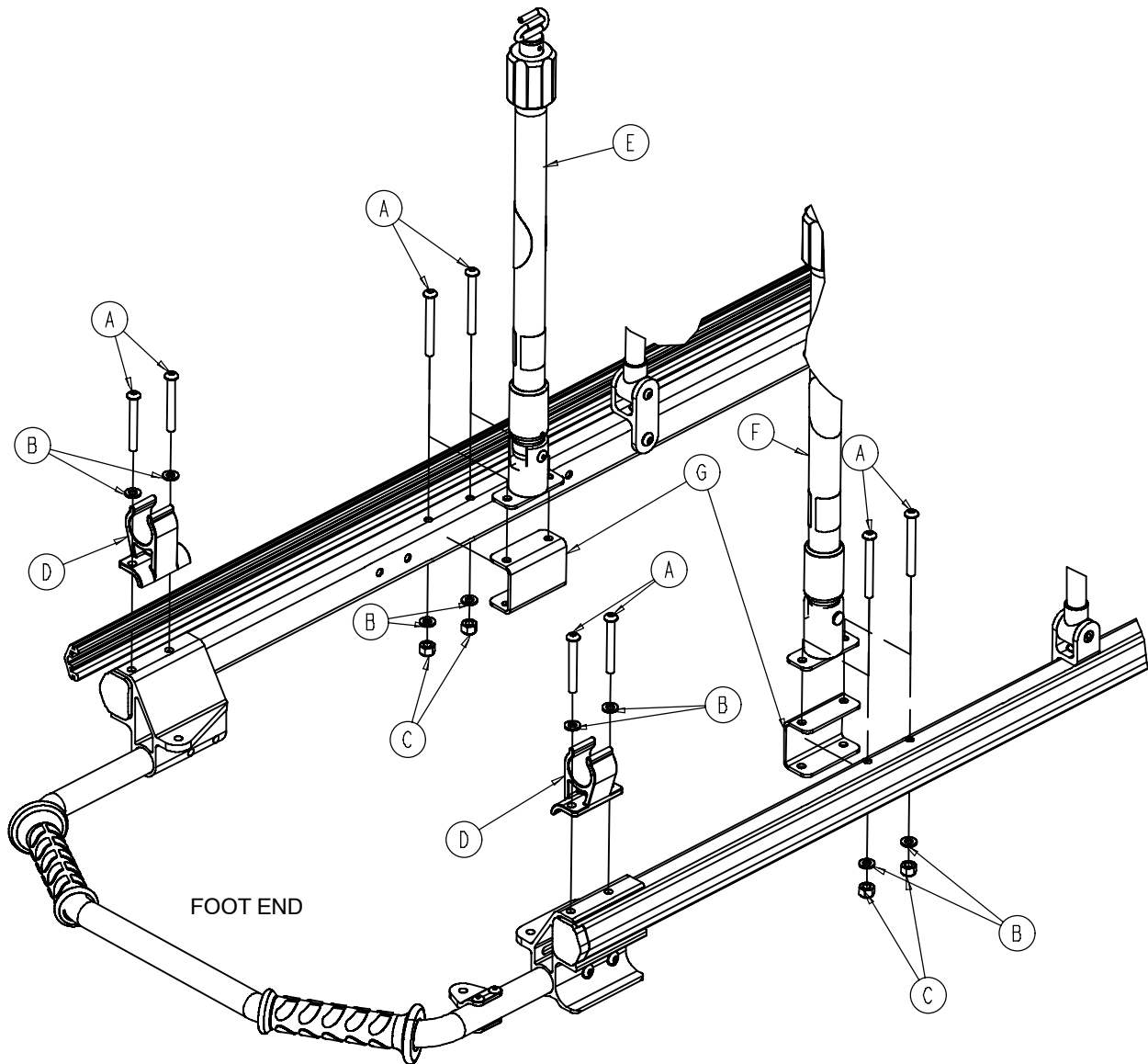
Item	Part No.	Part Name	Qty.
A	6070-115-141	Spring Clip	1
B	6070-115-143	3rd Stage Tube	1
C	6070-115-44	3rd Stage Slide Plug	1
D	26-4	Roll Pin	1
E	45-139	O-Ring	1

6092-212-10 Optional Dual 2-Stage IV Pole Assembly



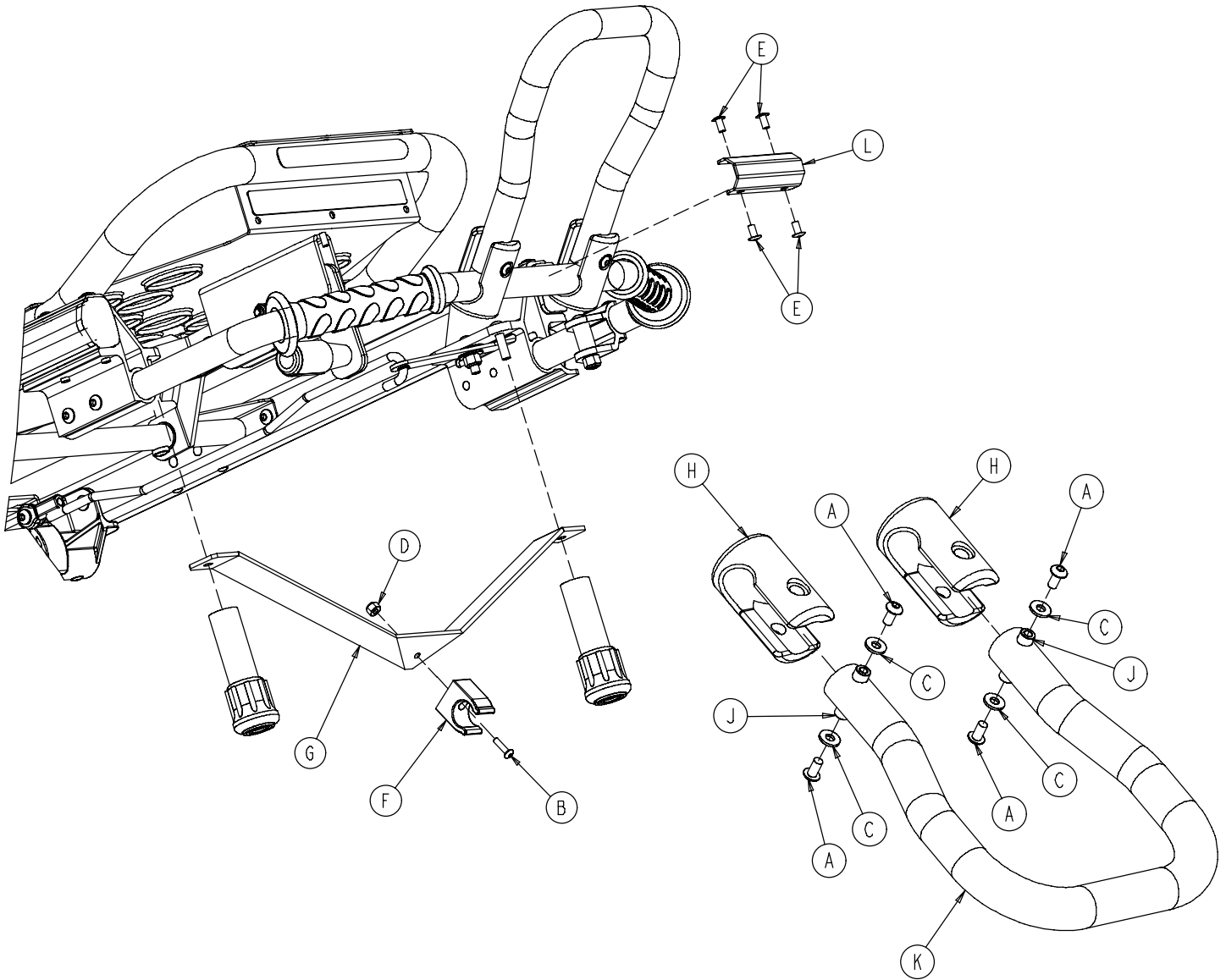
Item	Part No.	Part Name	Qty.
A	4-163	Hex Soc. But. Hd. Cap Screw	8
B	11-65	Flat Washer	8
C	16-28	Nylock Nut	4
D	6080-110-35	IV Clip	2
E	(page 84)	2-Stage IV Pole, Right	1
F	(page 87)	2-Stage IV Pole, Left	1
G	6092-30-80	Siderail Bracket	2

6092-217-10 Dual 3-Stage IV Pole Assembly



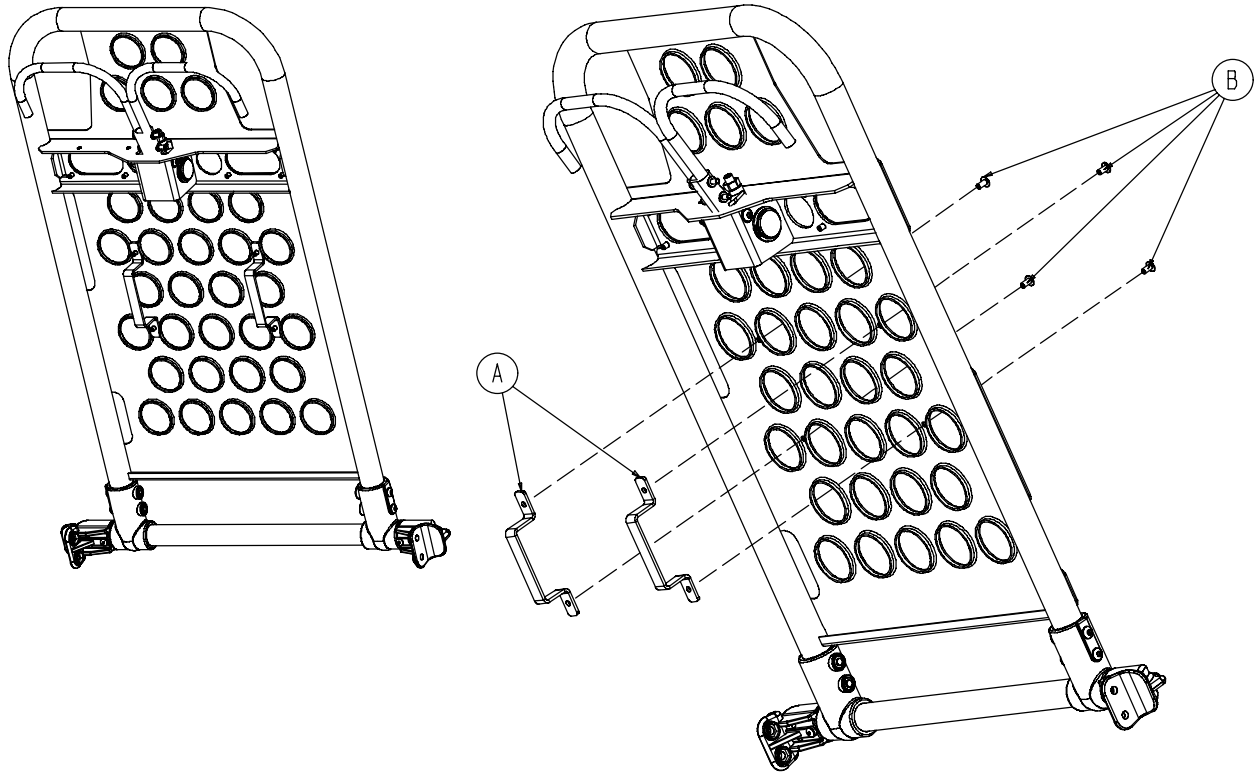
Item	Part No.	Part Name	Qty.
A	4-163	Hex Soc. But. Hd. Cap Screw	8
B	11-65	Flat Washer	8
C	16-28	Nylock Nut	4
D	6080-110-35	IV Clip	2
E	(page 82)	3-Stage IV Pole, Right	1
F	(page 88)	3-Stage IV Pole, Left	1
G	6092-30-80	Siderail Bracket	2

6092-155-20 Optional Pull Handle Assembly



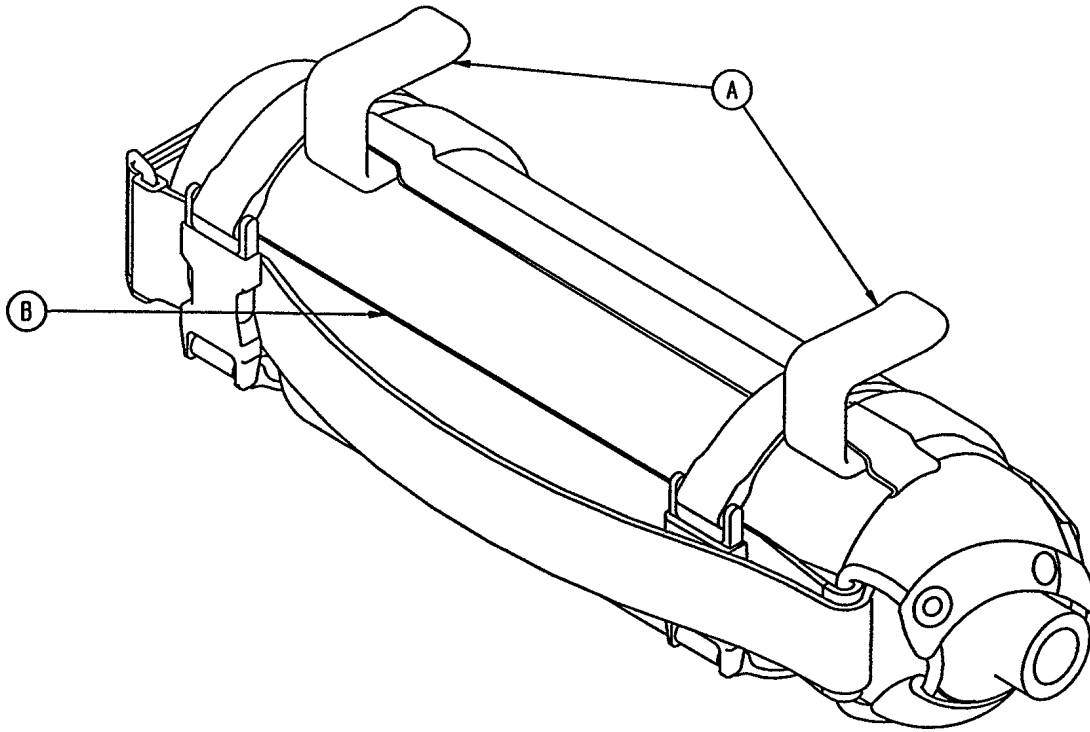
Item	Part No.	Part Name	Qty.
A	4-136	But. Hd. Cap Screw	4
B	4-265	Hex Soc. But. Hd. Cap Screw	1
C	11-16	Flat Washer	4
D	16-14	Nylock Hex Nut	1
E	25-79	Dome Head Rivet	4
F	958-1-224	I.V. Clip	1
G	6092-155-50	Pull Handle Holder Bracket	1
H	6090-155-51	Pull Handle Retainer Clamp	2
J	6090-155-53	Threaded Spacer	2
K	6092-155-52	Pull Handle	1
L	6092-155-55	Pull Handle Spacer	1

6091-300-10 Pedi-Mate™ Restraint Bracket Option



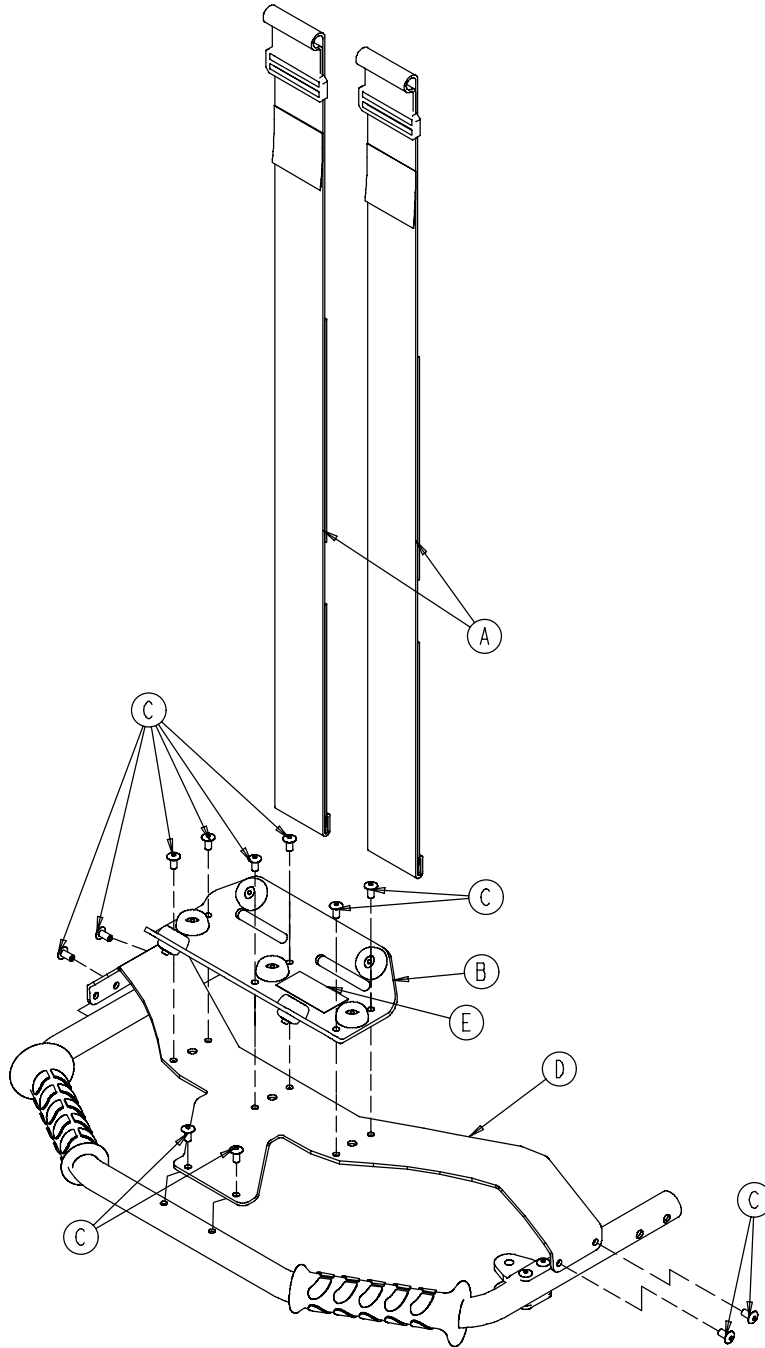
Item	Part No.	Part Name	Qty.
A	6080-32-60	Restraint Bracket	2
B	25-79	Rivet	4

6080-140 Optional Hanging Oxygen Bottle Holder Ass'y



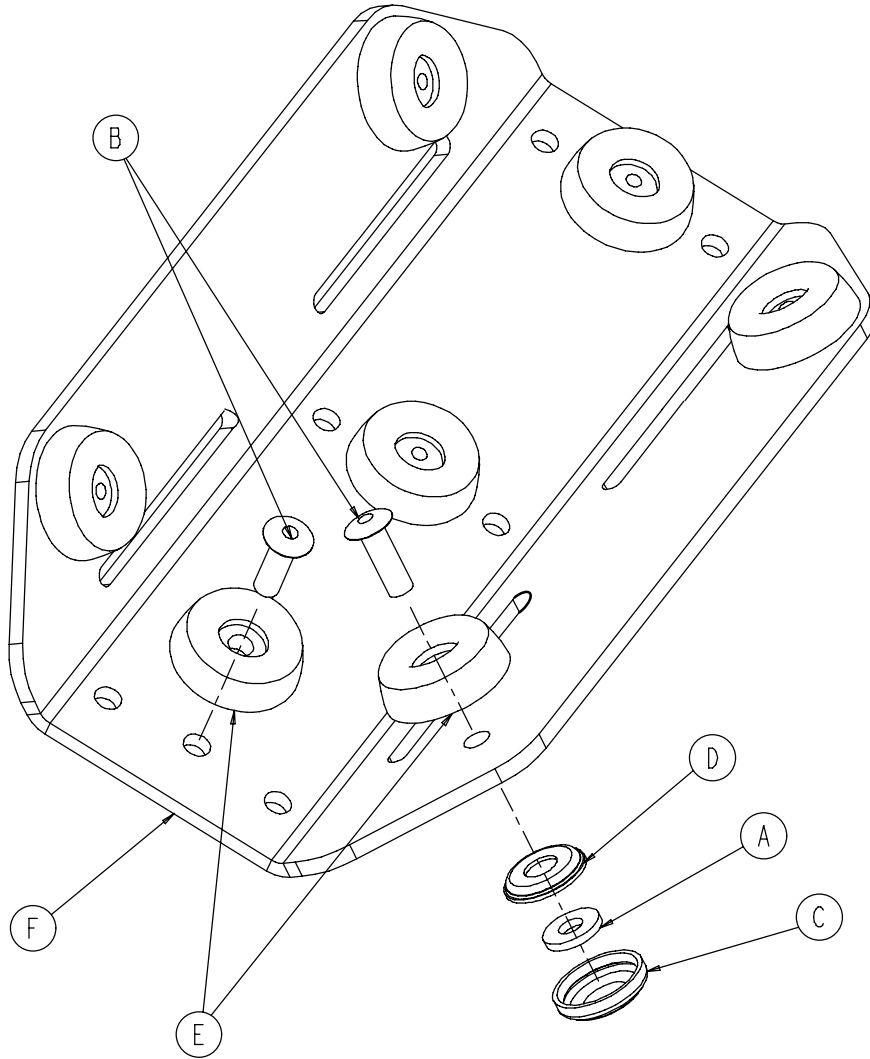
Item	Part No.	Part Name	Qty.
A	6080-140-11	Bottle Holder Hanger	2
B	6080-140-12	Oxygen Bottler Holder	1

6092-140 Optional Foot End O2 Bottle Holder



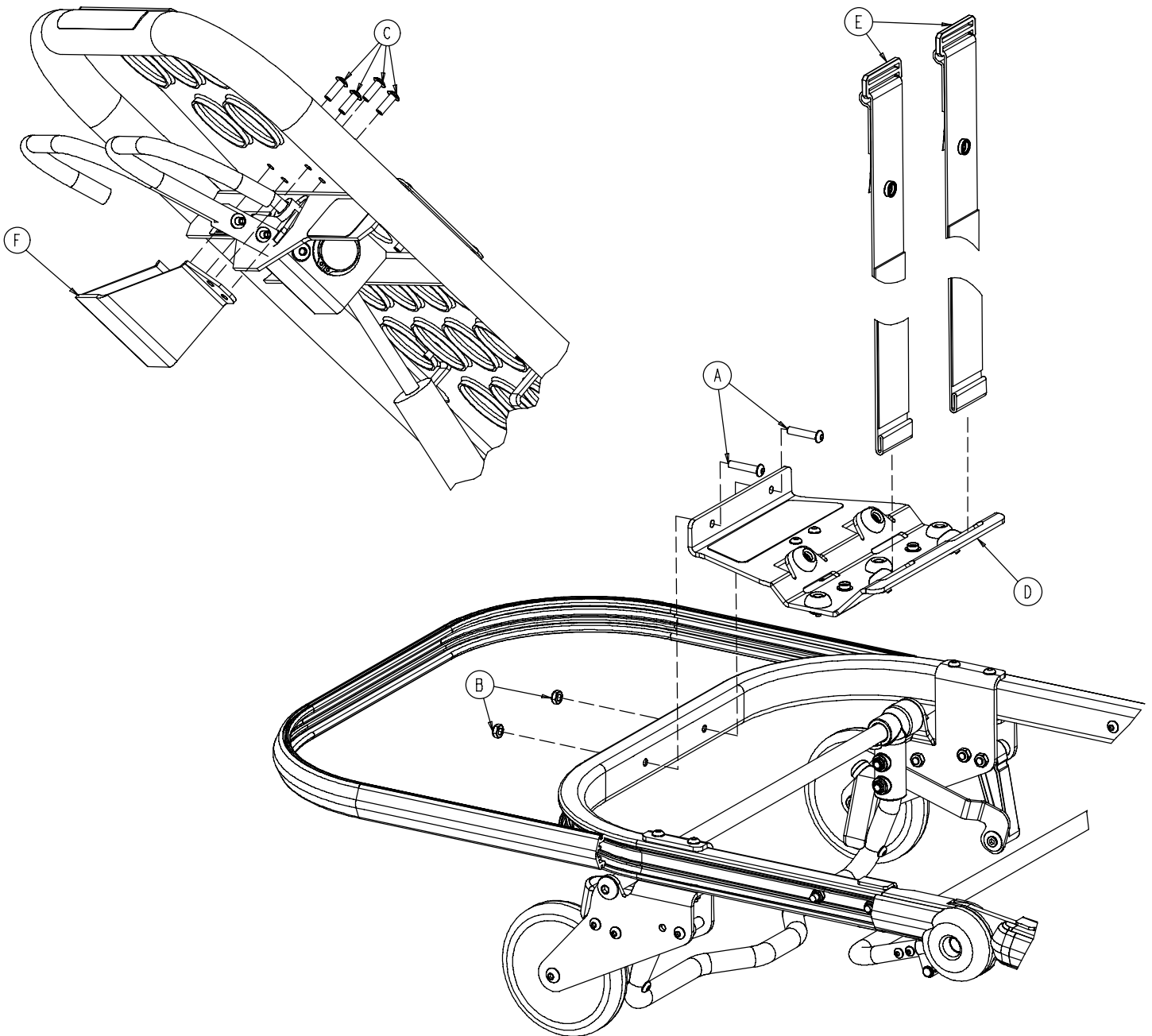
Item	Part No.	Part Name	Qty.
A	6060-140-13	Strap Assembly	2
B	(page 98)	Bottle Holder Tray	1
C	25-79	Dome Hd. Rivet	12
D	6092-140-17	Bottle Holder	1
E	6092-90-14	Specification Label	1

6060-140-20 Foot End O2 Bottle Holder Tray



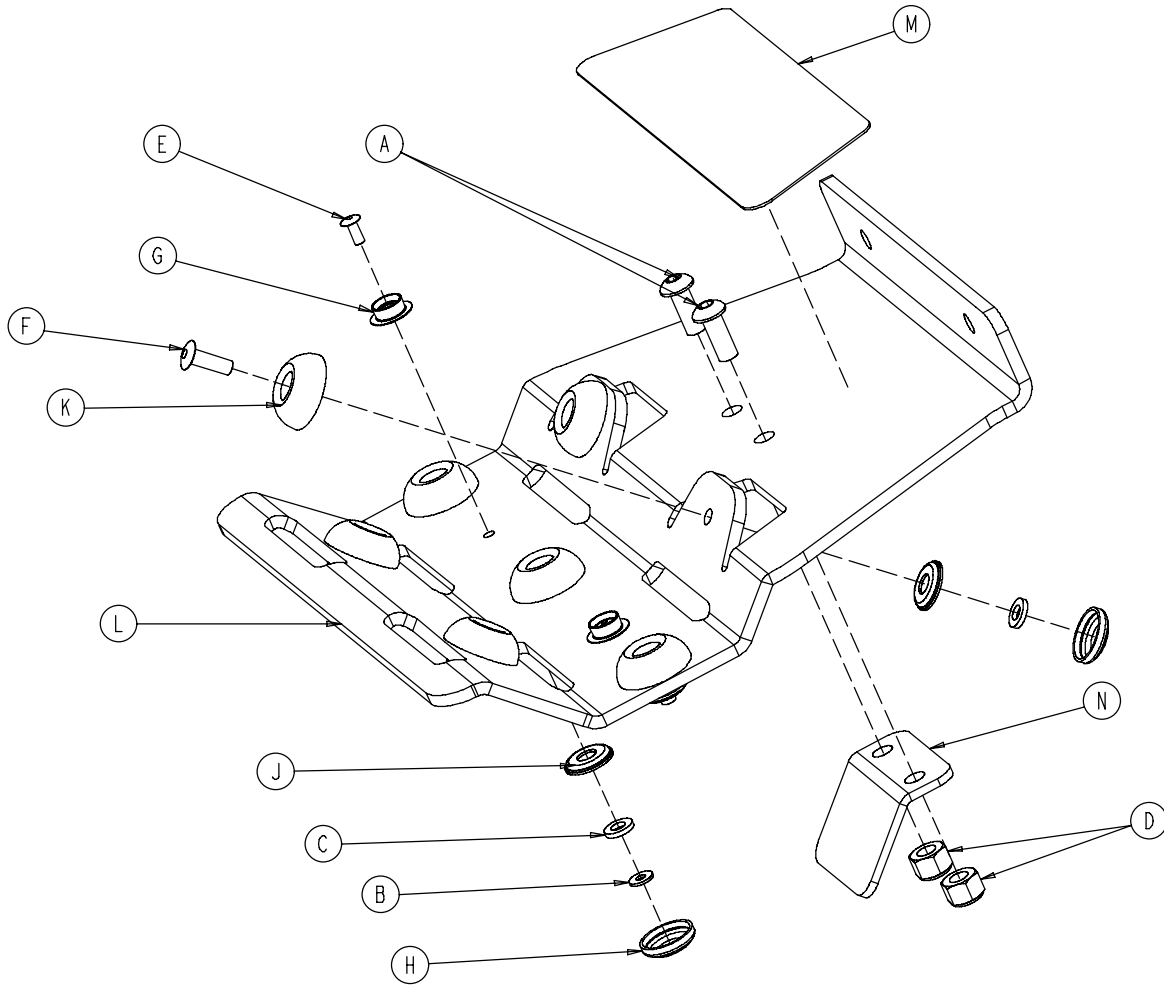
Item	Part No.	Part Name	Qty.
A	11-436	Flat Washer	4
B	25-133	Rivet	7
C	37-55	Cap	4
D	37-56	Washer	4
E	946-1-155	Bumper	7
F	6060-140-15	Bottle Holder Tray	1

6082-140 Optional Head End Oxygen Bottle Holder



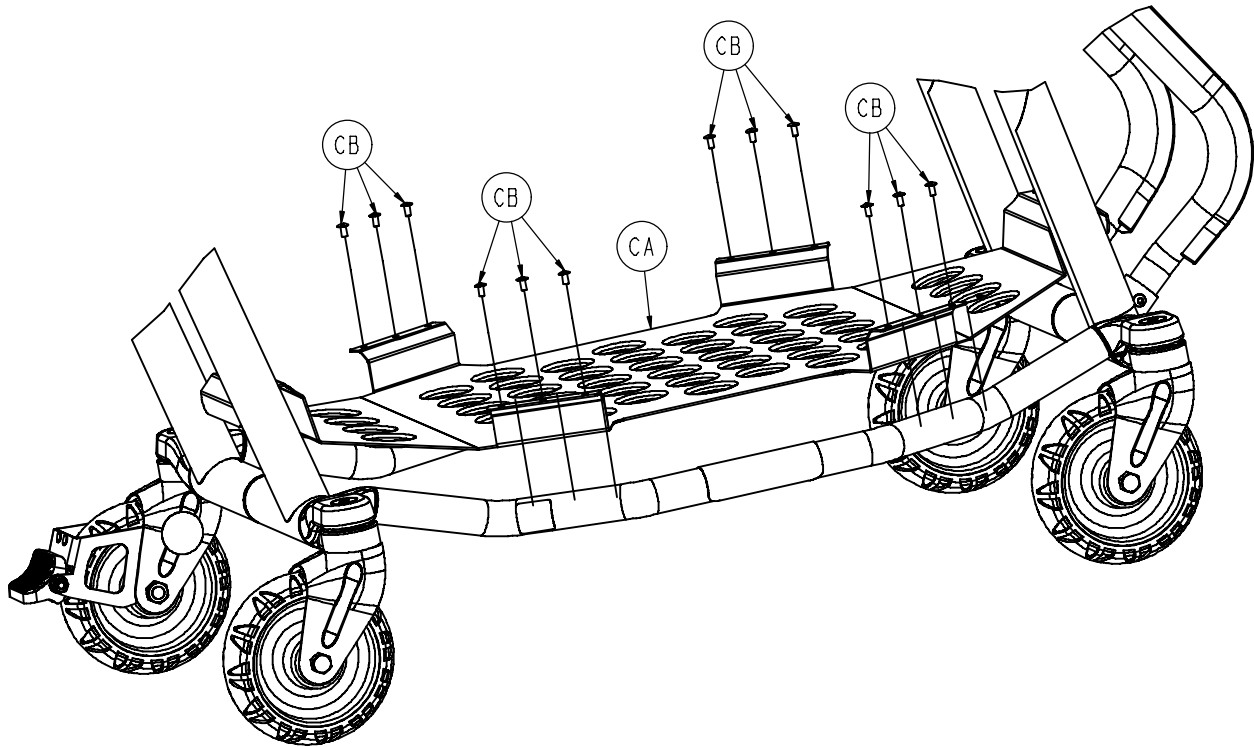
Item	Part No.	Part Name	Qty.
A	4-197	Hex Soc. But. Hd. Cap Screw	2
B	16-102	Nylock Hex Nut	2
C	25-79	Blind Rivet	4
D	(page 100)	Tray Assembly	1
E	6082-140-43	Strap Assembly	2
F	6082-140-44	Fowler Handle Guard	1

6082-140-40 Head End O2 Bottle Holder Tray



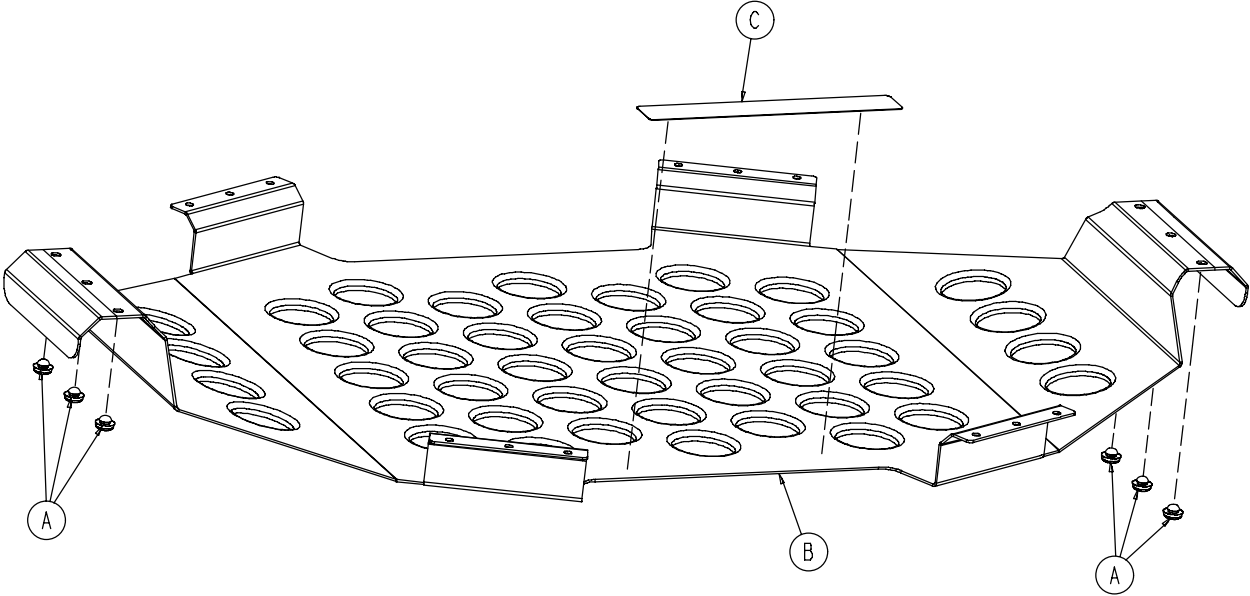
Item	Part No.	Part Name	Qty.
A	4-455	But. Hd. Cap Screw	2
B	11-52	Washer	2
C	11-436	Washer	9
D	16-28	Hex Nut	2
E	25-99	Dome Head Rivet	2
F	25-133	Dome Head Rivet	7
G	29-3	Brass Eyelet	2
H	37-55	Black Protective Cap	9
J	37-56	Retaining Washer	9
K	946-1-155	Bumper	7
L	6082-140-41	Bottle Holder Tray	1
M	6082-140-42	Label	1
N	6082-140-45	Bottle Holder Bracket	1

6092-150-15 Optional Base Storage Tray Assembly



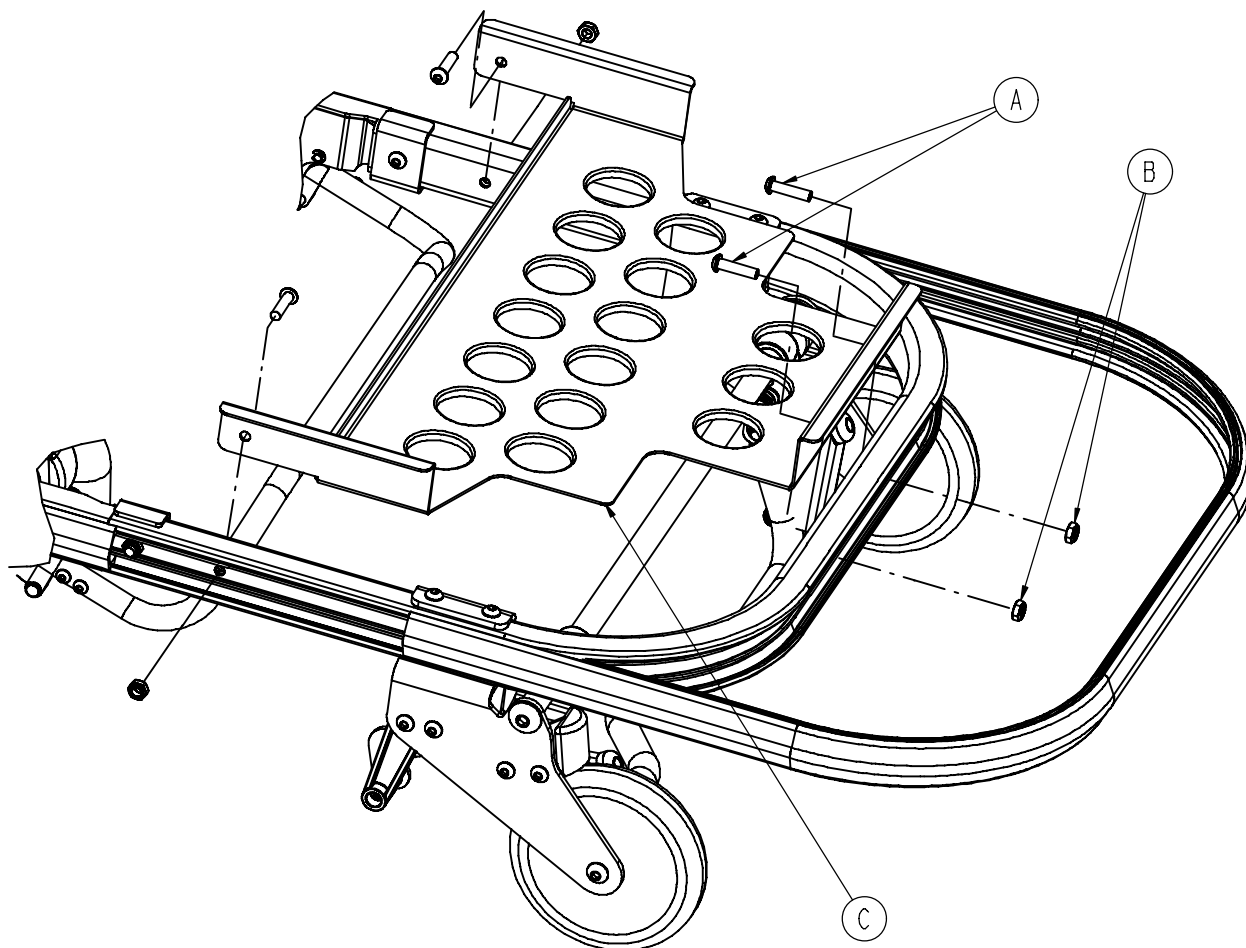
Item	Part No.	Part Name	Qty.
CA	(page 102)	Base Storage Tray Ass'y	1
CB	25-79	Rivet	12

6092-150-20 Storage Tray Assembly



Item	Part No.	Part Name	Qty.
A	37-52	Bumper	6
B	6092-250-19	Tray	1
C	6092-90-4	Label	1

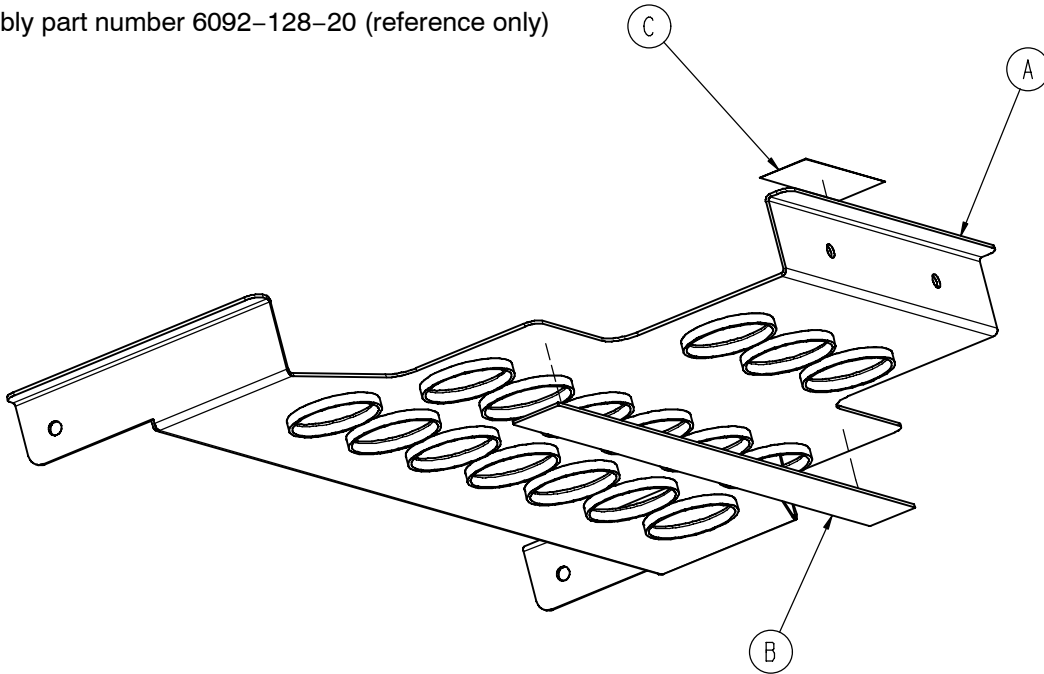
6092-128 Optional Head End Storage Tray



Item	Part No.	Part Name	Qty.
A	4-197	Button Hd. Cap Screw	2
B	16-102	Nylock Nut	2
C	(page 104)	Tray	1

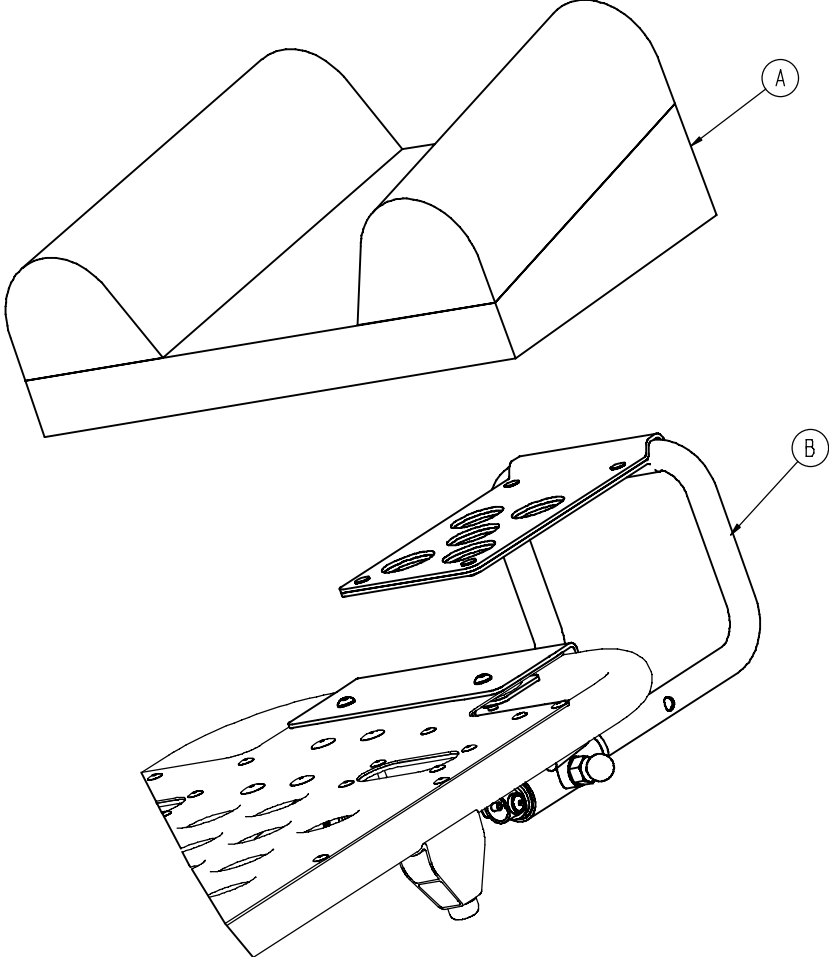
Head End Storage Tray

Assembly part number 6092-128-20 (reference only)



Item	Part No.	Part Name	Qty.
A	6092-128-80	Tray	1
B	6082-128-19	Adhesive Loop Pile	1
C	6081-91-47	Caution Label	1

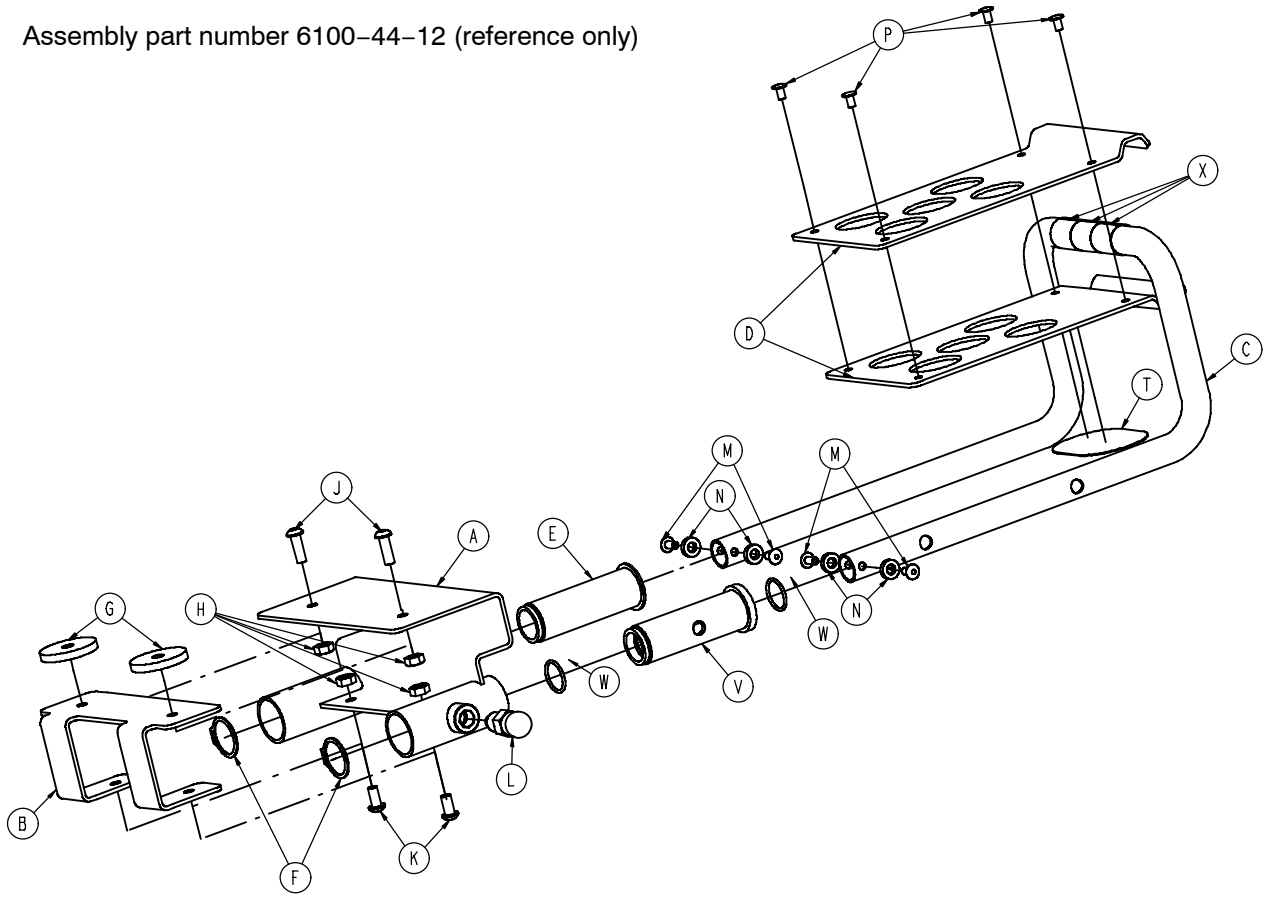
6100-044 Head Extension Option Kit



Item	Part No.	Part Name	Qty.
A	6100-41-30	Head Extension Pillow	1
B	(page 106)	Head Extension Assembly	1

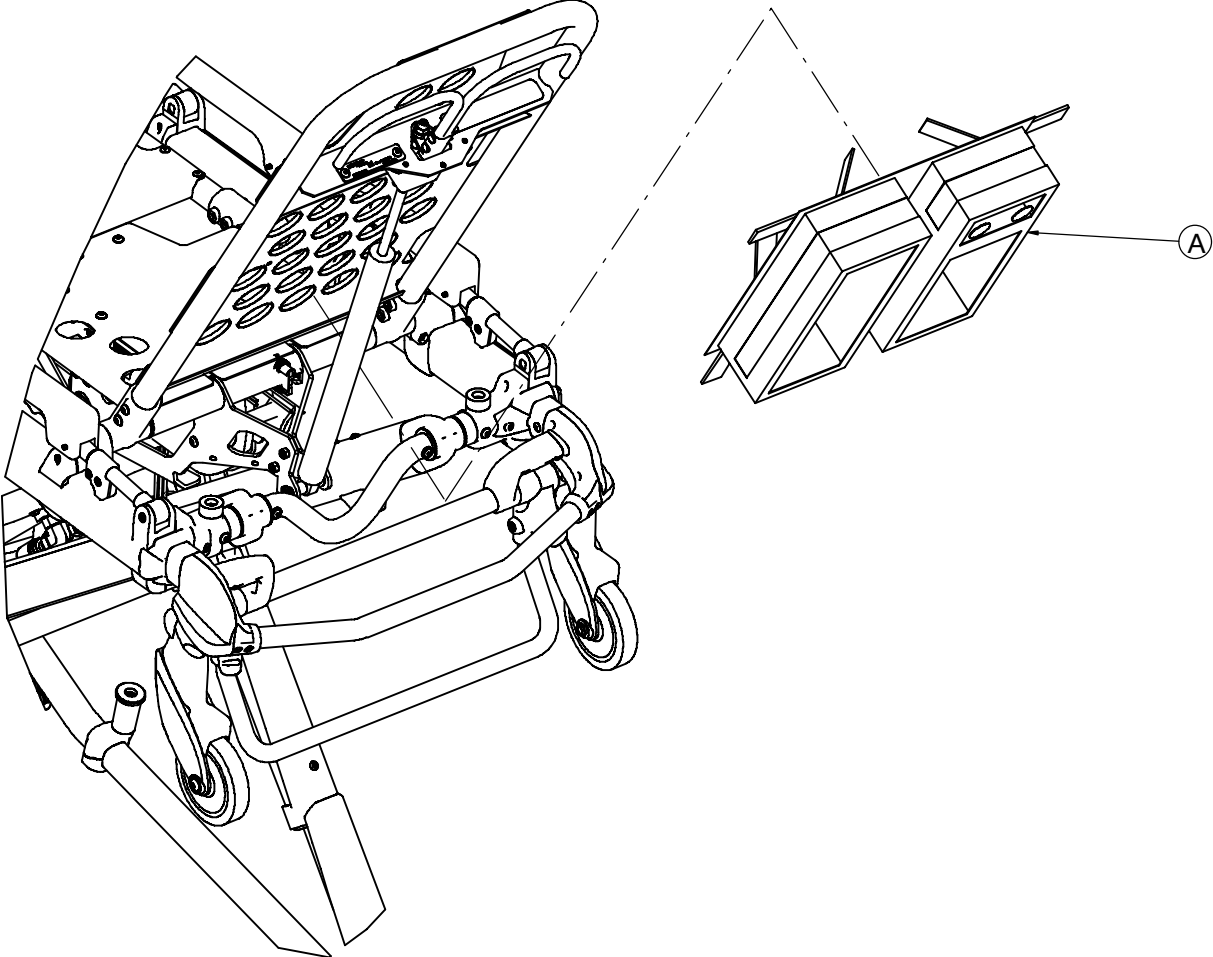
Head Extension Assembly

Assembly part number 6100-44-12 (reference only)



Item	Part No.	Part Name	Qty.
A	6100-44-10	Bracket Weldment	1
B	6100-44-7	Support	1
C	6100-44-11	Extension Tube	1
D	6100-44-8	Pillow Support	2
E	6100-44-5	Insert	1
F	28-76	Clip	2
G	6100-44-6	Spacer	2
H	16-28	Nylock Nut	4
J	4-161	Button Head Cap Screw	2
K	4-232	Button Head Cap Screw	2
L	6372-10-16	Pull Pin Assembly	1
M	25-79	Rivet	4
N	14-67	Washer	4
P	25-31	Semi-Tubular Rivet	4
R	6060-90-4	Label (small) RUGGED	1
S	6100-90-13	Spec Label	1
T	6100-44-13	Velcro (hook)	1
V	6100-44-4	Insert	1
W	45-999-603	O-Ring	2
X	6100-44-14	Head Extension Tape	3

6500-130-000 Backrest Pouch Option



Item	Part No.	Part Name	Qty.
------	----------	-----------	------

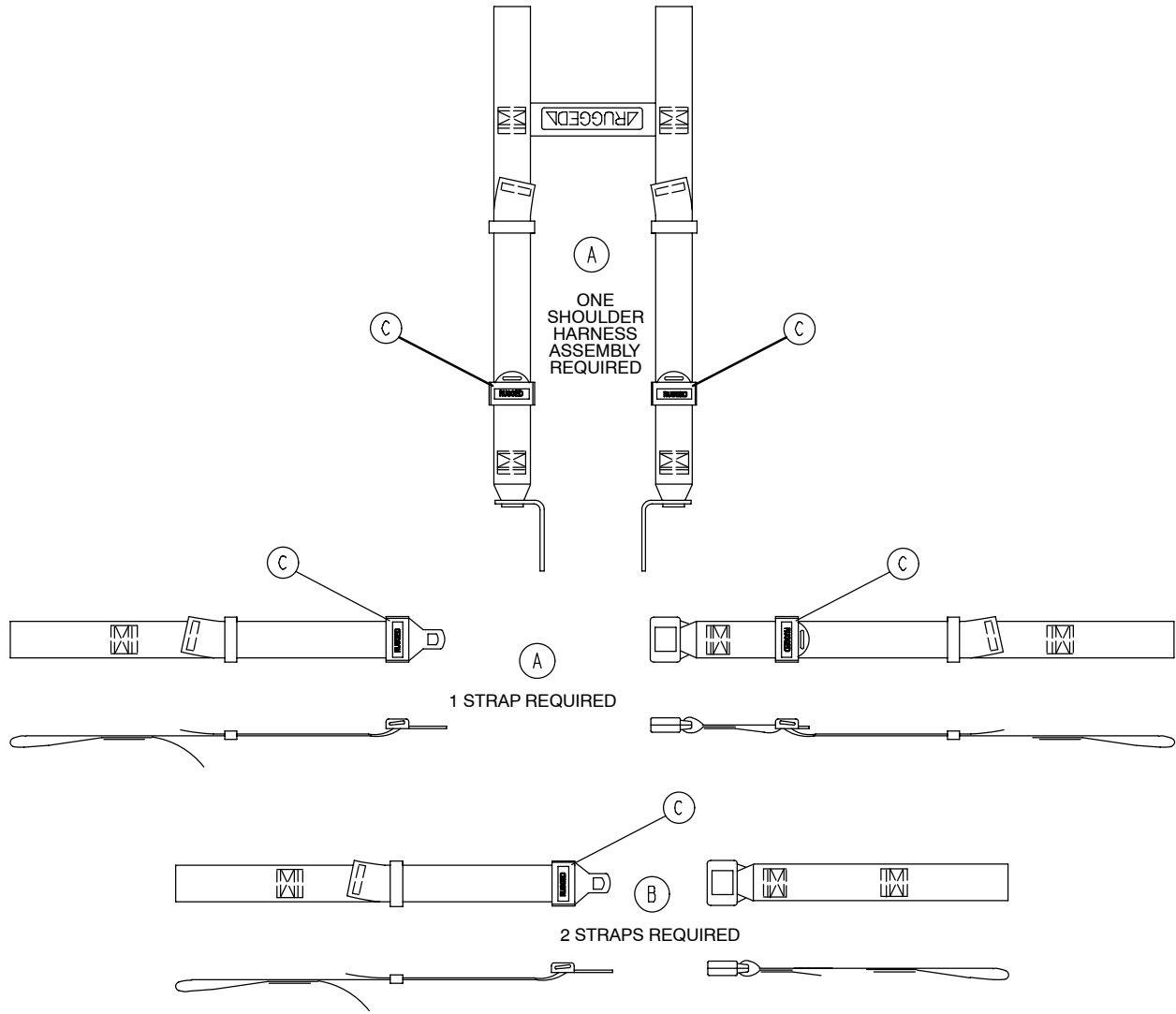
A

6500-001-241

Backrest Storage Pouch

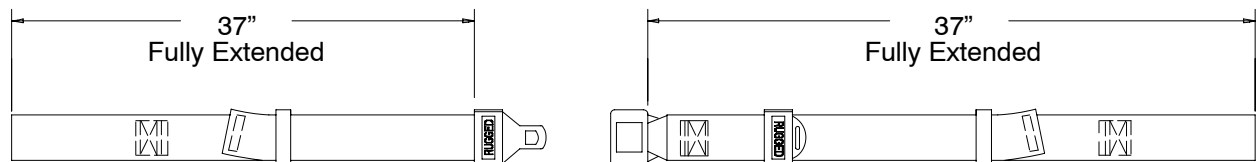
1

6082-260-10 Restraint Strap Package

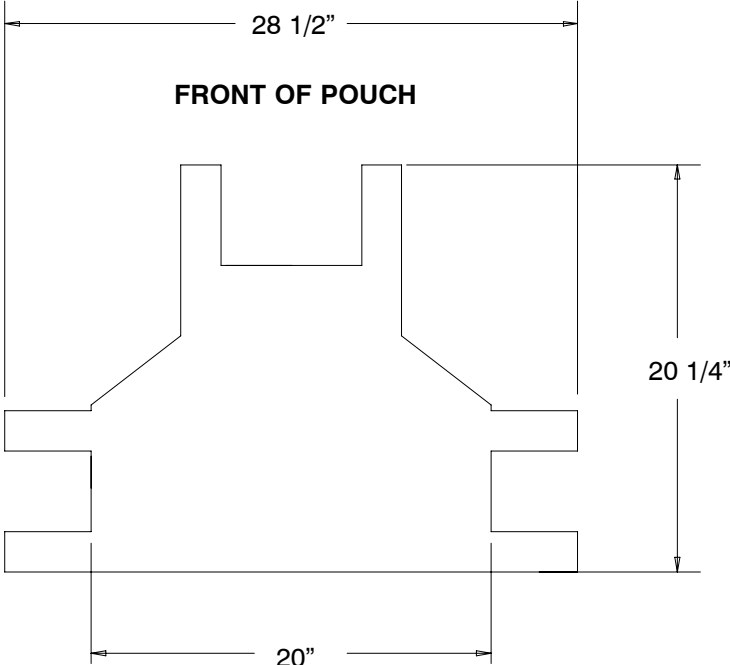


Item	Part No.	Part Name	Qty.
A	6060-260-45	Four Point Harness	1
B	6060-160-44	Lap Belt	2
C	6082-160-51	Plastic Cap	1

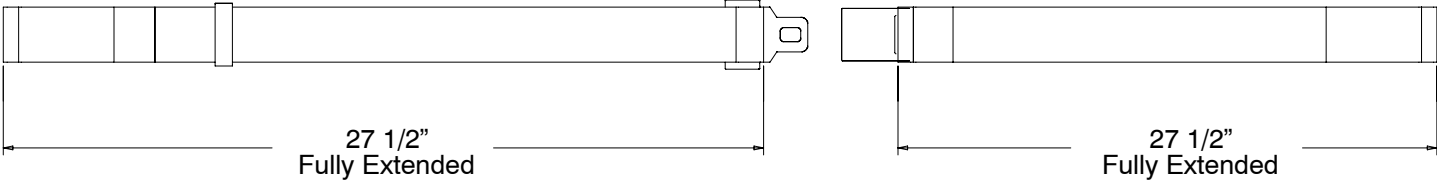
6082-260-046 Chest Restraint Strap



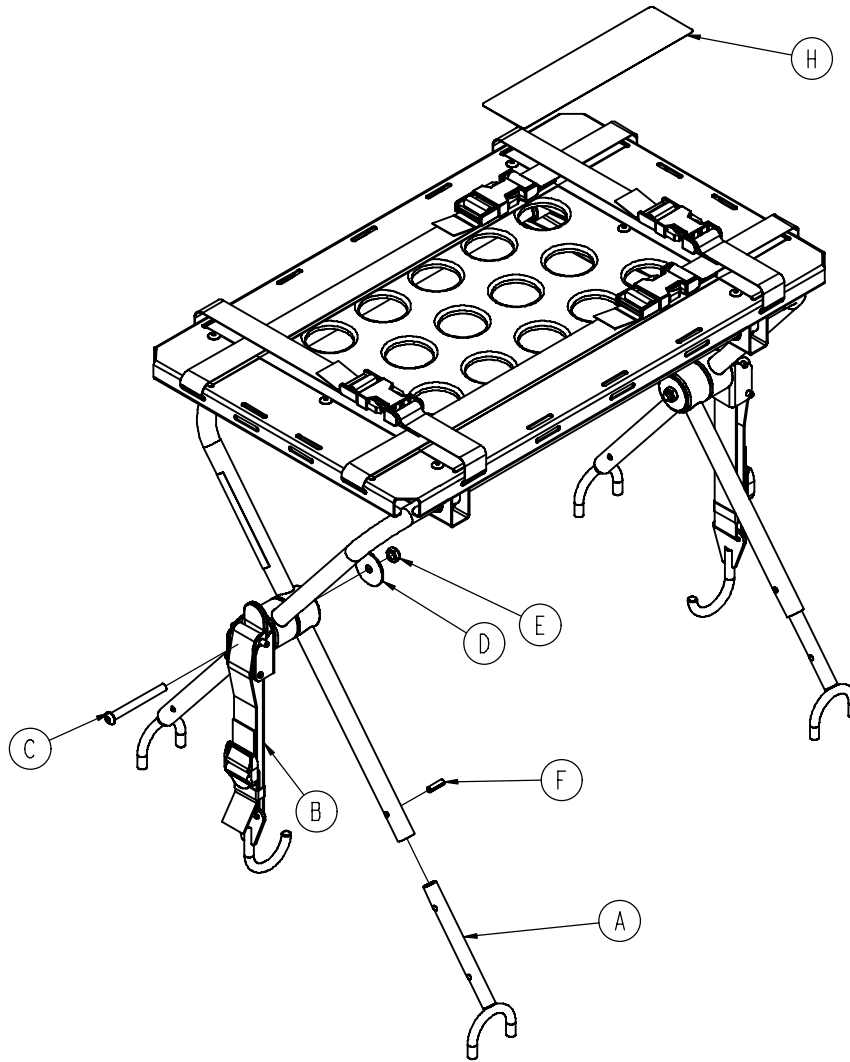
6092-128-12 Optional Head End Storage Pouch



6082-160-52 Optional Accessory Strap



6092-170 Optional Defibrillator Platform



Item	Part No.	Part Name	Qty.
A	6082-170-50	Defib U-Foot Weldment	4
B	6080-170-20	Defib Latch Strap Assembly	2
C	4-234	Button Head Cap Screw	2
D	11-355	Washer	2
E	16-102	Nylock Nut	2
F	26-172	Slotted Spring Pin	4
H	6092-90-22	Label, 'Specification and Warning'	1

Quick Reference Replacement Parts List

NOTE

The parts and accessories listed on this page are all currently available for purchase. Some of the parts identified on the assembly drawings pages in this manual may not be individually available for purchase. Please call Stryker Customer Service at 1-800-327-0770 for availability and pricing.

ITEM	PART NUMBER
Accessory Strap	6082-160-052
Bolster mattress	6100-041-010
Breakaway Head Section	6091-037-010
Breakaway Head Torsion Spring Kit	6080-700-001
Bumper, Fowler	0946-001-155
“C” Channel Repair Kit	6092-700-012
“C” Channel Stick Wax Kit	6090-700-001
Defibrillator Platform	6082-170-000
Gas Cylinder, Fowler	1010-031-077
Head Extension Kit	6100-700-012
Head Extension Pillow Only Option	6100-041-030
Height Limit Kit	6091-202-000
Height Kit, Standard	6091-201-000
I.V. Pole Upgrade Kit, Patient Left	6090-700-003
I.V. Pole Upgrade Kit, Patient Right	6090-700-004
Label, Cot Base “Lift Here”	6080-090-108
Label, Cot I.V. Pole Caution	6070-090-105
Label, Damage Warning	6080-090-009
Lift Bar	6092-257-010
Lubricant, Tri-Flow™ with Teflon®	6082-199-012
Manual, Installation/Operation, Cot Fastener	6370-090-010
Mattress, Bolster, Flat	6090-042-010
Mattress, Vinyl Covered, Concave	6090-041-010
Permanently Attached Oxygen Bottle Holder, Foot End	6092-700-001
Permanently Attached Oxygen Bottle Holder, Head End	6082-700-006
Oxygen Bottle Holder (Hanging)	6080-140-000
Restraint, Chest	6060-260-046
Restraint, Lap Belt (2 Used per Unit)	6060-160-044
Restraint Package, Domestic	6082-260-010
Restraint, Shoulder Harness	6060-260-045
Restraint Strap Plastic Cap	6082-160-051

Quick Reference Replacement Parts List

Permanent I.V. Pole Kit, 2-Stage, Right	6092-210-010
Permanent I.V. Pole Kit, 2-Stage, Left	6092-211-010
Permanent I.V. Pole Kit, 3-Stage, Right	6092-215-010
Permanent I.V. Pole Kit, 3-Stage, Left	6092-216-010

ITEM

PART NUMBER

Pull Handle Assembly	6092-155-020
Siderail Assembly (Complete)	6092-026-010
Storage Net, Base, EZ-PRO®	6090-150-010
Storage Pouch, Head, Flat	6091-128-010
Storage Pouch, Head, Pocketed	6091-128-010
Touch-Up Paint (Yellow)	6060-199-010
Touch-Up Paint (Black)	7000-001-322
Velcro Adhesive Loop Pile, Litter	6060-032-046
Video, In-Service	6092-190-020
Wheel Assembly, Base	6060-002-010

European Representative

Stryker EMEA RA/QA Director
Stryker France
ZAC Satolas Green Pusignan
Av. De Satolas Green
69881 MEYZIEU Cedex
France

stryker[®]

3800 E. Centre Ave., Portage, MI 49002
(800) 327-0770
www.stryker.com



JH 08/2007 6092-009-001 REV A