

Power-PRO™ IT

REF 6516

stryker®

Parts Manual



International Addresses



EUROPE HEADQUARTERS

Stryker SA
Cite-Centre, Grand-Rue 90
P.O. Box 1568
1820 Montreux, Switzerland
Phone: 41-21-966-12-01
Fax: 41-21-966-12-00

EASTERN EUROPE

Stryker SA - Export Business
Grand-Rue 90
P.O. Box 1567
1820 Montreux, Switzerland
Phone: 41-21-966-14-00
Fax: 41-21-966-14-01

AUSTRALIA

Stryker Australia
8 Herbert Street
St Leonards NSW 2065
Australia
Phone: 61-2-9467-1000
Fax: 61-2-9467-1010

AUSTRIA

Stryker GmbH
Euro Plaza, Gebäude G
Am Euro Platz 2
1120 Wien
Austria
Phone: 43-1-8132000
Fax: 43-1-8131616

BELGIUM

NV Stryker SA
Ikaros Business Park- Fase III
Ikaroslaan 12
1930 Zaventem, Brussels
Belgium
Phone: 32-2-717-9210
Fax: 32-2-717-9249

DENMARK

Stryker Denmark
Filial of Stryker AB
Postbox 772
1532 Copenhagen
Denmark
Phone: 45-33-93-6099
Fax: 45-33-93-2069

UK/IRELAND

Stryker UK Limited
Stryker House
Hambridge Road
Newbury, Berkshire
RG14 5EG, England
Phone: 44-1635-556-500
Phone: 44-1635-262-400
Fax: 44-1635-580-300

FINLAND

Stryker AB, Finland
PO 80 Makelankatu 2
00501 Helsinki
Finland
Phone: 35-89-774-4680
Fax: 35-89-774-46820

FRANCE

Stryker France S.A.S.
ZAC - Avenue de Satolas Green
69330 Pusignan
France
Phone: 33-472-45-36-00
Fax: 33-472-45-36-99

GERMANY

Stryker Howmedica GmbH
Dr. Homer Stryker Platz 1
47228 Duisburg
Germany
Phone: 49-2065-837-0
Fax: 49-2065-837-837

GREECE

Stryker Hellas EPE
455 Messogion Ave
153 43 Agia Paraskevi
Athens, Greece
Phone: 30-2-10-600-32-22
Fax: 30-2-10-600-48-12

ITALY

Stryker Italia Srl
Via Ghisalba 15B
00188 Roma
Italy
Phone: 39-06-33-05-41
Fax: 39-06-33-614-067

MIDDLE EAST / NORTH AFRICA

Stryker Osteonics SA
Twin Towers
11th Floor, Suite 1101 & 1102
P.O. Box 41446
Baniyas Road
Dubai, Deira, UAE
Phone: 97-14-222-2842
Fax: 97-14-224-7381

NETHERLANDS

Stryker Nederlands BV
(P.O. Box 13, 4180 BA Waardenburg)
4181 CD Waardenburg
The Netherlands
Phone: 31-418-569-700
Fax: 31-418-569-777

NORWAY

Stryker Norway
Norsk Filial
Nedre Vollgate 3
0158 Oslo
Norway
Phone: 47-22-42-22-44
Fax: 47-22-42-22-54

POLAND

Stryker Polska Sp. ZO.O
Kolejowa 5/7
01-217 Warsaw
Poland
Phone: 48-22-434-88-50
Fax: 48-22-434-88-60

PORTUGAL

Stryker Portugal Produtos Medicos, LTDA.
Avenida Marechal Gomes da Costa, 35
1800-255 Lisboa
Portugal
Phone: 35-1-21-839-49-10
Fax: 35-1-21-839-49-19

ROMANIA

Stryker Osteonics Romania S.R.L.
19, Leonida Str.
District 2
7000 Bucharest
Romania
Phone: 40-2-12-12-11-22
Fax: 40-2-12-12-11-33

SOUTH AFRICA

Stryker Osteonics PTY. LTD.
3 Susan Street
Strydom Park
Johannesburg, 2194 - South Africa
Mailing Address:
P.O. Box 48039
2129 Roosevelt Park
Johannesburg, South Africa
Phone: 27-11-791-4644
Fax: 27-11-791-4696

SPAIN

Stryker Iberia SL
c/Sepulveda n17
28108 Alcobendas
Madrid
Spain
Phone: 34-91-728-35-00
Phone: 34-91-358-20-44
Fax: 34-91-358-07-48

SWEDEN

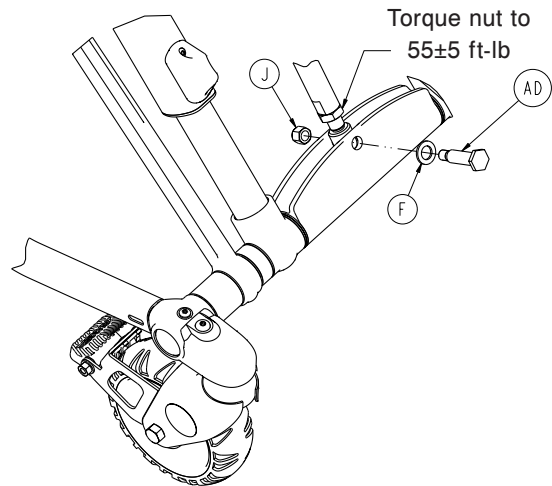
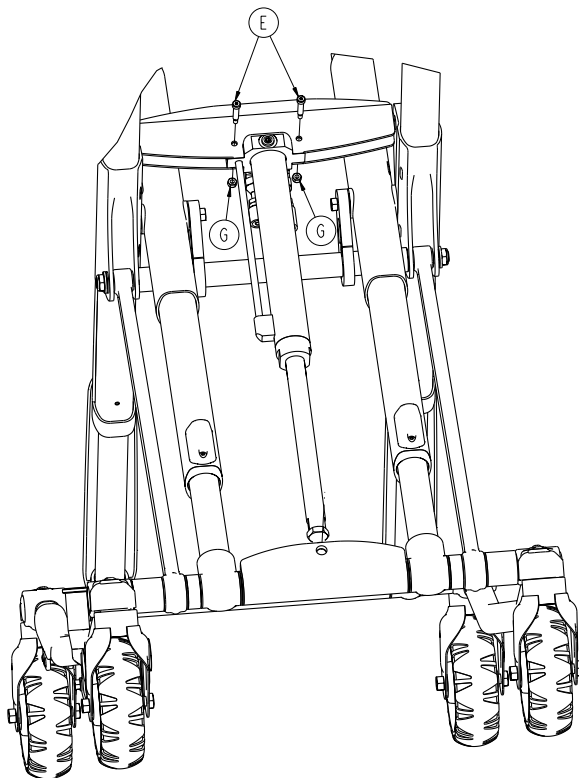
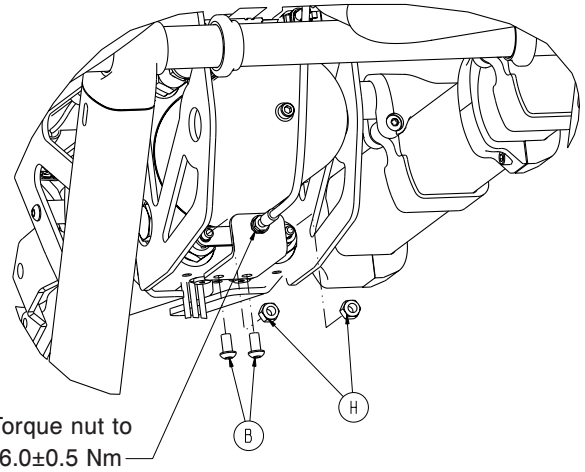
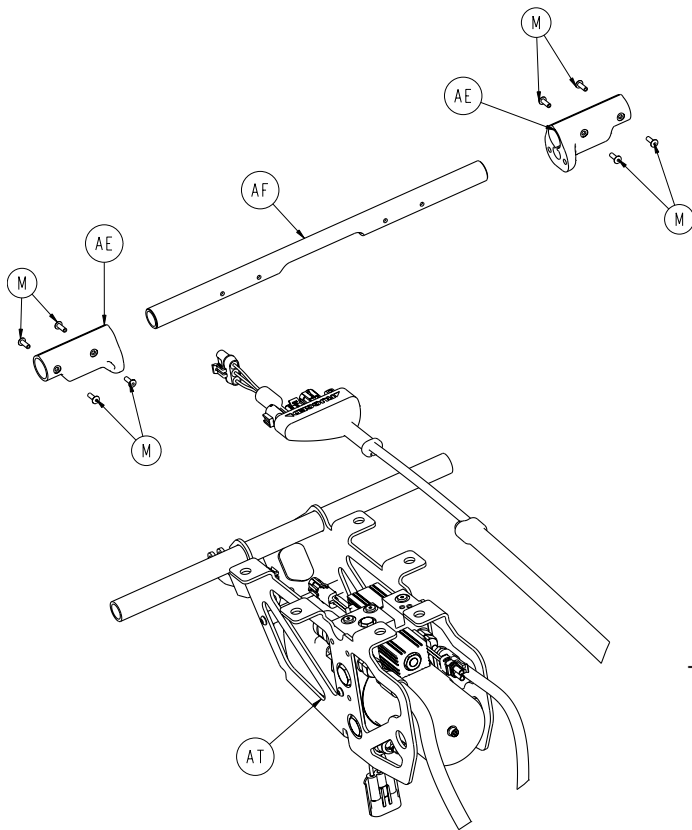
Stryker AB/Scandinavia
Box 50425
SE-204 14 Malmo
Sweden
Phone: 46-40-691-81-00
Fax: 46-40-691-81-91

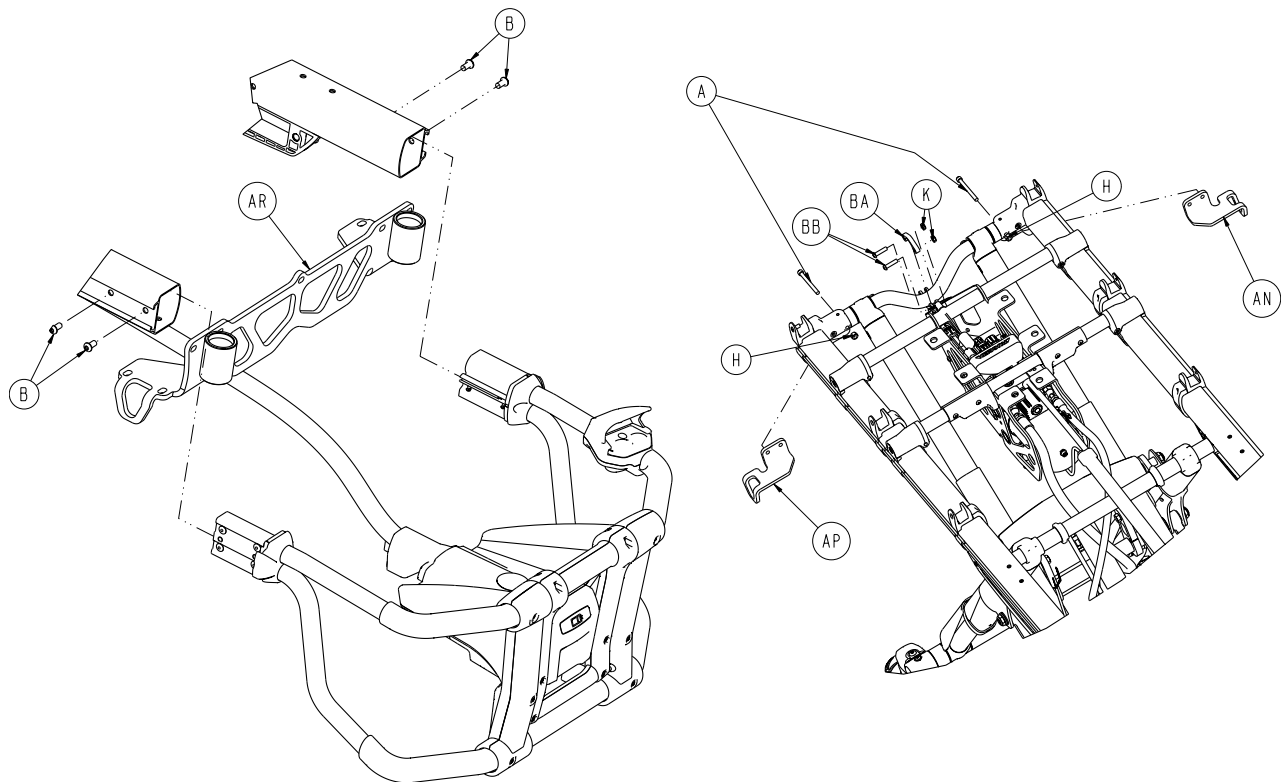
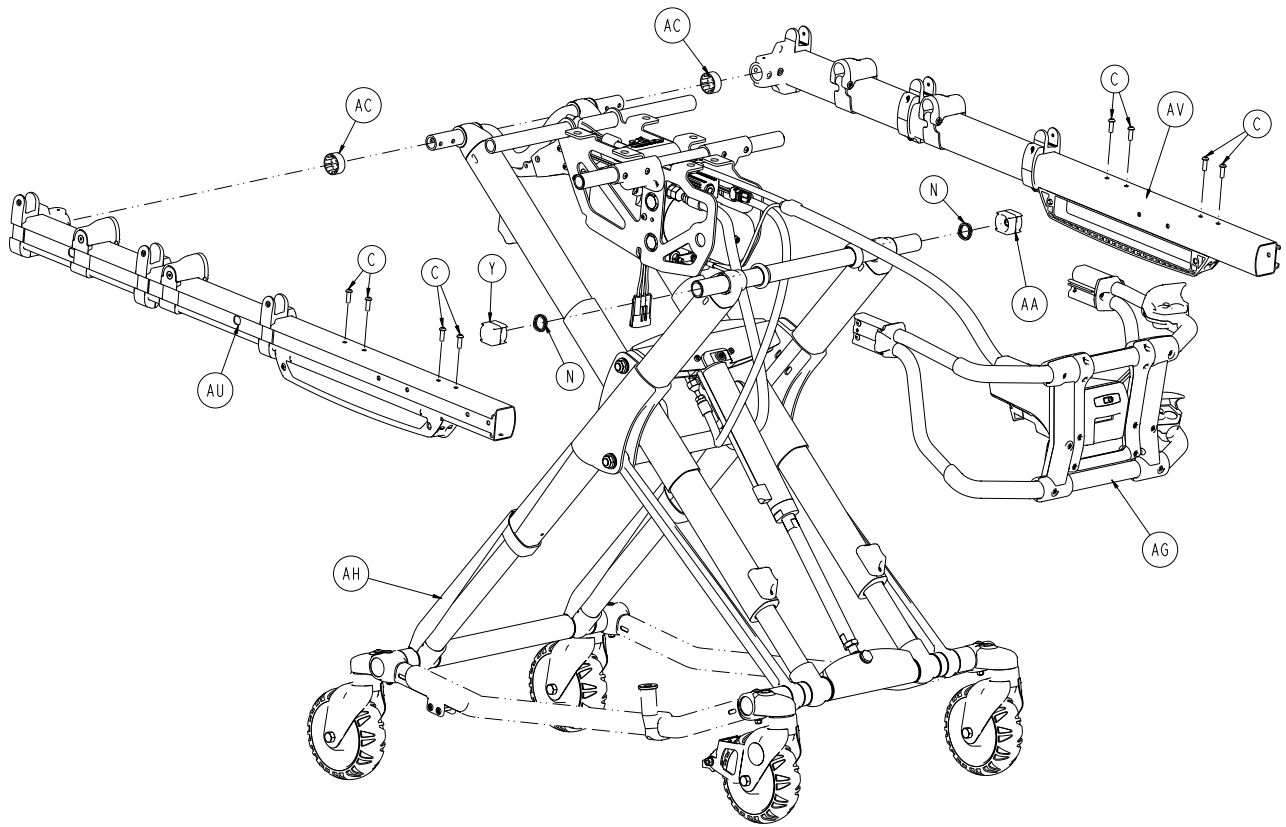
Table of Contents

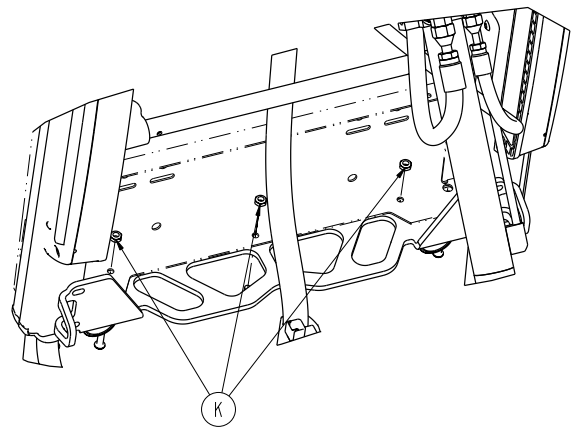
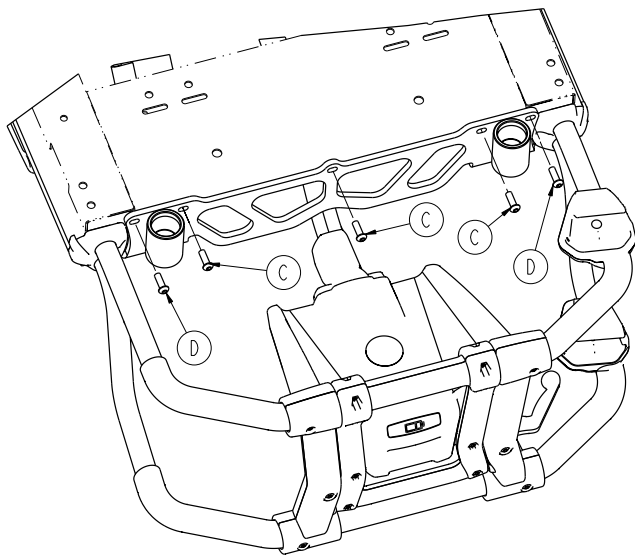
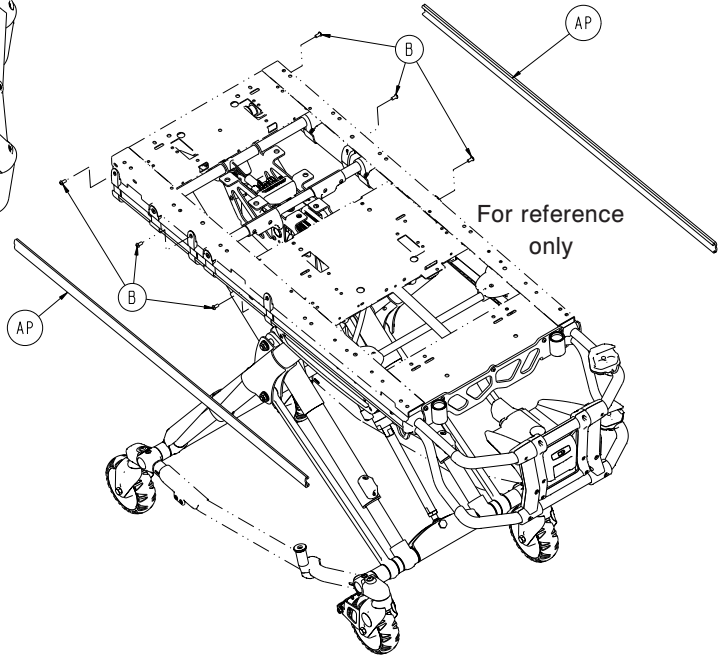
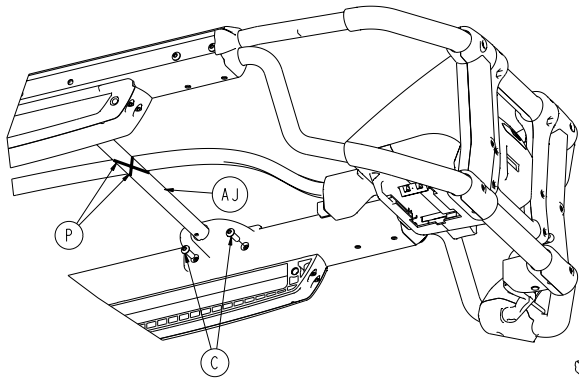
6516-001-010	7
6506-001-012	12
6086-602-010	16
6082-002-012	17
6086-200-010	18
6060-002-010	19
6506-037-000	20
6506-038-000	21
6506-002-265	22
6500-301-021	23
6500-301-022	24
6500-001-034	25
6500-001-035	26
6516-001-027	27
6516-001-028	28
6500-002-028	29
6500-002-029	30
6516-001-014	31
6500-001-030	32
6500-102-015	33
6510-001-013	37
6500-101-016	38
6516-043-000	39
6516-144-000	40
6500-002-020	42
6500-001-026	44
6500-001-027	45
6506-036-000	46
6500-002-013	47
6085-033-000	50
6516-128-000	51
6516-101-017	52
6510-001-018	54
6516-129-000	55
6516-141-000	56
6510-101-019	57
6516-127-000	59
6516-101-020	60
6516-142-000	62
6516-040-000/6516-031-000	63
6500-128-000	64
6500-160-000	65

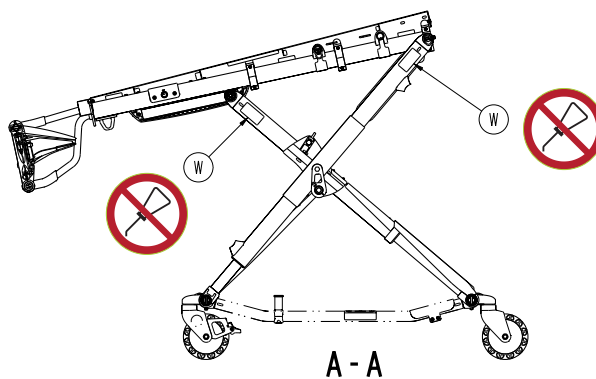
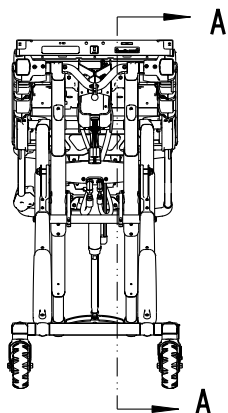
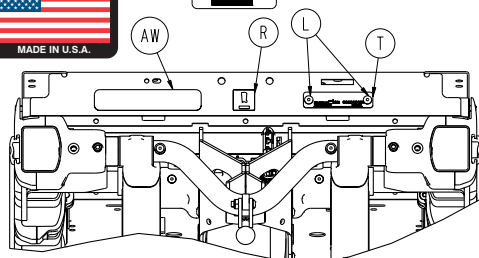
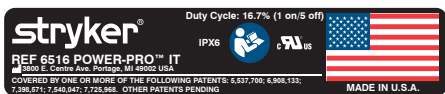
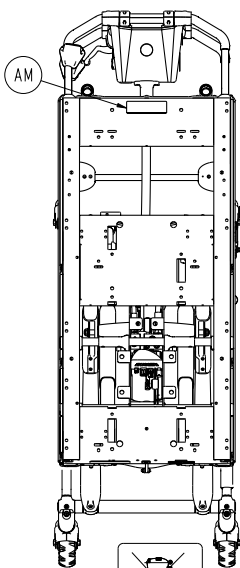
Table of Contents

6500-033-000	66
6060-036-017/6060-036-018/6092-036-018	67
6500-101-010 ⓧ	68
6500-101-016 ⓧ	69
6500-001-028 ⓧ	70
6500-102-015 ⓧ /6500-002-014 ⓧ	71
6500-001-030 ⓧ	72
6500-002-159 ⓧ	73



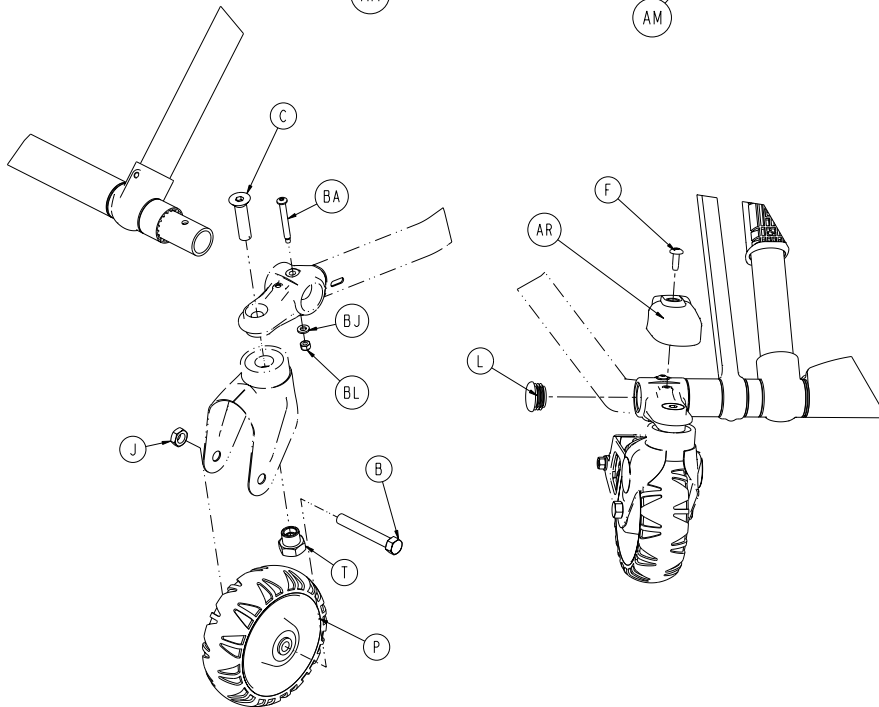
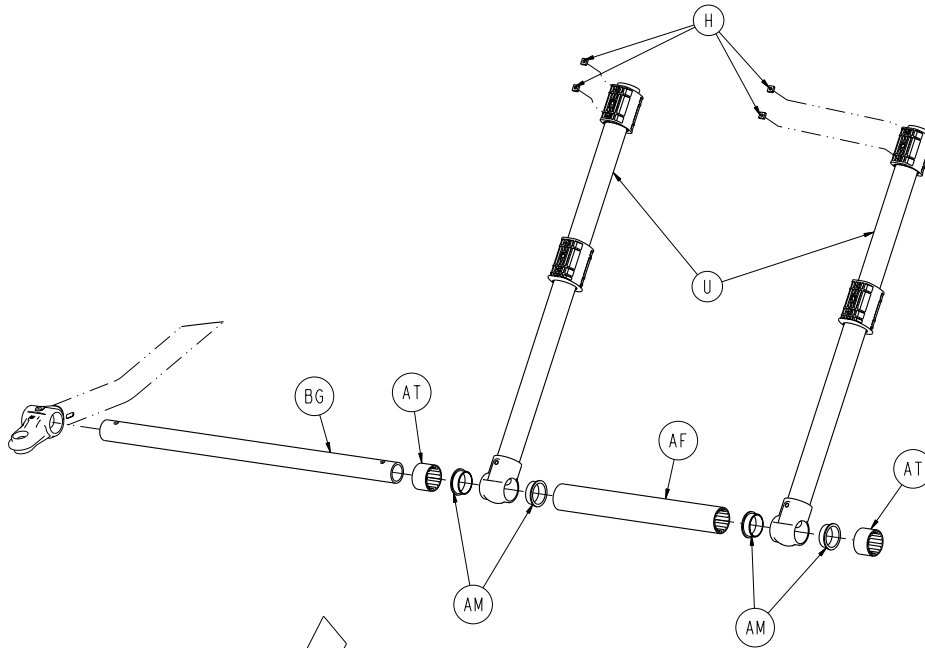
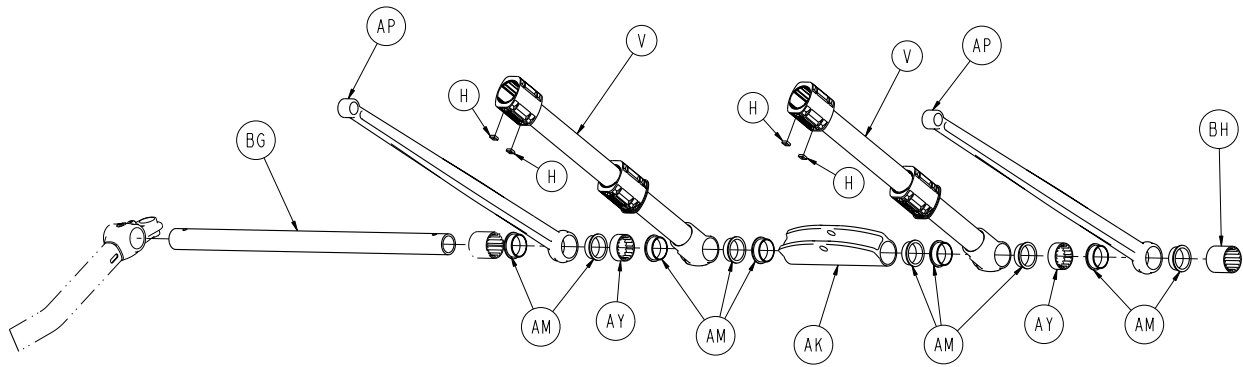


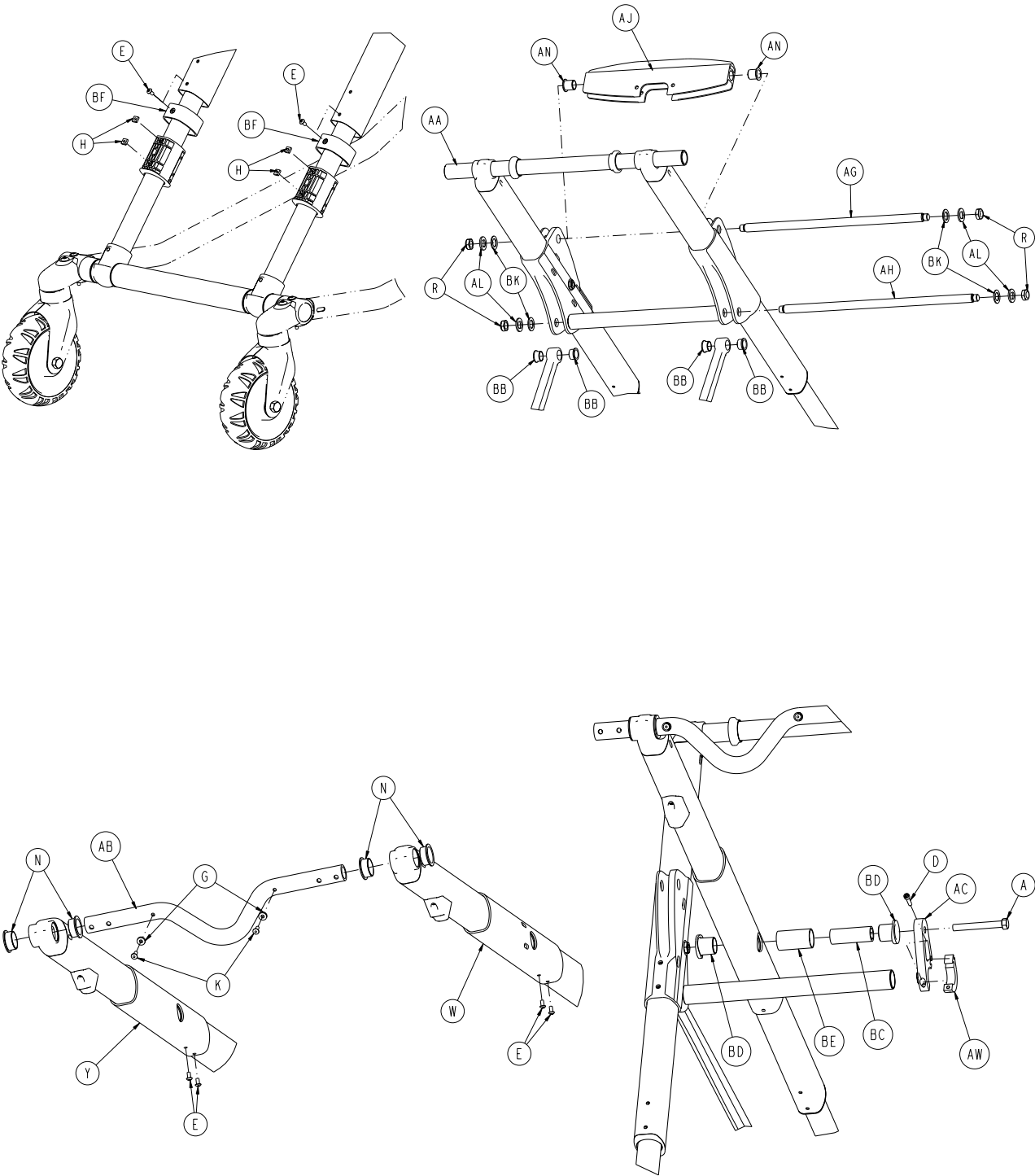


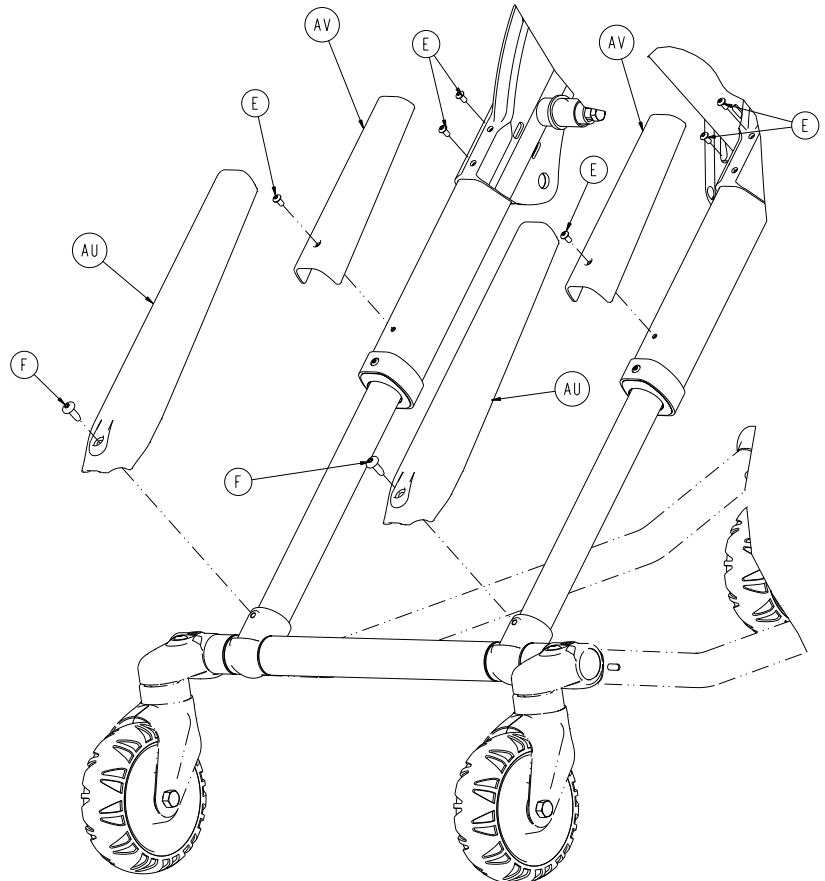
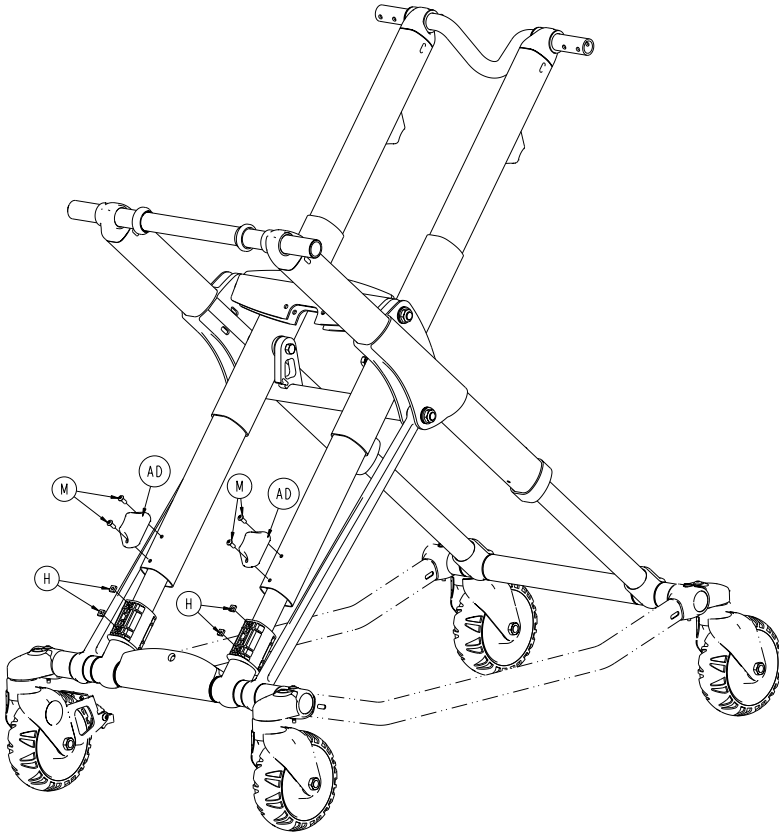


6516-001-010

A	0004-517-000	2
B	0004-589-000	12
C	0004-592-000	15
D	0004-593-000	2
E	0008-030-000	2
F	0011-013-000	1
G	0016-002-000	2
H	0016-028-000	4
J	0016-035-000	1
K	0016-102-000	5
L	0025-079-000	2
M	0025-133-000	8
N	0038-574-000	2
P	0059-211-000	2
R	2030-009-901	1
T	6060-090-002	1
V	6082-090-043	2
W	6252-101-139	4
Y	6500-001-017	1
AA	6500-001-123	1
AB	6500-001-127	2
AC	6500-001-128	2
AD	6500-001-168	1
AE	6500-001-195	2
AF	6500-001-196	1
AG	6500-102-015	1
AH	6506-001-012	1
AJ	6510-001-013	1
AK	6510-101-116	2
AL	6510-101-117	2
AM	6510-101-121	1
AN	6510-001-126	1
AP	6510-001-127	1
AR	6510-101-052	1
AT	6516-001-014	1
AU	6516-001-027	1
AV	6516-001-028	1
AW	6516-101-100	1
BA	6500-002-195	1
BB	0004-594-000	2

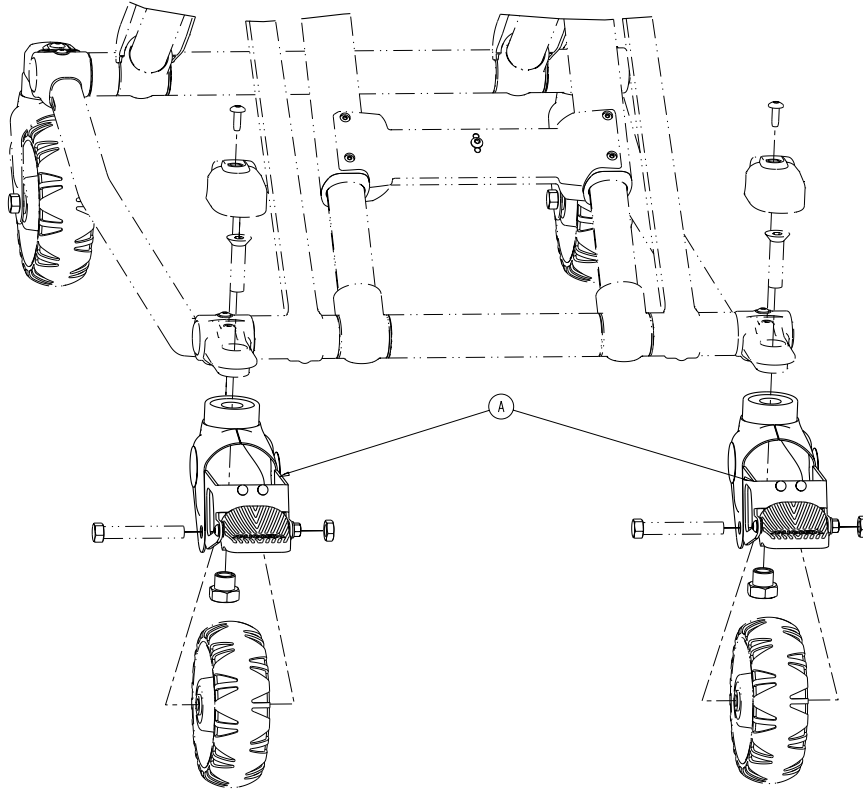






6506-001-012

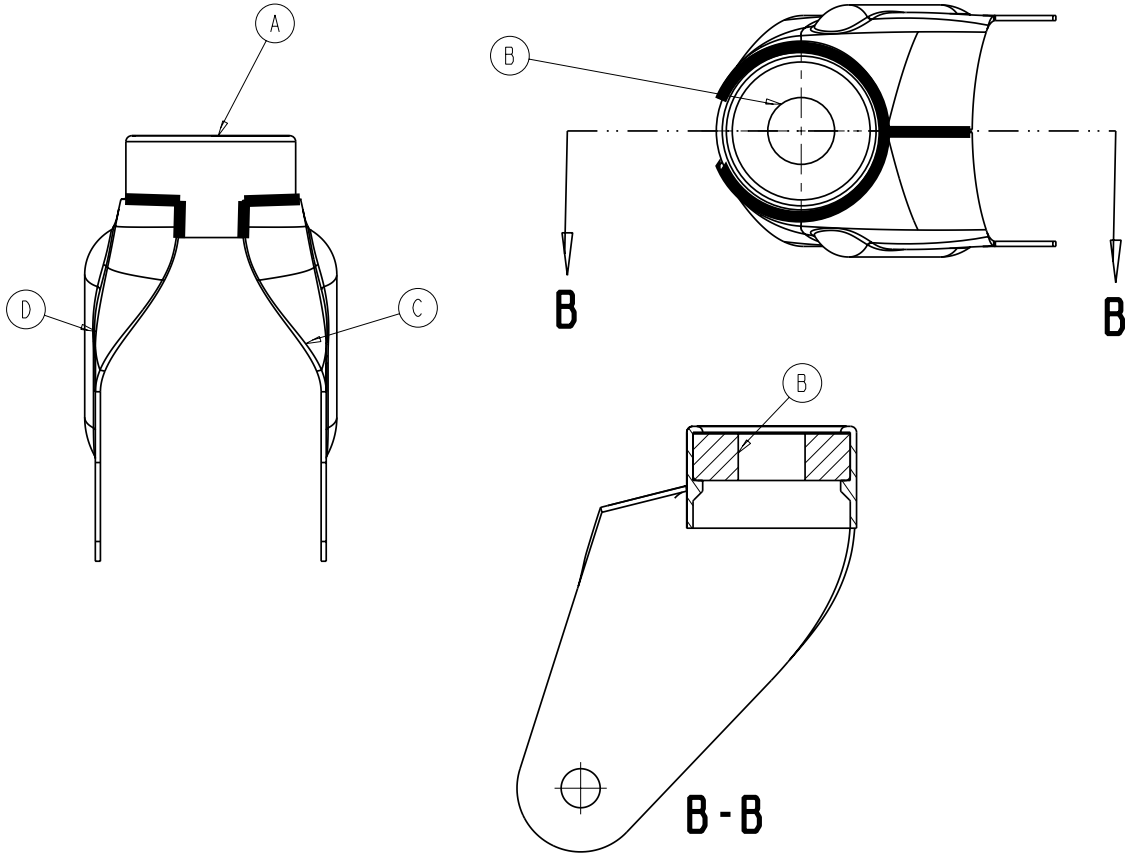
A	0003-388-000	2
B	0003-205-000	4
C	0004-319-000	4
D	0004-659-000	2
E	0004-587-000	12
F	0007-086-000	6
G	0014-115-000	2
H	0015-051-000	16
J	0016-060-000	4
K	0025-133-000	10
L	0037-083-000	4
M	0004-634-000	4
N	0081-244-000	4
P	6060-002-010	4
R	0016-049-000	4
T	6090-001-009	4
U	6500-301-021	2
V	6500-301-022	2
W	6500-001-034	1
Y	6500-001-035	1
AA	6500-001-056	1
AB	6500-001-090	1
AC	6500-001-308	1
AD	6500-001-125	2
AE	6500-001-309	1
AF	6500-001-129	1
AG	6500-001-171	1
AH	6500-001-182	1
AJ	6500-001-164	1
AK	6500-001-165	1
AL	6500-001-225	4
AM	6500-001-166	14
AN	6500-001-157	2
AP	6500-001-172	2
AR	6500-001-177	1
AT	6500-001-178	2
AU	6500-001-179	2
AV	6500-001-180	2
AW	6500-001-310	2
AY	6500-001-183	2
BA	6085-001-097	4
BB	6500-001-162	4
BC	6500-001-341	2
BD	6500-001-226	4
BE	6500-001-227	2
BF	6500-001-228	2
BG	6500-001-229	2
BH	6500-001-230	1
BJ	0014-002-000	4
BK	0014-040-000	4
BL	0016-002-000	4



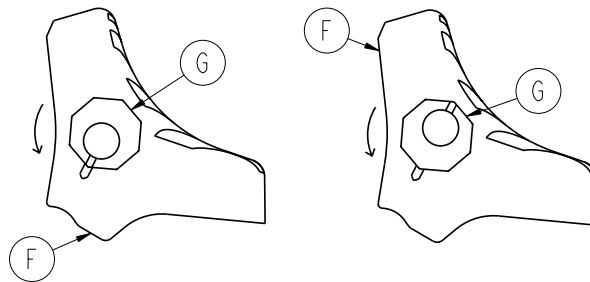
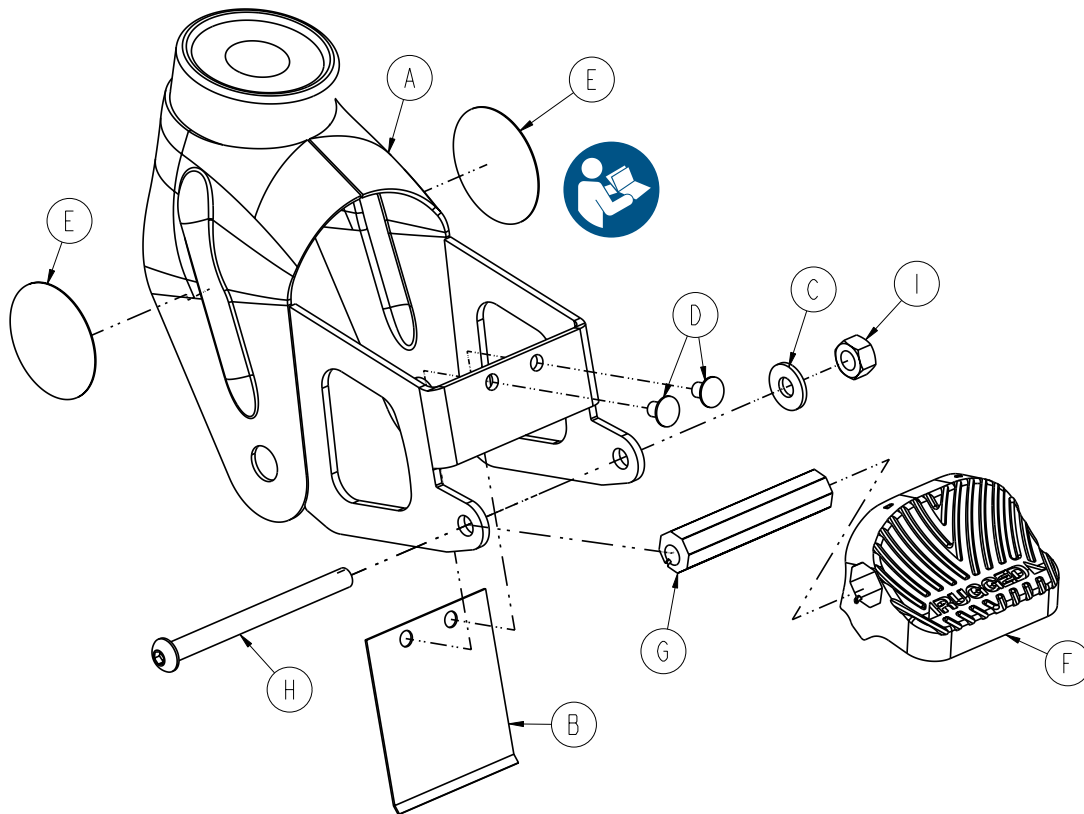
A

6086-200-010

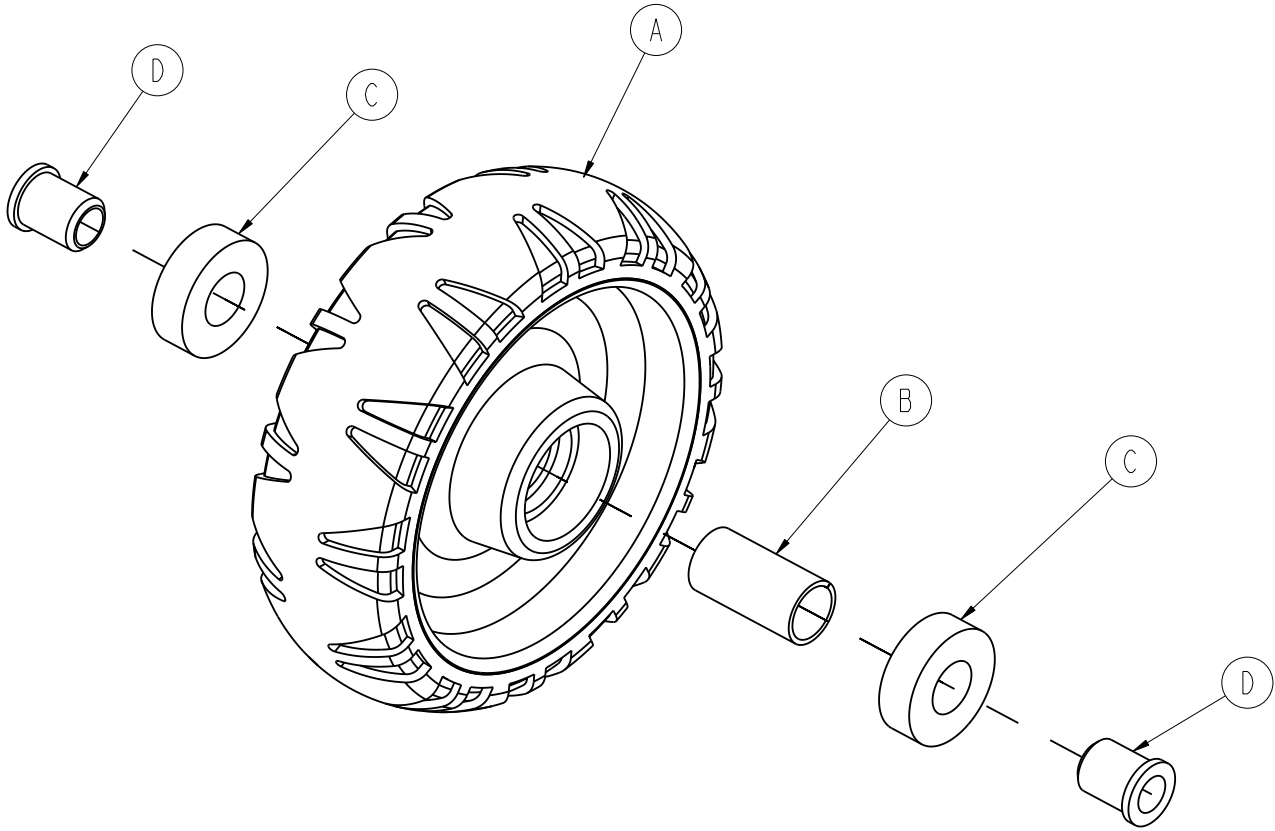
2



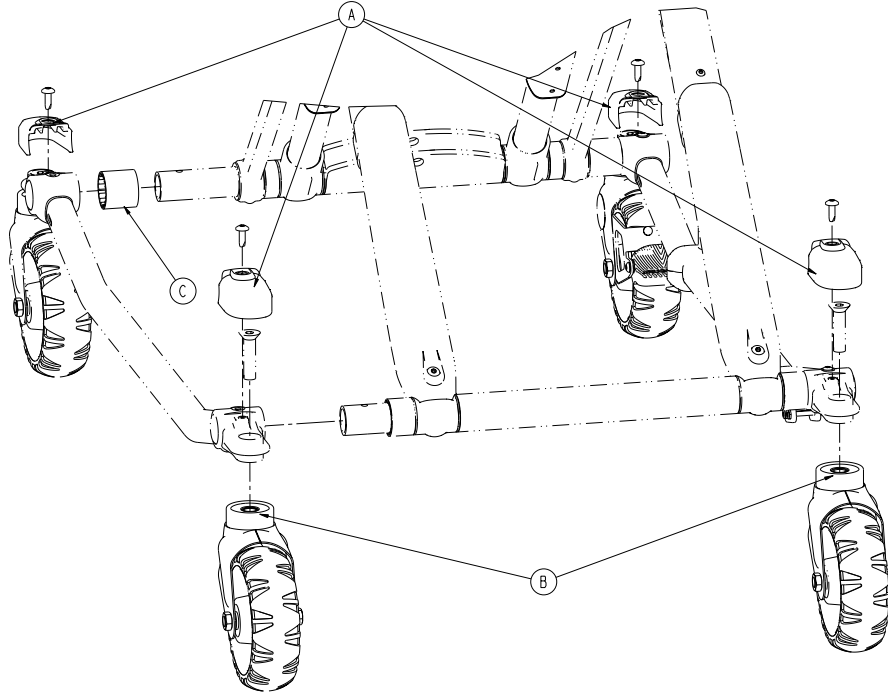
A	6082-002-039	1
B	0081-227-000	1
C	6082-002-042	1
D	6082-002-043	1



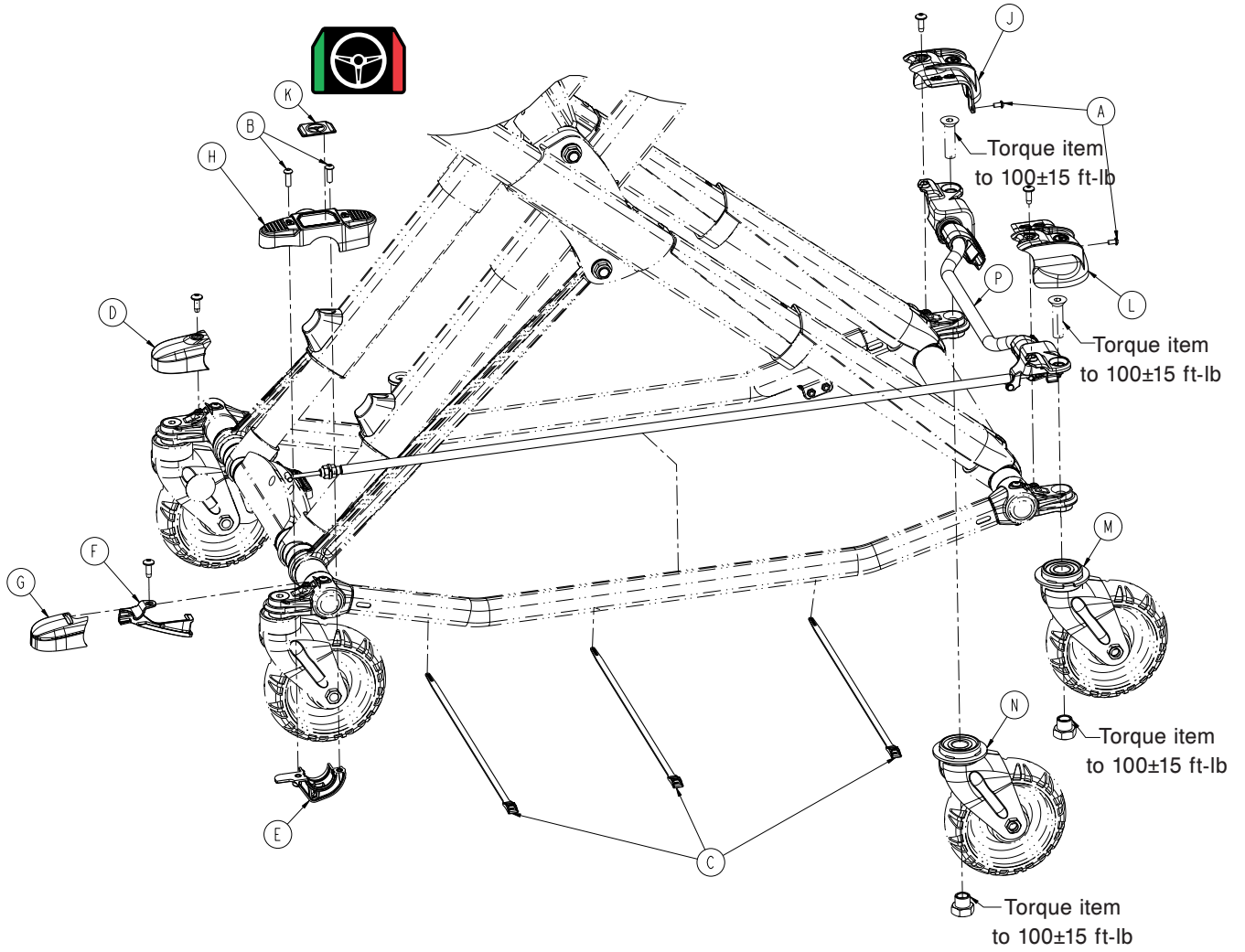
A	6082-100-012	1
B	6080-100-032	1
C	0011-456-000	1
D	0025-153-000	2
E	6506-001-900	2
F	6080-300-030	1
G	6080-200-041	1
H	0004-098-000	1
I	0016-118-000	1



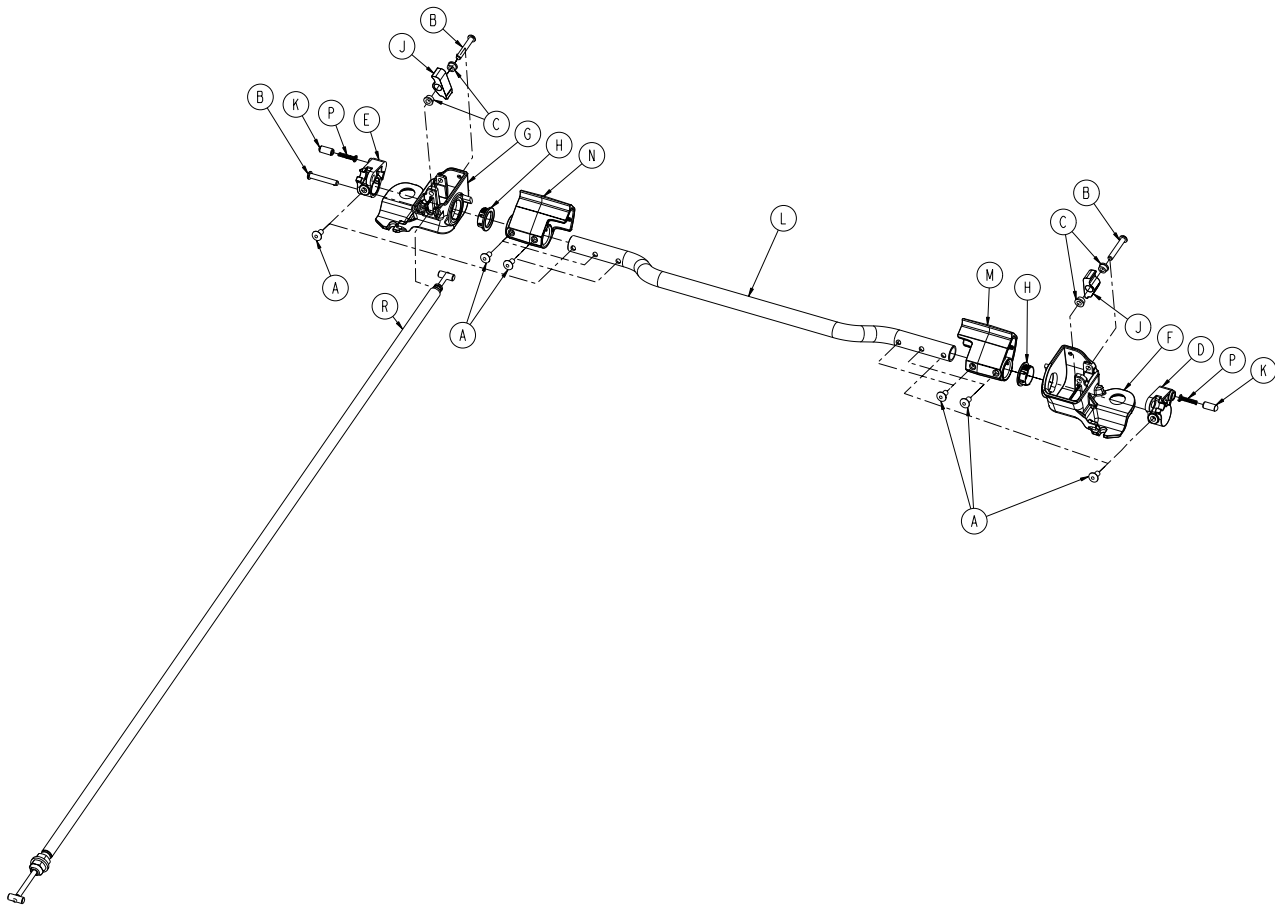
A	6060-002-045	1
B	6060-002-046	1
C	0081-226-000	2
D	0715-001-255	2



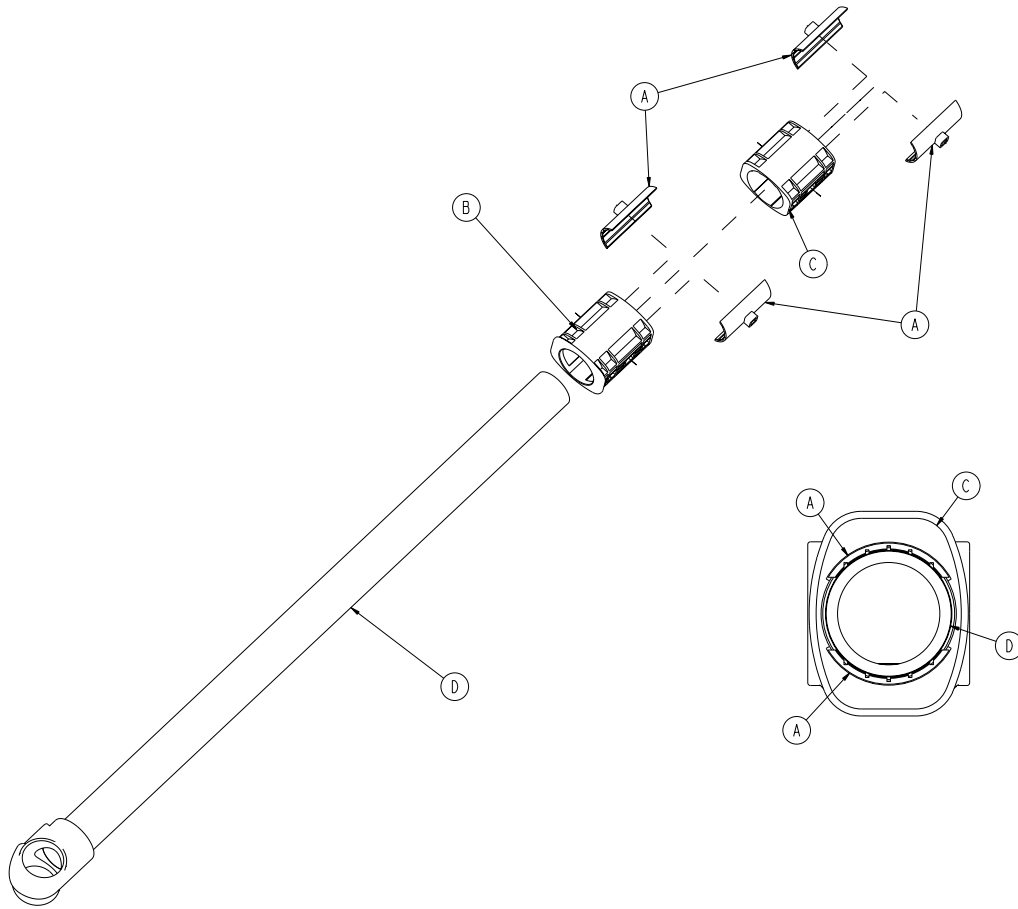
A	6500-001-177	4
B	6082-002-012	2
C	6500-001-230	1



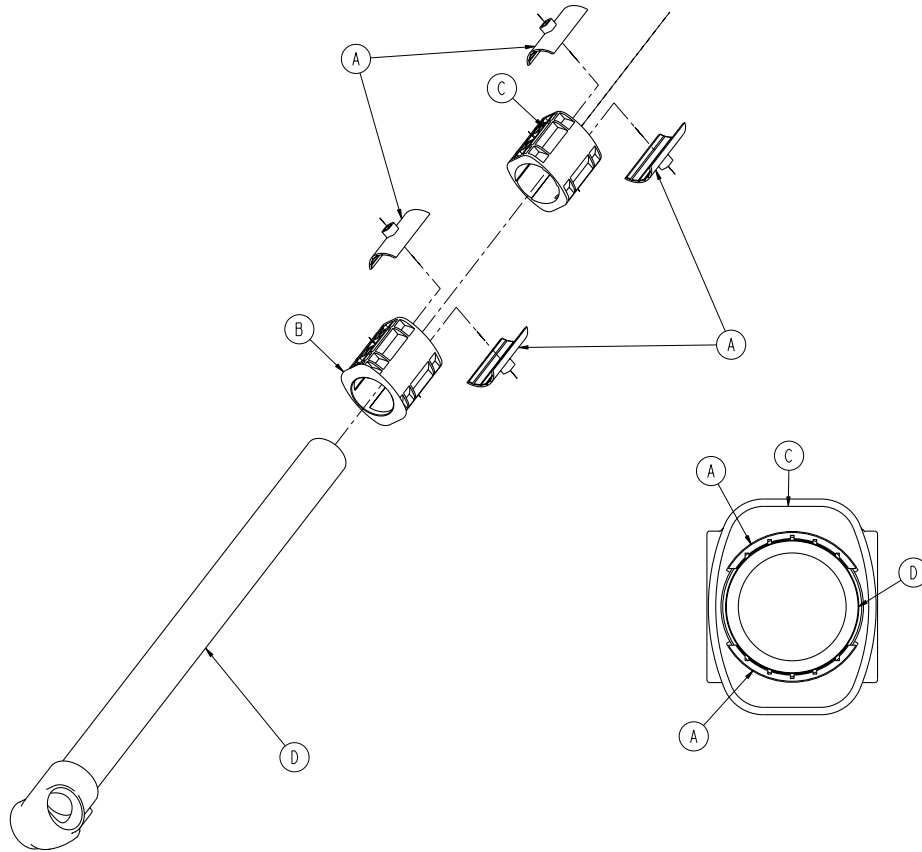
A	0004-587-000	2
B	0004-592-000	2
C	0059-211-000	3
D	6500-001-177	1
E	6500-002-243	1
F	6500-002-244	1
G	6500-002-245	1
H	6500-002-246	1
J	6500-002-247	1
K	6500-002-248	1
L	6500-002-249	1
M	6500-002-255	1
N	6500-002-260	1
P	6506-002-265	1



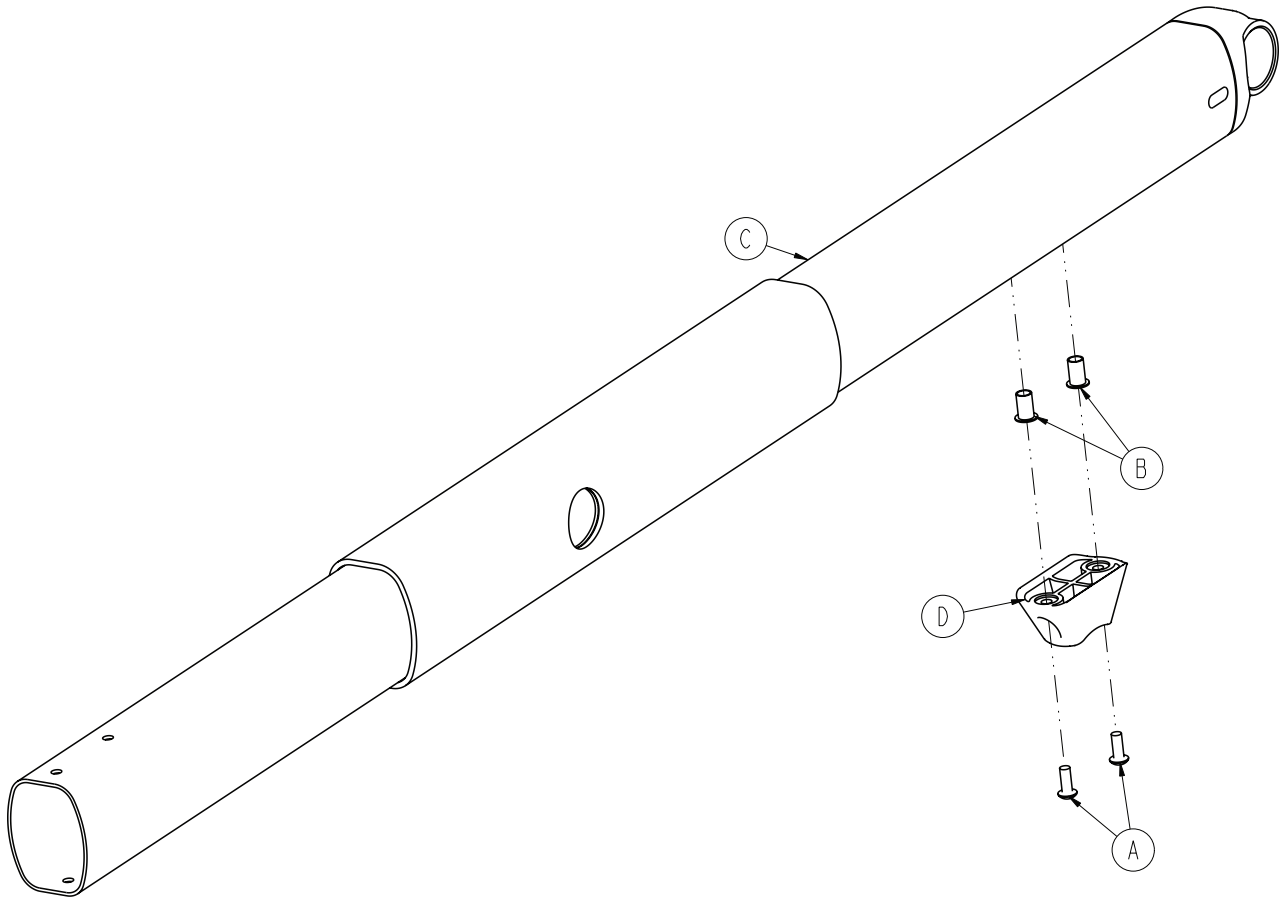
A	0025-079-000	6
B	0027-036-000	3
C	0081-347-000	4
D	6500-002-230	1
E	6500-002-231	1
F	6500-002-234	1
G	6500-002-235	1
H	6500-002-236	2
J	6500-002-237	2
K	6500-002-238	2
L	6500-002-240	1
M	6500-002-241	1
N	6500-002-251	1
P	6500-002-252	2
R	6500-002-250	1



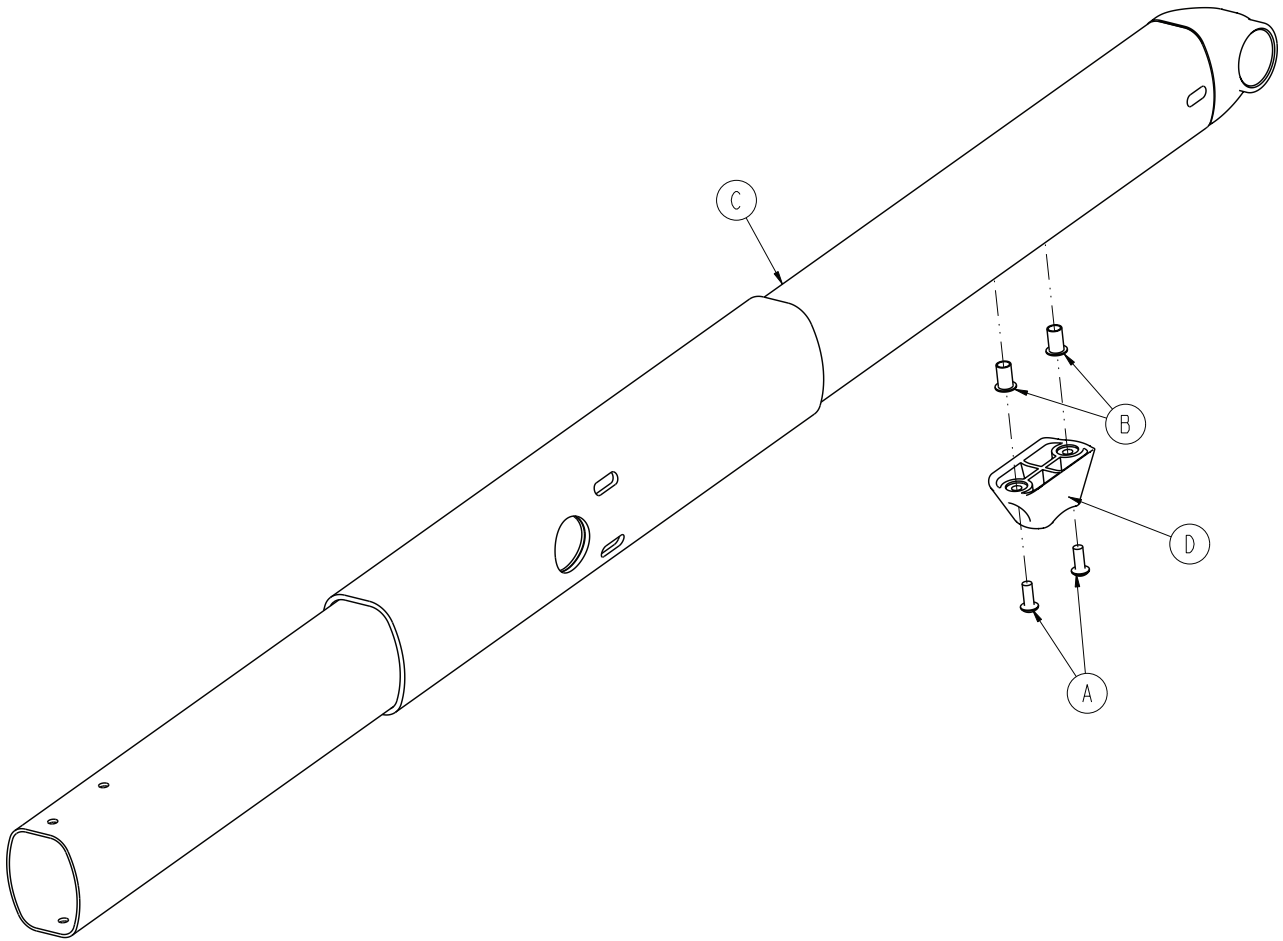
A	6500-001-327	4
B	6500-001-328	1
C	6500-001-329	1
D	6500-301-050	1



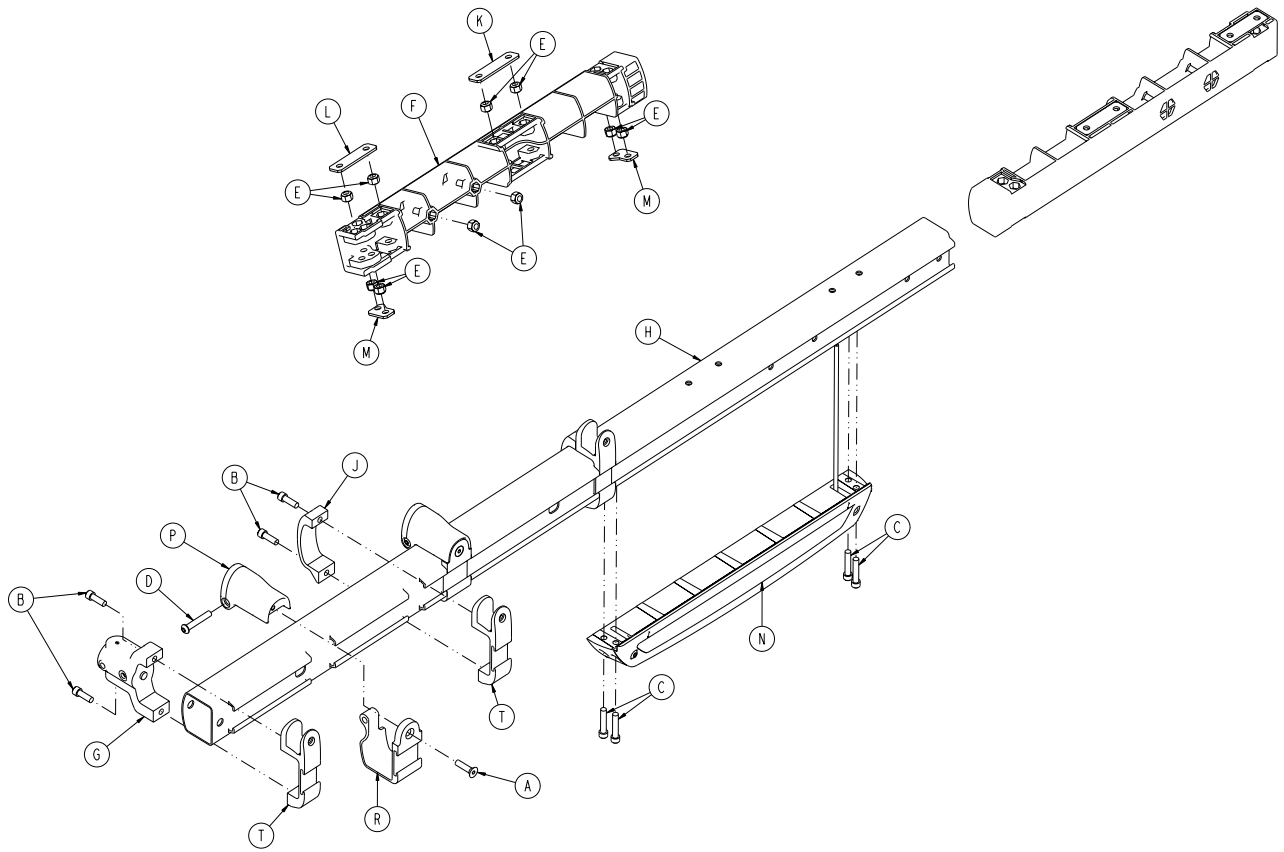
A	6500-001-327	4
B	6500-001-328	1
C	6500-001-329	1
D	6500-301-051	1



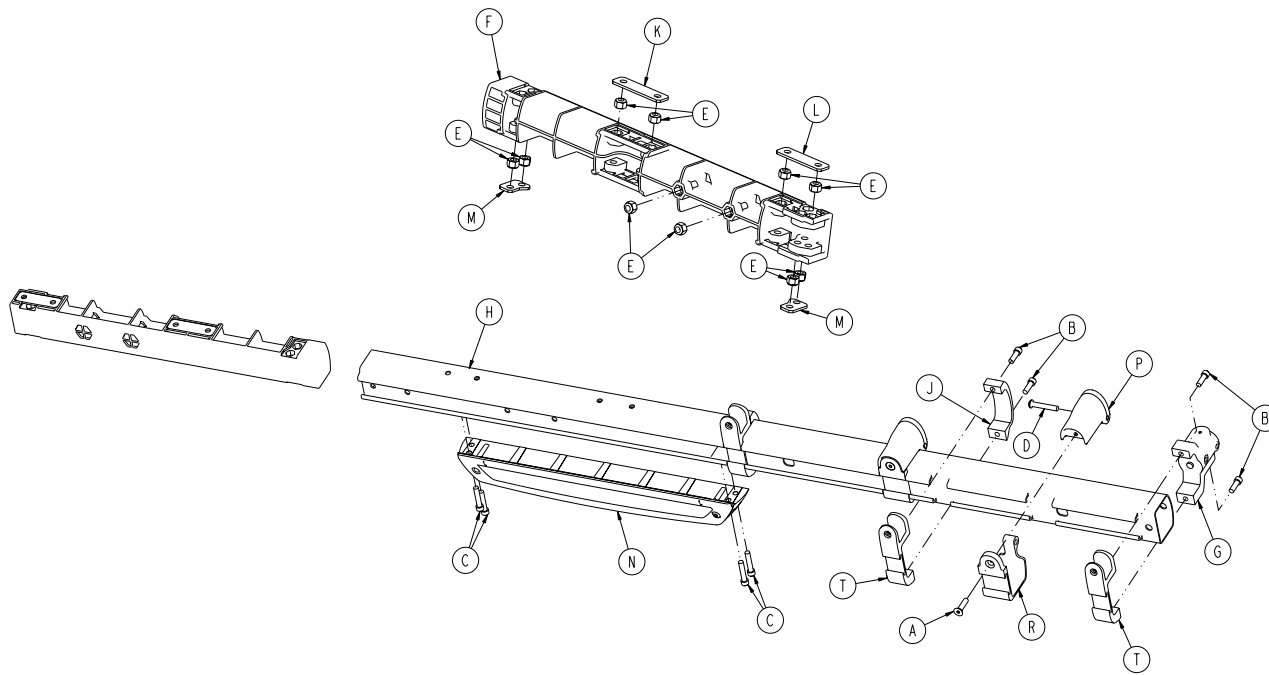
A	0004-634-000	2
B	0055-100-075	2
C	6500-001-355	1
D	6500-001-125	1



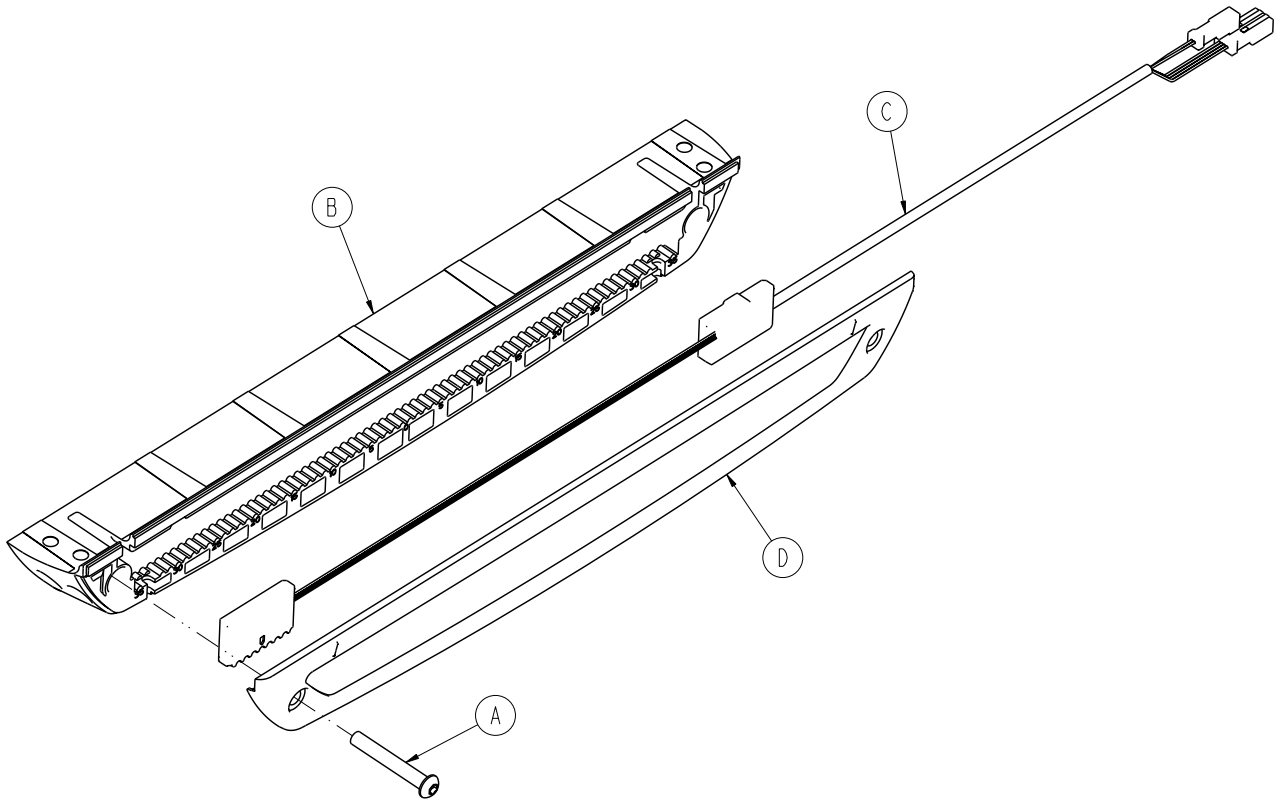
A	0004-634-000	2
B	0055-100-075	2
C	6500-301-053	1
D	6500-001-125	1



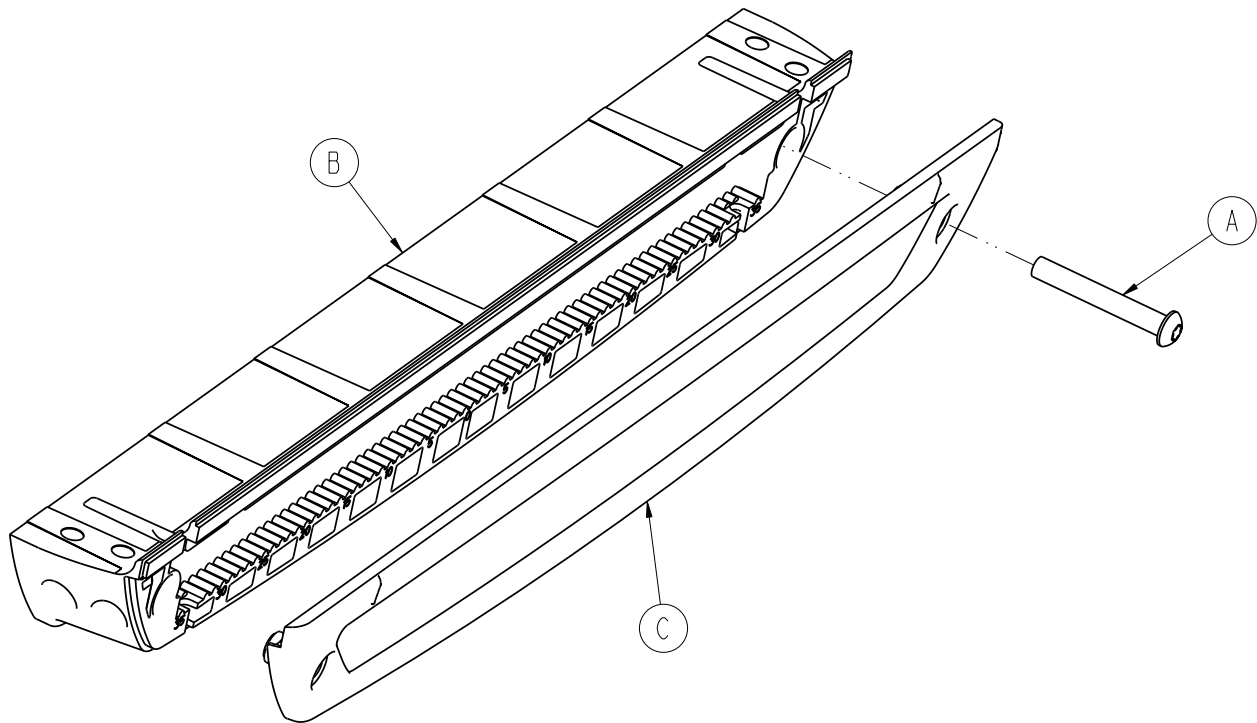
A	0001-004-011	2
B	0004-591-000	6
C	0004-613-000	4
D	0004-848-000	2
E	0016-028-000	10
F	6500-001-098	1
G	6500-001-102	1
H	6500-001-114	1
J	6500-001-117	2
K	6500-001-243	1
L	6500-001-244	1
M	6500-001-245	2
N	6500-002-028	1
P	6500-002-130	2
R	6500-002-131	2
T	6510-001-115	3



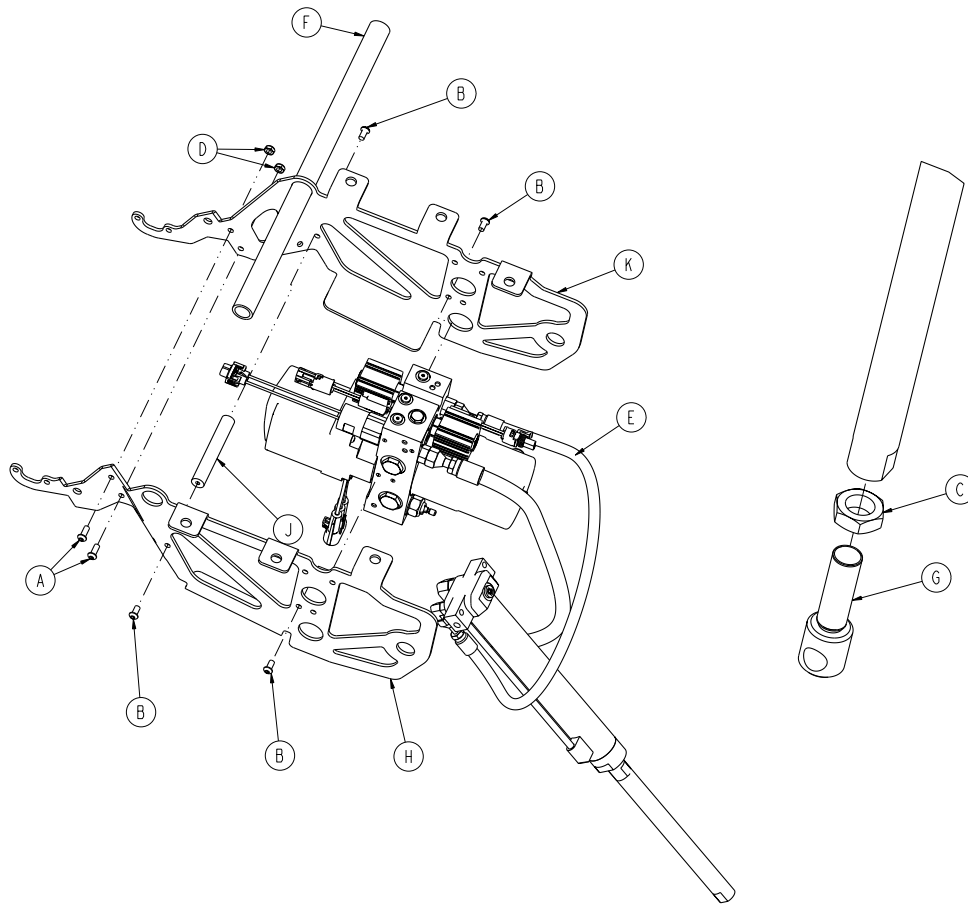
A	0001-004-011	2
B	0004-591-000	6
C	0004-613-000	4
D	0004-848-000	2
E	0016-028-000	10
F	6500-001-098	1
G	6500-001-102	1
H	6500-001-115	1
J	6500-001-117	2
K	6500-001-243	1
L	6500-001-244	1
M	6500-001-245	2
N	6500-002-029	1
P	6500-002-130	2
R	6500-002-131	2
T	6510-001-115	3



A	0004-596-000	1
B	6500-001-124	1
C	6500-001-160	1
D	6500-001-199	1

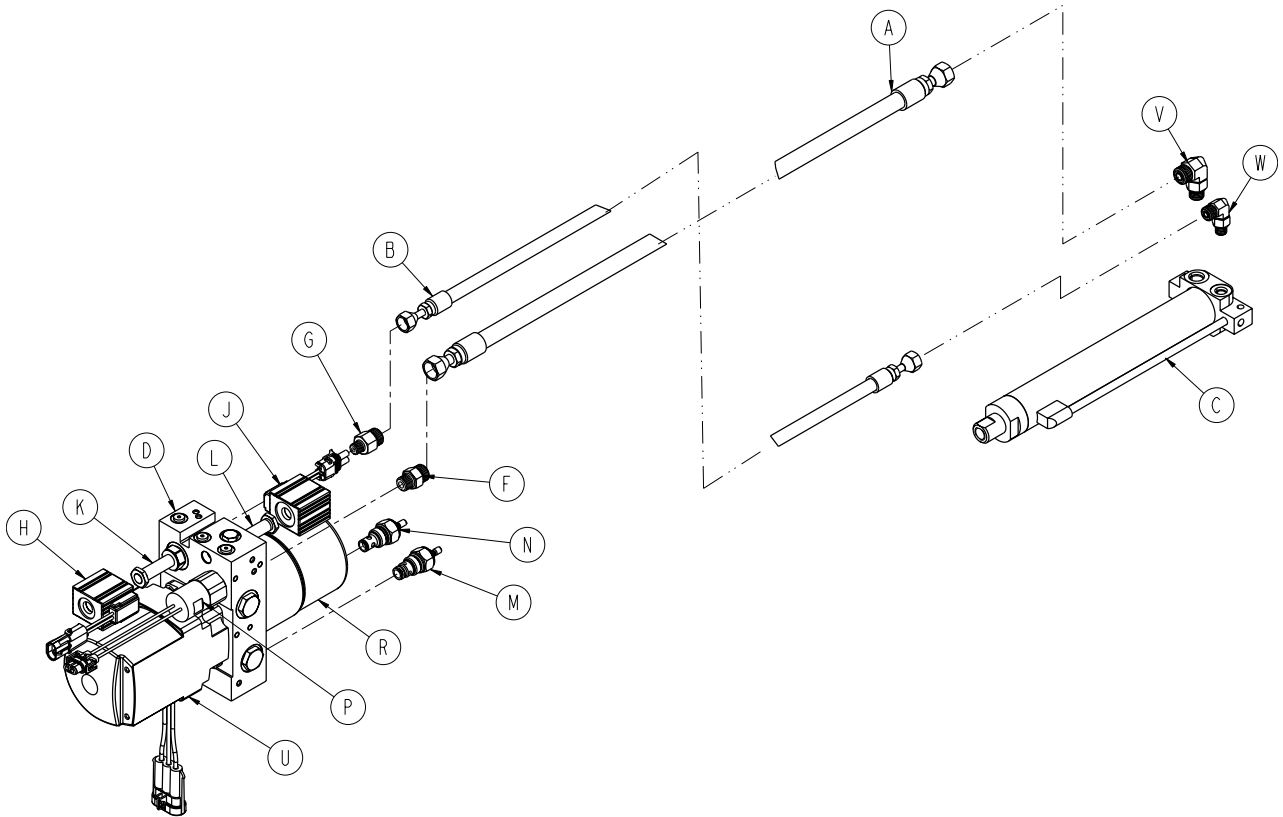


A	0004-596-000	1
B	6500-001-124	1
C	6500-001-199	1

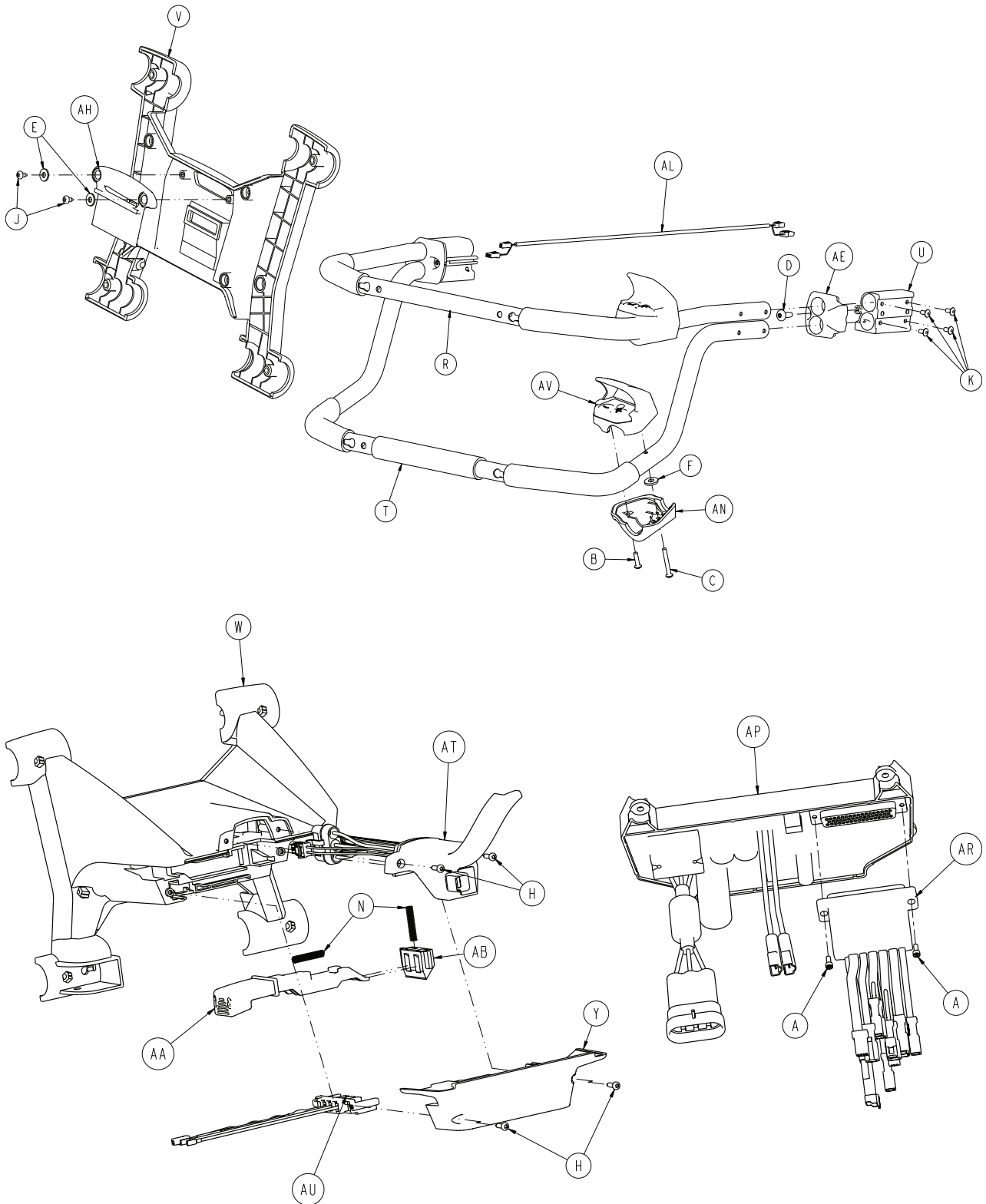


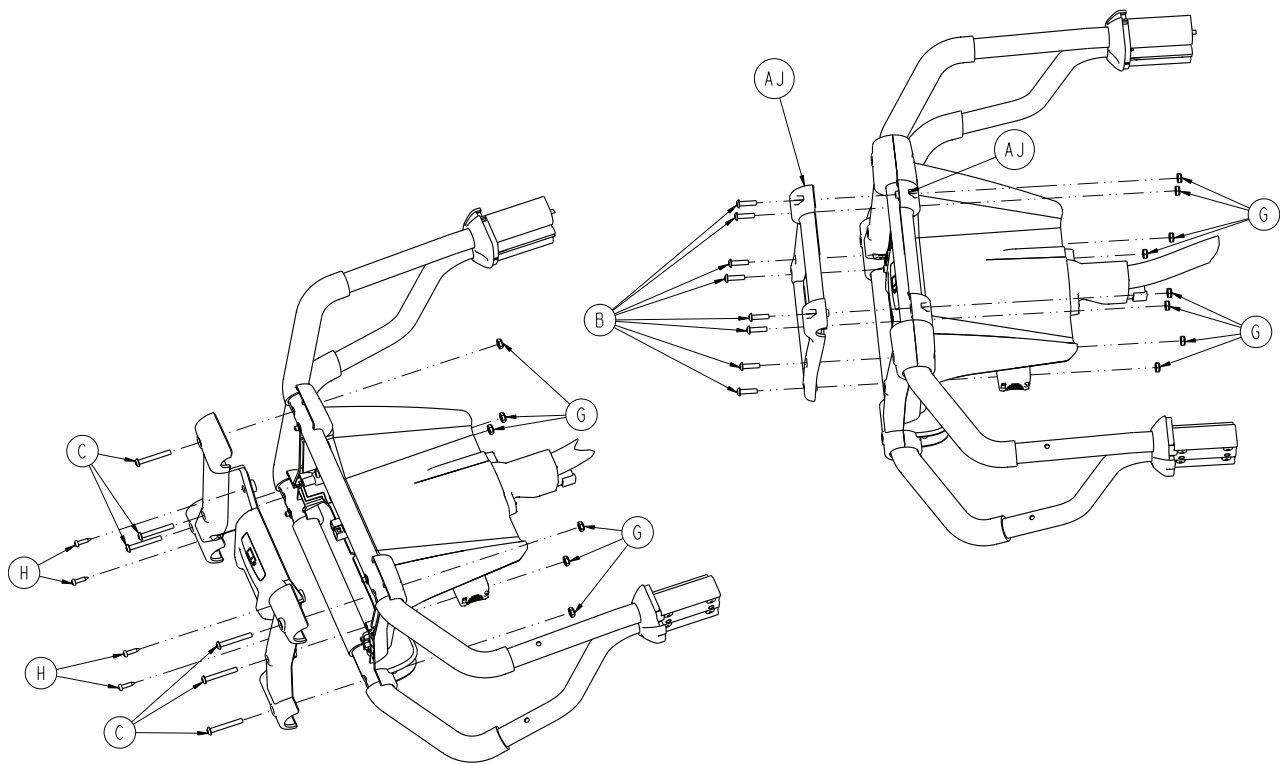
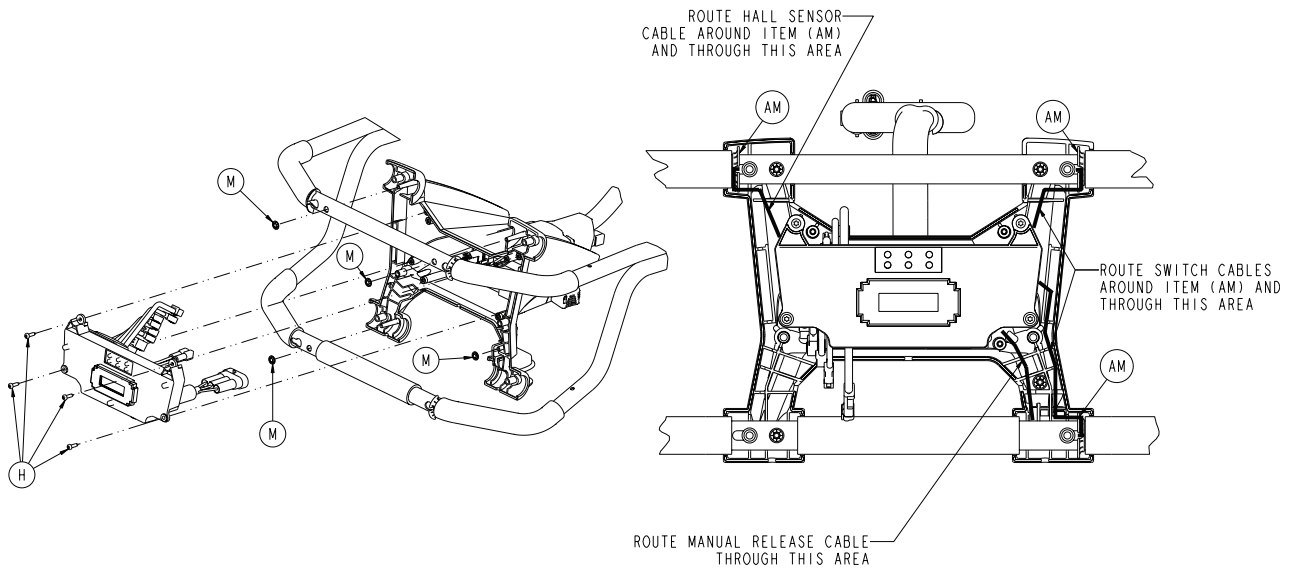
A	0004-577-000	2
B	0004-589-000	4
C	0015-052-000	1
D	0016-102-000	2
E	6500-001-030	1
F	6500-001-105	1
G	6500-001-169	1
H	6500-002-194	1
J	6500-001-212	1
K	6500-002-294	1

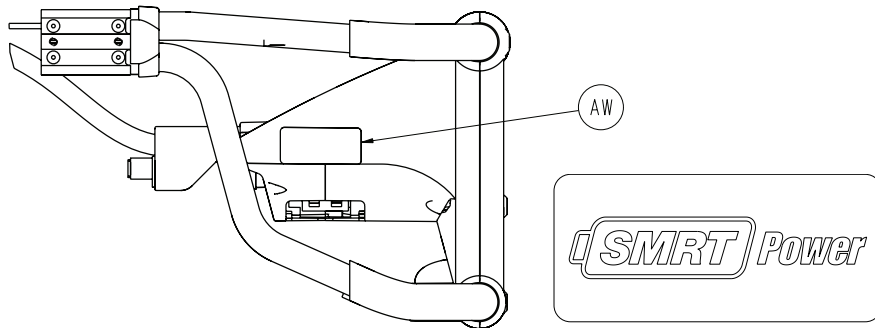
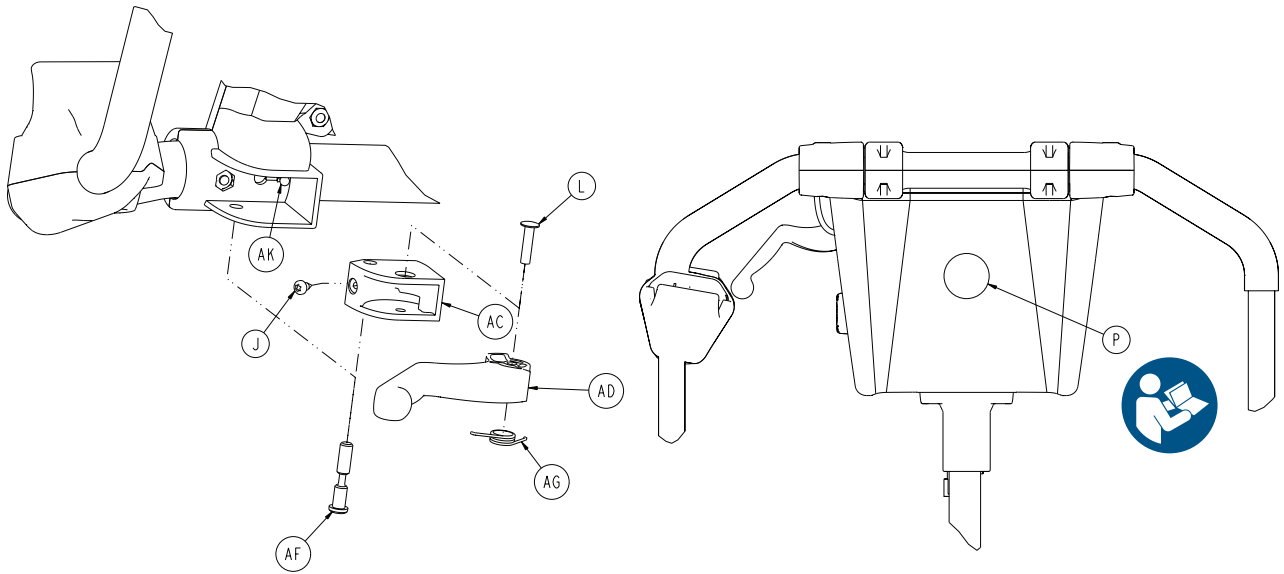
6500-001-030



A	6500-001-210	1
B	6500-001-211	1
C	6500-001-213	1
D	6500-001-214	1
E	6500-001-270	1
F	6500-001-282	1
G	6500-001-283	1
H	6500-001-284	1
J	6500-001-285	1
K	6500-001-286	1
L	6500-001-287	1
M	6500-001-288	1
N	6500-001-289	1
P	6500-001-290	1
R	6500-001-291	1
T	6500-001-293	1
U	6500-001-295	1
V	6500-001-296	1
W	6500-001-297	1
Y	6500-001-299	1

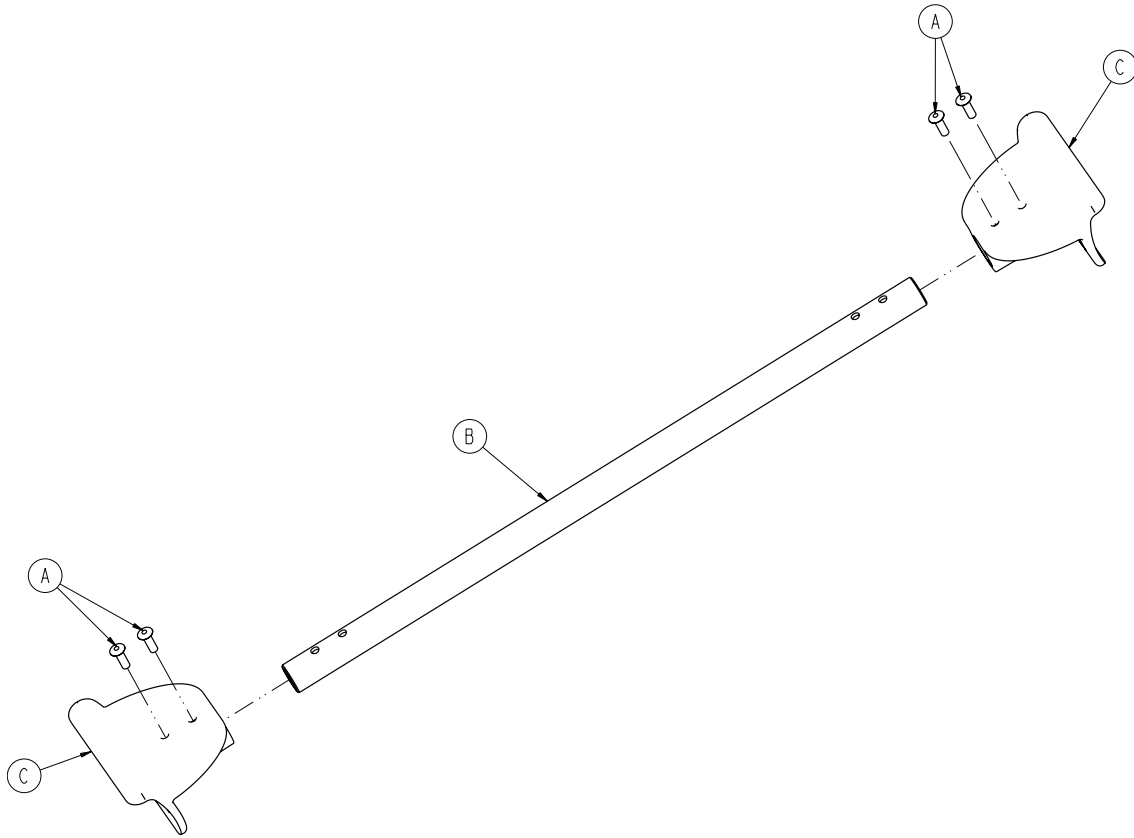




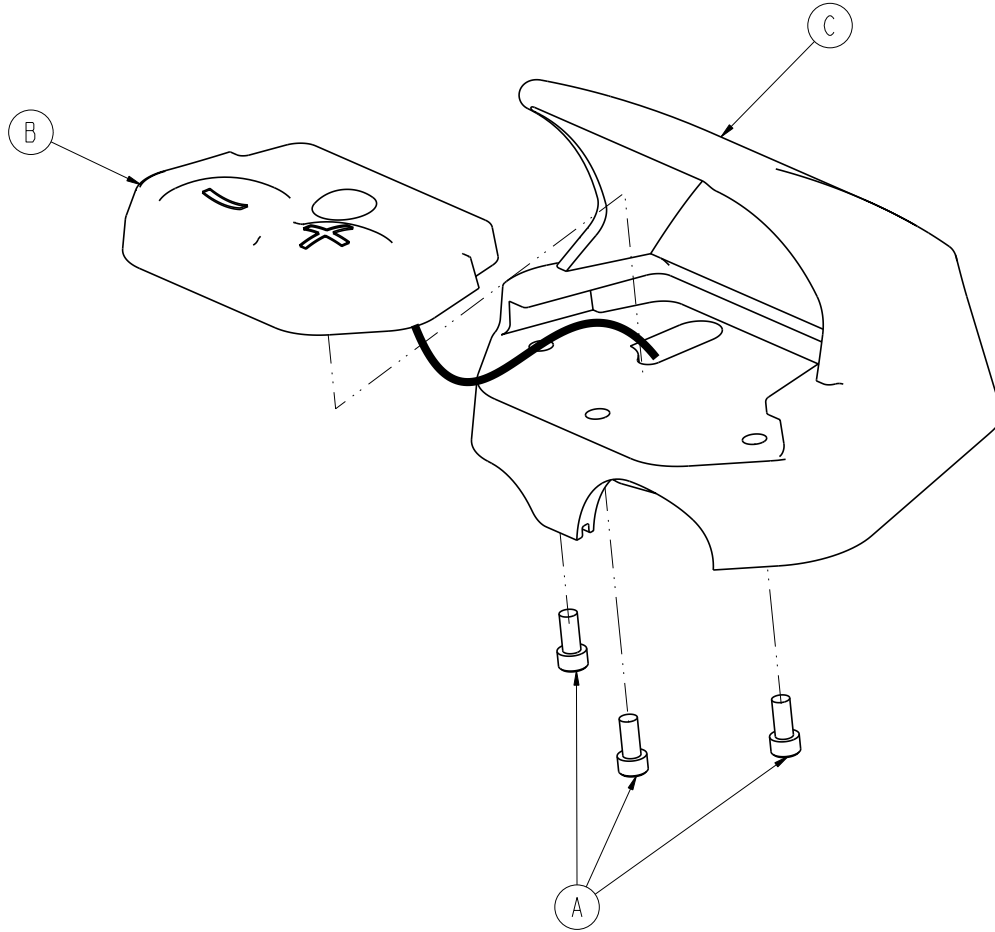


6500-102-015

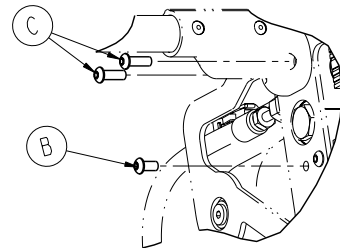
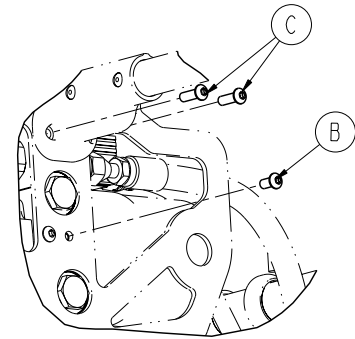
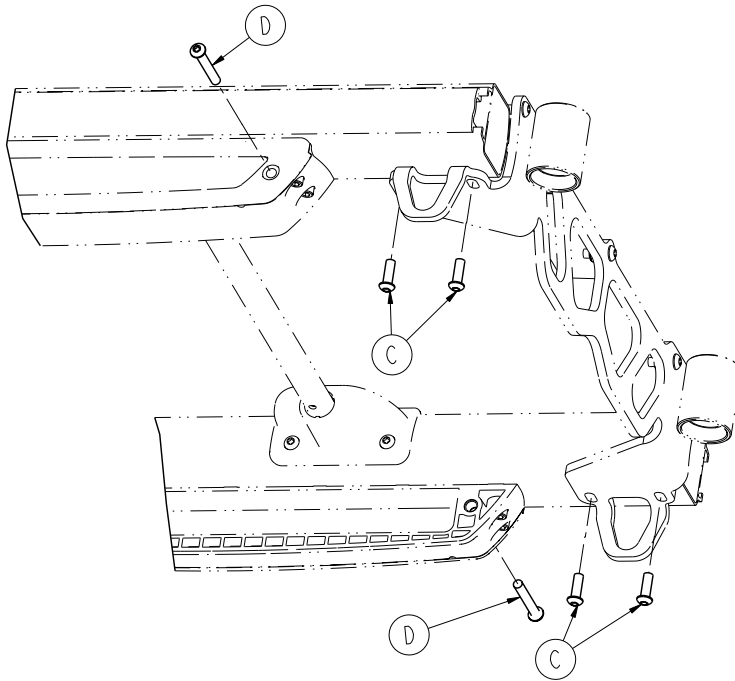
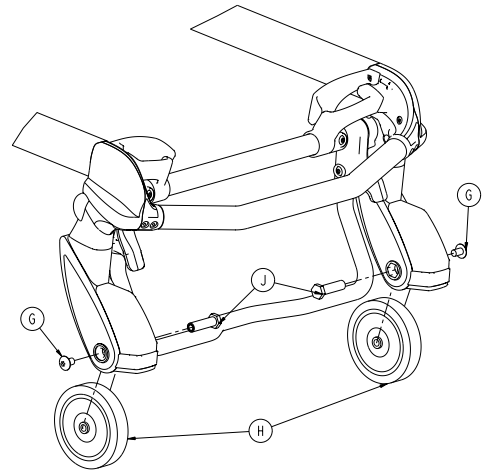
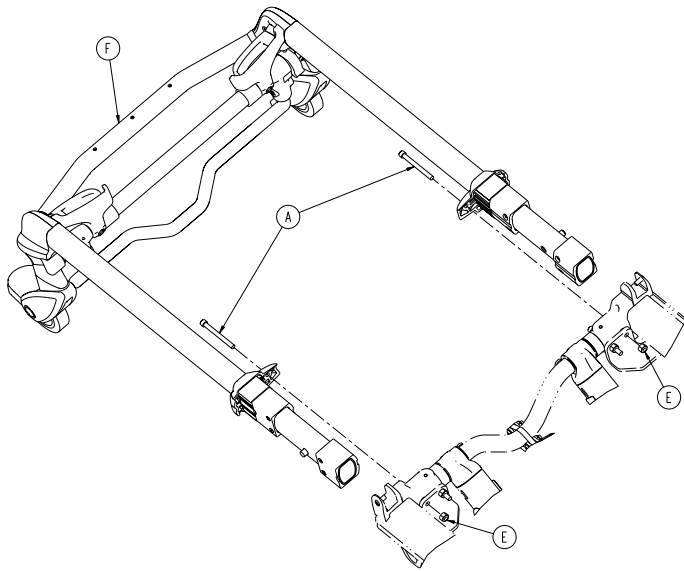
A	0004-874-000	2
B	0004-614-000	10
C	0004-615-000	8
D	0007-086-000	2
E	0011-062-000	2
F	0011-543-000	2
G	0016-131-000	14
H	0023-162-000	12
J	0023-163-000	3
K	0025-079-000	8
L	0025-113-000	1
M	0028-116-000	4
N	0038-572-000	2
P	6506-001-900	1
R	6500-001-131	1
T	6500-001-132	1
U	6500-001-133	2
V	6500-001-134	1
W	6500-001-135	1
Y	6500-001-136	1
AA	6500-001-138	1
AB	6500-001-139	1
AC	6500-001-140	1
AD	6500-001-141	1
AE	6500-001-144	2
AF	6500-001-146	1
AG	6500-001-147	1
AH	6500-001-153	1
AJ	6500-001-154	2
AK	6500-001-156	1
AL	6500-001-161	1
AM	6500-001-275	3
AN	6500-001-358	2
AP	6500-002-014	1
AR	6500-002-103	1
AT	6500-002-159	1
AU	6500-002-216	1
AV	6500-101-016	2
AW	6500-001-356	1



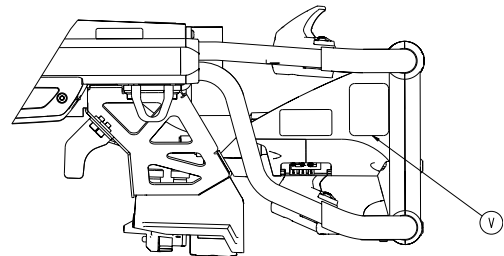
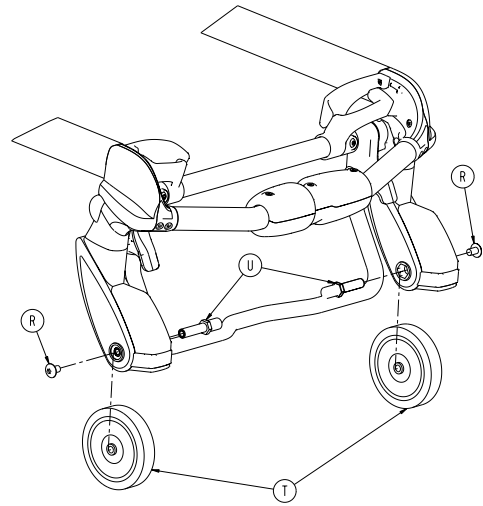
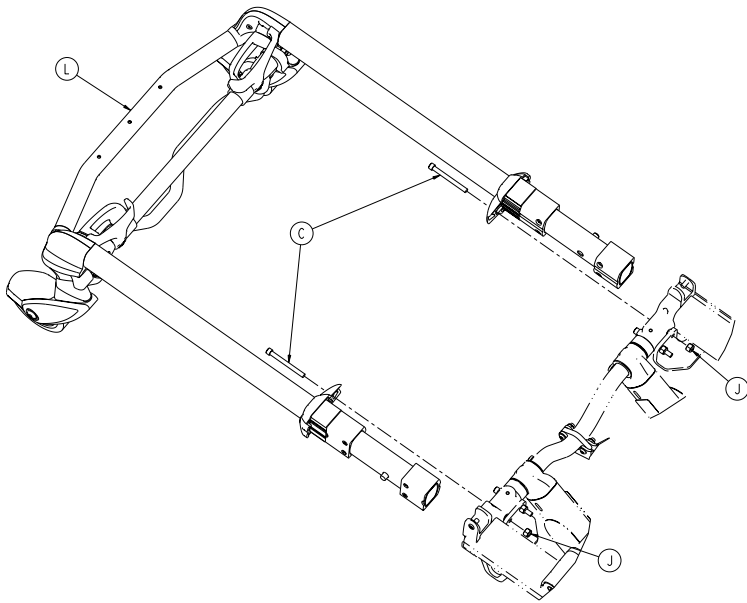
A	0025-133-000	4
B	6500-001-107	1
C	6500-001-109	2




A	37J102-1	3
B	6500-101-130	1
C	6500-001-359	1



A	0004-589-000	6
B	0004-593-000	4
C	0004-595-000	2
D	0004-596-000	2
E	0016-028-000	2
H	6500-002-020	1
J	0007-556-000	2
K	6500-001-086	2
L	6500-002-106	2

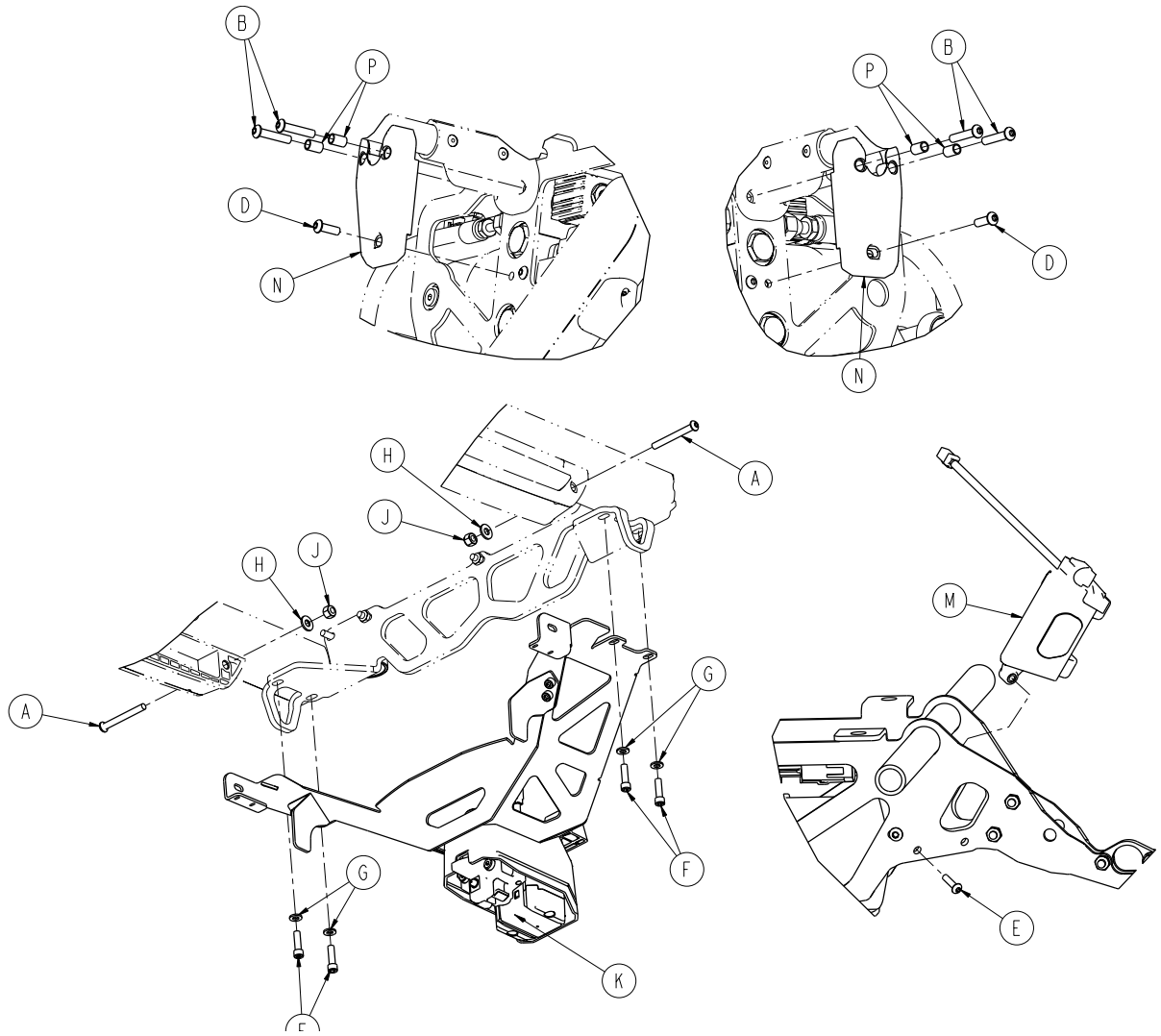


Model 6516
IC: 4919E-6516
FCC ID: Z7A-6516



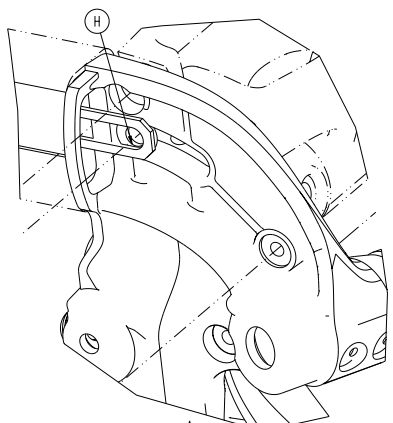
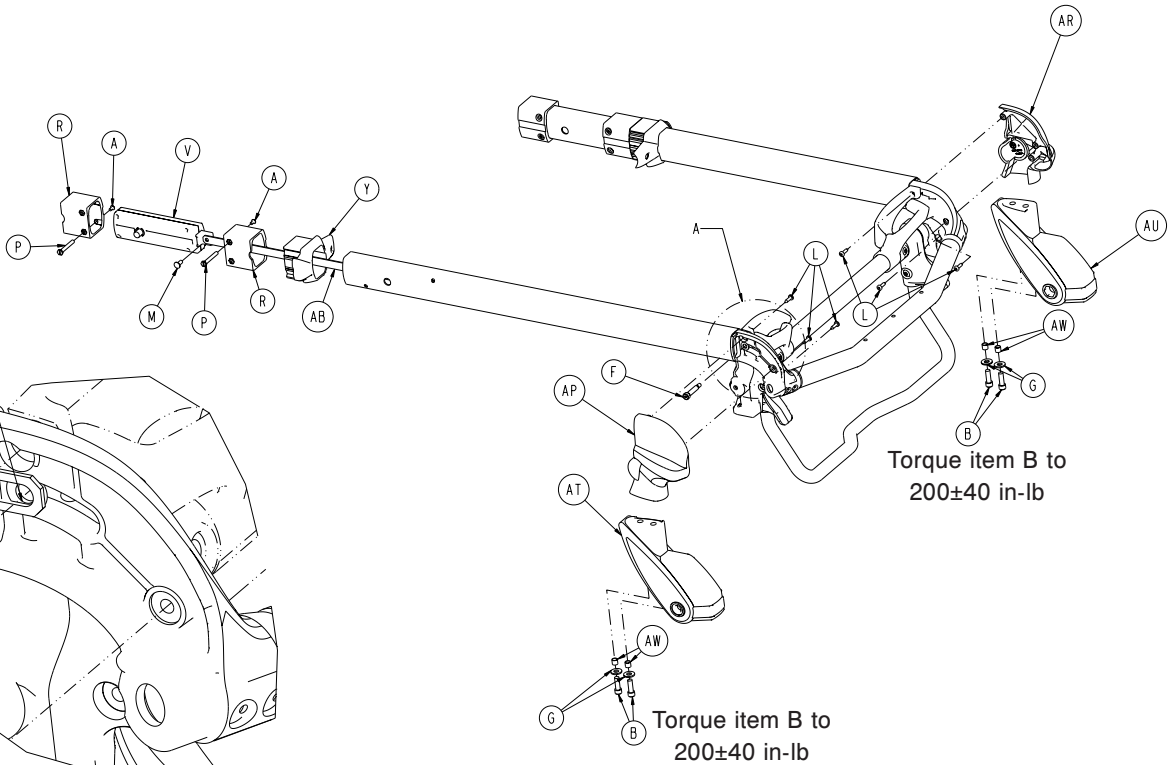
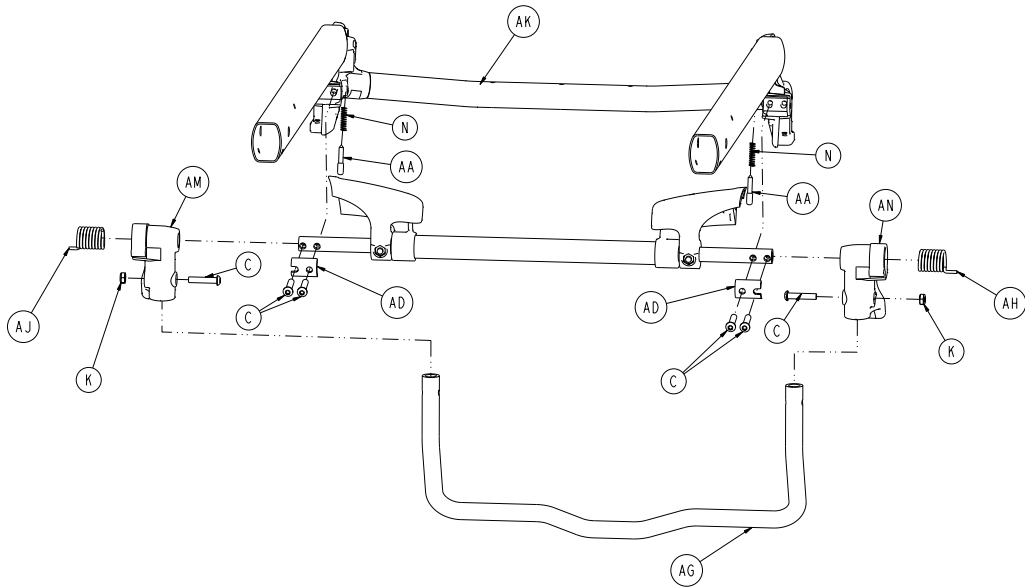
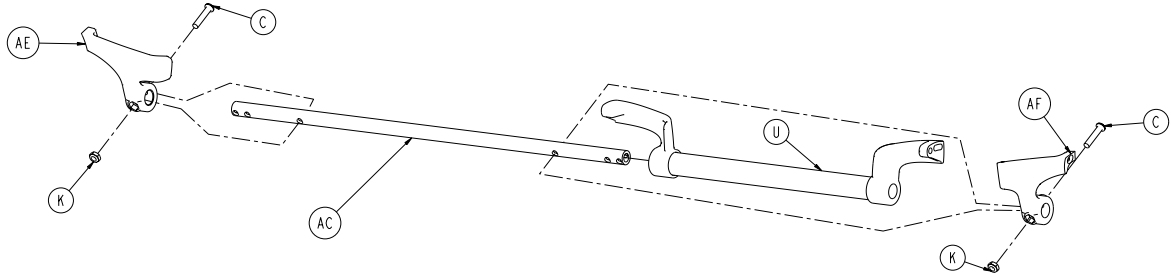
This device complies with part 15 of the FCC Rules. Operation is subject to the following two conditions: (1) This device may not cause harmful interference, and (2) this device must accept any interference received, including interference that may cause undesired operation.

6516-144-000



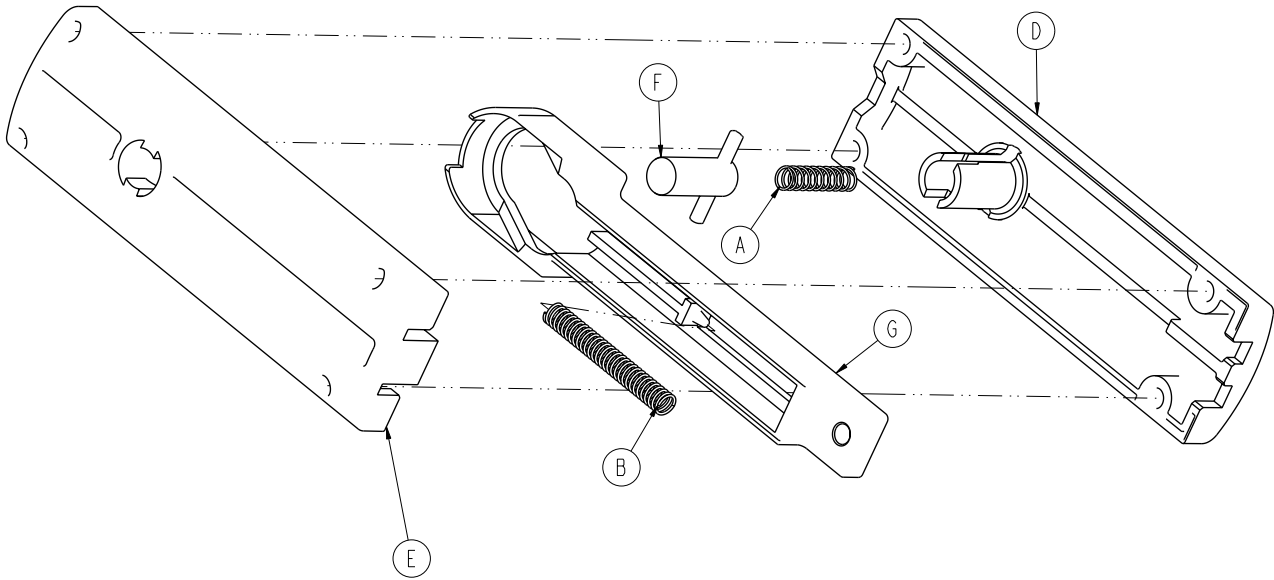
A	0004-387-000	2
B	0004-395-000	4
C	0004-517-000	2
D	0004-593-000	2
E	0004-614-000	1
F	0004-661-000	4
G	0011-065-000	4
H	0011-077-000	2
J	0016-028-000	4
K	6500-002-013	1
L	6500-002-020	1
M	6500-002-100	1
N	6500-002-123	2
P	6500-002-124	4
R	0007-556-000	2
T	6500-001-086	2
U	6500-002-104	2
V	6516-001-101	1

[Return To Table of Contents](#)



6500-002-020

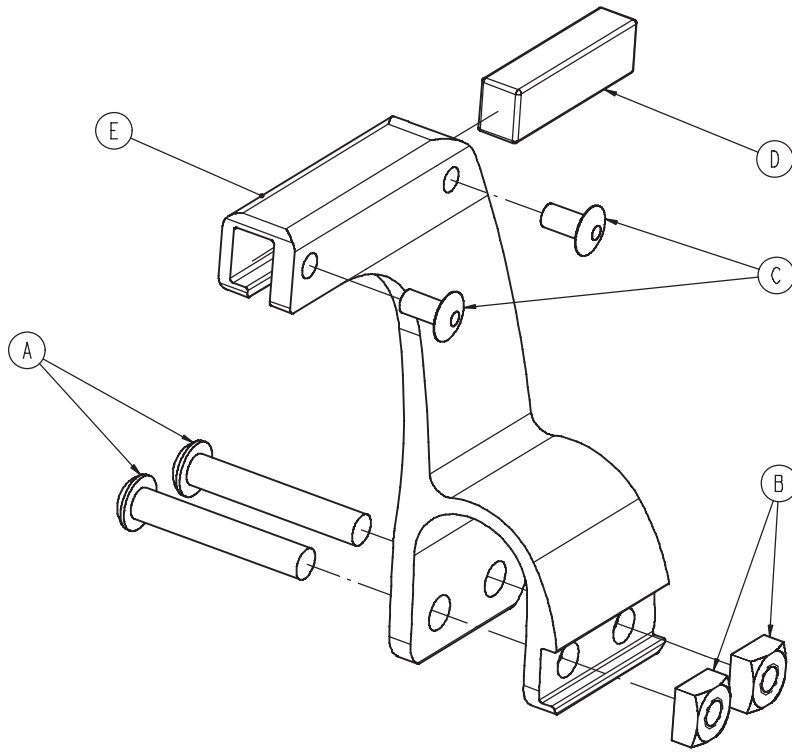
A	0004-168-000	4
B	0004-591-000	4
C	0004-612-000	8
F	0008-030-000	2
G	0011-624-000	4
H	0014-002-000	2
K	0016-102-000	4
L	0023-162-000	6
M	0025-126-000	2
N	0038-570-000	2
P	6085-001-169	4
R	6085-001-170	4
U	6500-001-023	1
V	6500-001-026	2
Y	6500-001-087	2
AA	6500-001-093	2
AB	6500-001-096	2
AC	6500-001-220	1
AD	6500-001-221	2
AE	6500-001-280	1
AF	6500-001-281	1
AG	6500-001-322	1
AH	6500-001-325	1
AJ	6500-001-326	1
AK	6500-002-025	1
AM	6500-002-107	1
AN	6500-002-108	1
AP	6500-002-109	1
AR	6500-002-110	1
AT	6500-002-120	1
AU	6500-002-121	1
AW	6500-002-114	4



A	0038-570-000	1
B	0038-134-000	1
D	6500-001-091	1
E	6500-001-092	1
F	6500-001-025	1
G	6500-001-095	1

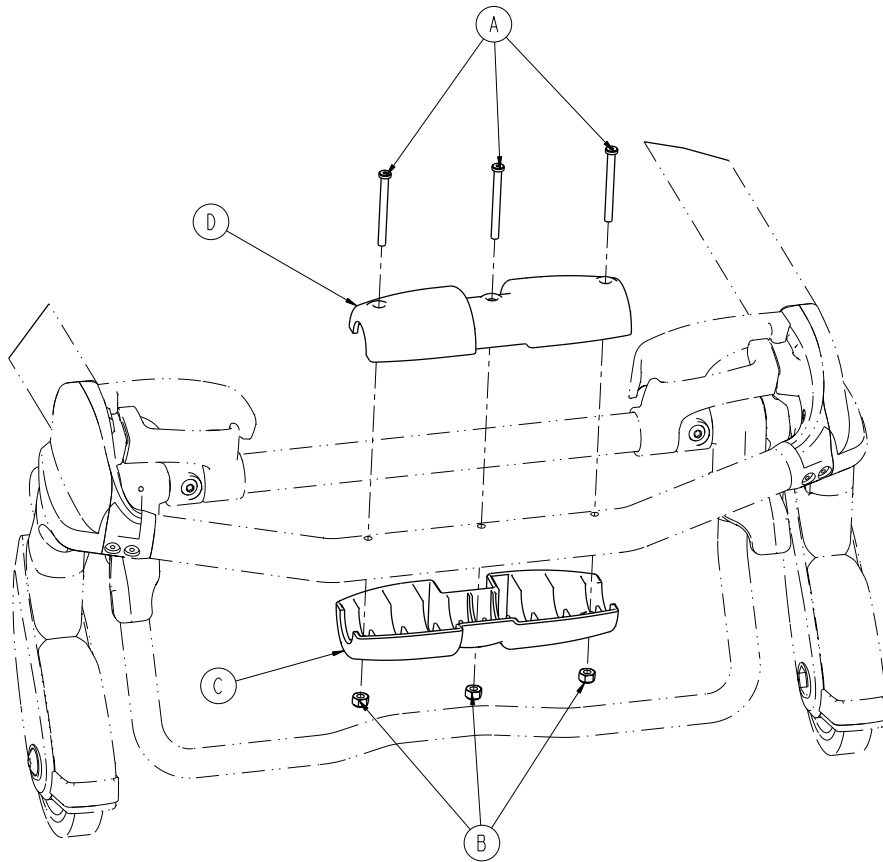
6500-001-027

Rev C

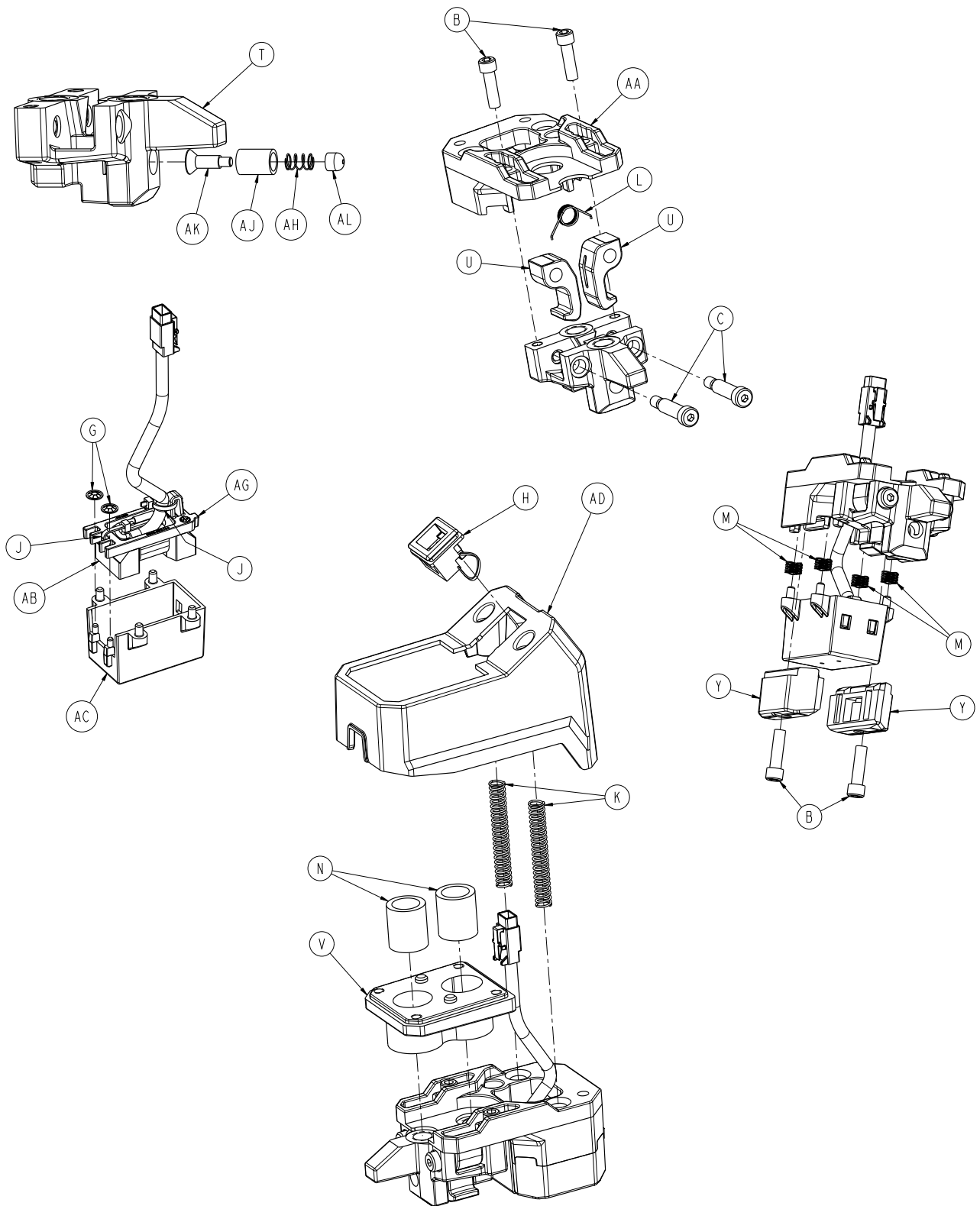


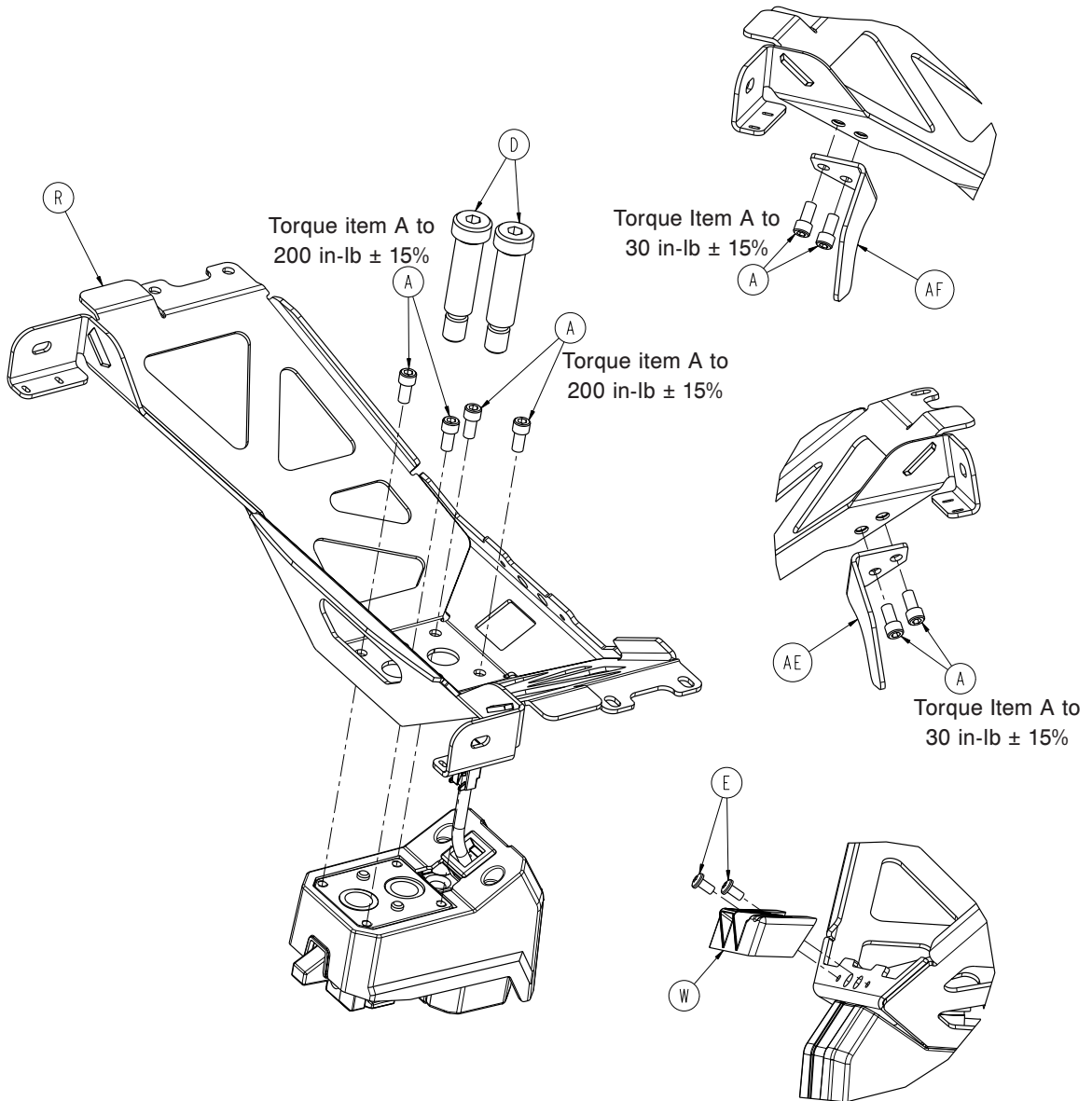
A	0004-376-000	2
B	0015-016-000	2
C	0025-079-000	2
D	6500-001-271	1
E	6500-001-272	1

[Return To Table of Contents](#)



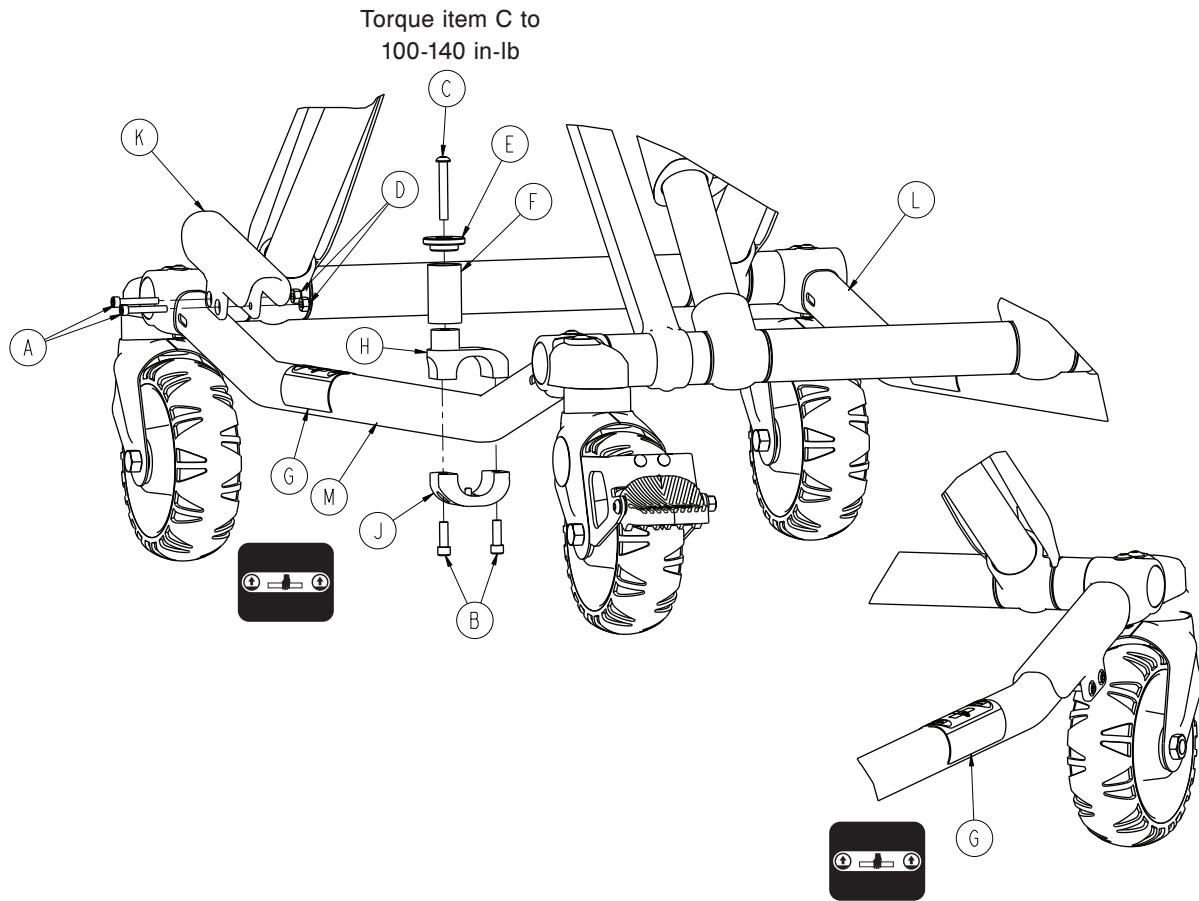
A	0004-656-000	3
B	0016-002-000	3
C	6085-001-174	1
D	6500-002-156	1



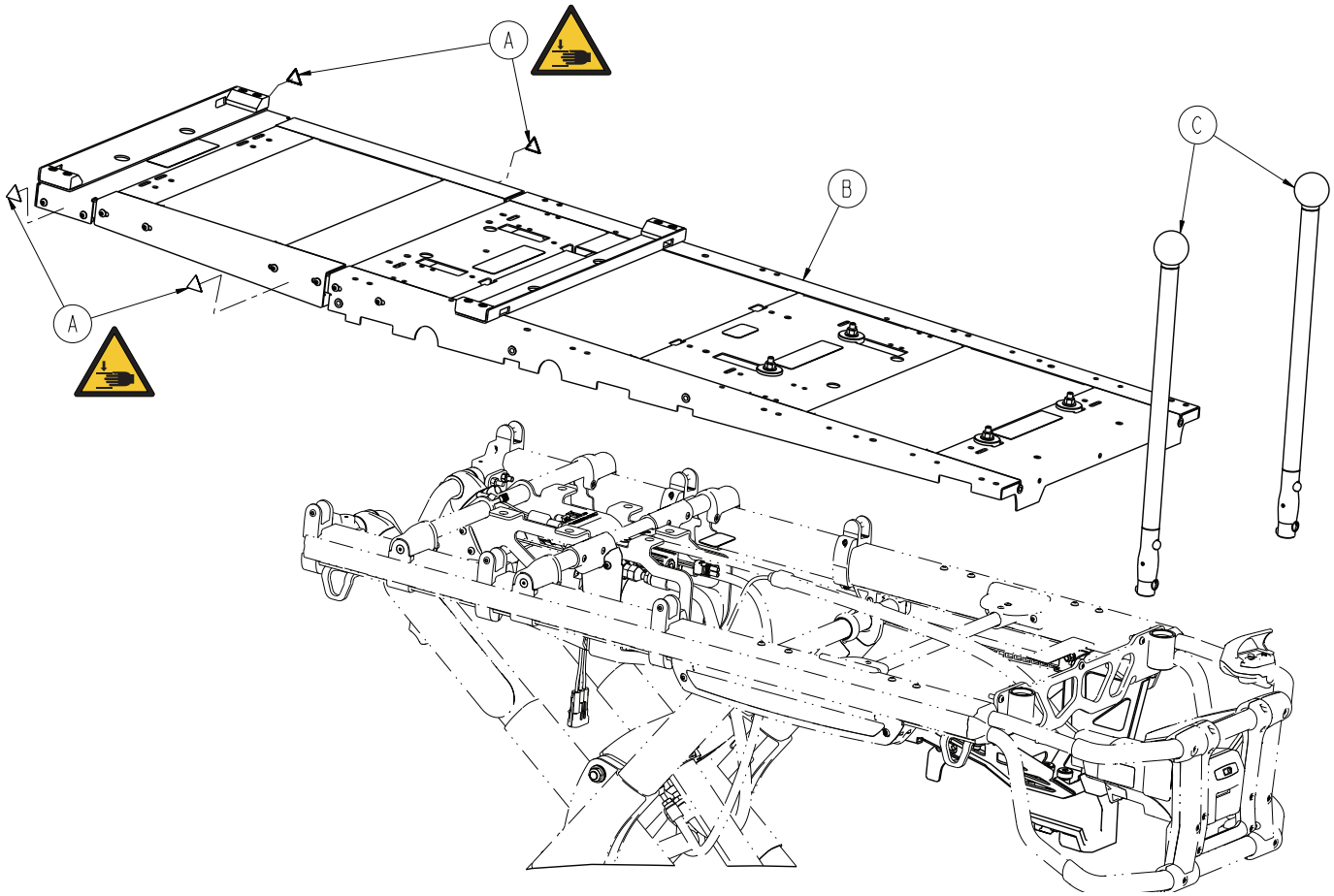


6500-002-013

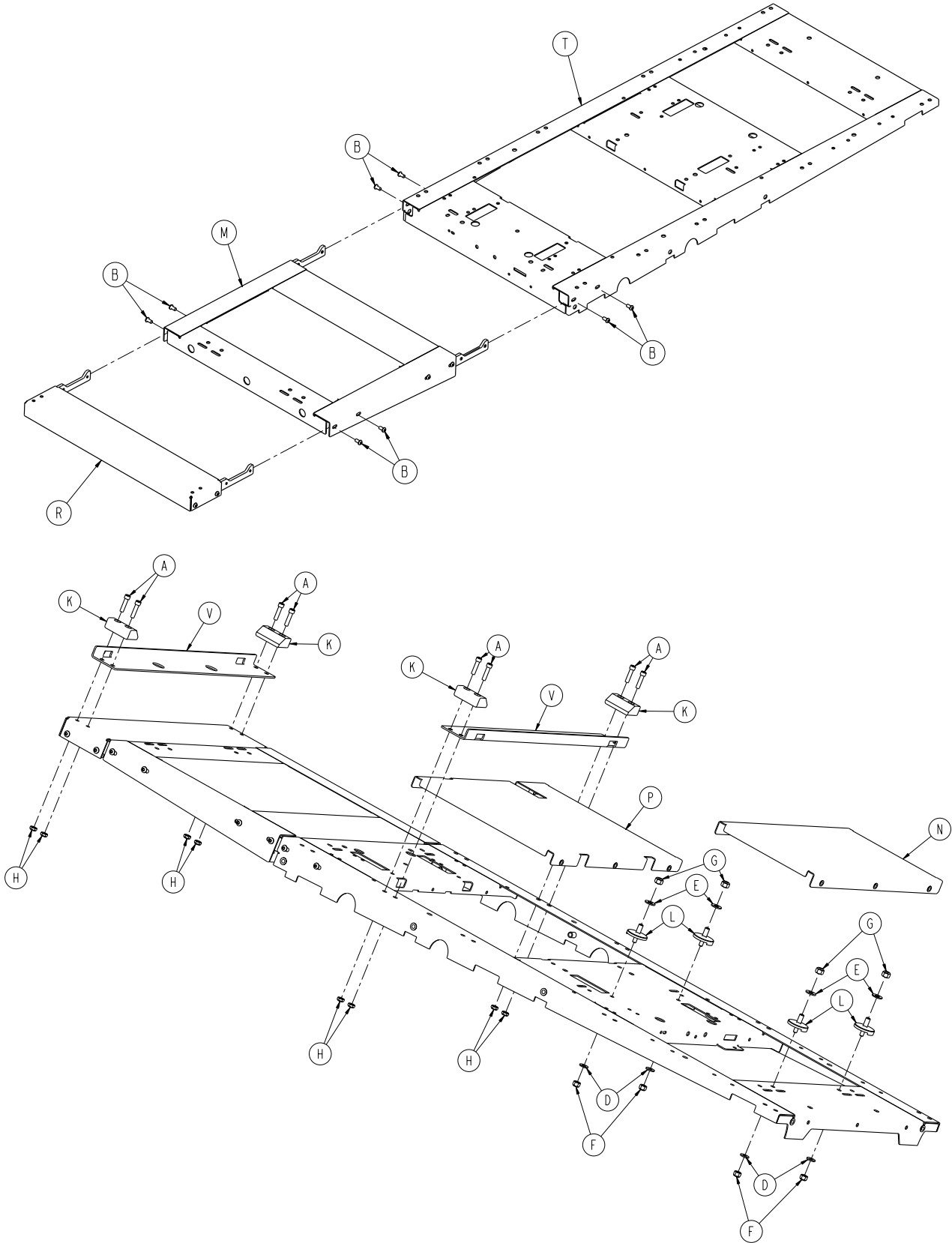
A	0004-660-000	8
B	0004-661-000	4
C	0008-088-000	2
D	0008-087-000	2
E	0023-296-000	2
G	0028-217-000	2
H	0037-248-000	1
J	0038-111-000	2
K	0038-889-000	2
L	0038-891-000	1
M	0038-900-000	4
N	0081-437-000	2
R	6500-002-050	1
T	6500-002-111	1
U	6500-002-112	2
V	6500-002-113	1
W	6500-002-119	1
Y	6500-002-122	2
AA	6500-002-129	1
AB	6500-002-133	1
AC	6500-002-135	1
AD	6500-002-136	1
AE	6500-002-146	1
AF	6500-002-147	1
AG	6500-002-144	1
AH	6500-001-012	1
AJ	6500-002-148	1
AK	6500-002-149	1
AL	6500-002-152	1

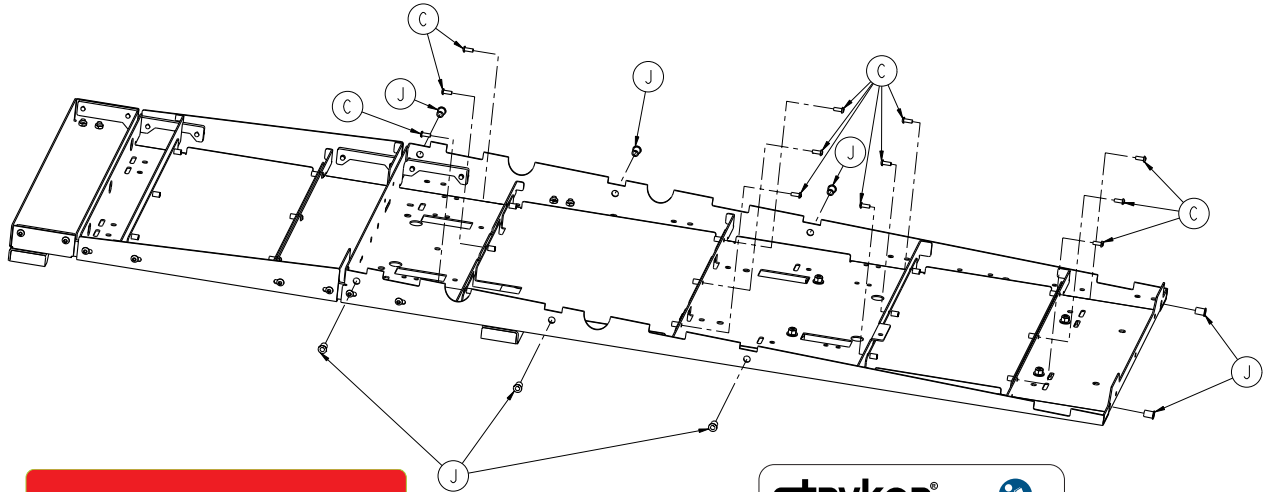


A	0004-160-000	2
B	0004-591-000	2
C	0004-503-000	1
D	0016-003-000	2
E	6060-004-043	1
F	6060-004-044	1
G	6080-090-108	2
H	6500-101-189	1
J	6500-101-190	1
K	6500-001-302	1
L	6085-001-056	1
M	6085-001-057	1



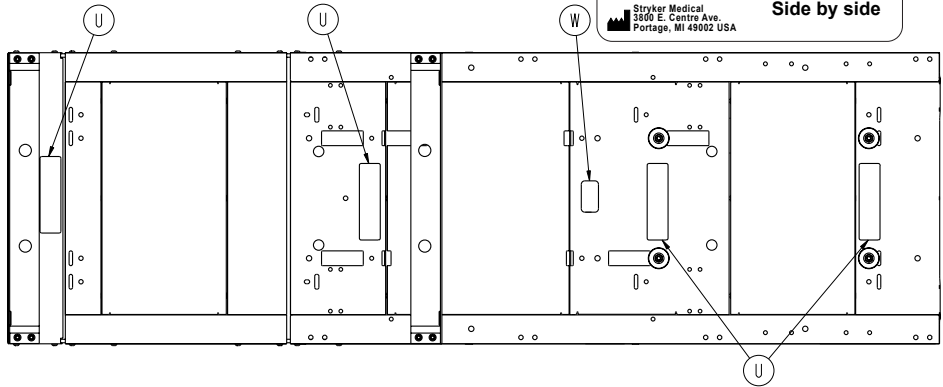
A	6506-001-905	4
B	6516-101-017	1
C	6550-001-026	2



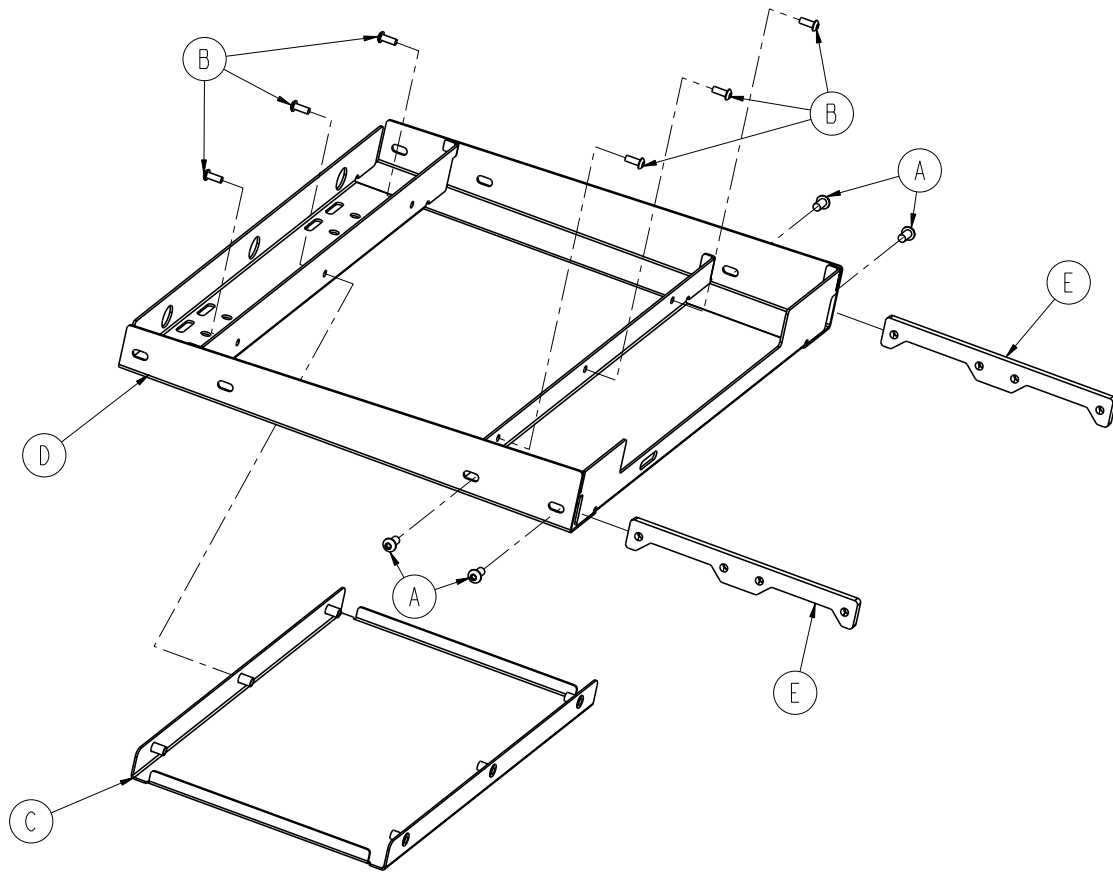


Airborne™ Adaptor

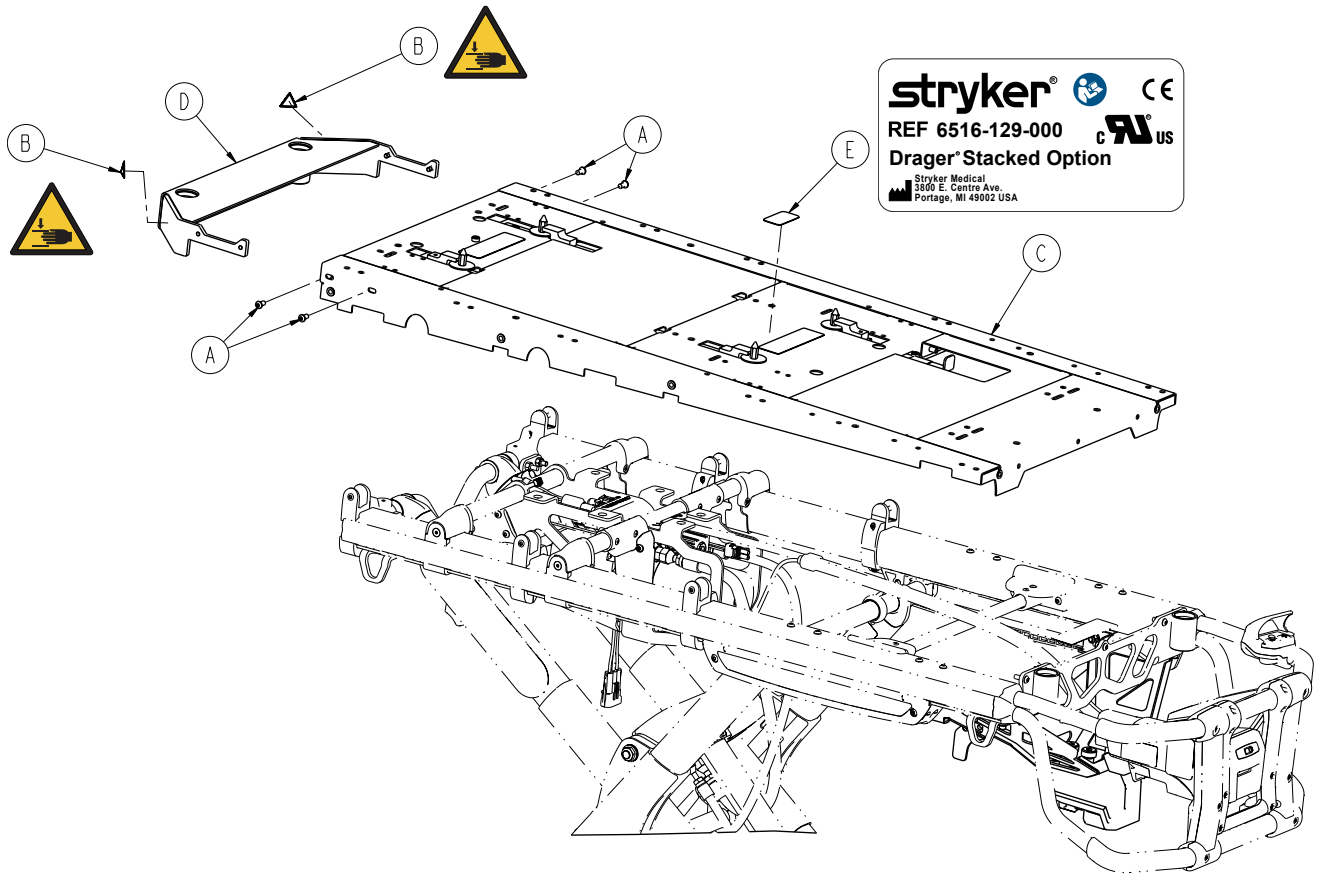
stryker®
 REF 6516-128-000 **C** **RU** **US**
Airborne™ O₂ Module Adaptor
 Side by side
 Stryker Medical
 3300 E. Centre Ave.
 Portage, MI 49002 USA



A	0004-028-000	8
B	0004-589-000	8
C	0004-634-000	12
D	0011-077-000	4
E	0011-447-000	4
F	0016-028-000	4
G	0016-036-000	4
H	0016-102-000	8
J	0055-100-076	8
K	6081-200-022	4
L	6081-201-020	4
M	6510-001-018	1
N	6510-001-021	1
P	6510-001-022	1
R	6510-001-026	1
T	6510-001-050	1
U	6510-101-128	4
V	6510-001-131	2
W	6516-101-106	1



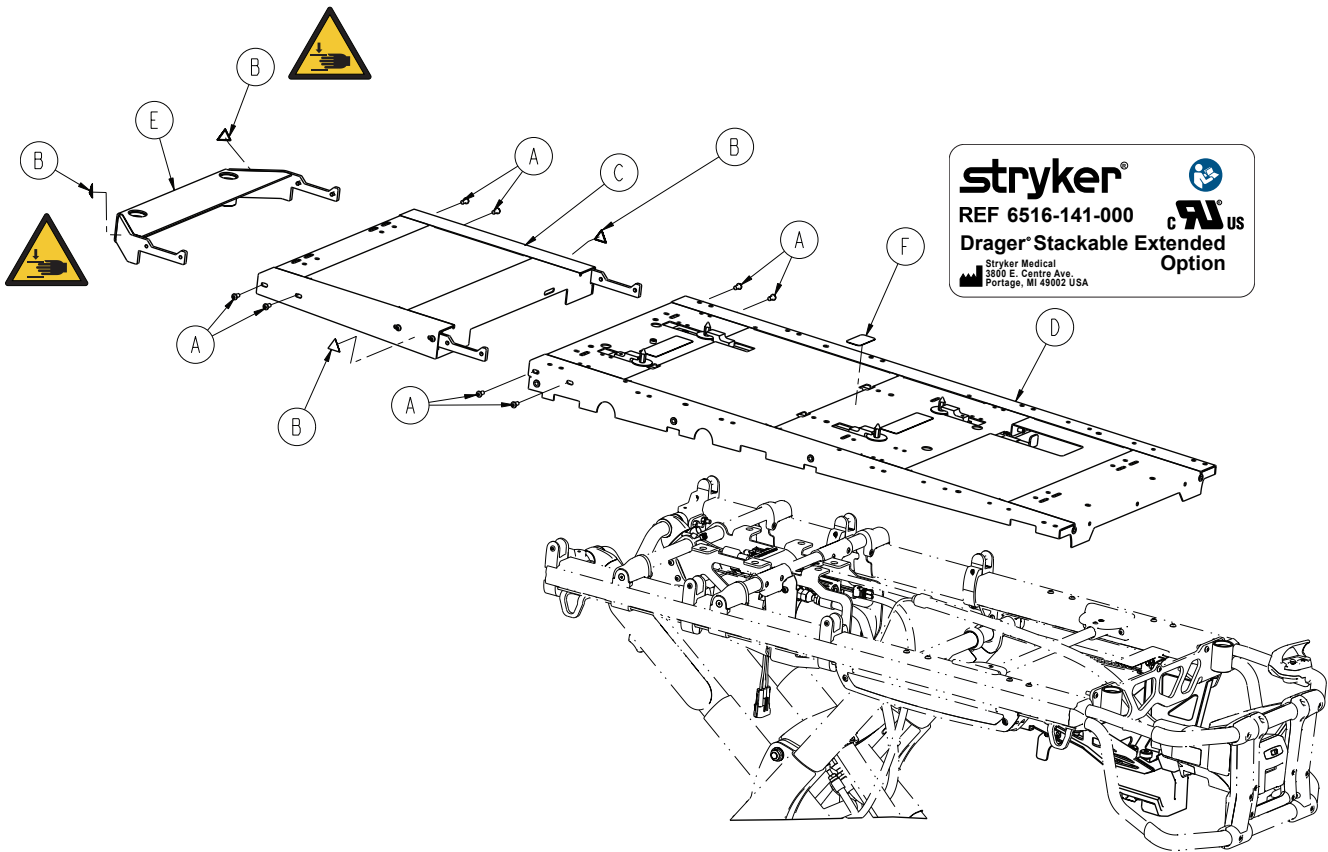
A	0004-589-000	4
B	0004-634-000	6
C	6510-001-021	1
D	6510-001-051	1
E	6510-001-090	2



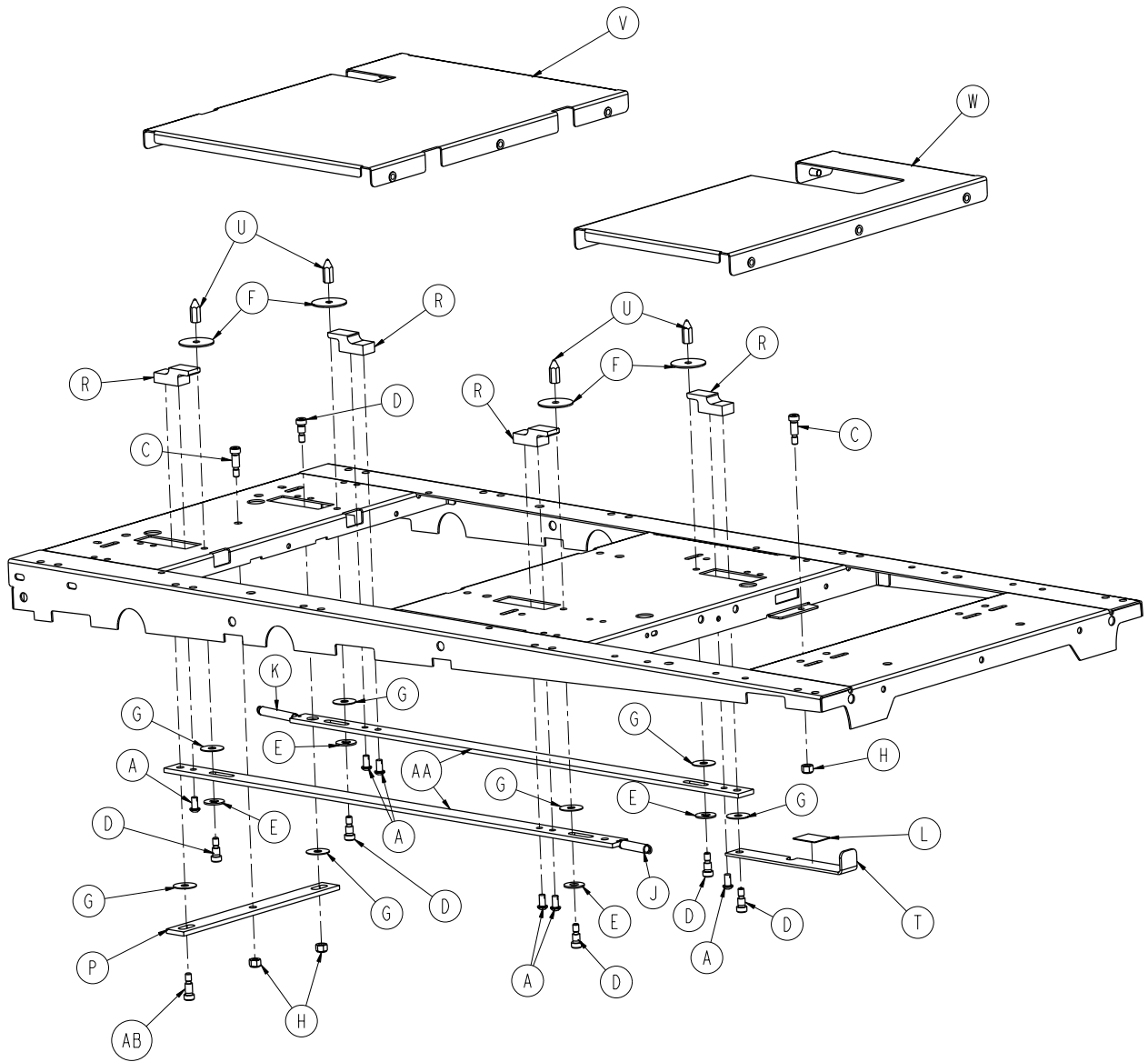
A	0004-589-000	4
B	6506-001-905	2
C	6510-101-019	1
D	6510-101-053	1
E	6516-101-107	1

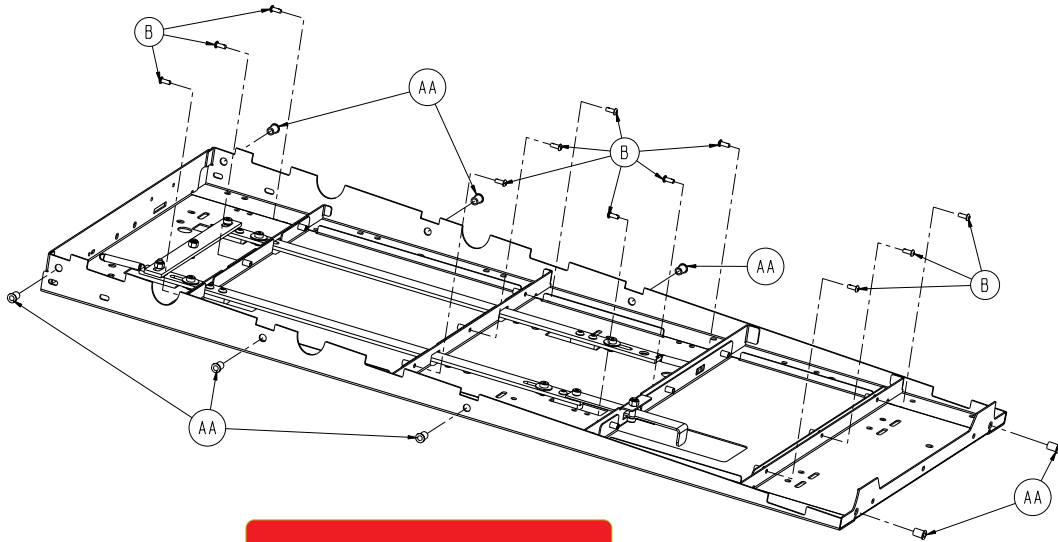
6516-141-000

Rev A

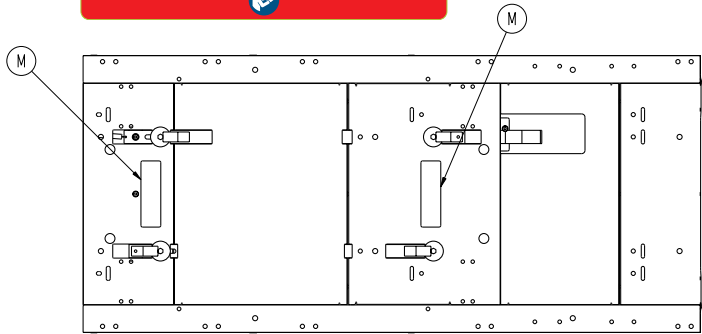


A	0004-589-000	8
B	6506-001-905	4
C	6510-001-018	1
D	6510-101-019	1
E	6510-101-053	1
F	6516-101-123	1

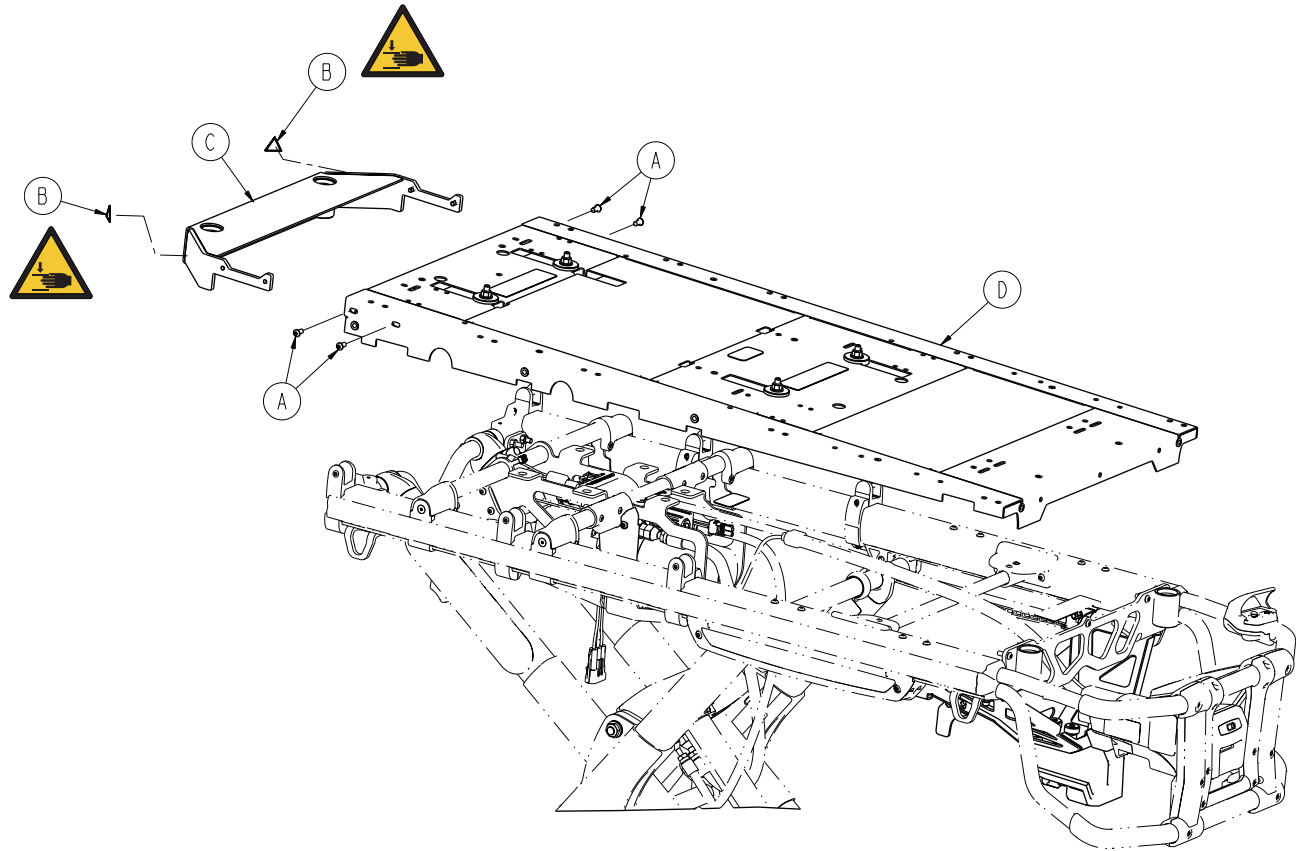




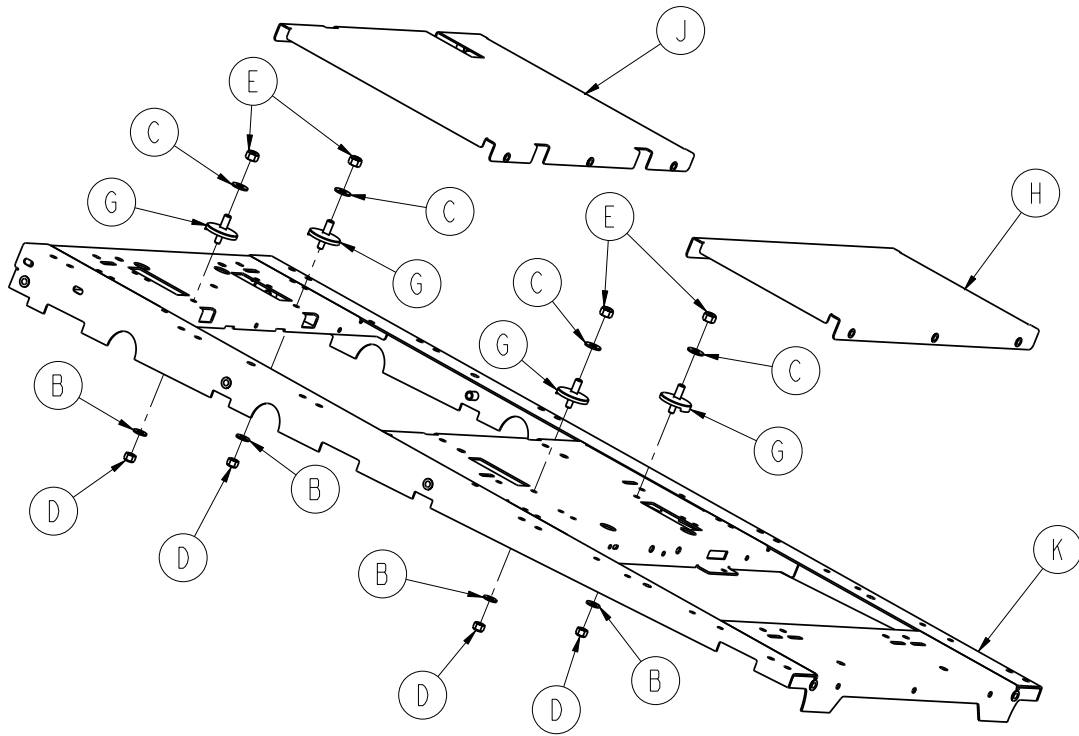
Dräger® Adaptor



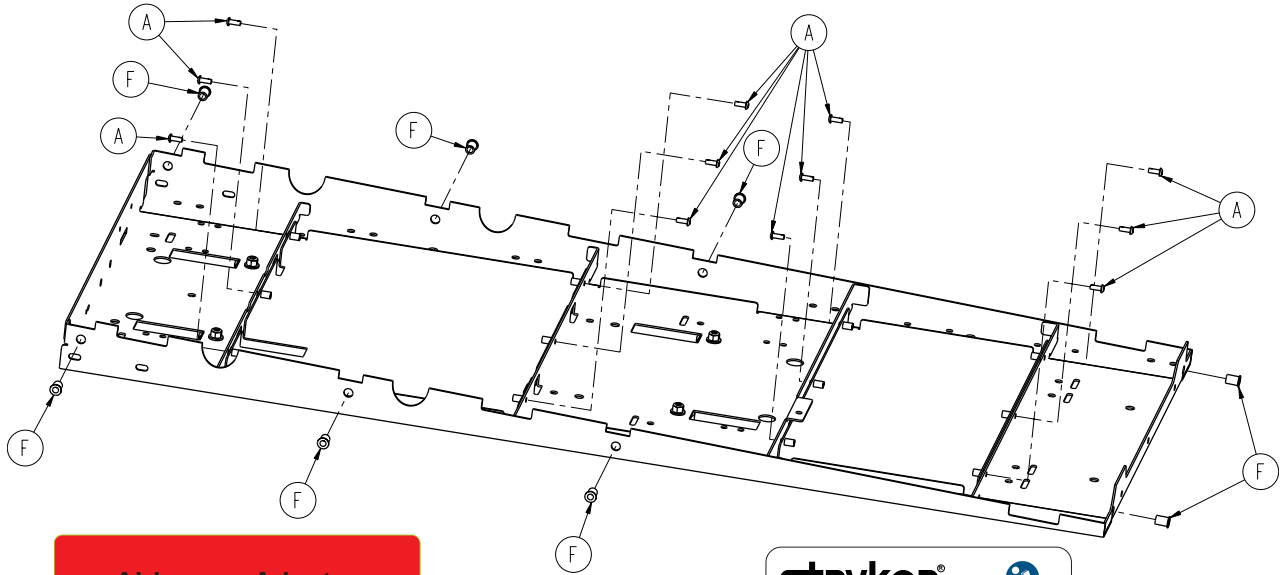
A	0004-589-000	6
B	0004-634-000	12
C	0008-015-000	2
D	0008-051-000	6
E	0011-193-000	4
F	0011-445-000	4
G	0014-019-000	7
H	0016-028-000	3
J	0038-453-000	1
K	0038-576-000	1
L	6081-090-303	1
M	6510-101-125	2
N	6081-300-020	2
P	6081-300-021	1
R	6081-300-022	4
T	6081-300-023	1
U	6081-300-024	4
V	6510-001-022	1
W	6510-001-023	1
Y	6510-001-050	1
AA	0055-100-076	8
AB	0008-049-000	1



A	0004-589-000	4
B	6506-001-905	2
C	6510-101-053	1
D	6516-101-020	1

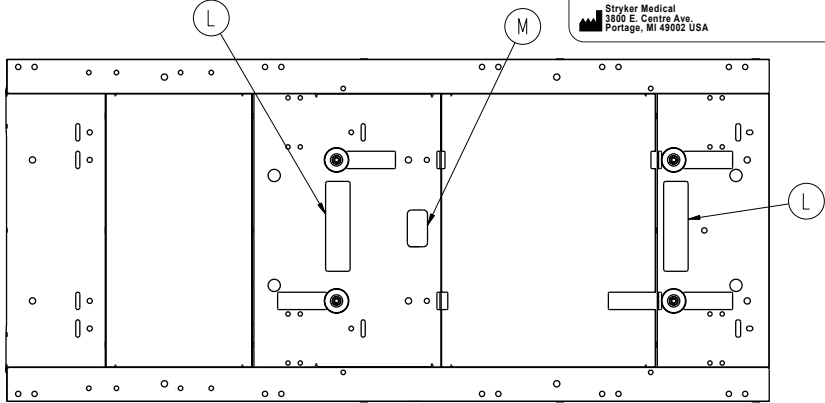


6516-101-020



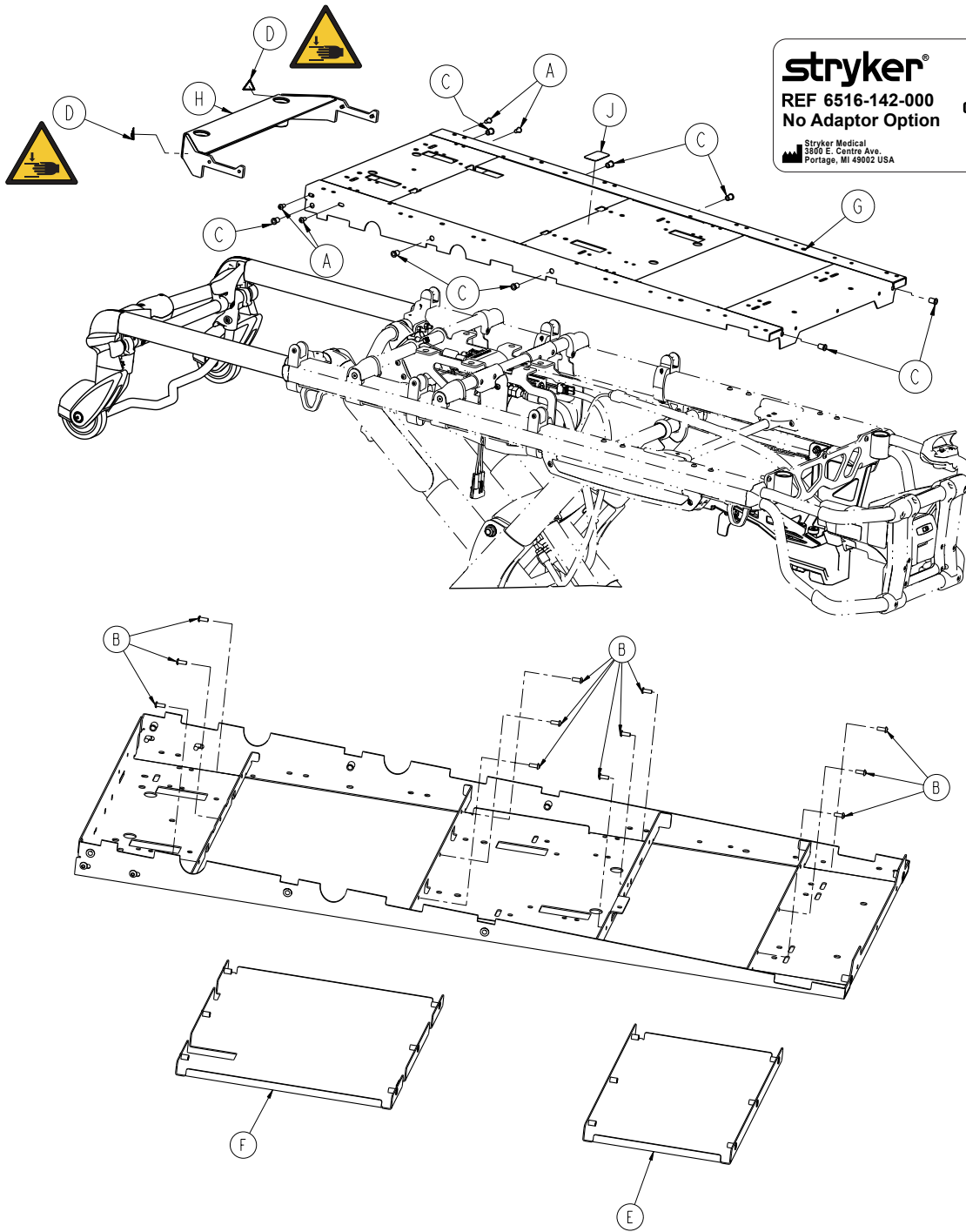
Airborne™ Adaptor

stryker® 
 REF 6516-127-000  
Airborne™ O₂ Module Adaptor
 Stryker Medical
 3500 E. Centre Ave.
 Portage, MI 49002 USA



A	0004-634-000	12
B	0011-077-000	4
C	0011-447-000	4
D	0016-028-000	4
E	0016-036-000	4
F	0055-100-076	8
G	6081-201-020	4
H	6510-001-021	1
J	6510-001-022	1
K	6510-001-050	1
L	6510-101-128	2
M	6516-101-105	1

[Return To Table of Contents](#)

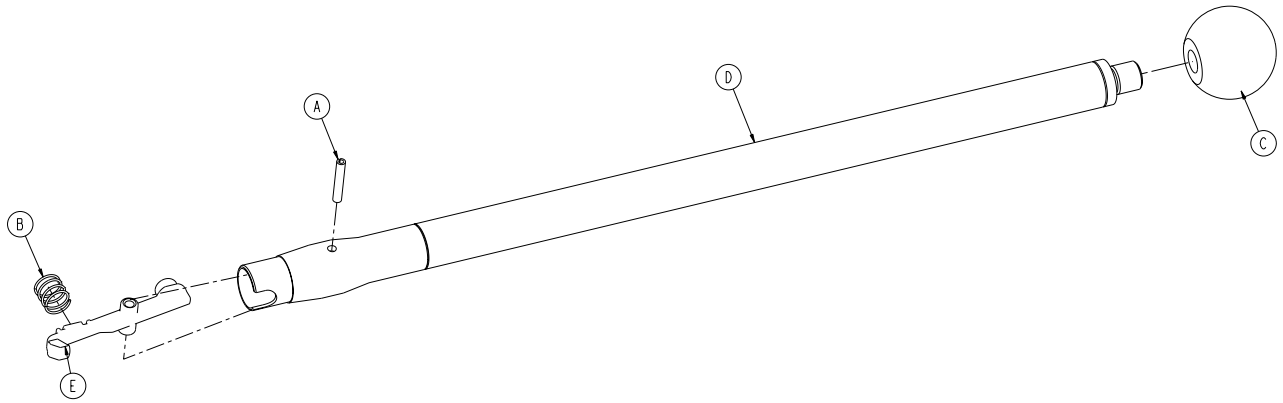


stryker[®]
 REF 6516-142-000
 No Adaptor Option

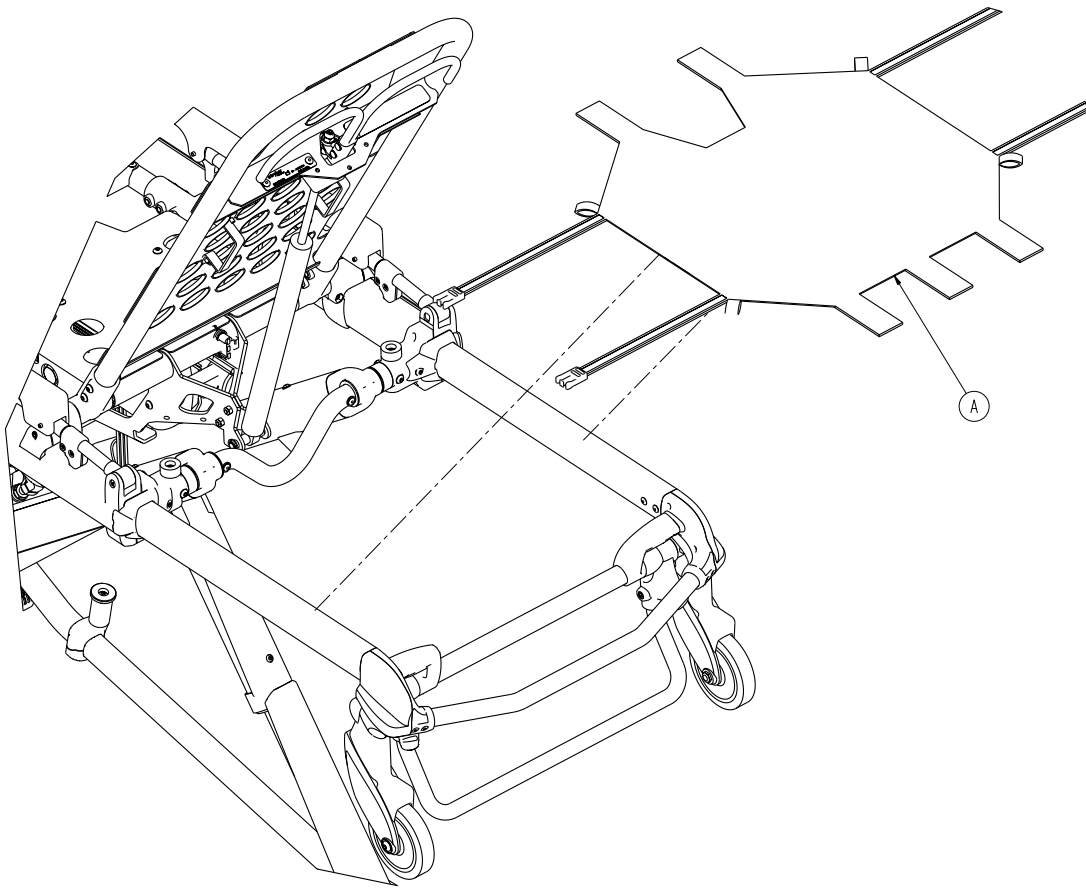
Stryker Medical
 3800 E. Centre Ave.
 Portage, MI 49002 USA

CE **US**

A	0004-589-000	4
B	0004-634-000	12
C	0055-100-076	8
D	6506-001-905	2
E	6510-001-021	1
F	6510-001-022	1
G	6510-001-050	1
H	6510-101-053	1
J	6516-101-124	1



A	0026-387-000	1
B	0038-589-000	1
C	6510-001-119	1
D	6550-001-067	1
E	6550-001-100	1

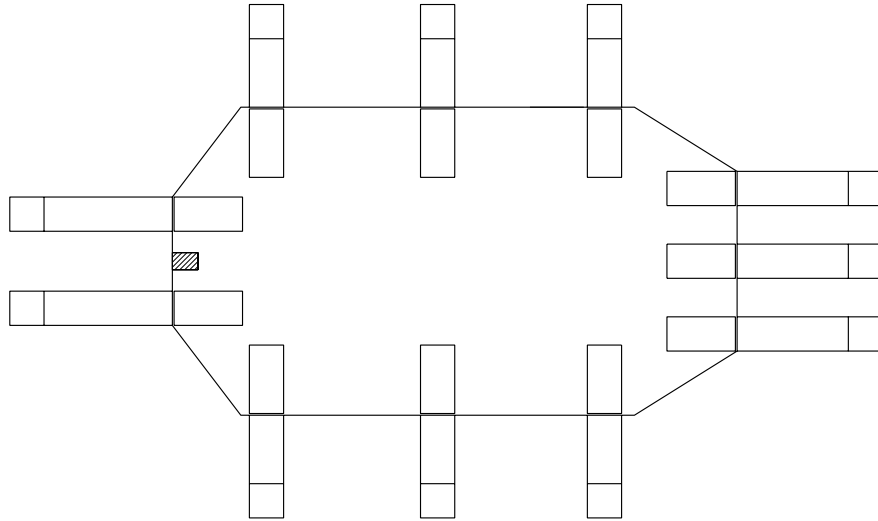


A

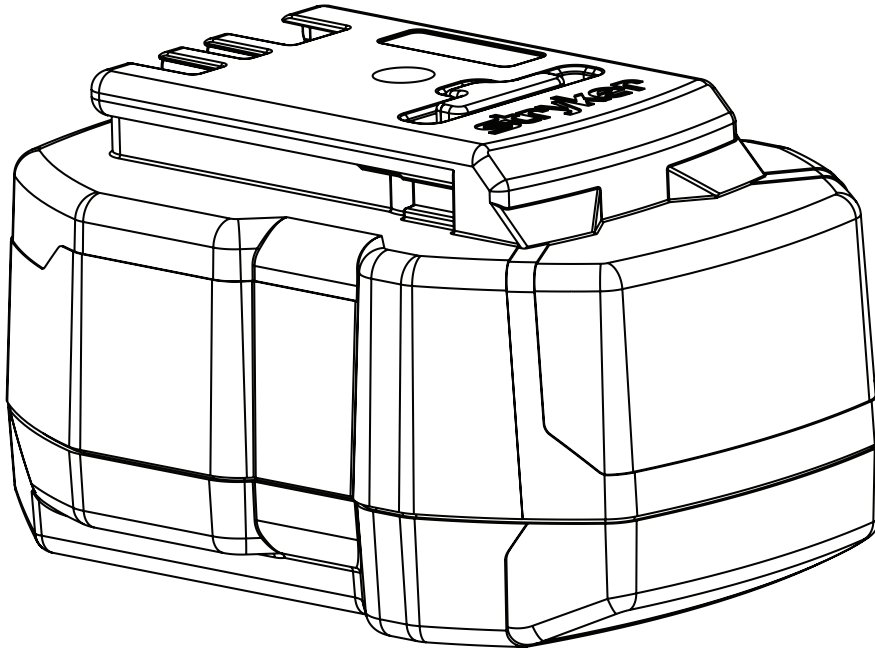
6500-001-232

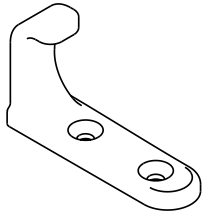
1

6500-001-126 Rev D

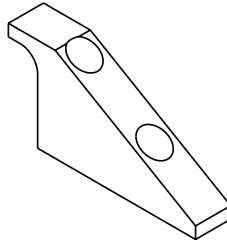


6500-101-010 Rev E

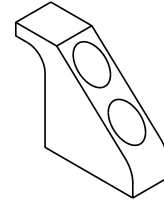




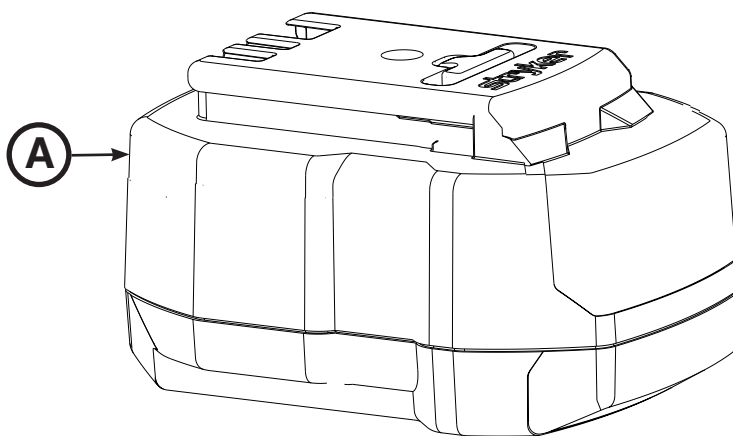
6092-036-018



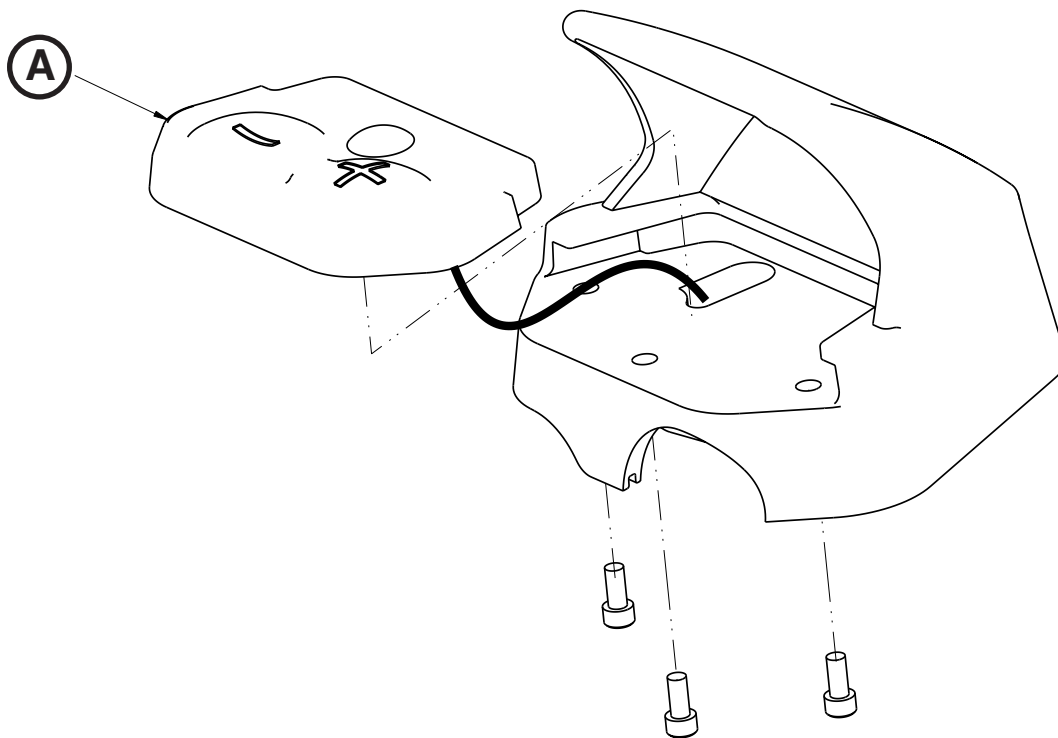
6060-036-018



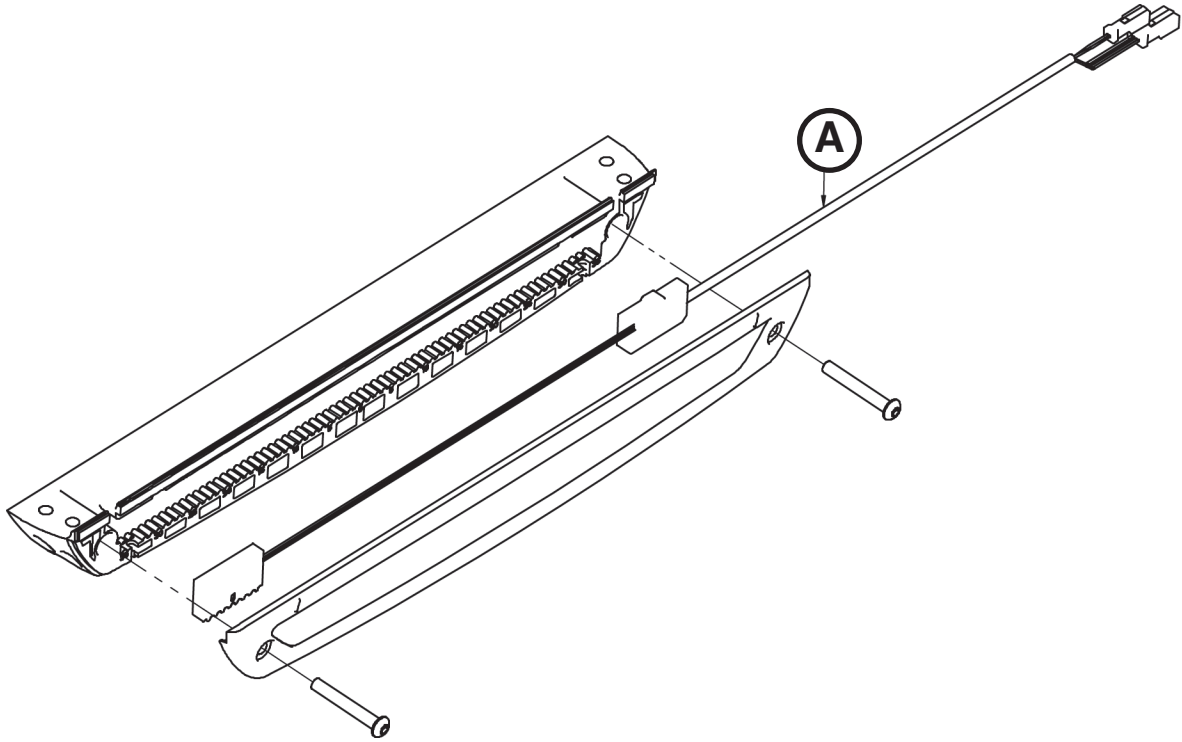
6060-036-017



A	6500-101-010	2
---	--------------	---

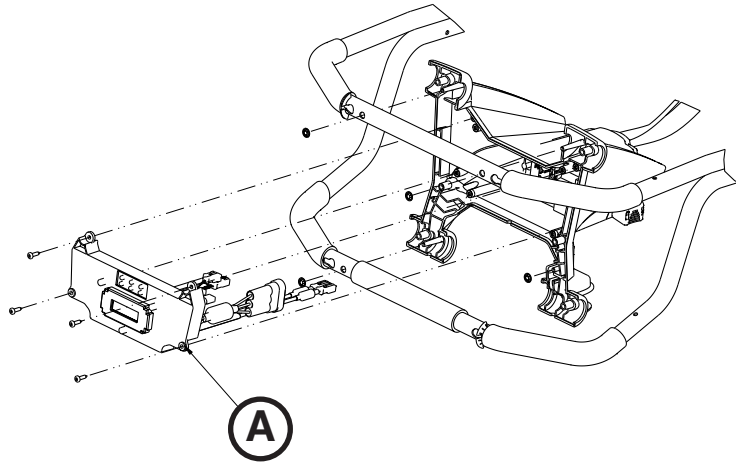


A	6500-101-130	2
---	--------------	---

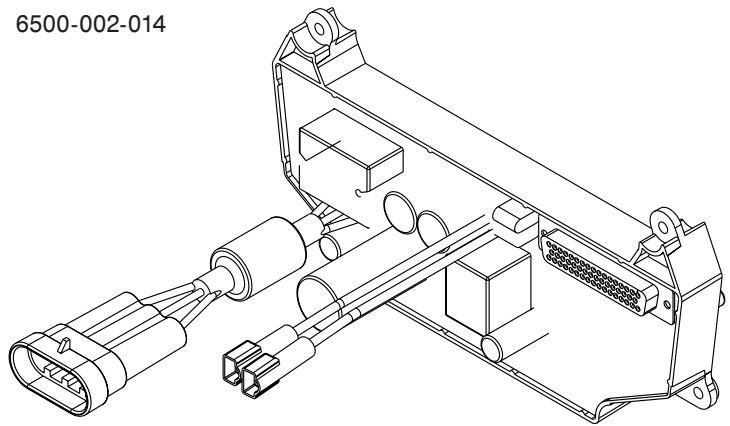


A	6500-001-160	1
---	--------------	---

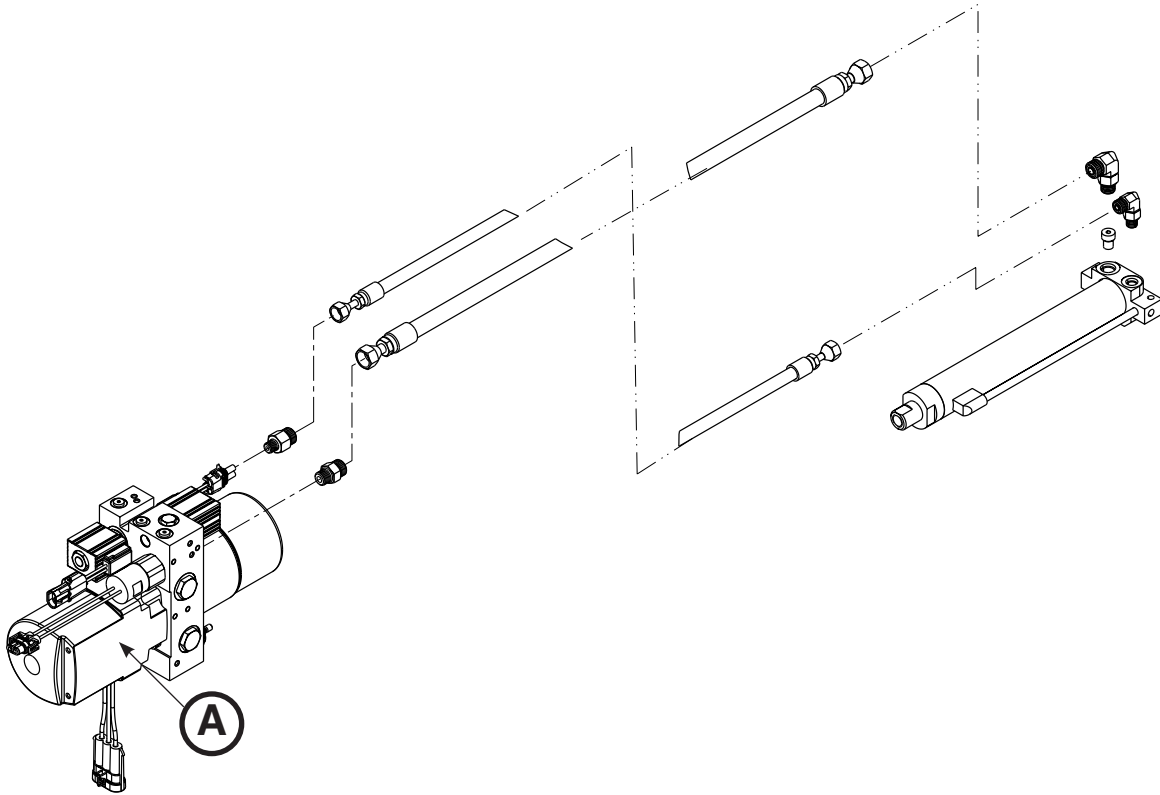
6500-102-015



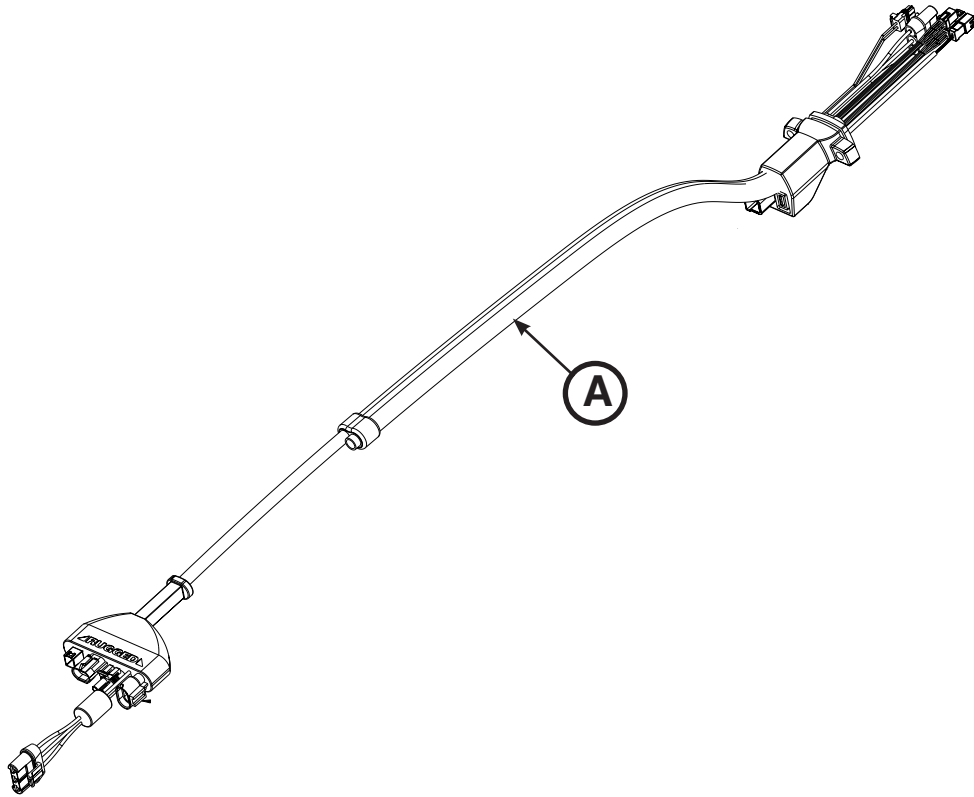
6500-002-014



A	6500-002-014	1
---	--------------	---



A	6500-001-295	1
---	--------------	---



English Equivalence Part Number: 6516-109-001 REV B



Stryker Medical
3800 E. Centre Ave.
Portage, Michigan 49002
USA



stryker[®]