

Ambulance Cot Fastener

Maintenance Manual

REF 6370

REF 6371

REF 6377

REF 6378

REF 6391

REF 6393



Table of Contents

Warning/Caution/Note Definition	2
Introduction for service	3
Expected service life	3
Contact information	3
Serial number location	3
Preventive maintenance	4
Maintenance record	4
Training record	5
Floor mounted cot fastener assembly - 6370-000-000	6
Wall mounted cot fastener assembly - 6371-000-000	7
Floor mounted cot fastener assembly - 6377-000-000	8
Cot fastener, floor mount MTS - 637700550010	9
Reduced length floor mounted cot fastener assembly - 6378-000-000	10
Wall mounted Power-LOAD mass casualty fastener - 6391-000-000	11
Floor mounted Power-LOAD mass casualty fastener - 6391-000-000	12
Performance-LOAD antler option - 6393-001-001	13
Performance-LOAD no antler option - 6393-001-002	14
Wall mounted Performance-LOAD mass casualty fastener - 6393-000-000	15
Floor mounted Performance-LOAD mass casualty assembly - 6393-000-000	16
Rail assembly - 6360-020-000/Rail assembly, short - 6362-020-000/Rail assembly, long - 6362-021-010	17

Warning/Caution/Note Definition

The words **WARNING**, **CAUTION**, and **NOTE** carry special meanings and should be carefully reviewed.

WARNING

Alerts the reader about a situation which, if not avoided, could result in death or serious injury. It may also describe potential serious adverse reactions and safety hazards.

CAUTION

Alerts the reader of a potentially hazardous situation which, if not avoided, may result in minor or moderate injury to the user or patient or damage to the product or other property. This includes special care necessary for the safe and effective use of the device and the care necessary to avoid damage to a device that may occur as a result of use or misuse.

Note - Provides special information to make maintenance easier or important instructions clearer.

Introduction for service

This manual assists you with the service of your Stryker product. Read this manual to service this product. This manual does not address the operation of this product. See the Operations Manual for operating and use instructions. To view your Operations Manual online, see <https://techweb.stryker.com/>.

Expected service life

Cot fasteners have a seven year expected service life under normal use conditions and with appropriate periodic maintenance.

Contact information

Contact Stryker Customer Service or Technical Support at: 1-800-327-0770.

Stryker Medical
3800 E. Centre Avenue
Portage, MI 49002
USA

To view your operations or maintenance manual online, see <https://techweb.stryker.com/>.

Have the serial number (A) of your Stryker product available when calling Stryker Customer Service or Technical Support. Include the serial number in all written communication.

Serial number location

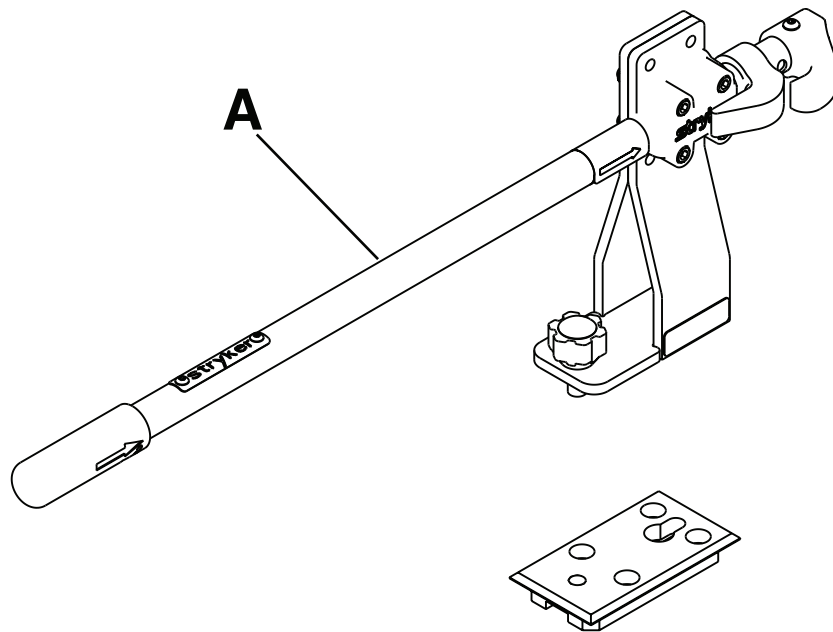
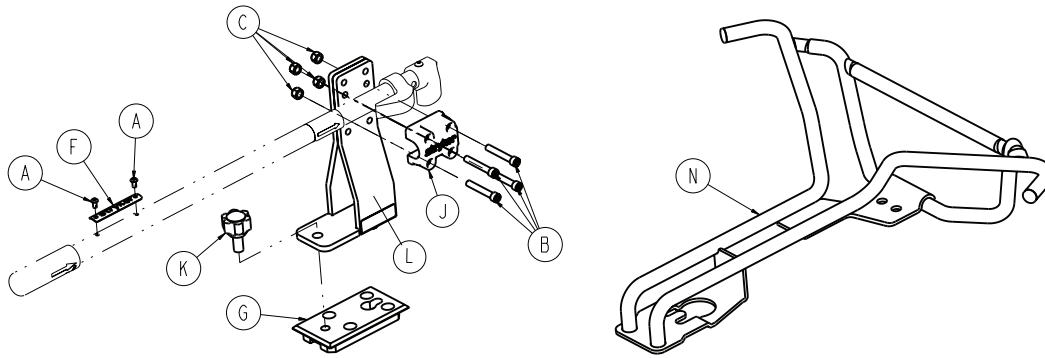


Figure 1 – Serial number location

Floor mounted cot fastener assembly - 6370-000-000

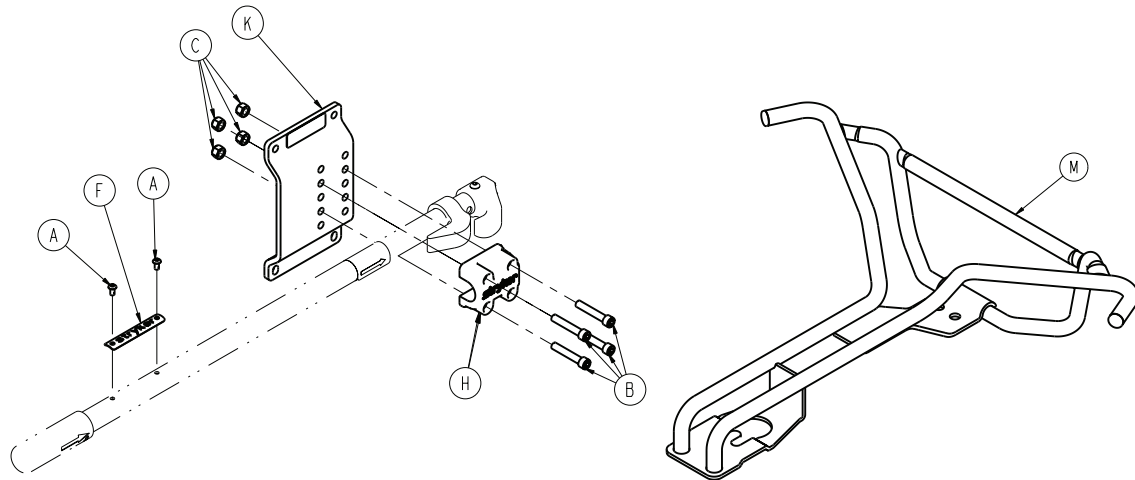
6370-230-010 Rev F (Reference only)



Item	Number	Name	Quantity
A	0004-587-000	Button head cap screw	2
B	0004-250-000	Hex socket head cap screw	4
C	0016-036-000	Nylock hex nut	4
F	6370-001-926	Serial number tag	1
G	6360-030-011	Large floor plate	1
J	6360-130-018	Rail clamp	1
K	6360-030-031	Round head knob assembly	1
L	6360-030-024	Rail support bracket assembly	1
N	6370-230-038	Antler assembly	1

Wall mounted cot fastener assembly - 6371-000-000

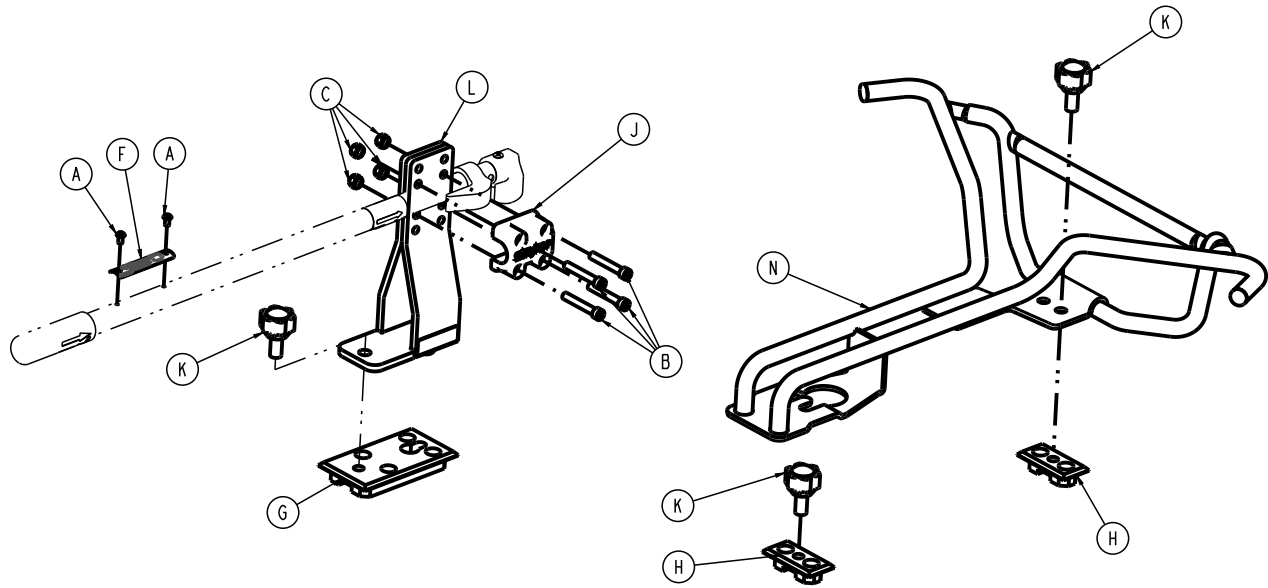
6371-230-010 Rev F (Reference only)



Item	Number	Name	Quantity
A	0004-587-000	Button head cap screw	2
B	0004-579-000	Socket head cap screw	4
C	0016-036-000	Nylock hex nut	4
F	6371-001-926	Serial number tag	1
H	6360-130-018	Rail clamp	1
K	6361-030-012	Wall mounting bracket assembly	1
M	6370-230-038	Antler assembly	1

Floor mounted cot fastener assembly - 6377-000-000

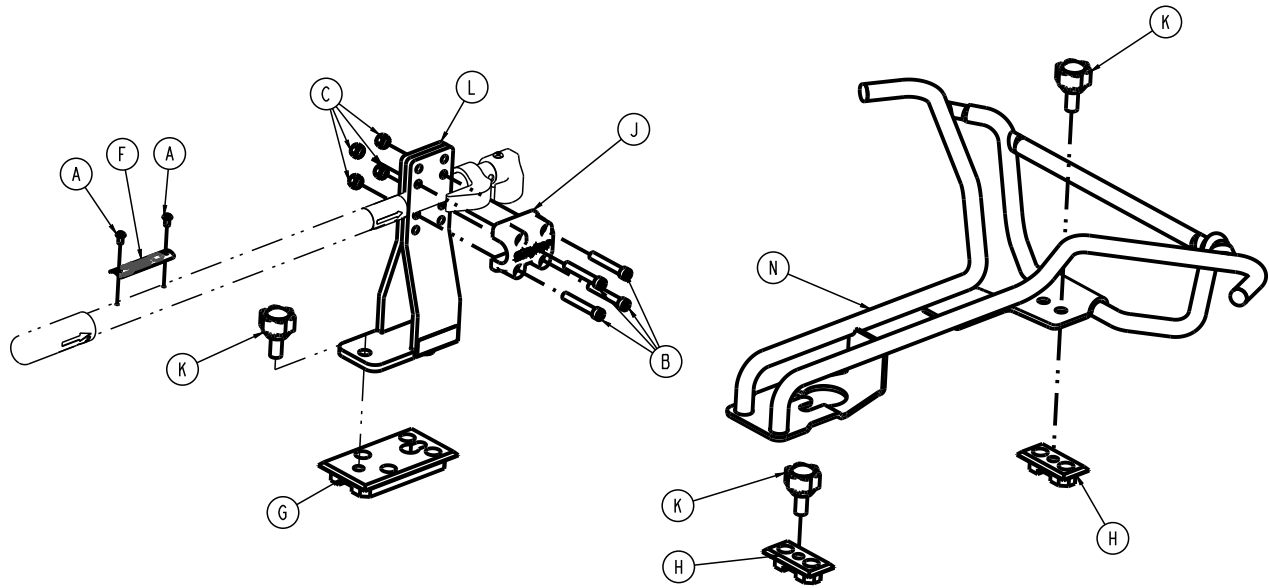
6377-230-010 Rev AA (Reference only)



Item	Number	Name	Quantity
A	0004-587-000	Button head cap screw	2
B	0004-250-000	Hex socket head cap screw	4
C	0016-036-000	Nylock hex nut	4
F	6377-001-926	Serial number tag	1
G	6360-030-011	Large floor plate	2
H	6360-030-012	Small floor plate	4
J	6360-130-018	Rail clamp	1
K	6360-030-031	Round head knob assembly	3
L	6360-030-024	Rail support bracket assembly	1
N	6370-230-038	Antler assembly	1

Cot fastener, floor mount MTS - 637700550010

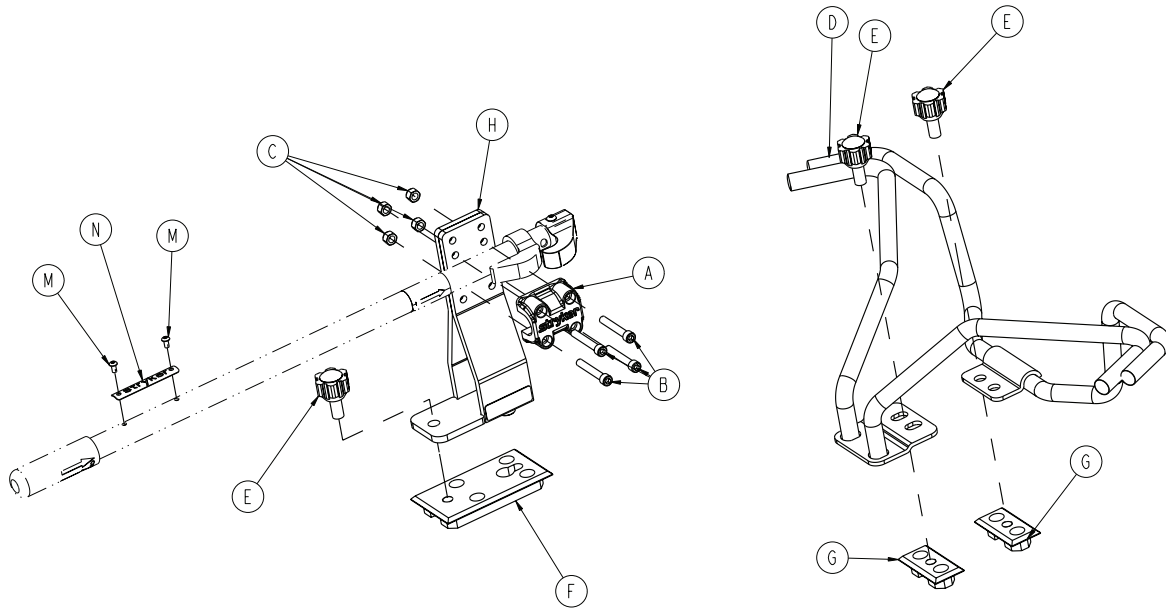
Rev A (Reference only)



Item	Number	Name	Quantity
A	0004-587-000	Button head cap screw	2
B	0004-250-000	Hex socket head cap screw	4
C	0016-036-000	Nylock hex nut	4
F	637700010927	6377 MTS serial number tag	1
G	6360-030-011	Large floor plate	2
H	6360-030-012	Small floor plate	4
J	6360-130-018	Rail clamp	1
K	6360-030-031	Round head knob assembly	3
L	6360-030-024	Rail support bracket assembly	1
N	6370-230-038	Antler assembly	1

Reduced length floor mounted cot fastener assembly - 6378-000-000

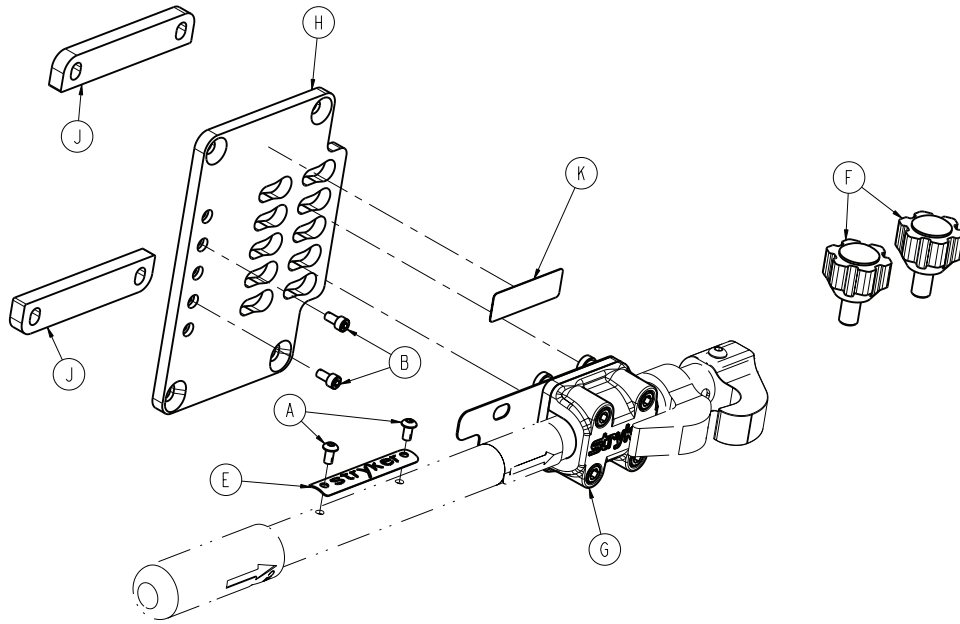
6378-130-010 Rev AA (Reference only)



Item	Number	Name	Quantity
A	6360-130-018	Rail clamp	1
B	0004-250-000	Hex socket head cap screw	4
C	0016-036-000	Nylock hex nut	4
D	6378-030-038	Antler assembly	1
E	6360-030-031	Round head knob assembly	3
F	6360-030-011	Large floor plate	2
G	6360-030-012	Small floor plate	4
H	6360-030-024	Rail support bracket assembly	1
M	0004-587-000	Button head cap screw	2
N	6378-001-926	Serial number tag	1

Wall mounted Power-LOAD mass casualty fastener - 6391-000-000

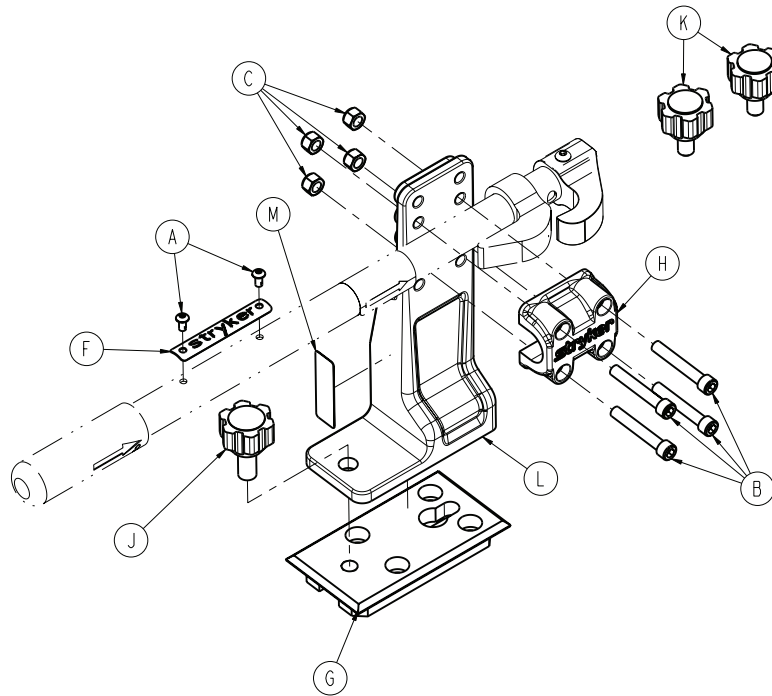
6391-001-001 Rev B (Reference only)



Item	Number	Name	Quantity
A	0004-587-000	Button head cap screw	2
B	0004-658-000	Socket head cap screw	2
E	6391-001-926	Serial number tag	1
F	6390-001-033	Knob assembly	2
G	6390-001-034	Wall mount bracket assembly	1
H	6390-001-155	Wall mount bracket, detachable	1
J	6390-001-156	Wall mount bracket spacer	2
K	6391-090-001	Label, cot fastener system	1

Floor mounted Power-LOAD mass casualty fastener - 6391-000-000

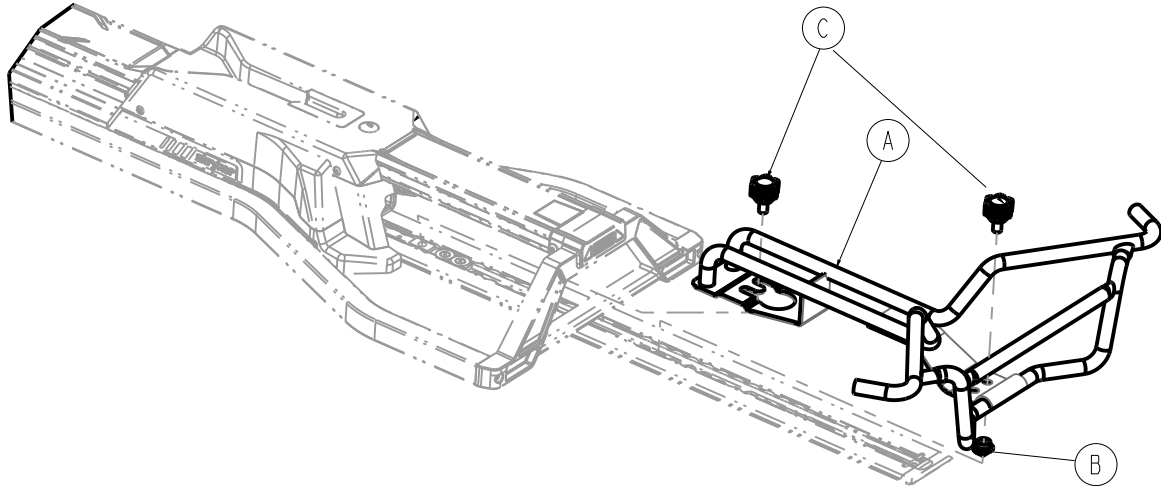
6391-001-002 Rev AA (Reference only)



Item	Number	Name	Quantity
A	0004-587-000	Button head cap screw	2
B	0004-250-000	Socket head cap screw	4
C	0016-036-000	Nylock hex nut	4
F	6391-001-926	Serial number tag	1
G	6360-030-011	Floor plate, large	1
H	6360-130-018	Rail clamp	1
J	6360-030-031	Round head knob assembly	1
K	6390-001-033	Knob assembly	2
L	639000010142	Rail clamp floor mount bracket	1
M	6391-090-001	Label, cot fastener system	1

Performance-LOAD antler option - 6393-001-001

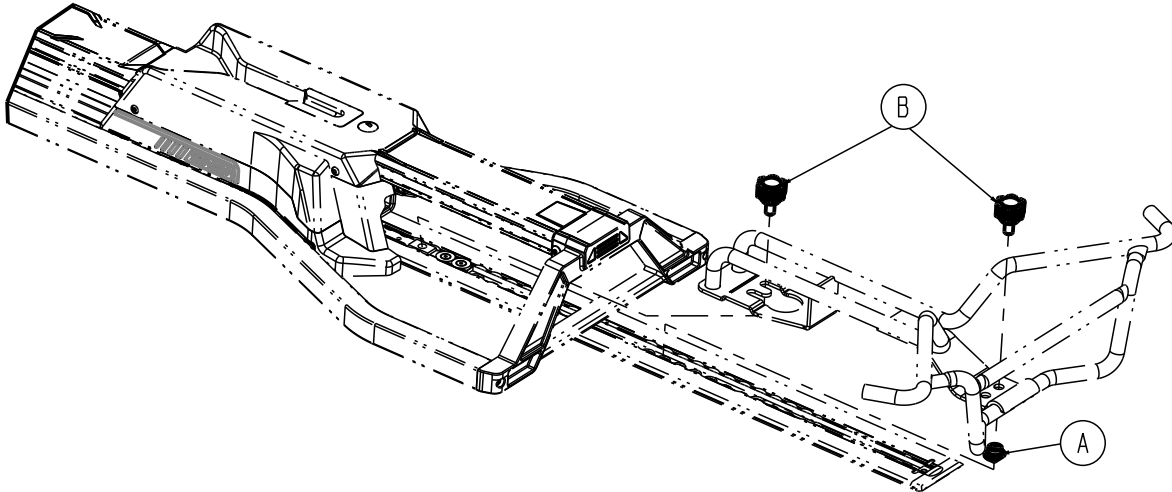
Rev A (Reference only)



Item	Number	Name	Quantity
A	6370-230-038	Antler assembly	1
B	6392-001-151	Mass casualty cam	1
C	6390-001-033	Knob assembly	2

Performance-LOAD no antler option - 6393-001-002

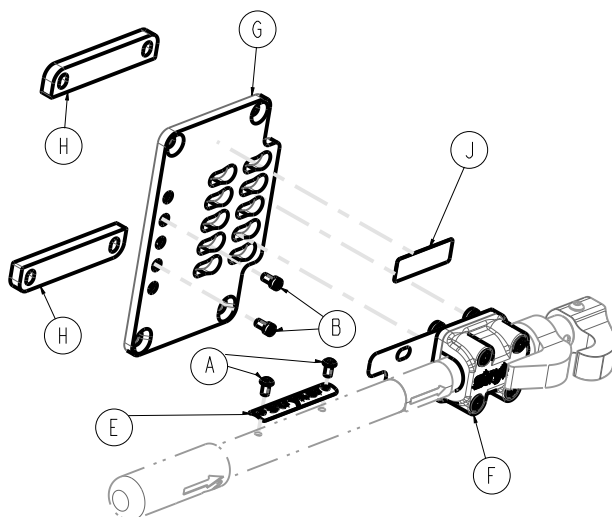
Rev C (Reference only)



Item	Number	Name	Quantity
A	6392-001-151	Mass casualty cam	1
B	6390-001-033	Knob assembly	2

Wall mounted Performance-LOAD mass casualty fastener - 6393-000-000

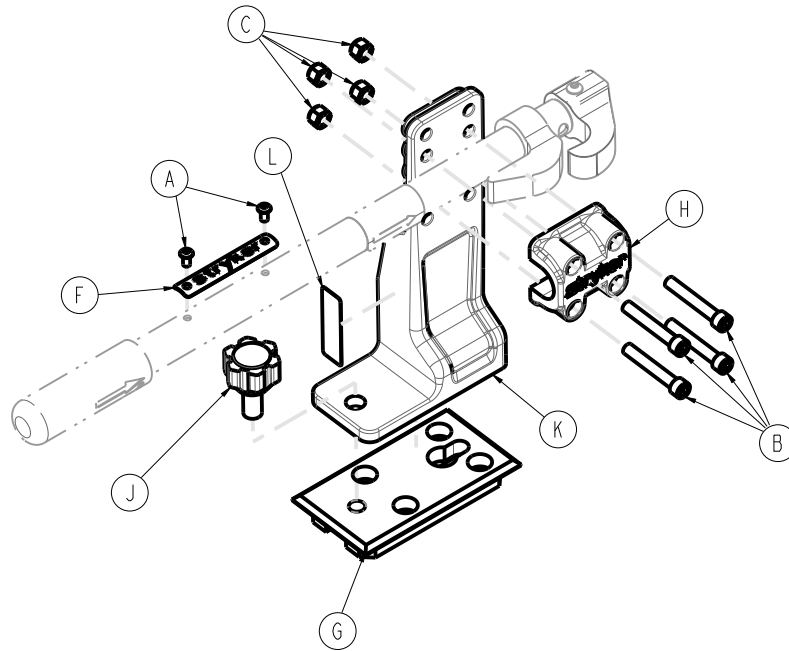
6393-002-001 Rev AA (Reference only)



Item	Number	Name	Quantity
A	0004-587-000	Button head cap screw	2
B	0004-658-000	Socket head cap screw	2
E	6393-001-926	Serial number tag	1
F	6390-001-034	Wall mount bracket assembly	1
G	6390-001-155	Wall mount bracket, detachable	1
H	6390-001-156	Wall mount bracket spacer	2
J	6393-090-001	Label, cot fastener system	1

Floor mounted Performance-LOAD mass casualty assembly - 6393-000-000

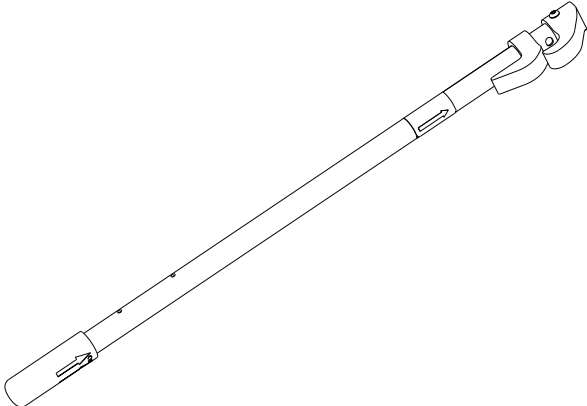
6393-002-002 Rev AB (Reference only)



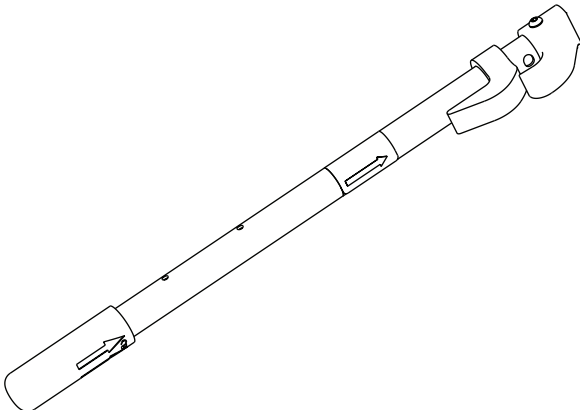
Item	Number	Name	Quantity
A	0004-587-000	Button head cap screw	2
B	0004-250-000	Socket head cap screw	4
C	0016-036-000	Nylock hex nut	4
F	6393-001-926	Serial number tag	1
G	6360-030-011	Floor plate, large	1
H	6360-130-018	Rail clamp	1
J	6360-030-031	Round head knob assembly	1
K	639000010142	Floor mount bracket, rail clamp	1
L	6393-090-001	Label, cot fastener system	1

**Rail assembly - 6360-020-000/Rail assembly, short - 6362-020-000/
Rail assembly, long - 6362-021-010**

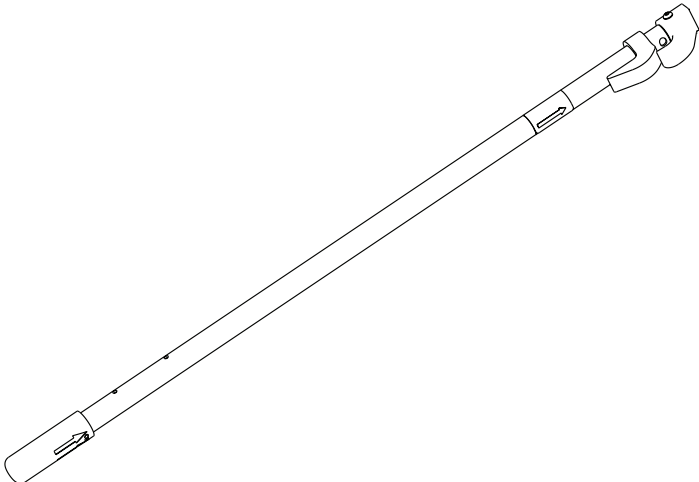
6360-020-010 Rev H (Reference only)



6362-020-010 Rev B (Reference only)



6362-021-010 Rev B (Reference only)





Stryker Corporation or its divisions or other corporate affiliated entities own, use or have applied for the following trademarks or service marks: **Performance-LOAD**, **Power-LOAD**, **Stryker**. All other trademarks are trademarks of their respective owners or holders.



Stryker Medical
3800 E. Centre Avenue
Portage, MI 49002
USA