

Hillrom™

Art of Care® Overbed Table

Operation and Maintenance Manual

Product No. P634, P635, and P636



REVISION

© 2021 by Hill-Rom Services, Inc. ALL RIGHTS RESERVED.

PATENTS / PATENT www.hillrom.com/patents

The Art of Care® Overbed Tables may be covered by one or more patents. See the above Internet address.

The Hill-Rom companies are the proprietors of European, US, and other patents and pending patent applications.

MANUFACTURED FOR: HILL-ROM - PRODUCT OF TAIWAN

Distributed by:

HILL-ROM
1069 STATE ROUTE 46 E
BATESVILLE, IN 47006-9167
800-445-3720

No part of this text shall be reproduced or transmitted in any form or by any means, electronic or mechanical, including photocopying, recording, or by any information or retrieval system without written permission from Hill-Rom Services, Inc. (Hill-Rom).

The information in this manual is confidential and may not be disclosed to third parties without the prior written consent of Hill-Rom.

The information in this manual is subject to change without notice. Hill-Rom makes no commitment to update or keep current the information in this manual.

Hill-Rom reserves the right to make changes without notice in design, specifications, and models. The only warranty Hill-Rom makes is the express written warranty extended on the sale or rental of its products.

Notice to Users and/or Patients—Any serious incident that has occurred in relation to this device, should be reported to the manufacturer and the competent authority of the Member State in which the user and/or patient is established.

Product images and labels are for illustrative purposes only. Actual product and label may vary.

This manual (160922) was originally released and supplied in English. For a list of available translations, contact Hill-Rom Technical Support.

Sixth Edition, 2021-10

First Printing, 2009

Clorox Healthcare® is a registered trademark of Clorox Professional Products Company, Inc.

OxyCide® is a registered trademark of EcoLab USA, Inc.

Purell® is a registered trademark of GoJo Industries, Inc.

Virex® is a registered trademark of Diversey, Inc.

Wex-Cide™ is a trademark of Wexford Labs, Inc.

Hillrom™ is a trademark of Hill-Rom Services, Inc.

Art of Care® and Hill-Rom® are registered trademarks of Hill-Rom Services, Inc.

Replace this manual (160922) if it is damaged and/or can not be read.

For product support or to order additional copies of this manual (160922), contact your distributor, local Hill-Rom representative, or go to www.hillrom.com.

NOTES:

Table of Contents

Revision i

Chapter 1: Introduction, Specifications, Cleaning and Disinfecting

Purpose 1 - 1

Audience 1 - 1

Model Identification 1 - 2

Technical Specifications 1 - 3

Accessory Rail (P639) Option 1 - 7

Accessory Installation 1 - 7

 Function Test 1 - 8

Preventive Maintenance 1 - 8

Cleaning and Disinfecting 1 - 9

 Recommendations 1 - 9

 Cleaning and Disinfection 1 - 9

 STEP 1: Cleaning 1 - 10

 STEP 2: Disinfection 1 - 10

Chapter 2: Parts List

Service Parts Ordering 2 - 1

Exchange Policy 2 - 2

 In-Warranty Exchanges 2 - 2

 Out-of-Warranty Exchanges 2 - 2

Limited Warranty 2 - 3

Recommended Spare Parts 2 - 5

Overbed Table—P634 2 - 5

Overbed Table—P635A 2 - 6

Overbed Table—P635B (or Newer) 2 - 10

Overbed Table—P635D (or Newer, After SN xxxxxxxx) 2 - 13

Overbed Table—P635D (or Newer - Low Base, After SN xxxxxxxx) 2 - 16

Overbed Table—P636A 2 - 20

Overbed Table—P636B (or Newer) 2 - 24

Overbed Table—P636D (or Newer, From sN xxxxxxxx) 2 - 27

Overbed Table—P636B (or Newer, Low Base From SN xxxxxx) 2 - 30

NOTES:

Chapter 1

Introduction, Specifications, Cleaning and Disinfecting

1

PURPOSE

This manual includes specifications and cleaning and disinfecting instructions for the overbed tables (P634, P635, and P636). It also includes parts lists (in chapter 2) for you to order replacement parts.

AUDIENCE

This manual is intended for use by only facility-authorized persons. To ignore this restriction could cause severe injury to people and serious damage to equipment.

MODEL IDENTIFICATION





TECHNICAL SPECIFICATIONS

Table 1-1. Dimensions (also see the Dimension figures that follow)

Feature	Dimension
Maximum Length	
P634	35.2" (89.41 cm)
P635A	36.67" (93.14 cm)
P635B or newer	37.9" (96.3 cm)
P636A	40" (101.6 cm)
P636B or newer	40.1" (101.9 cm)
Top Width	
P634	18.7" (47.5 cm)
P635	19.5" (49.53 cm)
P636	19" (48.26 cm)
Base Width	
P634	14.8" (37.59 cm)
P635 and P636	19.5" (49.53 cm)
Product Weight (empty)	
P634	31 lb (14.06 kg)
P635	47 lb (21.32 kg)
P636	58 lb (26.31 kg)
Underbed Clearance	
P634	3.6" (9.14 cm)
P635 and P636	2.52" (6.40 cm) (standard base) 1.73" (4.39 cm) (low base)
Low Level Height	
P634	27" (68.7 cm)
P635A	29.25" (74.3 cm)
P635B or newer	29.5" (74.9 cm)
P636A	30.5" (77.47 cm)
P636B or newer	31.1" (79 cm)
High Level Height	
P634	39.5" (100.33 cm)
P635A	46.5" (118 cm)
P635B or newer	47" (119.4 cm)
P636A	47.34" (120.24 cm)
P636B or newer	48.1" (122.2 cm)

Table 1-2. Safe Working Load

Feature	Dimension
P634, P635, and P636	25 lb (11.34 kg)

Table 1-3. Environmental Conditions for Transport and Storage

Condition	Range
Temperature	-40° F to 158° F (-40° C to 70° C)
Relative Humidity	10% to 95% Non condensing

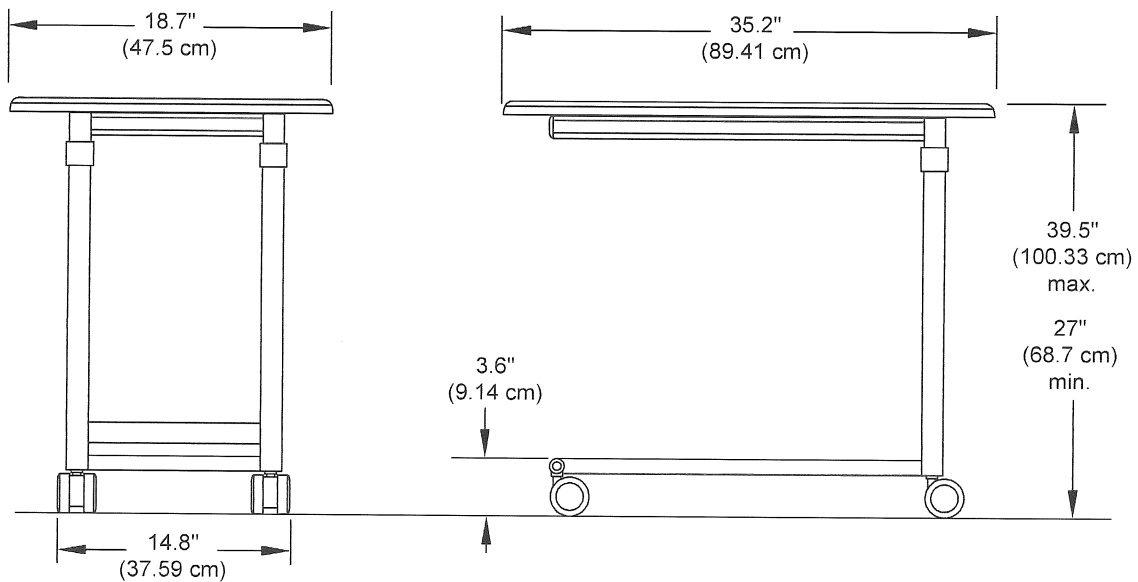
Table 1-4. Environmental Conditions for Use

Condition	Range
Temperature	68° F to 90° F (20° C to 32° C)
Relative Humidity Range	20% to 85% Non condensing

Table 1-5. Standards—P635 and P636

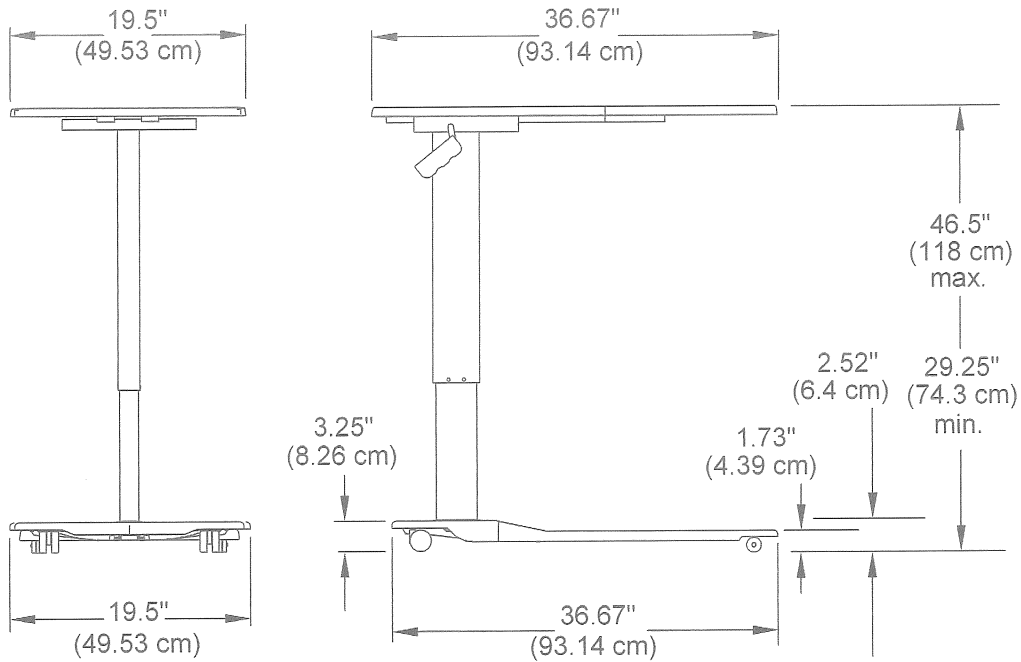
Condition	Description
Flammability Compliance	
Storage trays and mirror frame	UL94, HB
Base cover	UL94, HB

Figure 1-1. Overbed Table—P634 Dimensions



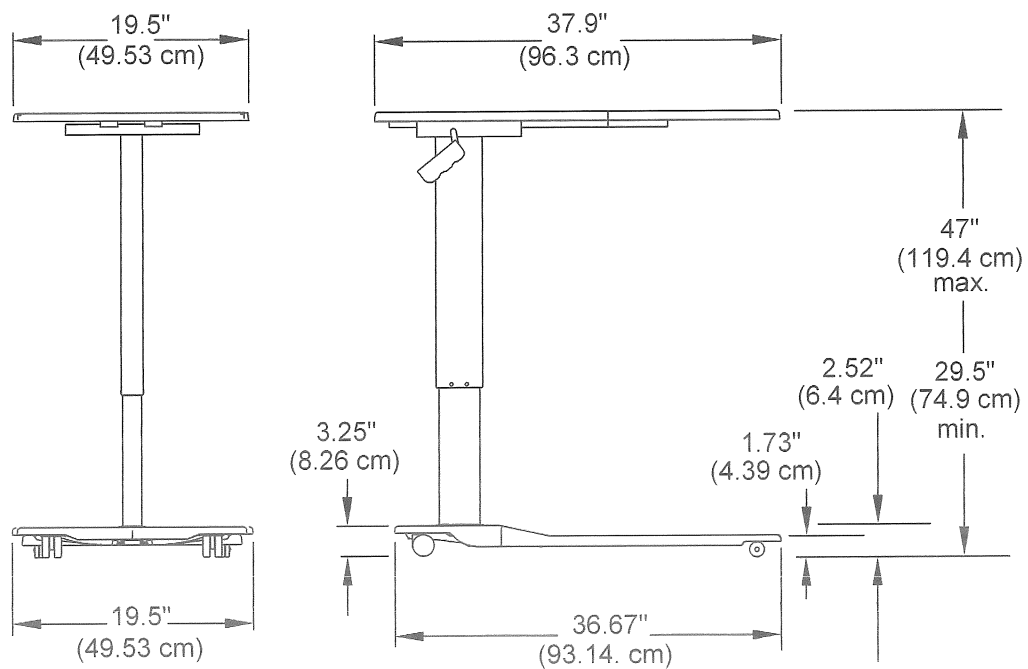
160922_4_009

Figure 1-2. Overbed Table—P635A Dimensions



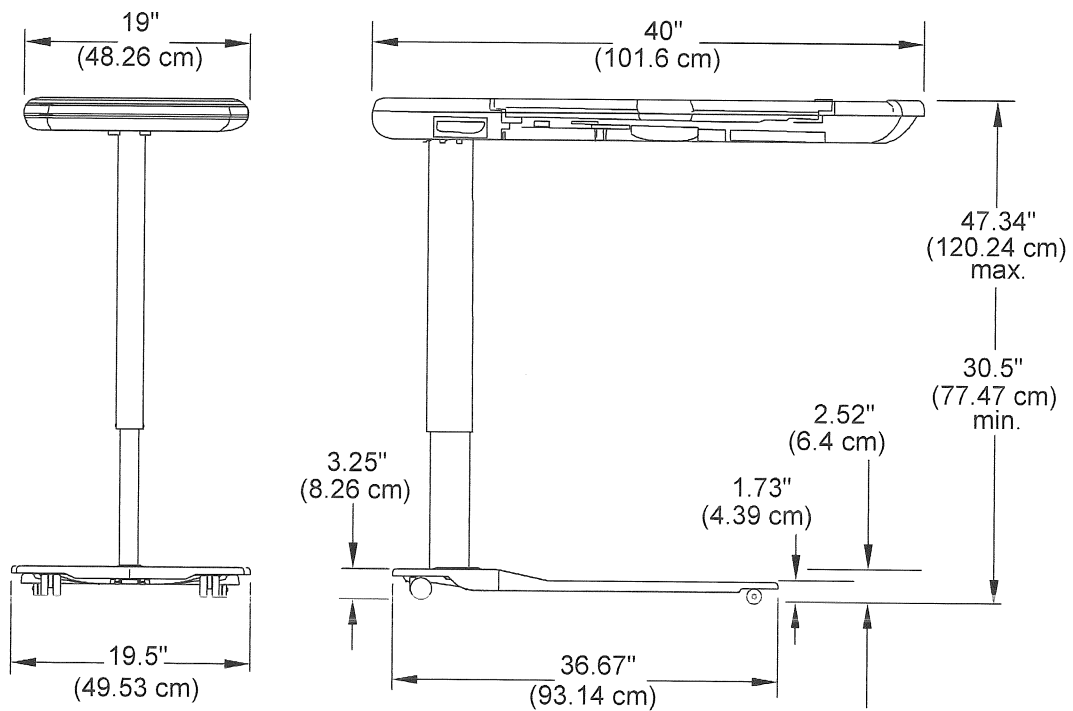
160922_5_004

Figure 1-3. Overbed Table—P635B (or Newer) Dimensions



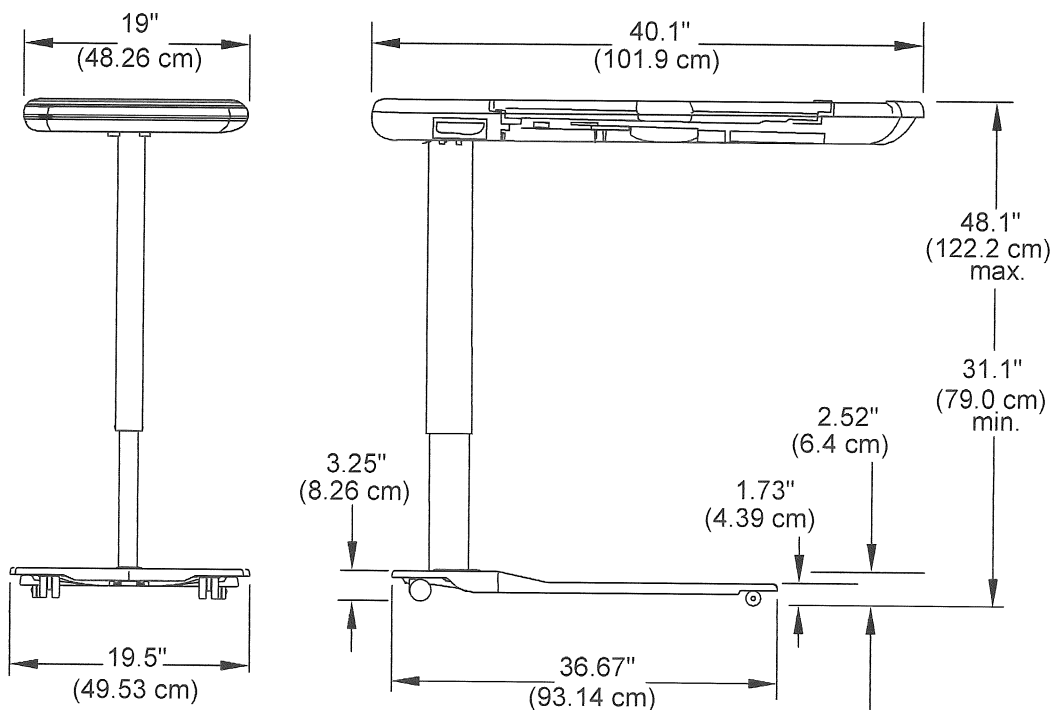
160922_5_011

Figure 1-4. Overbed Table—P636A Dimensions



160922_5_005

Figure 1-5. Overbed Table—P636B (or Newer) Dimensions



160922_5_012

ACCESSORY RAIL (P639) OPTION

An accessory rail option is available for the P635 and P636 overbed tables. The accessories for the rail are listed below. All of these accessories attach to the rail in the same way (see "Accessory Installation" on page 1-7).

Table 1-6. Accessories

Part Number	Description
P639302	Basket—5" (13 cm) high
P639402	Basket—4" (10 cm) high
P639502	Basket, swivel
P639602	Chart holder
P639802	Utility basket
P639702	Utility hook

NOTES:

- The safe working load for all these accessories when they are installed on the accessory rail is 5 lb (2.3 kg).
- For the latest list of accessories recommended for the rail, contact Hill-Rom.

ACCESSORY INSTALLATION



WARNING:

Warning—Failure to make sure the rail is correctly attached to the overbed table could cause injury or equipment damage.

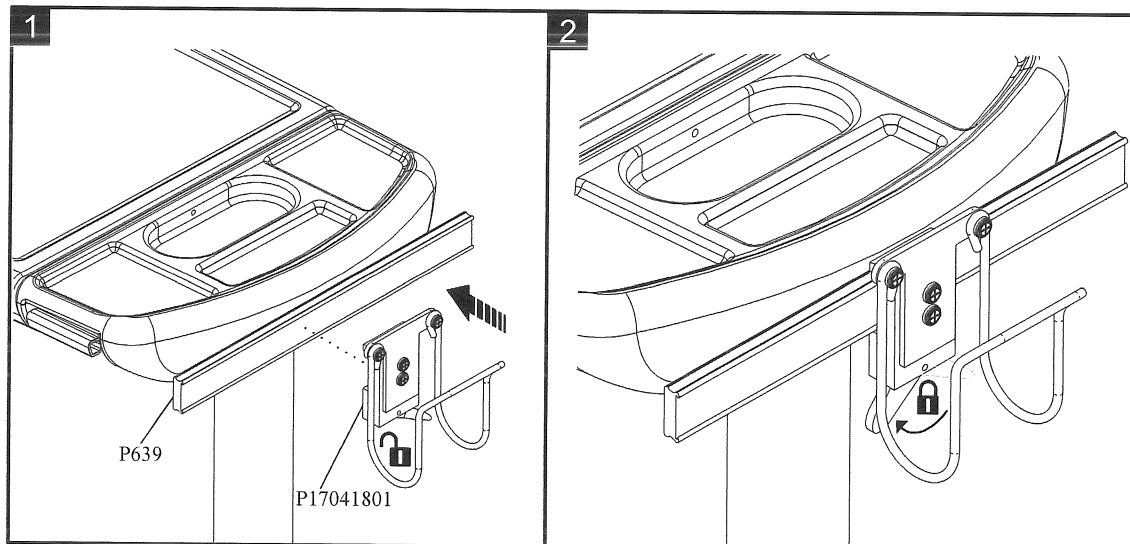
Before you install an accessory on the rail, gently pull the rail to make sure it is correctly attached to the overbed table.



WARNING:

To help prevent injury and/or equipment damage, obey the following warnings:

- **Warning**—Do not exceed the 5 lb (2.3 kg) safe working load of an accessory when it is installed on the rail or the 15 lb (6.8 kg) total safe working load of the rail.
- **Warning**—Do not put more than one accessory on the rail at a time.
- **Warning**—Do not put more than 5 lb (2.3 kg) of weight in or on the accessory.
- **Warning**—Do not put more than 15 lb (6.8 kg) total on the rail.

Figure 1-6. Accessory Installation (installation of the P639702 is shown)**FUNCTION TEST**

The function test is satisfactorily met when all answers are "Yes." Before you do the function test, let the unit stand upright for one hour.

1. Engage the handles and lower the table to its lowest height. Lift the table top to its highest position.
 - Does the table operate as it should? Yes No
2. Try to lower the table top without using the handles. It should not move.
 - Does the table operate as it should? Yes No
3. Try to lift the table top to a desired height without using the handles. It should move.
 - Does the table operate as it should? Yes No
4. Move the unit a few feet in each direction.
 - Do the casters operate as they should? Yes No
5. (P636 only) Open both trays opposite from each other. Close the trays, then open them in the other extended direction.
 - Do the trays operate as they should? Yes No
6. Examine the overbed table to see if there is any damage to the unit.
 - Is the unit undamaged? Yes No

PREVENTIVE MAINTENANCE

There is no preventive maintenance required for this product. However, Hill-Rom recommends periodic function and cosmetic checks to make sure the overbed table remains in good working order.

CLEANING AND DISINFECTING



WARNING:

To help prevent injury and/or equipment damage, obey these **warnings**:

- **Warning**—Do not reuse wiping material for multiple steps or on multiple products.
- **Warning**—Harmful cleaning solutions may cause skin rash and/or irritation upon contact. Follow the manufacturer's instructions found on the product label and Safety Data Sheet (SDS).
- **Warning**—Lift and move items correctly. Do not twist, and seek assistance when necessary.



CAUTION:

To help prevent equipment damage, obey these cautions:

- **Caution**—Do not steam clean or power wash the unit. Pressure and excessive moisture can damage the protective surfaces of the unit.
- **Caution**—Do not use harsh cleansers/detergents, heavy duty grease removers, solvents such as toluene, xylene, or acetone, and do not use scouring pads (you may use a soft-bristle brush)
- **Caution**—Do not use bleach as your primary everyday cleaner/disinfectant.

RECOMMENDATIONS

For proper cleaning and disinfection, staff members should be trained.

The **trainer** should carefully read the instructions and follow them when the **trainee** is being trained. The trainee should:

- Be given time to read the instructions and to ask any questions.
- Clean and disinfect the product while the trainer supervises. During, and/or after this process, the trainer should correct the trainee of any differences from the instructions for use.

The trainer should supervise the trainee until the trainee can clean and disinfect the unit as instructed.

Hill-Rom recommends to clean and disinfect the unit before first patient use, between patient uses and regularly during extended patient stays.

Some fluids used in the hospital environment, such as iodophor and zinc oxide creams, can cause permanent stains. Remove temporary stains by wiping vigorously with a lightly-dampened wiping cloth.

CLEANING AND DISINFECTION

Cleaning and disinfection are distinctly different processes. **Cleaning** is the physical removal of visible and non-visible soil and contaminants. **Disinfection** is intended to kill microorganisms.

Table 1 below summarizes the approved cleaners/disinfectants for use with the associated contact time for disinfection.

Table 1: Approved Cleaners/Disinfectants

Cleaner/Disinfectant	Recommended for Routine Cleaning and Disinfection	Recommended for Disinfection against Clostridium Difficile (C.Diff)	Maintain Wetness (Disinfection Contact Time)
Wex-Cide™ Germicidal Detergent ready-to-use	Yes	No	10 minutes
Virex® II 256	Yes	No	10 minutes
OxyCide® Daily Disinfectant Cleaner	Yes	Yes	3 minutes
Clorox HealthCare® Bleach Germicidal Cleaner ready-to-use	No*	Yes	5 minutes
Clorox HealthCare® Bleach Germicidal Wipes	No*	Yes	3 minutes

*Bleach is not recommended as the primary cleaner/disinfectant.

Remove any disinfectant residue prior to and after the use of bleach with a new or clean cloth/wipe soaked in tap water.

When you perform the detailed cleaning steps, please note the following:

- A microfiber cloth or the Clorox HealthCare® Bleach Germicidal Wipe is recommended as the wiping cloth.
- Always replace the wiping cloth when visibly soiled.
- Always replace the wiping cloth between steps (spot clean, clean, and disinfect).
- Always use Personal Protective Equipment (PPE).
- Adjust the unit as needed for ease of cleaning and disinfection.

STEP 1: Cleaning

- a. As necessary, first remove visible soil from the unit using a wiping cloth soaked with an approved cleaner/disinfectant (see "Table 1: Approved Cleaners/Disinfectants" on page 1-10).
 - Give special attention to seams and other areas where soil may accumulate.
 - A soft bristle brush may be used to loosen hardened soil.
 - Use as many wiping cloths as needed to remove the soil.

It is important to remove all visible soil from all areas before continuing to remove non-visible soil.

- b. With a new wiping cloth soaked in an approved cleaner/disinfectant, use firm pressure to wipe all surfaces of the unit. Use a new or clean wiping cloth as often as necessary.
- c. Examine the unit and all accessories for damage.
- d. The damaged items should be replaced.

STEP 2: Disinfection

- a. With a new or clean wiping cloth soaked in an approved cleaner/disinfectant, use light pressure to wipe all exterior surfaces of the unit previously cleaned.

- b. Make sure all surfaces **remain wet with the cleaner/disinfectant** for the **specified contact time**. **Re-wet** surfaces with a new wiping cloth as necessary. See “Table 1: Approved Cleaners/Disinfectants” on page 1-10 for the contact time.

NOTE:

If bleach is used with another cleaner/disinfectant, use a new or clean cloth/wipe soaked in tap water to remove any disinfectant residue prior to and after the bleach application.

NOTES:

Chapter 2

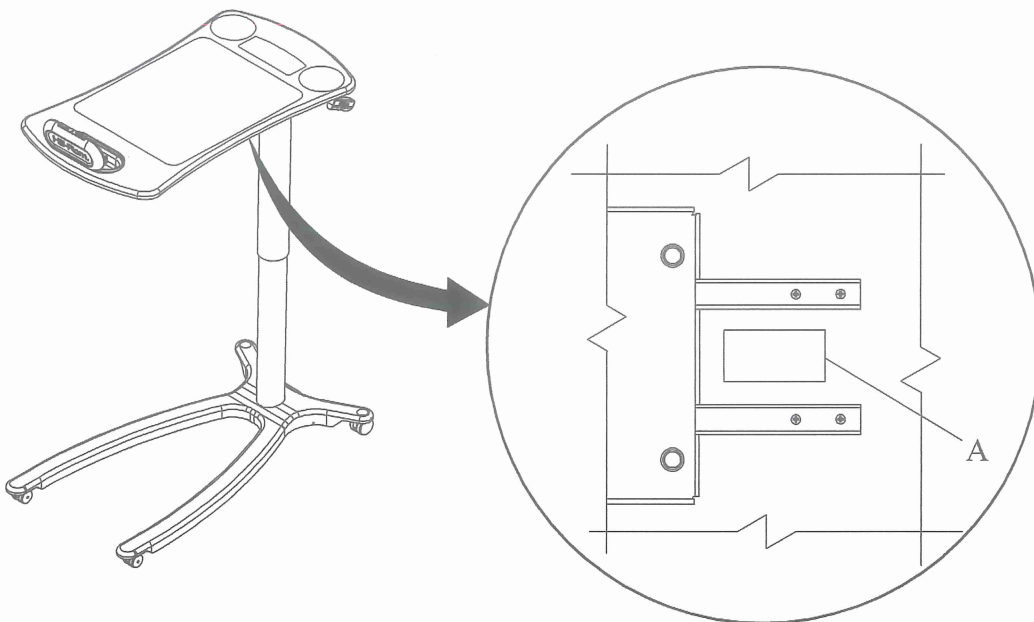
Parts List

2

SERVICE PARTS ORDERING

Use the parts lists in this manual to identify the necessary part number(s). Find the product number and serial number on the product identification label (A) (see figure 2-1 on page 2-1).

Figure 2-1. Product Identification Label Location



160922_1_003

Contact Hill-Rom Technical Support with the data that follows:

- Customer account number
- Purchase order number
- Product number
- Serial number
- Part number(s)

To promptly order parts, or to view pricing and availability, use the following website:

<https://direct.hill-rom.com/>

Terms:

- Net 30 days
- F.O.B. Batesville, IN
- Prepaid shipping charges added to invoice
- All orders shipped by ground transportation unless specified

Address all return goods to:

ATTN SERVICE STORES
RITTER PLANT EAST END DOORR33
HILL-ROM, INC.
COUNTY ROAD 300E
BATESVILLE IN 47006-9167

NOTE:

To eliminate possible delays or incorrect billings, **do not** return any items without a Return Material Authorization (RMA) number. When a return is requested, an RMA packet is included with each order. This packet includes an RMA number, instructions, and a shipping label. If an RMA number is not available, contact Hill-Rom Technical Support.

EXCHANGE POLICY

The policies that follow are for in-warranty and out-of-warranty exchanges from Hill-Rom.

IN-WARRANTY EXCHANGES

In some cases, Hill-Rom will request that parts/products be returned for inspection. When this occurs, you are expected to return parts/products within 30 days of receipt of the exchange part. If you fail to return the inoperative parts/products within the 30 day period, Hill-Rom will invoice your facility for the full selling price of the parts/products.

NOTE:

The preceding billing procedure is **only** for parts/products that Hill-Rom requests to be returned.

In some cases, the invoice accompanying the parts will show the full selling price (only for internal use at Hill-Rom). Do not confuse this price with your price.

Do not return any parts without an RMA number. When parts/products have been requested to be returned, Hill-Rom will include an RMA packet with the parts/products shipment. If an RMA number is not available, contact Hill-Rom Technical Support.

OUT-OF-WARRANTY EXCHANGES

You are expected to return the inoperative parts/products within 30 days of receipt of the exchange part. Hill-Rom will include an RMA packet with the parts/products shipment. If an RMA number is not available, contact Hill-Rom Technical Support. Hill-Rom will invoice your facility for the full selling price of the parts/products. Upon return of the inoperative parts/products, Hill-Rom will issue a credit to your facility for **the difference between the exchange price and the full selling price of the parts/products.**

LIMITED WARRANTY

HILL-ROM COMPANY, INC. HEALTHCARE FURNITURE LINE LIMITED WARRANTY

2

Hill-Rom warrants to the original end user that:

STEEL AND WOOD SEAT, ARM AND BACK STRUCTURAL SUPPORT WARRANTY (10 YEARS)

Except as noted below, Hill-Rom's structural wood and steel components of the Healthcare Furniture products (the "Products") will be free from defects in material and workmanship for ten (10) years from the date of delivery, including parts, labor and travel for the first three (3) years and parts only for the remaining seven (7) years. Hill-Rom, at its option, will repair or replace any part found to be defective in the sole discretion of Hill-Rom.

WOOD AND STEEL FINISHES WARRANTY (5 YEARS)

The solid wood and steel finishes on the Products will be free from defects in materials and workmanship for five (5) years from the date of delivery, including parts, labor and travel for the first three (3) years and parts only for the remaining two (2) years. Hill-Rom, at its option, will repair or replace any part found to be defective in the sole discretion of Hill-Rom.

TABLE AND BEDSIDE CABINET STRUCTURES WARRANTY (5 YEARS)

Table and bedside cabinet structures will be free from defects in materials and workmanship for five (5) years from the date of delivery, including parts, labor and travel for the first three (3) years and parts only for the remaining two (2) years. Hill-Rom, at its option, will repair or replace any part found to be defective in the sole discretion of Hill-Rom.

MATTRESSES for FURNITURE (2 YEARS)

Mattresses on the Products will be free from defects in materials and workmanship for two (2) years from the date of delivery, including parts, labor, and travel. Hill-Rom, at its option, will repair or replace any part found to be defective in the sole discretion of Hill-Rom.

LAMINATE AND VENEER; MECHANISMS, GLIDES, COASTERS, UPHOLSTERY, AND FOAM WARRANTY (1 YEAR)

Laminates, veneers, mechanisms, glides, coasters, upholstery and foam will be free from defects in materials and workmanship for one (1) year from the date of delivery, including parts, labor, and travel. Hill-Rom, at its option, will repair or replace any part found to be defective in the sole discretion of Hill-Rom.

OVERBED TABLES AND SPECIALITY FURNITURE (1 YEAR)

Overbed tables and speciality furniture will be free from defects in materials and workmanship for one (1) year from the date of delivery, including parts, labor, and travel. Hill-Rom, at its option, will repair or replace any part found to be defective in the sole discretion of Hill-Rom.

EXPENDABLE PARTS

Expendable parts such as cushions, coverlets, batteries, light bulbs, etc. will be replaced for a sixty (60) day period from the date of delivery. This warranty is limited to the replacement of the parts covered.

TO OBTAIN PARTS AND SERVICE

Call Hill-Rom Technical Support at (800) 445-3720 (US) or (800) 267-2337 (Canada). Outside the United States and Canada, call your authorized Hill-Rom distributor. In order to expedite service, please provide: customer identification number, product model number, serial number, and description of problem.

PARTS AVAILABILITY POLICY

Hill-Rom will use commercially reasonable efforts to offer parts for Products for ten (10) years from the date of sale. If original component parts, assemblies and fabrics are no longer available, functional equivalents will be substituted in Hill-Rom's sole discretion. For customer special orders and non-standard Hill-Rom Products, Hill-Rom cannot guarantee availability of replacement parts and/or products.

THE FOREGOING WARRANTIES ARE EXCLUSIVE AND IN LIEU OF ALL OTHER EXPRESS WARRANTIES AND IMPLIED WARRANTIES, INCLUDING BUT NOT LIMITED TO, THE IMPLIED WARRANTIES OF MERCHANTABILITY AND FITNESS OF PURPOSE. HILL-ROM'S OBLIGATION UNDER THESE WARRANTIES SHALL NOT INCLUDE ANY LIABILITY FOR LOSS OF PROFITS, DIRECT, INDIRECT OR CONSEQUENTIAL DAMAGES OR DELAYS. Some states, provinces, or countries do not allow the exclusion or limitation of incidental or consequential damages, so the above exclusion or limitation may not apply. Any improper or negligent use, any alterations or repairs not in accordance with Hill-Rom's manuals or performed by others in such manner as in Hill-Rom's sole judgment affects the Product materially and adversely, shall void these warranties. This warranty does not extend to damage or defects arising from abuse, misuse, neglect, abnormal usage in the healthcare environment, transport, storage, accidents, improper or inadequate maintenance, harsh cleaners, weight loads in excess of specifications, or modifications or alterations of the Product, except as specifically authorized in writing by Hill-Rom. This warranty does not apply to the normal wear to or aging of fabric, finishes, paint, powder coatings, and fill materials, or to the natural variations in finish, grain, color, or texture of wood components in the Product. No employee or representative of Hill-Rom is authorized to alter these warranties in any way unless in writing and signed by a Hill-Rom officer.

WAR023 REV 3

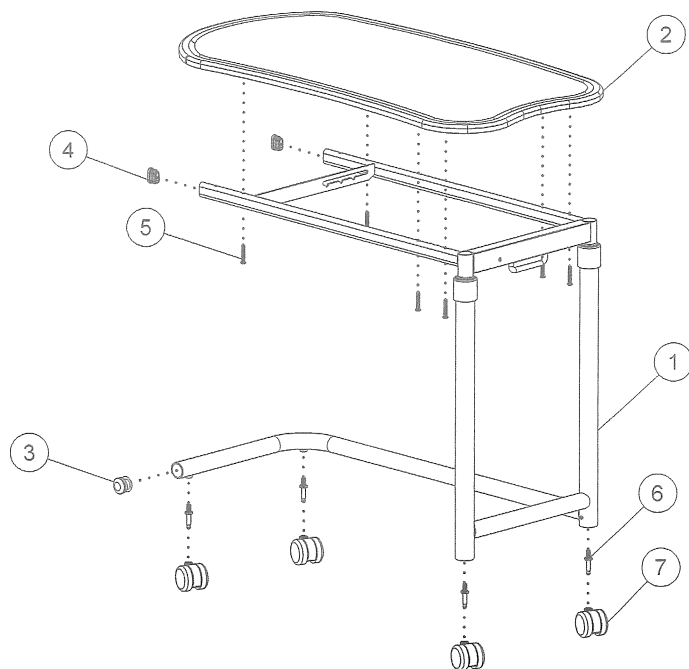
April 2016

Hill-Rom Company, Inc., 1069 State Route 46 E, Batesville, IN 47006-9167

RECOMMENDED SPARE PARTS

There are no recommended spare parts for the overbed tables (P634, P635, and P636).

OVERBED TABLE—P634



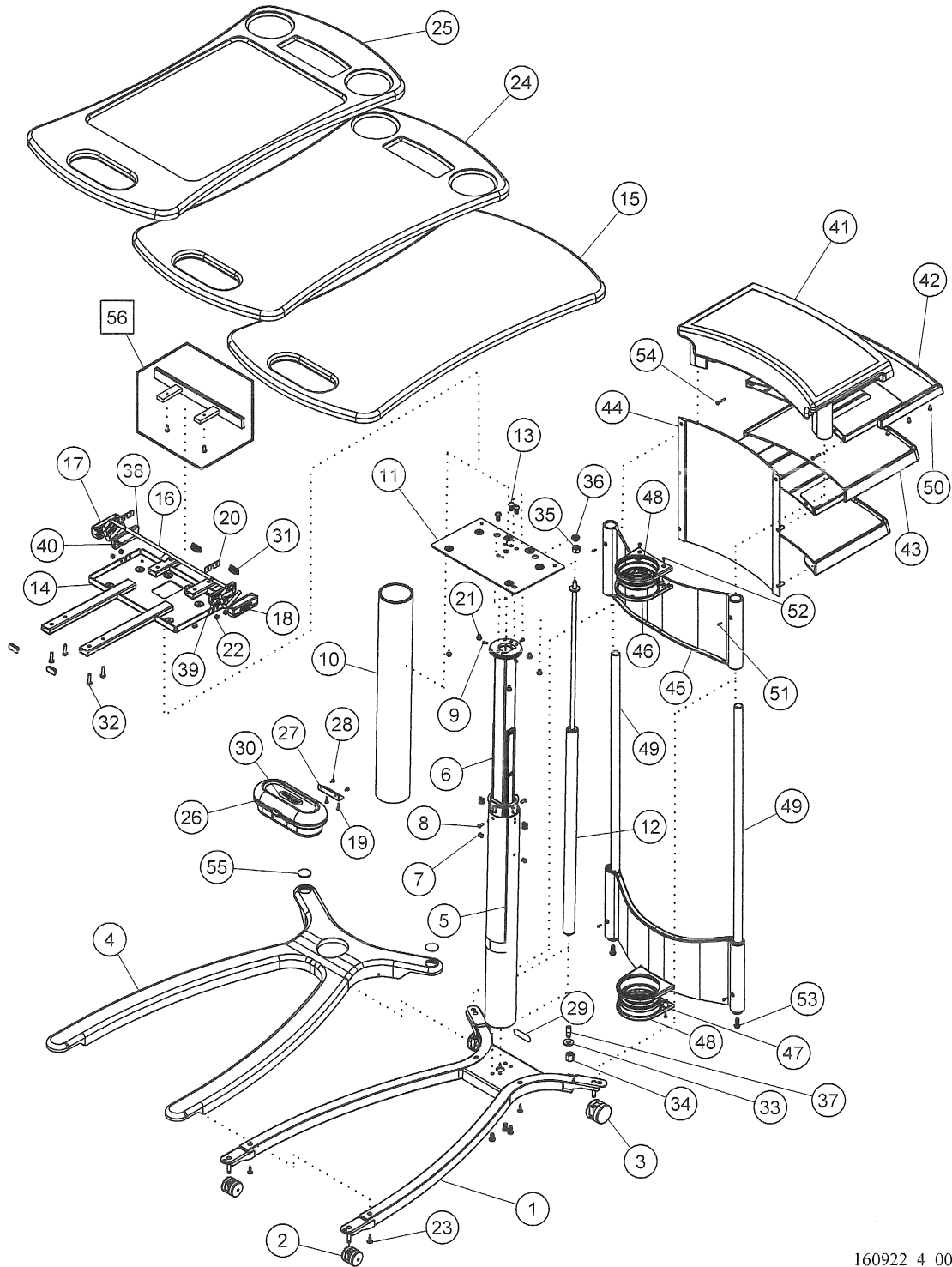
160922_2_008

Item Number	Part Number	Quantity	Description
1	167678	1	Frame assembly
2	160636V*	1	Thermofoil top, standard top
	167677V*	1	Thermofoil top, drip guard
3	167679	1	Base tube cap
4	167685	2	Table top tube cap
5	160551	6	Screw
6	167684	4	Caster pin
7	160755	4	Caster, twin wheel, black

* Specify color.



OVERBED TABLE—P635A



160922_4_001

Item Number	Part Number	Quantity	Description
1	160600	1	TF base weldment
2	160602	2	40 mm caster, twin wheel, black
3	160603	2	50 mm caster, twin wheel, black
4	160601	1	TF base cover
5	160604	1	Low column weldment
6	163938	1	High column assembly
7	160655	6	Column rivet
8	160654	2	M5 x 10 flat head screw
9	160656	3	M4 x 10 phillips head screw
10	160605	1	Low column tube, P635A
	163662	1	Low column tube, P635B or newer
11	160607	1	Column top support plate
12	179289	1	Kit, 70N gas spring replacement
13	160644	6	M8 x 16 hex screw
14	160637	1	Table top frame weldment
15	160633V*	1	Top, style 1
16	160638	1	Handle mechanical weldment
17	160639	1	Release handle, lh
18	160640	1	Release handle, rh
19	160650	6	1/8 x 5/8 phillips head screw
20	160641	2	Plate, handle attachment
21	160645	6	M6 x 8 hex screw
22	160643	4	5 x 8 rivet
23	160642	4	3/16 x 3/4 phillips head screw
24	160634V*	1	Top, style 2
25	160635V*	1	Top, style 3
26	P637A†	1	Mirror module, light neutral
27	160548	1	Mirror L bracket
28	160549	2	1/8 x 5/16 phillips head screw
29	160657	1	Label, column

Item Number	Part Number	Quantity	Description
30	164636	1	Light neutral label, mirror module
31	160649	4	Tube cap
32	160550	6	1/4-20 x 1 round screw
33	163978	1	Washer
34	163979	1	M10 x 1.5 lock nut
35	163980	1	M10 x 1 round nut
36	163981	1	M10 x 1 shoulder nut, caregiver
37	164445	1	M8 x 1.25 connector nut, caregiver
38	164446	1	Release handle cover, LH
39	164447	1	Release handle cover, RH
40	164448	4	M3 x 5 phillips head screw
41	160608	1	Top, caregiver
42	160609	1	U support, caregiver
43	160610	2	Drawer, caregiver
44	160611	1	Back cover, caregiver
45	160612	2	Shrouding, caregiver
46	160613	1	Shrouding O-ring, up, caregiver
47	160614	1	Shrouding O-ring, low, caregiver
48	160615	2	Shrouding cap, caregiver
49	160619	2	Pole, caregiver
50	160646	6	M5 x 8 phillips head screw, caregiver
51	160651	6	M3 x 5 phillips head screw, caregiver
52	164441	4	1/8 x 3/8 phillips head screw, caregiver
53	160653	2	M8 x 1.25 hex screw, caregiver
54	164442	6	M3 x .5 phillips head screw, caregiver
55	163984	2	Cap, base cover, no caregiver
56	P639†	1	Accessory rail
Not shown	Reference only ^a	1	Wipes dispenser

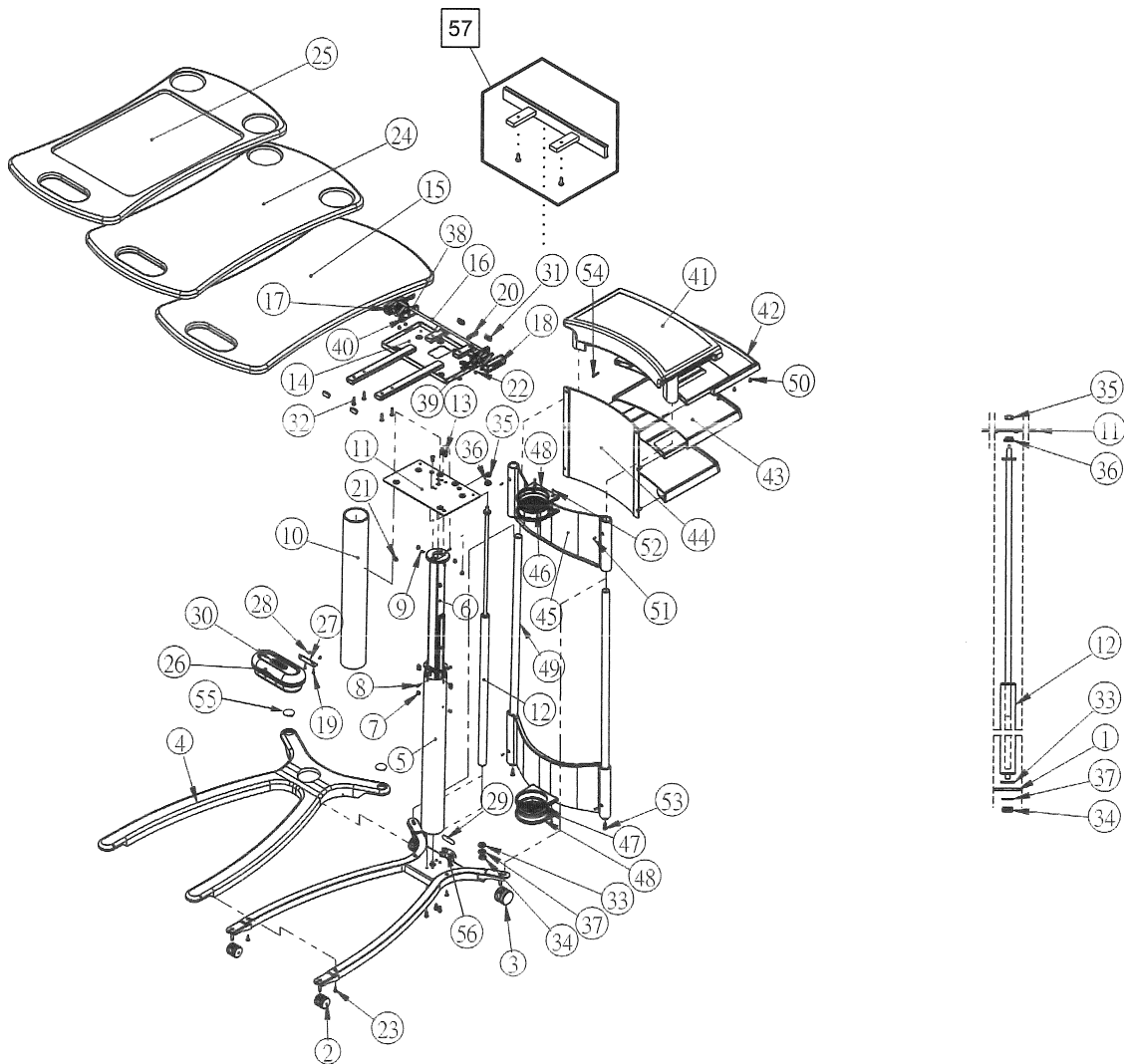
a. Not sold by Hill-Rom. Contact your Purell® Products distributor.

† These are not service parts and are only available from customer service.

* Specify color.

NOTES:

OVERBED TABLE—P635B (OR NEWER)



160922_6_013

Item Number	Part Number	Quantity	Description
1	160600	1	TF base weldment
2	160602	2	40 mm caster, twin wheel, black
3	160603	2	50 mm caster, twin wheel, black
4	160601	1	TF base cover
5	160604	1	Low column weldment
6	163938	1	High column assembly
7	160655	6	Column rivet
8	160654	2	M5 x 10 flat head screw
9	160656	3	M4 x 10 phillips head screw
10	160605	1	Low column tube, P635A
	163662	1	Low column tube, P635B or newer
11	160607	1	Column top support plate
12	179289	1	Kit, 70N gas spring replacement
13	160644	6	M8 x 16 hex screw
14	160637	1	Table top frame weldment
15	160633V*	1	Top, style 1
16	160638	1	Handle mechanical weldment
17	160639	1	Release handle, lh
18	160640	1	Release handle, rh
19	160650	6	1/8 x 5/8 phillips head screw
20	160641	2	Plate, handle attachment
21	160645	6	M6 x 8 hex screw
22	160643	4	5 x 8 rivet
23	160642	4	3/16 x 3/4 phillips head screw
24	160634V*	1	Top, style 2
25	160635V*	1	Top, style 3
26	P637A†	1	Mirror module, light neutral
27	160548	1	Mirror L bracket
28	160549	2	1/8 x 5/16 phillips head screw
29	160657	1	Label, column

Item Number	Part Number	Quantity	Description
30	164636	1	Light neutral label, mirror module
31	160649	4	Tube cap
32	160550	6	1/4-20 x 1 round screw
33	163978	1	Washer
34	179285	1	M10 x 1.5 nut
35	159359	1	M8 x 1.25 nut
36	163981	10	M8 x 1.25 shoulder nut
37	179286	1	M10 split lock washer
38	164446	1	Release handle cover, LH
39	164447	1	Release handle cover, RH
40	164448	4	M3 x 5 phillips head screw
41	160608	1	Top, caregiver
42	160609	1	U support, caregiver
43	160610	2	Drawer, caregiver
44	160611	1	Back cover, caregiver
45	160612	2	Shrouding, caregiver
46	160613	1	Shrouding O-ring, up, caregiver
47	160614	1	Shrouding O-ring, low, caregiver
48	160615	2	Shrouding cap, caregiver
49	160619	2	Pole, caregiver
50	160646	6	M5 x 8 phillips head screw, caregiver
51	160651	6	M3 x .5 phillips head screw, caregiver
52	164441	4	1/8 x 3/8 phillips head screw, caregiver
53	160653	2	M8 x 1.25 hex screw, caregiver
54	164442	6	M3 x .5 phillips head screw, caregiver
55	163984	2	Cap, base cover, no caregiver
56	193002	1	Spacer, P635D only
57	P639†	1	Accessory rail
Not shown	Reference only ^a	1	Wipes dispenser

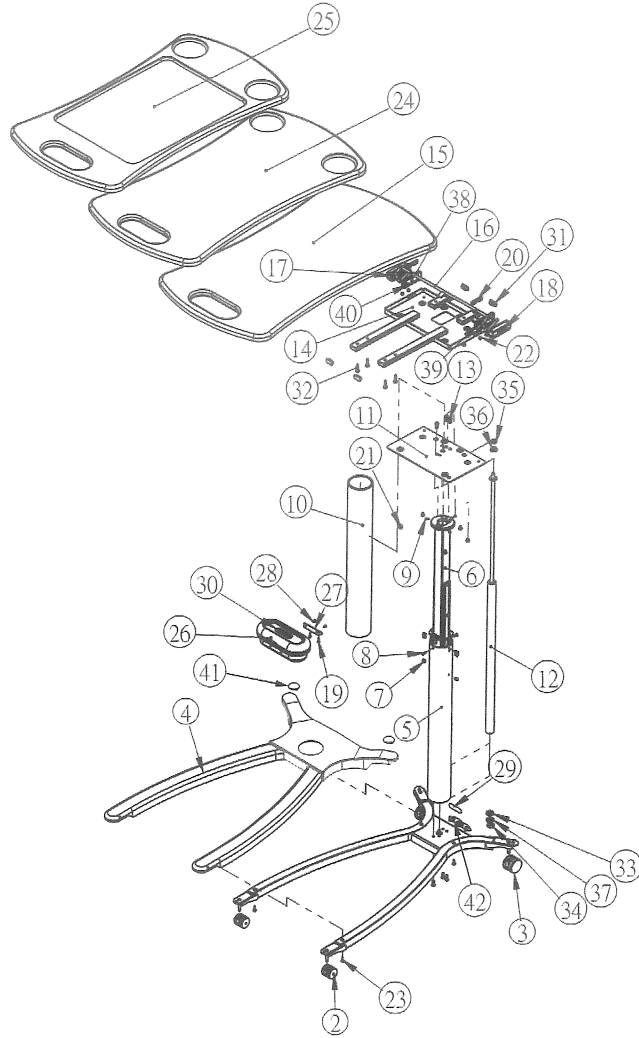
a. Not sold by Hill-Rom. Contact your Purell® Products distributor.

† These are not service parts and are only available from customer service.

* Specify color.

OVERBED TABLE—P635D (OR NEWER, FROM SN 20210421OBT1001)

2



160922_6_015

Item Number	Part Number	Quantity	Description
1	160600	1	TF base weldment
2	160602	2	40 mm caster, twin wheel, black
3	160603	2	50 mm caster, twin wheel, black
4	160601	1	TF base cover
5	160604	1	Low column weldment
6	163938	1	High column assembly
7	160655	6	Column rivet
8	160654	2	M5 x 10 flat head screw
9	160656	3	M4 x 10 phillips head screw
10	163662	1	Low column tube, P635B or newer
11	160607	1	Column top support plate
12	179289	1	Kit, 70N gas spring replacement
13	160644	6	M8 x 16 hex screw
14	160637	1	Table top frame weldment
15	160633V*	1	Top, style 1
16	160638	1	Handle mechanical weldment
17	160639	1	Release handle, lh
18	160640	1	Release handle, rh
19	160650	6	1/8 x 5/8 phillips head screw
20	160641	2	Plate, handle attachment
21	160645	6	M6 x 8 hex screw
22	160643	4	5 x 8 rivet
23	160642	4	3/16 x 3/4 phillips head screw
24	193528V*	1	Top, style 4
25	160635V*	1	Top, style 3
26	P637A†	1	Mirror module, light neutral
27	160548	1	Mirror L bracket
28	160549	2	1/8 x 5/16 phillips head screw
29	160657	1	Label, column

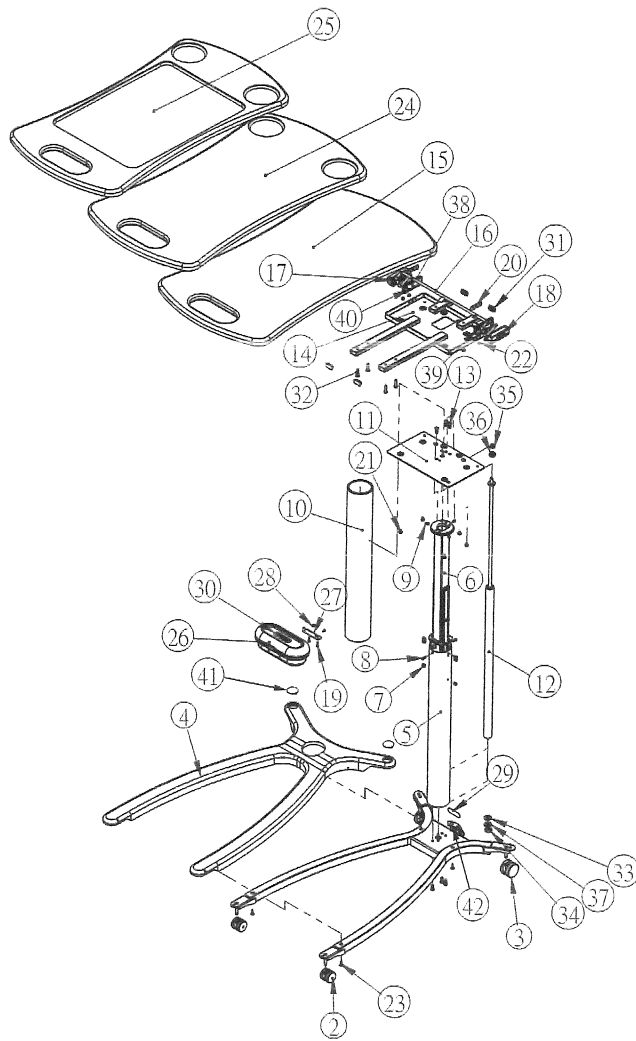
Item Number	Part Number	Quantity	Description
30	210021	1	Light neutral label, mirror module
31	160649	4	Tube cap
32	160550	6	1/4-20 x 1 round screw
33	163978	1	Washer
34	179285	1	M10 x 1.5 nut
35	159359	1	M8 x 1.25 nut
36	163981	10	M8 x 1.25 shoulder nut
37	179286	1	M10 split lock washer
38	164446	1	Release handle cover, LH
39	164447	1	Release handle cover, RH
40	164448	4	M3 x 5 phillips head screw
41	163984	2	Cap, base cover, no caregiver
42	216846	2	Washer, nylon spacer
Not shown	Reference only ^a	1	Wipes dispenser

a. Not sold by Hill-Rom. Contact your Purell® Products distributor.

† These are not service parts and are only available from customer service.

* Specify color.

OVERBED TABLE—P635D (OR NEWER - LOW BASE, AFTER SN 20210421OBT1001)



160922_6_016

Item Number	Part Number	Quantity	Description
1	194348	1	TF base weldment
2	194377	2	31 mm caster, twin wheel, black
3	160602	2	40 mm caster, twin wheel, black
4	210579	1	TF base cover, low base
5	160604	1	Low column weldment
6	163938	1	High column assembly
7	160655	6	Column rivet
8	160654	2	M5 x 10 flat head screw
9	160656	3	M4 x 10 phillips head screw
10	163662	1	Low column tube, P635B or newer
11	160607	1	Column top support plate
12	179289	1	Kit, 70N gas spring replacement
13	160644	6	M8 x 16 hex screw
14	160637	1	Table top frame weldment
15	160633V*	1	Top, style 1
16	160638	1	Handle mechanical weldment
17	160639	1	Release handle, lh
18	160640	1	Release handle, rh
19	160650	6	1/8 x 5/8 phillips head screw
20	160641	2	Plate, handle attachment
21	160645	6	M6 x 8 hex screw
22	160643	4	5 x 8 rivet
23	160642	4	3/16 x 3/4 phillips head screw
24	193528V*	1	Top, style 2
25	160635V*	1	Top, style 3
26	P637A†	1	Mirror module, light neutral
27	160548	1	Mirror L bracket
28	160549	2	1/8 x 5/16 phillips head screw
29	160657	1	Label, column

Item Number	Part Number	Quantity	Description
30	210021	1	Light neutral label, mirror module
31	160649	4	Tube cap
32	160550	6	1/4-20 x 1 round screw
33	163978	1	Washer
34	179285	1	M10 x 1.5 nut
35	159359	1	M8 x 1.25 nut
36	163981	10	M8 x 1.25 shoulder nut
37	179286	1	M10 split lock washer
38	164446	1	Release handle cover, LH
39	164447	1	Release handle cover, RH
40	164448	4	M3 x 5 phillips head screw
41	163984	2	Cap, base cover, no caregiver
42	202740	2	Nylon washer
Not shown	Reference only ^a	1	Wipes dispenser

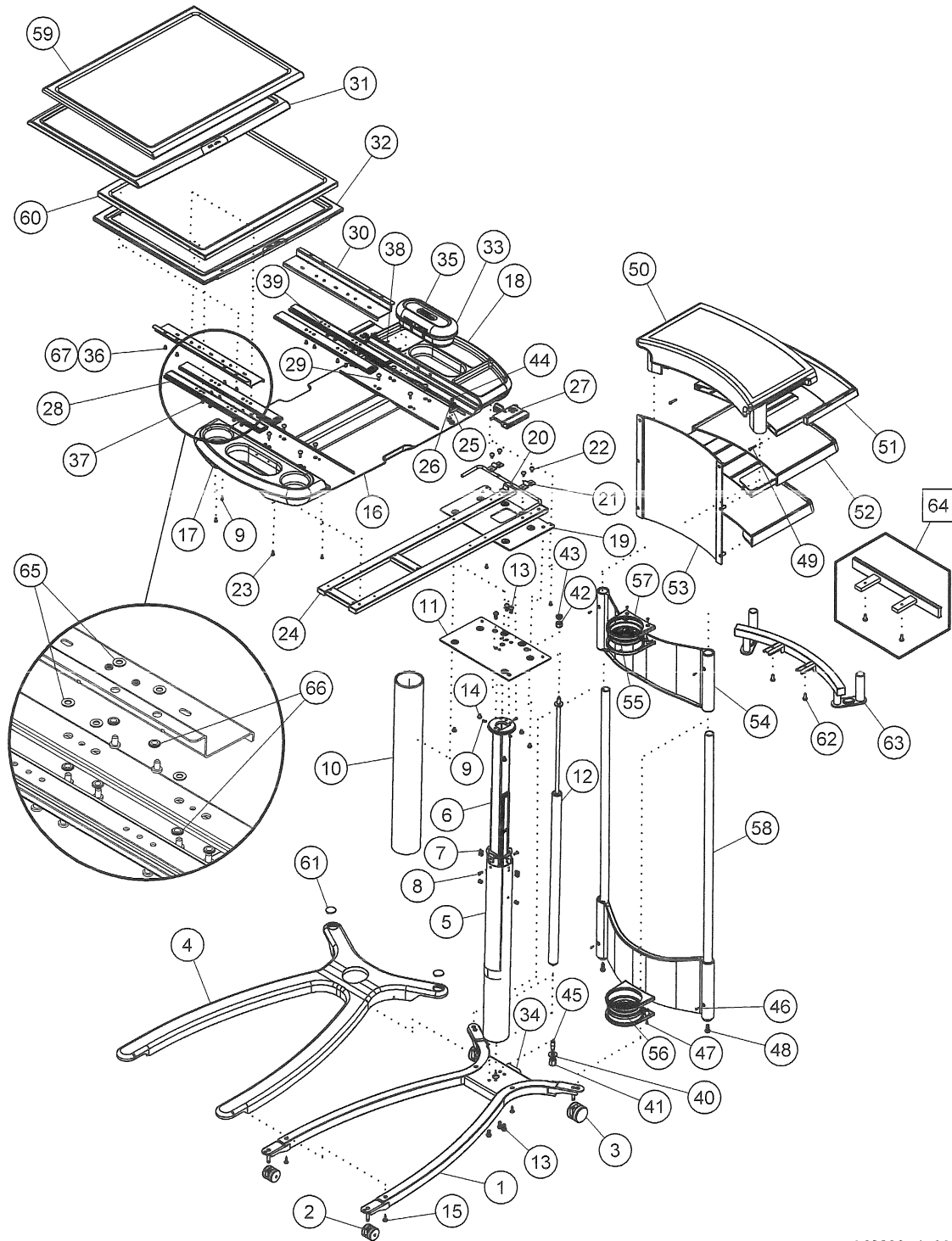
a. Not sold by Hill-Rom. Contact your Purell® Products distributor.

† These are not service parts and are only available from customer service.

* Specify color.

NOTES:

OVERBED TABLE—P636A



160922_4_002

Item Number	Part Number	Quantity	Description
1	160600	1	TF base weldment
2	160602	2	40 mm caster, twin wheel, black
3	160603	2	50 mm caster, twin wheel, black
4	160601	1	TF base cover
5	160604	1	Low column weldment
6	163938	1	High column assembly
7	160655	6	Column rivet
8	160654	2	M5 x 10 flat head screw
9	160656	3	M4 x 10 phillips head screw
10	160605	1	Low column tube, P636A
	163662	1	Low column tube, P636B or newer
11	160607	1	Column top support plate
12	179290	1	Kit, 110N gas spring replacement, fixed caregiver
	179291	1	Kit, 205N gas spring replacement, non-fixed caregiver
13	160644	6	M8 x 16 hex screw
14	160645	6	M6 x 8 hex screw
15	160642	4	3/16 x 3/4 phillips head screw
16	160627	1	Main table base assembly
17	160628	1	Upper cup holder cap assembly
18	160629	1	Upper column cap assembly
19	160620	1	Top frame weldment
20	160624	1	Handle machine weldment
21	160626	2	Plate, handle attachment
22	160652	4	M5 x 10 hex screw
23	160646	28	M5 x10 phillips head screw
24	160649	4	30 x 15 tube cap
25	160621	2	Slide detent
26	160623	2	Slide detent spring
27	160622	2	Release handle
28	160630	4	Table top slide
29	160647	8	M5 X 16 hex screw
30	160625	2	Slide top bracket Z type
31	160631*	1	Upper table assembly
32	160632*	1	Food service tray assembly
33	P637A†	1	Mirror module, light neutral

Item Number	Part Number	Quantity	Description
34	160657	3	Hill-Rom label, column
35	164636	1	Light neutral label, mirror module
36	163945	18	M5 x 8.8 phillips head screw
37	163946	8	M5 x 8.5 phillips head screw
38	163947	2	1/8 x 1/2 phillips head screw
39	163948	1	Slide detent spring, RH, black
40	163978	1	Washer
41	163979	1	M10 x 1.5 lock nut, caregiver
42	163980	1	M10 x 1 round nut, caregiver
43	163981	1	M10 x 1 shoulder nut, caregiver
44	163999	2	M5 x.8 phillips head screw, caregiver
45	163983	1	M8 x 1.25 connector nut, caregiver
46	160651	6	M3 x .5 phillips head screw, caregiver
47	164441	4	1/8 x 3/8 phillips head screw, fixed caregiver
48	160653	2	M8 x 1.25 hex screw, fixed caregiver
49	164442	6	M3 x .5 phillips head screw, caregiver
50	160608	1	Top, caregiver
51	160609	1	U support, caregiver
52	160610	2	Drawer, caregiver
53	160611	1	Back cover, caregiver
54	160612	2	Shrouding, fixed caregiver
55	160613	1	Shrouding O-ring, up, fixed caregiver
56	160614	1	Shrouding O-ring, low, fixed caregiver
57	160615	2	Shrouding cap, fixed caregiver
58	160619	2	Pole, fixed caregiver
59	169403V*	1	Thermofoil top assembly
60	169404V*	1	Thermofoil food service tray
61	163984	2	Cap, base cover, non-fixed caregiver and no caregiver
62	137659	2	M6 x 1 hex screw, non-fixed caregiver
63	165499	1	Caregiver connector assembly, non-fixed caregiver
64	P639†	1	Accessory rail
65	173584	16	Spacer washer, thermofoil top

Item Number	Part Number	Quantity	Description
66	173588	16	Shoulder spacer, thermofoil top
67	23202	16	10-32 x 5/16 phillips head screw, thermofoil top
Not shown	Reference only ^a	1	Wipes dispenser

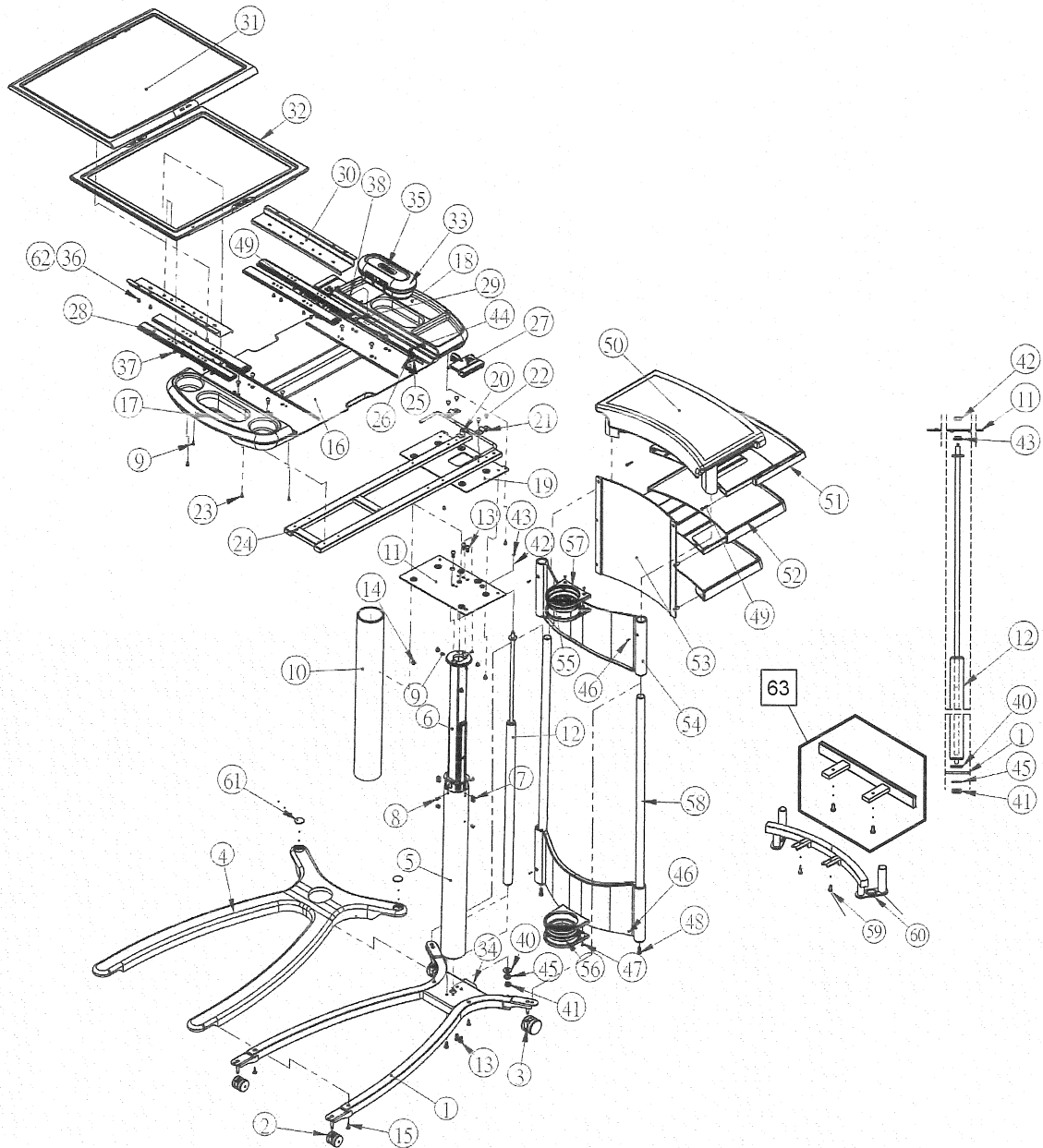
a. Not sold by Hill-Rom. Contact your Purell® Products distributor.

† These are not service parts and are only available from customer service.

* Specify color.

**2**

OVERBED TABLE—P636B (OR NEWER)



160922_6_014

Item Number	Part Number	Quantity	Description
1	160600	1	TF base weldment
2	160602	2	40 mm caster, twin wheel, black
3	160603	2	50 mm caster, twin wheel, black
4	160601	1	TF base cover
5	160604	1	Low column weldment
6	163938	1	High column assembly
7	160655	6	Column rivet
8	160654	2	M5 x 10 flat head screw
9	160656	3	M4 x 10 phillips head screw
10	160605	1	Low column tube, P636A
	163662	1	Low column tube, P636B or newer
11	160607	1	Column top support plate
12	179290	1	Kit, 110N gas spring replacement, fixed caregiver
	179291	1	Kit, 205N gas spring replacement, non-fixed caregiver
13	160644	6	M8 x 16 hex screw
14	160645	6	M6 x 8 hex screw
15	160642	4	3/16 x 3/4 phillips head screw
16	160627	1	Main table base assembly
17	160628	1	Upper cup holder cap assembly
18	160629	1	Upper column cap assembly
19	160620	1	Top frame weldment
20	160624	1	Handle machine weldment
21	160626	2	Plate, handle attachment
22	160652	4	M5 x 10 hex screw
23	160646	10	M5 x 10 phillips head screw
24	160649	4	30 x 15 tube cap
25	160621	2	Slide detent
26	160623	2	Slide detent spring
27	160622	2	Release handle
28	160630	4	Table top slide
29	160647	8	M5 X 16 hex screw
30	160625	2	Slide top bracket Z type
31	169403V*	1	Thermofoil top assembly
32	169404V*	1	Thermofoil food service tray
33	P637A†	1	Mirror module, light neutral

Item Number	Part Number	Quantity	Description
34	160657	3	Hill-Rom label, column
35	164636	1	Light neutral label, mirror module
36	163945	10	M5 x 8.8 phillips head screw
37	163946	8	M5 x 8.5 phillips head screw
38	163947	2	1/8 x 1/2 phillips head screw
39	163948	1	Slide detent spring, RH, black
40	163978	1	Washer
41	179285	1	M10 x 1.5 nut
42	159359	1	M8 x 1.25 nut
43	163981	10	M8 x 1.25 shoulder nut
44	163999	2	M5 x.8 phillips head screw, caregiver
45	179286	1	M10 split lock washer
46	160651	6	M3 x .5 phillips head screw, caregiver
47	164441	4	1/8 x 3/8 phillips head screw, fixed caregiver
48	160653	2	M8 x 1.25 hex screw, fixed caregiver
49	164442	6	M3 x .5 phillips head screw, caregiver
50	160608	1	Top, caregiver
51	160609	1	U support, caregiver
52	160610	2	Drawer, caregiver
53	160611	1	Back cover, caregiver
54	160612	2	Shrouding, fixed caregiver
55	160613	1	Shrouding O-ring, up, fixed caregiver
56	160614	1	Shrouding O-ring, low, fixed caregiver
57	160615	2	Shrouding cap, fixed caregiver
58	160619	2	Pole, fixed caregiver
59	137659	2	M6 x 1 hex screw, non-fixed caregiver
60	165499	1	Caregiver connector assembly, non-fixed caregiver
61	163984	2	Cap, base cover, non-fixed caregiver and no caregiver
62	23202	8	10-32 x 5/16 phillips head screw, thermofoil top
63	P639†	1	Accessory rail
Not shown	Reference only ^a	1	Wipes dispenser

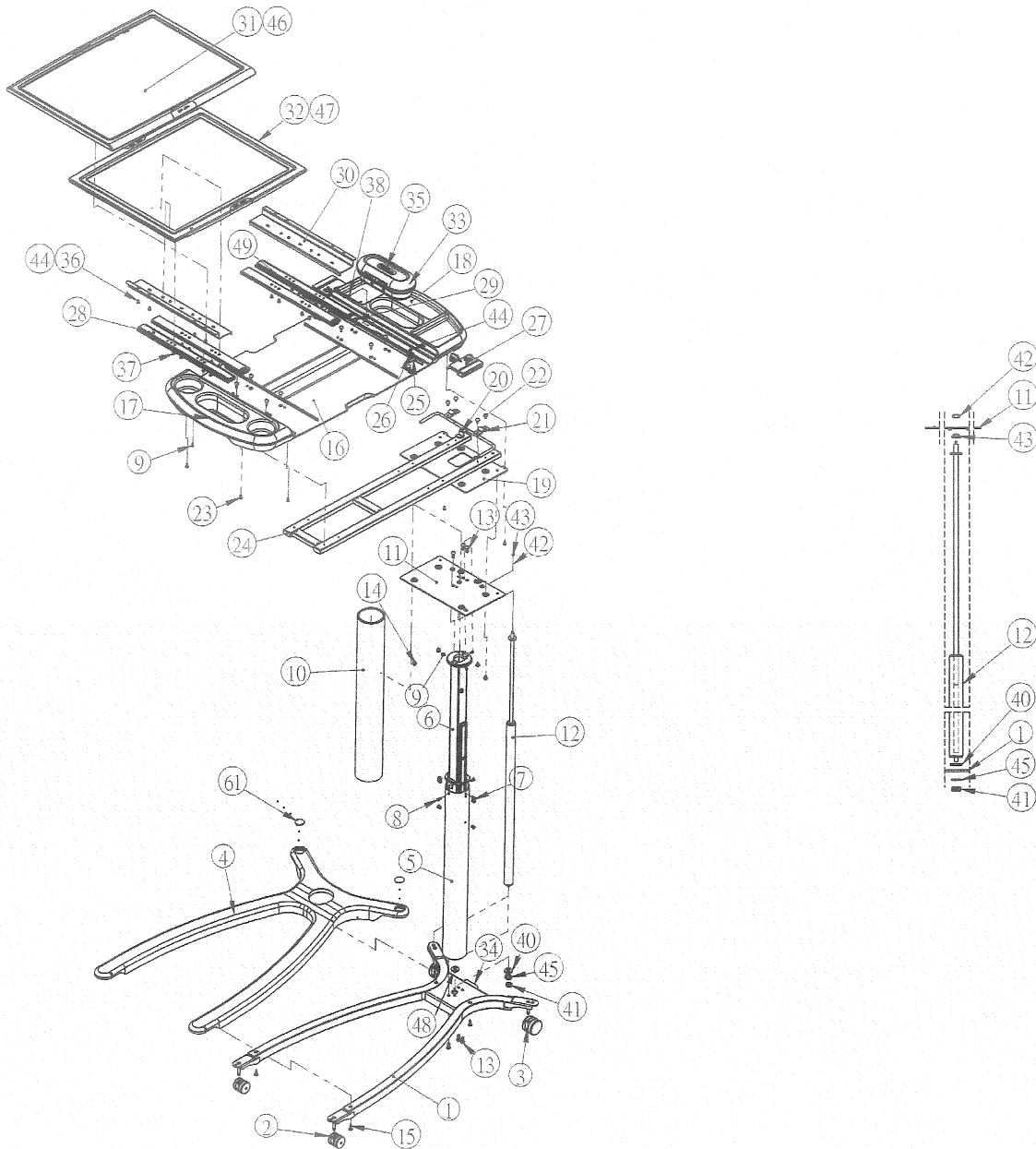
a. Not sold by Hill-Rom. Contact your Purell® Products distributor.

† These are not service parts and are only available from customer service.

* Specify color.

OVERBED TABLE—P636D (OR NEWER, FROM SN 202104210OBT1001)

2



160922_6_017

Item Number	Part Number	Quantity	Description
1	160600	1	TF base weldment
2	160602	2	40 mm caster, twin wheel, black
3	160603	2	50 mm caster, twin wheel, black
4	160601	1	TF base cover
5	160604	1	Low column weldment
6	163938	1	High column assembly
7	160655	6	Column rivet
8	160654	2	M5 x 10 flat head screw
9	160656	3	M4 x 10 phillips head screw
10	160605	1	Low column tube, P636A
	163662	1	Low column tube, P636B or newer
11	160607	1	Column top support plate
12	179290	1	Kit, 110N gas spring replacement
13	160644	6	M8 x 16 hex screw
14	160645	6	M6 x 8 hex screw
15	160642	4	3/16 x 3/4 phillips head screw
16	160627	1	Main table base assembly
17	160628	1	Upper cup holder cap assembly
18	160629	1	Upper column cap assembly
19	160620	1	Top frame weldment
20	160624	1	Handle machine weldment
21	160626	2	Plate, handle attachment
22	160652	4	M5 x 10 hex screw
23	160646	10	M5 x 10 phillips head screw
24	160649	4	30 x 15 tube cap
25	160621	2	Slide detent
26	160623	2	Slide detent spring
27	160622	2	Release handle
28	160630	4	Table top slide
29	160647	8	M5 X 16 hex screw
30	160625	2	Slide top bracket Z type
31	169403V*	1	Thermofoil top assembly
32	169404V*	1	Thermofoil food service tray
33	P637A†	1	Mirror module, light neutral
34	160657	3	Hill-Rom label, column
35	210021	1	Light neutral label, mirror module
36	163945	10	M5 x 8.8 phillips head screw

Item Number	Part Number	Quantity	Description
37	163946	8	M5 x 8.5 phillips head screw
38	163947	2	1/8 x 1/2 phillips head screw
39	163948	1	Slide detent spring, RH, black
40	163978	1	Washer
41	179285	1	M10 x 1.5 nut
42	159359	1	M8 x 1.25 nut
43	163981	10	M8 x 1.25 shoulder nut
44	163984	2	Cap. base cover, non-fixed caregiver and no caregiver
45	23202	8	10-32 x 5/16 phillips head screw, thermofoil top
46	210580V*	1	Thermofoil top assembly, two color
47	210581V*	1	Thermofoil food service tray, two color
48	202740	2	Washer, nylon spacer
49	163984	2	Cap, base cover, non-fixed caregiver and no caregiver
Not shown	Reference only ^a	1	Wipes dispenser

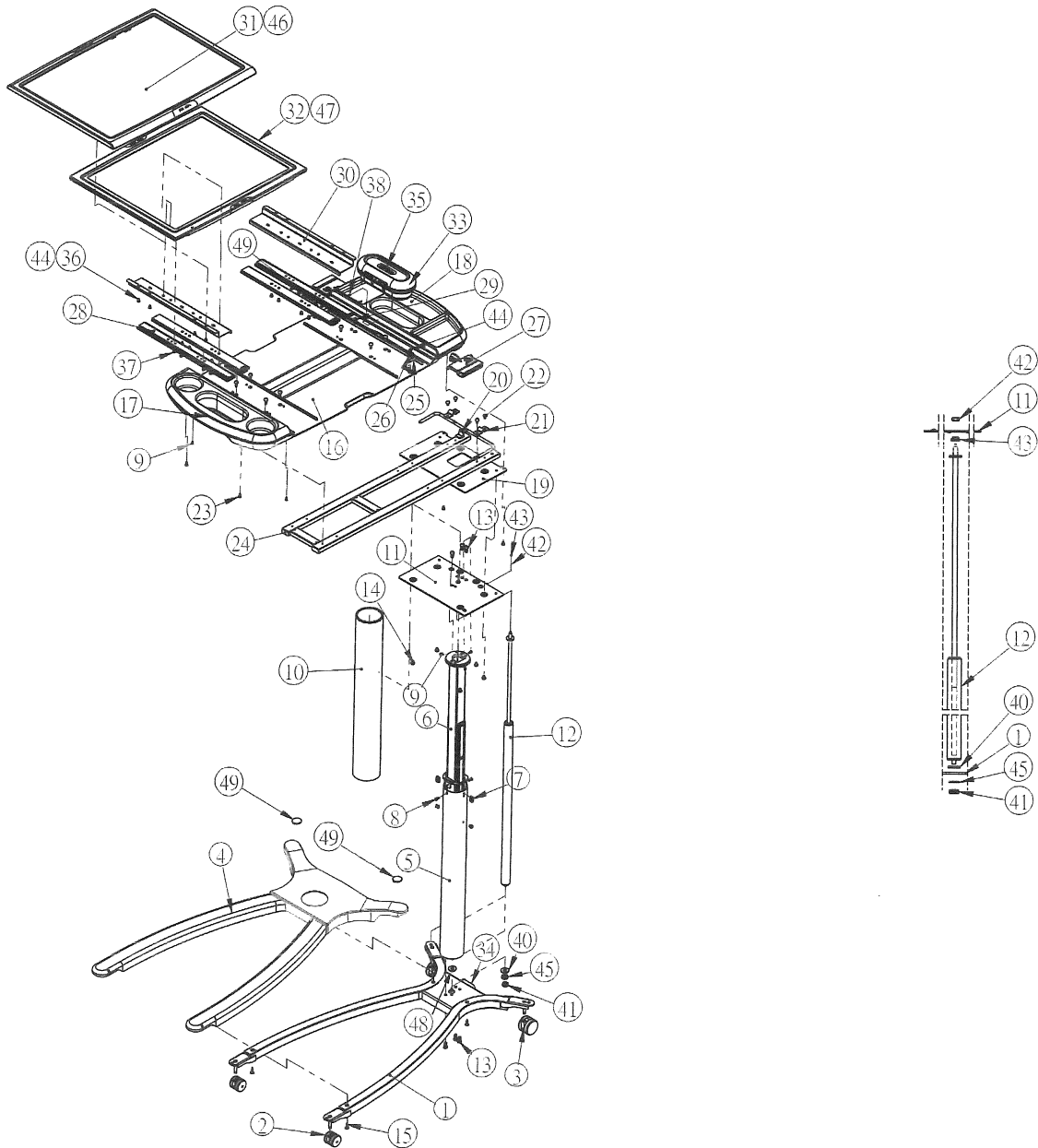
a. Not sold by Hill-Rom. Contact your Purell® Products distributor.

† These are not service parts and are only available from customer service.

* Specify color.



OVERBED TABLE—P636B (OR NEWER, LOW BASE FROM SN 20210421OBT1001)



160922_6_018

Item Number	Part Number	Quantity	Description
1	194348	1	TF base weldment, low base
2	194377	2	31 mm caster, twin wheel, black
3	160602	2	40 mm caster, twin wheel, black
4	210579	1	TF base cover, low base
5	160604	1	Low column weldment
6	163938	1	High column assembly
7	160655	6	Column rivet
8	160654	2	M5 x 10 flat head screw
9	160656	3	M4 x 10 phillips head screw
10	160605	1	Low column tube, P636A
	163662	1	Low column tube, P636B or newer
11	160607	1	Column top support plate
12	179290	1	Kit, 110N gas spring replacement
13	160644	6	M8 x 16 hex screw
14	160645	6	M6 x 8 hex screw
15	160642	4	3/16 x 3/4 phillips head screw
16	160627	1	Main table base assembly
17	160628	1	Upper cup holder cap assembly
18	160629	1	Upper column cap assembly
19	160620	1	Top frame weldment
20	160624	1	Handle machine weldment
21	160626	2	Plate, handle attachment
22	160652	4	M5 x 10 hex screw
23	160646	10	M5 x 10 phillips head screw
24	160649	4	30 x 15 tube cap
25	160621	2	Slide detent
26	160623	2	Slide detent spring
27	160622	2	Release handle
28	160630	4	Table top slide
29	160647	8	M5 X 16 hex screw
30	160625	2	Slide top bracket Z type
31	169403V*	1	Thermofoil top assembly
32	169404V*	1	Thermofoil food service tray
33	P637A†	1	Mirror module, light neutral
34	160657	3	Hill-Rom label, column
35	210021	1	Light neutral label, mirror module

Item Number	Part Number	Quantity	Description
36	163945	10	M5 x 8.8 phillips head screw
37	163946	8	M5 x 8.5 phillips head screw
38	163947	2	1/8 x 1/2 phillips head screw
39	163948	1	Slide detent spring, RH, black
40	163978	1	Washer
41	179285	1	M10 x 1.5 nut
42	159359	1	M8 x 1.25 nut
43	163981	10	M8 x 1.25 shoulder nut
44	163984	2	Cap, base cover, non-fixed caregiver and no caregiver
45	23202	8	10-32 x 5/16 phillips head screw, thermofoil top
46	210580V*	1	Thermofoil top assembly - two color
47	210581V*	1	Thermofoil food service tray - two color
48	217057	2	Washer, nylon spacer
Not shown	Reference only ^o	1	Wipes dispenser

a. Not sold by Hill-Rom. Contact your Purell® Products distributor.

† These are not service parts and are only available from customer service.

* Specify color.



Hillrom™