

stryker[®]
Medical

LY1105/3300-000-105

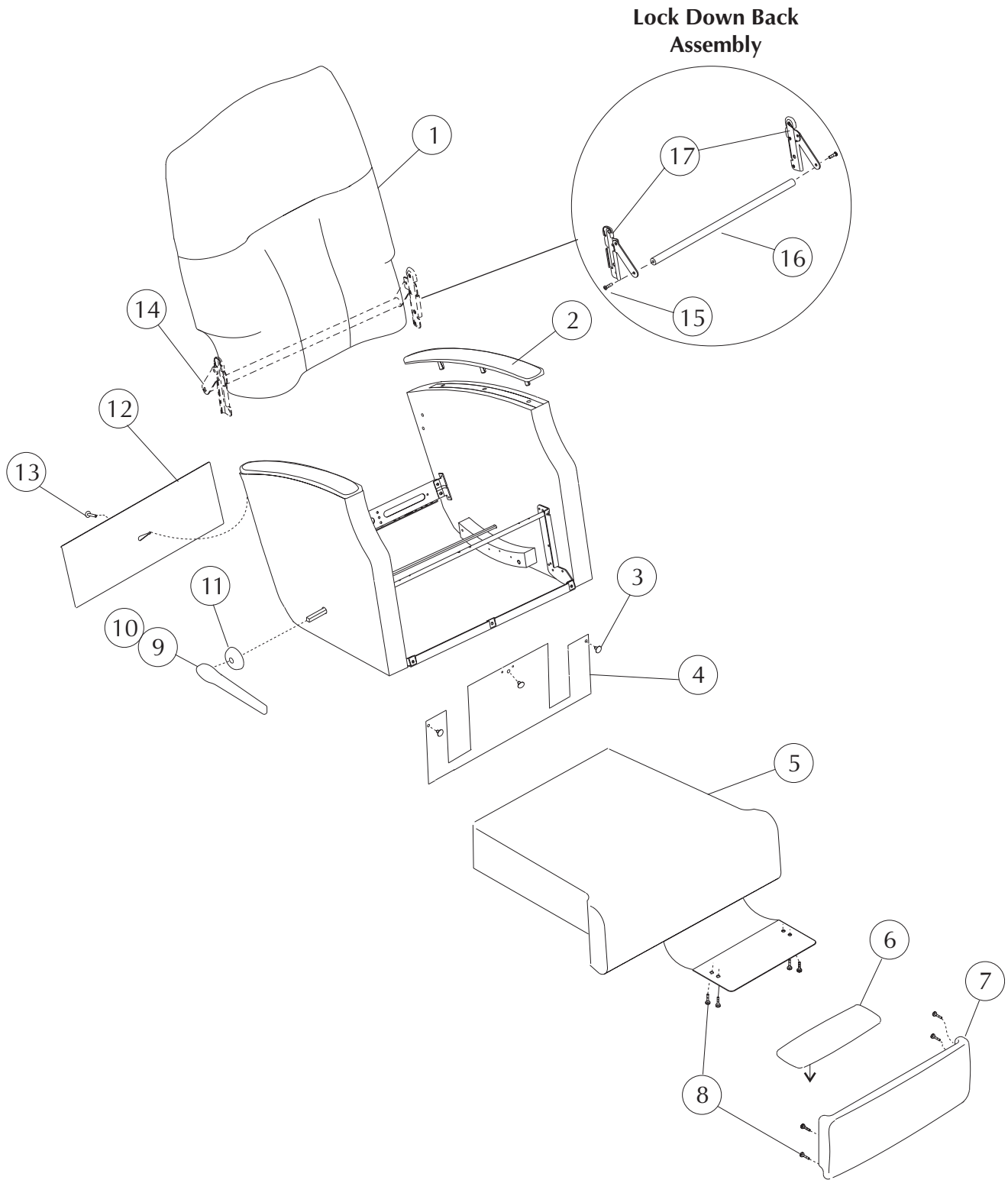
Operations/Maintenance Manual

For Parts or Technical Assistance
800-327-0770

LY1105/3300-000-105

Contents

Style LY1105/ 3300-000-105	2-3
Drive Rod Assembly (before 1/05/04)	4-5
Drive Rod Assembly (after 1/05/04)	6-7
Support Shaft Assembly	8-9
Support Shaft/Drive Rod Assembly (before 1/05/04)	10-11
Support Shaft/Drive Rod Assembly (after 1/05/04)	12-13
Seat Mechanism	14-15
Mechanism Assembly	16-17
Specifications	18
General Information	19
Lock Down Back Assembly Instructions	



STYLE LY1105/3300-000-105 = RECLINA-ROCKER RECLINER

STRYKER MEDICAL HEALTHCARE SERIES

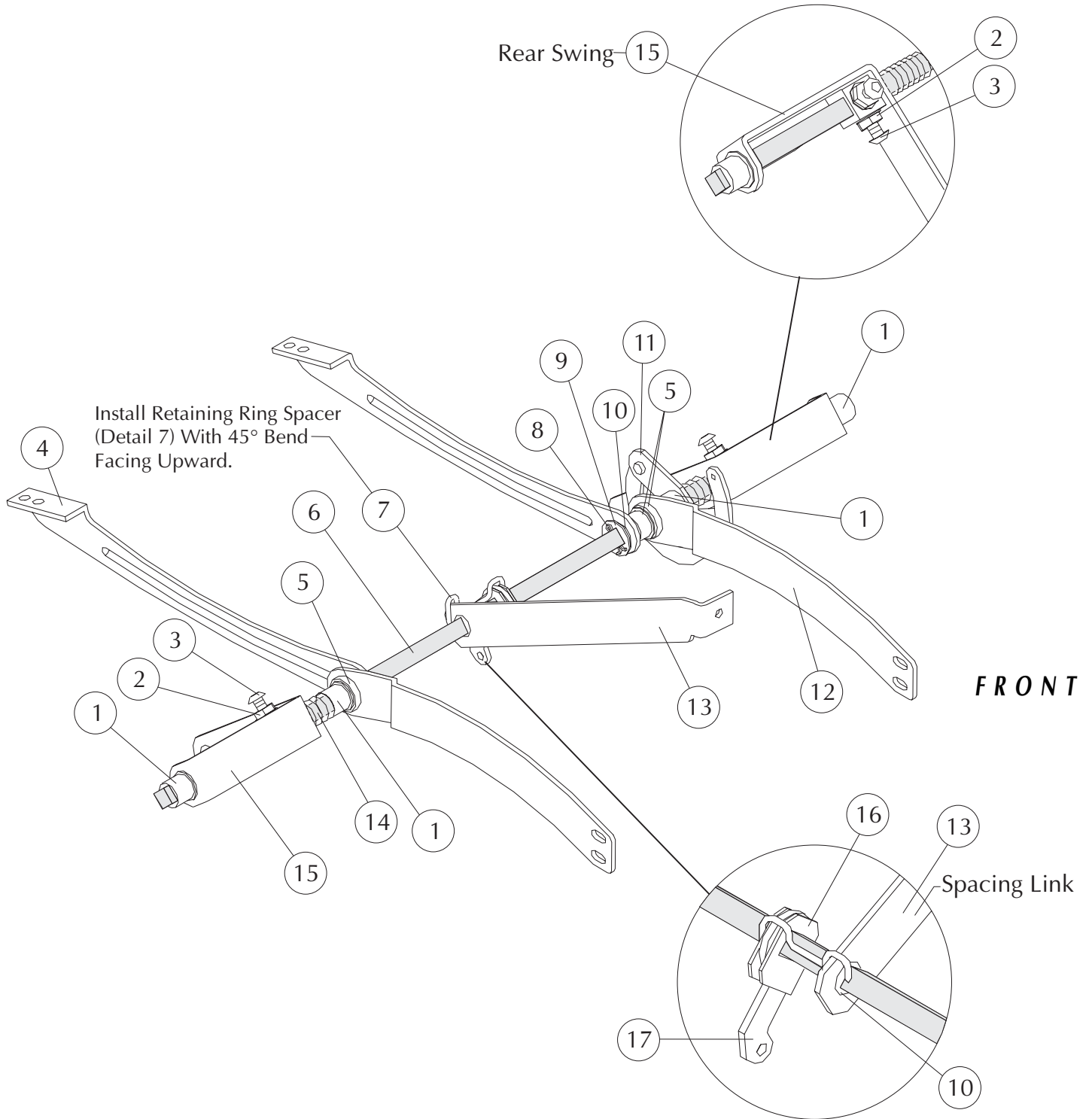
Note: When replacing parts, specify style and acknowledgment numbers.

DETAIL#	SYK PN	LZB PN	DESCRIPTION	QUANTITY
1	3309-042-404	11990424-04**	Back Upholstered plus 2 yd cover required	1
2	3309-774-201	11990742-01L*	Top Arm Finished (Standard)	1
	3309-974-201	11990742-01R*	Top Arm Finished (Standard)	1
	3309-774-301	11990743-01L**	Top Arm Upholstered plus 1 yd cover required (Option)	1
	3309-974-301	11990743-01R**	Top Arm Upholstered plus 1 yd cover required (Option)	1
3	3300-028-701	95000287-01	X-mas Tree Fastener, black	3
4	3308-002-316	10980023-16**	Front Skirt Sewn	1
5	3309-137-804	11991378-04**	Seat Upholstered plus 2 yd cover required	1
6	3309-000-601	94990006-01**	Mid Ottoman upholstered	1
7	3309-042-901	11990429-01**	Legrest Upholstered plus 1 yd cover required	1
8	3300-001-702	96000017-02	10-24 x 3/4" Torx Pan Head Screw	8
9	3309-000-103	95990001-03*	Handle Finished, right (standard)	1
	3309-000-104	95990001-04*	Handle Finished, left (only w/dual comfort selector option)	1
	3309-900-102	95990001-02R*	Long Handle Finished, right (option)	1
	3309-700-102	95990001-02L*	Long Handle Finished, left (only w/dual comfort selector option)	1
10	3300-036-200	96000362-00	3/8-16 x 1/2" Set Screw (standard)	1
	3300-036-200	96000362-00	3/8-16 x 1/2" Set Screw (dual comfort selector option)	2
11	3309-001-600	95990016-00*	Escutcheon Finished (standard)	1
	3309-001-600	95990016-00*	Escutcheon Finished (dual comfort selector option)	2
12	3308-000-328	10980003-28**	Tailgate Sewn	1
13	3300-040-900	95000409-00	X-mas Tree Fastener, black	1
14	3307-001-303	KIT70013-03	Lock Down Back Assembly Kit, Standard	1
15	3300-001-301	96000013-01	1/4-20 x 3/4" Torx Flat head screw (pt. of det. #14)	2
16	3300-048-800	62000488-00	Lock Bar, Standard, (pt. of det. #14)	1
17	3307-907-900	92970079-00R	Back Lock Subassembly, Standard, (pt. of det. #14)	1
	3307-707-900	92970079-00L	Back Lock Subassembly, Standard, (pt. of det. #14)	1
	3303-000-501	94000005-01	Black Elastic Straps (not shown) (pt. of det. #14)	2

* Indicate finish or color when ordering
 ** Indicate fabric cover number when ordering

DRIVE ROD ASSEMBLY

FOR STYLES PRODUCED BEFORE 1/05/04



STYLE LY1105/3300-000-105 = RECLINA-ROCKER RECLINER

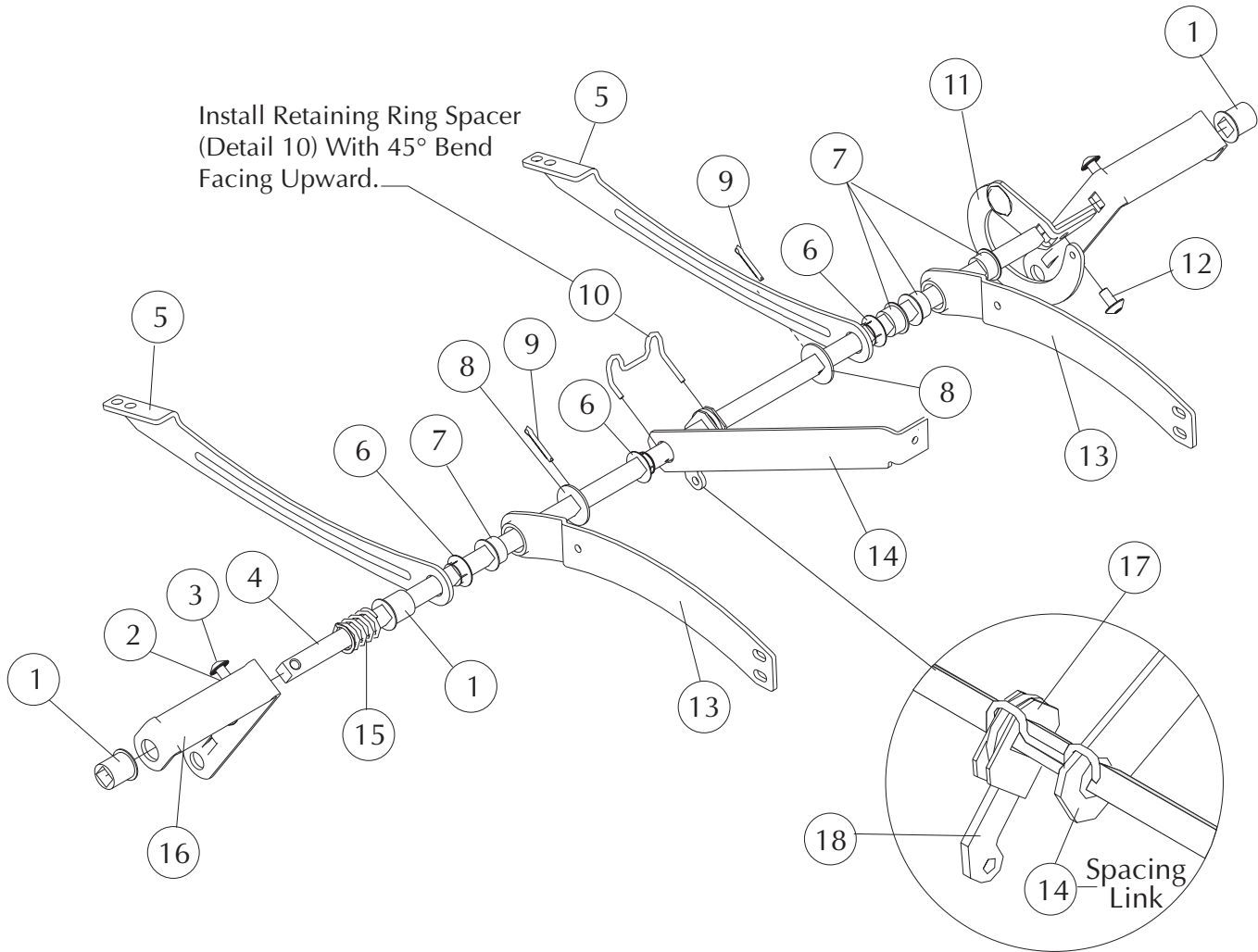
STRYKER MEDICAL HEALTHCARE SERIES
 DRIVE ROD ASSEMBLY
 FOR STYLES PRODUCED BEFORE 1/05/04

Note: When replacing parts, specify style and acknowledgment numbers.

DETAIL#	SYK PN	LZB PN	DESCRIPTION	QUANTITY
1	3300-012-300	95000123-00	25/32" Bearing, large	4
2	3300-031-900	96000319-00	1/4-20 Flange Nut	4
3	3300-007-607	96000076-07	1/4-20 x 3/4" Serrated Truss Head Screw	4
4	3300-027-800	72000278-00	Drive Shaft Support Rear	2
5	3300-000-200	35000002-00	Bearing, small	3
6	3300-022-401	12000224-01	Drive Rod (standard)	1
	3300-022-403	12000224-03	Drive Rod (dual handle option)	1
7	3300-916-700	12000167-00R	Retaining Ring Spacer (bend end of spacer upward)	1
8	3300-004-102	96000041-02	Cotter Pin	2
9	3300-012-500	95000125-00	Washer - drive rod	1
10	3300-105-800	15001058-00	Nylon Bearing	3
11	3307-004-600	42970046-00	Toggle Subassembly	1
12	3300-026-900	72000269-00	Drive Shaft Support	2
13	3300-914-700	12000147-00R	Spacing Link	1
14	3300-016-500	92000165-00	Spring - drive rod	2
15	3307-029-100	12970291-00	Rear Swing Subassembly	2
16	3300-014-400	12000144-00	Trip Lever	1
17	3300-015-500	12000155-00	Swivel Lever	1

DRIVE ROD ASSEMBLY

FOR STYLES PRODUCED AFTER 1/05/04



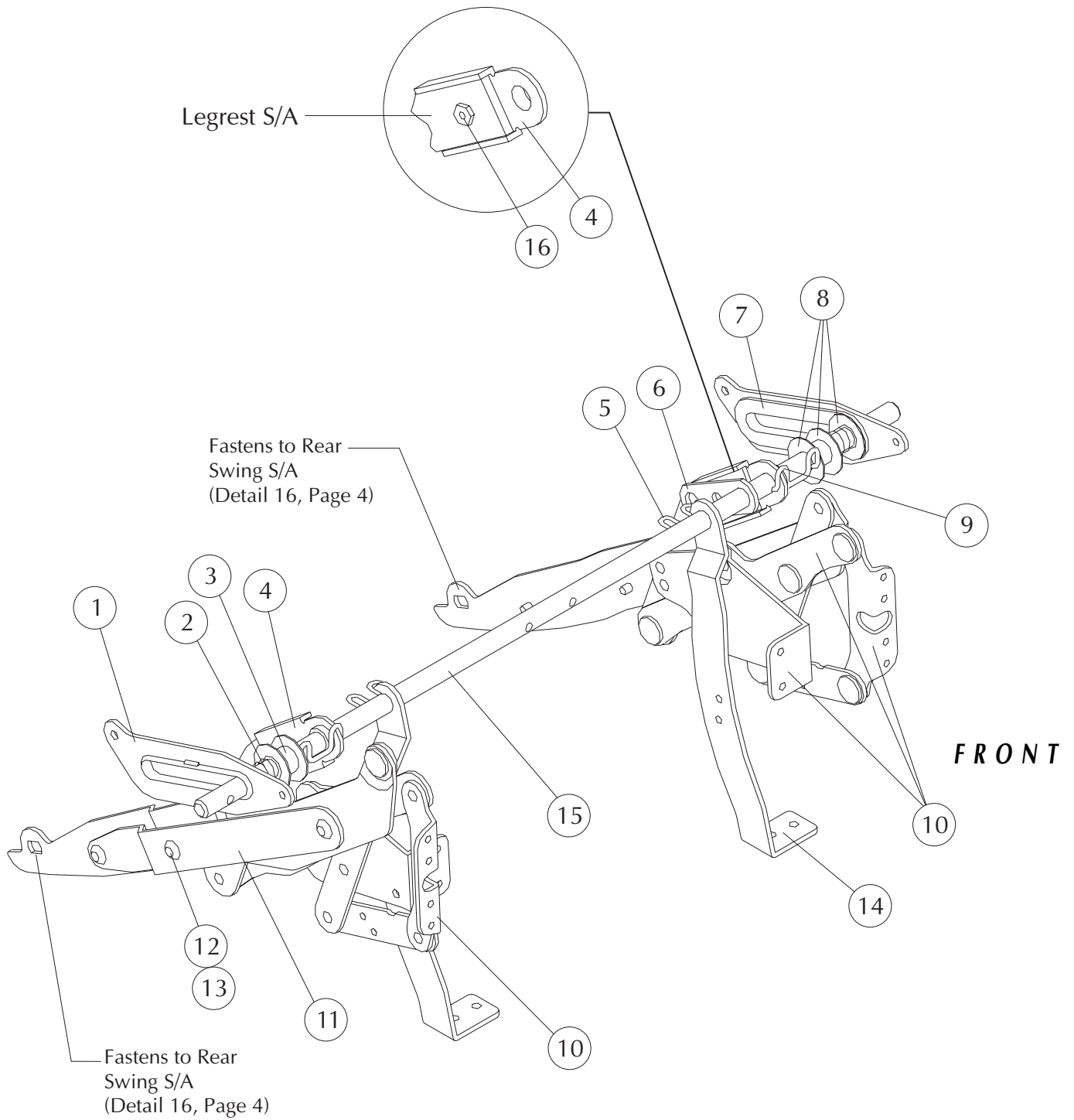
STYLE LY1105/3300-000-105 = RECLINA-ROCKER RECLINER

**STRYKER MEDICAL HEALTHCARE SERIES
FOR STYLES PRODUCED AFTER 1/05/04**

Note: When replacing parts, specify style and acknowledgment numbers.

DETAIL#	SYK PN	LZB PN	DESCRIPTION	QUANTITY
1	3300-012-300	95000123-00	25/32" Bearing, large	3
2	3300-031-900	96000319-00	1/4-20 Flange Nut	4
3	3300-007-607	96000076-07	1/4-20 x 3/4" Serrated Truss Head Screw	4
4	3300-064-401	62000644-01	Drive Rod (standard)	1
	3300-064-403	62000644-03	Drive Rod (dual handle option)	1
5	3300-027-800	72000278-00	Drive Shaft Support Rear	2
6	3300-105-800	15001058-00	Nylon Bearing	3
7	3300-000-200	35000002-00	Bearing, small	4
8	3300-012-500	95000125-00	Washer - drive rod	2
9	3300-004-102	96000041-02	Cotter Pin	2
10	3300-916-700	12000167-00R	Retaining Ring Spacer (bend end of spacer upward)	1
11	3307-737-400	12970374-00L	Toggle Link Subassembly	1
12	3300-007-606	96000076-06	1/4-20 x 1/2" Serrated Truss Head Screw	1
13	3300-026-900	72000269-00	Drive Shaft Support	2
14	3300-914-700	12000147-00R	Spacing Link	1
15	3300-016-500	92000165-00	Spring - drive rod	1
16	3307-029-100	12970291-00	Rear Swing Subassembly	2
17	3300-014-400	12000144-00	Trip Lever	1
18	3300-015-500	12000155-00	Swivel Lever	1

SUPPORT SHAFT ASSEMBLY



STYLE LY1105/3300-000-105 = RECLINA-ROCKER RECLINER

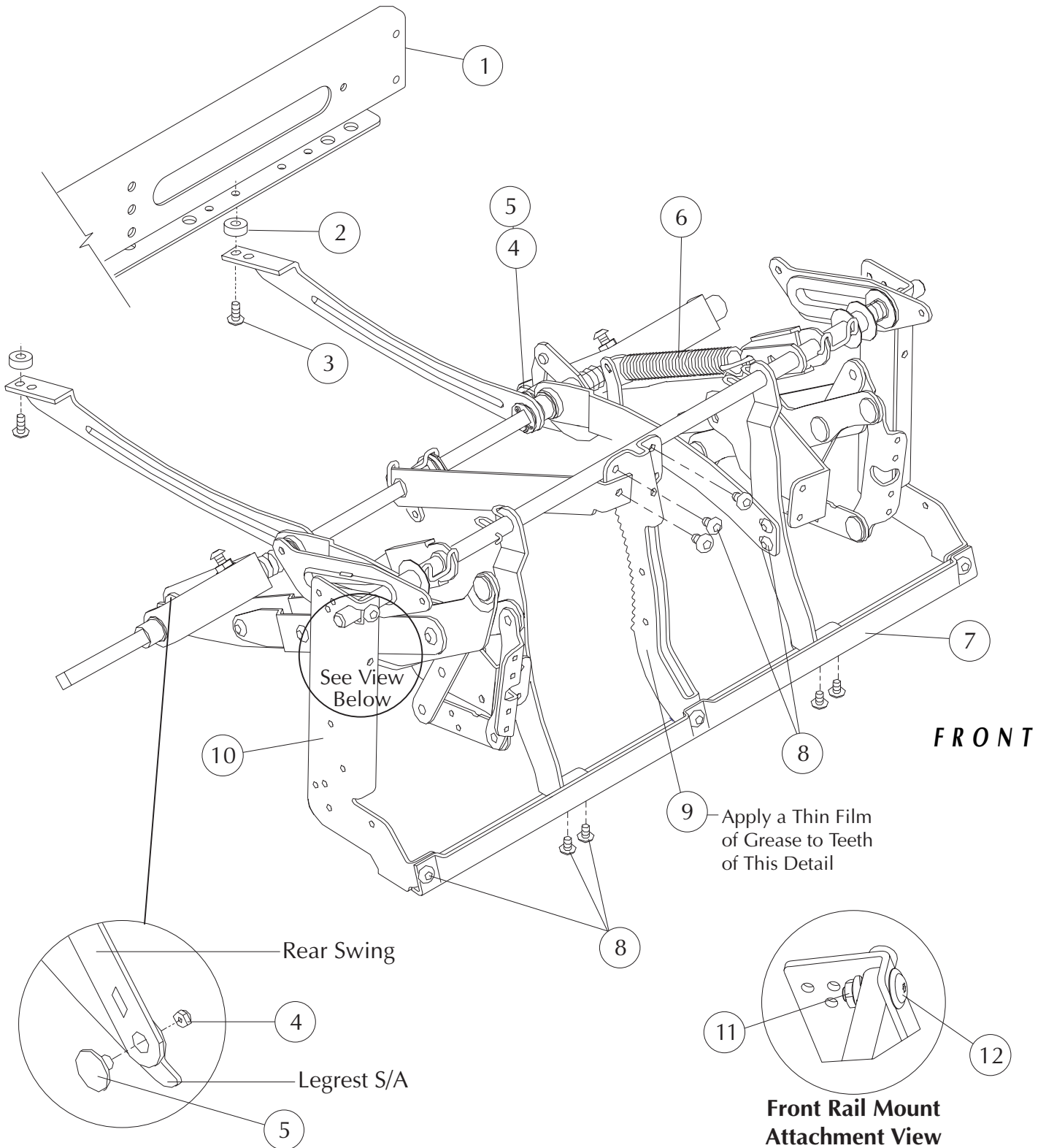
**STRYKER MEDICAL HEALTHCARE SERIES
SUPPORT SHAFT ASSEMBLY**

Note: When replacing parts, specify style and acknowledgment numbers.

DETAIL#	SYK PN	LZB PN	DESCRIPTION	QUANTITY
1	3300-020-700	12000207-00	Slide Insert Attachment	2
2	3300-018-600	92000186-00	Spring	2
3	3300-004-000	15000040-00	Spacer - round rod	2
4	3300-023-001	12000230-01	Legrest Swing Bracket	2
5	3300-004-700	42000047-00	Retaining Spacer	2
6	3300-013-400	42000134-00	Spring Connection Link (end date 01/05/04)	1
7	3300-003-100	15000031-00	Slide Insert	2
8	3300-035-001	96000350-01	Friction Washer	6
9	3300-015-800	12000158-00	Spacing Clip	2
10	3307-730-100	62970301-00L	Legrest Subassembly	1
	3307-930-100	62970301-00R	Legrest Subassembly	1
11	3300-020-500	12000205-00	L.R. Lever Reinforcement	2
12	3300-006-004	96000060-04	Washer 9/32"	6
13	3300-026-100	96000261-00	1/4-20 x 3/8" Torx Truss Head Screw	6
14	3300-027-000	72000270-00	Front Support Arm	2
15	3300-016-501	12000165-01	Support Shaft	1
16	3300-048-900	96000489-00	1/4-20 x 1/2" Serrated Hex Head Screw	2

SUPPORT SHAFT AND DRIVE ROD ASSEMBLY

FOR STYLES PRODUCED BEFORE 1/05/04



STYLE LY1105/3300-000-105 = RECLINA-ROCKER RECLINER

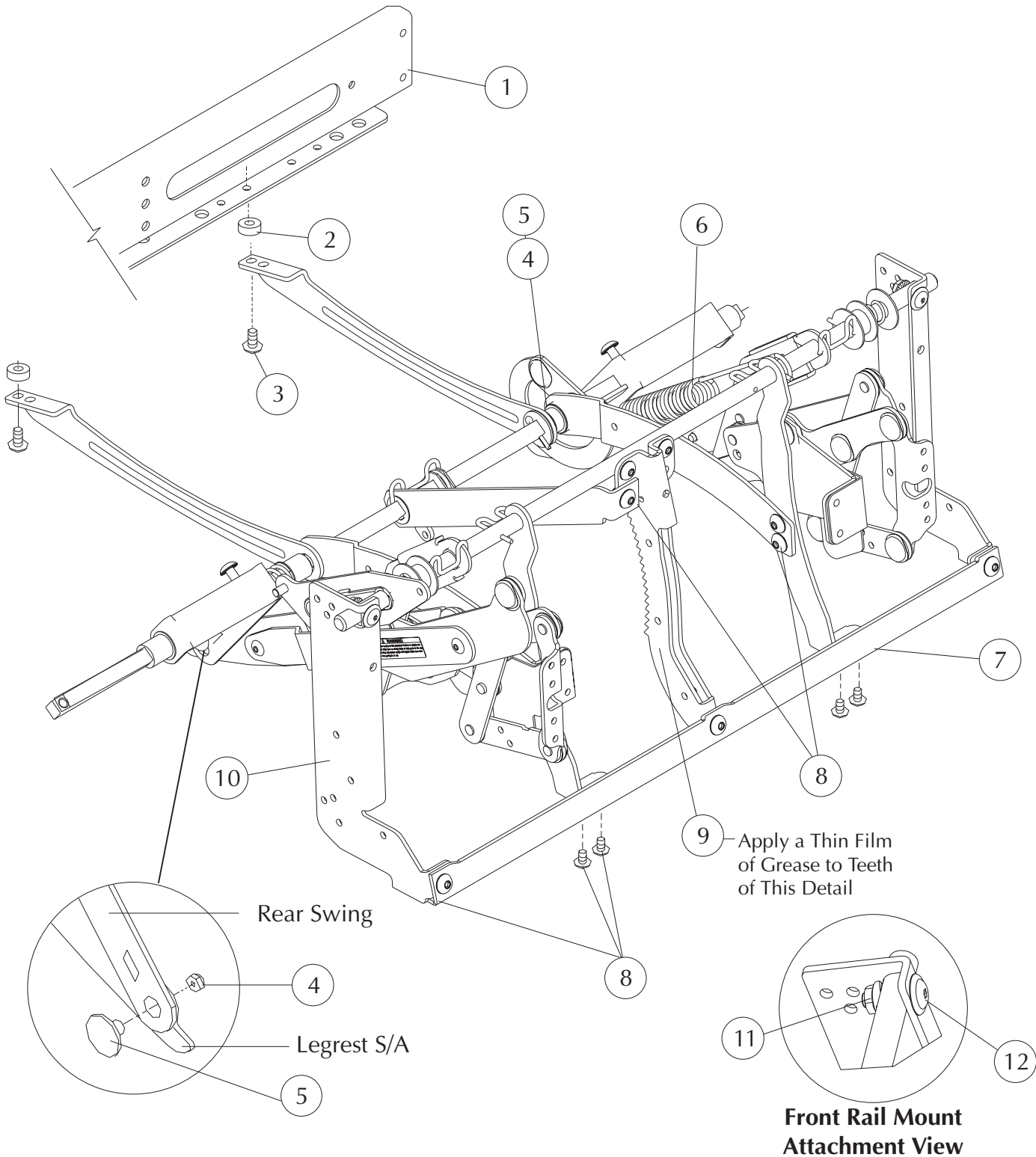
STRYKER MEDICAL HEALTHCARE SERIES
SUPPORT SHAFT AND DRIVE ROD ASSEMBLY
FOR STYLES PRODUCED BEFORE 1/05/04

Note: When replacing parts, specify style and acknowledgment numbers.

DETAIL#	SYK PN	LZB PN	DESCRIPTION	QUANTITY
1	3307-034-401	12970344-01	Metal Rear Rail Subassembly	1
2	3300-046-803	96000468-03	Spacer	2
3	3300-007-604	96000076-04	1/4-20 x 1" Serrated Truss Head Screw	2
4	3300-028-000	96000280-00	5/16-24 Lock Nut	2
5	3300-005-401	16000054-01	5/16-24 x 5/8" Shoulder Bolt	2
6	3300-068-700	92000687-00	Extension spring (blue)	1
7	3308-000-101	12180001-01	Front Rail	1
8	3300-007-606	96000076-06	1/4-20 x 1/2" Serrated Truss Head Screw	14
9	3300-022-600	12000226-00	Pawl Rack	1
10	3307-700-200	12170002-00L	Front Rail Mounting Bracket - Modified	1
	3307-900-200	12170002-00R	Front Rail Mounting Bracket - Modified	1
11	3300-031-900	96000319-00	1/4-20 Flange Nut	2
12	3300-039-800	96000398-00	1/4-20 x 15/16" Torx Truss Head Screw (washer head)	2

SUPPORT SHAFT AND DRIVE ROD ASSEMBLY

FOR STYLES PRODUCED AFTER 1/05/04



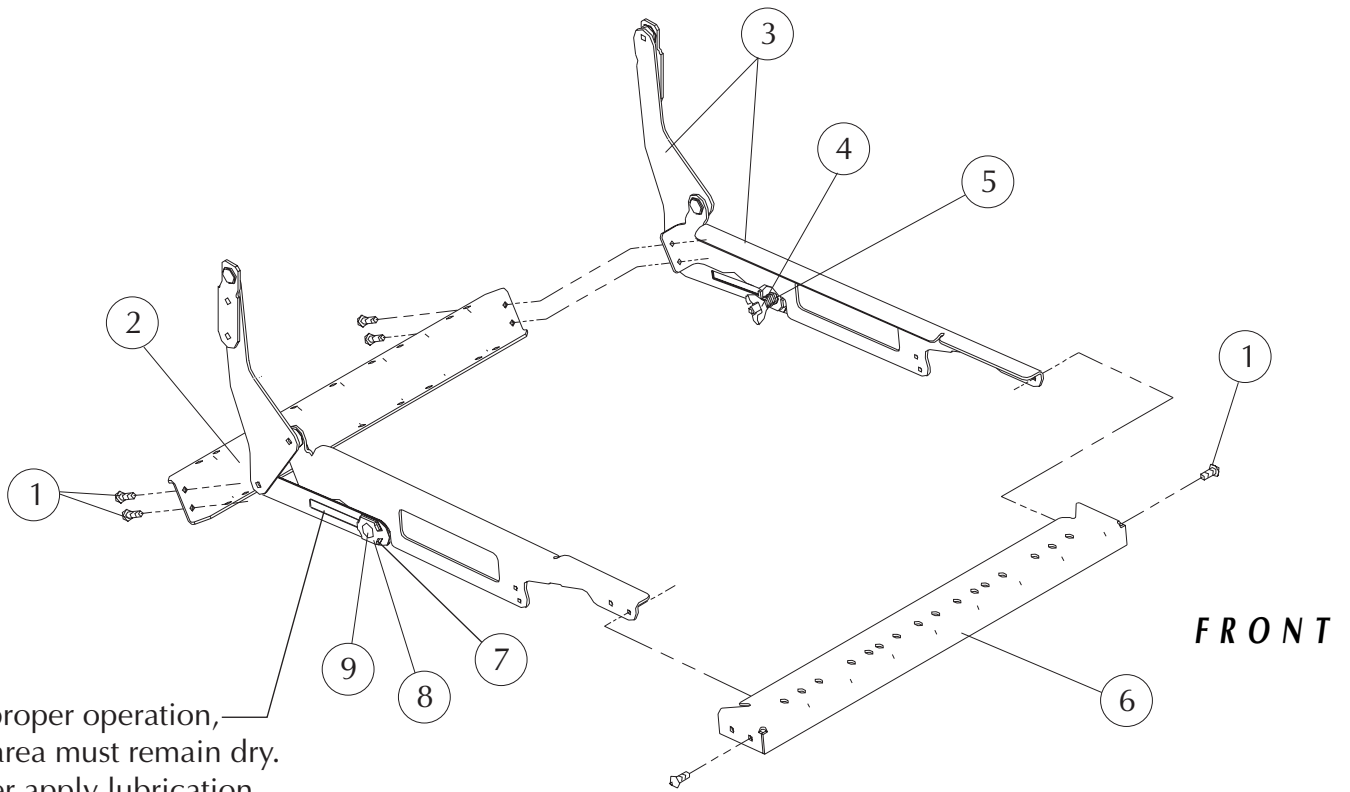
STYLE LY1105/3300-000-105 = RECLINA-ROCKER RECLINER

**STRYKER MEDICAL HEALTHCARE SERIES
FOR STYLES PRODUCED AFTER 1/05/04**

Note: When replacing parts, specify style and acknowledgment numbers.

DETAIL#	SYK PN	LZB PN	DESCRIPTION	QUANTITY
1	3307-034-401	12970344-01	Metal Rear Rail Subassembly	1
2	3300-046-803	96000468-03	Spacer	2
3	3300-007-604	96000076-04	1/4-20 x 1" Serrated Truss Head Screw	2
4	3300-028-000	96000280-00	5/16-24 Lock Nut	2
5	3300-005-401	16000054-01	5/16-24 x 5/8" Shoulder Bolt	2
6	3300-069-100	92000691-00	Extension spring	1
7	3308-000-101	12180001-01	Front Rail	1
8	3300-007-606	96000076-06	1/4-20 x 1/2" Serrated Truss Head Screw	14
9	3300-022-600	12000226-00	Pawl Rack	1
10	3307-700-200	12170002-00L	Front Rail Mounting Bracket - Modified	1
	3307-900-200	12170002-00R	Front Rail Mounting Bracket - Modified	1
11	3300-031-900	96000319-00	1/4-20 Flange Nut	2
12	3300-039-800	96000398-00	1/4-20 x 15/16" Torx Truss Head Screw (washer head)	2

SEAT MECHANISM



For proper operation,
this area must remain dry.
Never apply lubrication
to this area.

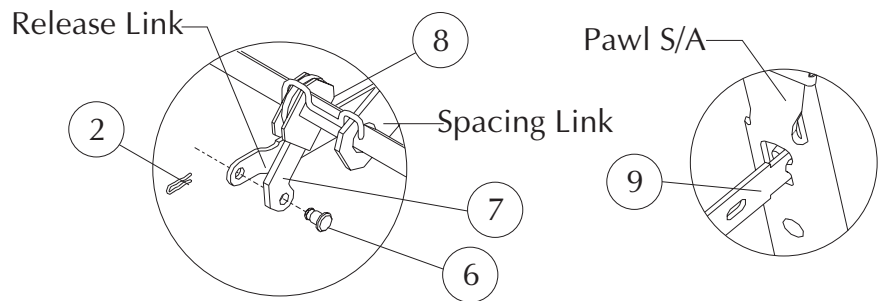
**STRYKER MEDICAL HEALTHCARE SERIES
SEAT MECHANISM**

Note: When replacing parts, specify style and acknowledgment numbers.

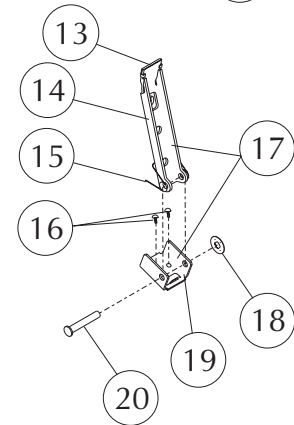
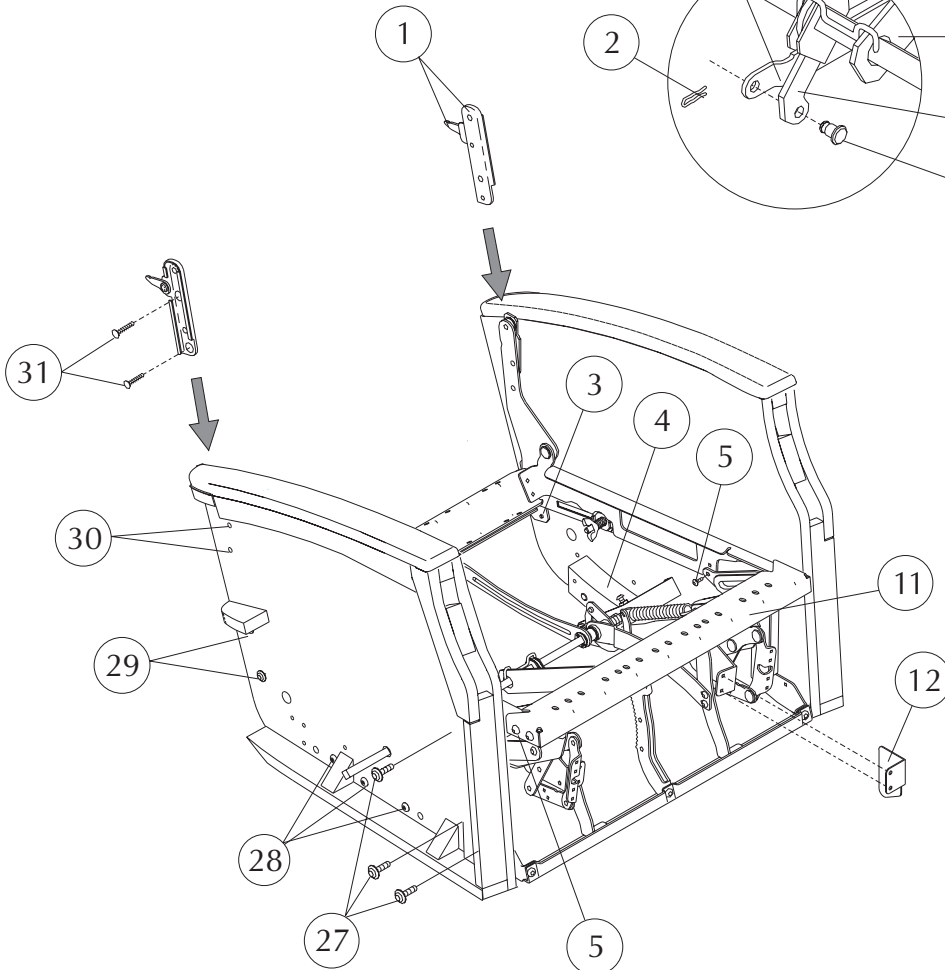
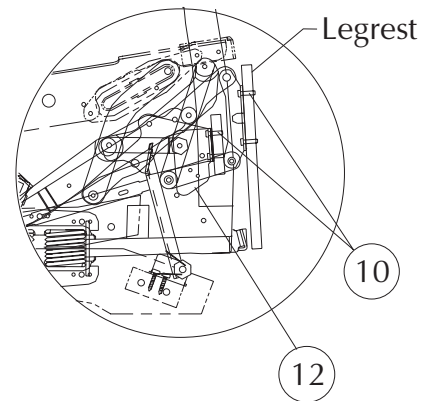
DETAIL#	SYK PN	LZB PN	DESCRIPTION	QUANTITY
1	3300-007-606	96000076-06	1/4-20 x 1/2" Serrated Truss Head Screw	6
2	3302-000-100	12320001-00	Seat Rear Rail	1
3	3307-728-900	12970289-00L	Seat Side Rail Subassembly	1
	3307-928-900	12970289-00R	Seat Side Rail Subassembly	1
4	3300-039-000	96000390-00	Wing Nut (part of detail #3)	2
5	3300-065-400	92000654-00	Compression Spring (part of detail #3)	2
6	3303-000-100	12330001-00	Seat Front Rail	1
7	3300-003-500	16000035-00	Friction Washer (part of detail #3)	6
8	3300-009-600	12000096-00	Spur Washer (part of detail #3)	2
9	3300-001-400	96000014-00	Carriage Bolt (part of detail #3)	2

MECHANISM ASSEMBLY

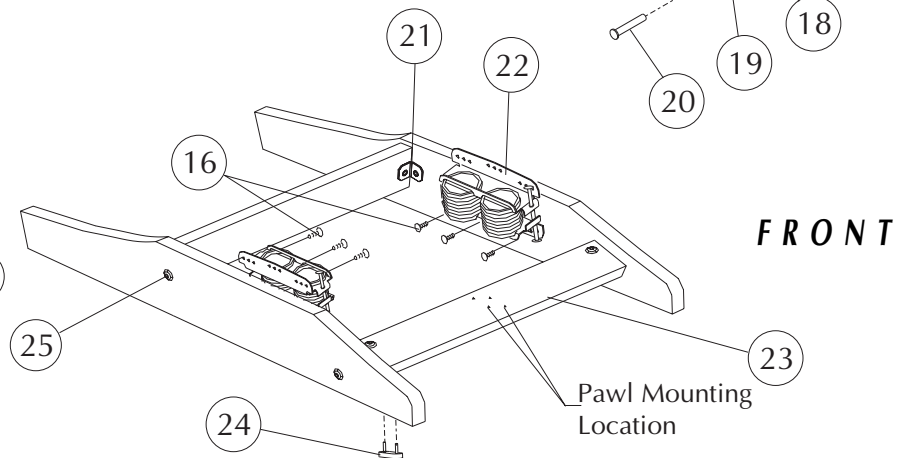
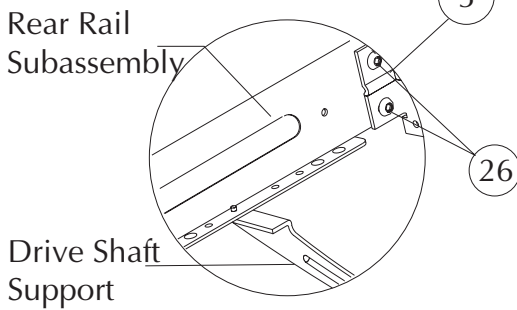
Release Link Attachment Views



Body Side View



Rear Rail View



STYLE LY1105/3300-000-105 = RECLINA-ROCKER RECLINER

**STRYKER MEDICAL HEALTHCARE SERIES
MECHANISM ASSEMBLY**

Note: When replacing parts, specify style and acknowledgment numbers.

DETAIL#	SYK PN	LZB PN	DESCRIPTION	QUANTITY
1	3307-707-000	92970070-00L	Back Bracket Subassembly (end date 10/30/04)	1
	3307-907-000	92970070-00R	Back Bracket Subassembly (end date 10/30/04)	1
2	3300-015-900	22000159-00	Hair Pin Clip	1
3	3300-027-301	12000273-01	Rear Rail Bracket	2
4	3309-700-100	11090001-00L	Rocker Block	1
	3309-900-100	11090001-00R	Rocker Block	1
5	3300-007-606	96000076-06	1/4-20 x 1/2" Serrated Truss Head Screw	6
6	3300-016-100	12000161-00	Connecting Rivet	1
7	3300-015-500	12000155-00	Swivel Lever	1
8	3300-014-400	12000144-00	Trip Lever	1
9	3300-015-300	12000153-00	Release Link	1
10	3300-001-702	96000017-02	10-24 x 3/4" Torx Pan Head Screw	8
11	3308-001-600	12980016-00	Seat mechanism Assembly	1
12	3300-723-800	12000238-00L	Mid-ottoman Guard	1
	3300-923-800	12000238-00R	Mid-ottoman Guard	1
13	3300-025-700	12000257-00	Pawl Cap (part of detail #17)	1
14	3300-015-400	12000154-00	Pawl (part of detail #17)	1
15	3300-014-100	12000141-00	Dual Torsion Spring (part of detail #17)	1
16	3300-000-802	96000008-02	#10-12 x 7/8" Torx Pan Head Screw	14
17	3307-009-900	42970099-00	Pawl Subassembly	1
18	3300-027-101	96000271-01	Speed Nut (part of detail #17)	1
19	3300-016-000	12000160-00	Pawl Bracket (part of detail #17)	1
20	3300-004-105	16000041-05	Clevis Pin (part of detail #17)	1
21	3304-027-000	12000270-00	Corner Bracket (part of detail #23)	4
22	3300-020-800	92000208-00	Rocker Spring with restrictive pin	2
23	3308-055-800	11980558-00	Base Assembly	1
24	3300-047-500	96000475-00	Base Glide (part of detail #23)	4
25	3300-039-802	96000398-02	1/4-20 x 1 1/4" Truss Head Screw (washer head)(part of det. #23)	8
26	3300-048-901	96000489-01	1/4-20 x 13/16" Serrated Hex Head Screw	4
27	3300-039-800	96000398-00	1/4-20 x 15/16" Truss Head Screw (washer head)	6
28	3300-003-306	96000033-06	#10-12 x 1 1/4" Torx Truss Head Screw	6
29	3300-039-801	96000398-01	1/4-20 x 11/16" Truss Head Screw (washer head)	4
30	3300-001-302	96000013-02	1/4-20 x 1" torx Flat Head Screw	4
31	3300-001-303	96000013-03	1/4-20 x 1 1/4" Torx Flat Head Screw (end date 10/30/04)	4

* Indicate finish or color when ordering.

Style LY1105/3300-000-105 Reclina-Rocker[®] Recliner

Dimensions:	Back Height from Floor	45.00"
	Back Height from Seat	30.00"
	Seat Width	22.00"
	Seat Height	16.88"
	Seat Depth	19.75"
	Arm Height from Floor	24.25"
	Overall Width	29.00"
	Overall Depth	33.75"
	Reclined Depth	54.00"
	Reclined Depth, legrest extended	68.50"
	Maximum Recline Angle	180° (parallel to floor)
	Weight	95 lbs.
Finish:	Type of Finish	High Solids Catalyzed Lacquer
	Available Colors	150 Hard Rock Maple 051 Natural 154 Fine Oak 431 Dark Cherry 151 Port Maple 143 White Blush 152 Wild Cherry 435 Classic Cherry 447 Cayenne Maple 448 Honey Maple 449 Select Cherry
Frame Construction:	Frame Material	Furniture grade plywood
	Frame Construction	Steel channel cross members
	Arm Cap Attachment	Arm attached to body with spring steel compression dowels
Seat Construction:	Frame Material	Steel channel frame
	Suspension	Sinuous wire springs, crossbrace wire and composition pad
	Foam Type	High resilient (HR) polyurethane foam MFG-8-33, 33 lb ILD, 2.50-2.70 density
Back Construction:	Frame Material	Hardwood
	Frame Construction	Double doweled and glued
	Suspension	Sinuous wire springs
	Foam Type	High resilient (HR) polyurethane foam MFG-8-20, 20 lb ILD, 2.25-2.45 density
Upholstery Details:	Patterns Available	Fabric, vinyl, C.O.M.
Test Data:	Fabric Tests	Consult specific fabric card
	BIFMA Tests	Meets ANSI/BIFMA X5.4 - 1990 American National Standard for Office Furnishings -Lounge Seating. Tests conducted in La-Z-Boy's accredited test facility.
	Flammability Tests	Meets BIFMA First Generation Voluntary Upholstered Furniture Flammability Standard for Business and Institutional Markets, F1-1978-revised 1980. California Bureau of Home Furnishings - Technical Bulletin 117. Meets Flammability Requirements of California Bureau of Home Furnishings Technical Bulletin 133 when ordered with La-Z-Boy Code Red Fabrics and Vinyl's. Consult a Stryker Customer Service Representative at 1-800-STRYKER for further information. Upholstered Furniture Action Council Class 1.

GENERAL INFORMATION

Three Piece Rear Rail:

Four Hex Head Screws are used to attach the Metal Rear Rail to the Rear Rail Brackets. The screws are installed in a counterclockwise direction starting with the upper slot in the left (when sitting). Do not tighten this screw completely until the other three screws are installed and fastened firmly. The upper right, lower right and lower left screws are tightened when they are installed.

Legrest Subassembly:

When a complete Legrest Subassembly is being replaced it is necessary to order:

- Legrest S/A (62970301-00L/R)
- L.R. Lever Reinforcement (12000205-00)
- Washer (96000060-04)
- 1/4-20 Truss Head Screws (96000261-00)

Refer to page 7 for quantities needed.

Lock Down Back Service Kit

KIT70013-03/3307-001-303 includes:

<u>QTY</u>	<u>SYK PN</u>	<u>LZB PN</u>	<u>DESCRIPTION</u>
(1)	3307-707-900	92970079-00L	Back Latch Bracket Assembly
(1)	3307-907-900	92970079-00R	Back Latch Bracket Assembly
(1)	3300-048-800	62000488-00	Lock Bar
(4)	3300-001-301	96000013-01	1/4-20 x 3/4" Torx Flat Head Screws
(2)	3300-000-501	94000005-01	Black Strap
(1)	3300-061-501	63000615-01	Assembly Instructions