

stryker[®]
Medical

LY1400/3300-000-400 Series

Operations/Maintenance Manual

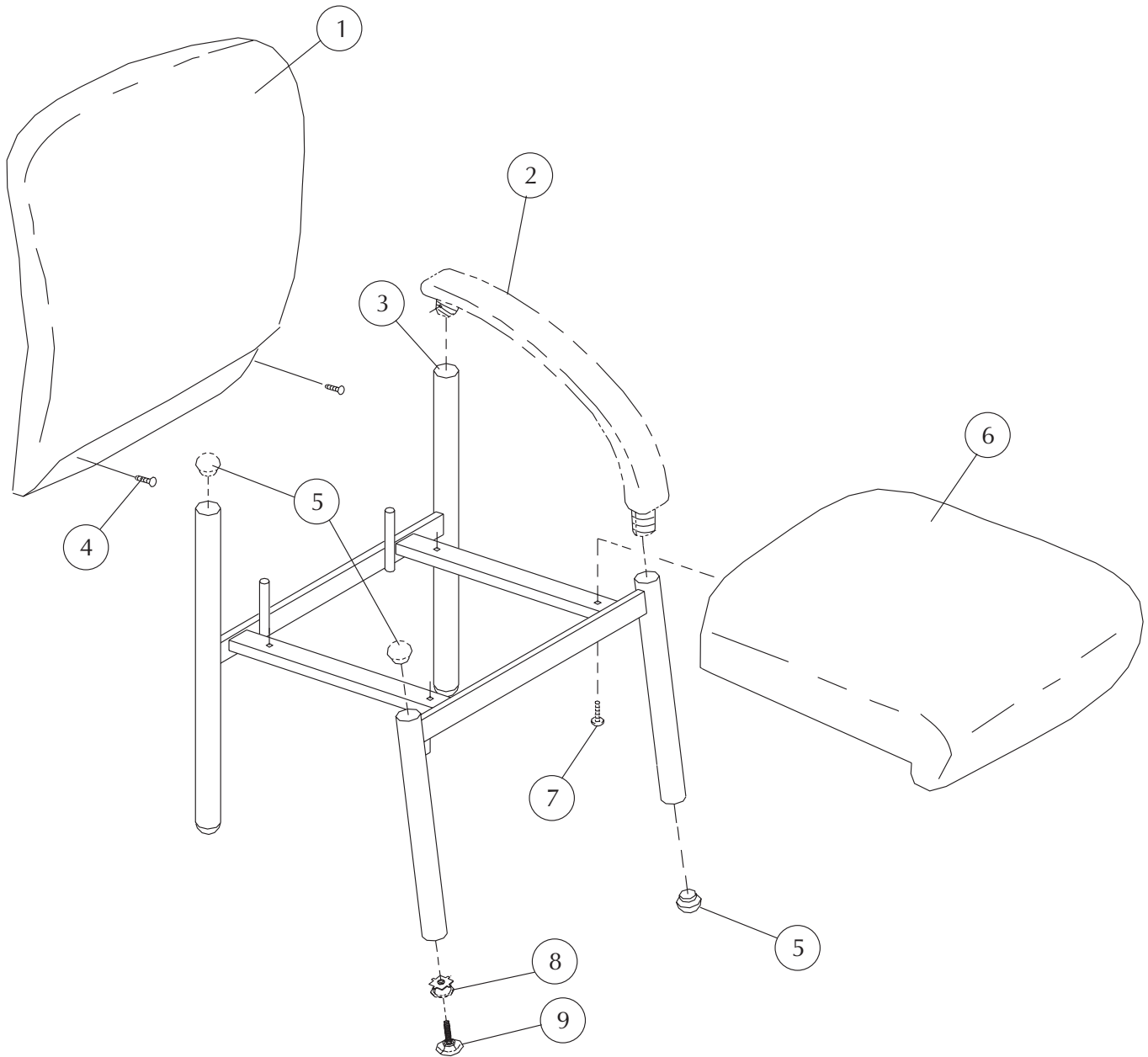
For Parts or Technical Assistance
800-327-0770

LY1400/3300-000-400 Series

Table of Contents

Styles LY1400/3300-000-400 LY1401/3300-000-401 LY1402L/3300-000-402 LY1403R/ 3300-000-403 (after 07/03)	2-3
Styles listed above (before 07/03)	4-5
Style LY93286/3300-000-406	6-7
Style LY93287/3300-000-407	8-9
Style LY93288/3300-000-408	10-11
Assembly Instructions Replacement of Seat/Back	12
Assembly Instructions LY93286/3300-000-406	13
Assembly Instructions LY93287/3300-000-407	14-15
Assembly Instructions LY93288/3300-000-408	16
Specification LY1400/3300-000-400	17
Specification LY1401/3300-000-401	18
Specification LY1402L/3300-000-402 & LY1403R/ 3300-000-403	19
Specification LY93286/3300-000-406	20
Specification LY93287/3300-000-407	21
Specification LY93288/3300-000-408	22
Assembly Instructions <i>Back Installation</i> (after 07/03)	

FOR STYLES PRODUCED AFTER 07/07/03



STYLE LY1400/3300-000-400 = GUEST CHAIR
LY1401/3300-000-401 = GUEST CHAIR WITHOUT ARMS
LY1402L/3300-000-402 = GUEST CHAIR WITH LEFT ARM
LY1403R/3300-000-403 = GUEST CHAIR WITH RIGHT ARM

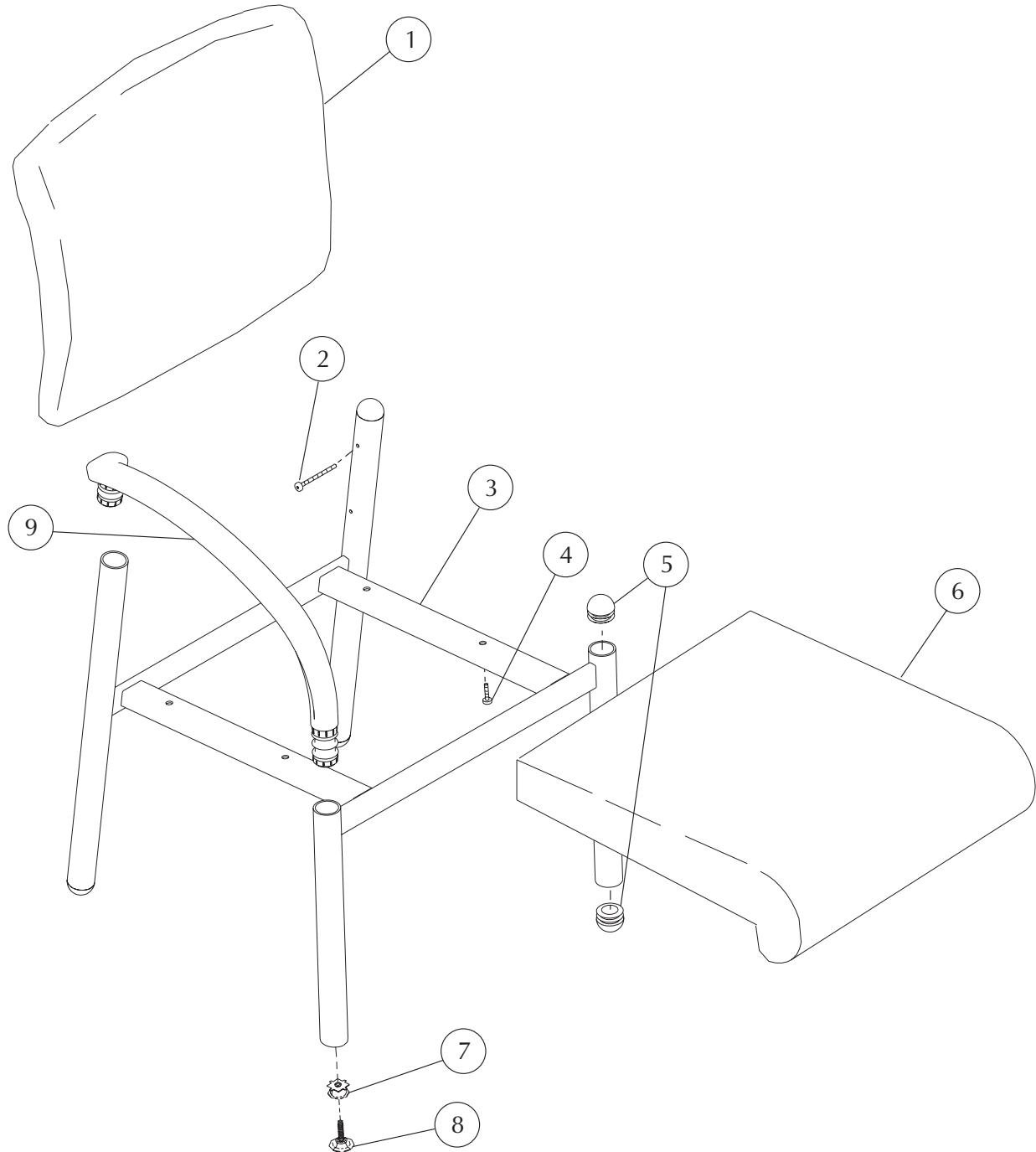
STRYKER MEDICAL HEALTHCARE SERIES

Note: When replacing parts, specify style and acknowledgment numbers.

DETAIL#	SYK PN	LZB PN	DESCRIPTION	QUANTITY
Note: Components in this section are used on all the styles.				
1	3309-023-700	64990237-00**	Back Upholstered plus 1 yd. cover required	1
3	3307-038-300	62970383-00	Leg Frame Subassembly, Black	1
4	3300-007-606	96000076-06	1/4-20 X 1/2" Torx Truss Head Screw	2
5	3305-000-300	65050003-00	Plastic Arm/Leg Cap, Black (Bottom of legs-Standard)	4
6	3309-068-500	64990685-00**	Seat, Upholstered plus 1 yd. cover required	1
7	3300-002-402	96000024-02	1/4-20 X 1" Truss Head Screw	4
8	3300-036-600	96000366-00	Adjustable Glide Insert (Bottom of legs-Option, use w/det. 9)	4
9	3300-036-400	96000364-00	Adjustable Glide, Black (Bottom of legs-Option)	4
Armless Chair (LY1401):				
5	3305-000-300	65050003-00	Plastic Arm/Leg Cap, Black (Top of legs)	4
Chair With Both Arms (LY1400):				
2	3305-700-100	65050001-00L	Plastic Arm, Black	1
	3305-900-100	65050001-00R	Plastic Arm, Black	1
Chair With Left Side Sitting Arm (LY1402L):				
2	3305-700-100	65050001-00L	Plastic Arm, Black	1
5	3305-000-300	65050003-00	Plastic Arm/Leg Cap, Black (Top of legs on armless side of chair)	2
Chair With Right Side Sitting Arm (LY1403R):				
2	3305-900-100	65050001-00R	Plastic Arm, Black	1
5	3305-000-300	65050003-00	Plastic Arm/Leg Cap, Black (Top of legs on armless side of chair)	2

* Indicate finish or color when ordering
 ** Indicate fabric cover number when ordering

FOR STYLES PRODUCED BEFORE 07/07/03



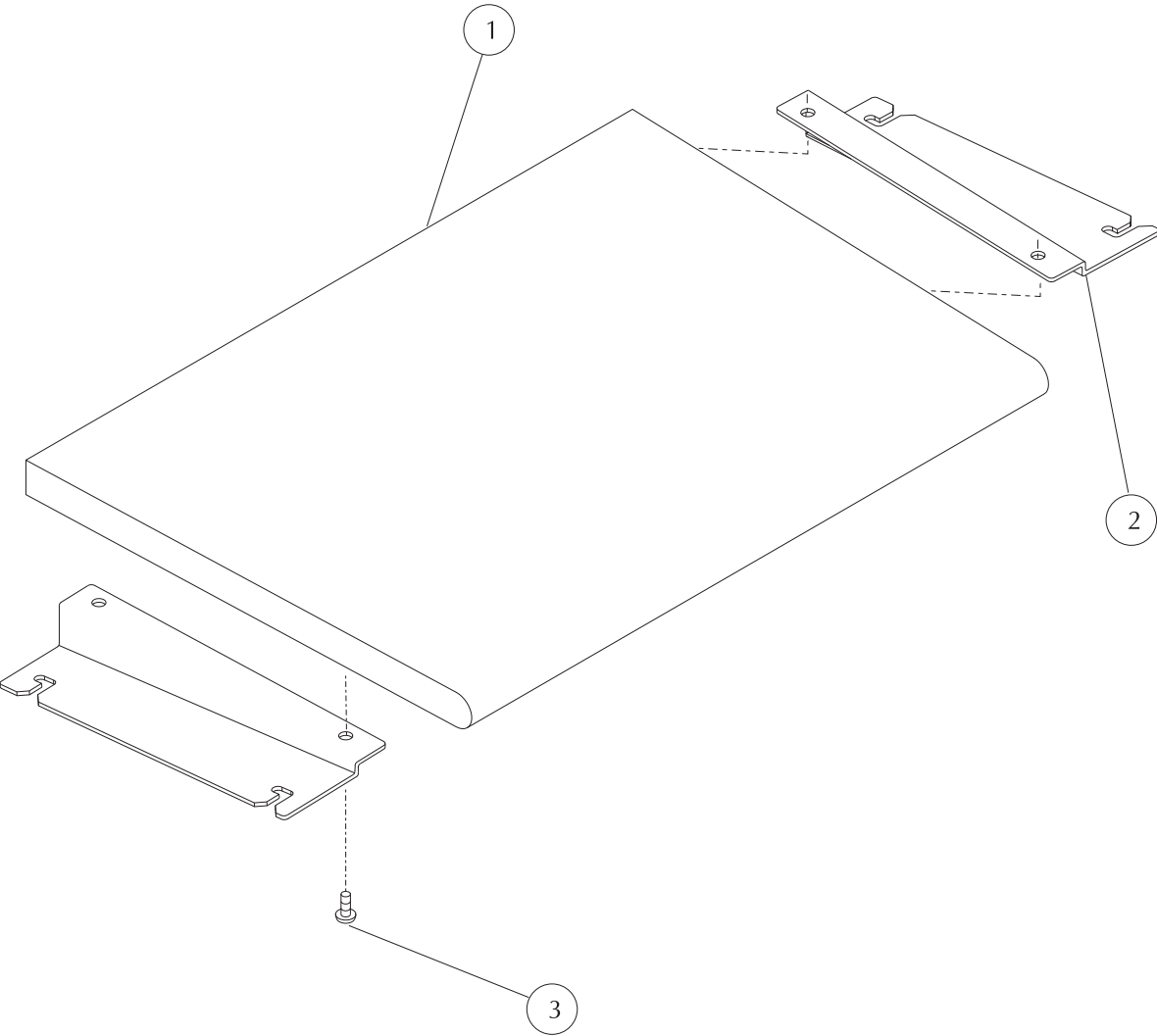
STYLE LY1400/3300-000-400 = GUEST CHAIR
LY1401/3300-000-401 = GUEST CHAIR WITHOUT ARMS
LY1402L/3300-000-402 = GUEST CHAIR WITH LEFT ARM
LY1403R/3300-000-403 = GUEST CHAIR WITH RIGHT ARM

STRYKER MEDICAL HEALTHCARE SERIES

Note: When replacing parts, specify style and acknowledgment numbers.

DETAIL#	SYK PN	LZB PN	DESCRIPTION	QUANTITY
1	3302-000-701	KIT20007-01**	Back Upholstered plus 1 yd cover required	1
2	3300-001-605	96000016-05	1/4-20 x 2 1/2" Truss Head Screw	4
3	3307-018-100	62970181-00	Leg Frame Subassembly, black	1
4	3300-002-402	96000024-02	1/4-20 x 1" Truss Head Screw	4
5	3305-000-300	65050003-00	Plastic Arm/Leg Cap, black (bottom of legs-standard)	4
6	3309-038-303	64990383-03**	Seat Upholstered plus 1 yd cover required	1
7	3300-036-600	96000366-00	Adjustable Glide Insert (Bottom of legs-Option, use w/det. 8)	4
8	3300-036-400	96000364-00	Adjustable Glide, Black (Bottom of legs-Option)	4
Guest Chair With Both Arms (LY1400)				
9	3305-700-100	65050001-00L	Plastic Arm, black	1
	3305-900-100	65050001-00R	Plastic Arm, black	1
Guest Armless Chair (LY1401)				
5	3305-000-300	65050003-00	Plastic Arm/Leg Cap, black (top of legs)	4
Guest Chair with Left Side Sitting Arm (LY1402L)				
5	3305-000-300	65050003-00	Plastic Arm/leg cap, black (top of legs on armless side)	2
9	3305-700-100	65050001-00L	Plastic Arm, black	1
Guest Chair with Right Side Sitting Arm (LY1403R)				
5	3305-000-300	65050003-00	Plastic Arm/leg cap, black (top of legs on armless side)	2
9	3305-900-100	65050001-00R	Plastic Arm, black	1

* Indicate finish or color when ordering
 ** Indicate fabric cover number when ordering

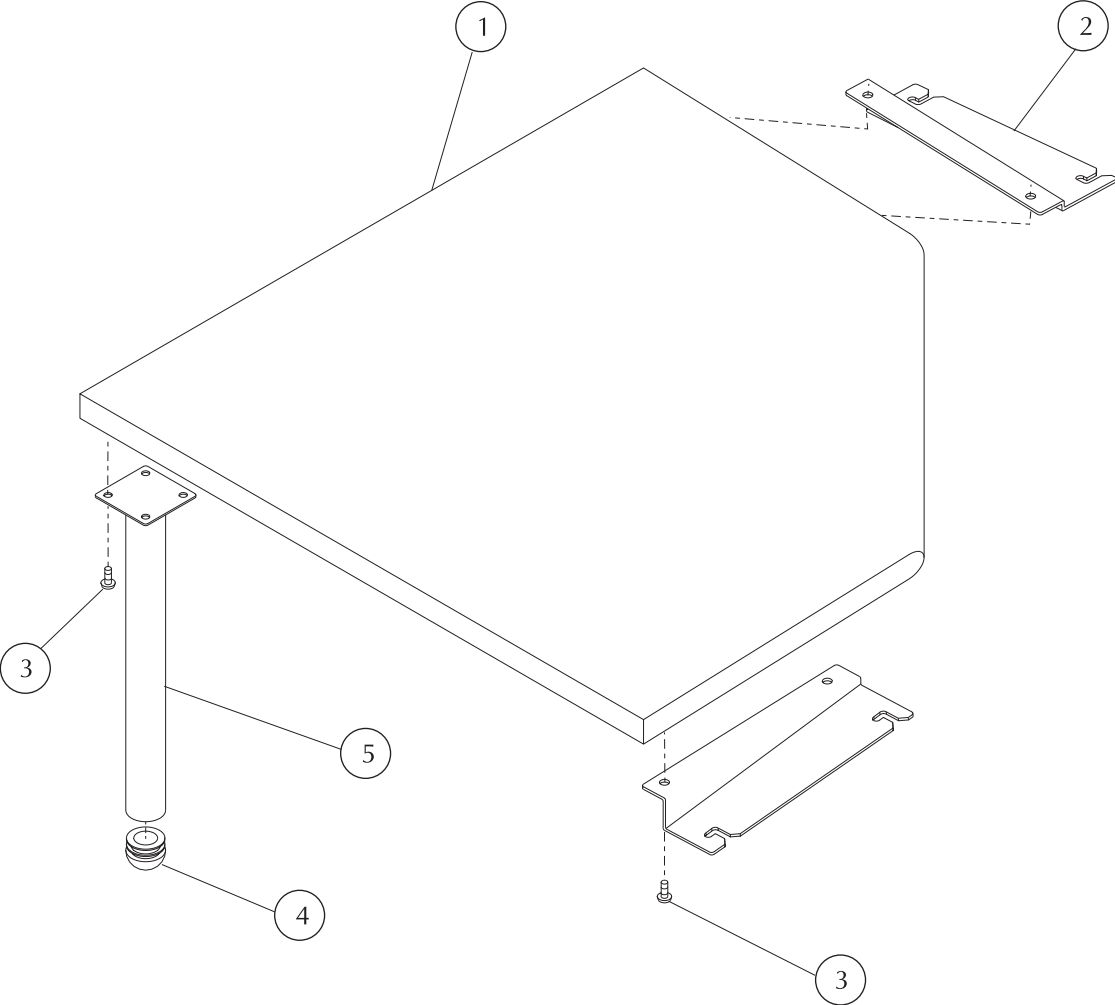


STYLE LY93286/3300-000-406 = TABLE ATTACHMENT AND CONNECTING HARDWARE

STRYKER MEDICAL HEALTHCARE SERIES
TABLE ATTACHMENT

Note: When replacing parts, specify style and acknowledgment numbers.

DETAIL NUMBER	PART NUMBER	DESCRIPTION	QUANTITY	PRICE EA.
1	3301-103-500	01011035-00 Ganging Table Top, black		1
2	3300-754-900	62000549-00L Ganging Bracket, black		1
	3300-954-900	62000549-00R Ganging Bracket, black		1
3	3300-002-401	96000024-01 1/4-20 x 3/4" Truss Head Screw		4

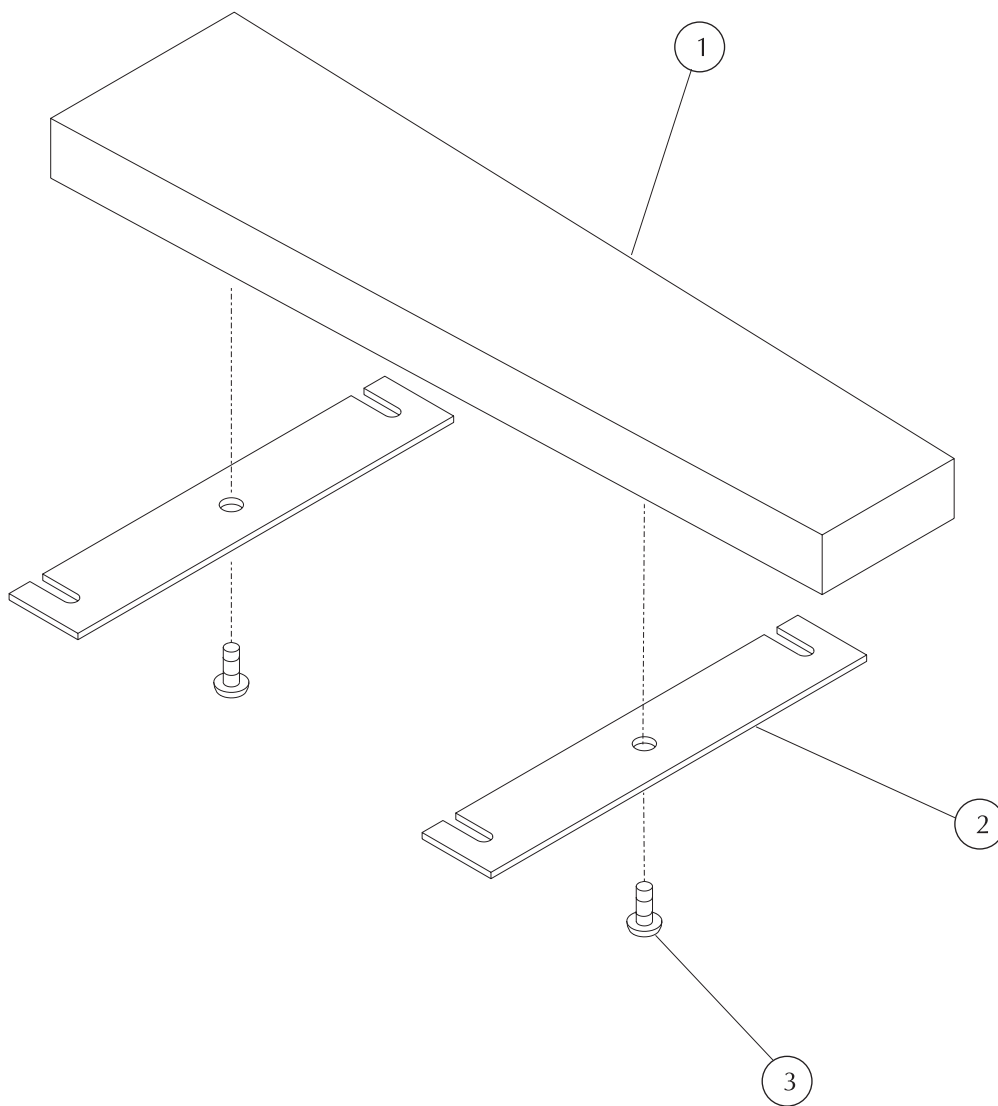


STYLE LY93287/3300-000-407 = CORNER GANGING TABLE

STRYKER MEDICAL HEALTHCARE SERIES
CORNER TABLE

Note: When replacing parts, specify style and acknowledgment numbers.

DETAIL NUMBER	PART NUMBER	DESCRIPTION	QUANTITY	PRICE EA.
1	3301-103-600	01011036-00 Ganging Table Top, black		1
2	3300-954-900	62000549-00R Ganging Bracket, black		1
	3300-754-900	62000549-00L Ganging Bracket, black		1
3	3300-002-401	96000024-01 1/4-20 x 3/4" Truss Head Screw		8
4	3305-000-300	65050003-00 Plastic Leg Cap		1
5	3307-030-800	62970308-00 Leg Subassembly		1



STYLE LY93288/3300-000-408 = GANGING BRACKETS WITH FILLER TOP

STRYKER MEDICAL HEALTHCARE SERIES
TABLE ATTACHMENT

Note: When replacing parts, specify style and acknowledgment numbers.

DETAIL NUMBER	PART NUMBER	DESCRIPTION	QUANTITY	PRICE EA.
1	3301-103-700	01011037-00 Filler Table Top		1
2	3300-055-000	62000550-00 Ganging Bracket, black		2
3	3300-002-401	96000024-01 1/4-20 x 3/4" Truss Head Screw		2

TOOLS REQUIRED:
T-25 torx driver
T-30 torx driver
staple remover

Styles: LY1400/3300-000-400, LY1401/3300-000-401
LY1402L/3300-000-402, LY1403R/3300-000-403

HOW TO REPLACE THE SEAT

To remove:

1. Place the chair upside down on a protected surface.
2. Use a #25 torx driver to remove the four (4) ¼ -20 x 1" truss head screws located in the bottom of the leg frame subassembly.
3. Remove the seat by sliding it toward the front of the finished frame.

To replace:

1. Insert the replacement seat into the finished frame and secure with the same (4) four ¼ -20 x 1" truss head screws.

HOW TO REPLACE THE BACK

To remove:

1. Place the chair upside down on a protected surface.
2. Remove the staples at the bottom of the outside back.
3. Remove the tackstrips from the foam and fabric. Discard.
4. Pull the fabric and outside back foam up to access the outside back panelboard.
5. Remove the staples from the outside back panelboard. Discard.
6. Use a #30 torx driver to remove the (4) ¼-20 x 2½" truss head screws attaching the back to the frame.

To replace:

1. Insert the replacement back into the finished frame and secure with the same (4) four ¼-20 x 2½" truss head screws.
2. Align the bottom edge of the sub-upholstered panelboard with the bottom edge of the top rail and center from side to side.
3. Staple the top edge of the panelboard using ½" staples.
4. Pull the bottom edge of the outer back poly and fabric snugly to the bottom of the back. Fold the excess material under, and staple it neatly to the bottom of the back.
5. Close the sides of the outer back with the 8" tackstrips.
6. Finish stapling the bottom of the fabric neatly in the corners.

INSTALLING GANGING BRACKETS & TABLE STYLE LY93286/3300-000-406

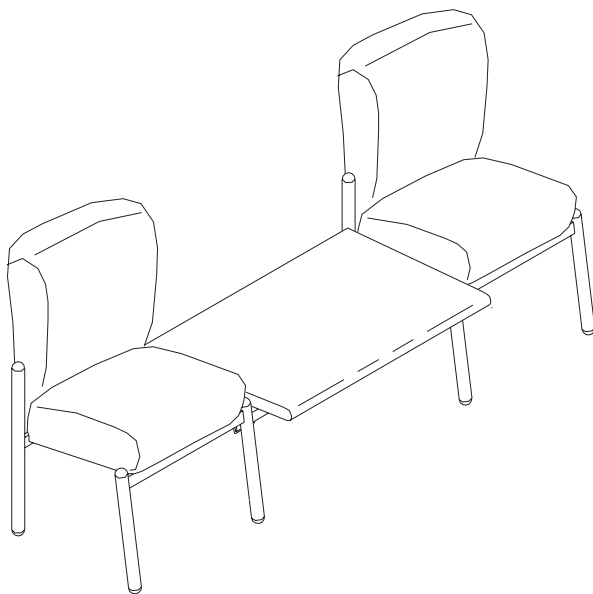
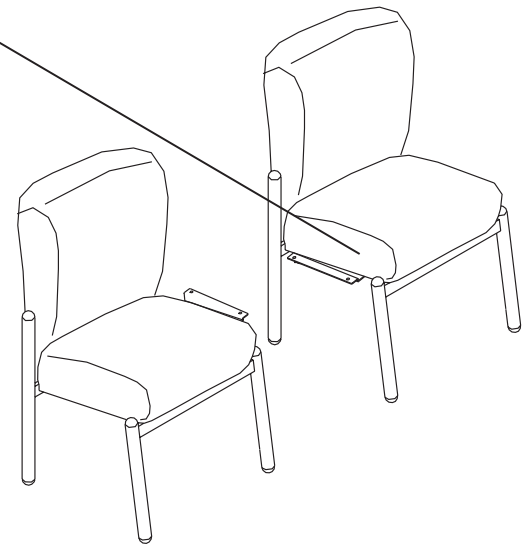
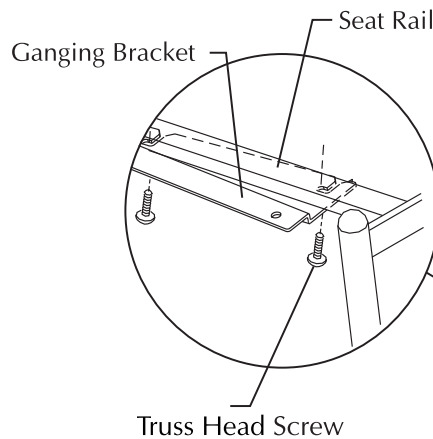
HARDWARE (INCLUDED):

- (1) Ganging Table Top
- (2) Ganging Brackets (1 Rt. & 1Lt.)
- (1) Parts Kit
 - (1) Torx Wrench
 - (4) 1/4-20 x 3/4" Truss Head Screws

1. From the sides of the chairs that are to be joined, loosen the screws located underneath each seat.

2. Slide the Ganging Brackets into position between the seat rails and seat cushion bottom.

3. Moderately tighten the screws that attach the ganging bracket to the seat rails.



4. With the Ganging Brackets attached to each chair, place the Ganging Table Top on top of each bracket with the rounded edge of the table facing the front of the chairs.

Line up the four (4) threaded inserts in the Ganging Table Top with the holes in the Ganging Bracket. Attach with four (4) 1/4-20 x 3/4" truss head screws provided.

STYLE LY93287/3300-000/407 CORNER TABLE

HARDWARE (INCLUDED)

- (1) **Corner Table Top**
- (2) **Ganging Bracket (1RT, 1LT)**
- (1) **Leg Assembly**
- (1) **Plastic Leg Cap**

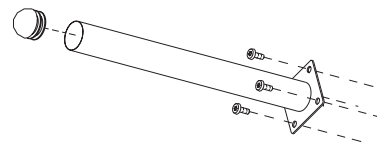
- (1) **Parts Kit:**
 - (1) **Torx Wrench**
 - (8) **1/4-20 x 3/4" Truss Head Screws**

TOOLS REQUIRED:

- Rubber mallet or hammer and a soft cloth.

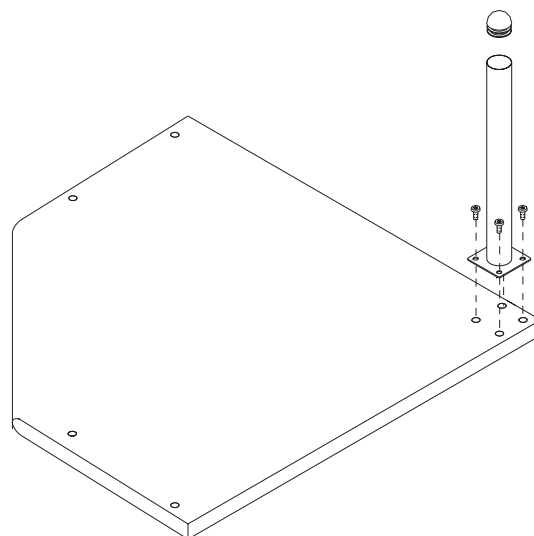
1 ASSEMBLING LEG

Fit the Plastic Leg Cap into the open end of the Leg Subassembly. If necessary, use the mallet to secure the cap in place.



2 ASSEMBLING THE CORNER TABLE

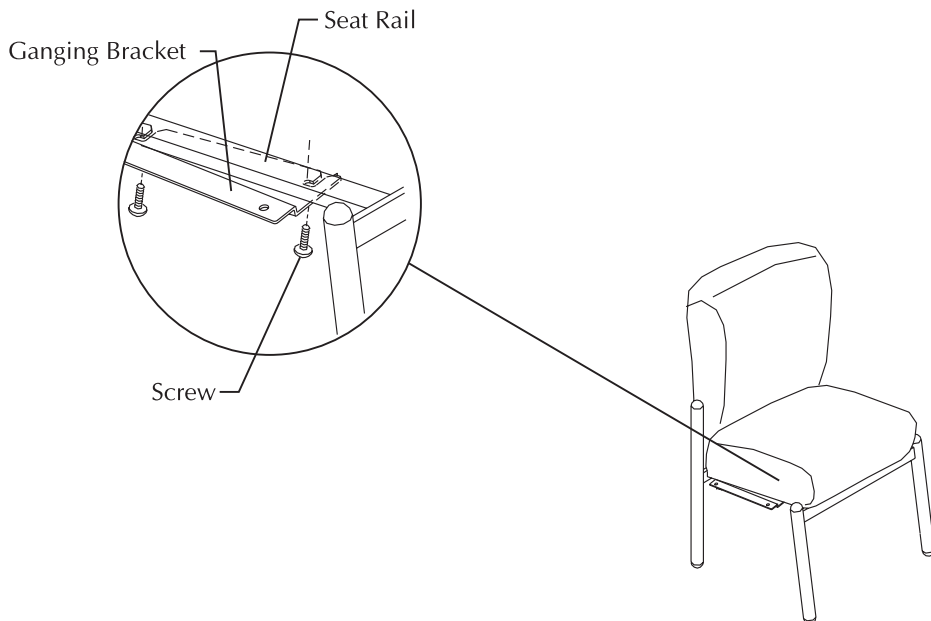
Place the Corner Table Top upside down on a flat, non-marring surface. Line up the four holes in the plate of the Leg Assembly with the four inserts in the table top. Attach the Leg to the table top using four (4) 1/4-20 x 3/4" truss head screws. Tighten with the torx wrench provided.



STYLE LY93287/3300-000/407 CORNER TABLE

3 ATTACHING THE GANGING BRACKETS

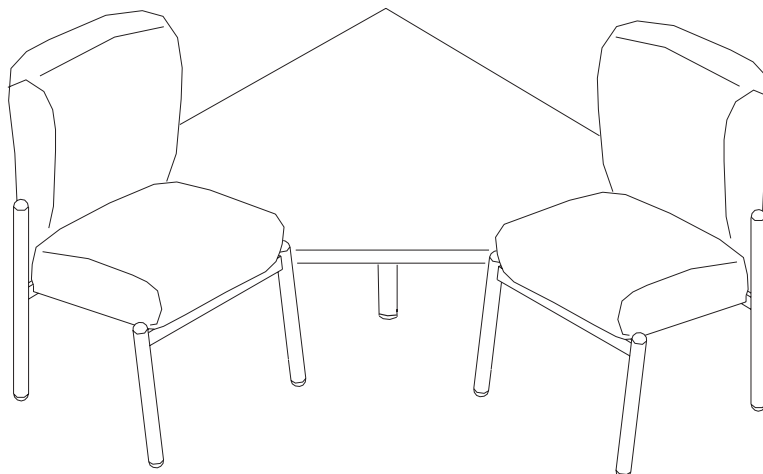
- From the sides of the chairs that are to be joined, loosen the screws located underneath each seat.
- Slide the Ganging Brackets into position between the seat rails and seat cushion bottom.
- Moderately tighten the screws that attach the Ganging Bracket to the seat rails.



4 ATTACHING THE CORNER TABLE

Line up the two (2) threaded inserts in the Corner Table Top with the two (2) holes in the Ganging Bracket on the chair. Attach with two (2) 1/4-20 x 3/4" truss head screws. Tighten with the torx wrench.

Repeat this procedure for the other chair.



63000544-00

**INSTALLING GANGING BRACKETS & TABLE
STYLE LY93288/3300-000-408**

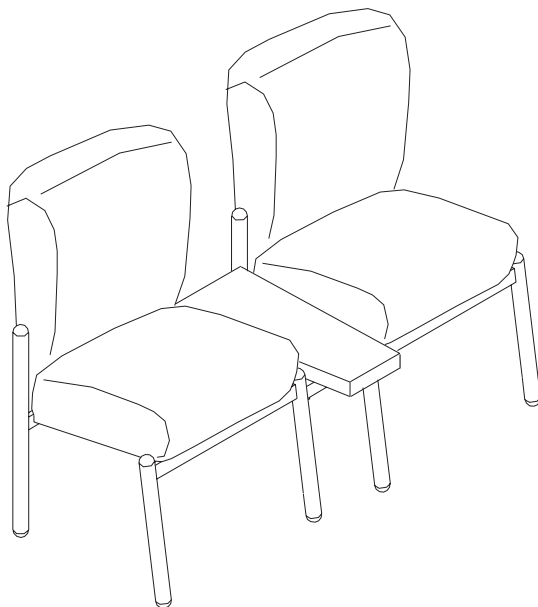
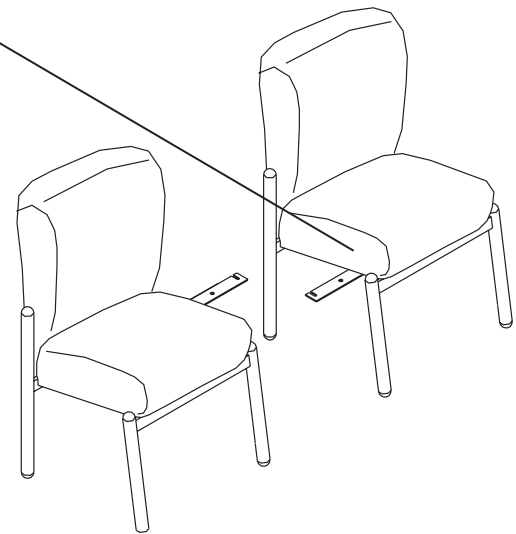
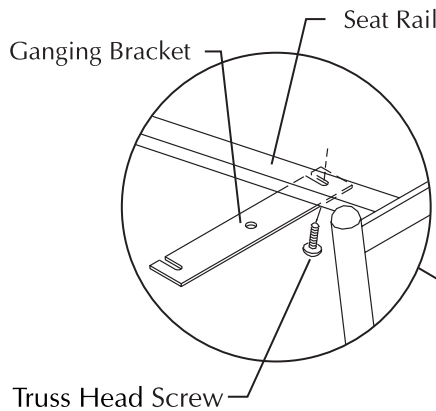
HARDWARE (INCLUDED):

- (1) Filler Table Top
- (2) Ganging Brackets
- (1) Parts Kit
 - (1) Torx Wrench
 - (2) 1/4-20 x 3/4" Truss Head Screws

1. From the sides of the chairs that are to be joined, loosen the screws located underneath each seat.

2. Slide the Ganging Brackets into position between the seat rails and the seat cushion bottom.

3. Moderately tighten the screws that attach the ganging bracket to the seat rails.



4. With the Ganging Brackets attached to each chair, place the Filler Table Top on top of each bracket, as shown.

Line up the two (2) threaded inserts in the Filler Table Top with the holes in the Ganging Bracket. Attach with two (2) 1/4-20 x 3/4" truss head screws provided.

PART #63000543-00

Style LY1400/3300-000-400 Guest Chair

Dimensions:	Back Height from Floor	34.00"
	Back Height from Seat	18.75"
	Seat Height from Floor	18.00"
	Seat Width	19.25"
	Seat Depth	18.50"
	Arm Height from Floor	25.00"
	Arm Height from Seat	9.00"
	Distance between Arms	19.25"
	Overall Width	22.50"
	Overall Depth	27.00"
	Product Weight	28 lbs.
Finish:	Type of Finish	042-Black
Frame Construction:	Leg Material	1.50" diameter 16 gauge steel tubing
	Crossrail Materials	0.50" x 1.50" rectangular steel tubing 14 gauge
	Siderail Materials	0.75" x 0.50" formed steel channel 12 gauge
	Construction	all joints are robotic welded
	Finish	black powdercoat
Back Construction:	Frame Material	(2) cemented 5-ply 3/4" plywood side rails attached to 3/4" hardwood crossrails
	Frame Construction	double doweled and glued
	Back Foam Core	approximately 1.5" thick profiled foam
	Foam Type	high resilient (HR) polyurethane foam MFG-8-20, 20 lb ILD, 2.25-2.45 density
Seat Construction:	Frame Material	kiln dried hardwood
	Frame Construction	double doweled and glued
	Suspension	latex webbing
	Seat Foam Core	approximately 2.00" thick profiled foam
	Foam Type	polyurethane foam MFG-7-55, 55 lb ILD, 1.0-1.25 density
	Dust Cover	black 3.1 oz. nonwoven
Arm Construction:	Material	polypropylene injection molded
	Finish	black - textured
	Dimensions	.75" thick, 1.50" wide
Upholstery Details:		Patterns Available fabric, vinyl, leather, leather finesse, C.O.M.
	Sewing	double stitch with #8 multifilament monocord
Test Data:	Fabric Tests	Consult specific fabric card
	BIFMA Tests	Meets ANSI/BIFMA X5.1 - American National Standard for Office Furnishings General Purpose Office Chairs. Tests conducted in La-Z-Boy's CERTIFIED test facility.
	Flammability Tests	Meets BIFMA First Generation Voluntary Upholstered Furniture Flammability Standard for Business and Institutional Markets, F1-1978-revised 1980. California Bureau of Home Furnishings - Technical Bulletin 117.
		Upholstered Furniture Action Council Class 1.

Style LY1401/3300-000-401 Guest Chair without Arms

Dimensions:	Back Height from Floor	34.50"
	Back Height from Seat	18.75"
	Seat Height from Floor	18.00"
	Seat Width	19.25"
	Seat Depth	18.50"
	Arm Height	N/A
	Overall Width	21.00"
	Overall Depth	27.00"
	Product Weight	26 lbs.
Finish:	Type of Finish	042-Black
Frame Construction:	Leg Material	1.50" diameter 16 gauge steel tubing
	Crossrail Materials	0.50" x 1.50" rectangular steel tubing 14 gauge
	Siderail Materials	0.75" x 0.50" formed steel channel 12 gauge
	Construction	all joints are robotic welded
	Finish	black powdercoat
Back Construction:	Frame Material	(2) cemented 5-ply 3/4" plywood side rails attached to 3/4" hardwood crossrails
	Frame Construction	double doweled and glued
	Back Foam Core	approximately 1.5" thick profiled foam
	Foam Type	high resilient (HR) polyurethane foam MFG-8-20, 20 lb ILD, 2.25-2.45 density
Seat Construction:	Frame Material	kiln dried hardwood
	Frame Construction	double doweled and glued
	Suspension	latex webbing
	Seat Foam Core	approximately 2.00" thick profiled foam
	Foam Type	polyurethane foam MFG-7-55, 55 lb ILD, 1.0-1.25 density
	Dust Cover	black 3.1 oz. nonwoven
Upholstery Details:	Patterns	Available fabric, vinyl, leather, leather finesse, C.O.M.
	Sewing	double stitch with #8 multifilament monocord
Test Data:	Fabric Tests	Consult specific fabric card
	BIFMA Tests	Meets ANSI/BIFMA X5.1 - American National Standard for Office Furnishings General Purpose Office Chairs. Tests conducted in La-Z-Boy's CERTIFIED test facility.
	Flammability Tests	Meets BIFMA First Generation Voluntary Upholstered Furniture Flammability Standard for Business and Institutional Markets, F1-1978-revised 1980. California Bureau of Home Furnishings - Technical Bulletin 117.
		Upholstered Furniture Action Council Class 1.

Style LY1402L/3300-000-402 & L1403R/3300-000-403 Guest Chairs

Dimensions:	Back Height from Floor	34.50"
	Back Height from Seat	18.75"
	Seat Height from Floor	18.00"
	Seat Width	19.25"
	Seat Depth	18.50"
	Arm Height from Floor	25.00"
	Arm Height from Seat	9.00"
	Distance between Arms	19.25"
	Overall Width	22.50"
	Overall Depth	27.00"
	Product Weight	28 lbs.
Finish:	Type of Finish	042-Black
Frame Construction:	Leg Material	1.50" diameter 16 gauge steel tubing
	Crossrail Materials	0.50" x 1.50" rectangular steel tubing 14 gauge
	Siderail Materials	0.75" x 0.50" formed steel channel 12 gauge
	Construction	all joints are robotic welded
	Finish	black powdercoat
Back Construction:	Frame Material	(2) cemented 5-ply 3/4" plywood side rails attached to 3/4" hardwood crossrails
	Frame Construction	double doweled and glued
	Back Foam Core	approximately 1.5" thick profiled foam (2.30 density 20 ILD)
	Foam Type	high resilient (HR) polyurethane foam MFG-8-20, 20 lb ILD, 2.25-2.45 density
Seat Construction:	Frame Material	kiln dried hardwood
	Frame Construction	double doweled and glued
	Suspension	latex webbing
	Seat Foam Core	approximately 2.00" thick profiled foam
	Foam Type	polyurethane foam MFG-7-55, 55 lb ILD, 1.0-1.25 density
	Dust Cover	black 3.1 oz. nonwoven
Arm Construction:	Material	polypropylene injection molded
	Finish	black - textured
	Dimensions	.75" thick, 1.50" wide
Upholstery Details:	Patterns Available	fabric, vinyl, leather, leather finesse, C.O.M.
	Sewing	double stitch with #8 multifilament monocord
Test Data:	Fabric Tests	Consult specific fabric card
	BIFMA Tests	Meets ANSI/BIFMA X5.1 - American National Standard for Office Furnishings General Purpose Office Chairs. Tests conducted in La-Z-Boy's CERTIFIED test facility.
	Flammability Tests	Meets BIFMA First Generation Voluntary Upholstered Furniture Flammability Standard for Business and Institutional Markets, F1-1978-revised 1980. California Bureau of Home Furnishings - Technical Bulletin 117. Upholstered Furniture Action Council Class 1.

Style LY93286/3300-000-406 Ganging Table

Dimensions:	Height from Floor	16.375"
	Overall Length	22.875"
	Overall Width	16.25"
	Overall Thickness	1.125"
	Product Weight	15 lb
Laminate:	Type	Wilsonart
	Available Colors	1595-6-black
Construction:	Material	Particleboard core with laminate wrap
	Construction	1 ¹ / ₈ " thick surface, steel ganging brackets screwed into threaded inserts (assembly required).

Style LY93287/3300-000-407 Corner Ganging Table

Dimensions:	Height from Floor	16.375"
	Overall Length	30"
	Overall Width	30"
	Overall Thickness	1.125"
	Product Weight	27 lb
Laminate:	Type	Wilsonart
	Available Colors	1595-6-black
Construction:	Material	Particleboard core with laminate wrap
	Construction	1 ¹ / ₈ " thick surface, steel ganging brackets screwed into threaded inserts (assembly required).

Style LY93288/3300-000-408 Filler Table

Dimensions:	Height from Floor	16.375"
	Overall Length	4"
	Overall Width	16.25"
	Overall Thickness	1.125"
	Product Weight	3 lb

Laminate:	Type	Wilsonart
	Available Colors	1595-6-black

Construction:	Material	Particleboard core with laminate wrap
	Construction	1 ¹ / ₈ " thick surface, steel ganging brackets screwed into threaded inserts (assembly required).