

Sleeper Chair Seating

Model 3600

stryker[®]

Operations\Maintenance Manual



[3600-000-110](#)



[3600-000-130](#)



[3600-000-220](#)

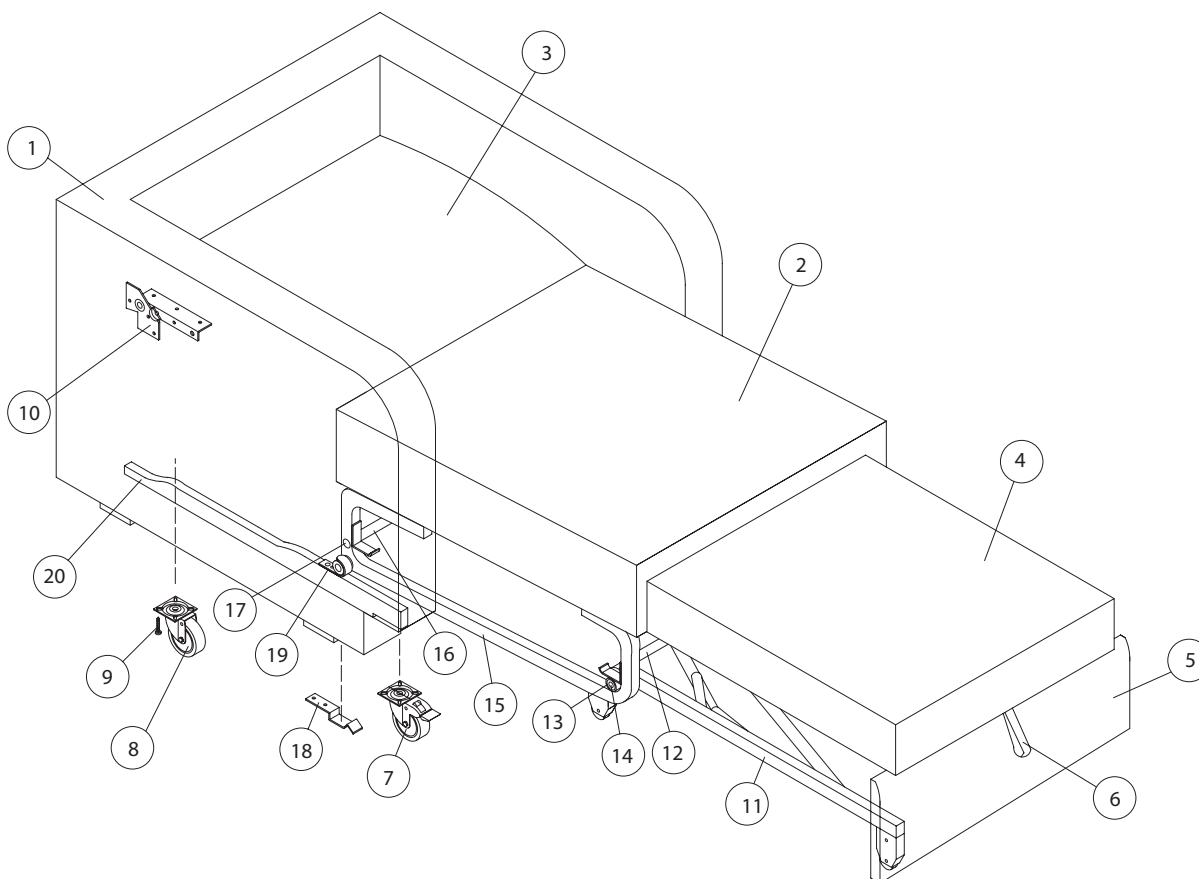
For parts or technical
assistance call
(800) 327-0770 (option 2)

CE

Table of Contents

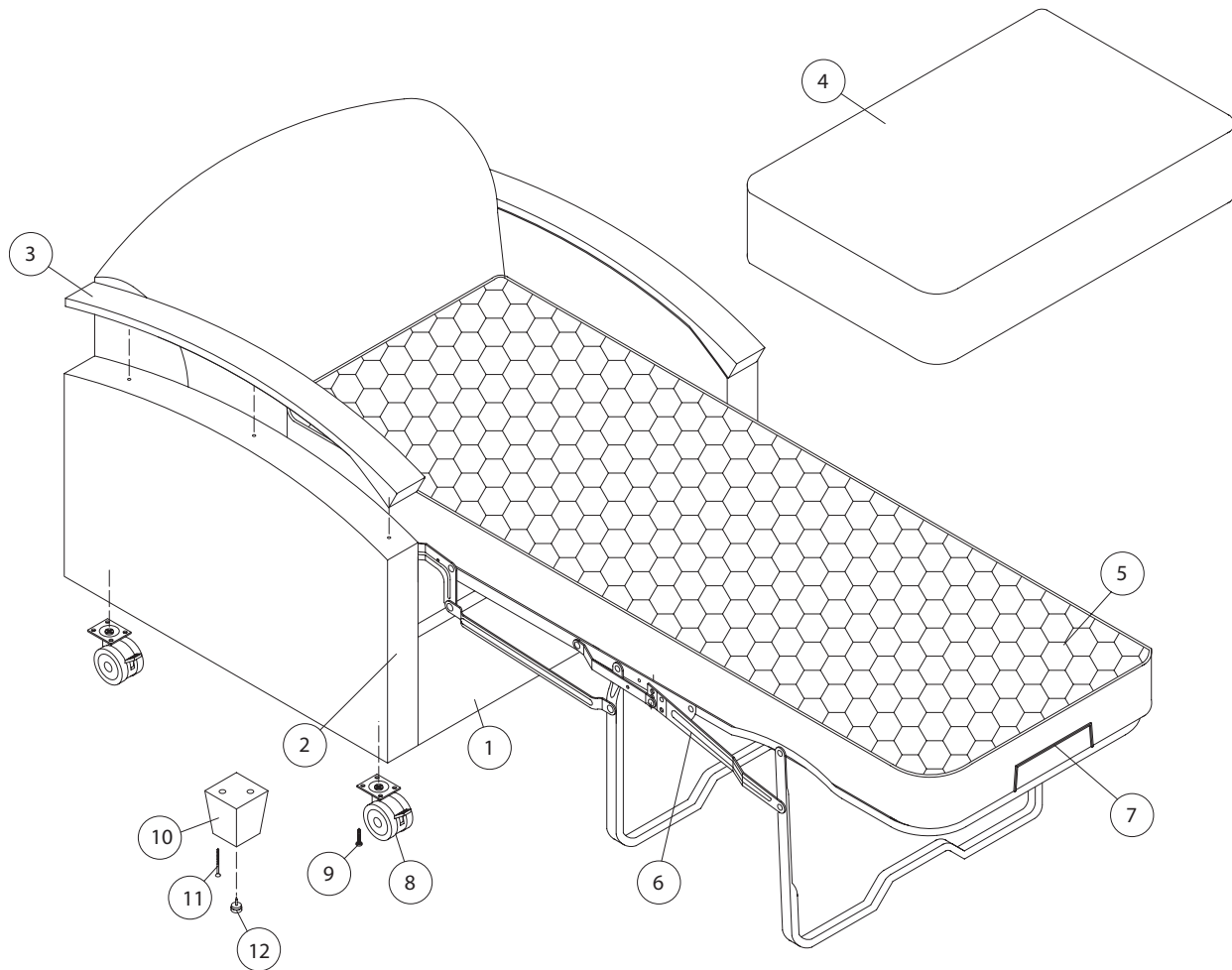
3600-000-220 Recliner Bed	3
3600-000-110 Sleeper Chair	4
3600-000-130 Loveseat Sleeper	5
Warranty	
Limited Lifetime Warranty	6
One-Year Warranty	6

3600-000-220 Recliner Bed



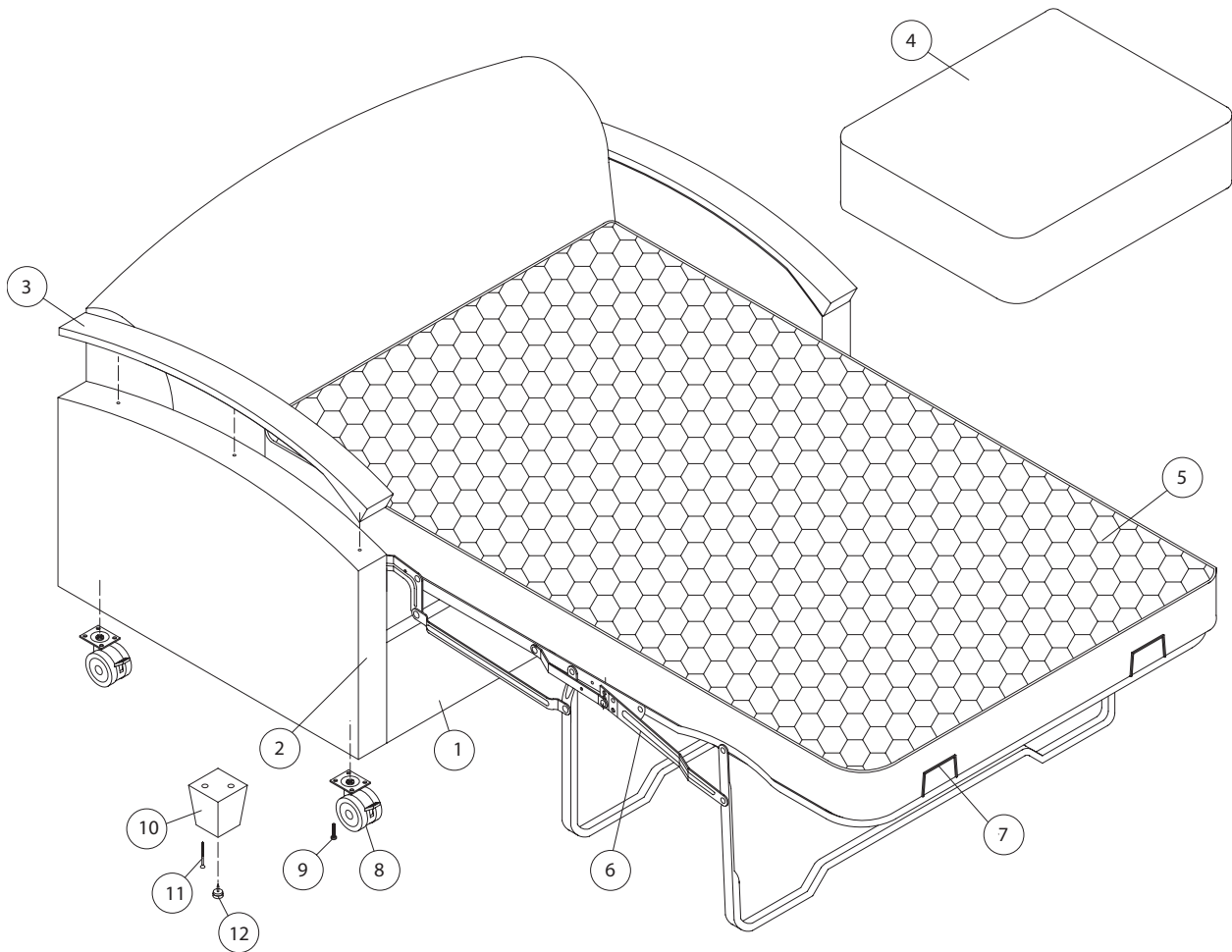
Item	Stryker P/N	Part Description	Qty.
1	(not serviceable)	Arm Frame / Body Upholstered	1
2	3600-100-002	Seat Frame Upholstered	1
3	3600-100-003	Headrest Upholstered w/Hinge	1
4	3600-100-004	Ottoman Frame Upholstered w/Pull Strap	1
5	3600-100-005	Footboard Upholstered	1
6	(not serviceable)	Ottoman Pull Strap	1
7	3600-100-007	Front Rigid Locking Casters	2
8	3600-100-008	Rear Swivel Casters	2
9	3600-100-028	#10 x 1-1/2" Flat Phil Tapping Screw Zinc	16
10	(not serviceable)	Back Hinge (Pair) KP 11-17	2
11	3600-100-011	Ottoman Support Frame - KP 11-21 (PAIR)	2
12	3600-100-012	Ottoman Support Cross Tube KX 31-53	1
13	3600-100-013	Ottoman Caster RN 25-81	2
14	3600-100-014	Ottoman Caster Bolt RA 21-10	2
15	3600-100-015	Seat Support Frame - KP 11-32 (PAIR)	2
16	3600-100-016	Seat Support Cross Tube KX 31-59	1
17	3600-100-017	Seat Support Bolt RA 21-07	2
18	3600-100-018	Caster Holding Device LF 01-92	2
19	3600-100-019	C-Clip Caster Stop LV 07-63	2
20	3600-100-009	Frame Caster Rail (Right)	1
	3600-100-047	Frame Caster Rail (Left)	1

3600-000-110 Sleeper Chair



Item	Stryker P/N	Part Description	Qty.
1	(not serviceable)	Body Upholstered	1
2	3600-100-021	Arms Upholstered, Patient Right, w/Wood Arm Cap	1
	3600-100-044	Arms Upholstered, Patient Left, w/Wood Arm Cap	1
	3600-100-045	Arms Upholstered, Patient Right	1
	3600-100-046	Arms Upholstered, Patient Left	1
3	3600-100-022	Top Arm Finished	2
4	3600-100-023	Seat Cushions Upholstered	1
5	3600-100-024	CAL 129 Inner Spring mattress	1
6	3600-100-025	Classic Sleeper Mechanism - 240968-3548-16D	1
7	3600-100-026	Mattress Retainer - 340849	1
8	3600-100-027	Softech Twin Wheels 3" Locking Casters - SF75116	4
9	3600-100-028	#10 x 1-1/2" Flat Phil Tapping Screw Zinc	16
10	3600-100-029	Wood Leg Finished	4
11	3600-100-030	#10 x 2-1/2" Flat Phil Wood Screw Black	8
12	3600-100-031	Glide	4

3600-000-130 Loveseat Sleeper



Item	Stryker P/N	Part Description	Qty.
1	(not serviceable)	Body Upholstered	1
2	3600-100-021	Arms Upholstered, Patient Right, w/Wood Arm Cap	1
	3600-100-044	Arms Upholstered, Patient Left, w/Wood Arm Cap	1
	3600-100-045	Arms Upholstered, Patient Right	1
	3600-100-046	Arms Upholstered, Patient Left	1
3	3600-100-022	Top Arm Finished	2
4	3600-100-035	Seat Cushions Upholstered	2
5	3600-100-036	CAL 129 Inner Spring mattress	1
6	3600-100-037	Big Max Sleeper Mechanism - 241103-2731-713C	1
7	3600-100-038	Mattress Retainer - 340849	1
8	3600-100-027	Softech Twin Wheels 3" Locking Casters - SF75116	4
9	3600-100-028	#10 x 1-1/2" Flat Phil Tapping Screw Zinc	16
10	3600-100-029	Wood Leg Finished	4
11	3600-100-030	#10 x 2-1/2" Flat Phil Wood Screw Black	8
12	3600-100-031	Glide	4

Warranty

Stryker Medical stands behind the craftsmanship of our products. Providing our customers quality products is our mission, and we pledge to do everything we can to quickly resolve any problems encountered within the terms of the warranties listed below. These warranties apply only to products manufactured after August 1, 2006.

LIMITED LIFETIME WARRANTY

Stryker Medical warrants our Symmetry® II seating line for the lifetime of the product, classified as 10 years, under normal use and proper care. Subject to the limitations set below, Stryker will repair or, at our option, replace defective merchandise free of charge.

Symmetry® II Recliners

- 10 years on casters, metal arms, metal bases, metal frames, glass-reinforced nylon bases and plastic-engineered components.
- 10 years on metal reclining mechanism (first 5 years—parts, labor and shipping; after 5 years to 10 years—parts only).
- 5 years on seat springs, wood frame components, wood arms and wood bases.
- 3 years on Stryker Medical textiles and foam.

Symmetry® II Patient & Guest Seating

- 10 years on wood.
- 5 years on steel components.
- 3 years on Stryker Medical textiles.
- 1 year on foam.

Symmetry® II Sleepers

- 10 years on wood.
- 5 years on mechanism.
- 3 years on casters, seat springs, mattress and Stryker Medical textiles.
- 1 year on foam.

ONE-YEAR WARRANTY

Stryker warrants the following products for one year under normal use and proper care. For one year from date of shipment, Stryker will repair or, at our option, replace defective merchandise free of charge (parts, labor and shipping included).

- Tru-Fit™ Overbed Tables.
- Bedside Stands (*Note: LIFETIME WARRANTY on metal drawer frames and glides).
- Maternity Furniture.
- Flexsteel Hospital Recliner.

The Limited Lifetime and One-Year warranties listed above are void in cases of modifications, misuse, improper assembly or maintenance, accidents, damage caused by a carrier other than Stryker Medical, and the use of customer's own material.

Stryker Medical
3800 E. Centre Ave., Portage, Michigan 49002
(800) 327-0770 (Option 2)

stryker[®]