

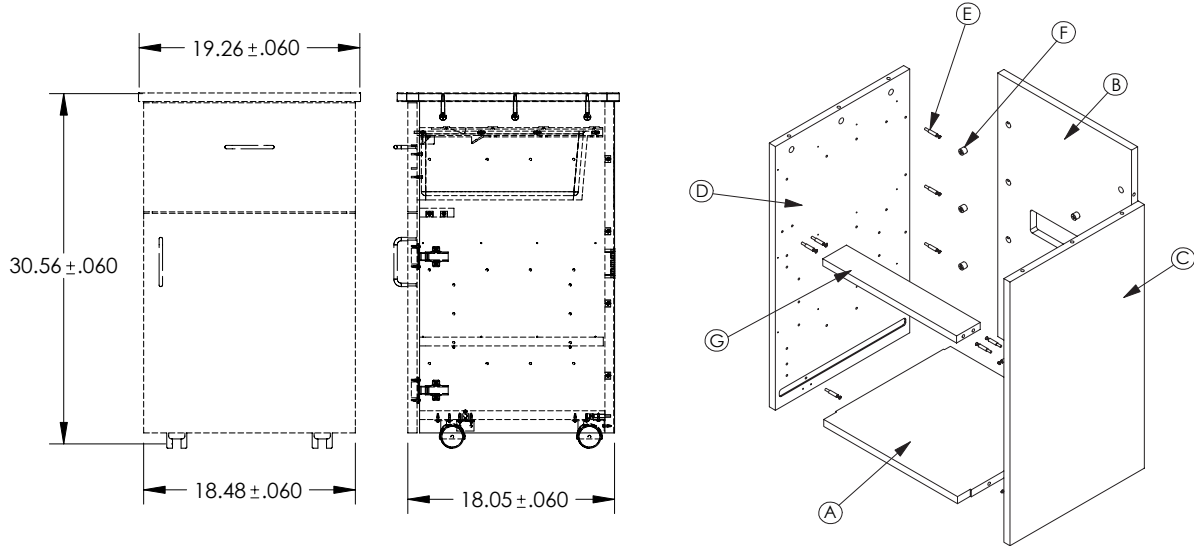
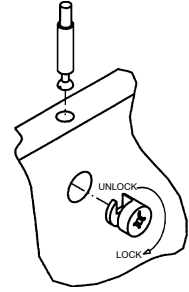
# Legend Bedside Stand, 1-Drawer/1-Door - Model 4400-500-000

## ASSEMBLY METHOD

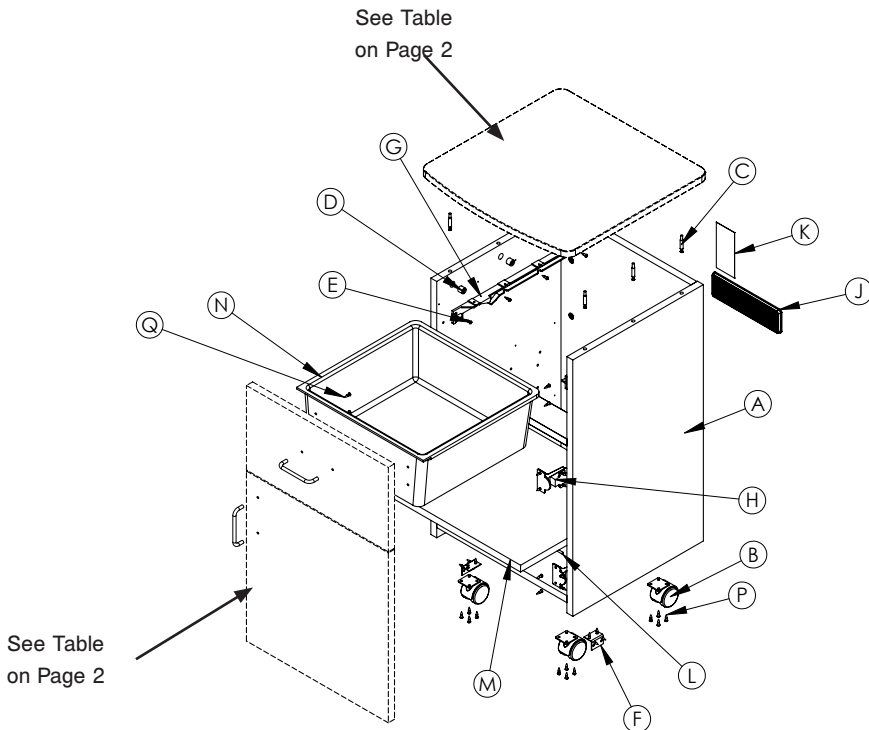
The Stryker Med/Surg Bedside Stand is constructed using a locking cam and dowel pin arrangement.

To dismantle the unit, use a #2 Phillips screwdriver to unlock each cam by rotating the cam in a counter-clockwise direction.

**Note:** The product serial number label is located on the back of the unit.



4400-508-100



4400-500-001

**stryker**<sup>®</sup>

# Legend Bedside Stand, 1-Drawer/1-Door - Model 4400-500-000

Case Assembly (4400-508-100)			
Item	Part Number	Part Name	Qty.
A	4400-508-118	Bottom Panel	1
B	4400-500-201	Back Panel	1
C	4400-508-116	Right Side Panel	1
D	4400-508-117	Left Side Panel	1
E	3100-052-733	Dowel Pin	16
F	3100-052-732	Cam	16
G	4400-500-204	Brace (No Lock)	1
	4400-500-224	Brace (Slam Lock)	1
	4400-500-223	Brace (Key Lock)	1

Bedside Stand Common Components (4400-500-001)			
Item	Part Number	Part Name	Qty.
A	4400-508-100	Case (see Case Assembly)	1
B	3150-001-200	Caster	4
C	3100-052-733	Dowel Pin	6
D	3100-052-732	Cam	6
E	0023-138-000	Tapping Screw	8
F	4400-500-205	L-Bracket	3
G	3100-052-731	Drawer Guide (Set of 2)	1
H	4400-111-302	Hinge	2
J	3100-052-737	Plastic Vent	1
K	4400-009-100	Cleaning / Serial Number Label	1
L	4400-111-309	Shelf Pin	4
M	4400-500-207	Adjustable Shelf	1
N	3100-200-108	Drawer Liner	1
P	0020-021-000	Wood Screw	28
Q	0020-013-000	Wood Screw	4

Standard Configuration		
Part Number	Part Name	Qty.
4400-500-219	Drawer Front	1
Door Option		
Part Number	Part Name	Qty.
8100-503-001	Right Side Hinges	1
8100-503-002	Left Side Hinges	1
Top Panel Option		
Part Number	Part Name	Qty.
3100-200-110	Legend Top	1
3100-200-210	Premier Top	1
Key Lock Option		
Part Number	Part Name	Qty.
4400-500-300	Lock	1
4400-500-221	Drawer Front	1
Slam Lock Option		
Part Number	Part Name	Qty.
4400-500-301	Lock	1
4400-500-222	Drawer Front	1
Hardware Option		
Part Number	Part Name	Qty.
4400-500-208	Brass Pull	2
4400-500-209	Chrome Pull	2

## DISINFECTION PROCEDURE

The Center for Disease Control recommends a 1:4 mixture of bleach and water for disinfection. Thoroughly rinse the solution from the product surface. If other hospital-grade cleaning agents are used, follow the instructions provided by the cleaning solution's manufacturer. Wipe the surface with a soft, dry cloth to remove any moisture.

## WARRANTY

Stryker warrants this product for one (1) year under normal use and proper care. For one year from date of shipment, Stryker will repair or, at our option, replace defective merchandise free of charge (parts, labor, and shipping included).

**Note: LIFETIME warranty on metal drawer frames and glides.**