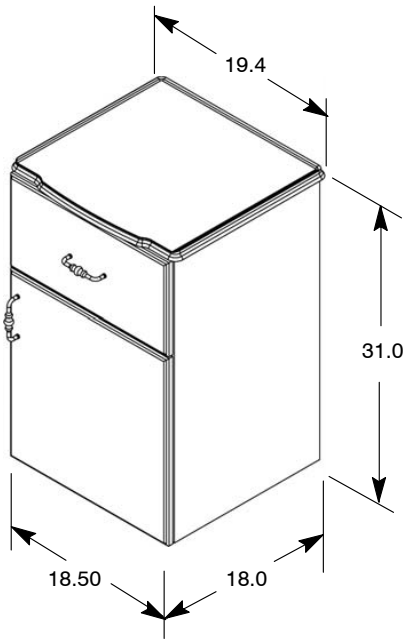


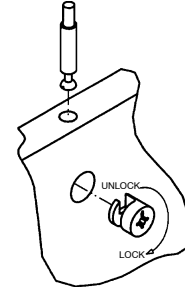
Highpointe Bedside Stand, 1-Drawer/1-Door - Model 4400-700-000



ASSEMBLY METHOD

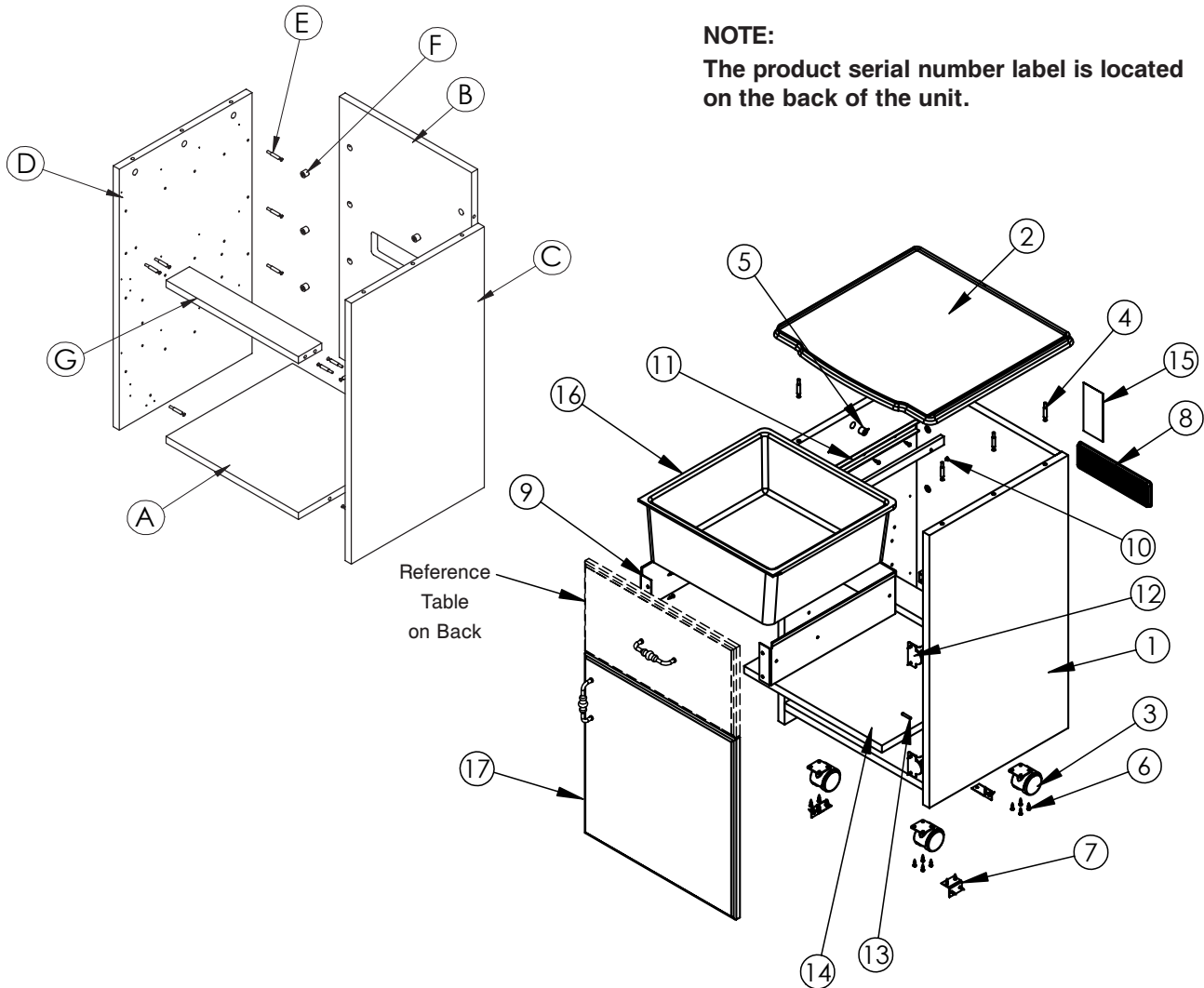
The Stryker Med/Surg Beside Stand is constructed using a locking cam and dowel pin arrangement.

To dismantle the unit, use a #2 Phillips screwdriver to unlock each cam by rotating the cam in a counter-clockwise direction.



NOTE:

The product serial number label is located on the back of the unit.



stryker®

Highpointe Bedside Stand, 1-Drawer/1-Door - Model 4400-700-000

Bedside Stand Common Components			
Item	Part Number	Part Name	Qty.
1	4400-500-500	Case (see Case Assembly Table)	1
2	3100-200-110	Highpointe Top Panel	1
3	3150-052-734	Caster	4
4	3100-052-733	Dowel Pin	6
5	3100-052-732	Cam	6
6	0020-013-000	Wood Screw	48
7	4400-500-205	L-Bracket	3
8	3100-052-737	Plastic Vent	1
9	4400-600-203	Drawer Frame	1
10	3100-052-743	Rivet	6
11	4400-600-204	Drawer Slides	1
12	4400-111-302	Hinge	2
13	4400-111-309	Shelf Pin	4
14	4400-500-207	Adjustable Shelf	1
15	4400-009-100	Cleaning / Serial Number Label	1
16	3100-200-208	Drawer Liner	1
17	4400-700-209	Highpointe Door	1

Standard Configuration		
Part Number	Part Name	Qty.
4400-700-208	Drawer Front	1
Key Lock Option		
Part Number	Part Name	Qty.
4400-500-300	Lock	1
4400-700-210	Drawer Front	1
Slam Lock Option		
Part Number	Part Name	Qty.
4400-500-301	Lock	1
4400-700-211	Drawer Front	1
Hardware Option		
Part Number	Part Name	Qty.
4400-700-201	Brass Pull	2
4400-700-202	Chrome Pull	2

(1) Case Assembly			
Item	Part Number	Part Name	Qty.
A	4400-500-218	Bottom Panel	1
B	4400-500-201	Back Panel	1
C	4400-500-216	Right Side Panel	1
D	4400-500-217	Left Side Panel	1
E	3100-052-733	Dowel Pin	16
F	3100-052-732	Cam	16
G	4400-500-204	Brace (No Lock)	1
	4400-500-224	Brace (Slam Lock)	1
	4400-500-223	Brace (Key Lock)	1

DISINFECTION PROCEDURE

The Center for Disease Control recommends a 1:4 mixture of bleach and water for disinfection. Thoroughly rinse the solution from the product surface. If other hospital-grade cleaning agents are used, follow the instructions provided by the cleaning solution's manufacturer. Wipe the surface with a soft, dry cloth to remove any moisture.

WARRANTY

Stryker warrants this product for one (1) year under normal use and proper care. For one year from date of shipment, Stryker will repair or, at our option, replace defective merchandise free of charge (parts, labor, and shipping included).

Note: LIFETIME warranty on metal drawer frames and glides.