

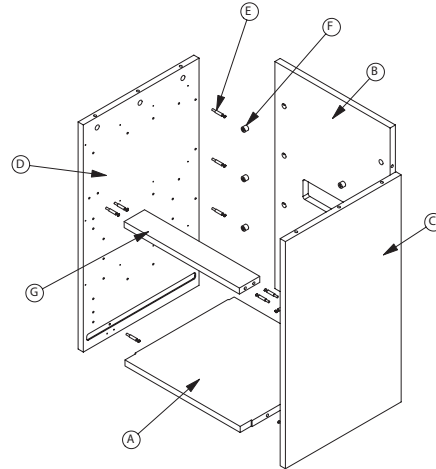
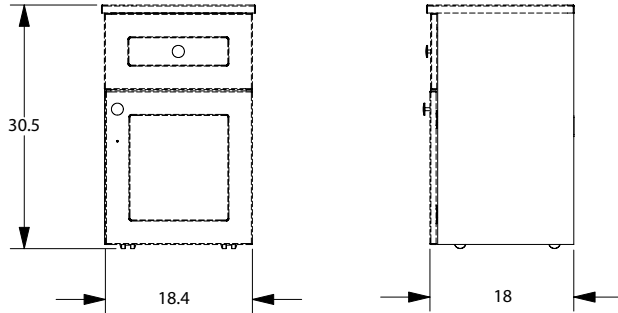
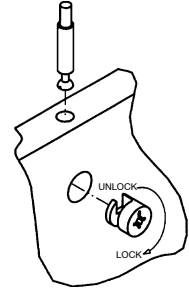
Shaker Bedside Stand, 1-Drawer/1-Door - Model 4400-840-000

ASSEMBLY METHOD

The Stryker Med/Surg Bedside Stand is constructed using a locking cam and dowel pin arrangement.

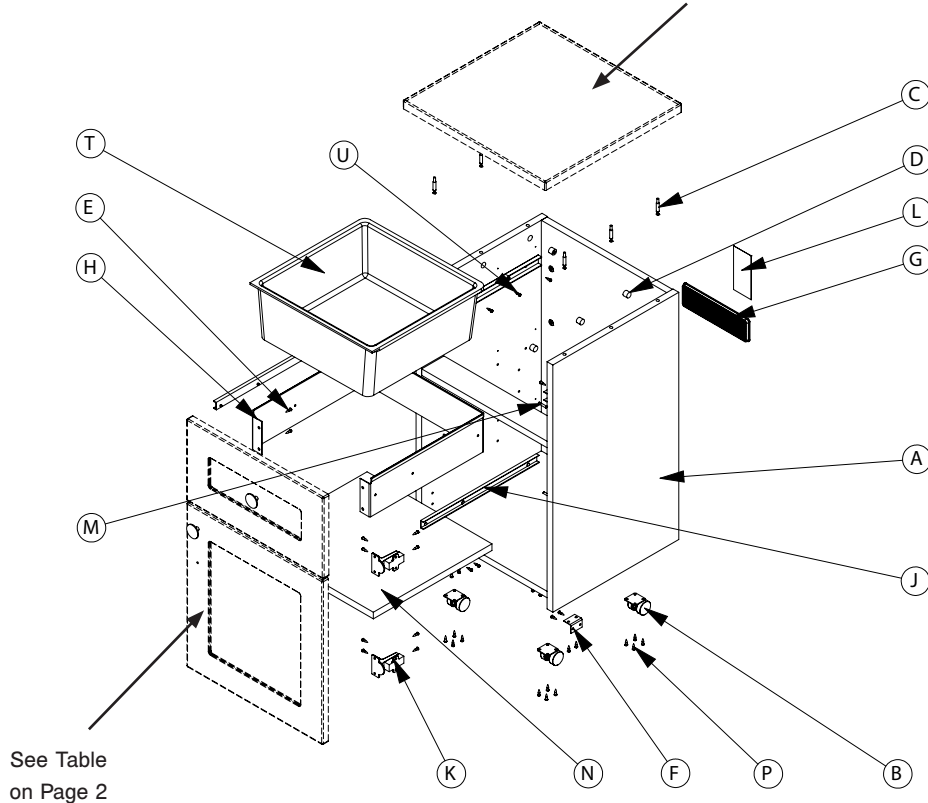
To dismantle the unit, use a #2 Phillips screwdriver to unlock each cam by rotating the cam in a counter-clockwise direction.

Note: The product serial number label is located on the back of the unit.



4400-508-100

See Table on Page 2



4400-840-001

See Table on Page 2



Shaker Bedside Stand, 1-Drawer/1-Door - Model 4400-840-000

Case Assembly (4400-508-100)			
Item	Part Number	Part Name	Qty.
A	4400-508-118	Bottom Panel	1
B	4400-500-201	Back Panel	1
C	4400-508-116	Right Side Panel	1
D	4400-508-117	Left Side Panel	1
E	3100-052-733	Dowel Pin	16
F	3100-052-732	Cam	16
G	4400-500-204	Brace (No Lock)	1
	4400-500-224	Brace (Slam Lock)	1
	4400-500-223	Brace (Key Lock)	1

Bedside Stand Common Components			
Item	Part Number	Part Name	Qty.
A	4400-508-100	Case (see Case Assembly table)	1
B	3150-001-200	Caster	4
C	3100-052-733	Dowel Pin	6
D	3100-052-732	Cam	6
E	0020-013-000	Wood Screw	4
F	4400-500-205	L-Bracket	3
G	3100-052-737	Plastic Vent	1
H	4400-600-203	Drawer Frame	1
J	4400-600-204	Drawer Slides (Set of 2)	1
K	4400-111-302	Hinge	2
L	4400-009-100	Cleaning / Serial Number Label	1
M	4400-111-309	Shelf Pin	4
N	4400-500-207	Adjustable Shelf	1
P	0020-021-000	Wood Screw	28
T	3100-200-208	Drawer Liner	1
U	0020-022-000	Euro Screw	8

Standard Configuration		
Part Number	Part Name	Qty.
4400-848-101	Drawer Front	1
4400-848-400	Door	1
Top Panel Option		
Part Number	Part Name	Qty.
4400-010-840	Shaker Top	1
4400-200-210	Solid Spill Cont. Top	1
3100-200-210	Premier Top	1
Key Lock Option		
Part Number	Part Name	Qty.
4400-500-300	Lock	1
4400-848-102	Locking Drawer Front	1
Slam Lock Option		
Part Number	Part Name	Qty.
4400-500-301	Lock	1
4400-848-103	Locking Drawer Front	1
Hardware Option		
Part Number	Part Name	Qty.
4400-800-202	Brass Round Pull	2
4400-800-203	Stainless Round Pull	2

CLEANING

A recommended cleaner is a chlorinated bleach solution (5.25% - less than 1 part bleach to 100 parts water). Thoroughly rinse the solution from the product surface. If other hospital-grade cleaning agents are used, follow the instructions provided by the cleaning solution's manufacturer. Do not allow cleaning solutions or other fluids to pool on the unit. Wipe the surface with a soft, dry cloth to remove any moisture.

CAUTION

Failure to properly clean a contaminated surface will increase the risk of exposure to bloodborne pathogens.

WARRANTY

Stryker warrants this product for one (1) year under normal use and proper care. For one year from date of shipment, Stryker will repair or, at our option, replace defective merchandise free of charge (parts, labor, and shipping included).

Note: LIFETIME warranty on metal drawer frames and glides.

Bedside stands are designed for a 5 year expected service life under normal use conditions.

3800 E. Centre Ave., Portage, MI 49002
(800) 327-0770 | 2014/01 E.0

stryker[®]