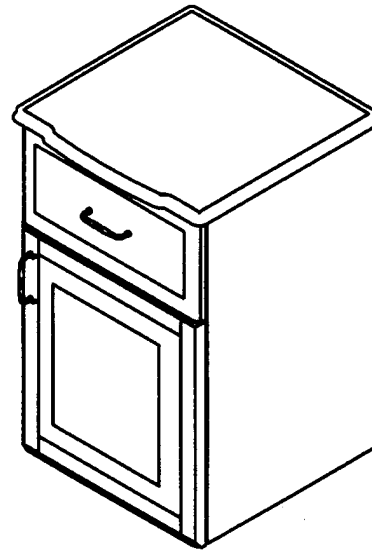
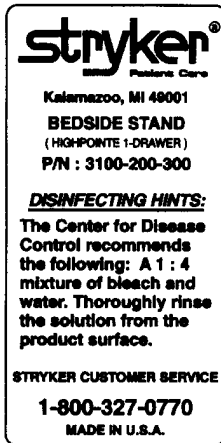


HIGHPOINTE Bedside Stand (1 – Drawer/1 – Door) Model # 3100–200–300

Operations and Maintenance

PRODUCT IDENTIFICATION LABEL
(Located Underneath Unit)



REPLACEMENT PARTS LIST		
Part Number	Part Name	
① 3100–200–310	Top Panel – Highpointe	
② 3100–200–130	Back Panel	
③ 3100–052–744	Roller Drawer Slide (Pair)	
④ 3100–200–320	End Panel (Hinge Right)	
④ 3100–200–321	End Panel (No Hinge)	
⑤ 3100–200–140	Bottom Panel	
⑥ 3100–052–734	Twin Wheel Hooded Caster	
⑦ 3100–200–350	Front Panel – Hinge Right	
⑦ 3100–200–351	Front Panel – Hinge Left	
⑧ 3100–052–740	Pull w/Hardware – Highpointe (Chrome)	
⑧ 3100–052–748	Pull w/Hardware – Highpointe (Brass)	
⑨ 3100–200–252	Drawer Frame (Metal)	
⑩ 3100–200–208	6" Plastic Drawer	
⑪ 3100–200–322	End Panel (No Hinge)	
⑪ 3100–200–323	End Panel (Hinge Left)	
Warranty: 1 Year Parts and Labor – 3 Years on the Plastic Drawer (Subject To Normal, Non–Abusive Operating Conditions.)		

Assembly Method

The Select Series bedside stand is constructed using a locking cam and dowel pin arrangement (as shown in figure A). To dismantle the unit, use a #2 Phillips head screwdriver to unlock each cam by rotating the cam in a counter-clockwise direction.

Replacement Parts

An exploded assembly view is provided on the opposite side of this card. Please reference the table shown to the left for parts shown in the exploded assembly view.

Disinfection Procedure

The center for disease control recommends the following: A 1:4 mixture of bleach and water. Thoroughly rinse the solution from the product surface.

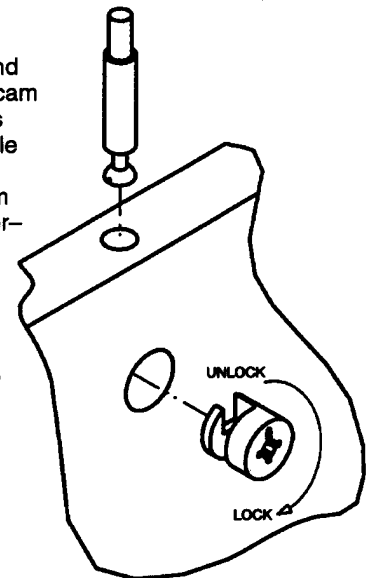


Figure A



Stryker Patient Care offers a full line of med/surg, maternity and critical care beds, furniture and pressure management products.

HIGHPOINTE Bedside Stand (1-Drawer/1-Door) Model # 3100-200-300

