

Unity™ GC Belong™ Chair

Operations/Maintenance Manual

REF 3500



Symbols









	Consult instructions for use
	Caution
	Catalogue number
	Serial number
	Distributed by
	Manufacturer
	For US Patents see www.stryker.com/patents
	Safe working load

Table of Contents

Warning/Caution/Note Definition	2
Summary of safety precautions	2
Introduction	3
Product description	3
Intended use	3
Expected service life	3
Contact information	3
Serial number location	3
Specifications	5
Low back - single seat	5
Low back - single seat, 20 in. seat height	6
High back - single seat	7
High back - single seat, 20 in. seat height	8
Low back - bariatric	9
High back - bariatric	10
High back - flex back	11
High back - flex back, 20 in. seat height	12
Low back - single seat, armless	13
Accessories and parts	14
Preventive maintenance	15
Cleaning with SideKick® wipes	16
Cleaning the product	17
Service	18
Arm cap replacement	18
Seat cushion replacement	18
Back cushion replacement	19
Foot replacement	20
Low back - single seat	22
High back - bariatric	24
High back - flex back	26
Low back - single seat, armless	28

Warning/Caution/Note Definition

The words **WARNING**, **CAUTION**, and **NOTE** carry special meanings and should be carefully reviewed.

WARNING

Alerts the reader about a situation which, if not avoided, could result in death or serious injury. It may also describe potential serious adverse reactions and safety hazards.

CAUTION

Alerts the reader of a potentially hazardous situation which, if not avoided, may result in minor or moderate injury to the user or patient or damage to the product or other property. This includes special care necessary for the safe and effective use of the device and the care necessary to avoid damage to a device that may occur as a result of use or misuse.

Note - Provides special information to make maintenance easier or important instructions clearer.

Summary of safety precautions

CAUTION

- Improper usage of the product can cause injury to the patient or operator. Operate the product only as described in this manual.
 - Do not modify the product or any components of the product. Modifying the product can cause unpredictable operation resulting in injury to patient or operator. Modifying the product also voids its warranty.
 - Always confirm stable foot placement and back support or get assistance from another person to avoid the risk of injury or product damage.
-

Introduction

This manual assists you with the operation or maintenance of your Stryker product. Read this manual before operating or maintaining this product. Set methods and procedures to educate and train your staff on the safe operation or maintenance of this product.

CAUTION

- Improper usage of the product can cause injury to the patient or operator. Operate the product only as described in this manual.
 - Do not modify the product or any components of the product. Modifying the product can cause unpredictable operation resulting in injury to patient or operator. Modifying the product also voids its warranty.
-

Note

- This manual is a permanent part of the product and should remain with the product even if the product is sold.
- Stryker continually seeks advancements in product design and quality. This manual contains the most current product information available at the time of printing. There may be minor discrepancies between your product and this manual. If you have any questions, contact Stryker Customer Service or Technical Support at 1-800-327-0770.

Product description

The **GC Belong™** chairs are a line of furniture products for the healthcare setting. Each product functions as a padded seat.

Intended use

The **GC Belong** chairs are intended to be used as furniture within the healthcare setting.

Expected service life

The **GC Belong** chairs have a 10 year expected service life under normal use conditions and with appropriate periodic maintenance.

Contact information

Contact Stryker Customer Service or Technical Support at: 1-800-327-0770.

Stryker Medical
3800 E. Centre Avenue
Portage, MI 49002
USA

To view your operations or maintenance manual online, see <https://techweb.stryker.com/>.

Have the serial number (A) of your Stryker product available when calling Stryker Customer Service or Technical Support. Include the serial number in all written communication.

Serial number location

The serial number for your product is located under the seat, toward the back of the chair (A).

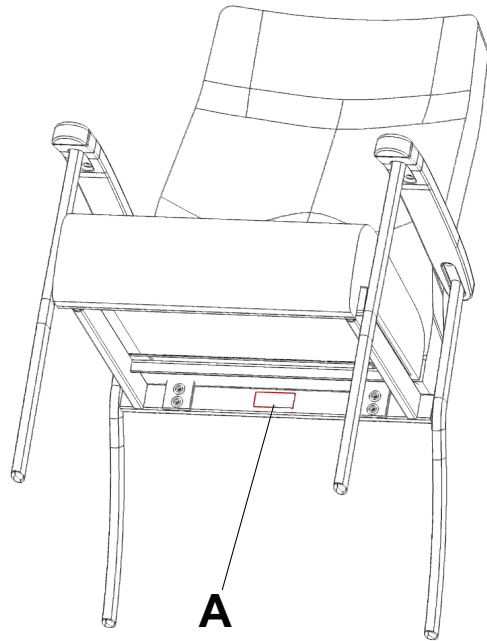



Figure 1 – Serial number location

Specifications

Low back - single seat

3500-000-501




	Safe working load	350 lb	158.8 kg
Overall length		28 in.	711 mm
Overall width		26.5 in.	673 mm
Overall height		37.5 in.	953 mm
Seat depth (minimum)		18 in.	457 mm
Seat width		22 in.	559 mm
Seat height (minimum)		18 in.	457 mm
Back width		21.5 in.	546 mm
Back height (minimum)		19.5 in.	495 mm
Arm height from seat (minimum)		7.5 in.	191 mm
Weight		41 lb	18.6 kg

Low back - single seat, 20 in. seat height

3500-000-502




	Safe working load	350 lb	158.8 kg
Overall length		28 in.	711 mm
Overall width		26.5 in.	673 mm
Overall height		39.5 in.	749 mm
Seat depth (minimum)		18 in.	457 mm
Seat width		22 in.	559 mm
Seat height (minimum)		20 in.	508 mm
Back width		21.5 in.	546 mm
Back height (minimum)		19.5 in.	495 mm
Arm height from seat (minimum)		7.5 in.	191 mm
Weight		42 lb	19 kg

High back - single seat

3500-000-503



	Safe working load	350 lb	158.8 kg
Overall length		28 in.	711 mm
Overall width		26.5 in.	673 mm
Overall height		43 in.	1092 mm
Seat depth (minimum)		18 in.	457 mm
Seat width		22 in.	559 mm
Seat height (minimum)		18 in.	457 mm
Back width		21.5 in.	546 mm
Back height (minimum)		24.5 in.	622 mm
Arm height from seat (minimum)		7.5 in.	191 mm
Weight		42.5 lb	19.3 kg

High back - single seat, 20 in. seat height

3500-000-504



	Safe working load	350 lb	158.8 kg
Overall length		28 in.	711 mm
Overall width		26.5 in.	673 mm
Overall height		45 in.	1143 mm
Seat depth (minimum)		18 in.	457 mm
Seat width		22 in.	559 mm
Seat height (minimum)		20 in.	508 mm
Back width		21.5 in.	546 mm
Back height (minimum)		24.5 in.	622 mm
Arm height from seat (minimum)		7.5 in.	191 mm
Weight		43.5 lb	19.7 kg

Low back - bariatric

3500-000-509



	Safe working load	750 lb	341 kg
Overall length		28 in.	711 mm
Overall width		37.5 in.	953 mm
Overall height		37.5 in.	953 mm
Seat depth (minimum)		18 in.	457 mm
Seat width		32.5 in.	826 mm
Seat height (minimum)		18 in.	457 mm
Back width		32.5 in.	826 mm
Back height (minimum)		19.5 in.	495 mm
Arm height from seat (minimum)		7.5 in.	191 mm
Weight		56 lb	25.5 kg

High back - bariatric

3500-000-510




	Safe working load	750 lb	341 kg
Overall length		28 in.	711 mm
Overall width		37.5 in.	953 mm
Overall height		43 in.	1092 mm
Seat depth (minimum)		18 in.	457 mm
Seat width		32.5 in.	826 mm
Seat height (minimum)		18 in.	457 mm
Back width		32.5 in.	826 mm
Back height (minimum)		24.5 in.	622 mm
Arm height from seat (minimum)		7.5 in.	191 mm
Weight		59 lb	26.8 kg

High back - flex back

3500-000-511



	Safe working load	350 lb	158.8 kg
Overall length		28 in.	711 mm
Overall width		26.5 in.	673 mm
Overall height		43 in.	1092 mm
Seat depth (minimum)		18 in.	457 mm
Seat width		22 in.	559 mm
Seat height (minimum)		18 in.	457 mm
Back width		21.5 in.	546 mm
Back height (minimum)		24.5 in.	622 mm
Arm height from seat (minimum)		7.5 in.	191 mm
Weight		48 lb	21.8 kg

High back - flex back, 20 in. seat height

3500-000-512




	Safe working load	350 lb	158.8 kg
Overall length		28 in.	711 mm
Overall width		26.5 in.	673 mm
Overall height		45 in.	1143 mm
Seat depth (minimum)		18 in.	457 mm
Seat width		22 in.	559 mm
Seat height (minimum)		20 in.	508 mm
Back width		21.5 in.	546 mm
Back height (minimum)		24.5 in.	622 mm
Arm height from seat (minimum)		7.5 in.	191 mm
Weight		49 lb.	22.2 kg

Low back - single seat, armless

3500-000-513



	Safe working load	350 lb	158.8 kg
Overall length		28 in.	711 mm
Overall width		24.75 in.	629 mm
Overall height		37.5 in.	953 mm
Seat depth (minimum)		18 in.	457 mm
Seat width		22 in.	559 mm
Seat height (minimum)		18 in.	457 mm
Back width		21.5 in.	546 mm
Back height (minimum)		19.5 in.	495 mm
Weight		33 lb	15 kg

Stryker reserves the right to change specifications without notice.

Accessories and parts

These accessories may be available for use with your product. Confirm availability for your configuration or region. Call Stryker Customer Service: 1-800-327-0770.

Name	Part number
Arm cap, black	3500-030-500
Arm cap, kalua	3500-031-500
Arm cap, latte	3500-032-500
Arm cap, mocha	3500-033-500
Arm cap, shadow	3500-034-500
Arm cap, toast	3500-035-500
Bolt, back	3500-039-500
Cushion, back, high	3500-024-500
Cushion, back, high, bariatric	3500-028-500
Cushion, back, high, flex	3500-025-500
Cushion, back, low	3500-026-500
Cushion, back, low, bariatric	3500-029-500
Cushion, seat	3500-023-500
Cushion, seat, bariatric	3500-027-500
Foot, back	3500-043-500
Foot, front	3500-042-500
Screw, arms, frame	3500-036-500
Screw, seat, wood	3500-100-079
Screw, seat, wood	3500-038-500
Split washer, back	3500-100-181
Washer, back	3500-041-500

Preventive maintenance

Remove product from service before you perform the preventive maintenance inspection. Check all items listed during annual preventive maintenance for all Stryker Medical products. You may need to perform preventive maintenance checks more often based on your level of product usage. Service only by qualified personnel.

Inspect the following items:

- _____ All fasteners are secure
- _____ Back, arms, and seat are not damaged
- _____ Feet are not damaged

Product serial number:
Completed by:
Date:

Cleaning with SideKick® wipes

For the United States only. Call Stryker Customer Service: 1-800-327-0770 to confirm availability for your configuration or region.

Stryker's preferred wipes (2060-000-001 6" x 10" or 2060-000-002 9" x 12") include the following active ingredients:

- n-Alkyl (60% C14, 30% C16, 5% C12, 5% C18) dimethyl benzyl ammonium chloride - 0.154%
- n-Alkyl (68% C12, 32% C14) dimethyl ethylbenzyl ammonium chloride - 0.154%
- Isopropanol - 21.000%

Non-active ingredient: Ethylene Glycol Monobutyl Ether – < 3%

Note - For safety information, read the product label.

Follow these steps to clean the external product surface using **SideKick** wipes. **SideKick** wipes are not approved to disinfect your product.

1. Rub with a fresh, clean **SideKick** wipe to remove all visible soils. Repeat as necessary until the product is clean.

Note - Use as many wipes as necessary.

2. Allow the external product surface to air dry before you return the product to service.

Cleaning the product

Recommended cleaners:

- Quaternary solutions (active ingredient – ammonium chloride) that contain less than 3% glycol ether
- Chlorinated bleach solution (1 part bleach solution to 100 parts water, 520 ppm available chlorine solution)
- Isopropyl alcohol (active ingredient \leq 21%)

Recommended cleaning method:

1. Follow the cleaning solution manufacturer's dilution recommendations.
2. Hand wash all surfaces of the product with a cleaning solution.
3. Avoid oversaturation. Do not allow the product to stay wet longer than the chemical manufacturer's guidelines for cleaning.
4. Dry the product.
5. Verify proper operation before you return the product to service.

Service

Arm cap replacement

Tools required:

- #3 Phillips screwdriver

Procedure:

1. Using a #3 Phillips screwdriver, remove the two screws (A) that secure the arm cap (B) to the chair frame (Figure 2). Remove and discard the arm cap. Save the screws.
2. Reverse steps to reinstall.
3. Verify proper operation before you return the product to service.

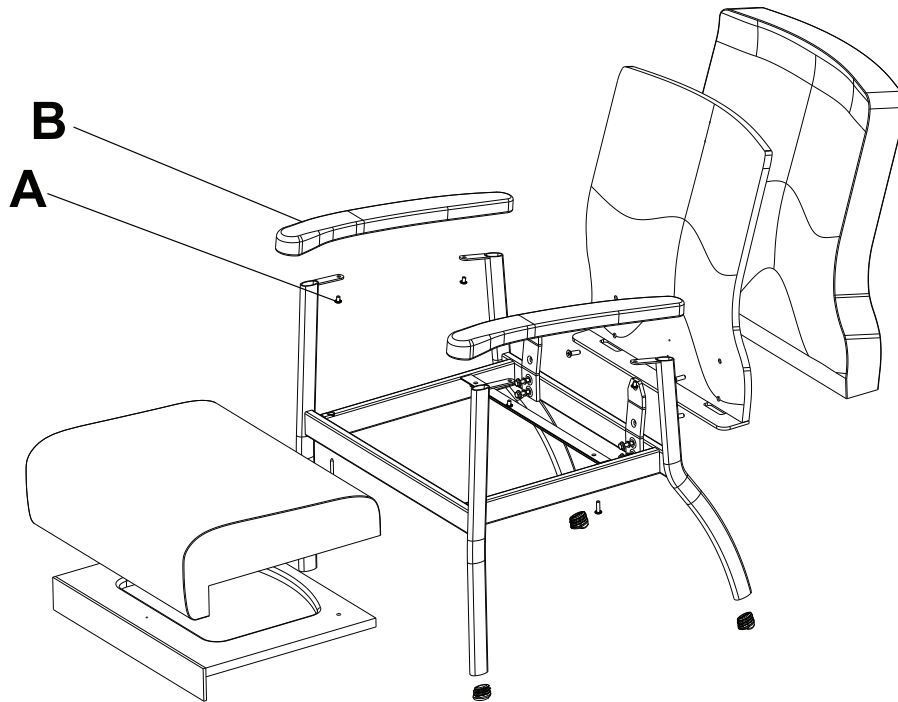


Figure 2 – Arm cap replacement

Seat cushion replacement

Tools required:

- #3 Phillips screwdriver
- Blanket or equivalent

Procedure:

1. Lay a blanket, or equivalent, on the floor behind the chair.
2. Using two hands, lift up on the bottom of the chair to flip the chair onto its back.

CAUTION - Always confirm stable foot placement and back support or get assistance from another person to avoid the risk of injury or product damage.

3. Using a #3 Phillips screwdriver, remove the four screws (A) that secure the seat cushion to the frame (Figure 3). Remove and discard the seat cushion. Save the screws.
4. Reverse steps to reinstall.

5. Verify proper operation before you return the product to service.

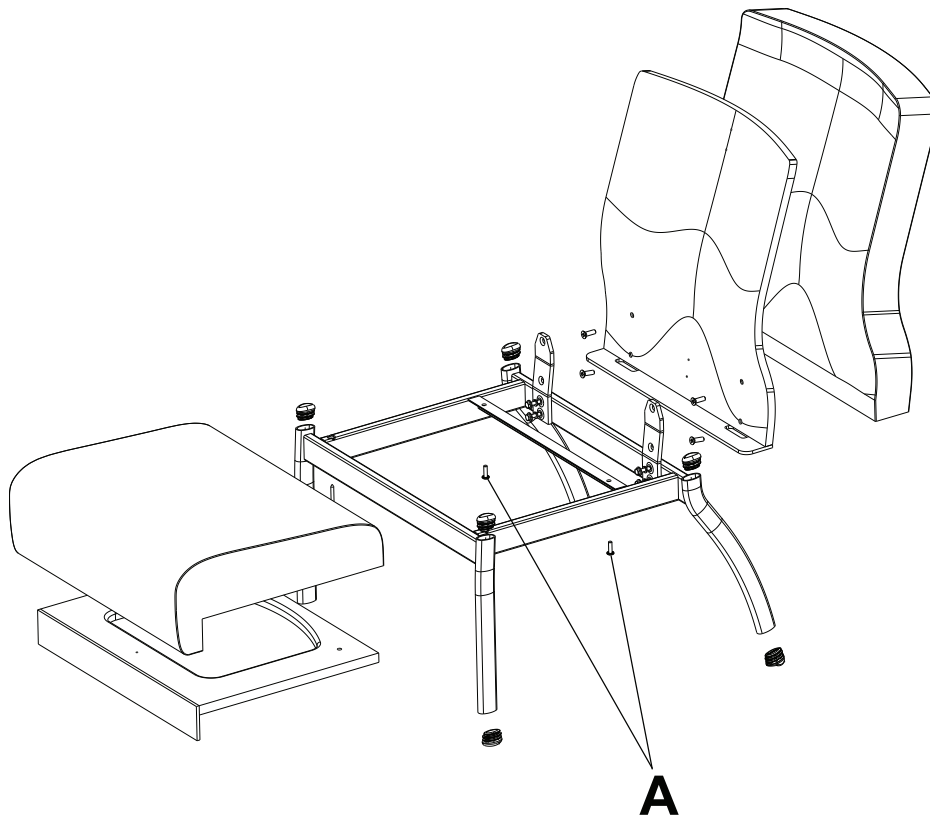


Figure 3 – Seat cushion replacement

Back cushion replacement

Tools required:

- 11mm combination wrench
- Blanket or equivalent

Procedure:

1. Lay a blanket, or equivalent, on the floor beside the chair.
2. Using two hands, flip the chair onto its side.
3. Using an 11mm combination wrench, remove the four bolts and washers (A) that secure the back cushion to the frame (Figure 4). Remove and discard the back cushion. Save the bolts and washers.
4. Reverse steps to reinstall.
5. Verify proper operation before you return the product to service.

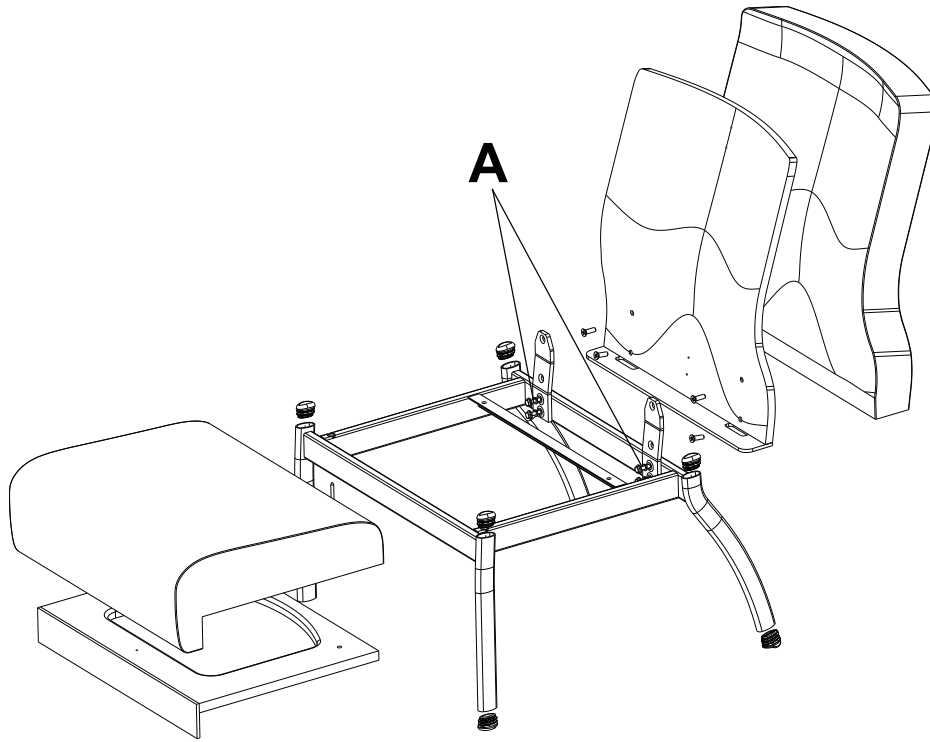


Figure 4 – Back cushion replacement

Foot replacement

Tools required:

- Flat screwdriver
- Rubber hammer
- Blanket or equivalent

Procedure:

1. Lay a blanket, or equivalent, on the floor beside the chair.

Note - Lay the blanket on the opposite side of the foot you are replacing.

2. Using two hands, flip the chair onto its side and onto the blanket.
3. Using a flat screwdriver and rubber hammer, drive the foot (A) out of the chair frame (Figure 5).
4. Using a rubber hammer, drive the new foot into the chair frame.

Note - Make sure that you use the proper foot replacement. The front and back feet are different. The back feet are direction specific.

5. Verify proper operation before you return the product to service.

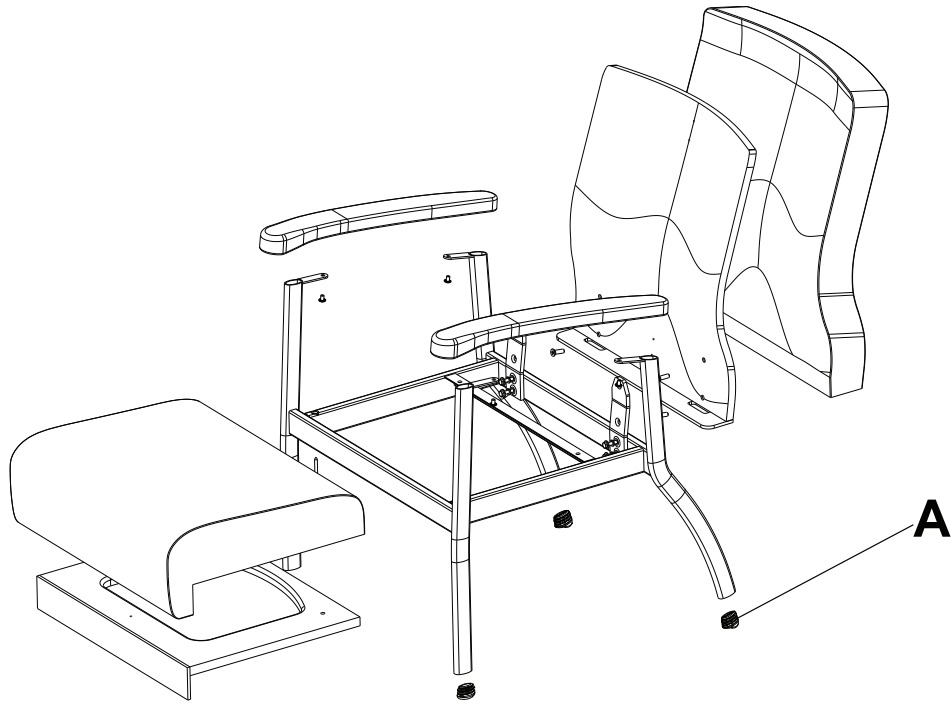
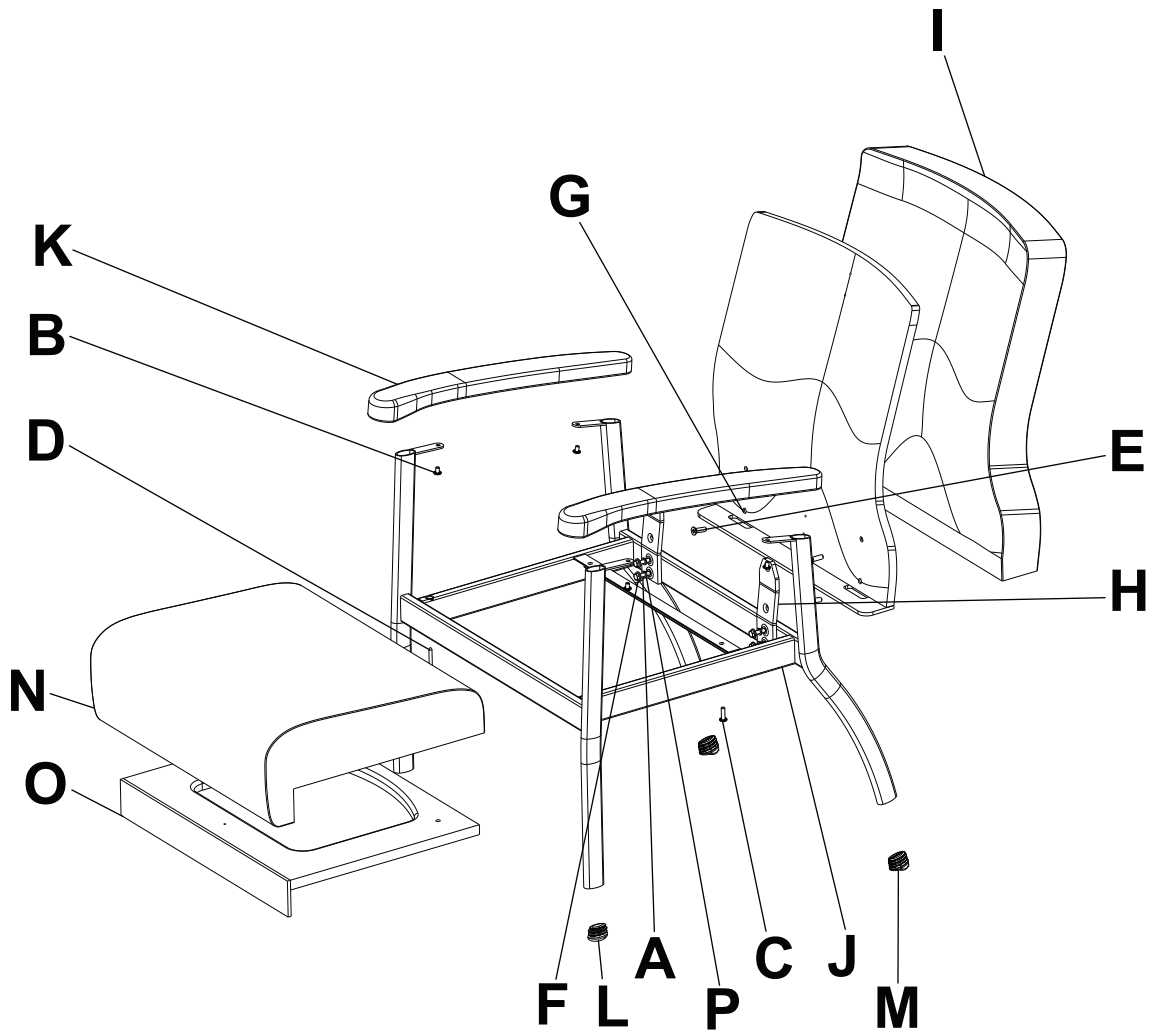


Figure 5 – Foot replacement

Low back - single seat

3500-000-501 (Reference only)



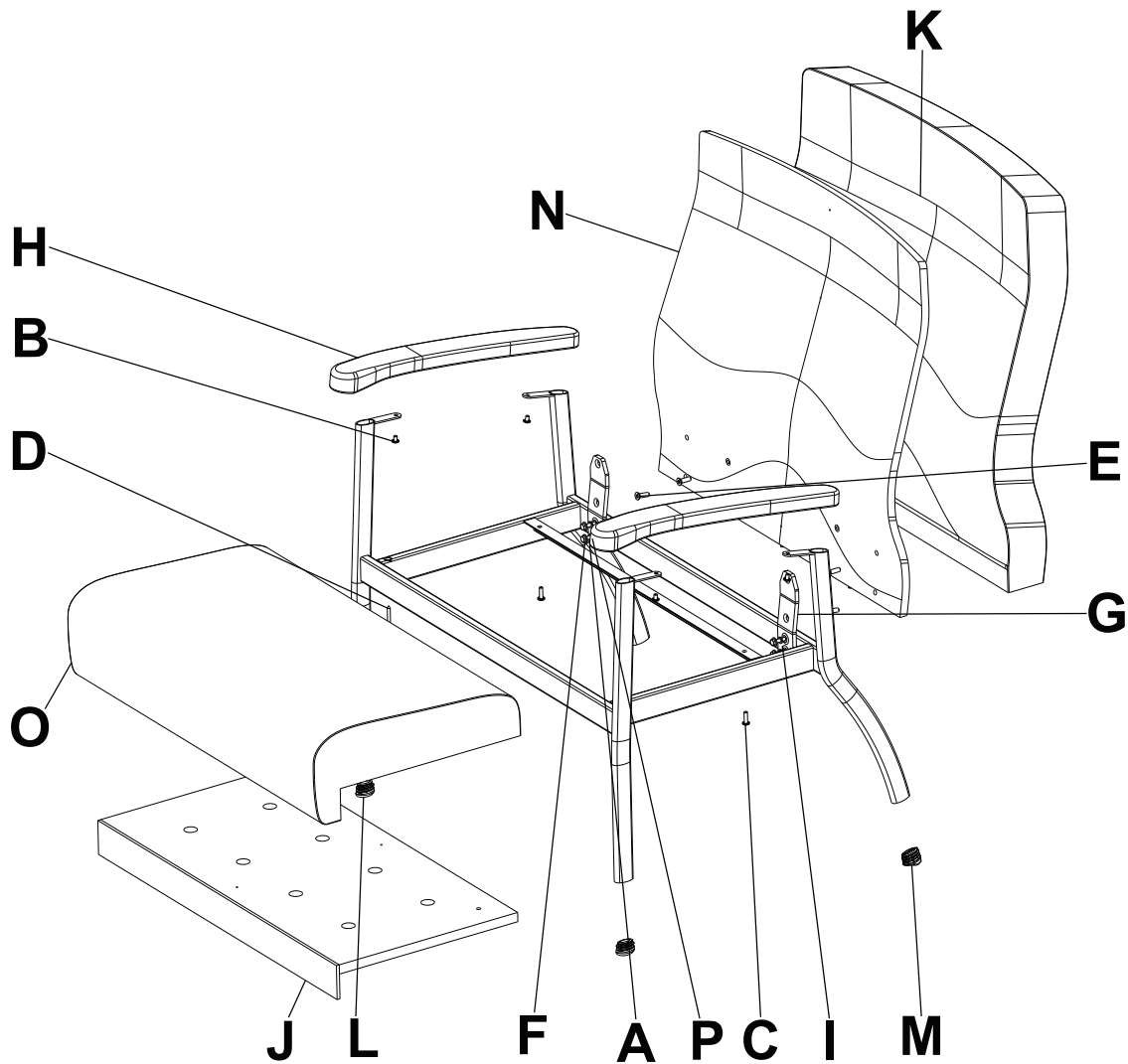
Item	Name	Quantity
A	Hex head bolt	4
B	Truss Phillips/square serrated screw, black	4
C	Truss Phillips/square serrated screw	2
D	Phillips/square wood screw	2
E	Phillips/square machine screw, black	4
F	Washer	4
G	Back wood with tee nut	1
H	Back bracket	2
I	Back foam	1
J	Chair frame, single seat	1
K	Arm cap with insert	2

Item	Name	Quantity
L	Foot, front	2
M	Foot, back	2
N	Seat foam	1
O	Seat wood	1
P	Washer, split lock	4

Note - Stryker Model 3500-000-502, 3500-000-503, and 3500-000-504 are not shown.

High back - bariatric

3500-000-510 (Reference only)



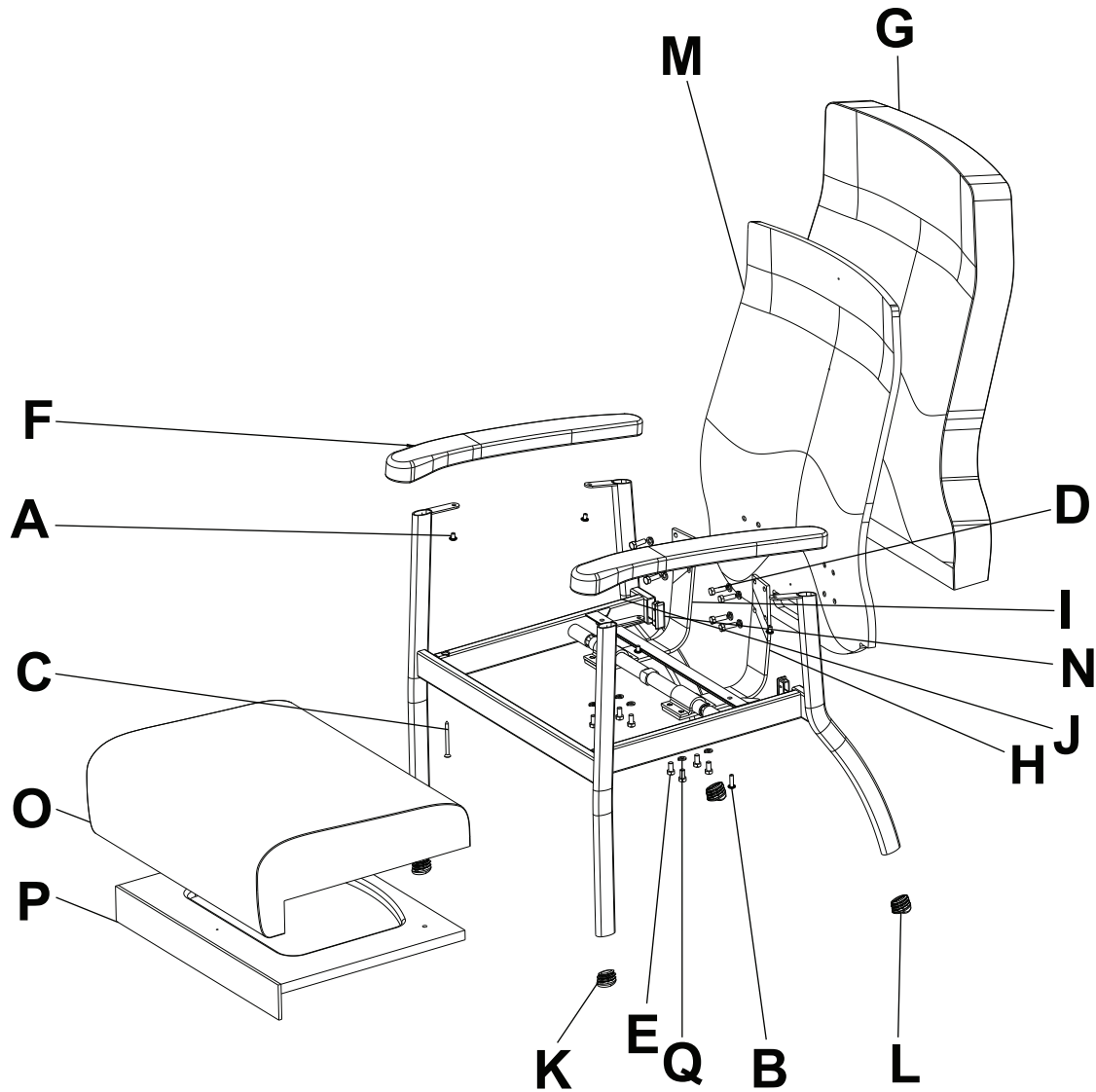
Item	Name	Quantity
A	Hex head bolt	4
B	Truss Phillips/square serrated screw, black	4
C	Truss Phillips/square serrated screw	2
D	Phillips/square wood screw	2
E	Phillips/square machine screw, black	4
F	Washer	4
G	Back bracket	2
H	Arm cap with insert	2
I	Chair frame, bariatric	1
J	Seat wood	1

Item	Name	Quantity
K	Back foam	1
L	Foot, front	2
M	Foot, back	2
N	Bariatric wood	1
O	Seat foam	1
P	Washer, split lock	4

Note - Stryker Model 3500-000-509 not shown.

High back - flex back

3500-000-511 (Reference only)



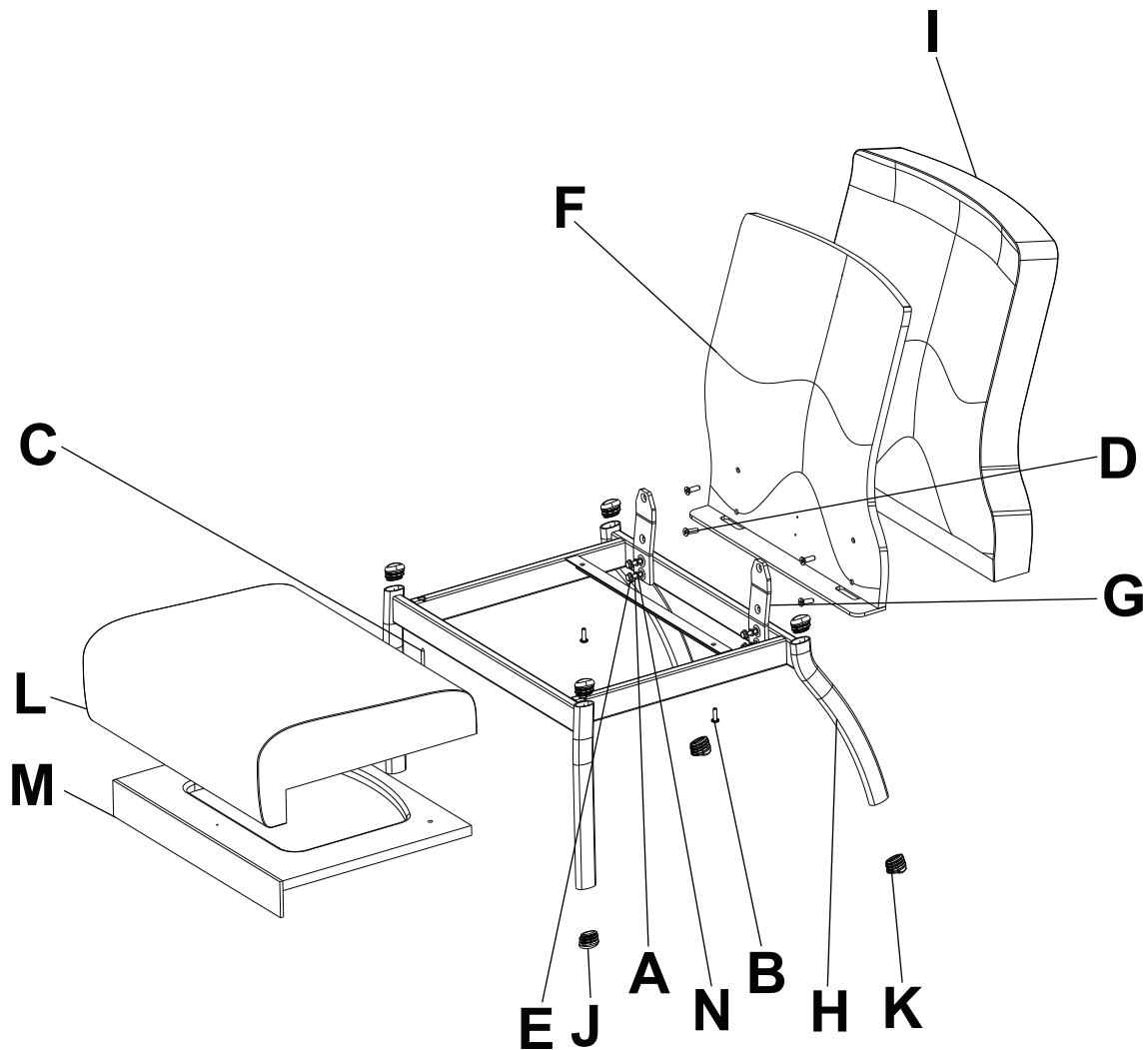
Item	Name	Quantity
A	Truss Phillips/square serrated screw, black	4
B	Truss Phillips/square serrated screw	2
C	Phillips/square wood screw	2
D	Hex head screw	8
E	Hex head screw	8
F	Arm cap with insert	2
G	Back foam	1
H	Back upright, left	1
I	Back upright, right	1

Item	Name	Quantity
J	Chair frame, flex back	1
K	Foot, front	2
L	Foot, back	2
M	Back wood with tee nut	1
N	Plastic closer	2
O	Seat foam	1
P	Seat wood	1
Q	Washer, split lock	16

Note - Stryker Model 3500-000-512 not shown.

Low back - single seat, armless

3500-000-513



Item	Name	Quantity
A	Hex head bolt	4
B	Truss Phillips/square serrated screw	2
C	Phillips/square wood screw	2
D	Phillips/square machine screw, black	4
E	Washer	4
F	Back wood with tee nut	1
G	Back bracket	2
H	Chair frame, single seat, armless	1
I	Back foam	1
J	Foot, front	6
K	Foot, back	2

Item	Name	Quantity
L	Seat foam	1
M	Seat wood	1
N	Washer, split lock	4

Chaise Unity™ GC Belong™

Manuel d'utilisation et d'entretien

REF 3500



Symboles









	Consulter la notice d'utilisation
	Mise en garde
	Numéro de référence
	Numéro de série
	Distribué par
	Fabricant
	Pour les brevets américains, consulter www.stryker.com/patents
	Charge maximum admissible

Table des matières

Définition de « Avertissement », « Mise en garde » et « Remarque »	2
Résumé des mesures de sécurité	2
Introduction	3
Description du produit	3
Utilisation	3
Durée de vie utile prévue	3
Informations de contact	3
Emplacement du numéro de série	3
Caractéristiques techniques	5
Dossier bas - siège unique	5
Dossier bas - siège unique, siège de 20 po de hauteur	6
Dossier haut - siège unique	7
Dossier haut - siège unique, siège de 20 po de hauteur	8
Dossier bas - bariatrique	9
Dossier haut - bariatrique	10
Dossier haut - dossier flexible	11
Dossier haut - dossier flexible, siège de 20 po de hauteur	12
Dossier bas - siège unique, sans accoudoirs	13
Accessoires et pièces	14
Entretien préventif	15
Nettoyage avec des lingettes SideKick®	16
Nettoyage du produit	17
Entretien	18
Remplacement du protège-accoudoir	18
Remplacement du coussin d'assise	18
Remplacement du coussin de dossier	19
Remplacement des pieds	20
Dossier bas - siège unique	22
Dossier haut - bariatrique	24
Dossier haut - dossier flexible	26
Dossier bas - siège unique, sans accoudoirs	28

Définition de « Avertissement », « Mise en garde » et « Remarque »

Les termes **AVERTISSEMENT**, **MISE EN GARDE** et **REMARQUE** ont une signification particulière et doivent faire l'objet d'une lecture attentive.

AVERTISSEMENT

Avertit le lecteur d'une situation qui, si elle n'est pas évitée, pourrait entraîner la mort ou des blessures graves. Peut également attirer l'attention sur l'existence potentielle d'effets indésirables graves ou de risques d'accident.

MISE EN GARDE

Avertit le lecteur d'une situation potentiellement dangereuse qui, si elle n'est pas évitée, peut causer des blessures mineures ou modérées à l'utilisateur ou au patient ou endommager le matériel en question ou d'autres biens. Couvre notamment les précautions à prendre afin d'assurer l'utilisation sûre et efficace du dispositif et d'éviter les dommages qui pourraient découler de l'usage ou du mésusage du matériel.

Remarque - Fournit des informations spécifiques destinées à faciliter l'entretien ou à clarifier des instructions importantes.

Résumé des mesures de sécurité

MISE EN GARDE

- Une utilisation incorrecte du produit est susceptible d'occasionner des blessures chez le patient ou l'opérateur. Utiliser le produit uniquement de la manière décrite dans ce manuel.
 - Ne pas modifier le produit ni aucun de ses composants. Toute modification du produit peut entraîner un fonctionnement imprévisible, susceptible d'occasionner des blessures chez le patient ou l'opérateur. La garantie du produit serait en outre annulée par toute modification du produit.
 - Toujours vérifier le positionnement stable des pieds et du support de dossier ou se faire aider par une autre personne pour éviter le risque de blessure ou d'endommagement du produit.
-

Introduction

Ce manuel vous aide à utiliser ou entretenir votre produit Stryker. Lire ce manuel avant d'utiliser ce produit ou d'en effectuer la maintenance. Il convient d'établir des procédures et techniques visant à éduquer et à former le personnel quant au fonctionnement et à l'entretien sécuritaires de ce produit.

MISE EN GARDE

- L'utilisation incorrecte du produit est susceptible de causer des blessures au patient ou à l'utilisateur. Utiliser le produit uniquement de la manière décrite dans ce manuel.
 - Ne pas modifier le produit ni aucun de ses composants. Toute modification du produit peut entraîner un fonctionnement imprévisible, susceptible de causer des blessures au patient ou à l'utilisateur. La garantie du produit serait en outre invalidée par toute modification du produit.
-

Remarque

- Ce manuel doit être considéré comme faisant partie du produit et doit l'accompagner à tout moment, même en cas de vente ultérieure du produit.
- Stryker cherche continuellement à améliorer le design et la qualité de ses produits. Ce manuel contient les informations produit les plus récentes disponibles au moment de l'impression. Il peut y avoir de légères divergences entre le produit et ce manuel. Pour toute question, contacter le service clientèle ou le support technique de Stryker au +1-800-327-0770.

Description du produit

Les chaises **GC Belong™** constituent une gammes de produits de mobilier pour l'environnement de soins de santé. Chaque produit fonctionne comme un siège rembourré.

Utilisation

Les chaises **GC Belong** sont destinées à être utilisées en tant que meubles dans un environnement de soins de santé.

Durée de vie utile prévue

Les chaises **GC Belong** ont une durée de vie utile prévue de 10 ans dans des conditions normales d'utilisation et en respectant l'entretien périodique approprié.

Informations de contact

Contactez le service clientèle ou le support technique de Stryker au : 1-800-327-0770.

Stryker Medical
3800 E. Centre Avenue
Portage, MI 49002
États-Unis

Pour consulter votre mode d'emploi ou votre manuel d'entretien en ligne, rendez-vous sur <https://techweb.stryker.com/>.

Avoir le numéro de série (A) du produit Stryker à disposition avant d'appeler le service clientèle ou le support technique de Stryker. Inclure le numéro de série dans toutes les communications écrites.

Emplacement du numéro de série

Le numéro de série du produit se trouve sous le siège, vers le dossier de la chaise (A).

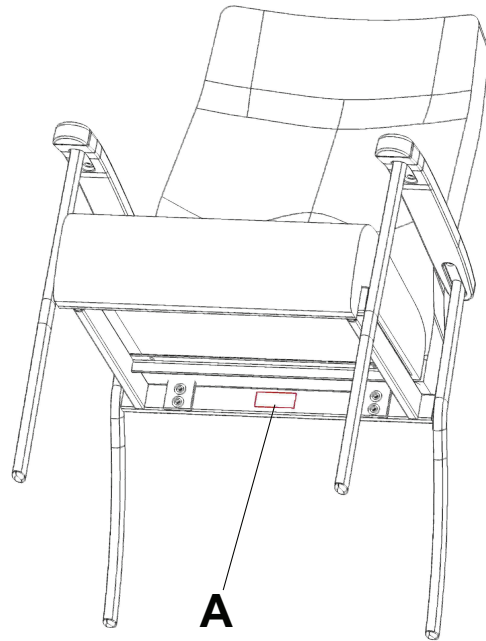



Figure 1 – Emplacement du numéro de série

Caractéristiques techniques

Dossier bas - siège unique

3500-000-501



	Charge maximum admissible	350 livres	158,8 kg
Longueur totale		28 po	711 mm
Largeur globale		26,5 po	673 mm
Hauteur globale		37,5 po	953 mm
Profondeur du siège (minimum)		18 po	457 mm
Largeur du siège		22 po	559 mm
Hauteur du siège (minimum)		18 po	457 mm
Largeur du dossier		21,5 po	546 mm
Hauteur du dossier (minimum)		19,5 po	495 mm
Hauteur de l'accoudoir à partir de l'assise (minimum)		7,5 po	191 mm
Poids		41 livres	18,6 kg

Dossier bas - siège unique, siège de 20 po de hauteur

3500-000-502



	Charge maximum admissible	350 livres	158,8 kg
Longueur totale		28 po	711 mm
Largeur globale		26,5 po	673 mm
Hauteur globale		39,5 po	749 mm
Profondeur du siège (minimum)		18 po	457 mm
Largeur du siège		22 po	559 mm
Hauteur du siège (minimum)		20 po	508 mm
Largeur du dossier		21,5 po	546 mm
Hauteur du dossier (minimum)		19,5 po	495 mm
Hauteur de l'accoudoir à partir de l'assise (minimum)		7,5 po	191 mm
Poids		42 livres	19 kg

Dossier haut - siège unique

3500-000-503




	Charge maximum admissible	350 livres	158,8 kg
Longueur totale	28 po	711 mm	
Largeur globale	26,5 po	673 mm	
Hauteur globale	43 po	1092 mm	
Profondeur du siège (minimum)	18 po	457 mm	
Largeur du siège	22 po	559 mm	
Hauteur du siège (minimum)	18 po	457 mm	
Largeur du dossier	21,5 po	546 mm	
Hauteur du dossier (minimum)	24,5 po	622 mm	
Hauteur de l'accoudoir à partir de l'assise (minimum)	7,5 po	191 mm	
Poids	42,5 livres	19,3 kg	

Dossier haut - siège unique, siège de 20 po de hauteur

3500-000-504



	Charge maximum admissible	350 livres	158,8 kg
Longueur totale	28 po	711 mm	
Largeur globale	26,5 po	673 mm	
Hauteur globale	45 po	1143 mm	
Profondeur du siège (minimum)	18 po	457 mm	
Largeur du siège	22 po	559 mm	
Hauteur du siège (minimum)	20 po	508 mm	
Largeur du dossier	21,5 po	546 mm	
Hauteur du dossier (minimum)	24,5 po	622 mm	
Hauteur de l'accoudoir à partir de l'assise (minimum)	7,5 po	191 mm	
Poids	43,5 livres	19,7 kg	

Dossier bas - bariatrique

3500-000-509




	Charge maximum admissible	750 livres	341 kg
Longueur totale		28 po	711 mm
Largeur globale		37,5 po	953 mm
Hauteur globale		37,5 po	953 mm
Profondeur du siège (minimum)		18 po	457 mm
Largeur du siège		32,5 po	826 mm
Hauteur du siège (minimum)		18 po	457 mm
Largeur du dossier		32,5 po	826 mm
Hauteur du dossier (minimum)		19,5 po	495 mm
Hauteur de l'accoudoir à partir de l'assise (minimum)		7,5 po	191 mm
Poids		56 livres	25,5 kg

Dossier haut - bariatrique

3500-000-510




	Charge maximum admissible	750 livres	341 kg
Longueur totale		28 po	711 mm
Largeur globale		37,5 po	953 mm
Hauteur globale		43 po	1092 mm
Profondeur du siège (minimum)		18 po	457 mm
Largeur du siège		32,5 po	826 mm
Hauteur du siège (minimum)		18 po	457 mm
Largeur du dossier		32,5 po	826 mm
Hauteur du dossier (minimum)		24,5 po	622 mm
Hauteur de l'accoudoir à partir de l'assise (minimum)		7,5 po	191 mm
Poids		59 livres	26,8 kg

Dossier haut - dossier flexible

3500-000-511




	Charge maximum admissible	350 livres	158,8 kg
Longueur totale	28 po	711 mm	
Largeur globale	26,5 po	673 mm	
Hauteur globale	43 po	1092 mm	
Profondeur du siège (minimum)	18 po	457 mm	
Largeur du siège	22 po	559 mm	
Hauteur du siège (minimum)	18 po	457 mm	
Largeur du dossier	21,5 po	546 mm	
Hauteur du dossier (minimum)	24,5 po	622 mm	
Hauteur de l'accoudoir à partir de l'assise (minimum)	7,5 po	191 mm	
Poids	48 livres	21,8 kg	

Dossier haut - dossier flexible, siège de 20 po de hauteur

3500-000-512




	Charge maximum admissible	350 livres	158,8 kg
Longueur totale	28 po	711 mm	
Largeur globale	26,5 po	673 mm	
Hauteur globale	45 po	1143 mm	
Profondeur du siège (minimum)	18 po	457 mm	
Largeur du siège	22 po	559 mm	
Hauteur du siège (minimum)	20 po	508 mm	
Largeur du dossier	21,5 po	546 mm	
Hauteur du dossier (minimum)	24,5 po	622 mm	
Hauteur de l'accoudoir à partir de l'assise (minimum)	7,5 po	191 mm	
Poids	49 livres	22,2 kg	

Dossier bas - siège unique, sans accoudoirs

3500-000-513



	Charge maximum admissible	350 livres	158,8 kg
Longueur totale		28 po	711 mm
Largeur globale		24,75 po	629 mm
Hauteur globale		37,5 po	953 mm
Profondeur du siège (minimum)		18 po	457 mm
Largeur du siège		22 po	559 mm
Hauteur du siège (minimum)		18 po	457 mm
Largeur du dossier		21,5 po	546 mm
Hauteur du dossier (minimum)		19,5 po	495 mm
Poids		33 livres	15 kg

Stryker se réserve le droit de modifier ces caractéristiques sans préavis.

Accessoires et pièces

Les accessoires suivants peuvent être disponibles pour le produit. Confirmer la disponibilité en fonction de la configuration du produit ou du pays. Contacter le service clientèle de Stryker : +1-800-327-0770.

Nom	N° de pièce
Protège-accoudoir, black	3500-030-500
Protège-accoudoir, kalua	3500-031-500
Protège-accoudoir, latte	3500-032-500
Protège-accoudoir, mocha	3500-033-500
Protège-accoudoir, shadow	3500-034-500
Protège-accoudoir, toast	3500-035-500
Boulon, dossier	3500-039-500
Coussin, dossier, haut	3500-024-500
Coussin, dossier, haut, bariatrique	3500-028-500
Coussin, dossier, haut, flexible	3500-025-500
Coussin, dossier, bas	3500-026-500
Coussin, dossier, bas, bariatrique	3500-029-500
Coussin, assise	3500-023-500
Coussin, assise, bariatrique	3500-027-500
Pied, arrière	3500-043-500
Pied, avant	3500-042-500
Vis, accoudoirs, châssis	3500-036-500
Vis, siège, bois	3500-100-079
Vis, siège, bois	3500-038-500
Rondelle fendue, dossier	3500-100-181
Rondelle, dossier	3500-041-500

Entretien préventif

Mettre le produit hors service avant d'effectuer les vérifications d'entretien préventif. Vérifier tous les éléments mentionnés pendant l'entretien préventif annuel pour tous les produits Stryker Medical. Il peut être nécessaire d'effectuer les vérifications d'entretien préventif plus fréquemment en fonction du degré d'utilisation du produit. Toute réparation doit être effectuée exclusivement par du personnel qualifié.

Inspecter les éléments suivants :

- _____ Toutes les attaches sont correctement fixées
- _____ Le dossier, les accoudoirs et le siège ne sont pas endommagés
- _____ Les pieds ne sont pas endommagés

Numéro de série du produit :
Effectué par :
Date :

Nettoyage avec des lingettes SideKick®

Destiné aux États-Unis uniquement. Appeler le service client Stryker au 1-800-327-0770 pour vérifier la disponibilité pour votre configuration ou région.

Les lingettes recommandées par Stryker (2060-000-001 6" x 10" (15,2 cm x 25,4 cm) ou 2060-000-002 9" x 12" (22,9 cm x 30,5 cm)) contiennent les principes actifs suivants :

- Chlorure d'alkyldiméthylbenzyl ammonium (60 % C14, 30 % C16, 5 % C12, 5 % C18) – 0,154 %
- Chlorure d'alkyldiméthyléthylbenzyl ammonium (68 % C12, 32 % C14) – 0,154 %
- Isopropanol – 21,000 %

Principe non actif : Éther monobutylique de l'éthylène glycol – < 3 %

Remarque - Pour obtenir des renseignements relatifs à la sécurité, lire l'étiquette du produit.

Suivre ces étapes pour nettoyer la surface externe du produit à l'aide de lingettes **SideKick**. Les lingettes **SideKick** ne sont pas approuvées pour désinfecter le produit.

1. Frotter avec une lingette **SideKick** neuve et propre pour éliminer toutes les souillures visibles. Répéter au besoin jusqu'à ce que le produit soit propre.

Remarque - Utiliser autant de lingettes que nécessaire.

2. Laisser sécher la surface externe du produit avant de remettre le produit en service.

Nettoyage du produit

Nettoyants recommandés :

- Solutions quaternaires (principe actif : chlorure d'ammonium) contenant moins de 3 % d'éther de glycol
- Solution d'eau de Javel (1 volume d'eau de Javel pour 100 volumes d'eau, solution de chlore désinfectant à 520 ppm)
- Alcool isopropylique (principe actif ≤ 21 %)

Méthode de nettoyage recommandée :

1. Respecter les recommandations de dilution du fabricant de la solution de nettoyage.
2. Laver à la main toutes les surfaces du produit à l'aide d'une solution nettoyante.
3. Éviter une saturation excessive. S'assurer que le produit ne reste pas mouillé plus longtemps que la durée limite précisée dans les directives du fabricant du produit chimique relatives au nettoyage.
4. Sécher le produit.
5. S'assurer du fonctionnement correct du produit avant de le remettre en service.

Entretien

Remplacement du protège-accoudoir

Outils requis :

- Tournevis cruciforme n° 3

Procédure :

1. À l'aide d'un tournevis cruciforme n° 3, retirer les deux vis (A) qui fixent le protège-accoudoir (B) au châssis de la chaise (Figure 2). Retirer et jeter le protège-accoudoir. Conserver les vis.
2. Inverser la procédure pour réinstaller.
3. S'assurer du fonctionnement correct du produit avant de le remettre en service.

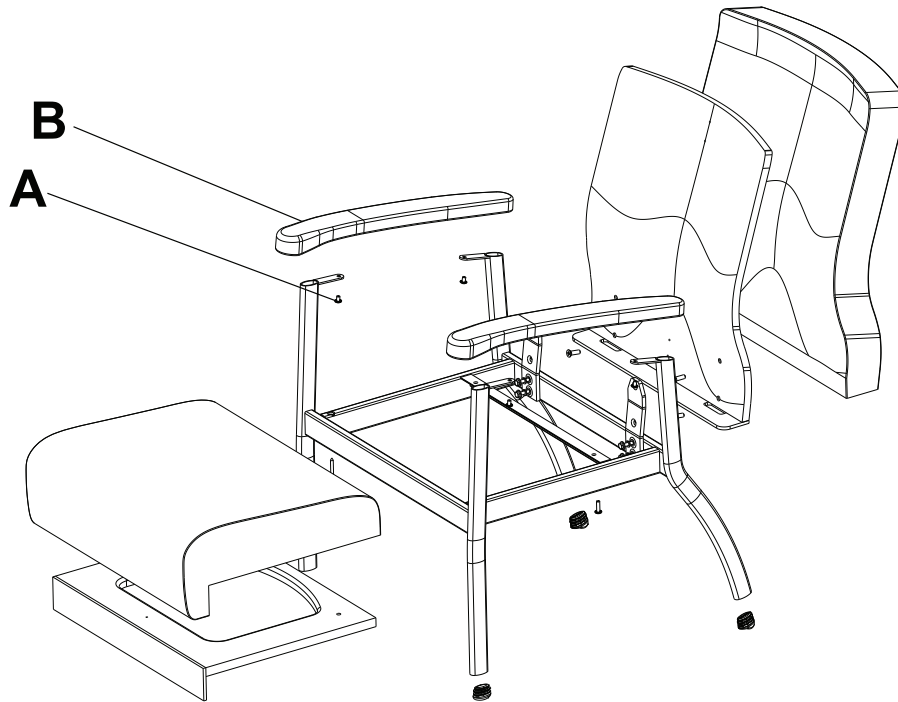


Figure 2 – Remplacement du protège-accoudoir

Remplacement du coussin d'assise

Outils requis :

- Tournevis cruciforme n° 3
- Drap ou équivalent

Procédure :

1. Placer un drap ou équivalent sur le sol derrière le siège.
2. Soulever le bas de la chaise des deux mains pour la déposer sur le dossier.

MISE EN GARDE - Toujours vérifier le positionnement stable des pieds et du support de dossier ou se faire aider par une autre personne pour éviter le risque de blessure ou d'endommagement du produit.

3. À l'aide d'un tournevis cruciforme n° 3, retirer les quatre vis (A) qui fixent le coussin d'assise au châssis (Figure 3). Retirer et jeter le coussin d'assise. Conserver les vis.
4. Inverser la procédure pour réinstaller.

5. S'assurer du fonctionnement correct du produit avant de le remettre en service.

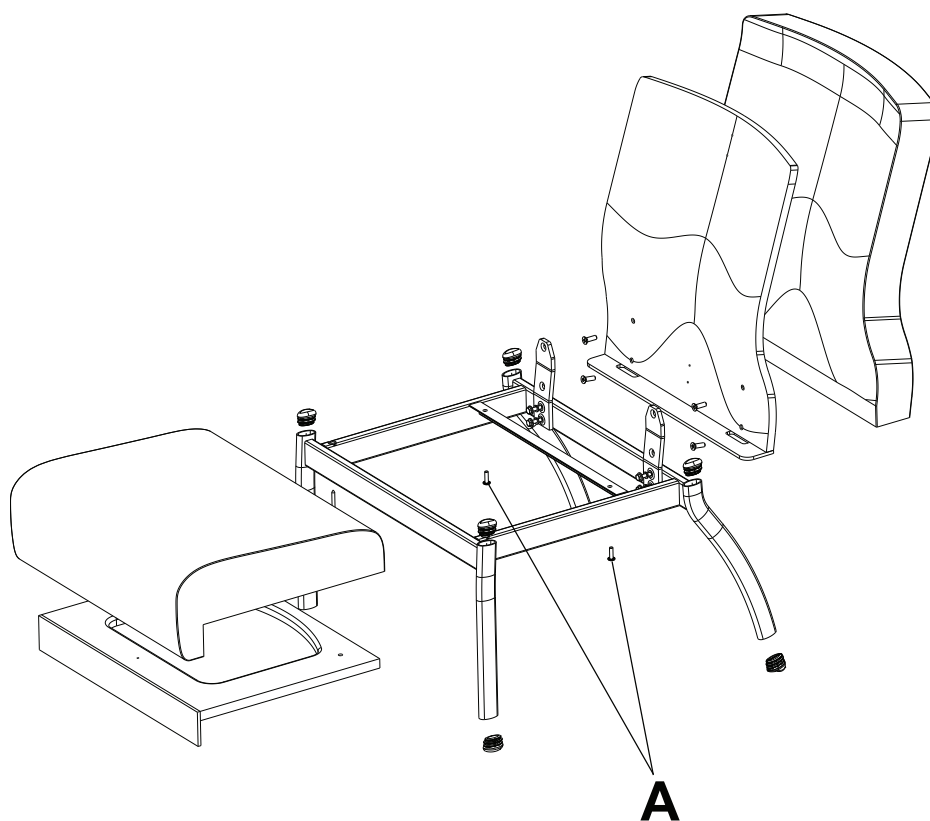


Figure 3 – Remplacement du coussin d'assise

Remplacement du coussin de dossier

Outils requis :

- Clé mixte de 11 mm
- Drap ou équivalent

Procédure :

1. Placer un drap ou équivalent sur le sol à côté du siège.
2. Basculer la chaise des deux mains sur le côté.
3. À l'aide d'une clé mixte de 11 mm, retirer les quatre boulons et rondelles (A) qui fixent le coussin de dossier au châssis (Figure 4). Retirer et jeter le coussin de dossier. Conserver les boulons et les rondelles.
4. Inverser la procédure pour réinstaller.
5. S'assurer du fonctionnement correct du produit avant de le remettre en service.

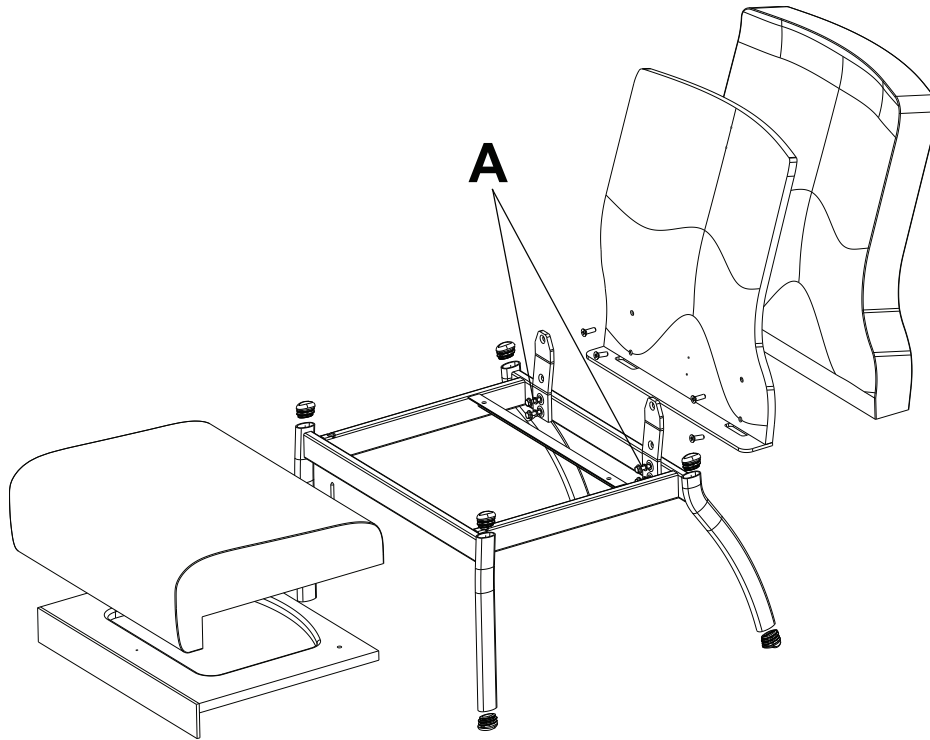


Figure 4 – Remplacement du coussin de dossier

Remplacement des pieds

Outils requis :

- Tournevis plat
- Maillet en caoutchouc
- Drap ou équivalent

Procédure :

1. Placer un drap ou équivalent sur le sol à côté du siège.

Remarque - Placer le drap du côté opposé du pied à remplacer.

2. Basculer la chaise des deux mains sur le côté et au-dessus du drap.
3. À l'aide d'un tournevis plat et d'un maillet en caoutchouc, tirer le pied (A) hors du châssis de la chaise (Figure 5).
4. À l'aide d'un maillet en caoutchouc, insérer le nouveau pied dans le châssis de la chaise.

Remarque - S'assurer d'utiliser le bon pied de remplacement. Les pieds avant et arrière sont différents. Les pieds arrière ont une orientation spécifique.

5. S'assurer du fonctionnement correct du produit avant de le remettre en service.

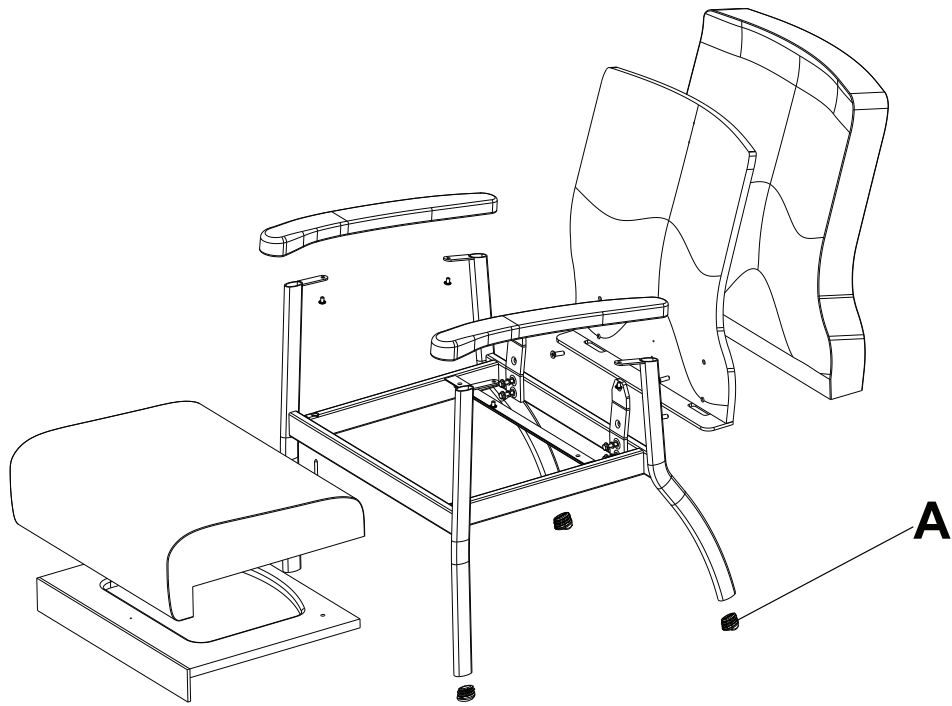
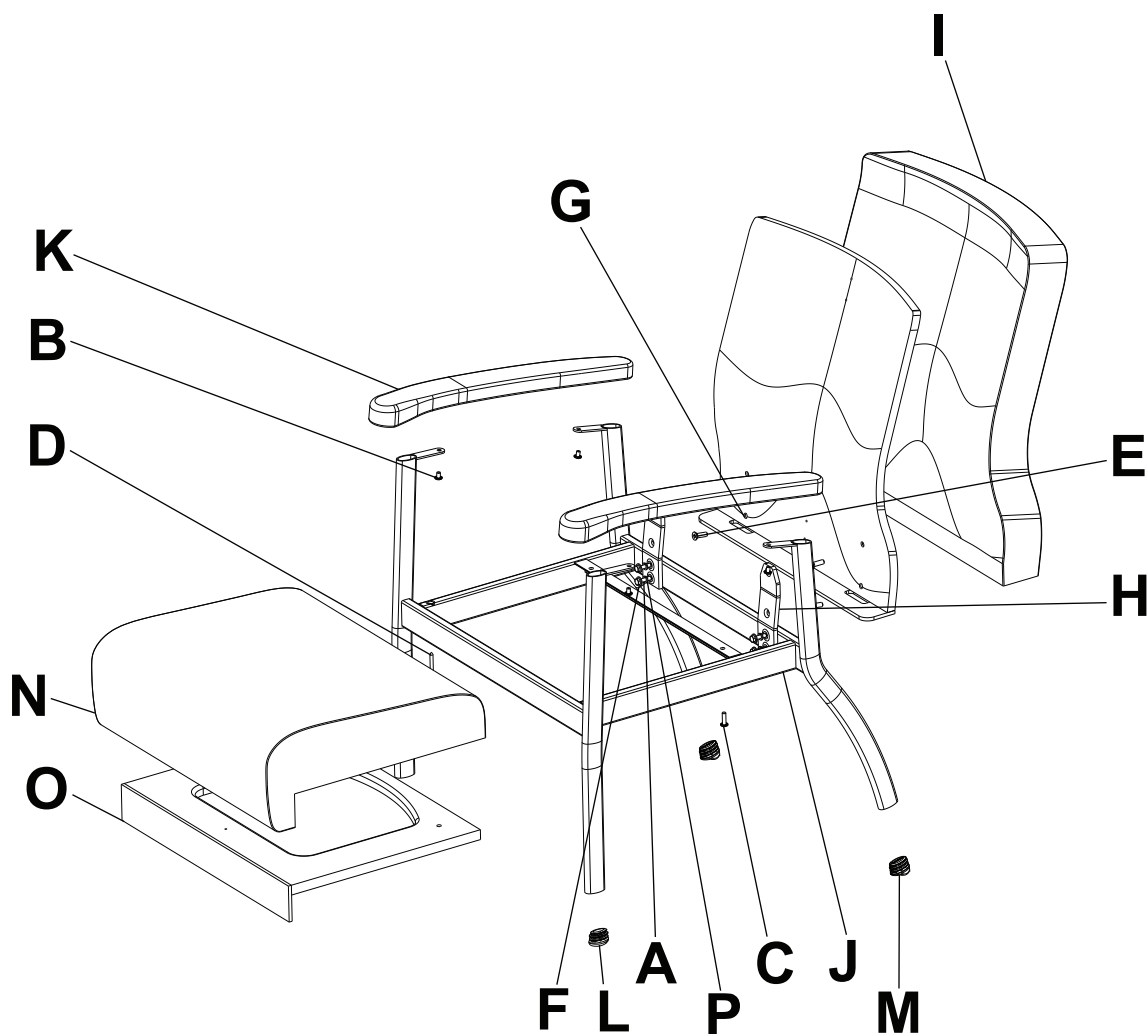


Figure 5 – Remplacement des pieds

Dossier bas - siège unique

3500-000-501 (référence uniquement)



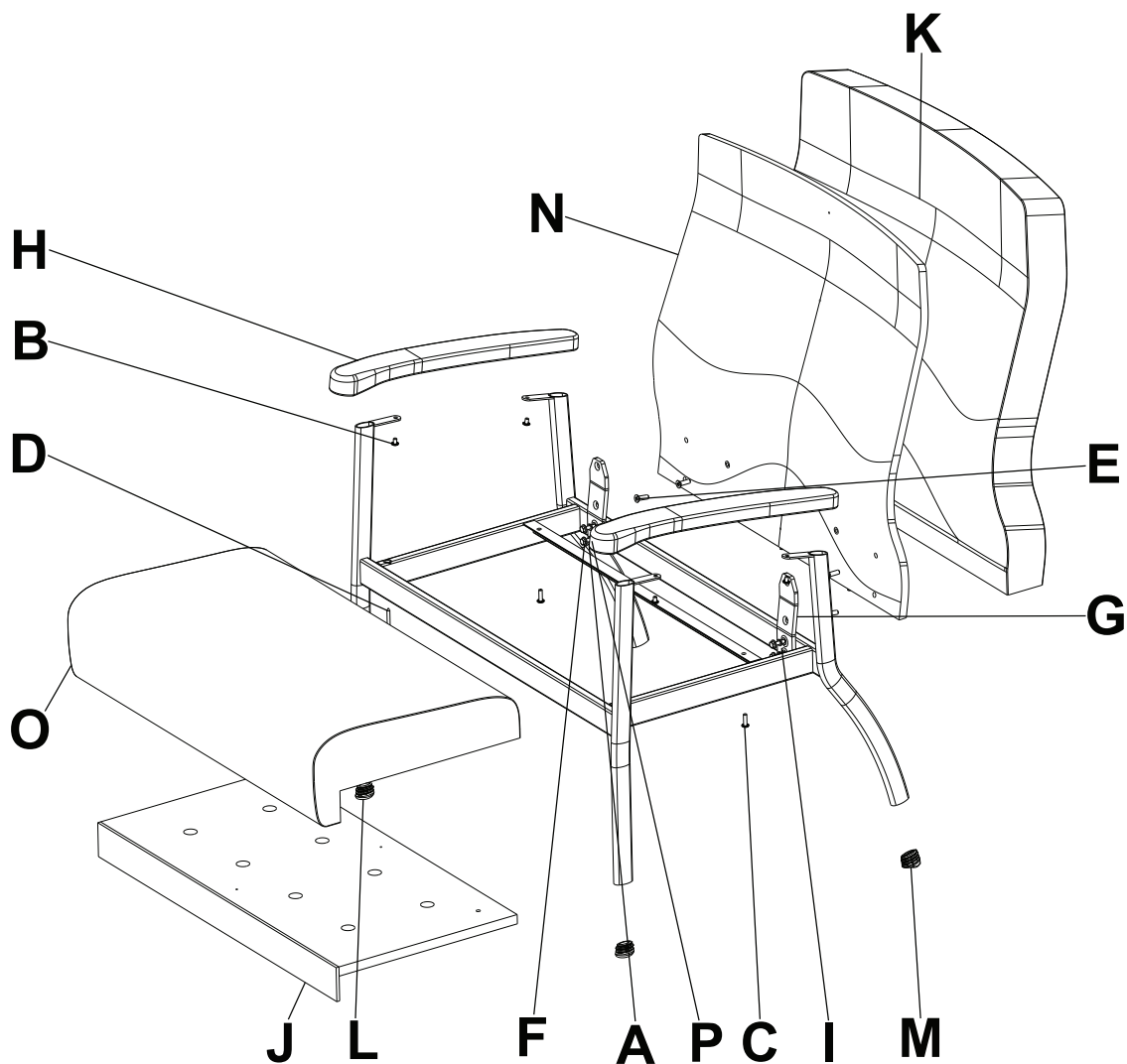
Élément	Nom	Quantité
A	Boulon à tête hexagonale	4
B	Vis dentelée à tête cruciforme bombée/carrée, noire	4
C	Vis dentelée à tête cruciforme bombée/carrée	2
D	Vis à vis à tête cruciforme/carrée	2
E	Vis mécanique à tête cruciforme/carrée, noire	4
F	Rondelle	4
G	Bois du dossier avec écrou en T	1
H	Support de dossier	2
I	Mousse du dossier	1
J	Châssis de chaise, siège unique	1
K	Protège-accoudoir avec insert	2

Élément	Nom	Quantité
L	Pied, avant	2
M	Pied, arrière	2
N	Mousse du siège	1
O	Bois du siège	1
P	Rondelle, verrouillage, fendue	4

Remarque - Les modèles Stryker 3500-000-502, 3500-000-503 et 3500-000-504 ne sont pas illustrés.

Dossier haut - bariatrique

3500-000-510 (référence uniquement)



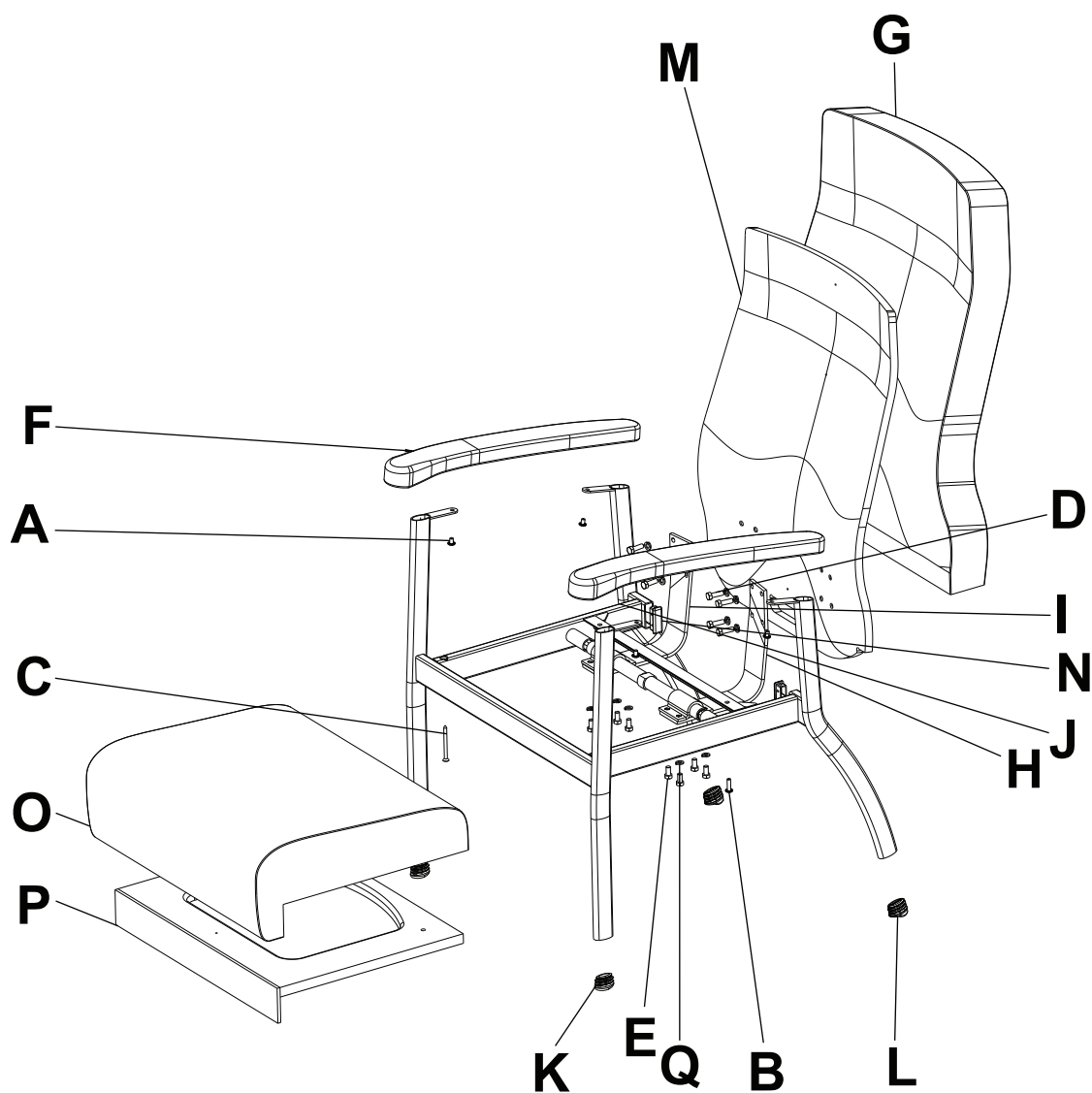
Élément	Nom	Quantité
A	Boulon à tête hexagonale	4
B	Vis dentelée à tête cruciforme bombée/carrée, noire	4
C	Vis dentelée à tête cruciforme bombée/carrée	2
D	Vis à vis à tête cruciforme/carrée	2
E	Vis mécanique à tête cruciforme/carrée, noire	4
F	Rondelle	4
G	Support de dossier	2
H	Protège-accoudoir avec insert	2
I	Châssis de chaise, bariatrique	1
J	Bois du siège	1

Élément	Nom	Quantité
K	Mousse du dossier	1
L	Pied, avant	2
M	Pied, arrière	2
N	Bois bariatrique	1
O	Mousse du siège	1
P	Rondelle, verrouillage, fendue	4

Remarque - Modèle Stryker 3500-000-509 non illustré.

Dossier haut - dossier flexible

3500-000-511 (référence uniquement)



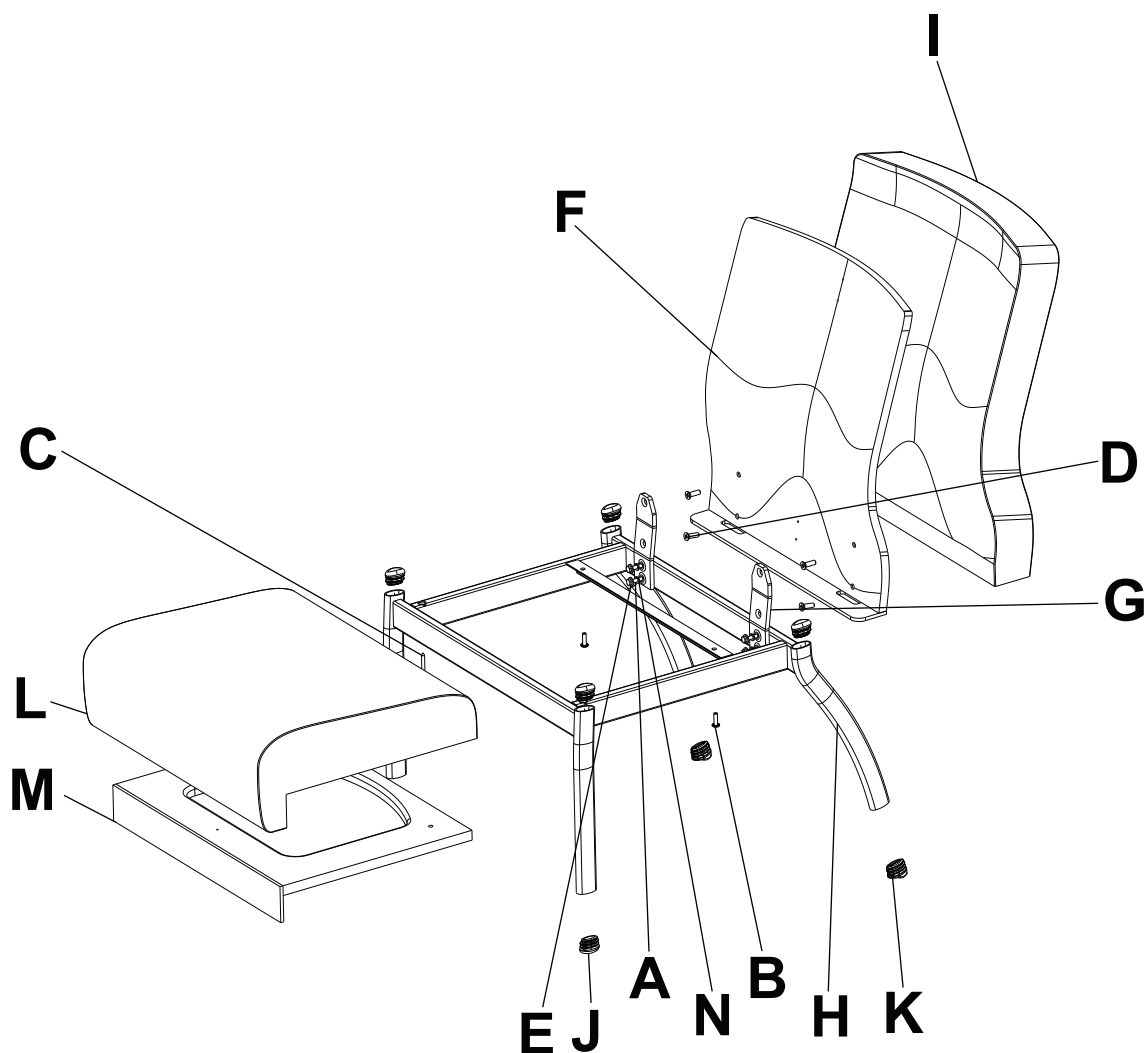
Élément	Nom	Quantité
A	Vis dentelée à tête cruciforme bombée/carrée, noire	4
B	Vis dentelée à tête cruciforme bombée/carrée	2
C	Vis à vis à tête cruciforme/carrée	2
D	Vis à tête hexagonale	8
E	Vis à tête hexagonale	8
F	Protège-accoudoir avec insert	2
G	Mousse du dossier	1
H	Dossier vertical, gauche	1
I	Dossier vertical, droit	1

Élément	Nom	Quantité
J	Châssis de chaise, dossier flexible	1
K	Pied, avant	2
L	Pied, arrière	2
M	Bois du dossier avec écrou en T	1
N	Fermeture en plastique	2
O	Mousse du siège	1
P	Bois du siège	1
Q	Rondelle, verrouillage, fendue	16

Remarque - Modèle Stryker 3500-000-512 non illustré.

Dossier bas - siège unique, sans accoudoirs

3500-000-513



Élément	Nom	Quantité
A	Boulon à tête hexagonale	4
B	Vis dentelée à tête cruciforme bombée/carrée	2
C	Vis à vis à tête cruciforme/carrée	2
D	Vis mécanique à tête cruciforme/carrée, noire	4
E	Rondelle	4
F	Bois du dossier avec écrou en T	1
G	Support de dossier	2
H	Châssis de chaise, siège unique, sans accoudoirs	1
I	Mousse du dossier	1
J	Pied, avant	6
K	Pied, arrière	2

Élément	Nom	Quantité
L	Mousse du siège	1
M	Bois du siège	1
N	Rondelle, verrouillage, fendue	4

stryker



Stryker Medical
3800 E. Centre Avenue
Portage, MI 49002
USA



Global Furniture Group
560 Supertest Rd.
Downsview, ON M3J 2M6
Canada