

## Birthing Bed

### Maintenance Manual

REF 4701







# Table of Contents

Warning/Caution/Note Definition .....	5
Summary of safety precautions .....	5
Introduction for service .....	6
Expected service life .....	6
Contact information .....	6
Serial number location .....	7
Preventive maintenance .....	8
Troubleshooting .....	10
CPU board - 3002-407-950 .....	24
Dip switch configuration .....	26
Power supply - 0059-157-000 .....	27
Foot power board - 4701-080-053 .....	27
Bed communications tester option - 3002-045-700 .....	29
Headwall output configuration .....	29
Pendant port .....	31
Service .....	33
Protecting against electrostatic discharge (ESD) .....	33
CPU board replacement - 3002-407-950 .....	33
Power supply replacement - 0059-157-000 .....	34
Foot power board replacement - 4701-080-053 .....	34
Brake adjustment .....	35
Bed lift motor replacement, 120V - 4701-700-005 .....	35
Trendelenburg motor removal, 120V - 4701-032-095 .....	36
Trendelenburg motor replacement, 120V - 4701-032-095 .....	37
Fowler motor replacement, 120V - 4701-035-040 .....	38
Fowler ball screw replacement - 4701-035-012 .....	39
Skoocher motor replacement .....	40
Foot motor replacement, 120V - 4701-040-035/230V - 4712-040-035 .....	41
Air mattress compressor replacement option, 120V - 4701-048-015/230V - 4712-048-015 .....	42
Night light replacement - 4701-080-080 .....	43
Nurse call 9V battery replacement .....	43
Diagnostics mode .....	43
Foot potentiometer replacement .....	44
Foot potentiometer burn-in procedure .....	44
Fowler potentiometer replacement - 4701-080-025 .....	45
Fowler potentiometer burn-in procedure .....	46
Lift potentiometer replacement - 4701-080-025 .....	46
Lift potentiometer burn-in procedure .....	46
Smart TV interface burn-in procedure .....	47
6 in. caster/base assembly .....	48
8 in. caster/base assembly .....	49
6 in. caster assembly .....	50
6 in. steer caster assembly .....	51
8 in. caster assembly .....	52
8 in. steer caster assembly .....	53
Base assembly .....	54
Brake assembly, head end, right .....	60
Brake assembly, head end, left .....	62
Brake assembly, foot end, right .....	63
Brake assembly, foot end, left .....	64
Litter/lift/Trend assembly .....	65

Litter/lift/Trend standard components.....	70
Trend motor assembly.....	75
Bed lift motor assembly.....	77
Bed lift assembly standard components.....	78
Foot lift assembly.....	83
Foot lift standard components.....	84
Litter assembly.....	87
Litter assembly, international.....	100
Seat assembly.....	112
Left hand grip assembly.....	114
Right hand grip assembly.....	116
Night light assembly.....	118
Foot positioning assembly.....	119
Foot positioning subassembly, left.....	122
Foot positioning subassembly, right.....	124
Foot lift casting subassembly.....	127
Non-Skoocher assembly option - 4701-035-050/4712-035-050.....	128
Skoocher assembly option - 4701-035-100/4712-035-100.....	130
Fowler guide/Skoocher standard components.....	133
Skoocher motor assembly.....	142
Fowler motor with clutch, 110V.....	144
Foot section assembly.....	145
Foot section standard components.....	146
Sliding block assembly.....	152
Foot mattress.....	154
Enhanced Comfort mattress.....	155
Enhanced Comfort mattress option - 4701-045-105/4701-045-110.....	156
Enhanced Comfort mattress standard components.....	157
Air mattress.....	158
Air mattress option - 4701-048-105/4701-048-110.....	159
Air mattress standard components.....	160
Air mattress compressor/manifold assembly.....	162
Upright assembly, left.....	164
Upright assembly, right.....	166
Foot assembly, left and right.....	168
Upright housing.....	169
Upright housing assembly.....	170
Foot abduction extrusion assembly.....	174
Upright slide assembly, left.....	175
Upright slide assembly, right.....	176
Abduction assembly, left.....	177
Abduction assembly, right.....	178
Abduction assembly standard components.....	179
Footrests without attached calf supports option - 4701-040-185.....	181
Footrests with attached calf supports option - 4701-840-290.....	182
Attached calf support assembly, right.....	183

Attached calf support assembly, left.....	184
Removable calf support option - 4701-840-295 .....	185
Removable calf support assembly, left and right.....	186
No headwall interface option - 4701-080-035 .....	187
Headwall interface with pendant port, no nurse call.....	188
Headwall interface with nurse call, no pendant port.....	190
Headwall interface with nurse call and pendant port.....	191
Electrical box standard components .....	193
Full bed electrical assembly.....	196
Siderail assembly, left.....	200
Standard siderail components, left - 4701-020-085 .....	201
Standard siderail components, left, international - 4701-120-085 .....	205
Siderail assembly, right.....	209
Standard siderail components, right - 4701-020-090 .....	210
Standard siderail components, right, international - 4701-120-090 .....	214
Siderail bypass detent clip assembly.....	218
Siderail release lever, right .....	219
Siderail release lever, left .....	220
Standard siderail assembly .....	221
Siderail assembly with nurse call.....	224
Siderail assembly with lumbar .....	227
Siderail assembly with lumbar international .....	230
Siderail assembly with Skoocher .....	232
Siderail assembly with nurse call and Skoocher .....	235
Siderail assembly with lumbar and nurse call.....	238
Siderail assembly with lumbar and Skoocher.....	241
Siderail assembly with lumbar and Skoocher, international.....	244
Siderail assembly with lumbar, nurse call, and Skoocher .....	246
Siderail assembly with lumbar, nurse call, and Skoocher, international .....	249
Siderail assembly with nurse call, TV/radio, and lights .....	251
Siderail assembly with nurse call, smart TV, and lights .....	254
Siderail assembly with lumbar, nurse call, TV/radio, and lights .....	257
Siderail assembly with lumbar, nurse call, TV/radio, and lights, international .....	260
Siderail assembly with lumbar, nurse call, smart TV, and lights .....	263
Siderail assembly with nurse call, Skoocher, TV/radio, and lights .....	266
Siderail assembly with nurse call, Skoocher, smart TV, and lights .....	269
Siderail assembly with lumbar, nurse call, Skoocher, TV/radio, and lights.....	272
Siderail assembly with lumbar, nurse call, Skoocher, TV/radio, and lights, international.....	275
Siderail assembly with lumbar, nurse call, Skoocher, smart TV, and lights.....	277
Siderail lumbar module, left - 5000-220-008 .....	280
Siderail lumbar module, right - 5000-220-010 .....	281
Siderail smart TV module, left - 5000-020-028.....	282
Siderail smart TV module, right - 5000-020-029 .....	283
Siderail TV/lumbar module, left - 5000-020-026.....	284
Siderail TV/lumbar module, right - 5000-020-027 .....	285
Pendant assembly .....	286

Headboard assembly ..... 287

Crank handle assembly ..... 289

Labor bar assembly ..... 290

Labor bar assembly ..... 291

HAVASU three-stage IV pole assembly - 4701-036-035 ..... 292

HAVASU three-stage IV pole assembly - 1211-211-010 ..... 293

Three-stage IV pole third stage assembly ..... 294

IV pole latch assembly ..... 295

EMC information ..... 296

Recycling passport ..... 300

    4701-080-030 ..... 300

4701-045-100 ..... 301

4701-080-055 ..... 302

4701-020-090 ..... 303

4701-020-085/4701-120-085 ..... 304

4701-020-025/4701-020-030/4701-020-035/4701-020-040 ..... 305

5000-220-008/5000-220-010/5000-020-026/5000-020-027/5000-020-028/5000-020-029 ..... 306

# Warning/Caution/Note Definition

The words **WARNING**, **CAUTION**, and **NOTE** carry special meanings and should be carefully reviewed.

## **WARNING**

Alerts the reader about a situation which, if not avoided, could result in death or serious injury. It may also describe potential serious adverse reactions and safety hazards.

## **CAUTION**

Alerts the reader of a potentially hazardous situation which, if not avoided, may result in minor or moderate injury to the user or patient or damage to the product or other property. This includes special care necessary for the safe and effective use of the device and the care necessary to avoid damage to a device that may occur as a result of use or misuse.

**Note** - Provides special information to make maintenance easier or important instructions clearer.

## Summary of safety precautions

Carefully read and strictly follow the warnings and cautions listed on this page. Service only by qualified personnel.

---

### **WARNING**

- Always use caution when you remove the rue clip and clevis pin to avoid possible injury or product damage. The bed will lean toward the foot end when you remove the rue clip and clevis pin from the motor drive tube. A hard stop will prevent excessive tipping.
  - Always keep your fingers clear of moving parts when you activate the Trendelenburg motor to avoid possible injury.
- 

### **CAUTION**

- Always use electrostatic discharge (ESD) protective equipment before you open antistatic bags and service electronic parts.
  - Do not place unprotected circuit boards on the floor.
  - Always hold the bed lift motor before you remove the last motor mounting bolt to avoid possible injury or product damage.
  - Always release the **Foot Down** button immediately if the foot support touches the litter frame or product damage could occur.
  - Always release the **Foot Up** button immediately if the foot support touches the litter frame or product damage could occur.
-

## Introduction for service

This manual assists you with the service of your Stryker product. Read this manual to service this product. This manual does not address the operation of this product. See the Operations Manual for operating and use instructions. To view your Operations Manual online, see <https://techweb.stryker.com/>.

## Expected service life

The Birthing Bed has a 10 year expected service life under normal use, conditions, and with appropriate periodic maintenance.

The Birthing Bed mattress has a two year expected service life under normal use, conditions, and with appropriate periodic maintenance.

## Contact information

Contact Stryker Customer Service or Technical Support at: 1-800-327-0770.

Stryker Medical  
3800 E. Centre Avenue  
Portage, MI 49002  
USA

To view your operations or maintenance manual online, see <https://techweb.stryker.com/>.

Have the serial number (A) of your Stryker product available when calling Stryker Customer Service or Technical Support. Include the serial number in all written communication.

## Serial number location

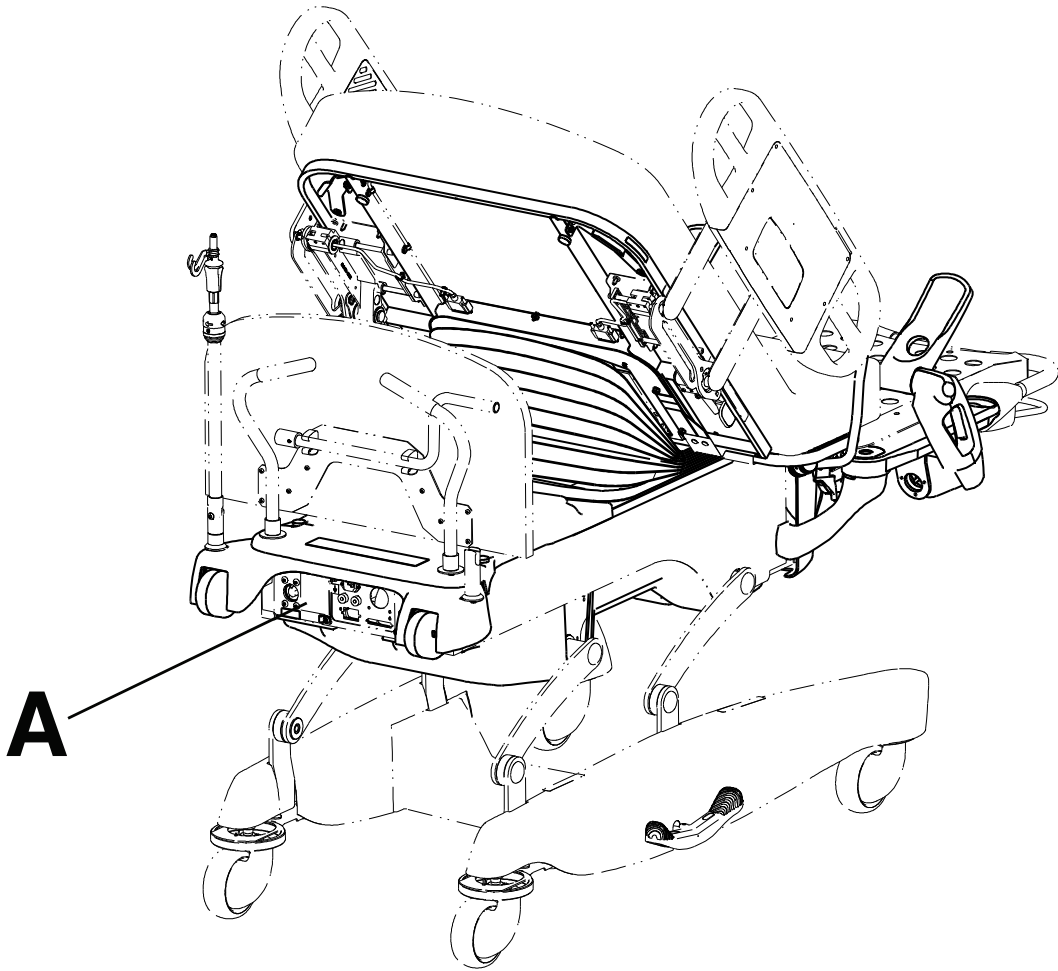


Figure 1 – Serial number location

# Preventive maintenance

At a minimum, check all items listed during annual preventive maintenance for all Stryker Medical products. You may need to perform preventive maintenance checks more frequently based on your level of product usage.

Remove product from service before performing preventive maintenance. Preventive maintenance should only be performed by trained or certified personnel.

**Note** - Clean and disinfect the exterior of the mattress before inspection, if applicable.

Inspect the following items:

- \_\_\_\_\_ All welds and all fasteners are secure
- \_\_\_\_\_ Tubing or sheet metal for bends or breaks
- \_\_\_\_\_ Casters are free of debris
- \_\_\_\_\_ Casters are secure and swivel
- \_\_\_\_\_ Casters lock securely by depressing the brake pedal
- \_\_\_\_\_ Steer caster latches
- \_\_\_\_\_ Siderails move and latch
- \_\_\_\_\_ Fowler operates
- \_\_\_\_\_ Fowler (backrest) slide operates
- \_\_\_\_\_ Litter Up/Down operates
- \_\_\_\_\_ Foot section operates
- \_\_\_\_\_ Footrests operate
- \_\_\_\_\_ Trend operates
- \_\_\_\_\_ IV pole is intact and operates
- \_\_\_\_\_ Mattress cover after each use
- \_\_\_\_\_ Mattress cover for rips or cracks
- \_\_\_\_\_ Headboard and siderail panels for cracks or splits
- \_\_\_\_\_ All covers are not damaged and are not producing sharp edges
- \_\_\_\_\_ Night light operates
- \_\_\_\_\_ CPR release operates
- \_\_\_\_\_ All siderail motion functionality
- \_\_\_\_\_ Nurse call functionality option
- \_\_\_\_\_ 9V Nurse call battery option (replace annually)
- \_\_\_\_\_ Lubricate where required
- \_\_\_\_\_ Pendant for any physical damage
- \_\_\_\_\_ Power cord not frayed
- \_\_\_\_\_ Cables not worn or pinched
- \_\_\_\_\_ All electrical connections tight
- \_\_\_\_\_ All grounds secure to the frame
- \_\_\_\_\_ Ground impedance not more than 100 mΩ (milliohms)
- \_\_\_\_\_ Current leakage not more than 300 μA (microamps)
- \_\_\_\_\_ Ground chains are clean, intact, and have at least two links touching the floor
- \_\_\_\_\_ Enclosure is free from wear, tear, stresses and mechanical damage
- \_\_\_\_\_ No rust or corrosion of parts



\_\_\_\_\_ Labels for legibility, proper adherence, and integrity

Product serial number:
Completed by:
Date:

# Troubleshooting

Problem	Possible cause	Solution
No power	The product power cord is not plugged into a hospital grade wall outlet	Plug the product power cord into a hospital grade wall outlet.
	A circuit breaker is tripped	Push the circuit breaker in to reset.
	Low voltage or no voltage	<ol style="list-style-type: none"> <li>1. Check for 120 VAC at J1 on the power supply, pins 1 and 2.</li> <li>2. Check for DC voltages on J2 (pins 1, 2, 3, and 6) on power supply. See section for power supply voltage test points.               <ol style="list-style-type: none"> <li>2.1. If voltage is present, check connector W on the CPU board and check for the same DC voltages. If OK, go to step 2.4.</li> <li>2.2. If voltage is not present, unplug connector W on the CPU board and recheck for DC voltages at J2 on the power supply.                   <ol style="list-style-type: none"> <li>2.2.1. If voltages come back, reconnect cable W to the CPU board, and go to step 2.3.</li> <li>2.2.2. If DC voltage does not come back, replace the power supply.</li> </ol> </li> <li>2.3. Unplug all connectors except O and W from the CPU board and recheck voltages on connector W.                   <ol style="list-style-type: none"> <li>2.3.1. If DC voltages come back, plug the cable connections back in until problem comes back, isolate the problem to a component or assembly.</li> <li>2.3.2. If DC voltages do not come back, replace the CPU board.</li> </ol> </li> <li>2.4. Check for 120 VAC at connector O on the CPU board. If voltage is present, replace the CPU board.</li> </ol> </li> </ol>

Problem	Possible cause	Solution
No bed down motion	No two-pin shunt present	<ol style="list-style-type: none"> <li>1. Enter Diagnostics.</li> <li>2. Press the bed down button.</li> <li>3. If motion is not present, make sure there is a two-pin shunt present on connector Z, pins 1 and 2.</li> <li>4. If no shunt is present, install a shunt (0059-137-000).</li> </ol>
	Potentiometer limits were reset	<ol style="list-style-type: none"> <li>1. Enter Diagnostics.</li> <li>2. Press the bed down button.</li> <li>3. If motion is present, re-burn the lift potentiometer limits. See <i>Lift potentiometer burn-in procedure</i> (page 46).</li> </ol>
	Low voltage or no voltage	<ol style="list-style-type: none"> <li>1. Check for 5 VDC on TP 10 on the CPU board (reference the ground test point) while you press the bed down button. <ol style="list-style-type: none"> <li>1.1. If 5 VDC is present, proceed to the next step.</li> <li>1.2. If 5 VDC is not present, replace CPU board.</li> </ol> </li> <li>2. Check for 120 VAC power on connector N, pin 1 white and pin 6 black of the CPU board while you press the bed down button. <ol style="list-style-type: none"> <li>2.1. If voltage is present at motor, check capacitor and motor.</li> <li>2.2. If voltage is not present, replace CPU board.</li> </ol> </li> </ol>
No bed up motion	Potentiometer limits were reset	<ol style="list-style-type: none"> <li>1. Enter Diagnostics.</li> <li>2. Press the bed up button.</li> <li>3. If motion is present, re-burn the lift potentiometer limits. See <i>Lift potentiometer burn-in procedure</i> (page 46).</li> </ol>

Problem	Possible cause	Solution
No bed up motion	Low voltage or no voltage	<ol style="list-style-type: none"> <li>1. Check for 5 VDC on TP 9 on the CPU board (reference the ground test point) while you press the bed up button.               <ol style="list-style-type: none"> <li>1.1. If 5 VDC is present, proceed to the next step.</li> <li>1.2. If 5 VDC is not present, replace CPU board.</li> </ol> </li> <li>2. Check for 120 VAC power on connector N, pin 1 white and pin 3 green of the CPU board while you press the bed up button.               <ol style="list-style-type: none"> <li>2.1. If voltage is not present, replace CPU board.</li> <li>2.2. If voltage is present at motor, check capacitor and motor.</li> </ol> </li> </ol>
No Fowler down motion	Potentiometer limits were reset	<ol style="list-style-type: none"> <li>1. Enter Diagnostics.</li> <li>2. Press the Fowler down button.</li> <li>3. If motion is present, re-burn the lift potentiometer limits. See <i>Fowler potentiometer burn-in procedure</i> (page 46).</li> </ol>
	Low voltage or no voltage	<ol style="list-style-type: none"> <li>1. Check for 5 VDC on TP 5 on the CPU board (reference the ground test point) while you press the Fowler down button.               <ol style="list-style-type: none"> <li>1.1. If 5 VDC is present, proceed to the next step.</li> <li>1.2. If 5 VDC is not present, replace CPU board.</li> </ol> </li> <li>2. Check for 120 VAC power on connector CC, pin 2 green and pin 3 white of the CPU board while you press the Fowler down button.               <ol style="list-style-type: none"> <li>2.1. If 120 VAC is present, check the capacitor and motor.</li> <li>2.2. If voltage is not present, replace CPU board.</li> </ol> </li> </ol>
No Fowler up motion	Potentiometer limits were reset	<ol style="list-style-type: none"> <li>1. Enter Diagnostics.</li> <li>2. Press the Fowler up button.</li> <li>3. If motion is present, re-burn the lift potentiometer limits. See <i>Fowler potentiometer burn-in procedure</i> (page 46).</li> </ol>

Problem	Possible cause	Solution
No Fowler up motion	Low voltage or no voltage	<ol style="list-style-type: none"> <li>1. Check for 5 VDC on TP 6 on the CPU board (reference the ground test point) while you press the Fowler up button.               <ol style="list-style-type: none"> <li>1.1. If 5 VDC is present, proceed to the next step.</li> <li>1.2. If 5 VDC is not present, replace CPU board.</li> </ol> </li> <li>2. Check for 120 VAC power on connector CC, pin 1 black and pin 3 white of the CPU board while you press the Fowler up button.               <ol style="list-style-type: none"> <li>2.1. If 120 VAC is present, check the capacitor and motor.</li> <li>2.2. If voltage is not present, replace CPU board.</li> </ol> </li> </ol>
No foot down motion	Potentiometer limits were reset	<ol style="list-style-type: none"> <li>1. Enter Diagnostics.</li> <li>2. Press the foot down button.</li> <li>3. If motion is present, re-burn the lift potentiometer limits. See <i>Fowler potentiometer burn-in procedure</i> (page 46).</li> </ol>

Problem	Possible cause	Solution
No foot down motion	Low voltage or no voltage	<ol style="list-style-type: none"> <li>1. Check for 5 VDC on J32 (Z) on the CPU board between pin 1 black and pin 5 orange while you press the foot down button.               <ol style="list-style-type: none"> <li>1.1. If voltage is present, proceed to the next step.</li> <li>1.2. If voltage is not present, listen for the safety relay click on the CPU board when you press the foot down button.                   <ol style="list-style-type: none"> <li>1.2.1. If you do not hear a click, replace the CPU board.</li> <li>1.2.2. If it does click, isolate the siderails and inspect the siderail boards and cabling.</li> </ol> </li> </ol> </li> <li>2. Check for 5 VDC on J4 (G) on the foot power board between pin 1 (black) and pin 5 (orange) while pushing the foot down button.               <ol style="list-style-type: none"> <li>2.1. If voltage is present, proceed to the next step.</li> <li>2.2. If voltage is not present, replace the cable between the CPU and the foot power board.</li> </ol> </li> <li>3. Check for 120 VAC on J6 (F) on the foot power board between pin 2 red and pin 3 white while pushing the foot down button.               <ol style="list-style-type: none"> <li>3.1. If 120 VAC is present, check the capacitor and motor.</li> <li>3.2. If voltage is not present, replace the foot power board.</li> </ol> </li> </ol>
No foot up motion	Potentiometer limits were reset	<ol style="list-style-type: none"> <li>1. Enter Diagnostics.</li> <li>2. Press the foot up button.</li> <li>3. If motion is present, re-burn the lift potentiometer limits. See <i>Fowler potentiometer burn-in procedure</i> (page 46).</li> </ol>

Problem	Possible cause	Solution
No foot up motion	Low voltage or no voltage	<ol style="list-style-type: none"> <li>1. Check for 5 VDC on J32 (Z) on the CPU board between pin 1 black and pin 4 green while you press the foot up button. <ol style="list-style-type: none"> <li>1.1. If voltage is present, proceed to the next step.</li> <li>1.2. If voltage is not present, listen for the safety relay click on the CPU board when the foot up button is pushed. <ol style="list-style-type: none"> <li>1.2.1. If you do not hear a click, replace the CPU board.</li> <li>1.2.2. If it does click, isolate the siderails and inspect the siderail boards and cabling.</li> </ol> </li> </ol> </li> <li>2. Check for 5 VDC on J4 (G) on the foot power board between pin 1 (black) and pin 4 (green) while pushing the foot up button. <ol style="list-style-type: none"> <li>2.1. If voltage is present, proceed to the next step.</li> <li>2.2. If voltage is not present, replace the foot power board.</li> </ol> </li> <li>3. Check for 120 VAC on J6 (F) on the foot power board between pin 1 black and pin 3 white while pushing the foot up button. <ol style="list-style-type: none"> <li>3.1. If 120 VAC is present, check the capacitor and motor.</li> <li>3.2. If voltage is not present, replace the foot power board.</li> </ol> </li> </ol>

Problem	Possible cause	Solution
No Trendelenburg motion	Low voltage or no voltage	<ol style="list-style-type: none"> <li>1. Check for 5 VDC on TP4 on the CPU board (reference the ground test point) while you press the Trendelenburg button.               <ol style="list-style-type: none"> <li>1.1. If voltage is present, proceed to the next step.</li> <li>1.2. If voltage is not present, listen for the safety relay click on the CPU board when the Trendelenburg button is pushed.                   <ol style="list-style-type: none"> <li>1.2.1. If you do not hear a click, replace the CPU board.</li> <li>1.2.2. If it does click, isolate the siderails and inspect the siderail boards and cabling.</li> </ol> </li> </ol> </li> <li>2. Check for 120 VAC power on connector J50 (GG), pin 1 white and pin 3 black of the CPU board while you press the Trendelenburg button.               <ol style="list-style-type: none"> <li>2.1. If 120 VAC is present, check the capacitor and motor.</li> <li>2.2. If voltage is not present, replace CPU board.</li> </ol> </li> </ol>



Problem	Possible cause	Solution
No reverse Trendelenburg/level motion	Low voltage or no voltage	<ol style="list-style-type: none"> <li>1. Check for 5 VDC on TP4 on the CPU board (reference the ground test point) while you press the level button.               <ol style="list-style-type: none"> <li>1.1. If voltage is present, proceed to the next step.</li> <li>1.2. If voltage is not present, listen for the safety relay click on the CPU board when the level button is pushed.                   <ol style="list-style-type: none"> <li>1.2.1. If you do not hear a click, replace the CPU board.</li> <li>1.2.2. If it does click, isolate the siderails and inspect the siderail boards and cabling.</li> </ol> </li> </ol> </li> <li>2. Check for 120 VAC power on connector J50 (GG), pin 1 white and pin 3 black of the CPU board while you press the level button.               <ol style="list-style-type: none"> <li>2.1. If 120 VAC is present, check the capacitor and motor.</li> <li>2.2. If voltage is not present, replace CPU board.</li> </ol> </li> </ol>

Problem	Possible cause	Solution
No Skoocher in motion	Low voltage or no voltage	<ol style="list-style-type: none"> <li>1. Check for 5 VDC on TP8 on the CPU board (reference the ground test point) while you press the Skoocher in button.               <ol style="list-style-type: none"> <li>1.1. If voltage is present, proceed to the next step.</li> <li>1.2. If voltage is not present, listen for the safety relay click on the CPU board when the Skoocher in button is pushed.                   <ol style="list-style-type: none"> <li>1.2.1. If you do not hear a click, replace the CPU board.</li> <li>1.2.2. If it does click, isolate the siderails and inspect the siderail boards and cabling.</li> </ol> </li> </ol> </li> <li>2. Check for 120 VAC power on connector J53 (G), pin 1 white and pin 6 black of the CPU board while you press the Skoocher in button.               <ol style="list-style-type: none"> <li>2.1. If 120 VAC is present, check the capacitor and motor.</li> <li>2.2. If voltage is not present, replace CPU board.</li> </ol> </li> </ol>

Problem	Possible cause	Solution
No Skoocher out motion	Low voltage or no voltage	<ol style="list-style-type: none"> <li>1. Check for 5 VDC on TP7 on the CPU board (reference the ground test point) while you press the Skoocher out button.               <ol style="list-style-type: none"> <li>1.1. If voltage is present, proceed to the next step.</li> <li>1.2. If voltage is not present, listen for the safety relay click on the CPU board when the Skoocher out button is pushed.                   <ol style="list-style-type: none"> <li>1.2.1. If you do not hear a click, replace the CPU board.</li> <li>1.2.2. If it does click, isolate the siderails and inspect the siderail boards and cabling.</li> </ol> </li> </ol> </li> <li>2. Check for 120 VAC power on connector J53 (G), pin 1 white and pin 3 green of the CPU board while you press the Skoocher out button.               <ol style="list-style-type: none"> <li>2.1. If 120 VAC is present, check the capacitor and motor.</li> <li>2.2. If voltage is not present, replace CPU board.</li> </ol> </li> </ol>
Lumbar does not get firm	Compressor may not be running	<ol style="list-style-type: none"> <li>1. Press the lumbar firm button.</li> <li>2. Make sure that the compressor runs.</li> </ol>

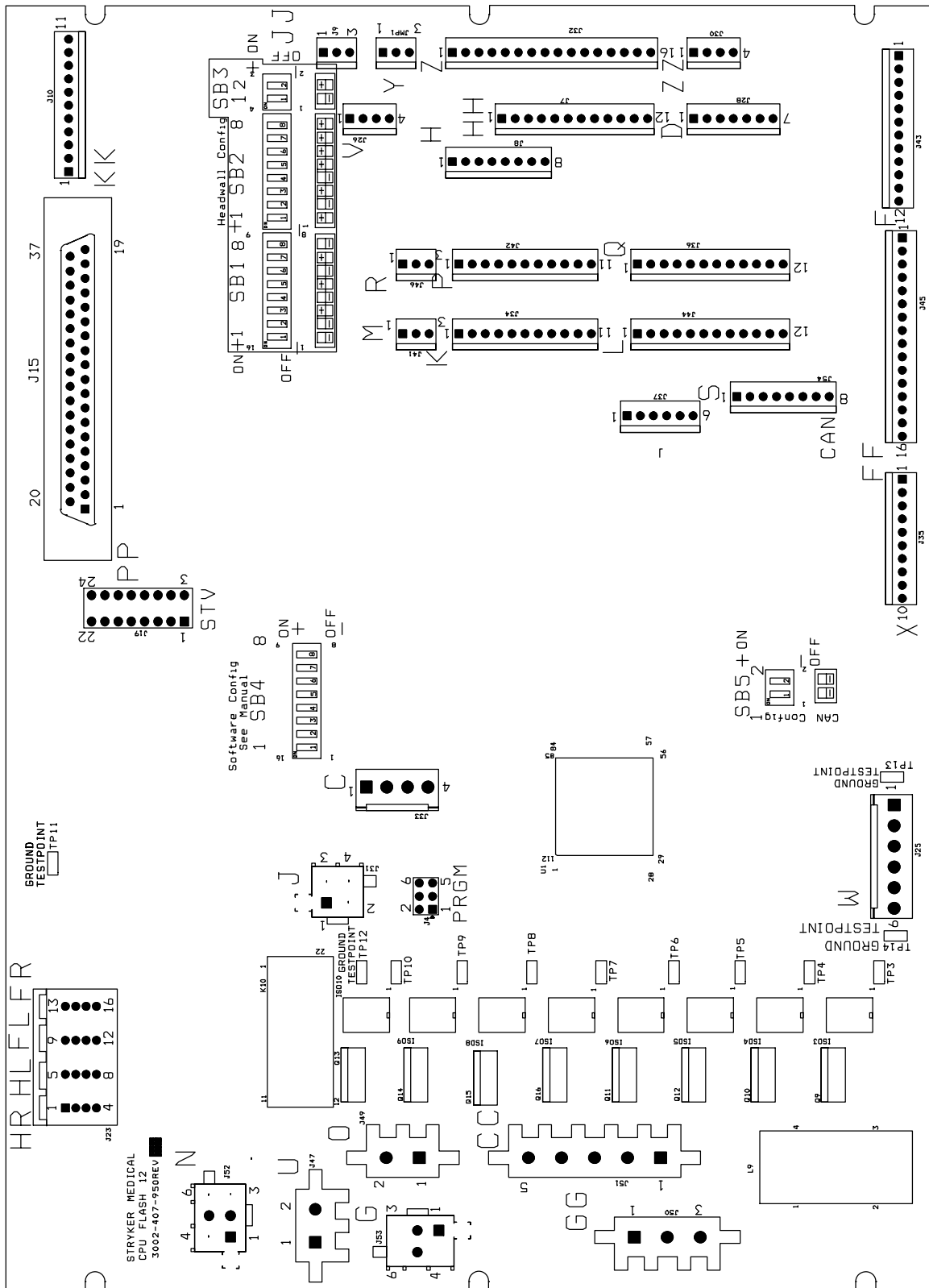
Problem	Possible cause	Solution
Lumbar does not get firm	Low voltage or no voltage	<ol style="list-style-type: none"> <li>1. Check for 5 VDC on J32 (Z) on the CPU board between pin 1 black and pin 8 red/black while you press the lumbar firm button. <ol style="list-style-type: none"> <li>1.1. If voltage is present, proceed to the next step.</li> <li>1.2. If voltage is not present, listen for the safety relay click on the CPU board when the lumbar firm button is pushed. <ol style="list-style-type: none"> <li>1.2.1. If you do not hear a click, replace the CPU board.</li> <li>1.2.2. If it does click, isolate the siderails and inspect the siderail boards and cabling.</li> </ol> </li> </ol> </li> <li>2. Check for 5 VDC on J4 (G) on the foot board power between pin 1 black and pin 8 red/black while you press the lumbar firm button. <ol style="list-style-type: none"> <li>2.1. If voltage is present, proceed to the next step.</li> <li>2.2. If voltage is not present, replace the cable between the CPU and the foot power board.</li> </ol> </li> <li>3. Check for 120 VAC power on connector J2 (C) on the foot power board between pin 1 and pin 3 of the CPU board while you press the lumbar firm button. <ol style="list-style-type: none"> <li>3.1. If voltage is present, replace the solenoid and check the hoses going to the mattress.</li> <li>3.2. If voltage is not present, replace the foot power board.</li> </ol> </li> </ol>

Problem	Possible cause	Solution
Lumbar does not get soft	Low voltage or no voltage	<ol style="list-style-type: none"> <li>1. Check for 5 VDC on J32 (Z) on the CPU board between pin 1 black and pin 7 white/black while you press the lumbar soft button. <ol style="list-style-type: none"> <li>1.1. If voltage is present, proceed to the next step.</li> <li>1.2. If voltage is not present, listen for the safety relay click on the CPU board when the lumbar soft button is pushed. <ol style="list-style-type: none"> <li>1.2.1. If you do not hear a click, replace the CPU board.</li> <li>1.2.2. If it does click, isolate the siderails and inspect the siderail boards and cabling.</li> </ol> </li> </ol> </li> <li>2. Check for 5 VDC on J4 (G) on the foot board power between pin 1 black and pin 7 white/black while you press the lumbar soft button. <ol style="list-style-type: none"> <li>2.1. If voltage is present, proceed to the next step.</li> <li>2.2. If voltage is not present, replace the cable between the CPU and the foot power board.</li> </ol> </li> <li>3. Check for 120 VAC power on connector J2 (C) on the foot power board between pin 1 and pin 2 of the CPU board while you press the lumbar soft button. <ol style="list-style-type: none"> <li>3.1. If voltage is present, replace the solenoid and check the hoses going to the mattress.</li> <li>3.2. If voltage is not present, replace the foot power board.</li> </ol> </li> </ol>
Seat does not get firm	Compressor may not be running	<ol style="list-style-type: none"> <li>1. Press the seat firm button.</li> <li>2. Make sure that the compressor runs.</li> </ol>

Problem	Possible cause	Solution
Seat does not get firm	Low voltage or no voltage	<ol style="list-style-type: none"> <li>1. Check for 5 VDC on J32 (Z) on the CPU board between pin 1 black and pin 10 orange/black while you press the seat firm button. <ol style="list-style-type: none"> <li>1.1. If voltage is present, proceed to the next step.</li> <li>1.2. If voltage is not present, listen for the safety relay click on the CPU board when the seat firm button is pushed. <ol style="list-style-type: none"> <li>1.2.1. If you do not hear a click, replace the CPU board.</li> <li>1.2.2. If it does click, isolate the siderails and inspect the siderail boards and cabling.</li> </ol> </li> </ol> </li> <li>2. Check for 5 VDC on J4 (G) on the foot board power between pin 1 black and pin 10 orange/black while you press the seat firm button. <ol style="list-style-type: none"> <li>2.1. If voltage is present, proceed to the next step.</li> <li>2.2. If voltage is not present, replace the cable between the CPU and the foot power board.</li> </ol> </li> <li>3. Check for 120 VAC power on connector J3 (E) on the foot power board between pin 1 and pin 3 of the CPU board while you press the seat firm button. <ol style="list-style-type: none"> <li>3.1. If voltage is present, replace the solenoid and check the hoses going to the mattress.</li> <li>3.2. If voltage is not present, replace the foot power board.</li> </ol> </li> </ol>

Problem	Possible cause	Solution
Seat does not get soft	Low voltage or no voltage	<ol style="list-style-type: none"> <li>1. Check for 5 VDC on J32 (Z) on the CPU board between pin 1 black and pin 9 green/black while you press the seat soft button. <ol style="list-style-type: none"> <li>1.1. If voltage is present, proceed to the next step.</li> <li>1.2. If voltage is not present, listen for the safety relay click on the CPU board when the seat soft button is pushed. <ol style="list-style-type: none"> <li>1.2.1. If you do not hear a click, replace the CPU board.</li> <li>1.2.2. If it does click, isolate the siderails and inspect the siderail boards and cabling.</li> </ol> </li> </ol> </li> <li>2. Check for 5 VDC on J4 (G) on the foot board power between pin 1 black and pin 9 green/black while you press the seat soft button. <ol style="list-style-type: none"> <li>2.1. If voltage is present, proceed to the next step.</li> <li>2.2. If voltage is not present, replace the cable between the CPU and the foot power board.</li> </ol> </li> <li>3. Check for 120 VAC power on connector J3 (E) on the foot power board between pin 1 and pin 2 of the CPU board while you press the seat soft button. <ol style="list-style-type: none"> <li>3.1. If voltage is present, replace the solenoid and check the hoses going to the mattress.</li> <li>3.2. If voltage is not present, replace the foot power board.</li> </ol> </li> </ol>

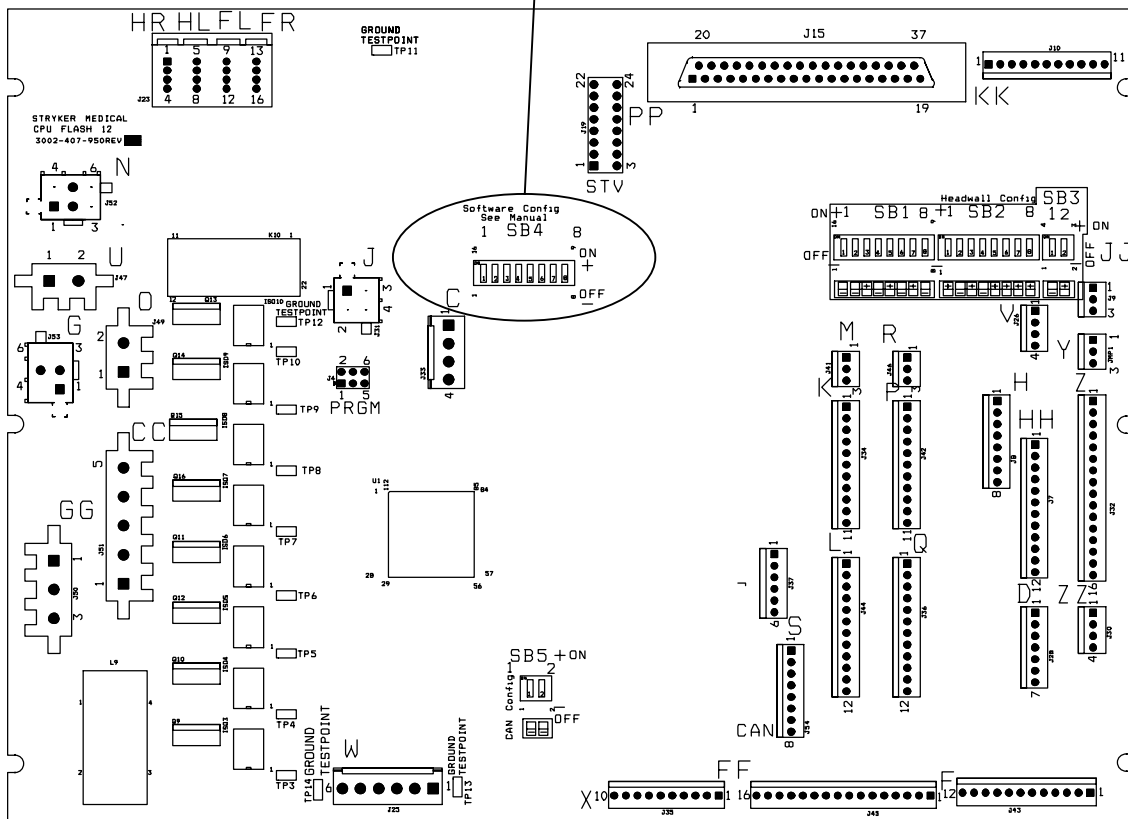
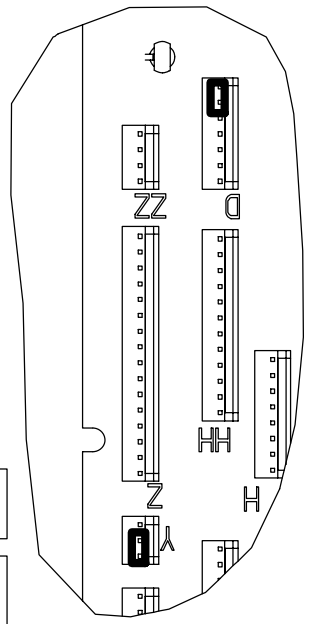
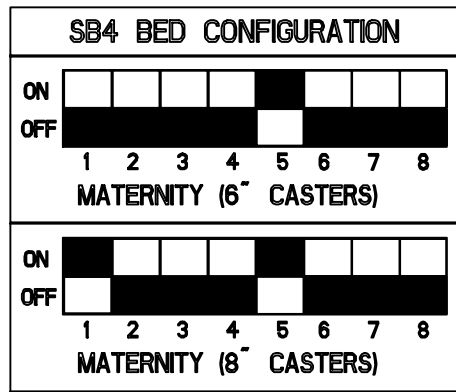
# CPU board - 3002-407-950



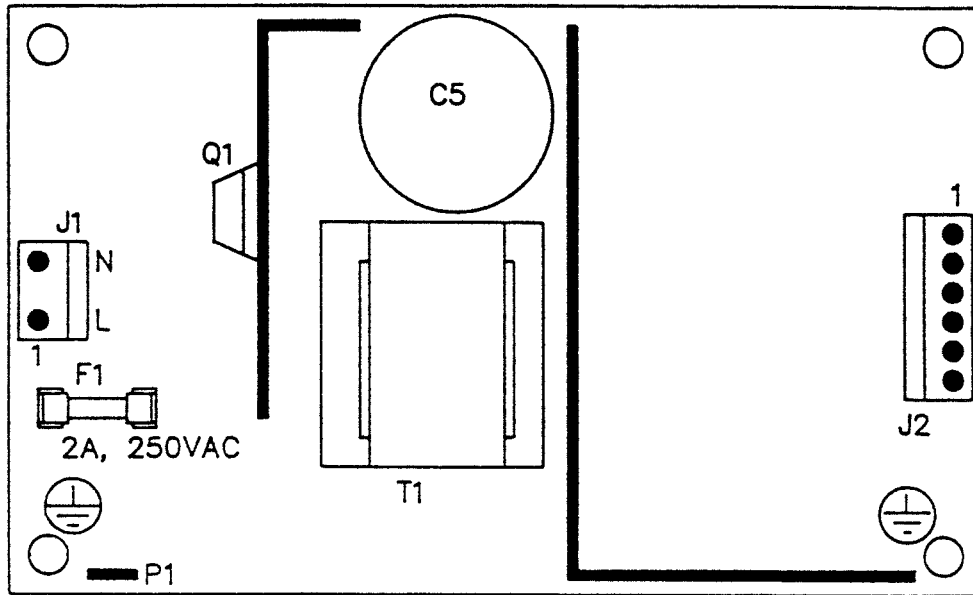


Connector location	Cable location	Voltage	Positive lead	Negative lead	Description
J4	G	+5 VDC	Pin 2 white	Pin 1 black	+5 VDC from CPU
J4		12 VDC	Pin 3		DC voltage from CPU
J4		0 VDC without switch 5 VDC with switch	Pin 5 orange		Foot down
J4			Pin 4 green		Foot up
J4			Pin 6 blue		Compressor
J4			Pin 7 white/black		Lumbar soft
J4			Pin 8 red/black		Lumbar firm
J4			Pin 9 green/black		Seat soft
J4			Pin 10 orange/black		Seat firm
J25			W		+12 VDC
J25	+5 VDC	Pin 2 and 3		+5 VDC from power supply	
J25	-12 VDC	Pin 6		Relays and siderails light voltage	
J50	GG	0 VAC without switch	Pin 2 green	Pin 1 white	Reverse Trend
J50			Pin 3 black		Trend
J51	CC	120 VAC with switch	Pin 1 black	Pin 3 white	Fowler up
J51			Pin 2 green		Fowler down
J49	O	120 VAC	Pin 1	Pin 2	Line voltage to bed
J52	N	0 VAC without switch	Pin 3 green	Pin 1 white	Bed lift up
J52			Pin 6 black		Bed lift down
J53	G	120 VAC with switch	Pin 3 green		Skoocher out
J53			Pin 6 black		Skoocher in

# Dip switch configuration

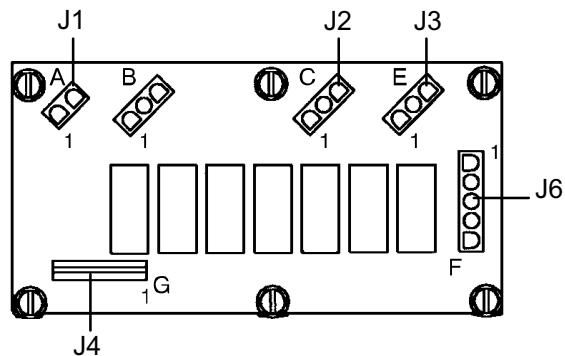


## Power supply - 0059-157-000



Connector location	Voltage	Positive lead	Negative lead
J1	110V	Pin 1	Pin 2
J2	12V	Pin 1	Pin 4 or 5
J2	5V	Pin 2	Pin 4 or 5
J2	5V	Pin 3	Pin 4 or 5
J2	GND	Pin 4	Pin 4 or 5
J2	GND	Pin 5	Pin 4 or 5
J2	-12V	Pin 6	Pin 4 or 5

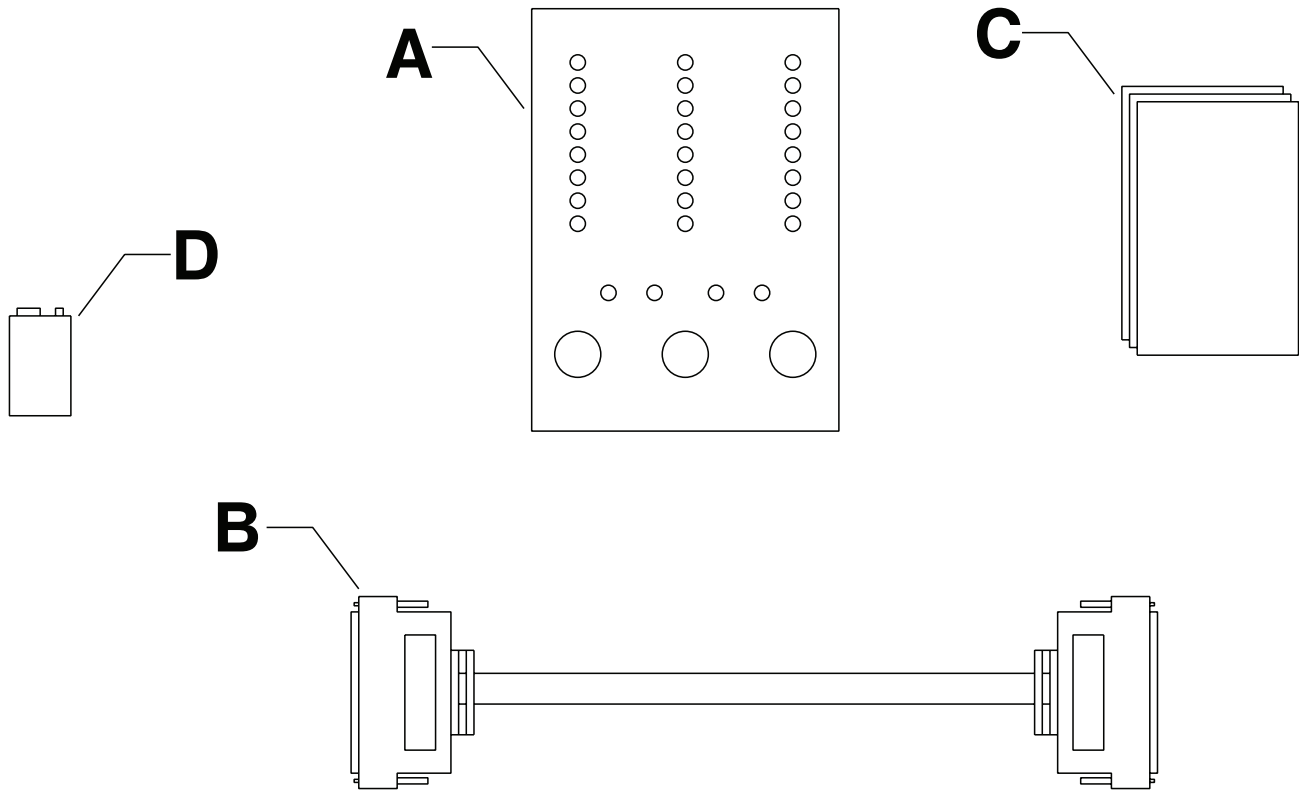
## Foot power board - 4701-080-053



Connector location	Cable location	Voltage	Positive lead	Negative lead	Description
J1	A	120 VAC*	Pin 1	Pin 2	AC line voltage from CPU board
J4	G	+5 VDC	Pin 2 white	Pin 1 black	+5 VDC from CPU
J4		12 VDC	Pin 3		DC voltage from CPU
J4		0 VDC without switch 5 VDC with switch	Pin 5 orange		Foot down
J4			Pin 4 green		Foot up
J4			Pin 6 blue		Compressor
J4			Pin 7 white/black		Lumbar soft
J4			Pin 8 red/black		Lumbar firm
J2		C	0 VAC without switch		Pin 2
J2	120 VAC with switch		Pin 3	Lumbar firm	
J4	G	0 VDC without switch 5 VDC with switch	Pin 9 green/black	Pin 1 black	Seat soft
J3	E	0 VAC without switch 120 VAC with switch	Pin 2	Pin 1	Seat soft
J3			Pin 3		Seat firm
J4	G		Pin 10 orange/black	Pin 1 black	Seat firm
J5	B		Pin 3 black	Pin 1 white	Compressor
J6	F		Pin 2 red	Pin 3 white	Foot down
J6			Pin 1 black		Foot up

\* 120 VAC is present when you press the Fowler slide, lumbar, or seat button.

## Bed communications tester option - 3002-045-700



Item	Number	Name	Quantity
A	3002-045-805	BCT unit	1
B	0059-216-000	37-Pin cable	1
C	3002-045-806	BCT instructions	1
D	3000-303-871	9V alkaline battery	1

**Note** - The bed communications tester will not check Smart TV functions.

### Headwall output configuration

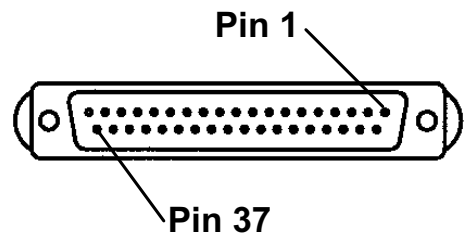


Figure 2 – 37-Pin connector

Pin number	Description
Pin 1	Option 2 common
Pin 2	Read light
Pin 3	Room light
Pin 4	Speaker high
Pin 5	Pot wiper
Pin 6	Radio common
Pin 7	Nurse Call interlock
Pin 8	Audio transfer -
Pin 9	Audio transfer +
Pin 10	Interlock +
Pin 11	Interlock -
Pin 12	Spare
Pin 13	Options 3 common
Pin 14	Pot low common
Pin 15	Pot high common (std.)/audio (STV)
Pin 16	Nurse Answer light +
Pin 17	Option 1 NO/NC
Pin 18	Option 1 common
Pin 19	Nurse Call light +
Pin 20	Option 2 NO/NC
Pin 21	Option 3 NO/NC
Pin 22	Option 3A NO/NC
Pin 23	Option 2A common
Pin 24	Option 2A NO/NC
Pin 25	Nurse Call +
Pin 26	Nurse Call NO/NC
Pin 27	Room/Read light common
Pin 28	Nurse Call light -
Pin 29	Nurse Answer light -
Pin 30	Priority NO/NC
Pin 31	Priority common
Pin 32	Option 3A common
Pin 33	TV - (std.)/data (STV)
Pin 34	TV + (std.)/common (STV)

Pin number	Description
Pin 35	Speaker low common
Pin 36	Audio shield
Pin 37	Radio NO/NC

## Pendant port

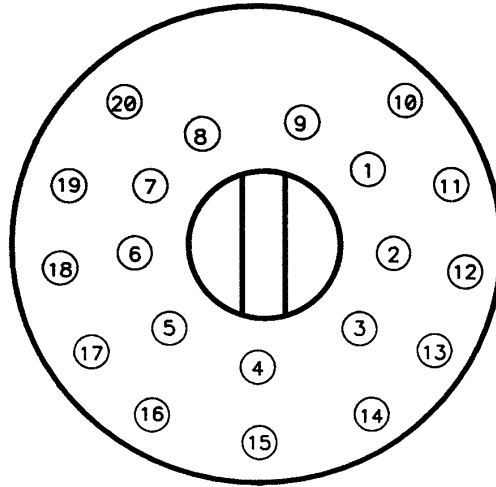


Figure 3 – Pendant port

Port number	Description
1	Scan line
2	Audio -
3	Nurse Call +
4	+5 VDC
5	Scan line
6	Scan line
7	Nurse Call -
8	TV channel up
9	Backlight
10	Audio +
11	Gatch up/Fowler in/foot up/DMS firm
12	Gatch down/Fowler out/foot out/DMS soft
13	Fowler up/Trend in
14	Fowler down/Trend out
15	Audio shield
16	Not used - socket filled

Port number	Description
17	Bed up
18	Ground
19	Read light/bed down
20	Room light



# Service

## Protecting against electrostatic discharge (ESD)

---

### CAUTION

- Always use electrostatic discharge (ESD) protective equipment before you open antistatic bags and service electronic parts.
  - Do not place unprotected circuit boards on the floor.
- 

**Note** - Always ship the circuit boards back to Stryker. Use the antistatic bag that the new board was originally shipped in.

The electronic circuits in the product are completely protected from static electricity damage when factory assembled. Always use adequate static protection when you service the electronic systems of the product. All service personnel must use static protection whenever they touch wires.

Sample antistatic protection equipment includes:

- Antistatic wrist strap
- Grounding plug
- Test lead with a banana plug on one end and an alligator clip on the other end

Make sure that you follow the ESD manufacturer's instructions for appropriate protection against static discharge.

## CPU board replacement - 3002-407-950

### Tools required:

- Phillips screwdriver
- Needle nose pliers
- ESD system

### Procedure:

**Note** - Use ESD protection when necessary. See *Protecting against electrostatic discharge (ESD)* (page 33).

1. Raise the litter and the Fowler backrest to the highest height position.
2. Unplug the bed power cord from the wall outlet.
3. Using a Phillips screwdriver, remove the three Phillips screws that secure the plastic CPU board cover on the electrical pan. Save the screws. Remove and save the cover.
4. Unplug the electrical connectors from the CPU board. Note the locations of the cables so you can connect them to the proper location on the replacement CPU board.
5. Lift up on the CPU board and use the needle nose pliers to unclip the five CPU board stand-off. Remove the CPU board from the stand-off.
6. Install the supplied CPU board on the stand-off and reattach all the electrical connectors. Verify proper connection by matching the letter on the cable to the letter on the CPU board.
7. Match the dip-switch settings on the supplied CPU board to the settings on the old CPU board. Reference the diagram on the bed circuit board for switch settings. Transfer any shunts from the old CPU board to the supplied CPU board. Discard the old CPU board. Reference the burn-in procedures sections.
8. Using a Phillips screwdriver, reinstall the three Phillips screws removed in step 3 that secure the plastic CPU board cover.
9. Plug the power cord into the wall outlet and test the functions of the bed.
10. Verify proper operation before you return the product to service.

## Power supply replacement - 0059-157-000

### Tools required:

- Phillips screwdriver
- Needle nose pliers
- ESD system

### Procedure:

**Note** - Use ESD protection when necessary. See *Protecting against electrostatic discharge (ESD)* (page 33).

1. Raise the litter and the Fowler backrest to the highest height position.
2. Unplug the bed power cord from the wall outlet.
3. Using a Phillips screwdriver, remove the three Phillips screws that secure the plastic CPU board cover on the electrical pan. Save the screws. Remove and save the cover.
4. Unplug the electrical connectors from the CPU board. Note the locations of the cables so you can connect them to the proper location on the replacement CPU board.
5. Lift up on the power supply and use the needle nose pliers to unclip the four power supply stand-off. Remove the power supply from the stand-off and discard.
6. Install the supplied power supply on the stand-off and reattach all the electrical connectors.
7. Using a Phillips screwdriver, reinstall the three Phillips screws removed in step 3 that secure the plastic CPU board cover.
8. Plug the power cord into the wall outlet and test the functions of the bed.
9. Verify proper operation before you return the product to service.

## Foot power board replacement - 4701-080-053

### Tools required:

- Phillips screwdriver
- 5/8" combination wrench
- ESD system

### Procedure:

**Note** - Use ESD protection when necessary. See *Protecting against electrostatic discharge (ESD)* (page 33).

1. Raise the litter and the Fowler backrest to the highest height position.
2. Unplug the bed power cord from the wall outlet.
3. Remove the foot section mattress assembly (if attached) and set aside.
4. Remove the fluid basin and set aside.
5. Pivot the foot pan assemblies to the side to allow access to the foot end of the bed.
6. Using a Phillips screwdriver, remove the two screws from the bottom of the foot end litter cover. Save the screws.
7. Using a 5/8" combination wrench, remove the two fluid basin retaining posts and remove the foot end litter cover.
8. Unplug the cables from the foot power board. Note the locations of the cables so you can connect them to the proper location on the replacement power board. The letters on the cables match the lettered connections on the power board.
9. Using a Phillips screwdriver, remove the six screws that secure the foot power board to the mounting bracket. Save the screws. Remove the foot power board from the mounting bracket.
10. Reverse steps to install the supplied foot power board.
11. Plug the power cord into the wall outlet and test the functions of the bed.

12. Verify proper operation before you return the product to service.

## Brake adjustment

### Tools required:

- 3/8" drive ratchet
- 7/16" socket
- Slip joint pliers

### Procedure:

1. Put the brake pedal in the neutral position.
2. Remove the base cover on the side of the base with the brake needing adjustment. Pull up to separate the base cover from the base frame and remove the cover.
3. Using a 3/8" drive ratchet and 7/16" socket, loosen the brake ring pivot bolt.
4. Using slip joint pliers if needed, turn the brake adjuster until there is approximately a 3/8" gap between the top of the caster and the bottom of the brake ring. Hold the brake adjuster in position and, using a 3/8" drive ratchet and a 7/16" socket, tighten the brake ring pivot bolt.
5. Verify that the brakes can hold and release.
6. Reinstall the base cover removed in step 2.
7. Verify proper operation before you return the product to service.

## Bed lift motor replacement, 120V - 4701-700-005

### Tools required:

- 3/8" drive ratchet
- 7/16" socket
- T27 Torx driver
- Bungee cord
- Diagonal pliers
- Phillips screwdriver

### Procedure:

1. Raise the litter, the Fowler backrest, and the siderails to the highest height position.
2. Unplug the bed power cord from the wall outlet.
3. Using a Phillips screwdriver, remove the three Phillips screws that secure the plastic CPU board cover on the electrical pan. Save the screws. Remove and save the cover.
4. Using a Phillips screwdriver, remove the three Phillips screws that secure the front of the electrical pan to the litter. Save the screws.
5. Using a T27 Torx driver, remove the two T27 Torx screws at the head end of the bed below the power cord that secure the electrical panel to the litter. Save the screws.
6. Push forward and lift the electrical pan toward the foot end of the bed. Using a bungee cord, support the electrical pan from the siderail timing links.
7. Using diagonal pliers, cut the two cable ties that secure the cables to the mounting bracket.

---

**CAUTION** - Always hold the bed lift motor before you remove the last motor mounting bolt to avoid possible injury or product damage.

---

8. Unplug the bed lift motor quick connection.
9. Using a 3/8" drive ratchet and 7/16" socket, remove the two 7/16" bolts that secure the motor mounting bracket to the motor mount. Save the bolts.
10. Move the motor toward the head end of the bed and lift it up and out.
11. Reverse steps to install the supplied bed lift motor.
12. Verify proper operation before you return the product to service.

## Trendelenburg motor removal, 120V - 4701-032-095

### Tools required:

- 3/8" drive ratchet
- 7/16" deep well socket
- 5/16" nut driver
- T27 Torx driver
- Bungee cord
- Needle nose pliers
- Phillips screwdriver

### Procedure:

1. Raise the litter, the Fowler backrest, and the siderails to the highest height position.
2. Unplug the bed power cord from the wall outlet.
3. Using a Phillips screwdriver, remove the three Phillips screws that secure the plastic CPU board cover on the electrical pan. Save the screws. Remove and save the cover.
4. Unplug the Trendelenburg motor electrical connector (N) from the CPU board and cut the cable tie.
5. Using a 3/8" drive ratchet and a 7/16" deep well socket, remove the ground lug nut and the Trendelenburg motor ground wire.
6. Using a Phillips screwdriver, remove the three Phillips screws that secure the front of the electrical pan to the litter. Save the screws.
7. Using a T27 Torx driver, remove the two T27 Torx screws at the head end of the bed below the power cord that secure the electrical panel to the litter. Save the screws.
8. Push forward and lift the electrical pan toward the foot end of the bed. Using a bungee cord, support the electrical pan from the siderail timing links.
9. Unplug the two capacitor wires for the Trendelenburg motor.
10. Using a 5/16" nut driver, remove the two 5/16" screws from the limit switch bracket and lay the bracket over the side of the bed. Save the screws.

---

**WARNING** - Always use caution when you remove the ratchet clip and clevis pin to avoid possible injury or product damage. The bed will lean toward the foot end when you remove the ratchet clip and clevis pin from the motor drive tube. A hard stop will prevent excessive tipping.

---

**Note** - Apply downward or upward pressure on the head end litter top to remove the clevis pin.

11. Using needle nose pliers, remove the ratchet clip and the clevis pin from the Trendelenburg motor drive tube.
12. Using a T27 Torx driver, remove the four T27 Torx screws that secure the Trendelenburg motor to the litter. Save the screws.
13. Lift the motor up and out to remove.
14. Reinstall the supplied Trendelenburg motor. See *Trendelenburg motor replacement, 120V - 4701-032-095* (page 37).
15. Verify proper operation before you return the product to service.

# Trendelenburg motor replacement, 120V - 4701-032-095

## Tools required:

- 3/8" drive ratchet
- 7/16" deep well socket
- T27 Torx driver
- Bungee cord
- Phillips screwdriver
- Inclinator

## Procedure:

1. Position the supplied Trendelenburg motor at the head end of the litter. Using a T27 Torx driver, secure the supplied Trendelenburg motor through the mounting plate with four T27 screws.
2. Rotate the drive tube on the motor shaft toward the motor housing until there is a 1/4" gap between the end of the drive tube and the motor housing.
3. Slide the clevis pin through the drive tube and the Trendelenburg weldment to attach the drive tube. You may need to press down on the head end of the bed to align the drive tube with the Trendelenburg weldment. Install the rue-clip to secure the assembly.
4. Plug the motor cable into the connector (N) on the CPU board and attach the motor capacitor connections.
5. Plug the bed power cord into the wall outlet.

---

**WARNING** - Always keep your fingers clear of moving parts when you activate the Trendelenburg motor to avoid possible injury.

---

6. Place an inclinometer directly on the seat surface and press the **Trend** button until approximately 1° of Trendelenburg position is attained.
7. Reinstall the Trendelenburg switch bracket. With the fasteners in place, slide the bracket until the Trend Zero switch is on the verge of activation against the end of the drive tube (you will hear a soft click).
8. Press and hold the **Trend** button until the bed begins to move into a Trendelenburg position. Then press and hold the **Level** button and verify that it stops at 1° of Trendelenburg.
9. Plug in the two capacitor wires for the Trendelenburg motor.
10. Remove the bungee cord that secures the electrical pan.
11. Using a T27 Torx driver, install two T27 Torx screws at the head end of the bed below the power cord that secure the electrical panel to the litter.
12. Using a Phillips screwdriver, install the three Phillips screws that secure the front of the electrical pan to the litter.
13. Using a 3/8" drive ratchet and a 7/16" deep well socket, secure the ground lug nut and the Trendelenburg motor ground wire.
14. Plug the Trendelenburg motor electrical connector (N) from the CPU board and secure with a new cable tie.
15. Using a Phillips screwdriver, tighten the three Phillips screws that secure the plastic CPU board cover on the electrical pan.
16. Verify proper operation before you return the product to service.

## Fowler motor replacement, 120V - 4701-035-040

### Tools required:

- 3/8" drive ratchet
- 7/16" socket
- Bungee cord
- Slotted screwdriver
- 7/16" combination wrench
- Phillips screwdriver

### Procedure:

1. Raise the litter, the Fowler backrest (using the manual CPR release handle), and the siderails to the highest height position.
2. Using a Phillips screwdriver, remove the three Phillips screws that secure the plastic CPU board cover on the electrical pan. Save the screws. Remove and save the cover.
3. Lift the bellows cover up toward the Fowler backrest and, using a bungee cord, support it from the siderail timing links.
4. Insert a Phillips screwdriver in the side of the Fowler support bracket on either side of the bed. Pull the CPR handle to put pressure on the screwdriver and provide support for the Fowler.
5. If the bed has the Skoocher option, use the siderail button to move it all the way in toward the foot end of the bed.
6. Unplug the power cord from the wall outlet.
7. Pull up the corners of the motor cover to remove the four plastic push rivets. Using a slotted screwdriver, remove the push rivets, if necessary. Save the motor cover.
8. Unplug the electrical quick connector near the motor.
9. If the bed has the Skoocher option, use a 3/8" drive ratchet and a 7/16" socket to remove the two bolts that secure the Fowler motor mounting bracket to the litter frame. If the bed does not have the Skoocher option, use a 7/16" combination wrench. Hold the Fowler motor before you remove the last bolt.
10. Allow the motor to hang while you compress the white CPR coupler components together and remove the CPR coupler assembly.
11. Lift up on the Fowler motor and angle it over the motor frame support. Remove the patient right side Fowler motor.
12. Reverse steps to install the supplied motor.
13. Verify proper operation before you return the product to service.

## Fowler ball screw replacement - 4701-035-012

### Tools required:

- 3/8" drive ratchet
- 7/16" socket
- Large retaining ring pliers
- T27 Torx driver
- Slotted screwdriver
- Bungee cord
- Needle nose pliers
- Phillips screwdriver
- 5/8" combination wrench

### Procedure:

1. Raise the litter, the Fowler backrest, and the siderails to the highest height position.
2. Using a Phillips screwdriver, remove the three Phillips screws that secure the plastic CPU board cover on the electrical pan. Save the screws. Remove and save the cover.
3. Remove the foot section mattress assembly (if attached) and set it aside.
4. Remove the fluid basin and set aside.
5. Remove the head end mattress.
6. Using a T27 Torx driver, remove the four screws that secure the seat section to the litter frame. Save the screws.
7. Using a Phillips screwdriver, remove the two screws from the foot litter cover. Save the screws.
8. Using a 5/8" combination wrench, remove the two fluid basin buttons. Remove and save the cover.
9. Using a 3/8" drive ratchet and 7/16" socket, remove the ground strap from the seat section that is attached to the foot motor support bracket.
10. Remove the seat section.
11. Lift the bellows cover up toward the Fowler and, using a bungee cord, support it from the siderail timing links.
12. Insert a Phillips screwdriver in the side of the Fowler support bracket on either side of the bed. Pull the CPR handle to put pressure on the screwdriver and provide support for the Fowler.
13. Unplug the power cord from the wall outlet.
14. Pull up the corners of the motor cover to remove the four plastic push rivets. Use a slotted screwdriver to remove the push rivets, if necessary. Set aside the motor cover.
15. Using a 7/16" socket, remove the bolt and bushings that secure the steel potentiometer cable to the ball screw nut box.
16. Using a 7/16" socket, remove the bolt and bushing on the opposite side.
17. Using needle nose pliers, remove the cotter and clevis pins from the head end of the ball screw and slide the ball screw assembly out toward the foot end.
18. Using large retaining ring pliers, remove the retaining ring that secures the ball screw nut to the nut box and remove the nut box.
19. Using a 7/16" socket, remove the bolt from the hard stop collar at the end of the ball screw.
20. Reverse steps to install the supplied Fowler ball screw.  
  
**Note** - When you reinstall the cotter pin, be sure to fully bend it around the clevis pin to prevent it from contacting Fowler components during operation.
21. Verify proper operation before you return the product to service.

# Skoocher motor replacement

## Tools required:

- 3/8" drive ratchet
- 7/16" socket
- Slotted screwdriver
- Bungee cord
- Phillips screwdriver
- Diagonal pliers

## Procedure:

1. Raise the litter, the Fowler backrest (using the manual CPR release handle), and the siderails to the highest height position.
2. Using a Phillips screwdriver, remove the three Phillips screws that secure the plastic CPU board cover on the electrical pan. Save the screws. Remove and save the cover.
3. Lift the bellows cover up toward the Fowler backrest and, using a bungee cord, support it from the siderail timing links.
4. Insert a Phillips screwdriver in the side of the Fowler support bracket on either side of the bed. Pull the CPR handle to put pressure on the screwdriver and provide support for the Fowler.
5. Use the siderail button to move the Skoocher all the way toward the foot end of the bed if the motor will run.
6. Unplug the power cord from the wall outlet.
7. Pull up the corners of the motor cover to remove the four plastic push rivets. Using a slotted screwdriver, remove the push rivets, if necessary. Set aside the motor cover.
8. Unplug the electrical quick connector near the Skoocher motor.
9. Using a 3/8" drive ratchet and 7/16" socket, remove the two bolts that secure the Fowler motor mounting bracket to the litter frame. Hold the motor before you remove the last bolt.
10. Using a slotted screwdriver, compress the white CPR coupler components together and lift the motor out of the top of the assembly.
11. Using diagonal pliers, cut the cable tie that secures the capacitor and wires to the motor.
12. Using a 3/8" drive ratchet and 7/16" socket, remove the four bolts that secure the motor mounting bracket to the motor.
13. Reverse steps to install the supplied Skoocher motor.
14. Verify proper operation before you return the product to service.



## Foot motor replacement, 120V - 4701-040-035/230V - 4712-040-035

### Tools required:

- 3/8" drive ratchet
- 7/16" socket
- T27 Torx driver
- Crescent wrench
- 5/8" combination wrench
- 5/32" hex wrench
- Phillips screwdriver
- 3/8" hex wrench
- Diagonal pliers

### Procedure:

1. Raise the litter to the highest height position and lower the foot section to the lowest height position.  
**Note** - If it is necessary to manually lower the foot motor, remove the plastic foot end litter cover (see step 6) and use a crescent wrench to manually turn the manual backup nut at the end of the motor shaft.
2. Remove the head section mattress and set aside.
3. Remove and save the foot section assembly (if attached).
4. Pivot the foot pan assemblies to the side to allow access to the foot end of the bed.
5. Using a Phillips screwdriver, remove the two screws from the bottom of the plastic foot end litter cover. Save the screws.
6. Using a 5/8" combination wrench, remove the two steel fluid basin retaining posts from the front of the cover and remove the plastic foot end litter cover.
7. Using a T27 Torx driver, remove the four screws that secure the seat section to the litter frame and remove the seat section. Save the screws.
8. Using diagonal pliers, cut the cable tie that secures the capacitor to the litter frame. Cut the two cable ties that secure the motor power cable to the power board mounting bracket option.
9. Unplug the foot lift motor from the foot power board (connector F).
10. Using a 3/8" drive ratchet and 7/16" socket, remove the four bolts that secure the foot motor to the cross brace. Save the bolts.
11. Using a crescent wrench, turn the bottom of the motor shaft and lower the foot motor almost completely.
12. Slide the motor toward the patient left side of the bed. Lift and tip the motor toward the foot end of the bed to remove it from the litter.
13. Using a 5/32" hex wrench, remove the hex screw that secures the bottom hard stop collar on the motor shaft. Save the collar and screw.
14. Using a 3/8" hex wrench, remove the two hex screws that secure the upper motor hard stop on the motor shaft. Save the screws and hard stop.
15. Reverse steps to install the supplied motor.
16. Verify proper operation before you return the product to service.

# Air mattress compressor replacement option, 120V - 4701-048-015/230V - 4712-048-015

## Tools required:

- 3/8" drive ratchet
- 7/16" socket
- T27 Torx driver
- Crescent wrench
- 5/8" combination wrench
- 3/32" hex wrench
- Phillips screwdriver
- Diagonal pliers

## Procedure:

1. Raise the litter to the highest height position and lower the foot section to the lowest height position.  
**Note** - If you need to manually lower the foot motor, remove the plastic foot end litter cover (see step 6) and use a crescent wrench to manually turn the manual backup nut at the end of the motor shaft.
2. Remove the head section mattress. Save the head section mattress.
3. Remove the foot section assembly (if attached). Save the foot section assembly.
4. Pivot the foot pan assemblies to the side to allow access to the foot end of the bed.
5. Using a Phillips screwdriver, remove the two screws from the bottom of the plastic foot end litter cover. Save the screws.
6. Using a 5/8" combination wrench, remove the two steel fluid basin retaining posts from the front of the cover and remove the plastic foot end litter cover.
7. Using a T27 Torx driver, remove the four screws that secure the seat section to the litter frame and remove the seat section. Save the screws.
8. Using diagonal pliers, cut the cable tie that secures the capacitor to the litter frame. Cut the two cable ties that secure the motor power cable to the power board mounting bracket option.
9. Unplug the foot lift motor from the foot power board (connector F).
10. Using a 3/8" drive ratchet and 7/16" socket, remove the four bolts that secure the foot motor to the cross brace. Save the bolts.
11. Using a crescent wrench, turn the bottom of the motor shaft and lower the foot motor almost completely.
12. Slide the motor toward the patient left side of the bed. Lift and tip the motor toward the foot end of the bed to remove it from the litter.
13. Disconnect the air tubes from the quick-release connectors on the outside of the litter. Pull the hoses out of the channels on the foot end of the litter.
14. Using a Phillips screwdriver, remove the three screws that secure the mounting bracket assembly to the litter and carefully remove the assembly. Save the screws.
15. Unplug the compressor cable from the foot power board (connector B).
16. Using a 3/32" hex wrench, remove the four screws that secure the pump to the mounting bracket. Save the screws.
17. Reverse steps to install the supplied air mattress compressor.
18. Verify proper operation before you return the product to service.

## Night light replacement - 4701-080-080

### Tools required:

- Phillips screwdriver

### Procedure:

1. Raise the litter to highest height position.
2. Remove the foot section assembly (if attached) and set it aside.
3. Using a Phillips screwdriver, remove the screw that secures the night light assembly to the litter. Save the screw.
4. Unplug the two wire connections for the night light. Discard the night light.
5. Reverse steps to install the supplied night light.
6. Verify proper operation before you return the product to service.

## Nurse call 9V battery replacement

### Tools required:

- None

### Procedure:

**Note** - You should replace the 9V nurse call battery if the Power LED (located on the outside of both siderails) is flashing.

1. Unplug the power cord from the wall outlet and replace the battery.
2. Make sure that the Power LED is no longer flashing and operates when you select the different light.
3. Dispose of the old battery in accordance with local regulations.
4. Verify proper operation before you return the product to service.

## Diagnostics mode

To enter diagnostics mode:

1. Press and hold the **Trend** and **Reverse Trend/Level** buttons.
2. While you hold the **Trend** and **Reverse Trend/Level** buttons, plug the power cord back into the wall outlet.
3. Release the buttons. The Bed Up LED and the Bed Motion Lock LED on the siderail will flash to indicate the bed is in diagnostic mode.

To exit diagnostics mode:

1. Unplug the power cord from the wall outlet.

# Foot potentiometer replacement

## Tools required:

- 3/8" drive ratchet
- 7/16" socket
- Phillips screwdriver
- 5/8" combination wrench
- Diagonal pliers
- Crescent wrench

## Procedure:

1. Raise the litter to the highest height position and lower the foot section to the lowest height position.  
**Note** - If it is necessary to manually lower the foot motor, remove the plastic foot end litter cover (see step 5) and use a crescent wrench to manually turn the manual backup nut at the end of the motor shaft.
2. Remove the foot section assembly (if attached) and set it aside.
3. Pivot the foot pan assemblies to the side to allow access to the foot end of the bed.
4. Using a Phillips screwdriver, remove the two screws from the bottom of the plastic foot end litter cover. Save the screws.
5. Using a 5/8" combination wrench, remove the two steel fluid basin retaining posts from the front of the cover. Remove the plastic foot end litter cover.
6. Unplug the potentiometer electrical quick connect.
7. Using diagonal pliers, cut the cable tie at the top of the seat section near the bolt that secures the potentiometer.
8. Using a 3/8" drive ratchet and 7/16" socket, remove the bolt that secures the potentiometer steel cable to the foot lift casting. Remove the bolt and washer and slowly retract the potentiometer cable.
9. Using a 3/8" drive ratchet and 7/16" socket, hold the potentiometer with one hand and remove the bolt that secures the potentiometer to the seat section litter brace.
10. Reverse steps to install the supplied potentiometer. Perform the foot potentiometer burn-in procedure. See *Foot potentiometer burn-in procedure* (page 44).
11. Verify proper operation before you return the product to service.

# Foot potentiometer burn-in procedure

## Tools required:

- None

## Procedure:

1. Unplug the power cord from the wall outlet.
2. Enter diagnostics mode. See *Diagnostics mode* (page 43).
3. Press the **Bed Up** button and raise the litter far enough to prevent damage when the foot is fully lowered (approximately 25" from the floor to the seat top surface).
4. Press and hold the **Foot Down** button until the foot casting hits the lowest height position. Run the foot lift 3/8" from the bottom hard stop.

---

**CAUTION** - Always release the **Foot Down** button immediately if the foot support touches the litter frame or product damage could occur.

---

5. Press and hold the **Trend** button and then press the **Foot Down** button. The Bed Motion Lock LED will light and then flash on and off to indicate calibration.

6. Press and hold the **Foot Up** button until the foot casting hits the highest height position, and then run the foot lift down 3/8" from the upper hard stop.

---

**CAUTION** - Always release the **Foot Up** button immediately if the foot support touches the litter frame or product damage could occur.

---

7. Press the **Trend** button and then press the **Foot Up** button. The Bed Motion Lock LED will illuminate and then flash on and off to indicate calibration.
8. Unplug the power cord from the wall outlet to exit the diagnostics mode.

## Fowler potentiometer replacement - 4701-080-025

### Tools required:

- 3/8" drive ratchet
- 7/16" socket
- Phillips screwdriver
- Slotted screwdriver
- Bungee cord
- T27 Torx driver
- Diagonal pliers

### Procedure:

1. Raise the litter, the Fowler, and the siderails to the highest height position.
2. Using a Phillips screwdriver, remove the three screws that secure the CPU board cover on the electrical pan. Save the screws. Remove and save the cover.
3. Remove the foot section assembly (if attached) and set it aside.
4. Remove the head end mattress and set aside.
5. Using a T27 Torx driver, remove the four screws that secure the seat section to the litter frame and remove the seat section. Save the screws.
6. Lift the bellows cover up toward the Fowler and use a bungee cord to support it from the siderail timing links.
7. Insert a Phillips screwdriver in the side of the Fowler support bracket on either side of the bed. Pull the CPR handle to put pressure on the screwdriver and provide support for the Fowler.
8. Unplug the bed power cord from the wall outlet.
9. Pull up the corners of the motor cover and use a slotted screwdriver to remove the four plastic push rivets. Set aside the motor cover.
10. Using a 3/8" drive ratchet and a 7/16" socket, remove the bolt that secures the steel potentiometer cable to the Fowler guide weldment. Save the bolt. Do not drop the bushings.
11. Using a 3/8" drive ratchet and a 7/16" socket, remove the bolt that secures the potentiometer assembly to the frame. Save the bolt.
12. Using a Phillips screwdriver, remove the two screws that secure the head end of the large plastic underbody cover to the litter. Remove the two screws at the foot end of the cover and remove the cover. Save the screws.  
  
**Note** - The head end of the cover is supported by the litter.
13. Using diagonal pliers, cut the cable tie that secures the potentiometer cable.
14. Unplug the cable and remove the Fowler potentiometer.
15. Reverse steps to install the supplied Fowler potentiometer. Perform the foot potentiometer burn-in procedure. See *Foot potentiometer burn-in procedure* (page 44).
16. Verify proper operation before you return the product to service.

## Fowler potentiometer burn-in procedure

### Tools required:

- None

### Procedure:

1. Unplug the power cord from the wall outlet.
2. Enter diagnostics mode. See *Diagnostics mode* (page 43).
3. Press the **Reverse Trend/Level** button to level the litter surface.
4. Press the **Fowler Down** button until the top edge of the Fowler is approximately 1" from the plastic CPU board cover.
5. Press and hold the **Trend** button and then press the **Foot Down** button. The Bed Motion Lock LED will illuminate and then flash on and off to indicate calibration.
6. Unplug the power cord from the wall outlet to exit diagnostics mode.

## Lift potentiometer replacement - 4701-080-025

### Tools required:

- Phillips screwdriver
- Diagonal pliers
- Bungee cord
- T27 Torx driver

### Procedure:

1. Raise the litter, the Fowler backrest, and the siderails to the highest height position.
2. Using a Phillips screwdriver, remove the three screws that secure the CPU board cover on the electrical pan. Save the screws. Remove and save the cover.
3. Lift the bellows cover up toward the Fowler backrest and use a bungee cord to support it from the siderail timing links.
4. Unplug the power cord from the wall outlet.
5. Remove the potentiometer cable from the tab on the lift tube weldment and retract the cable back to the potentiometer.
6. Using diagonal pliers, cut the cable tie that secures the potentiometer cable to the electrical panel.
7. Unplug the potentiometer.
8. Using a T27 Torx driver, remove the screw that secures the potentiometer to the litter frame and remove the potentiometer. Save the screw.
9. Reverse steps to install the supplied lift potentiometer. Perform the lift potentiometer burn-in procedure. See *Lift potentiometer burn-in procedure* (page 46).
10. Verify proper operation before you return the product to service.

## Lift potentiometer burn-in procedure

### Tools required:

- None

### Procedure:

1. Unplug the power cord from the wall outlet.
2. Enter diagnostics mode. See *Diagnostics mode* (page 43).
3. Press the **Foot Up** button and raise the foot section far enough to prevent damage when the litter is fully lowered.

4. Press the **Reverse Trend/Level** button to level the litter surface.
5. Press the **Bed Down** button and lower the litter until the distance from the floor to the seat section surface measures 17.5 (+0.5/-0.0) inches for a bed with 6" casters or 19.5 (+0.5/-0.0) inches for a bed with 8" casters.
6. Press the **Trend** button and then press the **Bed Down** button. The Bed Motion Lock LED will light and then flash on and off to indicate calibration.
7. Press the **Bed Up** button and raise the litter until the distance from the floor to the seat section surface measures 35.5 (+0.0/-0.5) inches for a bed with 6" casters or 37.5 (+0.0/-0.5) inches for a bed with 8" casters.
8. Press the **Trend** button and then press the **Bed Up** button. The Bed Motion Lock LED will illuminate and then flash on and off to indicate calibration.
9. Unplug the power cord from the wall outlet to exit diagnostics mode.

## Smart TV interface burn-in procedure

**Note** - The product must have the hardware for this option installed before you perform the burn-in procedure.

### Tools required:

- None

### Procedure:

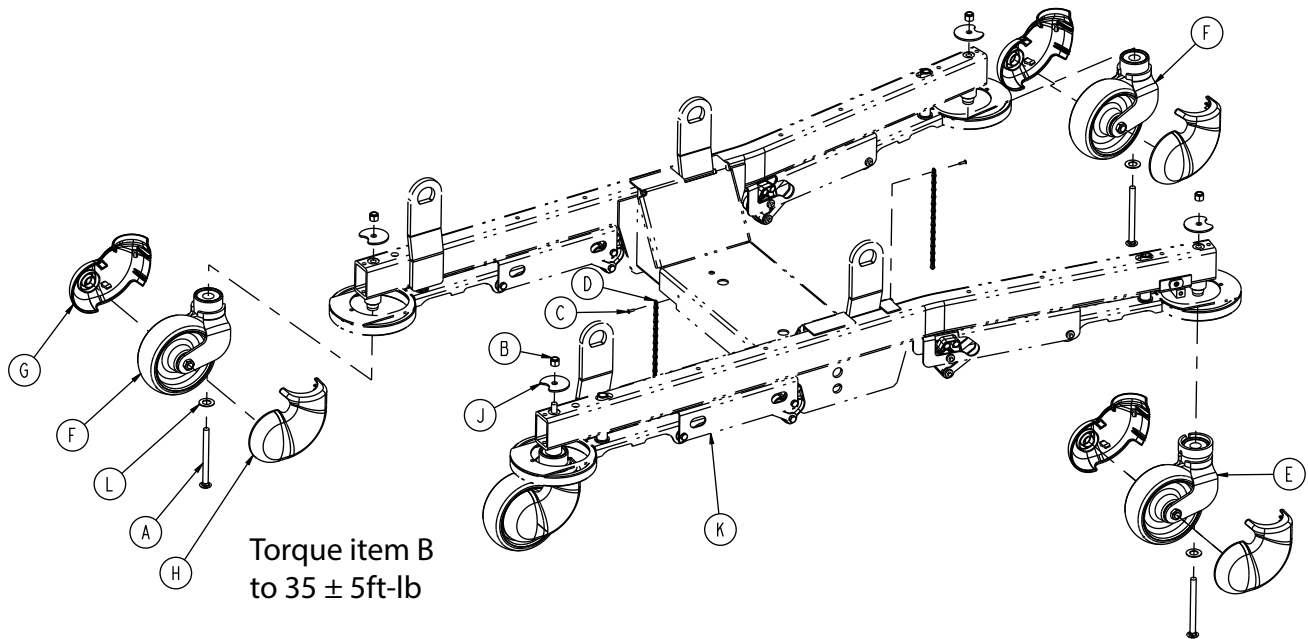
1. Unplug the power cord from the wall outlet.
2. Enter diagnostics mode. See *Diagnostics mode* (page 43).
3. The Nurse Call LED (yellow) on the inside panel of each siderail is flashing. This represents one of the 10 TV selections shown in the table below. The Nurse Answer LED (green) on the inside of each siderail is flashing on/off at a slow rate.
4. Press and release the TV **On/Off** button on the siderail. The Nurse Call LED (yellow) flashes once with each press. This flash code is defined in the table below. The Nurse Answer LED (green) is flashing on/off at a slow rate. The Nurse Answer LED (green) will only illuminate when the Nurse Call LED (yellow) is flashing.
5. Press and release the TV **On/Off** button on the siderail to increment to other TV modes. The Nurse Call LED (yellow) flashes consecutively the number listed in the table below. This number represents the TV mode selected.
6. When the desired TV manufacturer has been selected, unplug the power cord from the wall outlet and plug it back in to complete the Smart TV burn-in procedure.

TV MANUFACTURER SELECTION FOR SMART TV BURN-IN PROCEDURE		
Press and release TV ON/OFF switch	Nurse Call LED (yellow)	TV Manufacturer
One time	One flash	RCA 1
Two times	Two flashes	RCA 2
Three times	Three flashes	Zenith 1
Four times	Four flashes	Zenith 2
Five times	Five flashes	Philips/Magnavox
Six times	Six flashes	Magnavox (models 9120, 9220, 9320)
Seven times	Seven flashes	Traditional TV
Eight times	Eight flashes	Traditional Plus
Nine times	Nine flashes	Auto Detect: Smart TV
Ten times	Ten flashes	Auto Detect W/Digital Volume Smart TV

# 6 in. caster/base assembly

4701-101-070 Rev AA (Reference only)

4701-201-070 Rev AA (Reference only)



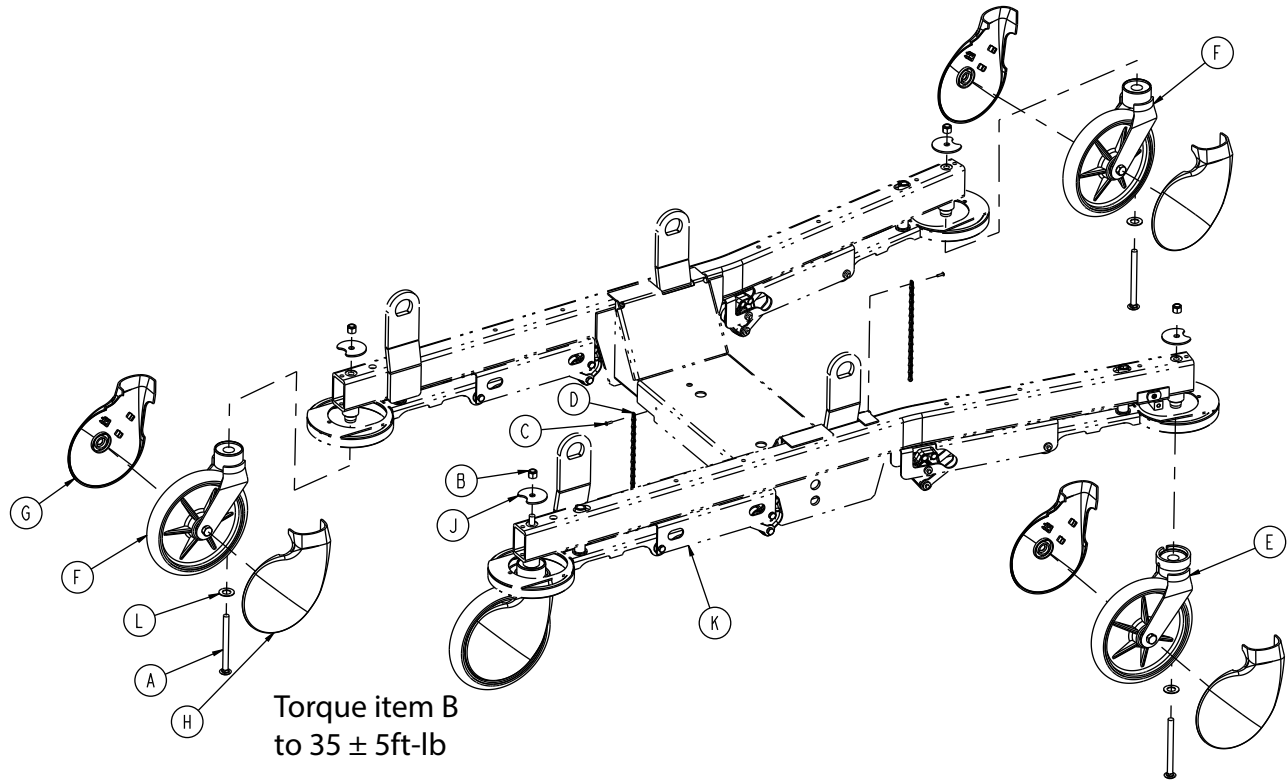
Item	Number	Name	Quantity
A	0005-031-000	Round square neck bolt	4
B	0016-035-000	Nylock hex nut	4
C	0025-103-000	Pop rivet	2
D	0715-001-156	Ground chain	2
E	3001-200-050	6 in. steer caster assembly (page 51)	1
F	3001-200-060	6 in. caster assembly	3
G	4701-001-095	6 in. caster cover, left	4
H	4701-001-096	6 in. caster cover, right	4
J	4701-001-094	Tabbed washer	4
K	4701-101-000 or 4701-201-000	Base assembly (page 54)	1
L	700003130879	Washer	4



# 8 in. caster/base assembly

4701-101-075 Rev AA (Reference only)

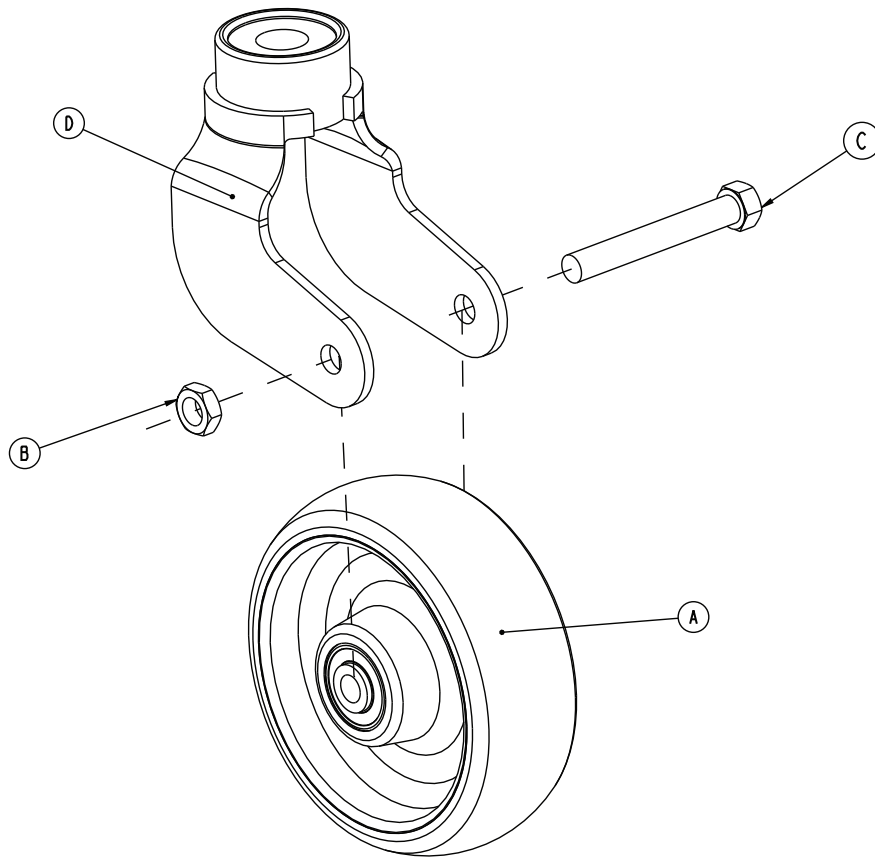
4701-201-075 Rev AA (Reference only)



Item	Number	Name	Quantity
A	0005-031-000	Round square neck bolt	4
B	0016-035-000	Nylock hex nut	4
C	0025-103-000	Pop rivet	2
D	0715-001-156	Ground chain	2
E	3001-200-080	8 in. steer caster assembly (page 53)	1
F	3001-200-090	8 in. caster assembly (page 52)	3
G	4701-001-077	8 in. caster cover, left	4
H	4701-001-076	8 in. caster cover, right	4
J	4701-001-094	Tabbed washer	4
K	4701-101-000 or 4701-201-000	Base assembly (page 54)	1
L	700003130879	Washer	4

# 6 in. caster assembly

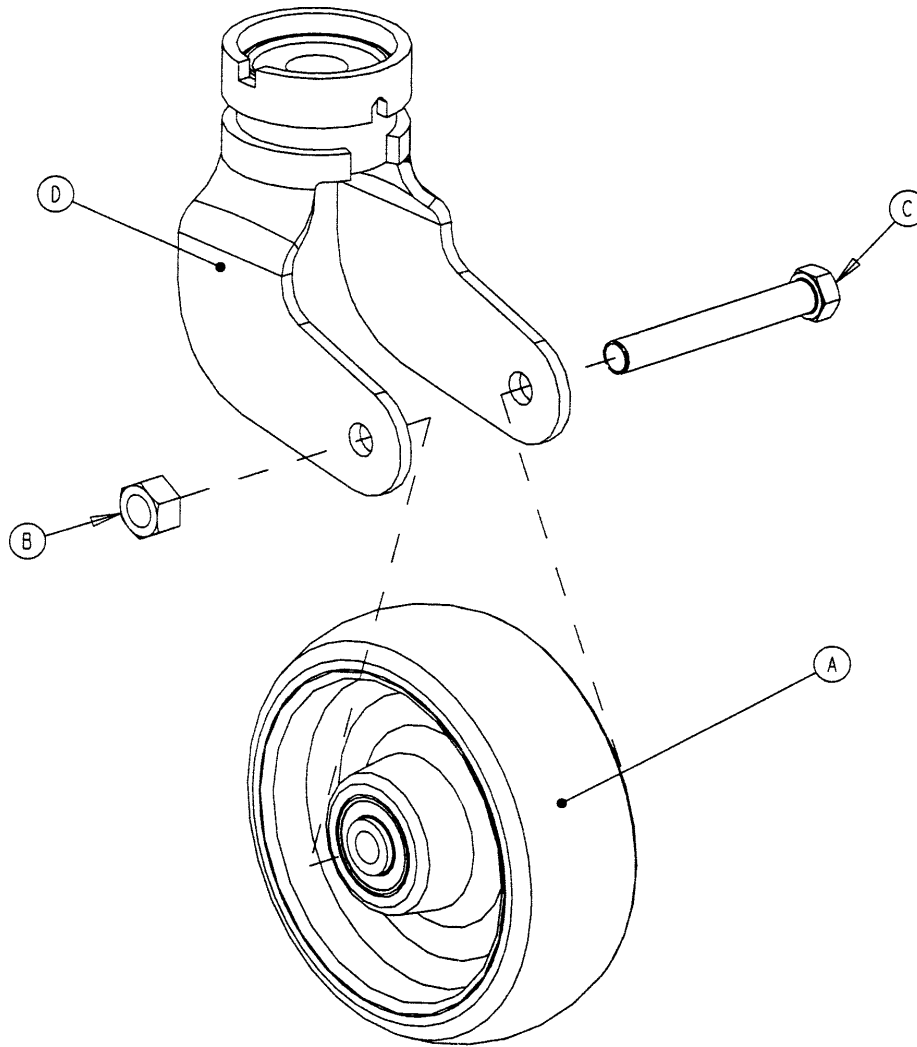
3001-200-060 Rev A (Reference only)



Item	Number	Name	Quantity
A	5000-002-010	Wheel assembly	1
B	0016-060-000	Lock nut	1
C	0003-342-000	Hex head cap screw	1
D	3001-200-061	Caster horn with bearing	1

# 6 in. steer caster assembly

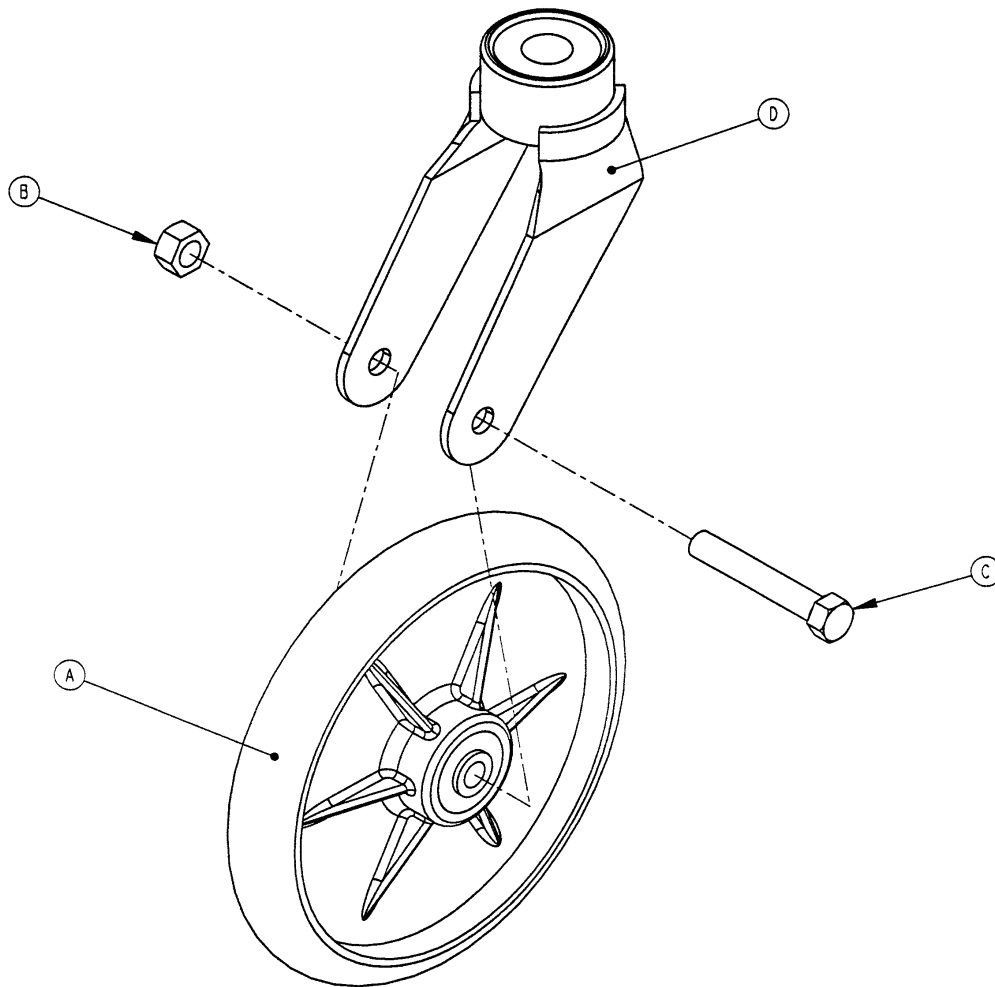
3001-200-050 Rev - (Reference only)



Item	Number	Name	Quantity
A	5000-002-010	Wheel assembly	1
B	0016-060-000	Lock nut	1
C	0003-342-000	Hex head cap screw	1
D	3001-200-051	Steer caster horn with bearing	1

# 8 in. caster assembly

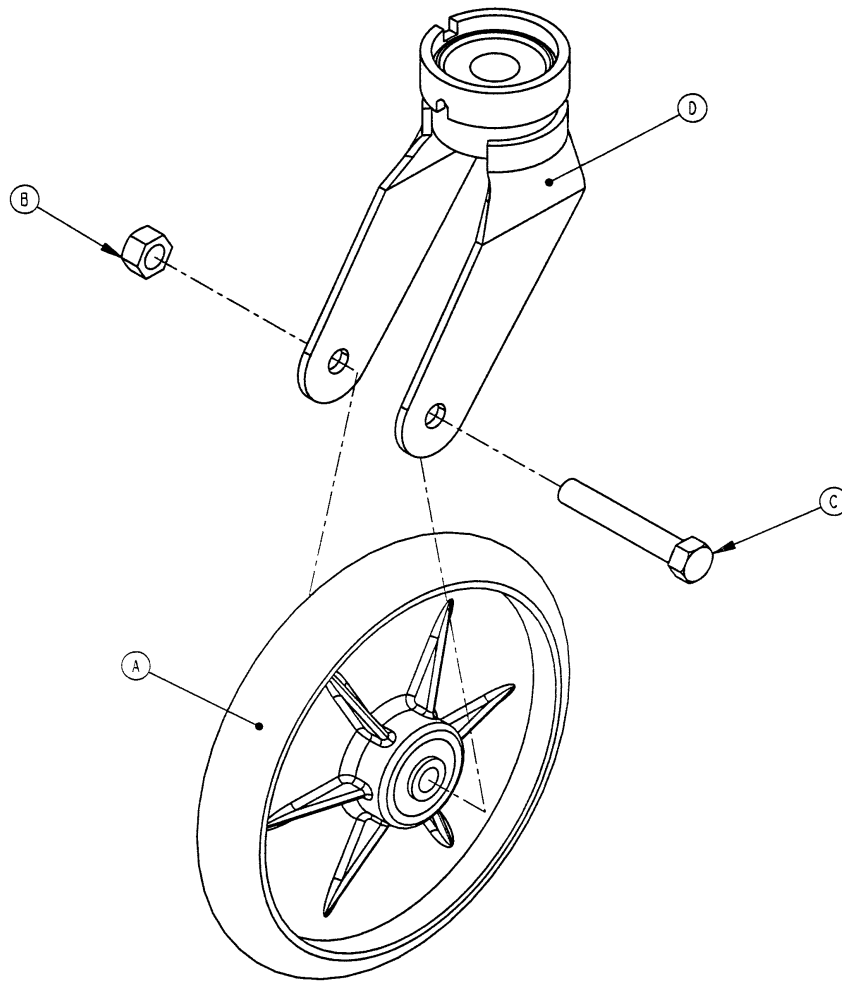
3001-200-090 Rev A (Reference only)



Item	Number	Name	Quantity
A	0715-002-025	Wheel assembly	1
B	0016-060-000	Hex nut	1
C	0003-099-000	Hex head cap screw	1
D	3001-200-076	Caster horn with bearing	1

# 8 in. steer caster assembly

3001-200-080 Rev A (Reference only)

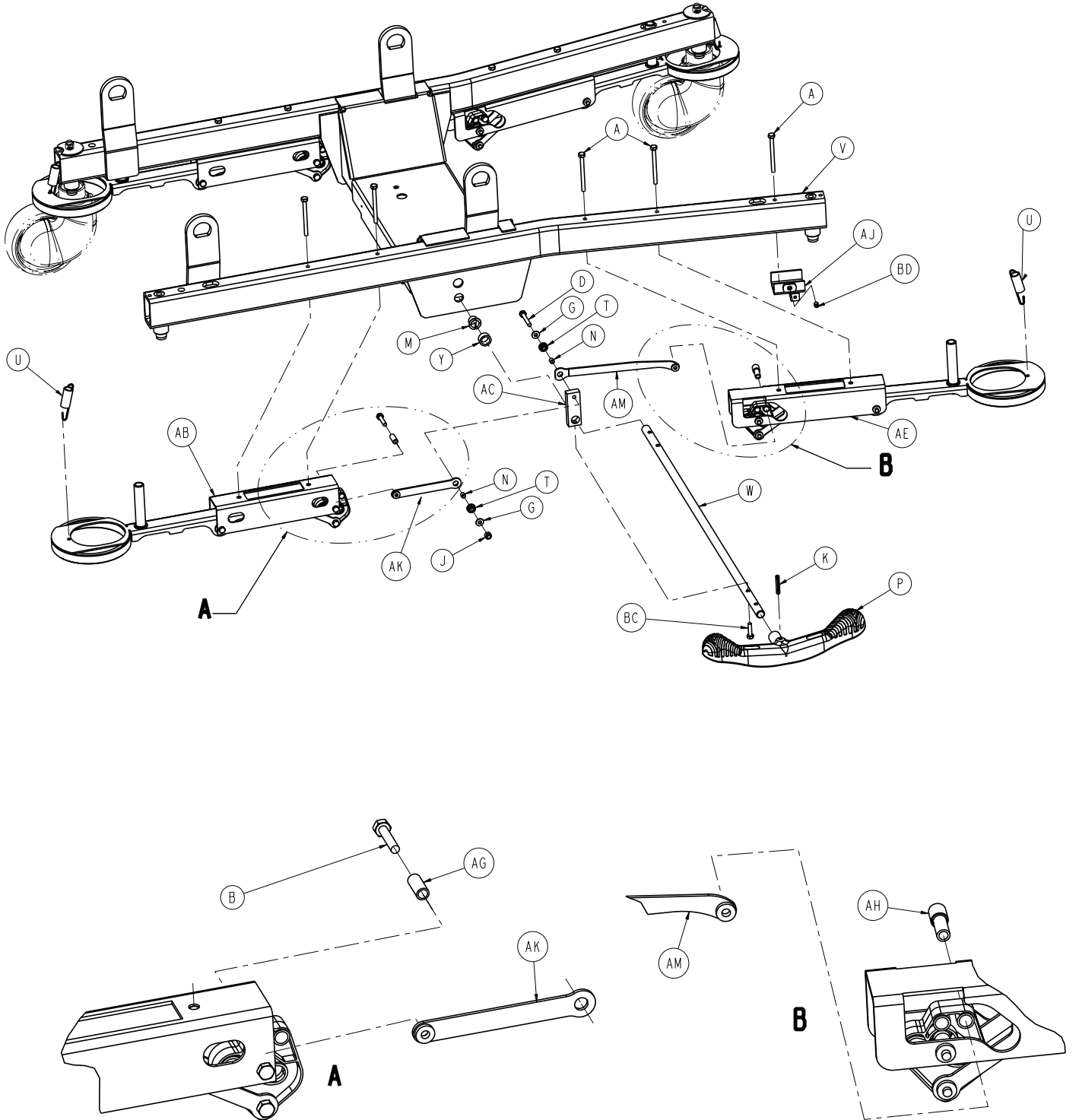


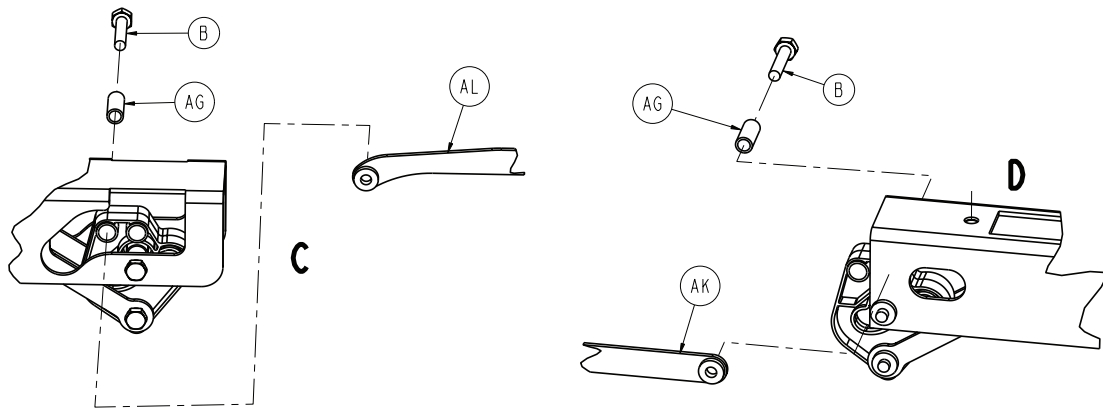
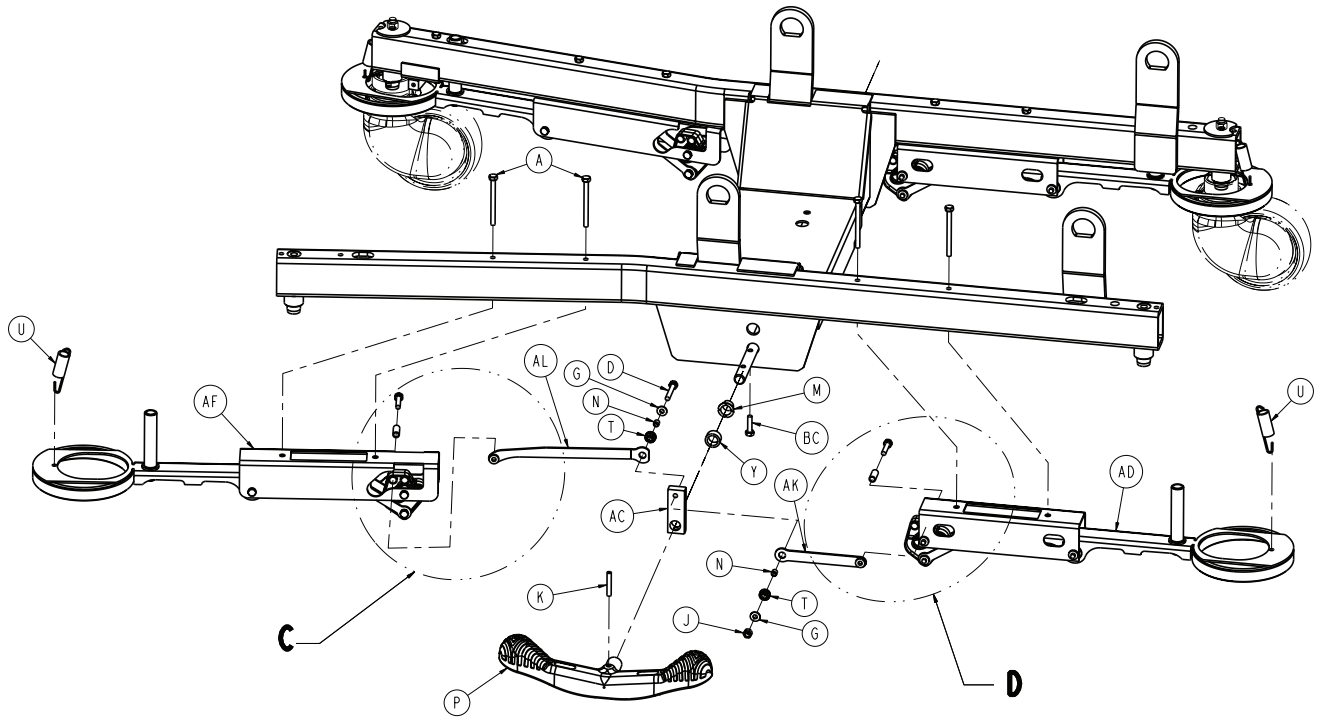
Item	Number	Name	Quantity
A	0715-002-025	Wheel assembly	1
B	0016-060-000	Hex nut	1
C	0003-099-000	Hex head cap screw	1
D	3001-200-081	Caster horn	1

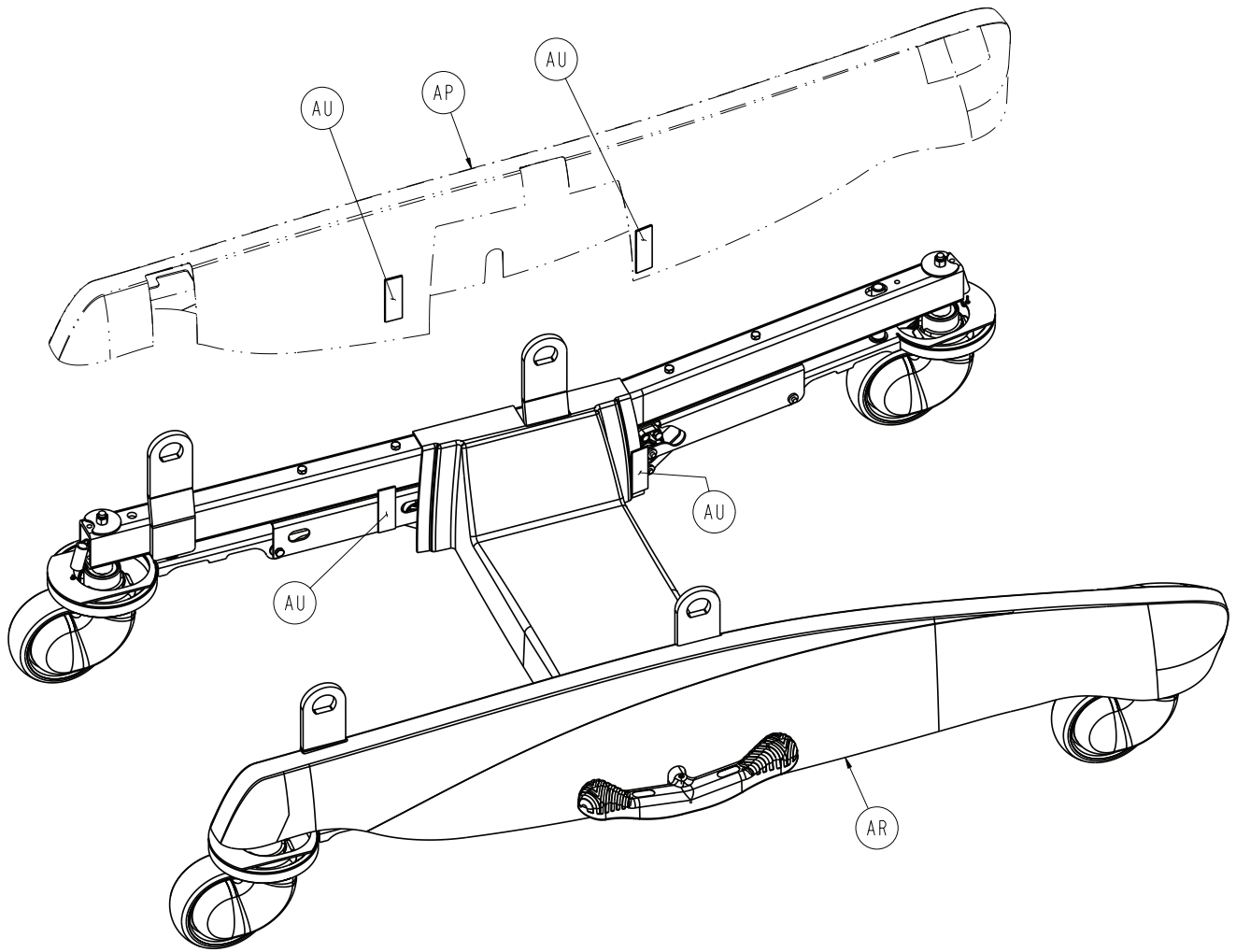
# Base assembly

4701-101-000 Rev C (Reference only)

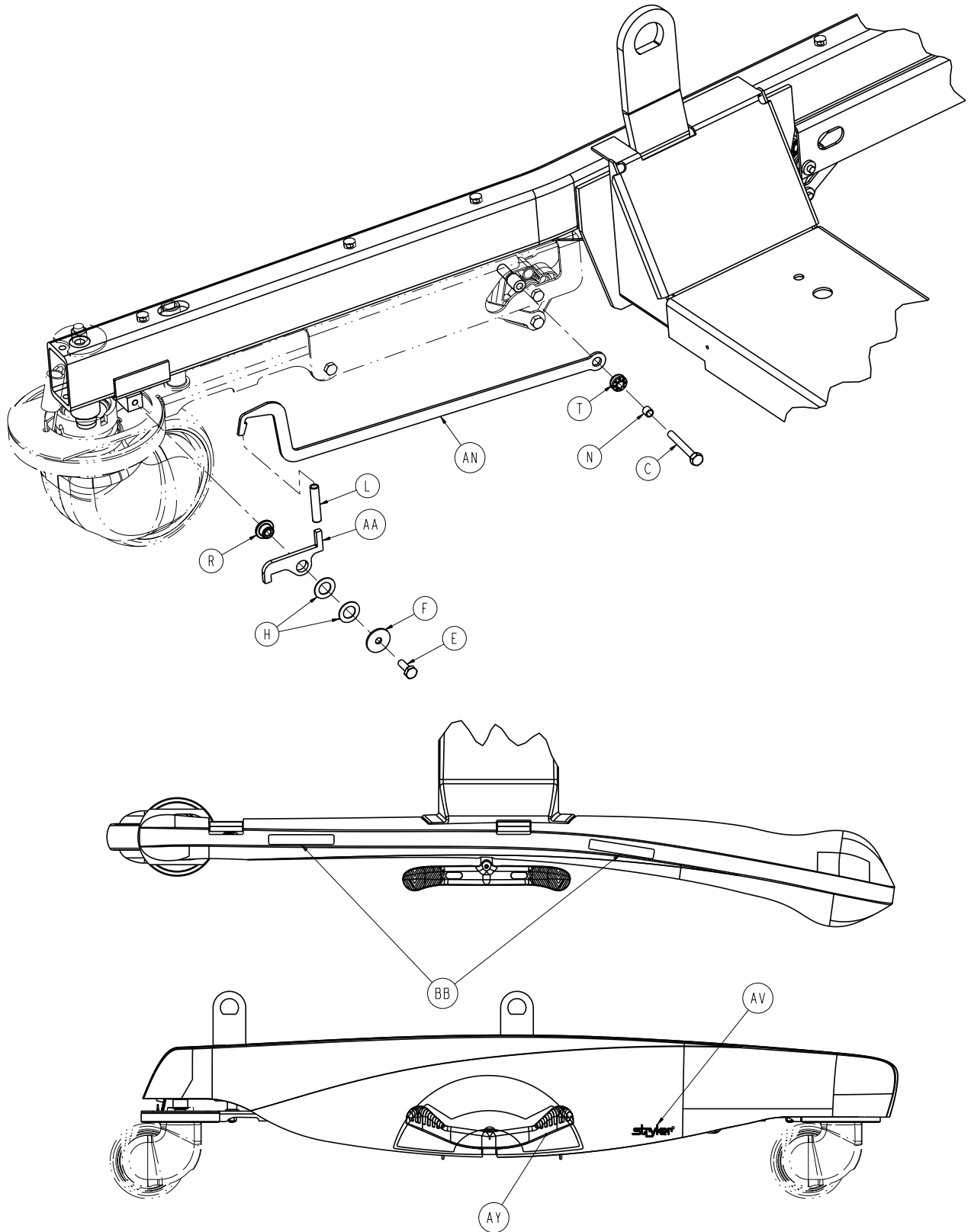
4701-201-000 Rev A (Reference only)











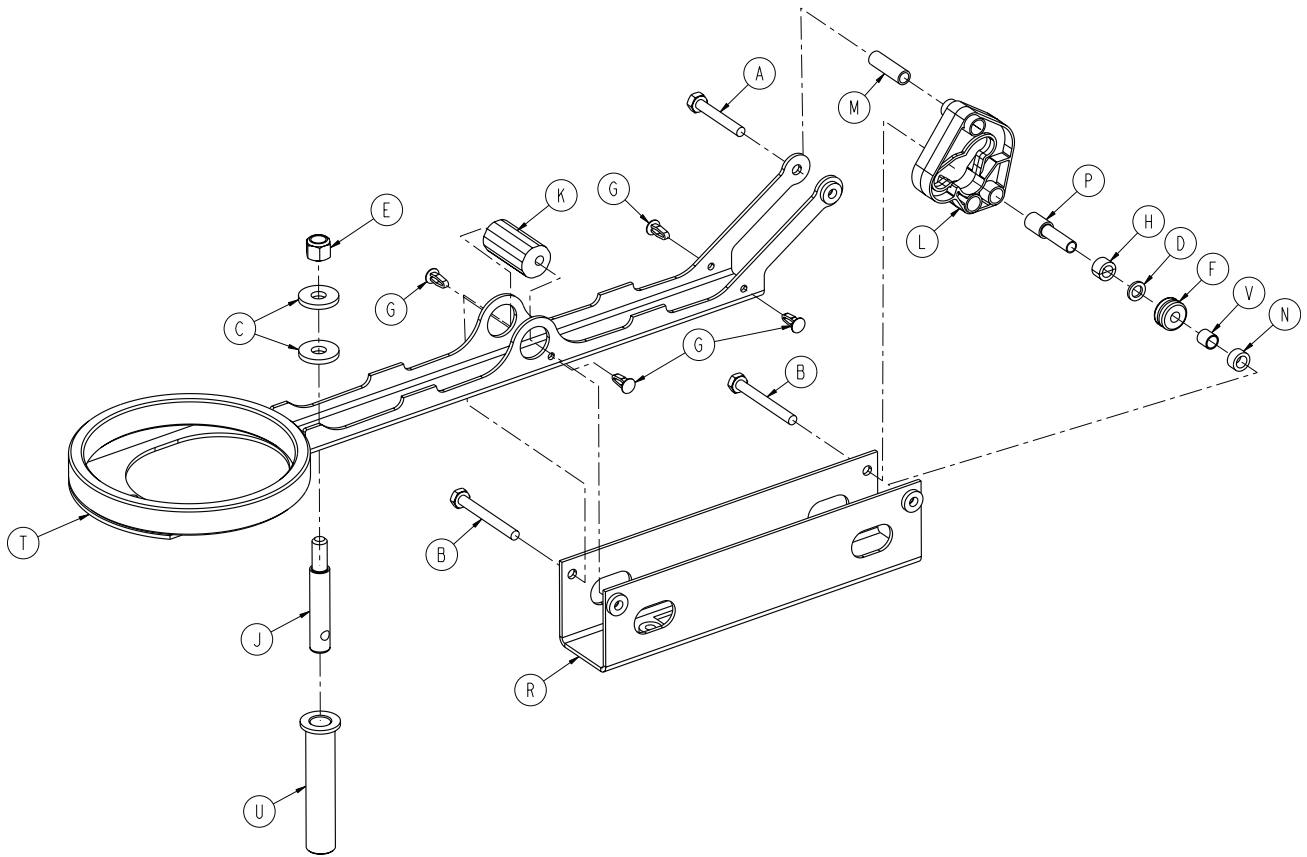
Item	Number	Name	Quantity
A	0003-056-000	Hex head cap screw	9
B	0003-139-000	Hex head cap screw	3
C	0003-076-000	Hex head cap screw	1

Item	Number	Name	Quantity
D	0003-078-000	Hex head cap screw	2
E	0003-214-000	Hex head cap screw	3
F	0011-053-000	Washer	1
G	0011-063-000	Washer	2
H	0014-007-000	Washer	2
J	0016-028-000	Hex nut	2
K	0026-067-000	Slotted spring pin	2
L	0038-524-000	Extension wire	1
M	0052-509-000	Clip bearing	2
N	0715-001-333	Release rod stop sleeve	5
P	1033-001-233	Butterfly "v" pedal	2
R	3000-300-099	Bronze bushing	1
T	3000-300-442	Fowler drive grommet	5
U	3002-200-310	Brake bar return spring	4
V	4701-101-010	Base frame weldment	1
W	4701-001-016	Brake pedal rod	1
Y	4701-001-018	Spacer	2
AA	4701-001-019	Steer lock latch	1
AB	4701-101-020	<i>Brake assembly, head end, right (page 60)</i>	1
AC	4701-001-021	Brake crank link	2
AD	4701-101-025	<i>Brake assembly, head end, left (page 62)</i>	1
AE	4701-001-030	<i>Brake assembly, foot end, right (page 63)</i>	1
AF	4701-001-035	<i>Brake assembly, foot end, left (page 64)</i>	1
AG	4701-001-053	Spacer sleeve	3
AH	4701-001-057	Brake cam/steer lock spacer	1
AJ	4701-001-065	Steer lock bracket weldment	1
AK	4701-101-066	Head end cam link	2
AL	4701-001-067	Foot end link, left	1
AM	4701-001-069	Foot end link, right	1
AN	4701-001-074	Steer lock drive link	1
AP	4701-101-085	Base cover assembly, left	1
AR	4701-101-090	Base cover assembly, right	1

<b>Item</b>	<b>Number</b>	<b>Name</b>	<b>Quantity</b>
AT	4701-001-091	Base cover, center	1
AU	0029-009-000	Dual lock	4
AV	1040-010-017	Label, Stryker logo	2
AY	4701-090-051	Label, brake/steer, right	1
BA	4701-090-052	Label, brake/steer, left	1
BB	4701-109-953	Label, keep feet clear	4
BC	0003-382-000	Hex head cap screw	2
BD	0021-140-000	Set screw	1

# Brake assembly, head end, right

4701-101-020 Rev B (Reference only)

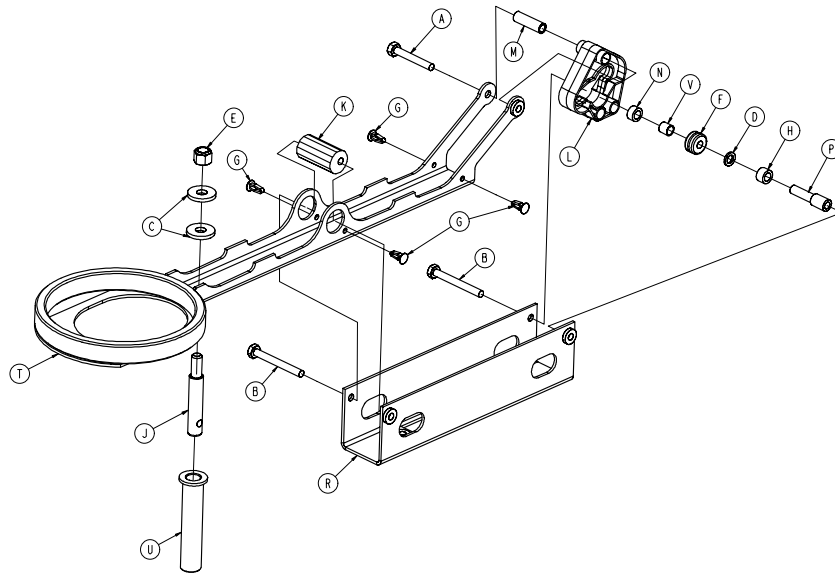


Item	Number	Name	Quantity
A	0003-078-000	Hex head cap screw	1
B	0003-079-000	Hex head cap screw	2
C	0011-262-000	Washer	2
D	0014-003-000	Washer	1
E	0016-035-000	Nylock hex nut	1
F	0030-053-000	Isolator grommet	1
G	0049-005-000	Drive fastener	4
H	0081-409-000	Needle bearing	1
J	3000-200-318	Guide pin	1
K	4701-001-023	Adjustment spacer	1
L	4701-001-042	Brake cam	1
M	4701-001-052	Brake cam sleeve	1
N	4701-001-056	Bearing containment spacer	1
P	4701-001-058	Bearing containment spacer	1

<b>Item</b>	<b>Number</b>	<b>Name</b>	<b>Quantity</b>
R	4701-001-078	Brake support	1
T	4701-001-080	Brake bar	1
U	4701-001-083	Guide pin sleeve	1
V	0081-259-000	Sleeve bearing	1

# Brake assembly, head end, left

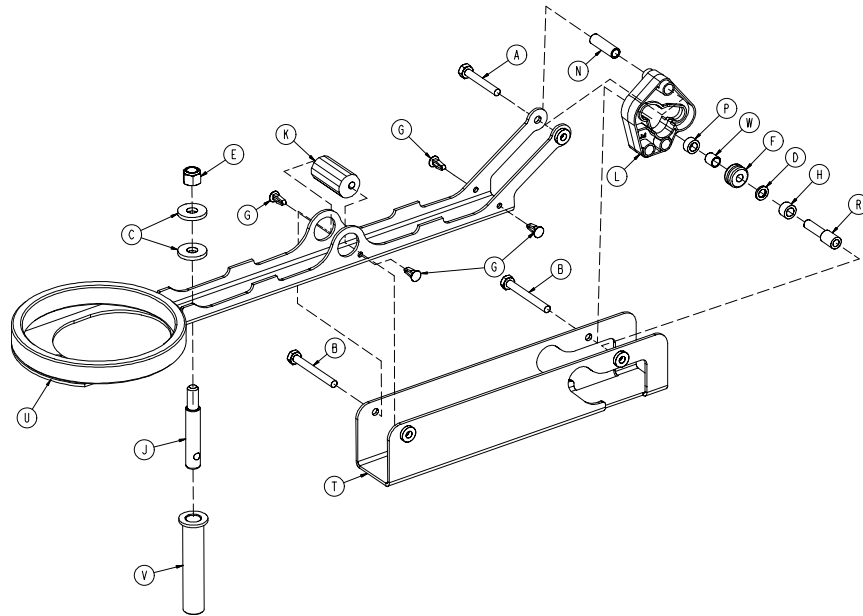
4701-101-025 Rev A (Reference only)



Item	Number	Name	Quantity
A	0003-078-000	Hex head cap screw	1
B	0003-079-000	Hex head cap screw	2
C	0011-262-000	Washer	2
D	0014-003-000	Washer	1
E	0016-035-000	Nylock hex nut	1
F	0030-053-000	Isolator grommet	1
G	0049-005-000	Drive fastener	4
H	0081-409-000	Needle bearing	1
J	3000-200-318	Guide pin	1
K	4701-001-023	Adjustment spacer	1
L	4701-001-042	Brake cam	1
M	4701-001-052	Brake cam sleeve	1
N	4701-001-056	Bearing containment spacer	1
P	4701-001-058	Bearing containment spacer	1
R	4701-001-078	Brake support	1
T	4701-001-080	Brake bar	1
U	4701-001-083	Guide pin sleeve	1
V	0081-259-000	Sleeve bearing	1

# Brake assembly, foot end, right

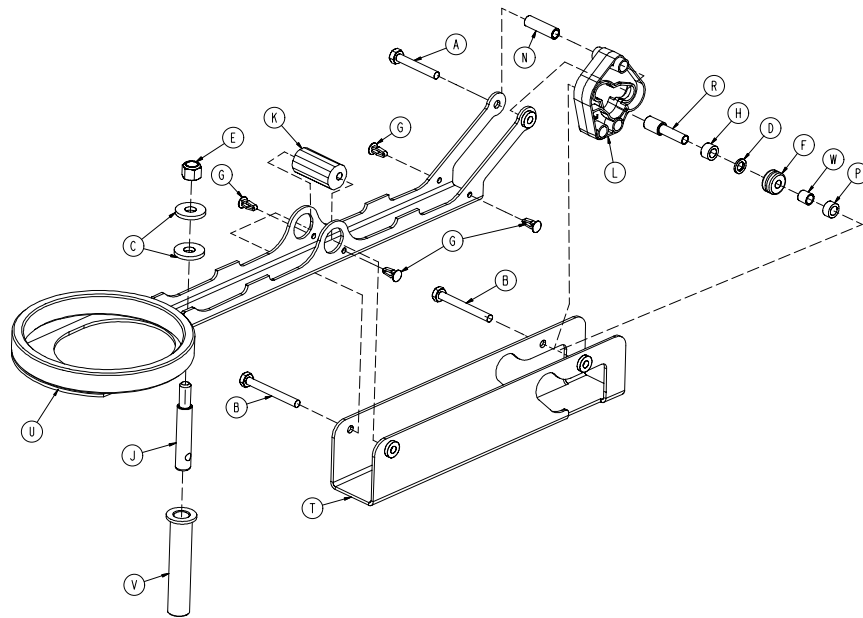
4701-001-030 Rev B (Reference only)



Item	Number	Name	Quantity
A	0003-078-000	Hex head cap screw	1
B	0003-079-000	Hex head cap screw	2
C	0011-262-000	Washer	2
D	0014-003-000	Washer	1
E	0016-035-000	Nylock hex nut	1
F	0030-053-000	Isolator grommet	1
G	0049-005-000	Drive fastener	4
H	0081-409-000	Needle bearing	1
J	3000-200-318	Guide pin	1
K	4701-001-023	Adjustment spacer	1
L	4701-001-042	Brake cam	1
N	4701-001-052	Brake cam sleeve	1
P	4701-001-056	Bearing containment spacer	1
R	4701-001-058	Bearing containment spacer	1
T	4701-001-072	Brake support	1
U	4701-001-080	Brake bar	1
V	4701-001-083	Guide pin sleeve	1
W	0081-259-000	Sleeve bearing	1

# Brake assembly, foot end, left

4701-001-035 Rev B (Reference only)



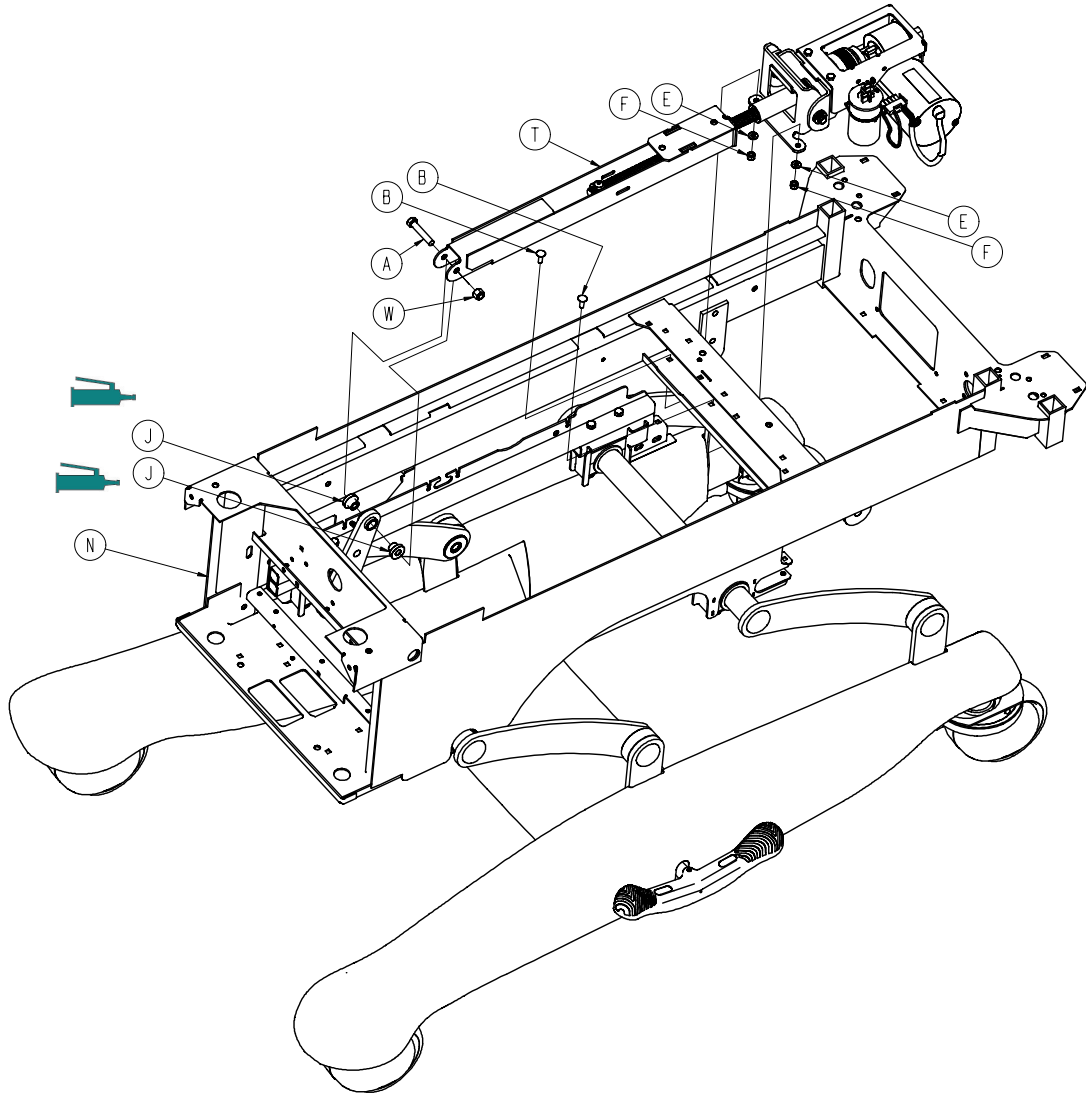
Item	Number	Name	Quantity
A	0003-078-000	Hex head cap screw	1
B	0003-079-000	Hex head cap screw	2
C	0011-262-000	Washer	2
D	0014-003-000	Washer	1
E	0016-035-000	Nylock hex nut	1
F	0030-053-000	Isolator grommet	1
G	0049-005-000	Drive fastener	4
H	0081-409-000	Needle bearing	1
J	3000-200-318	Guide pin	1
K	4701-001-023	Adjustment spacer	1
L	4701-001-042	Brake cam	1
N	4701-001-052	Brake cam sleeve	1
P	4701-001-056	Bearing containment spacer	1
R	4701-001-058	Bearing containment spacer	1
T	4701-001-072	Brake support	1
U	4701-001-080	Brake bar	1
V	4701-001-083	Guide pin sleeve	1
W	0081-259-000	Sleeve bearing	1

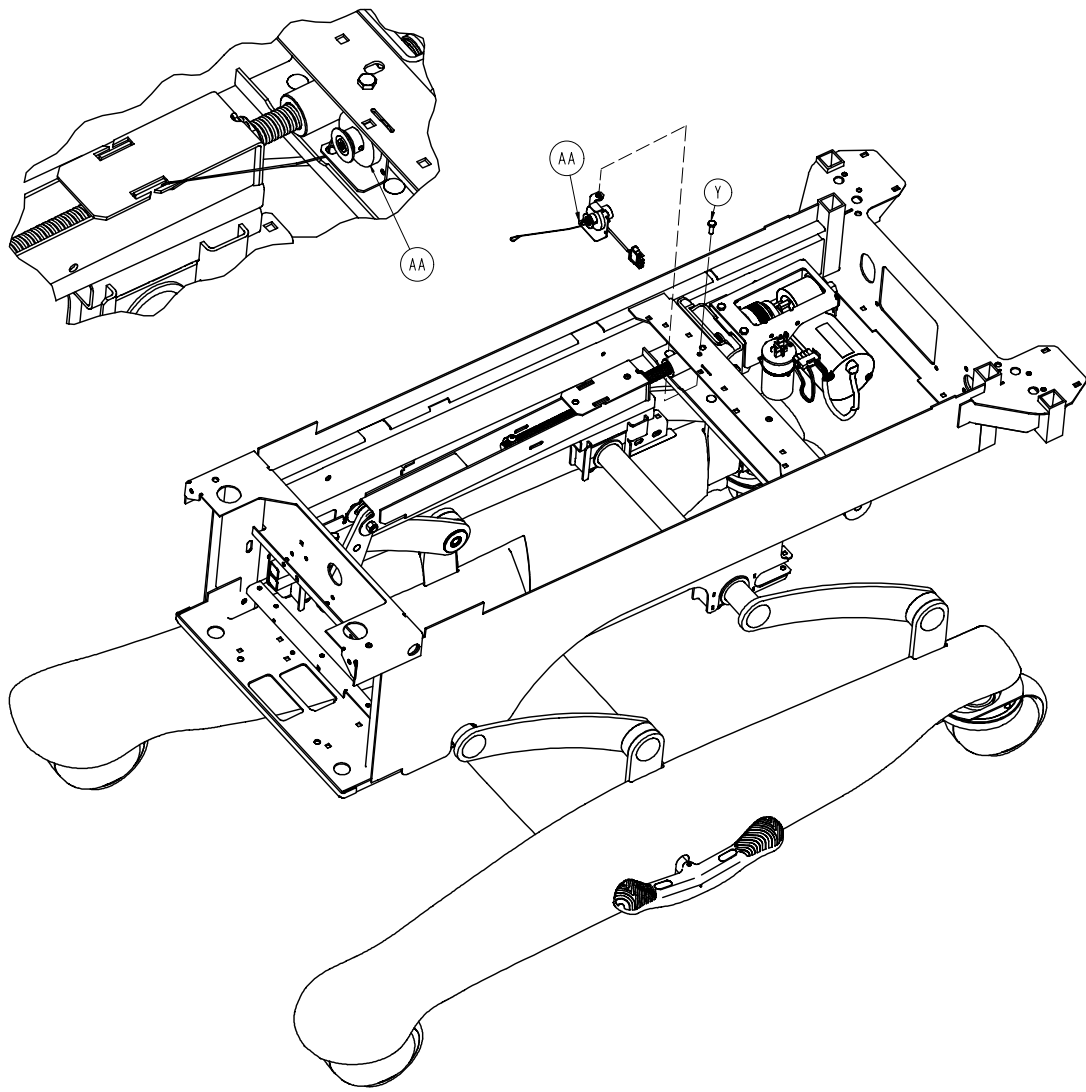


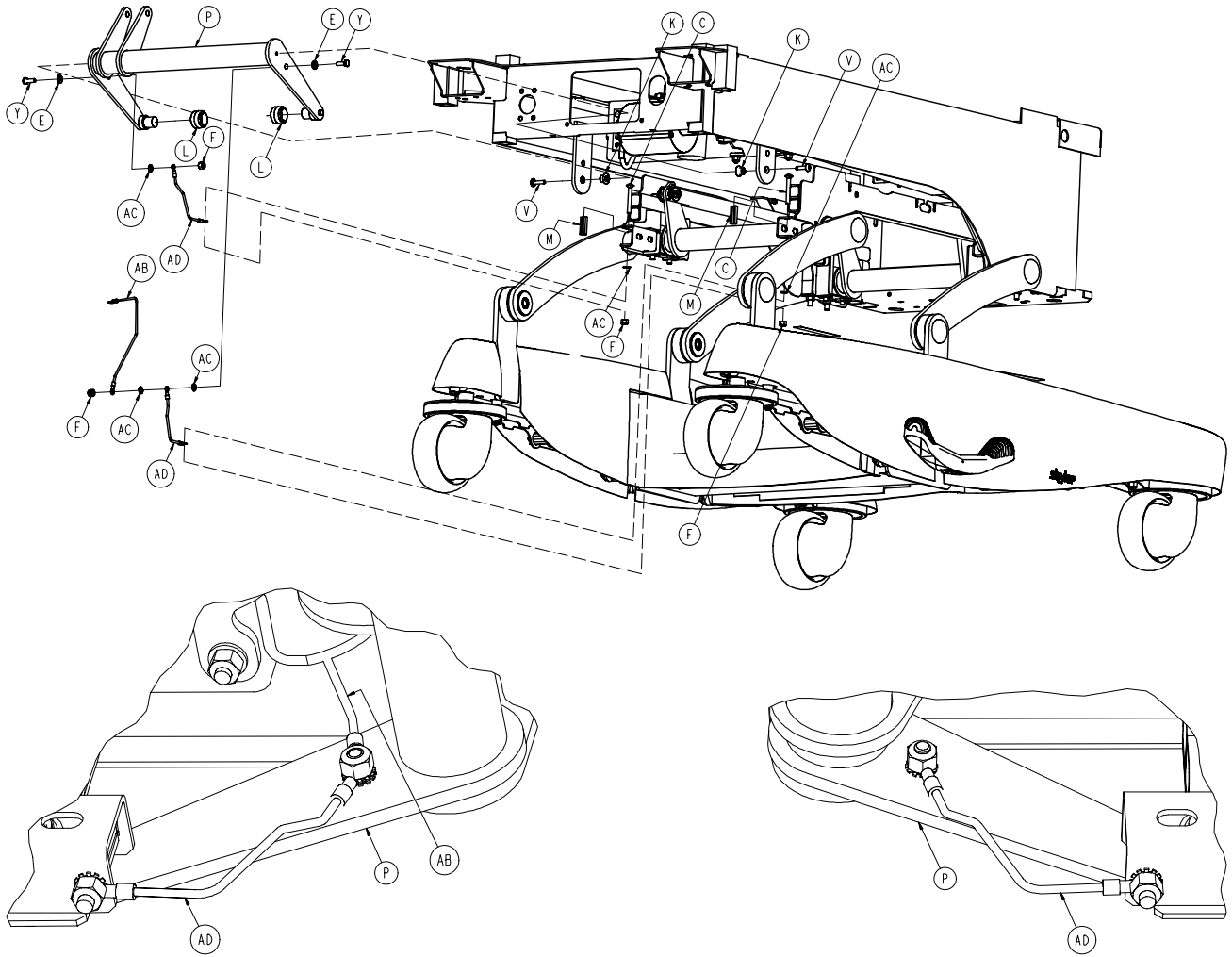
# Litter/lift/Trend assembly

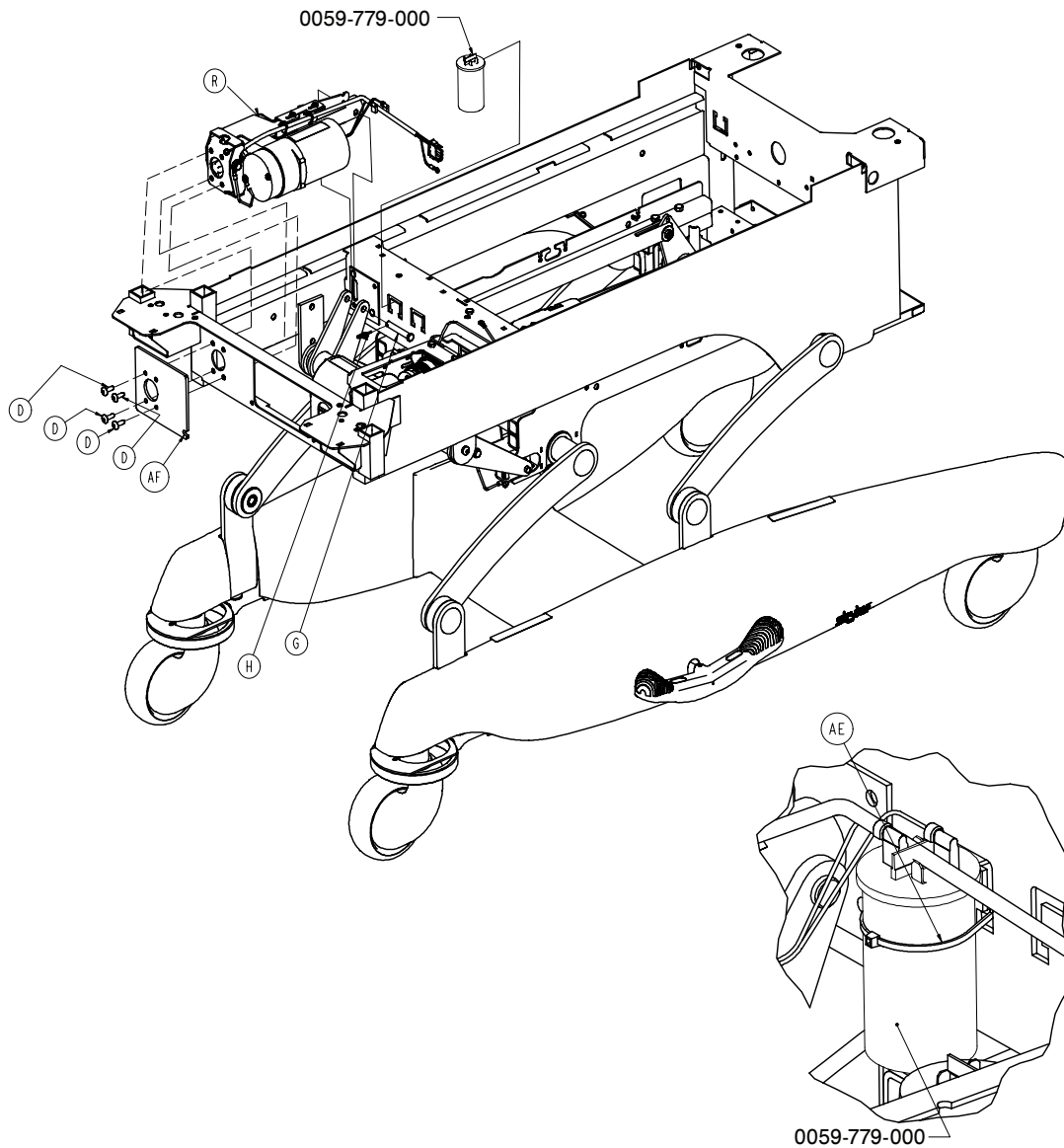
4701-032-100 Rev D (Reference only)

4712-032-100 Rev C - International (Reference only)







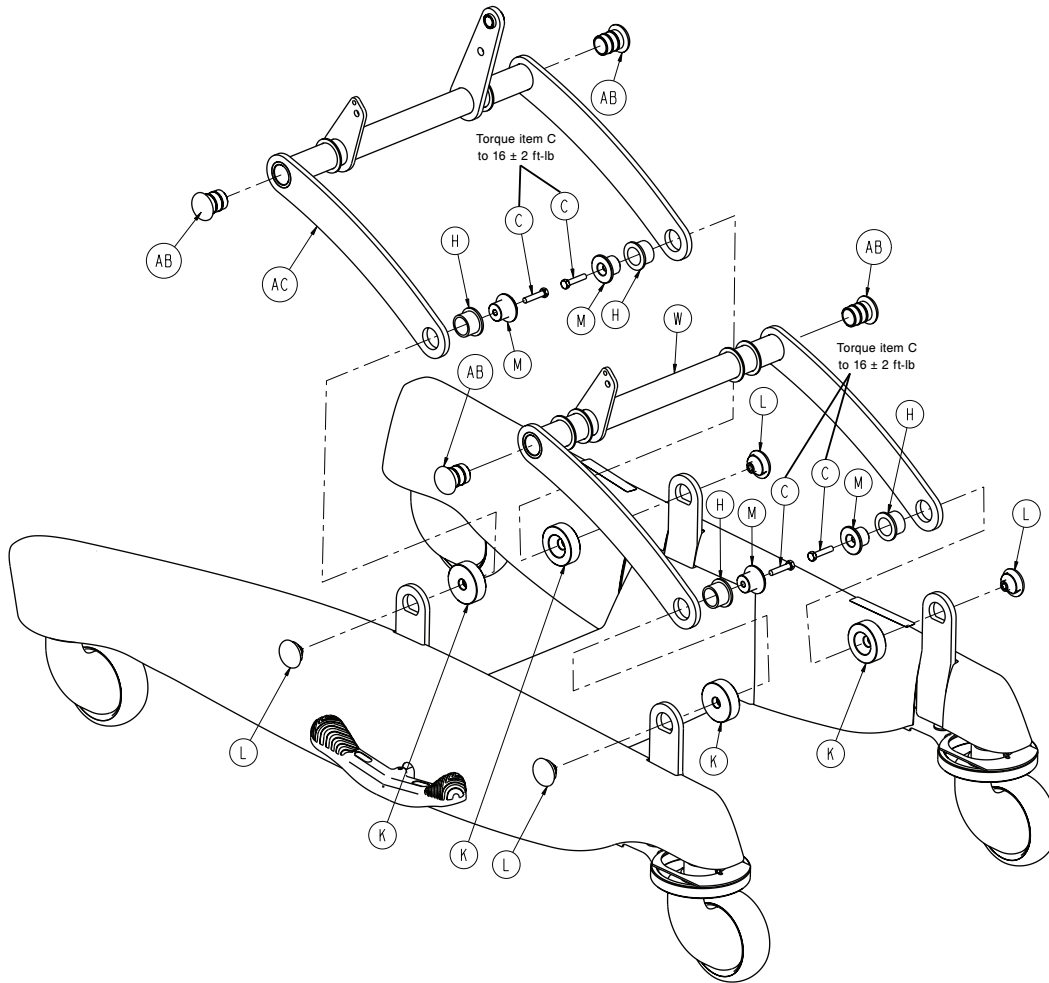


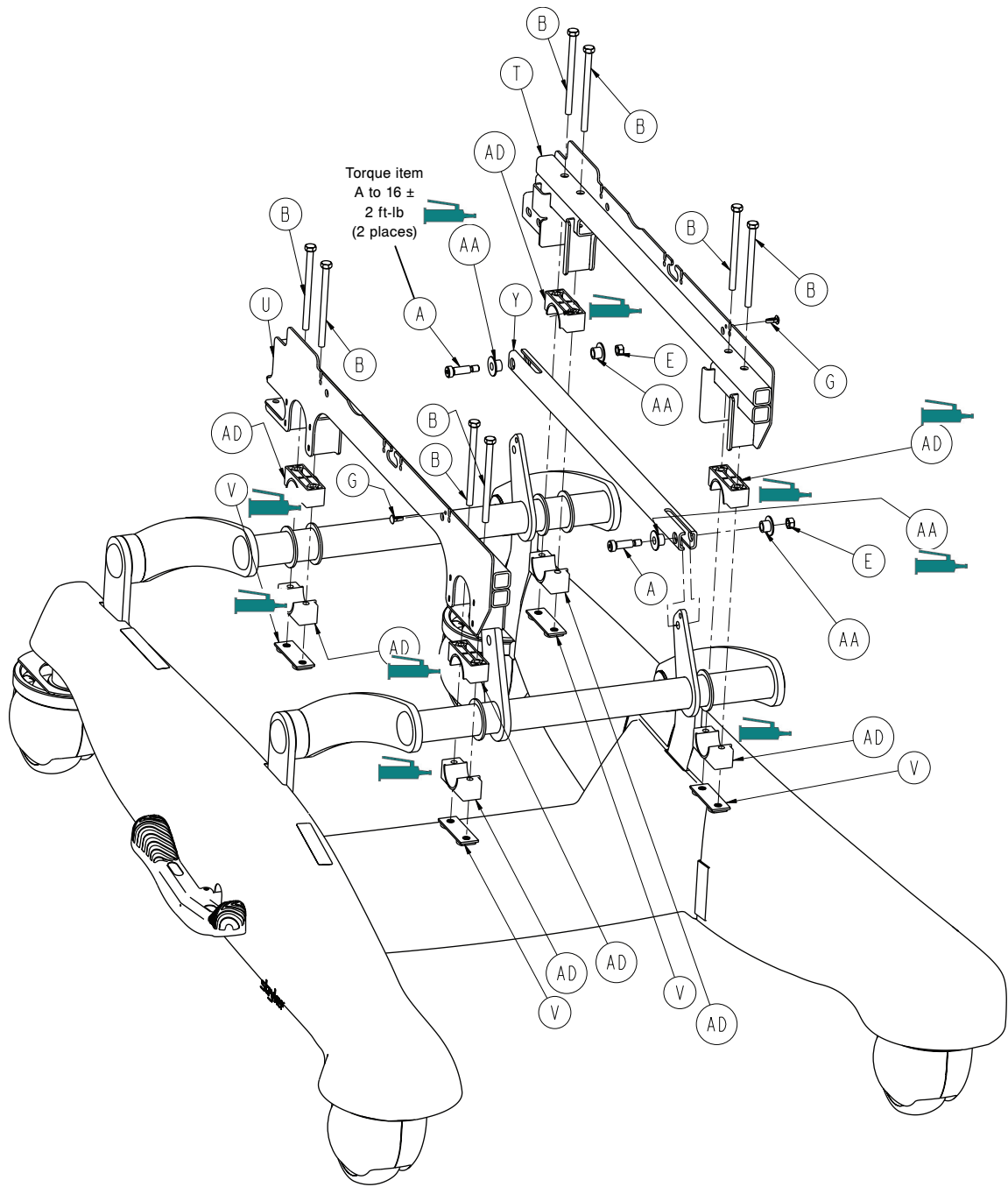
Item	Number	Name	Quantity
A	0003-347-000	Hex head cap screw	1
B	0005-017-000	Carriage bolt	2
C	0005-024-000	Carriage bolt	2
D	0007-065-000	Truss head Torx screw	4
E	0011-063-000	Washer	4
F	0016-028-000	Hex nut	6
G	0026-353-000	Clevis pin	1
H	0027-022-000	Rue ring cotter	1
J	0081-408-000	Bushing	2
K	3000-300-001	Flange bushing	2
L	3000-300-353	Roller	2

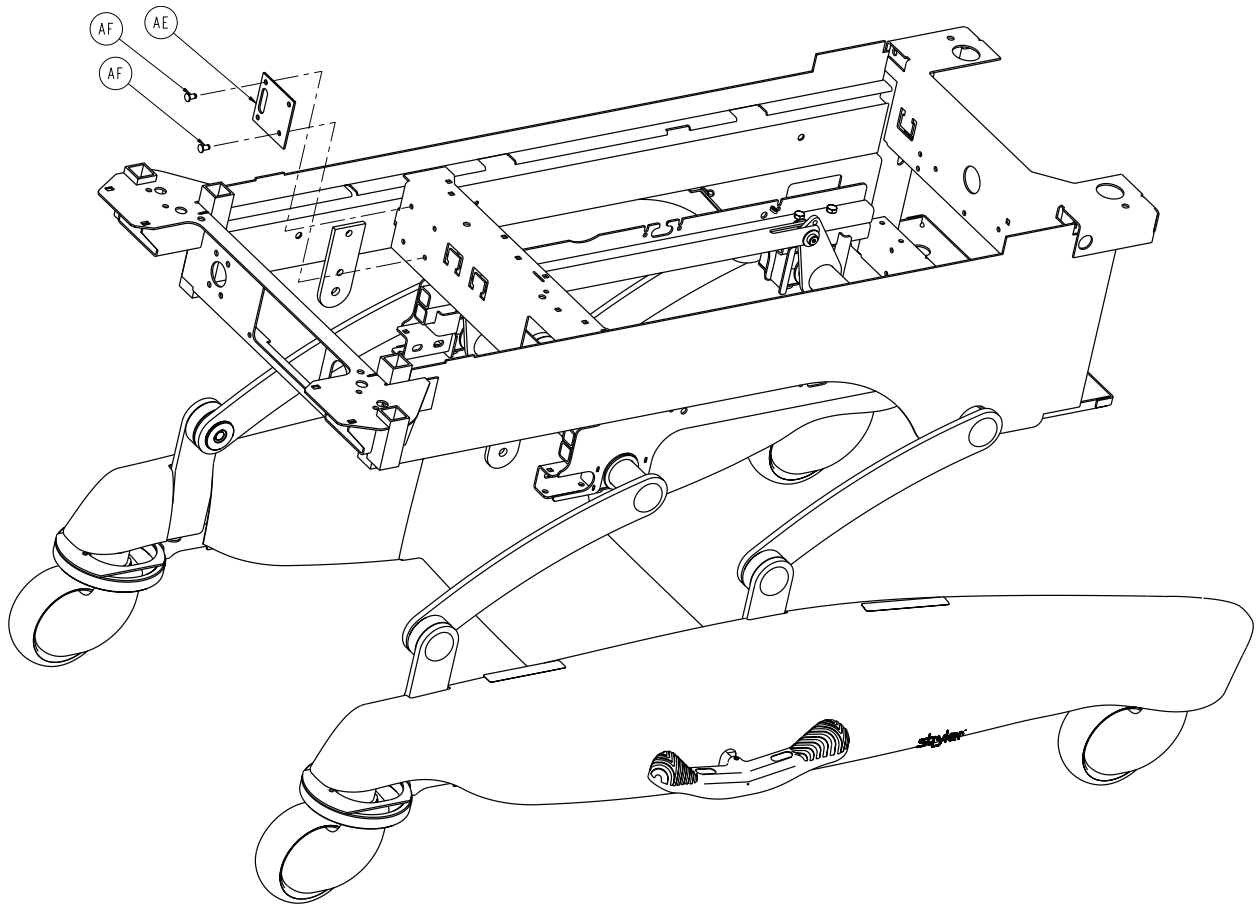
Item	Number	Name	Quantity
M	3001-300-004	Stationary frame spacer	2
N	4701-032-000	Litter/lift/trend standard components	1
P	4701-032-010	Trend weldment	1
R	4701-032-015	Trend motor assembly	1
T	4701-032-055	Bed lift motor assembly	1
V	0007-085-000	Truss head Torx screw	2
W	0016-035-000	Nylock hex nut	1
Y	0003-214-000	Hex head cap screw	3
AA	4701-080-025	Potentiometer	1
AB	4701-080-018	10" ground cable	1
AC	0013-010-000	External tooth lock washer	5
AD	3002-300-870	8" ground cable	2
AE	0059-086-000	Cable tie	2
AF	4701-032-087	Trend/litter mounting plate	1

# Litter/lift/Trend standard components

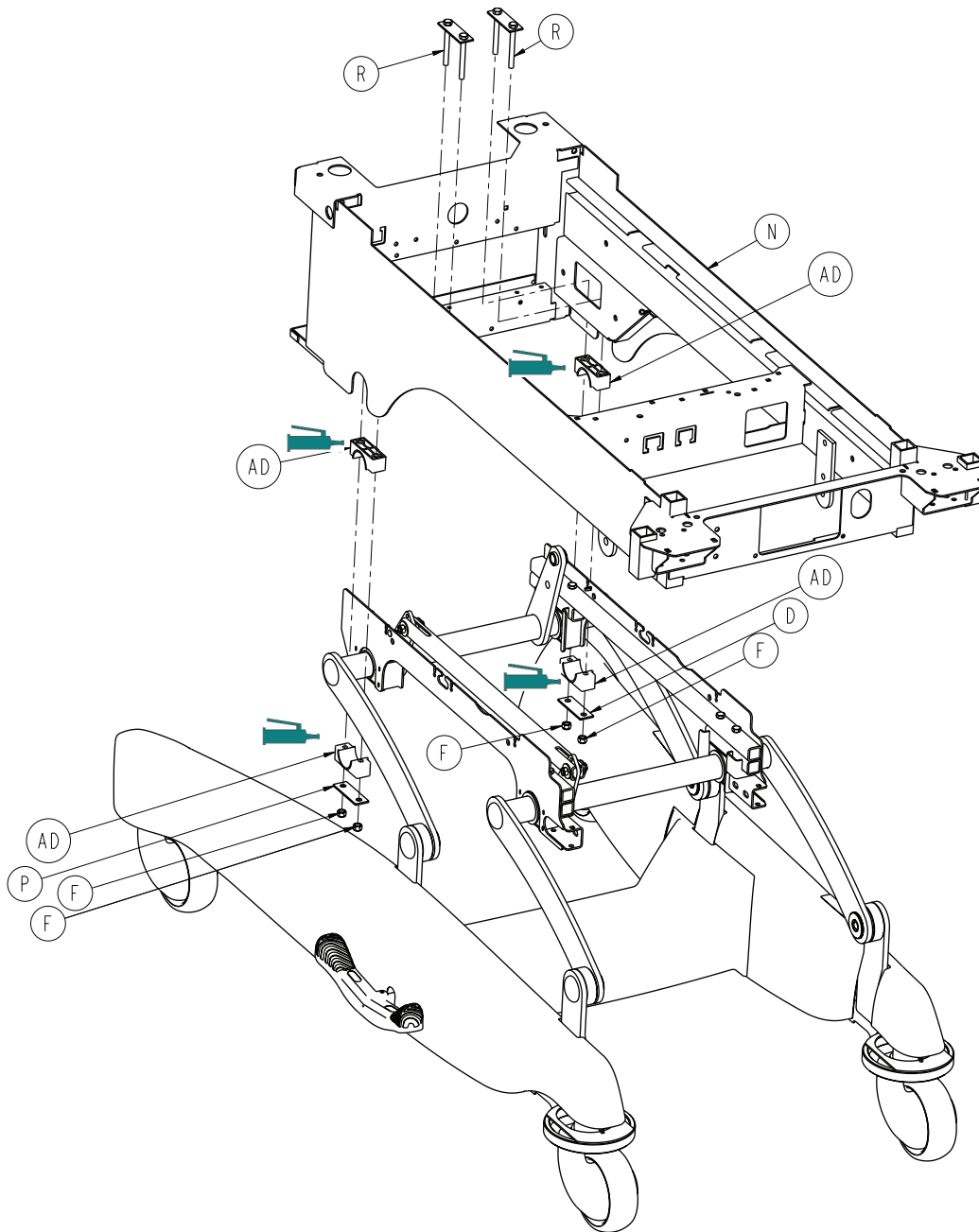
4701-032-000 Rev G (Reference only)









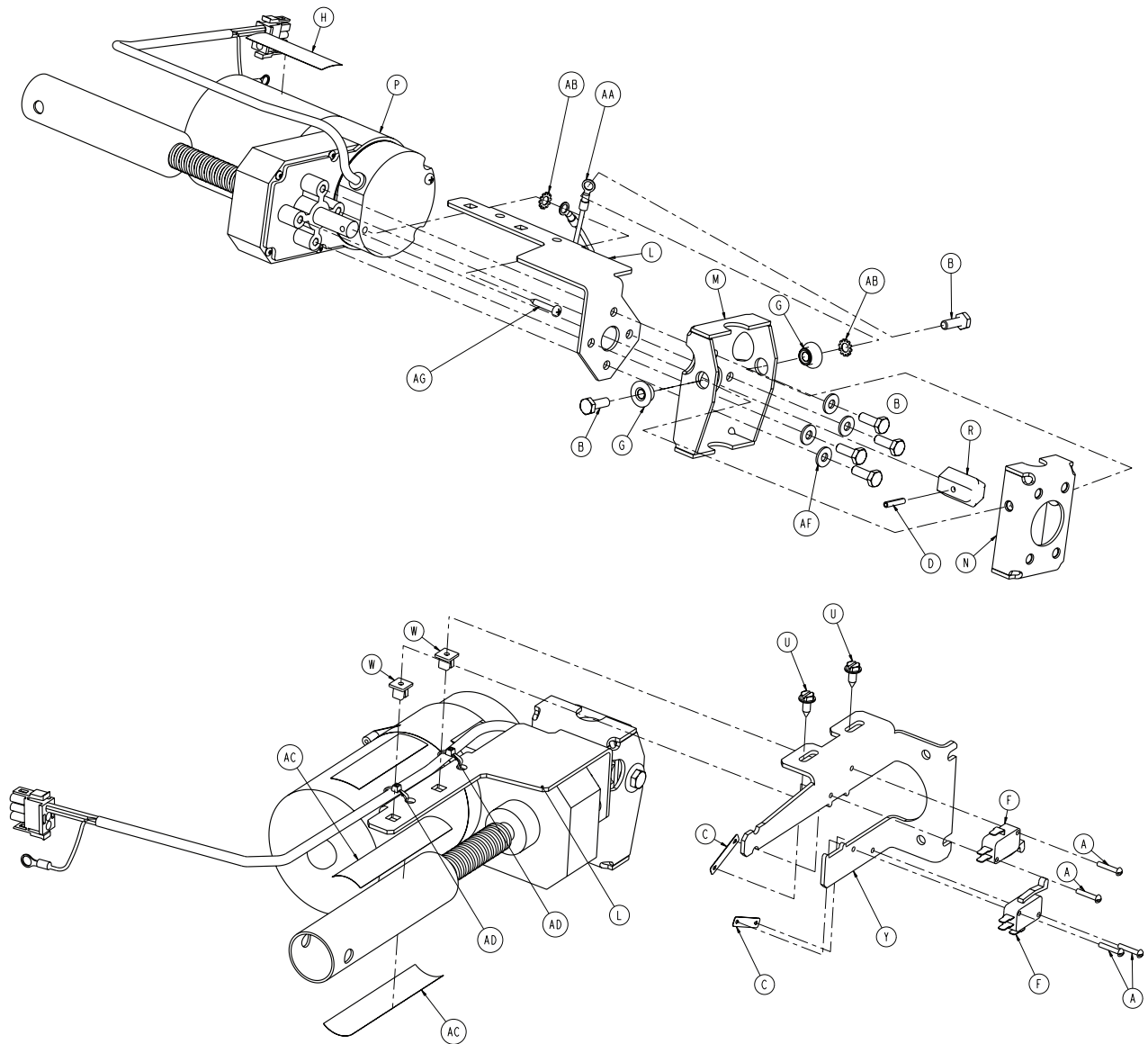


Item	Number	Name	Quantity
A	0008-024-000	Socket head shoulder bolt	2
B	0003-371-000	Hex head cap screw	8
C	0003-374-000	Hex head cap screw	4
E	0016-020-000	Centerlock nut	2
F	0016-036-000	Nylock hex nut	4
G	0052-904-000	Drive fastener	2
H	0081-406-000	Base pivot bearing	4
K	4701-001-047	Base pivot spacer	4
L	4701-001-048	Base pivot nut	4

Item	Number	Name	Quantity
M	4701-001-049	Base pivot bushing	4
N	4701-030-010	Litter weldment	1
P	4701-030-179	Litter lower mounting plate	2
R	4701-030-180	Litter mounting plate	2
T	4701-232-008	Rail weldment, left	1
U	4701-232-009	Rail weldment, right	1
V	4701-032-026	Pillow block mounting plate	4
W	4701-032-030	Rear crank weldment	1
Y	4701-232-031	Timing link tube	1
AA	4701-232-032	Timing link bushing	4
AB	4701-032-039	Litter pivot plug	4
AC	4701-032-040	Front crank weldment	1
AD	5000-030-237	Crank retainer block	2
AE	4701-030-087	Trend hard stop plate	1
AF	0025-120-000	Pop rivet	2

# Trend motor assembly

4701-032-015 Rev H (Reference only)

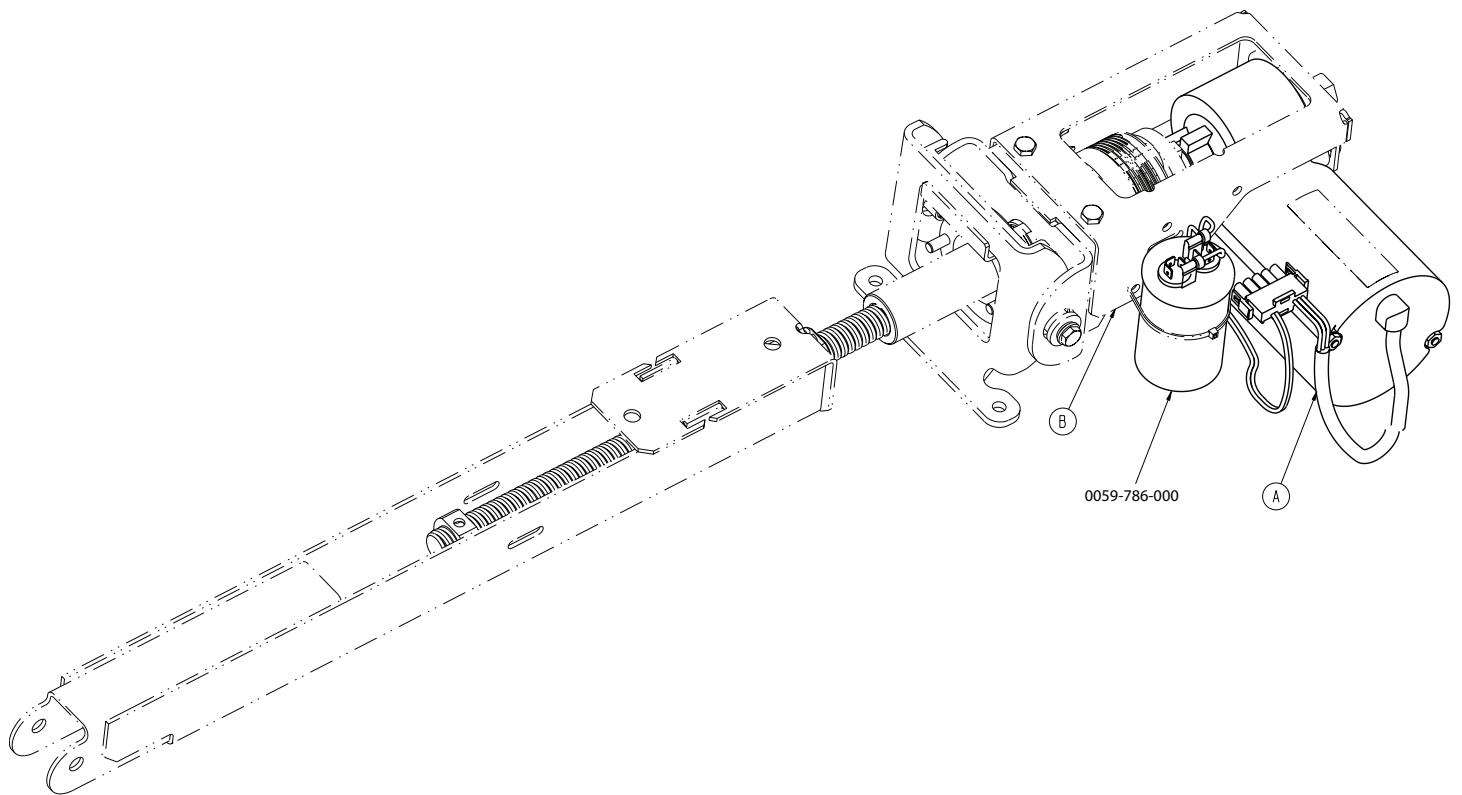


Item	Number	Name	Quantity
A	0002-051-000	Round head machine screw	4
B	0003-214-000	Hex head cap screw	6
C	0016-069-000	Twin speed nut	2
D	0026-085-000	Slotted spring pin	1
F	3000-300-041	Micro switch	2
G	3000-300-099	Fowler modified bushing	2
H	4701-090-056	Label, grounding danger	1
L	4701-232-016	Limit switch mounting bracket	1

Item	Number	Name	Quantity
M	4701-232-017	Motor mount bracket	1
N	4701-032-018	Trend motor mounting bracket	1
P	4701-116-002	Trend motor	1
R	4701-032-049	Manual override collar	1
U	0023-025-000	Hex washer head tapping screw	2
W	3000-300-002	Plastic clip nut	2
Y	4701-032-019	Main trend switch bracket	1
AA	3002-300-870	8" ground cable	1
AB	0013-010-000	Tooth lock washer	2
AC	0044-056-000	1" wide poly tape	8"
AD	0059-086-000	Cable tie	2
AF	0011-063-000	Washer	4
AG	0002-111-000	Pan head machine screw	1

# Bed lift motor assembly

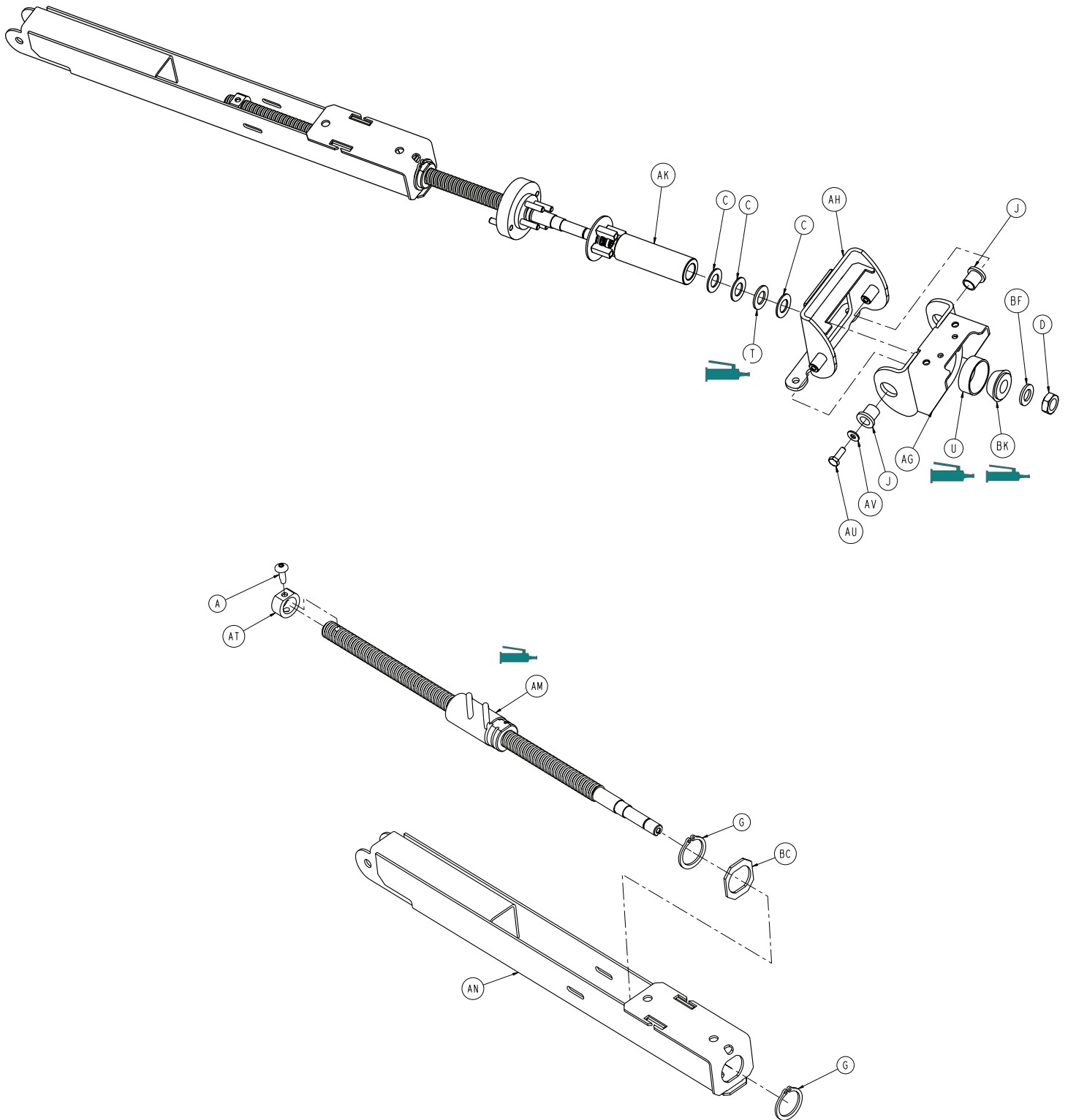
4701-032-055 Rev D (Reference only)

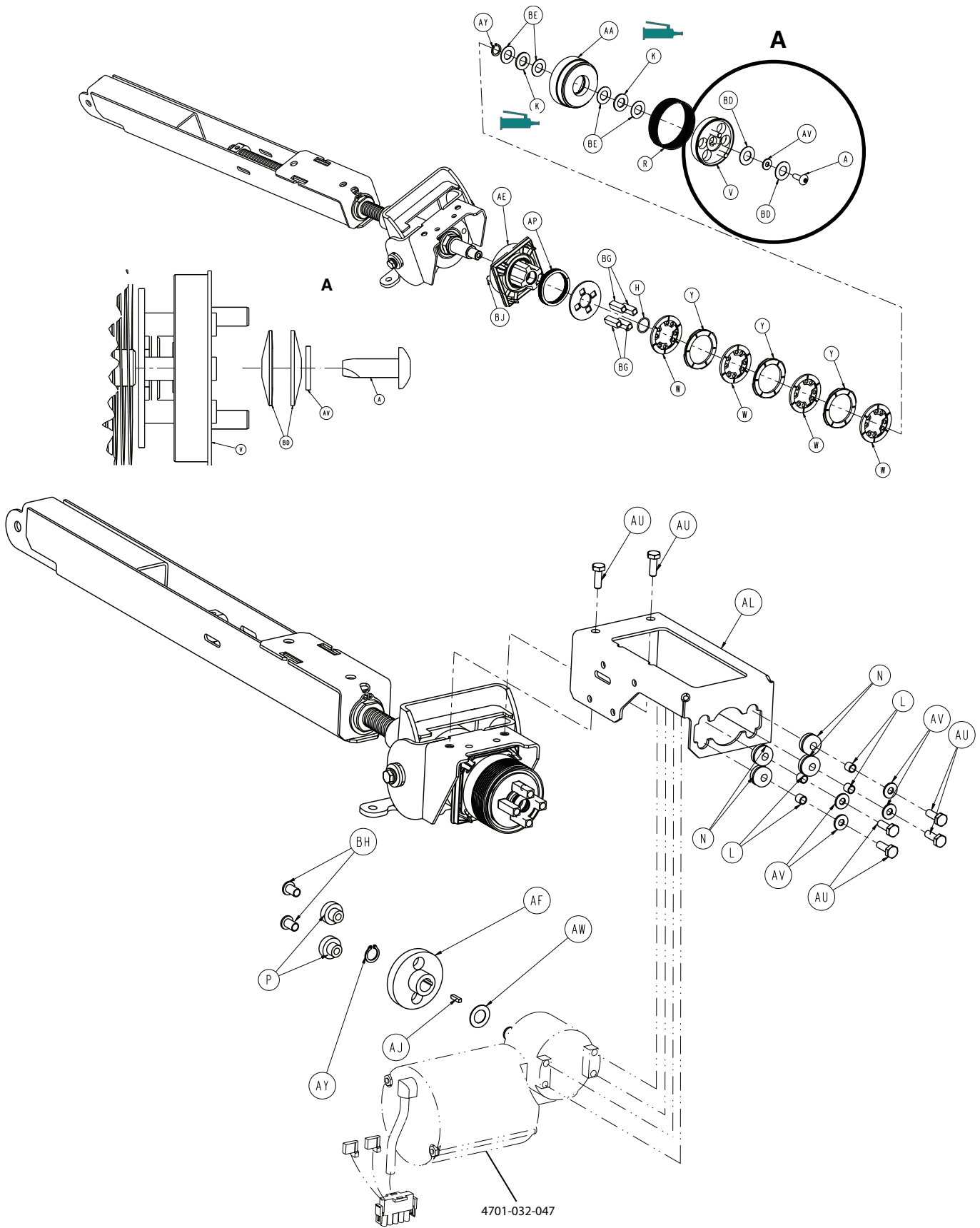


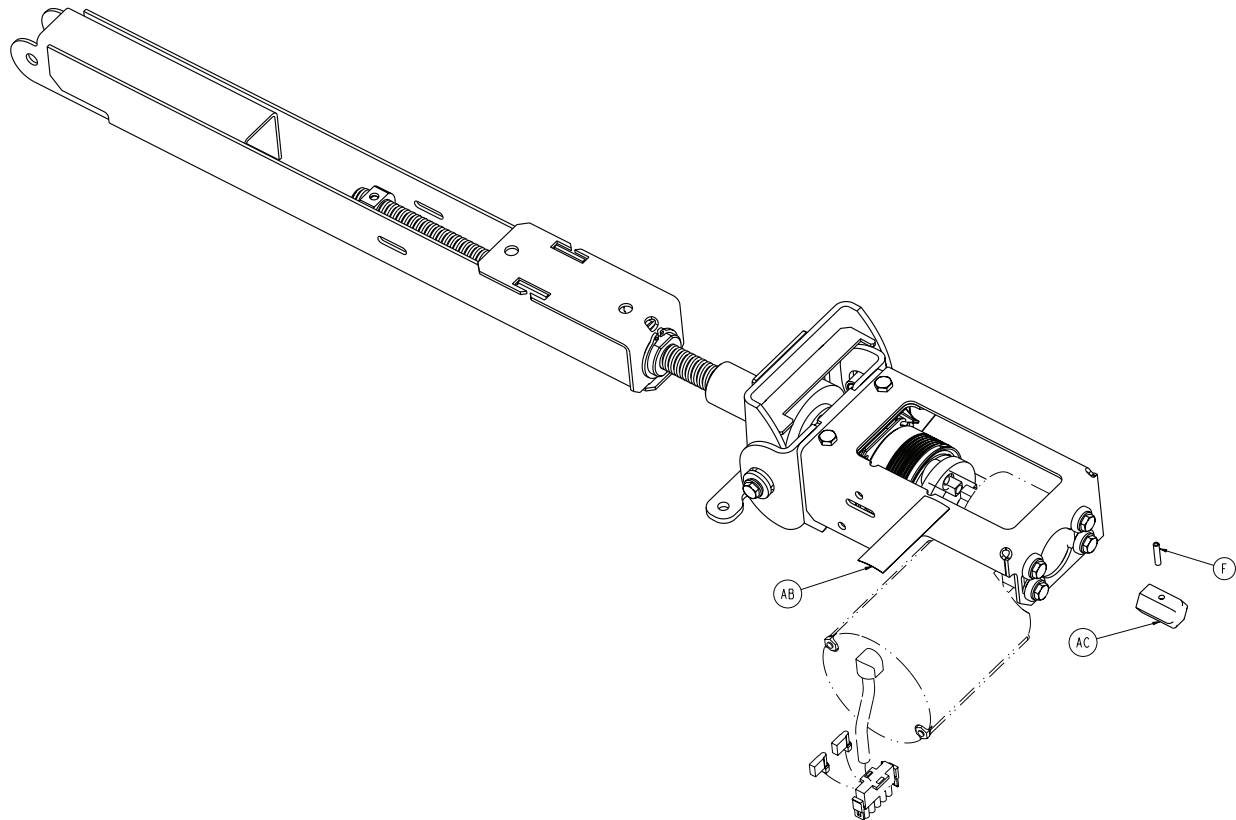
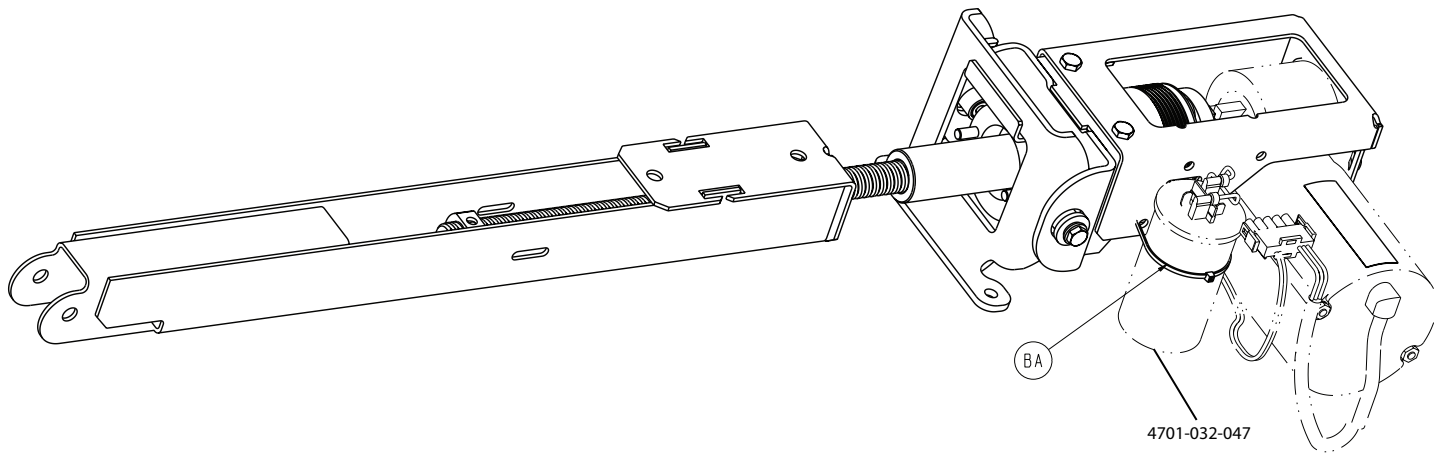
Item	Number	Name	Quantity
A	4701-116-003	Bed lift motor	1
B	4701-032-075	Lift motor standard components	1

# Bed lift assembly standard components

4701-032-075 Rev N (Reference only)







Item	Number	Name	Quantity
A	0007-065-000	Truss head screw	2
C	0014-083-000	Thrust washer	3
D	0015-075-000	Hex jam nut	1
F	0026-085-000	Slotted spring pin	1
G	0028-120-000	Retaining ring	2
H	0028-036-000	Retaining ring	1
J	0081-008-000	Flange bearing	2
K	0081-212-000	Thrust needle roller bearing assembly	1



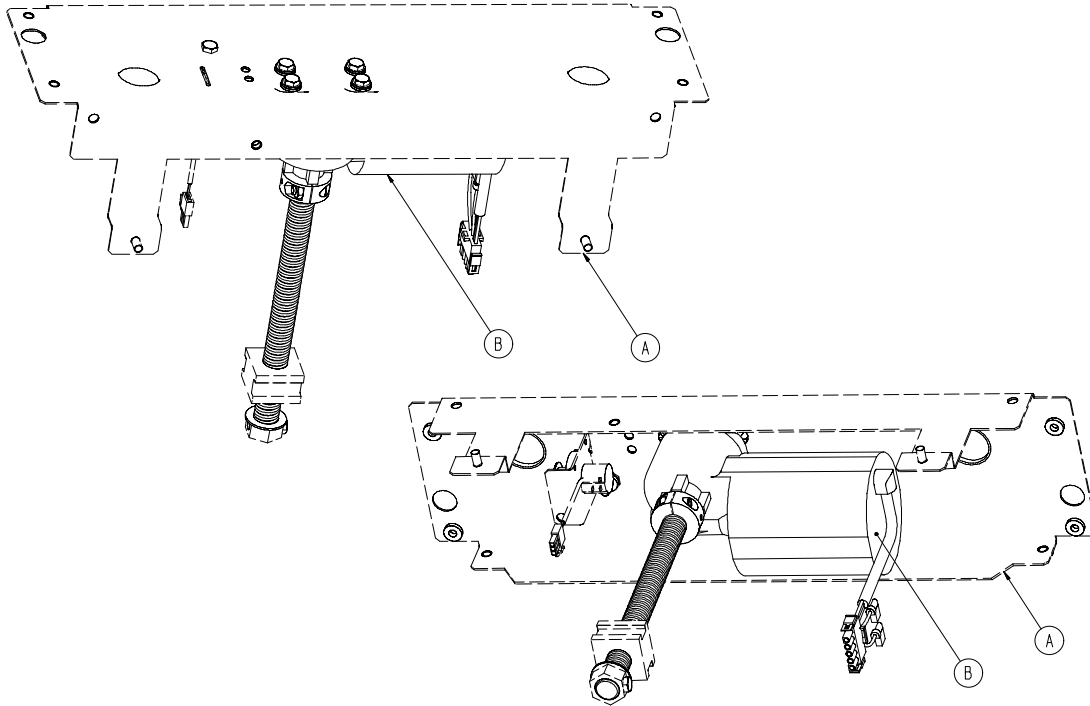
Item	Number	Name	Quantity
L	0715-001-333	Release rod stop sleeve	4
N	0030-053-000	Isolator grommet	4
P	3000-300-455	CPR isolation bushing	2
R	3000-300-465	CPR clutch spring	1
T	3000-300-466	Thrust bearing	1
U	3000-300-471	CPR tapered bearing housing	1
V	4701-032-090	Bed lift motor coupler assembly	1
W	3001-300-551	Brake stator	4
Y	3001-300-552	Brake disc	3
AA	4701-032-076	Brake cup	1
AB	4701-090-056	Label, grounding danger	1
AC	4701-032-049	Manual override collar	1
AD	4701-232-091	Spring retainer	1
AE	4701-032-093	Brake support assembly	1
AF	4701-032-058	Motor coupling	1
AG	4701-032-060	Motor mount weldment	1
AH	4701-032-067	L/m motor mount weldment	1
AJ	4701-032-071	Motor coupling key	1
AK	4701-032-072	Bed lift hard stop	1
AL	4701-032-073	Bed lift motor bracket	1
AM	4701-032-078	Lift ball screw assembly	1
AN	4701-032-080	Lift tube screw weldment	1
AP	3001-300-563	Wave spring	1
AT	5000-030-255	Thrust collar	1
AU	0003-214-000	Hex head cap screw	7
AV	0011-063-000	Washer	6
AW	0014-007-000	Washer	1
AY	0028-131-000	Retaining ring	2
BA	0059-086-000	Cable tie	1
BC	4701-032-086	Retainer reinforcement plate	1
BD	0014-123-000	Disc spring	2
BE	0011-600-001	Thrust washer	4
BF	4701-032-088	Lift spacer	1

<b>Item</b>	<b>Number</b>	<b>Name</b>	<b>Quantity</b>
BG	4701-032-096	Brake disc isolator	4
BH	0052-229-000	Nylon shoulder washer	2
BJ	0044-056-000	Tape	2
BK	3000-300-444	CPR tapered bearing	1

# Foot lift assembly

4701-040-200 Rev C (Reference only)

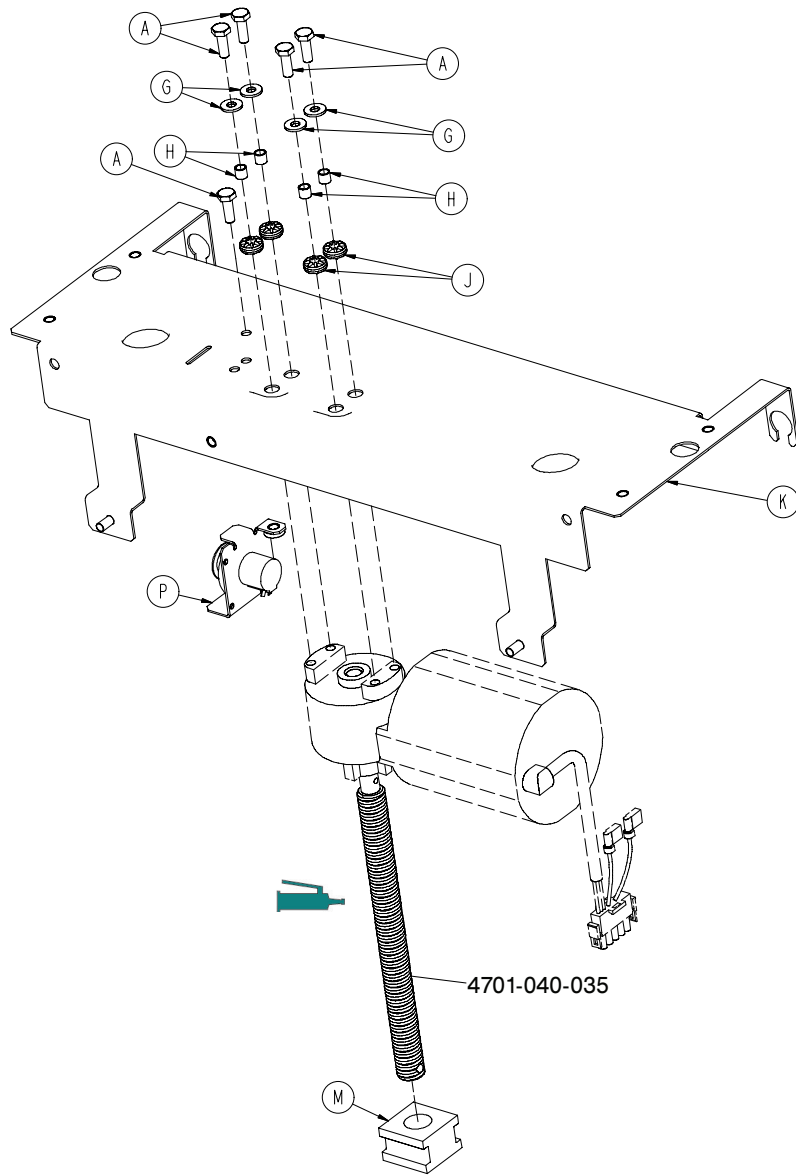
4712-040-200 Rev C - International (Reference only)

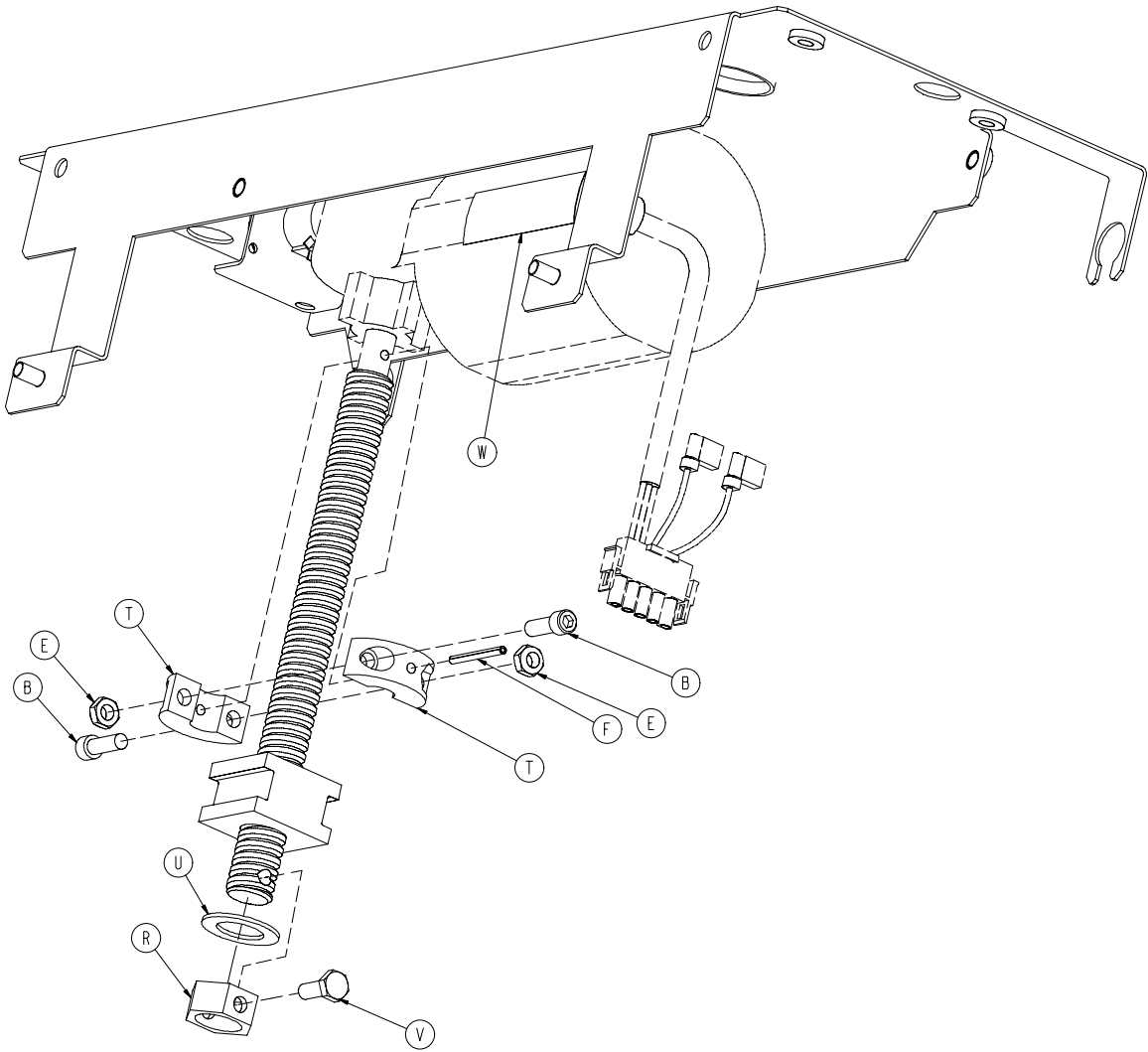


Item	Number	Name	Quantity
A	4701-040-000	Foot lift standard components	1
B	4701-116-001	Foot lift motor	1
	4712-116-001	Foot lift motor 230V	1

# Foot lift standard components

4701-040-000 Rev C (Reference only)



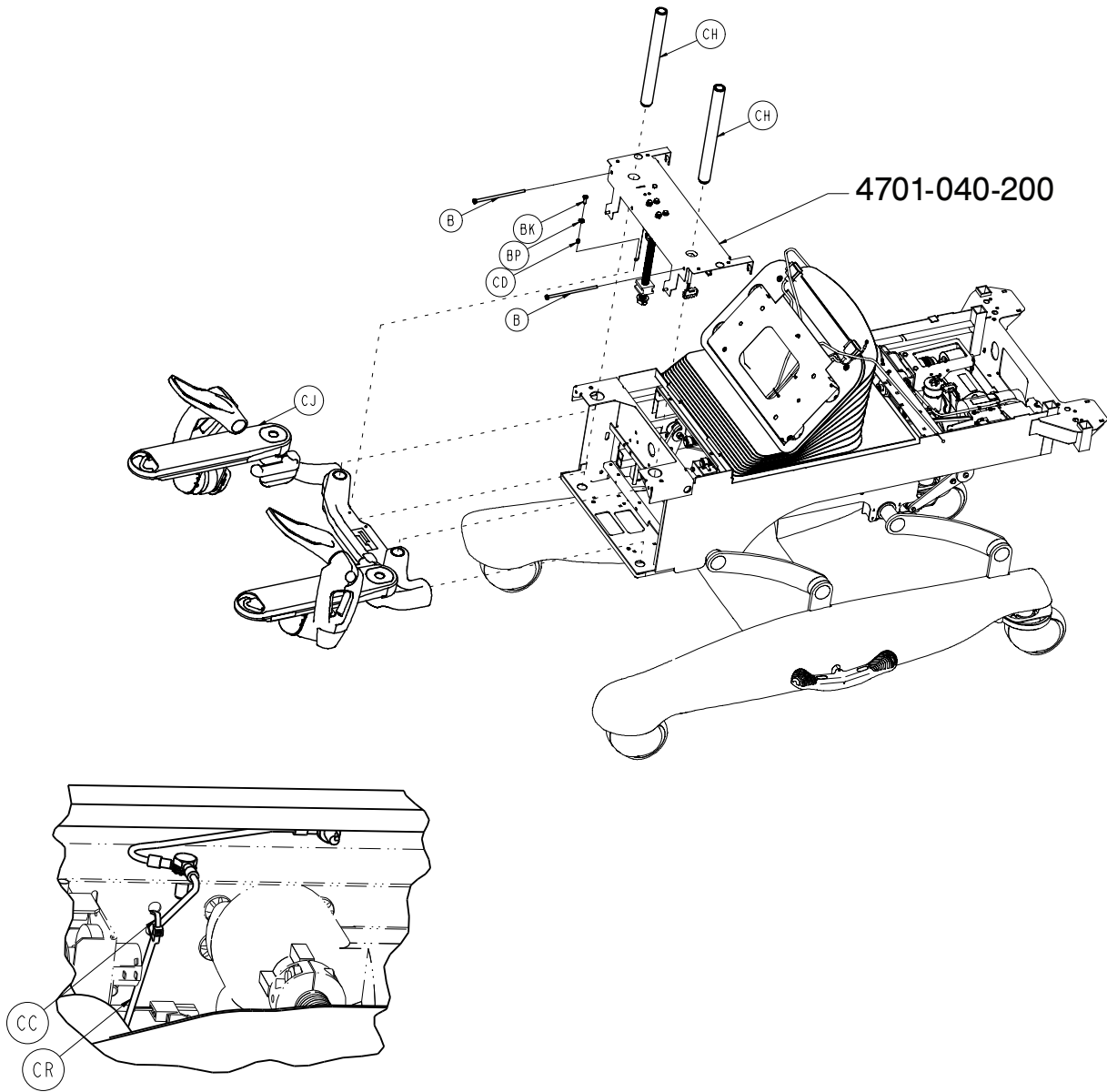


Item	Number	Name	Quantity
A	0003-214-000	Hex head cap screw	5
B	0004-090-000	Socket head cap screw	2
E	0016-102-000	Nylock hex nut	2
F	0026-052-000	Slotted spring pin	1
G	0011-063-000	Washer	4
H	0715-001-333	Release rod stop sleeve	4
J	3000-200-228	Grommet	4
K	4701-040-001	Foot lift main support	1
M	4701-040-124	Acme nut	1
P	4701-080-025	Transducer assembly	1
R	4701-040-157	Thrust hex collar	1
T	5000-030-286	Split top collar	2
U	0011-148-000	Flat washer	1

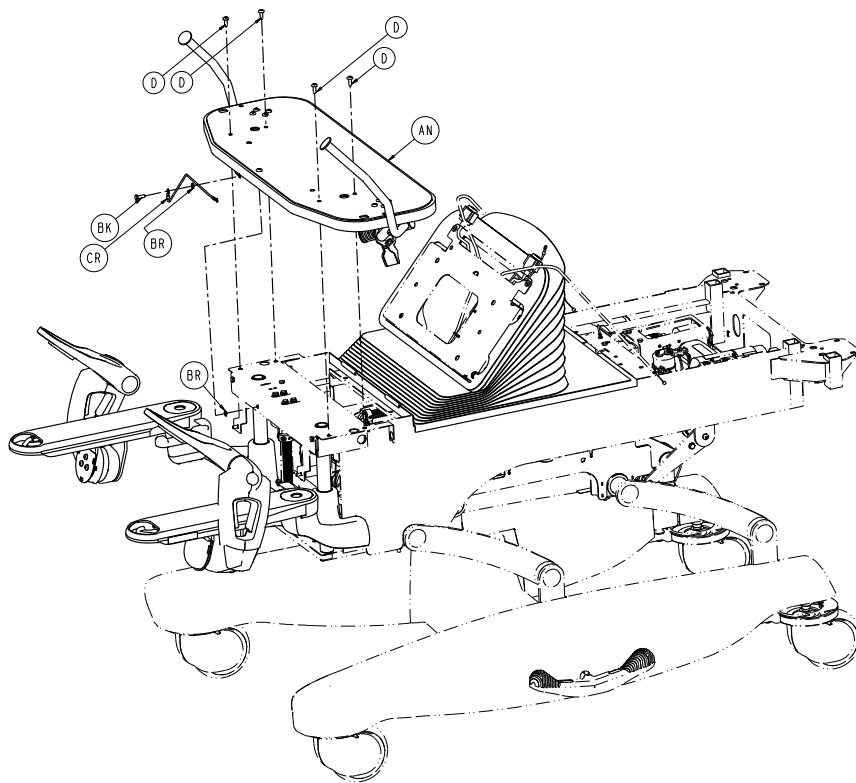
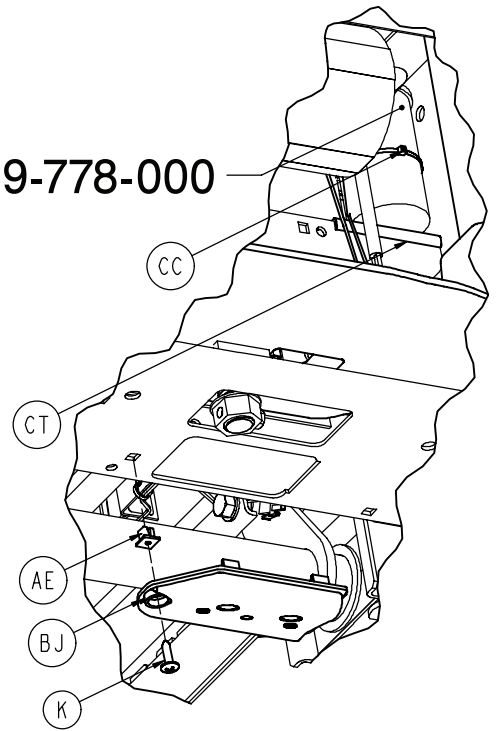
<b>Item</b>	<b>Number</b>	<b>Name</b>	<b>Quantity</b>
V	0004-334-000	Button head cap screw	1
W	4701-090-056	Label, grounding danger	1

# Litter assembly

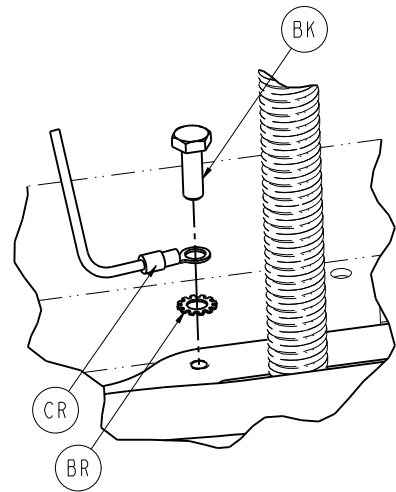
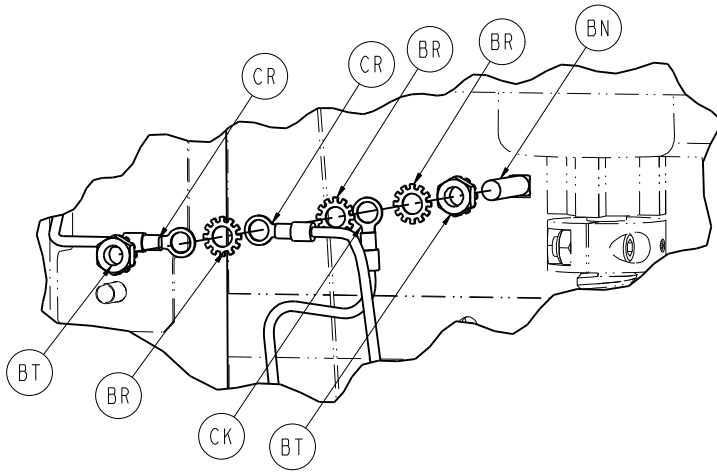
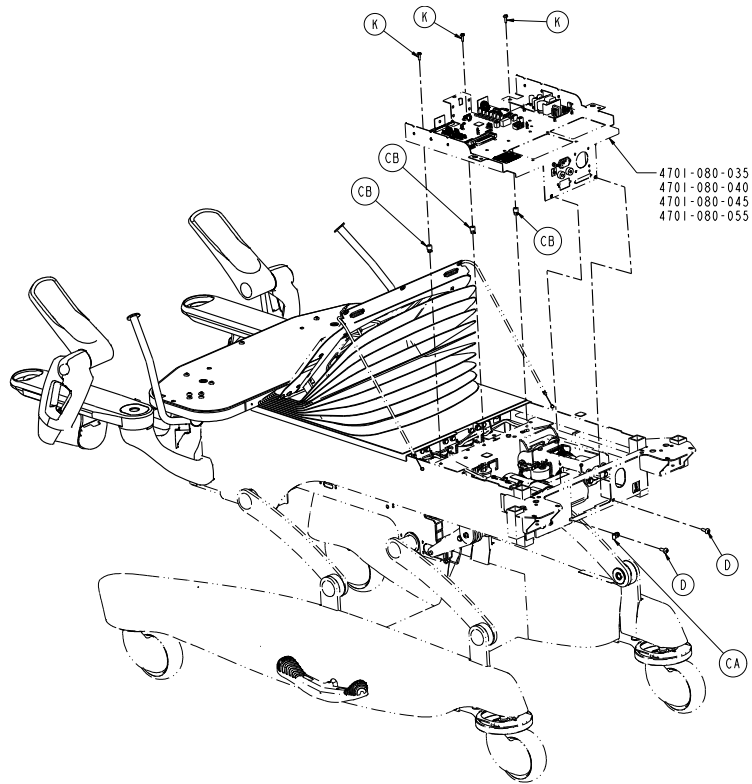
4701-030-000 Rev AA (Reference only)

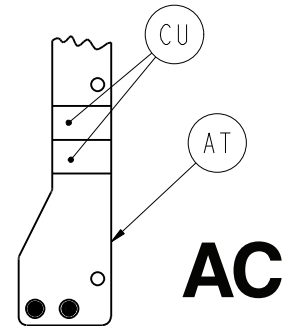
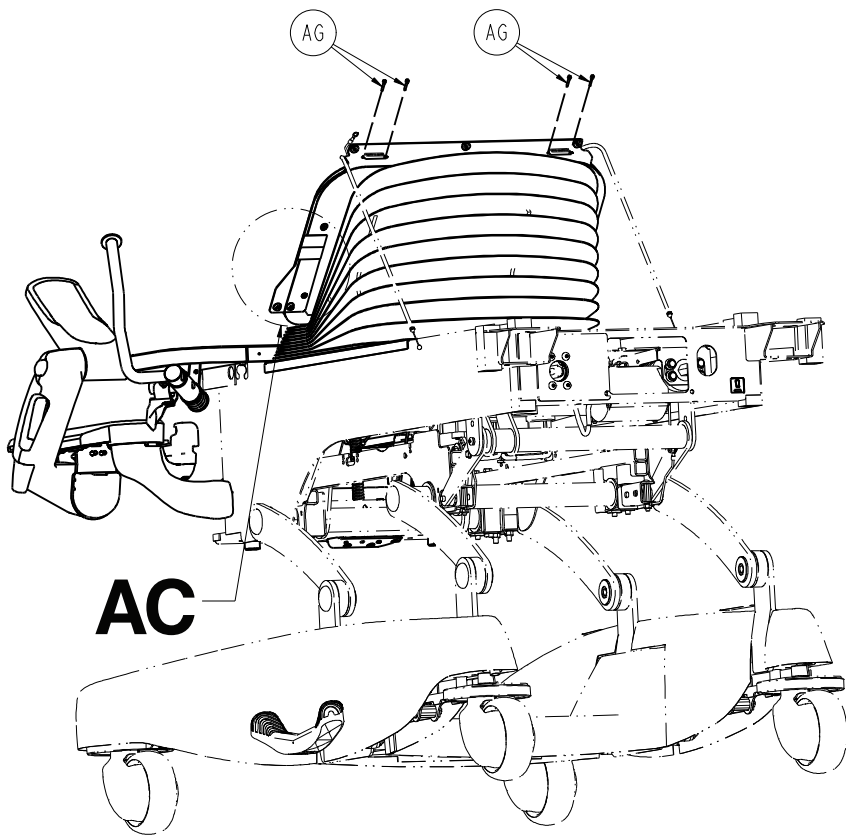
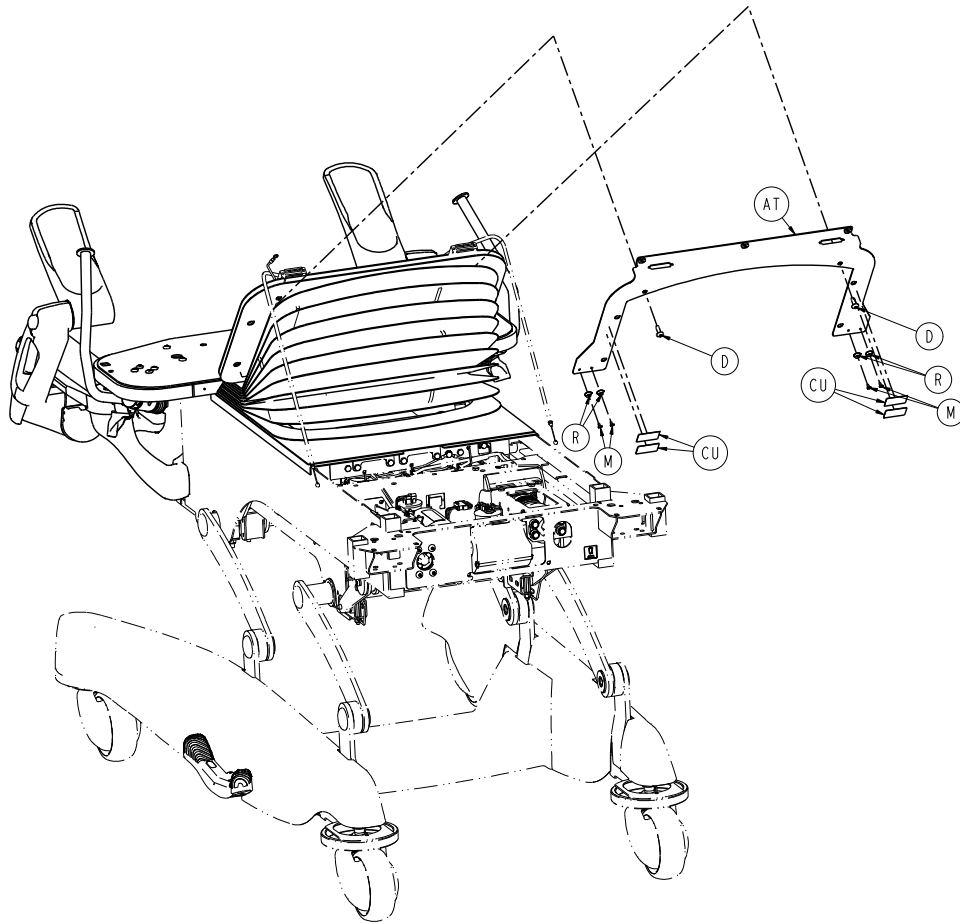


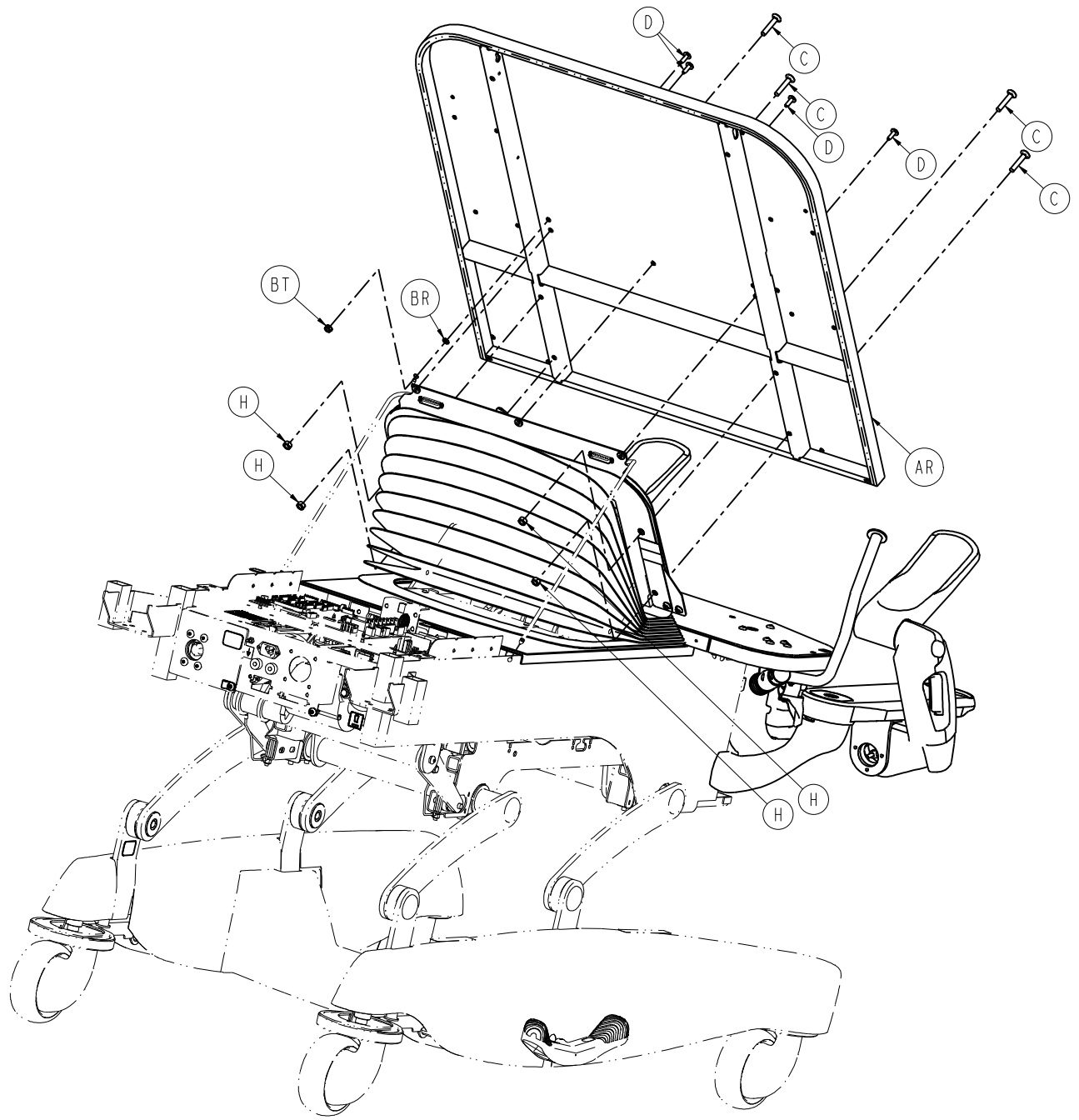
0059-778-000

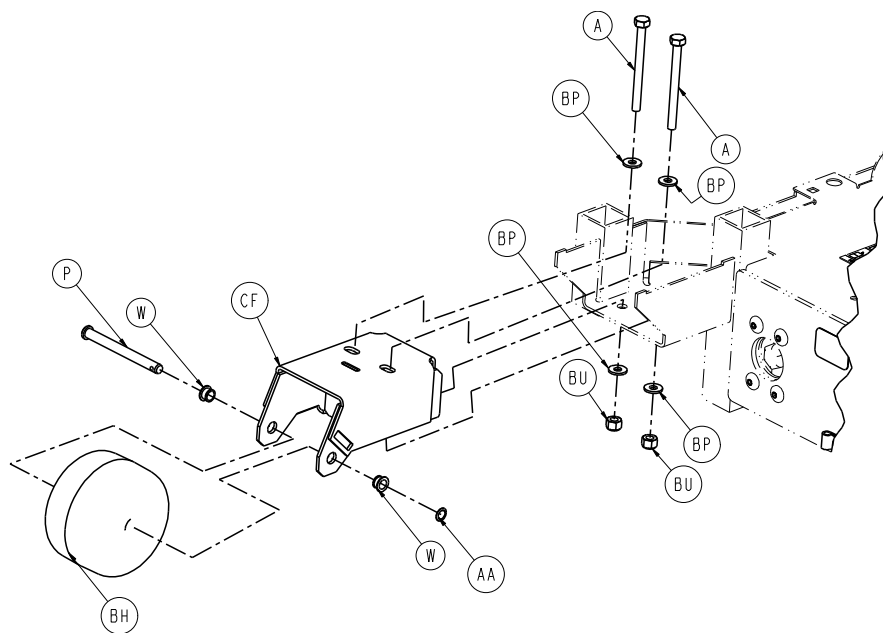
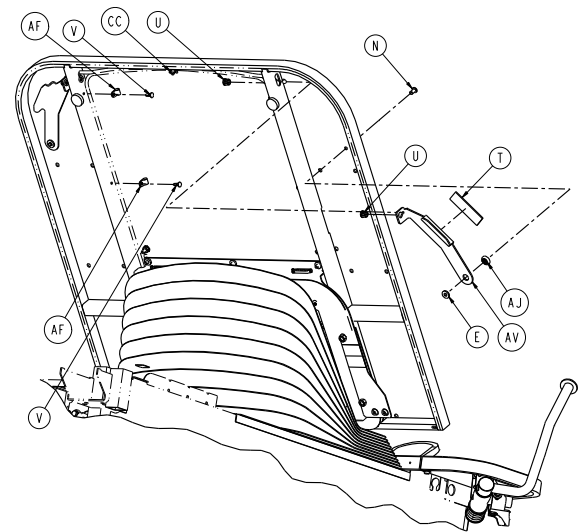
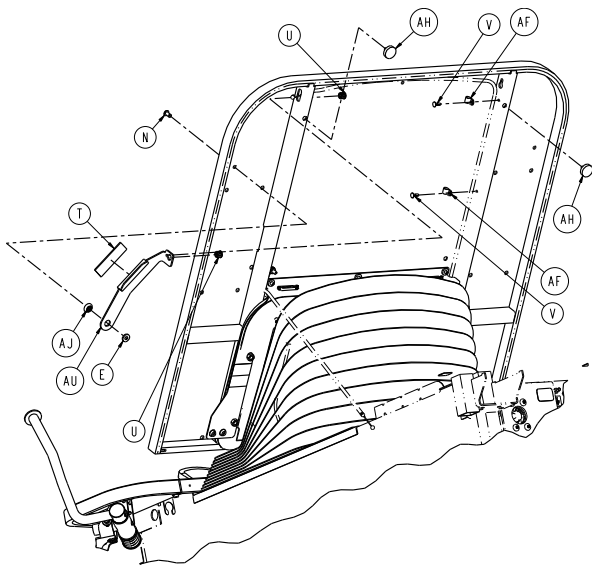


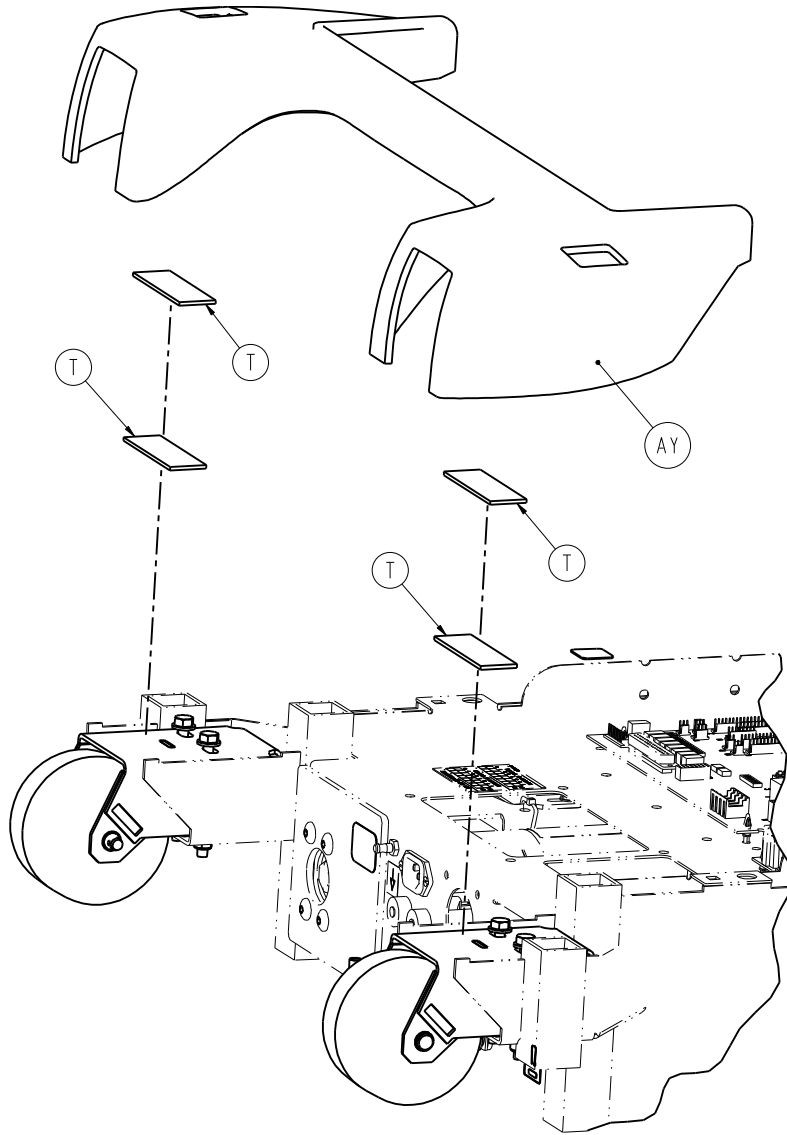


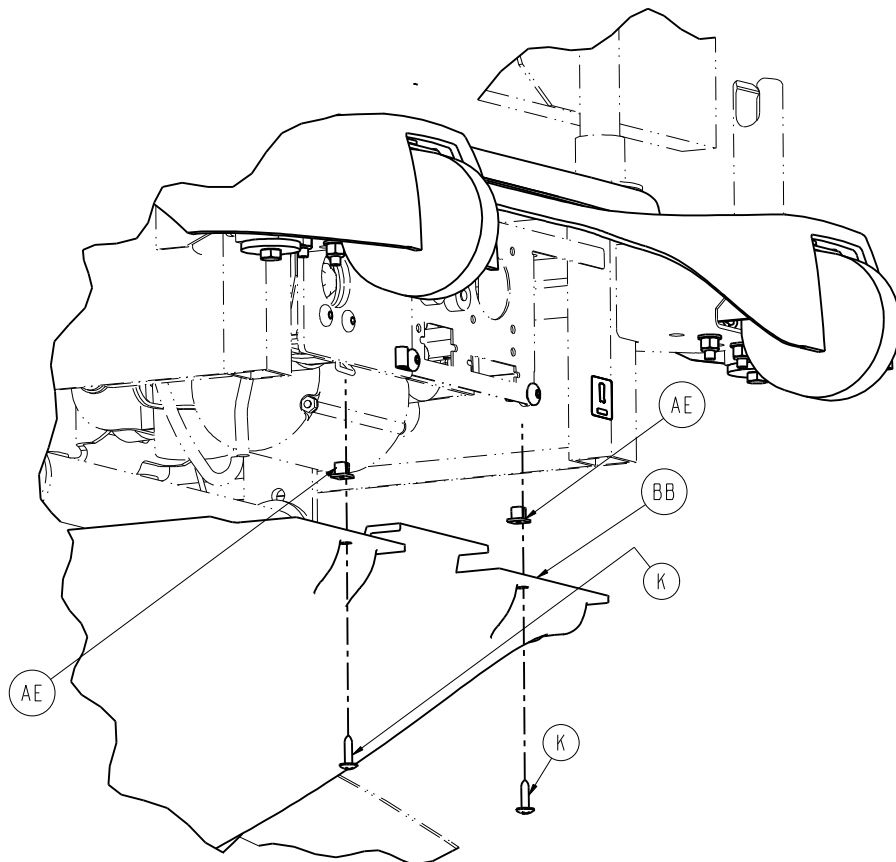
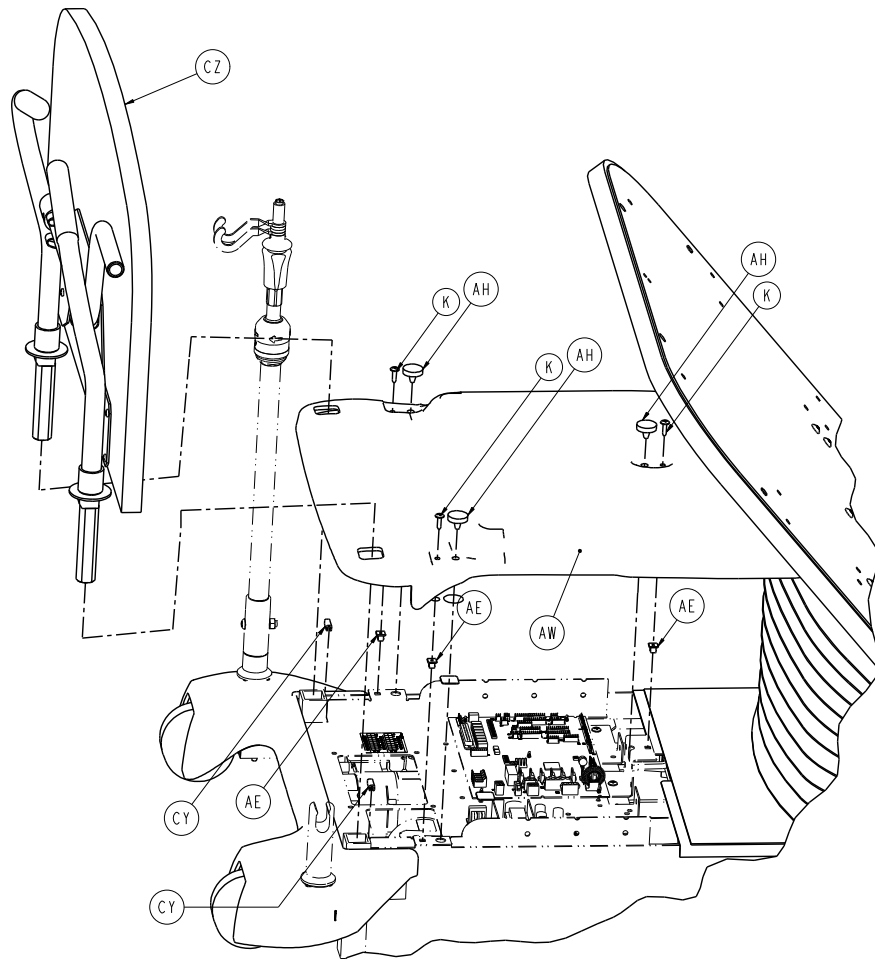


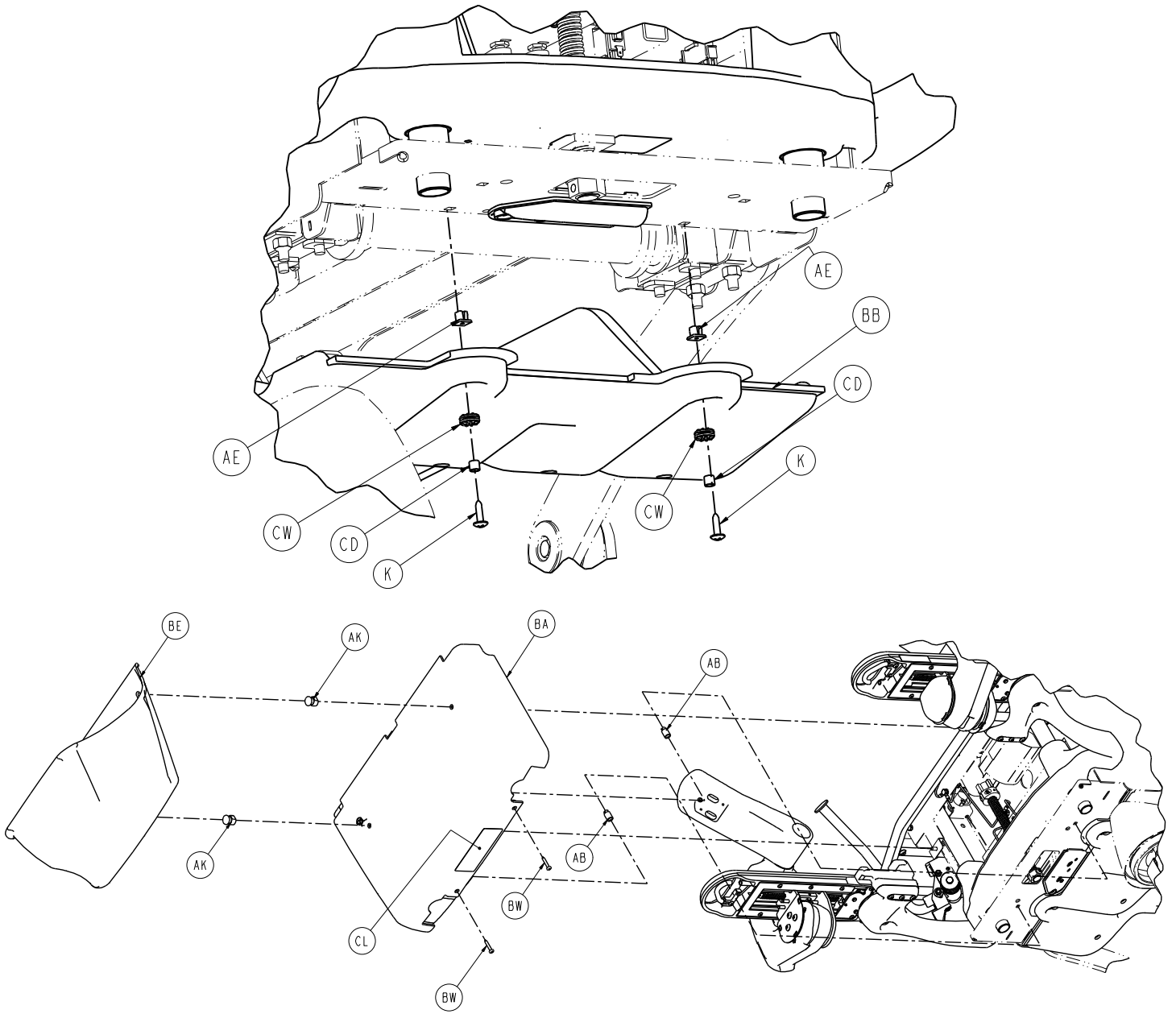


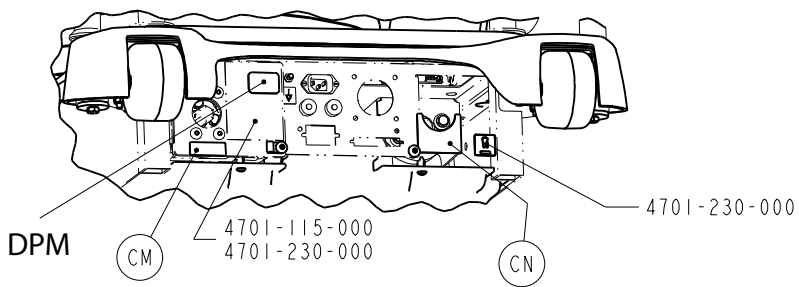
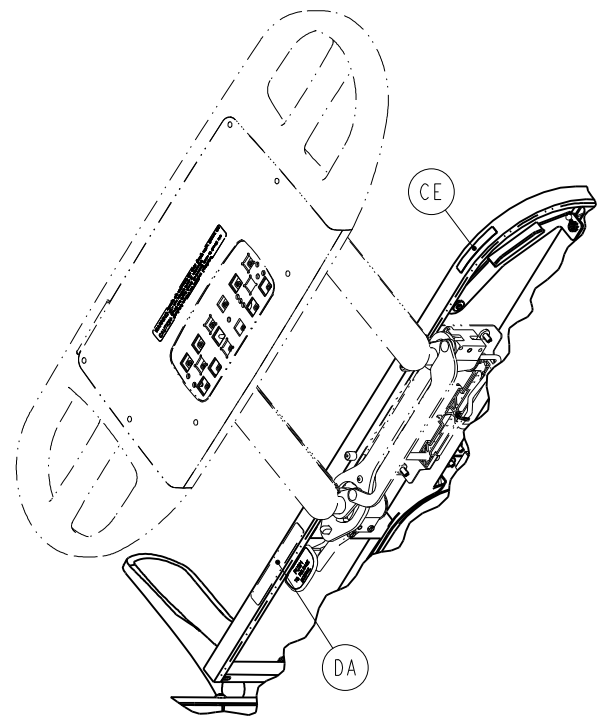
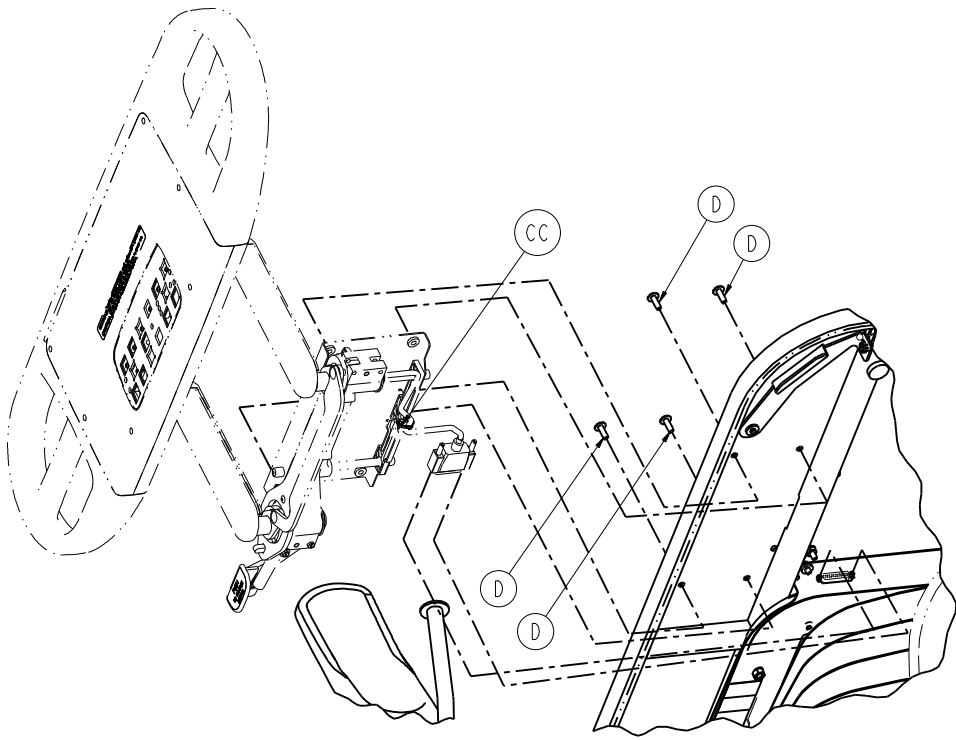




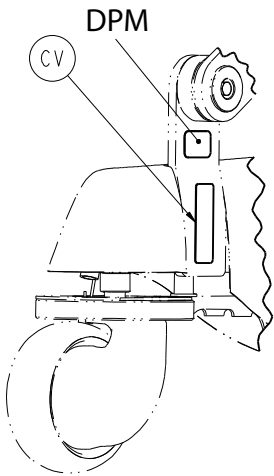
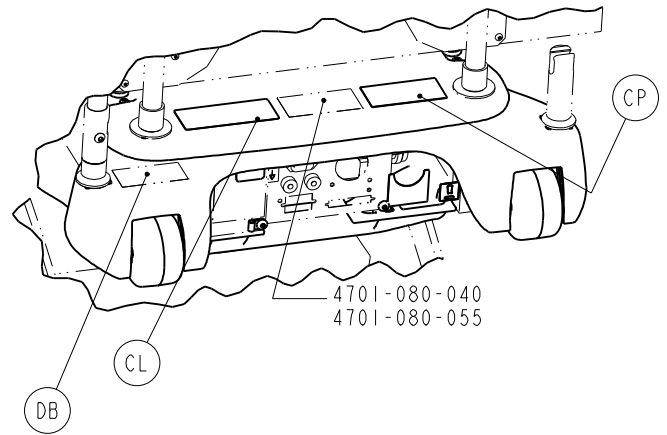












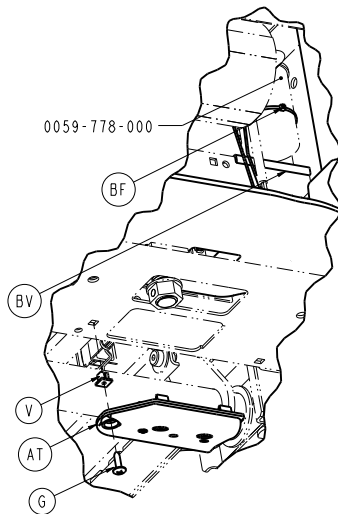
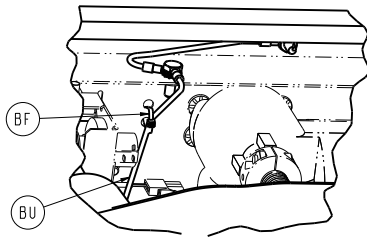
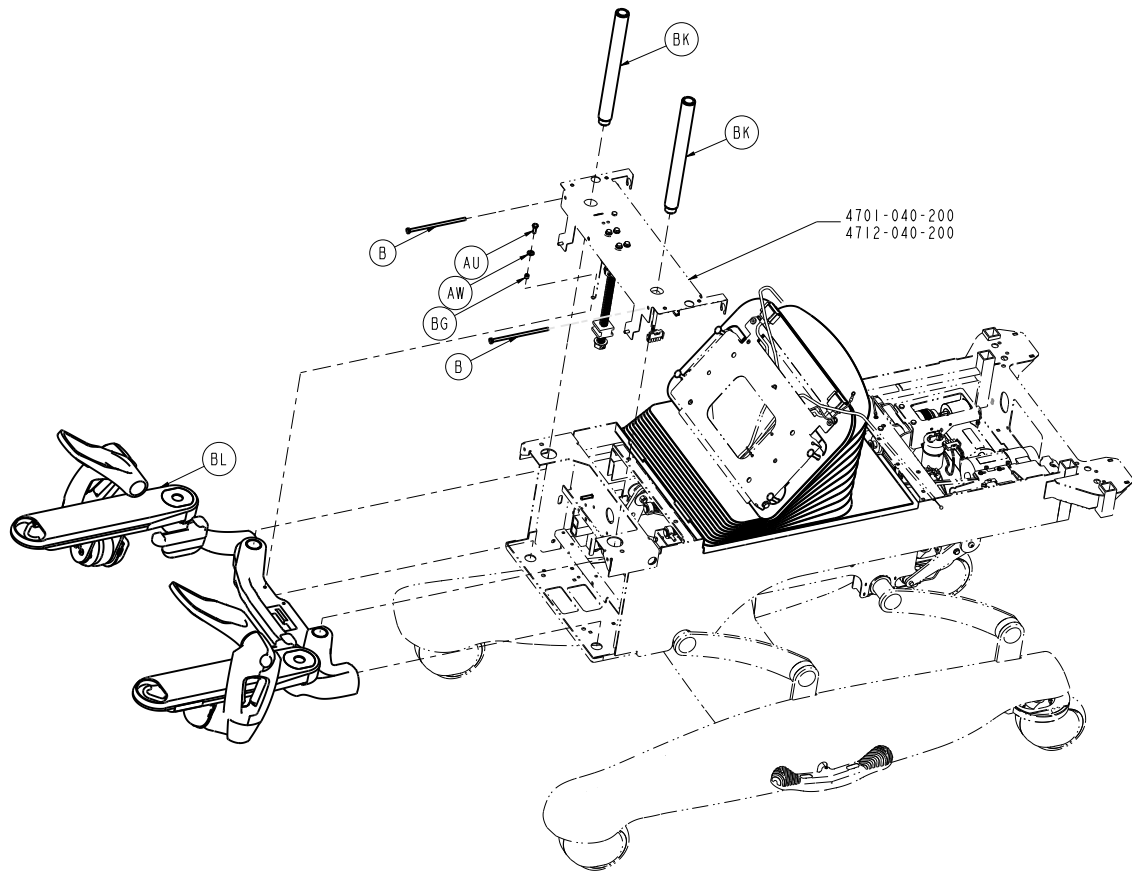
Item	Number	Name	Quantity.
A	0003-056-000	Hex head cap screw	4
B	0003-373-000	Hex head cap screw	2
C	0005-040-000	Carriage bolt	4
D	0007-065-000	Truss head screw	20
E	0011-376-000	Washer	2
H	0016-116-000	Stover hex lock nut	4
K	0023-080-000	Truss head screw	11
M	0025-038-000	Dome head rivet	4
N	0025-120-000	Rivet	2
P	0026-278-000	Clevis pin	2
R	0029-003-000	Brass eyelet	4
T	0029-009-000	Dual lock	6
U	0030-052-000	Snap bushing	4
V	0049-005-000	Drive fastener	4
W	0052-245-000	Nyliner	4
AA	0052-727-000	Retaining ring	2

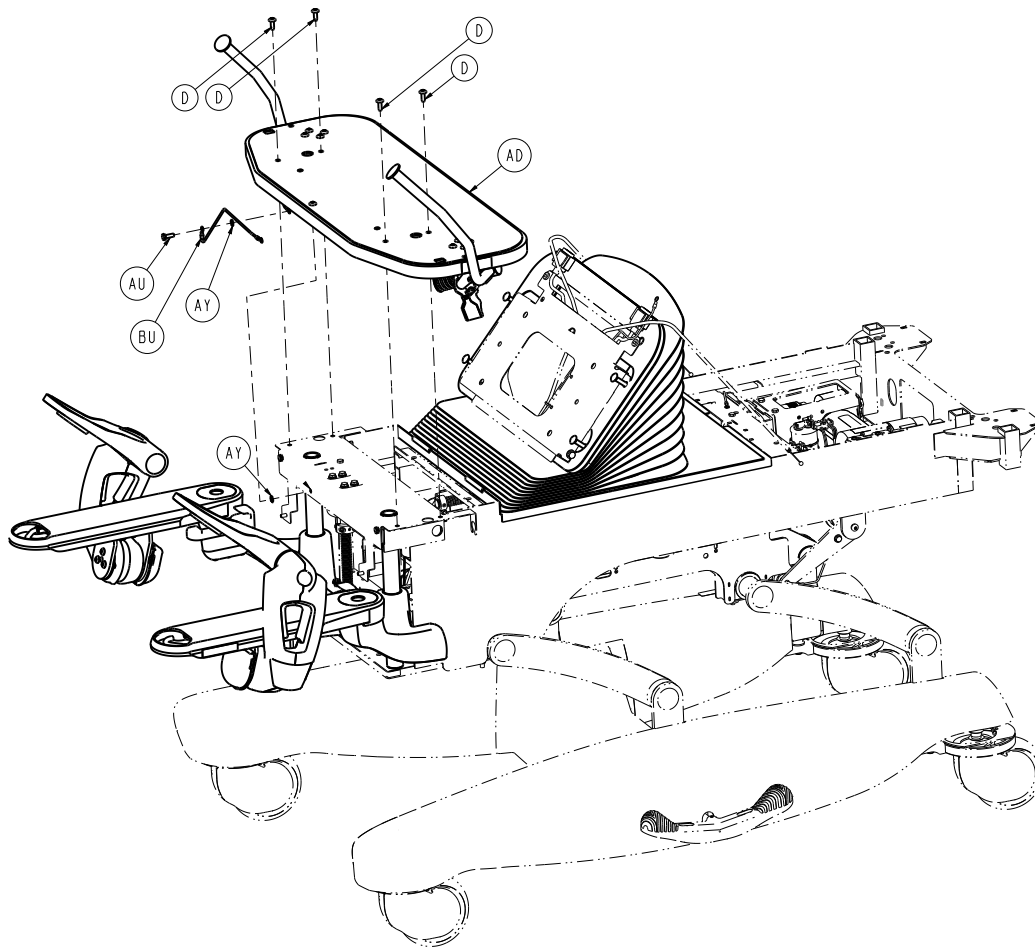
Item	Number	Name	Quantity.
AB	0052-800-000	Grommet	2
AE	3000-300-002	Plastic clip nut	8
AF	3000-300-478	CPR conduit clamp	4
AG	3001-300-007	Jack screw	4
AH	3001-300-008	Thigh bumper	5
AJ	3001-300-099	Fowler modified bushing	2
AK	4701-030-105	Fluid basin mounting post	2
AN	4701-030-110	Seat assembly	1
AP	4701-030-130	Bellows cover assembly	1
AR	4701-030-150	Fowler weldment	1
AT	4701-030-158	Siderail cable mtg. box	1
AU	4701-230-164	Left CPR release handle	1
AV	4701-230-165	Right CPR release handle	1
AW	4701-130-172	Litter top cover	1
AY	4701-130-173	Litter head end top cover	1
BA	4701-030-174	Foot end cover	1
BB	4701-130-175	Underbody cover	1
BE	4701-036-001	Plastic fluid basin	1
BH	3000-335-011	Roller bumper	2
BJ	4701-036-201	Night light option assembly	1
BK	0003-214-000	Hex head cap screw	3
BN	0005-030-000	Carriage bolt	1
BP	0011-063-000	Washer	9
BR	0013-010-000	External tooth lock washer	7
BT	0016-006-000	Kep hex nut	3
BU	0016-028-000	Hex nut	4
BW	0023-309-000	Phillips head tapping screw	2
CA	0034-020-000	Cord clamp	1
CB	0052-907-000	Plastic standoff	3
CC	0059-086-000	Cable tie	4
CD	0715-001-333	Release rod stop sleeve	3
CE	4700-090-002	Label, CPR release	2
CF	4701-030-210	Roller bumper weldment	2
CH	4701-040-041	Foot lift tube	2

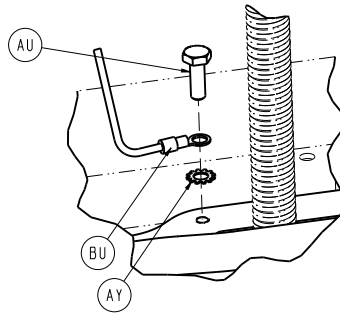
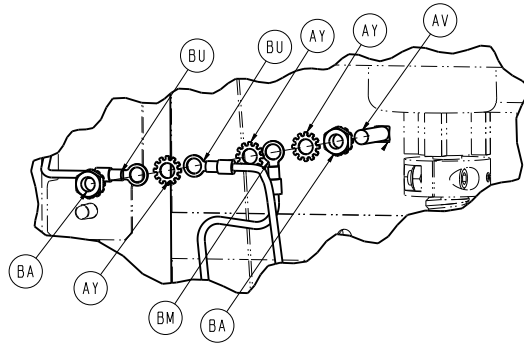
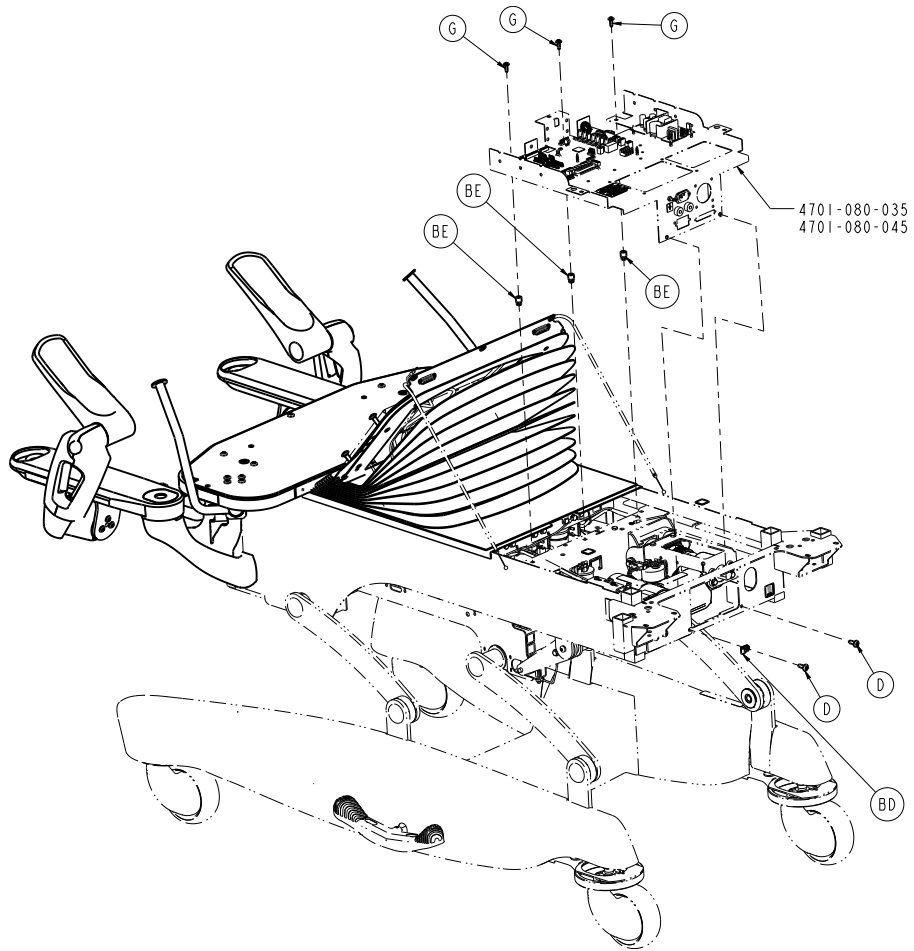
<b>Item</b>	<b>Number</b>	<b>Name</b>	<b>Quantity.</b>
CJ	4701-040-225	Foot positioning assembly	1
CK	4701-080-018	10 in. Ground cable	1
CL	4701-090-059	Label, service caution	2
CM	4701-090-046	Label, trend manual override	1
CN	4701-090-047	Label, lift manual override	1
CP	4701-090-061	Label, hospital grade plug	1
CR	3002-300-870	Litter ground jumper	2
CT	0058-056-000	Edge strip	6 in.
CU	0044-032-000	Pressure sensitive tape	4
CV	5010-090-028	Label, 5010/4701 patent	1
CW	3000-200-228	Fowler drive grommet	2
CY	4701-030-117	3/4 in. edge strip	2
CZ	4701-030-125	Headboard assembly	1
DA	4701-090-054	Label, warning, oxygen tent	2
DB	4701-090-058	Label, explosion danger	1

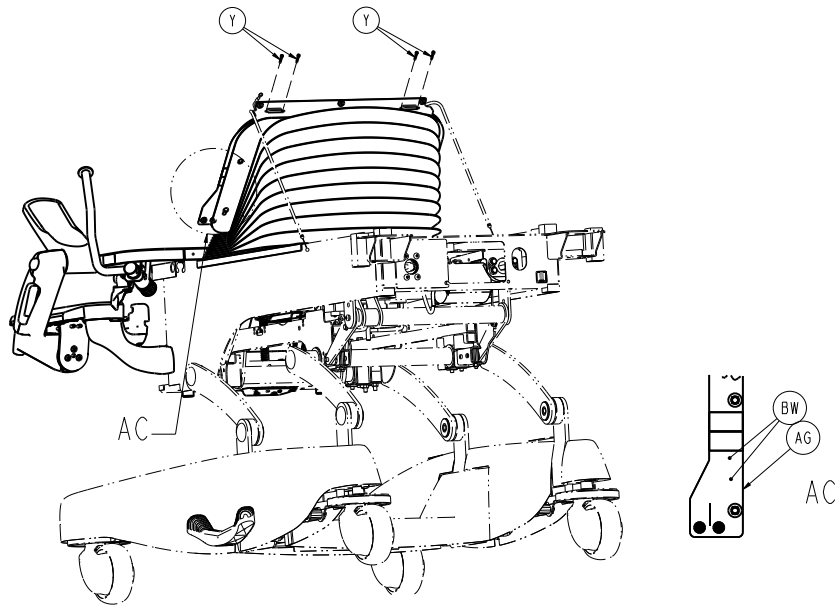
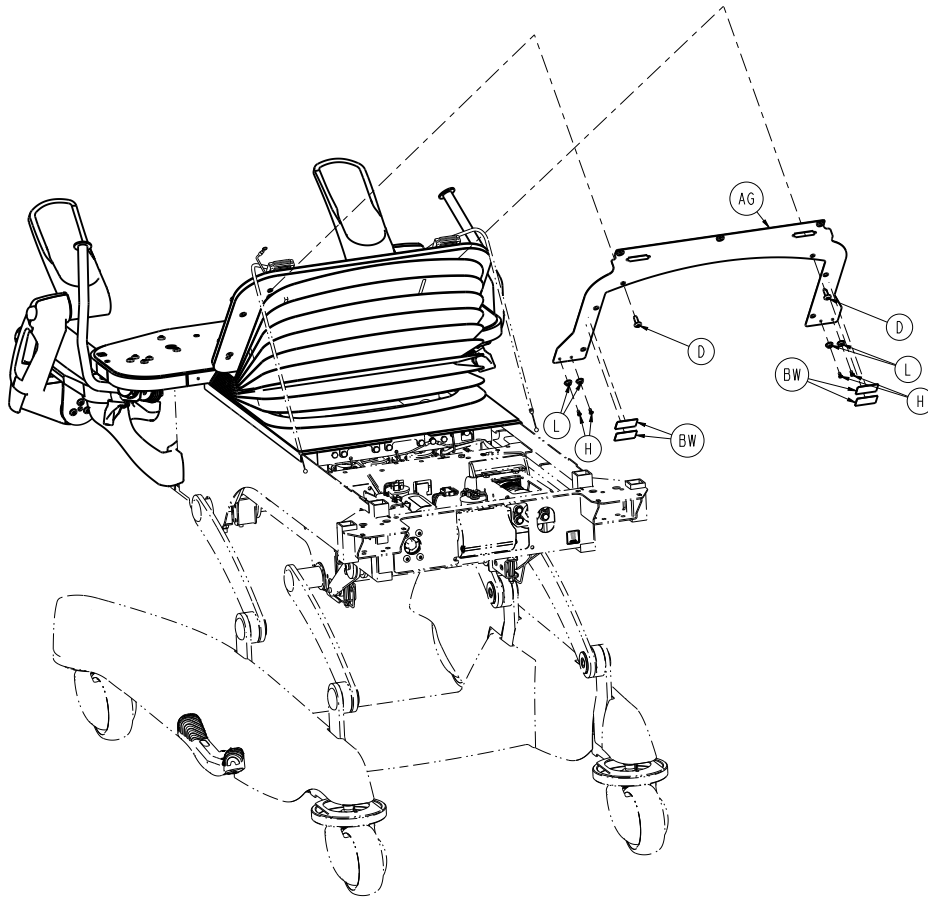
# Litter assembly, international

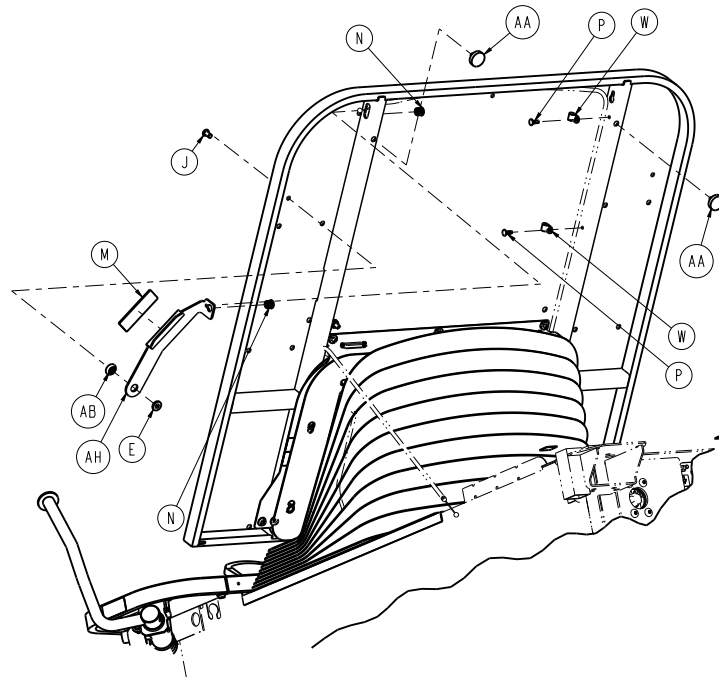
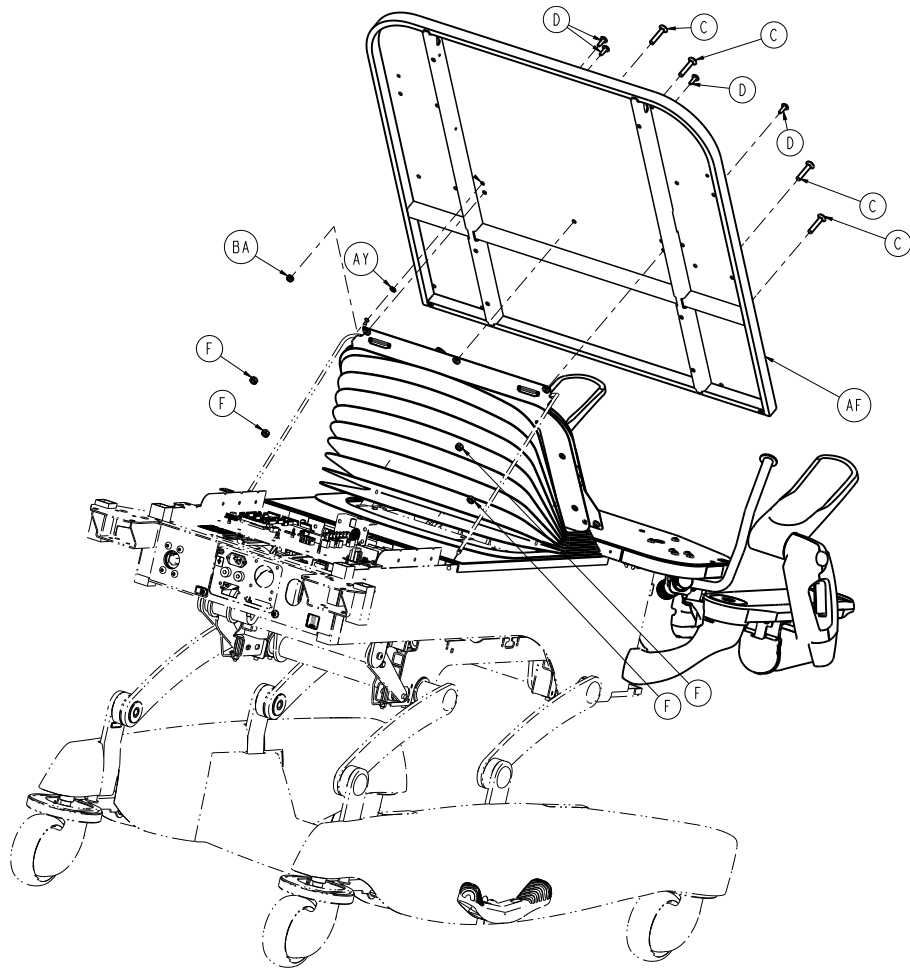
4701-130-000 Rev AA (Reference only)



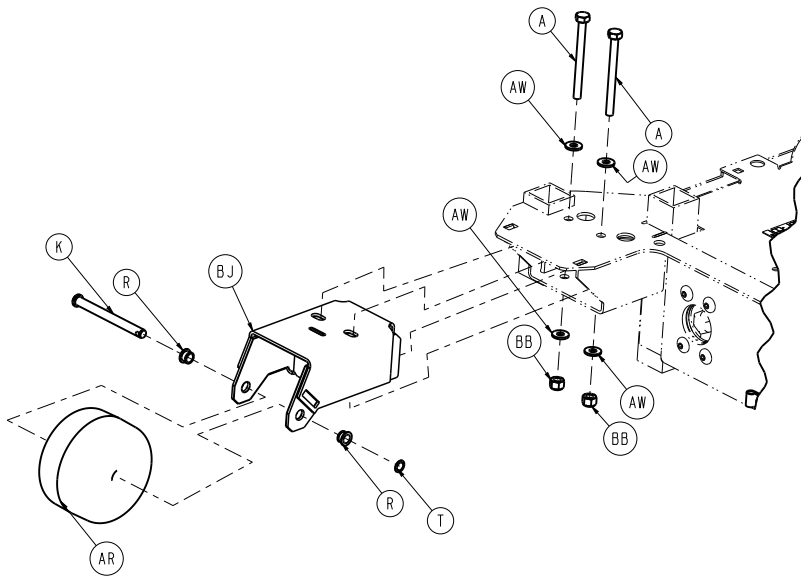
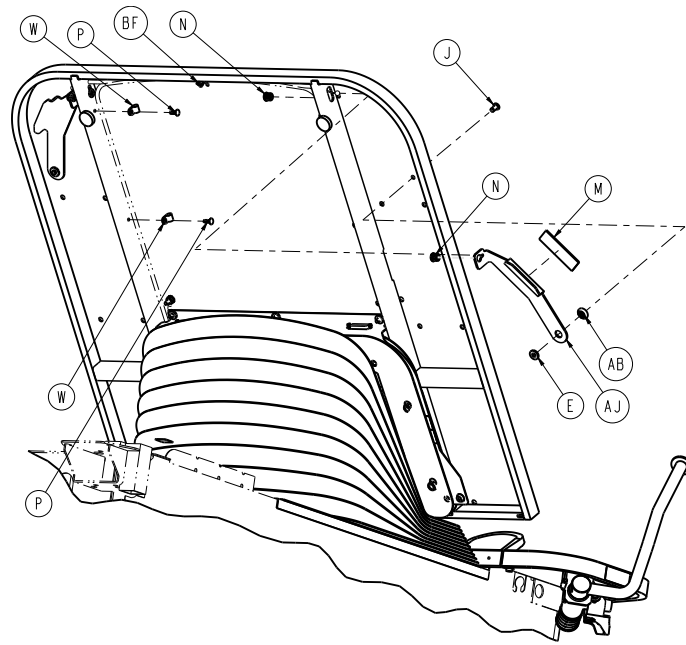


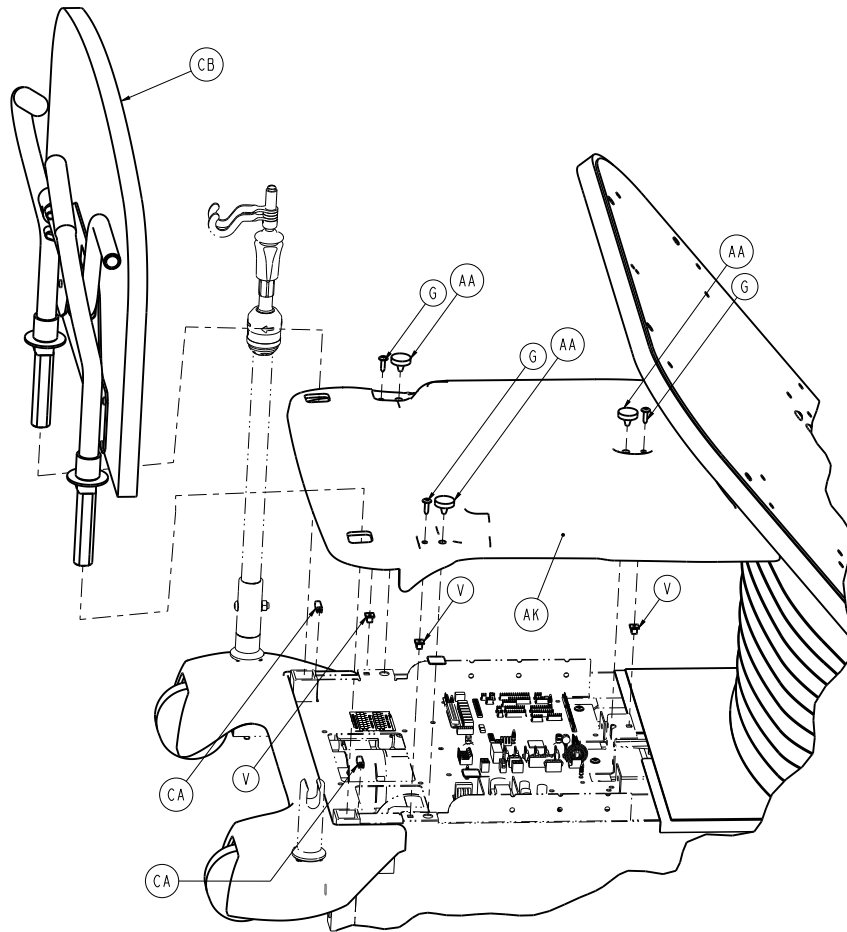
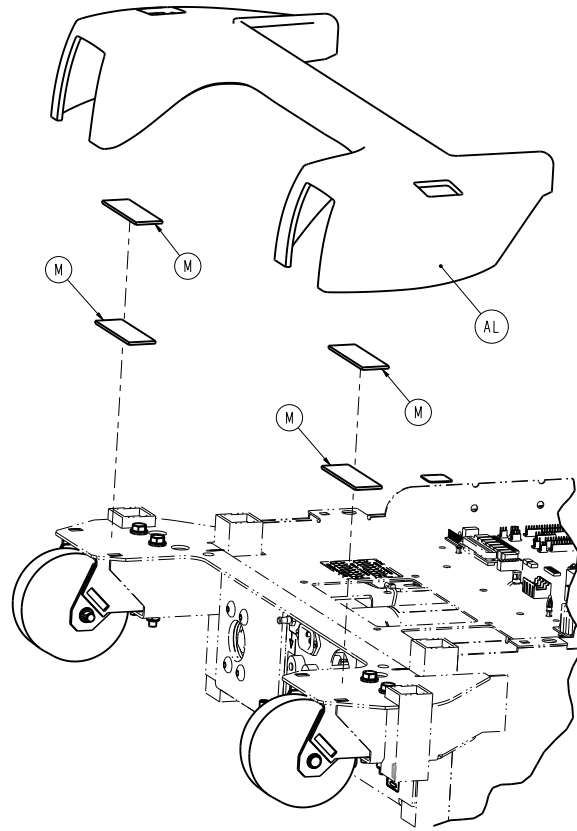


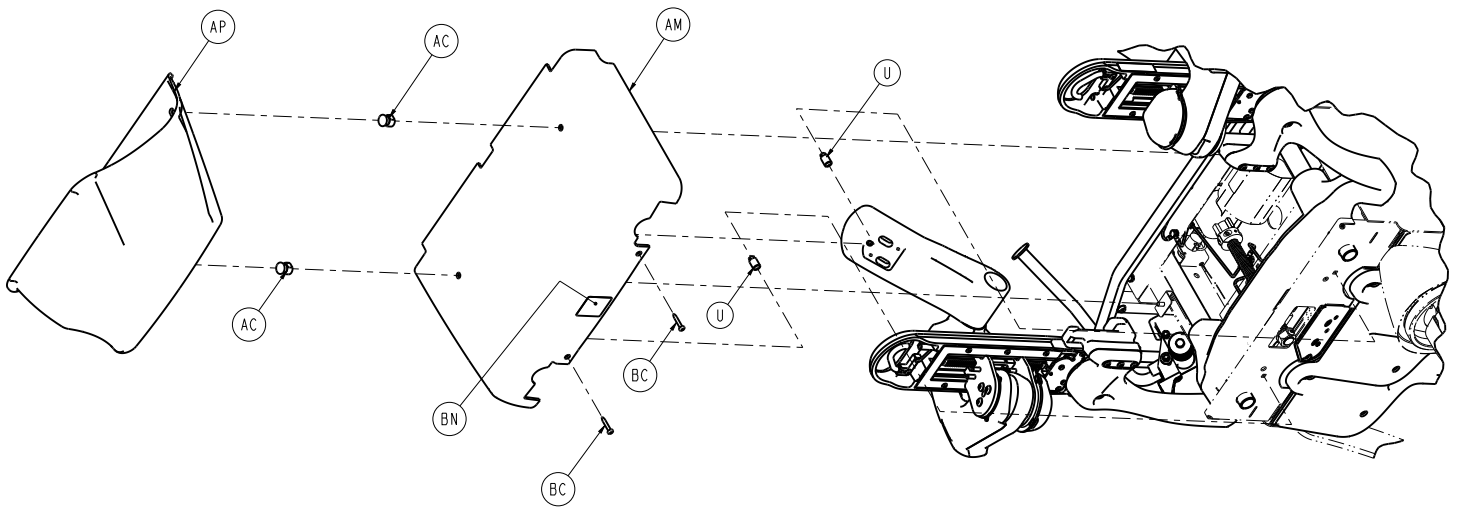
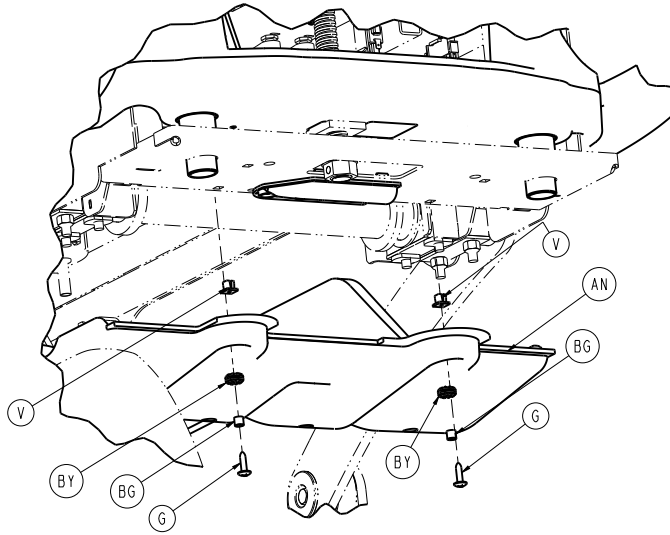
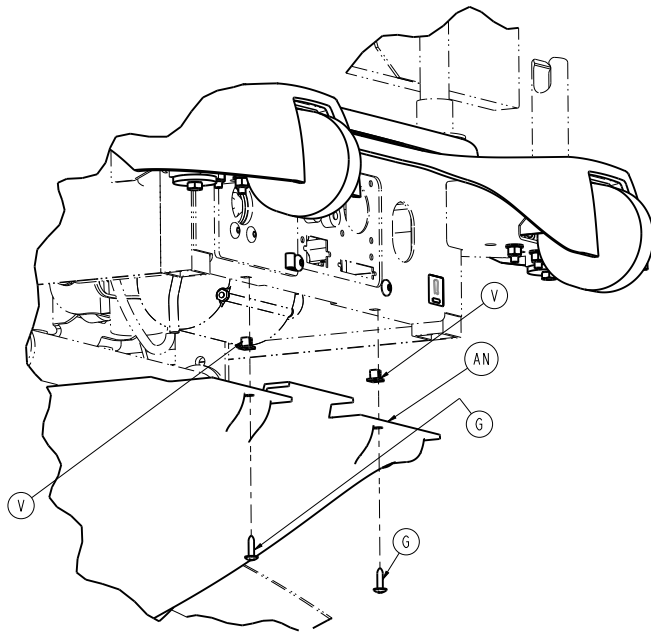


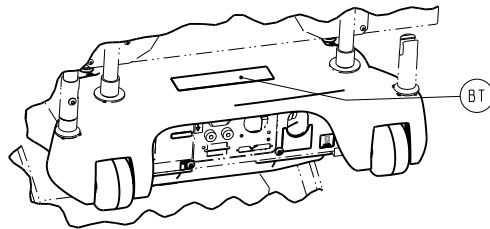
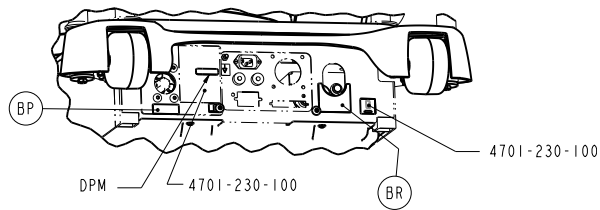
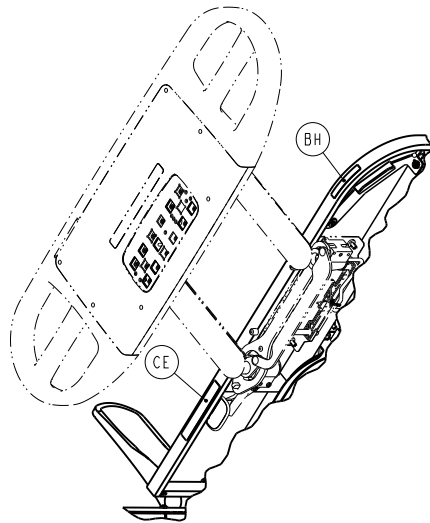
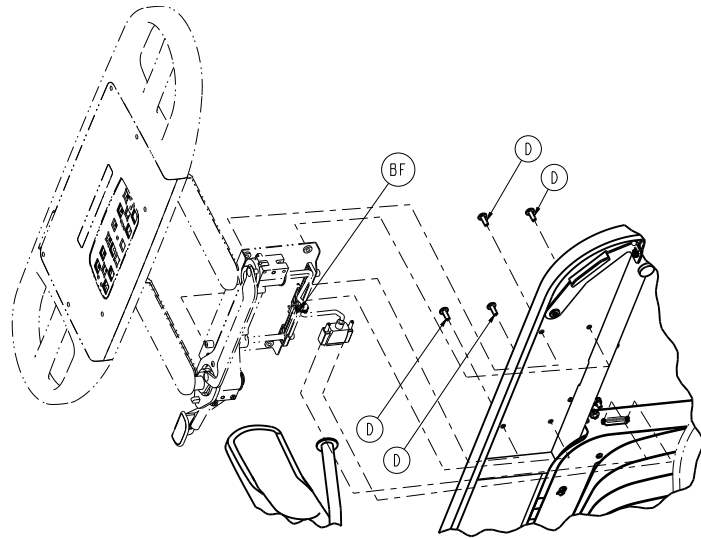


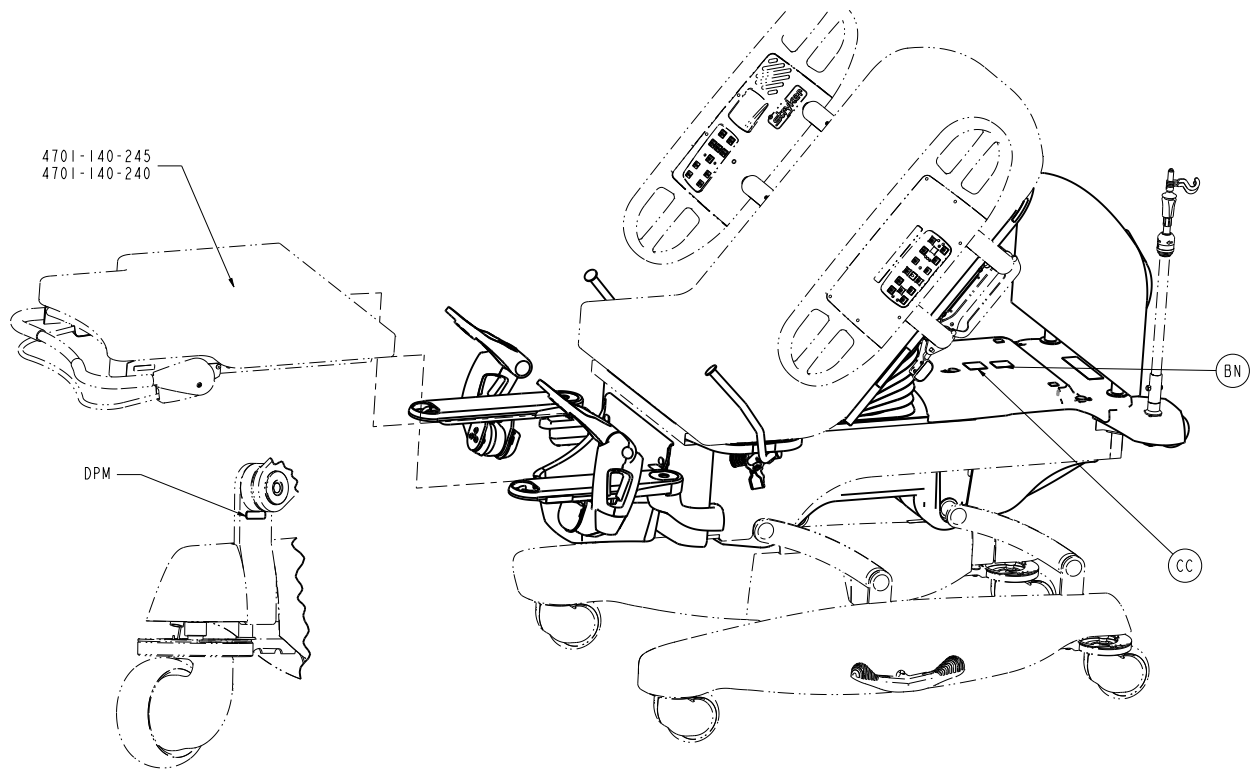












Item	Number	Name	Quantity.
A	0003-056-000	Hex head cap screw	4
B	0003-373-000	Hex head cap screw	2
C	0005-040-000	Carriage bolt	4
D	0007-065-000	Truss head screw	20
E	0011-376-000	Washer	2
F	0016-116-000	Stover hex lock nut	4
G	0023-080-000	Truss head screw	11
H	0025-038-000	Dome head rivet	4
J	0025-120-000	Rivet	2
K	0026-278-000	Clevis pin	2
L	0029-003-000	Brass eyelet	4
M	0029-009-000	Dual lock	6
N	0030-052-000	Snap bushing	4
P	0049-005-000	Drive fastener	4
R	0052-245-000	Nyliner	4
T	0052-727-000	Retaining ring	2
U	0052-800-000	Grommet	2
V	3000-300-002	Plastic clip nut	8
W	3000-300-478	CPR conduit clamp	4

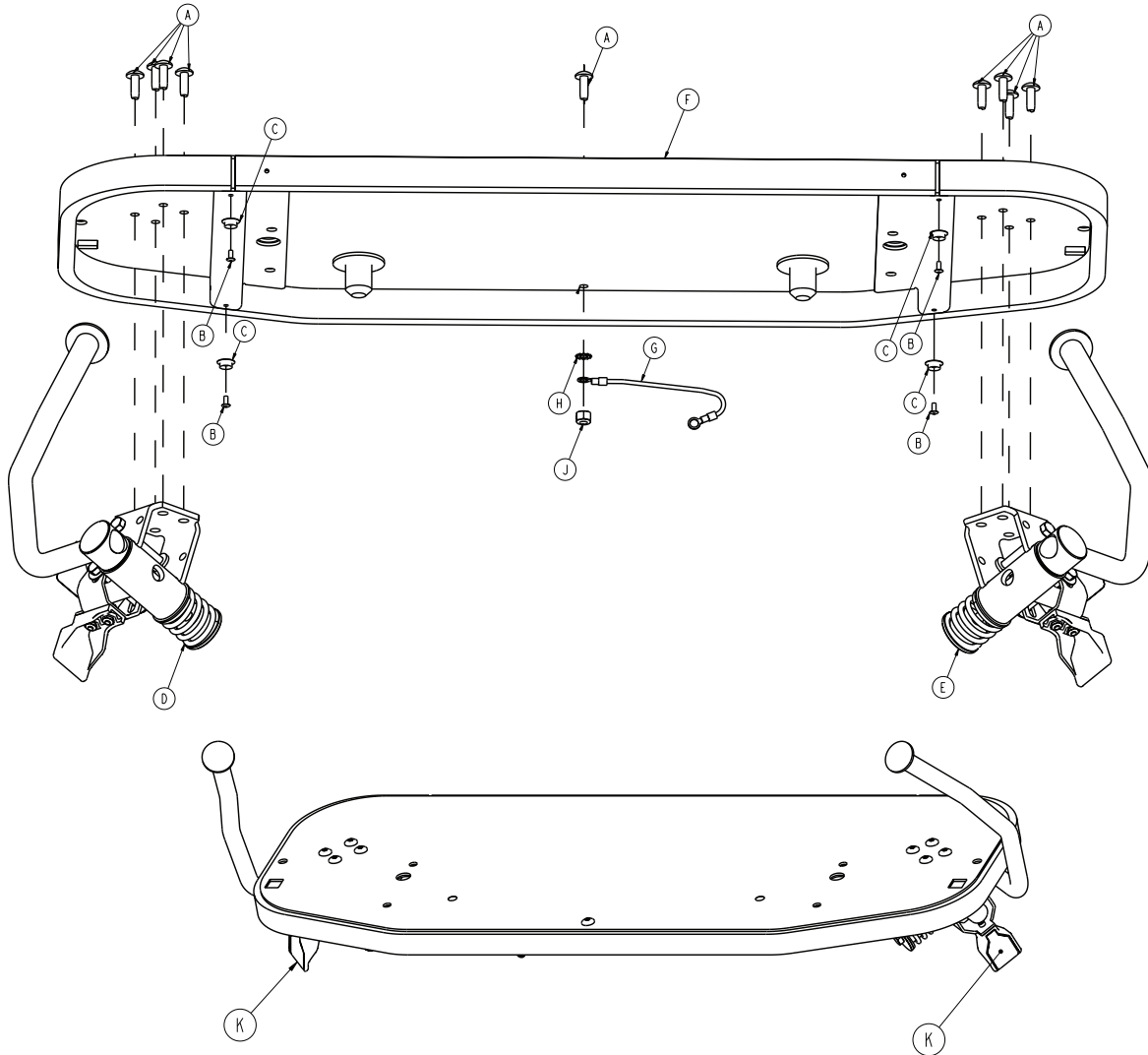
Item	Number	Name	Quantity.
Y	3001-300-007	Jack screw	4
AA	3001-300-008	Thigh bumper	5
AB	3001-300-099	Fowler modified bushing	2
AC	4701-030-105	Fluid basin mounting post	2
AD	4701-030-110	Seat assembly	1
AE	4701-030-130	Bellows cover assembly	1
AF	4701-030-150	Fowler weldment	1
AG	4701-030-158	Siderail cable mounting box	1
AH	4701-230-164	Left CPR release handle	1
AJ	4701-230-165	Right CPR release handle	1
AK	4701-130-172	Litter top cover	1
AL	4701-130-173	Litter head end top cover	1
AM	4701-030-174	Foot end cover	1
AN	4701-130-175	Underbody cover	1
AP	4701-036-005	Plastic fluid basin	1
AR	3000-335-011	Roller bumper	2
AT	4701-036-201	Night light option assembly	1
AU	0003-214-000	Hex head cap screw	3
AV	0005-030-000	Carriage bolt	1
AW	0011-063-000	Washer	9
AY	0013-010-000	External tooth lock washer	7
BA	0016-006-000	Kep hex nut	3
BB	0016-028-000	Hex nut	4
BC	0023-309-000	Phillips head tapping screw	2
BD	0034-020-000	Cord clamp	1
BE	0052-907-000	Plastic standoff	3
BF	0059-086-000	Cable tie	4
BG	0715-001-333	Release rod stop sleeve	3
BH	4701-109-963	Label, CPR release	2
BJ	4701-030-210	Roller bumper weldment	2
BK	4701-040-041	Foot lift tube	2
BL	4701-140-225	Foot positioning assembly	1
BM	4701-080-018	10 in. Ground cable	1
BN	4701-109-959	Label, warning, top cover	2

Item	Number	Name	Quantity.
BP	4701-090-046	Label, trend manual override	1
BR	4701-090-047	Label, lift manual override	1
BT	4701-109-961	Label, cautions, top cover	1
BU	3002-300-870	Litter ground jumper	2
BV	0058-056-000	Edge strip	6 in.
BW	0044-032-000	Pressure sensitive tape	4
BY	3000-200-228	Fowler drive grommet	2
CA	4701-030-117	3/4 in. edge strip	2
CB	4701-130-125	Headboard assembly	1
CC	4701-109-958	Label, place no load, top cover	1
CE	4701-109-954	Label, warning, fire hazard	2

# Seat assembly

4701-030-110 Rev C (Reference only)

4701-130-110 Rev A (Reference only)



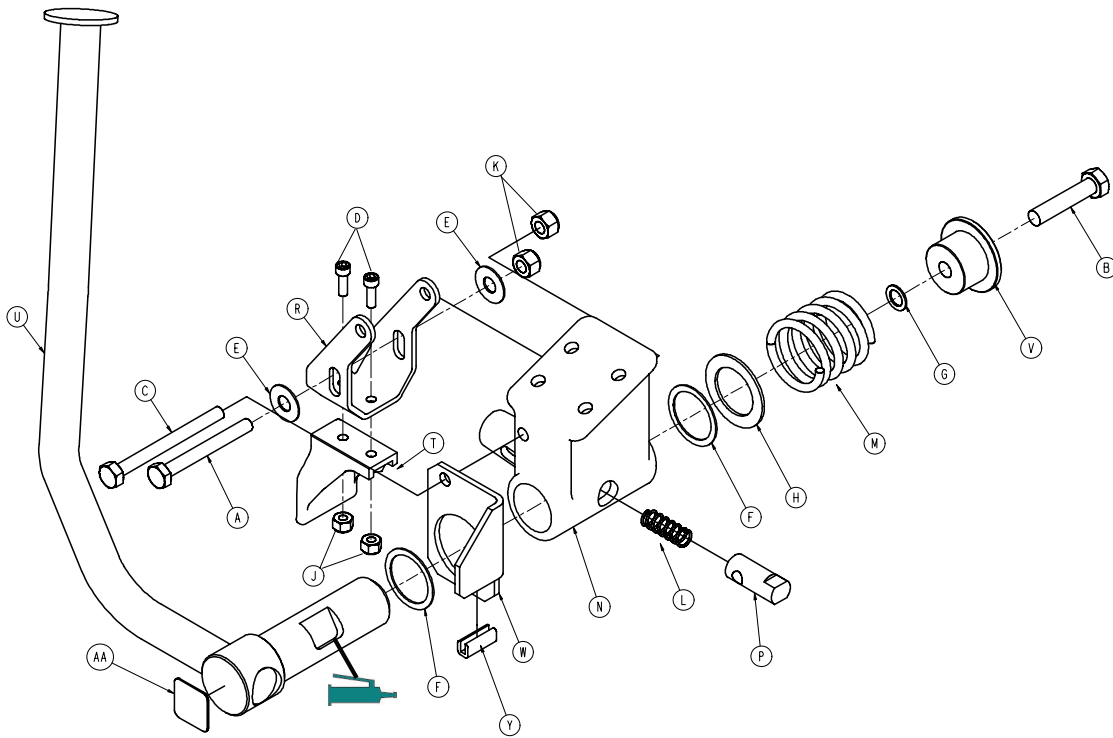
Item	Number	Name	Quantity
A	0007-065-000	Truss head screw	9
B	0025-038-000	Dome head rivet	4
C	0029-003-000	Brass eyelet	4
D	5010-230-061 or 5010-330-061	Left hand grip assembly (page 114)	1
E	5010-230-060 or 5010-330-060	Right hand grip assembly (page 116)	1
F	4701-030-100	Seat weldment	1
G	3002-300-870	Litter ground jumper	1
H	0013-010-000	Tooth lock washer	1
J	0016-006-000	Kep nut	1



<b>Item</b>	<b>Number</b>	<b>Name</b>	<b>Quantity</b>
K	5000-090-018	Label, pull	2
L	4701-109-964	Label, warning, labour grip (not shown)	1

# Left hand grip assembly

5010-230-061 Rev C/5010-330-061 Rev A (Reference only)

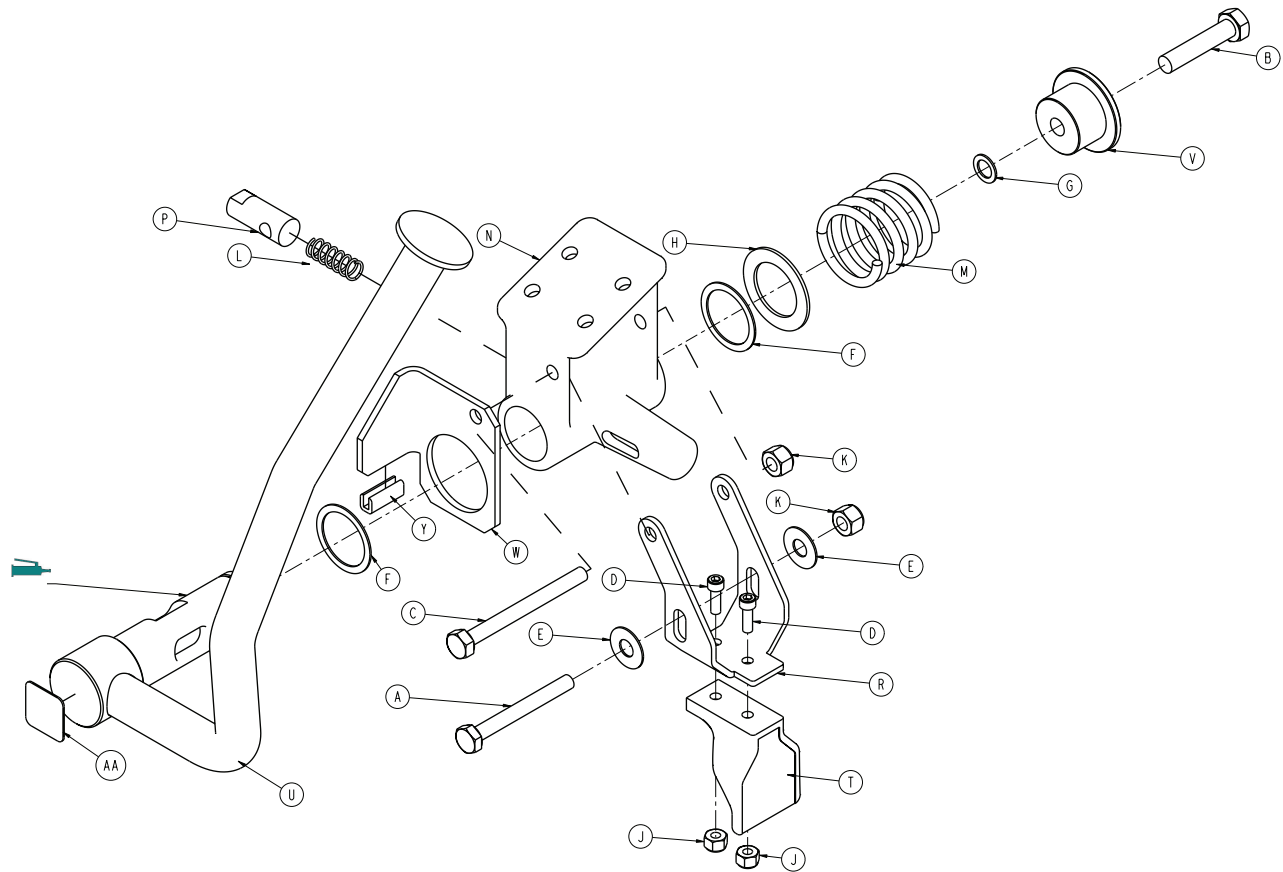


Item	Number	Name	Quantity
A	0003-032-000	Hex head cap screw	1
B	0003-057-000	Hex head cap screw	1
C	0003-073-000	Hex head cap screw	1
D	0004-005-000	Socket head cap screw	2
E	0011-179-000	Nylon washer	2
F	0011-392-000	Nylon washer	2
G	0011-397-000	Serrated belleville washer	1
H	0011-406-000	Flat washer	1
J	0016-014-000	Nylock nut	2
K	0016-028-000	Nylock nut	2
L	0038-344-000	Compression spring	1
M	0038-391-000	Compression spring	1
N	5000-030-125	Pivot block, left	1
P	5000-030-128	Hand grip lock pin	1
R	5000-030-129	Hand grip latch bracket	1
T	5000-040-118	Pull handle	1
U	5010-230-063	Hand grip weldment, left	1

<b>Item</b>	<b>Number</b>	<b>Name</b>	<b>Quantity</b>
V	5000-030-315	Hand grip spring spacer	1
W	4701-036-016	Hard stop, left labor grip	1
Y	4701-030-117	Edge strip	1
AA	6082-090-114	Label	1

# Right hand grip assembly

5010-230-060 Rev C/5010-330-060 Rev A (Reference only)

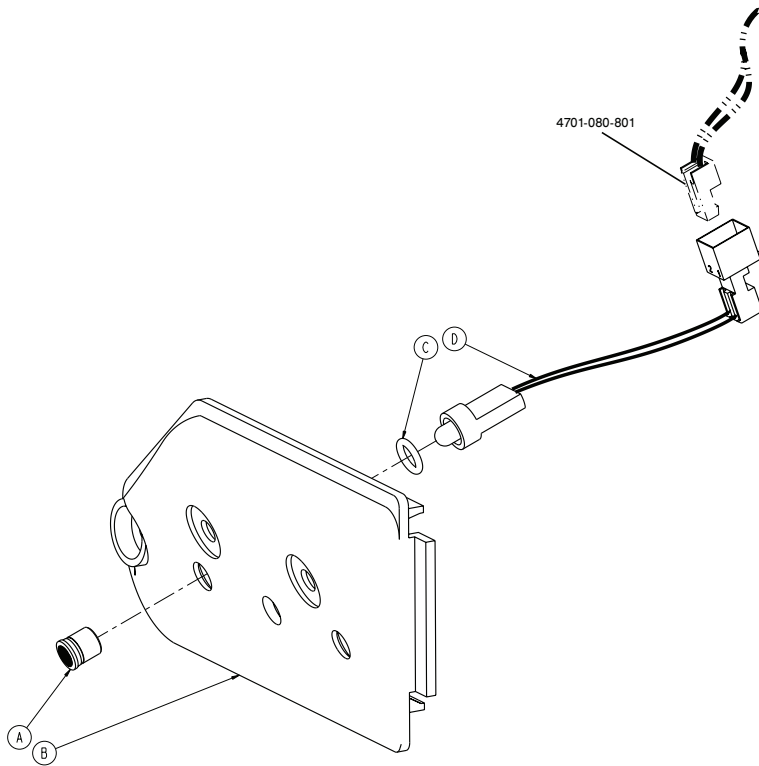


Item	Number	Name	Quantity
A	0003-079-000	Hex head cap screw	1
B	0003-057-000	Hex head cap screw	1
C	0003-073-000	Hex head cap screw	1
D	0004-005-000	Socket head cap screw	2
E	0011-179-000	Nylon washer	2
F	0011-392-000	Nylon washer	2
G	0011-397-000	Serrated belleville washer	1
H	0011-406-000	Flat washer	1
J	0016-014-000	Nylock nut	2
K	0016-028-000	Nylock nut	2
L	0038-344-000	Compression spring	1
M	0038-391-000	Compression spring	1
N	5000-030-124	Pivot block, right	1
P	5000-030-128	Hand grip lock pin	1

Item	Number	Name	Quantity
R	5000-030-129	Hand grip latch bracket	1
T	5000-040-118	Pull handle	1
U	5010-230-062	Hand grip weldment, right	1
V	5000-030-315	Hand grip spring spacer	1
W	4701-036-017	Hard stop, right labor grip	1
Y	4701-030-117	Edge strip	1
AA	6082-090-114	Label	1

# Night light assembly

4701-036-201 Rev A (Reference only)

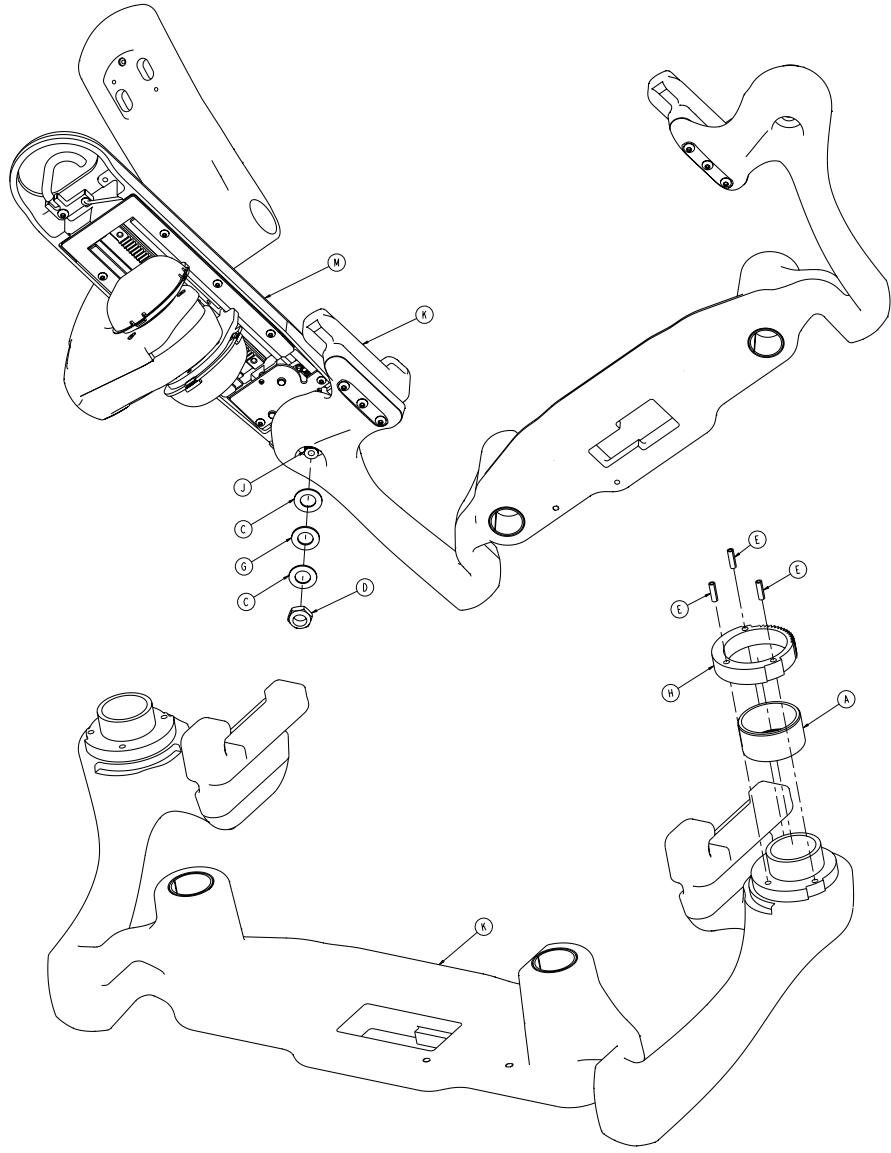


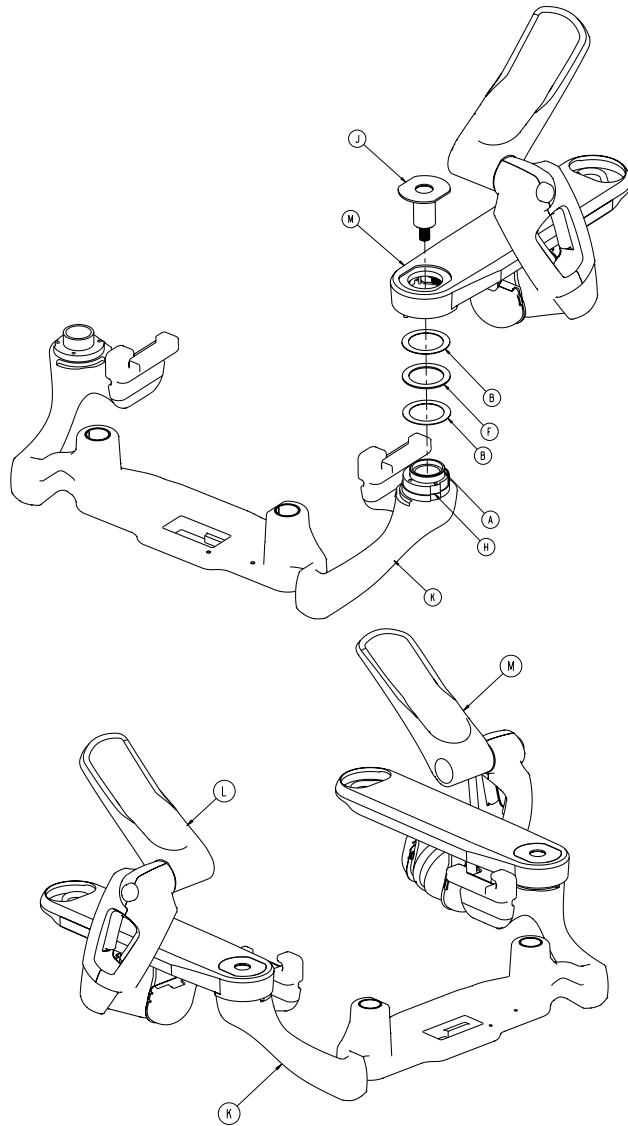
Item	Number	Name	Quantity
A	3002-310-010	LED lens	1
B	3002-310-018	Night light cover	1
C	3002-310-025	Retaining spacer	1
D	4701-036-801	Night light cable	1

# Foot positioning assembly

4701-040-225 Rev A (Reference only)

4701-140-225 Rev A (Reference only)





Item	Number	Name	Quantity
A	0011-535-000	Sleeve bearing	2
B	0011-537-000	Washer	4
C	0014-083-000	Flat thrust washer	4
D	0016-031-000	Hex jam nut	2
E	0026-172-000	Slotted spring pin	6
F	0081-635-000	Needle roller bearing	2
G	3000-300-466	Thrust bearing	2
H	4701-040-037	Abduction ring gear	2
J	4701-040-052	Foot pan locking cap weldment	2
K	4701-040-205	Foot lift casting subassembly (page 127)	1

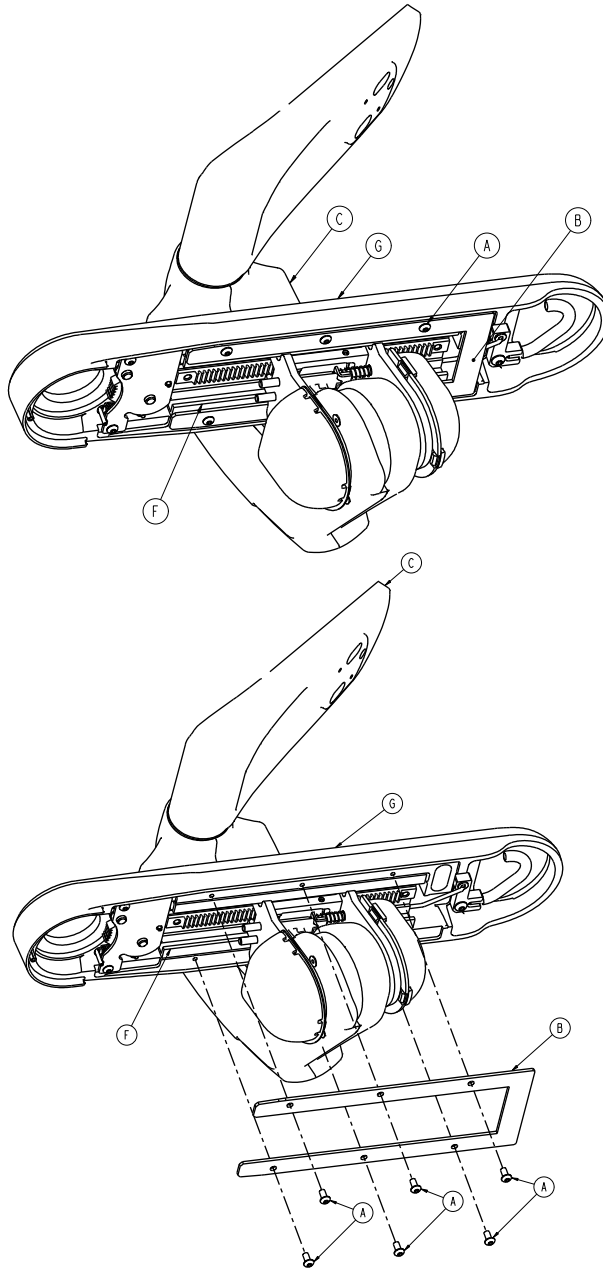


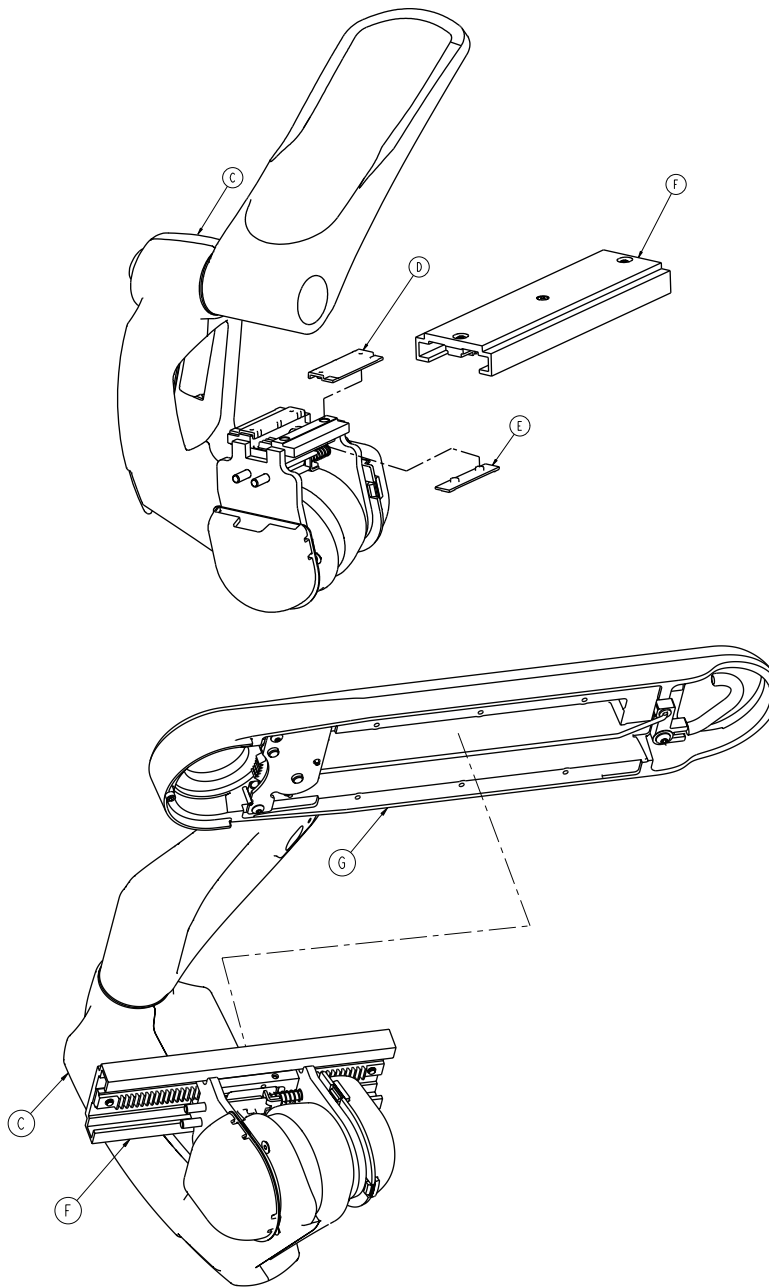
Item	Number	Name	Quantity
L	4701-040-215 or 4701-140-215	<i>Foot positioning subassembly, left</i> (page 122)	1
M	4701-040-220 or 4701-140-220	<i>Foot positioning subassembly, right</i> (page 124)	1

# Foot positioning subassembly, left

4701-040-215 Rev A (Reference only)

4701-140-215 Rev A (Reference only)



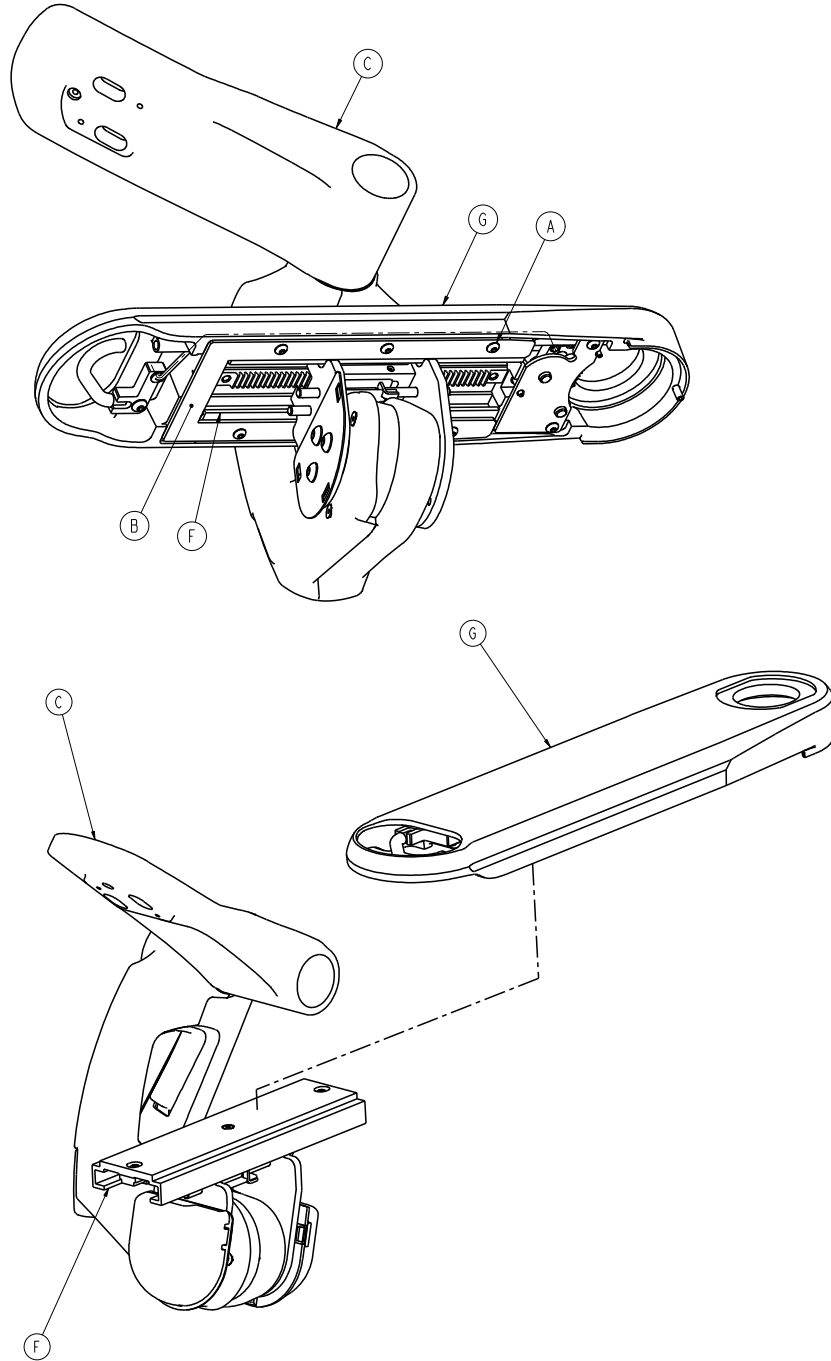


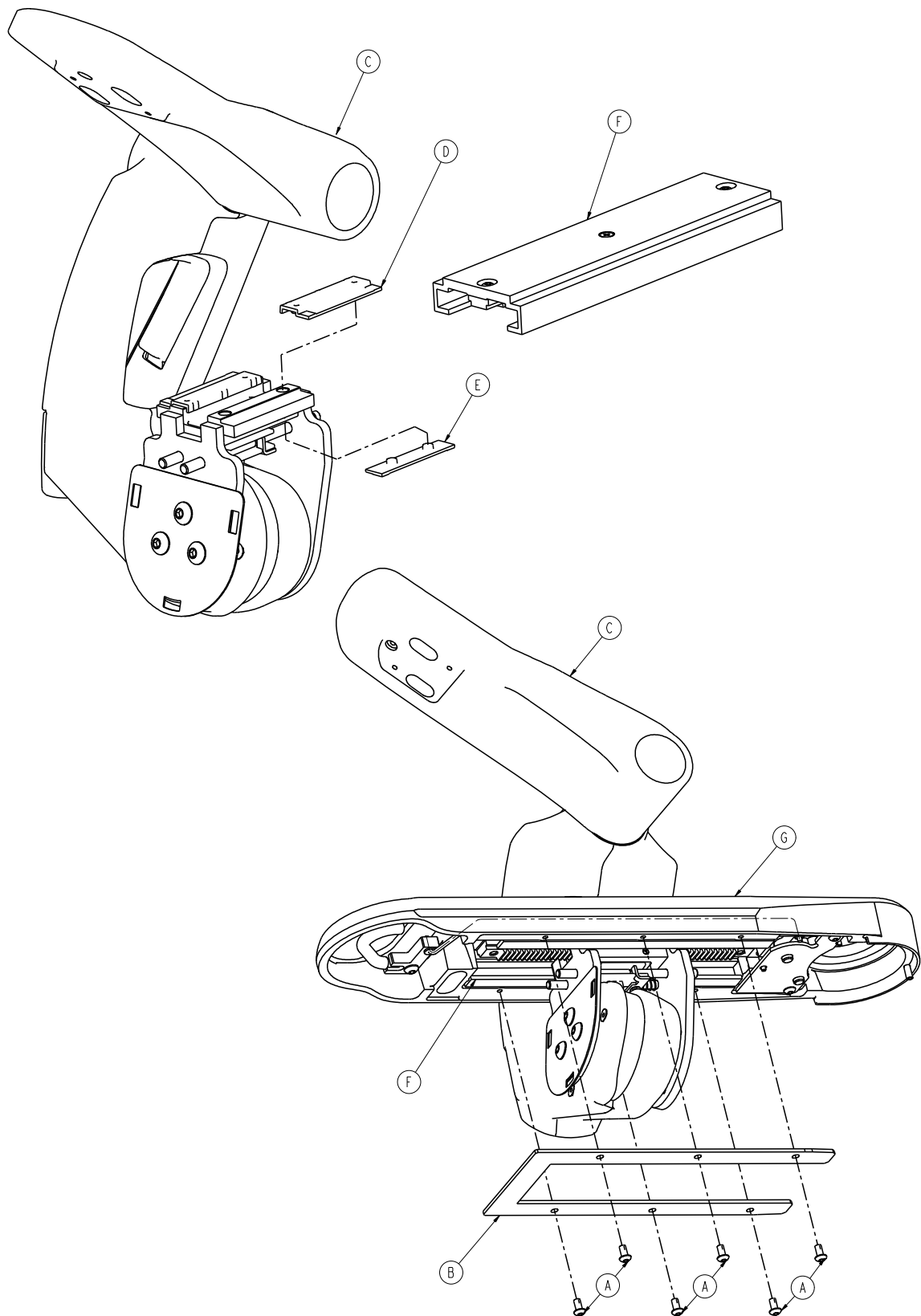
Item	Number	Name	Quantity
A	0004-375-000	Button head cap screw	6
B	4701-040-051	Bottom abduction cover	1
C	4701-040-070	<i>Upright assembly, left</i> (page 164)	1
D	4701-040-106	Top translation plate	2
E	4701-040-107	Bottom translation plate	2
F	4701-040-130	<i>Foot abduction extrusion assembly</i> (page 174)	1
G	4701-040-165 or 4701-140-165	<i>Abduction assembly, left</i> (page 177)	1

# Foot positioning subassembly, right

4701-040-220 Rev A (Reference only)

4701-140-220 Rev A (Reference only)



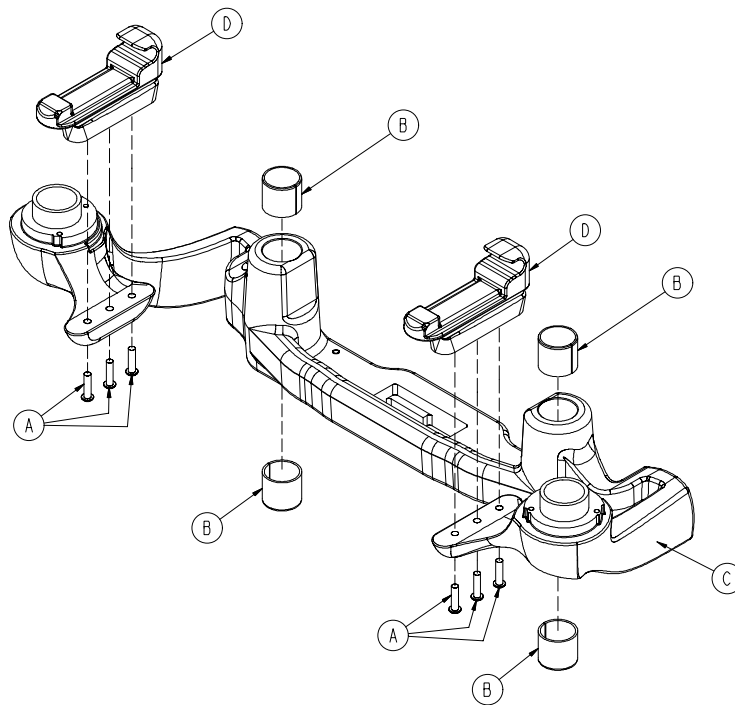


Item	Number	Name	Quantity
A	0004-375-000	Button head cap screw	6
B	4701-040-051	Bottom abduction cover	1

Item	Number	Name	Quantity
C	4701-040-060	<i>Upright assembly, right</i> (page 166)	1
D	4701-040-106	Top translation plate	2
E	4701-040-107	Bottom translation plate	2
F	4701-040-130	<i>Foot abduction extrusion assembly</i> (page 174)	1
G	4701-040-170 or 4701-140-170	<i>Abduction assembly, right</i> (page 178)	1

# Foot lift casting subassembly

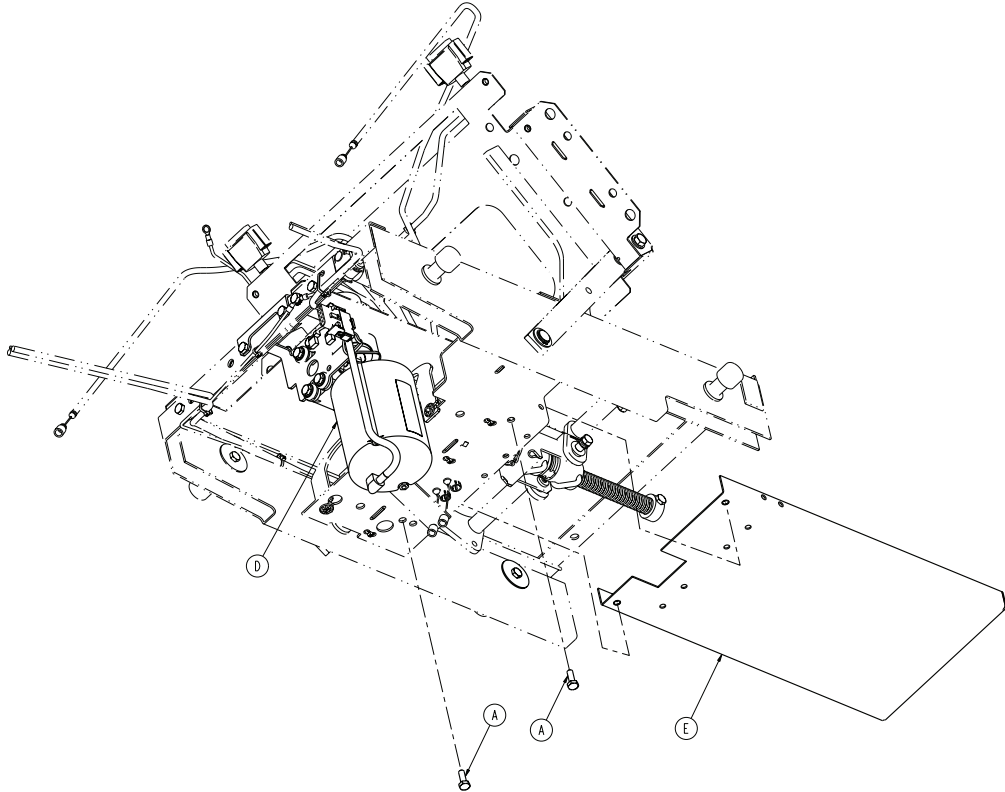
4701-040-205 Rev B (Reference only)



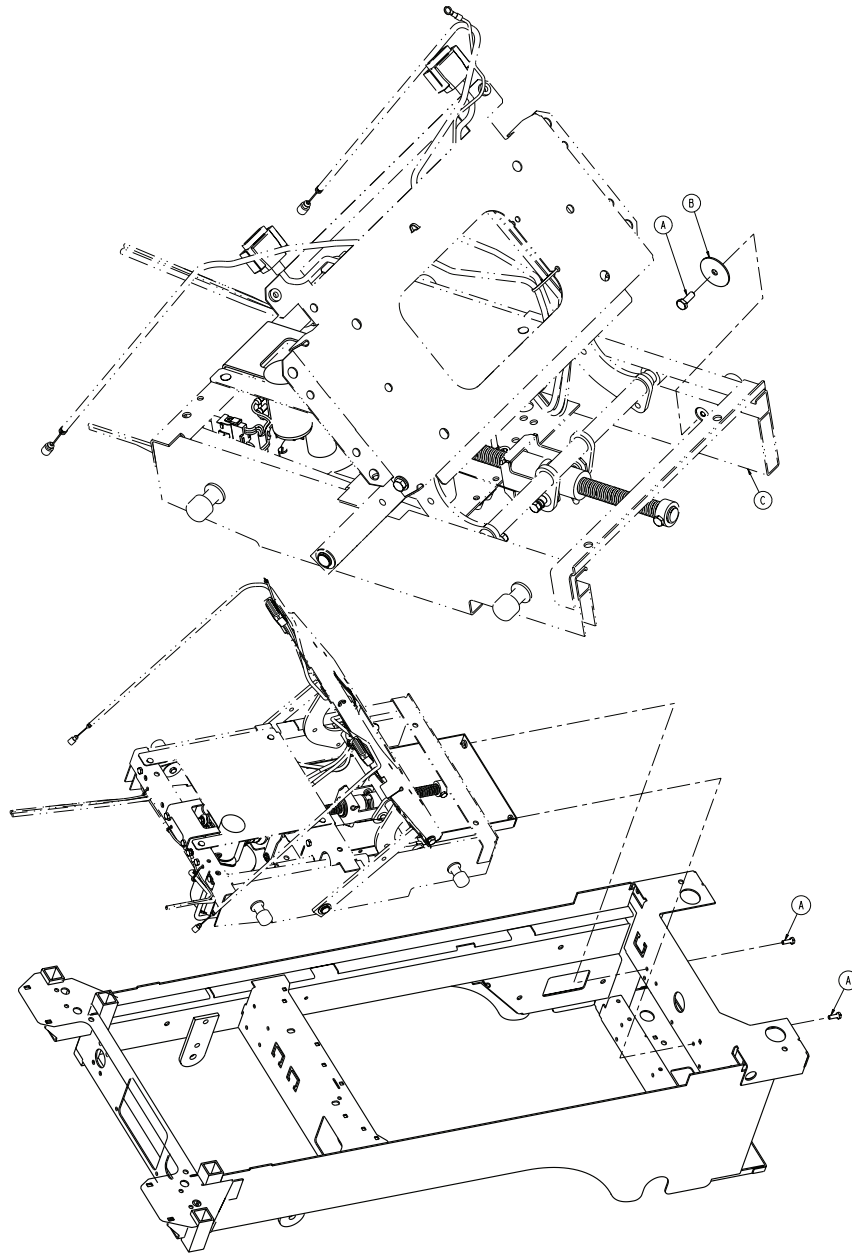
Item	Number	Name	Quantity
A	0004-440-000	Button head cap screw	6
B	0011-538-000	Split tube bushing	4
C	4701-040-002	Foot lift casting	1
D	4701-040-108	Foot section mount casting	2

# Non-Skoocher assembly option - 4701-035-050/4712-035-050

Rev C/ Rev B (Reference only)



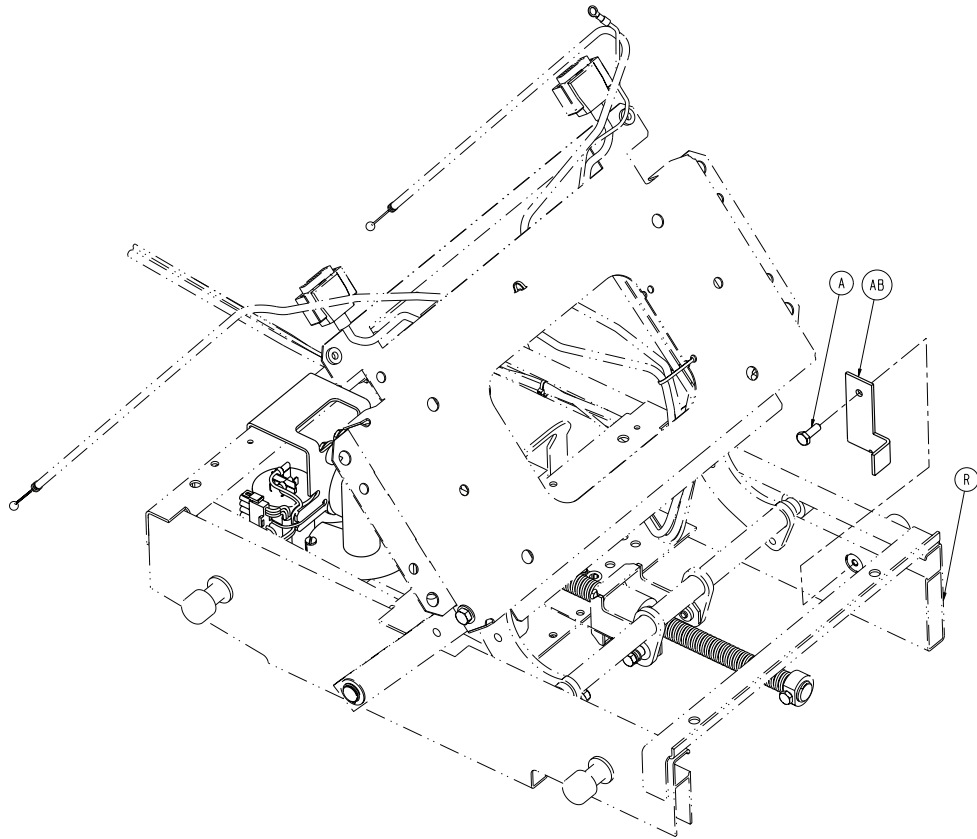


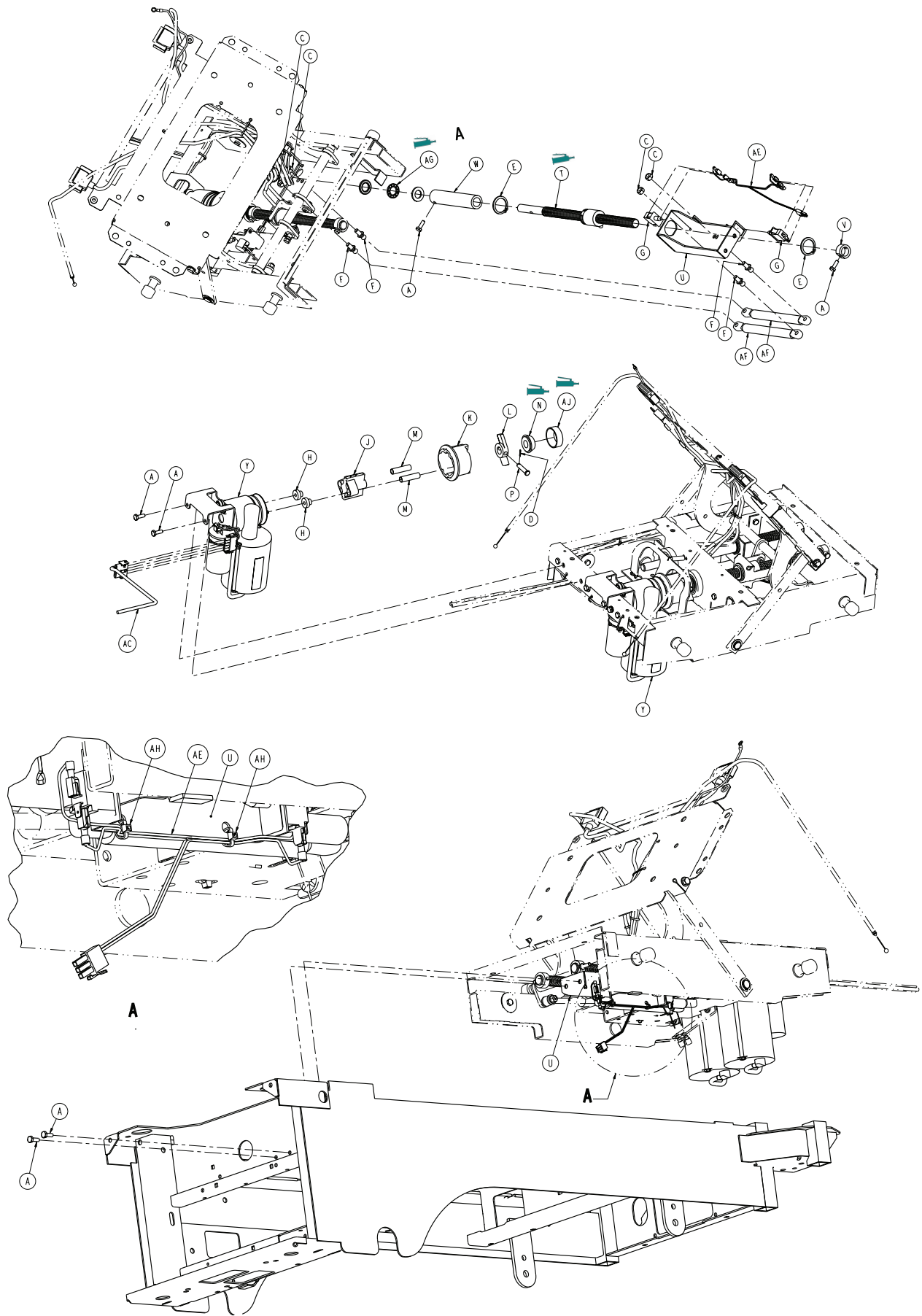


Item	Number	Name	Quantity
A	0003-214-000	Hex head cap screw	5
B	0011-445-000	Washer	1
C	4701-035-000	Scoocher standard components	1
D	4701-035-040 or 4712-035-040	Scoocher motor assembly	1
E	4701-035-046	Non-Scoocher support	1
F	4701-080-028	Non-Scoocher jumper cable	1

# Skoocher assembly option - 4701-035-100/4712-035-100

Rev G/Rev F (Reference only)

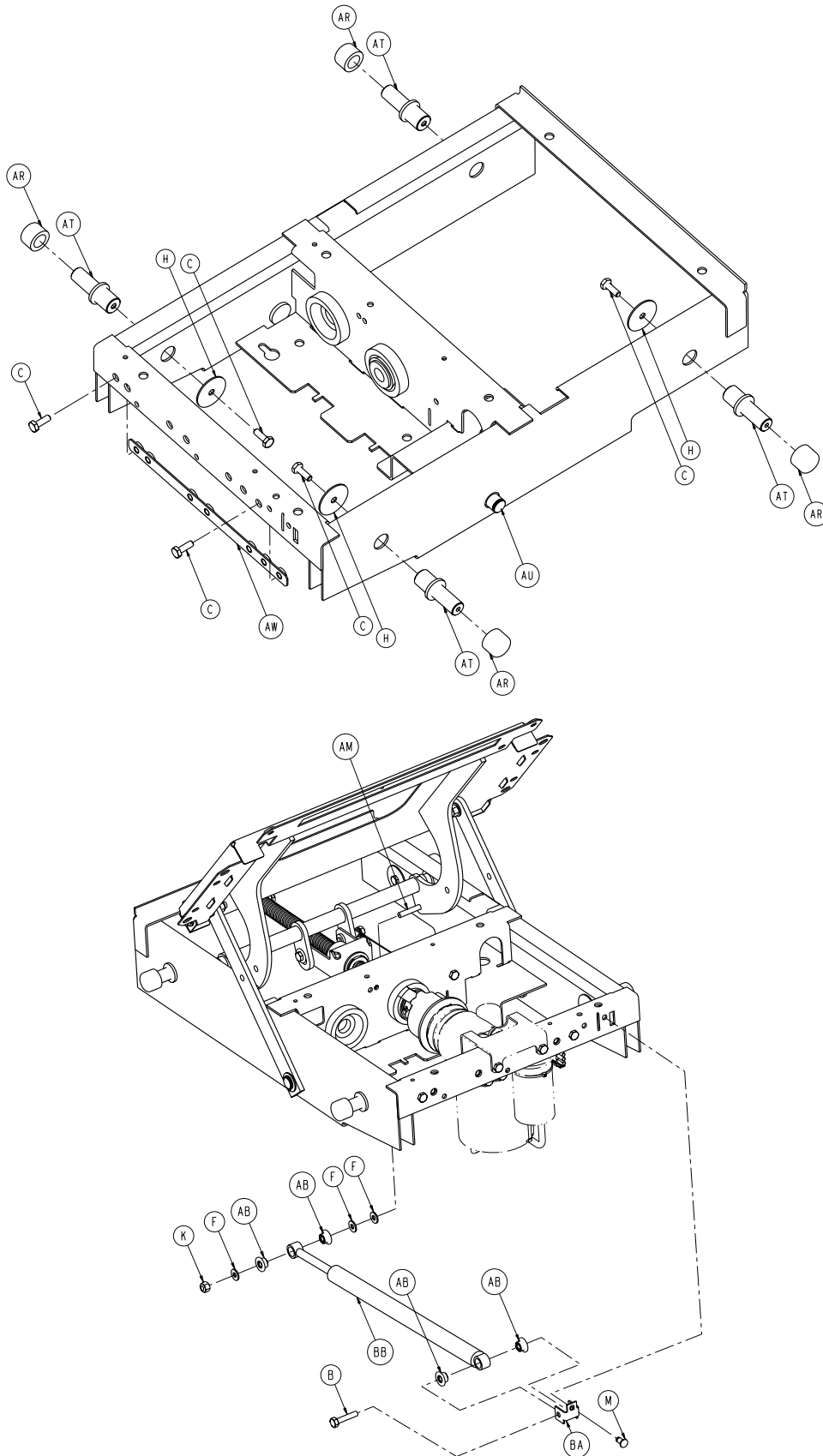


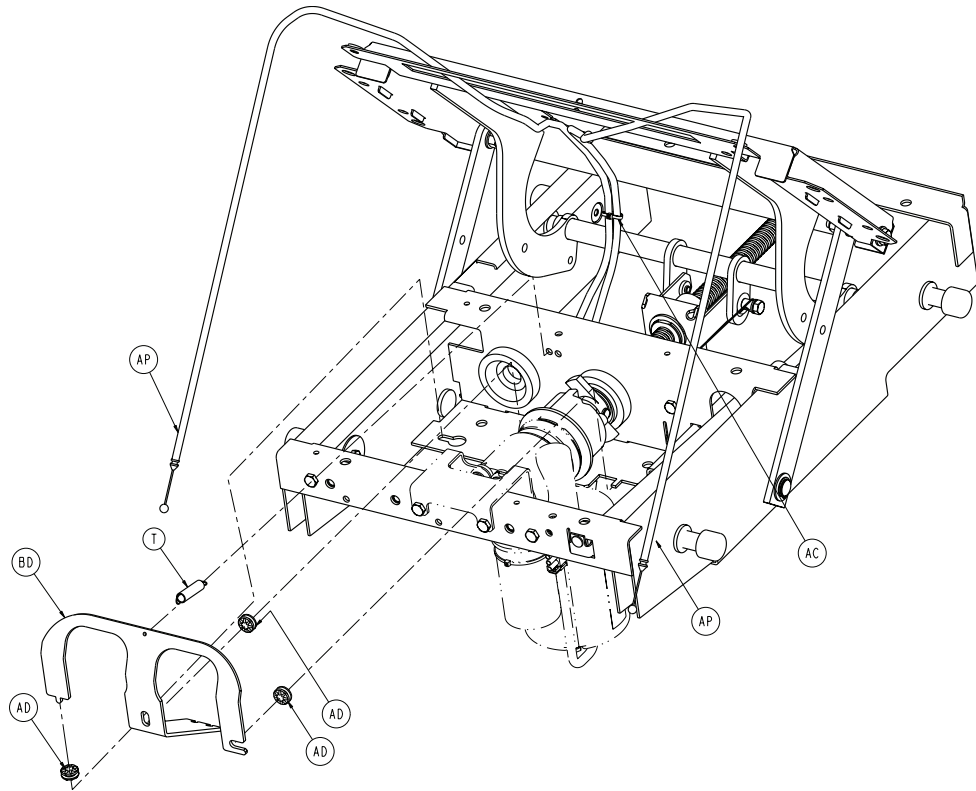


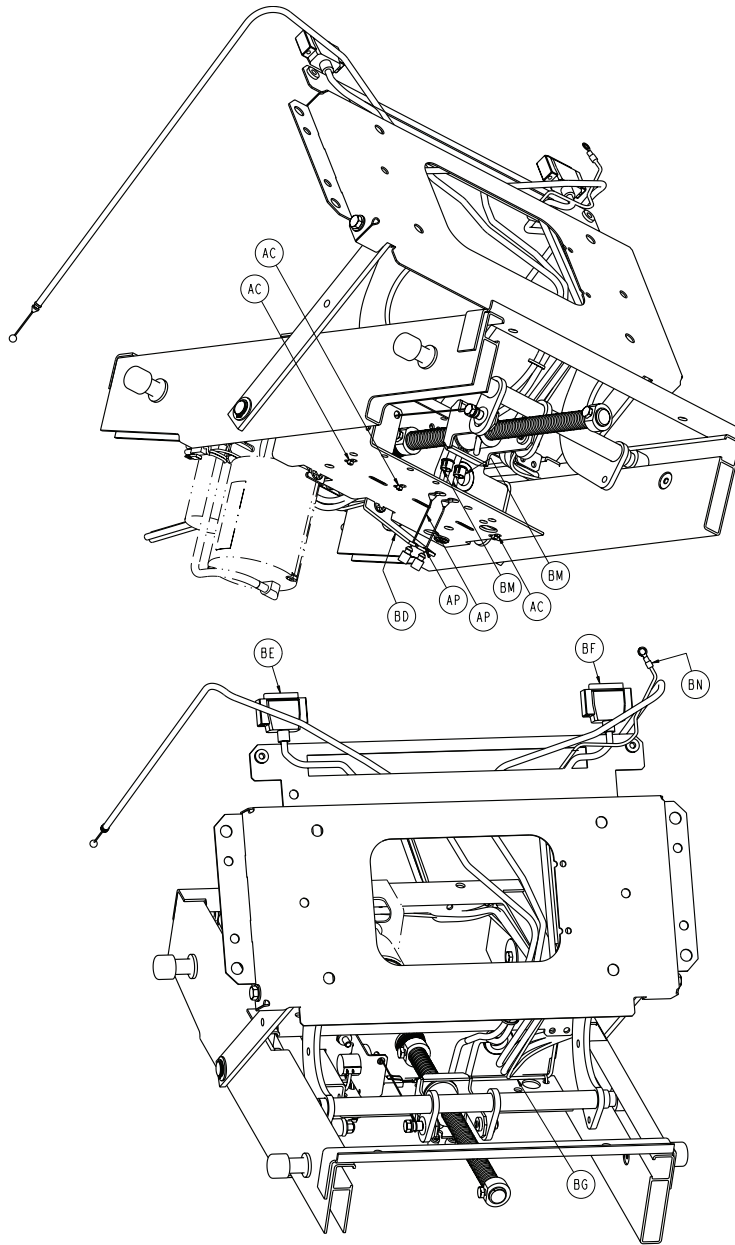
Item	Number	Name	Quantity
A	0003-214-000	Hex head cap screw	7
C	0016-036-000	Nylock hex nut	4
D	0027-017-000	Cotter pin	1
E	0028-120-000	Retaining ring	2
F	1550-031-002	Thread end fitting	4
G	3000-300-058	Cherry switch	2
H	3000-300-455	CPR isolation bushing	2
J	3000-300-456	CPR isolator	1
K	3000-300-461	CPR decoupler	1
L	3000-300-462	CPR wing	1
M	3000-300-464	Spring	2
N	3000-300-444	CPR tapered bearing	1
P	3000-300-473	Clevis pin	1
R	4701-035-000	Skoocher standard components	1
T	4701-035-012	Ball screw	1
U	4701-035-030	Adapter bracket assembly	1
V	5000-030-255	Thrust collar	1
W	4701-035-023	Skoocher back hard stop	1
Y	4712-035-040	Skoocher motor assembly	2
AB	4701-035-042	Limit arm	1
AC	4701-080-014	Motor extension cable	1
AE	4701-080-016	Limits cable	1
AF	5000-030-213	Gas spring	2
AG	4701-035-047	Ball thrust bearing	1
AH	0059-086-000	Nylon cable tie	2
AJ	3000-300-471	CPR tapered bearing housing	1

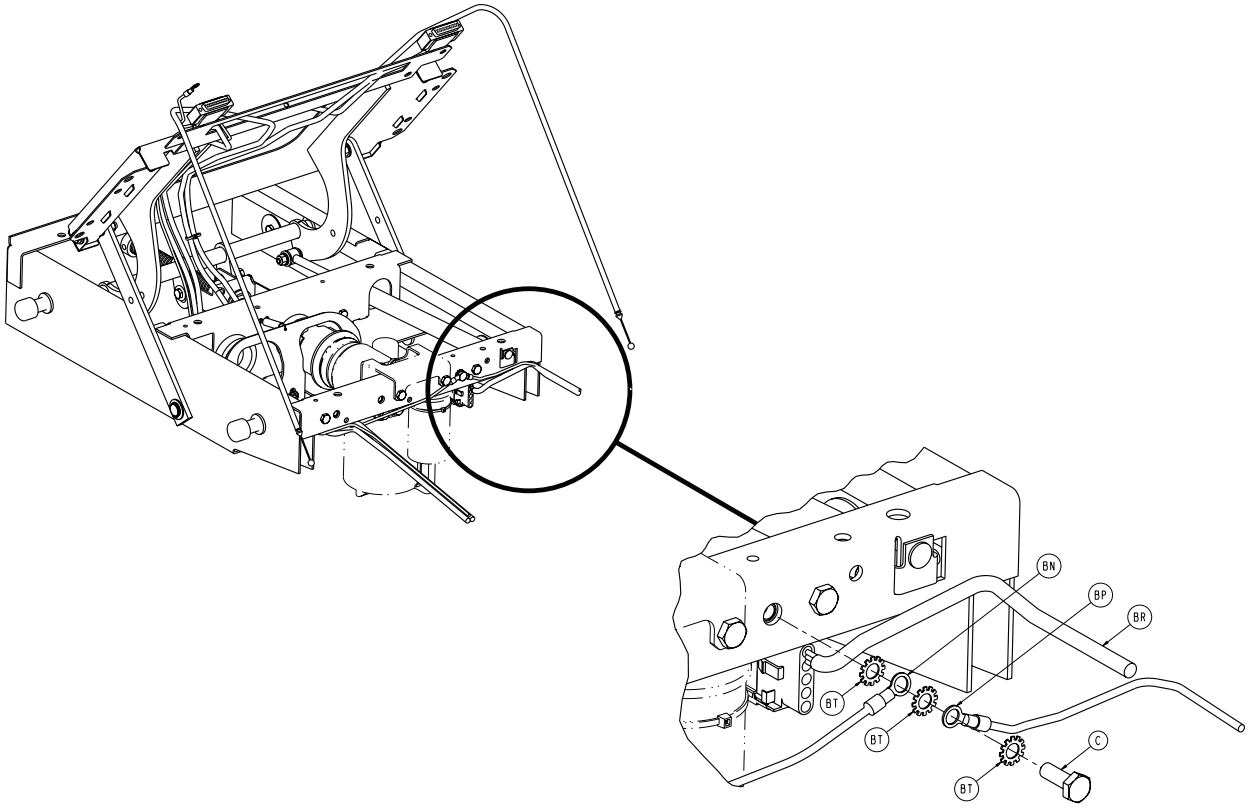
# Fowler guide/Skoocher standard components

4701-035-000 Rev F (Reference only)

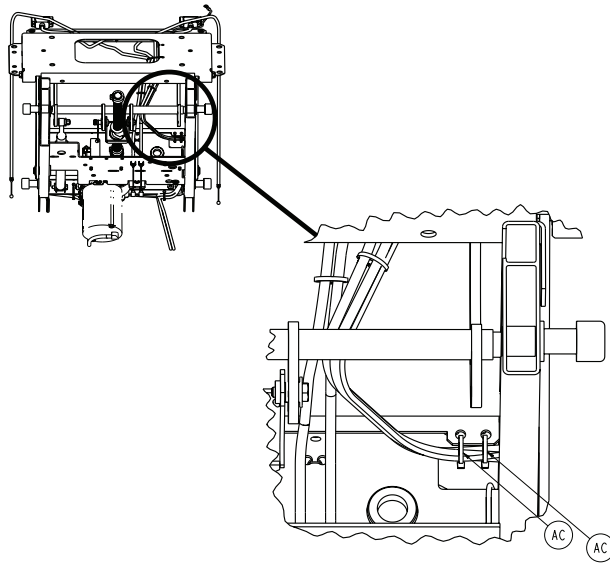
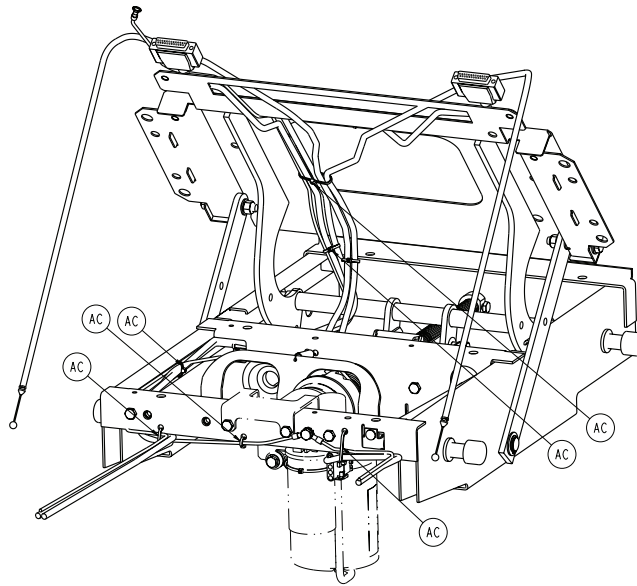


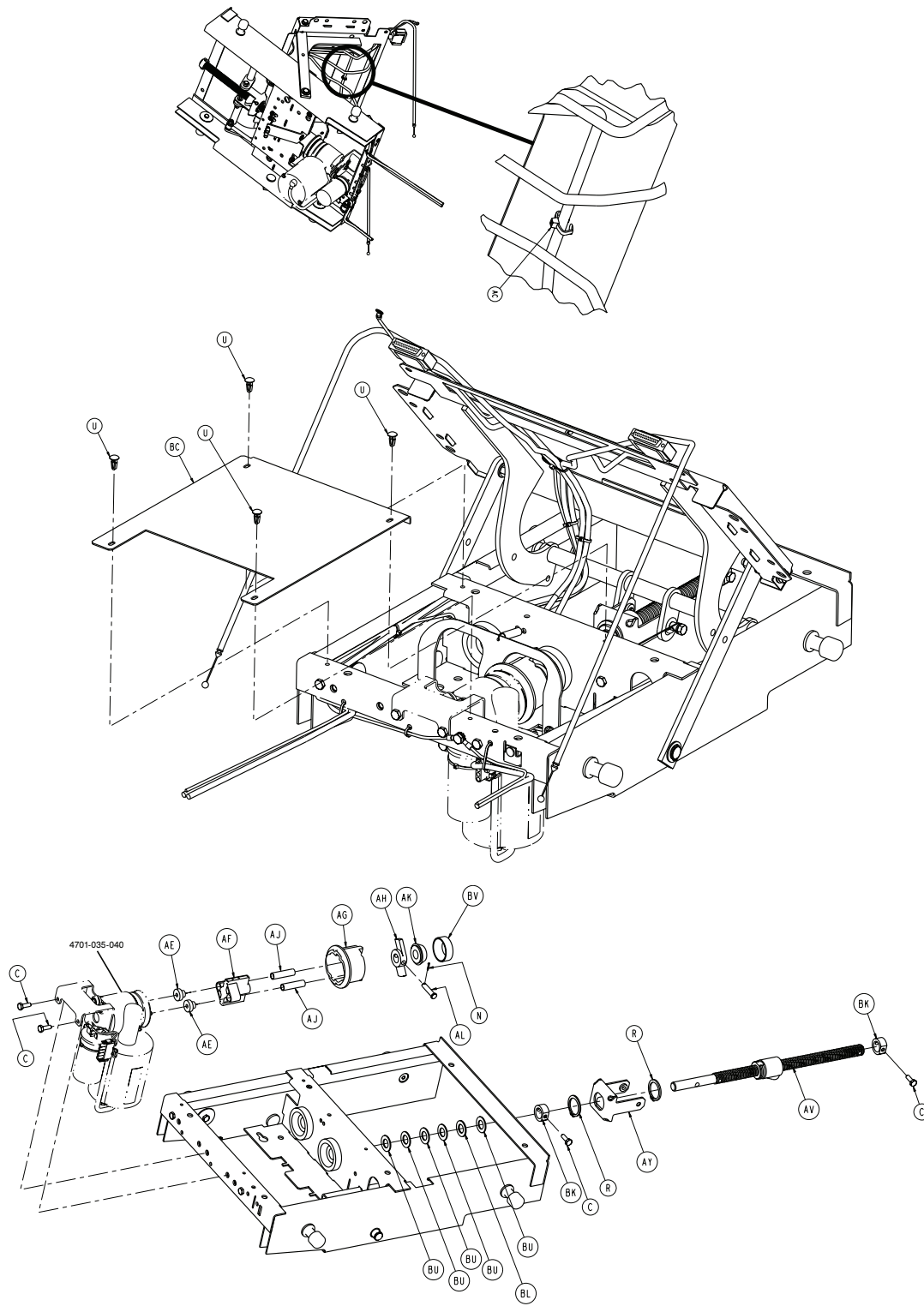


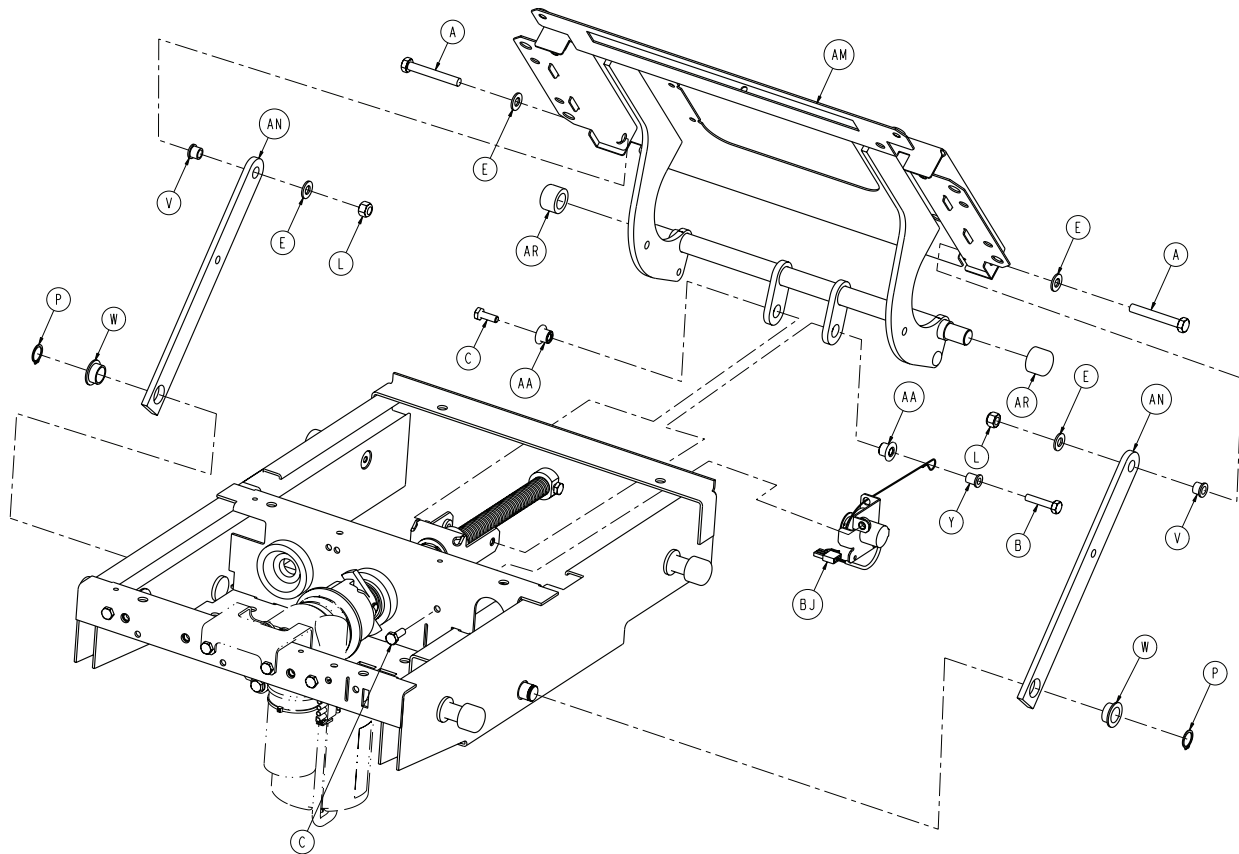












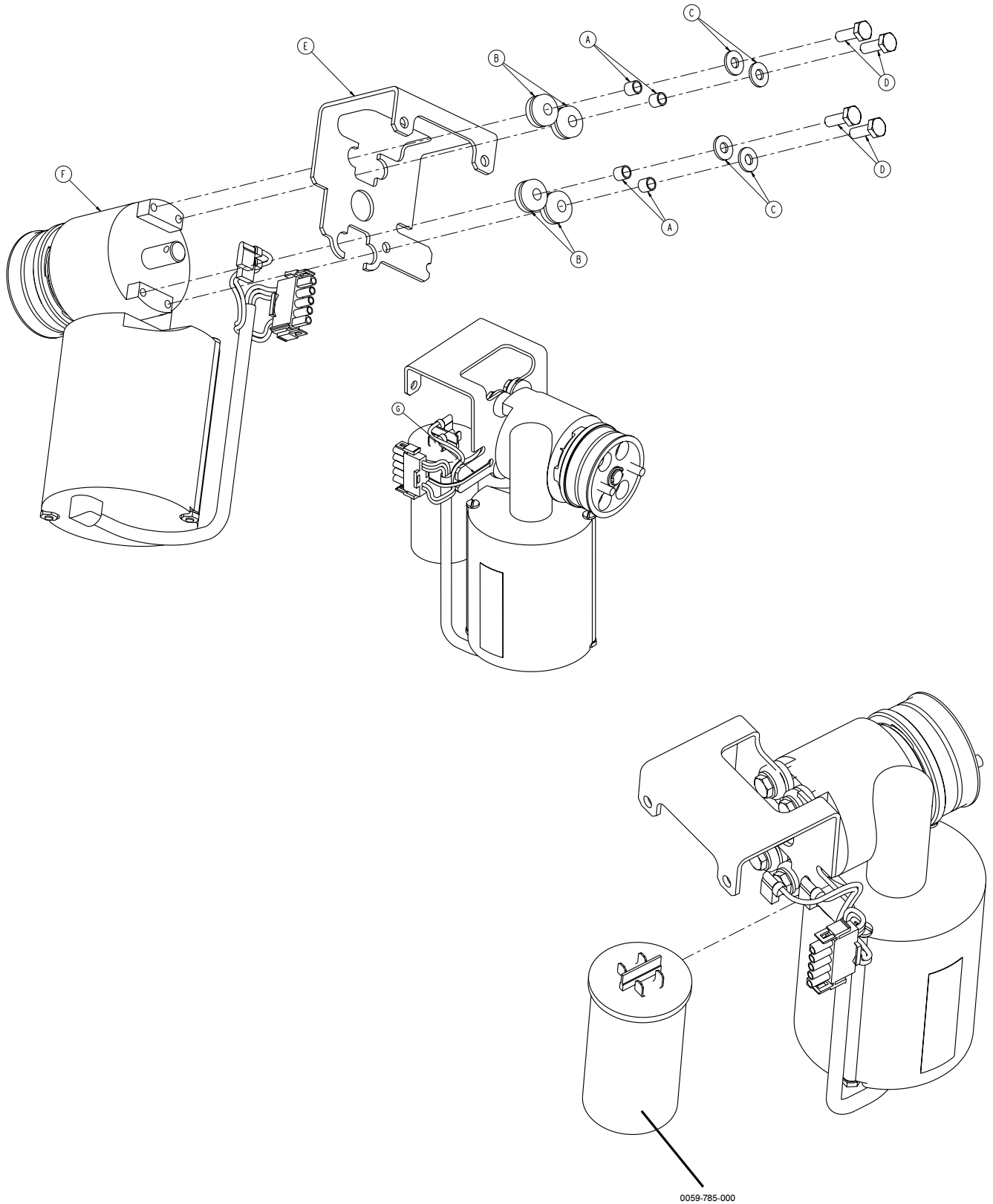
Item	Number	Name	Quantity
A	0003-062-000	Hex head cap screw	2
B	0003-074-000	Hex head cap screw	2
C	0003-214-000	Hex head cap screw	12
E	0011-003-000	Washer	4
F	0011-063-000	Washer	3
H	0011-445-000	Washer	3
K	0016-028-000	Hex nut	1
L	0016-036-000	Nylock hex nut	2
M	0025-120-000	Rivet	1
N	0027-017-000	Cotter pin	1
P	0028-023-000	External retaining ring	2
R	0028-120-000	Retaining ring	2
T	0038-404-000	Extension spring	1
U	0052-904-000	Drive fastener	4
V	0081-222-000	Flange bearing	2
W	0081-404-000	Flange bearing	2
Y	0052-818-000	Flange bearing	1

Item	Number	Name	Quantity
AA	3000-300-001	Litter pivot bushing	2
AB	3000-300-099	Flange bushing	4
AC	0059-086-000	Cable tie	13
AD	3000-300-442	Fowler drive grommet	3
AE	3000-300-455	CPR isolation bushing	2
AF	3000-300-456	CPR isolator	1
AG	3000-300-461	CPR decoupler	1
AH	3000-300-462	CPR wing	1
AJ	3000-300-464	Spring	2
AK	3000-300-444	CPR tapered bearing	1
AL	3000-300-473	Clevis pin	1
AM	4701-030-120	Fowler guide weldment	1
AN	4701-030-122	Fowler link	2
AP	4701-030-163	CPR cable assembly	2
AR	4701-035-003	Cap	6
AT	4701-035-005	Skoocher slide pin	4
AU	4701-035-010	Skoocher weldment	1
AV	4701-035-012	Ball screw	1
AW	4701-035-016	Motor mount nut bracket	1
AY	4701-035-017	Fowler nut box	1
BA	4701-035-020	Dampener mount	1
BB	4701-035-027	Fowler dampener	1
BC	4701-035-044	Motor denial plate	1
BD	4701-035-161	Double horseshoe bracket	1
BE	4701-080-001	Siderail extension cable, right	1
BF	4701-080-002	Siderail extension cable, left	1
BG	4701-080-013	Cable, Fowler pot extension	1
BJ	4701-080-025	Transducer assembly	1
BK	5000-030-255	Thrust collar	2
BL	3000-300-466	Thrust bearing	1
BM	0030-052-000	Snap bushing	2
BN	4701-080-027	44" ground cable	1
BP	4701-080-018	10" ground cable	1

<b>Item</b>	<b>Number</b>	<b>Name</b>	<b>Quantity</b>
BR	4701-080-015	Fowler motor external cable	1
BT	0013-010-000	External tooth lock washer	3
BU	0014-083-000	Flat thrust washer	5
BV	3000-300-471	CPR tapered bearing housing	1

# Skoocher motor assembly

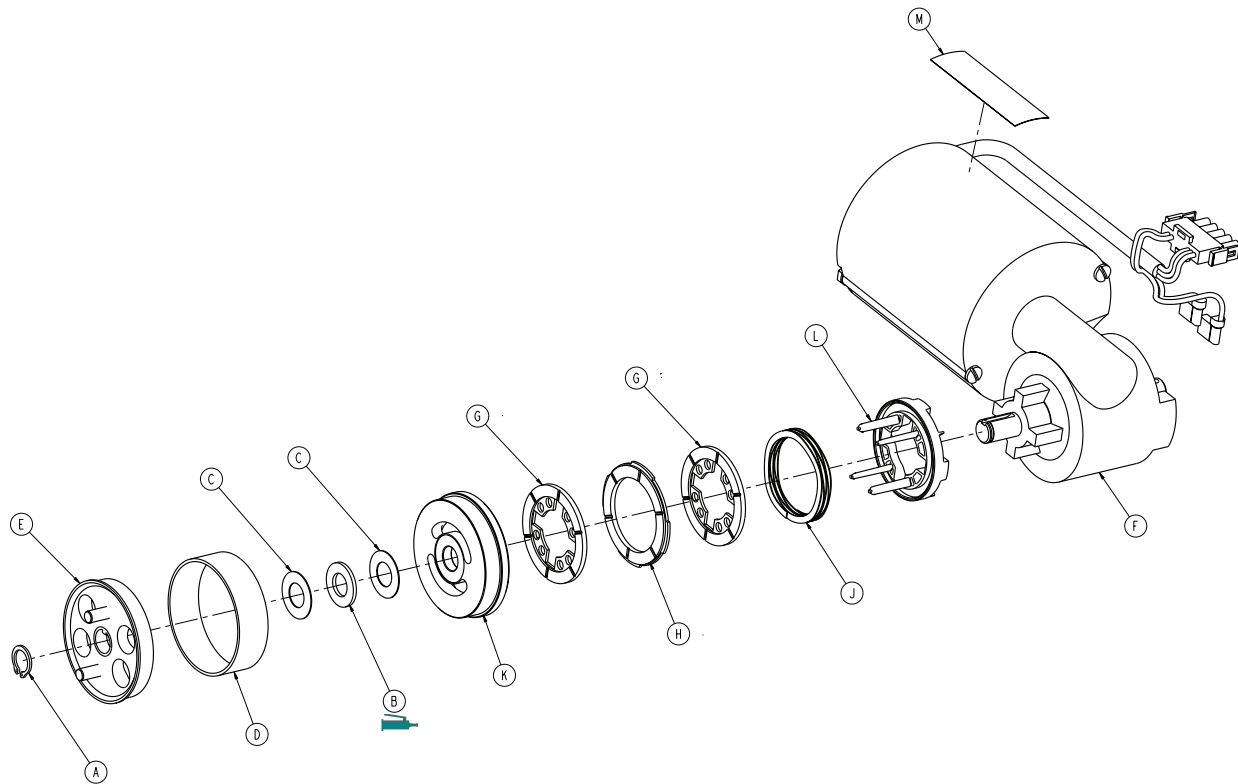
4701-035-040 Rev D/4712-035-040 Rev D (Reference only)



Item	Number	Name	Quantity
A	0715-001-333	Stop sleeve	4
B	0030-053-000	Isolator grommet	4
C	0011-063-000	Washer	4
D	0003-214-000	Hex head cap screw	4
E	4701-035-036	Fowler mount bracket	1
F	3006-300-705 or 4712-035-045	Fowler actuator assembly	1
G	0059-086-000	Nylon cable tie	1

# Fowler motor with clutch, 110V

4701-035-035 Rev B (Reference only)



Item	Number	Name	Quantity
A	0028-131-212	Retaining ring, external heavy duty	1
B	0080-212-000	Thrust needle roller bearing	1
C	3000-200-224	Thrust washer, idler gear	2
D	3000-300-465	CPR, clutch spring	1
E	3001-300-455	Assembly, CPR coupler	1
F	3001-300-472	Fowler motor	1
G	3001-300-551	Stator - brake	2
H	3001-300-552	CPR, disk brake	1
J	3001-300-563	CPR, brake spring	1
K	3001-300-569	Brake cup	1
L	3001-300-570	CPR, spring cup	1
M	4701-090-056	Label, grounding danger	1

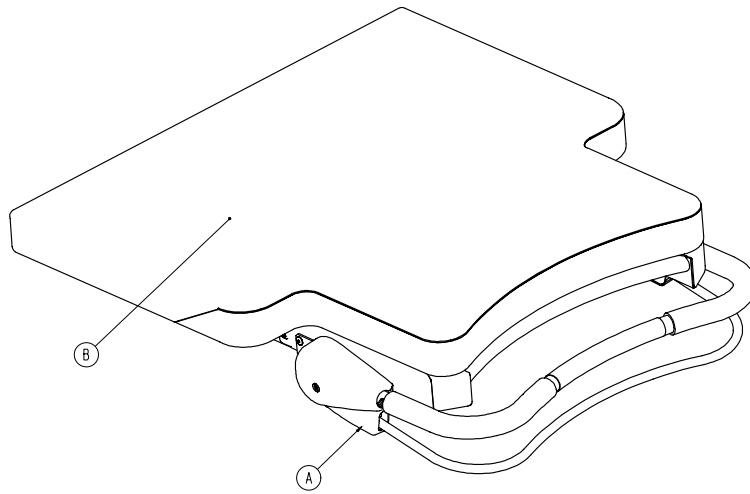


# Foot section assembly

4701-040-240 Rev A (Reference only)

4701-140-240 Rev A (Reference only)

4701-140-245 Rev A (Reference only)



## 4701-040-240

Item	Number	Name	Quantity
A	4701-040-005	Foot section standard components	1
B	4701-045-005	Foot mattress	1

## 4701-140-240

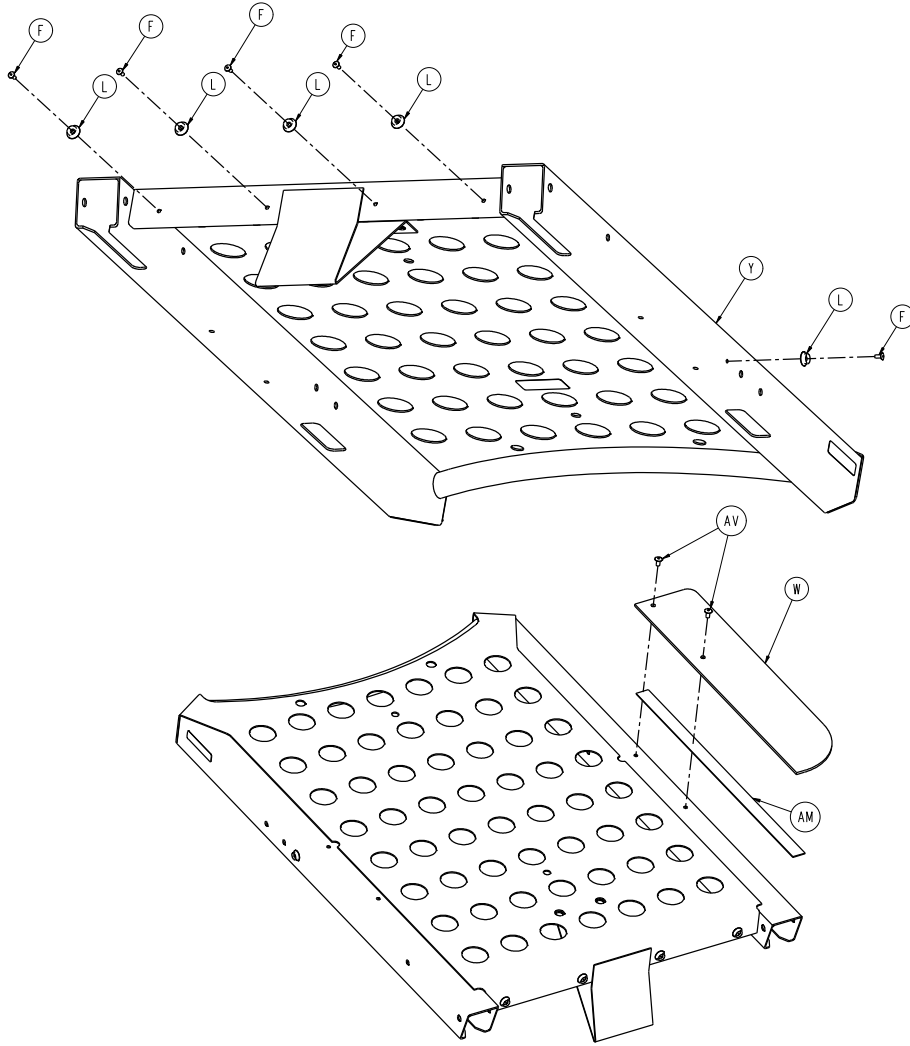
Item	Number	Name	Quantity
A	4701-140-005	Foot section standard components	1
B	4701-045-005	Foot mattress	1

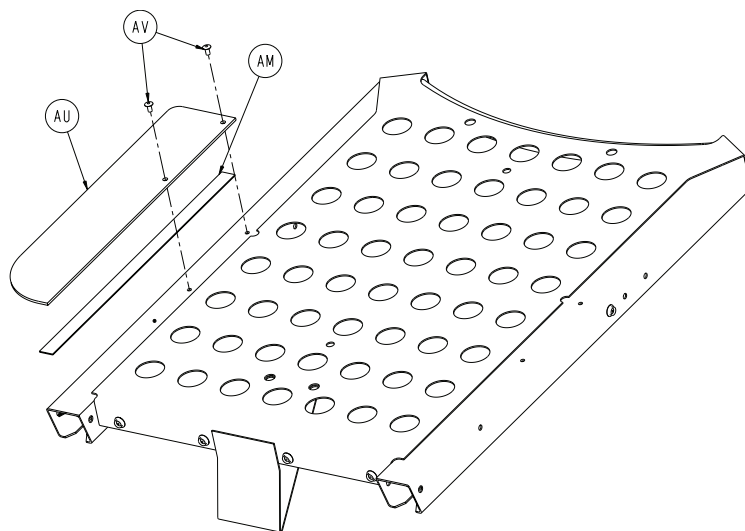
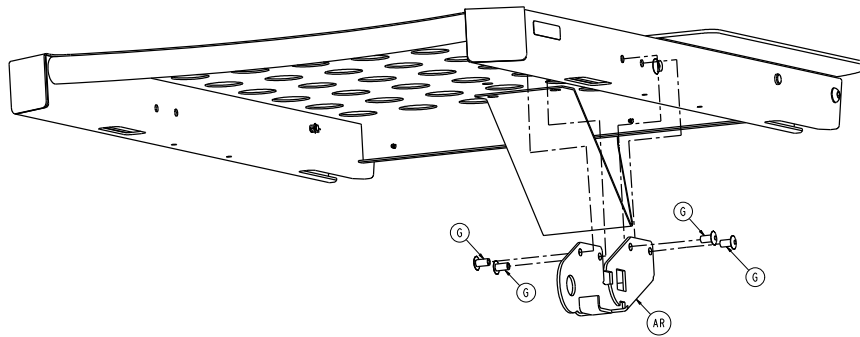
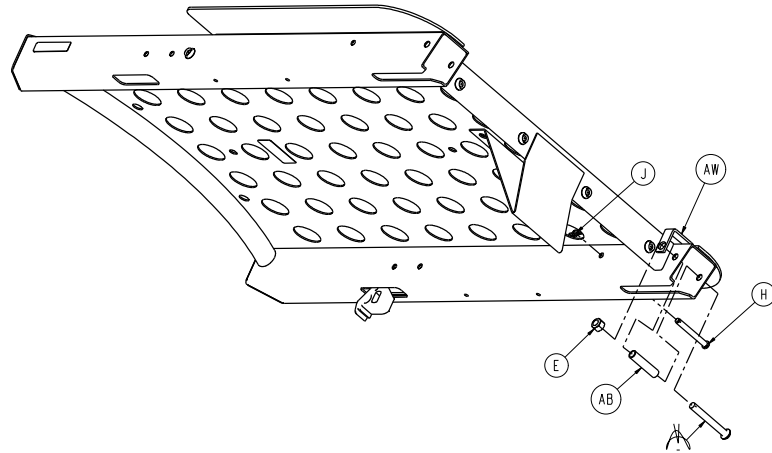
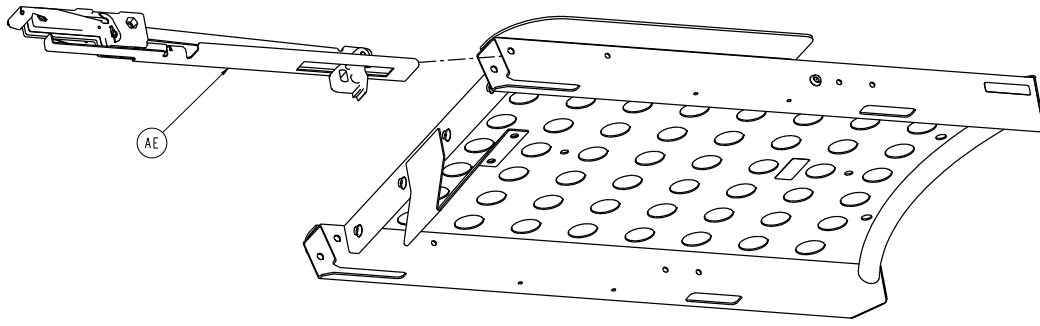
## 4701-140-245

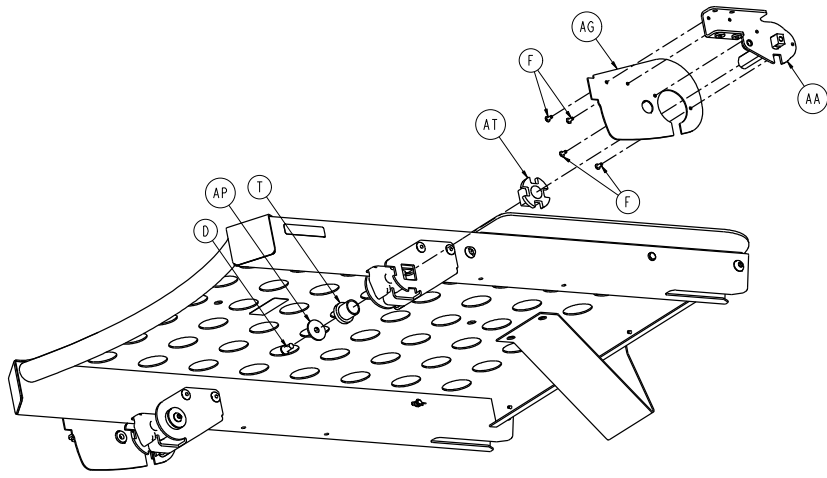
Item	Number	Name	Quantity
A	4701-140-005	Foot section standard components	1
B	4701-045-015	Foot mattress with flame barrier	1

# Foot section standard components

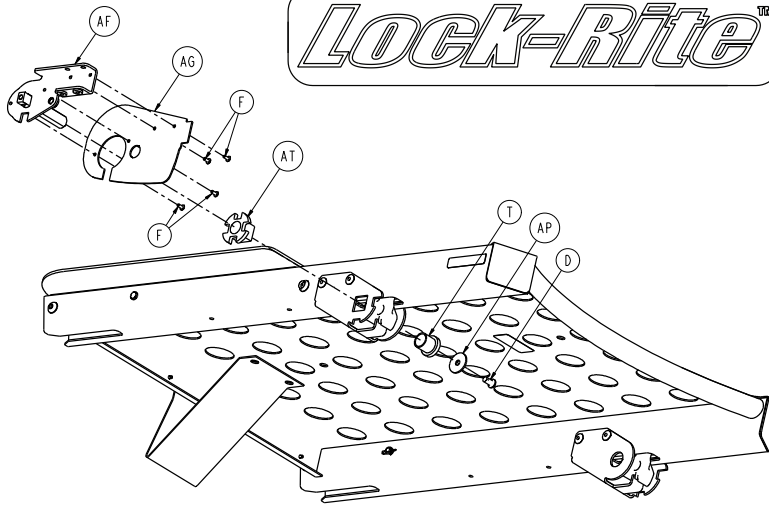
4701-040-005 Rev F/4701-140-005 Rev A (Reference only)

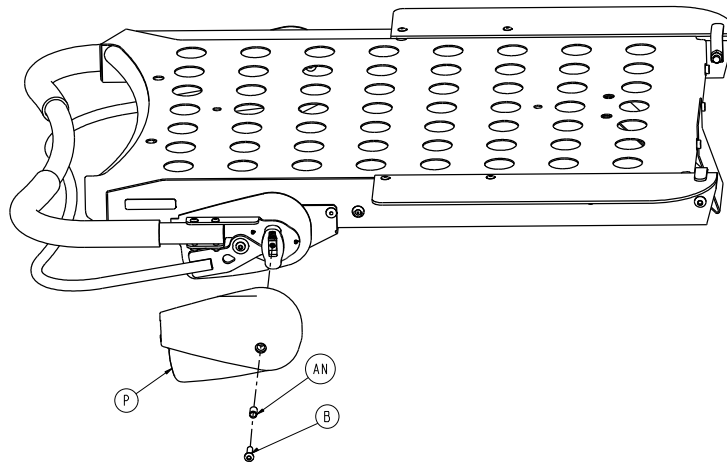
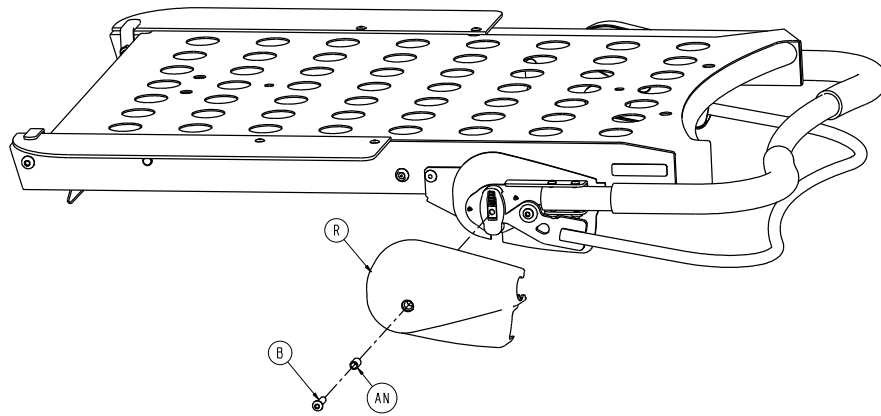
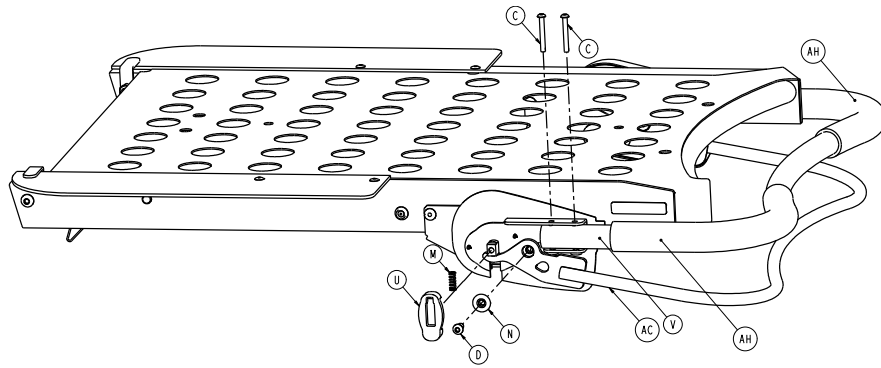


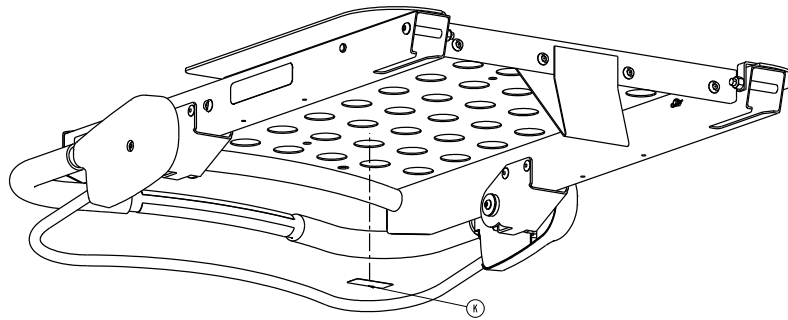
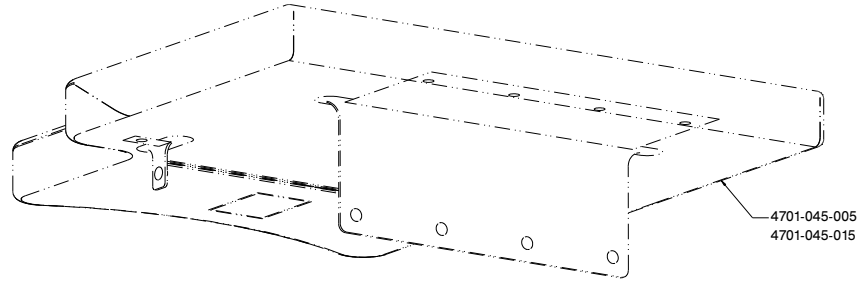
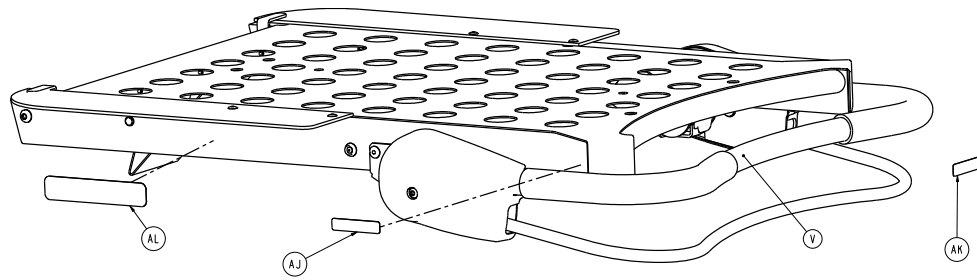




*Lock-Rite*™





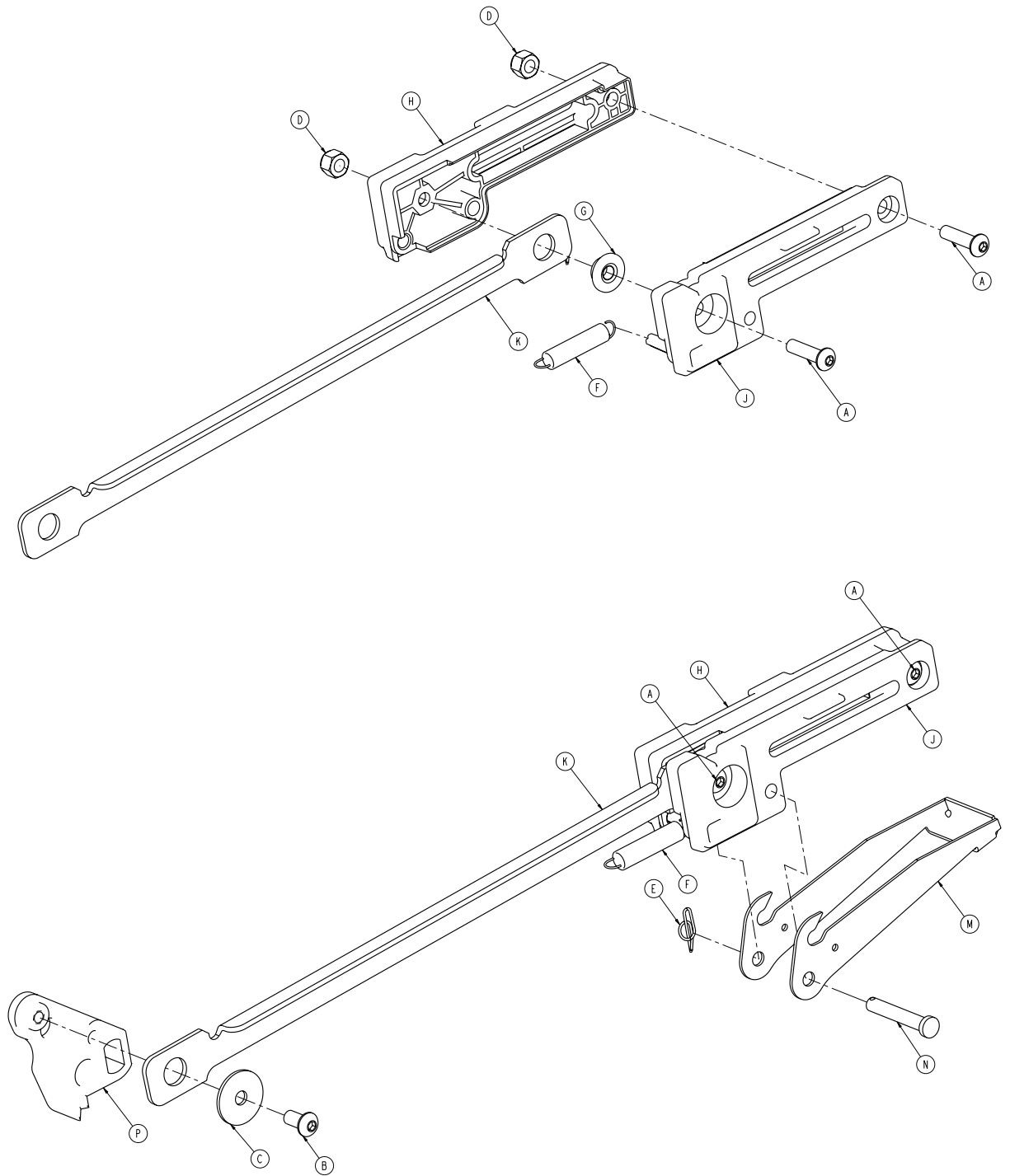


Item	Number	Name	Quantity
A	0004-512-000	Button head cap screw	2
B	0004-334-000	Button head cap screw	2
C	0004-314-000	Button head cap screw	4
D	0004-325-000	Button head cap screw	2
E	0016-036-000	Nylock hex nut	2
F	0025-038-000	Dome head rivet	14
G	0025-177-000	Pop rivet	8
H	0026-334-000	Clevis pin	2
J	0027-020-000	Rue ring cotter	2
K	4701-109-981	Label, identification	1
L	0029-003-000	Brass eyelet	6
M	0038-220-000	Compression spring	2
N	0081-268-000	Bronze bushing	2
P	4701-040-003	Pivot cover, left	1
R	4701-040-004	Pivot cover, right	1

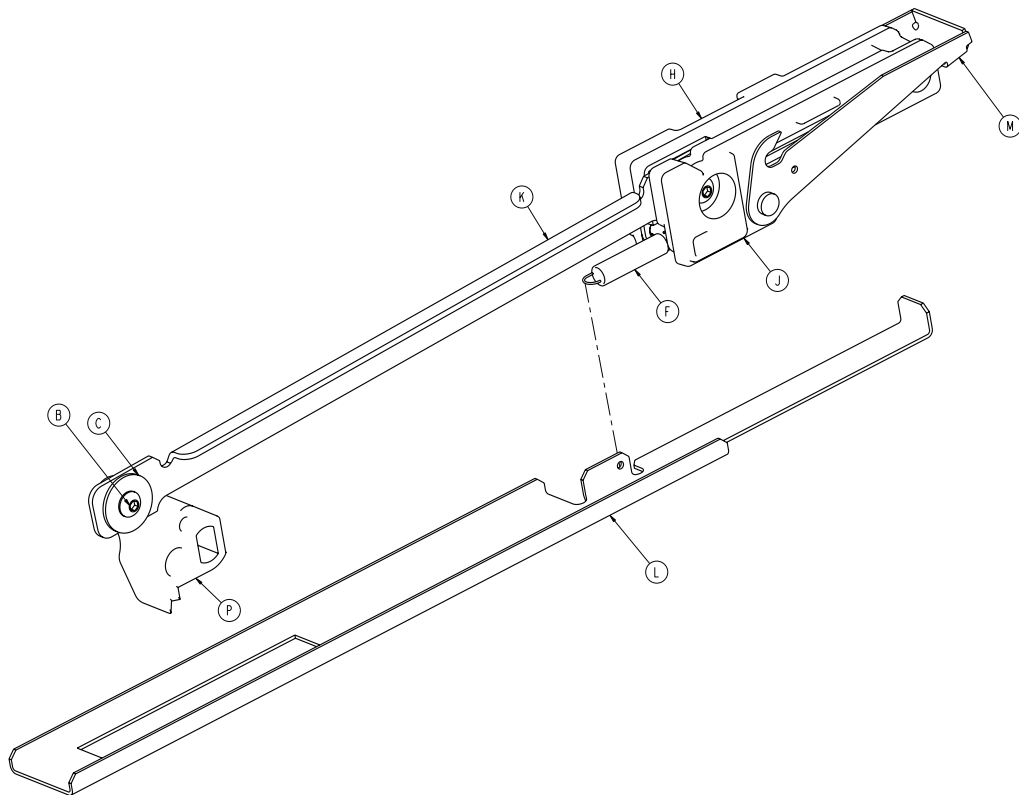
Item	Number	Name	Quantity
T	4701-040-006	Pivot bushing	2
U	4701-040-007	Pivot lock	2
V	4701-040-008	Handle tube	1
W	4701-040-009	Guide wing, right	1
Y	4701-040-010	Foot section weldment	1
AA	4701-040-015	Left pivot	1
AB	4701-040-019	Front pin spacer	2
AC	4701-040-020	Release handle	1
AD	4701-040-023	Pivot mount, right	1
AE	4701-040-025	<i>Sliding block assembly (page 152)</i>	2
AF	4701-040-040	Right pivot	1
AG	4701-040-109	Inside pivot cover	2
AH	4701-040-129	Foam grips	2
AJ	4701-109-967	International Label, foot section capacity not shown	1
AK	4701-090-042 or 4701-109-944	Label, foot section instructions	1
AL	4701-090-043	Label, lock-rite	2
AM	0044-054-000	Two-sided tape	2
AN	4701-040-162	Pivot cover spacer	2
AP	0011-053-000	Washer	2
AR	4701-040-164	Pivot mount, left	1
AT	4701-040-166	Notched pivot bushing	2
AU	4701-040-085	Guide wing left	1
AV	0025-079-000	Pop rivet	4
AW	4701-040-179	Wing bracket	2

# Sliding block assembly

4701-040-025 Rev B (Reference only)

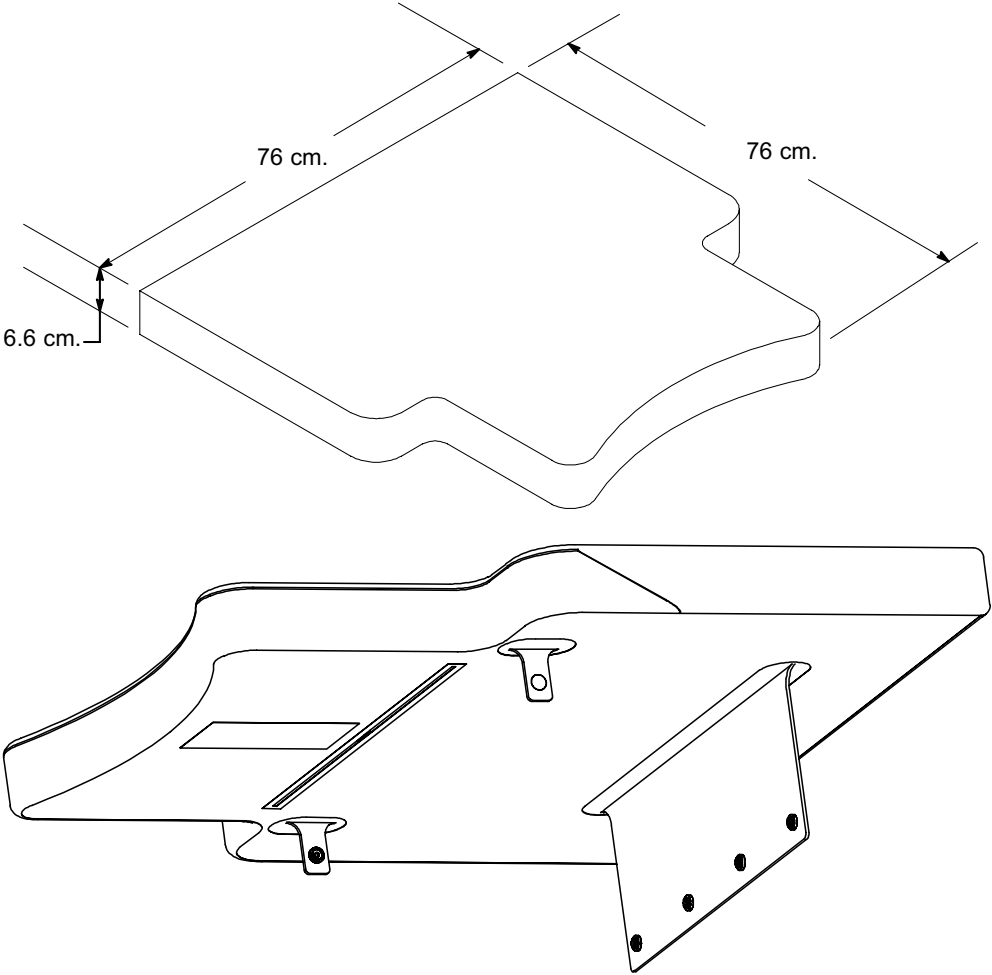






Item	Number	Name	Quantity
A	0004-334-000	Button head cap screw	2
B	0004-325-000	Button head cap screw	1
C	0011-053-000	Washer	1
D	0016-028-000	Hex nut	2
E	0027-020-000	Rue ring cotter	1
F	0038-427-000	Extension spring	1
G	0081-268-000	Bronze bushing	1
H	4701-040-026	Left sliding block	1
J	4701-040-027	Right sliding block	1
K	4701-040-028	Connecting link	1
L	4701-040-029	Sensing link	1
M	4701-040-031	Latching link	1
N	4701-040-032	Latching pin	1
P	4701-040-033	Driver link	1

# Foot mattress



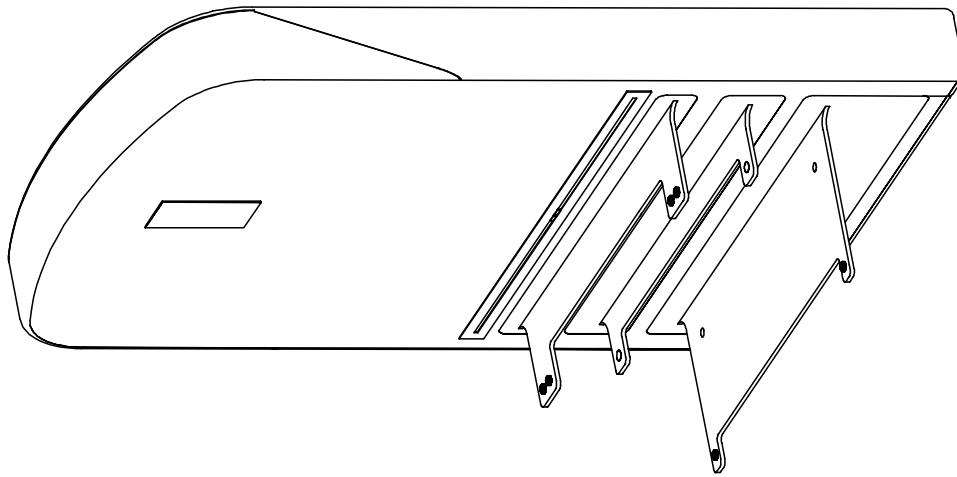
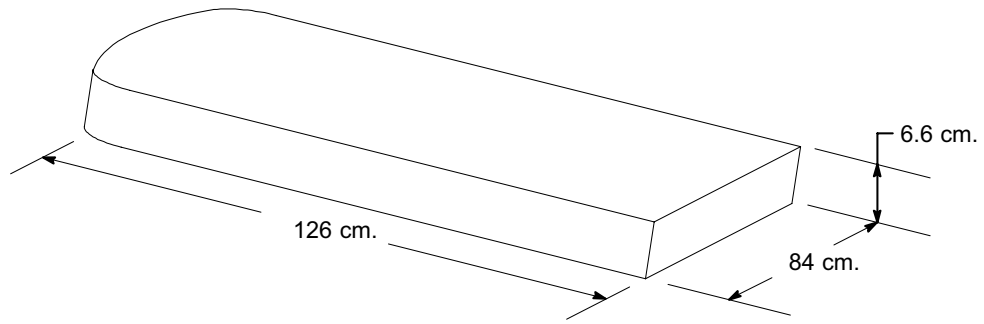
Standard mattress

4701-045-005

Flame barrier mattress option

4701-045-015

# Enhanced Comfort mattress



Standard mattress

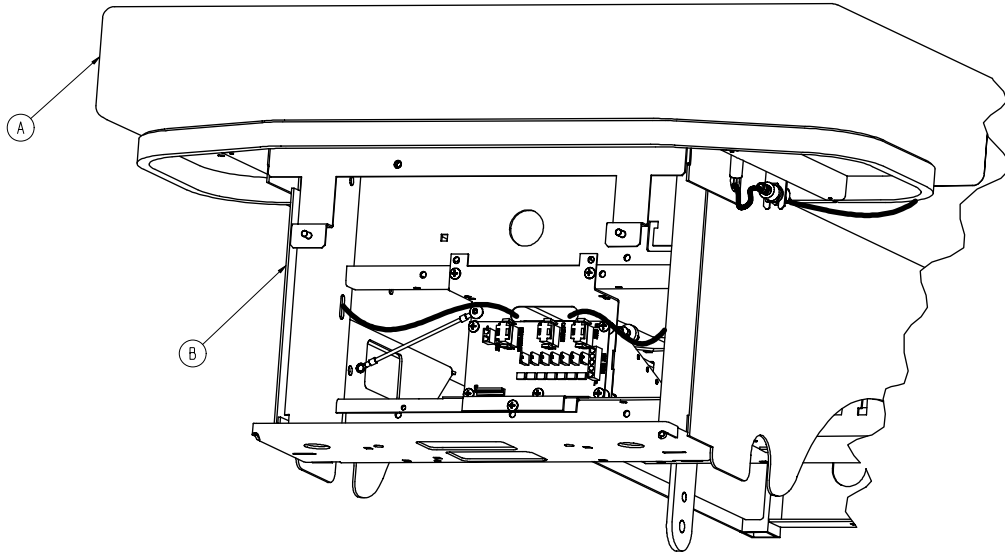
4701-045-000

Flame barrier mattress option

4701-045-010

# Enhanced Comfort mattress option - 4701-045-105/4701-045-110

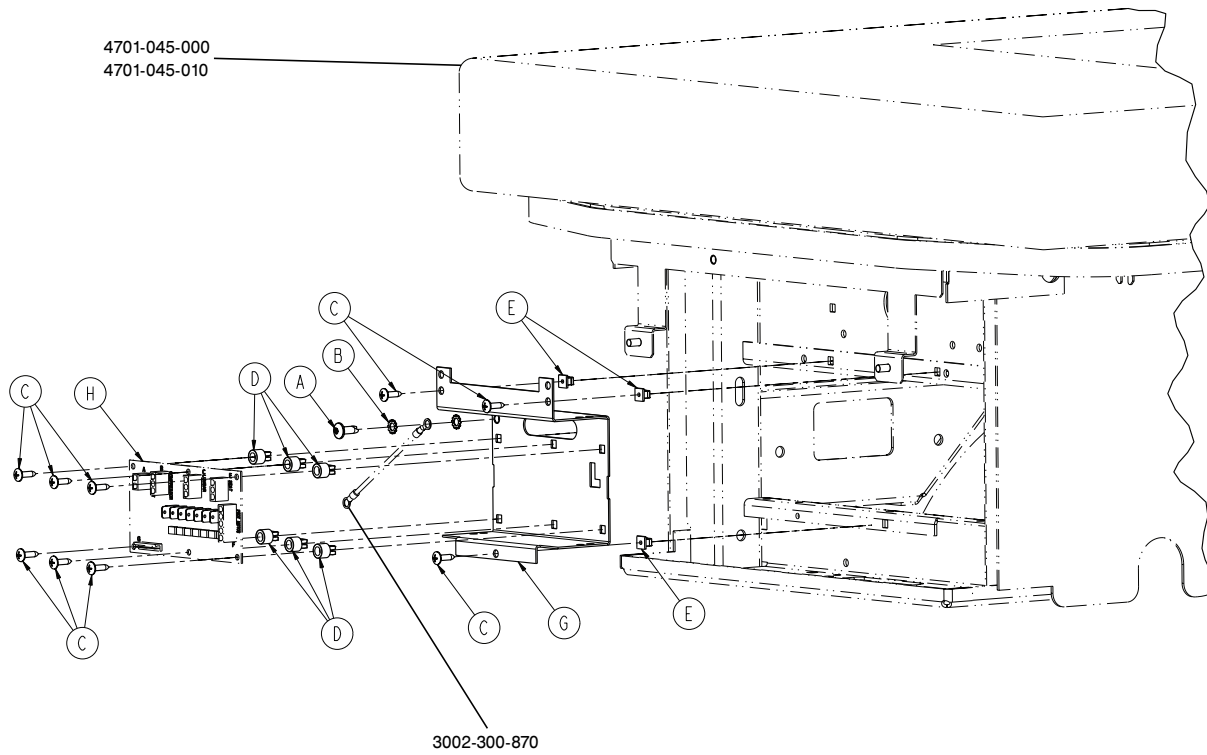
Rev A/Rev A (Reference only)



Item	Number	Name	Quantity
A	4701-045-000	Mattress	1
	4701-045-010	Mattress with flame barrier	
B	4701-045-100	<i>Enhanced Comfort mattress standard components (page 157)</i>	1

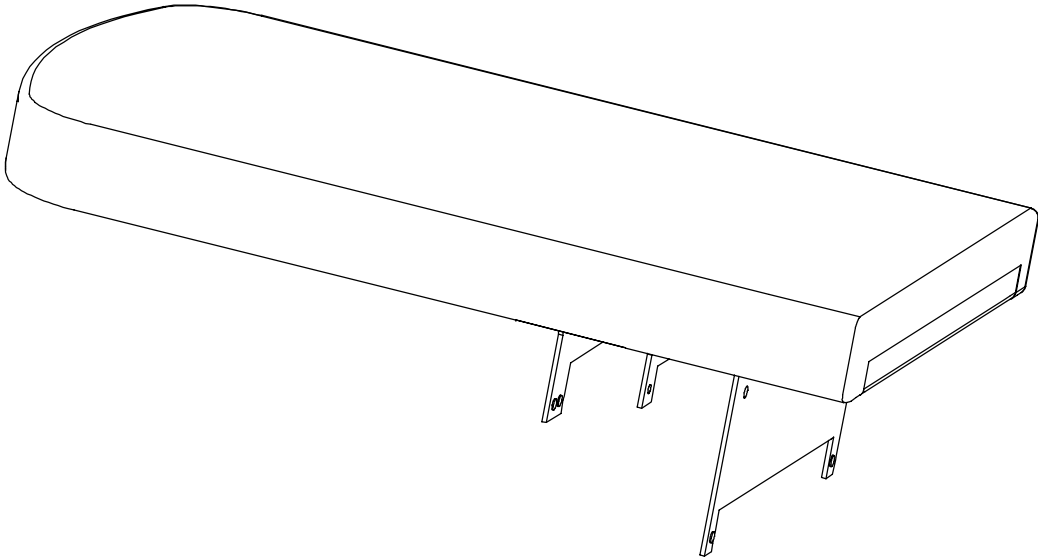
# Enhanced Comfort mattress standard components

4701-045-100 Rev C (Reference only)



Item	Number	Name	Quantity
A	0007-065-000	Truss head screw	1
B	0013-010-000	External tooth lock washer	2
C	0023-080-000	Phillips head tapping screw	9
D	0052-907-000	Standoff	6
E	3000-300-002	Grommet	3
G	4701-048-009	Foot power bracket	1
H	4701-080-050	Foot power board	1

# Air mattress



Standard mattress

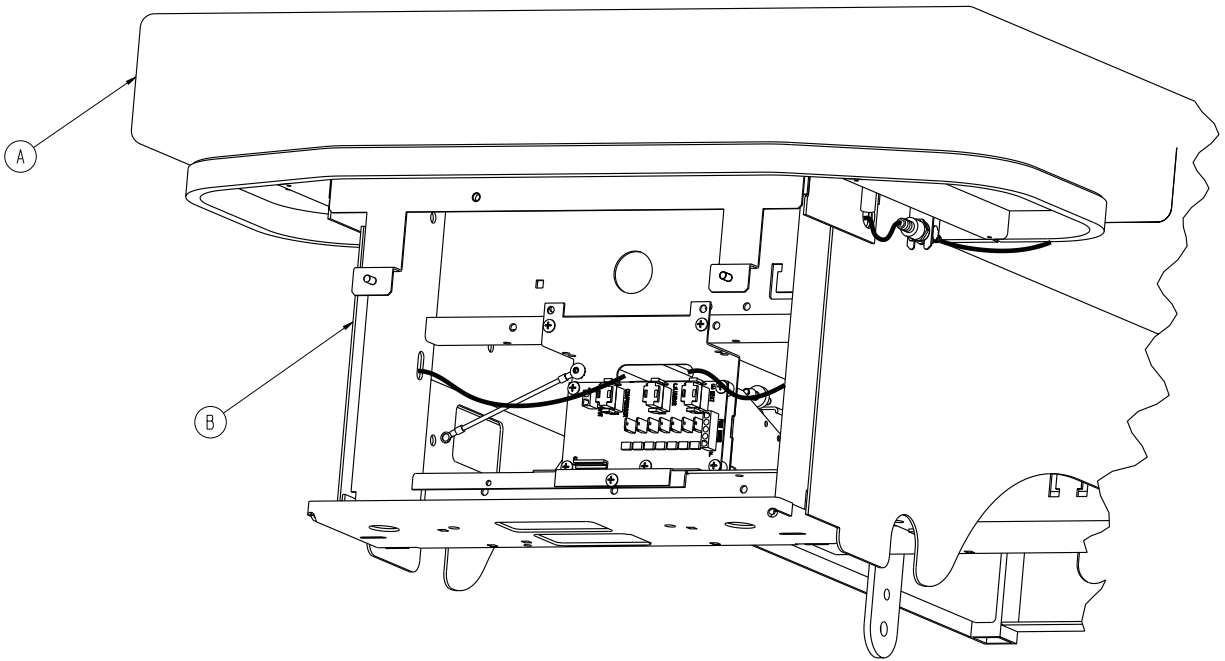
4701-048-000

Flame barrier mattress option

4701-048-020

# Air mattress option - 4701-048-105/4701-048-110

Rev A/Rev A (Reference only)



Item	Number	Name	Quantity
A	4701-048-000	<i>Air mattress (page 158)</i>	1
	4701-048-020	<i>Air mattress assembly with flame barrier</i>	
B	4701-048-100	<i>Air mattress standard components (page 160)</i>	1

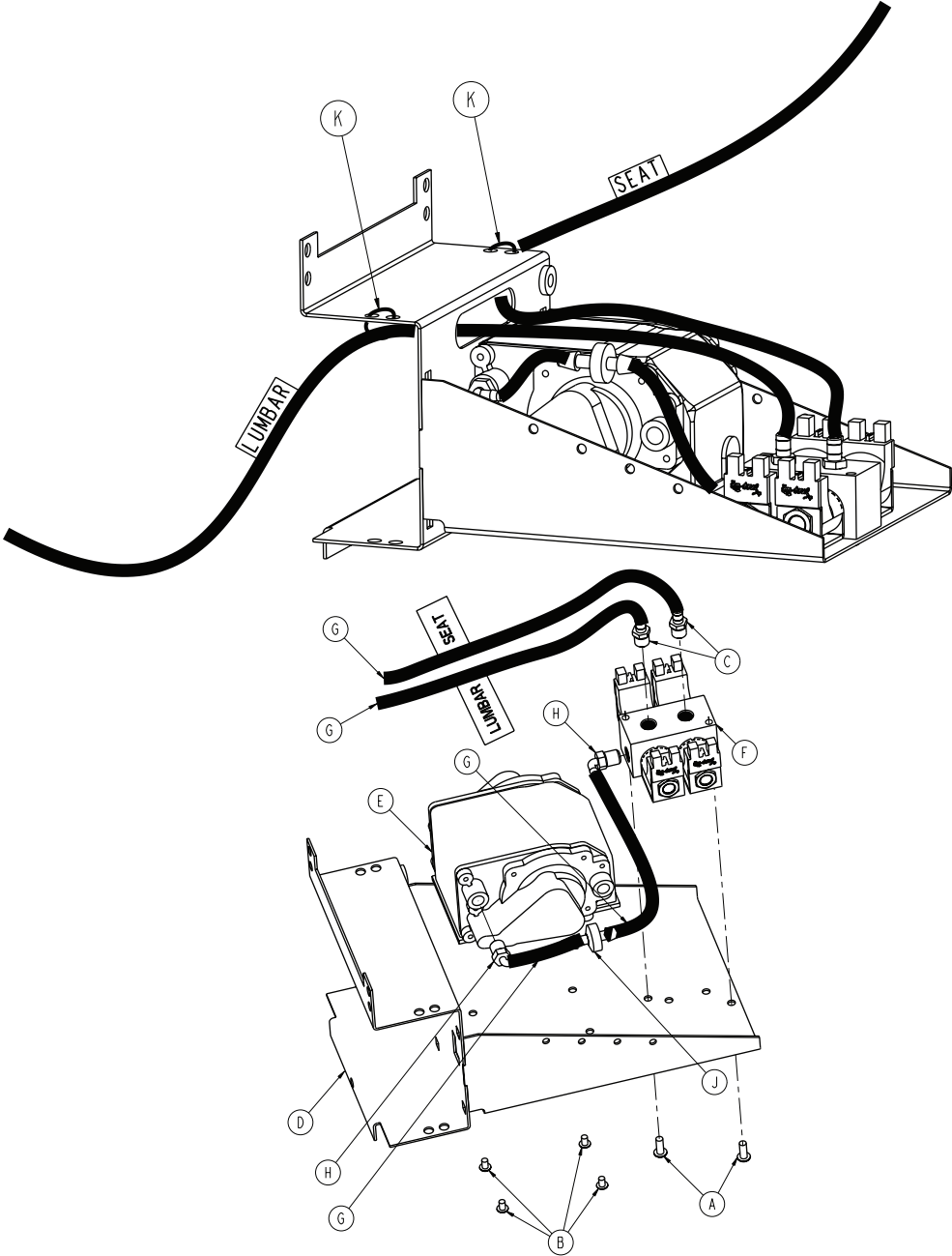


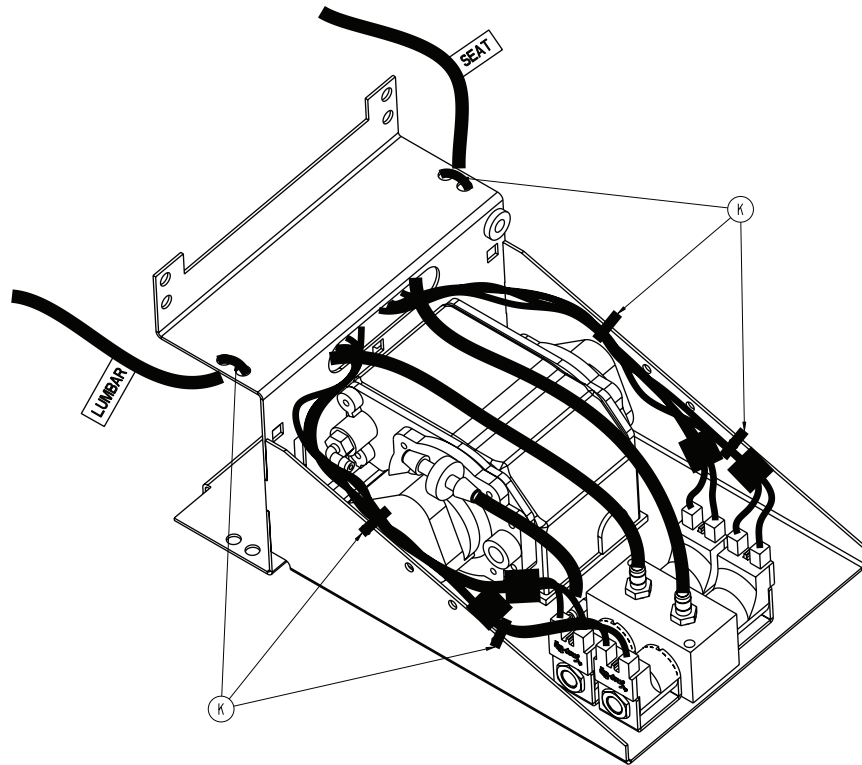


Item	Number	Name	Quantity
A	0007-065-000	Truss head screw	1
B	0013-010-000	External tooth lock washer	2
C	0023-311-000	Button head cap screw	9
D	0048-228-000	Inline hose barb	2
E	0052-907-000	Grommet	6
F	2500-900-012	Panel mount coupler	2
G	3000-300-002	Plastic clip nut	3
J	4701-048-030	<i>Air mattress compressor/ manifold assembly (page 162)</i>	1
K	4701-080-050	Option power board	1

# Air mattress compressor/manifold assembly

4701-048-030 Rev AA (Reference only)

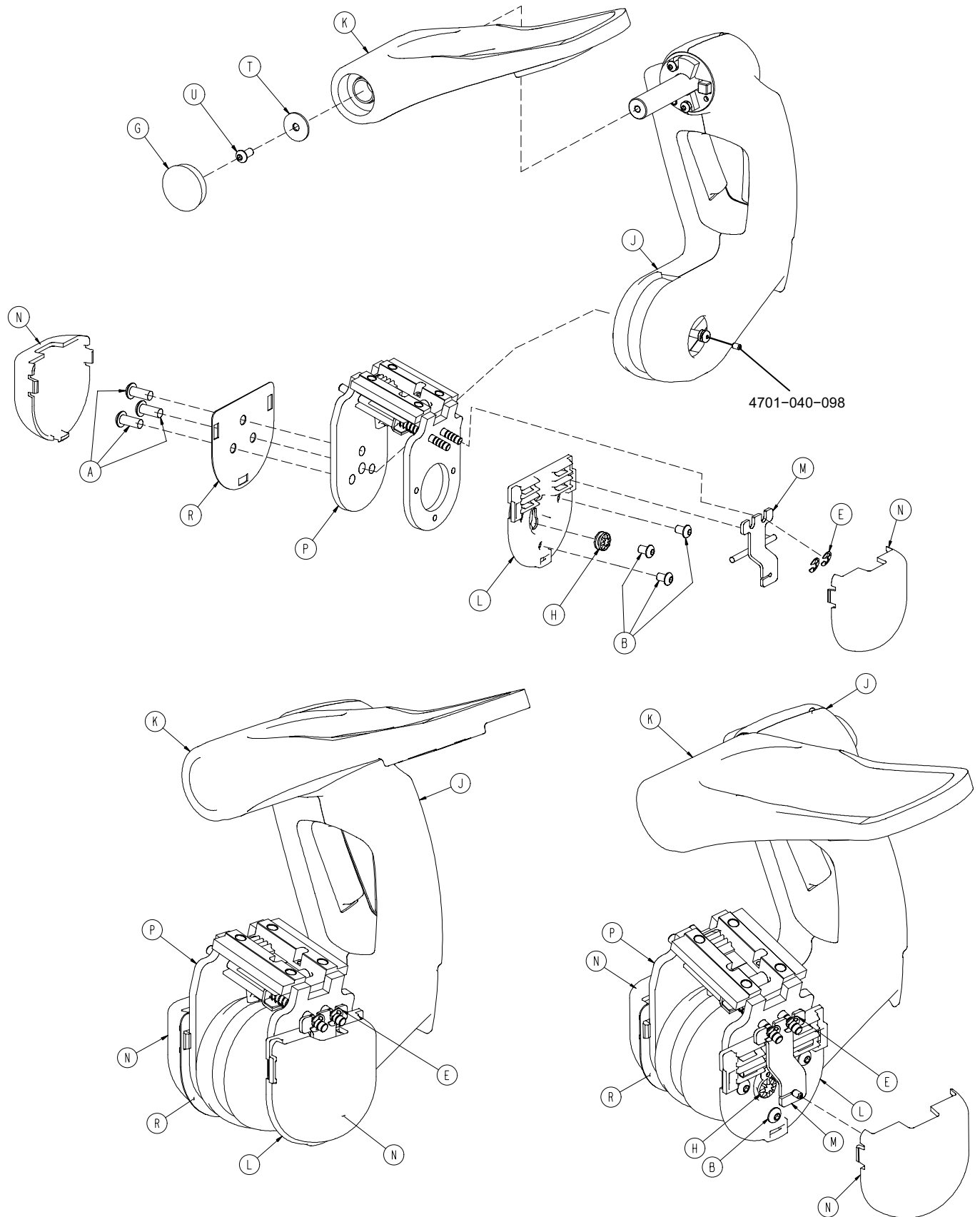




Item	Number	Name	Quantity
A	0004-304-000	Button head cap screw	2
B	0004-299-000	Button head cap screw	4
C	0048-159-000	Male connector	2
D	4701-048-010	Bracket	1
E	4701-048-015	Compressor	1
F	4701-048-025	Manifold assembly	1
G	5002-030-240	Tubing	4.82'
H	AP081227KM25N	90° barbed elbow	2
J	AP19CV0025SN	Check valve	1
K	N/A	Cable tie	6

# Upright assembly, left

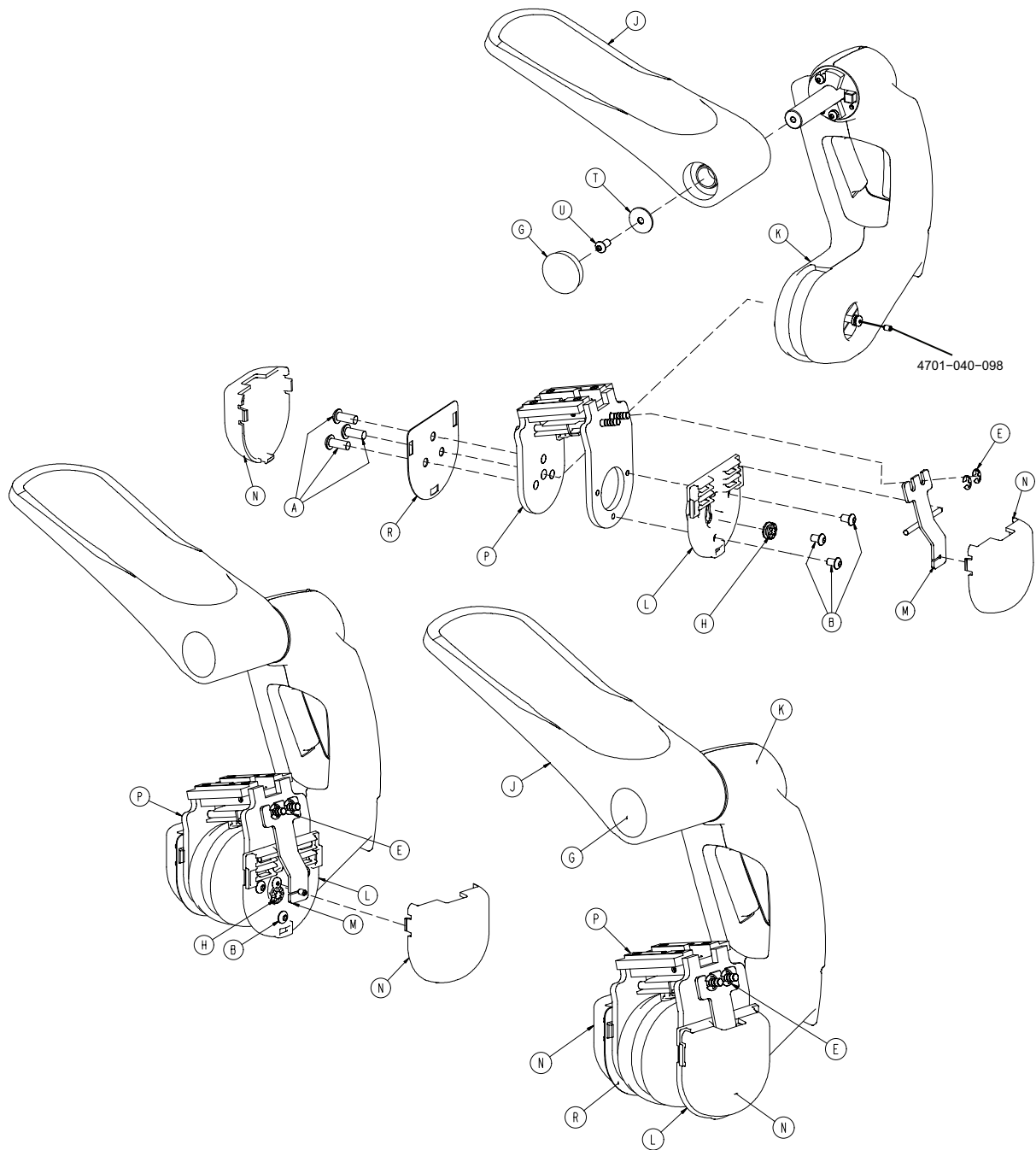
4701-040-070 Rev B (Reference only)



Item	Number	Name	Quantity
A	0004-582-000	Button head cap screw	3
B	0004-497-000	Button head cap screw	3
E	0028-114-000	E-ring	2
G	0037-220-000	Hole plug	1
H	3000-300-442	Fowler drive grommet	1
J	4701-040-050	Upright housing assembly	1
K	4701-040-055	Foot assembly, left	1
L	4701-040-078	Combination bearing plate	1
M	4701-040-097	Pull bar, left	1
N	4701-040-099	Translation cap	2
P	4701-040-175	Upright slide, left	1
R	4701-040-158	Translation cap mounting plate	1
T	0011-053-000	Flat washer	1
U	0004-325-000	Button head cap screw	1

# Upright assembly, right

4701-040-060 Rev B (Reference only)

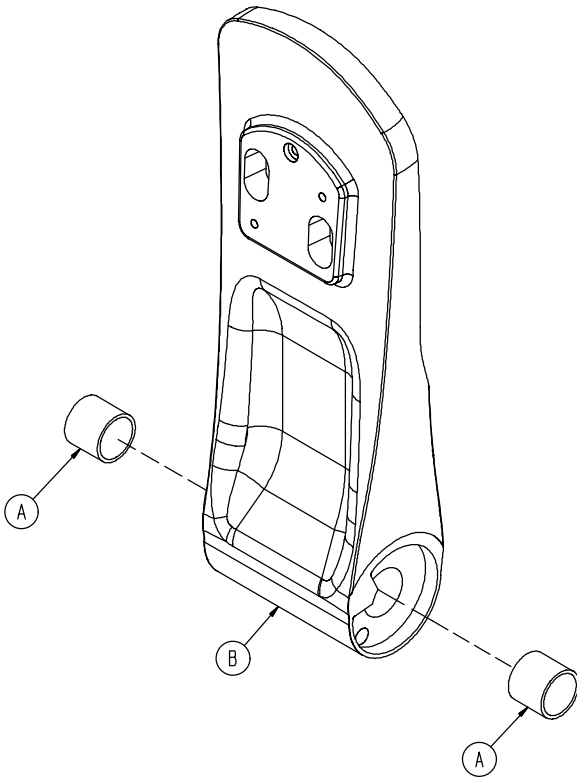


Item	Number	Name	Quantity
A	0004-582-000	Button head cap screw	3
B	0004-497-000	Button head cap screw	3
E	0028-114-000	E-ring	2
G	0037-220-000	Hole plug	1

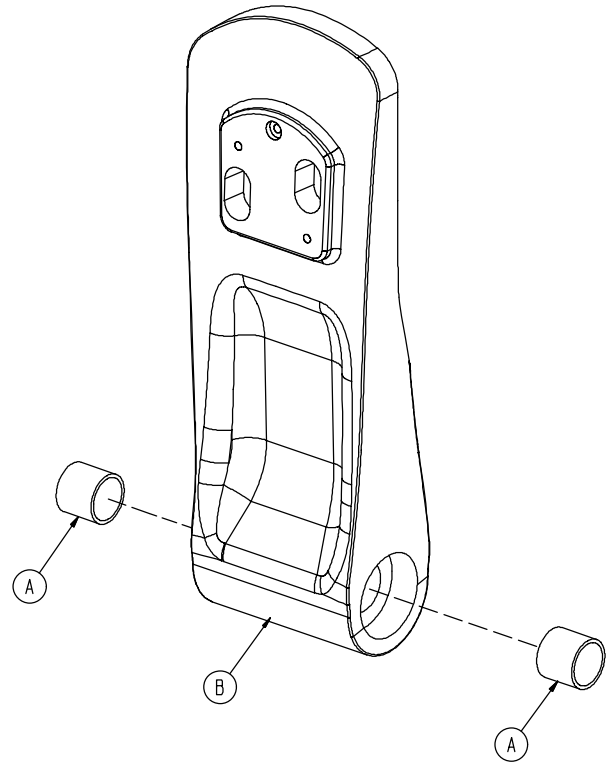
Item	Number	Name	Quantity
H	3000-300-442	Fowler drive grommet	1
J	4701-040-045	Foot assembly, right	1
K	4701-040-050	Upright housing assembly	1
L	4701-040-078	Combination bearing plate	1
M	4701-040-096	Pull bar, right	1
N	4701-040-099	Translation cap	2
P	4701-040-180	Upright slide, right	1
R	4701-040-158	Translation cap mounting plate	1
T	0011-053-000	Flat washer	1
U	0004-325-000	Button head cap screw	1

# Foot assembly, left and right

(Reference only)



4701-040-055 Rev B (left)



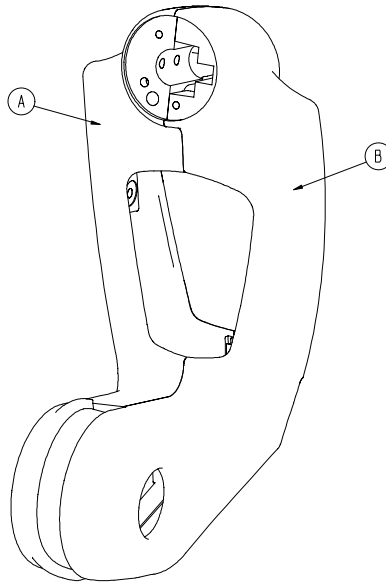
4701-040-045 Rev B (right)

Item	Number	Name	Quantity
A	0081-289-000	Bearing	2
B	4701-040-072	Right foot	1
C	4701-040-073	Left foot	1



# Upright housing

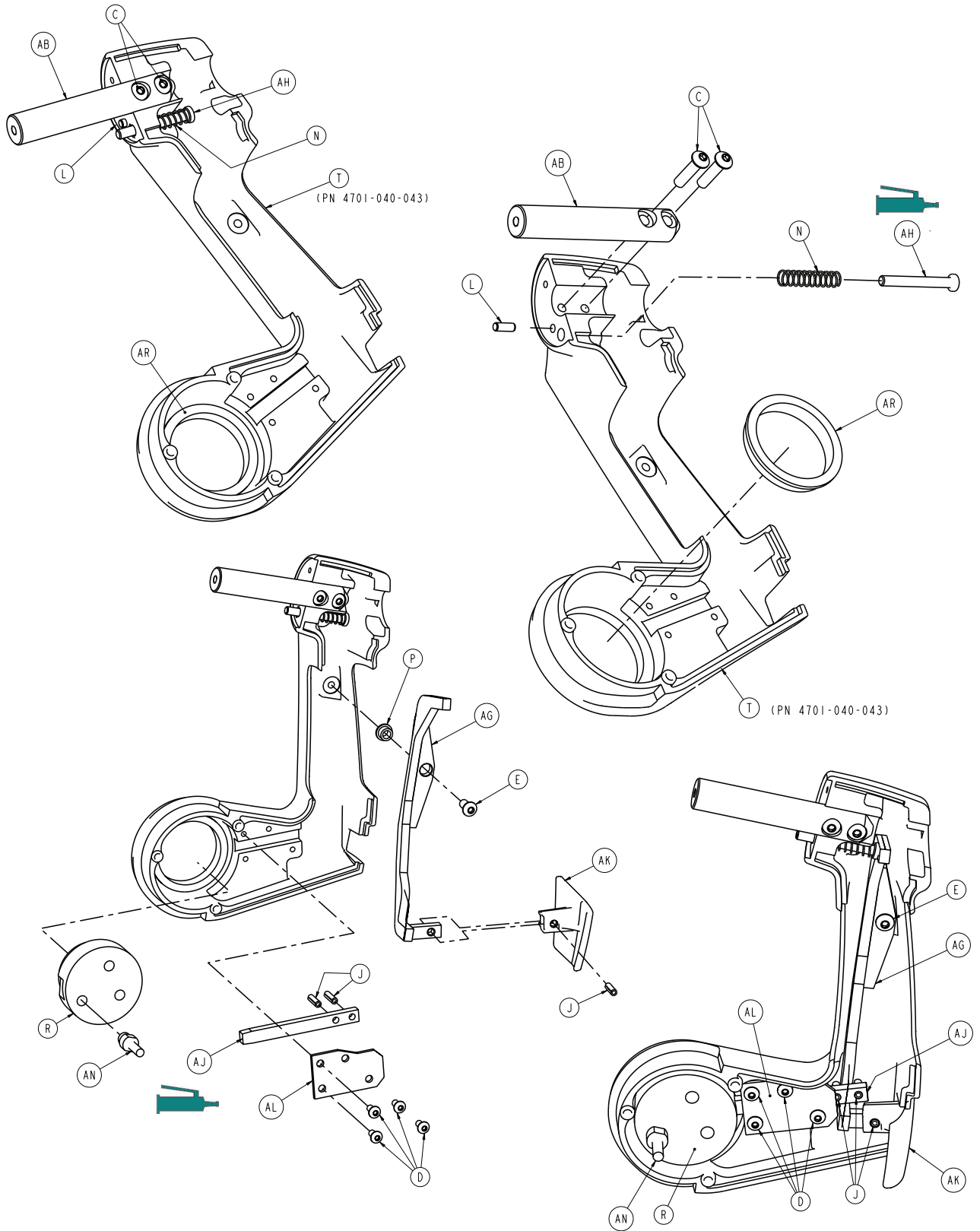
4701-040-235 Rev B (Reference only)

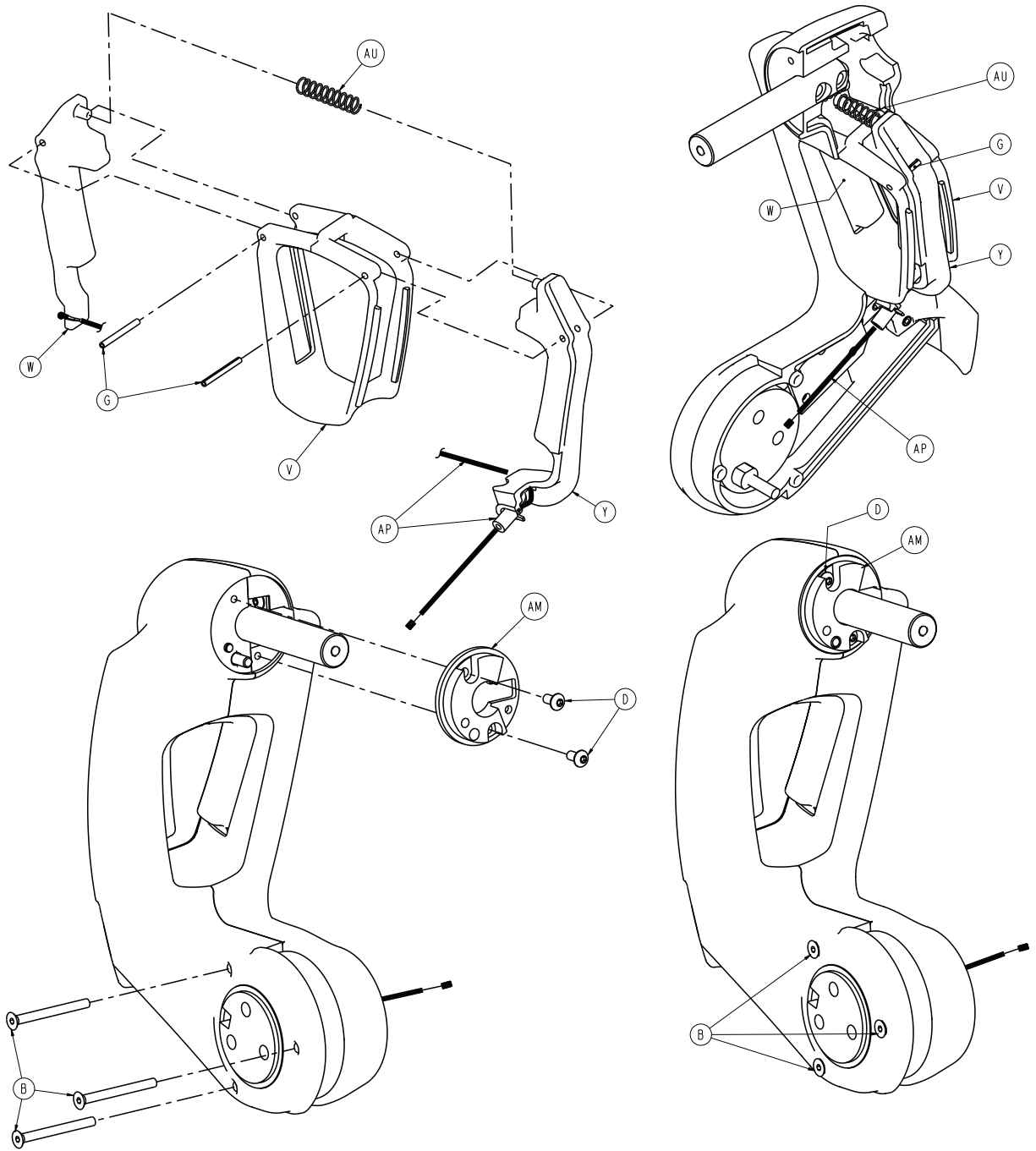


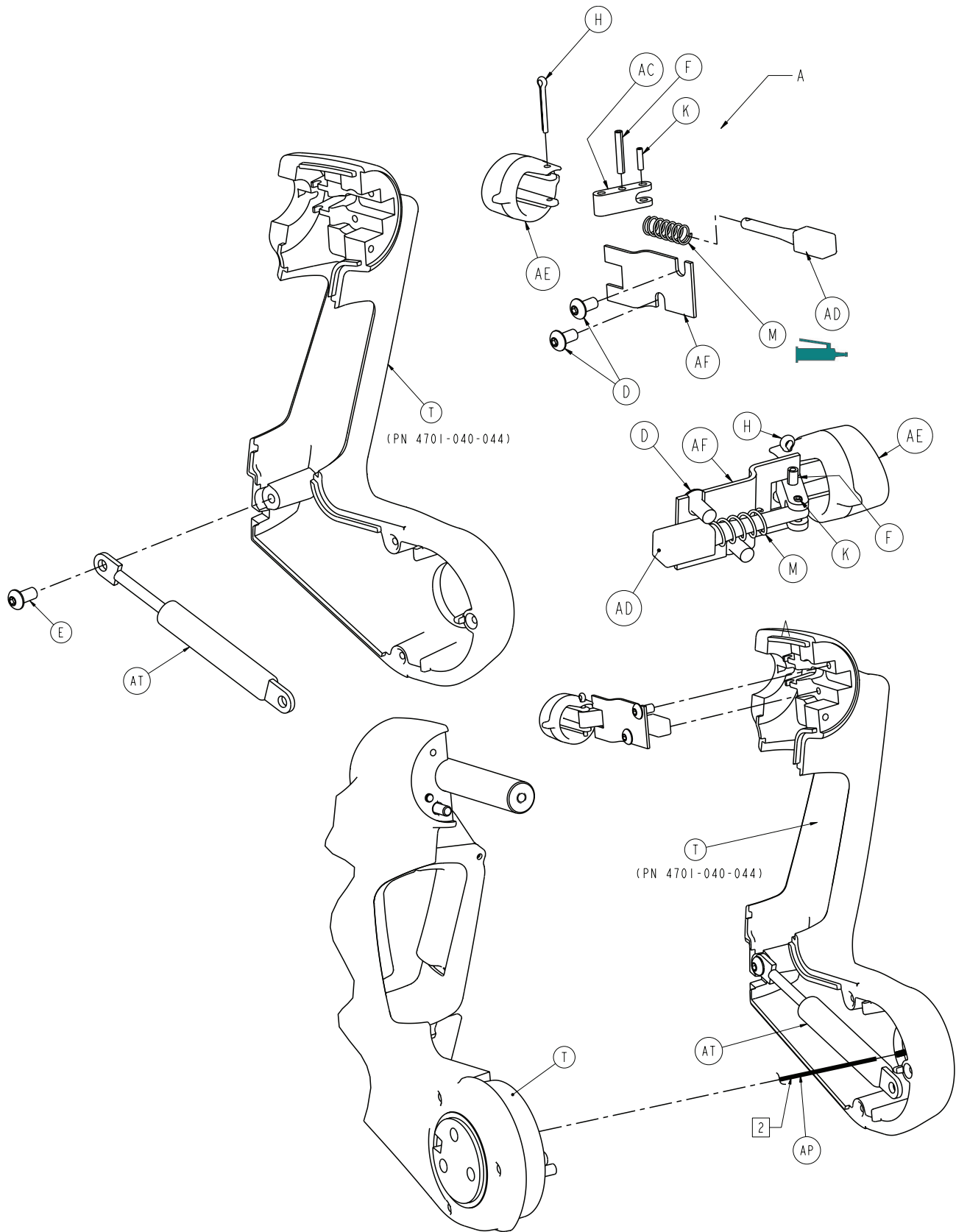
Item	Number	Name	Quantity
A	4701-040-043	Support housing, right	1
B	4701-040-044	Support housing, left	1

# Upright housing assembly

4701-040-050 Rev F (Reference only)





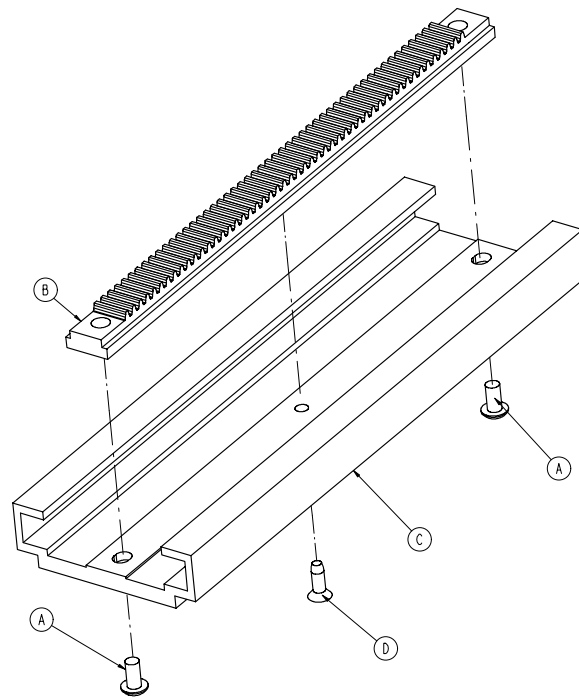


Item	Number	Name	Quantity
B	0001-124-000	Flat head socket screw	3
C	0004-334-000	Button head cap screw	2
D	0004-375-000	Button head. cap screw	8

Item	Number	Name	Quantity
E	0004-325-000	Button head cap screw	2
F	0026-006-000	Slotted spring pin	1
G	0026-008-000	Slotted spring pin	2
H	0027-015-000	Cotter pin	1
J	0026-172-000	Slotted spring pin	3
K	0026-303-000	Slotted spring pin	1
L	0026-351-000	Dowel pin	1
M	0038-110-000	Compression spring	1
N	0038-337-000	Compression spring	1
P	0081-293-000	Flange bearing	1
R	4701-040-042	Hub	1
T	4701-040-235	Upright housing	1
V	4701-040-046	Support trim	1
W	4701-040-047	Right handle	1
Y	4701-040-048	Left handle	1
AB	4701-040-054	Foot pivot spindle	1
AC	4701-040-057	Foot linkage pin	1
AD	4701-040-058	Foot rotation pin	1
AE	4701-040-061	Push button	1
AF	4701-040-062	Foot pin cover plate	1
AG	4701-040-063	Stow link weldment	1
AH	4701-040-064	Top lockout pin	1
AJ	4701-040-066	Stow pin	1
AK	4701-040-067	Stow lever	1
AL	4701-040-068	Stow pin cover plate	1
AM	4701-040-069	Foot collar	1
AN	4701-040-154	Hub standoff	1
AP	4701-040-198	Support cable	1
AR	5010-040-016	Glideaway bearing	1
AT	5010-040-010	Glideaway gas spring	1
AU	0038-559-000	Compression spring	1

# Foot abduction extrusion assembly

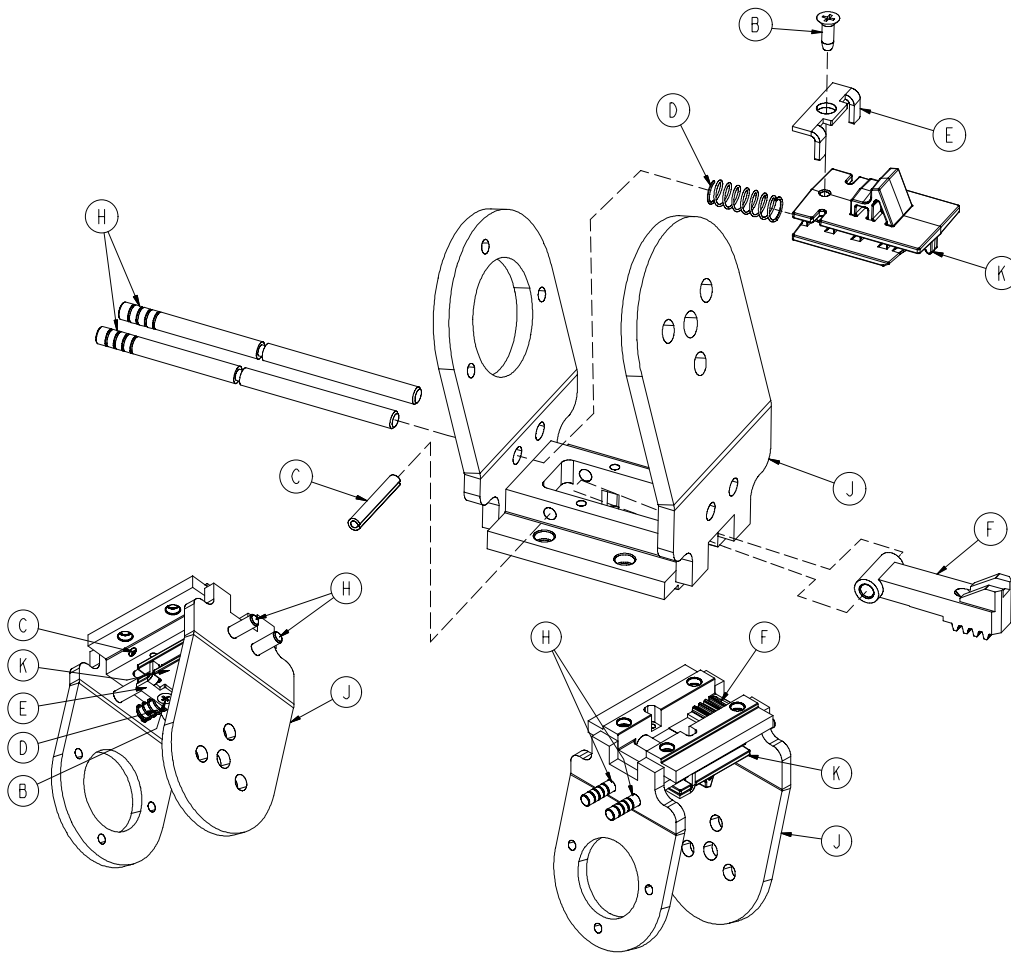
4701-040-130 Rev C (Reference only)



Item	Number	Name	Quantity
A	0004-375-000	Button head cap screw	2
B	4701-040-079	Foot pan rack	1
C	4701-040-034	Extrusion abduction	1
D	0023-280-000	Flat head tapping screw	1

# Upright slide assembly, left

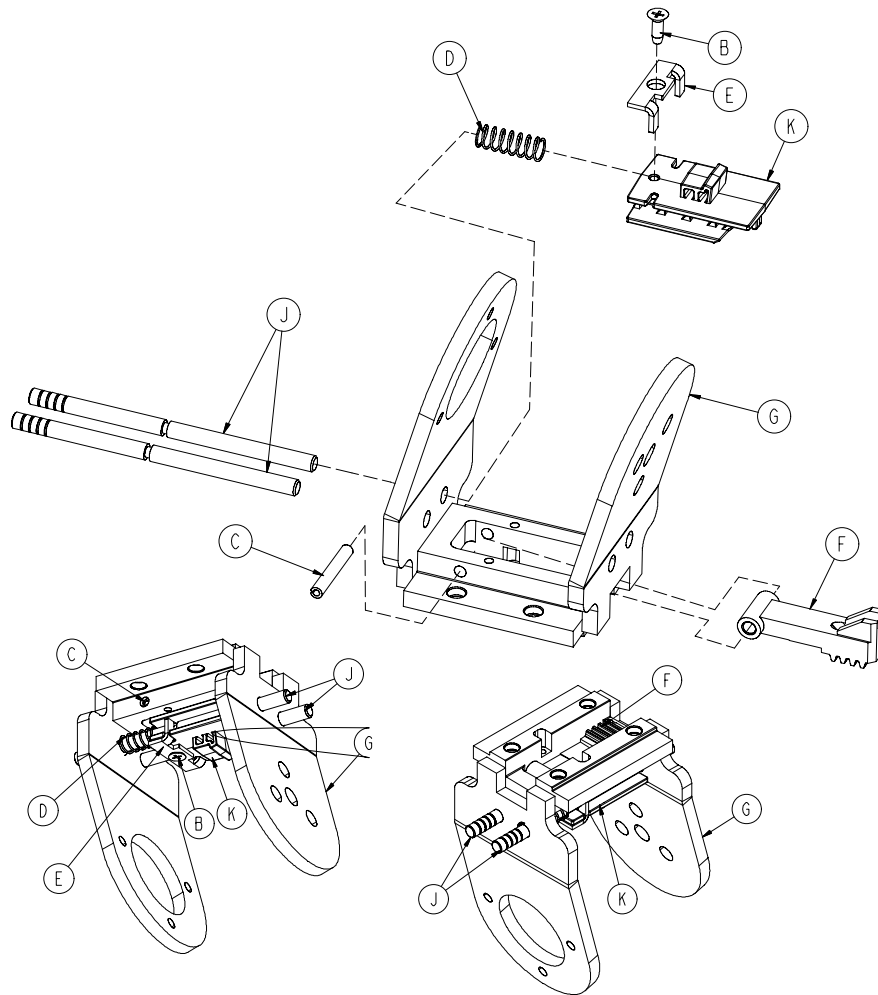
4701-040-175 Rev B (Reference only)



Item	Number	Name	Quantity
B	0023-280-000	Flat head tapping screw	1
C	0026-012-000	Slotted spring pin	1
D	0038-558-000	Compression spring	1
E	4701-040-071	Locking plate	1
F	4701-040-077	Rotation rack lock	1
H	4701-040-089	Cam wedge rod	2
J	4701-040-090	Sliding bracket, left	1
K	4701-040-093	Cam wedge, left	1

# Upright slide assembly, right

4701-040-180 Rev B (Reference only)



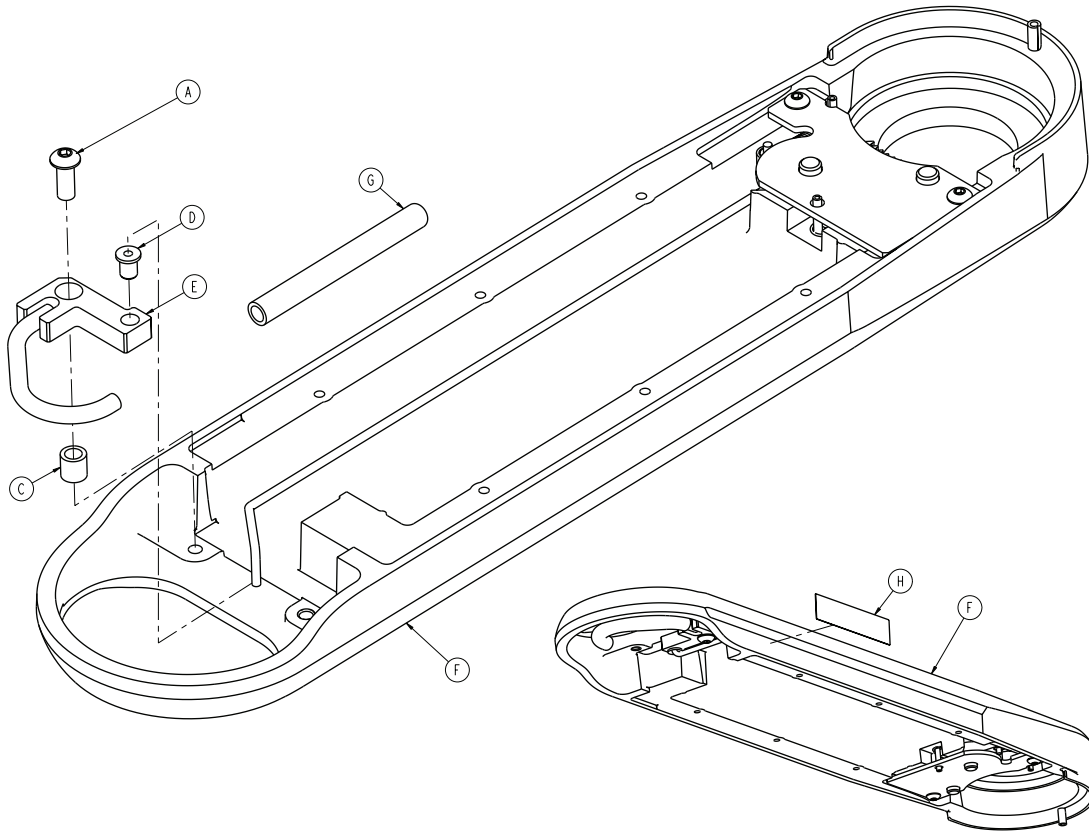
Item	Number	Name	Quantity
B	0023-280-000	Flat head tapping screw	1
C	0026-012-000	Slotted spring pin	1
D	0038-558-000	Compression spring	1
E	4701-040-071	Locking plate	1
F	4701-040-077	Rotation rack lock	1
G	4701-040-080	Sliding bracket, right	1
J	4701-040-089	Cam wedge rod	2
K	4701-040-094	Cam wedge, right	1



# Abduction assembly, left

4701-040-165 C (Reference only)

4701-140-165 A (Reference only)

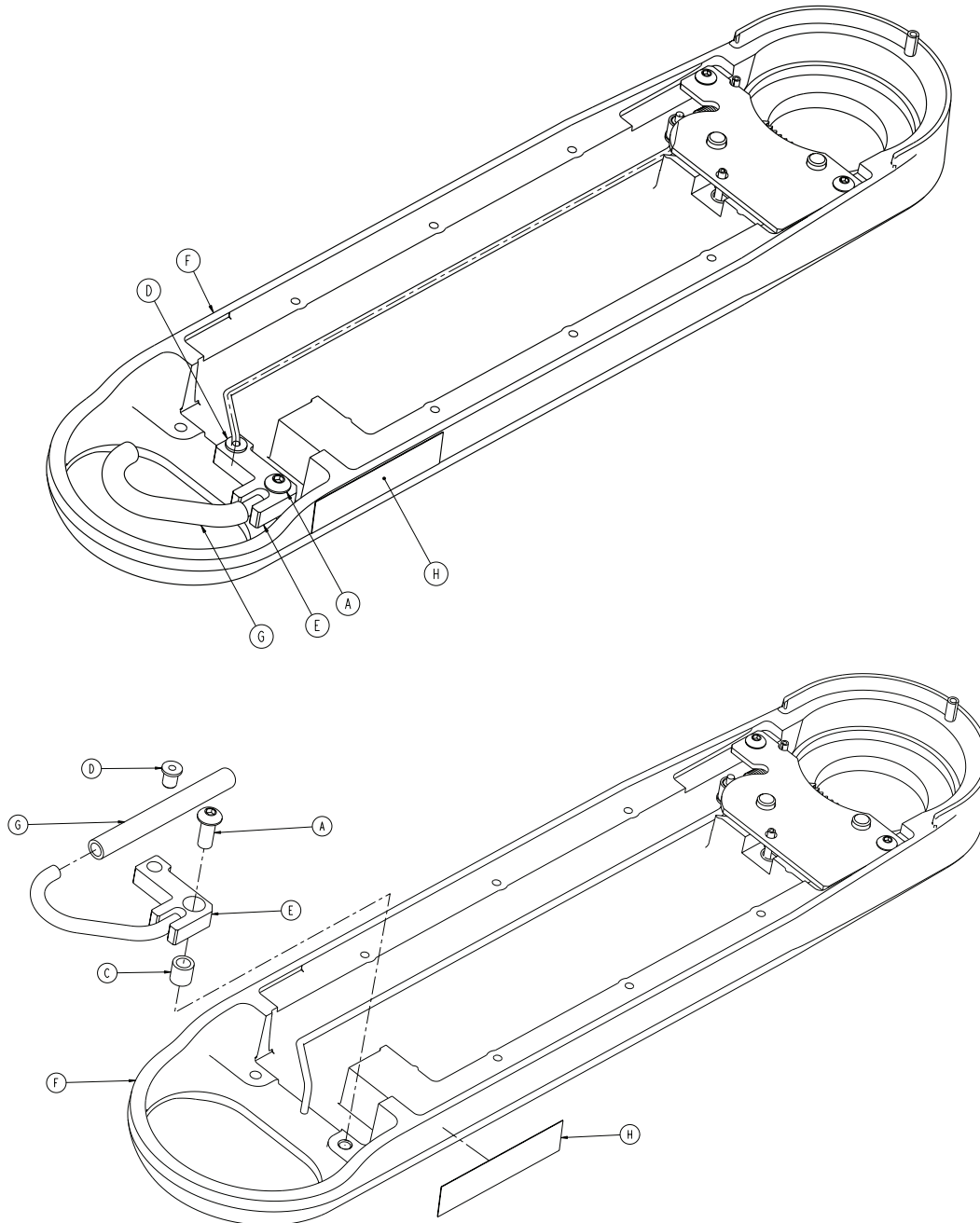


Item	Number	Name	Quantity
A	0004-509-000	Button head cap screw	1
C	0081-022-000	Bearing	1
D	0081-436-000	Flange bearing	1
E	4701-040-145	Abduction handle weldment	1
F	4701-040-160	Foot abduction assembly	1
G	4701-040-153	Handle cap	1
H	4701-090-041 or 4701-109-041	Label, stow upright, left	1

# Abduction assembly, right

4701-040-170 C (Reference only)

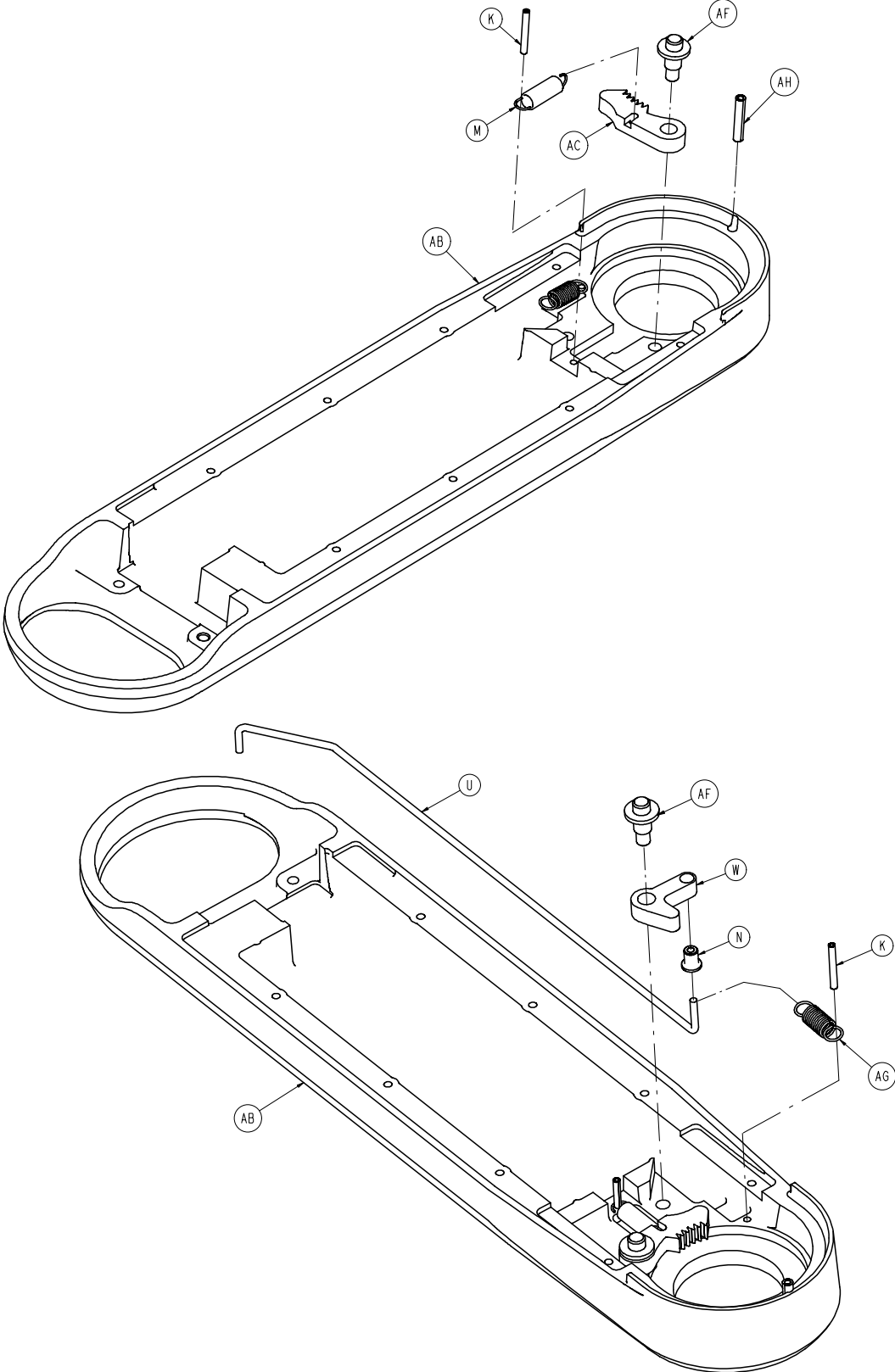
4701-140-170 A (Reference only)

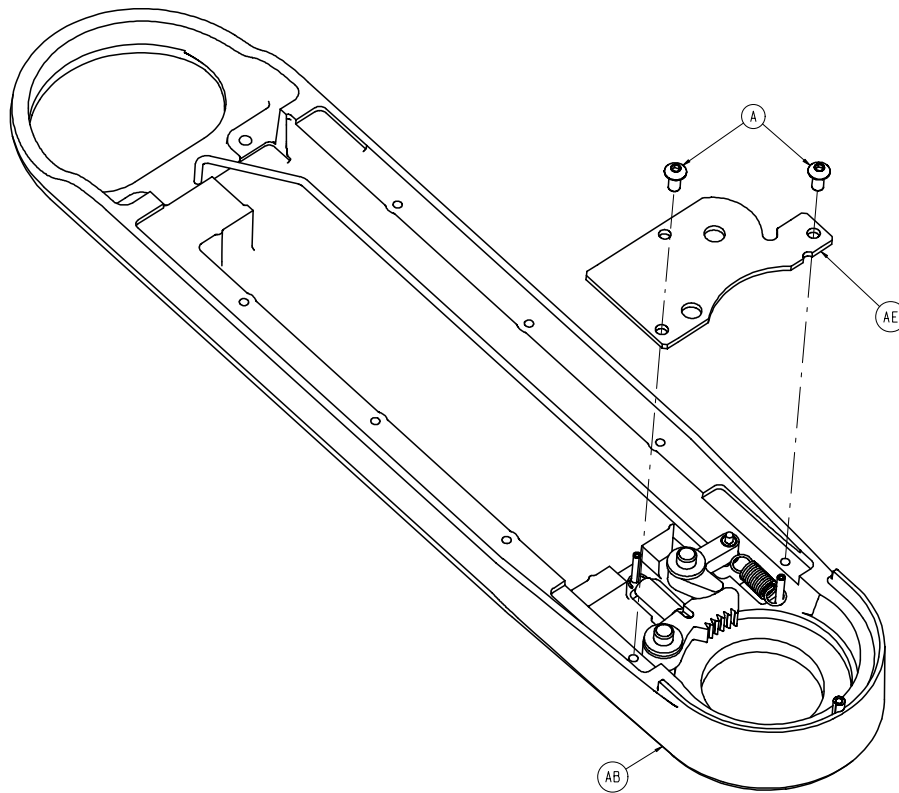


Item	Number	Name	Quantity
A	0004-509-000	Button head cap screw	1
C	0081-022-000	Bearing	1
D	0081-436-000	Flange bearing	1
E	4701-040-145	Abduction handle weldment	1
F	4701-040-160	Foot abduction assembly	1
G	4701-040-153	Handle cap	1
H	4701-090-040 or 4701-109-942	Label, stow upright, right	1

# Abduction assembly standard components

4701-040-160 Rev D (Reference only)

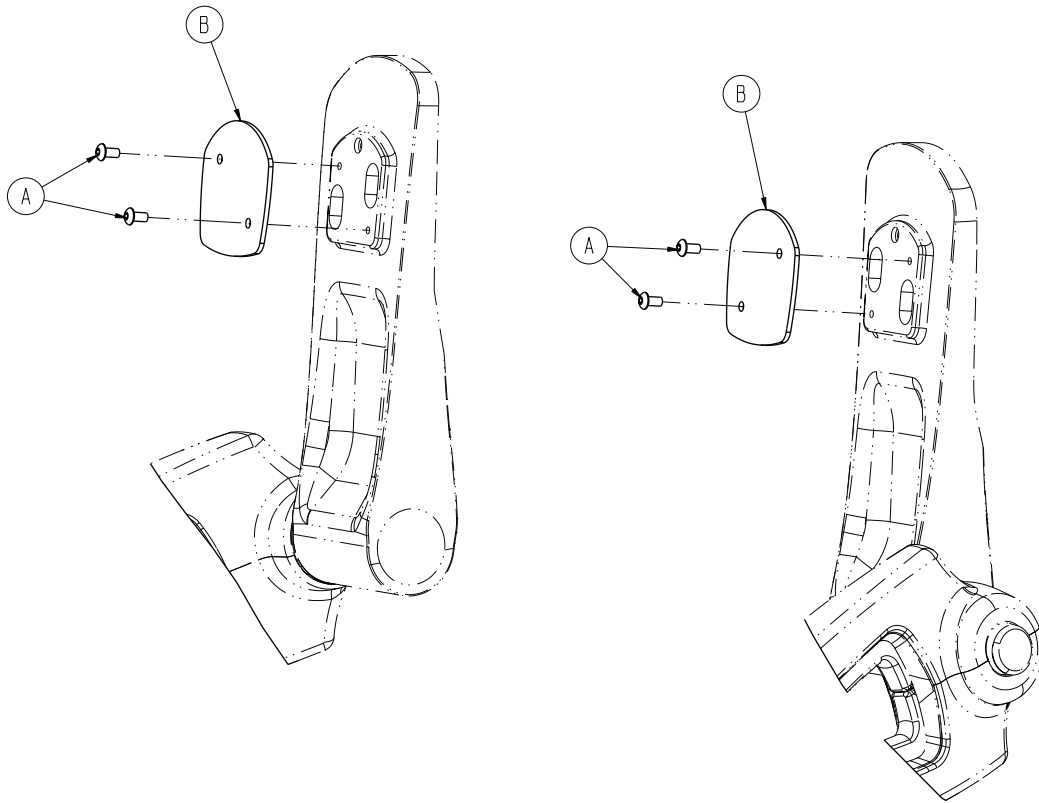




Item	Number	Name	Quantity
A	0004-375-000	Button head cap screw	2
K	0026-007-000	Slotted spring pin	2
M	0038-458-000	Extension spring	2
N	0081-436-000	Plastic flange bearing	1
U	4701-040-036	Foot pan pull rod	1
W	4701-040-039	Foot pan lock	1
AB	4701-040-056	Foot pan casting	1
AC	4701-040-114	Abduction latch	1
AE	4701-040-134	Mechanism cover	1
AF	4701-040-149	Spacer bushing	2
AG	0038-562-000	Extension spring	1
AH	0026-313-000	Coiled spring pin	1

# Footrests without attached calf supports option - 4701-040-185

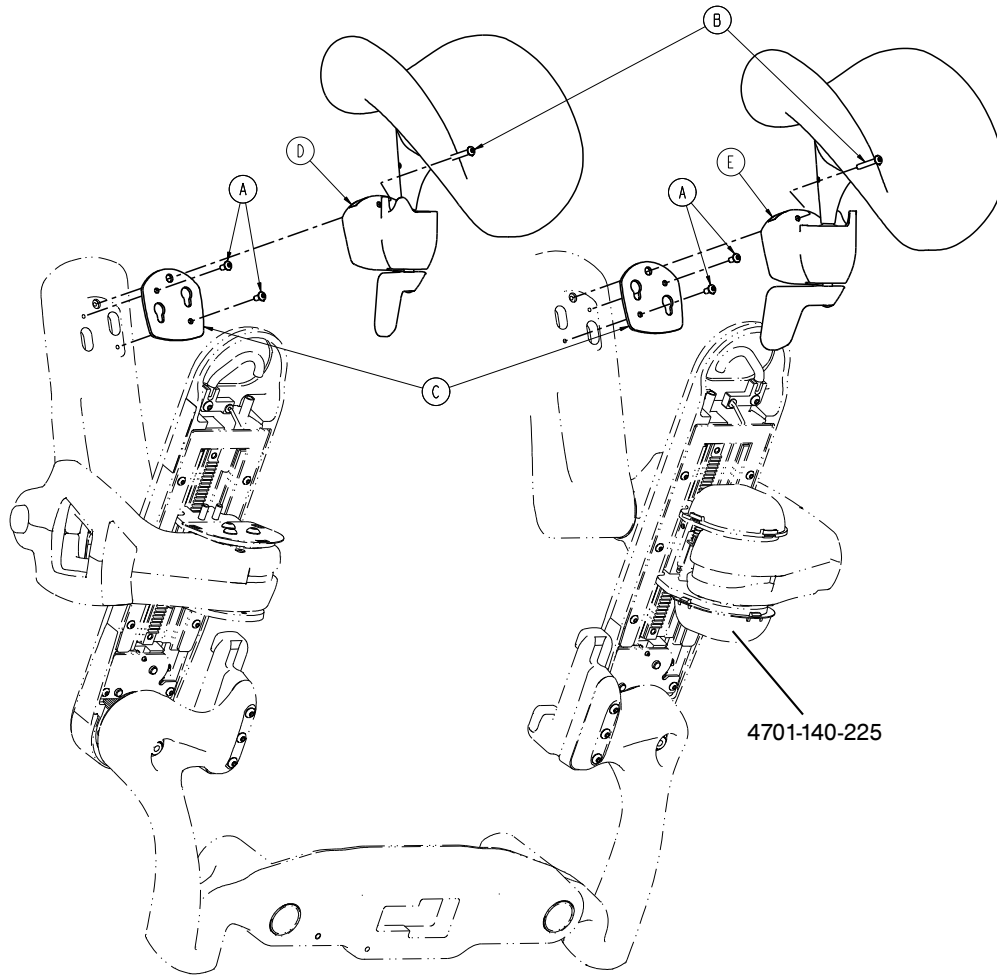
Rev B (Reference only)



Item	Number	Name	Quantity
A	0004-375-000	Button head cap screw	4
B	4701-040-128	Plate	2

# Footrests with attached calf supports option - 4701-840-290

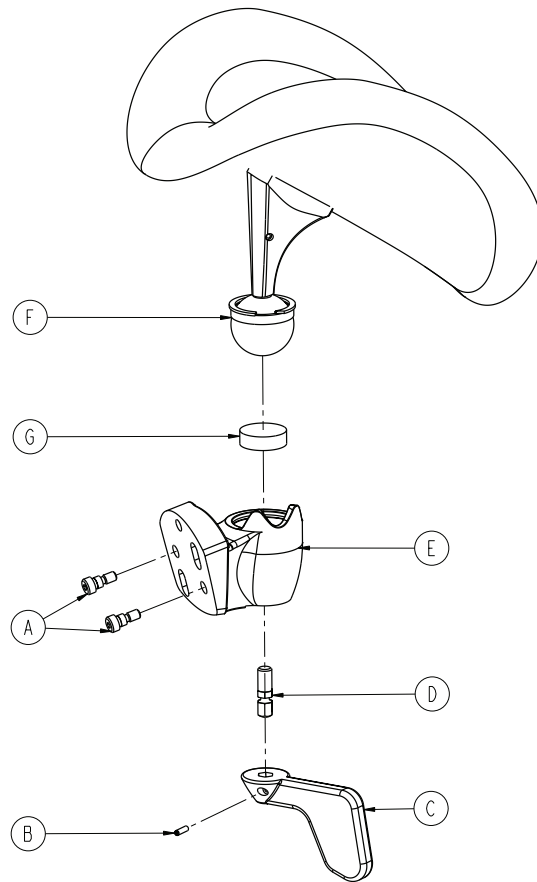
Rev A (Reference only)



Item	Number	Name	Quantity
A	0004-375-000	Button head cap screw	4
B	0004-601-000	Button head cap screw	2
C	4701-040-119	Foot support plate	2
D	4701-840-270	<i>Attached calf support assembly, right (page 183)</i>	1
E	4701-840-275	<i>Attached calf support assembly, left (page 184)</i>	1

# Attached calf support assembly, right

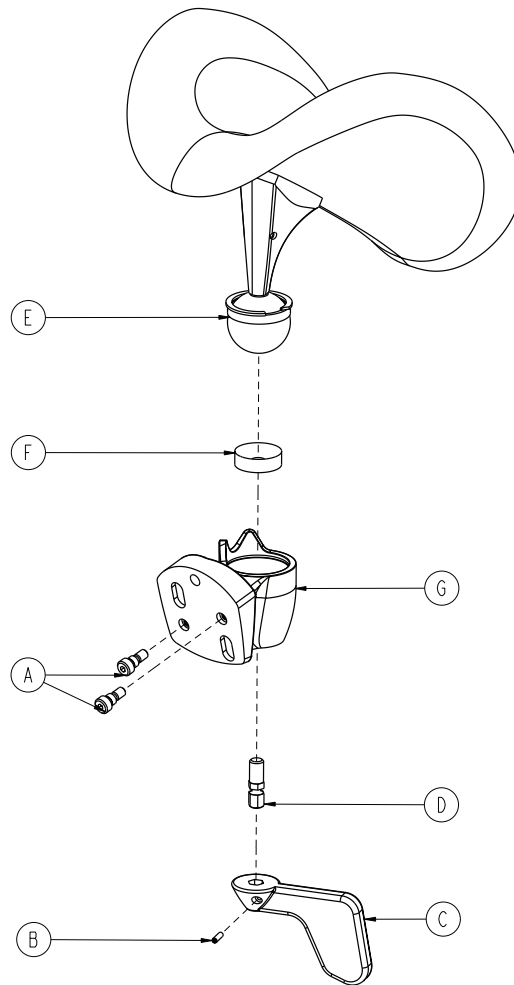
4701-840-270 Rev A (Reference only)



Item	Number	Name	Quantity
A	0008-062-000	Socket head socket screw	2
B	0021-181-000	Set screw	1
C	4701-840-170	Calf support handle	1
D	4701-840-171	Calf support handle insert	1
E	4701-840-211	Housing assembly, right	1
F	4701-840-265	Ball joint assembly	1
G	4701-840-271	Calf support cup	1

# Attached calf support assembly, left

4701-840-275 Rev A (Reference only)

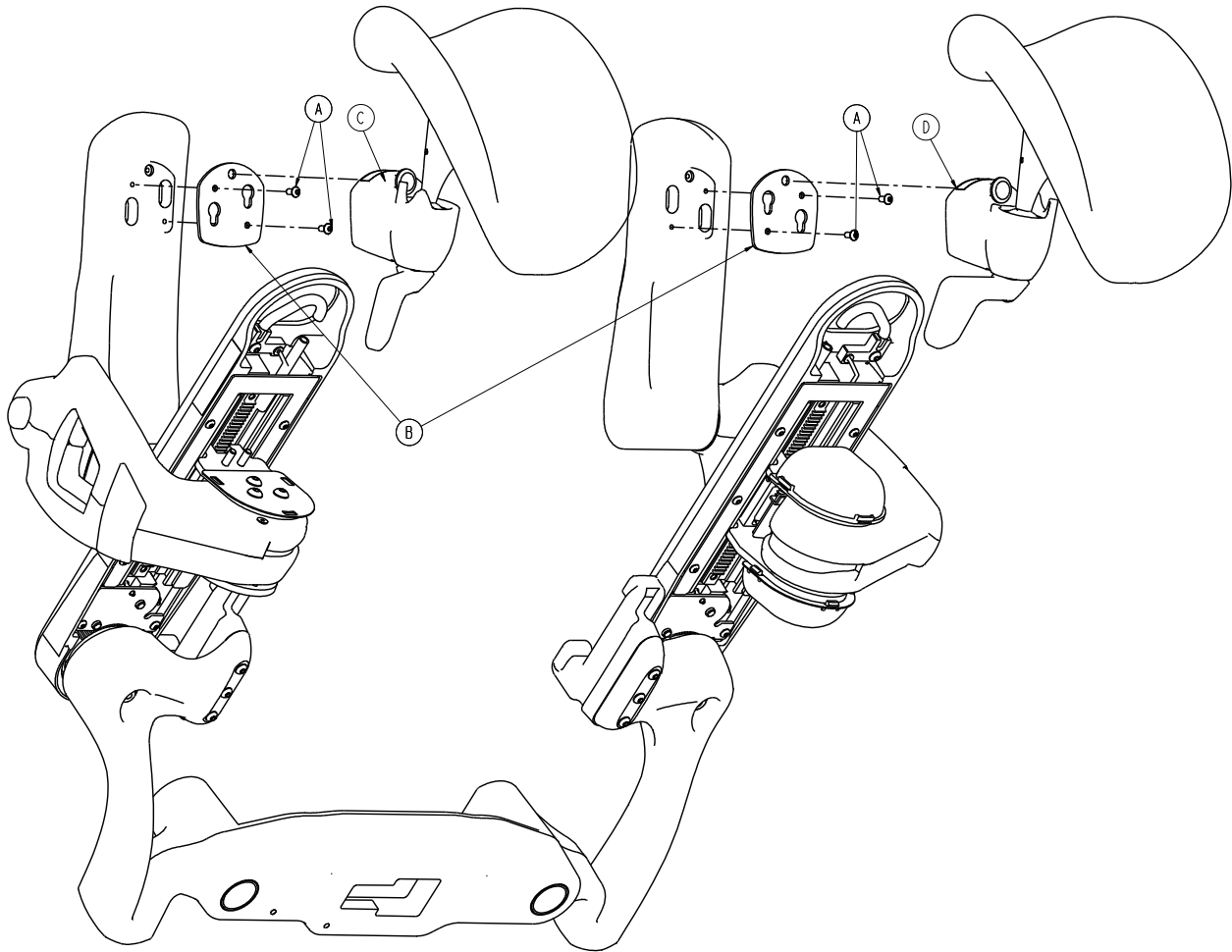


Item	Number	Name	Quantity
A	0008-062-000	Socket head socket screw	2
B	0021-181-000	Set screw	1
C	4701-840-170	Calf support handle	1
D	4701-840-171	Calf support handle insert	1
E	4701-840-265	Ball joint assembly	1
F	4701-840-271	Calf support cup	1
G	4701-840-311	Housing assembly, left	1



# Removable calf support option - 4701-840-295

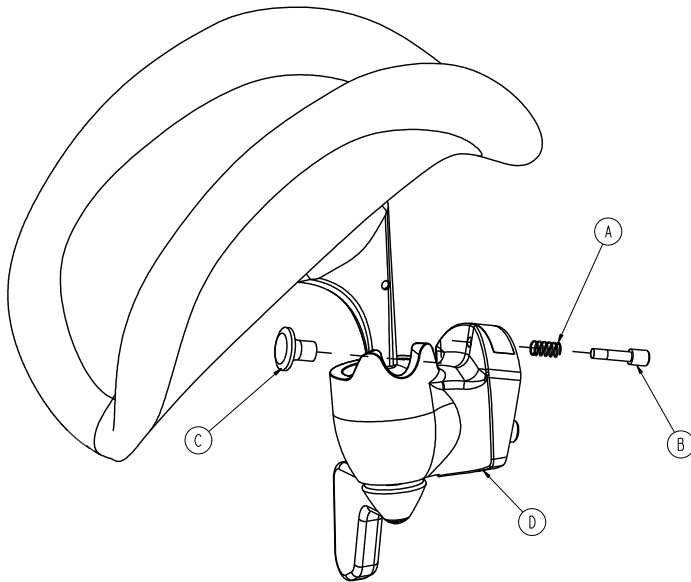
Rev A (Reference only)



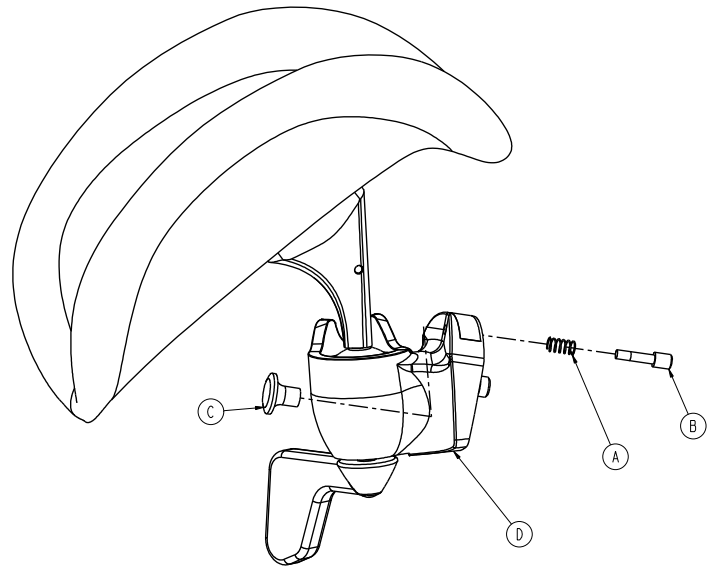
Item	Number	Name	Quantity
A	0004-375-000	Button head cap screw	4
B	4701-040-119	Foot support plate	2
C	4701-840-280	<i>Removable calf support assembly, left and right (page 186)</i>	1
D	4701-840-285	<i>Removable calf support assembly, left and right (page 186)</i>	1

# Removable calf support assembly, left and right

(Reference only)



4701-840-285 Rev A (left)

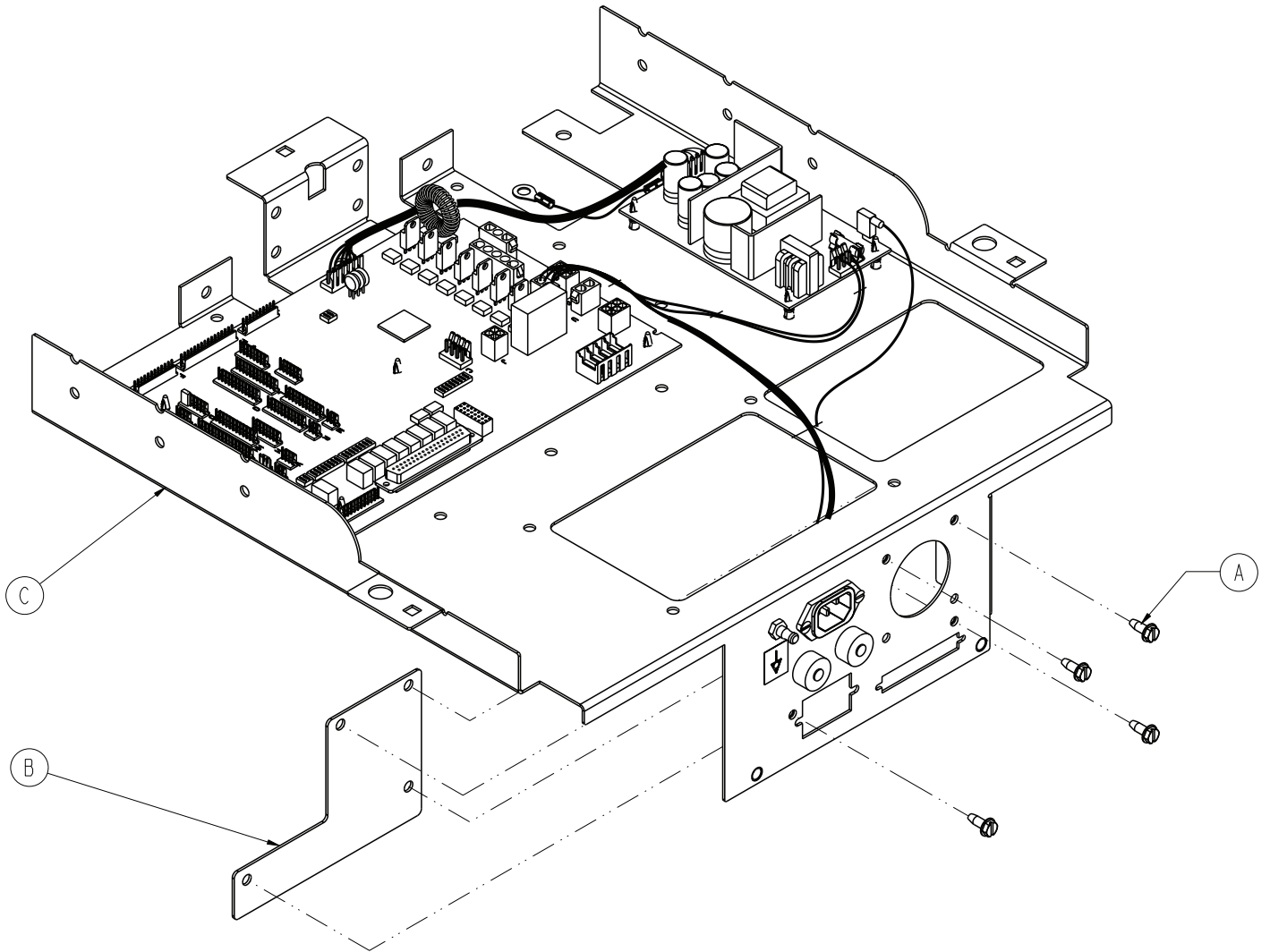


4701-840-280 Rev A (right)

Item	Number	Name	Quantity
A	0038-469-000	Compression spring	1
B	4701-040-126	Removable pin	1
C	4701-040-127	Pull knob	1
D	4701-840-270	<i>Attached calf support assembly, right (page 183)</i>	1
E	4701-840-275	<i>Attached calf support assembly, left (page 184)</i>	1

# No headwall interface option - 4701-080-035

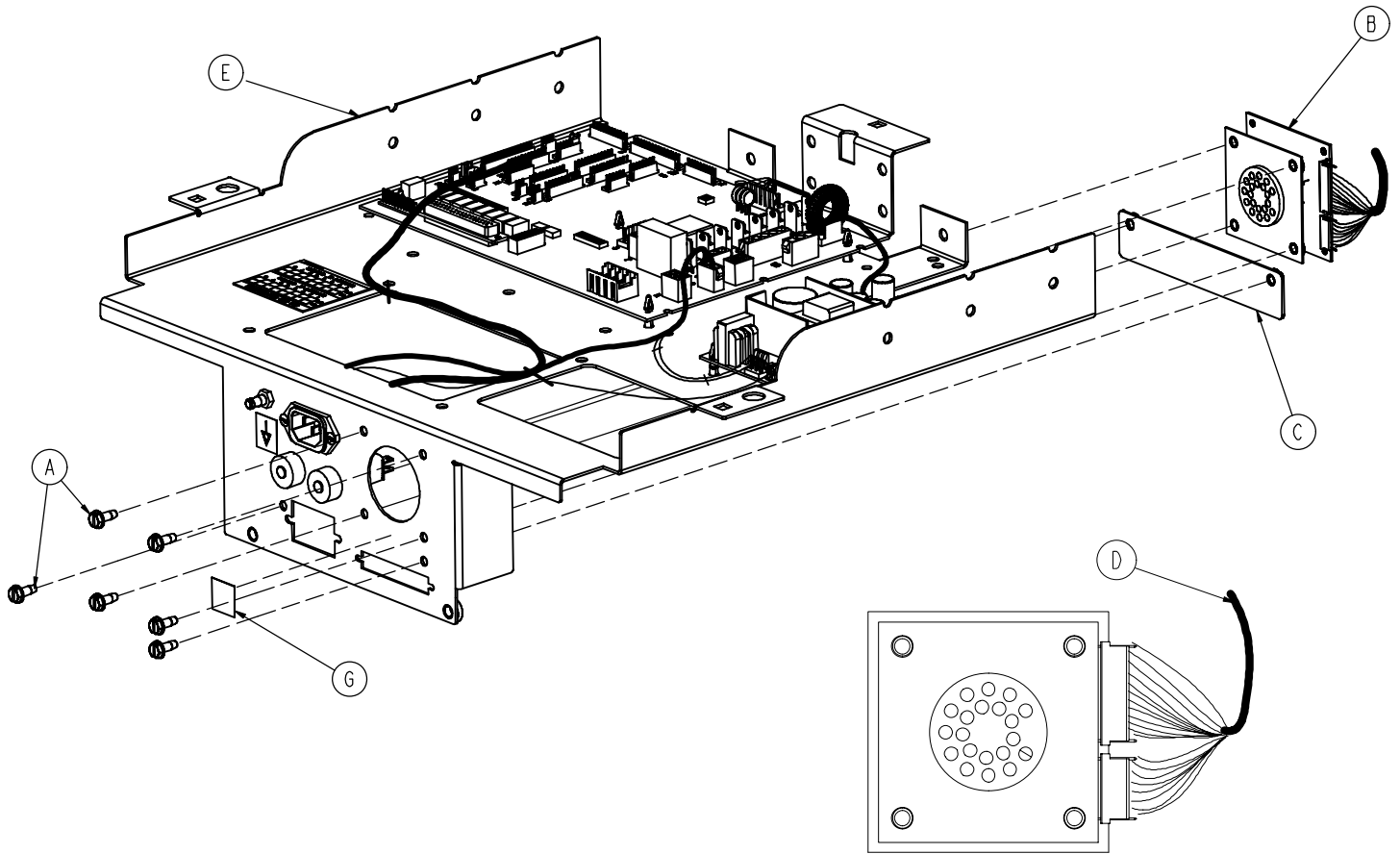
Rev C (Reference only)

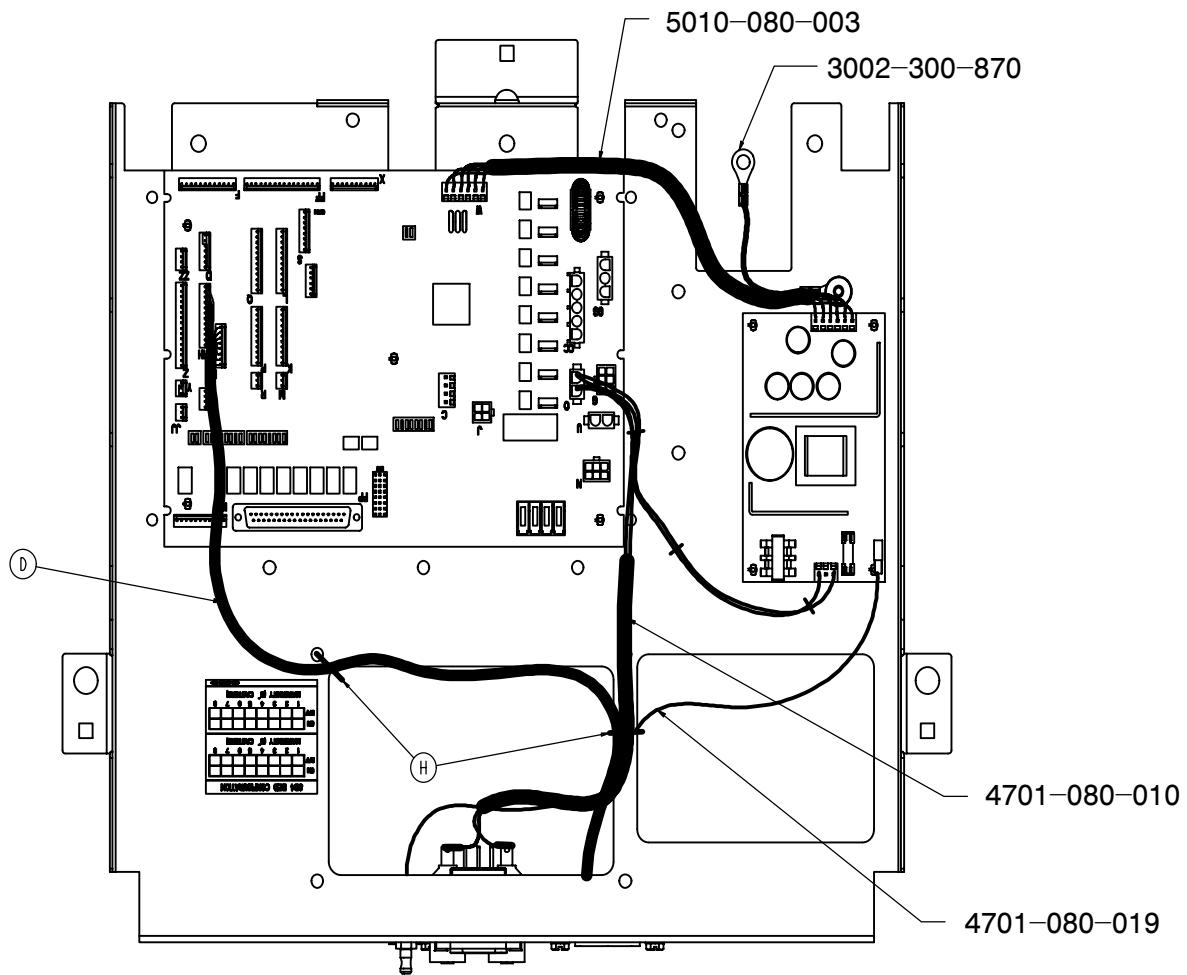


Item	Number	Name	Quantity
A	0003-224-000	Hex washer head screw	4
B	4701-080-024	Cover, no HWI	1
C	4701-080-030	Standard electrical components	1
D	4701-080-000	<i>Full bed electrical assembly</i> (page 196)	1

# Headwall interface with pendant port, no nurse call

4701-080-040 Rev E (Reference only)

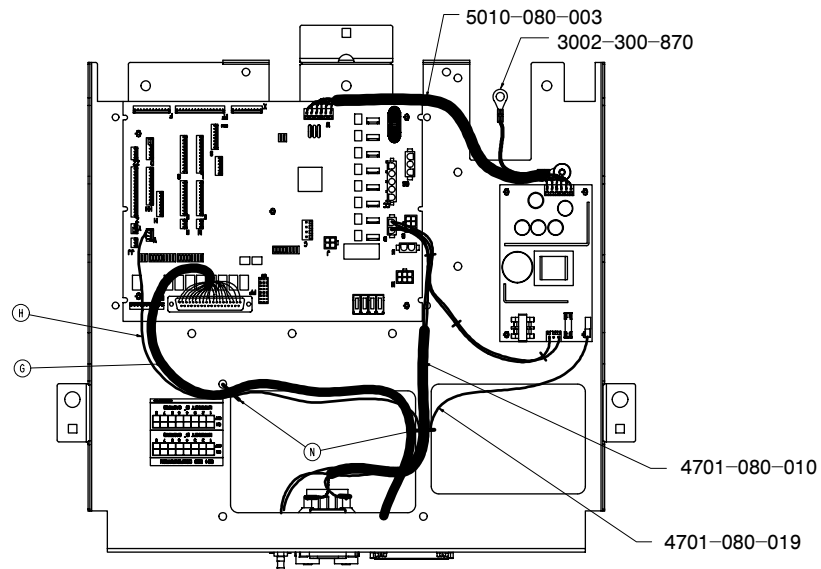
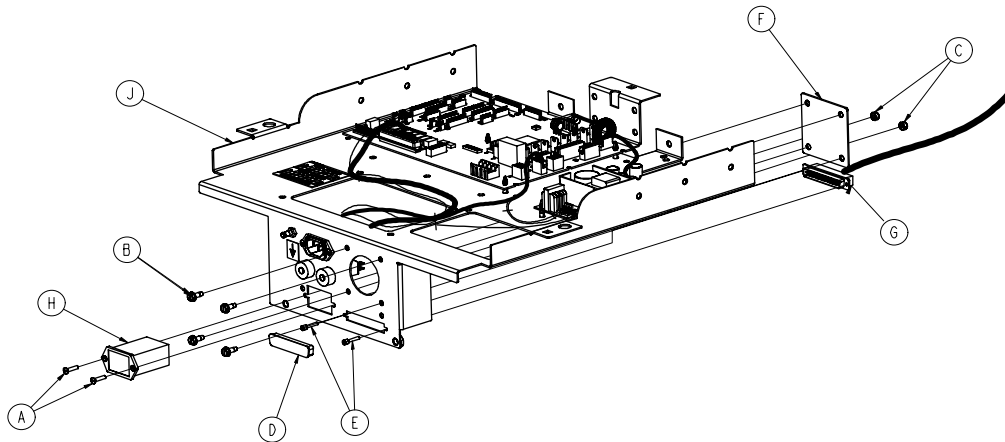




Item	Number	Name	Quantity
A	0003-224-000	Hex head cap screw	6
B	3001-314-920	Pendant port PCB	1
C	4701-080-022	37-pin cover	1
D	4701-080-006	Pendant port cable	1
E	4701-080-030	Standard electrical components	1
F	4701-080-000	Full bed electrical assembly	1
G	4701-090-057	Static sensitive label	1
H	0059-086-000	Cable tie	2
J	5000-090-028	Cord out label (not shown)	1

# Headwall interface with nurse call, no pendant port

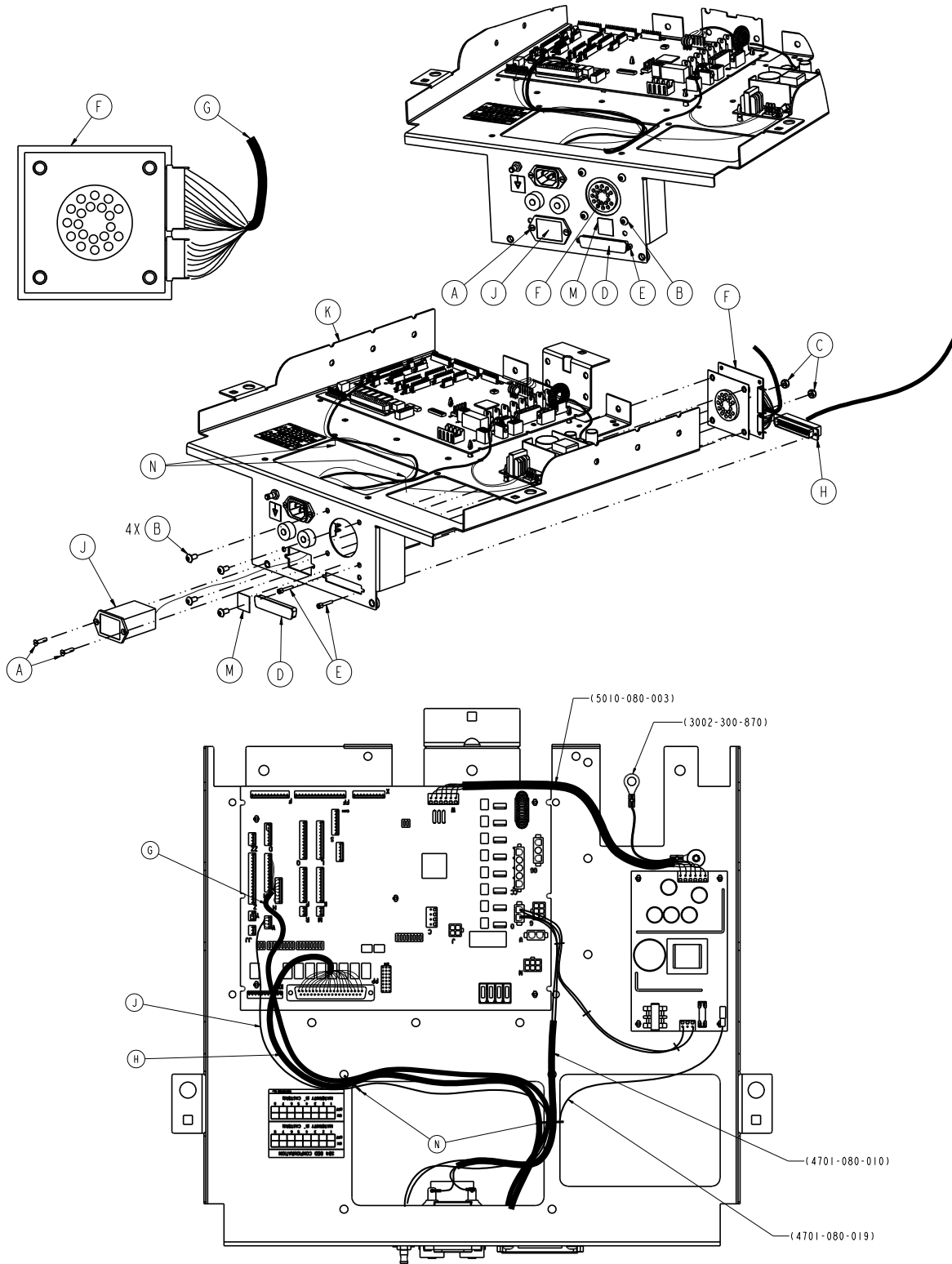
4701-080-045 Rev C (Reference only)



Item	Number	Name	Quantity
A	0001-087-000	Flat hd. slotted screw	2
B	0003-224-000	Button hd. cap screw	4
C	0016-023-000	Nylon hex nut	2
D	0059-710-000	Static plug	1
E	3001-300-007	Jack screw	2
F	4701-080-023	Port cover	1
G	4701-080-009	Headwall interface cable	1
H	5010-080-020	9V battery box cable	1
J	4701-080-030	<i>Electrical box standard components (page 193)</i>	1
K	4701-080-000	<i>Full bed electrical assembly (page 196)</i>	1

# Headwall interface with nurse call and pendant port

4701-080-055 Rev C (Reference only)

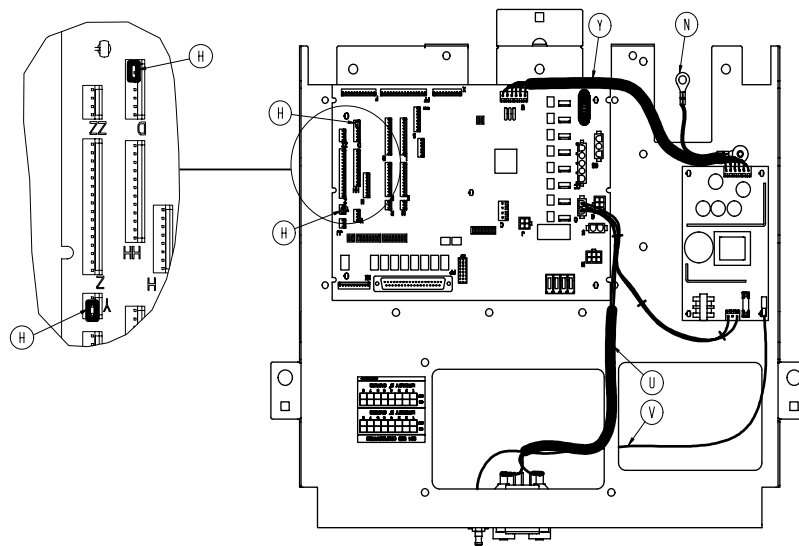
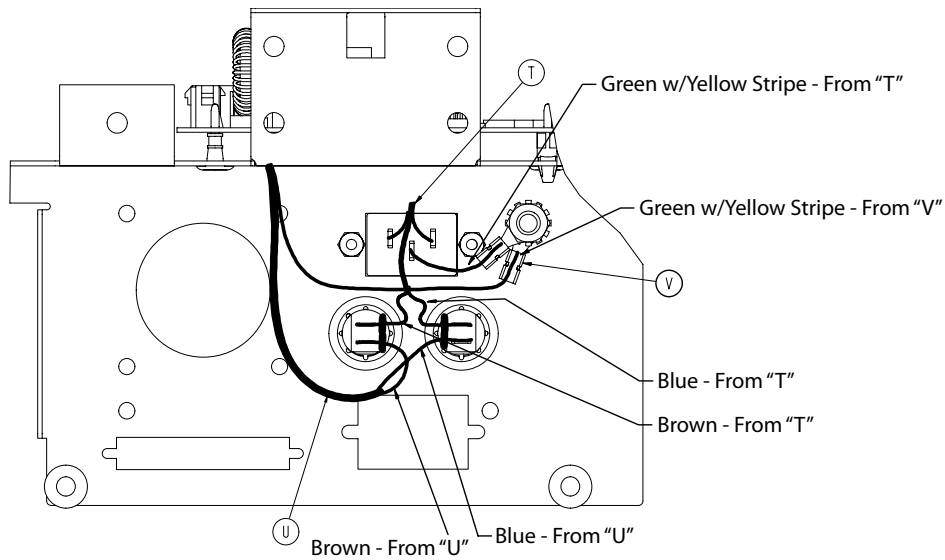


Item	Number	Name	Quantity
A	0001-087-000	Flat head slotted screw	2
B	0004-307-000	Button head cap screw	4

Item	Number	Name	Quantity
C	0016-023-000	Nylon hex nut	2
D	0059-710-000	Static plug	1
E	3001-300-007	Jack screw	2
F	3001-314-920	Pendant port PCB	1
G	4701-080-006	Pendant port cable	1
H	4701-080-009	Headwall interface cable	1
J	5010-080-020	9V battery box cable	1
K	4701-080-030	<i>Electrical box standard components (page 193)</i>	1
L	4701-080-000	<i>Full bed electrical assembly (page 196)</i>	1
M	4701-090-057	Static sensitive label	1
N	0059-086-000	Cable tie	2
P	5000-090-028	Cord out label (not shown)	1





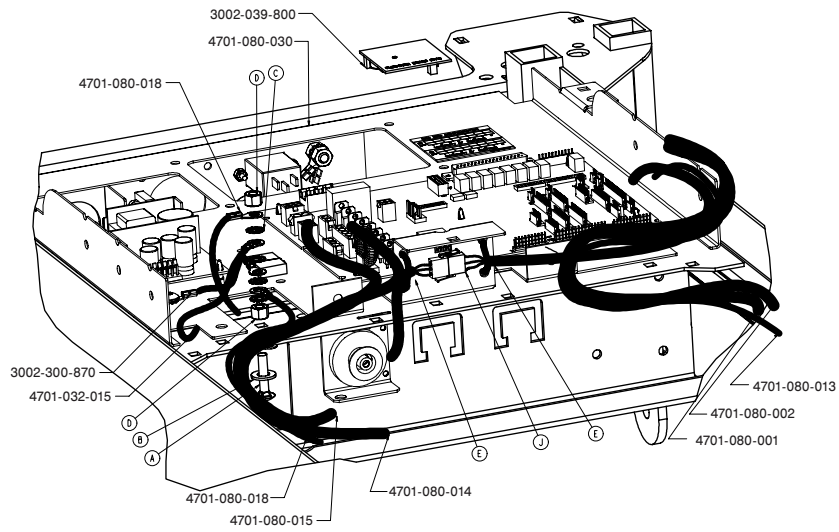
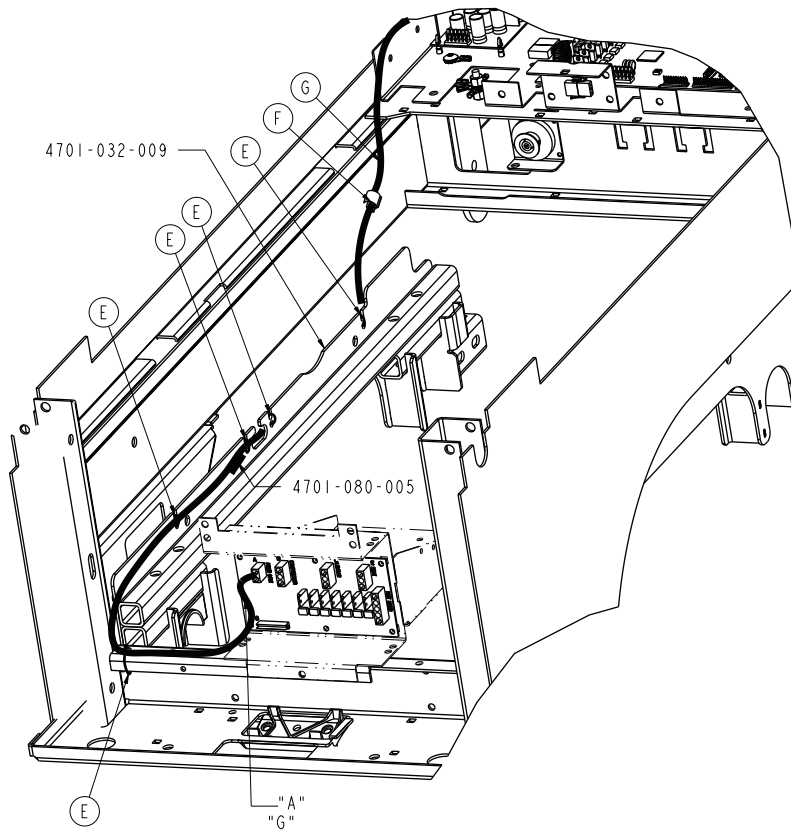


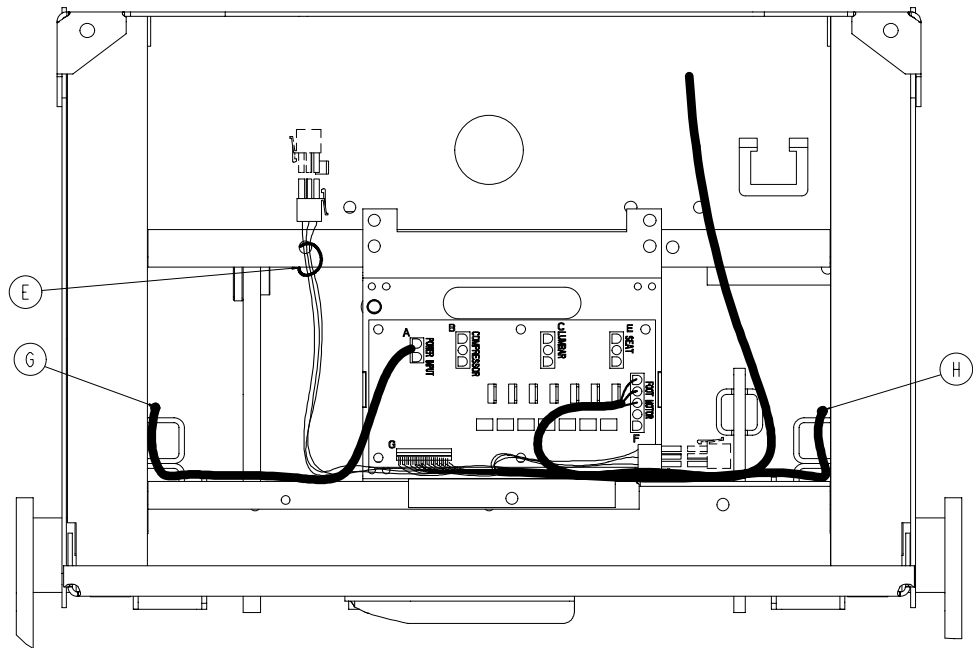
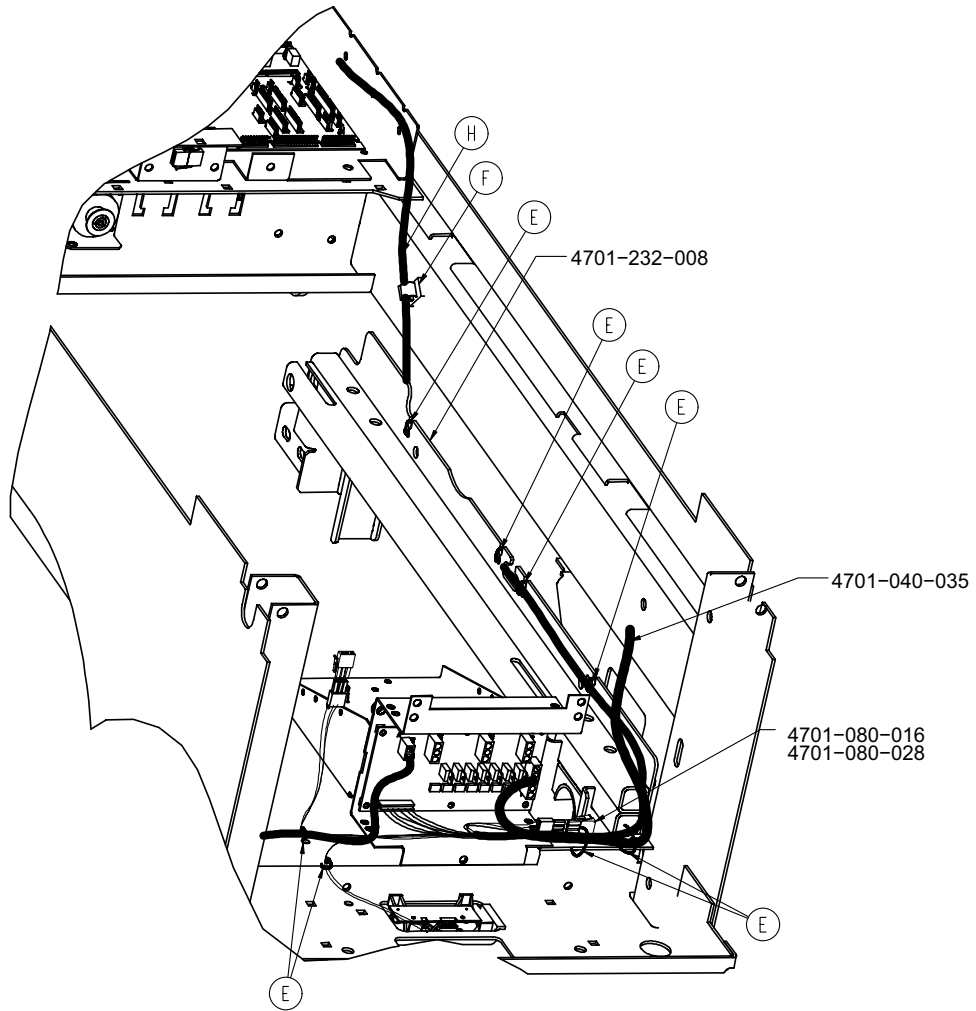
Item	Number	Name	Quantity
A	0001-087-000	Flat head screw	2
B	0007-065-000	Truss head tapping screw	1
C	0013-010-000	External tooth lock washer	2
D	0013-038-000	External tooth lock washer	2
E	0016-023-000	Nylock hex nut	2
F	0016-033-000	Kep nut	2
G	0036-115-000	Label, ground	1
H	0059-137-000	Shunt	2
J	0059-157-000	Power supply	1
K	0059-171-000	Push spacer	2
L	0059-196-000	10A circuit breaker	2
M	2011-001-215	Ground lug	1

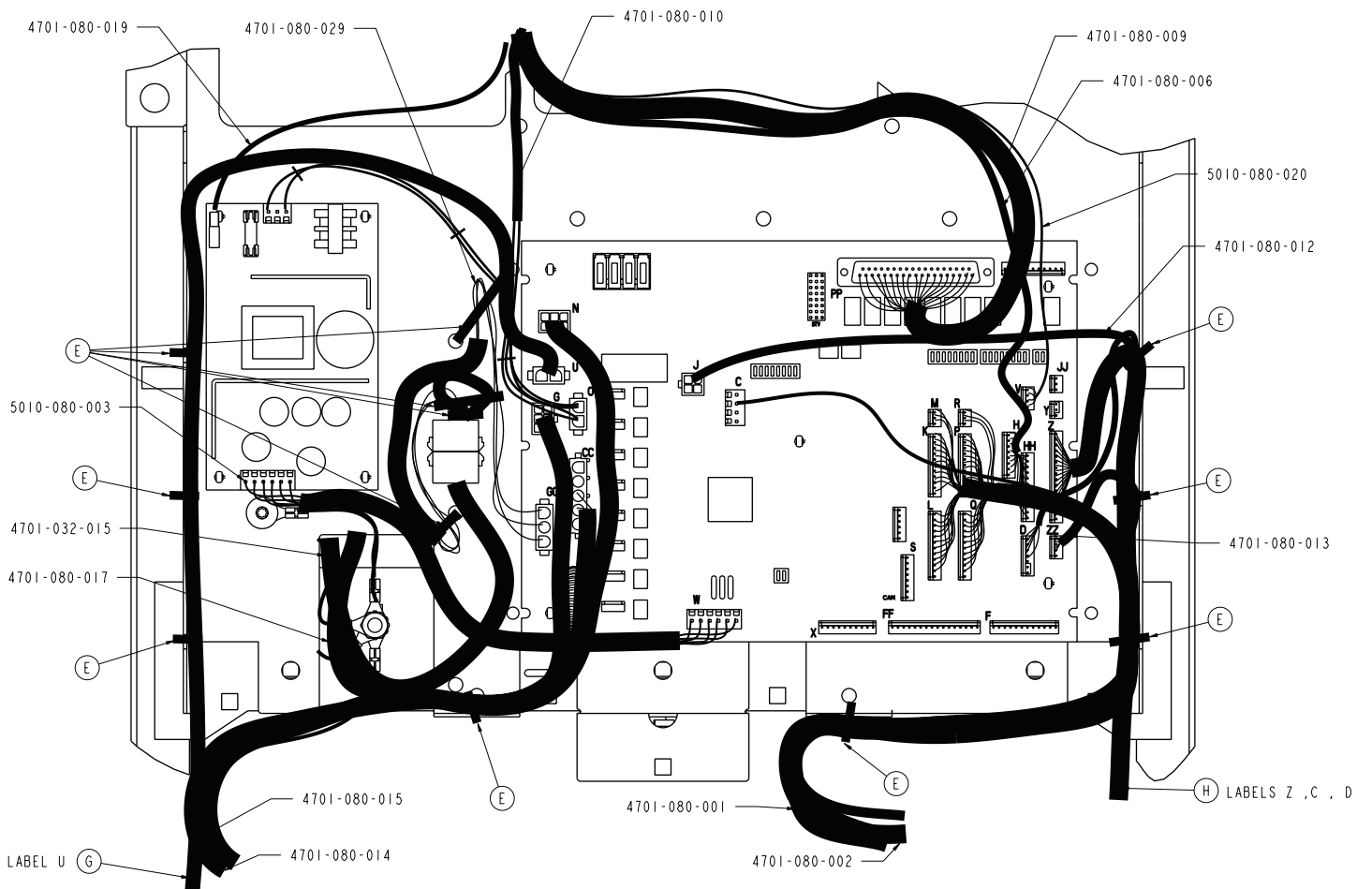
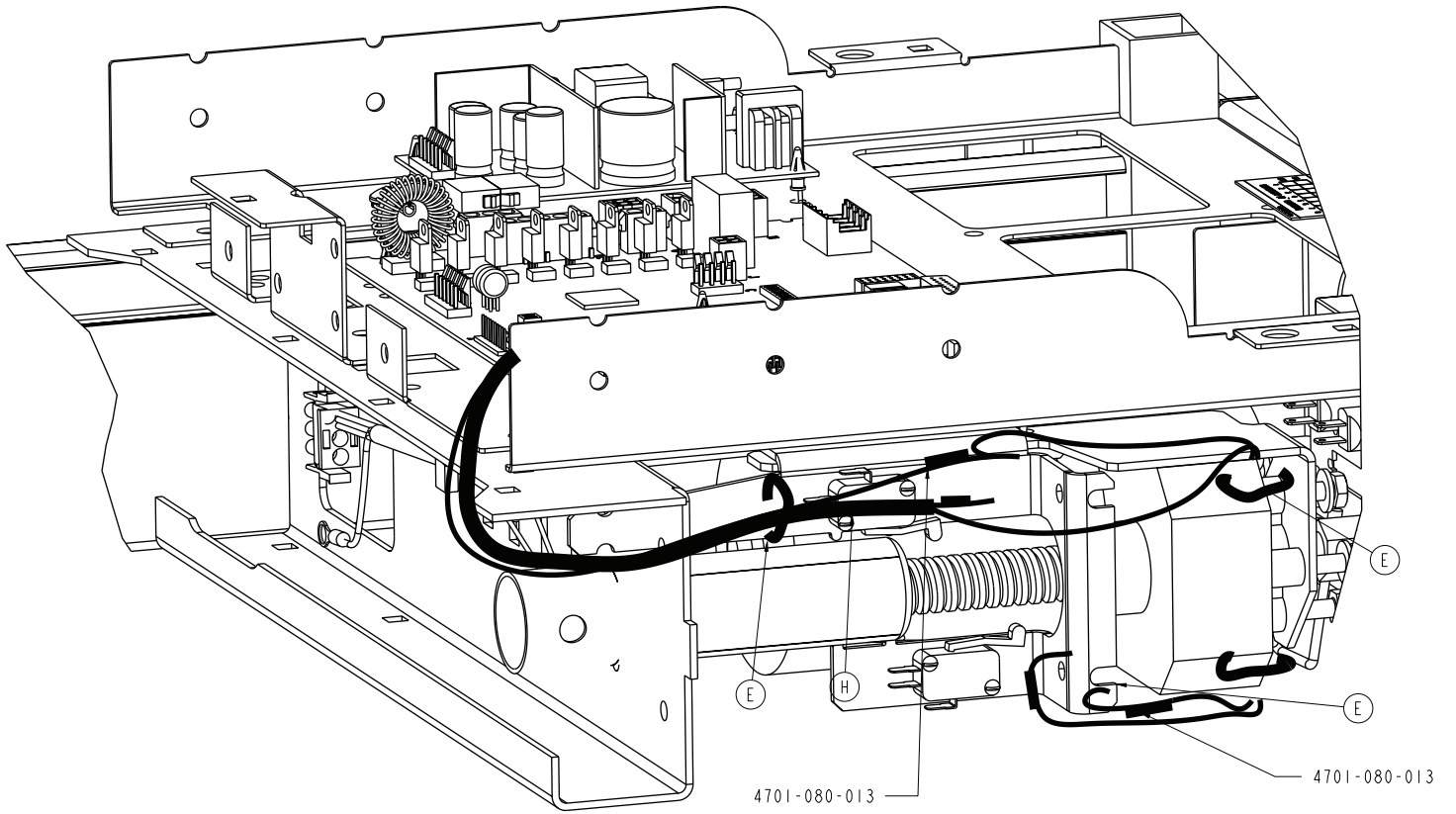
Item	Number	Name	Quantity
N	3002-300-870	8 in. ground strap	1
P	3002-407-950	CPU board	1
R	3000-300-115	Standoff	9
T	4701-080-004	Power inlet cable	1
U	4701-080-010	CPU/power/inlet cable	1
V	4701-080-019	15 in. ground strap	1
W	4701-080-020	Electrical box	1
Y	5010-080-003	CPU/power supply cable	1
Z	4701-407-950	Label, CPU version	1

# Full bed electrical assembly

4701-080-000 Rev F (Reference only)





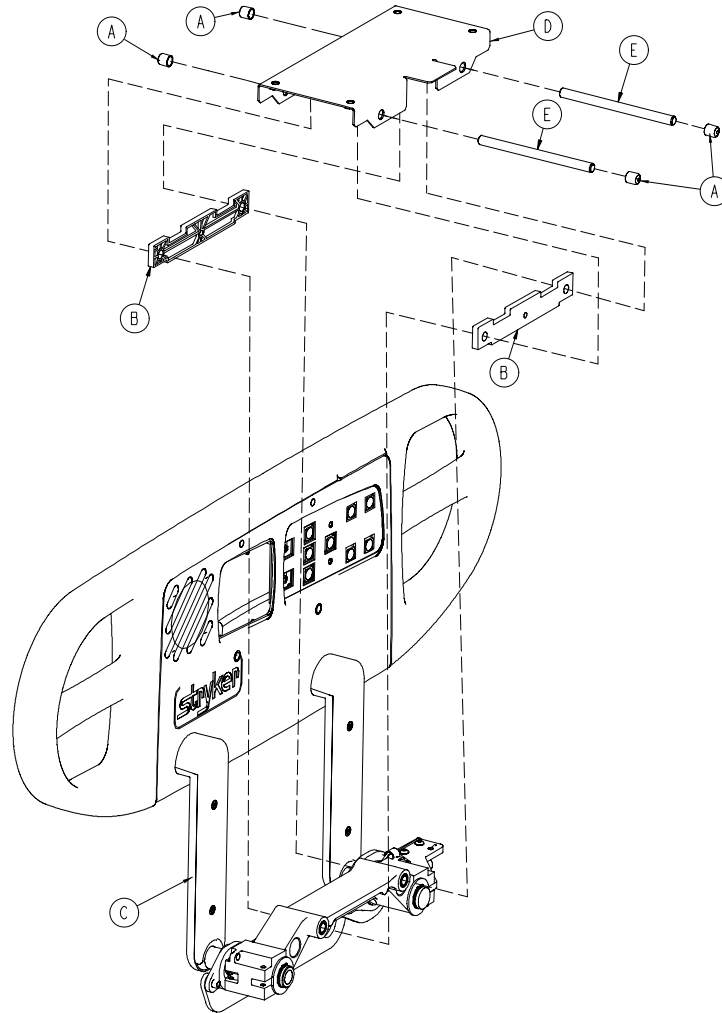


Item	Number	Name	Quantity
A	0005-030-000	Carriage bolt	1
B	0011-003-000	Washer	1
C	0013-010-000	External tooth lock washer	4
D	0016-006-000	Keyp hex nut	2
E	0059-086-000	Cable tie	31
F	8815-001-100	Push mount wire clip	2
G	4701-080-005	Option power board cable	1
H	4701-080-801	CPU option power cable	1
J	4701-080-012	Bed lift potentiometer extension cable	1
K	4701-080-017	Bed lift motor extension cable	1

# Siderail assembly, left

4701-020-095 Rev C (Reference only)

4701-120-095 Rev A (Reference only)

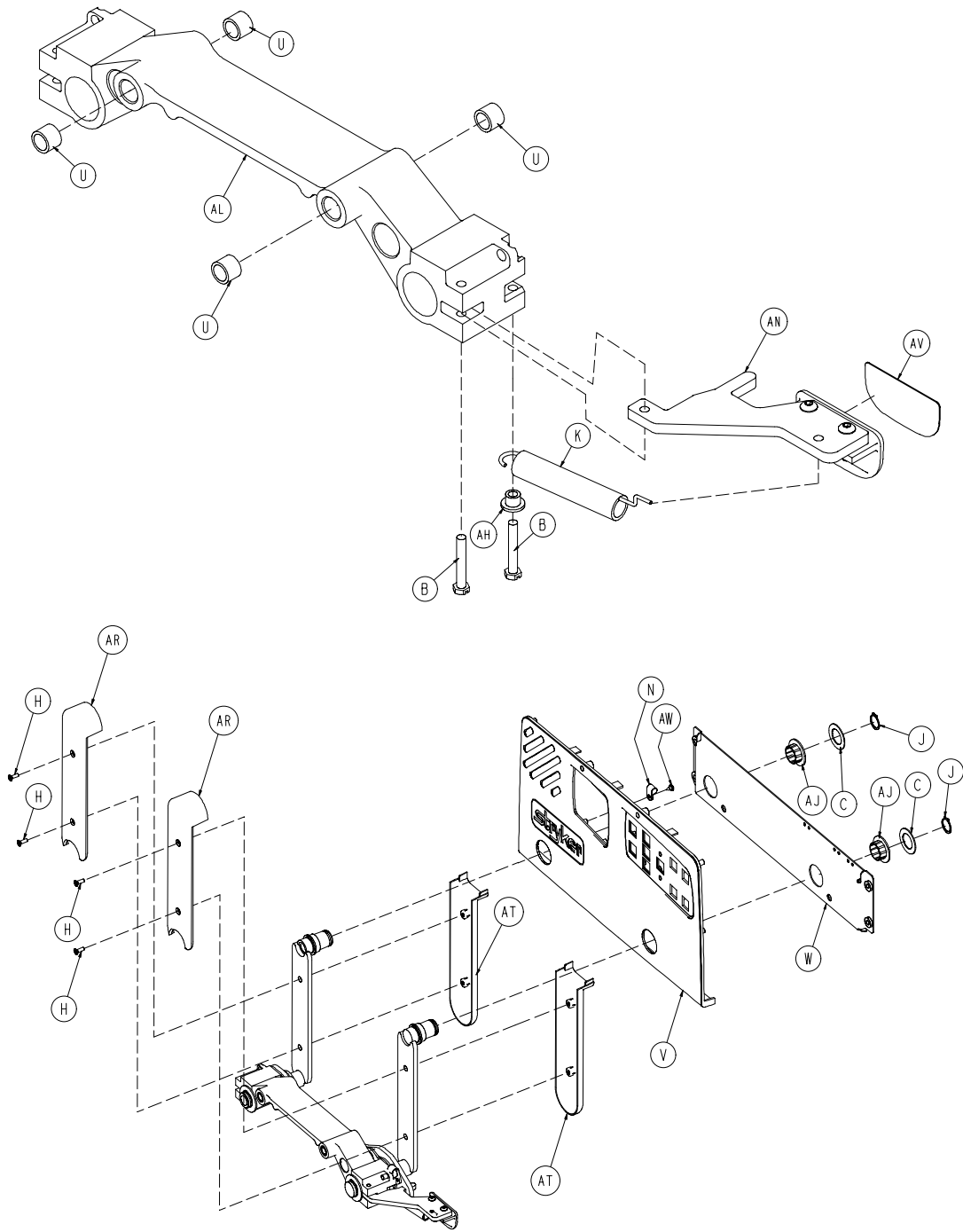


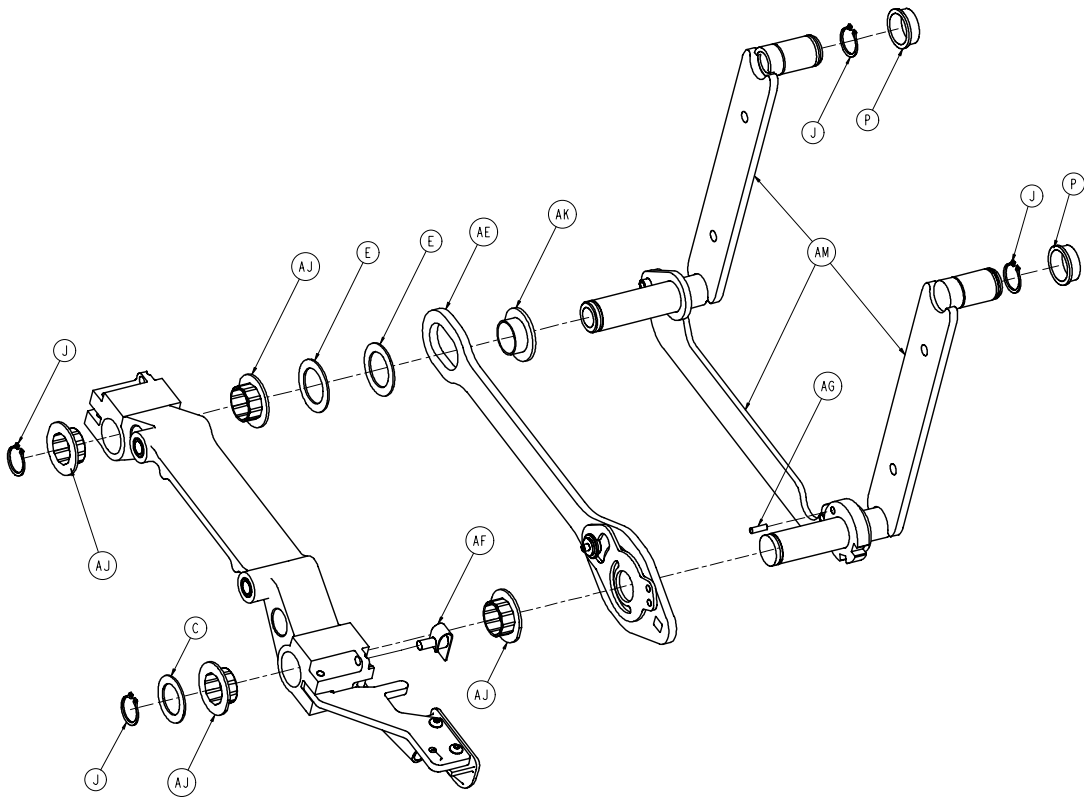
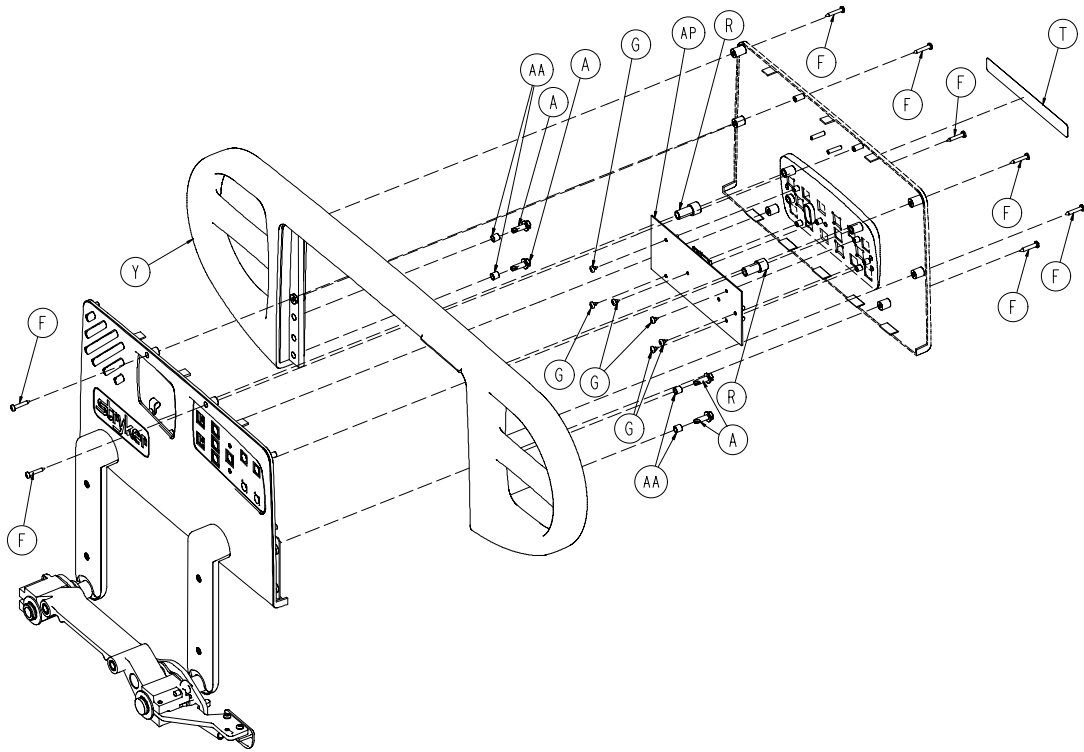
Item	Number	Name	Quantity
A	0056-021-000	Vinyl cap	4
B	3002-400-511	Glide rod bumper pad	2
C	4701-020-085 or 4701-120-085	<i>Standard siderail components, left - 4701- 020-085 (page 201)</i>	1
D	4701-030-155	Siderail mounting plate	1
E	4701-030-156	Siderail glide rod	2

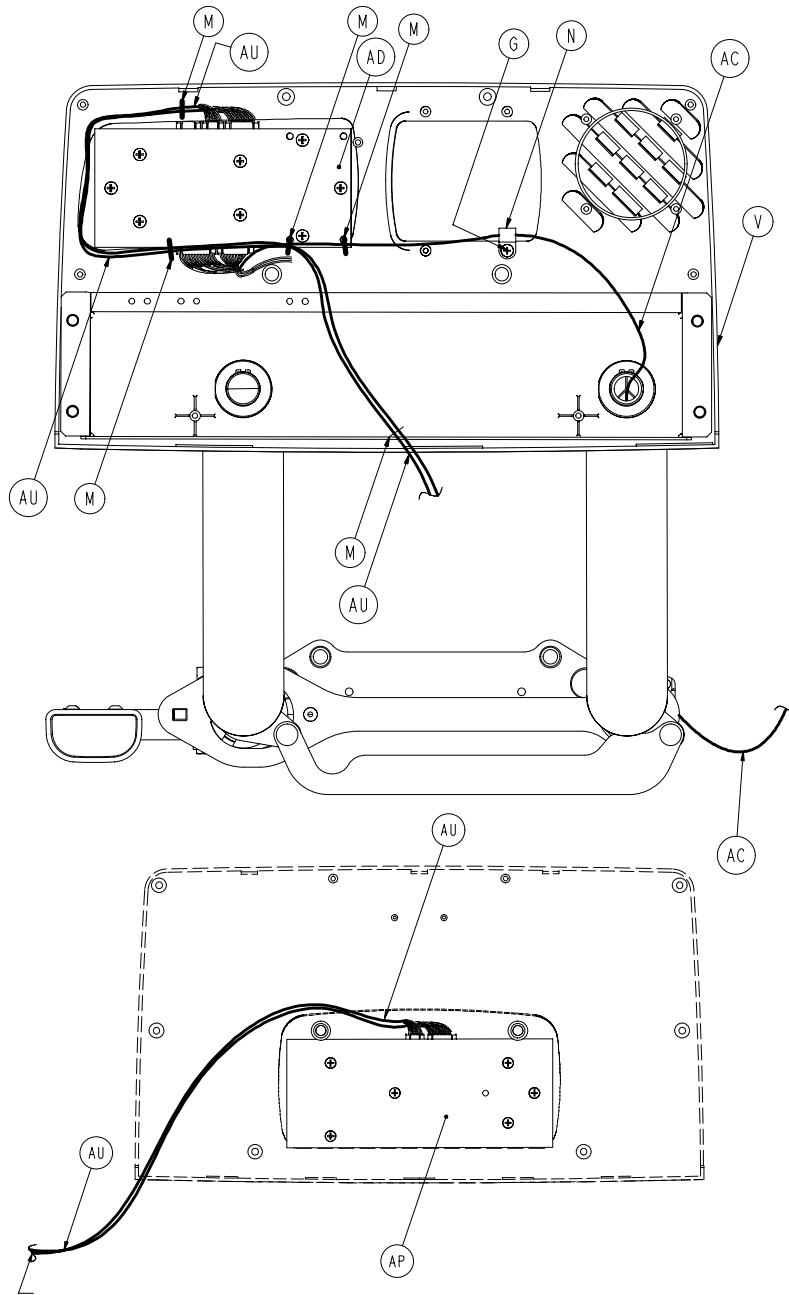


# Standard siderail components, left - 4701-020-085

Rev G (Reference only)





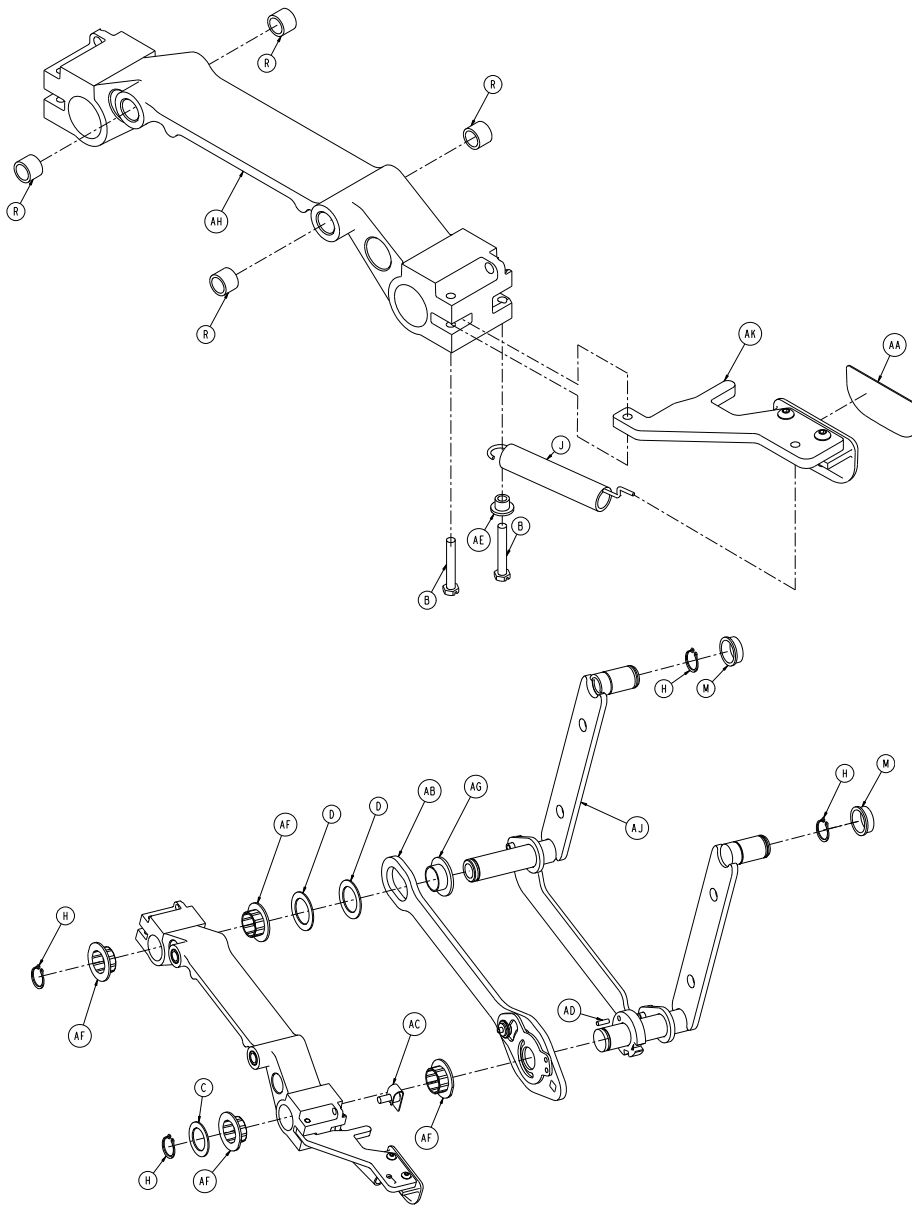


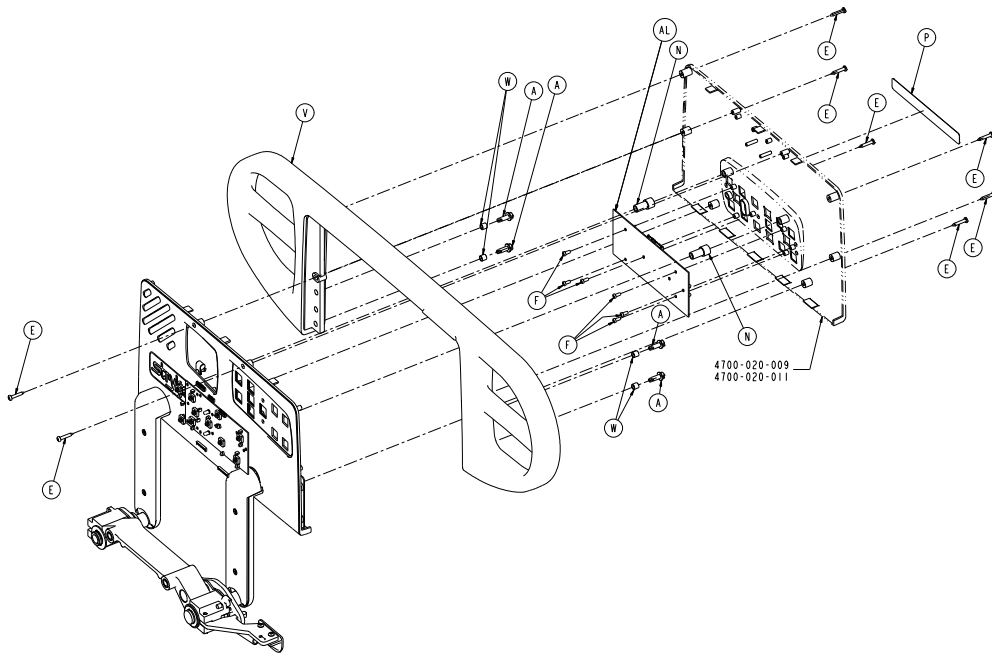
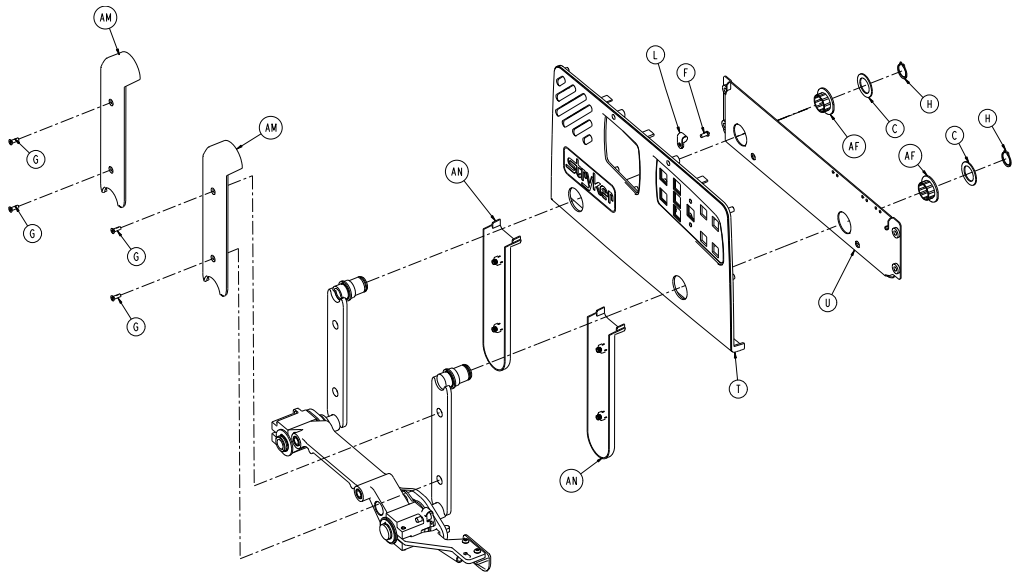
Item	Number	Name	Quantity
A	0003-226-000	Hex washer head screw	4
B	0003-344-000	Hex head machine screw	2
C	0011-343-000	Washer	3
E	0014-093-000	Washer	2
F	0023-090-000	Pan head tapping screw	8
G	0023-088-000	Pan head tapping screw	7
H	0001-072-000	Flat head machine screw	4
J	0028-128-000	Retaining ring	6
K	3000-200-334	Release lever spring	1

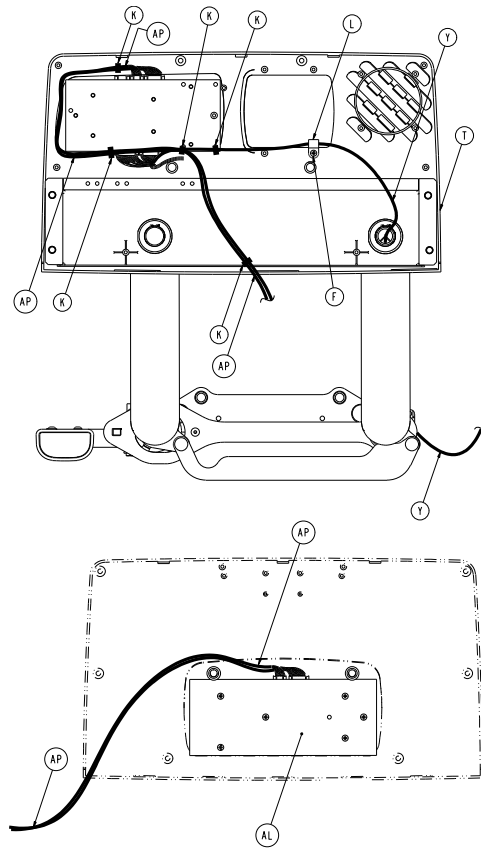
Item	Number	Name	Quantity
M	3000-300-114	Cable tie	5
N	3000-300-478	CPR conduit clamp	1
P	3000-400-513	Wear bushing	2
R	3000-400-523	Panel spacer	2
T	3000-400-556	Label, warning	1
U	3000-400-557	Sleeve bearing	4
V	3001-400-040	Inner panel	1
W	3001-400-130	Support weldment, head end, left	1
Y	3001-400-515	Head rail	1
AA	3001-400-558	Spacer	4
AC	4701-080-026	Siderail cable	1
AE	3002-400-070	Latch assembly, head end, left	1
AF	3002-400-090	Ball detent clip assembly	1
AG	3002-400-505	Bypass pin	1
AH	3002-400-509	Bypass bushing spacer	1
AJ	3002-400-513	Pivot bushing	6
AK	3002-400-519	Latch bushing	1
AL	3003-400-528	Machined siderail carrier	1
AM	4700-320-005	Timing link assembly, head end, left	1
AN	4700-220-007	Release lever assembly	1
AP	4701-080-070	Outside siderail PCB, left	1
AR	5000-020-005	Inner arm cover	2
AT	3001-400-619	Outer arm cover	2
AU	5000-080-012	Main outside cable, left	1
AV	5000-090-016	Label, siderail push	1

# Standard siderail components, left, international - 4701-120-085

Rev A (Reference only)







Item	Number	Name	Quantity
A	0003-226-000	Hex washer head screw	4
B	0003-344-000	Hex head machine screw	2
C	0011-343-000	Washer	3
D	0014-093-000	Washer	2
E	0023-090-000	Pan head tapping screw	8
F	0023-088-000	Pan head tapping screw	7
G	0001-072-000	Flat head machine screw	4
H	0028-128-000	Retaining ring	6
J	3000-200-334	Release lever spring	1
K	3000-300-114	Cable tie	5
L	3000-300-478	CPR conduit clamp	1
M	3000-400-513	Wear bushing	2
N	3000-400-523	Panel spacer	2
P	4701-109-974	Label, warning, siderail left	1
R	3000-400-557	Sleeve bearing	4
T	3001-400-040	Inner panel	1
U	3001-400-130	Support weldment, head end, left	1

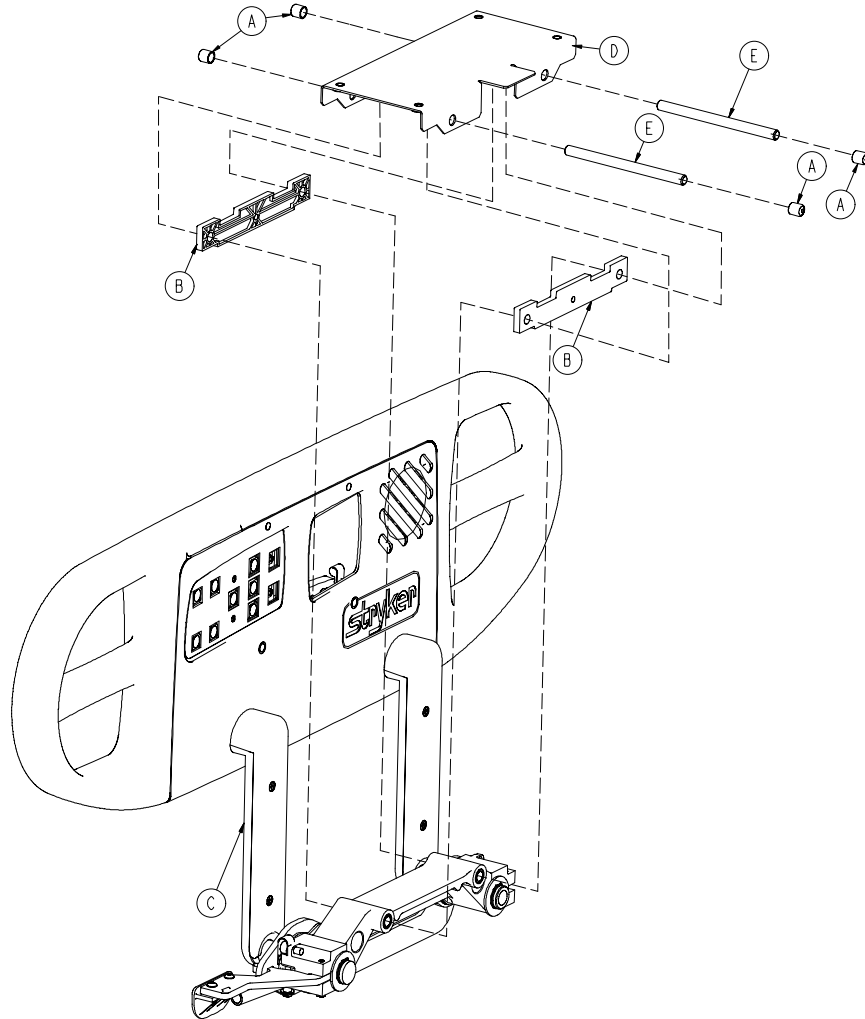
Item	Number	Name	Quantity
V	3001-400-515	Head rail	1
W	3001-400-558	Spacer	4
Y	4701-080-026	Siderail cable	1
AA	4701-109-971	Label, siderail push	1
AB	3002-400-070	Latch assembly, head end, left	1
AC	3002-400-090	Ball detent clip assembly	1
AD	3002-400-505	Bypass pin	1
AE	3002-400-509	Bypass bushing spacer	1
AF	3002-400-513	Pivot bushing	6
AG	3002-400-519	Latch bushing	1
AH	3003-400-528	Machined siderail carrier	1
AJ	4700-320-005	Timing link assembly, head end, left	1
AK	4700-220-007	Release lever assembly	1
AL	4701-080-070	Outside siderail PCB, left	1
AM	5000-020-005	Inner arm cover	2
AN	3001-400-619	Outer arm cover	2
AP	5000-080-012	Main outside cable, left	1



# Siderail assembly, right

4701-020-100 Rev C (Reference only)

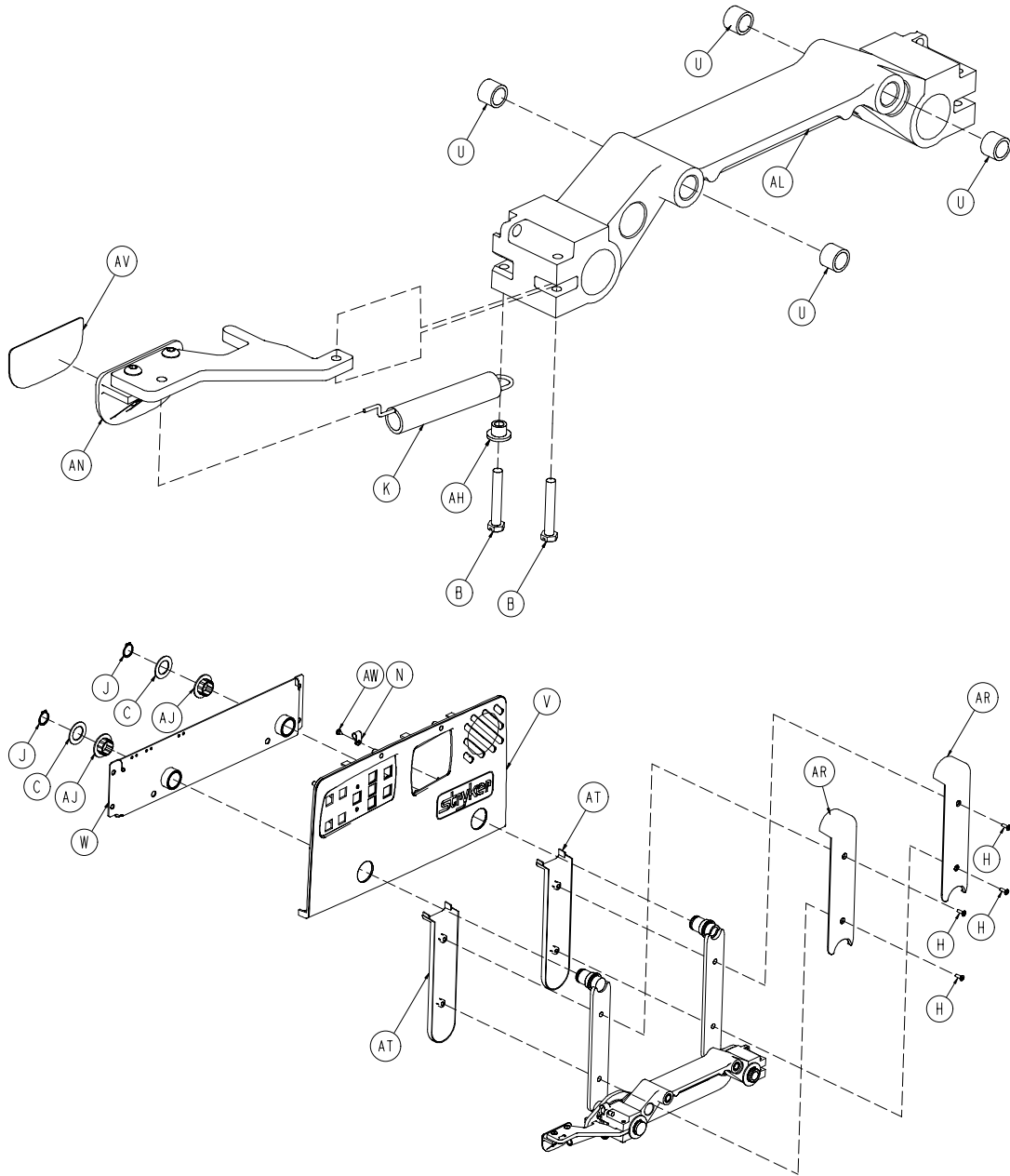
4701-120-100 Rev A (Reference only)

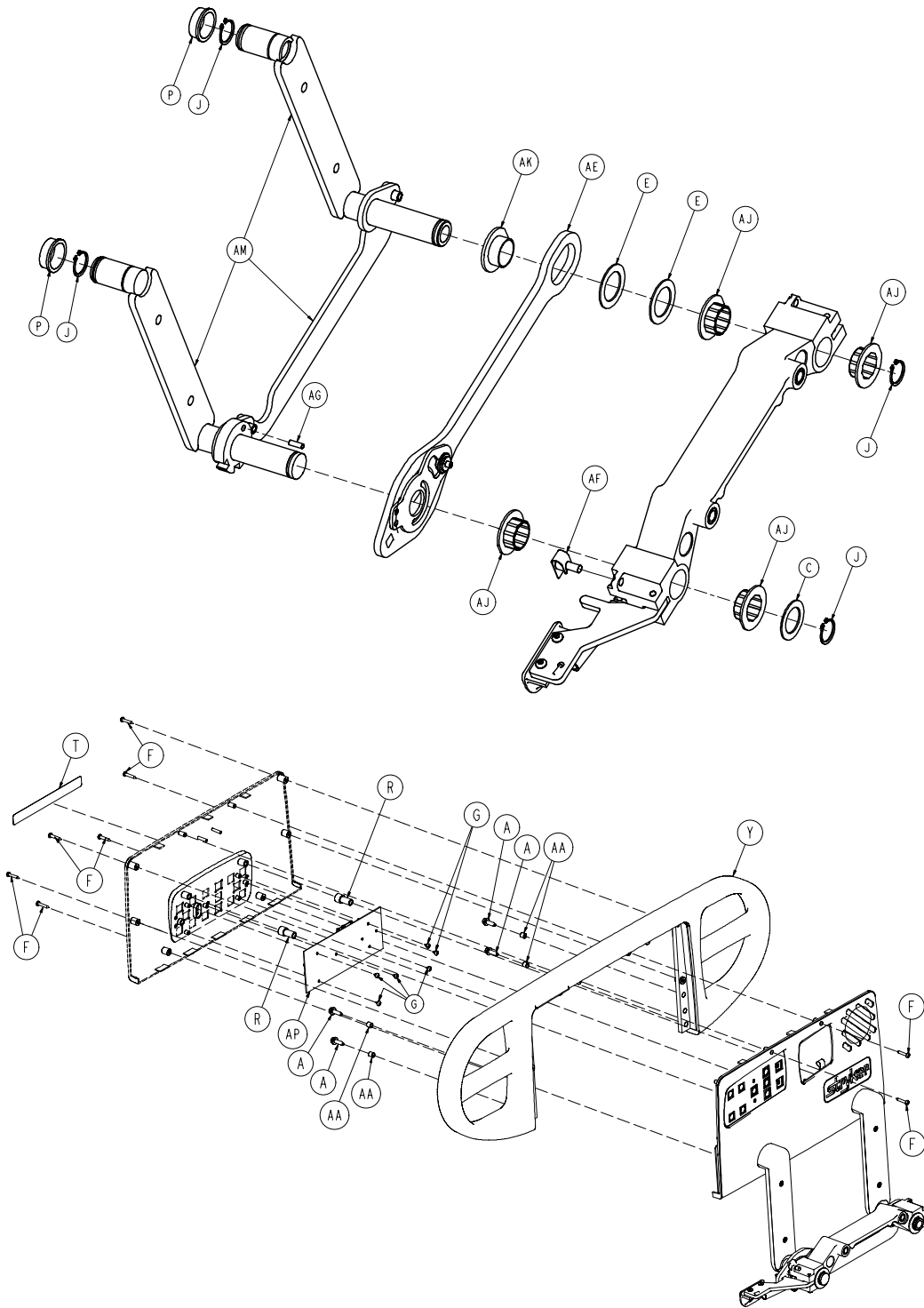


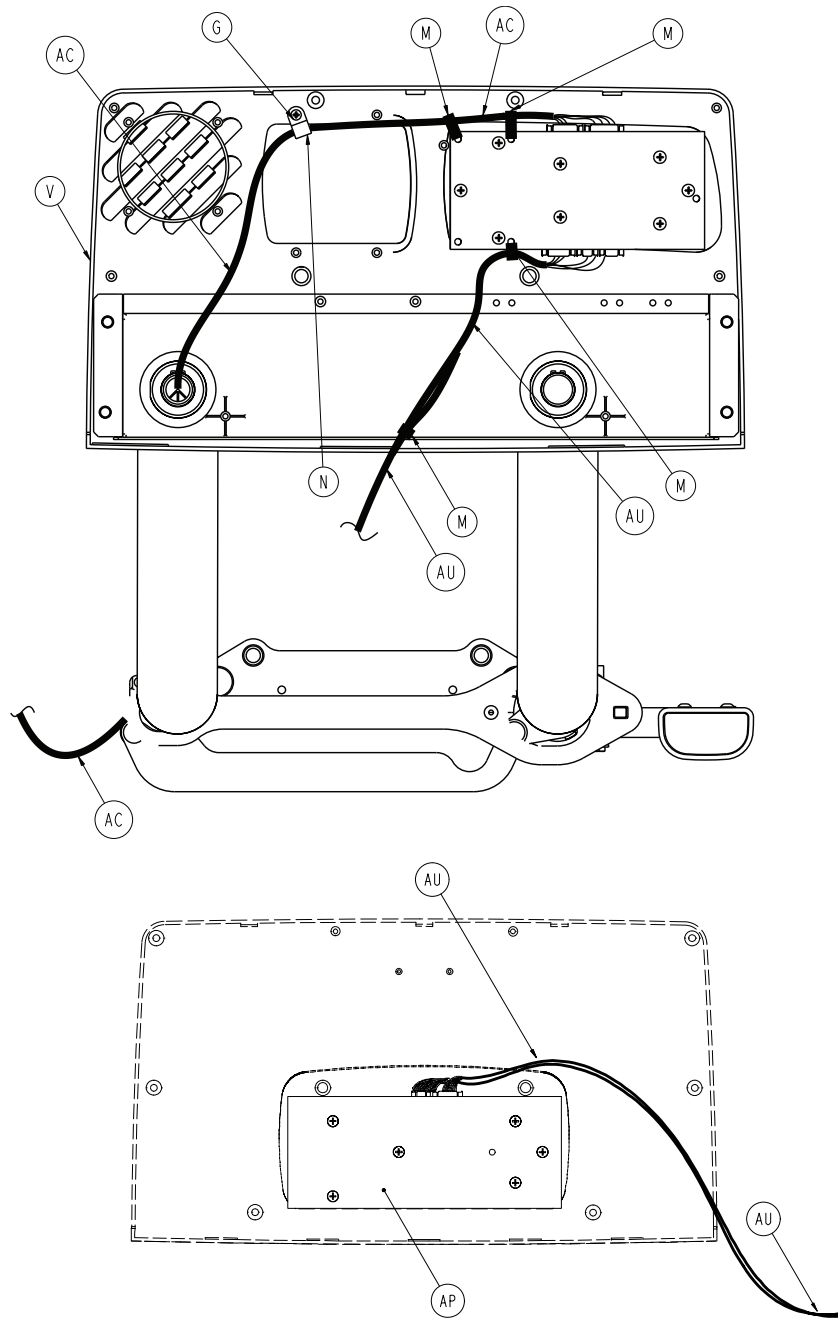
Item	Number	Name	Quantity
A	0056-021-000	Vinyl cap	4
B	3002-400-511	Glide rod bumper pad	2
C	4701-020-090 or 4701-120-090	<i>Standard siderail components, right - 4701-020-090 (page 210)</i>	1
D	4701-030-155	Siderail mounting plate	1
E	4701-030-156	Siderail glide rod	2

# Standard siderail components, right - 4701-020-090

Rev H (Reference only)





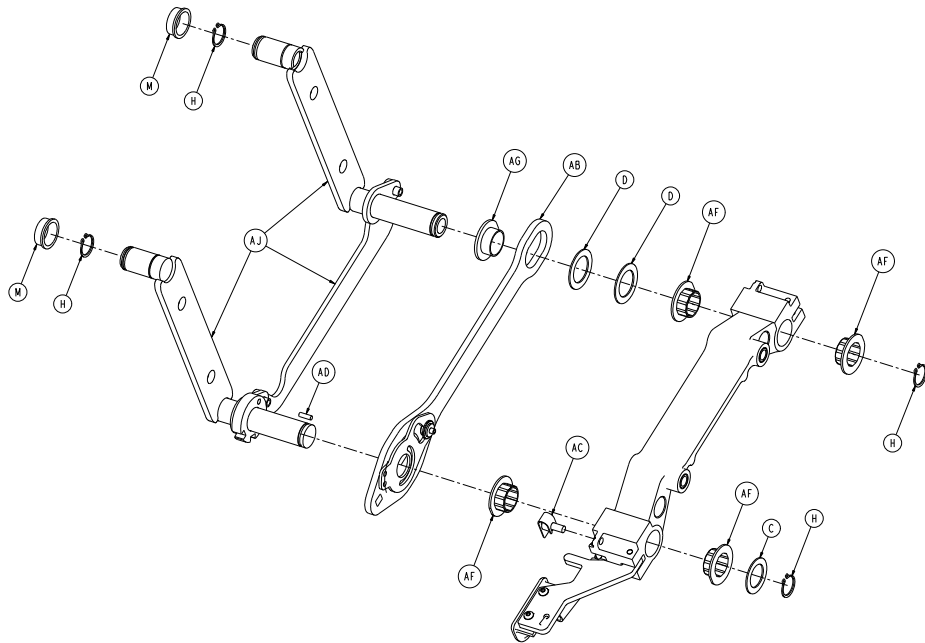
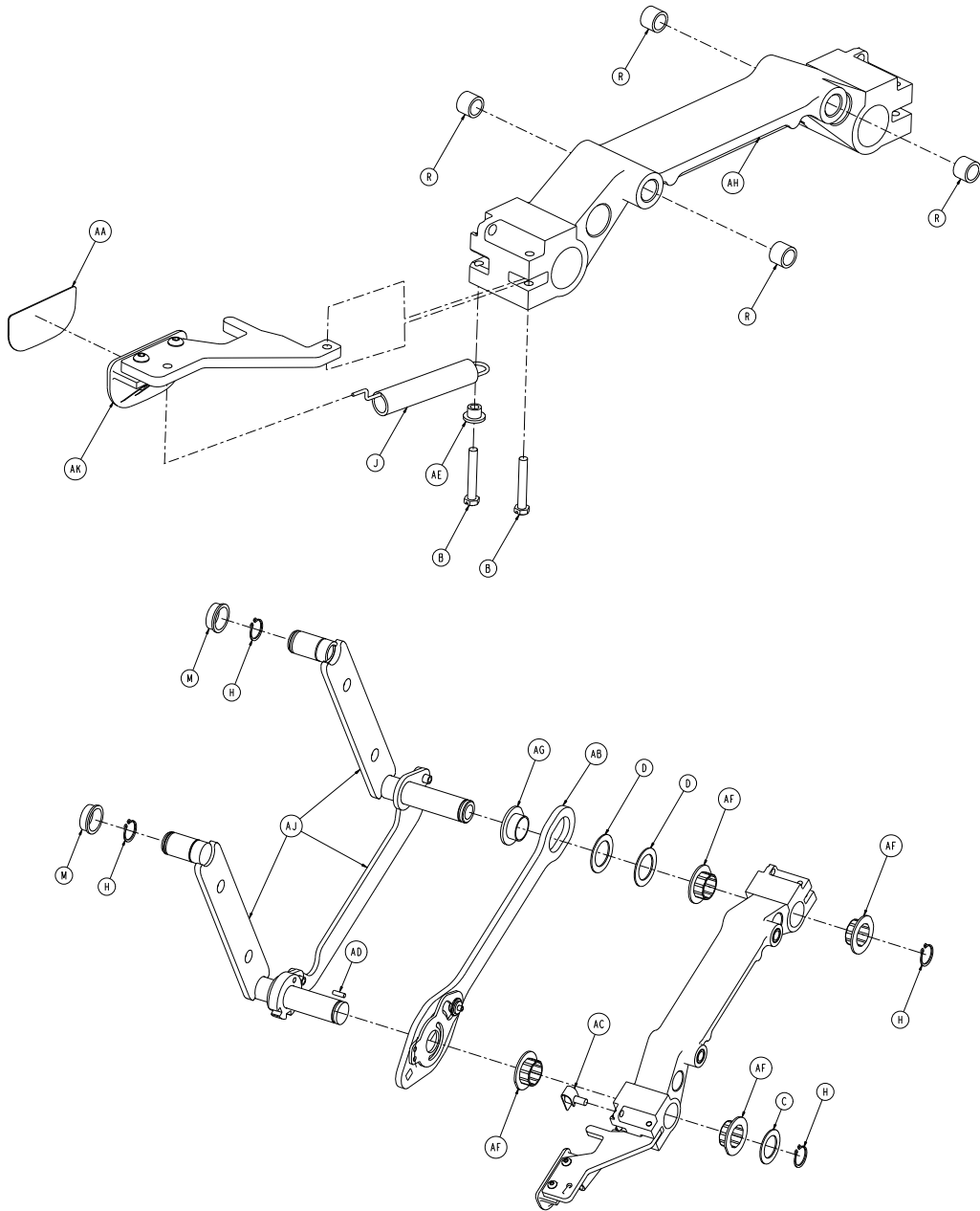


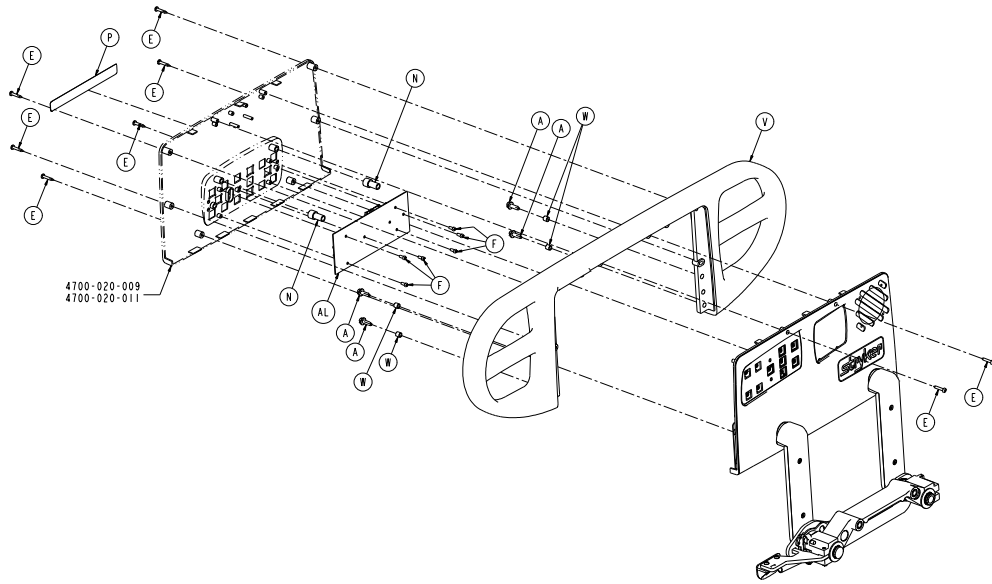
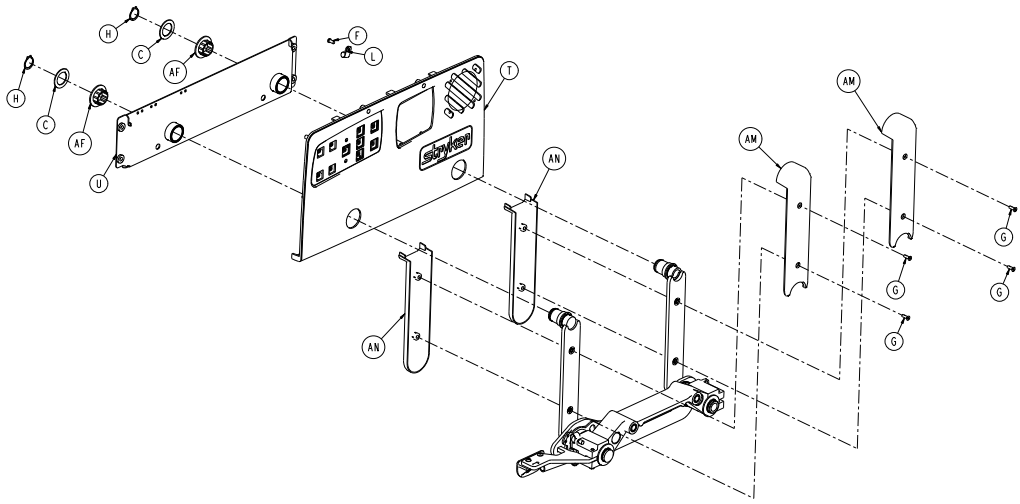
Item	Number	Name	Quantity
A	0003-226-000	Hex washer head screw	4
B	0003-344-000	Hex head machine screw	2
C	0011-343-000	Washer	2
E	0014-093-000	Washer	2
F	0023-090-000	Pan head tapping screw	8
G	0023-088-000	Pan head hi/lo screw	7
H	0001-072-000	Flat head machine screw	4
J	0028-128-000	Retaining ring	6
K	3000-200-334	Release lever spring	1

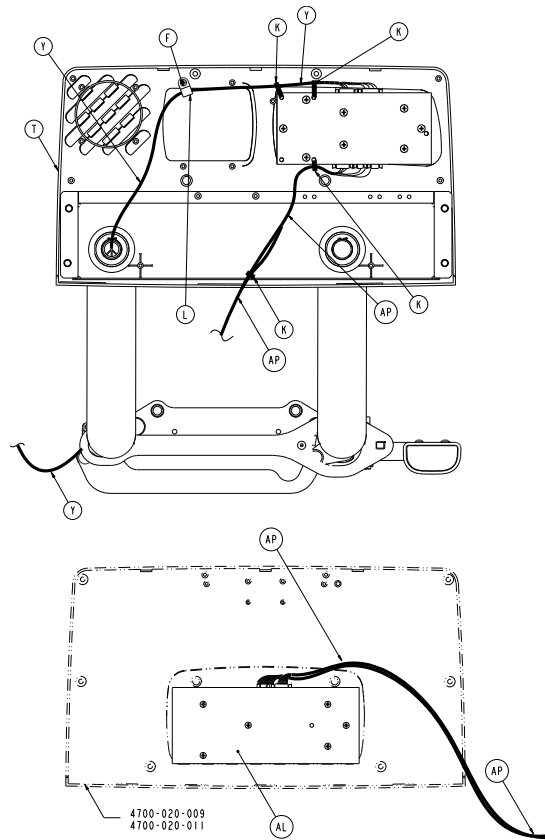
Item	Number	Name	Quantity
M	0059-086-000	Cable tie	5
N	3000-300-478	CPR conduit clamp	1
P	3000-400-513	Wear bushing	2
R	3000-400-523	Panel spacer	2
T	3000-400-556	Warning label	1
U	3000-400-557	Sleeve bearing	4
V	3001-400-045	Inner panel	1
W	3001-400-230	Head end, right support weldment	1
Y	3001-400-515	Head rail	1
AA	3001-400-558	Spacer	4
AC	4701-080-026	Cable	1
AE	3002-400-075	Latch assembly, head, right	1
AF	3002-400-090	Detent clip assembly	1
AG	3002-400-505	Bypass pin	1
AH	3002-400-509	Bypass bushing spacer	1
AJ	3002-400-513	Pivot bushing	6
AK	3002-400-519	Latch bushing	1
AL	3003-400-528	Siderail carrier	1
AM	4700-320-004	Timing link assembly, right, head	1
AN	4700-220-006	Release lever assembly	1
AP	4701-080-060	Outside siderail PCB, right	1
AR	5000-020-005	Inner arm cover	2
AT	3001-400-619	Outer arm cover	2
AU	5000-080-011	Main outside cable, right	1
AV	5000-090-016	Siderail release label	1

# Standard siderail components, right, international - 4701-120-090

Rev A (Reference only)







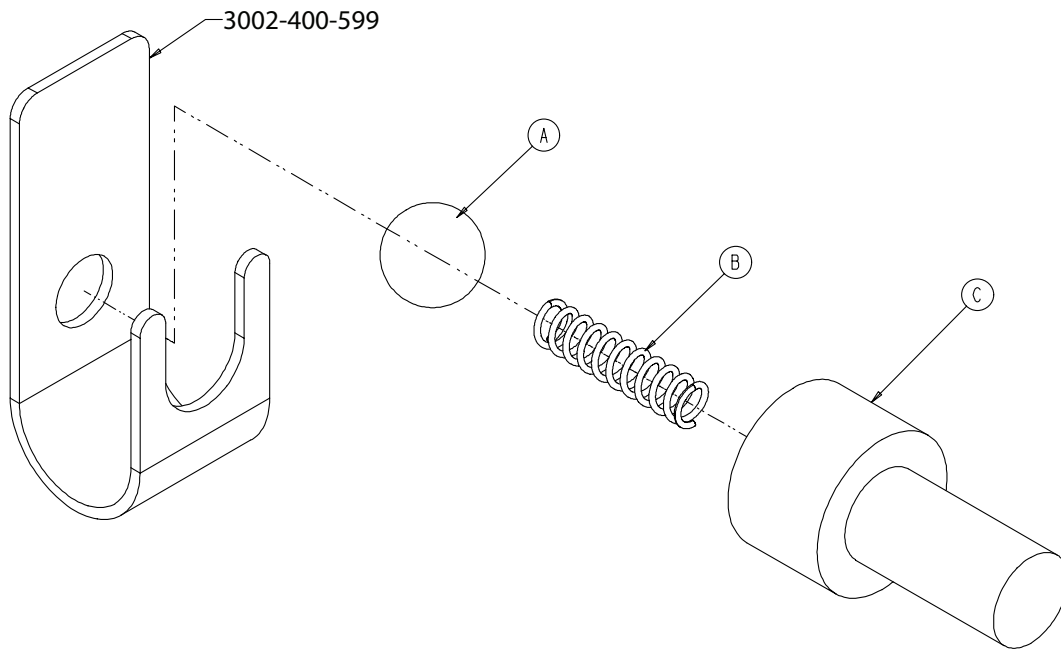
Item	Number	Name	Quantity
A	0003-226-000	Hex washer head screw	4
B	0003-344-000	Hex head machine screw	2
C	0011-343-000	Washer	2
D	0014-093-000	Washer	2
E	0023-090-000	Pan head tapping screw	8
F	0023-088-000	Pan head hi/lo screw	7
G	0001-072-000	Flat head machine screw	4
H	0028-128-000	Retaining ring	6
J	3000-200-334	Release lever spring	1
K	0059-086-000	Cable tie	5
L	3000-300-478	CPR conduit clamp	1
M	3000-400-513	Wear bushing	2
N	3000-400-523	Panel spacer	2
P	4701-109-973	Label, warning, siderail, right	1
R	3000-400-557	Sleeve bearing	4
T	3001-400-045	Inner panel	1
U	3001-400-230	Head end, right support weldment	1



Item	Number	Name	Quantity
V	3001-400-515	Head rail	1
W	3001-400-558	Spacer	4
Y	4701-080-026	Cable	1
AA	4701-109-971	Label, siderail push	1
AB	3002-400-075	Latch assembly, head, right	1
AC	3002-400-090	Detent clip assembly	1
AD	3002-400-505	Bypass pin	1
AE	3002-400-509	Bypass bushing spacer	1
AF	3002-400-513	Pivot bushing	6
AG	3002-400-519	Latch bushing	1
AH	3003-400-528	Siderail carrier	1
AJ	4700-320-004	Timing link assembly, right, head	1
AK	4700-220-006	Release lever assembly	1
AL	4701-080-060	Outside siderail PCB, right	1
AM	5000-020-005	Inner arm cover	2
AN	3001-400-619	Outer arm cover	2
AP	5000-080-011	Main outside cable, right	1

# Siderail bypass detent clip assembly

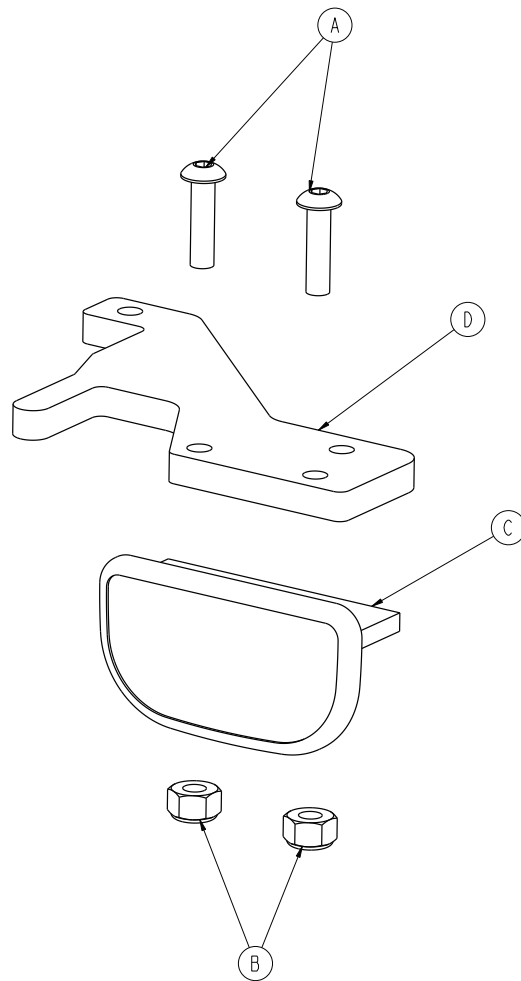
3002-400-090 Rev - (Reference only)



Item	Number	Name	Quantity
A	0031-137-000	Steel ball	1
B	0038-464-000	Compression spring	1
C	3002-400-524	Bypass detent housing	1

# Siderail release lever, right

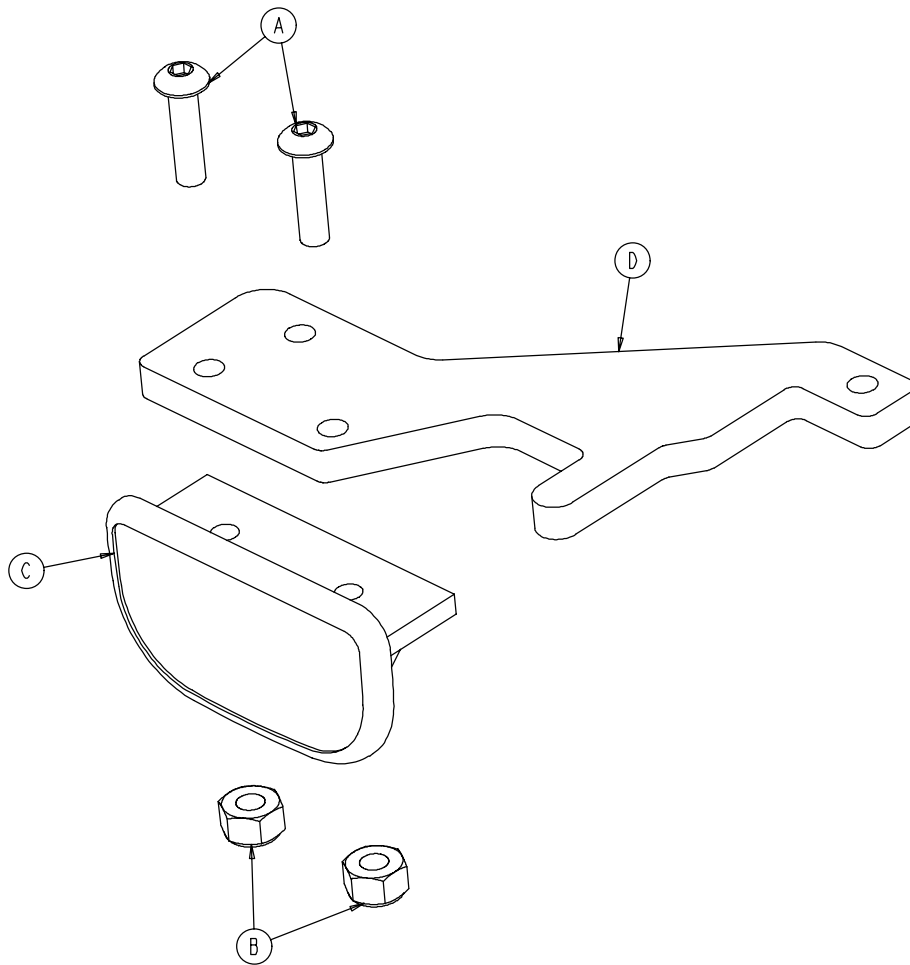
4700-220-006 Rev A (Reference only)



Item	Number	Name	Quantity
A	0004-278-000	Button head cap screw	2
B	0016-002-000	Nylock nut	2
C	3001-400-514	Release lever pad	1
D	3002-400-510	Release lever	1

# Siderail release lever, left

4700-220-007 Rev - (Reference only)

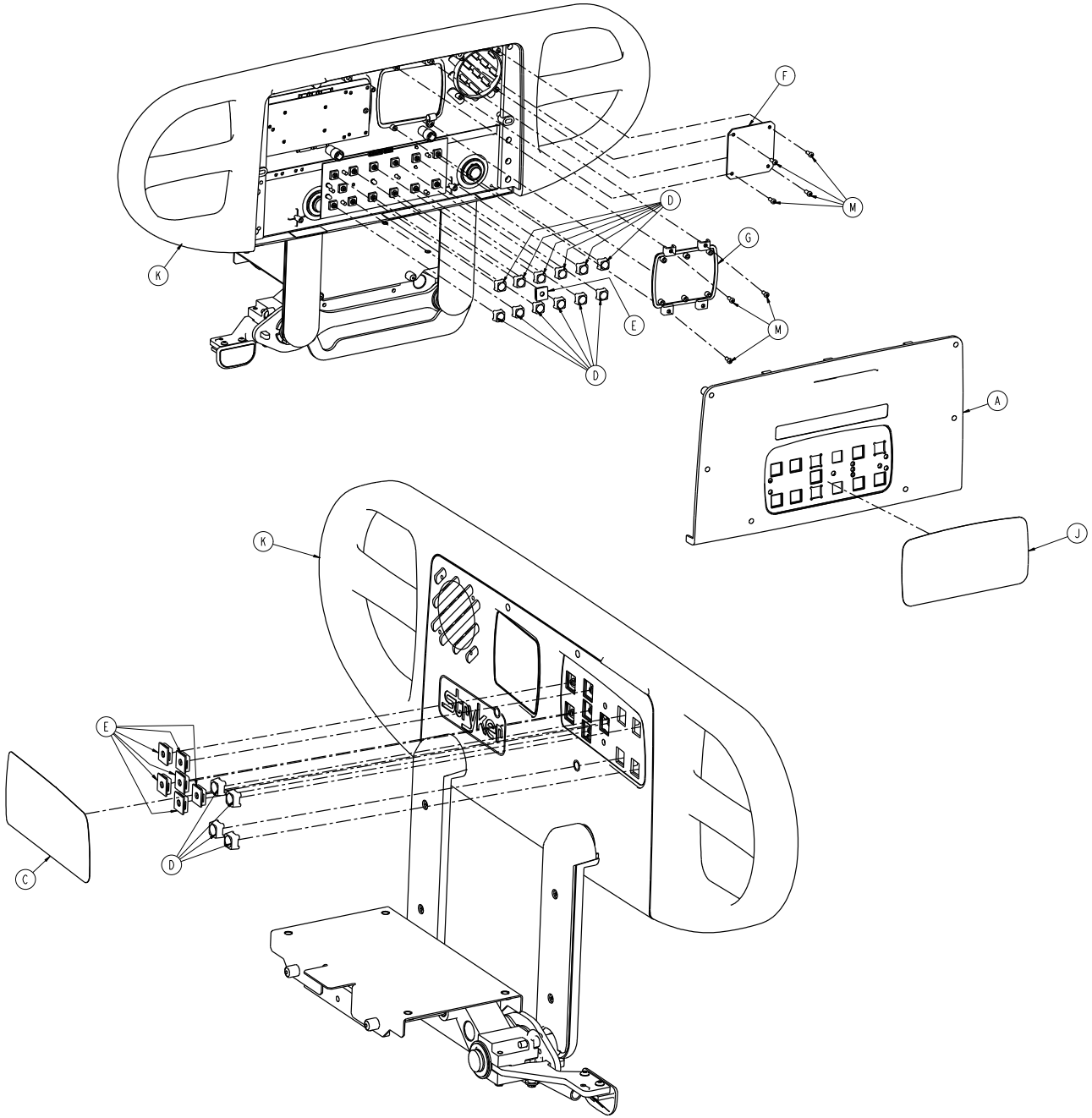


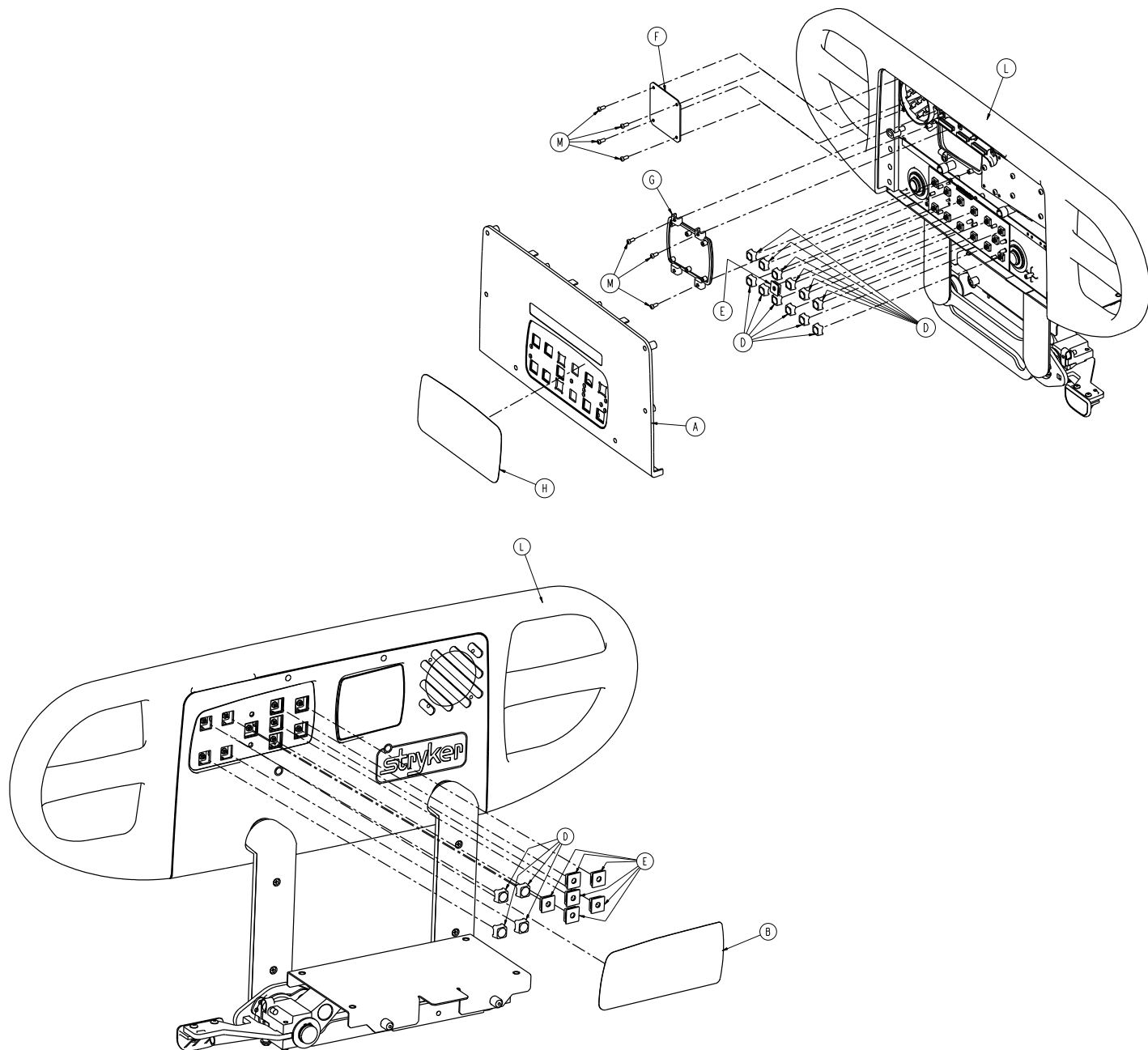
Item	Number	Name	Quantity
A	0004-278-000	Button head cap screw	2
B	0016-002-000	Nylock nut	2
C	3001-400-514	Release lever pad	1
D	3002-400-510	Release lever	1

# Standard siderail assembly

4701-020-065 Rev C (Reference only)

4701-120-065 Rev A (Reference only)





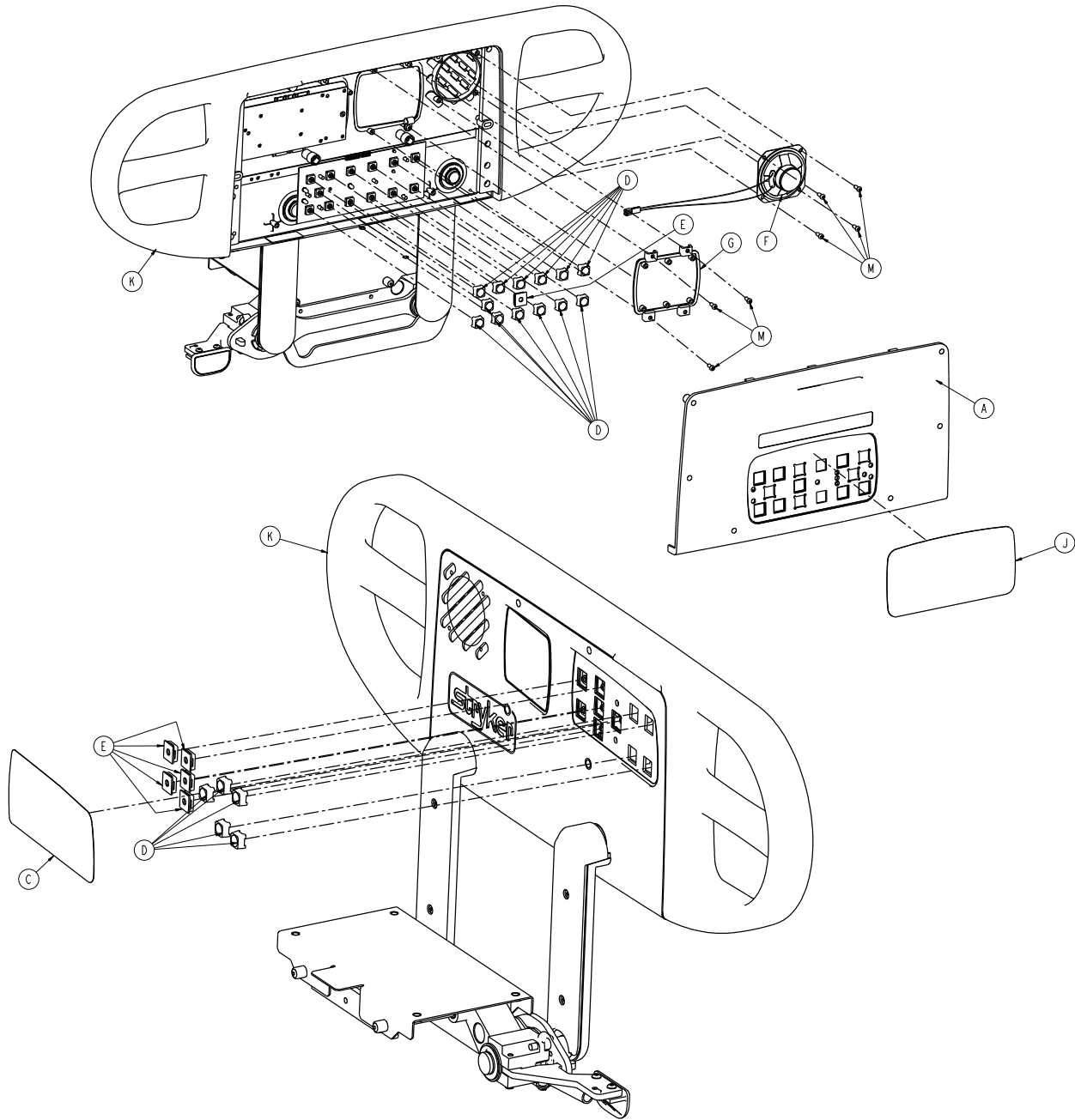
Item	Number	Name	Quantity
A	4700-020-011	Outer panel, without Nurse Call	2
B	4701-090-027 or 4701-109-928	Inner, right label, no options	1
C	4701-090-028 or 4701-109-929	Inner, left label, no options	1
D	3001-400-953	Switch cap	12
E	3001-400-522	Filler cap	14
F	3001-400-517	Speaker seal	2
G	3001-400-535	Inner panel blank module	2

Item	Number	Name	Quantity
H	4701-090-017 or 4701-109-918	Outer, right label, no options	1
J	4701-090-018 or 4701-109-919	Outer, left label, no options	1
K	4701-020-095 or 4701-120-095	Left siderail subassembly	1
L	4701-020-100 or 4701-120-100	Right siderail subassembly	1
M	0023-088-000	Pan head hi/lo screw	14

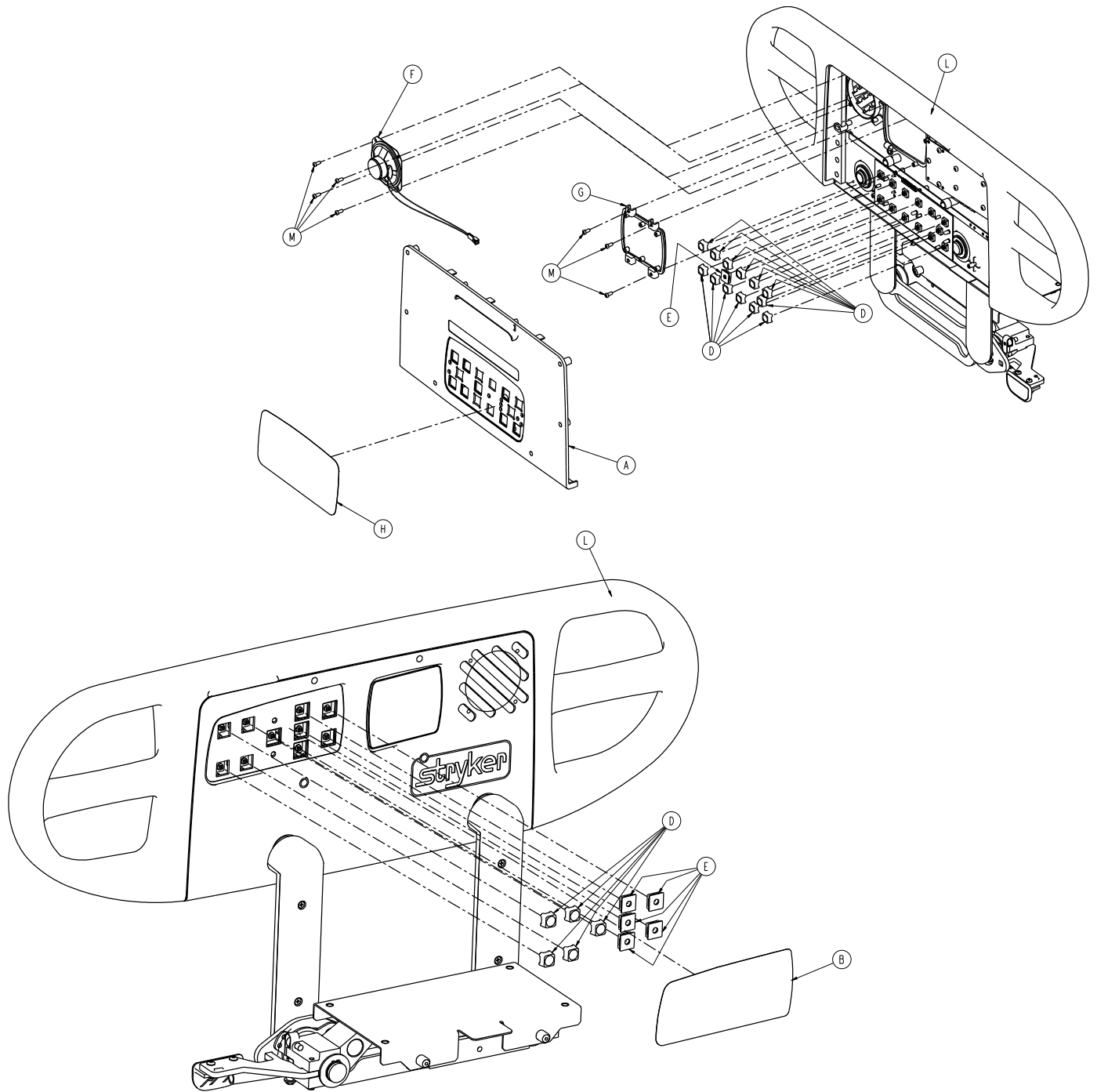
# Siderail assembly with nurse call

4701-020-045 Rev C (Reference only)

4701-120-045 Rev A (Reference only)





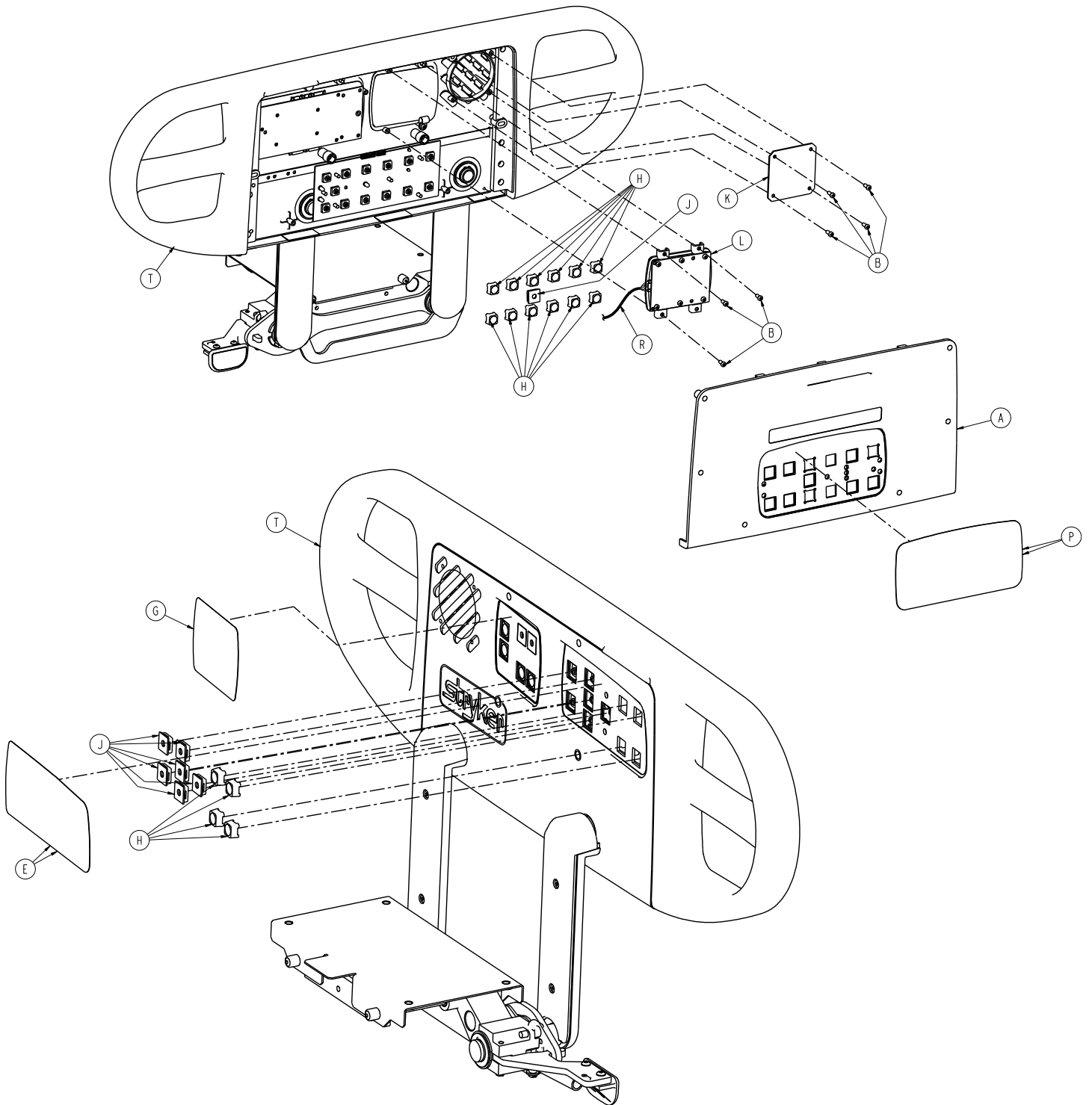


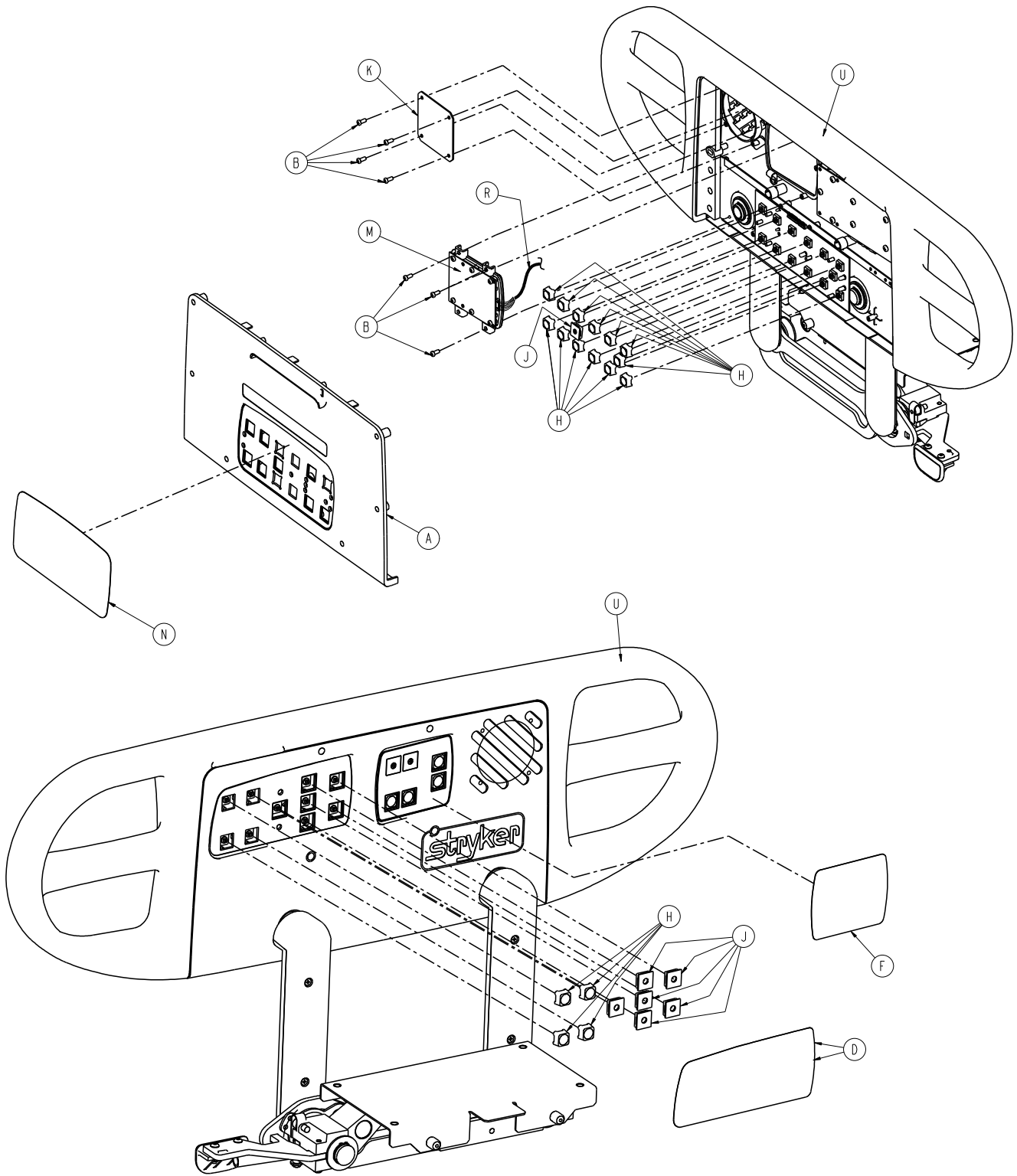
Item	Number	Name	Quantity
A	4700-020-009	Outer panel with Nurse Call	2
B	4701-090-025 or 4701-109-926	Inner, right label, NC	1
C	4701-090-026 or 4701-109-927	Inner, left label, NC	1
D	3001-400-953	Switch cap	16
E	3001-400-522	Filler cap	12
F	3001-403-831	Speaker with cable	2

Item	Number	Name	Quantity
G	3001-400-535	Inner panel blank module	2
H	4701-090-013 or 4701-109-913	Outer, right label, NC	1
J	4701-090-014 or 4701-109-914	Outer, left label, NC	1
K	4701-020-095 or 4701-120-095	Left siderail subassembly	1
L	4701-020-100 or 4701-120-100	Right siderail subassembly	1
M	0023-088-000	Pan head hi/lo screw	14

# Siderail assembly with lumbar

4701-020-070 Rev C (Reference only)



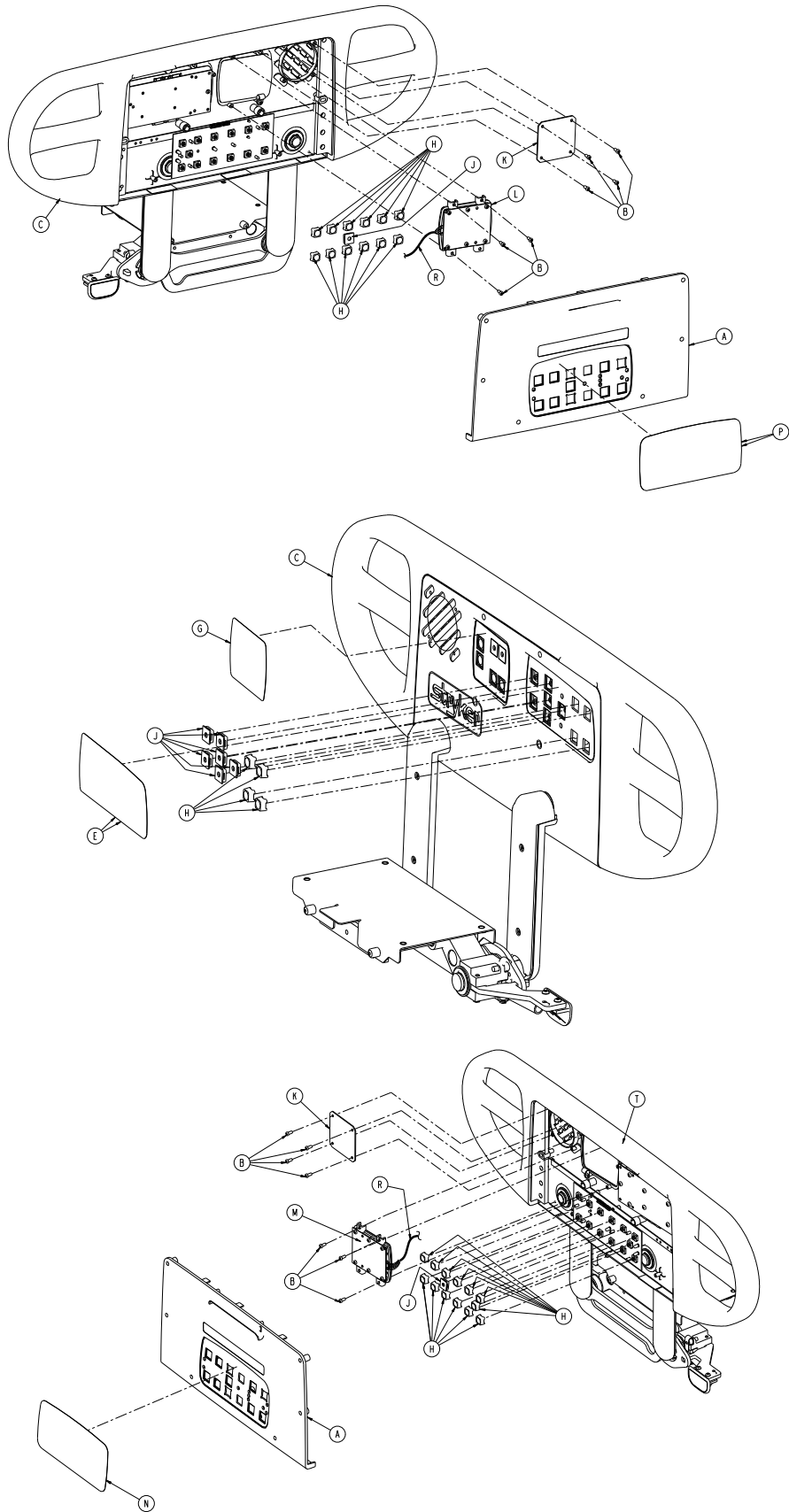


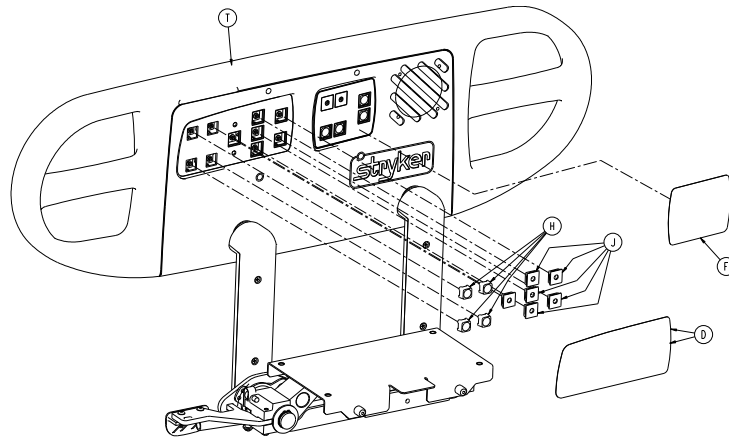
Item	Number	Name	Quantity
A	4700-020-011	Outer panel, without Nurse Call	2
B	0023-088-000	Pan head hi/lo screw	14
D	4701-090-027	Inner, right label, no options	1
E	4701-090-028	Inner, left label, no options	1

Item	Number	Name	Quantity
F	4701-090-033	Right Lumbar label	1
G	4701-090-034	Left Lumbar label	1
H	3001-400-953	Switch cap	12
J	3001-400-522	Filler cap	14
K	3001-400-517	Speaker seal	2
L	5000-220-008	Left Lumbar module	1
M	5000-220-010	Right Lumbar module	1
N	4701-090-017	Outer, right label, no options	1
P	4701-090-018	Outer, left label, no options	1
R	5000-080-016	Main to option PCB	1
T	4701-020-095	Left siderail subassembly	1
U	4701-020-100	Right siderail subassembly	1

# Siderail assembly with lumbar international

4701-120-070 Rev A (Reference only)



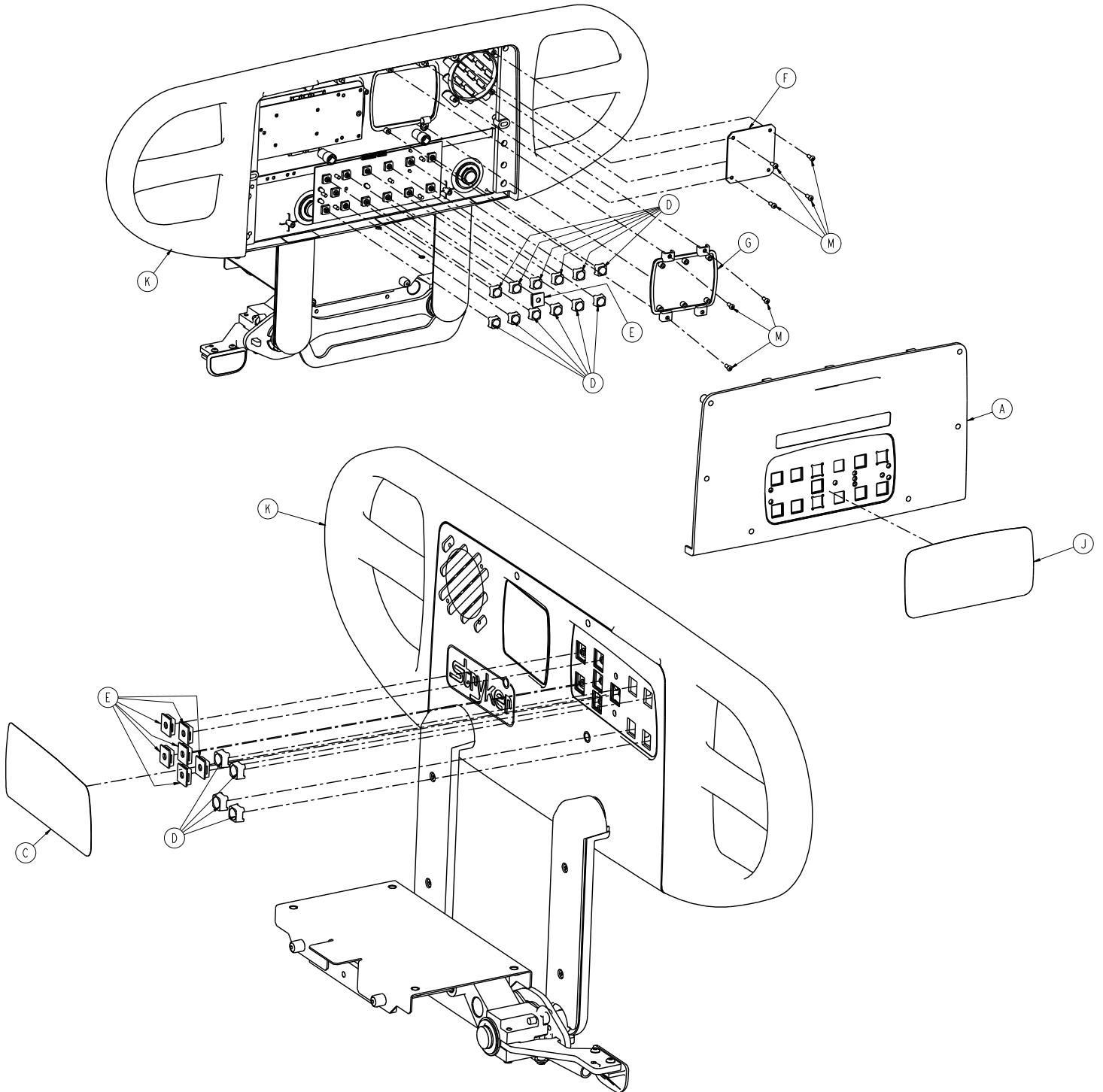


Item	Number	Name	Quantity
A	4700-020-011	Outer panel, without Nurse Call	2
B	0023-088-000	Pan head hi/lo screw	14
C	4701-120-095	Left siderail assembly	
D	4701-109-928	Inner, right label, no options	1
E	4701-109-929	Inner, left label, no options	1
F	4701-109-933	Right Lumbar label	1
G	4701-109-934	Left Lumbar label	1
H	3001-400-953	Switch cap	12
J	3001-400-522	Filler cap	14
K	3001-400-517	Speaker seal	2
L	5000-220-008	Left Lumbar module	1
M	5000-220-010	Right Lumbar module	1
N	4701-109-918	Outer, right label, no options	1
P	4701-109-919	Outer, left label, no options	1
R	5000-080-016	Main to option PCB	1
T	4701-120-100	Right siderail subassembly	1

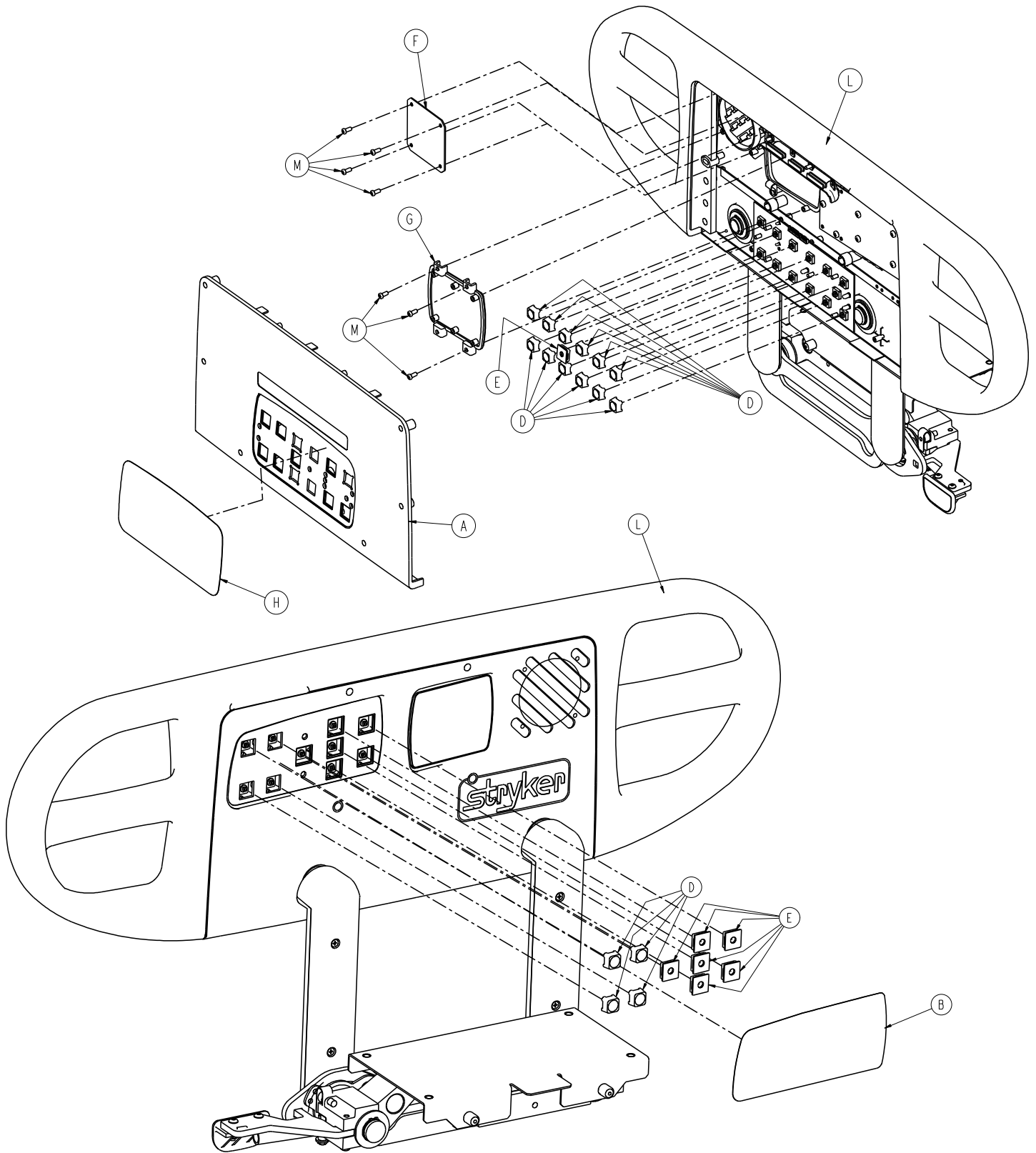
# Siderail assembly with Skoocher

4701-020-080 Rev C (Reference only)

4701-120-080 Rev A (Reference only)







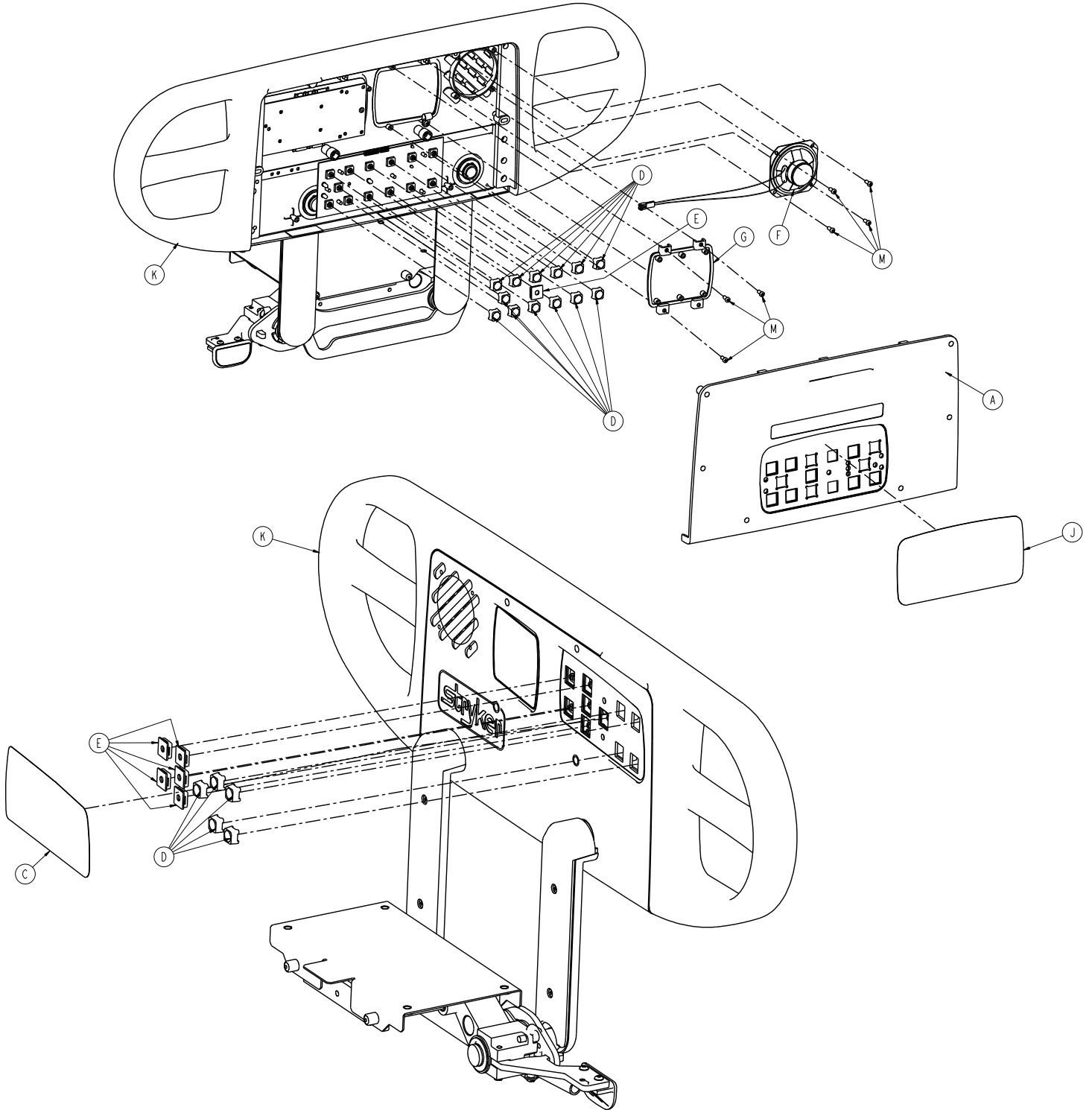
Item	Number	Name	Quantity
A	4700-020-011	Outer panel without Nurse Call	2
B	4701-090-027 or 4701-109-928	Label, inner, no options, right	1

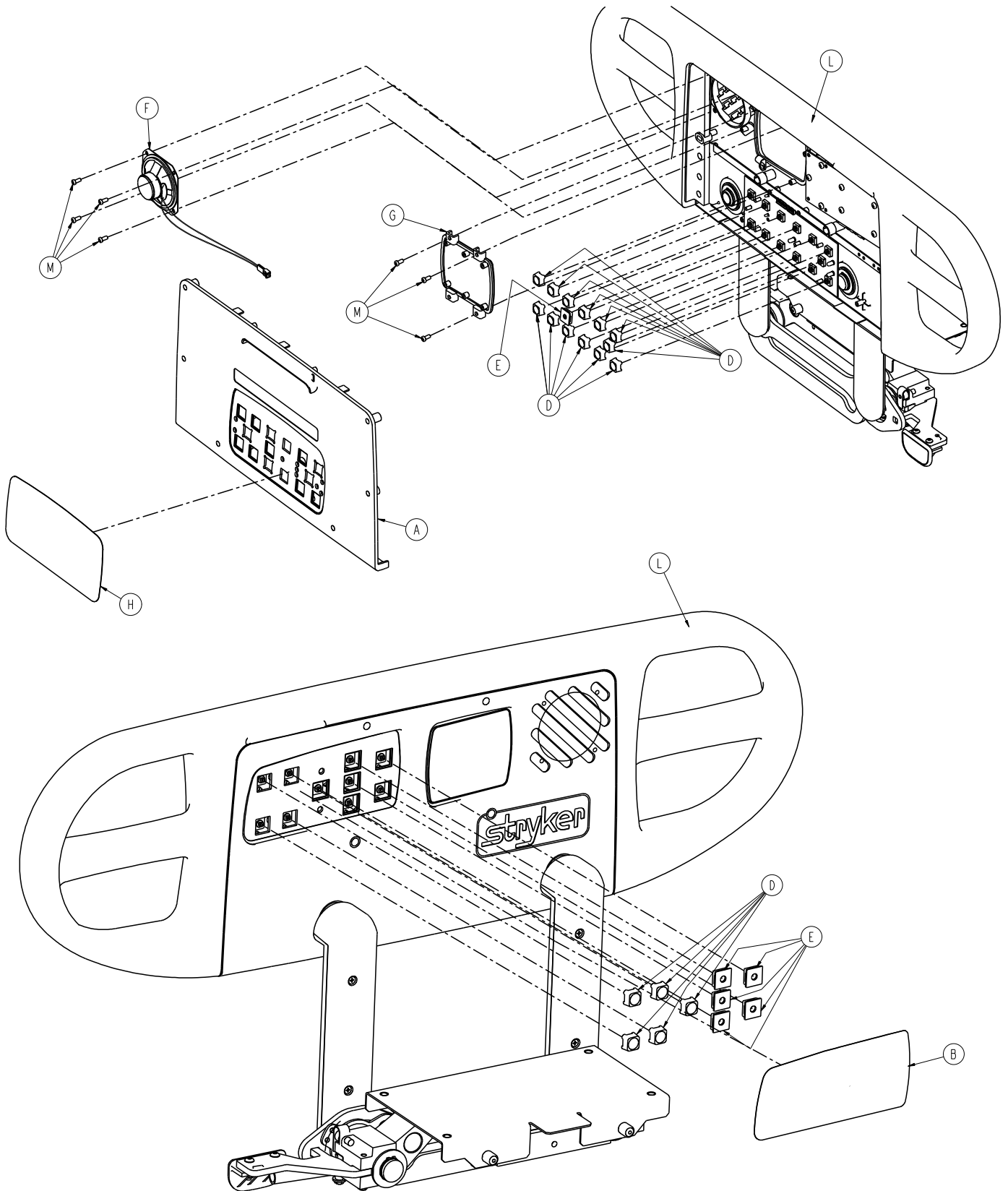
Item	Number	Name	Quantity
C	4701-090-028 or 4701-109-929	Label, inner, no options, left	1
D	3001-400-953	Switch cap	12
E	3001-400-522	Filler cap	14
F	3001-400-517	Speaker seal	2
G	3001-400-535	Inner panel blank module	2
H	4701-090-015 or 4701-109-916	Label, outer, Skoocher, right	1
J	4701-090-016 or 4701-109-917	Label, outer Skoocher, left	1
K	4701-020-095 or 4701-120-095	Siderail subassembly, left	1
L	4701-020-100 or 4701-120-100	Siderail subassembly, right	1
M	0023-088-000	Pan head high/low screw	14

# Siderail assembly with nurse call and Skoocher

4701-020-060 Rev C (Reference only)

4701-120-060 Rev A (Reference only)





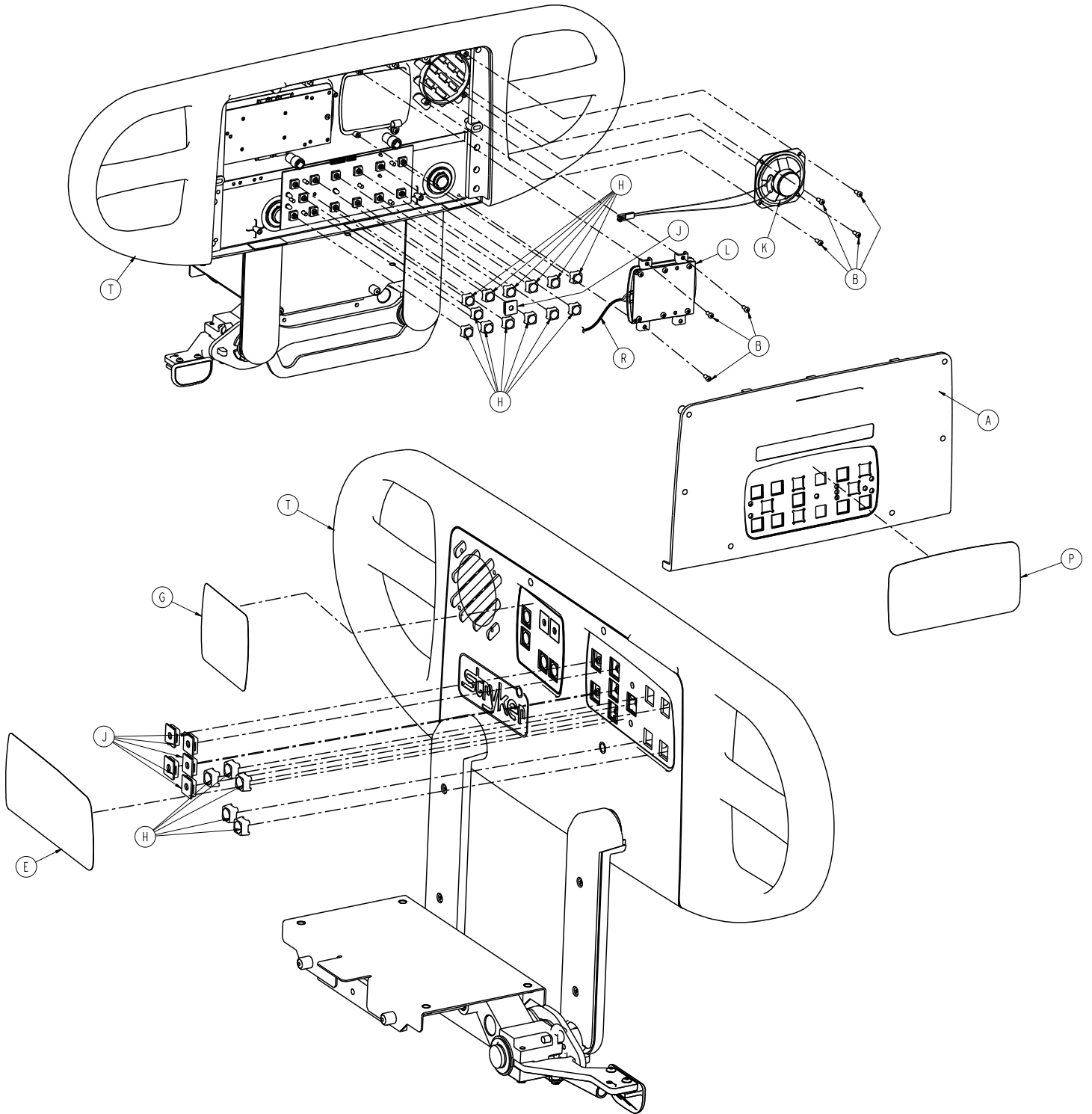
Item	Number	Name	Quantity
A	4700-020-009	Outer panel with Nurse Call	2
B	4701-090-025 or 4701-109-926	Inner, right label, NC	1

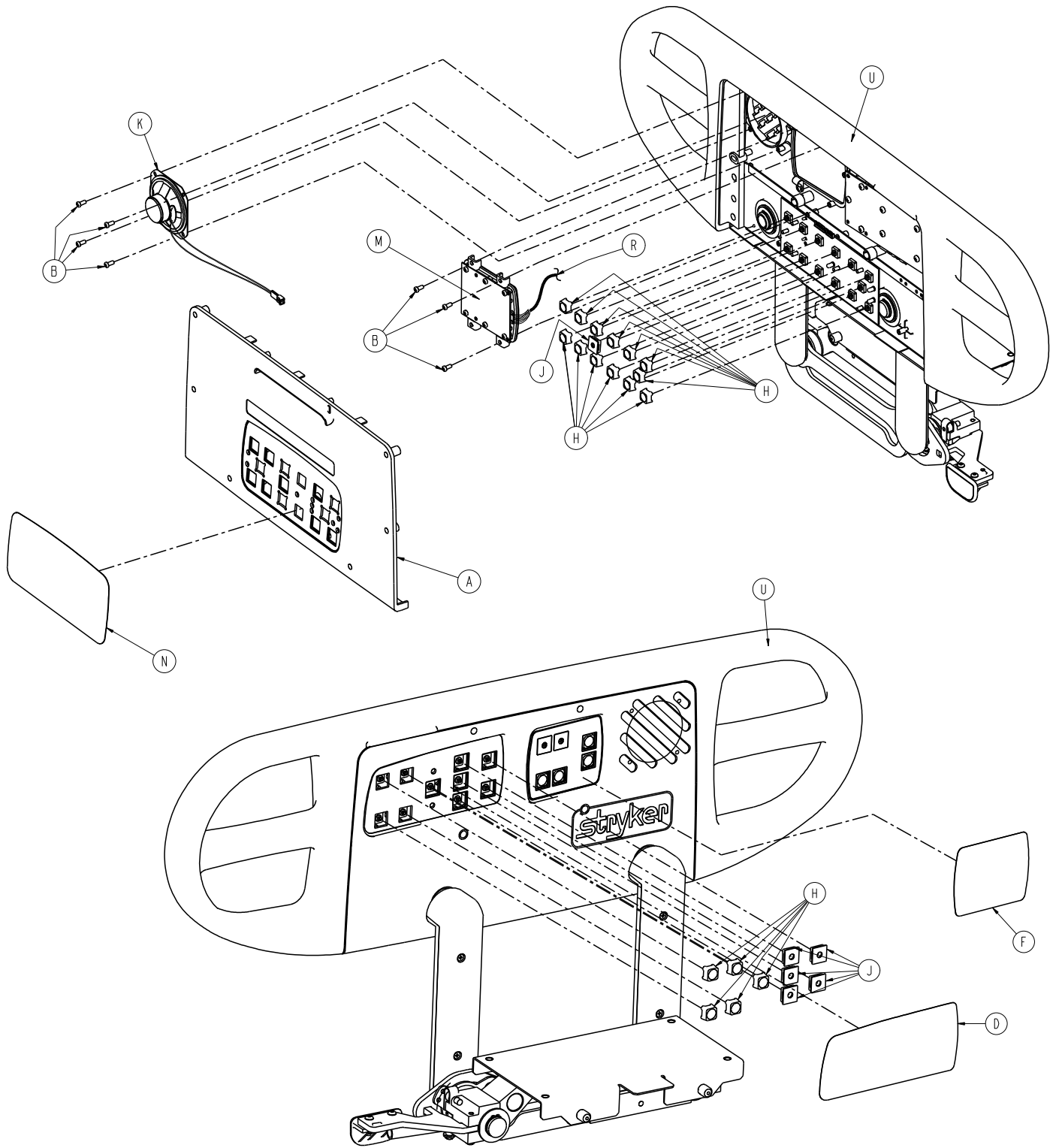
Item	Number	Name	Quantity
C	4701-090-026 or 4701-109-927	Inner, left label, NC	1
D	3001-400-953	Switch cap	16
E	3001-400-522	Filler cap	12
F	3001-403-831	Speaker with cable	2
G	3001-400-535	Inner panel blank module	2
H	4701-090-011 or 4701-109-911	Outer, right label, Skoocher/NC	1
J	4701-090-012 or 4701-109-912	Outer, left label, Skoocher/NC	1
K	4701-020-095 or 4701-120-095	Left siderail subassembly	1
L	4701-020-100 or 4701-120-100	Right siderail subassembly	1
M	0023-088-000	Pan head tapping screw	14

# Siderail assembly with lumbar and nurse call

4701-020-050 Rev C (Reference only)

4701-120-050 Rev A (Reference only)





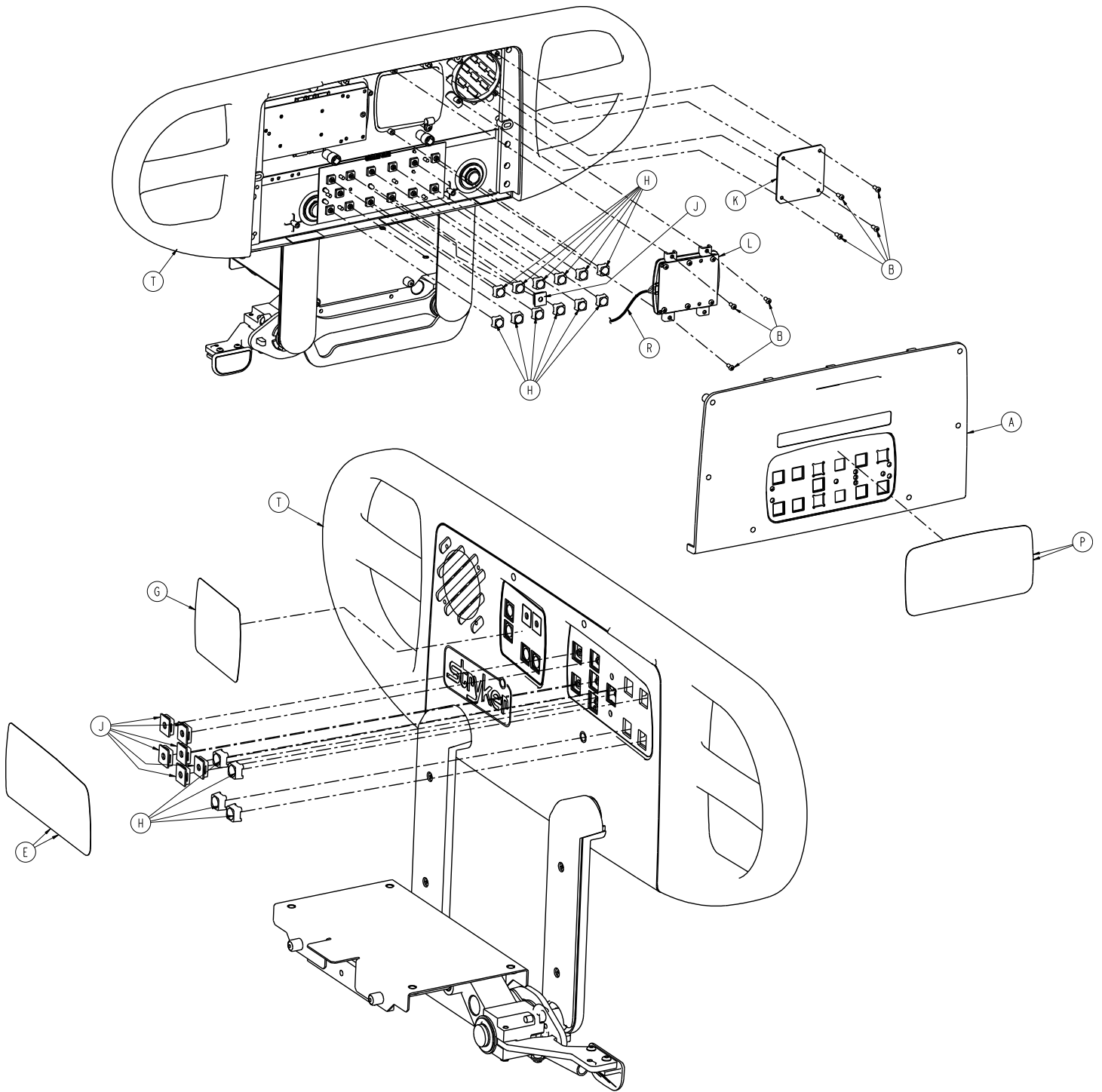
Item	Number	Name	Quantity
A	4700-020-009	Outer panel with Nurse Call	2
B	0023-088-000	Pan head hi/lo screw	14
D	4701-090-025 or 4701-109-926	Inner, right label, NC	1
E	4701-090-026 or 4701-109-927	Inner, left label, NC	1

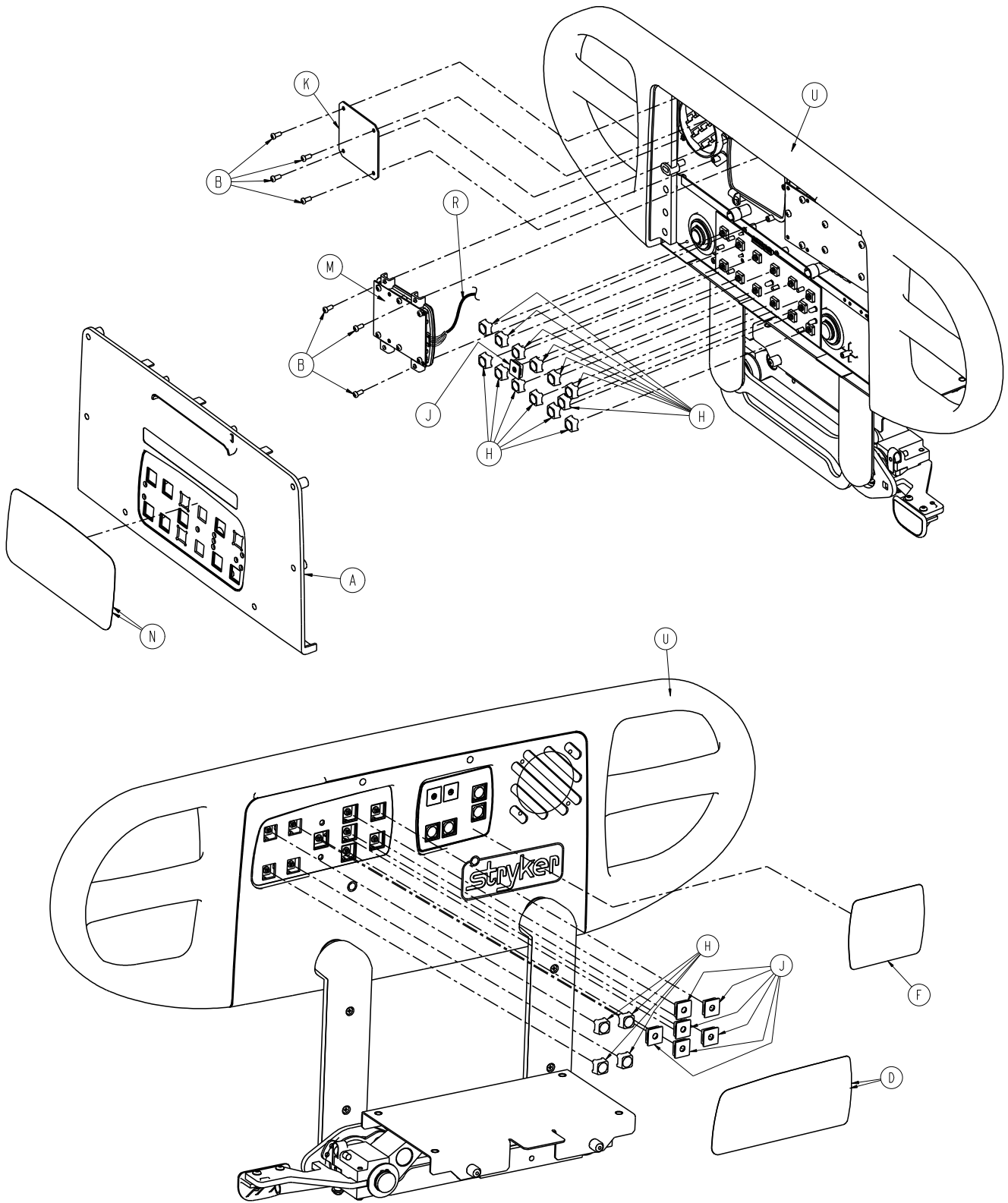
Item	Number	Name	Quantity
F	4701-090-033 or 4701-109-933	Right Lumbar label	1
G	4701-090-034 or 4701-109-934	Left Lumbar label	1
H	3001-400-953	Switch cap	16
J	3001-400-522	Filler cap	12
K	3001-403-831	Speaker with cable	2
L	5000-220-008	Left Lumbar module	1
M	5000-220-010	Right Lumbar module	1
N	4701-090-013 or 4701-109-913	Outer, right label, NC	1
P	4701-090-014 or 4701-109-914	Outer, left label, NC	1
R	5000-080-016	Main to option PCB	2
T	4701-020-095 or 4701-120-095	Left siderail subassembly	1
U	4701-020-100 or 4701-120-100	Right siderail subassembly	1



# Siderail assembly with lumbar and Skoocher

4701-020-075 Rev C (Reference only)



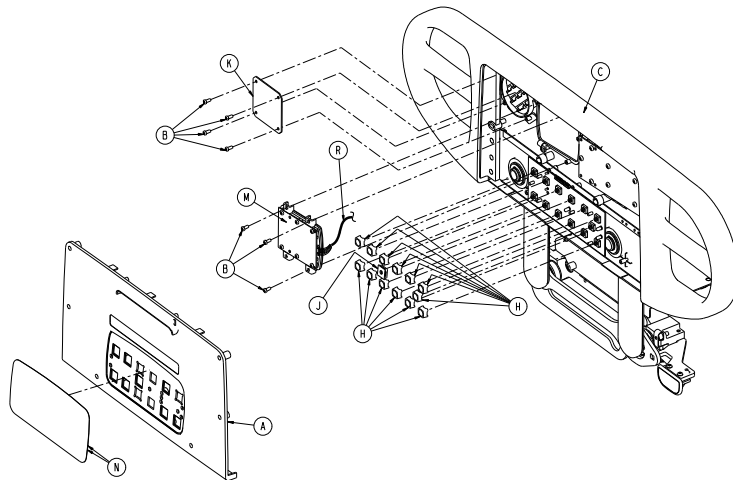
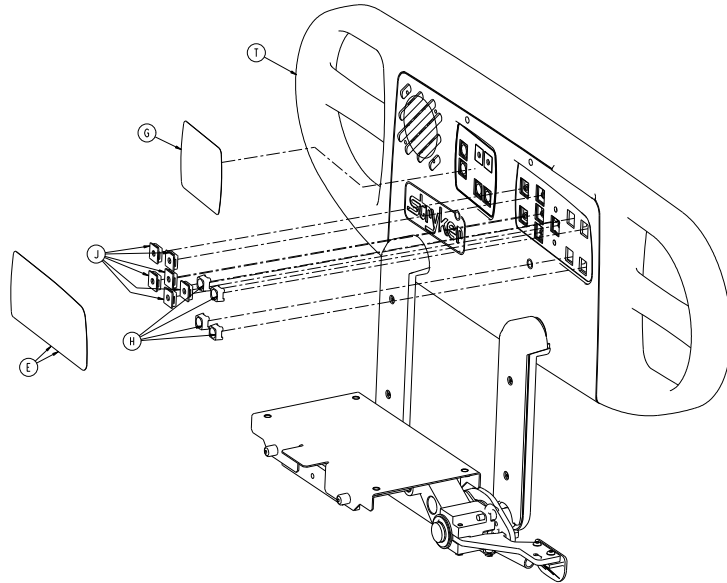
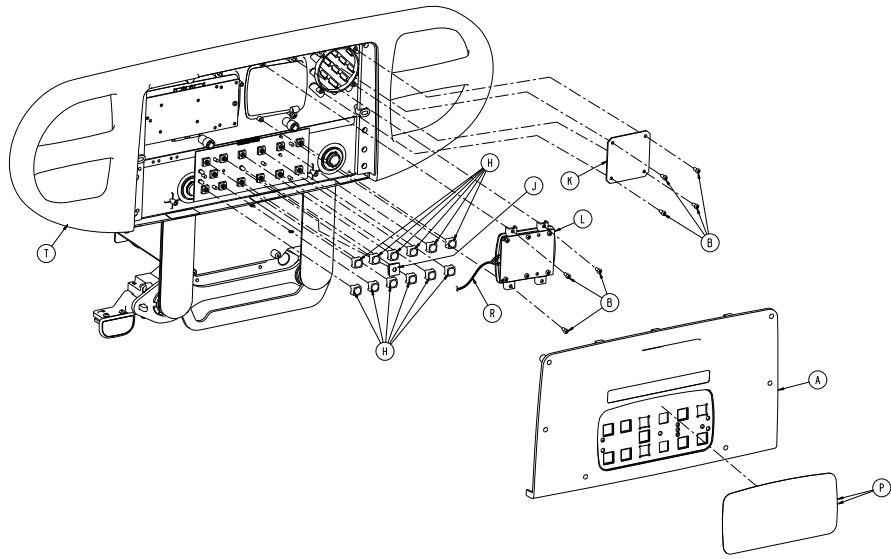


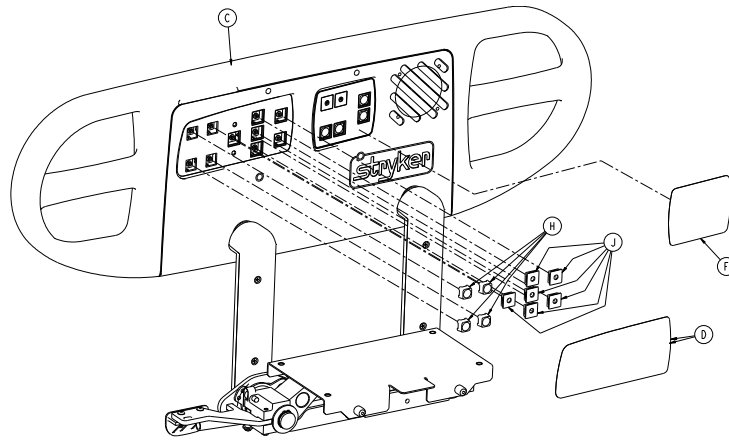
Item	Number	Name	Quantity
A	4700-020-011	Outer panel without Nurse Call	2
B	0023-088-000	Pan head hi/lo screw	14
D	4701-090-027	Inner, right siderail label	1

Item	Number	Name	Quantity
E	4701-090-028	Inner, left siderail label	1
F	4701-090-033	Right Lumbar label	1
G	4701-090-034	Left Lumbar label	1
H	3001-400-953	Switch cap	12
J	3001-400-522	Filler cap	14
K	3001-400-517	Speaker seal	2
L	5000-220-008	Left Lumbar module	1
M	5000-220-010	Right Lumbar module	1
N	4701-090-015	Outer, right label, Skooch	1
P	4701-090-016	Outer, left label, Skooch/NC	1
R	5000-080-016	Main to option PCB	2
T	4701-020-095	Left siderail subassembly	1
U	4701-020-100	Right siderail subassembly	1

# Siderail assembly with lumbar and Skoocher, international

4701-120-075 Rev A (Reference only)

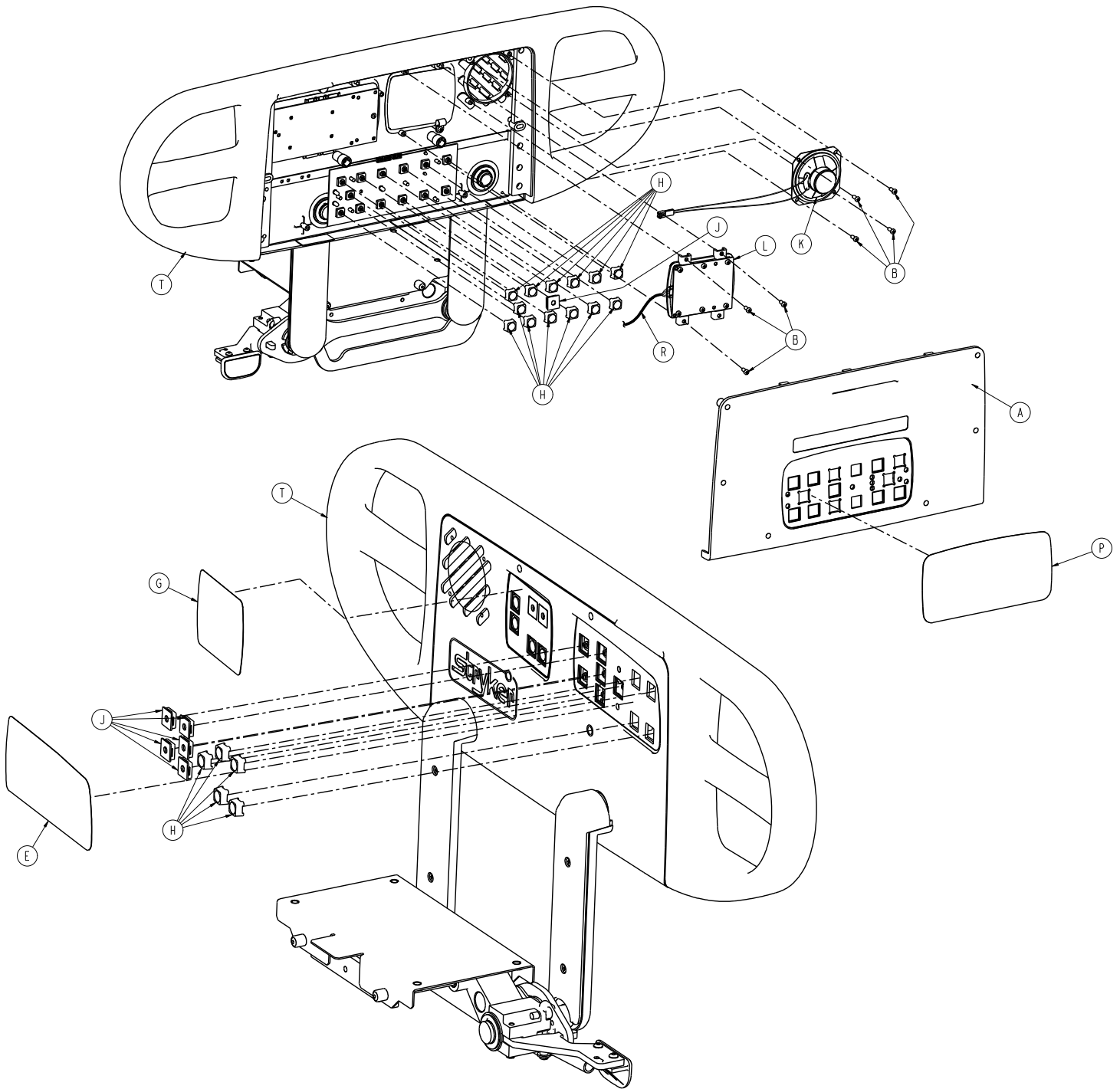


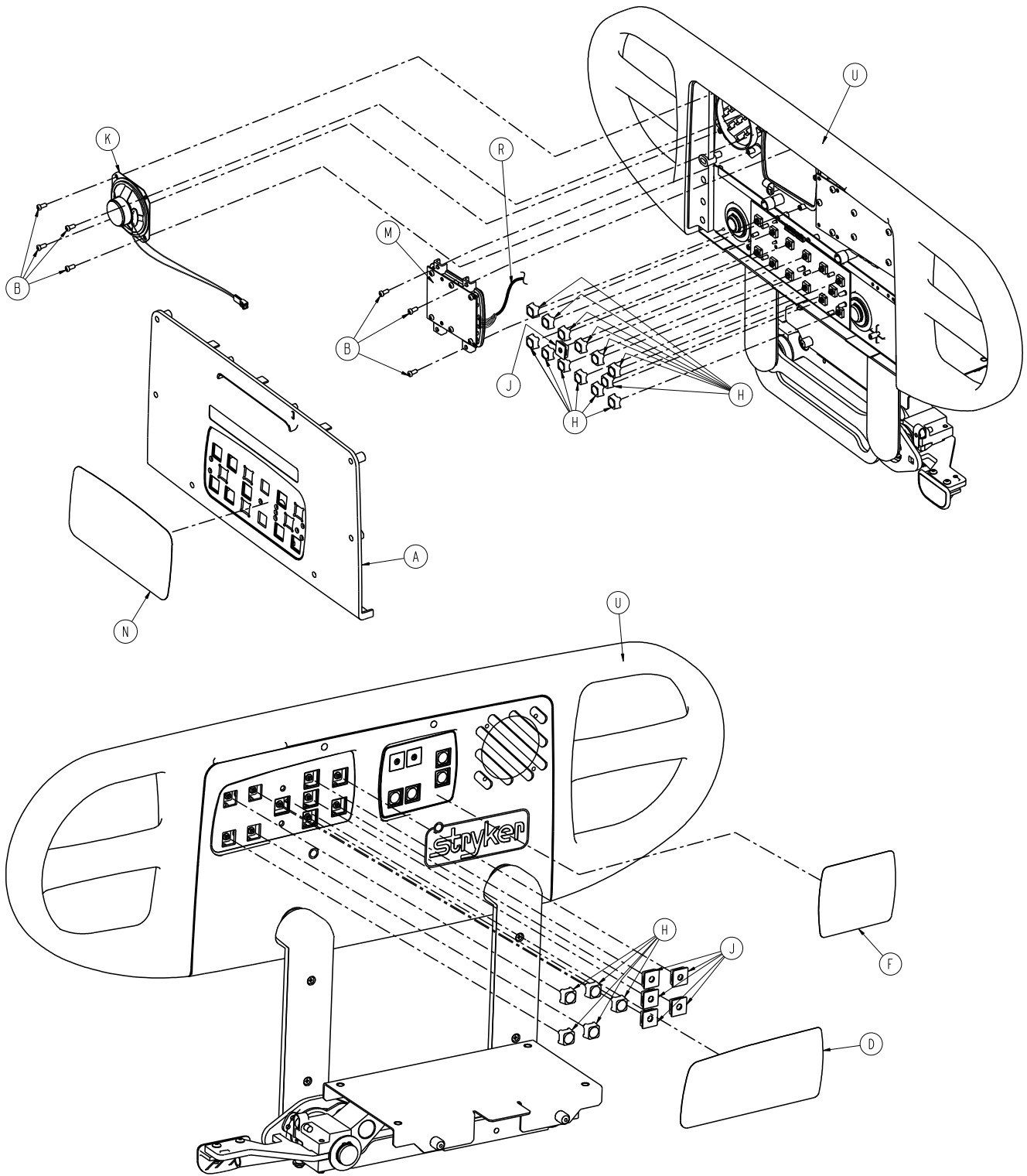


Item	Number	Name	Quantity
A	4700-020-011	Outer panel without Nurse Call	2
B	0023-088-000	Pan head hi/lo screw	14
C	4701-120-100	Siderail subassembly, right hand, 3rd edition	1
D	4701-109-928	Label, inner, right siderail no options	1
E	4701-109-929	Label, inner, left siderail no options	1
F	4701-109-033	Label, right siderail option, lumbar	1
G	4701-109-034	Label, left siderail option, lumbar	1
H	3001-400-953	Switch cap	12
J	3001-400-522	Filler cap	14
K	3001-400-517	Speaker seal	2
L	5000-220-008	Left Lumbar module	1
M	5000-220-010	Right Lumbar module	1
N	4701-109-916	Label, outer right label, Skoocher	1
P	4701-109-917	Label, outer left label, Skoocher	1
R	5000-080-016	Main to option PCB	2
T	4701-120-095	Left siderail subassembly 3rd edition	1

# Siderail assembly with lumbar, nurse call, and Skoocher

4701-020-055 Rev C (Reference only)





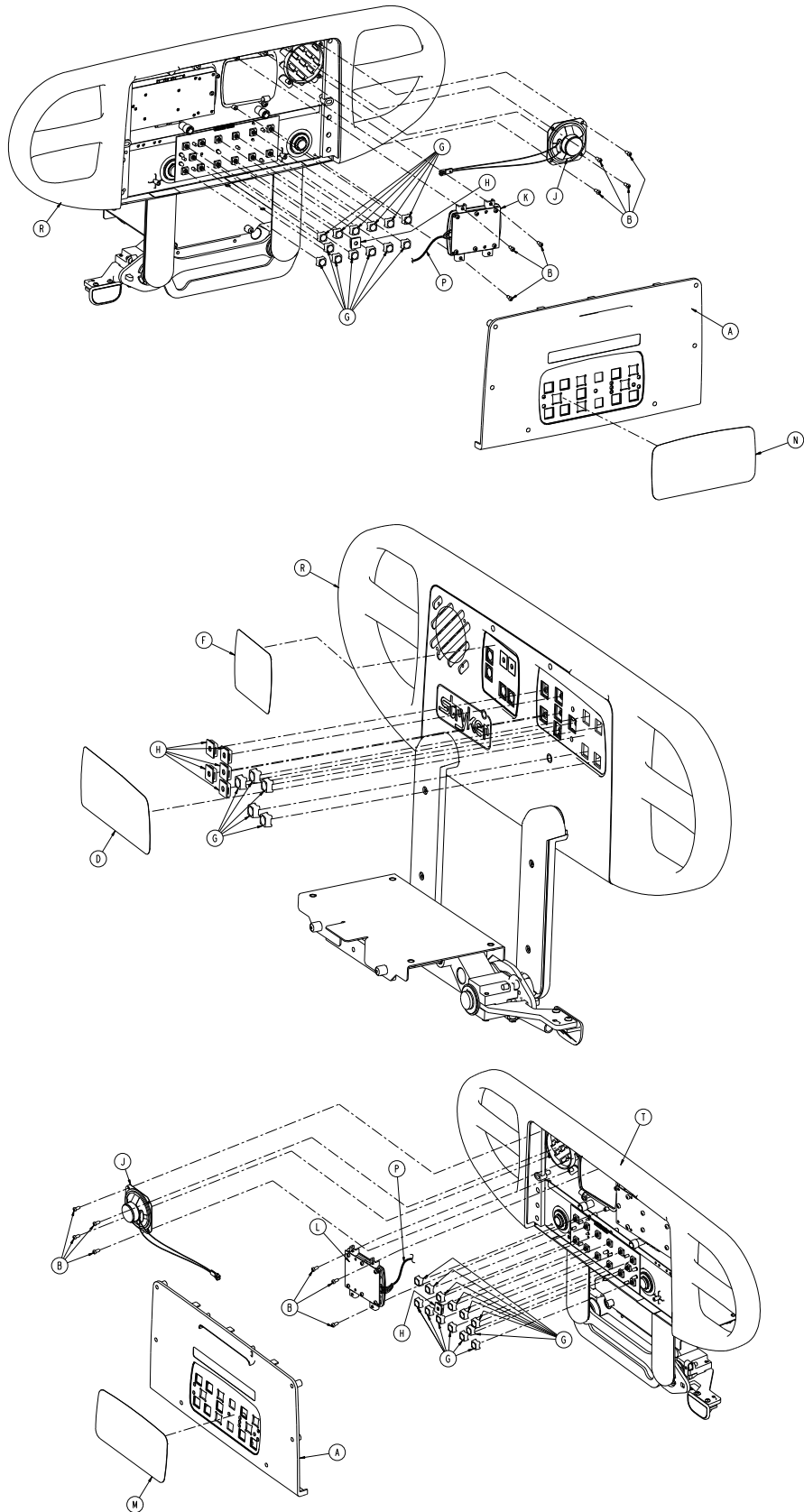
Item	Number	Name	Quantity
A	4700-020-009	Outer panel with Nurse Call (NC)	2
B	0023-088-000	Pan head hi/lo screw	14
D	4701-090-025	Inner, right label, NC	1
E	4701-090-026	Inner, left label, NC	1

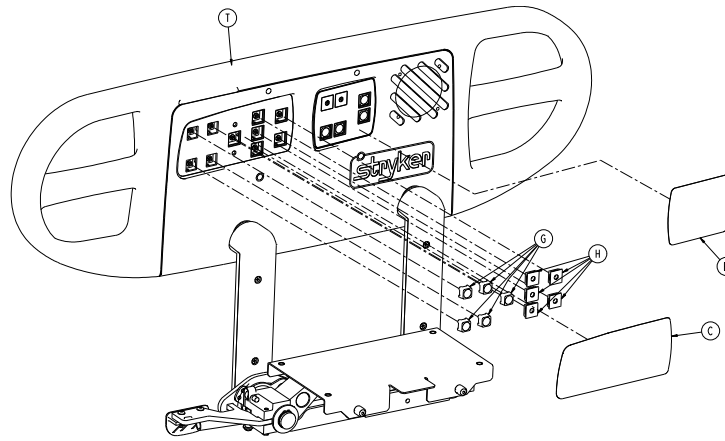
Item	Number	Name	Quantity
F	4701-090-033	Right Lumbar label	1
G	4701-090-034	Left Lumbar label	1
H	3001-400-953	Switch cap	16
J	3001-400-522	Filler cap	12
K	3001-403-831	Speaker with cable	2
L	5000-220-008	Left Lumbar module	1
M	5000-220-010	Right Lumbar module	1
N	4701-090-011	Outer, right label, Skooch/ NC	1
P	4701-090-012	Outer, left label, Skooch/NC	1
R	5000-080-016	Main to option PCB	2
T	4701-020-095	Left siderail subassembly	1
U	4701-020-100	Right siderail subassembly	1



# Siderail assembly with lumbar, nurse call, and Skoocher, international

4701-120-055 Rev A (Reference only)



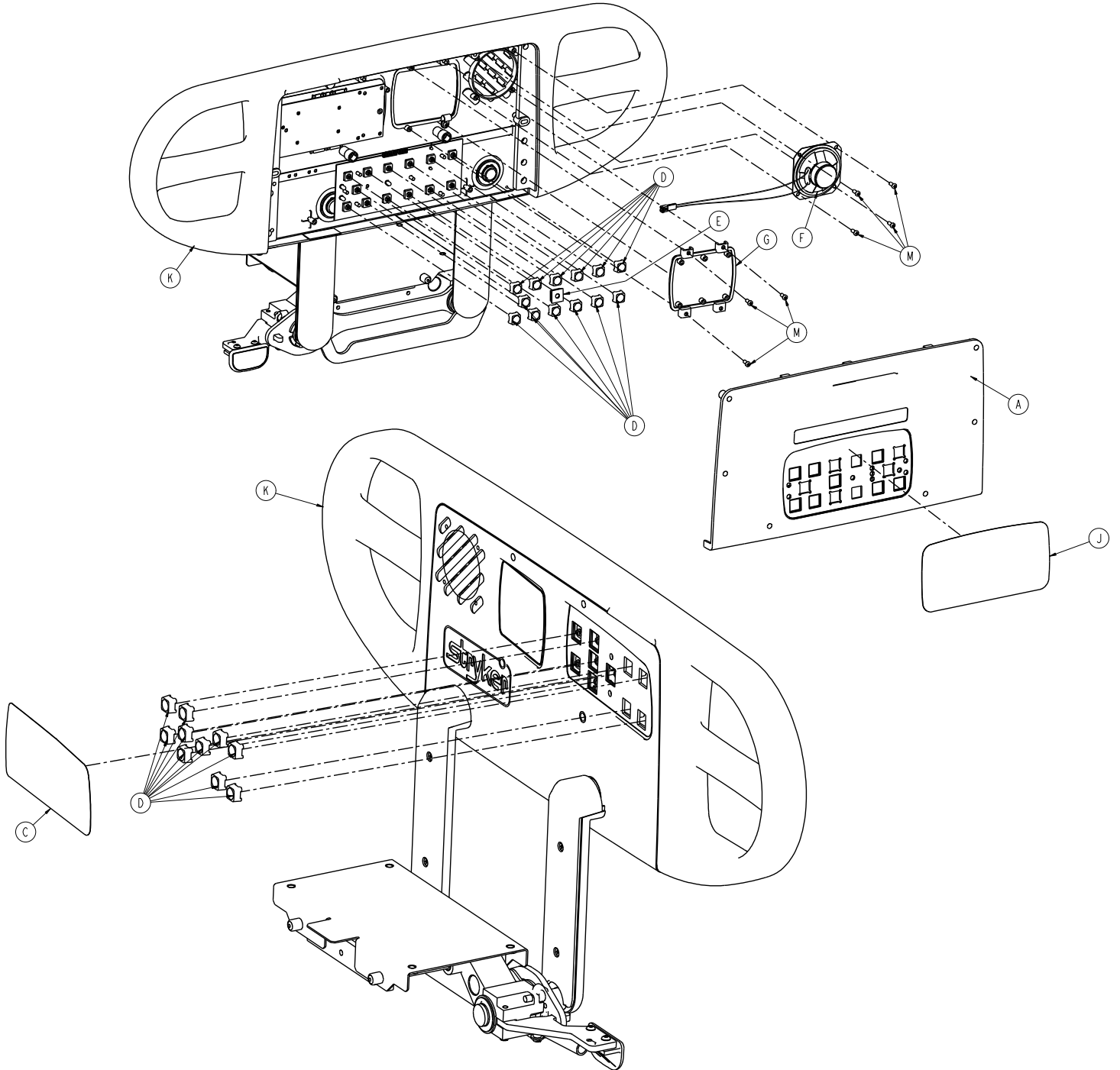


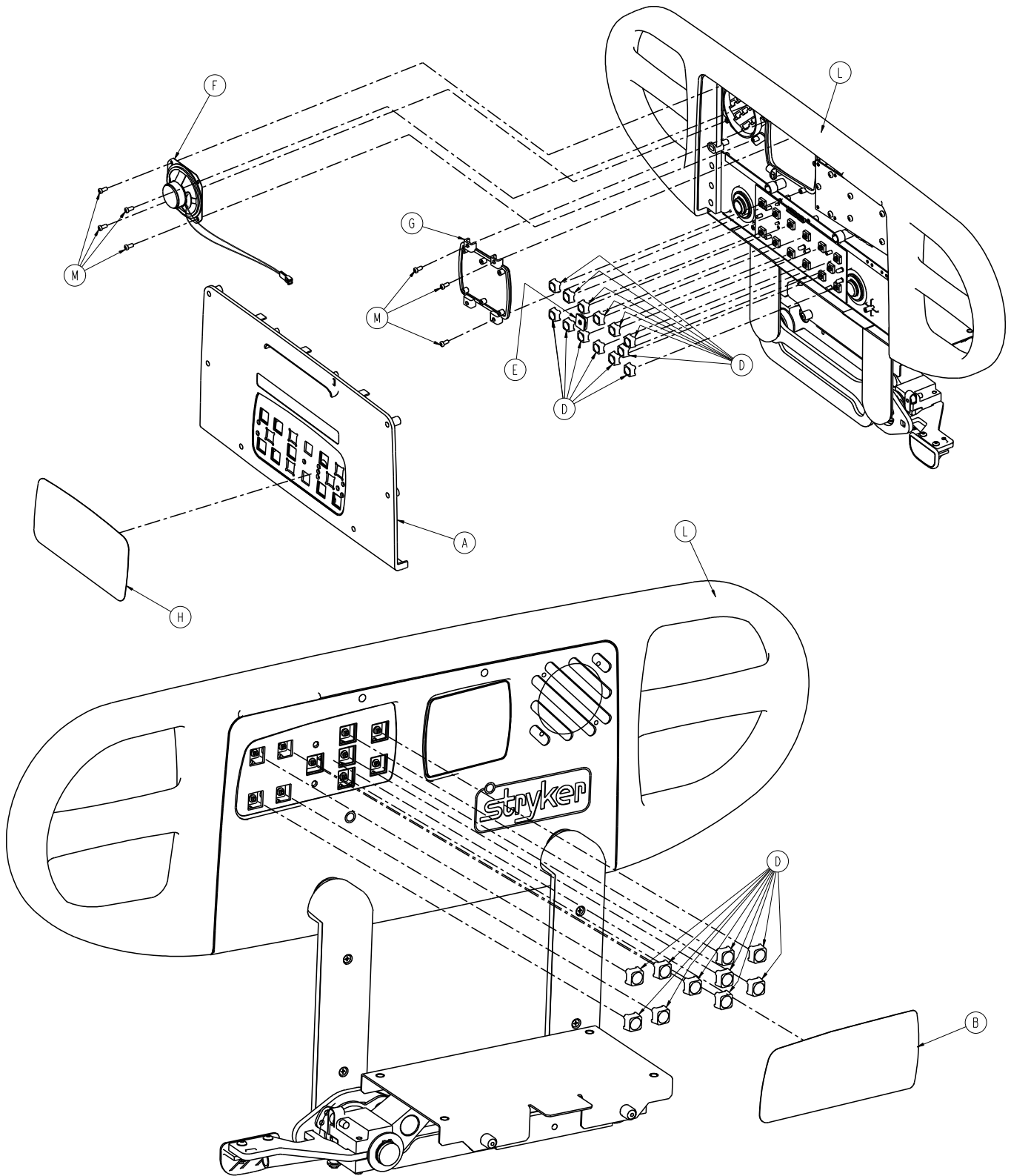
Item	Number	Name	Quantity
A	4700-020-009	Outer panel with Nurse Call (NC)	2
B	0023-088-000	Pan head hi/lo screw	14
C	4701-109-926	Label, siderail inner, right, NC	1
D	4701-109-927	Label, siderail inner, left, NC	1
E	4701-109-933	Label, right lumbar option	1
F	4701-109-934	Label, left lumbar option	1
G	3001-400-953	Switch cap	16
H	3001-400-522	Filler cap	12
J	3001-403-831	Speaker with cable	2
K	5000-220-008	Left Lumbar module	1
L	5000-220-010	Right Lumbar module	1
M	4701-109-911	Label, outer right, Skoocher/NC	1
N	4701-109-912	Label, outer left, Skoocher/NC	1
P	5000-080-016	Main to option PCB	2
R	4701-120-095	Left siderail subassembly	1
T	4701-120-100	Right siderail subassembly	1

# Siderail assembly with nurse call, TV/radio, and lights

4701-020-005 Rev C (Reference only)

4701-120-005 Rev A (Reference only)





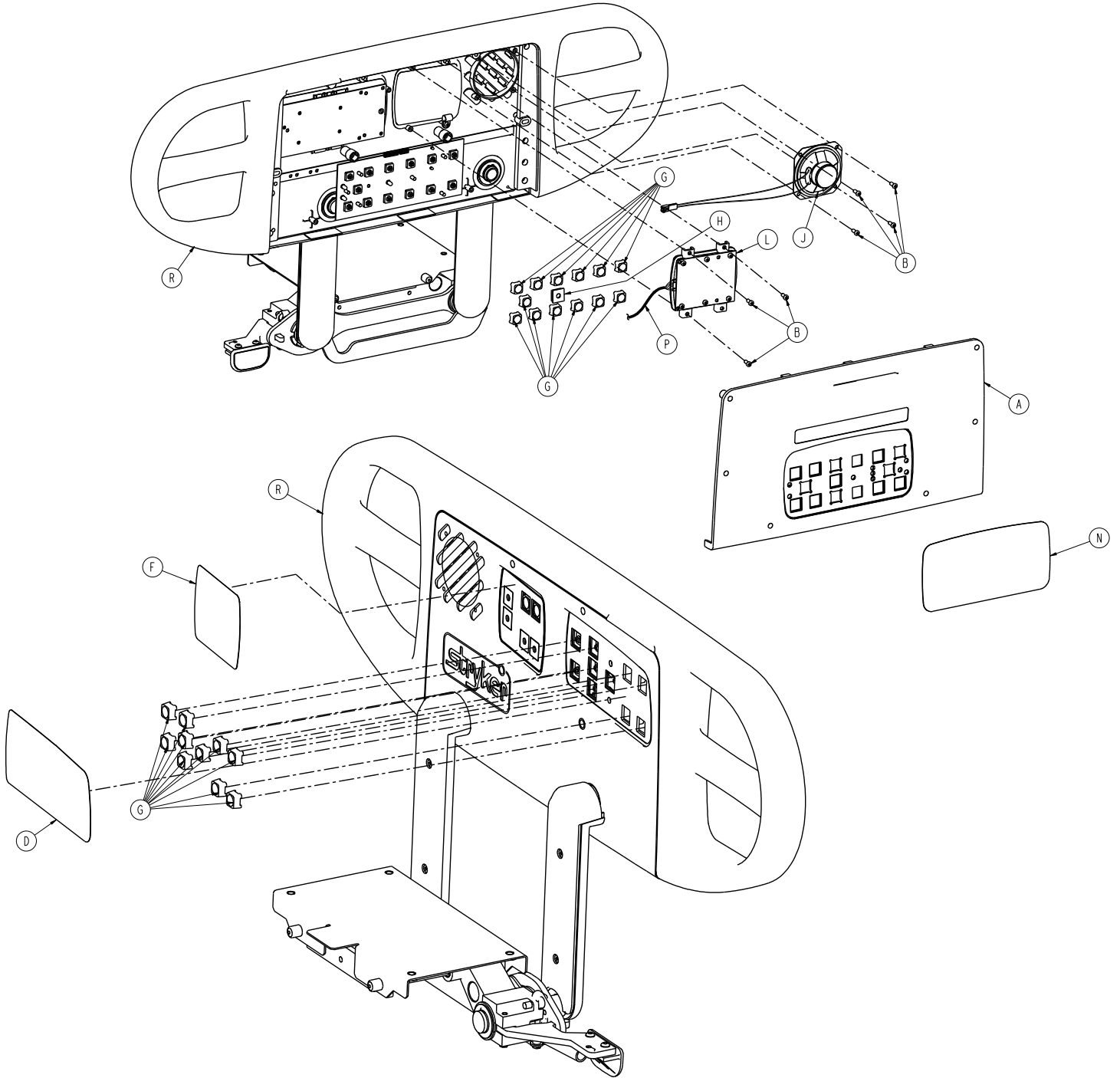
Item	Number	Name	Quantity
A	4700-020-009	Outer panel with Nurse Call	2
B	4701-090-023 or 4701-109-923	Inner, right label, NC, TV/ radio	1
C	4701-090-024 or 4701-109-924	Inner, left Label, NC, TV/ radio	1

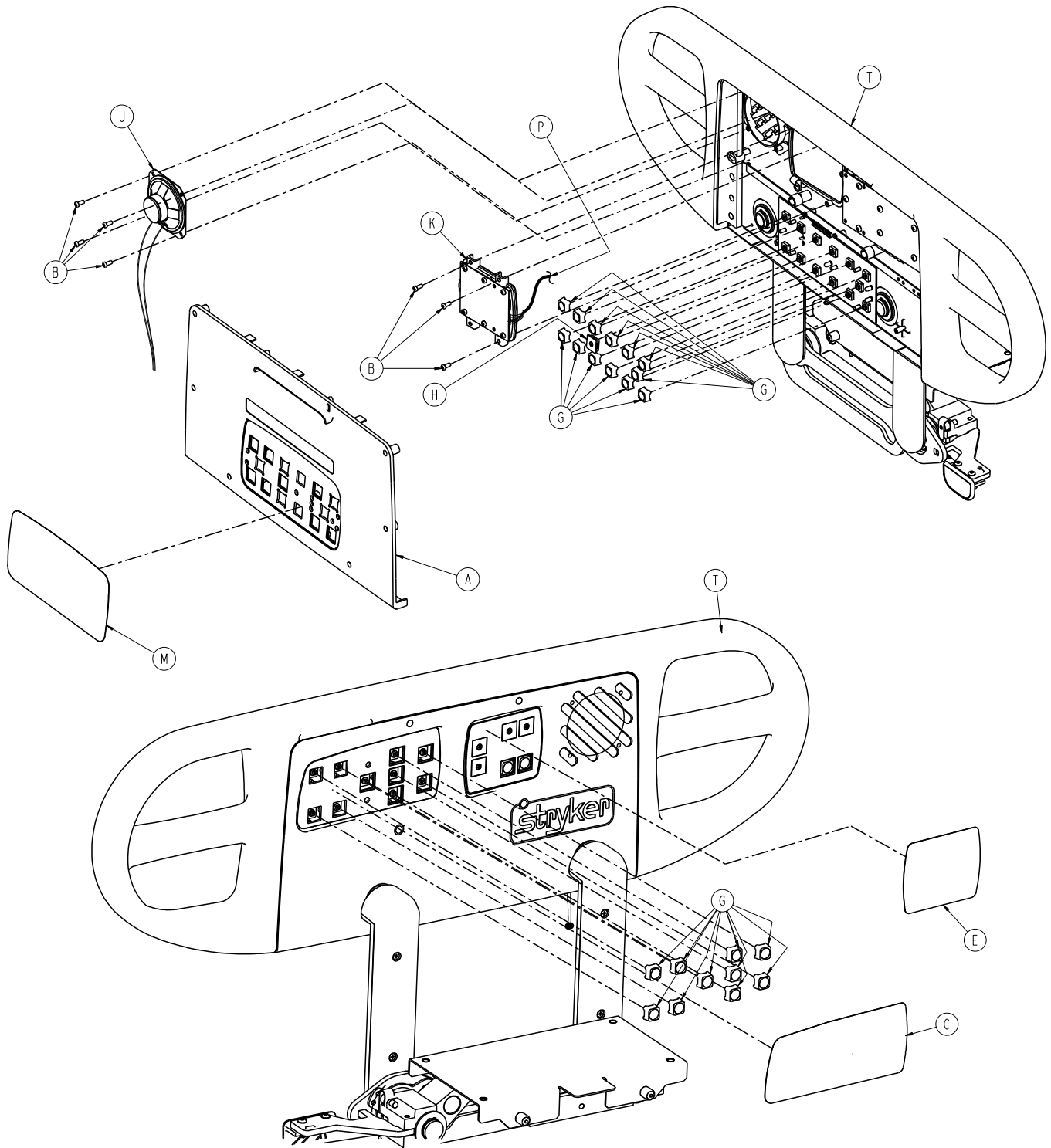
Item	Number	Name	Quantity
D	3001-400-953	Switch cap	26
E	3001-400-522	Filler cap	2
F	3001-403-831	Speaker with cable	2
G	3001-400-535	Inner panel blank module	2
H	4701-090-013 or 4701-109-913	Outer, right label, Nurse Call	1
J	4701-090-014 or 4701-109-914	Outer, left label, Nurse Call	1
K	4701-020-095 or 4701-120-095	Left siderail subassembly	1
L	4701-020-100 or 4701-120-100	Right siderail subassembly	1
M	0023-088-000	Pan head hi/lo screw	14

# Siderail assembly with nurse call, smart TV, and lights

4701-020-025 Rev D (Reference only)

4701-120-025 Rev A (Reference only)





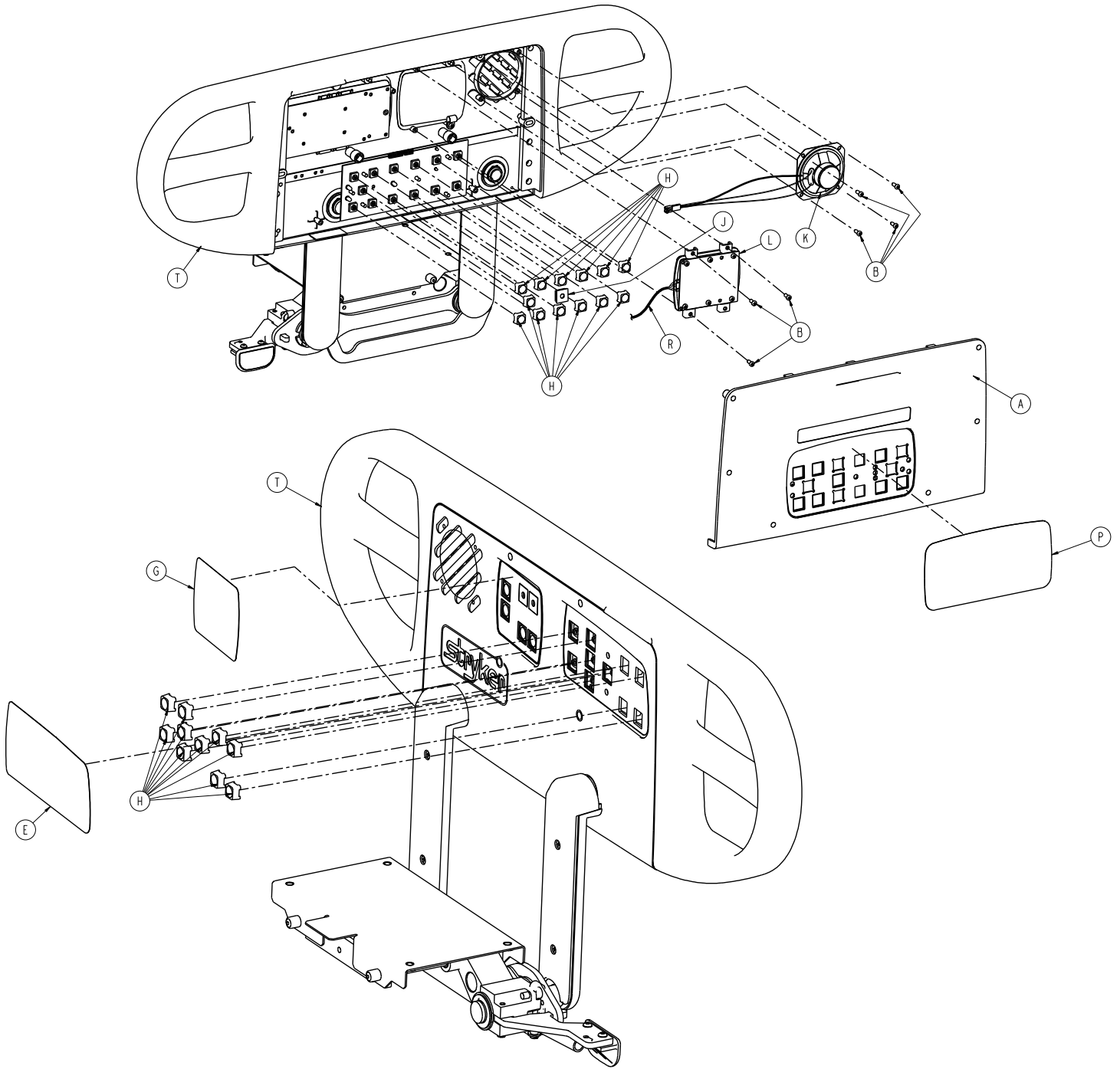
Item	Number	Name	Quantity
A	4700-020-009	Outer panel with Nurse Call	2
B	0023-088-000	Pan head hi/lo screw	14
C	4701-090-021 or 4701-109-921	Inner, right label, NC/smart TV	1
D	4701-090-022 or 4701-109-922	Inner, left label, NC/smart TV	1

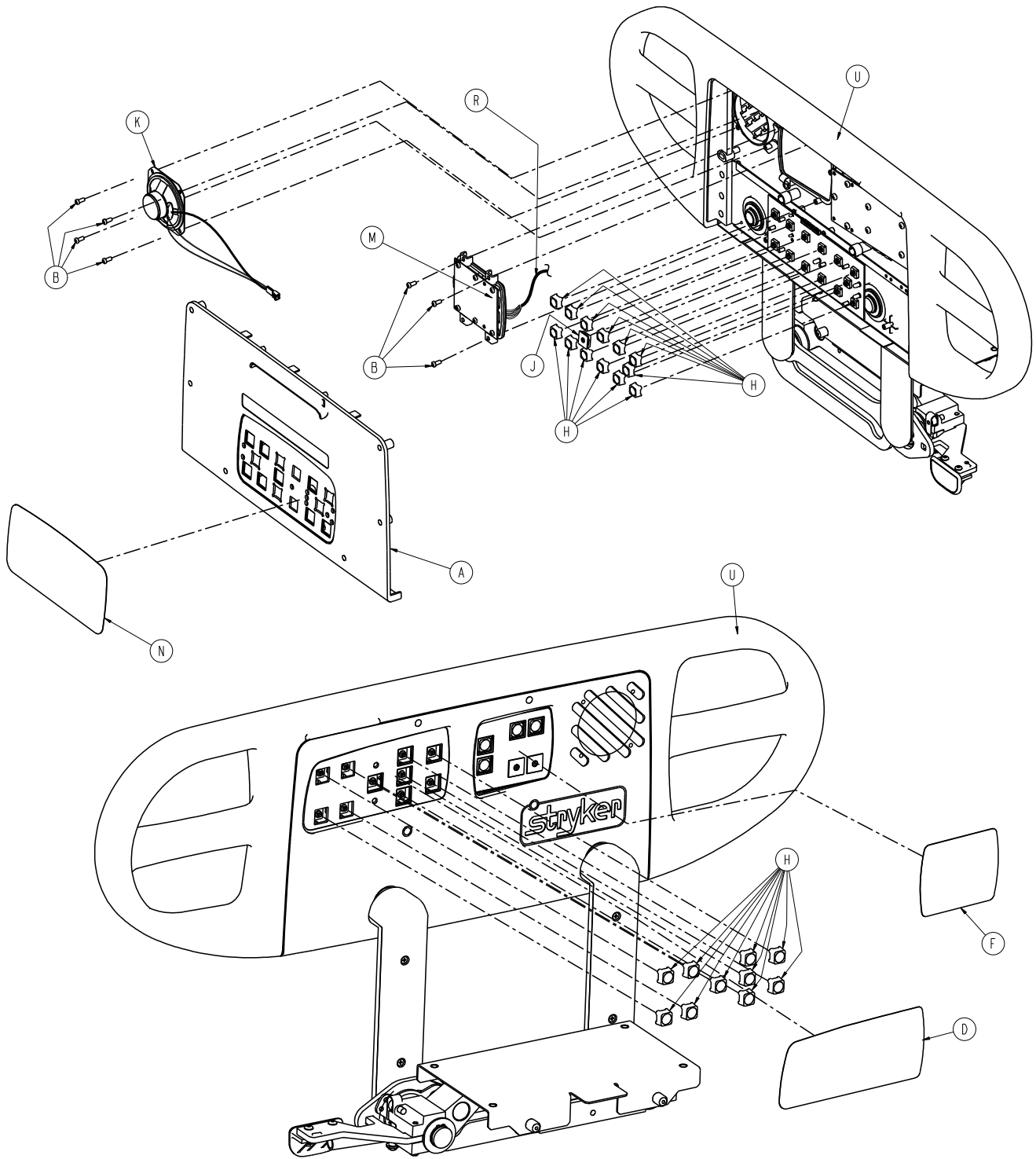
Item	Number	Name	Quantity
E	4701-090-035 or 4701-109-936	Right label, Smart TV/lights	1
F	4701-090-036 or 4701-109-937	Left label, Smart TV/lights	1
G	3001-400-953	Switch cap	26
H	3001-400-522	Filler cap	2
J	3001-403-831	Speaker with cable	2
K	5000-020-028	Left TV module	1
L	5000-020-029	Right TV module	1
M	4701-090-013 or 4701-109-913	Outer, right label, Nurse Call	1
N	4701-090-014 or 4701-109-914	Outer, left label, Nurse Call	1
P	5000-080-016	Main to option PCB	2
R	4701-020-095 or 4701-120-095	Left siderail subassembly	1
T	4701-020-100 or 4701-120-100	Right siderail subassembly	1
U	3003-039-800	Smart TV PCB (not shown)	1



# Siderail assembly with lumbar, nurse call, TV/radio, and lights

4701-020-010 Rev C (Reference only)



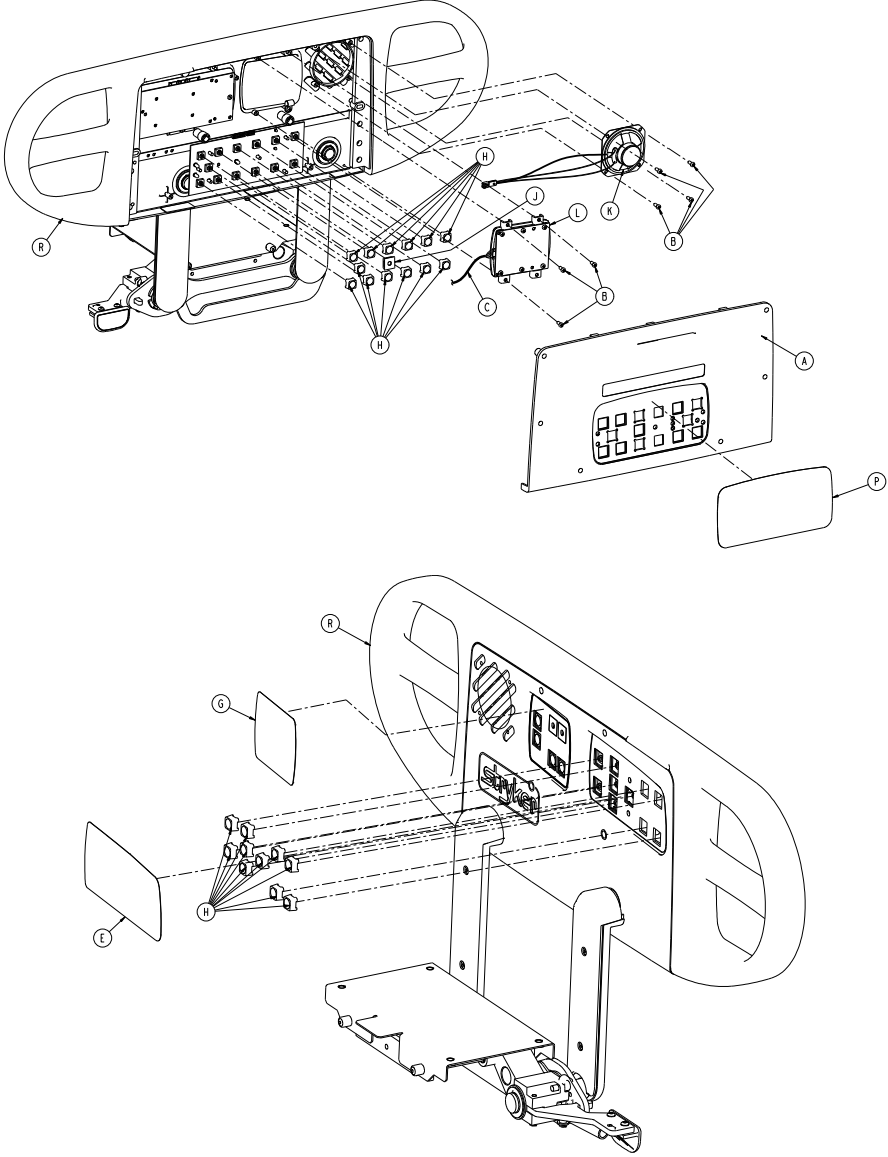


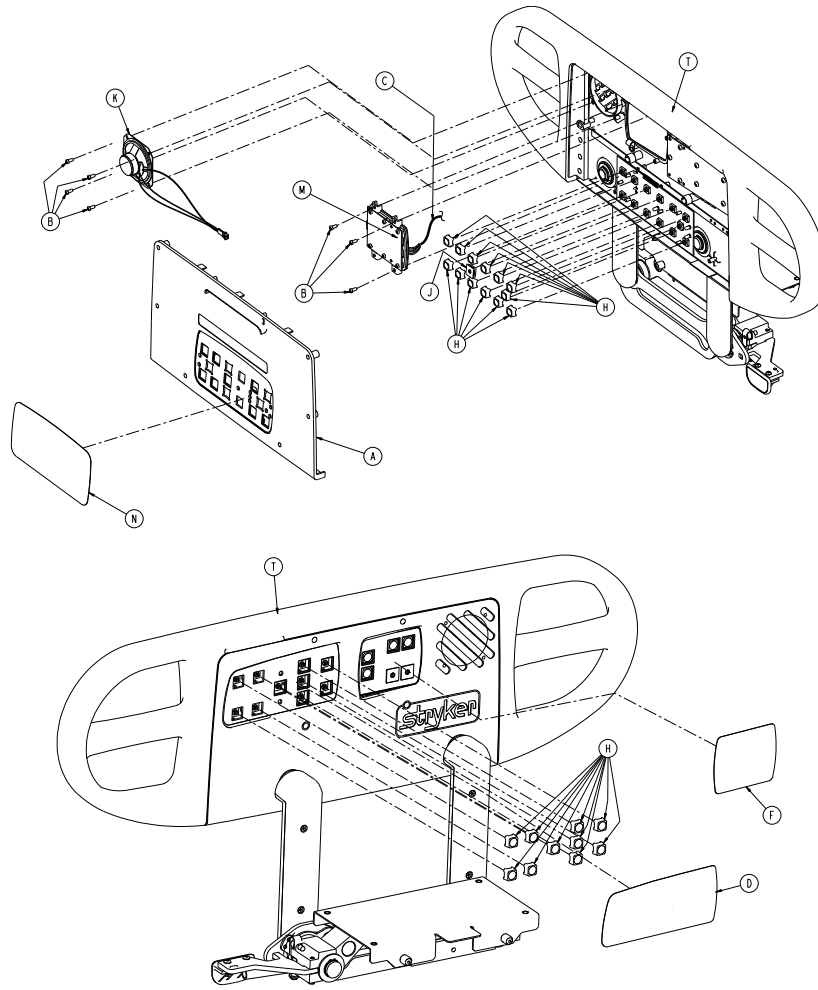
Item	Number	Name	Quantity
A	4700-020-009	Outer panel with Nurse Call	2
B	0023-088-000	Pan head hi/lo screw	14
D	4701-090-023	Inner, right label, NC, TV/ radio	1
E	4701-090-024	Inner, left label, NC, TV/ radio	1
F	4701-090-033	Right Lumbar label	1

Item	Number	Name	Quantity
G	4701-090-034	Left Lumbar label	1
H	3001-400-953	Switch cap	26
J	3001-400-522	Filler cap	2
K	3001-403-831	Speaker with cable	2
L	5000-220-008	Left Lumbar module	1
M	5000-220-010	Right Lumbar module	1
N	4701-090-013	Outer, right label, Nurse Call	1
P	4701-090-014	Outer, left label, Nurse Call	1
R	5000-080-016	Main to option PCB	2
T	4701-020-095	Left siderail subassembly	1
U	4701-020-100	Right siderail subassembly	1

# Siderail assembly with lumbar, nurse call, TV/radio, and lights, international

4701-120-010 Rev A (Reference only)





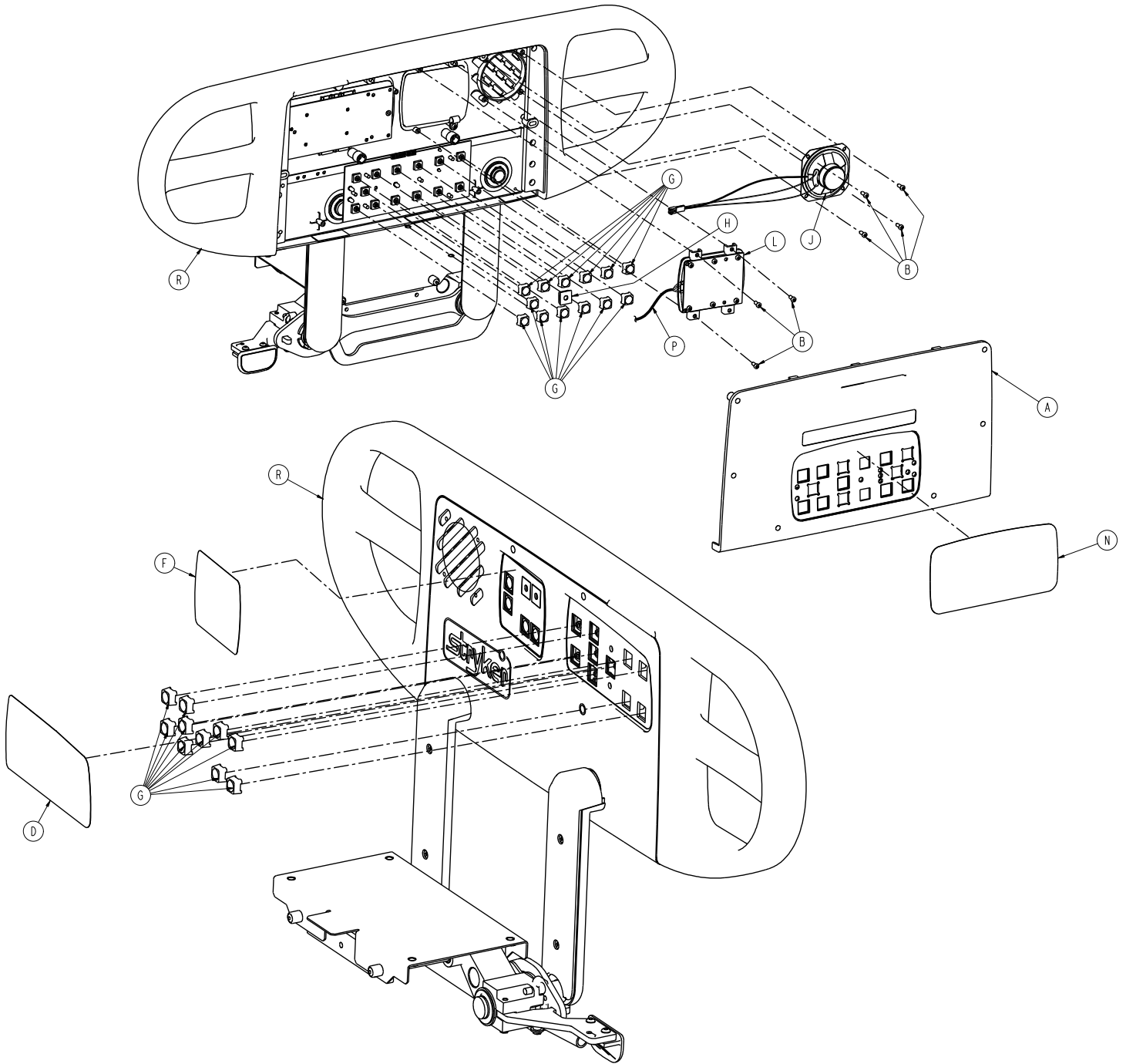
Item	Number	Name	Quantity
A	4700-020-009	Outer panel with Nurse Call	2
B	0023-088-000	Pan head hi/lo screw	14
C	5000-080-016	Siderail main to option PCB	1
D	4701-109-923	Inner, right label, NC, TV/ radio	1
E	4701-109-024	Inner, left label, NC, TV/ radio	1
F	4701-109-933	Label, right Lumbar option	1
F	4701-109-934	Label, left Lumbar option	1
H	3001-400-953	Switch cap	26
J	3001-400-522	Filler cap	2
K	3001-403-831	Speaker with cable	2
L	5000-220-008	Left Lumbar module	1
M	5000-220-010	Right Lumbar module	1
N	4701-109-913	Outer, right label, Nurse Call	1
P	4701-109-914	Outer, left label, Nurse Call	1

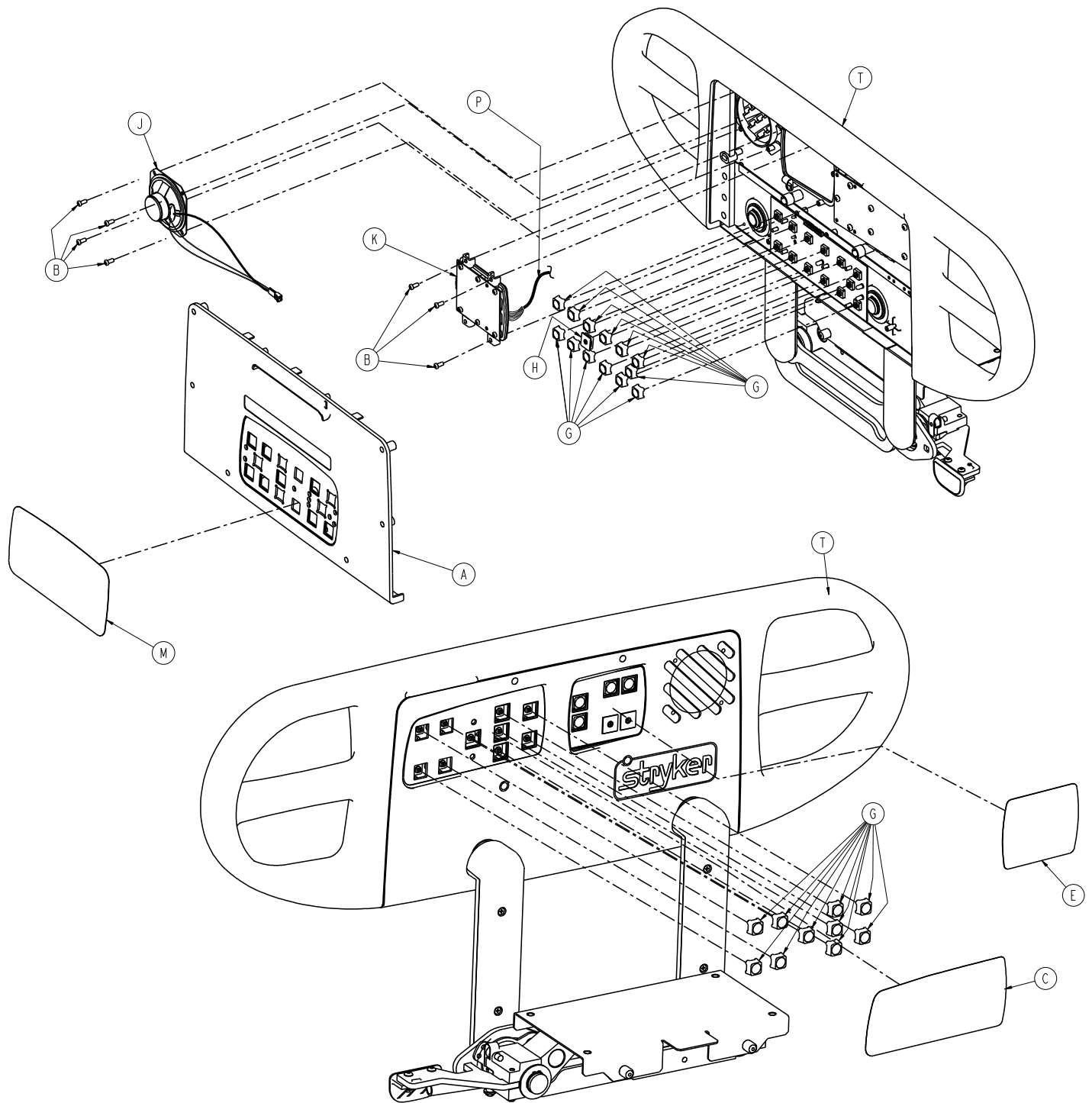
<b>Item</b>	<b>Number</b>	<b>Name</b>	<b>Quantity</b>
R	4701-120-095	Left siderail subassembly	1
T	4701-120-100	Right siderail subassembly	1

# Siderail assembly with lumbar, nurse call, smart TV, and lights

4701-020-030 Rev E (Reference only)

4701-120-030 Rev A (Reference only)





Item	Number	Name	Quantity
A	4700-020-009	Outer panel with Nurse Call (NC)	2
B	0023-088-000	Pan head hi/lo screw	14
C	4701-090-021 or 4701-109-921	Inner, right label, NC, smart TV	1
D	4701-090-022 or 4701-109-922	Inner, left label, NC, smart TV	1

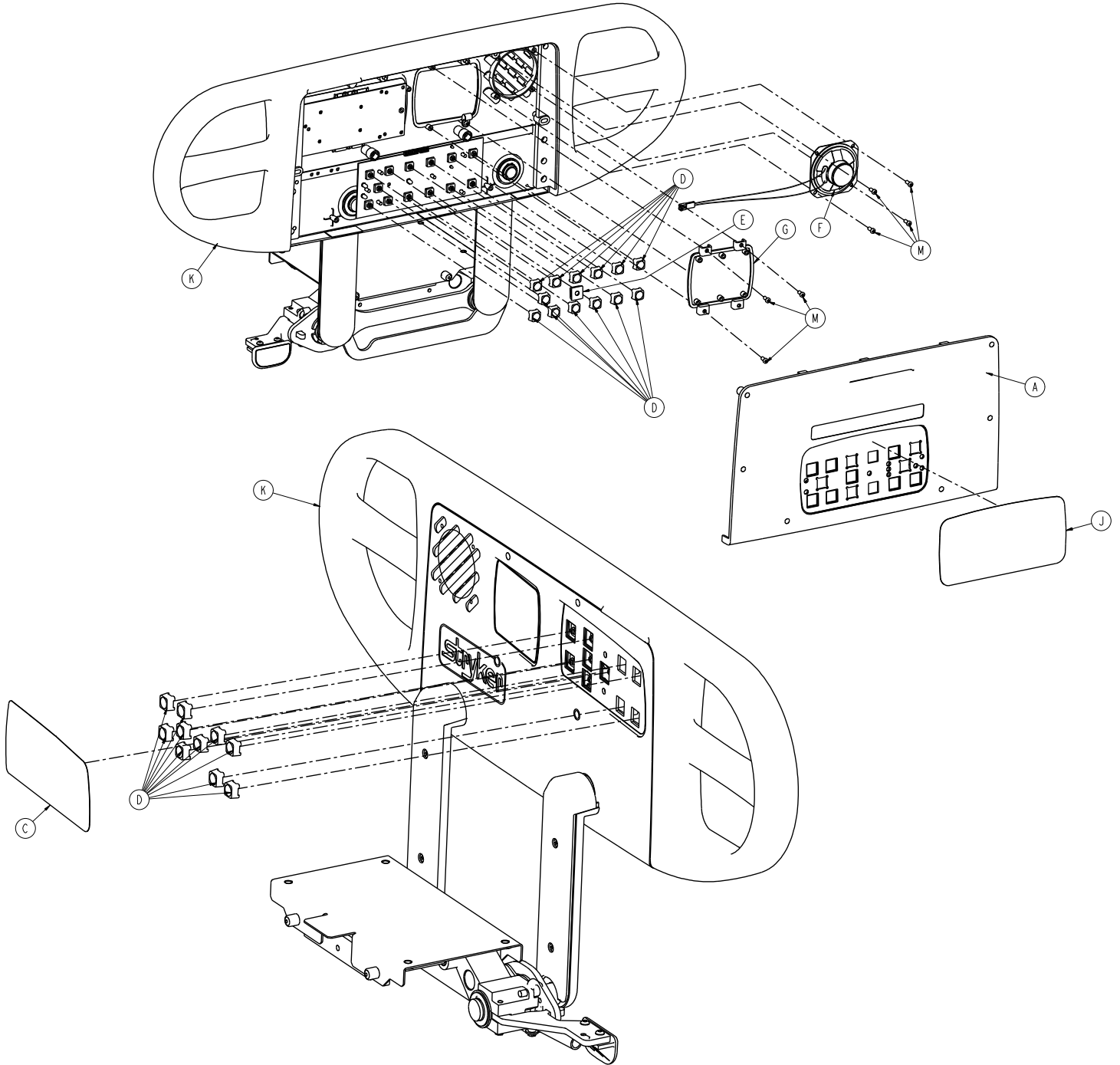


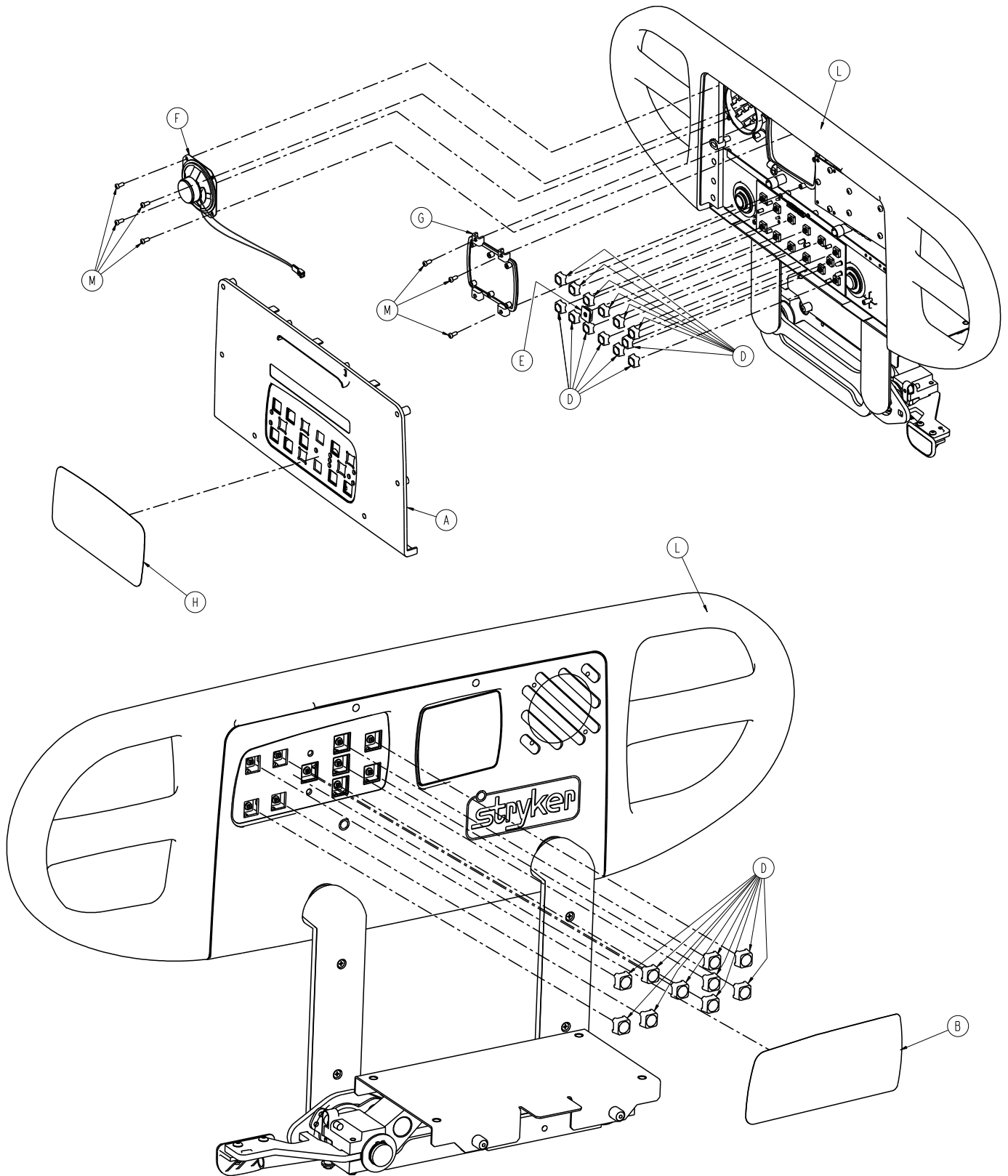
Item	Number	Name	Quantity
E	4701-090-031 or 4701-109-931	Right Lumbar label	1
F	4701-090-032 or 4701-109-932	Left Lumbar label	1
G	3001-400-953	Switch cap	26
H	3001-400-522	Filler cap	2
J	3001-403-831	Speaker with cable	2
K	5000-020-026	Left Lumbar TV module assembly	1
L	5000-020-027	Right Lumbar TV module assembly	1
M	4701-090-013 or 4701-109-913	Outer, right label, Nurse Call	1
N	4701-090-014 or 4701-109-914	Outer, left label, Nurse Call	1
P	5000-080-016	Main to option PCB	2
R	4701-020-095 or 4701-120-095	Left siderail subassembly	1
T	4701-020-100 or 4701-120-100	Right siderail subassembly	1
U	3003-039-800	Auto config smart TV PCB assembly	1

# Siderail assembly with nurse call, Skoocher, TV/radio, and lights

4701-020-020 Rev C (Reference only)

4701-120-020 Rev A (Reference only)





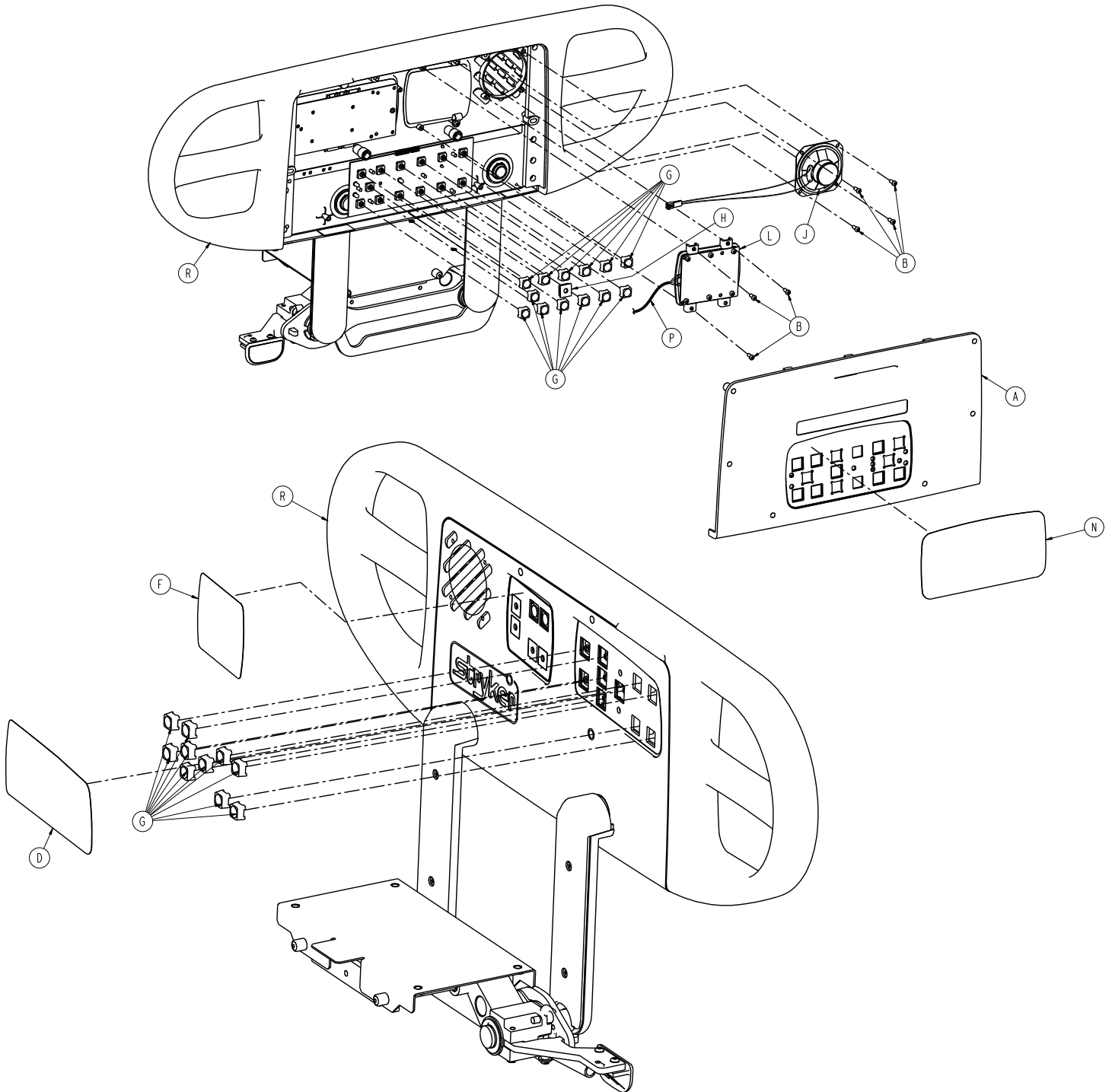
Item	Number	Name	Quantity
A	4700-020-009	Outer panel with Nurse Call	2
B	4701-090-023 or 4701-109-923	Inner, right label, NC, TV/ radio	1

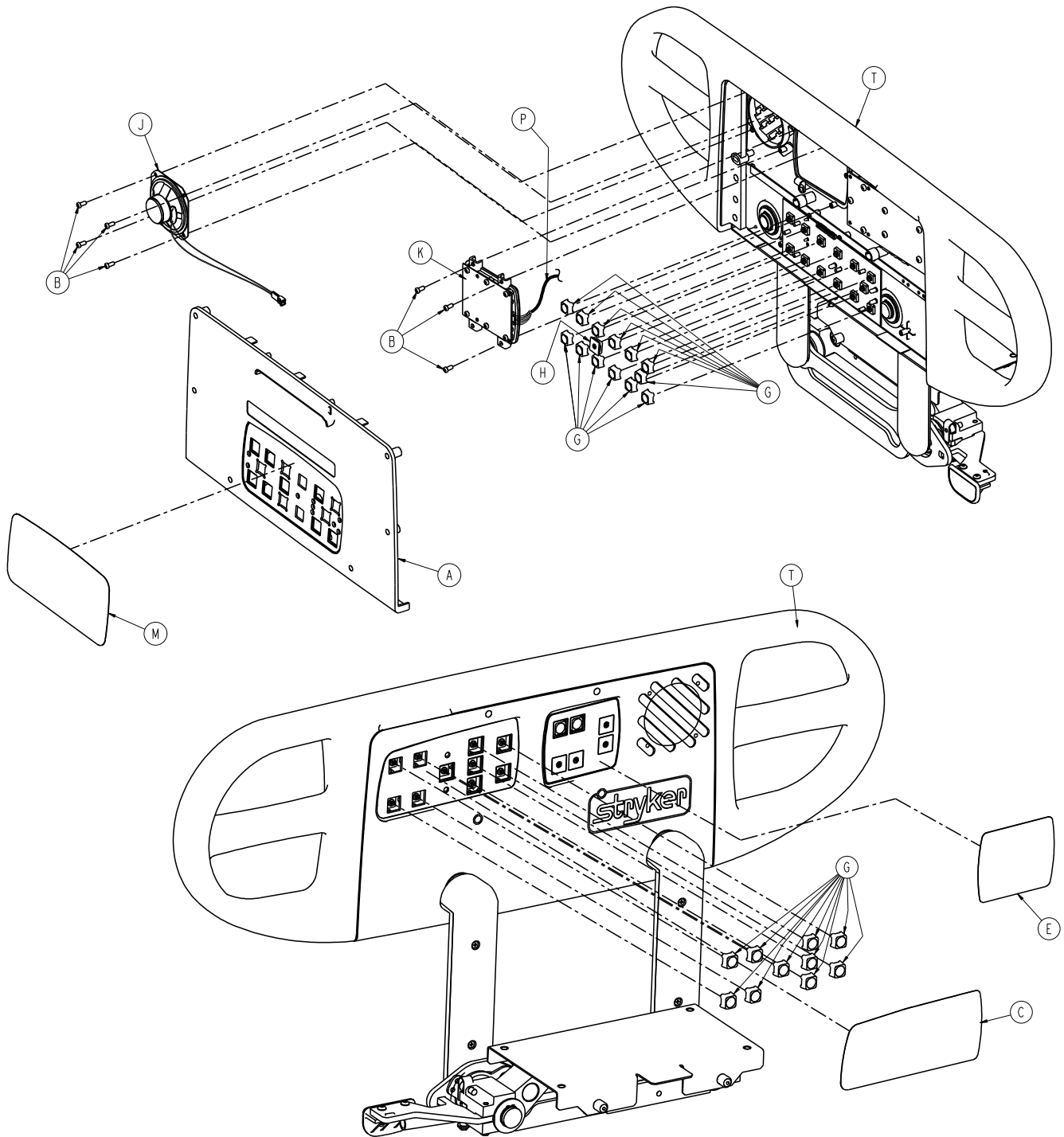
Item	Number	Name	Quantity
C	4701-090-024 or 4701-109-924	Inner, left label, NC, TV/ radio	1
D	3001-400-953	Switch cap	26
E	3001-400-522	Filler cap	2
F	3001-403-831	Speaker with cable	2
G	3001-400-535	Inner panel blank module	2
H	4701-090-011 or 4701-109-911	Outer, right label, Skooch/ NC	1
J	4701-090-012 or 4701-109-912	Outer, left label, Skooch/NC	1
K	4701-020-095 or 4701-120-095	Left siderail subassembly	1
L	4701-020-100 or 4701-120-100	Right siderail subassembly	1
M	0023-088-000	Pan head hi/lo screw	14

# Siderail assembly with nurse call, Skoocher, smart TV, and lights

4701-020-040 Rev D (Reference only)

4701-120-040 Rev A (Reference only)



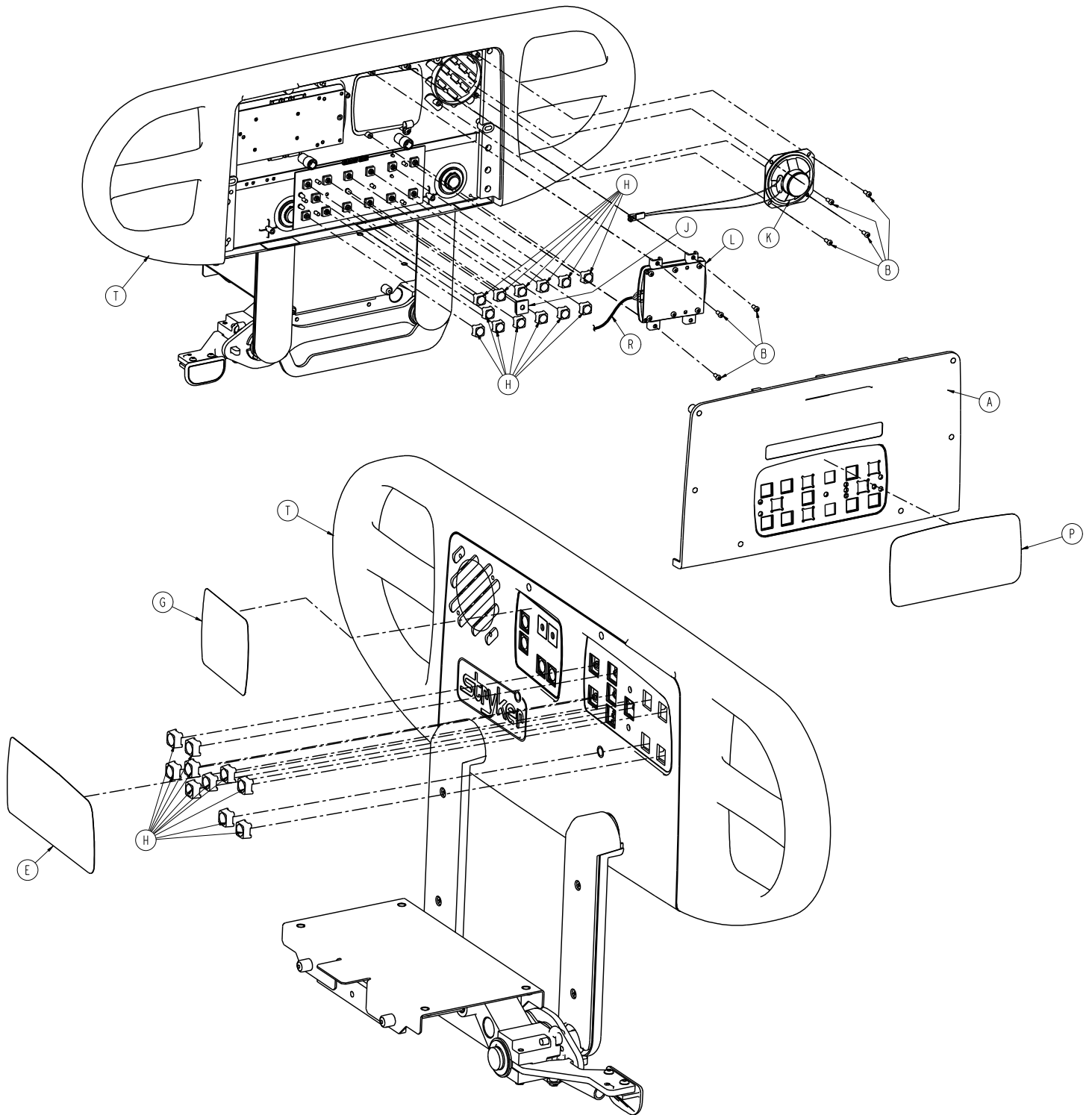


Item	Number	Name	Quantity
A	4700-020-009	Outer panel with Nurse Call	2
B	0023-088-000	Pan head hi/lo screw	14
C	4701-090-021 or 4701-109-921	Inner, right label, NC/smart TV	1
D	4701-090-022 or 4701-109-922	Inner, left label, NC/smart TV	1
E	4701-090-035 or 4701-109-936	Right label, Smart TV/lights	1

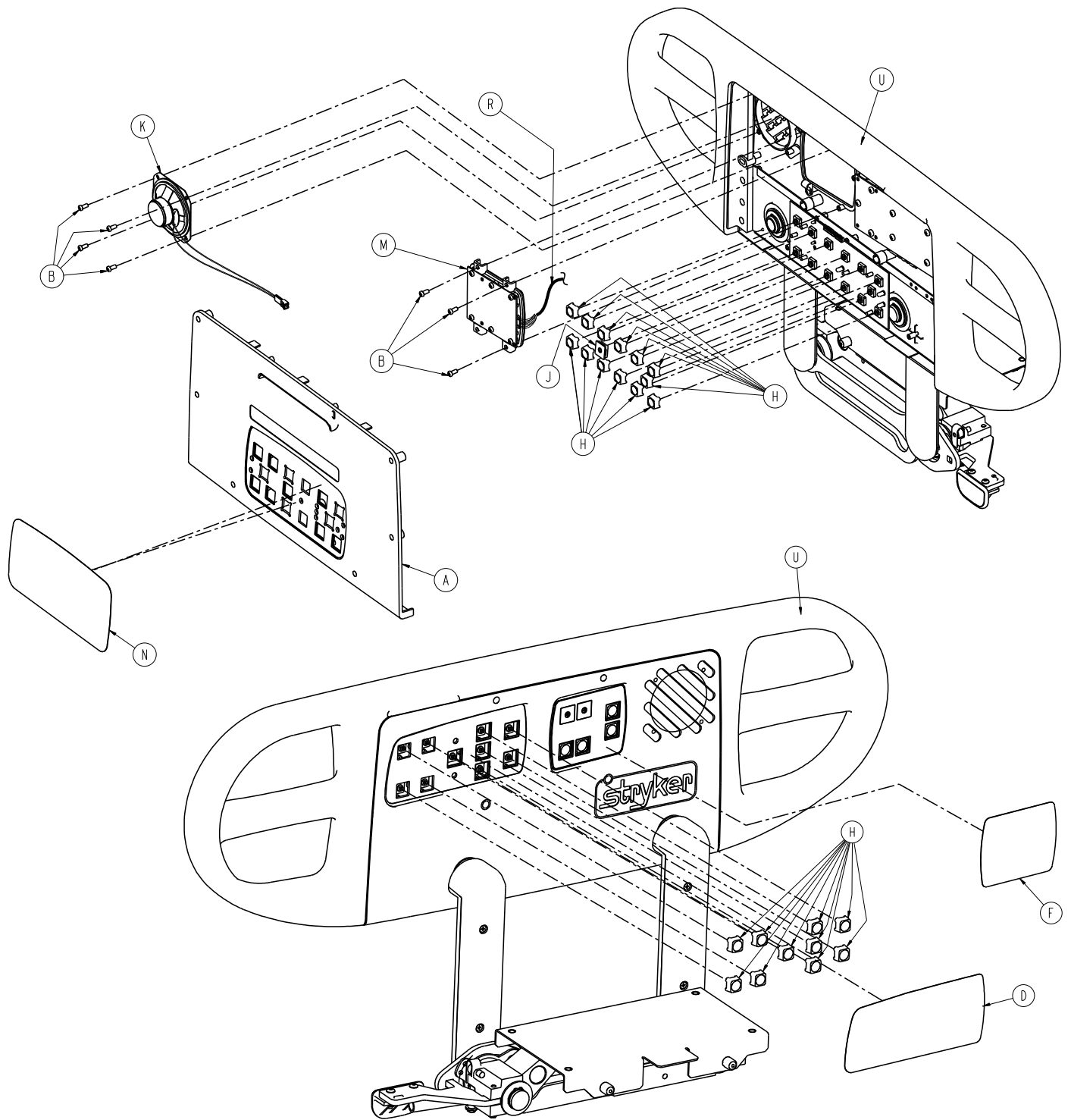
Item	Number	Name	Quantity
F	4701-090-036 or 4701-109-937	Left label, Smart TV/lights	1
G	3001-400-953	Switch cap	26
H	3001-400-522	Filler cap	2
J	3001-403-831	Speaker with cable	2
K	5000-020-028	Left TV module	1
L	5000-020-029	Right TV module	1
M	4701-090-011 or 4701-109-911	Outer, right label, Skoocher/NC	1
N	4701-090-012 or 4701-109-912	Outer, left label, Skoocher/NC	1
P	5000-080-016	Main to option PCB	2
R	4701-020-095 or 4701-120-095	Left siderail subassembly	1
T	4701-020-100 or 4701-120-100	Right siderail subassembly	1
U	3003-039-800	Smart TV PCB (not shown)	1

# Siderail assembly with lumbar, nurse call, Skoocher, TV/radio, and lights

4701-020-015 Rev C (Reference only)





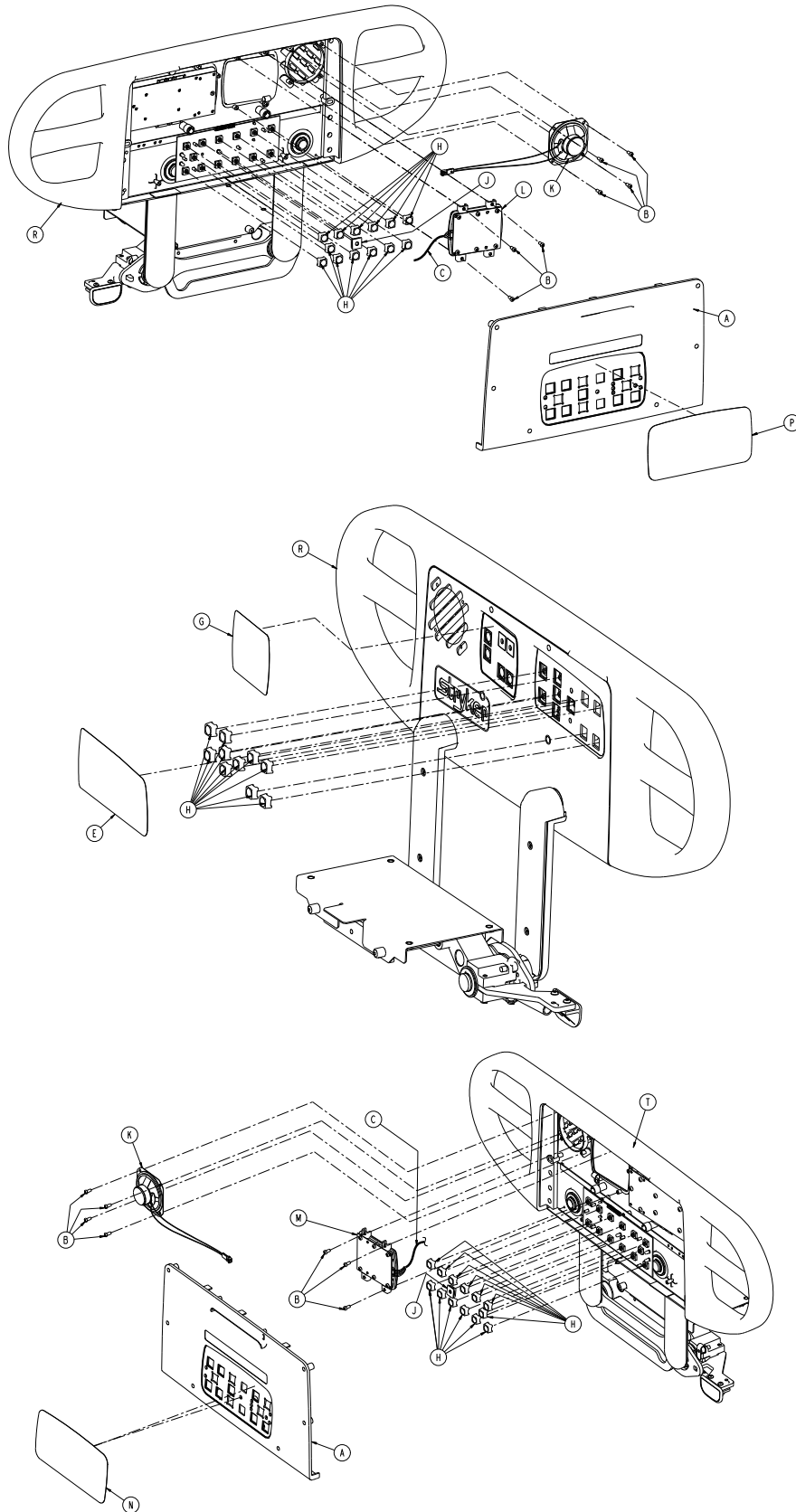


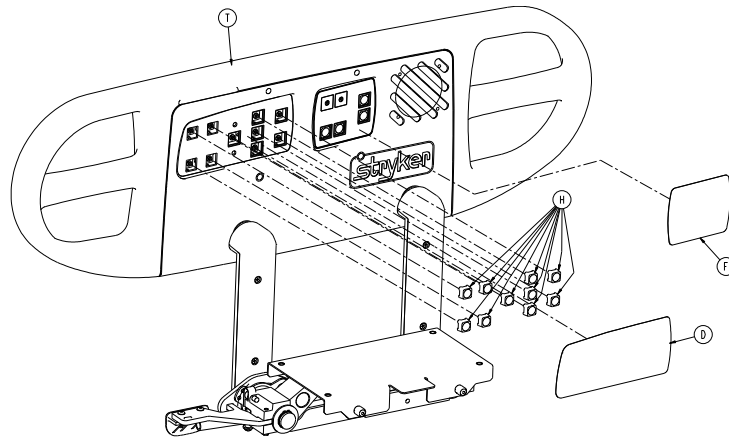
Item	Number	Name	Quantity
A	4700-020-009	Outer panel with Nurse Call	2
B	0023-088-000	Pan head hi/lo screw	14
D	4701-090-023	Inner, right label, NC, TV/ radio	1
E	4701-090-024	Inner, left label, NC, TV/ radio	1
F	4701-090-033	Right label, Lumbar	1

Item	Number	Name	Quantity
G	4701-090-034	Left label, Lumbar	1
H	3001-400-953	Switch cap	26
J	3001-400-522	Filler cap	2
K	3001-403-831	Speaker with cable	2
L	5000-220-008	Left Lumbar module	1
M	5000-220-010	Right Lumbar module	1
N	4701-090-011	Outer, right label, Skooch/ NC	1
P	4701-090-012	Outer, left label, Skooch/NC	1
R	5000-080-016	Main to option PCB	2
T	4701-020-095	Left siderail subassembly	1
U	4701-020-100	Right siderail subassembly	1

# Siderail assembly with lumbar, nurse call, Skoocher, TV/radio, and lights, international

4701-120-015 Rev A (Reference only)



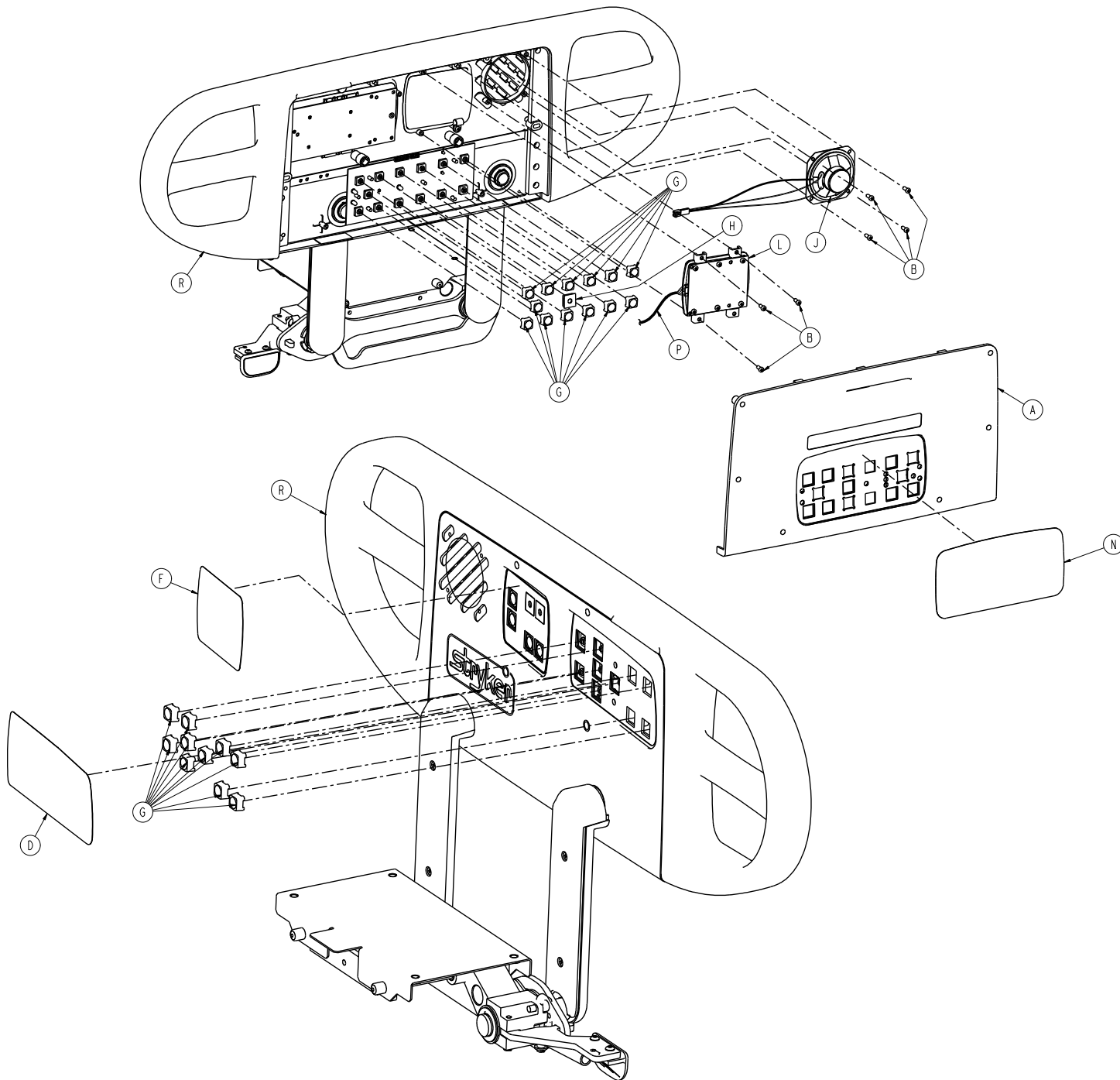


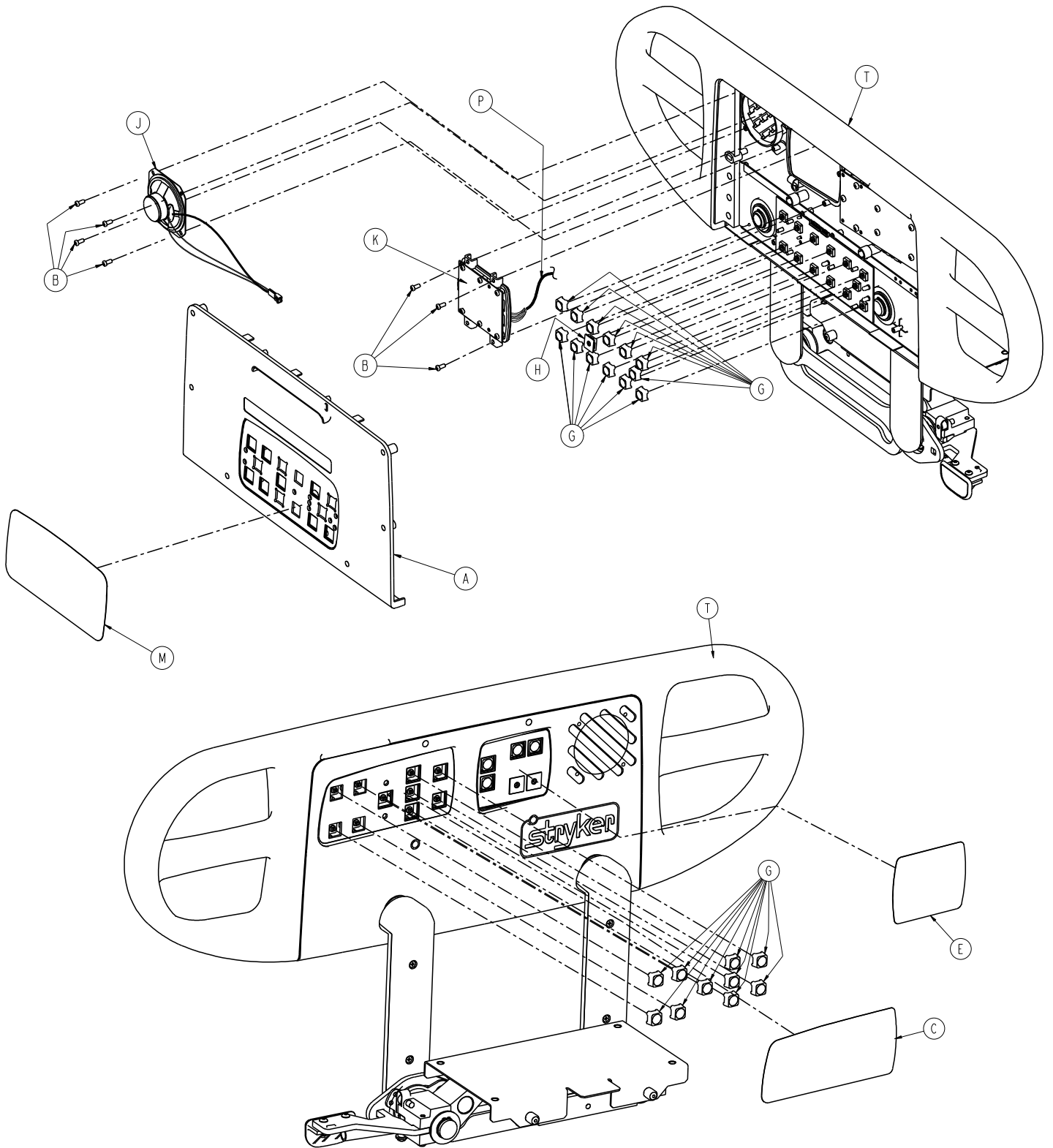
Item	Number	Name	Quantity
A	4700-020-009	Outer panel with Nurse Call	2
B	0023-088-000	Pan head hi/lo screw	14
C	5000-080-016	Main to option PCB	2
D	4701-109-923	Inner, right label, NC, TV/ radio	1
E	4701-109-924	Inner, left label, NC, TV/ radio	1
F	4701-109-933	Right label, Lumbar	1
G	4701-109-934	Left label, Lumbar	1
H	3001-400-953	Switch cap	26
J	3001-400-522	Filler cap	2
K	3001-403-831	Speaker with cable	2
L	5000-220-008	Left Lumbar module	1
M	5000-220-010	Right Lumbar module	1
N	4701-109-911	Outer, right label, Skoocher/ NC	1
P	4701-109-912	Outer, left label, Skoocher/ NC	1
R	4701-120-095	Left siderail subassembly	1
T	4701-120-100	Right siderail subassembly	1

# Siderail assembly with lumbar, nurse call, Skoocher, smart TV, and lights

4701-020-035 Rev D (Reference only)

4701-120-035 Rev A (Reference only)



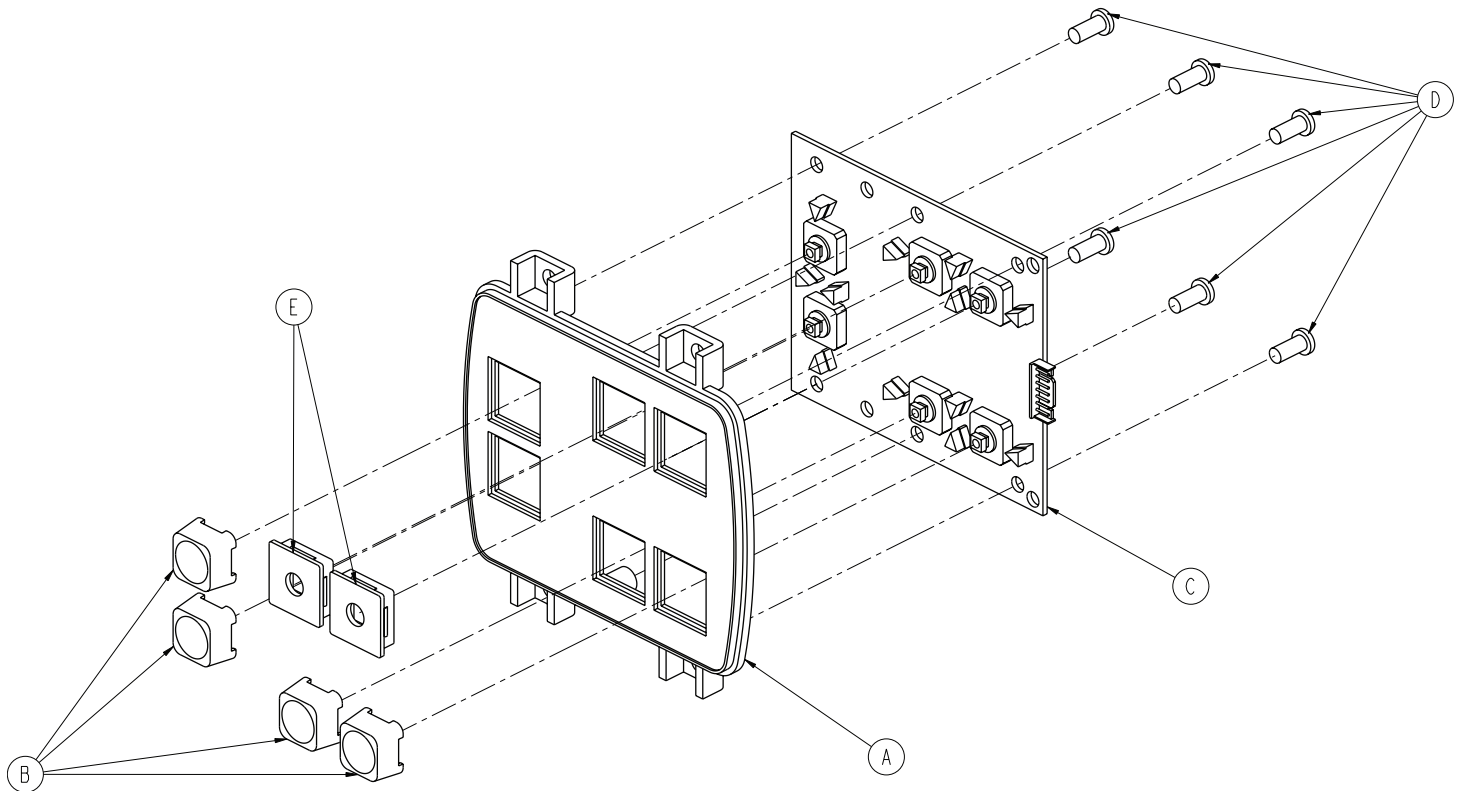


Item	Number	Name	Quantity
A	4700-020-009	Outer panel with nurse call	2
B	0023-088-000	Pan head hi/lo screw	14
C	4701-090-021 or 4701-109-921	Inner, right label, NC/smart TV	1

Item	Number	Name	Quantity
D	4701-090-022 or 4701-109-922	Inner, left label, NC/smart TV	1
E	4701-090-031 or 4701-109-931	Right label, Lumbar/STV/lights	1
F	4701-090-032 or 4701-109-932	Left label, Lumbar/STV/lights	1
G	3001-400-953	Switch cap	26
H	3001-400-522	Filler cap	2
J	3001-403-831	Speaker w/cable	2
K	5000-020-026	Left TV/Lumbar module	1
L	5000-020-027	Right TV/Lumbar module	1
M	4701-090-011 or 4701-109-911	Outer, right label, Skooch/NC	1
N	4701-090-012 or 4701-109-912	Outer, left label, Skooch/NC	1
P	5000-080-016	Main to option PCB	2
R	4701-020-095 or 4701-120-095	Left siderail subassembly	1
T	4701-020-100 or 4701-120-100	Right siderail subassembly	1
U	3003-039-800	Smart TV PCB (not shown)	1

# Siderail lumbar module, left - 5000-220-008

Rev B (Reference only)

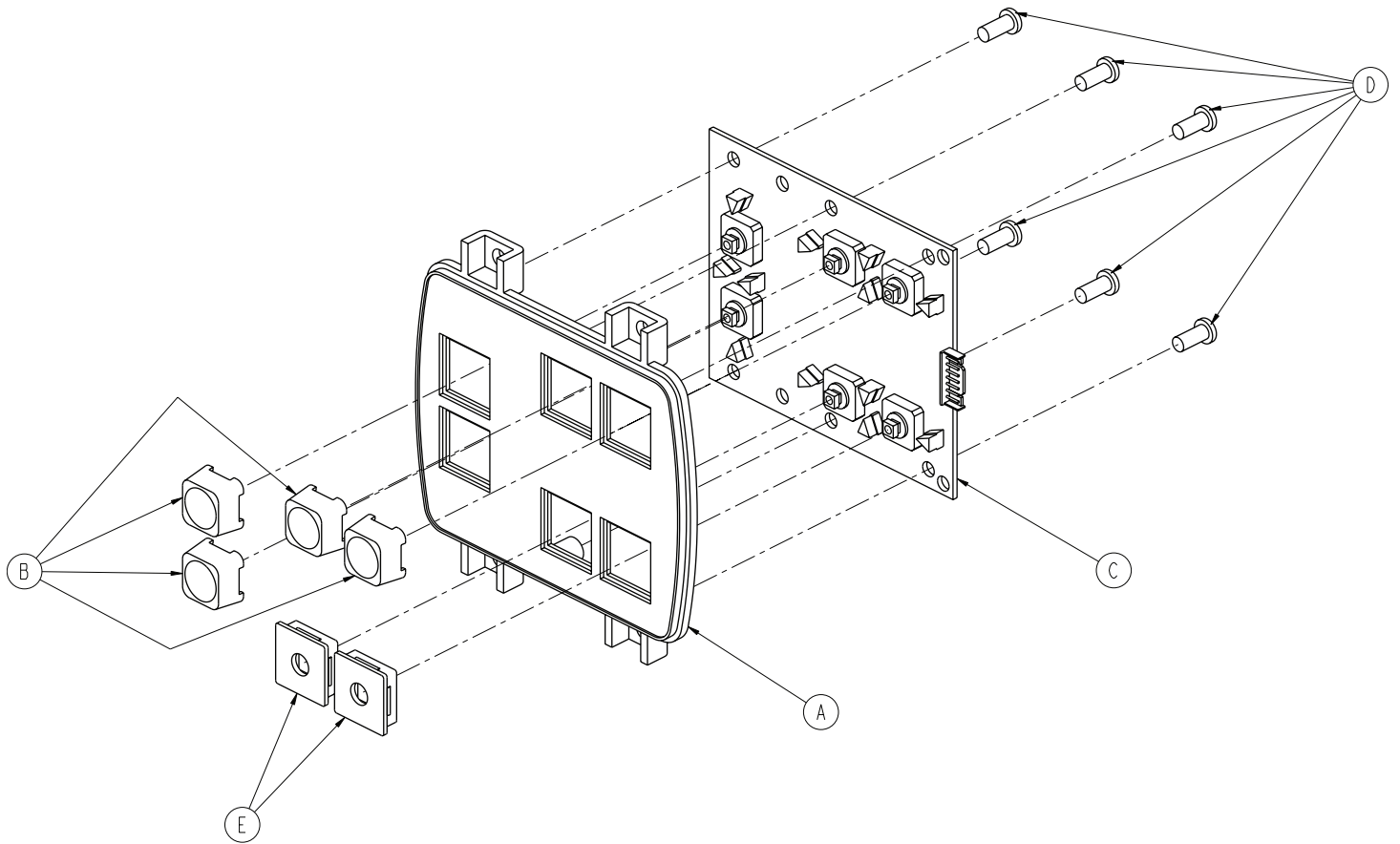


Item	Number	Name	Quantity
A	3001-400-524	Lumbar module	1
B	3001-400-953	Switch cap	6
C	5000-400-930	Lumbar keypad PCB, left	1
D	0023-088-000	High/low screw	6
E	3001-400-522	Filler cap	4



# Siderail lumbar module, right - 5000-220-010

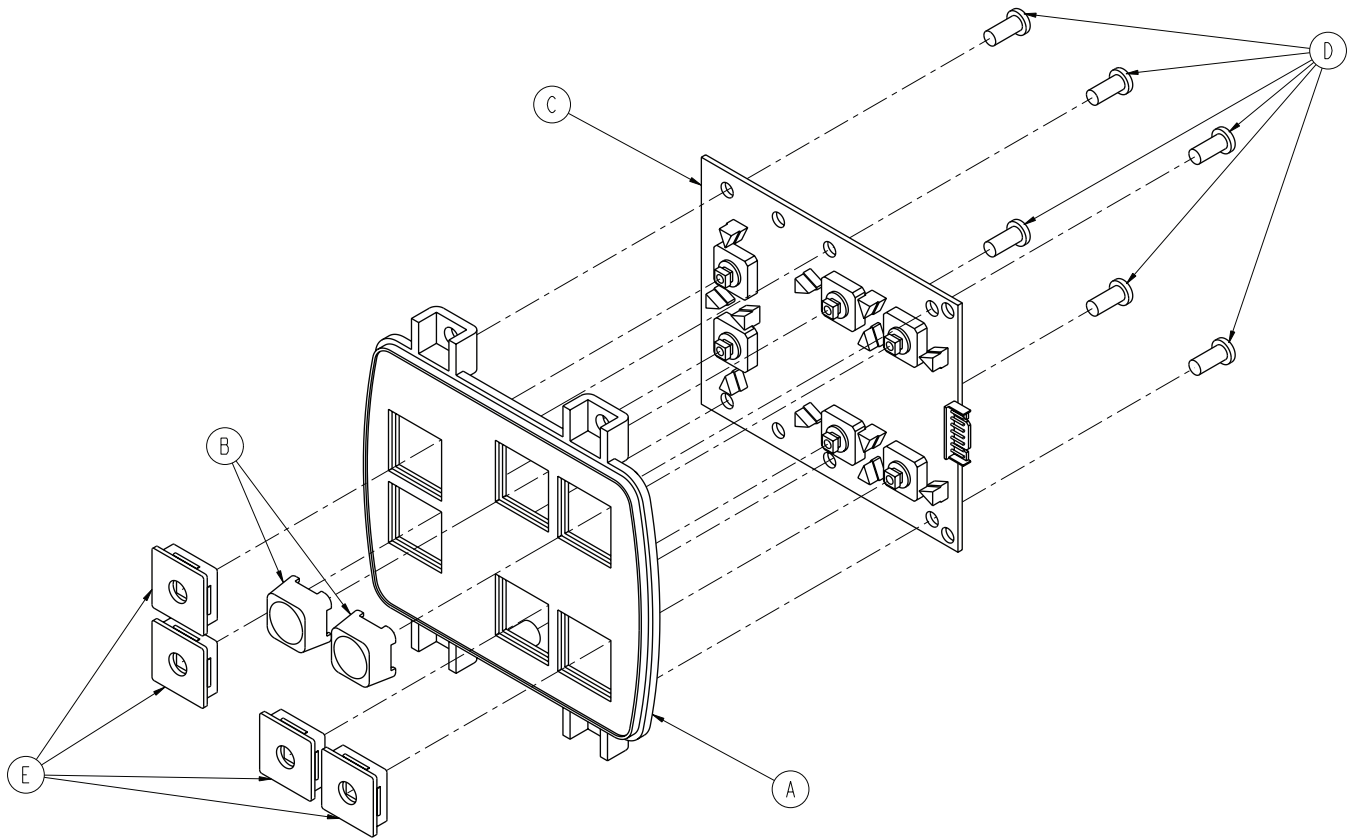
Rev A (Reference only)



Item	Number	Name	Quantity
A	3001-400-524	Lumbar module	1
B	3001-400-953	Switch cap	6
C	5000-400-920	Lumbar keypad PCB, right	1
D	0023-088-000	High/low screw	6
E	3001-400-522	Filler cap	4

# Siderail smart TV module, left - 5000-020-028

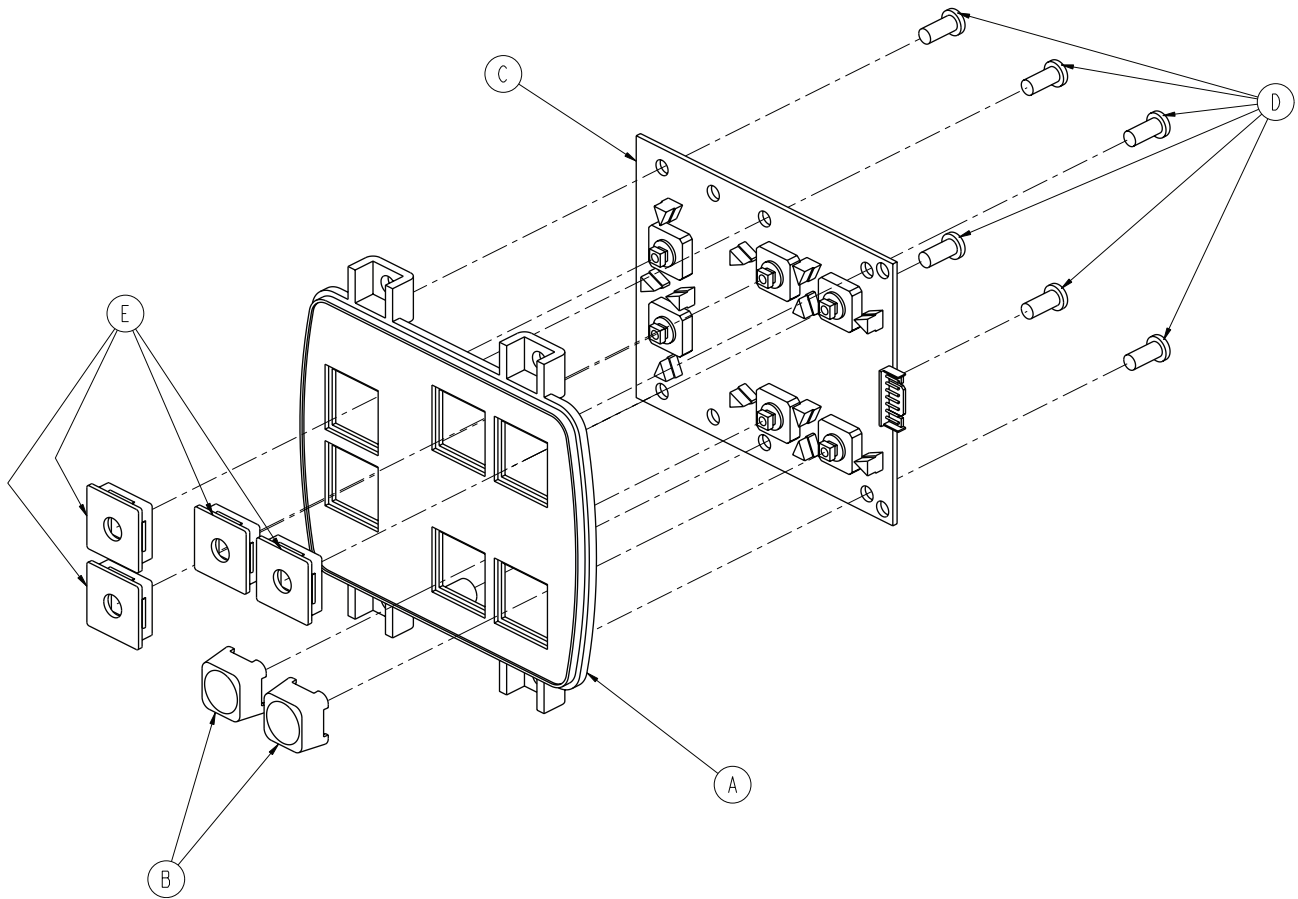
Rev A (Reference only)



Item	Number	Name	Quantity
A	3001-400-524	Lumbar module	1
B	3001-400-953	Switch cap	6
C	5000-400-930	Lumbar keypad PCB, left	1
D	0023-088-000	High/low screw	6
E	3001-400-522	Filler cap	4

# Siderail smart TV module, right - 5000-020-029

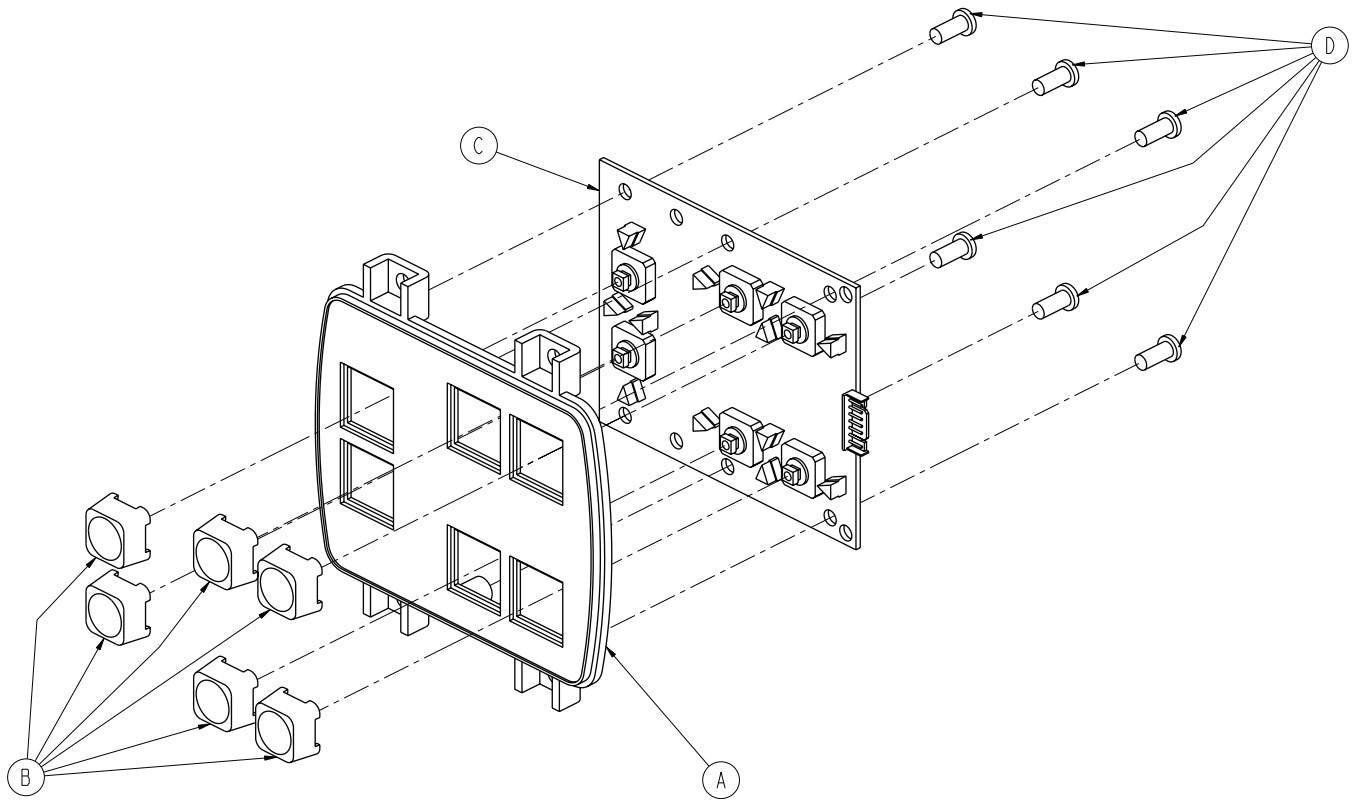
Rev A (Reference only)



Item	Number	Name	Quantity
A	3001-400-524	Lumbar module	1
B	3001-400-953	Switch cap	6
C	5000-400-920	Lumbar keypad PCB, right	1
D	0023-088-000	High/low screw	6
E	3001-400-522	Filler cap	4

# Siderail TV/lumbar module, left - 5000-020-026

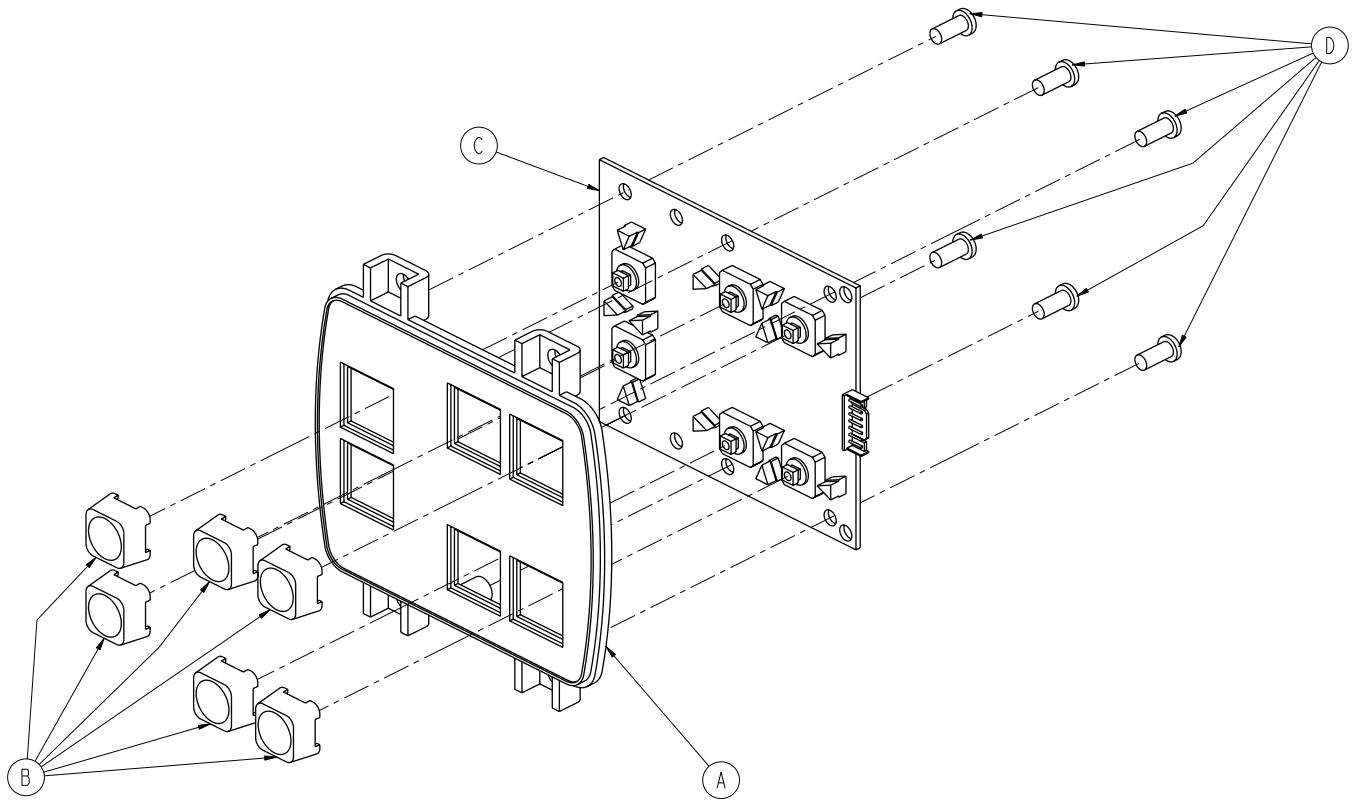
Rev A (Reference only)



Item	Number	Name	Quantity
A	3001-400-524	Lumbar module	1
B	3001-400-953	Switch cap	6
C	5000-400-930	Lumbar keypad PCB, left	1
D	0023-088-000	High/low screw	6

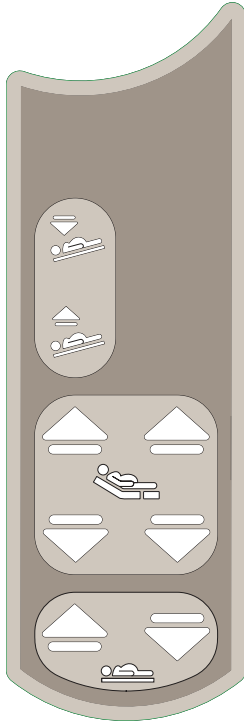
# Siderail TV/lumbar module, right - 5000-020-027

Rev A (Reference only)



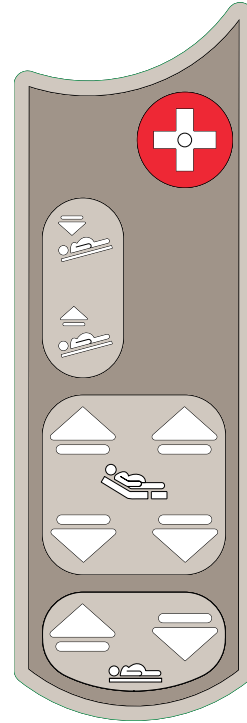
Item	Number	Name	Quantity
A	3001-400-524	Lumbar module	1
B	3001-400-953	Switch cap	6
C	5000-400-920	Lumbar keypad PCB, right	1
D	0023-088-000	High/low screw	6

# Pendant assembly



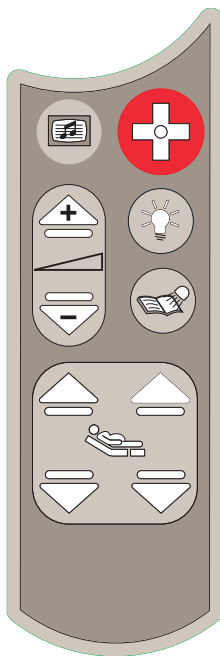
5000-081-021 Rev G

5000-090-062 Rev D



5000-081-023 Rev D

5000-090-056 Rev -

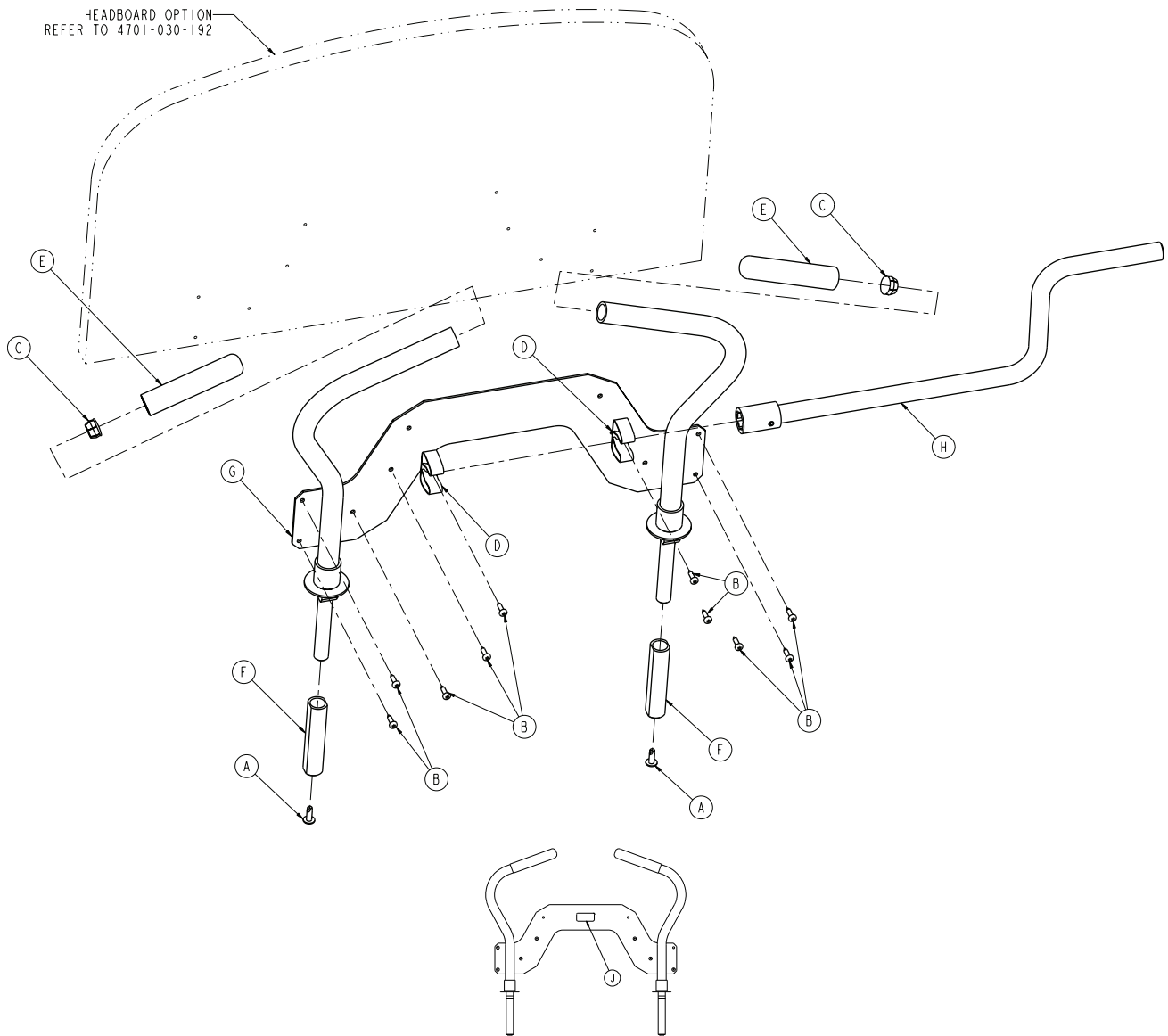


5000-081-020 Rev F

5000-090-055 Rev C

# Headboard assembly

4701-030-125 Rev C/4701-130-125 Rev A (Reference only)



Item	Number	Name	Quantity
A	0007-065-000	Truss head screw	2
B	0023-311-000	Button head screw	10
C	0037-062-000	Hole plug	2
D	0058-065-000	Crank handle clip	2
E	4700-030-057	Push handle end cap	2
F	4701-030-187	Plastic bushing	2
G	4701-030-195	Frame weldment	1

Item	Number	Name	Quantity
H	4701-036-020	<i>Crank handle assembly</i> (page 289)	1
J	4701-109-981	Label, identification, international	1

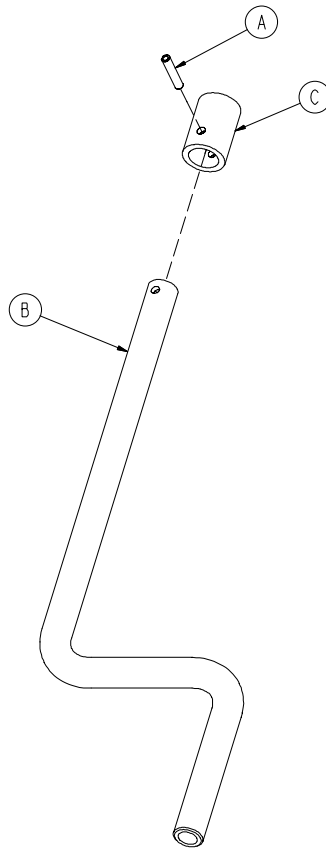
4701-030-192

Number	Finish
4701-030-191	Port maple
4701-030-193	Hardrock maple
4701-030-194	Fine oak
4701-030-198	Wild cherry
4701-030-203	Cayenne maple
4701-030-204	Honey maple
4701-030-206	Select cherry



# Crank handle assembly

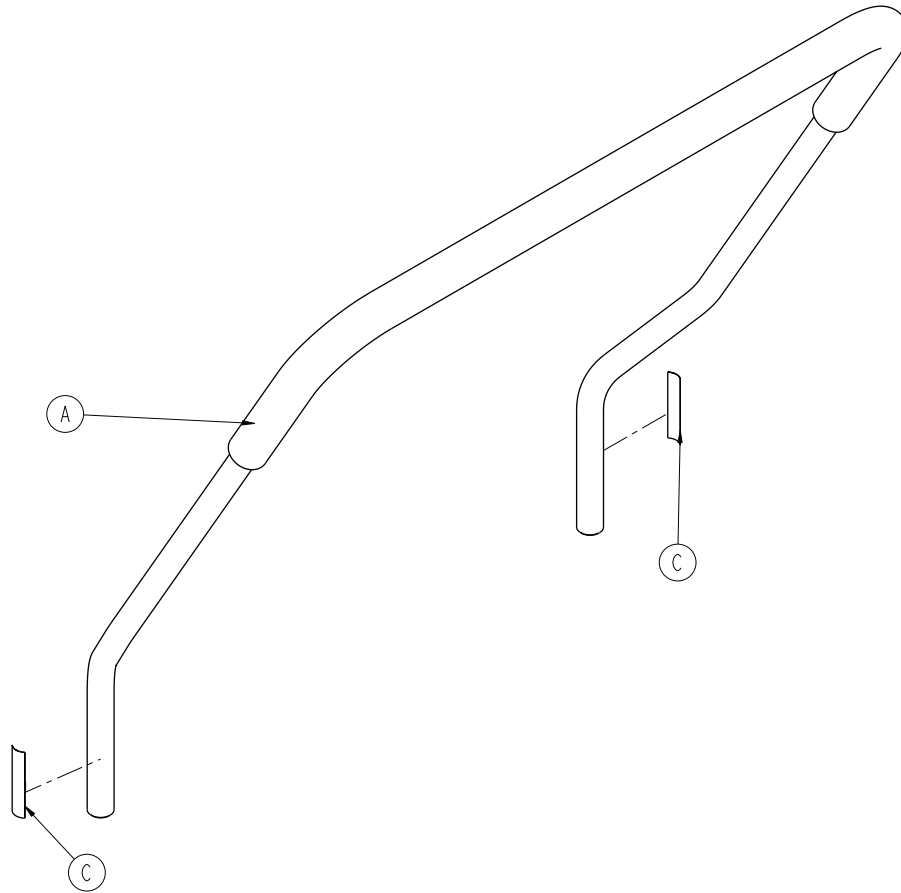
4701-036-020 Rev A (Reference only)



Item	Number	Name	Quantity
A	0026-267-000	Spring pin	1
B	4701-036-018	Crank handle	1
C	4701-036-019	Crank handle collar	1

# Labor bar assembly

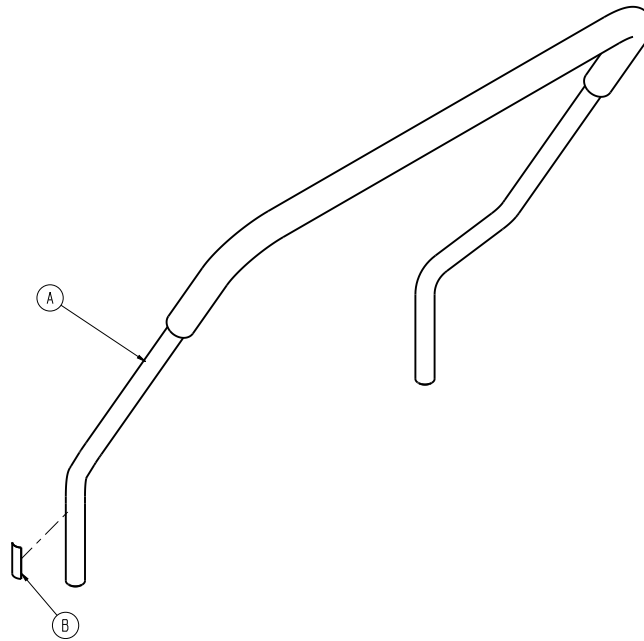
4701-036-010 Rev B (Reference only)



Item	Number	Name	Quantity
A	4701-036-014	Assembly, overmolded labor bar	1
C	4701-090-044	Label, labor bar	2

# Labor bar assembly

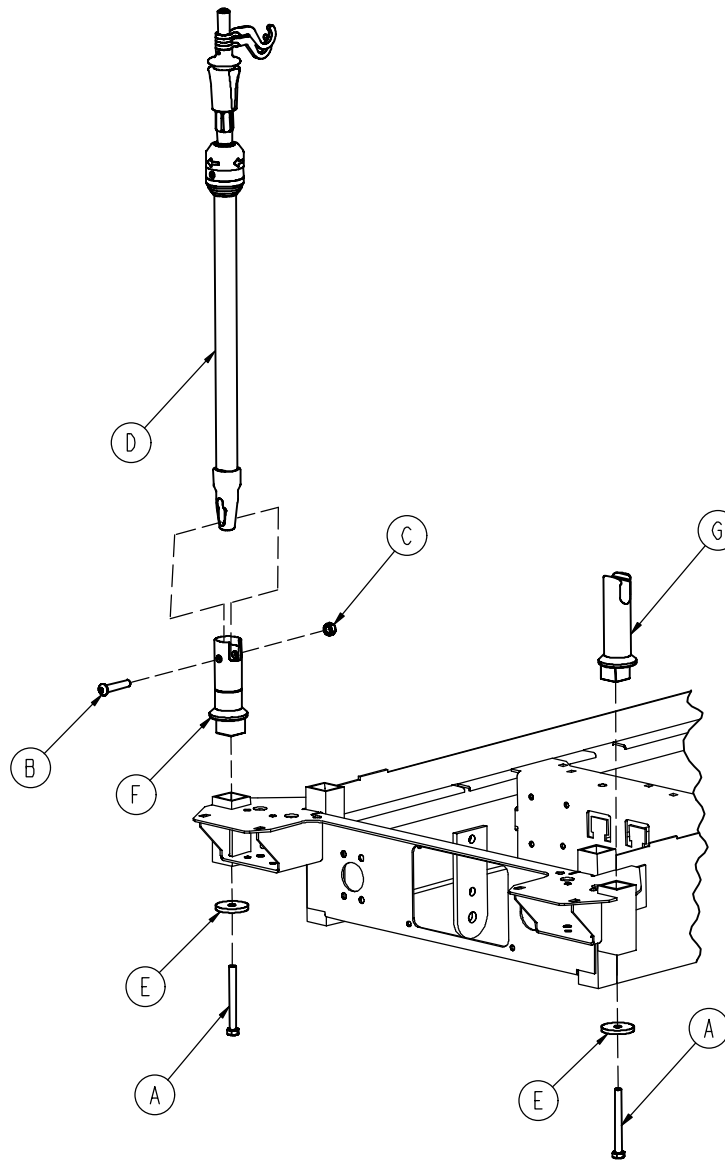
4701-136-010 Rev AA (Reference only)



Item	Number	Name	Quantity
A	4701-036-014	Assembly, overmolded labor bar	1
B	4701-109-966	Label, labor bar	1

# HAVASU three-stage IV pole assembly - 4701-036-035

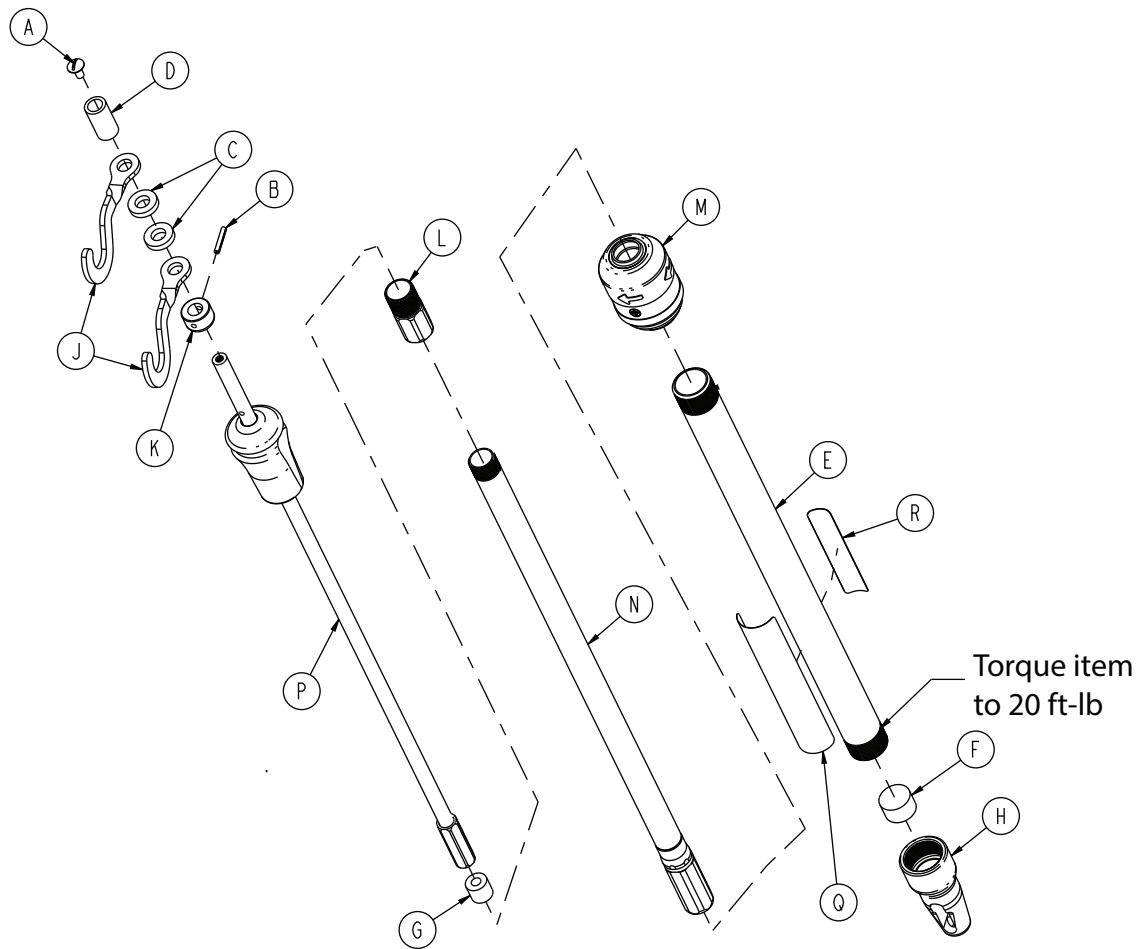
Rev B (Reference only)



Item	Number	Name	Quantity
A	0003-383-000	Hex head cap screw	2
B	0004-199-000	Button head cap screw	1
C	0016-116-000	Stover hex lock nut	1
D	1211-211-010	<i>HAVASU three-stage IV pole assembly - 1211-211-010 (page 293)</i>	1
E	4701-036-023	IV bottom washer	2
F	4701-036-028	Pivot sleeve	1
G	4701-036-027	IV hook catch	1

# HAVASU three-stage IV pole assembly - 1211-211-010

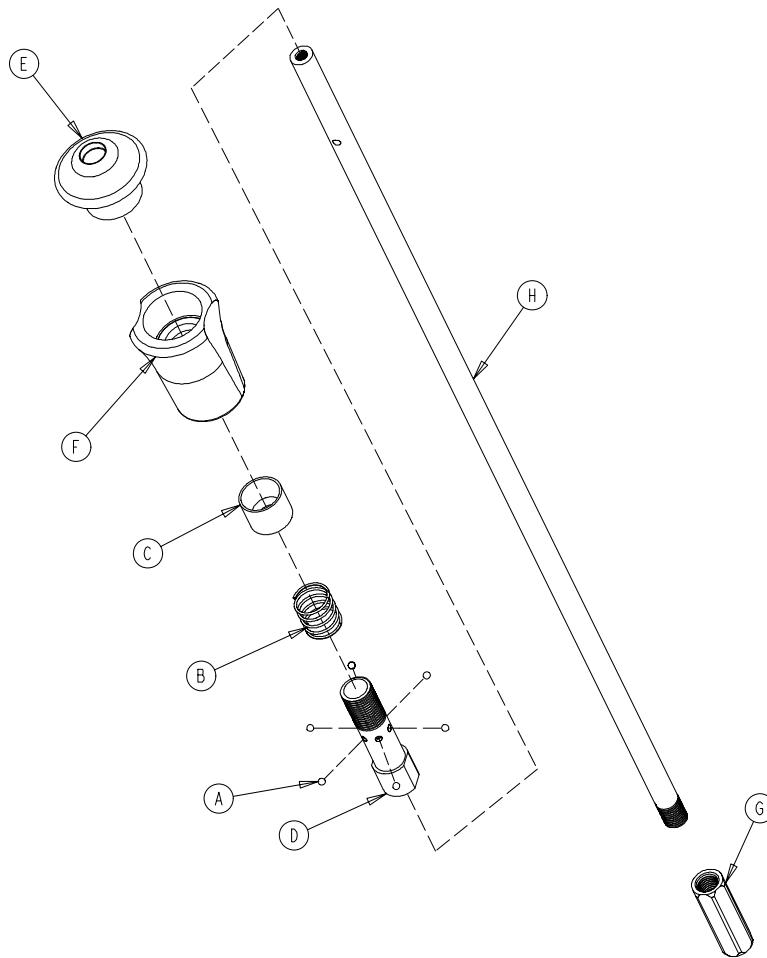
Rev AA (Reference only)



Item	Number	Name	Quantity
A	0007-004-000	Truss head machine screw	1
B	0026-076-000	Slotted spring pin	1
C	0052-017-000	Spacer	2
D	0926-400-162	Spacer	1
E	1001-161-023	Base tube	1
F	1001-259-013	Dampener	1
G	1001-359-014	Dampener	1
H	1001-359-112	Pivot	1
J	1010-059-016	IV hook	2
K	1010-061-014	Collar	1
L	1211-110-016	Threaded adaptor	1
M	1211-210-026	IV pole latch assembly (page 295)	1
N	1211-210-031	2nd stage assembly	1
P	1211-210-032	3rd stage assembly	1
Q	108900350002	Label, specification	1
R	108900350901	Label, EAR	1

# Three-stage IV pole third stage assembly

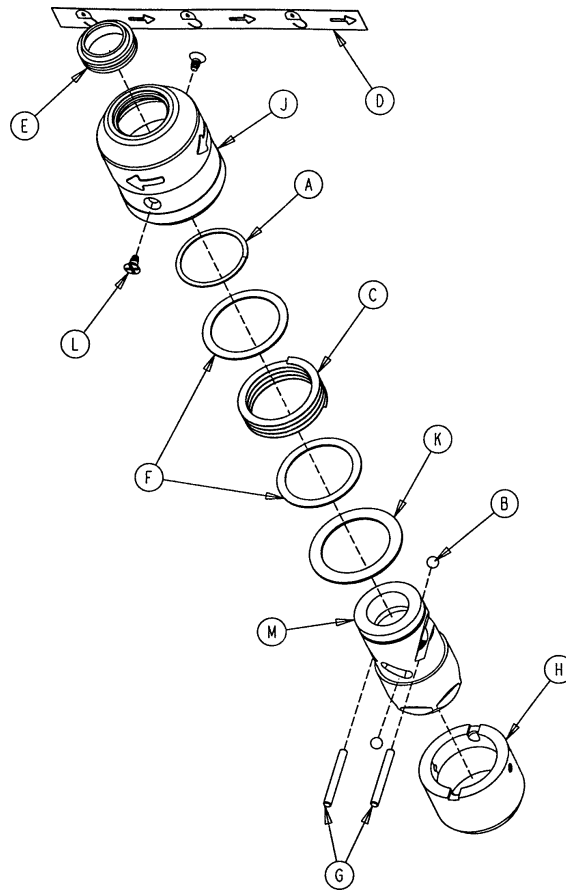
1211-210-032 Rev A (Reference only)



Item	Number	Name	Quantity
A	0031-021-000	Ball	6
B	0038-303-000	Compression spring	1
C	1010-061-013	Ball retainer	1
D	1010-061-016	Retaining shaft	1
E	1010-061-017	Thumb knob	1
F	1010-061-018	Hand guard	1
G	1211-110-117	Nut	1
H	1211-110-033	Third extension rod	1

# IV pole latch assembly

1211-210-026 Rev B (Reference only)



Item	Number	Name	Quantity
A	0028-167-000	Retaining ring	1
B	0031-004-000	Steel ball	2
C	0038-392-000	Crest-to-crest spring	1
D	1211-091-034	Euro label, release	1
E	1211-110-018	IV latch seal	1
F	1211-110-020	Washer	2
G	1211-110-021	IV latch locking pin	2
H	1211-110-022	IV latch guide	1
J	1211-110-024	IV latch, OD housing	1
K	1211-110-035	Washer	1
L	1211-110-036	Self-tapping screw	2
M	1211-210-023	IV latch inner ID housing	1

# EMC information

Guidance and manufacturer's declaration - electromagnetic emissions		
The Model 4701 is intended for use in the electromagnetic environment specified below. The customer or the user of the Model 4701 should assure that it is used in such an environment.		
Emissions test	Compliance	Electromagnetic environment
RF Emissions CISPR 11	Group 1	The Model 4701 uses RF energy only for its internal function. Therefore, its RF emissions are very low and are not likely to cause any interference in nearby electronic equipment.  The Model 4701 is suitable for use in all establishments other than domestic and those directly connected to the public low-voltage power supply network that supplies buildings used for domestic purposes.
RF Emissions CISPR 11	Class A	
Harmonic Emissions IEC 61000-3-2	Class A	
Voltage Fluctuations Flicker Emissions IEC 61000-3-3	Complies	

Guidance and manufacturer's declaration - electromagnetic immunity			
The Model 4701 is suitable for use in the electromagnetic environment specified below. The customer or the user of the Model 4701 should assure that it is used in such an environment.			
Immunity test	EN/IEC 60601 test level	Compliance level	Electromagnetic environment-guidance
Electrostatic discharge (ESD) EN/IEC 61000-4-2	$\pm 6$ kV contact $\pm 8$ kV air	$\pm 6$ kV contact $\pm 8$ kV air	Floors should be wood, concrete or ceramic tile. If floors are covered with synthetic material, the relative humidity should be at least 30%.
Electrostatic fast Transient/ burst IEC 61000-4-4	$\pm 2$ kV for power supply lines $\pm 1$ kV for input/output lines	$\pm 2$ kV for power supply lines $\pm 1$ kV for input/output lines	Main power quality should be that of a typical commercial or hospital environment.
Surge IEC 61000-4-5	$\pm 8$ kV differential mode $\pm 2$ kV common mode	$\pm 8$ kV differential mode $\pm 2$ kV common mode	Main power quality is that of a typical commercial or hospital environment.



**Guidance and manufacturer's declaration - electromagnetic immunity**

Voltage dips, voltage variations and short interruptions on power supply input lines  IEC 61000-4-11	<5% $U_T$ (>95% dip in $U_T$ ) for 0.5 cycle  40% $U_T$ (60% dip in $U_T$ ) for 5 cycles  70% $U_T$ (30% dip in $U_T$ ) for 25 cycles  <5% $U_T$ (>95% dip in $U_T$ ) for 5 sec.	<5% $U_T$ (>95% dip in $U_T$ ) for 0.5 cycle  40% $U_T$ (60% dip in $U_T$ ) for 5 cycles  70% $U_T$ (30% dip in $U_T$ ) for 25 cycles  <5% $U_T$ (>95% dip in $U_T$ ) for 5 sec.	Main power quality should be that of a typical commercial or hospital environment. If the user of the Model 4701 requires continued operation during power main interruptions, it is recommended that the device be powered from an uninterruptible power supply or a battery.
Power frequency (50/60Hz) magnetic field  EN/IEC 61000-4-8	3 A/m	3 A/m	Power frequency magnetic fields should be at levels characteristic of a typical location in a typical commercial or hospital environment.


**Note:**  $U_T$  is the a.c. mains voltage before applications of the test level.

**Guidance and manufacturer's declaration - electromagnetic immunity**

The Model 4701 is suited for use in the electromagnetic environment specified below. The customer or the user of the Model 4701 should assure that it is used in such an environment.

Immunity test	EN/IEC 60601 test level	Compliance level	Electromagnetic environment-guidance
---------------	-------------------------	------------------	--------------------------------------

**Guidance and manufacturer's declaration - electromagnetic immunity**

<p align="center">Conducted RF EN/IEC 61000-4-6</p> <p align="center">Radiated RF EN/IEC 61000-4-3</p>	<p align="center">3 Vrms 150 kHz to 80 MHz</p> <p align="center">3 V/m 80 MHz to 2.5 GHz</p>	<p align="center">3 Vrms</p> <p align="center">3 V/m</p>	<p>Portable and mobile RF communications equipment should be used no closer to any part of the Model 4701, including cables, than the recommended separation distance calculated from the equation appropriate for the frequency of the transmitter.</p> <p>Recommended separation distance</p> <p><math>D=(1.2) (\sqrt{P})</math></p> <p><math>D=(1.2) (\sqrt{P})</math></p> <p>80 MHz to 800 MHz</p> <p><math>D=(2.3) (\sqrt{P})</math></p> <p>800 MHz to 2.5 GHz</p> <p>where <math>P</math> is the maximum output power rating of the transmitter in watts (<math>W</math>) according to the transmitter manufacturer and <math>d</math> is the recommended separation distance in meters (<math>m</math>).</p> <p>Field strengths from fixed RF transmitters, as determined by an electromagnetic site survey,<sup>a</sup> should be less than the compliance level in each frequency range.<sup>b</sup></p> <p>Interference may occur in the vicinity of equipment marked with the following symbol:</p> 
--	--	--	--

**Note 1:** At 80 MHz and 800 MHz, the higher frequency range applies.

**Note 2:** These guidelines may not apply in all situations. Electromagnetic propagation is affected by absorption and reflection from structures, objects and people.

<sup>a</sup> Field strengths from fixed transmitters, such as base stations for radio (cellular/cordless) telephones and land mobile radios, amateur radio, AM and FM radio broadcast, and TV broadcast cannot be predicted theoretically with accuracy. To assess the electromagnetic environment due to fixed RF transmitters, an electromagnetic site survey should be considered. If the measured field strength in the location in which the Model 4701 is used exceeds the applicable RF compliance level above, the Model 4701 should be observed to verify normal operation. If abnormal performance is observed, additional measures may be necessary, such as reorienting or relocating the Model 4701.

<sup>b</sup> Over the frequency range 150 kHz to 80 MHz, field strengths are less than 3 V/m.

**Recommended separations distances between portable and mobile RF communications equipment and the Model 4701**

The Model 4701 is intended for use in an electromagnetic environment in which radiated RF disturbances are controlled. The customer or the user of the Model 4701 can help prevent electromagnetic interferences by maintaining a minimum distance between portable and mobile RF communications equipment (transmitters) and the Model 4701 as recommended below, according to the maximum output power of the communications equipment.

Rated maximum output power of transmitter W	Separation distance according to frequency of transmitter m		
	150 kHz to 80 MHz $D=(1.2) (\sqrt{P})$	80 MHz to 800 MHz $D=(1.2) (\sqrt{P})$	800 MHz to 2.5 GHz $D=(2.3) (\sqrt{P})$
0.01	1.12	0.12	0.23
0.1	0.38	0.38	0.73
1	1.2	1.2	2.3
10	3.8	3.8	7.3
100	12	12	23

For transmitters rated at a maximum output power not listed above, the recommended separation distance  $d$  in meters (m) can be estimated using the equation applicable to the frequency of the transmitter, where  $P$  is the maximum output power rating of the transmitter in watts (W) according to the transmitter manufacturer.

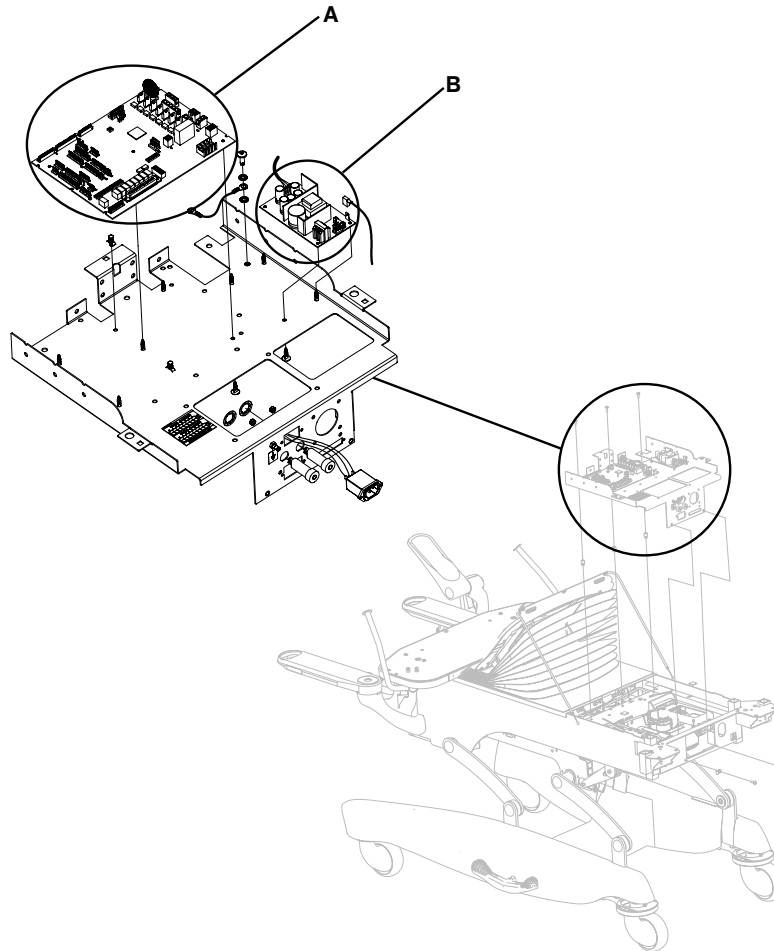
**Note 1:** At 80 MHz and 800 MHz, the separation distance for the higher frequency range applies.

**Note 2:** These guidelines may not apply in all situations. Electromagnetic propagation is affected by absorption and reflection from structures, objects and people.

# Recycling passport

4701-080-030

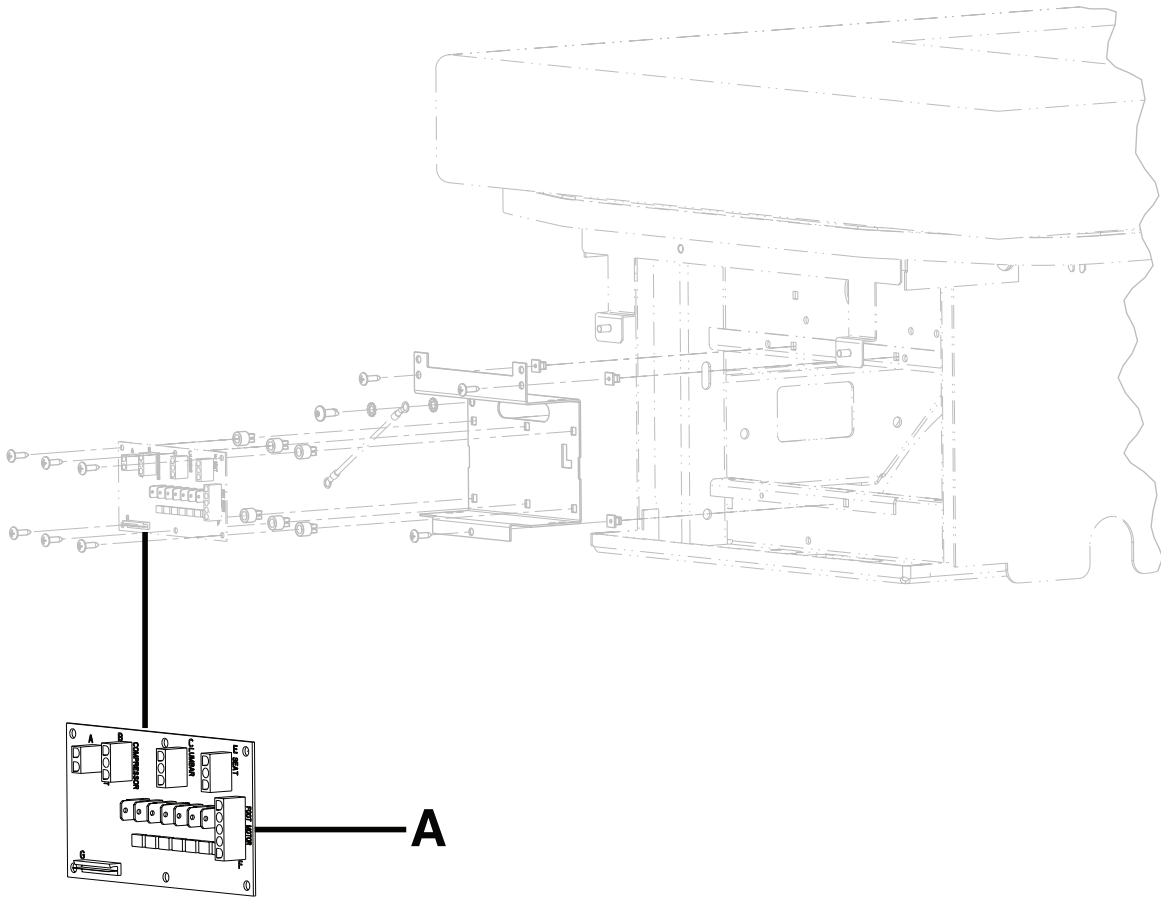
Rev E (Reference only)



Item	Recyclable part number	Material code	Important information	Quantity
A	3002-407-950	CPU board		1
B	0059-157-000	Power supply		1

# 4701-045-100

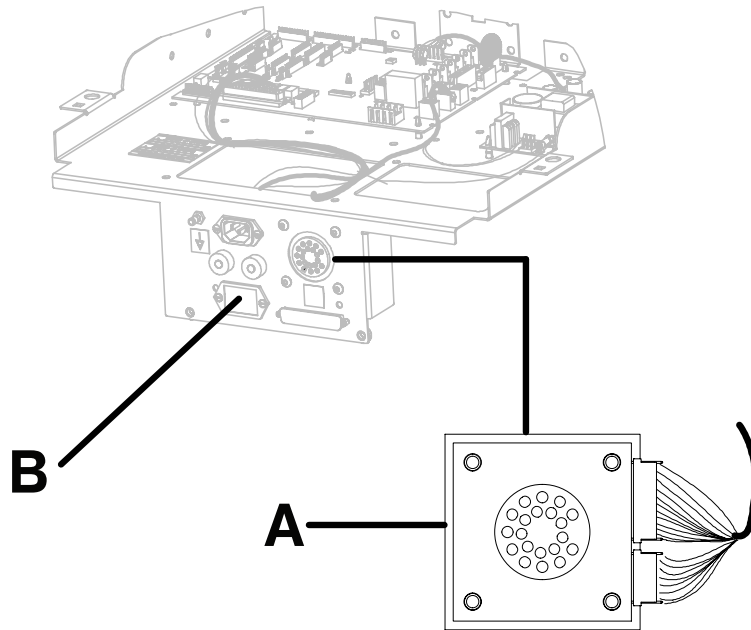
Rev C



Item	Recyclable part number	Material code	Important information	Quantity
A	4701-080-050	Foot power board		1

# 4701-080-055

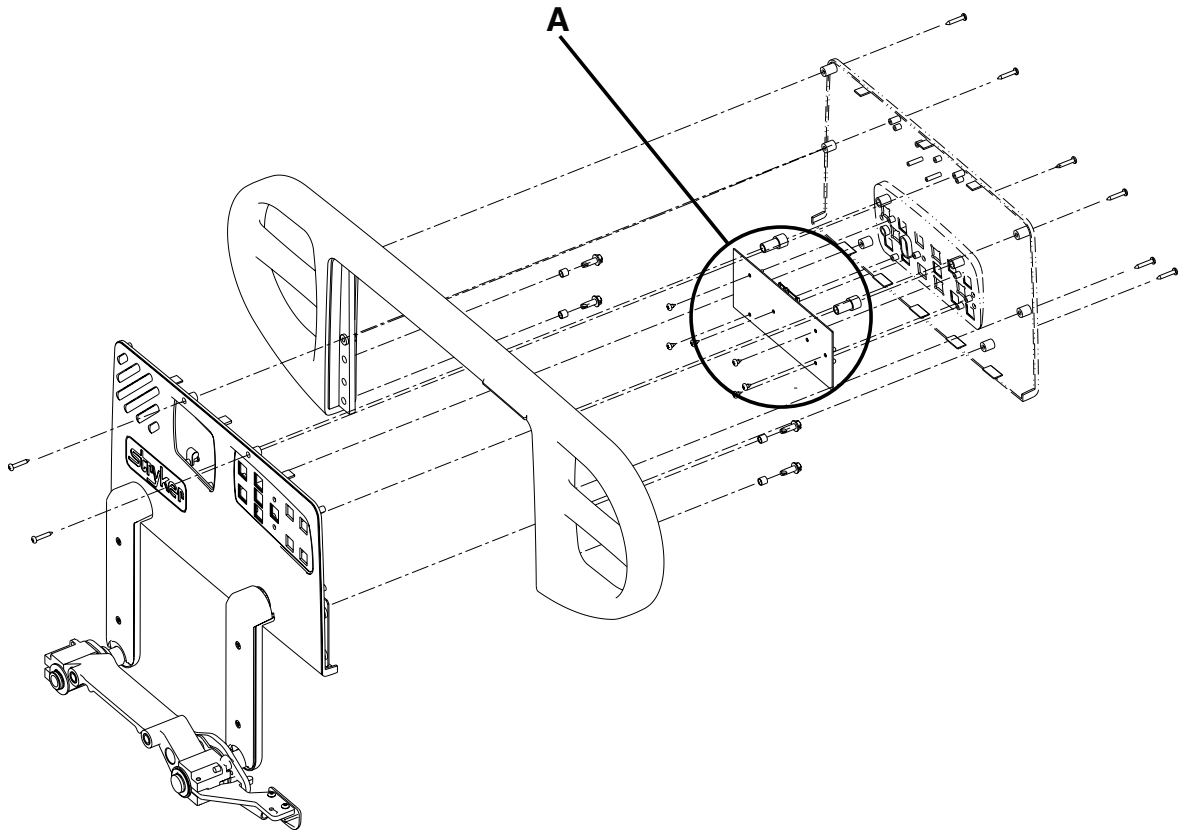
Rev C



Item	Recyclable part number	Material code	Important information	Quantity
A	3001-314-920	Pendant port PCB		1
B	5010-080-020	9V battery		1

# 4701-020-090

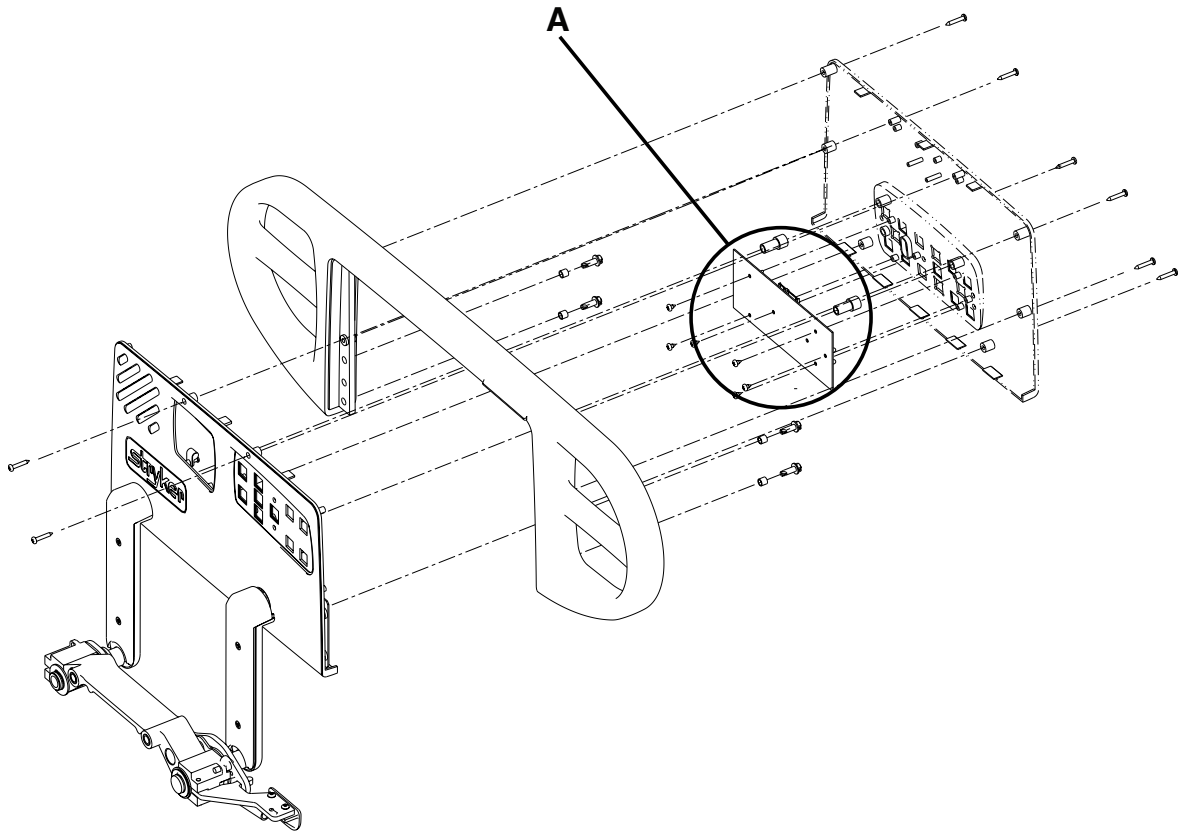
Rev H



Item	Recyclable part number	Material code	Important information	Quantity
A	4701-080-060	Outer siderail PCB, right		1

# 4701-020-085/4701-120-085

Rev G/Rev A

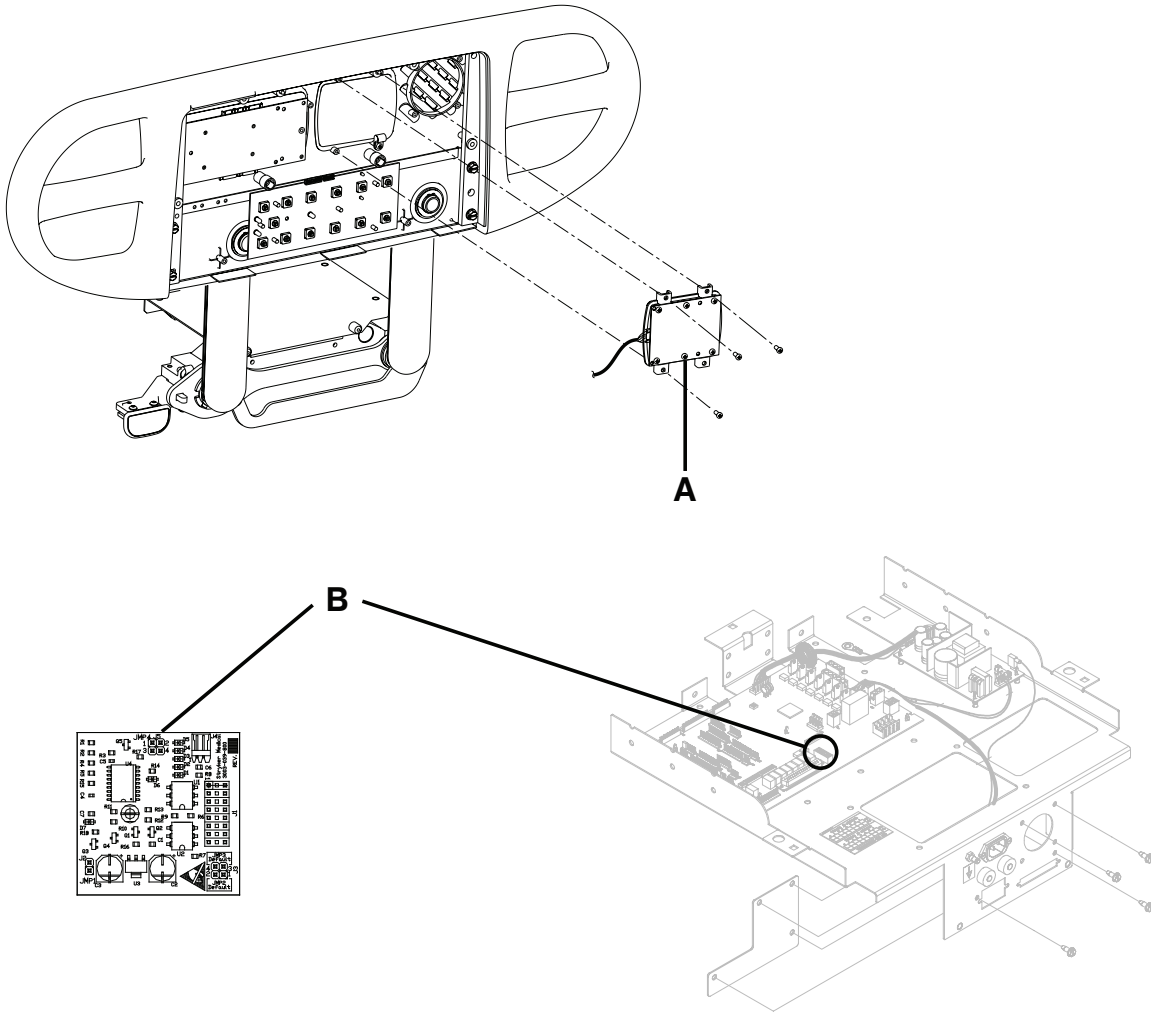


Item	Recyclable part number	Material code	Important information	Quantity
A	4701-080-070	Outer siderail PCB, left		1



# 4701-020-025/4701-020-030/4701-020-035/4701-020-040

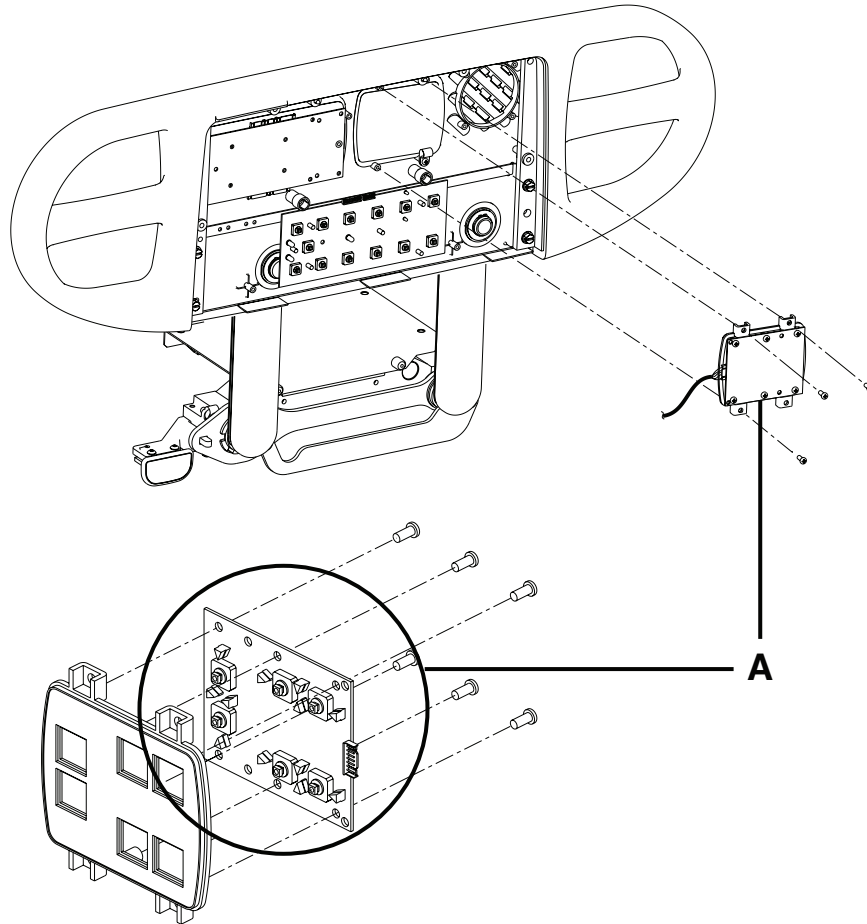
Rev D/Rev E/Rev D/Rev D



Item	Recyclable part number	Material code	Important information	Quantity
A	5000-020-028	TV module, left		1
	5000-020-029	TV module, right		
B	3003-039-800	Smart TV PCB		1

5000-220-008/5000-220-010/5000-020-026/5000-020-027/5000-020-028/5000-020-029

Rev B/Rev A/Rev A/Rev A/Rev A/Rev A  
A



Item	Recyclable part number	Material code	Important information	Quantity
A	5000-400-920 5000-400-930	Lumbar Keypad PCB, right  Lumbar Keypad PCB, left		1





Stryker Corporation or its divisions or other corporate affiliated entities own, use or have applied for the following trademarks or service marks: **HAVASU, Lock-Rite, Skoocher, Steer-Lock, Stryker**. All other trademarks are trademarks of their respective owners or holders.



Stryker Medical  
3800 E. Centre Avenue  
Portage, MI 49002  
USA