

**Operations Manual
Manuel d'utilisation
Betriebshandbuch
Gebruikshandleiding
Manuale d'uso
Manual de uso
Manual de utilização
Betjeningsvejledning
Instruktionsbok
Käyttöopas
Εγχειρίδιο λειτουργιών
Instrukcja obsługi**

Medical

**Transport Stretcher
Model ST104**



Table of Contents


- Introduction 2, 3
- Operating Base Controls 4, 5
- Raising And Lowering Litter Height 6
- Trendelenburg/Reverse Trendelenburg Positioning 6
- Applying the Brake System 7
- Operating the Fifth Wheel 7
- Using the Siderails 8
- Using the Push Handles 8
- Operating the Fowler 9
- Operating Optional Permanently Attached I.V. Poles 10, 11
- Operating the Optional Foot Extension/Defibrillator Tray 12
- Preventative Maintenance Checklist 13
- Cleaning 14
- Warranty
 - Obtaining Parts and Service 15
 - Supplemental Warranty Coverage 15
 - Return Authorization 16
 - Freight Damage Claims 16

Introduction

INTRODUCTION

This manual is designed to assist you with the operation of the Model 735 Transport Stretcher. Read it thoroughly before using the equipment or beginning any maintenance on it.

SPECIFICATIONS

Maximum Weight Capacity	500 pounds 
Overall Stretcher Length \ Width	83" / 30"
Minimum \ Maximum Bed Height	21.5" / 36"
Fowler Angle	0° to 90°
Trendelenburg \ Reverse Trendelenburg	+18° to -18°

Stryker reserves the right to change specifications without notice.

WARNING / CAUTION / NOTE DEFINITION

The words WARNING, CAUTION and NOTE carry special meanings and should be carefully reviewed.

WARNING

Alerts the reader about a situation, which if not avoided, could result in death or serious injury. It may also describe potential serious adverse reactions and safety hazards.

CAUTION

Alerts the reader of a potentially hazardous situation, which if not avoided, may result in minor or moderate injury to the user or patient or damage to the equipment or other property. This includes special care necessary for the safe and effective use of the device and the care necessary to avoid damage to a device that may occur as a result of use or misuse.

NOTE

This provides special information to make maintenance easier or important instructions clearer.



Safe Working Load

Before operating this stretcher, it is important to read and understand all information in this manual. Carefully read and strictly follow the warnings and cautions listed on this page.

WARNING

Always apply the caster brakes when a patient is getting on or off the stretcher. Push on the stretcher to ensure the brakes are securely locked. Always engage the brakes unless the stretcher is being moved. Injury could result if the stretcher moves while a patient is getting on or off the stretcher.

Be sure the siderail latching mechanism is working properly at all times. If it is not, refer to your stretcher maintenance manual for "Siderail Latch Adjustment".

When lowering the siderail to the collapsed position, keep extremities of patients and staff away from the siderail spindles or injury could occur.

Keep fingers/hands clear of area around the Fowler release handle and the Fowler frame when lowering. Injury could result if care is not taken when lowering the Fowler.

If the stretcher is equipped with the optional foot end IV pole, the IV pole must be in the raised position when the foot extension/defibrillator tray is installed. If the IV pole is not raised, the foot extension will not function properly and injury could occur.

CAUTION

To avoid damage, remove any equipment that may be in the way before raising or lowering the litter height.

To avoid injury or damage to the equipment, do not allow the siderail to lower on its own.

The push handles were designed for use while transporting the stretcher. Avoid using other parts of the stretcher as push/pull devices because damage could occur.

If the pneumatic Fowler is difficult to operate, refer to the stretcher maintenance manual for "Pneumatic Fowler Adjustment"

To avoid damage, the weight of the I.V. bags should not exceed 40 pounds.

To avoid damage while transporting the stretcher, verify the I.V. pole is at a low enough height to allow it to safely pass through door openings and under light fixtures.

The unit cannot be raised (hydraulics on base) with a patient lift under the stretcher.

The hood may not be used for stepping.

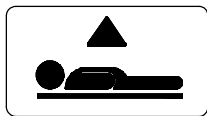
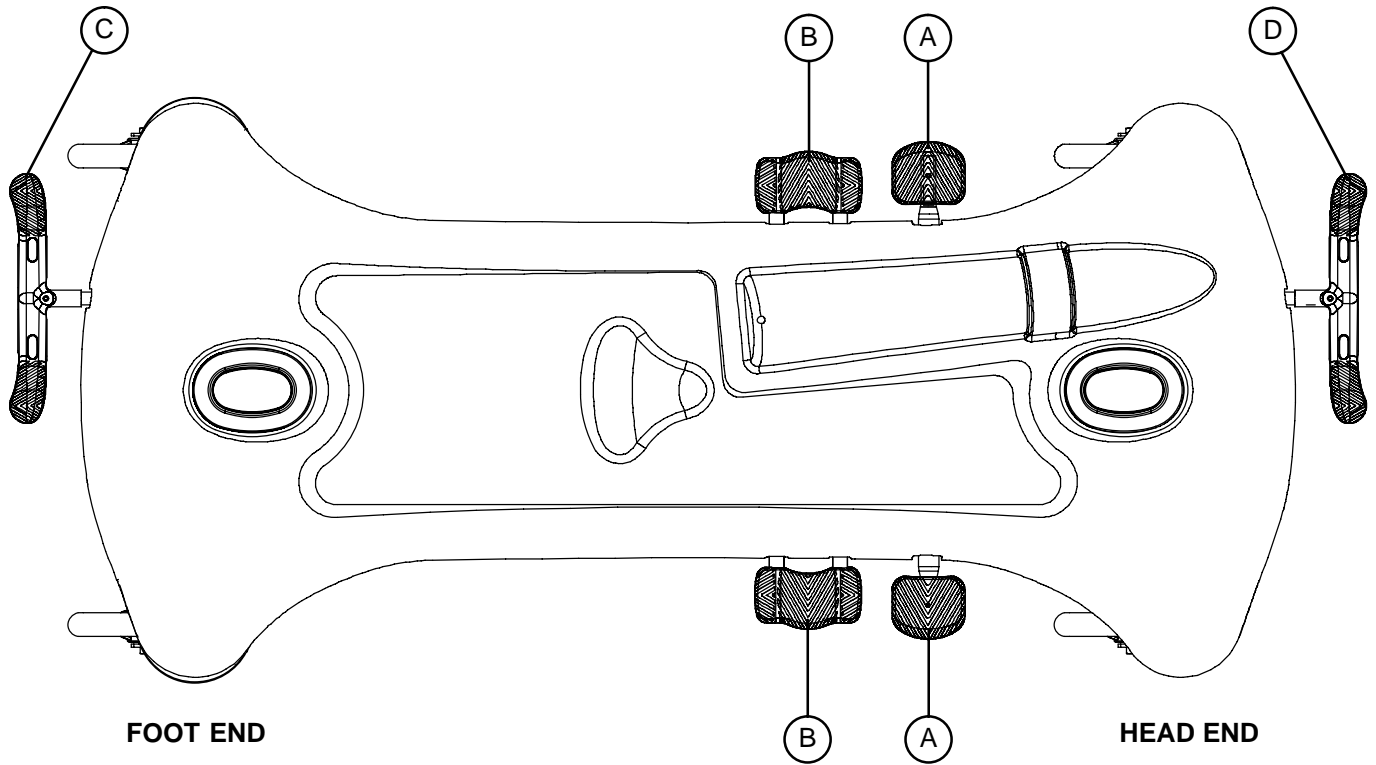
Note

Clean hood storage area regularly.

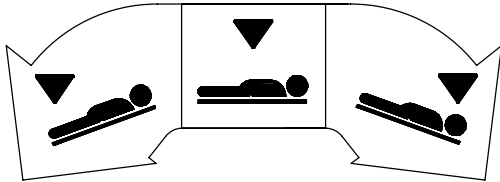
The bottom of the brake rings should be cleaned regularly to prevent wax and/or floor remnant buildup.

Stretcher Operation

OPERATING BASE CONTROLS – SIDE CONTROL



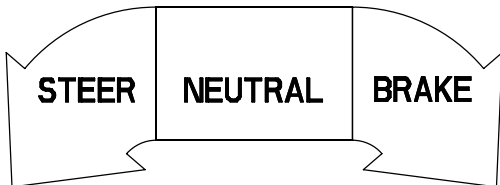
Pump pedal (A) to raise the litter.



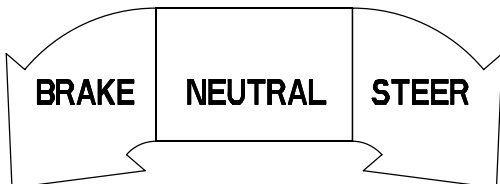
Depress in the center of pedal (B) to lower both ends of the stretcher together.

Depress the side of pedal (B) closest to the foot end of the stretcher to lower the foot end.

Depress the side of pedal (B) closest to the head end of the stretcher to lower the head end.

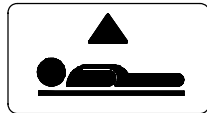
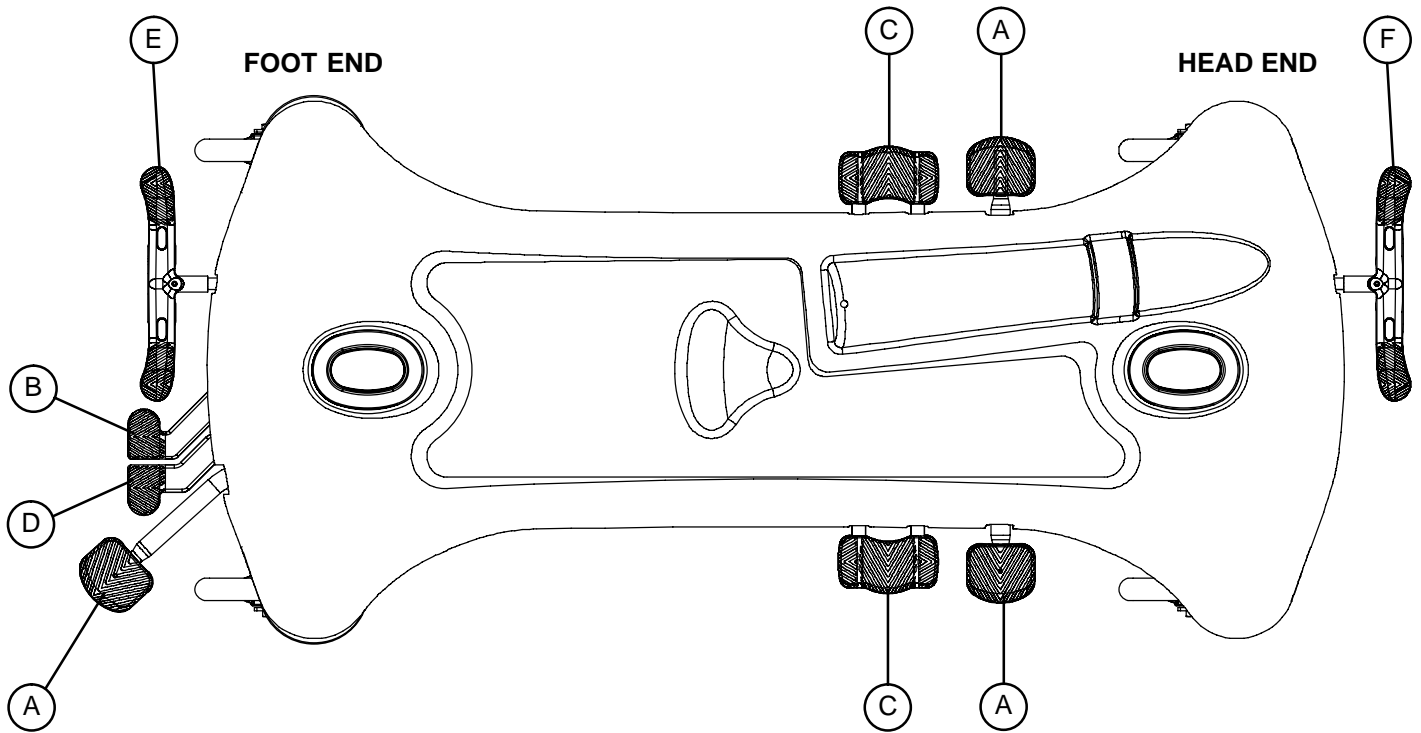


Pedal (C) – Brake and Steer functions (foot end)



Pedal (D) – Brake and Steer functions (head end)

OPERATING BASE CONTROLS – 3-SIDED CONTROLS

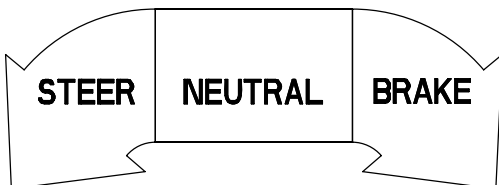
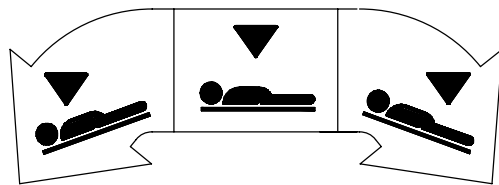


Pump pedal (A) at the foot end or sides of the stretcher to raise the litter

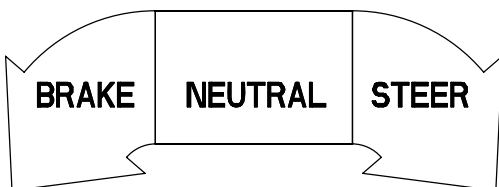
Depress pedal (B) or the side of pedal (C) closest to the head end of the stretcher to lower the head end of the stretcher.

Depress pedal (D) or the side of pedal (C) closest to the foot end of the stretcher to lower the foot end of the stretcher.

Depress in the center of pedal (C) or depress pedals (B) and (D) together to lower both ends of the stretcher together.



Pedal (E) – Brake and Steer functions (foot end).



Pedal (F) – Brake and Steer functions (head end)

Stretcher Operation

RAISING AND LOWERING LITTER HEIGHT – SIDE CONTROL

CAUTION

To avoid damage, remove any equipment that may be in the way before raising or lowering the litter height.

To **raise** the litter height, pump pedal (A) repeatedly until the desired height is achieved (see illustration on [page 1–4](#)).

To **lower** both ends of the litter together, depress the center of pedal (B). To lower only the head end of the litter, depress the side of pedal (B) closest to the head end. To lower only the foot end of the litter, depress the side of pedal (B) closest to the foot end (see illustration on [page 1–4](#)).

RAISING AND LOWERING LITTER HEIGHT – 3–SIDED CONTROLS

To **raise** the litter height, pump pedal (A) repeatedly until the desired height is achieved (see illustration on [page 1–5](#)).

To **lower** both ends of the litter simultaneously, depress pedal (B) and (D) together using the same foot or depress in the center of pedal (C). To lower only the head end of the litter, depress pedal (B) or the side of pedal (C) closest to the head end of the stretcher. To lower only the foot end of the stretcher, depress pedal (D) or the side of pedal (C) closest to the foot end of the stretcher.

TRENDELENBURG/REVERSE TRENDELENBURG – SIDE CONTROL

NOTE

Litter height must be raised first in order to achieve a trend. or reverse trend. position.

CAUTION

To avoid damage, remove any equipment that may be in the way before lowering the stretcher.

For **Trendelenburg** positioning (head down), depress the side of pedal (B) closest to the head end of the stretcher (see illustration, [page 1–4](#)).

For **Reverse Trendelenburg** positioning (foot down), depress the side of pedal (B) closest to the foot end.

NOTE

The higher the litter is before pedal (B) is activated, the greater the trend. or reverse trend. angle will be. (Maximum trend. angle is $+18^\circ$. Maximum reverse trend. angle is -18°).

TRENDELENBURG/REVERSE TRENDELENBURG – 3–SIDED CONTROLS

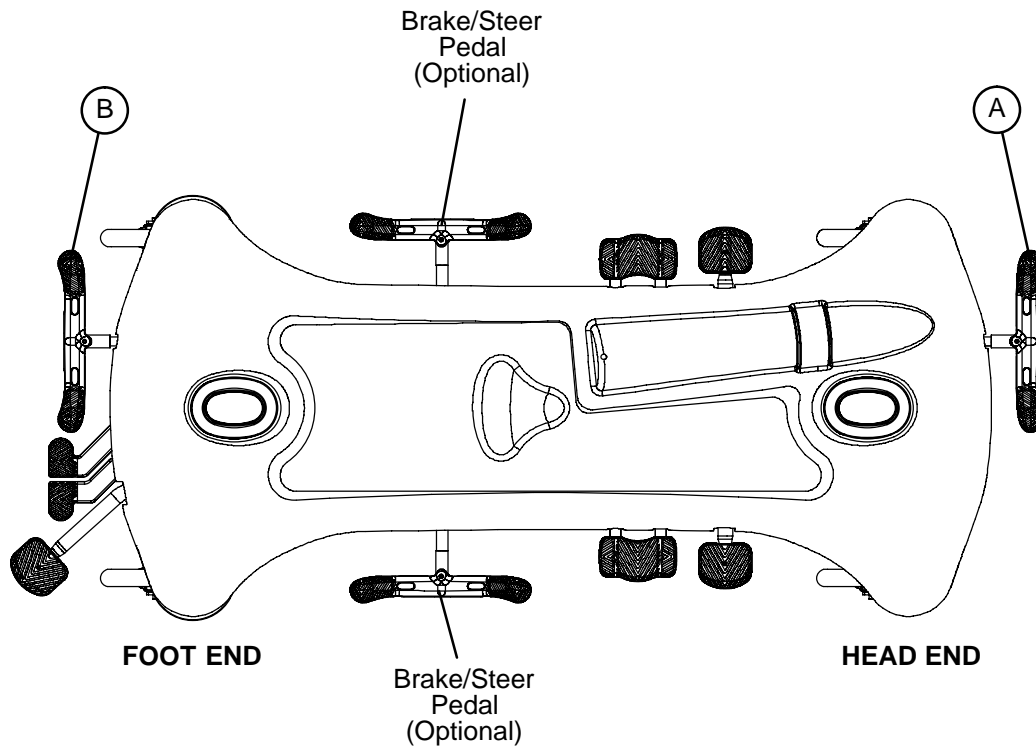
CAUTION

To avoid damage, remove any equipment that may be in the way before lowering the stretcher.

For **Trendelenburg** positioning (head down), depress pedal (B) or the side of pedal (C) closest to the head end of the stretcher (see illustration, [page 1–5](#)).

For **Reverse Trendelenburg** positioning (foot down), depress pedal (D) or the side of pedal (C) closest to the foot end of the stretcher.

APPLYING THE BRAKE SYSTEM



NOTE

For user convenience, a brake/steer control pedal is located on both ends of the stretcher.

WARNING

Always apply the caster brakes when a patient is getting on or off the stretcher. Push on the stretcher to ensure the brakes are securely locked. Always engage the brakes unless the stretcher is being moved. Injury could result if the stretcher moves while a patient is getting on or off the stretcher.

To engage the brakes on the head end, push fully down on the left side of pedal (A).

To engage the brakes on the foot end, push fully down on the right side of pedal (B).

NOTE

Your stretcher may be equipped with optional side control brake and steer functions in addition to the standard head and foot end controls. The side control brakes operate the same as the head and foot end versions.

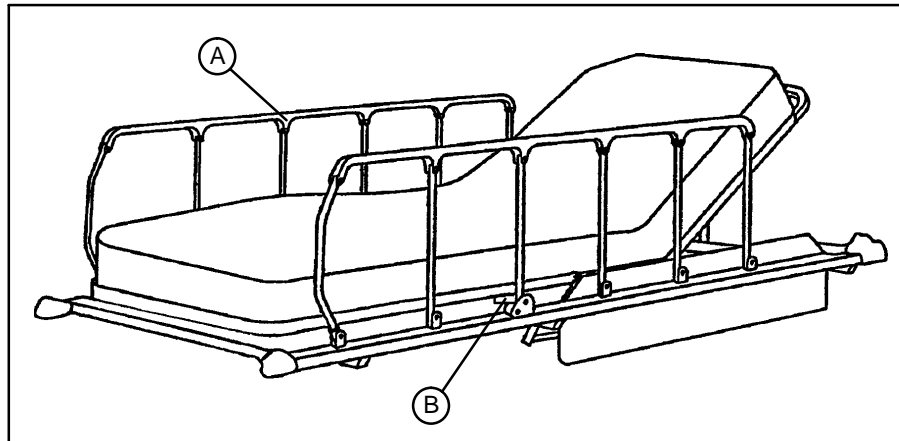
OPERATING THE FIFTH WHEEL

The purpose of the Fifth Wheel is to help guide the stretcher along a straight line during transport and to help pivot the stretcher around corners.

To engage the fifth wheel, push the proper side of the brake/steer pedal to the full down position.

Stretcher Operation

USING THE SIDERAILS



WARNING

Be sure the siderail latching mechanism (B) is working properly at all times. If it is not, refer to your stretcher maintenance manual for "Siderail Latch Adjustment".

To engage siderails: Pull up siderail (A) and raise to full up position so that latch (B) engages.

To disengage siderails: Pull up on latch (B) and guide siderail to the full down position.

WARNING

When lowering the siderail to the collapsed position, keep extremities of patients and staff away from the siderail spindles or injury could occur.

To avoid injury or damage to the equipment, do not allow the siderail to lower on its own.

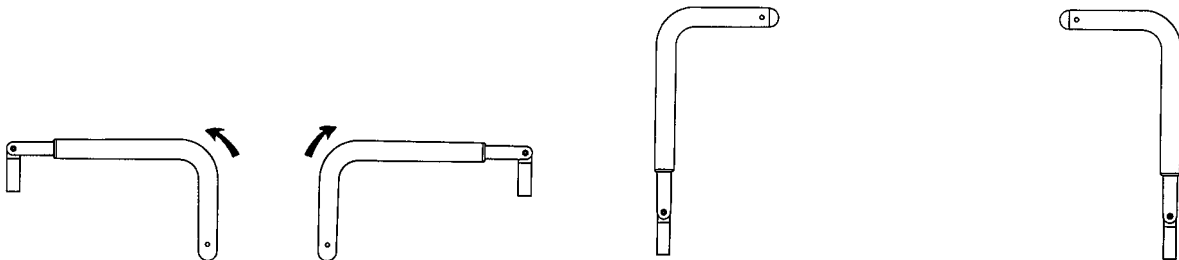
USING THE PUSH HANDLES

CAUTION

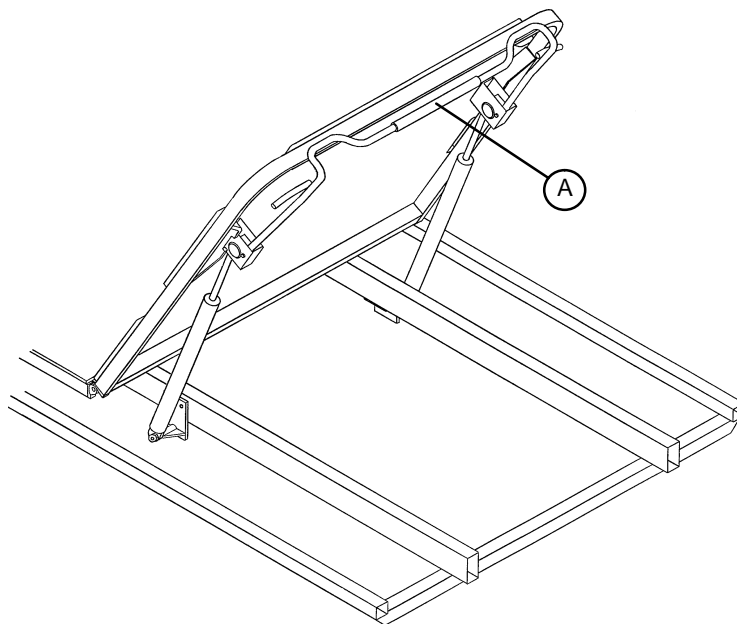
The push handles were designed for use while transporting the stretcher. Avoid using other parts of the stretcher as push/pull devices because damage could occur.

To use the push handles: Pivot the handles up and push down until they are locked into position.

To store the push handles: Lift the handles up and pivot them down to store in the handle rests.



OPERATING THE FOWLER



Squeeze handle (A) for pneumatic assistance in lifting the Fowler to the desired height. Remove hand(s) from handle when the desired height is achieved.

To lower the Fowler, squeeze handle (A) and push down until the Fowler has reached the desired height. Remove your hand(s) from the handle when the desired height is achieved.

WARNING

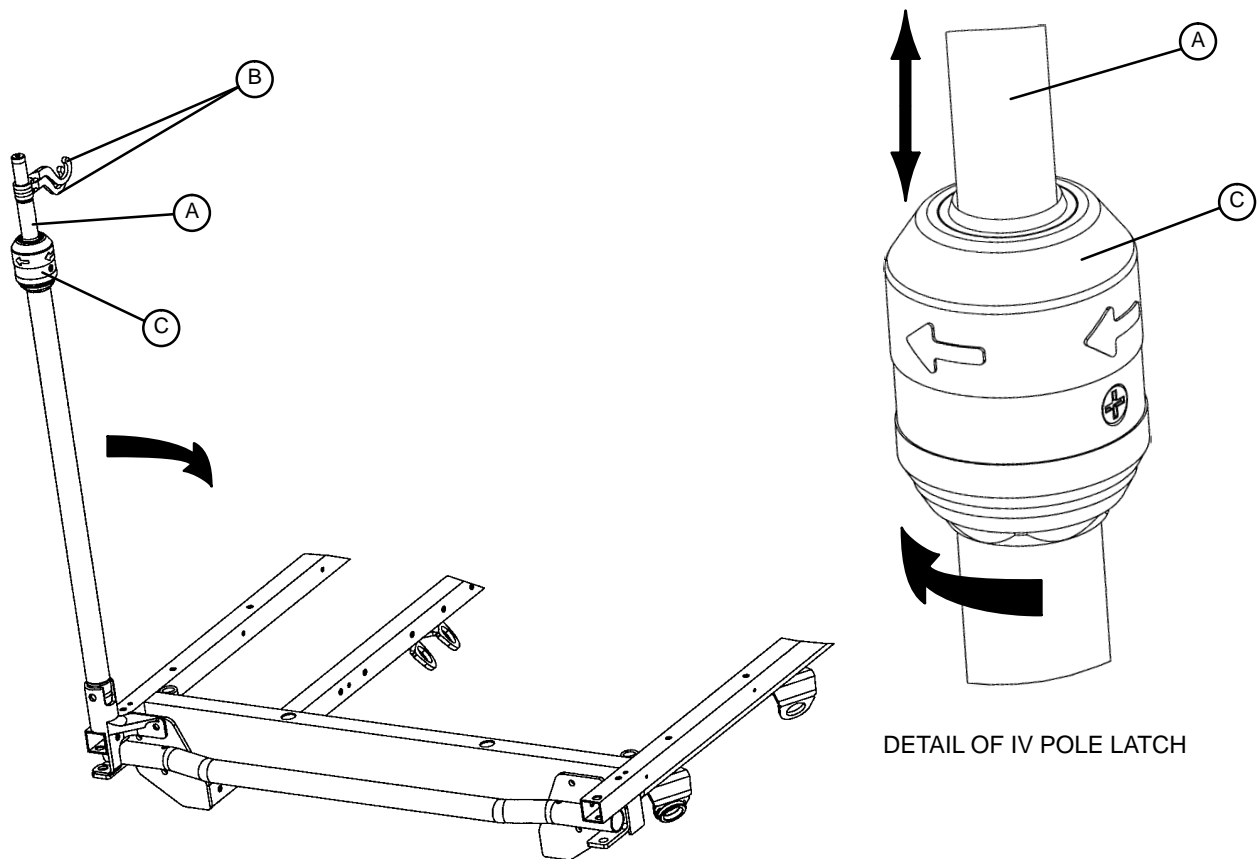
Keep hands/fingers clear of the area around the Fowler release handle and the Fowler frame when lowering the Fowler. Injury could result if care is not taken when lowering the Fowler.

CAUTION

If the pneumatic Fowler is difficult to operate, refer to the stretcher maintenance manual for a pneumatic Fowler adjustment procedure.

Stretcher Operation

OPERATING THE OPTIONAL 2-STAGE PERMANENTLY ATTACHED IV POLE



DETAIL OF IV POLE LATCH

NOTE

The 2-stage permanently attached IV pole is an option and may have been installed at either the head, foot or both ends of the stretcher.

To use the 2-stage permanently attached IV pole:

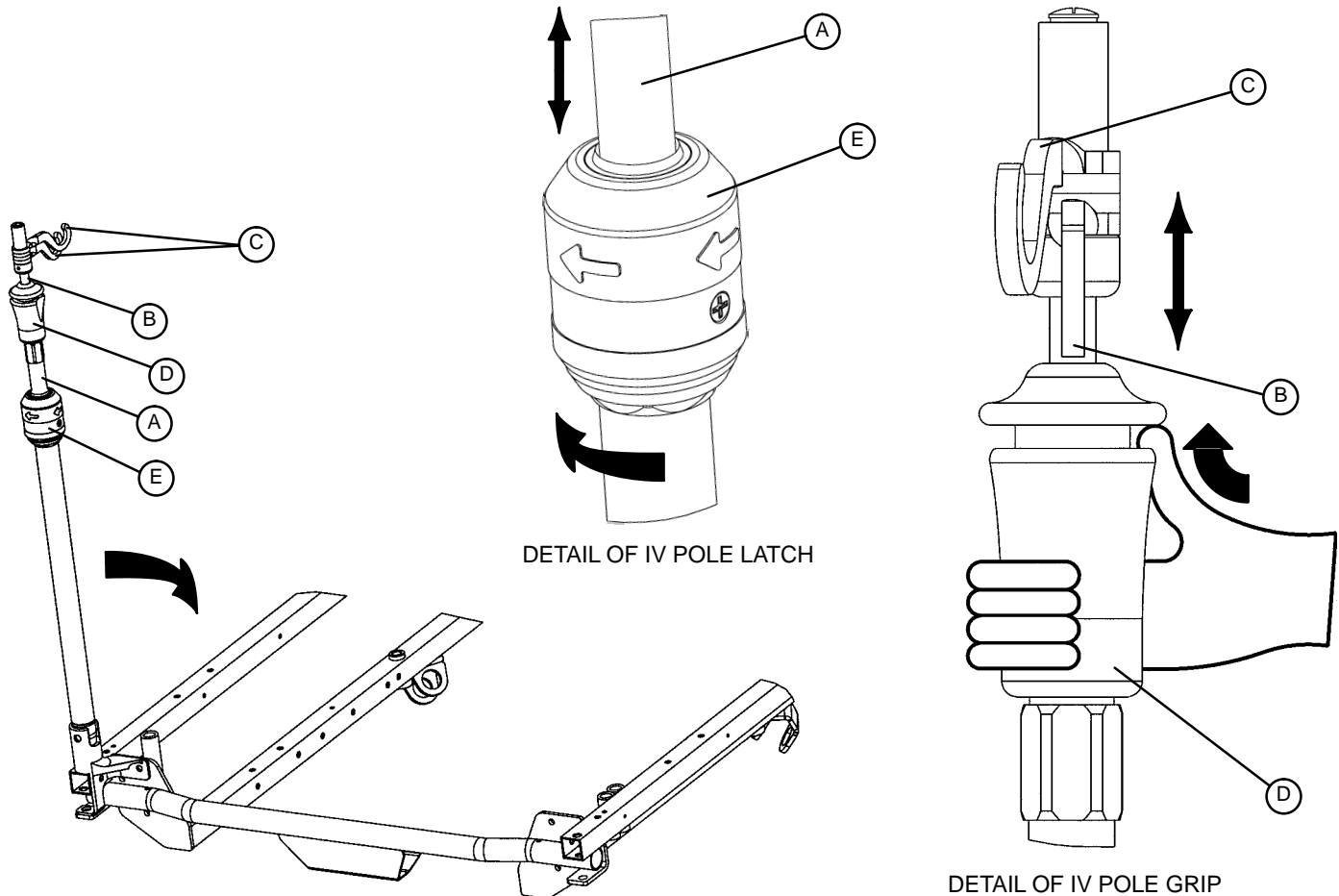
1. Lift and pivot the pole from the storage position and push down until it is locked into the receptacle.
2. To raise the height of the pole, pull up on the telescoping portion (A) until it locks into place at its fully raised position.
3. Rotate the IV hangers (B) to desired position and hang the IV bags.
4. To lower the IV pole, turn the latch (C) clockwise until section (A) lowers.

CAUTION

To avoid damage, the weight of the IV bags should not exceed 40 pounds.

To avoid damage while transporting the stretcher, verify the IV pole is at a low enough height to allow it to safely pass through door openings and under light fixtures.

OPERATING OPTIONAL 3-STAGE PERMANENTLY ATTACHED IV POLE



NOTE

The 3-stage permanently attached IV pole is an option and may have been installed at either the head, foot or both ends of the stretcher.

To use the 3-stage permanently attached IV pole:

1. Lift and pivot the pole from the storage position and push down until it is locked into the receptacle.
2. To raise the height of the pole, pull up on the telescoping portion (A) until it locks into place at its fully raised position.
3. For a higher IV pole, pull up on section (B). Release section (B) at any desired height and it will lock into place.
4. Rotate the IV hangers (C) to the desired position and hang the IV bags.
5. To lower the IV pole, push up on the red portion of grip (D) while holding onto section (B) until it lowers. Turn latch (E) clockwise until section (A) lowers.

CAUTION

To avoid damage, the weight of the IV bags should not exceed 40 pounds.

To avoid damage while transporting the stretcher, verify the IV pole is at a low enough height to allow it to safely pass through door openings and under light fixtures.

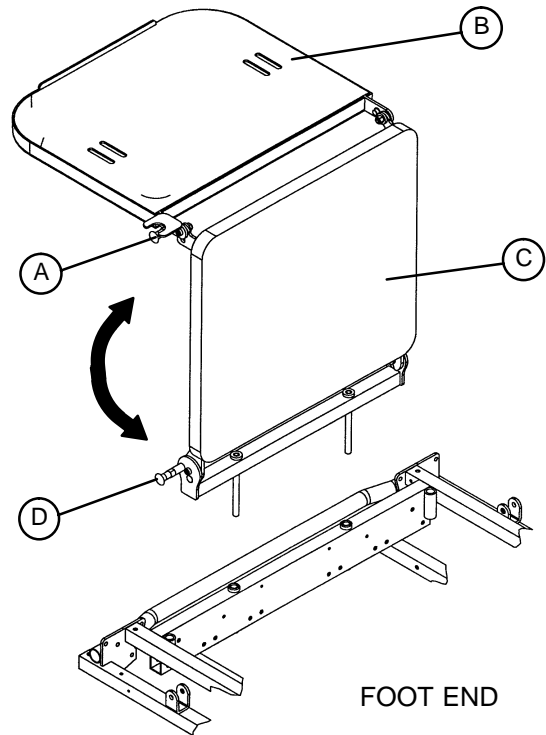
Stretcher Operation

OPERATING THE OPTIONAL FOOT EXTENSION/DEFIBRILLATOR TRAY

1. To use as a defibrillator tray, pull out the top knob (A) and pivot the tray (B) over the foot extension (C) until the tray extends flat over the foot end of the stretcher.
2. To use as a foot extension, pull out knob (A) and pivot the defibrillator tray back until it locks against the foot extension (C). While holding onto the assembly, pull out the bottom knob (D) and lower the foot extension down until it is flat.

WARNING

If the stretcher is equipped with the optional foot end IV pole, the IV pole must be in the raised position when the foot extension/defibrillator tray is installed. If the IV pole is not raised, the foot extension will not function properly and injury could occur.



CHECKLIST

- _____ All fasteners secure
- _____ Siderails move and latch properly
- _____ Engage the brake pedal and push on the stretcher to ensure all casters lock securely
- _____ All casters secure and swiveling properly
- _____ Body restraints working properly
- _____ I.V. pole intact and operating properly
- _____ Oxygen bottle holder intact and operating properly
- _____ Fowler operates and latches properly
- _____ Trendelenburg/Reverse Trendelenburg operating properly
- _____ No rips or cracks in mattress cover
- _____ Ground chain intact
- _____ No leaks at hydraulic connections
- _____ Hydraulic jacks holding properly
- _____ Hydraulic drop rate set properly
- _____ Hydraulic oil level sufficient
- _____ Lubricate where required
- _____ Accessories and mounting hardware in good condition and working properly

Serial No. _____

Completed By: _____ Date: _____

NOTE

Preventative maintenance should be performed at a minimum of annually. A preventative maintenance program should be established for all Stryker Medical equipment. Preventative maintenance may need to be performed more frequently based on the usage level of the product.

Cleaning

Hand wash all surfaces of the stretcher with warm water and mild detergent. Dry thoroughly. **DO NOT STEAM CLEAN, PRESSURE WASH, HOSE OFF OR ULTRASONICALLY CLEAN.** Using these methods of cleaning is **not** recommended and may void this product's warranty.

Clean Velcro **AFTER EACH USE**. Saturate Velcro with disinfectant and allow disinfectant to evaporate. (Appropriate disinfectant for nylon Velcro should be determined by the hospital.)

In general, when used in those concentrations recommended by the manufacturer, either phenolic type or quaternary type disinfectants can be used. Iodophor type disinfectants are not recommended for use because staining may result. The following products have been tested and have been found not to have a harmful effect **WHEN USED IN ACCORDANCE WITH MANUFACTURERS RECOMMENDED DILUTION.***

TRADE NAME	DISINFECTANT TYPE	MANUFACTURER	*MANUFACTURER'S RECOMMENDED DILUTION
A33	Quaternary	Airwick (Professional Products Division)	2 ounces/gallon
A33 (dry)	Quaternary	Airwick (Professional Products Division)	1/2 ounce/gallon
Beaucoup	Phenolic	Huntington Laboratories	1 ounce/gallon
Blue Chip	Quaternary	S.C. Johnson	2 ounces/gallon
Elimstaph	Quaternary	Walter G. Legge	1 ounce/gallon
Franklin Phenomysan F2500	Phenolic	Purex Corporation	1 1/4 ounce/gallon
Franklin Sentinel	Quaternary	Purex Corporation	2 ounces/gallon
Galahad	Phenolic	Puritan Churchill Chemical Company	1 ounce/gallon
Hi-Tor	Quaternary	Huntington Laboratories	1/2 ounce/gallon
LPH	Phenolic	Vestal Laboratories	1/2 ounce/gallon
Matar	Phenolic	Huntington Laboratories	1/2 ounce/gallon
Omega	Quaternary	Airwick (Professional Products Division)	1/2 ounce/gallon
Quanto	Quaternary	Huntington Laboratories	1 ounce/gallon
Sanikleen	Quaternary	West Chemical Products	2 ounces/ gallon
Sanimaster II	Quaternary	Service Master	1 ounce/gallon
Vesphene	Phenolic	Vestal Laboratories	1 1/4 ounce/ gallon

Quaternary Germicidal Disinfectants, used as directed, and/or Chlorine Bleach products, typically 5.25% Sodium Hypochlorite in **dilutions ranging between 1 part bleach to 100 parts water, and 2 parts bleach to 100 parts water are not considered mild detergents. These products are corrosive in nature and may cause damage to your stretcher if used improperly.** If these types of products are used to clean Stryker patient handling equipment, measures must be taken to insure the stretchers are rinsed with clean water and thoroughly dried following cleaning. Failure to properly rinse and dry the stretchers will leave a corrosive residue on the surface of the stretcher, possibly causing premature corrosion of critical components.

NOTE

Failure to follow the above directions when using these types of cleaners may void this product's warranty.

REMOVAL OF IODINE COMPOUNDS

This solution may be used to remove iodine stains from mattress cover surfaces.

1. Use a solution of 1–2 tablespoons Sodium Thiosulfate in a pint of warm water to clean the stained area. Clean as soon as possible after staining occurs. If stains are not immediately removed, allow solution to soak or stand on the surface.
2. Rinse surfaces which have been exposed to the solution in clear water before returning bed to service.

Limited Warranty:

Stryker Medical Division, a division of Stryker Corporation, warrants to the original purchaser that its products should be free from defects in material and workmanship for a period of one (1) year after date of delivery. Stryker's obligation under this warranty is expressly limited to supplying replacement parts and labor for, or replacing, at its option, any product which is, in the sole discretion of Stryker, found to be defective. If requested by Stryker, products or parts for which a warranty claim is made shall be returned prepaid to Stryker's factory. Any improper use or any alteration or repair by others in such manner as in Stryker's judgement affects the product materially and adversely shall void this warranty. Any repair of Stryker products using parts not provided or authorized by Stryker shall void this warranty. No employee or representative of Stryker is authorized to change this warranty in any way.

Stryker Medical stretcher products are designed for a 10 year expected service life under normal use, conditions, and with appropriate periodic maintenance as described in the maintenance manual for each device. Stryker warrants to the original purchaser that the welds on its stretcher products will be free from structural defects for the expected 10 year life of the stretcher product as long as the original purchaser owns the product.

This statement constitutes Stryker's entire warranty with respect to the aforesaid equipment. STRYKER MAKES NO OTHER WARRANTY OR REPRESENTATION, EITHER EXPRESSED OR IMPLIED, EXCEPT AS SET FORTH HEREIN. THERE IS NO WARRANTY OF MERCHANTABILITY AND THERE ARE NO WARRANTIES OF FITNESS FOR ANY PARTICULAR PURPOSE. IN NO EVENT SHALL STRYKER BE LIABLE HEREUNDER FOR INCIDENTAL OR CONSEQUENTIAL DAMAGES ARISING FROM OR IN ANY MANNER RELATED TO SALES OR USE OF ANY SUCH EQUIPMENT.

To Obtain Parts and Service:

Stryker products are supported by a nationwide network of dedicated Stryker Field Service Representatives. These representatives are factory trained, available locally, and carry a substantial spare parts inventory to minimize repair time. Simply call your local representative, or call Stryker Customer Service at (800) 327-0770.

Service Contract Coverage:

Stryker has developed a comprehensive program of service contract options designed to keep your equipment operating at peak performance at the same time it eliminates unexpected costs. We recommend that these programs be activated *before* the expiration of the new product warranty to eliminate the potential of additional equipment upgrade charges.

A SERVICE CONTRACT HELPS TO:

- Ensure equipment reliability
- Stabilize maintenance budgets
- Diminish downtime
- Establish documentation for JCAHO
- Increase product life
- Enhance trade-in value
- Address risk management and safety

Warranty

Stryker offers the following service contract programs:

SPECIFICATIONS	GOLD	SILVER	PM* ONLY
Annually scheduled preventative maintenance	X		X
All parts,** labor, and travel	X	X	
Unlimited emergency service calls	X	X	
Priority one contact; two hour phone response	X	X	X
Most repairs will be completed within 3 business days	X	X	
JCAHO documentation	X	X	X
On-site log book w/ preventative maintenance & emergency service records	X		
Factory-trained Stryker Service Technicians	X	X	X
Stryker authorized parts	X	X	X
End of year summary	X		
Stryker will perform all service during regular business hours (9-5)	X	X	X

* Replacement parts and labor for products under PM contract will be discounted.

** Does not include any disposable items, I.V. poles (except for Stryker HD permanent poles), mattresses, or damage resulting from abuse.

Stryker Medical also offers *personalized* service contracts.

Pricing is determined by age, location, model and condition of product.

For more information on our service contracts, please call your local representative or call (800) 327-0770 (option #2).

Return Authorization:

Merchandise cannot be returned without approval from the Stryker Customer Service Department. An authorization number will be provided which must be printed on the returned merchandise. Stryker reserves the right to charge shipping and restocking fees on returned items.

SPECIAL, MODIFIED, OR DISCONTINUED ITEMS NOT SUBJECT TO RETURN.

Damaged Merchandise:

ICC Regulations require that claims for damaged merchandise must be made with the carrier within fifteen (15) days of receipt of merchandise. **DO NOT ACCEPT DAMAGED SHIPMENTS UNLESS SUCH DAMAGE IS NOTED ON THE DELIVERY RECEIPT AT THE TIME OF RECEIPT.** Upon prompt notification, Stryker will file a freight claim with the appropriate carrier for damages incurred. Claim will be limited in amount to the actual replacement cost. In the event that this information is not received by Stryker within the fifteen (15) day period following the delivery of the merchandise, or the damage was not noted on the delivery receipt at the time of receipt, the customer will be responsible for payment of the original invoice in full.

Claims for any short shipment must be made within thirty (30) days of invoice.

International Warranty Clause:

This warranty reflects U.S. domestic policy. Warranty outside the U.S. may vary by country. Please contact your local Stryker Medical representative for additional information.

Table des matières

Introduction	2, 3
Emploi des pédales de commande du chariot	4, 5
Réglage de la hauteur du plan de couchage	6
Déclive/proclive	6
Emploi des freins	7
Emploi de la cinquième roue	7
Emploi des barrières	8
Emploi des poignées	8
Emploi du relève-buste	9
Emploi du support de perfusion intégré fourni en option	10, 11
Emploi de la rallonge de lit/tablette porte-défibrillateur fournie en option	12
Liste de vérification d'entretien préventif	13
Nettoyage	14, 15
Garantie	
Pièces détachées et assistance technique	16
Contrat de garantie complémentaire	16
Autorisation de retour	17
Réclamation pour avaries de transport	17


Introduction

Français

INTRODUCTION

Le présent manuel explique le mode d'emploi du chariot brancard modèle 735. Il convient de le lire attentivement et intégralement avant de procéder à la mise en service ou à l'entretien du chariot.

CARACTÉRISTIQUES TECHNIQUES

Capacité maximum de charge	226 kg	
Longueur et largeur hors tout du chariot	211 cm / 76 cm	
Hauteur minimum et maximum du plan de couchage	54,6 cm / 91 cm	
Angle d'inclinaison du relève-buste	0° à 90°	
Angle de déclive et de proclive	+18° à -18°	

Stryker se réserve le droit de modifier ces caractéristiques sans préavis.

DÉFINITION DE « AVERTISSEMENT », « ATTENTION » ET « REMARQUE »

Les rubriques AVERTISSEMENT, ATTENTION et REMARQUE sont particulièrement importantes et doivent faire l'objet d'une lecture attentive.

AVERTISSEMENT

Avertit le lecteur des précautions à prendre afin d'éviter une situation présentant un risque potentiel de décès ou de blessure grave. Peut également attirer l'attention sur l'existence potentielle d'effets indésirables graves ou de risques d'accident.

ATTENTION

Avertit le lecteur des mesures à prendre afin d'éviter une situation potentiellement dangereuse susceptible de causer des blessures mineures ou modérées à l'utilisateur ou au patient ou d'endommager le matériel en question ou d'autres biens. Couvre notamment les précautions à prendre afin d'assurer l'utilisation sécuritaire et efficace du matériel et d'éviter les dommages qui pourraient découler de l'usage ou du mésusage du matériel.

REMARQUE

Il s'agit d'informations spécifiques destinées à faciliter l'entretien ou à clarifier des instructions importantes.



Charge maximum admissible

Il est important de lire et de maîtriser le contenu du présent manuel avant d'utiliser le chariot brancard. Lire attentivement et respecter à la lettre les prescriptions des rubriques « avertissement » et « attention » de la présente page.

AVERTISSEMENT

Toujours enclencher le frein des roulettes lorsque le patient prend place sur le chariot ou en descend. Pousser sur le chariot pour vérifier que les freins sont bien engagés. Toujours garder les freins enclenchés ; ne les désenclencher que pour déplacer le chariot.

S'assurer que le mécanisme de verrouillage des barrières fonctionne correctement. Si ce n'est pas le cas, consulter la rubrique afférente au réglage du verrou des barrières dans le manuel d'entretien du chariot.

Lors de l'abaissement des barrières, attention de ne pas coincer les mains (ou les pieds) du patient ou du personnel dans les barreaux.

Lors de l'abaissement du relève-buste, tenir doigts et mains à l'écart de la poignée et du châssis du dossier et faire extrêmement attention de ne blesser personne.

Si le chariot brancard est équipé du support de perfusion côté pied fourni en option, redresser le mât du support avant d'installer la rallonge de lit/tablette porte-défibrillateur, sous peine d'entraver le bon fonctionnement de la rallonge et de blesser quelqu'un.

ATTENTION

Pour éviter les dommages, avant de monter ou d'abaisser le plan de couchage, éloigner tout équipement susceptible de gêner le mouvement du brancard.

Pour éviter les préjudices corporels ou matériels, ne jamais laisser les barrières descendre seules.

Les poignées sont conçues pour déplacer le chariot. Pour ne pas endommager le chariot, se servir exclusivement de ces poignées pour le pousser ou le tirer.

Si le relève-buste pneumatique est difficile à manœuvrer, consulter la rubrique afférente à son réglage dans le manuel d'entretien du chariot.

Pour éviter les dommages, limiter le poids des poches à perfusion à 18 kg.

Pour éviter les dommages pendant le déplacement du chariot, vérifier que le mât du support de perfusion est suffisamment bas pour passer en toute sécurité sous les chambranles de portes et les luminaires.

L'unité ne peut pas être élevée (éléments hydrauliques sur la base) avec un lève-patient sous la civière.

Le capot ne doit pas servir de marche.

NOTE

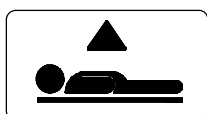
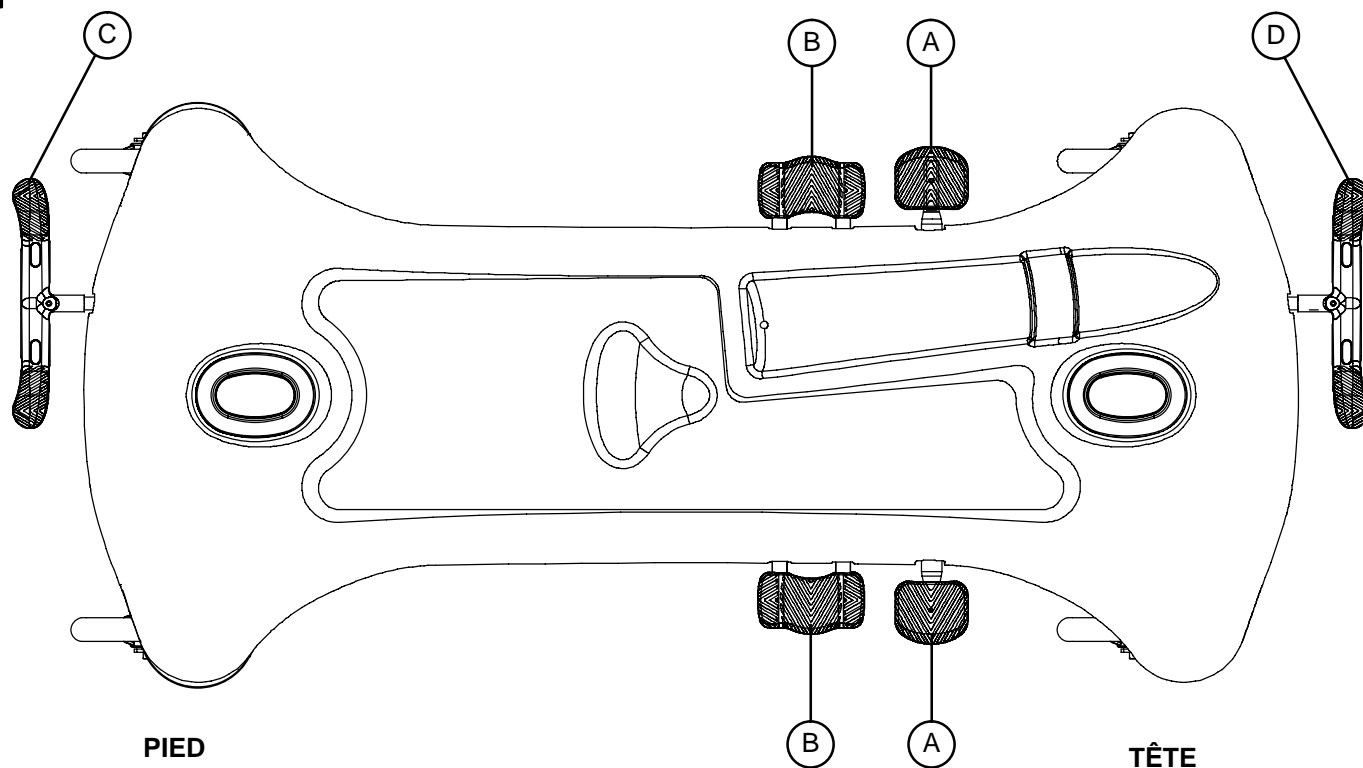
Nettoyer l'espace de rangement du capot régulièrement.

Le bas des bagues de frein doit être nettoyé régulièrement pour empêcher l'accumulation de cire et de déchets provenant du plancher

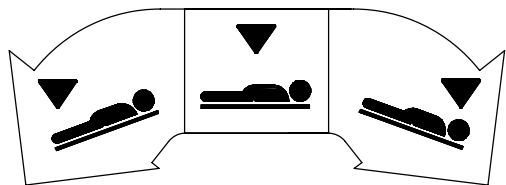
Emploi du chariot brancard

Français

EMPLOI DES PÉDALES DE COMMANDE DU CHARIOT – COMMANDES BILATÉRALES



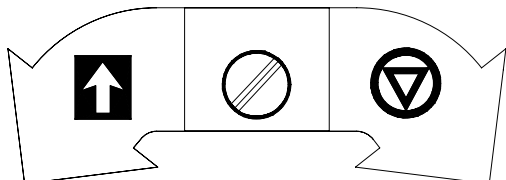
Pomper sur la pédale (A) pour élever le plan de couchage.



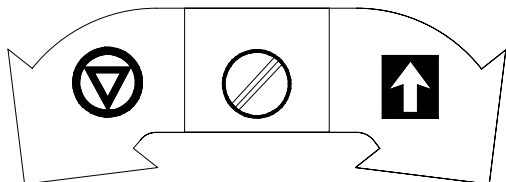
Appuyer au milieu de la pédale (B) pour abaisser simultanément le pied et la tête du brancard.

Appuyer sur le côté de la pédale (B) le plus près du pied du brancard pour abaisser le pied.

Appuyer sur le côté de la pédale (B) le plus près de la tête du brancard pour abaisser la tête.



Pédale (C) – Frein et guidage (côté pied)

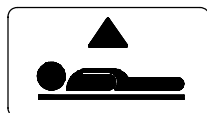
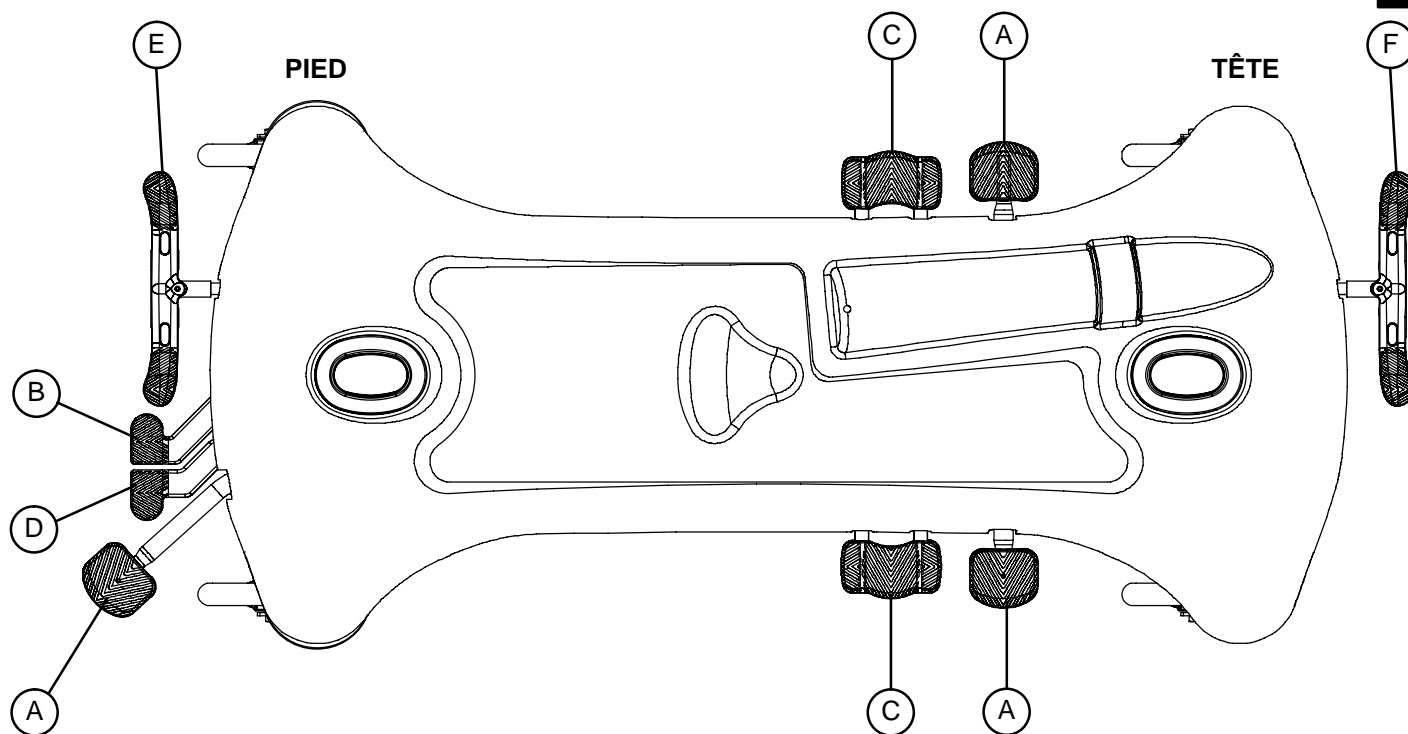


Pédale (D) – Frein et guidage (côté tête)

Emploi du chariot brancard

Français

EMPLOI DES PÉDALES DE COMMANDE DU CHARIOT – COMMANDES TRILATÉRALES

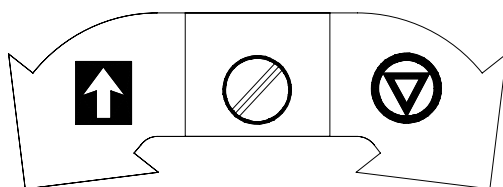
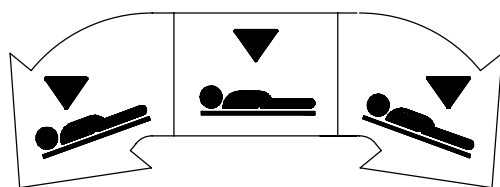


Pomper sur la pédale (A) d'extrémité (côté pied) ou latérale du chariot pour élever le plan de couchage.

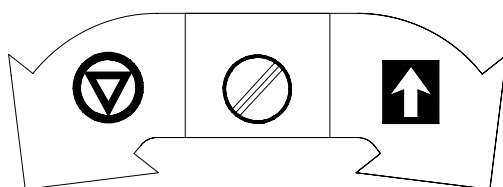
Appuyer sur la pédale (B) ou sur le côté de la pédale (C) le plus près de la tête du brancard pour abaisser la tête.

Appuyer sur la pédale (D) ou sur le côté de la pédale (C) le plus près du pied du brancard pour abaisser le pied.

Appuyer au milieu de la pédale (C) ou simultanément sur les pédales (B) et (D) pour abaisser ensemble la tête et le pied du brancard.



Pédale (E) – Frein et guidage (côté pied)



Pédale (F) – Frein et guidage (côté tête)

Emploi du chariot brancard

Français

RÉGLAGE DE LA HAUTEUR DU PLAN DE COUCHAGE – COMMANDE LATÉRALE

ATTENTION

Pour éviter les dommages, avant de monter ou d'abaisser le plan de couchage, éloigner tout équipement susceptible de gêner le mouvement du brancard.

Pour **élever** le plan de couchage, pomper sur la pédale (A) jusqu'à ce que la hauteur voulue soit atteinte (voir le schéma de la [page 2-4](#)).

Pour **abaisser** simultanément la tête et le pied du brancard, appuyer au milieu de la pédale (B). Pour abaisser la tête seulement, appuyer sur le côté de la pédale (B) le plus près de la tête du brancard. Pour abaisser le pied uniquement, appuyer sur le côté de la pédale (B) le plus près du pied (voir le schéma de la [page 2-4](#)).

RÉGLAGE DE LA HAUTEUR DU PLAN DE COUCHAGE – COMMANDES TRILATÉRALES

Pour **élever** le plan de couchage, pomper sur la pédale (A) jusqu'à ce que la hauteur voulue soit atteinte (voir le schéma de la [page 2-5](#)).

Pour **abaisser** simultanément la tête et le pied du brancard, enfoncer ensemble les pédales (B) et (D) du même pied ou appuyer au milieu de la pédale (C). Pour abaisser uniquement la tête du brancard, appuyer sur la pédale (B) ou sur le côté de la pédale (C) le plus près de la tête. Pour abaisser uniquement le pied du brancard, appuyer sur la pédale (D) ou sur le côté de la pédale (C) le plus près du pied.

DÉCLIVE/PROCLIVE – COMMANDE LATÉRALE

REMARQUE

Avant de pouvoir régler le plan de couchage en position de déclive ou de proclive, il faut l'élever.

ATTENTION

Pour éviter les dommages, avant d'abaisser le plan de couchage, éloigner tout équipement susceptible de gêner le mouvement du brancard.

Position de **déclive** (tête en bas), appuyer sur le côté de la pédale (B) le plus près de la tête du brancard (voir le schéma de la [page 2-4](#)).

Position de **proclive** (pieds en bas), appuyer sur le côté de la pédale (B) le plus près du pied du brancard.

REMARQUE

Plus on élève le plan de couchage avant d'appuyer sur la pédale (B), plus l'angle de déclive ou de proclive peut être important. (Angle de déclive maximum +18°. Angle de proclive maximum -18°.)

DÉCLIVE/PROCLIVE – COMMANDES TRILATÉRALES

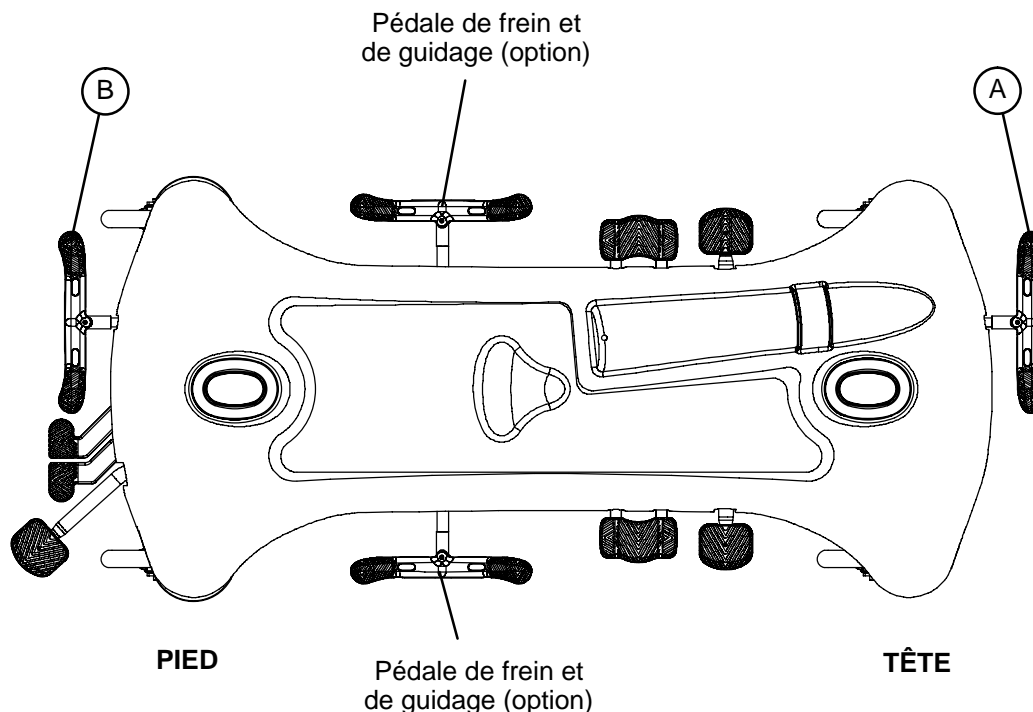
ATTENTION

Pour éviter les dommages, avant d'abaisser le plan de couchage, éloigner tout équipement susceptible de gêner le mouvement du brancard.

Position de **déclive** (tête en bas), appuyer sur la pédale (B) ou sur le côté de la pédale (C) le plus près de la tête du brancard (voir le schéma de la [page 2-5](#)).

Position de **proclive** (pieds en bas), appuyer sur la pédale (D) ou sur le côté de la pédale (C) le plus près du pied du brancard.

EMPLOI DES FREINS



REMARQUE

Pour plus de commodité, il est prévu une pédale de frein et de guidage à chaque extrémité du chariot.

AVERTISSEMENT

Toujours enclencher le frein des roulettes lorsque le patient prend place sur le chariot ou en descend. Pousser sur le chariot pour vérifier que les freins sont bien engagés. Toujours garder les freins enclenchés ; ne les désenclencher que pour déplacer le chariot.

Pour enclencher les freins avec la commande côté tête, appuyer à fond sur le côté gauche de la pédale (A).

Pour enclencher les freins avec la commande côté pied, appuyer à fond sur le côté droit de la pédale (B).

REMARQUE

Outre les commandes de frein et de guidage d'extrémité, il se peut que le chariot dispose des commandes latérales livrées en option. Ces commandes latérales fonctionnent de la même manière que les commandes d'extrémité.

EMPLOI DE LA CINQUIÈME ROUE

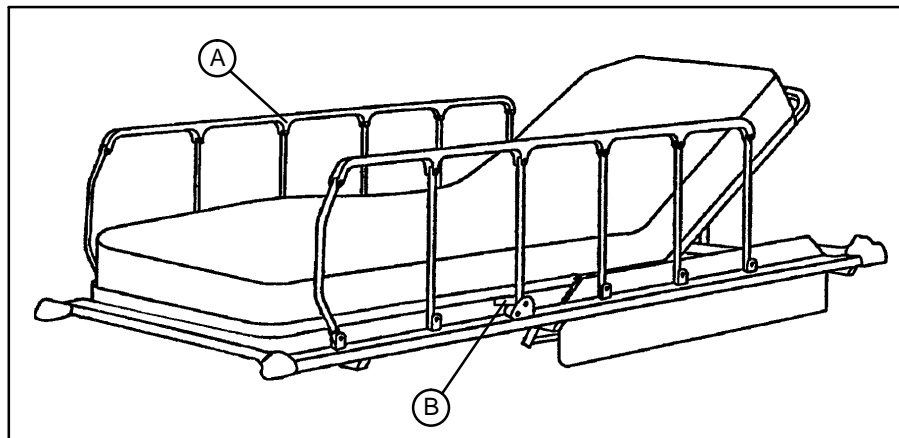
Cette cinquième roue permet de guider le chariot plus facilement en ligne droite et dans les virages.

Pour enclencher la cinquième roue, appuyer à fond sur le côté « guidage » de la pédale de frein/guidage.

Emploi du chariot brancard

Français

EMPLOI DES BARRIÈRES



AVERTISSEMENT

S'assurer que le mécanisme de verrouillage des barrières (B) fonctionne correctement. Si ce n'est pas le cas, consulter la rubrique afférente au réglage du verrou des barrières dans le manuel d'entretien du chariot.

Pour verrouiller les barrières : Tirer à fond sur la barre du haut (A) jusqu'à l'enclenchement du verrou (B).

Pour déverrouiller les barrières : Tirer le verrou (B) vers le haut et accompagner la descente de la barrière jusqu'en bas.

AVERTISSEMENT

Lors de l'abaissement des barrières, attention de ne pas coincer les mains (ou les pieds) du patient ou du personnel dans les barreaux.

Pour éviter les préjudices corporels ou matériels, ne jamais laisser les barrières descendre seules.

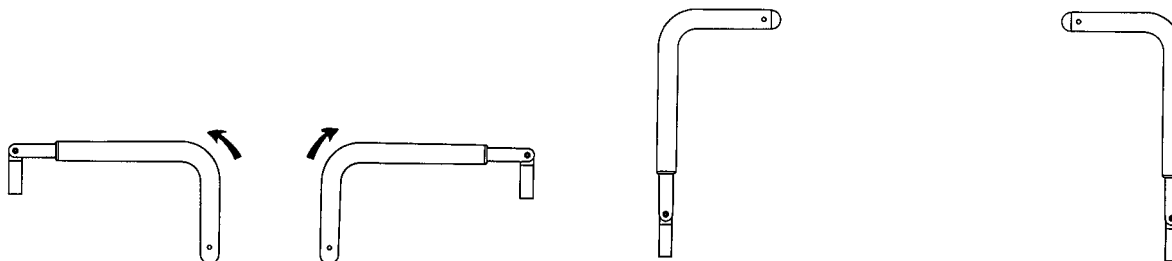
EMPLOI DES POIGNÉES DU CHARIOT

ATTENTION

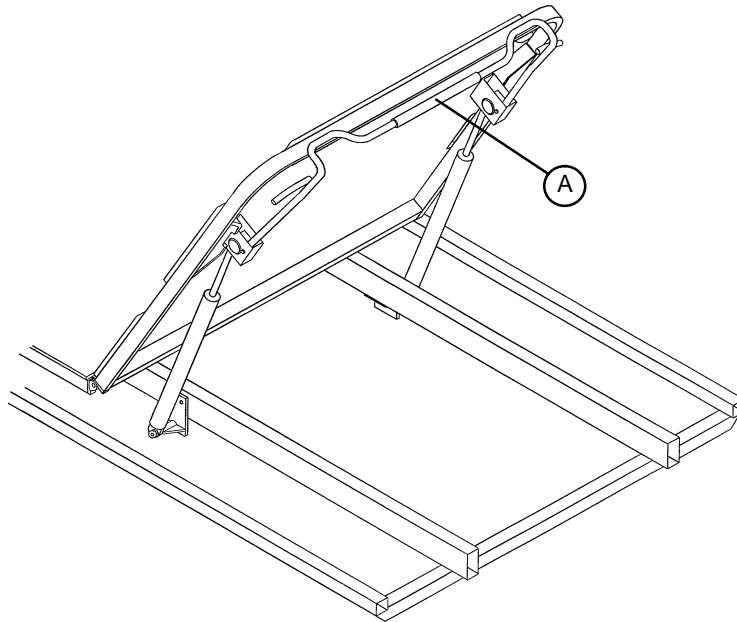
Les poignées sont conçues pour déplacer le chariot. Pour ne pas endommager le chariot, se servir exclusivement de ces poignées pour le pousser ou le tirer.

Emploi des poignées : Les redresser puis appuyer dessus pour les enclencher.

Rangement des poignées : Tirer les poignées vers le haut et les replier vers le bas.



EMPLOI DU RELÈVE-BUSTE



Pour relever le dossier à assistance pneumatique, serrer la poignée (A). Une fois le dossier à la hauteur voulue, relâcher la (ou les) poignée.

Pour abaisser le dossier, serrer la poignée (A) et pousser le dossier vers le bas à la hauteur voulue. Une fois le dossier à la bonne hauteur, relâcher la poignée.

AVERTISSEMENT

Lors de l'abaissement du relève-buste, tenir doigts et mains à l'écart de la poignée et du châssis du dossier et faire extrêmement attention de ne blesser personne.

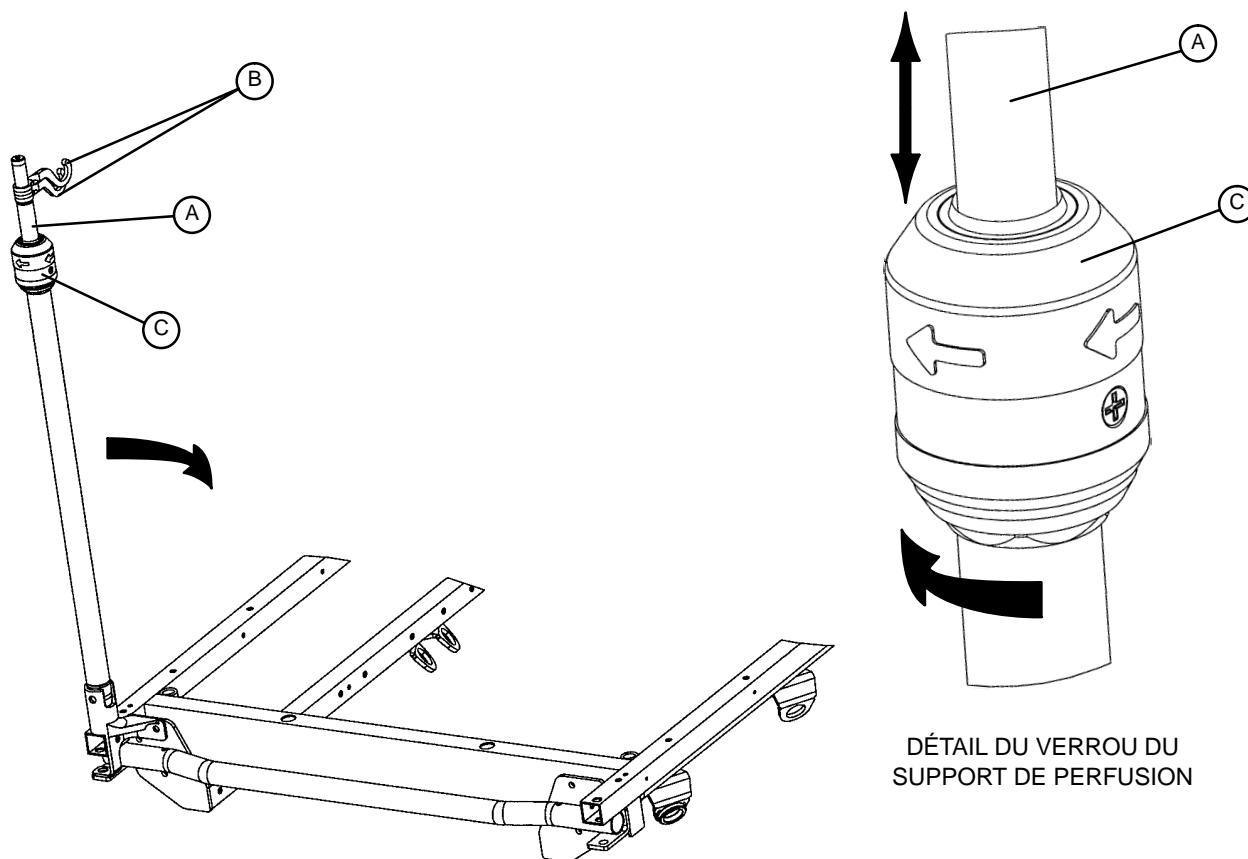
ATTENTION

Si le relève-buste pneumatique est difficile à manœuvrer, consulter la rubrique afférente à son réglage dans le manuel d'entretien du chariot.

Emploi du chariot brancard

Français

EMPLOI DU SUPPORT DE PERFUSION INTÉGRÉ À MÂT DOUBLE FOURNI EN OPTION



REMARQUE

Le support de perfusion intégré à mât double fourni en option peut être monté à la tête, au pied ou aux deux extrémités du chariot brancard.

Emploi du support de perfusion à mât double :

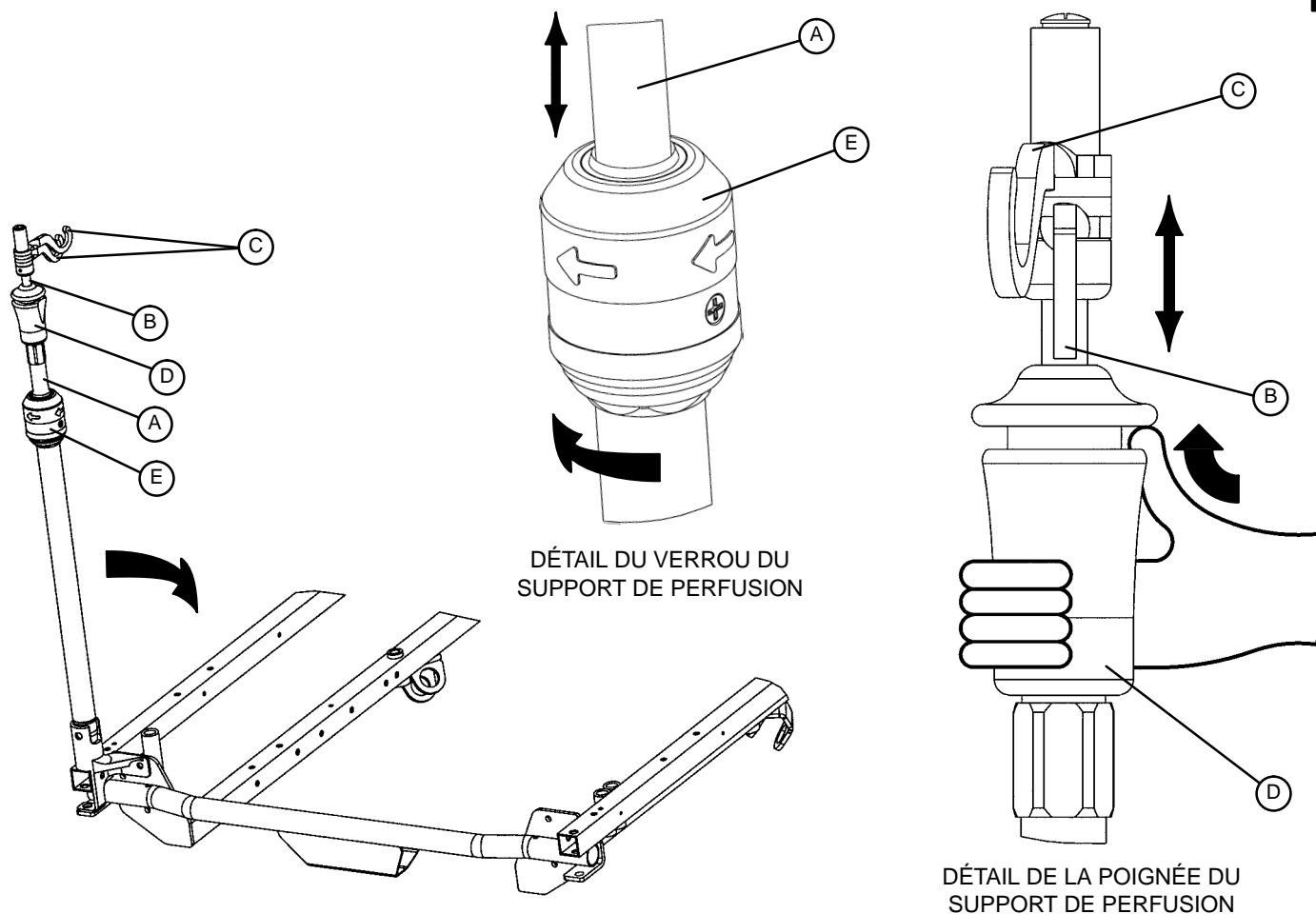
1. Redresser le support escamoté et l'enclencher à fond dans son logement en appuyant dessus.
2. Pour allonger le support, tirer à fond sur le segment télescopique (A) jusqu'à ce qu'il s'enclenche.
3. Tourner les crochets (B) pour les orienter dans le sens souhaité et y suspendre les poches à perfusion.
4. Pour raccourcir le support de perfusion, tourner le verrou (C) dans le sens des aiguilles d'une montre jusqu'à ce que le segment (A) descende.

ATTENTION

Pour éviter les dommages, limiter le poids des poches à perfusion à 18 kg.

Pour éviter les dommages pendant le déplacement du chariot, vérifier que le mât du support de perfusion est suffisamment bas pour passer en toute sécurité sous les chambranles de portes et les luminaires.

EMPLOI DU SUPPORT DE PERFUSION INTÉGRÉ À MÂT TRIPLE FOURNI EN OPTION



REMARQUE

Le support de perfusion intégré à mât triple fourni en option peut être monté à la tête, au pied ou aux deux extrémités du chariot brancard.

Emploi du support de perfusion à mât triple :

1. Redresser le support escamoté et l'enclencher à fond dans son logement en appuyant dessus.
2. Pour allonger le support, tirer à fond sur le segment télescopique (A) jusqu'à ce qu'il s'enclenche.
3. Pour rallonger le support, tirer sur le segment (B). Il suffit de le relâcher à n'importe quelle hauteur pour qu'il se verrouille automatiquement en place.
4. Tourner les crochets (C) pour les orienter dans le sens souhaité et y suspendre les poches à perfusion.
5. Pour abaisser le support, pousser la partie rouge de la poignée (D) vers le haut tout en retenant le segment (B) jusqu'à ce qu'il descende. Tourner le verrou (E) dans le sens des aiguilles d'une montre jusqu'à ce que le segment (A) descende.

ATTENTION

Pour éviter les dommages, limiter le poids des poches à perfusion à 18 kg.

Pour éviter les dommages pendant le déplacement du chariot, vérifier que le mât du support de perfusion est suffisamment bas pour passer en toute sécurité sous les chambranles de portes et les luminaires.

Emploi du chariot brancard

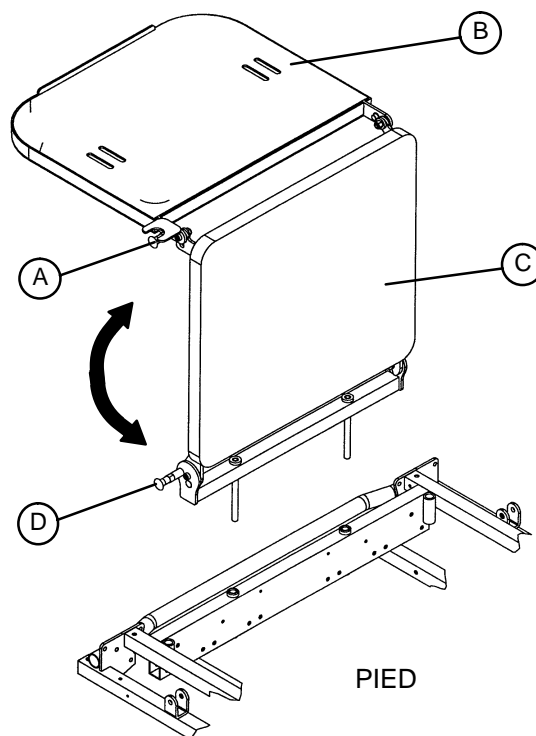
Français

EMPLOI DE LA RALLONGE DE LIT/TABLETTE PORTE-DÉFIBRILLATEUR FOURNIE EN OPTION

1. Pour utiliser l'option en tant que tablette porte-défibrillateur, tirer sur le bouton du haut (A) et faire pivoter la tablette (B) au-dessus de la rallonge de lit (C) jusqu'à l'horizontale.
2. Pour utiliser l'option en tant que rallonge de lit, tirer sur le bouton (A) et faire pivoter la tablette vers le bas jusqu'à ce qu'elle soit verrouillée contre la rallonge (C). Tout en maintenant l'ensemble, tirer sur le bouton du bas (D) et abaisser la rallonge à l'horizontale.

AVERTISSEMENT

Si le chariot brancard est équipé du support de perfusion côté pied fourni en option, redresser le mât du support avant d'installer la rallonge de lit/tablette porte-défibrillateur, sous peine d'entraver le bon fonctionnement de la rallonge et de blesser quelqu'un.



Entretien préventif

Français

LISTE DE VÉRIFICATION

- _____ Toutes les attaches sont solidement fixées
- _____ Les barrières coulissent et se verrouillent correctement
- _____ Enclencher la pédale de frein et pousser sur le chariot pour confirmer que toutes les roulettes sont bien bloquées
- _____ Toutes les roulettes sont fixées et pivotent correctement
- _____ Les sangles de maintien fonctionnent correctement
- _____ Le support de perfusion est en bon état et fonctionne correctement
- _____ Le porte-bouteille à oxygène est en bon état et fonctionne correctement
- _____ Le relève-buste fonctionne et se verrouille correctement
- _____ Les positions déclive/proclive fonctionnent correctement
- _____ Pas de déchirures ni de fissures dans le revêtement du matelas
- _____ La chaînette de mise à la terre est en bon état
- _____ Aucune fuite aux raccords hydrauliques
- _____ Les vérins hydrauliques fonctionnent correctement
- _____ La vitesse de descente des vérins est correctement réglée
- _____ Le niveau d'huile hydraulique est suffisant
- _____ Lubrifier selon les besoins
- _____ Les accessoires et les pièces de montage sont en bon état et fonctionnent correctement

Numéro de série : _____

Vérification réalisée par : _____ Date : _____

REMARQUE

L'entretien préventif doit être réalisé au minimum une fois par an. Il convient d'établir un programme d'entretien préventif pour tous les appareils Stryker Medical. On pourra juger nécessaire d'augmenter la fréquence des entretiens préventifs en fonction des conditions d'usage du matériel.

Nettoyage

Français

Laver toutes les surfaces du chariot brancard à la main à l'eau chaude et au détergent doux. Sécher soigneusement. **NE PAS NETTOYER À LA VAPEUR OU AUX ULTRASONS, NI LAYER SOUS PRESSION OU AU JET D'EAU.** L'emploi de ces méthodes de nettoyage **n'est pas** recommandé et risque d'invalider la garantie du produit.

TOUJOURS nettoyer l'attache velcro **APRÈS L'EMPLOI**. Bien imbiber le velcro de désinfectant et laisser le désinfectant s'évaporer. (L'hôpital doit établir quel type de désinfectant utiliser pour les attaches velcro en nylon.)

On peut en général utiliser des désinfectants de type phénolique ou quaternaire, à condition de respecter les concentrations recommandées par le fabricant. Les désinfectants iodés ne sont pas recommandés car ils risquent de laisser des taches. Les produits suivants ont été testés et jugés exempts d'effets néfastes lorsqu'ils sont utilisés **AUX TAUX DE DILUTIONS RECOMMANDÉS PAR LEUR FABRICANT.***

MARQUE	TYPE DE DÉSINFECTANT	FABRICANT	* DILUTION RECOMMANDÉE PAR LE FABRICANT
A33	Quaternaire	Airwick (Professional Products Division)	1:64
A33 (sec)	Quaternaire	Airwick (Professional Products Division)	1:256
Beaucoup	Phénolique	Huntington Laboratories	1:128
Blue Chip	Quaternaire	S.C. Johnson	1:64
Elimstaph	Quaternaire	Walter G. Legge	1:128
Franklin Phenomysan F2500	Phénolique	Purex Corporation	1:100
Franklin Sentinel	Quaternaire	Purex Corporation	1:64
Galahad	Phénolique	Puritan Churchill Chemical Company	1:128
Hi-Tor	Quaternaire	Huntington Laboratories	1:256
LPH	Phénolique	Vestal Laboratories	1:256
Matar	Phénolique	Huntington Laboratories	1:256
Omega	Quaternaire	Airwick (Professional Products Division)	1:256
Quanto	Quaternaire	Huntington Laboratories	1:128
Sanikleen	Quaternaire	West Chemical Products	1:64
Sanimaster II	Quaternaire	Service Master	1:128
Vesphene	Phénolique	Vestal Laboratories	1:100

Les désinfectants germicides quaternaires, utilisés conformément aux directives, et/ou les produits javellisés, typiquement l'hypochlorite de sodium à 5,25 % (eau de Javel) dans des **dilutions allant de 1:100 à 2:100 ne sont pas considérés comme des détergents doux. Ce sont des produits corrosifs par nature susceptibles d'endommager le chariot brancard si les prescriptions d'emploi ne sont pas respectées.** Lors de l'emploi de ce type de produit pour nettoyer les chariots brancards Stryker, il convient de prendre soin de bien rincer les brancards à l'eau propre et de les sécher soigneusement après le nettoyage. Un rinçage et un séchage inadéquats laisseront à la surface du brancard un résidu corrosif susceptible d'entraîner la corrosion prématurée d'éléments critiques.

REMARQUE

Le non-respect des directives ci-dessus lors de l'utilisation de ce type de nettoyeur peut annuler la garantie du matériel.

ÉLIMINATION DES TACHES DE PRODUITS IODÉS

Cette solution peut être utilisée pour éliminer les taches d'iode du revêtement du matelas.

1. Pour nettoyer la zone tachée, utiliser une solution composée de 1 à 2 cuillères à soupe de thiosulfate de sodium diluées dans 0,5 litre d'eau chaude. Nettoyer le plus vite possible lorsque les taches sont encore fraîches. Si cela est impossible, laisser la solution imprégner les taches.
2. Rincer à l'eau claire les surfaces ayant été en contact avec la solution avant de remettre le brancard en service.

Garantie limitée :

Stryker Medical Division, division de Stryker Corporation, garantit à l'acheteur d'origine que ses produits seront exempts de vices matériels et de fabrication pendant une période d'un (1) an à compter de la date de livraison. L'obligation de Stryker en vertu de la présente garantie se limite expressément, au gré de la société, à la fourniture de pièces détachées et de main-d'œuvre ou au remplacement de tout produit que la société, à sa seule discrétion, aura jugé défectueux. Stryker garantit à l'acheteur d'origine que le châssis et les soudures de ses lits sont exempts de vices de construction ; cette garantie est valable aussi longtemps que l'acheteur d'origine reste le propriétaire du produit. Le cas échéant, à la demande de Stryker, tout produit ou pièce faisant l'objet d'une réclamation de garantie doit être retourné en port payé à l'usine de Stryker. Tout usage incorrect ou toute modification ou réparation réalisée par un tiers ayant, selon l'avis de Stryker, un effet appréciable et indésirable sur le produit, annule la présente garantie. Toute réparation de produits Stryker effectuée avec des pièces non fournies ou non agréées par Stryker annule cette garantie. Aucun employé ou représentant de Stryker n'est autorisé à modifier la présente garantie de quelque manière que ce soit.

Les civières de Stryker Medical sont conçues pour une durée de vie de 10 années dans des conditions d'utilisation normales et en effectuant un entretien régulier pour chaque équipement tel que décrit dans le manuel d'entretien. Stryker garantit à l'acheteur original, tant qu'il est le propriétaire de la civière, que les soudures ne présenteront aucun défaut structural au cours des dix années de vie de la civière.

Cette déclaration constitue l'intégralité de la garantie offerte par Stryker relativement à l'équipement susdit. **HORMIS LES CLAUSES ÉNONCÉES AUX PRÉSENTES, STRYKER NE FAIT AUCUNE AUTRE GARANTIE OU DÉCLARATION, EXPRESSE OU IMPLICITE. AUCUNE GARANTIE N'EST FAITE QUANT À LA QUALITÉ MARCHANDE OU L'ADÉQUATION À UN USAGE PARTICULIER. EN AUCUN CAS STRYKER NE PEUT ÊTRE TENU RESPONSABLE, AU TITRE DES PRÉSENTES, DE TOUT DOMMAGE ACCESSOIRE OU INDIRECT RÉSULTANT DE, OU LIÉ DE TOUTE AUTRE MANIÈRE À LA VENTE OU À L'UTILISATION D'UN TEL ÉQUIPEMENT.**

Pièces détachées et assistance technique :

Les produits Stryker bénéficient du soutien d'un réseau national de réparateurs-représentants locaux dévoués. Ces représentants locaux formés dans nos usines ont des stocks importants de pièces détachées qui permettent de réduire au minimum les délais de réparation. En cas de besoin, appeler le représentant de sa localité ou contacter le service clientèle Stryker au 1-800-327-0770.

Contrats d'entretien :

Stryker a établi un éventail complet de formules de contrat d'entretien destinées à aider ses clients à garder leur matériel en parfait état de fonctionnement tout en éliminant les dépenses imprévues. Nous recommandons de souscrire à ces programmes *avant* la fin de validité de la garantie initiale afin d'éviter les frais d'ajustement potentiels.

AVANTAGES DU CONTRAT D'ENTRETIEN :

- Assure la fiabilité du matériel
- Permet de stabiliser les budgets d'entretien
- Réduit la durée d'immobilisation
- Répond aux exigences de documentation de la JCAHO
- Augmente la durée de vie des produits
- Améliore la valeur de reprise
- Couvre les questions de gestion des risques et de sécurité

Garantie

Français

Stryker propose les formules de contrat d'entretien suivantes :

CARACTÉRISTIQUES TECHNIQUES	OR	ARGENT	ENTRETIEN PRÉVENTIF UNIQUEMENT*
Entretien préventif annuel	X		X
Totalité des pièces**, main-d'œuvre et déplacement	X	X	
Nombre illimité d'interventions d'urgence	X	X	
Appel de première priorité ; réponse téléphonique sous deux heures	X	X	X
La plupart des réparations sont effectuées sous 3 jours ouvrables	X	X	
Documentation à l'intention de la JCAHO	X	X	X
Livret de contrôle en clientèle avec consignation des données d'entretien préventif et d'intervention d'urgence	X		
Réparateurs Stryker formés à l'usine	X	X	X
Pièces agréées Stryker	X	X	X
Rapport récapitulatif de fin d'année	X		
Tous les services sont réalisés pendant les heures normales d'ouverture (9-17h00)	X	X	X

* Le contrat d'entretien préventif donne droit à des réductions de prix pour les pièces de rechange et la main-d'œuvre.

** À l'exclusion des articles jetables, des supports de perfusion (sauf les supports intégrés Stryker HD), des matelas et des dommages dus à un usage abusif.

Stryker Medical propose également des formules de contrat d'entretien personnalisées.

Le prix est fonction de l'âge, du lieu d'utilisation, du modèle et de l'état du produit.

Pour de plus amples renseignements sur nos contrats d'entretien, s'adresser à son représentant local ou composer le 1-800-327-0770 (option n° 2).

Autorisation de retour :

Le retour de produits ne peut pas être effectué sans l'accord du service clientèle de Stryker. Le numéro d'autorisation qui sera fourni doit être inscrit sur le produit retourné. Stryker se réserve le droit de facturer des frais d'expédition et de magasinage pour les articles retournés.

LES ARTICLES SPÉCIAUX, MODIFIÉS OU N'ÉTANT PLUS SUIVIS NE PEUVENT PAS FAIRE L'OBJET D'UN RETOUR.

Produits endommagés :

La réglementation de l'Interstate Commerce Commission (ICC) exige que les réclamations relatives aux produits endommagés soient remises au transporteur dans les quinze (15) jours suivant la réception de la marchandise. NE PAS ACCEPTER DE LIVRAISONS ENDOMMAGÉES À MOINS QUE LESDITS DOMMAGES NE SOIENT SIGNALÉS SUR LE BORDEREAU DE LIVRAISON AU MOMENT DE LA RÉCEPTION. Dès la réception de la notification prompt, Stryker soumettra une réclamation au transporteur approprié pour les dommages encourus. Le montant de la réclamation sera limité au coût de remplacement réel. Si cette information n'est pas reçue par Stryker dans les quinze (15) jours suivant la livraison du produit, ou que les dommages ne sont pas signalés sur le bordereau de livraison au moment de la réception, le client reste redevable du paiement intégral de la facture d'origine.

Les réclamations pour livraison incomplète doivent être déposées dans les trente (30) jours date de facture.

Clause de garantie internationale :

La présente garantie reflète les dispositions en vigueur aux États-Unis. Hors des États-Unis, la garantie peut différer selon le pays. Contacter le représentant Stryker Medical local pour obtenir plus d'informations.

Notes

Français

Inhaltsverzeichnis


Einführung	2, 3
Bedienen der Steuerungen an der Basis	4, 5
Verstellen der Höhe der Liegefläche	6
Trendelenburg/Anti-Trendelenburg-Lagerung	6
Anwenden des Bremssystems	7
Bedienen des fünften Rads	7
Benutzen der Seitengitter	8
Benutzen der Schiebegriffe	8
Bedienen der Kopfteilverstellung (Fowler)	9
Bedienen der optionalen, permanent befestigten Infusionsständer	10, 11
Benutzen von optionaler bettverlängerung/defibrillator-tablett	12
Checkliste für vorbeugende Wartungsmaßnahmen	13
Reinigung	14, 15
Herstellergarantie	
Erhalt von Ersatzteilen und Kundendienst	16
Zusätzliche Garantie	16
Rückgabeberechtigung	17
Ansprüche bei Transportschäden	17

Einführung

EINFÜHRUNG

Diese Anleitung wurde entworfen, um Ihnen bei der Bedienung des Transport–Stretchers Modell 735 behilflich zu sein. Bitte gründlich durchlesen, bevor Sie das Produkt verwenden oder Wartungsmaßnahmen daran durchführen.

TECHNISCHE DATEN

Maximale Gewichtsbelastung	226 kg 
Gesamtlänge/Breite des Stretchers	211 cm / 76 cm
Minimale/maximale Höhe des Betts	54,6 cm / 91 cm
Winkel der Kopfteilverstellung (Fowler)	0° bis 90°
Trendelenburg/Anti–Trendelenburg	+18° bis –18°

Stryker behält sich das Recht vor, die technischen Daten ohne Vorankündigung zu ändern.

DEFINITIONEN VON WARNUNG/VORSICHT/HINWEIS

Die Wörter WARNUNG, VORSICHT und HINWEIS haben besondere Bedeutungen, die genau verstanden werden müssen.

WARNUNG

Warnt den Leser vor einer Situation, welche bei Nicht–Vermeiden zu schwerer Verletzung oder zum Tod führen könnte. Hierunter können auch mögliche schwere Nebenwirkungen oder Sicherheitsrisiken beschrieben werden.

VORSICHT

Warnt den Leser vor einer möglichen gefährlichen Situation, welche bei Nicht–Vermeiden zu gering– oder mittelgradiger Verletzung des Benutzers oder des Patienten oder zu Beschädigung der Ausrüstung oder anderer Gegenstände führen könnte. Dies beinhaltet auch die nötigen besonderen Vorsichtsmaßnahmen zur sicheren und effektiven Benutzung des Geräts und die nötigen Vorsichtsmaßnahmen, um Beschädigungen des Geräts zu vermeiden, die als Ergebnis des Gebrauchs oder der unsachgemäßen Benutzung auftreten könnten.

HINWEIS

Hinweise enthalten Informationen, die die Wartung erleichtern oder wichtige Anweisungen verdeutlichen.



Symbol für sichere Arbeitslast

Einführung

Vor der Benutzung dieses Stretchers ist es wichtig, alle Informationen in dieser Anleitung zu lesen und zu verstehen. Die auf dieser Seite aufgeführten Warnungen und Vorsichtshinweise sind sorgfältig zu lesen und genau zu befolgen.

Deutsch

WARNUNG

Immer die Bremsen der Laufrollen anziehen, wenn ein Patient den Stretcher belegt oder verlässt. Den Stretcher zu schieben versuchen, um die sichere Blockierung der Bremsen zu kontrollieren. Die Bremsen immer betätigen, wenn der Stretcher nicht bewegt wird. Wenn der Stretcher sich beim Auf- oder Absteigen eines Patienten bewegt, könnte der Patient verletzt werden. Wenn die Bremsen nicht korrekt blockieren, erkundigen Sie sich in der Wartungsanleitung für den Stretcher nach einem Verfahren zur Justierung der Bremsen.

Die korrekte Funktion des Verriegelungsmechanismus der Seitengitter muss zu jedem Zeitpunkt sichergestellt sein. Wenn dieser nicht funktioniert, wenden Sie sich bitte an die Wartungsanleitung unter „Justierung der Seitengitter-Verriegelung“.

Wenn das Seitengitter in die untere Position verbracht wird, sind die Extremitäten des Patienten und des Personals von der Drehachse der Seitengitter fern zu halten, um Verletzungen zu vermeiden.

Beim Herunterfahren sind die Finger und Hände aus dem Bereich um den Freigabegriff für die Kopfteilverstellung und um den Rahmen für die Kopfteilverstellung herauszuhalten. Wenn beim Herunterfahren der Kopfteilverstellung (Fowler) keine Sorgfalt angewandt wird, könnte es zur Verletzung kommen.

Wenn der Stretcher mit dem optionalen Infusionsständer am Fußende ausgestattet ist, muss sich der Infusionsständer in der oberen Position befinden, wenn die Bettverlängerung bzw. das Defibrillator-Tablett angebracht wird. Wenn sich der Infusionsständer nicht in der oberen Position befindet, wird die Bettverlängerung nicht ordnungsgemäß funktionieren und es könnte zur Verletzung kommen.

VORSICHT

Um Beschädigung zu vermeiden, vor dem Verstellen der Höhe der Liegefläche alle Ausrüstungsgegenstände entfernen, die im Weg sein könnten.

Um Verletzungen oder Beschädigung der Ausrüstung zu vermeiden, die Seitengitter nicht herunterfallen lassen. Die Schiebegriffe sind zur Verwendung beim Transport des Stretchers gedacht. Keine anderen Teile des Stretchers zum Schieben oder Ziehen verwenden, da Beschädigung auftreten könnte.

Wenn der pneumatische Fowler schwierig zu bedienen ist, schlagen Sie bitte in der Wartungsanleitung für die „Justierung des pneumatischen Fowlers“ nach.

Um Beschädigung zu vermeiden, sollte das Gewicht des Infusionsbeutels 18 kg nicht überschreiten.

Um Beschädigungen beim Transport des Stretchers zu vermeiden, sicherstellen, dass der Infusionsständer tief genug gestellt ist, um Türöffnungen und Beleuchtungseinrichtungen sicher zu passieren.

Die Einheit kann nicht hydraulisch angehoben werden, solange sich der Patientenlift unter der Krankentrage befindet.

Das Untergestell darf weder als Fußablage noch zum Stehen verwendet werden.

HINWEIS

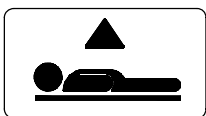
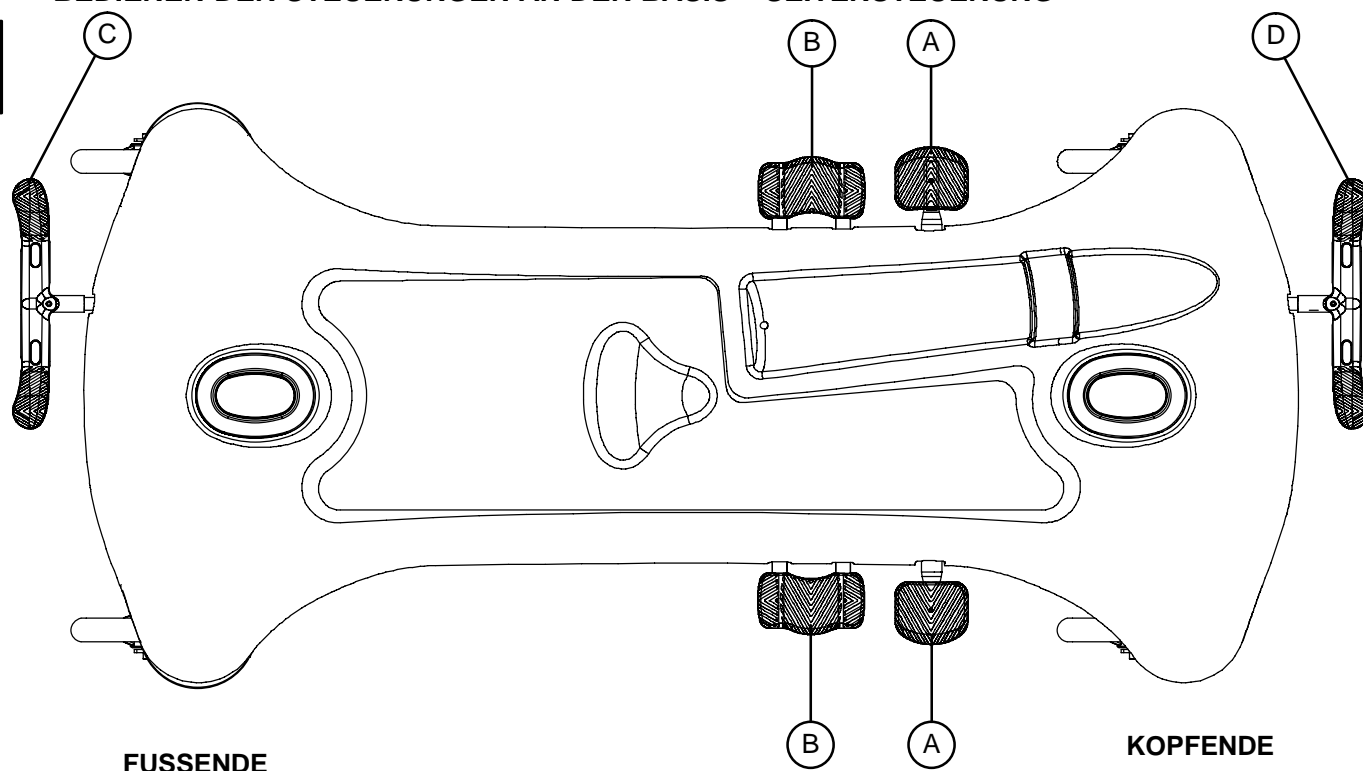
Der Ablageplatz im Untergestell muss regelmäßig gereinigt werden.

Die Unterseite der Bremsringe muss zur Vermeidung der Wachs- bzw. Bodenrestansammlung regelmäßig gereinigt werden.

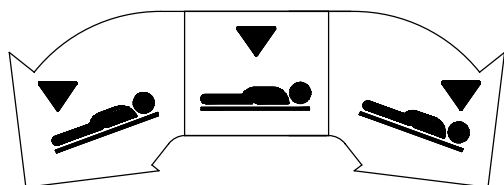
Bedienung des Stretchers

BEDIENEN DER STEUERUNGEN AN DER BASIS – SEITENSTEUERUNG

Deutsch

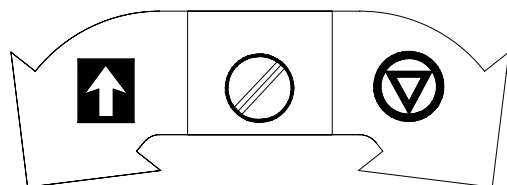


Auf Pedal (A) pumpen, um die Liegefläche hochzufahren.

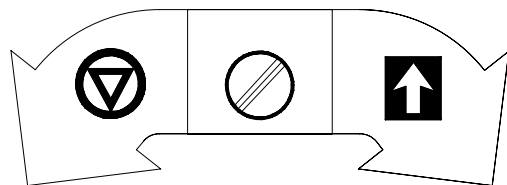


Mitte des Pedals (B) heruntreteten, um beide Enden des Stretchers zusammen zu senken.
Die dem Fußende am nächsten gelegene Seite des Pedals (B) heruntreteten, um das Fußende des Stretchers zu senken.

Die dem Kopfende am nächsten gelegene Seite des Pedals (B) heruntreteten, um das Kopfende des Stretchers zu senken.



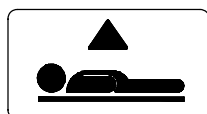
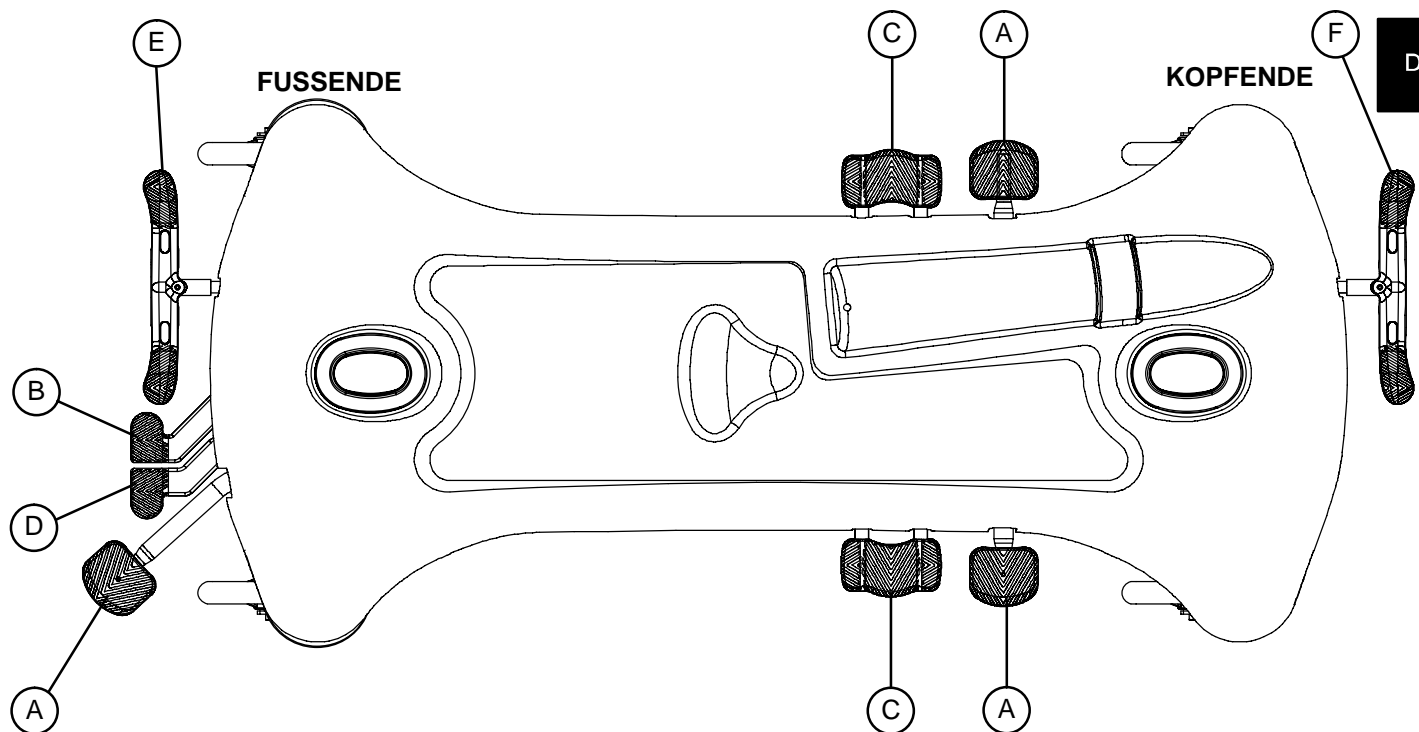
Pedal (C) – Brems- und Lenkfunktionen (Fußende)



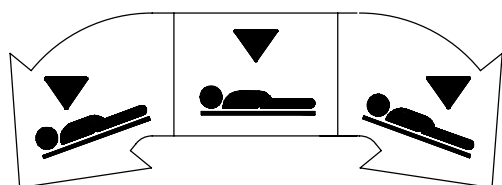
Pedal (D) – Brems- und Lenkfunktionen (Kopfende)

Bedienung des Stretchers

BEDIENEN DER STEUERUNGEN AN DER BASIS – 3-SEITIGE STEUERUNG



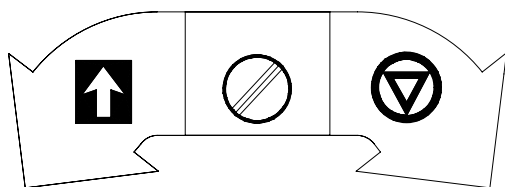
Mit Pedal (A) am Fußende oder an den Seiten des Stretchers pumpen, um die Liegefläche hochzufahren.



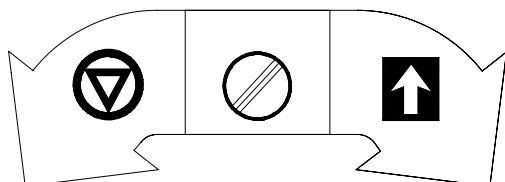
Pedal (B) oder die dem Kopfende des Stretchers am nächsten gelegene Seite des Pedals (C) heruntertreten, um das Kopfende des Stretchers zu senken.

Pedal (D) oder die dem Fußende des Stretchers am nächsten gelegene Seite des Pedals (C) heruntertreten, um das Fußende des Stretchers zu senken.

Mitte des Pedals (C) oder Pedale (B) und (D) zusammen heruntertreten, um beide Enden des Stretchers zusammen zu senken.



Pedal (E) – Brems- und Lenkfunktionen (Fußende)



Pedal (F) – Brems- und Lenkfunktionen (Kopfende)

Bedienung des Stretchers

VERSTELLEN DER HÖHE DER LIEGEFLÄCHE – SEITENSTEUERUNG

VORSICHT

Um Beschädigung zu vermeiden, vor dem Verstellen der Höhe der Liegefläche alle Ausrüstungsgegenstände entfernen, die im Weg sein könnten.

Um die Höhe der Liegefläche **nach oben** zu verstellen, Pedal (A) wiederholt heruntertreten, bis die gewünschte Höhe erreicht ist (siehe Abbildung auf [Seite 3–4](#)).

Um beide Enden der Liegefläche gleichzeitig **zu senken**, die Mitte des Pedals (B) heruntertreten. Um nur das Kopfende der Liegefläche zu senken, die dem Kopfende am nächsten gelegene Seite des Pedals (B) heruntertreten. Um nur das Fußende der Liegefläche zu senken, die dem Fußende am nächsten gelegene Seite des Pedals (B) heruntertreten (siehe Abbildung auf [Seite 3–4](#)).

VERSTELLEN DER HÖHE DER LIEGEFLÄCHE – 3–SEITIGE STEUERUNG

Um die Höhe der Liegefläche **nach oben** zu verstellen, Pedal (A) wiederholt heruntertreten, bis die gewünschte Höhe erreicht ist (siehe Abbildung auf [Seite 3–5](#)).

Um beide Enden der Liegefläche gleichzeitig **zu senken**, Pedale (B) und (D) mit einem Fuß zusammen heruntertreten oder Pedal (C) in der Mitte heruntertreten. Um nur das Kopfende der Liegefläche zu senken, Pedal (B) oder die dem Kopfende des Stretchers am nächsten gelegene Seite des Pedals (C) heruntertreten. Um nur das Fußende des Stretchers zu senken, Pedal (D) oder die dem Fußende des Stretchers am nächsten gelegene Seite des Pedals (C) heruntertreten.

TRENDELENBURG/ANTI–TRENDELENBURG – SEITENSTEUERUNG

HINWEIS

Um eine Trendelenburg oder Anti–Trendelenburg–Lagerung zu erreichen, muss die Liegefläche zunächst hochgefahren werden.

VORSICHT

Um Beschädigung zu vermeiden, jegliche Ausrüstung entfernen, die im Weg sein könnte, bevor der Stretcher gesenkt wird.

Zur **Trendelenburg**–Lagerung (Kopf nach unten) die dem Kopfende des Stretchers am nächsten gelegene Seite des Pedals (B) heruntertreten (siehe Abbildung, [Seite 3–4](#)).

Zur **Anti–Trendelenburg**–Lagerung (Füße nach unten) die dem Fußende am nächsten gelegene Seite des Pedals (B) heruntertreten.

HINWEIS

Je höher die Liegefläche vor der Aktivierung von Pedal (B) ist, um so größer wird der Winkel der Trendelenburg oder Anti–Trendelenburg–Lagerung. (Der maximale Winkel der Trendelenburg–Lagerung beträgt $+18^\circ$. Der maximale Anti–Trendelenburg Winkel beträgt -18° .)

TRENDELENBURG/ANTI–TRENDELENBURG – 3–SEITIGE STEUERUNG

VORSICHT

Um Beschädigung zu vermeiden, jegliche Ausrüstung entfernen, die im Weg sein könnte, bevor der Stretcher gesenkt wird.

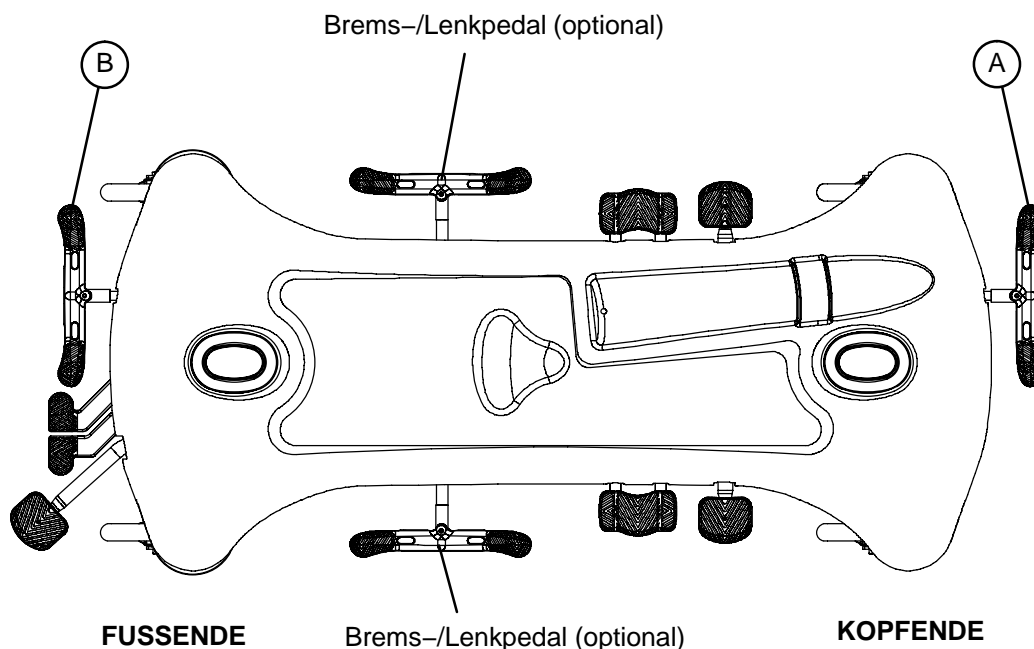
Zur **Trendelenburg**–Lagerung (Kopf nach unten) Pedal (B) oder die dem Kopfende des Stretchers am nächsten gelegene Seite des Pedals (C) heruntertreten (siehe Abbildung, [Seite 3–5](#)).

Zur **Anti–Trendelenburg**–Lagerung (Füße nach unten) Pedal (D) oder die dem Fußende am nächsten gelegene Seite des Pedals (C) heruntertreten.

Bedienung des Stretchers

Deutsch

ANWENDEN DES BREMSSYSTEMS



HINWEIS

Zur Vereinfachung für den Benutzer befindet sich ein Pedal zum Bremsen und Lenken an beiden Enden des Stretchers.

WARNUNG

Immer die Bremsen der Laufrollen anziehen, wenn ein Patient den Stretcher belegt oder verlässt. Den Stretcher zu schieben versuchen, um die sichere Blockierung der Bremsen zu kontrollieren. Die Bremsen immer betätigen, wenn der Stretcher nicht bewegt wird. Wenn der Stretcher sich beim Auf- oder Absteigen eines Patienten bewegt, könnte der Patient verletzt werden. Wenn die Bremsen nicht korrekt blockieren, erkundigen Sie sich in der Wartungsanleitung für den Stretcher nach einem Verfahren zur Justierung der Bremsen.

Um die Bremsen am Kopfende zu aktivieren, die linke Seite des Pedals (A) vollständig heruntertreten.

Um die Bremsen am Fußende zu aktivieren, die rechte Seite des Pedals (B) vollständig heruntertreten.

HINWEIS

Ihr Stretcher ist möglicherweise, zusätzlich zu den Standardsteuerungen am Kopf- und Fußende, mit der optionalen Seitensteuerung für Brems- und Lenkfunktionen ausgestattet. Die Bremsen der Seitensteuerung sind genauso zu bedienen wie die Bremsen der Steuerungen am Kopf- und Fußende.

BEDIENEN DES FÜNFTEN RADS

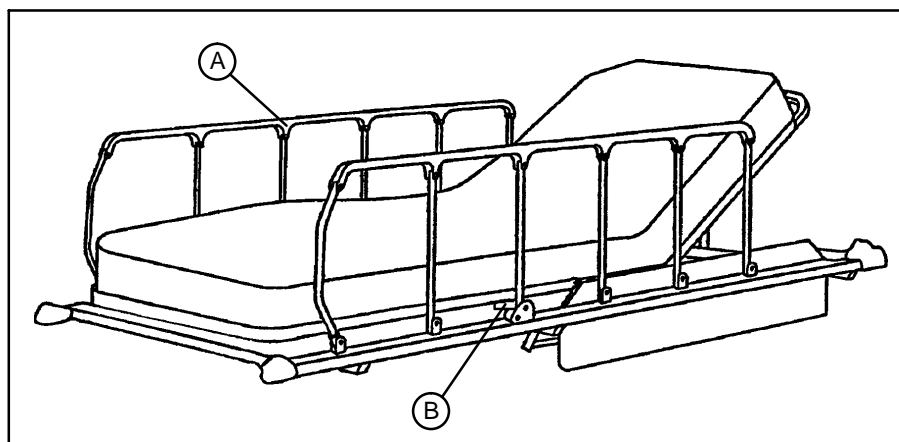
Das fünfte Rad dient als Führung, um den Stretcher beim Transport geradeaus und um Kurven zu schieben.

Um das fünfte Rad zu aktivieren, die entsprechende Seite eines Brems-/Lenkpedals vollständig nach unten treten.

Bedienung des Stretchers

BENUTZEN DER SEITENGITTER

Deutsch



WARNUNG

Die korrekte Funktion des Verriegelungsmechanismus der Seitengitter (B) muss zu jedem Zeitpunkt sichergestellt sein. Wenn dieser nicht funktioniert, wenden Sie sich bitte an die Wartungsanleitung unter „Justierung der Seitengitter-Verriegelung“.

Aktivieren der Seitengitter: Seitengitter (A) hochziehen und vollständig in die obere Position bis zum Einrasten der Verriegelung (B) verbringen.

Lösen der Seitengitter: Verriegelung (B) nach oben ziehen und das Seitengitter vollständig in die untere Position verbringen.

WARNUNG

Wenn das Seitengitter in die untere Position verbracht wird, sind die Extremitäten des Patienten und des Personals von der Drehachse der Seitengitter fern zu halten, um Verletzungen zu vermeiden.

Um Verletzungen oder Beschädigung der Ausrüstung zu vermeiden, die Seitengitter nicht herunterfallen lassen.

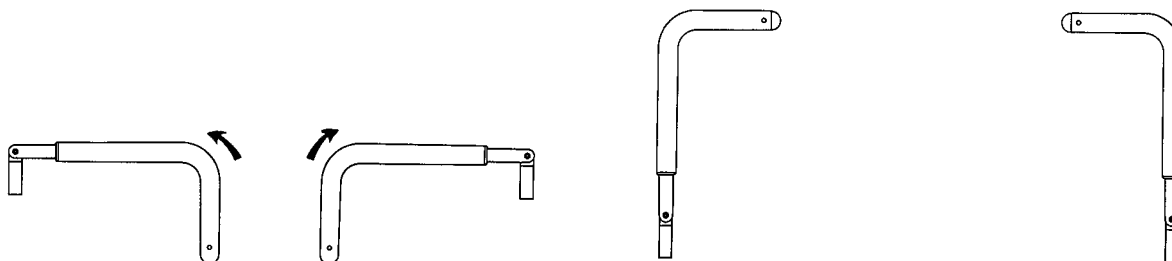
BENUTZEN DER SCHIEBEGRIFFE

VORSICHT

Die Schiebegriffe sind zur Verwendung beim Transport des Stretchers gedacht. Keine anderen Teile des Stretchers zum Schieben oder Ziehen verwenden, da Beschädigung auftreten könnte.

Um die Schiebegriffe zu benutzen: Griffe nach oben schwenken und nach unten drücken, bis sie einrasten.

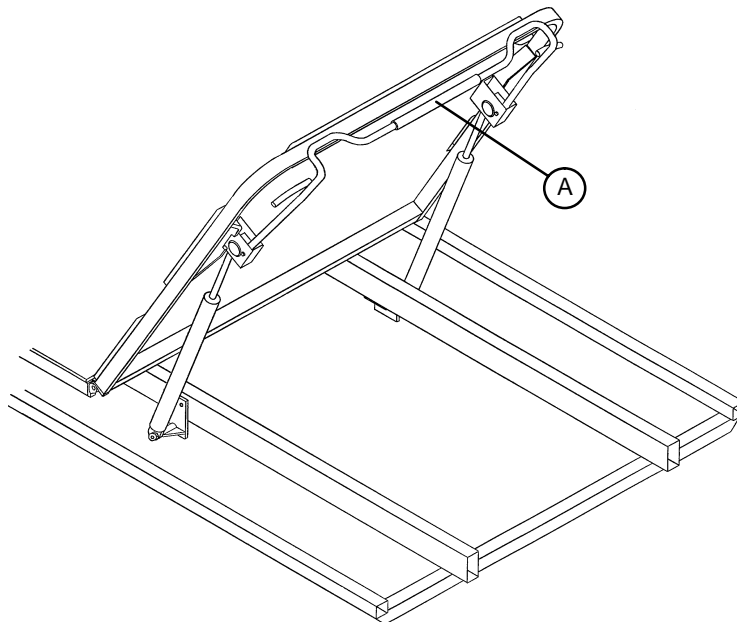
Aufbewahrung der Schiebegriffe: Die Griffe anheben und nach unten schwenken, um sie in den Griffhalterungen aufzubewahren.



Bedienung des Stretchers

Deutsch

BEDIENEN DER KOPFTEILVERSTELLUNG (FOWLER)



Zur pneumatischen Unterstützung beim Anheben des Kopfteils (Fowler) bis zur gewünschten Höhe den Griff (A) zusammendrücken. Wenn die gewünschte Höhe erreicht ist, Griffe loslassen.

Um das Kopfteil abzusenken, den Griff (A) zusammen und nach unten drücken, bis der Fowler die gewünschte Höhe erreicht. Wenn gewünschte Höhe erreicht ist, Hand (Hände) vom Griff entfernen.

WARNUNG

Beim Herunterfahren sind die Finger und Hände aus dem Bereich um die Freigabegriffe für die Kopfteilverstellung und um den Rahmen für die Kopfteilverstellung herauszuhalten. Wenn beim Herunterfahren der Kopfteilverstellung (Fowler) keine Sorgfalt angewandt wird, könnte es zur Verletzung kommen.

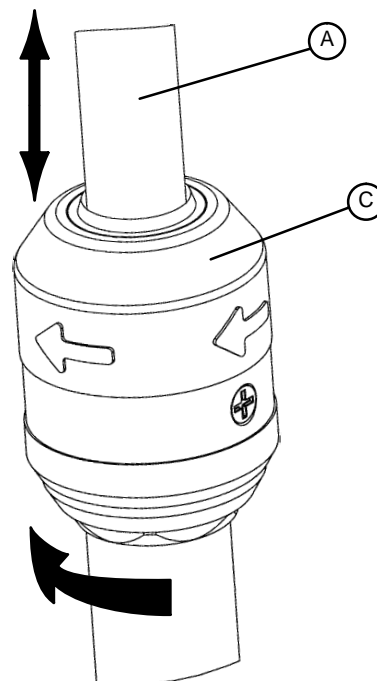
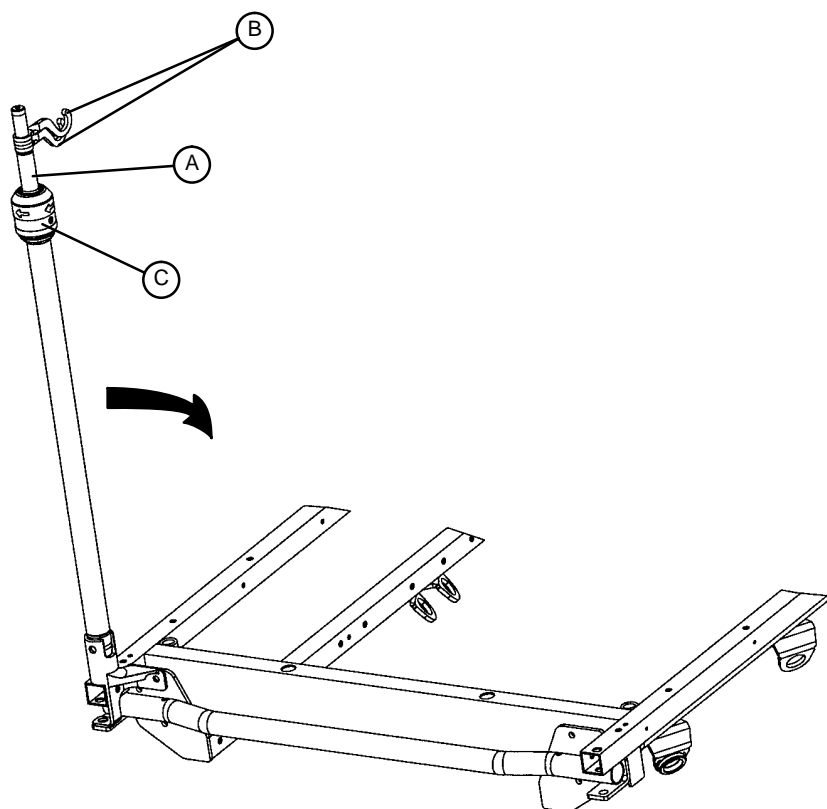
VORSICHT

Wenn der pneumatische Fowler schwierig zu bedienen ist, erkundigen Sie sich bitte in der Wartungsanleitung nach einem Verfahren zur Justierung des pneumatischen Fowlers.

Bedienung des Stretchers

BEDIENEN DES OPTIONALEN, PERMANENT BEFESTIGTEN 2-STUFEN-INFUSIONSSTÄNDERS

Deutsch



DETAIL DER VERRIEGELUNG
DES INFUSIONSSTÄNDERS

HINWEIS

Der permanent befestigte 2-Stufen-Infusionsständer ist optional und wurde eventuell am Kopf- oder Fußende oder an beiden Enden des Stretchers angebracht.

Benutzung des permanent befestigten 2-Stufen-Infusionsständers:

1. Den Ständer aus der Lagerungsposition heraus anheben und drehen, bis er in der Halterung einrastet.
2. Um den Ständer höher zu stellen, am Teleskop-Abschnitt (A) anfassen und hochziehen, bis dieser in der vollständig angehobenen Position einrastet.
3. Die Haltevorrichtungen für Infusionsbeutel (B) in die gewünschte Position drehen und Infusionsbeutel anhängen.
4. Um den Infusionsständer tiefer zu stellen, die Verriegelung (C) im Uhrzeigersinn drehen, bis Abschnitt (A) abgesenkt wird.

VORSICHT

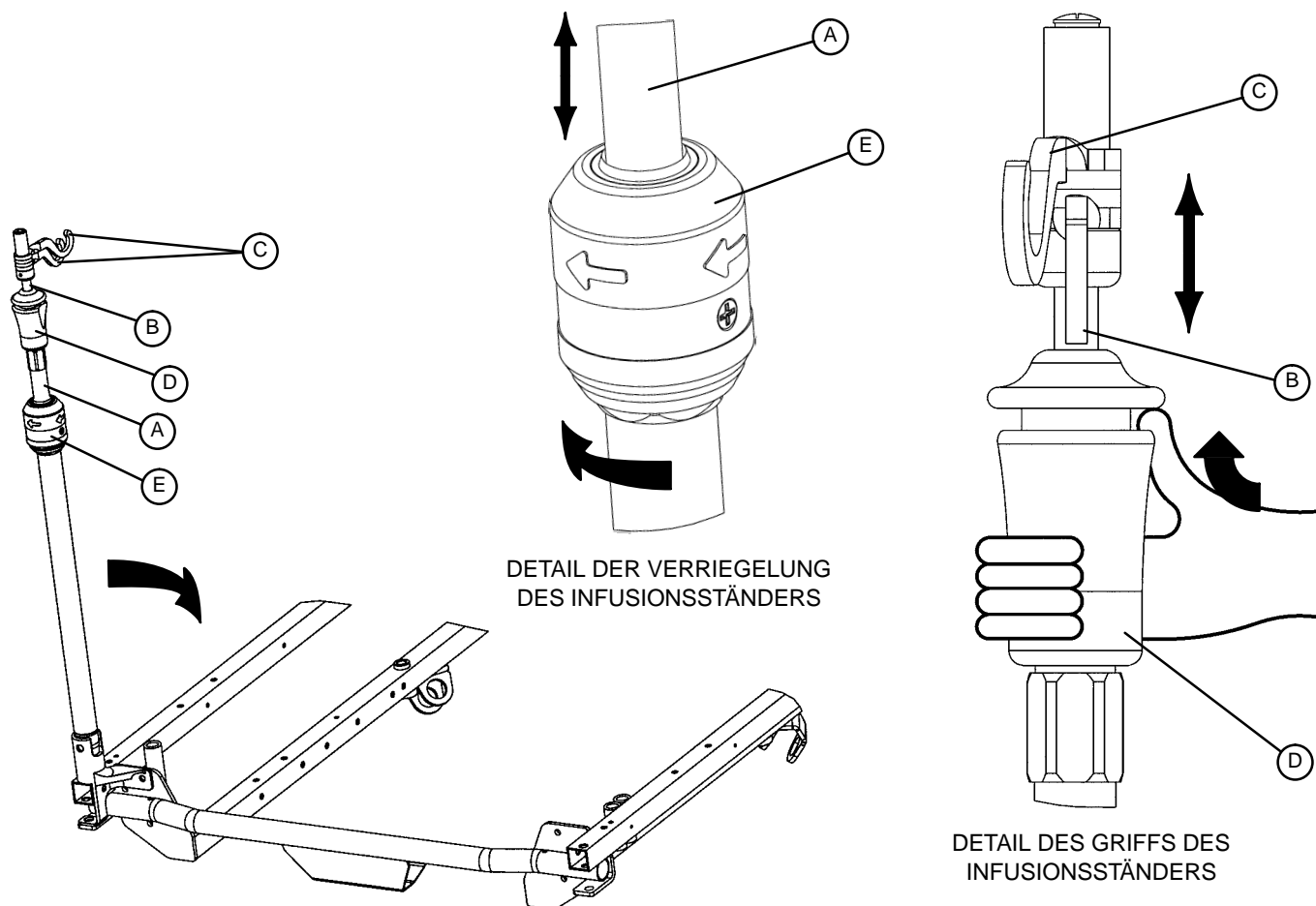
Um Beschädigungen zu vermeiden, sollte das Gewicht der Infusionsbeutel 18 kg nicht überschreiten.

Um Beschädigungen beim Transport des Stretchers zu vermeiden, sicherstellen, dass der Infusionsständer tief genug gestellt ist, um Türöffnungen und Beleuchtungseinrichtungen sicher zu passieren.

Bedienung des Stretchers

BEDIENEN DES OPTIONALEN, PERMANENT BEFESTIGTEN 3-STUFEN-INFUSIONSSTÄNDERS

Deutsch



HINWEIS

Der permanent befestigte 3-Stufen-Infusionsständer ist optional und wurde eventuell am Kopf- oder Fußende oder an beiden Enden des Stretchers angebracht.

Benutzung des permanent befestigten 3-Stufen-Infusionsständers:

1. Den Ständer aus der Lagerungsposition heraus anheben und drehen, bis er in der Halterung einrastet.
2. Um den Ständer höher zu stellen, am Teleskop-Abschnitt (A) anfassen und hochziehen, bis dieser in der vollständig angehobenen Position einrastet.
3. Zum Höherstellen des Infusionsständers am Abschnitt (B) anfassen und nach oben ziehen. Abschnitt (B) loslassen, damit der Ständer einrastet. Dies kann bei jeder gewünschten Höhe geschehen (frei regulierbare Höhe).
4. Die Haltevorrichtungen für Infusionsbeutel (C) in die gewünschte Position drehen und Infusionsbeutel anhängen.
5. Um den Infusionsständer tiefer zu stellen, den roten Abschnitt des Griffs (D) nach oben drücken, während Abschnitt (B) festgehalten wird, bis der Infusionsständer sich senkt. Verriegelung (E) im Uhrzeigersinn drehen, bis Abschnitt (A) abgesenkt wird.

VORSICHT

Um Beschädigungen zu vermeiden, sollte das Gewicht der Infusionsbeutel 18 kg nicht überschreiten.

Um Beschädigungen beim Transport des Stretchers zu vermeiden, sicherstellen, dass der Infusionsständer tief genug gestellt ist, um Türöffnungen und Beleuchtungseinrichtungen sicher zu passieren.

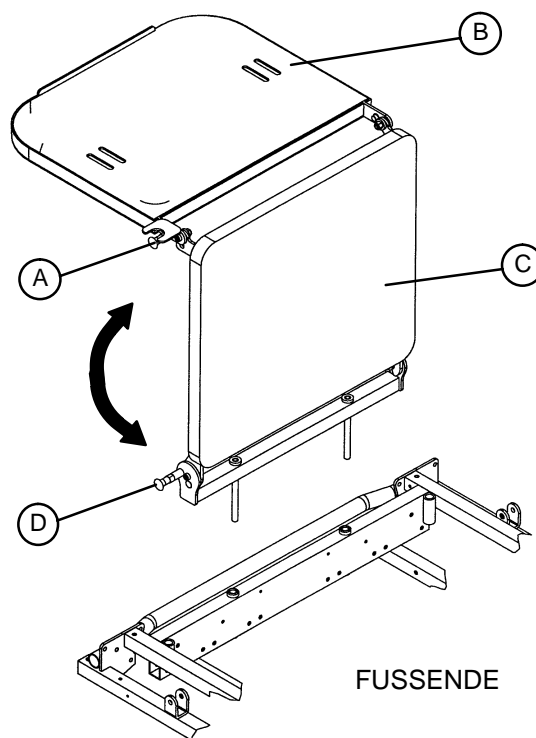
Bedienung des Stretchers

BENUTZEN VON OPTIONALER BETTVERLÄNGERUNG/DEFIBRILLATOR-TABLETT

1. Um das Tablett für Defibrillatoren zu verwenden, den oberen Knopf (A) herausziehen und das Tablett (B) über die Bettverlängerung (C) drehen, bis sich das Tablett flach über dem Fußende des Stretchers befindet.
2. Um als Bettverlängerung zu verwenden, den Knopf (A) herausziehen und das Defibrillator-Tablett zurückdrehen, bis es an der Bettverlängerung (C) einrastet. Den Aufbau festhalten und den unteren Knopf (D) herausziehen, um die Bettverlängerung auf die Höhe des Betts abzusenken.

WARNUNG

Wenn der Stretcher mit dem optionalen Infusionsständer am Fußende ausgestattet ist, muss sich der Infusionsständer in der oberen Position befinden, wenn die Bettverlängerung bzw. das Defibrillator-Tablett angebracht wird. Wenn sich der Infusionsständer nicht in der oberen Position befindet, wird die Bettverlängerung nicht ordnungsgemäß funktionieren und es könnte zur Verletzung kommen.



Vorbeugende Wartung

Deutsch

CHECKLISTE

- _____ Alle Befestigungsmittel gesichert
- _____ Seitengitter lassen sich ordnungsgemäß bewegen und verriegeln
- _____ Bremspedal aktivieren und Stretcher schieben, um sicherzustellen, dass alle Laufrollen sicher blockieren
- _____ Alle Laufrollen blockieren und schwenken ordnungsgemäß
- _____ Fixiereinrichtungen funktionieren ordnungsgemäß
- _____ Infusionsständer intakt und ordnungsgemäß funktionierend
- _____ Halter für Sauerstoffflasche intakt und ordnungsgemäß funktionierend
- _____ Kopfteilverstellung (Fowler) funktioniert und rastet ordnungsgemäß ein
- _____ Trendelenburg/Anti-Trendelenburg-Lagerung funktioniert ordnungsgemäß
- _____ Keine Risse oder Brüche im Matratzenbezug
- _____ Bodenkette intakt
- _____ Keine Lecks an Hydraulikverbindungen
- _____ Hydraulische Hubeinrichtungen halten ordnungsgemäß
- _____ Hydraulische Absenkrate korrekt eingestellt
- _____ Ölstand der Hydraulik ausreichend
- _____ Wo benötigt ölen
- _____ Zubehör und Montageteile in gutem Zustand und ordnungsgemäß funktionierend

Seriennr. _____

Durchgeführt am: _____

Datum: _____

HINWEIS

Vorbeugende Wartungen sollten mindestens einmal im Jahr durchgeführt werden. Für alle Ausrüstungsgeräte von Stryker Medical sollte ein Programm zur vorbeugenden Wartung aufgestellt werden. Vorbeugende Wartungen müssen je nach Ausmaß der Benutzung des Produkts eventuell häufiger durchgeführt werden.

Reinigung

Alle Oberflächen des Stretchers sind mit warmem Wasser und milden Detergenzien per Hand zu waschen. Gründlich abtrocknen. NICHT MIT DAMPF, DRUCK ODER ULTRASCHALL REINIGEN ODER MIT DEM SCHLAUCH ABSPRITZEN. Diese Reinigungsmethoden werden **nicht** empfohlen und können zum Verfall der Garantie dieses Produkts führen.

Klettverschluss **NACH JEDEM GEBRAUCH** reinigen. Klettverschluss mit Desinfektionsmittel sättigen und das Desinfektionsmittel verdunsten lassen. (Geeignetes Desinfektionsmittel für Nylon-Klettverschluss sollte vom Krankenhaus bestimmt werden.)

Bei Verwendung in den vom Hersteller empfohlenen Konzentrationen können Desinfektionsmittel auf Phenolbasis oder auf Basis quaternärer Ammoniumverbindungen verwendet werden. Jodhaltige Desinfektionsmittel, z.B. auf Iodophorbasis, werden nicht empfohlen, da Verfärbungen auftreten können. Die folgenden Produkte wurden getestet und haben keine schädliche Wirkung gezeigt, SOFERN SIE IN DEN VOM HERSTELLER EMPFOHLENE VERDÜNNUNGEN ANGEWENDET WURDEN.*

HANDELSNAME	DESINFEKTIONS- MITTELTYP	HERSTELLER	*VOM HERSTELLER EMPFOHLENE KONZENTRATION
A33	Quaternäre Ammonium- verbindungen	Airwick (Professional Products Division)	1 : 64
A33 (trocken)	Quaternäre Ammonium- verbindungen	Airwick (Professional Products Division)	1 : 256
Beaucoup	Phenolbasis	Huntington Laboratories	1 : 128
Blue Chip	Quaternäre Ammonium- verbindungen	S.C. Johnson	1 : 64
Elimstaph	Quaternäre Ammonium- verbindungen	Walter G. Legge	1 : 128
Franklin Phenomysan F2500	Phenolbasis	Purex Corporation	1 : 100
Franklin Sentinel	Quaternäre Ammonium- verbindungen	Purex Corporation	1 : 64
Galahad	Phenolbasis	Puritan Churchill Chemical Company	1 : 128
Hi-Tor	Quaternäre Ammonium- verbindungen	Huntington Laboratories	1 : 256
LPH	Phenolbasis	Vestal Laboratories	1 : 256
Matar	Phenolbasis	Huntington Laboratories	1 : 256
Omega	Quaternäre Ammonium- verbindungen	Airwick (Professional Products Division)	1 : 256
Quanto	Quaternäre Ammonium- verbindungen	Huntington Laboratories	1 : 128
Sanikleen	Quaternäre Ammonium- verbindungen	West Chemical Products	1 : 64
Sanimaster II	Quaternäre Ammonium- verbindungen	Service Master	1 : 128
Vesphene	Phenolbasis	Vestal Laboratories	1 : 100

Quaternäre Keim abtötende Desinfektionsmittel, wie vorgeschrieben angewandt, oder Chlorbleichprodukte, wie 5,25-prozentige Natriumhypochloritlösung, sind keine milden Reinigungsmittel, wenn sie in **Konzentrationen von 1 Teil Bleiche auf 100 Teile Wasser bis 2 Teile Bleiche auf 100 Teile Wasser, verwendet werden. Diese Produkte sind korrosiv und könnten bei unsachgemäßer Anwendung zur Beschädigung des Stretchers führen.** Wenn diese Produkte verwendet werden, um Stryker-Ausrüstungen zum Patiententransport zu reinigen, müssen Maßnahmen ergriffen werden, um sicherzustellen, dass die Stretcher mit sauberem Wasser ab gespült werden und nach der Reinigung gründlich getrocknet werden. Wenn die Stretcher nicht angemessen ab gespült und getrocknet werden, verbleibt ein korrosiver Rückstand auf der Oberfläche des Stretchers, der möglicherweise zur frühzeitigen Korrosion von kritischen Komponenten führen kann.

HINWEIS

Nichtbefolgen der obigen Anweisungen beim Gebrauch dieser Reinigungsmittel kann zum Garantieverlust für dieses Produkt führen.

ENTFERNUNG VON JODVERBINDUNGEN

Diese Lösung kann verwendet werden, um Verfärbungen durch Jod von der Oberfläche des Matratzenbezugs zu entfernen.

1. Es ist eine Lösung aus 1–2 Esslöffeln Natrium-Thiosulfat in einem halben Liter warmem Wasser zu verwenden, um den verfärbten Bereich zu reinigen. Sobald wie möglich nach Auftreten der Verfärbung reinigen. Wenn die Verfärbungen nicht sofort entfernt werden, die Lösung auf der Oberfläche stehen und/oder einweichen lassen.
2. Bevor das Bett wieder benutzt wird, müssen die Oberflächen, die mit der Lösung in Kontakt gekommen sind, mit klarem Wasser ab gespült werden.

Herstellergarantie

Eingeschränkte Garantie:

Stryker Medical Division, ein Unternehmensbereich der Stryker Corporation, garantiert dem Erstkäufer, dass seine Produkte für die Dauer von einem (1) Jahr ab dem Auslieferungsdatum frei von Material- oder Verarbeitungsfehlern sind. Strykers Verpflichtung unter dieser Garantie beschränkt sich ausdrücklich auf Ersatzteile und Reparatur oder nach eigenem Ermessen auf das Ersetzen jeglicher Produkte, die nach alleinigem Ermessen von Stryker Beschädigungen aufweisen. Stryker garantiert dem Erstkäufer, dass Rahmen und die Schweißstellen frei von strukturellen Defekten sind, solange sich das Bett im Besitz des Erstkäufers befindet. Auf Anfrage von Stryker müssen Produkte oder Teile, für die eine Garantie beansprucht wird, auf eigene Kosten an die Stryker-Niederlassung zurückgeschickt werden. Durch jedweden Missbrauch des Produkts oder Veränderung oder Reparatur durch andere, die nach Strykers Ermessen das Produkt wesentlich und nachteilig beeinflussen, wird diese Garantie außer Kraft gesetzt. Reparaturen von Stryker-Produkten unter Verwendung von Teilen, die nicht von Stryker geliefert oder genehmigt sind, führen zum Verlust der Garantieansprüche. Kein Mitarbeiter oder Vertreter von Stryker ist berechtigt, diese Garantiebestimmungen auf irgendeine Weise zu ändern.

Die Tragen von Stryker Medical sind auf eine erwartete Nutzungsdauer von 10 Jahren ausgelegt, vorausgesetzt, dass sie unter normalen Bedingungen gebraucht werden und entsprechend den Angaben in der jeweiligen Gebrauchsanweisung regelmäßig gewartet werden. Stryker garantiert dem Erstkäufer, dass die Schweißnähte an den Tragen in den erwarteten 10 Jahren ihrer Nutzungsdauer keinerlei strukturelle Mängel aufweisen, so lange der Erstkäufer die Trage besitzt.

Diese Erklärung stellt die vollständige Garantie von Stryker für die benannte Ausrüstung dar. STRYKER ERTEILT KEINE WEITEREN GARANTIEEN ODER DARSTELLUNGEN, WEDER AUSDRÜCKLICH NOCH STILLSCHWEIGEND, AUSSER DEN HIER DARGESTELLTEN. ES BESTEHT KEINE GARANTIE AUF MARKTGÄNGIGKEIT ODER EIGNUNG FÜR EINEN BESTIMMTEN ZWECK. KEINESFALLS IST STRYKER HAFTBAR FÜR BEGLEIT- ODER FOLGESCHÄDEN ODER ANDERE SCHÄDEN DURCH DEN VERKAUF ODER DIE VERWENDUNG DIESER PRODUKTE.

Erhalt von Ersatzteilen und Kundendienst:

Stryker-Produkte werden durch ein landesweites Netz von dedizierten Kundendiensttechnikern unterstützt. Diese Kundendiensttechniker werden im Werk ausgebildet, sind lokal verfügbar und führen ein Inventar der wichtigsten Ersatzteile mit sich, um die Reparaturzeit auf ein Minimum zu reduzieren. Rufen Sie einfach Ihren lokalen Vertreter oder den Stryker-Kundendienst an unter 1-800-327-0770.

Abdeckung von Serviceverträgen:

Stryker hat ein umfassendes Programm verschiedener Serviceverträge entwickelt, um laufenden Betrieb Ihrer Ausrüstung mit Höchstleistung zu gewährleisten und unerwartete Kosten zu eliminieren. Um mögliche Aufrüstungskosten für zusätzliche Ausrüstungen zu eliminieren, empfehlen wir, diese Programme zu aktivieren, *bevor* die Garantie neuer Produkte abläuft.

EIN SERVICEVERTRAG DIENT DER:

- Sicherstellung der Zuverlässigkeit der Ausrüstung
- Stabilisierung des Wartungsbudgets
- Verringerung von Stillstandzeiten
- Dokumentationserstellung für JCAHO
- Verlängerung der Lebensdauer der Produkte
- Steigerung des Handelswerts
- Maßnahmen für Risikomanagement und Sicherheit

Herstellergarantie

Deutsch

Stryker bietet folgende Optionen für Serviceverträge an:

TECHNISCHE DATEN	GOLD	SILBER	NUR VORBEUGENDE WARTUNG*
Einmal jährliche vorbeugende Wartung	X		X
Alle Teile,** Arbeits- und Reisekosten	X	X	
Unbegrenzte Kundendienstanrufe bei Notfällen	X	X	
Kontakt erster Priorität; telefonische Antwort innerhalb von zwei Stunden	X	X	X
Die meisten Reparaturen werden innerhalb von 3 Werktagen abgeschlossen	X	X	
JCAHO-Dokumentation	X	X	X
Logbuch vor Ort mit Aufzeichnungen zu vorbeugender Wartung und zu Kundendienst im Notfall	X		
Werksgeschulte Kundendienstvertreter von Stryker	X	X	X
Von Stryker autorisierte Teile	X	X	X
Zusammenfassung am Jahresende	X		
Stryker führt alle Dienstleistungen während der regulären Geschäftszeiten durch (9–17 Uhr)	X	X	X

* Ersatzteile und Arbeitszeit zur Reparatur unter dem Vertrag zur vorbeugenden Wartung werden zum reduzierten Preis angeboten.

** Dies beinhaltet keine Einwegteile, Infusionsständer (außer permanent befestigte Stryker Infusionsständer), Matratzen oder Beschädigungen, die durch Missbrauch entstanden sind.

Stryker Medical bietet auch *individuell gestaltete* Serviceverträge.

Der Preis wird anhand von Alter, Standort, Modell und Zustand des Produkts festgelegt.

Für weitere Informationen zu unseren Serviceverträgen rufen Sie bitte ihren lokalen Vertreter oder folgende Nummer an: 1-800-327-0770 (Option 2).

Rückgabeberechtigung:

Artikel können nur nach Genehmigung durch den Stryker-Kundendienst zurückgegeben werden. Es wird eine RMA-Nummer vergeben, die auf dem zurückgesandten Artikel vermerkt werden muss. Stryker behält sich das Recht vor, ein Versand- und Reinventarisierungsentgelt für zurückgegebene Artikel zu verlangen.

SPEZIELLE, MODIFIZIERTE ODER NICHT MEHR GEFÜHRTE ARTIKEL KÖNNEN NICHT ZURÜCKGEBEN WERDEN.

Beschädigte Artikel:

Die Vorschriften der Interstate Commerce Commission (ICC) verlangen, dass Ansprüche wegen beschädigter Artikel innerhalb von fünfzehn (15) Tagen nach Erhalt des Artikels beim Spediteur erhoben werden müssen. KEINE BESCHÄDIGTE LIEFERUNG ENTGEGENNEHMEN, SOFERN DIE BESCHÄDIGUNG NICHT ZUM ZEITPUNKT DES EMPFANGS AUF DER ZUSTELLQUITTUNG VERMERKT WURDE. Nach umgehender Benachrichtigung fordert Stryker vom betreffenden Spediteur Schadensersatz. Der Anspruch beschränkt sich auf die tatsächlichen Ersatzkosten. Falls Stryker diese Angaben nicht innerhalb von fünfzehn (15) Tagen nach Zustellung des Artikels erhält oder die Beschädigung nicht beim Empfang auf der Empfangsquittung vermerkt wurde, ist der Käufer für die vollständige Bezahlung der Originalrechnung verantwortlich.

Ansprüche wegen fehlender Teile in der Lieferung müssen innerhalb von dreißig (30) Tagen ab Rechnungsdatum erhoben werden.

Internationale Garantie:

Diese Garantie beruht auf der US-amerikanischen Gesetzgebung. Die Garantieansprüche sind außerhalb der USA je nach Land verschieden. Wenden Sie sich zwecks weiterer Informationen bitte an Ihre örtliche Vertretung von Stryker Medical.

Inhoudsopgave

Inleiding	2, 3
De bedieningen van het onderstuk gebruiken	4, 5
De hoogte van het bed afstellen	6
Plaatsing in de Trendelenburg-/anti-Trendelenburghouding	6
Het remsysteem inschakelen	7
Het vijfde wiel gebruiken	8
De onrusthekken gebruiken	8
De duwhandvaten gebruiken	9
De Fowler-rugsteun gebruiken	10
De optionele permanent bevestigde infuuspalen gebruiken	11, 12
Het optionele voetverlengstuk/defibrillatorblad gebruiken	13
Checklist voor preventief onderhoud	14
Schoonmaken	15, 16
Garantie	
Onderdelen en service verkrijgen	17
Aanvullende garantiedekking	17
Retourautorisatie	18
Vorderingen voor vrachtschade	18


Inleiding

INLEIDING

Deze handleiding is bestemd om u te helpen het model 735 verplaatsbare verpleegbed te gebruiken. Lees de handleiding grondig voordat u het apparaat gebruikt of er onderhoud aan uitvoert.

Nederlands

SPECIFICATIES

Maximum gewichtscapaciteit	226 kg	
Totale lengte / breedte van het verpleegbed	211 cm / 76 cm	
Minimale / maximale bedhoogte	54,6 cm / 91 cm	
Fowler-hoek	0° tot 90°	
Trendelenburg / anti-Trendelenburg	+18° tot -18°	

Stryker behoudt zich het recht voor om de specificaties zonder kennisgeving te wijzigen.

DEFINITIE VAN WAARSCHUWING / LET OP / OPMERKING

De woorden WAARSCHUWING, LET OP en OPMERKING hebben een speciale betekenis en dienen aandachtig te worden bestudeerd.

WAARSCHUWING

Wijst de aandacht van de lezer op een situatie die, indien niet vermeden, overlijden of ernstig letsel tot gevolg zou kunnen hebben. Mogelijk worden ook ernstige bijwerkingen en gevaren voor de veiligheid beschreven.

LET OP

Wijst de aandacht van de lezer op een mogelijke gevaarlijke situatie die, indien niet vermeden, licht of matig letsel aan de gebruiker of de patiënt of schade aan de apparatuur of andere eigendom tot gevolg kan hebben. Hierbij inbegrepen is speciale zorg nodig voor het veilige en effectieve gebruik van het apparaat en de zorg nodig om schade aan de apparatuur te vermijden die kan optreden als gevolg van gebruik of verkeerd gebruik.

OPMERKING

Een opmerking geeft speciale informatie die het onderhoud vergemakkelijkt of belangrijke instructies verduidelijkt.



Symbool veilige bedrijfsbelasting

Inleiding

Alvorens dit verpleegbed te gebruiken, is het belangrijk om alle informatie in deze handleiding te lezen en te begrijpen. Lees de op deze pagina vermelde waarschuwingen en voorzorgsmaatregelen zorgvuldig door en volg ze strikt op.

WAARSCHUWING

Schakel altijd de zwenkwielremmen in wanneer een patiënt op het bed klimt of eraf stapt. Duw op het verpleegbed om er zeker van te zijn dat de remmen goed vergrendeld zijn. Schakel de remmen altijd in behalve als het verpleegbed wordt verplaatst. Als het verpleegbed beweegt terwijl een patiënt op het bed klimt of eraf stapt, kan dit tot letsel leiden. Als de remmen niet goed vasthouden, raadpleeg dan de onderhoudshandleiding van het verpleegbed voor een remafstelprocedure.

Zorg ervoor dat het vergrendelmechanisme van de onrusthekken te allen tijde goed werkt. Als dit niet het geval is, raadpleeg dan de onderhoudshandleiding van het verpleegbed onder "Afstellen van de vergrendeling van de onrusthekken".

Houd de ledematen van patiënten en personeel uit de buurt van de spillen van de onrusthekken wanneer u deze omlaag brengt, anders zouden ze letsel kunnen veroorzaken.

Houd vingers/handen uit de buurt van de vrijgavehendel van de Fowler-rugsteun en het Fowler-frame wanneer u die laat zakken. Als er niet wordt opgepast tijdens het laten zakken van de Fowler-rugsteun kan dit tot letsel leiden.

Als het verpleegbed is uitgerust met de optionele infuuspaal aan het voeteneinde, moet de infuuspaal zich in de verheven stand bevinden wanneer het voetverlengstuk/defibrillatorblad wordt gemonteerd. Als de infuuspaal zich niet in de verheven stand bevindt, functioneert het voetverlengstuk niet goed en kan er letsel optreden.

LET OP

Om schade te voorkomen moet u alle apparatuur verwijderen die in de weg kan zijn voordat u de bedhoogte afstelt.

Om letsel of schade aan de apparatuur te voorkomen, de onrusthekken niet vanzelf laten zakken.

De duwhandvaten zijn bestemd om bij het verplaatsen van het verpleegbed te worden gebruikt. Gebruik geen andere delen van het verpleegbed als duw-/trekvoorzieningen omdat er schade kan optreden.

Als u last hebt bij het bedienen van de pneumatische Fowler-rugsteun, raadpleeg dan de onderhoudshandleiding van het verpleegbed onder "Afstellen van de pneumatische Fowler-rugsteun".

Om schade te voorkomen mag het gewicht van infuuszakken niet meer dan 18 kg bedragen.

Om schade te voorkomen tijdens het verplaatsen van het verpleegbed moet u controleren of de infuuspaal zich op een hoogte bevindt die laag genoeg is om veilig door deuropeningen en onder lampen door te kunnen gaan.

Het bed kan niet worden verhoogd wanneer er zich een patientenlift onder het bed bevindt.

Niet op het onderstuk staan.

OPMERKING

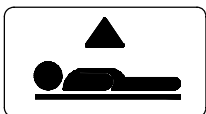
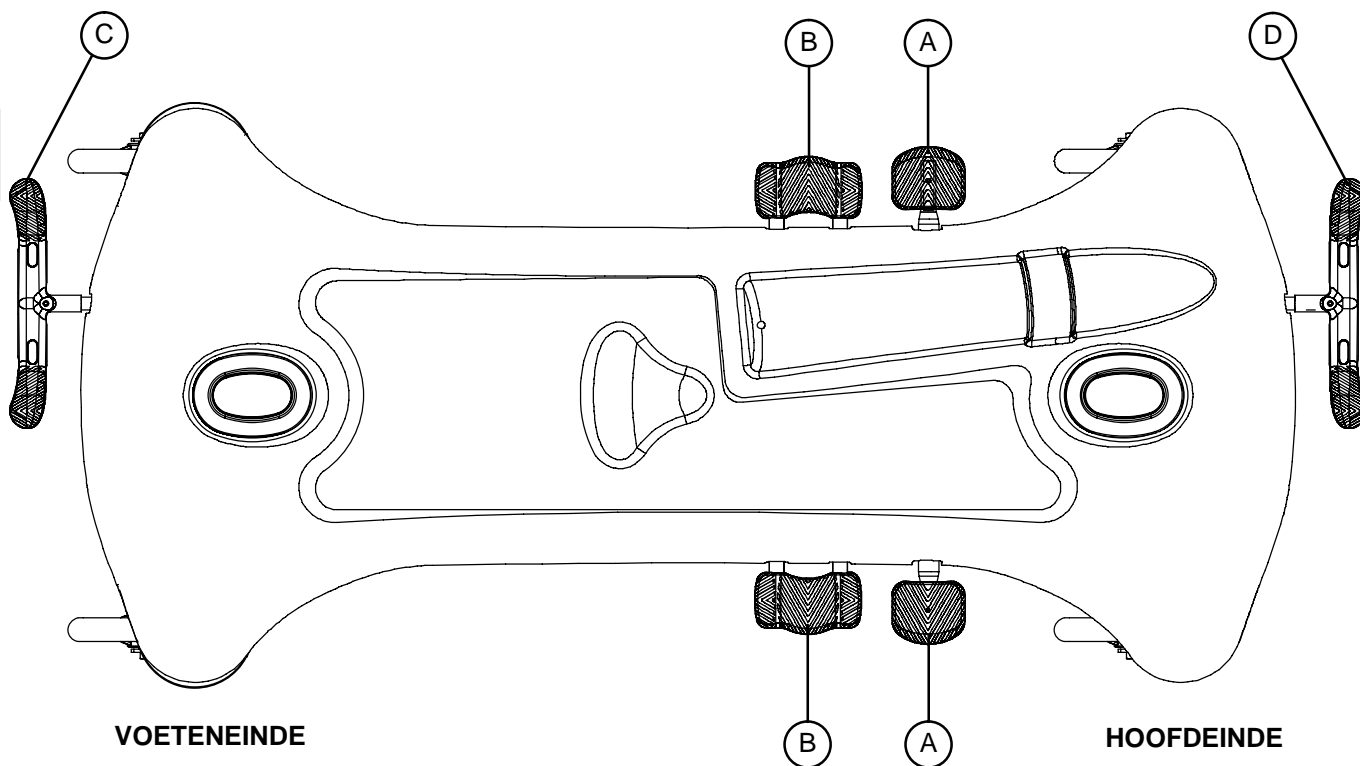
Maak de opbergruimte in het onderstuk regelmatig schoon.

De onderkant van de ringen van het remmechanisme dienen regelmatig schoongemaakt te worden ter voorkoming van opeenhoping van vuilresten.

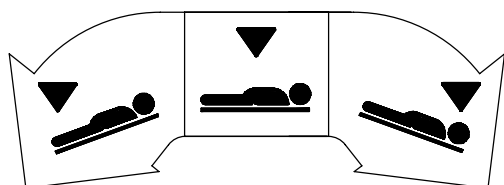
Bediening van het verpleegbed

DE BEDIENINGEN VAN HET ONDERSTUK GEBRUIKEN – ZIJBEDIENING

Nederlands



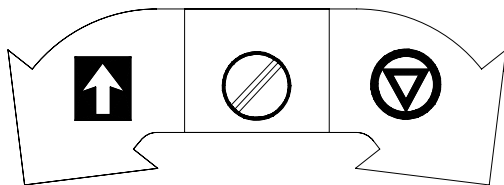
Pomp pedaal (A) om het bed omhoog te brengen.



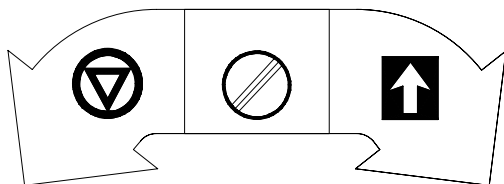
Druk op het midden van pedaal (B) om beide uiteinden van het verpleegbed tegelijkertijd omlaag te brengen.

Druk op de zijkant van pedaal (B) het dichtste bij het voeteneinde van het verpleegbed om het voeteneinde omlaag te brengen.

Druk op de zijkant van pedaal (B) het dichtste bij het hoofdeinde van het verpleegbed om het hoofdeinde omlaag te brengen.



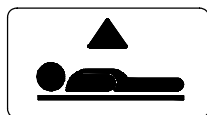
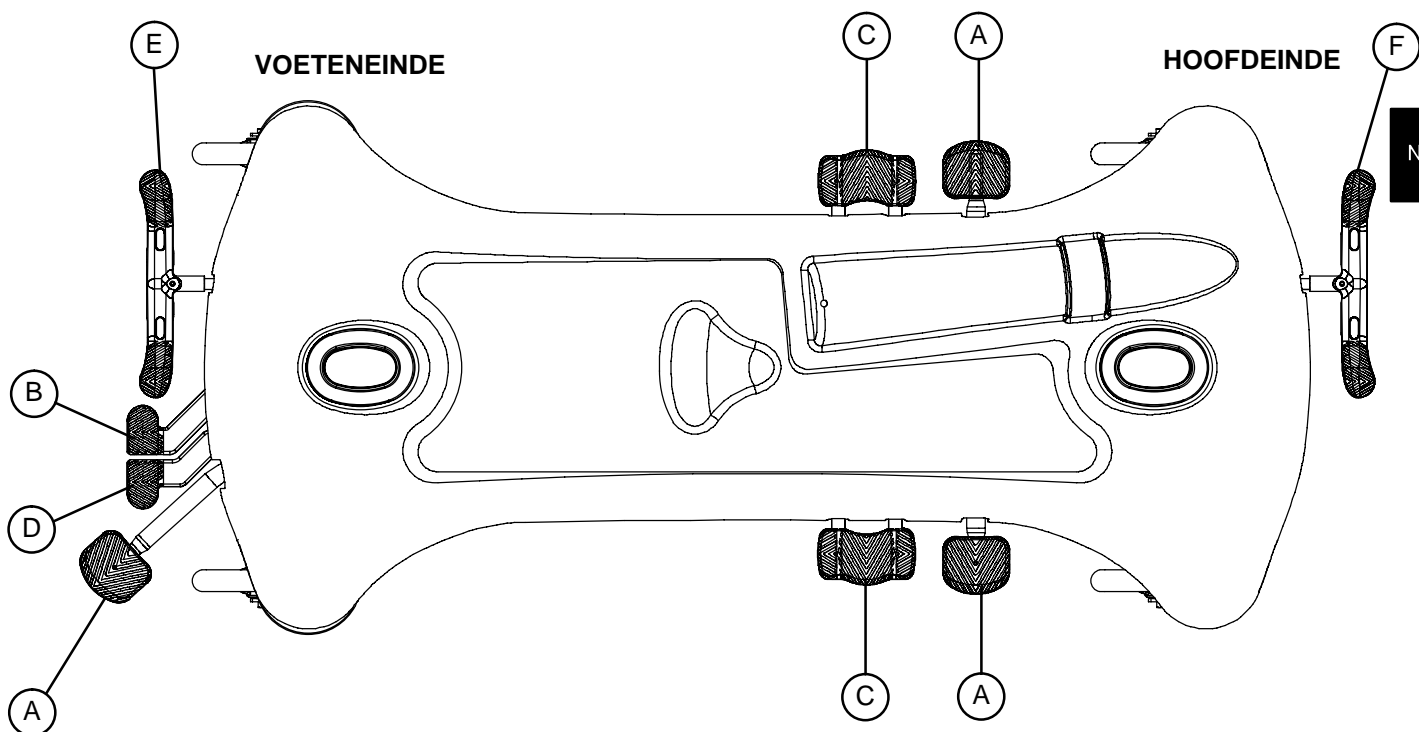
Pedaal (C) – rem- en stuurfuncties (voeteneinde)



Pedaal (D) – rem- en stuurfuncties (hoofdeinde)

Bediening van het verpleegbed

DE BEDIENINGEN VAN HET ONDERSTUK GEBRUIKEN – BEDIENINGEN AAN 3 KANTEN

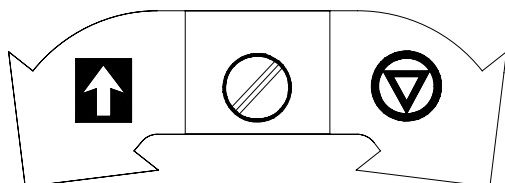
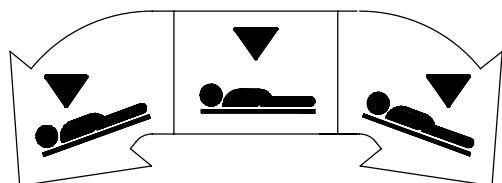


Pomp het pedaal (A) aan het voeteneinde of de zijkanten van het bed om dit omhoog te brengen.

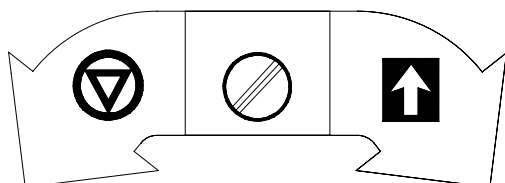
Druk op pedaal (B) of de zijkant van pedaal (C) het dichtste bij het hoofdeinde van het verpleegbed om het hoofdeinde omlaag te brengen.

Druk op pedaal (D) of de zijkant van pedaal (C) het dichtste bij het voeteneinde van het verpleegbed om het voeteneinde omlaag te brengen.

Druk op het midden van pedaal (C) of tegelijkertijd op pedaal (B) en (D) om beide uiteinden van het verpleegbed samen omlaag te brengen.



Pedaal (E) – rem- en stuurfuncties (voeteneinde)



Pedaal (F) – rem- en stuurfuncties (hoofdeinde)

Bediening van het verpleegbed

DE HOOGTE VAN HET BED AFSTELLEN – ZIJBEDIENING

LET OP

Om schade te voorkomen moet u alle apparatuur verwijderen die in de weg kan zijn voordat u de bedhoogte afstelt.

Om het bed te **verhogen**, pompt u pedaal (A) herhaaldelijk totdat de gewenste hoogte is bereikt (zie illustratie op [pagina 4-4](#)).

Druk op het midden van pedaal (B) om beide uiteinden van het bed tegelijkertijd **omlaag** te brengen. Druk op de zijkant van pedaal (B) het dichtste bij het hoofdeinde van het bed om alleen het hoofdeinde omlaag te brengen. Druk op de zijkant van pedaal (B) het dichtste bij het voeteneinde van het bed om alleen het voeteneinde omlaag te brengen (zie illustratie op [pagina 4-4](#)).

DE HOOGTE VAN HET BED AFSTELLEN – BEDIENINGEN AAN 3 KANTEN

Om het bed te **verhogen**, pompt u pedaal (A) herhaaldelijk totdat de gewenste hoogte is bereikt (zie illustratie op [pagina 4-5](#)).

Druk tegelijkertijd met dezelfde voet op pedaal (B) en (D) of druk op het midden van pedaal (C) om beide uiteinden van het bed samen **omlaag** te brengen. Druk op pedaal (B) of de zijkant van pedaal (C) het dichtste bij het hoofdeinde van het bed om alleen het hoofdeinde omlaag te brengen. Druk op pedaal (D) of de zijkant van pedaal (C) het dichtste bij het voeteneinde van het verpleegbed om alleen het voeteneinde omlaag te brengen.

TRENDELENBURG/ANTI-TRENDELENBURG – ZIJBEDIENING

OPMERKING

Het bed moet eerst omhoog worden gebracht om een Trendelenburg- of anti-Trendelenburghouding mogelijk te maken.

LET OP

Om schade te voorkomen alle apparatuur verwijderen die in de weg kan zijn voordat u het verpleegbed omhoog brengt of laat zakken.

Voor de **Trendelenburg**-houding (hoofd naar beneden) drukt u op de zijkant van pedaal (B) het dichtste bij het hoofdeinde van het verpleegbed (zie illustratie, [pagina 4-4](#)).

Voor de **anti-Trendelenburg**-houding (voeten naar beneden) drukt u op de zijkant van pedaal (B) het dichtste bij het voeteneinde.

OPMERKING

Hoe hoger het bed is voordat pedaal (B) wordt ingeschakeld, des te groter is de Trendelenburg- of anti-Trendelenburghoek. (De maximale Trendelenburghoek is +18°. De maximale anti-Trendelenburghoek is -18°).

TRENDELENBURG-/ANTI-TRENDELENBURG – BEDIENINGEN AAN 3 KANTEN

LET OP

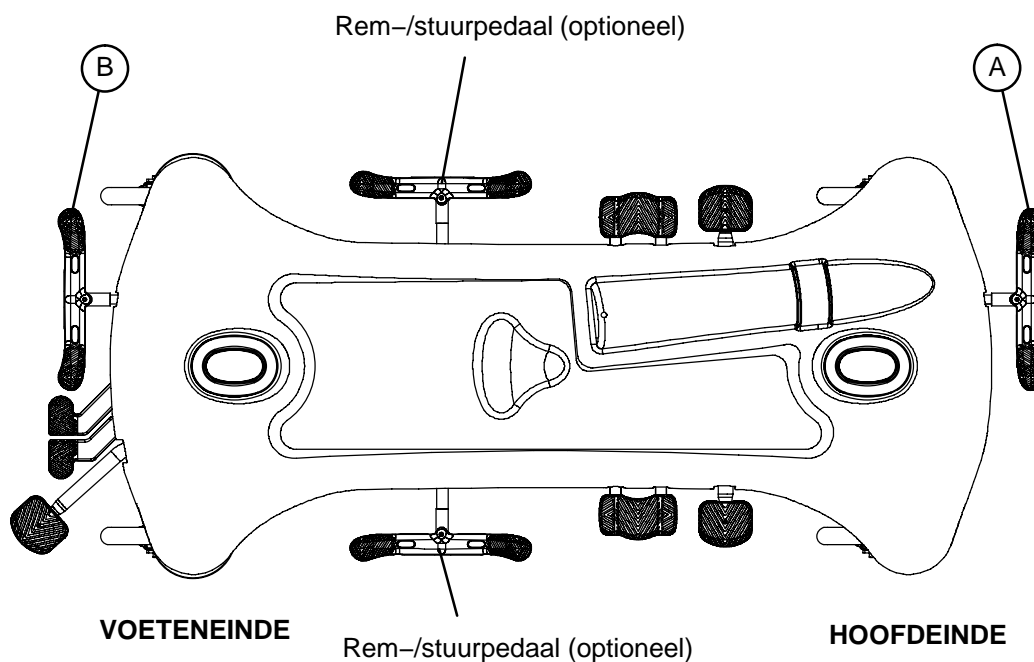
Om schade te voorkomen alle apparatuur verwijderen die in de weg kan zijn voordat u het verpleegbed omhoog brengt of laat zakken.

Voor de **Trendelenburg**-houding (hoofd naar beneden) drukt u op pedaal (B) of op de zijkant van pedaal (C) het dichtste bij het hoofdeinde van het verpleegbed (zie illustratie, [pagina 4-5](#)).

Voor de **anti-Trendelenburg**-houding (voeten naar beneden) drukt u op pedaal (D) of op de zijkant van pedaal (C) het dichtste bij het voeteneinde van het verpleegbed.

Bediening van het verpleegbed

HET REMSYSTEEM INSCHAKELEN



Nederlands

OPMERKING

Voor het gemak van de gebruiker bevindt er zich een rem-/stuurpedaal aan beide uiteinden van het verpleegbed.

WAARSCHUWING

Schakel altijd de zwenkwielremmen in wanneer een patiënt op het bed klimt of eraf stapt. Duw op het verpleegbed om er zeker van te zijn dat de remmen goed vergrendeld zijn. Schakel de remmen altijd in behalve als het verpleegbed wordt verplaatst. Als het verpleegbed beweegt terwijl een patiënt op het bed klimt of eraf stapt, kan dit tot letsel leiden. Als de remmen niet goed vasthouden, raadpleeg dan de onderhoudshandleiding van het verpleegbed voor een remafstelprocedure.

Om de remmen aan het hoofdeinde in te schakelen, duwt u de linkerkant van pedaal (A) helemaal naar beneden.

Om de remmen aan het voeteneinde in te schakelen, duwt u de rechterkant van pedaal (B) helemaal naar beneden.

OPMERKING

Uw verpleegbed is mogelijk naast de standaard bedieningen aan het hoofd- en voeteneinde ook uitgerust met optionele rem- en stuurfuncties in de zijbedieningen. De remmen van de zijbedieningen werken op dezelfde manier als de remmen van het hoofd- en voeteneinde.

Bediening van het verpleegbed

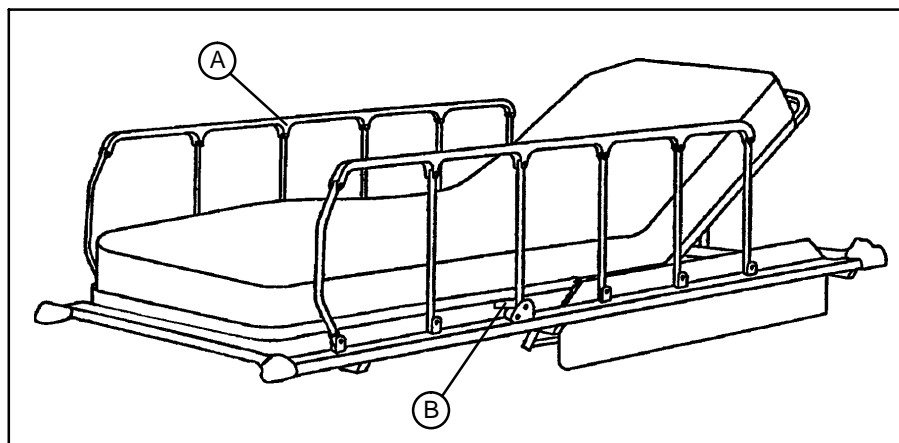
HET VIJFDE WIEL GEBRUIKEN

Het doel van het vijfde wiel is om het verpleegbed in een rechte lijn te helpen geleiden tijdens vervoer en om het verpleegbed rond hoeken te helpen draaien.

Om het vijfde wiel in te schakelen, duwt u de juiste zijkant van het rem-/stuurpedaal geheel naar beneden.

Nederlands

DE ONRUSTHEKKEN GEBRUIKEN



WAARSCHUWING

Zorg ervoor dat het vergrendelmechanisme (B) van de onrusthekken te allen tijde goed werkt. Als dit niet het geval is, raadpleeg dan de onderhoudshandleiding van het verpleegbed onder "Afstellen van de vergrendeling van de onrusthekken".

De onrusthekken inschakelen: Trek het onrusthek (A) omhoog en hef het naar de hoogste stand zodat de vergrendeling (B) wordt ingeschakeld.

Om de onrusthekken uit te schakelen: Trek de vergrendeling (B) omhoog en begeleid het onrusthek naar de laagste stand.

WAARSCHUWING

Houd de ledematen van patiënten en personeel uit de buurt van de spijlen van de onrusthekken wanneer u deze omlaag brengt, anders zouden ze letsel kunnen veroorzaken.

Om letsel of schade aan de apparatuur te voorkomen, de onrusthekken niet vanzelf laten zakken.

Bediening van het verpleegbed

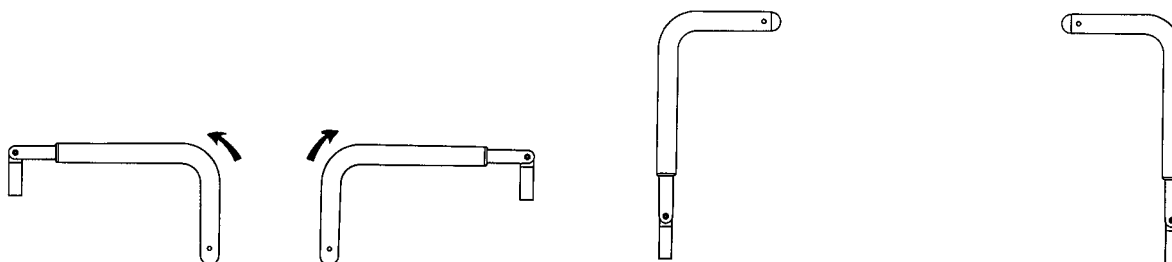
DE DUWHANDVATEN GEBRUIKEN

LET OP

De duwhandvaten zijn bestemd om bij het verplaatsen van het verpleegbed te worden gebruikt. Gebruik geen andere delen van het verpleegbed als duw-/trekvoorzieningen omdat er schade kan optreden.

Om de duwhandvaten te gebruiken: Draai de handvaten omhoog en duw ze neer totdat ze op hun plaats vergrendeld zijn.

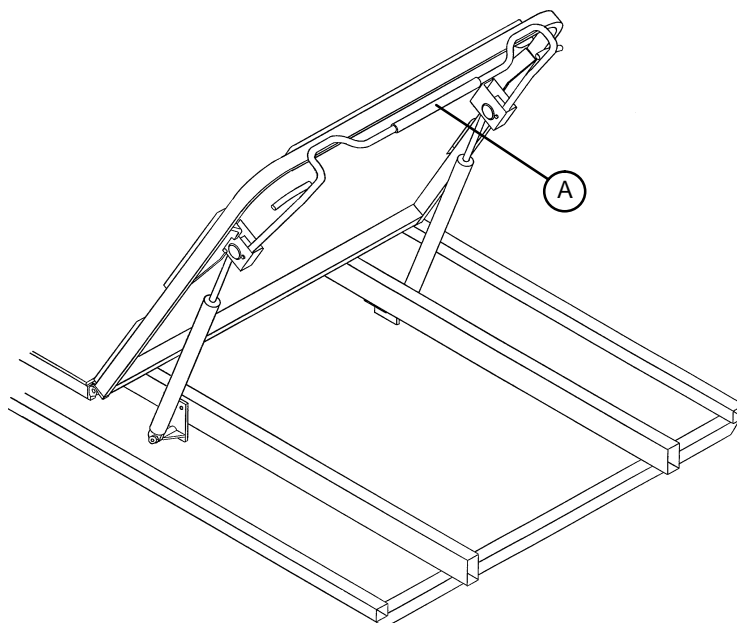
Om de duwhandvaten weg te bergen: Til de duwhandvaten op en draai ze omlaag om ze in de handvathouders weg te bergen.



Nederlands

Bediening van het verpleegbed

DE FOWLER–RUGSTEUN GEBRUIKEN



Knijp in handvat (A) voor pneumatische hulp bij het optillen van de Fowler–rugsteun tot de gewenste hoogte. Haal uw hand(en) van de hendel wanneer de gewenste hoogte is bereikt.

Om de Fowler–rugsteun te doen zakken, knijpt u in handvat (A) en duwt u neer totdat de Fowler–rugsteun de gewenste hoogte heeft bereikt. Haal uw hand(en) van het handvat wanneer de gewenste hoogte is bereikt.

WAARSCHUWING

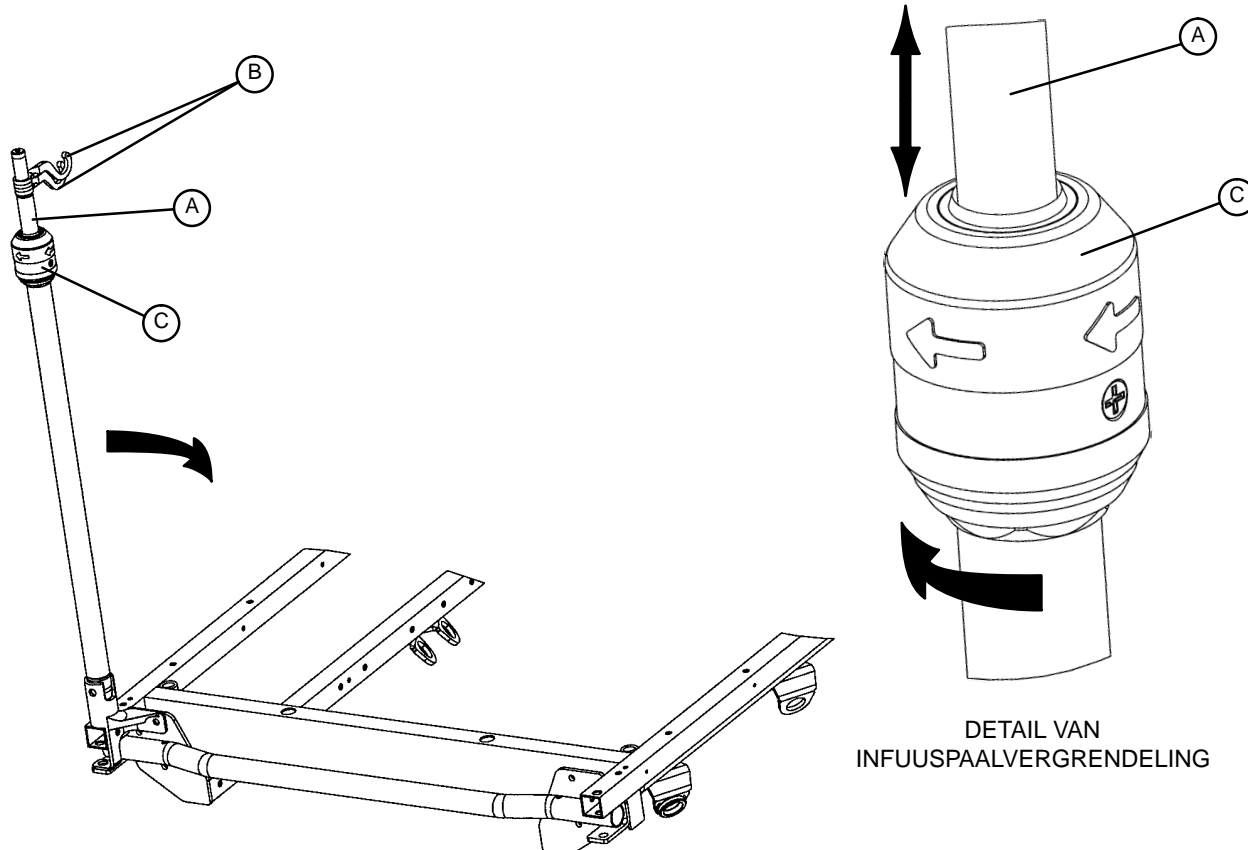
Houd handen/vingers uit de buurt van de vrijgavehendels van de Fowler–rugsteun en het Fowler–frame wanneer u die laat zakken. Als er niet wordt opgepast tijdens het laten zakken van de Fowler–rugsteun kan dit tot letsel leiden.

LET OP

Als u last hebt bij het bedienen van de pneumatische Fowler–rugsteun, raadpleeg dan de onderhoudshandleiding van het verpleegbed onder "Afstellen van de pneumatische Fowler–rugsteun".

Bediening van het verpleegbed

DE OPTIONELE TWEEDELIGE, PERMANENT BEVESTIGDE INFUUSPAAL GEBRUIKEN



Nederlands

OPMERKING

De tweedelige, permanent bevestigde infuuspaal is een optie en kan bij hetzij het hoofd- of het voeteneinde of aan beide uiteinden van het verpleegbed zijn geïnstalleerd.

De tweedelige, permanent bevestigde infuuspaal gebruiken:

1. Til de paal omhoog, draai hem uit de opbergstand en duw neer totdat de paal vergrendeld is in de insteekvoet.
2. Om de paal langer te maken, trekt u aan het schuifgedeelte (A) totdat hij in de volledig hoogste stand vergrendeld wordt.
3. Draai de infuushangers (B) naar de gewenste stand en hang de infuuszakken op.
4. Om de infuuspaal te laten zakken, draait u de vergrendeling (C) rechtsonder totdat deel (A) zakt.

LET OP

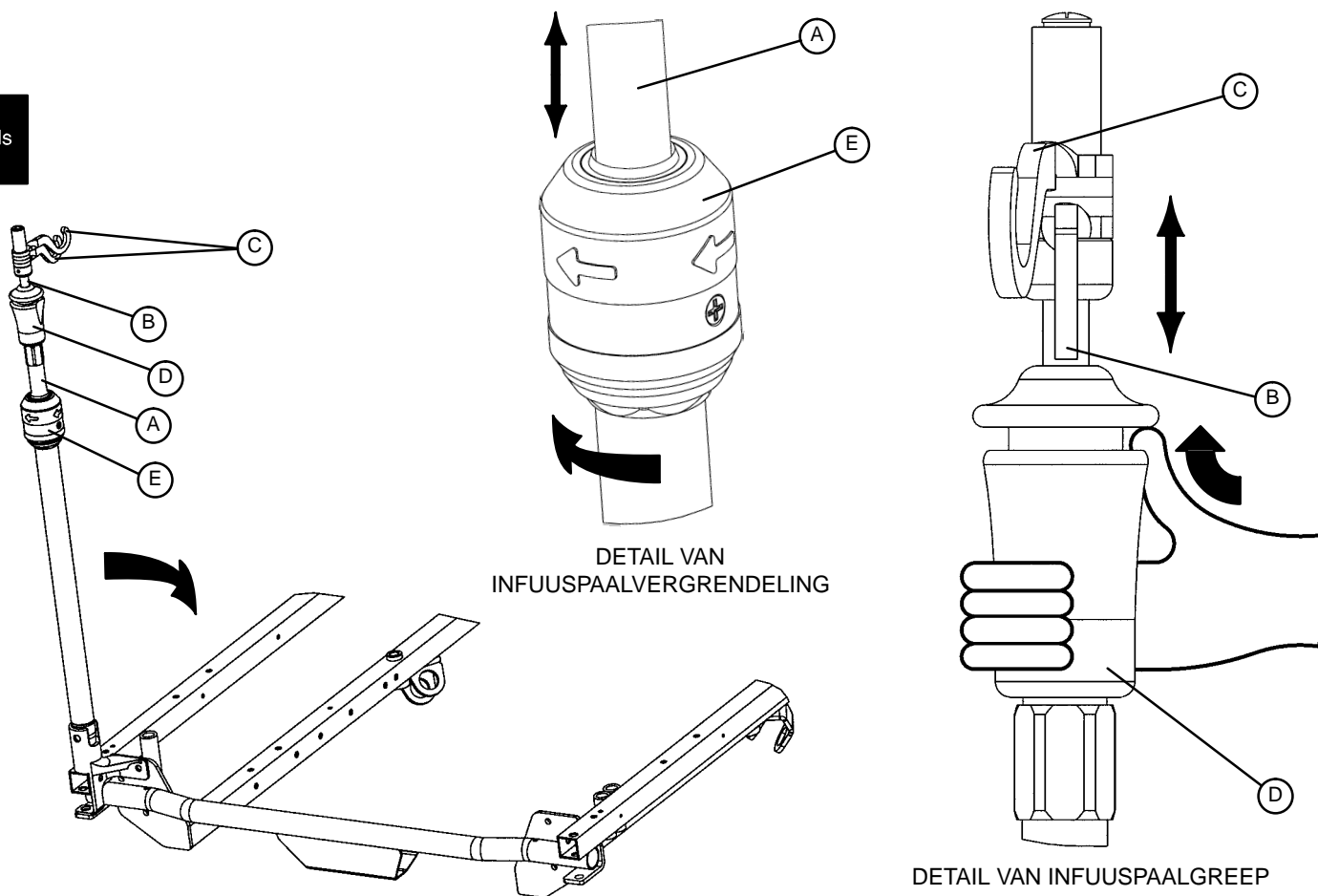
Om schade te voorkomen mag het gewicht van infuuszakken niet groter zijn dan 18 kg.

Om schade te voorkomen tijdens het verplaatsen van het verpleegbed moet u controleren of de infuuspaal zich op een hoogte bevindt die laag genoeg is om veilig door deuropeningen en onder lampen door te kunnen gaan.

Bediening van het verpleegbed

DE OPTIONELE DRIEDELIGE, PERMANENT BEVESTIGDE INFUUSPAAL GEBRUIKEN

Nederlands



OPMERKING

De driedelige, permanent bevestigde infuuspaal is een optie en kan bij hetzij het hoofd- of het voeteneinde of aan beide uiteinden van het verpleegbed zijn geïnstalleerd.

De driedelige, permanent bevestigde infuuspaal gebruiken:

1. Til de paal omhoog, draai hem uit de opbergstand en duw neer totdat de paal vergrendeld is in de insteekvoet.
2. Om de paal langer te maken, trekt u aan het schuifgedeelte (A) totdat hij in de volledig hoogste stand vergrendeld wordt.
3. Voor een hogere infuuspaal trekt u deel (B) omhoog. Laat deel (B) op elke gewenste hoogte los en het wordt op zijn plaats vergrendeld.
4. Draai de infuushangers (C) naar de gewenste stand en hang de infuuszakken op.
5. Om de infuuspaal te laten zakken, duwt u het rode deel van de greep (D) omhoog terwijl u deel (B) vasthoudt totdat dit zakt. Draai vergrendeling (E) rechtsom totdat deel (A) zakt.

LET OP

Om schade te voorkomen mag het gewicht van infuuszakken niet groter zijn dan 18 kg.

Om schade te voorkomen tijdens het verplaatsen van het verpleegbed moet u controleren of de infuuspaal zich op een hoogte bevindt die laag genoeg is om veilig door deuropeningen en onder lampen door te kunnen gaan.

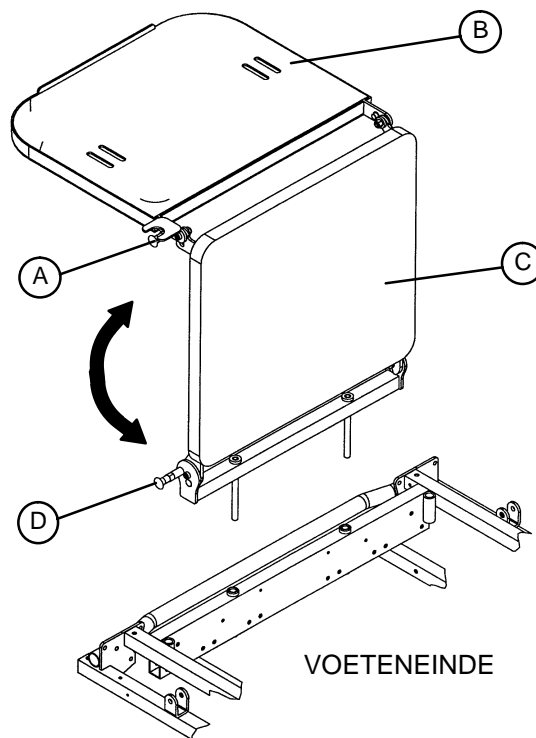
Bediening van het verpleegbed

HET OPTIONELE VOETVERLENGSTUK / DEFIBRILLATORBLAD GEBRUIKEN

1. Om het blad als defibrillatorblad te gebruiken, trekt u de bovenste knop (A) naar buiten en draait u het blad (B) over het voetverlengstuk (C) totdat het blad plat over het voeteneinde van het verpleegbed steekt.
2. Om het blad als voetverlengstuk te gebruiken, trekt u knop (A) naar buiten en draait u het defibrillatorblad totdat het tegen het voetverlengstuk (C) vergrendeld wordt. Trek, terwijl u het samenstel vasthoudt, de onderste knop (D) naar buiten en laat het voetverlengstuk zakken totdat het plat is.

WAARSCHUWING

Als het verpleegbed is uitgerust met de optionele infuuspaal aan het voeteneinde, moet de infuuspaal zich in de verheven stand bevinden wanneer het voetverlengstuk/defibrillatorblad wordt gemonteerd. Als de infuuspaal zich niet in de verheven stand bevindt, functioneert het voetverlengstuk niet goed en kan er letsel optreden.



Nederlands

Preventief onderhoud

CHECKLIST

- _____ Alle bevestigingsmiddelen goed vast
- _____ De onrusthekken bewegen en vergrendelen naar behoren
- _____ Schakel het rempedaal in en duw tegen het verpleegbed om er zeker van te zijn dat alle zwenkwielen stevig vergrendeld zijn
- _____ Alle zwenkwielen zitten stevig vast en zwenken naar behoren
- _____ De lichaamsbanden werken naar behoren
- _____ De infuuspaal is intact en werkt naar behoren
- _____ De houder voor de zuurstoffles is intact en werkt naar behoren
- _____ De Fowler–rugsteun werkt en vergrendelt naar behoren
- _____ Trendelenburg/anti–Trendelenburg werkt naar behoren
- _____ Geen scheuren of barsten in het matrasovertrek
- _____ Grondketting intact
- _____ Geen lekken bij hydraulische verbindingen
- _____ De hydraulische vijzels houden naar behoren
- _____ De hydraulische zaksnelheid is op de juiste wijze ingesteld
- _____ Het hydraulische oliepeil is voldoende
- _____ Smeren waar nodig
- _____ Accessoires en montagemiddelen in goede staat en werken naar behoren

Serienummer _____

Uitgevoerd door: _____

Datum: _____

OPMERKING

Preventief onderhoud dient minstens jaarlijks te worden uitgevoerd. Er dient een preventief onderhoudsprogramma te worden vastgesteld voor alle apparatuur van Stryker Medical. Mogelijk moet het preventief onderhoud vaker worden uitgevoerd gebaseerd op de gebruiksbelasting van het product.

Schoonmaken

Was alle oppervlakken van het verpleegbed met de hand met warm water en een zachte zeep. Goed afdrogen. **NOOIT SCHOONMAKEN MET STOOM, MET HOGE DRUK, EEN WATERSLANG OF MET ULTRASONIE APPARATUUR.** Gebruik van deze reinigingsmethodes wordt door Stryker **afgeraden** en kunnen de productgarantie teniet doen.

Reinig het klittenband **NA IEDER GEBRUIK**. Doordrenk het klittenband met een desinfectans en laat dit evaporeren. (Wat het geschikte desinfectans is voor nylon klittenband dient door het ziekenhuis te worden bepaald.)

Wanneer gebruikt in de door de fabrikant aanbevolen concentraties, kunnen ontsmettingsmiddelen van het fenol- of quaternaire type worden gebruikt. Ontsmettingsmiddelen van het Iodophor-type worden niet aanbevolen omdat zij vlekken kunnen veroorzaken. In tests is gebleken dat de volgende producten geen schadelijk effect hebben **WANNEER GEBRUIKT IN OVEREENSTEMMING MET DE DOOR DE FABRIKANT AANBEVOLEN VERDUNNING.***

HANDELSNAAM	TYPE ONTSMETTINGSMIDDEL	FABRIKANT	* DOOR DE FABRIKANT AANBEVOLEN VERDUNNING
A33	Quaternair	Airwick (Professional Products Division)	1 : 64
A33 (droog)	Quaternair	Airwick (Professional Products Division)	1 : 256
Beaucoup	Fenol	Huntington Laboratories	1 : 128
Blue Chip	Quaternair	S.C. Johnson	1 : 64
Elimstaph	Quaternair	Walter G. Legge	1 : 128
Franklin Phenomysan F2500	Fenol	Purex Corporation	1 : 100
Franklin Sentinel	Quaternair	Purex Corporation	1 : 64
Galahad	Fenol	Puritan Churchill Chemical Company	1 : 128
Hi-Tor	Quaternair	Huntington Laboratories	1 : 256
LPH	Fenol	Vestal Laboratories	1 : 256
Matar	Fenol	Huntington Laboratories	1 : 256
Omega	Quaternair	Airwick (Professional Products Division)	1 : 256
Quanto	Quaternair	Huntington Laboratories	1 : 128
Sanikleen	Quaternair	West Chemical Products	1 : 64
Sanimaster II	Quaternair	Service Master	1 : 128
Vesphene	Fenol	Vestal Laboratories	1 : 100

Quaternaire kiemdodende ontsmettingsmiddelen, wanneer gebruikt zoals aanbevolen, en/of chloorbleekmiddelen, gewoonlijk 5,25% natriumhypochloriet in **verdunningen gaande van 1 deel bleekmiddel op 100 delen water, tot 2 delen bleekmiddel op 100 delen water worden niet als milde reinigingsmiddelen beschouwd. Deze producten zijn corrosief en kunnen schade aan het verpleegbed veroorzaken als ze niet op de juiste wijze worden gebruikt.** Als dit soort producten wordt gebruikt om Stryker apparatuur voor de behandeling van patiënten te reinigen, moeten er maatregelen worden getroffen om ervoor te zorgen dat de verpleegbedden na reiniging met schoon water worden gespoeld en goed worden afgedroogd. Nalaten de verpleegbedden goed af te spoelen en te drogen, laat een corrosief residu achter op het oppervlak van het verpleegbed, waardoor mogelijk vroegtijdige corrosie van kritieke componenten wordt veroorzaakt.

OPMERKING

Het niet naleven van bovenstaande richtlijnen bij gebruik van dit soort reinigingsmiddelen kan de garantie die op dit product rust teniet doen.

Nederlands

VERWIJDERING VAN JODIUMPRODUCTEN

Deze oplossing kan worden gebruikt om jodiumvlekken van het matrasovertrek te verwijderen.

1. Gebruik een oplossing van 1–2 eetlepels natriumthiosulfaat in 0,5 l warm water om de vlek te behandelen. Zo snel mogelijk reinigen nadat de vlek is gemaakt. Als vlekken niet onmiddellijk worden verwijderd, de vloeistof laten inweken of op het oppervlak laten.
2. De aan de oplossing blootgestelde oppervlakken met schoon water spoelen alvorens het verpleegbed weer in gebruik te nemen.

Garantie

Nederlands

Beperkte garantie:

Stryker Medical Division, een divisie van Stryker Corporation, garandeert aan de oorspronkelijke koper dat haar producten vrij van defecten in materiaal en vakmanschap horen te zijn voor een periode van één (1) jaar na de leverdatum. De verplichting van Stryker krachtens deze garantie is uitdrukkelijk beperkt tot het leveren van vervangingsonderdelen en arbeid voor, of vervanging van, naar eigen goeddunken van Stryker, een product waarvan gebleken is dat het defect is. Stryker garandeert aan de oorspronkelijke koper dat het frame en de lasnaden op haar bedden vrij van structurele defecten zijn zolang als het bed eigendom is van de oorspronkelijke koper. Indien daarom verzocht wordt door Stryker dienen producten of onderdelen waarvoor een garantievordering wordt ingediend franco te worden teruggestuurd naar de fabriek van Stryker. Elk onjuist gebruik of elke wijziging of reparatie door anderen op een wijze die naar het oordeel van Stryker het product wezenlijk en nadelig beïnvloeden, maakt deze garantie ongeldig. Reparaties van Stryker-producten met onderdelen die niet door Stryker zijn verschaft of geautoriseerd, doen deze garantie teniet. Geen enkele medewerker of vertegenwoordiger van Stryker is bevoegd om deze garantie hoe dan ook te wijzigen.

De stretcher producten van Stryker Medical zijn zodanig ontworpen dat ze bij normaal gebruik en regelmatig onderhoud, zoals beschreven in de onderhoudshandleiding, een verwachte levensduur hebben van 10 jaar. Gedurende deze periode geeft Stryker de garantie aan de eerste koper, voor zover deze nog eigenaar is van de producten, dat de lasnaden van de stretchers vrij zijn van structurele defecten.

Deze verklaring vormt de enige garantie van Stryker met betrekking tot bovengenoemde apparatuur. STRYKER GEEFT GEEN ANDERE GARANTIE OF VERKLARING, HETZIJ UITDRUKKELIJK OF IMPLICIET, BEHALVE ALS HIERIN UITEENGEZET. ER IS GEEN GARANTIE VAN VERKOOPBAARHEID EN ER ZIJN GEEN GARANTIES VAN GESCHIKTHEID VOOR EEN BEPAALD DOEL. STRYKER IS IN GEEN GEVAL AANSPRAKELIJK VOOR INCIDENTELE OF GEVOLGSCHADE DIE VOORTVLOEIT UIT OF OP WELKE WIJZE DAN OOK VERBAND HOUDT MET DE VERKOOP OF HET GEBRUIK VAN DERGELIJKE APPARATUUR.

Onderdelen en service verkrijgen:

De producten van Stryker worden ondersteund door een landelijk netwerk van toegewijde Stryker onderhoudsmedewerkers. Deze medewerkers zijn in de fabriek getraind, plaatselijk beschikbaar en hebben een substantiële inventaris van reserveonderdelen om de reparatietijd tot een minimum te beperken. Bel gewoon uw plaatselijke vertegenwoordiger of bel de klantenservice van Stryker op nr. 1-800-327-0770.

Dekking van onderhoudscontract:

Stryker heeft een uitgebreid programma van onderhoudscontractopties ontwikkeld bestemd om uw apparatuur optimaal te laten werken en tegelijkertijd onverwachte kosten te elimineren. Wij bevelen aan dat u deze programma's activeert *voordat* de nieuwe productgarantie verloopt om de kans van extra kosten voor upgrades van de apparatuur te elimineren.

EEN ONDERHOUDSCONTRACT DOET HET VOLGENDE:

- Garandeert betrouwbaarheid van de apparatuur
- Stabiliseert onderhoudsbegrotingen
- Vermindert stilstandtijd
- Geeft documentatie voor JCAHO
- Verlengt de levensduur van het product
- Vergroot de inruilwaarde
- Pakt risicobeheer en veiligheid aan

Garantie

Stryker biedt de volgende onderhoudscontractprogramma's:

SPECIFICATIES	GOUD	ZILVER	UITSLUITEND PREVENTIEF ONDERHOUD*
Jaarlijks gepland preventief onderhoud	X		X
Alle onderdelen,** arbeids- en reiskosten	X	X	
Onbepaalde onderhoudsbezoeken in geval van nood	X	X	
Prioriteit één contact; telefonische reactie binnen twee uur	X	X	X
De meeste reparatie worden binnen 3 werkdagen uitgevoerd	X	X	
JCAHO-documentatie	X	X	X
Logboek ter plekke met documentatie van preventief onderhoud en onderhoud in noodgevallen	X		
In de fabriek getraind onderhoudspersoneel van Stryker	X	X	X
Door Stryker goedgekeurde onderdelen	X	X	X
Eindejaaroverzicht	X		
Stryker voert alle onderhoud uit tijdens normale werkuren (9-5)	X	X	X

* Op vervangingsonderdelen en arbeidskosten voor producten onder een preventief onderhoudscontract wordt een korting gegeven.

** Disposable artikelen, infuuspalen (behalve voor Stryker HD permanente palen), matrassen of schade als gevolg van misbruik zijn niet inbegrepen.

Stryker Medical biedt ook *persoonlijk aangepaste* onderhoudscontracten.

De prijs wordt bepaald door ouderdom, locatie, model en staat van het product.

Voor nadere informatie over onze onderhoudscontracten kunt u contact opnemen met de plaatselijke vertegenwoordiger of belt u 1-800-327-0770 (optie nr. 2).

Retourautorisatie:

Zonder goedkeuring van de afdeling klantenservice van Stryker kunnen de goederen niet worden geretourneerd. U krijgt een autorisatienummer dat op de geretourneerde goederen moet worden vermeld. Stryker behoudt zich het recht voor om een vergoeding voor verzending en heropslag van geretourneerde artikelen aan te rekenen.

SPECIALE, GEMODIFICEERDE OF NIET LANGER VERVAARDIGDE ITEMS KUNNEN NIET WORDEN GERETOURNEERD.

Beschadigde goederen:

De ICC (Interstate Commerce Commission) bepalingen vereisen dat claims voor beschadigde goederen binnen vijftien (15) dagen na ontvangst van de goederen bij de expediteur worden ingediend. AANVAARD GEEN BESCHADIGDE ZENDINGEN, BEHALVE INDIEN DE SCHADE TEN TIJDE VAN DE ONTVANGST OP HET AFGIFTEBEWIJS WORDT GENOTEERD. Na de prompte kennisgeving zal Stryker bij de expediteur een claim indienen voor de opgelopen schade. De claim wordt ingediend voor de feitelijke vervangingskosten. Indien deze informatie niet door Stryker wordt ontvangen binnen vijftien (15) dagen na ontvangst van de goederen of indien de schade ten tijde van de ontvangst van de goederen niet op het afgiftebewijs werd genoteerd, is de klant verantwoordelijk voor de volledige betaling van de oorspronkelijke factuur.

Claims voor korte verzendingen moeten binnen dertig (30) dagen na factuurdatum worden ingediend.

Internationale garantieclausule:

Deze garantie weerspiegelt het Amerikaanse interne beleid. De garantie buiten de Verenigde Staten kan van land tot land verschillen. Neem voor nadere informatie contact op met uw plaatselijke vertegenwoordiger van Stryker Medical.

Indice


Introduzione	2, 3
Azionamento dei comandi della base	4, 5
Regolazione dell'altezza del lettino	6
Posizione Trendelenburg / Trendelenburg inversa	6
Azionamento dei freni	7
Azionamento della quinta ruota	7
Uso delle sponde laterali	8
Uso delle maniglie di spinta	8
Azionamento dell'alzaschienale	9
Azionamento delle aste opzionali permanenti per endovenosa	10, 11
Azionamento della prolunga poggiapiedi / vassoio del defibrillatore opzionale	12
Elenco di controllo per la manutenzione preventiva	13
Pulizia	14
Garanzia	
Richiesta di parti e di assistenza tecnica	15
Copertura della garanzia supplementare	15
Autorizzazione alla restituzione	16
Reclami per i danni di trasporto	17

Introduzione

INTRODUZIONE

Il presente manuale è stato realizzato per facilitare l'uso della barella per il trasporto modello 735. Prima di usare l'apparecchiatura o di eseguire qualsiasi operazione di manutenzione, leggere attentamente il manuale.

CARATTERISTICHE TECNICHE

Carico massimo	226 kg 
Lunghezza/larghezza totale della barella	211 cm / 76 cm
Altezza minima/massima del lettino	54,6 cm / 91 cm
Angolo dell'alzaschienale	0° a 90°
Trendelenburg/Trendelenburg inversa	+18° a -18°

Stryker si riserva il diritto di modificare le caratteristiche tecniche senza preavviso.

DEFINIZIONE DEI TERMINI AVVERTENZA, ATTENZIONE e NOTA

I termini AVVERTENZA, ATTENZIONE e NOTA indicano condizioni particolari cui occorre prestare attenzione.

AVVERTENZA

Avvisa il lettore di una situazione che, se non viene evitata, potrebbe causare la morte o lesioni gravi. Può anche descrivere potenziali gravi reazioni indesiderate e pericoli per la sicurezza.

ATTENZIONE

Avvisa il lettore di una situazione potenzialmente pericolosa che, se non viene evitata, può provocare lesioni minori o moderate all'operatore o al paziente, oppure danni all'apparecchiatura o ad altri oggetti. Comprende anche le informazioni sulla cura speciale necessaria per l'uso efficiente e sicuro del dispositivo e per evitare danni causati dall'uso o dall'utilizzo incorretto del dispositivo.

NOTA

Qui vengono fornite informazioni speciali per facilitare le operazioni di manutenzione o per chiarire istruzioni importanti.



Simbolo del carico di lavoro massimo

Introduzione

Prima di usare questa barella, è importante leggere attentamente tutte le informazioni contenute nel presente manuale. Leggere attentamente e seguire scrupolosamente tutte le avvertenze e le precauzioni elencate in questa pagina.

AVVERTENZA

Innestare sempre i freni delle ruote quando il paziente sale o scende dalla barella. Spingere la barella per accertarsi che i freni siano saldamente bloccati. Innestare sempre i freni quando la barella non deve essere spostata. Sono possibili lesioni se la barella si sposta mentre il paziente sale o scende dalla barella. Se i freni non si bloccano correttamente, consultare la sezione relativa alla procedura di regolazione dei freni contenuta nel manuale di manutenzione della barella.

Verificare che il meccanismo di fermo della sponda laterale funzioni sempre correttamente, altrimenti, consultare la sezione “Regolazione del fermo della sponda laterale” del manuale di manutenzione della barella.

Quando si abbassa la sponda laterale fino alla posizione inferiore, tenere lontani gli arti inferiori e superiori dei pazienti e del personale medico dagli attacchi delle sponde laterali, in quanto si potrebbero causare lesioni.

Quando si abbassa l'alzaschienale, tenere lontane le dita/mani dalla zona intorno alla maniglia di rilascio e al telaio dell'alzaschienale. si potrebbero causare lesioni.

Se la barella è dotata di un'asta opzionale per endovenosa all'estremità piedi, essa deve trovarsi nella posizione sollevata quando è installata la prolunga poggipiedi/vassoio del defibrillatore. Se l'asta per endovenosa non è sollevata, la prolunga poggipiedi non funziona correttamente e pertanto si potrebbero causare lesioni.

ATTENZIONE

Per evitare danni, rimuovere le apparecchiature che possono essere d'intralcio prima di regolare l'altezza del lettino.

Per evitare lesioni alle persone o danni all'apparecchiatura, evitare che la sponda laterale si abbassi da sola.

Le maniglie di spinta sono state progettate per l'uso durante il trasporto della barella. Per evitare danni, non usare le altre parti della barella come dispositivi di spinta/trazione.

Se è difficile azionare l'alzaschienale pneumatico, consultare la sezione “Regolazione dell'alzaschienale pneumatico” del manuale di manutenzione della barella.

Per evitare danni, il peso delle sacche per endovenosa non deve superare 18 kg.

Per evitare danni durante il trasporto della barella, verificare che l'asta per endovenosa sia abbastanza bassa, in modo da poter passare senza impedimenti attraverso le porte e sotto le apparecchiature di illuminazione.

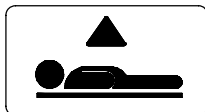
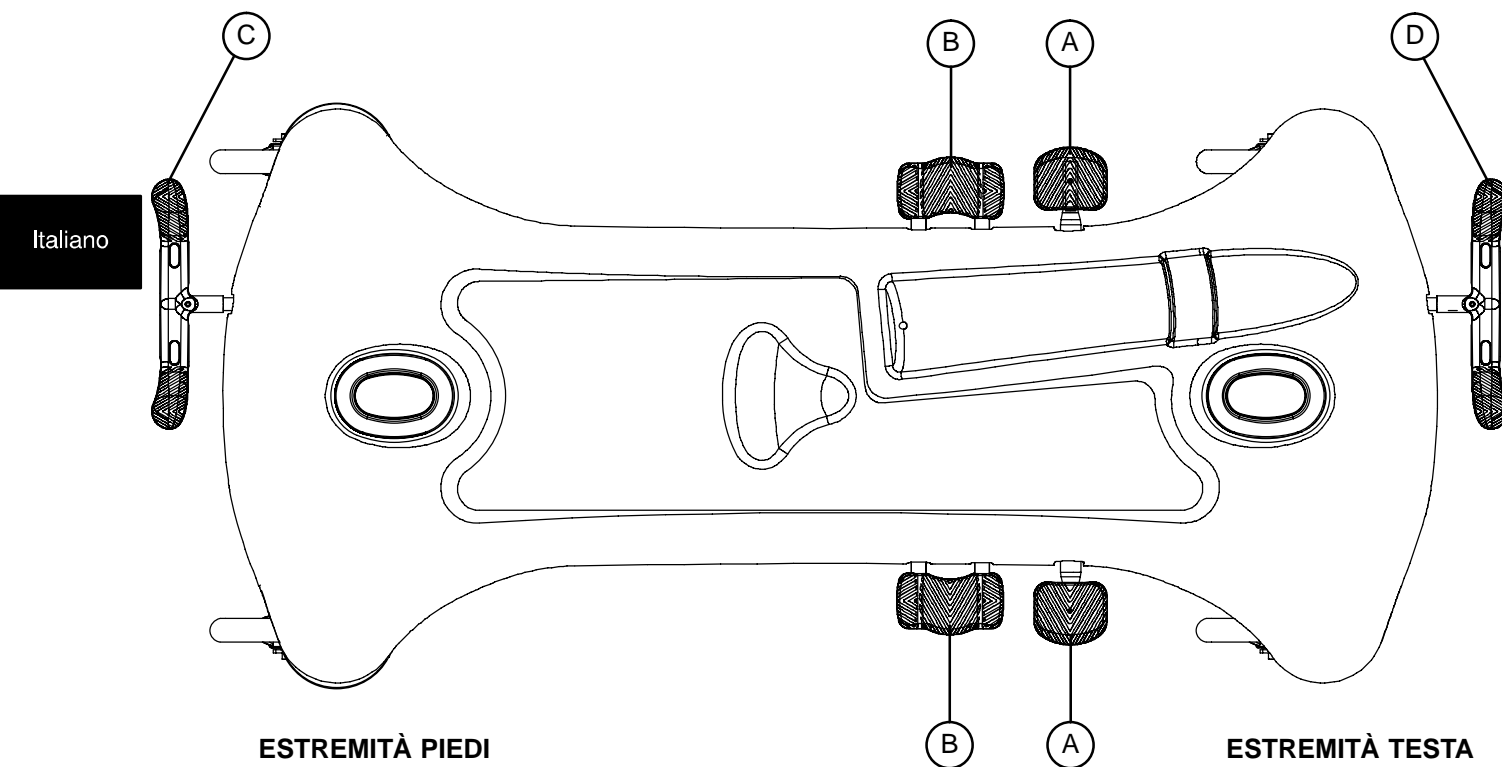
l'unità non può essere l'aumento (l'idraulica sulla base) con un elevatore paziente sotto la barella. Il cappuccio non può essere utilizzato per fare un passo.

NOTA

Regolarmente il deposito pulito del cappuccio. La parte inferiore degli anelli del freno dovrebbe essere pulita regolarmente per impedire la cera o accumulazione del resto del pavimento.

Funzionamento della barella

AZIONAMENTO DEI COMANDI DELLA BASE – COMANDO LATERALE

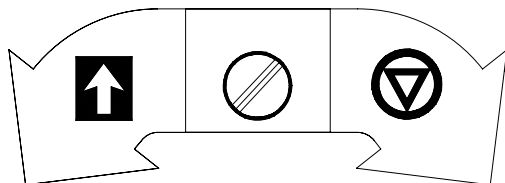
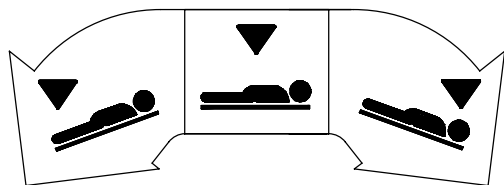


Per sollevare il lettino, premere il pedale (A).

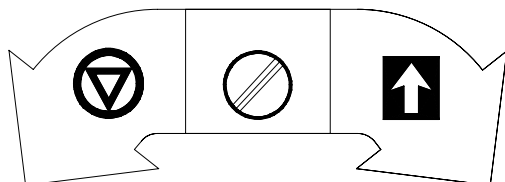
Per abbassare insieme entrambe le estremità della barella, premere la parte centrale del pedale (B).

Per abbassare l'estremità piedi, premere la parte laterale del pedale (B) più vicina all'estremità piedi della barella.

Per abbassare l'estremità testa, premere la parte laterale del pedale (B) più vicina all'estremità testa della barella.



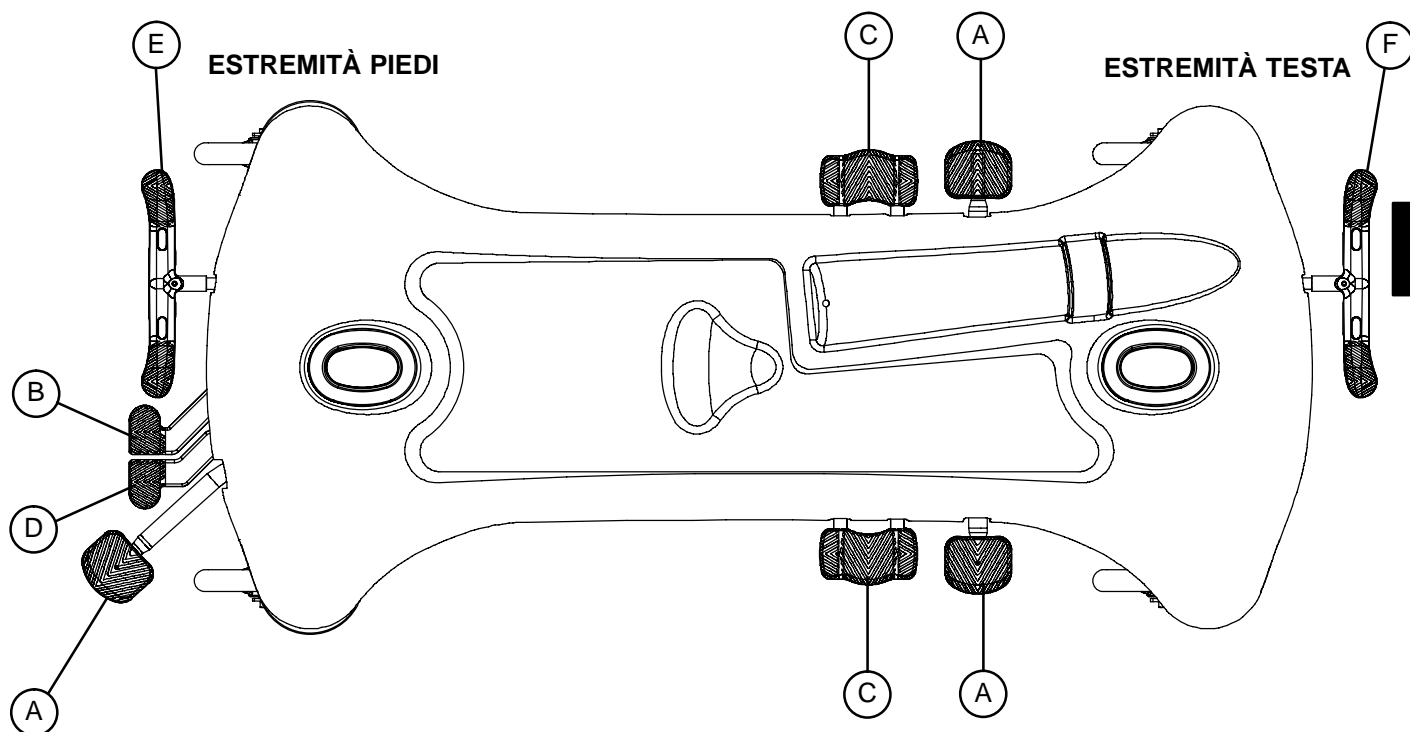
Pedale (C) – Funzioni di frenatura e di sterzata (estremità piedi)



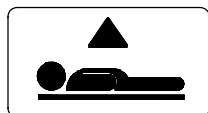
Pedale (D) – Funzioni di frenatura e di sterzata (estremità testa)

Funzionamento della barella

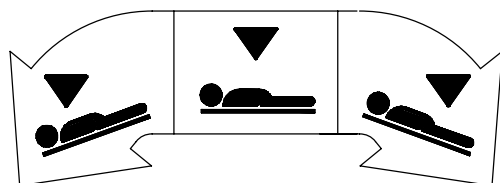
AZIONAMENTO DEI COMANDI DELLA BASE – COMANDI LATERALI SU 3 LATI



Italiano



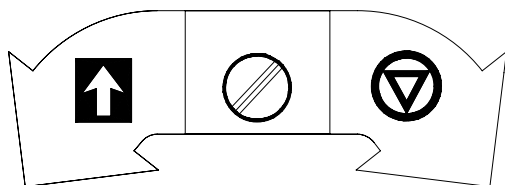
Per sollevare il lettino, premere il pedale (A) in corrispondenza dell'estremità piedi o dei lati della barella.



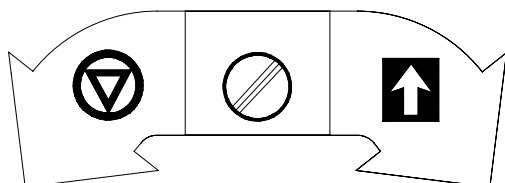
Per abbassare l'estremità testa della barella, premere il pedale (B) o il lato del pedale (C) più vicino all'estremità testa della barella.

Per abbassare l'estremità piedi della barella, premere il pedale (D) o il lato del pedale (C) più vicino all'estremità piedi della barella.

Per abbassare insieme entrambe le estremità della barella, premere la parte centrale del pedale (C) o premere insieme i pedali (B) e (D).



Pedale (E) – Funzioni di frenatura e di sterzata (estremità piedi)



Pedale (F) – Funzioni di frenatura e di sterzata (estremità testa)

Funzionamento della barella

REGOLAZIONE DELL'ALTEZZA DEL LETTINO – COMANDO LATERALE

ATTENZIONE

Per evitare danni, rimuovere le apparecchiature che possono essere d'intralcio prima di regolare l'altezza del lettino.

Per **sollevare** il lettino, premere ripetutamente il pedale (A) fino all'altezza desiderata (vedere l'illustrazione a [pagina 5-4](#)).

Per **abbassare** insieme entrambe le estremità del lettino, premere la parte centrale del pedale (B). Per abbassare solo l'estremità testa del lettino, premere il lato del pedale (B) più vicino all'estremità testa. Per abbassare solo l'estremità piedi del lettino, premere il lato del pedale (B) più vicino all'estremità piedi (vedere l'illustrazione a [pagina 5-4](#)).

REGOLAZIONE DELL'ALTEZZA DEL LETTINO – COMANDI LATERALI SU 3 LATI

Per **sollevare** il lettino, premere ripetutamente il pedale (A) fino all'altezza desiderata (vedere l'illustrazione a [pagina 5-5](#)).

Per **abbassare** contemporaneamente entrambe le estremità del lettino, premere insieme i pedali (B) e (D) usando lo stesso piede o premere la parte centrale del pedale (C). Per abbassare solo l'estremità testa del lettino, premere il pedale (B) o il lato del pedale (C) più vicino all'estremità testa della barella. Per abbassare solo l'estremità piedi della barella, premere il pedale (D) o il lato del pedale (C) più vicino all'estremità piedi della barella.

TRENDELENBURG/TRENDELENBURG INVERSA – COMANDO LATERALE

NOTA

Per ottenere una posizione Trendelenburg o Trendelenburg inversa, occorre sollevare prima il lettino.

ATTENZIONE

Per evitare danni, prima di abbassare la barella, rimuovere le apparecchiature che possono essere d'intralcio.

Per la posizione **Trendelenburg** (testa in giù), premere il lato del pedale (B) più vicino all'estremità testa della barella (vedere l'illustrazione a [pagina 5-4](#)).

Per la posizione **Trendelenburg inversa** (piedi in giù), premere il lato del pedale (B) più vicino all'estremità piedi.

NOTA

Più si trova in alto il lettino prima dell'azionamento del pedale (B), maggiore è l'angolo della posizione Trendelenburg o Trendelenburg inversa. (L'angolo massimo della posizione Trendelenburg è di +18°. L'angolo massimo della posizione Trendelenburg inversa è di -18°.)

TRENDELENBURG/TRENDELENBURG INVERSA – COMANDI LATERALI SU 3 LATI

ATTENZIONE

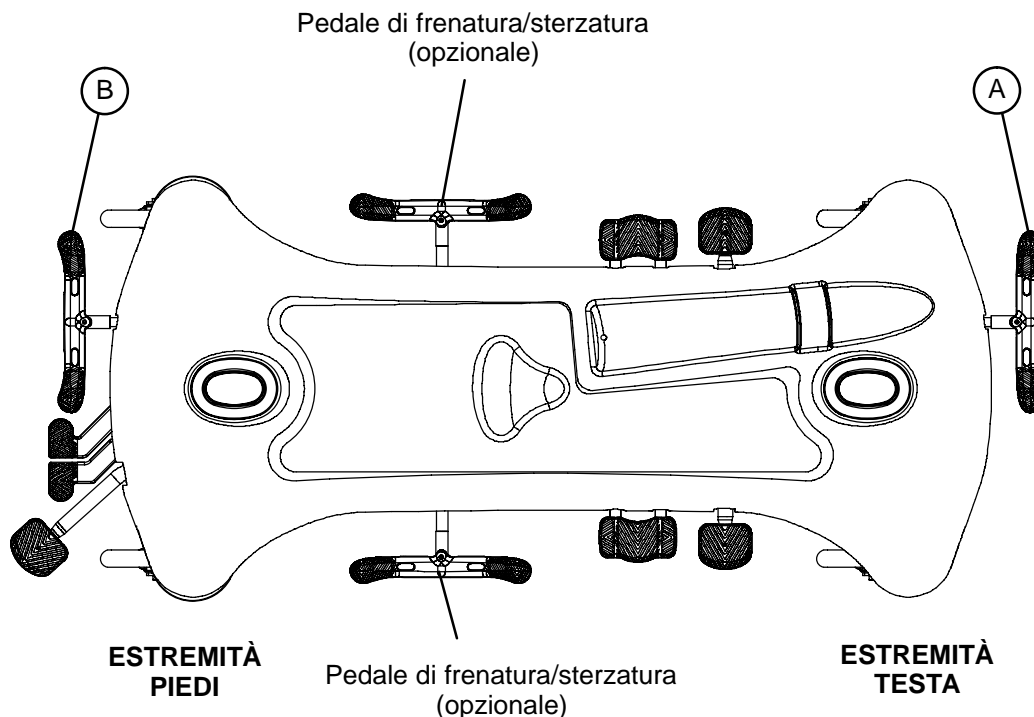
Per evitare danni, prima di abbassare la barella, rimuovere le apparecchiature che possono essere d'intralcio.

Per la posizione **Trendelenburg** (testa in giù), premere il pedale (B) o il lato del pedale (C) più vicino all'estremità testa della barella (vedere l'illustrazione a [pagina 5-5](#)).

Per la posizione **Trendelenburg inversa** (piedi in giù), premere il pedale (D) o il lato del pedale (C) più vicino all'estremità piedi della barella.

Funzionamento della barella

AZIONAMENTO DEI FRENI



Italiano

NOTA

Per la comodità dell'operatore, un pedale di frenatura/sterzata è situato su entrambe le estremità della barella.

AVVERTENZA

Innestare sempre i freni delle ruote quando il paziente sale o scende dalla barella. Spingere la barella per accertarsi che i freni siano saldamente bloccati. Innestare sempre i freni quando la barella non deve essere spostata. Sono possibili lesioni se la barella si sposta mentre il paziente sale o scende dalla barella. Se i freni non si bloccano correttamente, consultare la sezione relativa alla procedura di regolazione dei freni contenuta nel manuale di manutenzione della barella.

Per innestare i freni sull'estremità testa, premere completamente il lato sinistro del pedale (A).

Per innestare i freni sull'estremità piedi, premere completamente il lato destro del pedale (B).

NOTA

La barella può essere dotata di funzioni di frenatura e di sterzata a comando laterale opzionale, oltre ai normali comandi dell'estremità testa ed estremità piedi. I freni a comando laterale funzionano come quelli dell'estremità testa e dell'estremità piedi.

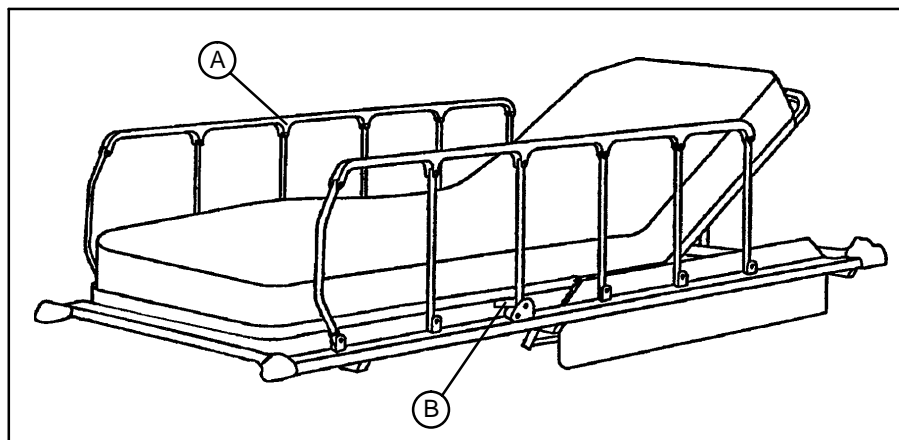
AZIONAMENTO DELLA QUINTA RUOTA

La quinta ruota serve a guidare la barella in linea retta durante il trasporto e a facilitare le curve.

Per inserire la quinta ruota, premere il lato adeguato del pedale di frenatura/sterzata fino alla posizione inferiore massima.

Funzionamento della barella

USO DELLE SPONDE LATERALI



AVVERTENZA

Accertarsi che il meccanismo di fermo (B) della sponda laterale funzioni sempre correttamente. altrimenti, consultare la sezione "Regolazione del fermo della sponda laterale" del manuale di manutenzione della barella.

Per inserire le sponde laterali: sollevare la sponda laterale (A) fino alla massima posizione in modo da inserire il fermo (B).

Per disinserire le sponde laterali: sollevare il fermo (B) e guidare la sponda laterale fino alla posizione inferiore massima.

AVVERTENZA

Quando si abbassa la sponda laterale fino alla posizione inferiore, tenere lontani gli arti inferiori e superiori dei pazienti e del personale medico dagli attacchi delle sponde laterali, in quanto si potrebbero causare lesioni.

Per evitare lesioni alle persone o danni all'apparecchiatura, evitare che la sponda laterale si abbassi da sola.

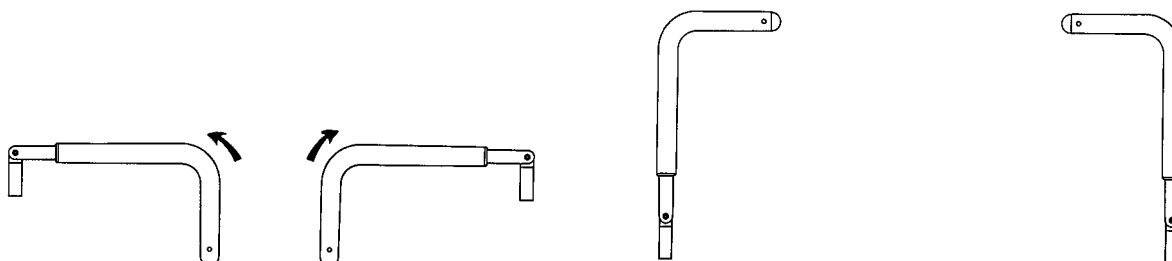
USO DELLE MANIGLIE DI SPINTA

ATTENZIONE

Le maniglie di spinta sono state progettate per l'uso durante il trasporto della barella. Per evitare danni, non usare le altre parti della barella come dispositivi di spinta/trazione.

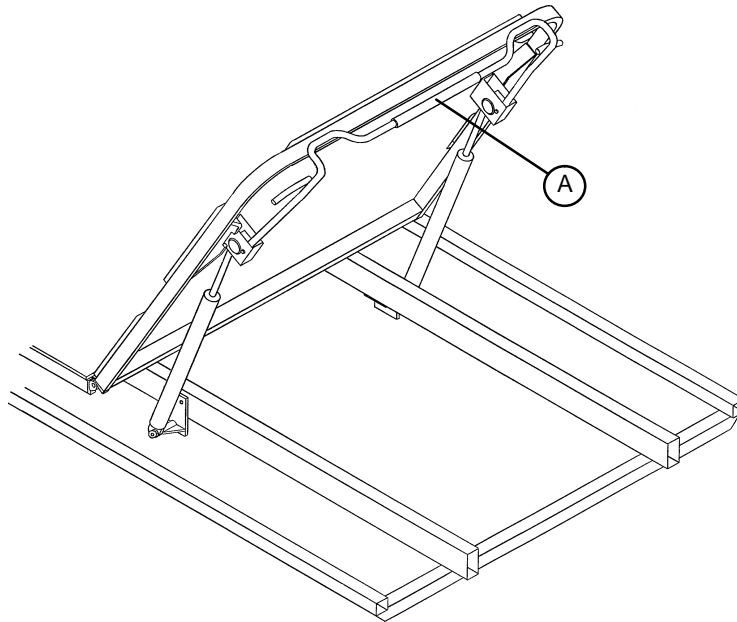
Per usare le maniglie di spinta: ruotare le maniglie verso l'alto e spingerle in basso fino a bloccarle in posizione.

Per riporre la maniglie di spinta: sollevare le maniglie e ruotarle verso il basso per sistemarle negli appositi supporti.



Funzionamento della barella

AZIONAMENTO DELL'ALZASCHIENALE



Italiano

Premere la maniglia (A) per il sollevamento pneumatico dell'alzaschienale fino all'altezza desiderata. togliere quindi la mano o le mani dalla maniglia.

Per abbassare l'alzaschienale, premere la maniglia (A) fino a raggiungere l'altezza desiderata dell'alzaschienale. Togliere la mano dall'impugnatura una volta raggiunta l'altezza desiderata.

AVVERTENZA

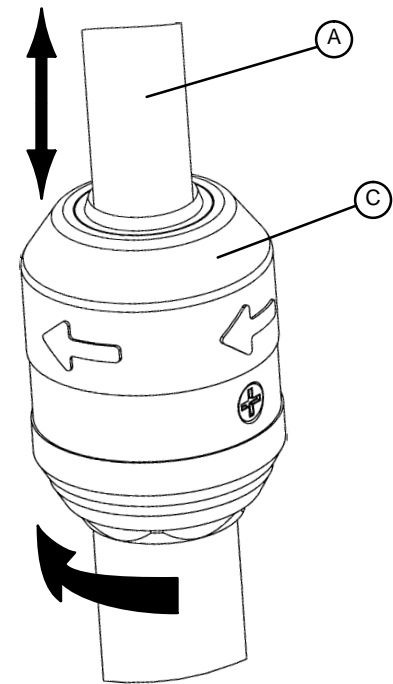
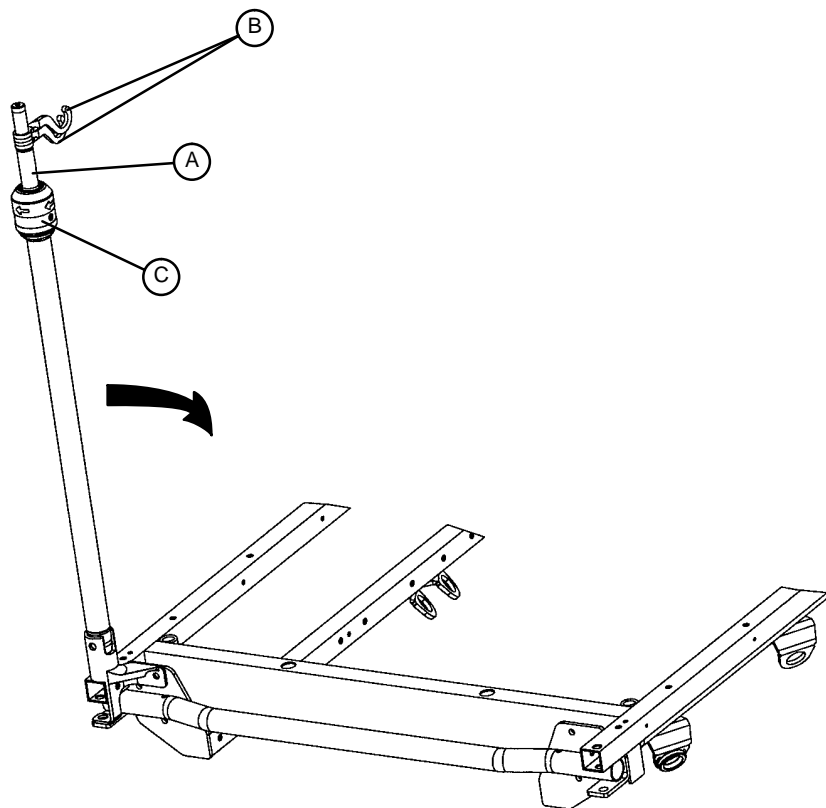
Quando si abbassa l'alzaschienale, tenere le dita e le mani lontane dalla zona intorno alla maniglia di rilascio e al telaio dell'alzaschienale, in quanto si potrebbero causare lesioni.

ATTENZIONE

Se è difficile azionare l'alzaschienale pneumatico, consultare il manuale di manutenzione della barella per la procedura di regolazione dell'alzaschienale pneumatico.

Funzionamento della barella

AZIONAMENTO DELL'ASTA OPZIONALE PERMANENTE A 2 STADI PER ENDOVENOSA



DETTAGLIO DEL FERMO
DELL'ASTA PER ENDOVENOSA

NOTA

L'asta permanente a 2 stadi per endovenosa è opzionale e può essere stata installata sulle estremità testa, piedi o entrambe le estremità della barella.

Per usare l'asta permanente a 2 stadi per endovenosa, effettuare le seguenti operazioni:

1. Sollevare e ruotare l'asta dalla posizione di magazzino e spingerla verso il basso fino a quando non si blocca nella base.
2. Per sollevare l'asta, tirare su la parte telescopica (A) fino a quando non si blocca nella posizione più elevata possibile.
3. Ruotare i ganci delle sacche per endovenosa (B) fino alla posizione desiderata e appendervi le sacche.
4. Per abbassare l'asta per endovenosa, ruotare il fermo (C) in senso orario fino a quando la sezione (A) si abbassa.

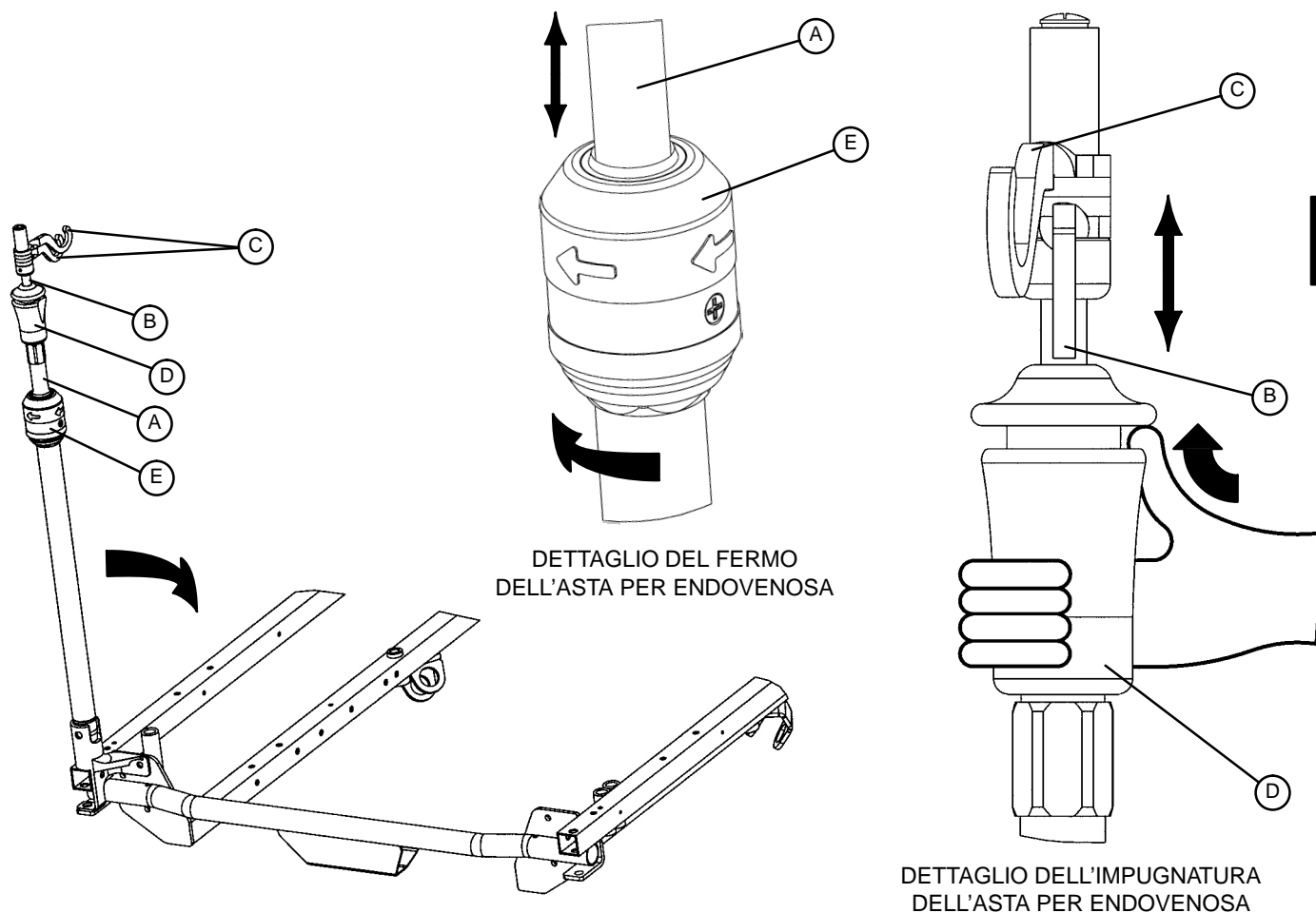
ATTENZIONE

Per evitare danni, il peso delle sacche per endovenosa non deve superare 18 kg.

Per evitare danni durante il trasporto della barella, verificare che l'asta per endovenosa sia abbastanza bassa, in modo da poter passare senza impedimenti attraverso le porte e sotto le apparecchiature di illuminazione.

Funzionamento della barella

AZIONAMENTO DELL'ASTA PERMANENTE A 3 STADI PER ENDOVENOSA OPZIONALE



NOTA

L'asta permanente a 3 stadi per endovenosa è opzionale e può essere stata installata sulle estremità testa, piedi o entrambe le estremità della barella.

Per usare l'asta permanente a 3 stadi per endovenosa, effettuare le seguenti operazioni:

1. Sollevare e ruotare l'asta dalla posizione di magazzino e spingerla verso il basso fino a quando non si blocca nella base.
2. Per sollevare l'asta, tirare su la parte telescopica (A) fino a quando non si blocca nella posizione più elevata possibile.
3. Per sollevare l'asta per endovenosa, tirare verso l'alto la sezione (B). Rilasciare la sezione (B) a qualsiasi altezza desiderata per bloccarla in posizione.
4. Ruotare i ganci delle sacche per endovenosa (C) fino alla posizione desiderata e appendervi le sacche.
5. Per abbassare l'asta per endovenosa, tirare verso l'alto la parte rossa dell'impugnatura (D) mantenendo la sezione (B) fino a quando si abbassa. Ruotare il fermo (E) in senso orario fino a quando la sezione (A) si abbassa.

ATTENZIONE

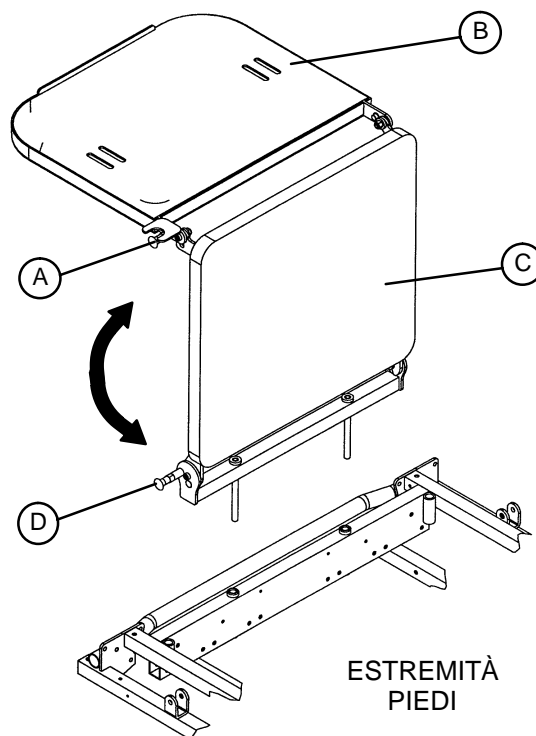
Per evitare danni, il peso delle sacche per endovenosa non deve superare 18 kg.

Per evitare danni durante il trasporto della barella, verificare che l'asta per endovenosa sia abbastanza bassa, in modo da poter passare senza impedimenti attraverso le porte e sotto le apparecchiature di illuminazione.

Funzionamento della barella

AZIONAMENTO DELLA PROLUNGA POGGIAPIEDI / VASSOIO DEL DEFIBRILLATORE OPZIONALE

1. Per l'uso come vassoio del defibrillatore, estrarre la manopola superiore (A) e ruotare il vassoio (B) sulla prolunga poggiapiedi (C) fino a quando il vassoio si estende orizzontale sull'estremità piedi della barella.
2. Per l'uso come prolunga poggiapiedi, estrarre la manopola (A) e ruotare il vassoio del defibrillatore all'indietro fino a quando si blocca contro la prolunga poggiapiedi (C). Mantenendo il gruppo, estrarre la manopola inferiore (D) e abbassare la prolunga poggiapiedi fino a quando è in piano.



AVVERTENZA

Se la barella è dotata di un'asta opzionale per endovenosa all'estremità piedi, essa deve trovarsi nella posizione sollevata quando è installata la prolunga poggiapiedi/vassoio del defibrillatore. Se l'asta per endovenosa non è sollevata, la prolunga poggiapiedi non funziona correttamente e pertanto si potrebbero causare lesioni.

Manutenzione preventiva

ELENCO DI CONTROLLO

- _____ Tutti i dispositivi di fissaggio sono ben inseriti
- _____ Le sponde laterali si spostano e si bloccano adeguatamente
- _____ Inserire il pedale del freno e spingere la barella per verificare che tutte le ruote orientabili siano bloccate saldamente
- _____ Tutte le ruote orientabili sono salde e si orientano correttamente
- _____ Le cinture di sicurezza funzionano correttamente
- _____ L'asta per endovenosa è intatta e funziona correttamente
- _____ Il porta-bombola di ossigeno è intatto e funziona correttamente
- _____ L'alzaschienale funziona e si blocca correttamente
- _____ La posizione Trendelenburg/Trendelenburg inversa funziona correttamente
- _____ Non sono presenti lacerazioni o screpolature del coprimaterasso
- _____ La catena di messa a terra è intatta
- _____ Non vi sono perdite in corrispondenza dei collegamenti idraulici
- _____ Il supporto fornito dai martinetti idraulici è adeguato
- _____ La velocità di abbassamento idraulico è impostata correttamente
- _____ Il livello dell'olio idraulico è sufficiente
- _____ Lubrificare se necessario
- _____ Gli accessori e i dispositivi di montaggio sono in buone condizioni e funzionano correttamente

N. di serie _____

Compilato da: _____

Data: _____

NOTA

La manutenzione preventiva deve essere eseguita almeno una volta all'anno. Per tutte le apparecchiature Stryker Medical deve essere stabilito un programma di manutenzione preventiva. Potrebbe essere necessario effettuare la manutenzione preventiva più di frequente in base al livello d'uso del prodotto.

Italiano

Pulizia

Pulire a mano tutte le superfici del telaio con acqua calda e detergente delicato. Asciugare completamente. **NON PULIRE A VAPORE, CON ACQUA IN PRESSIONE, CON TUBO FLESSIBILE O CON ULTRASUONI.** L'uso di questi metodi di pulizia **non** è raccomandato e può invalidare la garanzia del prodotto.

Pulire il velcro **DOPO OGNI USO**. Impregnare il velcro con disinfettante e consentire l'evaporazione del disinfettante. (Il disinfettante per il velcro in nylon deve essere stabilito dall'ospedale.)

In generale, se si usano le concentrazioni raccomandate dal produttore, si possono usare disinfettanti di tipo fenolico o quaternario. Per evitare la formazione di macchie non si raccomanda l'uso di disinfettanti di tipo iodoforo. I seguenti prodotti sono stati sottoposti a test e non sono risultati pericolosi SE USATI IN CONFORMITÀ CON LA DILUIZIONE RACCOMANDATA DAI PRODUTTORI.*

NOME DEPOSITATO	TIPO DI DISINFETTANTE	PRODUTTORE	* DILUIZIONE RACCOMANDATA DAL PRODUTTORE
A33	Quaternario	Airwick (Professional Products Division)	1:64
A33 (secco)	Quaternario	Airwick (Professional Products Division)	1:256
Beaucoup	Fenolico	Huntington Laboratories	1:128
Blue Chip	Quaternario	S.C. Johnson	1:64
Elimstaph	Quaternario	Walter G. Legge	1:128
Franklin Phenomysan F2500	Fenolico	Purex Corporation	1:100
Franklin Sentinel	Quaternario	Purex Corporation	1:64
Galahad	Fenolico	Puritan Churchill Chemical Company	1:128
Hi-Tor	Quaternario	Huntington Laboratories	1:256
LPH	Fenolico	Vestal Laboratories	1:256
Matar	Fenolico	Huntington Laboratories	1:256
Omega	Quaternario	Airwick (Professional Products Division)	1:256
Quanto	Quaternario	Huntington Laboratories	1:128
Sanikleen	Quaternario	West Chemical Products	1:64
Sanimaster II	Quaternario	Service Master	1:128
Vesphene	Fenolico	Vestal Laboratories	1:100

I disinfettanti germicidi quaternari, usati nel modo indicato, e/o i prodotti contenenti candeggina al cloro, in genere ipoclorito di sodio al 5,25% in **diluizioni comprese tra 1 parte di candeggina per 100 parti di acqua e 2 parti di candeggina per 100 parti di acqua, non sono considerati detergenti delicati. Questi prodotti sono di tipo corrosivo e, se non usati correttamente, possono danneggiare la barella.** Se per pulire l'apparecchiatura di gestione pazienti Stryker, vengono usati prodotti di questo tipo, è necessario adottare precauzioni per garantire che le unità vengano sciacquate con acqua pulita e asciugate completamente dopo la pulizia. Se le barelle non vengono sciacquate e asciugate adeguatamente i residui corrosivi depositati sulle superfici possono eventualmente causare la corrosione prematura di componenti critici.

NOTA

La mancata osservanza delle istruzioni indicate sopra durante l'uso di questi tipi di detergenti può invalidare la garanzia di questo prodotto.

RIMOZIONE DI COMPOSTI DI IODIO

Questa soluzione può essere usata per rimuovere le macchie di iodio dalle superfici del coprimaterasso.

1. Per pulire le zone macchiate, usare una soluzione di 15–30 ml di tiosolfato di sodio in 0,5 litri di acqua calda. Rimuovere le macchie al più presto possibile. Se le macchie non vengono rimosse immediatamente, lasciare che la soluzione impregni la superficie o rimanga su di essa.
2. Prima di mettere nuovamente in servizio il lettino, sciacquare con acqua pulita le superfici esposte alla soluzione.

Garanzia limitata

Stryker Medical Division, una divisione di Stryker Corporation, garantisce all'acquirente originale che i suoi prodotti sono privi di difetti nei materiali e nella lavorazione per il periodo di un (1) anno dalla data di consegna. L'obbligo di Stryker ai sensi di questa garanzia è limitato espressamente alla fornitura di parti di ricambio e manodopera o alla sostituzione, a sua esclusiva discrezione, dei prodotti che risultano difettosi. Stryker garantisce all'acquirente originale che il telaio e le saldature presenti sui suoi lettini sono prive di difetti strutturali fintanto che i lettini appartengono all'acquirente originale. Se Stryker ne fa richiesta, l'acquirente deve restituire alla Stryker con spese di trasporto prepagate i prodotti o le parti per cui si inoltra un reclamo in garanzia. La presente garanzia viene invalidata in caso di uso improprio, modifica o riparazione del prodotto da parte di personale di assistenza tecnica non autorizzato, eseguiti in un modo che, a parere di Stryker, influisca sostanzialmente e negativamente sul prodotto. La riparazione dei prodotti Stryker effettuata con parti non fornite o non autorizzate da Stryker invalida la presente garanzia. Nessun dipendente o rappresentante di Stryker è autorizzato a modificare in alcun modo questa garanzia.

Stryker che i prodotti medici della barella sono progettati per i 10 anni ha previsto il tempo di impiego sotto uso normale, circostanze, e con manutenzione periodica adatta come descritta nel manuale di manutenzione per ogni dispositivo.

Questa dichiarazione costituisce l'intera garanzia di Stryker relativamente all'apparecchiatura sopra menzionata. STRYKER NON FORNISCE ALCUNA ALTRA GARANZIA O DICHIARAZIONE ESPRESSA O IMPLICITA, AD ECCEZIONE DI QUANTO STABILITO NEL PRESENTE DOCUMENTO. NON VIENE FORNITA ALCUNA GARANZIA DI COMMERCIALIZZABILITÀ E DI IDONEITÀ A UNO SCOPO PARTICOLARE. IN NESSUN CASO STRYKER SARÀ RESPONSABILE, IN BASE AL PRESENTE DOCUMENTO, DI DANNI ACCIDENTALI O INDIRETTI DERIVANTI O IN QUALSIASI MODO CORRELATI ALLA VENDITA O ALL'USO DI QUALSIASI APPARECCHIATURA DI QUESTO TIPO.

Richiesta di parti e di assistenza tecnica

I prodotti Stryker sono supportati da una rete nazionale di rappresentanti di assistenza tecnica Stryker. Questi rappresentanti addestrati in fabbrica sono disponibili nelle varie zone e dispongono di un considerevole inventario di parti di ricambio per ridurre al minimo i tempi di riparazione. In caso di necessità, chiamare il rappresentante di zona o l'Assistenza clienti Stryker al 1-800-327-0770.

Copertura del contratto di assistenza tecnica

Stryker ha sviluppato un esauriente programma di contratti di assistenza tecnica per mantenere l'apparecchiatura al massimo delle prestazioni ed eliminare nel contempo costi imprevisti. Raccomandiamo di sottoscrivere questi programmi *prima* della scadenza della garanzia del nuovo prodotto, in modo da evitare possibili ulteriori costi per l'aggiornamento dell'apparecchiatura.

UN CONTRATTO DI ASSISTENZA TECNICA CONSENTE DI:

- garantire l'affidabilità dell'apparecchiatura
- stabilizzare i budget di manutenzione
- ridurre i tempi di inattività
- preparare la documentazione per JCAHO
- aumentare la durata del prodotto
- potenziare il valore di permuta
- risolvere i problemi di gestione dei rischi e sicurezza

Garanzia

Stryker offre i seguenti programmi di contratto di assistenza tecnica

CARATTERISTICHE TECNICHE	ORO	ARGENTO	SOLO MANUTENZIONE PREVENTIVA*
Manutenzione preventiva pianificata annualmente	X		X
Tutte le parti,** la manodopera e le spese di viaggio	X	X	
Numero illimitato di chiamate per l'assistenza tecnica di emergenza	X	X	
Contatto a priorità 1; risposta telefonica entro due ore	X	X	X
La maggior parte delle riparazioni verrà completata entro tre giorni lavorativi	X	X	
Documentazione JCAHO	X	X	X
Registro in sito con i dati della manutenzione preventiva e dell'assistenza tecnica d'emergenza	X		
Tecnici di assistenza Stryker addestrati in fabbrica	X	X	X
Parti autorizzate Stryker	X	X	X
Riepilogo di fine anno	X		
Stryker eseguirà tutti gli interventi di assistenza tecnica durante le normali ore di lavoro (9-17)	X	X	X

* Uno sconto verrà applicato alle parti di ricambio e la manodopera dei prodotti coperti dal contratto di manutenzione preventiva,

** Esclusi gli articoli monouso, le aste per endovenosa (tranne le aste permanenti Stryker HD), i materassi o i danni derivanti da un utilizzo inadeguato.

Stryker Medical offre anche contratti di assistenza tecnica *personalizzati*.

I costi dipendono da età, ubicazione, modello e condizioni del prodotto.

Per ulteriori informazioni sui contratti di assistenza tecnica, contattare il rappresentante di zona o chiamare 1-800-327-0770 (opzione n. 2).

Autorizzazione alla restituzione

La merce non può essere restituita senza l'approvazione dell'Assistenza clienti Stryker. Verrà fornito un numero di autorizzazione che deve essere indicato sulla merce restituita. Stryker si riserva il diritto di addebitare le spese di spedizione e di rimagazzinaggio degli articoli restituiti.

GLI ARTICOLI SPECIALI, MODIFICATI O NON PIÙ IN PRODUZIONE NON POSSONO ESSERE RESTITUITI.

Merce danneggiata

In base alle normative della Interstate Commerce Commission (ICC), i reclami relativi alla merce danneggiata devono essere inoltrati al trasportatore entro quindici (15) giorni dal ricevimento della merce. **NON ACCETTARE SPEDIZIONI DANNEGGIATE SE TALI DANNI NON SONO STATI ANNOTATI SULLA RICEVUTA DI CONSEGNA AL MOMENTO DEL RICEVIMENTO.** Se notificata tempestivamente, Stryker invierà allo spedizioniere una richiesta di risarcimento per i danni verificatisi durante il trasporto. L'ammontare del risarcimento sarà limitato al costo corrente di sostituzione. Se queste informazioni non vengono ricevute da Stryker entro quindici (15) giorni dalla consegna della merce o se il danno non è stato annotato sulla ricevuta di consegna al momento del ricevimento, il cliente sarà responsabile del pagamento dell'intero importo della fattura originale.

I reclami per le spedizioni incomplete devono essere inoltrati entro trenta (30) giorni dalla fatturazione.

Clausola di garanzia internazionale

La presente garanzia è quella in vigore negli Stati Uniti. La garanzia al di fuori degli Stati Uniti può variare in base al paese. Per ulteriori informazioni, contattare il rappresentante Stryker Medical di zona.

Italiano

Note

Italiano

Índice


Introducción	2, 3
Uso de los controles de la base	4, 5
Aumento y disminución de la altura de la plataforma de la camilla	6
Colocación en la posición de Trendelenburg/Trendelenburg invertida	6
Aplicación de los frenos	7
Uso de la quinta rueda	7
Utilización de las barras laterales	8
Utilización de los mangos de empuje	8
Uso del respaldo Fowler	9
Uso de los soportes para líquidos intravenosos acoplados permanentemente optativos	10, 11
Uso de la extensión para pies/bandeja para desfibrilador optativa	12
Lista de control para el mantenimiento preventivo	13
Limpieza	14
Garantía	
Obtención de repuestos y de servicio técnico	15
Cobertura adicional de la garantía	15
Autorización de devolución	16
Reclamaciones por daños durante el transporte	16

Introducción

INTRODUCCIÓN

Este manual está concebido para facilitarle el uso de la camilla de transporte modelo 735. Léalo detenidamente antes de utilizar el equipo o realizar cualquier tipo de mantenimiento.

ESPECIFICACIONES

Peso máximo admitido	226 kg	
Longitud y anchura totales de la camilla	211 cm / 76 cm	
Altura mínima y máxima de la cama	54,6 cm / 91 cm	
Ángulo del respaldo Fowler	0° a 90°	
Posición de Trendelenburg/Trendelenburg invertida	+18° a -18°	

Stryker se reserva el derecho de cambiar las especificaciones sin previo aviso.

DEFINICIÓN DE ADVERTENCIA / PRECAUCIÓN / NOTA

Las palabras ADVERTENCIA, PRECAUCIÓN y NOTA tienen un significado especial y deberán considerarse detenidamente.

ADVERTENCIA

Las advertencias advierten al lector sobre situaciones que, si no se evitan, podrían producir la muerte o lesiones graves. También pueden describir posibles reacciones adversas graves y peligros para la seguridad.

PRECAUCIÓN

Las precauciones advierten al lector sobre situaciones potencialmente peligrosas que, si no se evitan, pueden producir lesiones leves o moderadas al usuario o al paciente, o daños al equipo u otros objetos. Incluyen cuidados especiales necesarios para el uso seguro y eficaz del dispositivo y para evitar dañarlo con el uso o el mal uso.

NOTA

Las notas ofrecen información especial que facilita el mantenimiento o aclara instrucciones importantes.



Símbolo de carga de trabajo segura

Introducción

Antes de utilizar esta camilla, es importante leer y entender toda la información de este manual. Lea con atención y siga estrictamente las advertencias y precauciones indicadas en esta página.

ADVERTENCIA

Los frenos de las ruedas locas siempre tienen que estar echados cuando un paciente esté subiéndose o bajándose de la camilla. Empuje la camilla para asegurarse de que los frenos estén bien echados. Eche siempre los frenos a menos que se esté moviendo la camilla. Si la camilla se mueve cuando un paciente esté subiéndose o bajándose de ella, pueden producirse lesiones. Si los frenos no funcionan correctamente, consulte el procedimiento de ajuste de los frenos en el manual de mantenimiento de la camilla.

Asegúrese de que el mecanismo de seguro de las barras laterales funciona correctamente en todo momento; si no es así, consulte el apartado «Ajuste de los seguros de las barras laterales» en el manual de mantenimiento de la camilla.

Al bajar la barra lateral a la posición plegada, mantenga las extremidades de los pacientes y del personal alejadas de los ejes de la barra lateral para evitar lesiones.

Mantenga los dedos y las manos alejados del mango de liberación del respaldo Fowler y del bastidor del respaldo Fowler al bajar éste. Si no se tiene cuidado, pueden producirse lesiones al bajar el respaldo Fowler.

Si la camilla está equipada con el soporte para líquidos intravenosos optativo del extremo de los pies, el soporte debe estar en la posición levantada al instalar la extensión para pies/bandeja para desfibrilador. Si el soporte para líquidos intravenosos no está levantado, la extensión para pies no funcionará correctamente y podrán producirse lesiones.

PRECAUCIÓN

Para evitar daños, retire todo el equipo que pueda estorbar antes de aumentar o disminuir la altura de la plataforma de la camilla.

Para evitar lesiones o daños al equipo, no deje que la barra lateral baje por sí sola.

Los mangos de empuje están diseñados para utilizarse al transportar la camilla. No utilice otras partes de la camilla como dispositivos de empuje o arrastre, ya que podrían producirse daños.

Si el uso del respaldo neumático Fowler presenta dificultades, consulte el apartado «Ajuste del respaldo neumático Fowler» en el manual de mantenimiento de la camilla.

Para evitar daños, el peso de las bolsas de líquido intravenoso no debe superar los 18 kg.

Para evitar daños durante el transporte de la camilla, asegúrese de que el soporte para líquidos intravenosos esté a una altura suficientemente baja para permitir que pase de manera segura a través de las aberturas de las puertas y por debajo de los dispositivos de iluminación.

La unidad no puede ser levantada con la manija de elevación de paciente debajo de la camilla (hidráulicos en la base).

No se pare sobre la carcasa plástica.

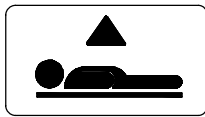
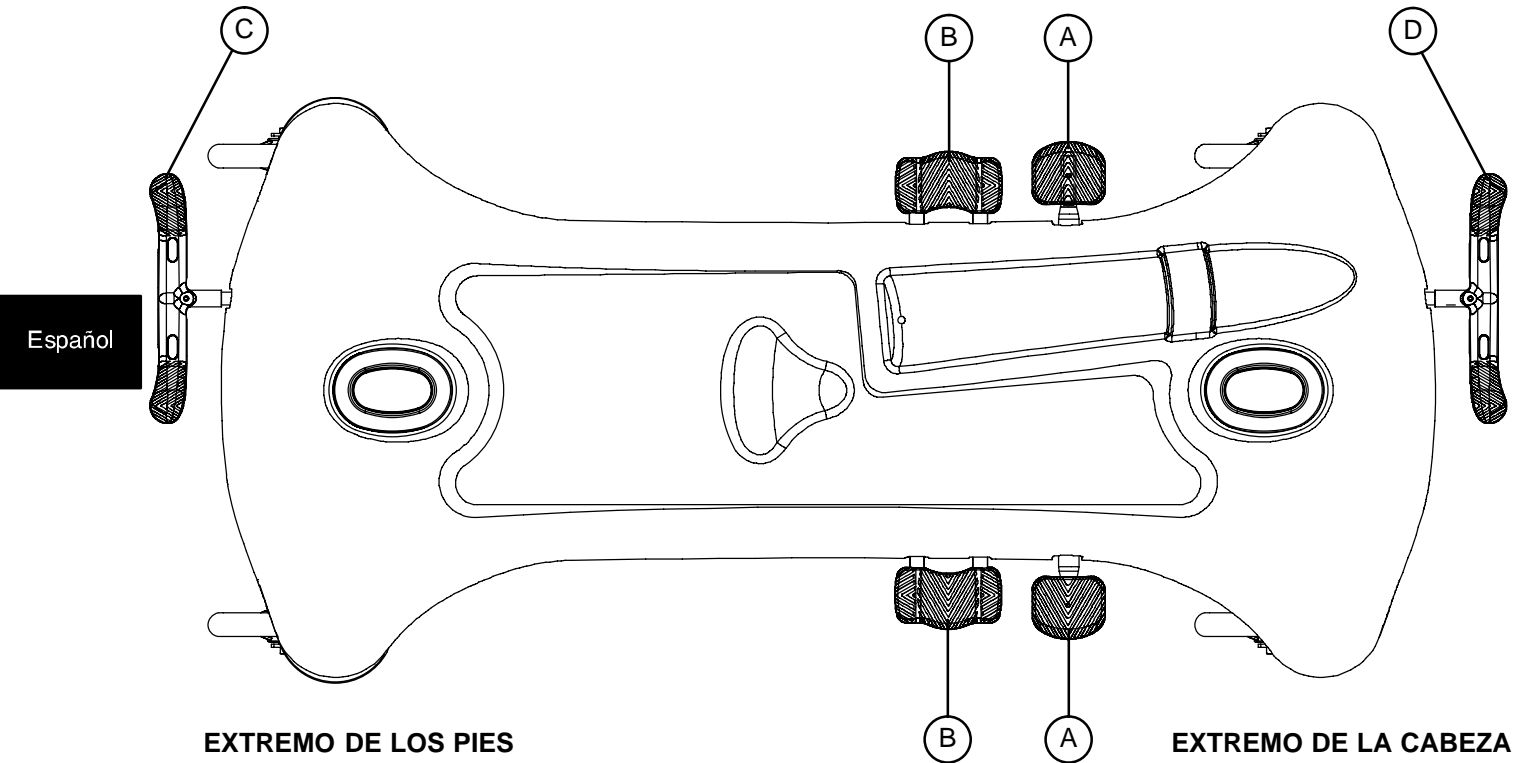
NOTA

Limpie la carcasa plástica regularmente.

La parte inferior de los aros de freno debe ser limpiada regularmente para prevenir la acumulación de cera o desperdicios.

Uso de la camilla

USO DE LOS CONTROLES DE LA BASE: CONTROL LATERAL

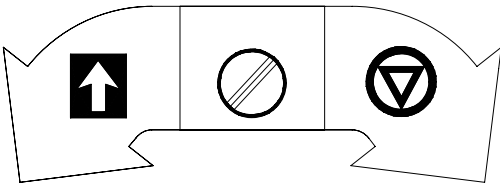
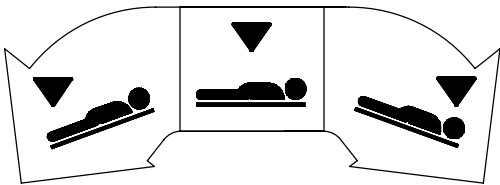


Presione repetidamente el pedal (A) para levantar la plataforma de la camilla.

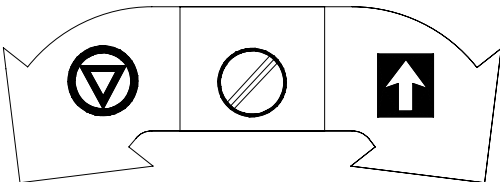
Presione la parte central del pedal (B) para bajar simultáneamente ambos extremos de la camilla.

Presione el lado del pedal (B) más cercano al extremo de los pies de la camilla para bajar el extremo de los pies.

Presione el lado del pedal (B) más cercano al extremo de la cabeza de la camilla para bajar el extremo de la cabeza.



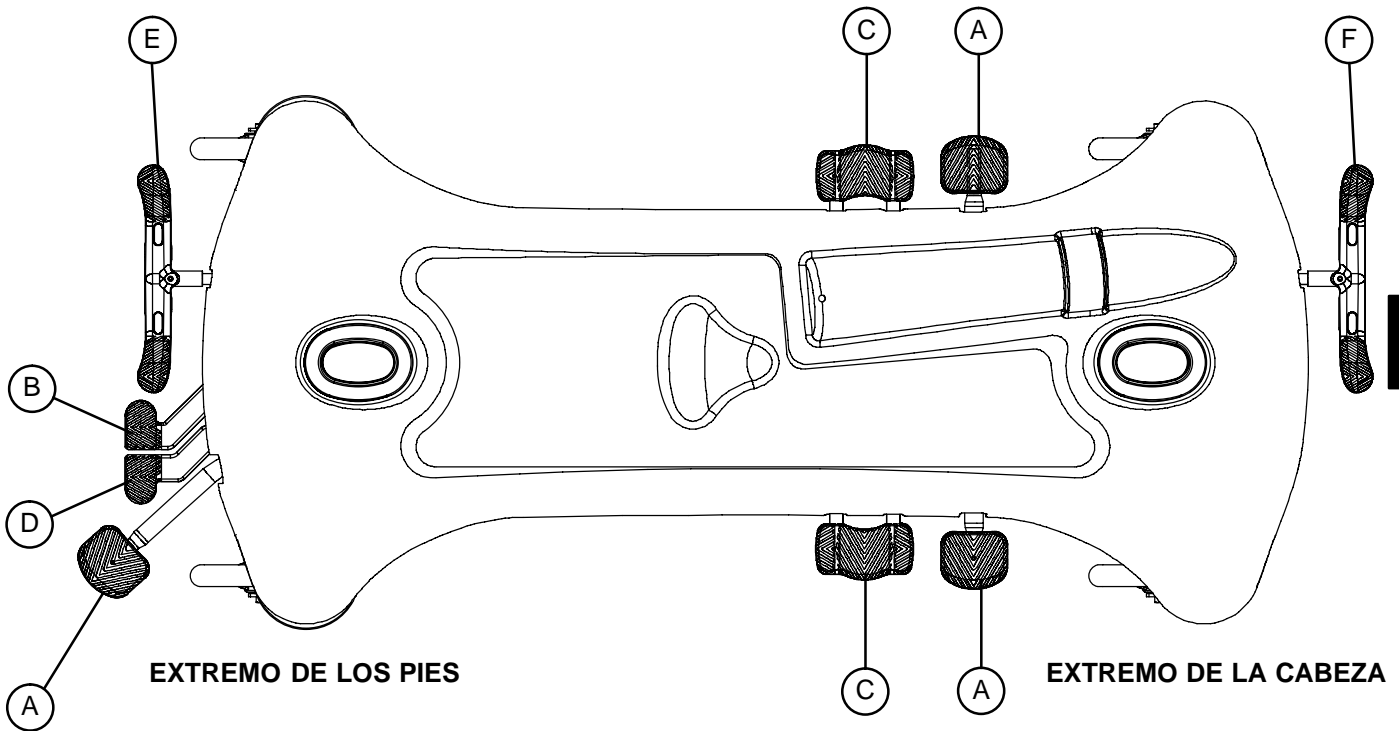
Pedal (C): funciones de freno y dirección (extremo de los pies)



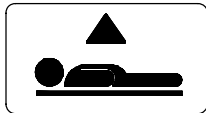
Pedal (D): funciones de freno y dirección (extremo de la cabeza)

Uso de la camilla

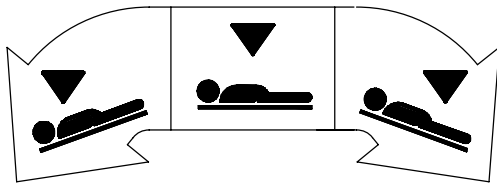
USO DE LOS CONTROLES DE LA BASE: CONTROLES DE 3 LADOS



Español



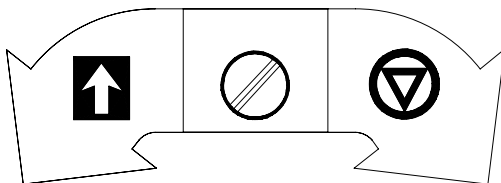
Presione repetidamente el pedal (A) del extremo de los pies o de los lados de la camilla para levantar la plataforma de ésta.



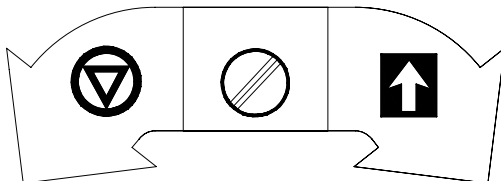
Presione el pedal (B) o el lado del pedal (C) más cercano al extremo de la cabeza de la camilla para bajar dicho extremo.

Presione el pedal (D) o el lado del pedal (C) más cercano al extremo de los pies de la camilla para bajar dicho extremo.

Presione la parte central del pedal (C) o presione los pedales (B) y (D) a la vez para bajar conjuntamente ambos extremos de la camilla.



Pedal (E): funciones de freno y dirección (extremo de los pies)



Pedal (F): funciones de freno y dirección (extremo de la cabeza)

Uso de la camilla

AUMENTO Y DISMINUCIÓN DE LA ALTURA DE LA PLATAFORMA DE LA CAMILLA: CONTROL LATERAL

PRECAUCIÓN

Para evitar daños, retire todo el equipo que pueda estorbar antes de aumentar o disminuir la altura de la plataforma de la camilla.

Para **aumentar** la altura de la plataforma de la camilla, presione repetidamente el pedal (A) hasta conseguir la altura deseada (vea la ilustración de la [página 6-4](#)).

Para **bajar** simultáneamente ambos extremos de la plataforma de la camilla, presione la parte central del pedal (B). Para bajar solamente el extremo de la cabeza de la plataforma de la camilla, presione el lado del pedal (B) más cercano al extremo de la cabeza. Para bajar solamente el extremo de los pies de la plataforma de la camilla, presione el lado del pedal (B) más cercano al extremo de los pies (vea la ilustración de la [página 6-4](#)).

AUMENTO Y DISMINUCIÓN DE LA ALTURA DE LA PLATAFORMA DE LA CAMILLA: CONTROLES DE 3 LADOS

Para **aumentar** la altura de la plataforma de la camilla, presione repetidamente el pedal (A) hasta conseguir la altura deseada (vea la ilustración de la [página 6-5](#)).

Para **bajar** simultáneamente ambos extremos de la plataforma de la camilla, presione los pedales (B) y (D) a la vez utilizando el mismo pie o presione la parte central del pedal (C). Para bajar solamente el extremo de la cabeza de la plataforma de la camilla, presione el pedal (B) o el lado del pedal (C) más cercano al extremo de la cabeza de la camilla. Para bajar solamente el extremo de los pies, presione el pedal (D) o el lado del pedal (C) más cercano al extremo de los pies de la camilla.

POSICIÓN DE TRENDELENBURG/TRENDELENBURG INVERTIDA: CONTROL LATERAL

NOTA

La altura de la plataforma de la camilla debe aumentarse primero para conseguir una posición de Trendelenburg o de Trendelenburg invertida.

PRECAUCIÓN

Para evitar daños, retire todo el equipo que pueda estorbar antes de disminuir la altura de la camilla.

Para la colocación en la posición de **Trendelenburg** (cabeza abajo), presione el lado del pedal (B) más cercano al extremo de la cabeza de la camilla (vea la ilustración de la [página 6-4](#)).

Para la colocación en la posición de **Trendelenburg invertida** (pies abajo), presione el lado del pedal (B) más cercano al extremo de los pies.

NOTA

Cuanto más alta esté la plataforma de la camilla antes de activar el pedal (B), mayor será el ángulo de la posición de Trendelenburg o Trendelenburg invertida. (El ángulo máximo de la posición Trendelenburg es de +18°. El ángulo máximo de la posición de Trendelenburg invertida es de -18°.)

POSICIÓN DE TRENDELENBURG/TRENDELENBURG INVERTIDA: CONTROLES DE 3 LADOS

PRECAUCIÓN

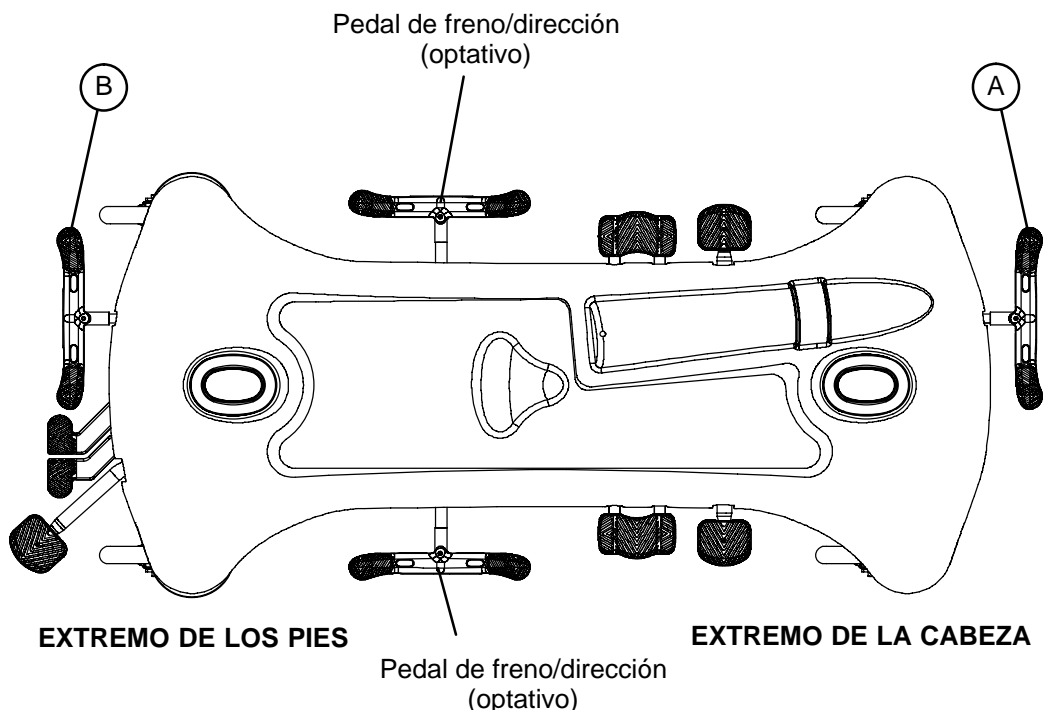
Para evitar daños, retire todo el equipo que pueda estorbar antes de disminuir la altura de la camilla.

Para la colocación en la posición de **Trendelenburg** (cabeza abajo), presione el pedal (B) o el lado del pedal (C) más cercano al extremo de la cabeza de la camilla (vea la ilustración de la [página 6-5](#)).

Para la colocación en la posición de **Trendelenburg invertida** (pies abajo), presione el pedal (D) o el lado del pedal (C) más cercano al extremo de los pies de la camilla.

Uso de la camilla

APLICACIÓN DE LOS FRENOS



Español

NOTA

Para facilitar la tarea al usuario, en ambos extremos de la camilla hay un pedal de control de freno/dirección.

ADVERTENCIA

Los frenos de las ruedas locas siempre tienen que estar echados cuando un paciente esté subiéndose o bajándose de la camilla. Empuje la camilla para asegurarse de que los frenos estén bien echados. Eche siempre los frenos a menos que se esté moviendo la camilla. Si la camilla se mueve cuando un paciente esté subiéndose o bajándose de ella, pueden producirse lesiones. Si los frenos no funcionan correctamente, consulte el procedimiento de ajuste de los frenos en el manual de mantenimiento de la camilla.

Para echar los frenos en el extremo de la cabeza, presione hacia abajo hasta el tope el lado izquierdo del pedal (A).

Para echar los frenos en el extremo de los pies, presione hacia abajo hasta el tope el lado derecho del pedal (B).

NOTA

La camilla puede estar equipada con funciones opcionales de control lateral de freno y dirección además de los controles de serie de los extremos de la cabeza y los pies. Los frenos de control laterales funcionan de la misma manera que las versiones de los extremos de la cabeza y los pies.

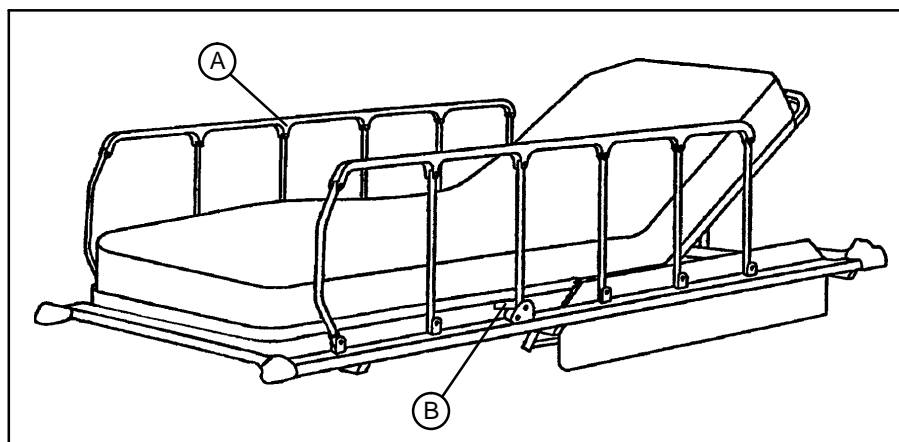
USO DE LA QUINTA RUEDA

La quinta rueda se utiliza para guiar la camilla a lo largo de una línea recta durante el transporte y al doblar esquinas.

Para utilizar la quinta rueda, presione hacia abajo hasta el tope el lado adecuado del pedal de freno/dirección.

Uso de la camilla

UTILIZACIÓN DE LAS BARRAS LATERALES



ADVERTENCIA

Asegúrese de que el mecanismo de seguro (B) de las barras laterales funciona correctamente en todo momento. Si no es así, consulte el apartado «Ajuste de los seguros de las barras laterales» en el manual de mantenimiento de la camilla.

Para levantar las barras laterales: Tire hacia arriba de la barra lateral (A) y levántela por completo hasta activar el seguro (B).

Para bajar las barras laterales: Tire hacia arriba del seguro (B) y baje por completo la barra lateral.

ADVERTENCIA

Al bajar la barra lateral a la posición plegada, mantenga las extremidades de los pacientes y del personal alejadas de los ejes de la barra lateral para evitar lesiones.

Para evitar lesiones o daños al equipo, no deje que la barra lateral baje por sí sola.

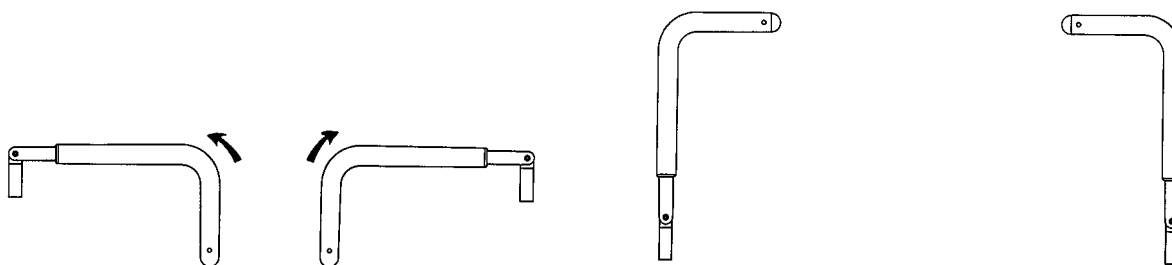
UTILIZACIÓN DE LOS MANGOS DE EMPUJE

PRECAUCIÓN

Los mangos de empuje están diseñados para utilizarse al transportar la camilla. No utilice otras partes de la camilla como dispositivos de empuje o arrastre, ya que podrían producirse daños.

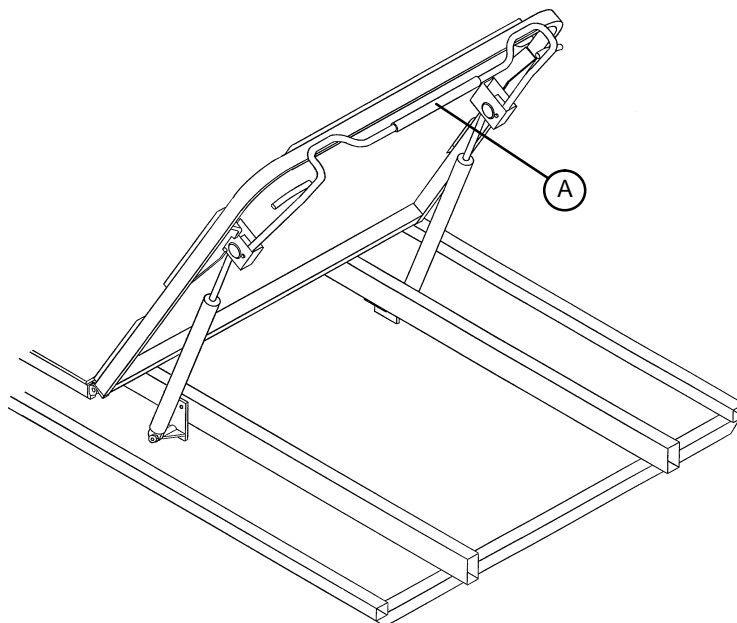
Para utilizar los mangos de empuje: Gire los mangos hacia arriba y presiónelos hacia abajo hasta que queden fijados en posición.

Para guardar los mangos de empuje: Levante los mangos y gírelos hacia abajo para guardarlos en los soportes de los mangos.



Uso de la camilla

USO DEL RESPALDO FOWLER



Español

Apriete el mango (A) para activar la ayuda neumática del levantamiento del respaldo Fowler hasta la altura deseada. Retire las manos del mango cuando se haya conseguido la altura deseada.

Para bajar el respaldo Fowler, apriete el mango (A) y presiónelo hacia abajo hasta que el respaldo Fowler se encuentre a la altura deseada. Retire las manos del mango cuando se haya conseguido la altura deseada.

ADVERTENCIA

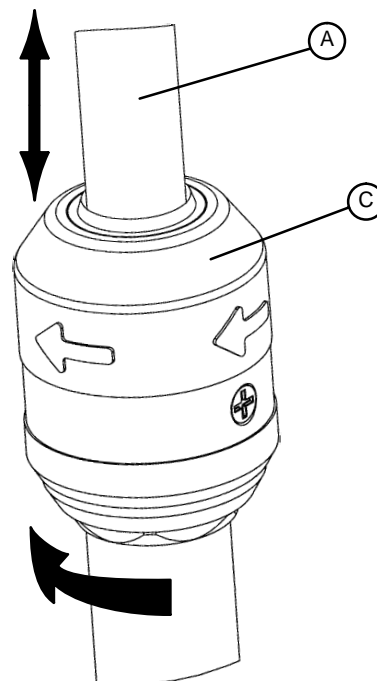
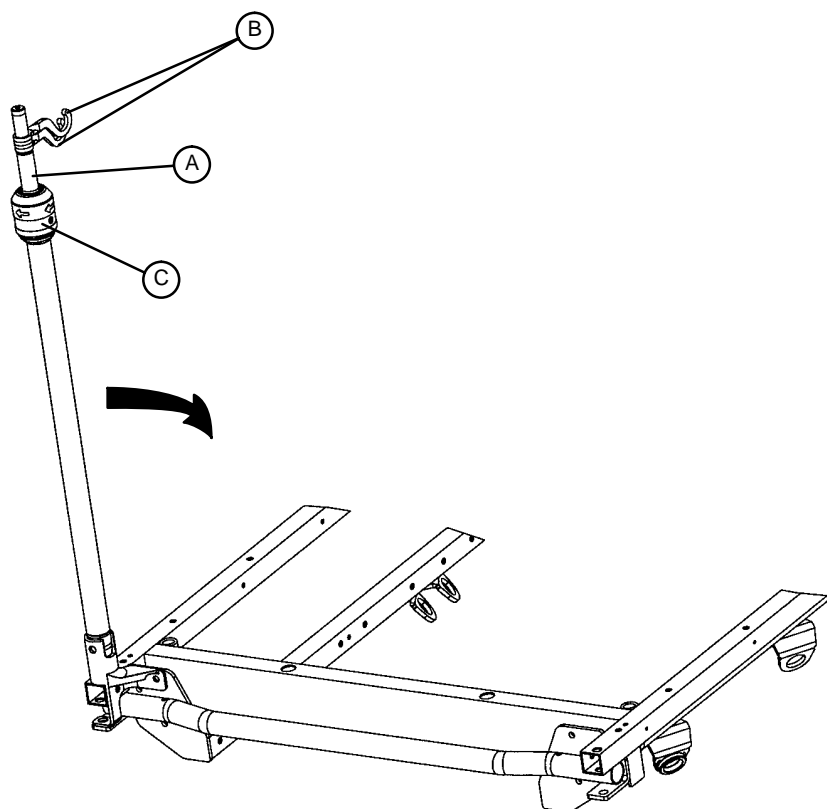
Mantenga las manos y los dedos alejados del mango de liberación del respaldo Fowler y del bastidor del respaldo Fowler al bajar éste. Si no se tiene cuidado, pueden producirse lesiones al bajar el respaldo Fowler.

PRECAUCIÓN

Si el uso del respaldo neumático Fowler presenta dificultades, consulte el procedimiento de ajuste del respaldo neumático Fowler explicado en el manual de mantenimiento de la camilla.

Uso de la camilla

USO DEL SOPORTE PARA LÍQUIDOS INTRAVENOSOS DE 2 FASES ACOPLADO PERMANENTEMENTE OPTATIVO



DETALLE DEL SEGURO DEL SOPORTE PARA LÍQUIDOS INTRAVENOSOS

NOTA

El soporte para líquidos intravenosos de 2 fases acoplado permanentemente es una opción y puede haberse instalado en el extremo de la cabeza o de los pies de la camilla, o en ambos.

Para utilizar el soporte para líquidos intravenosos de 2 fases acoplado permanentemente:

1. Levante y haga girar la barra del soporte desde la posición de almacenamiento y empuje hacia abajo hasta que encaje en el receptáculo.
2. Para aumentar la altura del soporte, tire hacia arriba de la parte telescópica (A) hasta que encaje en la posición totalmente levantada.
3. Gire los ganchos para líquidos intravenosos (B) hasta la posición deseada y cuelgue las bolsas de líquido intravenoso.
4. Para bajar el soporte para líquidos intravenosos, haga girar el seguro (C) en el sentido de las agujas del reloj hasta que baje la sección (A).

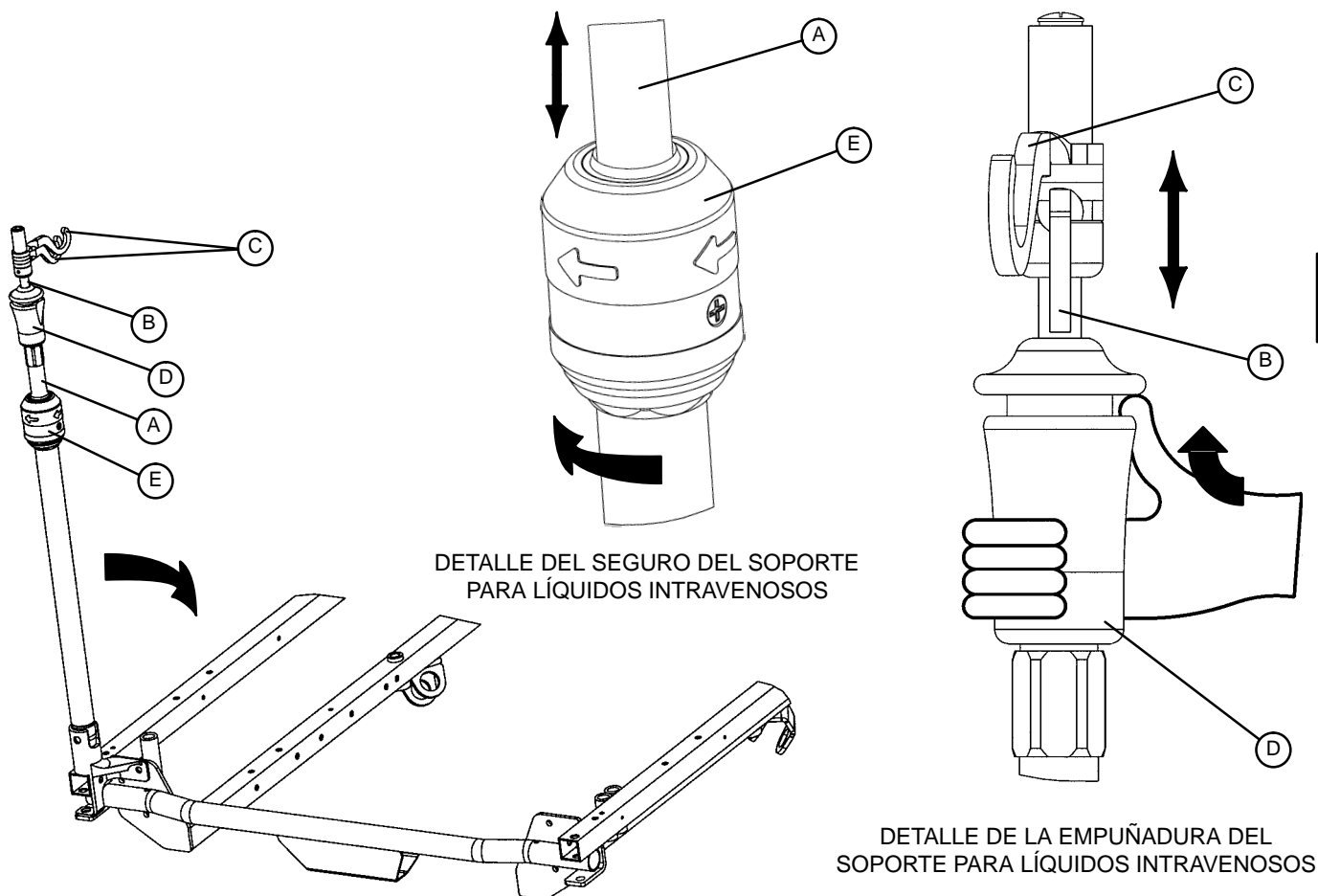
PRECAUCIÓN

Para evitar daños, el peso de las bolsas de líquidos intravenoso no debe superar los 18 kg.

Para evitar daños durante el transporte de la camilla, asegúrese de que el soporte para líquidos intravenosos esté a una altura suficientemente baja para permitir que pase de manera segura a través de las aberturas de las puertas y por debajo de los dispositivos de iluminación.

Uso de la camilla

USO DEL SOPORTE PARA LÍQUIDOS INTRAVENOSOS DE 3 FASES ACOPLADO PERMANENTEMENTE OPTATIVO



NOTA

El soporte para líquidos intravenosos de 3 fases acoplado permanentemente es una opción y puede haberse instalado en el extremo de la cabeza o de los pies de la camilla, o en ambos.

Para utilizar el soporte para líquidos intravenosos de 3 fases acoplado permanentemente:

1. Levante y haga girar la barra del soporte desde la posición de almacenamiento y empuje hacia abajo hasta que encaje en el receptáculo.
2. Para aumentar la altura del soporte, tire hacia arriba de la parte telescópica (A) hasta que encaje en la posición totalmente levantada.
3. Para aumentar la altura del soporte para líquidos intravenosos, tire hacia arriba de la sección (B). Suelte la sección (B) al alcanzar la altura deseada, y quedará encajada.
4. Gire los ganchos para líquidos intravenosos (C) hasta la posición deseada y cuelgue las bolsas de líquido intravenoso.
5. Para bajar el soporte para líquidos intravenosos, empuje hacia arriba la parte roja de la empuñadura (D) mientras mantiene la sección (B) hasta que baje. Gire el seguro (E) en el sentido de las agujas del reloj hasta que la sección (A) baje.

PRECAUCIÓN

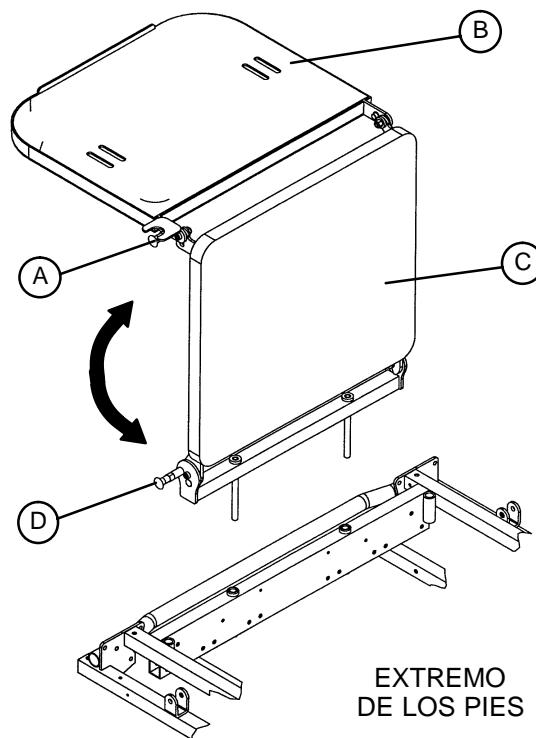
Para evitar daños, el peso de las bolsas de líquidos intravenoso no debe superar los 18 kg.

Para evitar daños durante el transporte de la camilla, asegúrese de que el soporte para líquidos intravenosos esté a una altura suficientemente baja para permitir que pase de manera segura a través de las aberturas de las puertas y por debajo de los dispositivos de iluminación.

Uso de la camilla

USO DE LA EXTENSIÓN PARA PIES/BANDEJA PARA DESFIBRILADOR OPTATIVA

1. Para utilizar como bandeja para desfibrilador, tire hacia fuera del pomo superior (A) y gire la bandeja (B) sobre la extensión para pies (C) hasta extender la bandeja y dejarla en posición horizontal sobre el extremo de los pies de la camilla.
2. Para utilizar como extensión de pies, tire hacia fuera del pomo (A) y gire la bandeja para desfibrilador hacia atrás hasta que quede fijada contra la extensión para pies (C). Mientras mantiene el conjunto, tire hacia fuera del pomo inferior (D) y baje la extensión para pies hasta que quede en posición horizontal.



ADVERTENCIA

Si la camilla está equipada con el soporte para líquidos intravenosos optativo del extremo de los pies, el soporte debe estar en la posición levantada al instalar la extensión para pies/bandeja para desfibrilador. Si el soporte para líquidos intravenosos no está levantado, la extensión para pies no funcionará correctamente y podrán producirse lesiones.

Mantenimiento preventivo

LISTA DE CONTROL

- _____ Todas las sujeciones están seguras
- _____ Las barras laterales se mueven y sus seguros funcionan correctamente
- _____ Accione el pedal del freno y empuje la camilla para asegurarse de que todas las ruedas locas quedan inmovilizadas correctamente
- _____ Todas las ruedas locas están bien fijadas y pivotan correctamente
- _____ Las sujeciones para el cuerpo funcionan correctamente
- _____ El soporte para líquidos intravenosos está intacto y funciona correctamente
- _____ El soporte para botellas de oxígeno está intacto y funciona correctamente
- _____ El respaldo Fowler y sus seguros funcionan correctamente
- _____ La función de colocación en la posición de Trendelenburg/Trendelenburg invertida funciona correctamente
- _____ La funda del colchón no muestra rasgaduras ni grietas
- _____ La cadena de la toma de tierra está intacta
- _____ Las conexiones hidráulicas no presentan filtraciones
- _____ Los gatos hidráulicos se mantienen correctamente
- _____ El índice de altura piezométrica está ajustado correctamente
- _____ El nivel del aceite hidráulico es suficiente
- _____ Lubrique la camilla donde sea necesario
- _____ Los accesorios y elementos de montaje están en buen estado y funcionan correctamente

Español

N.º de Serie _____

Rellenado por: _____

Fecha: _____

NOTA

El mantenimiento preventivo debe llevarse a cabo al menos una vez al año. Debe establecerse un programa de mantenimiento preventivo para todo el equipo de Stryker Medical. Según la frecuencia de uso del producto, es posible que haya que realizar el mantenimiento preventivo más a menudo.

Limpieza

Lave a mano todas las superficies de la camilla con agua tibia y un detergente suave, y séquelas bien. NO UTILICE LIMPIEZA CON VAPOR, LAVADO A PRESIÓN, LAVADO CON MANGUERA NI LIMPIEZA ULTRASÓNICA. Estos métodos de limpieza **no** están recomendados y pueden anular la garantía del producto.

Limpie el velcro **DESPUÉS DE CADA USO**. Empape el velcro con desinfectante y deje que éste se evapore (el hospital deberá determinar qué desinfectante es adecuado para el velcro de nailon).

En general, cuando se utilicen en las concentraciones recomendadas por el fabricante, podrán usarse desinfectantes fenólicos o cuaternarios. Los desinfectantes yodóforos no están recomendados porque podrían dejar manchas. Los siguientes productos se han comprobado y se ha observado que no tienen efectos perjudiciales CUANDO SE UTILIZAN DE ACUERDO CON LA DILUCIÓN RECOMENDADA POR EL FABRICANTE*.

NOMBRE COMERCIAL	TIPO DE DESINFECTANTE	FABRICANTE	*DILUCIÓN RECOMENDADA POR EL FABRICANTE
A33	Cuaternario	Airwick (Professional Products Division)	1 : 64
A33 (seco)	Cuaternario	Airwick (Professional Products Division)	1 : 256
Beaucoup	Fenólico	Huntington Laboratories	1 : 128
Blue Chip	Cuaternario	S.C. Johnson	1 : 64
Elimstaph	Cuaternario	Walter G. Legge	1 : 128
Franklin Phenomysan F2500	Fenólico	Purex Corporation	1 : 100
Franklin Sentinel	Cuaternario	Purex Corporation	1 : 64
Galahad	Fenólico	Puritan Churchill Chemical Company	1 : 128
Hi-Tor	Cuaternario	Huntington Laboratories	1 : 256
LPH	Fenólico	Vestal Laboratories	1 : 256
Matar	Fenólico	Huntington Laboratories	1 : 256
Omega	Cuaternario	Airwick (Professional Products Division)	1 : 256
Quanto	Cuaternario	Huntington Laboratories	1 : 128
Sanikleen	Cuaternario	West Chemical Products	1 : 64
Sanimaster II	Cuaternario	Service Master	1 : 128
Vesphene	Fenólico	Vestal Laboratories	1 : 100

No se consideran detergentes suaves los desinfectantes germicidas cuaternarios, utilizados según las instrucciones o productos de lejía de cloro, típicamente hipoclorito de sodio al 5,25% en **diluciones que varían de 1 parte de lejía por 100 partes de agua y 2 partes de lejía por 100 partes de agua. Estos productos son de naturaleza corrosiva y pueden causar daños a la camilla si se utilizan incorrectamente.** Si se utilizan estos tipos de productos para limpiar el equipo de manipulación de pacientes Stryker, deben tomarse medidas para asegurar que las camillas se enjuagen con agua limpia y se sequen bien tras la limpieza. Si no se enjuagan y se secan bien las camillas, quedarán residuos corrosivos sobre sus superficies, lo que es posible que cause corrosión prematura de componentes importantes.

NOTA

El incumplimiento de las instrucciones anteriores al utilizar estos productos podría anular la garantía.

ELIMINACIÓN DE COMPUESTOS YODADOS

Esta solución se puede utilizar para quitar las manchas de yodo de las superficies de la funda del colchón.

1. Utilice una solución de 1–2 cucharadas de tiosulfato de sodio en medio litro de agua caliente para limpiar la zona manchada. Limpie las manchas lo antes posible. Si las manchas no se quitan inmediatamente, deje que la solución empape la superficie o permanezca sobre ella.
2. Antes de volver a utilizar la cama, enjuague con agua filtrada las superficies que se hayan expuesto a la solución.

Garantía

Garantía limitada:

Stryker Medical Division, una división de Stryker Corporation, garantiza al comprador original que sus productos deberán estar libres de defectos en los materiales o en la fabricación durante un período de un (1) año después de la fecha de entrega. De acuerdo con esta garantía, la obligación de Stryker se limita expresamente a suministrar piezas de repuesto y mano de obra para los productos que, a la entera discreción de Stryker, se consideren defectuosos; Stryker también podrá optar por sustituir dichos productos. Stryker garantiza al comprador original que el bastidor y las soldaduras de sus camas estarán libres de defectos estructurales durante el tiempo que el comprador original tenga la cama. Si Stryker lo solicita, los productos o las piezas para los que se haya pedido servicio de garantía se deberán enviar a la fábrica de Stryker con los portes pagados. La garantía quedará anulada en caso de uso incorrecto o alteración o reparación por parte de otros que, a juicio de Stryker, afecten material y negativamente al producto. Cualquier reparación de productos de Stryker utilizando piezas no suministradas o autorizadas por Stryker anulará esta garantía. Ningún empleado o representante de Stryker estará autorizado para alterar esta garantía de ninguna manera.

Las camillas de Stryker Medical son diseñadas con una expectativa de vida útil de 10 años, bajo uso normal, condiciones regulares y con el mantenimiento periódico recomendado, tal y como está descrito en el manual de mantenimiento de cada producto. Stryker garantiza, al comprador original, que las soldaduras en sus camillas no tendrán defectos estructurales por los 10 años de vida útil de la camilla, mientras que el comprador original posea el producto.

Esta declaración constituye toda la garantía de Stryker con respecto a dicho equipo. STRYKER NO OFRECE NINGUNA OTRA GARANTÍA NI HACE NINGUNA DECLARACIÓN, NI EXPRESA NI IMPLÍCITA, APARTE DE LAS AQUÍ ESPECIFICADAS. NO SE OFRECE NINGUNA GARANTÍA DE APTITUD PARA LA COMERCIALIZACIÓN O PARA ALGÚN PROPÓSITO PARTICULAR. SEGÚN LA PRESENTE GARANTÍA, STRYKER NO SERÁ RESPONSABLE EN NINGUNA CIRCUNSTANCIA DE DAÑOS INCIDENTALES O CONSECUENTES DERIVADOS O RELACIONADOS DE ALGUNA MANERA CON LA VENTA O EL USO DE CUALQUIERA DE DICHOS EQUIPOS.

Para obtener repuestos y servicio técnico:

Los productos de Stryker están respaldados por una red nacional de representantes del servicio técnico de Stryker dedicados a ofrecer este tipo de servicio. Estos representantes están formados en la fábrica, están disponibles localmente y tienen un stock considerable de piezas de repuesto para reducir al máximo el tiempo de las reparaciones. Sólo hay que llamar al representante local o llamar al Servicio de Atención al Cliente de Stryker al 1-800-327-0770.

Cobertura del contrato de servicio técnico:

Stryker ha desarrollado un completo programa de opciones de contratos de servicio técnico diseñado para mantener los equipos funcionando en condiciones óptimas al tiempo que se eliminan gastos inesperados. Recomendamos activar estos programas *antes* del vencimiento de la garantía del producto nuevo para eliminar la posibilidad de gastos adicionales de actualización del equipo.

LOS CONTRATOS DE SERVICIO TÉCNICO AYUDAN A:

- Asegurar la fiabilidad del equipo
- Estabilizar los presupuestos de mantenimiento
- Disminuir el tiempo en que el equipo está fuera de servicio
- Establecer la documentación para la JCAHO
- Aumentar la vida útil del producto
- Aumentar el valor de cambio
- Mejorar la administración de riesgos y la seguridad

Garantía

Stryker ofrece los siguientes programas de contratos de servicio técnico:

ESPECIFICACIONES	ORO	PLATA	SÓLO MANTENIMIENTO PREVENTIVO*
Mantenimiento preventivo programado anualmente	X		X
Todas las piezas**, mano de obra y desplazamiento	X	X	
Llamadas ilimitadas de servicio técnico de urgencia	X	X	
Un contacto prioritario; respuesta telefónica en dos horas	X	X	X
La mayoría de las reparaciones se realizarán en un período de 3 días laborables	X	X	
Documentación de la JCAHO	X	X	X
Libro de registro in situ de mantenimiento preventivo y servicio técnico de urgencia	X		
Técnicos de servicio técnico de Stryker formados en la fábrica	X	X	X
Repuestos autorizados de Stryker	X	X	X
Resumen de fin de año	X		
Stryker realizará todas las operaciones de servicio técnico durante el horario de oficina normal (de 9:00 a 17:00)	X	X	X

* Se descontarán las piezas de repuesto y la mano de obra de productos con contrato de mantenimiento preventivo.

** No incluye ningún artículo desechable, soportes para líquidos intravenosos (excepto en el caso de los soportes permanentes Stryker HD), colchones o daños producidos por abuso.

Stryker Medical también ofrece contratos de servicio técnico *personalizados*.

El precio se determinará sobre la base de la edad, el lugar, el modelo y el estado del producto.

Para obtener más información sobre nuestros contratos de servicio técnico, llame al representante local o llame al 1-800-327-0770 (opción 2).

Autorización de devolución:

No se podrá devolver la mercancía sin la autorización del Departamento de Atención al Cliente de Stryker. Se proporcionará un número de autorización que deberá adjuntarse con la mercancía devuelta. Stryker se reserva el derecho de cargar gastos de devolución y envío a los artículos devueltos.

LOS ARTÍCULOS ESPECIALES, MODIFICADOS O SUSPENDIDOS NO ESTÁN SUJETOS A DEVOLUCIÓN.

Mercancía dañada:

Las normas de la ICC exigen que las reclamaciones por mercancía dañada se hagan con el servicio de transporte en un plazo de quince (15) días contados desde su recepción. NO DEBE ACEPTAR ENVÍOS DAÑADOS A MENOS QUE SE COMUNIQUE DICHO DAÑO EN EL RECIBO DE ENTREGA EN EL MOMENTO DE LA RECEPCIÓN. Tras la notificación, Stryker presentará una reclamación al servicio de transporte apropiado por los daños producidos. La queja se limitará en cuanto a la cantidad al precio de sustitución. En el caso de que dicha información no fuese recibida por Stryker en un plazo de quince (15) días contados desde la entrega de la mercancía, o de que el daño no se haya registrado en el recibo de entrega en el momento de la recepción, el cliente será responsable del pago del recibo original en su totalidad.

Las reclamaciones de pedidos incompletos deberán efectuarse en un plazo de treinta (30) días contados desde su recepción.

Cláusula de garantía internacional:

Esta garantía refleja la política interna de EE.UU. La garantía fuera de EE.UU. puede variar según el país. Póngase en contacto con su representante de Stryker Medical si desea más información.

Índice


Introdução	2, 3
Utilização dos controlos da base	4, 5
Aumento e diminuição da altura da maca	6
Colocação em posição de Trendelenburg/anti-Trendelenburg	6
Accionamento dos travões	7
Utilização da quinta roda	8
Utilização das grades laterais	8
Utilização das pegas para empurrar	8
Utilização da cabeceira Fowler	9
Utilização dos suportes de soros opcionais com fixação permanente	10, 11
Utilização da extensão para os pés/tabuleiro do desfibrilhador opcional	12
Lista de verificação da manutenção preventiva	13
Limpeza	14
Garantia	
Obtenção de peças e solicitação de assistência	15
Cobertura suplementar da garantia	15
Autorização da devolução	16
Reclamações de danos ocorridos durante o transporte	16

Introdução

INTRODUÇÃO

Este manual destina-se a ajudar os operadores a utilizarem a Maca de transporte modelo 735. Antes de utilizar o equipamento ou iniciar qualquer actividade de manutenção, leia o manual na íntegra.

ESPECIFICAÇÕES

Peso máximo	226 kg	
Comprimento/largura total da maca	211 cm / 76 cm	
Altura mínima/máxima da cama	54,6 cm / 91 cm	
Ângulo da cabeceira Fowler	0° a 90°	
Posição de Trendelenburg/anti-Trendelenburg	+18° a -18°	

A Stryker reserva-se o direito de alterar as especificações sem aviso prévio.

DEFINIÇÃO DE ADVERTÊNCIA/PRECAUÇÃO/NOTA

Os termos ADVERTÊNCIA, PRECAUÇÃO e NOTA possuem significados especiais aos quais se deve prestar a devida atenção.

ADVERTÊNCIA

Alerta o leitor para uma situação que, se não for evitada, pode resultar em lesões graves ou morte. Pode igualmente descrever possíveis reacções adversas graves e perigos de segurança.

PRECAUÇÃO

Alerta o leitor para uma situação potencialmente perigosa que, se não for evitada, poderá provocar lesões ligeiras a moderadas no utilizador ou no doente, ou danos no equipamento ou noutros bens. Inclui os cuidados especiais necessários para uma utilização segura e eficaz do dispositivo e os cuidados necessários para evitar a possibilidade de danos no dispositivo em resultado da utilização correcta ou incorrecta do mesmo.

NOTA

Fornece informações especiais, que se destinam a facilitar a manutenção ou a explicar instruções importantes.



Símbolo de carga de trabalho segura

Introdução

Antes de utilizar esta maca, é muito importante que leia e compreenda todas as informações contidas neste manual. Leia com atenção e cumpra com rigor as advertências e precauções indicadas nesta página.

ADVERTÊNCIA

Quando um doente estiver a subir ou a descer da maca, accione sempre os travões dos rodízios. Empurre a maca para se certificar de que os travões estão bem engatados. Sempre que a maca estiver parada, accione os travões. Poderão ocorrer lesões se a maca se deslocar quando um doente estiver a subir para a maca ou a descer da mesma. Caso os travões não imobilizem a maca convenientemente, consulte o manual de manutenção da maca para saber qual o procedimento de ajuste dos travões.

Certifique-se de que o trinco das grades laterais funciona sempre de forma adequada. Caso contrário, consulte o manual de manutenção da maca relativamente ao procedimento de ajuste do trinco das grades laterais.

Ao baixar as grades laterais até à posição mais baixa, mantenha as extremidades dos doentes e dos funcionários afastadas dos eixos das grades laterais, para evitar que ocorram lesões.

Quando baixar a cabeceira Fowler, mantenha os dedos e as mãos afastados da área à volta da pega de desengate da cabeceira Fowler e da respectiva estrutura. Se não forem tomadas precauções durante o abaixamento da cabeceira Fowler, poderão ocorrer lesões.

Caso a maca esteja equipada com o suporte de soros opcional do lado dos pés, este suporte deverá estar em posição elevada quando a extensão para os pés/tabuleiro do desfibrilhador for instalada. Se o suporte de soros não estiver em posição elevada, a extensão para os pés não funcionará correctamente e poderá originar lesões.

PRECAUÇÃO

Antes de aumentar ou diminuir a altura da maca, retire todo o equipamento que possa estar a impedir o movimento, de forma a evitar danos.

Para evitar lesões ou danos no equipamento, não permita que as grades laterais desçam sozinhas.

As pegas para empurrar foram concebidas para serem utilizadas durante o transporte da maca. Evite utilizar outras partes da maca como dispositivos para empurrar ou puxar a maca, pois poderão ocorrer danos.

Caso seja difícil utilizar a cabeceira Fowler pneumática, consulte o manual de manutenção da maca para saber qual o “Procedimento de ajuste da cabeceira Fowler pneumática”.

De forma a evitar danos, o peso dos sacos de terapia IV não deve exceder 18 kg.

Para evitar danos durante a deslocação da maca, verifique se o suporte de soros se encontra numa posição suficientemente baixa para permitir a passagem segura pelas portas e por baixo dos candeeiros.

A unidade não pode ser elevada (sistema hidráulico na base).

Não pisar a área em madeira.

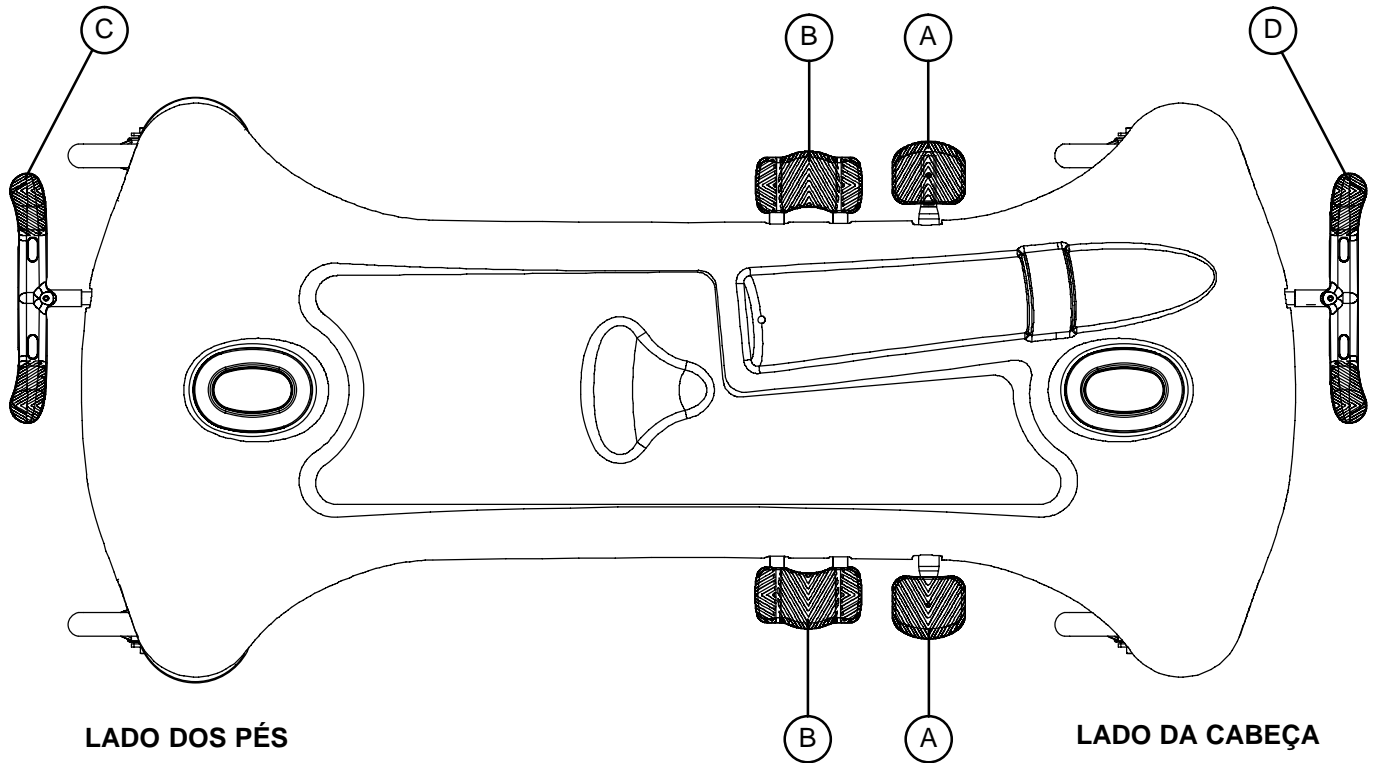
NOTA

Limpar regularmente área em madeira.

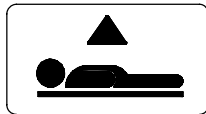
Limpar regularmente aro dos travões para evitar acumulação de detritos.

Utilização da maca

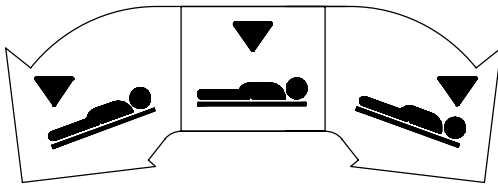
UTILIZAÇÃO DOS CONTROLOS DA BASE – CONTROLO NUM LADO



Português



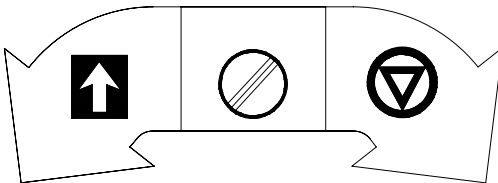
Movimente o pedal (A) para cima e para baixo, para elevar a maca.



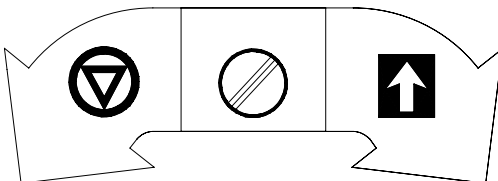
Pressione a zona central do pedal (B), para baixar as duas extremidades da maca em simultâneo.

Pressione a zona lateral do pedal (B) mais próxima dos pés do doente, para baixar o lado dos pés.

Pressione a zona lateral do pedal (B) mais próxima da cabeceira do doente, para baixar o lado da cabeça.



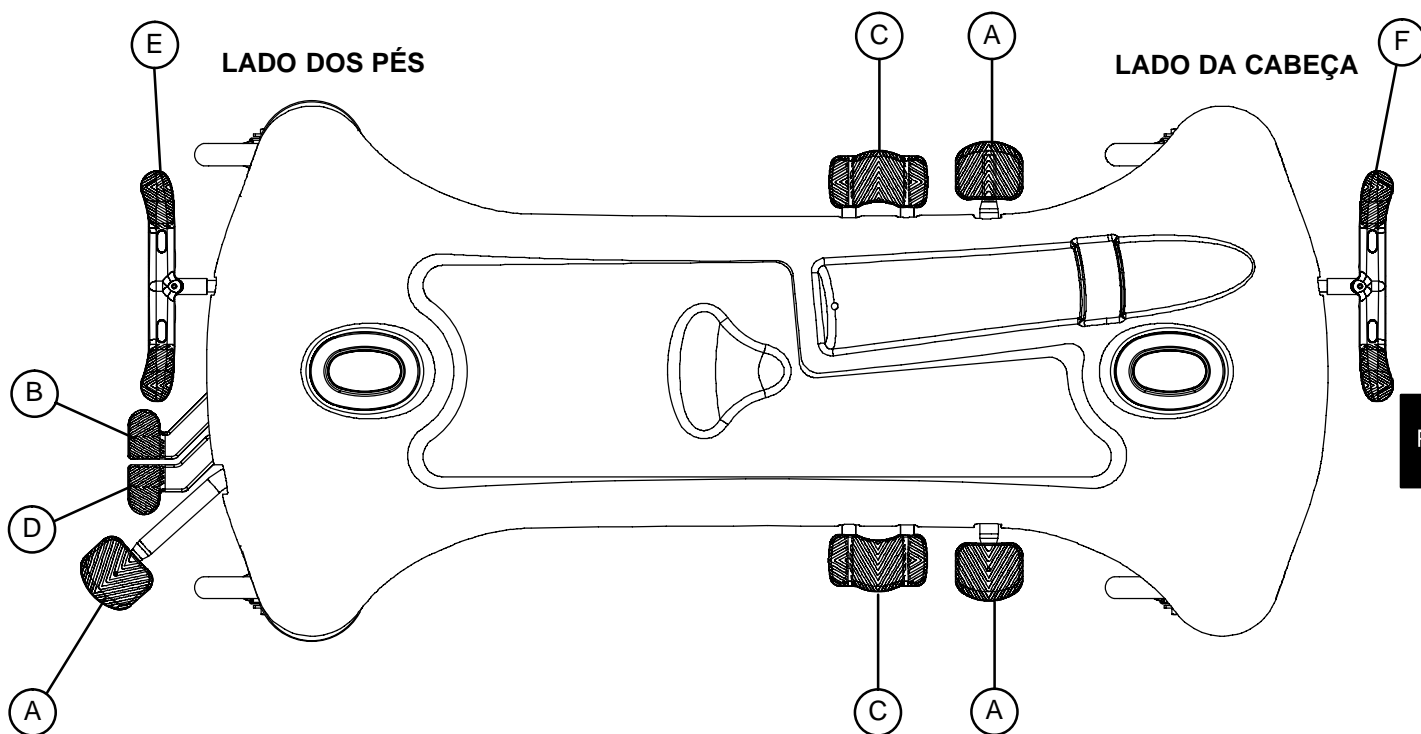
Pedal (C) – Funções de travão e de condução (lado dos pés)



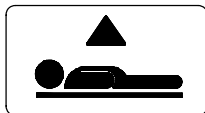
Pedal (D) – Funções de travão e de condução (lado da cabeça)

Utilização da maca

UTILIZAÇÃO DOS CONTROLOS DA BASE – CONTROLOS EM TRÊS LADOS



Português

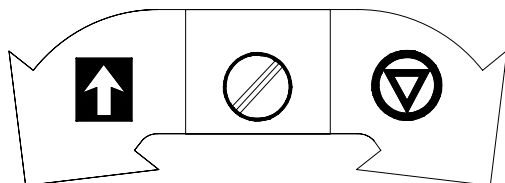
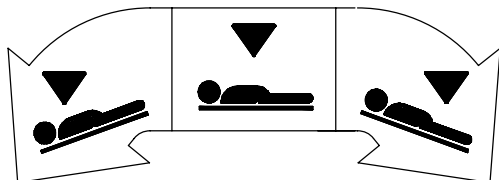


Movimente o pedal (A), situado no lado dos pés do doente ou nas partes laterais da maca, para cima e para baixo, para elevar a maca.

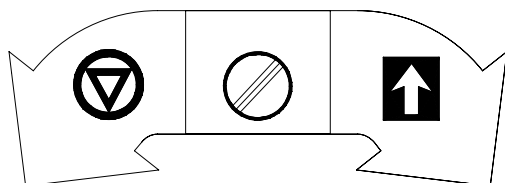
Pressione o pedal (B) ou a zona lateral do pedal (C) mais próxima da cabeceira do doente, para baixar o lado da cabeça.

Pressione o pedal (D) ou a zona lateral do pedal (C) mais próxima dos pés do doente, para baixar o lado dos pés.

Pressione a zona central do pedal (C) ou pressione os pedais (B) e (D) em conjunto para baixar as duas extremidades da maca em simultâneo.



Pedal (E) – Funções de travão e de condução (lado dos pés)



Pedal (F) – Funções de travão e de condução (lado da cabeça)

Utilização da maca

AUMENTO E DIMINUIÇÃO DA ALTURA DA MACA – CONTROLO NUM LADO

PRECAUÇÃO

Antes de aumentar ou diminuir a altura da maca, retire todo o equipamento que possa estar a impedir o movimento, de forma a evitar danos.

Para **elevantar** a maca, carregue repetidamente no pedal (A) para cima e para baixo, até obter a altura desejada (ver ilustração na [página 7-4](#)).

Para **baixar** as duas extremidades da maca em simultâneo, pressione a zona central do pedal (B). Para baixar apenas a extremidade da maca mais próxima da cabeça, pressione a zona lateral do pedal (B) mais próxima do lado da cabeça. Para baixar apenas o lado dos pés do doente, pressione a zona lateral do pedal (B) mais próxima do lado dos pés (ver ilustração na [página 7-4](#)).

AUMENTO E DIMINUIÇÃO DA ALTURA DA MACA – CONTROLOS EM TRÊS LADOS

Para **elevantar** a maca, carregue repetidamente no pedal (A) para cima e para baixo, até obter a altura desejada (ver ilustração na [página 7-5](#)).

Para **baixar** as duas extremidades da maca em simultâneo, pressione os pedais (B) e (D) em conjunto, usando o mesmo pé, ou pressione a zona central do pedal (C). Para baixar apenas o lado da cabeça do doente, pressione o pedal (B) ou a zona lateral do pedal (C) mais próxima da cabeça do doente. Para baixar a maca apenas do lado dos pés, pressione o pedal (D) ou a zona lateral do pedal (C) mais próxima do lado dos pés do doente.

POSIÇÃO DE TRENDELENBURG/ANTI-TRENDELENBURG – CONTROLO NUM LADO

NOTA

Para se conseguir colocar o doente na posição de Trendelenburg ou anti-Trendelenburg é necessário elevar a maca.

PRECAUÇÃO

Antes de baixar a maca, retire todo o equipamento que possa estar a impedir o movimento, de forma a evitar danos.

Para posicionar o doente na posição de **Trendelenburg** (cabeça para baixo), pressione a zona lateral do pedal (B) mais próxima da cabeça do doente (ver ilustração, [página 7-4](#)).

Para posicionar o doente na posição de **anti-Trendelenburg** (pés para baixo), pressione a zona lateral do pedal (B) mais próxima dos pés do doente.

NOTA

Quanto mais alta estiver a maca antes de o pedal (B) ser activado, maior será o ângulo da posição de Trendelenburg ou anti-Trendelenburg. (O ângulo máximo da posição de Trendelenburg é de +18°. O ângulo máximo da posição de anti-Trendelenburg é de -18°.)

POSIÇÃO DE TRENDELENBURG/ANTI-TRENDELENBURG – CONTROLOS EM TRÊS LADOS

PRECAUÇÃO

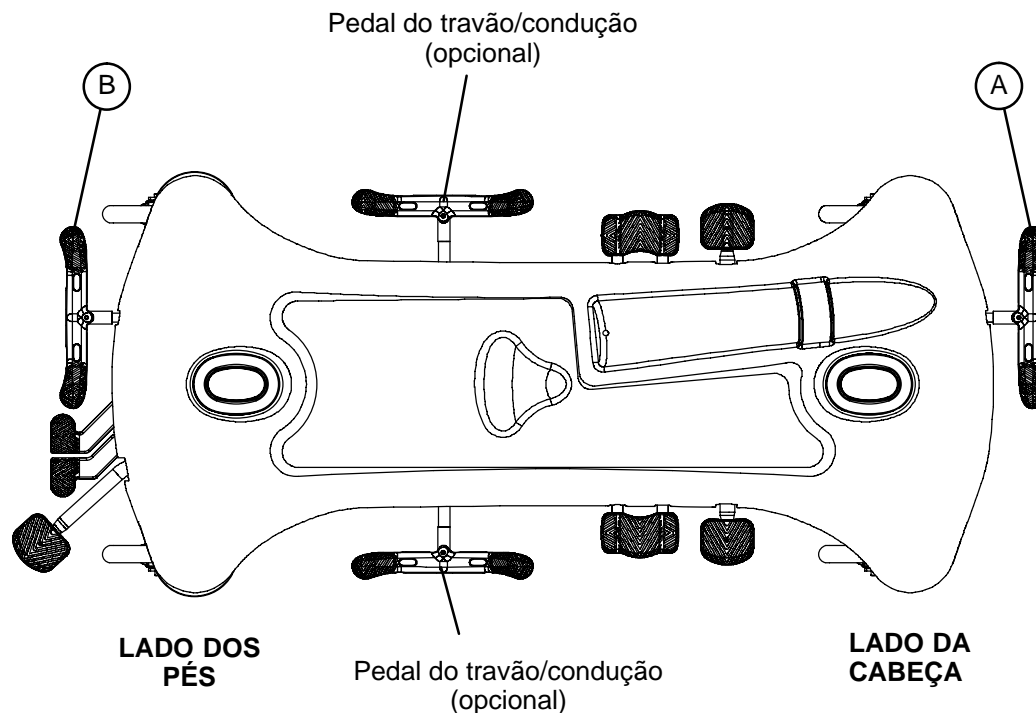
Antes de baixar a maca, retire todo o equipamento que possa estar a impedir o movimento, de forma a evitar danos.

Para posicionar o doente na posição de **Trendelenburg** (cabeça para baixo), pressione o pedal (B) ou a zona lateral do pedal (C) mais próxima da cabeça do doente (ver ilustração, [página 7-5](#)).

Para posicionar o doente na posição de **anti-Trendelenburg** (pés para baixo), pressione o pedal (D) ou a zona lateral do pedal (C) mais próxima dos pés do doente.

Utilização da maca

ACCIONAMENTO DOS TRAVÕES



Português

NOTA

Para comodidade do utilizador, existe um pedal de controlo do travão/condução nas duas extremidades da maca.

ADVERTÊNCIA

Quando um doente estiver a subir ou a descer da maca, accione sempre os travões dos rodízios. Empurre a maca para se certificar de que os travões estão bem engatados. Sempre que a maca estiver parada, accione os travões. Poderão ocorrer lesões se a maca se deslocar quando um doente estiver a subir para a maca ou a descer da mesma. Caso os travões não imobilizem a maca convenientemente, consulte o manual de manutenção da maca para saber qual o procedimento de ajuste dos travões.

Para accionar os travões do lado da cabeça, empurre totalmente para baixo o lado esquerdo do pedal (A).

Para accionar os travões do lado dos pés, empurre totalmente para baixo o lado direito do pedal (B).

NOTA

Além dos controlos padrão existentes no lado da cabeça e no lado dos pés da maca, a maca poderá ser equipada com funções de condução e travagem opcionais com controlo lateral. Os travões de controlo lateral funcionam da mesma forma que os controlos existentes no lado da cabeça e no lado dos pés da maca.

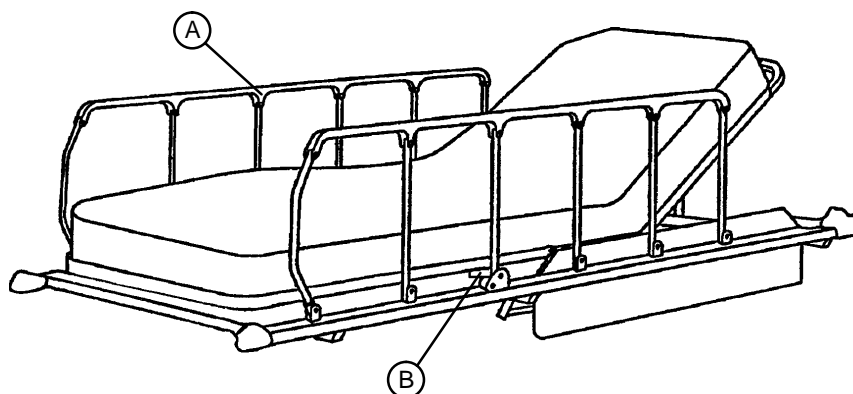
UTILIZAÇÃO DA QUINTA RODA

O objectivo da quinta roda consiste em ajudar a condução da maca em linha recta durante o transporte e facilitar as manobras em esquinas.

Para accionar a quinta roda, empurre a zona lateral adequada do pedal do travão/condução até à posição mais baixa.

Utilização da maca

UTILIZAÇÃO DAS GRADES LATERAIS



ADVERTÊNCIA

Certifique-se sempre de que o trinco (B) das grades laterais funciona de forma adequada. Caso contrário, consulte o manual de manutenção da maca relativamente ao procedimento de ajuste do trinco das grades laterais.

Para prender as grades laterais: Puxe a grade lateral (A) para cima e levante-a até à posição mais elevada, até o trinco (B) ficar engatado.

Para soltar as grades laterais: Puxe o fecho (B) para cima e guie a barra lateral até à posição mais baixa possível.

ADVERTÊNCIA

Ao baixar as grades laterais até à posição mais baixa, mantenha as extremidades dos doentes e dos funcionários afastadas dos eixos das grades laterais, para evitar que ocorram lesões.

Para evitar lesões ou danos no equipamento, não permita que as grades laterais desçam sozinhas.

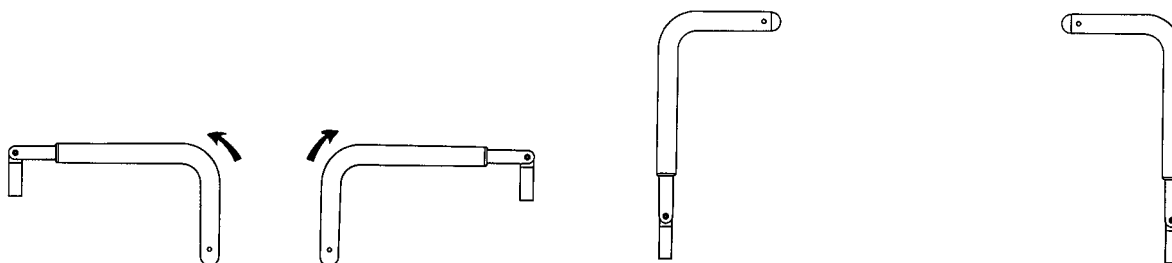
UTILIZAÇÃO DAS PEGAS PARA EMPURRAR

PRECAUÇÃO

As pegas para empurrar foram concebidas para serem utilizadas durante o transporte da maca. Evite utilizar outras partes da maca como dispositivos para empurrar ou puxar a maca, pois poderão ocorrer danos.

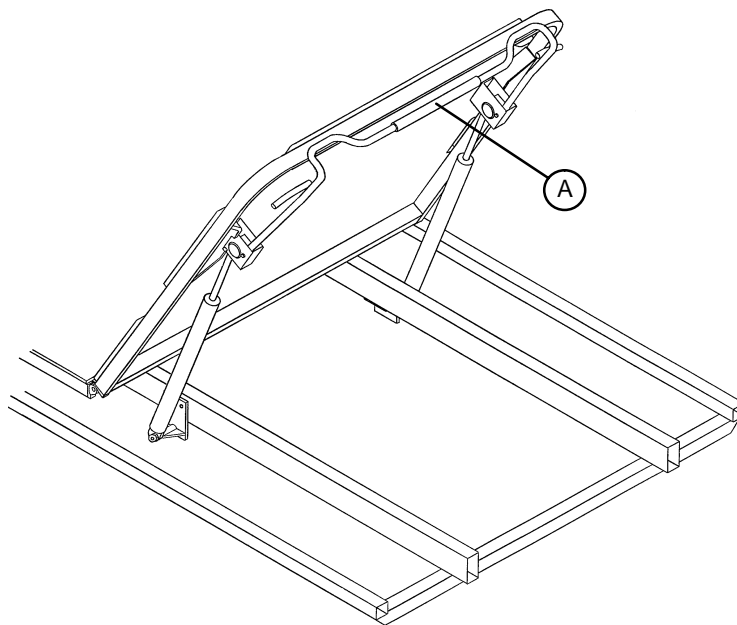
Para utilizar as pegas para empurrar: Gire as pegas para cima sobre o seu eixo e empurre-as para baixo, até ficarem trancadas na respectiva posição.

Para guardar as pegas para empurrar: Levante as pegas e gire-as sobre o seu eixo para baixo, para as guardar nos respectivos apoios.



Utilização da maca

UTILIZAÇÃO DA CABECEIRA FOWLER



Português

Aperte a pega (A) para elevar a cabeceira Fowler até à altura desejada com auxílio de um mecanismo pneumático. Quando alcançar a altura desejada, retire as mãos da pega.

Para baixar a cabeceira Fowler, aperte a pega (A) e empurre-a para baixo até a cabeceira Fowler atingir a altura desejada. Quando alcançar a altura desejada, retire as mãos da pega.

ADVERTÊNCIA

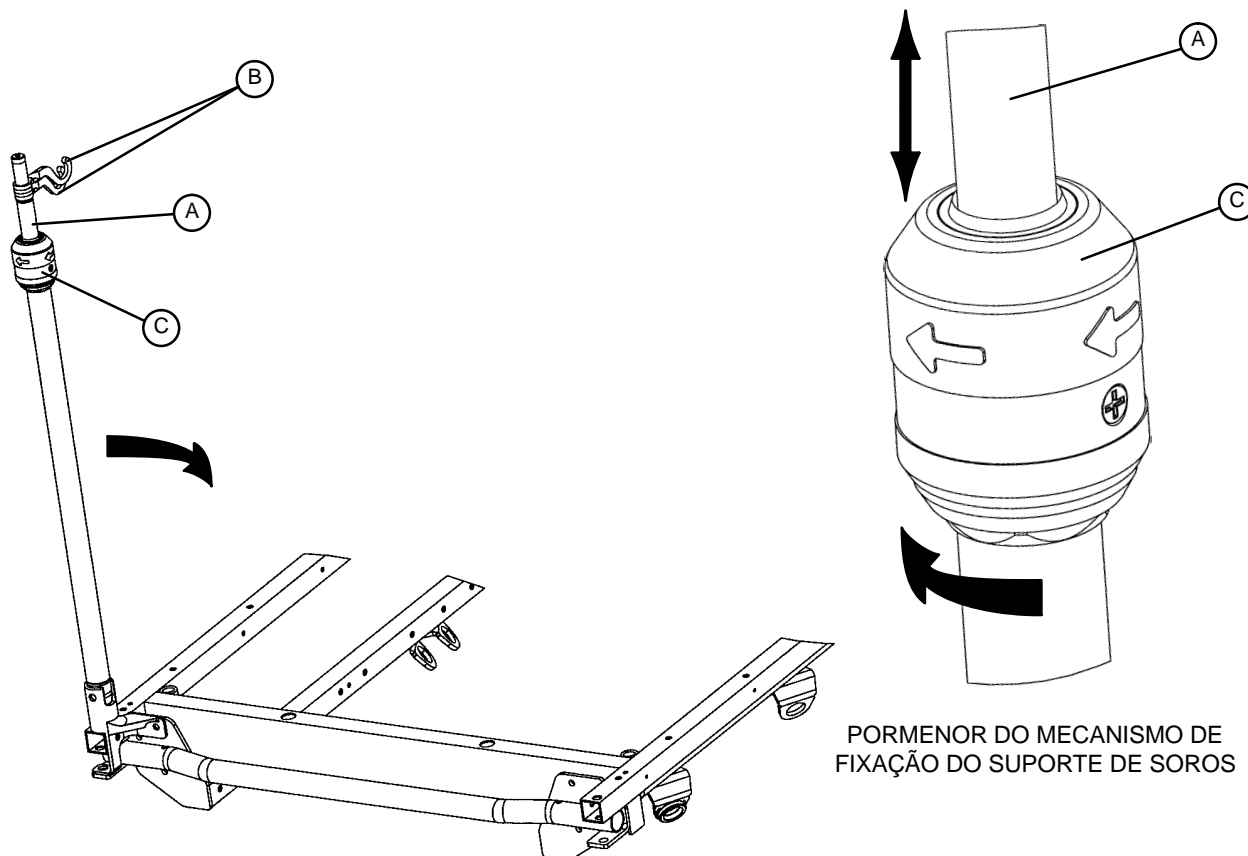
Quando baixar a cabeceira Fowler, mantenha os dedos/mãos afastados da área à volta das pegas de desengate e da estrutura da cabeceira Fowler. Se não forem tomadas precauções durante o abaixamento da cabeceira Fowler, poderão ocorrer lesões.

PRECAUÇÃO

Caso seja difícil utilizar a cabeceira Fowler pneumática, consulte o manual de manutenção da maca para saber qual o procedimento de ajuste da cabeceira Fowler pneumático.

Utilização da maca

UTILIZAÇÃO DO SUPORTE DE SOROS OPCIONAL DE 2 ETAPAS COM FIXAÇÃO PERMANENTE



Português

NOTA

O suporte de soros de 2 etapas com fixação permanente é uma opção que pode ser instalada em qualquer uma das extremidades da maca, do lado da cabeça ou do lado dos pés, ou em ambas.

Para utilizar o suporte de soros de 2 etapas com fixação permanente:

1. A partir da posição de armazenamento, levante e rode o suporte de soros em redor do seu eixo e empurre-o para baixo até ficar encerrado no receptáculo.
2. Para aumentar a altura do suporte, puxe a parte telescópica (A) para cima, até se fixar na sua altura máxima.
3. Rode os ganchos (B) do suporte de soros para a posição desejada e pendure os sacos de terapia IV.
4. Para baixar o suporte de soros, rode o mecanismo de fixação (C) em sentido horário até a secção (A) baixar.

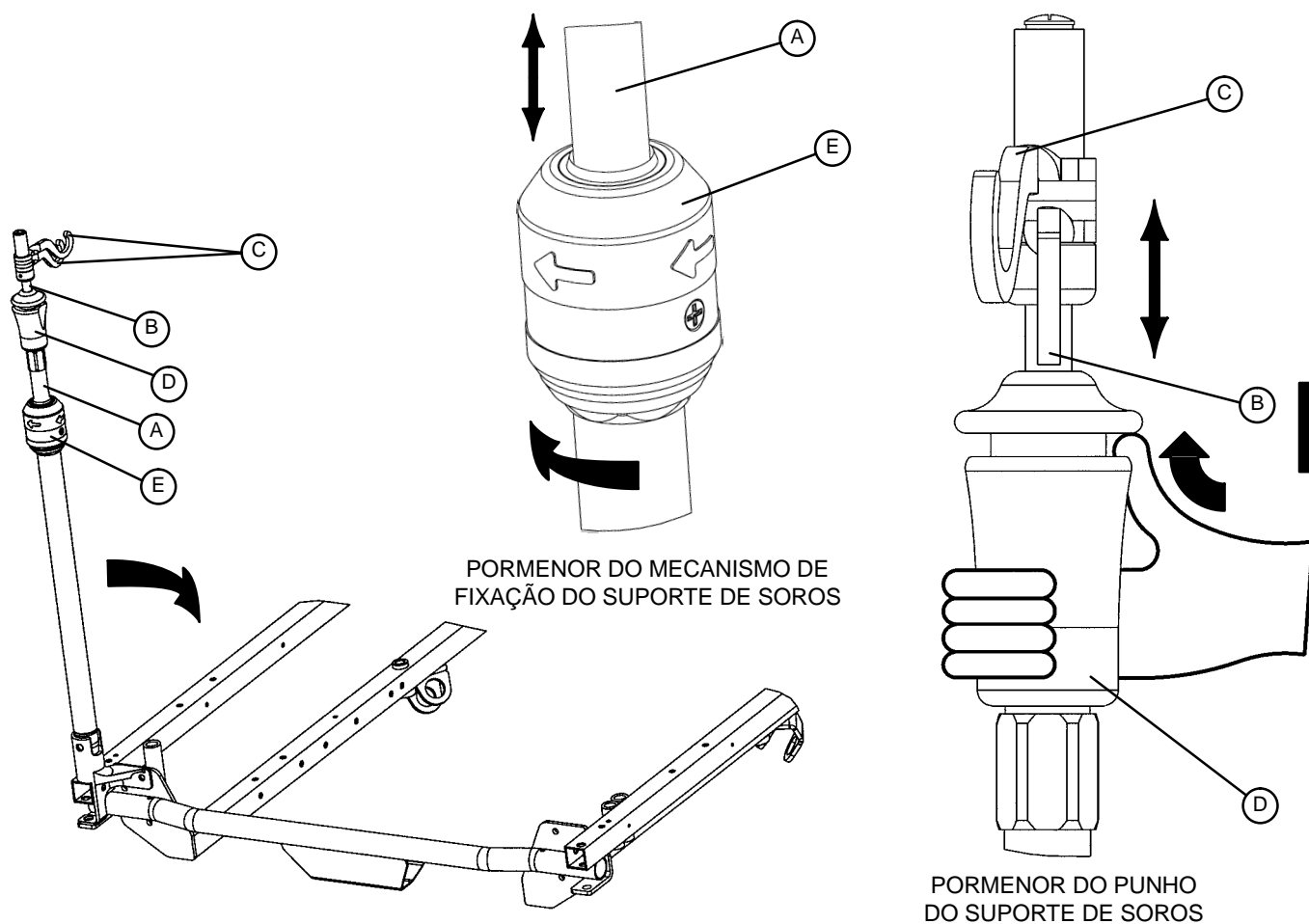
PRECAUÇÃO

De forma a evitar danos, o peso dos sacos de terapia IV não deve exceder 18 kg.

Para evitar danos durante a deslocação da maca, verifique se o suporte de soros se encontra numa posição suficientemente baixa para permitir a passagem segura pelas portas e por baixo dos candeeiros.

Utilização da maca

UTILIZAÇÃO DO SUPORTE DE SOROS OPCIONAL DE 3 ETAPAS COM FIXAÇÃO PERMANENTE



NOTA

O suporte de soros de 3 etapas com fixação permanente é uma opção que pode ser instalada em qualquer uma das extremidades da maca, do lado da cabeça ou do lado dos pés, ou em ambas.

Para utilizar o suporte de soros de 3 etapas com fixação permanente:

1. A partir da posição de armazenamento, levante e rode o suporte de soros em redor do seu eixo e empurre-o para baixo até ficar encerrado no receptáculo.
2. Para aumentar a altura do suporte, puxe a parte telescópica (A) para cima, até se fixar na sua altura máxima.
3. Para aumentar a altura do suporte de soros, puxe a secção (B) para cima. Solte a secção (B) na altura desejada e o suporte ficará fixo nessa posição.
4. Rode os ganchos (C) do suporte de soros para a posição desejada e pendure os sacos de terapia IV.
5. Para baixar o suporte de soros, empurre a parte vermelha do punho (D) para cima, enquanto segura a secção (B) até esta baixar. Rode o mecanismo de fixação (E) em sentido horário até a secção (A) baixar.

PRECAUÇÃO

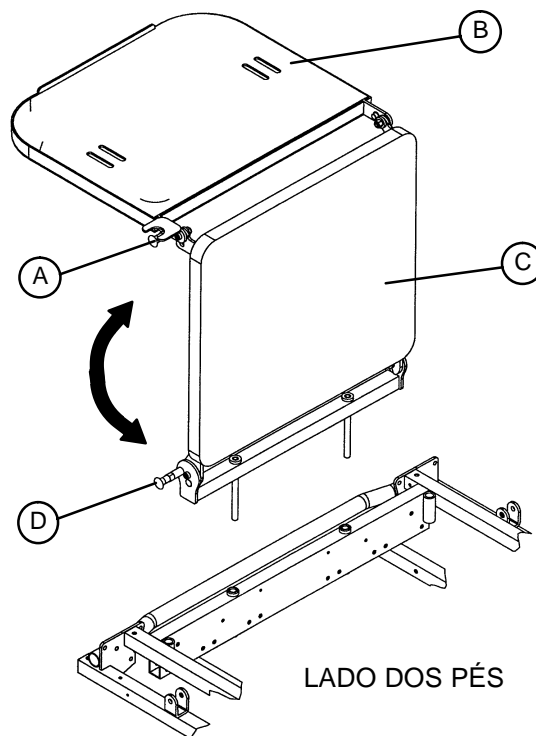
De forma a evitar danos, o peso dos sacos de terapia IV não deve exceder 18 kg.

Para evitar danos durante a deslocação da maca, verifique se o suporte de soros se encontra numa posição suficientemente baixa para permitir a passagem segura pelas portas e por baixo dos candeeiros.

Utilização da maca

UTILIZAÇÃO DA EXTENSÃO PARA OS PÉS/TABULEIRO DO DESFIBRILHADOR OPCIONAL

1. Para utilizar como tabuleiro do desfibrilhador, puxe o botão de cima (A) para fora e rode o tabuleiro (B) sobre a extensão para os pés (C) até o tabuleiro ficar colocado por cima da extremidade da maca do lado dos pés.
2. Para utilizar como extensão para os pés, puxe o botão (A) para fora e rode novamente o tabuleiro do desfibrilhador até este ficar fixado contra a extensão para os pés (C). Enquanto segura no conjunto, puxe o botão de baixo (D) para fora e baixe a extensão para os pés, até ficar nivelada com a maca.



ADVERTÊNCIA

Caso a maca esteja equipada com o suporte de soros opcional do lado dos pés, este suporte deverá estar em posição elevada quando a extensão para os pés/tabuleiro do desfibrilhador for instalada. Se o suporte de soros não estiver em posição elevada, a extensão para os pés não funcionará correctamente e poderá originar lesões.

Manutenção preventiva

LISTA DE VERIFICAÇÃO

- _____ Todos os elementos de fixação estão fixos
- _____ As grades laterais deslocam-se e trancam-se adequadamente
- _____ Accione o pedal do travão e empurre a maca para garantir que todos os rodízios ficam correctamente imobilizados
- _____ Todos os rodízios estão fixos e a girar de forma correcta
- _____ As tiras de contenção estão a funcionar correctamente
- _____ O suporte de soros está intacto e a funcionar correctamente
- _____ O suporte da botija de oxigénio está intacto e a funcionar correctamente
- _____ A cabeceira Fowler funciona e tranca-se adequadamente
- _____ Os mecanismos para colocação em posição de Trendelenburg/anti-Trendelenburg estão a funcionar de forma adequada
- _____ Não existem rasgões ou gretas na cobertura do colchão
- _____ A corrente de ligação à terra está intacta
- _____ As conexões hidráulicas não têm fugas
- _____ As fichas hidráulicas estão a funcionar correctamente
- _____ A velocidade de abaixamento do mecanismo hidráulico foi correctamente configurada
- _____ O nível de óleo no sistema hidráulico é suficiente
- _____ Lubrificar quando necessário
- _____ Os acessórios e o equipamento de montagem estão em boas condições e a funcionar correctamente

N.º de série _____

Preenchido por: _____

Data: _____

NOTA

A manutenção preventiva deve ser realizada uma vez por ano, no mínimo. Deve estabelecer-se um programa de manutenção preventiva para todo o equipamento da Stryker Medical. Com base no nível de utilização do produto poderá ser necessário aumentar a frequência desta manutenção.

Português

Limpeza

Lave à mão todas as superfícies da maca com água morna e detergente suave. Seque totalmente. **NÃO LIMPE A UNIDADE COM VAPOR, ÁGUA SOB PRESSÃO, MANGUEIRA NEM COM ULTRA-SONS.** A utilização destes métodos de limpeza **não** é recomendada e poderá anular a garantia do produto.

Limpe o Velcro **APÓS CADA UTILIZAÇÃO**. Impregne o Velcro com desinfetante e aguarde até que o desinfetante se evapore. (O desinfetante apropriado para o Velcro de nylon deve ser determinado pelo hospital.)

Em geral, é possível utilizar desinfetantes quaternários ou do tipo fenólico, desde que sejam usados nas concentrações recomendadas pelo fabricante. Não se recomenda a utilização de desinfetantes do tipo iodóforo, uma vez que poderão provocar manchas. Os seguintes produtos foram testados, não se tendo verificado qualquer efeito prejudicial QUANDO UTILIZADOS DE ACORDO COM A DILUIÇÃO RECOMENDADA PELO FABRICANTE.*

NOME COMERCIAL	TIPO DE DESINFECTANTE	FABRICANTE	*DILUIÇÃO RECOMENDADA PELO FABRICANTE
A33	Quaternário	Airwick (Professional Products Division)	1 : 64
A33 (seco)	Quaternário	Airwick (Professional Products Division)	1 : 256
Beaucoup	Fenólico	Huntington Laboratories	1 : 128
Blue Chip	Quaternário	S.C. Johnson	1 : 64
Elimstaph	Quaternário	Walter G. Legge	1 : 128
Franklin Phenomysan F2500	Fenólico	Purex Corporation	1 : 100
Franklin Sentinel	Quaternário	Purex Corporation	1 : 64
Galahad	Fenólico	Puritan Churchill Chemical Company	1 : 128
Hi-Tor	Quaternário	Huntington Laboratories	1 : 256
LPH	Fenólico	Vestal Laboratories	1 : 256
Matar	Fenólico	Huntington Laboratories	1 : 256
Omega	Quaternário	Airwick (Professional Products Division)	1 : 256
Quanto	Quaternário	Huntington Laboratories	1 : 128
Sanikleen	Quaternário	West Chemical Products	1 : 64
Sanimaster II	Quaternário	Service Master	1 : 128
Vesphene	Fenólico	Vestal Laboratories	1 : 100

Os desinfetantes germicidas quaternários, utilizados conforme indicado, e/ou os produtos à base de cloro (lixívia), normalmente hipoclorito de sódio a 5,25% em **diluições que variam entre 1 a 2 partes de lixívia para 100 partes de água, não são considerados detergentes suaves. Estes produtos são corrosivos e poderão danificar a maca se utilizados de forma incorrecta.** Se este tipo de produtos for utilizado para limpar equipamento da Stryker envolvido no manuseio do doente, devem ser tomadas medidas para garantir que, após a limpeza, as macas são lavadas com água limpa e totalmente secas. A lavagem e secagem incorrectas das macas deixará resíduos corrosivos na superfície da unidade, que poderão causar a corrosão prematura de componentes críticos.

NOTA

O não cumprimento das instruções acima indicadas durante a utilização deste tipo de detergentes poderá anular a garantia deste produto.

REMOÇÃO DE COMPOSTOS DE IODO

Esta solução também pode ser utilizada para remover manchas de iodo das superfícies de cobertura do colchão.

1. Utilize uma solução de 1–2 colheres de sopa de tiosulfato de sódio em 0,5 l de água morna para limpar a área manchada. Após a ocorrência da mancha, limpe o mais depressa possível. Caso as manchas não saiam de imediato, deixe a solução embeber o tecido ou ficar sobre a superfície.
2. Antes de voltar a utilizar a maca, lave com água limpa as superfícies que tenham sido expostas a esta solução.

Garantia

Garantia limitada:

A Stryker Medical Division, uma divisão da Stryker Corporation, garante ao comprador original, durante um período de um (1) ano após a data de entrega, que os seus produtos não apresentam defeitos de materiais ou de fabrico. Sob esta garantia, a obrigação da Stryker limita-se expressamente ao fornecimento de peças de substituição e trabalho ou à substituição, por sua opção, de qualquer produto que, com base exclusivamente nos critérios da Stryker, seja considerado como tendo algum defeito. A Stryker garante ao comprador original que a estrutura e as soldaduras das suas camas não possuem defeitos estruturais durante o período em que a cama pertença ao comprador original. Caso seja solicitado pela Stryker, os produtos ou peças relativamente às quais um comprador original apresente uma reclamação da garantia devem ser devolvidos com o custo do transporte previamente pago à fábrica da Stryker. Qualquer utilização incorrecta, alteração ou reparação efectuadas por outras pessoas de tal modo que, segundo avaliação da Stryker, afectem adversamente e de forma significativa o produto, anulará esta garantia. A reparação de produtos da Stryker feita com peças não fornecidas ou autorizadas pela Stryker anulará esta garantia. Nenhum funcionário ou representante da Stryker está autorizado a alterar esta garantia de forma alguma.

As macas Stryker Medical são concebidas para uma duração calculada de 10 anos, em condições normais de uso e com manutenção periódica apropriada, tal como descrito no manual de manutenção que acompanha cada produto. A Stryker garante ao comprador inicial que as soldaduras nas suas macas estão livres de defeitos estruturais durante os 10 anos expectáveis de vida, desde que o produto permaneça como propriedade do comprador de origem.

Esta declaração constitui toda a garantia fornecida pela Stryker no que diz respeito ao equipamento supramencionado. ALÉM DO QUE FOI ACIMA DESCRITO, A STRYKER NÃO FORNECE QUALQUER OUTRA GARANTIA OU REPRESENTAÇÃO, EXPRESSA OU IMPLÍCITA. NÃO É FORNECIDA NENHUMA GARANTIA DE COMERCIALIZAÇÃO E DE ADEQUAÇÃO PARA UM DETERMINADO FIM. A STRYKER NÃO SE RESPONSABILIZA, EM NENHUMA CIRCUNSTÂNCIA, POR DANOS ACIDENTAIS OU CONSEQUENTES PROVENIENTES OU RELACIONADOS DE ALGUMA FORMA COM A VENDA OU UTILIZAÇÃO DE TAL EQUIPAMENTO.

Para obter peças e solicitar assistência:

Os produtos da Stryker são apoiados por uma rede de representantes dedicados de assistência no local, que abrange todo o país. Estes representantes recebem formação na fábrica, estão disponíveis localmente e transportam consigo um inventário considerável de peças sobressalentes, de forma a minimizar o tempo de reparação. Contacte o seu representante local ou o Serviço de Apoio ao Cliente da Stryker através do número 1-800-327-0770.

Cobertura do contrato de assistência:

A Stryker desenvolveu um programa completo de opções de contrato de assistência concebidas para manter o seu equipamento a funcionar com um desempenho excelente, ao mesmo tempo que elimina despesas inesperadas. Recomendamos que estes programas sejam activados *antes* do fim da garantia do novo produto, para eliminar a possibilidade de tarifas adicionais de actualização do equipamento.

UM CONTRATO DE ASSISTÊNCIA AJUDA A:

- Garantir a fiabilidade do equipamento
- Estabilizar os orçamentos de manutenção
- Diminuir o tempo de inactividade
- Preparar documentação para a JCAHO
- Aumentar a vida útil do produto
- Aumentar o valor comercial
- Responder a gestão de riscos e segurança

Garantia

A Stryker oferece os seguintes programas de contrato de assistência:

ESPECIFICAÇÕES	OURO	PRATA	APENAS PARA MANUTENÇÃO PREVENTIVA*
Manutenção preventiva realizada anualmente	X		X
Todas as peças,** trabalho e viagens	X	X	
Chamadas de emergência para assistência ilimitadas	X	X	
Contacto de prioridade um; resposta em duas horas	X	X	X
A maior parte das reparações serão concluídas no prazo de 3 dias em úteis	X	X	
Documentação da JCAHO	X	X	X
Livro de registos no local com registos dos serviços de manutenção preventiva e de emergência	X		
Técnicos de assistência formados pela Stryker	X	X	X
Peças autorizadas pela Stryker	X	X	X
Síntese de fim de ano	X		
A Stryker efectuará todos os serviços no horário de funcionamento normal (das 9 h às 17 h)	X	X	X

* As peças de substituição e o trabalho dispendido com os produtos abrangidos pela manutenção preventiva serão descontados.

** Não inclui artigos descartáveis, suportes de soros (exceptuando os suportes permanentes HD da Stryker), colchões ou danos resultantes de abusos.

A Stryker Medical oferece igualmente contratos de assistência *personalizados*.

O preço é determinado pela idade, localização, modelo e estado do produto.

Para obter mais informações sobre os nossos contratos de assistência, contacte o seu representante local ou telefone para o número 1-800-327-0770 (opção n.º 2).

Autorização da devolução:

As mercadorias não devem ser devolvidas sem aprovação do Departamento de Apoio ao Cliente da Stryker. É fornecido um número de autorização que tem de ser colocado na mercadoria a ser devolvida. A Stryker reserva-se o direito de alterar as taxas de transporte e aprovisionamento aplicadas aos artigos devolvidos.

OS ARTIGOS ESPECIAIS, MODIFICADOS OU SEM CONTINUIDADE DE FABRICO NÃO PODEM SER DEVOLVIDOS.

Mercadoria danificada:

Os regulamentos da Interstate Commerce Commission exigem que as reclamações relativas a mercadoria danificada sejam feitas à empresa de transporte num período de quinze (15) dias a contar da data de recepção da mercadoria. NÃO ACEITAR ENCOMENDAS DANIFICADAS A NÃO SER QUE OS DANOS SEJAM ANOTADOS NO RECIBO DE ENTREGA, NO MOMENTO DA RECEPÇÃO. Após notificação imediata, a Stryker efectuará uma reclamação do transporte à empresa transportadora relativamente aos danos provocados na mercadoria. O valor da reclamação limitar-se-á ao custo real da substituição. Caso estas informações não sejam recebidas pela Stryker num prazo de quinze (15) dias após a entrega da mercadoria ou os danos não tenham sido anotados no recibo de entrega no momento da recepção, o cliente será o responsável pelo pagamento da totalidade do recibo original.

As reclamações relativas a remessas incompletas devem ser feitas no prazo de trinta (30) dias a contar da data da factura.

Cláusula de garantia internacional:

Esta garantia reflecte a política interna dos E.U.A. Fora dos E.U.A., as garantias podem variar de país para país. Contacte o seu representante local da Stryker Medical para obter mais informações.

Indholdsfortegnelse


Indledning	2, 3
Betjening af basiskontroller	4, 5
Hævning og sænkning af bårhøjde	6
Lejring i Trendelenburg/Anti-Trendelenburg	6
Brug af bremsesystemet	7
Betjening af det femte hjul	7
Brug af sengehest	8
Brug af skubbehåndtag	8
Betjening af Fowler ryglæn	9
Betjening af det valgfrie permanent påsatte dropstativer	10, 11
Betjening af den valgfrie fodforlænger/defibrillatorbakke	12
Forebyggende vedligeholdelsescheckliste	13
Rengøring	14
Garanti	
Reservedele og service	15
Supplerende garantidækning	15
Returneringsautorisation	16
Krav om fragtskadeerstatning	16

Indledning

INDLEDNING

Denne manual er beregnet som en hjælp ved betjeningen af Model 735 transportbåre. Læs manualen grundigt igennem, inden udstyret tages i brug, eller vedligeholdelse påbegyndes.

SPECIFIKATIONER

Maksimal vægtpacitet	226 kg	
Total bårelængde / bårebredde	211 cm / 76 cm	
Minimum / Maksimum sengehøjde	54,6 cm / 91 cm	
Fowler ryglæsvinkel	0° til 90°	
Trendelenburg / Anti-Trendelenburg	+18° til -18°	

Stryker forbeholder sig retten til at ændre specifikationer uden varsel.

Dansk

DEFINITION AF ADVARSEL / FORSIGTIG / BEMÆRK

Betegnelserne ADVARSEL, FORSIGTIG og BEMÆRK benyttes med særlige betydninger og skal læses omhyggeligt.

ADVARSEL

Gør læseren opmærksom på en situation, der kan medføre død eller alvorlig personskade, hvis situationen ikke undgås. Den kan også beskrive potentielle alvorlige hændelser og sikkerhedsfarer.

FORSIGTIG

Gør læseren opmærksom på en potentiel farlig situation, der kan medføre mindre eller middelsvær personskade på bruger eller patient eller beskadige udstyret eller andet, hvis situationen ikke undgås. Dette omfatter særlig omhu, der er nødvendig for sikker og effektiv brug af anordningen og den omhu, der er nødvendig for at undgå beskadigelse af en anordning, som kan opstå som et resultat af brug eller misbrug.

BEMÆRK

Her gives særlige oplysninger, der letter vedligeholdelse eller uddyber vigtige anvisninger.



Symbol for sikker arbejdsbelastning

Indledning

Det er vigtigt at læse og forstå al information i denne manual, inden båren tages i brug. Læs omhyggeligt og efterfølg nøje advarslerne og forholdsreglerne på denne side.

ADVARSEL

Lås altid hjulbremserne, når en patient overføres til eller fra båren. Skub på båren for at sikre, at bremsene er forsvarligt låst. Lås altid bremsene, medmindre båren er under bevægelse. Der kan ske personskade, hvis båren bevæger sig, mens en patient overføres til eller fra båren. Hvis bremsene ikke holder korrekt, henvises til bårens vedligeholdelsesmanual for information om justering af bremsene.

Sørg for at sengehestens låsemekanisme altid fungerer korrekt. Hvis dette ikke er tilfældet, henvises der til bårens vedligeholdelsesmanual under afsnittet "Justering af sengehestlås".

Når sengehesten sænkes til sammenklappet position, skal patienters og personalets ekstremiteter holdes på afstand af sengehestens spindler, ellers kan der ske personskade.

Hold fingre/hænder på afstand af området omkring Fowler ryglænets udløserhåndtag og Fowler rammen, når denne sænkes. Der kan ske personskade, hvis der ikke udvises forsigtighed ved sænkning af Fowler rammen.

Hvis båren er udstyret med et dropstativ ved fodenden som ekstraudstyr, skal dropstativet være i hævet position, når fodforlængelsen/defibrillatorbakken er installeret. Hvis dropstativet ikke er hævet, vil fodforlængelsen ikke fungere ordentligt, og der kan ske personskade.

Dansk

FORSIGTIG

For at undgå skade skal ethvert udstyr, der er i vejen, fjernes, inden båret højden hæves eller sænkes.

For at undgå personskade eller beskadigelse af udstyret må sengehesten ikke kunne sænkes af sig selv.

Skubbehåndtagene er designet til brug ved transport af båren. Undgå at bruge andre dele af båren som en skubbe-/trækkeanordning, da der ellers kan ske skade.

Hvis det pneumatiske Fowler ryglæn er vanskeligt at betjene, henvises der til bårens vedligeholdelsesmanual under afsnittet "Justering af pneumatisk Fowler ryglæn".

For at undgå beskadigelse må dropposerne ikke veje over 18 kg.

Med henblik på at undgå beskadigelse under transport af båren skal det verificeres, at dropstativet befinder sig ved en højde, der er lav nok til at kunne passere uden risiko gennem døråbninger og under lysarmaturer.

Enheden kan ikke løftes (hydraulisk tryk) med patientløfteaggregater under båren.

Der må ikke trædes på beskyttelseskappen.

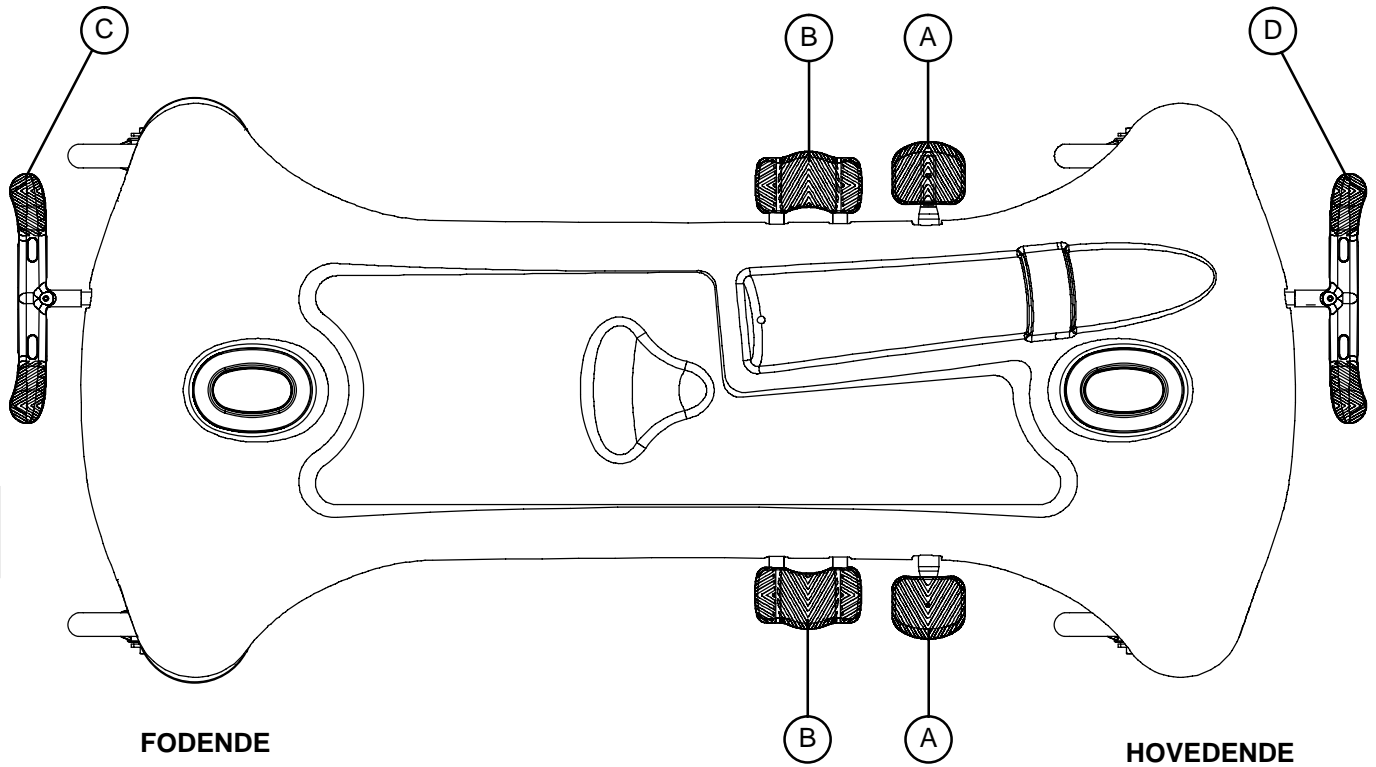
BEMÆRK

Rengør beskyttelseskappen jævnligt.

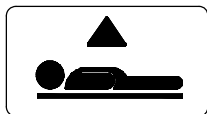
Bremseanordningen bør rengøres jævnligt for at undgå opbygning af gulv voks og/eller andet snavs fra gulvet.

Betjening af båren

BETJENING AF BASISKONTROLLER – SIDEKONTROL



Dansk

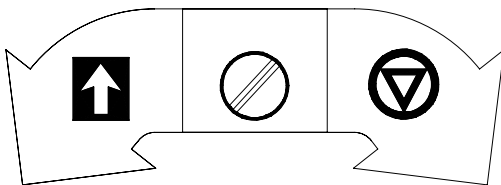
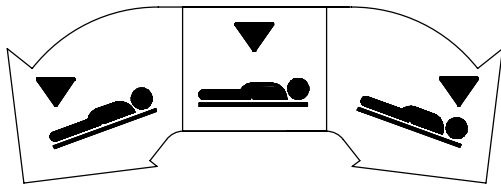


Pump pedalen (A) for at hæve båren.

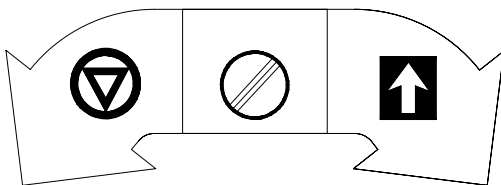
Tryk ned i midten af pedalen (B) for at sænke begge ender af båren samtidig.

Tryk ned på siden af pedalen (B) nærmest bårens fodende for at sænke fodenden.

Tryk ned på siden af pedalen (B) nærmest bårens hovedende for at sænke hovedenden.



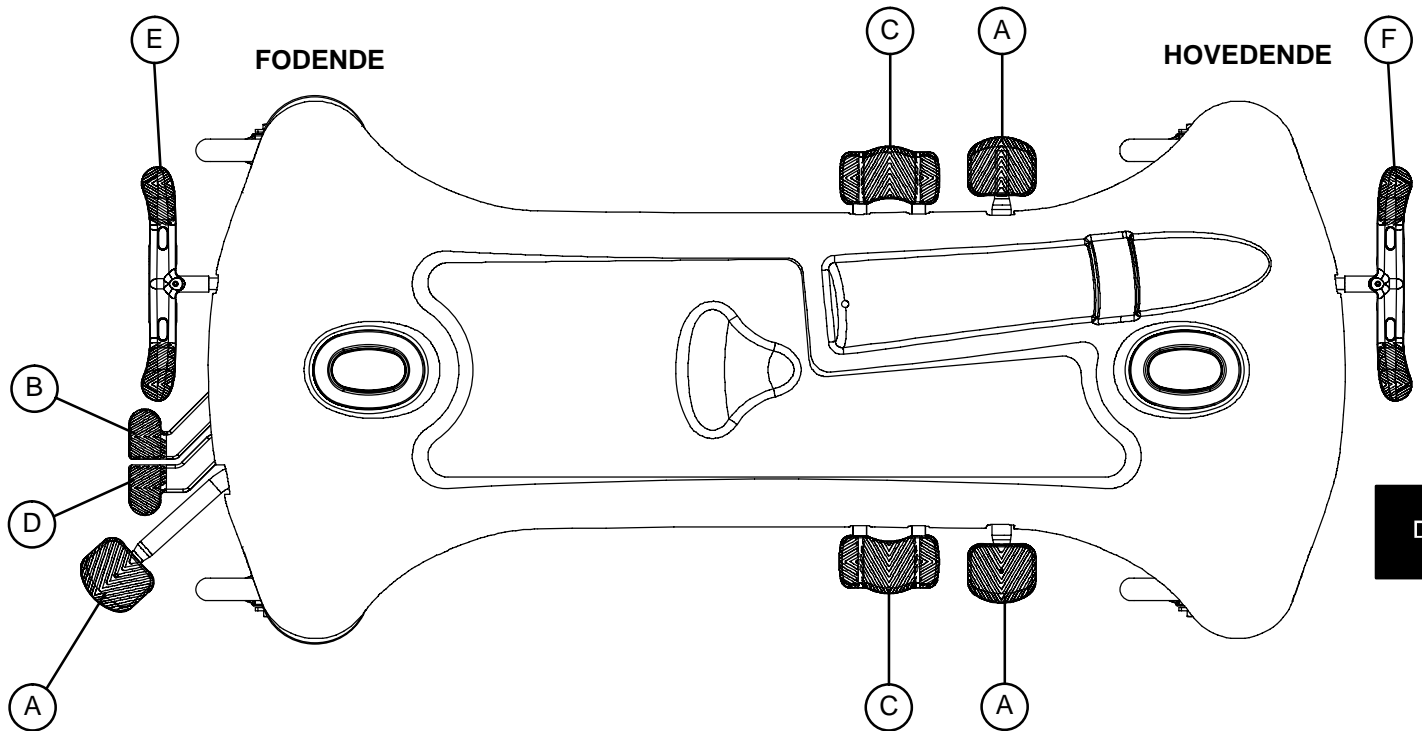
Pedal (C) – Bremse- og styrefunktioner (fodende)



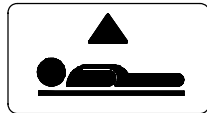
Pedal (D) – Bremse- og styrefunktioner (hovedende)

Betjening af båren

BETJENING AF BASISKONTROLLER – 3-SIDEDE KONTROLLER



Dansk

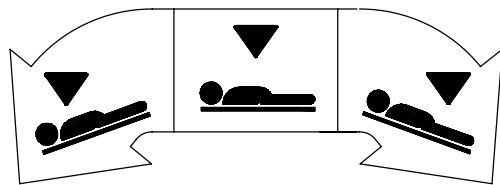


Pump pedalen (A) ved bårens fodende eller sider for at hæve båren.

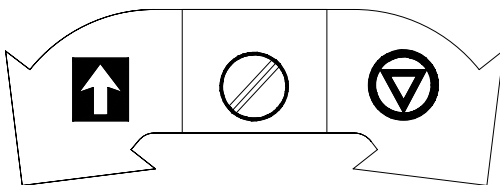
Tryk pedalen (B) eller pedalens side (C) nærmest bårens hovedende for at sænke bårens hovedende.

Tryk pedalen (D) eller pedalens side (C) nærmest bårens fodende for at sænke bårens fodende.

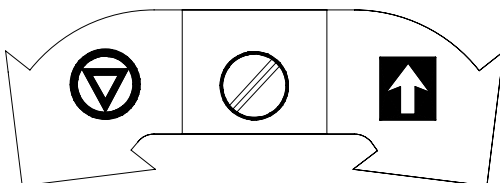
Tryk ned i midten af pedalen (C) eller tryk på både pedal (B) og (D) samtidigt, for at sænke begge ender af båren samtidigt.



Pedal (E) – Bremse- og styrefunktioner (fodende)



Pedal (F) – Bremse- og styrefunktioner (hovedende)



Betjening af båren

HÆVNING OG SÆNKNING AF BÅREHØJDE – SIDEKONTROL

FORSIGTIG

For at undgå skade skal ethvert udstyr, der er i vejen, fjernes, inden bårehøjden hæves eller sænkes.

Pump pedalen (A) gentagne gange, indtil den ønskede højde nås for at **hæve** bårehøjden (se illustrationen på [side 8-4](#)).

Tryk på midten af pedalen (B) for at **sænke** begge ender af båren samtidigt. Tryk på siden af pedalen (B) nærmest hovedenden for kun at sænke bårens hovedende. Tryk på siden af pedalen (B) nærmest fodenden (se illustrationen på [side 8-4](#)) for kun at sænke bårens fodende.

HÆVNING OG SÆNKNING AF BÅREHØJDE – 3-SIDEDE KONTROLLER

Pump pedalen (A) gentagne gange, indtil den ønskede højde nås for at **hæve** bårehøjden (se illustrationen på [side 8-5](#)).

Tryk på både pedal (B) og (D) samtidigt med samme fod eller tryk ned i midten af pedalen (C) for at **sænke** begge ender af båren samtidigt. Tryk på pedalen (B) eller pedalens side (C) nærmest bårens hovedende for kun at sænke bårens hovedende. Tryk på pedalen (D) eller pedalens side (C) nærmest bårens fodende for kun at sænke bårens fodende.

TRENDELENBURG/ANTI-TRENDELENBURG – SIDEKONTROL

BEMÆRK

Bårehøjden skal være hævet først for at kunne opnå et Trendelenburg's leje eller Anti-Trendelenburg's leje.

FORSIGTIG

For at undgå beskadigelse skal eventuelt udstyr, der er i vejen, fjernes, inden båren sænkes.

Ved lejrning i **Trendelenburg's** leje (hoved ned) trykkes på siden af pedalen (B) nærmest bårens hovedende (se illustrationen, [side 8-4](#)).

Ved lejrning i **Anti-Trendelenburg's** leje (foden ned) trykkes på siden af pedalen (B) nærmest bårens fodende.

BEMÆRK

Jo højere båren er før pedalen (B) aktiveres, jo større vil Trendelenburg's lejevinklen eller Anti-Trendelenburg's lejevinklen være. (Maksimal Trendelenburg's lejevinklen er $+18^\circ$. Maksimal Anti-Trendelenburg's lejevinklen er -18° .)

TRENDELENBURG/ANTI-TRENDELENBURG – 3-SIDEDE KONTROLLER

FORSIGTIG

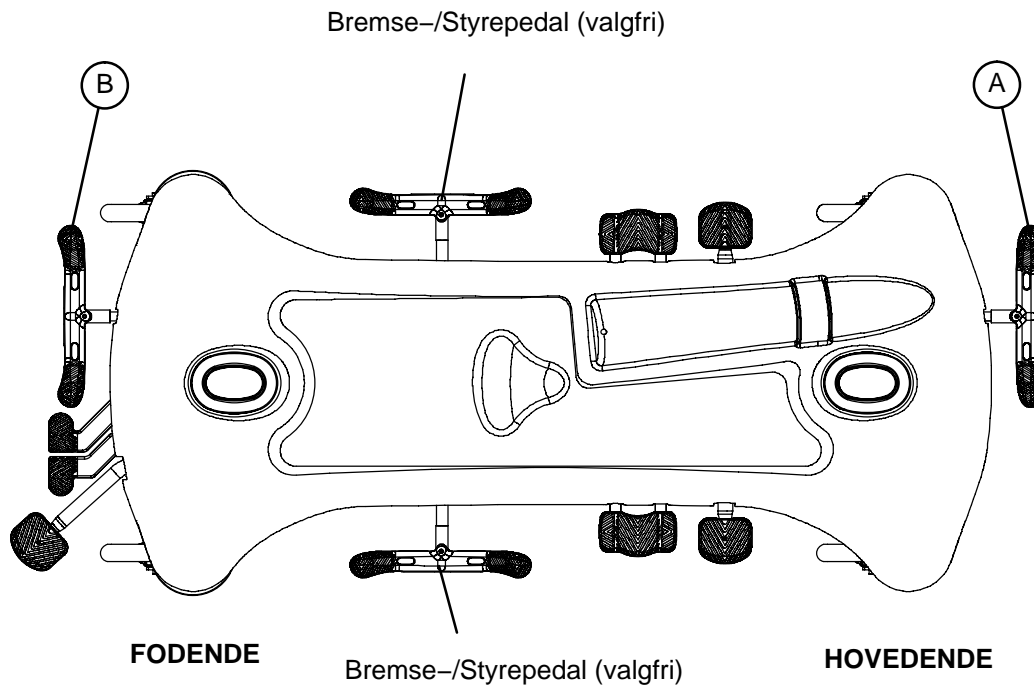
For at undgå beskadigelse skal eventuelt udstyr, der er i vejen, fjernes, inden båren sænkes.

Ved lejrning i **Trendelenburg's** leje (hoved ned) trykkes på pedalen (B) eller siden af pedalen (C) nærmest bårens hovedende (se illustrationen, [side 8-5](#)).

Ved lejrning i **Anti-Trendelenburg's** leje (foden ned) trykkes på pedalen (D) eller på siden af pedalen (C) nærmest bårens fodende.

Betjening af båren

BRUG AF BREMSESYSTEMET



Dansk

BEMÆRK

Med henblik på brugerkomfort sidder der en bremse-/styrekontrolpedal ved begge ender af båren.

ADVARSEL

Lås altid hjulbremserne, når en patient overføres til eller fra båren. Skub på båren for at sikre, at bremserne er forsvarligt låst. Lås altid bremserne, medmindre båren er under bevægelse. Der kan ske personskade, hvis båren bevæger sig, mens en patient overføres til eller fra båren. Hvis bremserne ikke holder korrekt, henvises til bårens vedligeholdelsesmanual for information om justering af bremserne.

Bremserne ved hovedenden aktiveres ved at trykke helt ned på venstre side af pedalen (A).

Bremserne ved fodenden aktiveres ved at trykke helt ned på højre side af pedalen (B).

BEMÆRK

Båren kan være udstyret med valgfrie sidekontrolbremse- og styrefunktioner ud over de standard hoved- og fodendekontroller. Sidekontrolbremserne fungerer på samme måde som hoved- og fodendeverisionerne.

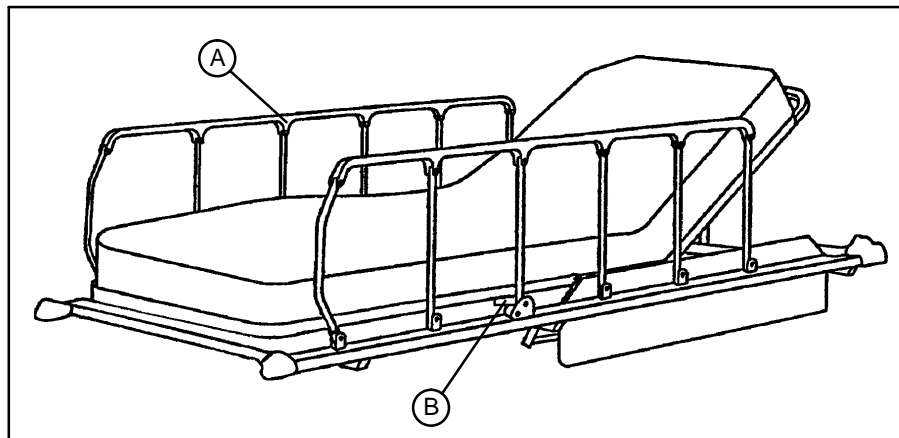
BETJENING AF DET FEMTE HJUL

Formålet med det femte hjul er at hjælpe med at styre båren langs en lige linje under transport og ved drejning af båren om hjørner.

Det femte hjul aktiveres ved at trykke den korrekte side af bremse-/styrepedalen helt ned.

Betjening af båren

BRUG AF SENGEHESTE



ADVARSEL

Sørg for at sengehestens låsemekanisme (B) altid fungerer korrekt. Hvis dette ikke er tilfældet, henvises der til bårens vedligeholdelsesmanual under afsnittet "Justering af sengehestlås".

Sådan aktiveres sengehestene: Træk op i sengehesten (A) og hæv den helt op, så låsen (B) aktiveres.

Sådan deaktiveres sengehestene: Træk op i låsen (B) og før sengehesten helt ned.

ADVARSEL

Når sengehesten sænkes til sammenklappet position, skal patienters og personalets ekstremiteter holdes på afstand af sengehestens spindler, ellers kan der ske personskade.

For at undgå personskade eller beskadigelse af udstyret må sengehesten ikke kunne sænkes af sig selv.

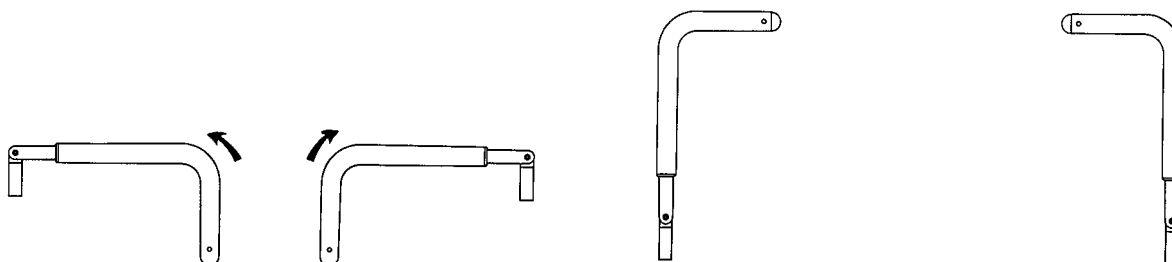
BRUG AF SKUBBEHÅNDTAG

FORSIGTIG

Skubbehåndtagene er designet til brug ved transport af båren. Undgå at bruge andre dele af båren som en skubbe-/trækkeanordning, da der ellers kan ske skade.

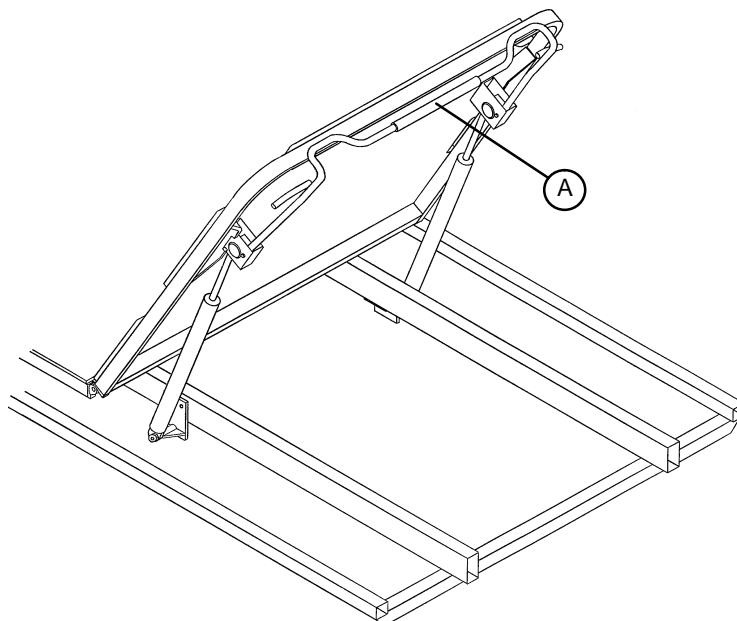
Sådan bruges skubbehåndtagene: Drej håndtagene op og tryk ned, indtil de er låst på plads.

Sådan opbevares skubbehåndtagene: Løft håndtagene op og drej dem ned, så de opbevares i håndtagsstøtten.



Betjening af båren

BETJENING AF FOWLER RYGLÆN



Dansk

Klem håndtaget (A) for pneumatisk assistance ved løft af Fowler ryglænet til den ønskede højde. Tag hånden (hænderne) af håndtaget, når den ønskede højde er nået.

Fowler ryglænet sænkes ved at klemme håndtaget (A) og trykke ned, indtil Fowler ryglænet har nået den ønskede højde. Tag hånden (hænderne) af håndtaget, når den ønskede højde er nået.

ADVARSEL

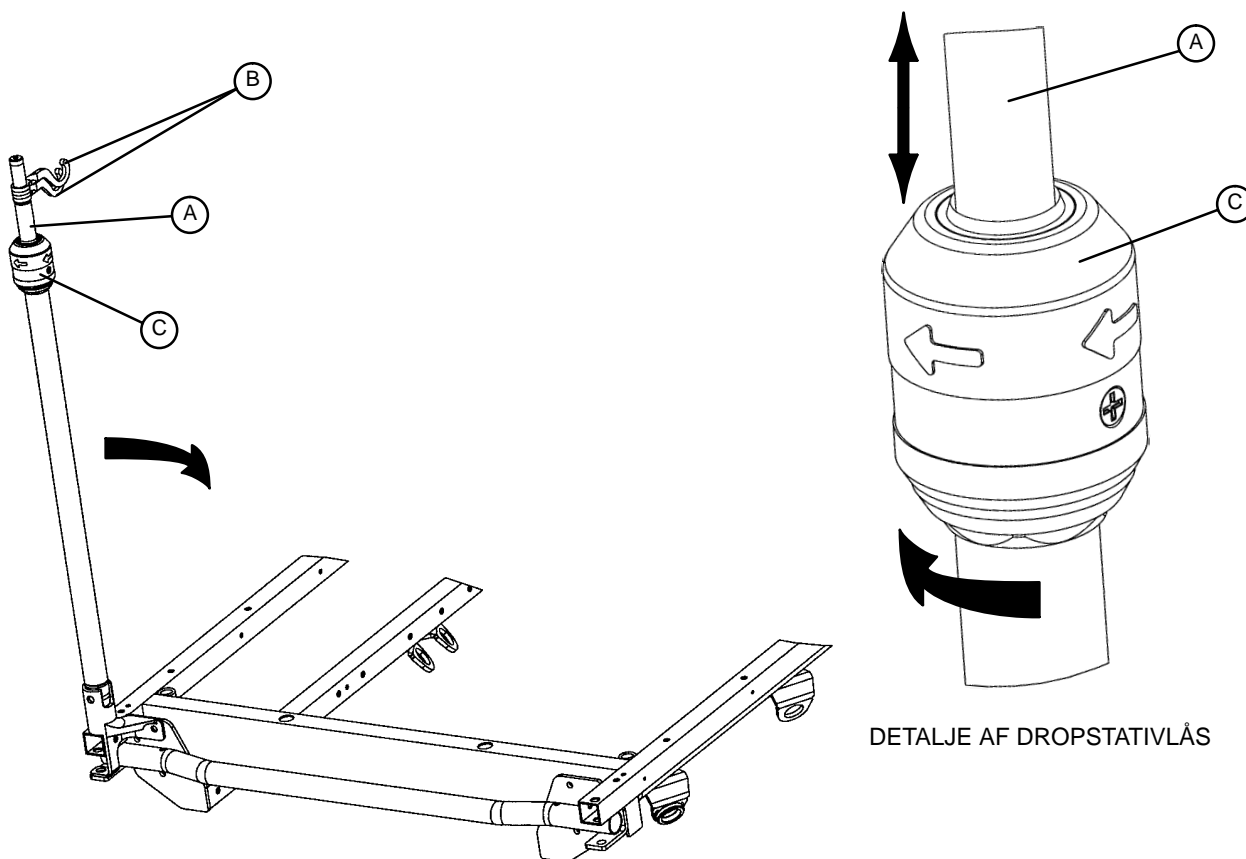
Hold hænder/fingre fri af området omkring Fowler ryglænets udløserhåndtag og Fowler rammen, når Fowler ryglænet sænkes. Der kan ske personskade, hvis der ikke udvises forsigtighed ved sænkning af Fowler rammen.

FORSIGTIG

Hvis det pneumatiske Fowler ryglæn er vanskeligt at betjene, henvises der til bårens vedligeholdelsesmanual for information om justering af det pneumatiske Fowler ryglæn.

Betjening af båren

BETJENING AF DET VALGFRIE PERMANENT PÅSATTE DROPSTATIV I 2 STADIER



Dansk

BEMÆRK

Det permanent påsatte dropstativ i 2 stadier er en valgmulighed og kan være installeret ved enten hoved- eller fodende eller ved begge ender af båren.

Sådan bruges det permanent påsatte dropstativ i 2 stadier:

1. Løft og drej stativet fra opbevaringspositionen og tryk ned, indtil det låses fast i holderen.
2. Stativets højde øges ved at trække op i teleskopdelen (A), indtil det låses fast i helt hævet position.
3. Drej dropbøjlerne (B) til den ønskede position og hæng dropposerne op.
4. Dropstativet sænkes ved at dreje låsen (C) med uret, indtil delen (A) sænkes.

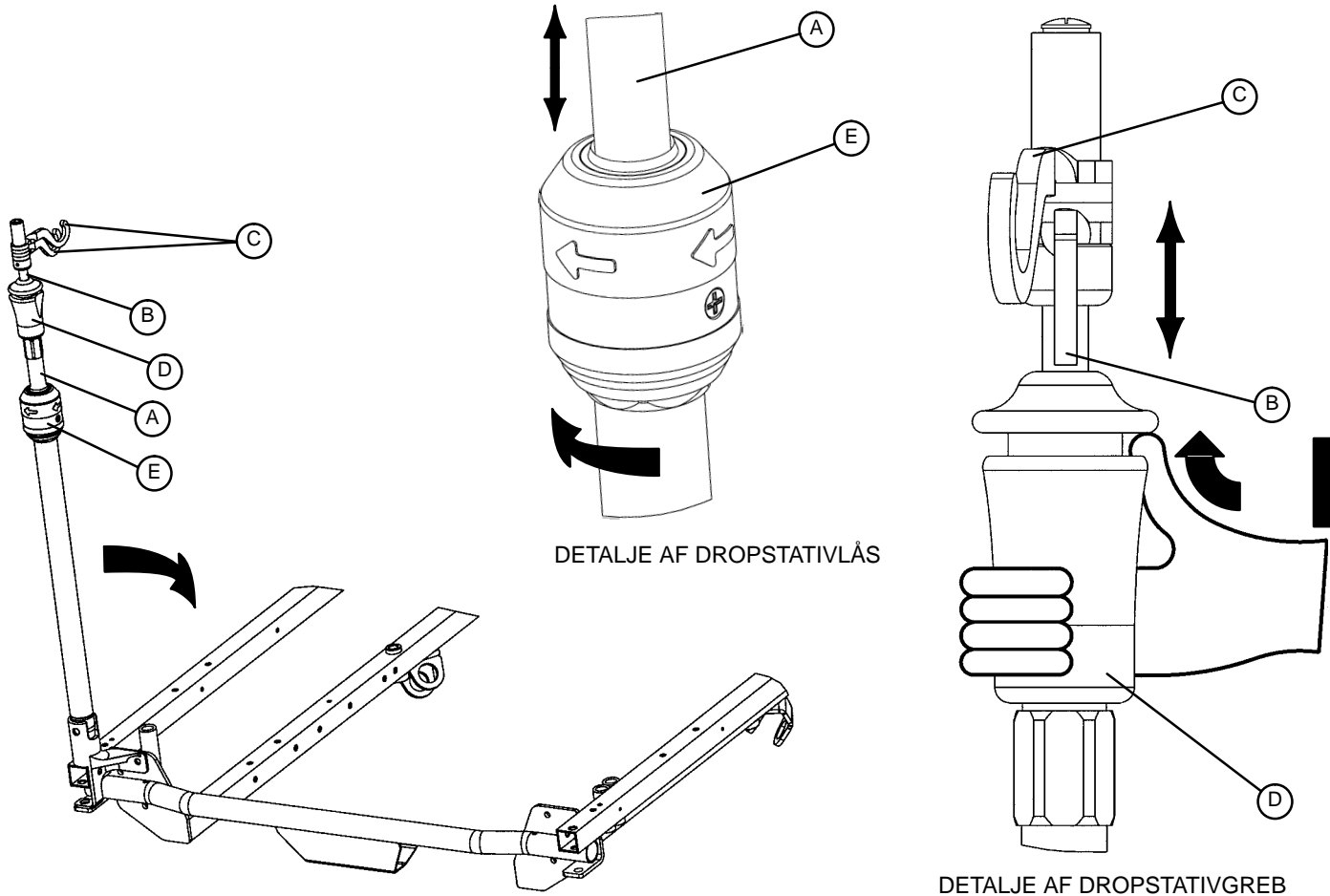
FORSIGTIG

Dropposerne må ikke veje over 18 kg for at undgå beskadigelse.

Med henblik på at undgå beskadigelse under transport af båren skal det verificeres, at dropstativet befinder sig ved en højde, der er lav nok til at kunne passere uden risiko gennem døråbninger og under lysarmaturer.

Betjening af båren

BETJENING AF DET VALGFRIE PERMANENT PÅSATTE DROPSTATIV I 3 STADIER



BEMÆRK

Det permanent påsatte dropstativ i 3 stadier er en valgmulighed og kan være installeret ved enten hoved- eller fodende eller ved begge ender af båren.

Sådan bruges det permanent påsatte dropstativ i 3 stadier:

1. Løft og drej stativet fra opbevaringspositionen og tryk ned, indtil det låses fast i holderen.
2. Stativets højde øges ved at trække op i teleskopdelen (A), indtil det låses fast i helt hævet position.
3. Træk op i del (B) for at få et højere dropstativ. Slip del (B) ved enhver ønsket højde og det vil låse sig fast.
4. Drej dropbøjlerne (C) til den ønskede position og hæng dropposerne op.
5. Dropstativet sænkes ved at trykke op på den røde del af grebet (D), samtidig med at der holdes fast om del (B), indtil det sænkes. Drej låsen (E) med uret, indtil delen (A) sænkes.

FORSIGTIG

Dropposerne må ikke veje over 18 kg for at undgå beskadigelse.

Med henblik på at undgå beskadigelse under transport af båren skal det verificeres, at dropstativet befinder sig ved en højde, der er lav nok til at kunne passere uden risiko gennem døråbninger og under lysarmaturer.

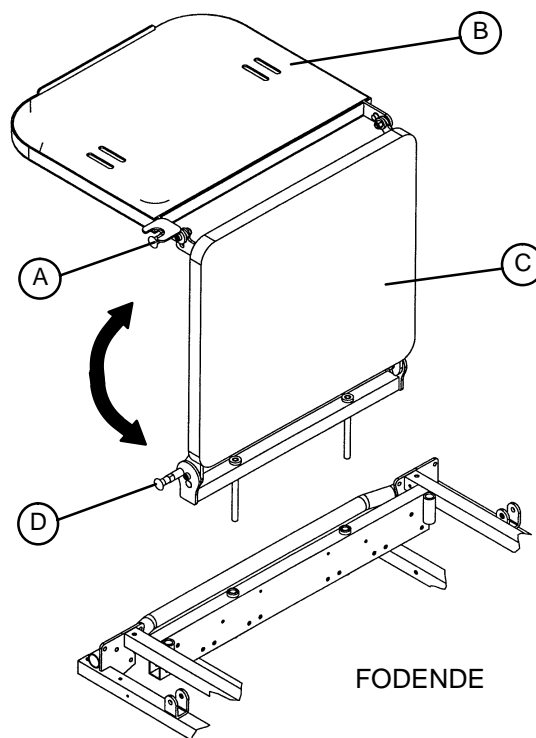
Betjening af båren

BETJENING AF DEN VALGFRIE FODFORLÆNGER/DEFIBRILLATORBAKKE

1. Ved brug som en defibrillatorbakke trækkes den øverste knap (A) ud og bakken (B) drejes over fodforlængelsen (C), indtil bakken rager fladt ud over bårens fodende.
2. Ved brug som en fodforlængelse trækkes knappen (A) ud og defibrillatorbakken drejes tilbage, indtil den låser sig fast mod fodforlængelsen (C). Samtidig med at der holdes om samlingen, trækkes den nederste knap (D) ud og fodforlængelsen sænkes ned, indtil den er flad.

ADVARSEL

Hvis båren er udstyret med et dropstativ ved fodenden som ekstraudstyr, skal dropstativet være i hævet position, når fodforlængelsen/defibrillatorbakken er installeret. Hvis dropstativet ikke er hævet, vil fodforlængelsen ikke fungere ordentligt, og der kan ske personskaade.



Forebyggende vedligeholdelse

CHECKLISTE

- _____ Alle fastgørelsesanordninger er sikre
- _____ Sengehestene bevæger sig og låses korrekt
- _____ Aktivér bremsepedalen og skub båren for at sikre, at alle hjul låses forsvarligt
- _____ Alle hjul sidder forsvarligt fast og drejer korrekt
- _____ Fastspændingsremme til patienten fungerer korrekt
- _____ Dropstativ intakt og fungerer korrekt
- _____ Iltflaskeholderen er intakt og fungerer korrekt
- _____ Fowler ryglænet fungerer og låser korrekt
- _____ Trendelenburg's/Anti-Trendelenburg's leje fungerer korrekt
- _____ Ingen rifter eller revner i madrasbetrækket
- _____ Jordforbindelseskæde er intakt
- _____ Ingen utætheder ved hydrauliske forbindelser
- _____ Hydrauliske donkrafte holder korrekt
- _____ Hydraulisk faldehastighed er indstillet korrekt
- _____ Hydraulisk olieniveau er tilstrækkeligt
- _____ Smør, hvor det er påkrævet
- _____ Tilbehør og monteringsbeslag i god stand og fungerer korrekt

Serienr. _____

Udført af: _____ Dato: _____

BEMÆRK

Forebyggende vedligeholdelse bør foretages mindst én gang om året. Der bør etableres et forebyggende vedligeholdelsesprogram for alt Stryker Medical udstyr. Det kan være nødvendigt at foretage forebyggende vedligeholdelse oftere baseret på produktets anvendelsesniveau.

Dansk

Rengøring

Vask alle bårens overflader manuelt med varmt vand og mildt opløsningsmiddel. Aftør grundigt. MÅ IKKE DAMPRENSES, TRYKVASKES, SKYLLES AF MED SLANGE ELLER RENGØRES MED ULTRALYD. Brug af disse rengøringsmetoder kan **ikke** anbefales og kan ugyldiggøre produktets garanti.

Rengør Velcro **EFTER HVER BRUG**. Gennemvæd Velcroen med desinfektionsmiddel og lad desinfektionsmidlet fordampe. (Et hensigtsmæssigt desinfektionsmiddel til nylon-Velcro skal afgøres af hospitalet.)

Generelt kan enten desinfektionsmidler af phenol- eller kvaternærtypen anvendes, når de bruges i de koncentrationer, der anbefales af producenten. Desinfektionsmidler af iodophor-typen kan ikke anbefales til brug, da der kan opstå misfarvning. Følgende produkter er blevet testet og fundet ikke at have nogen skadelig virkning, NÅR DE BRUGES I OVERENSSTEMMELSE MED PRODUCENTENS ANBEFALEDE FORTYNDING.*

HANDELSNAVN	DESINFEKTIONSMIDDEL-TYPE	PRODUCENT	* PRODUCENTENS ANBEFALEDE FORTYNDING
A33	Kvaternær	Airwick (Professional Products Division)	1 : 64
A33 (tør)	Kvaternær	Airwick (Professional Products Division)	1 : 256
Beaucoup	Phenol	Huntington Laboratories	1 : 128
Blue Chip	Kvaternær	S.C. Johnson	1 : 64
Elimstaph	Kvaternær	Walter G. Legge	1 : 128
Franklin Phenomysan F2500	Phenol	Purex Corporation	1 : 100
Franklin Sentinel	Kvaternær	Purex Corporation	1 : 64
Galahad	Phenol	Puritan Churchill Chemical Company	1 : 128
Hi-Tor	Kvaternær	Huntington Laboratories	1 : 256
LPH	Phenol	Vestal Laboratories	1 : 256
Matar	Phenol	Huntington Laboratories	1 : 256
Omega	Kvaternær	Airwick (Professional Products Division)	1 : 256
Quanto	Kvaternær	Huntington Laboratories	1 : 128
Sanikleen	Kvaternær	West Chemical Products	1 : 64
Sanimaster II	Kvaternær	Service Master	1 : 128
Vesphene	Phenol	Vestal Laboratories	1 : 100

Kvaternære bakteriedræbende desinfektionsmidler brugt ifølge anvisningerne og/eller klorblegemidler, typisk 5,25 % natriumhypochlorit i **fortyndinger fra mellem 1 del blegemiddel til 100 dele vand og 2 dele blegemiddel til 100 dele vand, anses ikke for milde vaskemidler. Disse produkter er ætsende og kan forårsage beskadigelse af båren, hvis de bruges forkert.** Hvis disse typer produkter bruges til at rengøre Stryker udstyr til patienthåndtering, skal der tages foranstaltninger til at sikre, at bårerne skylles med rent vand og tørres grundigt efter rengøringen. Hvis bårerne ikke skylles og tørres korrekt, vil det efterlade en ætsende rest på bårens overflade, hvilket kan forårsage præmatur ætsning af kritiske komponenter.

BEMÆRK

Manglende overholdelse af ovenstående anvisninger ved brug af disse typer rengøringsmidler kan ugyldiggøre produktets garanti.

FJERNELSE AF JODFORBINDELSER

Denne opløsning kan bruges til at fjerne jodpletter fra madrasbetrækkets overflader.

1. Brug en opløsning på 1 til 2 spiseskeer natrium thiosulfat i 1/2 liter varmt vand til at rengøre det plettede område. Rengør hurtigst muligt efter at pletten opstod. Hvis pletterne ikke fjernes straks, skal opløsningen have lov at trænge ind eller stå på overfladen.
2. Skyl overfladerne, der er blevet eksponeret for opløsningen, med rent vand, inden sengen tages i brug igen.

Garanti

Begrænset garanti:

Stryker Medical Division, en afdeling af Stryker Corporation, garanterer over for den oprindelige køber, at dets produkter ingen mangler har i materiale og udførelse i en periode på et (1) år efter leveringsdatoen. Strykers forpligtelse under denne garanti er udtrykkeligt begrænset til levering af reservedele og arbejdskraft for, eller erstatning af, efter eget skøn, ethvert produkt der efter Strykers vurdering er mangelfuldt. Stryker garanterer over for den oprindelige køber, at ramme og svejsninger på Strykers senge er uden strukturelle mangler så længe den oprindelige køber ejer sengen. Hvis Stryker anmoder om produkter eller reservedele, for hvilke en oprindelig køber har fremsat et garantikrav, skal køberen returnere produktet eller reservedelen med betalt porto til Stryker fabrikken. Enhver forkert brug, ændring eller reparation af andre personer, der efter Strykers vurdering påvirker produktet i betydelig grad og i negativ retning, vil ugyldiggøre denne garanti. Enhver reparation af Stryker produkter med reservedele, der ikke leveres eller er autoriseret af Stryker, vil ugyldiggøre garantien. Ingen ansat hos eller repræsentant for Stryker er bemyndiget til at ændre denne garanti på nogen måde.

Stryker Medicals senge og bære produkter er designet til en forventet 10 års levetid ved normal brug under normale forhold ved regelmæssig vedligeholdelse som beskrevet i vedligeholdelsesmanualen/servicemanualen for hvert produkt. Stryker garanterer til den originale køber at sammensvejsningspunkterne ikke vil have strukturelle defekter i de forventede 10 års levetid, så længe det er den originale køber som fortsat ejer produktet.

Denne erklæring udgør Strykers garanti i sin helhed med hensyn til førnævnte udstyr. STRYKER GIVER INGEN ANDEN GARANTI ELLER REPRÆSENTATION, HVAD ENTEN UDTRYKKELIG ELLER UNDERFORSTÅET, BORTSET FRA DEN HERI FREMSATTE GARANTI. DER GIVES INGEN GARANTI FOR SALGBARHED, OG DER GIVES INGEN GARANTIER FOR EGNETHED TIL SÆRLIGE FORMÅL. STRYKER ER UNDER INGEN OMSTÆNDIGHEDER ANSVARLIG FOR FØLGE- ELLER HÆNDELIGE SKADER, DER FOREKOMMER PGA., ELLER SOM PÅ NOGEN MÅDE HAR FORBINDELSE MED, SALG ELLER BRUG AF ETHVERT SÅDANT UDSTYR.

Sådan anskaffes reservedele og service:

Stryker produkter understøttes af et nationalt netværk af lokale Stryker servicerepræsentanter. Disse repræsentanter er uddannet på fabrikken, de findes lokalt og har et stort lager af reservedele, så reparationstiden begrænses. Ring blot til den lokale repræsentant eller til Stryker kundeservice på tlf. 1-800-327-0770.

Servicekontraktens dækning:

Stryker har udviklet et omfattende program med servicekontraktmuligheder beregnet til at holde udstyret i topform og samtidig eliminere uforventede udgifter. Vi anbefaler, at disse programmer aktiveres *inden* den nye produktgaranti udløber, for at eliminere muligheden for yderligere opgraderingsomkostninger for udstyret.

EN SERVICEKONTRAKT HJÆLPER MED AT:

- sikre udstyrets pålidelighed
- stabilisere vedligeholdelsesbudgetter
- nedsætte spildtid
- etablere dokumentation for JCAHO
- øge produktets levetid
- forhøje bytteværdien
- behandle risikostyring og sikkerhed

Garanti

Stryker tilbyder følgende servicekontraktprogrammer:

SPECIFIKATIONER	GULD	SØLV	KUN FOREBYGGENDE VEDLIGEHOLDELSE*
Forebyggende vedligeholdelse planlagt årligt	X		X
Alle dele,** arbejdskraft og rejseudgifter	X	X	
Ubegrænset nødopkald vedrørende service	X	X	
Prioritetskontakt; telefonisk respons inden for 2 timer	X	X	X
De fleste reparationer vil være fuldendt inden for 3 forretningsdage	X	X	
JCAHO dokumentation	X	X	X
Lokal logbog med forebyggende vedligeholdelses- og nødserviceoptegnelser	X		
Fabriksuddannede Stryker serviceteknikere	X	X	X
Reservedele godkendt af Stryker	X	X	X
Oversigt ved årets afslutning	X		
Stryker vil udføre al service inden for almindelig kontortid (9-17)	X	X	X

* Reservedele og arbejdskraft for produkter under kontrakt for forebyggende vedligeholdelse vil være til nedsat pris.

** Omfatter ikke engangsartikler, dropstativer (bortset fra Stryker HD permanente stativer), madrasser eller beskadigelse opstået pga. misbrug.

Stryker Medical tilbyder også *personaliserede* servicekontrakter.

Prisen afhænger af produktets alder, sted, model og tilstand.

For yderligere information om vore servicekontrakter bedes man ringe til den lokale repræsentant eller til 1-800-327-0770 (valgmulighed nr. 2).

Returneringsautorisation:

Varer kan ikke returneres uden tilladelse fra Stryker kundeserviceafdeling. Der vil blive givet et autorisationsnummer, som skal fremgå på den returnerede vare. Stryker forbeholder sig retten til at opkræve forsendelses- og lagergebyr for returnerede artikler.

SPECIAL-, ÆNDREDE ELLER OPHØRTE ARTIKLER KAN IKKE RETURNERES.

Beskadigede produkter:

USAs Interstate Commerce Commissions (ICC) forskrifter kræver, at erstatningskrav for beskadigede varer fremsættes over for transportøren inden for femten (15) dage fra modtagelse af varen. ACCEPTER IKKE BESKADIGEDE FORSENDELSER, MEDMINDRE BESKADIGELSEN ER NOTERET PÅ FORSENDELSESKVITTERINGEN PÅ MODTAGELSESTIDSPUNKTET. Stryker vil, efter omgående underretning, sende et fragtkrav til den relevante transportør til dækning af pådragne beskadigelser. Kravet vil være begrænset til den reelle erstatningsomkostning. Hvis denne information ikke modtages af Stryker inden for femten (15) dage efter levering af varen, eller beskadigelsen ikke blev noteret på leveringskvitteringen på modtagelsestidspunktet, vil kunden være ansvarlig for betaling af den oprindelige faktura i sin helhed.

Krav for en eventuel utilstrækkelig forsendelse skal fremsættes inden for tredive (30) dage fra fakturadato.

International garantiklausul:

Denne garanti reflekterer USAs indenrigspolitik. Garanti uden for USA kan variere fra land til land. Kontakt venligst den lokale Stryker Medical repræsentant for yderligere oplysninger.

Innehållsförteckning


Inledning	2, 3
Användning av underredets reglage	4, 5
Höjning och sänkning av sängbotten	6
Trendelenburgs läge/omvänt Trendelenburgs läge	6
Aktivering av bromssystemet	7
Användning av det femte hjulet	7
Användning av sänggrindarna	8
Användning av tryckhandtagen	8
Användning av Fowler-ryggstödet	9
Användning av permanent fastsatta infusionsstativ (tillval)	10, 11
Användning av fotförlängningen/defibrillatorbrickan (tillval)	12
Kontrollista för förebyggande underhåll	13
Rengöring	14
Garanti	
Beställning av reservdelar samt serviceinformation	15
Kompletterande garanti	15
Auktorisering vid retur	16
Anspråk vid fraktskador	16

Inledning

INLEDNING

Denna handbok är avsedd att underlätta användningen av transportsjuksängar av modell 735. Läs den noggrant innan du använder utrustningen eller påbörjar underhåll på den.

SPECIFIKATIONER

Max. viktkapacitet	226 kg	
Total sjuksängslängd/-bredd	211 cm / 76 cm	
Min./max. sänghöjd	54,6 cm / 91 cm	
Fowler-ryggstödet's vinkel	0° till 90°	
Trendelenburgs läge/omvänt Trendelenburgs läge	+18° till -18°	

Stryker förbehåller sig rätten att ändra specifikationerna utan förvarning.

Svensk

DEFINITION AV VARNING/VAR FÖRSIKTIG/OBS

Orden VARNING, VAR FÖRSIKTIG och OBS! betonar viktig information som ska läsas med eftertanke.

VARNING

Varnar läsaren om en situation som måste undvikas för att förhindra dödsfall eller allvarlig skada. Detta meddelande kan även beskriva potentiella allvarliga biverkningar och säkerhetsrisker.

VAR FÖRSIKTIG

Varnar läsaren om en potentiellt farlig situation som måste undvikas för att förhindra mindre eller måttliga skador på användaren eller patienten, eller skador på utrustningen eller annan egendom. Detta omfattar särskild hantering för säker och effektiv användning av utrustningen, samt den hantering som krävs för att undvika skador på utrustningen som kan uppstå vid normal användning eller felanvändning.

OBS!

Detta ger dig specialinformation för att underlätta underhåll eller för att klargöra viktiga instruktioner.



Symbol för säker belastning vid användning

Inledning

Innan denna sjuksäng används är det viktigt att du läser och förstår all information i denna handbok. Läs grundligt alla meddelanden med varningar och försiktighetsåtgärder på denna sida och se till att de följs noggrant.

VARNING

Aktivera alltid hjulbromsarna när en patient flyttas till eller från sjuksängen. Knuffa på sjuksängen för att säkerställa att bromsarna är riktigt låsta. Aktivera alltid bromsarna när sjuksängen inte ska förflyttas. Skada kan uppstå om sjuksängen förflyttas när en patient flyttas över till eller från sjuksängen. Om bromsarna inte fungerar riktigt ska du läsa underhållshandboken för sjuksängen för bromsjusteringsanvisningar.

Bekräfta att sänggrindarnas spärrmekanism alltid fungerar på lämpligt sätt. Om den inte gör det, läs avsnittet om justering av spärrhakar på sänggrindarna i underhållshandboken för sjuksängen.

När en sänggrind sänks ned till hopfällt läge ska extremiteter på patienter och sjukvårdspersonal hållas från sänggrindens stänger så att inte skador uppstår.

Håll fingrar/händer på avstånd från utlösningshandtaget och ramen på Fowler-ryggstödet när det sänks. Skador kan uppstå om du inte är försiktig när Fowler-ryggstödet sänks.

Om sjuksängen är utrustad med infusionsstativ i fotänden som tillval måste infusionsstativet vara sträckt när fotförlängningen/defibrillatorbrickan monteras fast. Om infusionsstativet inte är sträckt kommer fotförlängningen inte att fungera på rätt sätt och skador kan uppstå.

Svensk

VAR FÖRSIKTIG

Undvik skador genom att avlägsna all utrustning som kan komma i vägen innan sängbotten höjs eller sänks.

Undvik personskador eller skador på utrustningen genom att inte låta sänggrindarna sänkas av sig själva.

Tryckhandtagen är utformade att användas när sjuksängen transporteras. Undvik användning av andra delar på sjuksängen som tryck-/dragenheter eftersom skador då kan uppstå.

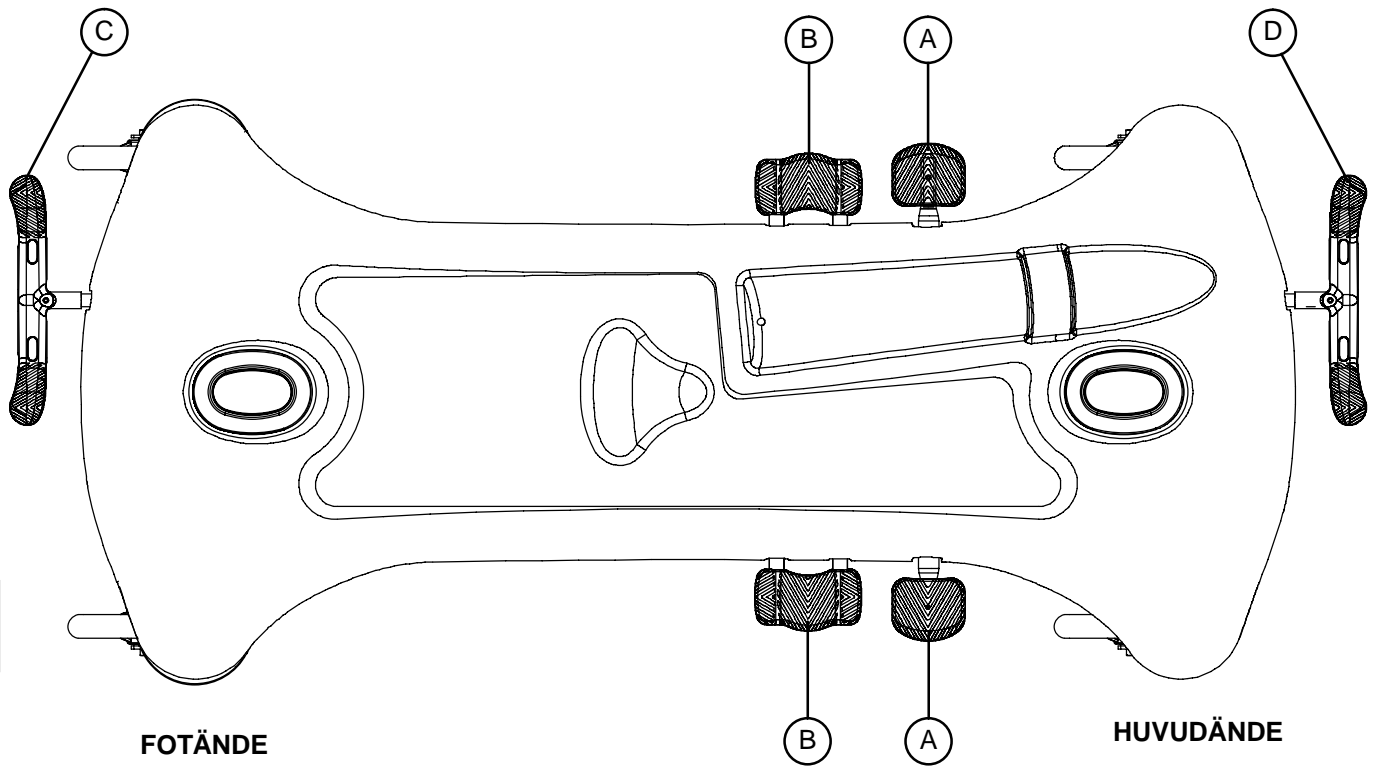
Om det pneumatiska Fowler-ryggstödet är svårt att använda, läs avsnittet om justering av pneumatiska Fowler-ryggstöd i underhållshandboken för sjuksängen.

För att undvika skador ska infusionspåsarnas vikt inte överstiga 18 kg.

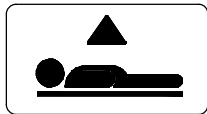
Undvik skador vid förflyttning av sjuksängen genom att bekräfta att infusionsstativet är i tillräckligt lågt läge för att den säkert ska kunna passera genom dörröppningar och under belysningsarmaturer.

Användning av sjuksängen

ANVÄNDNING AV UNDERREDETS REGLAGE – SIDOREGLAGE

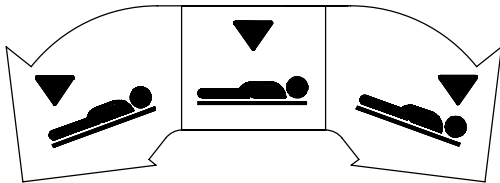


Svensk



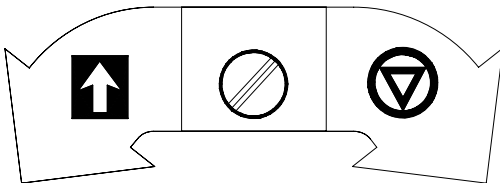
Pumpa pedalen (A) för att höja sängbotten.

Tryck ned mitten på pedalen (B) för att sänka båda ändarna av sjuksängen samtidigt.

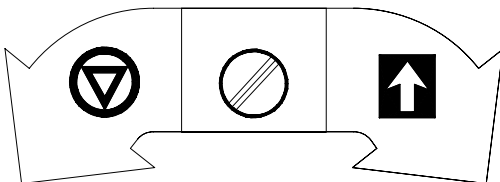


Tryck ned den sida på pedalen (B) som är närmast sjuksängens fotände för att sänka fotänden.

Tryck ned den sida på pedalen (B) som är närmast sjuksängens huvudände för att sänka huvudänden.



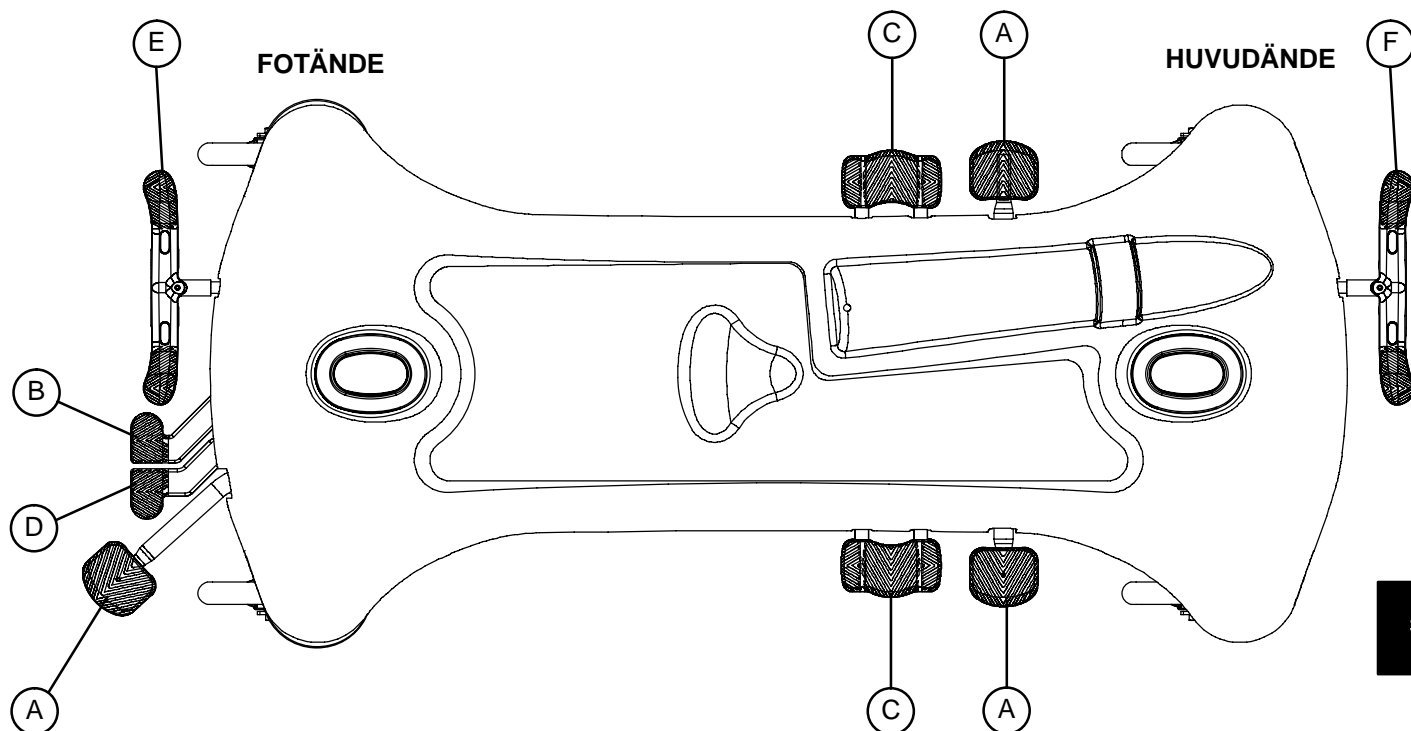
Pedal (C) – Broms- och manövreringsfunktioner (fotänden)



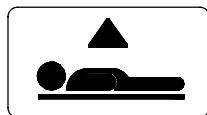
Pedal (D) – Broms- och manövreringsfunktioner (huvudänden)

Användning av sjuksängen

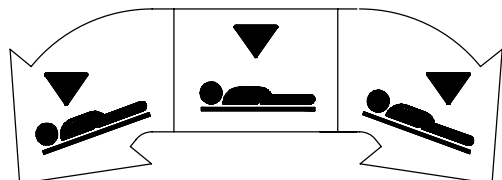
ANVÄNDNING AV UNDERREDETS REGLAGE – REGLAGE PÅ 3 SIDOR



Svensk



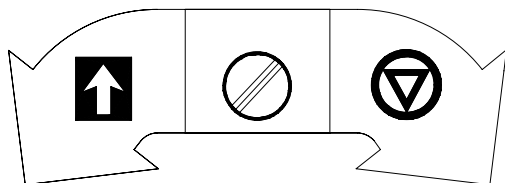
Pumpa pedalen (A) vid fotänden eller på sjuksängens sidor för att höja sängbotten.



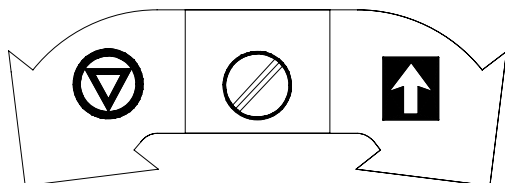
Tryck ned pedalen (B) eller den sida på pedalen (C) som är närmast sjuksängens huvudände för att sänka huvudänden på sjuksängen.

Tryck ned pedalen (D) eller den sida på pedalen (C) som är närmast fotänden på sjuksängen för att sänka fotänden på sjuksängen.

Tryck ned mitten på pedalen (C) eller båda pedalerna (B) och (D) tillsammans för att sänka båda ändarna av sjuksängen samtidigt.



Pedal (E) – Broms- och manövreringsfunktioner (fotänden)



Pedal (F) – Broms- och manövreringsfunktioner (huvudänden)

Användning av sjuksängen

HÖJNING OCH SÄNKNING AV SÄNGBOTTEN – SIDOREGLAGE

VAR FÖRSIKTIG

Undvik skador genom att avlägsna all utrustning som kan komma i vägen innan sängbotten höjs eller sänks.

För att **höja** sängbotten, pumpa pedalen (A) upprepade gånger tills önskad höjd uppnås (se bilden på [sid. 4](#)).

Sänk sängbottens båda ändar samtidigt genom att trycka ned mitten på pedalen (B). Sänk endast sängbottens huvudände genom att trycka ned den sida på pedalen (B) som är närmast huvudändan. Sänk endast fotändan på sängbotten genom att trycka ned den sida på pedalen (B) som är närmast fotändan (se bilden på [sid. 4](#)).

HÖJNING OCH SÄNKNING AV SÄNGBOTTEN – REGLAGE PÅ 3 SIDOR

För att **höja** sängbotten, pumpa pedalen (A) upprepade gånger tills önskad höjd uppnås (se bilden på [sid. 9–5](#)).

Sänk sängbottens båda ändar samtidigt genom att trycka ned pedalerna (B) och (D) samtidigt med samma fot eller genom att trycka ned mitten på pedalen (C). Sänk endast huvudändan på sängbotten genom att trycka ned pedalen (B) eller den sida på pedalen (C) som är närmast sjuksängens huvudände. Sänk endast fotändan på sjuksängen genom att trycka ned pedalen (D) eller den sida på pedalen (C) som är närmast sjuksängens fotände.

Svensk

TRENDELENBURGS LÄGE/OMVÄNT TRENDELENBURGS LÄGE – SIDOREGLAGE

OBS!

Sängbotten måste först höjas för att Trendelenburgs läge eller omvänt Trendelenburgs läge ska kunna uppnås.

VAR FÖRSIKTIG

Förhindra skador genom att avlägsna all utrustning som kan komma i vägen innan sjuksängen sänks.

För **Trendelenburgs läge** (huvudändan lägst), tryck ned den sida på pedalen (B) som är närmast huvudändan på sjuksängen (se bilden på [sid. 4](#)).

För **omvänt Trendelenburgs läge** (fotändan lägst), tryck ned den sida på pedalen (B) som är närmast fotändan.

OBS!

Ju högre läge sängbotten är i innan pedalen (B) trycks ned, desto större vinkel blir det på Trendelenburgs läge eller omvänt Trendelenburgs läge. (Max. Trendelenburg-vinkel är $+18^\circ$; max. vinkel för omvänt Trendelenburgs läge är -18° .)

TRENDELENBURGS LÄGE/OMVÄNT TRENDELENBURGS LÄGE – REGLAGE PÅ 3 SIDOR

VAR FÖRSIKTIG

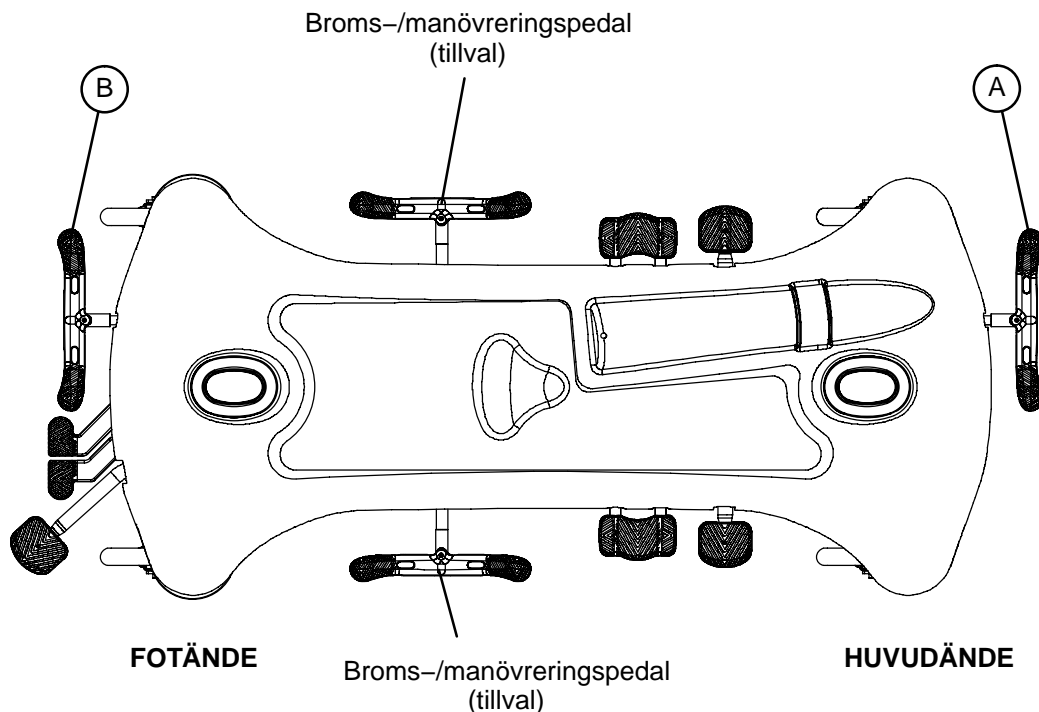
Förhindra skador genom att avlägsna all utrustning som kan komma i vägen innan sjuksängen sänks.

För **Trendelenburgs läge** (huvudändan lägst), tryck ned pedalen (B) eller den sida på pedalen (C) som är närmast huvudändan på sjuksängen (se bilden på [sid. 9–5](#)).

För **omvänt Trendelenburgs läge** (fotändan lägst), tryck ned pedalen (D) eller den sida på pedalen (C) som är närmast fotändan på sjuksängen.

Användning av sjuksängen

AKTIVERING AV BROMSSYSTEMET



Svensk

OBS!

För användarens bekvämlighet sitter en pedal för broms-/manövreringsreglage på sjuksängens båda ändar.

VARNING

Aktivera alltid hjulbromsarna när en patient flyttas till eller från sjuksängen. Knuffa på sjuksängen för att säkerställa att bromsarna är riktigt låsta. Aktivera alltid bromsarna när sjuksängen inte ska förflyttas. Skada kan uppstå om sjuksängen förflyttas när en patient flyttas över till eller från sjuksängen. Om bromsarna inte fungerar riktigt ska du läsa underhållshandboken för sjuksängen för bromsjusteringsanvisningar.

Aktivera bromsarna i huvudänden genom att fullständigt trycka ned vänstra sidan på pedalen (A).

Aktivera bromsarna i fotänden genom att fullständigt trycka ned högra sidan på pedalen (B).

OBS!

Sjuksängen kan utrustas med broms- och manövreringsfunktioner som tillvalssidoreglage, förutom de reglage på huvud- och fotänden som medföljer som standard. Sidoreglagebromsarna fungerar på samma sätt som huvud- och fotändarnas pedaler.

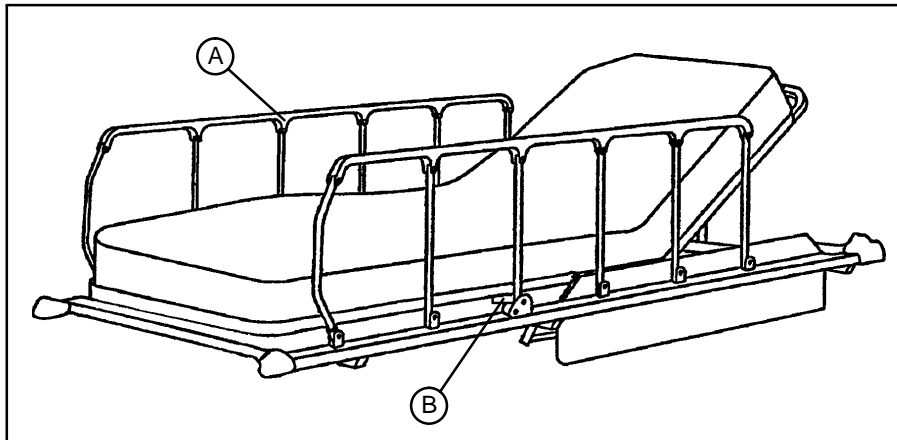
ANVÄNDNING AV DET FEMTE HJULET

Syftet med det femte hjulet är att göra det lättare att styra sjuksängen längs en rak linje vid transport samt svänga sjuksängen runt hörn.

Aktivera det femte hjulet genom att trycka ned lämplig sida av broms-/manövreringspedalen så långt det går.

Användning av sjuksängen

ANVÄNDNING AV SÄNGGRINDARNA



VARNING

Bekräfta att sänggrindarnas spärrmekanism alltid fungerar på lämpligt sätt. Om den inte gör det, läs avsnittet om justering av spärrhakar på sänggrindarna i underhållshandboken för sjuksängen.

För höjning av sänggrindarna: Dra sänggrinden (A) uppåt så långt det går tills spärrhaken (B) låses fast.

För sänkning av sänggrindarna: Dra spärrhaken (B) uppåt och skjut sänggrinden nedåt så långt det går.

VARNING

När en sänggrind sänks ned till hopfällt läge ska extremiteter på patienter och sjukvårdspersonal hållas från sänggrindens stänger så att inte skador uppstår.

Undvik personskador eller skador på utrustningen genom att inte låta sänggrindarna sänkas av sig själva.

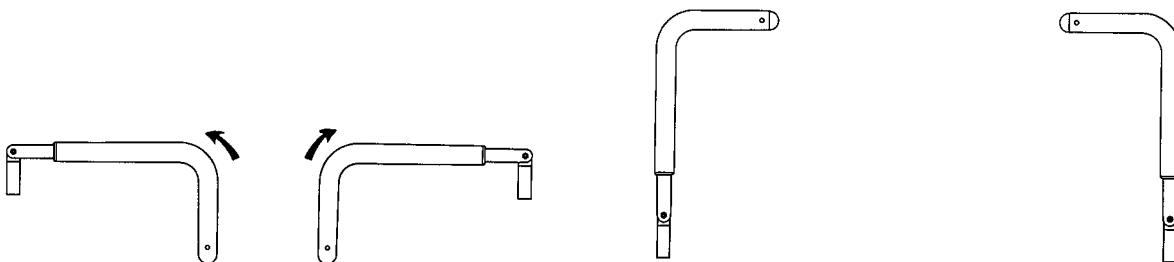
ANVÄNDNING AV TRYCKHANDTAGEN

VAR FÖRSIKTIG

Tryckhandtagen är utformade att användas när sjuksängen transporteras. Undvik användning av andra delar på sjuksängen som tryck-/dragenheter eftersom skador då kan uppstå.

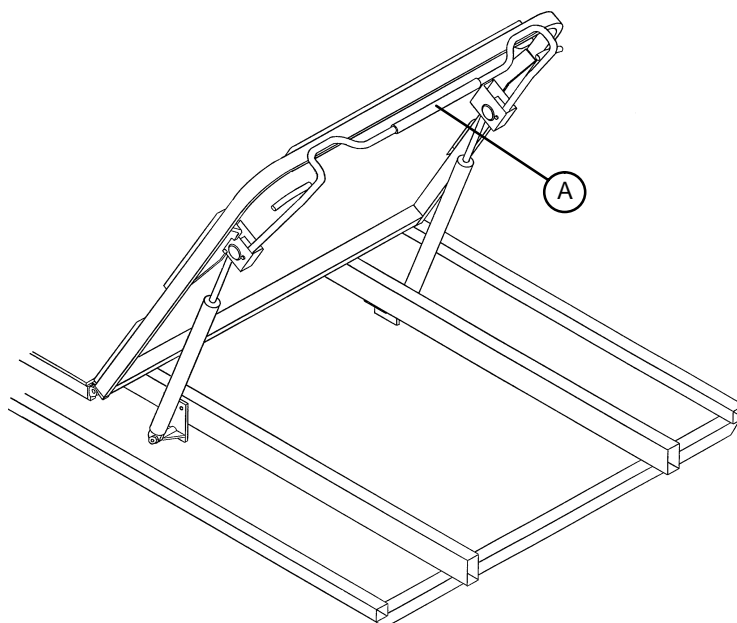
För användning av tryckhandtagen: Sväng upp handtagen och tryck dem nedåt tills de låses på plats.

För förvaring av tryckhandtagen: Lyft handtagen uppåt och sväng dem nedåt så att de förvaras i handtagsstöden.



Användning av sjuksängen

ANVÄNDNING AV FOWLER-RYGGSTÖDET



Svensk

Kläm på handtaget (A) för att pneumatiskt höja Fowler-ryggstödet till önskat läge. Avlägsna handen/händerna från handtaget när önskad höjd har uppnåtts.

Sänk Fowler-ryggstödet genom att klämma på handtaget (A) och trycka det nedåt tills ryggstödet når önskat läge. Avlägsna handen/händerna från handtaget när önskad höjd har uppnåtts.

VARNING

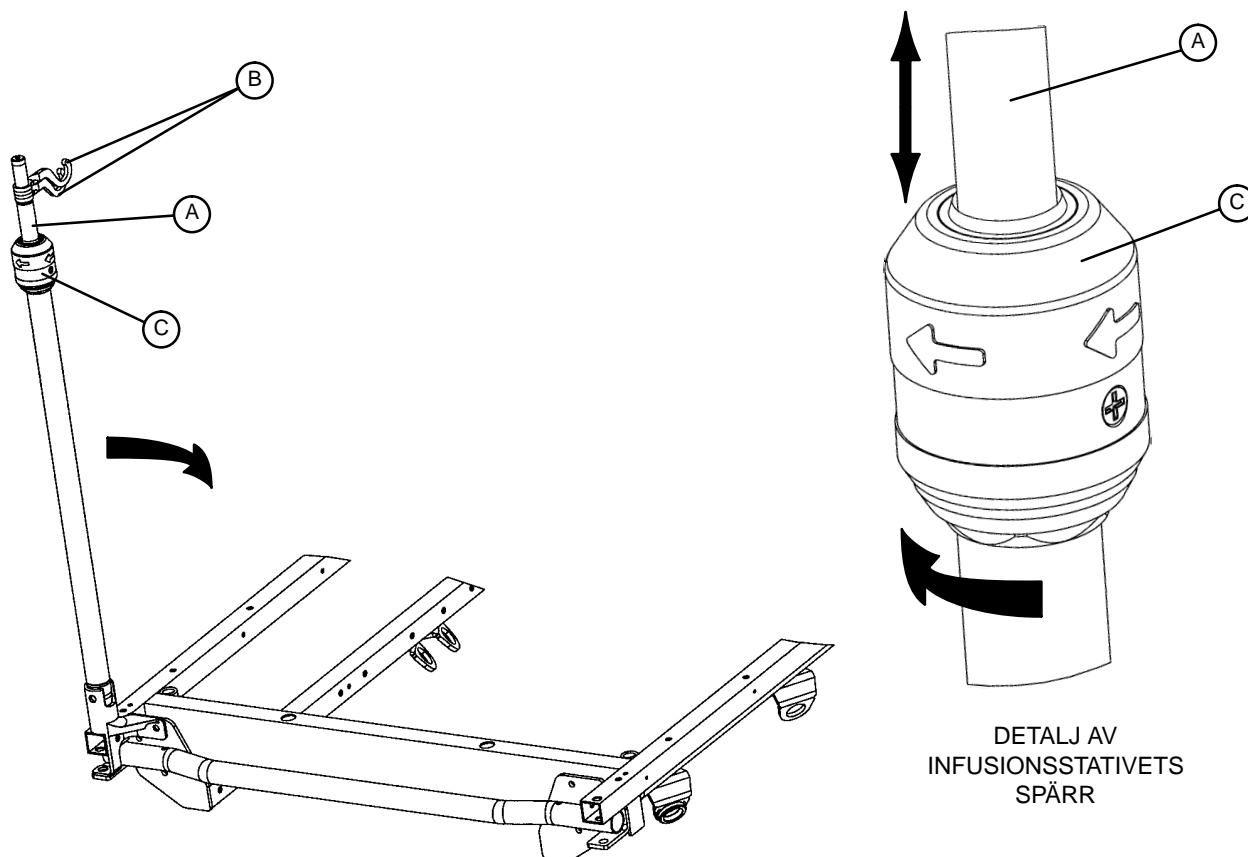
Håll händerna/fingrarna borta från området kring Fowler-ryggstödet utlösningshandtag och ram när det sänks. Skador kan uppstå om du inte är försiktig när Fowler-ryggstödet sänks.

VAR FÖRSIKTIG

Om det pneumatiska Fowler-ryggstödet är svårt att använda, läs avsnittet om justering av pneumatiska Fowler-ryggstöd i underhållshandboken för sjuksängen.

Användning av sjuksängen

ANVÄNDNING AV DET PERMANENT FASTSÄTTA INFUSIONSSTATIVET MED 2 LÄGEN (TILLVAL)



Svensk

OBS!

Det permanent fastsatta infusionsstativet med 2 lägen är en tillvalsenhet och kan ha installerats på antingen huvudändan, fotändan eller båda ändar av sjuksängen.

För användning av det permanent fastsatta infusionsstativet med 2 lägen:

1. Lyft och sväng stängens från förvaringsläget, och tryck ned den tills den låses fast i fästet.
2. Höj stängens genom att dra i den utdragbara delen (A) tills den låses fast i helt upphöjt läge.
3. Vrid infusionskrokarna (B) till önskat läge och häng fast infusionspåsarna.
4. Sänk infusionsstativet genom att vrida spärren (C) medurs tills den utdragbara delen (A) sänks.

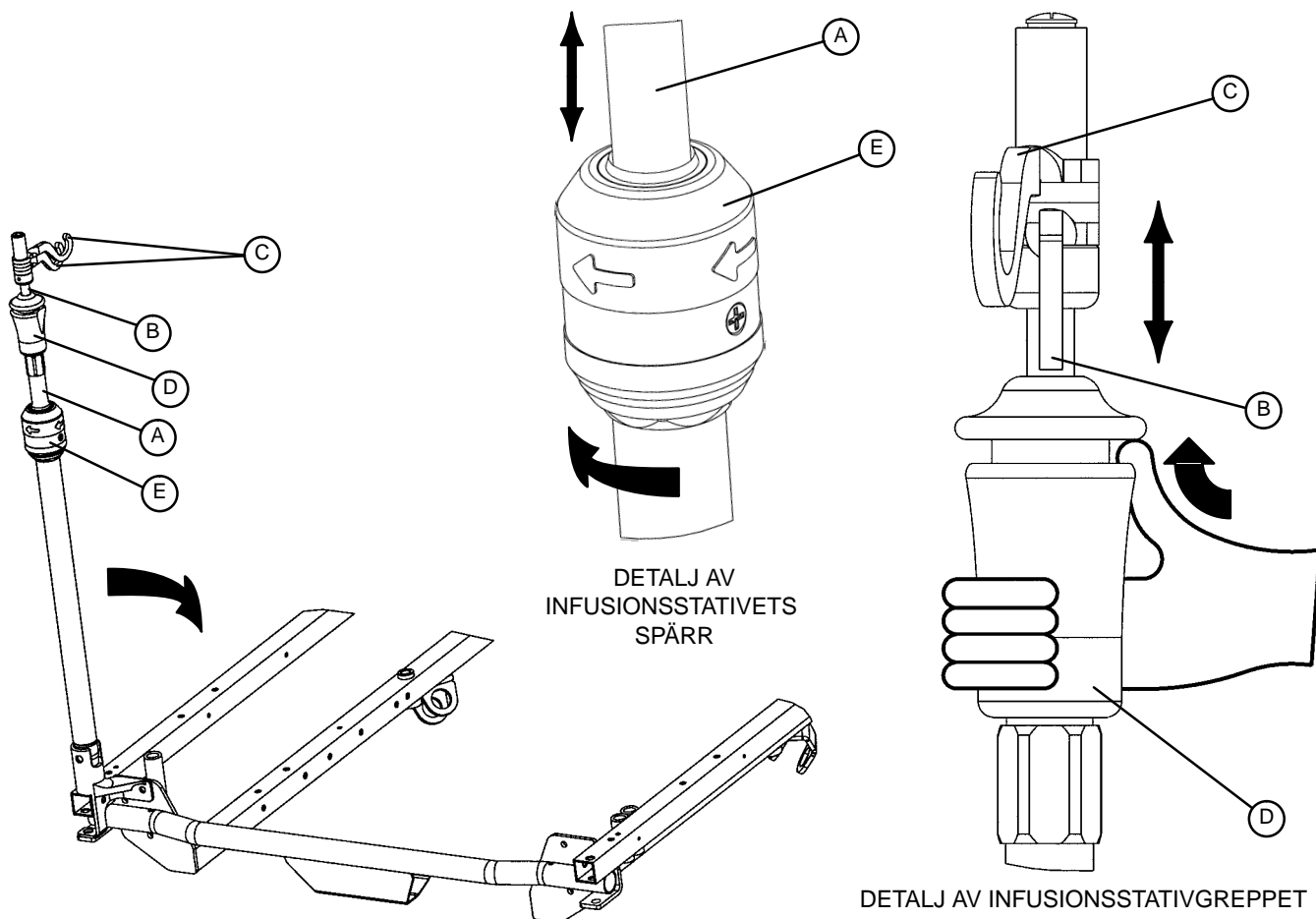
VAR FÖRSIKTIG

För att undvika skador bör vikten för infusionspåsarna inte överstiga 18 kg.

Undvik skador vid förflyttning av sjuksängen genom att bekräfta att infusionsstativet är i tillräckligt lågt läge för att den säkert ska kunna passera genom dörröppningar och under belysningsarmaturer.

Användning av sjuksängen

ANVÄNDNING AV DET PERMANENT FASTSÄTTA INFUSIONSSTATIVET MED 3 LÄGEN (TILLVAL)



OBS!

Det permanent fastsatta infusionsstativet med 3 lägen är en tillvalsenhet och kan ha installerats på antingen huvudändan, fotändan eller båda ändar av sjuksängen.

För användning av det permanent fastsatta infusionsstativet med 3 lägen:

1. Lyft och sväng stängen från förvaringsläget, och tryck ned den tills den låses fast i fästet.
2. Höj stängen genom att dra i den utdragbara delen (A) tills den låses fast i helt upphöjt läge.
3. Dra i den utdragbara delen (B) för att höja infusionsstativet. Släpp den utdragbara delen (B) vid vilken som helst önskad höjd, så låses den på plats.
4. Vrid infusionskrokarna (C) till önskat läge och häng fast infusionspåsar.
5. Sänk infusionsstativet genom att trycka den röda delen på greppet (D) uppåt samtidigt som den utdragbara delen (B) hålls fast tills den sänks. Vrid spärren (E) medurs tills den utdragbara delen (A) sänks.

VAR FÖRSIKTIG

För att undvika skador bör vikten för infusionspåsar inte överstiga 18 kg.

Undvik skador vid förflyttning av sjuksängen genom att bekräfta att infusionsstativet är i tillräckligt lågt läge för att den säkert ska kunna passera genom dörröppningar och under belysningsarmaturer.

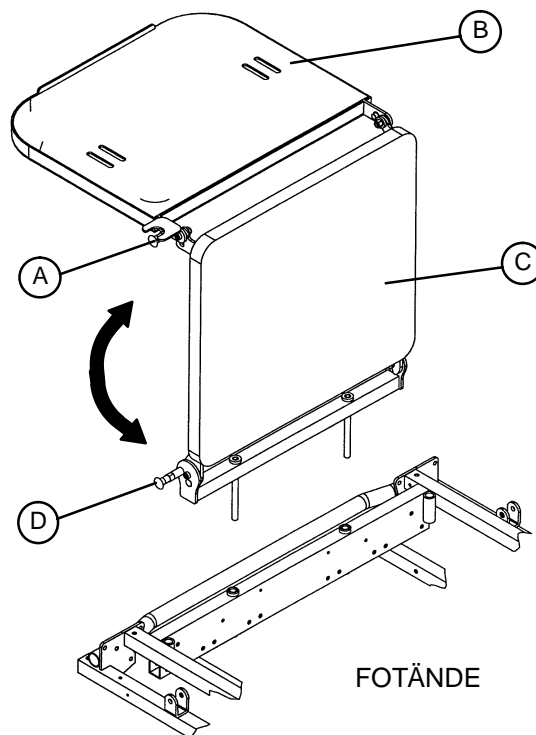
Användning av sjuksängen

ANVÄNDNING AV FOTFÖRLÄNGNINGEN/DEFIBRILLATORBRICKAN (TILLVAL)

1. Använd tillvalsenheten som en defibrillatorbricka genom att dra ut den övre knappen (A) och svänga brickan (B) över fotförlängningen (C) tills brickan ligger plant ut över sjuksängens fotände.
2. Använd tillvalsenheten som en fotförlängning genom att dra ut knappen (A) och svänga tillbaka defibrillatorbrickan tills den låses på plats mot fotförlängningen (C). Håll fast enheten samtidigt som du drar ut den undre knappen (D) och sänker fotförlängningen tills den ligger plant.

VARNING

Om sjuksängen är utrustad med infusionsstativ i fotänden som tillval måste infusionsstativet vara sträckt när fotförlängningen/defibrillatorbrickan monteras fast. Om infusionsstativet inte är sträckt kommer fotförlängningen inte att fungera på rätt sätt och skador kan uppstå.



Förebyggande underhåll

KONTROLLISTA

- _____ Fästanordningarna sitter säkert
- _____ Sänggrindarna kan flyttas och spärrhakarna fungerar som de ska
- _____ Aktivera bromspedalen och knuffa på sjuksängen för att säkerställa att alla styrhjul låses säkert
- _____ Alla styrhjul sitter säkert och snurrar som de ska
- _____ Fastsättningsbältena fungerar som de ska
- _____ Infusionsstativet är hel och fungerar som den ska
- _____ Syrgasflaskans hållare är hel och fungerar som den ska
- _____ Fowler-ryggstödet fungerar som det ska och låses fast
- _____ Funktionen för Trendelenburgs läge/omvänt Trendelenburgs läge fungerar som den ska
- _____ Inga revor eller sprickor i madrasskyddet
- _____ Jordningskedjan är hel
- _____ Inga läckor i hydrauliska kopplingar
- _____ De hydrauliska domkrafterna bär upp sjuksängen som de ska
- _____ Den hydrauliska sänkningshastigheten har ställts in på rätt sätt
- _____ Den hydrauliska oljenivån är tillräcklig
- _____ Smörj de ställen där det behövs
- _____ Tillbehör och fästen är i gott skick och fungerar som de ska

Serienr. _____

Utfört av: _____ Datum: _____

OBS!

Förebyggande underhåll bör ske minst en gång om året. Ett program för förebyggande underhåll bör fastställas för all utrustning från Stryker Medical. Förebyggande underhåll kanske måste utföras oftare, baserat på hur ofta produkten används.

Svensk

Rengöring

Handtvätta alla ytor på sjuksängen med varmt vatten och mildt rengöringsmedel. Torka dem ordentligt. DENNA UTRUSTNING FÅR INTE ÅNGTVÄTTAS, HÖGTRYCKSTVÄTTAS, SPOLAS AV ELLER RENGÖRAS MED ULTRALJUD. Vi rekommenderar **inte** att dessa rengöringsmetoder används, användning kan innebära att produktens garanti upphävs.

Rengör kardborreband **EFTER VARJE ANVÄNDNING**. Dränk kardborreband med desinfektionsmedel och låt medlet avdunsta. (Lämpligt desinfektionsmedel för nylonkardborreband bör fastställas av sjukhuset.)

I allmänhet kan desinfektionsmedel antingen av kvartär- eller fenoltyp användas, om de används i de koncentrationer som tillverkaren rekommenderar. Desinfektionsmedel av typen jodoform rekommenderas inte eftersom de kan ge fläckar. Följande produkter har testats och visat sig inte medföra skadliga effekter NÄR DE ANVÄNDS I ENLIGHET MED TILLVERKARENS REKOMMENDATIONER FÖR UTSPÄDNING.*

HANDELSNAMN	TYP AV DESINFEKTIONSMEDEL	TILLVERKARE	*REKOMMENDERAD SPÄDNING ENLIGT TILLVERKAREN
A33	Kvartära	Airwick (Professional Products Division)	1 : 64
A33 (torr)	Kvartära	Airwick (Professional Products Division)	1 : 256
Beaucoup	Fenol	Huntington Laboratories	1 : 128
Blue Chip	Kvartära	S.C. Johnson	1 : 64
Elimstaph	Kvartära	Walter G. Legge	1 : 128
Franklin Phenomysan F2500	Fenol	Purex Corporation	1 : 100
Franklin Sentinel	Kvartära	Purex Corporation	1 : 64
Galahad	Fenol	Puritan Churchill Chemical Company	1 : 128
Hi-Tor	Kvartära	Huntington Laboratories	1 : 256
LPH	Fenol	Vestal Laboratories	1 : 256
Matar	Fenol	Huntington Laboratories	1 : 256
Omega	Kvartära	Airwick (Professional Products Division)	1 : 256
Quanto	Kvartära	Huntington Laboratories	1 : 128
Sanikleen	Kvartära	West Chemical Products	1 : 64
Sanimaster II	Kvartära	Service Master	1 : 128
Vesphene	Fenol	Vestal Laboratories	1 : 100

Kvartära bakteriedödande desinfektionsmedel, som används enligt anvisningarna och/eller blekmedel med klorin, vanligen 5,25 % natriumhypoklorit i **lösningar som varierar mellan 1 del blekmedel till 100 delar vatten och 2 delar blekmedel till 100 delar vatten anses inte vara milda rengöringsmedel. Dessa produkter har frätande egenskaper och kan orsaka skador på sjuksängen om de används på fel sätt.** Om denna sorts produkter används för att rengöra Stryker-utrustning för patienthantering måste åtgärder vidtas för att säkerställa att sjuksängarna spolas av med rent vatten, och torkas noga efter rengöringen. Om dessa förfaranden för spolning och torkning av sjuksängarna inte tillämpas kommer frätande rester att ligga kvar på sjuksängen, vilket eventuellt kan orsaka för tidig korrosion av viktiga komponenter.

OBS!

Om anvisningarna ovan inte följs när dessa typer av rengöringsmedel används kan produktens garanti bli ogiltig.

AVLÄGSNING AV JODFÖRENINGAR

Denna lösning kan användas för att avlägsna jodfläckar från madrasskyddets ytor.

1. Använd en lösning med 1–2 matskedar natriumtiosulfat i en halvliter varmt vatten för att rengöra det nedfläckade området. Rengör området så fort som möjligt efter det att fläcken har uppstått. Om fläckarna inte avlägsnas omedelbart ska lösningen få absorberas av eller ligga på ytan.
2. Spola av ytorna som har exponerats för lösningen i klart vatten innan sjuksängen används igen.

Garanti

Begränsad garanti:

Stryker Medical Division, en Stryker Corporation–division, garanterar den ursprungliga köparen att dess produkter saknar defekter i material och utförande under en period på ett (1) år efter leveransdatumet. Strykers åtagande under denna garanti är uttryckligen begränsat till tillhandahållande av reservdelar och reparationsarbete, eller utbyte, efter eget gottfinnande, av varje produkt som Stryker bedömer vara defekt. Stryker garanterar den ursprungliga köparen att dess sängars ram och svetsfogar är fria från strukturella fel så länge som den ursprungliga köparen är innehavare av sängen. Om Stryker ber om det ska produkter eller komponenter för vilka ett garantianspråk görs returneras med portot betalt till Strykers fabrik. All olämplig användning eller alla förändringar eller reparationer utförda av övriga parter som sker på sådant sätt att det enligt Strykers bedömning påtagligt och negativt påverkar produktens funktion upphäver denna garanti. Varje reparation av Stryker produkter med användning av delar/komponenter som inte tillhandahållits eller auktoriserats av Stryker upphäver denna garanti. Ingen anställd av eller representant för Stryker är auktoriserad att ändra denna garanti på något sätt.

Stryker Medical säng- och bårprodukter är designade för en förväntad livstid på 10 år. Detta gäller vid normalt bruk, under normala förhållanden och vid utfört regelbundet underhåll enligt instruktioner i underhållmanualen/service manualen för var och en produkt. Stryker garanterar, till den ursprungliga köparen, att svetsarna i dessa produkter kommer att vara fria från strukturella defekter under den förväntade livstiden på 10 år, så länge som produkten är i den ursprungliga köparens ägo.

Denna framställning utgör Strykers hela garanti med avseende på förutnämnd utrustning. STRYKER GER INGA ÖVRIGA GARANTIER ELLER FÖRSÅKRAN, VARKEN UTTRYCKLIGA ELLER UNDERFÖRSTÅDDA, UTÖVER VAD SOM ANGES HÄRI. INGEN GARANTI FÖRELIGGER FÖR SÄLJBARHET ELLER LÄMPLIGHET FÖR NÅGOT VISST ÄNDAMÅL. STRYKER ANSVARAR UNDER INGA OMSTÄNDIGHETER FÖR INDIREKTA SKADOR ELLER FÖLJDSKADOR, SOM UPPKOMMER GENOM ELLER PÅ NÅGOT SÄTT HAR SAMBAND MED FÖRSÄLJNING ELLER ANVÄNDNING AV NÅGON SÅDAN UTRUSTNING.

Svensk

För reservdelar och service:

Stryker–produkter understöds av ett omfattande nätverk med specialutbildade Stryker–fältservice–representanter. Dessa representanter har utbildats i våra fabriker, är tillgängliga på lokal nivå och har förråd med ensenliga mängder reservdelar för att minska reparationstiderna. Ring bara din lokala representant, eller ring Strykers kundtjänstavdelning på 1–800–327–0770.

Servicekontraktstäckning:

Stryker har utvecklat ett omfattande program med servicekontraktalternativ som är utformat till att säkerställa att din utrustning fungerar på bästa sätt, samtidigt som oförutsedda kostnader utesluts. Vi rekommenderar att dessa program aktiveras *innan* garantin för den nya produkten blir ogiltig, för att utesluta extra kostnader för uppgradering av utrustningen.

ETT SERVICEKONTRAKT KAN:

- Säkerställa att utrustningen är tillförlitlig
- Stabilisera underhållsbudgetar
- Minska spilltid
- Upprätta dokumentation för JCAHO
- Öka produktens livstid
- Förbättra inbytesvärdet
- Ta itu med riskhantering och säkerhet

Garanti

Stryker erbjuder följande servicekontraktprogram:

SPECIFIKATIONER	GULD	SILVER	ENDAST FÖREBYGGANDE UNDERHÅLL*
Förebyggande underhåll en gång om året	X		X
Alla reservdelar**, reparationer och tillhörande resor	X	X	
Obegränsat antal akuta servicesamtal	X	X	
Prioritetskontakt; vi ringer tillbaka inom två timmar	X	X	X
De flesta reparationsarbeten sker inom tre arbetsdagar	X	X	
JCAHO-dokumentering	X	X	X
Loggbok på plats med journaler för förebyggande underhåll och akut service	X		
Stryker-servicetekniker som utbildats på fabriken	X	X	X
Stryker-auktoriserade reservdelar	X	X	X
Sammanfattning mot slutet av året	X		
Stryker utför all service under normal affärstid (9–17)	X	X	X

* Vi ger rabatt på reservdelar och reparationsarbete för produkter under kontraktet för förebyggande underhåll.

** Detta omfattar inte engångsartiklar, infusionsstativ (förutom Stryker HD permanenta stänger), madrasser eller skador som resultat av olämplig användning.

Stryker Medical erbjuder även *individuella* servicekontrakt.

Priset beror på produktens användningstid, plats, modell och skick.

För mer information om våra servicekontrakt, var god ring en lokal representant eller 1-800-327-0770 (alternativ nr 2).

Returgodkännande:

Varor kan inte returneras utan godkännande av Strykers kundtjänstavdelning. Vi tillhandahåller ett returnummer som måste skrivas på varan som returneras. Stryker förbehåller sig rätten att debitera avgifter för transport och lagerpåfyllning för returnerade produkter.

SPECIELLA, MODIFIERADE, ELLER UTGÅNGNA PRODUKTER KAN INTE RETURNERAS.

Skadad vara:

Interstate Commerce Commissions (ICC) regler kräver att krav för skadade varor måste ställas till transportföretaget inom femton (15) dagar från mottagandet av varan. ACCEPTERA INTE SKADADE LEVERANSER OM INTE SKADAN ÄR NOTERAD PÅ FRAKTSEDELN VID MOTTAGANDET. Vid omedelbar anmälan inlämnar Stryker ett krav på ersättning för uppkommen skada till det aktuella transportföretaget. Ersättningsanspråket begränsas till beloppet till den verkliga kostnaden för utbyte. I den händelse att denna information inte når Stryker inom femton (15) dagar från leveransen av varan eller att skadan inte var antecknad på fraktsedeln vid mottagandet, blir kunden ansvarig för betalning av den ursprungliga fakturan i sin helhet.

Ersättningsanspråk för varje ofullständig leverans måste ställas inom trettio (30) dagar efter utställd faktura.

Internationell garantiklausul:

Denna garanti återspeglar USA:s inrikes policy. Garanti utanför USA kan variera från land till land. Kontakta din lokala representant för Stryker Medical för ytterligare information.

Sisällysluettelo


Johdanto	2, 3
Rungon säädinten käyttö	4, 5
Paarien korkeuden säätäminen	6
Trendelenburg-/käänteinen Trendelenburg –asento	6
Jarrujen käyttö	7
Viidennen pyörän käyttö	7
Sivukaiteiden käyttö	8
Työntökahvojen käyttö	8
Fowler–selkätuen käyttö	9
Valinnaisen pysyvästi kiinnitettyjen IV–telineiden käyttö	10, 11
Valinnaisen jatkeen/defibrillaattorialustan käyttö	12
Ennakkohuollon luettelo	13
Puhdistus	14
Takuu	
Varaosat ja huolto	15
Lisätakuu	15
Palautusoikeus	16
Kuljetuksessa syntyneet vahingot	16

Johdanto

JOHDANTO

Tässä oppaassa annetaan käyttöohjeet mallin 735 kuljetuspaareille. Se on luettava huolellisesti ennen laitteen käyttämistä tai sen huoltamisen aloittamista.

TEKNISET TIEDOT

Maksimipainorajoitus	226 kg	
Paarien kokonaispituus/leveys	211 cm / 76 cm	
Sängyn minimi-/maksimikorkeus	54,6 cm / 91 cm	
Fowler-selkätuen kulma	0° – 90°	
Trendelenburg/käänteinen Trendelenburg	+18° – –18°	

Stryker pidättää oikeuden teknisten tietojen muuttamiseen ennakoilmoitusta antamatta.

TERMIEN VAROITUS, VAROTOIMI JA HUOMAUTUS MÄÄRITELMÄT

Sanoilla VAROITUS, VAROTOIMI ja HUOMAUTUS on erityismerkityksensä ja ne on luettava huolellisesti.

VAROITUS

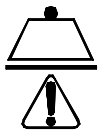
Ilmoitus tilanteesta, josta voi olla seurauksena kuolema tai vakava tapaturma, ellei sitä vältetä. Varoitus voi myös kuvata mahdollisia vakavia haittavaikutuksia ja vaaratilanteita.

VAROTOIMI

Ilmaisee tilannetta, joka on mahdollisesti vaarallinen ja, jos sitä ei vältetä, voi johtaa lievään tai kohtalaiseen käyttäjän tai potilaan vammaan tai laitteiston tai muun omaisuuden vaurioitumiseen. Näitä ovat laitteen turvalliseen ja tehokkaaseen käyttöön liittyvät erityistoimet ja käytöstä tai väärinkäytöstä johtuvan laitteen vaurioitumisen välttämiseksi tehtävät toimet.

HUOMAUTUS

Tässä annetaan erityistietoa, mikä helpottaa kunnossapitoa tai selventää tärkeitä käyttöohjeita.



Turvallisen työskentelykuormituksen symbol

On tärkeää lukea ja ymmärtää kaikki tämän käyttöohjeen tiedot ennen parien käyttöä. Tutustu tällä sivulla luettuihin varoituksiin ja varotoimiin huolellisesti ja noudata niitä tarkasti.

VAROITUS

Käytä pyöräjarruja aina, kun potilas nousee paareille tai paareilta pois. Työnnä paareja varmistaaksesi, että jarrut on lukittu kunnolla. Käytä jarruja aina, kun paareja ei siirretä. Seurauksena voi olla loukkaantuminen, jos paareja siirretään potilaan noustessa paareille tai pois paareilta. Jos jarrut eivät pidä kunnolla, katso jarrujen säätötoimenpiteitä parien huolto-oppaasta.

Varmista, että sivukaiteen lukitusmekanismi toimii kunnolla koko ajan. Jos lukitus ei toimi kunnolla, katso sivukaiteen säätöohjeita parien huolto-oppaasta.

Kun lasket sivukaiteen alas, pidä potilaan ja henkilökunnan kädet ja jalat pois sivukaiteiden pystytankojen tieltä, tai seurauksen voi olla loukkaantuminen.

Pidä sormet ja kädet poissa Fowler-selkätuen vapautuskahvan ja Fowler-selkätuen rungon tieltä alas laskettaessa. Seurauksena voi olla loukkaantuminen, jos Fowler-selkätukea laskettaessa ei olla varovaisia.

Jos paareissa on valinnainen jalkopään IV-teline, sen on oltava yläasennossa, kun jalkopään jatketta/defibrillaattorialustaa asennetaan. Jos IV-teline on alhaalla, jatke ei toimi kunnolla ja seurauksena voi olla loukkaantuminen.

VAROTOIMI

Vältä vahinko poistamalla kaikki tiellä olevat laitteet ennen parien korottamista tai laskemista.

Loukkaantumisen ja laitevaurion välttämiseksi ei sivukaiteen saa antaa laskeutua alas itsestään.

Työntökahvat on tarkoitettu käytettäväksi parien siirtämisen aikana. Vältä käyttämästä muita parin osia työntö- tai vetolaitteina, koska parit voivat vaurioitua.

Jos paineilmalla toimivaa Fowler-selkätukea on vaikea käyttää, katso paineilmalla toimivan Fowler-selkätuen säätöohjeita parien huolto-oppaasta.

Vahinkojen välttämiseksi IV-pussi saa painaa korkeintaan 18 kg.

Vaurioiden välttämiseksi parien kuljettamisen aikana on varmistettava, että IV-teline on tarpeeksi alhaalla, jotta se mahtuu kunnolla ovista ja valaisimien alitse.

Sänkyä ei voi nostaa (hydrauliikkaa pohjassa) potilasnosturilla.

Koukkua ei saa käyttää nousemiseen.

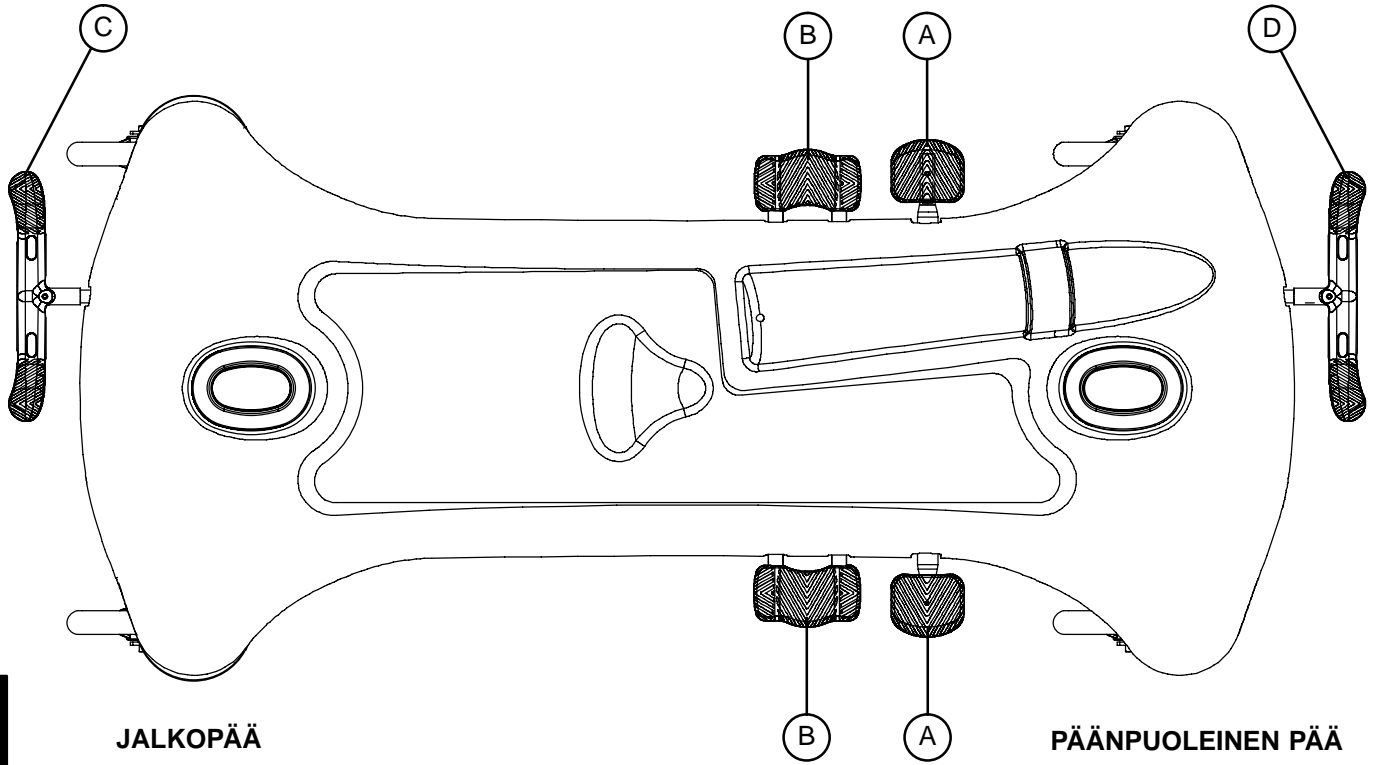
HUOMAUTUS

Puhdista kannen alue säännöllisesti.

Jarrurenkaiden alusta pitää puhdistaa säännöllisesti, jotta sinne ei kerry vaha- ja/tai puhdistusainejäämiä.

Paarien käyttö

RUNGON SÄÄDINTEN KÄYTTÖ – SIVUSÄÄDIN



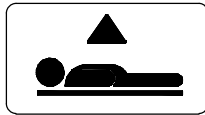
Suomi

JALKOPÄÄ

B

A

PÄÄNPUOLEINEN PÄÄ

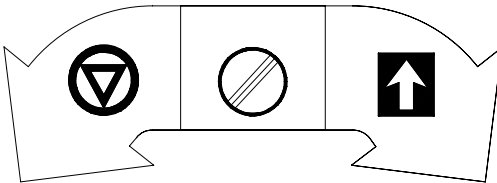
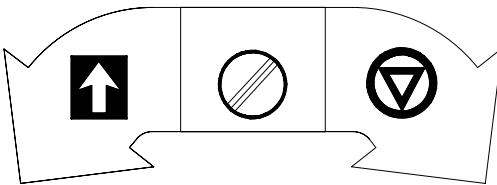
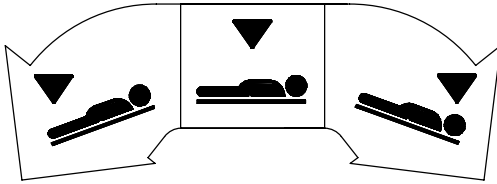


Nosta paareja ylös pumppaamalla poljinta (A).

Laske paarien molemmat päät samanaikaisesti painamalla polkimen (B) keskiosaa.

Laske paarien jalkopää painamalla polkimen (B) paarien jalkopäätä lähinnä olevaa laitaa.

Laske paarien päänpuoleista päätä painamalla paarien polkimen (B) pääpuolta lähinnä olevaa laitaa.

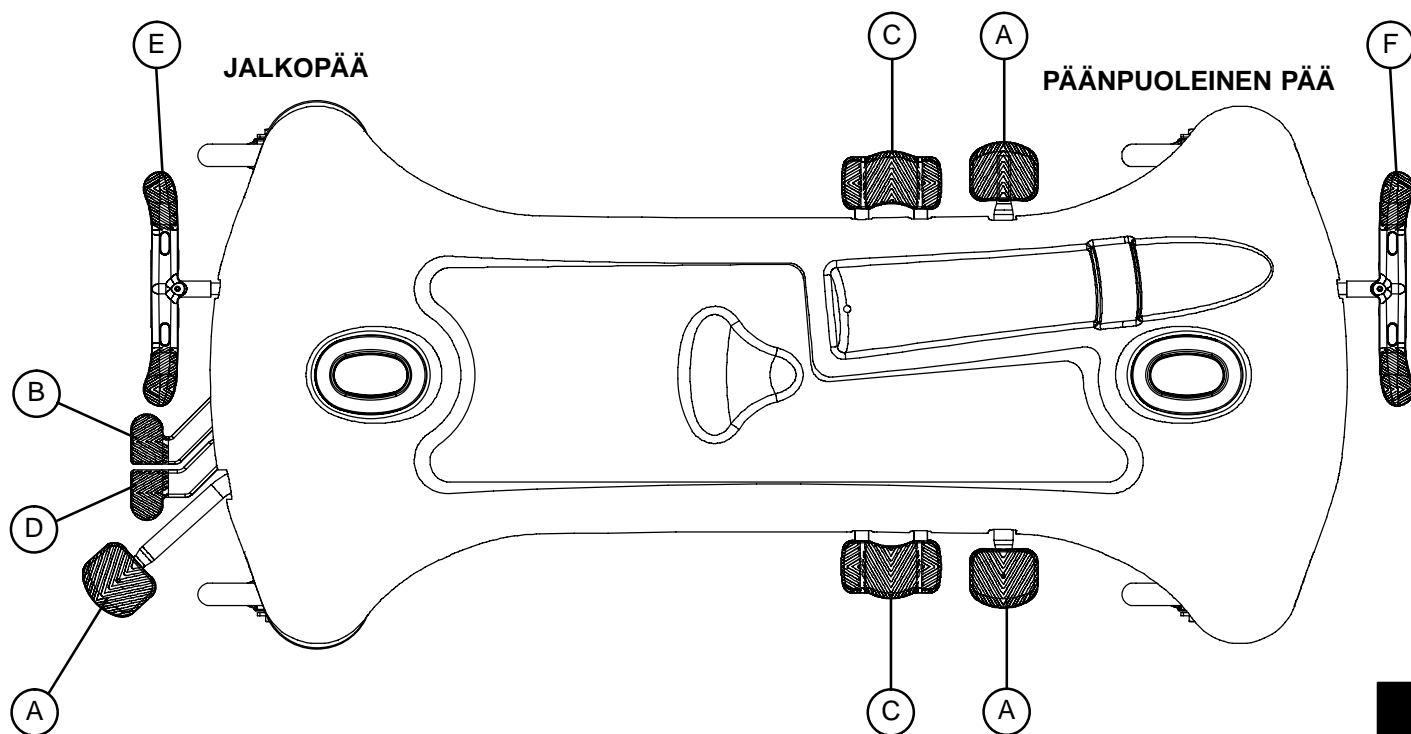


Poljin (C) – Jarru- ja ohjaustoiminnot (jalkopää)

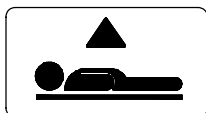
Poljin (D) – Jarru- ja ohjaustoiminnot (pään puoli)

Paarien käyttö

RUNGON SÄÄDINTEN KÄYTTÖ – KOLMELLA SIVULLA OLEVAT SÄÄTIMET



Suomi

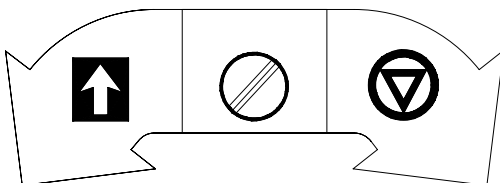
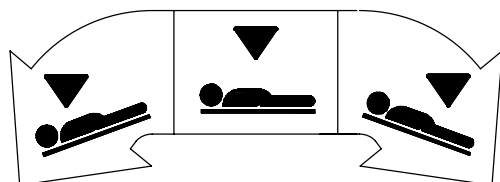


Nosta paareja ylös pumpaamalla poljinta (A) paarien jalkopäissä tai sivuilla.

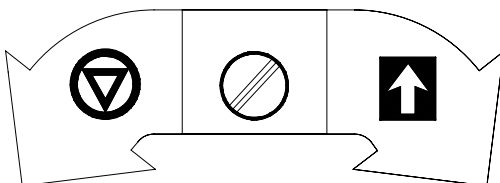
Laske paarien päänpuoleista päätä painamalla poljinta (B) tai polkimen (C) paarien pääpuolta lähinnä olevaa laitaa.

Laske paarien jalkopäätä painamalla paarien poljinta (D) tai polkimen (C) jalkopäätä lähinnä olevaa laitaa.

Laske paarien molemmat päät samanaikaisesti painamalla polkimen (C) keskiosaa tai painamalla polkimia (B) ja (D) samanaikaisesti.



Poljin (E) – Jarru- ja ohjaustoiminnot (jalkopää)



Poljin (F) – Jarru- ja ohjaustoiminnot (pään puoli)

Paarien käyttö

PAARIEN KORKEUDEN SÄÄTÄMINEN – SIVUSÄÄDIN

VAROTOIMI

Vältä vahinko poistamalla kaikki tiellä olevat laitteet ennen paarien korottamista tai laskemista.

Nosta **paareja** korkeammalle pumpaamalla poljinta (A) toistuvasti, kunnes parit ovat halutulla korkeudella (katso kuvaa [sivulla 10–4](#)).

Laske **paarien** molemmat päät samanaikaisesti painamalla polkimen (B) keskiosaa. Laske paarien pääpuoleista päätä painamalla polkimen (B) paarien pääpuolta lähinnä olevaa laitaa. Laske paarien jalkopäätä painamalla polkimen (B) paarien pääpuolta lähinnä olevaa laitaa (katso kuvaa [sivulla 10–4](#)).

PAARIEN KORKEUDEN SÄÄTÄMINEN – KOLMELLA SIVULLA OLEVAT SÄÄTIMET

Nosta **paareja** korkeammalle pumpaamalla poljinta (A) toistuvasti, kunnes parit ovat halutulla korkeudella (katso kuvaa [sivulla 10–5](#)).

Laske **paarien** kumpaakin päätä samanaikaisesti painamalla polkimia (B) ja (D) yhtä aikaa käyttäen samaa jalkaa tai painamalla polkimen (C) keskiosaa. Laske paarien pääpuoleista päätä painamalla poljinta (B) tai polkimen (C) paarien pääpuolta lähinnä olevaa laitaa. Laske paarien jalkopäätä painamalla poljinta (D) tai polkimen (C) jalkopäätä lähinnä olevaa laitaa.

Suomi

TRENDELENBURG/KÄÄNTEINEN TRENDELENBURG – SIVUSÄÄDIN

HUOMAUTUS

Parit on nostettava ensin korkeammalle Trendelenburg- ja käänteisen Trendelenburg –asennon saavuttamiseksi.

VAROTOIMI

Vältä vauriot poistamalla kaikki tiellä olevat laitteet ennen paarien laskemista.

Saavutat **Trendelenburg**–asennon (pää alaspäin) painamalla polkimen (B) paarien pääpuolta lähinnä olevaa puolta (katso kuvaa [sivulla 10–4](#)).

Saavutat **käänteisen Trendelenburg**–asennon (jalat alaspäin) painamalla polkimen (B) paarien jalkopäätä lähinnä olevaa laitaa.

HUOMAUTUS

Mitä korkeammalla parit ovat ennen kuin poljinta (B) painetaan, sitä suurempi Trendelenburg- tai käänteinen Trendelenburg –kulma on. (Suurin mahdollinen Trendelenburg–kulma on +18°. Suurin mahdollinen käänteisen Trendelenburg–asennon kulma on –18°.)

TRENDELENBURG/KÄÄNTEINEN TRENDELENBURG – KOLMELLA SIVULLA OLEVAT SÄÄTIMET

VAROTOIMI

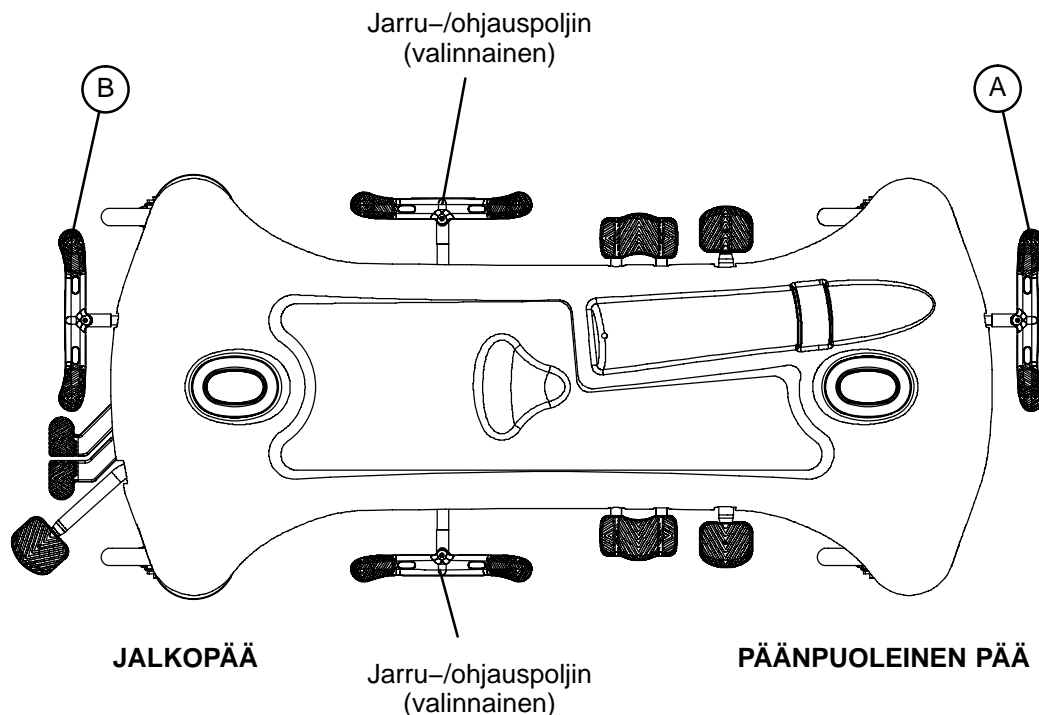
Vältä vauriot poistamalla kaikki tiellä olevat laitteet ennen paarien laskemista.

Saavutat **Trendelenburg**–asennon (pää alaspäin) painamalla poljinta (B) tai polkimen (C) paarien pääpuolta lähinnä olevaa puolta (katso kuvaa [sivulla 10–5](#)).

Saavutat **käänteisen Trendelenburg** –asennon (jalat alaspäin) painamalla poljinta (D) tai polkimen (C) paarien jalkopäätä lähinnä olevaa laitaa.

Paarien käyttö

JARRUJEN KÄYTTÖ



Suomi

HUOMAUTUS

Käyttömukavuuden parantamiseksi jarru-/ohjauspoljin sijaitsee paarien kummassakin päässä.

VAROITUS

Käytä pyöräjarruja aina, kun potilas nousee paareille tai paareilta pois. Työnnä paareja varmistaaksesi, että jarrut on lukittu kunnolla. Käytä jarruja aina, kun paareja ei siirretä. Seurauksena voi olla loukkaantuminen, jos paareja siirretään potilaan noustessa paareille tai pois paareilta. Jos jarrut eivät pidä kunnolla, katso jarrujen säätötoimenpiteitä paarien huolto-oppaasta.

Aseta jarrut pääpuolella painamalla polkimen vasen puoli (A) kokonaan alas.

Aseta jarrut jalkopäässä painamalla polkimen oikea puoli (B) kokonaan alas.

HUOMAUTUS

Paarien laidassa voi olla valinnainen jarru- ja ohjaustoiminto vakiovarusteena toimitettavien pääpuolen ja jalkopään säädinten lisäksi. Laidan jarrut toimivat samalla tavalla kuin pääpuolen tai jalkopään jarrut.

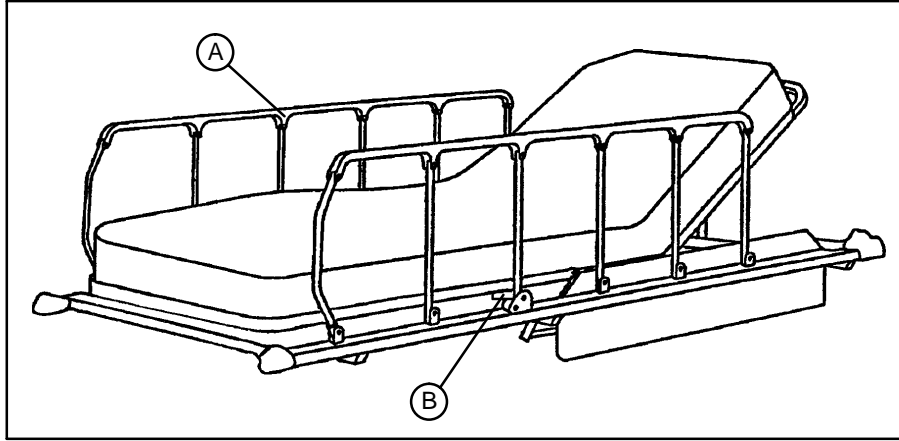
VIIDENNEN PYÖRÄN KÄYTTÖ

Viidennen pyörän tarkoituksena on helpottaa paarien ohjaamista suoraan kuljetuksen aikana ja helpottamaan paarien ohjaamista kulman ympäri.

Viides pyörä otetaan käyttöön painamalla jarru- ja ohjauspolkimen asianmukainen puoli täysin alas.

Paarien käyttö

SIVUKAITEIDEN KÄYTTÖ



VAROITUS

Varmista, että sivukaiteen lukitusmekanismi (B) toimii kunnolla koko ajan. Jos lukitus ei toimi kunnolla, katso sivukaiteen säätöohjeita parien huolto-oppaasta.

Sivukaiteiden asettaminen: Vedä sivukaide (A) ylös ja nosta se täysin yläasentoon, kunnes vipu (B) asettuu paikalleen.

Sivukaiteiden laskeminen: Vedä ylöspäin vivusta (B) ja laske sivukaide täysin ala-asentoon.

VAROITUS

Kun lasket sivukaiteen alas, pidä potilaan ja henkilökunnan kädet ja jalat pois sivukaiteiden pystytankojen tieltä, tai seurauksen voi olla loukkaantuminen.

Loukkaantumisen ja laitevaurion välttämiseksi ei sivukaiteen saa antaa laskeutua alas itsestään.

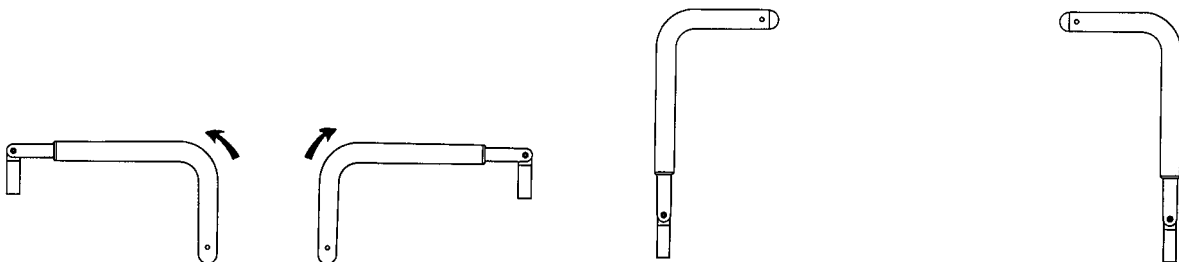
TYÖNTÖKAHVOJEN KÄYTTÖ

VAROIMI

Työntökahvat on tarkoitettu käytettäväksi parien siirtämisen aikana. Vältä käyttämästä muita parin osia työntö- tai vetolaitteina, koska parit voivat vaurioitua.

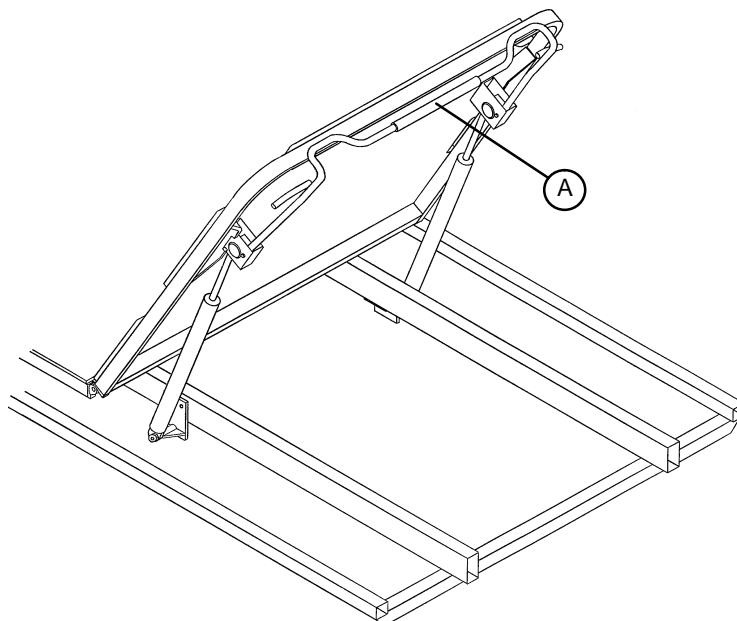
Työntökahvojen käyttö: Käännä kahvat ylös ja työnnä niitä alas, kunnes kahvat lukkiutuvat paikalleen.

Työntökahvojen säilytys: Nosta kahvat ylös ja käännä ne alaspäin kahvojen säilytyspidikkeisiin.



Paarien käyttö

FOWLER–SELKÄTUEN KÄYTTÖ



Paina kahvaa (A), jolloin Fowler–selkätuki nousee halutulle korkeudelle paineilman avustamana. Ota käsi kahvalta, kun tuki on sopivalla korkeudella.

Laske Fowler–selkätuki alas painamalla kahvaa (A) ja painamalla alas, kunnes Fowler–selkätuki on halutulla korkeudella. Ota käsi/kädet kahvalta, kun tuki on sopivalla korkeudella.

VAROITUS

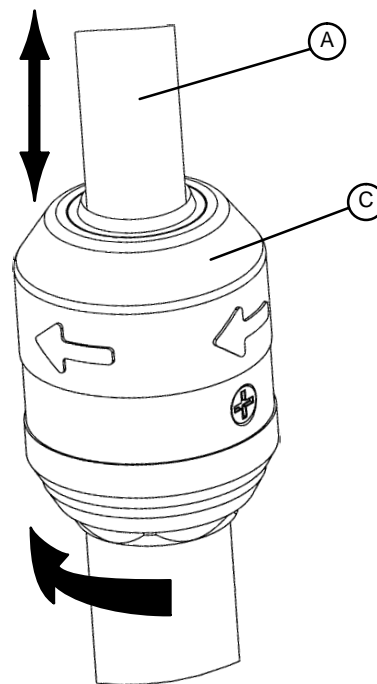
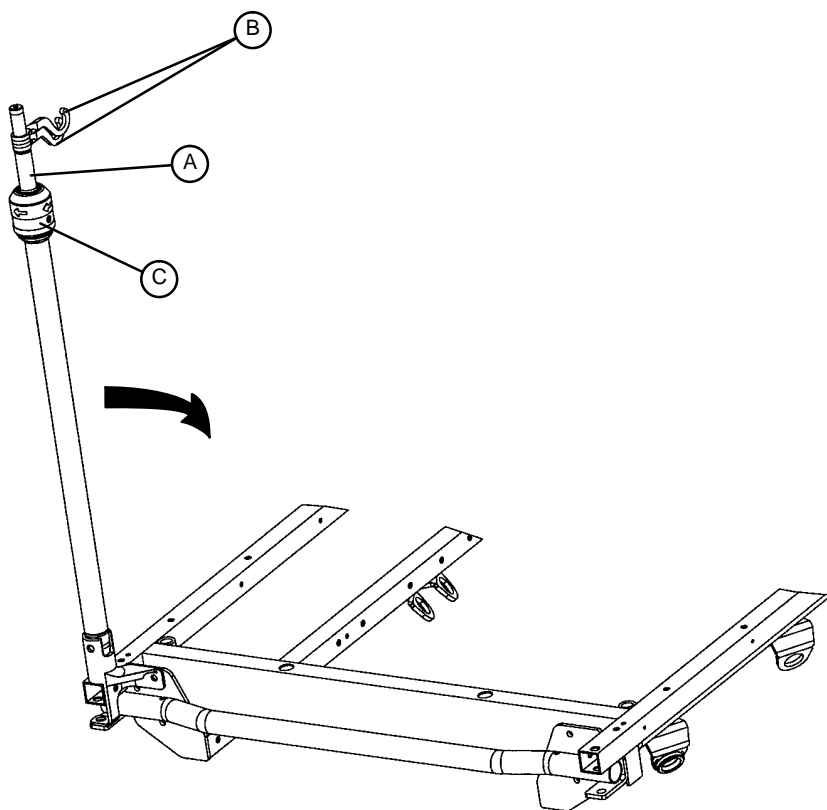
Pidä sormet ja kädet poissa Fowler–selkätuen vapautuskahvan ja Fowler–selkätuen rungon tieltä alas laskettaessa. Seurauksena voi olla loukkaantuminen, jos Fowler–selkätukea laskettaessa ei olla varovaisia.

VAROTOIMI

Jos paineilmalla toimivaa Fowler–selkätukea on vaikea käyttää, katso paineilmalla toimivan Fowler–selkätuen säätöohjeita parien huolto–oppaasta.

Paarien käyttö

VALINNAISEN 2-VAIHEISEN PYSYVÄSTI KIINNITETYN IV-TELINEEN KÄYTTÖ



IV-TELINEEN VIVUN LÄHIKUVA

HUOMAUTUS

2-vaiheinen pysyvästi kiinnitetty IV-teline on valinnainen lisävaruste ja se voidaan asentaa joko parien jalkopäähän, pääpuoleiseen päähän tai kumpaankin.

Valinnaisen 2-vaiheisen pysyvästi kiinnitetyn IV-telineen käyttö:

1. Nosta ja käännä teline säilytysasennosta ja työnnä se alas, kunnes se lukkiutuu paikalleen.
2. Nosta teline korkeammalle vetämällä ylös teleskooppiosasta (A), kunnes se lukkiutuu paikalleen täysin korotettuun asentoon.
3. Käännä IV-koukut (B) haluttuun asentoon ja ripusta IV-pussit koukkuihin.
4. Laske IV-teline alas kääntämällä vipua (C) myötävävään, kunnes osa (A) laskee alas.

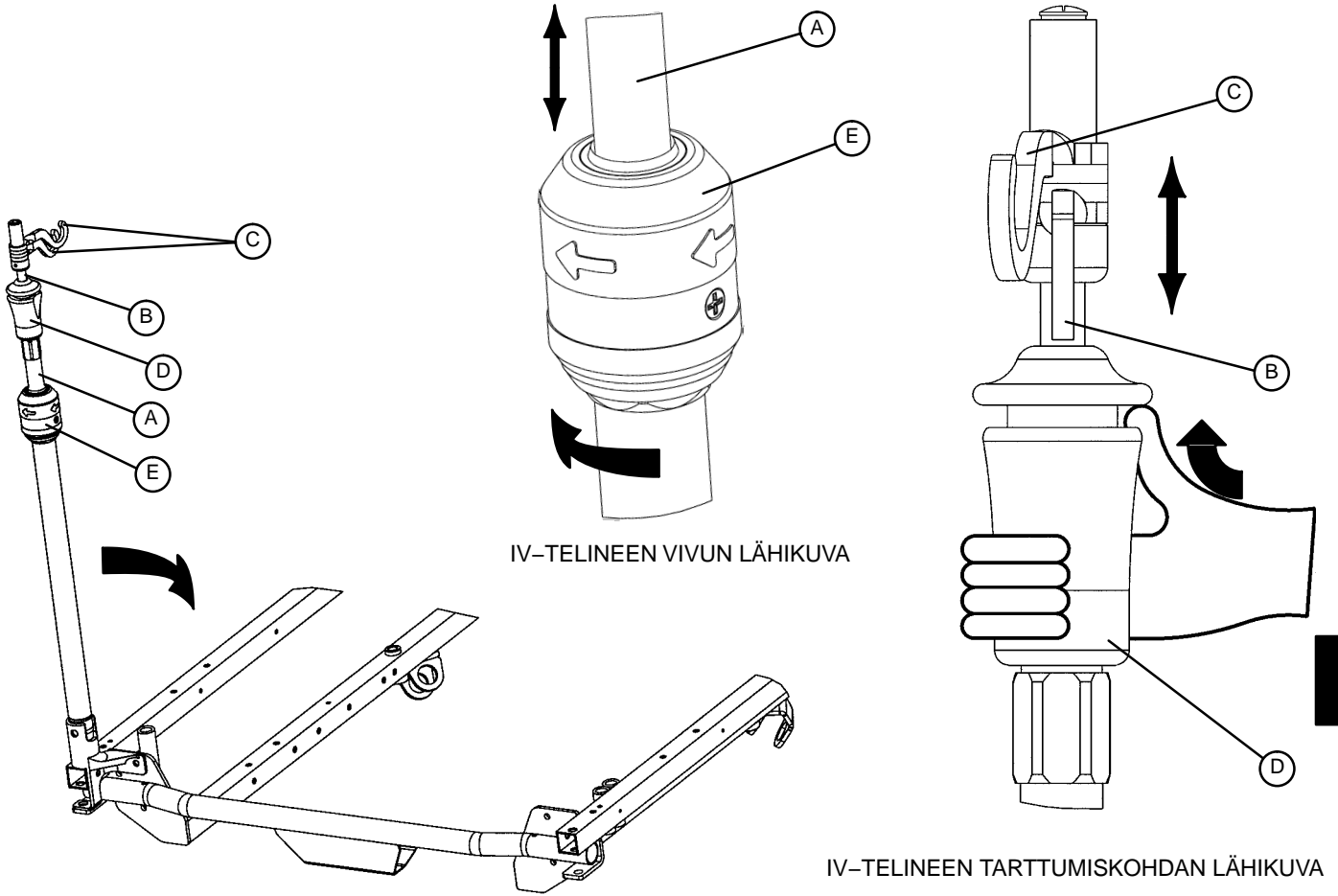
VAROTOIMI

Vaurioiden välttämiseksi IV-pussi ei saa painaa yli 18 kg.

Vaurioiden välttämiseksi parien kuljettamisen aikana on varmistettava, että IV-teline on tarpeeksi alhaalla, jotta se mahtuu kunnolla ovista ja valaisimien alitse.

Paarien käyttö

VALINNAISEN 3-VAIHEISEN PYSYVÄSTI KIINNITETYN IV-TELINEEN KÄYTTÖ



Suomi

HUOMAUTUS

3-vaiheinen pysyvästi kiinnitetty IV-teline on valinnainen lisävaruste ja se voidaan asentaa joko paarien jalkopäähän, päänpuoleiseen päähän tai kumpaankin.

Valinnaisen 3-vaiheisen pysyvästi kiinnitetyn IV-telineen käyttö:

1. Nosta ja käännä teline säilytysasennosta ja työnnä se alas, kunnes se lukkiutuu paikalleen.
2. Nosta teline korkeammalle vetämällä ylös teleskooppiosasta (A), kunnes se lukkiutuu paikalleen täysin korotettuun asentoon.
3. Nosta IV-teline korkeammalle vetämällä osasta (B). Vapauta ote osasta (B) millä tahansa korkeudella, jolloin teline lukittuu paikalleen.
4. Käännä IV-ripustimet (C) haluttuun asentoon ja ripusta IV-pussit ripustimiin.
5. Laske IV-teline alas työntämällä tarttumisosan punaista osaa (D) ylöspäin ja pitämällä kiinni osasta (B), kunnes se laskee alas. Käännä vipua (E) myötävävään, kunnes osa (A) laskeutuu alas.

VAROTOIMI

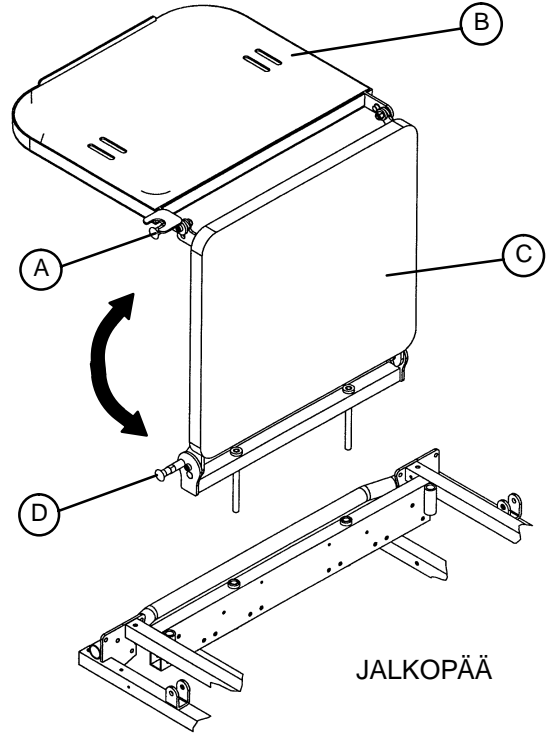
Vaurioiden välttämiseksi IV-pussi ei saa painaa yli 18 kg.

Vaurioiden välttämiseksi paarien kuljettamisen aikana on varmistettava, että IV-teline on tarpeeksi alhaalla, jotta se mahtuu kunnolla ovista ja valaisimien alitse.

Paarien käyttö

VALINNAISEN JATKEEN/DEFIBRILLAATTORIALUSTAN KÄYTTÖ

1. Käytä osaa defibrillaattorialustana vetämällä ylänuppi (A) ulos ja kääntämällä tarjotin (B) jatkeen (C) päälle, kunnes tarjotin on vaakatasossa paarien jalkopään päällä.
2. Käytä osaa jalkopään jatkeena vetämällä nuppi (A) ulos ja kääntämällä defibrillaattorialustaa takaisin, kunnes se lukittuu jatketta (C) vasten. Pidä kiinni rakenteesta, vedä alanuppi (D) ulos ja laske jatke alas, kunnes se on vaakatasossa.



VAROITUS

Jos paareissa on valinnainen jalkopään IV-teline, sen on oltava yläasennossa, kun jalkopään jatketta/defibrillaattorialustaa asennetaan. Jos IV-teline on alhaalla, jatke ei toimi kunnolla ja seurauksena voi olla loukkaantuminen.

Ennakkohuollon luettelo

MUISTILISTA

- _____ Kaikki kiinnitykset tiukkoja
- _____ Sivukaiteet liikkuvat ja asettuvat paikalleen kunnolla
- _____ Paina jarrupoljinta ja työnnä paareja varmistaaksesi, että jarrut on lukittu kunnolla
- _____ Kaikki pyörät on kiinnitetty hyvin ja ne pyörivät kunnolla
- _____ Potilaan kiinnityshihnat toimivat kunnolla
- _____ IV-teline on ehjä ja se toimii kunnolla
- _____ Happipullo on ehjä ja toimii kunnolla
- _____ Fowler-selkätuki toimii ja asettuu paikalleen kunnolla
- _____ Trendelenburg/käänteinen Trendelenburg toimii kunnolla
- _____ Patjan suojuksessa ei ole repeämiä tai murtumia
- _____ Maadoitusketju on ehjä
- _____ Hydraulikkaletkuissa ei ole vuotoja
- _____ Hydraulikkanostimet toimivat kunnolla
- _____ Hydraulikkalaskun nopeus on säädetty kunnolla
- _____ Hydraulikkaöljyä on riittävästi
- _____ Voitele tarvittaessa
- _____ Lisävarusteet ja kiinnitykset ovat hyvässä kunnossa ja toimivat kunnolla

Sarjanumero _____

Suorittaja: _____ Päiväys: _____

HUOMAUTUS

Ennakkohuolto tulisi suorittaa vähintään kerran vuodessa. Ennakkohuolto-ohjelma tulisi ottaa käyttöön kaikille Stryker Medical -laitteille. Ennakkohuolto voidaan joutua suorittamaan useammin tuotteen käyttömäärän mukaan.

Suomi

Puhdistus

Pese kaikki paarien pinnat käsin lämpimällä vedellä ja miedolla pesuaineella. Kuivaa perusteellisesti. EI SAA PUHDISTAA HÖYRYLLÄ, PAINEPESURILLA, LETKULLA TAI ULTRAÄNIPUHDISTUSLAITTEESSA. Näiden puhdistusmenetelmien käyttäminen ei suositella ja käyttö voi mitätöidä tuotteen takuun.

Puhdista tarrakiinnitys **JOKAISEN KÄYTÖN JÄLKEEN**. Kasta tarrakiinnitys desinfiointiaineeseen ja anna desinfiointiaineen haihtua. (Sairaalan tulisi määrittää nailontarrakiinnitykselle sopiva desinfiointiaine.)

Käytettäessä valmistajan suosittelemia väkevyyksiä voidaan yleensä käyttää joko kvaternaarisia tai fenolidesinfiointiaineita. Jodipitoisia desinfiointiaineita ei suositella mahdollisen värjäytymisen vuoksi. Seuraavat tuotteet on testattu, eikä niillä ole todettu olevan haittavaikutuksia, KUN NIITÄ KÄYTETÄÄN VALMISTAJAN ANTAMIEN LAIMENNUSOHJEIDEN MUKAAN.*

KAUPPANIMI	DESINFIOINTI- AINEEN TYYPPI	VALMISTAJA	* VALMISTAJAN SUOSITTELEMA LAIMENNUS
A33	Kvaternaarinen	Airwick (Professional Products Division)	1:64
A33 (kuiva)	Kvaternaarinen	Airwick (Professional Products Division)	1:256
Beaucoup	Fenoli	Huntington Laboratories	1:128
Blue Chip	Kvaternaarinen	S.C. Johnson	1:64
Elimstaph	Kvaternaarinen	Walter G. Legge	1:128
Franklin Phenomysan F2500	Fenoli	Purex Corporation	1:100
Franklin Sentinel	Kvaternaarinen	Purex Corporation	1:64
Galahad	Fenoli	Puritan Churchill Chemical Company	1:128
Hi-Tor	Kvaternaarinen	Huntington Laboratories	1:256
LPH	Fenoli	Vestal Laboratories	1:256
Matar	Fenoli	Huntington Laboratories	1:256
Omega	Kvaternaarinen	Airwick (Professional Products Division)	1:256
Quanto	Kvaternaarinen	Huntington Laboratories	1:128
Sanikleen	Kvaternaarinen	West Chemical Products	1:64
Sanimaster II	Kvaternaarinen	Service Master	1:128
Vesphene	Fenoli	Vestal Laboratories	1:100

Ohjeiden mukaan käytettyjä kvaternaarisia mikro-organismeja tappavia desinfiointiaineita tai kloorivalkaisuaineita, tavallisesti 5,25 %-inen natriumhypokloriitti laimennuksina, **joiden väkevyyks vaihtelee väkevyydestä 1 osa valkaisuainetta ja 100 osaa vettä väkevyyteen 2 osaa valkaisuainetta ja 100 osaa vettä, ei katsota miedoiksi pesuaineiksi. Nämä tuotteet aiheuttavat korroosiota ja voivat vahingoittaa paareja, jos niitä käytetään väärin.** Jos tämäntyyppisiä tuotteita käytetään Stryker-potilaidenkäsittelylaitteiden puhdistukseen, paarit on huuhdeltava puhtaalla vedellä ja kuivattava perusteellisesti puhdistuksen jälkeen. Jos paareja ei huuhdota ja kuivata kunnolla, niiden pinnalle voi jäädä korroosiota aiheuttavia aiheita, jotka voivat aiheuttaa kriittisen tärkeiden osien ennenaikaista ruostumista.

HUOMAUTUS

Jos edellä annettuja ohjeita ei noudateta tällaisia puhdistusaineita käytettäessä, seurauksena voi olla tuotteen takuun mitätöityminen.

JODIYHDISTEIDEN POISTO

Tällä menetelmällä voidaan poistaa joditahrat patjansuojuksen pinnoista.

1. Puhdista tahrinut alue lisäämällä 1–2 ruokalusikallista natriumtiosulfaattia 0,5 litraan lämmintä vettä. Puhdista mahdollisimman pian tahrinut alueen jälkeen. Jos tahraa ei saada poistettua välittömästi, anna liuksen imeytyä tahraan.
2. Huuhtele pinta puhtaalla vedellä, ennen kuin paarit otetaan uudelleen käyttöön.

Rajoitettu takuu:

Stryker Corporationiin kuuluva Stryker Medical Division takaa alkuperäiselle ostajalle, että sen tuotteet ovat virheettömiä sekä materiaalin että työn osalta yhden (1) vuoden ajan ostopäivästä lukien. Tätä takuuta koskeva Strykerin velvollisuus rajoittuu joko sellaisten tuotteiden korjaamiseen, jotka Stryker on oman harkintansa mukaan katsonut viallisiksi, tai varaosien toimittamiseen niille, tai Strykerin oman valinnan mukaan niiden vaihtamiseen. Stryker takaa alkuperäiselle ostajalle, että sen sänkyjen rungossa tai saumoissa ei ole rakenteellisia vikoja sinä aikana, kun alkuperäinen ostaja omistaa sängyn. Jos Stryker niin vaatii, takuukorvausvaatimuksen kohteena olevat tuotteet tai osat on palautettava rahti maksettuna Strykerin tehtaaseen. Tuotteen virheellinen käyttö, muuttaminen tai muiden tekemät korjaukset, joiden Stryker katsoo vaikuttavan tuotteeseen huomattavasti a haitallisesti, mitätöi tämän takuun. Strykerin tuotteiden korjaus, jossa käytetään sellaisia osia, joita Stryker ei ole toimittanut tai valtuuttanut, mitätöi tämän takuun. Kellään Strykerin työntekijällä tai edustajalla ei ole oikeutta tehdä minkäänlaisia muutoksia tähän takuuseen.

Stryker Medicalin paarit on suunniteltu siten, että niiden käyttöikä on kymmenen vuotta normaalissa käytössä, olosuhteissa ja oikein säännöllisesti kunkin laitteen huolto-ohjeen mukaan huollettuna. Stryker antaa alkuperäiselle ostajalle takuun, jonka mukaan Strykerin paareissa olevat hitsausliitokset ovat rakenteellisesti virheettömiä kyseisen odotetun kymmenen vuoden kuluessa, jolloin tuote on alkuperäisen ostajan omistama.

Tämä lausunto muodostaa Strykerin koko takuun tälle laitteelle. STRYKER EI ANNA MITÄÄN MUITA ILMAISTUJA TAI KONKLUDENTTISIA TAKUITA TAI LAUSUNTOJA. KAUPATTAVUUTTA TAI JOHONKIN MÄÄRÄTTYYN TARKOITUKSEEN SOPIVUUTTA KOSKEVAA TAKUUTA EI ANNETA. STRYKER EI OLE MISSÄÄN TAPAUKSESSA VASTUUSSA MISTÄÄN SATUNNAISESTA TAI SEURAUSSVAHINGOSTA, JOKA JOHTUU TÄLLÄISEN LAITTEEN MYYMISESTÄ TAI KÄYTÖSTÄ TAI JOKA LIITTYY JOTENKIN SIIHEN.

Suomi

Varaosat ja huolto:

Strykerin tuotteita tukee kattava Strykerin kenttähuoltoedustajaverkosto. Huoltoedustajat ovat saaneet paikallisen tehdaskoulutuksen, ja heillä on huomattava varaosavarasto korjausaikojen lyhentämiseksi. Ota yhteys paikalliseen edustajaan tai soita Strykerin asiakaspalveluun numerossa 1-800-327-0770.

Huoltosopimuksen kattavuus:

Stryker on laatinut useita huoltosopimusvaihtoehtoja, joiden tarkoituksena on pitää laite toiminnassa huippukunnossa samalla, kun odottamattomat kustannukset eliminoidaan. Suosittelemme, että nämä ohjelmat aktivoidaan *ennen* uuden tuotteen takuun päättymistä mahdollisten laitteen päivityksestä aiheutuvien lisäkustannusten eliminoimiseksi.

HUOLTOSOPIMUKSEN TARKOITUKSENA ON:

- varmistaa laitteen luotettava toiminta
- vakiinnuttaa huoltobudjetti
- vähentää käytöstä poisoloajan määrä
- laatia JCAHO-dokumentaatio
- pidentää tuotteen käyttöikä
- parantaa tuotteen vaihtoarvoa
- vähentää riskejä ja parantaa turvallisuutta

Takuu

Stryker tarjoaa seuraavat huoltosopimusohjelmat:

TEKNISET TIEDOT	KULTA	HOPEA	VAIN ENNAKKOHUOLTO*
Vuosittainen ennakkohuolto	X		X
Kaikki osat,** työ ja matkakustannukset	X	X	
Rajoittamaton määrä hätähuoltoja	X	X	
Etusijalle asetettu kontakti; puhelinvastaus kahden tunnin sisällä	X	X	X
Suurin osa korjauksista suoritetaan 3 työpäivän sisällä	X	X	
JCAHO-dokumentaatio	X	X	X
Toimipaikan lokikirja, joka sisältää ennakkohuollon ja hätähuoltojen tiedot	X		
Tehdaskoulutetut Strykerin huoltoteknikot	X	X	X
Strykerin varaosat	X	X	X
Vuosittainen yhteenveto	X		
Stryker suorittaa kaikki huollot normaalilla työajalla (klo 9–17)	X	X	X

* Ennakkohuoltosopimuksen alaisten tuotteiden varaosien ja työn hinnat ovat alennettuja.

** Ei koske kertakäyttöosia, IV-telineitä (lukuun ottamatta pysyviä Stryker HD -telineitä), patjoja tai väärinkäytöstä aiheutuneita vaurioita.

Suomi

Stryker Medical tarjoaa myös yksilöllisiä huoltosopimuksia.

Hinta määritetään tuotteen iän, sijainnin, mallin ja kunnan perusteella.

Lisätietoja huoltosopimuksista saa paikalliselta edustajalta tai numerosta 1-800-327-0770 (vaihtoehto 2).

Palautuksen hyväksyntä:

Tavaraa ei voi palauttaa ilman Strykerin asiakaspalveluosaston antamaa hyväksyntää. Annettu hyväksyntänumero on liitettävä palautettuun tavarahan. Stryker pidättää oikeuden periä toimitus- ja varastontäydennysmaksun palautetuista artikkeleista.

ERIKOISARTIKKELIT SEKÄ MUUNNETUT JA LAKKAUTETUT ARTIKKELIT EIVÄT OLE PALAUTETTAVISSA.

Vaurioituneet tavarat:

Interstate Commerce Commissionin (ICC) säännöt edellyttävät vaurioituneita tavaroita koskevien korvausvaatimusten esittämistä viidentoista (15) vuorokauden kuluessa tavarahan vastaanottamisesta. VAURIOITUNEITA TAVARAERIA EI SAA HYVÄKSYÄ, ELLEI VAURIOITA OLE MERKITY VASTAANOTTOKUIITTIIN VASTAANOTTOHETKELLÄ. Välittömän ilmoituksen saatuaan Stryker jättää asianomaiselle kuljetusyhtiölle rahdin vahingoittumista koskevan korvausvaatimuksen. Korvaus rajoittuu todellisen jälleenhankintakustannuksen määrään. Jos Stryker ei vastaanota näitä tietoja viidentoista (15) vuorokauden kuluessa tavarahan toimittamisesta tai jos vahinkoa ei ole merkitty vastaanottokuittiin vastaanottohetkellä, asiakas vastaa alkuperäisen laskun täydellisestä maksamisesta.

Vajaatoimitusta koskevat reklamaatiot on jätettävä kolmenkymmenen (30) päivän kuluessa laskun päivämäärästä.

Kansainvälinen takuulauseke:

Tämä takuu on Yhdysvaltain kotimaisten toimintatapojen mukainen. Yhdysvaltain ulkopuolella takuu voi vaihdella maasta toiseen. Lisätietoja saa ottamalla yhteyden Stryker Medicalin paikalliseen edustajaan.

Πίνακας περιεχομένων


Εισαγωγή	2, 3
Ποδομόχλια ελέγχου λειτουργίας στη βάση του φορείου	4, 5
Αύξηση και μείωση του ύψους του φορείου	6
Τοποθέτηση σε θέση Trendelenburg/αντίστροφη θέση Trendelenburg	6, 7
Εφαρμογή του συστήματος φρένων	8
Λειτουργία του πέμπτου τροχού	9
Χρήση των πλευρικών ραγών	9
Χρήση των λαβών ώθησης	10
Λειτουργία του υποστηρίγματος ράχης Fowler	11
Λειτουργία των προαιρετικών, μόνιμα προσαρτημένων στατώ ορού	12, 13
Λειτουργία της προαιρετικής προσθήκης προέκτασης των ποδιών/δίσκου απινιδωτή	14
Λίστα ελέγχου προληπτικής συντήρησης	15
Καθαρισμός	16, 17
Εγγύηση	
Προμήθεια εξαρτημάτων και σέρβις	18
Κάλυψη συμπληρωματικής εγγύησης	18
Εξουσιοδότηση επιστροφής	19
Αξιώσεις ζημιών κατά τη μεταφορά	20

Εισαγωγή

ΕΙΣΑΓΩΓΗ

Το εγχειρίδιο αυτό έχει σχεδιαστεί για να σας βοηθήσει στη λειτουργία του φορείου μεταφοράς μοντέλο 735. Διαβάστε το προσεκτικά προτού χρησιμοποιήσετε τον εξοπλισμό ή εκτελέσετε οποιαδήποτε εργασία συντήρησης σε αυτό.

ΠΡΟΔΙΑΓΡΑΦΕΣ

Μέγιστη χωρητικότητα βάρους	226 kg	
Συνολικό μήκος / πλάτος φορείου	211 cm / 76 cm	
Ελάχιστο / μέγιστο ύψος κρεβατιού	54,6 cm / 91 cm	
Γωνία του υποστηρίγματος ράχης Fowler	0° έως 90°	
Θέση Trendelenburg / αντίστροφη θέση Trendelenburg	+18° έως -18°	

Η Stryker διατηρεί το δικαίωμα αλλαγής των προδιαγραφών χωρίς ειδοποίηση.

ΟΡΙΣΜΟΣ ΠΡΟΕΙΔΟΠΟΙΗΣΗΣ / ΠΡΟΣΟΧΗΣ / ΣΗΜΕΙΩΣΗΣ

Οι λέξεις "ΠΡΟΕΙΔΟΠΟΙΗΣΗ" "ΠΡΟΣΟΧΗ" και "ΣΗΜΕΙΩΣΗ" φέρουν ειδικές σημασίες και πρέπει να τις μελετάτε προσεκτικά.

ΠΡΟΕΙΔΟΠΟΙΗΣΗ

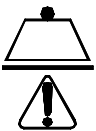
Προειδοποιεί τον αναγνώστη σχετικά με μια κατάσταση, η οποία, εάν δεν αποφευχθεί, θα μπορούσε να έχει ως αποτέλεσμα το θάνατο ή το σοβαρό τραυματισμό. Ενδέχεται επίσης να περιγράφει δυνητικές σοβαρές ανεπιθύμητες ενέργειες και κινδύνους για την ασφάλεια.

ΠΡΟΣΟΧΗ

Προειδοποιεί τον αναγνώστη σχετικά με μια δυνητικώς επικίνδυνη κατάσταση, η οποία εάν δεν αποφευχθεί, ενδέχεται να έχει ως αποτέλεσμα ελάσσονος σημασίας ή μέτριο τραυματισμό του χρήστη ή του ασθενούς ή την πρόκληση ζημιάς στον εξοπλισμό ή άλλη ιδιοκτησία. Αυτή περιλαμβάνει την ειδική φροντίδα που είναι απαραίτητη για την ασφαλή και αποτελεσματική χρήση της συσκευής και τη φροντίδα που είναι απαραίτητη για την αποφυγή τυχόν ζημιάς σε μια συσκευή, η οποία ενδέχεται να συμβεί ως αποτέλεσμα της χρήσης ή της εσφαλμένης χρήσης.

ΣΗΜΕΙΩΣΗ

Παρέχει ειδικές πληροφορίες που καθιστούν τη συντήρηση ευκολότερη ή σημαντικές οδηγίες σαφέστερες.



Σύμβολο ασφαλούς φορτίου εργασίας

Εισαγωγή

Πριν από τη λειτουργία του φορείου αυτού, είναι σημαντικό να διαβάσετε και να κατανοήσετε όλες τις πληροφορίες που περιλαμβάνονται στο παρόν εγχειρίδιο. Διαβάστε προσεκτικά και ακολουθήστε αυστηρά τις προειδοποιήσεις και τις οδηγίες προσοχής που παρατίθενται στη σελίδα αυτή.

ΠΡΟΕΙΔΟΠΟΙΗΣΗ

Εφαρμόζετε πάντοτε τα φρένα στα ροδάκια, όταν ένας ασθενής ανεβαίνει στο φορείο ή κατεβαίνει από αυτό. Ωθήστε το φορείο για να βεβαιωθείτε ότι τα φρένα είναι σταθερά ασφαλισμένα. Να ενεργοποιείτε πάντοτε τα φρένα, εκτός εάν το φορείο μετακινείται. Εάν το φορείο μετακινηθεί ενώ ένας ασθενής ανεβαίνει ή κατεβαίνει από το φορείο, θα ήταν δυνατό να προκληθεί τραυματισμός.

Βεβαιωθείτε ότι ο μηχανισμός ασφάλισης των πλευρικών ραγών λειτουργεί σωστά συνεχώς. Εάν δε λειτουργεί σωστά, ανατρέξτε στο εγχειρίδιο συντήρησης του φορείου σας για τη "Ρύθμιση ασφάλισης των πλευρικών ραγών".

Όταν χαμηλώνετε τις πλευρικές ράγες στη θέση σύμπτυξης, διατηρείτε τα άκρα των ασθενών και του προσωπικού μακριά από τους άξονες των πλευρικών ραγών διότι θα ήταν δυνατό να προκληθεί τραυματισμός.

Διατηρείτε τα δάκτυλά/χέρια σας μακριά από την περιοχή γύρω από τη λαβή απελευθέρωσης του υποστηρίγματος ράχης Fowler και το πλαίσιο του υποστηρίγματος ράχης Fowler όταν το χαμηλώνετε. Θα ήταν δυνατό να προκληθεί τραυματισμός εάν δεν είστε προσεκτικοί όταν χαμηλώνετε το υποστήριγμα ράχης Fowler.

Εάν το φορείο είναι εφοδιασμένο με το προαιρετικό στατώ ορού στο άκρο των ποδιών, το στατώ ορού πρέπει να βρίσκεται στην ανυψωμένη θέση όταν έχει εγκατασταθεί η προσθήκη προέκτασης των ποδιών/δίσκου απινιδωτή. Εάν το στατώ ορού δεν είναι ανυψωμένο, η προέκταση των ποδιών δε θα λειτουργεί σωστά και θα ήταν δυνατό να προκληθεί τραυματισμός.

ΠΡΟΣΟΧΗ

Για να αποφύγετε τυχόν ζημιά, απομακρύνετε τυχόν εξοπλισμό που ενδέχεται να εμποδίζει, πριν αυξήσετε ή μειώσετε το ύψος του φορείου.

Για να αποφύγετε τυχόν τραυματισμό ή ζημιά στον εξοπλισμό, μην αφήνετε τις πλευρικές ράγες να χαμηλώσουν μόνες τους.

Οι λαβές ώθησης σχεδιάστηκαν για χρήση κατά τη μεταφορά του φορείου. Αποφεύγετε τη χρήση άλλων τμημάτων του φορείου ως διατάξεις ώθησης/έλξης, επειδή θα ήταν δυνατό να προκληθεί ζημιά.

Εάν είναι δύσκολη η λειτουργία του πνευματικού υποστηρίγματος ράχης Fowler, ανατρέξτε στο εγχειρίδιο συντήρησης του φορείου για τη "Ρύθμιση του πνευματικού υποστηρίγματος ράχης Fowler".

Για να αποφύγετε την πρόκληση ζημιάς, το βάρος των ασκών του στατώ ορού δεν πρέπει να υπερβαίνει τα 18□kg.

Για να αποφύγετε την πρόκληση ζημιάς ενώ μεταφέρετε το φορείο, επαληθεύστε ότι το στατώ ορού βρίσκεται σε αρκετά χαμηλό ύψος, έτσι ώστε να επιτρέπεται η ασφαλής δίοδος του μέσω των ανοιγμάτων πορτών και κάτω από εξοπλισμό φωτισμού.

Η μονάδα δεν δύναται να ανυψωθεί (υδραυλικά συστήματα στη βάση) με αναβατήρα ασθενούς κάτω από το φορείο.

Το κάλυμμα της βάσης δεν μπορεί να Ρρησιμοποιηθεί ως σκαλοπάτι.

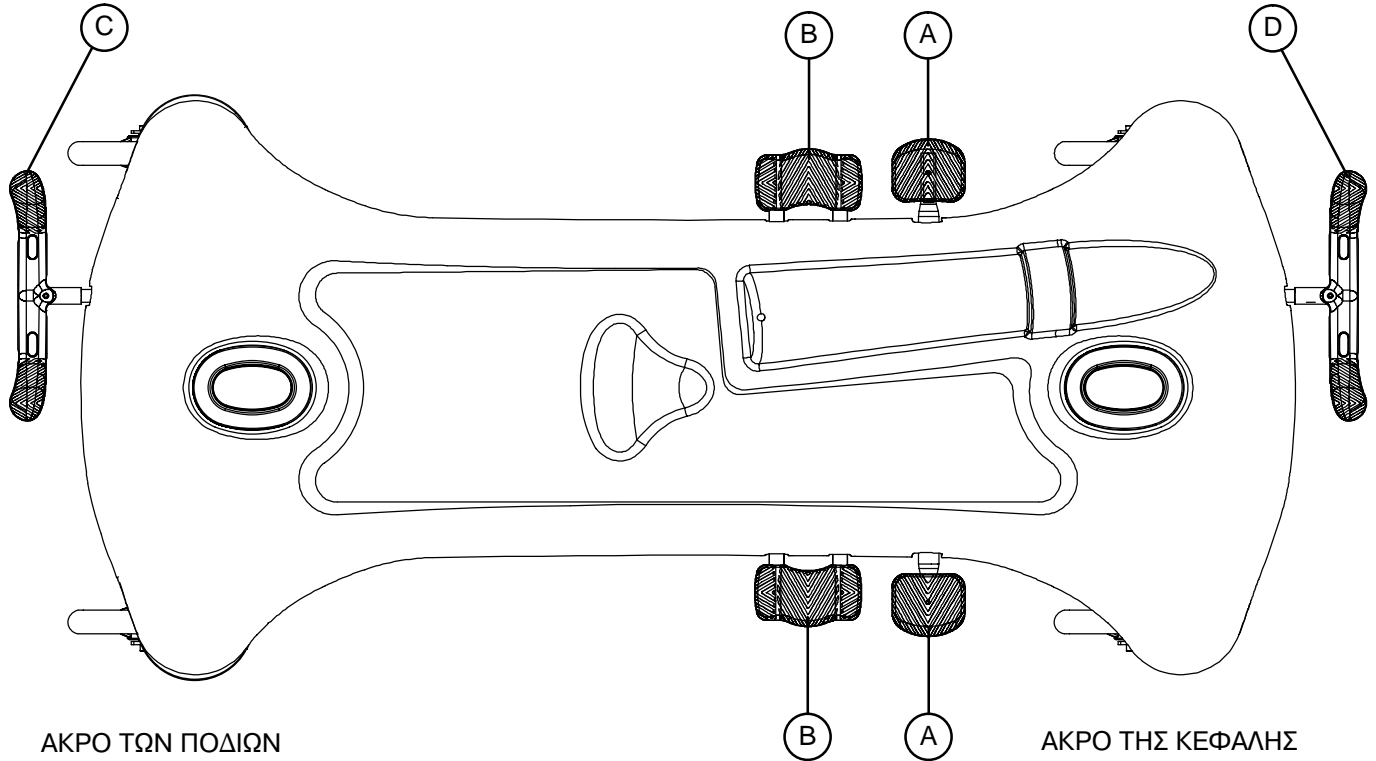
ΣΗΜΕΙΩΣΗ

Καθαρίζετε τακτικά την περιοΡή αποθήκευσης του καλύμματος της βάσης.

Το κάτω μέρος των δακτυλίων πέδησης θα πρέπει να καθαρίζονται τακτικά για την αποφυγή συσσώρευσης κεριού και γενικά υπολειμμάτων άλλων υλικών από το δάπεδο.

Λειτουργία του φορείου

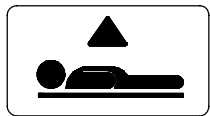
ΠΟΔΟΜΟΧΛΙΑ ΕΛΕΓΧΟΥ ΛΕΙΤΟΥΡΓΙΑΣ ΣΤΗ ΒΑΣΗ ΤΟΥ ΦΟΡΕΙΟΥ - ΠΛΕΥΡΙΚΟΣ ΕΛΕΓΧΟΣ



ΑΚΡΟ ΤΩΝ ΠΟΔΙΩΝ

ΑΚΡΟ ΤΗΣ ΚΕΦΑΛΗΣ

ΕΜΗΝΑΣ

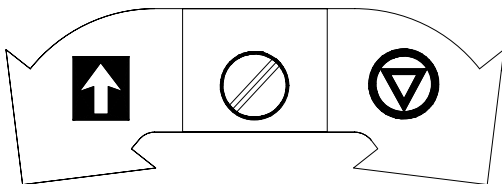
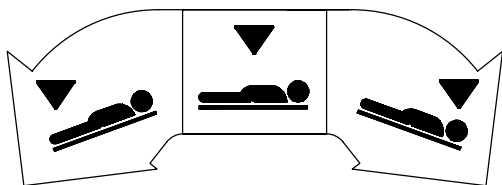


Για να ανυψώσετε το φορείο πατήστε το ποδομόχλιο (A).

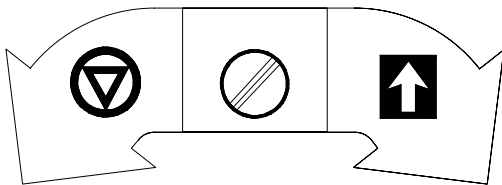
Για να χαμηλώσετε και τα δύο άκρα του φορείου ταυτόχρονα, πατήστε στο κέντρο του ποδομοχλίου (B).

Για να χαμηλώσετε το άκρο των ποδιών, πατήστε την πλευρά του ποδομοχλίου (B) που βρίσκεται πλησιέστερα στο άκρο των ποδιών του φορείου.

Για να χαμηλώσετε το άκρο της κεφαλής, πατήστε την πλευρά του ποδομοχλίου (B) που βρίσκεται πλησιέστερα στο άκρο της κεφαλής του φορείου.



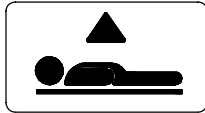
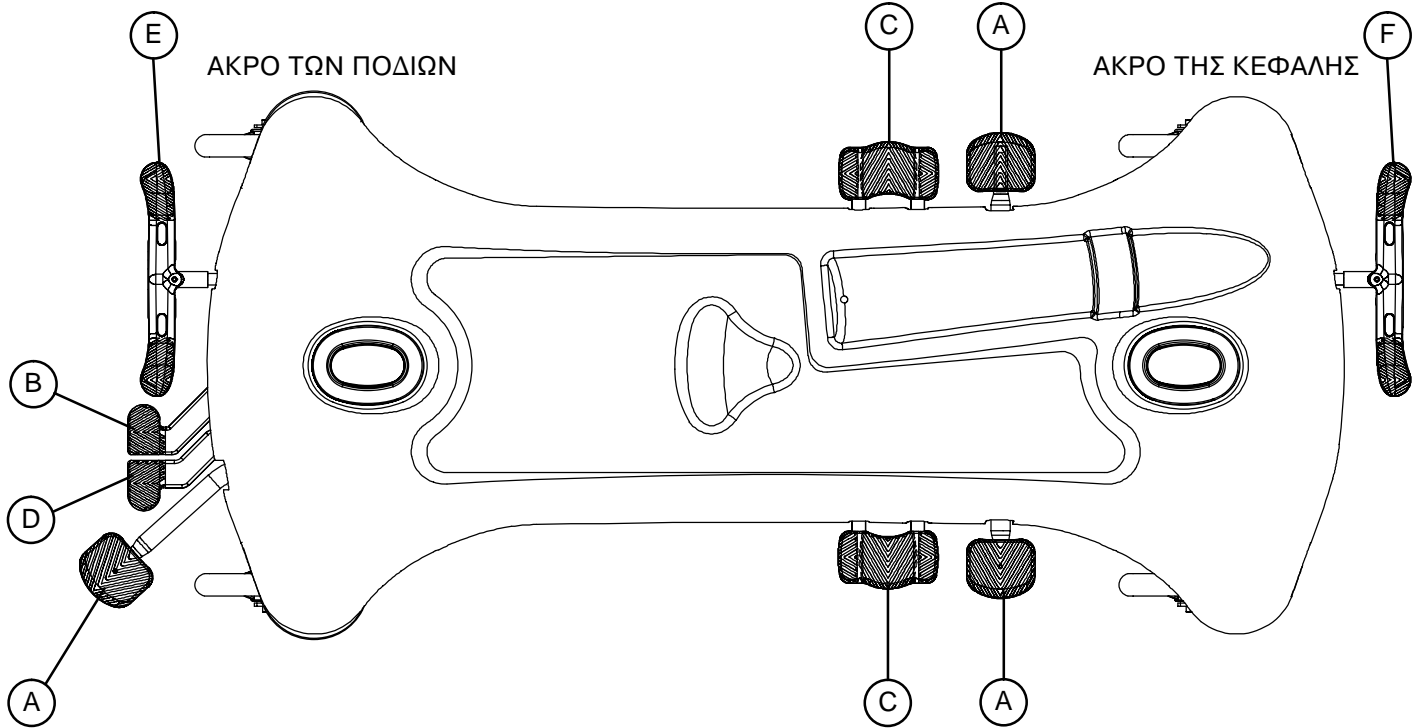
Ποδομόχλιο (C) – Λειτουργίες φρένων και καθοδήγησης (άκρο των ποδιών)



Ποδομόχλιο (D) – Λειτουργίες φρένων και καθοδήγησης (άκρο της κεφαλής)

Λειτουργία του φορείου

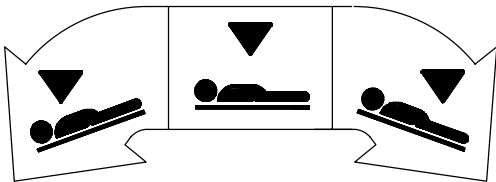
ΠΟΔΟΜΟΧΛΙΑ ΕΛΕΓΧΟΥ ΛΕΙΤΟΥΡΓΙΑΣ ΣΤΗ ΒΑΣΗ ΤΟΥ ΦΟΡΕΙΟΥ ΠΟΔΟΜΟΧΛΙΑ ΕΛΕΓΧΟΥ 3 ΠΛΕΥΡΩΝ



Για να ανυψώσετε το φορείο, πατήστε το ποδομόχλιο (A) στο άκρο των ποδιών ή στις πλευρές του φορείου.

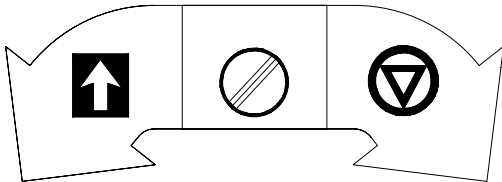
ΕΜΗΝΑΣ

Για να χαμηλώσετε το άκρο της κεφαλής του φορείου, πατήστε το ποδομόχλιο (B) ή την πλευρά του ποδομοχλίου (C) που βρίσκεται πλησιέστερα στο άκρο της κεφαλής του φορείου.

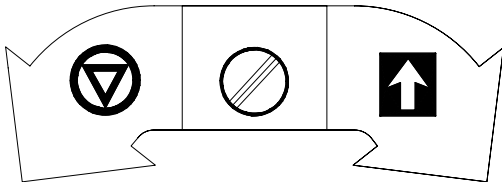


Για να χαμηλώσετε το άκρο των ποδιών του φορείου, πατήστε το ποδομόχλιο (D) ή την πλευρά του ποδομοχλίου (C) που βρίσκεται πλησιέστερα στο άκρο των ποδιών του φορείου.

Για να χαμηλώσετε και τα δύο άκρα του φορείου ταυτόχρονα, πατήστε στο κέντρο του ποδομοχλίου (C) ή πατήστε τα ποδομόχλια (B) και (D) ταυτόχρονα.



Ποδομόχλιο (E) – Λειτουργίες φρένων και καθοδήγησης (άκρο των ποδιών)



Ποδομόχλιο (F) – Λειτουργίες φρένων και καθοδήγησης (άκρο της κεφαλής)

Λειτουργία του φορείου

ΑΥΞΗΣΗ ΚΑΙ ΜΕΙΩΣΗ ΤΟΥ ΥΨΟΥΣ ΤΟΥ ΦΟΡΕΙΟΥ - ΠΛΕΥΡΙΚΟΣ ΕΛΕΓΧΟΣ

ΠΡΟΣΟΧΗ

Για να αποφύγετε τυχόν ζημιά, απομακρύνετε τυχόν εξοπλισμό που ενδέχεται να εμποδίζει, πριν αυξήσετε ή μειώσετε το ύψος του φορείου.

Για να αυξήσετε το ύψος του φορείου, πατήστε το ποδομοχλίο (A) επανειλημμένα έως ότου επιτευχθεί το επιθυμητό ύψος (δείτε την εικόνα στη [σελίδα 11-4](#)).

Για να χαμηλώσετε και τα δύο άκρα του φορείου ταυτόχρονα, πατήστε στο κέντρο του ποδομοχλίου (B). Για να χαμηλώσετε μόνον το άκρο της κεφαλής του φορείου, πατήστε την πλευρά του ποδομοχλίου (B) που βρίσκεται πλησιέστερα στο άκρο της κεφαλής. Για να χαμηλώσετε μόνον το άκρο των ποδιών του φορείου, πατήστε την πλευρά του ποδομοχλίου (B) που βρίσκεται πλησιέστερα στο άκρο των ποδιών (δείτε την εικόνα στη [σελίδα 11-4](#)).

ΑΥΞΗΣΗ ΚΑΙ ΜΕΙΩΣΗ ΤΟΥ ΥΨΟΥΣ ΤΟΥ ΦΟΡΕΙΟΥ - ΠΟΔΟΜΟΧΛΙΑ ΕΛΕΓΧΟΥ 3 ΠΛΕΥΡΩΝ

Για να αυξήσετε το ύψος του φορείου, πατήστε το ποδομοχλίο (A) επανειλημμένα έως ότου επιτευχθεί το επιθυμητό ύψος (δείτε την εικόνα στη [σελίδα 11-5](#)).

Για να χαμηλώσετε και τα δύο άκρα του φορείου ταυτόχρονα, πατήστε τα ποδομοχλία (B) και (D) ταυτόχρονα με χρήση του ίδιου ποδιού ή πατήστε στο κέντρο του ποδομοχλίου (C). Για να χαμηλώσετε μόνον το άκρο της κεφαλής του φορείου, πατήστε το ποδομοχλίο (B) ή την πλευρά του ποδομοχλίου (C) που βρίσκεται πλησιέστερα στο άκρο της κεφαλής του φορείου. Για να χαμηλώσετε μόνον το άκρο των ποδιών του φορείου, πατήστε το ποδομοχλίο (D) ή την πλευρά του ποδομοχλίου (C) που βρίσκεται πλησιέστερα στο άκρο των ποδιών του φορείου.

Λειτουργία του φορείου

ΘΕΣΗ TRENDELENBURG/ΑΝΤΙΣΤΡΟΦΗ ΘΕΣΗ TRENDELENBURG - ΠΛΕΥΡΙΚΟΣ ΕΛΕΓΧΟΣ

ΣΗΜΕΙΩΣΗ

Για να επιτευχθεί η θέση Trendelenburg ή η αντίστροφη θέση Trendelenburg πρέπει να αυξηθεί πρώτα το ύψος του φορείου.

ΠΡΟΣΟΧΗ

Για να αποφύγετε την πρόκληση ζημιάς, απομακρύνετε τυχόν εξοπλισμό που ενδέχεται να εμποδίζει προτού χαμηλώσετε το φορείο.

Για την τοποθέτηση σε θέση Trendelenburg (κεφαλή προς τα κάτω), πατήστε την πλευρά του ποδομοχλίου (B) που βρίσκεται πλησιέστερα στο άκρο της κεφαλής του φορείου (δείτε την εικόνα, [σελίδα 11-4](#)).

Για την τοποθέτηση σε αντίστροφη θέση Trendelenburg (πόδια προς τα κάτω), πατήστε την πλευρά του ποδομοχλίου (B) που βρίσκεται πλησιέστερα στο άκρο των ποδιών.

ΣΗΜΕΙΩΣΗ

Όσο υψηλότερα βρίσκεται το φορείο πριν από την ενεργοποίηση του ποδομοχλίου (B), τόσο μεγαλύτερη θα είναι η γωνία της θέσης Trendelenburg ή της αντίστροφης θέσης Trendelenburg. (Η μέγιστη γωνία της θέσης Trendelenburg είναι +18°. Η μέγιστη γωνία της αντίστροφης θέσης Trendelenburg είναι -18°.)

ΘΕΣΗ TRENDELENBURG/ΑΝΤΙΣΤΡΟΦΗ ΘΕΣΗ TRENDELENBURG - ΠΟΔΟΜΟΧΛΙΑ ΕΛΕΓΧΟΥ 3 ΠΛΕΥΡΩΝ

ΠΡΟΣΟΧΗ

Για να αποφύγετε την πρόκληση ζημιάς, απομακρύνετε τυχόν εξοπλισμό που ενδέχεται να εμποδίζει προτού χαμηλώσετε το φορείο.

Για την τοποθέτηση σε θέση Trendelenburg (κεφαλή προς τα κάτω), πατήστε το ποδομόχλιο (B) ή την πλευρά του ποδομοχλίου (C) που βρίσκεται πλησιέστερα στο άκρο της κεφαλής του φορείου (δείτε την εικόνα, [σελίδα 11-5](#)).

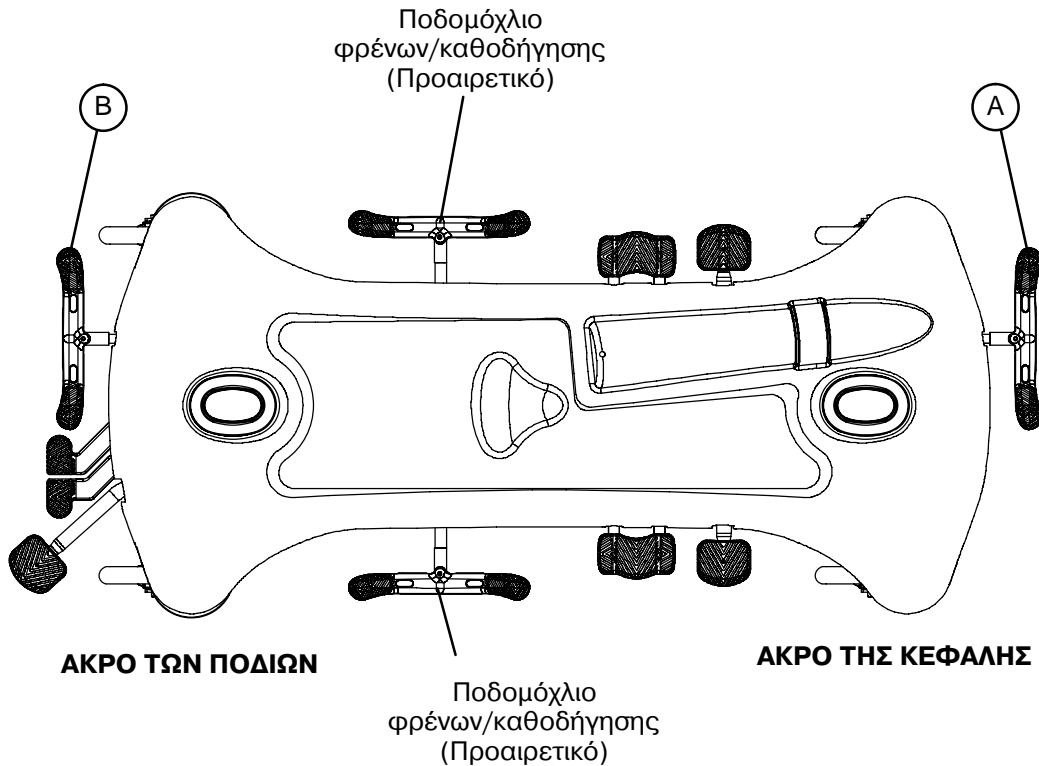
Για την τοποθέτηση σε αντίστροφη θέση Trendelenburg (πόδια προς τα κάτω), πατήστε το ποδομόχλιο (D) ή την πλευρά του ποδομοχλίου (C) που βρίσκεται πλησιέστερα στο άκρο των ποδιών του φορείου.



EMHNAS

Λειτουργία του φορείου

ΕΦΑΡΜΟΓΗ ΤΟΥ ΣΥΣΤΗΜΑΤΟΣ ΦΡΕΝΩΝ



ΣΗΜΕΙΩΣΗ

Για ευκολία του χρήστη, και στα δύο άκρα του φορείου βρίσκεται ένα ποδομόχλιο ελέγχου των φρένων/καθοδήγησης.

ΠΡΟΕΙΔΟΠΟΙΗΣΗ

Εφαρμόζετε πάντοτε τα φρένα στα ροδάκια, όταν ένας ασθενής ανεβαίνει στο φορείο ή κατεβαίνει από αυτό. Ωθήστε το φορείο για να βεβαιωθείτε ότι τα φρένα είναι σταθερά ασφαλισμένα. Να ενεργοποιείτε πάντοτε τα φρένα, εκτός εάν το φορείο μετακινείται. Εάν το φορείο μετακινηθεί ενώ ένας ασθενής ανεβαίνει ή κατεβαίνει από το φορείο, θα ήταν δυνατό να προκληθεί τραυματισμός.

Για να ενεργοποιήσετε τα φρένα στο άκρο της κεφαλής, πιέστε εντελώς προς τα κάτω στην αριστερή πλευρά του ποδομοχλίου (A).

Για να ενεργοποιήσετε τα φρένα στο άκρο των ποδιών, πιέστε εντελώς προς τα κάτω στη δεξιά πλευρά του ποδομοχλίου (B).

ΣΗΜΕΙΩΣΗ

Το φορείο σας ενδέχεται να διαθέτει προαιρετικές λειτουργίες φρένων και καθοδήγησης πλευρικού ελέγχου, εκτός από τους τυπικούς ελέγχους στο άκρο της κεφαλής και των ποδιών. Τα φρένα πλευρικού ελέγχου λειτουργούν με τον ίδιο τρόπο όπως και οι τύποι των φρένων του άκρου της κεφαλής και των ποδιών.

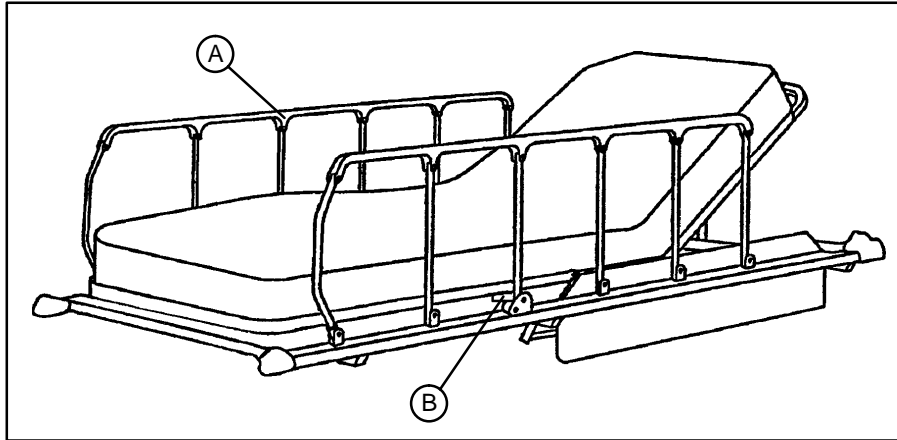
Λειτουργία του φορείου

ΛΕΙΤΟΥΡΓΙΑ ΤΟΥ ΠΕΜΠΤΟΥ ΤΡΟΧΟΥ

Ο σκοπός του πέμπτου τροχού είναι να βοηθήσει στην καθοδήγηση του φορείου κατά μήκος μιας ευθείας γραμμής κατά τη διάρκεια της μεταφοράς, καθώς και στην περιστροφή του γύρω από γωνίες.

Για να ενεργοποιήσετε τον πέμπτο τροχό, πιέστε στη σωστή πλευρά του ποδομοχλίου φρένων/καθοδήγησης στην πλήρως κάτω θέση.

ΧΡΗΣΗ ΤΩΝ ΠΛΕΥΡΙΚΩΝ ΡΑΓΩΝ



ΠΡΟΕΙΔΟΠΟΙΗΣΗ

Βεβαιωθείτε ότι ο μηχανισμός ασφάλισης των πλευρικών ραγών (B) λειτουργεί σωστά συνεχώς. Εάν δε λειτουργεί σωστά, ανατρέξτε στο εγχειρίδιο συντήρησης του φορείου σας για τη "Ρύθμιση ασφάλισης των πλευρικών ραγών".

Για την εφαρμογή των πλευρικών ραγών: Τραβήξτε προς τα επάνω τις πλευρικές ράγες (A) και ανασηκώστε τις στην πλήρως άνω θέση, έτσι ώστε να εμπλακεί η ασφάλεια (B).

Για την απεμπλοκή των πλευρικών ραγών: Τραβήξτε προς τα επάνω την ασφάλεια (B) και χαμηλώστε τις πλευρικές ράγες στην πλήρως κάτω θέση.

ΠΡΟΕΙΔΟΠΟΙΗΣΗ

Όταν χαμηλώνετε τις πλευρικές ράγες στη θέση σύμπτυξης, διατηρείτε τα άκρα των ασθενών και του προσωπικού μακριά από τους άξονες των πλευρικών ραγών διότι θα ήταν δυνατό να προκληθεί τραυματισμός.

Για να αποφύγετε τυχόν τραυματισμό ή ζημιά στον εξοπλισμό, μην αφήνετε τις πλευρικές ράγες να χαμηλώσουν μόνες τους.

Λειτουργία του φορείου

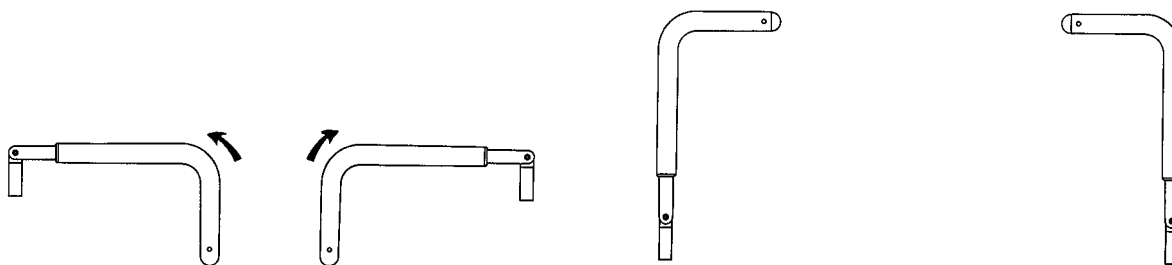
ΧΡΗΣΗ ΤΩΝ ΛΑΒΩΝ ΩΘΗΣΗΣ

ΠΡΟΣΟΧΗ

Οι λαβές ώθησης σχεδιάστηκαν για χρήση κατά τη μεταφορά του φορείου. Αποφεύγετε τη χρήση άλλων τμημάτων του φορείου ως διατάξεις ώθησης/έλξης, επειδή θα ήταν δυνατό να προκληθεί ζημιά.

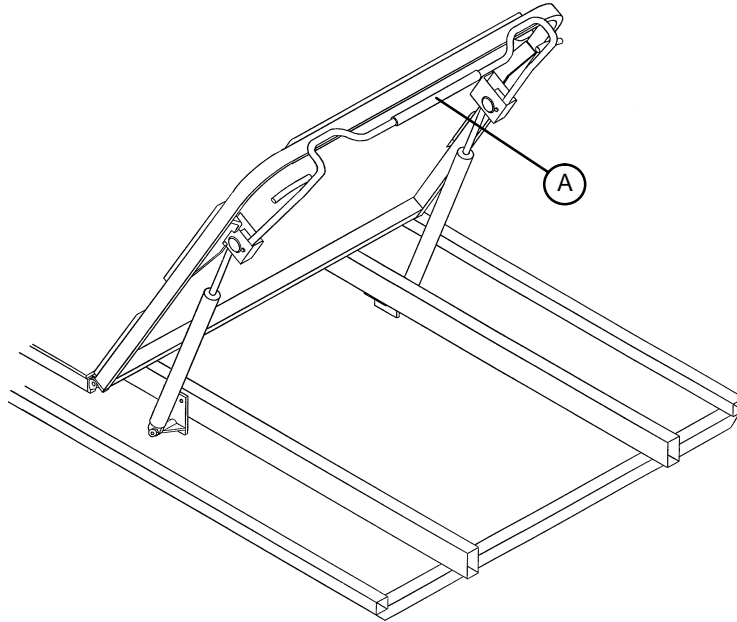
Για να χρησιμοποιήσετε τις λαβές ώθησης: Περιστρέψτε τις λαβές προς τα επάνω και ωθήστε τις προς τα κάτω έως ότου ασφαλίσουν στη θέση τους.

Για να φυλάξετε τις λαβές ώθησης: Ανασηκώστε τις λαβές και περιστρέψτε τις προς τα κάτω για να τις φυλάξετε στις θέσεις φύλαξης λαβών.



Λειτουργία του φορείου

ΛΕΙΤΟΥΡΓΙΑ ΤΟΥ ΠΝΕΥΜΑΤΙΚΟΥ ΥΠΟΣΤΗΡΙΓΜΑΤΟΣ ΡΑΧΗΣ FOWLER



Σφίξτε τη λαβή (A) για βοήθεια στην ανύψωση με πεπιεσμένο αέρα του υποστηρίγματος ράχης Fowler στο επιθυμητό ύψος. Απομακρύνετε το(α) χέρι(α) σας από τη λαβή όταν επιτευχθεί το επιθυμητό ύψος.

Για να χαμηλώσετε το υποστήριγμα ράχης Fowler, σφίξτε τη λαβή (A) και πιέστε προς τα κάτω έως ότου το υποστήριγμα ράχης Fowler φθάσει στο επιθυμητό ύψος. Απομακρύνετε το(α) χέρι(α) σας από τη λαβή όταν επιτύχετε το επιθυμητό ύψος.

ΕΛΛΗΝΑΣ

ΠΡΟΕΙΔΟΠΟΙΗΣΗ

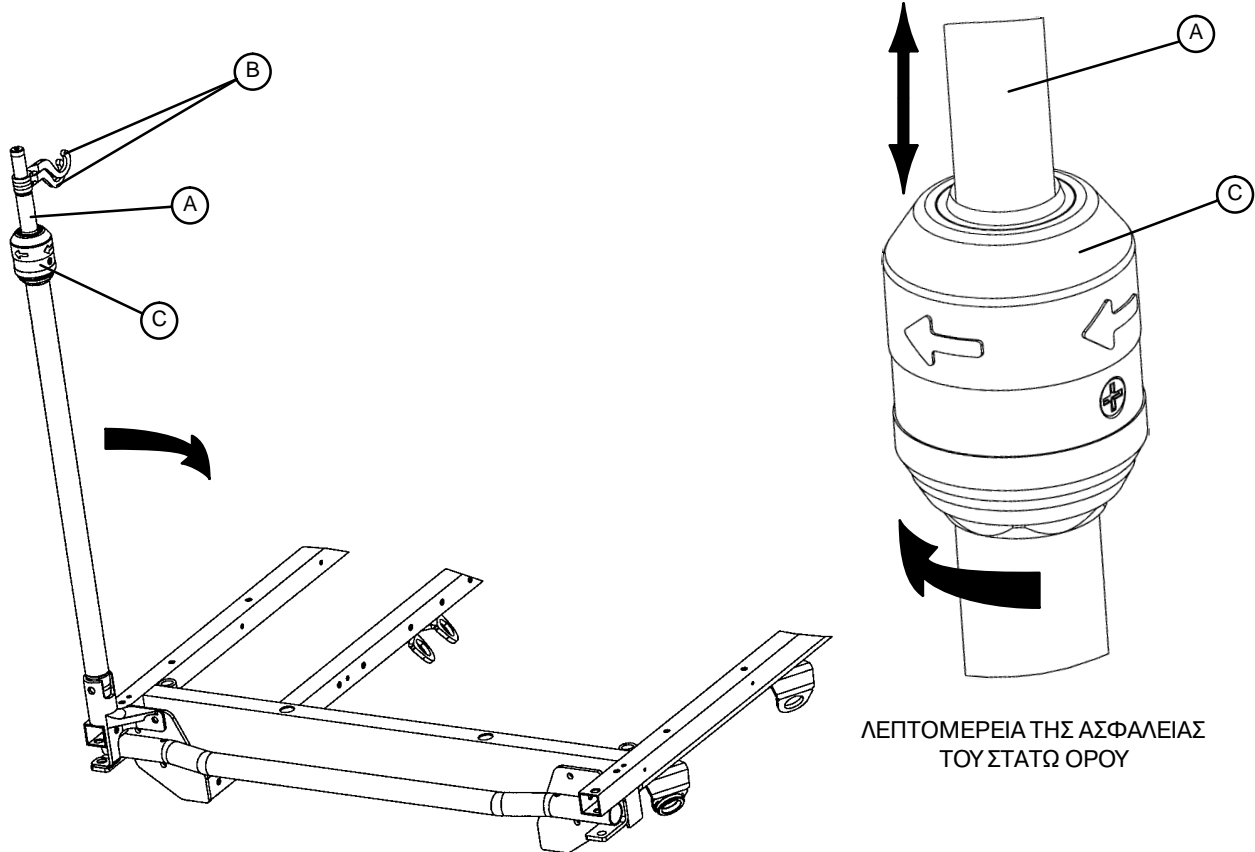
Διατηρείτε τα χέρια ή τα δάκτυλά σας μακριά από την περιοχή γύρω από τη λαβή απελευθέρωσης του υποστηρίγματος ράχης Fowler και το πλαίσιο του υποστηρίγματος ράχης Fowler όταν το χαμηλώνετε. Θα ήταν δυνατό να προκληθεί τραυματισμός εάν δεν είστε προσεκτικοί όταν χαμηλώνετε το υποστήριγμα ράχης Fowler.

ΠΡΟΣΟΧΗ

Εάν είναι δύσκολη η λειτουργία του πνευματικού υποστηρίγματος ράχης Fowler, ανατρέξτε στο εγχειρίδιο συντήρησης του φορείου για τη διαδικασία ρύθμισης του πνευματικού υποστηρίγματος ράχης Fowler.

Λειτουργία του φορείου

ΛΕΙΤΟΥΡΓΙΑ ΤΟΥ ΠΡΟΑΙΡΕΤΙΚΟΥ, ΜΟΝΙΜΑ ΠΡΟΣΑΡΤΗΜΕΝΟΥ ΣΤΑΤΩ ΟΡΟΥ 2 ΣΤΑΔΙΩΝ



ΣΗΜΕΙΩΣΗ

Το μόνιμα προσαρτημένο στατώ ορού 2 σταδίων είναι μια προαιρετική επιλογή και ενδέχεται να είναι εγκατεστημένο είτε στο άκρο της κεφαλής, στο άκρο των ποδιών ή και στα δύο άκρα του φορείου.

Για να χρησιμοποιήσετε το μόνιμα προσαρτημένο στατώ ορού 2 σταδίων:

1. Ανασηκώστε και περιστρέψτε το στατώ από τη θέση φύλαξης και πιέστε το προς τα κάτω έως ότου ασφαλίσει στην υποδοχή.
2. Για να αυξήσετε το ύψος του στατώ, τραβήξτε προς τα επάνω στο τηλεσκοπικό τμήμα (A) έως ότου ασφαλίσει στην πλήρως ανυψωμένη θέση του.
3. Περιστρέψτε τους αναρτήρες του στατώ ορού (B) στην επιθυμητή θέση και αναρτήστε τους ασκούς του στατώ ορού.
4. Για να μειώσετε το ύψος του στατώ ορού, γυρίστε την ασφάλεια (C) δεξιόστροφα έως ότου χαμηλώσει το τμήμα (A).

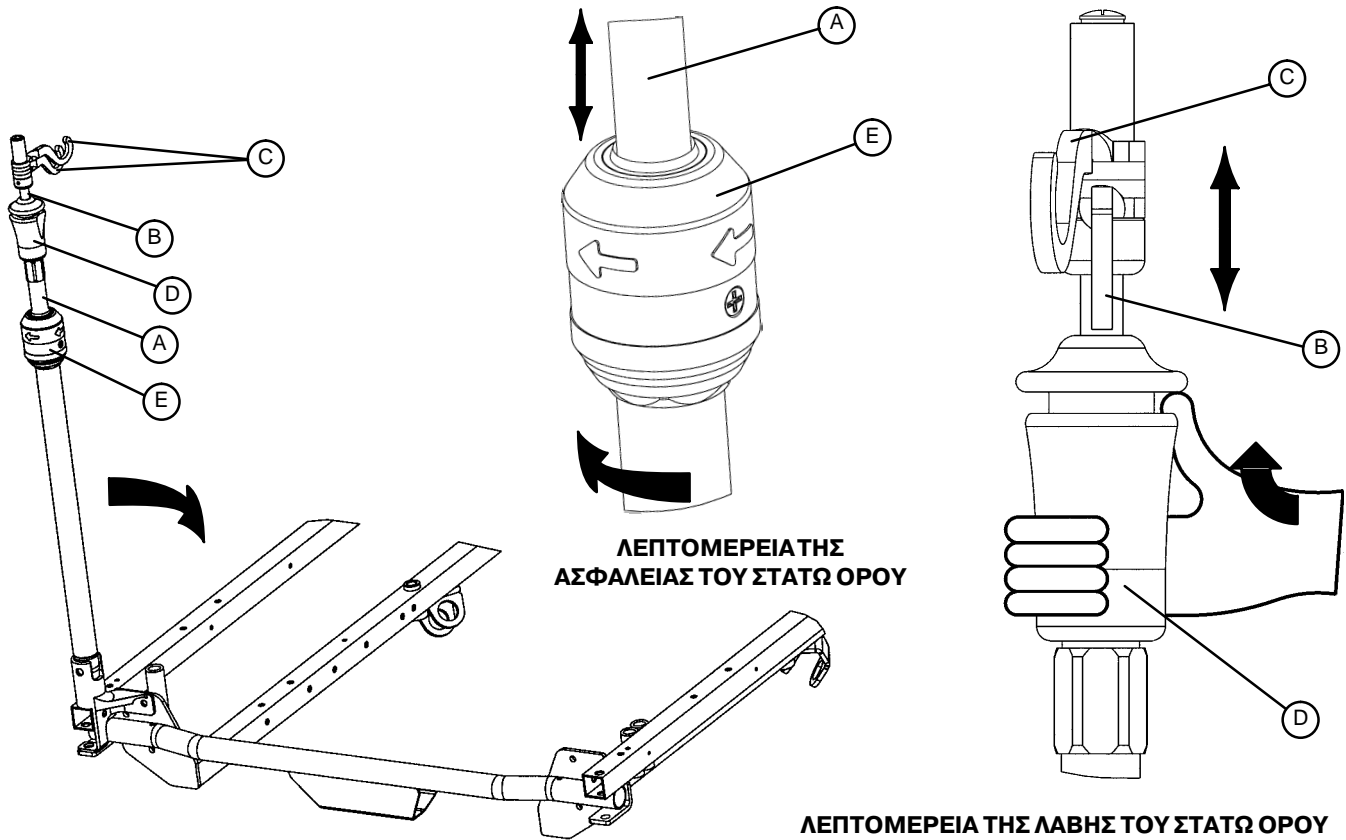
ΠΡΟΣΟΧΗ

Για να αποφύγετε την πρόκληση ζημιάς, το βάρος των ασκών του στατώ ορού δεν πρέπει να υπερβαίνει τα 18 kg.

Για να αποφύγετε την πρόκληση ζημιάς ενώ μεταφέρετε το φορείο, επαληθεύστε ότι το στατώ ορού βρίσκεται σε αρκετά χαμηλό ύψος, έτσι ώστε να επιτρέπεται η ασφαλής διόδός του μέσω των ανοιγμάτων πορτών και κάτω από εξοπλισμό φωτισμού.

Λειτουργία του φορείου

ΛΕΙΤΟΥΡΓΙΑ ΤΟΥ ΠΡΟΑΙΡΕΤΙΚΟΥ, ΜΟΝΙΜΑ ΠΡΟΣΑΡΤΗΜΕΝΟΥ ΣΤΑΤΩ ΟΡΟΥ 3 ΣΤΑΔΙΩΝ



ΣΗΜΕΙΩΣΗ

Το μόνιμα προσαρτημένο στατώ ορού 3 σταδίων είναι μια προαιρετική επιλογή και ενδέχεται να είναι εγκατεστημένο είτε στο άκρο της κεφαλής, στο άκρο των ποδιών ή και στα δύο άκρα του φορείου.

Για να χρησιμοποιήσετε το μόνιμα προσαρτημένο στατώ ορού 3 σταδίων:

1. Ανασηκώστε και περιστρέψτε το στατώ από τη θέση φύλαξης και πιέστε το προς τα κάτω έως ότου ασφαλίσει στην υποδοχή.
2. Για να αυξήσετε το ύψος του στατώ, τραβήξτε προς τα επάνω στο τηλεσκοπικό τμήμα (A) έως ότου ασφαλίσει στην πλήρως ανυψωμένη θέση του.
3. Για αυξήσετε το ύψος του στατώ ορού, τραβήξτε το τμήμα (B). Απελευθερώστε το τμήμα (B) σε οποιοδήποτε επιθυμητό ύψος και θα ασφαλίσει στη θέση του.
4. Περιστρέψτε τους αναρτήρες του στατώ ορού (C) στην επιθυμητή θέση και αναρτήστε τους ασκούς του στατώ ορού.
5. Για να χαμηλώσετε το στατώ ορού, ωθήστε προς τα πάνω το κόκκινο τμήμα της λαβής (D) ενώ κρατάτε το τμήμα (B) έως ότου χαμηλώσει. Γυρίστε την ασφάλεια (E) δεξιόστροφα έως ότου χαμηλώσει το τμήμα (A).

ΠΡΟΣΟΧΗ

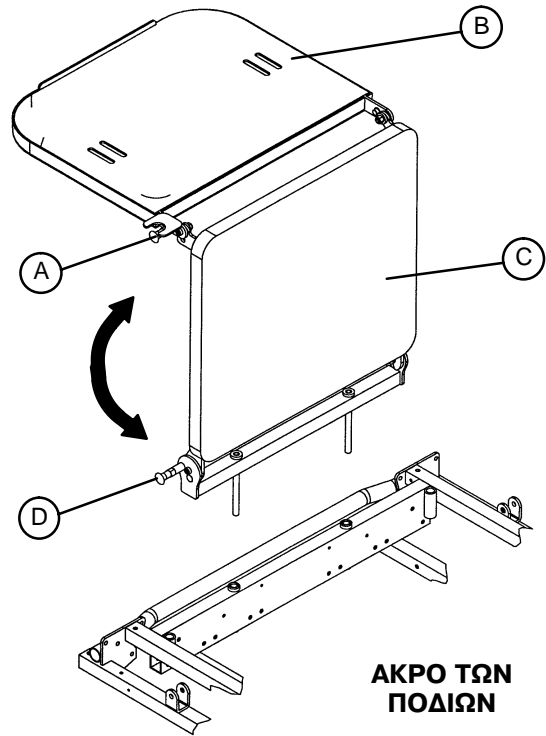
Για να αποφύγετε την πρόκληση ζημιάς, το βάρος των ασκών του στατώ ορού δεν πρέπει να υπερβαίνει τα 18 kg.

Για να αποφύγετε την πρόκληση ζημιάς ενώ μεταφέρετε το φορείο, επαληθεύστε ότι το στατώ ορού βρίσκεται σε αρκετά χαμηλό ύψος, έτσι ώστε να επιτρέπεται η ασφαλής διόδός του μέσω των ανοιγμάτων πορτών και κάτω από εξοπλισμό φωτισμού.

Λειτουργία του φορείου

ΛΕΙΤΟΥΡΓΙΑ ΤΗΣ ΠΡΟΑΙΡΕΤΙΚΗΣ ΠΡΟΣΘΗΚΗΣ ΠΡΟΕΚΤΑΣΗΣ ΤΩΝ ΠΟΔΙΩΝ/ΔΙΣΚΟΥ ΑΠΙΝΙΔΩΤΗ

1. Για να την χρησιμοποιήσετε ως δίσκο απινιδωτή, τραβήξτε προς τα έξω το επάνω κουμπί (A) και περιστρέψτε το δίσκο (B) πάνω από την προέκταση των ποδιών (C) έως ότου ο δίσκος προεκταθεί επίπεδα πάνω από το άκρο των ποδιών του φορείου.
2. Για να τη χρησιμοποιήσετε ως προέκταση των ποδιών, τραβήξτε προς τα έξω το κουμπί (A) και περιστρέψτε το δίσκο απινιδωτή προς τα πίσω, έως ότου ασφαλίσει πάνω στην προέκταση των ποδιών (C). Ενώ κρατάτε τη διάταξη, τραβήξτε προς τα έξω το κάτω κουμπί (D) και χαμηλώστε την προέκταση των ποδιών προς τα κάτω έως ότου γίνει επίπεδη.



ΠΡΟΕΙΔΟΠΟΙΗΣΗ

Εάν το φορείο είναι εφοδιασμένο με το προαιρετικό στατώ ορού στο άκρο των ποδιών, το στατώ ορού πρέπει να βρίσκεται στην ανυψωμένη θέση όταν έχει εγκατασταθεί η προσθήκη προέκτασης των ποδιών/δίσκου απινιδωτή. Εάν το στατώ ορού δεν είναι ανυψωμένο, η προέκταση των ποδιών δε θα λειτουργεί σωστά και θα ήταν δυνατό να προκληθεί τραυματισμός.

Προληπτική συντήρηση

ΛΙΣΤΑ ΕΛΕΓΧΩΝ

- _____ Όλοι οι σύνδεσμοι στερέωσης είναι ασφαλείς
- _____ Οι πλευρικές ράγες μετακινούνται και ασφαλίζουν σωστά
- _____ Ενεργοποιήστε το ποδομόχλιο φρένων και ωθήστε το φορείο, έτσι ώστε να διασφαλίσετε ότι όλα τα ροδάκια ασφαλίζουν σταθερά
- _____ Όλα τα ροδάκια ασφαλίζουν και περιστρέφονται σωστά
- _____ Οι ιμάντες συγκράτησης του σώματος λειτουργούν σωστά
- _____ Το στατώ ορού είναι άθικτο και λειτουργεί σωστά
- _____ Η υποδοχή της φιάλης οξυγόνου είναι άθικτη και λειτουργεί σωστά
- _____ Το υποστήριγμα ράχης Fowler λειτουργεί και ασφαλίζει σωστά
- _____ Η θέση Trendelenburg/αντίστροφη θέση Trendelenburg λειτουργεί σωστά
- _____ Δεν υπάρχουν σχισίματα ή ρωγμές στο κάλυμμα του στρώματος
- _____ Η αλυσίδα γείωσης είναι άθικτη
- _____ Δεν υπάρχουν διαρροές στις υδραυλικές συνδέσεις
- _____ Οι υδραυλικοί γρύλοι συγκρατούν σωστά
- _____ Ο ρυθμός πτώσης της υδραυλικής πίεσης έχει ρυθμιστεί σωστά
- _____ Η στάθμη του υδραυλικού ελαίου είναι επαρκής
- _____ Λιπάνετε όπου απαιτείται
- _____ Τα παρελκόμενα και ο εξοπλισμός στερέωσης είναι σε καλή κατάσταση και λειτουργούν σωστά

ΕΛΛΗΝΑΣ

Σειριακός αριθμός: _____

Συμπληρώθηκε από: _____

Ημερομηνία: _____

ΣΗΜΕΙΩΣΗ

Πρέπει να εκτελείται προληπτική συντήρηση τουλάχιστον μία φορά ετησίως. Πρέπει να εφαρμόζεται ένα πρόγραμμα προληπτικής συντήρησης για όλον τον εξοπλισμό της Stryker Medical. Η προληπτική συντήρηση ενδέχεται να χρειαστεί να εκτελείται συχνότερα με βάση το επίπεδο χρήσης του προϊόντος.

Καθαρισμός

Πλένετε με το χέρι όλες τις επιφάνειες του φορείου με θερμό νερό και ήπιο απορρυπαντικό. Στεγνώστε σχολαστικά. ΜΗΝ ΚΑΘΑΡΙΖΕΤΕ ΜΕ ΑΤΜΟ, ΜΗΝ ΠΛΕΝΕΤΕ ΜΕ ΝΕΡΟ ΥΠΟ ΠΙΕΣΗ, ΜΗΝ ΚΑΘΑΡΙΖΕΤΕ ΜΕ ΕΥΚΑΜΠΤΟ ΣΩΛΗΝΑ Ή ΜΕ ΥΠΕΡΗΧΟΥΣ. Η χρήση αυτών των μεθόδων καθαρισμού δε συνιστάται και ενδέχεται να ακυρώσει την εγγύηση του προϊόντος αυτού.

Καθαρίζετε τον ιμάντα Velcro ΜΕΤΑ ΑΠΟ ΚΑΘΕ ΧΡΗΣΗ. Διαποτίστε μέχρι κορεσμού τον ιμάντα Velcro με απολυμαντικό και αφήστε το απολυμαντικό να εξατμιστεί. (Το κατάλληλο απολυμαντικό για το νάιλον ιμάντα Velcro πρέπει να καθορίζεται από το νοσοκομείο.)

Γενικά, εφόσον χρησιμοποιούνται στις συγκεντρώσεις εκείνες που συνιστώνται από τον κατασκευαστή, είναι δυνατό να χρησιμοποιηθούν απολυμαντικά είτε φαινολικού είτε τεταρτοταγούς τύπου. Τα απολυμαντικά ιωδοφόρου τύπου δε συνιστώνται για χρήση επειδή ενδέχεται να προκαλέσουν χρώση. Τα ακόλουθα προϊόντα έχουν ελεγχθεί και έχει διαπιστωθεί ότι δεν έχουν επιβλαβή επίδραση ΟΤΑΝ ΧΡΗΣΙΜΟΠΟΙΟΥΝΤΑΙ ΣΥΜΦΩΝΑ ΜΕ ΤΗ ΣΥΝΙΣΤΩΜΕΝΗ ΑΡΑΙΩΣΗ ΤΩΝ ΚΑΤΑΣΚΕΥΑΣΤΩΝ.*

ΕΜΠΟΡΙΚΗ ΟΝΟΜΑΣΙΑ	ΤΥΠΟΣ ΑΠΟΛΥΜΑΝΤΙΚΟΥ	ΚΑΤΑΣΚΕΥΑΣΤΗΣ	* ΣΥΝΙΣΤΩΜΕΝΗ ΑΡΑΙΩΣΗ ΤΟΥ ΚΑΤΑΣΚΕΥΑΣΤΗ
A33	Τεταρτοταγές	Airwick (Professional Products Division)	1:64
A33 (ξηρό)	Τεταρτοταγές	Airwick (Professional Products Division)	1:256
Beaucoup	Φαινολικό	Huntington Laboratories	1:128
Blue Chip	Τεταρτοταγές	S.C. Johnson	1:64
Elimstaph	Τεταρτοταγές	Walter G. Legge	1:128
Franklin Phenomysan F2500	Φαινολικό	Purex Corporation	1:100
Franklin Sentinel	Τεταρτοταγές	Purex Corporation	1:64
Galahad	Φαινολικό	Puritan Churchill Chemical Company	1:128
Hi-Tor	Τεταρτοταγές	Huntington Laboratories	1:256
LPH	Φαινολικό	Vestal Laboratories	1:256
Matar	Φαινολικό	Huntington Laboratories	1:256
Omega	Τεταρτοταγές	Airwick (Professional Products Division)	1:256
Quanto	Τεταρτοταγές	Huntington Laboratories	1:128
Sanikleen	Τεταρτοταγές	West Chemical Products	1:64
Sanimaster II	Τεταρτοταγές	Service Master	1:128
Vesphene	Φαινολικό	Vestal Laboratories	1:100

Τα τεταρτοταγή μικροβιοκτόνα απολυμαντικά, όταν χρησιμοποιούνται σύμφωνα με τις οδηγίες ή/και τα προϊόντα λευκαντικών χλωρίου, τυπικά υποχλωριώδες νάτριο 5,25% σε αραιώσεις που κυμαίνονται μεταξύ 1 μέρους λευκαντικού σε 100 μέρη νερού και 2 μερών λευκαντικού σε 100 μέρη νερού δε θεωρούνται ήπια απορρυπαντικά. **Τα προϊόντα αυτά είναι διαβρωτικά από τη φύση τους και ενδέχεται να προκαλέσουν ζημιά στο φορείο σας, εάν χρησιμοποιηθούν εσφαλμένα.** Εάν χρησιμοποιούνται αυτοί οι τύποι προϊόντων για τον καθαρισμό του εξοπλισμού χειρισμού ασθενών της Stryker, πρέπει να λαμβάνονται μέτρα για να διασφαλιστεί ότι τα φορεία θα εκπλυθούν με καθαρό νερό και ότι θα στεγνωθούν σχολαστικά μετά τον καθαρισμό. Εάν δεν εκπλύνετε και δε στεγνώσετε σωστά τα φορεία, θα παραμείνει ένα διαβρωτικό υπόλειμμα στην επιφάνεια του φορείου, προκαλώντας πιθανώς πρόωρη διάβρωση των κρίσιμων εξαρτημάτων.

ΣΗΜΕΙΩΣΗ

Εάν δεν ακολουθήσετε τις παραπάνω οδηγίες κατά τη χρήση αυτών των τύπων καθαριστικών, ενδέχεται να καταστεί άκυρη η εγγύηση του προϊόντος αυτού.

ΑΦΑΙΡΕΣΗ ΤΩΝ ΕΝΩΣΕΩΝ ΙΩΔΙΟΥ

Το διάλυμα αυτό μπορεί να χρησιμοποιηθεί για την αφαίρεση λεκέδων ιωδίου από επιφάνειες του καλύμματος του στρώματος.

1. Χρησιμοποιήστε ένα διάλυμα 1-2 κουταλιών θειοθειικού νατρίου σε μισό λίτρο περίπου θερμού νερού για να καθαρίσετε την περιοχή που λερώθηκε. Καθαρίστε το συντομότερο δυνατόν μετά την εμφάνιση των λεκέδων. Εάν οι λεκέδες δεν αφαιρεθούν αμέσως, αφήστε το διάλυμα να εμποτιστεί ή να παραμείνει πάνω στην επιφάνεια.
2. Εκπλύνετε τις επιφάνειες που έχουν εκτεθεί στο διάλυμα με καθαρό νερό προτού αρχίσετε πάλι τη χρήση του κρεβατιού.

Περιορισμένη εγγύηση:

Η Stryker Medical Division, ένα τμήμα της Stryker Corporation, παρέχει εγγύηση στον αρχικό αγοραστή ότι τα προϊόντα της πρέπει να είναι απαλλαγμένα από ελαττώματα στα υλικά και την κατασκευή για περίοδο ενός (1) έτους μετά την ημερομηνία παράδοσης. Η υποχρέωση της Stryker στα πλαίσια της εγγύησης αυτής περιορίζεται ρητά στην παροχή ανταλλακτικών εξαρτημάτων και εργασίας για ή στην αντικατάσταση, κατά την επιλογή της, οποιουδήποτε προϊόντος, το οποίο, κατά την αποκλειστική κρίση της Stryker, διαπιστωθεί ότι είναι ελαττωματικό. Η Stryker παρέχει εγγύηση στον αρχικό αγοραστή ότι το πλαίσιο και οι συγκολλήσεις στα κρεβάτια της θα είναι απαλλαγμένα από δομικά ελαττώματα για όσο διάστημα ο αρχικός αγοραστής κατέχει το κρεβάτι. Εάν ζητηθεί από τη Stryker, προϊόντα ή εξαρτήματα για τα οποία υποβάλλεται αξίωση εγγύησης, θα επιστραφούν με προπληρωμένα τα έξοδα αποστολής στο εργοστάσιο της Stryker. Τυχόν εσφαλμένη χρήση ή τροποποίηση ή επισκευή από τρίτους με τρόπο που κατά την κρίση της Stryker επηρεάζει το προϊόν ουσιαστικά και δυσμενώς, θα καταστήσει άκυρη την παρούσα εγγύηση. Τυχόν επισκευή των προϊόντων της Stryker με χρήση εξαρτημάτων, που δεν παρέχονται ή δεν είναι εξουσιοδοτημένα από τη Stryker, θα καταστήσει άκυρη την παρούσα εγγύηση. Κανένας υπάλληλος ή αντιπρόσωπος της Stryker δεν είναι εξουσιοδοτημένος να αλλάξει την εγγύηση αυτή με οποιονδήποτε τρόπο.

Τα φορεία Stryker Medical είναι σφραγισμένα να λειτουργούν επί 10 έτη υπό φυσιολογικές συνθήκες χρήσης και κατάλληλη περιοδική συντήρηση, όπως περιγράφεται στο εγχειρίδιο συντήρησης για κάθε συσκευή. Η Stryker εγγυάται στον αρχικό αγοραστή ότι οι συγκολλήσεις σε κάθε φορείο δεν θα παρουσιάσουν κανένα κατασκευαστικό πρόβλημα για τα προβλεπόμενα 10 έτη του φορείου, εφόσον το προϊόν το κατέχει ο αρχικός αγοραστής.

Η δήλωση αυτή αποτελεί την πλήρη εγγύηση της Stryker σε σχέση με τον προαναφερθέντα εξοπλισμό. Η STRYKER ΔΕΝ ΠΑΡΕΧΕΙ ΑΛΛΕΣ ΕΓΓΥΗΣΕΙΣ Ή ΔΕΣΜΕΥΣΕΙΣ, ΕΙΤΕ ΡΗΤΕΣ ΕΙΤΕ ΕΜΜΕΣΕΣ, ΕΚΤΟΣ ΟΠΩΣ ΟΡΙΖΟΝΤΑΙ ΣΤΟ ΠΑΡΟΝ. ΔΕΝ ΥΠΑΡΧΕΙ ΕΓΓΥΗΣΗ ΕΜΠΟΡΕΥΣΙΜΟΤΗΤΑΣ ΟΥΤΕ ΕΓΓΥΗΣΕΙΣ ΚΑΤΑΛΛΗΛΟΤΗΤΑΣ ΓΙΑ ΟΠΟΙΟΔΗΠΟΤΕ ΣΥΓΚΕΚΡΙΜΕΝΟ ΣΚΟΠΟ. ΣΕ ΚΑΜΙΑ ΠΕΡΙΠΤΩΣΗ Η STRYKER ΔΕ ΘΑ ΕΙΝΑΙ ΥΠΕΥΘΥΝΗ ΣΤΑ ΠΛΑΙΣΙΑ ΤΗΣ ΠΑΡΟΥΣΗΣ ΕΓΓΥΗΣΗΣ ΓΙΑ ΤΥΧΑΙΕΣ Ή ΠΑΡΕΠΟΜΕΝΕΣ ΖΗΜΙΕΣ ΠΟΥ ΠΡΟΚΥΠΤΟΥΝ ΑΠΟ Ή ΜΕ ΟΠΟΙΟΝΔΗΠΟΤΕ ΤΡΟΠΟ ΣΕ ΣΧΕΣΗ ΜΕ ΠΩΛΗΣΕΙΣ Ή ΤΗ ΧΡΗΣΗ ΟΠΟΙΟΥΔΗΠΟΤΕ ΤΕΤΟΙΟΥ ΕΞΟΠΛΙΣΜΟΥ.

Για να λάβετε εξαρτήματα και σέρβις:

Τα προϊόντα της Stryker υποστηρίζονται από ένα πανεθνικό δίκτυο αποκλειστικών αντιπροσώπων επιτόπιου σέρβις της Stryker. Οι αντιπρόσωποι αυτοί έχουν εκπαιδευτεί στο εργοστάσιο, είναι διαθέσιμοι τοπικά και μεταφέρουν ένα ουσιαστικό απόθεμα ανταλλακτικών εξαρτημάτων για την ελαχιστοποίηση του χρόνου επισκευής. Απλά επικοινωνήστε με τον τοπικό σας αντιπρόσωπο ή με την υπηρεσία εξυπηρέτησης πελατών της Stryker στο τηλέφωνο 1-800-327-0770.

Κάλυψη συμβολαίου σέρβις:

Η Stryker έχει αναπτύξει ένα ολοκληρωμένο πρόγραμμα επιλογών συμβολαίου σέρβις, το οποίο έχει σχεδιαστεί για να διατηρεί τον εξοπλισμό σας σε λειτουργία σε κορυφαία απόδοση, εξαλείφοντας ταυτόχρονα μη αναμενόμενα κόστη. Συνιστούμε την ενεργοποίηση των προγραμμάτων αυτών πριν από τη λήξη της εγγύησης του νέου προϊόντος, για την εξάλειψη του ενδεχόμενου επιπλέον χρεώσεων αναβαθμίσεων του εξοπλισμού.

ΤΟ ΣΥΜΒΟΛΑΙΟ ΣΕΡΒΙΣ ΒΟΗΘΑ ΣΤΗ:

- Διασφάλιση της αξιοπιστίας του εξοπλισμού
- Σταθεροποίηση των προϋπολογισμών συντήρησης
- Μείωση του χρόνου εκτός λειτουργίας
- Καθιέρωση τεκμηρίωσης για την JCAHO
- Αύξηση της διάρκειας ζωής του προϊόντος
- Ενίσχυση της αξίας ανταλλαγής παλαιού προϊόντος
- Αντιμετώπιση της διαχείρισης κινδύνου και της ασφάλειας

Εγγύηση

Η Stryker παρέχει τα ακόλουθα προγράμματα συμβολαίου σέρβις:

ΠΡΟΔΙΑΓΡΑΦΕΣ	ΧΡΥΣΟ	ΑΡΓΥΡΟ	ΜΟΝΟ ΠΡΟΛΗΠΤΙΚΗ ΣΥΝΤΗΡΗΣΗ*
Ετήσια προγραμματισμένη προληπτική συντήρηση	X		X
Όλα τα εξαρτήματα,** εργασία και μετακίνηση	X	X	
Απεριόριστες κλήσεις σέρβις επείγουσας ανάγκης	X	X	
Επαφή πρώτης προτεραιότητας, τηλεφωνική ανταπόκριση εντός δύο ωρών	X	X	X
Οι περισσότερες επισκευές θα ολοκληρώνονται εντός 3 εργασιμων ημερών	X	X	
Τεκμηρίωση JCAHO	X	X	X
Επιτόπιο ημερολόγιο με καταγραφές προληπτικής συντήρησης και σέρβις επείγουσας ανάγκης	X		
Τεχνικοί σέρβις της Stryker εκπαιδευμένοι στο εργοστάσιο	X	X	X
Εξουσιοδοτημένα από τη Stryker εξαρτήματα	X	X	X
Περίληψη στο τέλος του έτους	X		
Η Stryker θα εκτελέσει όλες τις εργασίες σέρβις κατά τη διάρκεια των κανονικών ωρών εργασίας (9-5)	X	X	X

* Ανταλλακτικά εξαρτήματα και εργασία για προϊόντα στα πλαίσια του συμβολαίου προληπτικής συντήρησης θα παρέχονται με έκπτωση.

** Αυτό δεν περιλαμβάνει τυχόν αναλώσιμα είδη, στατώ ορού (εκτός από τα μόνιμα στατώ της Stryker HD), στρώματα ή ζημιά που οφείλονται σε κακή χρήση.

Η Stryker Medical παρέχει επίσης *εξατομικευμένα* συμβόλαια σέρβις.

Η τιμολόγηση καθορίζεται από την ηλικία, την τοποθεσία, το μοντέλο και την κατάσταση του προϊόντος.

Για περισσότερες πληροφορίες σχετικά με τα συμβόλαια σέρβις που προσφέρουμε, παρακαλούμε επικοινωνήστε με τον τοπικό σας αντιπρόσωπο ή στο τηλέφωνο 1-800-327-0770 (επιλογή αρ. 2).

Εξουσιοδότηση επιστροφής:

Τα εμπορεύματα δεν είναι δυνατό να επιστραφούν χωρίς έγκριση από το Τμήμα Εξυπηρέτησης Πελατών της Stryker. Παρέχεται ένας αριθμός εξουσιοδότησης ο οποίος πρέπει να αναγραφεί στο επιστρεφόμενο εμπόρευμα. Η Stryker διατηρεί το δικαίωμα χρέωσης τελών αποστολής και επαναποθήκευσης στα επιστρεφόμενα είδη.

ΕΙΔΙΚΑ, ΤΡΟΠΟΠΟΙΗΜΕΝΑ □ ΚΑΤΑΡΓΗΜΕΝΑ ΕΙΔΗ ΔΕΝ ΜΠΟΡΟΥΝ ΝΑ ΕΠΙΣΤΡΑΦΟΥΝ.

ΕΛΛΗΝΑΣ

Εγγύηση

Εμπόρευμα που έχει υποστεί ζημιά:

Οι κανονισμοί του Interstate Commerce Commission (ICC) απαιτούν την υποβολή αξιώσεων στο μεταφορέα για εμπορεύματα που έχουν υποστεί ζημιά εντός (15) ημερών από την παραλαβή του εμπορεύματος. ΜΗ ΔΕΧΕΣΤΕ ΑΠΟΣΤΟΛΕΣ ΠΟΥ ΕΧΟΥΝ ΥΠΟΣΤΕΙ ΖΗΜΙΑ, ΕΚΤΟΣ ΕΑΝ ΣΗΜΕΙΩΘΕΙ Η ΖΗΜΙΑ ΑΥΤΗ ΣΤΗΝ ΑΠΟΔΕΙΞΗ ΠΑΡΑΔΟΣΗΣ ΚΑΤΑ ΤΟ ΧΡΟΝΟ ΤΗΣ ΠΑΡΑΛΑΒΗΣ. Κατά την άμεση κοινοποίηση, η Stryker θα υποβάλλει μια αξίωση εξόδων μεταφοράς στον κατάλληλο μεταφορέα για τυχόν ζημιές που έχουν προκληθεί. Η αξίωση θα περιορίζεται σε ποσό στο πραγματικό κόστος αντικατάστασης. Σε περίπτωση που οι πληροφορίες αυτές δε ληφθούν από τη Stryker εντός περιόδου δέκα πέντε (15) ημερών μετά την παράδοση του εμπορεύματος ή η ζημιά δε σημειώθηκε στην απόδειξη παράδοσης κατά το χρόνο της παραλαβής, ο πελάτης θα είναι υπεύθυνος για την πληρωμή του αρχικού τιμολογίου στο σύνολό του.

Αξιώσεις για οποιαδήποτε ελλιπή αποστολή πρέπει να γίνονται εντός (30) ημερών από την έκδοση του τιμολογίου.

Ρήτρα διεθνούς εγγύησης:

Η εγγύηση αυτή αντανακλά την εγχώρια πολιτική των Η.Π.Α. Η εγγύηση εκτός των Η.Π.Α. ενδέχεται να ποικίλει ανάλογα με τη χώρα. Για επιπρόσθετες πληροφορίες, παρακαλούμε επικοινωνήστε με τον τοπικό σας αντιπρόσωπο της Stryker Medical.

Spis treści


Wstęp	2, 3
Obsługa regulatorów podstawy	4, 5
Podnoszenie i opuszczanie blatu noszy	6
Ustawianie noszy w pozycji Trendelenburga / w odwrotnej pozycji Trendelenburga	6
Używanie hamulców	7
Obsługa piątego kółka	7
Używanie poręczy bocznych	8
Używanie rączek pchania	8
Obsługa oparcia Fowlera	9
Obsługa opcjonalnego wysięgnika kroplówkowego przymocowanego na stałe	10, 11
Obsługa opcjonalnego przedłużenia na nogi / podstawki defibrylatora	12
Lista kontrolna konserwacji zapobiegawczej	13
Czyszczenie	14, 15
Gwarancja	
Uzyskiwanie części i pomoc techniczna	16
Zakres objęty gwarancją uzupełniająca	16
Autoryzacja zwrotu	17
Reklamacje produktów uszkodzonych podczas transportu	17

Wstęp

WSTĘP

Niniejsza instrukcja obsługi ma za zadanie pomóc Panu / Pani w obsłudze i konserwacji noszy transportowych model 735. Przed rozpoczęciem korzystania z tego urządzenia lub przeprowadzania jakichkolwiek czynności konserwacyjnych, konieczne jest dokładne przeczytanie całej instrukcji.

PARAMETRY TECHNICZNE

Maksymalne obciążenie	226 kg 
Całkowita długość / szerokość noszy	211 cm / 76 cm
Minimalna / maksymalna wysokość łóżka	54,6 cm / 91 cm
Kąt oparcia Fowlera	0° do 90°
Pozycja Trendelenburga / odwrotna pozycja Trendelenburga	+18° do -18°

Firma Stryker zastrzega sobie prawo do zmiany parametrów technicznych bez wcześniejszego powiadomienia.

DEFINICJA OSTRZEŻENIA / PRZESTROGI / UWAGI

Słowa OSTRZEŻENIE, PRZESTROGA oraz UWAGA, posiadają specjalne znaczenia, dlatego też należy zawsze dokładnie czytać tekst przy nich umieszczony.

OSTRZEŻENIE

Ostrzega użytkownika przed sytuacją, która, jeżeli nie zostanie uniknięta, może stać się przyczyną poważnych obrażeń ciała lub śmierci. Może również opisywać potencjalne poważne reakcje niepożądane oraz zagrożenia bezpieczeństwa.

PRZESTROGA

Ostrzega czytelnika przed potencjalnie niebezpieczną sytuacją, która w przypadku zlekceważenia, może stać się przyczyną lekkich lub średnich obrażeń ciała personelu lub pacjenta, lub uszkodzenia sprzętu albo innej własności. Powyższe dotyczy zachowania specjalnej ostrożności niezbędnej dla bezpiecznego i skutecznego używania urządzenia oraz w celu uniknięcia uszkodzenia urządzenia, które może nastąpić w skutek używania lub nieprawidłowego używania.

UWAGA

Podaje specjalne informacje ułatwiające konserwację lub wyjaśniające ważne instrukcje.



Symbol bezpiecznego obciążenia roboczego

Wstęp

Przed rozpoczęciem używania noszy, należy przeczytać i zrozumieć wszystkie informacje zawarte w niniejszej instrukcji obsługi. Należy dokładnie przeczytać i ściśle stosować się do ostrzeżeń i ostrzeżeń wymienionych na tej stronie.

OSTRZEŻENIE

Należy zawsze włączyć hamulce kółek samonastawnych, kiedy pacjent zostaje umieszczony na noszach lub jest z nich zdejmowany. Pchnąć nosze, żeby sprawdzić, czy prawidłowo zablokowano hamulce. Kiedy nosze nie są przesuwane, należy zawsze włączać hamulce. W razie ruchu noszy w trakcie umieszczania lub zdejmowania pacjenta z noszy, mogą wystąpić obrażenia ciała.

Należy zawsze sprawdzać, czy mechanizm zapadkowy poręczy bocznych pracuje prawidłowo. Jeżeli tak nie jest, należy skonsultować się z dostarczoną instrukcją konserwacji noszy w celu wykonania procedury regulacji zapadki poręczy bocznych.

Przy opuszczaniu poręczy bocznych do pozycji złożonej, kończyny pacjenta i personelu muszą znajdować się z dala od trzpieni obrotowych poręczy bocznych w celu uniknięcia obrażeń ciała.

Przy opuszczaniu oparcia Fowlera, należy trzymać palce / dłonie z daleka od obszaru wokół jego uchwytu zwalnającego oraz ramy. W razie niezachowania ostrożności przy opuszczaniu oparcia Fowlera, może dojść do obrażeń ciała.

Jeżeli nosze wyposażono w opcjonalny wysięgnik kroplówkowy w nogach noszy, musi on być podniesiony kiedy zamontowane jest przedłużenie na nogi / podstawka defibrylatora. Jeżeli wysięgnik kroplówkowy nie zostanie podniesiony, przedłużenie na nogi nie będzie działać prawidłowo i może dojść do obrażeń ciała.

PRZESTROGA

W celu uniknięcia uszkodzeń należy zdjąć zawiązujący sprzęt przed podniesieniem lub opuszczeniem blatu noszy.

W celu uniknięcia obrażeń ciała lub uszkodzenia sprzętu, nie wolno dopuścić do opuszczenia się poręczy bocznej pod własnym ciężarem.

Rączki pchania zostały zaprojektowane do używania przy transportowaniu noszy. Należy unikać używania innych części noszy jako elementów do pchania / ciągnięcia, ponieważ może to spowodować uszkodzenie sprzętu.

Jeżeli pneumatyczne oparcie Fowlera ciężko się rozkłada / składa, należy skonsultować się z dostarczoną instrukcją konserwacji noszy w celu wykonania procedury regulacji pneumatycznego oparcia Fowlera.

W celu uniknięcia uszkodzeń, ciężar worków kroplówkowych nie może przekraczać 18 kg.

W celu uniknięcia uszkodzeń w trakcie transportowania noszy, należy sprawdzić czy wysięgnik kroplówkowy jest wystarczająco opuszczony i umożliwia bezpieczne przejście przez drzwi oraz pod lampami.

Łóżko nie może być podnoszone (system hydrauliczny) z transporterem pacjenta pozostawionym pod łóżkiem.

Nie wolno stawać na plastikowej osłonie podwozia łóżka.

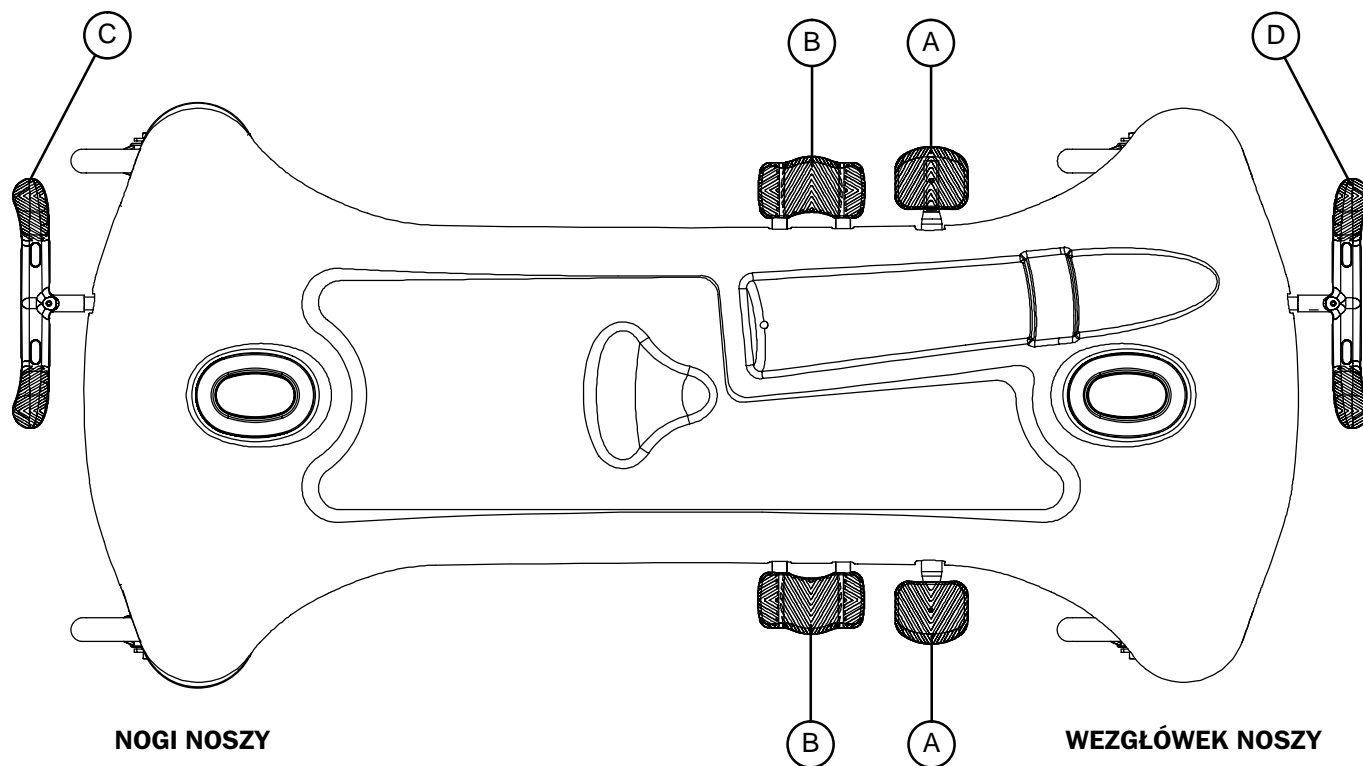
UWAGA

Należy czyścić regularnie osłonę podwozia łóżka.

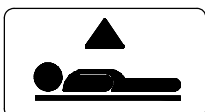
Zaleca się regularne czyszczenie od spodu pierścieni hamujących koła, aby uniemożliwić nawarstwianie się wosku i zanieczyszczeń z podłogi.

Obsługa noszy

OBSŁUGA REGULATORÓW PODSTAWY – REGULATORY BOCZNE



Polski



Wcisnąć pedał (A), żeby unieść blat noszy.

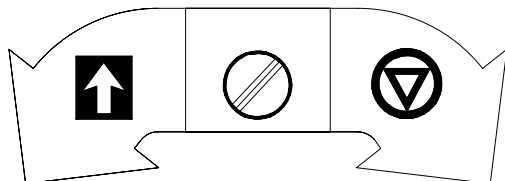
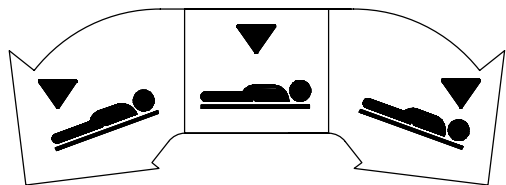
Wcisnąć rodek pedału (B), żeby opuścić oba końce noszy razem.

Wcisnąć bok pedału (B) bliżej nóg noszy, żeby opuścić nogi noszy.

Wcisnąć bok pedału (B) bliżej wezglówka noszy, żeby opuścić wezglówek noszy.

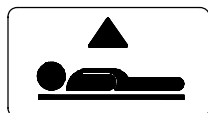
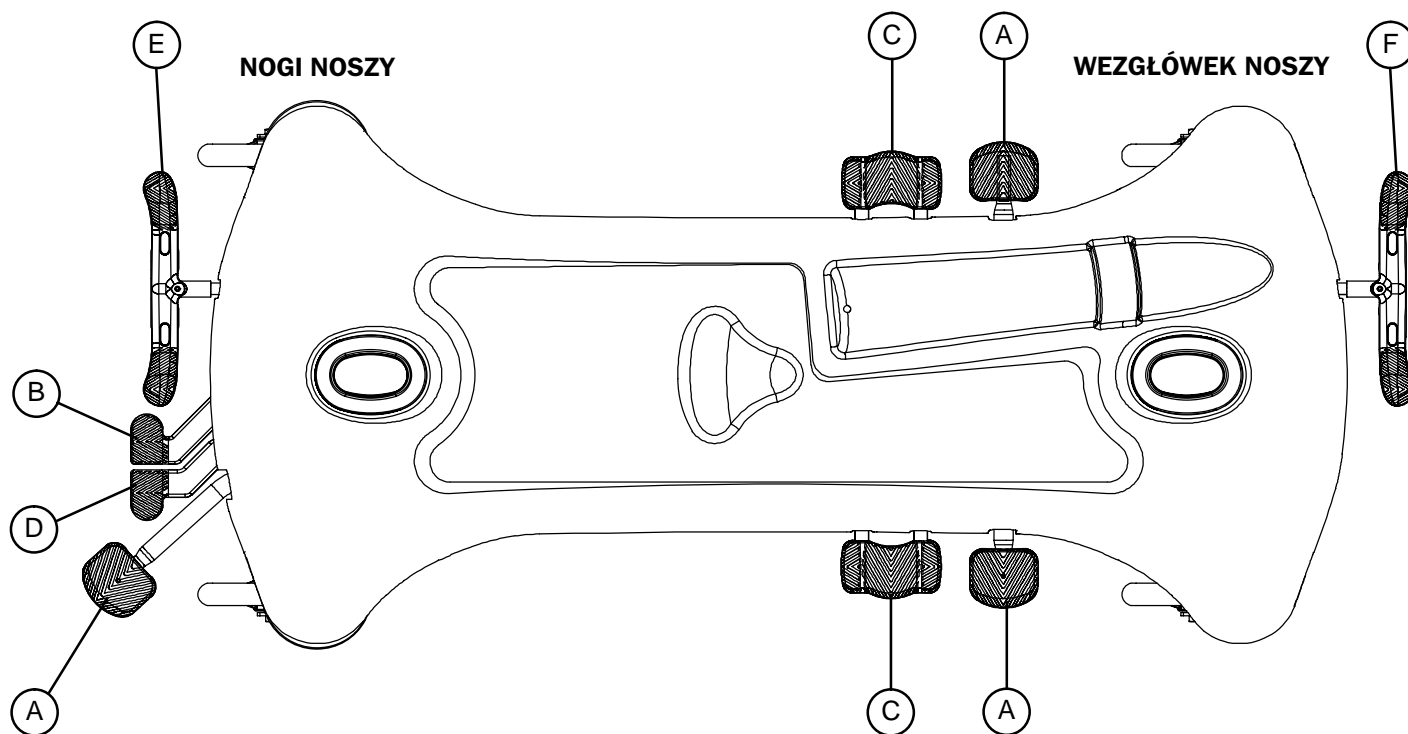
Pedał (C) – funkcje hamowania i sterowania (nogi noszy)

Pedał (D) – funkcje hamowania i sterowania (wezglówek noszy)

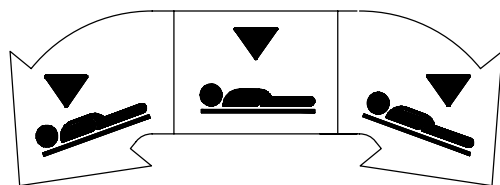


Obsługa noszy

OBSŁUGA REGULATORÓW PODSTAWY – REGULATORY PO 3 STRONACH



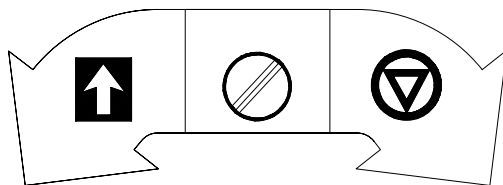
Wcisnąć pedał (A), umieszczony w nogach lub po bokach noszy, żeby unieść blat noszy.



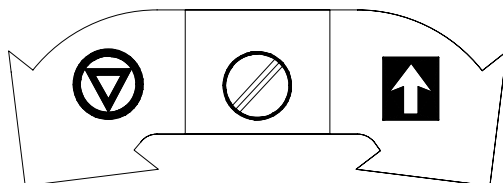
Wcisnąć pedał (B) lub bok pedału (C) bliżej wezglówka noszy, żeby opuścić wezglówek noszy.

Wcisnąć pedał (D) lub bok pedału (C) bliżej nóg noszy, żeby opuścić nogi noszy.

Wcisnąć rodek pedału (C) lub wcisnąć razem pedały (B) i (D), żeby opuścić oba końce noszy razem.



Pedał (E) – funkcje hamowania i sterowania (nogi noszy)



Pedał (F) – funkcje hamowania i sterowania (wezglówek noszy)

Polski

PODNIOSZENIE I OPUSZCZANIE BLATU NOSZY – REGULATORY BOCZNE

PRZESTROGA

W celu uniknięcia uszkodzeń należy zdjąć zawadzający sprzęt przed podniesieniem lub opuszczeniem blatu noszy.

W celu podniesienia blatu noszy, należy wielokrotnie wcisnąć pedał (A) do momentu uzyskania żądanej wysokości ci (patrz ilustracja na [stronie 12–4](#)).

Żeby opuścić obydwa końce blatu noszy razem, należy wcisnąć rodek pedału (B). Wcisnąć bok pedału (B) bliżej wezgiłowka noszy, żeby opuścić tylko wezgiłówek blatu noszy. Wcisnąć bok pedału (B) bliżej nóg noszy, żeby opuścić tylko nogi blatu noszy (patrz ilustracja na [stronie 12–4](#)).

PODNIOSZENIE I OPUSZCZANIE BLATU NOSZY – REGULATORY PO 3 STRONACH

W celu podniesienia blatu noszy, należy wielokrotnie wcisnąć pedał (A) do momentu uzyskania żądanej wysokości ci (patrz: ilustracja na [stronie 12–5](#)).

Żeby opuścić obydwa końce blatu noszy jednocześnie, należy wcisnąć stopą razem pedały (B) i (D) lub wcisnąć rodek pedału (C). Wcisnąć pedał (B) lub bok pedału (C) bliżej wezgiłowka noszy, żeby opuścić tylko wezgiłówek noszy. Wcisnąć pedał (D) lub bok pedału (C) bliżej nóg noszy, żeby opuścić tylko nogi noszy.

POZYCJA TRENDELENBURGA / ODWROTNA POZYCJA TRENDELENBURGA – REGULATORY BOCZNE

UWAGA

W celu uzyskania pozycji Trendelenburga lub odwrotnej pozycji Trendelenburga, należy najpierw podnieść blat noszy.

PRZESTROGA

W celu uniknięcia uszkodzeń należy zdjąć zawadzający sprzęt przed opuszczeniem blatu noszy.

W celu uzyskania pozycji Trendelenburga (z głową w dół), należy wcisnąć bok pedału (B) bliżej wezgiłowka noszy (patrz ilustracja, [strona 12–4](#)).

W celu uzyskania odwrotnej pozycji Trendelenburga (stopami w dół), należy wcisnąć bok pedału (B) bliżej nóg noszy.

UWAGA

Im wyżej jest ustawiony blat noszy przed wciśnięciem pedału (B), tym większy będzie kąt pozycji Trendelenburga lub odwrotnej pozycji Trendelenburga. (Maksymalny kąt pozycji Trendelenburga to $+18^\circ$. Maksymalny kąt odwrotnej pozycji Trendelenburga to -18° .)

POZYCJA TRENDELENBURGA / ODWROTNA POZYCJA TRENDELENBURGA – REGULATORY PO 3 STRONACH

PRZESTROGA

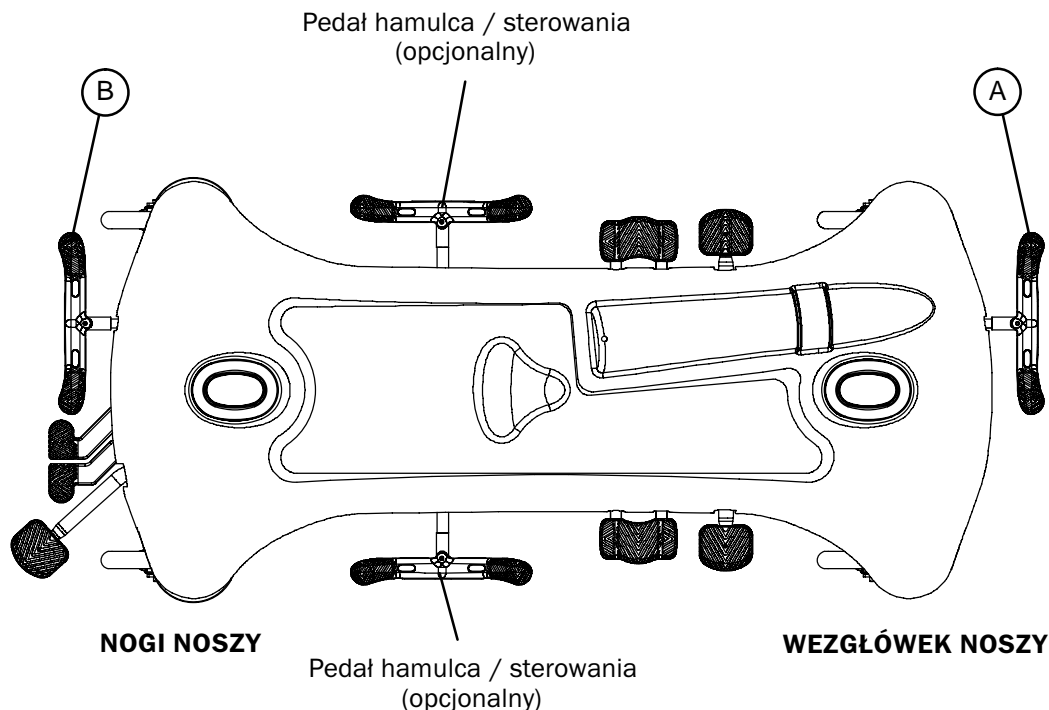
W celu uniknięcia uszkodzeń należy zdjąć zawadzający sprzęt przed opuszczeniem blatu noszy.

W celu uzyskania pozycji Trendelenburga (z głową w dół), należy wcisnąć pedał (B) lub bok pedału (C) bliżej wezgiłowka noszy (patrz ilustracja, [strona 12–5](#)).

W celu uzyskania odwrotnej pozycji Trendelenburga (stopami w dół), należy wcisnąć pedał (D) lub bok pedału (C) bliżej nóg noszy.

Obsługa noszy

UŻYWANIE HAMULCÓW



UWAGA

Dla wygody użytkownika, pedal hamulca / sterowania jest umieszczony na obu końcach noszy.

OSTRZEŻENIE

Należy zawsze włączyć hamulce kółek samonastawnych, kiedy pacjent zostaje umieszczony na noszach lub jest z nich zdejmowany. Pchnąć nosze, żeby sprawdzić, czy prawidłowo zablokowano hamulce. Kiedy nosze nie są przesuwane, należy zawsze włączać hamulce. W razie ruchu noszy w trakcie umieszczania lub zdejmowania pacjenta z noszy, mogą wystąpić obrażenia ciała.

W celu włączenia hamulców u wezglówka noszy, należy do końca wcisnąć lewy bok pedału (A).

W celu włączenia hamulców w nogach noszy, należy do końca wcisnąć prawy bok pedału (B).

UWAGA

Zakupione nosze być może zostały wyposażone w opcjonalny boczny regulator o funkcji hamowania i sterowania oprócz standardowych regulatorów przy wezglówiu i nogach noszy. Boczne regulatory hamulców obsługiwane są w taki sam sposób jak wersje umieszczone z przodu (wezglówek) i z tyłu (nogi) noszy.

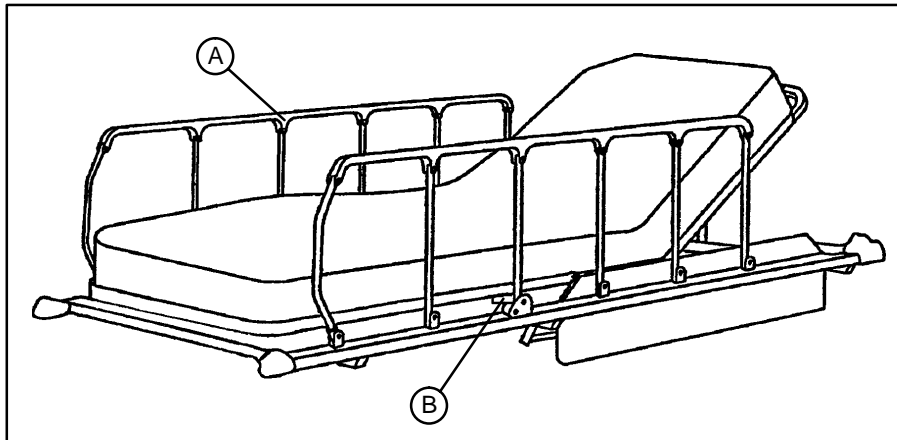
OBSŁUGA PIĄTEGO KÓŁKA

Celem piątego kółka jest ułatwienie prowadzenia noszy w prostej linii w trakcie transportu pacjenta oraz w celu ułatwienia skręcania.

Żeby wysunąć piąte kółko, należy wcisnąć do samego końca odpowiedni bok pedału hamowania / sterowania.

Obsługa noszy

UŻYWANIE PORĘCZY BOCZNYCH



OSTRZEŻENIE

Należy zawsze sprawdzać, czy mechanizm zapadkowy (B) poręczy bocznych pracuje prawidłowo. Jeżeli tak nie jest, należy skonsultować się z dostarczoną instrukcją konserwacji noszy w celu wykonania procedury regulacji zapadki poręczy bocznych.

Blokowanie poręczy bocznych: Pociągnąć poręcz boczną (A) do góry i podnieść ją na pełną wysokość do momentu zablokowania zapadki (B).

Odblokowanie poręczy bocznych: Pociągnąć zapadkę (B) i poprowadzić poręcz boczną do pozycji zupełnie opuszczonej.

OSTRZEŻENIE

Przy opuszczaniu poręczy bocznych do pozycji złożonej, kończyny pacjenta i personelu muszą znajdować się z dala od trzpieni obrotowych poręczy bocznych w celu uniknięcia obrażeń ciała.

W celu uniknięcia obrażeń ciała lub uszkodzenia sprzętu, nie wolno dopuścić do opuszczenia się poręczy bocznej pod własnym ciężarem.

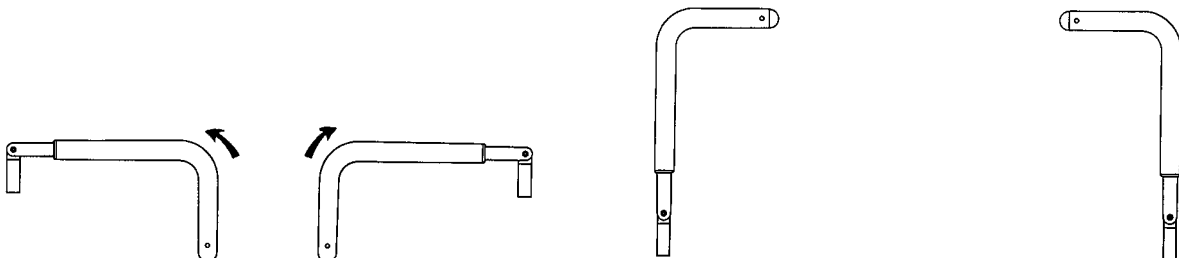
UŻYWANIE RĄCZEK PCHANIA

PRZESTROGA

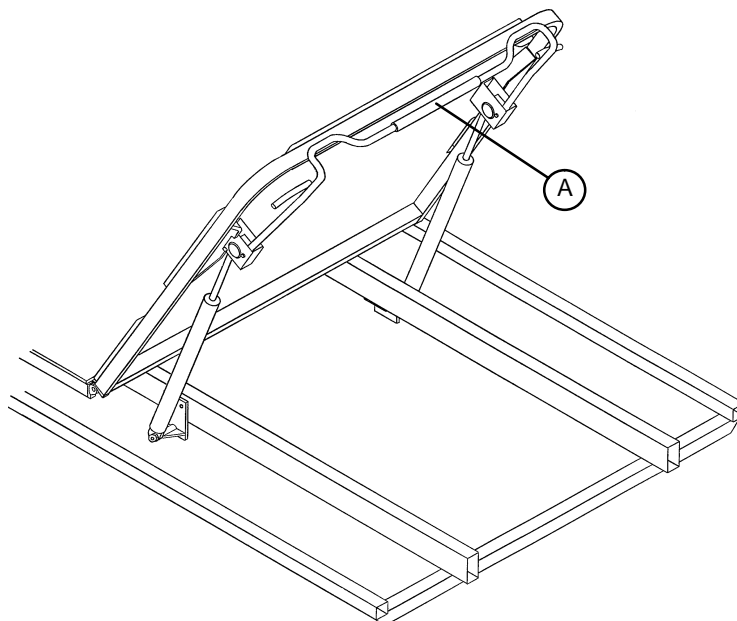
Rączki pchania zostały zaprojektowane do używania przy transportowaniu noszy. Należy unikać używania innych części noszy jako elementów do pchania / ciągnięcia, ponieważ może to spowodować uszkodzenie sprzętu.

Używanie rączek pchania: Skręcić rączki w górę i dopchnąć je w dół, do momentu zablokowania.

Składanie rączek pchania: Podnieść rączki w górę i skrócić je w dół, żeby je złożyć do oparcia.



OBSŁUGA OPARCIA FOWLERA



cisnąć rączkę (A) w celu uzyskania pneumatycznego wspomagania podczas podnoszenia oparcia Fowlera na żądaną wysokość. Zdjąć dłoń (dłonie) z rączki po uzyskaniu żądanej wysokości.

Aby opuścić oparcie Fowlera, należy cisnąć rączkę (A) i pchnąć do dołu, aż oparcie Fowlera osiągnie żądaną wysokość. Zdjąć dłoń (dłonie) z rączki po uzyskaniu żądanej wysokości.

OSTRZEŻENIE

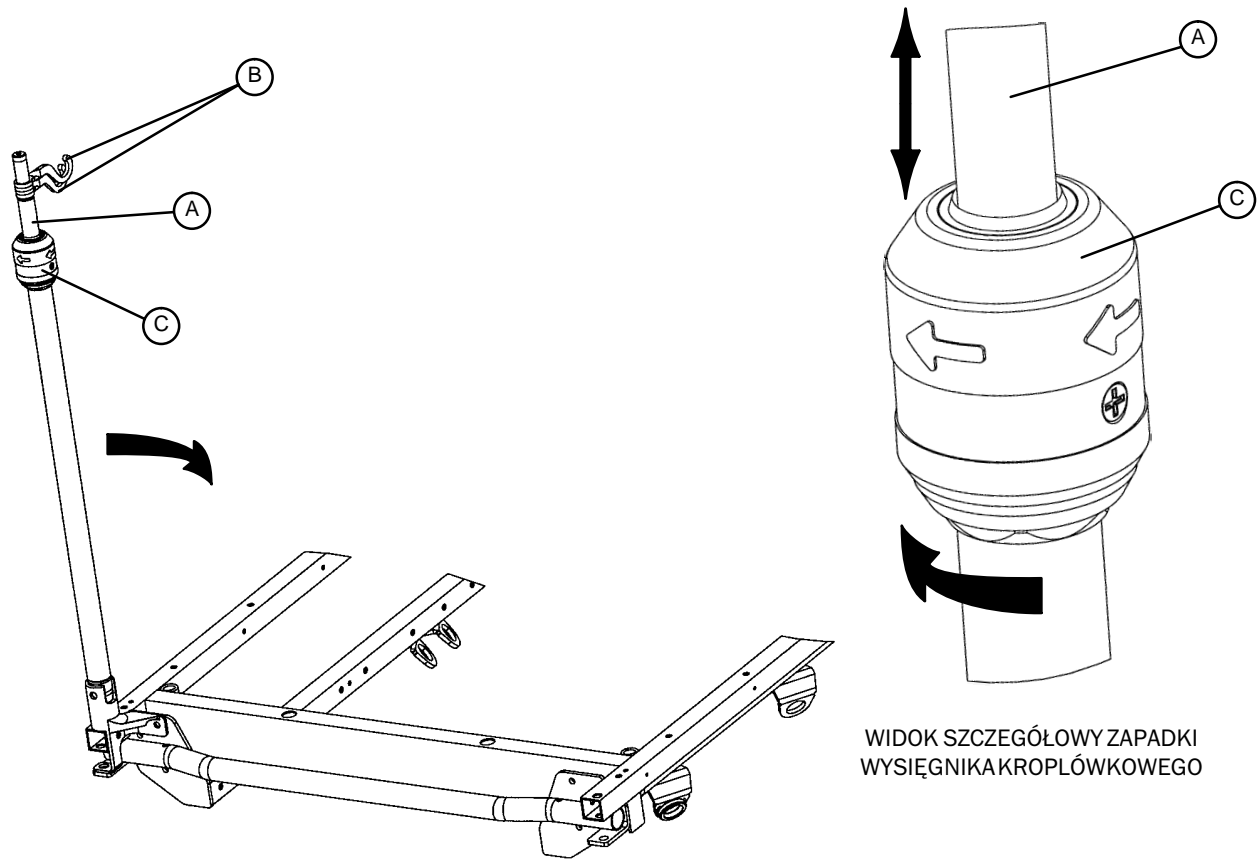
Przy opuszczaniu oparcia Fowlera, należy trzymać palce / dłonie z daleka od obszaru wokół jego uchwytu zwalnającego oraz ramy. W razie niezachowania ostrożności przy opuszczaniu oparcia Fowlera, może dojść do obrażeń ciała.

PRZESTROGA

Jeżeli pneumatyczne oparcie Fowlera ciężko się rozkłada / składa, należy skonsultować się z dostarczoną instrukcją konserwacji noszy w celu wykonania procedury regulacji pneumatycznego oparcia Fowlera.

Obsługa noszy

OBSŁUGA OPCJONALNEGO 2-STOPNIOWEGO WYSIĘGNIKA KROPLÓWKOWEGO PRZYMOCOWANEGO NA STAŁE



Polski

UWAGA

2-stopniowy wysięgnik kroplówkowy przymocowany na stałe jest wyposażeniem dodatkowym i może zostać zamontowany przy wezłowie, nogach noszy lub przy obu końcach noszy.

Używanie 2-stopniowego wysięgnika kroplówkowego przymocowanego na stałe:

1. Podnieść i przekręcić wysięgnik z pozycji przechowywania i dopchnąć do dołu, do momentu zablokowania w gnieździe.
2. W celu zwiększenia wysokości wysięgnika, należy pociągnąć część teleskopową (A), aż zostanie zablokowana w zupełnie podniesionej pozycji.
3. Obrócić wieszaki kroplówkowe (B) do żądanej pozycji i powiesić worki kroplówkowe.
4. W celu zmniejszenia wysokości wysięgnika kroplówkowego, należy przekręcić zapadkę (C) zgodnie z ruchem wskazówek zegara, do opuszczenia części (A).

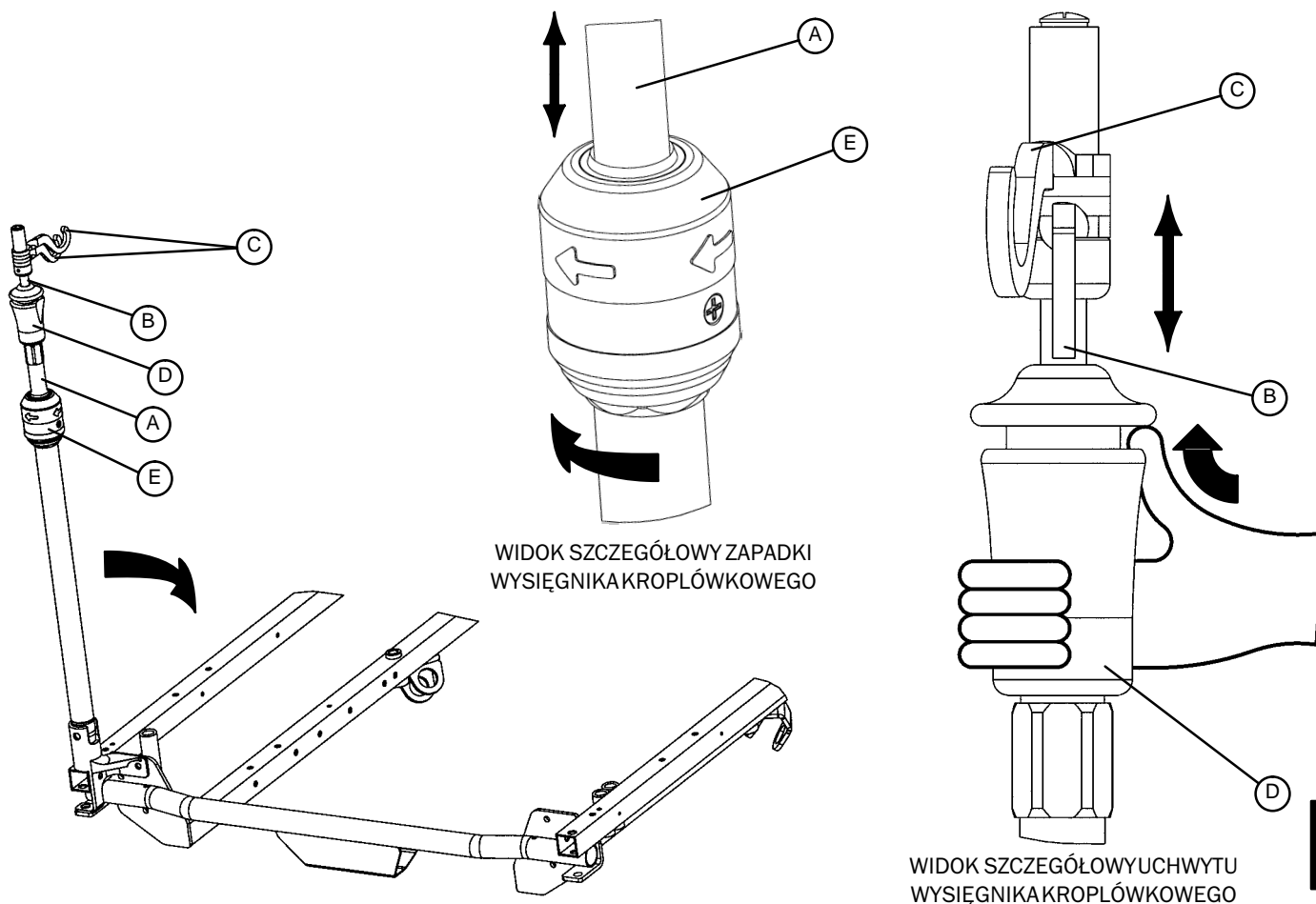
PRZESTROGA

W celu uniknięcia uszkodzeń, ciężar worków kroplówkowych nie może przekraczać 18 kg.

W celu uniknięcia uszkodzeń w trakcie transportowania noszy, należy sprawdzić czy wysięgnik kroplówkowy jest wystarczająco opuszczony i umożliwi bezpieczne przejście przez drzwi oraz pod lampami.

Obsługa noszy

OBSŁUGA OPCJONALNEGO 3-STOPNIOWEGO WYSIĘGNIKA KROPLÓWKOWEGO PRZYMOCOWANEGO NA STAŁE



UWAGA

3-stopniowy wycięgnik kroplówkowy przytworzony na stałe jest wyposażeniem dodatkowym i może zostać zamontowany przy wezłowie, nogach noszy lub przy obu końcach noszy.

Używanie 3-stopniowego wycięgnika kroplówkowego przytworzonego na stałe:

1. Podnie ć i przekreć wycięgnik z pozycji przechowywania i dopchnąć do dołu, do momentu zablokowania w gnie dzie.
2. W celu zwiększenia wysoko ci wycięgnika, należy pociągnąć czę ć teleskopową (A), aż zostanie zablokowana w zupełnie podniesionej pozycji.
3. W celu podwyższenia wycięgnika kroplówkowego, należy pociągnąć czę ć (B). Zwolnić czę ć (B) przy dowolnej żądanej wysoko ci, co spowoduje jej zablokowanie.
4. Obrócić wieszaki kroplówkowe (C) do żądanej pozycji i powiesić worki kroplówkowe.
5. W celu zmniejszenia wysoko ci wycięgnika kroplówkowego, przesunąć czerwoną czę ć uchwytu (D), trzymając za czę ć (B), do momentu zmniejszenia wysoko ci. Przekreć zapadkę (E) zgodnie z ruchem wskazówek zegara w celu opuszczenia czę ci (A).

PRZESTROGA

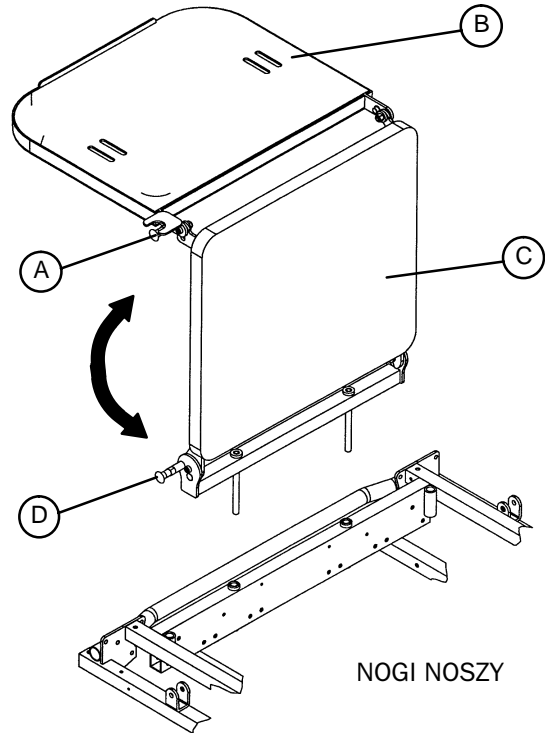
W celu uniknięcia uszkodzeń, ciężar worków kroplówkowych nie może przekraczać 18 kg.

W celu uniknięcia uszkodzeń w trakcie transportowania noszy, należy sprawdzić czy wycięgnik kroplówkowy jest wystarczająco opuszczony i umożliwi bezpieczne przej cie przez drzwi oraz pod lampami.

Obsługa noszy

OBSŁUGA OPCJONALNEGO PRZEDŁUŻENIA NA NOGI / PODSTAWKI DEFIBRYLATORA

1. W celu użycia jako podstawki pod defibrylator, należy wyciągnąć górną gałkę (A) i obrócić podstawkę (B) na przedłużenie na nogi (C), aż podstawka będzie spoczywać płasko na nogach noszy.
2. W celu użycia jako przedłużenia na nogi, należy wyciągnąć gałkę (A) i obrócić podstawkę pod defibrylator do tyłu, aż zostanie zablokowana razem z przedłużeniem na nogi (C). Trzymając zestaw, wyciągnąć dolną gałkę (D) i opuścić przedłużenie na nogi, aż będzie płasko spoczywać.



OSTRZEŻENIE

Jeżeli nosze wyposażono w opcjonalny wysięgnik kroplówkowy w nogach noszy, musi on być podniesiony kiedy zamontowane jest przedłużenie na nogi / podstawka defibrylatora. Jeżeli wysięgnik kroplówkowy nie zostanie podniesiony, przedłużenie na nogi nie będzie działać prawidłowo i może dojść do obrażeń ciała.

Konserwacja zapobiegawcza

LISTA KONTROLNA

- _____ Wszystkie mocowania zapięte
- _____ Poręcze boczne można prawidłowo przesunąć i zablokować
- _____ Wcisnąć pedał hamulca i pchnąć nosze, żeby sprawdzić, czy wszystkie kółka samonastawne zostają prawidłowo zablokowane
- _____ Wszystkie kółka samonastawne prawidłowo przymocowane i prawidłowo skręcające
- _____ Pasy unieruchamiające działające prawidłowo
- _____ Wysięgnik kroplówkowy nienaruszony i pracujący prawidłowo
- _____ Uchwyt na butlę z tlenem nienaruszony i pracujący prawidłowo
- _____ Oparcie Fowlera można prawidłowo przesunąć i zablokować
- _____ Możliwe ustawianie pozycji Trendelenburga / odwrotnej pozycji Trendelenburga
- _____ Brak przerwania lub pęknięć pokrowca materaca
- _____ Łańcuch uziemiający nienaruszony
- _____ Brak wycieków w miejscach połączeń przewodów hydraulicznych
- _____ Podno niki hydrauliczne prawidłowo podtrzymujące
- _____ Prawidłowo ustawiona szybkość obniżania hydraulicznych podnośników
- _____ Prawidłowy poziom oleju hydraulicznego
- _____ Nasmarować, gdzie jest to wymagane
- _____ Akcesoria oraz sprzęt do mocowania są w dobrym stanie i działają prawidłowo

Nr seryjny _____

Wykonane przez: _____

Data: _____

UWAGA

Czynności konserwacji zapobiegawczej muszą być wykonywane przynajmniej raz do roku. Dla wszystkich sprzętów firmy Stryker Medical należy ustanowić program konserwacji zapobiegawczej. W zależności od częstości używania produktu, może być wymagane częstsze wykonywanie czynności konserwacji zapobiegawczej.

Czyszczenie

Ręcznie myć wszystkie powierzchnie noszy w ciepłej wodzie z dodatkiem łagodnego detergentu. Dokładnie wysuszyć. NIE WOLNO CZY CIĆ URZĄDZENIA PAROWO, POD CI NIENIEM, WODĄ Z WĘŻA LUB ULTRADŹWIĘKOWO. Używanie tych metod czyszczenia jest nie zalecane i może spowodować unieważnienie gwarancji tego produktu.

Mocowania Velcro należy czyścić PO KAŻDYM UŻYCIU. Nasycić mocowanie Velcro rodkiem dezynfekującym i pozwolić na jego wyparowanie. (Odpowiedni rodek dezynfekujący do nylonowych mocowań Velcro musi zostać określony przez szpital.)

Na ogół, można używać fenolowych rodków dezynfekcyjnych lub rodków dezynfekcyjnych na bazie czwartorzędowego związku amoniowego, kiedy używa się ich w stężeniach zalecanych przez producenta. Nie zaleca się stosowania jodoformowych rodków dezynfekujących, ponieważ mogą one spowodować zaplamienie. Następujące produkty zostały przetestowane i nie wykryto ich szkodliwego wpływu, PRZY STOSOWANIU W ROZCIEŃCZENIU ZALECANYM PRZEZ PRODUCENTA.*

NAZWA HANDLOWA	RODZAJ RODKA DEZYNFEKCYJNEGO	PRODUCENT	* ROZCIEŃCZENIE ZALECANE PRZEZ PRODUCENTA
A33	Na bazie czwartorzędowego związku amoniowego	Airwick (Professional Products Division)	1:64
A33 (suchy)	Na bazie czwartorzędowego związku amoniowego	Airwick (Professional Products Division)	1:256
Beaucoup	Fenolowy	Huntington Laboratories	1:128
Blue Chip	Na bazie czwartorzędowego związku amoniowego	S.C. Johnson	1:64
Elimstaph	Na bazie czwartorzędowego związku amoniowego	Walter G. Legge	1:128
Franklin Phenomysan F2500	Fenolowy	Purex Corporation	1:100
Franklin Sentinel	Na bazie czwartorzędowego związku amoniowego	Purex Corporation	1:64
Galahad	Fenolowy	Puritan Churchill Chemical Company	1:128
Hi-Tor	Na bazie czwartorzędowego związku amoniowego	Huntington Laboratories	1:256
LPH	Fenolowy	Vestal Laboratories	1:256
Matar	Fenolowy	Huntington Laboratories	1:256
Omega	Na bazie czwartorzędowego związku amoniowego	Airwick (Professional Products Division)	1:256
Quanto	Na bazie czwartorzędowego związku amoniowego	Huntington Laboratories	1:128
Sanikleen	Na bazie czwartorzędowego związku amoniowego	West Chemical Products	1:64
Sanimaster II	Na bazie czwartorzędowego związku amoniowego	Service Master	1:128
Vesphene	Fenolowy	Vestal Laboratories	1:100

Czyszczenie

Bakteriobójcze rodky dezynfekcyjne na bazie czwartorzędowego związku amoniowego, w przypadku używania zgodnego z zaleceniami, oraz / lub produkty typu wybielaczy z chlorem, zazwyczaj zawierające 5,25% roztwór podchlorynu sodowego w rozcieńczeniu od 1 części wybielacza na 100 części wody do 2 części wybielacza na 100 części wody, nie są uznawane za łagodne detergenty. Te produkty posiadają właściwość korozyjną i w razie nieprawidłowego użycia mogą spowodować uszkodzenie noszy. Jeżeli tego typu produkty są używane do mycia sprzętu firmy Stryker służącego do obsługi pacjentów, należy zawsze po myciu dokładnie płukać nosze czystą wodą, a następnie wysuszyć. Nieprawidłowe spłukanie i wysuszenie urządzenia spowoduje pozostawienie korozyjnych pozostałości na powierzchni noszy, co prawdopodobnie spowoduje przedwczesną korozję najważniejszych elementów.

UWAGA

Niezastosowanie się do powyższych instrukcji może spowodować unieważnienie gwarancji na niniejszy produkt.

USUWANIE ZWIĄZKÓW JODYNOWYCH

Ten roztwór może być używany do usuwania plam jodynowych z pokrowca materaca.

1. Do wyczyszczenia zaplamionego obszaru należy użyć roztworu sporządzonego z 1–2 łyżek stołowych tiosiarczanu sodu na 0,5 litra ciepłej wody. Czyszczenie przeprowadzić jak najszybciej po zaplamieniu. Jeżeli plamy nie zostaną natychmiast wywabione, należy pozostawić roztwór na powierzchni lub nasączyć nim materiał.
2. Przed ponownym użyciem materaca, należy spłukać wodą powierzchnie, które miały styczność z roztworem.

Gwarancja

Ograniczona gwarancja:

Wydział medyczny firmy Stryker Corporation (Stryker Medical Division) gwarantuje pierwotnemu nabywcy, że nabyty produkt będzie wolny od wad materiałowych i wykonawczych przez okres jednego (1) roku od daty dostarczenia. W przypadku tej gwarancji, firma Stryker jest zobowiązana do dostarczenia części zamiennych oraz robocizny, lub wymiany - według własnej decyzji - dowolnego produktu, który zostanie uznany za wadliwy wyłączną decyzją firmy Stryker. Firma Stryker gwarantuje pierwotnemu nabywcy, że rama i spoiny noszy pozostaną wolne od wad konstrukcyjnych przez cały okres posiadania noszy przez pierwotnego nabywcę. W razie zażądania przez firmę Stryker, nabywca zwróci produkty lub część ci, których dotyczy reklamacja gwarancyjna przesyłką opłaconą do fabryki firmy Stryker. Nieprawidłowe używanie, dowolna modyfikacja lub naprawa przez inne instytucje naprawcze w sposób, który według oceny firmy Stryker wpływa materialnie i zasadniczo niekorzystnie na produkt, spowodują unieważnienie niniejszej gwarancji. Wszelkie naprawy produktów firmy Stryker przy użyciu części niedostarczonych lub niezatwierdzonych przez firmę Stryker spowodują unieważnienie niniejszej gwarancji. Żaden pracownik ani przedstawiciel firmy Stryker nie jest upoważniony do wprowadzania jakichkolwiek zmian w niniejszej gwarancji.

Lóżka i nosze firmy Stryker Medical są zaprojektowane na okres 10-letniej eksploatacji w normalnych warunkach użytkowania - przy przestrzeganiu okresowych prac serwisowych opisanych w instrukcji obsługi każdego urządzenia. Firma Stryker gwarantuje bezpo redniemu nabywcy, że połączenia spawane w jej produktach będą wolne od uszkodzeń strukturalnych przez przewidywany okres 10-letniej eksploatacji przez bezpo redniego nabywcę.

Przy zachowaniu normalnych warunków używania oraz przy wykonywaniu odpowiednich czynności konserwacji okresowej opisanych w instrukcji konserwacji dołączonej do każdego produktu, planowany okres eksploatacji noszy firmy Stryker Medical wynosi 10 lat.

To o wiadczenie stanowi całą gwarancję firmy Stryker, udzielaną na wcześnie wymieniony sprzęt. FIRMA STRYKER NIE UDZIELA ŻADNYCH INNYCH O WIADCZEŃ I ZAPEWNIENI, WYRAŻONYCH LUB DOMNIEMANYCH, POZA WYMIENIONYMI W NINIEJSZYM DOKUMENCIE. NIE JEST UDZIELANA GWARANCJA PRZYDATNO CI HANDLOWEJ ORAZ PRZYDATNO CI DO OKRES LONEGO CELU. W ŻADNYM PRZYPADKU FIRMA STRYKER NIE BĘDZIE, ZGODNIE Z NINIEJSZYMI POSTANOWIENIAMI, ODPOWIEDZIALNA ZA PRZYPADKOWE LUB WYNIKAJĄCE SZKODY POWSTAŁE W ZWIĄZKU ZE SPRZEDAŻĄ LUB STOSOWANIEM TAKIEGO SPRZĘTU.

W celu uzyskania części i pomocy technicznej:

Pomoc techniczna dla produktów firmy Stryker jest zapewniana przez ogólnokrajową sieć specjalistycznych terenowych przedstawicieli serwisowych firmy Stryker. Przedstawiciele ci zostali przeszkoleni w fabryce, są na miejscu i posiadają znaczną ilość części zapasowych pozwalających na zminimalizowanie czasu naprawy. Wystarczy skontaktować się z lokalnym przedstawicielem lub zadzwonić do biura obsługi klienta firmy Stryker pod numerem telefonu 1-800-327-0770.

Zakres objęty umową serwisową:

Firma Stryker rozwinęła wszechstronny program opcji umowy serwisowej, które mają za zadanie utrzymanie jak najwyższego poziomu wydajności zakupionego sprzętu z jednoczesnym wyeliminowaniem nieoczekiwanych kosztów. Zaleca się aktywowanie tych programów przed wygaśnięciem gwarancji nowego produktu, żeby wyeliminować potencjalne dodatkowe opłaty za aktualizację sprzętu.

UMOWA SERWISOWA POMAGA W:

- Zapewnieniu niezawodności sprzętu
- Stabilizacji budżetu przeznaczonego na konserwację
- Obniżeniu okresu nieaktywności urządzenia
- Ustanowieniu dokumentacji dla komisji JCAHO
- Przedłużeniu przydatności do użycia
- Zwiększeniu wartości handlowej
- Zajęciu się kwestiami związanymi z zarządzaniem ryzykiem i bezpieczeństwem

Gwarancja

Firma Stryker oferuje następujące programy umów serwisowych:

PARAMETRY TECHNICZNE	ZŁOTA	SREBRNA	TYLKO KONSERWACJA ZAPOBIEGAWCZA*
Konserwacja zapobiegawcza przeprowadzana co rok	X		X
Wszystkie części,** robocizna i podróże	X	X	
Nieograniczona liczba wezwań serwisu awaryjnego	X	X	
Kontakt o priorytecie jeden; dwugodzinny okres odpowiedzi telefonicznej	X	X	X
Większość napraw zostanie ukończonych w ciągu 3 dni roboczych	X	X	
Dokumentacja JCAHO	X	X	X
Księga dziennika na miejscu z zapisami konserwacji zapobiegawczej i serwisu awaryjnego	X		
Technicy serwisowi firmy Stryker przeszkoleni w fabryce	X	X	X
Części autoryzowane przez firmę Stryker	X	X	X
Podsumowanie roku	X		
Firma Stryker będzie wykonywać wszystkie czynności serwisowe w trakcie zwykłych godzin roboczych (od 9 do 17)	X	X	X

* Zostanie udzielony rabat na części i robociznę objęte umową konserwacji zapobiegawczej.

** Nie obejmuje żadnych elementów jednorazowych, wysięgników kroplówkowych (za wyjątkiem permanentnych wysięgników Stryker HD), materacy lub uszkodzeń wynikłych z niewłaściwego używania.

Firma Stryker Medical oferuje również spersonalizowane umowy serwisowe.

Koszt zostaje określony wiekiem, położeniem, modelem i stanem produktu.

W celu uzyskania dalszych informacji dotyczących naszych umów serwisowych, prosimy o kontakt z lokalnym przedstawicielem lub o telefon pod numer 1-800-327-0770 (opcja nr 2).

Autoryzacja zwrotu:

Towaru nie można zwrócić bez zatwierdzenia wydanego przez oddział obsługi klienta firmy Stryker. Zostanie wydany numer autoryzacji, który należy nanieść na zwracany towar. Firma Stryker zastrzega sobie prawo do obciążenia klienta kosztami przesyłki i ponownego umieszczenia w magazynie zwracanych urządzeń.

NIE MOGĄ ZOSTAĆ ZWRÓCONE PRODUKTY SPECJALNE, ZMODYFIKOWANE LUB, TAKIE KTÓRYCH PRODUKCJI ZAPRZESTANO.

Uszkodzone towary:

Przepisy komisji ICC (ang. Interstate Commerce Commission) wymagają dokonania reklamacji, dotyczących uszkodzonego towaru, przesyłką kurierską w ciągu piętnastu (15) dni od daty otrzymania towaru. NIE WOLNO PRZYJMOWAĆ USZKODZONEJ PRZESYŁKI, O ILE TAKOWE USZKODZENIE NIE ZOSTAŁO ODNOTOWANE NA POTWIERDZENIU OTRZYMANIA DOSTAWY W MOMENCIE ODBIORU. W przypadku szybkiego powiadomienia, firma Stryker złoży roszczenie w firmie transportowej, dotyczące skompensowania uszkodzeń. Kwota roszczenia będzie ograniczona do rzeczywistego kosztu wymiany produktu. W przypadku, kiedy firma Stryker nie otrzyma takowych informacji w ciągu piętnastu (15) dni od momentu dostawy towaru lub, jeżeli uszkodzenie nie zostało odnotowane na potwierdzeniu otrzymania dostawy w momencie odbioru, klient jest zobowiązany do opłacenia pełnej kwoty faktury.

Roszczenia dotyczące niepełnej przesyłki muszą zostać przesłane w ciągu trzydziestu (30) dni od daty wystawienia faktury.

Klauzula gwarancji międzynarodowej:

Niniejsza gwarancja odzwierciedla zasady krajowe stosowane w Stanach Zjednoczonych. Gwarancja udzielana poza Stanami Zjednoczonymi może się różnić w zależności od kraju. W celu uzyskania dodatkowych informacji prosimy o kontakt z lokalnym przedstawicielem firmy Stryker Medical.

Polski

International Addresses



EASTERN EUROPE

Stryker SA - Export Business

Grand-Rue 90
P.O. Box 1567
1820 Montreux, Switzerland
Phone: 011-41-21-966-14-00
Fax: 011-41-21-966-14-01

AUSTRIA

Stryker-Howmedica Osterreich GmbH

Millenium Tower
Handelskai 94-96
120 Wien
Austria
Phone: 011-43-1-240-27-6400
Fax: 011-43-1-240-27-6410

BELGIUM

NV Stryker SA

Ikaros Business Park- Fase III
Ikaroslaan 12
1930 Zaventem, Brussels
Belgium
Phone: 011-32-2-717-9210
Fax: 011-32-2-717-9249

DENMARK

Stryker Denmark

Filial of Stryker AB
Postbox 772
1532 Copenhagen
Denmark
Phone: 011-45-33-93-6099
Fax: 011-45-33-93-2069

ENGLAND

Stryker UK Limited

Stryker House
Hambridge Road
Newbury, Berkshire
RG14 5EG, England
Phone: 011-44-1635-556-500
Phone: 011-44-1635-262-400
Fax: 011-44-1635-580-300

FINLAND

Stryker AB, Finland
PO 80 Makelankatu 2
00501 Helsinki
Finland
Phone: 011-35-89-774-4680
Fax: 011-35-89-774-46820

FRANCE

Stryker France SA
ZAC - Avenue de Satolas Green
69330 Pusignan
France
Phone: 011-33-472-45-36-00
Fax: 011-33-472-45-36-99

GERMANY

Stryker Howmedica GmbH
Dr. Homer Stryker Platz 1
47228 Duisburg
Germany
Phone: 011-49-2065-837-0
Fax: 011-49-2065-837-837

GREECE

Stryker Hellas EPE
455 Messogion ave
153 43 Agia Paraskevi
Athens, Greece
Phone: 011-30-2-10-600-32-22
Fax: 011-30-2-10-600-48-12

ITALY

Stryker Italia Srl
Via Ghisalba 15B
00188 Roma
Italy
Phone: 011-39-06-33-05-41
Fax: 011-39-06-33-614-067

MIDDLE EAST / NORTH AFRICA

Stryker Osteonics SA
Twin Towers
11th Floor, Suite 1101 & 1102
P.O. Box 41446
Baniyas Road
Dubai, Deira, UAE
Phone: 011-97-14-222-2842
Fax: 011-97-14-224-7381

NETHERLANDS

Stryker Nederlands BV
(P.O. Box 13, 4180 BA Waardenburg)
4181 CD Waardenburg
The Netherlands
Phone: 011-31-418-569-700
Fax: 011-31-418-569-777

NORWAY

Stryker Norway
Norsk Filial
Nedre Vollgate 3
0158 Oslo
Norway
Phone: 011-47-22-42-22-44
Fax: 011-47-22-42-22-54

POLAND

Stryker Polska Sp. ZO.O
Kolejowa 5/7
01-217 Warszawa
Poland
Phone: 011-48-22-434-88-50
Fax: 011-48-22-434-88-60

PORTUGAL

Stryker Portugal Produtos Medicos, LTDA.
Avenida Marechal Gomes da Costa, 35
1800-255 Lisboa
Portugal
Phone: 011-35-1-21-839-49-10
Fax: 011-35-1-21-839-49-19

ROMANIA

Stryker Osteonics Romania S.R.L.
19, Leonida Str.
District 2
7000 Bucharest
Romania
Phone: 011-40-2-12-12-11-22
Fax: 011-40-2-12-12-11-33

SOUTH AFRICA

Stryker Osteonics PTY. LTD.
3 Susan Street
Strydom Park
Johannesburg, 2194 - South Africa
Mailing Address:
P.O. Box 48039
2129 Roosevelt Park
Johannesburg, South Africa
Phone: 011-27-11-791-4644
Fax: 011-27-11-791-4696

SPAIN

Stryker Howmedica Iberica S.L.U.
Manual Tovar, 35
28034 Madrid
Spain
Phone: 011-34-91-728-35-00
Phone: 011-34-91-358-20-44
Fax: 011-34-91-358-07-48

SWEDEN

Stryker AB/Scandinavia
Box 50425
SE-204 14 Malmo
Sweden
Phone: 011-46-40-691-81-00
Fax: 011-46-40-691-81-91

European Representative

Stryker EMEA RA/QA Director
Stryker France
ZAC Satolas Green Pusignan
Av. De Satolas Green
69881 MEYZIEU Cedex
France

stryker[®]

3800 E. Centre Ave., Portage, MI 49002
(800) 327-0770
www.stryker.com



JH 10/06 735-600-001 REV C