

Surgistool®

Operations Manual

REF 0830



Symbols





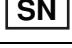





	Consult instructions for use
	General warning
	Caution
	Catalogue number
	Serial number
	For US Patents see www.stryker.com/patents
	Manufacturer
	Date of manufacture
	Safe working load
	This way up

Table of Contents

Warning/Caution/Note Definition	2
Summary of safety precautions	2
Introduction	3
Product description	3
Indications for use	3
Contraindications	3
Expected service life	3
Specifications	3
Product illustration	4
Contact information	4
Serial number location	5
Operation	6
Applying and releasing the brake	6
Raising and lowering the seat height	6
Adjusting the backrest height	6
Adjusting the backrest to seat position	7
Adjusting the wrist rest height (optional)	7
Adjusting the wrist rest position (optional)	8
Accessories and parts	9
Preventive maintenance	10
Cleaning and disinfecting with wipes	11
Cleaning the product	12
Disinfecting the product	13

Warning/Caution/Note Definition

The words **WARNING**, **CAUTION**, and **NOTE** carry special meanings and should be carefully reviewed.

WARNING

Alerts the reader about a situation which, if not avoided, could result in death or serious injury. It may also describe potential serious adverse reactions and safety hazards.

CAUTION

Alerts the reader of a potentially hazardous situation which, if not avoided, may result in minor or moderate injury to the user or patient or damage to the product or other property. This includes special care necessary for the safe and effective use of the device and the care necessary to avoid damage to a device that may occur as a result of use or misuse.

Note - Provides special information to make maintenance easier or important instructions clearer.

Summary of safety precautions

Always read and strictly follow the warnings and cautions listed on this page. Service only by qualified personnel.

CAUTION

- Improper usage of the product can cause injury to the patient or operator. Operate the product only as described in this manual.
 - Do not modify the product or any components of the product. Modifying the product can cause unpredictable operation resulting in injury to patient or operator. Modifying the product also voids its warranty.
-

Introduction

This manual assists you with the operation or maintenance of your Stryker product. Read this manual before operating or maintaining this product. Set methods and procedures to educate and train your staff on the safe operation or maintenance of this product.

CAUTION

- Improper usage of the product can cause injury to the patient or operator. Operate the product only as described in this manual.
 - Do not modify the product or any components of the product. Modifying the product can cause unpredictable operation resulting in injury to patient or operator. Modifying the product also voids its warranty.
-

Note

- This manual is a permanent part of the product and should remain with the product even if the product is sold.
- Stryker continually seeks advancements in product design and quality. This manual contains the most current product information available at the time of printing. There may be minor discrepancies between your product and this manual. If you have any questions, contact Stryker Customer Service or Technical Support at 1-800-327-0770.

Product description

The Stryker Model 0830 **Surgistool**® is a non-powered operating stool. The Surgistool seat configuration is customizable to the healthcare professional's positioning preference. The device has an adjustable contoured backrest, armrests, and hydraulically controlled seat height. The device also has a three-spindle base with integrated brakes.

Indications for use

The **Surgistool** is a seat intended to support a healthcare professional within a healthcare facility for medical purposes, and particularly during surgical procedures.


Contraindications

None known.

Expected service life

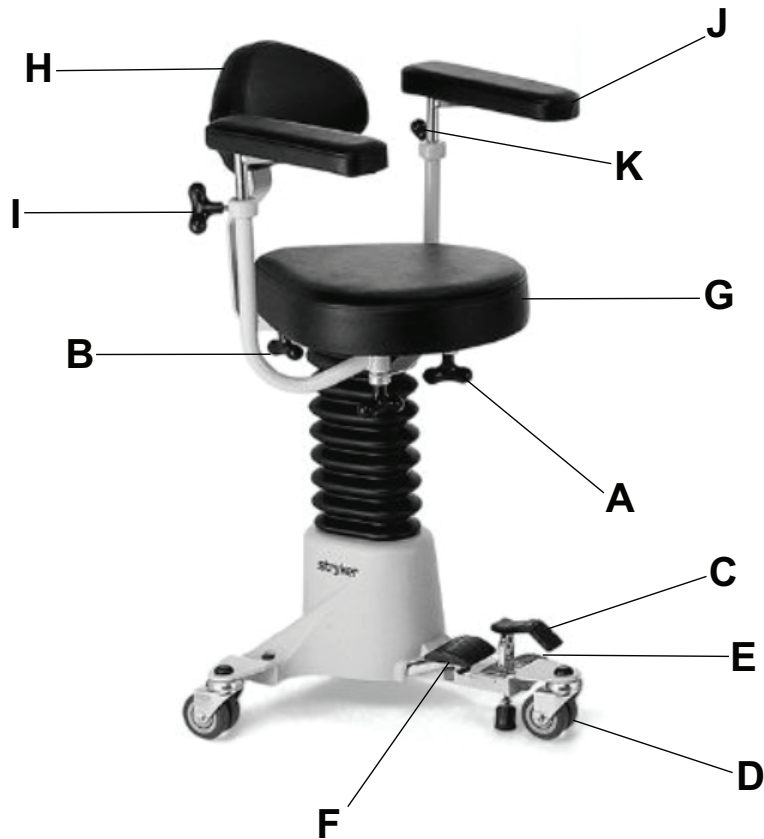
Surgistool has a 10 year expected service life under normal use conditions and with appropriate periodic maintenance.

Specifications

		300 lb	136 kg
Height range	High	28.5 in.	72 cm
	Low	21 in.	53 cm
Height range with riser kit	High	30.5 in.	77 cm
	Low	23 in.	58 cm

Stryker reserves the right to change specifications without notice.

Product illustration



A	Armrest adjustment knob
B	Backrest-to-seat adjustment knob
C	Brake pedal, flip-up
D	Caster, dual-wheeled
E	Pump pedal
F	Release pedal

G	Seat
H	Seat back
I	Seat back adjustment knob
J	Wrist rest
K	Wrist rest adjustment knob

Contact information

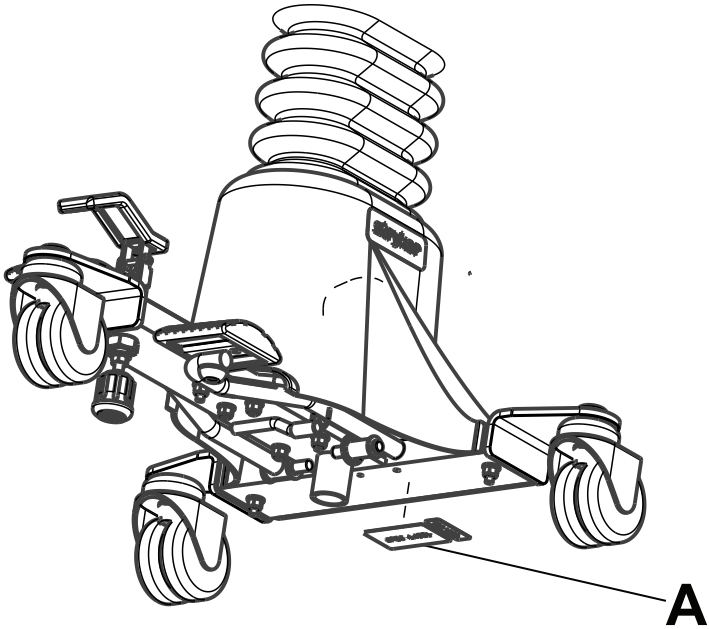
Contact Stryker Customer Service or Technical Support at: 1-800-327-0770.

Stryker Medical
 3800 E. Centre Avenue
 Portage, MI 49002
 USA

To view your operations or maintenance manual online, see <https://techweb.stryker.com/>.

Have the serial number (A) of your Stryker product available when calling Stryker Customer Service or Technical Support. Include the serial number in all written communication.

Serial number location



Operation

Applying and releasing the brake

To apply the brake, push down on the brake pedal (A) (Figure 1). Push on the stool to make sure that the brake locks.

To release the brake, pull up on the brake pedal (A).

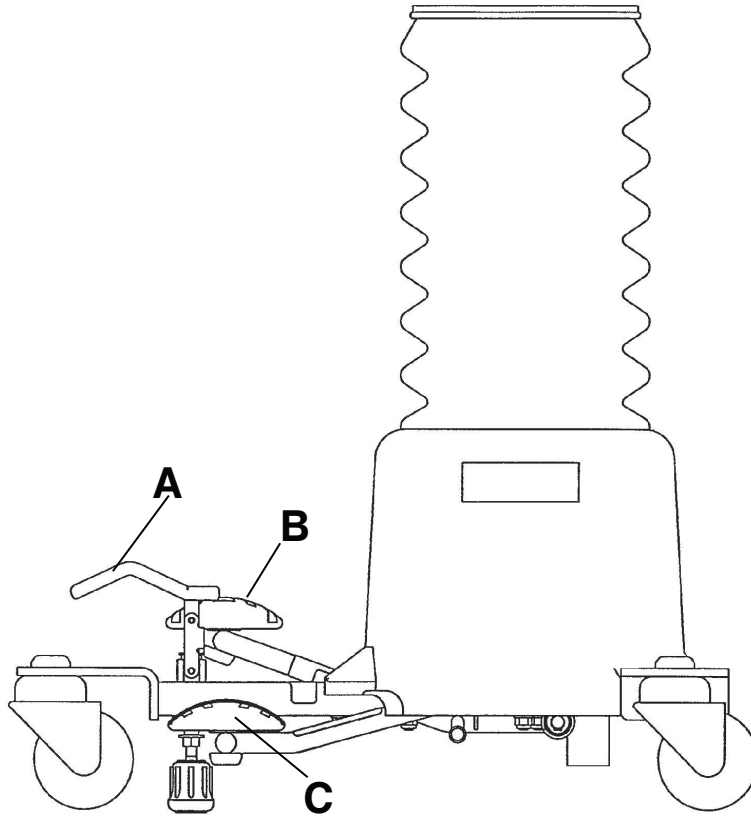


Figure 1 – Applying and releasing the brake

Raising and lowering the seat height

To raise the seat height, pump the pump pedal (B) until the desired height is reached (Figure 1).

To lower the seat height, push down on the release pedal (C) until the desired height is reached.

Adjusting the backrest height

To adjust the height of the backrest:

1. Turn knob (A) counterclockwise (Figure 2).
2. Slide the backrest up or down to the desired height.
3. Turn knob (A) clockwise until the backrest is secure.

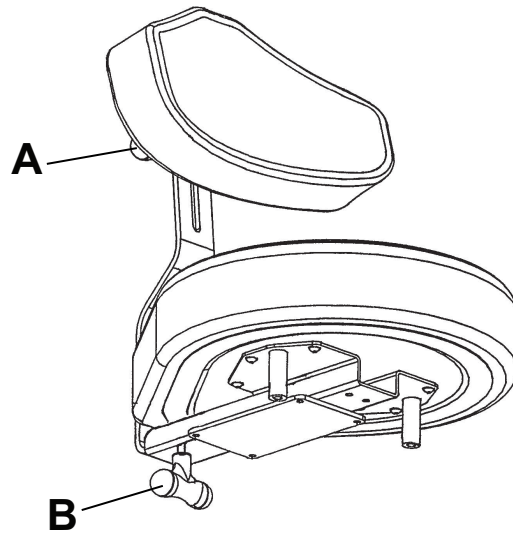


Figure 2 – Adjust the backrest

Adjusting the backrest to seat position

To position the backrest closer to the seat or farther away from the seat:

1. Turn knob (B) counterclockwise (Figure 2).
2. Slide the backrest in or out.
3. Turn knob (B) clockwise until the backrest is secure.

Adjusting the wrist rest height (optional)

To adjust the height of the wrist rests:

1. Turn knob (A) counterclockwise (Figure 3).
2. Raise or lower the wrist rest to the desired height.
3. Turn knob (A) clockwise until the wrist rest is secure.

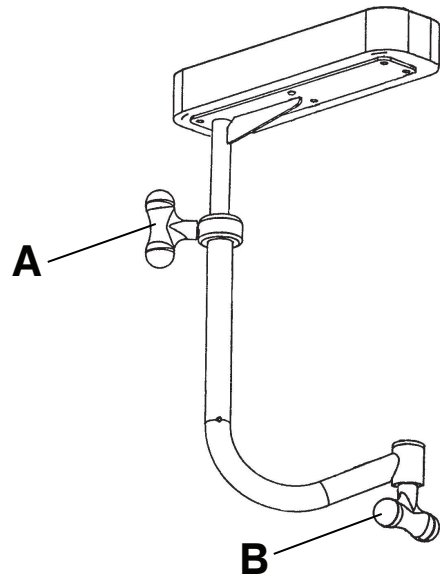


Figure 3 – Adjust the optional wrist rest

Adjusting the wrist rest position (optional)

To pivot the wrist rest assembly:

1. Turn knob (B) counterclockwise (Figure 3).
2. Pivot the wrist rest to the desired position.
3. Turn knob (B) clockwise until the wrist rest is secure.

Accessories and parts

These accessories may be available for use with your product. Confirm availability for your configuration or region. Call Stryker Customer Service: 1-800-327-0770.

Name	Part number
Brake assembly	0830-010-450
Hydraulic jack assembly with control	0830-010-070
Pad, backrest	0830-020-020
Pad, wrist rest	0830-040-010
Pedal, brake	0716-001-275
Pedal, pump and release	0715-001-126
Relief valve, hydraulic jack	0763-020-034
Seat, motorcycle	0763-201-029
Seat, obround pad	0830-030-010
Seat, teardrop pad	0830-020-010
Seat riser kit, 2"	0830-201-028
T-handle, female	0024-045-000
T-handle, male	0024-044-000

Preventive maintenance

Remove the product from service before you perform the preventive maintenance inspection. Check all items listed during annual preventive maintenance for all Stryker Medical products. You may need to perform preventive maintenance checks more often based on your level of product usage. Service only by qualified personnel.

Note - Clean and disinfect the product before inspection.

Inspect the following items:

- _____ All fasteners are secure
- _____ Brake pedal locks and unlocks
- _____ Casters lock when the brake pedal is applied
- _____ Casters secure and swivel
- _____ Wrist rests swivel, raise, and lower
- _____ All adjustment knobs are intact and can be tightened and released
- _____ No rips or cracks in seat, backrest, or wrist rest covers
- _____ No leaks at hydraulic connections
- _____ Hydraulic jack holds its position
- _____ Hydraulic drop rate is correct
- _____ Hydraulic oil level is sufficient
- _____ Lubricate where required

Product serial number:
Completed by:
Date:

Cleaning and disinfecting with wipes

For United States only. Confirm availability for your configuration or region. Call Stryker Customer Service: 1-800-327-0770.

Stryker's preferred wipes (2060-000-001 6" x 10" or 2060-000-002 9" x 12") include the following active ingredients:

- n-Alkyl (60% C14, 30% C16, 5% C12, 5% C18) dimethyl benzyl ammonium chloride - 0.154%
- n-Alkyl (68% C12, 32% C14) dimethyl ethylbenzyl ammonium chloride - 0.154%
- Isopropanol - 21.000%

Non-active ingredient: Ethylene Glycol Monobutyl Ether – < 3%

Note - For safety information, read the product label.

To clean or disinfect the external product surface:

1. To clean, wipe external surfaces with a fresh, clean wipe to remove all visible soils. Repeat as necessary until the product is clean.

Note

- Use as many wipes as necessary.
 - Complete step 1 before you disinfect.
2. To disinfect, wipe external surfaces with a fresh, clean wipe until wet. Allow the external surface to remain wet for two minutes at room temperature.
 3. Allow the product to dry before you return it to service.

Cleaning the product

Note

- Do not steam clean, power wash, hose off, or ultrasonically clean the product. These methods of cleaning are not recommended and may void the product's warranty.
- Always wipe down the product with clean water and dry the product after cleaning. Some cleaning agents are corrosive in nature and may cause damage to the product if you use them improperly. If you do not properly rinse and dry the product, a corrosive residue may be left on the surface of the product that could cause premature corrosion of critical components. Failure to follow these cleaning instructions may void your warranty.

Recommended cleaning method:

1. Follow the cleaning solution manufacturer's dilution recommendations.
2. Follow the cleaning solution manufacturer's instructions for appropriate contact time and rinsing requirements.
3. Hand wash all surfaces of the product with a mild soap and warm water solution to remove foreign material.
4. Rinse and dry the product surfaces.
5. Verify proper operation before you return the product to service.

Disinfecting the product

Note - Always make sure that you wipe down each product with clean water and dry each product after disinfecting. Some disinfecting products are corrosive in nature and may cause damage to the product if you use them improperly. If you do not properly rinse and dry the product, a corrosive residue may be left on the surface of the product that could cause premature corrosion of critical components. Failure to follow these disinfecting instructions may void your warranty.

Recommended disinfectants:

- Quaternaries (active ingredient - ammonium chloride) that contain less than 3% glycol ether
- Phenolic disinfectant (active ingredient - o-phenylphenol)
- Isopropyl alcohol (active ingredient less than or equal to 21%)

Recommended disinfecting method:

1. Follow the disinfectant solution manufacturer's dilution recommendations.
2. Hand wash all surfaces of the product with a disinfectant solution.
3. Avoid oversaturation and make sure the product does not stay wet longer than the chemical manufacturer's guidelines for proper disinfecting.
4. Dry the product.
5. Verify proper operation before you return the product to service.

stryker



Stryker Medical
3800 E. Centre Avenue
Portage, MI 49002
USA