
stryker®

IMPORTANT
File in your
maintenance
records



Trauma Stretcher

Model 1020

MAINTENANCE MANUAL

For Parts or Technical Assistance
1-800-327-0770 (Option 2)

Table of Contents

Introduction	
Specifications	3
Warning / Caution / Note Definition	3
Preventative Maintenance	
Checklist	4
Cleaning	5
Service Information	
Caster Cover Installation and Removal	6
Caster Removal	6
Release Pedal Adjustment	7
Brake Rod Removal	7
Side Control Brake Rod Removal	8
Brake Ring Removal	9
Fifth Wheel Assembly Removal	9
Big Wheel Hubcap Removal	10
Big Wheel Removal	10
Litter Top Removal	11
Big Wheel Carriage Removal	11
Big Wheel Cam Gas Spring Dampener Removal	12
Side Control Big Wheel Linkage Assembly Removal	12
Jack Descent Rate Adjustment	13
Removal of Excess Air from the Hydraulic System	13
Head End Hydraulic Jack Removal	14
Foot End Hydraulic Jack Removal	15, 16
Pneumatic Fowler Adjustment	16
Transfer Board Counterbalance Adjustment	17
Siderail Latch Adjustment	17
Replacement Parts and Kits	18
Assembly Drawings and Parts Lists	
Fifth Wheel Base Assembly	19
Fifth Wheel Assembly	20, 21
Base Assembly with Standard Brakes (Fifth Wheel Base)	22, 23
Brake Rod Assembly	24
Drive Link Assembly	25, 26
Caster Assembly	27
Base Assembly with Four-Sided Brakes	28, 29
Side Control Brake Rod Assembly	30
Brake Rod Assembly	31
Base Assembly with Dual Side Hydraulics (Fifth Wheel Base)	32-34
Release Pedal Assembly	35
Pump Pedal Assembly	36

Table of Contents

Assembly Drawings and Parts Lists

Base Assembly with Three Side Hydraulics (Fifth Wheel Base)	37–39
Release Pedal Assembly	40
Pump Pedal Assembly	41
Base Labeling Assembly	42–44
Big Wheel Base Assembly	45–47
Base Assembly with Standard Brakes (Big Wheel Base)	48, 49
Drive Link Assembly	50
Brake Rod Assembly	51
Base Assembly with Dual Side Hydraulics (Big Wheel Base)	52–54
Release Pedal Assembly	55
Cam Bracket Assembly	56, 57
Big Wheel Carriage Assembly	58
Side Control Big Wheel Base Assembly	59–61
Side Control Big Wheel Carriage Assembly	62, 63
Side Control Big Wheel Linkage Assembly	64
Base Labeling Assembly	65, 66
Variable Descent Hydraulic Jack Option	67
Constant Descent Hydraulic Jack Option	68
Litter Assembly	69–73
Siderail Assembly	74
Litter Support Assembly	75, 76
Manual Fowler Assembly	77, 78
Pneumatic Fowler Assembly	79, 80
Litter Covers	81, 82
Transfer System Assembly	84–88
Push Handle Assembly	89–91
X-Ray Tray Assembly	92–95
X-Ray Grid Holder Assembly	96
Centering Guide Assembly	97
Fowler X-Ray Cassette Assembly	98
Removable I.V. Pole Assembly	99–107
Foot Board	108
O2 Bottle Holder	108
Defibrillator Tray Assembly	109
Foot Extension/Defibrillator Tray Assembly	110
Stirrup Assembly	111–113
C-Spine Cassette Holder Assembly	114–116
O2 Bottle Retainer Assembly	117
Mattresses and Siderail Pads	118, 119
Warranty	
Obtaining Parts and Service	120
Service Contract Coverage	120
Return Authorization	121
Freight Damage Claims	121

Introduction

INTRODUCTION

This manual is designed to assist you with the maintenance of the Model 1020 Full–Length X–Ray Emergency Room Stretcher. Read it thoroughly before using the equipment or beginning any maintenance on it.

SPECIFICATIONS

Maximum Weight Capacity	500 pounds
Overall Bed Length/Width	83" / 31.5"
Minimum/Maximum Bed Height	21.5" / 36"
Fowler Angle	0 to 90 degrees
Trendelenburg/Reverse Trendelenburg	–18° to +18 °

Stryker reserves the right to change specifications without notice.

WARNING / CAUTION / NOTE DEFINITION

The words WARNING, CAUTION and NOTE carry special meanings and should be carefully reviewed.

WARNING

The personal safety of the patient or user may be involved. Disregarding this information could result in injury to the patient or user.

CAUTION

These instructions point out special procedures or precautions that must be followed to avoid damaging the equipment.

NOTE

This provides special information to make maintenance easier or important instructions clearer.

Preventative Maintenance

CHECKLIST

- _____ All fasteners secure
- _____ Siderails move and latch properly
- _____ Engage brake pedal and push on the stretcher to ensure all casters lock securely
- _____ Steer function working properly
- _____ All casters secure and swivel properly
- _____ Body restraints working properly
- _____ I.V. pole intact and operating properly
- _____ Oxygen bottle holder intact and operating properly
- _____ Fowler operates and latches properly
- _____ Trendelenburg/Reverse Trendelenburg operating properly
- _____ No rips or cracks in mattress cover
- _____ Transfer boards intact and operating properly
- _____ Arm board support levers intact and operating properly
- _____ Ground chain intact
- _____ No leaks at hydraulic connections
- _____ Hydraulic jacks holding properly
- _____ Hydraulic drop rate set properly
- _____ Hydraulic oil level sufficient
- _____ Lubricate where required
- _____ X-Ray tray slide tracks cleaned of dust and debris
- _____ Accessories and mounting hardware in good condition and working properly

Serial No. _____

Completed By: _____

Date: _____

NOTE

Preventative maintenance should be performed at a minimum of annually. A preventative maintenance program should be established for all Stryker Medical equipment. Preventative maintenance may need to be performed more frequently based on the usage level of the product.

Cleaning

Hand wash all surfaces of the stretcher with warm water and mild detergent. Dry thoroughly. **DO NOT STEAM CLEAN, PRESSURE WASH, HOSE OFF OR ULTRASONICALLY CLEAN.** Using these methods of cleaning is **not** recommended and may void this product's warranty.

Clean Velcro **AFTER EACH USE**. Saturate Velcro with disinfectant and allow disinfectant to evaporate. (Appropriate disinfectant for nylon Velcro should be determined by the hospital.)

In general, when used in those concentrations recommended by the manufacturer, either phenolic type or quaternary type disinfectants can be used. Iodophor type disinfectants are not recommended for use because staining may result. The following products have been tested and have been found not to have a harmful effect **WHEN USED IN ACCORDANCE WITH MANUFACTURERS RECOMMENDED DILUTION.***

TRADE NAME	DISINFECTANT TYPE	MANUFACTURER	*MANUFACTURER'S RECOMMENDED DILUTION
A33	Quaternary	Airwick (Professional Products Division)	2 ounces/gallon
A33 (dry)	Quaternary	Airwick (Professional Products Division)	1/2 ounce/gallon
Beaucoup	Phenolic	Huntington Laboratories	1 ounce/gallon
Blue Chip	Quaternary	S.C. Johnson	2 ounces/gallon
Elimstaph	Quaternary	Walter G. Legge	1 ounce/gallon
Franklin Phenomysan F2500	Phenolic	Purex Corporation	1 1/4 ounce/gallon
Franklin Sentinel	Quaternary	Purex Corporation	2 ounces/gallon
Galahad	Phenolic	Puritan Churchill Chemical Company	1 ounce/gallon
Hi-Tor	Quaternary	Huntington Laboratories	1/2 ounce/gallon
LPH	Phenolic	Vestal Laboratories	1/2 ounce/gallon
Matar	Phenolic	Huntington Laboratories	1/2 ounce/gallon
Omega	Quaternary	Airwick (Professional Products Division)	1/2 ounce/gallon
Quanto	Quaternary	Huntington Laboratories	1 ounce/gallon
Sanikleen	Quaternary	West Chemical Products	2 ounces/ gallon
Sanimaster II	Quaternary	Service Master	1 ounce/gallon
Vesphene	Phenolic	Vestal Laboratories	1 1/4 ounce/ gallon

Quaternary Germicidal Disinfectants, used as directed, and/or Chlorine Bleach products, typically 5.25% Sodium Hypochlorite in **dilutions ranging between 1 part bleach to 100 parts water, and 2 parts bleach to 100 parts water are not considered mild detergents. These products are corrosive in nature and may cause damage to your stretcher if used improperly.** If these types of products are used to clean Stryker patient handling equipment, measures must be taken to insure the stretchers are rinsed with clean water and thoroughly dried following cleaning. Failure to properly rinse and dry the stretchers will leave a corrosive residue on the surface of the stretcher, possibly causing premature corrosion of critical components.

NOTE

Failure to follow the above directions when using these types of cleaners may void this product's warranty.

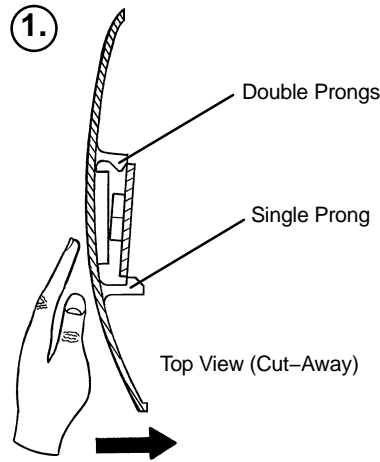
REMOVAL OF IODINE COMPOUNDS

This solution may be used to remove iodine stains from mattress cover surfaces.

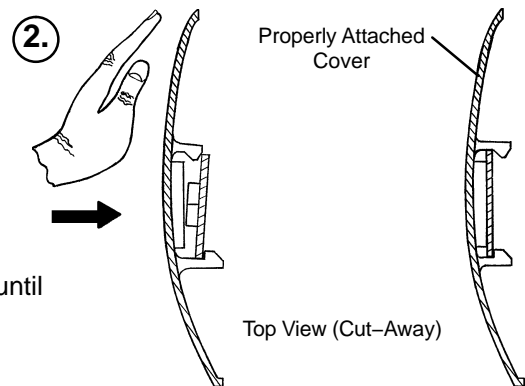
1. Use a solution of 1–2 tablespoons Sodium Thiosulfate in a pint of warm water to clean the stained area. Clean as soon as possible after staining occurs. If stains are not immediately removed, allow solution to soak or stand on the surface.
2. Rinse surfaces which have been exposed to the solution in clear water before returning bed to service.

Service Information

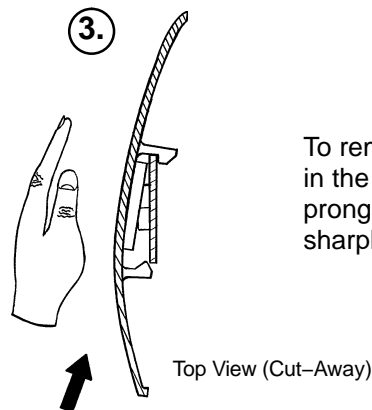
CASTER COVER INSTALLATION AND REMOVAL



Looking through the larger of the two side cut-outs, align the cover with the axle nut or bolt head, as shown. Push down on the opposite side of the cover until the single prong engages the caster horn.



Push on the cover with your palm until the double prongs engage.



To remove the wheel cover, insert a large screwdriver into the cut-out in the side of the wheel cover and into the space between the double prongs. Pry up the cover to disengage the double prongs and push sharply upward to disengage the single prong.

CASTER REMOVAL

Required Tools:

9/16" Open End Wrench

1. Remove the caster cover.
2. While keeping pressure on the caster bolt with your index finger, use a 9/16" open end wrench to remove the nylock hex nut on top of the caster assembly.
3. Using the brake ring, lift up on the base assembly and pull the caster assembly down to remove it.
4. Reverse steps 1-3 to install the new caster.

Service Information

RELEASE PEDAL ADJUSTMENT

1. Manually disengage the release pedal swivel (item K on page 33) from the release pedal assembly.
2. To increase the release rod engagement with the release valve, turn the release pedal swivel clockwise on the threaded release rod.
3. To decrease the release rod engagement with the release valve, turn the release pedal swivel counter-clockwise on the threaded release rod.

NOTE

If the pedal swivel assembly is threaded too far onto the release rod, the release valve will be partially activated and the jack will drift.

BRAKE ROD REMOVAL

Required Tools:

Hammer

7/32" Punch

String or Bungee Cords

Fifth Wheel Base

1. Pump the litter up to full height.
2. Lift the base hood and support it from the litter using string or bungee cords.
3. Remove the hex head cap screws connecting the brake rod supports to the base frame.
4. Remove the bolt connecting the drive link assembly to the fifth wheel cam.
5. Remove the rue ring cotter and clevis pin connecting the rod end link to the side control link.
6. Remove the rue ring cotter connecting the drive link assembly to the bearing pivot support on the base frame (under the brake ring weldment).
7. Remove the three hex washer head screws holding the brake rod assembly to the base frame.
8. Remove the slotted spring pins connecting the butterfly "V" pedals, drive link assemblies and side control link to the brake rod.
9. Reverse steps 1–8 to reinstall the brake rod. When reinstalling the brake rod supports, torque the hex head cap screws to 12–15 ft.-lbs.

CAUTION

When reattaching the brake rod assembly to the base frame, set the torque specs **no higher** than 15 ft.-lbs. or damage could occur to the bolts.

Big Wheel Base

1. Pump the litter up to full height.
2. Lift the base hood and support it from the litter using string or bungee cords.
3. With the brake/steer pedal in the steer position, remove the clevis pin and rue ring cotter connecting the brake rod to the brake rod drive link at each end of the stretcher.
4. Remove the two clevis pins and rue ring cotters connecting the brake rods to the drive arm at the center of the base near the cam bracket assembly.
5. Pull on the butterfly "V" pedals to remove the brake rods from the base.
6. Reverse steps 1–5 to reinstall the brake rod.

Service Information

SIDE CONTROL BRAKE ROD REMOVAL

Required Tools:

Hammer 7/32" Punch Needle Nose Pliers String or Bungee Cords

Fifth Wheel Base

1. Pump the litter up to full height.
2. Lift the base hood and support it from the litter using string or bungee cords.
3. Remove the rue ring cotter and clevis pin connecting the rod end link to the side control link.
4. Remove the four bolts holding the brake rod assembly to the base frame and remove the entire assembly.
5. Using a hammer and 7/32" punch, drive the slotted spring pin out of the butterfly "V" pedal on the patient's left side and remove the pedal,
6. Using a hammer and 7/32" punch, drive the slotted spring pin out of the hard stop in the center of the support weldment.
7. Using a hammer and 7/32" punch, drive out the slotted spring pin connecting the side control link to the side control brake rod on the patient's right side.
8. Pull on the butterfly "V" pedal on the patient's right side to remove the side control brake rod from the base.
9. Reverse steps 1–8 to reinstall the brake rod. When reinstalling the assembly, torque the hex head cap screws to 12–15 ft.–lbs.

CAUTION

When reattaching the brake rod assembly to the base frame, set the torque specs **no higher** than 15 ft.–lbs. or damage could occur to the bolts.

Big Wheel Base

1. Pump the litter up to full height.
2. Lift the base hood and support it from the litter using string or bungee cords.
3. Using a hammer and 7/32" punch, drive the groove pin out of the butterfly "V" pedal on the patient's left side and remove the pedal.
4. Using a hammer and 7/32" punch, drive out the groove pin connecting the side control link to the side control brake rod.
5. Pull on the butterfly "V" pedal on the patient's right side to remove the side control brake rod from the base.
6. Reverse steps 1–5 to reinstall the brake rod.

Service Information

BRAKE RING REMOVAL

Required Tools:

9/16" Socket w/Extension 3/8" Drive Ratchet Needle–Nose Pliers String or Bungee Cord

1. Pump the litter up to full height.
2. Lift the base hood and support it from the litter using string or bungee cords.
3. Using needle–nose pliers, unhook the extension springs from the top of the base caster tubes.
4. Remove the plastic caster covers.
5. While putting pressure on the caster carriage bolt, use a 9/16" socket and a 3/8" drive ratchet to remove the caster nut on both sides of the stretcher.
6. Remove the casters.
7. Remove the brake rod (see procedure).
8. Remove the cotter pin from the clevis pin in the center of the brake ring weldment.
9. Remove the cotter pin from the bearing pivot support.
10. Remove the 3/4" nylock hex nut from the bearing pivot support.
11. Remove the drive link assembly.
12. Pull the brake ring down and out away from the stretcher base frame.
13. Reverse steps 1–12 to reinstall the brake ring.

FIFTH WHEEL ASSEMBLY REMOVAL

Required Tools:

1/2" Socket 3/8" Drive Ratchet

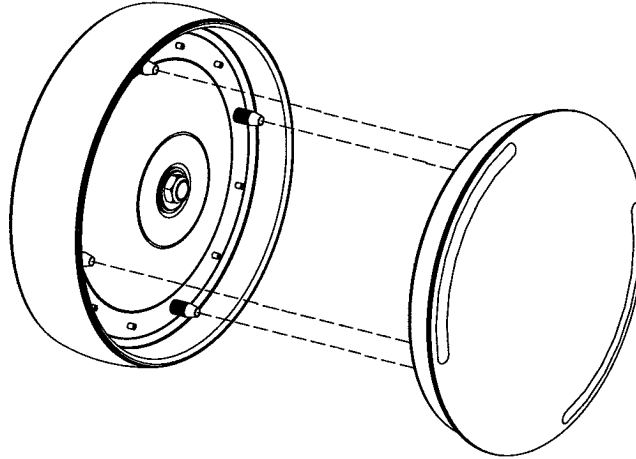
1. Using a 1/2" socket and 3/8" drive ratchet, remove the 1/2" bolt holding the fifth wheel cam drive link and fifth wheel drive link to the fifth wheel cam.
2. Remove the two 1/2" bolts holding the fifth wheel mounting bracket to the base frame weldment.
3. Remove the fifth wheel assembly.
4. Reverse steps 1 and 2 to reinstall the fifth wheel.

Service Information

BIG WHEEL HUBCAP REMOVAL

Required Tools:

Large Standard Screwdriver



1. Using a large standard screwdriver, pry evenly around the entire edge of the Big Wheel hubcap until it pops off the mounting studs on the wheel.

CAUTION

Do not attempt to pull off the hubcap after prying up only one side. Damage to the slots on the hubcap or the mounting studs on the wheel could result.

2. To reinstall the hubcap, place it on the wheel, aligning the slots in the hubcap with the mounting studs on the wheel. Press down evenly on the edges of the hubcap until it snaps into place.

BIG WHEEL REMOVAL

Required Tools:

Large Standard Screwdriver

Small Standard Screwdriver

String or Bungee Cords

1. Lift the base hood and separate the Velcro holding it to the base frame. Support the hood from the litter using bungee cords so it is out of the way.
2. Using a large, standard screwdriver, pop off the big wheel cover.
3. Using a small, standard screwdriver, remove the spiral retaining ring from the groove on the Big Wheel axle.
4. Remove the Big Wheel.
5. Reverse steps 1–4 to reinstall the Big Wheel.

Service Information

LITTER TOP REMOVAL

Required Tools:

1/2" Socket w/Extension 3/8" Drive Ratchet Standard Screwdriver

1. Using the foot pedal, pump up the litter top to full height.
2. Remove the stretcher mattress
3. Remove the round, black hole plugs from the jack supports at each end of the litter to expose the jack support tube truss head screws.
4. Using a 1/2" socket, and a 3/8" drive ratchet, remove the truss head screws holding the jack support tubes to the jack shafts.
5. Thread a 7/16–20 fine thread bolt far enough into the top of the jack supports to separate the litter top from the jack shaft.
6. With the assistance of another person, lift the litter straight up to remove it from the jack shafts and set it aside.

BIG WHEEL CARRIAGE ASSEMBLY REMOVAL

Required Tools:

1/2" Socket 3/8" Drive Ratchet Needle–Nose Pliers

1. Remove the litter top from the stretcher (see above).
2. Lift the base hood off the base frame.
3. With the brake/steer pedal in the steer position, remove the clevis pin and rue ring cotter connecting the brake rod to the brake rod drive link at each end of the stretcher.
4. Remove the two hex washer head screws holding the adjustment cam bracket to the cam bracket housing on the patient left side of the base frame. One screw threads through the side of the bracket, the other from the top.
5. Remove the two clevis pins and rue ring cotters connecting the brake rods to the drive arm at the center of the base near the cam bracket assembly.
6. Pull the brake shafts straight out away from the base.

NOTE

On a base with 4–sided brakes, remove the rue ring cotter and clevis pin connecting the side control big wheel linkage assembly to the yoke weldment on the end control brake pad at the foot end of the stretcher.

7. Remove the two hex washer head screws holding the carriage weldment to the base frame and remove the carriage assembly.
8. Reverse steps 1–7 to reinstall the carriage assembly.

Service Information

HEAD END HYDRAULIC JACK REMOVAL

Required Tools: 1/2" Socket w/Extension 3/8" Drive Ratchet

1. Remove the litter top from the stretcher (see page 11).
2. Using a 1/2" socket with extension and a 3/8" drive ratchet, remove the two hex head screws holding the jack base to the stretcher base frame.
3. Remove the two hex head screws holding the jack reservoir clamp to the base frame and remove the clamps.
4. Lift straight up on the pump connecting rod and disconnect the pump piston from the connecting rod.
5. Disconnect the pump pedal swivel from the release pedal mounting plate.
6. Remove the head end release rod from the release valve assembly.
7. Using a 1/2" socket with extension and a 3/8" drive ratchet, remove the two hex head screws holding the jack base to the stretcher base frame.
8. Lift out the jack assembly.
9. To reinstall the jack, install the bolts on the jack and reservoir clamp but do not tighten them fully.
10. Reinstall the pump connecting rod and release rod.
11. Depress the pump pedal fully (to the floor). This will properly locate the jack onto the base frame.
12. Tighten the bolts on the jack and reservoir clamp.
13. Pump up the litter and apply weight to verify the jacks hold and do not drift.

NOTE

The jack descent rate is preset at the factory and adjustment is not recommended.

Service Information

TRANSFER BOARD COUNTERBALANCE ADJUSTMENT

Required Tools:

7/16 Open End Wrench

1. Raise the transfer board to the full up position.
2. Unhook the extension spring at the eye bolt.
3. Using a 7/16 open end wrench, loosen the jam nut at the eye bolt.
4. Adjust the eye bolt to the desired position.
5. Tighten the jam nut.
6. Hook the extension spring to the eye bolt.
7. Allow the transfer board to lower on its own.
8. Repeat steps 1–7 until the desired counterbalance is achieved.

FOLDDOWN SIDERAIL LATCH ADJUSTMENT

Required Tools:

1/8" Hex Allen Wrench

WARNING

The siderail latches are preset at the factory, and do not normally need adjustment. If adjustment must be done, it is important to follow the procedure below. If adjustment is not done properly, injury to the patient or user could result.

1. Using a 1/8" hex Allen wrench, adjust the hex Allen screw located on the latch assembly opposite the latch. Turning the screw clockwise will **DECREASE** the amount of "play" in the latching mechanism. Turning counterclockwise will **INCREASE** the amount.

NOTE

The amount of "play" in the siderail, when in full up engaged position, should be approximately 1/8 to 3/16 inches.

CAUTION

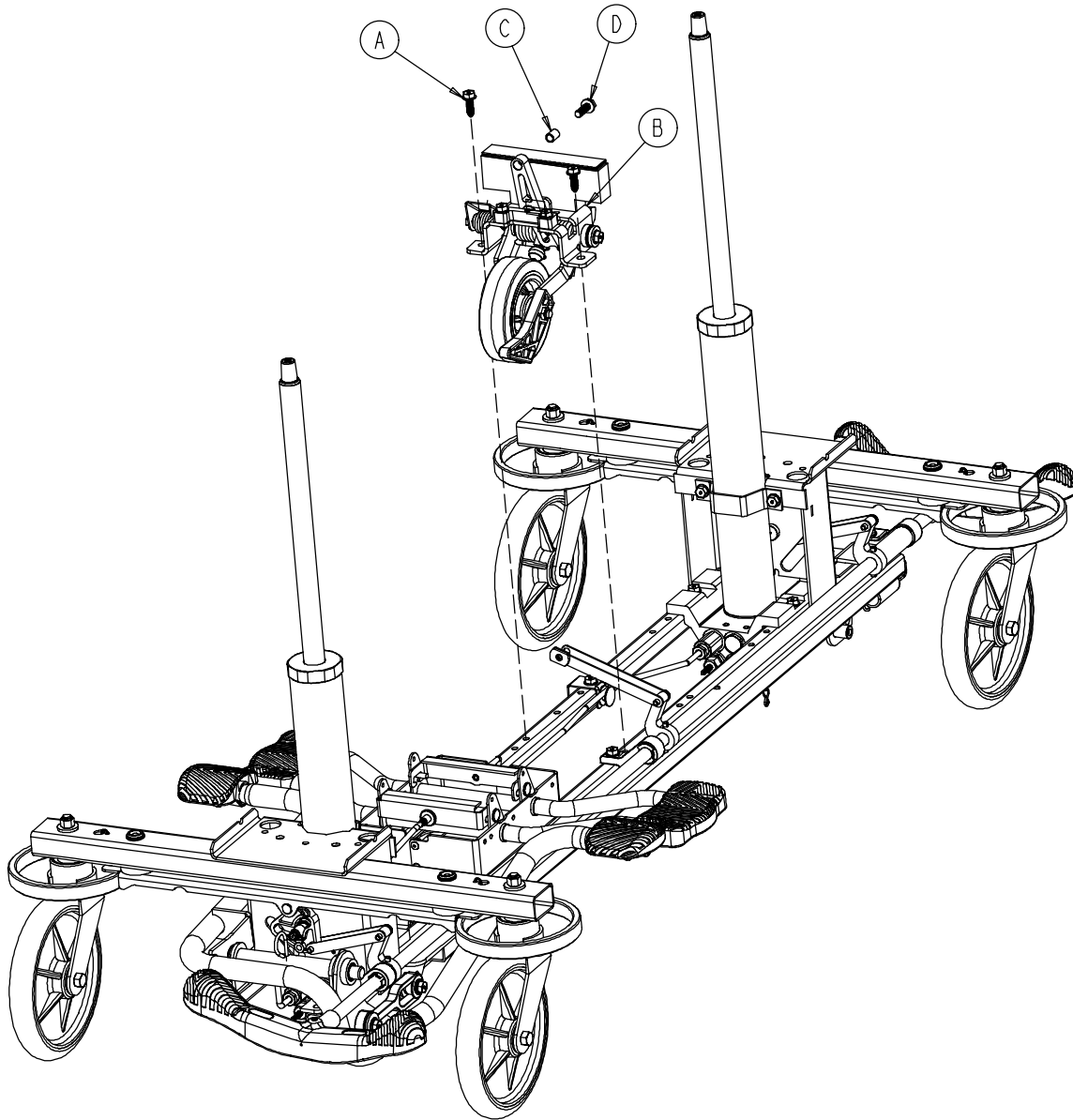
Too much "play" when the siderail is in the full up engaged position will give the siderail the appearance of being unstable and could also cause premature wearing of the latch system.

Too little "play" will obstruct the latch and keep it from engaging completely in the full up position, which may result in damage to the latch and/or injury to the patient or user.

Replacement Parts and Kits

<u>PART NAME</u>	<u>PART NUMBER</u>
Caster Cover Kit	1010-056-100
Centering Label, X-Ray Tray	1020-019-005
Full-Length X-Ray Tray, Left Side Load	1020-021-010
Full-Length X-Ray Tray, Right Side Load	1020-022-010
Foot Board/Chartholder	0741-034-100
Head/Foot Board	0741-029-100
Hydraulic Jack, Constant Descent	0753-002-001
Hydraulic Jack, Variable Descent	0753-002-070
Instrument/Serving Tray	1052-129-000
I.V. Caddy	1050-001-100
I.V. Pole, 2-Stage, Permanent, Foot End	1010-080-100
I.V. Pole, 2-Stage, Permanent, Head End	1010-081-100
I.V. Pole, 3-Stage, Permanent, Head End	1020-061-000
I.V. Pole, 3-Stage, Permanent, Foot End	1020-062-000
I.V. Pole, Tethered	1010-022-100
I.V. Pole, Standard, Removable	0390-025-000
Mattress, 3" Standard	1059-326-140
Mattress, 4" Standard	1059-426-140
Mattress, 3" Enhanced Comfort	1001-048-106
Mattress, 4" Enhanced Comfort	1001-047-106
Mattress, 4" Ultra Comfort	1210-040-000
Mattress, 5" Ultra Comfort	1210-050-000
Oxygen Bottle Holder	1020-030-000
Paint, Touch-Up, Gloss Black, Bottle w/Brush	7000-001-322
Paint, Touch-Up, Gloss Black, Spray Can	7000-001-319
Paint, Touch-Up, Gray, Bottle w/Brush	7000-001-320
Paint, Touch-Up, Gray, Spray Can	7000-001-317
Push Handles, Foot End	1020-051-000
Push Handles, Head End	1020-151-000
Restraint Strap, Ankle	0946-043-100
Restraint Strap, Body	0390-019-000
Restraint Strap, Chest	1010-058-000
Restraint Strap, Wrist	0946-044-100
Restraint Straps, Full Patient Security Package	1010-077-000
Siderail Pads	1010-052-000
X-Ray Grid Holder	1020-027-000

0753-006-110 Retractable Fifth Wheel Base Assembly



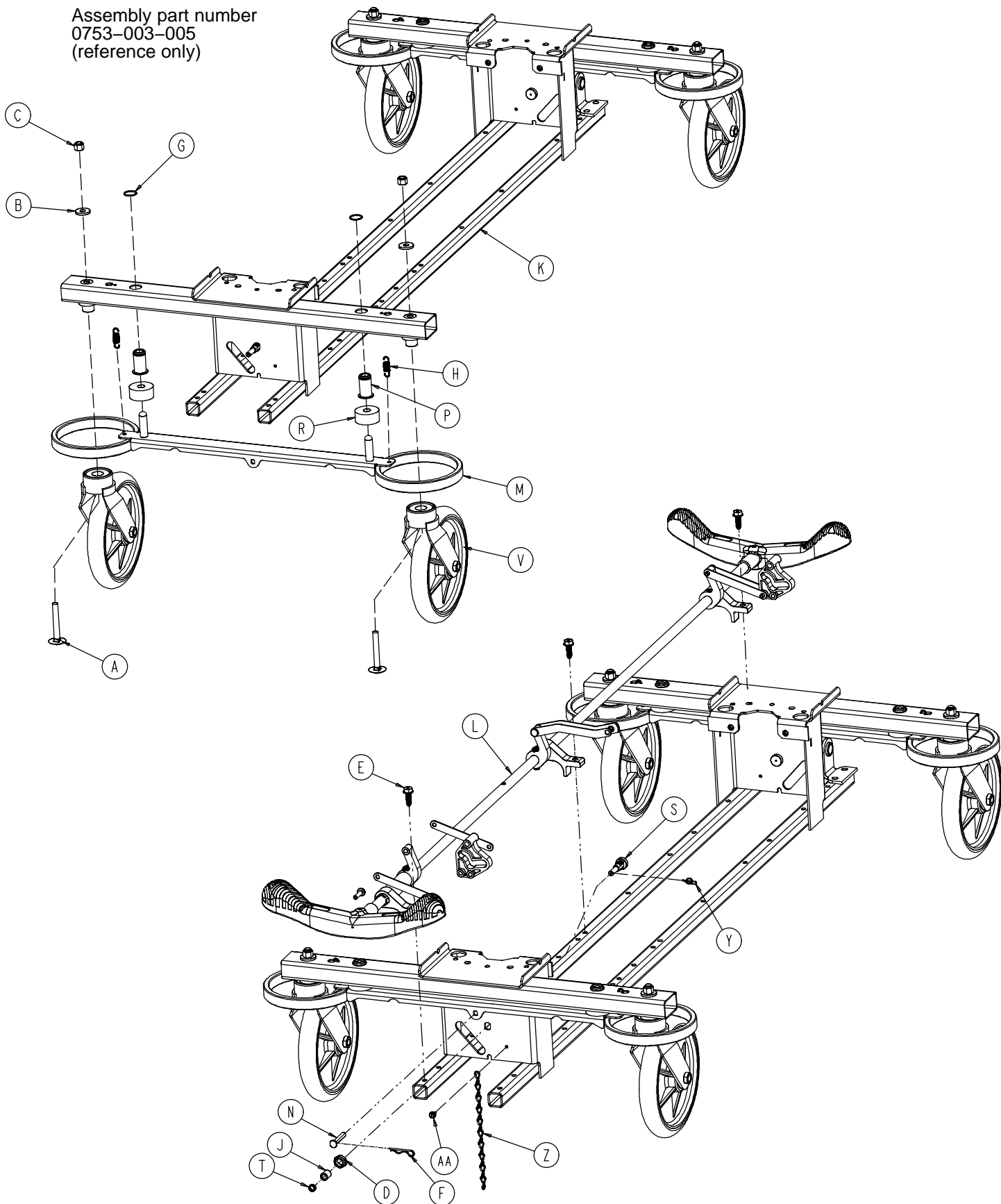
Item	Part No.	Part Name	Qty.
A	0023-288-000	Hex Washer Hd. Screw	2
B	(page 20)	Fifth Wheel Assembly	1
C	0753-006-148	Cam Bearing	1
D	0023-305-000	Hex Hd. Cap Screw	1

0753-006-130 Fifth Wheel Assembly

Item	Part No.	Part Name	Qty.
A	0003-083-000	Hex Hd. Cap Screw	1
B	0016-035-000	Nylock Hex Nut	1
C	0023-288-000	Hex Washer Hd. Screw	5
D	0025-050-000	Rivet	2
F	0753-006-074	Torsion Spring	1
G	0753-006-075	Torsion Spring	1
H	0753-006-097	Drive Shaft Bearing	2
J	0753-006-106	Dampener	1
K	0753-006-108	Thrust Washer	1
L	0753-006-115	Bearing	2
M	0753-006-120	Bumper Mounting Pin	1
N	0753-006-126	Wheel Bracket	1
P	0753-006-133	Cam Pivot Block	1
R	0753-006-134	Fifth Wheel Mounting Bracket	1
S	0753-006-142	Fifth Wheel Cam	1
T	0753-006-143	Cam Bearing	1
V	0753-006-149	5th Wheel Ramp	1
W	0753-006-152	Spring Spacer	1
X	0753-006-153	Roller Stem	1
Z	0753-006-198	Drive Pin	1
AA	0753-006-223	Drive Shaft	1
AB	0753-006-227	Return Spring Hook	1
AC	0753-006-277	Roller	1
AD	0753-010-045	Hood Standoff	1
AE	1210-001-147	Wheel	1
AG	0753-006-280	Dual Lock	1
AH	0753-006-281	Dual Lock	1
AJ	0011-360-000	Washer	2

Base Assembly w/Standard Brakes (Fifth Wheel Base)

Assembly part number
0753-003-005
(reference only)

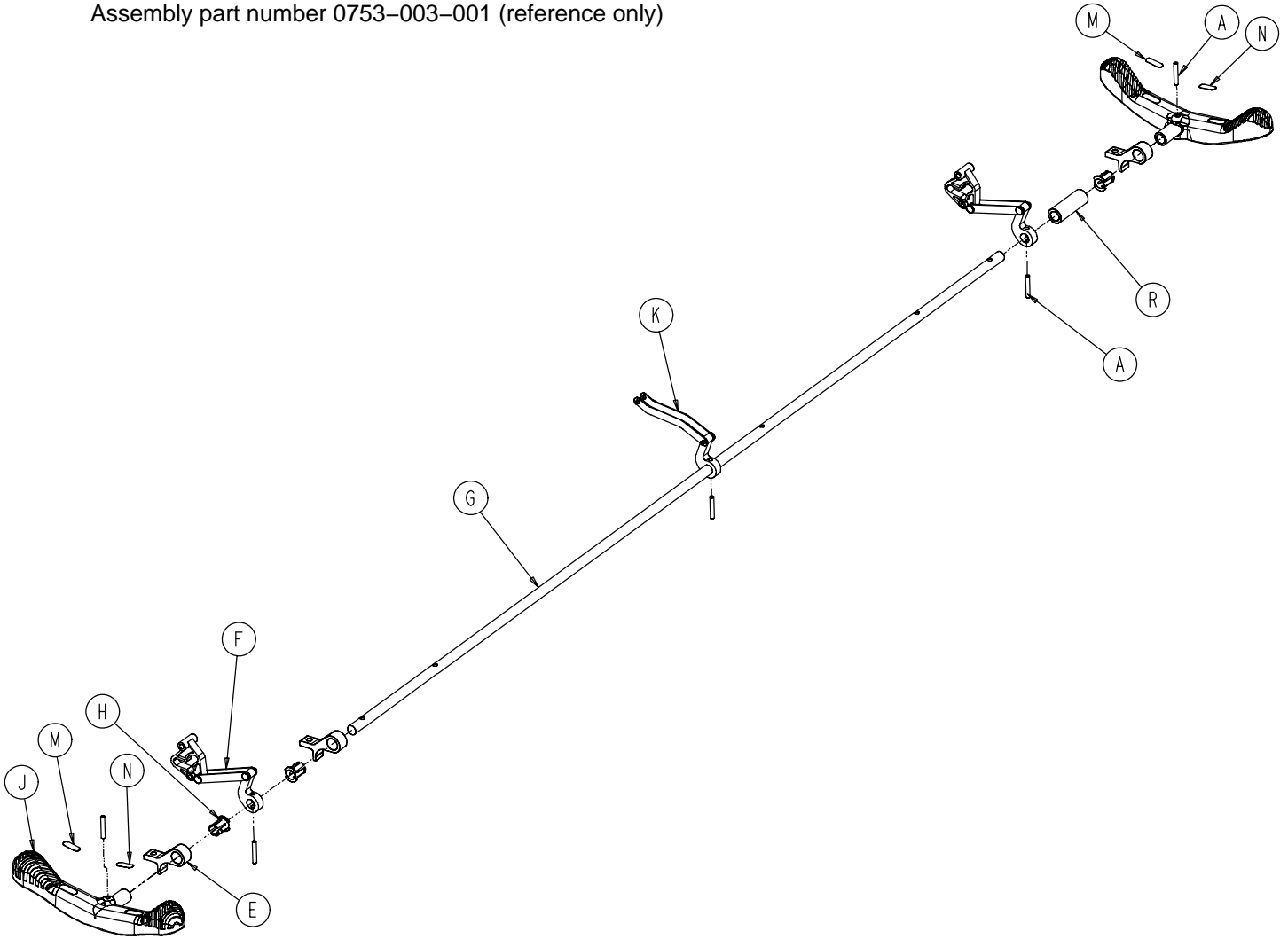


Base Assembly w/Standard Brakes (Fifth Wheel Base)

Item	Part No.	Part Name	Qty.
A	0005-039-000	Step Bolt	4
B	0011-262-000	Washer	4
C	0016-035-000	Nylock Hex Nut	4
D	0016-049-000	Nylock Hex Nut	2
E	0023-288-000	Hex Washer Hd. Screw	3
F	0027-012-000	Hitch Pin	2
G	0028-037-000	External Retaining Ring	4
H	0038-439-000	Extension Spring	4
J	0081-272-000	Roller Bearing	2
K	0753-001-001	Base Frame	1
L	(page 24)	Brake Rod Assembly	1
M	0753-003-006	Brake Ring	2
N	0753-003-066	Clevis Pin	2
P	0753-003-079	Caster Tube Brake Pin Guide	4
R	0753-003-121	Brake Cushion	4
S	0753-003-130	Bearing Pivot Support	2
T	0753-003-131	Spacer	2
V	(page 27)	Caster Assembly	4
Y	0027-019-000	Rue Ring Cotter Pin	2
Z	0753-010-012	Ground Chain	1
AA	0023-025-000	H. Washer Hd. Tapping Screw	1

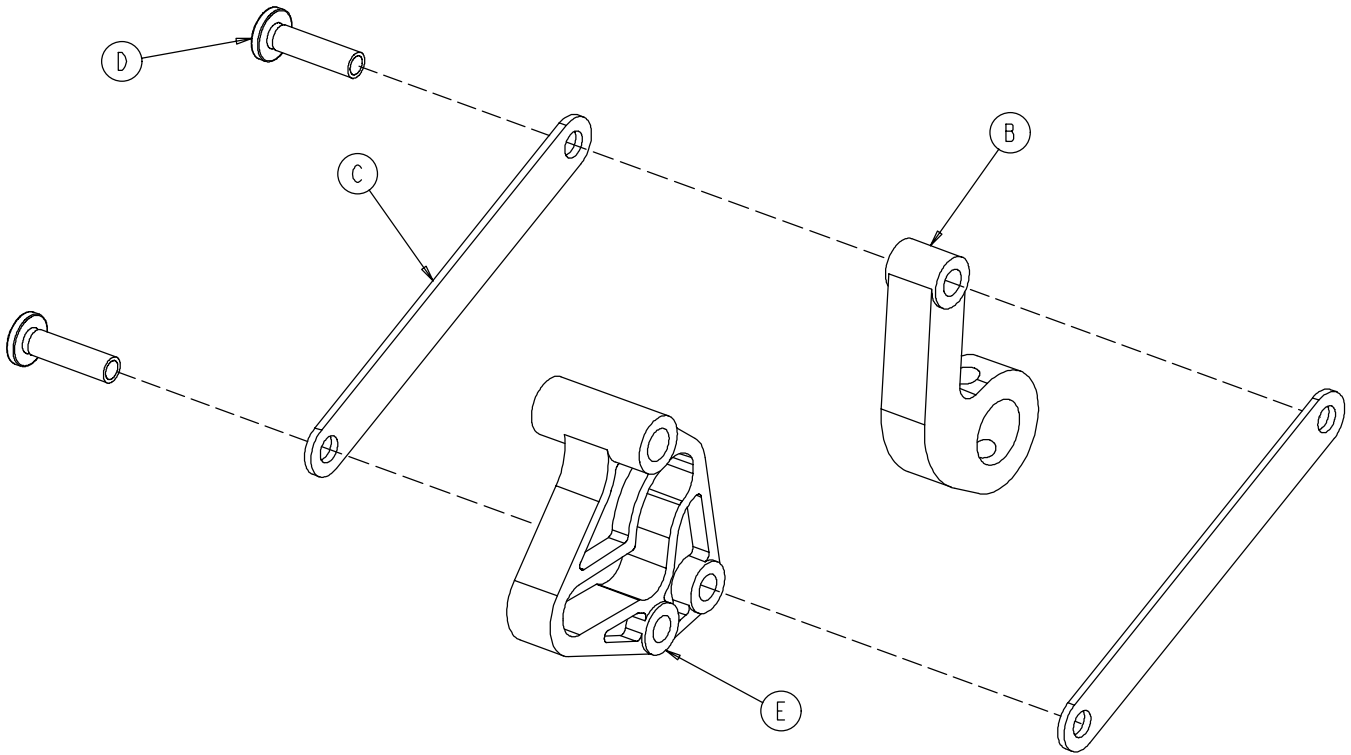
Brake Rod Assembly

Assembly part number 0753-003-001 (reference only)



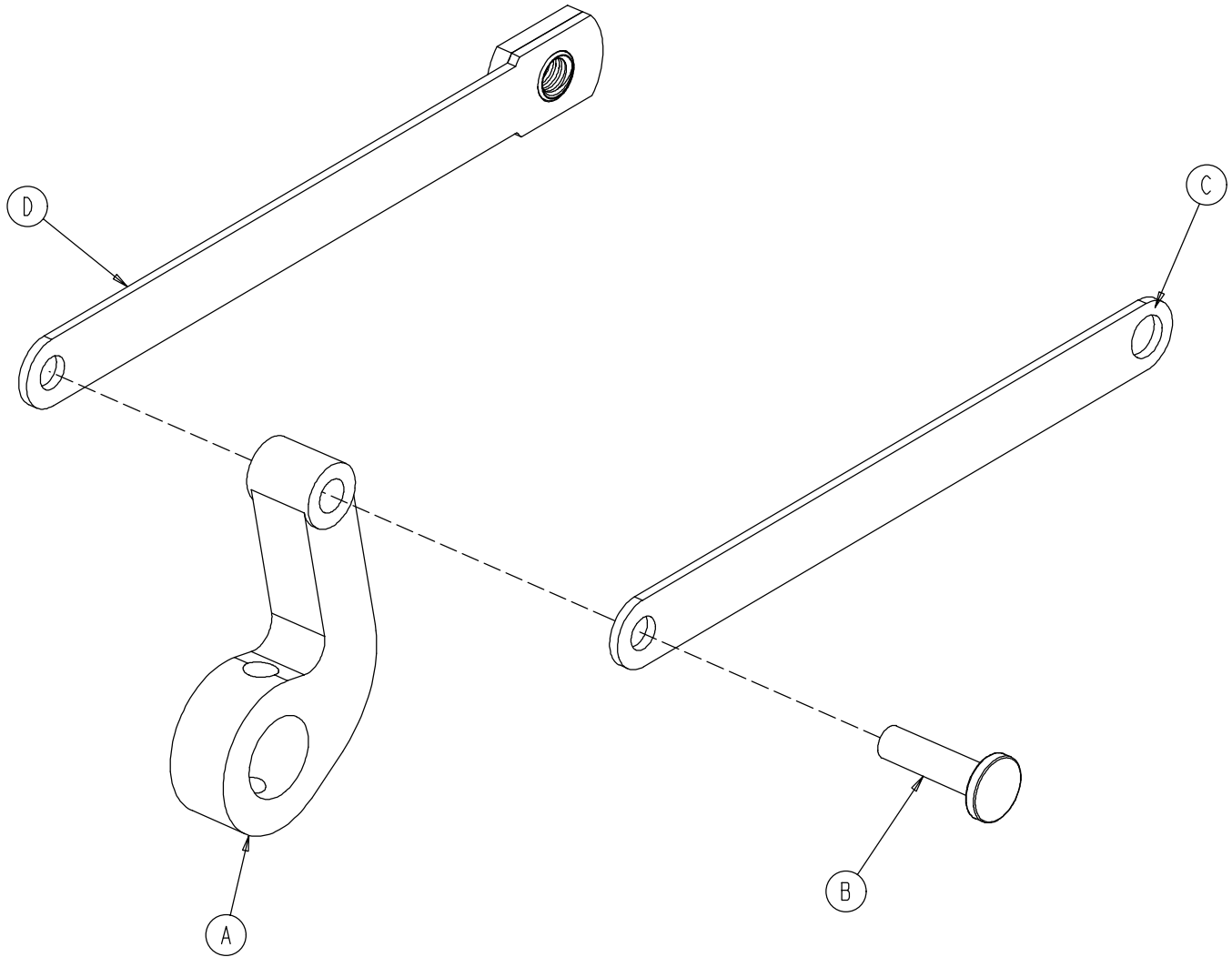
Item	Part No.	Part Name	Qty.
A	0026-067-000	Slotted Spring Pin	2
E	0753-003-004	Brake Rod Support	3
F	(page 25)	Drive Link Assembly	2
G	0753-003-014	Brake Rod	1
H	0753-003-015	Nyliner	3
J	0753-003-099	Butterfly "V" Pedal	2
K	(page 26)	Drive Link Assembly	1
M	1210-201-335	Red Brake Label	2
N	1210-201-336	Green Steer Label	2
R	0753-003-133	Retainment Spacer	1

0753-003-010 Drive Link Assembly



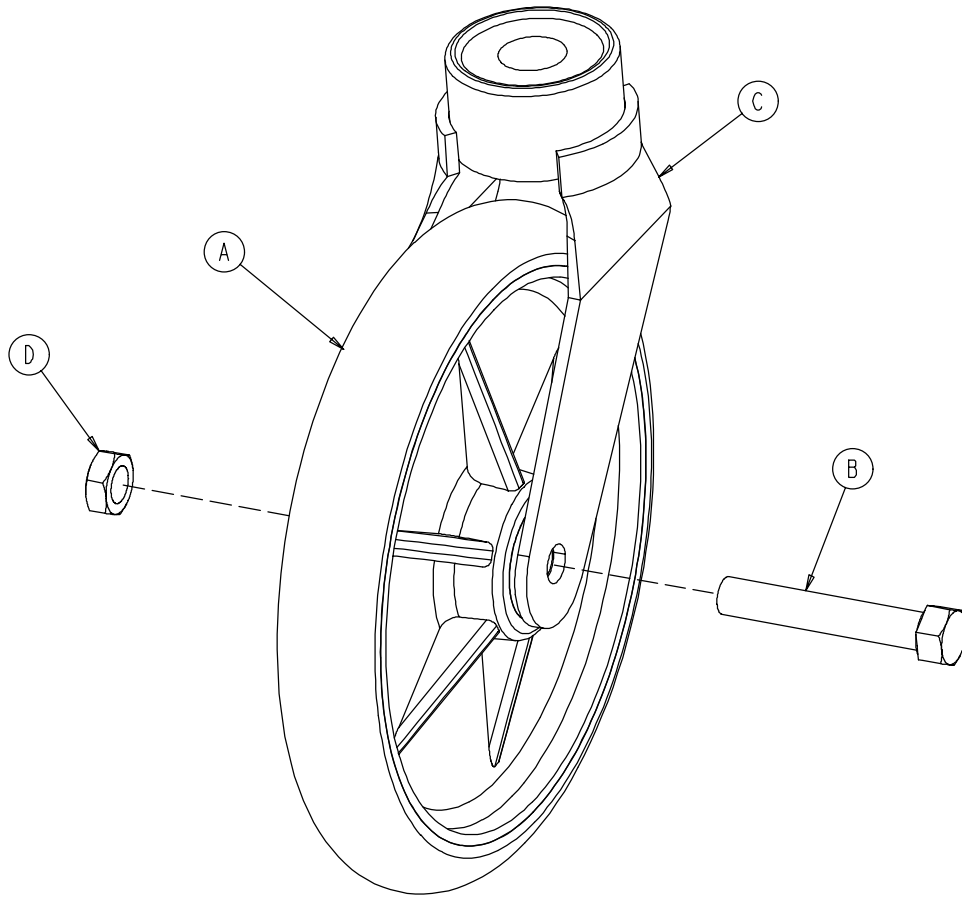
Item	Part No.	Part Name	Qty.
B	0753-003-011	Brake Rod Drive Link	1
C	0753-003-061	Brake Cam Drive Link	2
D	0753-003-098	Flat Hd. Semi-Tubular Rivet	2
E	0753-003-102	Brake Cam	1

0753-006-135 Drive Link Assembly



Item	Part No.	Part Name	Qty.
A	0753-003-011	Brake Rod Drive Link	1
B	0753-003-098	Semi-Tubular Rivet	1
C	0753-006-122	5th Wheel Cam Drive Link	1
D	0753-006-147	Fifth Wheel Drive Link	1

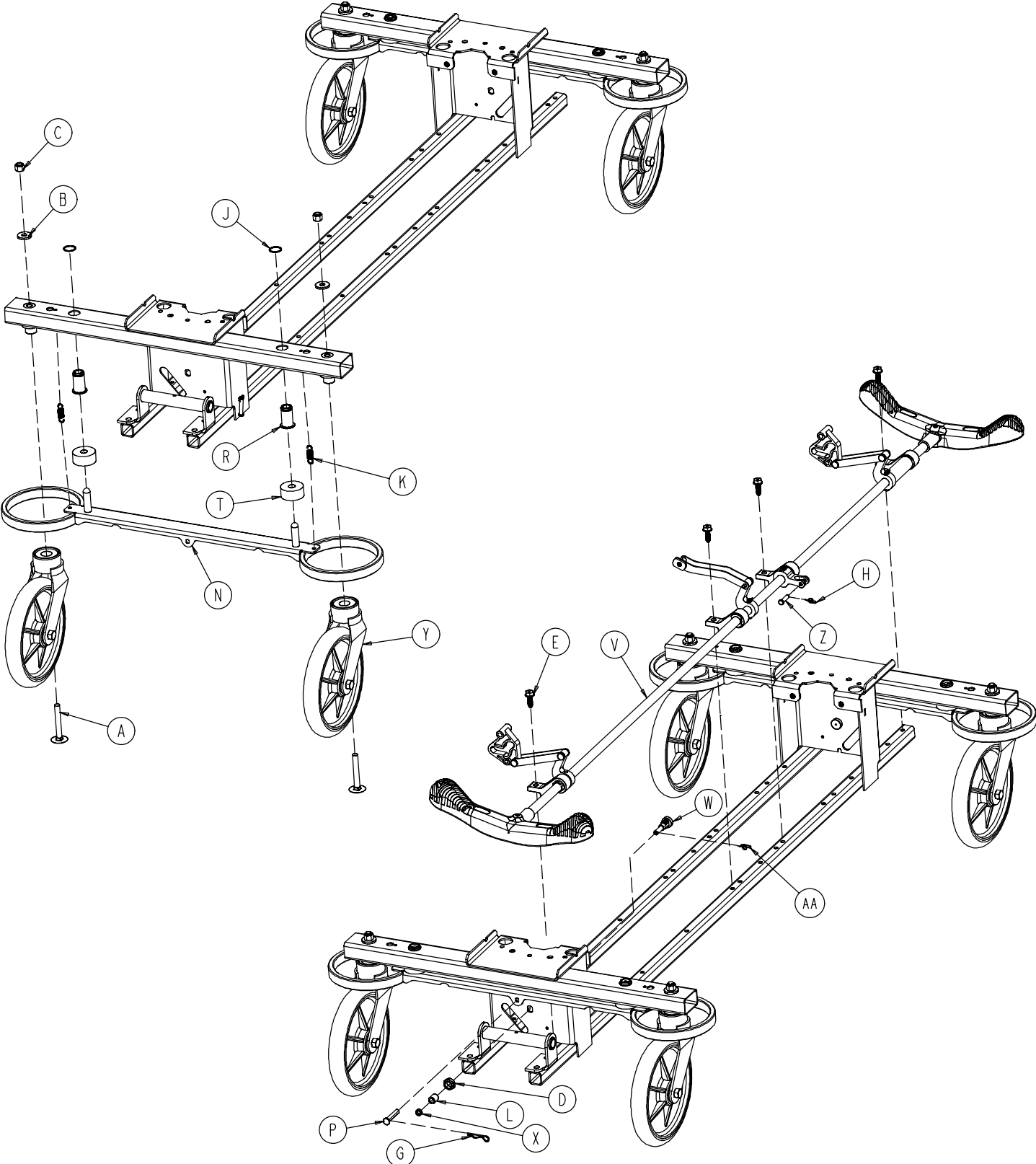
0753-010-020 8" Caster Assembly



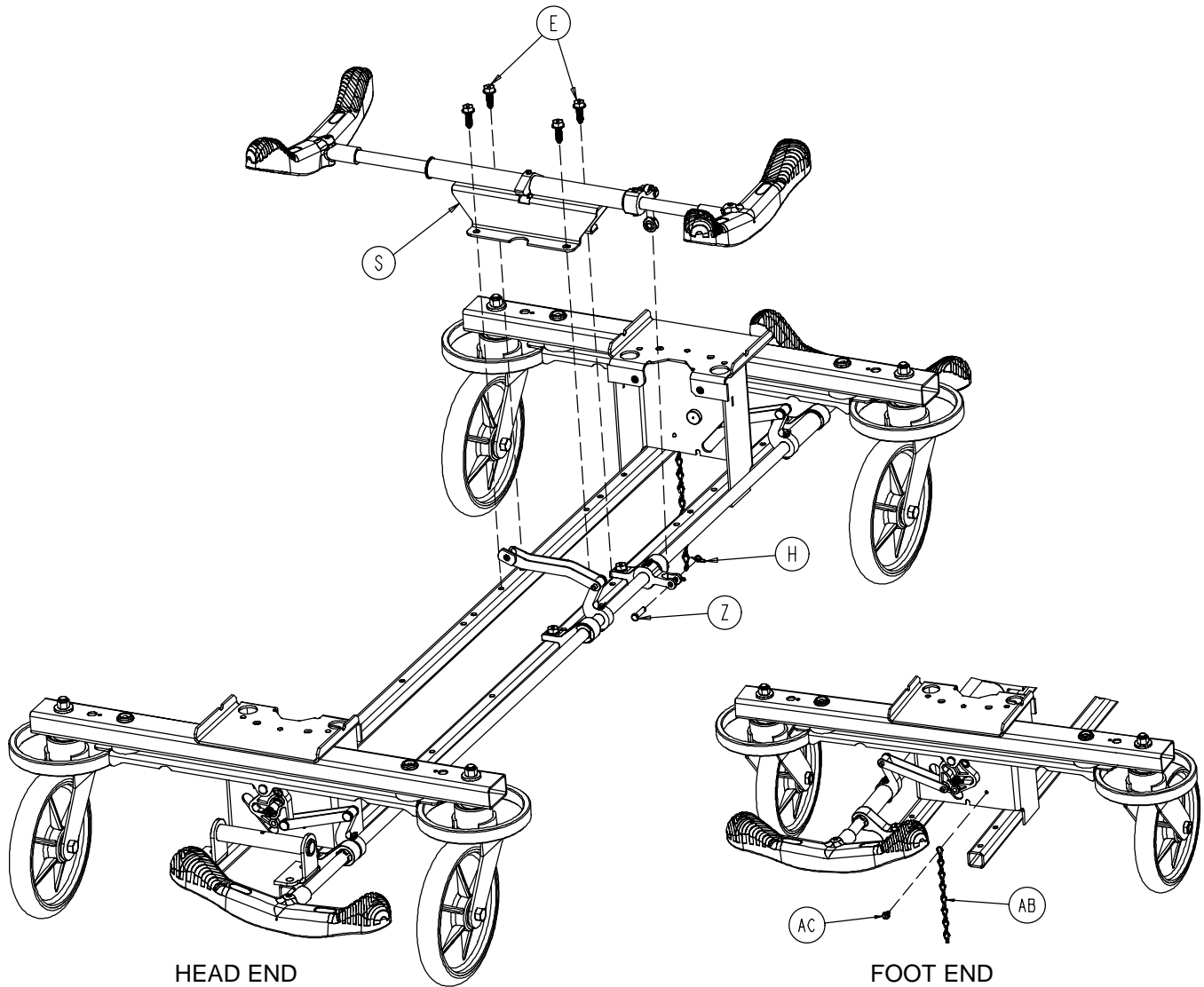
Item	Part No.	Part Name	Qty.
A	0715-002-025	Wheel	1
B	0003-099-000	Hex Hd. Cap Screw	1
C	0753-010-021	Caster Horn w/Bearing	1
D	0016-060-000	Centerlock Nut	1

Base Assembly with 4-Sided Brakes

Assembly part number 0753-003-120 (reference only)

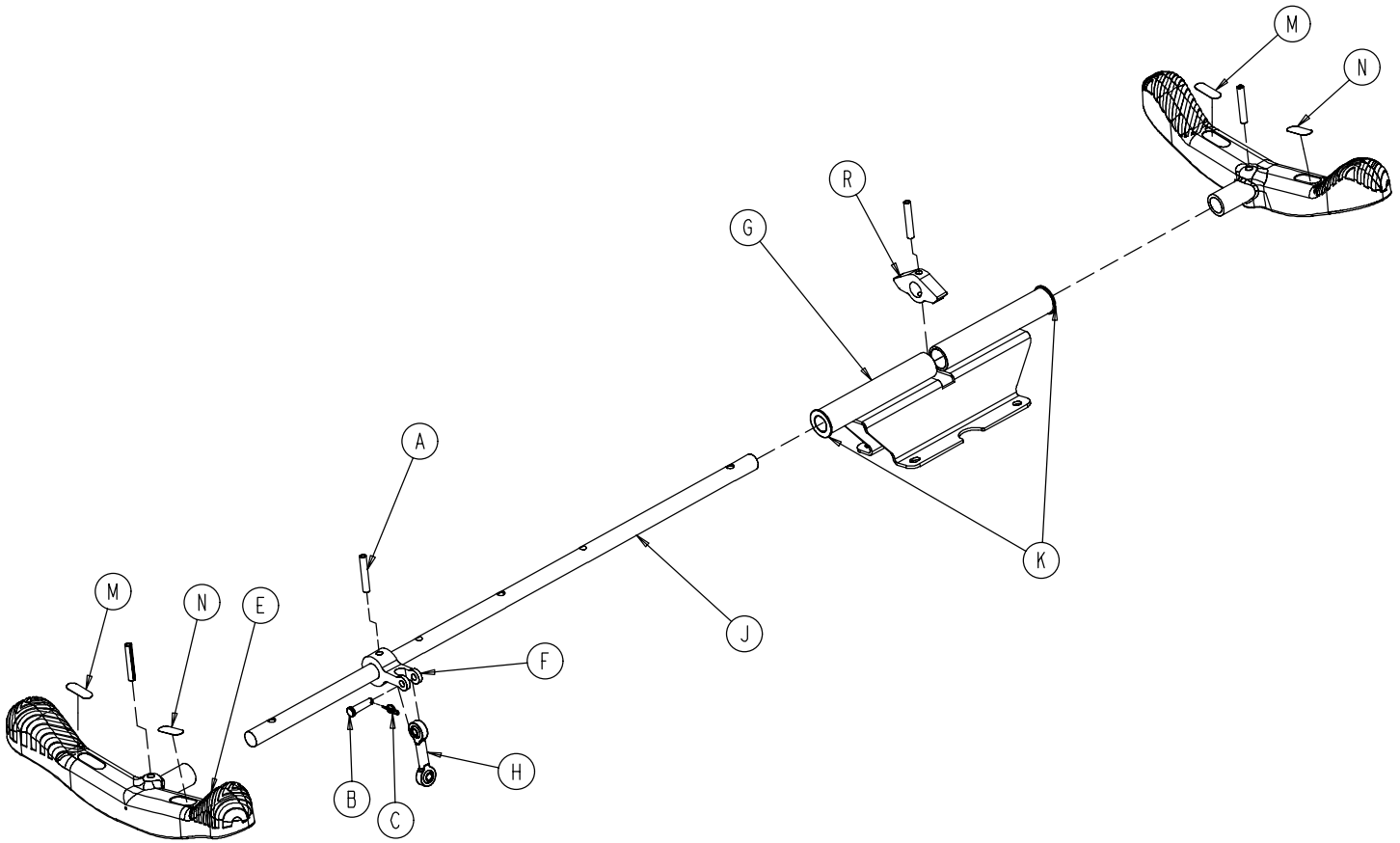


Base Assembly with 4-Sided Brakes



Item	Part No.	Part Name	Qty.	Item	Part No.	Part Name	Qty.
A	0005-039-000	Step Bolt	4	P	0753-003-066	Clevis Pin	2
B	0011-262-000	Washer	4	R	0753-003-079	Brake Pin Guide	4
C	0016-035-000	Nylock Hex Nut	4	S	(page 30)	Side Brake Rod Ass'y	1
D	0016-049-000	Nylock Hex Nut	2	T	0753-003-121	Brake Cushion	4
E	0023-288-000	Hex Washer Hd. Screw	8	V	(page 31)	Brake Rod Assembly	1
G	0027-012-000	Hitch Pin	2	W	0753-003-130	Bearing Pivot Support	2
H	0027-020-000	Rue Ring Cotter	1	X	0753-003-131	Spacer	2
J	0028-037-000	External Retaining Ring	4	Y	(page 27)	Caster Assembly	4
K	0038-439-000	Extension Spring	4	Z	0026-340-000	Clevis Pin	1
L	0081-272-000	Roller Bearing	2	AA	0027-019-000	Rue Ring Cotter Pin	2
M	0753-001-001	Base Weldment	1	AB	0753-010-012	Ground Chain	1
N	0753-003-006	Brake Ring Weldment	2	AC	0023-025-000	H. Washer Hd. Tap. Scr.	1

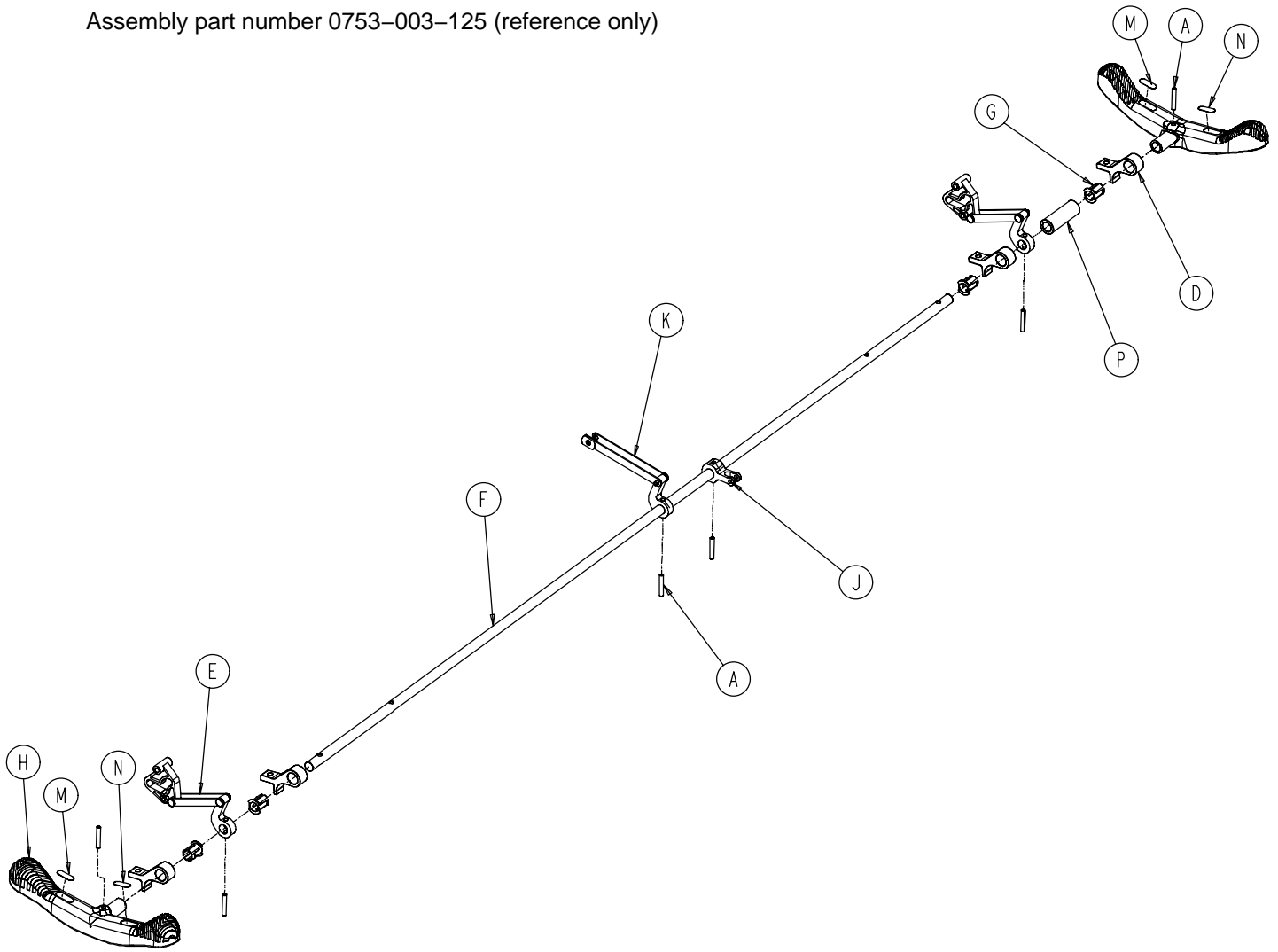
0753-003-110 Side Control Brake Rod Assembly



Item	Part No.	Part Name	Qty.
A	0026-067-000	Slotted Spring Pin	4
B	0026-340-000	Clevis Pin	1
C	0027-020-000	Rue Ring Cotter	1
E	0753-003-099	Butterfly "V" Pedal	2
F	0753-003-112	Side Control Link	1
G	0753-003-114	Support Weldment	1
H	0753-003-117	Rod End Link	1
J	0753-003-119	Side Control Brake Rod	1
K	0753-005-044	Pedal Bushing	2
M	1210-201-335	Red Brake Label	2
N	1210-201-336	Green Steer Label	2
R	0753-003-132	Hard Stop	1

Brake Rod Assembly

Assembly part number 0753-003-125 (reference only)

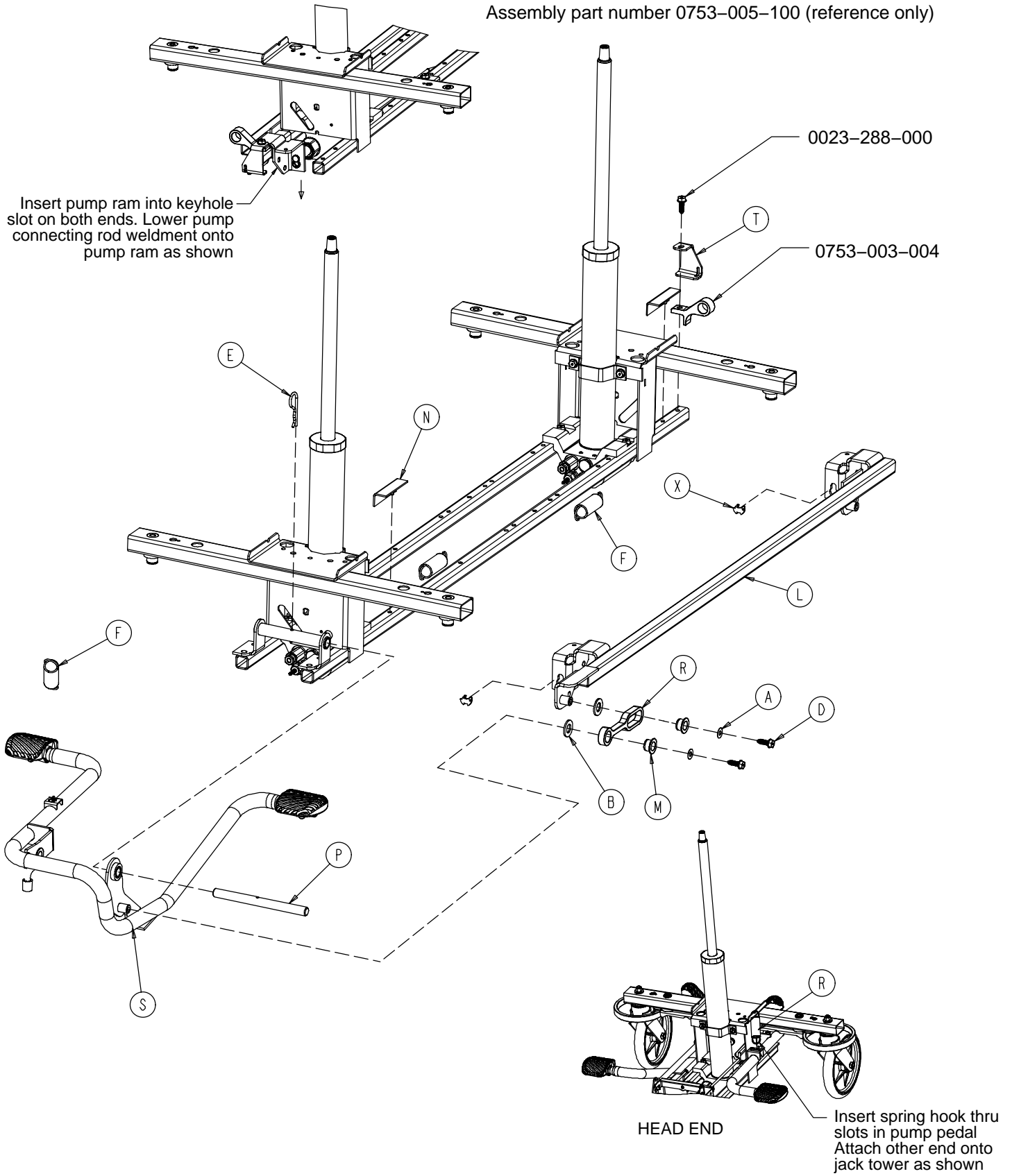


Item	Part No.	Part Name	Qty.
A	0026-067-000	Slotted Spring Pin	6
D	0753-003-004	Brake Rod Support	4
E	(page 25)	Drive Link Assembly	2
F	0753-003-014	Brake Rod	1
G	0753-003-015	Brake Rod Nyliner	4
H	0753-003-099	Butterfly "V" Pedal	2
J	0753-003-112	Side Control Link	1
K	(page 26)	Drive Link Assembly	1
M	1210-201-335	Red Brake Label	2
N	1210-201-336	Green Steer Label	2
P	0753-003-133	Retainment Spacer	1

Base with Dual Side Hydraulics (Fifth Wheel Base)

Assembly part number 0753-005-100 (reference only)

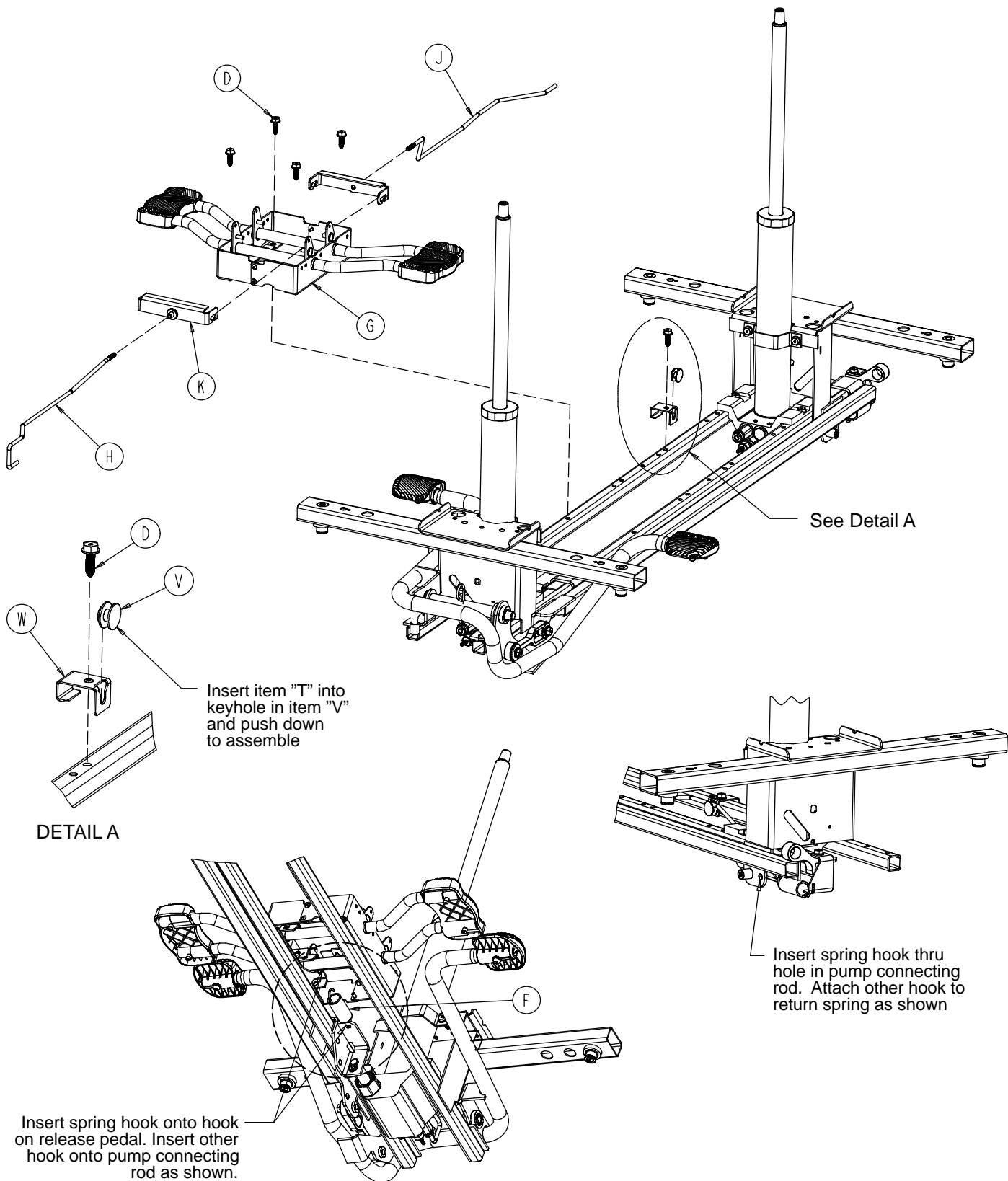
Insert pump ram into keyhole slot on both ends. Lower pump connecting rod weldment onto pump ram as shown



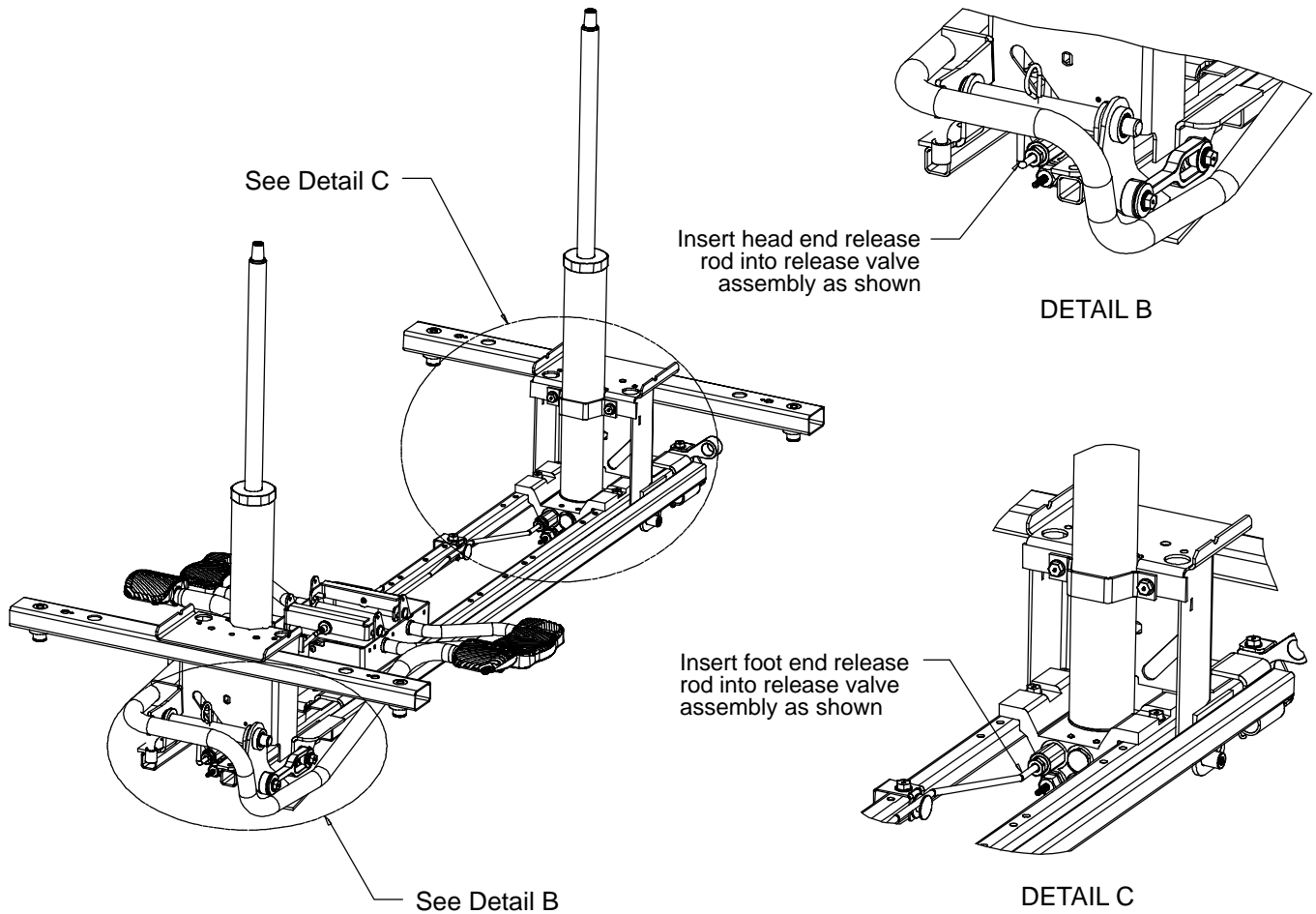
HEAD END

Insert spring hook thru slots in pump pedal
Attach other end onto jack tower as shown

Base with Dual Side Hydraulics (Fifth Wheel Base)

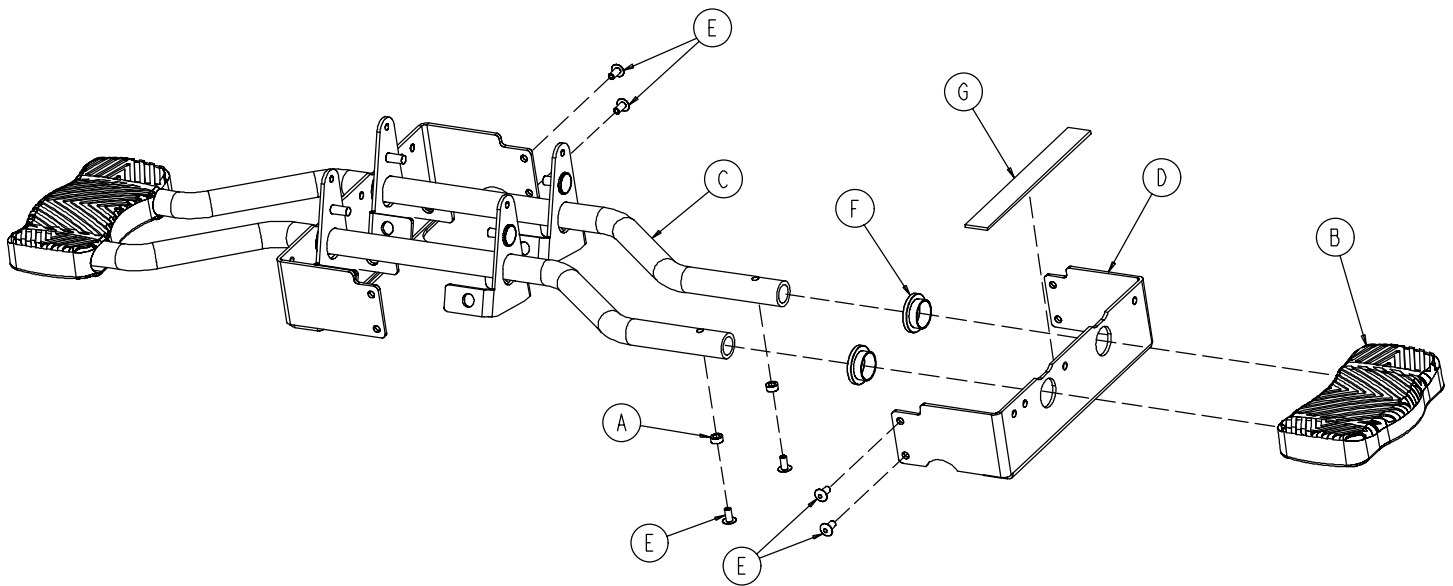


Base with Dual Side Hydraulics (Fifth Wheel Base)



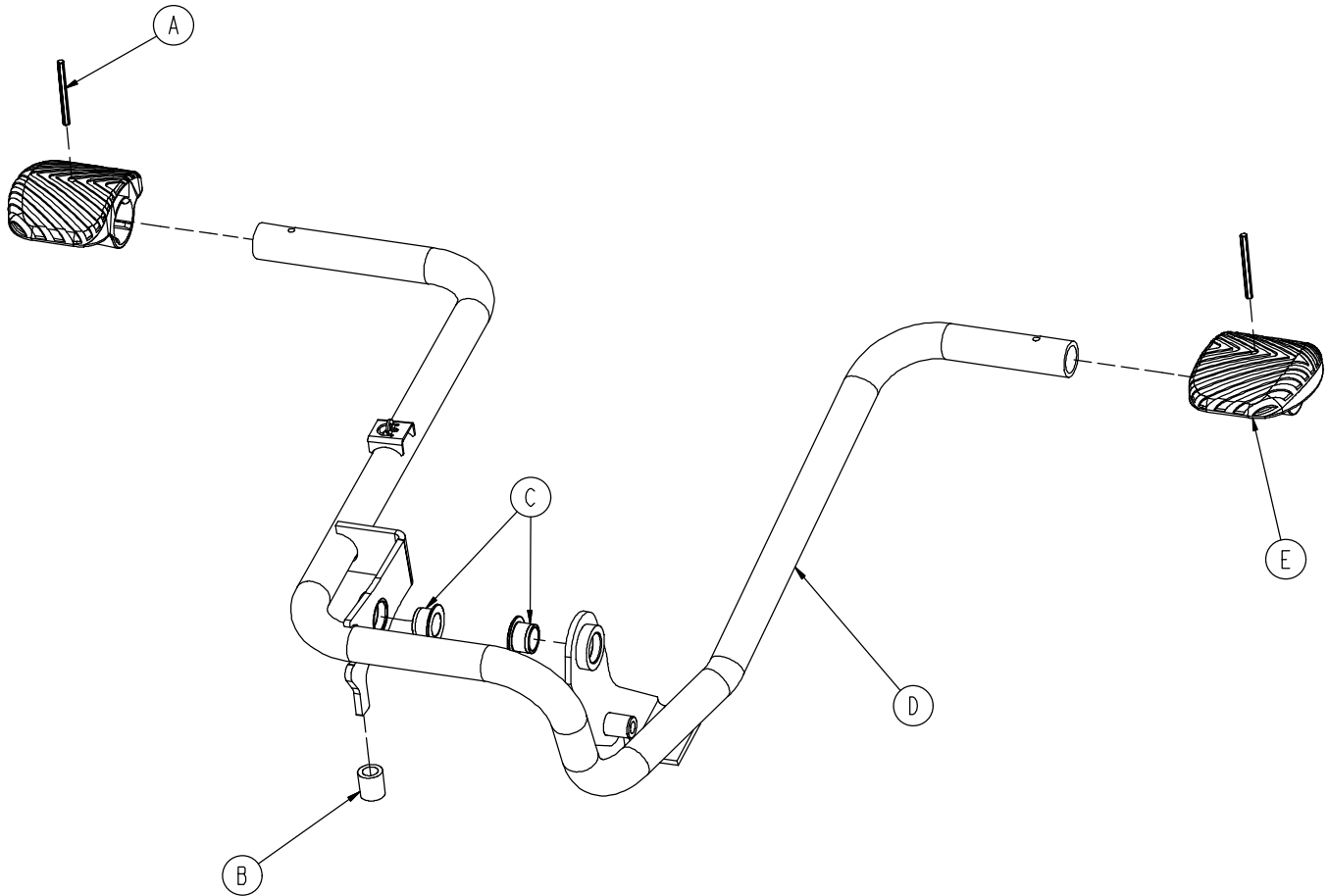
Item	Part No.	Part Name	Qty.
A	0011-023-000	Washer	2
B	0014-071-000	Washer	2
D	0023-288-000	Hex Washer Hd. Screw	7
E	0027-031-000	Hair Pin Cotter	1
F	0038-497-000	Extension Spring	3
G	(page 35)	Release Pedal Assembly	1
H	0753-004-014	Head End Release Rod	1
J	0753-004-015	Foot End Release Rod	1
K	0753-004-032	Release Pedal Swivel	2
L	0753-005-037	Pump Connecting Rod	1
M	0753-005-044	Pump Pedal Bushing	2
N	0753-005-088	Wear Strip	2
P	0753-005-074	Pivot Pin	1
R	0753-005-075	Pump Pedal Link	1
S	(page 36)	Head End Pump Pedal Ass'y	1
T	0753-005-087	Return Spring Hook	1
V	0753-010-015	Release Rod Guide	1
W	0753-010-115	Release Rod Bracket	1
X	0753-005-089	Pump Ram Plug	2

0753-004-001 Release Pedal Assembly



Item	Part No.	Part Name	Qty.
A	0753-004-029	Release Pedal Standoff	4
B	1061-201-127	Short Uni-Pedal	2
C	0753-004-004	Release Pedal Weldment	2
D	0753-004-121	Release Pedal Mtg. Plate	2
E	0025-079-000	Dome Head Rivet	8
F	0753-004-036	Bushing	4
G	0753-004-035	Release Pedal Bumper Strip	2

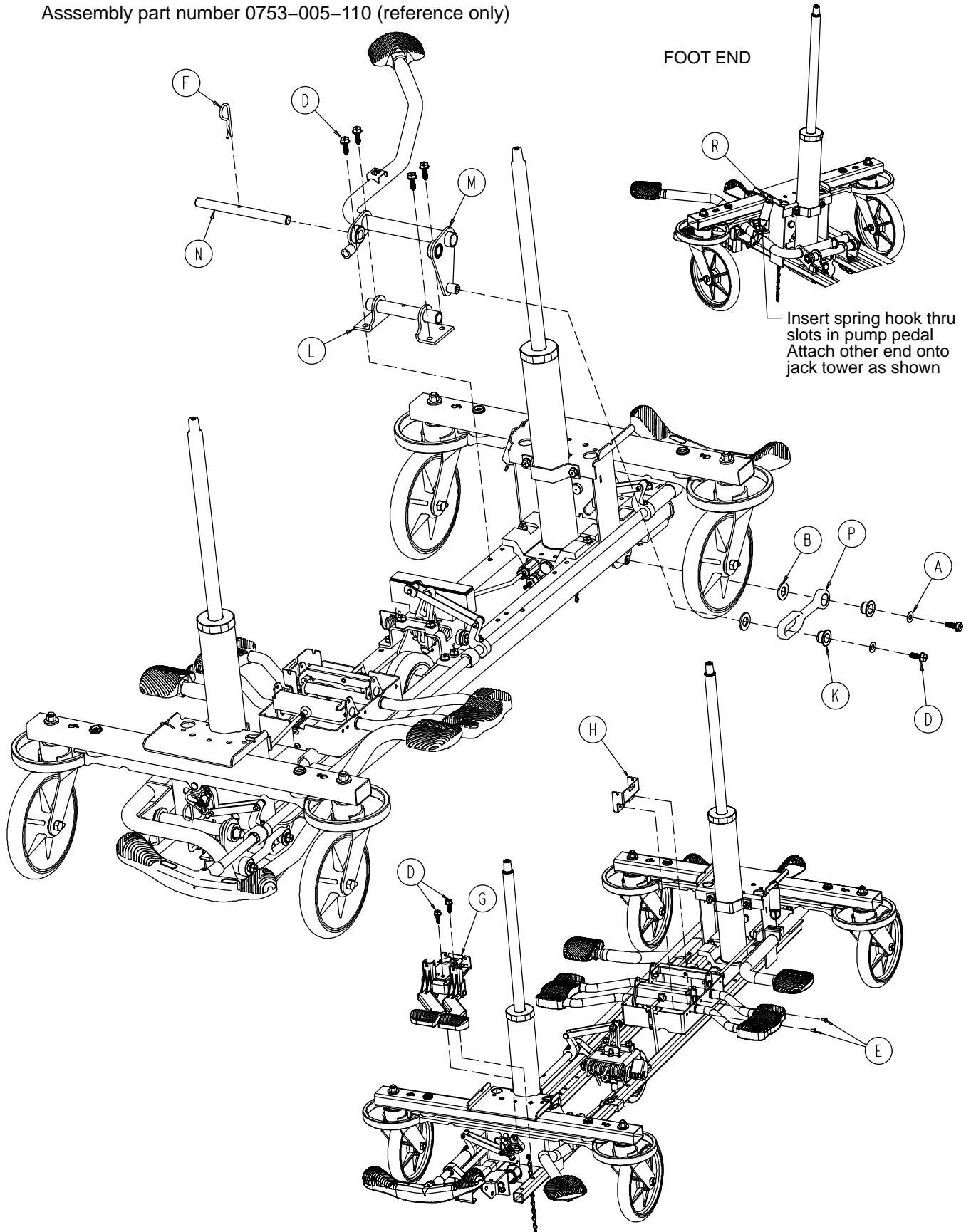
0753-005-185 Head End Pump Pedal Assembly



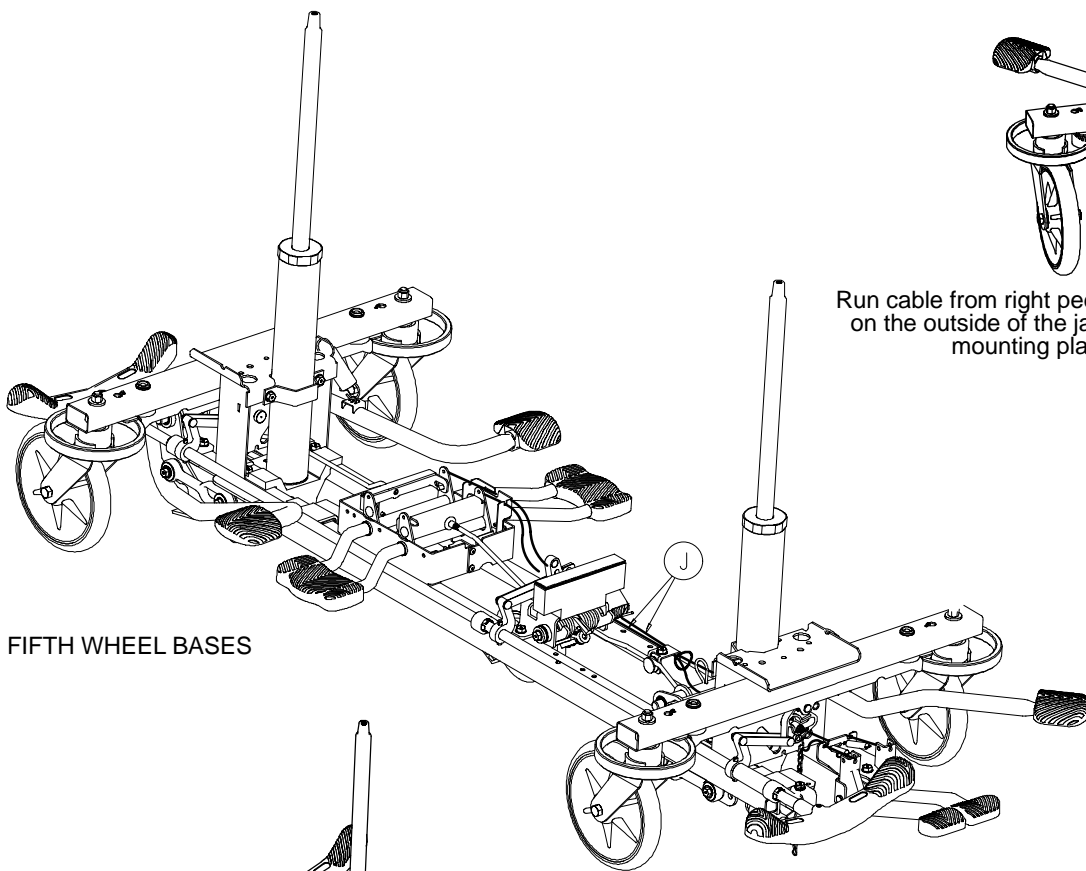
Item	Part No.	Part Name	Qty.
A	0026-343-000	Groove Pin	2
B	0715-001-140	Vinyl Tube	1
C	0753-005-044	Pump Pedal Bushing	2
D	0753-005-180	Head End Pump Pedal Weldment	1
E	0753-201-126	Pump Pedal	2

Base with 3-Side Hydraulics (Fifth Wheel Base)

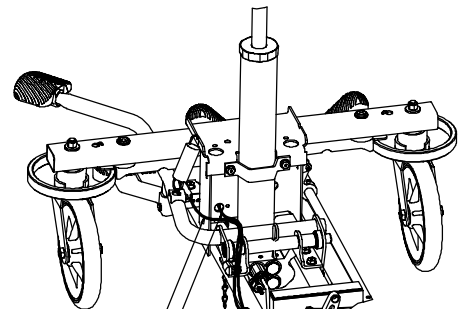
Assembly part number 0753-005-110 (reference only)



Base with 3-Side Hydraulics (Fifth Wheel Base)

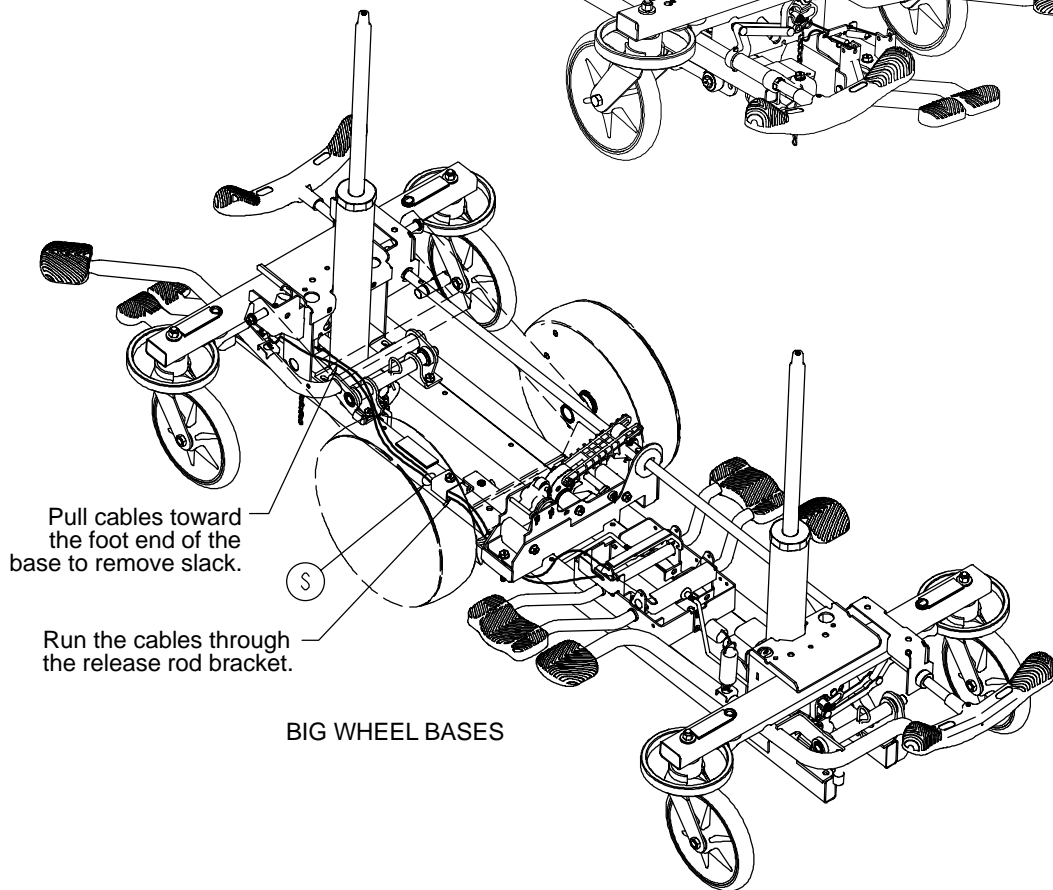


FIFTH WHEEL BASES



Run cable from right pedal on the outside of the jack mounting plate.

Run cable from left pedal through the hole in the jack mounting plate.



Pull cables toward the foot end of the base to remove slack.

Run the cables through the release rod bracket.

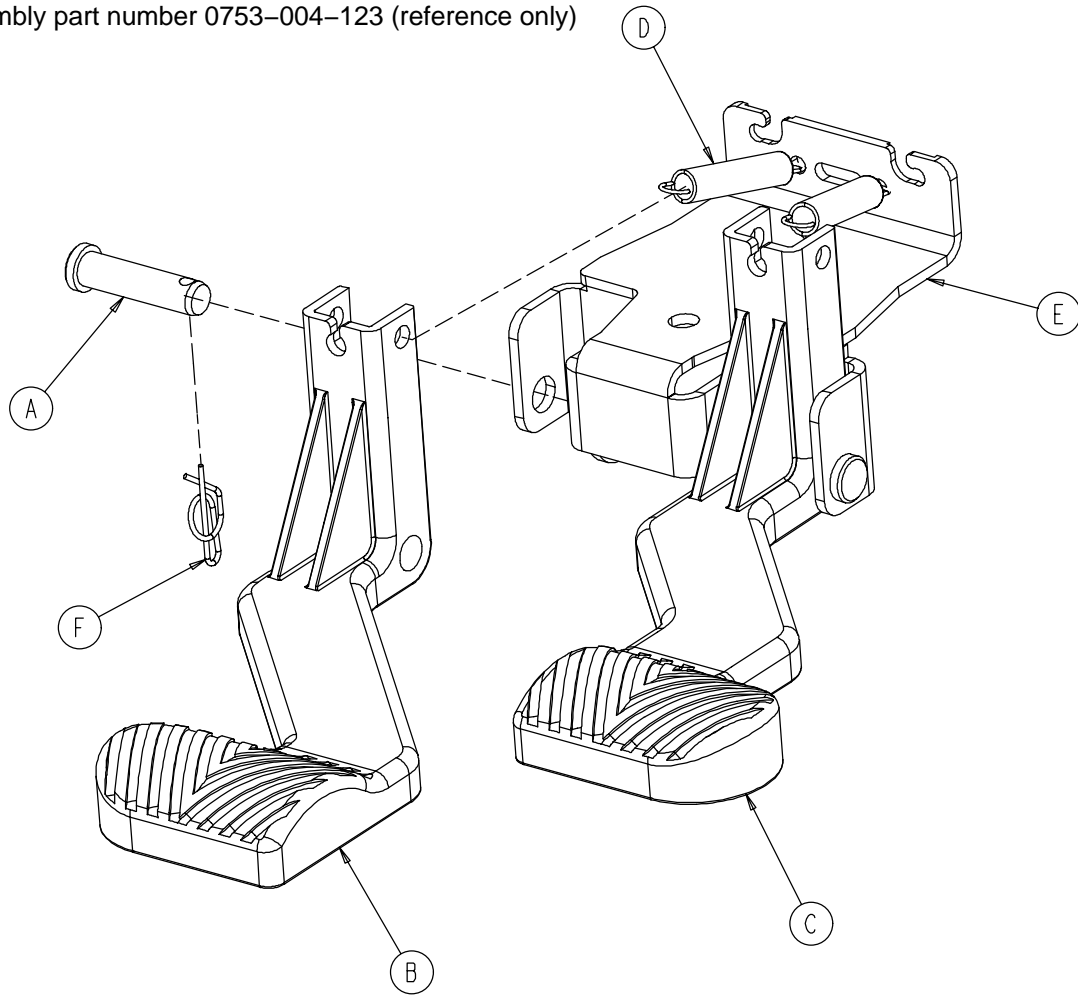
BIG WHEEL BASES

Base with 3-Side Hydraulics (Fifth Wheel Base)

Item	Part No.	Part Name	Qty.
A	0011-023-000	Washer	2
B	0014-071-000	Washer	2
D	0023-288-000	Hex Washer Hd. Screw	8
E	0025-079-000	Rivet	2
F	0027-031-000	Cotter Pin	1
G	(page 40)	Foot End Release Pedal Ass'y	1
H	0753-004-127	Cable Mounting Plate	1
J	0753-004-030	Foot End Release Cable	2
K	0753-005-044	Pump Pedal Bushing	2
L	0753-005-063	Foot End Mtg. Bracket	1
M	(page 41)	Foot End Pedal/Brg. Ass'y	1
N	0753-005-074	Pivot Pin	1
P	0753-005-075	Pump Pedal Link	1
R	0038-497-000	Extension Spring	1
S	8815-029-200	Cable Tie	1

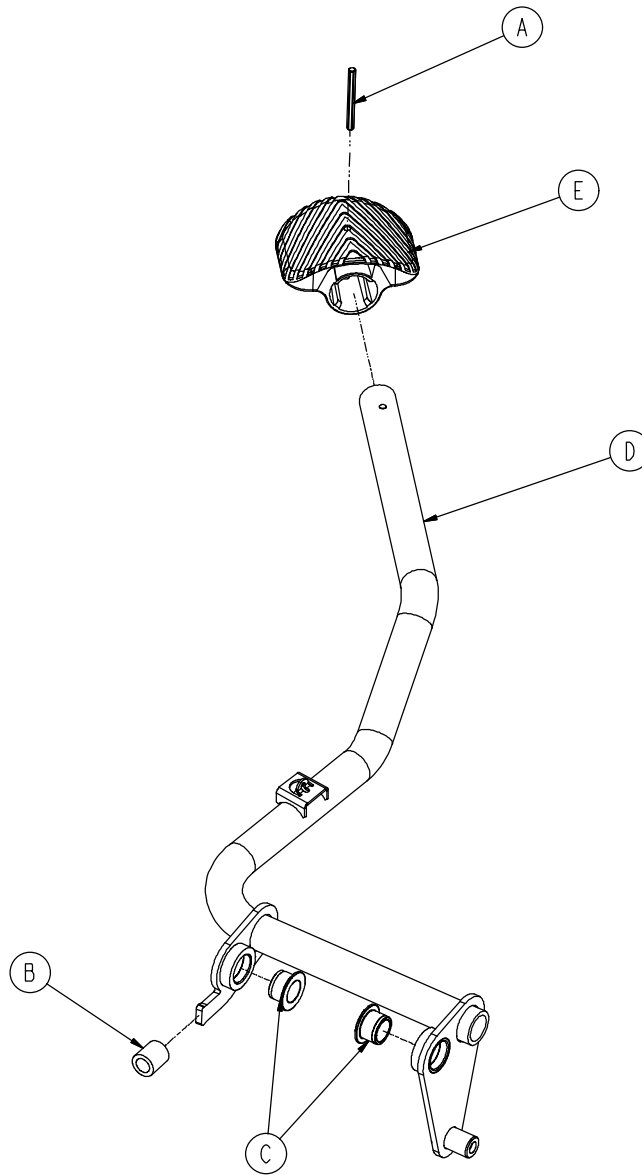
Foot End Release Pedal Assembly

Assembly part number 0753-004-123 (reference only)



Item	Part No.	Part Name	Qty.
A	0026-132-000	Clevis Pin	2
B	0753-004-024	Release Pedal, Foot End, Left	1
C	0753-004-025	Release Pedal, Foot End, Right	1
D	0753-004-028	Release Pedal Return Spring	2
E	0753-004-322	Release Pedal Mtg. Plate	1
F	0027-022-000	Rue Ring Cotter	2

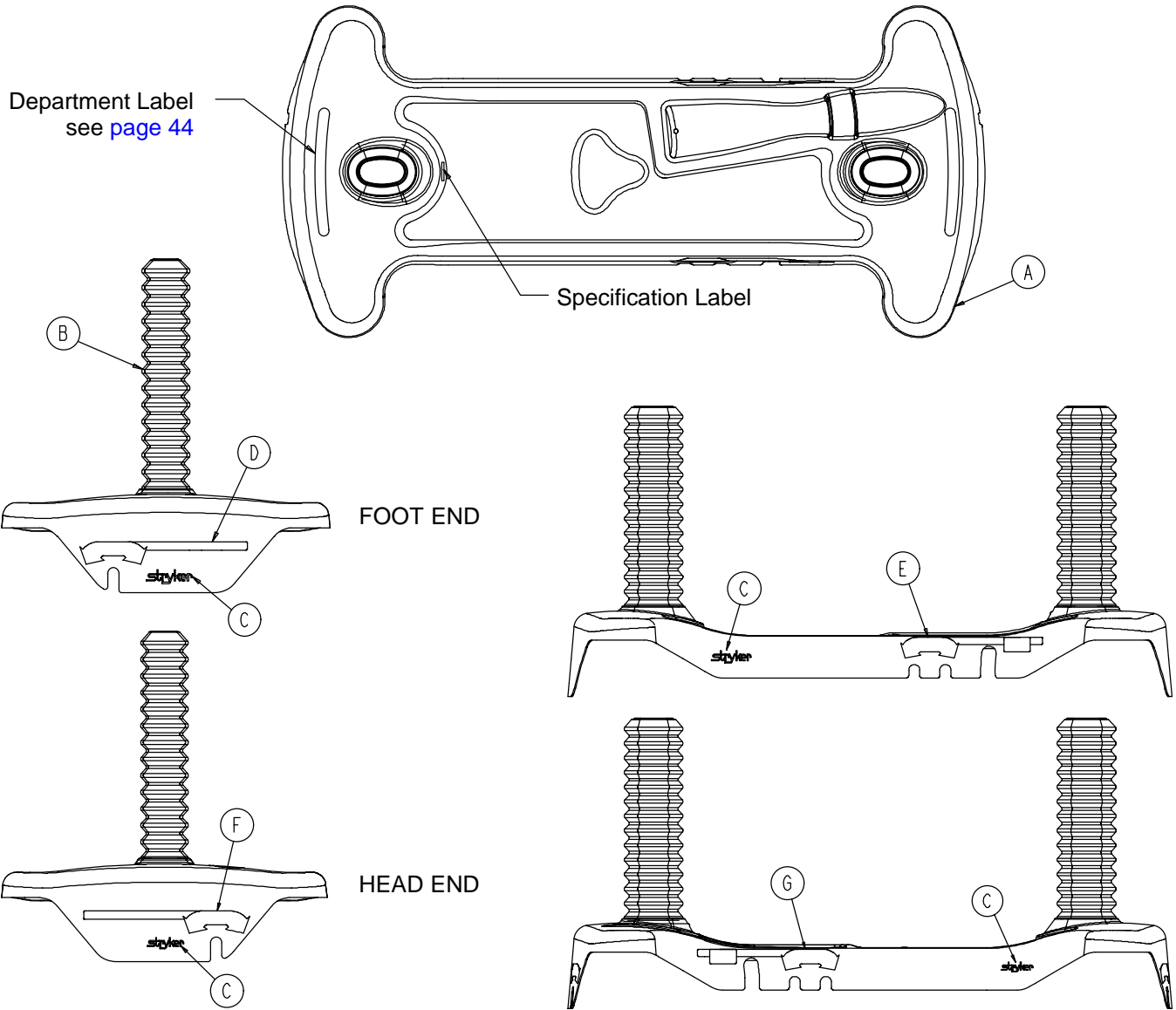
0753-005-173 Foot End Pump Pedal Assembly



Item	Part No.	Part Name	Qty.
A	0026-343-000	Groove Pin	1
B	0715-001-140	Clear Vinyl Tubing	1
C	0753-005-044	Pump Pedal Bushing	2
D	0753-005-171	Foot End Pedal Weldment	1
E	0715-201-126	Plastic Pump Pedal	1

Base Labeling Assembly

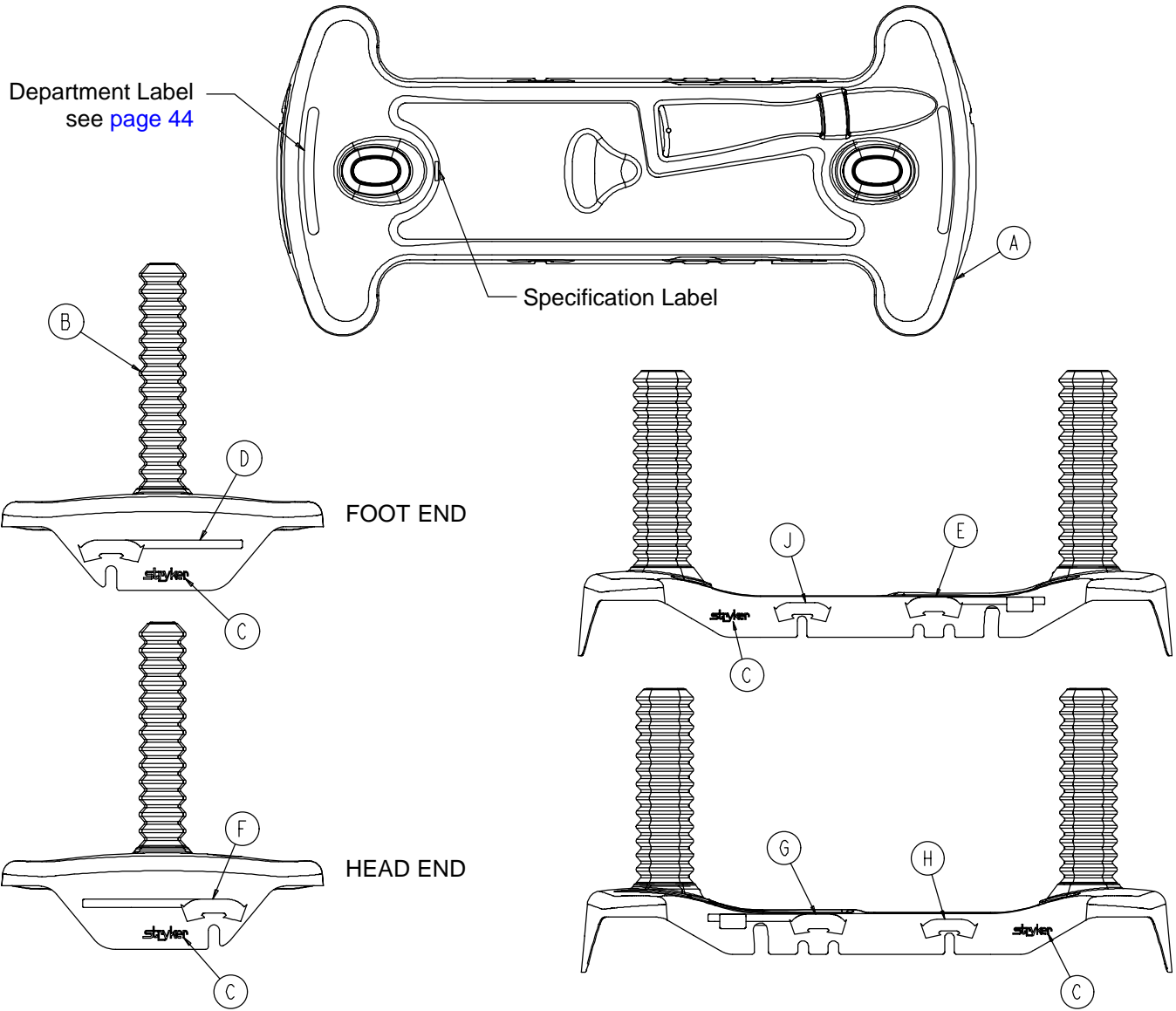
Assembly part number 0753-010-062 (reference only)



Item	Part No.	Part Name	Qty.
A	0753-010-040	Base Hood	1
B	1040-010-134	Bellows	2
C	0946-201-060	Stryker Logo Label	4

Base Labeling Assembly, 4-Sided Brakes

Assembly part number 0753-010-063 (reference only)



Item	Part No.	Part Name	Qty.
A	0753-010-040	Base Hood	1
B	1040-010-134	Bellows	2
C	0946-201-060	Stryker Logo Label	4
H	0753-010-018	Brake/Steer Label, Right	1
J	0753-010-019	Brake/Steer Label, Left	1

Base Labeling Assembly

Color Set P/N	Item D Brake/Steer, Foot End	Item E Lift/Lower, Left	Item F Brake/Steer, Head End	Item G Lift/Lower, Right	Litter Bumper Strip
RED 0753-010-120	0753-010-051	0753-010-055	0753-010-017	0753-010-054	1010-700-015
PURPLE 0753-010-121	0753-010-151	0753-010-155	0753-010-170	0753-010-154	1010-700-025
GREEN 0753-010-122	0753-010-251	0753-010-255	0753-010-270	0753-010-254	1010-700-035
GRAY 0753-010-123	0753-010-351	0753-010-355	0753-010-370	0753-010-354	1010-700-045
TEAL 0753-010-124	0753-010-451	0753-010-455	0753-010-470	0753-010-454	1010-700-055
PINK 0753-010-125	0753-010-551	0753-010-555	0753-010-570	0753-010-554	1010-700-065
BLUE 0753-010-126	0753-010-651	0753-010-655	0753-010-670	0753-010-654	1010-700-075

BASE HOOD DEPARTMENT LABELS

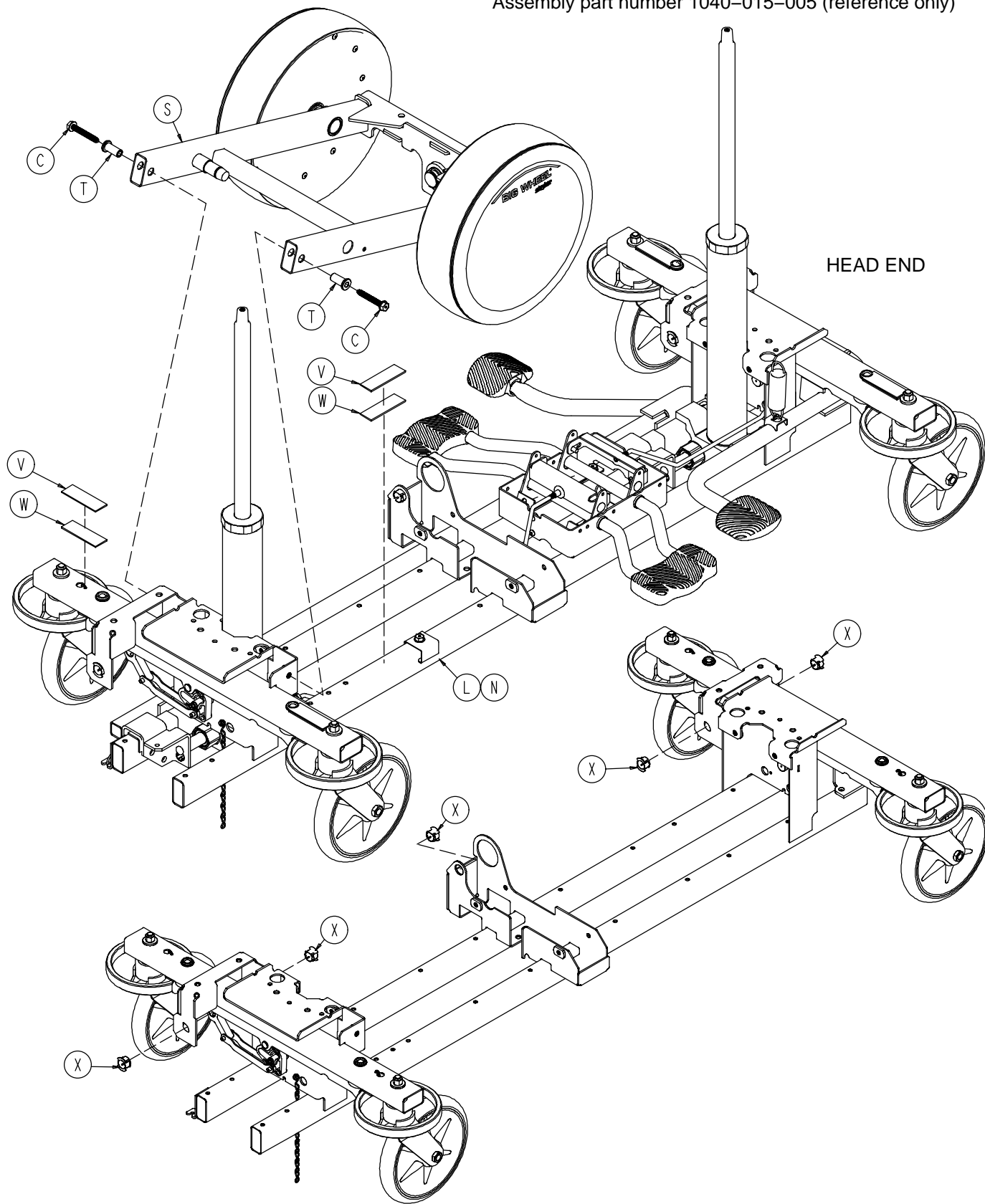
Department	Label Part Number
Emergency	1010-900-215
PACU	1010-900-220
Transport	1010-900-225
Surgery	1010-900-230
Extended Stay	1010-900-235
Maternity	1010-900-240
Endoscopy	1010-900-245
Radiology	1010-900-250
Nuclear Medicine	1010-900-255
Ambulatory Surgery	1010-900-260
G.I. Lab	1010-900-265
Cath. Lab	1010-900-270
Same Day Surgery	1010-900-275
Cardio.	1010-900-280
Ultrasound	1010-900-285

NOTE

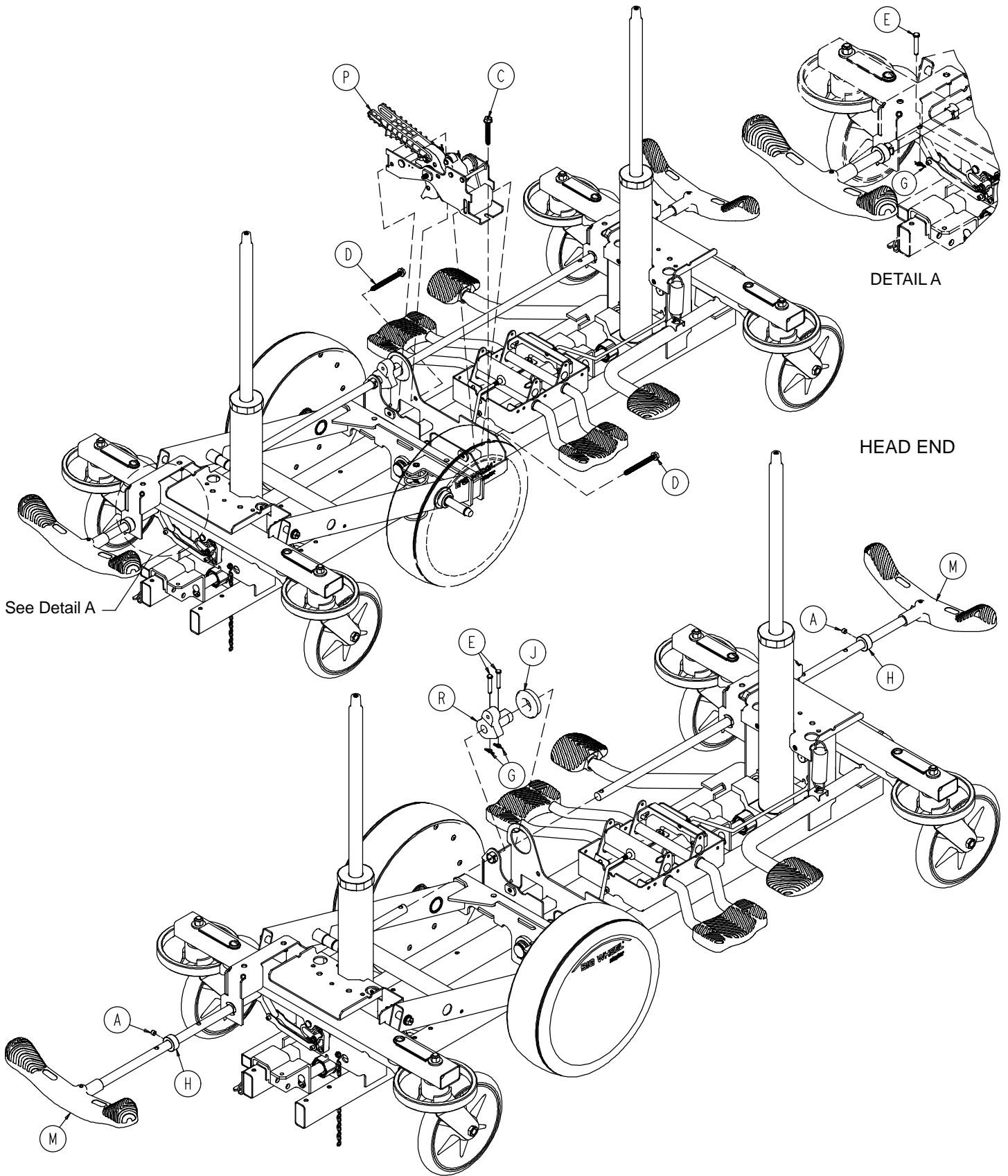
All base hood department labels are quantity of two.

Big Wheel End Control Base Assembly

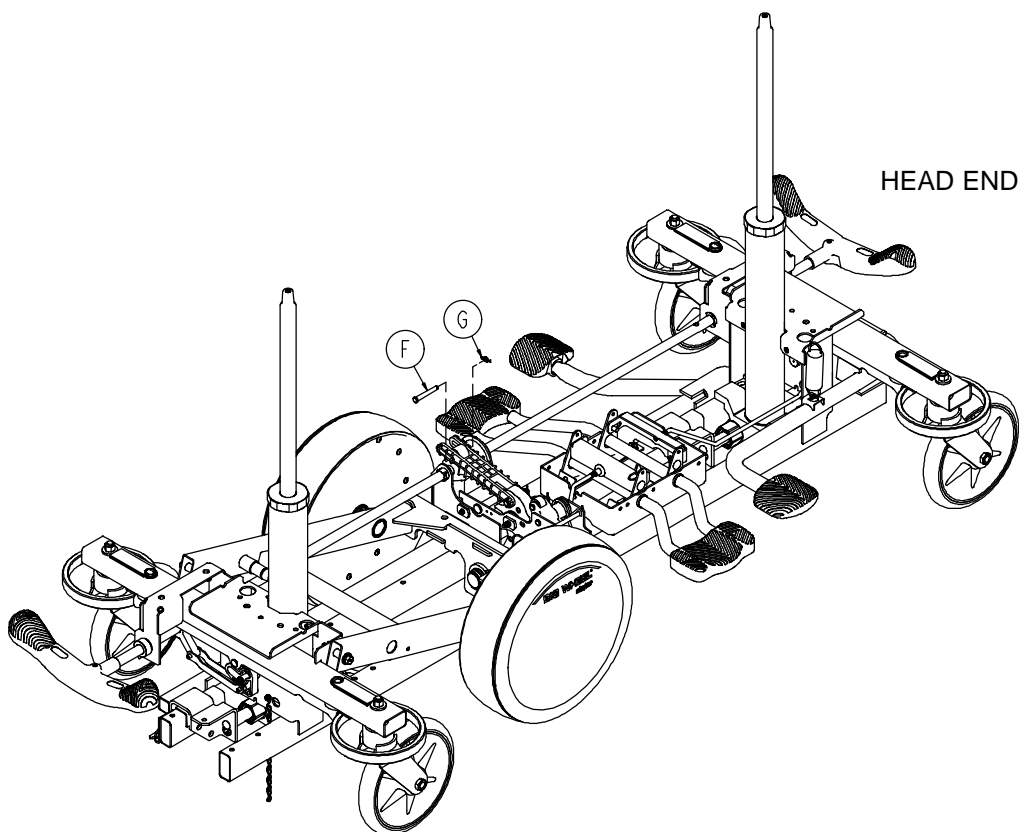
Assembly part number 1040-015-005 (reference only)



Big Wheel End Control Base Assembly



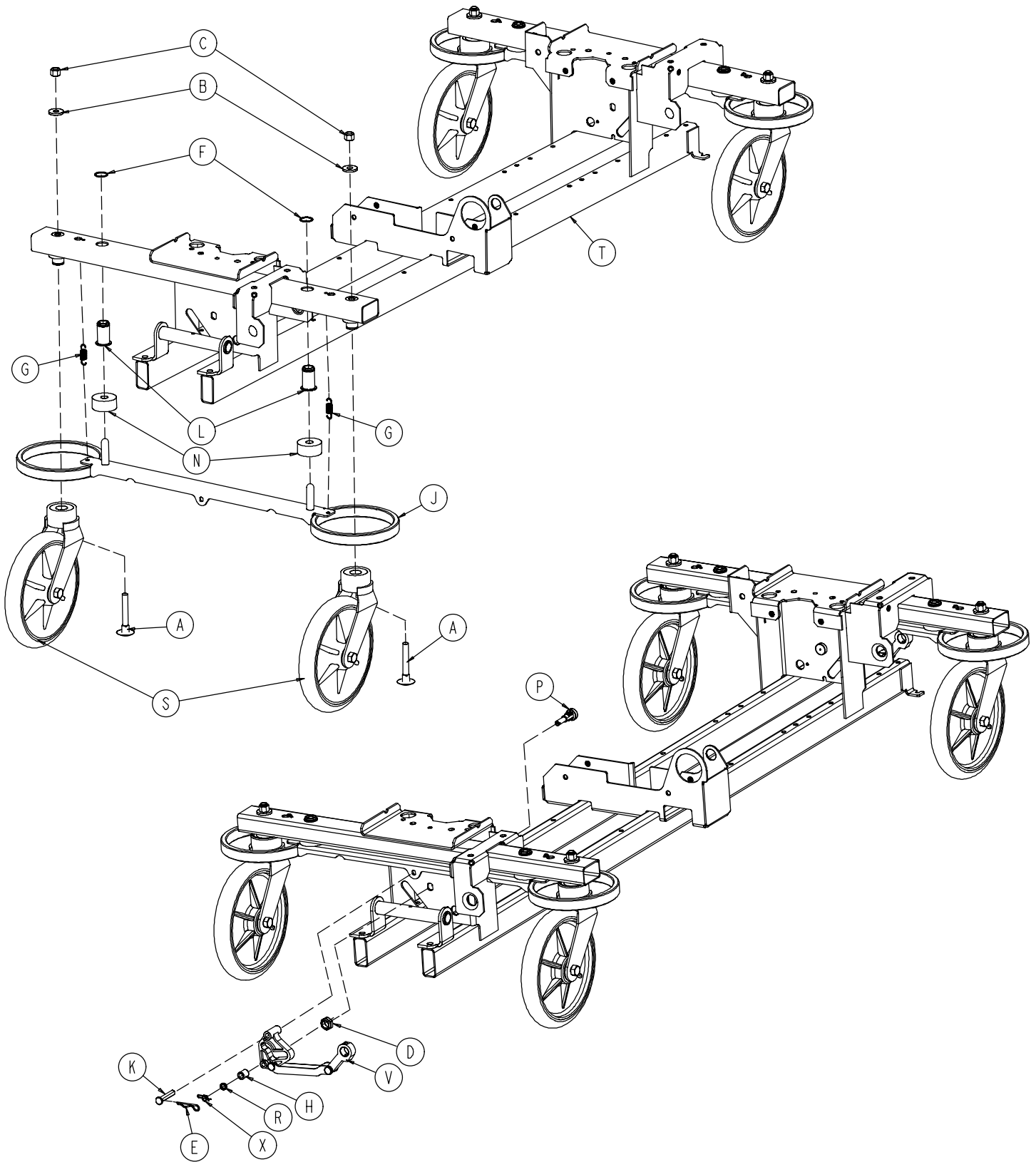
Big Wheel End Control Base Assembly



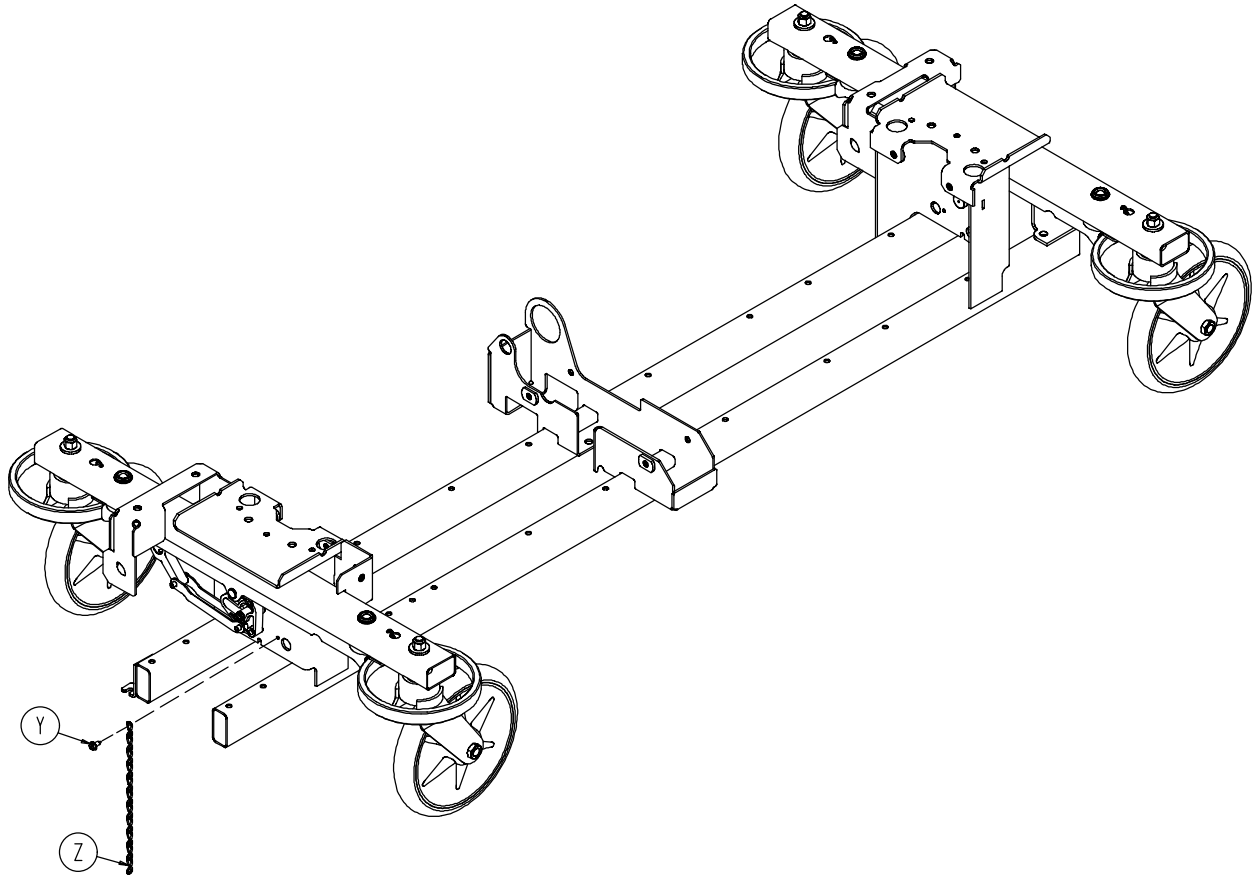
Item	Part No.	Part Name	Qty.
A	0021-166-000	Set Screw	2
C	0023-150-000	Hex Washer Hd. Screw	3
D	0023-151-000	Hex Washer Hd. Screw	2
E	0026-273-000	Clevis Pin	4
F	0025-330-000	Clevis Pin	1
G	0027-020-000	Rue Ring Cotter	5
H	0042-020-000	Collar	2
J	0081-330-000	Radial Bearing	1
L	(page 48)	Base Assembly w/ Standard Brakes	1
M	(page 51)	Brake Rod Assembly	2
N	(page 52)	Dual Sided Hydraulics	1
P	(page 56)	Cam Bracket Assembly	1
R	1040-006-131	Drive Arm	1
S	(page 58)	Big Wheel Carriage Assembly	1
T	1040-015-007	Carriage Pivot Bushing	2
V	0029-007-000	Dual Lock	5
W	0029-009-000	Dual Lock	5
X	1210-201-251	Insert	5

Base Assembly w/Standard Brakes (Big Wheel Base)

Assembly part number 1040-003-105 (reference only)

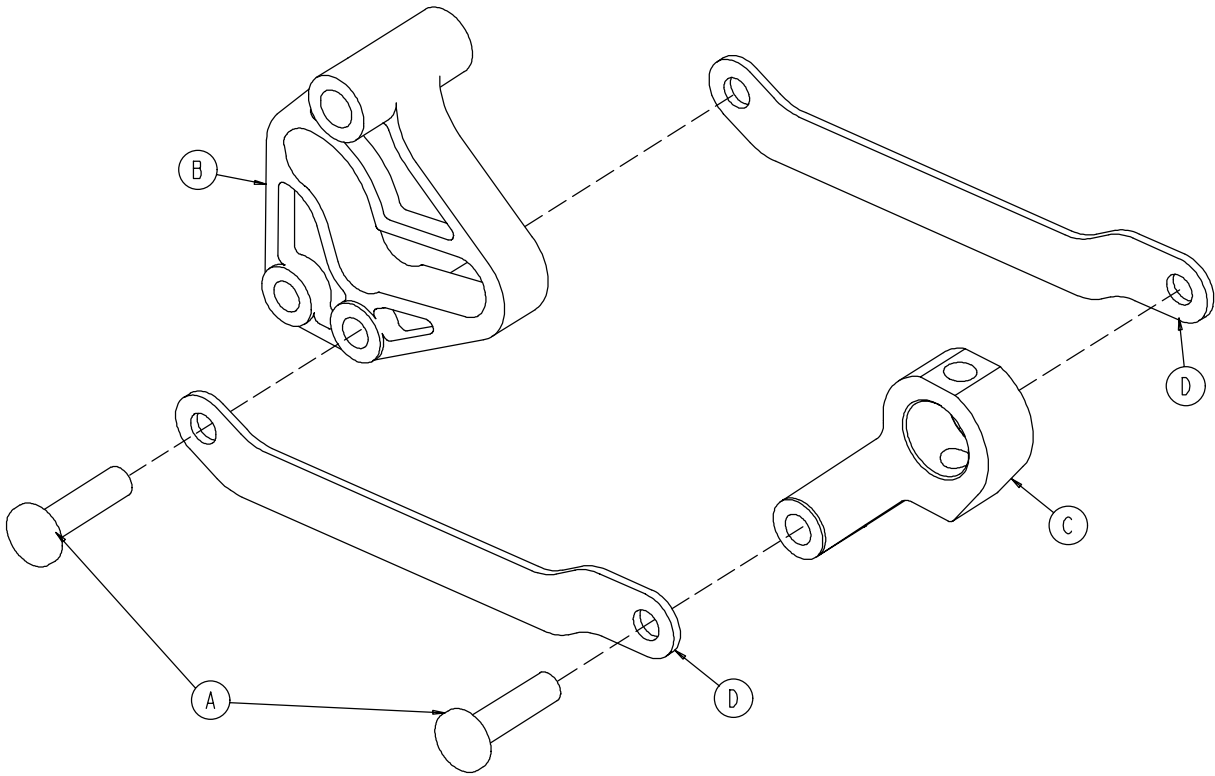


Base Assembly w/Standard Brakes (Big Wheel Base)



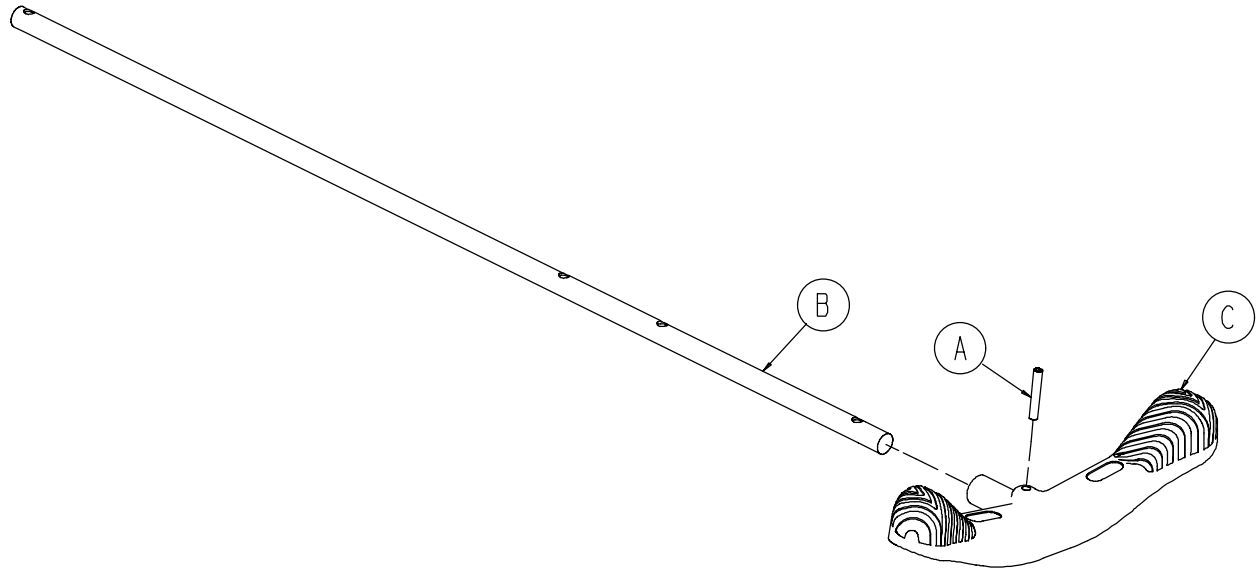
Item	Part No.	Part Name	Qty.
A	0005-039-000	Step Bolt	4
B	0011-262-000	Washer	4
C	0016-035-000	Nylock Hex Nut	4
D	0016-049-000	Nylock Hex Nut	2
E	0027-012-000	Hitch Pin	2
F	0028-037-000	External Retaining Ring	4
G	0038-439-000	Extension Spring	4
H	0081-272-000	Roller Bearing	2
J	0753-003-006	Brake Ring	2
K	0753-003-066	Clevis Pin	2
L	0753-003-079	Caster Tube Brake Pin Guide	4
N	0753-003-121	Brake Cushion	4
P	0753-003-130	Bearing Pivot Support	2
R	0753-003-131	Spacer	2
S	(page 27)	Caster Assembly	4
T	1040-001-001	Base Frame Weldment	1
V	(page 50)	Drive Link Assembly	2
X	0027-019-000	Rue Ring Cotter	2
Y	0023-025-000	Hex Washer Hd. Screw	1
Z	0753-010-012	Ground Chain	1

1040-003-185 Drive Link Assembly



Item	Part No.	Part Name	Qty.
A	0753-003-098	Semi-Tubular Rivet	2
B	0753-003-102	Brake Cam	1
C	1040-003-174	Brake Rod Drive Link	1
D	1040-003-076	Cam Drive Link	2

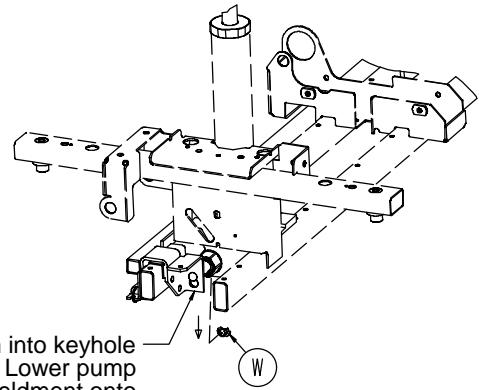
1040-003-191 Brake Rod Assembly (Big Wheel Base)



Item	Part No.	Part Name	Qty.
A	0026-067-000	Slotted Spring Pin	1
B	1040-003-113	Brake Rod	1
C	0753-003-099	Butterfly "V" Pedal	1

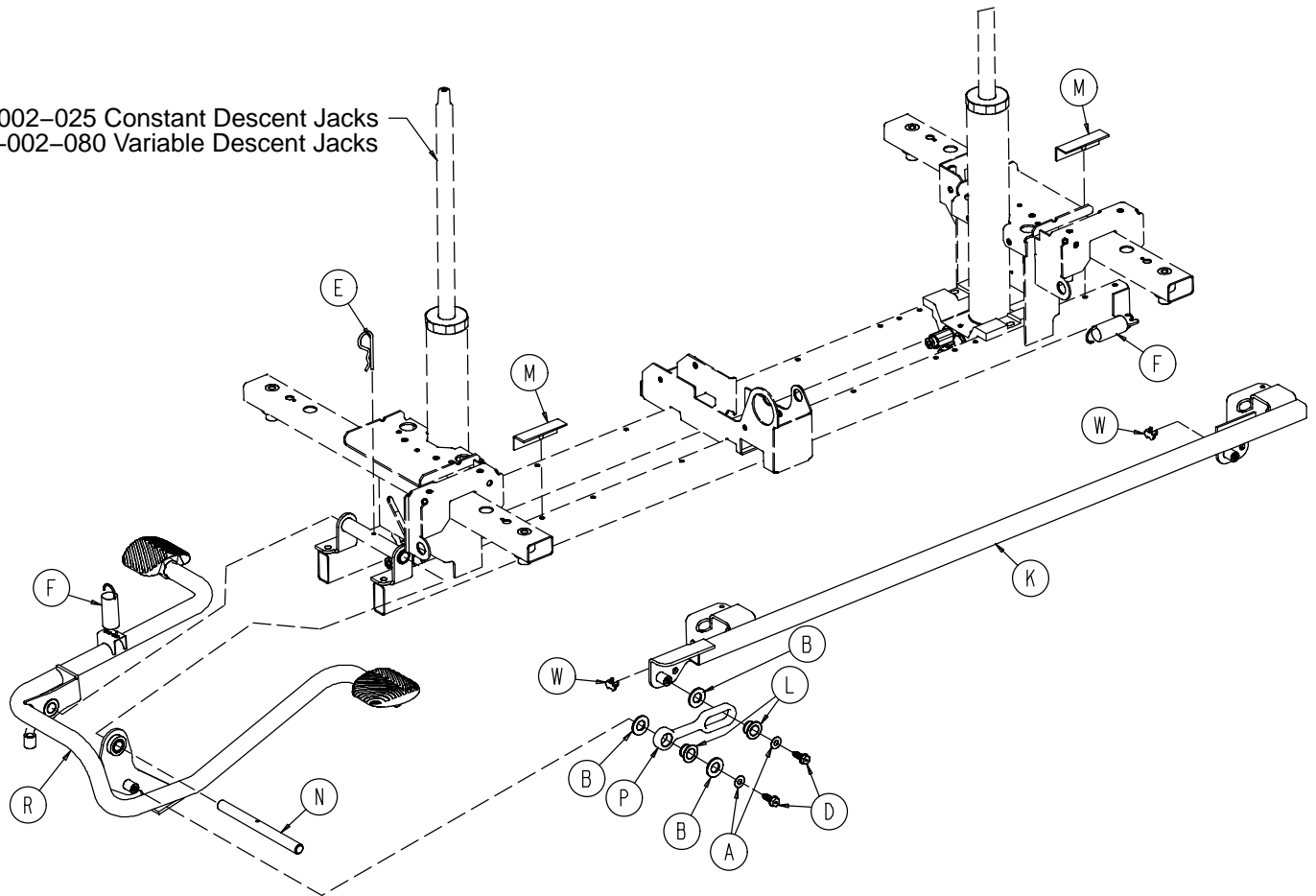
Base with Dual Side Hydraulics (Big Wheel Base)

Assembly part number 1040-005-200 (reference only)

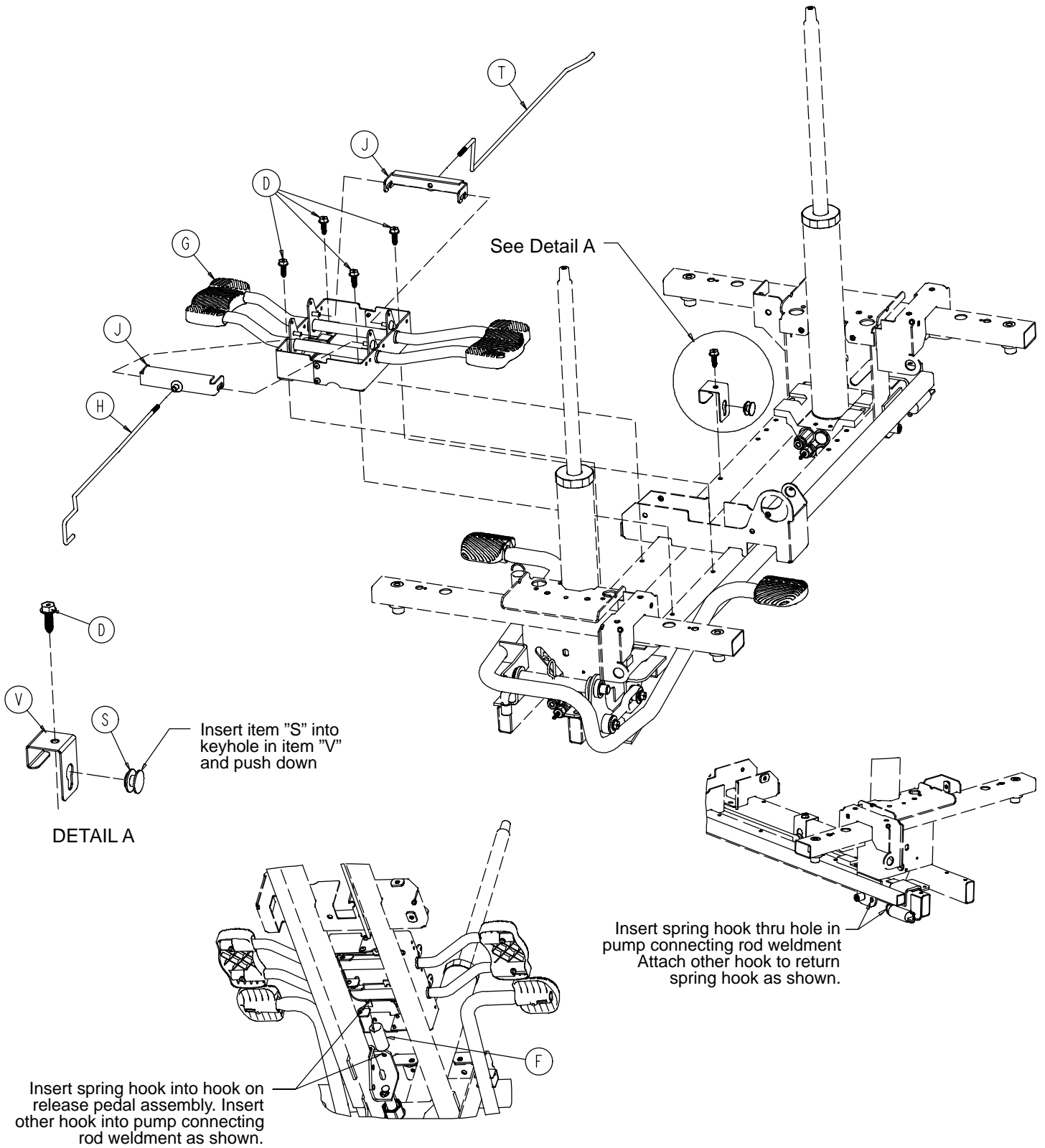


Insert pump ram into keyhole slot on both ends. Lower pump connecting rod weldment onto pump ram as shown. Insert item W to retain pump connecting rod.

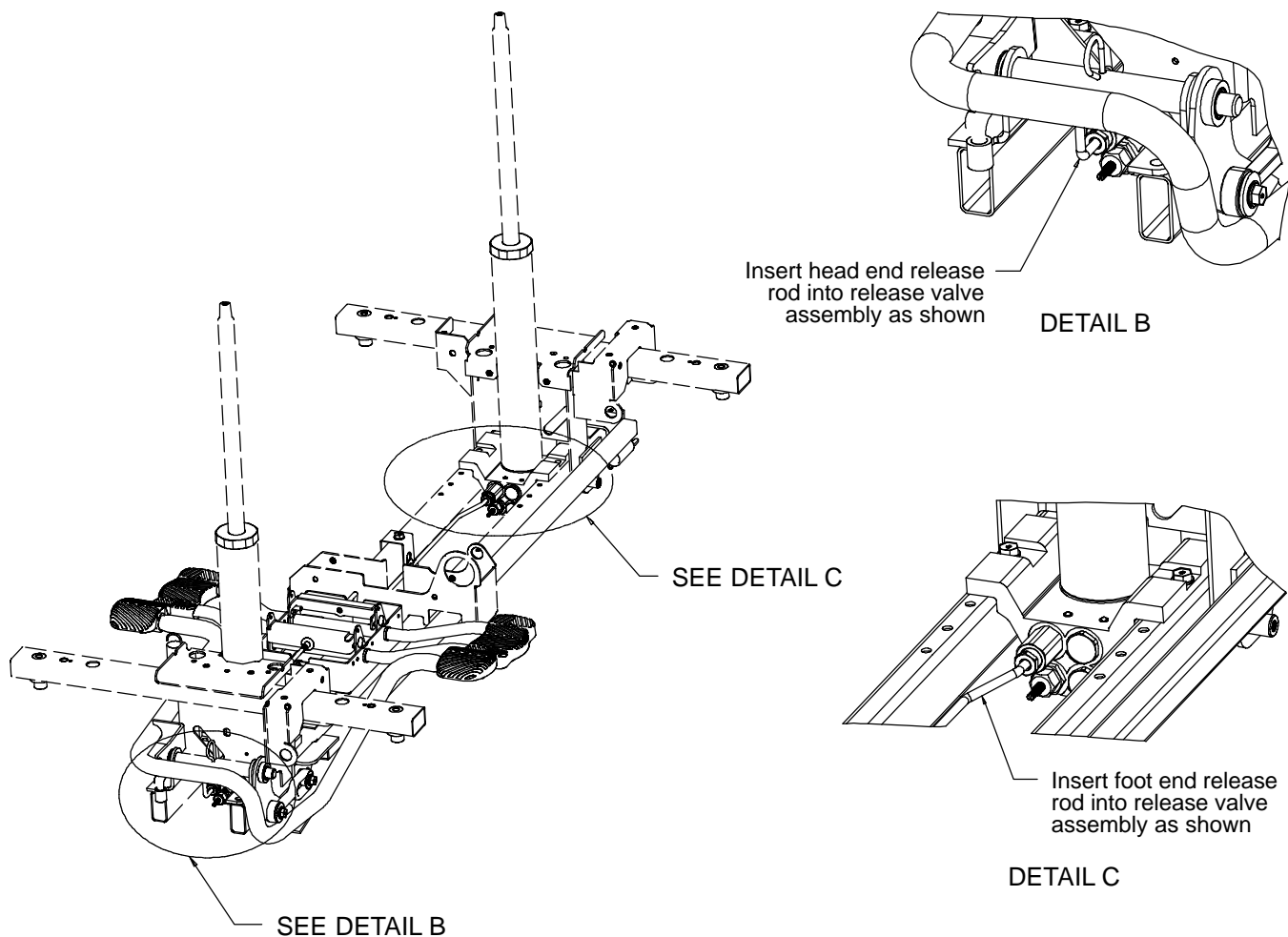
0753-002-025 Constant Descent Jacks
0753-002-080 Variable Descent Jacks



Base with Dual Side Hydraulics (Big Wheel Base)

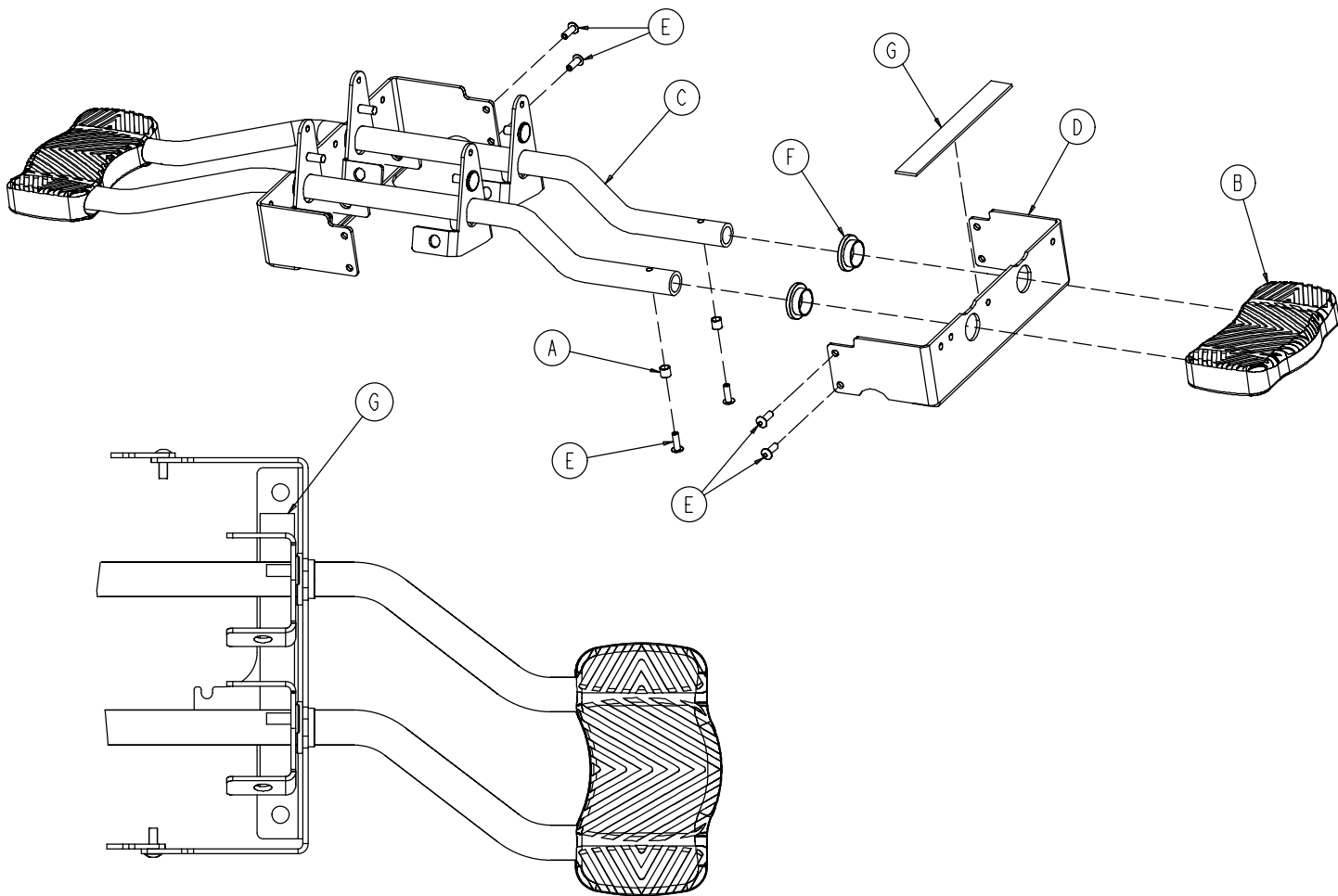


Base with Dual Side Hydraulics (Big Wheel Base)



Item	Part No.	Part Name	Qty.
A	0011-023-000	Washer	2
B	0014-071-000	Washer	2
D	0023-288-000	Hex Washer Hd. Screw	7
E	0027-031-000	Hair Pin Cotter	1
F	0038-497-000	Extension Spring	2
G	(page 55)	Release Pedal Assembly	1
H	0753-004-014	Head End Release Rod	1
J	0753-004-032	Release Pedal Swivel	2
K	0753-005-037	Pump Connecting Rod	1
L	0753-005-044	Pump Pedal Bushing	2
M	0753-005-088	Wear Strip	3
N	0753-005-074	Pivot Pin	1
P	0753-005-075	Pump Pedal Link	1
R	(page 36)	Head End Pump Pedal Ass'y	1
S	0753-010-015	Release Rod Guide	1
T	1040-004-015	Foot End Release Rod	1
V	1040-010-115	Release Rod Bracket	1
W	0753-005-089	Pump Ram Plug	2

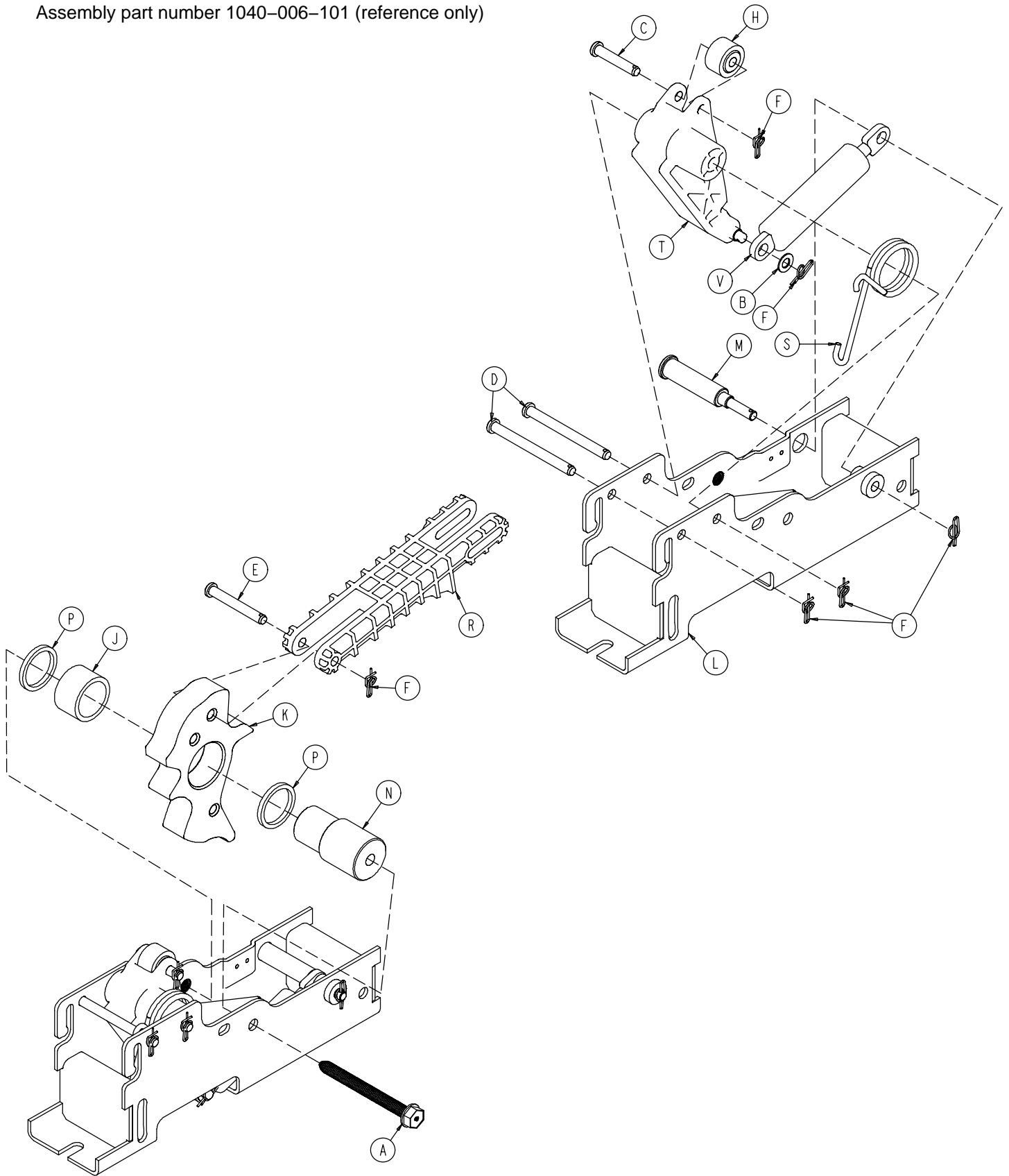
0753-004-001 Release Pedal Assembly



Item	Part No.	Part Name	Qty.
A	0715-001-333	Release Rod Stop Sleeve	4
B	1061-201-127	Short Uni Pedal	2
C	0753-004-004	Release Pedal Weldment	2
D	0753-004-121	Release Pedal Mtg. Plate	2
E	0025-171-000	Blind Rivet	8
F	0753-004-036	Bushing	4
G	0753-004-035	Rel. Pedal Bumper Strip	2

Cam Bracket Assembly

Assembly part number 1040-006-101 (reference only)

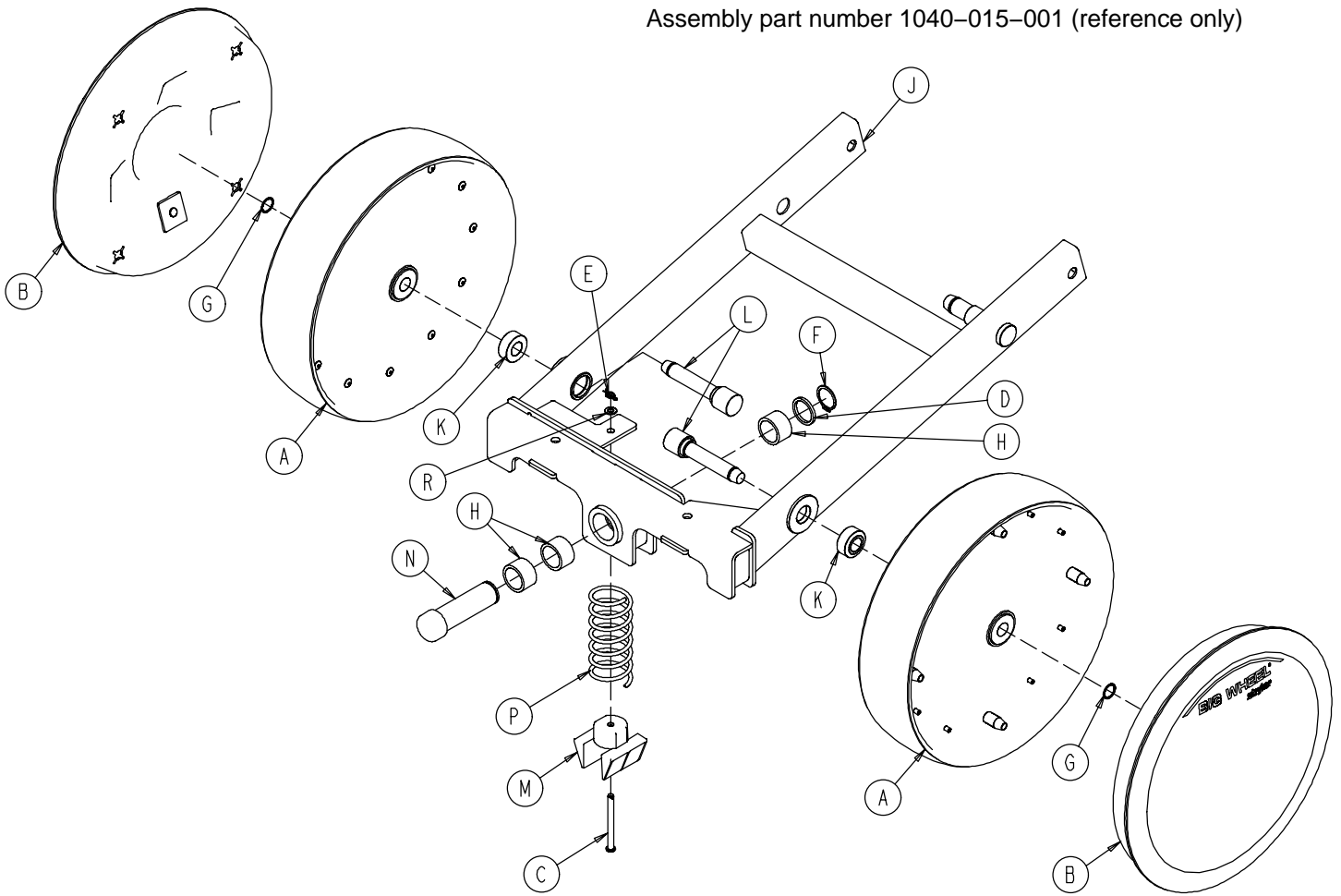


Cam Bracket Assembly

Item	Part No.	Part Name	Qty.
A	0023-151-000	Hex Washer Hd. Screw	1
B	0014-004-000	Washer	1
C	0026-273-000	Clevis Pin	1
D	0026-341-000	Clevis Pin	2
E	0026-330-000	Clevis Pin	1
F	0027-020-000	Rue Ring Cotter	6
H	0081-305-000	Roller	1
J	0081-400-000	Needle Bearing	1
K	1040-006-113	Lift Cam	1
L	1040-006-121	Cam Bracket	1
M	1040-006-118	Dampener Mtg. Pin	1
N	1040-006-141	Cam Pivot	1
P	0014-063-000	Washer	2
R	1040-006-144	Drive Link	1
S	1210-001-146	Torsion Spring	1
T	1040-006-163	Dampener Arm	1
V	1040-006-109	Cam Damper	1

Big Wheel Carriage Assembly

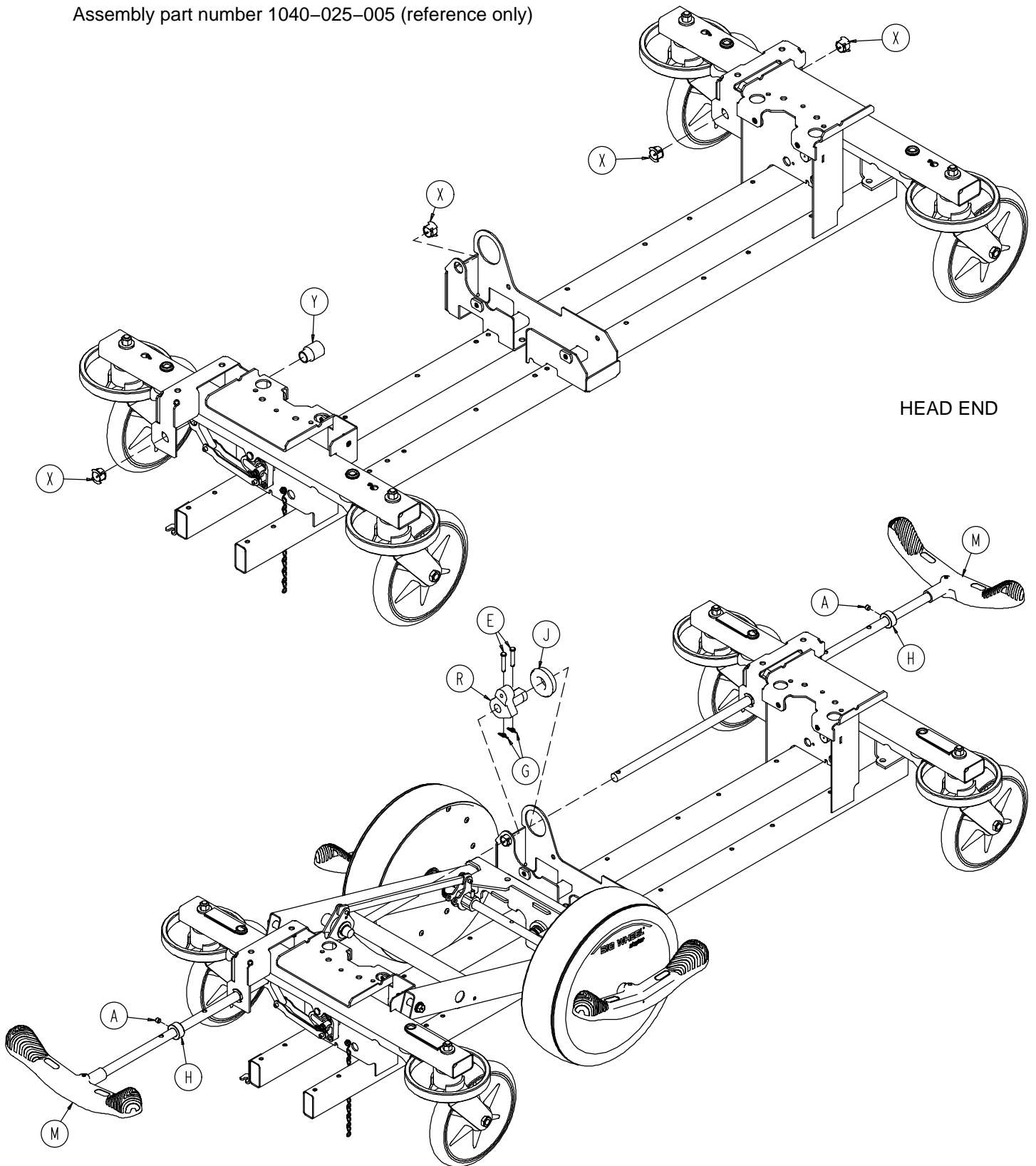
Assembly part number 1040-015-001 (reference only)



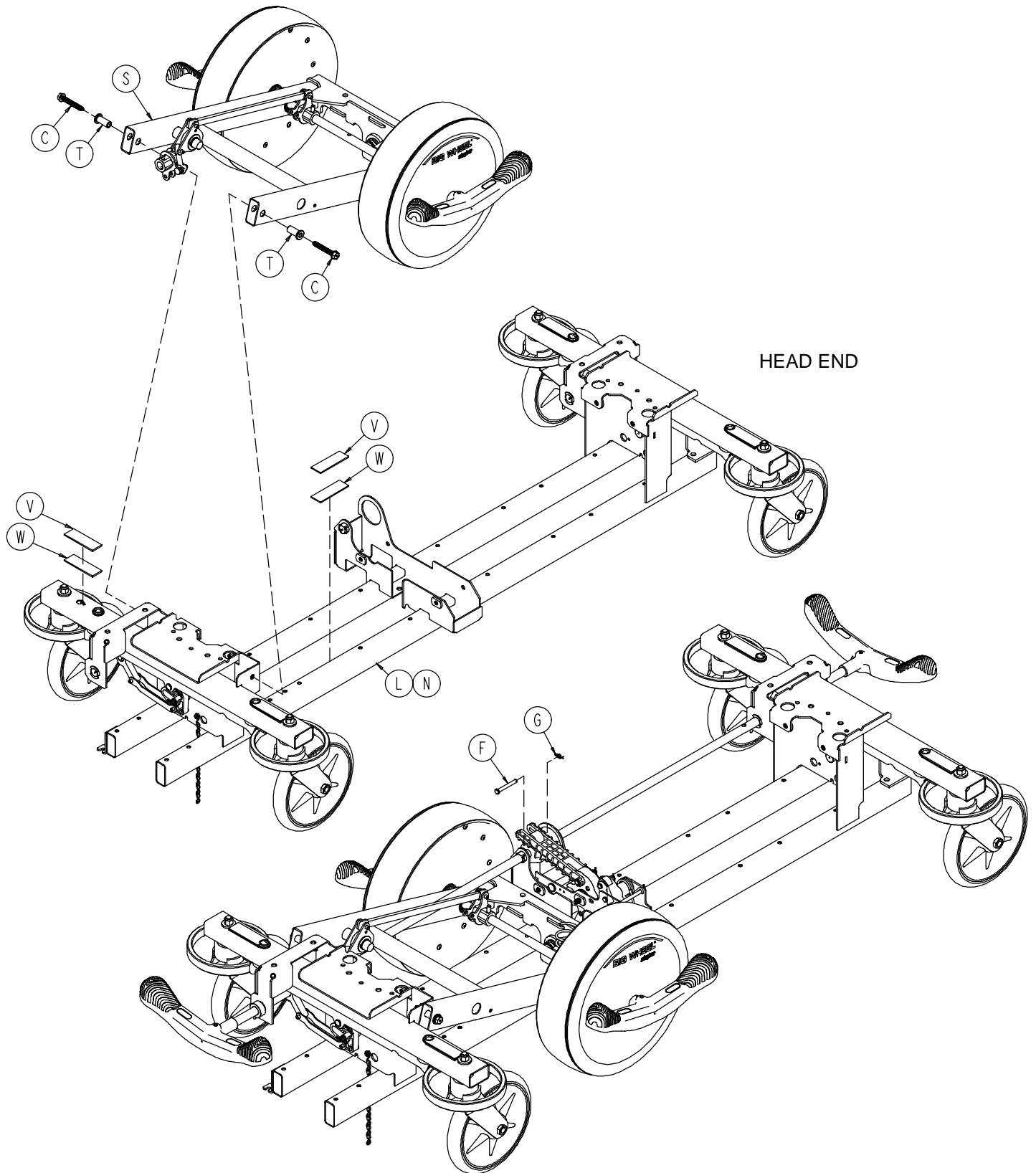
Item	Part No.	Part Name	Qty.
A	1210-301-619	Wheel Assembly	2
B	1040-015-030	Cover w/Counterweight	2
C	0026-341-000	Clevis Pin	1
D	0014-063-000	Washer	1
E	0027-020-000	Rue Ring Cotter	1
F	0028-173-000	External Retaining Ring	1
G	0028-330-000	Spiral Retaining Ring	2
H	0081-400-000	Needle Bearing	3
J	1040-015-010	Carriage Weldment	1
K	1040-015-051	Big Wheel Spacer	2
L	1040-015-052	Big Wheel Axle	2
M	1040-015-053	Carriage Spring Retainer	1
N	1040-015-028	Lift Cam Roller	1
P	1040-015-006	Carriage Return Spring	1
R	0014-004-000	Washer	1

Big Wheel 4-Sided Control Base

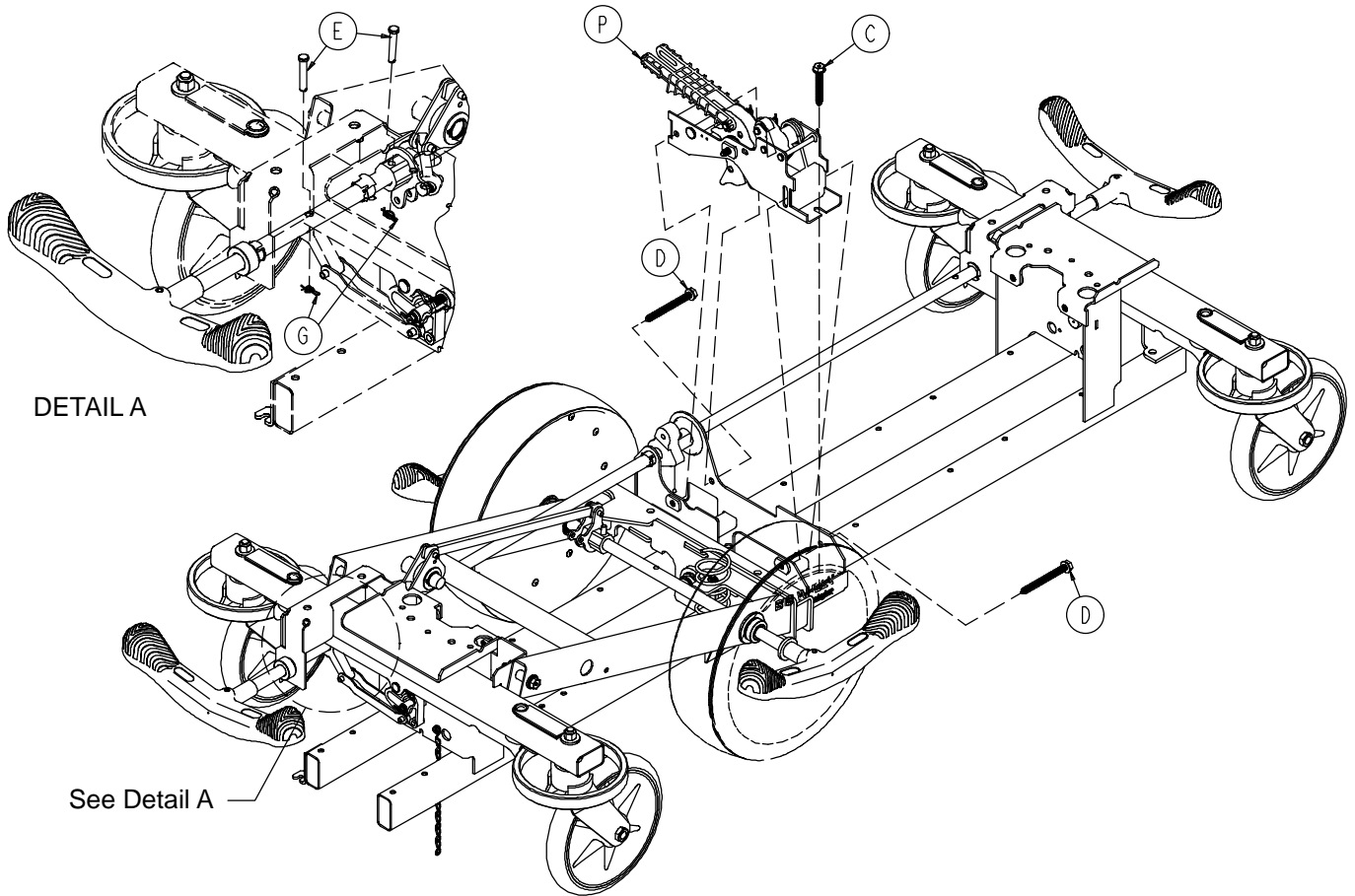
Assembly part number 1040-025-005 (reference only)



Big Wheel 4-Sided Control Base



Big Wheel 4-Sided Control Base

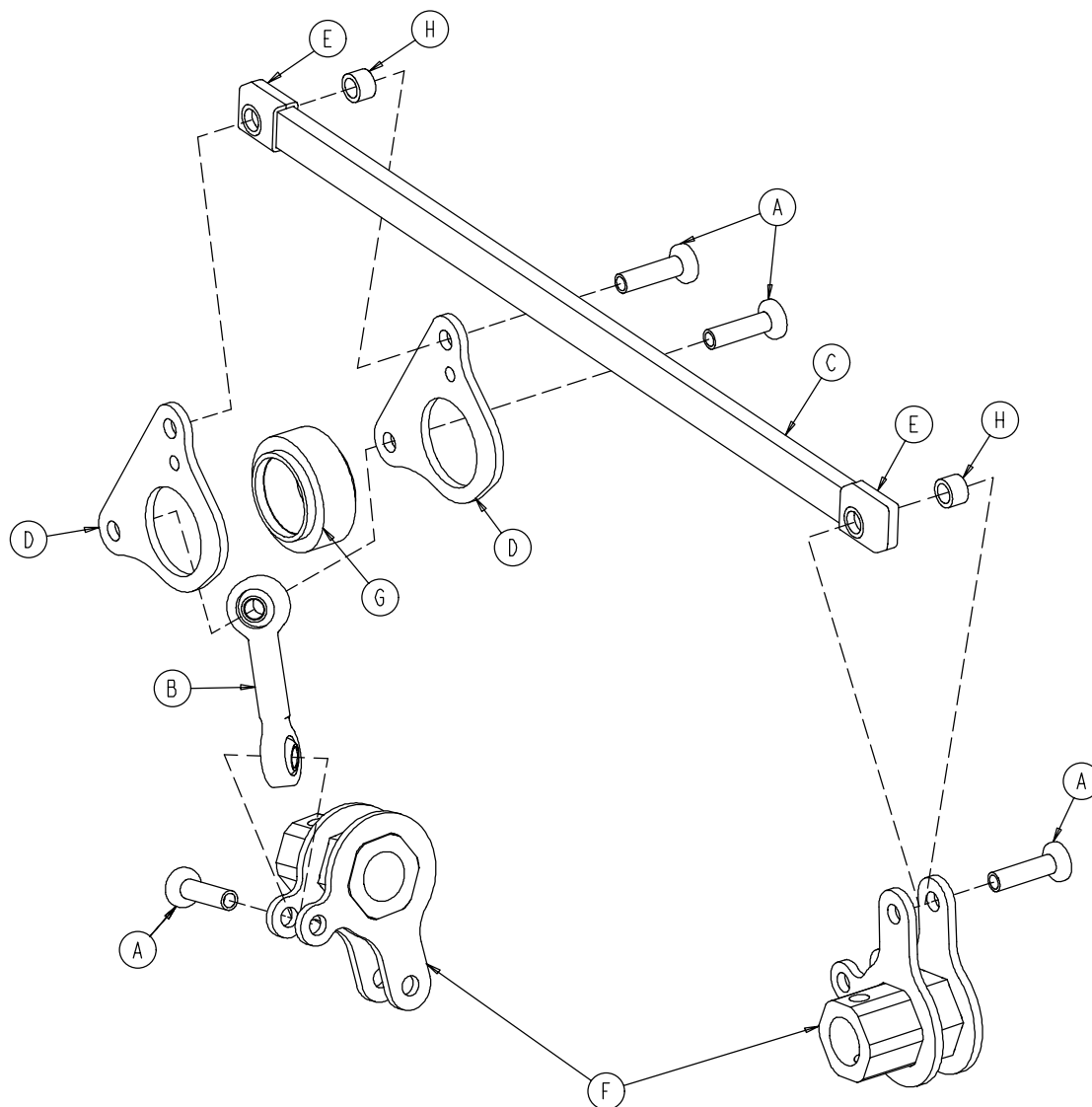


Item	Part No.	Part Name	Qty.
A	0021-166-000	Set Screw	2
C	0023-150-000	Hex Washer Hd. Screw	3
D	0023-151-000	Hex Washer Hd. Screw	2
E	0026-273-000	Clevis Pin	5
F	0026-330-000	Clevis Pin	1
G	0027-020-000	Rue Ring Cotter	6
H	0042-020-000	Collar	2
J	0081-330-000	Radial Bearing	1
L	(page 48)	Base Assembly w/ Standard Brakes	1
M	(page 51)	Brake Rod Assembly	2
N	(page 52)	Dual Sided Hydraulics	1
P	(page 56)	Cam Bracket Assembly	1
R	1040-006-131	Drive Arm	1
S	(page 62)	Side Control Big Wheel Carriage Ass'y	1
T	1040-015-007	Carriage Pivot Bushing	2
V	0029-007-000	Dual Lock	5
W	0029-009-000	Dual Lock	5
X	1210-201-251	Insert	4
Y	1040-025-026	Brake Rod Bushing	1

Side Control Big Wheel Carriage Assembly

Item	Part No.	Part Name	Qty.
A	0014-004-000	Washer	1
B	0011-148-000	Washer	2
E	0026-341-000	Clevis Pin	1
F	0026-342-000	Groove Pin	3
G	0027-020-000	Rue Ring Cotter	1
H	0028-166-000	External Retaining Ring	1
K	0028-173-000	External Retaining Ring	1
L	0081-011-000	Needle Bearing	3
M	0011-525-000	Washer	2
N	0081-175-000	Thrust Bearing	2
R	0081-400-000	Needle Bearing	3
S	0753-003-099	Butterfly "V" Pedal	2
T	1040-015-006	Carriage Return Spring	1
U	0014-063-000	Washer	1
W	1040-015-010	Carriage Weldment	1
X	1040-015-053	Carriage Spring Retainer	1
Y	1040-015-028	Lift Cam Roller	1
Z	0753-003-119	Side Control Brake Rod	1
AA	1040-025-014	Side Control Wheel Spacer	2
AB	1040-025-017	Side Control Pedal Spacer	2
AC	1040-025-030	Cover w/Counterweight	2
AD	1210-301-619	Wheel Assembly	2
AE	(page 64)	Side Control Linkage Ass'y	1
AF	1210-201-335	Red Brake Label	2
AG	1210-201-336	Green Steer Label	2

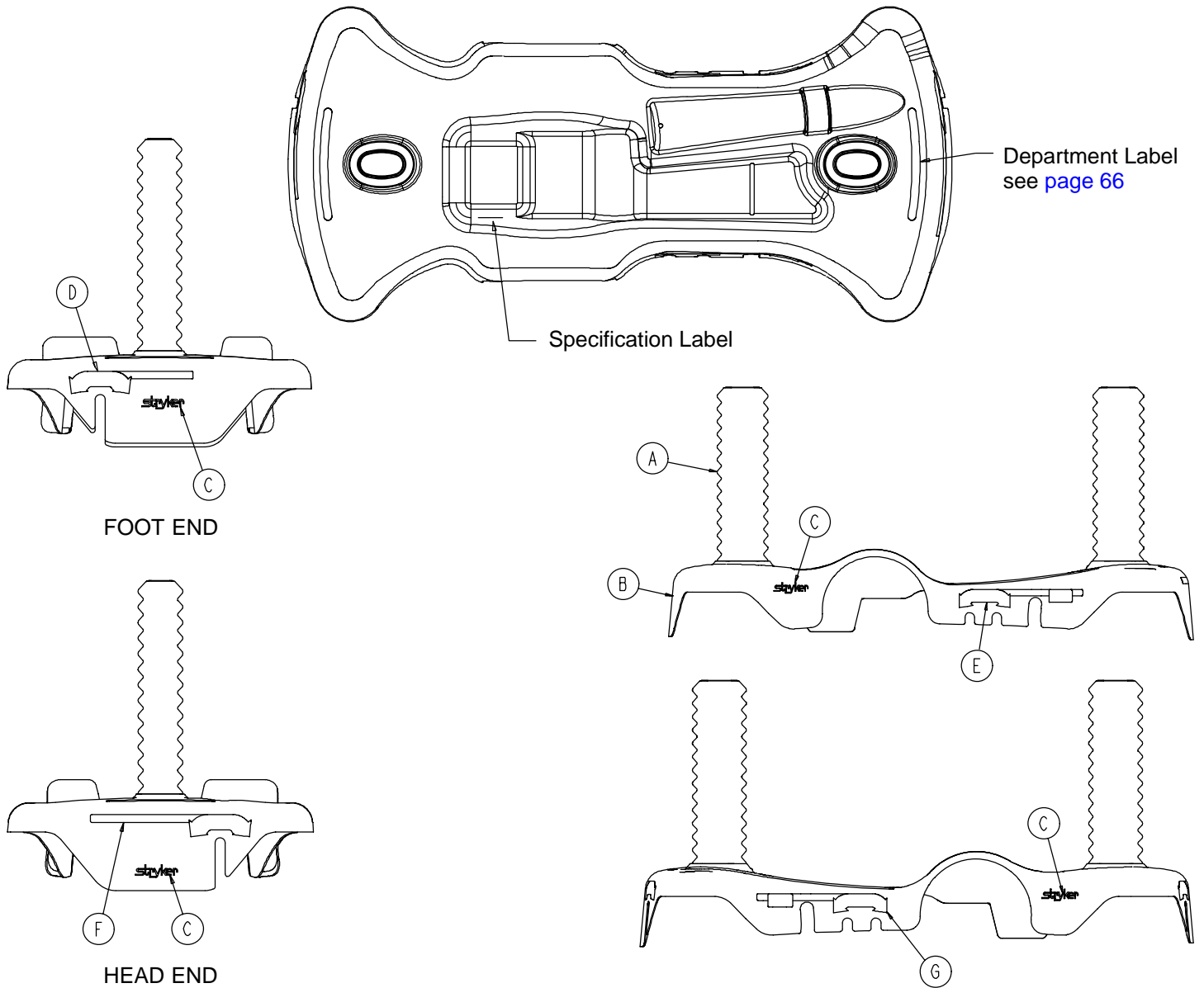
1040-025-010 Side Control Big Wheel Linkage Ass'y



Item	Part No.	Part Name	Qty.
A	0753-003-098	Flat Hd. Semi-Tubular Rivet	4
B	0753-003-117	Rod End Link	1
C	1040-025-011	Main Link	1
D	1040-025-013	Toggle Pivot Plate	2
E	1040-025-016	Main Link Cover	2
F	1040-025-020	Yoke Weldment	2
G	1040-025-018	Toggle Pivot Spacer	1
H	1040-025-027	Link Spacer	2

Base Labeling Assembly – Big Wheel Base

Assembly part number 1040-015-400 (reference only)



Item	Part No.	Part Name	Qty.
A	1040-010-134	Bellows	2
B	1040-015-404	Base Hood	1
C	0946-201-060	Stryker Logo Label	4

Base Labeling Assembly

Color Set P/N	Item D Brake/Steer, Foot End	Item E Lift/Lower, Left	Item F Brake/Steer, Head End	Item G Lift/Lower, Right	Litter Bumper Strip
RED 0753-010-120	0753-010-051	0753-010-055	0753-010-017	0753-010-054	1010-700-015
PURPLE 0753-010-121	0753-010-151	0753-010-155	0753-010-170	0753-010-154	1010-700-025
GREEN 0753-010-122	0753-010-251	0753-010-255	0753-010-270	0753-010-254	1010-700-035
GRAY 0753-010-123	0753-010-351	0753-010-355	0753-010-370	0753-010-354	1010-700-045
TEAL 0753-010-124	0753-010-451	0753-010-455	0753-010-470	0753-010-454	1010-700-055
PINK 0753-010-125	0753-010-551	0753-010-555	0753-010-570	0753-010-554	1010-700-065
BLUE 0753-010-126	0753-010-651	0753-010-655	0753-010-670	0753-010-654	1010-700-075

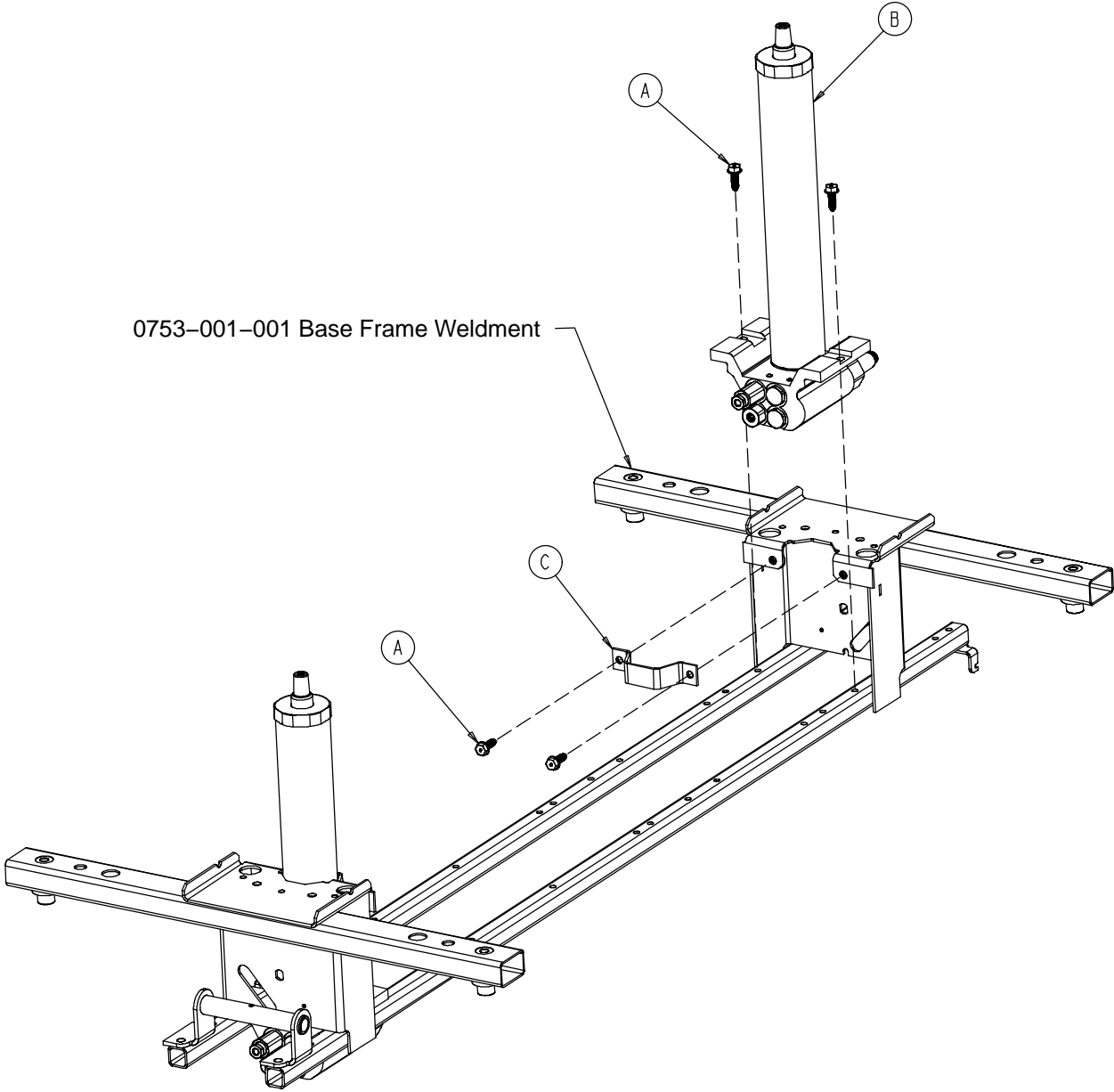
BASE HOOD DEPARTMENT LABELS

Department	Label Part Number
Emergency	1010-900-215
PACU	1010-900-220
Transport	1010-900-225
Surgery	1010-900-230
Extended Stay	1010-900-235
Maternity	1010-900-240
Endoscopy	1010-900-245
Radiology	1010-900-250
Nuclear Medicine	1010-900-255
Ambulatory Surgery	1010-900-260
G.I. Lab	1010-900-265
Cath. Lab	1010-900-270
Same Day Surgery	1010-900-275
Cardio.	1010-900-280
Ultrasound	1010-900-285

NOTE

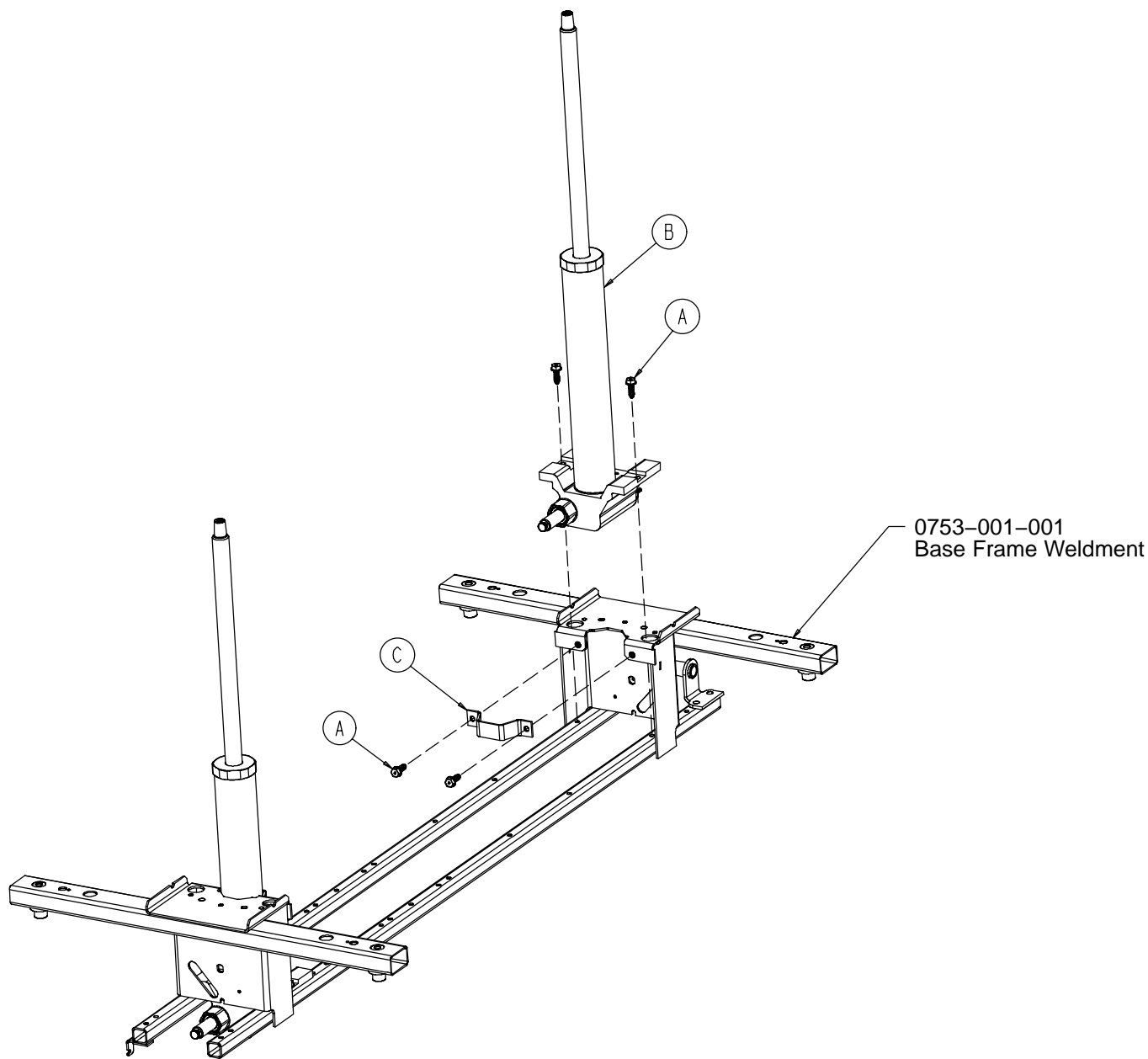
All base hood department labels are quantity of two.

0753-002-080 Variable Descent Hydraulic Jack Option



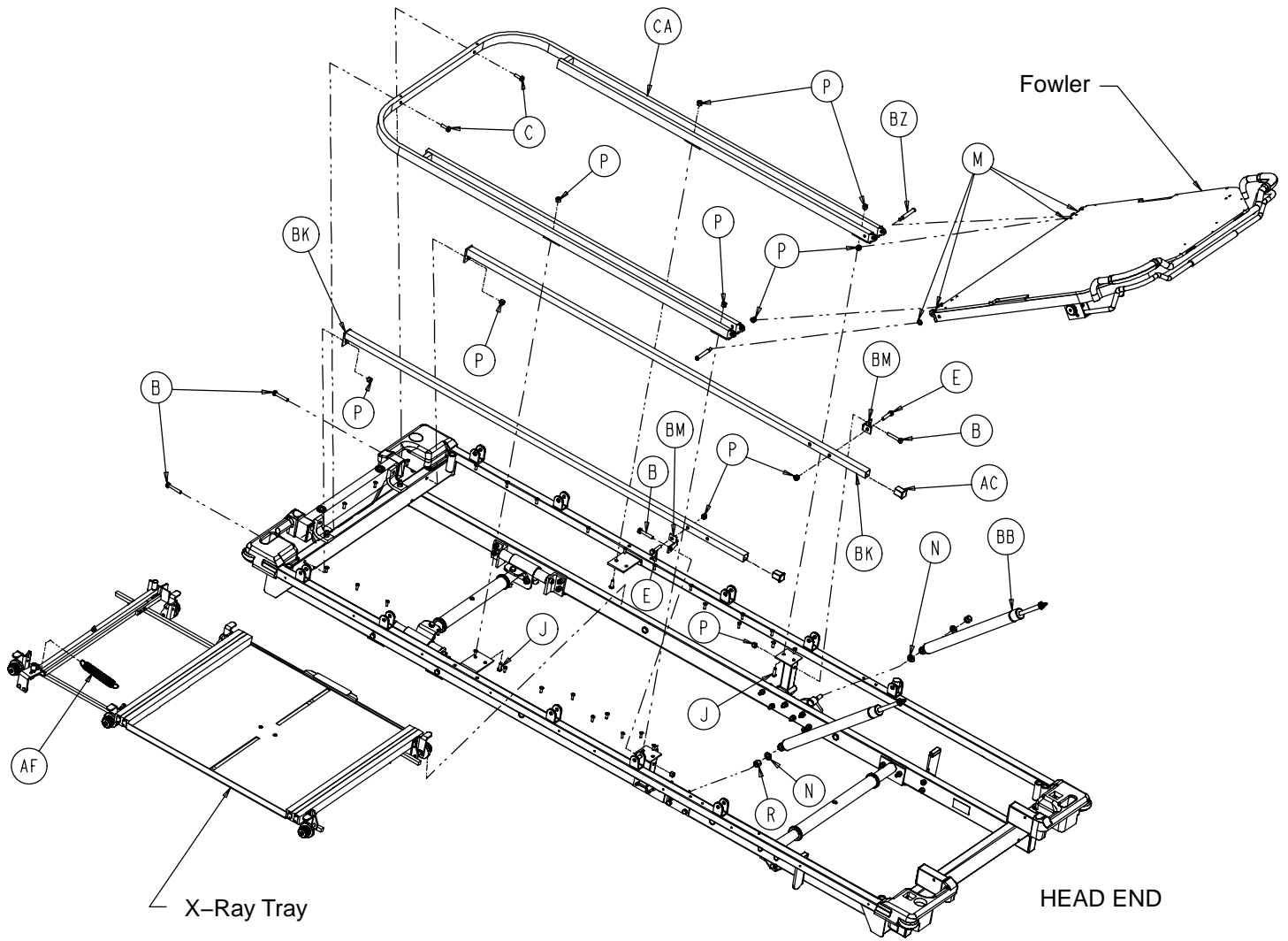
Item	Part No.	Part Name	Qty.
A	0023-288-000	Hex Washer Hd. Screw	8
B	0753-002-070	Variable Descent Jack Assembly	2
C	0753-010-007	Reservoir Clamp	2

0753-002-025 Constant Descent Hydraulic Jack Option

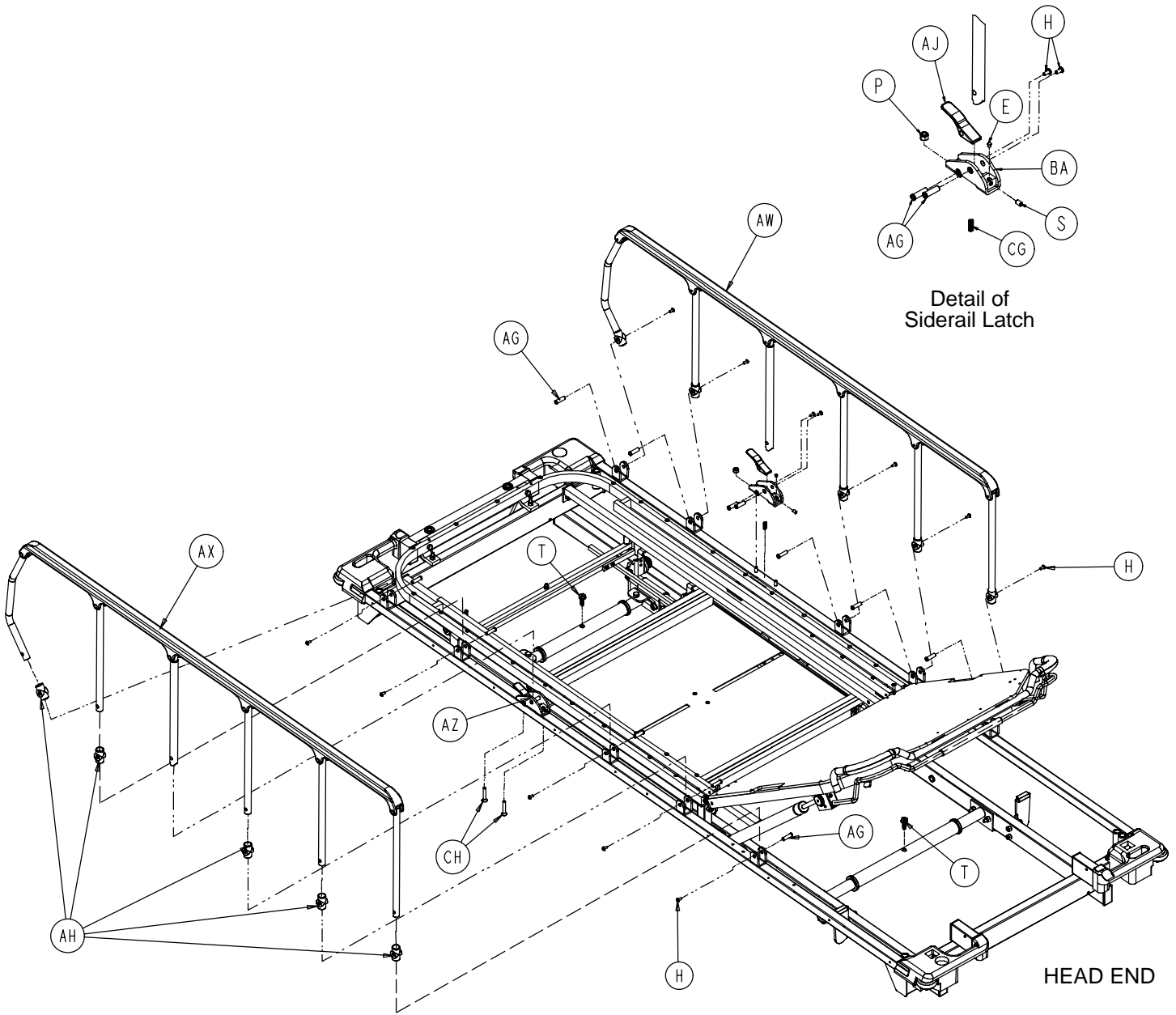


Item	Part No.	Part Name	Qty.
A	0023-288-000	Hex Washer Hd. Screw	8
B	0753-002-001	Constant Descent Jack Ass'y	2
C	0753-010-007	Reservoir Clamp	2

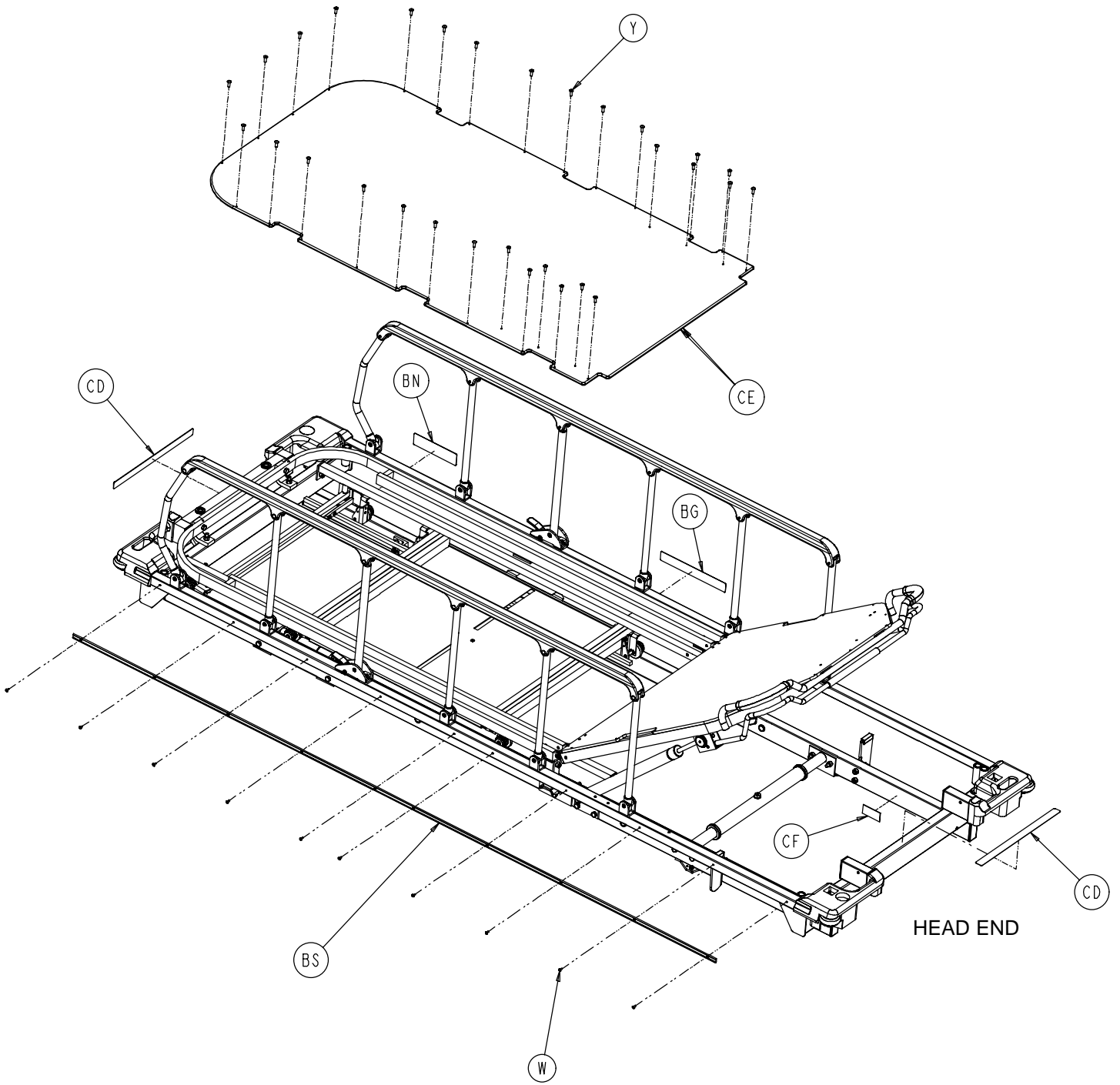
Litter Assembly



Litter Assembly



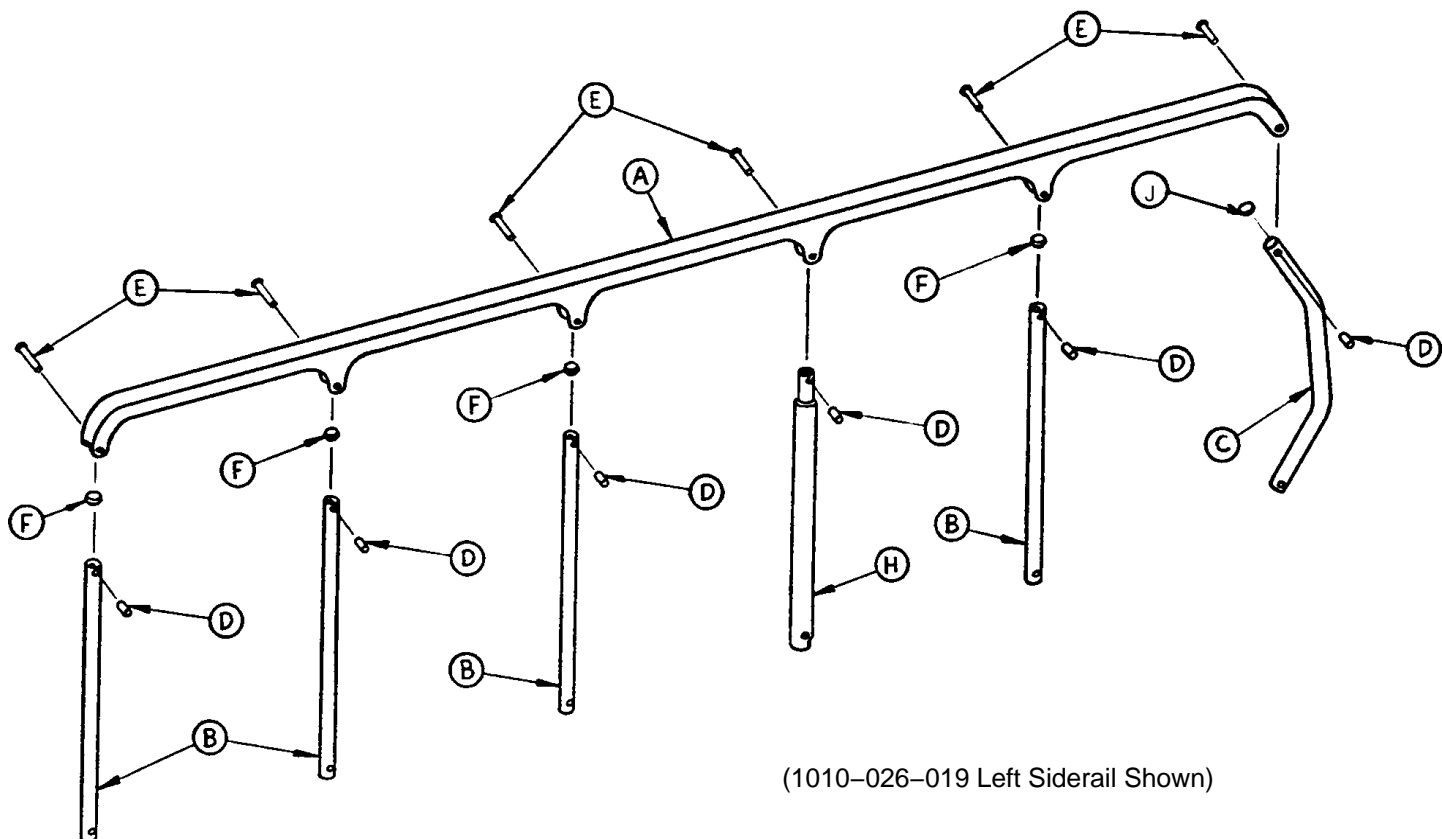
Litter Assembly



Litter Assembly

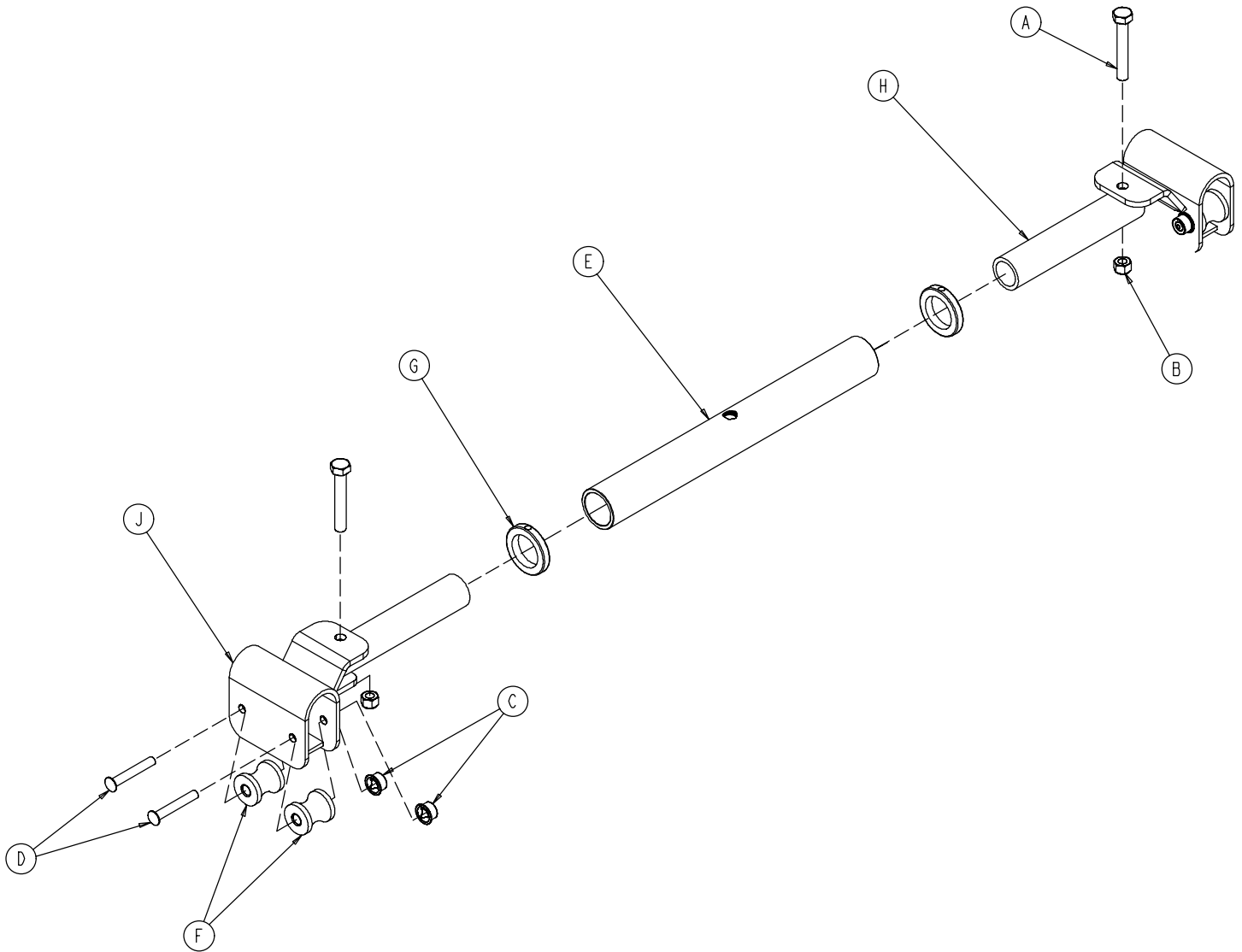
Item	Part No.	Part Name	Qty.	Item	Part No.	Part Name	Qty.
A	0003-035-000	Hex Hd. Cap Screw	2	AT	1010-001-017	Roller Plate	4
B	0003-047-000	Hex Hd. Cap Screw	12	AW	(page 74)	Siderail Ass'y, Right	1
C	0003-050-000	Hex Hd. Cap Screw	2	AX	(page 74)	Siderail Ass'y, Left	1
D	0003-054-000	Hex Hd. Cap Screw	4	AY	1010-026-069	Lock Support	2
E	0003-074-000	Hex Hd. Cap Screw	2	AZ	1010-026-080	Lock Housing, Left	1
F	0003-078-000	Hex Hd. Cap Screw	24	BA	1010-026-081	Lock Housing, Right	1
G	0004-021-000	Soc. Hd. Cap Screw	4	BB	1010-031-078	Gas Cylinder	2
H	0004-136-000	But. Hd. Cap Screw	14	BC	1010-032-092	Foley Bag Rack	1
J	0004-161-000	But. Hd. Cap Screw	4	BD	1020-001-040	Foot Board Support	1
K	0008-024-000	Soc. Hd. Cap Screw	4	BE	1020-001-042	Roller Support, Left	2
M	0014-003-000	Washer	4	BF	1020-001-043	Roller Support, Right	2
N	0014-021-000	Washer	4	BG	1020-001-053	Centering Label	1
P	0016-028-000	Hex Nut	44	BH	1020-001-059	Trend Roller Bar	2
R	0016-035-000	Nylock Hex Nut	2	BJ	1020-001-061	Litter Frame Ass'y	1
S	0021-104-000	Set Screw	2	BK	1020-022-023	Guide Tube Assembly	2
T	0023-288-000	Hex Washer Hd. Screw	2	BM	1020-022-026	Adjustment Bracket	2
W	0025-038-000	Rivet	20	BN	1020-022-028	Label, Release	1
Y	0025-171-000	Rivet	32	BP	(page 75)	Foot End Litter Support	1
Z	0028-023-000	External Retaining Ring	2	BR	(page 76)	Head End Litter Support	1
AA	0037-049-000	Rectangular Hole Plug	8	BS	1020-026-021	Bumper Channel	2
AB	0037-059-000	Hole Plug	1	BT	1020-031-009	Rubber Rest	2
AC	0037-063-000	Hole Plug	2	BX	1020-031-019	Fowler Support, Left	2
AD	0037-074-000	Hole Plug	2	BY	1020-031-025	Cylinder Mount	2
AF	0038-253-000	Extension Spring	1	BZ	1020-032-019	Pivot Bolt	2
AG	0721-026-066	Pivot Screw	14	CA	1020-032-025	Foot Section Weldment	1
AH	0721-026-069	Upright Sleeve	10	CB	1020-032-031	Litter Riser, Right	1
AJ	0721-026-074	Lock Handle	2	CC	1020-032-032	Litter Riser, Left	1
AK	0721-032-049	Roller Bumper	4	CD	1020-091-052	Centering Label	2
AM	0721-040-026	Foot Board Receptacle	2	CE	1020-032-026	Foot Section Skin	1
AN	1010-001-013	Cover, Foot, Right	1	CF	1210-800-008	Patent Label	1
AP	1010-001-014	Cover, Foot, Left	1	CG	0038-220-000	Compression Spring	2
AR	1010-001-015	Cover, Head, Left	1	CH	0001-096-000	Flat Cs'k. Hd. Mach. Scr.	4
AS	1010-001-016	Cover, Head, Right	1				

1010-026-017 & 1010-026-019 Siderail, Fold-to-Head



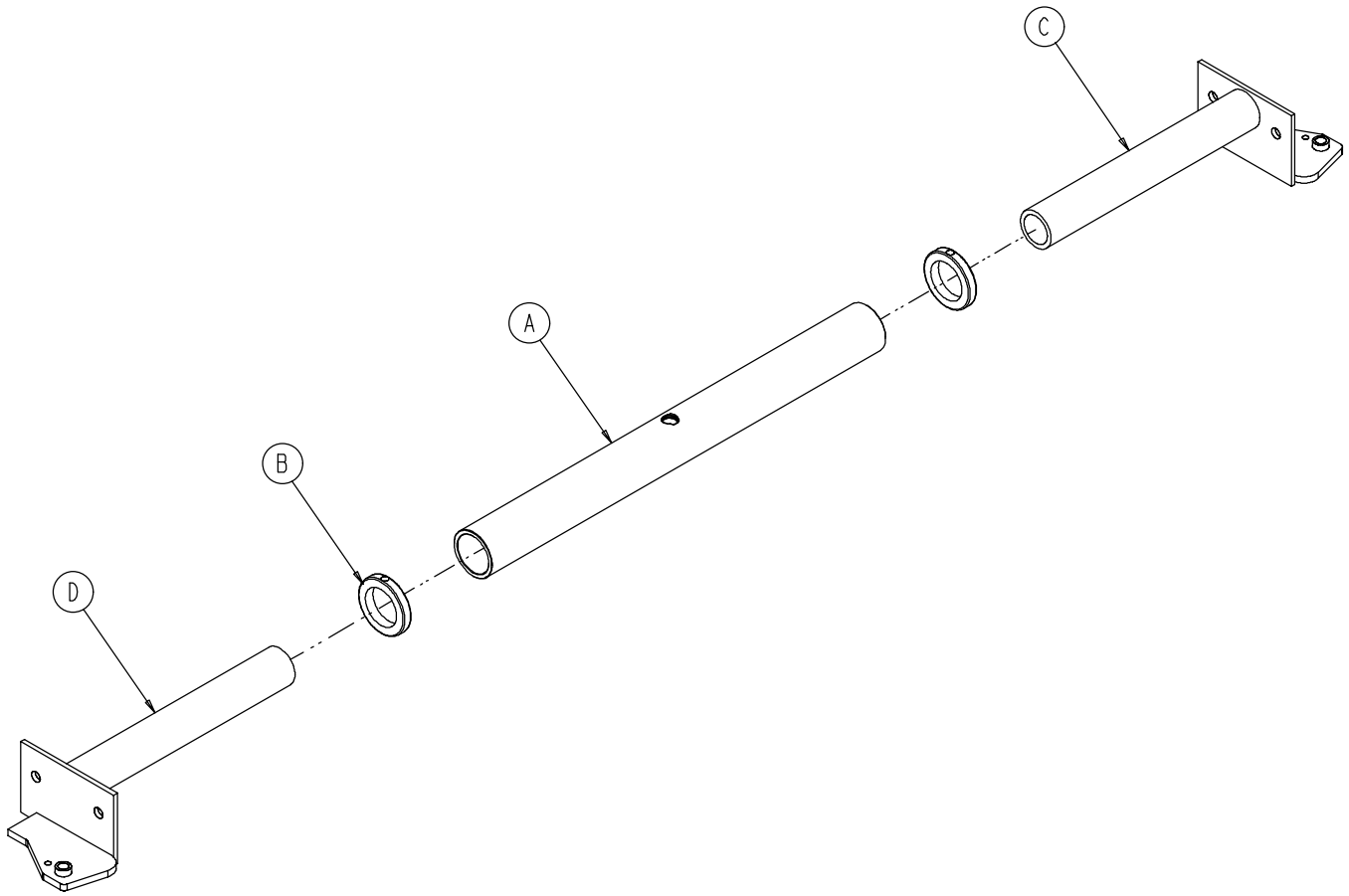
Item	Part No.	Part Name	Qty.
A	1010-026-015	Top Rail	1
B	1010-026-083	Upright	4
C	1010-026-084	Upright, Bent	1
D	1010-026-082	Sleeve Bearing	6
E	0025-106-000	Semi-Tubular Rivet	6
F	1010-026-010	Round Hole Plug	4
H	1010-026-085	Upright, Latch	1
J	1010-026-012	Bent Spindle Rest	1

1020-024-002 Foot End Litter Support Assembly



Item	Part No.	Part Name	Qty.
A	0003-040-000	Hex Hd. Cap Screw	2
B	0016-028-000	Hex Nut	2
C	0017-003-000	Cap Nut	4
D	0025-053-000	Semi-Tubular Rivet	4
E	0753-010-029	Support Tube	1
F	0938-001-292	Support Tube Roller	4
G	0938-001-401	Collar	2
H	1010-032-064	Carrier Tube	2
J	1020-001-048	Foot End Support Tube	2

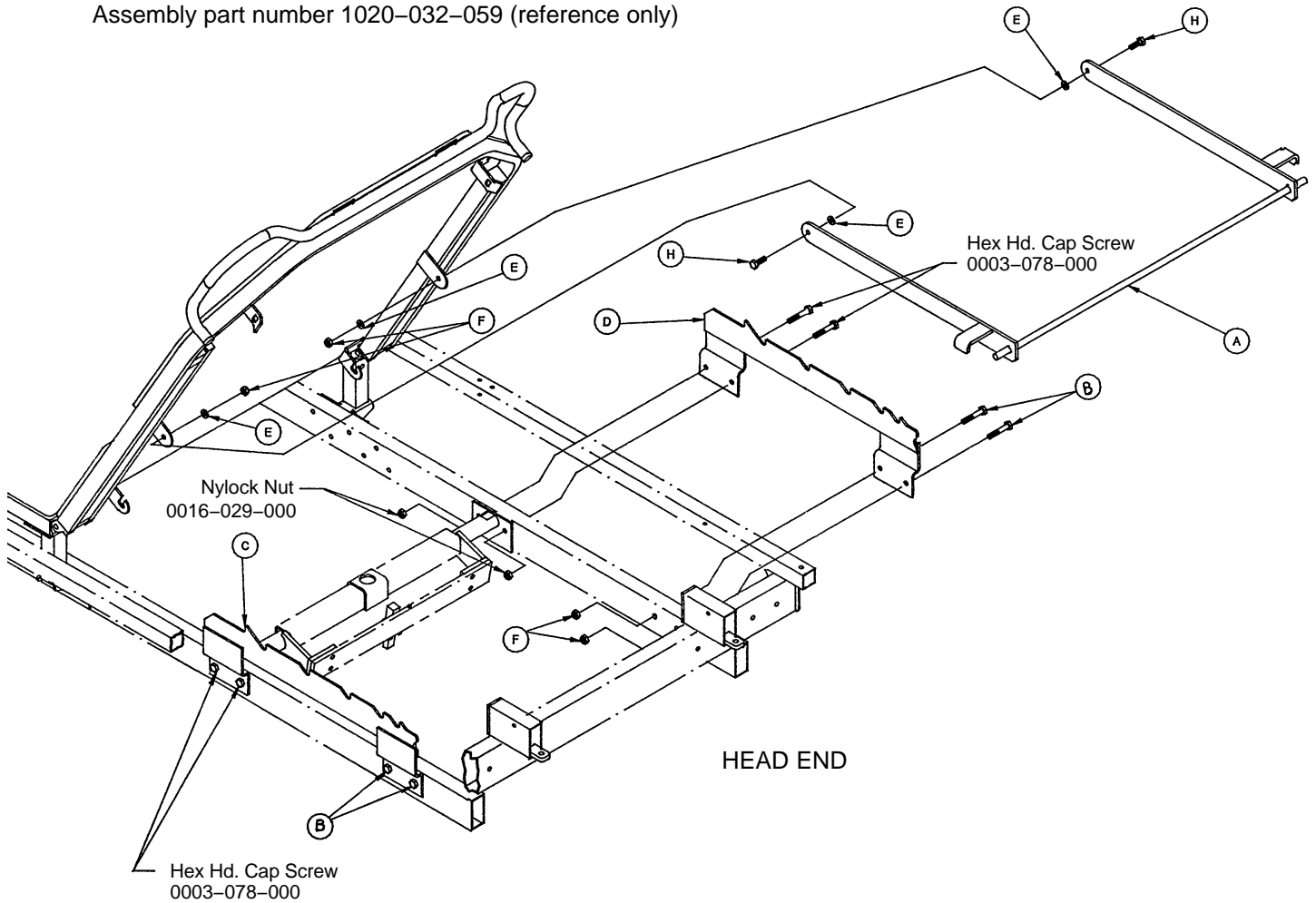
1020-024-003 Head End Litter Support Assembly



Item	Part No.	Part Name	Qty.
A	0753-010-030	Support Tube	1
B	0938-001-401	Collar	2
C	1020-024-004	Jack Support, Left	1
D	1020-024-005	Jack Support, Right	1

Manual Fowler to Litter Assembly

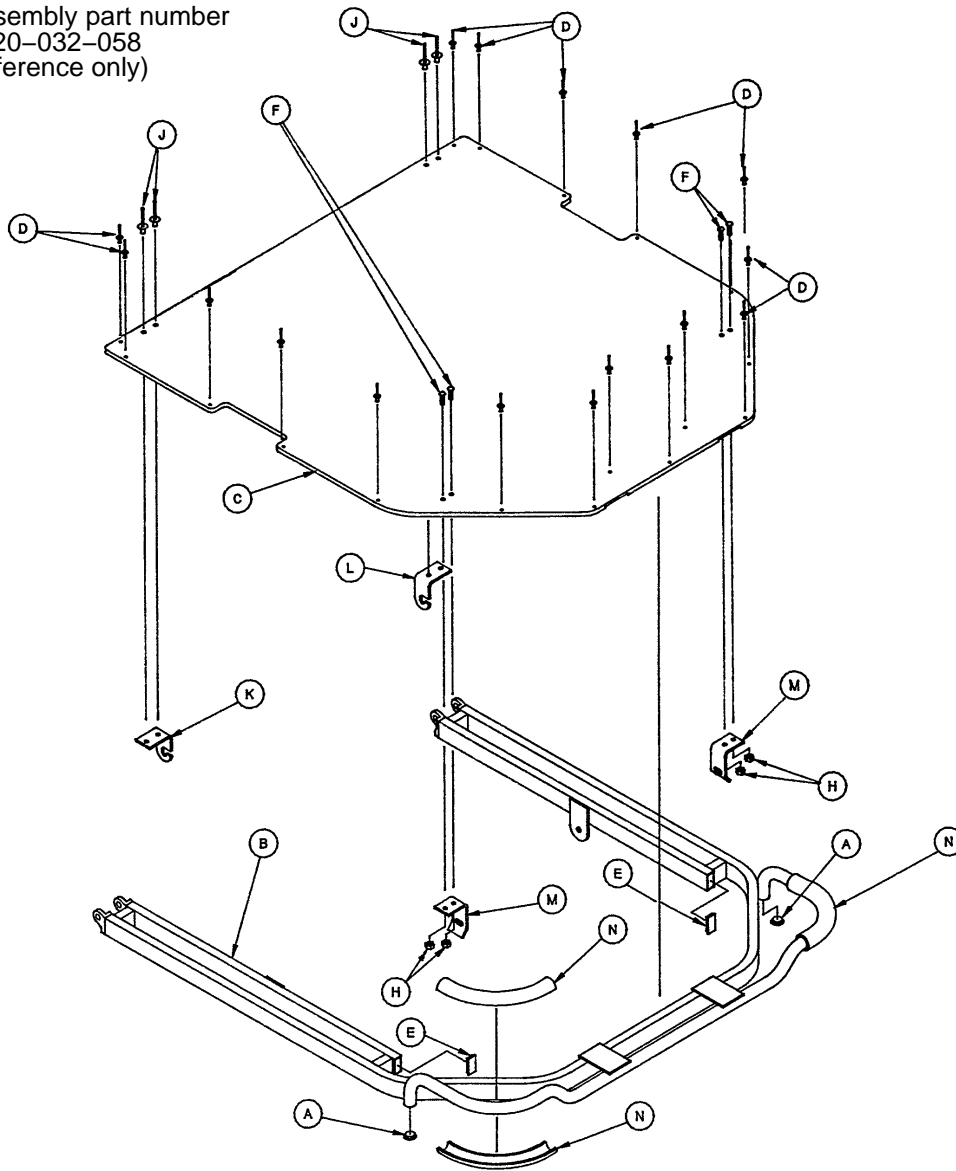
Assembly part number 1020-032-059 (reference only)



Item	Part No.	Part Name	Qty.
A	1020-032-054	Pivot Leg Assembly	1
B	0003-078-000	Hex Hd. Cap Screw	4
C	1020-032-056	Left Bracket Weldment	1
D	1020-032-055	Right Bracket Weldment	1
E	0014-002-000	Nylon Flat Washer	4
F	0016-028-000	Nylock Nut	6
H	0003-050-000	Hex Hd. Cap Screw	2

Manual Fowler Assembly

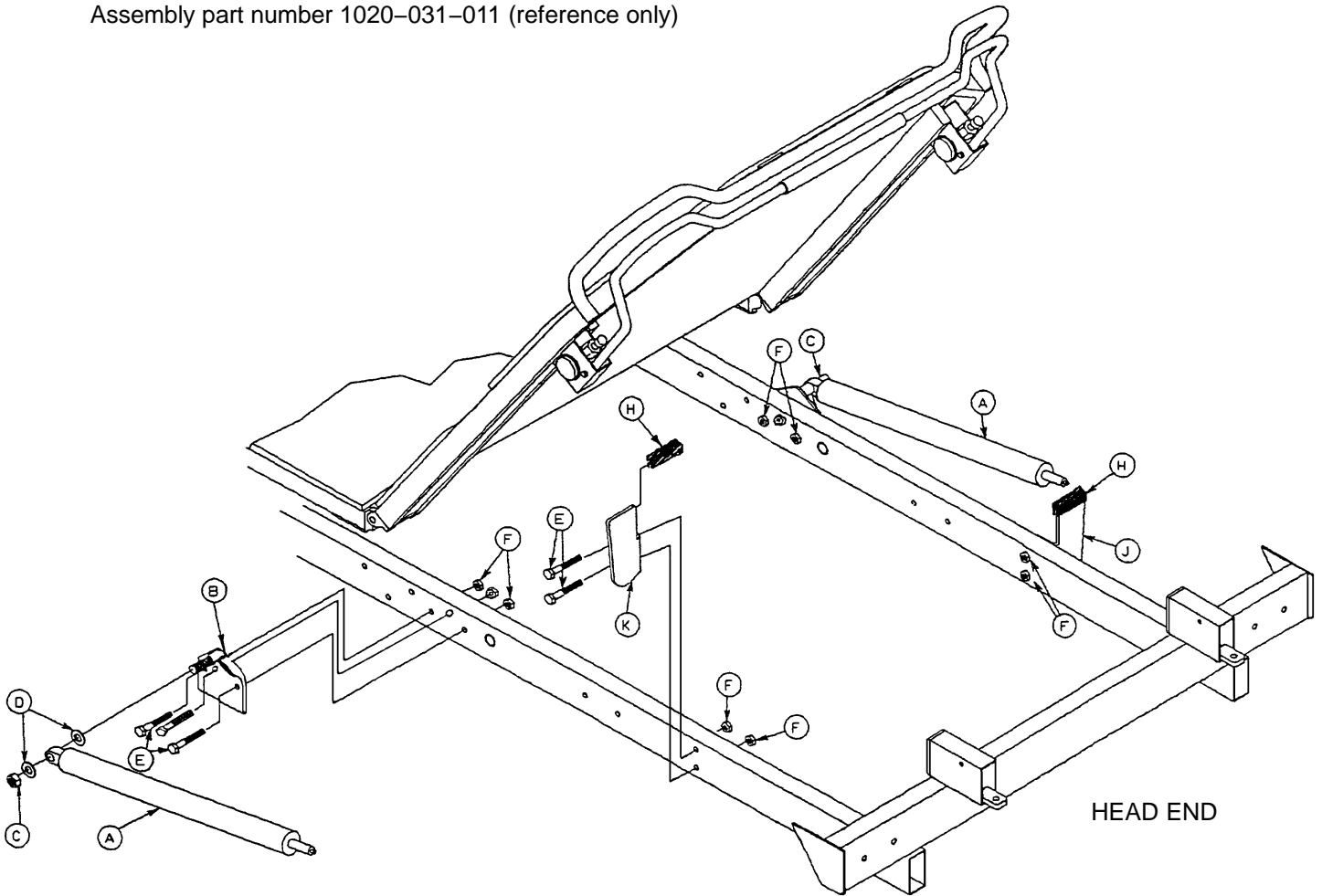
Assembly part number
1020-032-058
(reference only)



Item	Part No.	Part Name	Qty.
A	0037-065-000	Hole Plug	2
B	1020-032-057	Fowler Weldment	1
C	1020-031-039	Fowler Skin	1
D	0025-099-000	Pop Rivet	17
E	1010-032-066	Hole Plug	2
F	0004-149-000	But. Hd. Cap Screw	4
H	0016-003-000	Self-Locking Nut	4
J	0025-069-000	Pop Rivet	4
K	1020-023-012	Tray Hinge, Left	1
L	1020-023-013	Tray Hinge, Right	1
M	1020-023-014	Tray Hinge	2
N	1020-001-065	Fowler Handle Cover	4

Pneumatic Fowler to Litter Assembly

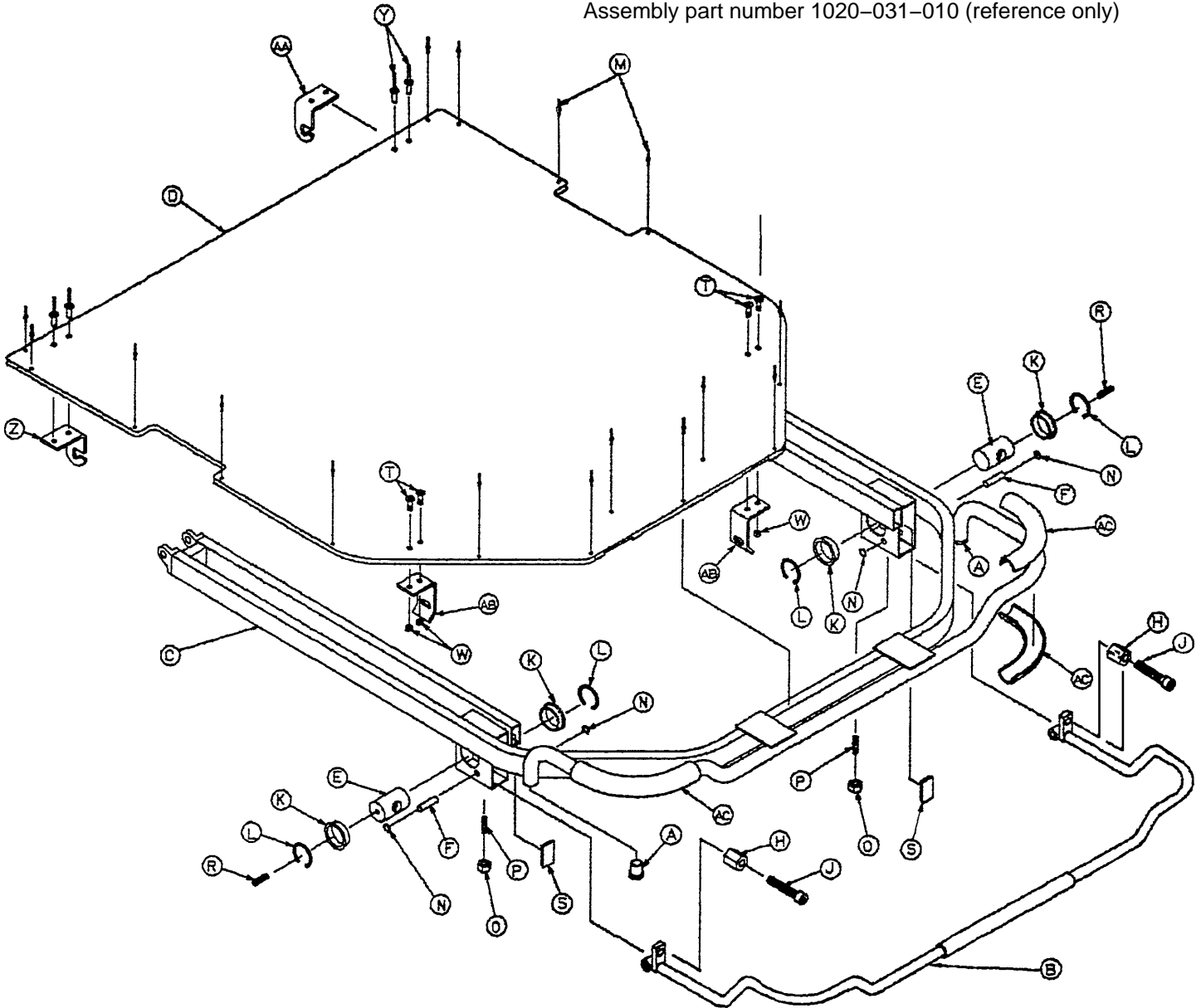
Assembly part number 1020-031-011 (reference only)



Item	Part No.	Part Name	Qty.
A	1010-031-078	Gas Cylinder	2
B	1020-031-025	Cylinder Mount	2
C	0016-035-000	Nylock Hex Nut	2
D	0014-029-000	Flat Washer	4
E	0003-078-000	Hex Hd. Cap Screw	10
F	0016-028-000	Nylock Hex Nut	10
H	1020-031-038	Fowler Rest Bumper	2
J	1020-031-017	Fowler Rest, Right	1
K	1020-031-019	Fowler Rest, Left	1

Pneumatic Fowler Assembly

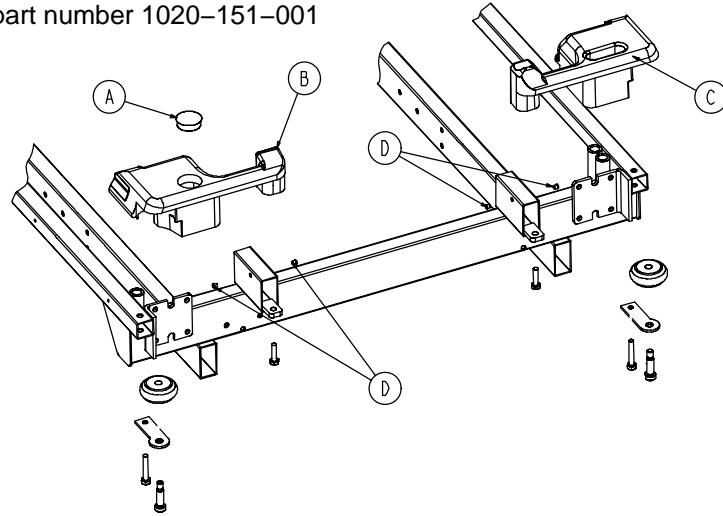
Assembly part number 1020-031-010 (reference only)



Item	Part No.	Part Name	Qty.	Item	Part No.	Part Name	Qty.
A	0037-065-000	Hole Plug	2	O	0015-037-000	Jam Nut	2
B	1020-031-020	Handle Assembly	1	P	0021-104-000	Set Screw	2
C	1020-031-015	Fowler Weldment	1	R	0021-119-000	Set Screw	2
D	1020-031-039	Fowler Skin	1	S	1010-032-066	Hole Plug	2
E	1510-031-028	Yoke	2	T	0004-149-000	But. Hd. Cap Screw	4
F	1510-031-037	Pivot	2	W	0016-003-000	Self-Locking Nut	4
H	0015-050-000	Hex Nut	2	Y	0025-069-000	Pop Rivet	4
J	0021-126-000	Set Screw	2	Z	1020-023-012	Tray Hinge, Left	1
K	0946-035-025	Liner	4	AA	1020-023-013	Tray Hinge, Right	1
L	0028-076-000	Retaining Ring	4	AB	1020-023-014	Tray Latch	2
M	0025-099-000	Pop Rivet	17	AC	1020-001-065	Fowler Handle Cover	4
N	0028-008-000	Retaining Ring	4				

Head End Litter Covers – No I.V. & No Push Handles

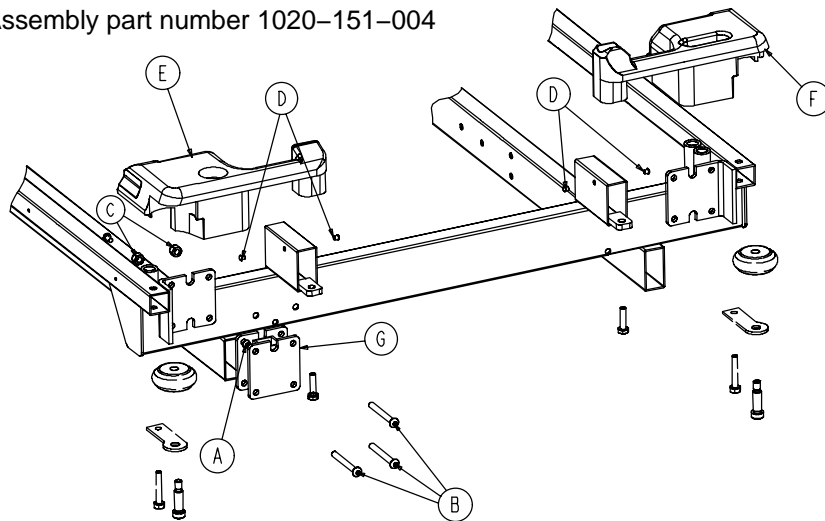
Assembly part number 1020-151-001



Item	Part No.	Part Name	Qty.
A	0037-059-000	Hole Plug	1
B	1010-001-013	Cover, Head, Left, Hole	1
C	1010-001-014	Cover, Head, Right, Slot	1
D	0037-074-000	Hole Plug	4

Head End Litter Covers – With I.V. & No Push Handles

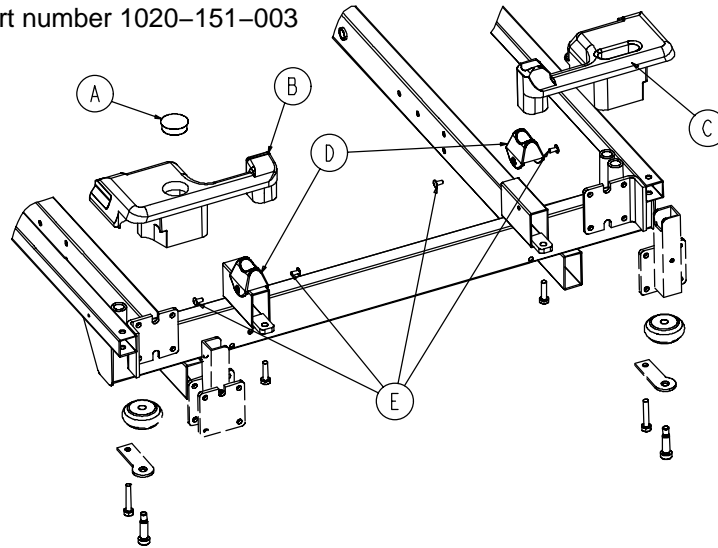
Assembly part number 1020-151-004



Item	Part No.	Part Name	Qty.	Item	Part No.	Part Name	Qty.
A	0004-097-000	But Hd. Cap Screw	1	E	1010-001-013	Cover, Head, Left, Hole	1
B	0004-163-000	But. Hd. Cap Screw	3	F	1010-001-014	Cover, Head, Right, Slot	1
C	0016-028-000	Hex Nut	4	G	1020-054-067	I.V. Spacer	1
D	0037-074-000	Hole Plug	4				

Head End Litter Covers – With Push Handles & No I.V.

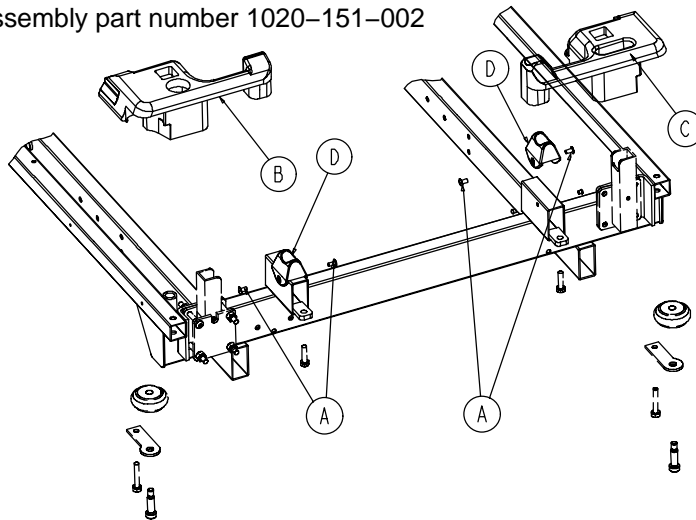
Assembly part number 1020-151-003



Item	Part No.	Part Name	Qty.
A	0037-059-000	Hole Plug	1
B	1010-001-015	Cover, Head, Left, Hole/Hole	1
C	1010-001-016	Cover, Head, Left, Hole/Slot	1
D	1010-001-035	Handle Rest	2
E	0025-079-000	Pop Rivet	4

Head End Litter Covers – With I.V. & Push Handles

Assembly part number 1020-151-002

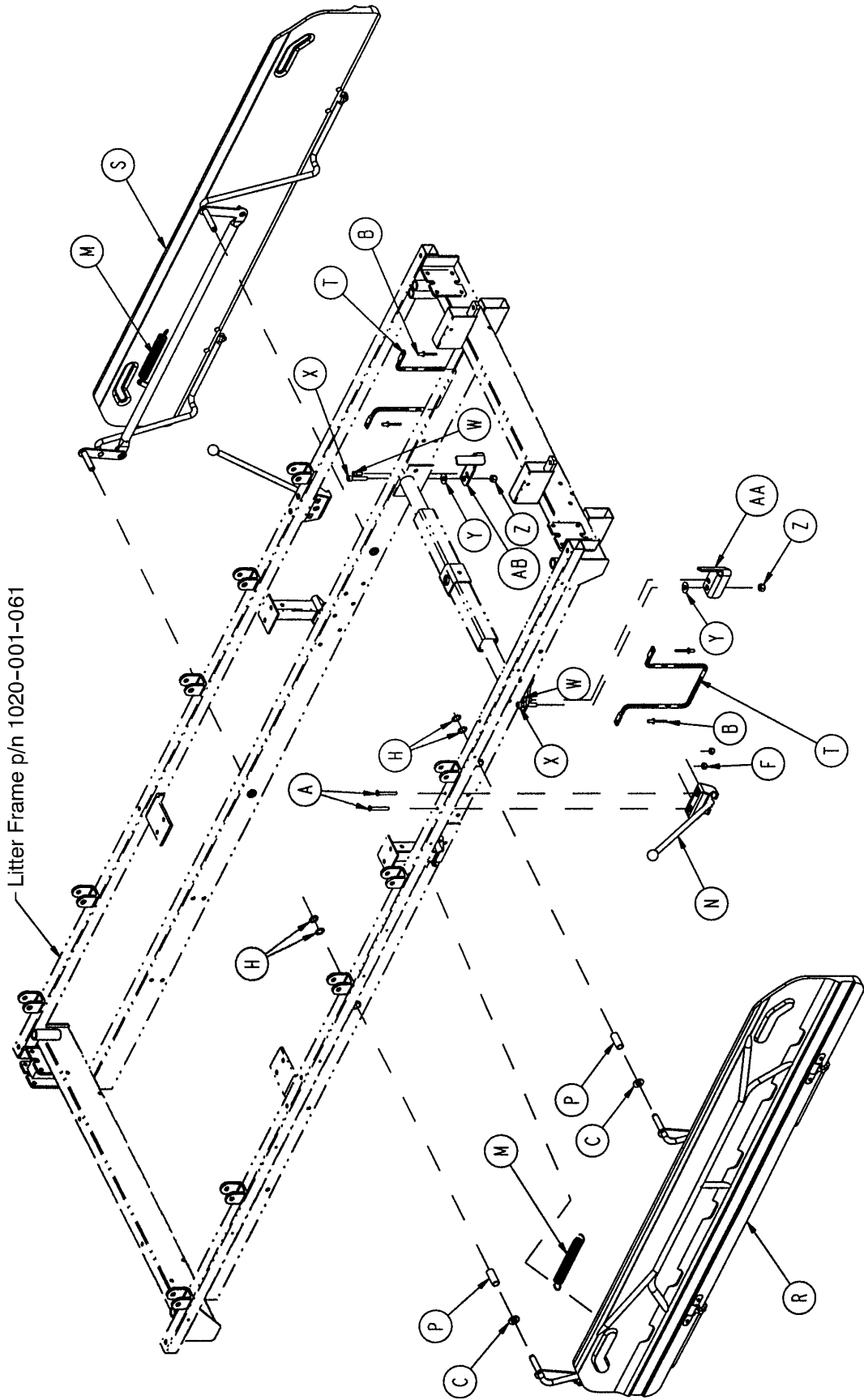


Item	Part No.	Part Name	Qty.
A	0025-079-000	Pop Rivet	4
B	1010-001-015	Cover, Head, Left, Hole/Hole	1
C	1010-001-016	Cover, Head, Left, Hole/Slot	1
D	1010-001-035	Handle Rest	2

Notes

Transfer System Assembly

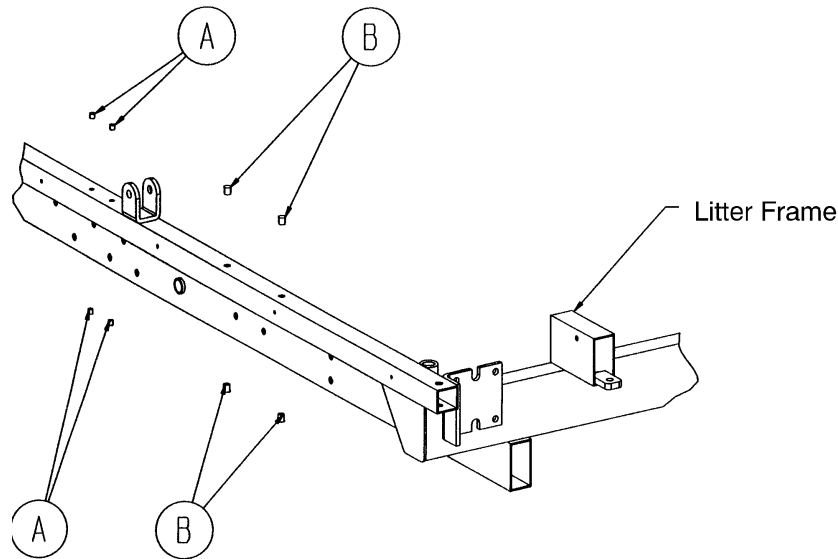
Assembly part number 1020-024-020 (reference only)



Transfer System Assembly

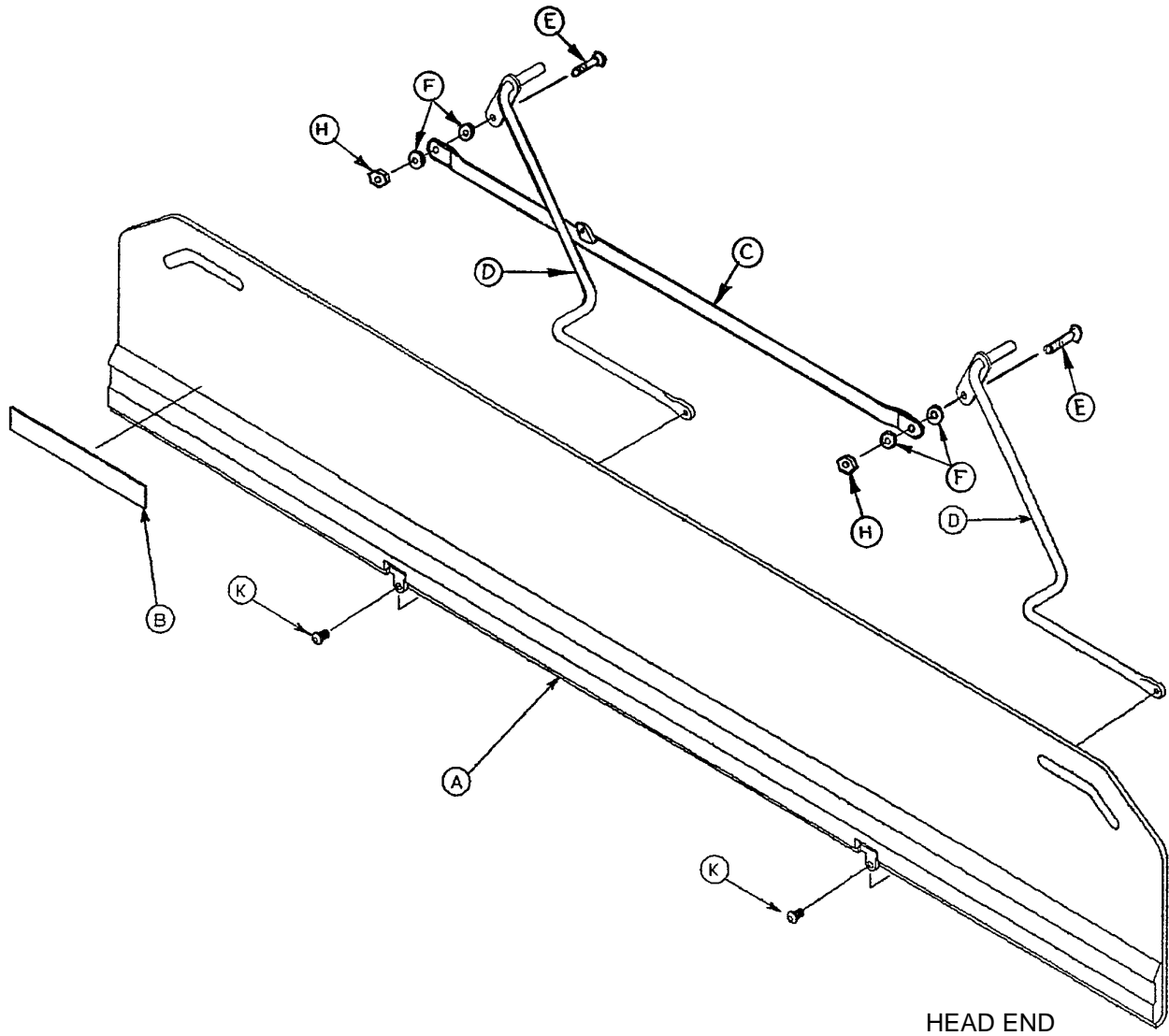
Item	Part No.	Part Name	Qty.
A	0002-100-000	Pan Hd. Machine Screw	4
B	0025-079-000	Pop Rivet	4
C	0014-021-000	Washer	4
F	0016-003-000	Fiberlock Hex Nut	4
H	0028-093-000	Retaining Ring	8
M	0038-252-000	Extension Spring	2
N	(page 88)	Board Support Assembly	2
P	1020-001-029	Bearing	4
R	(page 86)	Transfer Board Ass'y, Left	1
S	(page 87)	Transfer Board Ass'y, Right	1
T	1020-024-121	Board Retainer	2
W	0004-032-000	Soc. Hd. Cap Screw	2
X	0004-142-000	Soc. Hd. Cap Screw	2
Y	0011-179-000	Nylon Washer	2
Z	0016-028-000	Nylock Nut	2
AA	1020-024-034	Support Plate, Left	1
AB	1020-024-035	Support Plate, Right	1

1020-024-022 No Transfer Board Option



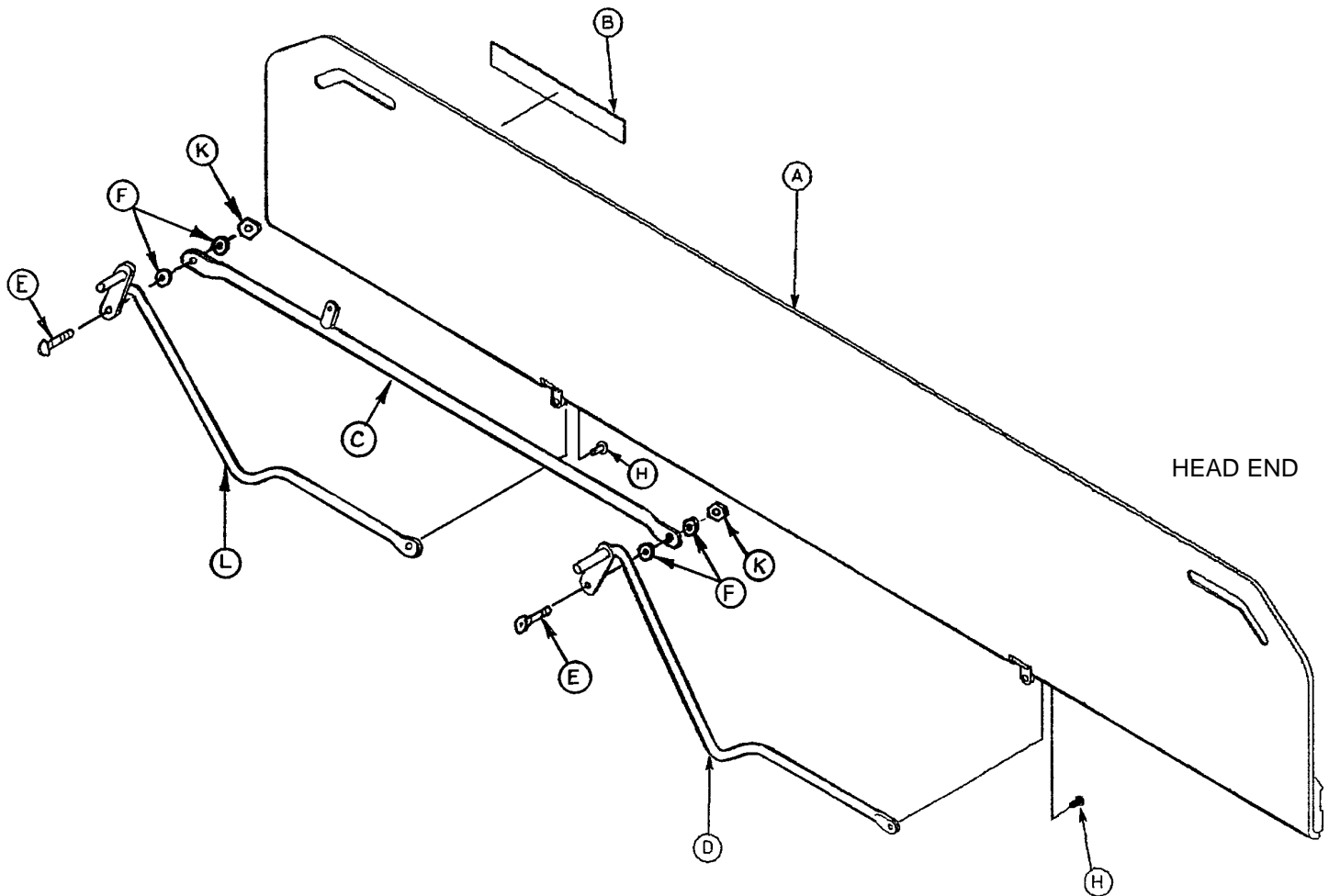
Item	Part No.	Part Name	Qty.
A	0037-074-000	Hole Plug	8
B	0721-031-065	Hole Plug	8

1020-024-010 Transfer Board Assembly, Left



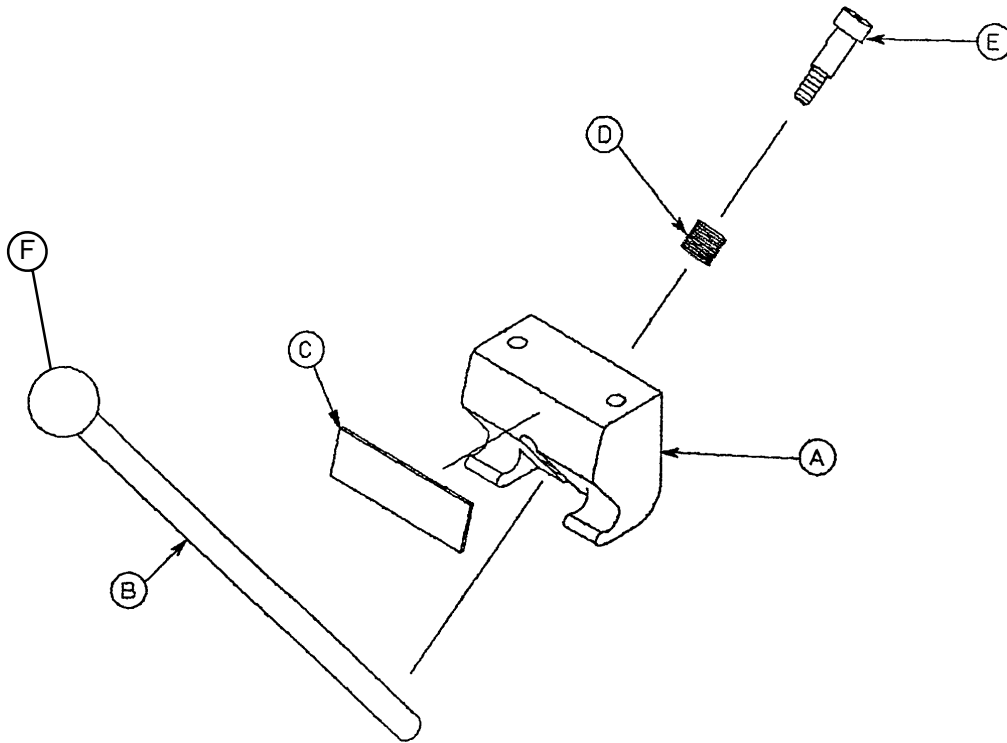
Item	Part No.	Part Name	Qty.
A	1020-032-100	Transfer Board	1
B	0721-024-046	Label	1
C	1020-024-038	Connecting Link Assembly	1
D	1020-024-012	Pivot Arm Assembly, Left	2
E	0001-025-000	Flat Hd. Machine Screw	2
F	0011-224-000	Nylon Flat Washer	4
H	0016-028-000	Nylock Hex Nut	2
K	0004-156-000	Button Hd. Cap Screw	2

1020-024-011 Transfer System Assembly, Right



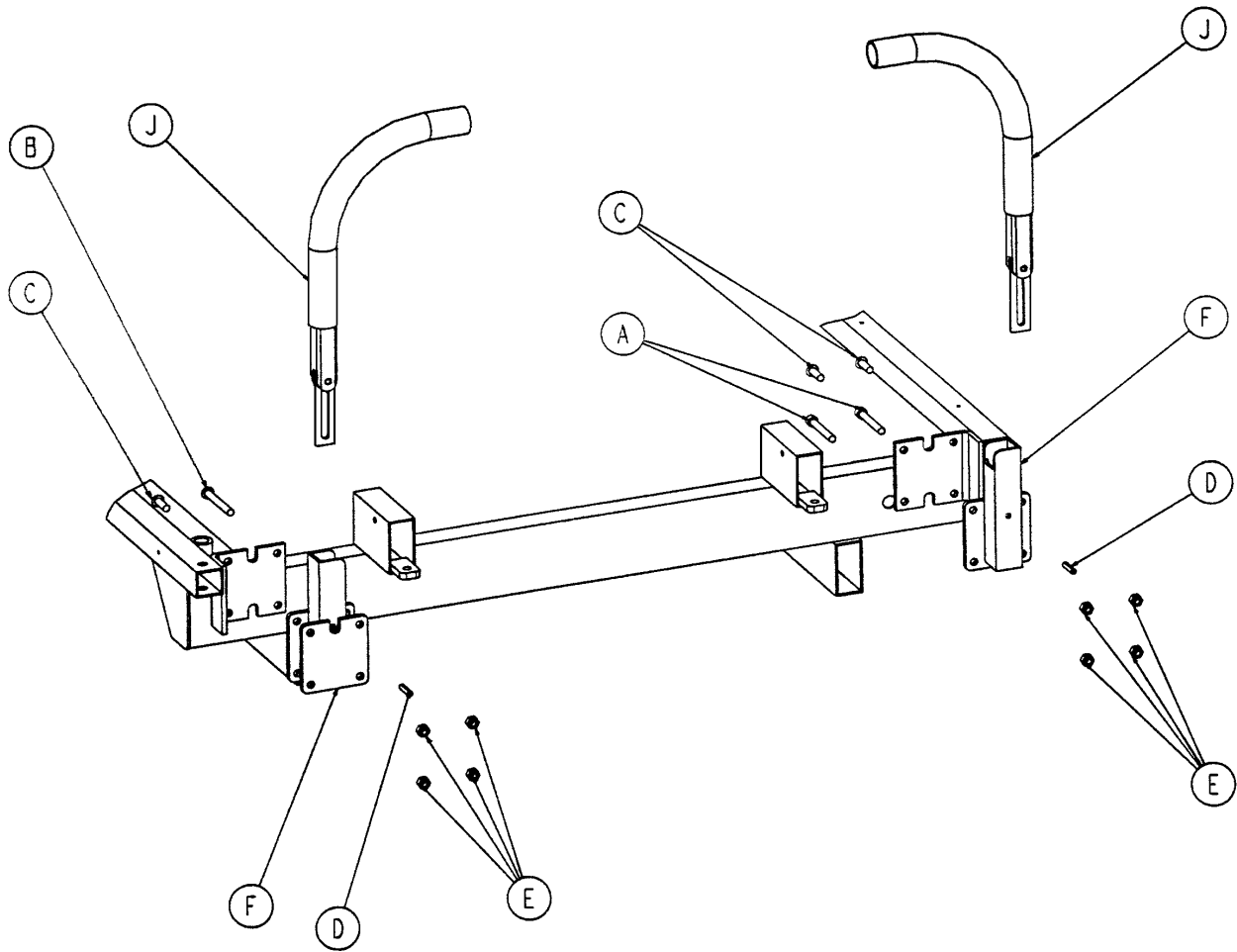
Item	Part No.	Part Name	Qty.
A	1020-032-100	Transfer Board Assembly	1
B	0721-024-046	Label	1
C	1020-024-037	Connecting Link Assembly	1
D	1020-024-013	Pivot Arm Ass'y Head, Rt.	1
E	0001-025-000	Flat Hd. Machine Screw	2
F	0011-224-000	Nylon Flat Washer	4
H	0004-156-000	Button Hd. Cap Screw	2
K	0016-028-000	Nylock Hex Nut	2
L	1020-024-033	Pivot Arm Ass'y, Right	1

1010-024-030 Arm Board Support Assembly



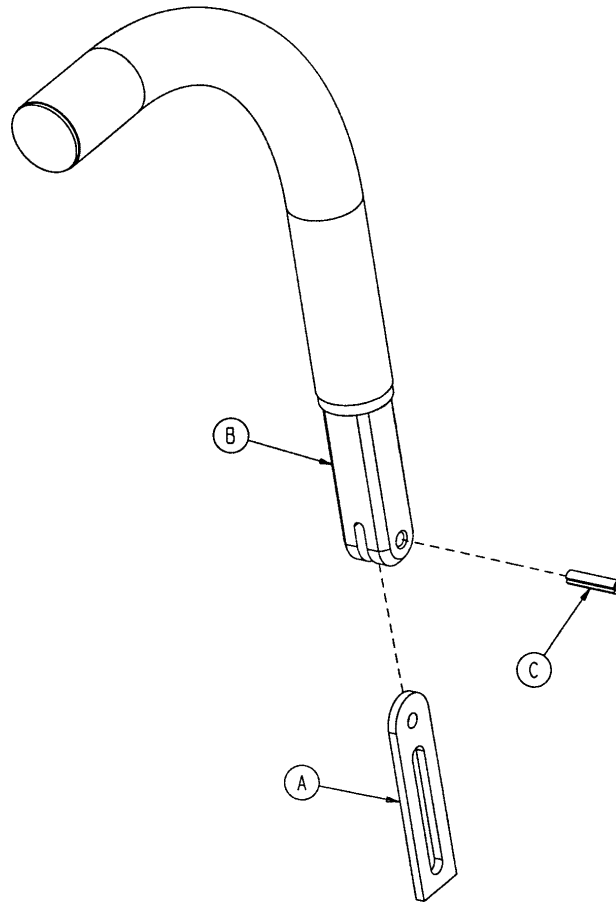
Item	Part No.	Part Name	Qty.
A	1010-024-015	Support Block	1
B	1010-024-016	Support Arm	1
C	1010-024-014	Warning Label	1
D	0038-263-000	Spring	1
E	0008-017-000	Shoulder Bolt	1
F	1010-026-046	Ball Knob	1

1020-151-000 Optional Head End Push Handles



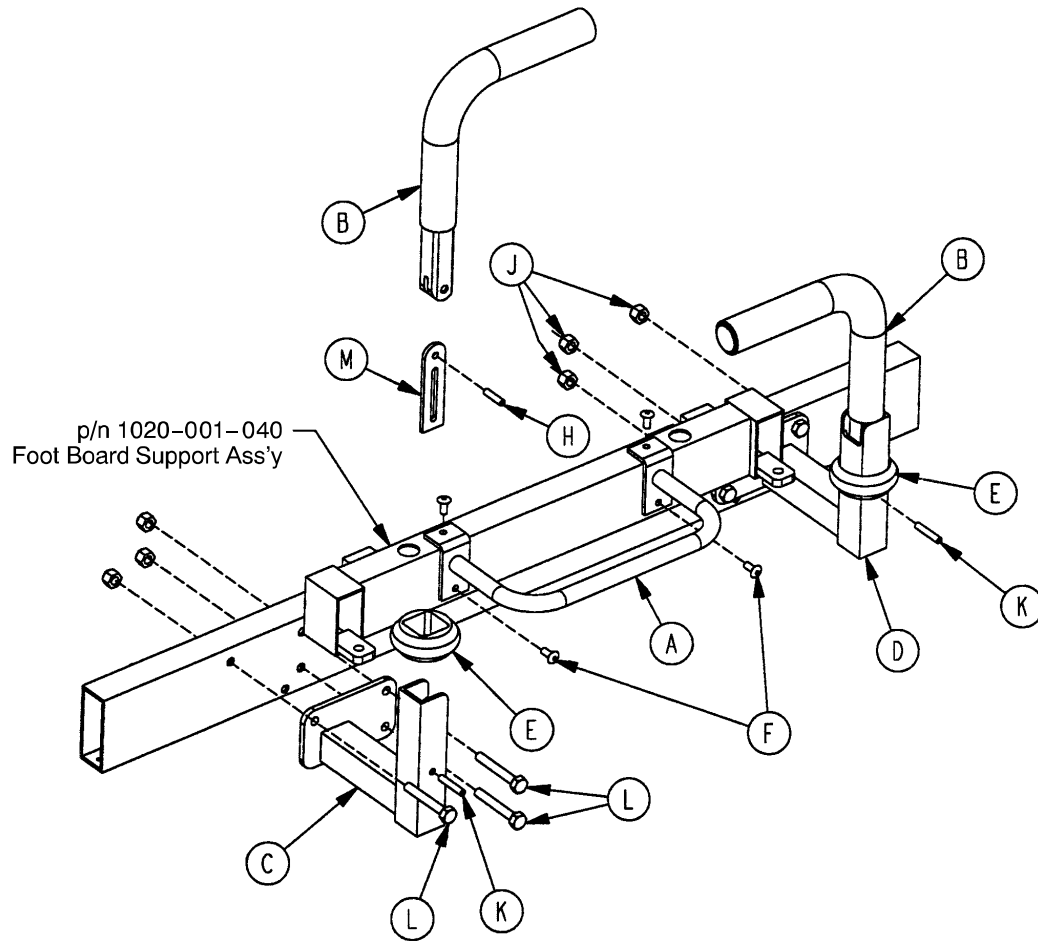
Item	Part No.	Part Name	Qty.
A	0004-009-000	Soc. Hd. Cap Screw	2
B	0004-097-000	But. Hd. Cap Screw	3
C	0004-161-000	But. Hd. Cap Screw	3
D	0026-011-000	Spring Pin	2
E	0016-028-000	Hex Nut	8
F	1010-054-070	Socket Assembly, Left	1
H	1010-054-071	Socket Assembly, Right	1
J	(page 90)	Handle Assembly	2

1211-351-010 Push Handle Assembly



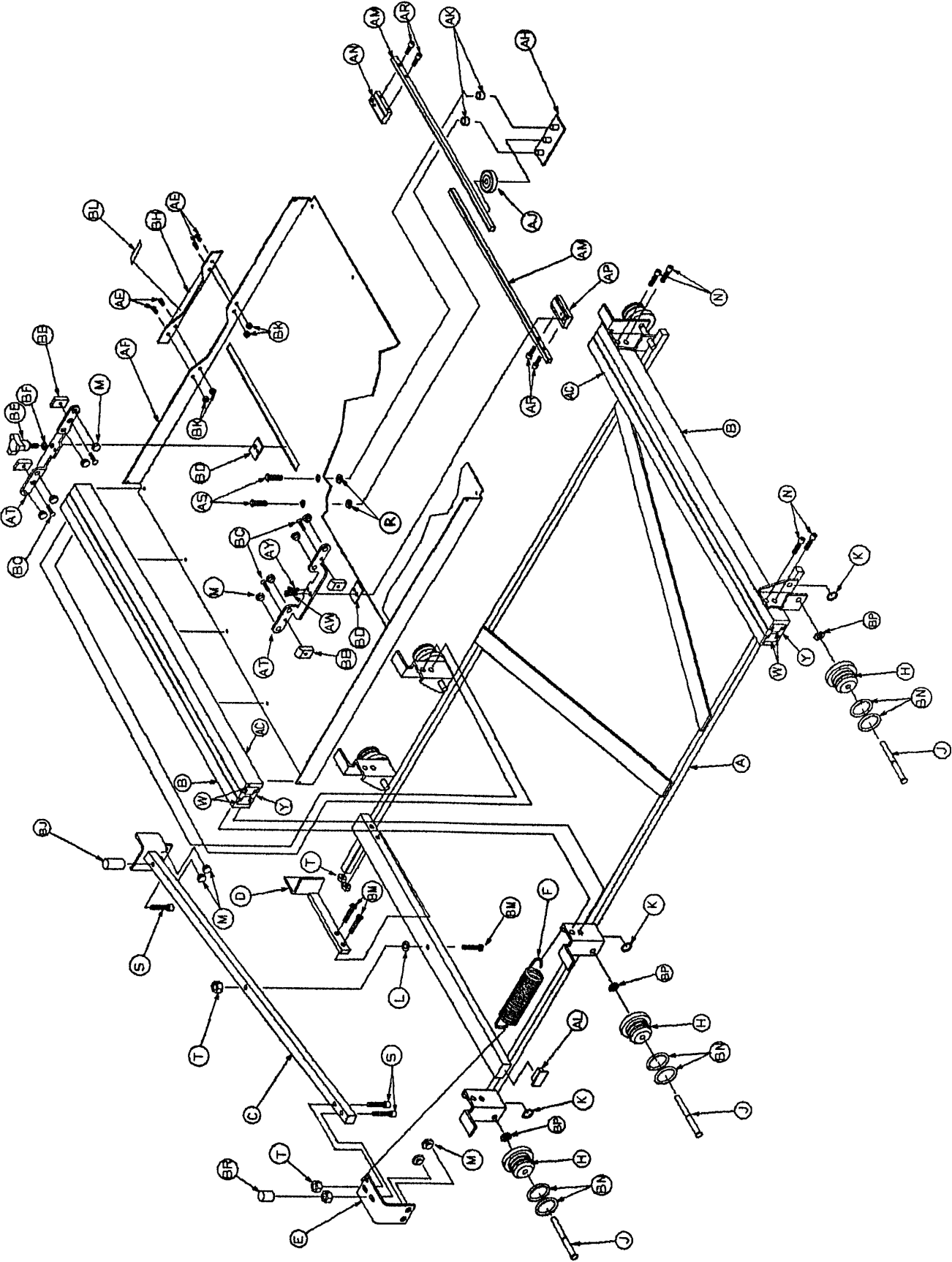
Item	Part No.	Part Name	Qty.
A	1010-354-024	Stop Link	1
B	1211-151-018	Sleeve Assembly	1
C	0026-118-000	Roll Pin	1

1020-051-000 Optional Foot End Push Handles

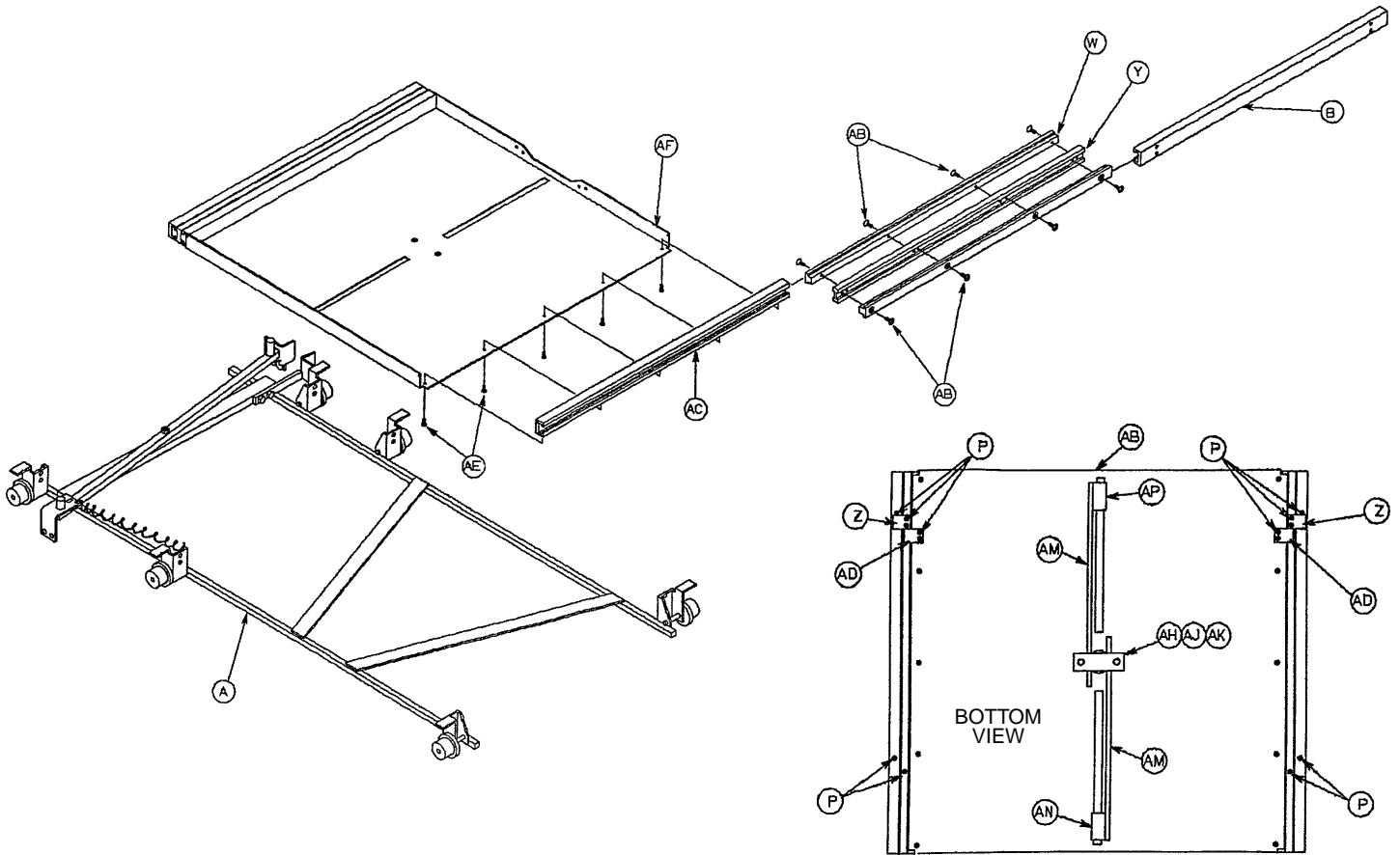


Item	Part No.	Part Name	Qty.
A	1010-051-019	Guard	1
B	1000-058-019	Push Handle	2
C	1020-051-015	Handle Socket	1
D	1020-051-017	Handle Socket	1
E	1010-051-018	Rubber Bumper	2
F	0025-079-000	Pop Rivet	4
H	0026-010-000	Roll Pin	2
J	0016-028-000	Nylock Nut	6
K	0026-011-000	Roll Pin	2
L	0003-078-000	Hex Hd. Bolt	6
M	1010-354-024	Stop Link	2

1020-022-010 X-Ray Tray Assembly, Right Side Load

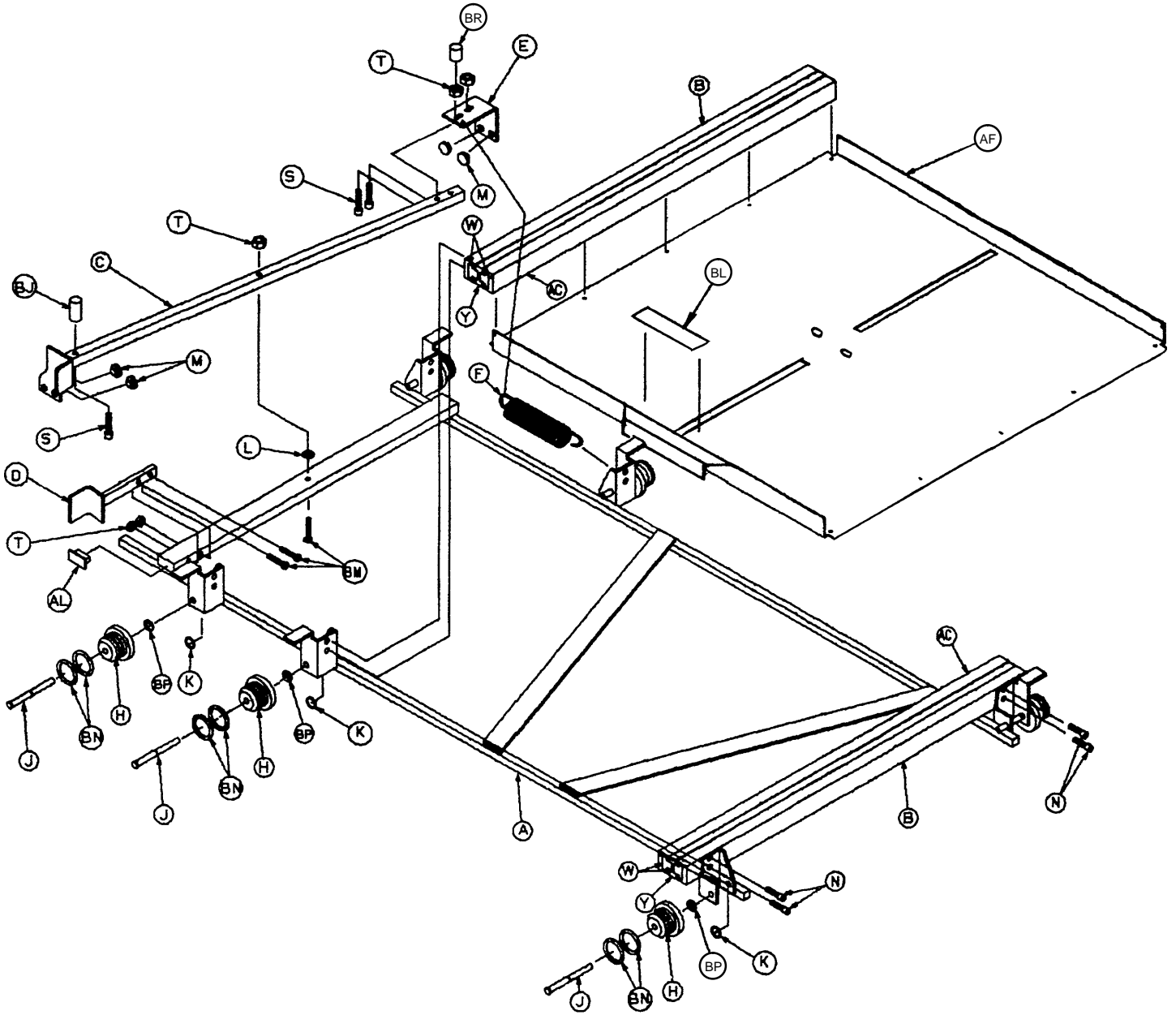


1020-022-010 X-Ray Tray Assembly, Right Side Load

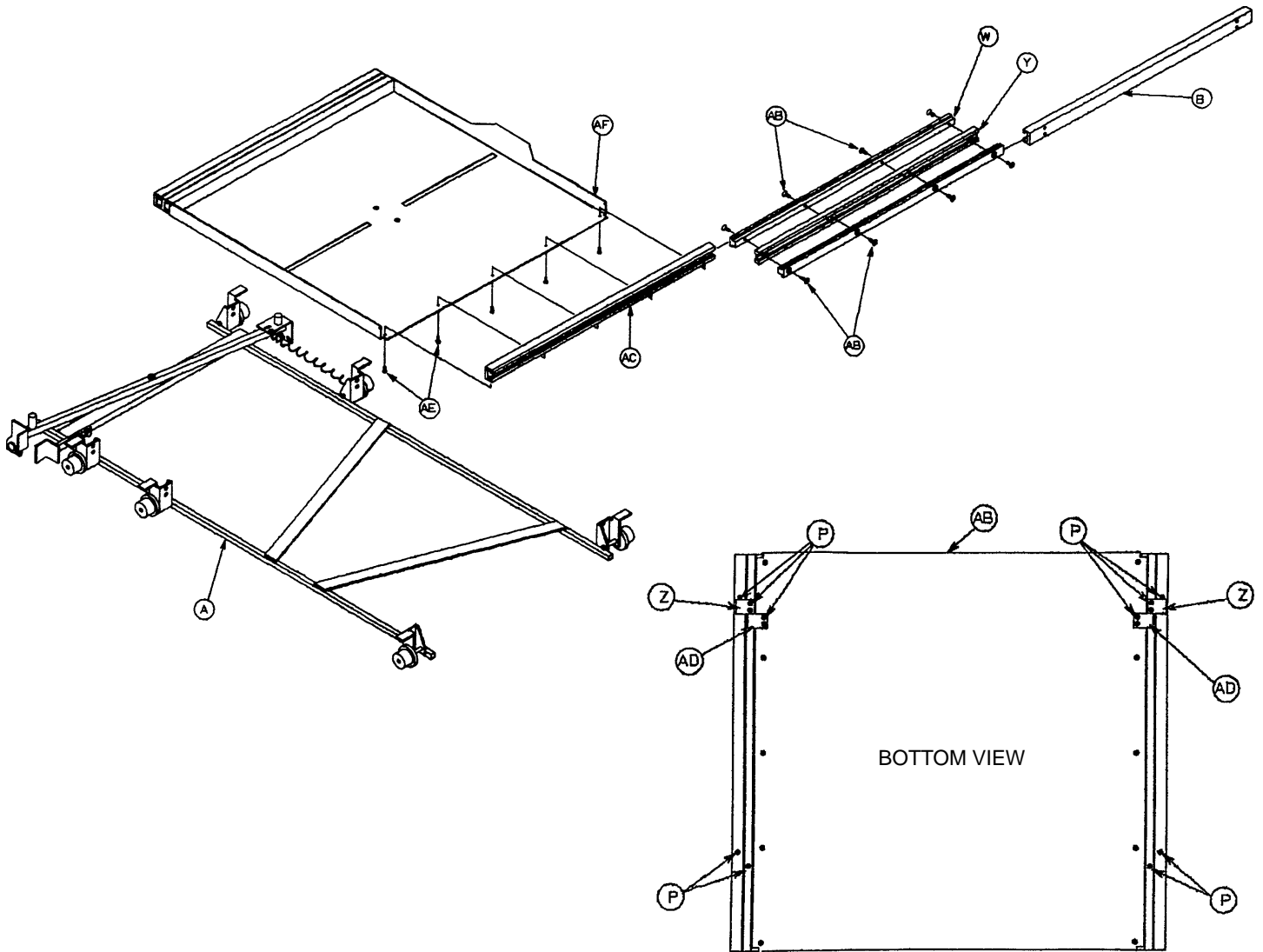


Item	Part No.	Part Name	Qty.	Item	Part No.	Part Name	Qty.
A	1020-022-044	Tray Frame Ass'y	1	AJ	1020-022-041	Spur Gear	1
B	1020-022-011	Outer Slide, Mach'd	2	AK	0052-250-000	Spacer	2
C	1020-022-015	Pivot Tube Ass'y	1	AL	1010-032-066	Hole Plug	2
D	1020-022-007	Brake Handle	1	AM	1020-022-043	Rack, Modified	2
E	1020-022-036	Brake Adj. Bracket	1	AN	1020-022-058	Rack Connector Ass'y	1
F	0038-253-000	Extension Spring	1	AP	1020-022-057	Left Rack Connector	1
H	1020-022-059	Tray Wheel	6	AR	0004-127-000	Soc. Hd. Cap Screw	4
J	1020-022-025	Wheel Axle	6	AS	0001-026-000	Flat Hd. Mach. Screw	2
K	0028-098-000	Retaining Ring	6	AT	1020-022-056	Centering Plate	2
L	0011-146-000	Nylon Washer	1	AW	0004-169-000	But. Hd. Cap Screw	1
M	0037-064-000	Rubber Bumper	12	AY	0004-170-000	But. Hd. Cap Screw	1
N	0004-136-000	Soc. Hd. Cap Screw	8	BB	1020-022-021	Slide Block	4
P	0004-101-000	Soc. Hd. Cap Screw	18	BC	0001-085-000	Flat Hd. Screw	4
R	0011-011-000	Fiber Washer	2	BD	1020-022-055	Slide Pad	2
S	0004-026-000	Soc. Hd. Cap Screw	3	BE	0024-051-000	Three-Arm Knob	1
T	0016-003-000	Nylock Hex Nut	5	BF	0011-132-000	Nylon Washer	1
W	1020-022-013	Inner Slide, Mach'd	4	BH	1020-022-029	Handle	1
Y	1020-022-012	Support, Mach'd	2	BJ	1010-022-035	Retention Spacer, Rt.	1
Z	1020-022-045	Stop, First Stage	2	BK	0016-023-000	Nylock Hex Nut	4
AB	0001-087-000	Flat Hd. Screw	16	BL	1020-022-060	Label	1
AC	1020-022-047	Tray Slide, Mach'd	2	BM	0004-171-000	But. Hd. Cap Screw	3
AD	1020-022-046	Stop-2nd Stage	2	BN	0045-952-000	O-Ring	12
AE	0004-167-000	But. Hd. Cap Screw	14	BP	0014-004-000	Nylon Flat Washer	6
AF	1020-022-014	Tray Pan	1	BR	1010-022-036	Retention Spacer, Lt.	1
AH	1020-022-052	Guide Plate Ass'y	1				

1020-021-010 X-Ray Tray Assembly, Left Side Load

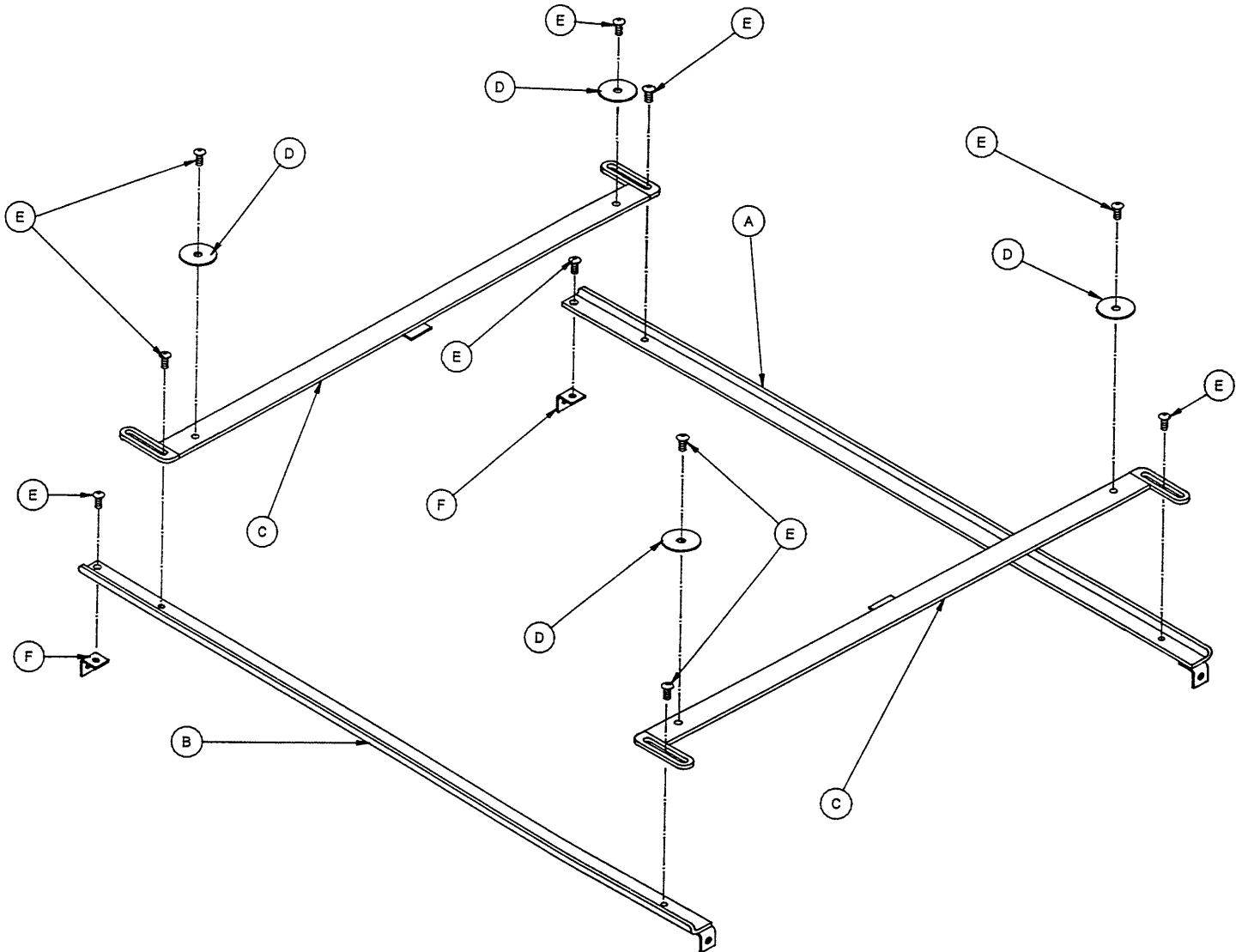


1020-021-010 X-Ray Tray Assembly, Left Side Load



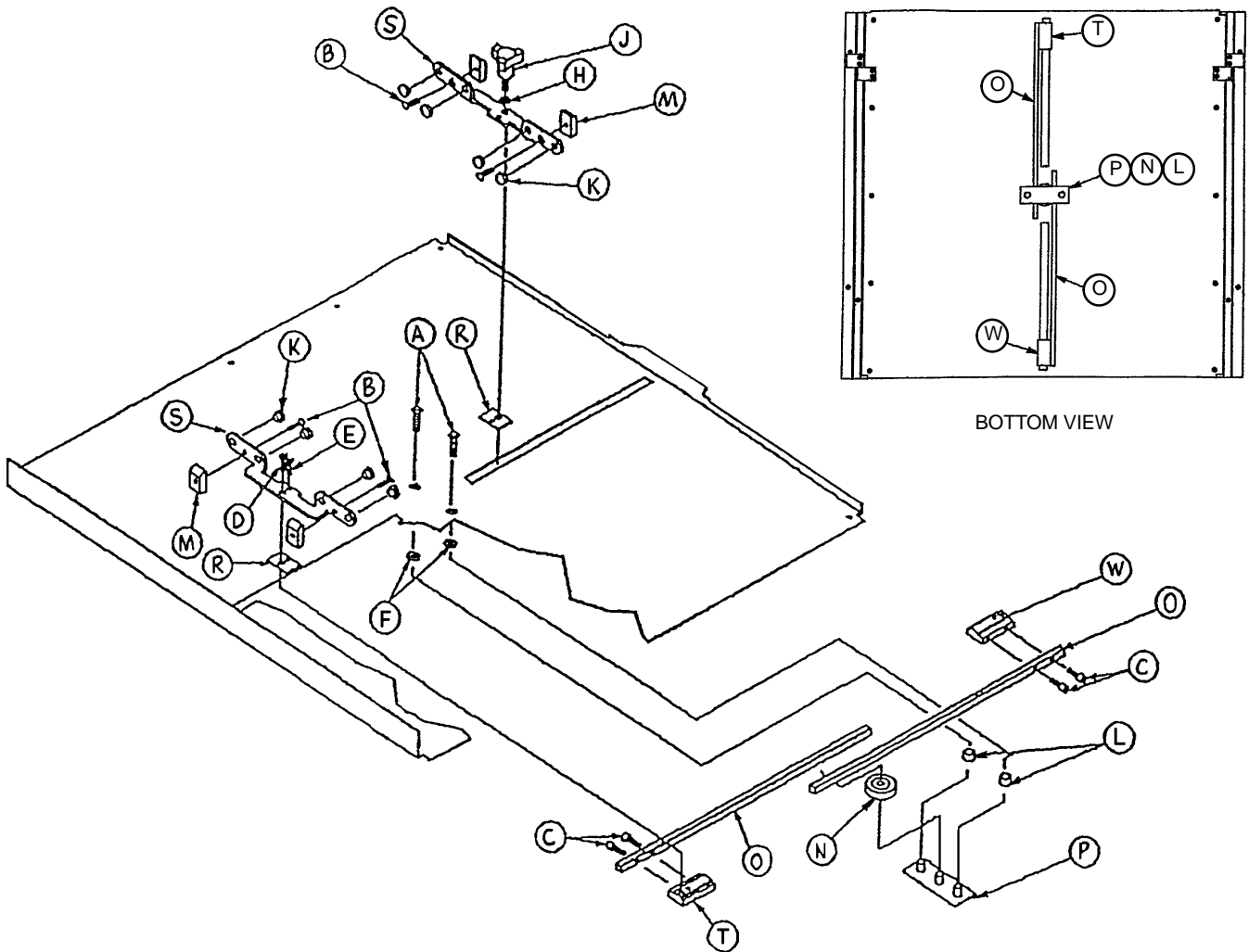
Item	Part No.	Part Name	Qty.	Item	Part No.	Part Name	Qty.
A	1020-021-044	Tray Frame Ass'y	1	W	1020-022-013	Inner Slide, Mach'd	4
B	1020-022-011	Outer Slide, Mach'd	2	Y	1020-022-012	Support, Mach'd	2
C	1020-021-015	Pivot Tube Ass'y	1	Z	1020-022-045	Stop, First Stage	2
D	1020-021-007	Brake Handle	1	AB	0001-087-000	Flat Hd. Screw	16
E	1020-021-036	Brake Adj. Bracket	1	AC	1020-022-047	Tray Slide, Mach'd	2
F	0038-253-000	Extension Spring	1	AD	1020-022-046	Stop-2nd Stage	2
H	1020-022-059	Tray Wheel	6	AE	0004-167-000	But. Hd. Cap Screw	10
J	1020-022-025	Wheel Axle	6	AF	1020-021-014	Tray Pan	1
K	0028-098-000	Retaining Ring	6	AL	1010-032-066	Hole Plug	2
L	0011-146-000	Nylon Washer	1	BJ	1010-022-035	Retention Spacer, Rt.	1
M	0037-064-000	Rubber Bumper	4	BL	1020-022-060	Label	1
N	0004-136-000	Soc. Hd. Cap Screw	8	BM	0004-171-000	But. Hd. Cap Screw	3
P	0004-101-000	Soc. Hd. Cap Screw	18	BN	0045-952-000	O-Ring	12
S	0004-026-000	Soc. Hd. Cap Screw	3	BP	0014-004-000	Nylon Flat Washer	6
T	0016-003-000	Nylock Hex Nut	5	BR	1010-022-036	Retention Spacer, Lt.	1

1020-027-000 X-Ray Grid Holder Assembly



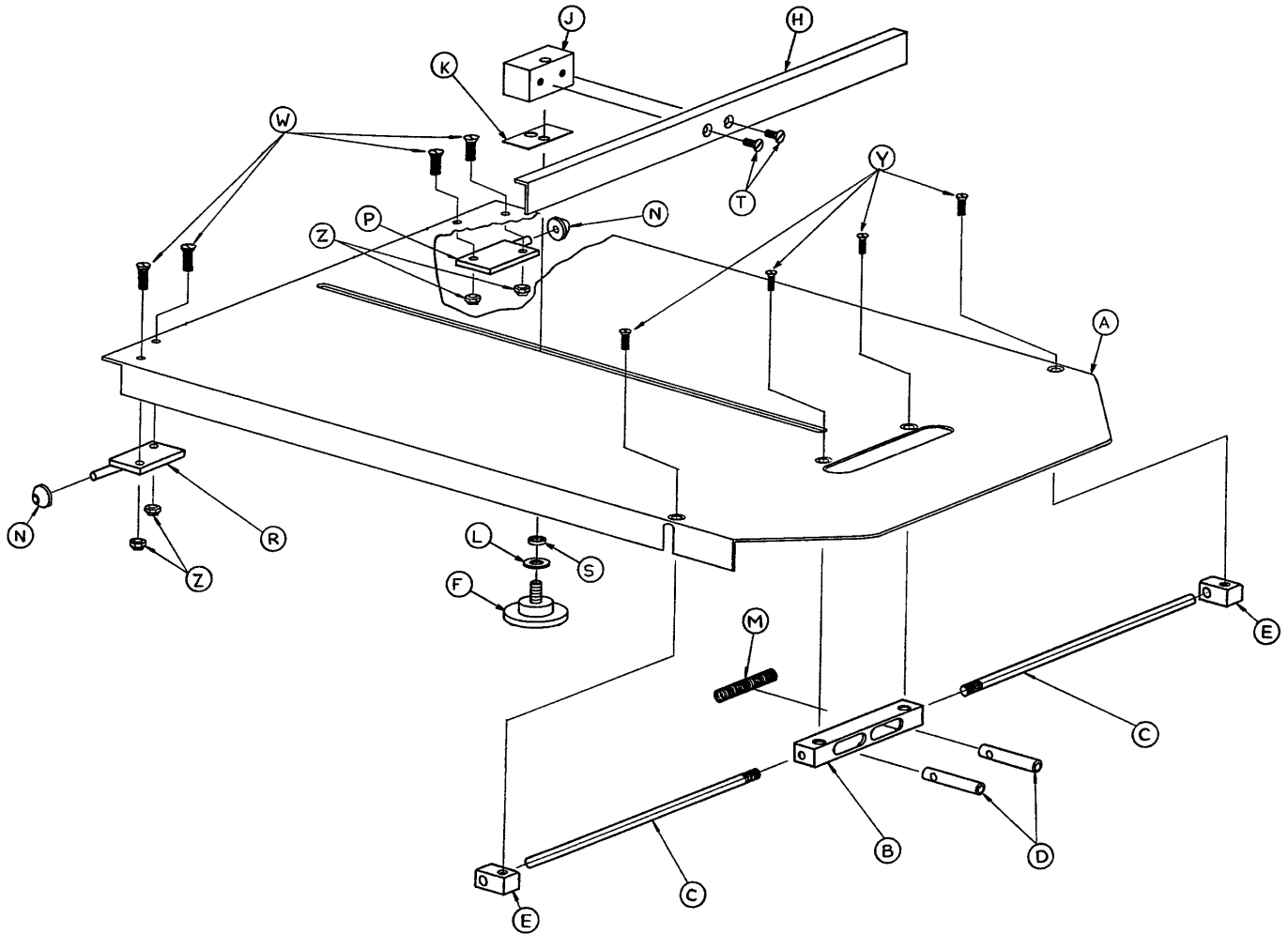
Item	Part No.	Part Name	Qty.
A	1020-027-021	Guide Weldment, Rt.	1
B	1020-027-022	Guide Weldment, Lt.	1
C	1020-027-011	Slider Weldment	2
D	0011-271-000	Fender Washer	4
E	0004-131-000	Button Hd. Cap Screw	10
F	1020-027-024	"L" Bracket	2

1020-020-000 Optional X-Ray Centering Guide



Item	Part No.	Part Name	Qty.
A	0001-022-000	Flat Hd. Mach. Screw	2
B	0001-085-000	Flat Hd. Mach. Screw	4
C	0004-127-000	Soc. Hd. Cap Screw	4
D	0004-169-000	But. Hd. Cap Screw	1
E	0004-170-000	But. Hd. Cap Screw	1
F	0011-146-000	Nylon Washer	2
H	0011-132-000	Nylon Washer	1
J	0024-051-000	Three Arm Knob	1
K	0037-064-000	Rubber Bumper	8
L	0052-250-000	Spacer	2
M	1020-022-021	Slide Block	4
N	1020-022-041	Spur Gear	1
P	1020-022-052	Guide Plate	1
R	1020-022-055	Slide Pad	2
S	1020-022-056	Centering Plate	2
T	1020-022-057	Left Rack Connector	1
W	1020-022-058	Rack Connector Ass'y	1
X	1020-019-005	Centering Label (not shown)	1

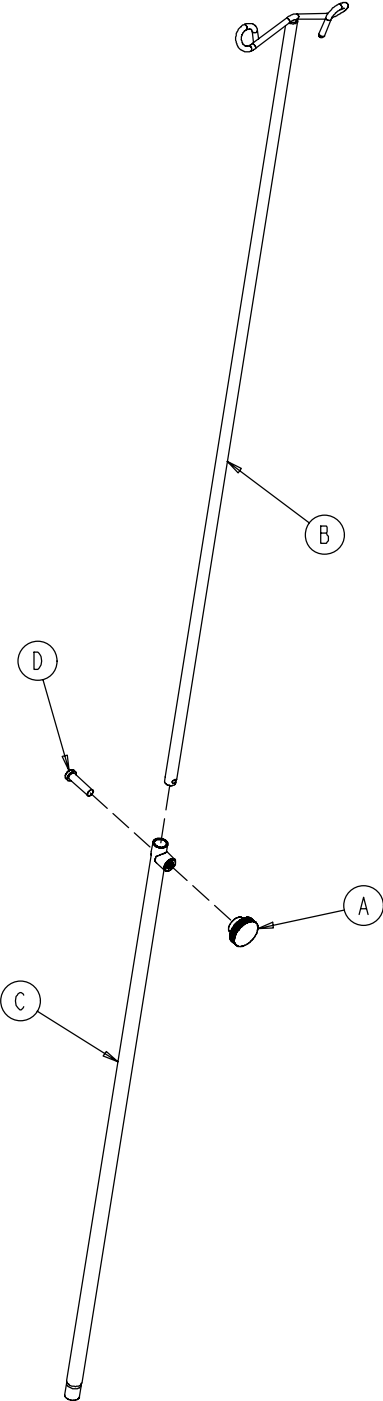
1020-23-000 Fowler X-Ray Cassette Assembly



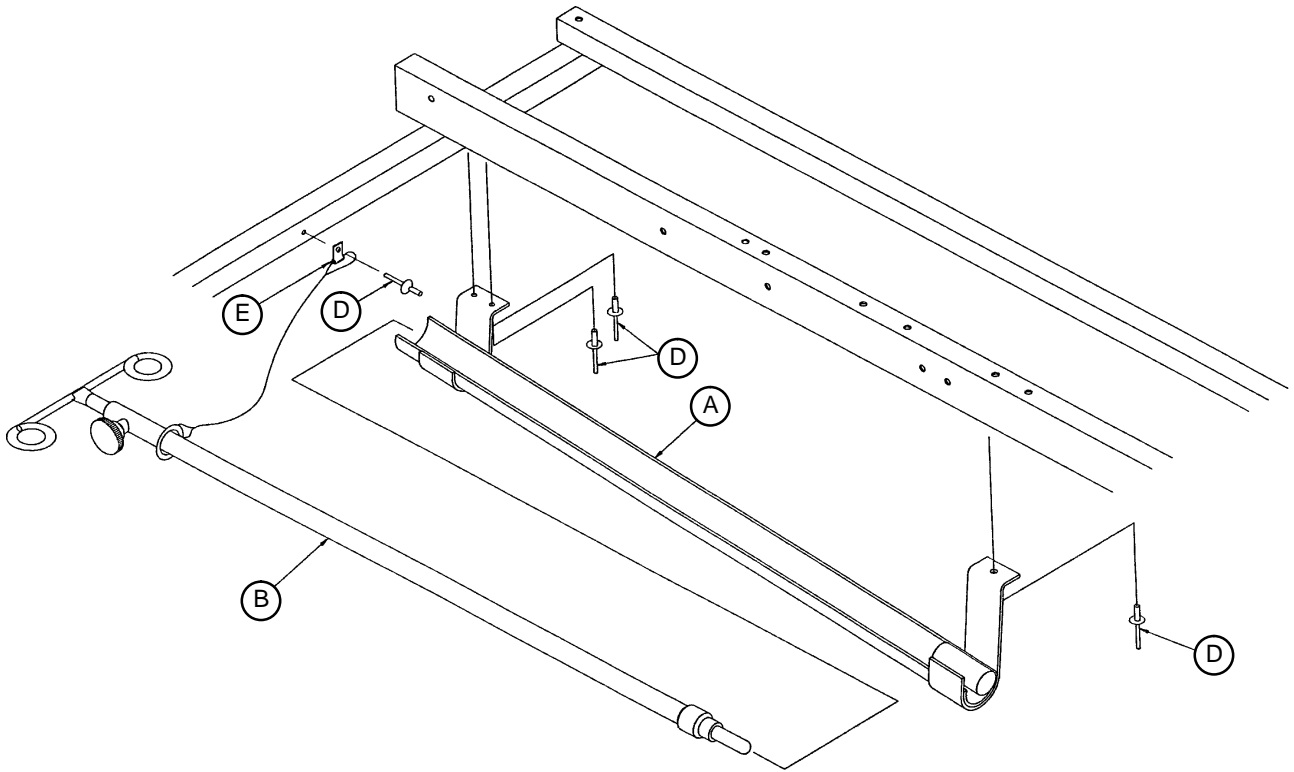
Item	Part No.	Part Name	Qty.
A	1020-023-011	Tray	1
B	1020-023-016	Post Housing	1
C	1020-023-025	Actuating Rod	2
D	0926-023-064	Post	2
E	1010-023-037	Rod Guide	2
F	1020-023-021	Knob	1
H	1010-023-028	Tray Angle	1
J	0926-023-070	Block Assembly	1
K	0926-023-069	Washer	1
L	0014-003-000	Washer	1
M	0038-122-000	Compression Spring	1
N	1020-023-026	Spacer	2
P	1020-023-019	Tray Hinge, Right	1
R	1020-023-020	Tray Hinge, Left	1
S	0926-023-071	Bushing	1
T	0001-020-000	Flat Hd. Mach. Screw	2
W	0004-149-000	Hex Soc. But. Hd. Cap Screw	4
Y	0001-022-000	Flat Hd. Screw	4
Z	0016-003-000	Nylock Nut	4
AA	1010-023-019	Tray Removal Label	1
AB	1020-023-027	Specification Label	1

0390-025-000 Standard, Removable I.V. Pole Assembly

Item	Part No.	Part Name	Qty.
A	0024-023-000	Plastic Knob	1
B	0390-003-053	Double I.V. Ass'y	1
C	0393-003-043	Tube Assembly	1
D	0004-496-000	Soc. Hd. Cap Screw	1

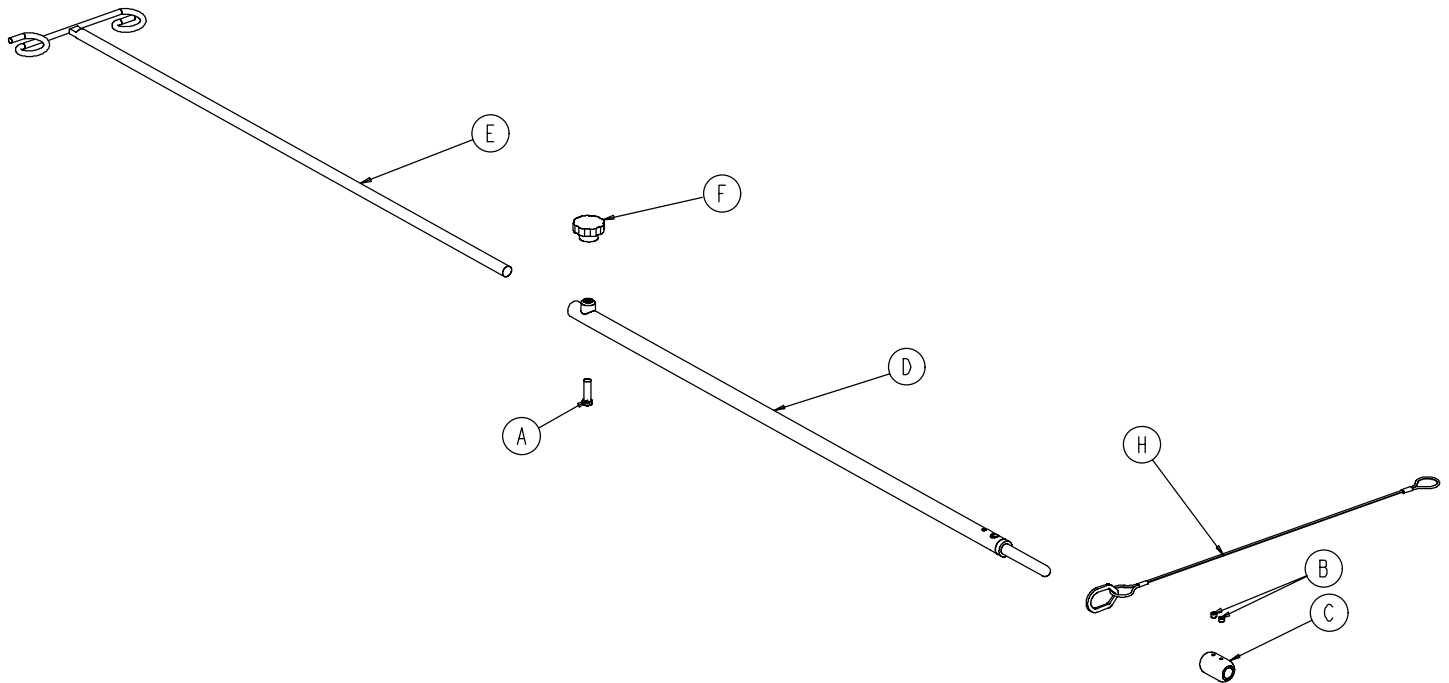


1010-022-100 Optional Tethered I.V. Assembly



Item	Part No.	Part Name	Qty.
A	1010-022-025	Trough Assembly	1
B	(Page 101)	Tethered I.V. Assembly	1
D	0025-092-000	Pop Rivet	4
E	0034-022-000	Loop Clamp	1

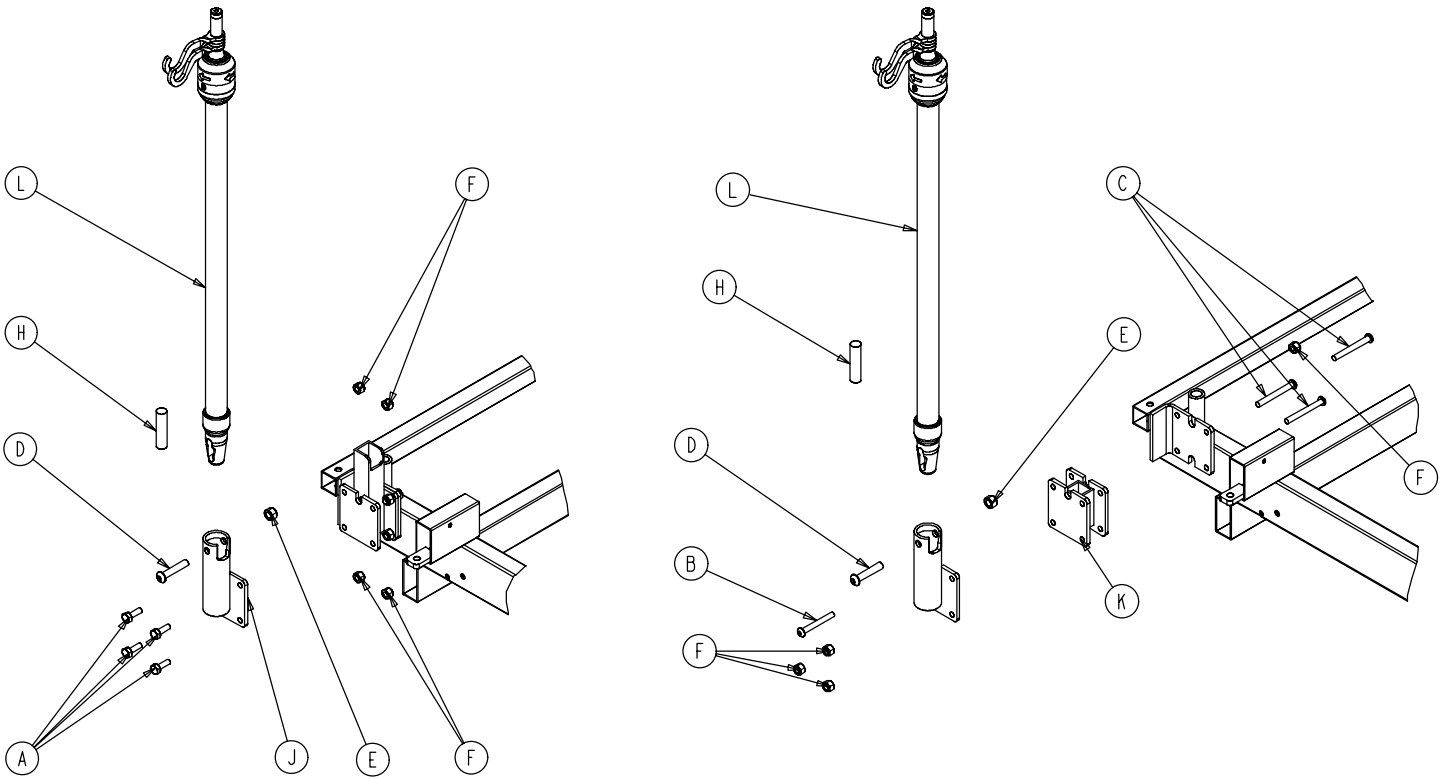
1001-087-018 Tethered I.V. Pole Assembly



Item	Part No.	Part Name	Qty.
A	0004-495-000	Soc. Hd. Cap Screw	1
B	0021-016-000	Set Screw	2
C	0741-047-014	Retainer	1
D	0938-001-305	Pole Socket Assembly	1
E	0938-001-308	Pole Assembly	1
F	1211-117-016	Plastic Knob	1
C	1211-117-020	Cable Assembly	1

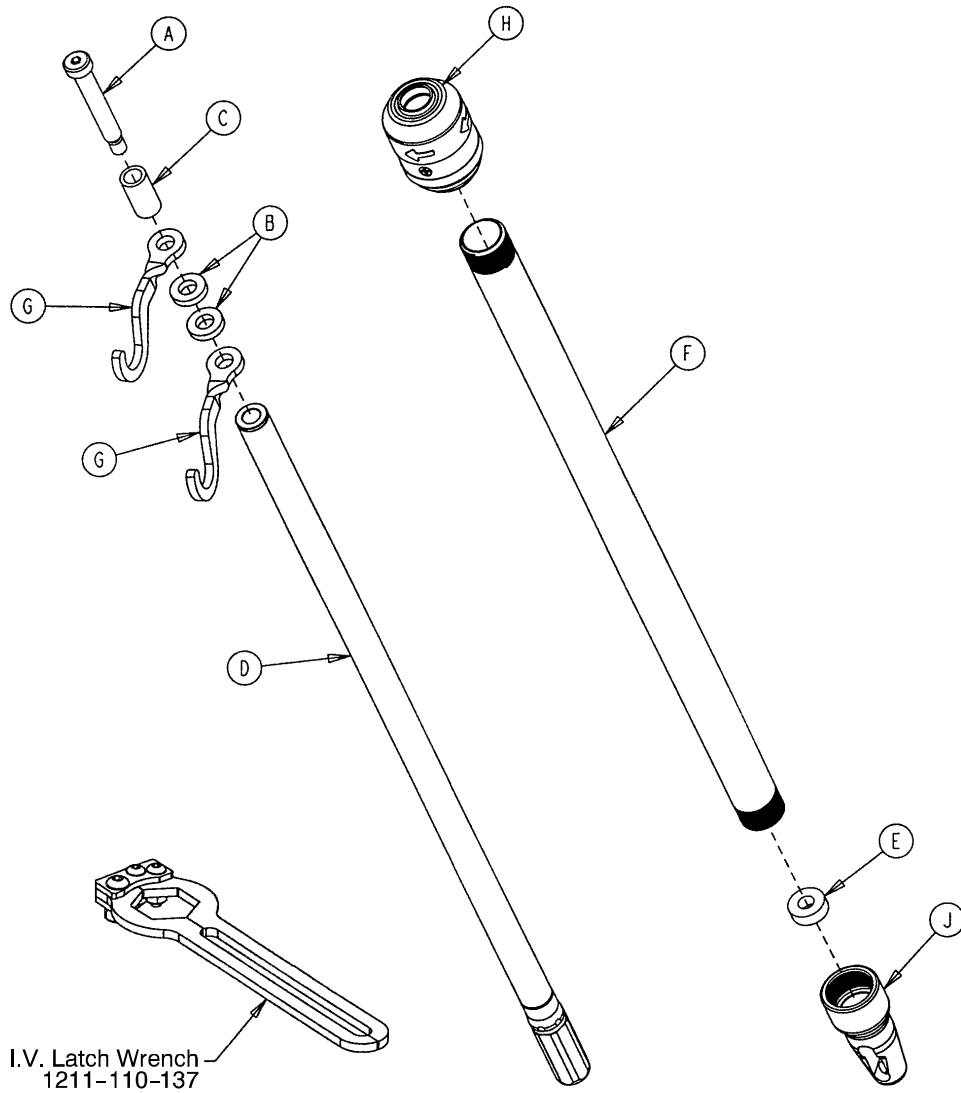
1010-080-000 2-Stage I.V. Ass'y – Foot End, Right

1010-081-000 2-Stage I.V. Ass'y – Head End, Left



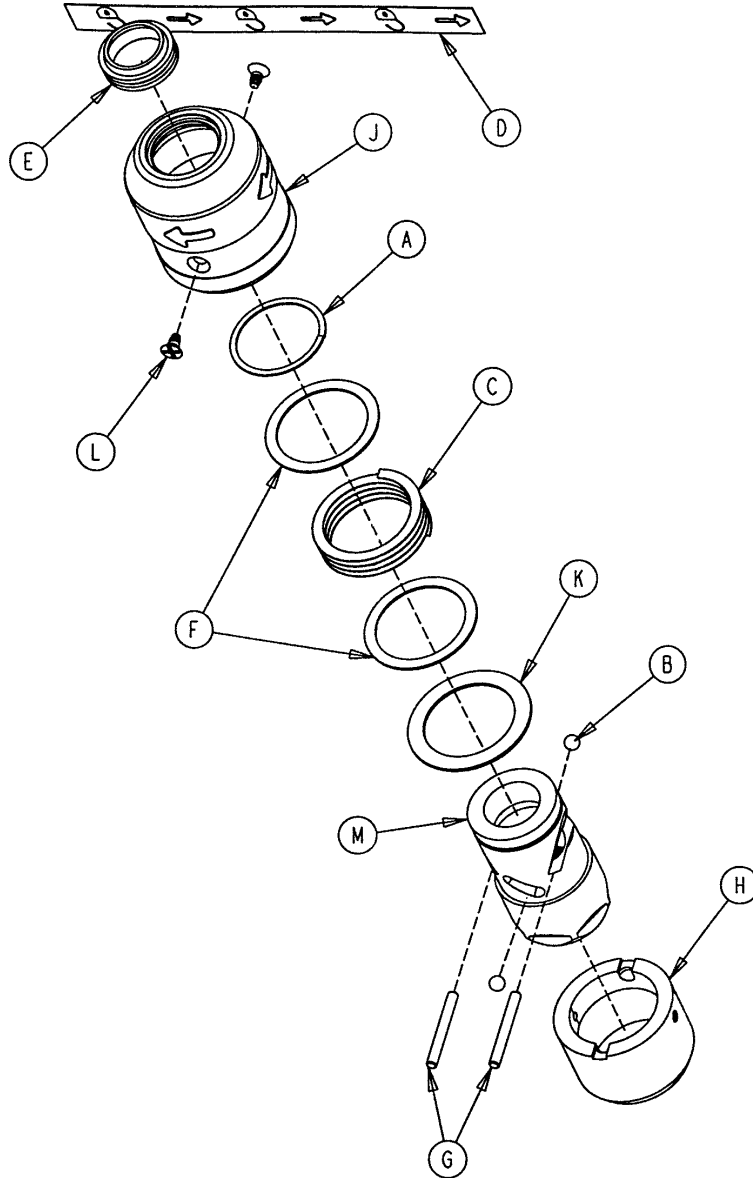
Item	Part No.	Part Name	Qty.
A	0003-050-000	But. Hd. Cap Screw	4
B	0004-097-000	But. Hd. Cap Screw	1
C	0004-163-000	But. Hd. Cap Screw	3
D	0004-199-000	But. Hd. Cap Screw	1
E	0016-011-000	Flexlock Nut	1
F	0016-028-000	Nylock Nut	4
H	1001-059-042	I.V. Plug	1
J	1001-259-111	I V. Socket Ass'y	1
K	1020-054-067	Spacer Weldment	3
B	(page 103)	2-Stage I.V. Pole Ass'y	1

1211-210-010 Optional 2-Stage I.V. Pole Assembly



Item	Part No.	Part Name	Qty.
A	0008-031-000	Soc. Hd. Cap Screw	1
B	0052-017-000	Washer	2
C	0926-400-162	Spacer	1
D	1211-210-029	2nd Stage Assembly	1
E	1001-359-013	Dampener	1
F	1001-159-028	Base Tube	1
G	1010-059-016	I.V. Hook	2
H	(page 104)	I.V. Pole Latch	1
J	1001-359-112	Pivot	1

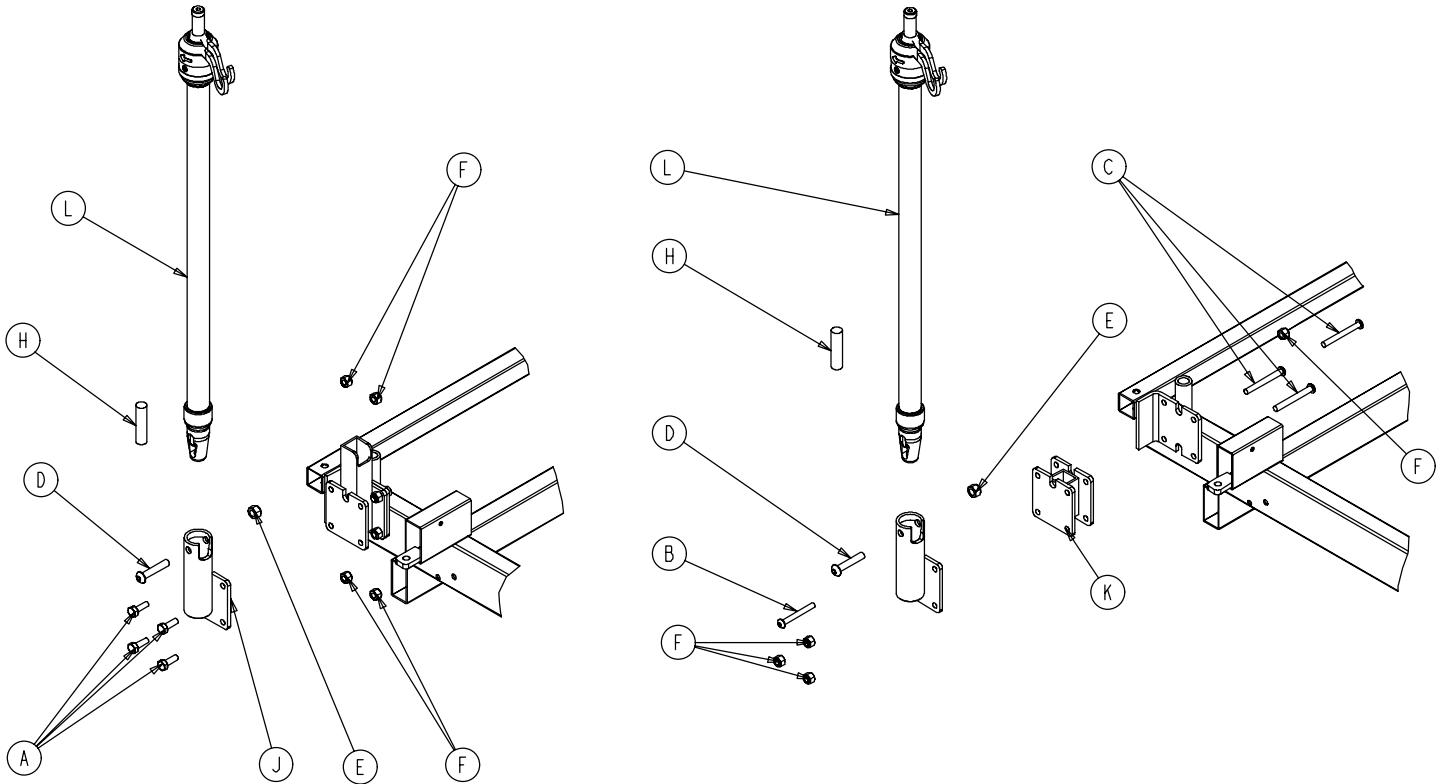
1211-210-026 I.V. Pole Latch Assembly



Item	Part No.	Part Name	Qty.
A	0028-167-000	Retaining Ring	1
B	0031-004-000	Steel Ball	2
C	0038-392-000	Crest-to-Crest Spring	1
D	1211-091-034	Release Label	1
E	1211-110-018	I.V. Latch Seal	1
F	1211-110-020	Washer	2
G	1211-110-021	I.V. Latch Locking Pin	2
H	1211-110-022	I.V. Latch Guide	1
J	1211-110-024	I.V. Latch O.D. Housing	1
K	1211-110-035	Washer	1
L	1211-110-036	Self-Tapping Screw	2
M	1211-210-023	I.V. Latch I.D. Housing	1

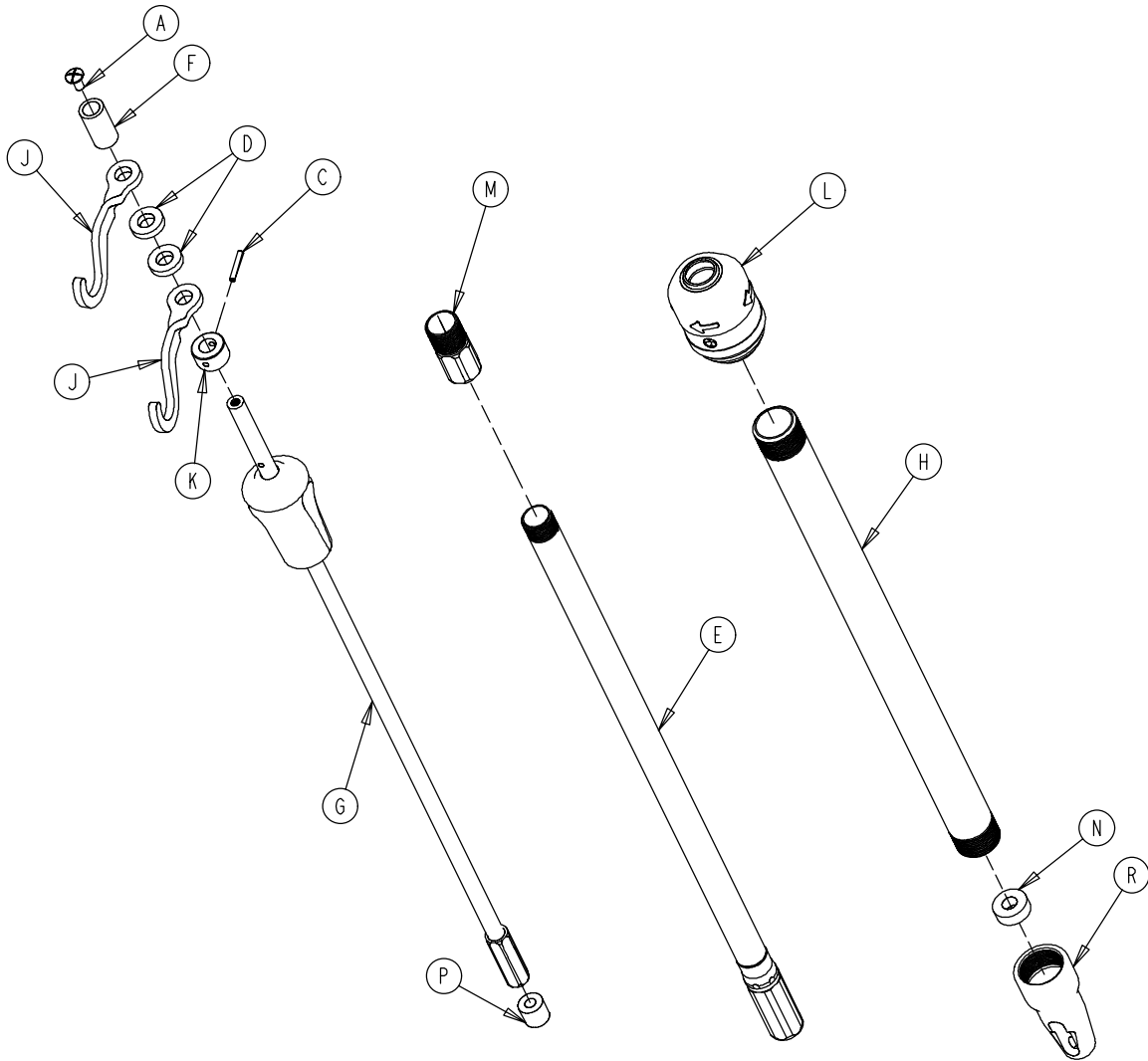
1020-062-000 3-Stage I.V. Ass'y – Foot End, Right

1020-061-000 3-Stage I.V. Ass'y – Head End, Left



Item	Part No.	Part Name	Qty.
A	0003-050-000	But. Hd. Cap Screw	4
B	0004-097-000	But. Hd. Cap Screw	1
C	0004-163-000	But. Hd. Cap Screw	3
D	0004-091-000	But. Hd. Cap Screw	1
E	0016-020-000	Flexlock Nut	1
F	0016-028-000	Nylock Nut	4
H	1001-059-042	Plug	3
J	1001-259-111	I.V. Pivot Weldment	1
K	1020-054-067	Spacer Weldment	3
L	(page 106)	I.V. Pole Assembly	1

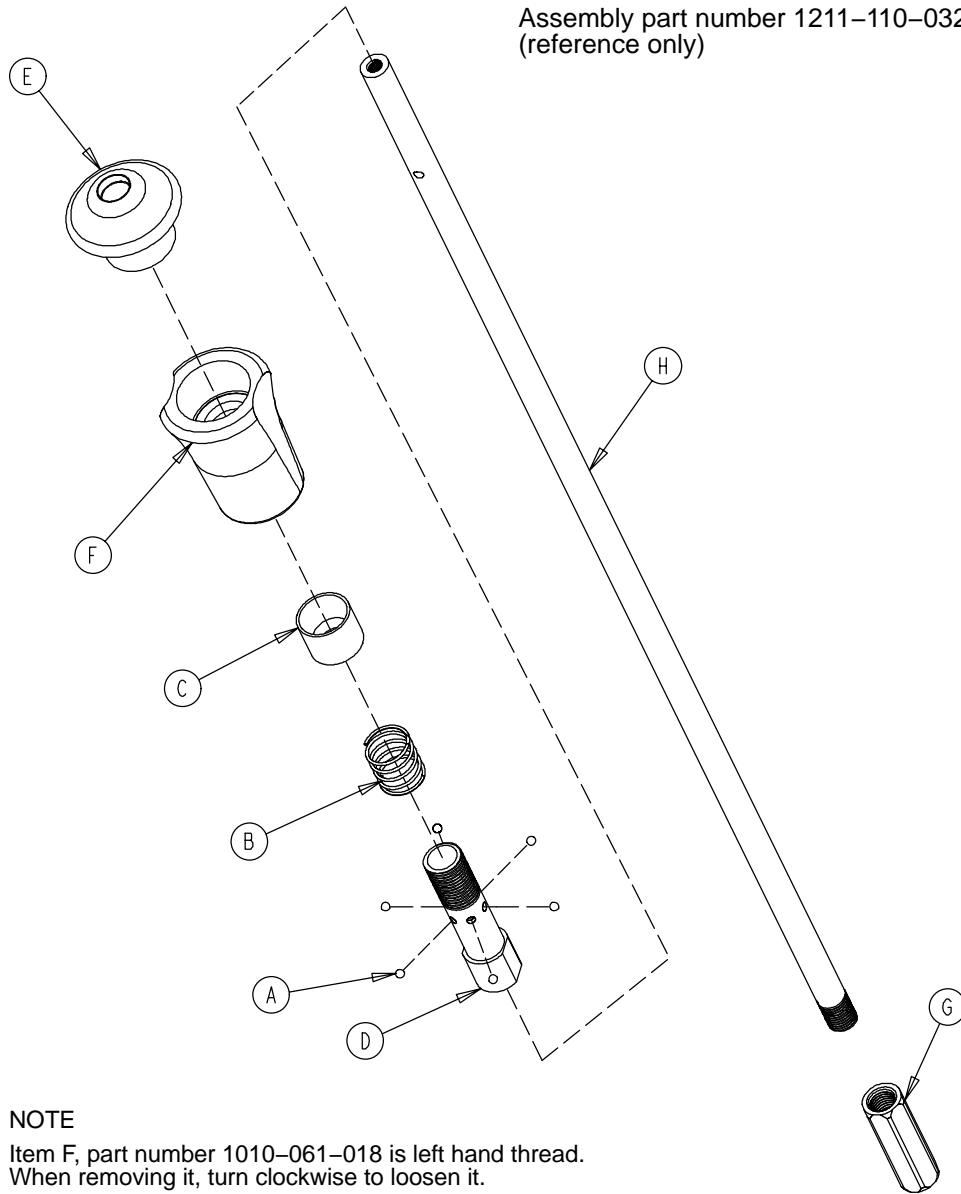
1211-211-010 Optional 3-Stage I.V. Pole Assembly



Item	Part No.	Part Name	Qty.
A	0007-004-000	Truss Hd. Machine Screw	1
C	0026-076-000	Roll Pin	1
D	0052-017-000	Spacer	2
E	1211-210-031	2nd Stage Assembly	1
F	0926-400-162	Spacer	1
G	(page 107)	3rd Stage Assembly	1
H	1001-161-023	Base Tube	1
J	1010-059-016	I.V. Hook	2
K	1010-061-014	Collar	1
L	(page 104)	I.V. Pole Latch	1
M	1211-110-016	Threaded Adaptor	1
N	1001-359-013	Dampener	1
P	1001-359-014	Dampener	1
R	1001-359-112	Pivot	1

3-Stage I.V. Pole 3rd Stage Assembly

Assembly part number 1211-110-032
(reference only)

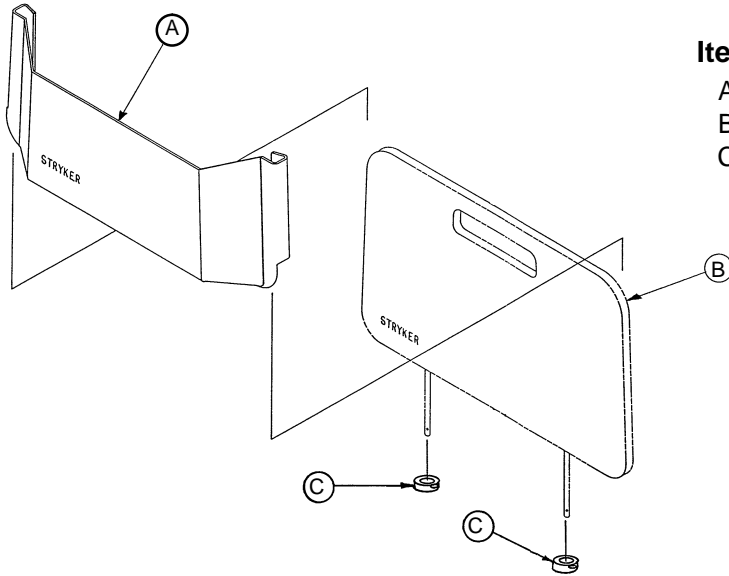


NOTE

Item F, part number 1010-061-018 is left hand thread.
When removing it, turn clockwise to loosen it.

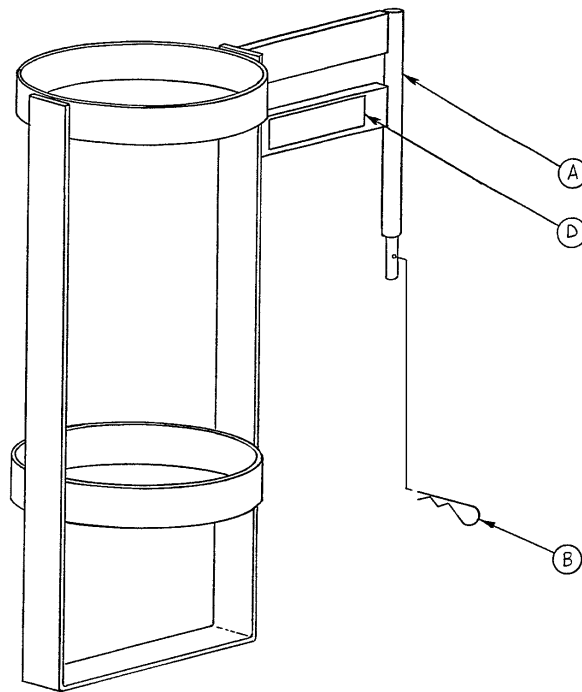
Item	Part No.	Part Name	Qty.
A	0031-021-000	Ball	6
B	0038-303-000	Compression Spring	1
C	1010-061-013	Ball Retainer	1
D	1010-061-016	Retaining Shaft	1
E	1010-061-017	Thumb Knob	1
F	1010-061-018	Hand Guard	1
G	1211-110-117	Nut	1
H	1211-110-033	3rd Extension Rod	1

0741-034-100 Foot Board/Chartholder



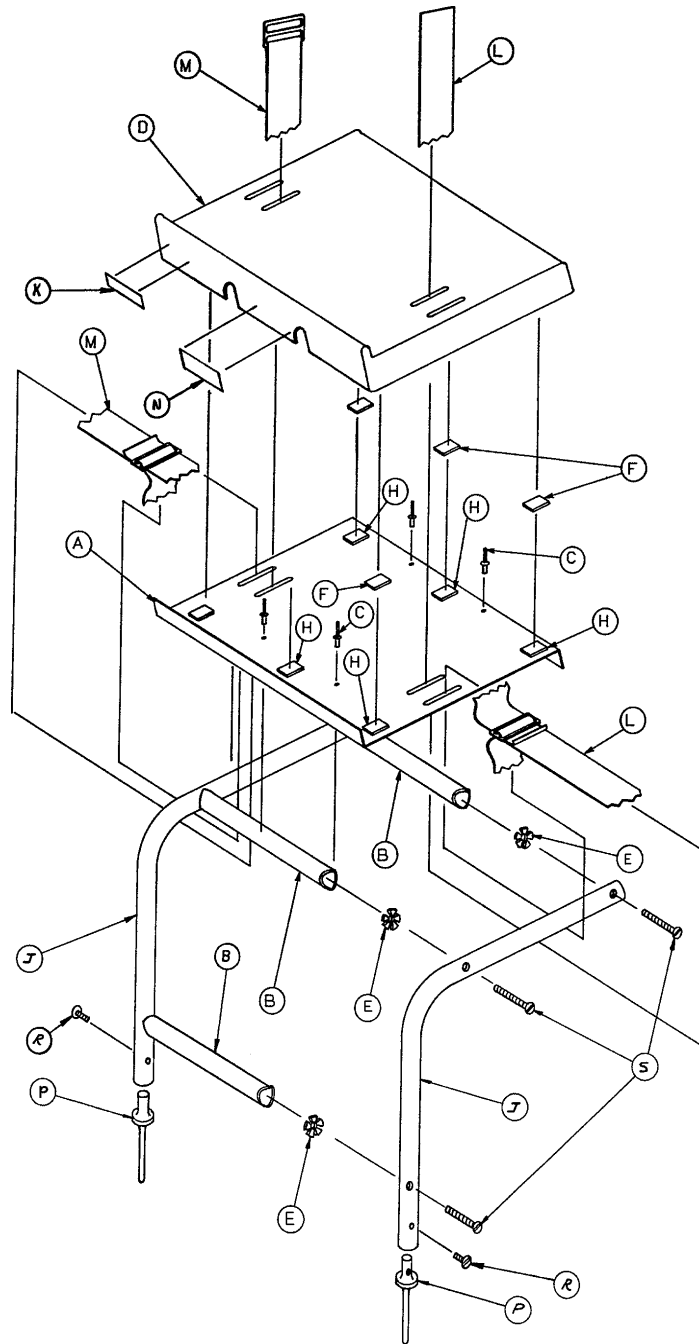
Item	Part No.	Part Name	Qty.
A	0946-028-011	Chart Holder	1
B	0741-029-018	Head/Foot Board	1
C	0042-006-000	Collar	2

1020-030-000 Upright Oxygen Bottle Holder



Item	Part No.	Part Name	Qty.
A	1020-030-011	Upright Bottle Holder	1
B	0027-012-000	Cotter Pin	1
D	1020-030-017	Specification Label	1

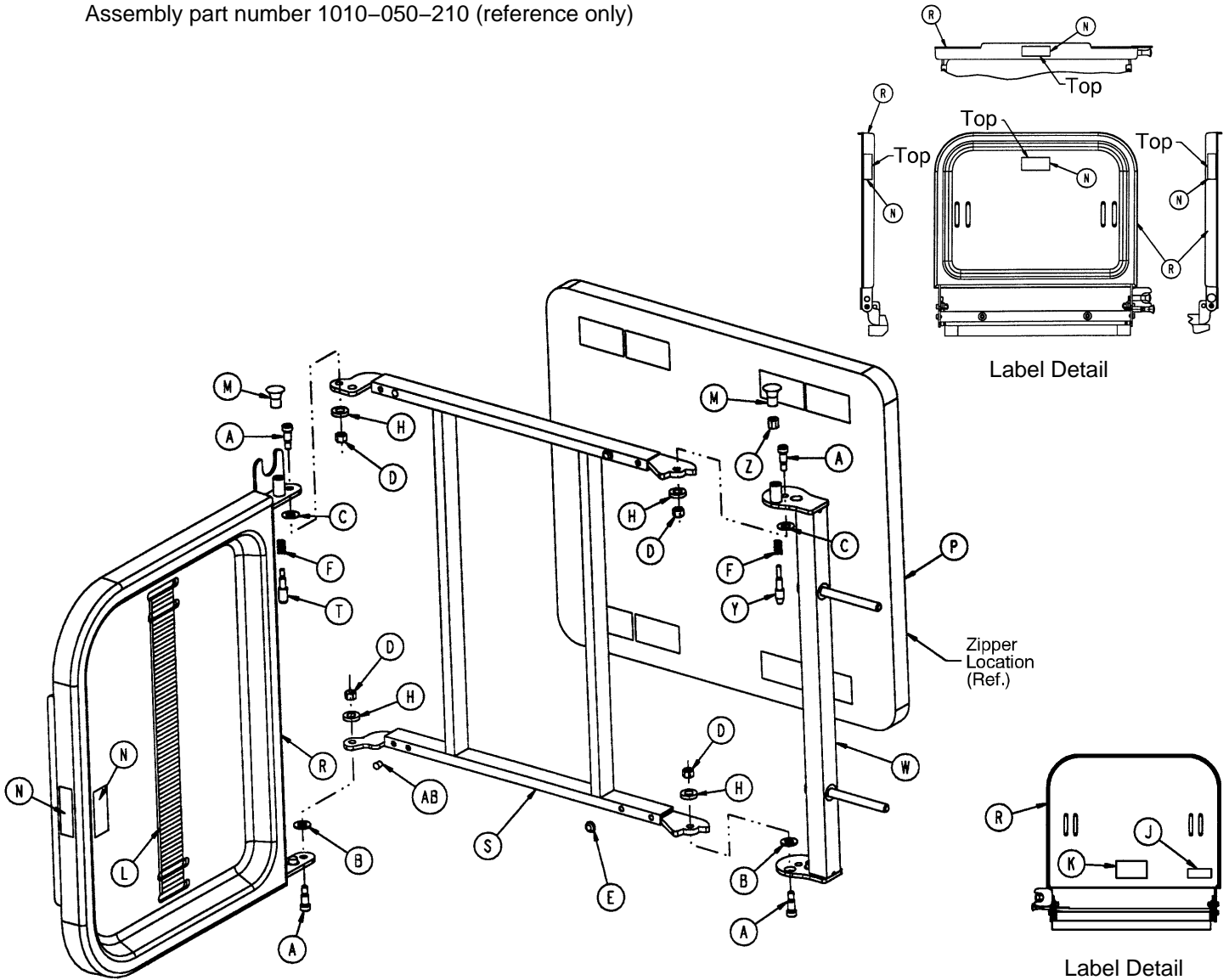
0741-048-000 Optional Defibrillator Tray Assembly



Item	Part No.	Part Name	Qty.	Item	Part No.	Part Name	Qty.
A	0946-039-004	Tray	1	K	0741-048-012	Label	1
B	0926-039-016	Crosstube	3	L	0390-057-012	Long Strap	1
C	0025-055-000	Rivet	4	M	0390-057-013	Short Strap	1
D	0926-039-009	Cover	1	N	0946-001-283	Label	1
E	0018-006-000	Umbrella Nut	6	P	0741-048-020	Holder	2
F	0029-008-000	Dual Lock	6	R	0002-044-000	Screw	2
H	0029-010-000	Dual Lock	6	S	0002-105-000	Rd. Hd. Mach. Screw	6
J	0946-039-003	Support Tube	2				

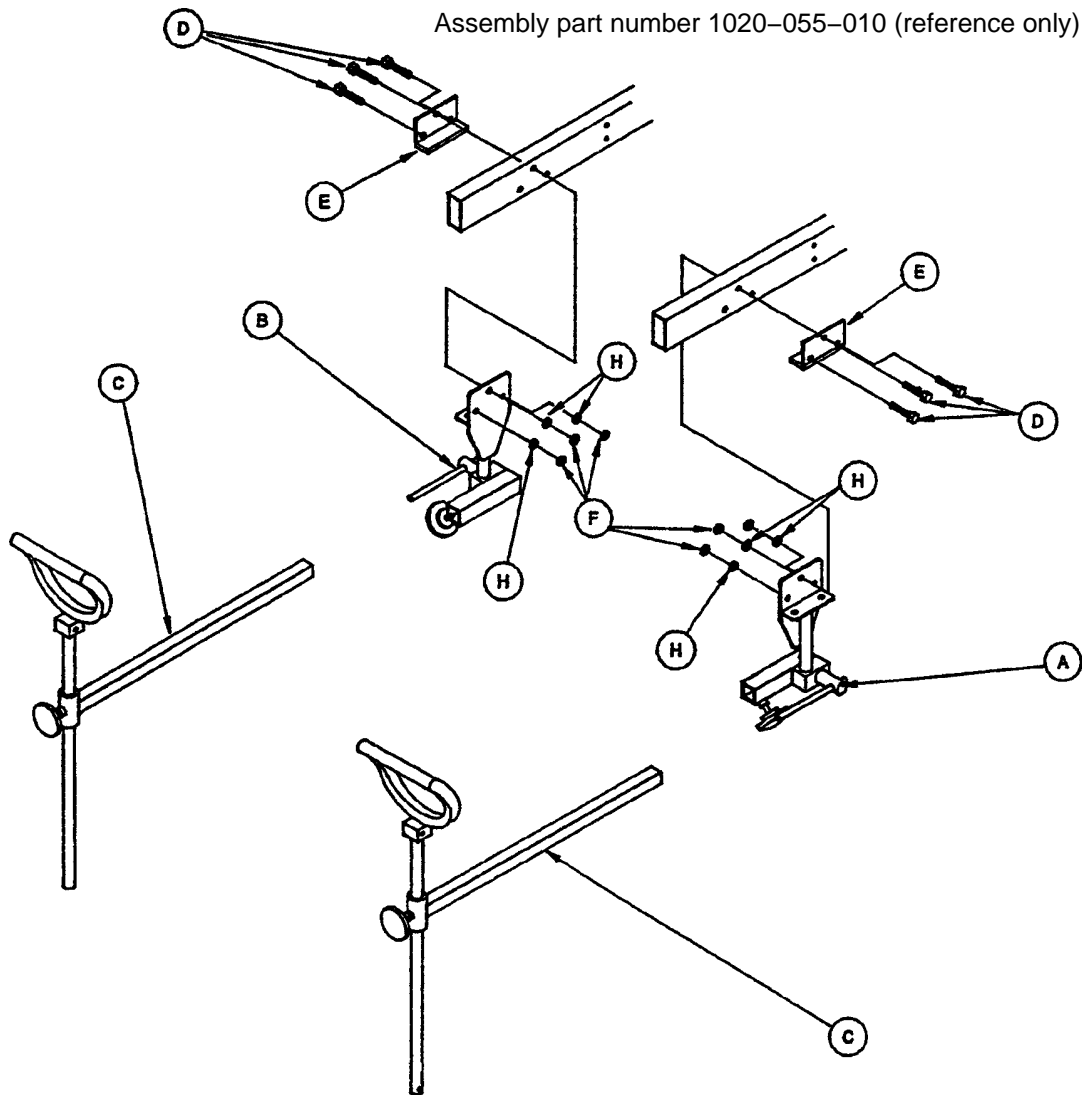
1010-050-100 Foot Extension/Defibrillator Tray Ass'y

Assembly part number 1010-050-210 (reference only)



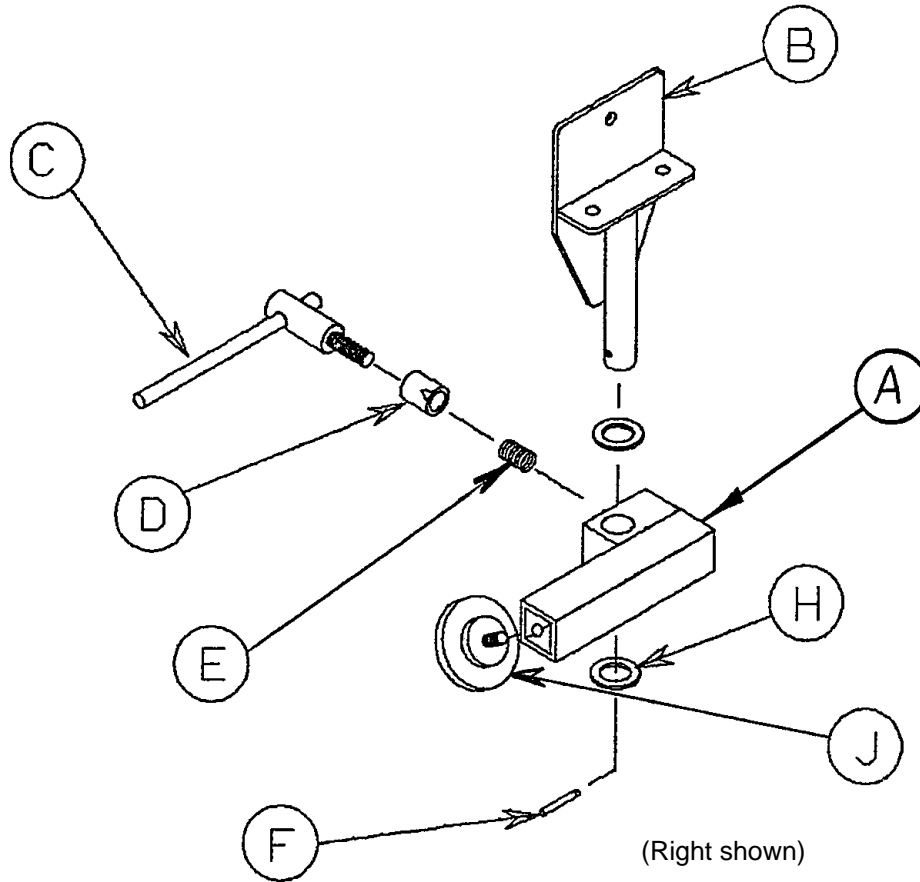
Item	Part No.	Part Name	Qty.	Item	Part No.	Part Name	Qty.
A	0008-049-000	Soc. Hd. Shoulder Bolt	4	M	1010-050-050	Knob	2
B	0014-020-000	Nylon Washer	2	N	1010-050-057	"Max. Weight" Label	4
C	0014-021-000	Nylon Washer	2	P	1010-050-205	Cushion Assembly	1
D	0016-028-000	Fiberlock Nut	4	R	1010-050-218	Foot & Tray Board	1
E	0037-052-000	Rubber Bumper	2	S	1010-050-225	Pivot Frame Weldment	1
F	0038-133-000	Spring	2	T	1010-050-242	Pin Lock	1
H	0052-017-000	Spacer	4	W	1010-050-246	Base Mounting Ass'y	1
J	1010-050-017	Specification Label	1	Y	1010-050-248	Lower Pin Lock	1
K	1010-050-019	"Push/Pull" Label	1	Z	1010-050-250	Pin Adjuster	1
L	1010-050-021	Long Strap	1	AB	0721-031-065	Hole Plug	2

1020-55-000 Heel Stirrup and Support Assembly



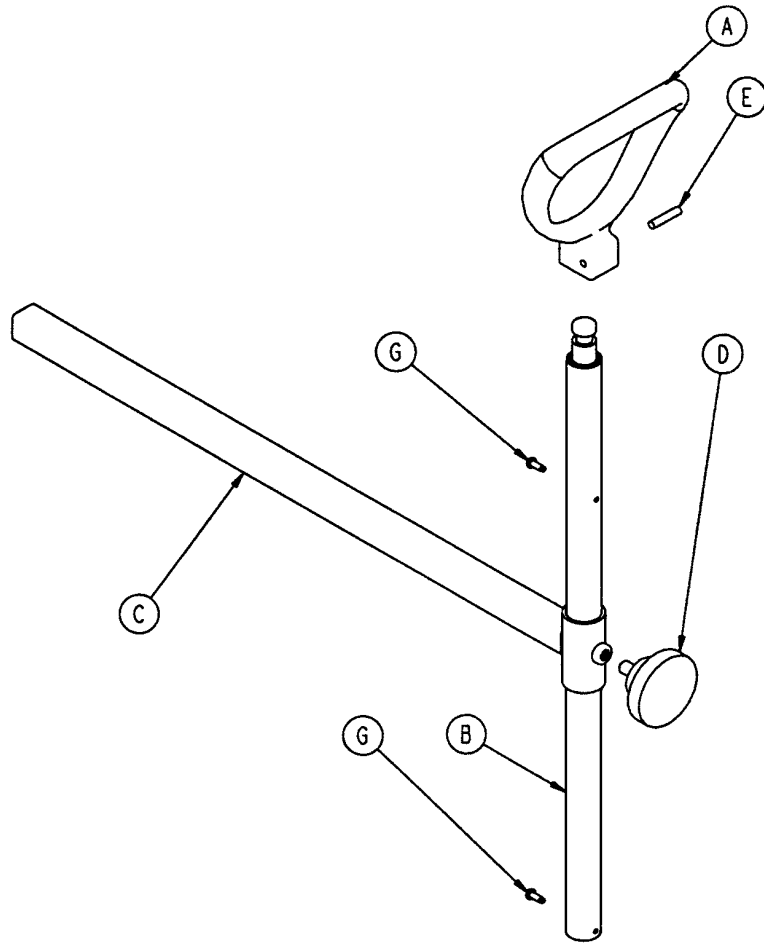
Item	Part No.	Part Name	Qty.
A	(page 112)	Stirrup Support Ass'y, Rt.	1
B	(page 112)	Stirrup Support Ass'y, Lt.	1
C	(page 113)	Stirrup Assembly	2
D	0003-078-000	Hex Hd. Cap Screw	6
E	1020-055-015	Backer Assembly	2
F	0016-028-000	Nylock Hex Nut	6
F	0011-158-000	Flat Washer	6

1010-055-015 (Rt.) & 1010-055-025 (Lt.) Stirrup Support



Item	Part No.	Part Name	Qty.
A	1010-055-016	Right Support Tube Ass'y	1
	1010-055-026	Left Support Tube Ass'y	1
B	1010-055-020	Mounting Bracket	1
C	0650-002-032	Lock Screw Assembly	1
D	0966-051-019	Wedge Lock, Modified	1
E	0038-171-000	Compression Spring	1
F	0026-007-000	Roll Pin	1
H	0014-040-000	Nylon Flat Washer	2
J	0024-011-000	Knob	1

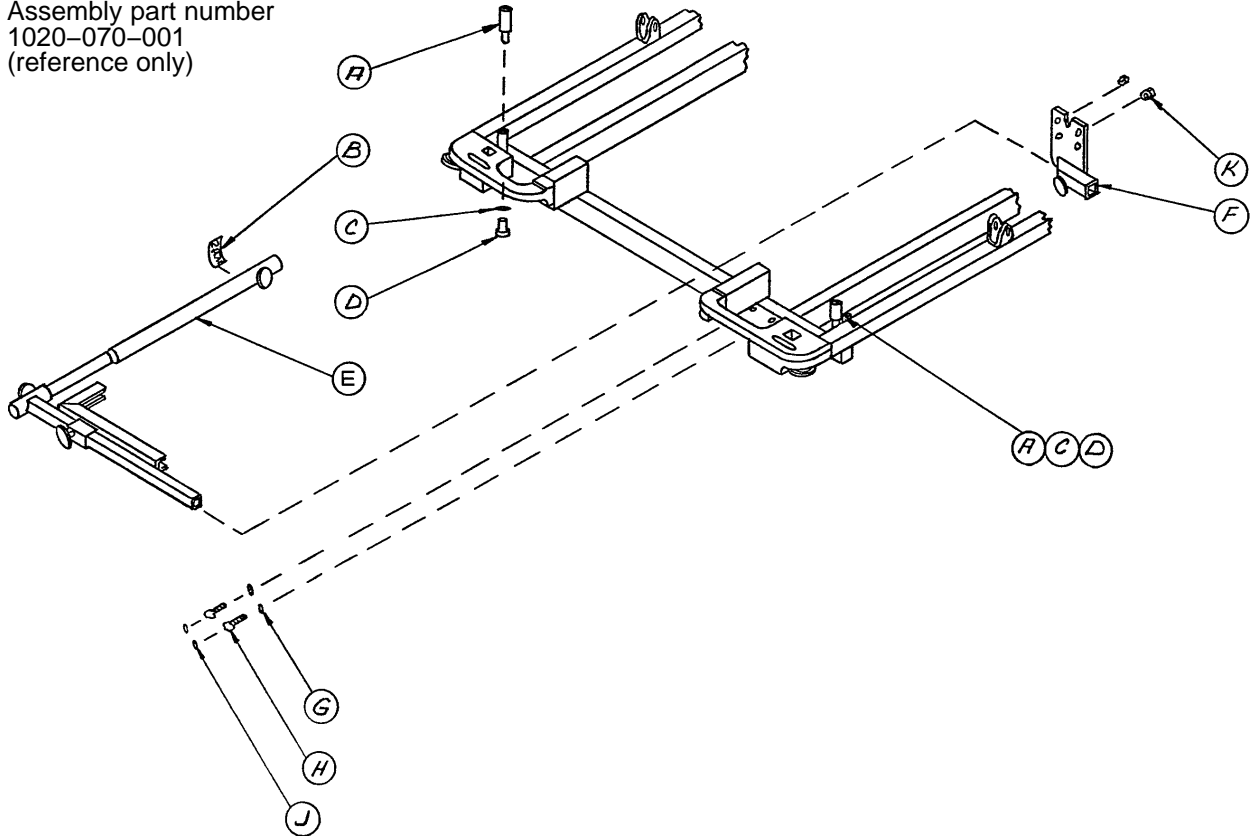
1010-055-029 Heel Stirrup Assembly



Item	Part No.	Part Name	Qty.
A	0390-020-013	Stirrup	1
B	0390-020-009	Stirrup Holder Assembly	1
C	1010-055-030	Extension Tube Assembly	1
D	0024-011-000	Knob	1
E	0026-043-000	Roll Pin	1
G	0022-008-000	Drive Screw	2

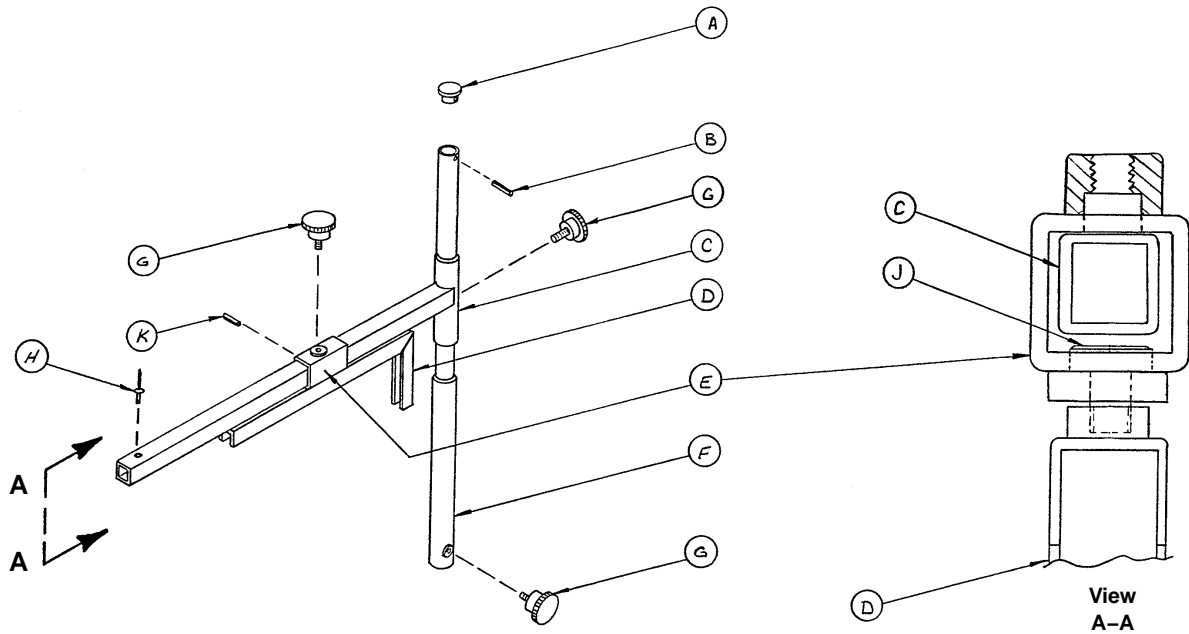
1020-070-100 C-Spine Cassette Holder Assembly

Assembly part number
1020-070-001
(reference only)



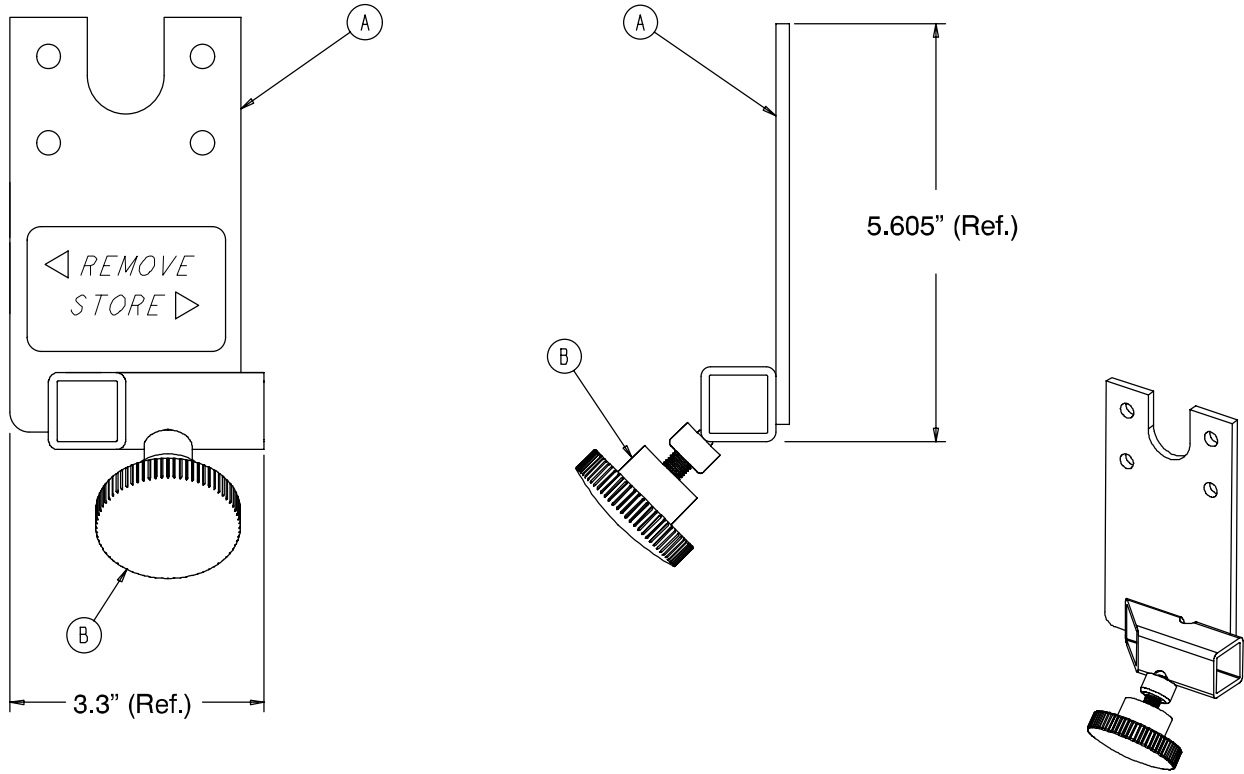
Item	Part No.	Part Name	Qty.
A	1010-070-025	I.V. Adaptor	2
B	1020-070-018	Specification Label	1
C	0011-003-000	Flat Washer	2
D	0004-091-000	Soc. Hd. Cap Screw	2
E	(page 115)	Support Pole Ass'y	1
F	(page 116)	Storage Bracket Ass'y	1
G	0037-056-000	Washer	2
H	0003-047-000	Hex Hd. Cap Screw	2
J	0037-055-000	Cap	2
K	0016-028-000	Nylock Nut	2

1010-070-010 C-Spine Support Pole Assembly



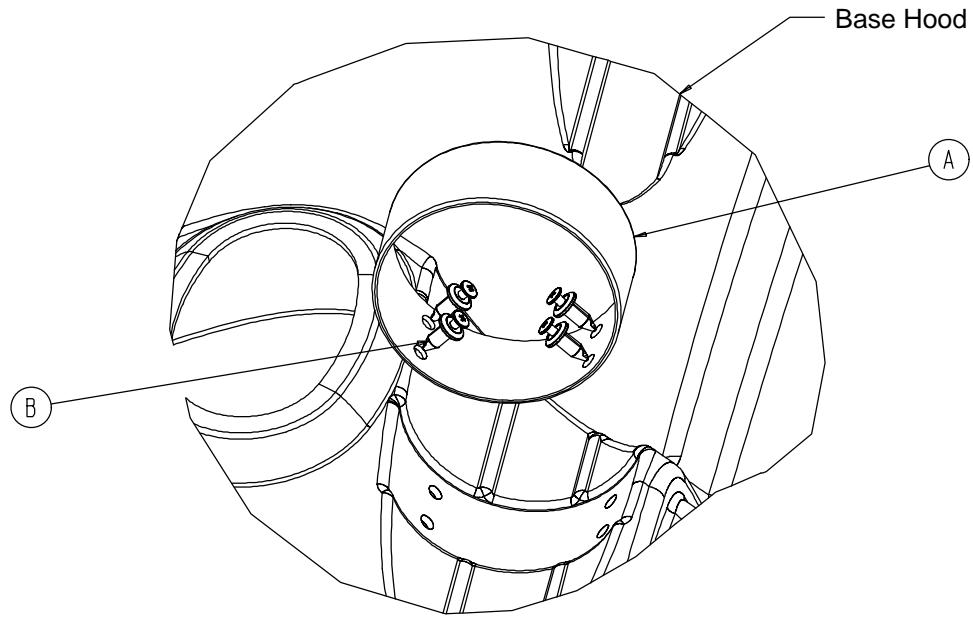
Item	Part No.	Part Name	Qty.
A	1010-070-033	Support Tube Cap	1
B	0026-006-000	Roll Pin	1
C	1010-070-034	Support Arm Weldment	1
D	1010-070-042	Cassette Holder Weldment	1
E	1010-070-050	Adjustment Tube Weldment	1
F	1010-070-030	Base Tube Weldment	1
G	1010-070-045	Knob	3
H	0025-055-000	Pop Rivet	1
J	1010-070-044	Pivot Pin	1
K	0026-005-000	Roll Pin	1

1020-070-019 C-Spine Storage Bracket Assembly



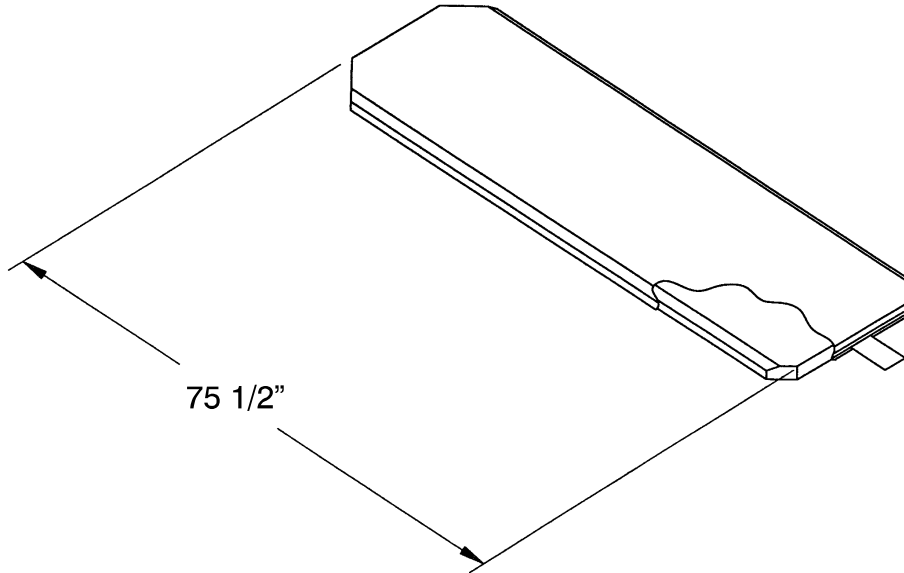
Item	Part No.	Part Name	Qty.
A	1020-070-020	Storage Bracket Weldment	1
B	1010-070-045	Knob	1
C	1010-070-023	Storage Label	1

1040-010-090 Optional O₂ Bottle Retainer Assembly

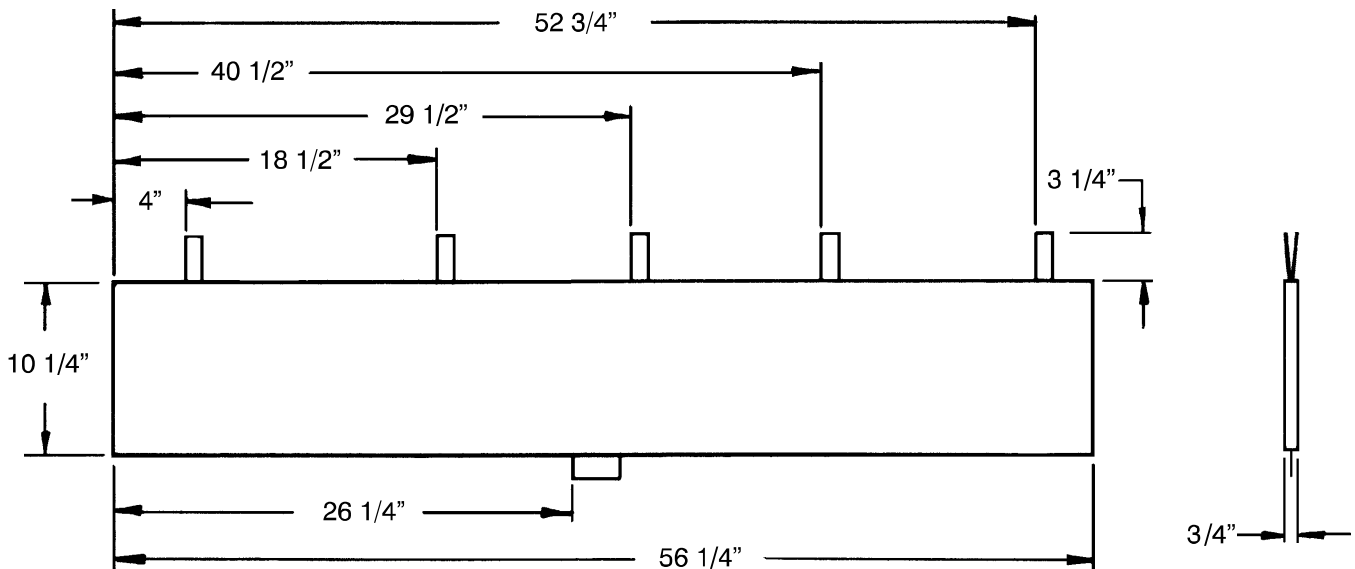


Item	Part No.	Part Name	Qty.
A	1040-010-091	Bottle Retainer	1
B	1040-010-092	Scrulok Fastener	4

Mattresses and Siderail Pads

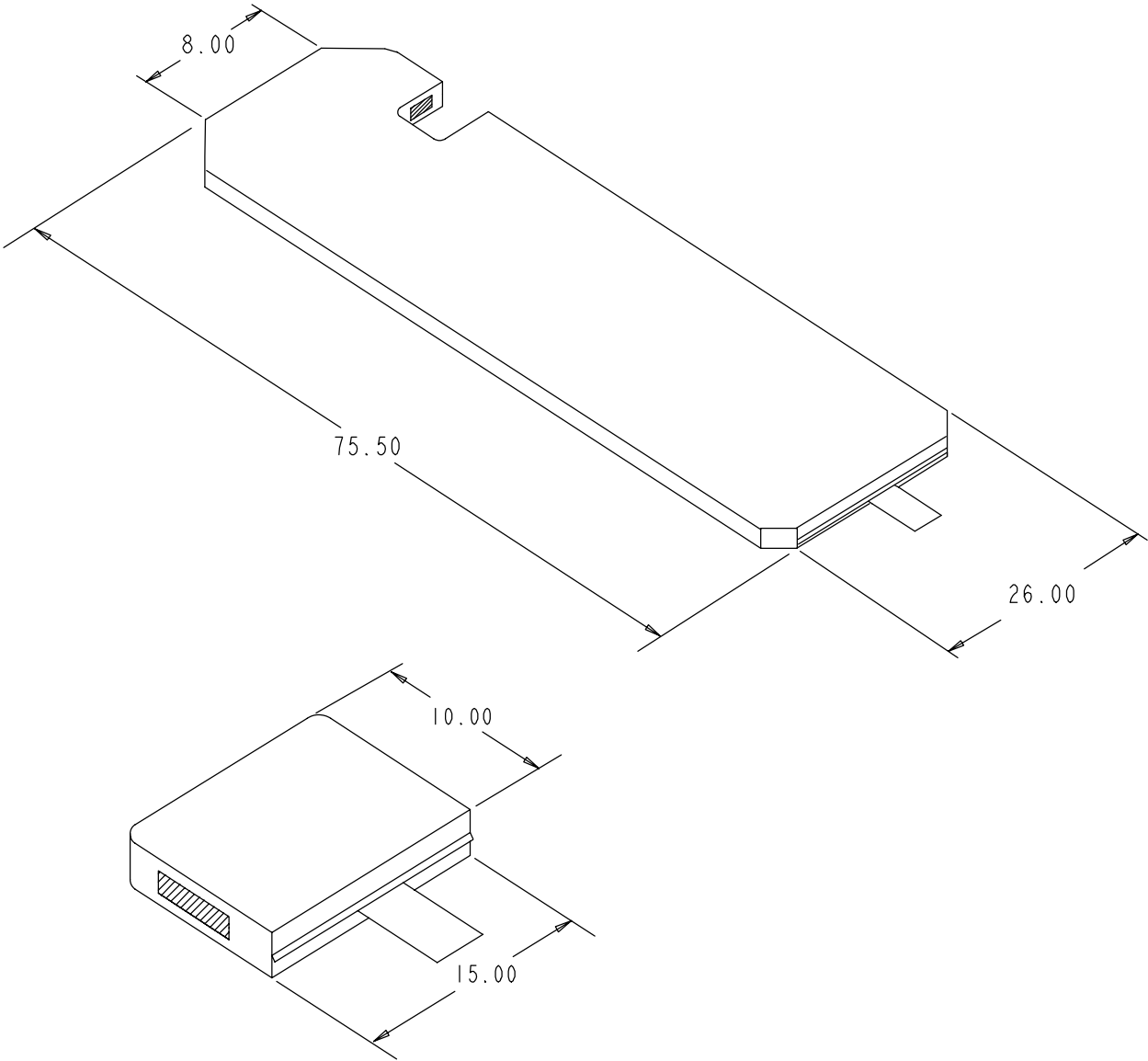


- Mattress, 2" Thick x 24" Wide, Standard part # 1059-226-140
- Mattress, 3" Thick x 26" Wide, Standard part # 1059-326-140
- Mattress, 3" Thick x 26" Wide, Enhanced Comfort part # 1001-048-106
- Mattress, 4" Thick x 26" Wide, Enhanced Comfort part # 1001-047-106
- Mattress, 4" Thick x 26" Wide, Ultra Comfort part # 1210-040-000
- Mattress, 5" Thick x 26" Wide, Ultra Comfort part # 1210-050-000



- Siderail Pad Set part # 1010-052-000

Mattresses and Siderail Pads



Mattress, 26" Wide part # 1059-426-010

Warranty

Limited Warranty:

Stryker Medical Division, a division of Stryker Corporation, warrants to the original purchaser that its products should be free from defects in material and workmanship for a period of one (1) year after date of delivery. Stryker's obligation under this warranty is expressly limited to supplying replacement parts and labor for, or replacing, at its option, any product which is, in the sole discretion of Stryker, found to be defective. Stryker warrants to the original purchaser that the frame and welds on its beds will be free from structural defects for as long as the original purchaser owns the bed. If requested by Stryker, products or parts for which a warranty claim is made shall be returned prepaid to Stryker's factory. Any improper use or any alteration or repair by others in such manner as in Stryker's judgement affects the product materially and adversely shall void this warranty. Any repair of Stryker products using parts not provided or authorized by Stryker shall void this warranty. No employee or representative of Stryker is authorized to change this warranty in any way.

Stryker Medical stretchers are designed for a 10 year expected life under normal use conditions and appropriate periodic maintenance as described in the maintenance manual for each device.

This statement constitutes Stryker's entire warranty with respect to the aforesaid equipment. STRYKER MAKES NO OTHER WARRANTY OR REPRESENTATION, EITHER EXPRESSED OR IMPLIED, EXCEPT AS SET FORTH HEREIN. THERE IS NO WARRANTY OF MERCHANTABILITY AND THERE ARE NO WARRANTIES OF FITNESS FOR ANY PARTICULAR PURPOSE. IN NO EVENT SHALL STRYKER BE LIABLE HEREUNDER FOR INCIDENTAL OR CONSEQUENTIAL DAMAGES ARISING FROM OR IN ANY MANNER RELATED TO SALES OR USE OF ANY SUCH EQUIPMENT.

To Obtain Parts and Service:

Stryker products are supported by a nationwide network of dedicated Stryker Field Service Representatives. These representatives are factory trained, available locally, and carry a substantial spare parts inventory to minimize repair time. Simply call your local representative, or call Stryker Customer Service at (800) 327-0770.

Service Contract Coverage:

Stryker has developed a comprehensive program of service contract options designed to keep your equipment operating at peak performance at the same time it eliminates unexpected costs. We recommend that these programs be activated *before* the expiration of the new product warranty to eliminate the potential of additional equipment upgrade charges.

A SERVICE CONTRACT HELPS TO:

- Ensure equipment reliability
- Stabilize maintenance budgets
- Diminish downtime
- Establish documentation for JCAHO
- Increase product life
- Enhance trade-in value
- Address risk management and safety

Warranty

Stryker offers the following service contract programs:

SPECIFICATIONS	GOLD	SILVER	PM* ONLY
Annually scheduled preventative maintenance	X		X
All parts,** labor, and travel	X	X	
Unlimited emergency service calls	X	X	
Priority one contact; two hour phone response	X	X	X
Most repairs will be completed within 3 business days	X	X	
JCAHO documentation	X	X	X
On-site log book w/ preventative maintenance & emergency service records	X		
Factory-trained Stryker Service Technicians	X	X	X
Stryker authorized parts	X	X	X
End of year summary	X		
Stryker will perform all service during regular business hours (9-5)	X	X	X

* Replacement parts and labor for products under PM contract will be discounted.

** Does not include any disposable items, I.V. poles (except for Stryker HD permanent poles), mattresses, or damage resulting from abuse.

Stryker Medical also offers *personalized* service contracts.

Pricing is determined by age, location, model and condition of product.

For more information on our service contracts, please call your local representative or call (800) 327-0770 (option #2).

Return Authorization:

Merchandise cannot be returned without approval from the Stryker Customer Service Department. An authorization number will be provided which must be printed on the returned merchandise. Stryker reserves the right to charge shipping and restocking fees on returned items.

SPECIAL, MODIFIED, OR DISCONTINUED ITEMS NOT SUBJECT TO RETURN.

Damaged Merchandise:

ICC Regulations require that claims for damaged merchandise must be made with the carrier within fifteen (15) days of receipt of merchandise. **DO NOT ACCEPT DAMAGED SHIPMENTS UNLESS SUCH DAMAGE IS NOTED ON THE DELIVERY RECEIPT AT THE TIME OF RECEIPT.** Upon prompt notification, Stryker will file a freight claim with the appropriate carrier for damages incurred. Claim will be limited in amount to the actual replacement cost. In the event that this information is not received by Stryker within the fifteen (15) day period following the delivery of the merchandise, or the damage was not noted on the delivery receipt at the time of receipt, the customer will be responsible for payment of the original invoice in full.

Claims for any short shipment must be made within thirty (30) days of invoice.

International Warranty Clause:

This warranty reflects U.S. domestic policy. Warranty outside the U.S. may vary by country. Please contact your local Stryker Medical representative for additional information.

European Representative

Stryker EMEA RA/QA Director
Stryker France
ZAC Satolas Green Pusignan
Av. De Satolas Green
69881 MEYZIEU Cedex
France

stryker[®]

6300 S. Sprinkle Road, Kalamazoo, MI 49001-9799
(800) 327-0770
www.strykermedical.com



DH 12/03 1020-009-002 REV B