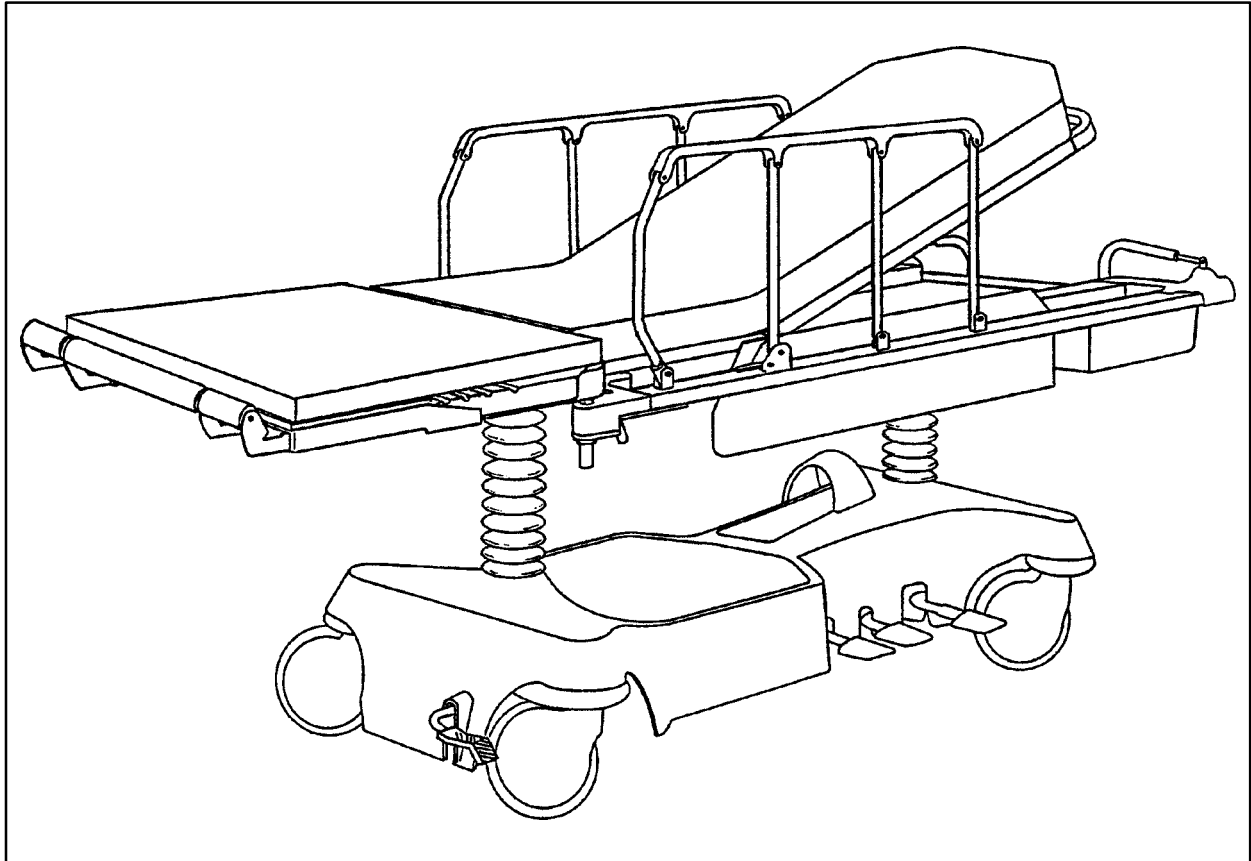

IMPORTANT
File in your
maintenance
records

stryker[®]
Medical



Renaissance Series

1060 OB/GYN Trauma Bed

For stretchers with serial numbers of 9711034752 and above

MAINTENANCE MANUAL

For Parts or Technical Assistance
1-800-327-0770

Table of Contents

Introduction	
Specifications	3
Warning / Caution / Note Definition	3
Preventative Maintenance	
Checklist	4
Cleaning	5
Service Information	
Pneumatic Fowler Adjustment	6
Arm Board Counterbalance Adjustment	6
Siderail Latch Adjustment	7
Pedal Linkage Adjustment	8
Caster Cover Installation And Removal	9
Caster Maintenance	10
Hydraulic System Troubleshooting	11
Checking Hydraulic Fluid Level	12
Removal Of Excess Air (Vacuum) From The Hydraulic System	12
Jack Descent Rate Adjustment	13
Hydraulic Check Valve Replacement	
Replacement Of Valve #1	14
Replacement Of Valve #2	15
Replacement Of Valve (Poppet) #3	15
Brake Adjustment	16
Base Lubrication	16
Assembly Drawings and Parts Lists	
<i>Base Assembly</i>	18, 19
Brake Adjuster Assembly	20
Brake Cam Assembly	21
Brake Pedal Assembly	22
Caster Assembly	23
Fifth Wheel Base Assembly	24
Fifth Wheel Assembly	25
<i>Base Assembly with Jacks</i>	26, 27
Pump Pedal Assembly	28
Pedal Assembly, Left and Right	29, 30
Base Hood Assembly	31
Jack Assembly	32
Jack Base Assembly	33
Base Hood Labeling Assembly	34, 35
<i>Base Assembly with Jacks</i>	36, 37
Release Pedal Assembly	38
<i>Litter Assembly</i>	39–42
Arm Board Assembly, Left	43
Arm Board Assembly, Right	44
Board Support Assembly	45
Foot Pan Assembly, Right	46
Foot Pan Assembly, Left	47
Foot Rest Assembly	48
Foot Pan Latch Assembly	48
Leg Support Assembly	49
Jack Support and Trend. Limiter Assembly	50
Trend. Limiter Assembly	51

Table of Contents

Assembly Drawings and Parts Lists (Continued)

- Pneumatic Fowler Assembly 52
- Push Handle Assembly 53
- Siderail Assembly, Right 54
- Siderail Assembly, Left 55
- Foot End Mattress and Push Bar Assembly, 2" 56
- Foot End Mattress and Push Bar Assembly, 3" 56
- Removable I.V. Pole Assembly 58
- Foot End Mattress and Push Bar Assembly, T-Shaped 57
- Foot End Mattress and Push Bar Assembly, Enhanced Comfort 58
- 2-Stage I.V. Pole Assembly 59
- 2-Stage I.V. Pole Assembly 60
- 2-Stage I.V. Pole Mounting Assembly 61
- Upright Oxygen Bottle Holder Assembly 62
- Procto Board Assembly 63
- C-Spine Cassette Holder Assembly 64
- C-Spine Support Pole Assembly 65
- Storage Bracket Assembly 66

Warranty

- Obtaining Parts and Service 67
- Supplemental Warranty Coverage 67
- Return Authorization 68
- Freight Damage Claims 68

Introduction

INTRODUCTION

This manual is designed to assist you with the maintenance of the 1060 OB/GYN Trauma Bed. Read it thoroughly before using the equipment or beginning any maintenance on it.

SPECIFICATIONS

Maximum Weight Capacity	400 pounds
Overall Bed Length/Width	86.5"/31.75"
Minimum/Maximum Bed Height	22.5"/36"
Bed Weight w/Accessories	410 pounds
Fowler Angle	0 to 90 Degrees
Trendelenburg/Reverse Trendelenburg	-18 degrees to +12 degrees

WARNING / CAUTION / NOTE DEFINITION

The words WARNING, CAUTION and NOTE carry special meanings and should be carefully reviewed.

WARNING

The personal safety of the patient or user may be involved. Disregarding this information could result in injury to the patient or user.

CAUTION

These instructions point out special procedures or precautions that must be followed to avoid damaging the equipment.

NOTE

This provides special information to make maintenance easier or important instructions clearer.

WARNING

Patients should be discouraged from sitting directly on the ends of the stretcher. Excessive weight will cause the litter surface to tip up, possibly causing patient injury.

Always apply the caster brakes when a patient is getting on or off the stretcher. Push on the stretcher to ensure the brakes are securely locked. Always engage the brakes unless the stretcher is being moved. Injury could result if the stretcher moves while a patient is getting on or off the stretcher.

Preventative Maintenance

CHECKLIST (PERFORM A MINIMUM OF TWICE A YEAR)

- _____ All fasteners secure (reference all assembly prints)
- _____ Siderails move and latch properly (page 7)
- _____ Engage brake pedal and push on the stretcher to ensure all casters lock securely (page 16)
- _____ Steer function working properly
- _____ All casters secure and swivel properly
- _____ Body restraints working properly
- _____ I.V. pole intact and operating properly (page 59–61)
- _____ Oxygen bottle holder intact
- _____ Fowler operates and latches properly
- _____ Trendelenburg/Reverse Trendelenburg operating properly
- _____ No rips or cracks in mattress cover
- _____ Arm boards intact and operating properly (page 43 & 44)
- _____ Arm board support levers intact and operating properly (page 45)
- _____ Ground chain intact
- _____ No leaks at hydraulic connections
- _____ Hydraulic jacks holding properly (page 11)
- _____ Hydraulic drop rate set properly (page 13)
- _____ Hydraulic oil level sufficient (page 12)
- _____ Lubricate where required, including the brake adjuster assembly and the brake cam (page 16)
- _____ Foot pan assemblies intact and operating properly (page 46 & 47)
- _____ Accessories and mounting hardware in good condition and working properly

Serial No. _____

Completed By: _____

Date: _____

Cleaning

Hand wash all surfaces of the stretcher with warm water and mild detergent. Dry thoroughly. **DO NOT STEAM CLEAN, PRESSURE WASH, HOSE OFF OR ULTRASONICALLY CLEAN.** Using these methods of cleaning is **not** recommended and may void this product's warranty.

Clean Velcro **AFTER EACH USE**. Saturate Velcro with disinfectant and allow disinfectant to evaporate. (Appropriate disinfectant for nylon Velcro should be determined by the hospital.)

In general, when used in those concentrations recommended by the manufacturer, either phenolic type or quaternary type disinfectants can be used. Iodophor type disinfectants are not recommended for use because staining may result. The following products have been tested and have been found not to have a harmful effect **WHEN USED IN ACCORDANCE WITH MANUFACTURERS RECOMMENDED DILUTION.***

TRADE NAME	DISINFECTANT TYPE	MANUFACTURER	*MANUFACTURER'S RECOMMENDED DILUTION
A33	Quaternary	Airwick (Professional Products Division)	2 ounces/gallon
A33 (dry)	Quaternary	Airwick (Professional Products Division)	1/2 ounce/gallon
Beaucoup	Phenolic	Huntington Laboratories	1 ounce/gallon
Blue Chip	Quaternary	S.C. Johnson	2 ounces/gallon
Elimstaph	Quaternary	Walter G. Legge	1 ounce/gallon
Franklin Phenomysan F2500	Phenolic	Purex Corporation	1 1/4 ounce/gallon
Franklin Sentinel	Quaternary	Purex Corporation	2 ounces/gallon
Galahad	Phenolic	Puritan Churchill Chemical Company	1 ounce/gallon
Hi-Tor	Quaternary	Huntington Laboratories	1/2 ounce/gallon
LPH	Phenolic	Vestal Laboratories	1/2 ounce/gallon
Matar	Phenolic	Huntington Laboratories	1/2 ounce/gallon
Omega	Quaternary	Airwick (Professional Products Division)	1/2 ounce/gallon
Quanto	Quaternary	Huntington Laboratories	1 ounce/gallon
Sanikleen	Quaternary	West Chemical Products	2 ounces/ gallon
Sanimaster II	Quaternary	Service Master	1 ounce/gallon
Vesphene	Phenolic	Vestal Laboratories	1 1/4 ounce/ gallon

Quaternary Germicidal Disinfectants, used as directed, and/or Chlorine Bleach products, typically 5.25% Sodium Hypochlorite in **dilutions ranging between 1 part bleach to 100 parts water, and 2 parts bleach to 100 parts water are not considered mild detergents. These products are corrosive in nature and may cause damage to your stretcher if used improperly.** If these types of products are used to clean Stryker patient handling equipment, measures must be taken to insure the stretchers are rinsed with clean water and thoroughly dried following cleaning. Failure to properly rinse and dry the stretchers will leave a corrosive residue on the surface of the stretcher, possibly causing premature corrosion of critical components.

NOTE

Failure to follow the above directions when using these types of cleaners may void this product's warranty.

REMOVAL OF IODINE COMPOUNDS

This solution may be used to remove iodine stains from mattress cover and foam footrest pad surfaces.

1. Use a solution of 1–2 tablespoons Sodium Thiosulfate in a pint of warm water to clean the stained area. Clean as soon as possible after staining occurs. If stains are not immediately removed, allow solution to soak or stand on the surface.
2. Rinse surfaces which have been exposed to the solution in clear water before returning bed to service.

Service Information

PNEUMATIC FOWLER ADJUSTMENT

Required Tools:

3/32 Hex Allen Wrench	5/8 Open End Wrench
1/8 Hex Allen Wrench	Channel Lock Pliers
3/16 Hex Allen Wrench	Towel or Cloth
7/16 Open End Wrench	Thread "Locktite"

Adjustment Procedure:

1. Refer to drawing 1060–1–30 (Pneumatic Fowler Assembly, page 52).
2. For easier access, move Fowler to 75 degrees or higher.
3. Using a 3/32 hex Allen wrench, remove set screws (N), located in center of yokes (D).
4. Wrap a towel or cloth around the gas cylinder actuator shaft(s) so as not to mark the shaft. Using channel lock pliers, turn actuator shaft(s) into yoke(s) (D) until tight.
5. Using thread locktite, reinstall set screws (N).
6. While holding the jam nut spacers (R) with a 5/8 open end wrench, turn the adjustment screws (P) using a 3/16 hex Allen wrench until they JUST touch the cylinder pins.
7. Bring the Fowler fully down, and with the handle fully released, using a 1/8 hex Allen wrench, tighten the bottom set screws (S) so the handle is lifted 1/8–1/4 inch above the spine tube. Both set screws must touch the handle. Using a 7/16 open end wrench, tighten the jam nuts (Y) on these set screws.
8. Be sure the Fowler will travel from flat to at least 90 degrees. If it doesn't, turn each adjustment screw (P) clockwise 1/2 turn. Repeat until at least 90 degrees of travel is achieved.
9. Lower the Fowler to a 5–10 degree angle and release the handle. Apply approximately 50 pounds downward to the end of the Fowler. If either side drifts down, turn the adjustment screw (P) on that side 1/4 turn counterclockwise. Repeat until the Fowler is firm with 50 pounds applied.
10. While holding the adjustment screws (P), tighten the jam nut spacers (R).

ARM BOARD COUNTERBALANCE ADJUSTMENT

Required Tools:

7/16 Open End Wrench

Adjustment Procedure:

1. Raise the arm board to the full up position.
2. Unhook the extension spring at the eye bolt.
3. Using a 7/16 open end wrench, loosen the jam nut at the eye bolt.
4. Adjust the eye bolt to the desired position.
5. Tighten the jam nut.
6. Hook the extension spring to the eye bolt.
7. Allow the arm board to lower on its own.
8. Repeat steps 1–7 until the desired counterbalance is achieved.

Service Information

SIDERAIL LATCH ADJUSTMENT

Required Tools:

1/8 Hex Allen Wrench

WARNING

The siderail latch adjustment is pre-set at the factory, and there should not normally be a need for readjustment. If adjustment must be done it is important to follow the procedure below. If it is not done properly, injury to the patient or user could occur.

Adjustment Procedure:

1. Using a 1/8 hex Allen wrench, adjust the hex Allen screw located on the latch assembly opposite the latch. Turning the Allen screw clockwise will **DECREASE** the amount of "play" in the latching mechanism. Turning counterclockwise will **INCREASE** the amount.

NOTE

The amount of "play" in the siderail, when in full up engaged position, should be approximately 1/8 to 3/16 inches.

CAUTION

Too much "play" when the siderail is in the full up engaged position will give the siderail the appearance of being unstable and could also cause premature wearing of the latch system.

Too little "play" will obstruct the latch and keep it from engaging completely in the full up position, which may cause damage to the latch and/or injury to the patient or user.

Service Information

PEDAL LINKAGE ADJUSTMENT – DUAL SIDE CONTROL BASE

Required Tools:

3/32 Hex Allen Wrench

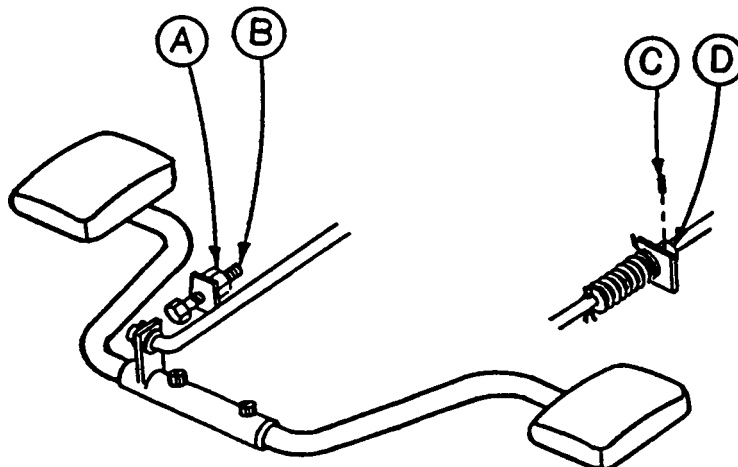
7/16 Open End Wrench

1/2 Open End Wrench

(2) Wooden blocks (10 – 12 inches in length)

Adjustment Procedure:

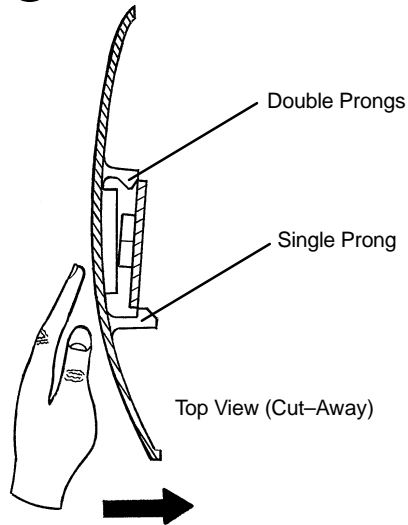
1. Pump the litter up to full height.
2. Lift the base hood, separating the hood from the base frame. Using the wooden blocks, support the base hood.
3. To adjust the foot end descent pedal, use a 5/32 hex Allen wrench to loosen the set screw (C) in the stop collar (D) on the release rod. Hold the pedal parallel to the floor and slide the collar up to the bracket on the release rod. Tighten the set screw on the stop collar. Be sure the head end and foot end descent pedals are level with each other. Repeat for the head end pedal, if necessary.
4. Once the pedals are level, be sure the paddle on the end of the release rod for the foot end jack is slightly touching the actuating stem on the jack base. If it is not, use a 3/32 hex Allen wrench to loosen the set screw on the paddle hub. Adjust the paddle to **JUST** touch the stem of the jack. Tighten the set screw in the paddle hub. Repeat for the head end jack, if necessary.
5. Depress the pedal for the foot end jack. The jack should start to descend about the same time the paddle on the end of the rod contacts the sleeve on the jack actuating stem. The bracket on the foot pedal body should hit the stop screw (B). Any further movement could cause damage to the stem components inside the jack housing. To adjust the stop screw, use a 1/2 open end wrench to loosen the hex jam nut (A). Turn the screw and re-tighten the hex jam nut. Repeat for the head end jack.
6. Pump the litter up to full height.
7. Step on both descent pedals at the same time. Both ends of the litter should lower with the foot end lowering slightly faster than the head end. If it does not, refer to the procedure for adjusting the jack descent rate.
8. Remove the wooden blocks supporting the base hood. Use the pedal cut-outs on the side of the hood as a guide for proper re-positioning.



Service Information

CASTER COVER INSTALLATION AND REMOVAL

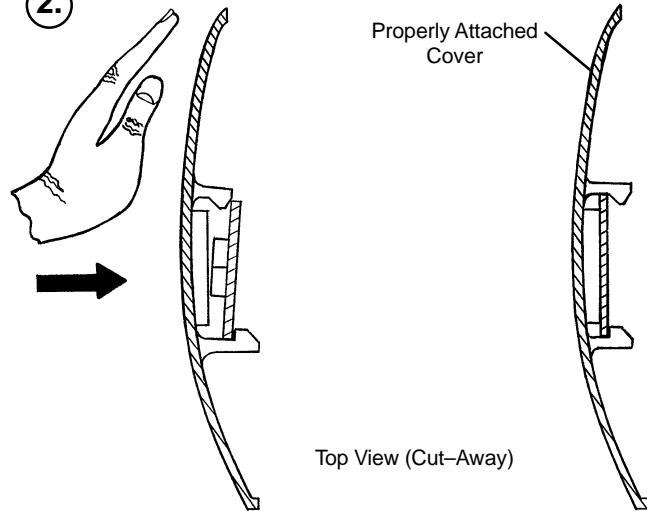
1.



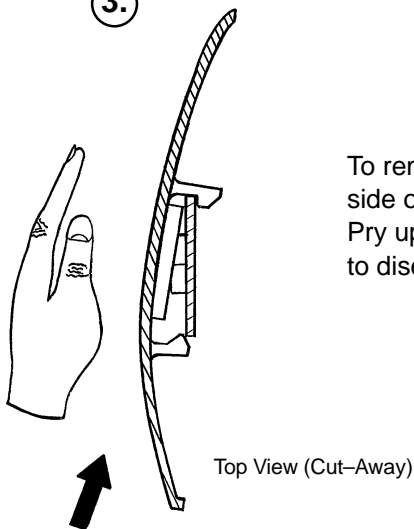
Looking through the larger of the two side cut-outs, align cover with axle nut or bolt head, as shown. Push down on the opposite side of the cover until single prong engages with caster horn.

Push with palm on cover until double prongs engage.

2.



3.



To remove wheel cover, insert large screwdriver into cut-out in side of wheel cover and into the space between the double prongs. Pry up cover to disengage double prongs and push sharply upward to disengage single prong.

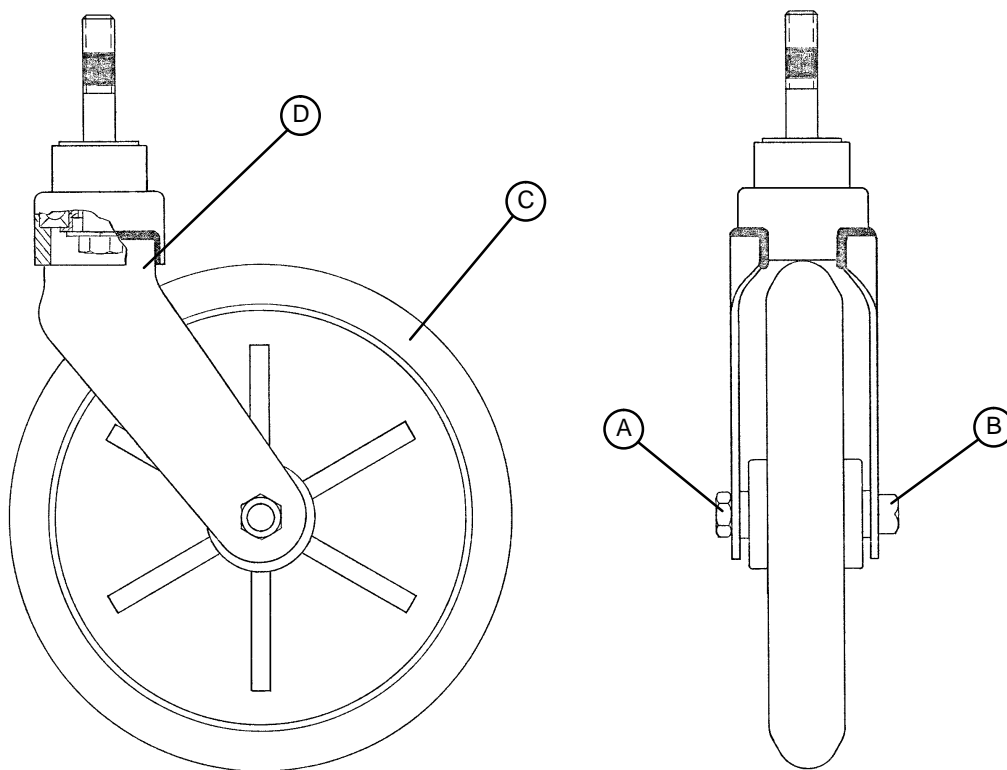
Service Information

CASTER MAINTENANCE

Required Tools:

5/8" Wrench
11/16" Wrench

Maintenance Procedure:



1. Remove the plastic caster cover (see page 9).
2. Using the 5/8" wrench and the 11/16" wrench, remove the centerlock nut (item A) from the through bolt (item B) for the caster wheel.
3. Support the corner of the stretcher where the wheel is being removed and remove the through bolt (item B) and the molded wheel (item C) .
4. Clean the through bolt, molded wheel, and the inside of the caster horn (item D) removing any dirt and debris. Ensure the bearings in the molded wheel spin freely and easily.
5. Replace the molded wheel and the through bolt.
6. Replace the centerlock nut on the through bolt and use the 5/8" and 11/16" wrenches to tighten it securely.

Service Information

HYDRAULIC SYSTEM TROUBLESHOOTING

Be sure the pedal linkage has been adjusted properly before beginning service on the jacks (see page 8).

PROBLEM/SYMPTOM	SOLUTION
Jack will not raise to full height.	Add hydraulic fluid (see p.12). Check for leaks.
Jack will not hold in raised position.	Close the needle valve completely. If the jack holds, replace the release valve (see p. 14).
Jack will not pump up and the jack actuator rod does not move.	Close the needle valve. If the jack will now pump up, replace the release valve (see p. 14). If the jack still will not pump up after closing the needle valve, replace the poppet valve (see p. 15).
Jack will not pump up but the jack actuator rod does move when the pump pedal is activated.	Replace the check valve (see p. 15).
Jack will not pump up and the jack actuator rod may or may not move.	Remove excess air (vacuum) in system (see below).

Contact Stryker technical service at 1-800-327-0770 for further assistance.

Service Information

CHECKING HYDRAULIC FLUID LEVEL

Required Tools:

3/8 Open End Wrench

3/4 Open End Wrench

Procedure:

WARNING

To avoid personal injury or damage to the stretcher, remove the litter and the base hood before beginning service on the jacks.

1. Using a 3/8 open end wrench, remove square head set screws from both head and foot end jack support tubes. Remove litter top and set aside.
2. Lift base hood off base frame and set aside.
3. Be sure there are no hydraulic leaks. If there are, jack replacement will be necessary.
4. Lower the jack to the full down position.
5. Using a 3/4 open end wrench, slowly turn the fill plug located on the side of the reservoir counterclockwise to allow excess system pressure to vent. Remove the fill plug.
6. The hydraulic fluid should be visible at the bottom of the fill hole. If it is not, add Mobil Aero HFA hydraulic fluid (Stryker part number 2020-70-475) until the fluid is visible at the bottom of the fill hole. Replace the fill plug.

CAUTION

Use of other types of oil may damage hydraulic units.

7. Replace the hood and the litter.

REMOVAL OF EXCESS AIR (VACUUM) FROM THE HYDRAULIC SYSTEM

Procedure:

1. Verify all hydraulic linkages are secure and operating properly (see pedal linkage adjustment procedure page 8).
2. Using pump pedal, actuate system several times. This will force the air through the system and the jack should now pump up.

Service Information

JACK DESCENT RATE ADJUSTMENT

Required Tools:

Screwdriver Bungee Cords (or equivalent)

Adjustment Procedure:

1. Pump the litter up to full height.
2. Lift the base hood, separating the hood from the base frame. Using the bungee cords, support the base hood.
3. The descent rate needle valve is located on the base of the jack. Turning the needle valve clockwise, with a screwdriver, will decrease the rate of descent. Turning it counterclockwise will increase the rate of descent.
4. Adjust the needle valve so that the foot end of the stretcher descends slightly faster than the head end.

NOTE

The larger percentage of a patient's weight is located in the torso area. Adjust descent rate accordingly.

5. Remove the bungee cords supporting the base hood and secure the hood to the base frame.

NOTE

The jack descent rate was preset at the factory to drop the foot end faster than the head. It is recommended that the foot drop faster to avoid patient disorientation.

Service Information

HYDRAULIC CHECK VALVE REPLACEMENT

Required Tools:

3/8 Open End Wrench
 3/4 Open End Wrench
 7/32 Hex Allen Wrench

Stiff Wire (with bent, pointed end)
 Torque Wrench (with Ft. Lbs. adjust.)
 1/2 Inch Diameter Rod

Small Needle Nose Pliers

Replacement of Valve #1

WARNING

To avoid personal injury or damage to the stretcher, remove the litter and the base hood before beginning service on the stretcher.

1. Using a 3/8 open end wrench, remove square head set screws from both head and foot end jack support tubes. Remove litter top and set aside.
2. Lift base hood off base frame and set aside.
3. Lower the jack to full down position. The actuator must be manually lowered while depressing the appropriate release pedal.
4. Remove the pin body assembly (4) with a 3/4 open end wrench and discard the housing gasket (5).

NOTE

Although the hydraulic fluid is not under pressure, some fluid loss will occur. The fluid loss should be minimal but covering the floor is advisable.

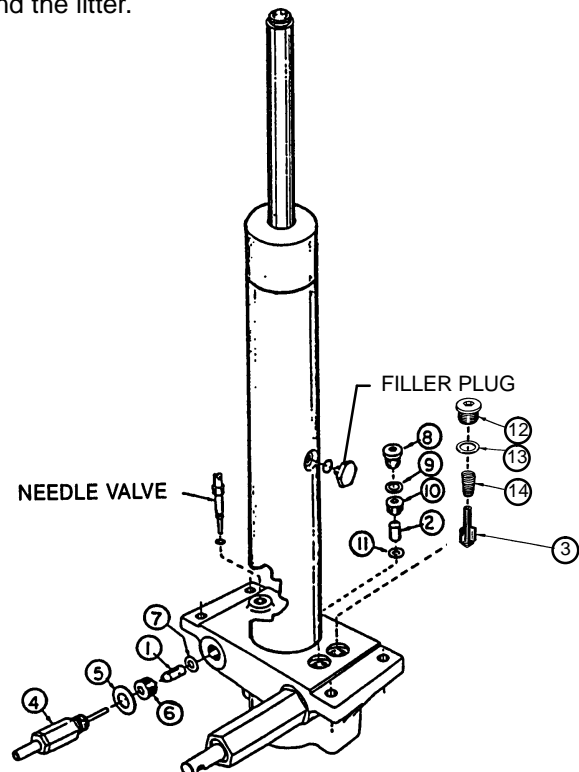
5. Using a 7/32 hex Allen wrench, remove the valve plug (6).
6. Using a stiff wire with a bent, pointed end, remove and discard the valve (1) and the seal (7).
7. Install the new seal (7) flat to the bottom of its hole with a 1/2 inch diameter rod and install the new valve (1) with the beveled end out (as shown in the illustration).
8. Install the valve plug (6) with the countersunk end first and the beveled end out. Tighten to 10 foot pounds torque.
9. Install the pin body assembly (4) with the new housing gasket (5) and tighten to 10 foot pounds torque.
10. Pump up the jack to the maximum height. Apply weight to be sure the jack holds its position and there are no hydraulic leaks before replacing the base hood and the litter.

ITEM	PART NO.	PART NAME
1	926-20-153	Check Valve
2	926-20-153	Check Valve
3	715-1-341	Poppet
4	715-100-312	Pin Housing Assembly*
	715-270-100	Valve Assembly**
5	715-1-330	Housing Gasket
6	715-1-309	Valve Plug
7	926-20-154	Seal
8	715-1-101	Base Plug
9	926-20-156	Seal
10	715-1-309	Valve Plug
11	926-20-154	Seal
12	715-1-301	Base Plug
13	926-20-156	Seal
14	390-2-134	Conical Comp. Spring

* Used on jack part number 715-100-310.

** Used on jack part number 715-270-10.

(see label on side of jack reservoir for jack part number)



Service Information

HYDRAULIC CHECK VALVE REPLACEMENT (CONT'D)

Replacement of Valve #2

WARNING

To avoid personal injury or damage to the stretcher, remove the litter and the base hood before beginning service on the jacks. Lower the jack rod completely to relieve the pressure on the pump piston side of the jack. This will prevent large hydraulic fluid loss and possible damage when the base plugs are removed.

1. Remove the base plug (8) and discard the seal (9).
2. Remove the valve plug (10).
3. Using a stiff wire with a bent, pointed end, remove the valve (2) and the seal (11) and discard the seal.
4. Install the new seal (11) flat to the bottom of its hole with a 1/2" diameter rod.
5. Install the new valve (2) with the beveled end out (as shown in the illustration).
6. Install the valve plug (10) and tighten to 10 foot-pounds torque.
7. Install the new seal (9) with the base plug (8) and tighten to 10 foot-pounds torque.
8. Pump up the jack to the maximum height.
9. Be sure there are no hydraulic leaks before replacing the base hood and the litter.

Replacement of Valve (Poppet) #3

WARNING

To avoid personal injury or damage to the stretcher, remove the litter and the base hood before beginning service on the jacks. Lower the jack rod completely to relieve the pressure on the pump piston side of the jack. This will prevent large hydraulic fluid loss and possible damage when the base plugs are removed.

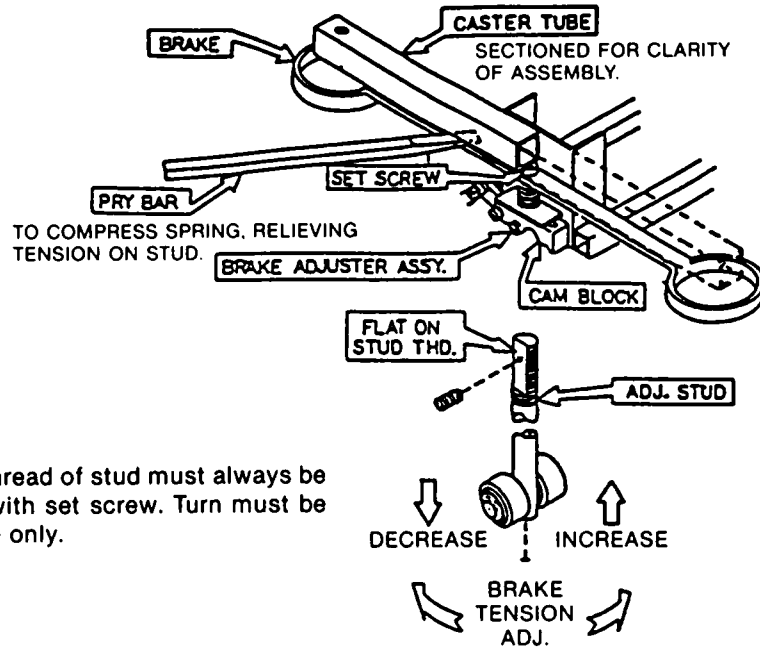
1. Remove the base plug (12) and discard the seal (13).
2. Remove the compression spring (14).
3. Using a small needle nose pliers, remove the poppet (3).
4. Install the new poppet (3).
5. Install the compression spring (14).
6. Install the new seal (13) and the base plug (12) and tighten to 10 foot-pounds torque.
7. Pump up the jack to the maximum height to check its operation.
8. Check for hydraulic leaks before replacing the base hood and the litter.

Service Information

BRAKE ADJUSTMENT

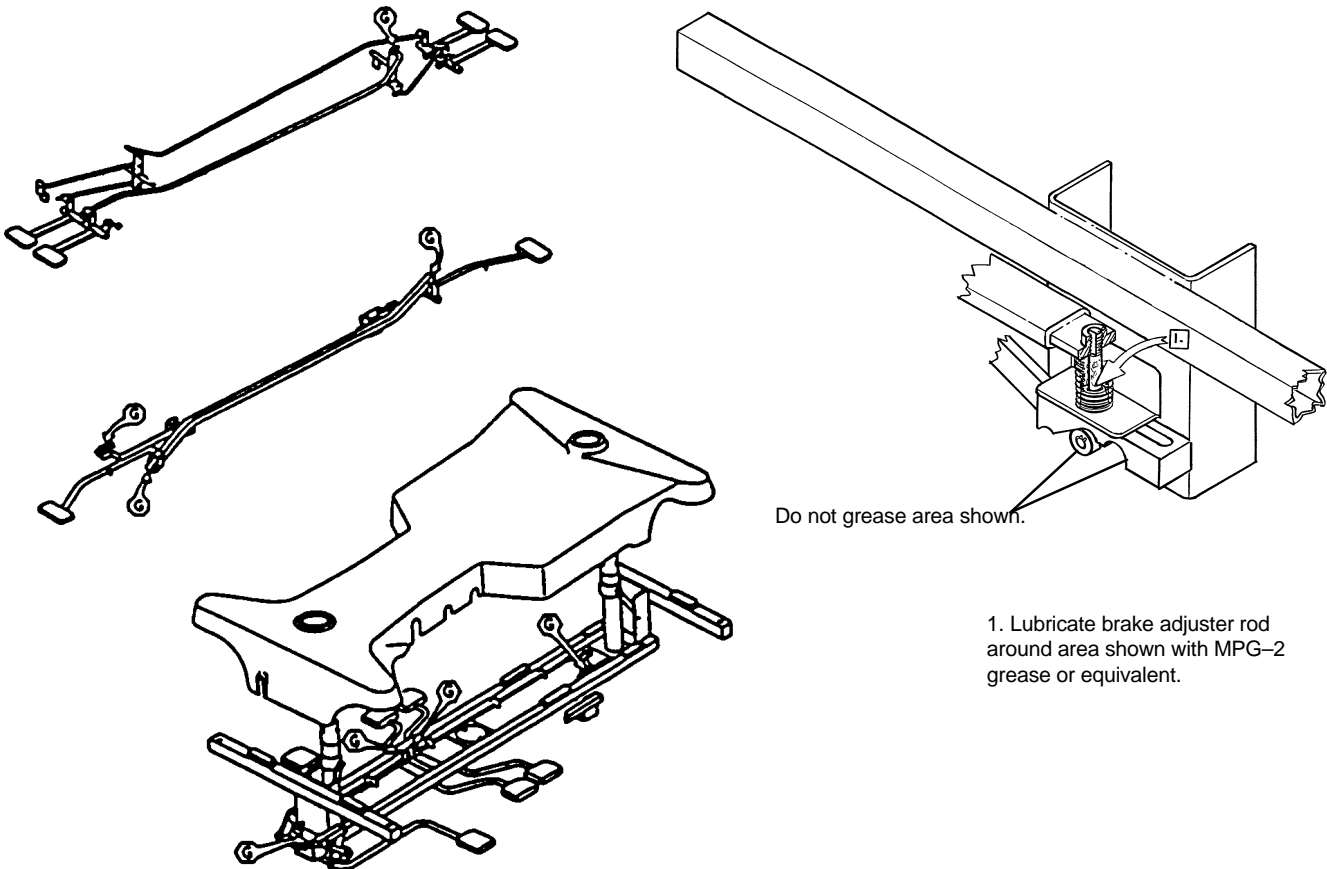
Required Tools:

- 3/32" Hex Allen Wrench
- Pry Bar
- Thread "Locktite"



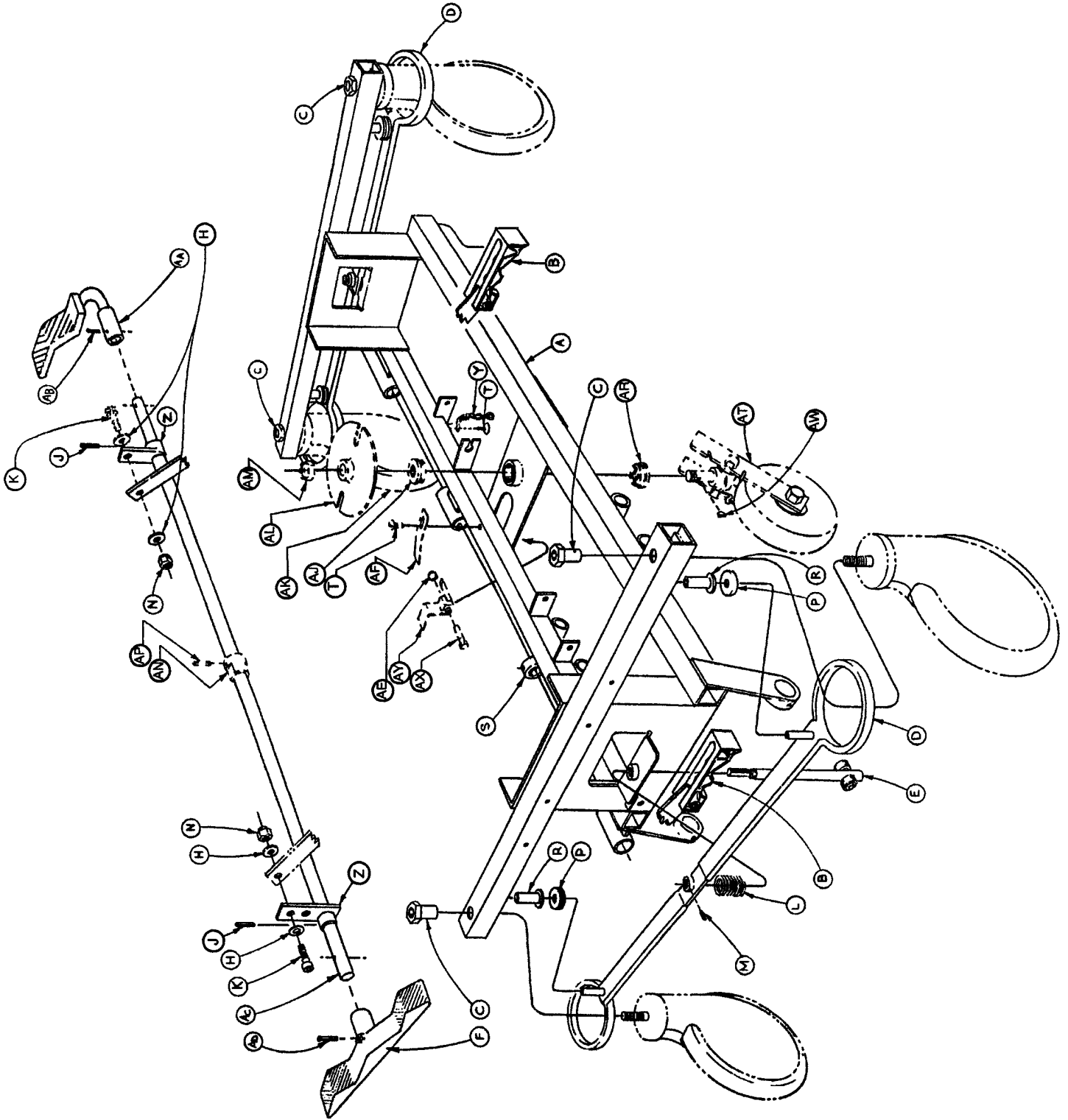
Flat on thread of stud must always be aligned with set screw. Turn must be full circle only.

BASE LUBRICATION



Notes

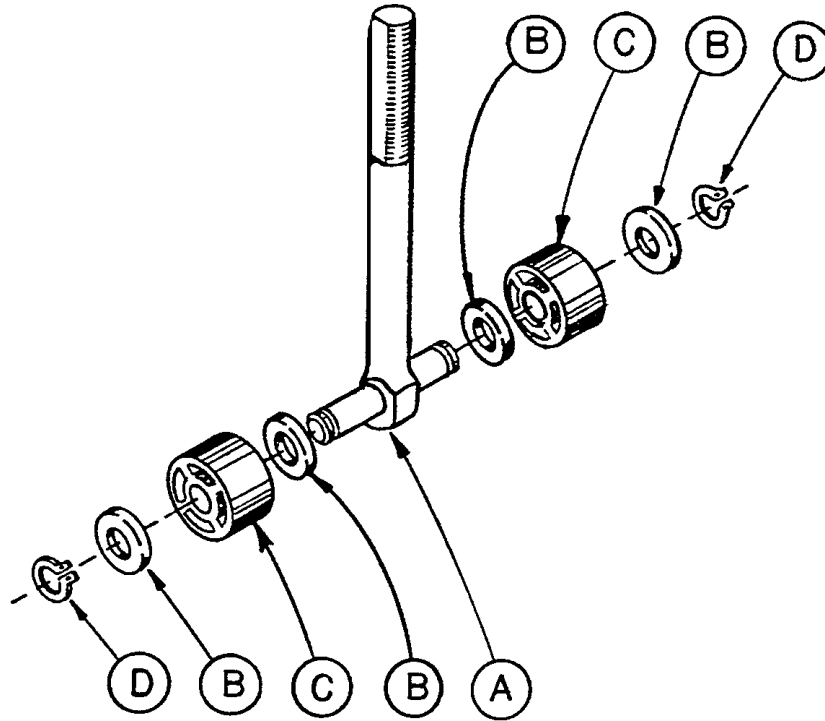
1060-1-50 Base Assembly (with Wheels)



1060-1-50 Base Assembly (with Wheels)

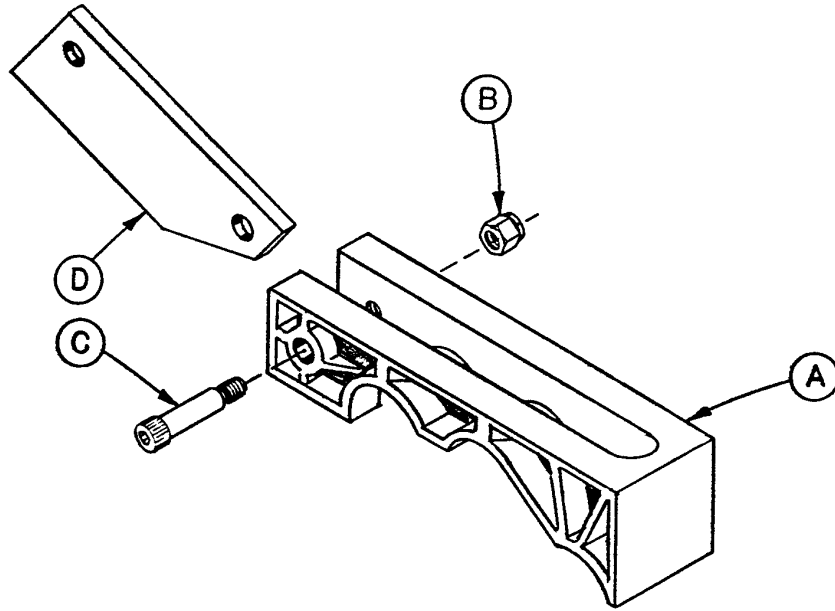
Item	Part No.	Part Name	Qty.
A	1210-1-120	Base Weldment Assembly	1
B	(page 21)	Brake Cam Ass'y, Hd. & Ft.	2
C	715-1-158	Caster Nut	4
D	715-1-61	Caster Brake Assembly	2
E	(page 20)	Brake Adjuster Assembly	2
F	715-201-201	Brake/Steer Pedal, Molded	1
H	14-2	Washer	4
J	26-13	Roll Pin	2
K	8-17	Soc. Hd. Cap Screw	2
L	715-1-94	Compression Spring	2
M	21-50	Set Screw	2
N	16-2	Fiberlock Nut	2
P	715-1-11	Brake Cushion	4
R	946-1-116	Brake Bar Bushing	4
S	42-20	Collar w/Set Screw	1
T	23-25	Self-Tapping Screw	2
Y	715-1-156	Grounding Chain	1
Z	715-1-165	Actuator Plate Assembly	2
AA	(page 22)	Ped. Ass'y, Brk. & Str., Foot	1
AB	26-35	Roll Pin	1
AC	1060-1-172	Brake/Steer Rod Assembly	1
AD	26-261	Groove Pin	1
AE	16-16	Nylock Nut	1
AF	715-1-136	Fifth Wheel Spring	1
AJ	715-1-157	Fifth Wheel Bearing	1
AK	(page 23)	Caster Wheel Assembly	4
AL	715-1-337	Fifth Wheel Plate Assembly	1
AM	16-49	Flexlock Nut	1
AN	715-1-161	Fifth Wheel Cam	1
AP	26-8	Roll Pin	1
AR	81-219	Bearing	1
AT	(page 25)	Fifth Wheel Assembly	1
AW	715-1-149	Woodruff Key	1
AX	3-20	Hex Hd. Cap Screw	1
AY	715-1-217	Fifth Wheel Latch	1

715-1-150 Brake Adjuster Assembly



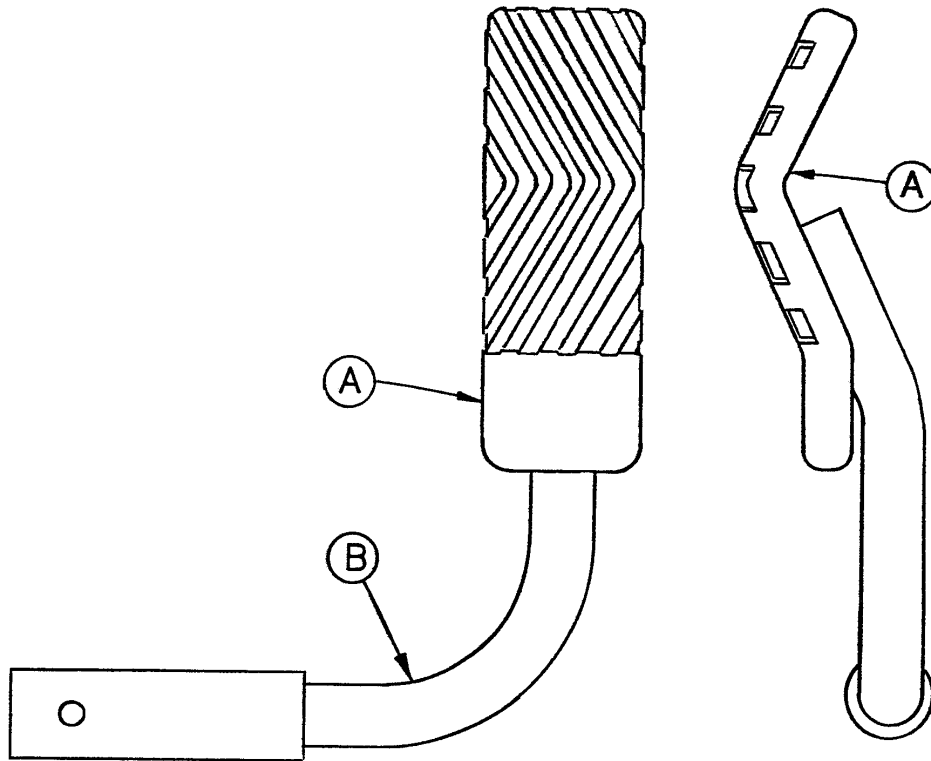
Item	Part No.	Part Name	Qty.
A	715-1-62	Threaded Stud Assembly	1
B	14-4	Nylon Washer	4
C	715-1-180	Bearing	2
D	28-8	Retaining Ring	2

715-1-213 Brake Cam Assembly



Item	Part No.	Part Name	Qty.
A	715-1-221	Brake Cam	1
B	16-59	Fiberlock Nut	1
C	8-21	Soc. Hd. Cap Screw	1
D	715-1-173	Brake Connecting Link	1

716-1-263 Brake Pedal Assembly, Foot End

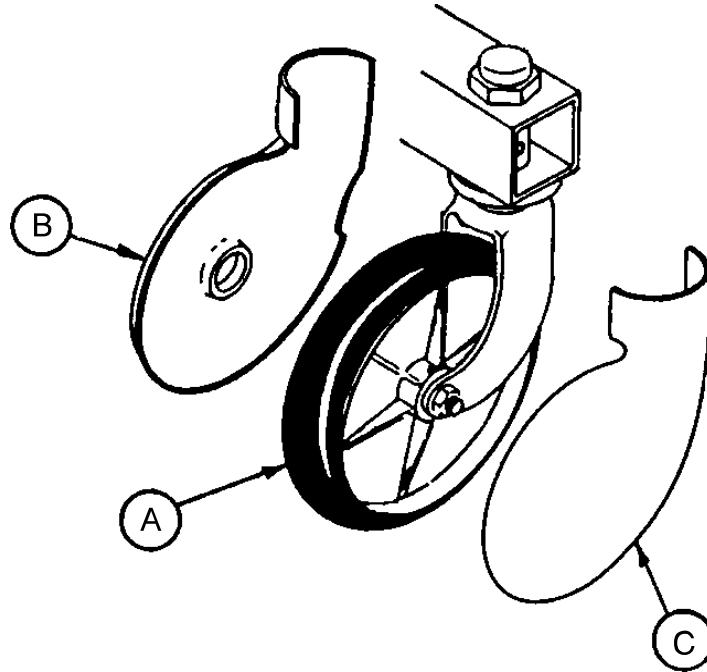


Item	Part No.	Part Name	Qty.
A	716-1-275	Brake Pedal	1
B	716-1-262	Brake Rod Ass'y, Ft. End	1

NOTE

Apply plastic adhesive to the mating surfaces of item A prior to assembly.

Caster and Caster Cover Replacement Kits



Item	Part No.	Part Name	Qty.
A	715-2-20	Caster Assembly	1
B	715-1-266	Caster Cover, Left	1
C	715-1-265	Caster Cover, Right	1

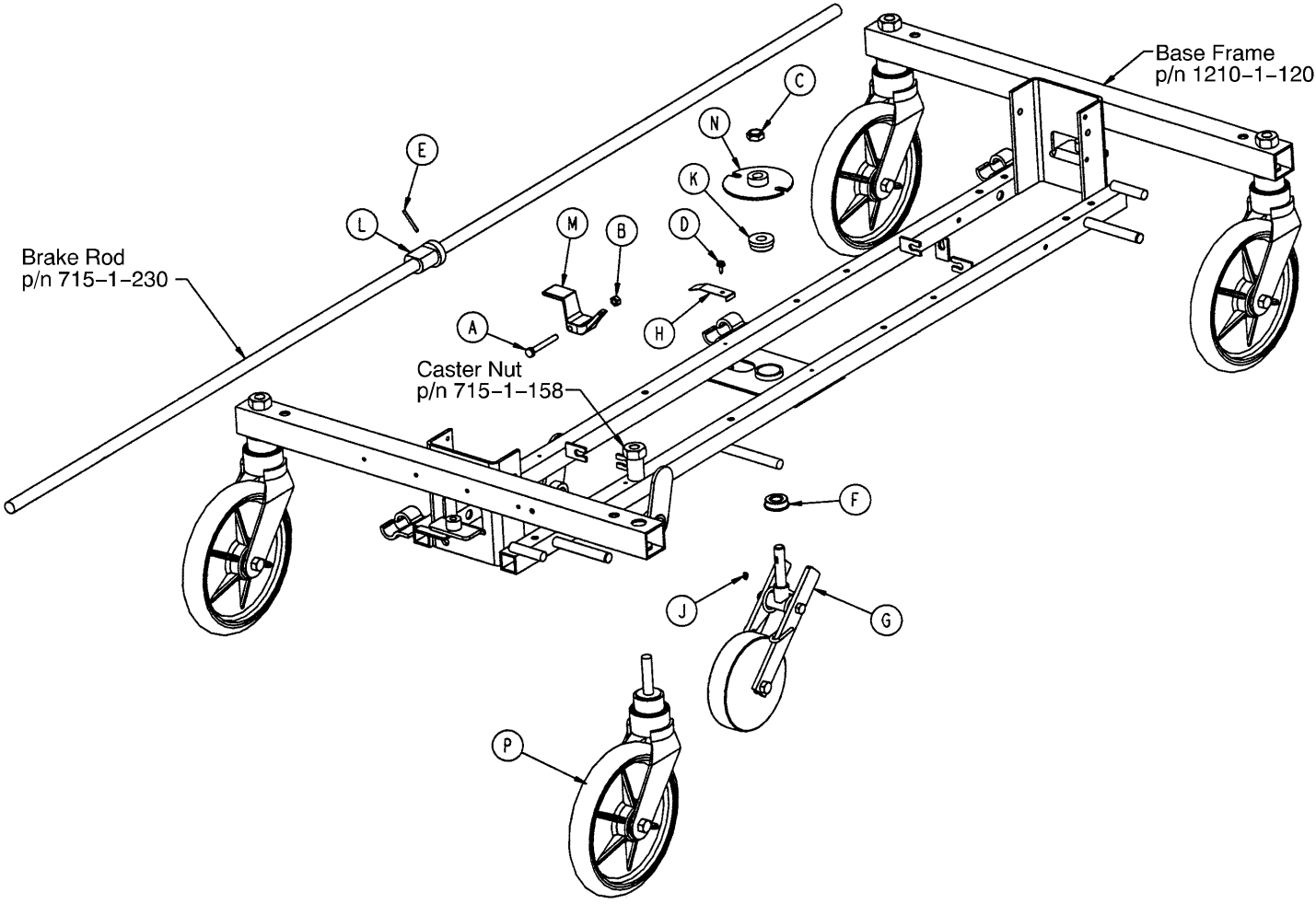
P/N 715-259-400 – Kit to replace 4 standard caster assemblies with necessary hardware – no caster covers.

P/N 715-269-400 – Kit to replace 3 standard caster assemblies and 1 steerlock caster with necessary hardware – no caster covers.

P/N 715-259-100 – Kit to replace 1 standard caster assembly with necessary hardware – no caster covers.

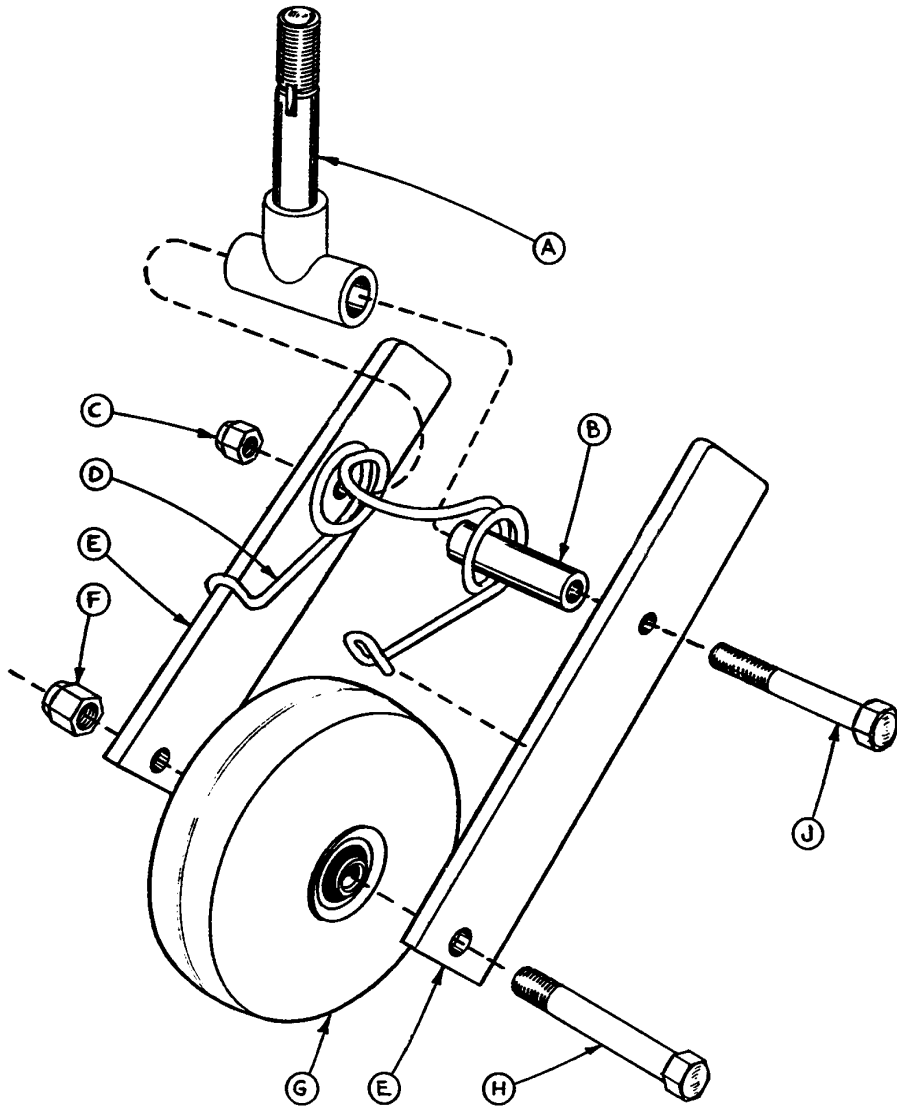
P/N 1010-56-200 – Kit to replace both caster covers on all four wheels.

Optional Fifth Wheel Base Assembly



Item	Part No.	Part Name	Qty.
A	3-20	Hex Hd. Cap Screw	1
B	16-16	Fiberlock Nut	1
C	16-49	Nylock Hex Nut	1
D	23-25	Hex Washer Hd. Screw	1
E	26-8	Roll Pin	1
F	81-219	Bearing	1
G	(page 25)	Fifth Wheel Assembly	1
H	715-1-136	Fifth Wheel Spring	1
J	715-1-149	Key	1
K	715-1-157	Fifth Wheel Bearing	1
L	715-1-161	Fifth Wheel Cam	1
M	715-1-217	Fifth Wheel Latch	1
N	715-1-337	Fifth Wheel Plate	1
P	(page 23)	Caster Assembly	4

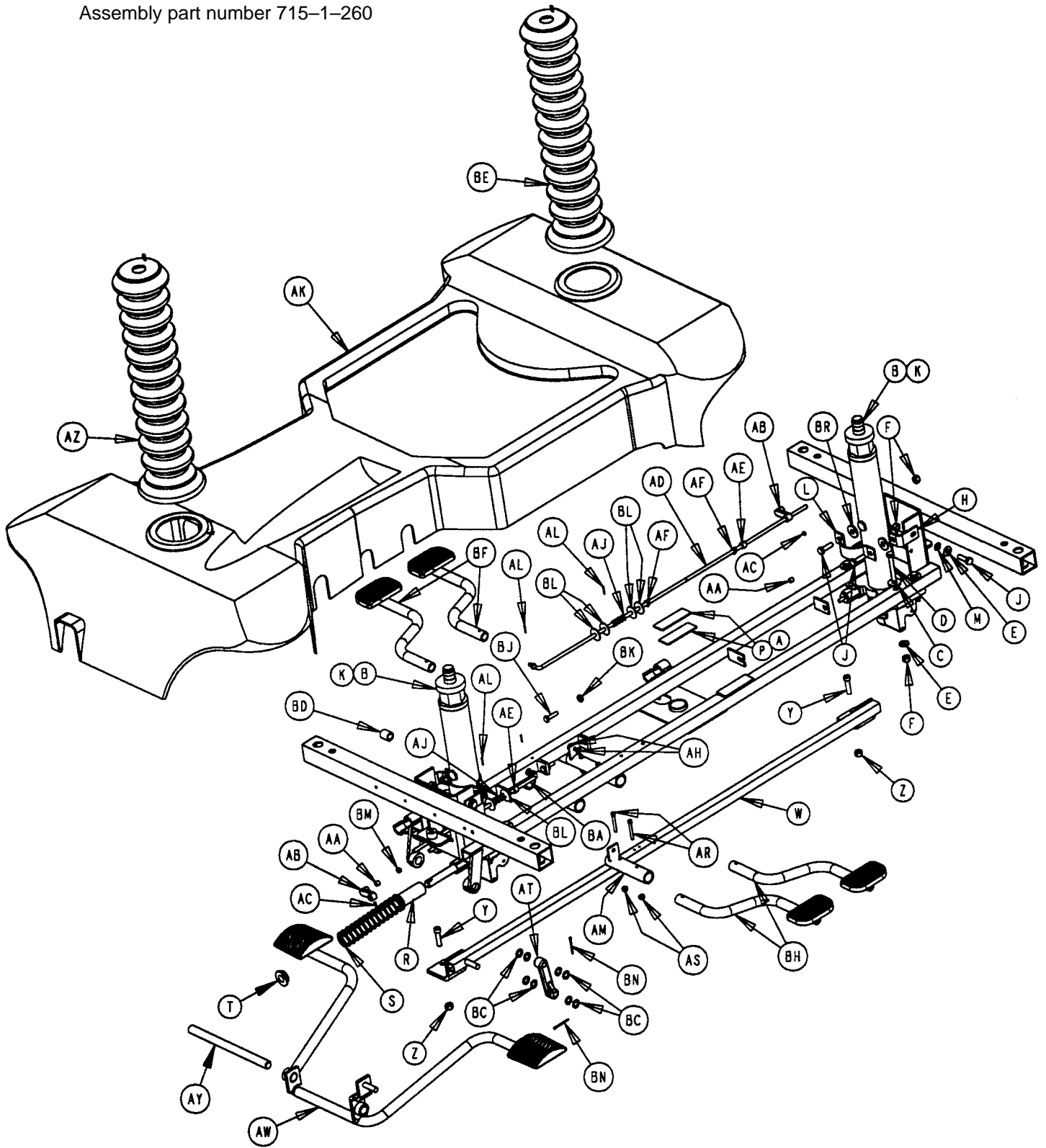
715-1-25 Fifth Wheel Assembly



Item	Part No.	Part Name	Qty.
A	715-1-339	Fifth Wheel Pivot Assembly	1
B	715-1-17	Fifth Wheel Bushing	1
C	16-11	Flexlock Nut	1
D	715-1-15	Spring	1
E	715-1-13	Fifth Wheel Bracket	2
F	16-12	Flexlock Nut	1
G	390-1-54	Wheel	1
H	3-31	Hex Head Cap Screw	1
J	3-82	Hex Head Cap Screw	1

Side Control Base Assembly (with Jacks)

Assembly part number 715-1-260

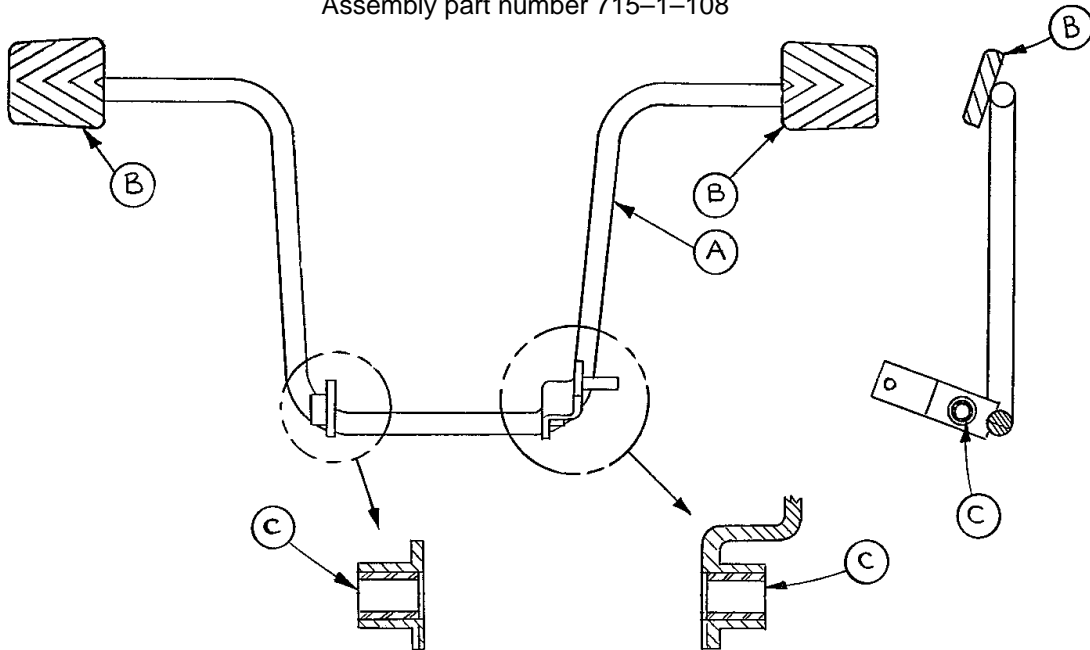


Side Control Base Assembly (with Jacks)

Item	Part No.	Part Name	Qty.
A	29-7	Dual Lock	2
B	(Page 32)	Jack Assembly	2
C	11-262	Flat Washer	8
D	3-62	Hex Hd. Cap Screw	8
E	11-3	Flat Washer	12
F	16-36	Nylock Hex Nut	16
H	715-1-192	Jack Support	2
J	3-85	Hex Hd. Cap Screw	8
L	715-1-193	Jack Support Clamp	2
M	13-38	Ext. Tooth Lock Washer	4
P	29-9	Dual Lock	2
R	763-1-16	Spring Holder	1
S	38-246	Jack Spring	1
T	715-1-133	Collar	1
W	715-1-27	Pump Connect. Rod Ass'y	1
Y	4-146	Hex Socket Hd. Cap Screw	2
Z	16-48	Nylock Hex Nut	2
AA	715-1-333	Release Rod Stop Sleeve	2
AB	715-1-346	Release Paddle	2
AC	21-50	Hex Socket Set Screw	2
AD	715-1-40	Release Rod Ass'y, Ft. End	1
AE	42-13	Shaft Collar w/ Set Screw	2
AF	52-245	Nyliner	2
AH	14-4	Nylon Washer	4
AJ	38-234	Compression Spring	2
AK	1001-100-1	Hood	1
AL	27-4	Cotter Pin	3
AM	715-1-187	Rel. Pedal Sleeve Ass'y	2
AR	4-85	Soc. Hd. Cap Screw	4
AS	16-3	Fiberlock Nut	4
AT	715-1-214	Connector Link, Mach'd	1
AW	(Page 28)	Pedal Base Assembly	1
AY	715-1-92	Pump Pedal Shaft	1
AZ	715-1-134	Bellows	2
BA	715-1-46	Rel. Rod Ass'y, Hd. End	1
BC	14-9	Nylon Washer	8
BD	715-1-140	Raufilam Braid Tubing	1
BF	(Page 29)	Pedal Base Ass'y, Hd. Left	2
BH	(Page 30)	Pedal Base Ass'y, Hd. Right	2
BJ	3-3	Hex Hd. Cap Screw	2
BK	15-11	Fiberlock Nut	2
BL	11-53	Washer	8
BM	21-22	Set Screw	2
BN	27-3	Cotter Pin	2
BP	921-1-252	Serial Number Label	1
BR	11-262	Washer	4

Pedal Base Assembly, Pump

Assembly part number 715-1-108

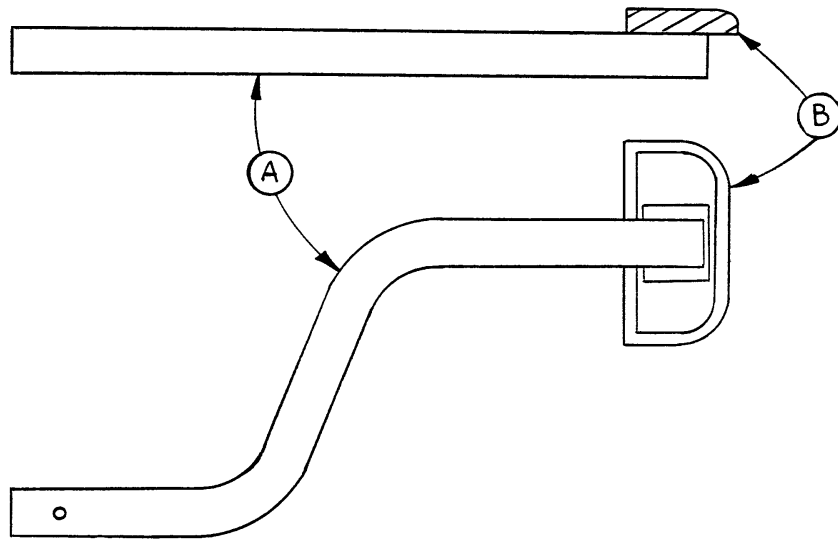


Item	Part No.	Part Name	Qty.
A	715-1-83	Pedal Ass'y Weldm't, Pump	1
B	715-1-126	Side Control Pedal Pad	2
C	81-44	Bearing, Bronze	2

NOTE

Apply plastic adhesive to the mating surfaces of item B prior to assembly.

715-1-109 Pedal Base Assembly, Head End, Left

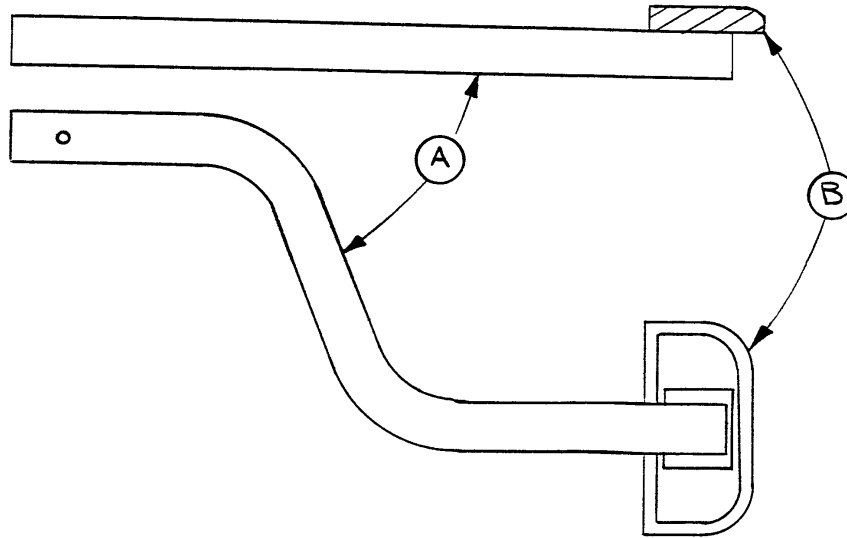


Item	Part No.	Part Name	Qty.
A	715-1-98	Release Ped. Wldmt., Hd. Lt.	1
B	721-40-25	Pedal	1

NOTE

Apply plastic adhesive to the mating surfaces of item B prior to assembly.

715-1-110 Pedal Base Assembly, Head End, Right

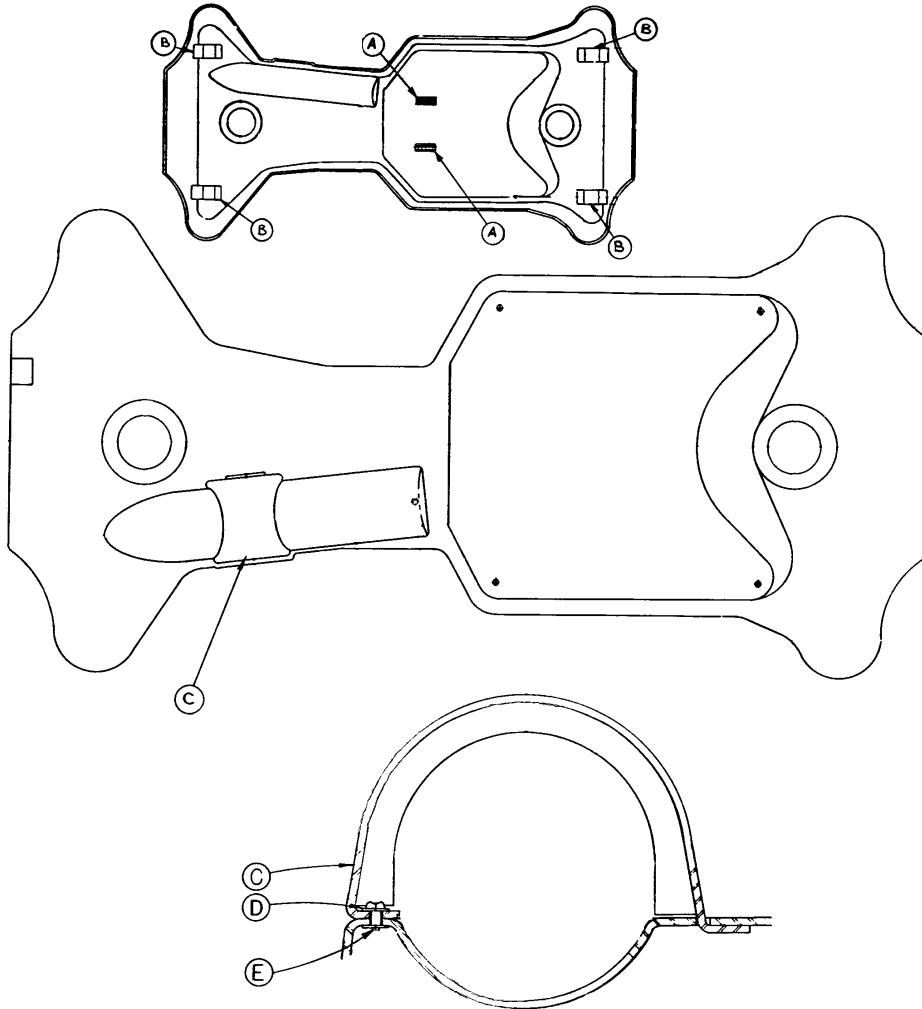


Item	Part No.	Part Name	Qty.
A	715-1-97	Release Pedal Weldment	1
B	721-40-25	Pedal	1

NOTE

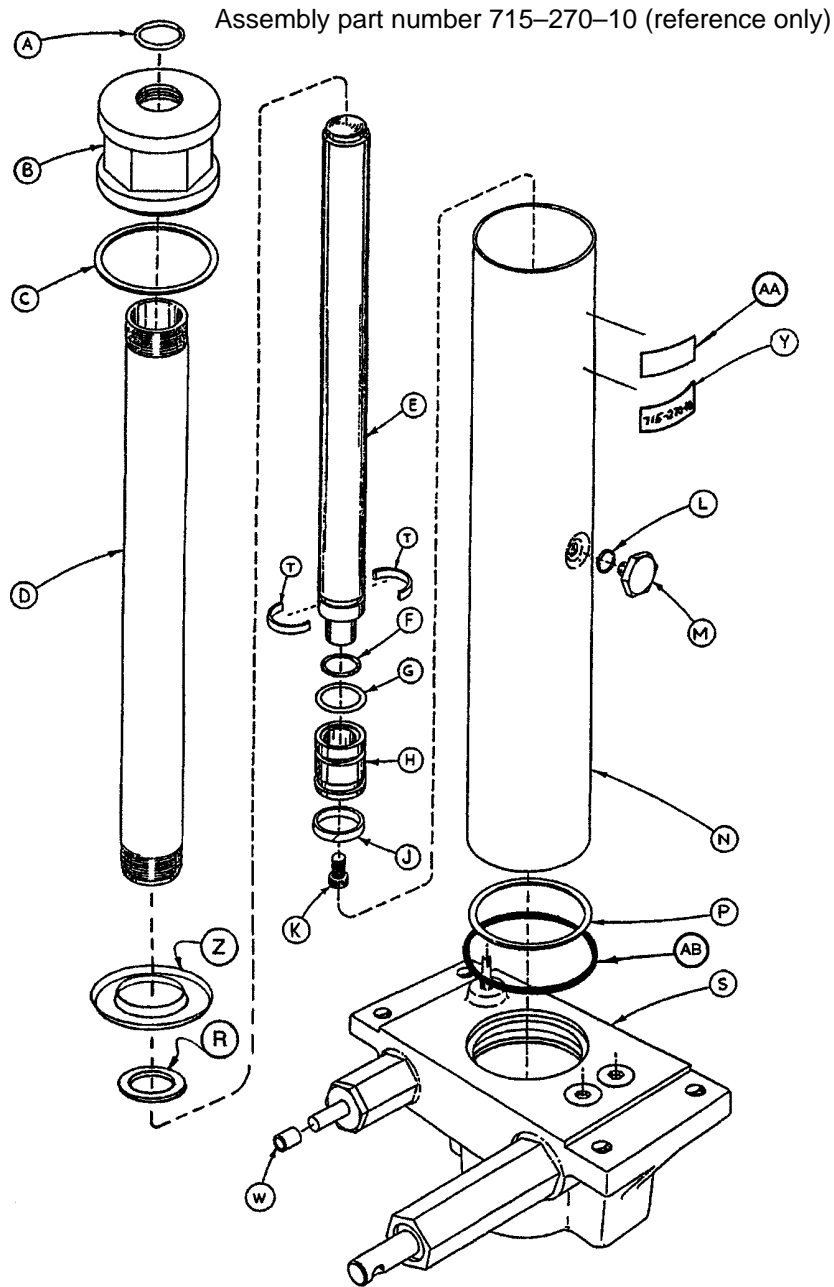
Apply plastic adhesive to the mating surfaces of item B prior to assembly.

Base Hood Assembly



Item	Part No.	Part Name	Qty.
A	715-1-153	Hood Spacer	2
B	715-1-151	Foam Hood Mount	4
C	715-1-176	Oxygen Bottle Retainer	1
D	11-16	Washer	2
E	25-77	Pop Rivet	2

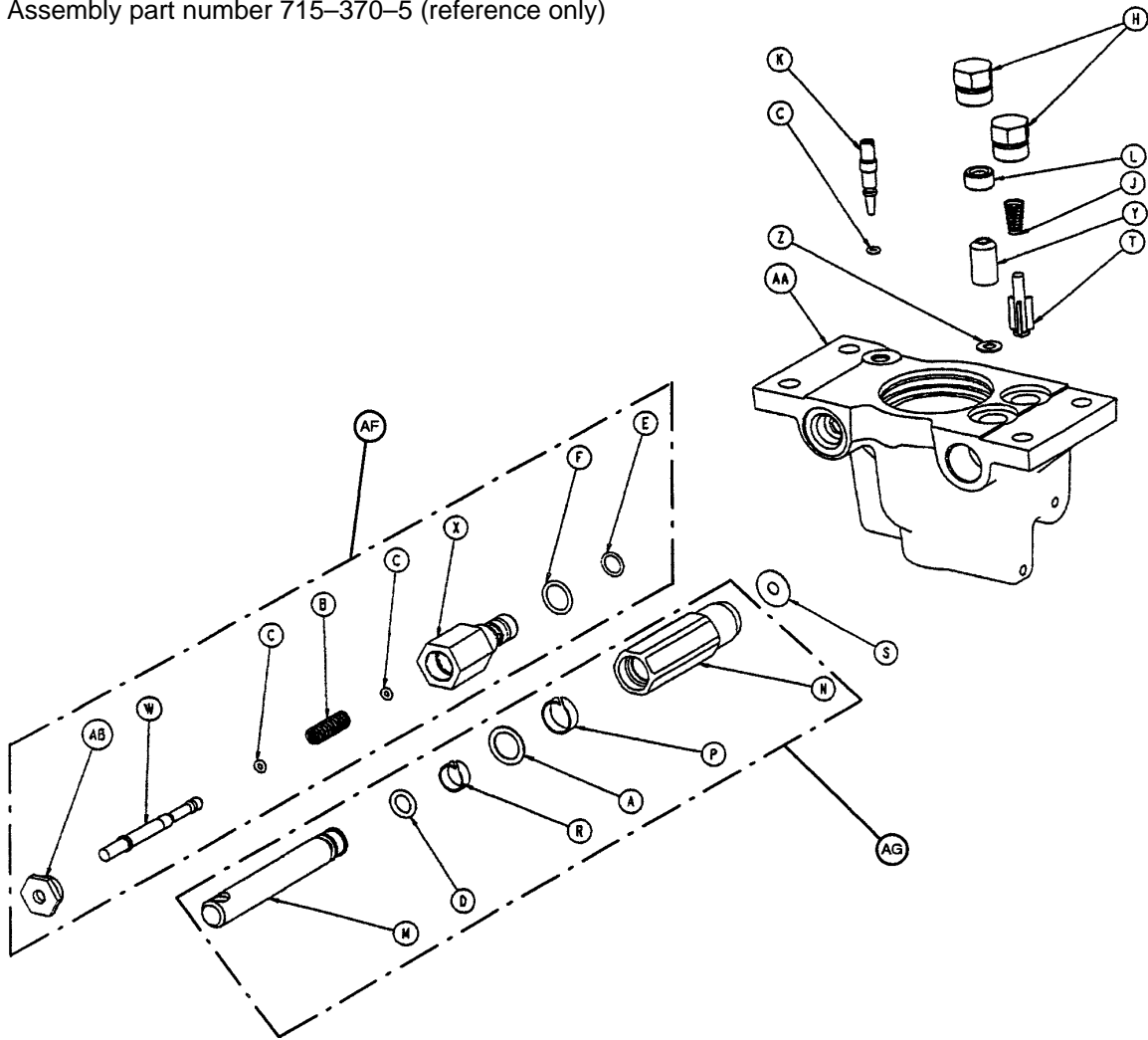
715-270-400 Jack Assembly



Item	Part No.	Part Name	Qty.	Item	Part No.	Part Name	Qty.
A	45-904	O-Ring	1	M	388-1-38	Plug	1
B	715-1-340	Cap Assembly	1	N	715-1-322	Reservoir	1
C	390-1-243	Gasket	1	P	390-1-244	Gasket	1
D	715-1-323	Actuator Cylinder	1	R	390-1-238	Gasket, Actuator	1
E	715-1-325	Actuator	1	S	(Page 33)	Jack Base Assembly	1
F	45-14	O-Ring	1	T	390-2-139	Retaining Collar	2
G	926-20-161	Parker Packing	1	W	715-1-333	Rel. Valve Stop Sleeve	1
H	715-1-331	Piston End	1	Y	715-270-11	Label	1
J	926-20-162	Wear Ring	1	Z	715-1-320	Jack Screen	1
K	4-14	Soc. Hd. Cap Screw	1	AA	921-1-252	Serial No. Label	1
L	45-110	O-Ring	1	AB	45-978	O-Ring	1

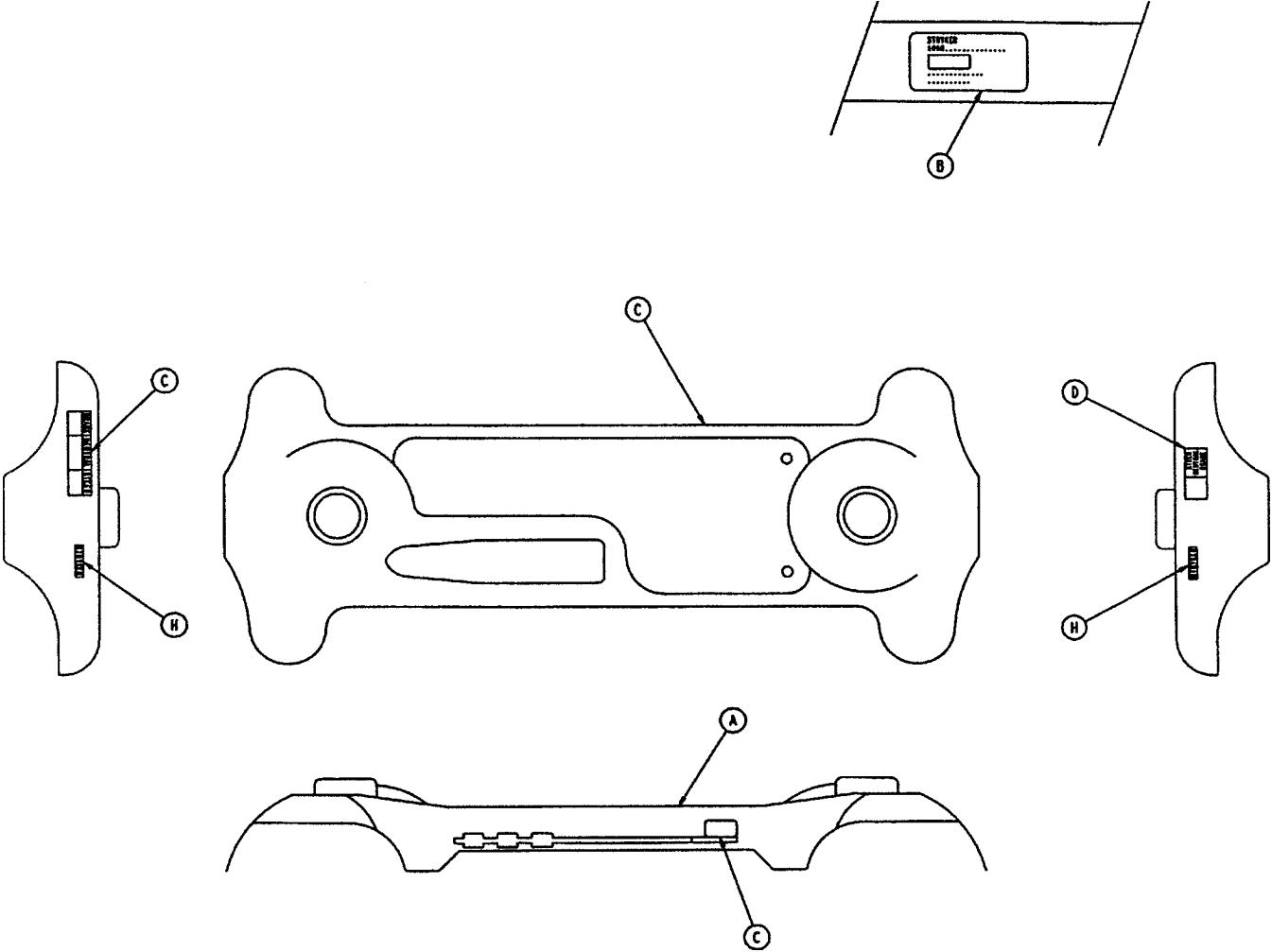
Jack Base Assembly

Assembly part number 715-370-5 (reference only)



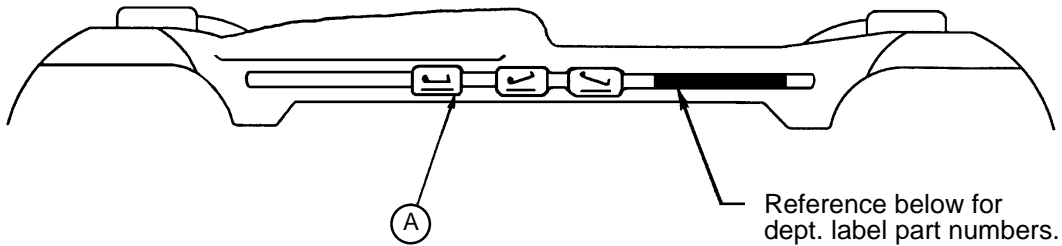
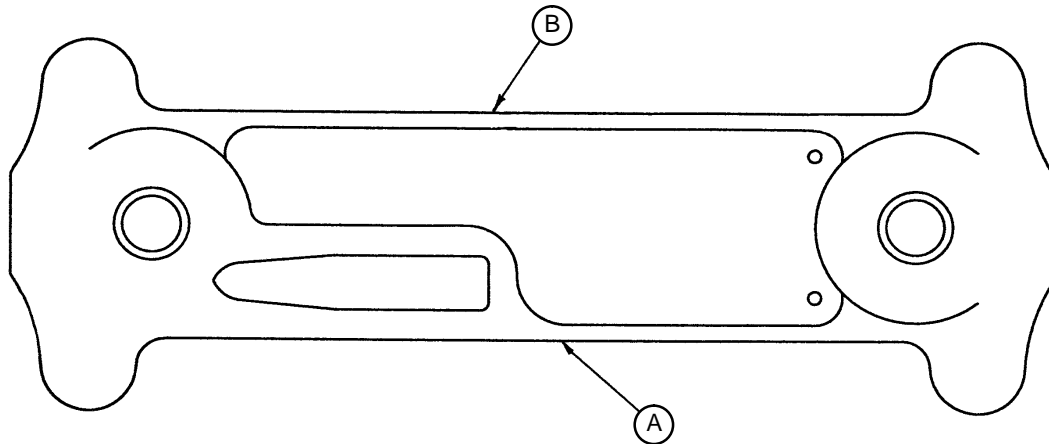
Item	Part No.	Part Name	Qty.	Item	Part No.	Part Name	Qty.
A	14-50	Bearing Retainer	1	P	715-1-327	Cylinder Wear Ring	1
B	38-311	Compression Spring	1	R	715-1-328	Piston Wear Ring	1
C	45-6	O-Ring	3	S	715-1-329	Pump Seal	1
D	45-110	O-Ring	1	T	715-1-341	Poppet	1
E	45-966	O-Ring	1	W	715-270-1	Pin	1
F	45-967	O-Ring	1	X	715-270-2	Pin Housing	1
H	48-147	Base Plug	2	Y	926-20-153	Check Valve	1
J	390-2-134	Conical Comp. Spring	1	Z	926-20-154	Seal	1
K	715-1-307	Needle Valve	1	AA	1210-70-12	Jack Base	1
L	715-1-309	Valve Plug	1	AB	1210-70-13	Base Plug	1
M	715-1-318	Pump Piston	1	AF	715-270-100	Valve Assembly	1
N	715-1-316	Pump Cylinder	1	AF	715-100-325	Pump Piston Ass'y	1

Base Hood Labeling Assembly



Item	Part No.	Part Name	Qty.
A	1001-100-1	Hood Assembly	1
B	1060-1-7	Specification Label	1
C	741-1-145	Brake/Steer Label, Head	1
D	721-31-45	Brake/Steer Label, Foot	1
H	946-1-60	Stryker Logo Label	2
J	29-7	Dual Lock (not shown)	3
K	29-9	Dual Lock (not shown)	3
L	1010-1-50	Renaissance Series Logo Label	2

Stretcher Graphics

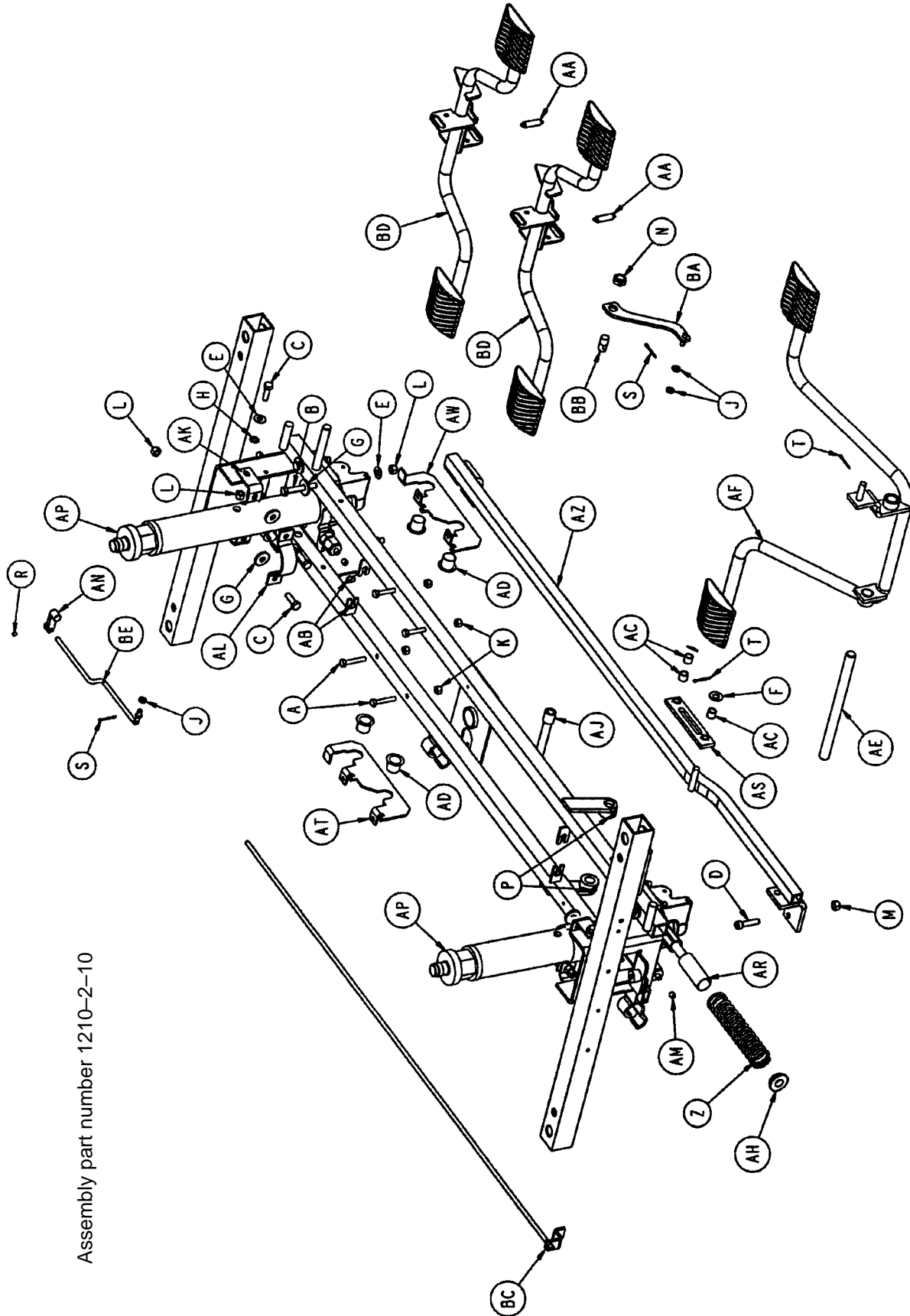


Color	Item A Control Label, Right	Item B Control Label, Left	Litter Bumper Strip
RED	1001-700-111	1001-700-112	1010-700-15
PURPLE	1001-700-121	1001-700-122	1010-700-25
GREEN	1001-700-131	1001-700-132	1010-700-35
GRAY	1001-700-141	1001-700-142	1010-700-45
TEAL	1001-700-151	1001-700-152	1010-700-55
PINK	1001-700-161	1001-700-162	1010-700-65
BLUE	1001-700-171	1001-700-172	1010-700-75

Department	Label Part Number
Emergency	1010-900-1
P.A.C.U.	1010-900-2
Transport	1010-900-3
Surgery	1010-900-4
Extended Stay	1010-900-5
Maternity	1010-900-6

Department	Label Part Number
Endoscopy	1010-900-7
Radiology	1010-900-8
Nuclear Medicine	1010-900-9
Ambulatory Surgery	1010-900-10
G.I. Lab	1010-900-11
Cath. Lab	1010-900-12

Side Control Base Assembly (with Jacks)



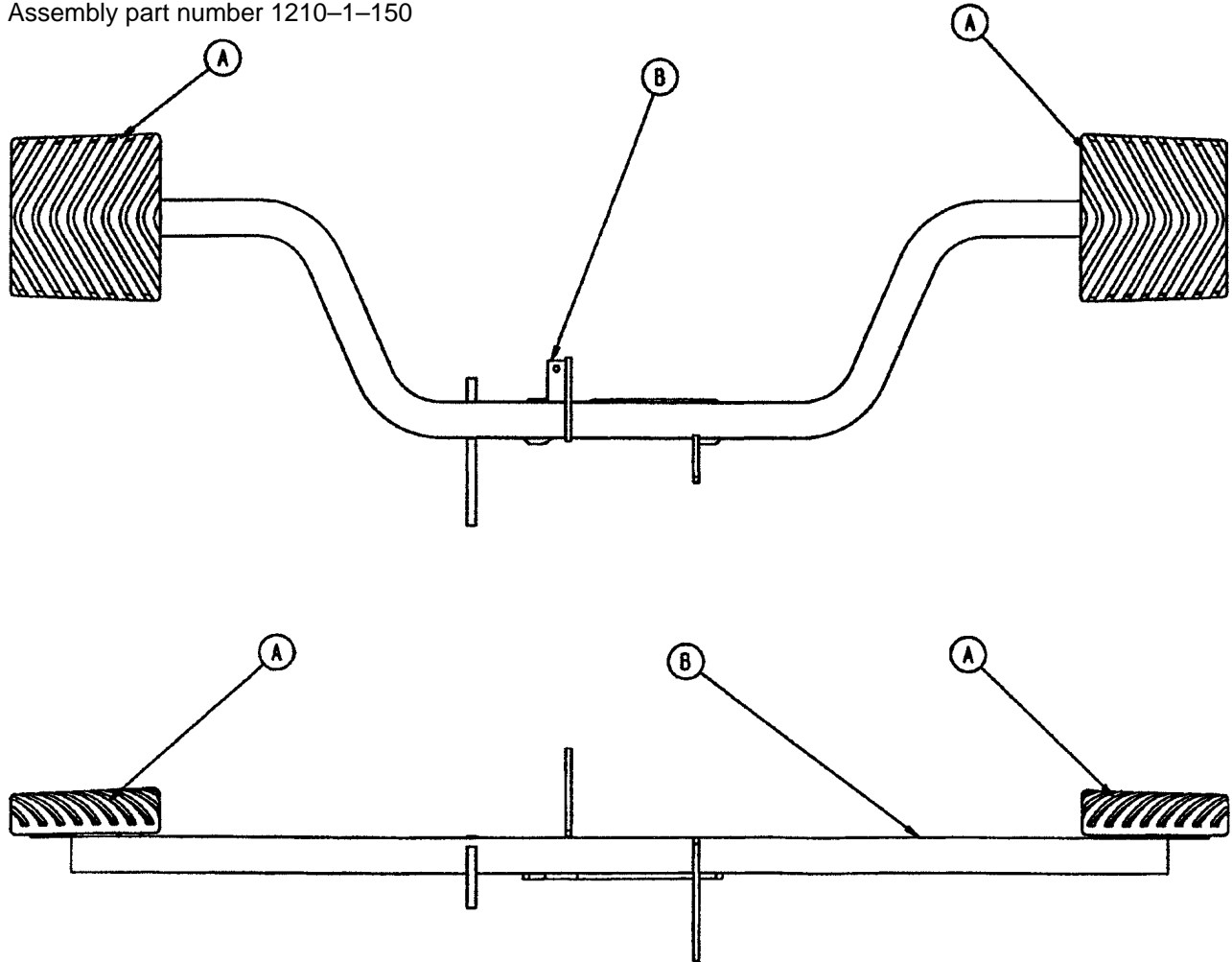
Assembly part number 1210-2-10

Side Control Base Assembly (with Jacks)

Item	Part No.	Part Name	Qty.
A	3-47	Hex Head Cap Screw	4
B	3-62	Hex Hd. Cap Screw	8
C	3-85	Hex Hd. Cap Screw	8
D	4-146	Soc. Hd. Cap Screw	2
E	11-3	Washer	12
F	11-4	Flat Washer	1
G	11-262	Flat Washer	12
H	13-38	Ext. Tooth Lock Washer	4
J	14-2	Washer	3
K	16-28	Nylock Nut	4
L	16-36	Nylock Hex Nut	16
M	16-48	Nylock Nut	2
N	16-49	Nylock Jam Nut	1
P	21-22	Set Screw	2
R	21-50	Set Screw	1
S	27-4	Cotter Pin	2
T	27-7	Cotter Pin	2
W	29-7	Dual Lock	3
Y	29-9	Dual Lock	3
Z	38-246	Compression Spring	1
AA	38-355	Extension Spring	2
AB	52-245	Nyliner	3
AC	52-284	Spacer	3
AD	52-747	Nyliner Bearing	4
AE	715-1-92	Pump Pedal Shaft	1
AF	(page 28)	Pump Pedal Assembly	1
AH	715-1-133	Collar	1
AJ	715-1-140	Vinyl Tubing	1
AK	715-1-192	Jack Support	2
AL	715-1-193	Jack Clamp	2
AM	715-1-333	Release Rod Stop Sleeve	2
AN	715-1-346	Release Paddle	1
AP	(Page 32)	Jack Assembly	2
AR	763-1-16	Spring Guide	1
AS	1210-1-104	Pump Pedal Link Assembly	1
AT	1210-1-114	Pedal Pivot, Right	1
AW	1210-1-115	Pedal Pivot, Left	1
AZ	1210-1-127	Pump Connecting Rod Wldmt.	1
BA	1210-1-134	Release Pedal Linkage Wldmt.	1
BB	1210-1-138	Release Rod Clamp	1
BC	1210-1-139	Release Rod Weldment	1
BD	(Page 38)	Release Pedal Assembly	2
BE	5050-1-222	Head End Linkage	1

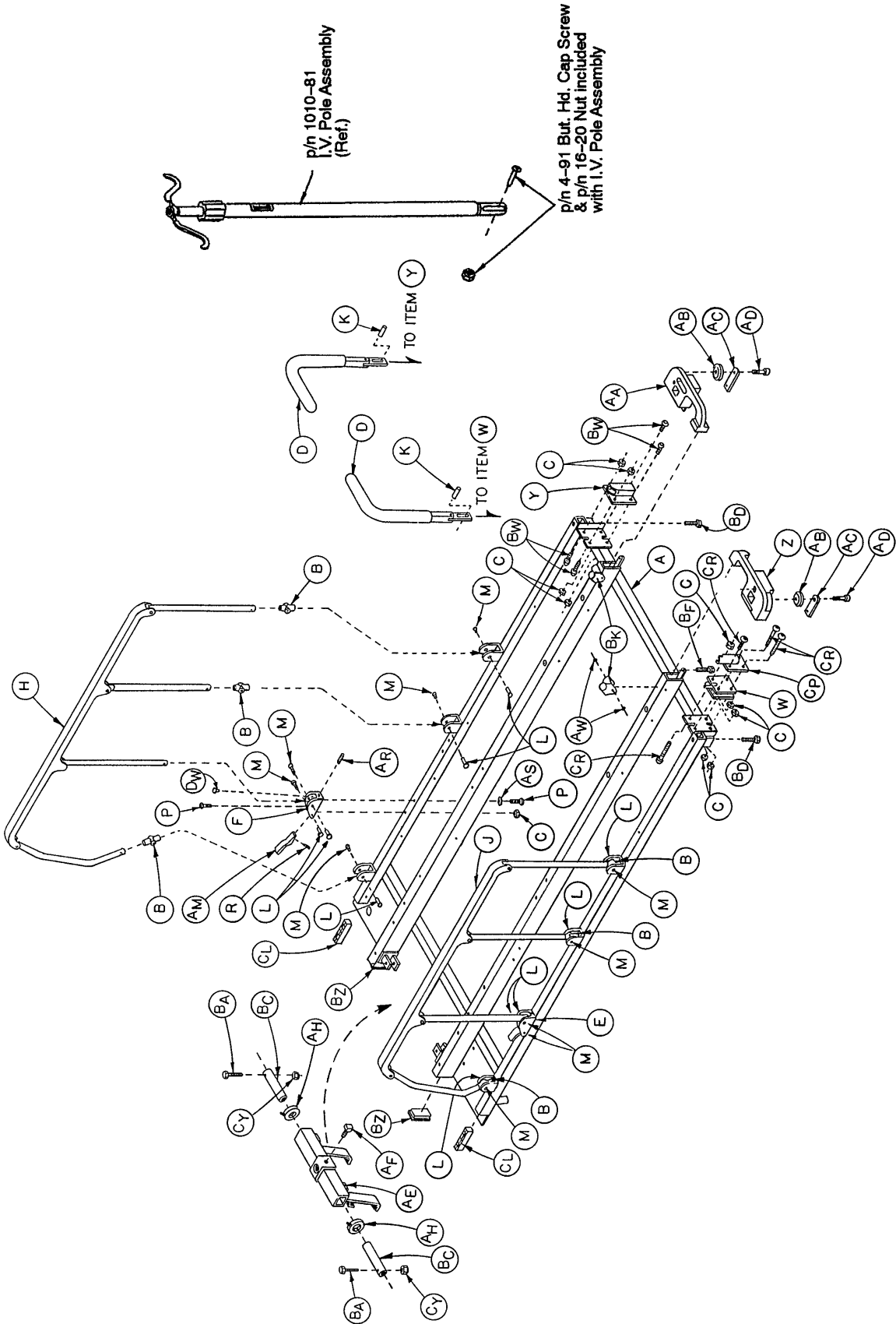
Side Release Pedal Assembly

Assembly part number 1210-1-150

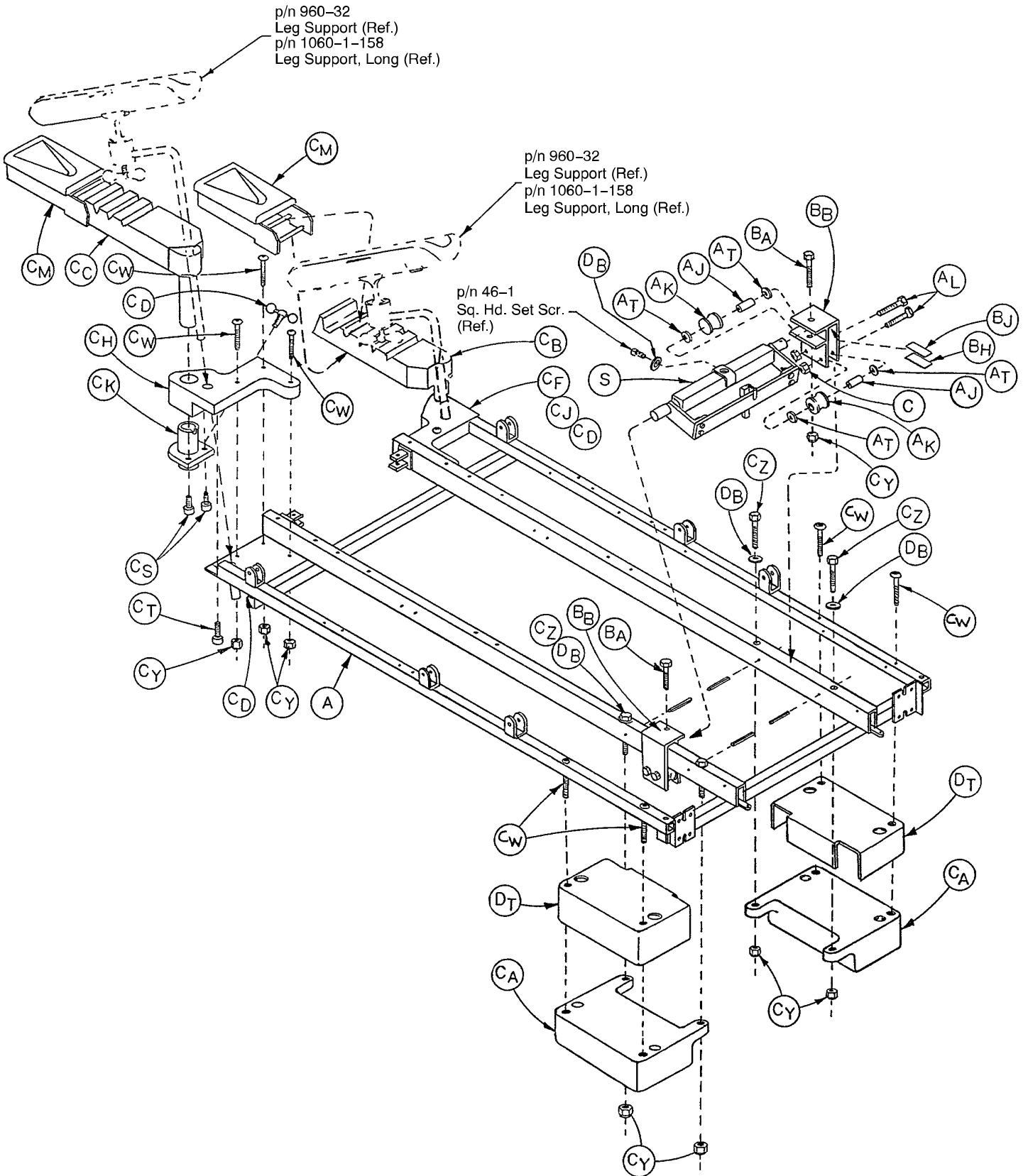


Item	Part No.	Part Name	Qty.
A	715-1-126	Side Control Pedal Pad	2
B	1210-1-152	Side Release Pedal Weldment	1

1060-1-210 Litter Assembly



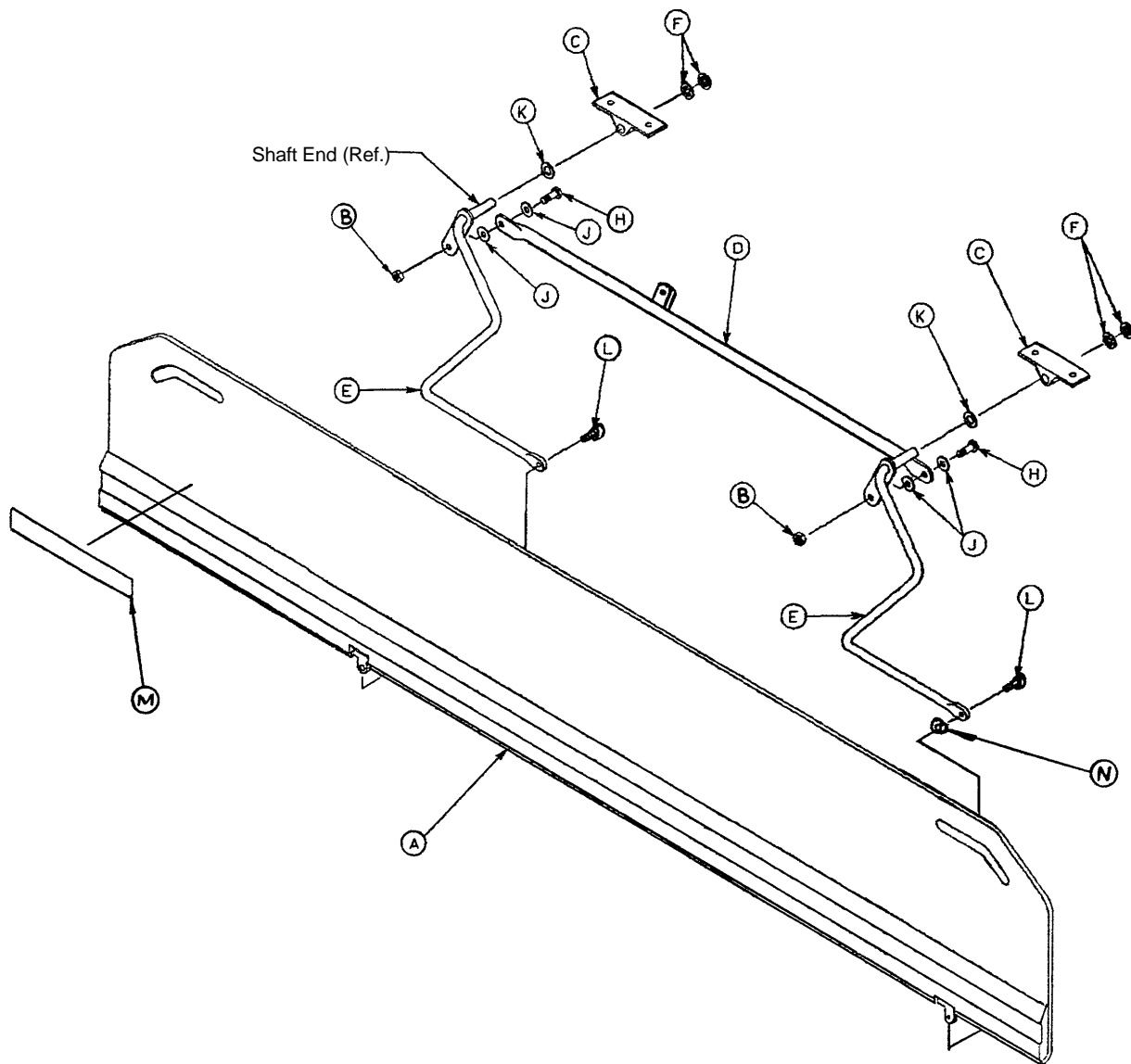
1060-1-210 Litter Assembly



1060-1-210 Litter Assembly

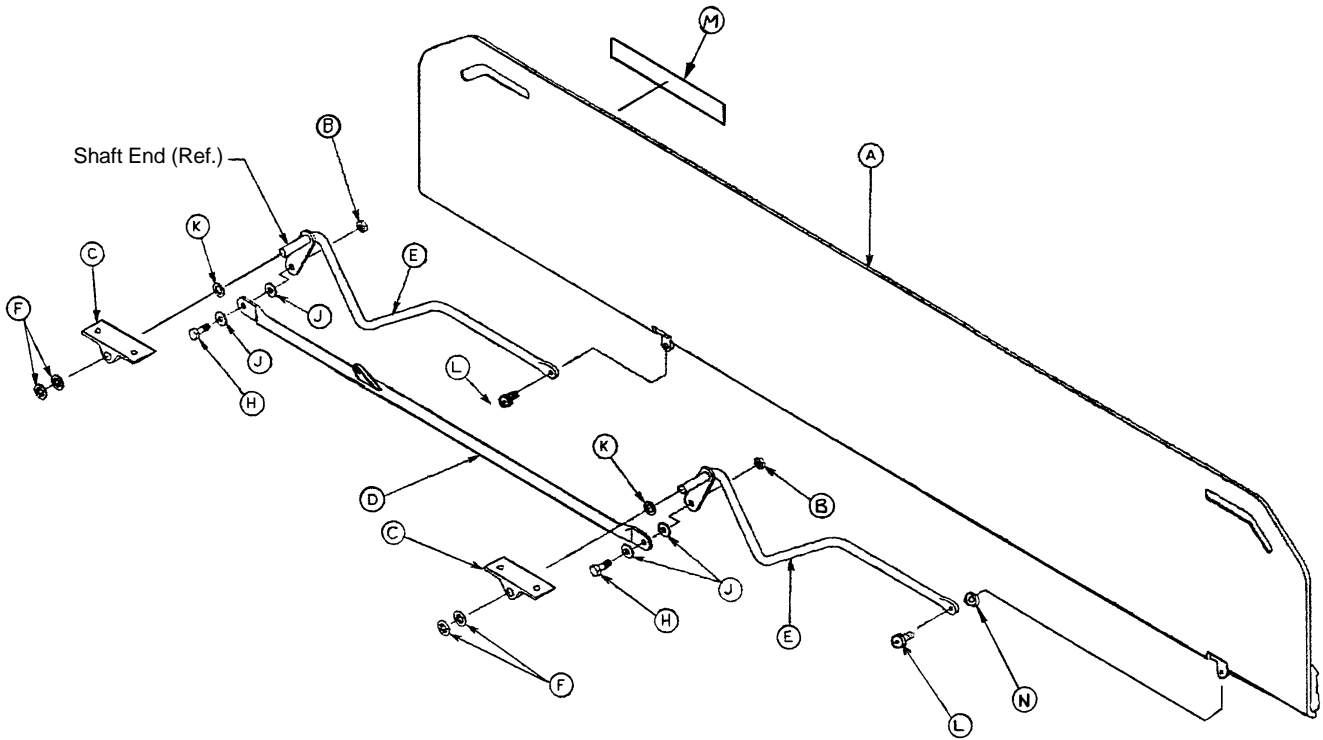
Item	Part No.	Part Name	Qty.	Item	Part No.	Part Name	Qty.
A	1060-1-245	Frame Weldment	1	BL	16-3	Fiberlock Hex Nut	4
B	721-26-69	Upright Sleeve	6	BM	15-21	Jam Nut	2
C	16-28	Nylock Hex Nut	32	BN	1010-31-77	Gas Cylinder	2
D	(page 53)	Handle Ass'y	2	BP	1010-31-31	Cylinder Mount	2
E	1010-26-80	Lock Pivot Ass'y, Rt.	1	BR	16-35	Nylock Hex Nut	2
F	1010-26-81	Lock Pivot Ass'y, Lt.	1	BS	14-75	Flat Washer	4
H	(page 54)	Siderail Ass'y, Rt.	1	BT	3-78	Hex Hd. Cap Screw	4
J	(page 55)	Siderail Ass'y, Lt.	1	BW	4-161	H. Soc. B. Hd. Cap Scr.	4
K	26-12	Roll Pin	2	BY	(page 52)	Pneu. Fowler Ass'y	1
L	721-26-66	Pivot Screw	10	BZ	37-49	Rect. Hole Plug	2
M	4-136	But. Hd. Cap Screw	10	CA	1060-1-23	Counterweight	2
P	4-135	But. Hd. Cap Screw	4	CB	(page 46)	Foot Pan Ass'y, Rt.	1
R	38-220	Compression Spring	2	CC	(page 47)	Foot Pan Ass'y, Lt.	1
S	(page 50)	Jack Supt. & Trend. Lim.	1	CD	24-40	T-Knob	2
T	1060-1-57	Midsection Weldmt.	14	CE	1060-1-109	Backing Plate	2
W	1010-54-70	Socket Ass'y, Left	1	CF	1060-1-81	Ft. Supt., Mach'd, Rt.	1
Y	1010-54-71	Socket Ass'y, Right	1	CH	1060-1-83	Ft. Supt., Mach'd, Lt.	1
Z	1010-1-15	Cover, Head, Left	1	CJ	1060-1-106	Ft. Corner Sleeve, Rt.	1
AA	1010-1-16	Cover, Head, Right	1	CK	1060-1-104	Ft. Corner Sleeve, Lt.	1
AB	721-32-49	Bumper Roller	2	CL	1010-26-69	Lock Support	2
AC	1010-1-17	Roller Plate	2	CM	(page 48)	Foot Rest Ass'y	2
AD	8-24	Shoulder Bolt	2	CN	1010-32-60	Pivot Bolt	2
AE	1060-1-69	Support Tube Ass'y	1	CP	1001-259-11	I.V. Socket Ass'y	1
AF	46-1	Sq. Hd. Set Screw	1	CR	4-163	H. Soc. B. Hd. Cap Scr.	4
AH	938-1-401	Collar Assembly	2	CS	4-164	Soc. Hd. Cap Screw	4
AJ	721-32-107	Roller Sleeve	4	CT	4-21	Soc. Hd. Cap Screw	2
AK	721-32-108	Support Roller	4	CW	4-54	Soc. Hd. Cap Screw	10
AL	3-76	Hex Hd. Cap Screw	4	CY	16-36	Hex Nylock Nut	14
AM	721-26-74	Lock Handle, Mach'd	2	CZ	3-92	Hex Hd. Cap Screw	4
AN	1060-1-18	Bumper Channel	2	DB	11-3	Flat Washer	5
AP	25-38	Pop Rivet	14	DC	10-11	Eye Bolt	2
AR	21-104	Set Screw	2	DD	37-10	Square Hole Plug	6
AS	11-2	Flat Washer	4	DE	(page 45)	Board Supt. Ass'y	2
AT	11-14	Flat Washer	8	DF	2-100	Pan Hd. Mach. Screw	4
AW	25-79	Pop Rivet	8	DH	1010-32-92	Foley Bag Rack	2
AY	2-89	Rd. Hd. Mach. Screw	2	DJ	1010-24-25	Spring Retainer	2
AZ	26-57	Roll Pin	4	DK	(page 43)	Arm Bd. Assembly, Lt.	1
BA	3-40	Hex Hd. Cap Screw	4	DL	(page 44)	Arm Bd. Assembly, Rt.	1
BB	1010-32-108	Roller Assembly	2	DN	38-218	Tension Spring	2
BC	1010-32-64	Carrier Tube, Std.	2	DP	1060-1-12	Midsection Skin	1
BD	3-47	Hex Hd. Cap Screw	2	DR	25-105	Pop Rivet	11
BE	3-73	Hex Hd. Cap Screw	1	DS	1010-32-66	Rect. Hole Plug	2
BF	3-54	Hex Hd. Cap Screw	2	DT	1060-1-144	Weight Cover	2
BH	919-30-28	Rack Guide	2	DW	37-74	Hole Plug	6
BJ	44-29	Double-Sided Tape	6"	DY	1060-1-78	Steel Basin	1
BK	1010-1-35	Handle Rest	2	DZ	(page 35)	Litter Bumper (not shown)	2

1060-1-114 Arm Board Assembly, Left



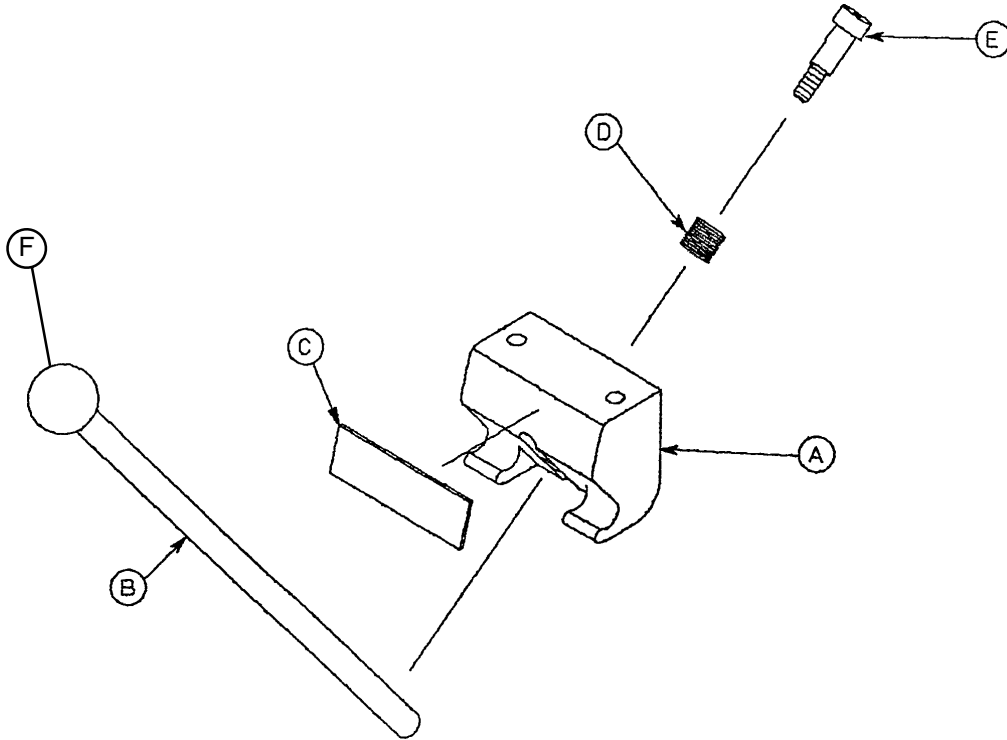
Item	Part No.	Part Name	Qty.
A	1060-1-77	Arm Board Ass'y, Left	1
B	16-28	Nylock Hex Nut	2
C	1010-32-98	Pivot	2
D	1060-1-74	Connecting Link Ass'y	1
E	1010-32-94	Pivot Arm Ass'y, Left	2
F	28-93	Retaining Ring	4
H	3-50	Hex Hd. Cap Screw	2
J	11-224	Nylon Flat Washer	4
K	14-21	Nylon Flat Washer	2
L	4-156	Soc. Hd. Cap Screw	2
M	721-24-46	Label	1
N	14-2	Washer	1

1060-1-115 Arm Board Assembly, Right



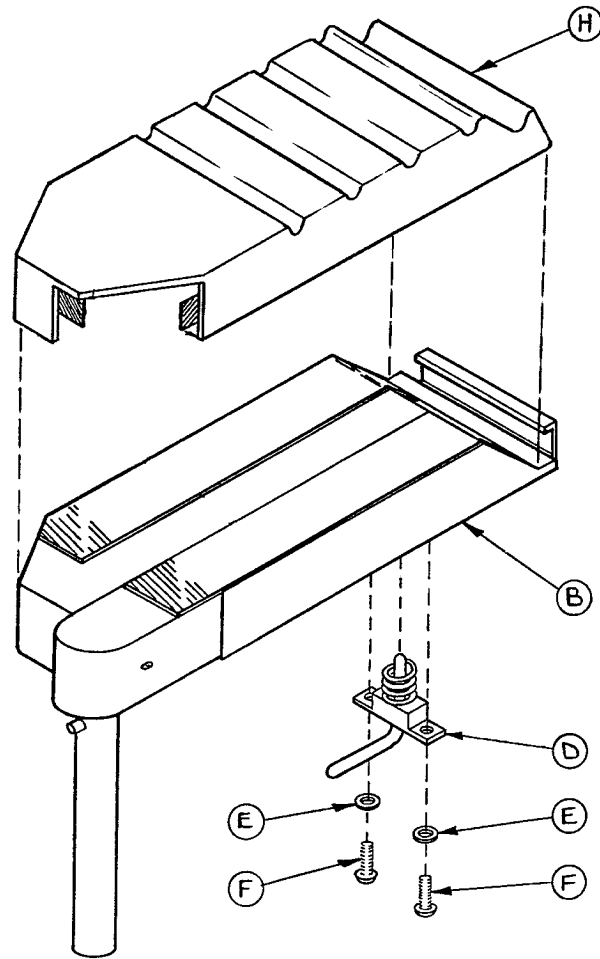
Item	Part No.	Part Name	Qty.
A	1060-1-76	Arm Board Ass'y, Right	1
B	16-28	Nylock Hex Nut	2
C	1010-32-98	Pivot	2
D	1060-1-74	Connecting Link Ass'y	1
E	1010-32-96	Pivot Arm Ass'y, Right	2
F	28-93	Retaining Ring	4
H	3-50	Hex Hd. Cap Screw	2
J	11-224	Nylon Flat Washer	4
K	14-21	Nylon Flat Washer	2
L	4-156	Soc. Hd. Cap Screw	2
M	721-24-46	Label	1
N	14-2	Washer	1

1010-24-30 Board Support Assembly



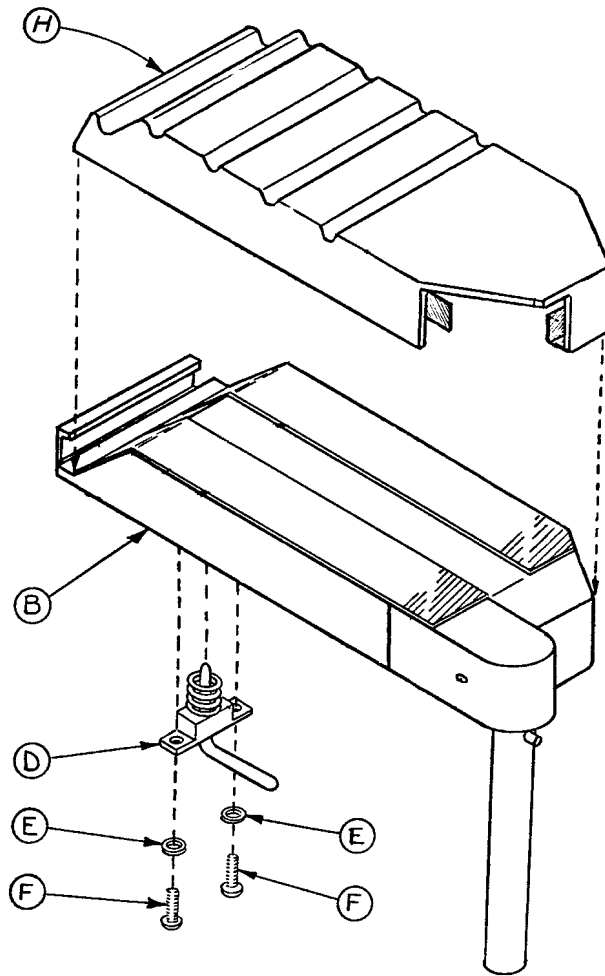
Item	Part No.	Part Name	Qty.
A	1010-24-15	Support Block	1
B	1010-24-16	Support Arm	1
C	1010-24-14	Warning Label	1
D	38-263	Spring	1
E	8-17	Shoulder Bolt	1
F	1010-26-46	Ball Knob	1

1060-1-97 Foot Pan Assembly, Right



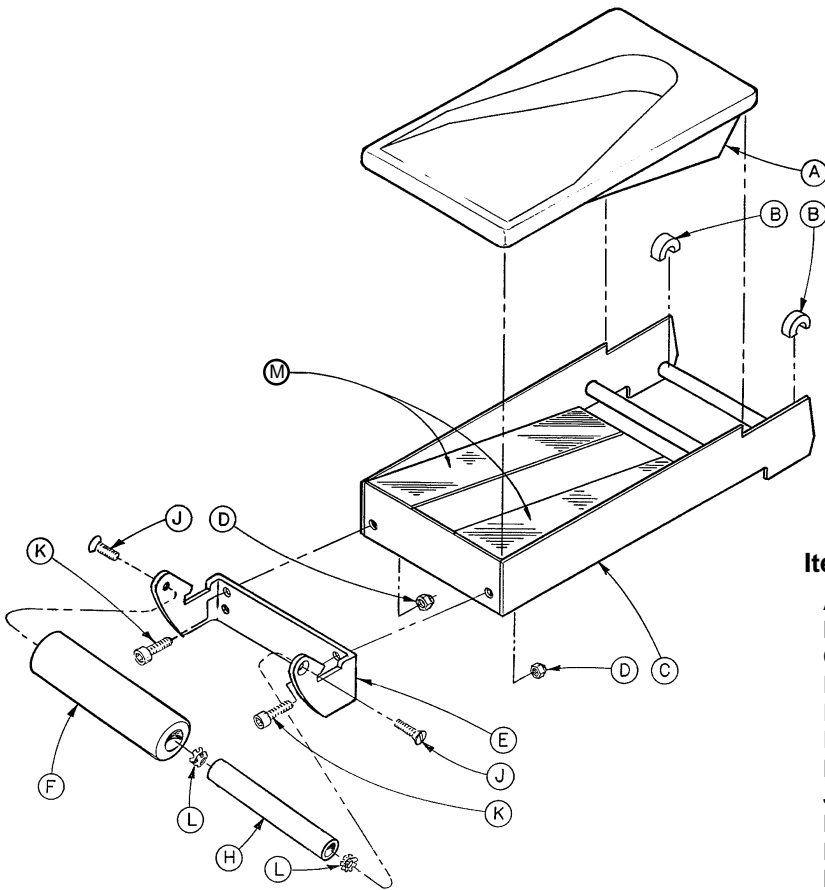
Item	Part No.	Part Name	Qty.
B	1060-1-95	Foot Pan Weldment, Right	1
D	(page 48)	Foot Pan Latch Assembly	1
E	13-33	Internal Tooth Lock Washer	2
F	7-10	Truss Head Mach. Screw	2
H	1060-1-85	Foot Rest Cover, Right	1

1060-1-98 Foot Pan Assembly, Left



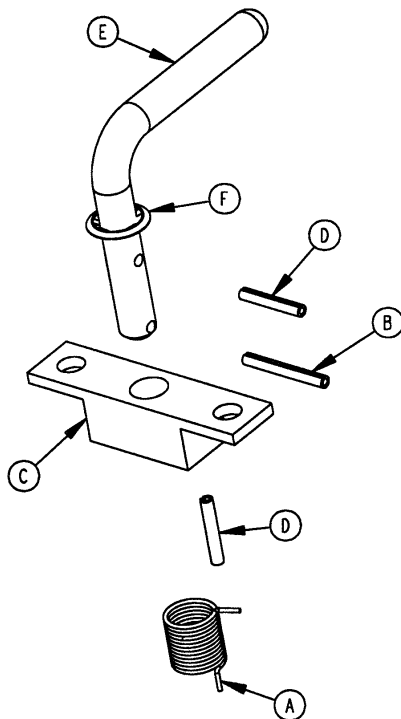
Item	Part No.	Part Name	Qty.
B	1060-1-96	Foot Pan Weldment, Left	1
D	(page 48)	Foot Pan Latch Assembly	1
E	13-33	Internal Tooth Lock Washer	2
F	7-10	Truss Head Mach. Screw	2
H	1060-1-86	Foot Rest Cover, Left	1

1060-1-99 Foot Rest Assembly



Item	Part No.	Part Name	Qty.
A	1060-1-117	Pad, Foot Rest	1
B	1060-1-119	Bushing, Ft. Rest Lock	2
C	1060-1-118	Foot Rest	1
D	16-36	Nylock Nut	2
E	1060-1-132	Ft. Pan Handle Brkt.	1
F	1060-1-133	Foam Cover, Push Bar	1
H	1060-1-130	Tubing, Ft. Pan Handle	1
J	1-105	Flat Hd. Mach. Screw	2
K	4-178	H. Soc. But. Hd. Scr.	2
L	18-8	Umbrella Nut	2
M	44-39	Adh. Tape	As Req'd

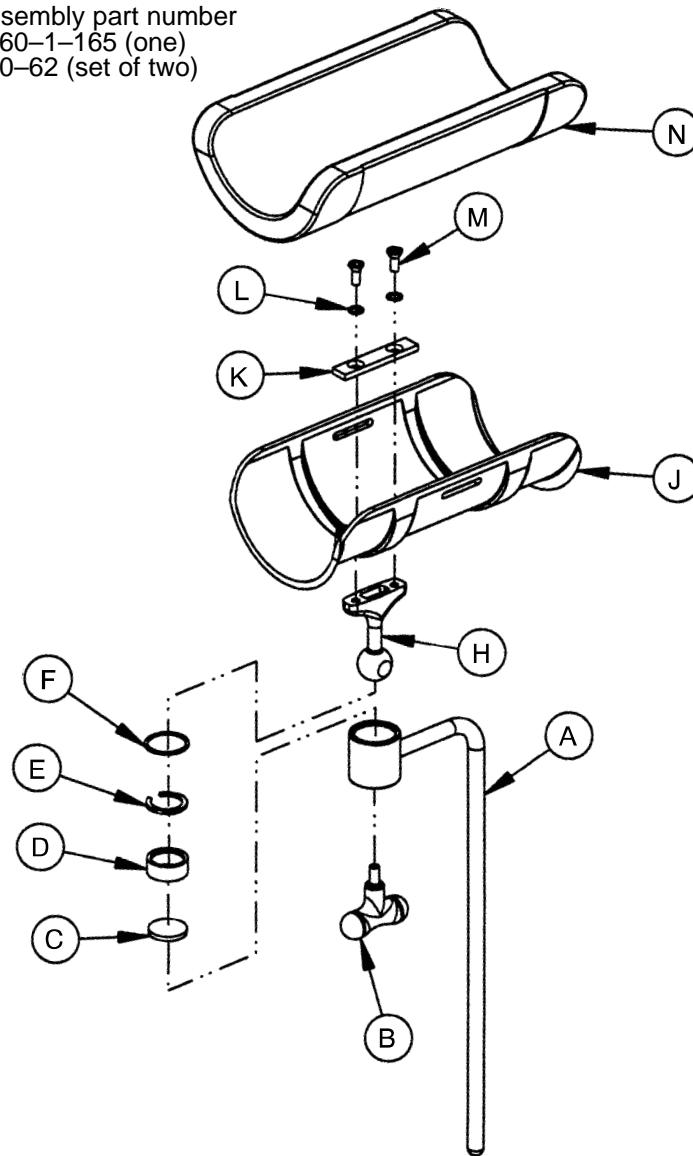
1060-1-84 Foot Pan Latch Assembly



Item	Part No.	Part Name	Qty.
A	38-266	Torsion Spring	1
B	26-7	Roll Pin	1
C	1060-1-151	Latch Base	1
D	26-6	Roll Pin	2
E	1060-1-150	Latch Pin	1
F	28-93	Retaining Ring	1

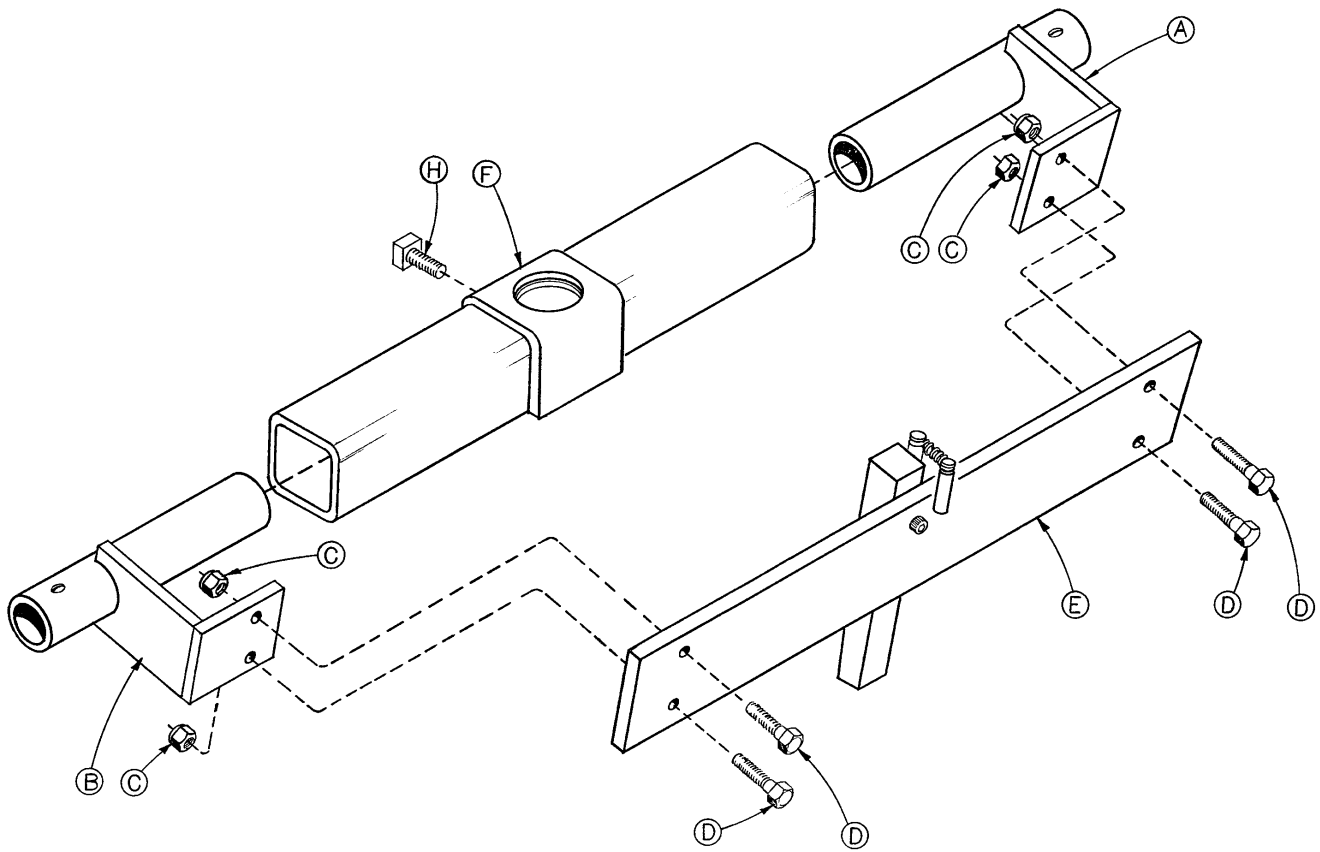
Leg Support Assembly

Assembly part number
1060-1-165 (one)
960-62 (set of two)



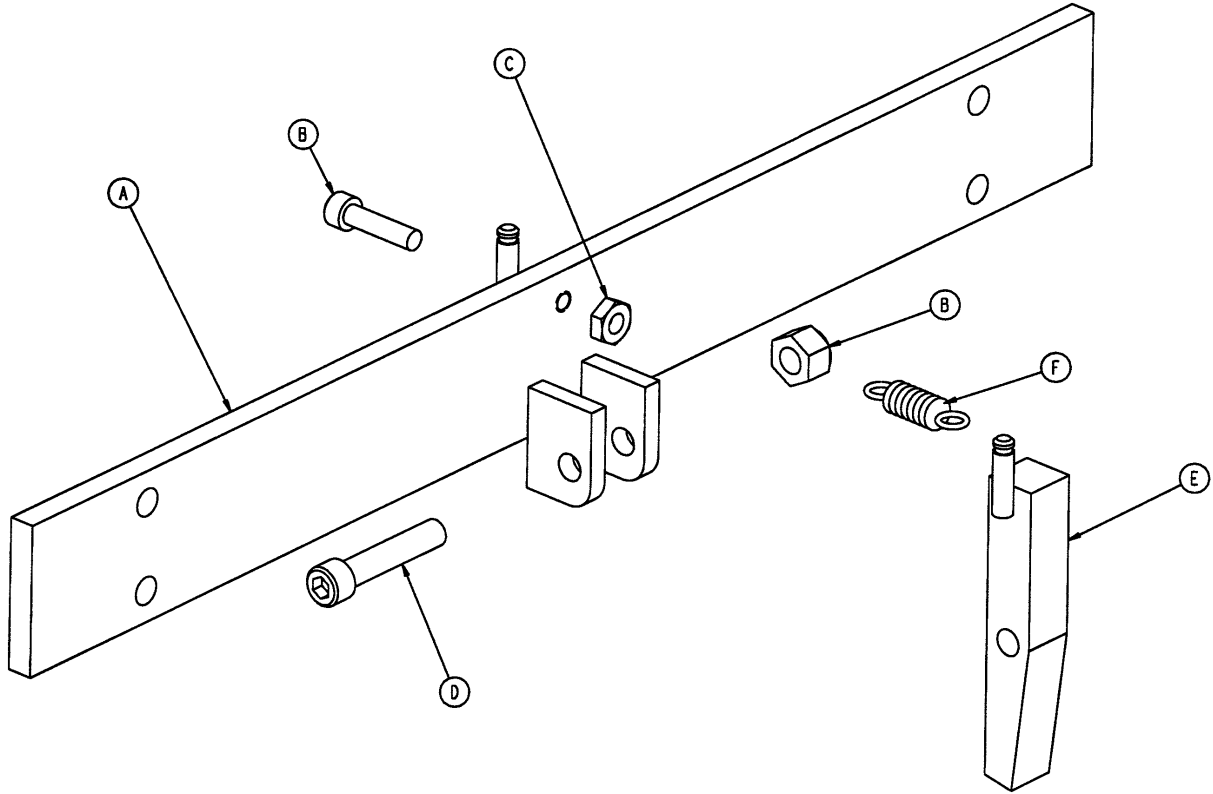
Item	Part No.	Part Name	Qty.
A	1060-1-159	Leg Support Bar	1
B	24-44	T-Handle	1
C	1060-1-152	Disc	1
D	1060-1-153	Jaw	1
E	1060-1-154	Split Ring	1
F	28-104	Retaining Ring	1
H	1060-1-155	Ball Post	1
J	1060-1-156	Leg Rest, ABS	1
K	1060-1-157	Mounting Plate	1
L	13-24	Lock Washer	2
M	1-97	Flat Soc. Hd. Mach. Screw	2
N	1060-1-158	Leg Rest Pad	1

1060-1-20 Jack Support and Trend. Limiter Assembly



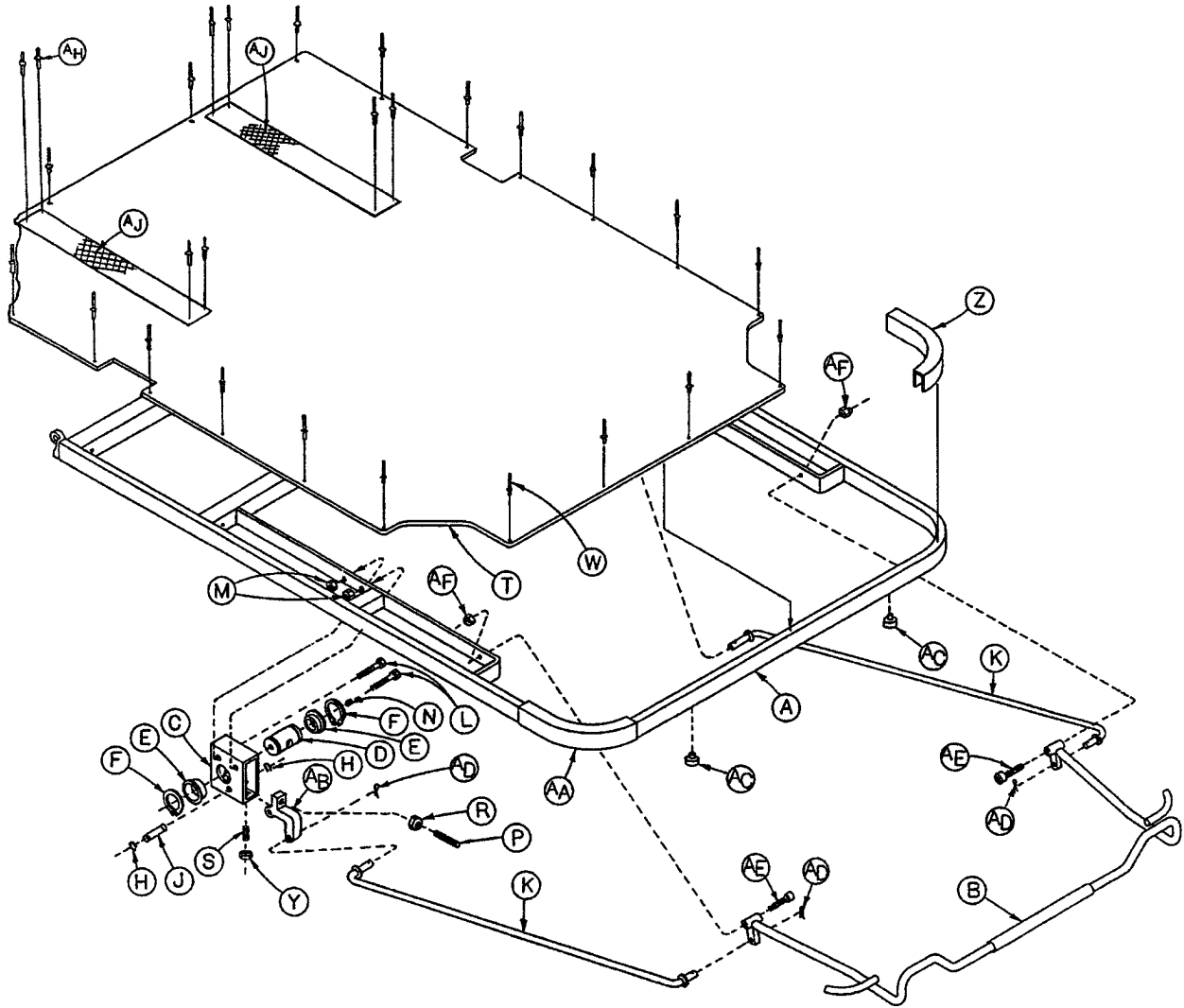
Item	Part No.	Part Name	Qty.
A	1060-1-8	Jack Support Ass'y, Right	1
B	1060-1-9	Jack Support Ass'y, Left	1
C	16-28	Nylock Nut	4
D	3-15	Hex Hd. Cap Screw	4
E	(Page 51)	Trend. Limiter Assembly	1
F	1010-32-85	Support Tube Assembly	1
H	46-1	Set Screw	1

1010-23-34 Trend. Limiter Assembly



Item	Part Name	Part No.	Qty.
A	1010-23-35	Limiter Plate Ass'y	1
B	4-8	Hex Soc. Machine Screw	1
C	15-4	Hex Nut	1
D	4-142	Hex Soc. Machine Screw	1
E	715-1-114	Limiter Pin Assembly	1
F	38-233	Extension Spring	1
H	16-16	Fiberlock Nut	1

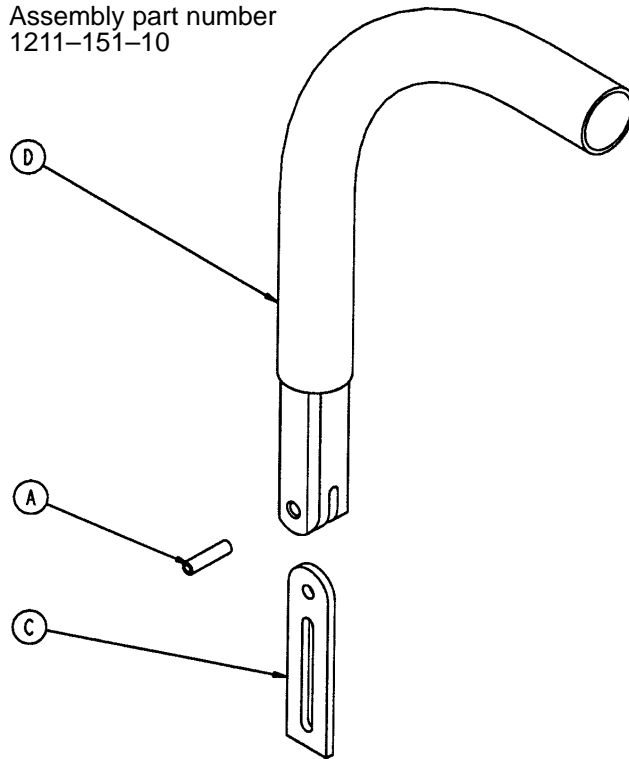
1060-1-30 Pneumatic Fowler Assembly



Item	Part No.	Part Name	Qty.	Item	Part No.	Part Name	Qty.
A	1060-1-28	Fowler Weldment	1	S	21-104	Set Screw	2
B	1060-1-31	Handle Assembly	1	T	1060-1-32	Fowler Skin	1
C	1510-31-26	Housing	2	W	25-105	Pop Rivet	20
D	1510-31-28	Yoke	2	Y	15-37	Jam Nut	2
E	946-35-25	Liner	4	Z	1010-54-26	Handle Cover, Right	1
F	28-76	Retaining Ring	4	AA	1010-54-16	Handle Cover, Left	1
H	28-8	Retaining Ring	4	AB	1060-1-66	Pneumatic Trigger	2
J	1510-31-37	Pivot	2	AC	37-52	Rubber Bumper	2
K	1060-1-22	Extension Rod Weldment	2	AD	27-8	Cotter Pin	4
L	3-78	Hex Hd. Cap Screw	4	AE	3-5	Soc. Hd. Cap Screw	2
M	16-28	Nylock Hex Nut	4	AF	16-16	Hex Conelock Nut	2
N	21-119	Set Screw	2	AH	25-40	Pop Rivet	8
P	21-126	Set Screw	2	AJ	7900-1-102	Velcro Pile	2
R	15-50	Hex Nut	2				

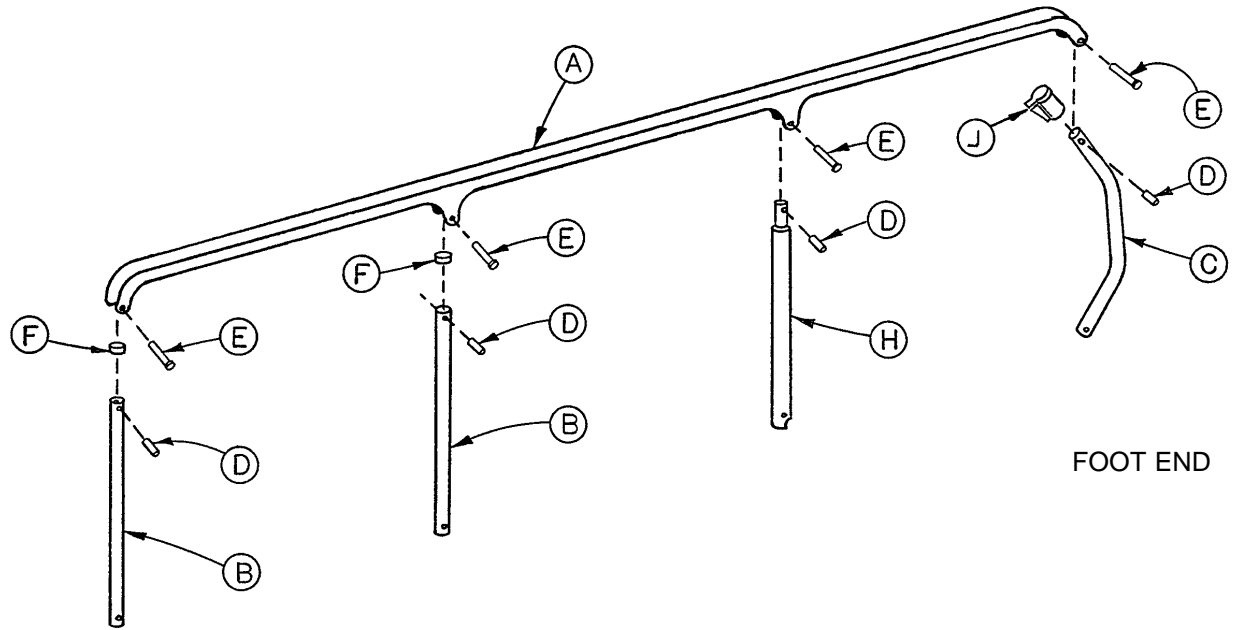
Push Handle Assembly

Assembly part number
1211-151-10



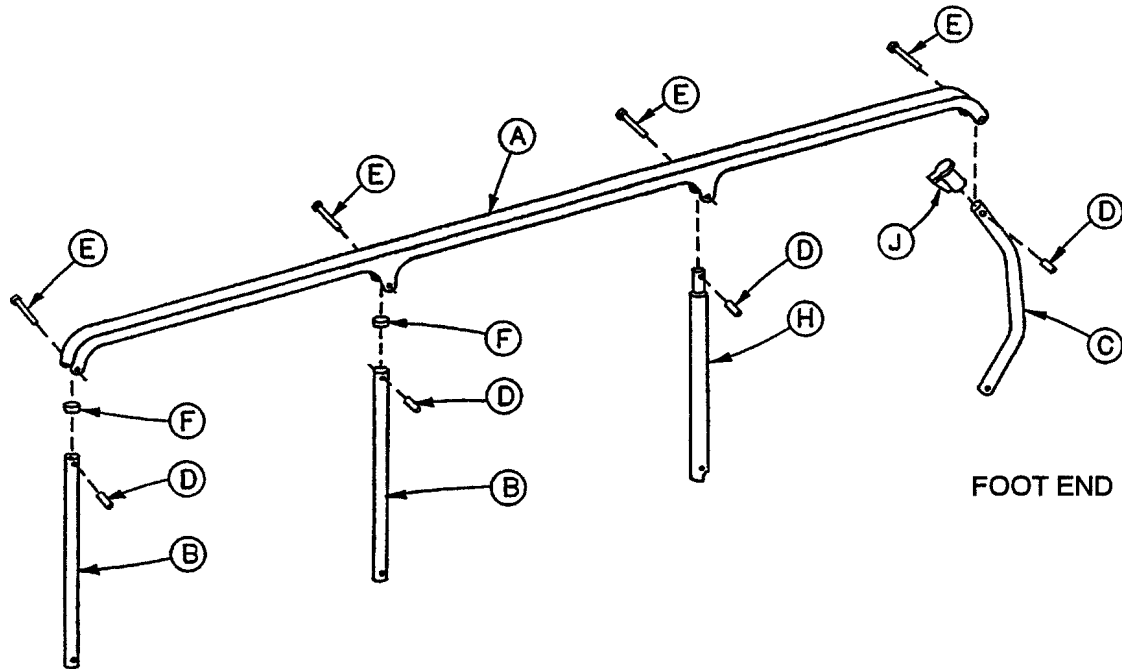
Item	Part No.	Part Name	Qty.
A	26-10	Roll Pin	1
B	1010-254-24	Stop Link	1
C	1211-151-18	Sleeve Assembly	1

1060-26-2 Siderail Assembly, Right



Item	Part No.	Part Name	Qty.
A	1060-26-4	Top Rail	1
B	1010-26-83	Upright	2
C	1010-26-84	Upright, Bent	1
D	1010-26-82	Spacer	4
E	25-106	Semi-Tubular Rivet	4
F	1010-26-10	Round Hole Plug	2
H	1010-26-85	Upright, Latch	1
J	1010-26-12	Bent Spindle Stop	1

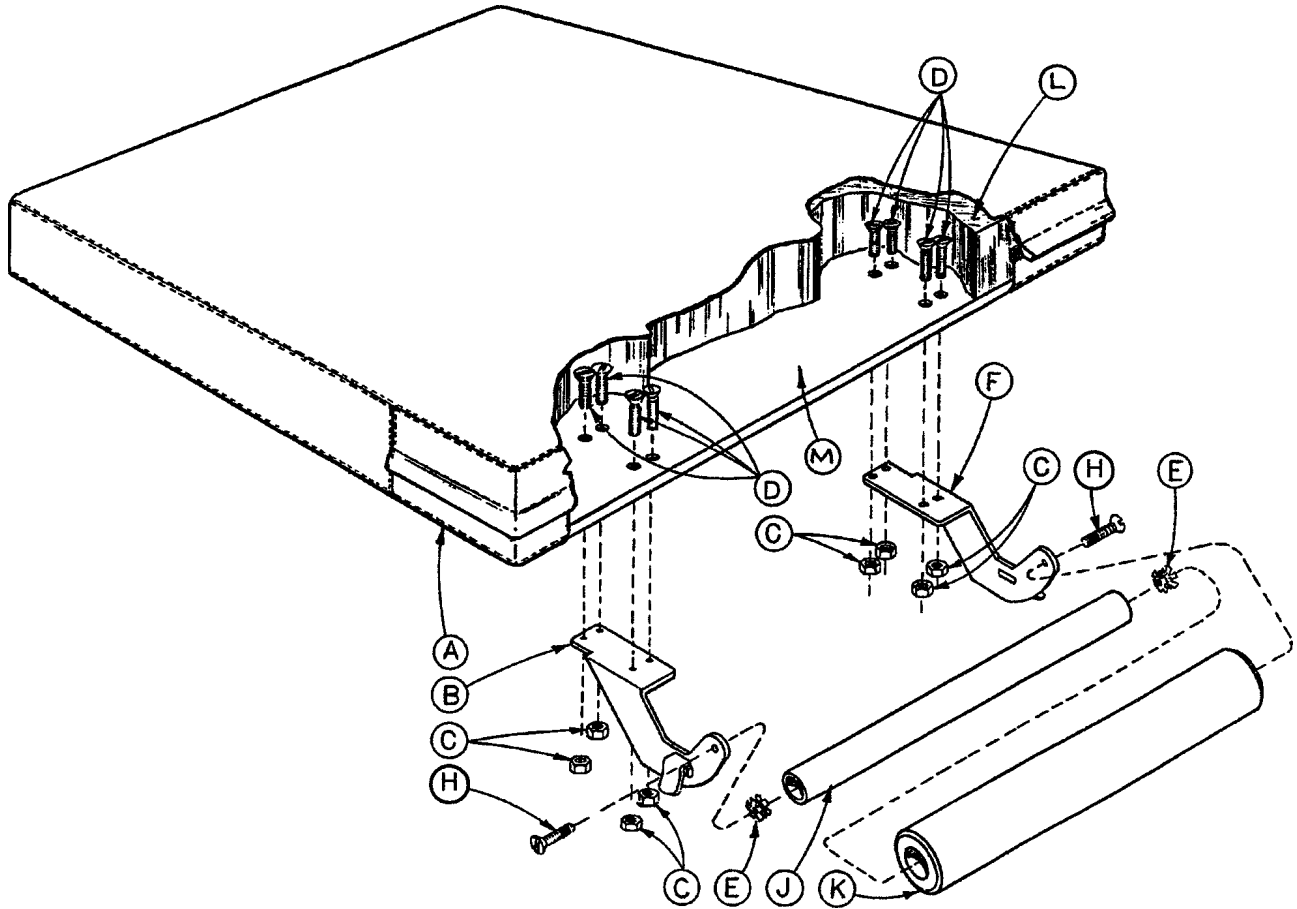
1010-26-3 Siderail Assembly, Left



Item	Part No.	Part Name	Qty.
A	1060-26-4	Top Rail	1
B	1010-26-83	Upright	2
C	1010-26-84	Upright, Bent	1
D	1010-26-82	Spacer	4
E	25-106	Semi-Tubular Rivet	4
F	1010-26-10	Round Hole Plug	2
H	1010-26-85	Upright, Latch	1
J	1010-26-12	Bent Spindle Stop	1

1060-25-2 Foot End Mattress & Push Bar Ass'y, 2"

1060-125-2 Foot End Mattress & Push Bar Ass'y, 3"



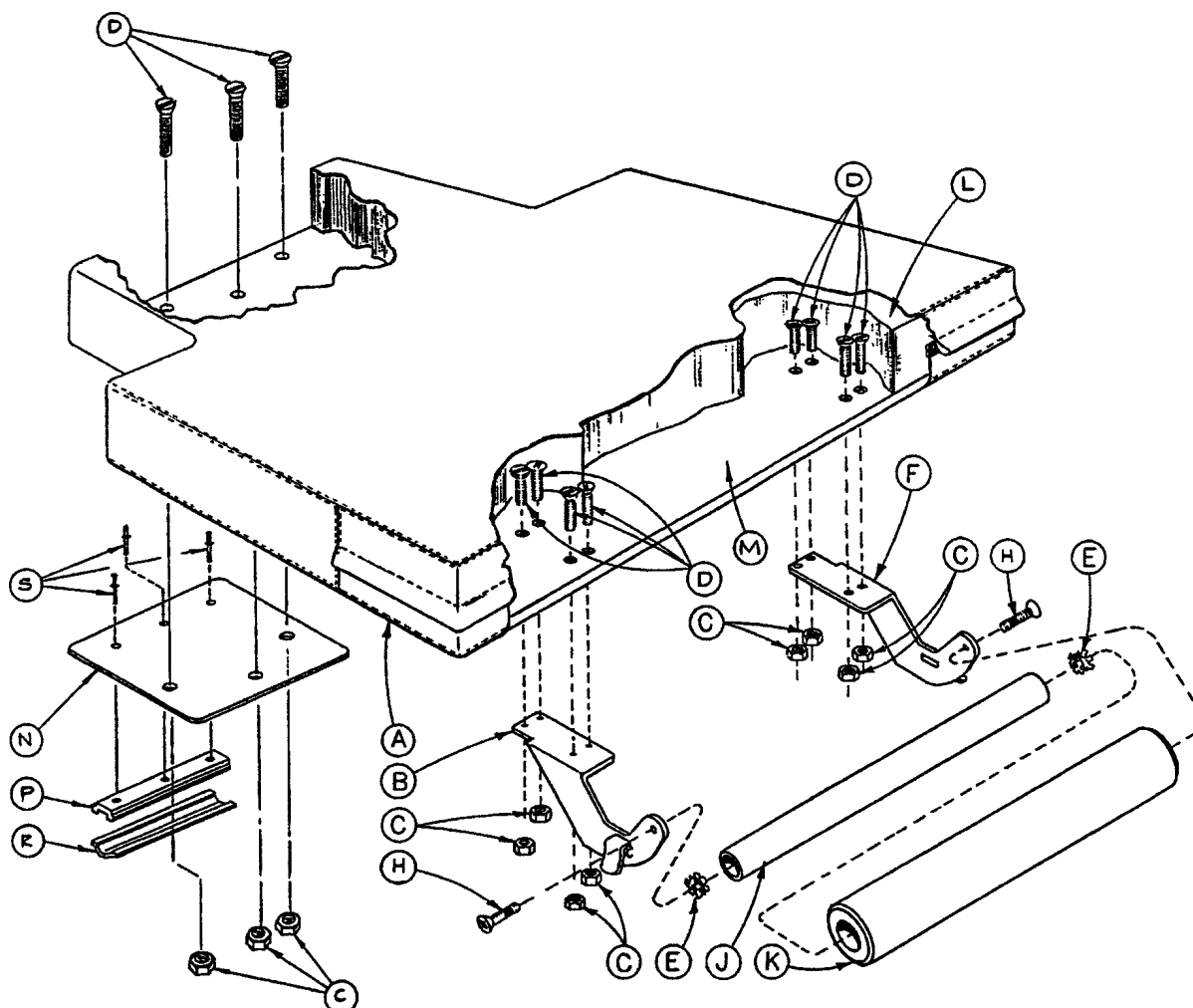
Note: Mattress shown cut-away to show relationship of screws (D) to brackets (B) & (F) from inside, through fiberresin bottom panel of assembled mattress. Zipper in end panel allows entry under foam pad for installation of screws (D).

Item	Part No.	Part Name	Qty.
A	*	Mattress Cover Ass'y, Foot	1
B	1060-1-138	Bracket Weldment, Left	1
C	16-16	Nylock Nut	8
D	1-25	Flat Hd. Mach. Screw	8
E	18-8	Umbrella Nut	2
F	1060-1-139	Bracket Weldment, Right	1
H	1-105	Flat Hd. Mach. Screw	2
J	1060-1-131	Spacer, Push Bar	1
K	1060-1-129	Foam Cover, Push Bar	1
L	**	Foam	1
M	1060-25-8	Bottom Board	1

* For a 2" mattress, order cover part number 1060-25-9. For a 3" mattress, order cover part number 1060-125-9.

** For a 2" mattress, order foam part number 1060-25-7. For a 3" mattress, order foam part number 1060-125-7.

1060-530-10 Foot End Mattress/ Push Bar, T-Shaped

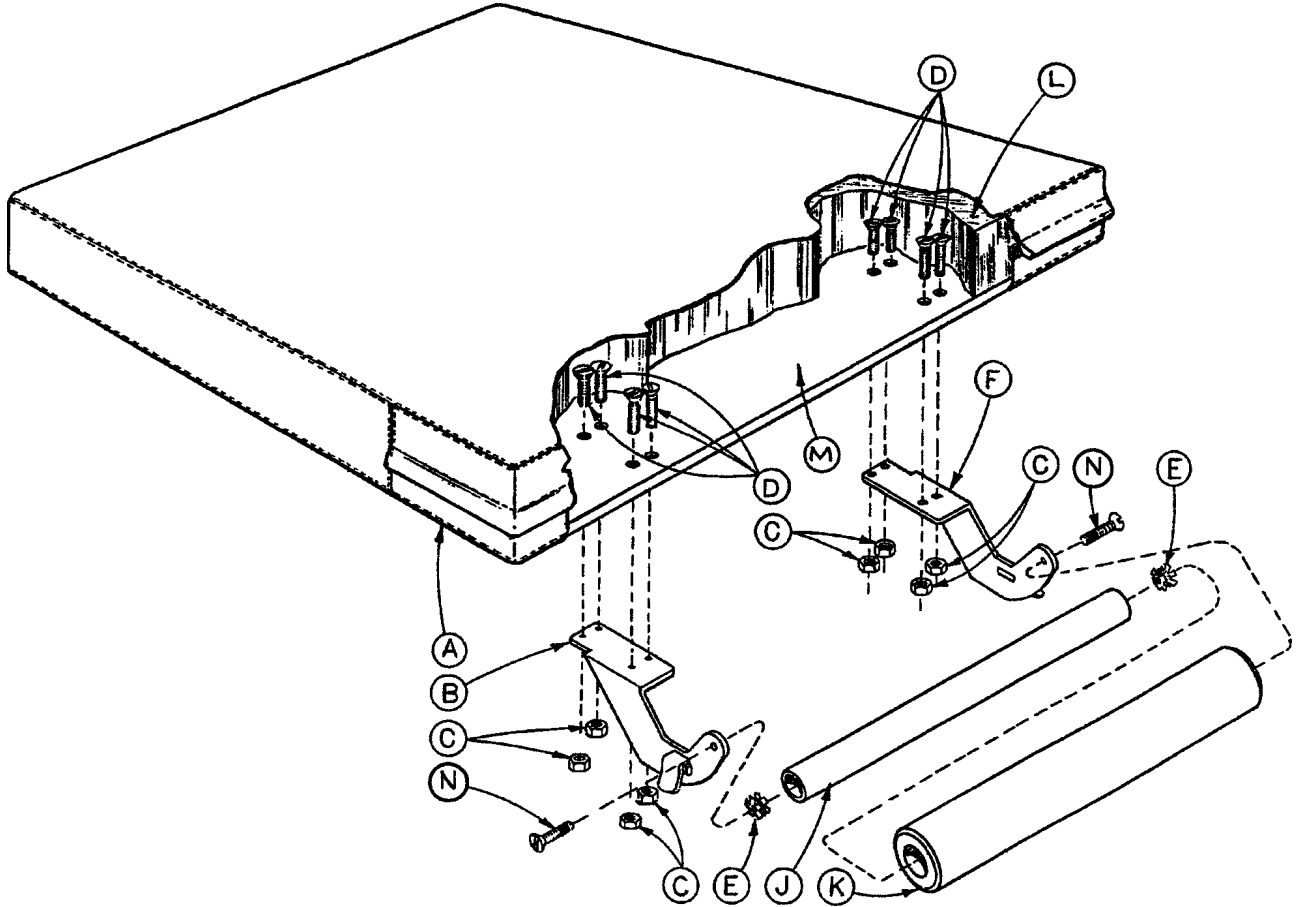


Note: Mattress shown cut-away to show relationship of screws (D) to brackets (B) & (F) from inside, through fiberresin bottom panel of assembled mattress. Zipper in end panel allows entry under foam pad for installation of screws (D).

Item	Part No.	Part Name	Qty.
A	1060-530-2	Mattress Cover Ass'y	1
B	1060-1-138	Bracket Weldment, Left	1
C	16-16	Nylock Nut	11
D	1-25	Flat Hd. Mach. Screw	11
E	18-8	Umbrella Nut	2
F	1060-1-139	Bracket Weldment, Right	1
H	1-105	Flat Hd. Mach. Screw	2
J	1060-1-131	Spacer, Push Bar	1
K	1060-1-129	Foam Cover, Push Bar	1
L	1060-530-18	Foam	1
M	1060-530-13	Bottom Board	1
N	1060-530-14	Foot Plate	1
P	1060-530-15	Bumper Rail	1
R	*	Bumper	1
S	25-40	Rivet	3

* Bumper is color coordinated with litter bumper strip as shown on page 35.

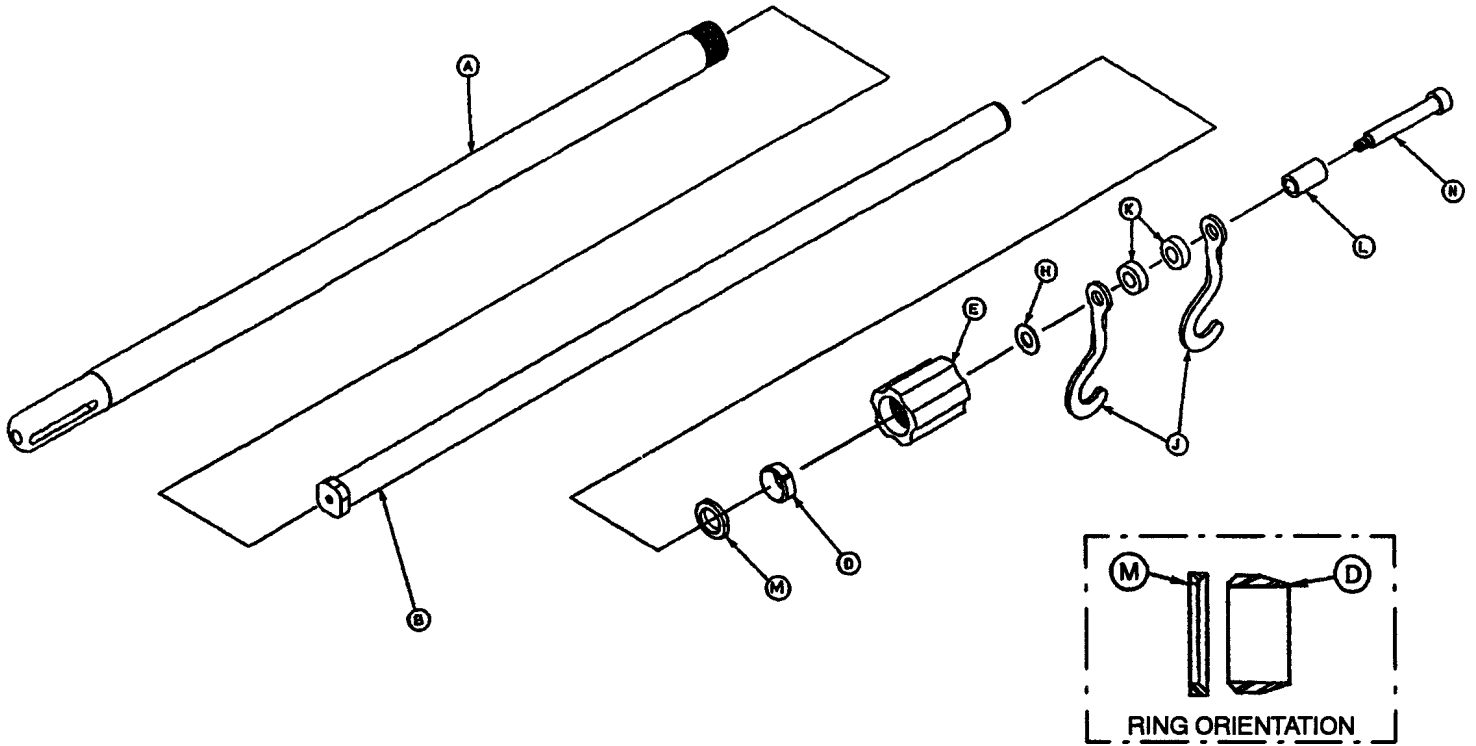
1060-625-25 Ft. End Mattress/Push Bar, Enhanced Comfort



Note: Mattress shown cut-away to show relationship of screws (D) to brackets (B) & (F) from inside, through fiberresin bottom panel of assembled mattress. Zipper in end panel allows entry under foam pad for installation of screws (D).

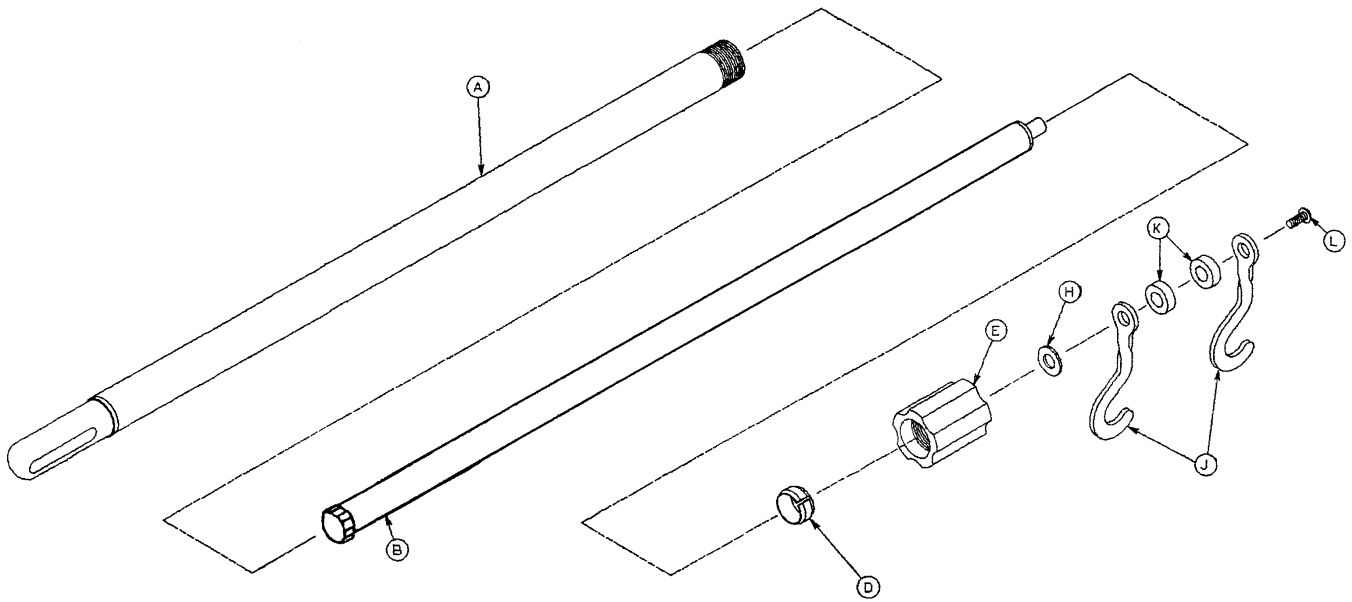
Item	Part No.	Part Name	Qty.
A	1060-625-3	Mattress Cover Ass'y, Foot	1
B	1060-1-138	Bracket Weldment, Left	1
C	16-16	Nylock Nut	8
D	1-25	Flat Hd. Mach. Screw	8
E	18-8	Umbrella Nut	2
F	1060-1-139	Bracket Weldment, Right	1
J	1060-1-131	Spacer, Push Bar	1
K	1060-1-129	Foam Cover, Push Bar	1
L	1060-525-14	Foam	1
M	1060-25-8	Bottom Board	1
N	1-105	Flat Hd. Mach. Screw	2

1211-110-10 2-Stage I.V. Pole Assembly



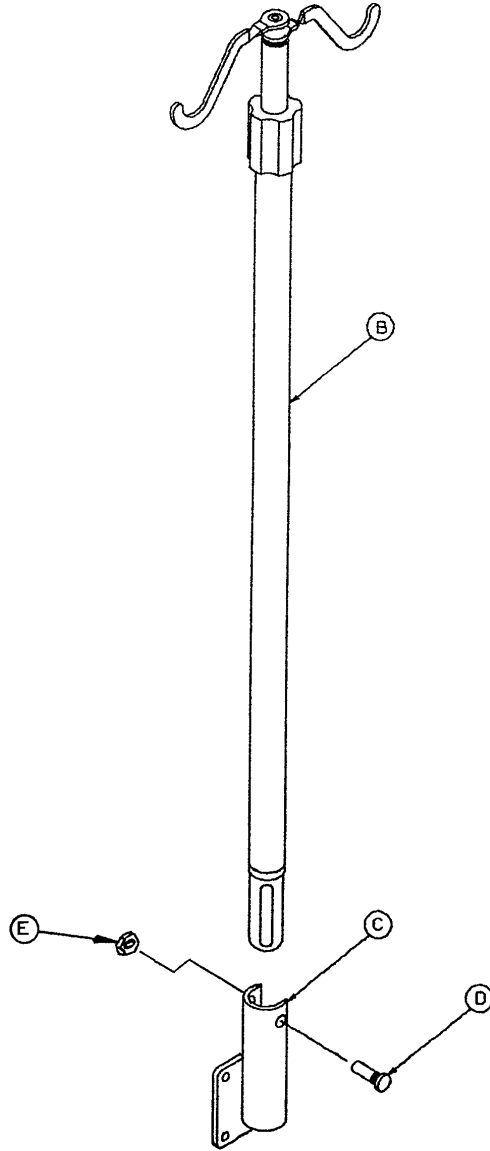
Item	Part No.	Part Name	Qty.
A	1001-59-32	Base Tube Assembly	1
B	1001-59-31	Extension Tube Assembly	1
D	1210-110-47	Lock Ring	1
E	1210-110-49	Lock Actuator	1
H	14-20	Nylon Flat Washer	As Req'd
J	1010-59-16	I.V. Hook	2
K	52-17	Nylon Spacer	2
L	926-400-62	Stop Sleeve	1
M	1210-110-46	Back-Up Ring	1
N	8-31	Shoulder Bolt	1

1010-59-10 Permanent I.V. Pole Assembly



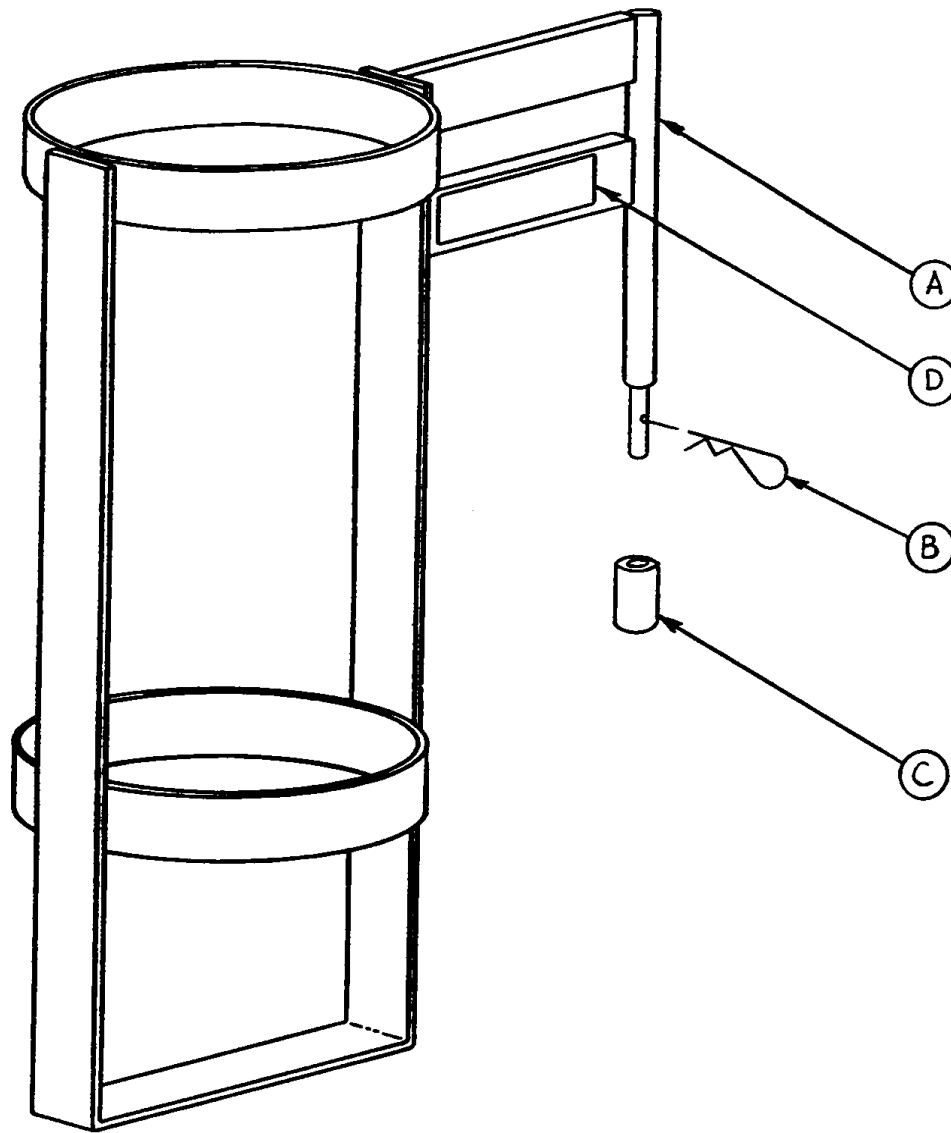
Item	Part No.	Part Name	Qty.
A	1010-59-24	Base Tube Ass'y	1
B	1010-59-30	Exten. Tube Ass'y	1
D	1001-59-47	Lock Ring	1
E	1001-59-46	Lock Actuator	1
H	14-20	Nylon Flat Washer	As Req'd
J	1010-59-16	I.V. Hook	2
K	52-17	Nylon Spacer	2
L	7-4	Truss Hd. Mach. Scr.	1

1010-81 2-Stage I.V. Mounting Assembly



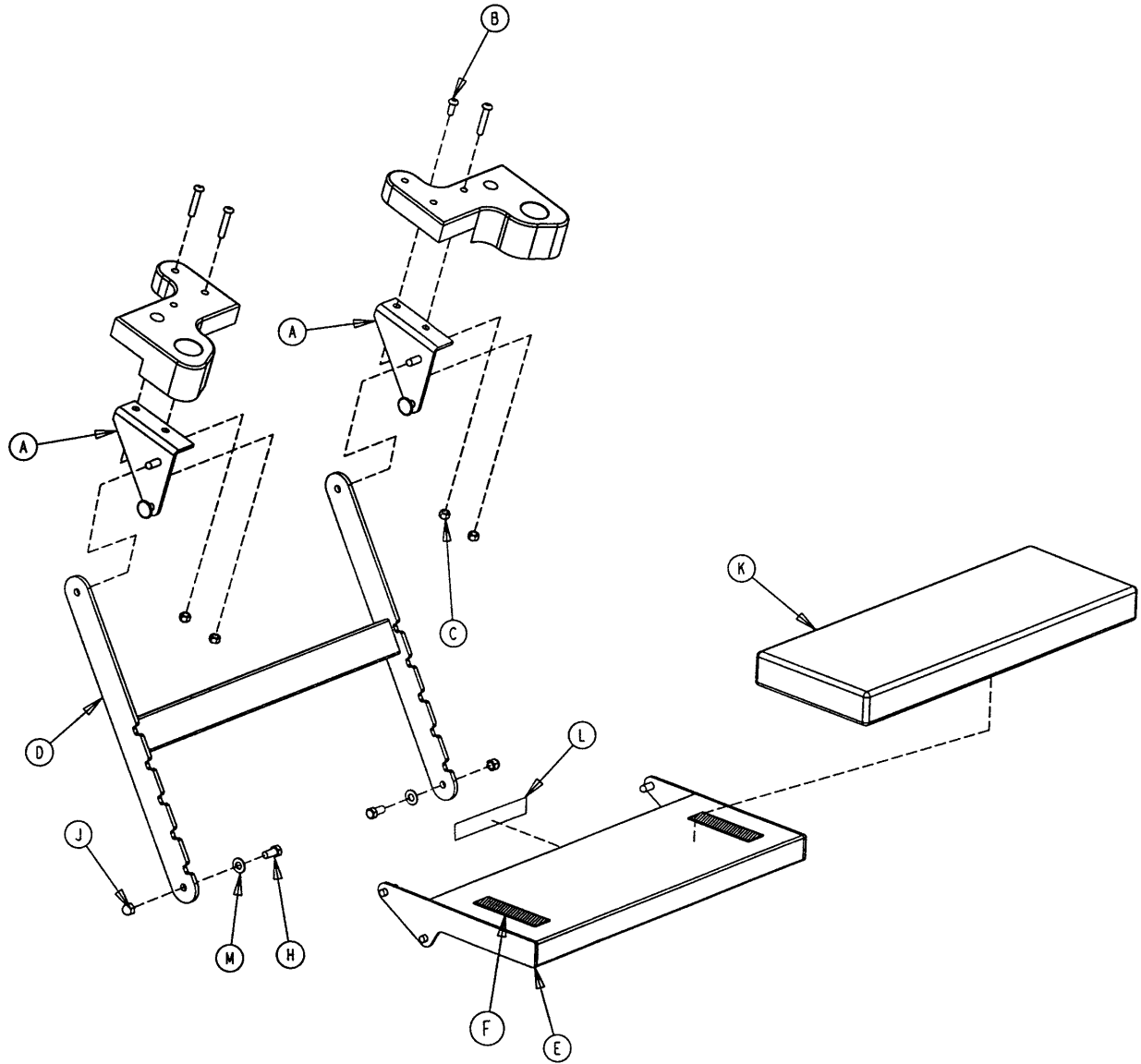
Item	Part No.	Part Name	Qty.
B	(Page 60)	I.V. Pole Ass'y	1
C	1001-259-11	I V. Socket Ass'y	1
D	4-91	But. Hd. Cap Screw	1
E	16-20	Self-Locking Nut	1
F	1001-59-42	I.V. Plug	1

1010-30 Upright Oxygen Bottle Holder Assembly



Item	Part No.	Part Name	Qty.
A	1010-30-11	Upright Bottle Holder	1
B	27-12	Cotter Pin	1
C	741-30-24	Nylon Stand-Off	1
D	1010-30-17	Label	1

1060-50 Optional Procto Board Assembly

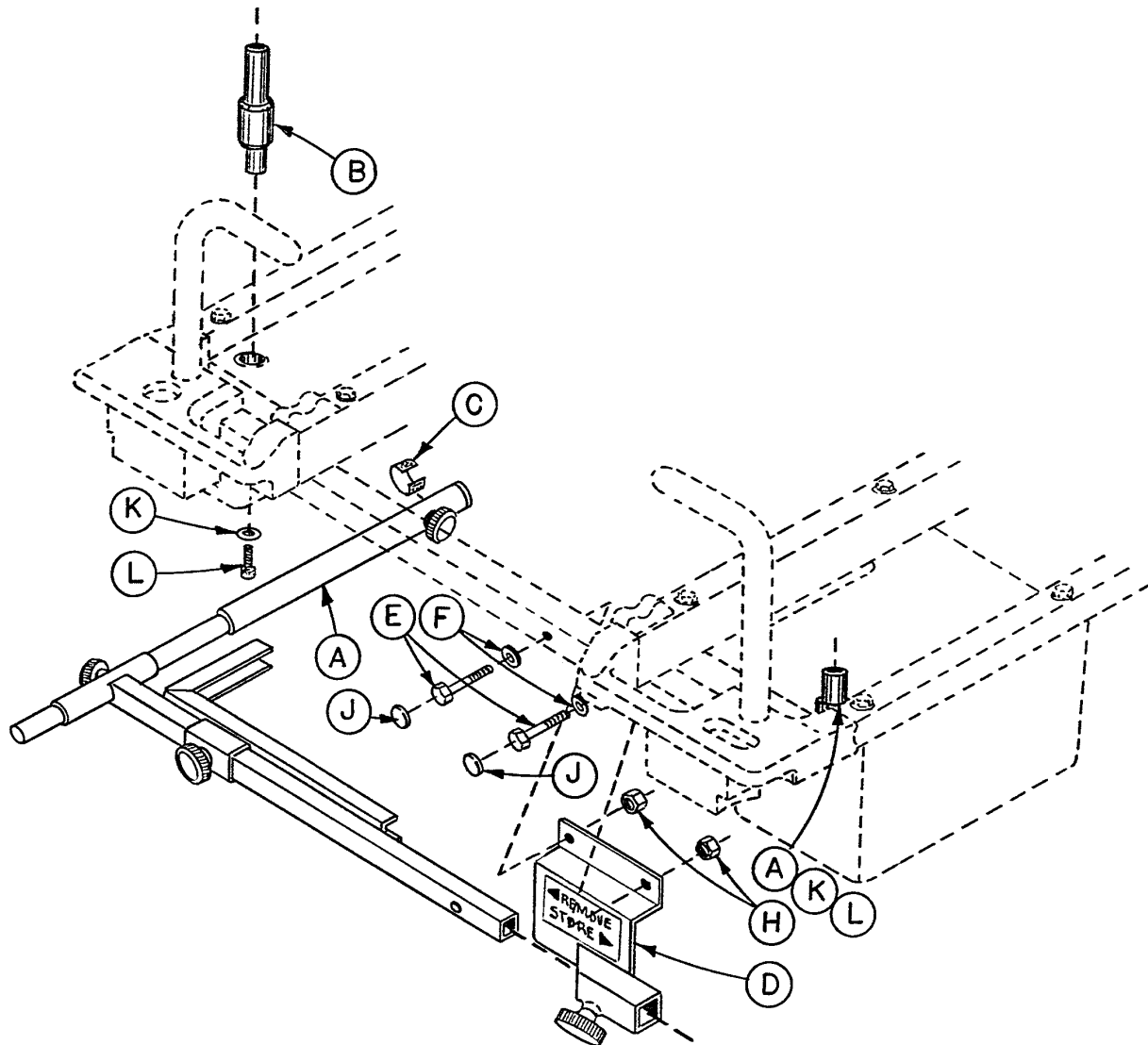


Item	Part No.	Part Name	Qty.
A	1060-50-9	Mounting Bracket Ass'y	2
B	4-148	Hex Soc. But. Hd. Cap Screw	1
C	16-36	Nylock Nut	1
D	1060-50-11	Arm Assembly	1
E	1060-50-10	Platform Assembly	1
F	7900-1-102	Velcro Pile	2
H	3-21	Hex Hd. Cap Screw	2
J	17-6	Acorn Nut	2
K	1060-50-20	Mattress Assembly	1
L	1060-50-25	Label	1
M	11-4	Washer	2

NOTE

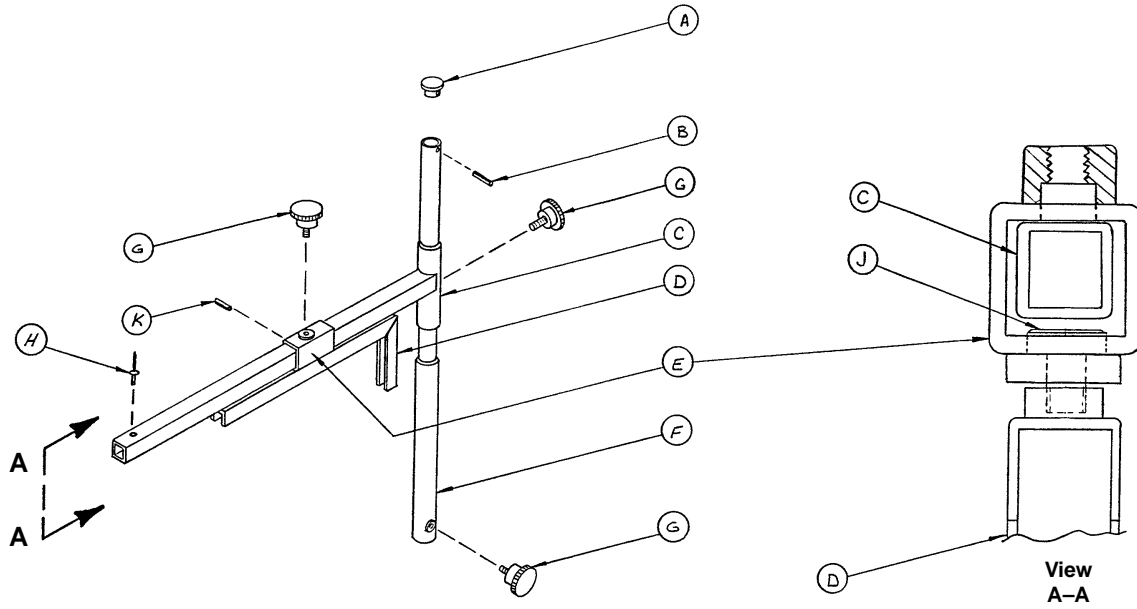
Screws and nuts not identified are existing fasteners on the litter assembly.

1060-70-1 C-Spine Cassette Holder Assembly



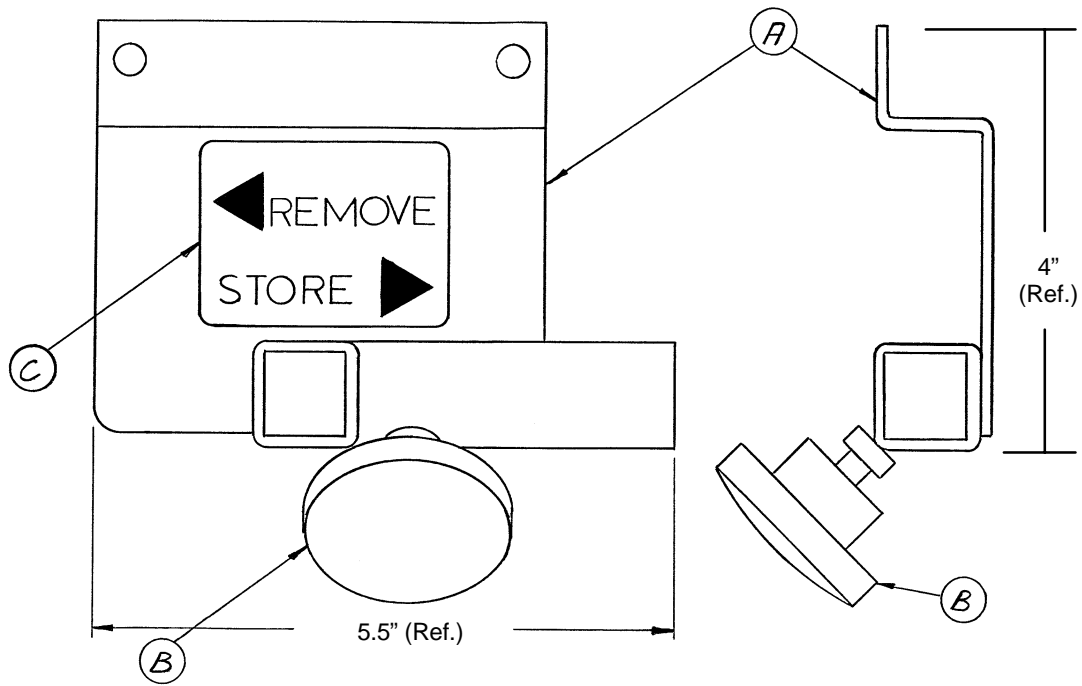
Item	Part No.	Part Name	Qty.
A	(page 65)	Support Pole Assembly	1
B	1060-70-25	I.V. Adaptor	2
C	1010-70-18	Specification Label	1
D	(page 66)	Storage Bracket Assembly	1
E	3-47	Hex Hd. Cap Screw	2
F	37-56	Washer	2
H	16-28	Nylock Nut	2
J	37-55	Cap	2
K	11-2	Washer	2
L	4-75	Soc. Hd. Cap Screw	2

1010-70-10 C-Spine Support Pole Assembly



Item	Part No.	Part Name	Qty.
A	1010-70-33	Support Tube Cap	1
B	26-6	Roll Pin	1
C	1010-70-34	Support Arm Weldment	1
D	1010-70-42	Cassette Holder Weldment	1
E	1010-70-50	Adjustment Tube Weldment	1
F	1010-70-30	Base Tube Weldment	1
G	1010-70-45	Knob	3
H	25-55	Pop Rivet	1
J	1010-70-44	Pivot Pin	1
K	26-5	Roll Pin	1

921-70-19 Storage Bracket Assembly



Item	Part No.	Part Name	Qty.
A	921-70-20	Storage Bracket Weldment	1
B	1010-70-45	Knob	1
C	1010-70-23	Storage Label	1

Warranty

Limited Warranty:

Stryker Medical Division, a division of Stryker Corporation, warrants to the original purchaser that its products should be free from defects in material and workmanship for a period of one (1) year after date of delivery. Stryker's obligation under this warranty is expressly limited to supplying replacement parts and labor for, or replacing, at its option, any product which is, in the sole discretion of Stryker, found to be defective. Stryker warrants to the original purchaser that the frame and welds on its beds will be free from structural defects for as long as the original purchaser owns the bed. If requested by Stryker, products or parts for which a warranty claim is made shall be returned prepaid to Stryker's factory. Any improper use or any alteration or repair by others in such manner as in Stryker's judgement affects the product materially and adversely shall void this warranty. No employee or representative of Stryker is authorized to change this warranty in any way.

This statement constitutes Stryker's entire warranty with respect to the aforesaid equipment. STRYKER MAKES NO OTHER WARRANTY OR REPRESENTATION, EITHER EXPRESSED OR IMPLIED, EXCEPT AS SET FORTH HEREIN. THERE IS NO WARRANTY OF MERCHANTABILITY AND THERE ARE NO WARRANTIES OF FITNESS FOR ANY PARTICULAR PURPOSE. IN NO EVENT SHALL STRYKER BE LIABLE HEREUNDER FOR INCIDENTAL OR CONSEQUENTIAL DAMAGES ARISING FROM OR IN ANY MANNER RELATED TO SALES OR USE OF ANY SUCH EQUIPMENT.

To Obtain Parts and Service:

Stryker products are supported by a nationwide network of dedicated Stryker Field Service Representatives. These representatives are factory trained, available locally, and carry a substantial spare parts inventory to minimize repair time. Simply call your local representative, or call Stryker Customer Service at (800) 327-0770.

Supplemental Warranty Coverage:

Stryker has developed a comprehensive program of extended warranty options designed to keep your equipment operating at peak performance at the same time it eliminates unexpected costs. We recommend that these programs be activated *before* the expiration of the new product warranty to eliminate the potential of additional equipment upgrade charges. Stryker offers the following Supplemental Warranties:

Extended (Parts and Labor)

- All replacement parts (excluding mattresses and consumable items)
- Labor and travel for *all* scheduled and unscheduled calls
- Annual Preventive Maintenance Inspections and repairs
- JCAHO paperwork for preventive maintenance
- Priority Emergency Service

Standard (Labor Only):

- Labor and travel for *all* scheduled and unscheduled calls
- Biannual Preventive Maintenance Inspections and repairs
- JCAHO paperwork for preventive maintenance
- Priority Emergency Service

Basic (Parts Only):

- All replacement parts (excluding mattresses and consumable items)
- Priority Emergency Service

Please call your local representative, or call (800) 327-0770 for further information

Warranty

Return Authorization:

Merchandise cannot be returned without approval from the Stryker Customer Service Department. An authorization number will be provided which must be printed on the returned merchandise. Stryker reserves the right to charge shipping and restocking fees on returned items.

SPECIAL, MODIFIED, OR DISCONTINUED ITEMS NOT SUBJECT TO RETURN.

Damaged Merchandise:

ICC Regulations require that claims for damaged merchandise must be made with the carrier within fifteen (15) days of receipt of merchandise. **DO NOT ACCEPT DAMAGED SHIPMENTS UNLESS SUCH DAMAGE IS NOTED ON THE DELIVERY RECEIPT AT THE TIME OF RECEIPT.** Upon prompt notification, Stryker will file a freight claim with the appropriate carrier for damages incurred. Claim will be limited in amount to the actual replacement cost. In the event that this information is not received by Stryker within the fifteen (15) day period following the delivery of the merchandise, or the damage was not noted on the delivery receipt at the time of receipt, the customer will be responsible for payment of the original invoice in full.

Claims for any short shipment must be made within thirty (30) days of invoice.



6300 Sprinkle Road, Kalamazoo, MI 49001-9799

(800) 327-0770