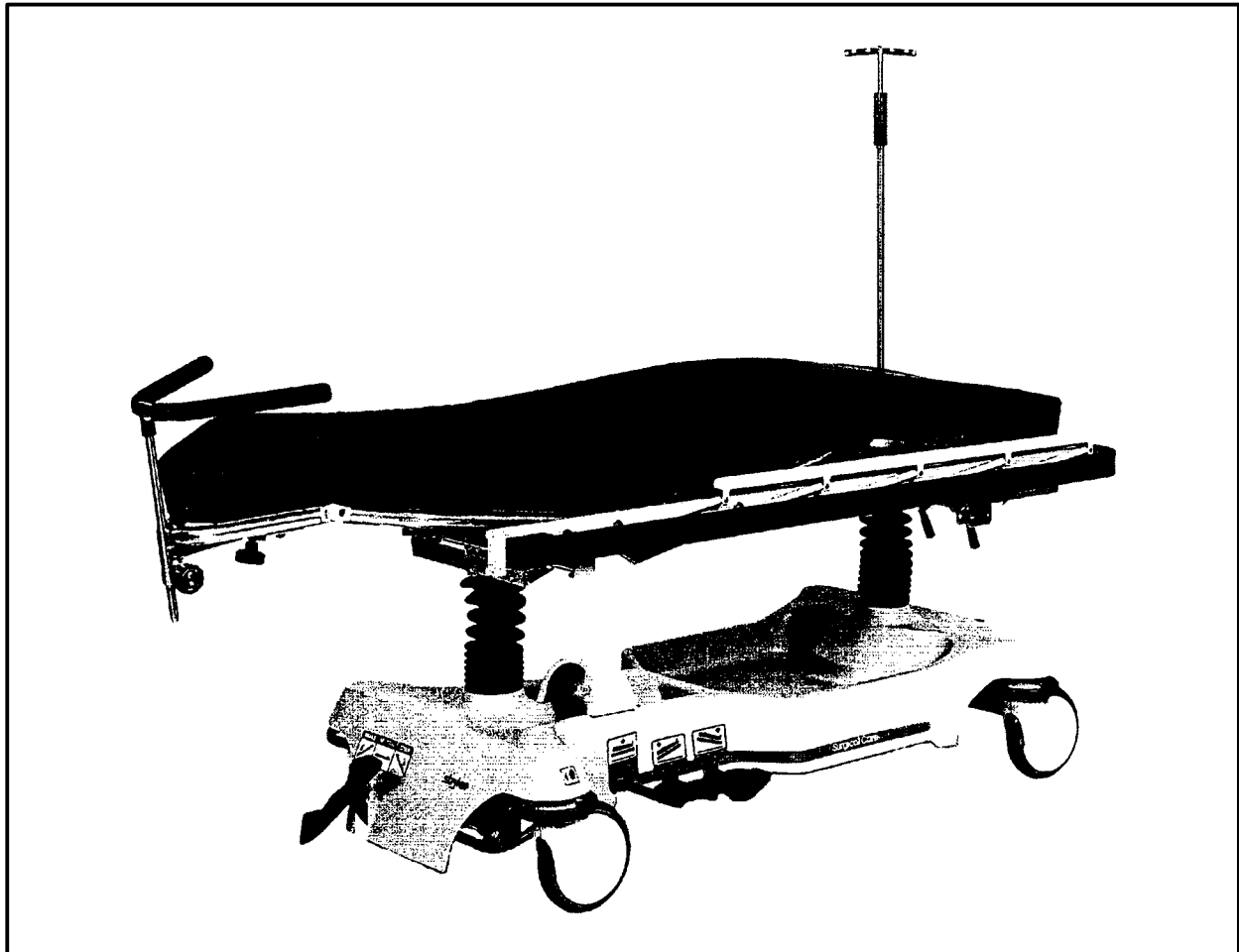


---

**IMPORTANT**  
File in your  
maintenance  
records

**stryker**<sup>®</sup>  
Medical



---

## **Renaissance Series**

**1067 Head/Neck Surgery Bed**

### **MAINTENANCE MANUAL**

For Parts or Technical Assistance  
1-800-327-0770

---

# Table of Contents

---

## Introduction

Specifications	2
Warning / Caution / Note Definition	2

## Preventative Maintenance

Cleaning	3
Checklist	3

## Service Information

Pedal Linkage Adjustment – Dual Side Control Base	4
Pedal Linkage Adjustment – Dual End Control Base	5
Caster Assembly Replacement	6
Caster Cover Installation and Removal	7
Hydraulic System Troubleshooting	8
Checking Hydraulic Fluid Level	9
Removing Excess Air From The Hydraulic System	9
Jack Descent Rate Adjustment	10
Hydraulic Check Valve Replacement	
Replacement Of Valve #1	11
Replacement Of Valve #2	12
Replacement Of Valve #3	12
Brake Adjustment	13
Base Lubrication Points	13

## Assembly Drawings And Parts Lists

Side Control Base Assembly	14–16
Pedal Base Assembly, Pump	17
Pedal Base Assembly, Head End, Left and Right	18
End Control Base Assembly	19–21
End Control Brake Pedal Assembly, Foot and Head	22
End Control Pump Pedal Assembly, Head and Foot	23
Brake Adjuster Assembly	24
Brake Cam Assembly	25
Jack Assembly	26
Jack Base Assembly	27
Caster Assembly with Steerlock	28
Fifth Wheel Assembly	29
End Control Stretcher Base Labeling Assembly	30
End Control Stretcher Graphics	30.1
Side Control Stretcher Graphics	30.2
Side Control Stretcher Base Labeling Assembly	31
Litter Assembly, Manual Fowler, Stationary Foot End	32
Basic Frame Assembly, Stationary Foot End	33
Manual Fowler Assembly	34
Litter Assembly, Crank Fowler, Crank Knee Gatch	35
Basic Frame Assembly, Crank Knee Gatch	36
Crank Fowler Assembly	37
Fowler Crankscrew Assembly	38
Knee Gatch Assembly	39
Knee Gatch Crankscrew Assembly	40
Litter Assembly, Articulating Man. Fowler, Stat. Foot End	41
Articulating Manual Fowler Assembly	42
Litter Assembly, Articulating Crank Fowler, Crank Gatch	43
Articulating Crank Fowler Assembly	44
Siderail Assembly, Left & Right	45
Siderail and Bumper Assembly, Left	46
Siderail and Bumper Assembly, Right	47
Folding I.V. Holder Assembly	48
Foot Board/Chartholder Assembly	49
Defibrillator Tray Assembly	50
Wrist Rest Assembly	51
Wrist Rest Mounting Tube Assembly	52
Inflatable Air System Head Pad	53

## Replacement Parts

	54
--	----

## Warranty

Obtaining Parts and Service	55
Supplemental Warranty Coverage	55
Return Authorization	56
Freight Damage Claims	56

# Introduction

---

## INTRODUCTION

This manual is designed to assist you with the operation and maintenance of the 1067 Head/Neck Surgery Bed. Read it thoroughly before using the equipment or beginning any maintenance on it.

## SPECIFICATIONS

Maximum Weight Capacity	500 pounds
Overall Bed Length/Width	84"/28.25"
Minimum/Maximum Bed Height	24.5"/37.5"
Fowler Angle	0 to 90 degrees
Knee Gatch Angle	0 to 35 degrees
Trendelenburg/Reverse Trendelenburg	-12 degrees to +18 degrees

## WARNING / CAUTION / NOTE DEFINITION

The words WARNING, CAUTION and NOTE carry special meanings and should be carefully reviewed.

---

### WARNING

The personal safety of the patient or user may be involved. Disregarding this information could result in injury to the patient or user.

---

### CAUTION

These instructions point out special procedures or precautions that must be followed to avoid damaging the equipment.

### NOTE

This provides special information to make maintenance easier or important instructions clearer.

---

### WARNING

Patients should be discouraged from sitting directly on the ends of the stretcher. Excessive weight will cause the litter surface to tip up, possibly causing patient injury.

---

# Preventative Maintenance

---

## CLEANING

1. Hand wash all surfaces of the bed with warm water and mild detergent. Dry thoroughly.
2. Clean Velcro **AFTER EACH USE**. Saturate Velcro with disinfectant and allow disinfectant to evaporate. (Appropriate disinfectant for nylon Velcro should be determined by the hospital.)

## NOTE

Quaternary Germicidal Disinfectants, used as directed, and/or Chlorine Bleach products, typically 5.25% Sodium Hypochlorite in dilutions ranging between 1 part bleach to 100 parts water, and 2 parts bleach to 100 parts water are not considered mild detergents. These products are corrosive in nature and may cause damage to your stretcher if used improperly. If these types of products are used to clean Stryker patient handling equipment, measures must be taken to insure the stretchers are rinsed with clean water and thoroughly dried following cleaning. Failure to properly rinse and dry the stretchers will leave a corrosive residue on the surface of the stretcher, possibly causing premature corrosion of critical components. Failure to follow the above directions when using these types of cleaners may void this product's warranty.

## BIANNUAL CHECKLIST

- \_\_\_\_\_ All fasteners and knobs secure (reference all assembly prints)
- \_\_\_\_\_ Siderails move and latch properly
- \_\_\_\_\_ All casters lock with brake pedal engaged (page 13)
- \_\_\_\_\_ Steer function working properly
- \_\_\_\_\_ All casters secure and swivel properly
- \_\_\_\_\_ Body restraints working properly
- \_\_\_\_\_ I.V. pole intact and operating properly (page 48)
- \_\_\_\_\_ Oxygen bottle holder intact and operating properly
- \_\_\_\_\_ Fowler operates and latches properly
- \_\_\_\_\_ Knee Gatch operates properly (page 39)
- \_\_\_\_\_ Trendelenberg/Reverse Trendelenberg operating properly
- \_\_\_\_\_ No rips or cracks in mattress cover
- \_\_\_\_\_ Ground chain intact
- \_\_\_\_\_ No leaks at hydraulic connections
- \_\_\_\_\_ Hydraulic jacks holding properly (page 8)
- \_\_\_\_\_ Hydraulic drop rate set properly (page 10)
- \_\_\_\_\_ Hydraulic oil level sufficient (page 9)
- \_\_\_\_\_ Lubricate where required, including the brake adjuster assembly and brake cam (page 13)

Serial No. \_\_\_\_\_

\_\_\_\_\_

\_\_\_\_\_

\_\_\_\_\_

\_\_\_\_\_

Completed By: \_\_\_\_\_

Date: \_\_\_\_\_

# Service Information

## PEDAL LINKAGE ADJUSTMENT – DUAL SIDE CONTROL BASE

### Required Tools:

3/32 Hex Allen Wrench

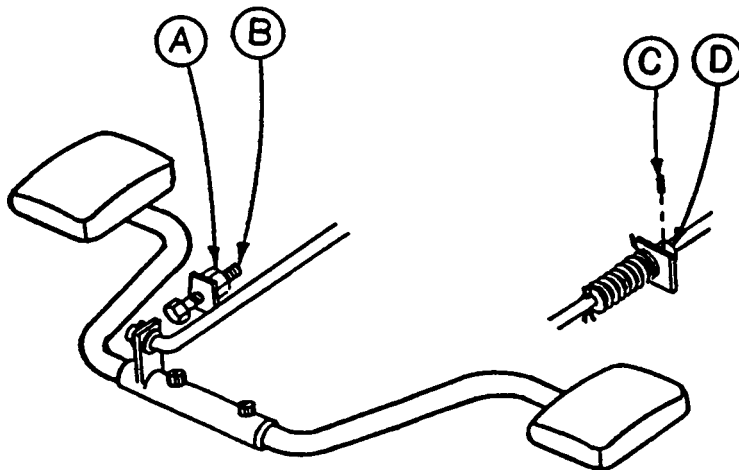
7/16 Open End Wrench

1/2 Open End Wrench

(2) Wooden blocks (10 – 12 inches in length)

### Adjustment Procedure:

1. Pump the litter up to full height.
2. Lift the base hood, separating the hood from the base frame. Using the wooden blocks, support the base hood.
3. To adjust the foot end descent pedal, use a 5/32 hex Allen wrench to loosen the set screw (C) in the stop collar (D) on the release rod. Hold the pedal parallel to the floor and slide the collar up to the bracket on the release rod. Tighten the set screw on the stop collar. Be sure the head end and foot end descent pedals are level with each other. Repeat for the head end pedal, if necessary.
4. Once the pedals are level, be sure the paddle on the end of the release rod for the foot end jack is slightly touching the actuating stem on the jack base. If it is not, use a 3/32 hex Allen wrench to loosen the set screw on the paddle hub. Adjust the paddle to **JUST** touch the stem of the jack. Tighten the set screw in the paddle hub. Repeat for the head end jack, if necessary.
5. Depress the pedal for the foot end jack. The jack should start to descend about the same time the paddle on the end of the rod contacts the sleeve on the jack actuating stem. The bracket on the foot pedal body should hit the stop screw (B). Any further movement could cause damage to the stem components inside the jack housing. To adjust the stop screw, use a 1/2 open end wrench to loosen the hex jam nut (A). Turn the screw and re-tighten the hex jam nut. Repeat for the head end jack.
6. Pump the litter up to full height.
7. Step on both descent pedals at the same time. Both ends of the litter should lower with the foot end lowering slightly faster than the head end. If it does not, refer to the procedure for adjusting the jack descent rate.
8. Remove the wooden blocks supporting the base hood. Use the pedal cut-outs on the side of the hood as a guide for proper re-positioning.



# Service Information

## PEDAL LINKAGE ADJUSTMENT – DUAL END CONTROL BASE

### Required Tools:

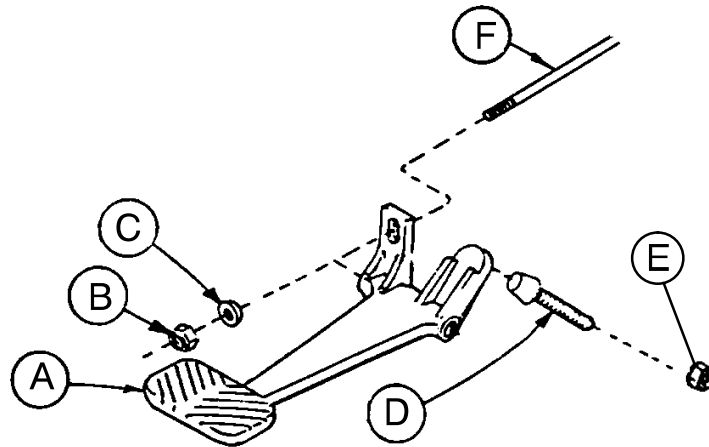
7/16 Open End Wrench

1/2 Open End Wrench

(2) Wooden Blocks (10 – 12 inches in length)

### Adjustment Procedure:

1. Pump the litter up to full height.
2. Lift the base hood, separating the hood from the base frame. Using the wooden blocks, support the base hood.
3. The descent pedals should be level with each other and there should be approximately 4 inches between the floor and the bottom of the pedal. To raise the pedal height, use a 1/2 open end wrench to loosen the hex jam nut (E). Using your hand, turn the screw (D) into the bracket. To lower the pedal height, loosen the screw. Tighten the hex jam nut (E) after the correct height is achieved.
4. Once the pedals are level, the release rod can be adjusted. Using a 7/16 wrench, turn nut (B) clockwise to shorten the release length and counterclockwise to increase the length.
5. Depress the pedal and be sure the jack descent is triggered when the pedal is approximately one inch from the floor. The descent should stop when the pedal is released and the jack height should hold. Repeat the above procedures for the descent pedal at the other end of the bed.
6. After adjusting each descent pedal individually, depress both pedals at the same time. Both jacks should start descending when the pedals are approximately one inch from the floor. The foot end should lower slightly faster than the head end. If it does not, see procedure for adjusting the jack descent rate.
7. Remove the wooden blocks supporting the base hood and secure the hood to the base frame.



# Service Information

## CASTER ASSEMBLY REPLACEMENT\*

### Required Tools:

1/8 Roll Pin Punch

Flat Punch (any size larger than 1/8)

Needle Nose Pliers

3/4 Inch Wrench

1 Inch Wrench

Drill with 1/8 inch Drill Bit

Hammer

Floor Jack

(2) Wooden Blocks (10 – 12 inches in length)

Torque Wrench (w/ Ft. Lbs. Adjust.)

### Replacement Procedure:

1. Pump the litter up to full height.
2. Lift the base hood, separating the hood from the base frame. Using the wooden blocks, support the base hood.
3. Using a 1/8 roll pin punch and hammer, remove roll pin located in center of lug nut holding wheel assembly to base frame.
4. Carefully remove plastic wheel covers.
5. Using a floor jack, lift base frame approximately 4 inches off the ground.
6. While holding cap screw with a 3/4 inch wrench, turn lug nut with a 1 inch wrench to loosen wheel assembly from base frame. Remove wheel.
7. Install the new wheel assembly with new lug nut and tighten down to 60 – 65 foot-pounds torque.

### WARNING

Never reuse the old lug nut, cap screw or roll pin once removed from base frame.

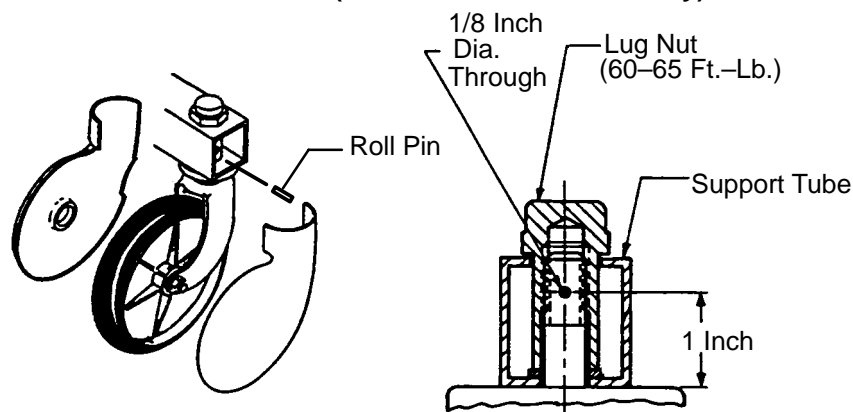
8. Lower the floor jack and set aside to be used, if needed, with another wheel.
9. Drill a 1/8 hole in center of lug nut, going completely through the lug nut.

### CAUTION

Be careful not to "oblong" the hole in the lug nut when drilling.

10. Using needle nose pliers, hold on to roll pin and tap into place. Finish driving roll pin with a flat head punch and a hammer until flush with the lug nut.
11. Install plastic wheel covers onto wheel.
12. Remove the wooden blocks supporting the base hood and secure the hood to the base frame.

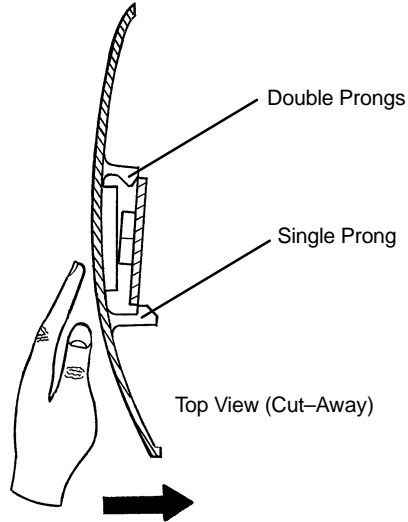
### \*Replacement Part Number 715-100-127 (Caster and Cover Assembly)



# Service Information

## CASTER COVER INSTALLATION AND REMOVAL

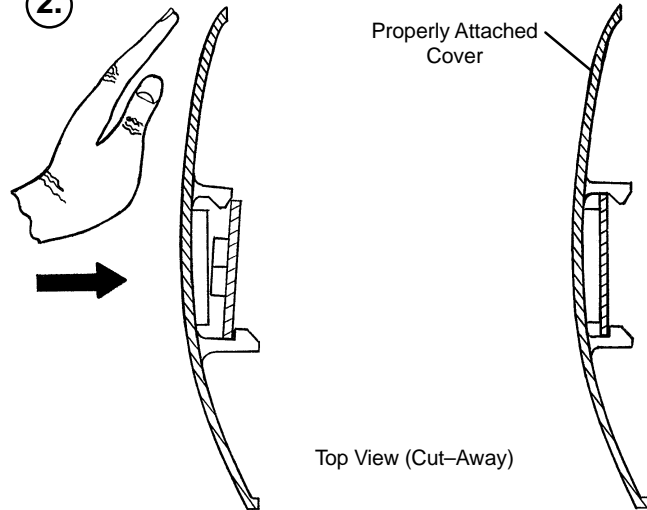
1.



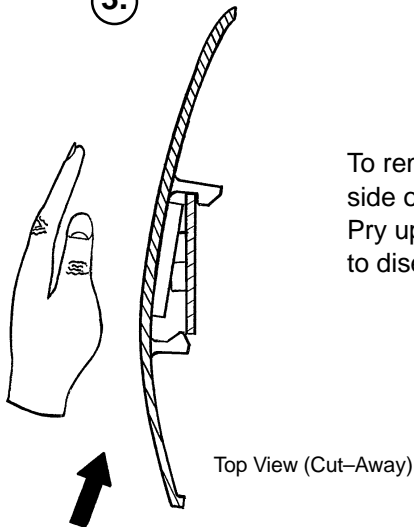
Looking through the larger of the two side cut-outs, align cover with axle nut or bolt head, as shown. Push down on the opposite side of the cover until single prong engages with caster horn.

Push with palm on cover until double prongs engage.

2.



3.



To remove wheel cover, insert large screwdriver into cut-out in side of wheel cover and into the space between the double prongs. Pry up cover to disengage double prongs and push sharply upward to disengage single prong.



# Service Information

---

## HYDRAULIC SYSTEM TROUBLESHOOTING

### NOTE

Be sure the pedal linkage has been adjusted properly before beginning service on the jacks (see page 4 or page 5).

PROBLEM/SYMPTOM	SOLUTION
Jack will not raise to full height.	Add hydraulic fluid (see p.9). Check for leaks.
Jack will not hold in raised position.	Close the needle valve completely. If the jack holds, replace valve #1 (see p. 11). If the jack does not hold, replace valve #2 (see p. 12).
Jack will not pump up and the jack actuator rod <b>does not</b> move.	Close the needle valve. If the jack will now pump up, replace valve #1. If the jack still will not pump up after closing the needle valve, replace valve #3 (see p. 12).
Jack will not pump up but the jack actuator rod <b>does</b> move when the pump pedal is activated.	Replace valve #2 (see p. 12).
Jack will not pump up and the jack actuator rod may or may not move.	Remove excess air (vacuum) in system (see p. 9).

Contact Stryker technical service at 1-800-327-0770 for further assistance.

# Service Information

---

## CHECKING HYDRAULIC FLUID LEVEL

### Required Tools:

3/8 Open End Wrench

3/4 Open End Wrench

### Procedure:

---

#### WARNING

To avoid personal injury or damage to the stretcher, remove the litter and the base hood before beginning service on the jacks.

---

1. Using a 3/8 open end wrench, remove square head set screws from both head and foot end jack support tubes. Remove litter top and set aside.
  2. Lift base hood off base frame and set aside.
  3. Be sure there are no hydraulic leaks. If there are, jack replacement will be necessary.
  4. Lower the jack to the full down position.
  5. Using a 3/4 open end wrench, slowly turn the fill plug located on the side of the reservoir counterclockwise to allow excess system pressure to vent. Remove the fill plug.
  6. The hydraulic fluid should be visible at the bottom of the fill hole. If it is not, add Mobil Aero HFA hydraulic fluid (Stryker part number 2020-70-475) until the fluid is visible at the bottom of the fill hole. Replace the fill plug.
- 

#### CAUTION

---

Use of other types of oil may damage hydraulic units.

7. Replace the hood and the litter.

## REMOVAL OF EXCESS AIR (VACUUM) FROM THE HYDRAULIC SYSTEM

### Procedure:

1. Verify all hydraulic linkages are secure and operating properly (see pedal linkage adjustment procedure page 4 or 5).
2. Using pump pedal, actuate system several times. This will force the air through the system and the jack should now pump up.

# Service Information

---

## **JACK DESCENT RATE ADJUSTMENT**

### **Required Tools:**

Screwdriver

(2) Wooden Blocks (10 – 12 inches in length)

### **Adjustment Procedure:**

1. Pump the litter up to full height.
2. Lift the base hood, separating the hood from the base frame. Using the wooden blocks, support the base hood.
3. The descent rate needle valve is located on the base of the jack. Turning the needle valve clockwise, with a screwdriver, will decrease the rate of descent. Turning it counterclockwise will increase the rate of descent.
4. Adjust the needle valve so that the foot end of the stretcher descends slightly faster than the head end.

### **NOTE**

The larger percentage of a patient's weight is located in the torso area. Adjust descent rate accordingly.

5. Remove the wooden blocks supporting the base hood and secure the hood to the base frame.

### **NOTE**

The jack descent rate was preset at the factory to drop the foot end faster than the head. It is recommended that the foot drop faster to avoid patient disorientation.

# Service Information

## HYDRAULIC CHECK VALVE REPLACEMENT

### Required Tools:

3/8 Open End Wrench  
3/4 Open End Wrench  
7/32 Hex Allen Wrench

Stiff Wire (with bent, pointed end)  
Torque Wrench (with Ft. Lbs. adjust.)  
1/2 Inch Diameter Rod

Small Needle Nose Pliers

### Replacement of Valve #1

#### WARNING

To avoid personal injury or damage to the stretcher, remove the litter and the base hood before beginning service on the stretcher.

1. Using a 3/8 open end wrench, remove square head set screws from both head and foot end jack support tubes. Remove litter top and set aside.
2. Lift base hood off base frame and set aside.
3. Lower the jack to full down position. The actuator must be manually lowered while depressing the appropriate release pedal.
4. Remove the pin body assembly (4) with a 3/4 open end wrench and discard the housing gasket (5).

#### NOTE

Although the hydraulic fluid is not under pressure, some fluid loss will occur. The fluid loss should be minimal but covering the floor is advisable.

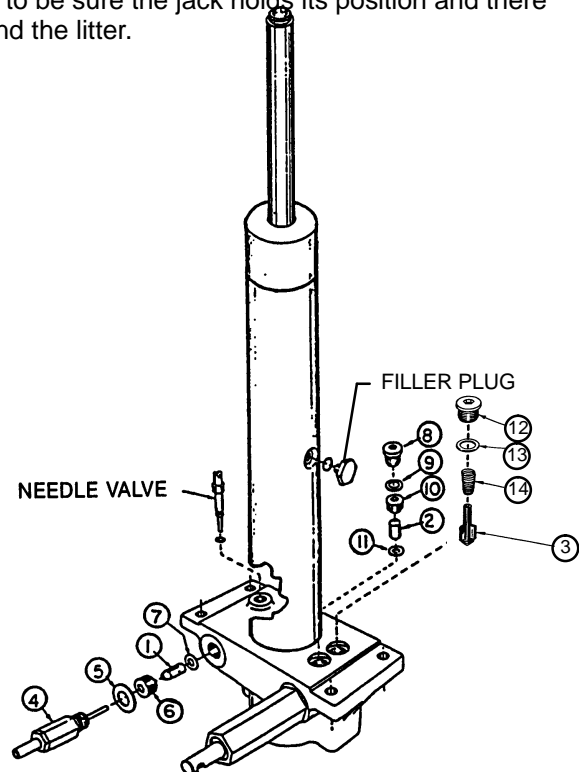
5. Using a 7/32 hex Allen wrench, remove the valve plug (6).
6. Using a stiff wire with a bent, pointed end, remove and discard the valve (1) and the seal (7).
7. Install the new seal (7) flat to the bottom of its hole with a 1/2 inch diameter rod and install the new valve (1) with the beveled end out (as shown in the illustration).
8. Install the valve plug (6) with the countersunk end first and the beveled end out. Tighten to 10 foot pounds torque.
9. Install the pin body assembly (4) with the new housing gasket (5) and tighten to 10 foot pounds torque.
10. Pump up the jack to the maximum height. Apply weight to be sure the jack holds its position and there are no hydraulic leaks before replacing the base hood and the litter.

ITEM	PART NO.	PART NAME
1	926-20-153	Check Valve
2	926-20-153	Check Valve
3	715-1-341	Poppet
4	715-100-312	Pin Housing Assembly*
	715-270-100	Valve Assembly**
5	715-1-330	Housing Gasket
6	715-1-309	Valve Plug
7	926-20-154	Seal
8	715-1-101	Base Plug
9	926-20-156	Seal
10	715-1-309	Valve Plug
11	926-20-154	Seal
12	715-1-301	Base Plug
13	926-20-156	Seal
14	390-2-134	Conical Comp. Spring

\* Used on jack part number 715-100-310.

\*\* Used on jack part number 715-270-10.

(see label on side of jack reservoir for jack part number)



# Service Information

---

## HYDRAULIC CHECK VALVE REPLACEMENT (CONT'D)

### Replacement of Valve #2

---

#### **WARNING**

To avoid personal injury or damage to the stretcher, remove the litter and the base hood before beginning service on the jacks. Lower the jack rod completely to relieve the pressure on the pump piston side of the jack. This will prevent large hydraulic fluid loss and possible damage when the base plugs are removed.

---

1. Remove the base plug (8) and discard the seal (9).
2. Remove the valve plug (10).
3. Using a stiff wire with a bent, pointed end, remove the valve (2) and the seal (11) and discard the seal.
4. Install the new seal (11) flat to the bottom of its hole with a 1/2" diameter rod.
5. Install the new valve (2) with the beveled end out (as shown in the illustration).
6. Install the valve plug (10) and tighten to 10 foot-pounds torque.
7. Install the new seal (9) with the base plug (8) and tighten to 10 foot-pounds torque.
8. Pump up the jack to the maximum height.
9. Be sure there are no hydraulic leaks before replacing the base hood and the litter.

### Replacement of Valve (Poppet) #3

---

#### **WARNING**

To avoid personal injury or damage to the stretcher, remove the litter and the base hood before beginning service on the jacks. Lower the jack rod completely to relieve the pressure on the pump piston side of the jack. This will prevent large hydraulic fluid loss and possible damage when the base plugs are removed.

---

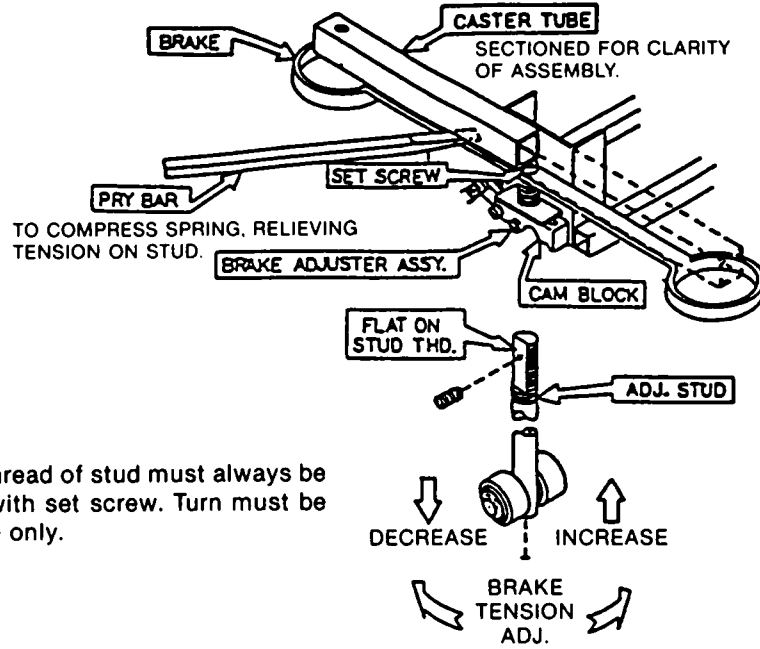
1. Remove the base plug (12) and discard the seal (13).
2. Remove the compression spring (14).
3. Using a small needle nose pliers, remove the poppet (3).
4. Install the new poppet (3).
5. Install the compression spring (14).
6. Install the new seal (13) and the base plug (12) and tighten to 10 foot-pounds torque.
7. Pump up the jack to the maximum height to check its operation.
8. Check for hydraulic leaks before replacing the base hood and the litter.

# Service Information

## BRAKE ADJUSTMENT

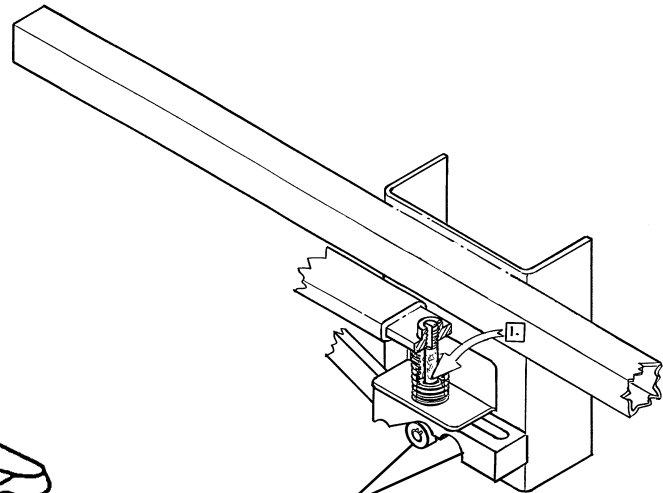
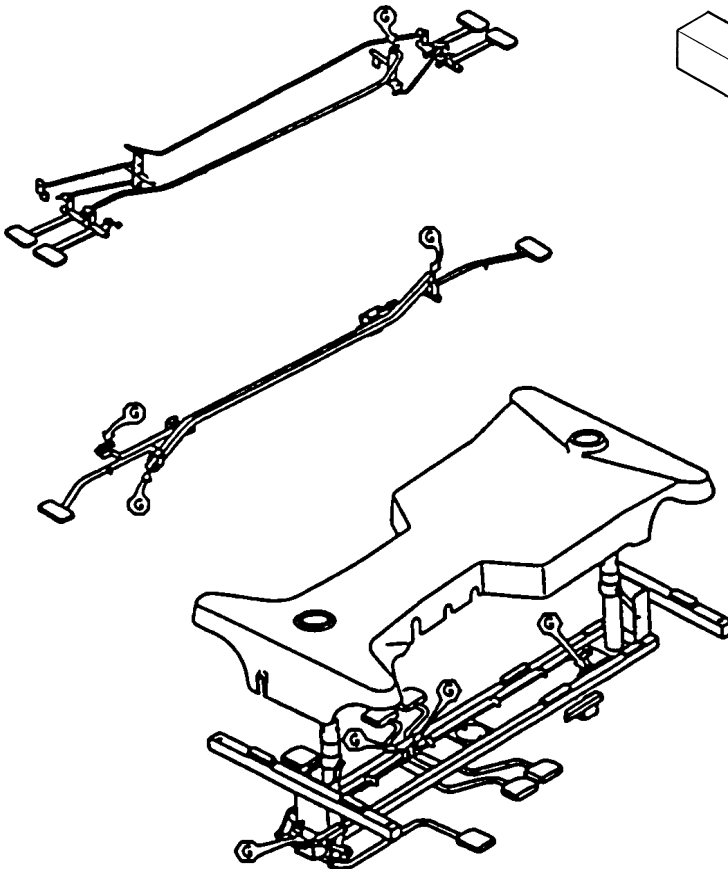
### Required Tools:

- 3/32" Hex Allen Wrench
- Pry Bar
- Thread "Locktite"



Flat on thread of stud must always be aligned with set screw. Turn must be full circle only.

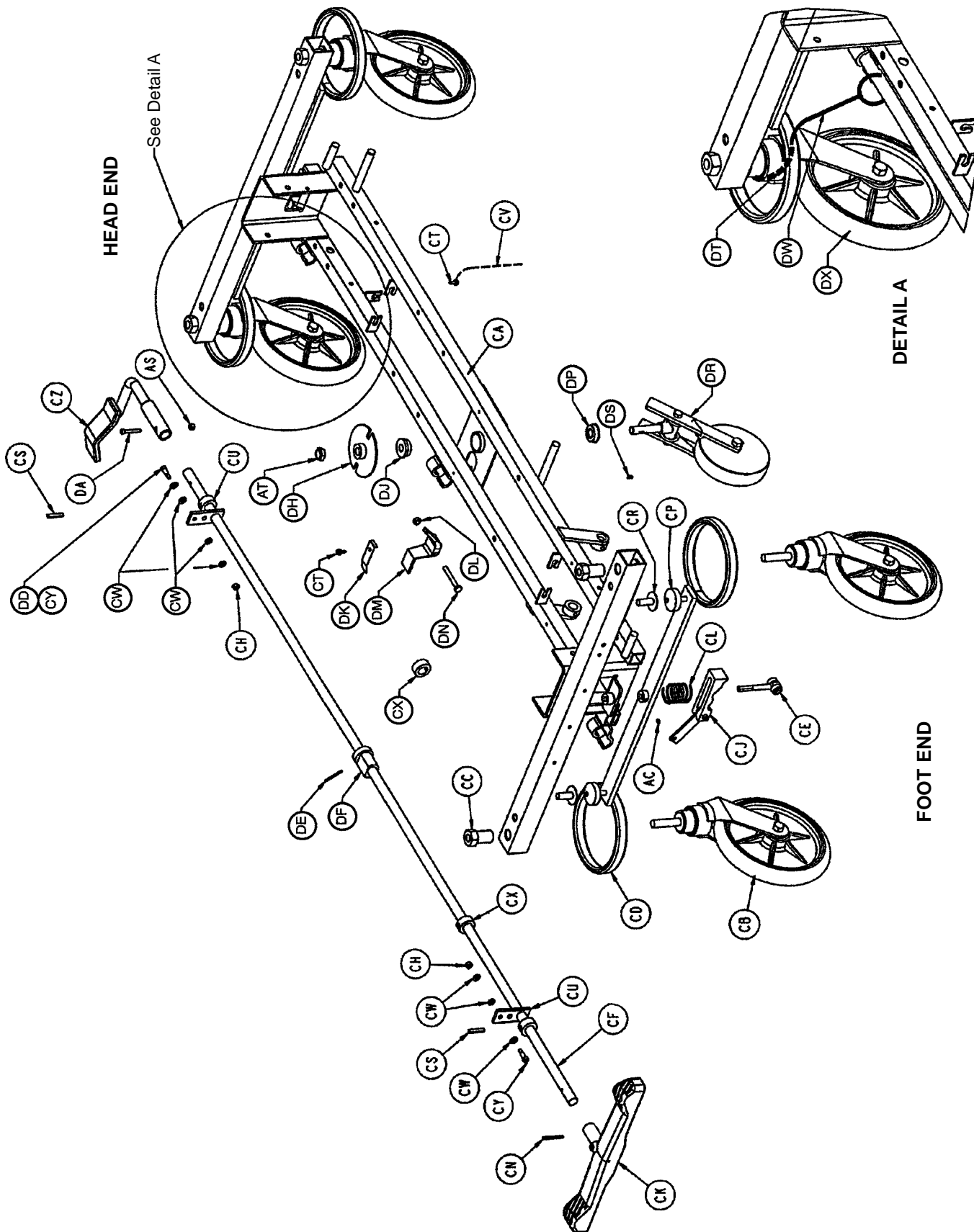
## BASE LUBRICATION



Do not grease area shown.

1. Lubricate brake adjuster rod around area shown with MPG-2 grease or equivalent.

# 1067-1-10 Side Control Base Assembly



# 1067-1-10 Side Control Base Assembly

Item	Part No.	Part Name	Qty.	Item	Part No.	Part Name	Qty.
A	1210-1-104	Pump Pedal Link Ass'y	1	BD	715-1-140	Raufilam Braid Tubing	1
B	(Page 27.1)	Jack Assembly	2	CA	1210-1-120	Base Weldment	1
C	11-262	Flat Washer	12	CB	715-2-20	Caster Assembly	4
D	3-62	Hex Hd. Cap Screw	8	CC	715-1-158	Caster Nut	4
E	11-3	Flat Washer	12	CD	715-1-61	Caster Brake Assembly	2
F	16-36	Nylock Hex Nut	16	CE	(Page 24)	Brake Adjuster Assembly	2
H	715-1-192	Jack Support	2	CF	1068-1-45	Brake/Steer Rod	1
J	3-85	Hex Hd. Cap Screw	8	CH	16-2	Fiberlock Nut	2
K	52-284	Spacer	3	CJ	(Page 25)	Brake Cam Assembly	2
L	715-1-193	Jack Support Clamp	2	CK	715-201-201	Brake/Steer Pedal	1
M	13-38	Ext. Tooth Lock Washer	4	CL	715-1-94	Compression Spring	2
N	1210-1-115	Pedal Pivot, Right	1	CM	921-1-282	Serial No. Label	1
P	1210-1-114	Pedal Pivot, Left	1	CN	26-261	Groove Pin	1
R	763-1-16	Spring Holder	1	CP	715-1-11	Brake Cushion	4
S	38-246	Jack Spring	1	CR	946-1-116	Brake Bar Bushing	4
T	715-1-133	Collar	1	CS	26-13	Roll Pin	2
W	1210-1-127	Pump Connect. Rod Ass'y	1	CT	23-25	Self-Tapping Screw	2
Y	4-146	Hex Socket Hd. Cap Screw	2	CU	715-1-165	Actuator Plate Assembly	2
Z	16-48	Nylock Hex Nut	2	CV	715-1-156	Grounding Chain	1
AA	715-1-333	Release Rod Stop Sleeve	2	CW	14-2	Nylon Washer	7
AB	715-1-346	Release Paddle	1	CX	42-20	Collar w/ Set Screw	2
AC	21-119	Set Screw	1	CY	8-17	Soc. Hd. Cap Screw	2
AD	5050-1-222	Head End Linkage	1	CZ	(page 22)	Brake Pedal	1
AE	11-4	Washer	1	DA	4-160	Soc. Hd. Cap Screw	1
AF	52-245	Nyliner	3	DB	715-1-266	Caster Cover, Left	4
AH	3-47	Hex Hd. Cap Screw	4	DC	715-1-265	Caster Cover, Right	4
AJ	16-28	Hex Nut	4	DD	8-21	Soc. Hd. Cap Screw	1
AK	52-747	Bearing	4	DE	26-8	Roll Pin	1
AL	27-4	Cotter Pin	2	DF	715-1-161	Fifth Wheel Cam	1
AM	(page 18)	Side Release Pedal Ass'y	2	DH	715-1-337	Fifth Wheel Plate Assembly	1
AN	1210-1-139	Release Rod Weldment	1	DJ	715-1-157	Fifth Wheel Bearing	1
AP	1210-1-134	Rel. Pedal Linkage Wldmt.	1	DK	715-1-136	Fifth Wheel Spring	1
AR	1210-1-138	Release Rod Clamp	1	DL	16-16	Fiberlock Nut	1
AS	16-3	Fiberlock Nut	1	DM	715-1-217	Fifth Wheel Latch	1
AT	16-49	Flexlock Nut	1	DN	3-20	Hex Hd. Cap Screw	1
AW	(Page 17)	Pedal Base Assembly	1	DP	81-219	Fifth Wheel Bearing	1
AY	715-1-92	Pump Pedal Shaft	1	DR	(Page 29)	Fifth Wheel Assembly	1
AZ	715-1-134	Bellows	2	DS	715-1-149	Woodruff Key	1
BA	1068-1-110	Hood Assembly	1	DT	38-211	Spring	1
BB	21-22	Set Screw	2	DW	1000-10-62	Steer Lock Linkage Bar	1
BC	27-7	Cotter Pin	2	DX	(Page 28)	Steering Caster Assembly	1

P/N 715-259-400 – Kit to replace 4 standard caster assemblies with necessary hardware – no caster covers.

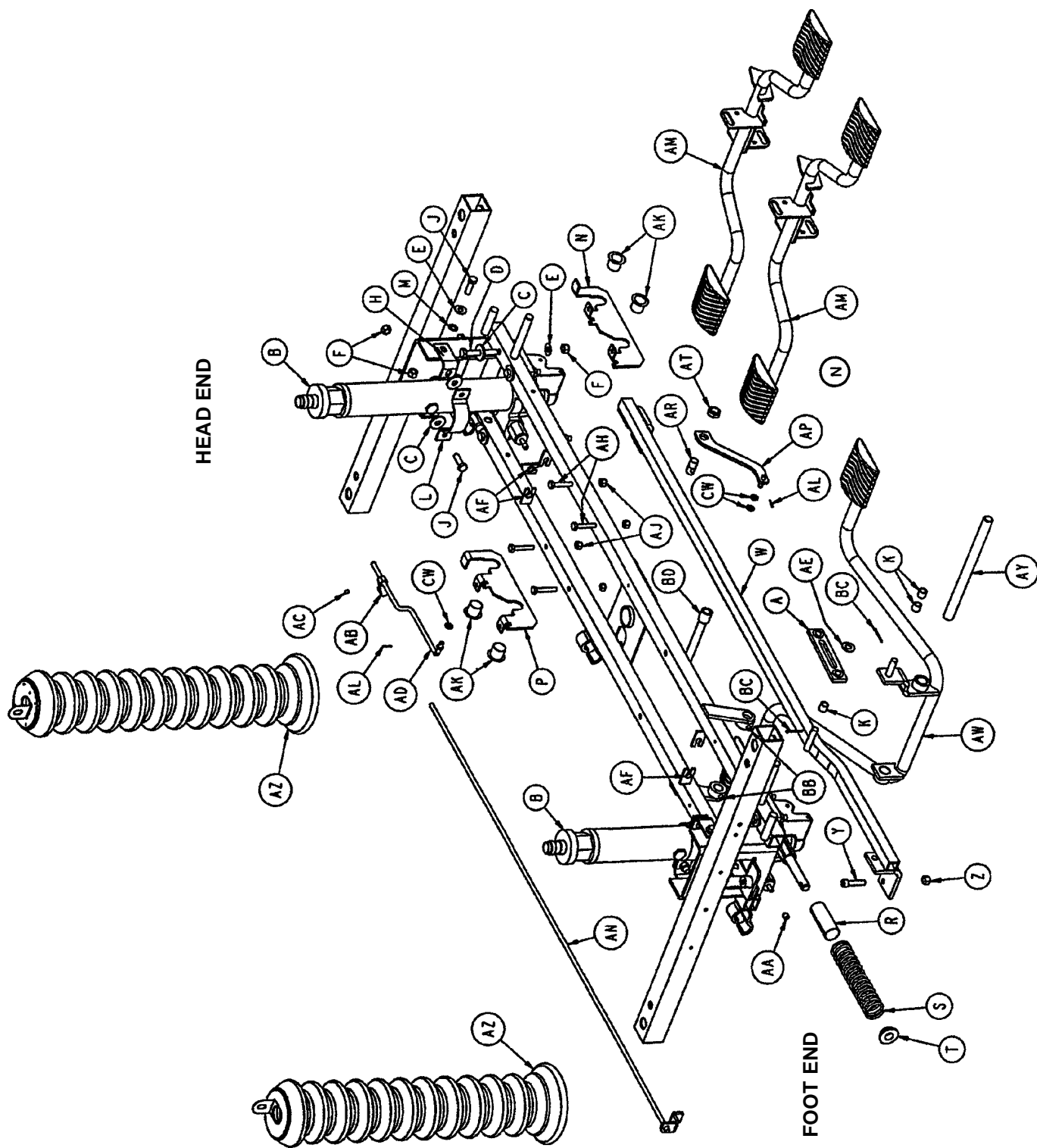
P/N 715-269-400 – Kit to replace 3 standard caster assemblies and 1 steerlock caster with necessary hardware – no caster covers.

P/N 715-259-100 – Kit to replace 1 standard caster assembly with necessary hardware – no caster covers.

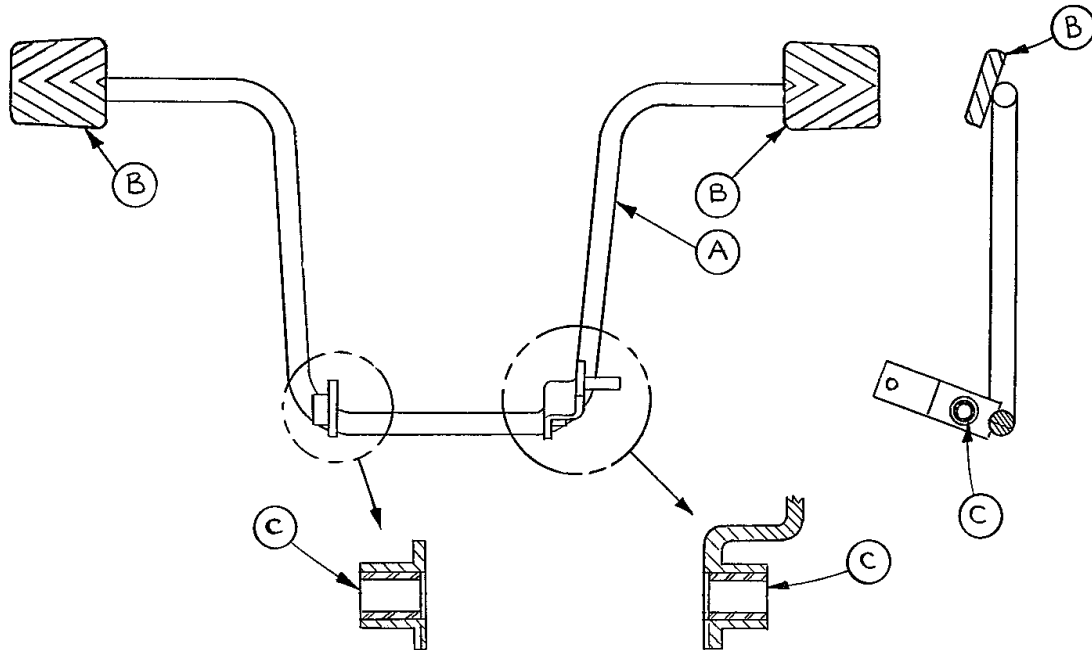
P/N 1010-56-200 – Kit to replace both caster covers on all four wheels.



# 1067-1-10 Side Control Base Assembly



# 715-1-108 Pedal Base Assembly, Pump

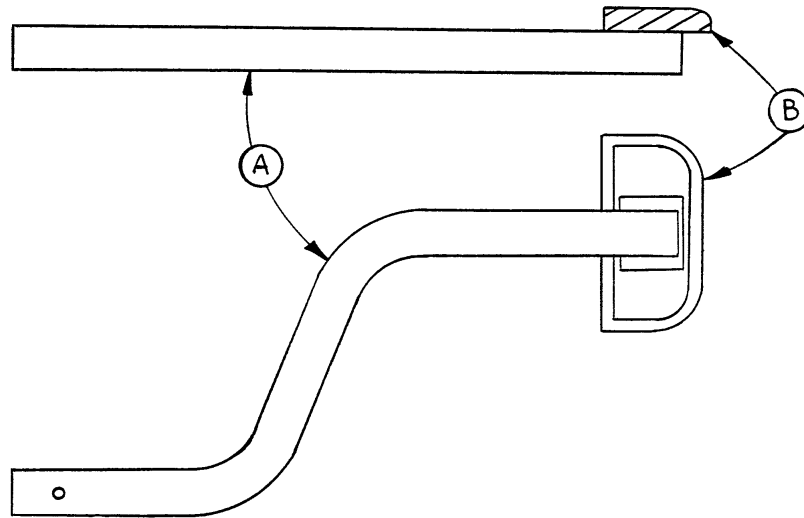


Item	Part No.	Part Name	Qty.
A	715-1-83	Pedal Ass'y Weldm't, Pump	1
B	715-1-126	Side Control Pedal Pad	2
C	81-44	Bearing, Bronze	2

## NOTE

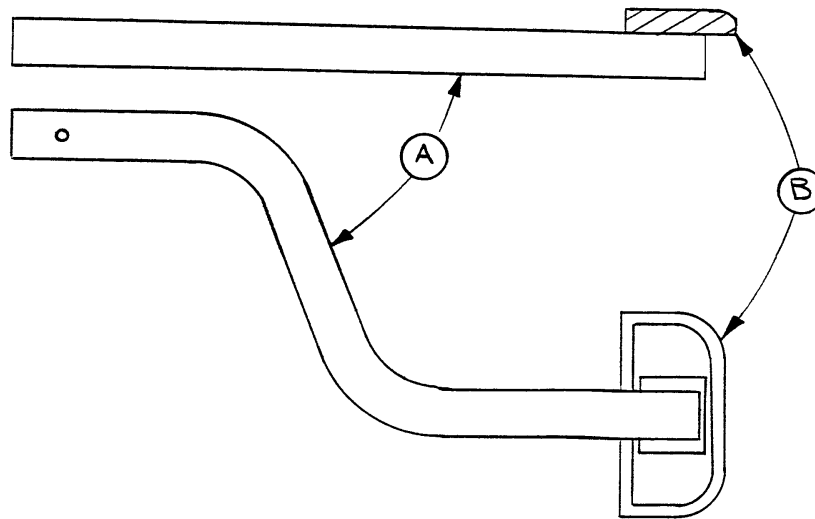
Apply plastic adhesive to the mating surfaces of item B prior to assembly.

## 715-1-109 Pedal Base Assembly, Left



Item	Part No.	Part Name	Qty.
A	715-1-98	Release Ped. Wldmt., Hd. Lt.	1
B	721-40-25	Pedal	1

## 715-1-110 Pedal Base Assembly, Head End, Right

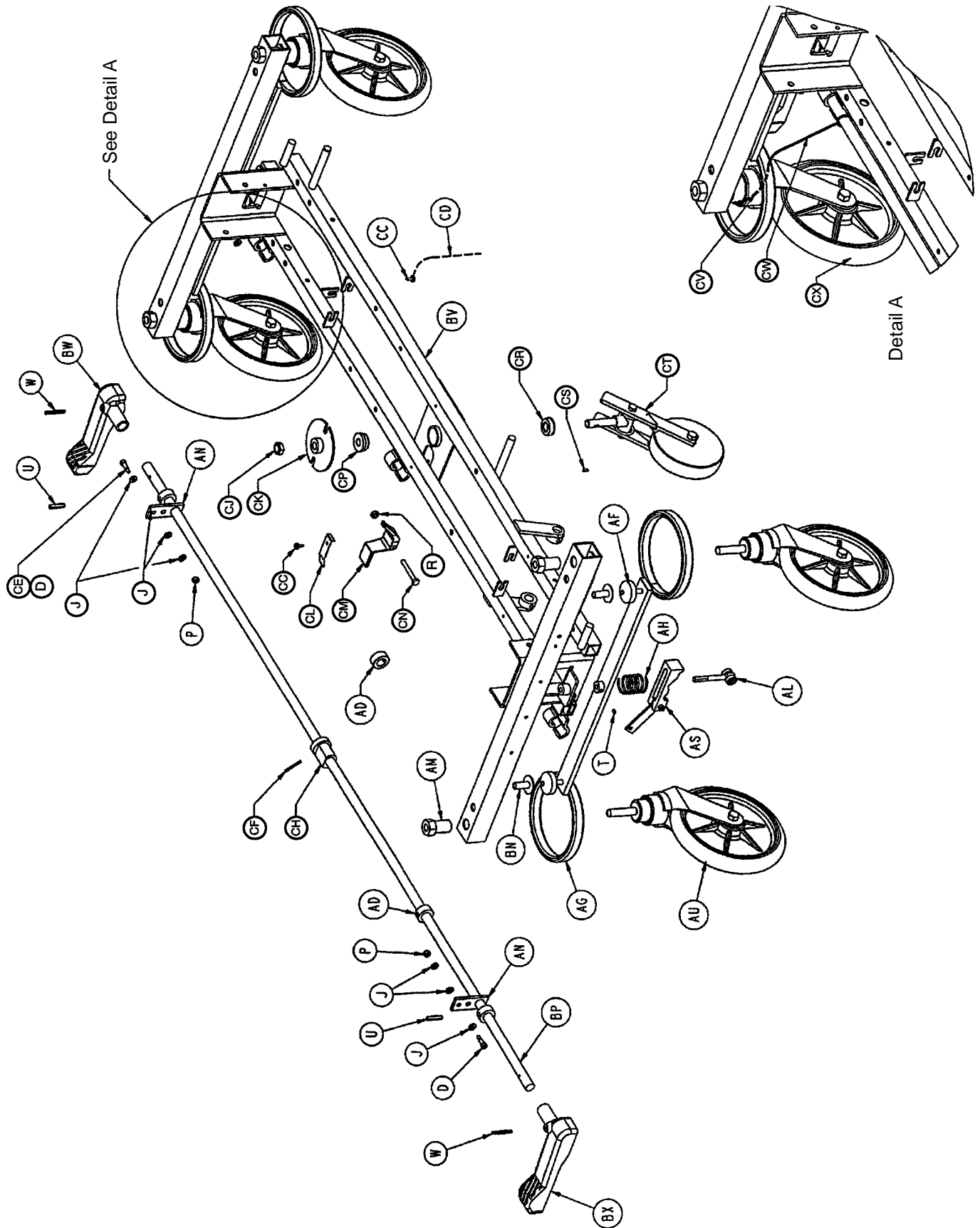


Item	Part No.	Part Name	Qty.
A	715-1-97	Release Pedal Weldment	1
B	721-40-25	Pedal	1

### NOTE

Apply plastic adhesive to the mating surfaces of item B prior to assembly.

# 1067-2-10 End Control Base Assembly



# 1067-2-10 End Control Base Assembly

Item	Part No.	Part Name	Qty.	Item	Part No.	Part Name	Qty.
A	3-3	Hex Hd. Cap Screw	2	AY	716-1-61	Pedal Shaft	1
B	3-62	Hex Hd. Cap Screw	8	AZ	716-1-71	Release Rod Ass'y	1
C	3-85	Hex Hd. Cap Screw	8	BA	716-1-75	Release Rod	1
D	8-17	Soc. Hd. Shoulder Bolt	1	BB	716-1-102	Pump Link Wldmt. Ass'y, Ft. 1	1
E	11-3	Flat Washer	13	BC	716-1-109	Pump Link Bar Wldmt., Hd. 1	1
F	11-13	Flat Washer	3	BD	716-1-119	Pivot Assembly, Hd. End	1
G	11-262	Flat Washer	8	BE	716-1-281	Pump Idler Link	2
H	13-38	Ext. Tooth Lock Washer	4	BF	716-1-286	Cam, Release Pedal	2
J	14-2	Washer	8	BG	(Page 23)	Pump Pedal Ass'y, Foot	1
K	14-3	Washer	2	BH	(Page 23)	Pump Pedal Ass'y, Head	1
L	14-7	Nylon Flat Washer	6	BJ	716-1-293	Rel. Pedal, Hd. Lt. & Ft. Rt. 1	1
M	14-9	Washer	2	BK	716-1-294	Rel. Pedal, Hd. Rt. & Ft. Lt. 1	1
N	15-11	Hex Jam Nut	2	BL	763-1-15	Spring	1
P	16-2	Nylock Nut	2	BM	763-1-16	Spring Guide	1
R	16-16	Fiberlock Nut	3	BN	946-1-116	Brake Bar Bushing	4
S	16-36	Nylock Hex Nut	16	BP	1068-1-45	Brake/Steer Rod Ass'y	1
T	21-50	Hex Socket Set Screw	2	BR	1210-1-27	Pump Conn. Rod Ass'y	1
U	26-13	Roll Pin	2	BS	1210-1-44	Pump Pedal Spacer	1
V	26-195	Clevis Pin	2	BT	1210-1-111	End Release Pedal Brkt.	1
W	26-261	Groove Pin	2	BU	1210-1-112	Rel. Rod Wldmt., Head, Lt. 1	1
X	27-4	Cotter Pin	8	BV	1210-1-120	Base Weldment	1
Y	27-7	Cotter Pin	7	BW	1210-1-345	Brake/Steer Pedal, Foot	1
Z	28-97	Retaining Ring	2	BX	1210-1-346	Brake/Steer Pedal, Head	1
AA	38-235	Spring	2	BY	715-1-134	Bellows	2
AB	38-251	Spring	1	BZ	(page 30)	Base Hood	1
AC	38-326	Extension Spring	2	CA	715-1-266	Caster Cover, Left	4
AD	42-20	Collar w/Set Screw	2	CB	715-1-265	Caster Cover, Right	4
AE	52-245	Nyliner	2	CC	23-25	Self-Tapping Screw	2
AF	715-1-11	Brake Cushion	4	CD	715-1-156	Ground Chain	1
AG	715-1-61	Caster Brake Ass'y	2	CE	8-21	Soc. Hd. Cap Screw	1
AH	715-1-94	Compression Spring	2	CF	26-8	Roll Pin	1
AJ	715-1-133	Spring Collar	1	CH	715-1-161	Fifth Wheel Cam	1
AK	715-1-140	PVC Tubing	2	CJ	16-49	Flexlock Nut	1
AL	(Page 24)	Brake Adjuster Assembly	2	CK	715-1-337	Fifth Wheel Plate Ass'y	1
AM	715-1-158	Caster Nut	4	CL	715-1-136	Fifth Wheel Spring	1
AN	715-1-165	Actuator Plate Ass'y	2	CM	715-1-217	Fifth Wheel Latch	1
AP	715-1-192	Jack Support	2	CN	3-20	Hex Hd. Cap Screw	1
AR	715-1-193	Jack Clamp	2	CP	715-1-157	Fifth Wheel Bearing	1
AS	(Page 25)	Brake Cam Assembly	2	CR	81-219	Fifth Wheel Bearing	1
AT	715-1-333	Release Rod Stop Sleeve	1	CS	715-1-149	Woodruff Key	1
AU	715-2-20	Caster Assembly	4	CT	(Page 29)	Fifth Wheel Assembly	1
AV	(Page 26)	Jack Assembly	2	CV	38-211	Spring	1
AW	716-1-15	Release Pivot Bar	2	CW	1000-10-62	Steer Lock Linkage Bar	1
AX	716-1-52	Pivot Assembly, Foot	1	CX	(Page 28)	Steering Caster Assembly	1

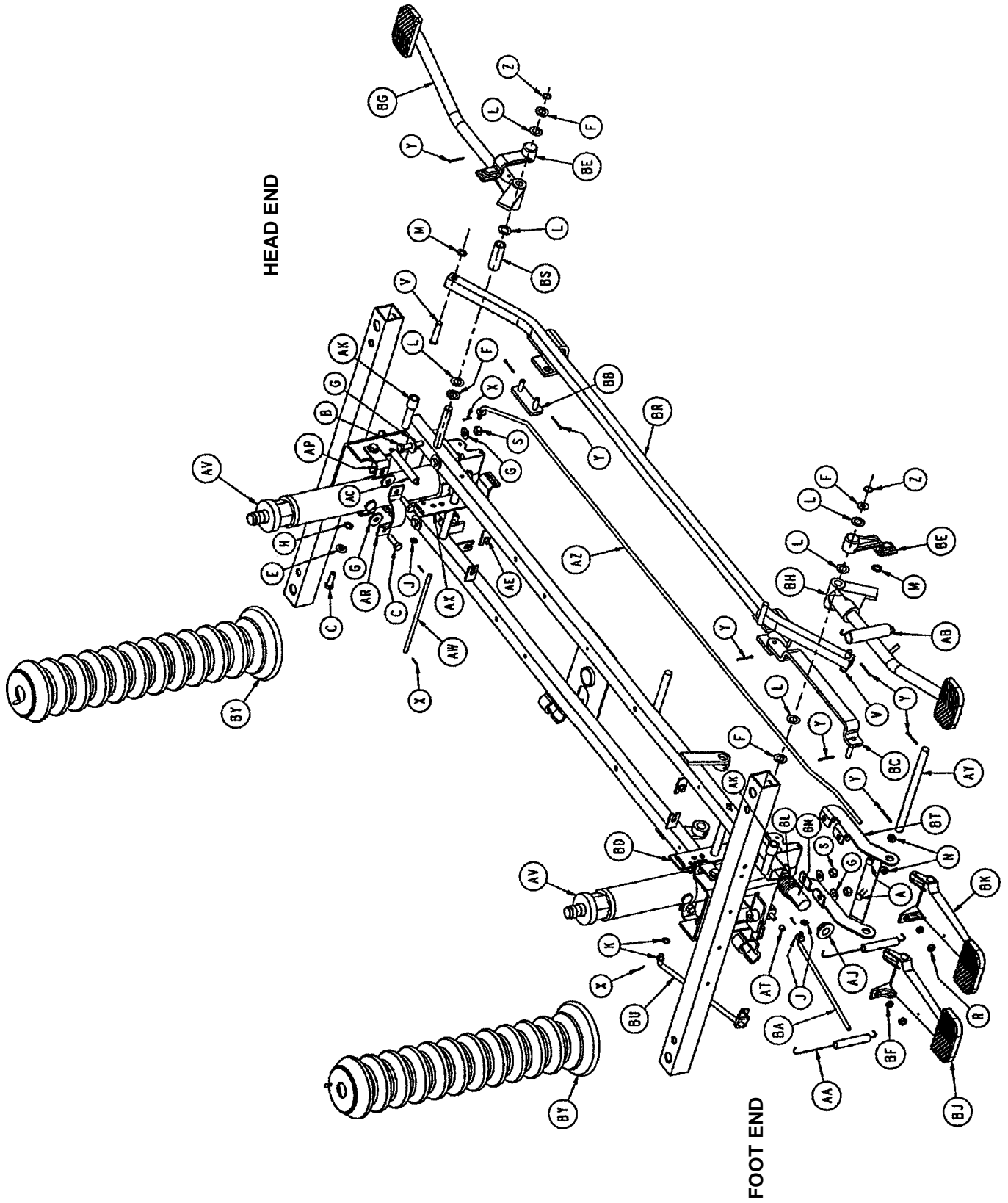
P/N 715-259-400 – Kit to replace 4 standard caster assemblies with necessary hardware – no caster covers.

P/N 715-269-400 – Kit to replace 3 standard caster assemblies and 1 steerlock caster with necessary hardware – no caster covers.

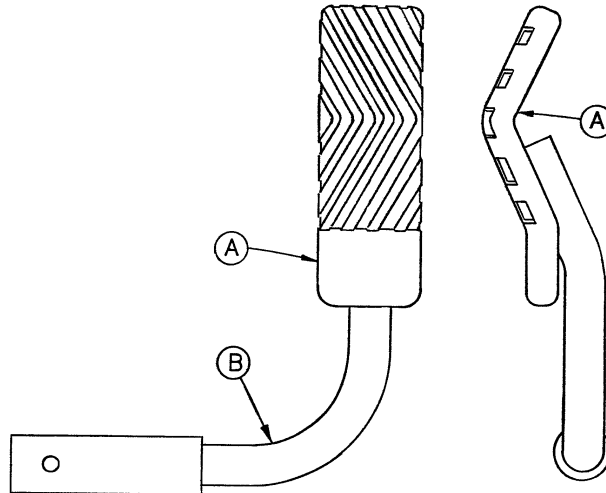
P/N 715-259-100 – Kit to replace 1 standard caster assembly with necessary hardware – no caster covers.

P/N 1010-56-200 – Kit to replace both caster covers on all four wheels.

# 1067-2-10 End Control Base Assembly

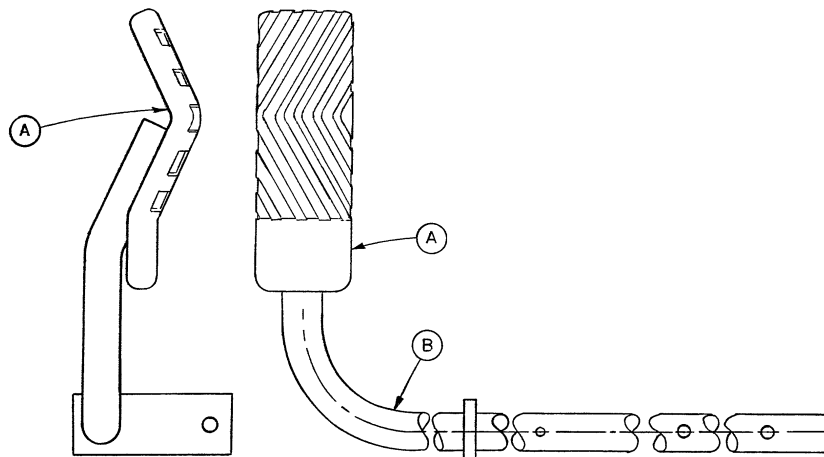


## 716-1-263 End Control Brake Pedal Assembly, Foot



Item	Part No.	Part Name	Qty.
A	716-1-275	Brake Pedal	1
B	716-1-262	Brake Rod Ass'y, Ft. End	1

## 716-1-269 End Control Brake Pedal Assembly, Head



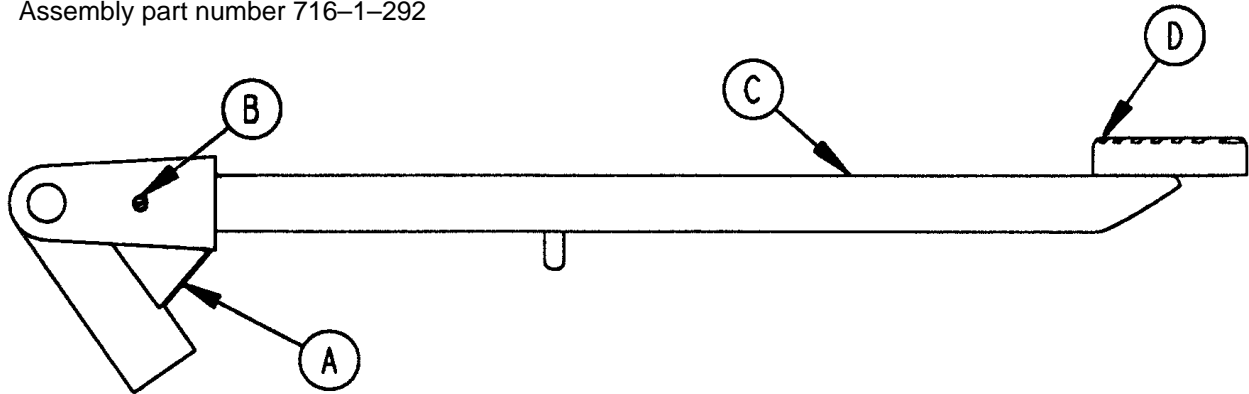
Item	Part No.	Part Name	Qty.
A	716-1-275	Brake Pedal	1
B	716-1-267	Brake Rod Ass'y, Welded	1

### NOTE

Apply plastic adhesive to the mating surfaces of item A prior to assembly.

## End Control Pump Pedal Assembly, Head

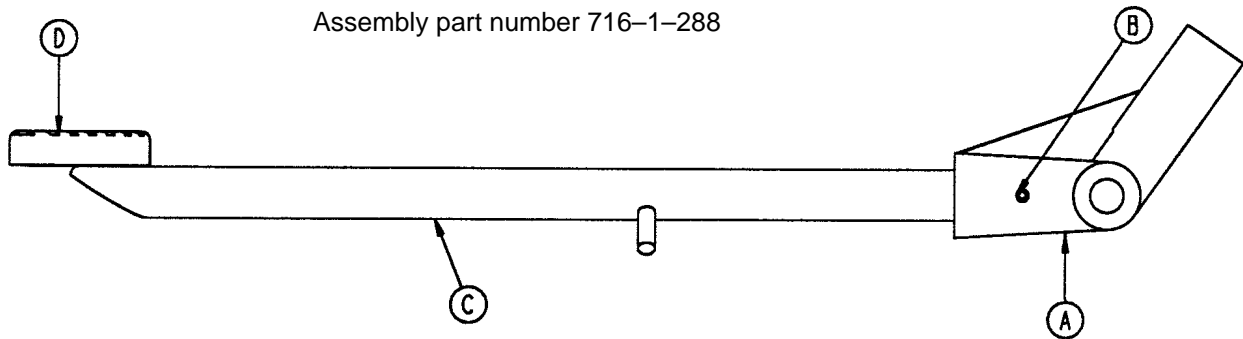
Assembly part number 716-1-292



Item	Part No.	Part Name	Qty.
A	716-1-285	Pump Pivot, Head End	1
B	26-12	Roll Pin	1
C	716-1-290	Pump Ped. Wldmt., Head	1
D	721-40-25	Pedal	1

## End Control Pump Pedal Assembly, Foot

Assembly part number 716-1-288



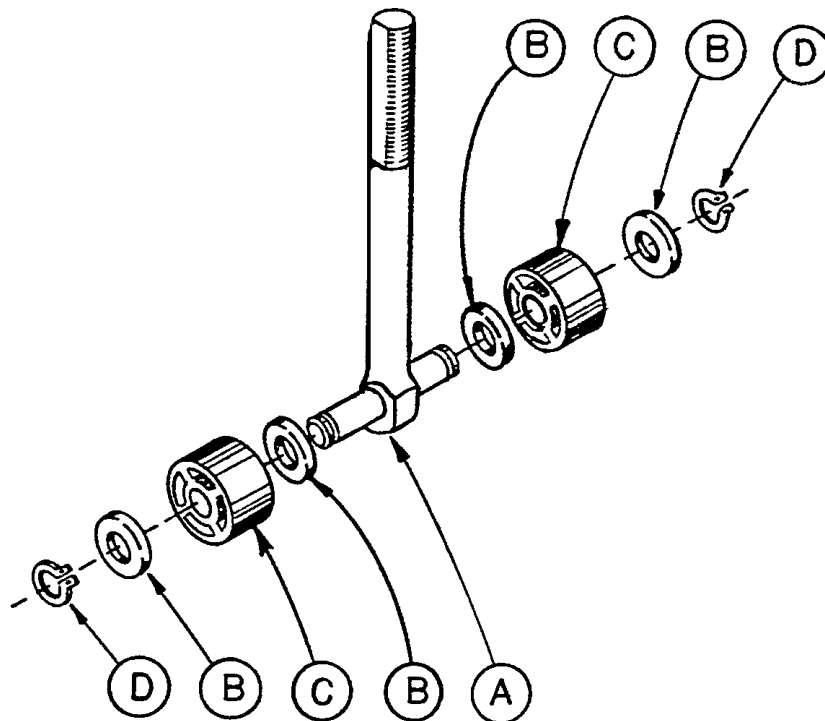
Item	Part No.	Part Name	Qty.
A	716-1-283	Pump Pivot, Foot End	1
B	26-12	Roll Pin	1
C	716-1-289	Pump Ped. Wldmt., Foot	1
D	721-40-25	Pedal	1

### NOTE

Apply plastic adhesive to the mating surfaces of item D prior to assembly.



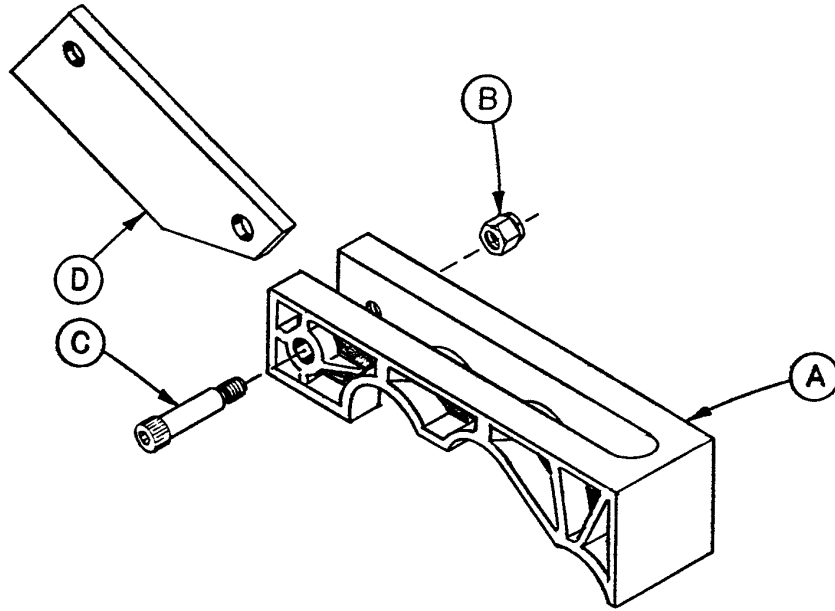
# 715-1-150 Brake Adjuster Assembly



Item	Part No.	Part Name	Qty.
A	715-1-62	Threaded Stud Assembly	1
B	14-4	Nylon Washer	4
C	715-1-180	Bearing	2
D	28-8	Retaining Ring	2

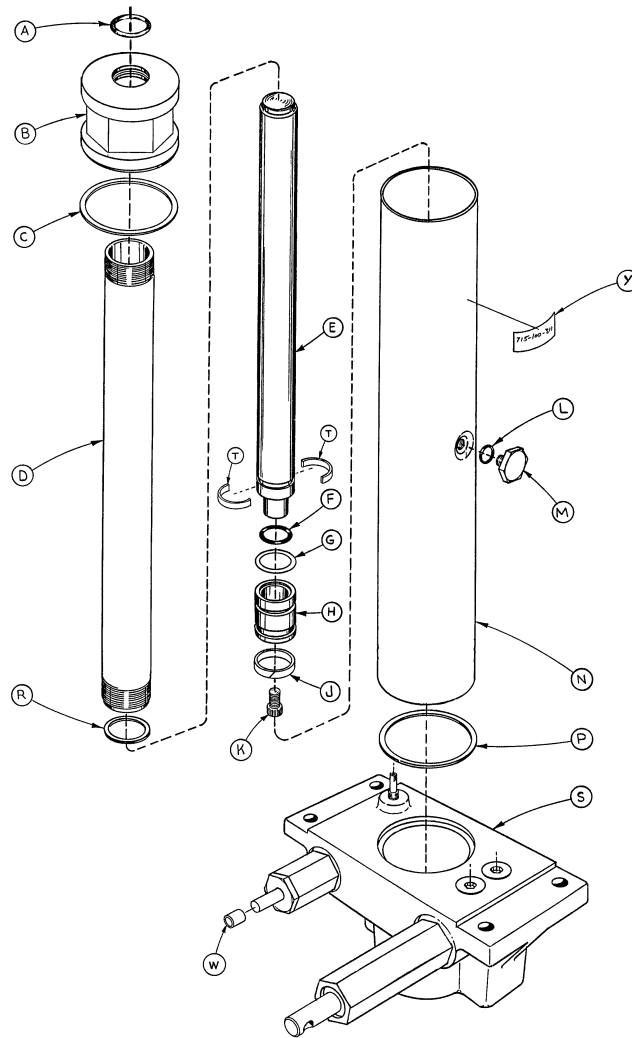
# 715-1-213 Brake Cam Assembly

---



Item	Part No.	Part Name	Qty.
A	715-1-221	Brake Cam	1
B	16-59	Fiberlock Nut	1
C	8-21	Soc. Hd. Cap Screw	1
D	715-1-173	Brake Connecting Link	1

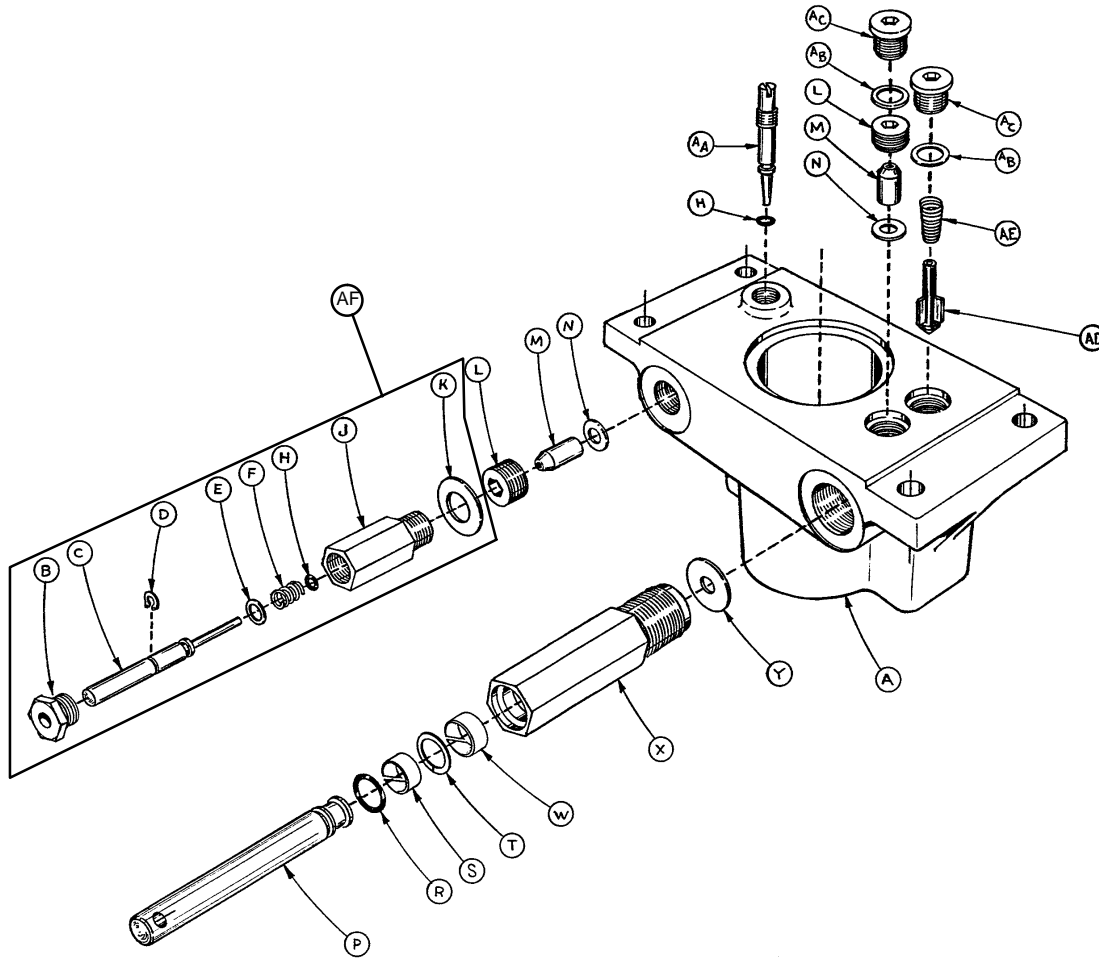
# 715-1-310\* Jack Assembly



Item	Part No.	Part Name	Qty.	Item	Part No.	Part Name	Qty.
A	45-904	O-Ring	1	L	45-110	O-Ring	1
B	715-1-340	Cap Assembly	1	M	388-1-38	Plug	1
C	390-1-243	Gasket	1	N	715-1-322	Reservoir	1
D	715-1-323	Actuator Cylinder	1	P	390-1-244	Gasket	1
E	715-1-325	Actuator	1	R	390-1-238	Gasket, Actuator	1
F	45-14	O-Ring	1	S	(Page 27)	Jack Base Assembly	1
G	926-20-161	Parker Packing	1	T	390-2-139	Retaining Collar	2
H	715-1-331	Piston End	1	W	715-1-333	Rel. Valve Stop Sleeve	1
J	926-20-162	Wear Ring	1	Y	715-100-311	Label	1
K	4-14	Soc. Hd. Cap Screw	1				

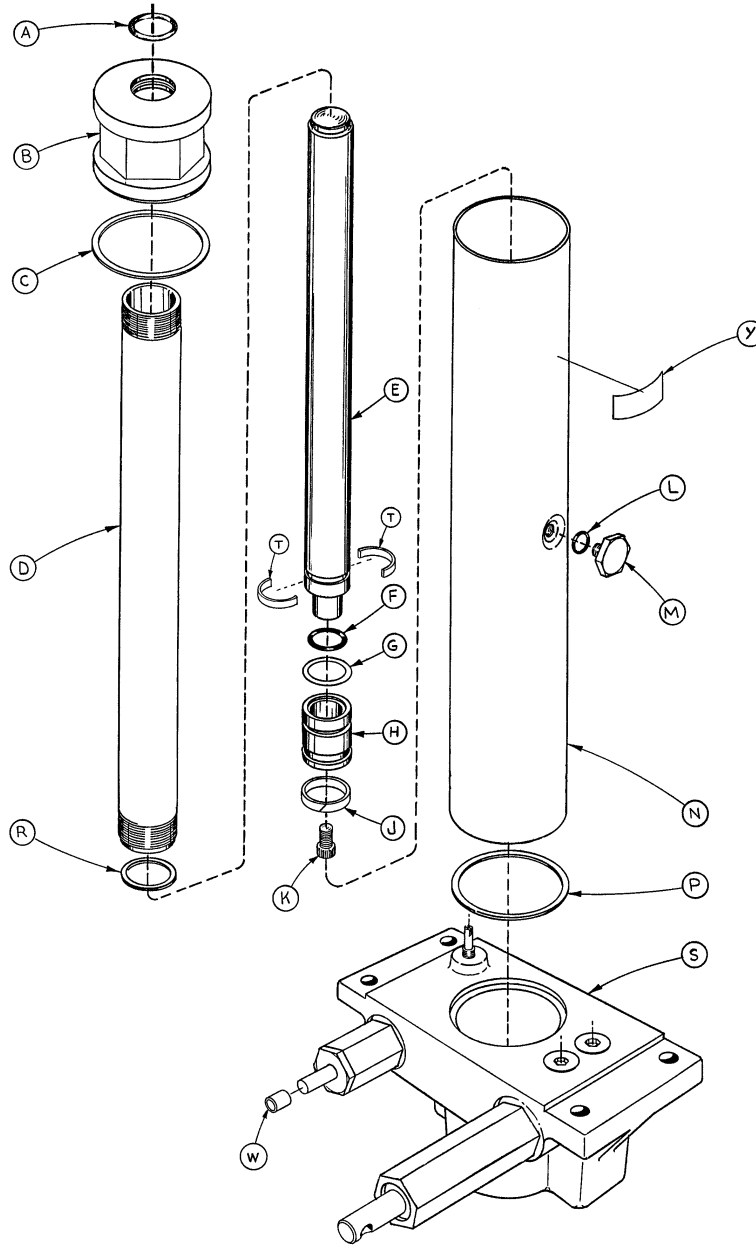
\*Replacement Part Number 715-100-310.

# 715-1-300 Jack Base Assembly, Foot Control



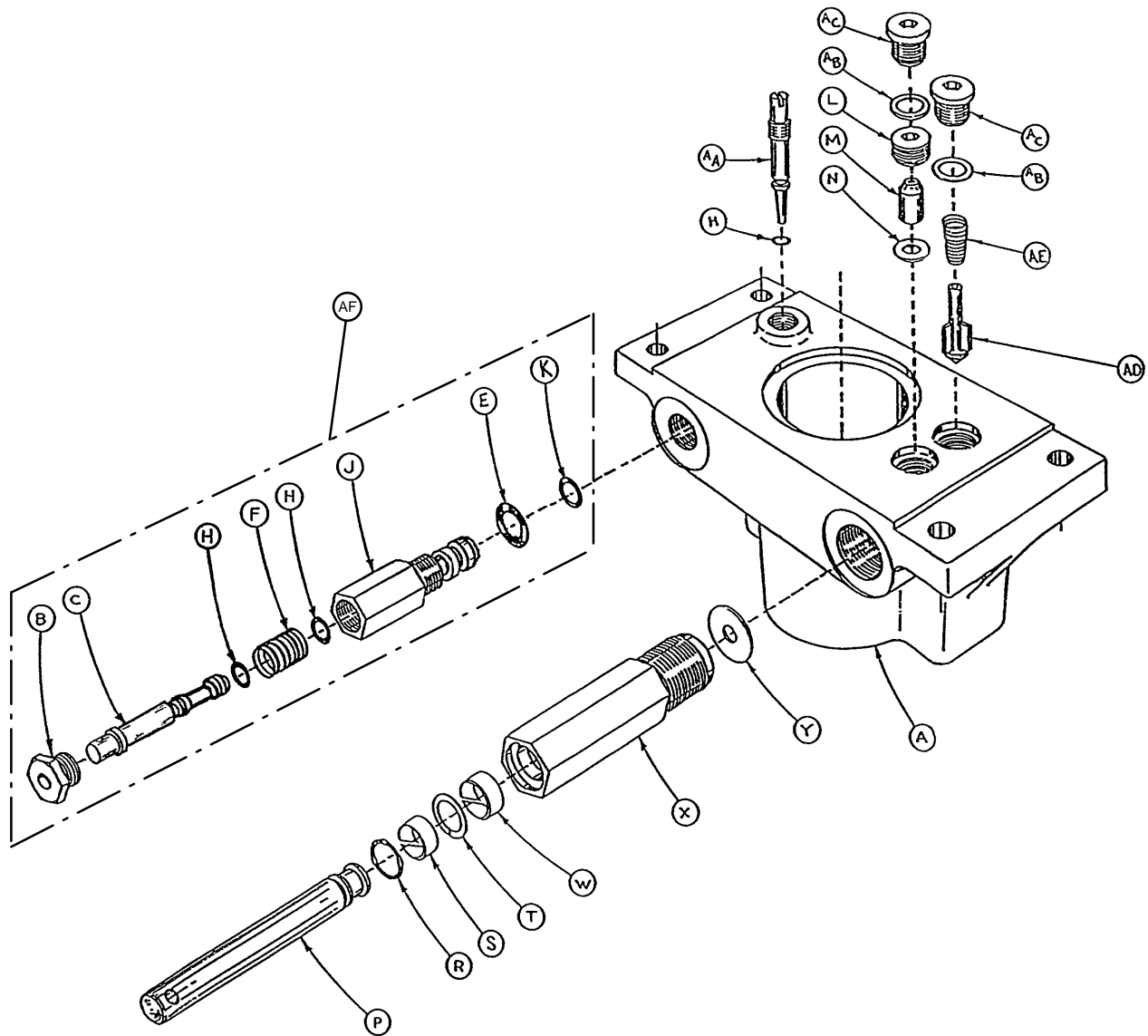
Item	Part No.	Part Name	Qty.	Item	Part No.	Part Name	Qty.
A	715-1-312	Base, Machined	1	R	45-110	O-Ring	1
B	715-1-308	Base Plug	1	S	715-1-328	Piston Wear Ring	1
C	715-1-306	Pin	1	T	14-50	Bearing Retainer	1
D	28-8	Snap Ring	1	W	715-1-327	Cylinder Wear Ring	1
E	390-2-176	Washer	1	X	715-1-316	Pump Cylinder	1
F	38-231	Compression Spring	1	Y	715-1-329	Pump Seal	1
H	45-6	O-Ring	2	AA	715-1-307	Needle Valve	1
J	715-1-305	Pin Housing	1	AB	926-20-156	Seal	2
K	715-1-330	Housing Gasket	1	AC	715-1-301	Base Plug	2
L	715-1-309	Valve Plug	2	AD	715-1-341	Poppet	1
M	926-20-153	Check Valve	2	AE	390-2-134	Conical Comp. Spring	1
N	926-20-154	Seal	2	AF	715-100-312	Pin Housing Assembly	1
P	715-1-318	Pump Piston	1				

# 715-270-10 Jack Assembly



Item	Part No.	Part Name	Qty.	Item	Part No.	Part Name	Qty.
A	45-904	O-Ring	1	L	45-110	O-Ring	1
B	715-1-340	Cap Assembly	1	M	388-1-38	Plug	1
C	390-1-243	Gasket	1	N	715-1-322	Reservoir	1
D	715-1-323	Actuator Cylinder	1	P	390-1-244	Gasket	1
E	715-1-325	Actuator	1	R	390-1-238	Gasket, Actuator	1
F	45-14	O-Ring	1	S	(page 27.2)	Jack Base Assembly	1
G	926-20-161	Parker Packing	1	T	390-2-139	Retaining Collar	2
H	715-1-331	Piston End	1	W	715-1-333	Rel. Valve Stop Sleeve	1
J	926-20-162	Wear Ring	1	Y	715-270-11	Label	1
K	4-14	Soc. Hd. Cap Screw	1				

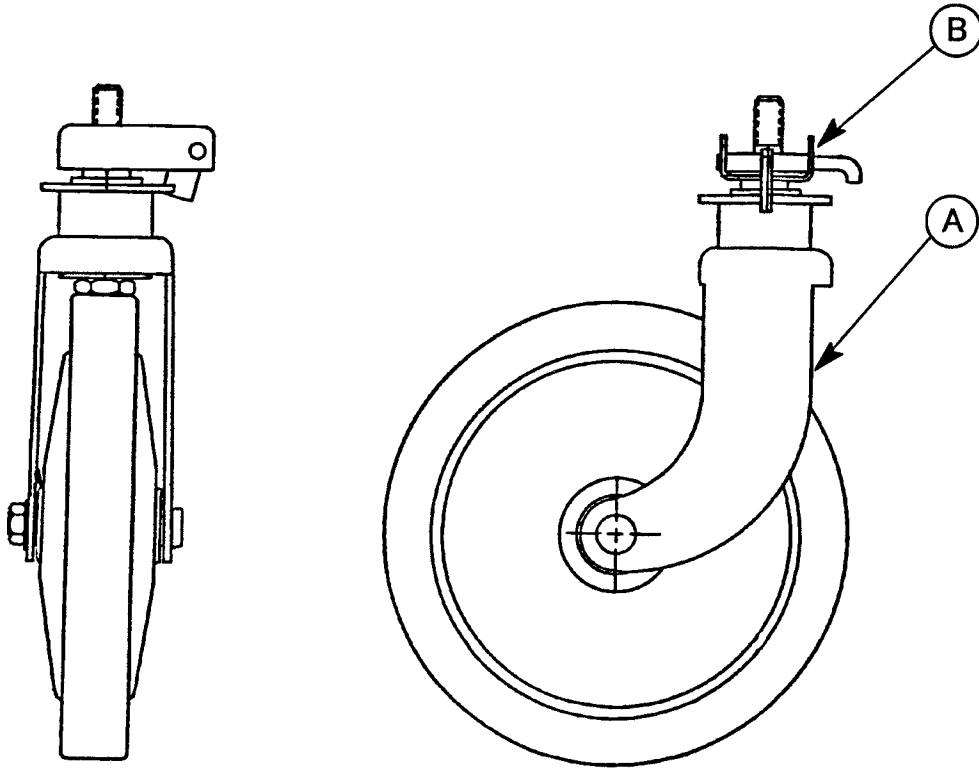
# 715-270-5 Jack Base Assembly



Item	Part No.	Part Name	Qty.	Item	Part No.	Part Name	Qty.
A	1210-70-12	Jack Base	1	R	45-110	O-Ring	1
B	1210-70-13	Base Plug	1	S	715-1-328	Piston Wear Ring	1
C	715-270-1	Pin	1	T	14-50	Bearing Retainer	1
E	45-966	O-Ring	1	W	715-1-327	Cylinder Wear Ring	1
F	38-311	Compression Spring	1	X	715-1-316	Pump Cylinder	1
H	45-006	O-Ring	3	Y	715-1-329	Pump Seal	1
J	715-270-2	Pin Housing	1	AA	715-1-307	Needle Valve	1
K	43-967	O-Ring	1	AB	926-20-156	Seal	2
L	715-1-309	Valve Plug	1	AC	715-1-301	Base Plug	2
M	926-20-153	Check Valve	1	AD	715-1-341	Poppet	1
N	926-20-154	Seal	1	AE	390-2-134	Conical Comp. Spring	1
P	715-1-310	Pump Piston	1	AF	715-270-100	Valve Assembly	1

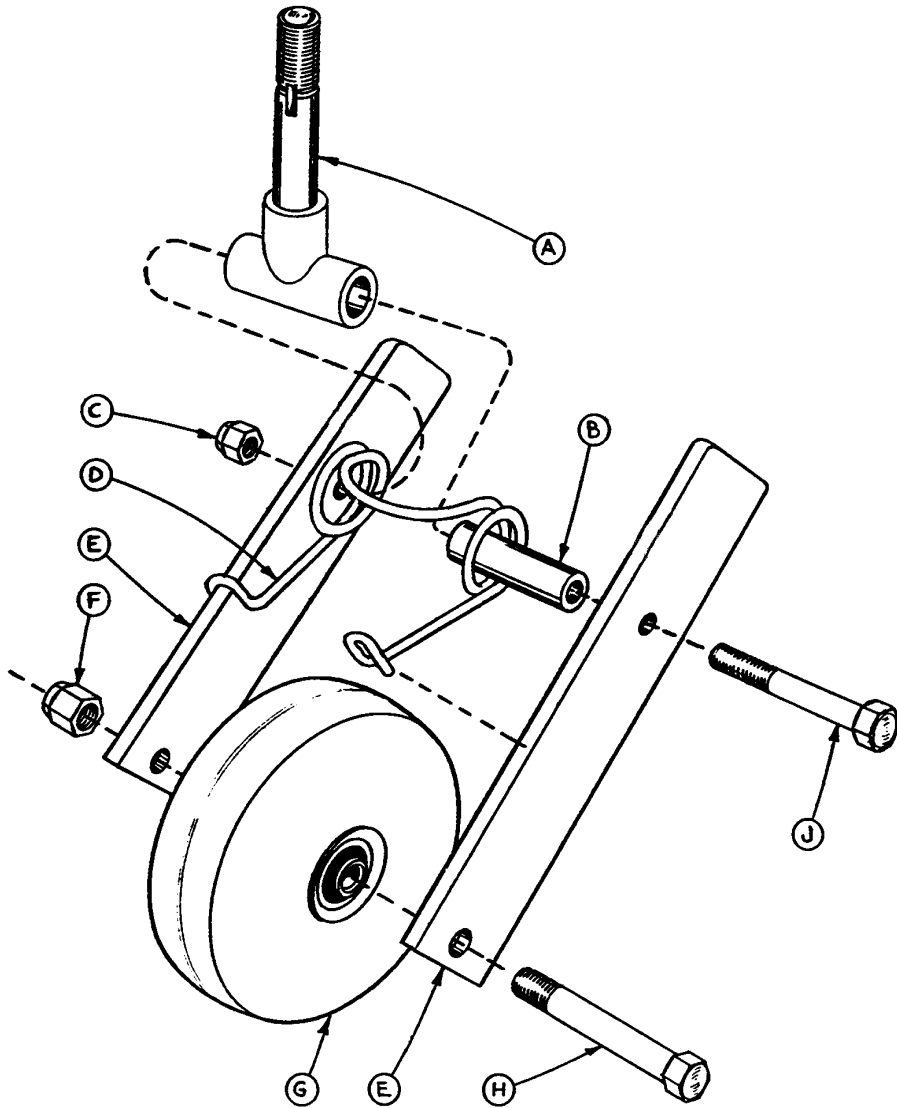
# 2020-46-220 Steering Caster Assembly

---



Item	Part No.	Part Name	Qty.
A	946-1-279	Caster Assembly	1
B	1000-59-10	Latch Ass'y, Steer Caster	1

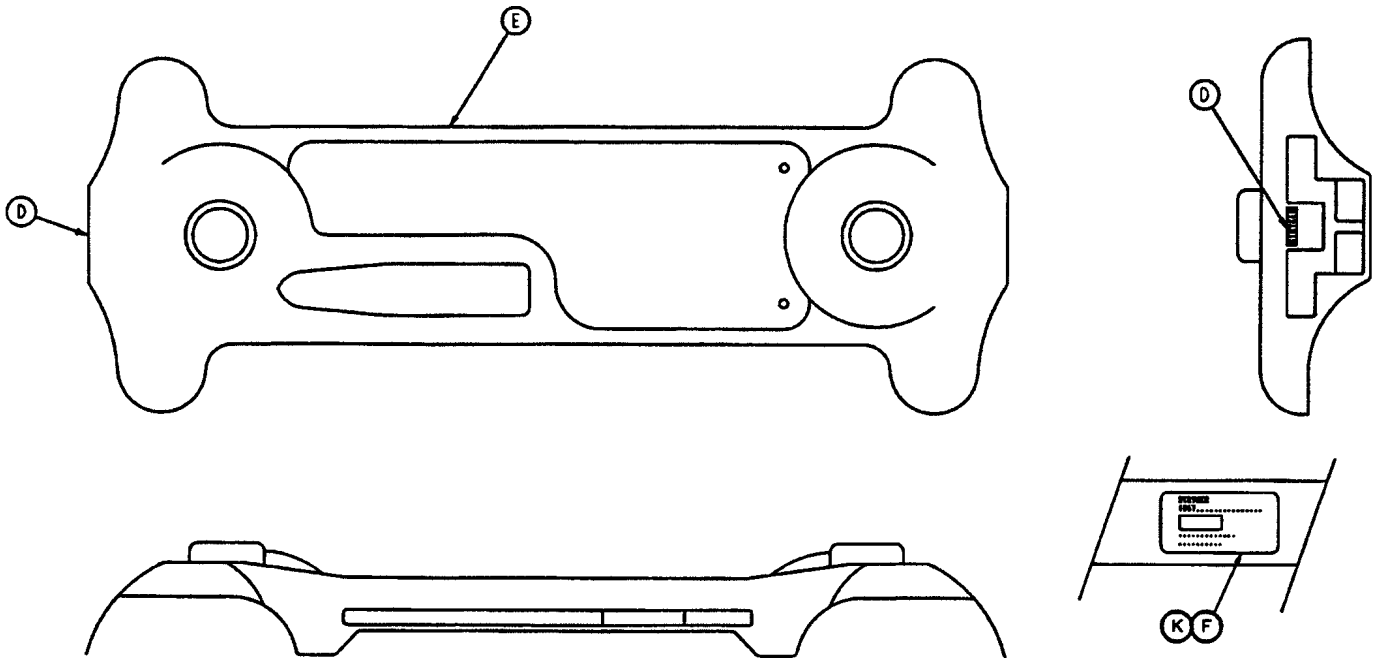
# 715-1-25 Fifth Wheel Assembly



Item	Part No.	Part Name	Qty.
A	715-1-339	Fifth Wheel Pivot Assembly	1
B	715-1-17	Fifth Wheel Bushing	1
C	16-11	Flexlock Nut	1
D	715-1-15	Spring	1
E	715-1-13	Fifth Wheel Bracket	2
F	16-12	Flexlock Nut	1
G	390-1-54	Wheel	1
H	3-31	Hex Head Cap Screw	1
J	3-82	Hex Head Cap Screw	1

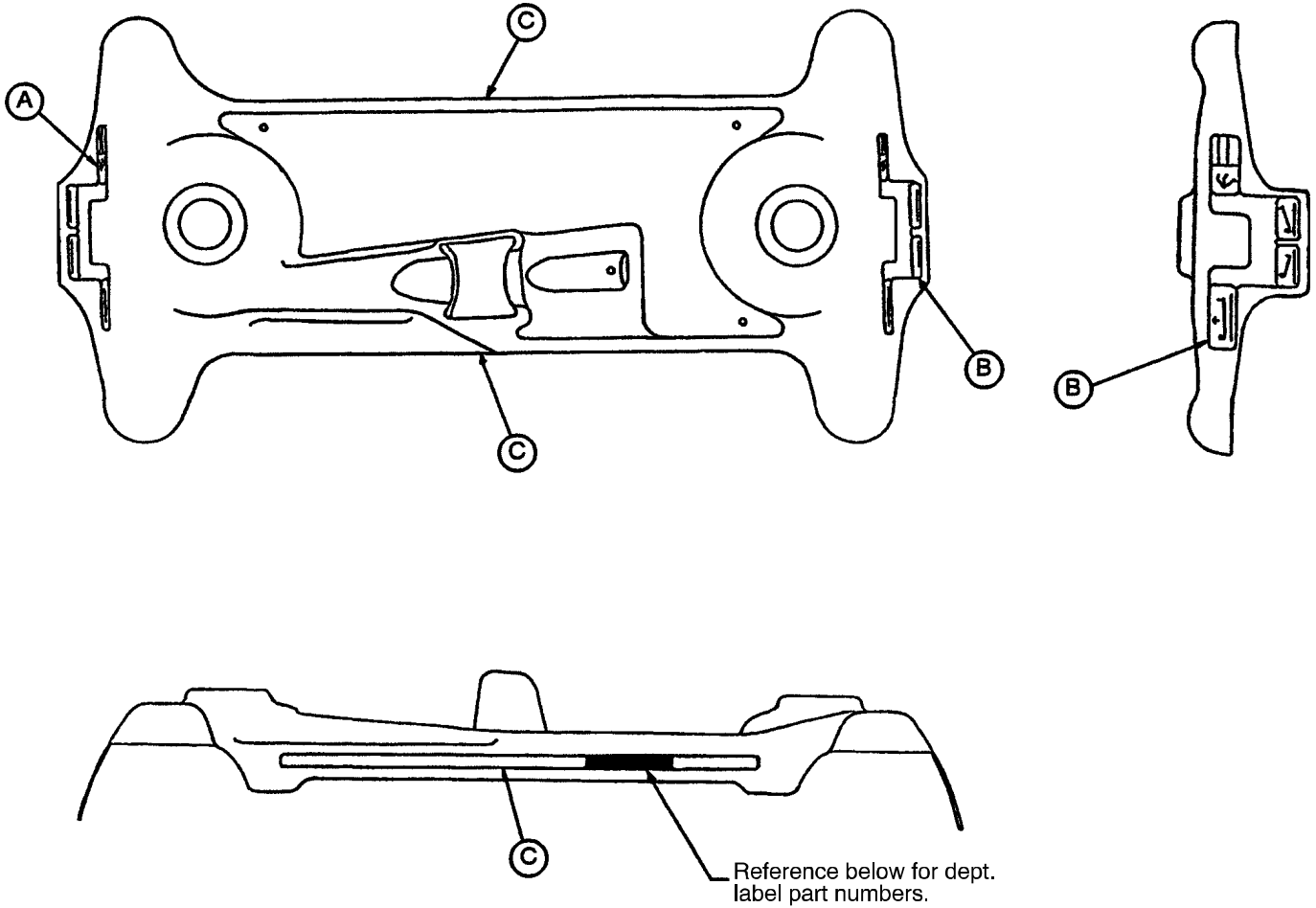


# End Control Stretcher Base Labeling Assembly



Item	Part No.	Part Name	Qty.
D	946-1-60	Stryker Logo Label	2
E	1001-100-1	Hood	1
F	921-1-252	Serial Number Tag	1
H	29-9	Dual Lock (not shown)	3
K	1067-1-17	Specification Label	1
N	29-7	Dual Lock (not shown)	3

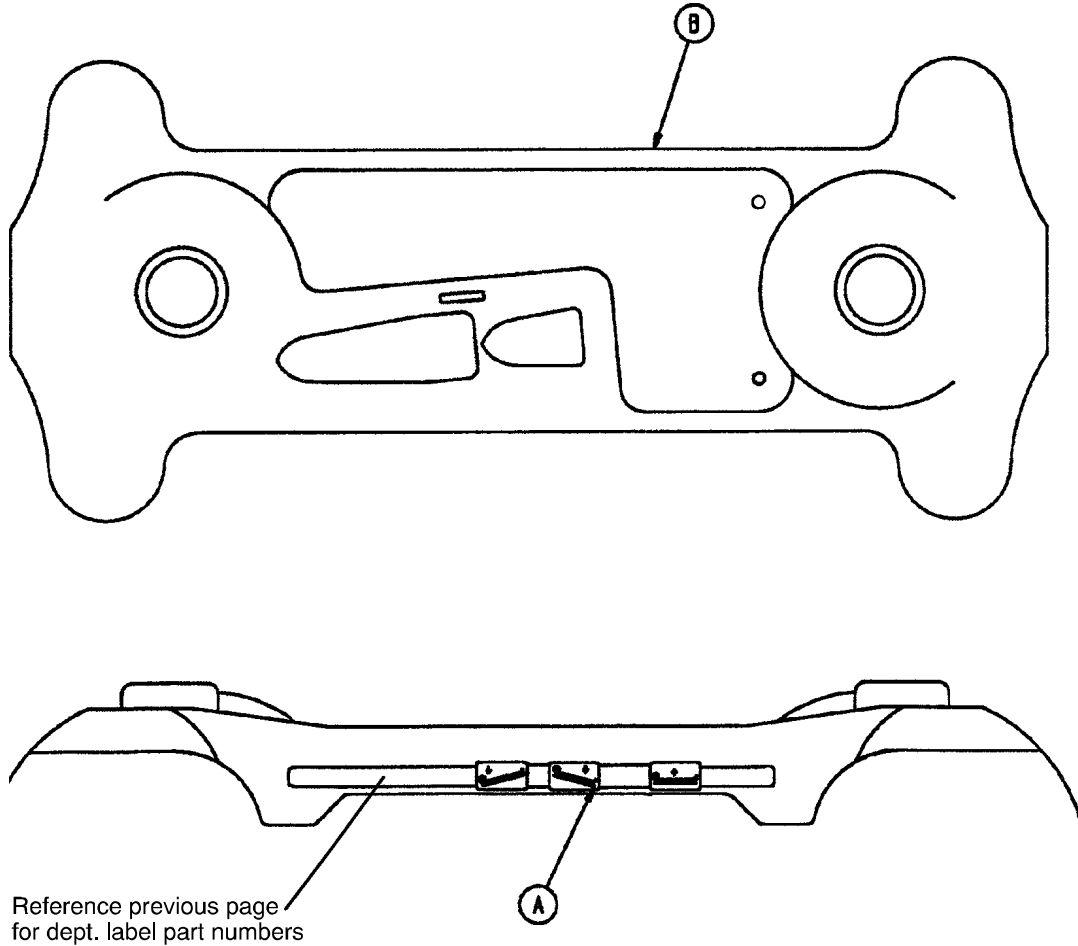
# End Control Stretcher Graphics



Color	Item A Control Label, Head	Item B Control Label, Foot	Item C Stripe Label
RED	1001-800-11	1001-800-12	1001-800-13
PURPLE	1001-800-21	1001-800-22	1001-800-23
GREEN	1001-800-31	1001-800-32	1001-800-33
GRAY	1001-800-41	1001-800-42	1001-800-43
TEAL	1001-800-51	1001-800-52	1001-800-53
PINK	1001-800-61	1001-800-62	1001-800-63
BLUE	1001-800-71	1001-800-72	1001-800-73

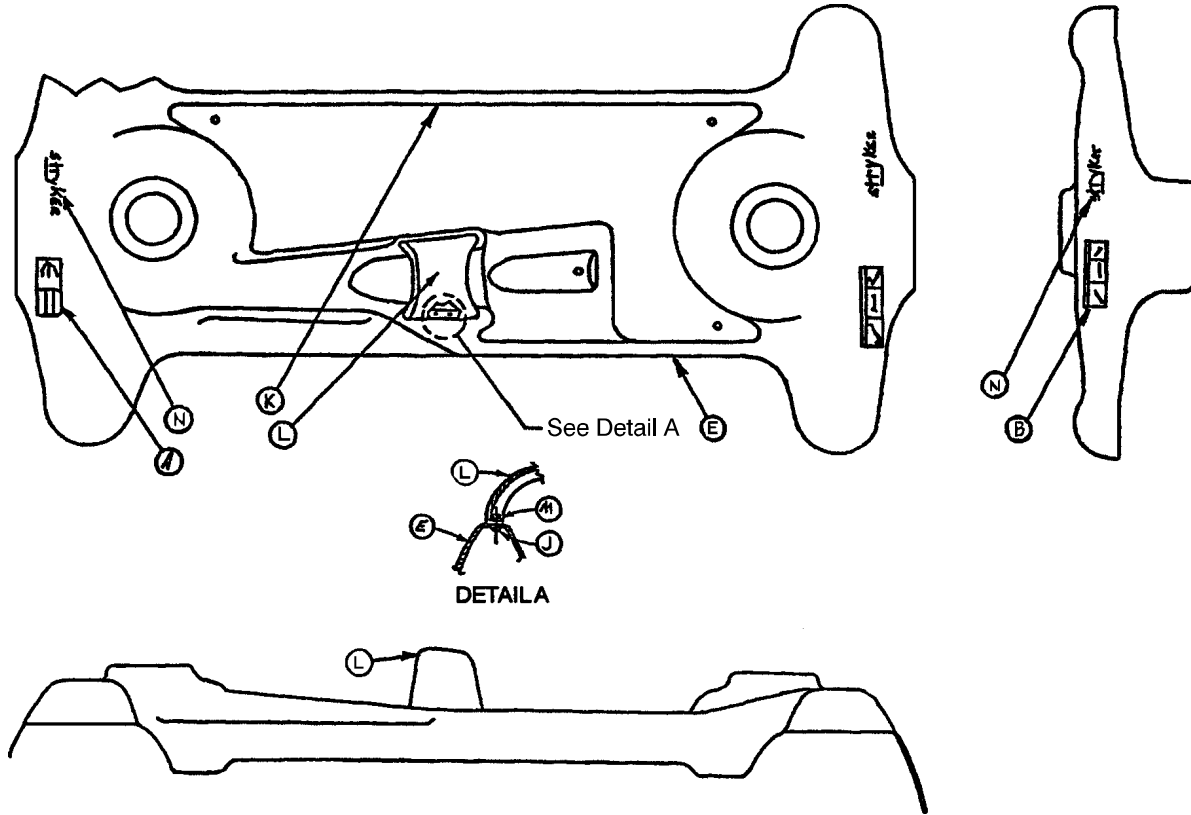
Department	Label Part Number	Department	Label Part Number
Emergency	1010-900-215	Endoscopy	1010-900-245
PACU	1010-900-220	Radiology	1010-900-250
Transport	1010-900-225	Nuclear Medicine	1010-900-255
Surgery	1010-900-230	Ambulatory Surgery	1010-900-260
Extended Stay	1010-900-235	G.I. Lab	1010-900-265
Maternity	1010-900-240	Cath. Lab	1010-900-270

# Side Control Stretcher Graphics



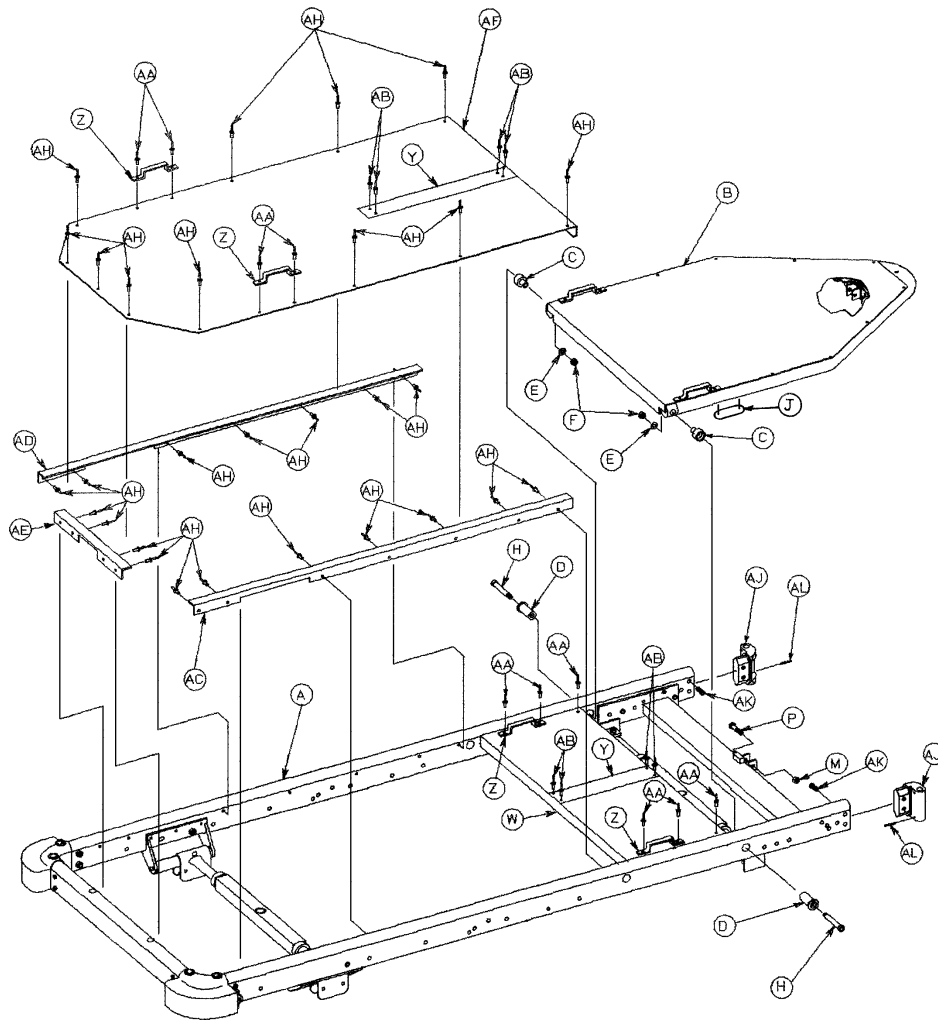
Color	Item A Control Label, Right	Item B Control Label, Left
RED	1068-702-111	1068-702-112
PURPLE	1068-702-121	1068-702-122
GREEN	1068-702-131	1068-702-132
GRAY	1068-702-141	1068-702-142
TEAL	1068-702-151	1068-702-152
PINK	1068-702-161	1068-702-162
BLUE	1068-702-171	1068-702-172

# Side Control Stretcher Base Labeling Assembly



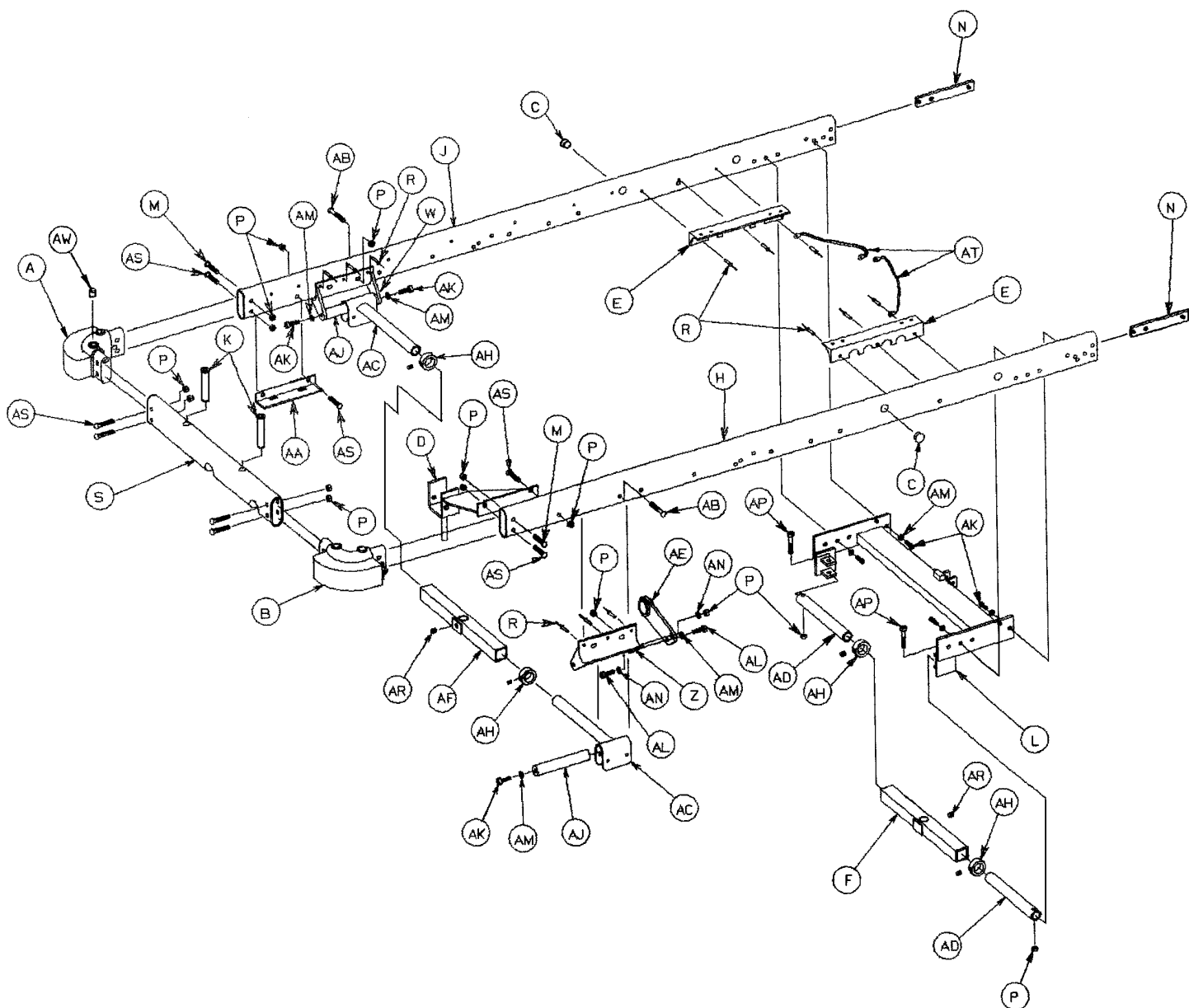
Item	Part No.	Part Name	Qty.
A	721-31-45	Brake/Steer Label, Hd.	1
B	741-1-145	Brake/Steer Label, Ft.	1
E	1068-1-135	Hood	1
F	921-1-252	Serial Number Tag	1
H	29-9	Dual Lock (not shown)	3
J	25-77	Pop Rivet	2
K	1067-1-17	Specification Label	1
L	715-1-176	Oxygen Bottle Holder	1
M	11-16	Washer	2
N	946-1-60	Stryker Logo Label	2
P	29-7	Dual Lock (not shown)	3

# 966-32 Litter Assembly, Manual Fowler, Stationary Foot End



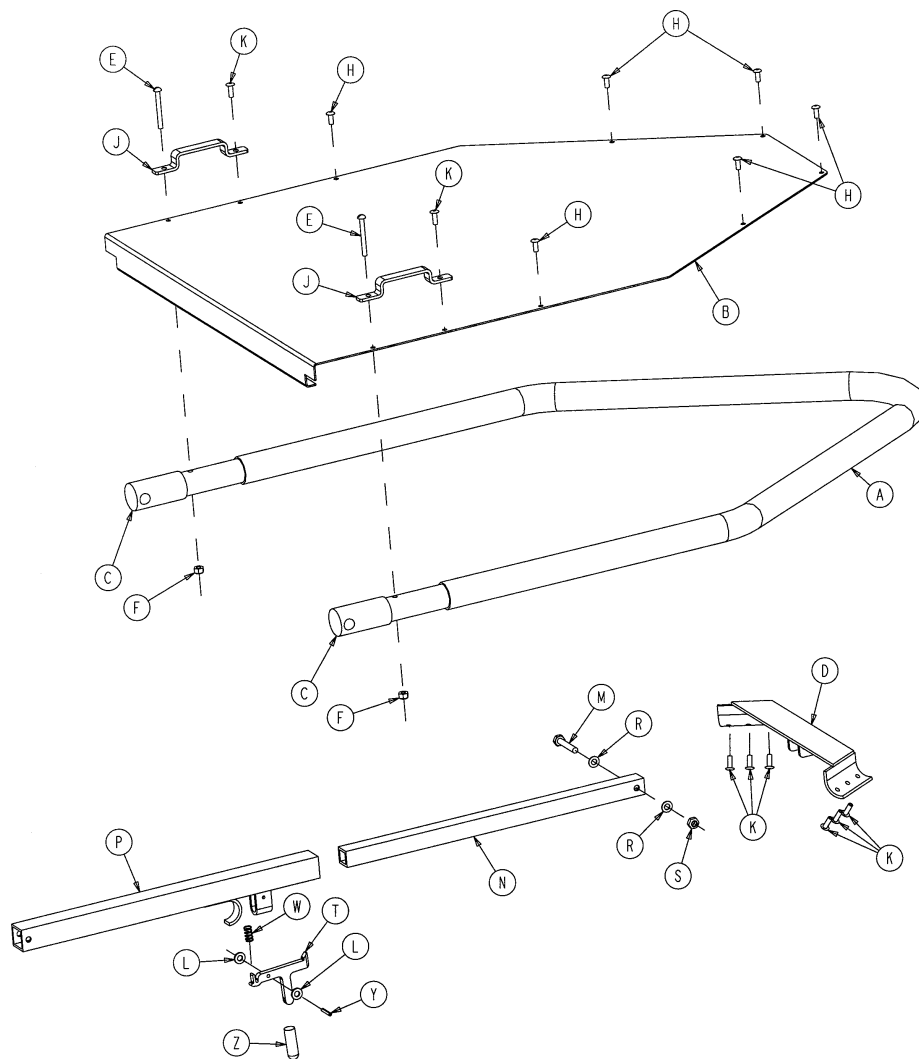
Item	Part No.	Part Name	Qty.
A	(page 33)	Litter Frame Assembly	1
B	(page 34)	Manual Fowler Assembly	1
C	966-34-40	Pivot Sleeve	2
D	966-34-41	Pivot	2
E	52-17	Spacer	2
F	16-36	Nylock Hex Nut	2
H	8-32	Shoulder Bolt	2
J	966-1-45	Protective Strip	2
M	16-5	Conelock Hex Nut	1
P	3-17	Hex Hd. Cap Screw	1
W	926-33-39	Midsection Skin	1
Y	381-24-7	Velcro Pile Tape	A/R
Z	393-53-20	Strap Anchor	4
AA	25-77	Pop Rivet	10
AB	25-40	Pop Rivet	8
AC	966-32-41	Skin Support Angle, Left	1
AD	966-32-42	Skin Support Angle, Right	1
AE	946-34-40	Skin Support Angle, End	1
AF	966-32-31	Aluminum Foot Skin	1
AH	25-55	Pop Rivet	29
AJ	966-1-28	I.V. Holder	2
AK	4-13	Soc. Hd. Cap Screw	4
AL	26-7	Roll Pin	2

# 966-1-17 Basic Frame Assembly, Stationary Foot End



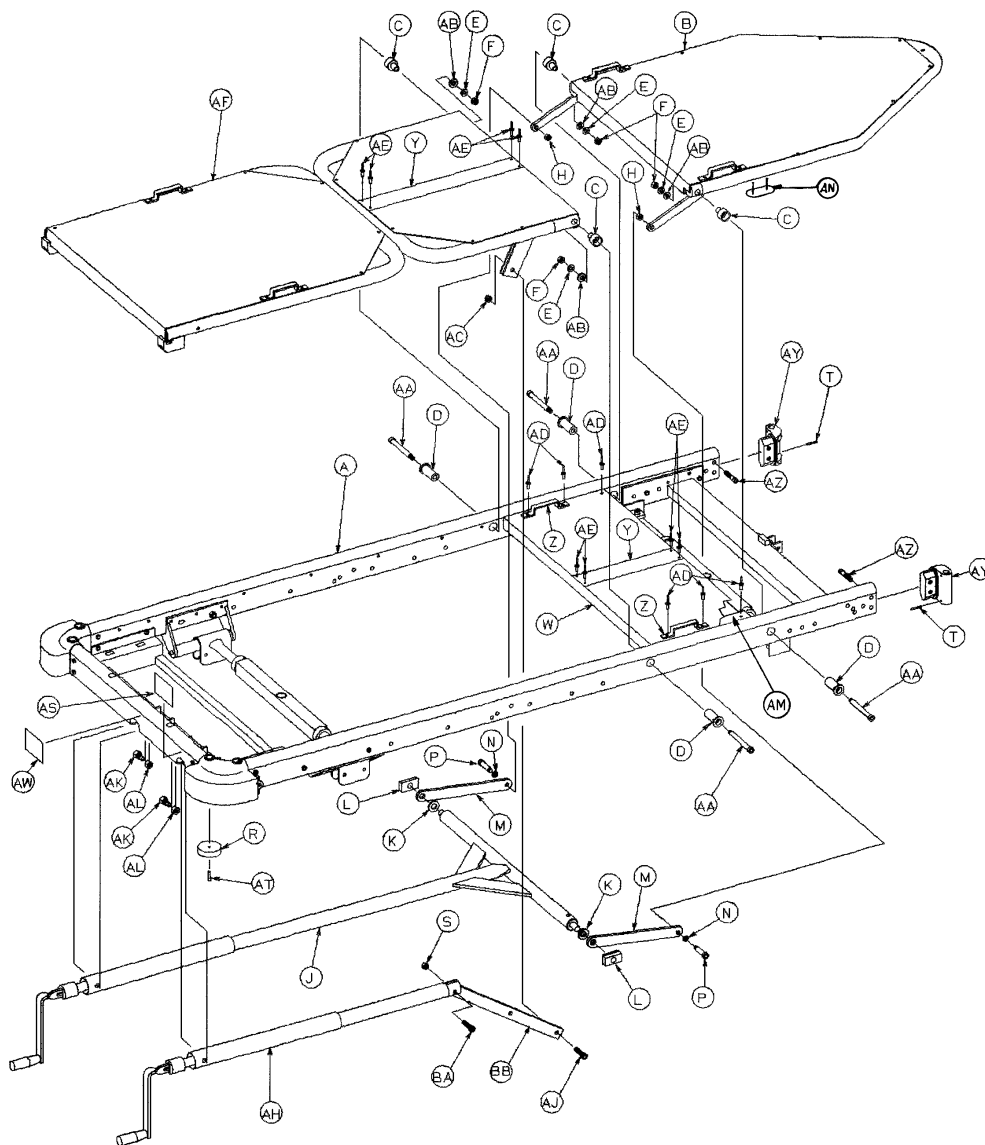
Item	Part No.	Part Name	Qty.	Item	Part No.	Part Name	Qty.
A	946-1-37	Corner, Head, Left	1	W	946-1-30	Ft. End Litter Support	1
B	948-1-38	Corner, Head, Right	1	AB	4-52	Soc. Hd. Cap Screw	2
C	37-30	Hole Plug	2	AC	946-1-36	Supt. Tube & Roller Ass'y	2
E	966-32-64	Modified Support Angle	2	AD	938-1-399	Hd. End Carrier Tube	2
F	399-9-13	Top Supt. Tube Ass'y	1	AF	390-9-13	Top Support Tube Ass'y	1
H	966-1-75	Side Tube, Left	1	AH	42-7	Collar Assembly	4
J	966-1-76	Side Tube, Right	1	AJ	938-1-155	Carrier Tube Supt. Bar	2
K	946-1-35	Board Support	2	AK	4-21	Soc. Hd. Cap Screw	7
L	966-31-16	Head End Crosstube	1	AM	11-3	Washer	8
M	4-94	Hex But. Hd. Cap Screw	2	AP	4-37	Soc. Hd. Cap Screw	2
N	966-1-19	Crosstube Support	2	AR	46-1	Sq. Hd. Set Screw	2
P	16-36	Fiberlock Nut	12	AS	4-54	Hex But. Hd. Cap Screw	6
R	25-50	Pop Rivet	12	AT	946-1-285	Grounding Cable	2
S	926-1-26	Crosstube	1	AW	30-21	Rubber Cap	2

# 966-32-60 Manual Fowler Assembly



Item	Part No.	Part Name	Qty.
A	966-32-62	Fowler Tube	1
B	966-32-63	Fowler Skin	1
C	966-32-61	Manual Fowler Pivot	2
D	966-1-30	Fowler Crossbar	1
E	2-15	Round Hd. Mach. Screw	2
F	16-2	Fiberlock Nut	2
H	25-55	Pop Rivet	6
J	393-53-20	Strap Anchor	2
K	25-56	Pop Rivet	8
L	14-2	Nylon Washer	2
M	3-5	Hex Hd. Cap Screw	1
N	966-1-13	Fowler Support Slide	1
P	966-1-14	Fowler Slide	1
R	14-4	Thrust Washer	4
S	16-5	Conelock Hex Nut.	1
T	966-70-38	Latch	1
W	38-133	Compression Spring	1
Y	26-6	Spring Pin	1
Z	966-70-39	Modified Vinyl Cap	1

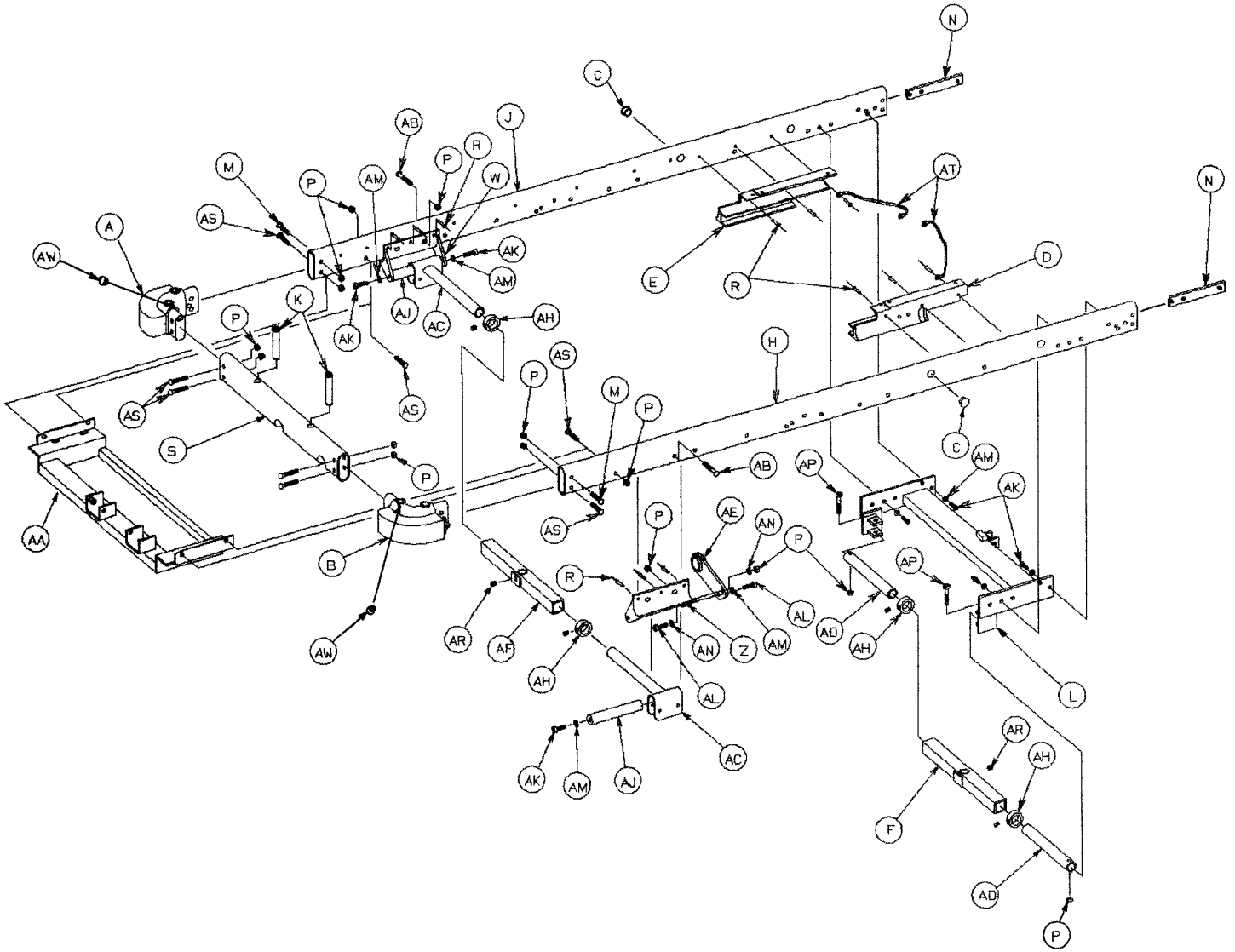
# 966-35 Litter Ass'y, Crank Fowler, Crank Knee Gatch



Item	Part No.	Part Name	Qty.	Item	Part No.	Part Name	Qty.
A	(page 36)	Litter Frame Assembly	1	AA	8-32	Shoulder Bolt	4
B	(page 37)	Fowler Assembly	1	AB	52-17	Spacer	4
C	966-34-40	Pivot Sleeve	4	AC	16-16	Fiberlock Hex Nut	1
D	966-34-41	Pivot	4	AD	25-75	Pop Rivet	6
E	11-108	Washer	4	AE	25-40	Pop Rivet	8
F	16-36	Nylock Hex Nut	4	AF	(page 39)	Gatch Assembly	1
H	16-11	Hex Castle Nut	2	AH	(page 40)	Gatch Crankscrew Ass'y	1
J	(page 38)	Fowler Crankscrew Ass'y	1	AJ	8-15	Shoulder Bolt	1
K	926-33-17	Spacer	2	AK	938-1-166	Modified Bolt	2
L	926-33-36	Bearing	2	AL	15-13	Hex Nut	2
M	946-33-26	Pivot Linkage	2	AM	926-1-37	Midsection Skin Spacer	2
N	14-21	Washer	2	AN	966-1-46	Protective Strip	2
P	8-24	Shoulder Bolt	2	AS	946-1-65	Gatch Symbol Label	1
R	1550-1-14	Magnet	2	AT	4-29	Soc. Hd. Cap Screw	2
S	16-12	Flexlock Hex Nut	1	AW	946-1-64	Fowler Symbol Label	1
T	26-7	Roll Pin	2	AY	966-1-28	I.V. Holder	2
W	926-33-39	Midsection Skin	1	AZ	4-13	Soc. Hd. Cap Screw	4
Y	381-24-7	Velcro Pile Tape	A/R	BA	4-105	Soc. Hd. Cap Screw	1
Z	393-53-20	Strap Anchor	2	BB	966-34-12	Lever	1

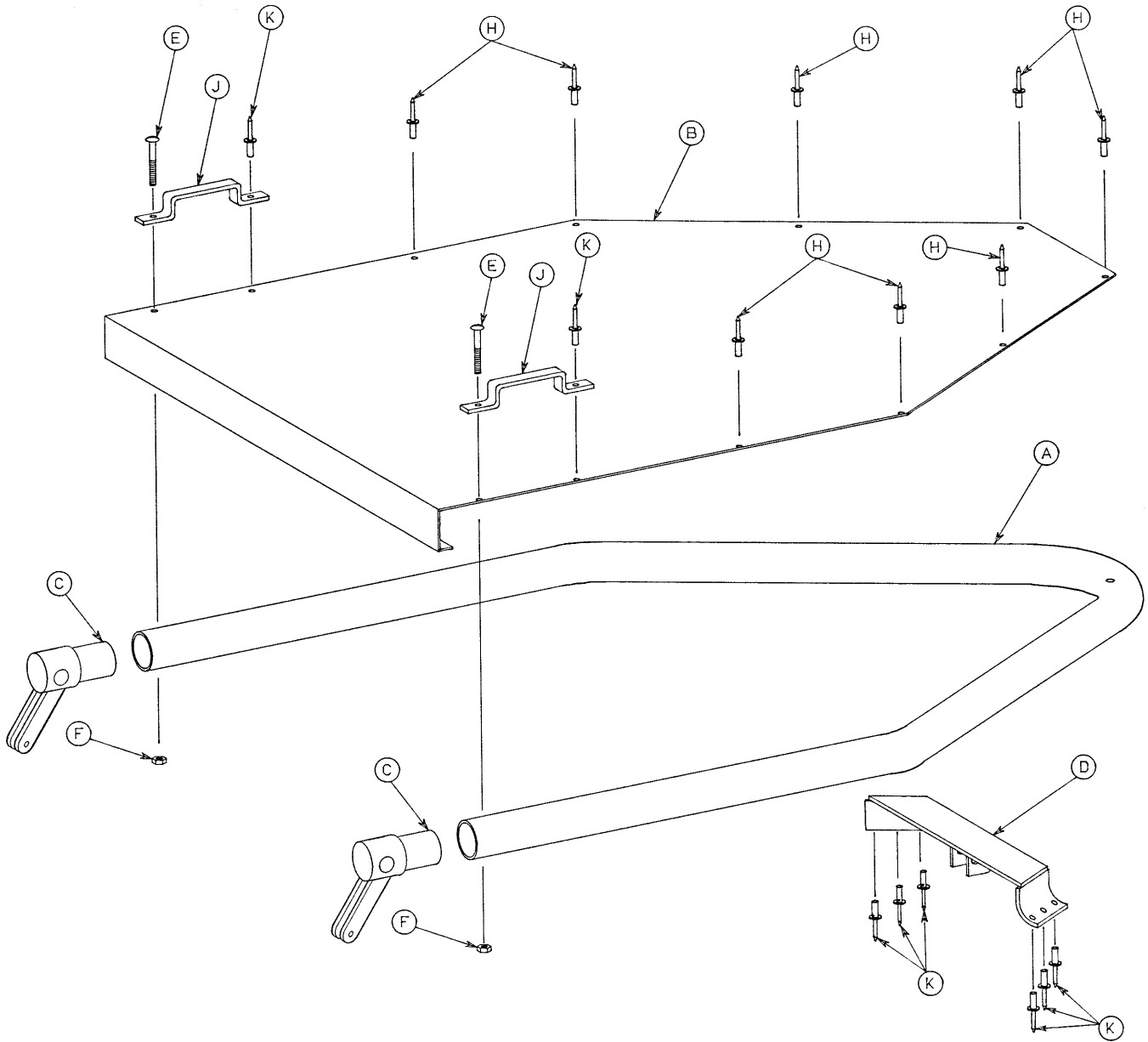


# 966-1-18 Basic Frame Assembly, Crank Knee Gatch



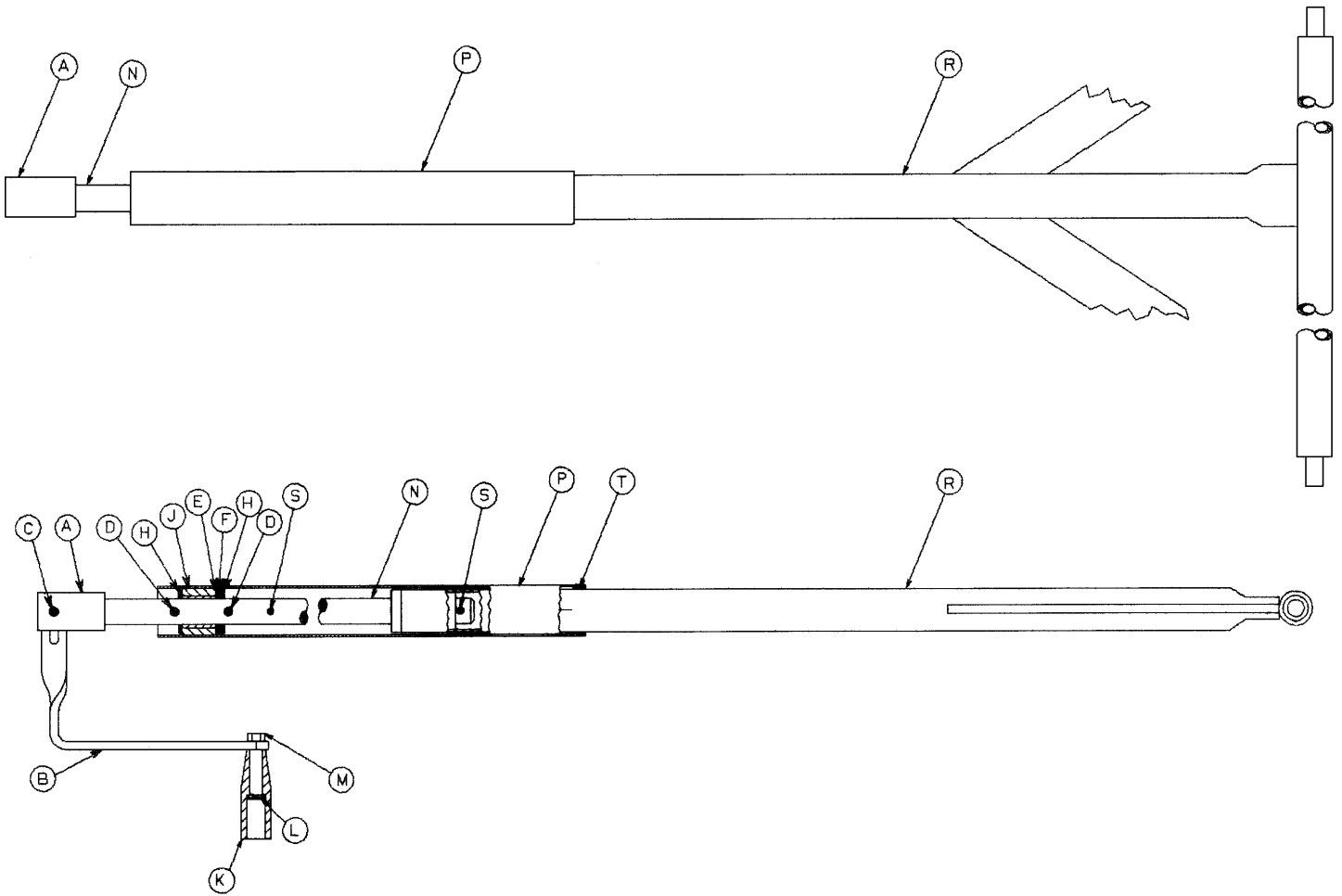
Item	Part No.	Part Name	Qty.	Item	Part No.	Part Name	Qty.
A	946-1-37	Corner, Head, Left	1	AA	966-31-11	Crank Support Ass'y	1
B	948-1-38	Corner, Head, Right	1	AB	4-52	Soc. Hd. Cap Screw	2
D	966-31-19	Fowler Track, Left	1	AC	946-1-36	Supt. Tube & Roller Ass'y	2
E	966-31-15	Fowler Track, Right	1	AD	938-1-399	Carrier Tube	2
F	399-9-13	Top Support Tube Ass'y	1	AE	946-34-15	Tube Support	1
H	966-1-75	Side Tube, Left	1	AF	390-9-13	Top Support Tube Ass'y	1
J	966-1-76	Side Tube, Right	1	AH	42-7	Collar Assembly	4
K	946-1-35	Board Support	2	AJ	938-1-155	Carrier Tube Supt. Bar	2
L	966-31-16	Hd. End Crossbrace	1	AK	4-21	Soc. Hd. Cap Screw	7
M	4-94	Hex But. Hd. Cap Screw	2	AL	4-51	Soc. Hd. Cap Screw	2
N	966-1-19	Crossbar Support	2	AM	11-3	Washer	8
P	16-36	Fiberlock Nut	15	AP	4-37	Soc. Hd. Cap Screw	2
R	25-50	Pop Rivet	12	AR	46-1	Sq. Hd. Set Screw	2
S	966-31-12	Crosstube	1	AS	4-54	Hex But. Hd. Cap Screw	8
W	946-1-30	Ft. End Litter Support	1	AT	946-1-285	Grounding Cable	2
Z	946-1-50	Ft. End Litter Support	1	AW	30-21	Rubber Cap	2

# 966-33-10 Crank Fowler Assembly



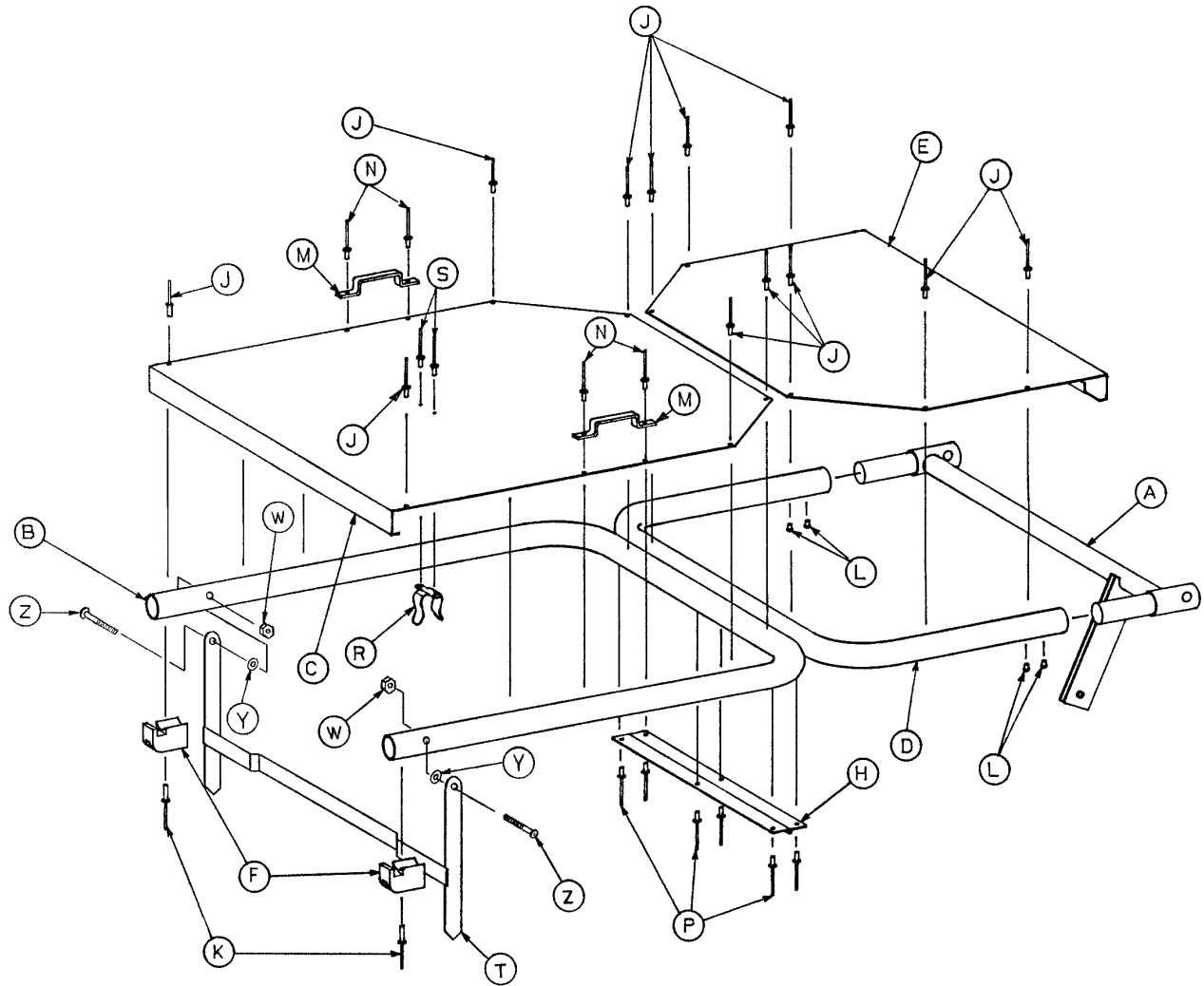
Item	Part No.	Part Name	Qty.
A	966-32-62	Fowler Tube	1
B	966-32-63	Fowler Skin	1
C	966-33-11	Fowler Pivot	2
D	966-1-30	Fowler Crossbar	1
E	2-15	Round Hd. Mach. Screw	2
F	16-2	Fiberlock Nut	2
H	25-55	Pop Rivet	8
J	393-53-20	Strap Anchor	2
K	25-56	Pop Rivet	8

# 966-33-15 Fowler Crankscrew Assembly



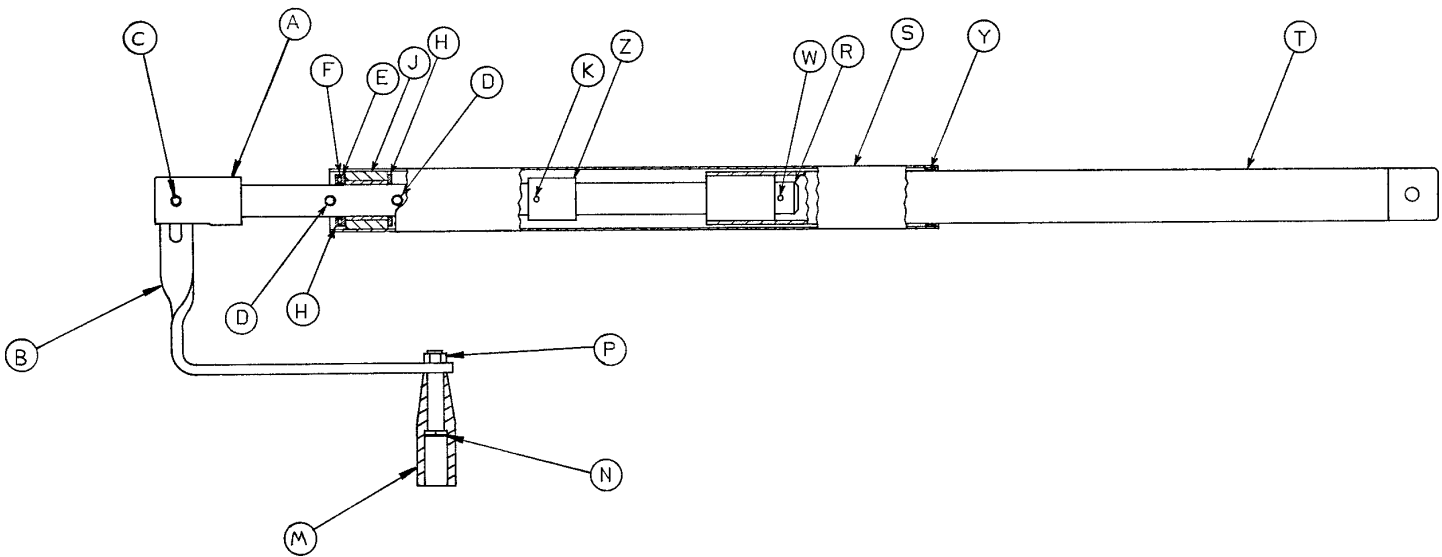
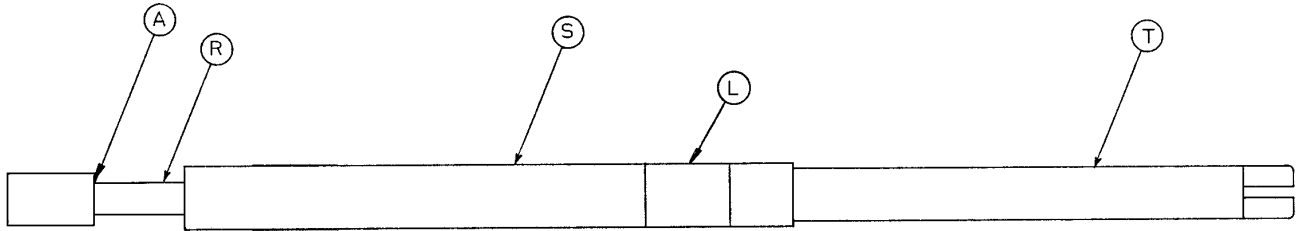
Item	Part No.	Part Name	Qty.
A	958-1-545	Crank Disc	1
B	1550-1-16	Crank Handle	1
C	26-166	Groove Pin	1
D	26-14	Roll Pin	2
E	81-176	Thrust Washer	1
F	81-175	Thrust Bearing	1
H	81-174	Thrust Washer	2
J	938-1-175	Bearing Assembly	1
K	938-1-177	Knob	1
L	378-24-29	Shoulder Bolt	1
M	16-6	Kep Nut	1
N	966-33-16	Fowler Screw	1
P	966-33-17	Screw Cover	1
R	966-33-19	Crossbrace Assembly	1
S	26-10	Roll Pin	2
T	7900-1-102	Velcro Pile Tape	1

# 966-34-16 Knee Gatch Assembly



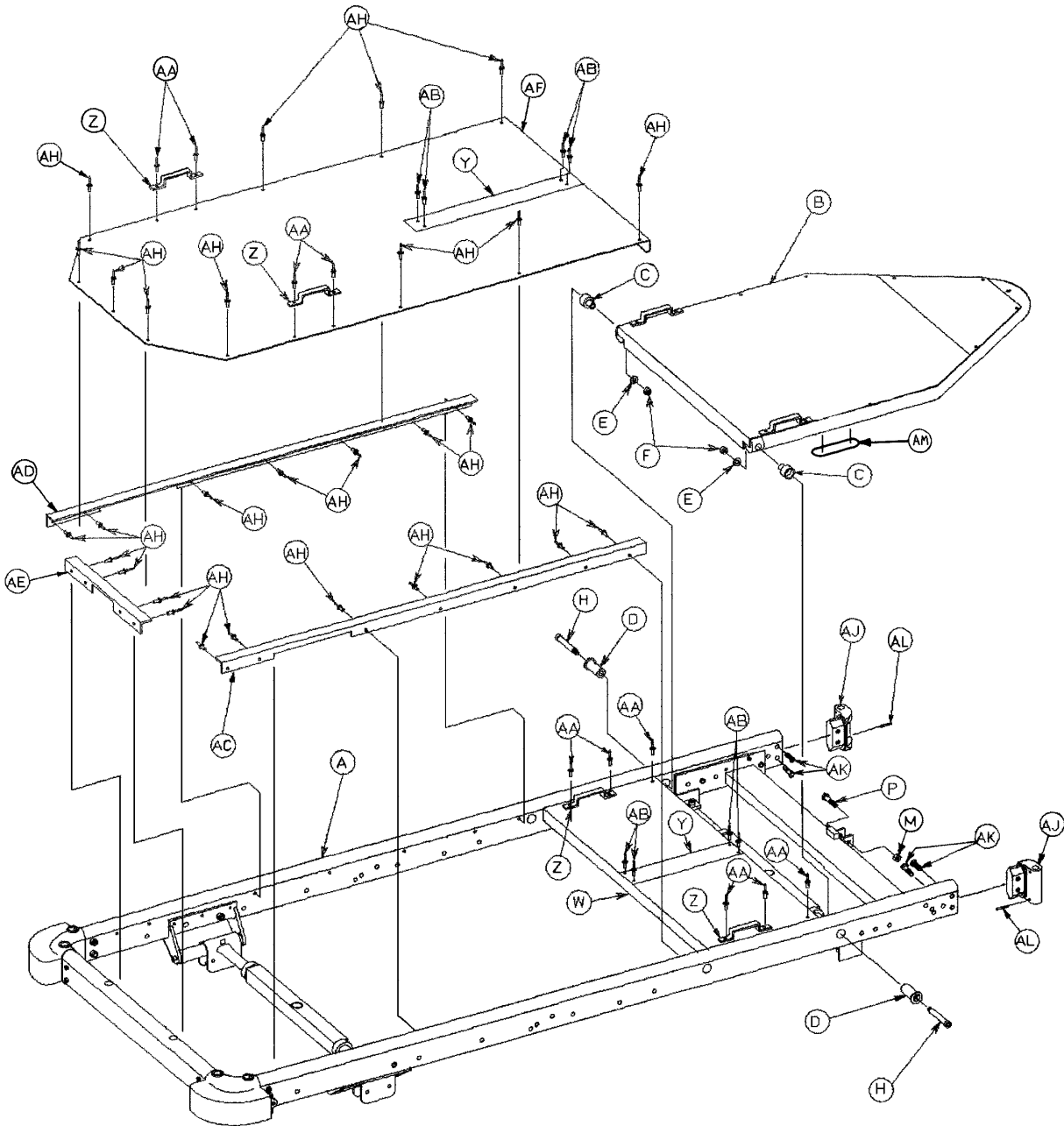
Item	Part No.	Part Name	Qty.
A	926-34-30	Lever Assembly	1
B	966-34-45	Calf Section Tube	1
C	966-34-23	Calf Section Skin	1
D	926-34-22	Thigh Section Tube	1
E	926-34-17	Thigh Section Skin	1
F	946-34-26	Guide	2
H	389-32-13	Hinge	1
J	25-55	Pop Rivet	12
K	25-76	Pop Rivet	2
L	22-7	Drive Screw	4
M	393-53-20	Strap Anchor	2
N	25-77	Pop Rivet	4
P	25-79	Pop Rivet	6
R	946-34-33	Stand Clip	1
S	25-38	Pop Rivet	2
T	926-34-29	Stand Assembly	1
W	16-16	Hex Nut	2
Y	14-2	Nylon Washer	2
Z	2-23	Rd. Hd. Mach. Screw	2
	381-24-7	Velcro Pile Tape (not shown)	A/R

# 966-34-15 Knee Gatch Crankscrew Assembly



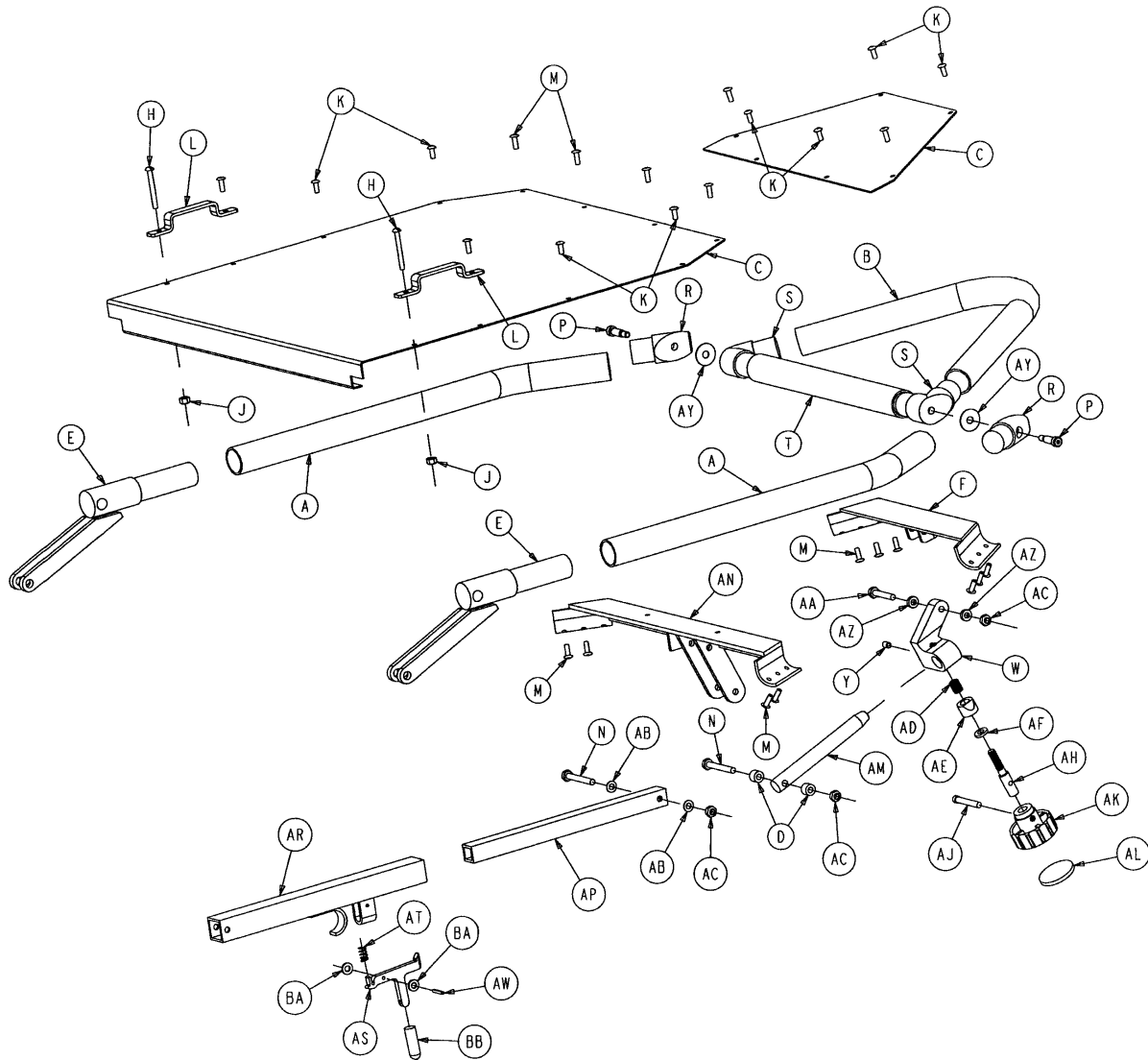
Item	Part No.	Part Name	Qty.
A	958-1-545	Crank Disc	1
B	1550-1-16	Crank Handle	1
C	26-166	Groove Pin	1
D	26-14	Roll Pin	2
E	81-176	Thrust Washer	2
F	81-175	Thrust Bearing	1
H	81-174	THrust Washer	2
J	938-1-175	Bearing Assembly	1
K	26-11	Roll Pin	1
L	966-34-37	Label	1
M	938-1-177	Knob	1
N	378-24-29	Shoulder Bolt	1
P	16-6	Kep Nut	1
R	946-34-25	Gatch Screw	1
S	966-33-17	Screw Cover	1
T	946-34-32	Extension Tube Assembly	1
W	26-10	Roll Pin	1
Y	7900-1-102	Velcro Pile Tape	1
Z	966-34-11	Stop Sleeve	1

# 966-72 Litter Ass'y, Articulating Man. Fowler, Stat. Ft. End



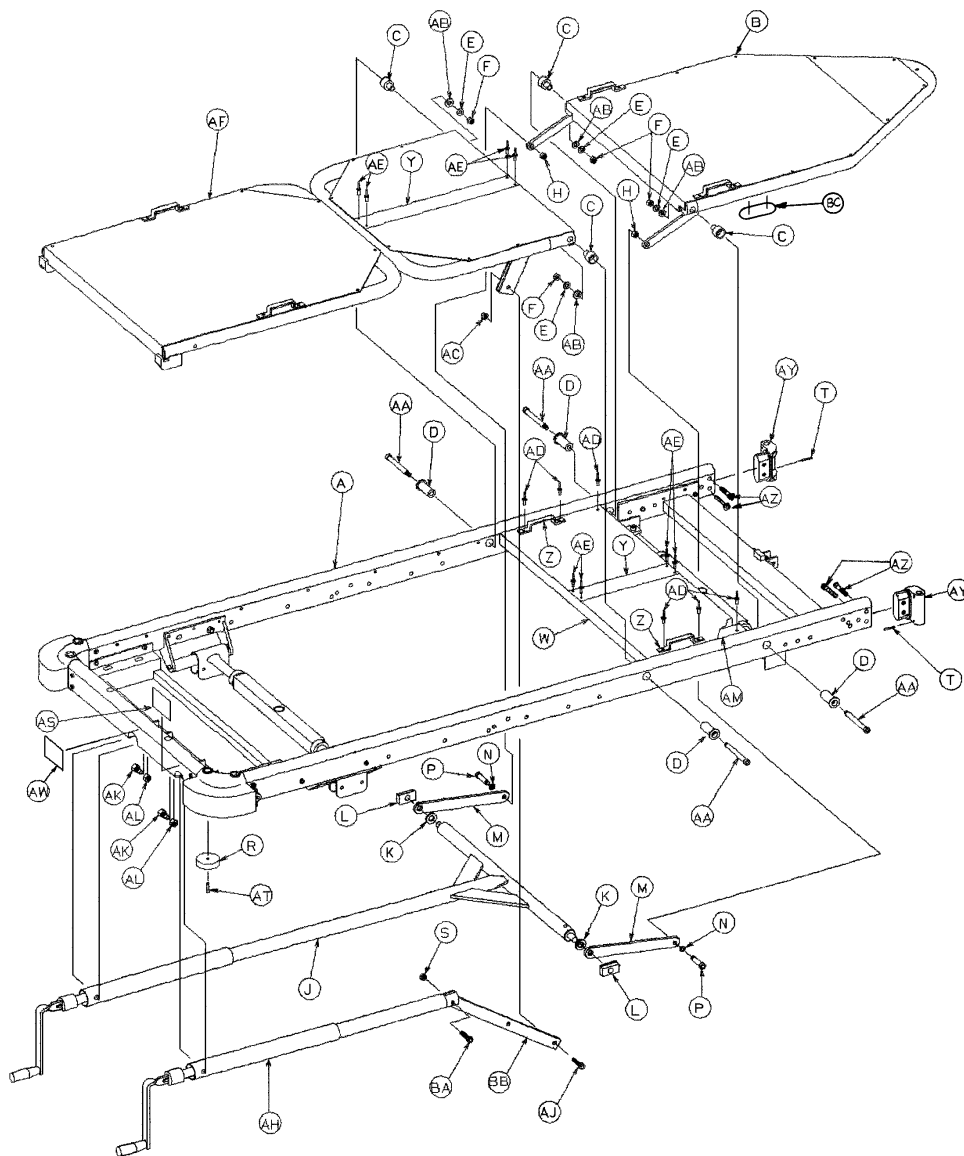
Item	Part No.	Part Name	Qty.	Item	Part No.	Part Name	Qty.
A	(page 33)	Litter Frame Assembly	1	AA	25-77	Pop Rivet	10
B	(page 42)	Art. Man. Fowler Ass'y	1	AB	25-40	Pop Rivet	8
C	966-34-40	Pivot Sleeve	2	AC	966-32-41	Skin Support Angle, Lt.	1
D	966-34-41	Pivot	2	AD	966-32-42	Skin Support Angle, Rt.	1
E	52-17	Spacer	2	AE	946-34-40	Skin Supt. Angle, End	1
F	16-36	Nylock Hex Nut	2	AF	966-32-31	Aluminum Foot Skin	1
H	8-32	Shoulder Bolt	2	AH	25-55	Pop Rivet	29
M	16-5	Conelock Hex Nut	1	AJ	966-1-28	I.V. Holder	2
P	3-17	Hex Hd. Cap Screw	1	AK	4-13	Soc. Hd. Cap Screw	4
W	926-33-39	Midsection Skin	1	AL	26-7	Roll Pin	2
Y	381-24-7	Velcro Pile Tape	A/R	AM	966-1-45	Protective Strip	2
Z	393-53-20	Strap Anchor	4				

# 966-70-10 Articulating Manual Fowler Assembly



Item	Part No.	Part Name	Qty.	Item	Part No.	Part Name	Qty.
A	966-70-18	Fowler Side Tube	2	AB	14-4	Washer	2
B	966-70-17	Fowler Head Tube	1	AC	16-5	Conelock Nut	3
C	966-70-35	Art. Fowler Skin Set	1	AD	38-171	Compression Spring	1
D	966-70-36	Spacer	2	AE	966-51-19	Modified Wedge Lock	1
E	966-33-11	Fowler Pivot Assembly	2	AF	11-108	Washer	1
F	966-1-30	Fowler Crossbar Ass'y	1	AH	966-51-18	Shaft	1
H	2-15	Rd. Hd. Mach. Screw	2	AJ	4-66	Soc. Hd. Cap Screw	1
J	16-2	Hex Nut	2	AK	966-51-24	Modified Knob Assembly	1
K	25-55	Blind Rivet	8	AL	966-1-65	Label	1
L	393-53-20	Strap Anchor	2	AM	966-70-25	Slide Bar	1
M	25-56	Blind Rivet	18	AN	966-70-31	Shldr. Crossbrace Ass'y	1
N	3-20	Hex Hd. Cap Screw	2	AP	966-70-34	Fowler Pivot Slide	1
P	8-27	Soc. Hd. Shoulder Screw	2	AR	966-70-32	Fowler Slide Assembly	1
R	966-70-21	Shoulder Casting	2	AS	966-70-38	Latch	1
S	966-70-23	Head Pivot Casting	2	AT	38-133	Compression Spring	1
T	966-70-28	Crosstube	1	AW	26-6	Spring Pin	1
W	966-70-27	Bar Clamp	1	AY	14-19	Washer	2
Y	21-73	Set Screw	1	AZ	966-70-37	Spacer	2
AA	3-5	Hex Hd. Cap Screw	1				

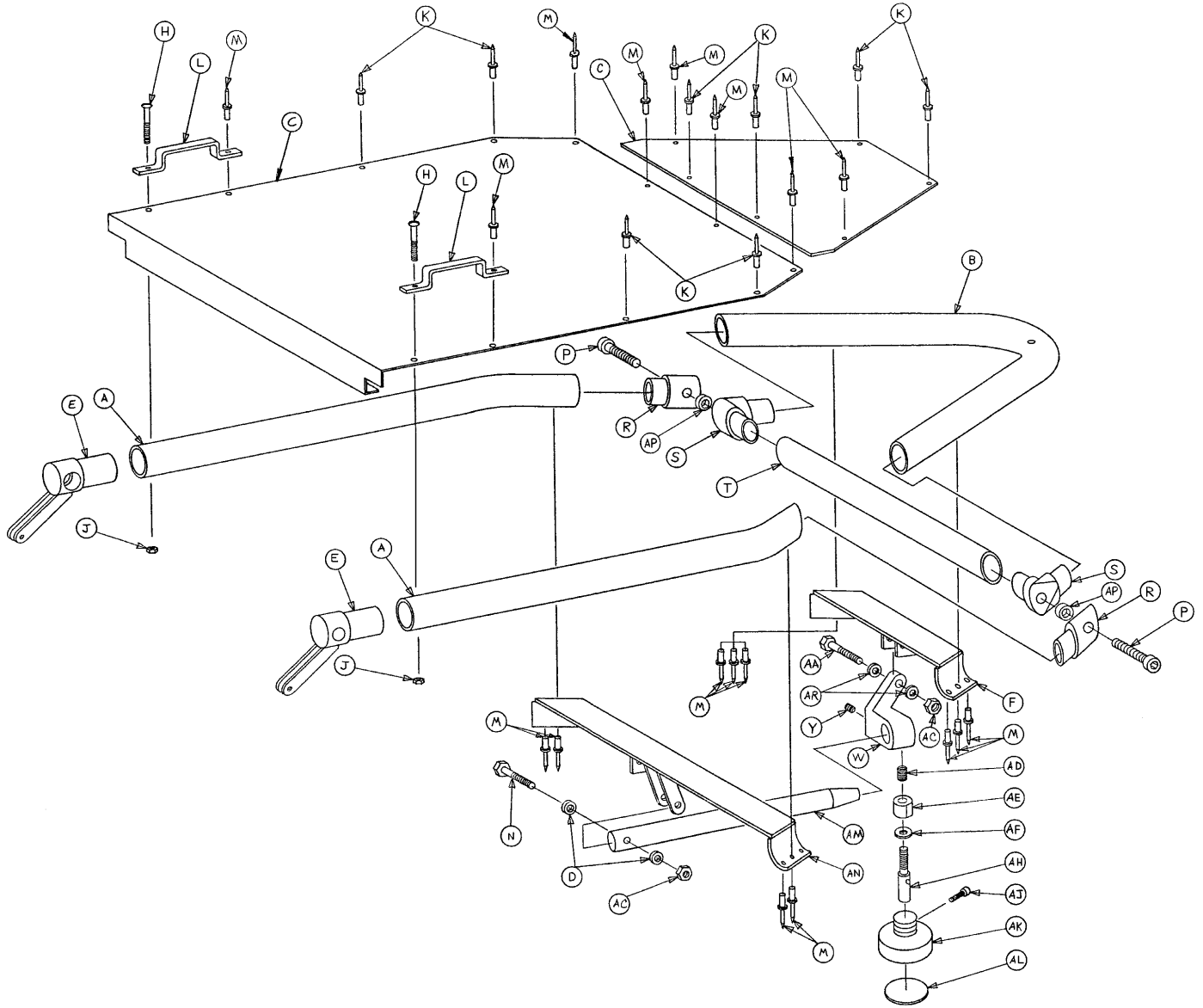
# 966-75 Litter Ass'y, Articulating Crank Fowler, Crank Gatch



Item	Part No.	Part Name	Qty.	Item	Part No.	Part Name	Qty.
A	(page 36)	Litter Frame Assembly	1	AA	8-32	Shoulder Bolt	4
B	(page 44)	Art. Crank Fowler Ass'y	1	AB	52-17	Spacer	4
C	966-34-40	Pivot Sleeve	4	AC	16-16	Fiberlock Hex Nut	1
D	966-34-41	Pivot	4	AD	25-75	Pop Rivet	6
E	11-108	Washer	4	AE	25-40	Pop Rivet	8
F	16-36	Nylock Hex Nut	4	AF	(page 39)	Gatch Assembly	1
H	16-11	Hex Castle Nut	2	AH	(page 40)	Gatch Crankscrew Ass'y	1
J	(page 38)	Fowler Crankscrew Ass'y	1	AJ	8-15	Shoulder Bolt	1
K	926-33-17	Spacer	2	AK	938-1-166	Modified Bolt	2
L	926-33-36	Bearing	2	AL	15-13	Hex Nut	2
M	946-33-26	Pivot Linkage	2	AM	926-1-37	Midsection Skin Spacer	2
N	14-21	Washer	2	AS	946-1-65	Knee Gatch Label	1
P	8-24	Shoulder Bolt	2	AT	4-29	Soc. Hd. Cap Screw	2
R	1550-1-14	Magnet	2	AW	946-1-64	Fowler Label	1
S	16-12	Flexlock Hex Nut	1	AY	966-1-28	I.V. Holder	2
T	26-7	Roll Pin	2	AZ	4-13	Soc. Hd. Cap Screw	4
W	926-33-39	Midsection Skin	1	BA	4-105	Soc. Hd. Cap Screw	1
Y	381-24-7	Velcro Pile Tape	A/R	BB	966-34-12	Lever	1
Z	393-53-20	Strap Anchor	2	BC	966-1-45	Protective Strip	2

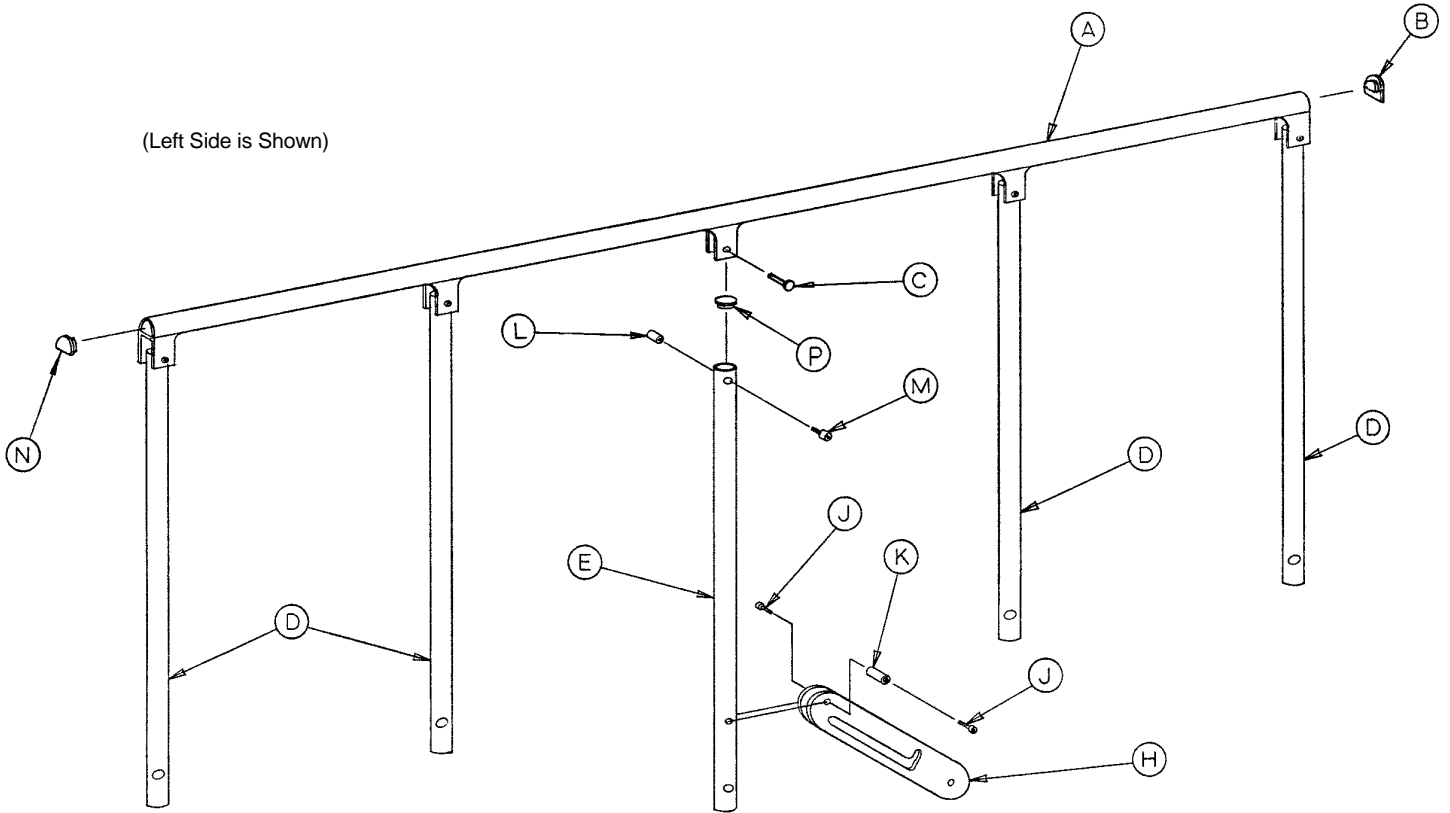


# 966-71-10 Articulating Crank Fowler Assembly



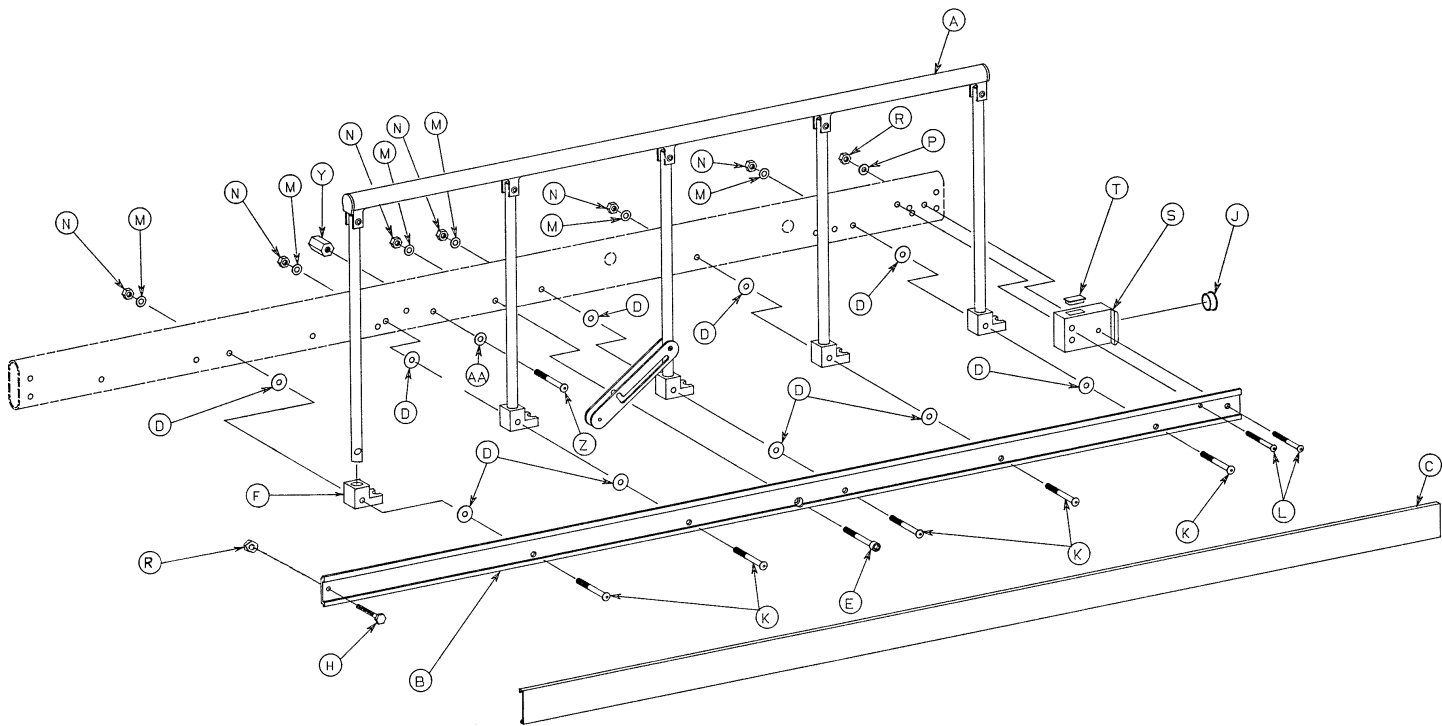
Item	Part No.	Part Name	Qty.	Item	Part No.	Part Name	Qty.
A	966-70-18	Fowler Side Tube	2	W	966-70-27	Bar Clamp	1
B	966-70-17	Fowler Head Tube	1	Y	21-73	Set Screw	1
C	966-70-35	Art. Fowler Skin Set	1	AA	3-5	Hex Hd. Cap Screw	1
D	966-70-36	Spacer	2	AC	16-5	Conelock Hex Nut	2
E	966-33-11	Fowler Pivot Ass'y	2	AD	38-171	Compression Spring	1
F	966-1-30	Fowler Crossbar Ass'y	1	AE	966-51-19	Modified Wedge Lock	1
H	2-15	Rd. Hd. Mach. Screw	2	AF	11-108	Washer	1
J	16-2	Fiberlock Nut	2	AH	966-51-18	Shaft	1
K	25-55	Pop Rivet	8	AJ	4-66	Soc. Hd. Cap Screw	1
L	393-53-20	Strap Anchor	2	AK	966-51-24	Modified Knob Ass'y	1
M	25-56	Pop Rivet	18	AL	966-1-65	Lock/Release Label	1
N	3-20	Hex Hd. Cap Screw	1	AM	966-70-25	Slide Bar	1
P	8-27	Shoulder Bolt	2	AN	966-70-31	Shoulder Crossbar Ass'y	1
R	966-70-21	Shoulder Casting	2	AP	14-19	Thrust Washer	2
S	966-70-23	Head Pivot Casting	2	AR	966-70-37	Spacer	2
T	966-70-28	Crosstube	1				

# 966-26-10, 11 Folddown Siderail Assembly, Left & Right



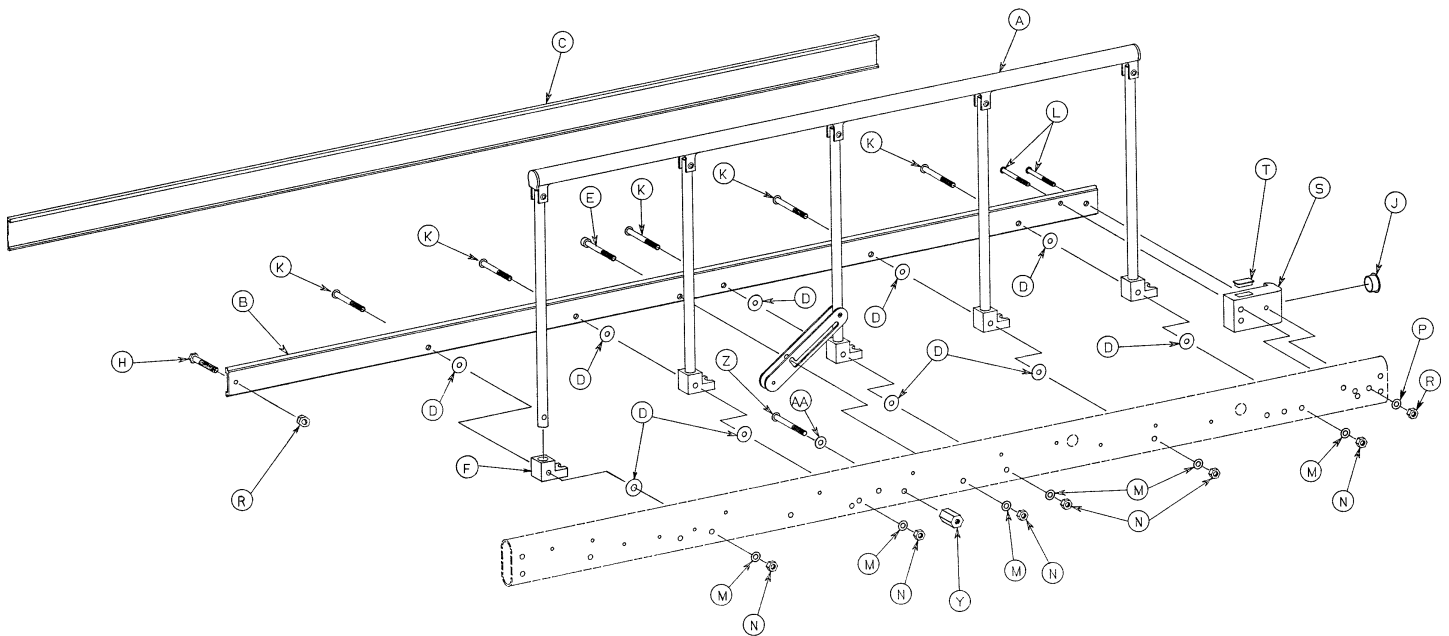
Item	Part No.	Part Name	Qty.
A	919-26-40	Top Rail	1
B	37-44	Modified End Plug	1
C	25-61	Semi-Tubular Rivet	5
D	919-26-37	Upright	4
E	919-26-36	Latch Upright	1
H	919-26-39	Latch Assembly	1
J	4-49	H. Soc. But. Hd. Cap Screw	2
K	946-26-35	Pivot Sleeve	1
L	52-14	Spacer	5
M	52-13	Spacer	5
N	37-43	End Plug	1
P	37-42	Round Hole Plug	5

# 966-26-30 Siderail & Bumper Assembly, Left



Item	Part No.	Part Name	Qty.
A	(page 45)	Siderail Assembly	1
B	966-26-47	Bumper, Left	1
C	966-26-41	Cap	1
D	14-19	Washer	15
E	4-56	Soc. Hd. Cap Screw	1
F	946-26-12	Siderail Pivot	5
H	3-2	Hex Hd. Cap Screw	1
J	37-45	Round Hole Plug	1
K	4-53	But. Hd. Cap Screw	5
L	4-67	But. Hd. Cap Screw	2
M	14-17	Washer	6
N	16-11	Hex Nut	6
P	11-65	Washer	1
R	16-16	Fiberlock Nut	2
S	926-26-13	Mounting Block	1
T	926-26-38	Plug	1
Y	946-34-18	Support	1
Z	4-94	But. Hd. Cap Screw	1
AA	11-3	Washer	1

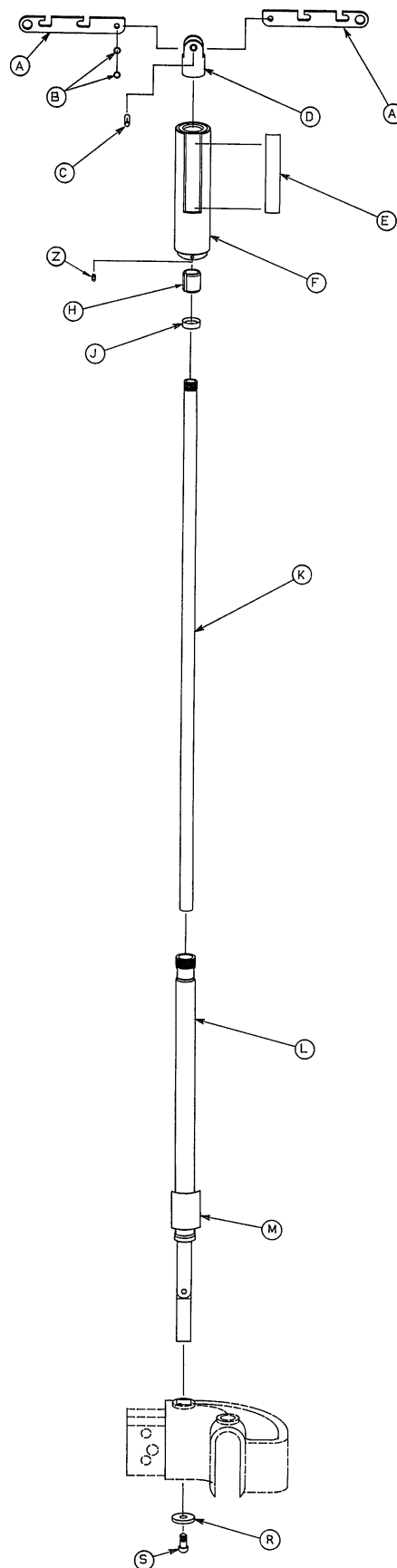
# 966-26-31 Siderail & Bumper Assembly, Right



Item	Part No.	Part Name	Qty.
A	(page 45)	Siderail Assembly	1
B	966-26-46	Bumper, Right	1
C	966-26-41	Cap	1
D	14-19	Washer	15
E	4-56	Soc. Hd. Cap Screw	1
F	946-26-12	Siderail Pivot	5
H	3-2	Hex Hd. Cap Screw	1
J	37-45	Round Hole Plug	1
K	4-53	But. Hd. Cap Screw	5
L	4-67	But. Hd. Cap Screw	2
M	14-17	Washer	6
N	16-11	Hex Nut	6
P	11-65	Washer	1
R	16-16	Fiberlock Nut	2
S	926-26-13	Mounting Block	1
T	926-26-38	Plug	1
Y	946-34-18	Support	1
Z	4-94	But. Hd. Cap Screw	1
AA	11-3	Washer	1

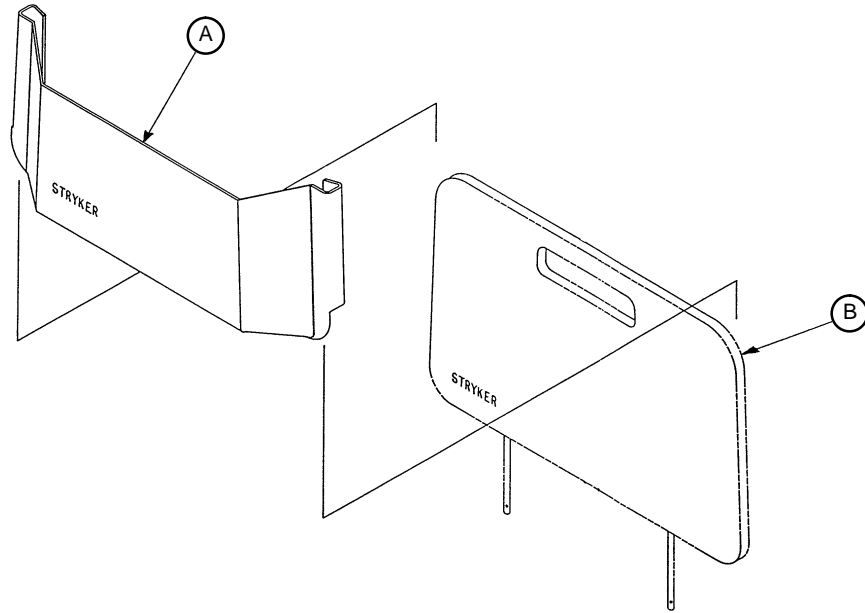
# 946-224-10 Folding I.V. Holder Assembly

Item	Part No.	Part Name	Qty.
A	946-224-1	Hanger	2
B	14-16	Washer	2
C	26-147	Groove Pin	1
D	946-224-2	Top Bracket, Mach'd	1
E	946-224-18	Label	2
F	946-224-33	Grip Assembly	1
H	946-224-4	Lock	1
J	946-224-5	Ring	1
K	946-224-3	Inner Tube	1
L	946-224-30	Hinge & Outer Tube Ass'y	1
M	946-224-19	Label	1
R	11-158	Washer	1
S	4-113	But. Hd. Cap Screw	1
T	25-86	Pop Rivet	2
W	946-224-22	Rest	2
Z	21-107	Set Screw	1



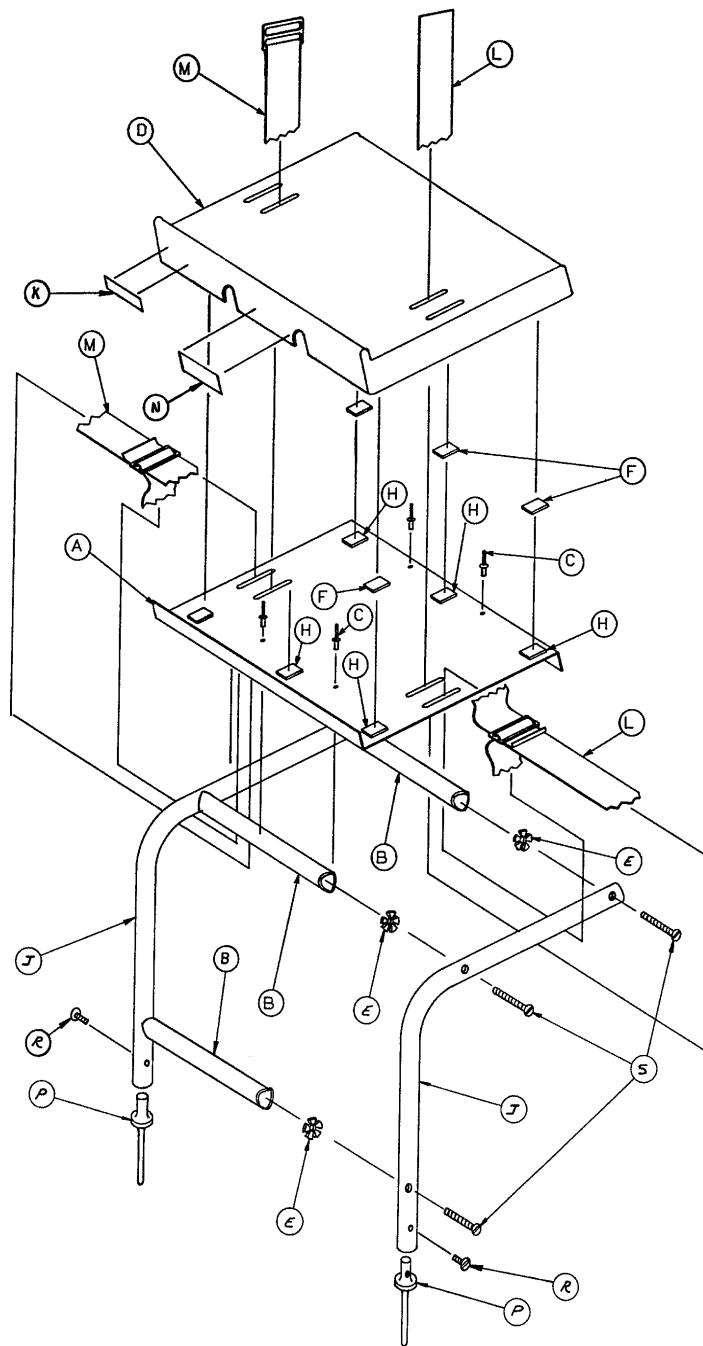
# 926-40-10 Foot Board/Chartholder Assembly

---



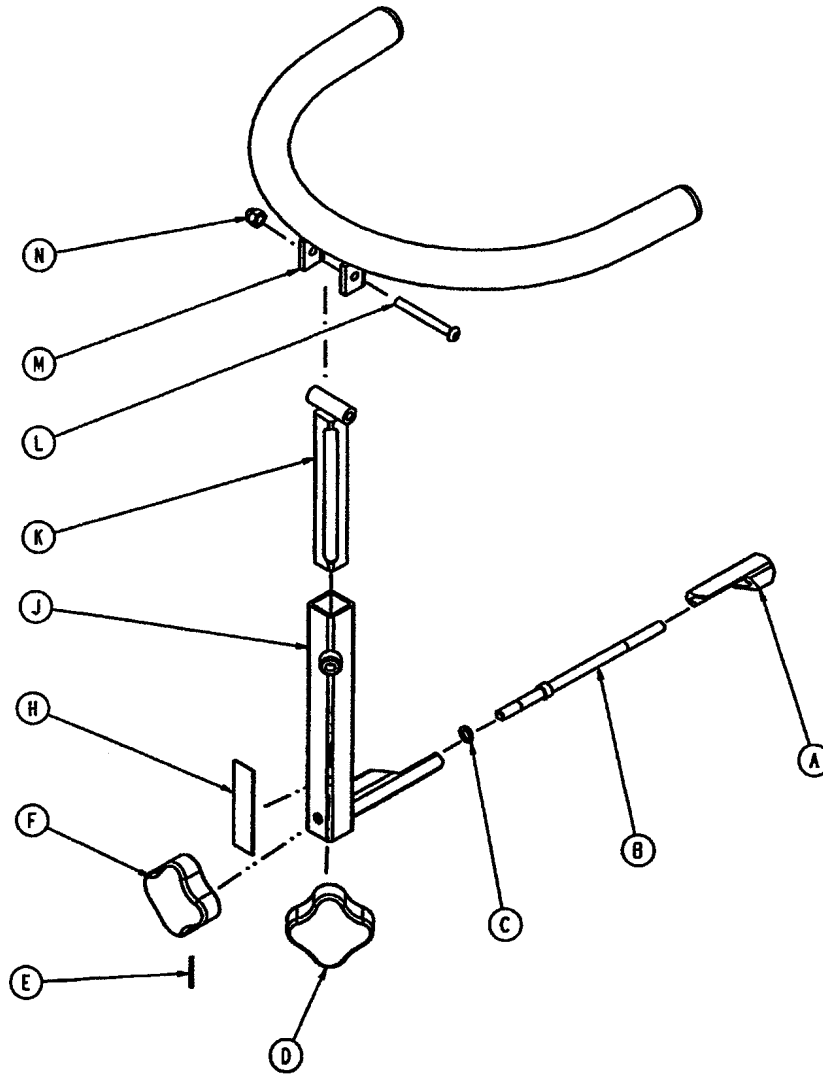
<b>Item</b>	<b>Part No.</b>	<b>Part Name</b>	<b>Qty.</b>
A	946-28-11	Chart Holder	1
B	946-29-6	Foot Board	1

# 926-39-10 Defibrillator Tray Assembly



Item	Part No.	Part Name	Qty.	Item	Part No.	Part Name	Qty.
A	946-39-4	Tray	1	K	926-1-82	Label	1
B	926-39-16	Crosstube	3	L	390-57-12	Long Strap	1
C	25-55	Rivet	4	M	390-57-13	Short Strap	1
D	926-39-9	Cover	1	N	946-1-283	Label	1
E	18-6	Umbrella Nut	6	P	926-39-15	Holder	2
F	29-8	Dual Lock	6	R	2-44	Screw	2
H	29-10	Dual Lock	6	S	2-105	Rd. Hd. Mach. Screw	6
J	946-39-3	Support Tube	2				

# 1067-250-10 Wrist Rest Assembly

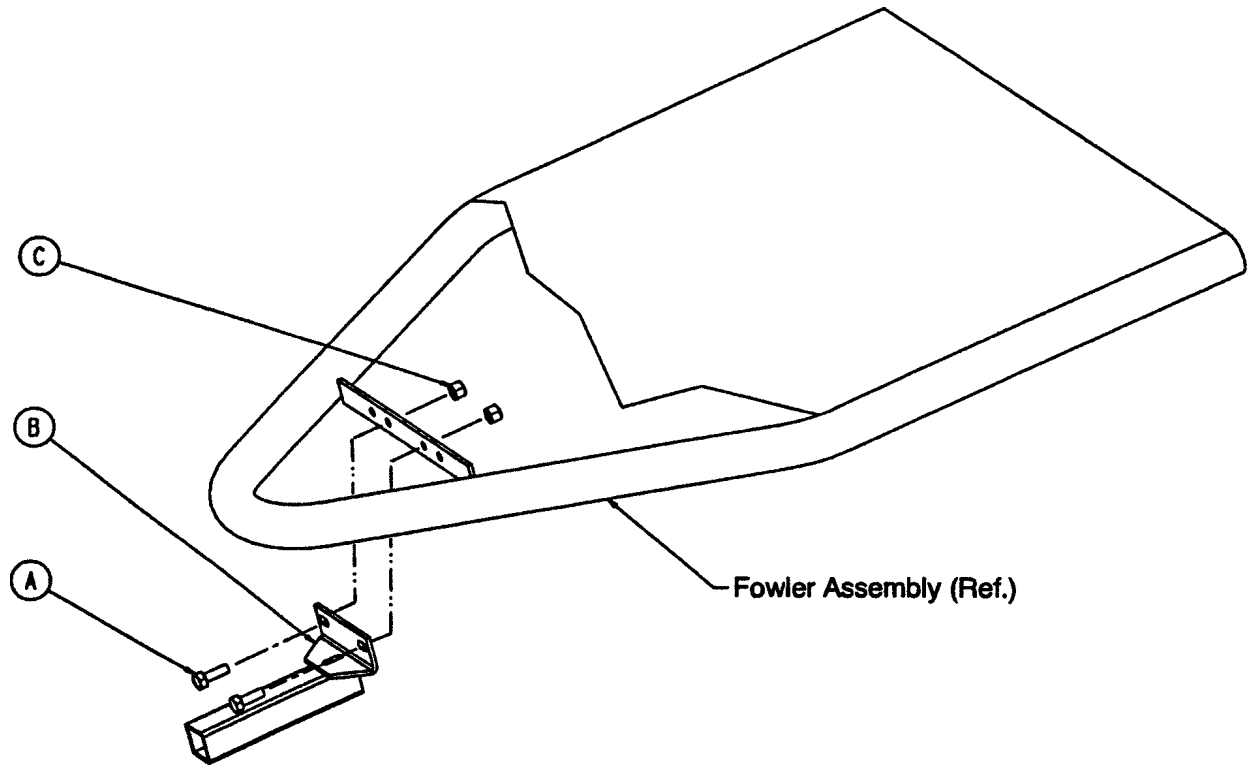


Item	Part No.	Part Name	Qty.
A	1068-250-42	Locking Wedge	1
B	1068-250-41	Wedge Bolt	1
C	14-3	Fiber Washer	1
D	24-55	Knob, Male	1
E	26-42	Roll Pin	1
F	24-54	Knob, Female	1
H	1067-290-50	Specification Label	1
J	1067-250-50	Base Tube Weldment	1
K	1068-252-55	Support Bar Weldment	1
L	4-163	But. Hd. Cap Screw	1
M	1068-50-55	Tube Weldment	1
N	17-4	Acorn Nut	1



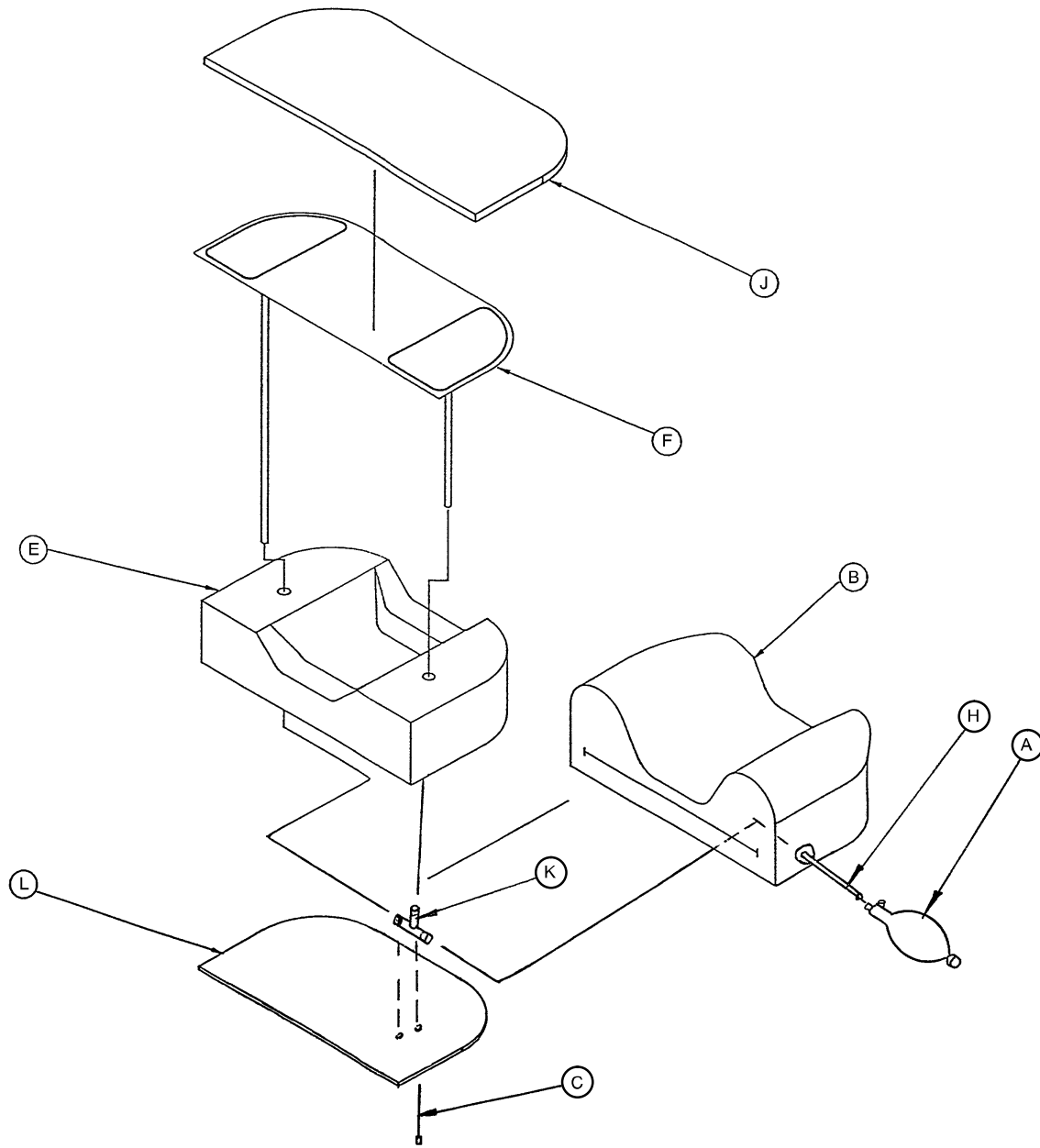
# 1067-50-10 Wrist Rest Mounting Tube Assembly

---



Item	Part No.	Part Name	Qty.
A	3-50	Hex Hd. Cap Screw	2
B	1067-50-50	Mtg. Tube Weldment	1
C	16-28	Nylock Nut	2

# 1068-82-10 Inflatable Head Pad Assembly



Item	Part No.	Part Name	Qty.
A	1066-82-20	Latex Bulb	1
B	1068-82-9	Cover Assembly	1
C	58-14	Cable Tie	1
E	1068-82-13	Bottom Foam	1
F	1066-82-14	Bladder	1
H	1066-82-21	Connector	1
J	1068-82-12	Top Foam	1
K	1066-82-22	"T" Connector	1
L	1068-82-15	Head Piece Base	1

# Replacement Parts and Kits

---

<b><u>PART NAME</u></b>	<b><u>PART NUMBER</u></b>
Ankle Restraint Straps .....	946-43
Body Restraint Straps .....	390-19
Wrist Restraint Straps .....	946-44
Short SAFR™ Patient Transfer Board .....	721-239
Long SAFR™ Patient Transfer Board .....	721-234
Removable Standard I.V. Pole .....	390-25
Folding, Permanent I.V. Pole .....	946-224-200
Wrist Rest Assembly .....	966-51-100
Folddown Siderail Pads .....	946-96
4" Conductive Tapered Mattress .....	966-37
4" Articulating Mattress .....	966-77
4" Comfort Mattress w/Inflatable Head .....	1067-77
3" Non-Articulating Conductive Mattress .....	1067-38
3" Articulating Conductive Mattress .....	1067-78
Defibrillator/Equipment Tray .....	926-39
Foot Board/Defibrillator Tray .....	926-40-100
Caster Cover Kit .....	1010-56-100
Head Support Cushion .....	962-29

# Warranty

---

## Limited Warranty:

Stryker Medical Division, a division of Stryker Corporation, warrants to the original purchaser that its products should be free from defects in material and workmanship for a period of one (1) year after date of delivery. Stryker's obligation under this warranty is expressly limited to supplying replacement parts and labor for, or replacing, at its option, any product which is, in the sole discretion of Stryker, found to be defective. Stryker warrants to the original purchaser that the frame and welds on its beds will be free from structural defects for as long as the original purchaser owns the bed. If requested by Stryker, products or parts for which a warranty claim is made shall be returned prepaid to Stryker's factory. Any improper use or any alteration or repair by others in such manner as in Stryker's judgement affects the product materially and adversely shall void this warranty. No employee or representative of Stryker is authorized to change this warranty in any way.

This statement constitutes Stryker's entire warranty with respect to the aforesaid equipment. STRYKER MAKES NO OTHER WARRANTY OR REPRESENTATION, EITHER EXPRESSED OR IMPLIED, EXCEPT AS SET FORTH HEREIN. THERE IS NO WARRANTY OF MERCHANTABILITY AND THERE ARE NO WARRANTIES OF FITNESS FOR ANY PARTICULAR PURPOSE. IN NO EVENT SHALL STRYKER BE LIABLE HEREUNDER FOR INCIDENTAL OR CONSEQUENTIAL DAMAGES ARISING FROM OR IN ANY MANNER RELATED TO SALES OR USE OF ANY SUCH EQUIPMENT.

## To Obtain Parts and Service:

Stryker products are supported by a nationwide network of dedicated Stryker Field Service Representatives. These representatives are factory trained, available locally, and carry a substantial spare parts inventory to minimize repair time. Simply call your local representative, or call Stryker Customer Service at (800) 327-0770.

## Supplemental Warranty Coverage:

Stryker has developed a comprehensive program of extended warranty options designed to keep your equipment operating at peak performance at the same time it eliminates unexpected costs. We recommend that these programs be activated *before* the expiration of the new product warranty to eliminate the potential of additional equipment upgrade charges. Stryker offers the following Supplemental Warranties:

### **Extended (Parts and Labor)**

- All replacement parts (excluding mattresses and consumable items)
- Labor and travel for *all* scheduled and unscheduled calls
- Annual Preventive Maintenance Inspections and repairs
- JCAHO paperwork for preventive maintenance
- Priority Emergency Service

### **Standard (Labor Only):**

- Labor and travel for *all* scheduled and unscheduled calls
- Biannual Preventive Maintenance Inspections and repairs
- JCAHO paperwork for preventive maintenance
- Priority Emergency Service

### **Basic (Parts Only):**

- All replacement parts (excluding mattresses and consumable items)
- Priority Emergency Service

**Please call your local representative, or call (800) 327-0770 for further information**

# Warranty

---

## **Return Authorization:**

Merchandise cannot be returned without approval from the Stryker Customer Service Department. An authorization number will be provided which must be printed on the returned merchandise. Stryker reserves the right to charge shipping and restocking fees on returned items.

SPECIAL, MODIFIED, OR DISCONTINUED ITEMS NOT SUBJECT TO RETURN.

## **Damaged Merchandise:**

ICC Regulations require that claims for damaged merchandise must be made with the carrier within fifteen (15) days of receipt of merchandise. **DO NOT ACCEPT DAMAGED SHIPMENTS UNLESS SUCH DAMAGE IS NOTED ON THE DELIVERY RECEIPT AT THE TIME OF RECEIPT.** Upon prompt notification, Stryker will file a freight claim with the appropriate carrier for damages incurred. Claim will be limited in amount to the actual replacement cost. In the event that this information is not received by Stryker within the fifteen (15) day period following the delivery of the merchandise, or the damage was not noted on the delivery receipt at the time of receipt, the customer will be responsible for payment of the original invoice in full.

Claims for any short shipment must be made within thirty (30) days of invoice.



6300 Sprinkle Road, Kalamazoo, MI 49001-9799

(800) 327-0770

---

DH 8/97 1067-1-16 REV E