

stryker[®]
Medical

Head/Neck Surgery Series

1069 Head/Neck Surgery Stretcher
Maintenance Manual

For Parts or Technical Assistance
800-327-0770

INTRODUCTION AND SET-UP INFORMATION

Introduction 1-1

Specifications 1-1

Warning/Caution/Note Information 1-1

Warranty 1-2, 1-3

PREVENTIVE MAINTENANCE

Cleaning 2-2

Preventive Maintenance Checklist 2-3

BASE MAINTENANCE

Caster Assembly Replacement 3-2

Fifth Wheel Replacement 3-2

Caster Cover Installation And Removal 3-3

Brake Cam Replacement 3-4

Brake Ring Replacement 3-4

Brake Adjustment 3-5

Base Side Control Pedal Linkage Adjustment 3-5

Base Side Control Brake/Steer Gear Replacement 3-6

Uni-Pedal Replacement 3-6

Jack Replacement 3-7

Jack Assembly Torque Specification 3-8

Hydraulic Troubleshooting 3-8

Removing Excess Air From The Hydraulic System 3-8

Checking Hydraulic Fluid Level 3-9

Jack Descent Rate Adjustment 3-9

Constant Flow Jack Descent Rate Adjustment 3-10

Adjustable Pressure Compensated (P.C.) Valve Replacement 3-10

Hydraulic Jack Valve Replacement 3-11, 3-12

Base Lubrication 3-13

LITTER MAINTENANCE

Siderail Latch Adjustment 4-2

Arm Board Counterbalance Adjustment 4-2

Pneumatic Fowler Adjustment 4-3

Pneumatic Fowler Release Handle Adjustment 4-4

Pneumatic Cylinder Replacement 4-5

QUICK REFERENCE REPLACEMENT PARTS LIST

Quick Reference Replacement Parts List 5-1, 5-2

ASSEMBLY DRAWINGS AND PARTS LISTS

Side Control Base Assembly 6-3 - 6-6

End Control Base Assembly 6-7 - 6-10

Brake Adjuster Assembly 6-11

Brake Cam Assembly 6-12

Side Control Pump Pedal Assembly 6-13

Pump Pedal Assembly 6-14

Removable Brake/Steer Pedal Assembly 6-15

Jack Assembly 6-16

Jack Base Assembly 6-17

Constant Flow Jack Assembly 6-18

Constant Flow Jack Base Assembly 6-19

Jack Pump Piston Assembly 6-20

Base Assembly with Steerlock Caster Option 6-21

Caster Assembly with Steerlock 6-22

Standard Caster Assembly 6-23

Base Assembly with Fifth Wheel Option 6-24

Pivot Rod Assembly 6-25

Fifth Wheel Arm Assembly 6-26

Optional Side Control Brake Assembly 6-28, 6-29

Optional Uni-Lower Pedal Assembly 6-30

ASSEMBLY DRAWINGS AND PARTS LISTS (CONTINUED)

Optional Dual Lowering Pedal Assembly	6-31
Base Labeling Assembly	6-32 - 6-34
Litter Assembly	6-35 - 6-37
Foot End Jack Support Assembly	6-38
Head End Jack Support Assembly	6-39
Zero Articulating Pneumatic Fowler Assembly	6-41- 6-45
Single Articulating Pneumatic Fowler Assembly	6-46- 6-51
Dual Articulating Pneumatic Fowler Assembly	6-52 - 6-55
Zero Articulating Crank Fowler Assembly	6-56, 6-57
Single Articulating Crank Fowler Assembly	6-58 - 6-60
Dual Articulating Crank Fowler Assembly	6-62- 6-63
Crank Fowler Assembly	6-64
Fowler Crankscrew Assembly	6-65
Dual Articulating Head Piece Assembly	6-66 - 6-69
Stationary Foot Section Assembly	6-70
Knee Gatch Assembly	6-71
Foot and Thigh Section Assembly	6-72
Knee Gatch Crankscrew Assembly	6-73
Siderail to Litter Assembly, Two-Position Siderails	6-74
Two-Position Siderail Assembly	6-75
Siderail to Litter Assembly, Three-Position Siderails	6-76
Three-Position Siderail Assembly	6-77
Optional Transfer System Assembly	6-78
Optional Transfer Board Assembly, Left	6-79
Optional Transfer Board Assembly, Right	6-80
Optional Transfer Board Support Assembly	6-81
Optional Pre-Op/Post-Op Head Pad Mounting Assembly	6-82
Optional Pre-Op/Post-Op Head Pad Latch Bracket Assembly	6-83
Optional Pre-Op/Post-Op Head Pad Assembly	6-84, 6-85

ASSEMBLY DRAWINGS AND PARTS LISTS (CONTINUED)

Standard, Removable I.V. Pole Assembly	6-86
Optional 2-Stage I.V. Pole Assembly	6-87, 6-88
Optional 3-Stage I.V. Pole Assembly	6-89-6-91
Optional I.V. Pole Latch Assembly	6-92
Optional Foot Board/Chartholder Assembly	6-93
Optional Upright Oxygen Bottle Holder Assembly	6-93
Optional Foot Board Extension/Defibrillator Tray Assembly	6-94
Optional Wrist Rest Assembly	6-95, 6-96
Optional Wrist Rest Mounting Bracket Assembly	6-97
Optional Drape Support Assembly	6-98
Optional Accessory Rail Assembly	6-99
Optional Arm Board Assembly	6-100, 6-101
Mattresses and Siderail Pads	6-102

This quick reference guide will help you locate the section of the manual you need to service your equipment or to order parts for it.

Find the black tab matching the section you are looking for and match it with the corresponding tabs that mark the section in the body of the manual.

Refer to the main table of contents at the front of the manual or each sectional table of contents to locate specific topics.

Chapter
One
Introduction

Chapter
Two
Preventive
Maintenance

Chapter
Three
Base
Maintenance
Procedures

Chapter
Four
Litter
Maintenance
Procedures

Chapter
Five
Replacement
Parts List

Chapter
Six
Assembly
Drawings &
Parts Lists

INTRODUCTION

This manual is designed to assist you with the maintenance of the 1069 Head/Neck Surgery Bed. Read it thoroughly before beginning any maintenance on the equipment.

SPECIFICATIONS

Maximum Weight Capacity	500 pounds
Overall Bed Length/Width	88"/31.5"
Minimum/Maximum Bed Height	22.5"/36"
Fowler Angle	0 to 90°
Knee Gatch Angle	0 to 35°
Trendelenburg/Reverse Trendelenburg	-18° to +18°

Stryker reserves the right to change specifications without notice.

WARNING / CAUTION / NOTE DEFINITION

The words WARNING, CAUTION and NOTE carry special meanings and should be carefully reviewed.

WARNING

The personal safety of the patient or user may be involved. Disregarding this information could result in injury to the patient or user.

CAUTION

These instructions point out special procedures or precautions that must be followed to avoid damaging the equipment.

NOTE

This provides special information to make maintenance easier or important instructions clearer.

WARNING

Patients should be discouraged from sitting directly on the ends of the stretcher. Excessive weight will cause the litter surface to tip up, possibly causing patient injury.

Always apply the caster brakes when a patient is getting on or off the stretcher. Push on the stretcher to ensure the brakes are securely locked. Always engage the brakes unless the stretcher is being moved. Injury could result if the stretcher moves while a patient is getting on or off the stretcher.

Warranty

Limited Warranty:

Stryker Medical Division, a division of Stryker Corporation, warrants to the original purchaser that its products should be free from defects in material and workmanship for a period of one (1) year after date of delivery. Stryker's obligation under this warranty is expressly limited to supplying replacement parts and labor for, or replacing, at its option, any product which is, in the sole discretion of Stryker, found to be defective. Stryker warrants to the original purchaser that the frame and welds on its beds will be free from structural defects for as long as the original purchaser owns the bed. If requested by Stryker, products or parts for which a warranty claim is made shall be returned prepaid to Stryker's factory. Any improper use or any alteration or repair by others in such manner as in Stryker's judgement affects the product materially and adversely shall void this warranty. Any repair of Stryker products using parts not provided or authorized by Stryker shall void this warranty. No employee or representative of Stryker is authorized to change this warranty in any way.

Stryker Medical stretchers are designed for a 10 year expected life under normal use conditions and appropriate periodic maintenance as described in the maintenance manual for each device.

This statement constitutes Stryker's entire warranty with respect to the aforesaid equipment. STRYKER MAKES NO OTHER WARRANTY OR REPRESENTATION, EITHER EXPRESSED OR IMPLIED, EXCEPT AS SET FORTH HEREIN. THERE IS NO WARRANTY OF MERCHANTABILITY AND THERE ARE NO WARRANTIES OF FITNESS FOR ANY PARTICULAR PURPOSE. IN NO EVENT SHALL STRYKER BE LIABLE HEREUNDER FOR INCIDENTAL OR CONSEQUENTIAL DAMAGES ARISING FROM OR IN ANY MANNER RELATED TO SALES OR USE OF ANY SUCH EQUIPMENT.

To Obtain Parts and Service:

Stryker products are supported by a nationwide network of dedicated Stryker Field Service Representatives. These representatives are factory trained, available locally, and carry a substantial spare parts inventory to minimize repair time. Simply call your local representative, or call Stryker Customer Service at (800) 327-0770.

Service Contract Coverage:

Stryker has developed a comprehensive program of service contract options designed to keep your equipment operating at peak performance at the same time it eliminates unexpected costs. We recommend that these programs be activated *before* the expiration of the new product warranty to eliminate the potential of additional equipment upgrade charges.

A SERVICE CONTRACT HELPS TO:

- Ensure equipment reliability
- Stabilize maintenance budgets
- Diminish downtime
- Establish documentation for JCAHO
- Increase product life
- Enhance trade-in value
- Address risk management and safety

Warranty

Stryker offers the following service contract programs:

SPECIFICATIONS	GOLD	SILVER	PM* ONLY
Annually scheduled preventative maintenance	X		X
All parts,** labor, and travel	X	X	
Unlimited emergency service calls	X	X	
Priority one contact; two hour phone response	X	X	X
Most repairs will be completed within 3 business days	X	X	
JCAHO documentation	X	X	X
On-site log book w/ preventative maintenance & emergency service records	X		
Factory-trained Stryker Service Technicians	X	X	X
Stryker authorized parts	X	X	X
End of year summary	X		
Stryker will perform all service during regular business hours (9-5)	X	X	X

* Replacement parts and labor for products under PM contract will be discounted.

** Does not include any disposable items, I.V. poles (except for Stryker HD permanent poles), mattresses, or damage resulting from abuse.

Stryker Medical also offers *personalized* service contracts.

Pricing is determined by age, location, model and condition of product.

***For more information on our service contracts,
please call your local representative or call (800) 327-0770 (option #2).***

Return Authorization:

Merchandise cannot be returned without approval from the Stryker Customer Service Department. An authorization number will be provided which must be printed on the returned merchandise. Stryker reserves the right to charge shipping and restocking fees on returned items.

SPECIAL, MODIFIED, OR DISCONTINUED ITEMS NOT SUBJECT TO RETURN.

Damaged Merchandise:

ICC Regulations require that claims for damaged merchandise must be made with the carrier within fifteen (15) days of receipt of merchandise. **DO NOT ACCEPT DAMAGED SHIPMENTS UNLESS SUCH DAMAGE IS NOTED ON THE DELIVERY RECEIPT AT THE TIME OF RECEIPT.** Upon prompt notification, Stryker will file a freight claim with the appropriate carrier for damages incurred. Claim will be limited in amount to the actual replacement cost. In the event that this information is not received by Stryker within the fifteen (15) day period following the delivery of the merchandise, or the damage was not noted on the delivery receipt at the time of receipt, the customer will be responsible for payment of the original invoice in full.

Claims for any short shipment must be made within thirty (30) days of invoice.

International Warranty Clause:

This warranty reflects U.S. domestic policy. Warranty outside the U.S. may vary by country. Please contact your local Stryker Medical representative for additional information.

GENERAL INFORMATION

This section contains cleaning instructions and a checklist to assist with the routine preventive maintenance and cleaning of your equipment.

In the text, the words “right” and “left” refer to the right and left sides of a patient lying face up on the bed.

Chapter
Two
Preventive
Maintenance

PREVENTIVE MAINTENANCE CONTENTS

Cleaning 2-2

Preventive Maintenance Checklist 2-3

Cleaning

Hand wash all surfaces of the bed with warm water and mild detergent. Dry thoroughly. **DO NOT STEAM CLEAN, PRESSURE WASH, HOSE OFF OR ULTRASONICALLY CLEAN.** Using these methods of cleaning is **not** recommended and may void this product's warranty.

Clean Velcro **AFTER EACH USE**. Saturate Velcro with disinfectant and allow disinfectant to evaporate. (Appropriate disinfectant for nylon Velcro should be determined by the hospital.)

In general, when used in those concentrations recommended by the manufacturer, either phenolic type or quaternary type disinfectants can be used with Staph-Chek fabrics. Iodophor type disinfectants are not recommended for use on Staph-Chek fabrics because staining may result. The following products have been tested by the Herculite Laboratory and have been found not to have a harmful effect on Staph-Chek fabrics **WHEN USED IN ACCORDANCE WITH MANUFACTURERS RECOMMENDED DILUTION.***

TRADE NAME	DISINFECTANT TYPE	MANUFACTURER	*MANUFACTURER'S RECOMMENDED DILUTION
A33	Quaternary	Airwick (Professional Products Division)	2 ounces/gallon
A33 (dry)	Quaternary	Airwick (Professional Products Division)	1/2 ounce/gallon
Beaucoup	Phenolic	Huntington Laboratories	1 ounce/gallon
Blue Chip	Quaternary	S.C. Johnson	2 ounces/gallon
Elimstaph	Quaternary	Walter G. Legge	1 ounce/gallon
Franklin Phenomysan F2500	Phenolic	Purex Corporation	1 1/4 ounce/gallon
Franklin Sentinel	Quaternary	Purex Corporation	2 ounces/gallon
Galahad	Phenolic	Puritan Churchill Chemical Company	1 ounce/gallon
Hi-Tor	Quaternary	Huntington Laboratories	1/2 ounce/gallon
LPH	Phenolic	Vestal Laboratories	1/2 ounce/gallon
Matar	Phenolic	Huntington Laboratories	1/2 ounce/gallon
Omega	Quaternary	Airwick (Professional Products Division)	1/2 ounce/gallon
Quanto	Quaternary	Huntington Laboratories	1 ounce/gallon
Sanikleen	Quaternary	West Chemical Products	2 ounces/ gallon
Sanimaster II	Quaternary	Service Master	1 ounce/gallon
Vesphene	Phenolic	Vestal Laboratories	1 1/4 ounce/ gallon

Quaternary Germicidal Disinfectants, used as directed, and/or Chlorine Bleach products, typically 5.25% Sodium Hypochlorite in **dilutions ranging between 1 part bleach to 100 parts water, and 2 parts bleach to 100 parts water are not considered mild detergents. These products are corrosive in nature and may cause damage to your stretcher if used improperly.** If these types of products are used to clean Stryker patient handling equipment, measures must be taken to insure the stretchers are rinsed with clean water and thoroughly dried following cleaning. Failure to properly rinse and dry the stretchers will leave a corrosive residue on the surface of the stretcher, possibly causing premature corrosion of critical components.

NOTE

Failure to follow the above directions when using these types of cleaners may void this product's warranty.

REMOVAL OF IODINE COMPOUNDS

This solution may be used to remove iodine stains from mattress cover and foam footrest pad surfaces.

1. Use a solution of 1-2 tablespoons Sodium Thiosulfate in a pint of warm water to clean the stained area. Clean as soon as possible after staining occurs. If stains are not immediately removed, allow solution to soak or stand on the surface.
2. Rinse surfaces which have been exposed to the solution in clear water before returning bed to service.

Preventive Maintenance Checklist

Chapter
Two
Preventive
Maintenance

CHECKLIST

- _____ All fasteners secure (reference all assembly prints)
- _____ Siderails move and latch properly (page 4-2)
- _____ Engage brake pedal and push on the stretcher to ensure all casters lock securely (page 3-5)
- _____ Steer function working properly
- _____ All casters secure and swiveling properly
- _____ Body restraints working properly
- _____ I.V. pole intact and operating properly (page 6-86 - page 6-91)
- _____ Oxygen bottle holder intact and operating properly
- _____ Fowler operating properly (pneumatic - page 4-3)
- _____ Optional articulating head piece locking and releasing properly
- _____ Knee Gatch operating properly
- _____ Trendelenberg/Reverse Trendelenberg operating properly
- _____ No rips or cracks in mattress cover
- _____ Arm boards intact and operating properly (page 4-2)
- _____ Arm board support levers intact and operating properly (page 6-81)
- _____ Ground chain intact
- _____ No leaks at hydraulic connections
- _____ Hydraulic jacks holding properly (page 3-8)
- _____ Hydraulic drop rate set properly (page 3-9)
- _____ Hydraulic oil level sufficient (page 3-9)
- _____ Lubricate where required, including the brake adjuster assembly and brake cam (page 3-13)

Serial No. _____

_____	_____	_____
_____	_____	_____
_____	_____	_____
_____	_____	_____

Completed By: _____ Date: _____

NOTE

Preventative maintenance should be performed at a minimum of annually. A preventative maintenance program should be established for all Stryker Medical equipment. Preventative maintenance may need to be performed more frequently based on the usage level of the product.

NOTE

References to the right or left side of the stretcher refer to the right and left sides of a patient lying face up on the stretcher.

GENERAL INFORMATION

This section contains tool lists and step-by-step procedures to assist with the maintenance and servicing of the base portion of your equipment.

In the text, the words “right” and “left” refer to the right and left sides of a patient lying face up on the bed.

BASE MAINTENANCE CONTENTS

Caster Assembly Replacement 3-2

Fifth Wheel Replacement 3-2

Caster Cover Installation and Removal 3-3

Brake Cam Replacement 3-4

Brake Ring Replacement 3-4

Brake Adjustment 3-5

Base Side Control Pedal Linkage Adjustment 3-5

Base Side Control Brake/Steer Gear Replacement 3-6

Uni-Pedal Replacement 3-6

Jack Replacement 3-7

Jack Assembly Torque Specification 3-8

Hydraulic Troubleshooting 3-8

Removing Excess Air (Vacuum) from the Hydraulic System 3-8

Checking Hydraulic Fluid Level 3-9

Jack Descent Rate Adjustment 3-9

Constant Flow Jack Descent Rate Adjustment 3-10

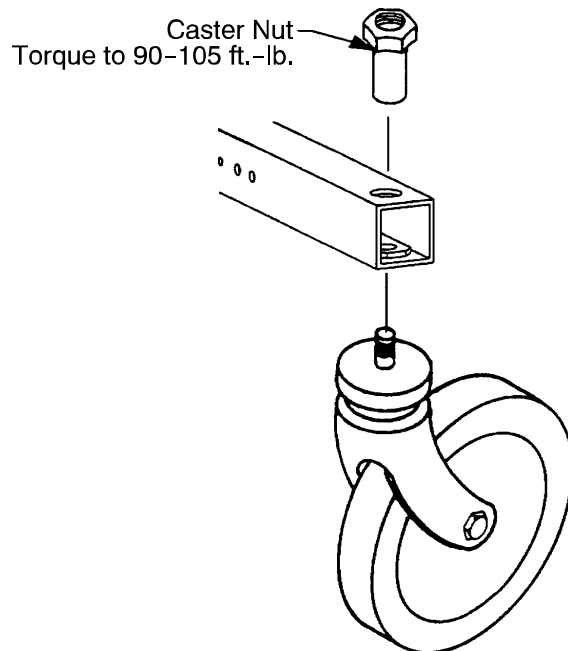
Adjustable Pressure Compensated (P.C.) Valve Replacement 3-10

Hydraulic Jack Valve Replacement 3-11, 3-12

Base Lubrication 3-13

Chapter
Three
Base
Maintenance
Procedures

Caster Assembly Replacement



1. Remove the old caster assembly.
2. Install the replacement caster and caster nut. Tighten the caster nut to 90-105 ft.-lb. with a torque wrench.

NOTE

A new caster assembly with a 3M patch does not require the application of Loctite at assembly. However, the patch is appropriate for only one installation. If the caster is removed and reassembled for any reason, apply Loctite 242 to two or three threads of both the bolt and caster nut and tighten to 90-105 ft.-lb. with a torque wrench.

Fifth Wheel Replacement

Required Tools:

Pliers

String or Bungee Cord

3/16" Allen Wrench

(2) 9/16" Box End Wrenches

Procedure:

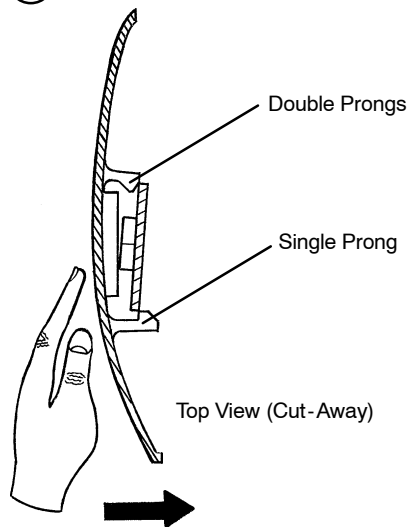
1. Apply the stretcher brakes.
2. Pump the litter up to full height.
3. Lift and support the base hood using string or bungee cord.
4. Using pliers, remove the cotter pin from the end of the fifth wheel pivot rod and remove the two washers.
5. Pull up on the fifth wheel arm and pull down on the tension spring to release the pressure on the arm.
6. Using a 3/16" Allen wrench, remove the hex Allen bolt from the center of the pivot rod and pull the pivot rod out of the wheel arm.
7. Reverse the above steps to install a new fifth wheel assembly.

NOTE

To replace the wheel only, use two 9/16" box end wrenches to remove the bolt and nut holding it to the wheel arm.

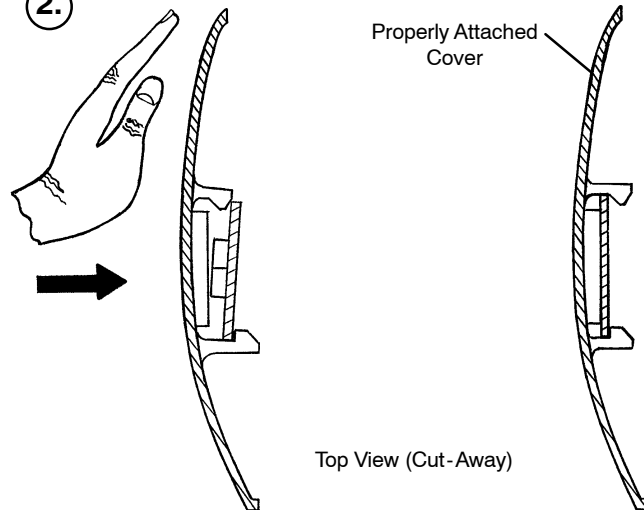
Caster Cover Installation and Removal

1.



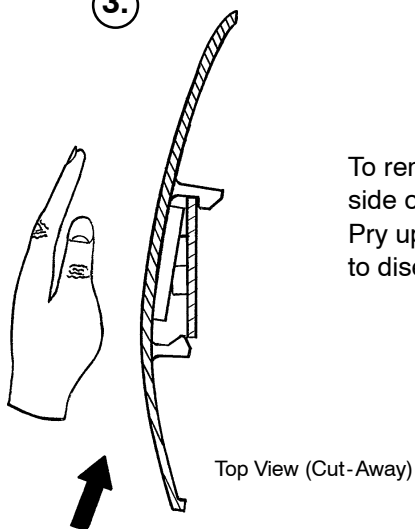
Looking through the larger of the two side cut-outs, align cover with axle nut or bolt head, as shown. Push down on the opposite side of the cover until single prong engages with caster horn.

2.



Push with palm on cover until double prongs engage.

3.



To remove wheel cover, insert large screwdriver into cut-out in side of wheel cover and into the space between the double prongs. Pry up cover to disengage double prongs and push sharply upward to disengage single prong.

Brake Cam Replacement

Brake Cam Part Number 715-201-213

Required Tools:

Phillips Screwdriver String or Bungee Cord 3/32" Allen Wrench
1/8" Allen Wrench

Procedure:

1. Remove the four Phillips screws holding the base hood to the frame. Lift and support the base hood using string or bungee cord.
2. Using a 3/32" Allen wrench, loosen the set screw holding the brake adjuster to the brake ring and turn the adjuster clockwise to remove it.
3. Using a 1/8" Allen wrench, remove the shoulder bolt and nut holding the brake link on the cam and remove the cam.
4. Reverse steps 3 and 4 to install the new cam. Verify the brakes are operating properly. If adjustment is required, see page 3-5. Reinstall the base hood.

Brake Ring Replacement

Brake Ring Part Number 715-1-61

Required Tools:

Phillips Screwdriver String or Bungee Cord Floor Jack, Small Crate (or equivalent)
Large Standard Screwdriver 3/32" Allen Wrench 11/16" Socket & Ratchet
5/8" Wrench Needle-Nose Pliers (2) 7/16" Wrenches

Procedure:

1. Remove the four Phillips screws holding the base hood to the frame. Lift and support the base hood using string or bungee cord. Put the brake/steer pedal in the neutral position. Lift the end of the base needing service until the casters are approximately 12" off the floor and support it with a jack or the equivalent.
2. Using a 3/32" Allen wrench, loosen the set screw holding the brake adjuster to the brake ring and turn the adjuster clockwise to remove it.
3. Remove the caster covers on both casters (see page 3-3).
4. Remove one of the casters (see page 3-2). On the other caster, use an 11/16" socket and ratchet and a 5/8" wrench to remove the nut and bolt holding the wheel on the caster horn and remove only the wheel.
5. Using needle-nose pliers, carefully squeeze and remove the spring between the brake cam and the brake ring.

WARNING

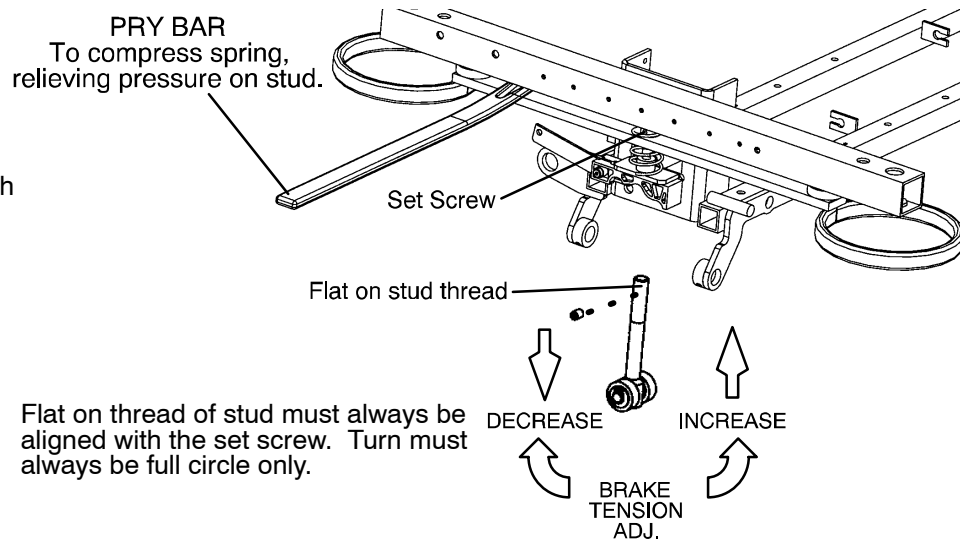
The spring is tightly compressed. Use caution when removing it or personal injury could result.

6. If you are working on an end control base, remove the spring from the pump pedal.
7. Lower the brake ring and remove it from the base. Remove the brake pads and bushings and install them on the new brake ring.
8. Reverse the above steps to install the new brake ring and reinstall the caster and wheel. Apply and release the brakes to verify they operate properly. If adjustment is required, see page 3-5. Reinstall the base hood.

Brake Adjustment

Required Tools:

3/32" Hex Allen Wrench
Pry Bar
Thread "Locktite"



Chapter
Three
Base
Maintenance
Procedures

Base Side Control Pedal Linkage Adjustment

Required Tools:

3/8" Wrench

5/32" Hex Allen Wrench

7/16" Wrench

Bungee Cords

Adjustment Procedure:

1. Place 150-200 pounds on the litter and pump the litter up to full height.
2. Lift the base hood, separating the hood from the base frame. Using the bungee cords, support the base hood.
3. Using a 3/8" wrench and a 5/32" hex Allen wrench, loosen the appropriate pedal linkage adjustment nut until the jack stops "drifting". Raise the litter to full up.
4. Tighten the pedal linkage adjustment nut until the jack begins to slowly descend.
5. Using a 7/16" wrench, back the pedal linkage adjustment nut out four full turns. Raise the litter to full up.
6. Loosen the pedal linkage adjustment nut and ensure no drift occurs. If the jack drifts, repeat procedure.

Base Side Control Brake/Steer Gear Replacement

Required Tools:

Pliers	String or Bungee Cord	Floor Jack or Equivalent
1/8" Allen Wrench	5/32" Allen Wrench	3/8" Box End Wrench
(2) 9/16" Box End Wrenches	3/16" Punch	1/4" Punch
Hammer		

Procedure:

1. Apply the stretcher brakes.
2. Pump the litter up to full height.
3. Lift and support the base hood using string or bungee cord.
4. Using pliers, remove the cotter pins from both jack pump pistons and the pump linkage.
5. Using the 9/16" box end wrenches, remove the two bearing plate bolts.
6. Remove the cotter pin on the side brake bar.
7. Remove the bearing plate and pull out the idler gear rod while holding onto the gear. Lift the gear out.
8. Slide the miter gear away from the rod spacer and remove the dowel pin.
9. Using the floor jack, raise the side of the base you are working on approximately four inches.
10. Rotate the brake bar so the pedals are upside down.
11. Using a 1/4" punch and a hammer, remove the groove pin from the side brake rod.
12. Using a 3/16" punch and hammer, remove the 3/16" groove pin from the pedal.
13. Using a 5/32" Allen wrench, remove the set screw from the collar inside the gear box.
14. Remove the brake rod while holding the gear on the rod.
15. Using a 1/8" Allen wrench and a 3/8" box end wrench, remove the nuts and bolts holding the brake link to the rod.
16. Using a 5/32" Allen wrench, remove the set screw from the collar outside of the gear box.
17. Using a 1/4" punch, remove the roll pin from the cam and brake link collar.
18. Reverse the above steps to install the replacement gear.
19. Inspect each gear for wear. Lube with MPG-2 grease or the equivalent if necessary.

Uni-Pedal Replacement

Required Tools:

Drill w/3/16" Drill Bit	Floor Jack	Pop Rivet Tool
-------------------------	------------	----------------

Replacement Procedure:

1. Set the stretcher brake and pump the litter up fully.
2. Use the floor jack to raise the side of the base frame off the floor approximately four inches.
3. Using a drill with a 3/16" drill bit, drill out the rivets on the bottom of the pedal to be replaced.
4. Using a pop rivet tool and rivets, install the replacement pedal.
5. Lower the stretcher to the floor. Test the operation of the pedal before returning the stretcher to service.

Jack Replacement (Without Compression Spring)

Required Tools:

3/8" Wrench

1/2" Socket

1/2" Wrench

Needle-Nosed Pliers

Replacement Procedure:

1. Apply stretcher brakes. Raise litter to full up. Raise Fowler to full up and raise siderails.
2. Use a 3/8" wrench to remove the bolt in the litter support tube above black bellows on both ends.
3. With the assistance of another person, lift off the stretcher litter and set it aside, taking care not to damage the siderails, etc.
4. Push down on the jack actuator to put the jack in the full down position.
5. Lift off the plastic base hood, separating the Velcro holding it to the base frame.
6. Using a 1/2" socket and 1/2" wrench, remove the four bolts, washers and nuts holding the jack support straps to the base frame.
7. Using needle-nosed pliers, remove the two cotter keys on the pump link and remove the pump link.
8. Using a 1/2" socket and a 1/2" wrench, remove the four bolts holding the jack base to the base frame (using a 3" extension may be required). Remove the jack from the base frame.
9. Reverse steps 6-8 to install the replacement jack. Reinstall the base hood and the stretcher litter.

Jack Replacement (With Compression Spring)

Required Tools:

3/8" Wrench

Needle-Nosed Pliers

Straight Screwdriver

Spring Compression Tool (Part Number 1210-1-3)

Replacement Procedure:

1. Apply stretcher brakes. Raise litter to full up. Raise Fowler to full up and raise siderails.
2. Use a 3/8" wrench to remove the bolt in the litter support tube above black bellows on both ends.
3. With the assistance of another person, lift off the stretcher litter and set it aside, taking care not to damage the siderails, etc.
4. Push down on the jack actuator to put the jack in the full down position.
5. Lift off the plastic base hood, separating the Velcro holding it to the base frame.
6. Using needle-nosed pliers, pull cotter pin from pump cylinder.
7. Using a straight screwdriver and pump spring compression tool (available upon request), compress the pump spring and pry the pump link out of the pump cylinder.

CAUTION

Be sure not to let the pump piston come out of the jack or damage to the unit may occur.

8. Remove and replace jack as described in the procedure above.
9. Replace pump spring and pump link using the straight screwdriver and the pump compression tool.
10. Reinstall the base hood and the stretcher litter.

Jack Assembly Torque Specification

Jack Assembly with Threads Oiled

- | | |
|---|----------------------|
| 1. Jack Cap Assembly to Jack Actuator Cylinder | 75 to 85 Foot Pounds |
| 2. Jack Actuator Cylinder to Jack Base Assembly | 55 to 65 Foot Pounds |

Jack Base Assembly with Threads Oiled

- | | |
|---|----------------------|
| 1. Jack Pump Cylinder to Jack Base Machined | 45 to 55 Foot Pounds |
| 2. Jack Pin Housing to Jack Base Machined | 35 to 45 Foot Pounds |
| 3. Jack Base Plugs to Jack Base Machined | 8 to 12 Foot Pounds |
| 4. Jack Valve Plug to Jack Base Machined | 8 to 12 Foot Pounds |
| 5. Flow Control Valve to Jack Base Machined | 16 to 20 Foot Pounds |

Hydraulic Troubleshooting

Be sure the pedal linkage has been adjusted properly before beginning service on the jacks (see page 3-5).

PROBLEM/SYMPTOM	SOLUTION
Jack will not raise to full height.	Add hydraulic fluid (page 3-9). Check for leaks.
Jack will not hold in raised position.	Close the needle valve completely. If the jack holds, replace the release valve (page 3-12).
Jack will not pump up and the jack actuator rod does not move.	Close the needle valve. If the jack will now pump up, replace the release valve (page 3-12). If the jack still will not pump up after closing the needle valve, replace the poppet valve (page 3-12).
Jack will not pump up but the jack actuator rod does move when the pump pedal is activated.	Replace the check valve (page 3-11).
Jack will not pump up and the jack actuator rod may or may not move.	Remove the excess air (vacuum) in the hydraulic system (see below).

Contact Stryker technical service at 1-800-327-0770 for further assistance.

Removing Excess Air (Vacuum) from the Hydraulic System

Procedure:

1. Verify all hydraulic linkages are secure and operating properly (see page 3-5).
2. Using pump pedal, actuate system several times. This will force the air through the system and the jack should now pump up.

Checking Hydraulic Fluid Level

Required Tools:

3/8 Open End Wrench

3/4 Open End Wrench

Procedure:

WARNING

To avoid personal injury or damage to the stretcher, remove the litter and the base hood before beginning service on the jacks.

1. Using a 3/8 open end wrench, remove square head set screws from both head and foot end jack support tubes. Remove litter top and set aside.
2. Lift base hood off base frame and set aside.
3. Verify there are no hydraulic leaks. If there are, jack replacement will be necessary.
4. Lower the jack to the full down position.
5. Using a 3/4 open end wrench, slowly turn the fill plug located on the side of the reservoir counterclockwise to allow excess system pressure to vent. Remove the fill plug.
6. The hydraulic fluid should be visible at the bottom of the fill hole. If it is not, add Mobil Aero HFA hydraulic fluid (Stryker part number 2020-70-475) until the fluid is visible at the bottom of the fill hole. Replace the fill plug.

CAUTION

Use of other types of oil may damage hydraulic units.

7. Replace the hood and the litter.

Jack Descent Rate Adjustment

Required Tools:

Screwdriver

Bungee Cords (or equivalent)

Adjustment Procedure:

1. Pump the litter up to full height.
2. Lift the base hood, separating the hood from the base frame. Using the bungee cords, support the base hood.
3. The descent rate needle valve is located on the base of the jack. Turning the needle valve clockwise, with a screwdriver, will decrease the rate of descent. Turning it counterclockwise will increase the rate of descent.
4. Adjust the needle valve so that the foot end of the stretcher descends slightly faster than the head end.

NOTE

The larger percentage of a patient's weight is located in the torso area. Adjust descent rate accordingly.

5. Remove the bungee cords supporting the base hood and secure the hood to the base frame.

NOTE

The jack descent rate was preset at the factory to drop the foot end faster than the head. It is recommended that the foot drop faster to avoid patient disorientation.

Constant Flow Jack Descent Rate Adjustment

Required Tools:

Bungee Cords

Adjustment Procedure:

1. Pump the litter up to full height
2. Lift the base hood, separating the Velcro holding it to the base frame.
3. The adjustable descent valve is located on the base of the jack and has a blue knob on the end. To adjust, loosen the silver locking ring by turning it counterclockwise. Turning the blue knob clockwise will increase the rate of litter descent. Turning it counterclockwise will decrease the rate of descent.
4. Adjust the valve so that the jack at the foot end of the stretcher will descend slightly faster than the jack at the head end.
5. Remove the bungee cords supporting the base hood and secure the hood to the base frame.

Adjustable Pressure Compensated (P.C.) Valve Replacement

P.C. Valve Part Number 5050-70-50

WARNING

To avoid personal injury or damage to the stretcher, always remove the litter and the base hood before beginning service on the jacks. Lower the jack rod completely to relieve the pressure on the pump piston side of the jack.

Required Tools:

3/8" Wrench

13/16" Wrench

Replacement Procedure:

NOTE

It requires two people to safely perform this procedure.

1. Apply the stretcher brakes. Raise the litter to full up. Raise the Fowler and the siderails.
2. Using a 3/8" wrench, remove the bolts in the litter support tubes above the black bellows on both ends of the litter.
3. With the assistance of another person, lift the litter off the base and set it aside, taking care not to damage the leg section linkages and other litter components.
4. Push down on the jack actuator to put the jack in the full down position.
5. Lift off the plastic base hood, separating the Velcro holding it to the base frame.
6. Using a 13/16" wrench, remove the adjustable P.C. valve (see page 6-19 for part reference).
7. Check for any contaminants in the valve as well as in the jack base.

Hydraulic Jack Valve Replacement

Required Tools:

3/8 Open End Wrench
 3/4 Open End Wrench
 1/2 Inch Diameter Rod

Stiff Wire (with bent, pointed end)
 Torque Wrench (with Ft. Lbs. adjust.)

Small Needle Nose Pliers
 7/32 Hex Allen Wrench

Replacement of Check Valve

WARNING

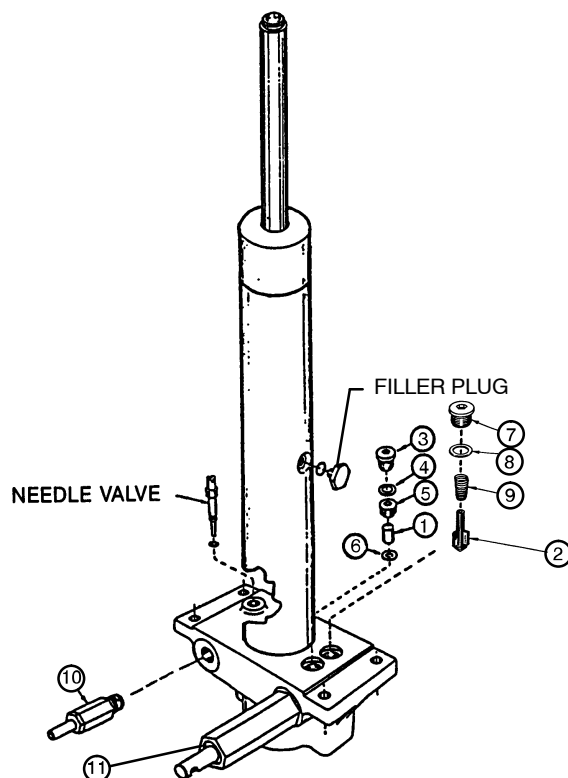
To avoid personal injury or damage to the stretcher, remove the litter and the base hood before beginning service on the jacks. Lower the jack rod completely to relieve the pressure on the pump piston side of the jack. This will prevent large hydraulic fluid loss and possible damage when the base plugs are removed.

Chapter
 Three
 Base
 Maintenance
 Procedures

1. Remove the base plug (3) and the seal (4).
2. Remove the valve plug (5).
3. Using a stiff wire with a bent, pointed end, remove the valve (1).
4. Install the new valve (1) with the beveled end up (as shown in the illustration).
5. Reinstall the valve plug (5) with the beveled end down toward valve (1) and tighten to 10 foot-pounds torque.
6. Reinstall the seal (4) and the base plug (3) and tighten to 10 foot-pounds torque.
7. Pump up the jack to the maximum height.
8. Be sure there are no hydraulic leaks before replacing the base hood and the litter.

ITEM	PART NO.	PART NAME
1	926-20-153	Check Valve
2	715-1-341	Poppet
3	715-1-301	Base Plug
4	926-20-156	Seal
5	715-1-309	Valve Plug
6	926-20-154	Seal
7	715-1-301	Base Plug
8	926-20-156	Seal
9	390-2-134	Compression Spring
10	715-270-100	Valve Assembly*
10	2025-700-26	Valve Assembly**
11	715-100-325	Pump Piston

* Used on jack part number 1231-70-10.
 ** Used on jack part number 1231-70-210.
 (See label on side of jack reservoir for jack part number).



Hydraulic Jack Valve Replacement (Continued)

Replacement of Release Valve

WARNING

To avoid personal injury or damage to the stretcher, remove the litter and the base hood before beginning service on the jacks. Lower the jack rod completely to relieve the pressure on the pump piston side of the jack. This will prevent large hydraulic fluid loss and possible damage when the base plugs are removed.

1. Remove the release valve (10).
2. Install the new the release valve (10).
3. Pump up the jack to the maximum height.
4. Be sure there are no hydraulic leaks before replacing the base hood and the litter.

Replacement of Poppet Valve

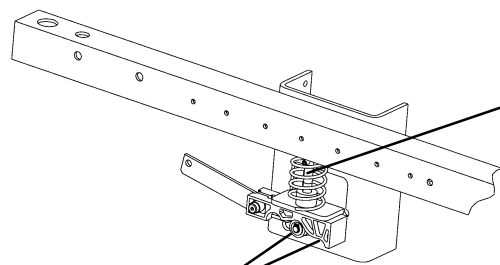
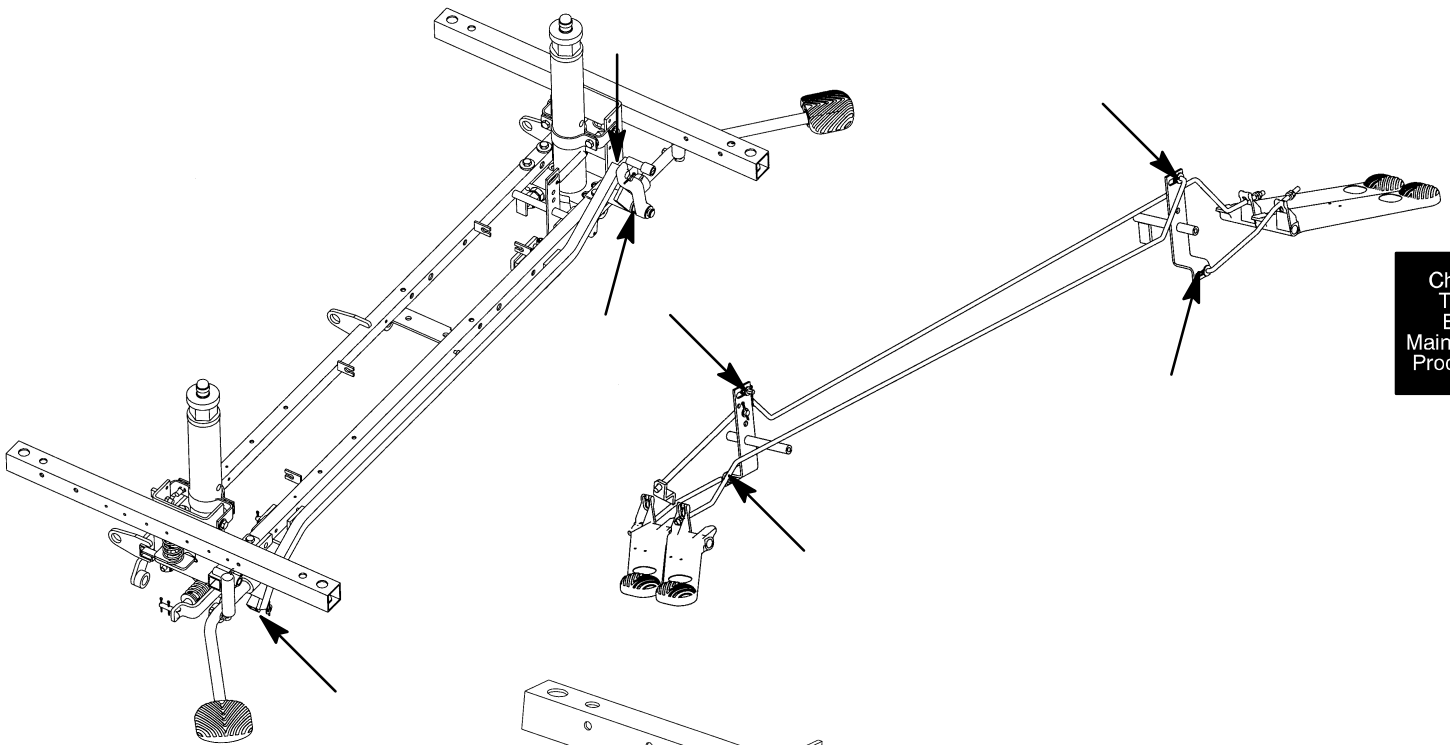
WARNING

To avoid personal injury or damage to the stretcher, remove the litter and the base hood before beginning service on the jacks. Lower the jack rod completely to relieve the pressure on the pump piston side of the jack. This will prevent large hydraulic fluid loss and possible damage when the base plugs are removed.

1. Remove the base plug (7) and the seal (8).
2. Remove the compression spring (9).
3. Using small needle nose pliers, remove the poppet valve (2).
4. Install the new poppet valve (2).
5. Reinstall the compression spring (9).
6. Reinstall the seal (8) and the base plug (7) and tighten to 10 foot-pounds torque.
7. Pump up the jack to the maximum height to check its operation.
8. Check for hydraulic leaks before replacing the base hood and the litter.

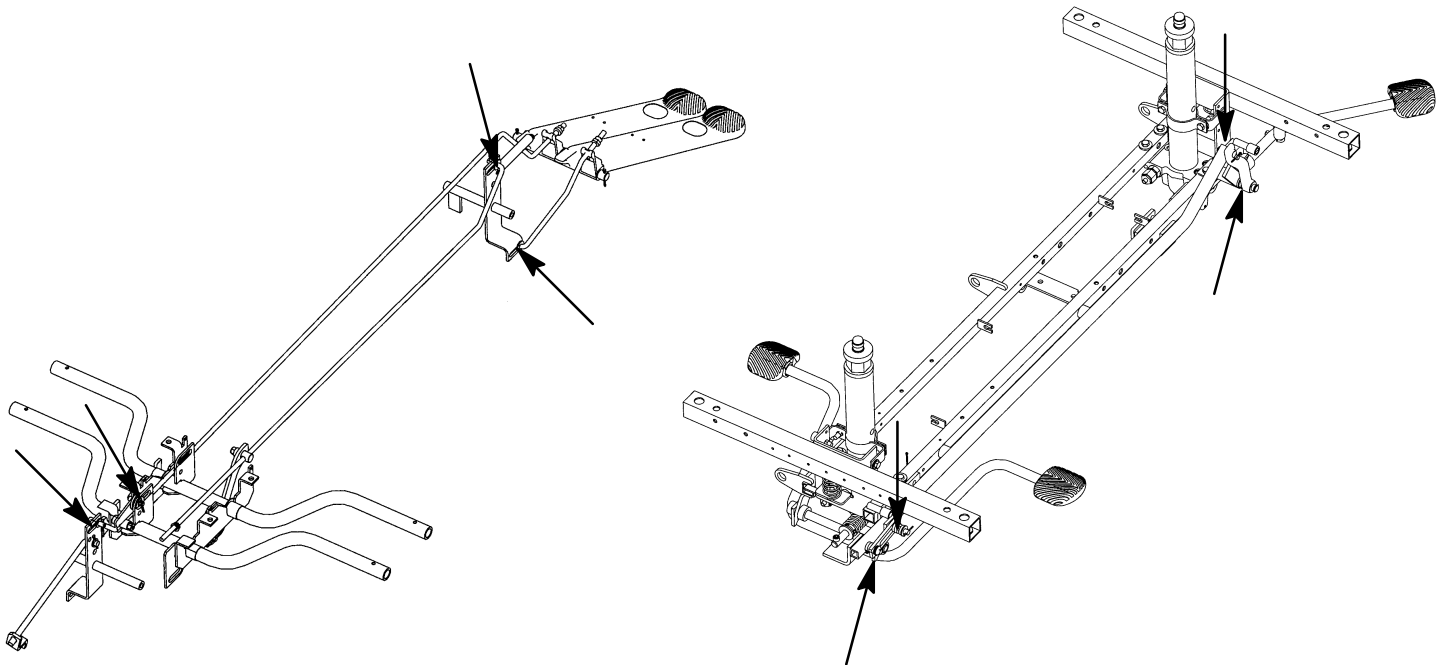
Base Lubrication

Chapter
Three
Base
Maintenance
Procedures



Lubricate brake adjuster rod around area shown with MPG-2 grease or equivalent.

Do not grease area shown.



GENERAL INFORMATION

This section contains tool lists and step-by-step procedures to assist with the maintenance and servicing of the litter portion of your equipment.

In the text, the words “right” and “left” refer to the right and left sides of a patient lying face up on the bed.

LITTER MAINTENANCE CONTENTS

Siderail Latch Adjustment 4-2

Arm Board Counterbalance Adjustment 4-2

Pneumatic Fowler Adjustment 4-3

Pneumatic Fowler Release Handle Adjustment 4-4

Pneumatic Cylinder Replacement 4-5

Chapter
Four
Litter
Maintenance
Procedures

Siderail Latch Adjustment

Required Tools:

1/8" Hex Allen Wrench

WARNING

The siderail latch adjustment is pre-set at the factory, and there should not normally be a need for readjustment. If adjustment must be done it is important to follow the procedure below. If it is not done properly, injury to the patient or user could occur.

Adjustment Procedure:

1. Using a 1/8" hex Allen wrench, adjust the hex Allen screw located on the latch assembly opposite the latch. Turning the screw clockwise will **DECREASE** the amount of play in the latching mechanism. Turning counterclockwise will **INCREASE** the amount.

NOTE

The amount of play in the siderail, when in full up engaged position, should be approximately 1/8 to 3/16 inches.

CAUTION

Too much play when the siderail is in the full up engaged position will give the siderail the appearance of being unstable and could also cause premature wearing of the latch system.

Too little play will obstruct the latch and keep it from engaging completely in the full up position, which may cause damage to the latch and/or injury to the patient or user.

Arm Board Counterbalance Adjustment

Required Tools:

7/16 Open End Wrench

Adjustment Procedure:

1. Raise the arm board to the full up position.
2. Unhook the extension spring at the eye bolt.
3. Using a 7/16 open end wrench, loosen the jam nut at the eye bolt.
4. Adjust the eye bolt to the desired position.
5. Tighten the jam nut.
6. Hook the extension spring to the eye bolt.
7. Allow the arm board to lower on its own.
8. Repeat steps 1-7 until the desired counterbalance is achieved.

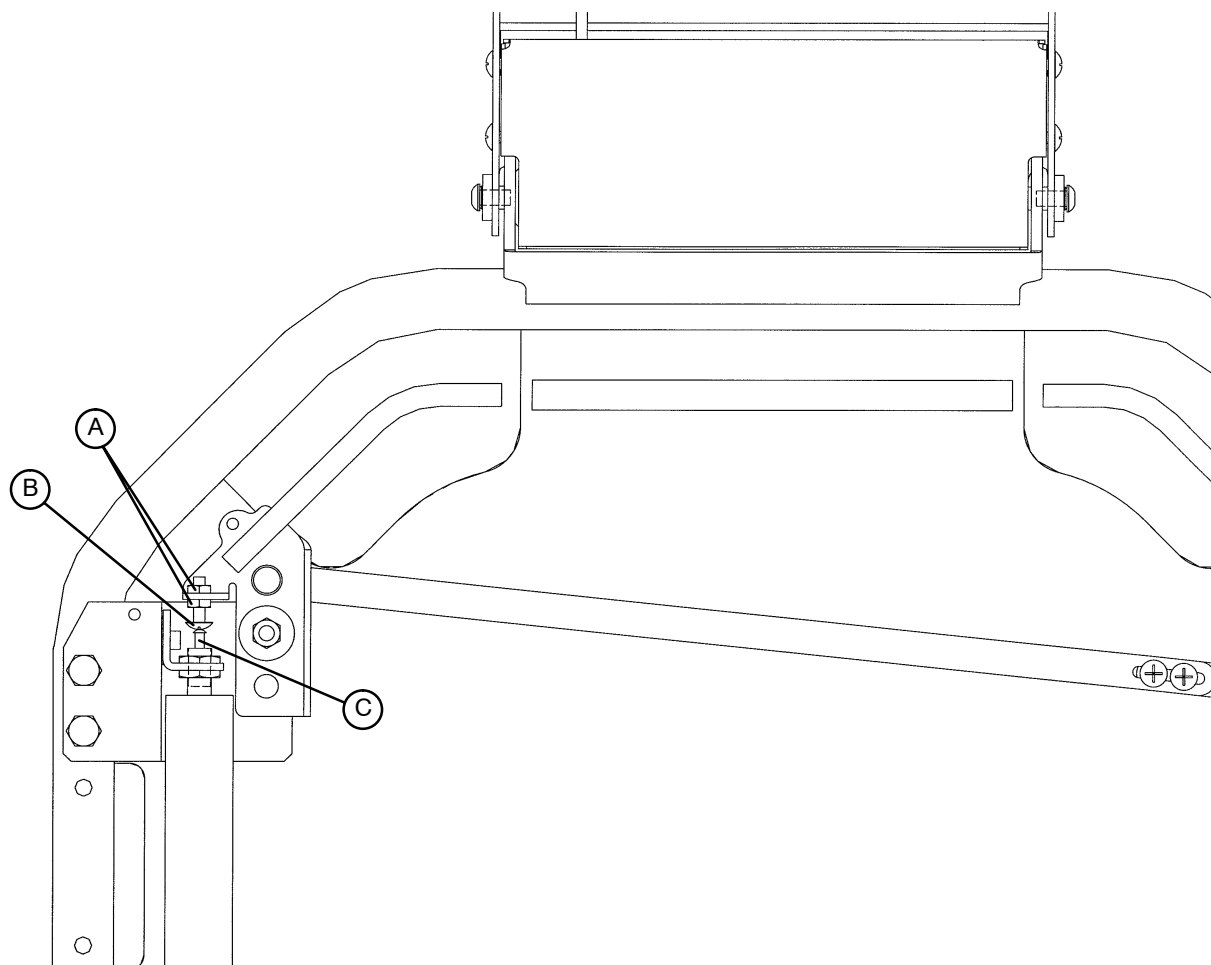
Pneumatic Fowler Adjustment

Required Tools:

(2) 3/8" Open End Wrenches

Adjustment Procedure:

1. Apply the stretcher brakes.
2. Pump the stretcher litter up to full height.
3. Move the Fowler to 70° or higher.
4. Using (2) 3/8" wrenches, loosen the two nuts (A) on the adjustment screw (B). If the Fowler is not holding its position, turn the adjustment screw up, away from the release pin on the pneumatic cylinder (C). If the Fowler is not releasing, turn the adjustment screw down, toward the release pin on the pneumatic cylinder. Tighten the two nuts. Repeat for the other side of the Fowler.
5. To verify both sides of the Fowler are releasing equally, raise the Fowler to the full up position. Using two hands, pull down on both sides of the Fowler, squeeze both release handles and verify both pneumatic cylinders release equally. If they do not, repeat step four. When proper Fowler adjustment has been verified, return the stretcher to service.



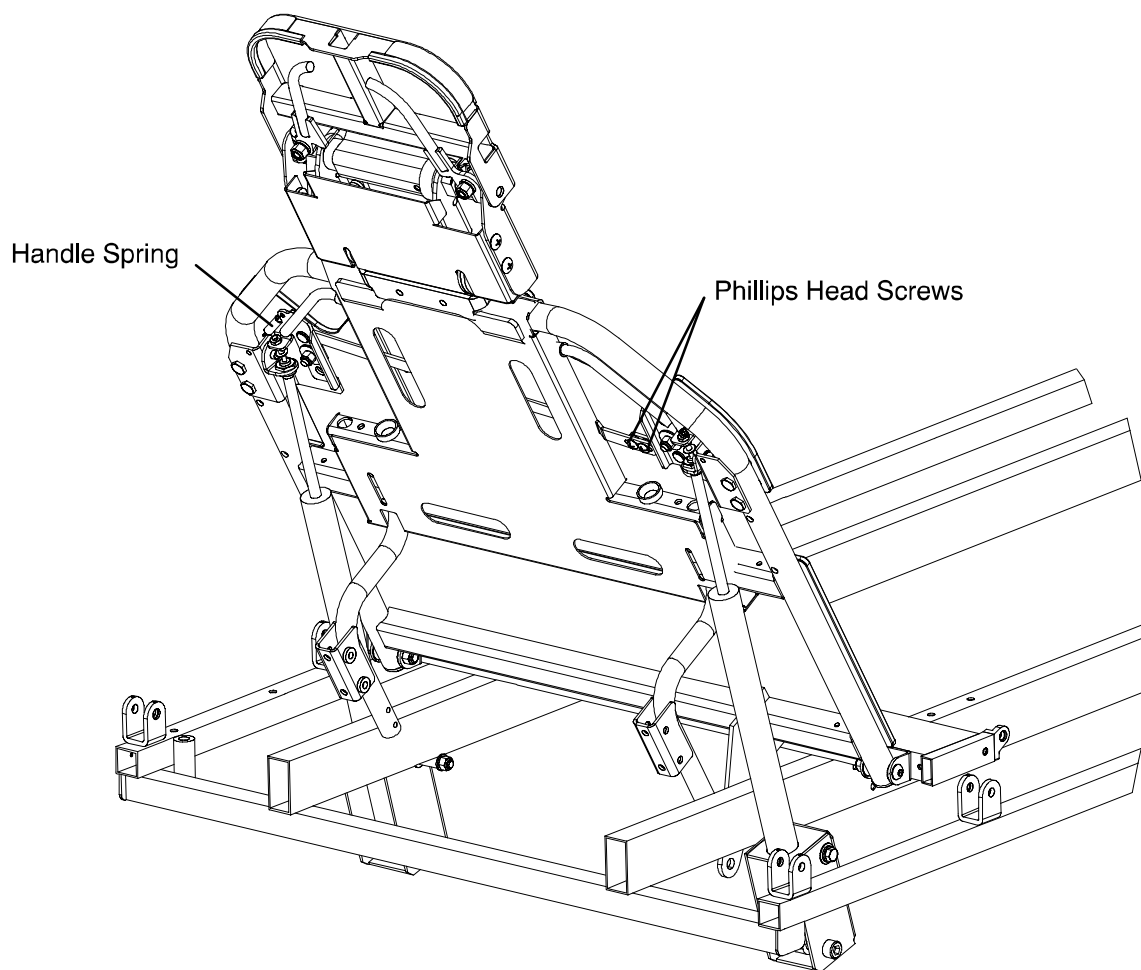
Pneumatic Fowler Release Handle Adjustment

Required Tools:

#2 Phillips Screwdriver

Adjustment Procedure:

1. Apply the stretcher brakes.
2. Loosen the two Phillips head screws on the handle linkage. Release the handle tension spring on the patient's left side.
3. Adjust the handles so there is a 3/4" gap between the inner Fowler frame and the handle.
4. Tighten the two screws on the handle linkage bar and reattach the spring.
5. It may be necessary to adjust the pneumatic cylinders (see page 4-3).
6. Verify proper Fowler operation before returning the stretcher to service.



Pneumatic Cylinder Replacement

Required Tools:

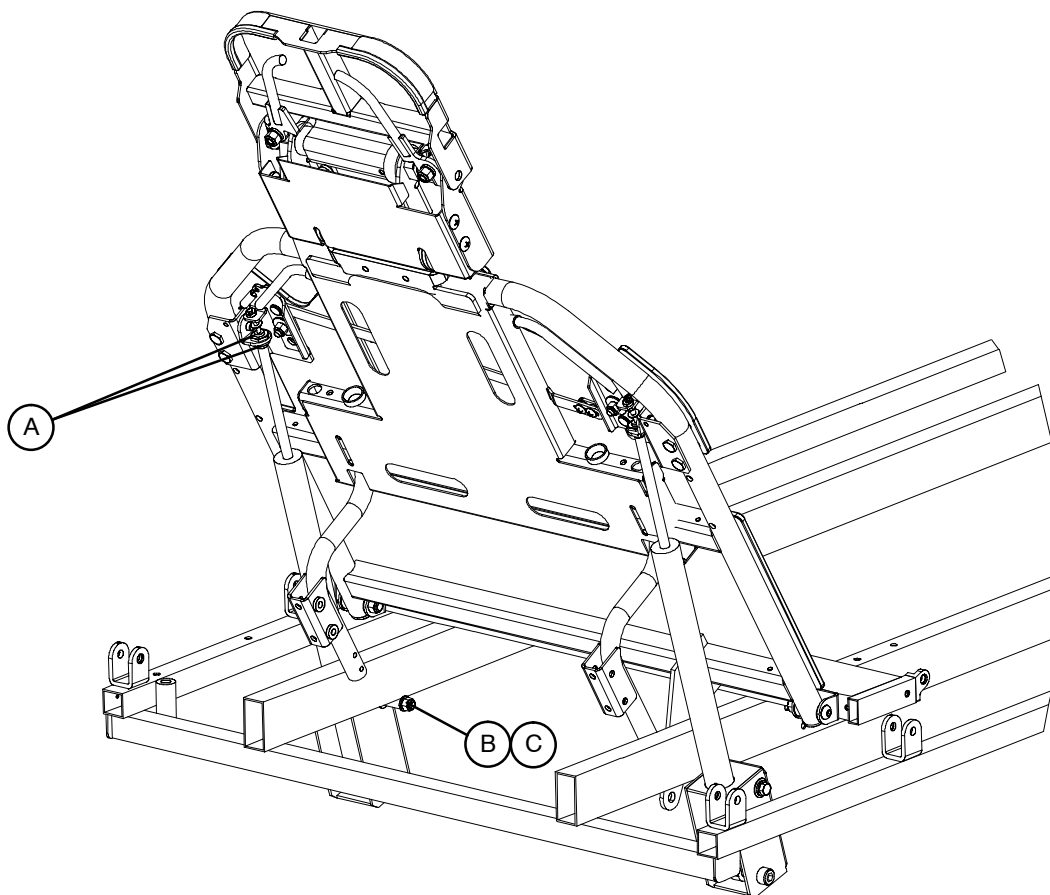
(2) 17 mm. Wrenches

11/16" Open End Wrench

5/16" Hex Allen Wrench

Adjustment Procedure:

1. Apply the stretcher brakes.
2. Pump the litter up to full height.
3. Move the Fowler to 70°.
4. Using two 17 mm. wrenches, remove both the large nuts (A) from the top of the pneumatic cylinder.
5. Using a 5/16" hex Allen wrench and an 11/16" open end wrench, remove the nut (B) and bolt (C) from the bottom of the cylinder.
6. Raise the Fowler to 90° and remove the cylinder.
7. Press down on the release pin on the replacement cylinder to fully extend the cylinder.
8. Put the large nut on the new cylinder and screw it down securely.
9. Using a 5/16" hex Allen wrench and an 11/16" open end wrench, install the nut (B) and bolt (C) on the bottom of the cylinder.
10. Check the Fowler adjustment (see page 4-3) before returning the stretcher to service.



Notes

<u>PART NAME</u>	<u>PART NUMBER</u>
Arm Board	1068-55-10
Arm Board (with Direct Clamp)	1068-56-110
Arm Board Clamp	1068-54-10
Brake Adjuster Assembly	715-201-150
Brake Adjuster Service Tool	715-700-150
Brake/Steer Pedal, Removable	1069-70
Caster Cover Kit	1010-56-200
Drape Support/Air Delivery System	1068-168
Foot Board/Chartholder	741-34-100
Foot Board/Defibrillator Tray	1010-50-100
Head/Foot Board	741-29-100
Head Pad, 2" Concave	1069-81
Head Pad, 3" Concave	1069-181
Head Pad, 1" Flat	1069-78
Head Pad, 2" Flat	1069-179
Head Pad, 3" Flat	1069-180
Head Pad, 3" Inflatable, Ultra-Comfort	1069-82
Head Pad, Inflatable, Non-Latex Bulb Only	1066-82-20
Hydraulic Oil, Mobil Aero HFA - 1 Quart	2020-70-475
Hydraulic Jack, Constant Descent	1231-70-210
Hydraulic Jack, Variable Descent	1231-70-10
Hydraulic Jack Pump Piston Assembly	715-200-325
Hydraulic Jack Spring Compression Tool	1210-1-3
Instrument/Serving Tray	1052-129
I.V. Caddy	1050-1-100
I.V. Caddy w/Mounting Clip	1050-2
I.V. Pole, Standard Removable	390-25
I.V. Pole, 2-Stage Permanent, Foot End	1010-80-100
I.V. Pole, 3-Stage Permanent, Foot End	1020-62
Mattress, 2" Thick x 26" Wide, Standard, Dual Articulation	1069-26-50
Mattress, 3" Thick x 26" Wide, Standard, Dual Articulation	1069-26-60
Mattress, 4" Thick x 26" Wide, Standard, Dual Articulation	1069-26-90
Mattress, 3" Thick x 26" Wide, Enhanced Comfort, Dual Articulation	1069-26-70
Mattress, 4" Thick x 26" Wide, Enhanced Comfort, Dual Articulation	1069-26-80
Mattress, 3" Thick x 26" Wide, Standard, Zero Articulation	1069-26-10
Mattress, 3" Thick x 26" Wide, Enhanced Comfort, Zero Articulation	1069-26-20
Mattress, 4" Thick x 26" Wide, Enhanced Comfort, Zero Articulation	1069-26-30
Neck Pad, Enhanced Clearance Only	1068-236-10
Oxygen Bottle Holder	1010-30

Chapter
Five
Replacement
Parts List

<u>PART NAME</u>	<u>PART NUMBER</u>
Pads, Pre-Op/Post-Op Head Piece, 2"	1069-62
Pads, Pre-Op/Post-Op Head Piece, 3"	1069-60
Pads, Pre-Op/Post-Op Head Piece, 3", Ultra-Comfort	1069-63
Pads, Pre-Op/Post-Op Head Piece, 4" Enhanced Comfort	1069-64
Pads, Pre-Op/Post-Op Head Piece, 4" Ultra-Comfort	1069-64-5
Paint, Touch-Up, Gloss Black, Bottle w/Brush	7000-1-322
Paint, Touch-Up, Gloss Black, Spray Can	7000-1-319
Paint, Touch-Up, Gray, Bottle w/Brush	7000-1-320
Paint, Touch-Up, Gray, Spray Can	7000-1-317
Restraint Strap, Ankle	946-43-100
Restraint Strap, Body	390-19
Restraint Strap, Chest	1010-58
Restraint Strap, Wrist	946-44-100
Restraint Straps, Full Patient Security Package	1010-77
Siderail Kit, 3-Position	1068-700-1
Siderail Pads	1010-52
Surgery Accessory Rail	1068-266
Transfer Board Assembly	1060-58
Wrist Rest, Superior	1068-50
Wrist Rest, Temporal	1068-51
Wrist Rest Mounting Bracket, Superior	1069-33-205

GENERAL INFORMATION

This section contains assembly drawings and parts lists to assist with the identification of individual components of the equipment and accessories.
 In the parts lists, the words “right” and “left” refer to the right and left sides of a patient lying face up on the bed.

ASSEMBLY DRAWINGS AND PARTS LISTS CONTENTS

Side Control Base Assembly page 6-3 - 6-6

End Control Base Assembly page 6-7 - 6-10

Brake Adjuster Assembly page 6-11

Brake Cam Assembly page 6-12

Side Control Pump Pedal Assembly page 6-13

Pump Pedal Assembly page 6-14

Removeable Brake/Steer Pedal Assembly page 6-15

Jack Assembly 6-16

Jack Base Assembly 6-17

Constant Flow Jack Assembly 6-18

Constant Flow Jack Base Assembly 6-19

Jack Pump Piston Assembly 6-20

Base Assembly with Steerlock Caster Option 6-21

Caster Assembly with Steerlock 6-22

Standard Caster Assembly 6-23

Base Assembly with Fifth Wheel Option 6-24

Pivot Rod Assembly 6-25

Fifth Wheel Arm Assembly 6-26

Optional Side Control Brake Assembly 6-28, 6-29

Optional Uni-Lower Pedal Assembly 6-30

Optional Dual Lowering Pedal Assembly 6-31

Base Labeling Assembly 6-32 - 6-34

Litter Assembly 6-35 - 6-37

Foot End Jack Support Assembly 6-38

Head End Jack Support Assembly 6-39

Zero Articulating Pneumatic Fowler Assembly 6-41- 6-45

Single Articulating Pneumatic Fowler Assembly 6-46- 6-51

Dual Articulating Pneumatic Fowler Assembly 6-52 - 6-55

Zero Articulating Crank Fowler Assembly 6-56, 6-57

Single Articulating Crank Fowler Assembly 6-58 - 6-60

Dual Articulating Crank Fowler Assembly 6-62- 6-63

ASSEMBLY DRAWINGS AND PARTS LISTS CONTENTS (CONTINUED)

Crank Fowler Assembly 6-64

Fowler Crankscrew Assembly 6-65

Dual Articulating Head Piece Assembly 6-66 - 6-69

Stationary Foot Section Assembly 6-70

Knee Gatch Assembly 6-71

Foot and Thigh Section Assembly 6-72

Knee Gatch Crankscrew Assembly 6-73

Siderail to Litter Assembly, Two-Position Siderails 6-74

Two-Position Siderail Assembly 6-75

Siderail to Litter Assembly, Three-Position Siderails 6-76

Three-Position Siderail Assembly 6-77

Optional Transfer System Assembly 6-78

Optional Transfer Board Assembly, Left 6-79

Optional Transfer Board Assembly, Right 6-80

Optional Transfer Board Support Assembly 6-81

Optional Pre-Op/Post-Op Head Pad Mounting Assembly 6-82

Optional Pre-Op/Post-Op Head Pad Latch Bracket Assembly 6-83

Optional Pre-Op/Post-Op Head Pad Assembly 6-84, 6-85

Standard, Removable I.V. Pole Assembly 6-86

Optional 2-Stage I.V. Pole Assembly 6-87, 6-88

Optional 3-Stage I.V. Pole Assembly 6-89-6-91

Optional I.V. Pole Latch Assembly 6-92

Optional Foot Board/Chartholder Assembly 6-93

Optional Upright Oxygen Bottle Holder Assembly 6-93

Optional Foot Board Extension/Defibrillator Tray Assembly 6-94

Optional Wrist Rest Assembly 6-95, 6-96

Optional Wrist Rest Mounting Bracket Assembly 6-97

Optional Drape Support Assembly 6-98

Optional Accessory Rail Assembly 6-99

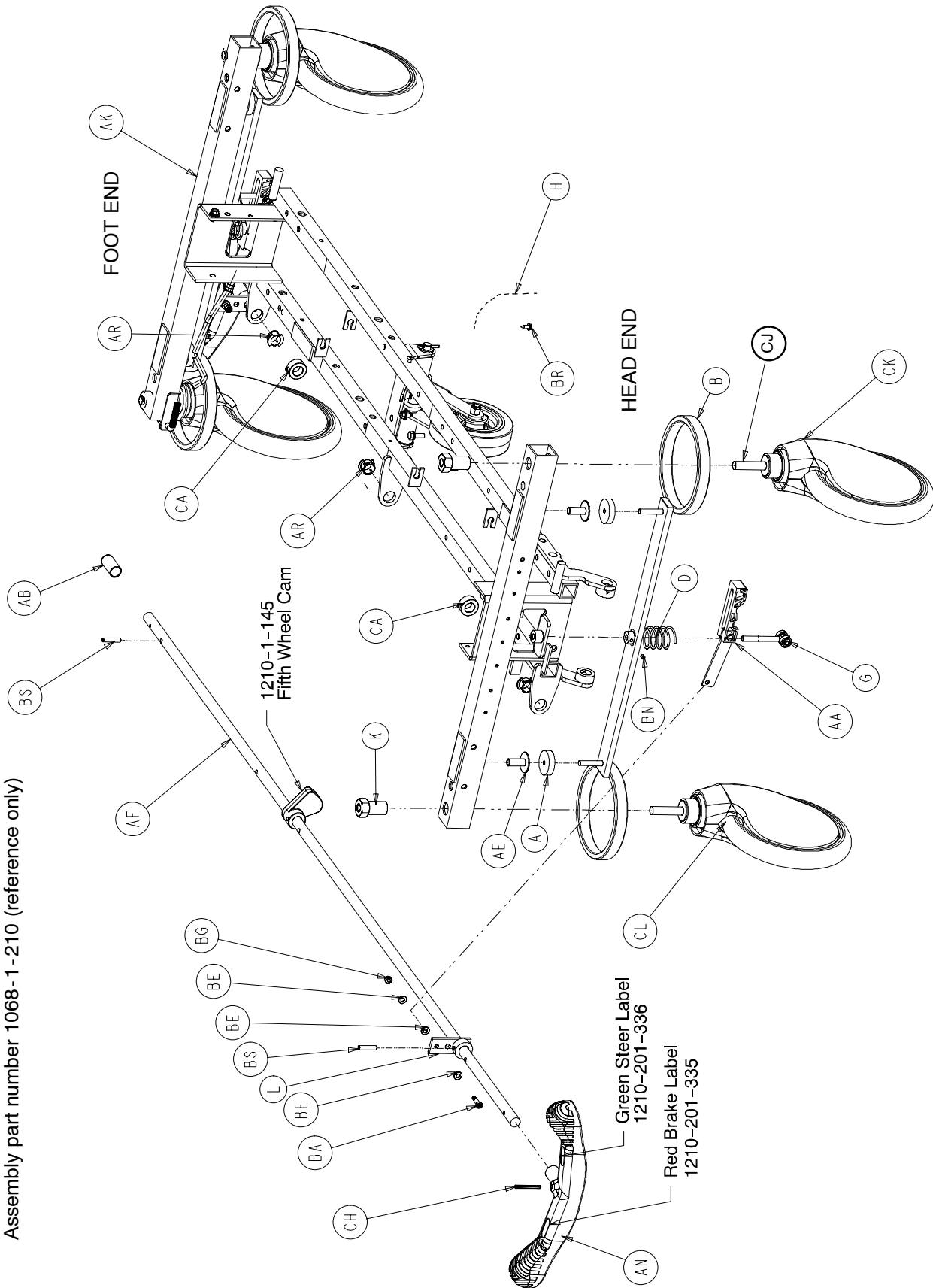
Optional Arm Board Assembly 6-100, 6-101

Mattresses and Siderail Pads 6-102

Chapter
Six
Assembly
Drawings &
Parts Lists

Side Control Base Assembly

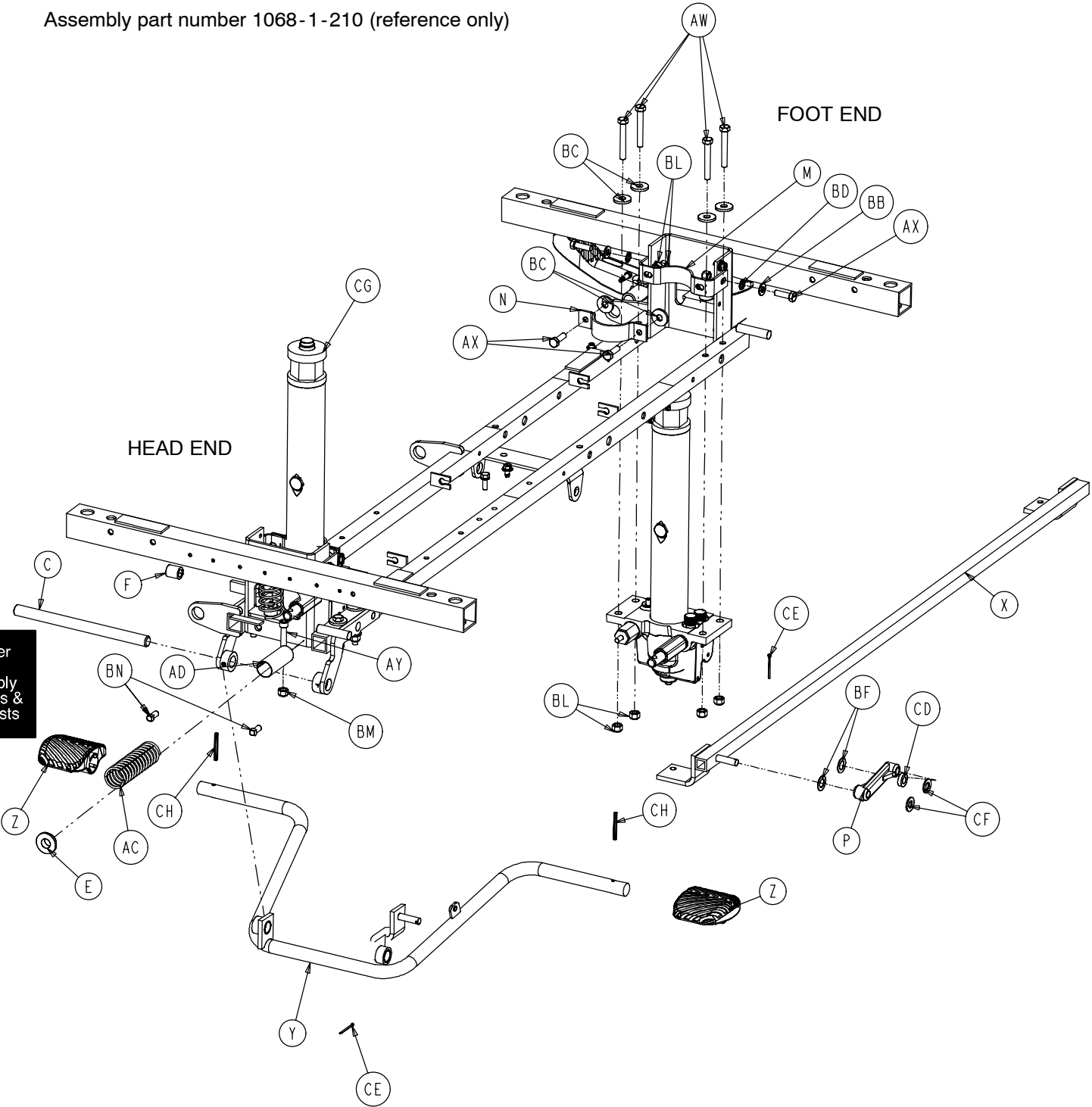
Assembly part number 1068-1-210 (reference only)



Chapter Six
Assembly Drawings & Parts Lists

Side Control Base Assembly

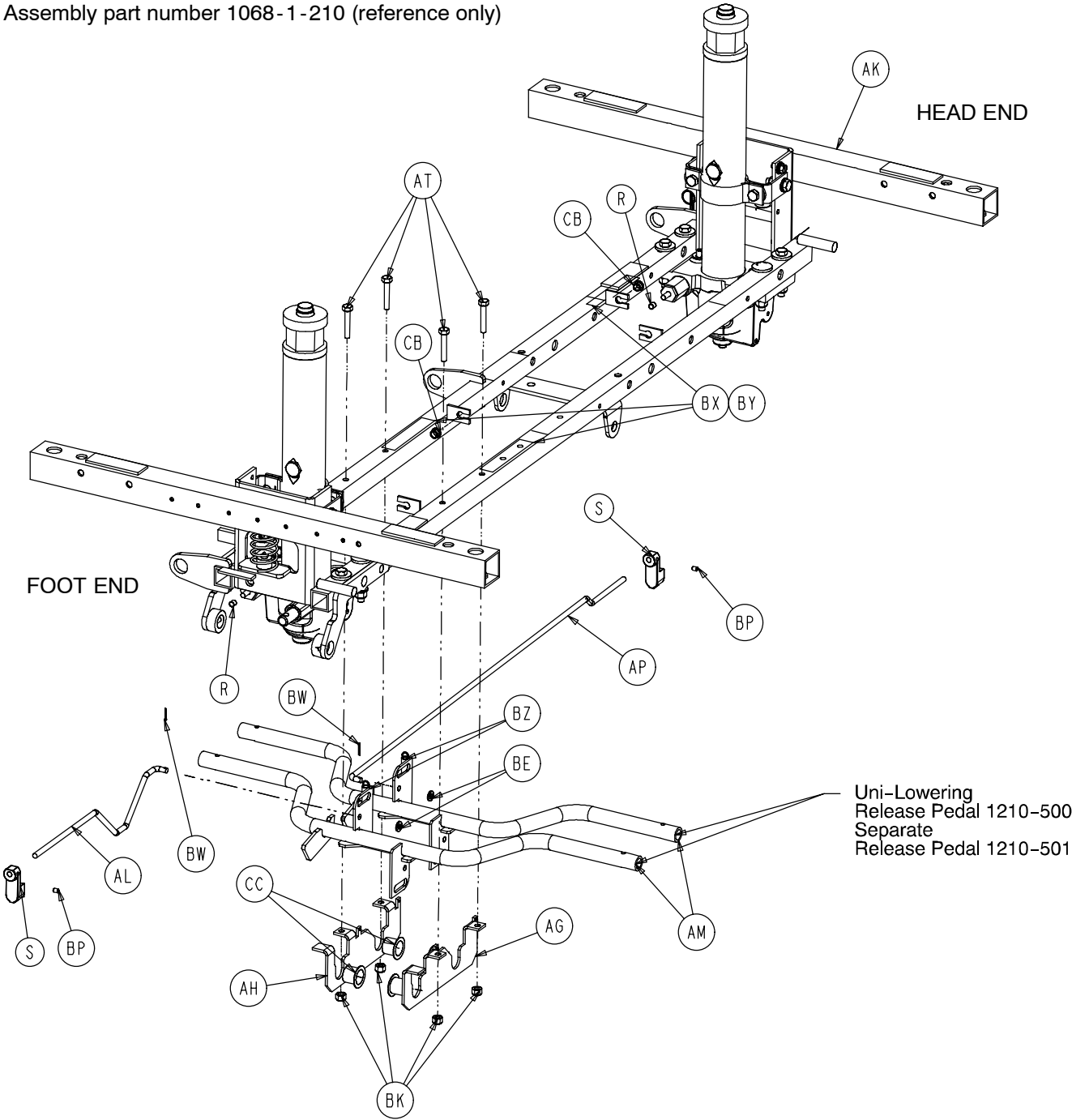
Assembly part number 1068-1-210 (reference only)



Chapter Six
Assembly
Drawings &
Parts Lists

Side Control Base Assembly

Assembly part number 1068-1-210 (reference only)



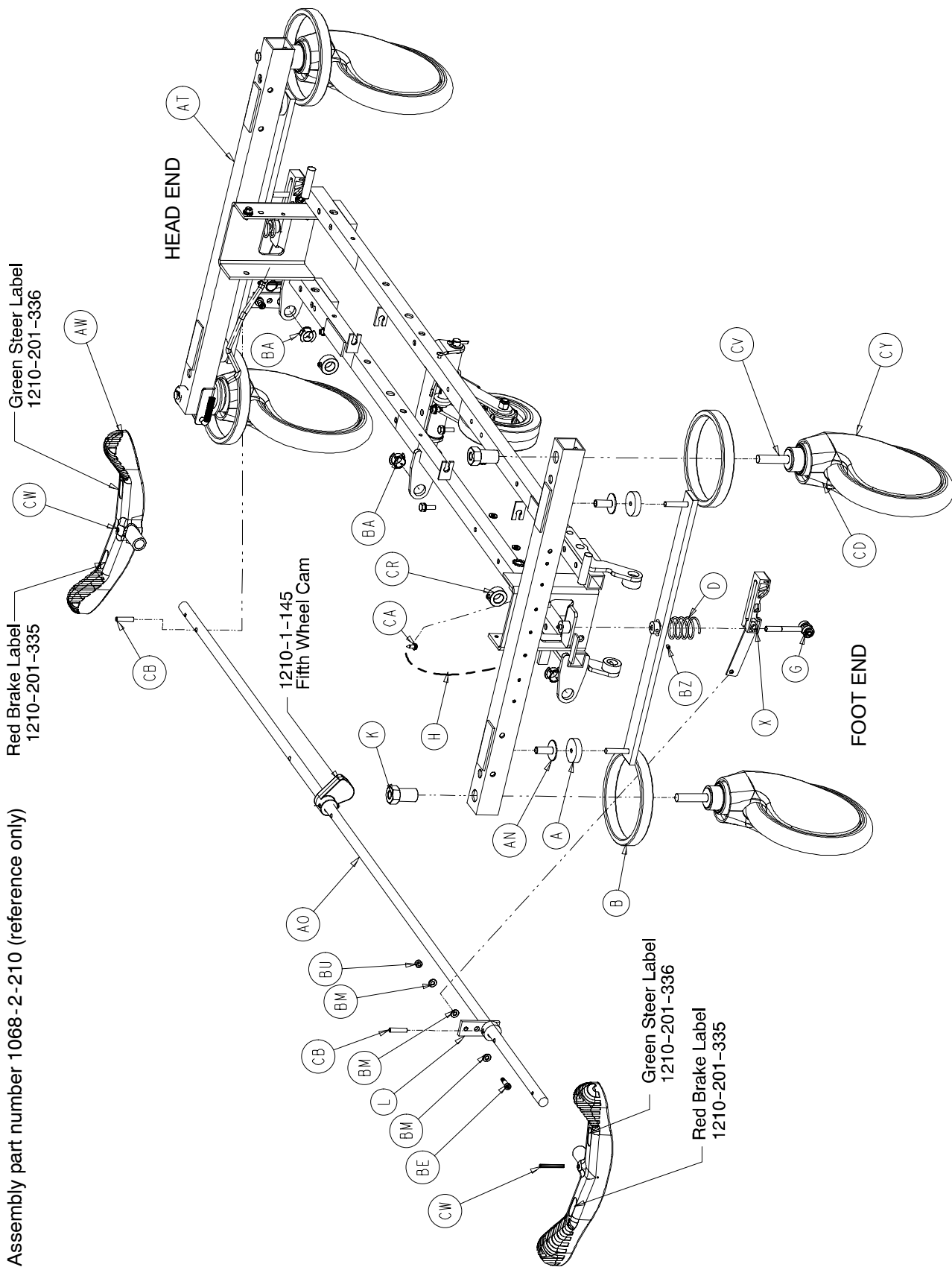
Chapter
Six
Assembly
Drawings &
Parts Lists

Side Control Base Assembly

Item	Part No.	Part Name	Qty.	Item	Part No.	Part Name	Qty.
A	715-1-11	Brake Cushion	4	AW	3-62	Hex Hd. Cap Screw	8
B	715-1-61	Caster Brake Weldment	2	AX	3-85	Hex Hd. Cap Screw	8
C	715-1-92	Pump Pedal Shaft	1	AY	4-146	Soc. Hd. Cap Screw	2
D	715-201-94	Compression Spring	2	BA	8-17	Shoulder Bolt	2
E	715-1-133	Collar	1	BB	11-3	Washer	12
F	715-1-140	Vinyl Tube	1	BC	11-262	Washer	12
G	(page 6-11)	Brake Adjuster	2	BD	13-38	Ext. Tooth Lock Washer	4
H	715-1-156	Ground Chain	1	BE	14-2	Washer	6
K	715-1-158	Caster Nut	4	BF	14-9	Washer	2
L	715-1-165	Actuator Plate Weldment	2	BG	16-2	Hex Nut	2
M	715-1-192	Jack Support	2	BK	16-28	Hex Nut	4
N	715-1-193	Jack Support Clamp	2	BL	16-36	Hex Nut	16
P	715-1-214	Connecting Link	1	BM	16-48	Hex Nut	2
R	715-1-333	Release Rod Stop Sleeve	2	BN	21-22	Set Screw	2
S	715-1-346	Release Paddle	2	BP	21-50	Set Screw	2
X	715-201-27	Pump Rod Assembly	1	BR	23-25	Self-Tapping Screw	1
Y	(page 6-13)	Pump Pedal Assembly	1	BS	26-13	Spring Pin	2
Z	715-201-126	Slip-On Pump Pedal	2	BW	27-4	Cotter Pin	2
AA	(page 6-12)	Brake Cam Assembly	2	BX	29-7	Velcro Loop	6
AB	37-237	Round Vinyl Cap	1	BY	29-9	Velcro Pile	6
AC	38-246	Jack Spring	1	BZ	38-355	Extension Spring	2
AD	763-1-16	Spring Holder	1	CA	42-20	Collar	2
AE	946-1-116	Brake Bar Bushing	4	CB	52-245	Nyliner	2
AF	1068-201-45	Brake/Steer Rod Ass'y	1	CC	52-747	Flange Bearing	4
AG	1210-1-114	Pedal Pivot, Left	1	CD	52-284	Spacer Washer	1
AH	1210-1-115	Pedal Pivot, Right	1	CE	27-3	Cotter Pin	2
AK	1210-201-120	Base Frame Weldment	1	CF	11-4	Washer	2
AL	1210-201-139	Pull Release Rod, Head	1	CG	(page 6-16)	Jack Assembly	2
AM	1210-201-152	Release Pedal Weldment	2		(page 6-18)	Constant Flow Jack Ass'y	2
AN	1210-201-153	Butterfly "V" Pedal	1	CH	26-143	Groove Pin	3
AP	1210-201-222	Push Release Rod	1	CJ	(page 6-23)	Caster Assembly	*
AR	1210-201-251	Insert	3	CK	715-1-265	Wheel Cover, Right	4
AT	3-47	Hex Hd. Cap Screw	4	CL	715-1-266	Wheel Cover, Left	4

* Caster assembly is quantity of 4 if the fifth wheel option is present on the stretcher and quantity of 3 if the steering caster option is present.

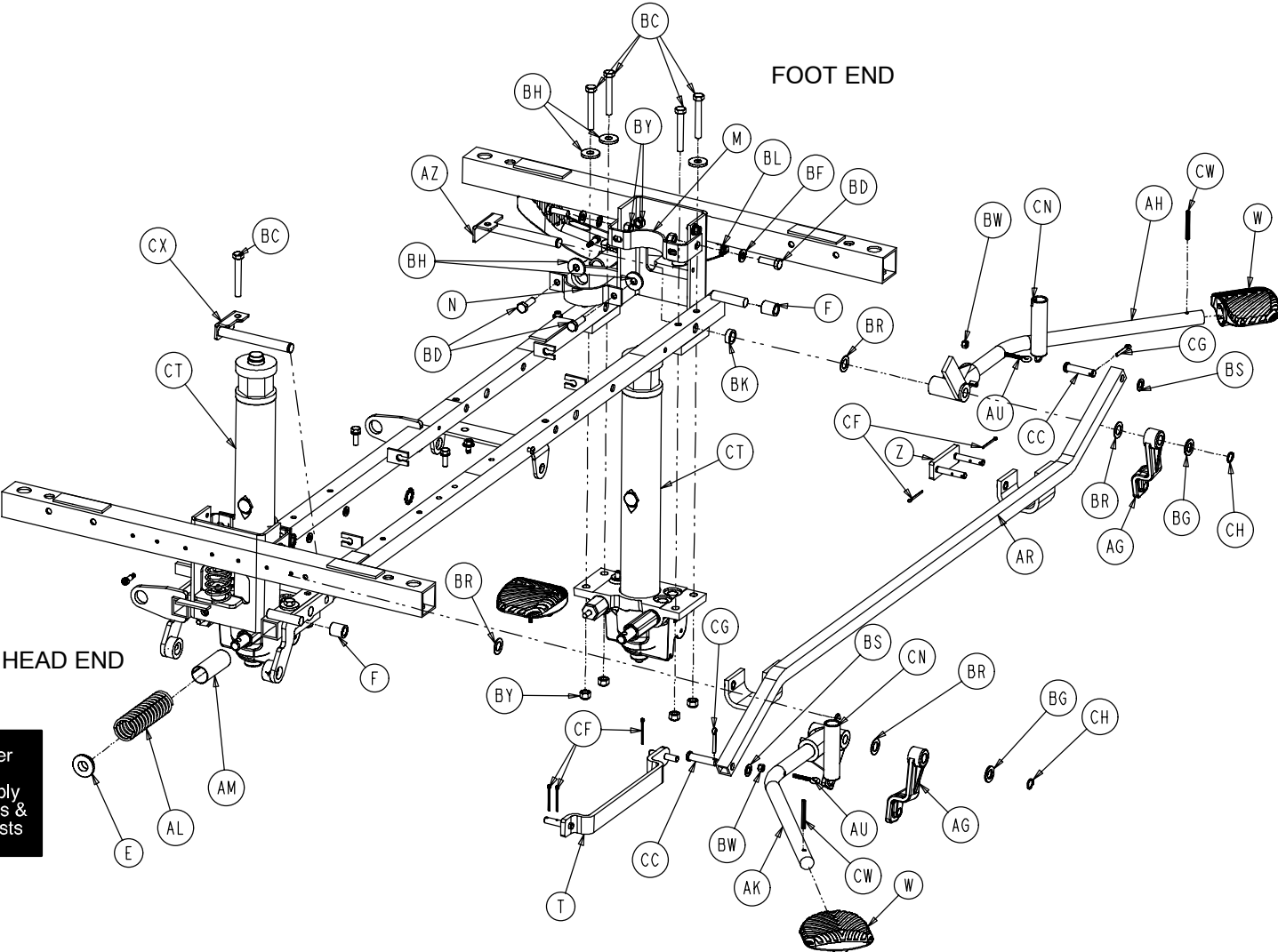
End Control Base Assembly



Assembly part number 1068-2-210 (reference only)

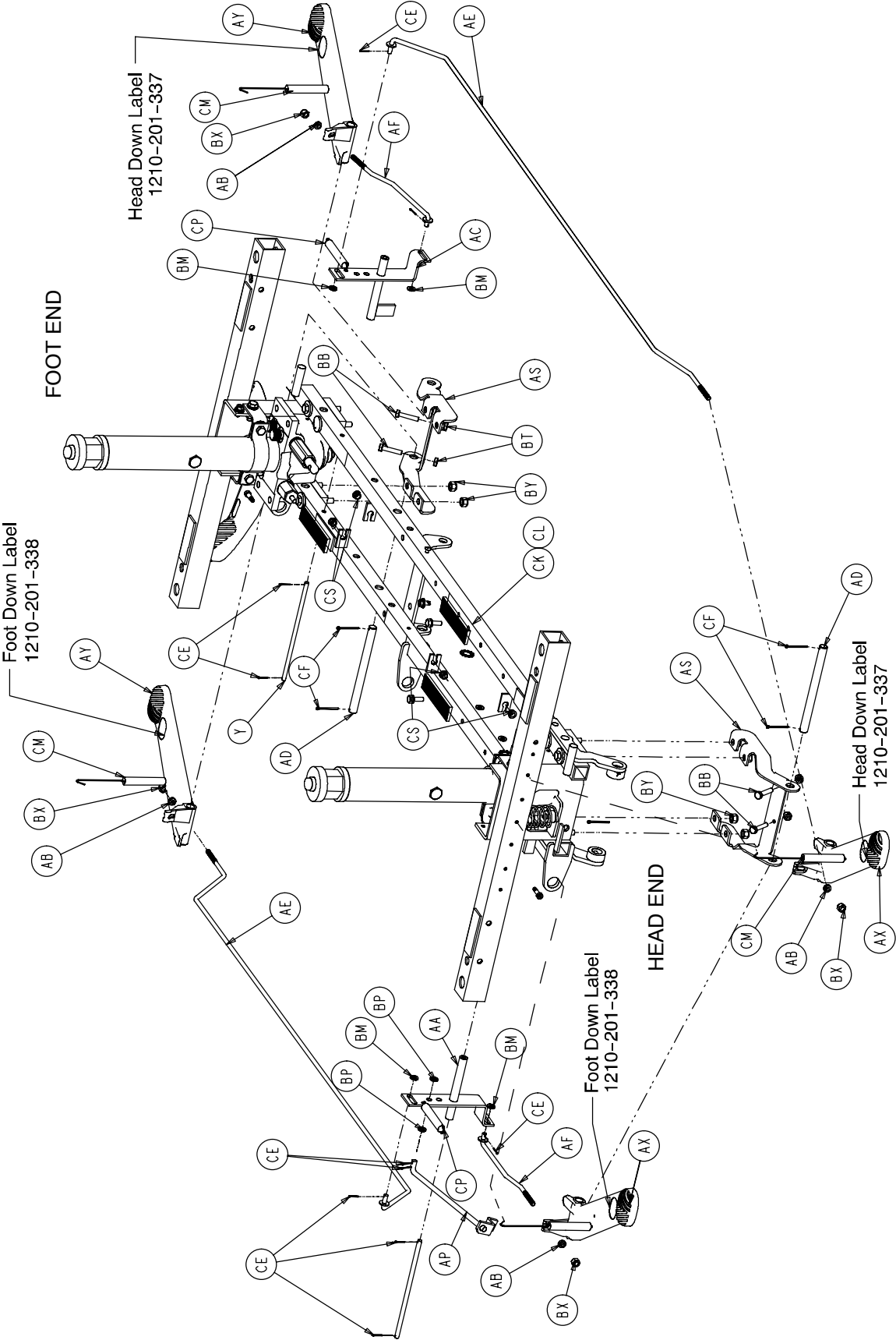
Chapter Six
Assembly Drawings & Parts Lists

End Control Base Assembly



Chapter Six
Assembly Drawings & Parts Lists

End Control Base Assembly



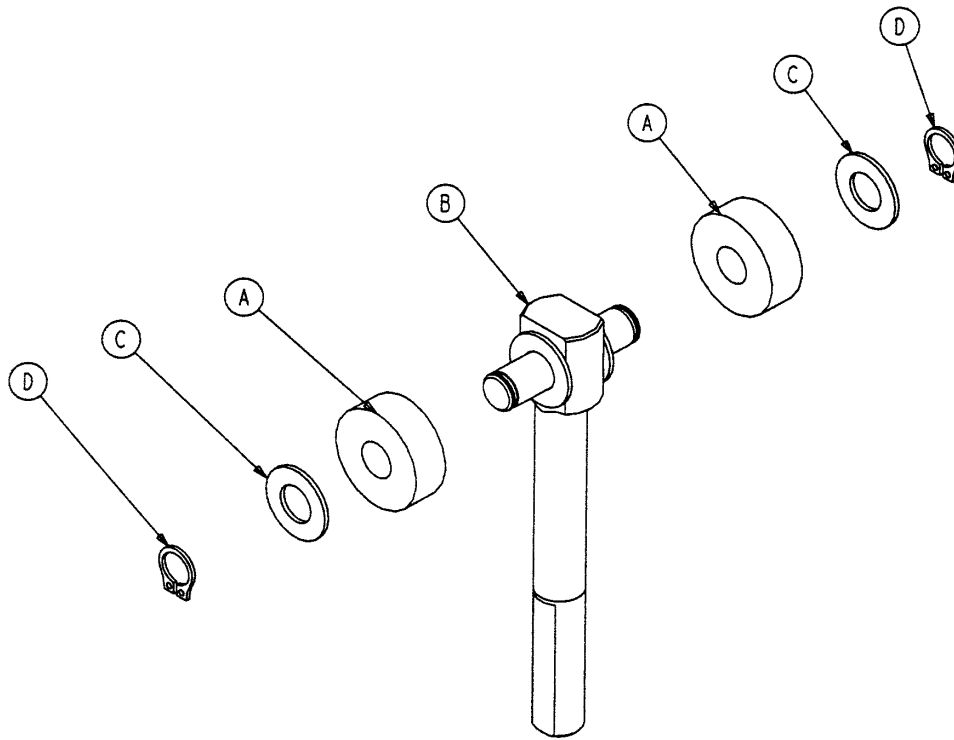
Chapter
Six
Assembly
Drawings &
Parts Lists

End Control Base Assembly

Item	Part No.	Part Name	Qty.	Item	Part No.	Part Name	Qty.
A	715-1-11	Brake Cushion	4	BB	3-4	Hex Hd. Cap Screw	4
B	715-1-61	Caster Brake Weldment	2	BC	3-62	Hex Hd. Cap Screw	8
D	715-201-94	Compression Spring	2	BD	3-85	Hex Hd. Cap Screw	8
E	715-1-133	Collar	2	BE	8-17	Shoulder Bolt	2
F	715-1-140	Vinyl Tube	2	BF	11-3	Washer	4
G	(page 6-11)	Brake Adjuster	2	BG	11-13	Washer	2
H	715-1-156	Ground Chain	1	BH	11-262	Washer	10
K	715-1-158	Caster Nut	4	BK	11-350	Spacer Washer	1
L	715-1-165	Actuator Plate Weldment	2	BL	13-38	Ext. Tooth Lock Washer	4
M	715-1-192	Jack Support	2	BM	14-2	Washer	7
N	715-1-193	Jack Support Clamp	2	BP	14-3	Washer	2
S	715-1-333	Release Rod Stop Sleeve	2	BR	14-7	Washer	4
T	716-1-109	Pump Link, Head End	1	BS	14-9	Washer	2
W	715-201-126	Slip-On Pump Pedal	2	BT	15-11	Hex Nut	4
X	(page 6-12)	Brake Cam Assembly	2	BU	16-2	Hex Nut	2
Y	716-1-15	Release Pivot Bar	2	BW	16-14	Nylock Nut	2
Z	716-1-102	Pump Link, Foot End	1	BX	16-102	Hex Nut	4
AA	716-1-119	Pivot Ass'y, Head End	1	BY	16-36	Hex Nut	16
AB	716-1-286	Release Ball Spacer	4	BZ	21-151	Set Screw	2
AC	716-1-52	Pivot Ass'y, Foot End	1	CA	23-25	Self-Tapping Screw	1
AD	716-201-61	Rel. Pedal Pivot Rod	2	CB	26-13	Spring Pin	2
AE	716-201-70	Long Release Rod	2	CC	26-195	Clevis Pin	2
AF	716-201-74	Release Rod	2	CD	715-1-265	Wheel Cover, Right	4
AG	716-201-281	Pump Idler Link	2	CE	27-4	Cotter Pin	9
AH	(page 6-14)	Pump Pedal Ass'y, Ft. End	1	CF	27-3	Cotter Pin	9
AK	(page 6-14)	Pump Pedal Ass'y, Hd. End	1	CG	27-16	Cotter Pin	2
AL	763-1-15	Jack Spring	1	CH	28-97	External Retaining Ring	2
AM	763-1-16	Spring Holder	1	CK	29-7	Dual Lock	6
AN	946-1-116	Brake Bar Bushing	4	CL	29-9	Dual Lock	6
AO	715-201-230	Brake/Steer Rod Ass'y	1	CM	38-235	Descent Pedal Ret. Spring	4
AP	1210-1-112	Rel. Rod, Head End, Left	1	CN	38-251	Pump Return Spring	2
AR	1210-201-27	Pump Rod Angle	1	CP	38-326	Extension Spring	2
AS	1210-201-111	End Rel. Pedal Bracket	2	CR	42-20	Collar	2
AT	1210-201-120	Base Frame Weldment	1	CS	52-245	Nyliner	4
AU	1210-201-551	Eye Bolt	2	CT	(page 6-16)	Jack Assembly	2
AW	1210-201-153	Butterfly "V" Pedal	2		(page 6-18)	Constant Flow Jack Ass'y	2
AX	1210-201-154	Rel. Pedal, Offset, Hd., Rt.	2	CV	(page 6-23)	Caster Assembly	*
AY	1210-201-155	Rel. Pedal, Offset, Ft., Lt.	2	CW	26-143	Groove Pin	4
AZ	1210-201-201	Pivot Pin Bracket, Foot	1	CX	1210-201-200	Pivot Pin Bracket, Head	1
BA	1210-201-251	Insert	3	CY	715-1-266	Wheel Cover, Left	4

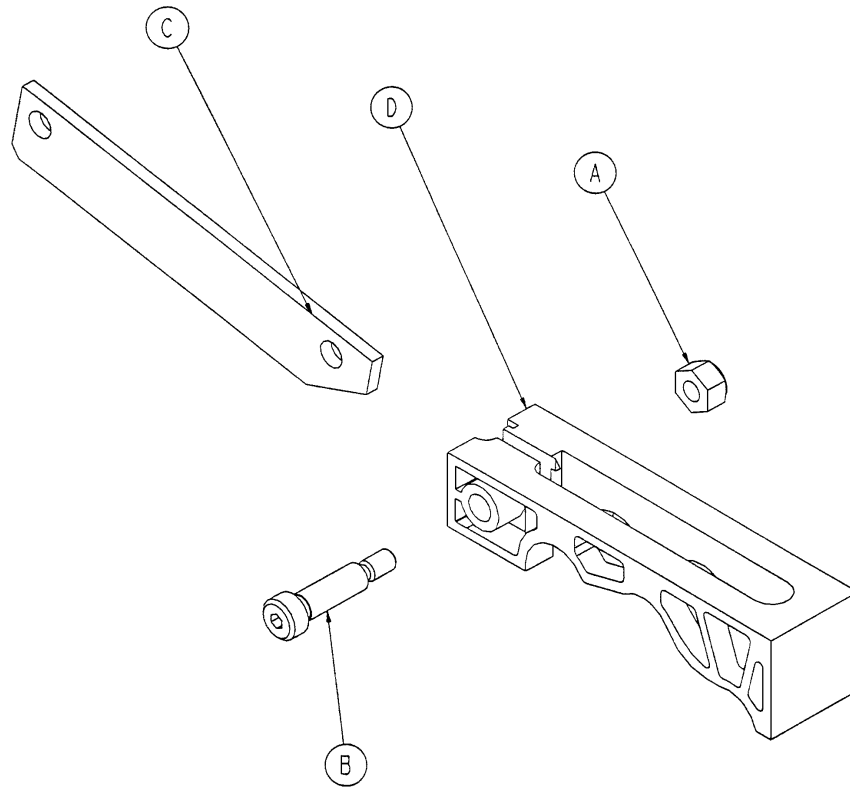
* Caster assembly is quantity of 4 if the fifth wheel option is present on the stretcher and quantity of 3 if the steering caster option is present.

715-201-150 Brake Adjuster Assembly



Item	Part No.	Part Name	Qty.
A	715-1-180	Cam Bearing	2
B	715-201-62	Threaded Stud Assembly	1
C	14-4	Nylon Washer	4
D	28-8	External Retaining Ring	2

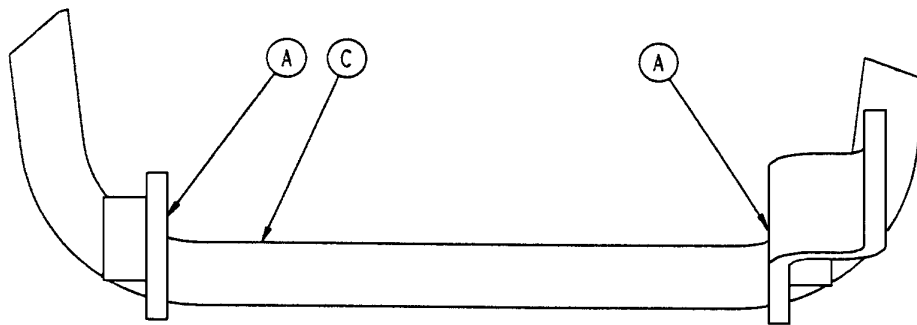
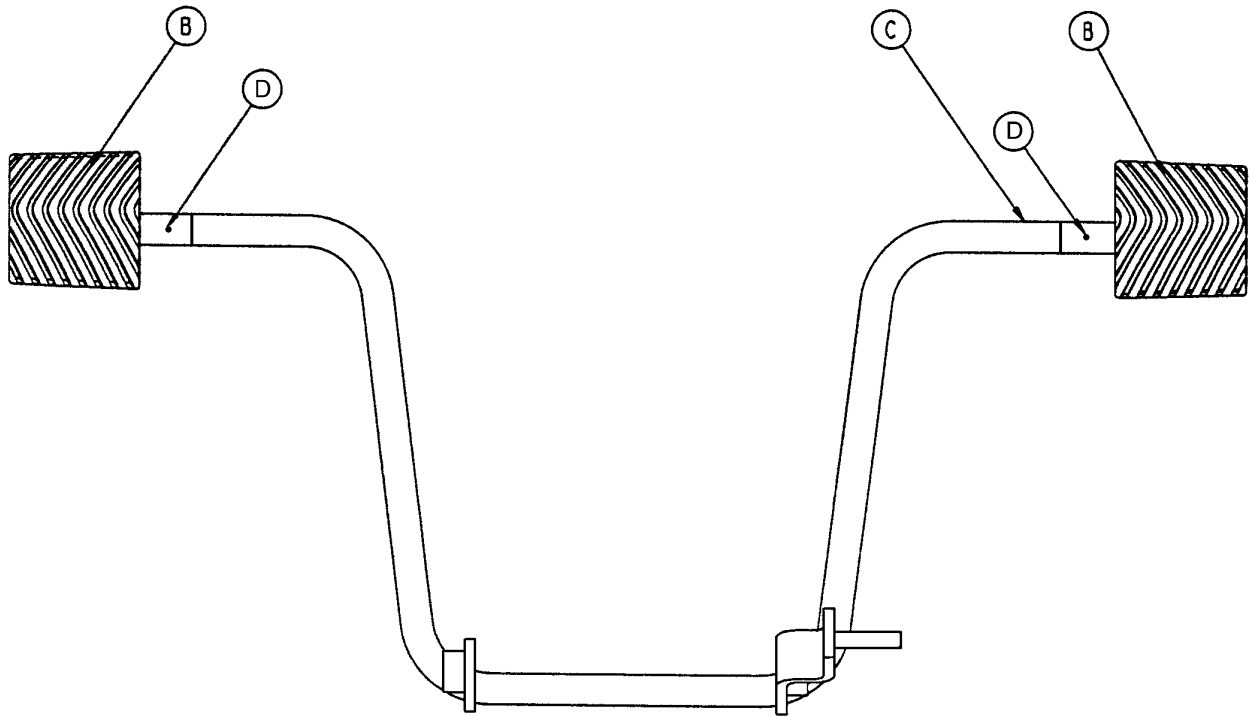
715-201-213 Brake Cam Assembly



Chapter
Six
Assembly
Drawings &
Parts Lists

Item	Part No.	Part Name	Qty.
A	16-59	Hex Nut	1
B	8-21	Soc. Hd. Shoulder Screw	1
C	715-201-173	Brake Connecting Link	1
D	715-301-221	Brake Cam	1

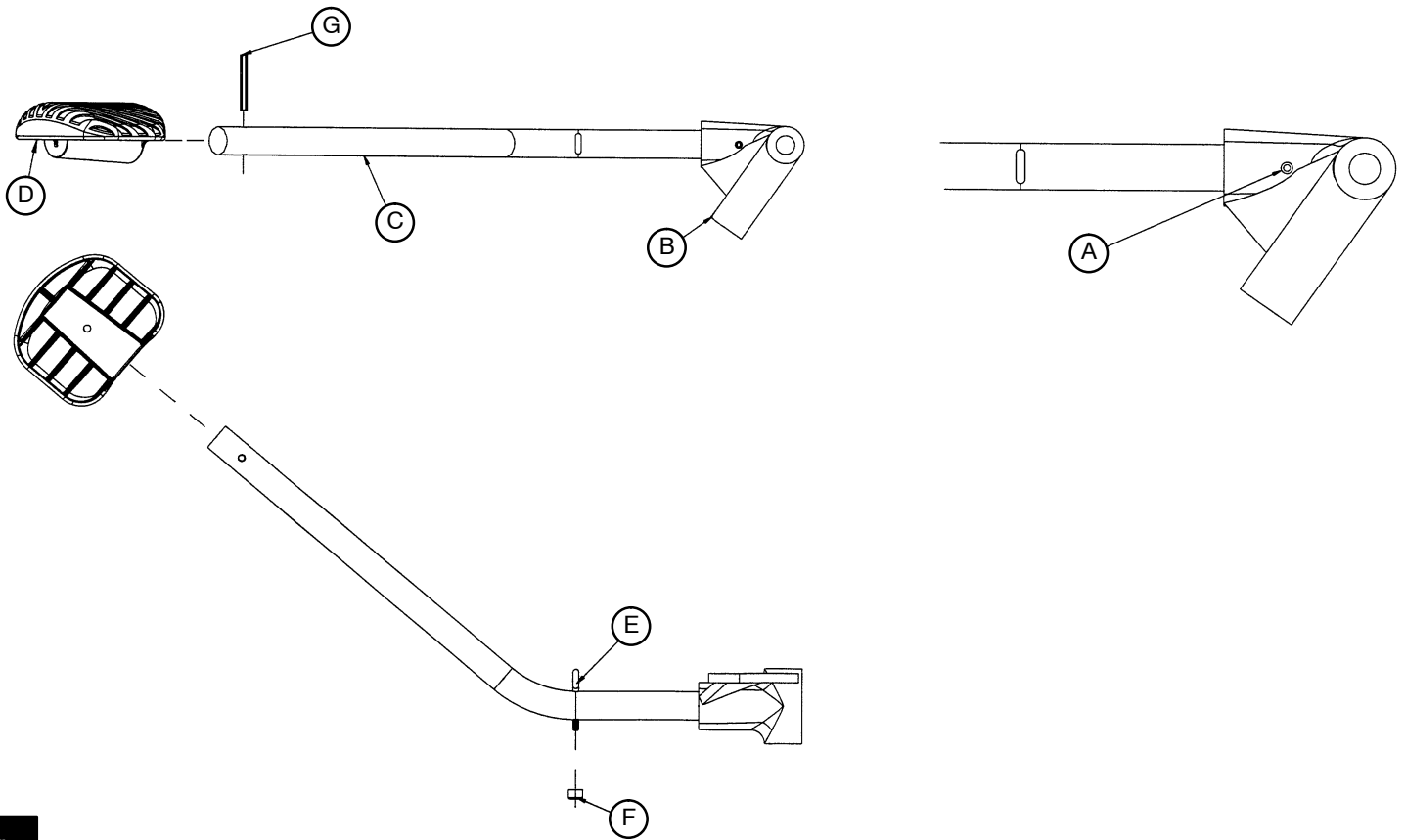
Side Control Pump Pedal Assembly



Chapter
Six
Assembly
Drawings &
Parts Lists

Item	Part No.	Part Name	Qty.
A	81-44	Bronze Bearing	2
B	715-201-126	Slip-On Pedal Pad	2
C	715-201-83	Pump Pedal Weldment	1
D	26-143	Groove Pin	2

716-201-292/288 Head End/Foot End Pump Pedal Assembly

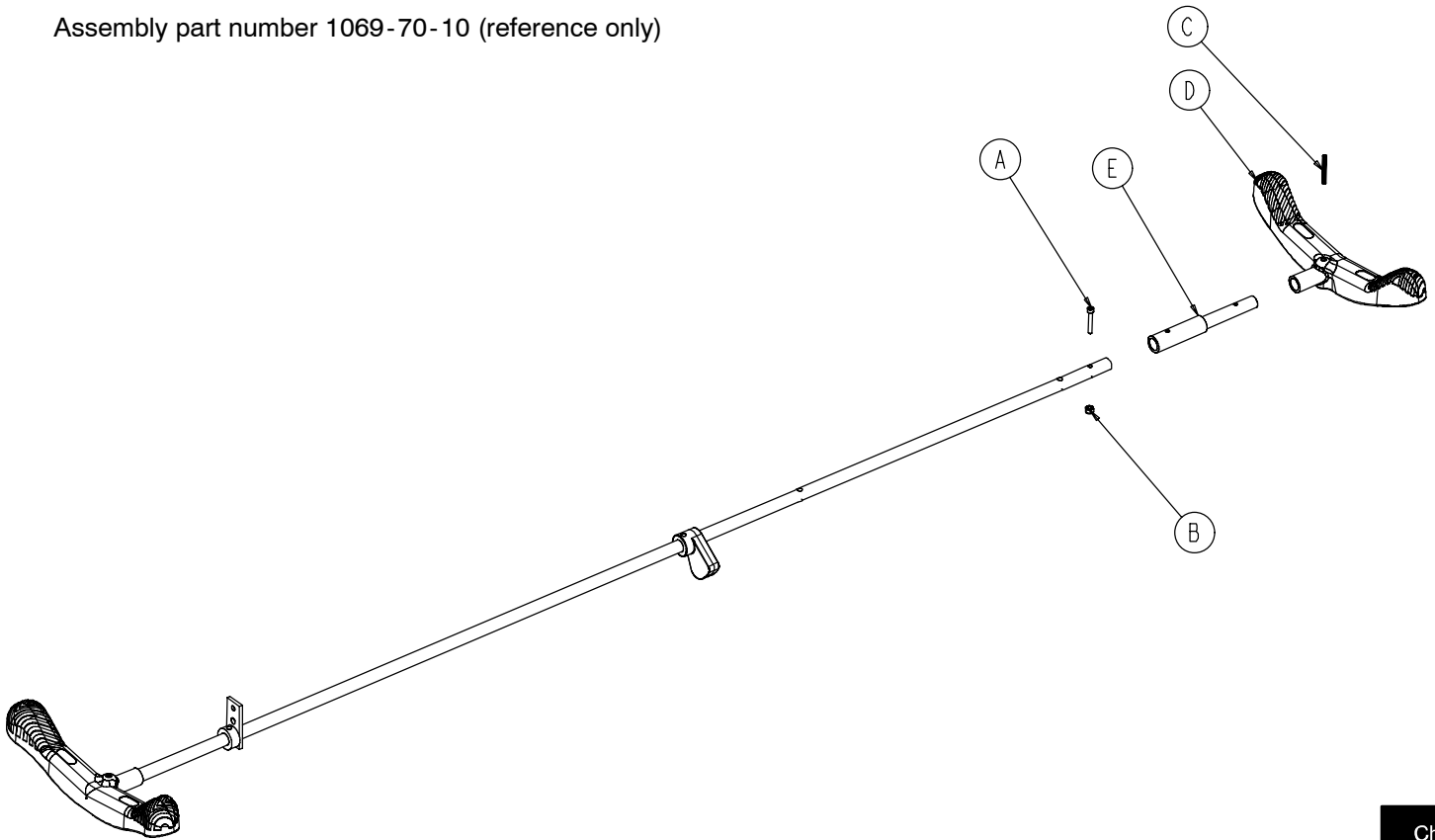


Chapter
Six
Assembly
Drawings &
Parts Lists

Item	Part No.	Part Name	Qty.
A	26-145	Spring Pin	1
B	716-1-285	Pump Pivot Housing, Hd. End	1
	716-1-283	Pump Pivot Housing, Ft. End	1
C	716-201-14	Head End Pump Rod	1
D	715-201-126	Pedal	1
E	1210-201-551	Eye Bolt	1
F	16-14	Nylock Nut	1
G	26-261	Groove Pin	1

1069-70 Optional Removable Brake/Steer Pedal Assembly

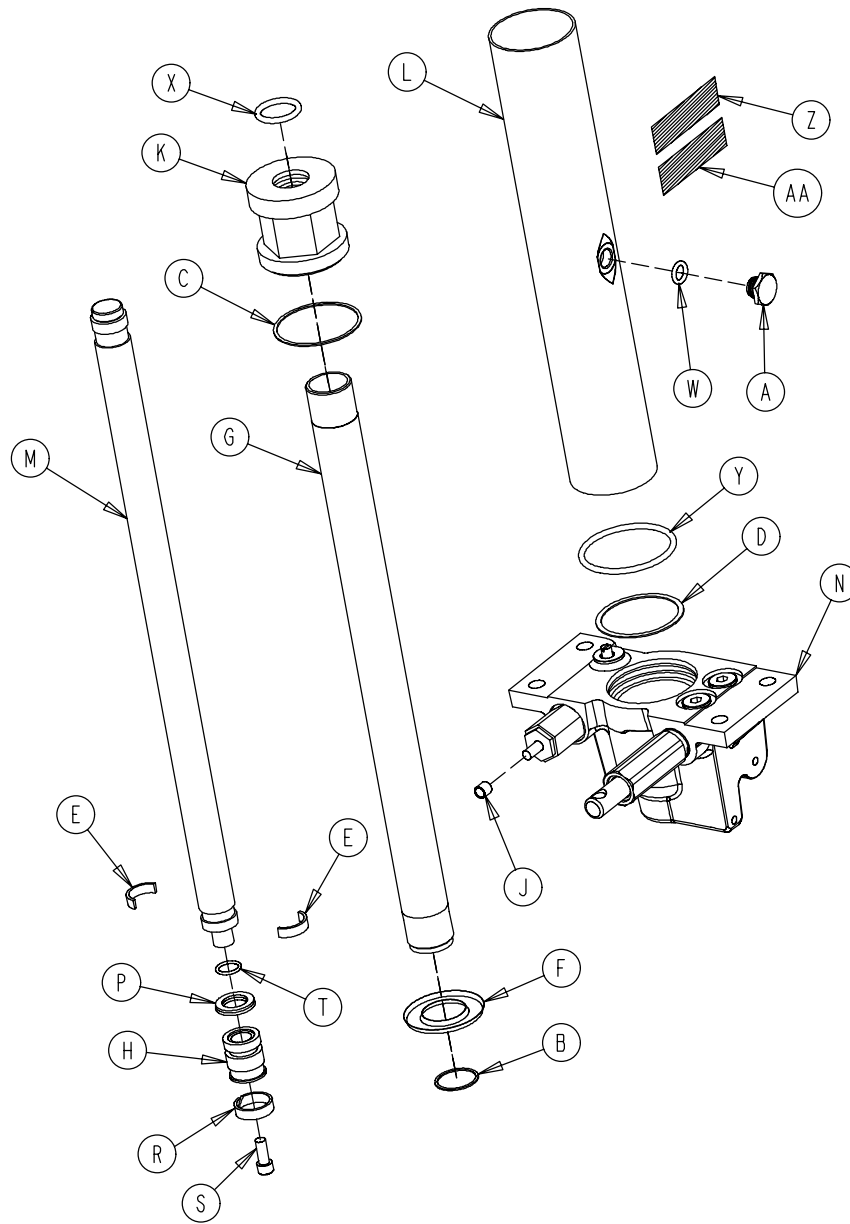
Assembly part number 1069-70-10 (reference only)



Item	Part No.	Part Name	Qty.
A	4-160	Socket Hd. Cap Screw	1
B	16-3	Fiberlock Nut	1
C	26-143	Groove Pin	1
D	1210-201-153	Butterfly "V" Pedal	1
E	1068-300-000	Removable Pedal Adapter	1

Chapter
Six
Assembly
Drawings &
Parts Lists

1231-70-10 Jack Assembly

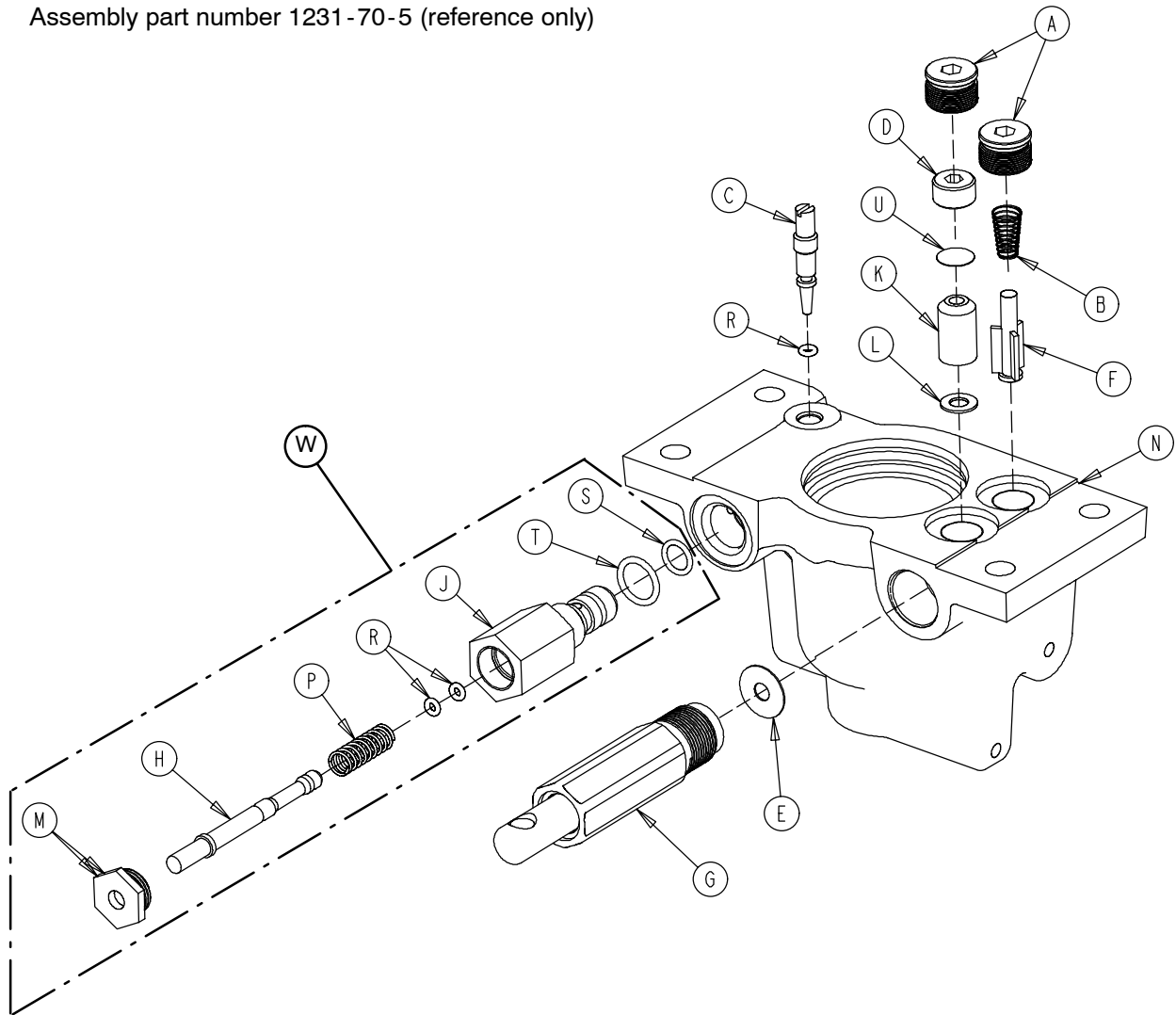


Chapter
Six
Assembly
Drawings &
Parts Lists

Item	Part No.	Part Name	Qty.	Item	Part No.	Part Name	Qty.
A	388-100-38	Plug	1	N	(page 6-17)	Jack Base Ass'y	1
B	390-1-238	Actuator Gasket	1	P	926-20-161	Parker Packing	1
C	390-1-243	Gasket	1	R	926-20-162	Wear Ring	1
D	390-1-244	Base Gasket	1	S	4-14	Soc. Hd. Cap Screw	1
E	390-2-139	Retaining Ring	2	T	45-14	O-Ring	1
F	715-1-320	Jack Screen	1	W	45-110	O-Ring	1
G	715-1-323	Actuator Cylinder	1	X	45-904	O-Ring	1
H	715-1-331	Piston End	1	Y	45-978	O-Ring	1
K	715-1-340	Jack Cap Assembly	1	Z	1231-70-110	Label	1
L	715-1-422	Reservoir	1	AA	921-1-252	Serial Number Label	1
M	715-1-325	Actuator Rod	1				

Jack Base Assembly

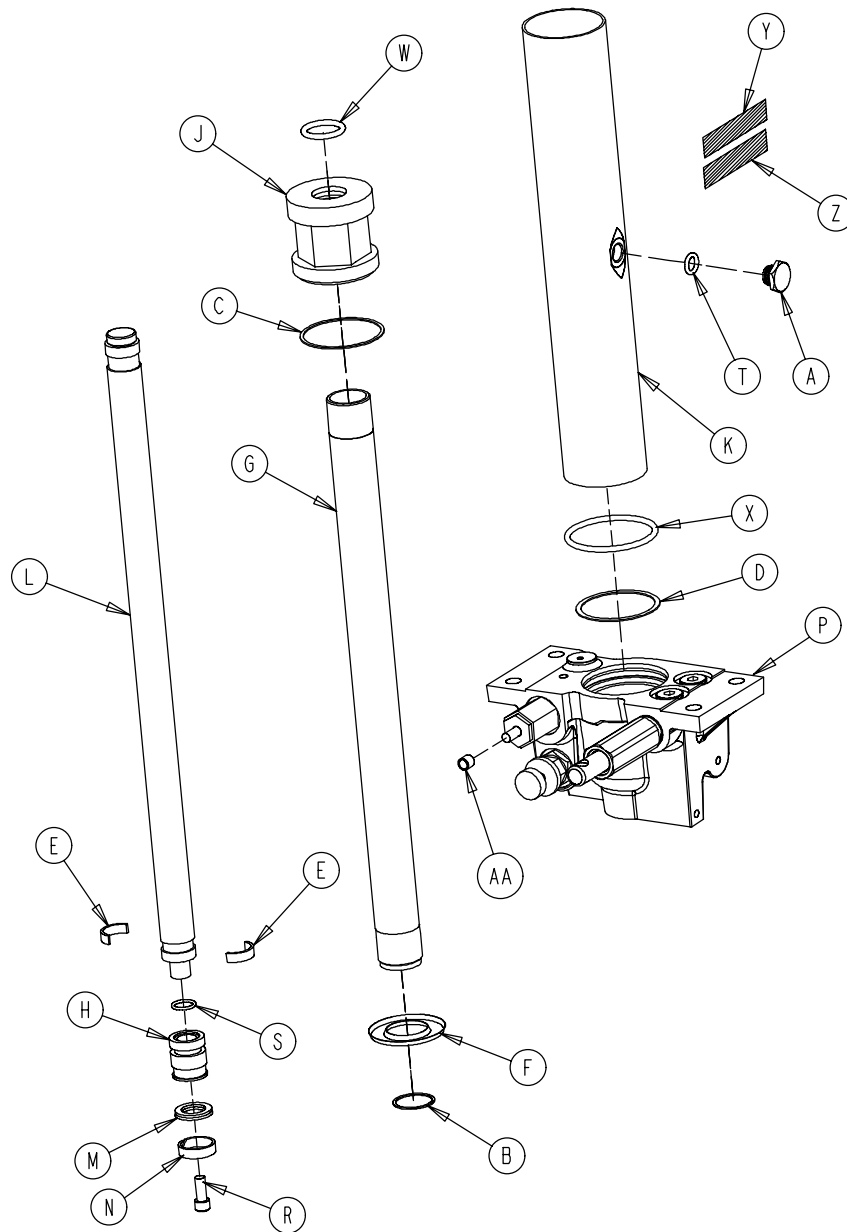
Assembly part number 1231-70-5 (reference only)



Chapter
Six
Assembly
Drawings &
Parts Lists

Item	Part No.	Part Name	Qty.	Item	Part No.	Part Name	Qty.
A	48-147	Base Plug	2	L	926-20-154	Seal	1
B	390-2-134	Conical Comp. Spring	1	M	1210-170-13	Base Plug	1
C	715-1-307	Needle Valve	1	N	1210-270-12	Jack Base	1
D	715-1-309	Valve Plug	1	P	38-311	Compression Spring	1
E	715-1-329	Pump Seal	1	R	45-6	O-Ring	3
F	715-1-341	Poppet	1	S	45-966	O-Ring	1
G	(page 6-20)	Pump Piston Assembly	1	T	45-967	O-Ring	1
H	715-270-1	Pin	1	U	715-1-321	Check Valve Screen	1
J	715-270-2	Pin Housing	1	W	715-270-100	Relief Valve Assembly	1
K	926-20-153	Check Valve	1				

1231-70-210 Constant Flow Jack Assembly

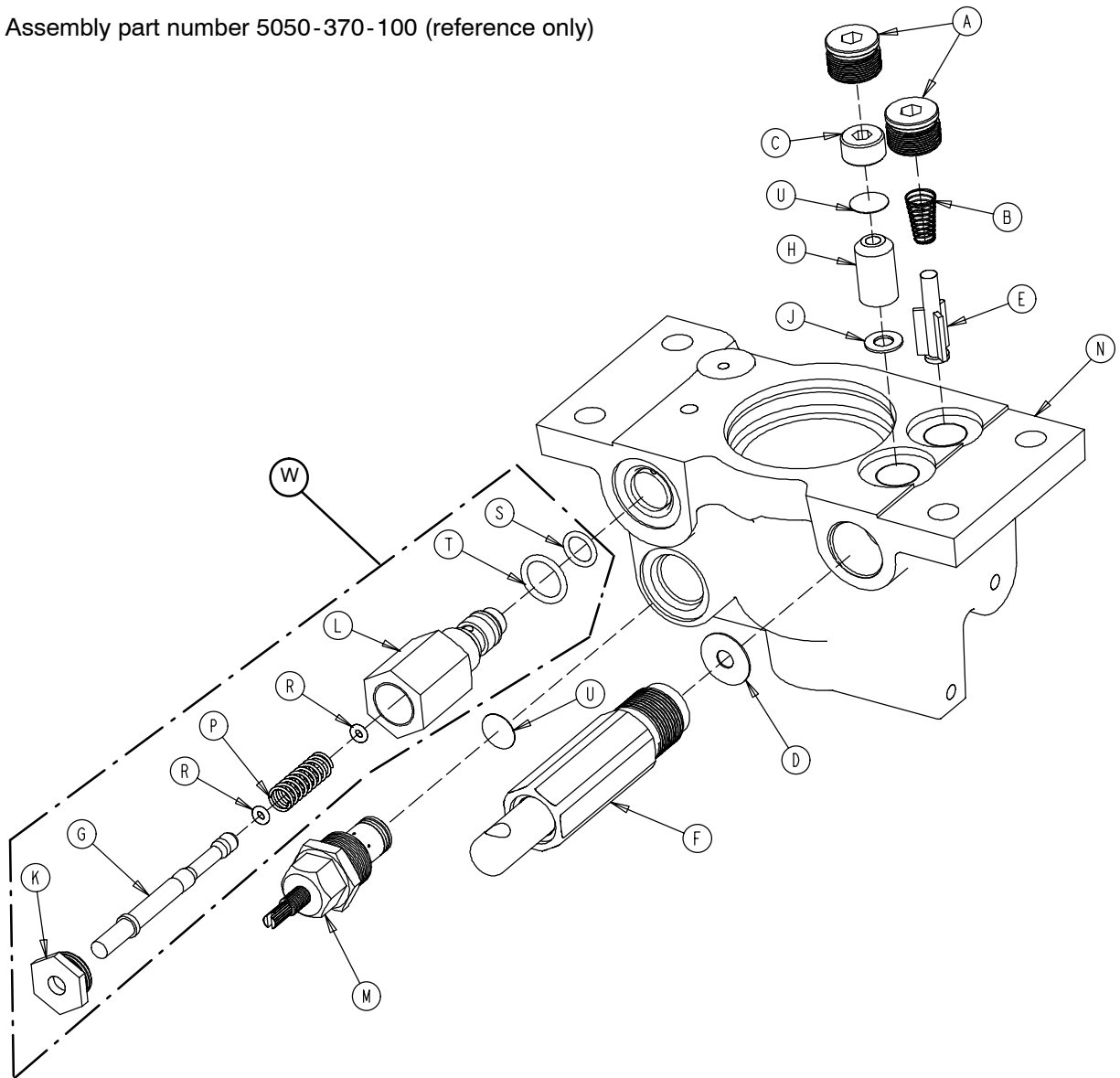


Chapter Six
Assembly Drawings & Parts Lists

Item	Part No.	Part Name	Qty.	Item	Part No.	Part Name	Qty.
A	388-100-38	Plug	1	M	926-20-161	Parker Packing	1
B	390-1-238	Actuator Gasket	1	N	926-20-162	Wear Ring	1
C	390-1-243	Gasket	1	P	(page 6-19)	Jack Base Ass'y	1
D	390-1-244	Base Gasket	1	R	4-14	Soc. Hd. Cap Screw	1
E	390-2-139	Retaining Ring	2	S	45-14	O-Ring	1
F	715-1-320	Jack Screen	1	T	45-110	O-Ring	1
G	715-1-323	Actuator Cylinder	1	W	45-904	O-Ring	1
H	715-1-331	Piston End	1	X	45-978	O-Ring	1
J	715-1-340	Jack Cap Assembly	1	Y	1231-70-211	Label	1
K	715-1-422	Reservoir	1	Z	921-1-252	Serial Number Label	1
L	715-1-325	Actuator Rod	1				

Constant Flow Jack Base Assembly

Assembly part number 5050-370-100 (reference only)

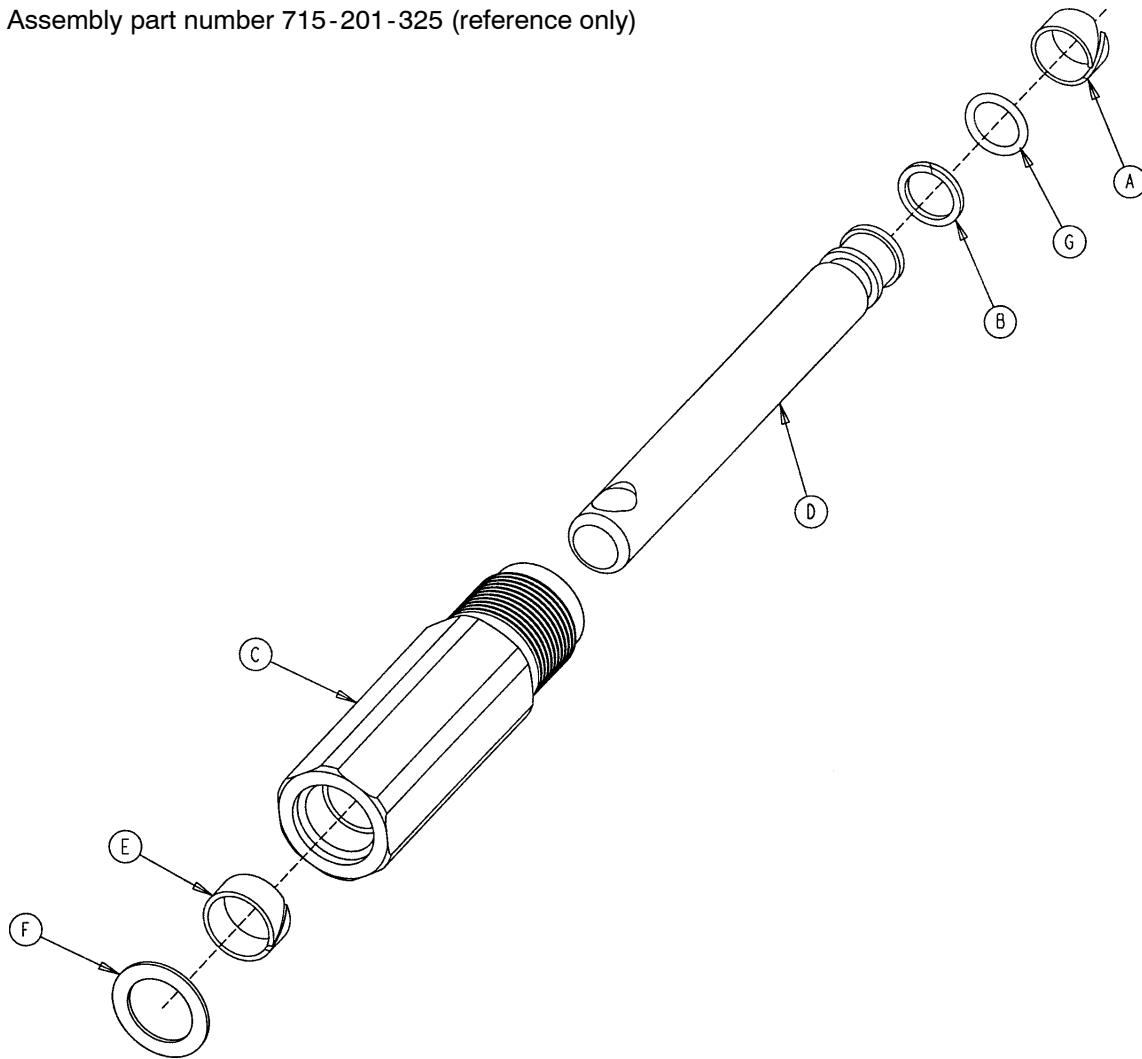


Chapter
Six
Assembly
Drawings &
Parts Lists

Item	Part No.	Part Name	Qty.	Item	Part No.	Part Name	Qty.
A	48-147	Base Plug	2	L	2025-75-87	Pin Housing	1
B	390-2-134	Conical Comp. Spring	1	M	5050-170-50	Adj. P.C. Valve Cartridge	1
C	715-1-309	Valve Plug	1	N	5050-370-110	Jack Base	1
D	715-1-329	Pump Seal	1	P	38-311	Compression Spring	1
E	715-1-341	Poppet	1	R	45-6	O-Ring	2
F	(page 6-20)	Pump Piston Assembly	1	S	45-966	O-Ring	1
G	715-270-1	Pin	1	T	45-967	O-Ring	1
H	926-20-153	Check Valve	1	U	715-1-321	Check Valve Screen	2
J	926-20-154	Seal	1	W	2025-700-26	Relief Valve Assembly	1
K	1210-170-13	Base Plug	1				

715-100-425 Jack Pump Piston Assembly

Assembly part number 715-201-325 (reference only)

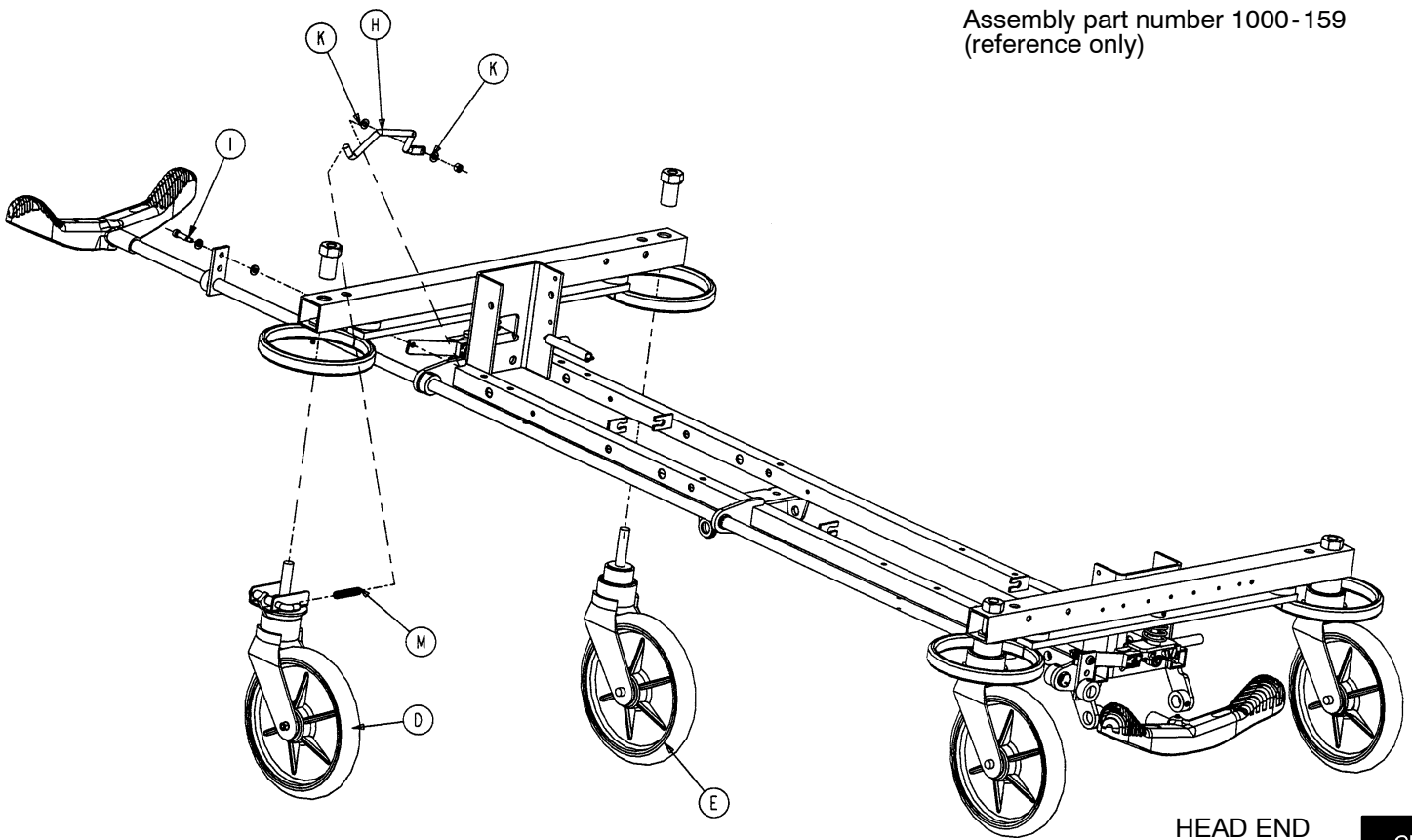


Chapter
Six
Assembly
Drawings &
Parts Lists

Item	Part No.	Part Name	Qty.
A	715-1-328	Piston Wear Ring	1
B	715-1-400	O-Ring Back Up	1
C	715-200-316	Pump Cylinder	1
D	715-201-318	Pump Piston	1
E	715-201-327	Cylinder Wear Ring	1
F	14-50	Bearing Retainer	1
G	45-110	O-Ring	1
	715-1-329	Pump Seal (not shown)	1

Base Assembly with Steerlock Caster Option

Assembly part number 1000-159
(reference only)



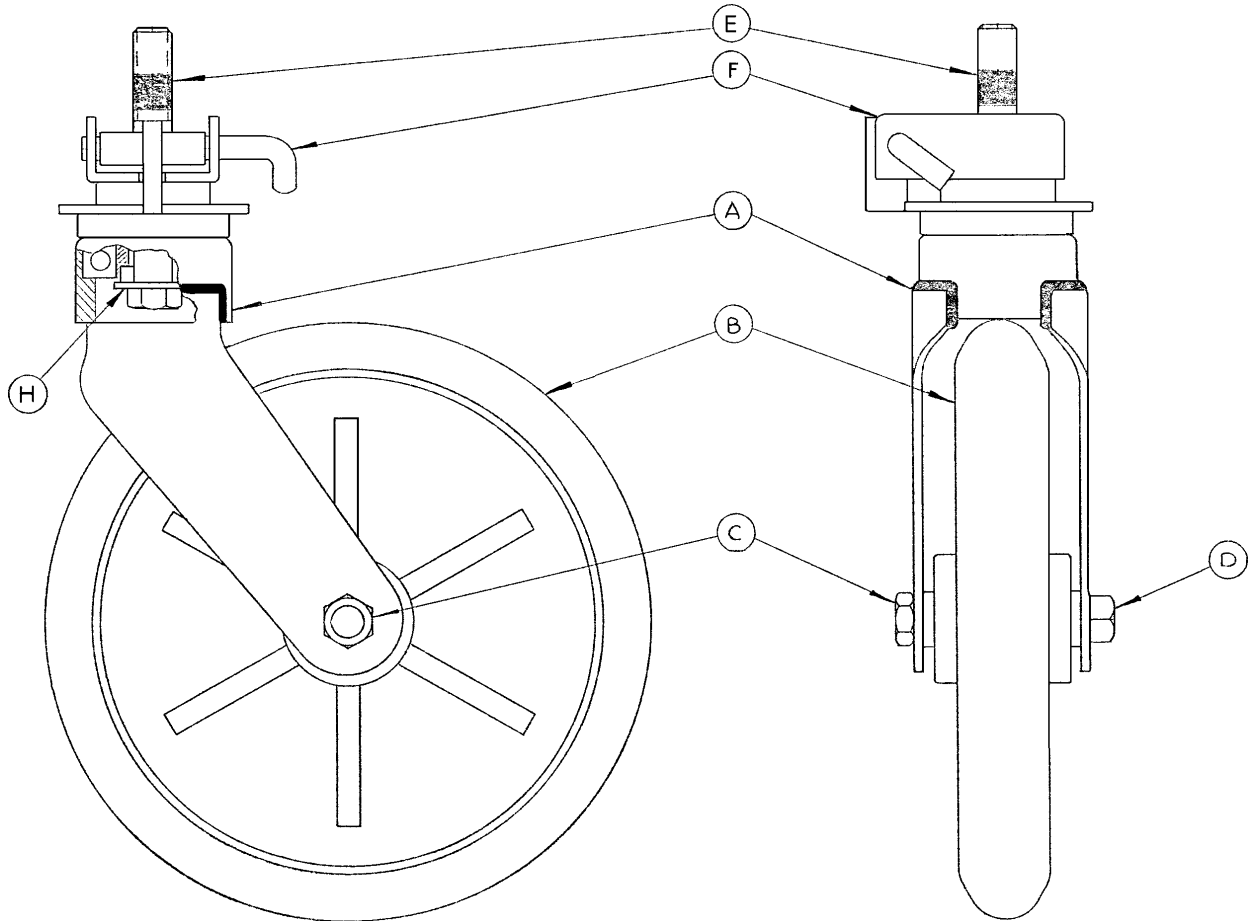
HEAD END

Chapter
Six
Assembly
Drawings &
Parts Lists

Item	Part No.	Part Name	Qty.
D	(page 6-22)	Steer Caster Assembly	1
E	(page 6-23)	Caster Assembly	3
H	1000-210-62	Steer Lock Linkage Bar	1
I	8-21	Shoulder Bolt	1
K	14-2	Washer	2
M	38-211	Spring	1

715-269-100 Caster Assembly with Steerlock

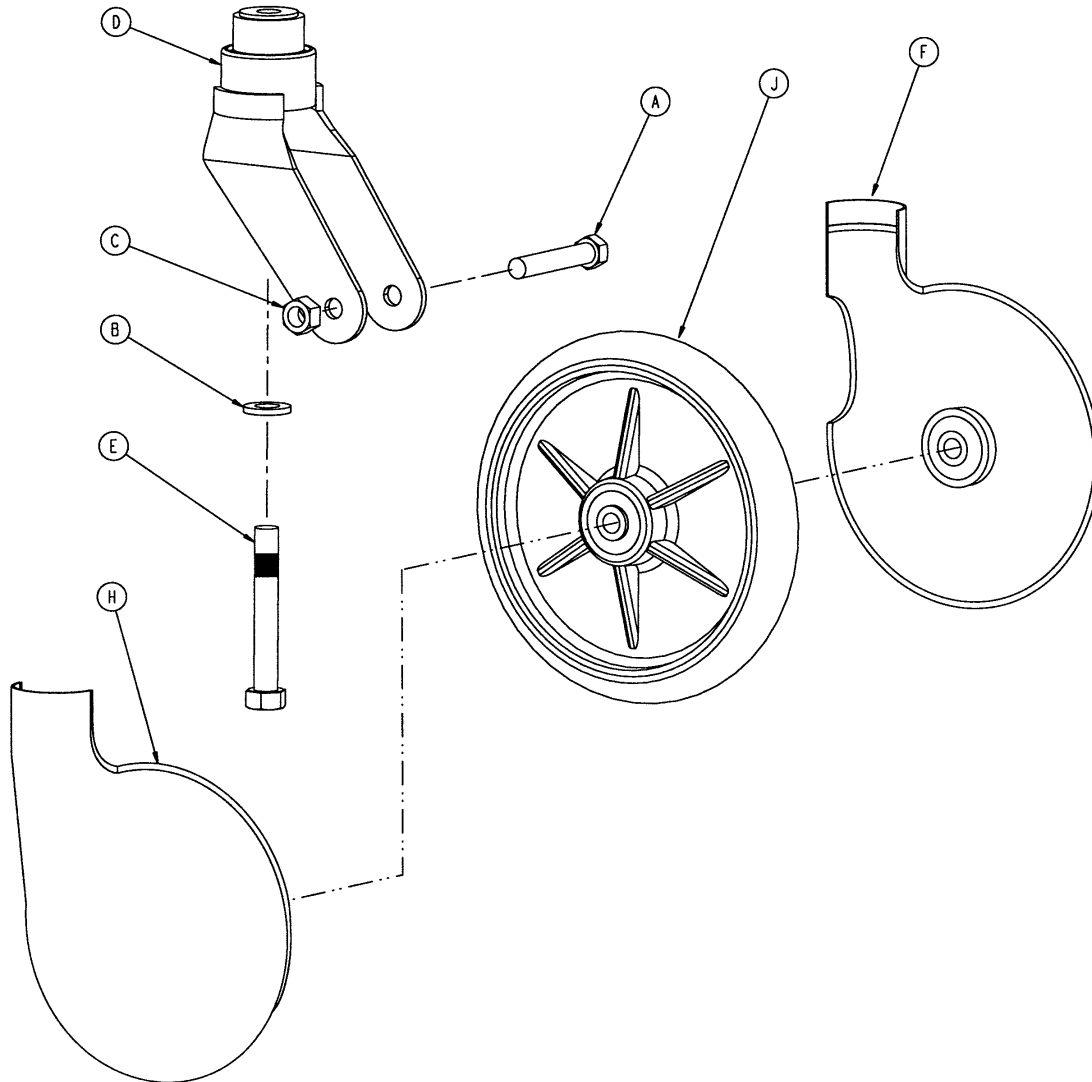
Assembly part number 715-2-21 (reference only)



Chapter
Six
Assembly
Drawings &
Parts Lists

Item	Part No.	Part Name	Qty.
A	700-10-50	Steer Lock Caster Weldment	1
B	715-2-25	Caster Wheel	1
C	16-60	Hex Nut	1
D	3-99	Hex Bolt	1
E	715-3-96	Hex Bolt	1
F	1000-59-10	Latch Assembly	1
H	11-310	Flat Washer	1

Standard Caster Assembly



Item	Part No.	Part Name	Qty.
A	3-99	Hex Hd. Cap Screw	1
B	11-310	Washer	1
C	16-60	Hex Nut	1
D	715-2-16	Horn Assembly	1
E	715-3-96	Hex Hd. Cap Screw	1
F	715-1-265	Wheel Cover, Right	1
H	715-1-266	Wheel Cover, Left	1
J	715-2-25	Wheel	1
	715-1-158	Caster Nut (not shown)	1

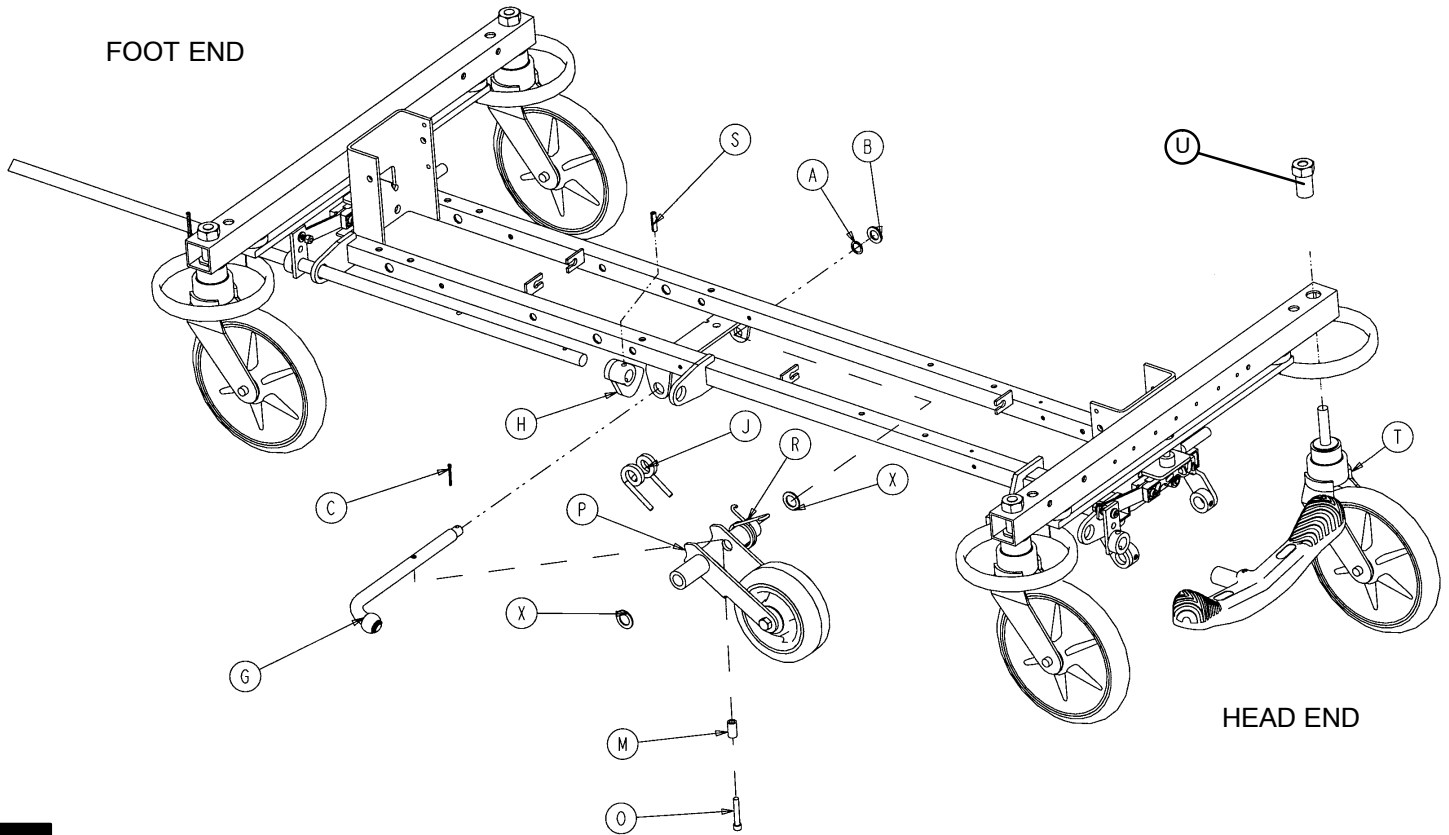
p/n 715-259-400 - Kit to replace 4 standard caster assemblies with hardware - no caster covers.

p/n 715-269-400 - Kit to replace 3 standard caster assemblies and 1 steerlock caster with hardware - no caster covers.

p/n 715-259-100 - Kit to replace 1 standard caster assembly with hardware - no caster covers.

p/n 1010-56-200 - Kit to replace both caster covers on all four wheels.

1010-260 Optional Fifth Wheel Assembly

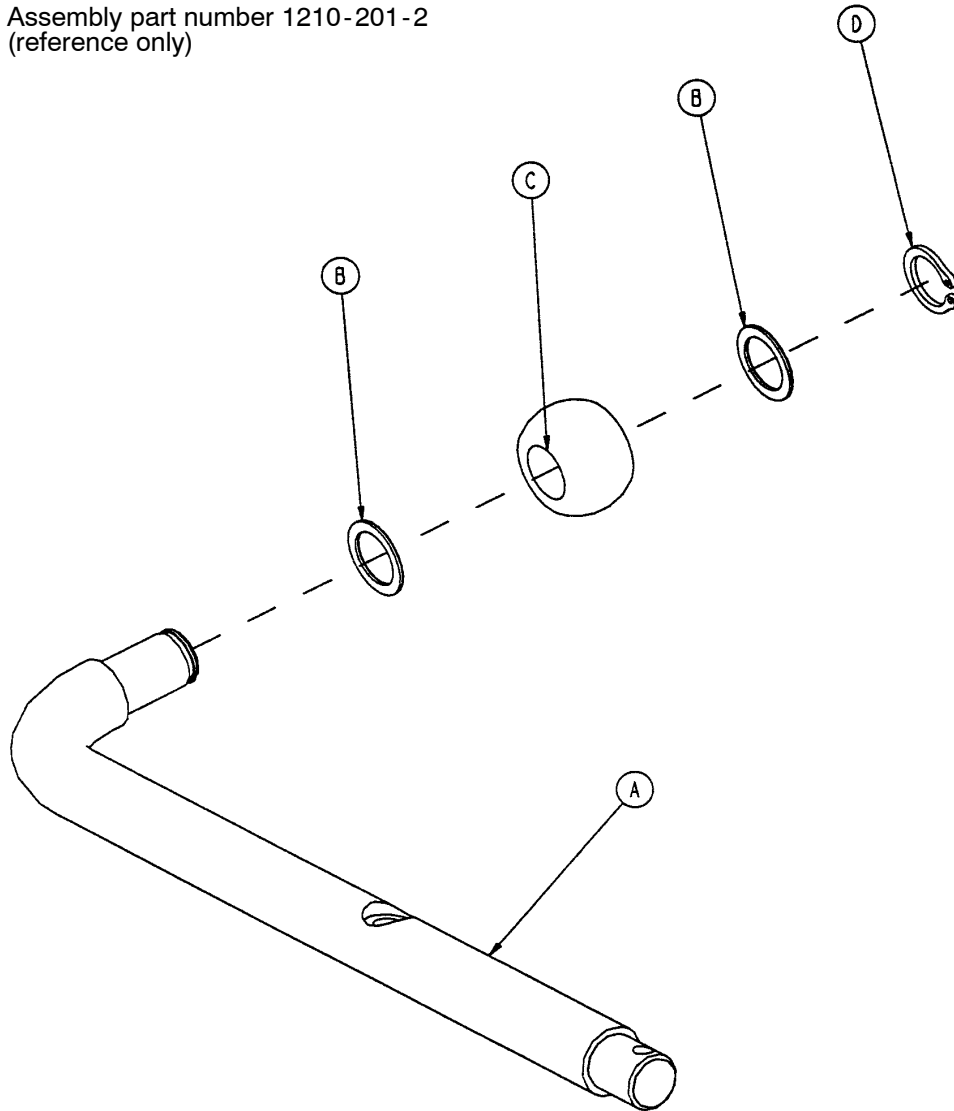


Chapter
Six
Assembly
Drawings &
Parts Lists

Item	Part No.	Part Name	Qty.
A	14-79	Nylon Washer	1
B	11-13	Washer	1
C	27-16	Cotter Pin	1
G	(page 6-25)	Pivot Rod Assembly	1
H	1210-1-145	Cam	1
J	1210-1-148	Torsion Spring	1
M	1210-201-149	Spring Spacer	1
O	4-10	Bolt	1
P	(page 6-26)	Wheel Arm Assembly	1
R	1210-1-146	Torsion Spring	1
S	26-35	Roll Pin	1
T	(page 6-23)	Caster Assembly	4
U	715-1-158	Caster Nut	4
X	14-80	Nylon Washer	2

Fifth Wheel Pivot Rod Assembly

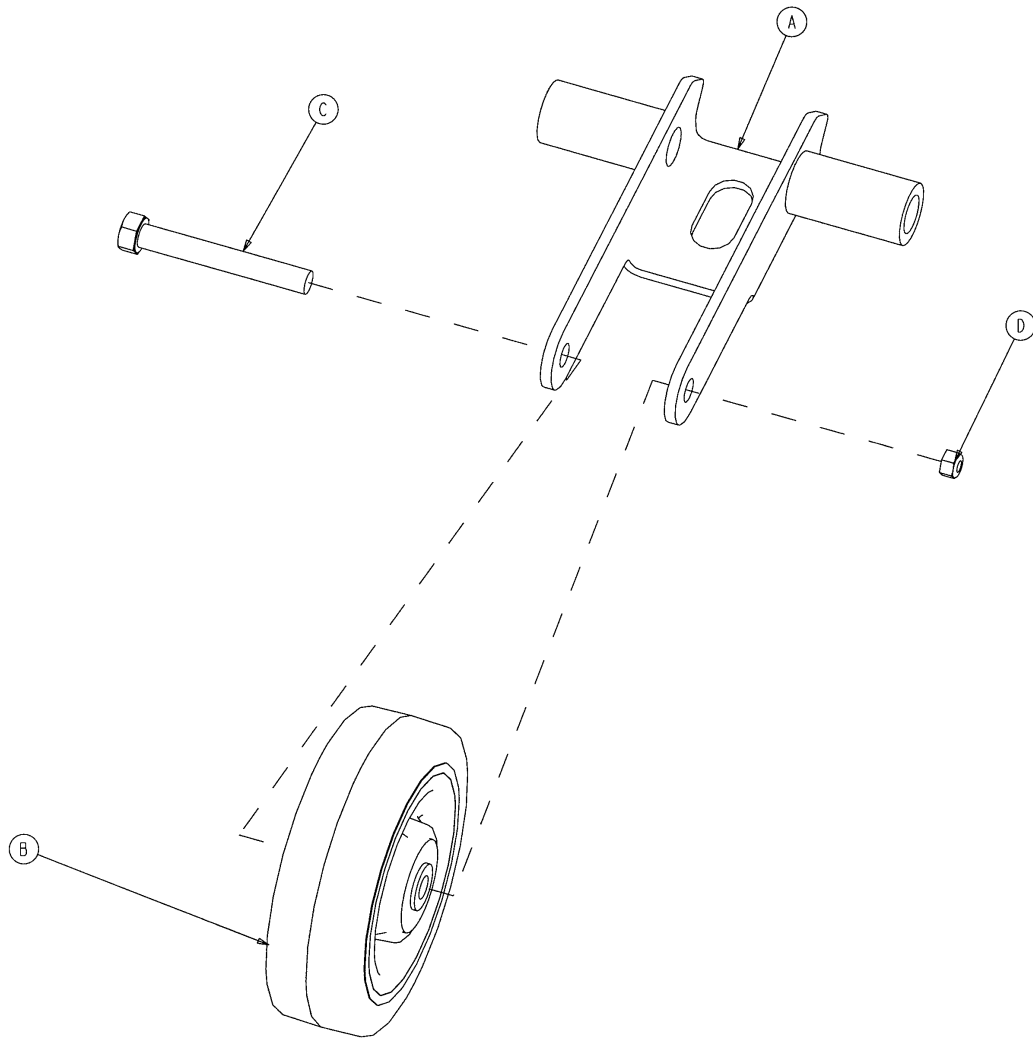
Assembly part number 1210-201-2
(reference only)



Chapter
Six
Assembly
Drawings &
Parts Lists

Item	Part No.	Part Name	Qty.
A	1210-1-143	Pivot Rod	1
B	14-79	Nylon Washer	2
C	1210-1-144	Roller	1
D	28-131	Snap Ring	1
E	27-16	Cotter Pin	1

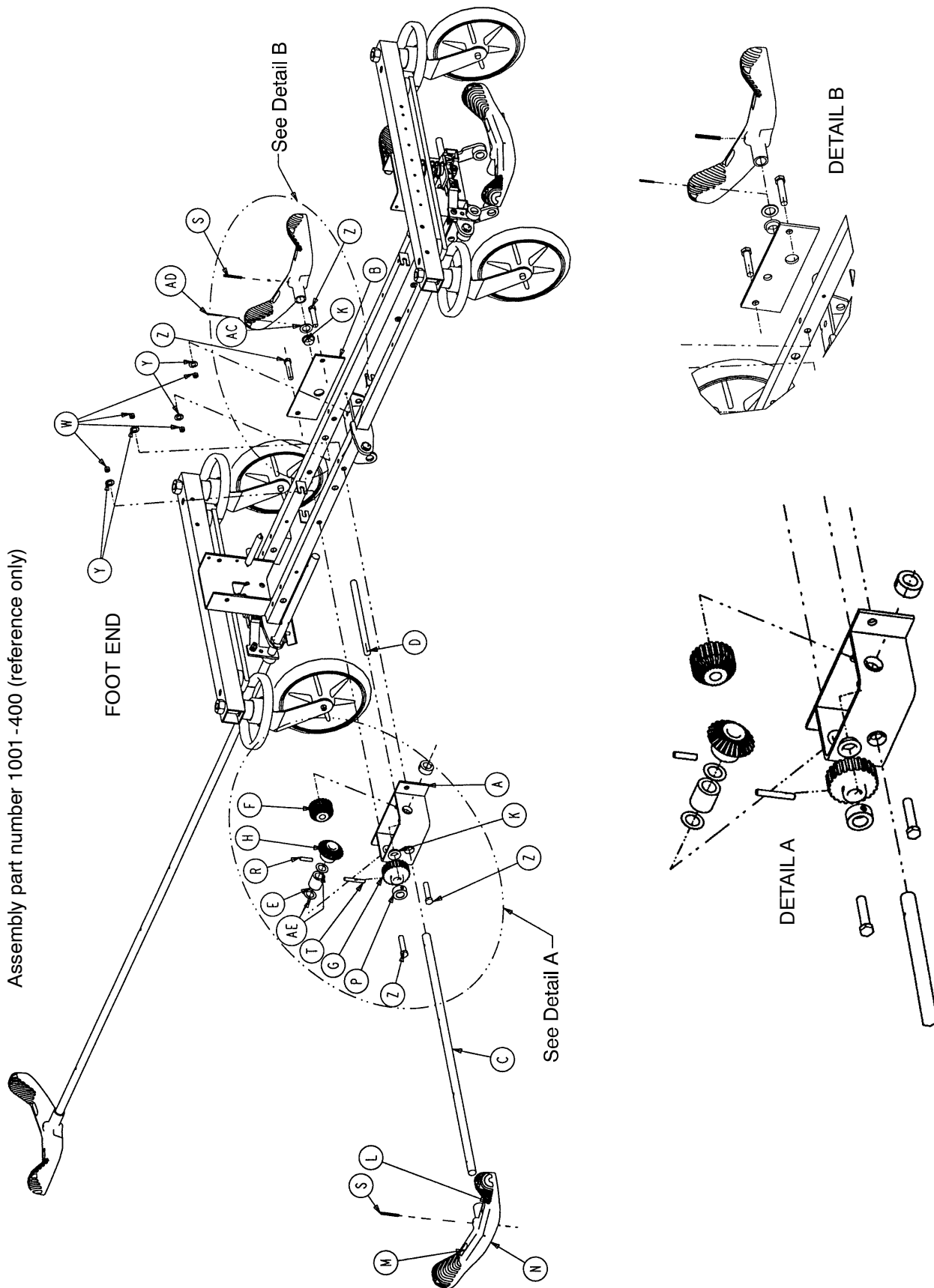
715-201-125 Fifth Wheel Arm Assembly



Chapter
Six
Assembly
Drawings &
Parts Lists

Item	Part No.	Part Name	Qty.
A	1210-201-553	Wheel Arm	1
B	1210-1-147	Fifth Wheel	1
C	3-31	Hex Hd. Cap Screw	1
D	16-35	Nylock Nut	1

Optional Side Control Brake Assembly



Assembly part number 1001 -400 (reference only)

Chapter Six
Assembly Drawings & Parts Lists

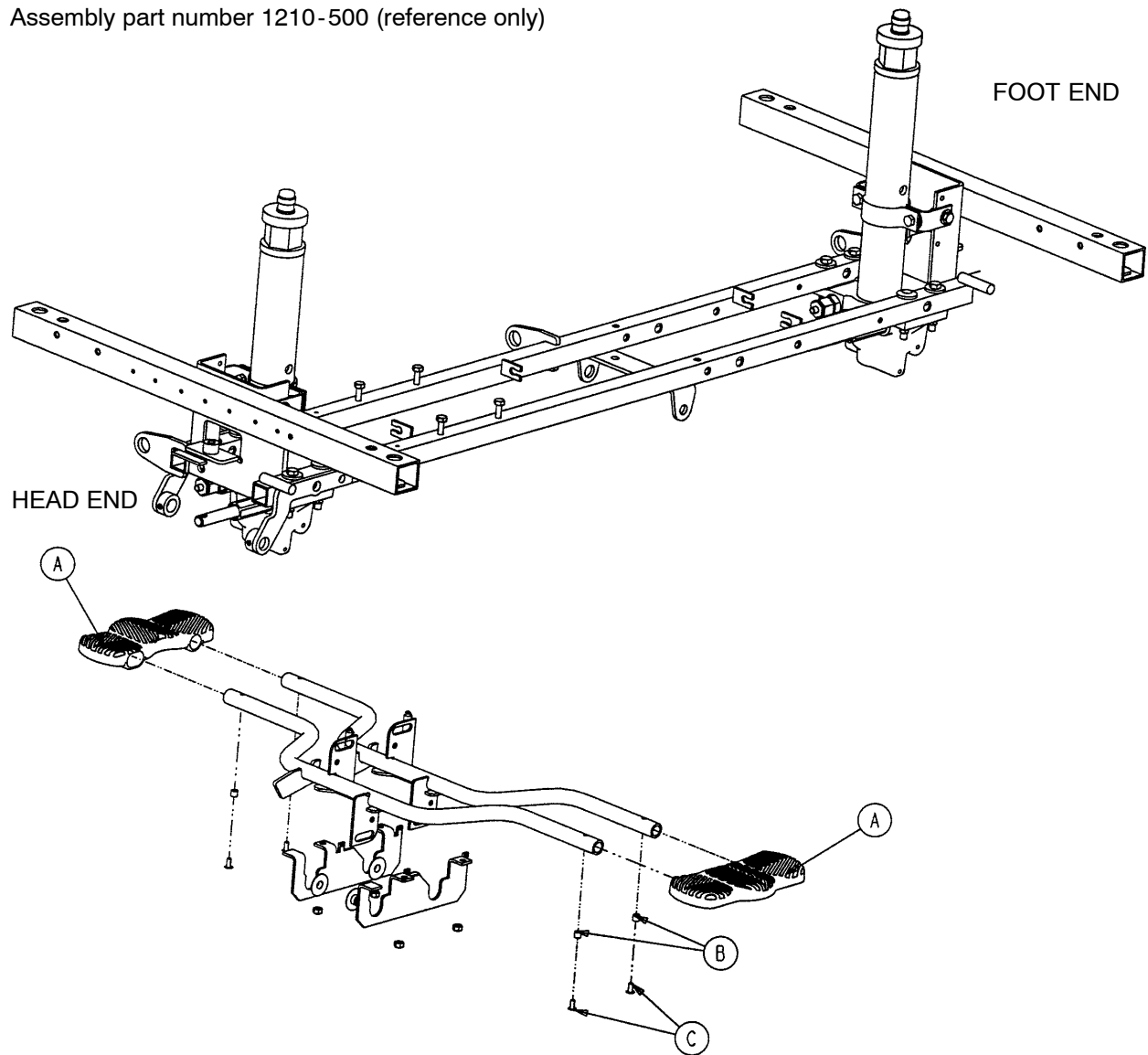
Optional Side Control Brake Assembly

Item	Part No.	Part Name	Qty.
A	1210-301-400	Gear Box Weldment	1
B	1210-301-412	Support	1
C	1210-201-409	Side Control Brake/Steer Rod	1
D	1210-201-407	Pin	1
E	1210-301-406	Spacer	1
F	1210-301-405	Miter/Spur Gear	1
G	1210-301-404	Spur Gear	1
H	1210-301-403	Miter Gear	1
K	1210-201-401	Flange Bearing	5
L	1210-201-336	Steer Label	2
M	1210-201-335	Brake Label	2
N	1210-201-153	Butterfly “V” Pedal	2
P	42-20	Collar	1
R	26-265	Gear Dowel Pin	1
S	26-143	Pedal Dowel Pin	2
T	26-166	Groove Pin	1
W	16-35	Lock Nut	4
Y	11-4	Flat Washer	4
Z	3-45	Hex Hd. Cap Screw	4
AA	1210-201-341	Brake/Steer Label, Right*	1
AB	1210-201-342	Brake/Steer Label, Left*	1
AC	14-71	Washer	1
AD	27-16	Cotter Pin	1
AE	14-80	Washer	2

* Reference hood/label assembly drawing (page 6-32) for label positioning.

Optional Uni-Lower Pedal Assembly

Assembly part number 1210-500 (reference only)

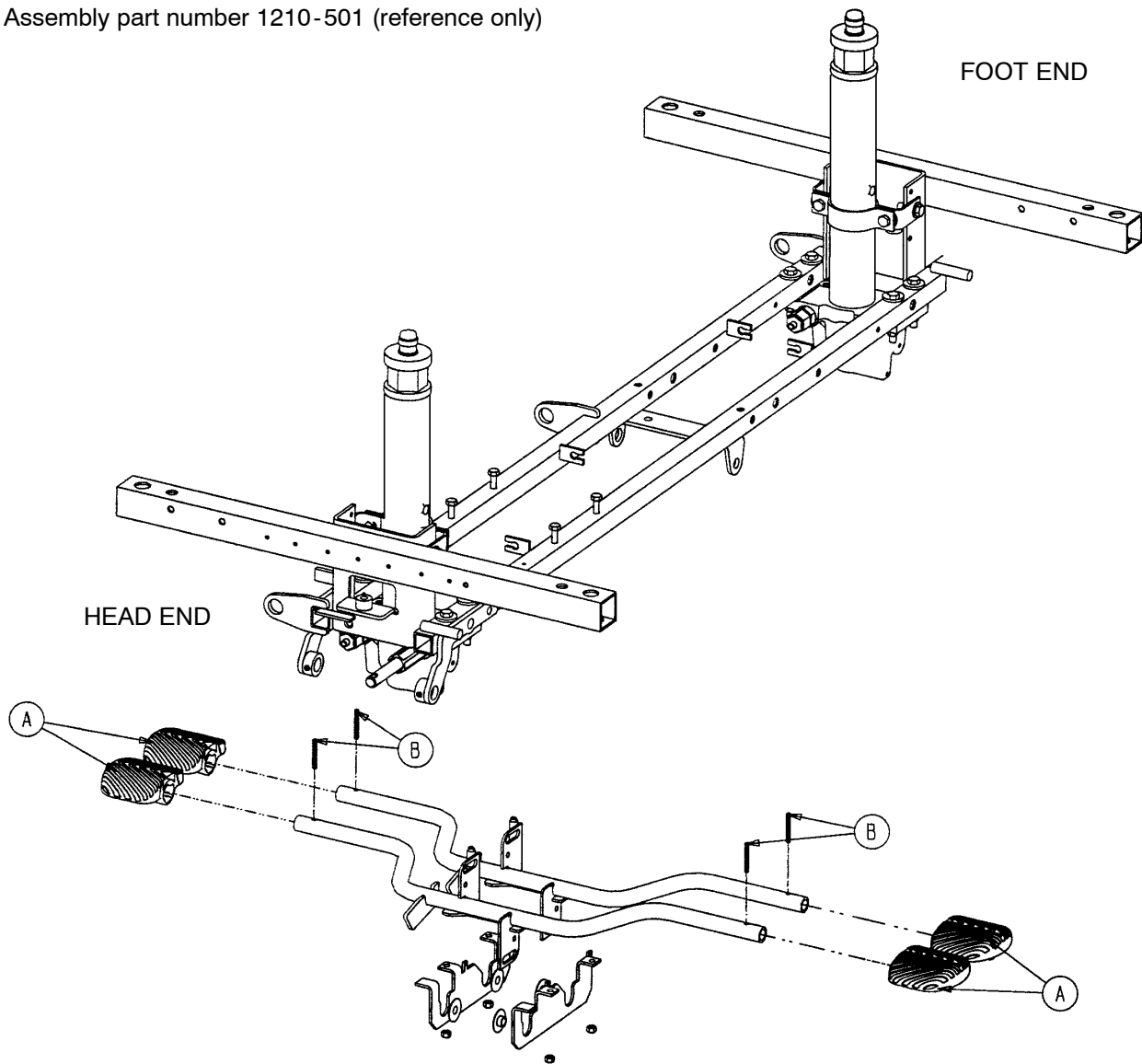


Chapter
Six
Assembly
Drawings &
Parts Lists

Item	Part No.	Part Name	Qty.
A	715-201-127	Uni-Lowering Pedal	2
B	715-1-333	Release Rod Stop Sleeve	4
C	25-50	Pop Rivet	4

Optional Dual Lowering Pedal Assembly

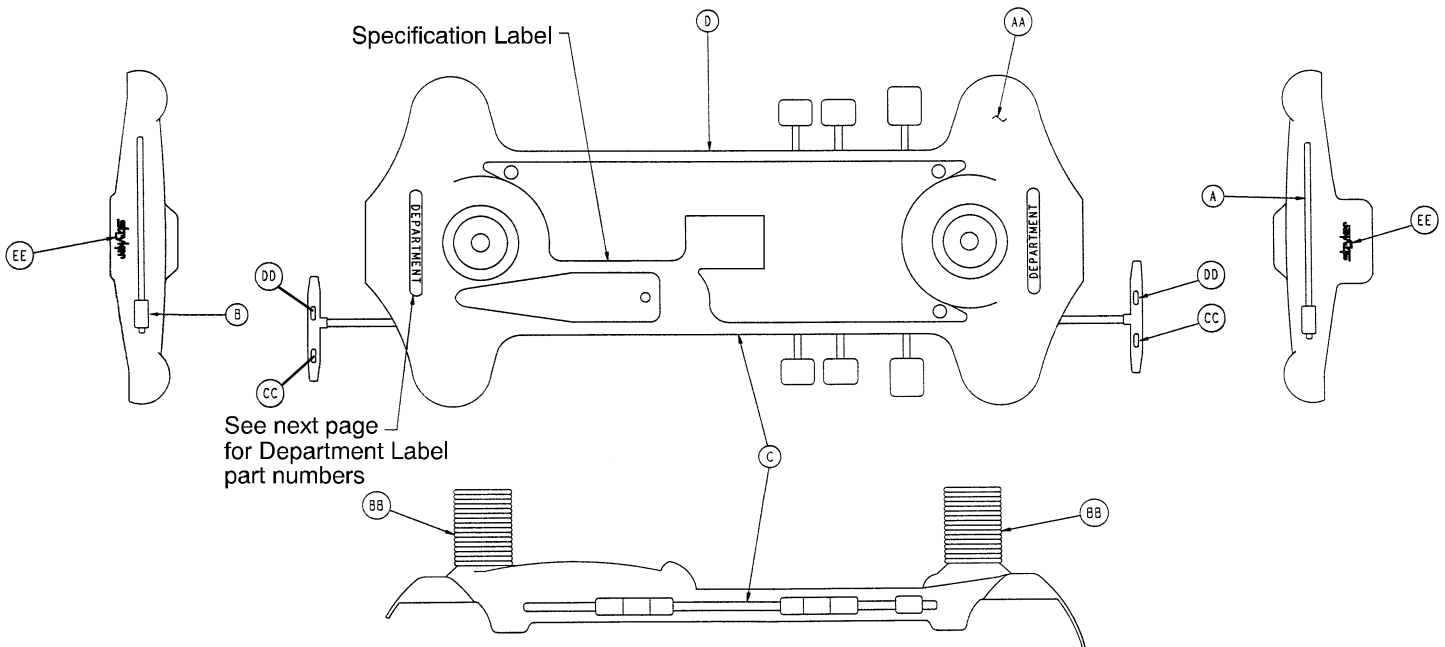
Assembly part number 1210-501 (reference only)



Chapter
Six
Assembly
Drawings &
Parts Lists

Item	Part No.	Part Name	Qty.
A	715-201-126	Pump Pedal	4
B	26-143	Groove Pin	4

Side Control Base Labeling Assembly



Item	Part No.	Part Name	Qty.
AA	1001-200-2	Base Hood	1
BB	715-1-134	Bellows	2
CC	1210-201-335	Red Brake Label	2
DD	1210-201-336	Green Steer Label	2
EE	946-201-60	Stryker Logo Label	2

Chapter
Six
Assembly
Drawings &
Parts Lists

Color Set P/N	Item A Control Label, Head End	Item B Control Label, Foot End	Item C Control Label, Right	Item D Control Label, Left	Litter Bumper Strip
RED 1068-702-210	1001-700-113	1001-700-114	1068-702-211	1068-702-212	1010-700-15
PURPLE 1068-702-220	1001-700-123	1001-700-124	1068-702-221	1068-702-222	1010-700-25
GREEN 1068-702-230	1001-700-133	1001-700-134	1068-702-231	1068-702-232	1010-700-35
GRAY 1068-702-240	1001-700-143	1001-700-144	1068-702-241	1068-702-242	1010-700-45
TEAL 1068-702-250	1001-700-153	1001-700-154	1068-702-251	1068-702-252	1010-700-55
PINK 1068-702-260	1001-700-163	1001-700-164	1068-702-261	1068-702-262	1010-700-65
BLUE 1068-702-270	1001-700-173	1001-700-174	1068-702-271	1068-702-272	1010-700-75

Department Labels

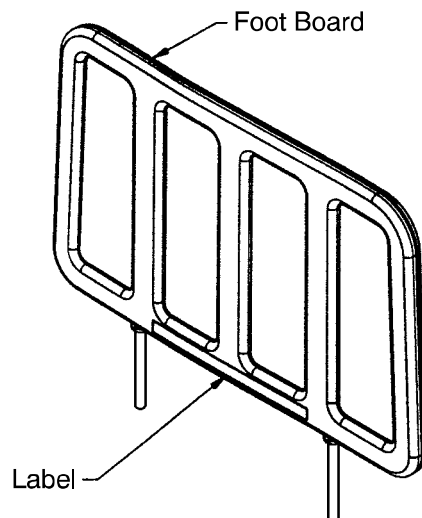
BASE HOOD DEPARTMENT LABELS

Department	Label Part Number
Emergency	1010-900-215
PACU	1010-900-220
Transport	1010-900-225
Surgery	1010-900-230
Extended Stay	1010-900-235
Maternity	1010-900-240
Endoscopy	1010-900-245
Radiology	1010-900-250
Nuclear Medicine	1010-900-255
Ambulatory Surgery	1010-900-260
G.I. Lab	1010-900-265
Cath. Lab	1010-900-270
Same Day Surgery	1010-900-275
Cardio.	1010-900-280
Ultrasound	1010-900-285

NOTE

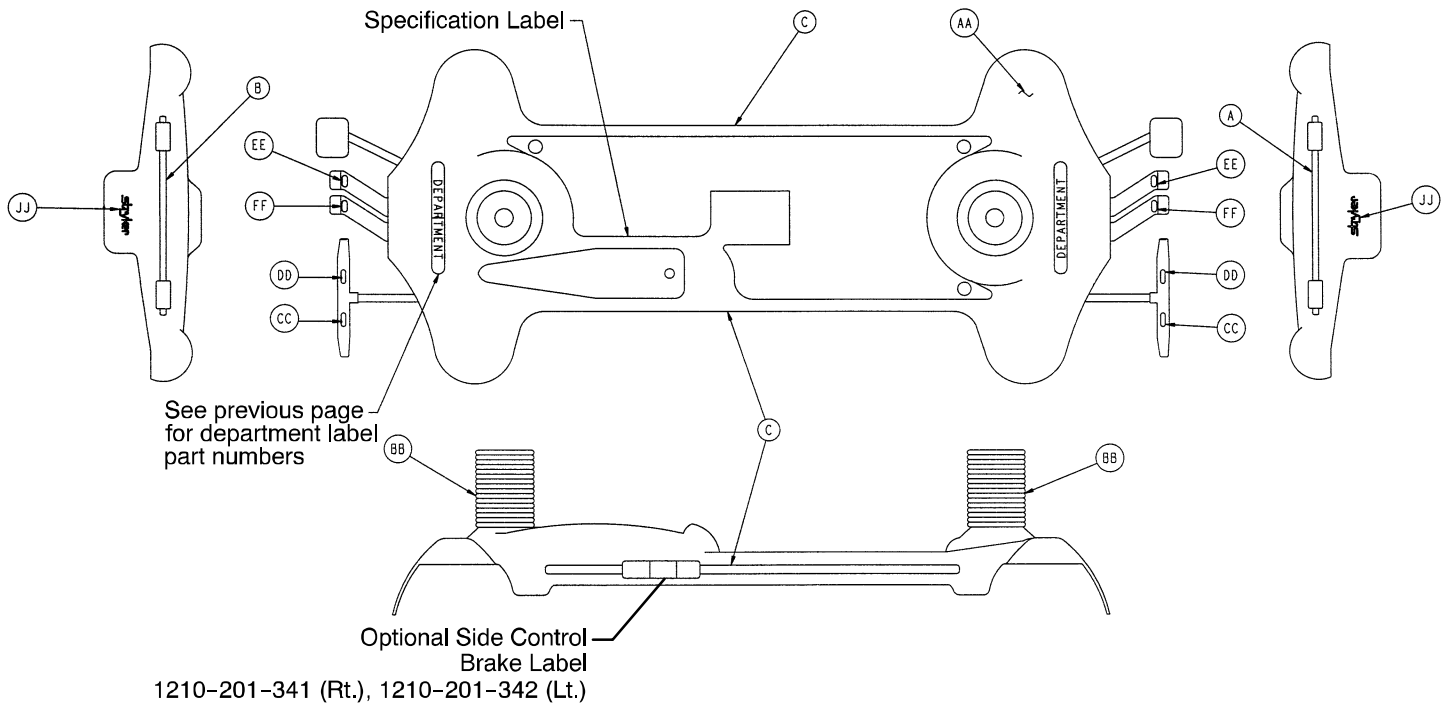
All base hood department labels are quantity of two.

FOOT BOARD DEPARTMENT LABELS



Department	Label Part No.
Demo Stryker	1010-900-186
Ophthalmology	1010-900-187
Outpatient Surgery	1010-900-188
Recovery	1010-900-189
Trauma	1010-900-190
Urgence	1010-900-191
Special (Blank)	1010-900-192

End Control Base Labeling Assembly

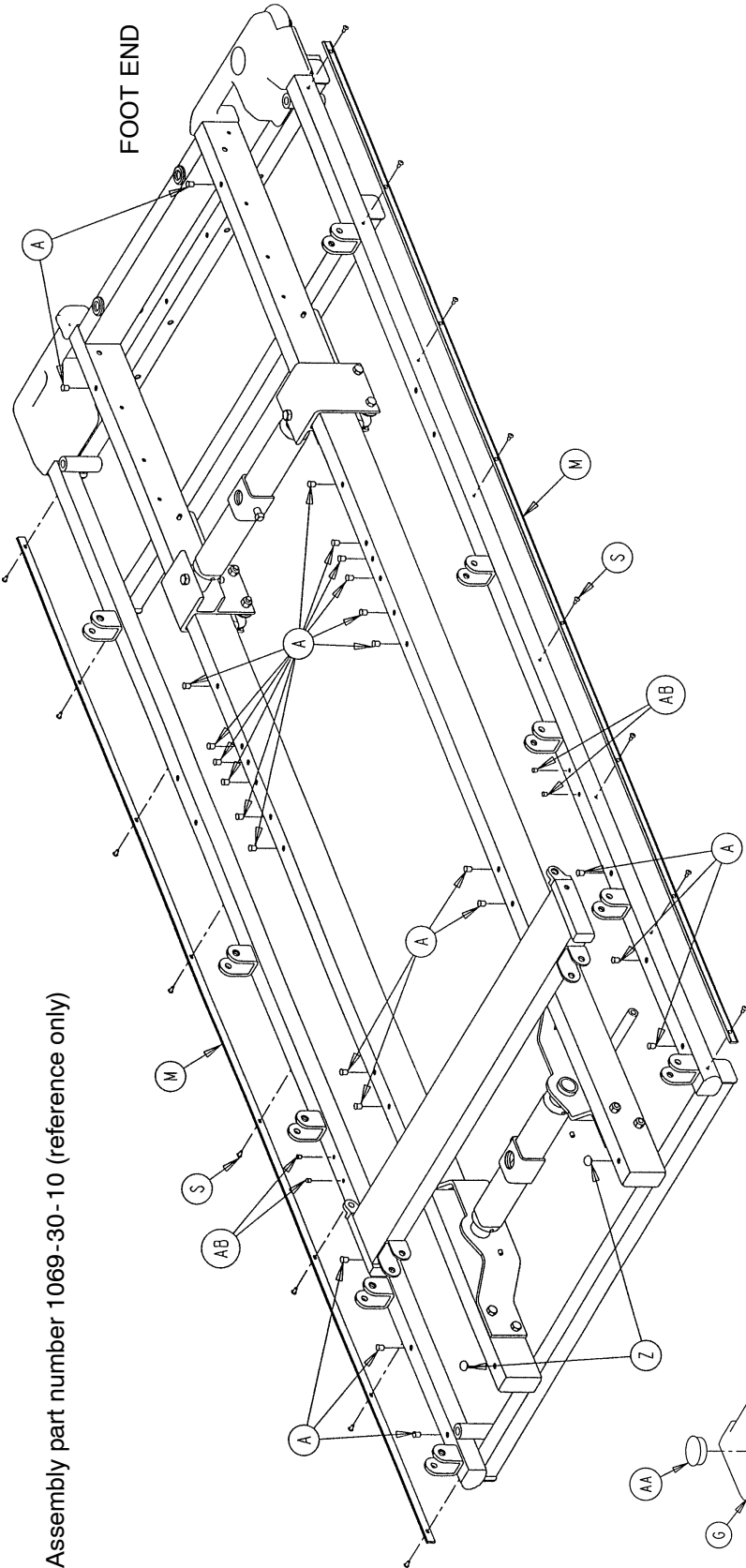


Chapter Six
Assembly Drawings & Parts Lists

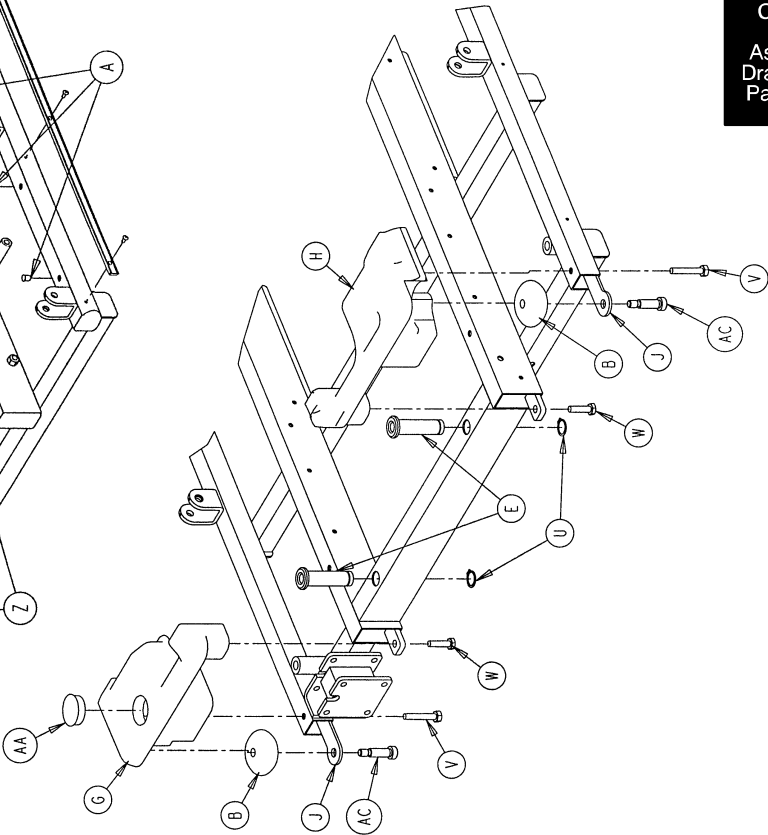
Item	Part No.	Part Name	Qty.
AA	1001-200-1	Hood	1
BB	715-1-134	Bellows	2
CC	1210-201-335	Red Brake Label	2
DD	1210-201-336	Green Steer Label	2
EE	1210-201-337	Head Down Label, Foot End	2
FF	1210-201-338	Foot Down Label, Foot End	2
JJ	946-201-6	Stryker Logo Label	2

Color Set P/N	Item A Control Label, Head End	Item B Control Label, Foot End	Item C Side Control Label	Litter Bumper Strip
RED 1001-800-110	1001-800-111	1001-800-112	1001-800-13	1010-700-15
PURPLE 1001-800-120	1001-800-121	1001-800-122	1001-800-23	1010-700-25
GREEN 1001-800-130	1001-800-131	1001-800-132	1001-800-33	1010-700-35
GRAY 1001-800-140	1001-800-141	1001-800-142	1001-800-43	1010-700-45
TEAL 1001-800-150	1001-800-151	1001-800-152	1001-800-53	1010-700-55
PINK 1001-800-160	1001-800-161	1001-800-162	1001-800-63	1010-700-65
BLUE 1001-800-170	1001-800-171	1001-800-172	1001-800-73	1010-700-75

Litter Assembly

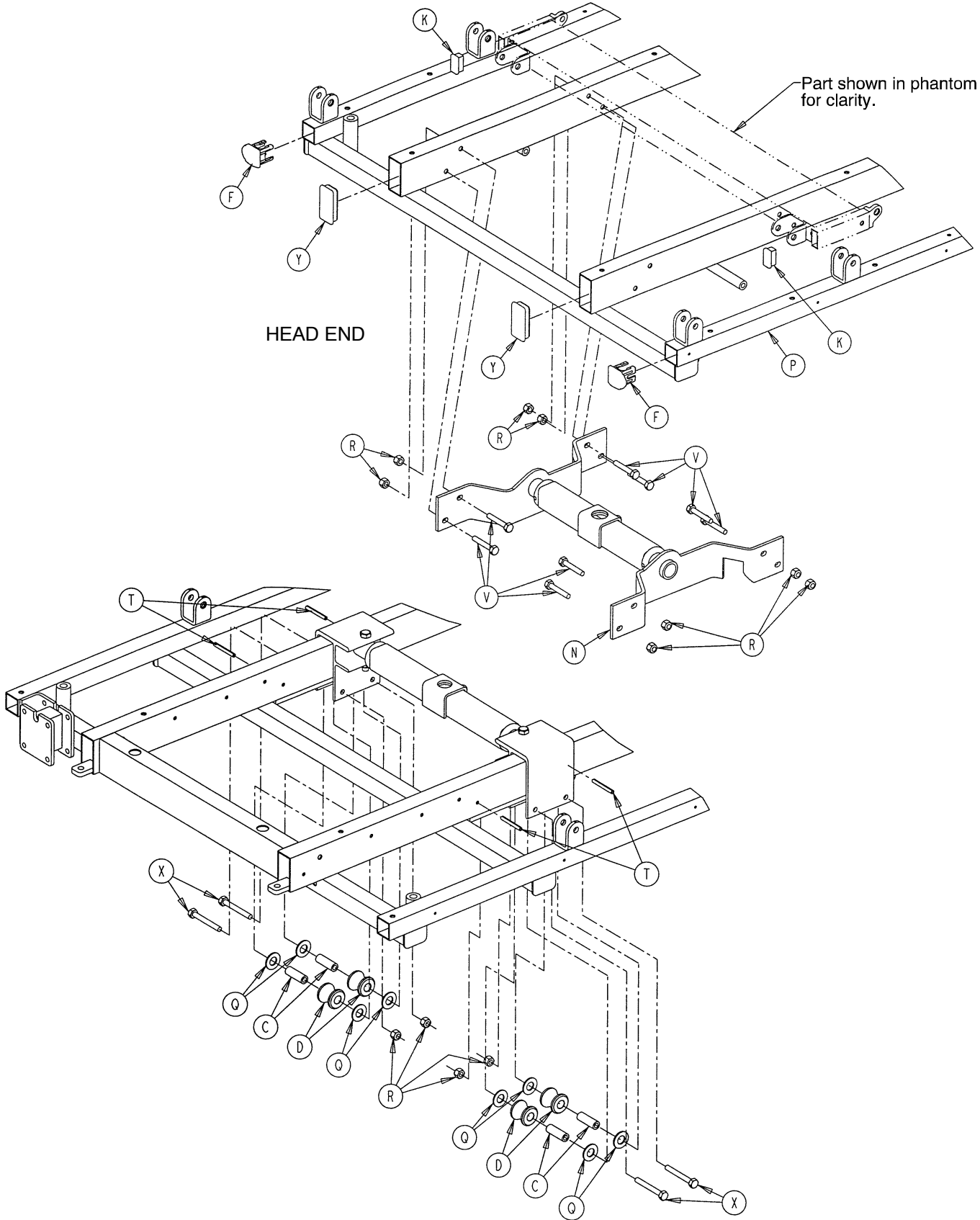


Assembly part number 1069-30-10 (reference only)



Chapter
Six
Assembly
Drawings &
Parts Lists

Litter Assembly



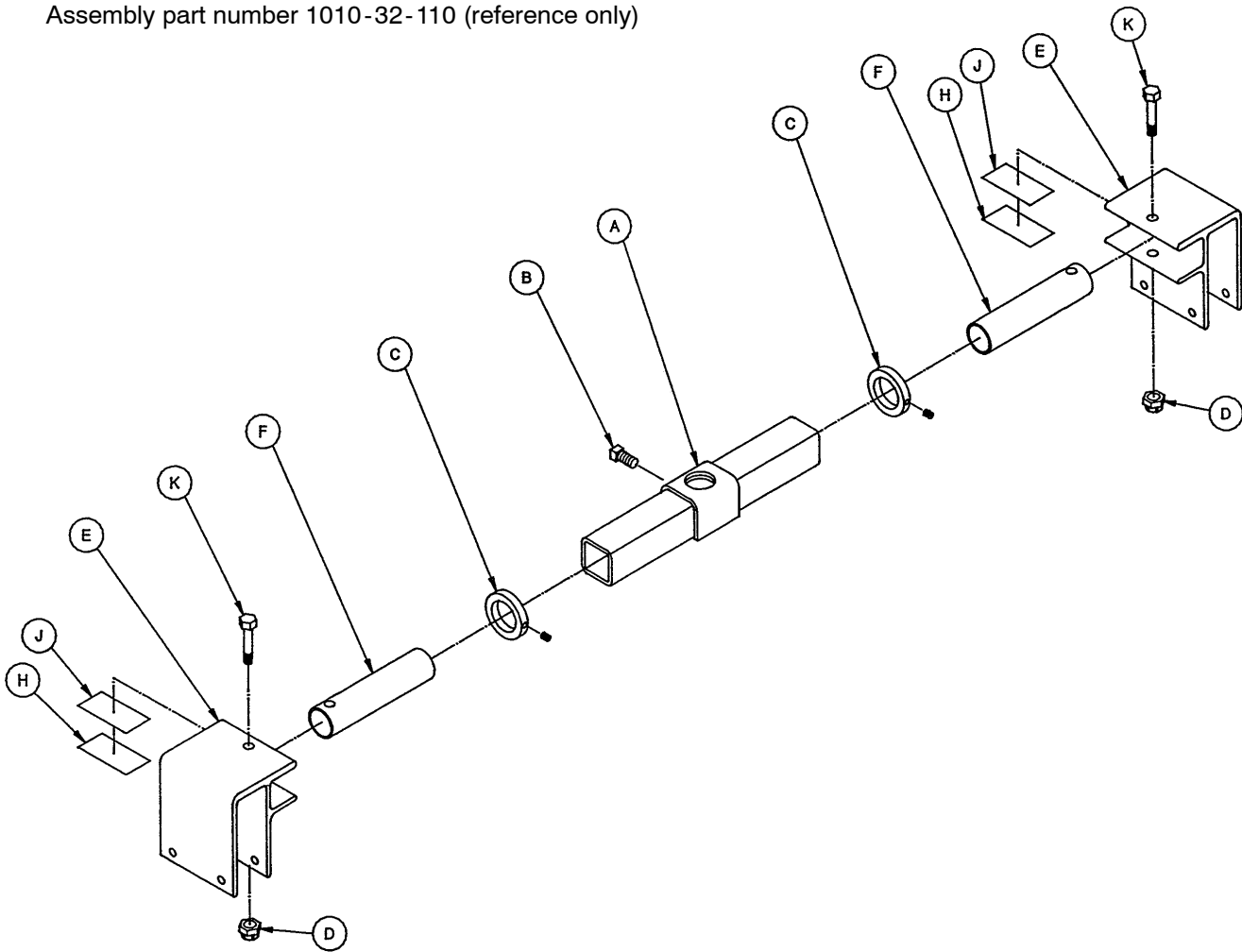
Chapter Six
Assembly
Drawings &
Parts Lists

Litter Assembly

Item	Part No.	Part Name	Qty.
A	721-31-65	Hole Plug	24
B	721-32-49	Bumper Roller	2
C	721-32-107	Roller Sleeve	4
D	721-32-108	Support Roller	4
E	721-40-26	Foot Board Receptacle	2
F	1001-30-29	End Plug	2
G	1010-1-13	Foot Cover, Right	1
H	1010-1-14	Foot Cover, Left	1
J	1010-1-17	Roller Plate	2
K	1010-32-66	Rectangular Hole Plug	2
L	(page 6-38)	Foot End Jack Support Ass'y	1
M	1068-20-38	Bumper Channel	2
N	(page 6-39)	Head End Jack Support Ass'y	1
P	1069-30-50	Litter Frame Weldment	1
Q	11-14	Washer	8
R	16-28	Hex Nut	12
S	25-38	Blind Rivet	16
T	26-57	Spring Pin	4
U	28-23	External Retaining Ring	2
V	3-47	Hex Cap Screw	10
W	3-54	Hex Cap Screw	2
X	3-76	Hex Cap Screw	4
Y	37-49	Rectangular Hole Plug	2
Z	37-52	Rubber Bumper	2
AA	37-59	Hole Plug	1
AB	37-74	Hole Plug	4
AC	8-24	Soc. Hd. Shoulder Screw	2

Foot End Jack Support Assembly

Assembly part number 1010-32-110 (reference only)

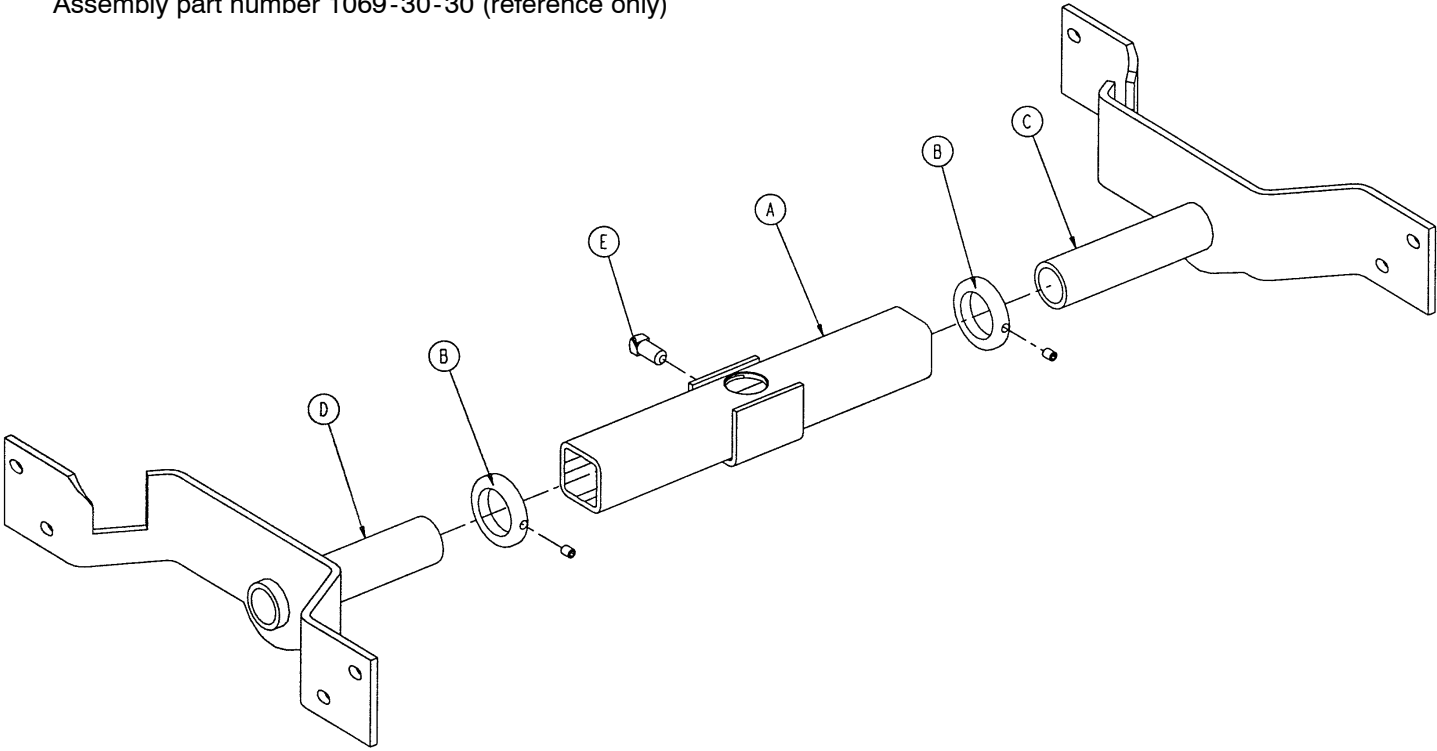


Chapter
Six
Assembly
Drawings &
Parts Lists

Item	Part No.	Part Name	Qty.
A	1010-32-85	Support Tube Assembly	1
B	46-1	Sq. Hd. Set Screw	1
C	938-1-401	Collar Assembly	2
D	16-11	Flexlock Nut	2
E	1010-32-108	Roller Assembly	2
F	1010-32-64	Carrier Tube, Std.	2
H	919-30-28	Rack Guide	2
J	44-29	Double-Sided Foam Tape	6"
K	3-40	Hex Hd. Cap Screw	2

Head End Jack Support Assembly

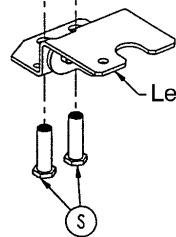
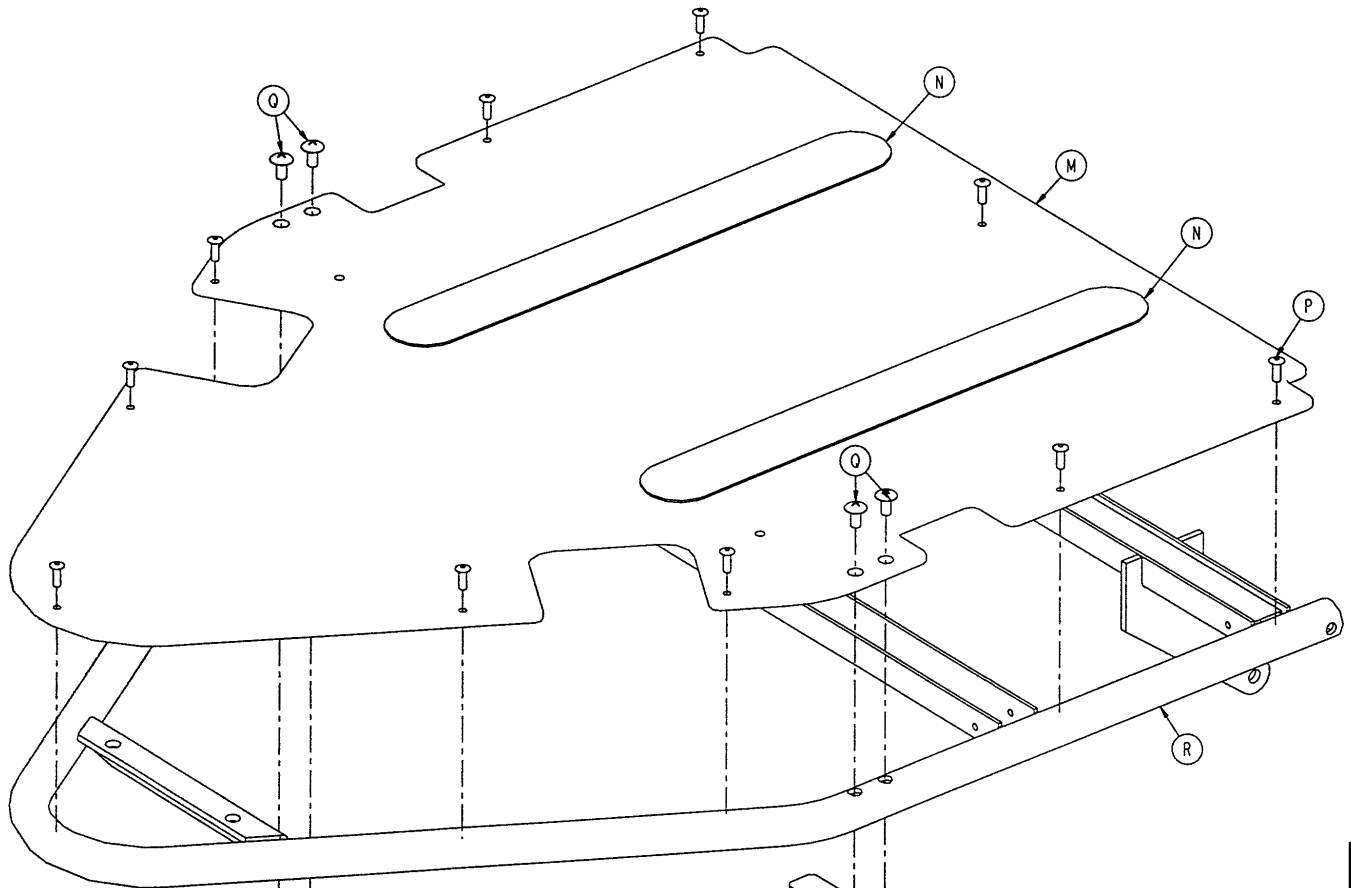
Assembly part number 1069-30-30 (reference only)



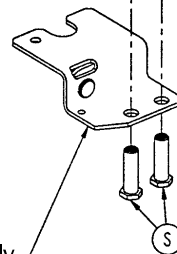
Item	Part No.	Part Name	Qty.
A	721-32-160	Support Tube Assembly	1
B	938-1-401	Collar	2
C	1069-30-20	Jack Mount Weldment, Left	1
D	1069-30-25	Jack Mount Weldment, Right	1
E	46-1	Sq. Hd. Set Screw	1

Chapter
Six
Assembly
Drawings &
Parts Lists

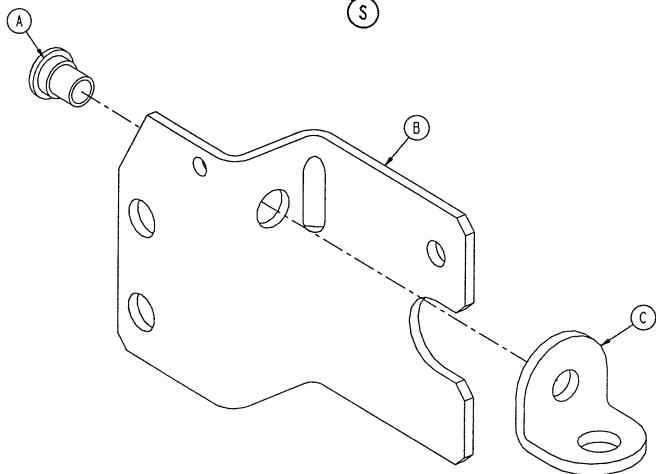
1069-32-20 Zero Articulating Pneumatic Fowler Assembly



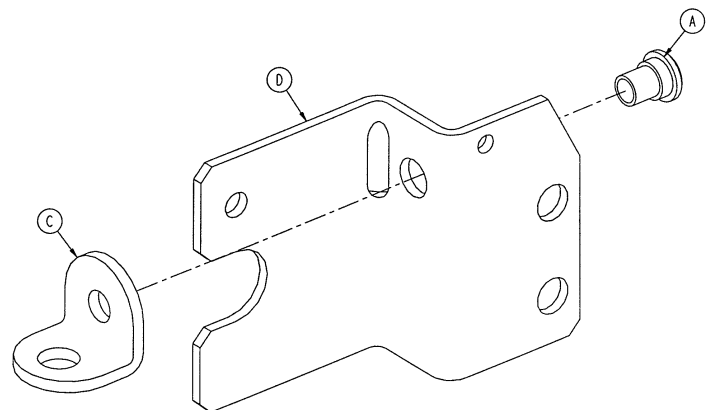
Left Pivot Bracket Assembly



Right Pivot Bracket Assembly



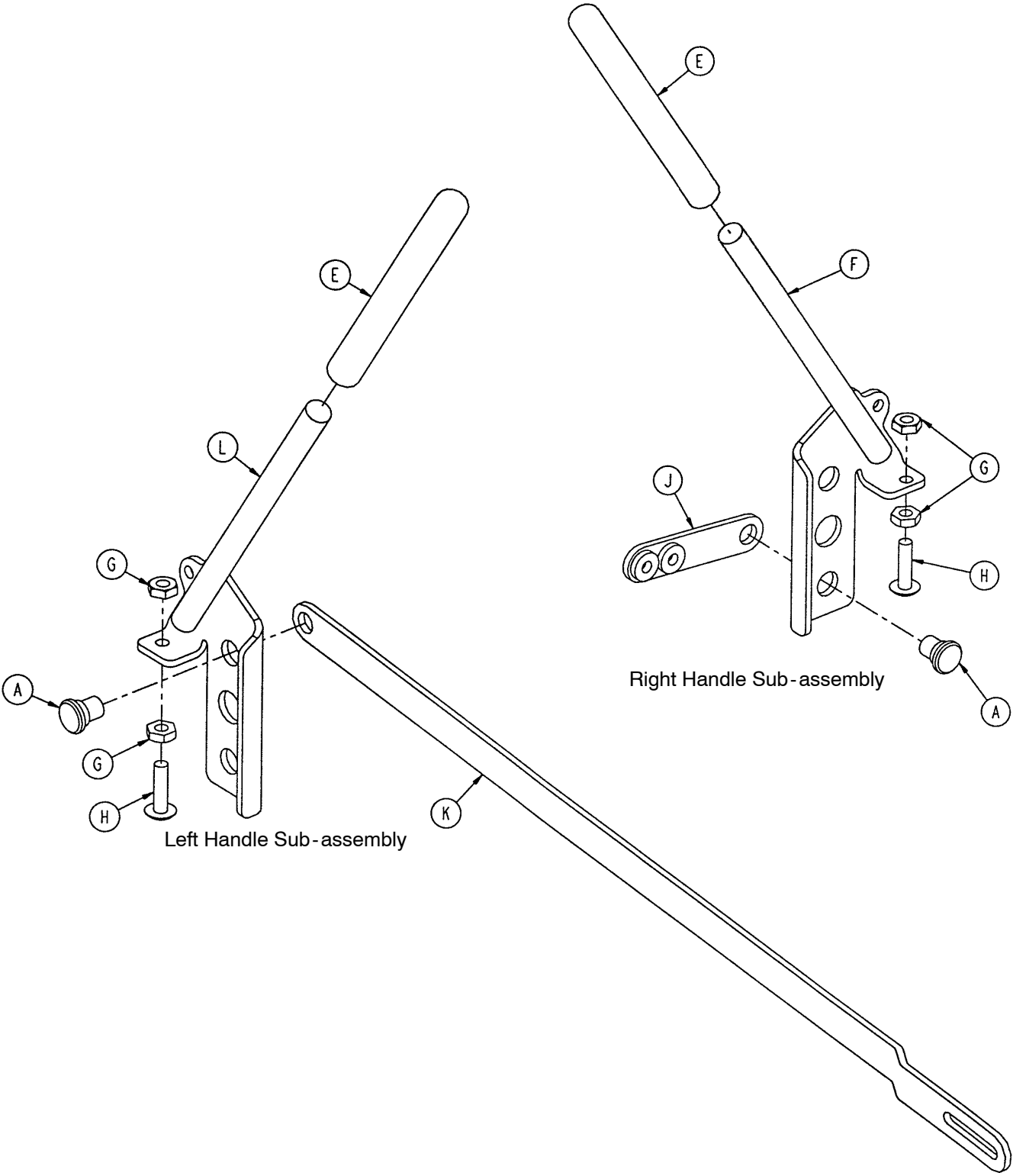
LEFT PIVOT BRACKET ASSEMBLY



RIGHT PIVOT BRACKET ASSEMBLY

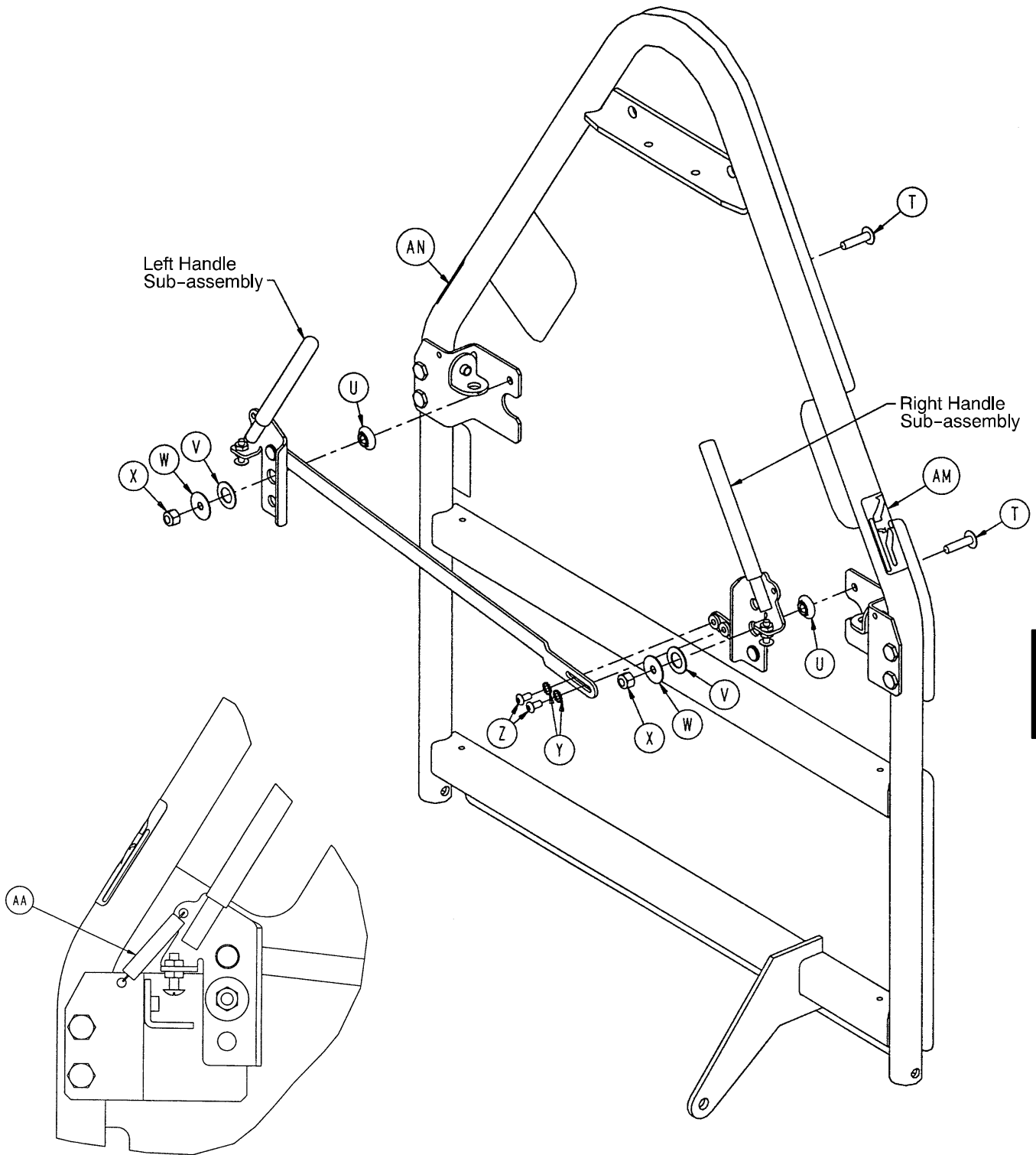
Chapter
Six
Assembly
Drawings &
Parts Lists

1069-32-20 Zero Articulating Pneumatic Fowler Assembly



Chapter Six
Assembly
Drawings &
Parts Lists

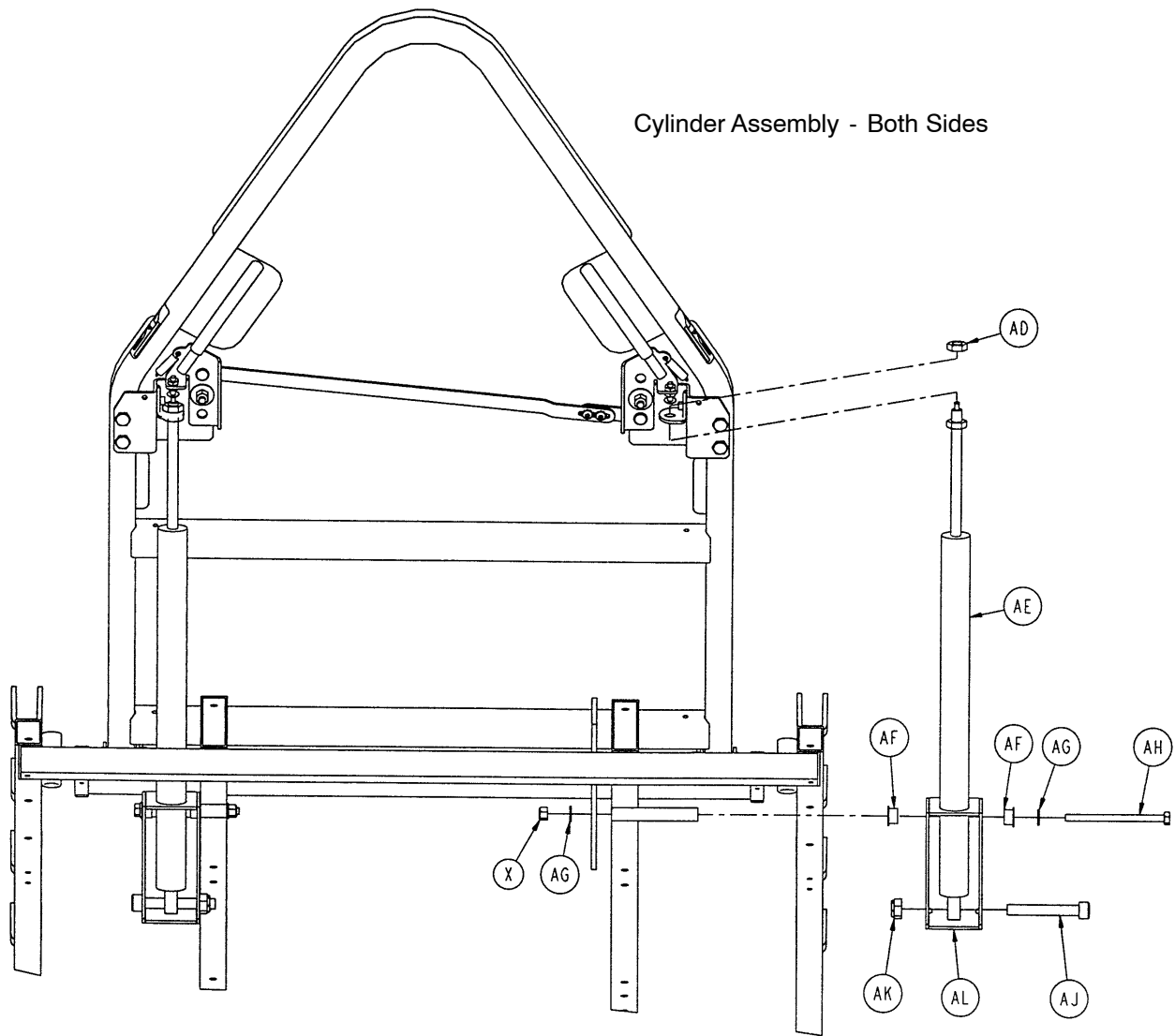
1069-32-20 Zero Articulating Pneumatic Fowler Assembly



Chapter
Six
Assembly
Drawings &
Parts Lists

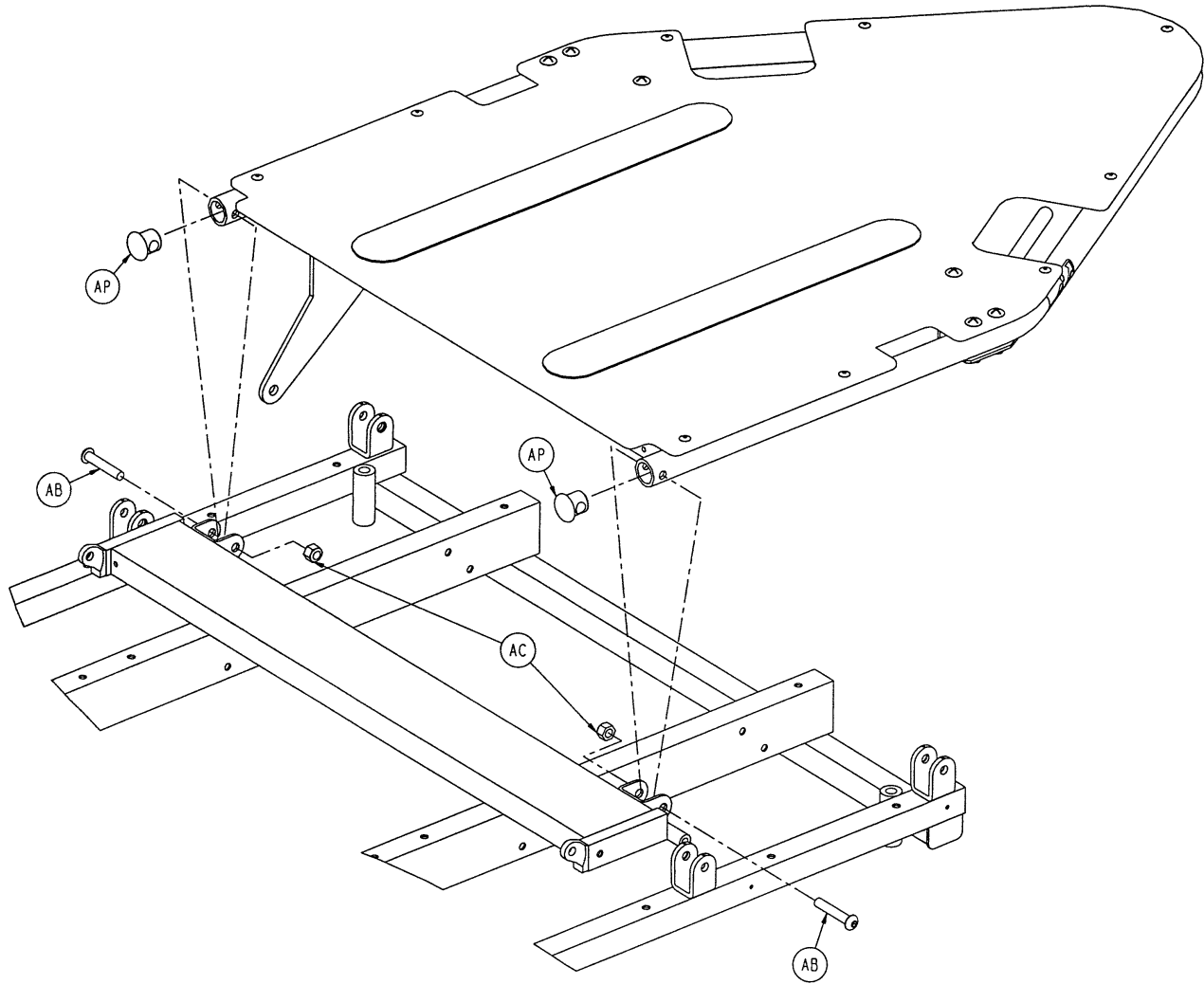
Spring Attachment - Both Sides

1069-32-20 Zero Articulating Pneumatic Fowler Assembly



Chapter
Six
Assembly
Drawings &
Parts Lists

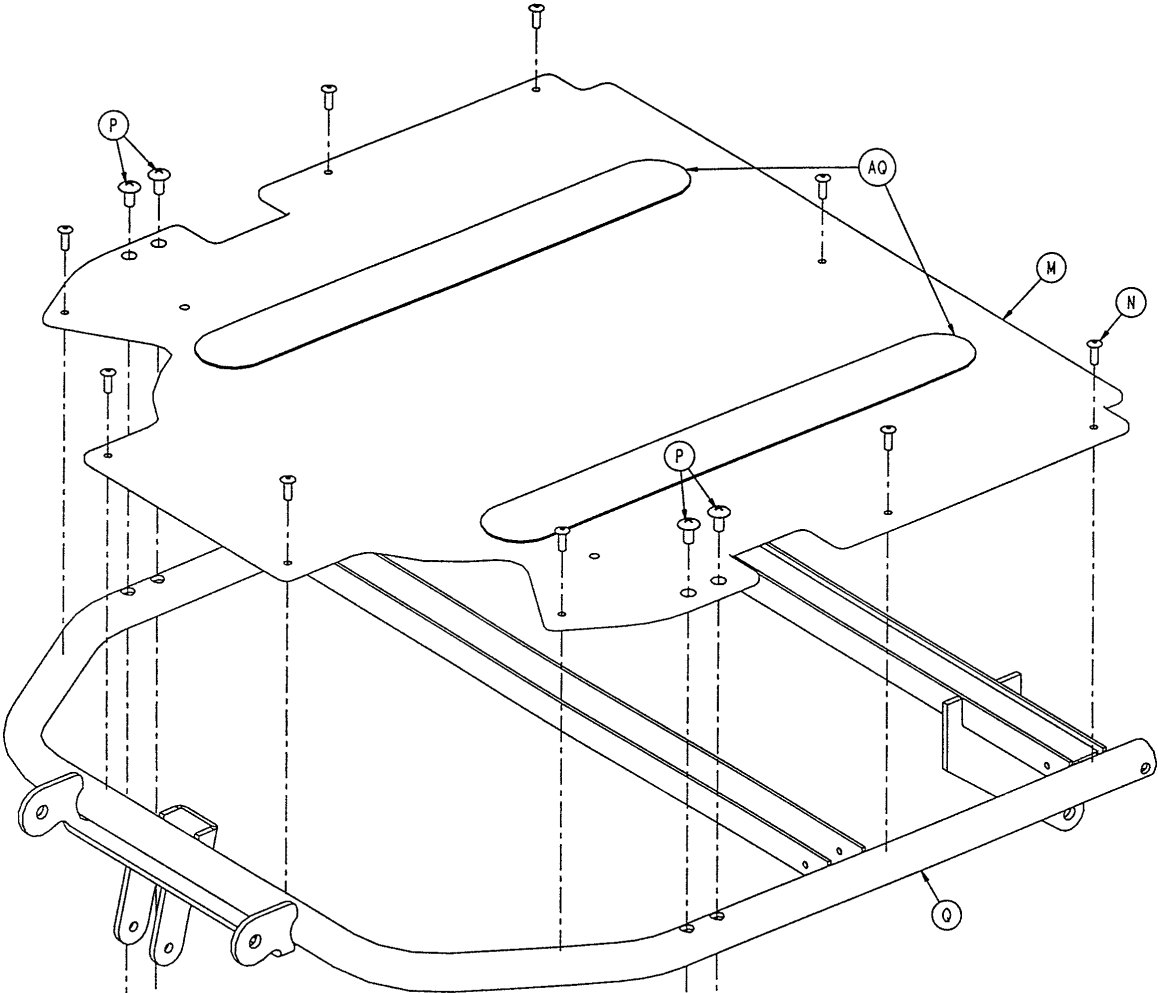
1069-32-20 Zero Articulating Pneumatic Fowler Assembly



Chapter
Six
Assembly
Drawings &
Parts Lists

Item	Part No.	Part Name	Qty.	Item	Part No.	Part Name	Qty.
A	1069-31-11	Rivet	4	V	14-87	Nylon Flat Washer	2
B	1069-31-41	Handle Pivot Bracket, Lt.	1	W	11-180	Steel Flat Washer	2
C	1210-31-103	"L" Bracket	2	X	16-28	Nylock Nut	4
D	1069-31-46	Handle Pivot Bracket, Rt.	1	Y	13-18	Ext. Tooth Lock Washer	2
E	1069-31-200	Red Handle Cover	2	Z	7-19	Truss Hd. Screw	2
F	1069-31-85	Handle Weldment, Rt.	1	AA	38-436	Extension Spring	2
G	15-3	Jam Nut	4	AB	4-54	Button Hd. Screw	2
H	7-50	Truss Hd. Screw	2	AC	16-11	Nylock Nut	2
J	1069-31-31	Handle Adj. Link, Short	1	AD	15-59	M10 Nut	2
K	1069-31-32	Handle Adj. Link, Long	1	AE	360-31-77	Pneumatic Cylinder	2
L	1069-31-80	Handle Weldment, Lt.	1	AF	52-86	Nyliner	4
M	1069-32-65	Fowler Skin	1	AG	11-63	Flat Washer	4
N	7900-1-102	Velcro Pile	2	AH	3-37	Hex Hd. Cap Screw	2
P	25-50	Pop Rivet	10	AJ	4-323	M10 Soc. Hd. Cap Scr.	2
Q	7-42	Truss Hd. Screw	4	AK	16-90	M10 Nylock Nut	2
R	1069-32-60	Fowler Weldment	1	AL	1069-31-36	Cylinder Mounting Box	2
S	1069-31-12	Barrel Nut	4	AM	1069-60-91	Fowler Rel. Label, Rt.	1
T	7-62	Truss Hd. Screw	2	AN	1069-60-92	Fowler Rel. Label, Lt.	1
U	3001-300-99	Fowler Pivot Bushing	2	AP	1069-31-13	Hole Plug	2

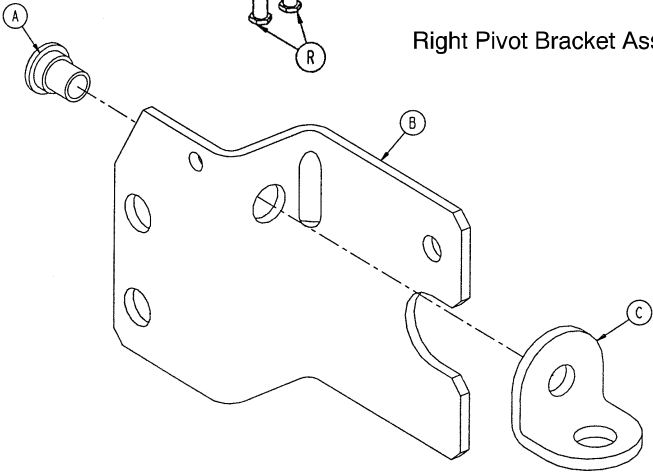
1069-32-15 Optional Single Articulating Pneumatic Fowler Ass'y



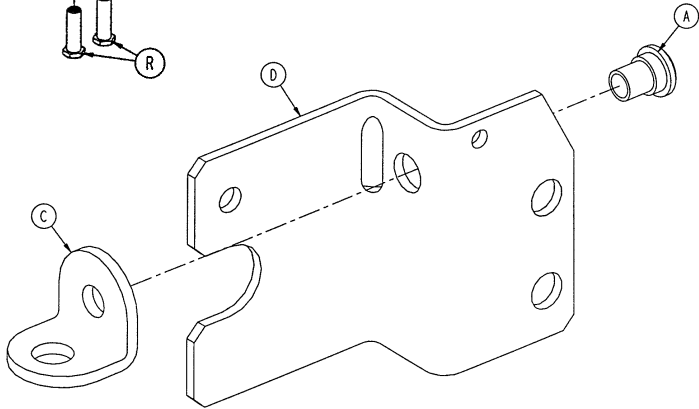
Chapter Six
Assembly Drawings & Parts Lists

Left Pivot Bracket Assembly

Right Pivot Bracket Assembly

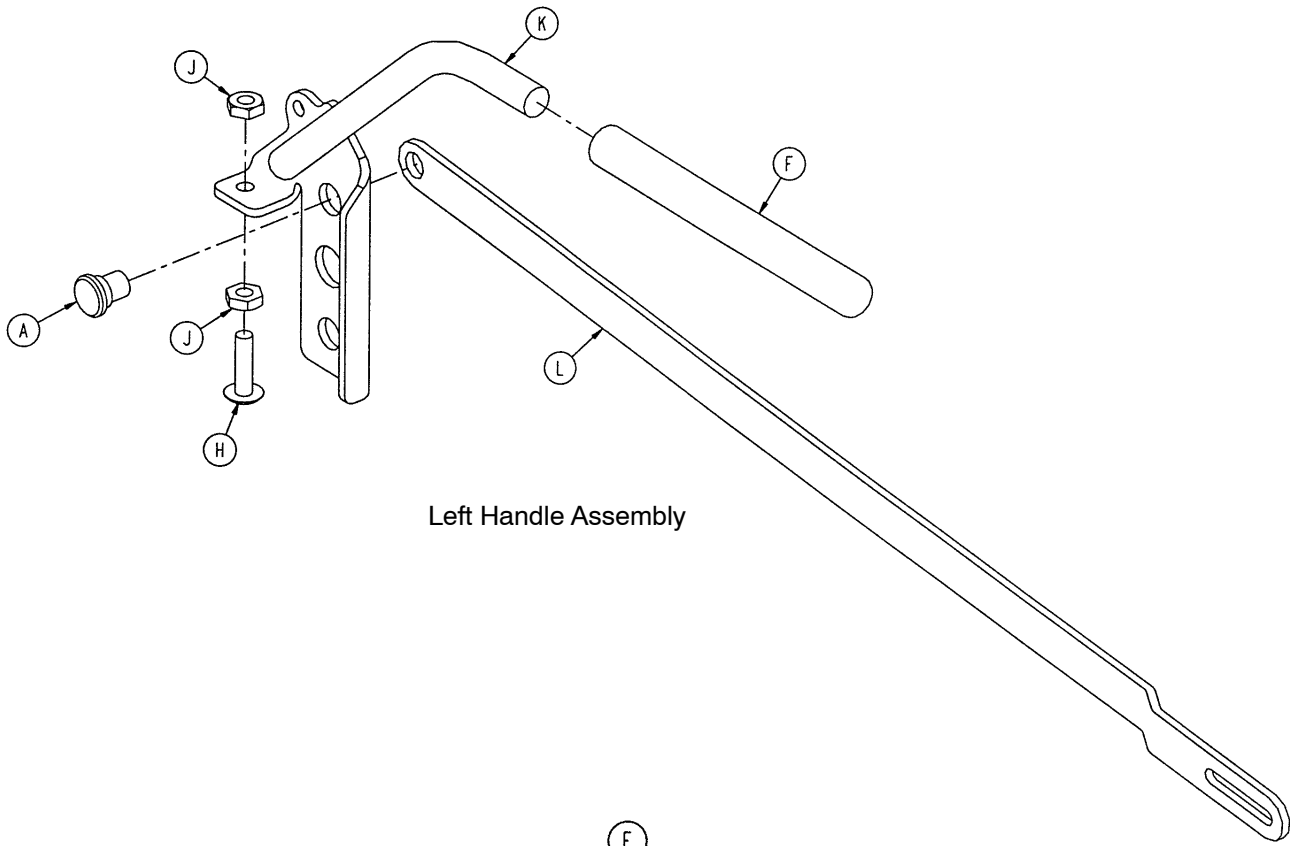


LEFT PIVOT BRACKET ASSEMBLY

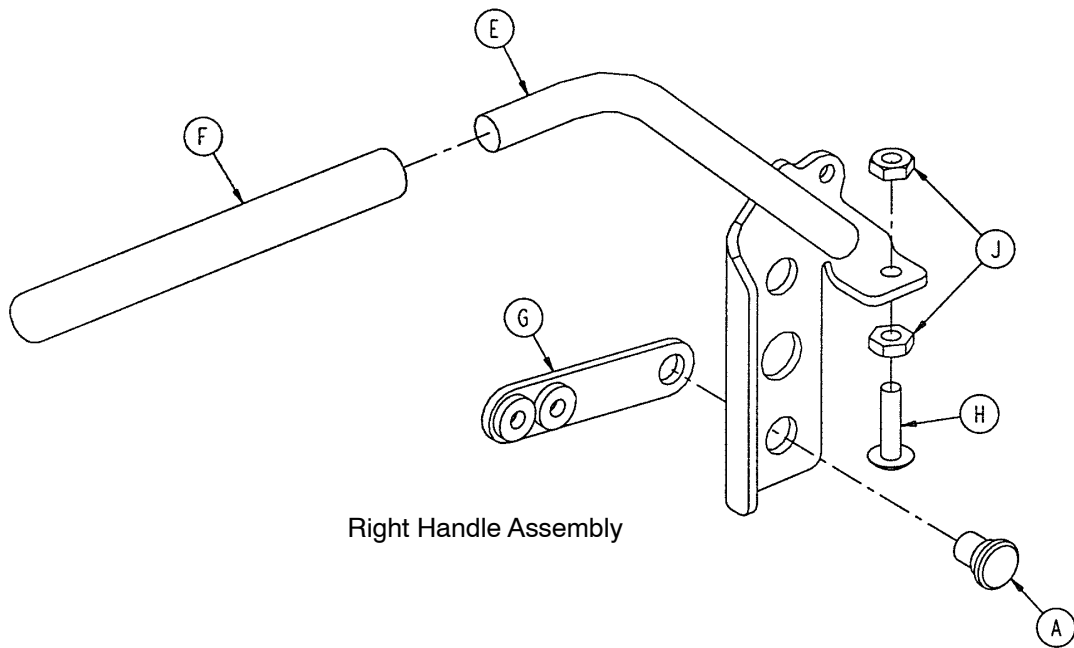


RIGHT PIVOT BRACKET ASSEMBLY

1069-32-15 Optional Single Articulating Pneumatic Fowler Ass'y



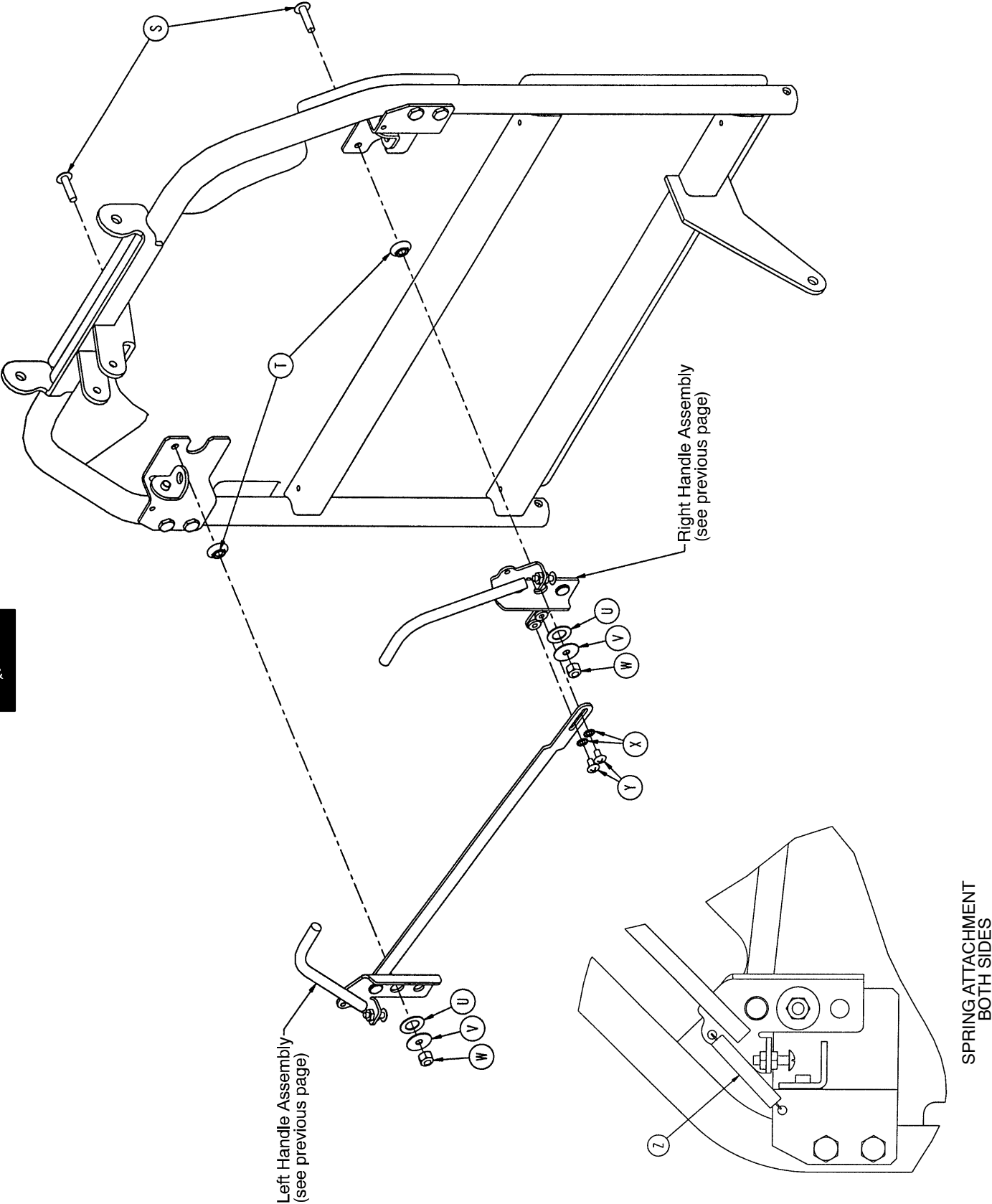
Left Handle Assembly



Right Handle Assembly

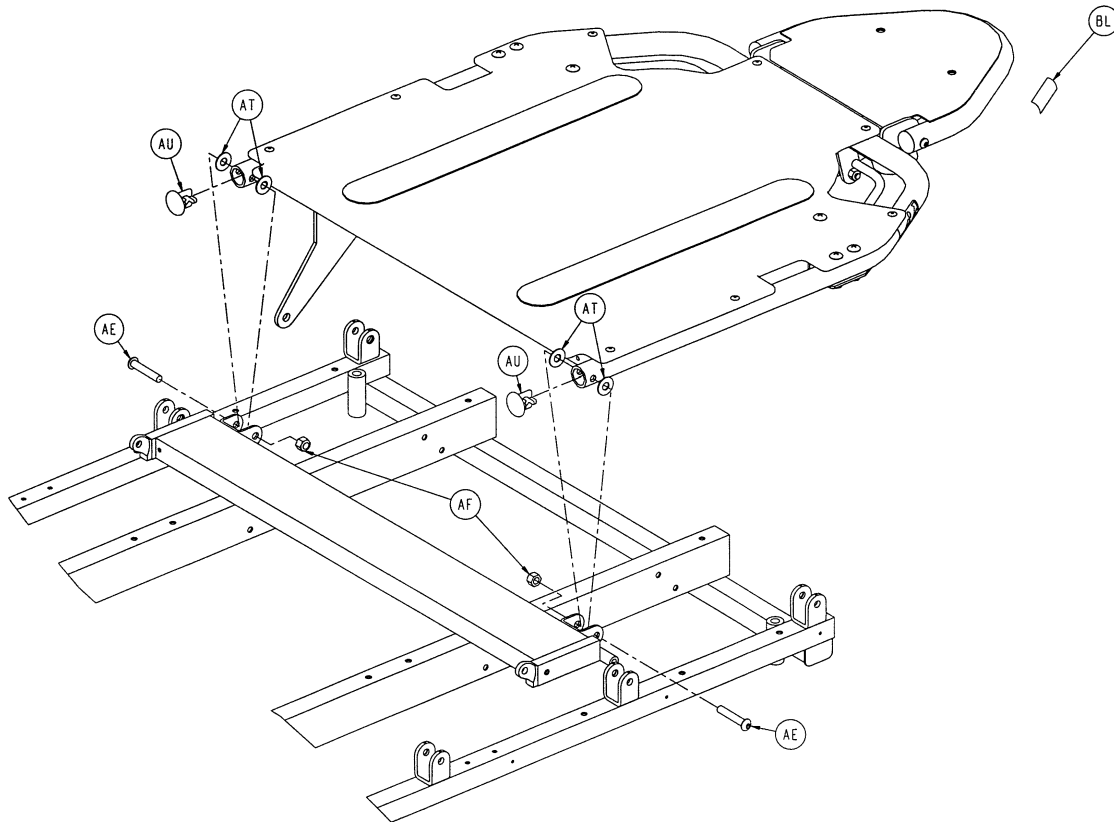
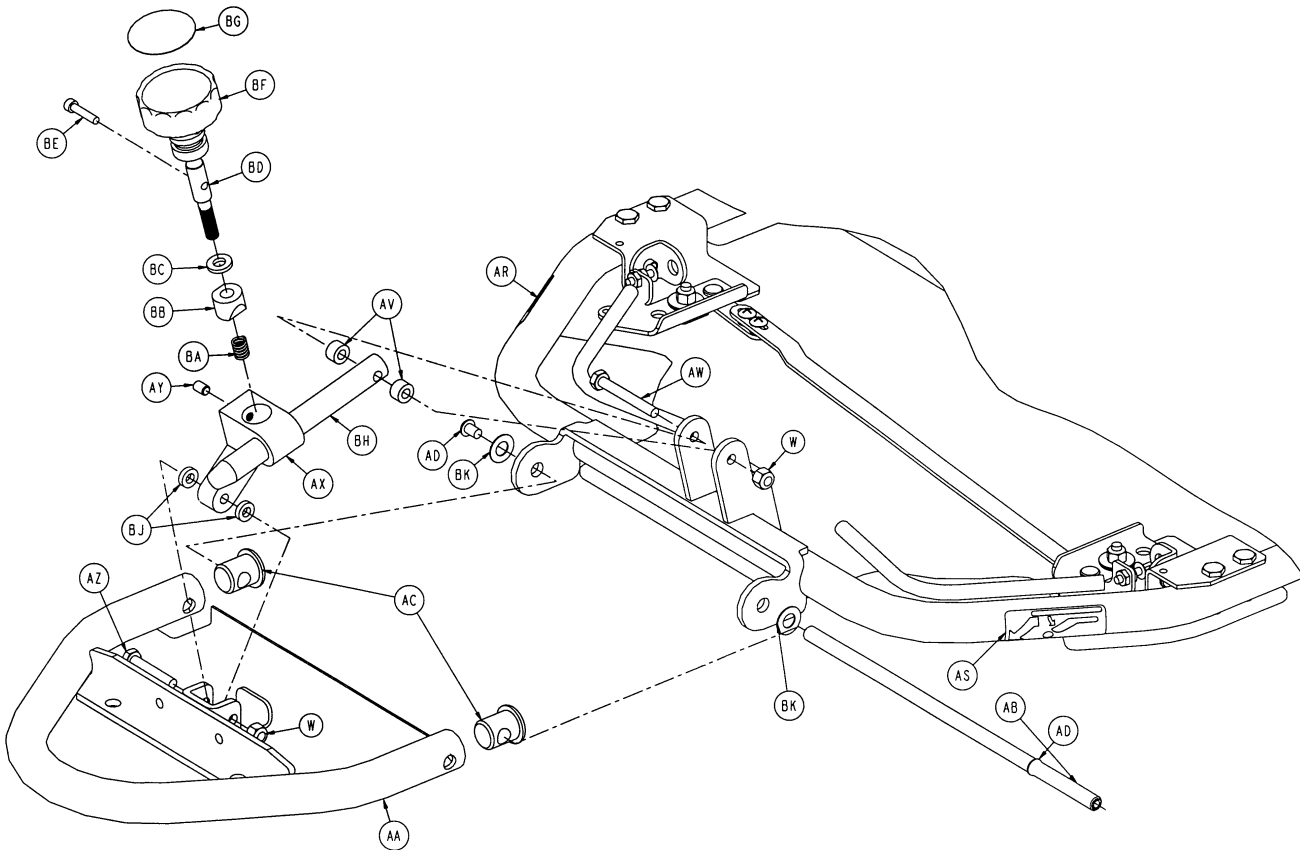
Chapter
Six
Assembly
Drawings &
Parts Lists

1069-32-15 Optional Single Articulating Pneumatic Fowler Ass'y



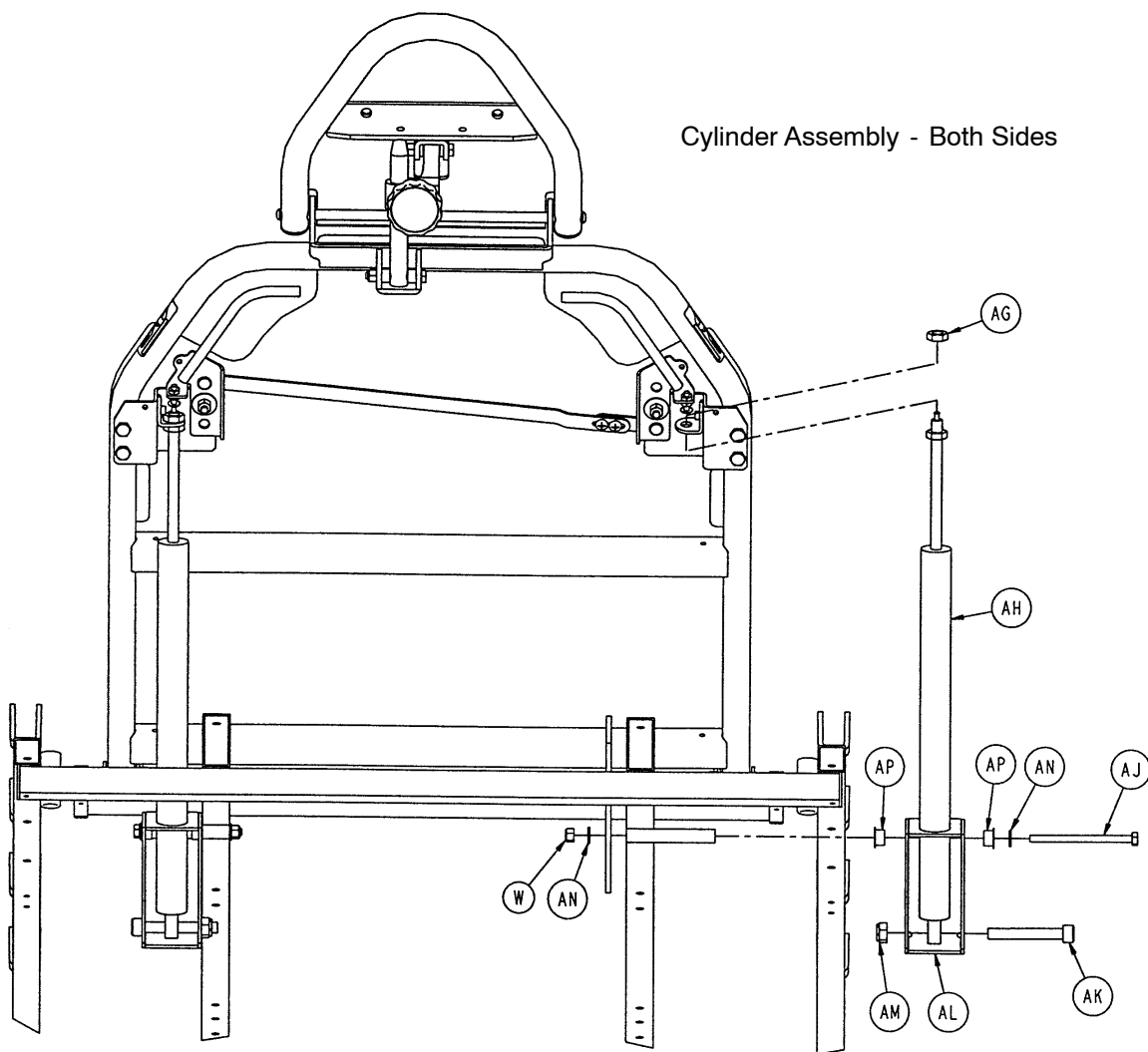
Chapter Six
Assembly Drawings & Parts Lists

1069-32-15 Optional Single Articulating Pneumatic Fowler Ass'y



Chapter
Six
Assembly
Drawings &
Parts Lists

1069-32-15 Optional Single Articulating Pneumatic Fowler Ass'y



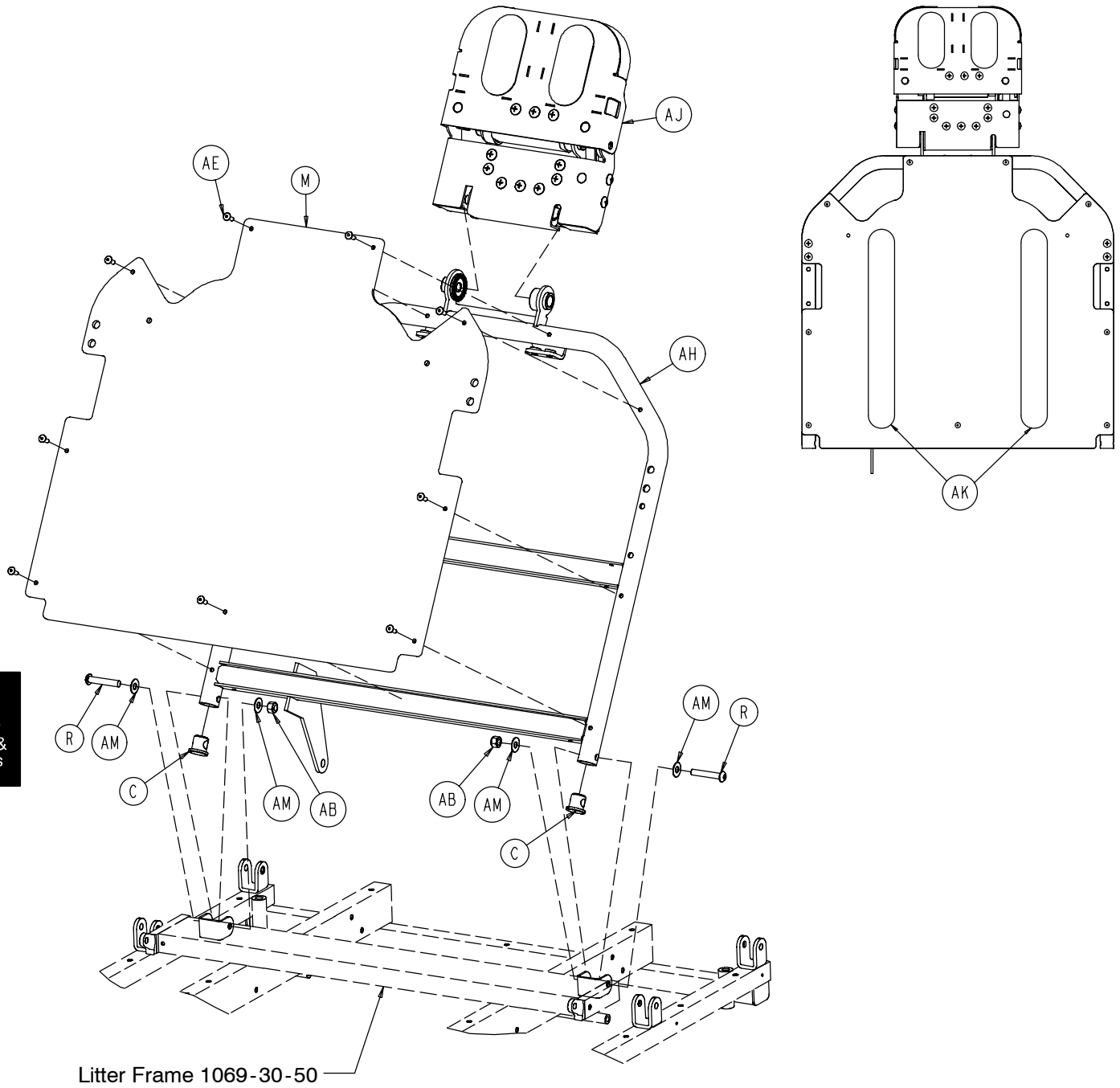
Chapter
Six
Assembly
Drawings &
Parts Lists

Item	Part No.	Part Name	Qty.
A	1069-31-11	Rivet	4
B	1069-31-41	Handle Pivot Bracket, Left	1
C	1210-31-103	"L" Bracket	2
D	1069-31-46	Handle Pivot Bracket, Right	1
E	1069-31-75	Handle Weldment, Right	1
F	5050-531-200	Red Handle Cover	2
G	1069-31-31	Short Handle Adjustment Link	1
H	7-50	Truss Hd. Screw	2
J	15-3	Jam Nut	4
K	1069-31-70	Handle Weldment, Left	1
L	1069-31-32	Long Handle Adjustment Link	1

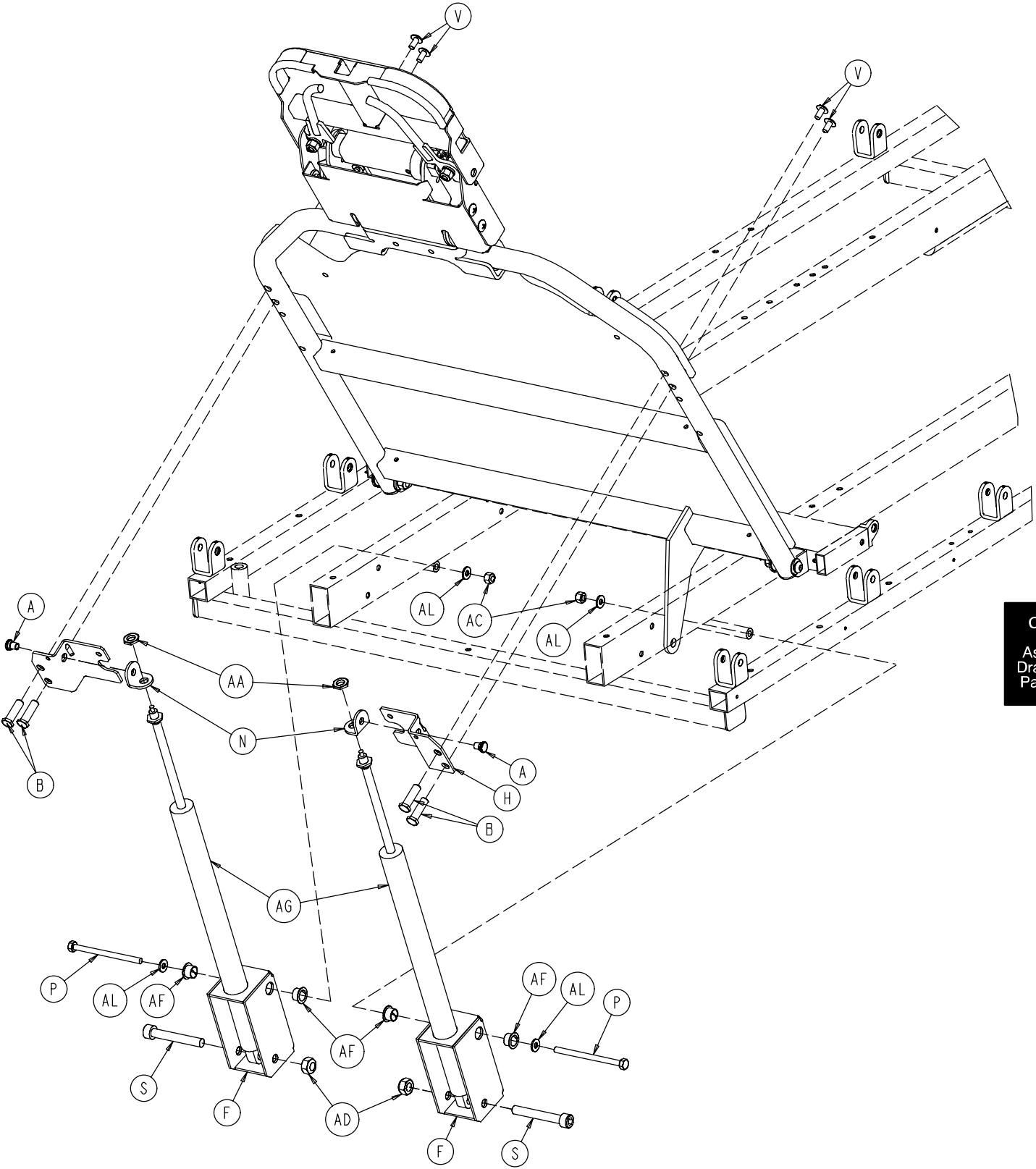
1069-32-15 Optional Single Articulating Pneumatic Fowler Ass'y

Item	Part No.	Part Name	Qty.
M	1069-32-75	Fowler Skin	1
N	25-50	Pop Rivet	9
P	7-42	Truss Hd. Screw	4
Q	1069-32-70	Fowler Weldment	1
R	1069-31-12	Barrel Nut	4
S	7-62	Truss Hd. Screw	2
T	3001-300-99	Fowler Pivot Bushing	2
U	14-87	Nylon Flat Washer	2
V	11-180	Steel Flat Washer	2
W	16-28	Nylock Nut	4
X	13-18	External Tooth Lockwasher	2
Y	7-19	Truss Hd. Screw	2
Z	38-436	Extension Spring	2
AA	1069-33-110	Head Piece Weldment	1
AB	1069-33-108	Head Pivot Shaft	1
AC	1069-33-107	Hole Plug	2
AD	4-74	Button Hd. Screw	2
AE	4-54	Button Hd. Screw	2
AF	16-11	Nylock Nut	2
AG	15-59	M10 Nut	2
AH	360-31-77	Pneumatic Cylinder	2
AJ	3-37	Hex Hd. Cap Screw	2
AK	4-323	M10 Soc. Hd. Cap Screw	2
AL	1069-31-36	Cylinder Mounting Box	2
AM	16-90	M10 Nylock Nut	2
AN	11-63	Flat Washer	4
AP	52-86	Nyliner	4
AQ	7900-1-102	Velcro Pile	2
AR	1069-60-91	Fowler Release Label, Right	1
AS	1069-60-92	Fowler Release Label, Left	1
AT	11-179	Nylon Washer	4
AU	1069-31-13	Hole Plug	2
AV	966-70-36	Spacer	2
AW	3-20	Hex Hd. Cap Screw	1
AX	966-70-27	Bar Clamp	1
AY	21-73	Set Screw	1
AZ	3-78	Hex Hd. Cap Screw	1
BA	38-171	Compression Spring	1
BB	966-51-19	Modified Wedge Lock	1
BC	11-108	Steel Flat Washer	1
BD	966-51-18	Shaft	1
BE	4-66	Soc. Hd. Cap Screw	1
BF	966-51-24	Knob	1
BG	966-1-65	Label	1
BH	966-70-25	Slide Bar	1
BJ	966-70-37	Spacer	2
BK	14-20	Washer	2
BL	1010-91-57	Weight Label	2

1069-132-10 Optional Dual Articulating Pneumatic Fowler Ass'y

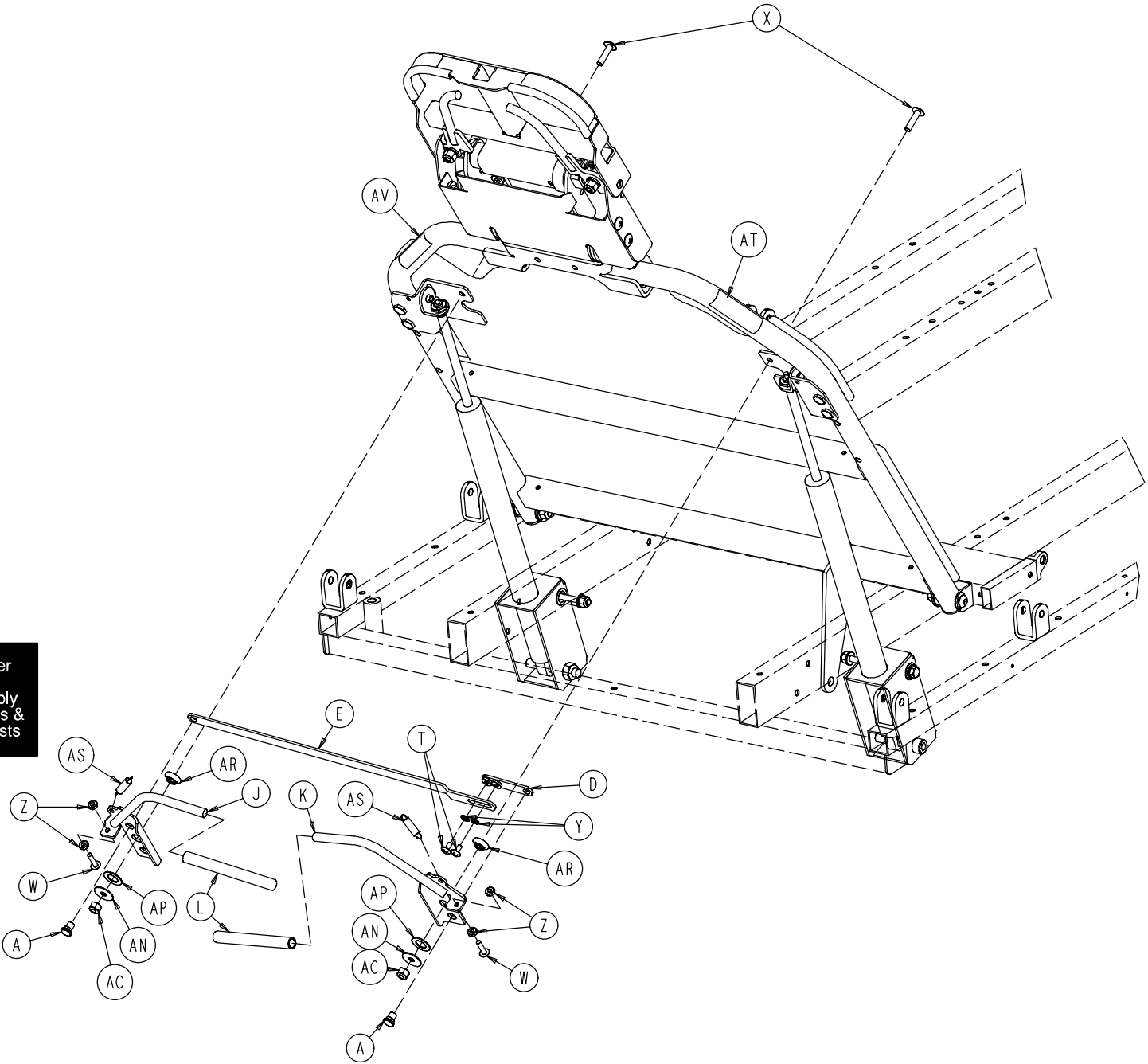


1069-132-10 Optional Dual Articulating Pneumatic Fowler Ass'y



Chapter
Six
Assembly
Drawings &
Parts Lists

1069-132-10 Optional Dual Articulating Pneumatic Fowler Ass'y

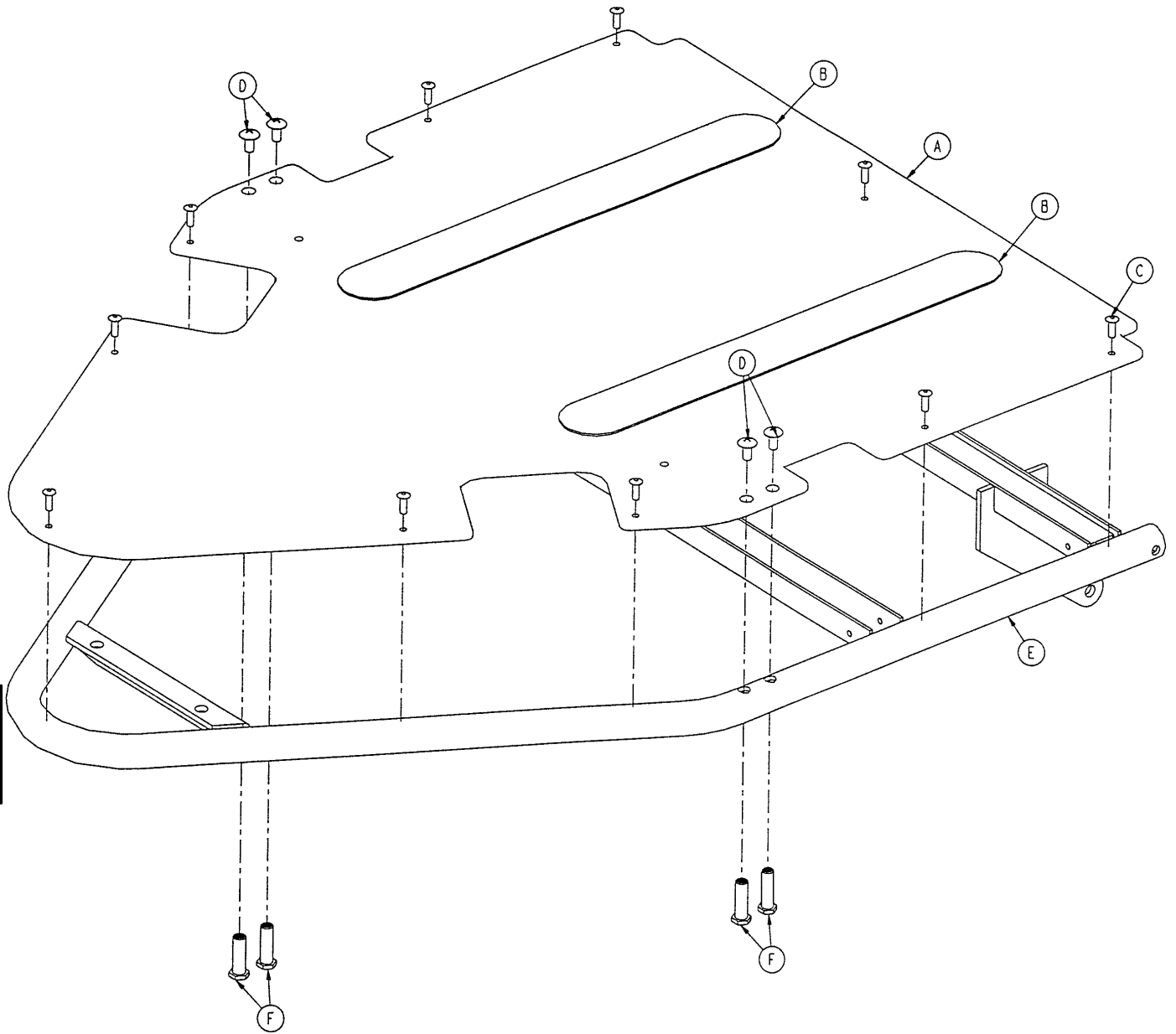


Chapter Six
Assembly Drawings & Parts Lists

1069-132-10 Optional Dual Articulating Pneumatic Fowler Ass'y

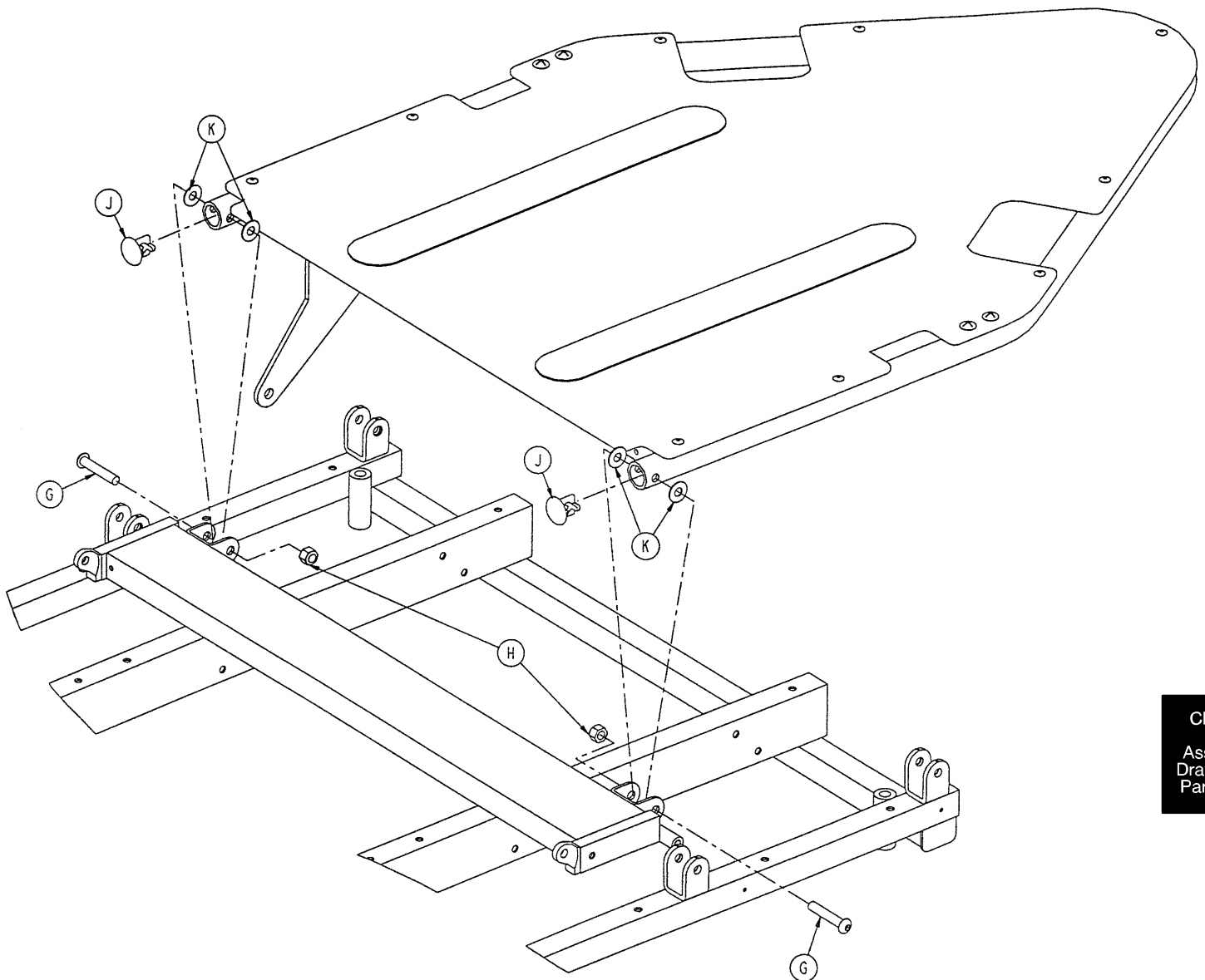
Item	Part No.	Part Name	Qty.
A	1069-31-11	Rivet	4
B	1069-31-12	Barrel Nut	4
C	1069-31-13	Hole Plug	2
D	1069-31-31	Short Handle Adjustment Link	1
E	1069-31-32	Long Handle Adjustment Link	1
F	1069-31-36	Cylinder Mounting Box	2
G	1069-31-41	Handle Pivot Bracket, Left	1
H	1069-31-46	Handle Pivot Bracket, Right	1
J	1069-31-60	Handle Weldment, Left	1
K	1069-31-65	Handle Weldment, Right	1
L	1069-31-200	Handle Cap	2
M	1069-32-55	Fowler Skin	1
N	1210-31-103	Pivot Tab	2
P	3-37	Hex Hd. Cap Screw	2
R	4-54	Button Hd. Screw	2
S	4-323	Soc. Hd. Cap Screw	2
T	7-19	Truss Hd. Screw	2
V	7-42	Truss Hd. Screw	4
W	7-50	Truss Hd. Screw	2
X	7-62	Truss Hd. Screw	2
Y	13-18	External Tooth Lockwasher	2
Z	15-3	Hex Nut	4
AA	15-59	Nylock Hex Nut	2
AB	16-36	Nylock Hex Nut	2
AC	16-28	Hex Nut	4
AD	16-90	Nylock Hex Nut	2
AE	25-50	Dome Head Rivet	9
AF	52-86	Nyliner	4
AG	360-31-77	Pneumatic Cylinder	2
AH	1069-132-50	Fowler Weldment	1
AJ	(page 6-66)	Head Piece Assembly	1
AK	7900-1-102	Velcro Pile	2.5'
AL	11-63	Washer	4
AM	11-179	Washer	4
AN	11-180	Washer	2
AP	14-87	Washer	2
AR	3001-300-99	Modified Bushing	2
AS	38-436	Extension Spring	2
AT	1069-60-91	Fowler Release Label, Right	1
AV	1069-60-92	Fowler Release Label, Left	1

1069-42-60 Optional Zero Articulating Crank Fowler Assembly



Chapter
Six
Assembly
Drawings &
Parts Lists

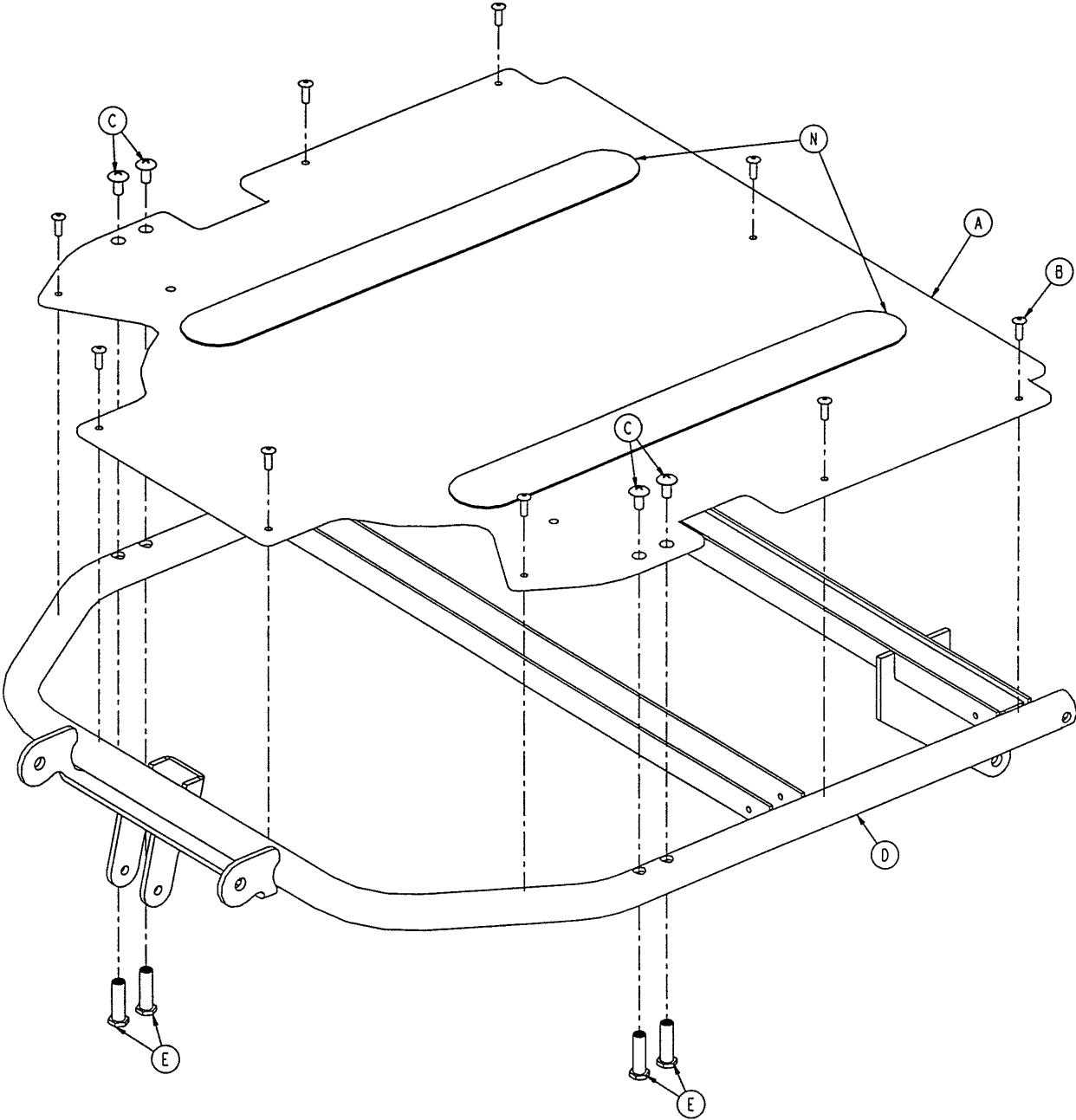
1069-42-60 Optional Zero Articulating Crank Fowler Assembly



Chapter
Six
Assembly
Drawings &
Parts Lists

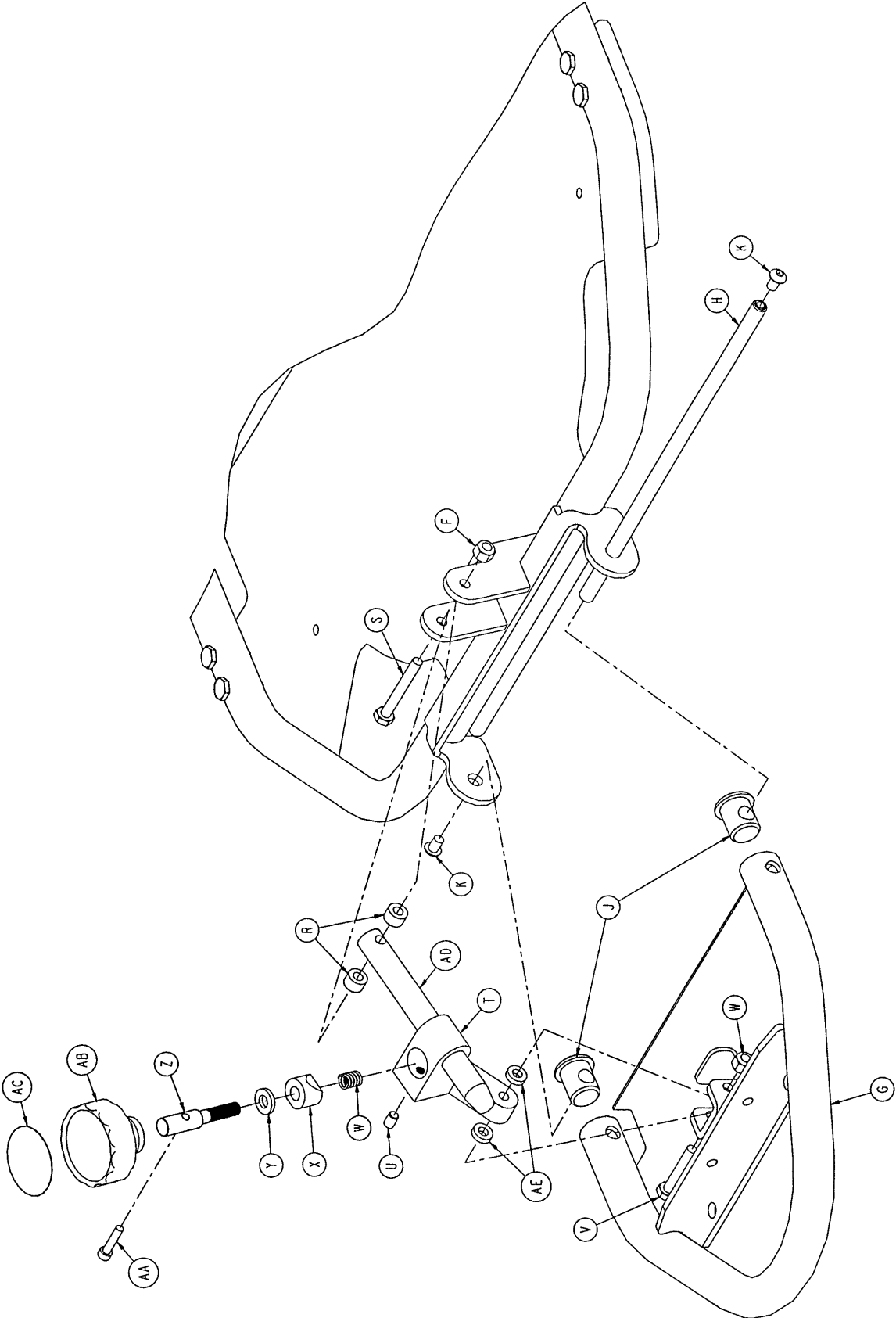
Item	Part No.	Part Name	Qty.
A	1069-32-65	Fowler Skin	1
B	7900-1-102	Velcro Pile	2
C	25-50	Pop Rivet	10
D	7-42	Truss Hd. Screw	4
E	1069-32-60	Fowler Weldment	1
F	1069-31-12	Barrel Nut	4
G	4-54	Button Hd. Screw	2
H	16-11	Nylock Nut	2
J	1069-31-13	Hole Plug	2
K	11-17	Nylon Washer	4

1069-42-55 Optional Single Articulating Crank Fowler Assembly



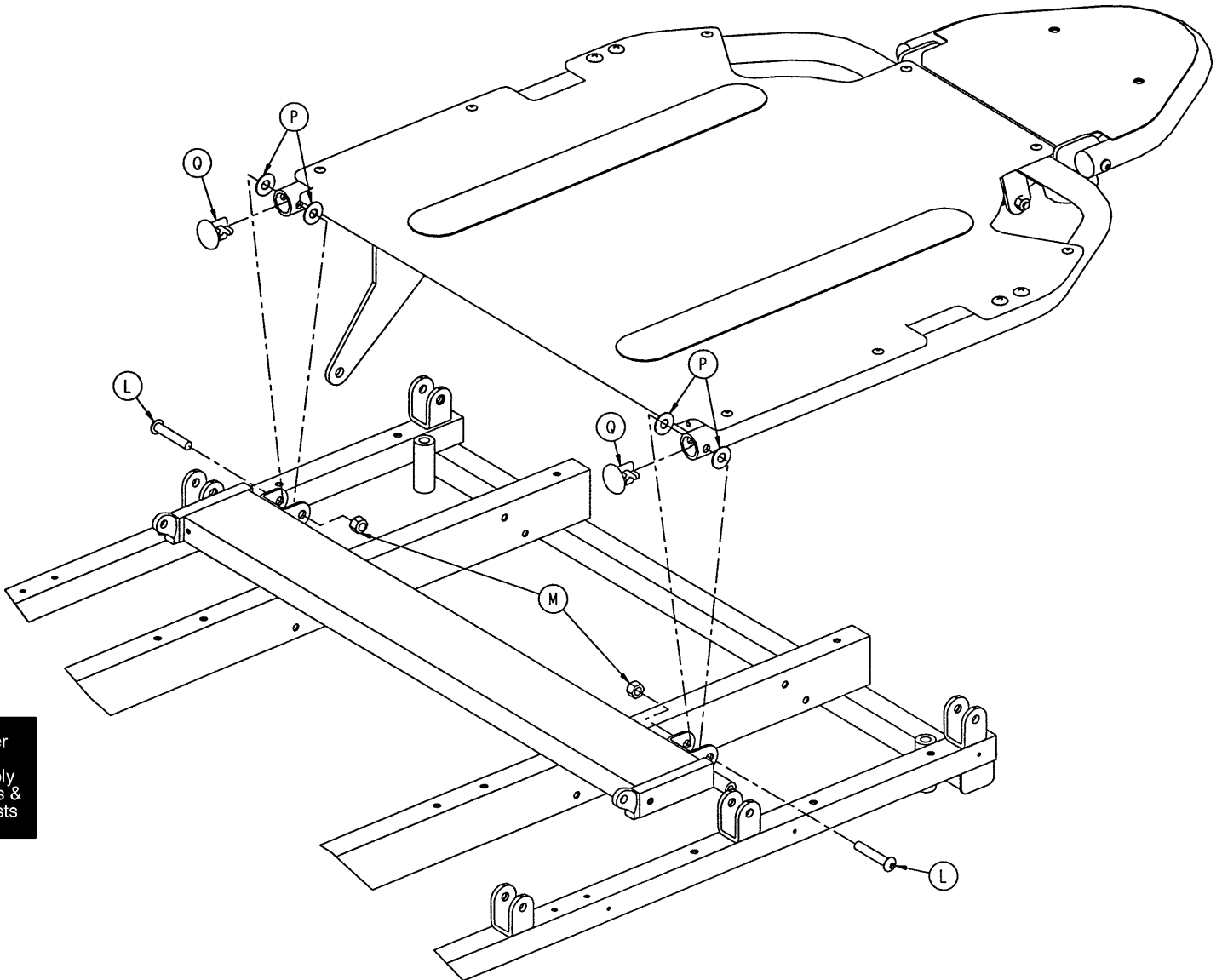
Chapter Six
Assembly
Drawings &
Parts Lists

1069-42-55 Optional Single Articulating Crank Fowler Assembly



Chapter
Six
Assembly
Drawings &
Parts Lists

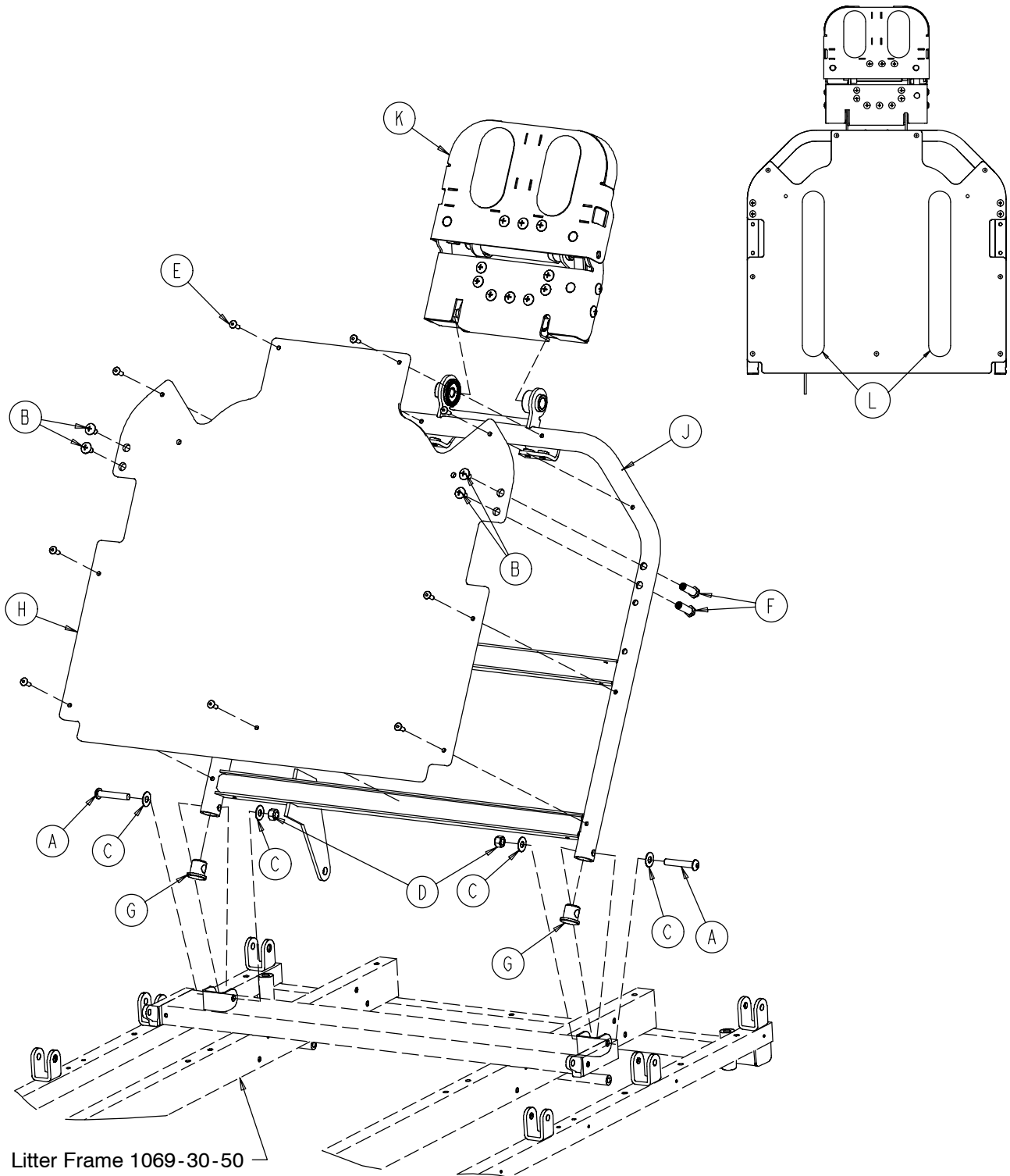
1069-42-55 Optional Single Articulating Crank Fowler Assembly



Chapter
Six
Assembly
Drawings &
Parts Lists

Item	Part No.	Part Name	Qty.	Item	Part No.	Part Name	Qty.
A	1069-32-75	Fowler Skin	1	R	966-70-36	Spacer	2
B	25-50	Pop Rivet	9	S	3-20	Hex Hd. Cap Screw	1
C	7-42	Truss Hd. Screw	4	T	966-70-27	Bar Clamp	1
D	1069-32-70	Fowler Weldment	1	U	21-73	Set Screw	1
E	1069-31-12	Barrel Nut	4	V	3-5	Hex Hd. Cap Screw	1
F	16-28	Nylock Nut	2	W	38-171	Compression Spring	1
G	1069-33-110	Head Piece Weldment	1	X	966-51-19	Modified Wedge Lock	1
H	1069-33-108	Head Pivot Shaft	1	Y	11-108	Steel Flat Washer	1
J	1069-33-107	Hole Plug	2	Z	966-51-18	Shaft	1
K	4-74	Button Hd. Screw	2	AA	4-66	Soc. Hd. Cap Screw	1
L	4-54	Button Hd. Screw	2	AB	966-51-24	Knob	1
M	16-11	Nylock Nut	2	AC	966-1-65	Label	1
N	7900-1-102	Velcro Pile	2	AD	966-70-25	Slide Bar	1
P	11-179	Nylon Washer	4	AE	966-70-37	Spacer	2
Q	1069-31-13	Hole Plug	2				

1069-142-50 Optional Dual Articulating Crank Fowler Assembly



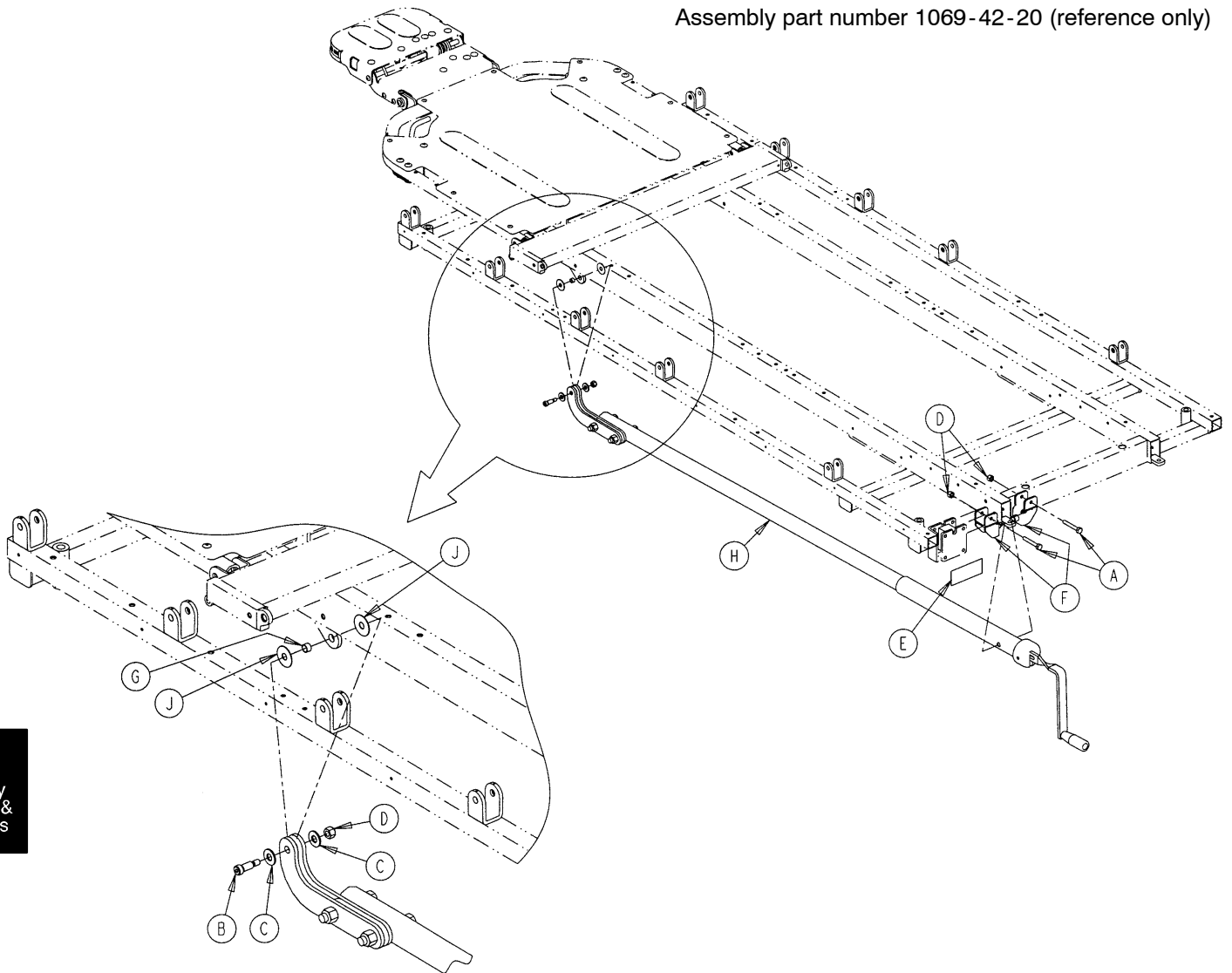
Chapter Six
Assembly Drawings & Parts Lists

1069-142-50 Optional Dual Articulating Crank Fowler Assembly

Item	Part No.	Part Name	Qty.
A	4-54	Button Hd. Screw	2
B	7-42	Truss Hd. Screw	4
C	11-179	Washer	4
D	16-36	Nylock Nut	2
E	25-50	Pop Rivet	9
F	1069-31-12	Barrel Nut	4
G	1069-31-13	Hole Plug	2
H	1069-32-55	Fowler Skin	1
J	1069-132-50	Fowler Weldment	1
K	(page 6-66)	Head Piece Assembly	1
L	7900-1-102	Velcro Pile	2.5'

Optional Crank Fowler Assembly

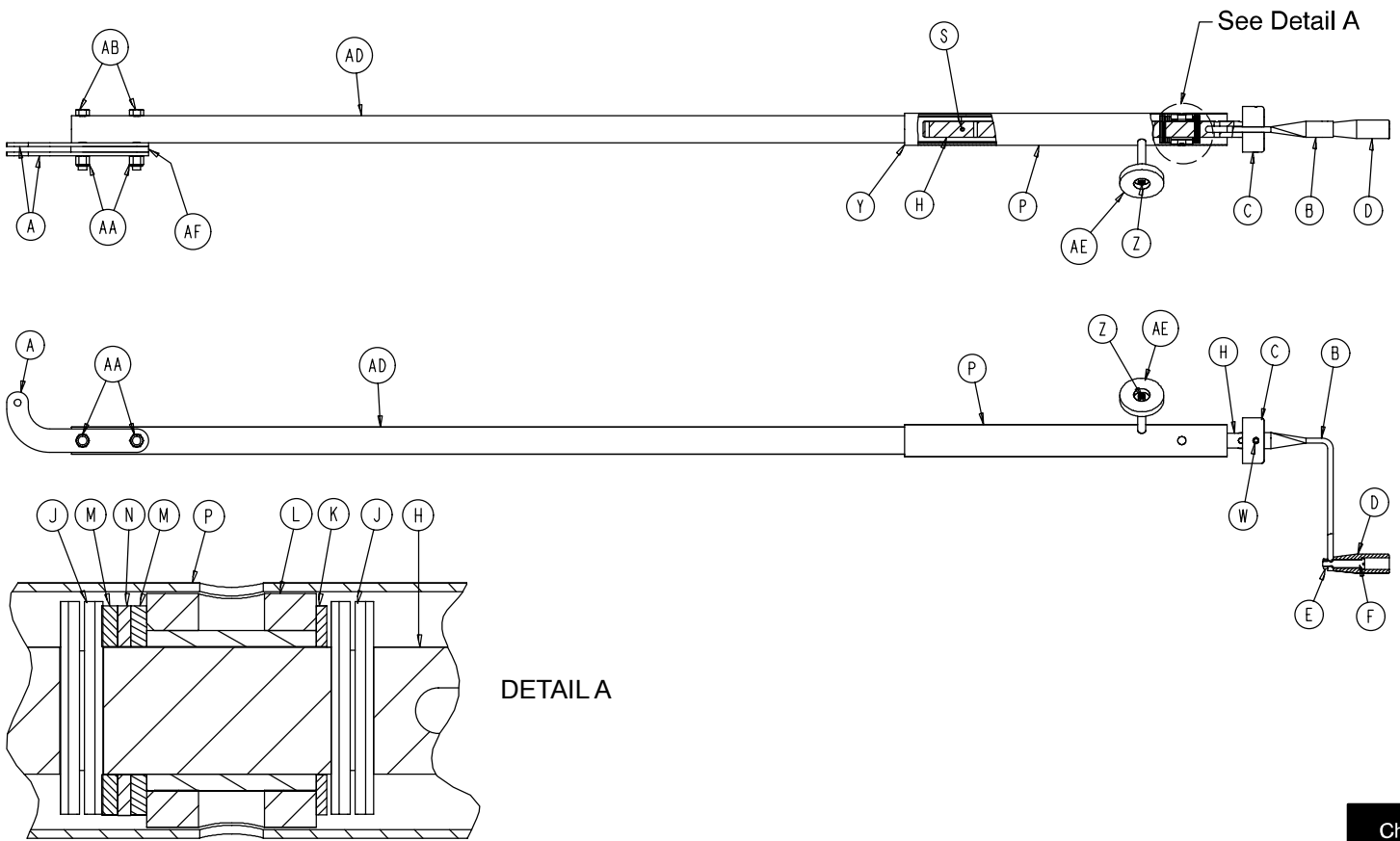
Assembly part number 1069-42-20 (reference only)



Chapter
Six
Assembly
Drawings &
Parts Lists

Item	Part No.	Part Name	Qty.
A	3-78	Hex Hd. Cap Screw	2
B	8-27	Shoulder Bolt	1
C	11-3	Flat Washer	2
D	16-28	Nylock Nut	3
E	946-1-64	Fowler Symbol Label	1
F	1010-34-15	Mounting Bracket Ass'y	2
G	1066-33-68	Sleeve	1
H	(page 6-65)	Crankscrew Assembly	1
J	14-19	Nylon Flat Washer	2

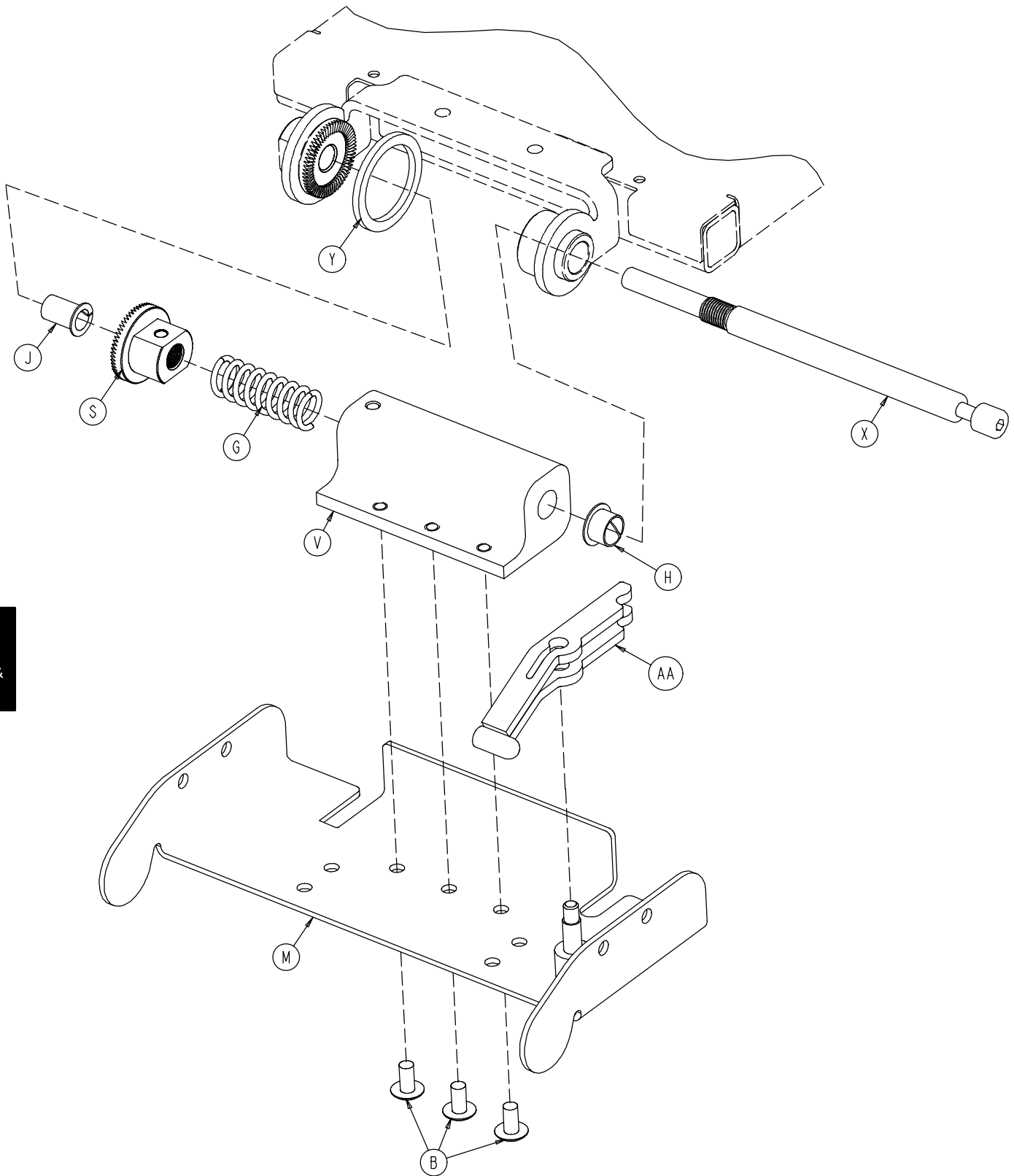
1069-42-10 Optional Fowler Crankscrew Assembly



Chapter
Six
Assembly
Drawings &
Parts Lists

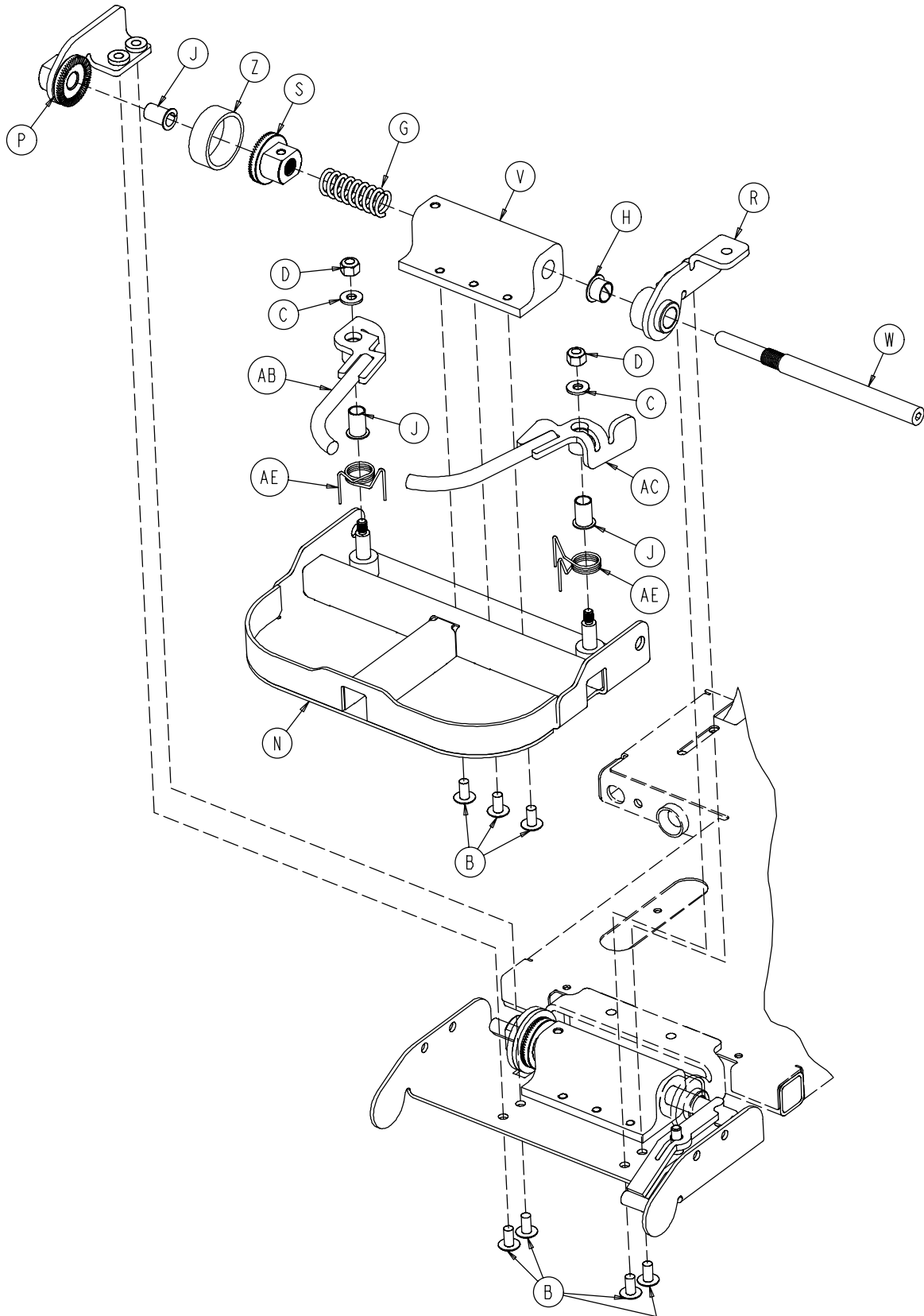
Item	Part No.	Part Name	Qty.
A	1069-42-23	Crank Arm Link	2
B	1550-1-16	Crank Handle	1
C	946-33-18	Crank Disc	1
D	938-1-177	Knob	1
E	16-5	Conelock Nut	1
F	378-24-29	Shoulder Bolt	1
H	946-33-35	Fowler Screw	1
J	26-14	Roll Pin	2
K	81-174	Thrust Washer	1
L	938-1-175	Bearing Assembly	1
M	81-176	Thrust Washer	2
N	81-175	Thrust Washer	1
P	1510-34-84	Screw Cover Assembly	1
S	26-10	Roll Pin	1
W	26-45	Roll Pin	1
Y	7900-1-102	Velcro Pile Tape	4"
Z	4-7	Soc. Hd. Cap Screw	1
AA	16-35	Nylon Hex Nut	2
AB	3-27	Hex Hd. Cap Screw	2
AD	1069-42-21	Drive Tube Assembly	1
AE	1550-1-14	Magnet	1
AF	1069-42-24	Crank Spacer	1

1069-133-20 Optional Dual Articulating Head Piece Assembly



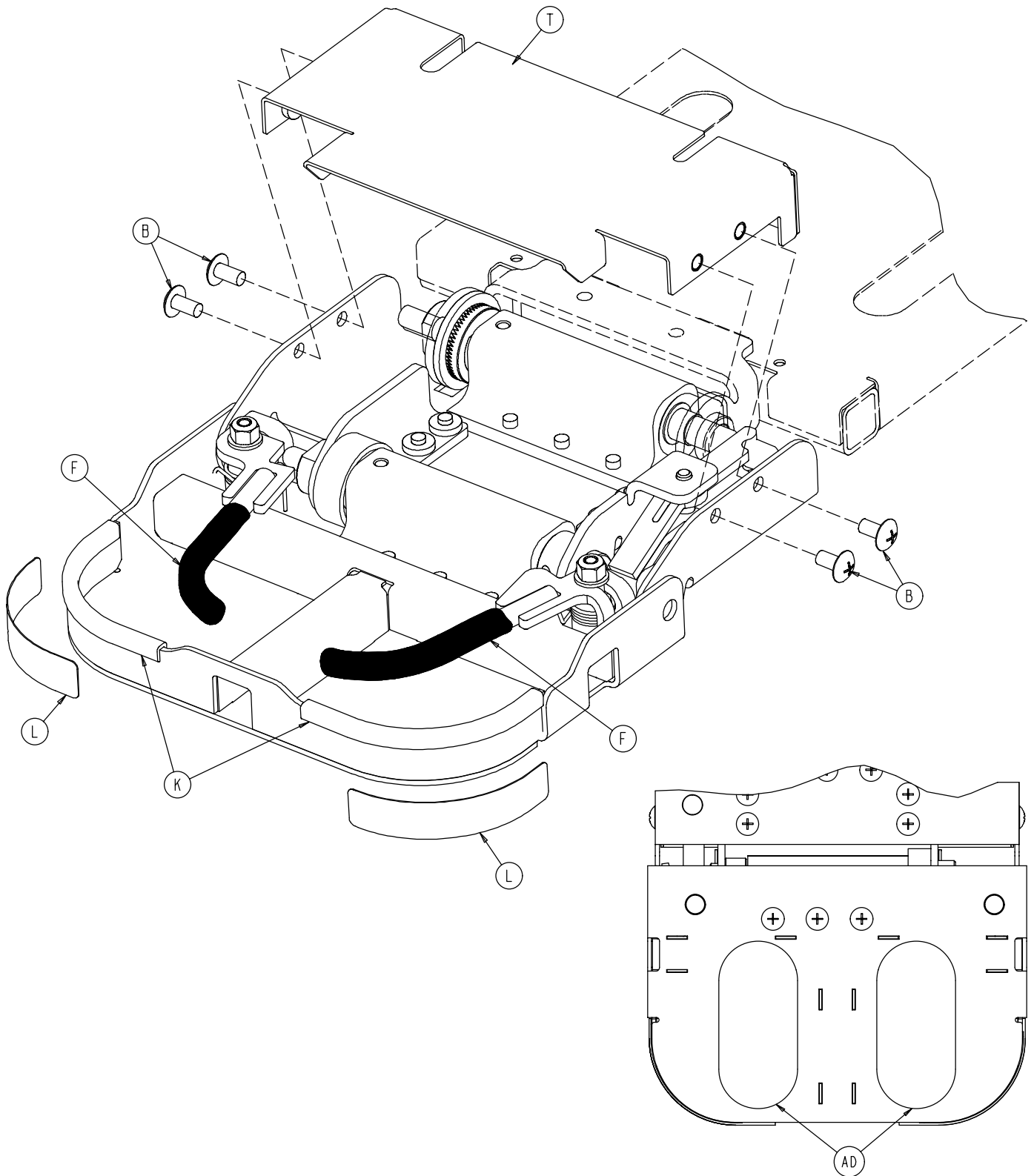
Chapter
Six
Assembly
Drawings &
Parts Lists

1069-133-20 Optional Dual Articulating Head Piece Assembly



Chapter
Six
Assembly
Drawings &
Parts Lists

1069-133-20 Optional Dual Articulating Head Piece Assembly

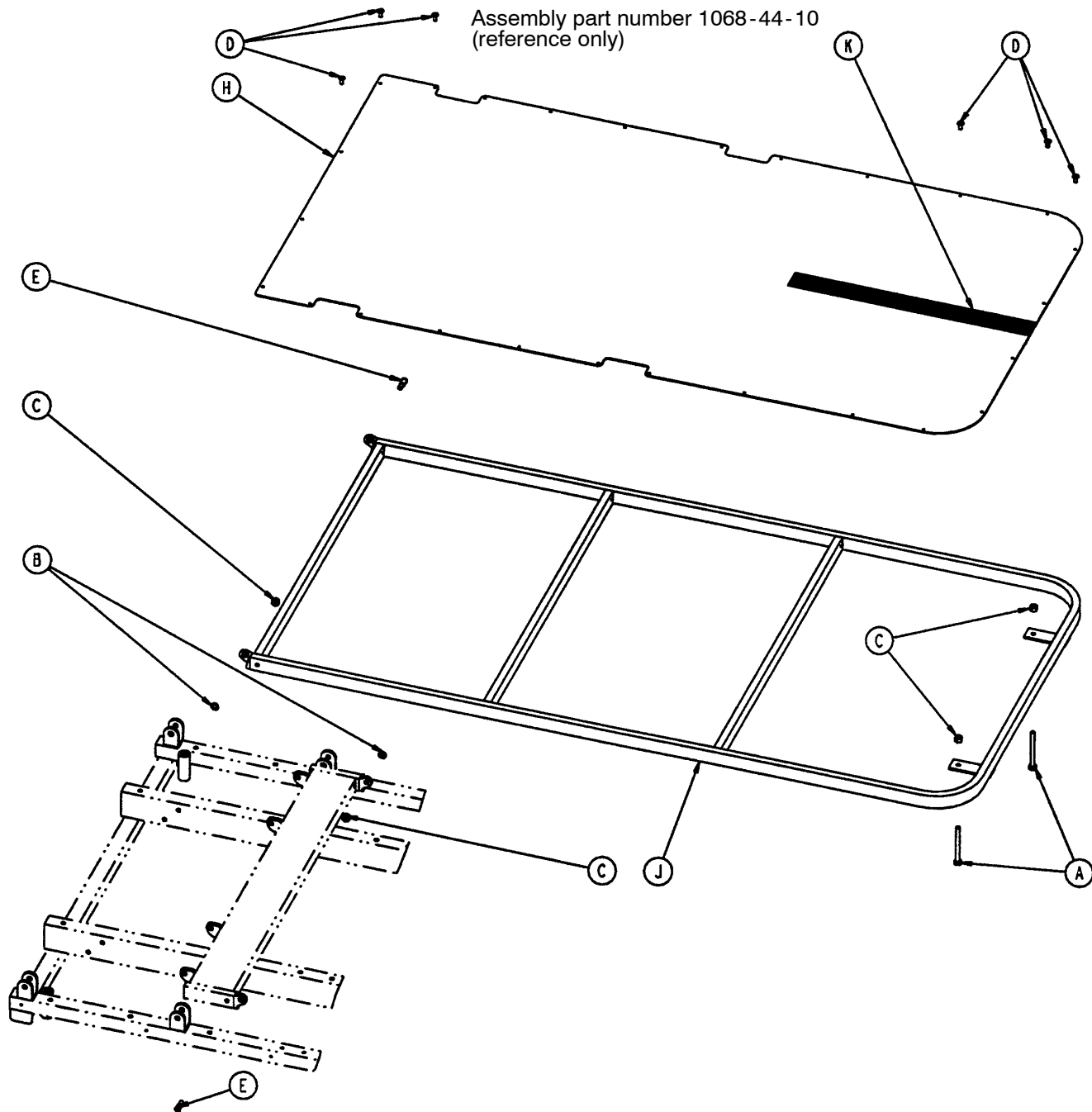


Chapter
Six
Assembly
Drawings &
Parts Lists

1069-133-20 Optional Dual Articulating Head Piece Assembly

Item	Part No.	Part Name	Qty.
B	7-80	Truss Hd. Mach. Screw	14
C	11-304	Washer	2
D	16-123	Hex Nut	2
F	37-200	Vinyl Cap	2
G	38-474	Compression Spring	2
H	52-86	Nyliner	2
J	52-815	Nyliner	4
K	58-56	Edge Trim	2
L	1068-91-21	40 Pounds Max. Label	2
M	1069-133-30	Neck Weldment	1
N	1069-133-40	Head Weldment	1
P	1069-133-57	Head Bracket Weldment, Rt.	1
R	1069-133-58	Head Bracket Weldment, Lt.	1
S	1069-133-73	Shaft Gear	2
T	1069-133-75	Head Piece Cover	1
V	1069-133-76	Gear Housing	2
W	1069-133-83	Head Shaft	1
X	1069-133-84	Neck Shaft	1
Y	1069-133-85	Neck Spacer	1
Z	1069-133-88	Head Spacer	1
AA	1069-133-100	Link Weldment	1
AB	1069-133-110	Handle Weldment, Right	1
AC	1069-133-115	Handle Weldment, Left	1
AD	7900-1-102	4.25" Velcro Pile	.71 Ft.
AE	1069-133-121	Handle Torsion Spring	2

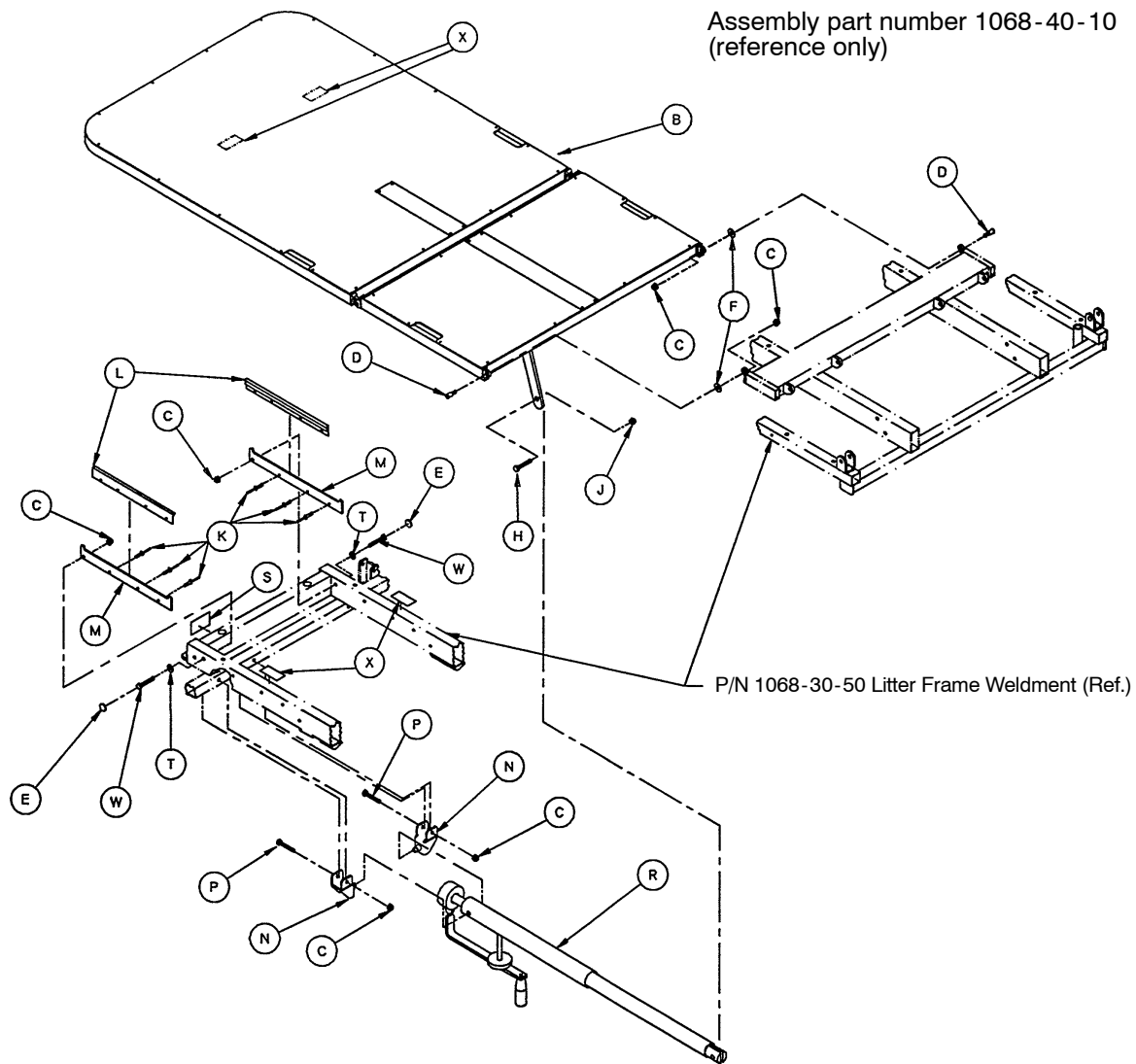
Stationary Foot Section Assembly



Chapter Six
Assembly Drawings & Parts Lists

Item	Part No.	Part Name	Qty.
A	3-73	Hex Hd. Cap Screw	2
B	14-3	Washer	2
C	16-28	Nylock Hex Nut	4
D	25-101	Rivet	26
E	1010-32-60	Pivot Bolt	2
H	1068-44-44	Stationary Foot Skin	1
J	1068-44-50	Stationary Foot Weldment	1
K	381-24-7	Velcro Adhesive Pile	1

Optional Knee Gatch Assembly

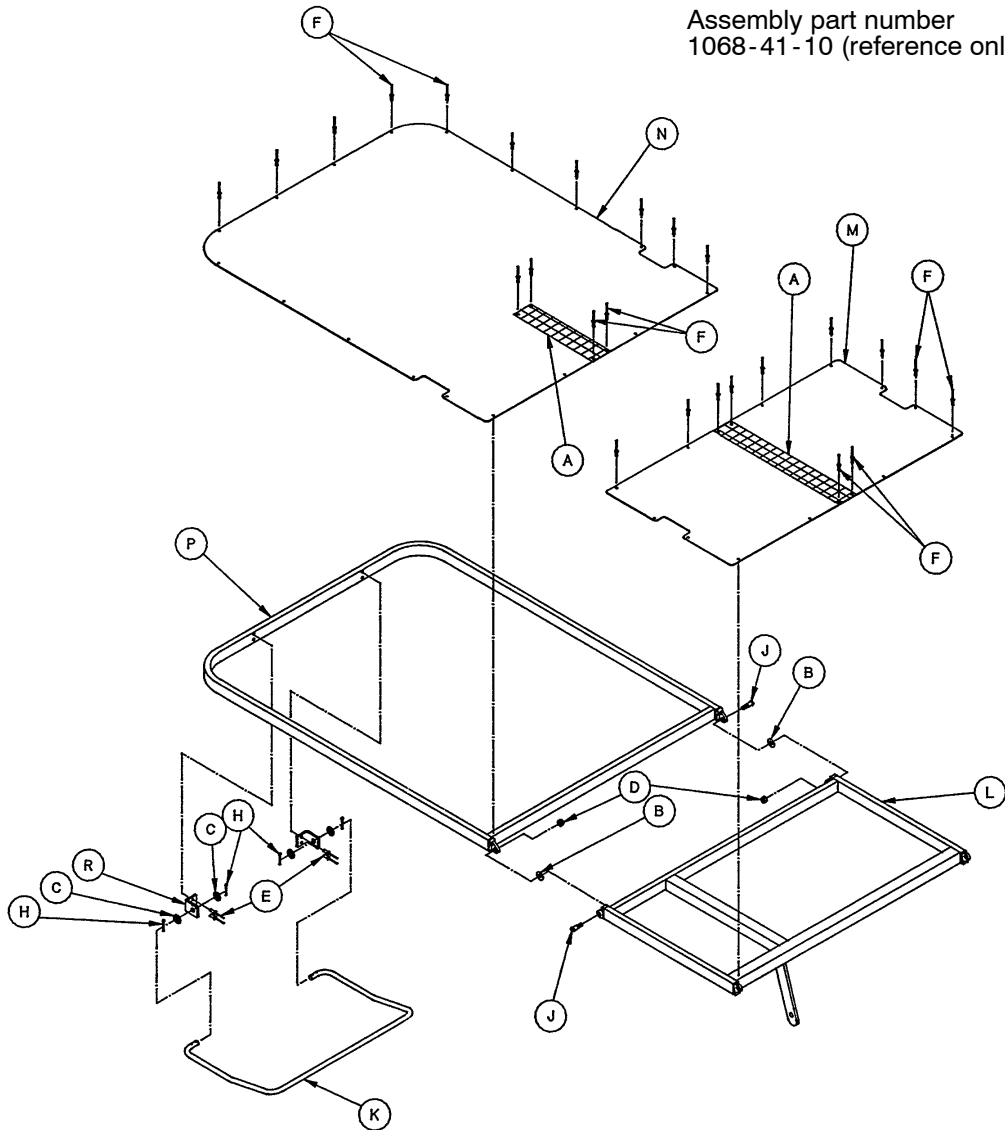


Chapter
Six
Assembly
Drawings &
Parts Lists

Item	Part No.	Part Name	Qty.	Item	Part No.	Part Name	Qty.
A	721-31-65	Hole Plug	2	L	1510-34-90	Slider Pad	2
B	(page 6-72)	Foot/Thigh Subassembly	1	M	1510-34-94	Calf Stand Rest	2
C	16-28	Nylock Hex Nut	6	N	1010-34-15	Mounting Bracket Ass'y	2
D	1010-32-60	Pivot Bolt	2	P	3-78	Hex Hd. Cap Screw	2
E	37-55	Protective Cap	2	R	(page 6-73)	Knee Gatch Crankscrew	1
F	14-3	Washer	2	S	946-1-65	Knee Gatch Label	1
H	4-105	Soc Hd. Cap Screw	1	T	37-56	Retaining Washer	2
J	16-12	Flexlock Nut	1	W	3-47	Hex Hd. Cap Screw	2
K	25-79	Pop Rivet	6	X	7900-1-102	Velcro Pile	.33'

Optional Knee Gatch Foot and Thigh Section Assembly

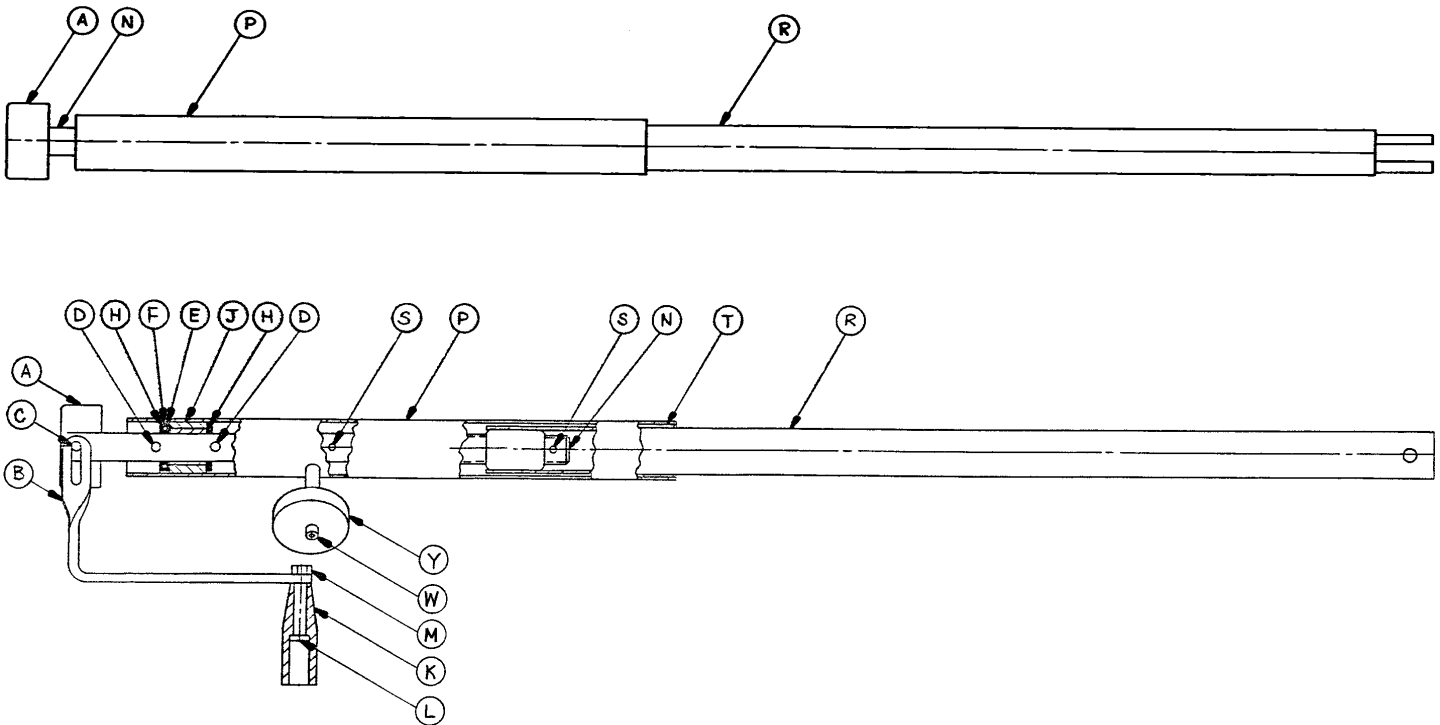
Assembly part number
1068-41-10 (reference only)



Chapter
Six
Assembly
Drawings &
Parts Lists

Item	Part No.	Part Name	Qty.
A	7900-1-102	Velcro Adhesive Pile	1.92'
B	14-3	Washer	2
C	14-21	Nylon Washer	4
D	16-28	Nylock Hex Nut	2
E	25-79	Rivet	4
F	25-101	Rivet	38
H	27-7	Cotter Pin	4
J	1010-32-60	Pivot Bolt	2
K	1010-34-23	Calf Stand Bar	1
L	1010-34-25	Thigh Section Weldment	1
M	1066-34-59	Thigh Section Skin	1
N	1068-40-44	Calf Section Skin	1
P	1068-40-50	Calf Section Weldment	1
R	1510-34-88	Calf Stand Bracket	2

1068-46-10 Optional Knee Gatch Crankscrew Assembly

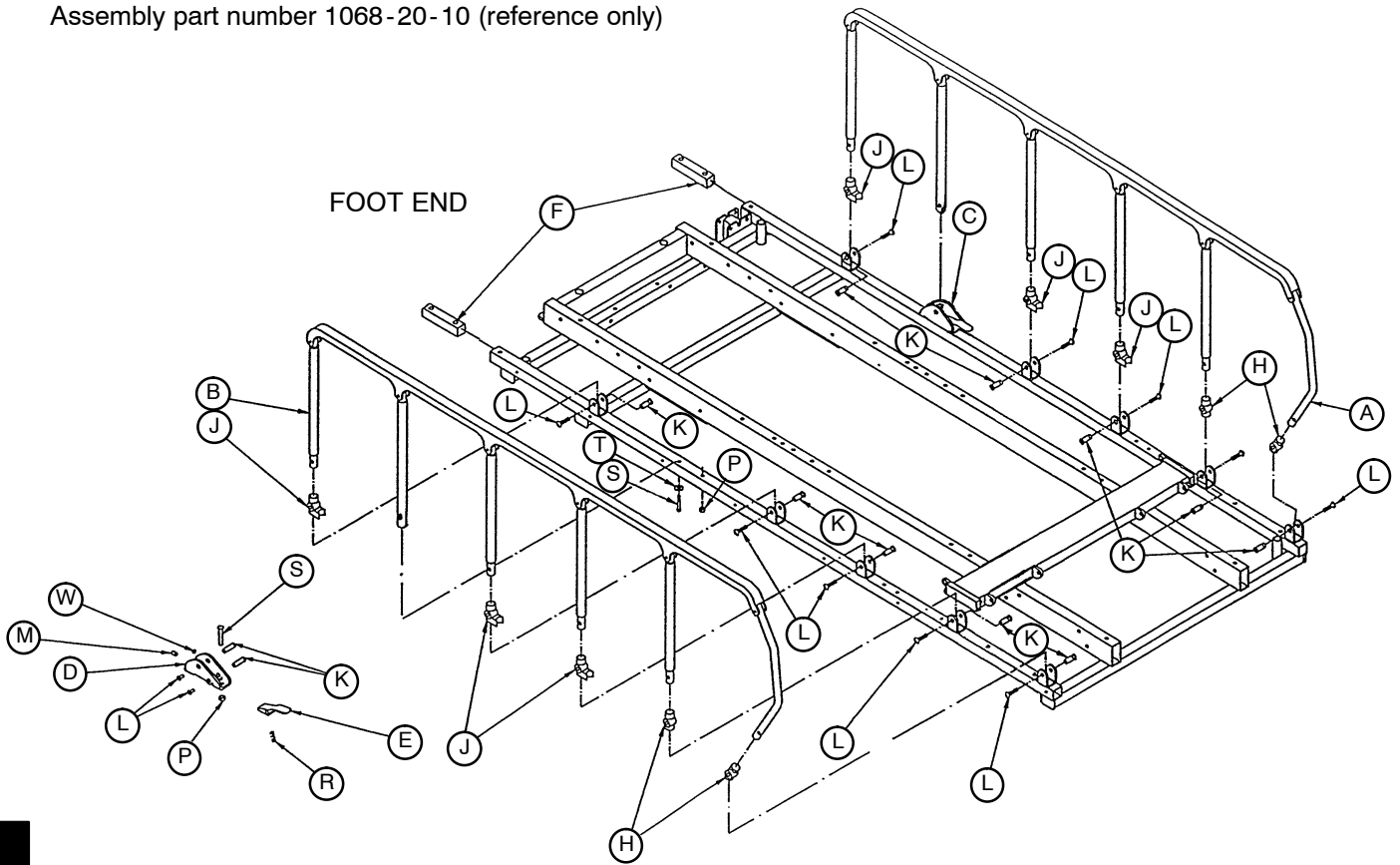


Item	Part No.	Part Name	Qty.
A	946-33-18	Crank Disk	1
B	1550-1-16	Crank Handle	1
C	26-45	Roll Pin	1
D	26-14	Roll Pin	2
E	81-176	Thrust Washer	1
F	81-175	Thrust Bearing	1
H	81-174	Thrust Washer	2
J	938-1-175	Bearing Assembly	1
K	938-1-177	Knob	1
L	378-24-29	Shoulder Bolt	1
M	16-5	Conelock Nut	1
N	946-34-25	Knee Gatch Screw	1
P	1510-34-84	Screw Cover Assembly	1
R	1068-46-12	Gatch Drive Tube Assembly	1
S	26-10	Roll Pin	2
T	7900-1-102	Velcro Pile Tape	.3'
W	4-7	Soc. Head Cap Screw	1
Y	1550-1-14	Magnet	1

Chapter
Six
Assembly
Drawings &
Parts Lists

Siderail to Litter Assembly, Two-Position Siderails

Assembly part number 1068-20-10 (reference only)

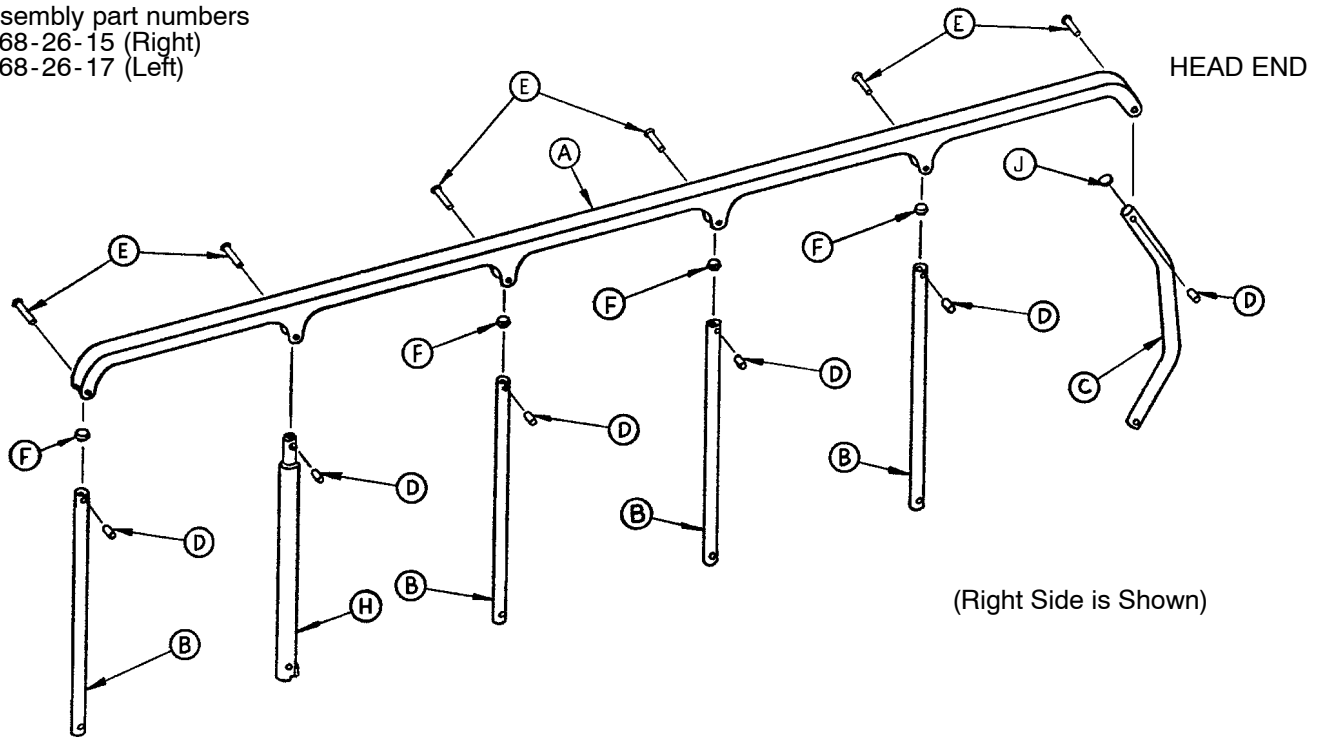


Chapter
Six
Assembly
Drawings &
Parts Lists

Item	Part Number	Part Name	Qty.
A	(page 6-75)	Siderail Assembly, Right	1
B	(page 6-75)	Siderail Assembly, Left	1
C	1010-26-80	Lock Housing, Right	1
D	1010-26-81	Lock Housing, Left	1
E	721-26-74	Lock Handle	2
F	1010-26-69	Lock Support	2
H	721-26-69	Sleeve Upright	4
J	721-26-68	Cradle Upright	6
K	721-26-66	Pivot Screw	14
L	4-136	Button Hd. Cap Screw	14
M	21-104	Set Screw	2
P	16-28	Nylock Hex Nut	2
R	38-220	Compression Spring	2
S	4-135	Button Hd. Cap Screw	4
T	11-2	Flat Washer	4
W	37-74	Hole Plug	2

Two-Position Siderail Assembly, Right and Left

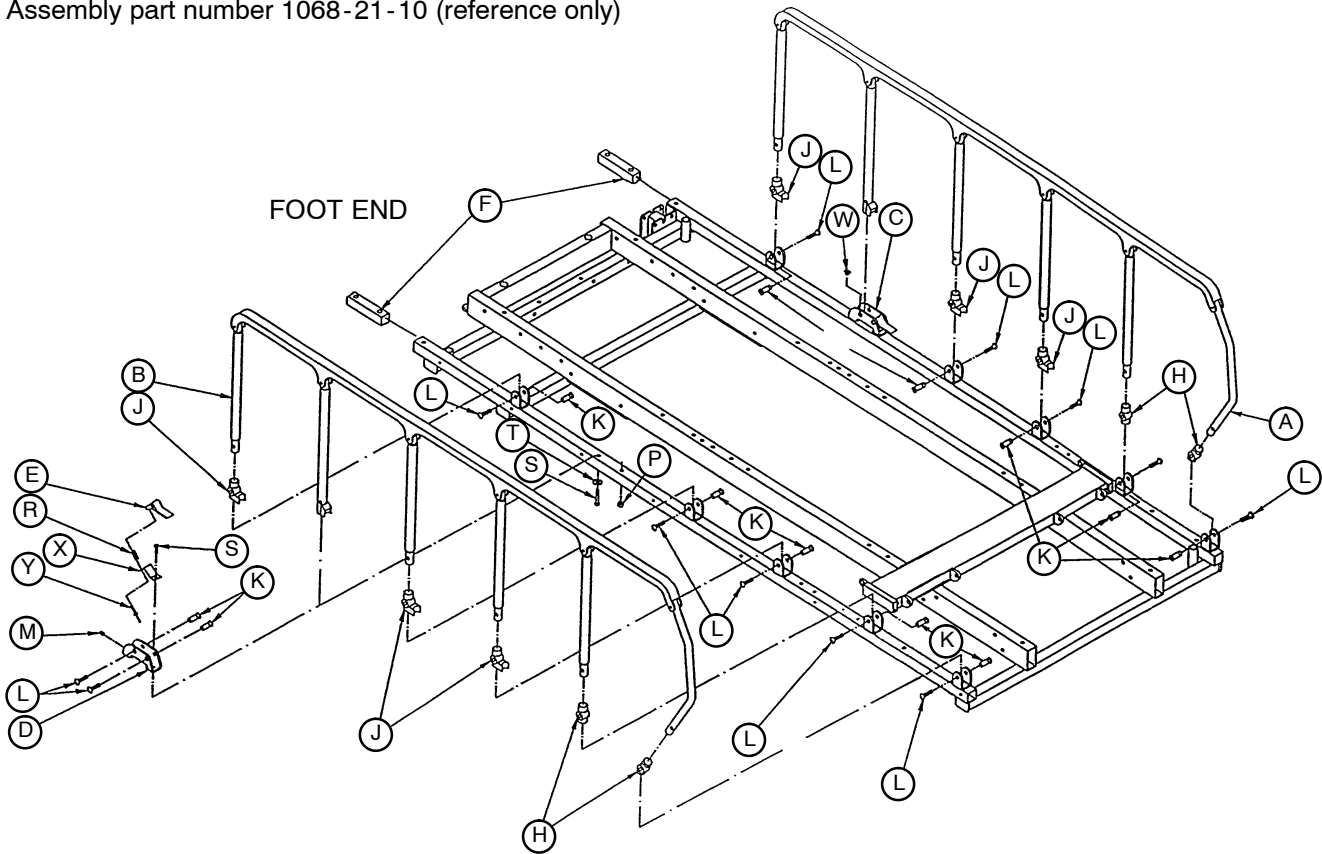
Assembly part numbers
 1068-26-15 (Right)
 1068-26-17 (Left)



Item	Part No.	Part Name	Qty.
A	1010-26-15	Top Rail	1
B	1010-26-83	Upright	4
C	1010-26-84	Upright, Bent	1
D	1010-26-82	Sleeve, Bearing	6
E	25-106	Semi-Tubular Rivet	6
F	1010-26-10	Round Hole Plug	4
H	1010-26-85	Latch Upright Ass'y	1
J	1010-26-12	Bent Spindle Rest	1

Siderail to Litter Assembly, Optional Three Position Siderails

Assembly part number 1068-21-10 (reference only)

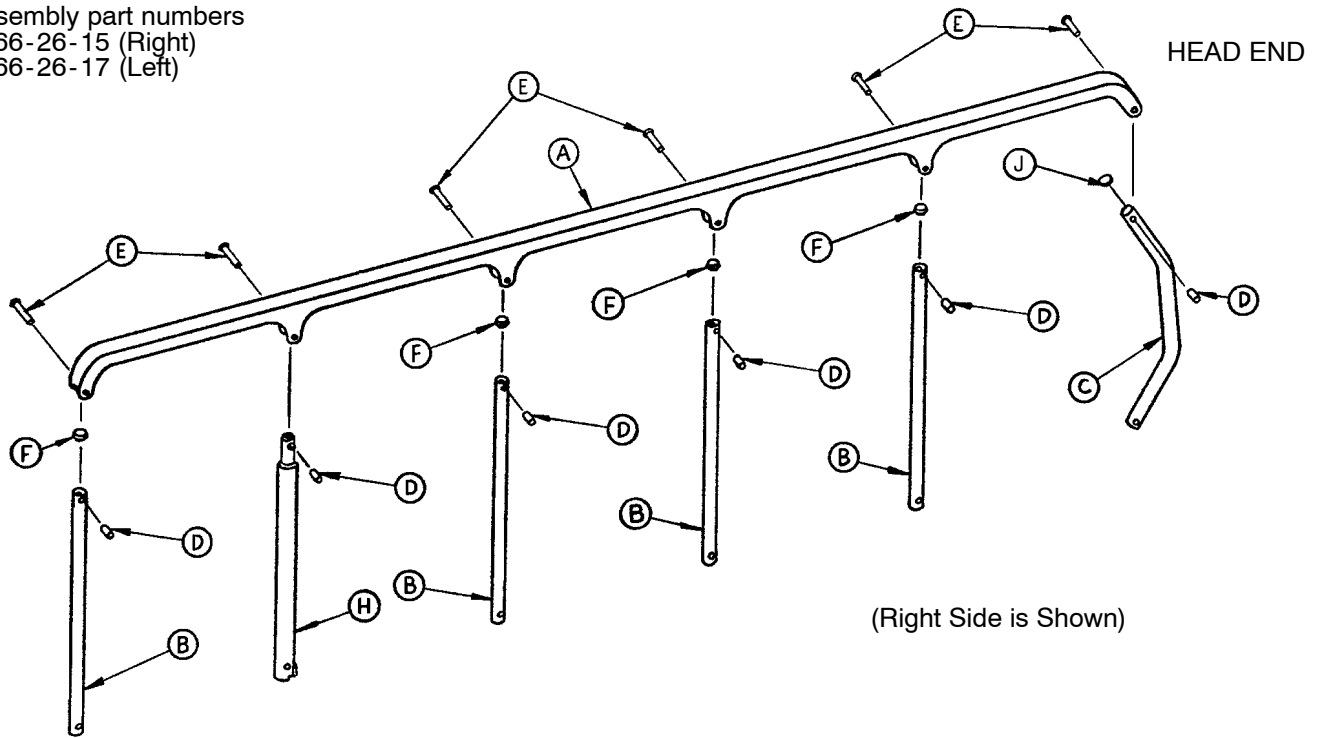


Chapter
Six
Assembly
Drawings &
Parts Lists

Item	Part Number	Part Name	Qty.
A	(page 6-77)	Siderail Assembly, Right	1
B	(page 6-77)	Siderail Assembly, Left	1
C	1066-26-18	Lock Housing, Right	1
D	1066-26-16	Lock Housing, Left	1
E	1066-26-22	Lock Handle	2
F	1010-26-69	Lock Support	2
H	721-26-69	Sleeve Upright	4
J	721-26-68	Cradle Upright	6
K	721-26-66	Pivot Screw	14
L	4-136	Button Hd. Cap Screw	14
M	21-104	Set Screw	2
P	16-28	Nylock Hex Nut	2
R	38-220	Compression Spring	2
S	4-135	Button Hd. Cap Screw	4
T	11-2	Flat Washer	4
W	37-74	Hole Plug	2
X	1066-26-19	Spring Plate	2
Y	25-38	Pop Rivet	2

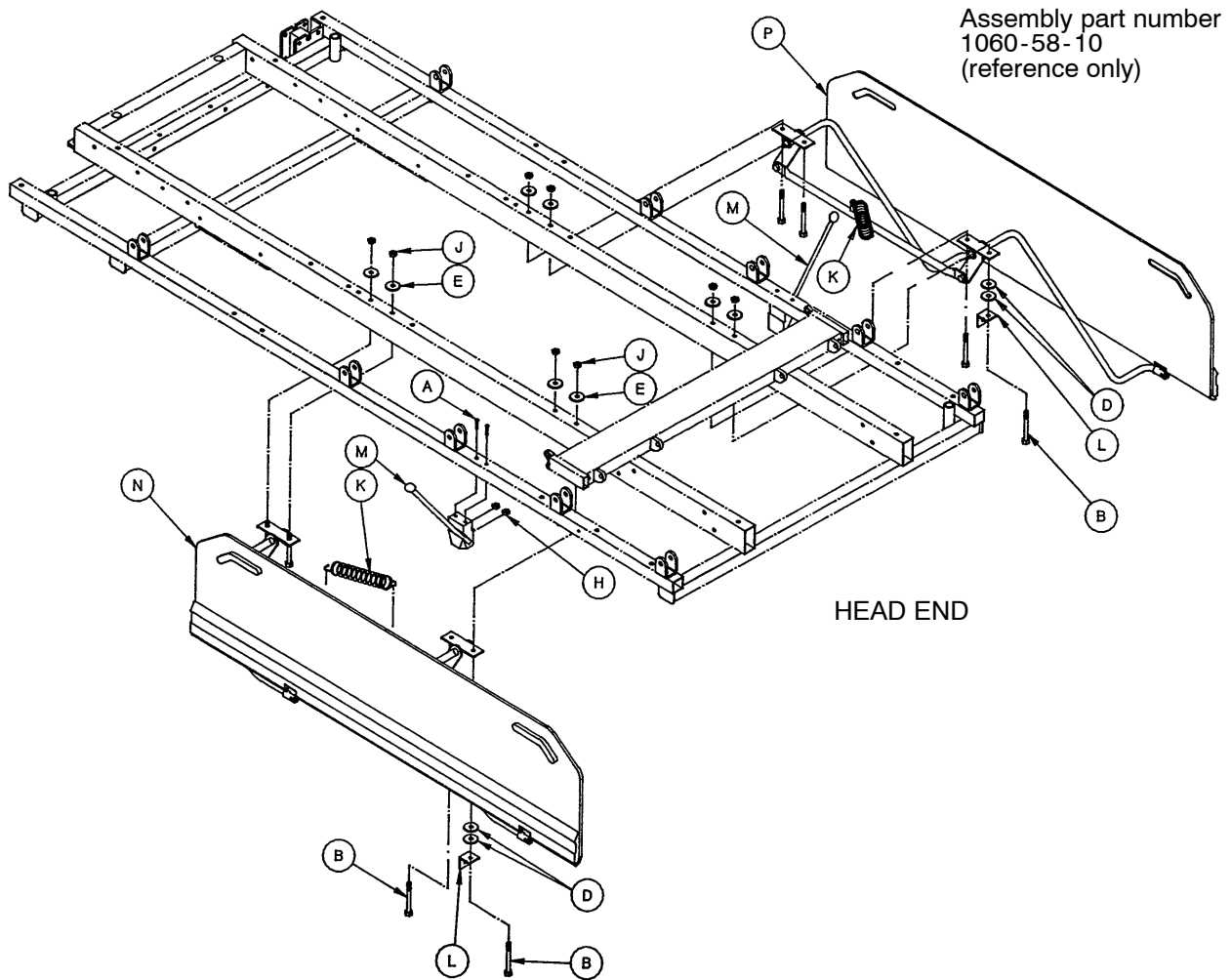
Optional Three-Position Siderail Assembly, Right and Left

Assembly part numbers
 1066-26-15 (Right)
 1066-26-17 (Left)



Item	Part No.	Part Name	Qty.
A	1010-26-15	Top Rail	1
B	1010-26-83	Upright	4
C	1010-26-84	Upright, Bent	1
D	1010-26-82	Sleeve, Bearing	6
E	25-106	Semi-Tubular Rivet	6
F	1010-26-10	Round Hole Plug	4
H	1066-26-27	Latch Upright Ass'y	1
J	1010-26-12	Bent Spindle Rest	1

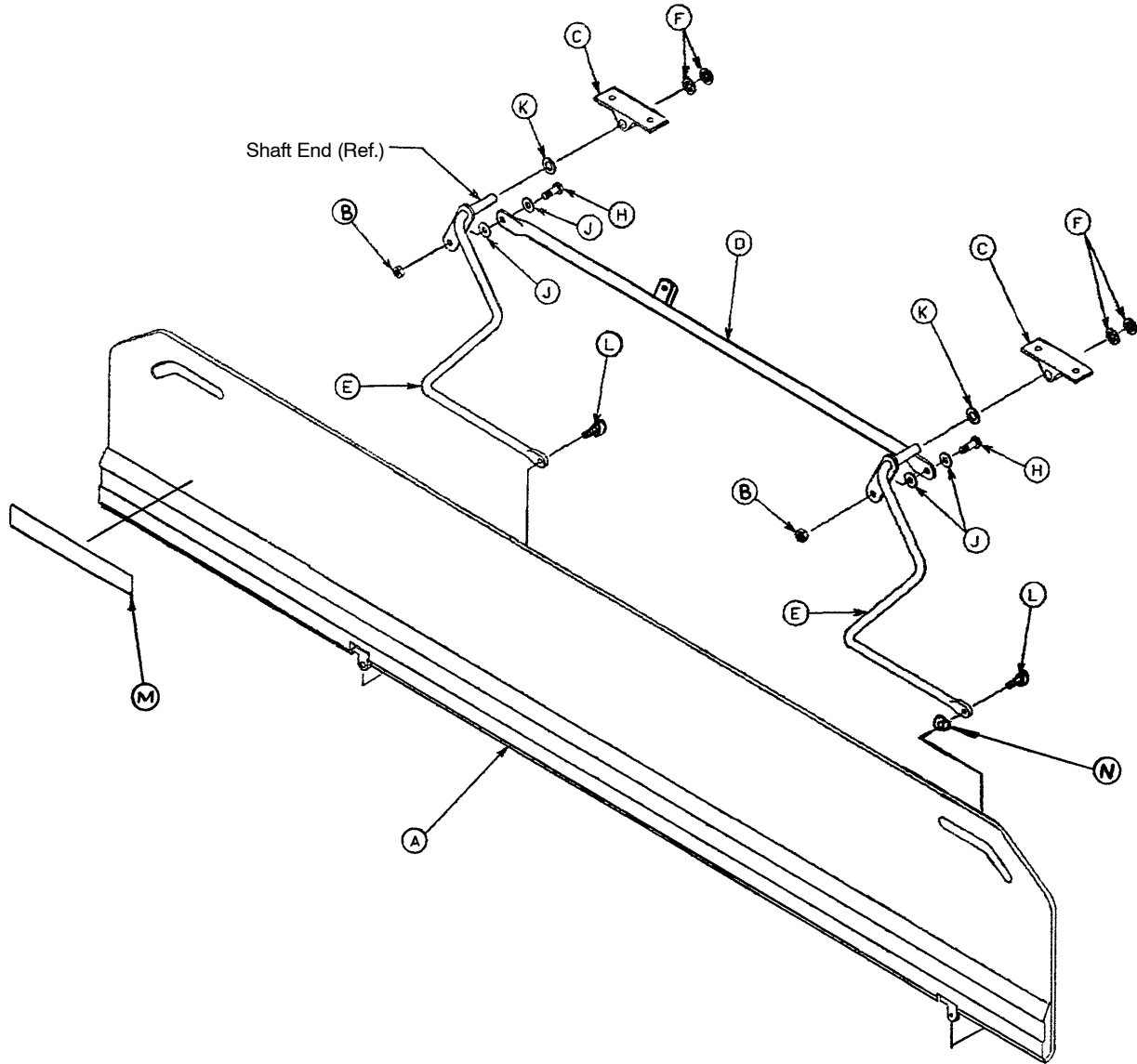
Optional Transfer System Assembly



Chapter Six
Assembly Drawings & Parts Lists

Item	Part No.	Part Name	Qty.
A	2-100	Pan Hd. Mach. Screw	4
B	3-73	Hex Hd. Cap Screw	8
D	11-2	Washer	4
E	11-180	Washer	8
H	16-3	Fiberlock Nut	4
J	16-28	Nylock Nut	8
K	38-218	Extension Spring	2
L	1010-24-25	Spring Retainer	2
M	(page 6-81)	Board Support Assembly	2
N	(page 6-79)	Arm Board Ass'y, Left	1
P	(page 6-80)	Arm Board Ass'y, Right	1

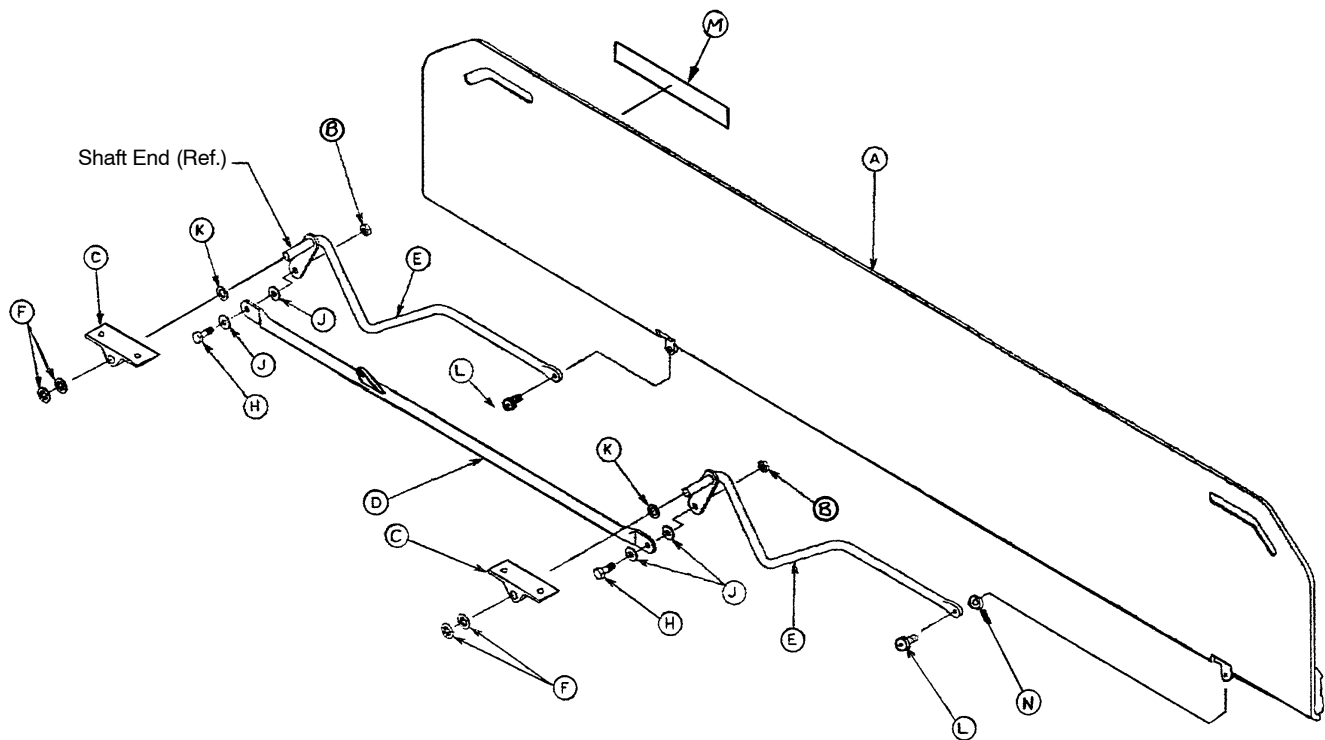
1060-1-114 Optional Transfer Board Assembly, Left



Chapter
Six
Assembly
Drawings &
Parts Lists

Item	Part No.	Part Name	Qty.
A	1060-1-77	Arm Board Ass'y, Left	1
B	16-28	Nylock Hex Nut	2
C	1010-32-98	Pivot	2
D	1060-1-74	Connecting Link Ass'y	1
E	1010-32-94	Pivot Arm Ass'y, Left	2
F	28-93	Retaining Ring	4
H	3-50	Hex Hd. Cap Screw	2
J	11-224	Nylon Flat Washer	4
K	14-21	Nylon Flat Washer	2
L	4-156	Soc. Hd. Cap Screw	2
M	721-24-46	Label	1
N	14-2	Washer	1

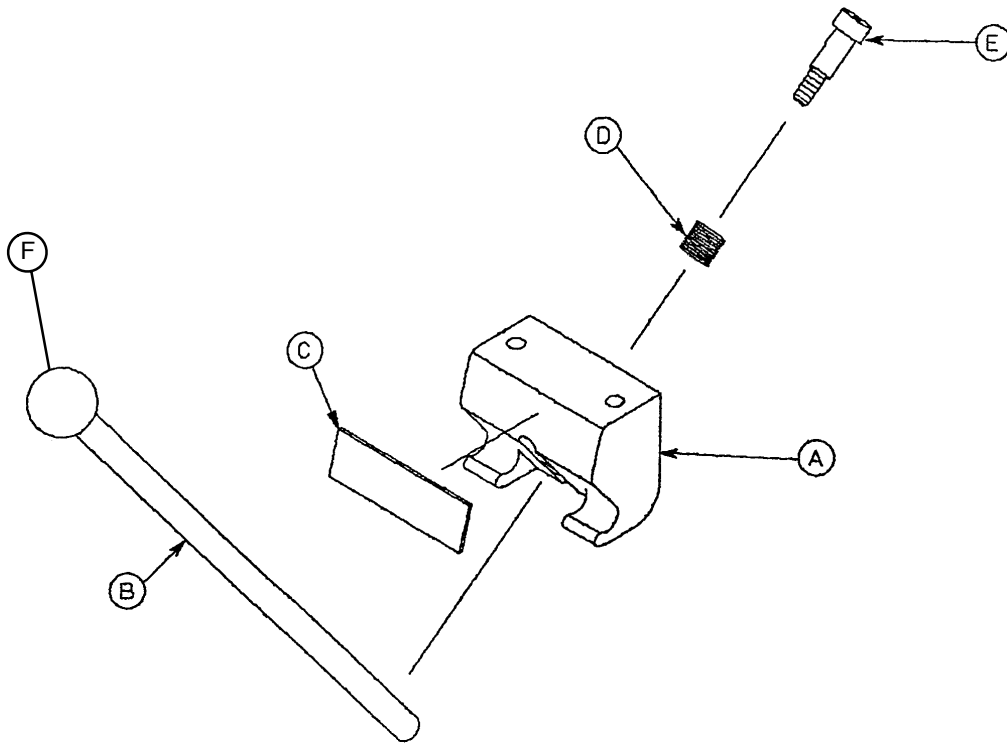
1060-1-115 Optional Transfer Board Assembly, Right



Chapter
Six
Assembly
Drawings &
Parts Lists

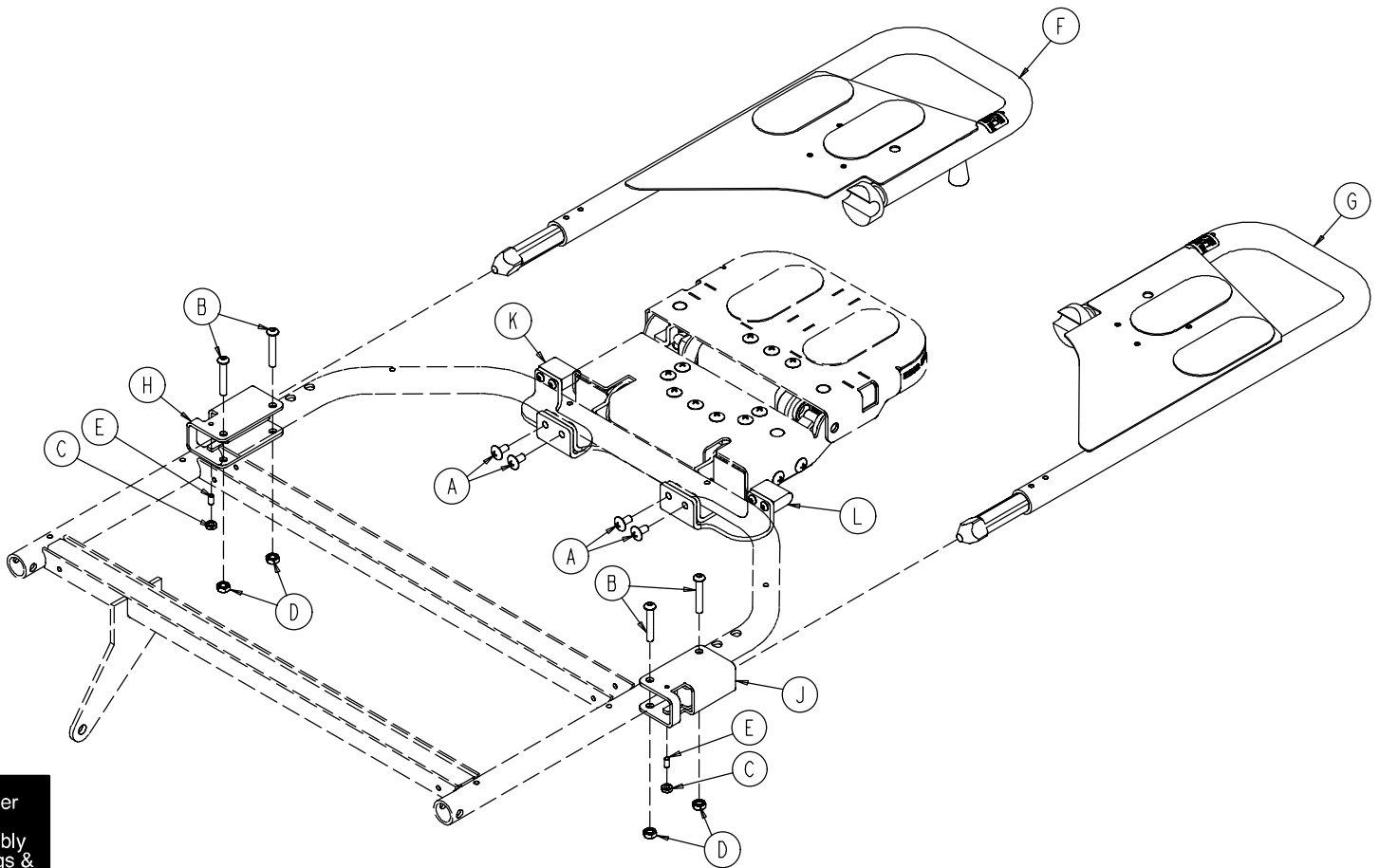
Item	Part No.	Part Name	Qty.
A	1060-1-76	Arm Board Ass'y, Right	1
B	16-28	Nylock Hex Nut	2
C	1010-32-98	Pivot	2
D	1060-1-74	Connecting Link Ass'y	1
E	1010-32-96	Pivot Arm Ass'y, Right	2
F	28-93	Retaining Ring	4
H	3-50	Hex Hd. Cap Screw	2
J	11-224	Nylon Flat Washer	4
K	14-21	Nylon Flat Washer	2
L	4-156	Soc. Hd. Cap Screw	2
M	721-24-46	Label	1
N	14-2	Washer	1

1010-24-30 Optional Arm Board Support Assembly



Item	Part No.	Part Name	Qty.
A	1010-24-15	Support Block	1
B	1010-24-16	Support Arm	1
C	1010-24-14	Warning Label	1
D	38-263	Spring	1
E	8-17	Shoulder Bolt	1
F	1010-26-46	Ball Knob	1

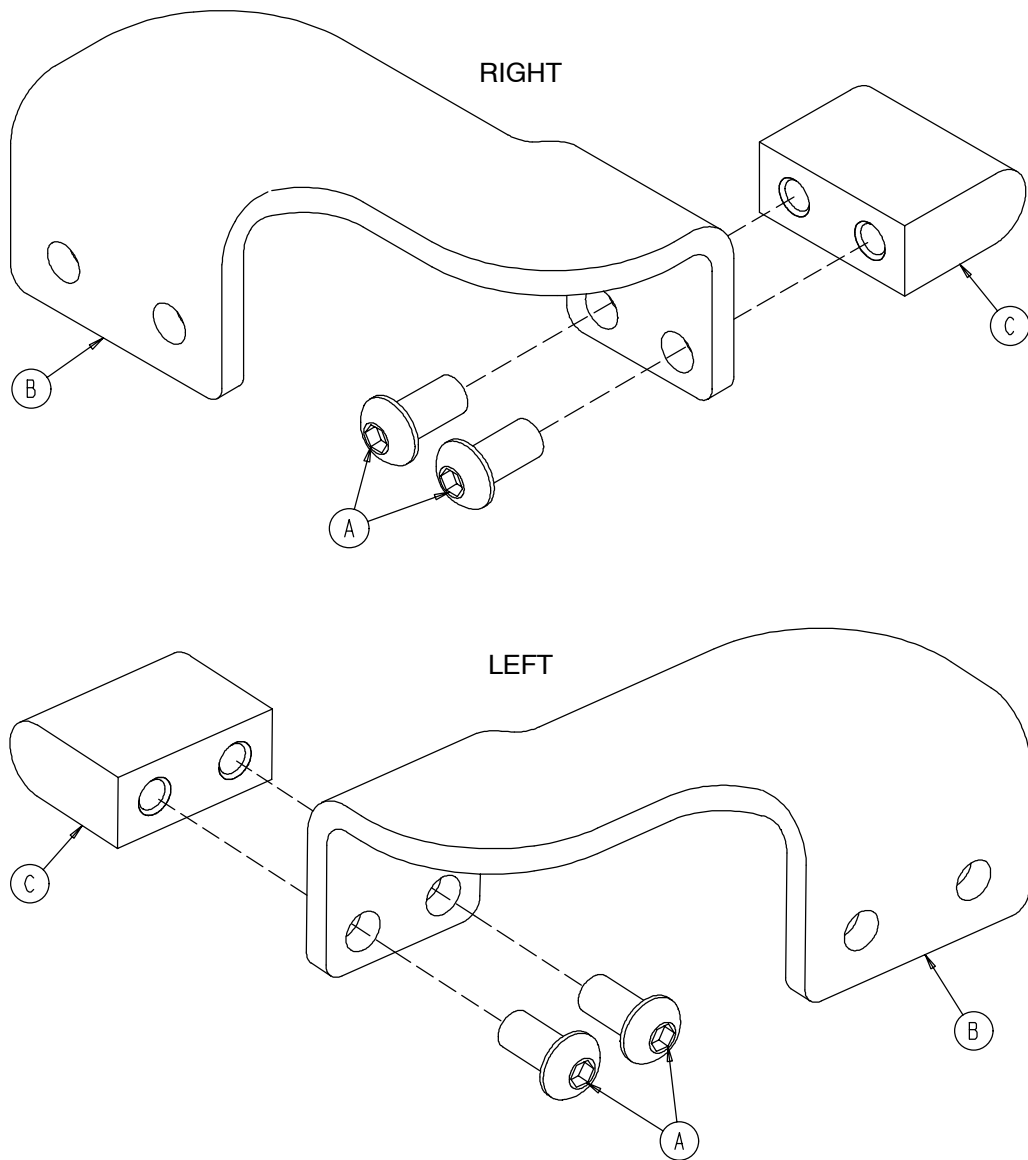
1069-160-10 Pre-Op/Post-Op Head Pad Mounting Assembly



Chapter
Six
Assembly
Drawings &
Parts Lists

Item	Part No.	Part Name	Qty.
A	7-80	Truss Hd. Torx Screw	4
B	4-135	But. Hd. Cap Screw	4
C	15-4	Hex Nut	2
D	16-5	Conelock Nut	4
E	21-119	Set Screw	2
F	(page 6-84)	Head Piece, Right	1
G	(page 6-84)	Head Piece, Left	1
H	1069-60-60	Receptacle Weldment, Right	1
J	1069-60-70	Receptacle Weldment, Left	1
K	(page 6-83)	Latch Bracket, Right	1
L	(page 6-83)	Latch Bracket, Left	1

1069-60-220/225 Latch Bracket Assembly, Right/Left

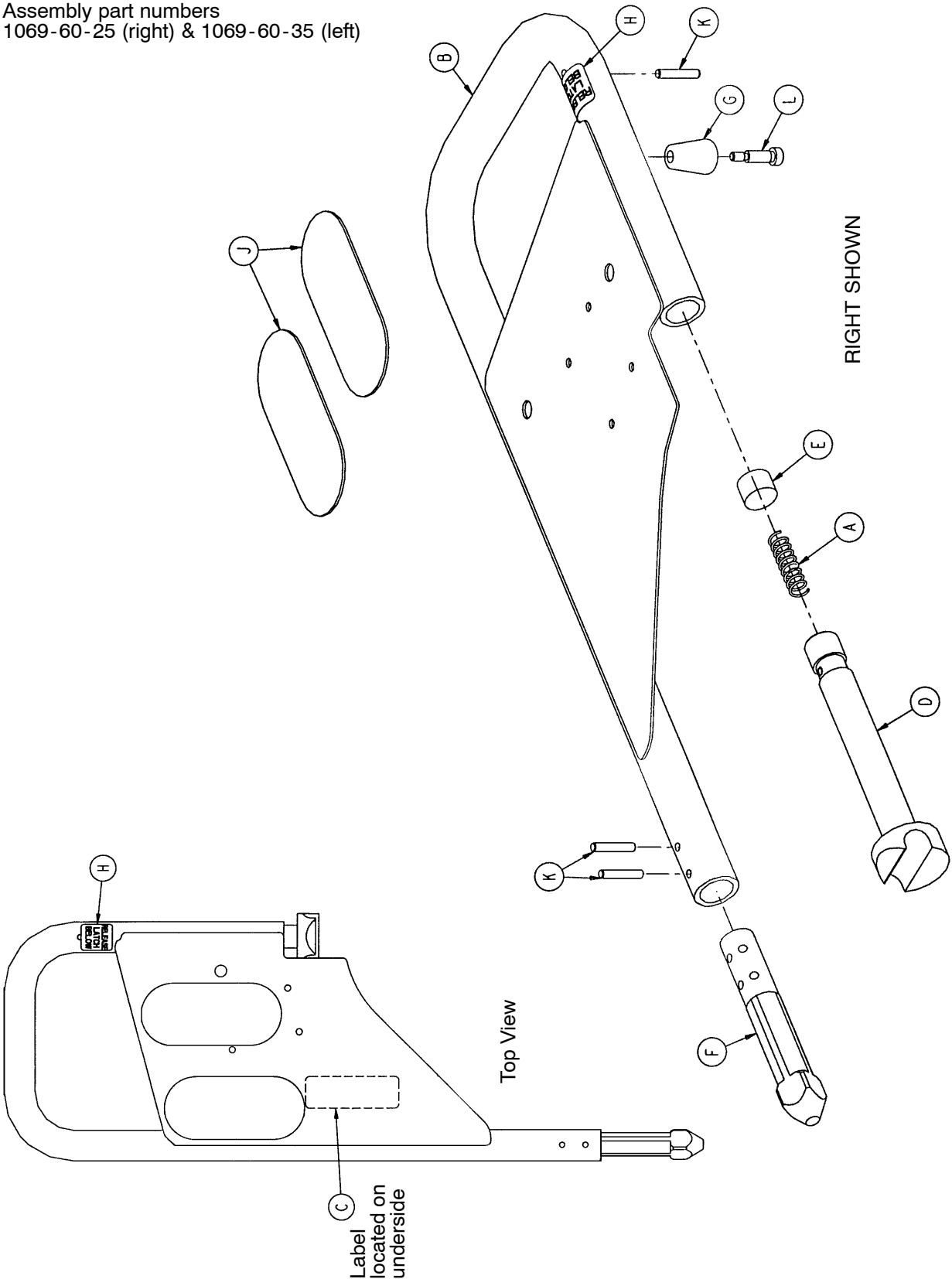


Chapter
Six
Assembly
Drawings &
Parts Lists

Item	Part No.	Part Name	Qty.
A	4-325	Button Hd. Cap Screw	2
B	1069-60-221	Bracket, Right	1
	1069-60-226	Bracket, Left	1
C	1069-60-222	Latch	1

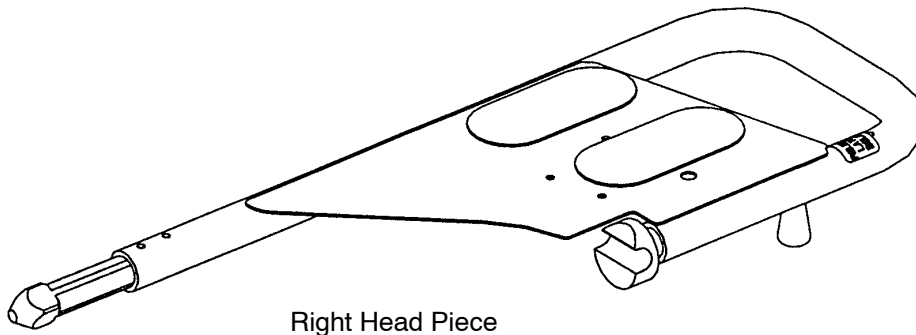
Optional Pre-Op/Post Op Head Piece Assembly

Assembly part numbers
1069-60-25 (right) & 1069-60-35 (left)

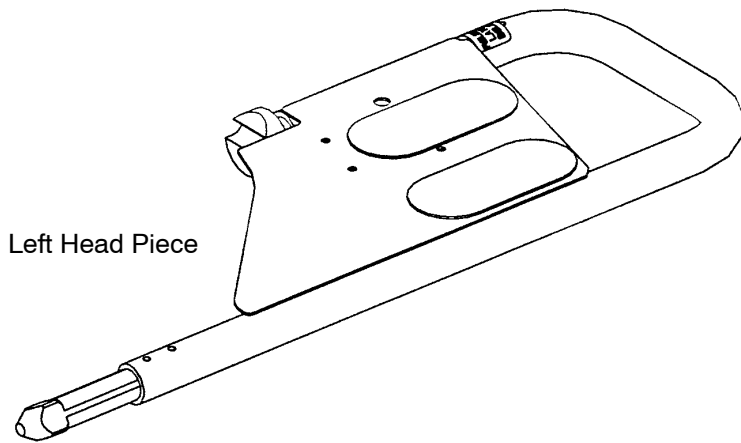


Chapter
Six
Assembly
Drawings &
Parts Lists

Optional Pre-Op/Post Op Head Piece Assembly



Right Head Piece

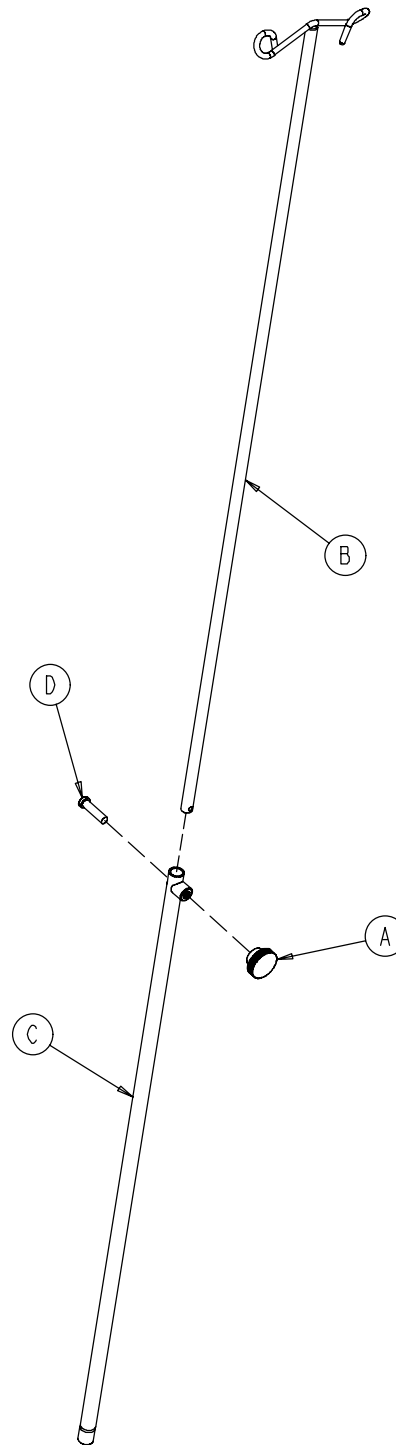


Left Head Piece

Item	Part No.	Part Name	Qty.
A	38-162	Pin Slide Spring	1
B	1069-60-40	Tube Weldment, Right	1
	1069-60-50	Tube Weldment, Left	1
C	1069-60-90	Head Extension Label	1
D	1069-60-140	Slider Pin	1
E	1069-60-142	Spring Spacer	1
F	1069-60-145	Cam Pin	1
G	1069-60-12	Latch Knob	1
H	1069-260-91	Latch Release Label	1
J	7900-1-102	Velcro Pile (4.5")	2
K	26-179	Spirol Pin	3
L	8-20	Shoulder Bolt	1

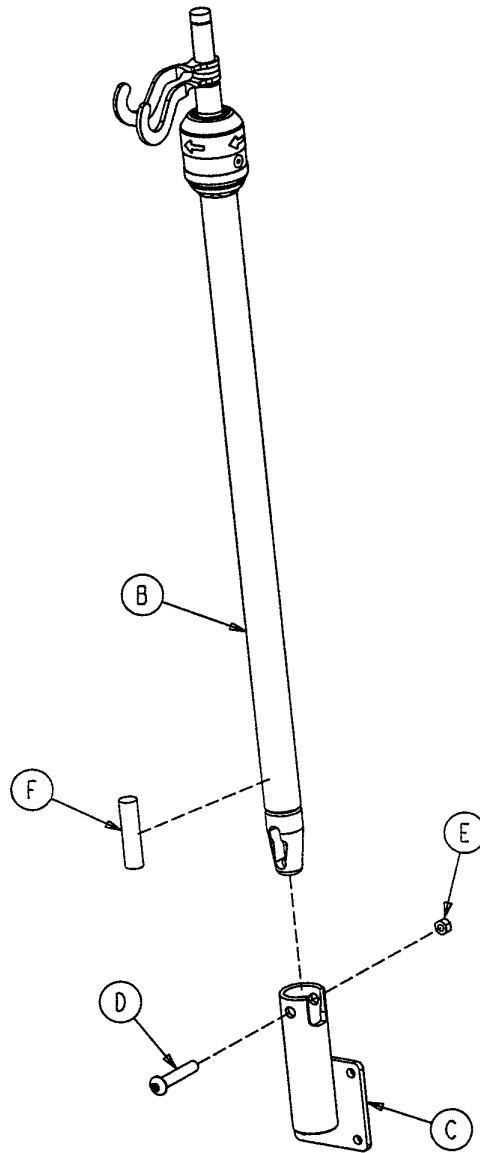
390-25 Standard, Removable I.V. Pole Assembly

Item	Part No.	Part Name	Qty.
A	24-23	Plastic Knob	1
B	390-3-53	Double I.V. Ass'y	1
C	393-3-43	Tube Assembly	1
D	4-496	Soc. Hd. Cap Screw	1



Chapter
Six
Assembly
Drawings &
Parts Lists

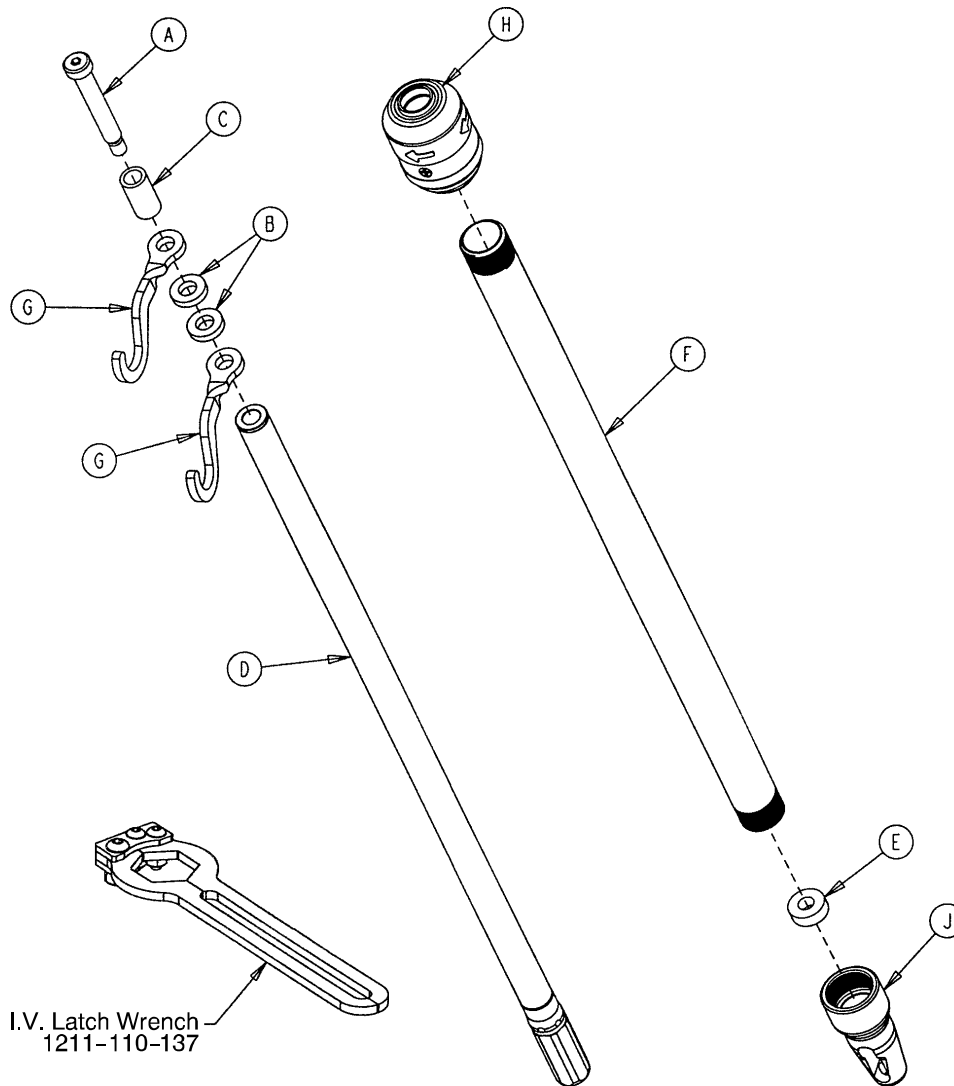
1010-80 Optional 2-Stage I.V. Mounting Assembly, Foot End, Right



Chapter
Six
Assembly
Drawings &
Parts Lists

Item	Part No.	Part Name	Qty.
B	(page 6-88)	I.V. Pole Ass'y	1
C	1001-259-111	I V. Socket Ass'y	1
D	4-199	But. Hd. Cap Screw	1
E	16-11	Flexlock Nut	1
F	1001-59-42	I.V. Plug	1

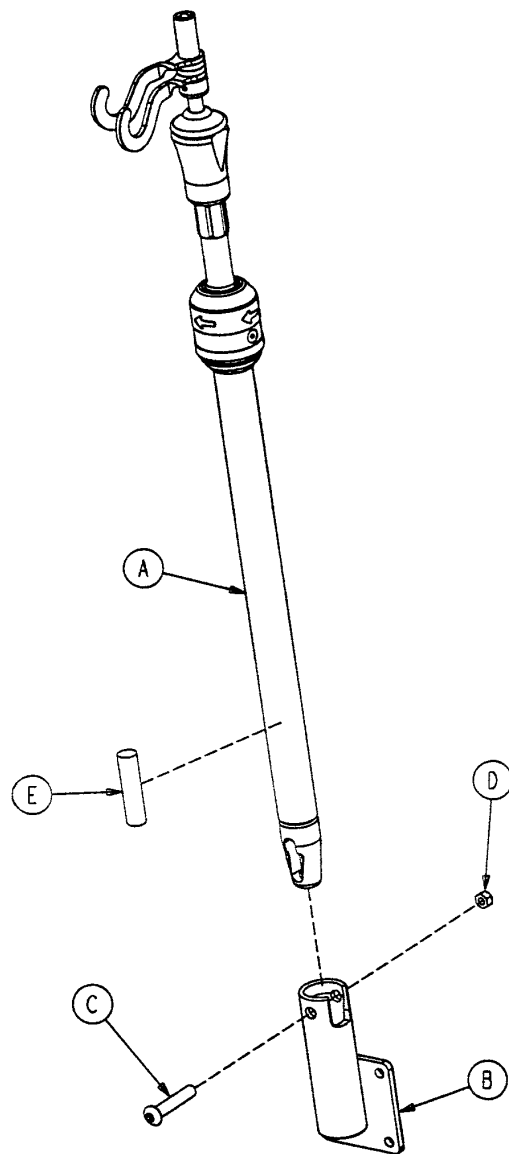
1211-210-10 Optional 2-Stage I.V. Pole Assembly



Chapter
Six
Assembly
Drawings &
Parts Lists

Item	Part No.	Part Name	Qty.
A	8-31	Soc. Hd. Cap Screw	1
B	52-17	Washer	2
C	926-400-162	Spacer	1
D	1211-210-29	2nd Stage Assembly	1
E	1001-359-13	Dampener	1
F	1001-159-28	Base Tube	1
G	1010-259-16	I.V. Hook	2
H	(page 6-92)	I.V. Pole Latch	1
J	1001-359-112	Pivot	1

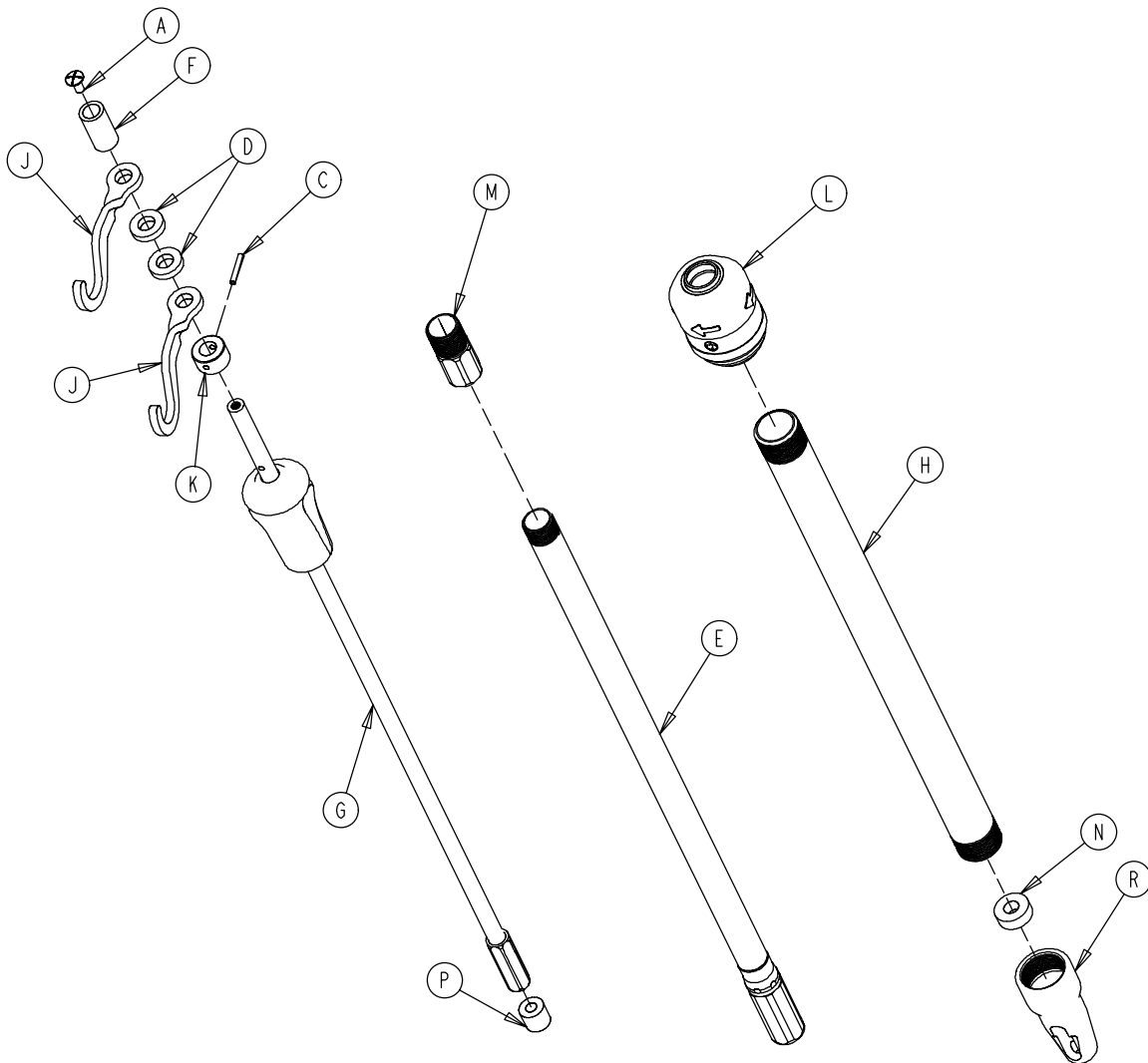
1020-62 Optional 3-Stage I.V. Mounting Assembly, Foot End, Right



Chapter
Six
Assembly
Drawings &
Parts Lists

Item	Part No.	Part Name	Qty.
A	(page 6-90)	I.V. Pole Assembly	1
B	1001-259-111	I.V. Socket Assembly	1
C	4-199	But. Hd. Cap Screw	1
D	16-11	Flexlock Nut	1
E	1001-59-42	Plug	1

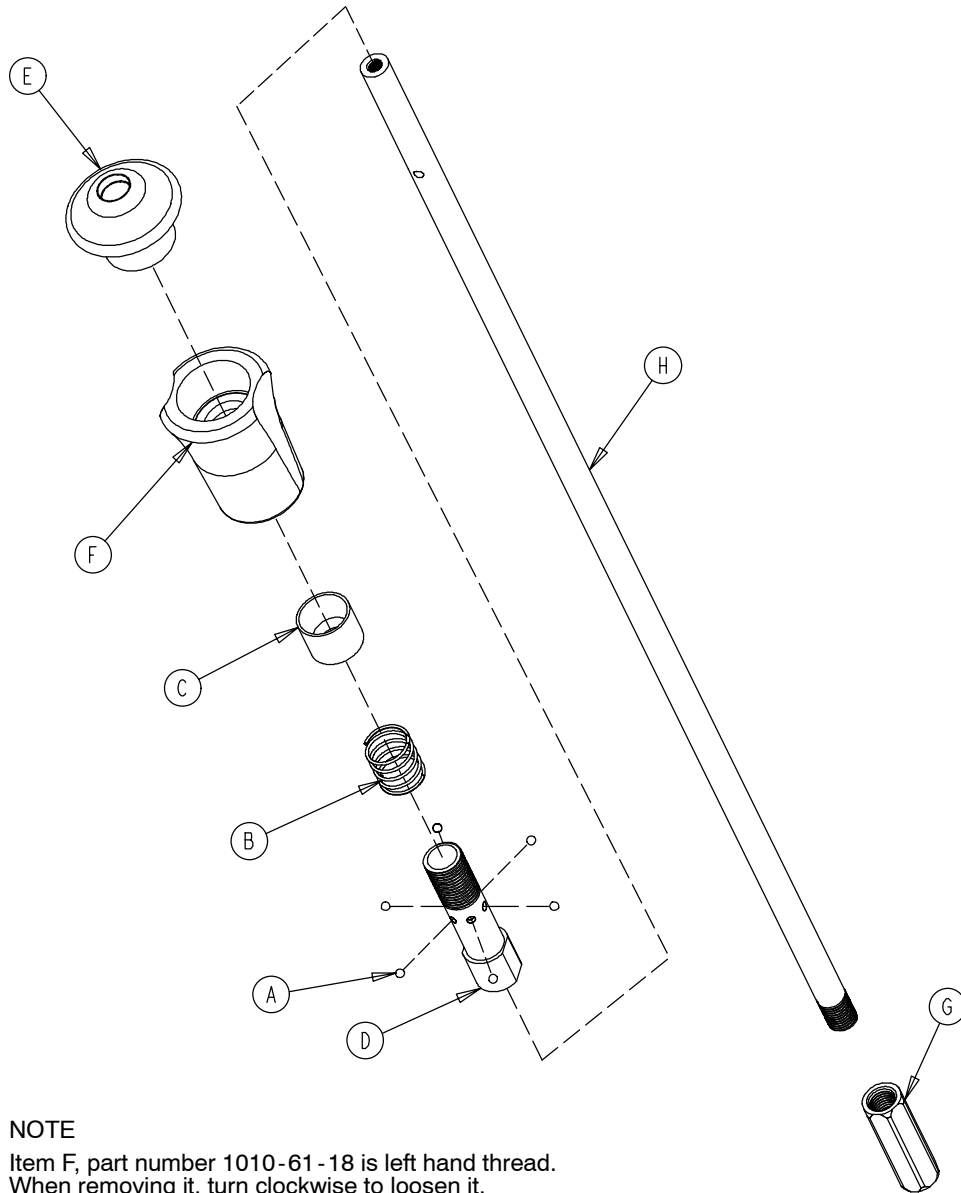
1211-211-10 Optional 3-Stage I.V. Pole Assembly



Chapter
Six
Assembly
Drawings &
Parts Lists

Item	Part No.	Part Name	Qty.
A	7-4	Truss Hd. Machine Screw	1
C	26-76	Roll Pin	1
D	52-17	Spacer	2
E	1211-210-31	2nd Stage Assembly	1
F	926-400-162	Spacer	1
G	(page 6-91)	3rd Stage Assembly	1
H	1001-161-23	Base Tube	1
J	1010-259-16	I.V. Hook	2
K	1010-61-14	Collar	1
L	(page 6-92)	I.V. Pole Latch	1
M	1211-110-16	Threaded Adaptor	1
N	1001-359-13	Dampener	1
P	1001-359-14	Dampener	1
R	1001-359-112	Pivot	1

1211-110-32 Optional 3rd Stage Assembly

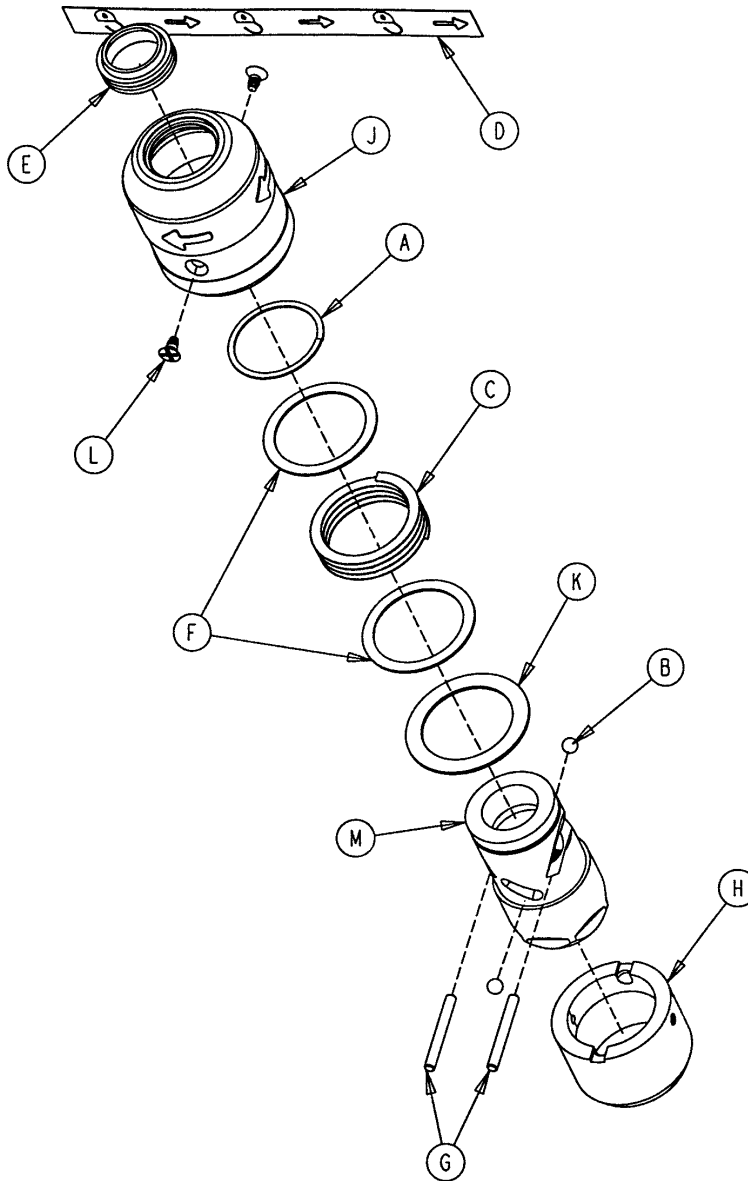


NOTE

Item F, part number 1010-61-18 is left hand thread.
When removing it, turn clockwise to loosen it.

Item	Part No.	Part Name	Qty.
A	31-21	Ball	6
B	38-303	Compression Spring	1
C	1010-61-13	Ball Retainer	1
D	1010-61-16	Retaining Shaft	1
E	1010-61-17	Thumb Knob	1
F	1010-61-18	Hand Guard	1
G	1211-110-117	Nut	1
H	1211-110-33	3rd Extension Rod	1

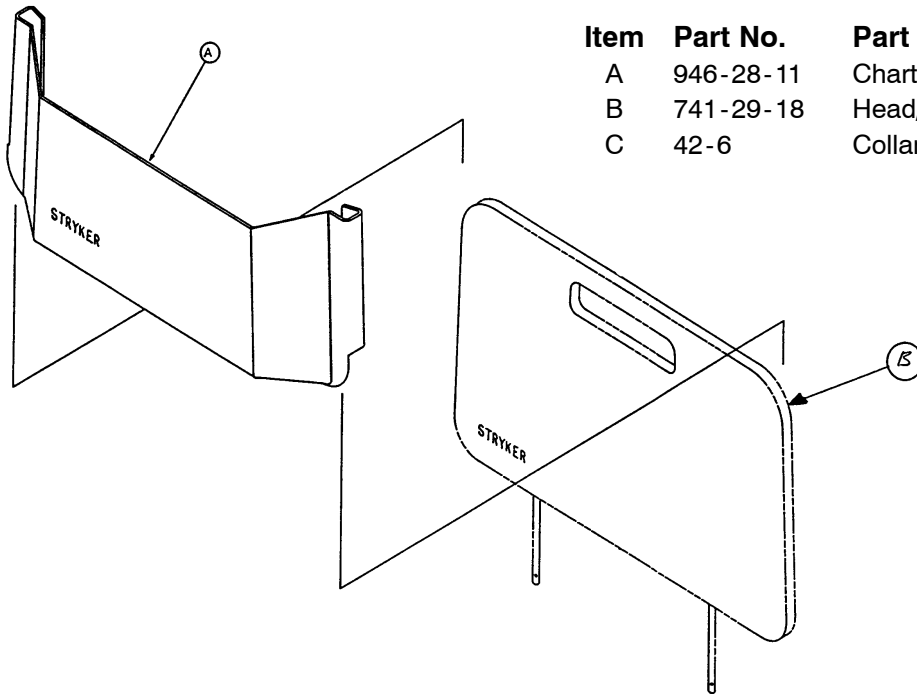
1211-210-26 Optional I.V. Pole Latch Assembly



Chapter
Six
Assembly
Drawings &
Parts Lists

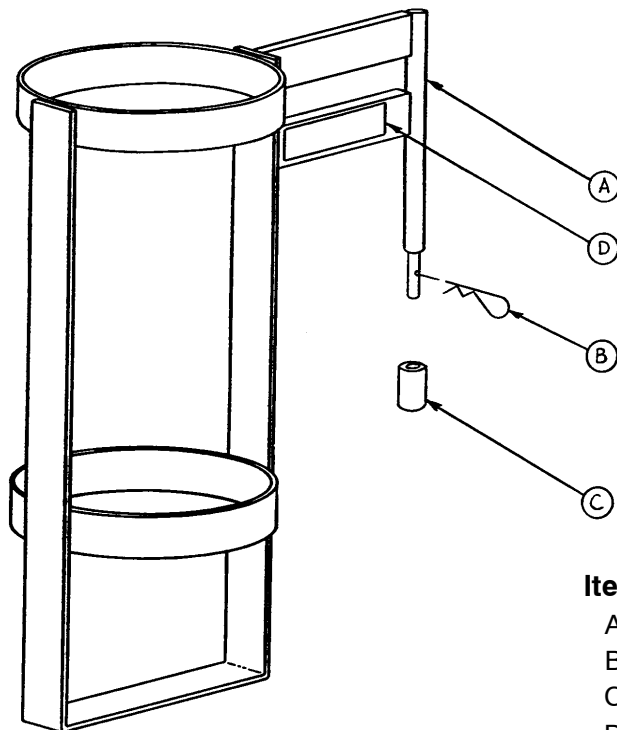
Item	Part No.	Part Name	Qty.
A	28-167	Retaining Ring	1
B	31-4	Steel Ball	2
C	38-392	Crest-to-Crest Spring	1
D	1211-91-34	Release Label	1
E	1211-110-18	I.V. Latch Seal	1
F	1211-110-20	Washer	2
G	1211-110-21	I.V. Latch Locking Pin	2
H	1211-110-22	I.V. Latch Guide	1
J	1211-110-24	I.V. Latch O.D. Housing	1
K	1211-110-35	Washer	1
L	1211-110-36	Self-Tapping Screw	2
M	1211-210-23	I.V. Latch I.D. Housing	1

741-34-100 Optional Foot Board/Chartholder Assembly



Item	Part No.	Part Name	Qty.
A	946-28-11	Chart Holder	1
B	741-29-18	Head/Foot Board	1
C	42-6	Collar	2

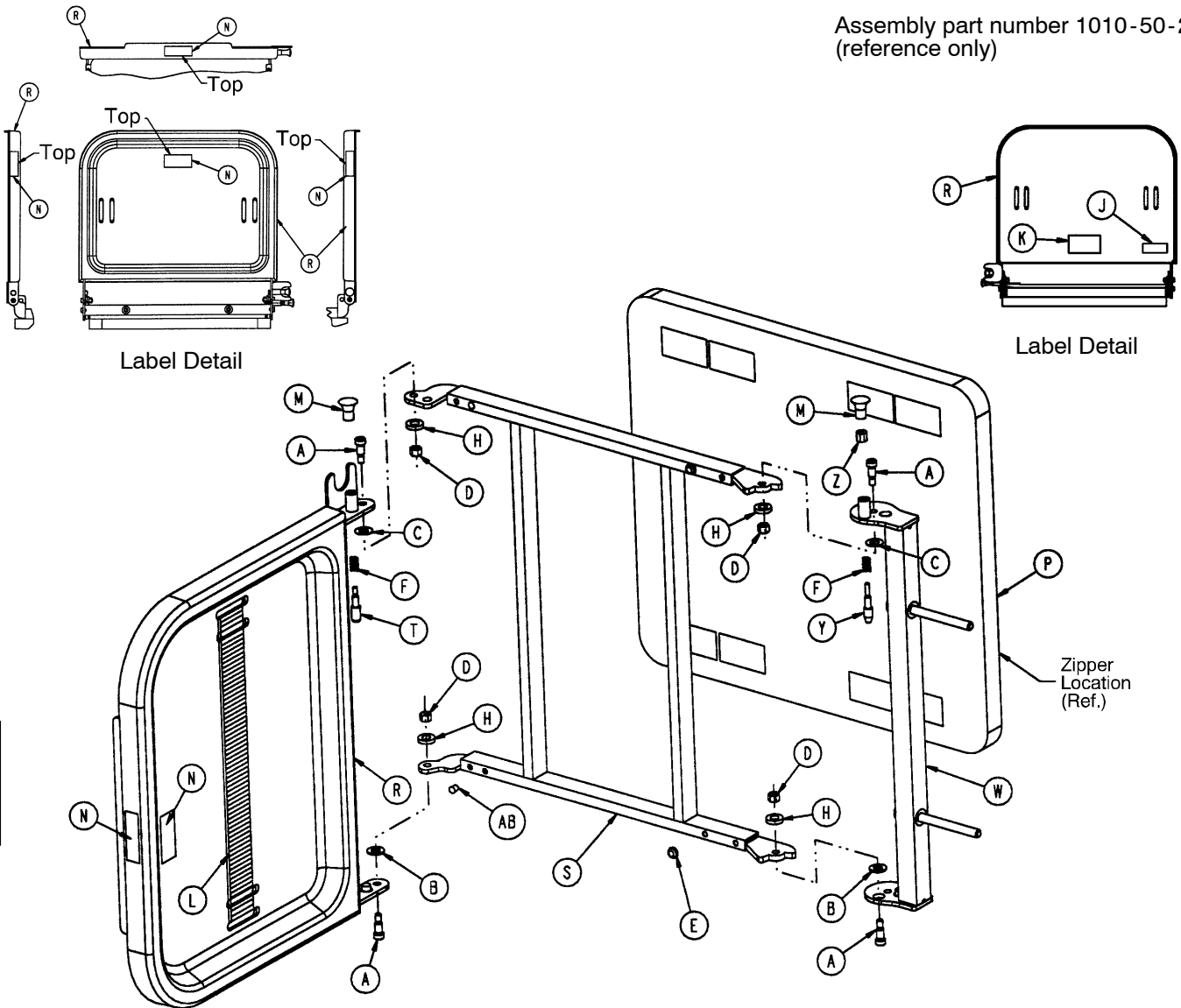
1010-30 Optional Upright Oxygen Bottle Holder Assembly



Item	Part Name	Part Name	Qty.
A	1010-30-11	Upright Bottle Holder	1
B	27-12	Cotter Pin	1
C	741-30-24	Nylon Stand-Off	1
D	1010-30-17	Spec. Label	1

1010-50-100 Optional Foot Extension/Defibrillator Tray Assembly

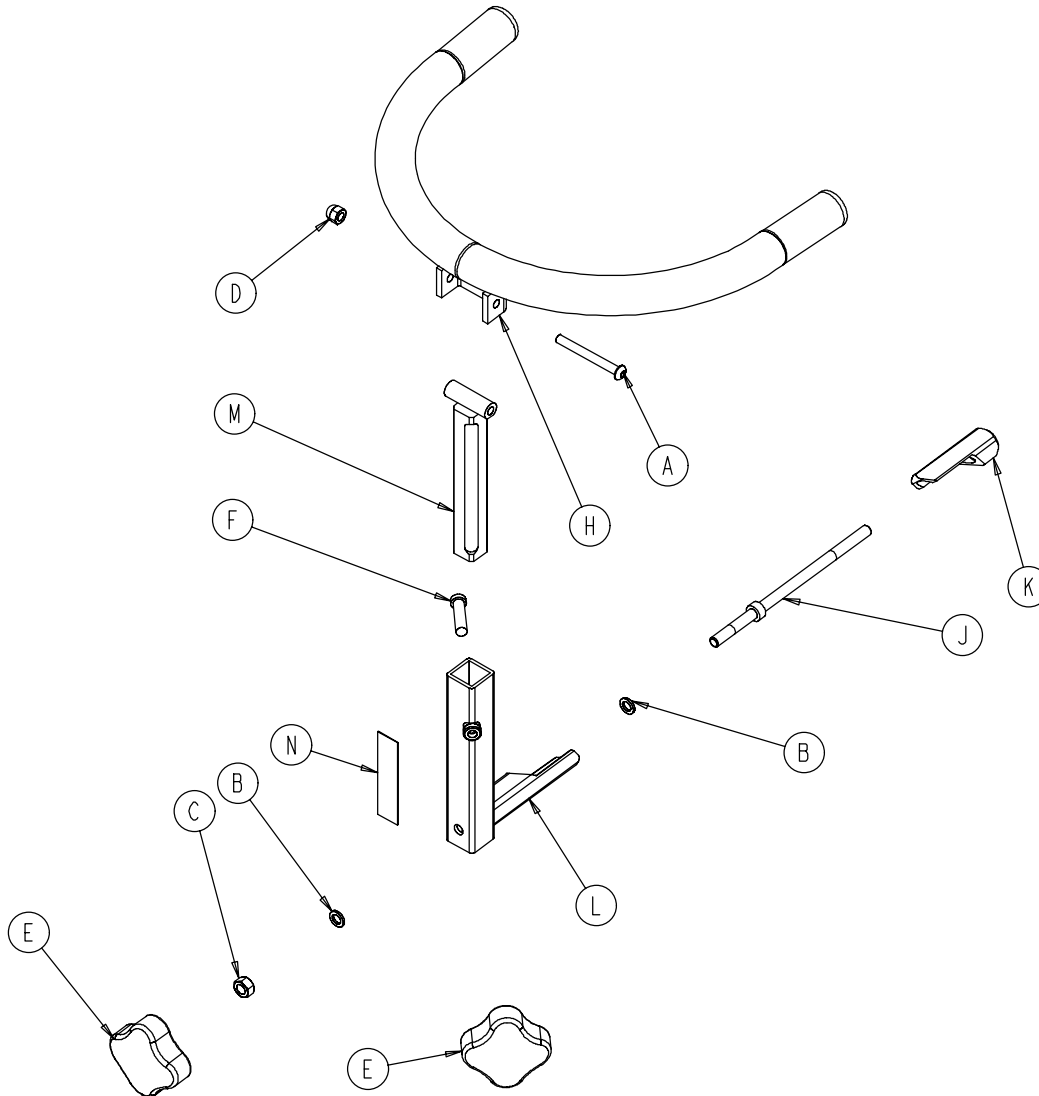
Assembly part number 1010-50-210
(reference only)



Chapter
Six
Assembly
Drawings &
Parts Lists

Item	Part No.	Part Name	Qty.	Item	Part No.	Part Name	Qty.
A	8-49	Socket Hd. Shoulder Bolt	4	M	1010-50-50	Knob	2
B	14-20	Nylon Washer	2	N	1010-50-57	"Max. Weight" Label	4
C	14-21	Nylon Washer	2	P	1010-50-205	Cushion Assembly	1
D	16-28	Fiberlock Nut	4	R	1010-50-218	Foot & Tray Board	1
E	37-52	Rubber Bumper	2	S	1010-50-225	Pivot Frame Weldment	1
F	38-133	Spring	2	T	1010-50-242	Pin Lock	1
H	52-17	Spacer	4	W	1010-50-246	Base Mounting Ass'y	1
J	1010-50-17	Specification Label	1	Y	1010-50-248	Lower Pin Lock	1
K	1010-50-19	"Push/Pull" Label	1	Z	1010-50-250	Pin Adjuster	1
L	1010-50-21	Long Strap	1	AB	721-31-65	Hole Plug	

1068-250 Optional Superior Wrist Rest Assembly

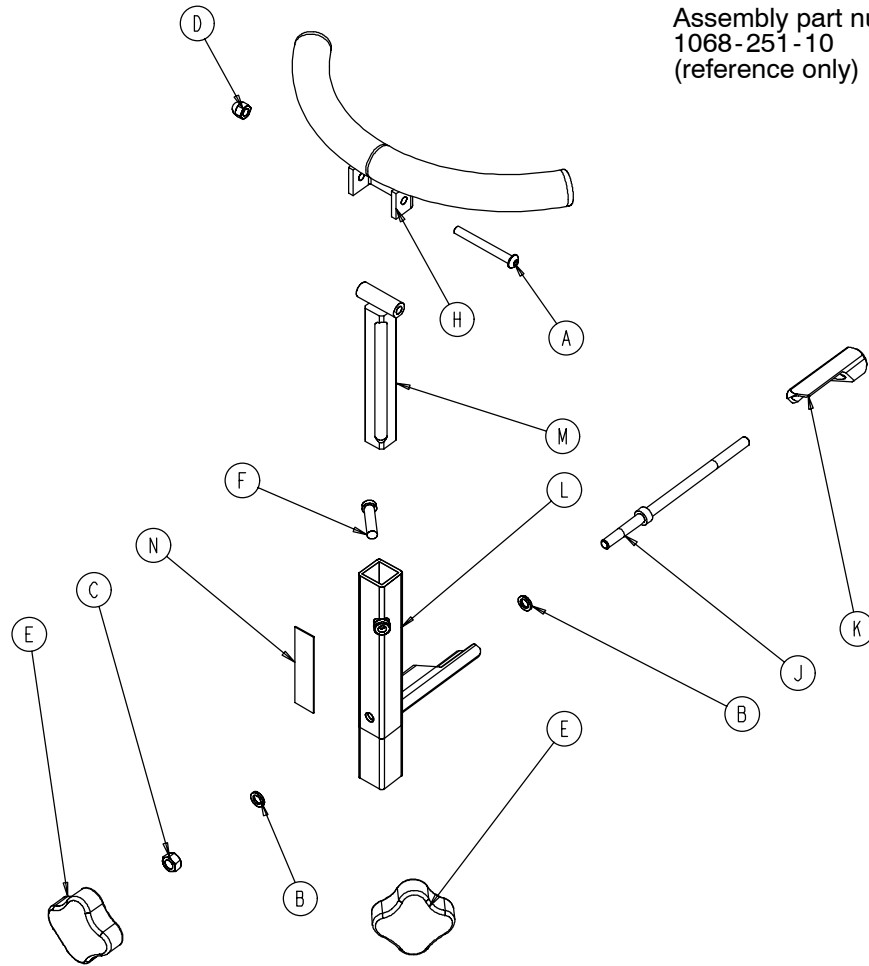


Chapter
Six
Assembly
Drawings &
Parts Lists

Item	Part No.	Part Name	Qty.
A	4-163	But. Hd. Cap Screw	1
B	14-3	Fiber Washer	2
C	15-12	Hex Nut	1
D	17-4	Acorn Nut	1
E	24-54	Knob, Female	2
F	4-371	Low Profile Soc. Hd. Cap Scr.	1
H	1068-50-55	Tube Weldment	1
J	1068-250-41	Wedge Bolt	1
K	1068-250-42	Locking Wedge	1
L	1068-250-50	Base Tube Weldment	1
M	1068-252-55	Support Bar Weldment	1
N	1068-290-50	Specification Label	1

1068-251 Optional Temporal Wrist Rest Assembly

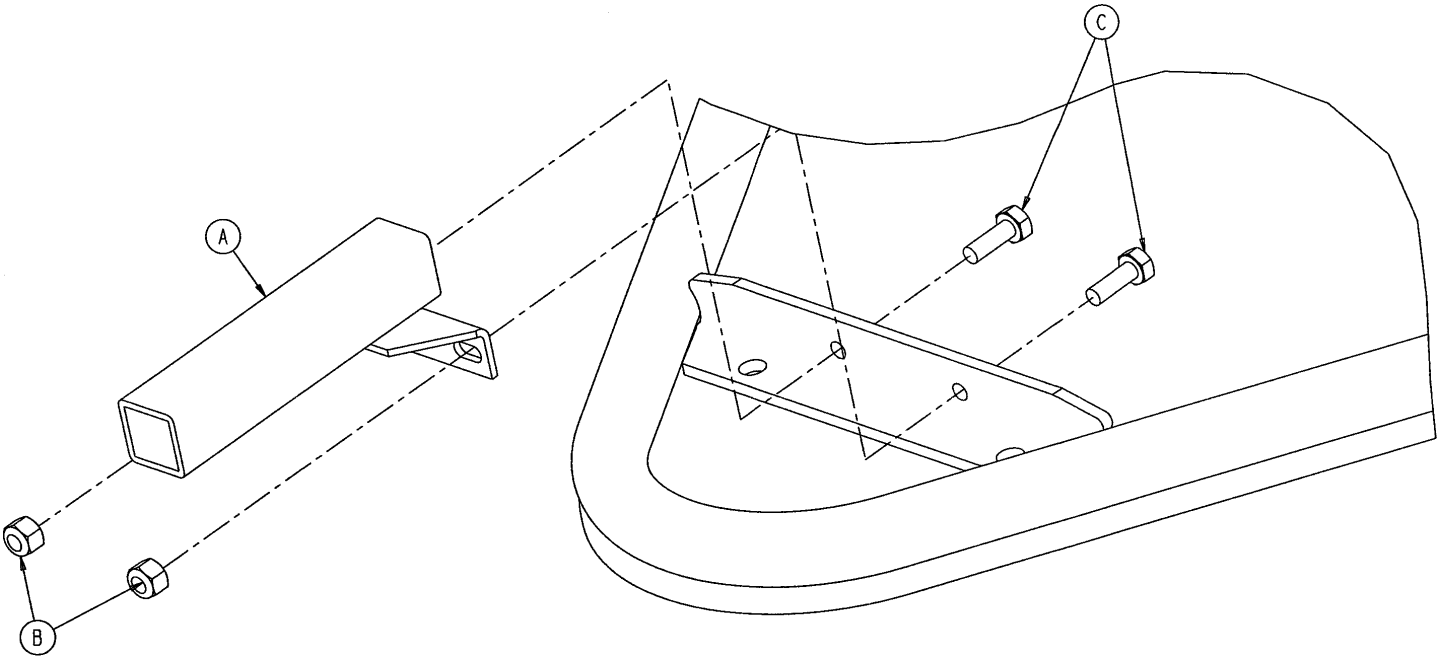
Assembly part number
1068-251-10
(reference only)



Chapter
Six
Assembly
Drawings &
Parts Lists

Item	Part No.	Part Name	Qty.
A	4-163	But. Hd. Cap Screw	1
B	14-3	Fiber Washer	2
C	15-12	Hex Nut	1
D	17-4	Acorn Nut	1
E	24-54	Knob, Female	2
F	4-371	Low Profile Soc. Hd. Cap Scr.	1
H	1068-51-50	Tube Weldment	1
J	1068-250-41	Wedge Bolt	1
K	1068-250-42	Locking Wedge	1
L	1068-250-50	Base Tube Weldment	1
M	1068-252-55	Support Bar Weldment	1
N	1068-290-51	Specification Label	1

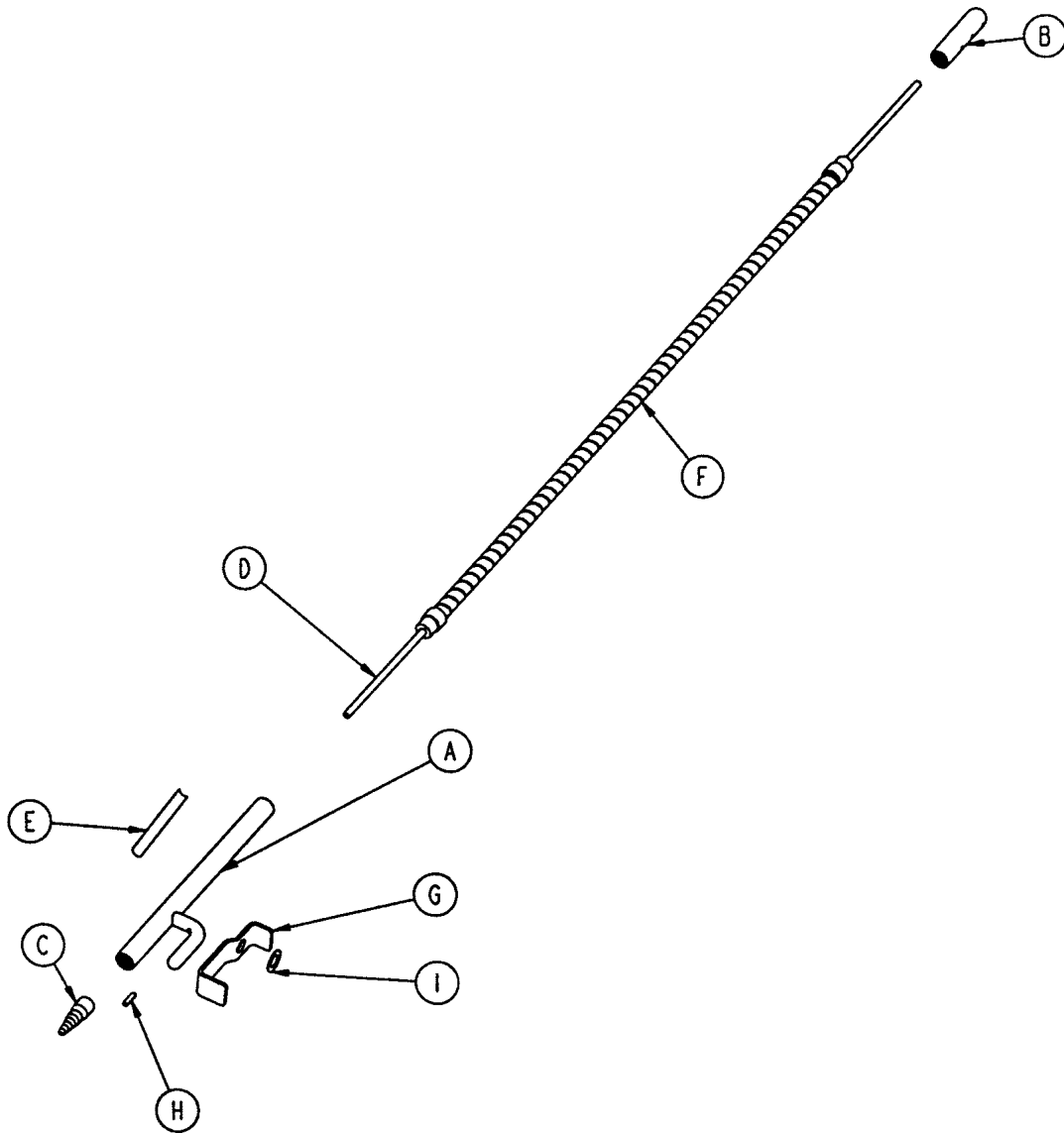
1069-33-205 Optional Wrist Rest Mounting Bracket Assembly



Item	Part No.	Part Name	Qty.
A	1069-33-200	Wrist Rest Mounting Tube	1
B	16-28	Hex Nut	2
C	3-2	Hex Hd. Cap Screw	2

Chapter
Six
Assembly
Drawings &
Parts Lists

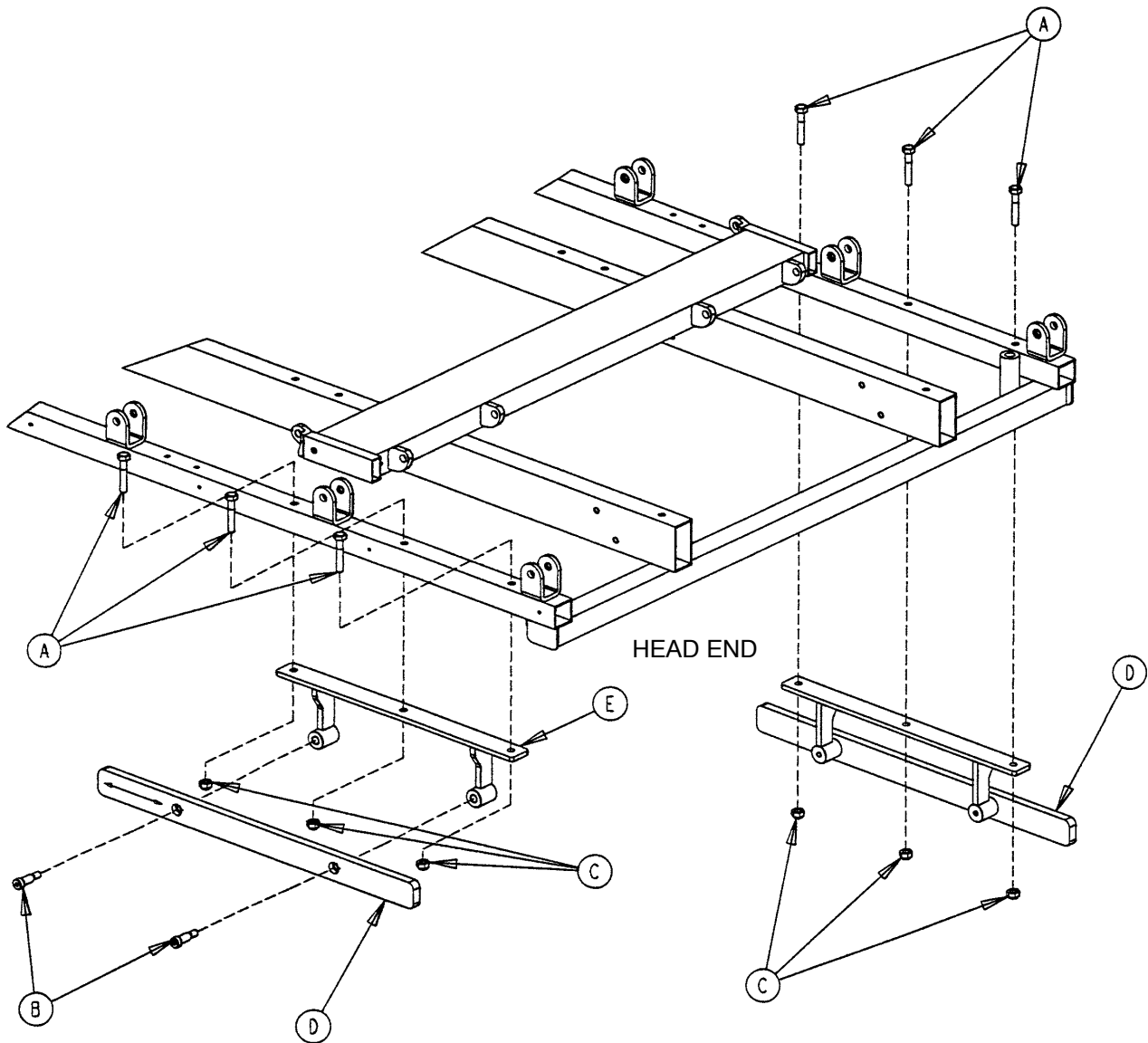
1068-168 Optional Drape Support Assembly



Chapter
Six
Assembly
Drawings &
Parts Lists

Item	Part No.	Part Name	Qty.
A	1068-168-50	Drape Support Weldment	1
B	1068-68-43	Oxygen Tube Cap	1
C	1068-268-42	Oxygen Tube Receptacle	1
D	1068-68-41	Oxygen Supply Line	1
E	1068-90-68	Specification Label	1
F	1066-85-13	Goose Neck	1
G	1068-168-15	O ₂ Latch	1
H	26-172	Roll Pin	1
I	14-7	Nylon Washer	1

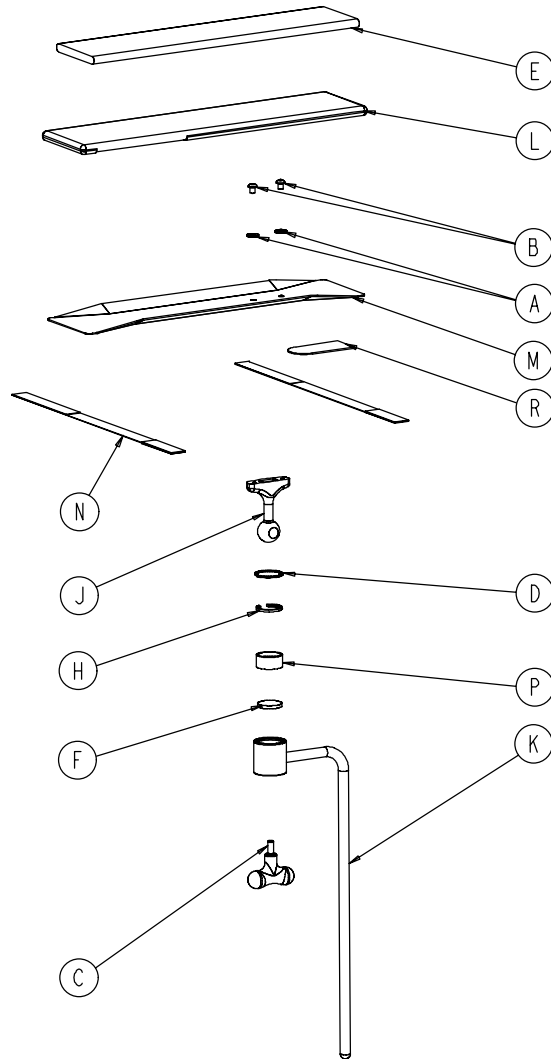
1068-266 Optional Accessory Rail Assembly



Chapter
Six
Assembly
Drawings &
Parts Lists

Item	Part No.	Part Name	Qty.
A	3-47	Hex Hd. Cap Screw	6
B	8-15	Shoulder Bolt	4
C	16-28	Nylock Hex Nut	6
D	1068-66-42	Option Bar Rail	2
E	1068-266-50	Mounting Bracket Weldment	2

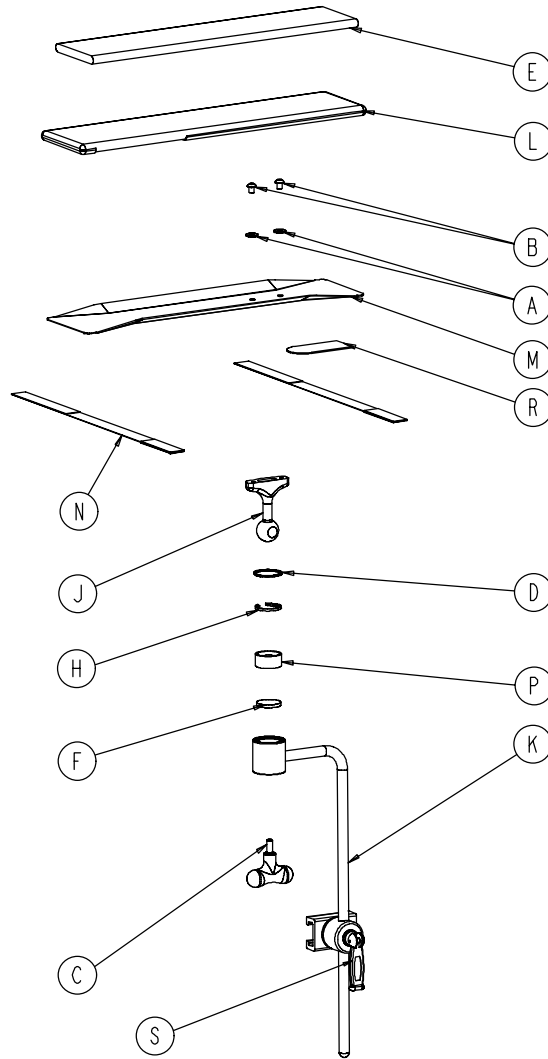
1068-55-10 Optional Arm Board Assembly



Chapter
Six
Assembly
Drawings &
Parts Lists

Item	Part No.	Part Name	Qty.
A	11-3	Flat Washer	2
B	4-269	Button Hd. Cap Screw	2
C	24-44	T-Handle	1
D	28-104	Retaining Ring	1
E	390-11-12	Foam Pad	1
F	1060-1-152	Disc	1
H	1060-1-154	Split Ring	1
J	1060-1-155	Ball Post	1
K	1060-1-159	Leg Support Bar	1
L	1068-56-13	Arm Board Cover	1
M	1068-56-15	Arm Board	1
N	1068-56-16	Restraint Strap Assembly	2
P	8812-670-000	Jaw	1
R	7900-1-102	Adhesive Velcro Pile	4"

1068-56-110 Optional Arm Board Assembly with Direct Clamp

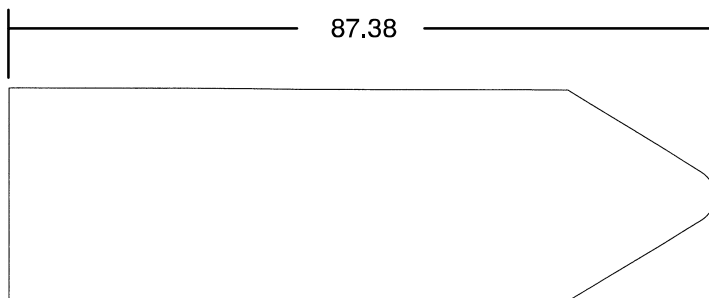


Chapter
Six
Assembly
Drawings &
Parts Lists

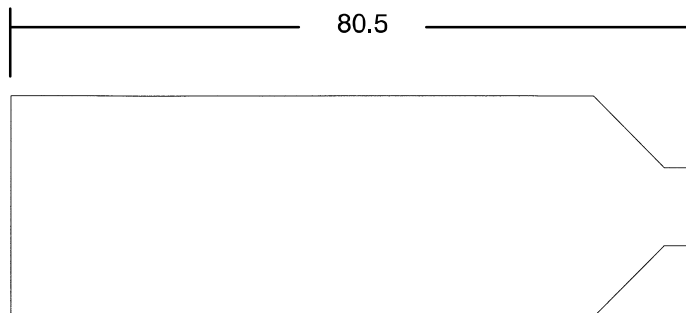
Item	Part No.	Part Name	Qty.
A	11-3	Flat Washer	2
B	4-269	Button Hd. Cap Screw	2
C	24-44	T-Handle	1
D	28-104	Retaining Ring	1
E	390-11-12	Foam Pad	1
F	1060-1-152	Disc	1
H	1060-1-154	Split Ring	1
J	1060-1-155	Ball Post	1
K	1060-1-159	Leg Support Bar	1
L	1068-56-13	Arm Board Cover	1
M	1068-56-15	Arm Board	1
N	1068-56-16	Restraint Strap Assembly	2
P	8812-670-000	Jaw	1
R	7900-1-102	Adhesive Velcro Pile	4"
S	1068-54-10	Direct Clamp	1

Mattresses and Siderail Pads

ZERO
ARTICULATION
MATTRESS

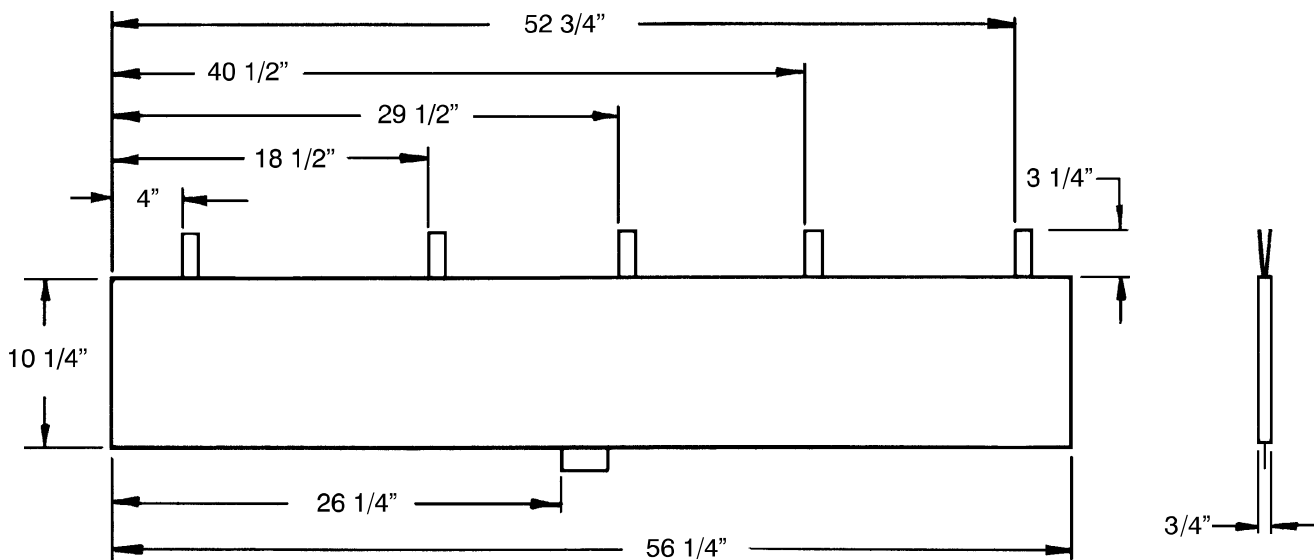


DUAL
ARTICULATION
MATTRESS



- Mattress, 2" Thick x 26" Wide, Standard, Dual Articulation part # 1069-26-50
- Mattress, 3" Thick x 26" Wide, Standard, Dual Articulation part # 1069-26-60
- Mattress, 4" Thick x 26" Wide, Standard, Dual Articulation part # 1069-26-90
- Mattress, 3" Thick x 26" Wide, Enhanced Comfort, Dual Articulation part # 1069-26-70
- Mattress, 4" Thick x 26" Wide, Enhanced Comfort, Dual Articulation part # 1069-26-80
- Mattress, 3" Thick x 26" Wide, Standard, Zero Articulation part # 1069-26-10
- Mattress, 3" Thick x 26" Wide, Enhanced Comfort, Zero Articulation part # 1069-26-20
- Mattress, 4" Thick x 26" Wide, Enhanced Comfort, Zero Articulation part # 1069-26-30

Chapter
Six
Assembly
Drawings &
Parts Lists



- Siderail Pad Set part # 1010-52



European Representative

Stryker EMEA RA/QA Director
Stryker France
ZAC Satolas Green Pusignan
Av. De Satolas Green
69881 MEYZIEU Cedex
France

stryker[®]
Medical

6300 S. Sprinkle Road, Kalamazoo, MI 49001 - 9799

(800) 327-0770
www.strykermedical.com



DH 7/03 1069-009-002 REV B