

stryker[®]

Maintenance Manual

Medical

Eye Surgery Stretcher
Model 1069

**Important
Information**

File in your
maintenance
records

For parts or technical
assistance call
800 327 0770 (option 2)



Table of Contents

Introduction	
Specifications	3
Warning / Caution / Note Definition	3
Preventative Maintenance	
Checklist	4
Cleaning	5
Service Information	
Caster Cover Installation and Removal	6
Caster Removal	6
Release Pedal Adjustment	7
Brake Rod Removal	7
Side Control Brake Rod Removal	8
Foot End Release Pedal Replacement	9
Foot End Release Pedal Rod Removal	9
Brake Ring Removal	10
Fifth Wheel Assembly Removal	10
Litter Top Removal	11
Removal of Excess Air from the Hydraulic System	11
Jack Descent Rate Adjustment	11
Foot End Hydraulic Jack Removal	12
Head End Hydraulic Jack Removal	12
Siderail Latch Adjustment	13
Arm Board Counterbalance Adjustment	13
Pneumatic Fowler Adjustment	14
Pneumatic Fowler Release Handle Adjustment	15
Pneumatic Cylinder Replacement	16
Quick Reference Replacement Parts List	17
Assembly Drawings and Parts Lists	
Base Assembly with Foot End Brakes	19, 20
Brake Rod Assembly (Foot End Brakes)	21
Base Assembly with Foot End and Side Control Brakes	22, 23
Side Control Brake Rod Assembly	24
Brake Rod Assembly	25
Base with Dual Side Hydraulics	26–28
Release Pedal Assembly	29
Head End Pump Pedal Assembly	30

Table of Contents

Assembly Drawings and Parts Lists (Continued)


Base Assembly with Three–Side Hydraulics	31, 32
Foot End Release Pedal Assembly	33
Foot End Pedal / Bearing Assembly	34
Drive Link Assembly	35,36
Caster Assembly	37
Fifth Wheel Base Assembly	39
Fifth Wheel Assembly	40, 41
Base Labeling Assembly	42 – 50
Constant Descent Hydraulic Jacks	51
Trend Limiter	52
Litter Assembly	53 – 55
Jack Support Assembly	56, 57
Pneumatic Fowler Assembly	58 – 71
Articulating Head Piece Assembly	72 – 75
Crank Fowler Assembly	76 – 83
Stationary Foot Section Assembly	84
Knee Gatch Assembly	86 – 89
Siderail Assembly	90 – 93
Transfer System Assembly	94 – 97
Pre–Op/Post–Op Head Piece	98–101
IV Pole Assembly	102–108
O2 Bottle Holder	109
Defibrillator Tray Assembly	110
Foot Extension/Defibrillator Tray Assembly	111
Wrist Rests	112 – 114
Air Delivery / Drape Support	115
Accessory Rail Assembly	116
Arm Board Assembly	117, 118
Serving Tray Assembly	119
Foot Board/Chartholder Assembly	120
Mattresses and Siderail Pads	121
Warranty	
Obtaining Parts and Service	122
Service Contract Coverage	122
Return Authorization	123
Freight Damage Claims	123

Introduction

INTRODUCTION

This manual is designed to assist you with the maintenance of the Model 1069 Eye Surgery Stretcher. Read it thoroughly before using the equipment or beginning any maintenance on it.

SPECIFICATIONS

Maximum Weight Capacity	500 pounds	
Overall Bed Length/Width	90" / 31.5"	
Minimum/Maximum Bed Height	22.25" / 34"	
Fowler Angle	0 to 90°	
Knee Gatch Angle	0 to 30°	
Trendelenburg/Reverse Trendelenburg	-18° to +18°	

Stryker reserves the right to change specifications without notice.

WARNING / CAUTION / NOTE DEFINITION

The words WARNING, CAUTION and NOTE carry special meanings and should be carefully reviewed.

WARNING

Alerts the reader about a situation, which if not avoided, could result in death or serious injury. It may also describe potential serious adverse reactions and safety hazards.

CAUTION

Alerts the reader of a potentially hazardous situation, which if not avoided, may result in minor or moderate injury to the user or patient or damage to the equipment or other property. This includes special care necessary for the safe and effective use of the device and the care necessary to avoid damage to a device that may occur as a result of use or misuse.

NOTE

This provides special information to make maintenance easier or important instructions clearer.



Safe Working Load

Preventative Maintenance

CHECKLIST

- _____ All fasteners secure
- _____ Siderails move and latch properly
- _____ Engage brake pedal and push on the stretcher to ensure all casters lock securely
- _____ Steer function working properly
- _____ All casters secure and swiveling properly
- _____ Body restraints working properly
- _____ I.V. pole intact and operating properly
- _____ Oxygen bottle holder intact and operating properly
- _____ Fowler operating properly
- _____ Optional articulating head piece locking and releasing properly
- _____ Knee Gatch operating properly
- _____ Trendelenburg/Reverse Trendelenburg operating properly
- _____ No rips or cracks in mattress cover
- _____ Arm boards intact and operating properly
- _____ Arm board support levers intact and operating properly
- _____ Ground chain intact
- _____ No leaks at hydraulic connections
- _____ Hydraulic jacks holding properly
- _____ Hydraulic drop rate set properly
- _____ Hydraulic oil level sufficient
- _____ Lubricate where required, including the pin and block ("U" joint) on the Fowler assembly

Serial No. _____

Completed By: _____

Date: _____

NOTE

Preventative maintenance should be performed at a minimum of annually. A preventative maintenance program should be established for all Stryker Medical equipment. Preventative maintenance may need to be performed more frequently based on the usage level of the product.

Cleaning

Hand wash all surfaces of the stretcher with warm water and mild detergent. DRY THOROUGHLY. Do not steam clean, pressure wash, hose off or ultrasonically clean. Using these methods of cleaning is **not** recommended and may void this product's warranty.

Suggested cleaners for stretcher surfaces:

Quaternary Cleaners (active ingredient – ammonium chloride)

Phenolic Cleaners (active ingredient – o-phenylphenol)

Chlorinated Bleach Solution (5.25% – less than 1 part bleach to 100 parts water)

Avoid oversaturation and ensure the product does not stay wet longer than the chemical manufacturer's guidelines for proper disinfecting.

CAUTION

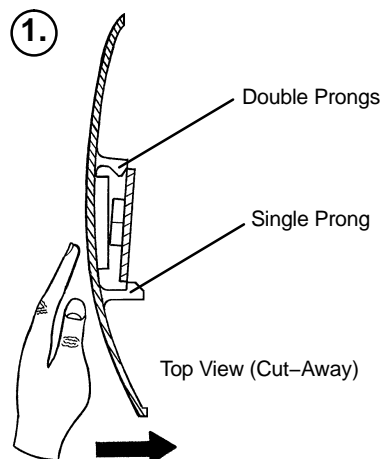
SOME CLEANING PRODUCTS ARE CORROSIVE IN NATURE AND MAY CAUSE DAMAGE TO THE PRODUCT IF USED IMPROPERLY. If the products described above are used to clean Stryker patient care equipment, measures must be taken to insure the beds are wiped with clean water and thoroughly dried following cleaning. Failure to properly rinse and dry the beds will leave a corrosive residue on the surface of the bed, possibly causing premature corrosion of critical components. Failure to follow the above directions when using these types of cleaners may void this product's warranty.

For mattress cleaning instructions, please see the tag on the mattress, or contact the mattress manufacturer.

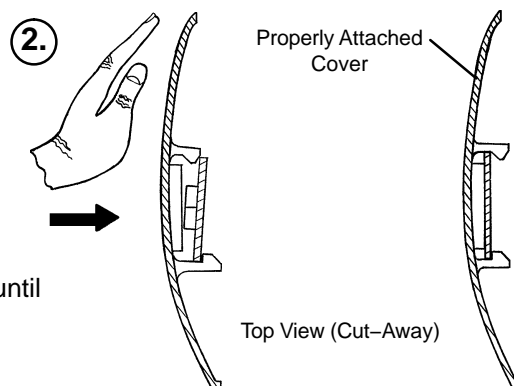
Clean Velcro® AFTER EACH USE. Saturate Velcro® with disinfectant and allow disinfectant to evaporate. (Appropriate disinfectant for nylon Velcro® should be determined by the hospital.)

Service Information

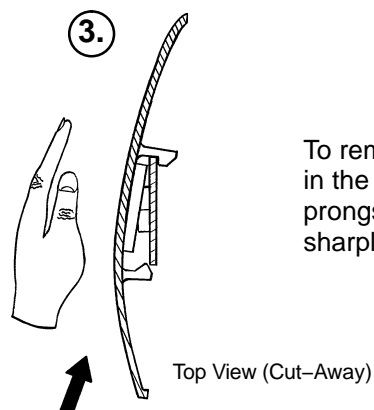
CASTER COVER INSTALLATION AND REMOVAL



Looking through the larger of the two side cut-outs, align the cover with the axle nut or bolt head, as shown. Push down on the opposite side of the cover until the single prong engages the caster horn.



Push on the cover with your palm until the double prongs engage.



To remove the wheel cover, insert a large screwdriver into the cut-out in the side of the wheel cover and into the space between the double prongs. Pry up the cover to disengage the double prongs and push sharply upward to disengage the single prong.

CASTER REMOVAL

Required Tools:

9/16" Open End Wrench

1. Remove the caster cover.
2. While keeping pressure on the caster bolt with your index finger, use a 9/16" open end wrench to remove the nylock hex nut on top of the caster assembly.
3. Using the brake ring, lift up on the base assembly and pull the caster assembly down to remove it.
4. Reverse steps 1–3 to install the new caster.

Service Information

RELEASE PEDAL ADJUSTMENT

1. Manually disengage the release pedal swivel (item J on [page 27](#)) from the release pedal assembly.
2. To increase the release rod engagement with the release valve, turn the release pedal swivel clockwise on the threaded release rod.
3. To decrease the release rod engagement with the release valve, turn the release pedal swivel counter-clockwise on the threaded release rod.

NOTE

If the pedal swivel assembly is threaded too far onto the release rod, the release valve will be partially activated and the jack will drift.

BRAKE ROD REMOVAL

Required Tools:

Hammer

7/32" Punch

String or Bungee Cords

1. Pump the litter up to full height.
2. Lift the base hood and support it from the litter using string or bungee cords.
3. Remove the hex head cap screws connecting the brake rod supports to the base frame.
4. Remove the bolt connecting the drive link assembly to the fifth wheel cam.
5. Remove the rue ring cotter and clevis pin connecting the rod end link to the side control link.
6. Remove the rue ring cotter connecting the drive link assembly to the bearing pivot support on the base frame (under the brake ring weldment).
7. Remove the three hex washer head screws holding the brake rod assembly to the base frame.
8. Remove the slotted spring pins connecting the butterfly "V" pedals, drive link assemblies and side control link to the brake rod.
9. Reverse steps 1–8 to reinstall the brake rod. When reinstalling the brake rod supports, torque the hex head cap screws to 12–15 ft.–lbs.

CAUTION

When reattaching the brake rod assembly to the base frame, set the torque specs **no higher** than 15 ft.–lbs. or damage could occur to the bolts.

Service Information

SIDE CONTROL BRAKE ROD REMOVAL

Required Tools:

Hammer 7/32" Punch Needle Nose Pliers String or Bungee Cords

1. Pump the litter up to full height.
2. Lift the base hood and support it from the litter using string or bungee cords.
3. Remove the rue ring cotter and clevis pin connecting the rod end link to the side control link.
4. Remove the four bolts holding the brake rod assembly to the base frame and remove the entire assembly.
5. Using a hammer and 7/32" punch, drive the slotted spring pin out of the butterfly "V" pedal on the patient's left side and remove the pedal,
6. Using a hammer and 7/32" punch, drive the slotted spring pin out of the hard stop in the center of the support weldment.
7. Using a hammer and 7/32" punch, drive out the slotted spring pin connecting the side control link to the side control brake rod on the patient's right side.
8. Pull on the butterfly "V" pedal on the patient's right side to remove the side control brake rod from the base.
9. Reverse steps 1–8 to reinstall the brake rod. When reinstalling the assembly, torque the hex head cap screws to 12–15 ft.–lbs.

CAUTION

When reattaching the brake rod assembly to the base frame, set the torque specs **no higher** than 15 ft.–lbs. or damage could occur to the bolts.

Service Information

FOOT END RELEASE PEDAL REPLACEMENT

Required Tools:

Needle Nose Pliers

1. Apply the stretcher brakes.
2. Disconnect the release pedal return springs from the foot end release pedals.
3. Remove the rue ring cotters and the clevis pins connecting the foot end release pedals to the mounting bracket.
4. Rotate the pedals upward.
5. Remove the rue ring cotters connecting the head end and foot end release rods to the foot end release pedals and remove the pedals.
6. Reverse steps 2–5 to install the new pedals.

FOOT END RELEASE PEDAL ROD REMOVAL

Required Tools:

Needle Nose Pliers

1. Remove the foot end release pedal (see procedure above).
2. Remove the snap in nyliners holding the foot end pedal release rods in the pedal mounting bracket.
3. Unsnap the foot end pedal release rods from the white plastic release rod brackets.
4. Dislodge the side control release pedal swivels from the studs on the side control release pedal weldments.
5. Remove the foot end pedal release rods.
6. Reverse steps 1–5 to reinstall the pedal rods.

Service Information

BRAKE RING REMOVAL

Required Tools:

9/16" Socket w/Extension 3/8" Drive Ratchet Needle–Nose Pliers String or Bungee Cord

1. Pump the litter up to full height.
2. Lift the base hood and support it from the litter using string or bungee cords.
3. Using needle–nose pliers, unhook the extension springs from the top of the base caster tubes.
4. Remove the plastic caster covers.
5. While putting pressure on the caster carriage bolt, use a 9/16" socket and a 3/8" drive ratchet to remove the caster nut on both sides of the stretcher.
6. Remove the casters.
7. Remove the brake rod (see procedure).
8. Remove the cotter pin from the clevis pin in the center of the brake ring weldment.
9. Remove the cotter pin from the bearing pivot support.
10. Remove the 3/4" nylock hex nut from the bearing pivot support.
11. Remove the drive link assembly.
12. Pull the brake ring down and out away from the stretcher base frame.
13. Reverse steps 1–12 to reinstall the brake ring.

FIFTH WHEEL ASSEMBLY REMOVAL

Required Tools:

1/2" Socket 3/8" Drive Ratchet

1. Using a 1/2" socket and 3/8" drive ratchet, remove the 1/2" bolt holding the fifth wheel cam drive link and fifth wheel drive link to the fifth wheel cam.
2. Remove the two 1/2" bolts holding the fifth wheel mounting bracket to the base frame weldment.
3. Remove the fifth wheel assembly.
4. Reverse steps 1 and 2 to reinstall the fifth wheel. When reinstalling the assembly, torque the hex head cap screws to 12–15 ft.–lbs.

CAUTION

When reattaching the fifth wheel assembly to the base frame, set the torque specs **no higher** than 15 ft.–lbs. or damage could occur to the bolts.

Service Information

LITTER TOP REMOVAL

Required Tools:

1/2" Socket w/Extension 3/8" Drive Ratchet Standard Screwdriver

1. Using the foot pedal, pump up the litter top to full height.
2. Remove the stretcher mattress
3. Remove the round, black hole plugs from the jack supports at each end of the litter to expose the jack support tube truss head screws.
4. Using a 1/2" socket, and a 3/8" drive ratchet, remove the truss head screws holding the jack support tubes to the jack shafts.
5. Thread a 7/16–20 fine thread bolt far enough into the top of the jack supports to separate the litter top from the jack shaft.
6. With the assistance of another person, lift the litter straight up to remove it from the jack shafts and set it aside.

REMOVAL OF EXCESS AIR (VACUUM) FROM THE HYDRAULIC SYSTEM

1. Verify all hydraulic linkages are secure and operating properly.
2. Using the pump pedal, actuate the system several times to force the air through the system. The jack should now raise properly.

JACK DESCENT RATE ADJUSTMENT

Required Tools:

Screwdriver Bungee Cords (or equivalent)

Adjustment Procedure:

1. Pump the litter up to full height.
2. Lift the base hood, separating the hood from the base frame. Support the hood from the litter using bungee cords so it is out of the way.
3. The descent rate needle valve is located on the base of the jack. Turning the needle valve clockwise, with a screwdriver, will decrease the rate of descent. Turning it counterclockwise will increase the rate of descent.

NOTE

The larger percentage of a patient's weight is located in the torso area. Adjust descent rate accordingly.

4. Remove the bungee cords supporting the base hood and secure the hood to the base frame.

NOTE

The jack descent rate is preset at the factory and adjustment is not recommended.

Service Information

FOOT END HYDRAULIC JACK REMOVAL

Required Tools:

1/2" Socket 3/8" Drive Ratchet Pliers

1. Remove the litter top (see [page 11](#)).
2. Lift the base hood off the base frame.
3. Remove the two hex washer head screws and washers connecting the pump pedal link to the foot end pump pedal assembly and pump connecting rod.
4. Remove the foot end release rod from the release valve on the jack assembly by dislodging the release pedal swivel from the pins on the release pedal weldment.
5. Dislodge the jack pump piston from the pump connecting rod.
6. Remove the two hex washer head screws holding the reservoir clamp.
7. Remove the jack assembly.
8. Reverse steps 1–7 to install the new jack.

NOTE

The jack descent rate is preset at the factory and adjustment is not recommended.

HEAD END HYDRAULIC JACK REMOVAL

Required Tools:

1/2" Socket w/Extension 3/8" Drive Ratchet

1. Remove the litter from the stretcher (see [page 11](#)).
2. Using a 1/2" socket with extension and a 3/8" drive ratchet, remove the two hex head screws holding the jack base to the stretcher base frame.
3. Remove the two hex head screws holding the jack reservoir clamp to the base frame and remove the clamps.
4. Lift straight up on the pump connecting rod and disconnect the pump piston from the connecting rod.
5. Disconnect the pump pedal swivel from the release pedal mounting plate.
6. Remove the head end release rod from the release valve assembly.
7. Using a 1/2" socket with extension and a 3/8" drive ratchet, remove the two hex head screws holding the jack base to the stretcher base frame.
8. Lift out the jack assembly.
9. To reinstall the jack, install the bolts on the jack and reservoir clamp but do not tighten them fully.
10. Reinstall the pump connecting rod and release rod.
11. Depress the pump pedal fully (to the floor). This will properly locate the jack onto the base frame.
12. Tighten the bolts on the jack and reservoir clamp.
13. Pump up the litter and apply weight to verify the jacks hold and do not drift.

NOTE

The jack descent rate is preset at the factory and adjustment is not recommended.

Service Information

SIDERAIL LATCH ADJUSTMENT

Required Tools:

1/8" Hex Allen Wrench

WARNING

The siderail latches are pre-set at the factory, and do not normally need adjustment. If adjustment must be done it is important to follow the procedure below. If it is not done properly, injury to the patient or user could occur.

Adjustment Procedure:

1. Using a 1/8" hex Allen wrench, adjust the hex Allen screw located on the latch assembly opposite the latch. Turning the screw clockwise will **DECREASE** the amount of play in the latching mechanism. Turning counterclockwise will **INCREASE** the amount.

NOTE

The amount of play in the siderail, when in full up engaged position, should be approximately 1/8 to 3/16 inches.

CAUTION

Too much play when the siderail is in the full up engaged position will give the siderail the appearance of being unstable and could also cause premature wearing of the latch system.

Too little play will obstruct the latch and keep it from engaging completely in the full up position, which may cause damage to the latch and/or injury to the patient or user.

ARM BOARD COUNTERBALANCE ADJUSTMENT

Required Tools:

7/16" Open End Wrench

Adjustment Procedure:

1. Raise the arm board to the full up position.
2. Unhook the extension spring at the eye bolt.
3. Using a 7/16" open end wrench, loosen the jam nut at the eye bolt.
4. Adjust the eye bolt to the desired position.
5. Tighten the jam nut.
6. Hook the extension spring to the eye bolt.
7. Allow the arm board to lower on its own.
8. Repeat steps 1–7 until the desired counterbalance is achieved.

Service Information

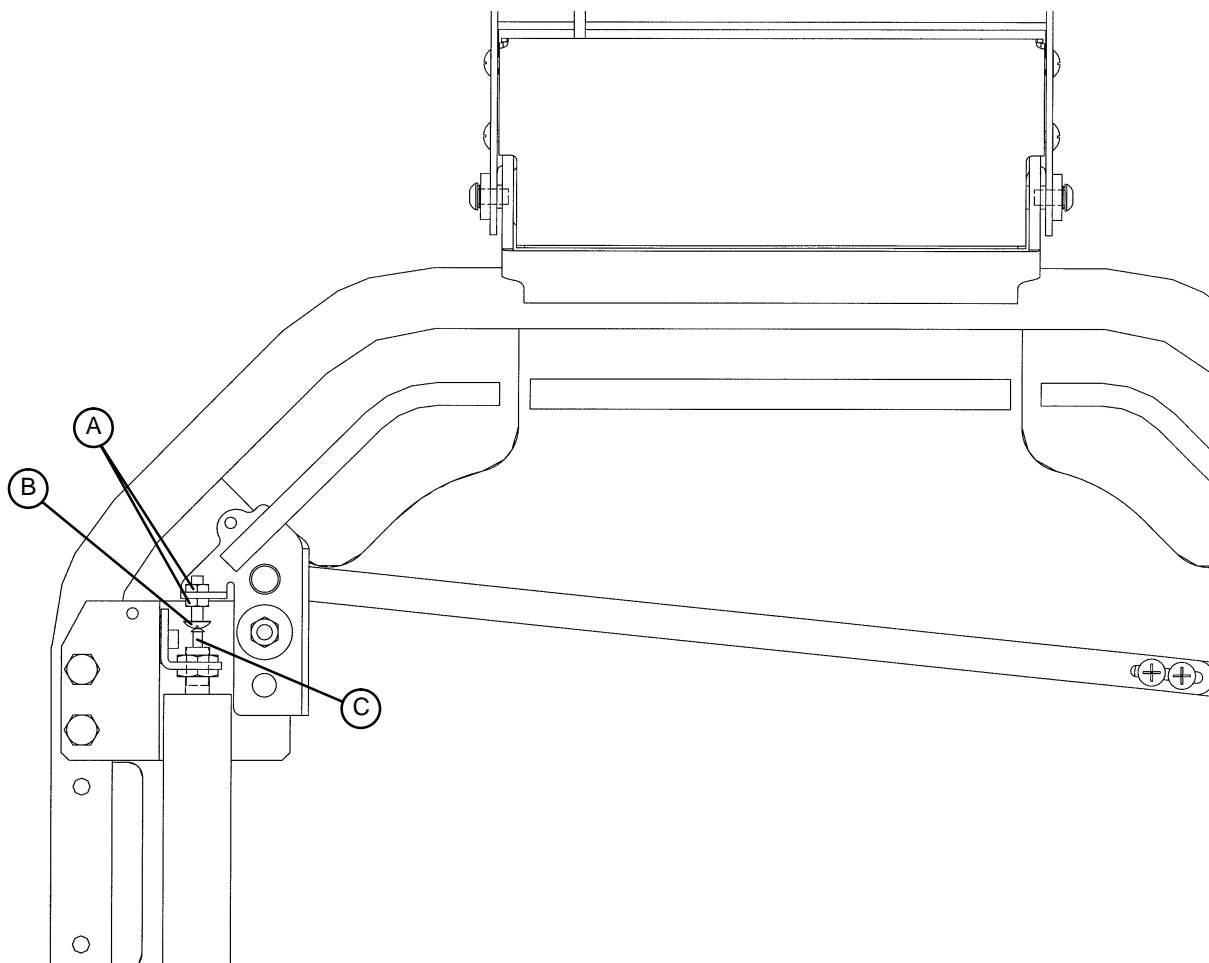
PNEUMATIC FOWLER ADJUSTMENT

Required Tools:

(2) 3/8" Open End Wrenches

Adjustment Procedure:

1. Apply the stretcher brakes.
2. Pump the stretcher litter up to full height.
3. Move the Fowler to 70° or higher.
4. Using (2) 3/8" wrenches, loosen the two nuts (A) on the adjustment screw (B). If the Fowler is not holding its position, turn the adjustment screw up, away from the release pin on the pneumatic cylinder (C). If the Fowler is not releasing, turn the adjustment screw down, toward the release pin on the pneumatic cylinder. Tighten the two nuts. Repeat for the other side of the Fowler.
5. To verify both sides of the Fowler are releasing equally, raise the Fowler to the full up position. Using two hands, pull down on both sides of the Fowler, squeeze both release handles and verify both pneumatic cylinders release equally. If they do not, repeat step 4. When proper Fowler adjustment has been verified, return the stretcher to service.



Service Information

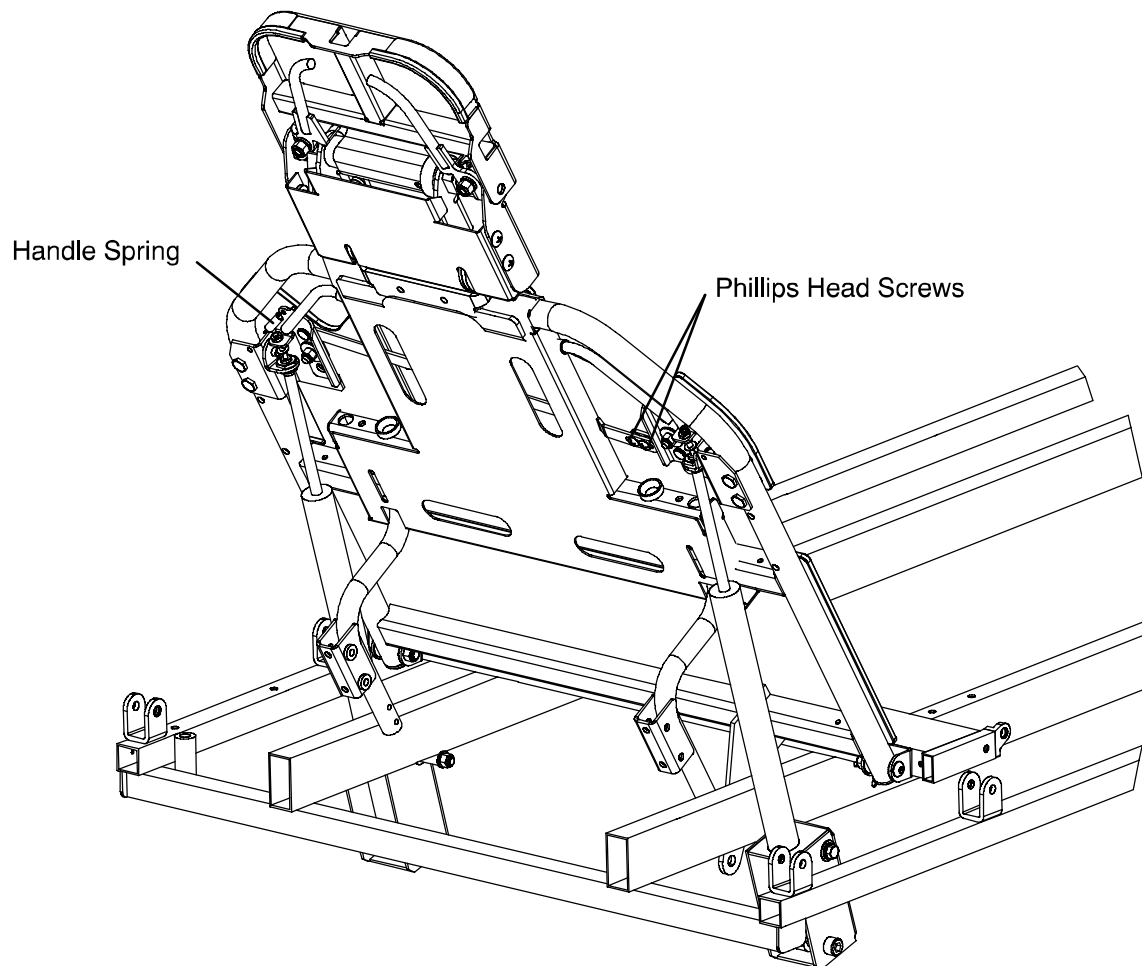
PNEUMATIC FOWLER RELEASE HANDLE ADJUSTMENT

Required Tools:

#2 Phillips Screwdriver

Adjustment Procedure:

1. Apply the stretcher brakes.
2. Loosen the two Phillips head screws on the handle linkage. Release the handle tension spring on the patient's left side.
3. Adjust the handles so there is a 3/4" gap between the inner Fowler frame and the handle.
4. Tighten the two screws on the handle linkage bar and reattach the spring.
5. It may be necessary to adjust the pneumatic cylinders (see [page 14](#)).
6. Verify proper Fowler operation before returning the stretcher to service.



Service Information

PNEUMATIC CYLINDER REPLACEMENT

Required Tools:

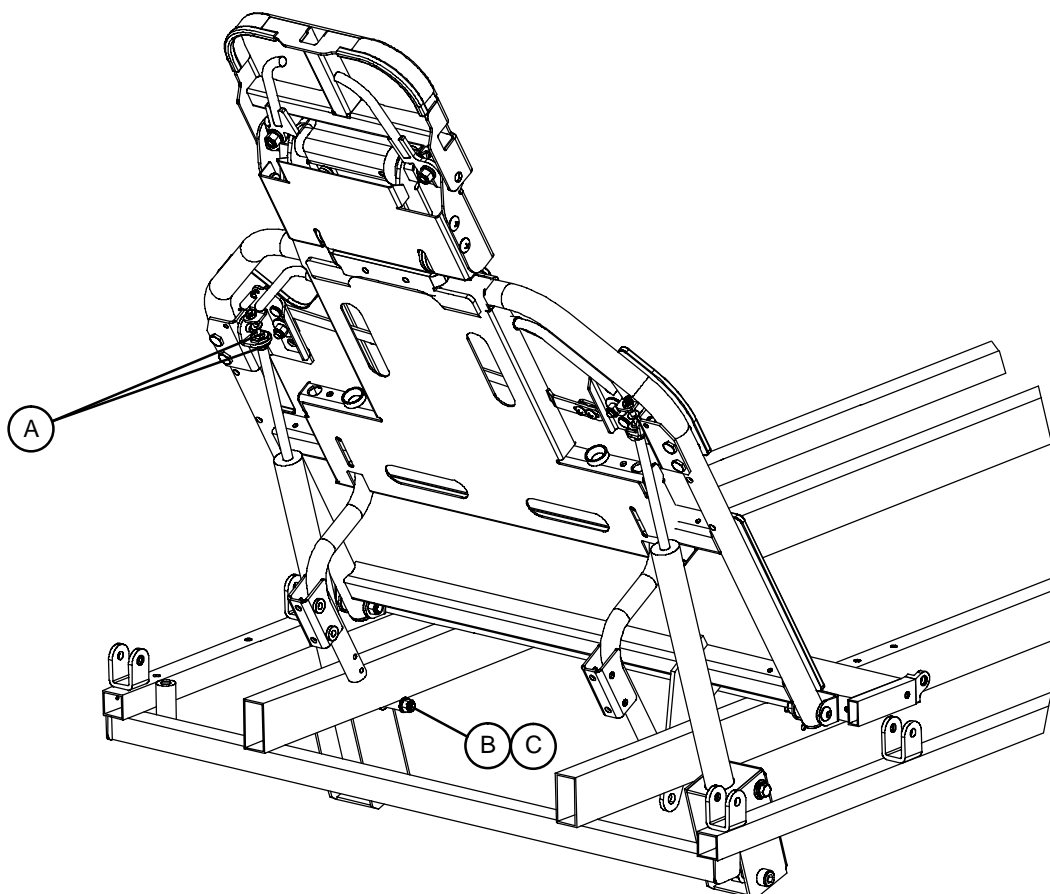
(2) 17 mm. Wrenches

11/16" Open End Wrench

5/16" Hex Allen Wrench

Adjustment Procedure:

1. Apply the stretcher brakes.
2. Pump the litter up to full height.
3. Move the Fowler to 70°.
4. Using two 17 mm. wrenches, remove both the large nuts (A) from the top of the pneumatic cylinder.
5. Using a 5/16" hex Allen wrench and an 11/16" open end wrench, remove the nut (B) and bolt (C) from the bottom of the cylinder.
6. Raise the Fowler to 90° and remove the cylinder.
7. Press down on the release pin on the replacement cylinder to fully extend the cylinder.
8. Put the large nut on the new cylinder and screw it down securely.
9. Using a 5/16" hex Allen wrench and an 11/16" open end wrench, install the nut (B) and bolt (C) on the bottom of the cylinder.
10. Check the Fowler adjustment (see [page 14](#)) before returning the stretcher to service.



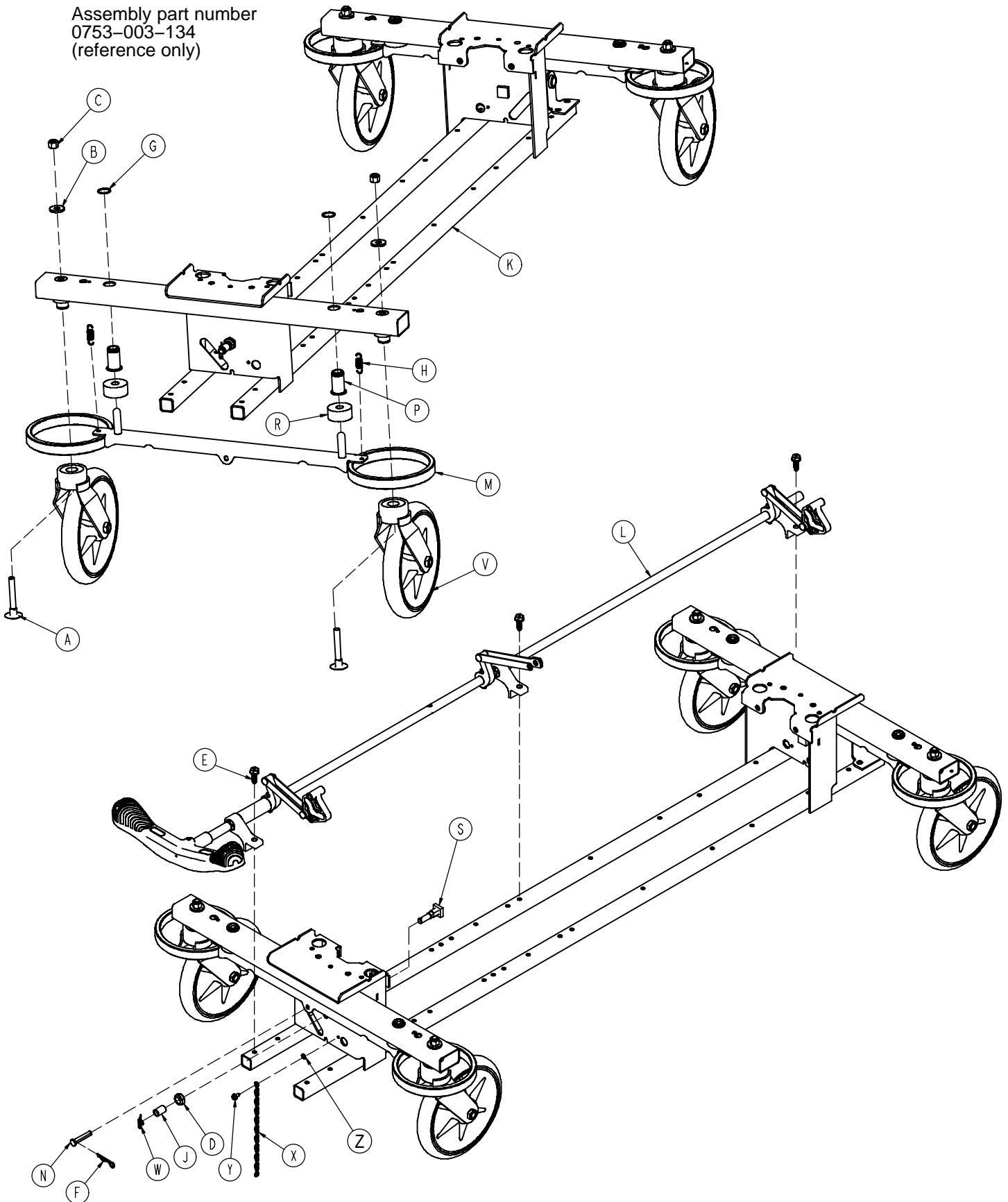
Quick Reference Replacement Parts List

<u>PART NAME</u>	<u>PART NUMBER</u>
Arm Board Clamp	1068-054-010
Caster Cover Kit	1010-056-200
Foot Board/Chartholder	0741-034-100
Foot Board/Defibrillator Tray	1010-050-100
Fowler Release Handle Kit	1069-700-003
Head/Foot Board	0741-029-100
Head Pad, 2" Concave	1069-081-000
Head Pad, 3" Concave	1069-181-000
Head Pad, 1" Flat	1069-078-000
Head Pad, 2" Flat	1069-179-000
Head Pad, 3" Flat	1069-180-000
Head Pad, 3" Inflatable, Ultra-Comfort	1069-082-000
Head Pad, Inflatable, Non-Latex Bulb Only	1066-082-020
Hydraulic Jack, Constant Descent	0753-002-001
IV Pole, Standard Removable	0390-025-000
IV Pole, 2-Stage Permanent, Foot End	1010-080-100
IV Pole, 3-Stage Permanent, Foot End	1020-062-000
Mattress, 2" Thick x 26" Wide, Standard, Dual Articulation	1069-026-050
Mattress, 3" Thick x 26" Wide, Standard, Dual Articulation	1069-026-060
Mattress, 4" Thick x 26" Wide, Standard, Dual Articulation	1069-026-090
Mattress, 3" Thick x 26" Wide, Enhanced Comfort, Dual Articulation	1069-026-070
Mattress, 4" Thick x 26" Wide, Enhanced Comfort, Dual Articulation	1069-026-080
Mattress, 3" Thick x 26" Wide, Standard, Zero Articulation	1069-026-010
Mattress, 3" Thick x 26" Wide, Enhanced Comfort, Zero Articulation	1069-026-020
Mattress, 4" Thick x 26" Wide, Enhanced Comfort, Zero Articulation	1069-026-030
Neck Pad, Enhanced Clearance Only	1068-236-010
Pads, Pre-Op/Post-Op Head Piece, 2"	1069-062-000
Pads, Pre-Op/Post-Op Head Piece, 3"	1069-060-000
Pads, Pre-Op/Post-Op Head Piece, 3", Ultra-Comfort	1069-063-000
Pads, Pre-Op/Post-Op Head Piece, 4" Enhanced Comfort	1069-064-000
Pads, Pre-Op/Post-Op Head Piece, 4" Ultra-Comfort	1069-064-005
Paint, Touch-Up, Gloss Black, Bottle w/Brush	7000-001-322
Paint, Touch-Up, Gloss Black, Spray Can	7000-001-319
Paint, Touch-Up, Gray, Bottle w/Brush	7000-001-320
Paint, Touch-Up, Gray, Spray Can	7000-001-317
Restraint Strap, Ankle	0946-043-100
Restraint Strap, Body	0390-019-000
Restraint Strap, Chest	1010-058-000
Restraint Strap, Wrist	0946-044-100
Restraint Straps, Full Patient Security Package	1010-077-000
Siderail Pads	1010-052-000

Notes

Base Assembly with Foot End Brakes

Assembly part number
0753-003-134
(reference only)

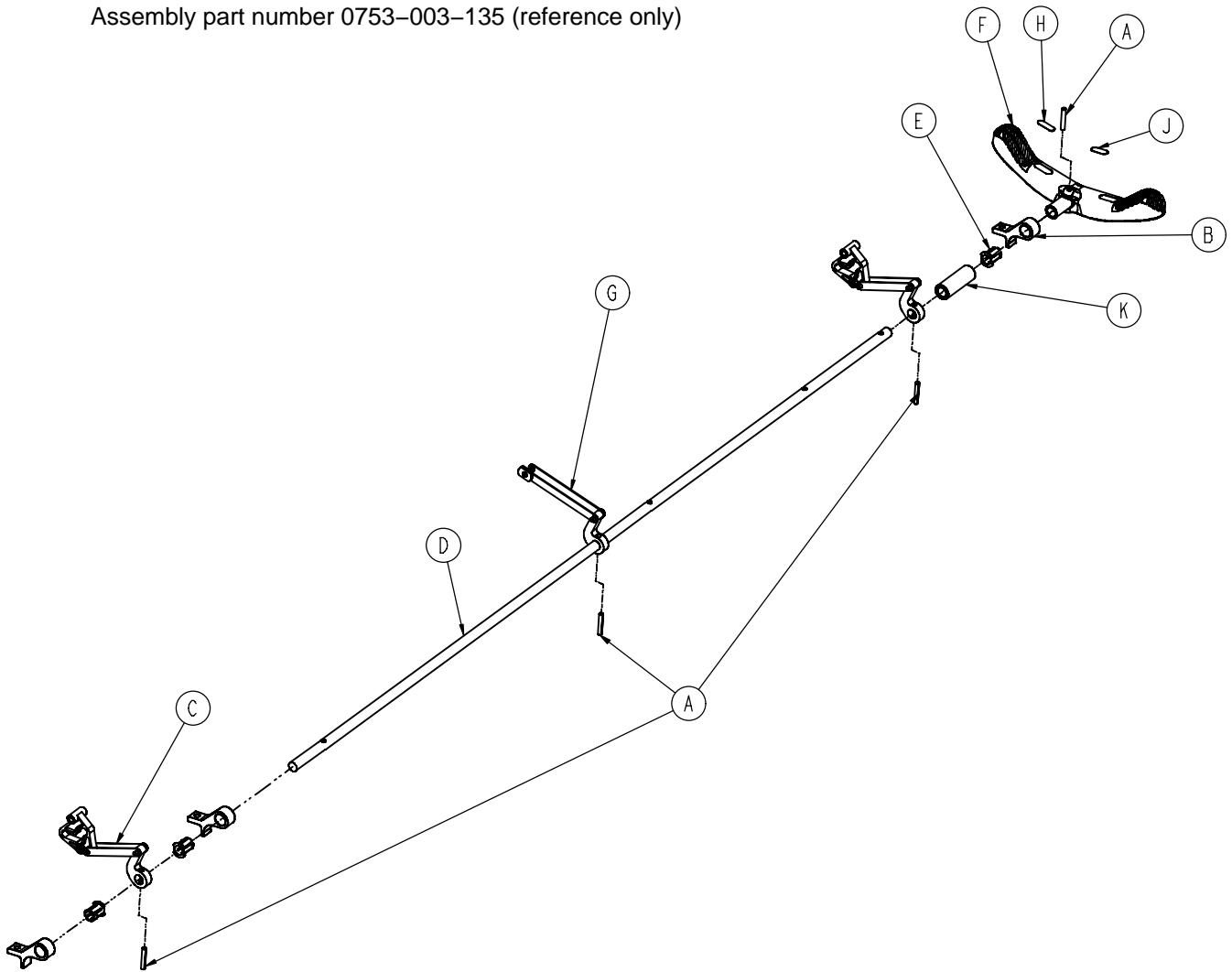


Base Assembly with Foot End Brakes

Item	Part No.	Part Name	Qty.
A	0005-044-000	Step Bolt	4
B	0011-262-000	Washer	4
C	0016-035-000	Nylock Hex Nut	4
D	0016-049-000	Nylock Hex Nut	2
E	0023-288-000	Hex Washer Hd. Screw	3
F	0027-012-000	Hitch Pin	2
G	0028-037-000	External Retaining Ring	4
H	0038-439-000	Extension Spring	4
J	0081-037-000	Roller Bearing	2
K	0753-001-001	Base Frame	1
L	(page 21)	Brake Rod Assembly	1
M	0753-003-006	Brake Ring	2
N	0753-003-066	Clevis Pin	2
P	0753-003-079	Caster Tube Brake Pin Guide	4
R	0753-003-121	Brake Cushion	4
S	0753-003-230	Bearing Pivot Support	2
V	(page 37)	Caster Assembly	4
W	0027-022-000	Rue Ring Cotter Pin	2
X	3001-200-052	Ground Chain	1
Y	0003-364-000	Hex Head Washer Screw	1
Z	0013-018-000	External Tooth Lock Washer	1

Brake Rod Assembly (Foot End Brakes)

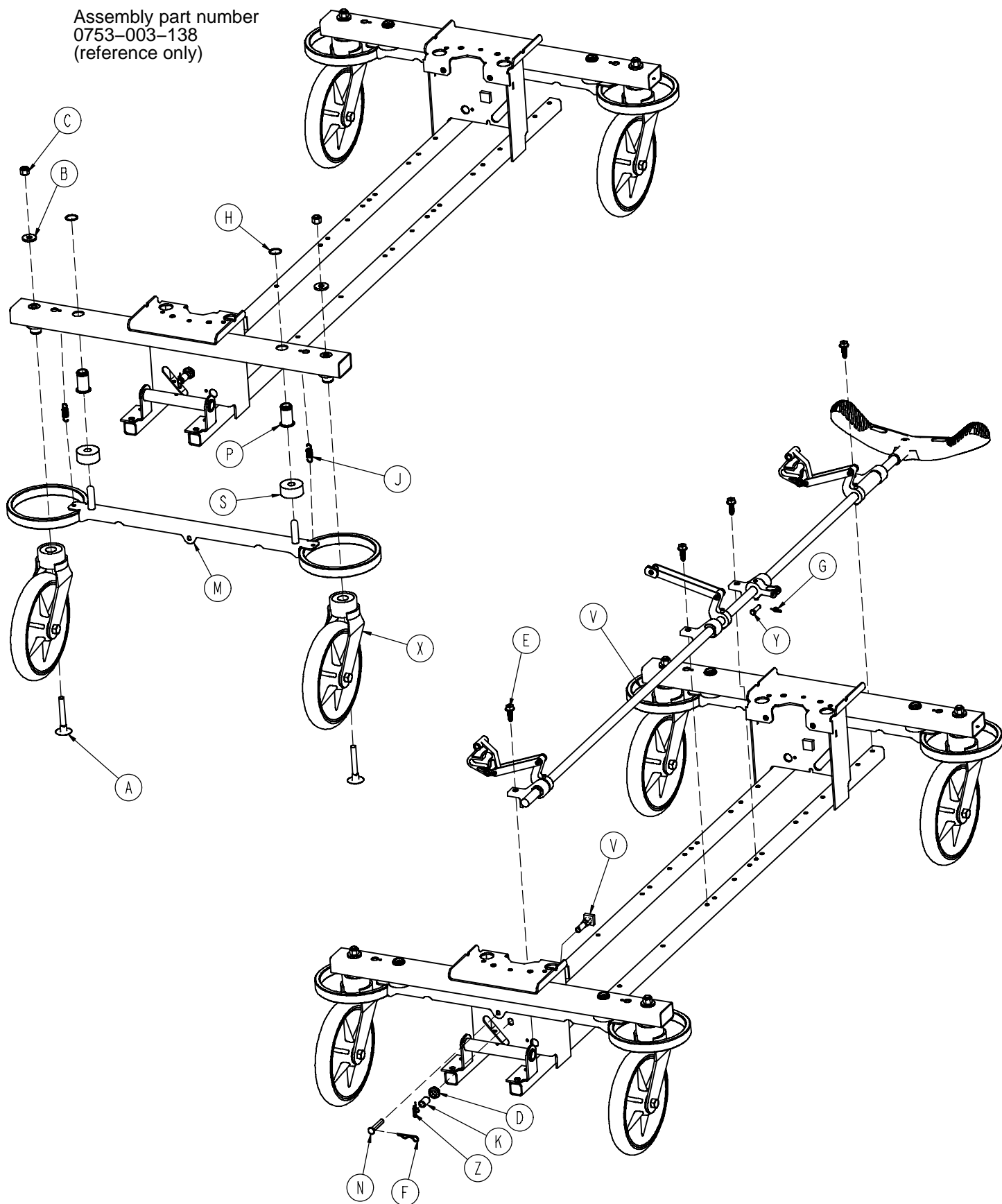
Assembly part number 0753-003-135 (reference only)



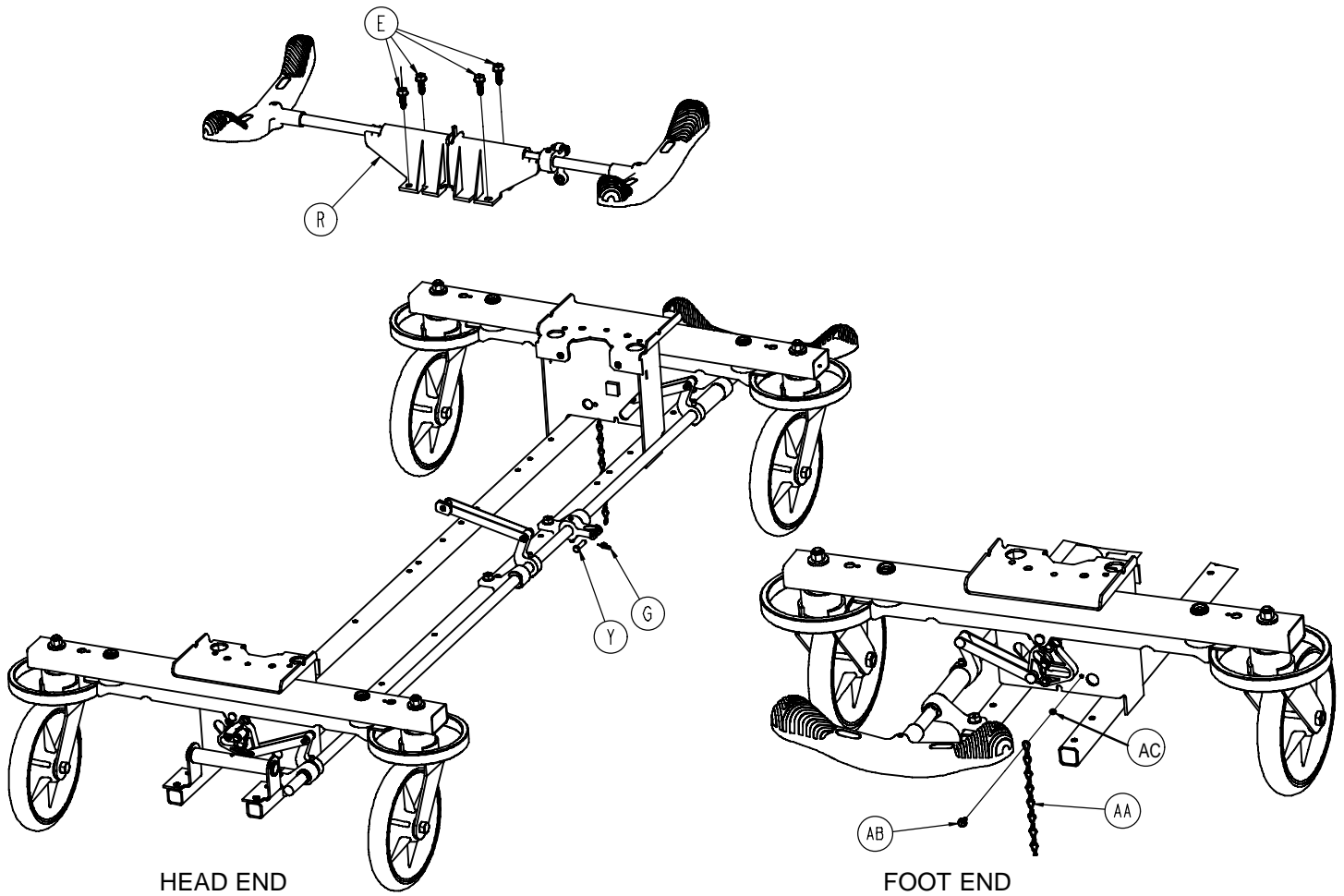
Item	Part No.	Part Name	Qty.
A	0026-067-000	Slotted Spring Pin	4
B	0753-003-004	Brake Rod Support	3
C	(page 35)	Drive Link Assembly	2
D	0753-003-137	Brake Rod	1
E	0753-003-015	Brake Rod Nyliner	3
F	0753-003-099	Butterfly "V" Pedal	1
G	(page 36)	Drive Link Assembly	1
H	1210-201-335	Red Brake Label	1
J	1210-201-336	Green Steer Label	1
K	0753-003-133	Retainment Spacer	1

Base Assembly with Foot End and Side Control Brakes

Assembly part number
0753-003-138
(reference only)

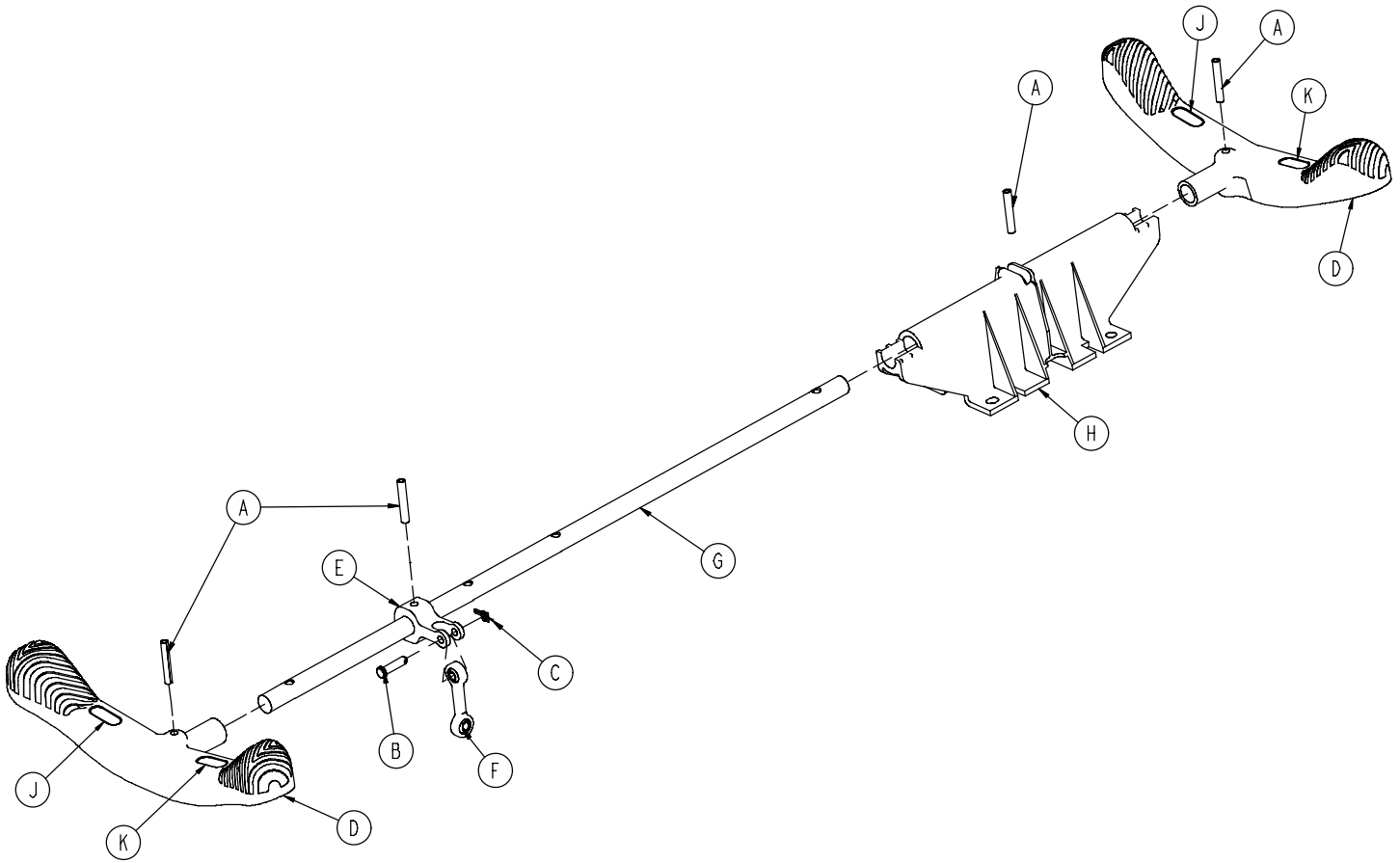


Base Assembly with Foot End and Side Control Brakes



Item	Part No.	Part Name	Qty.	Item	Part No.	Part Name	Qty.
A	0005-044-000	Step Bolt	4	N	0753-003-066	Clevis Pin	2
B	0011-262-000	Washer	4	P	0753-003-079	Cast. Tube Br. Pin Guide	4
C	0016-035-000	Nylock Hex Nut	4	R	(page 24)	Brake Rod Assembly	1
D	0016-049-000	Nylock Hex Nut	2	S	0753-003-121	Brake Cushion	4
E	0023-288-000	Hex Washer Hd. Screw	8	T	(page 25)	Brake Rod Assembly	1
F	0027-012-000	Hitch Pin	2	V	0753-003-230	Bearing Pivot Support	2
G	0027-020-000	Rue Ring Cotter	1	X	(page 37)	Caster Assembly	4
H	0028-037-000	External Retaining Ring	4	Y	0026-340-000	Clevis Pin	1
J	0038-439-000	Extension Spring	4	Z	0027-022-000	Rue Ring Cotter Pin	2
K	0081-037-000	Roller Bearing	2	AA	3001-200-052	Ground Chain	1
L	0753-001-001	Base Frame	1	AB	0003-364-000	Hex Head Washer Screw	1
M	0753-003-006	Brake Ring	2	AC	0013-018-000	Ext. Tooth Lock Washer	1

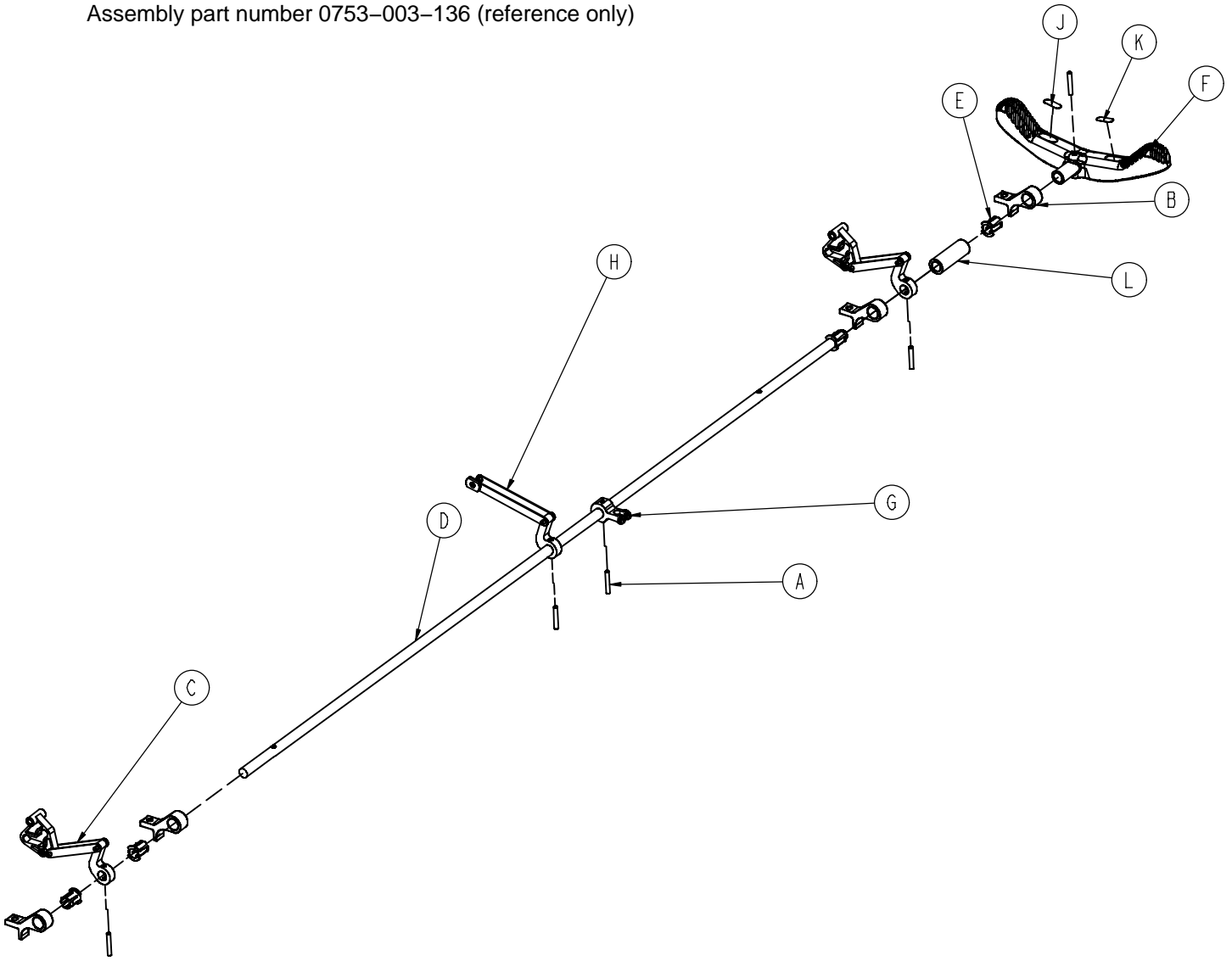
0753-003-210 Side Control Brake Rod Assembly



Item	Part No.	Part Name	Qty.
A	0026-067-000	Slotted Spring Pin	4
B	0026-340-000	Clevis Pin	1
C	0027-020-000	Rue Ring Cotter	1
D	0753-003-099	Butterfly "V" Pedal	2
E	0753-003-112	Side Control Link	1
F	0753-003-117	Rod End Link	1
G	0753-003-119	Side Control Brake Rod	1
H	0753-003-214	Shaft Support	1
J	1210-201-335	Red Brake Label	2
K	1210-201-336	Green Steer Label	2

Brake Rod Assembly

Assembly part number 0753-003-136 (reference only)



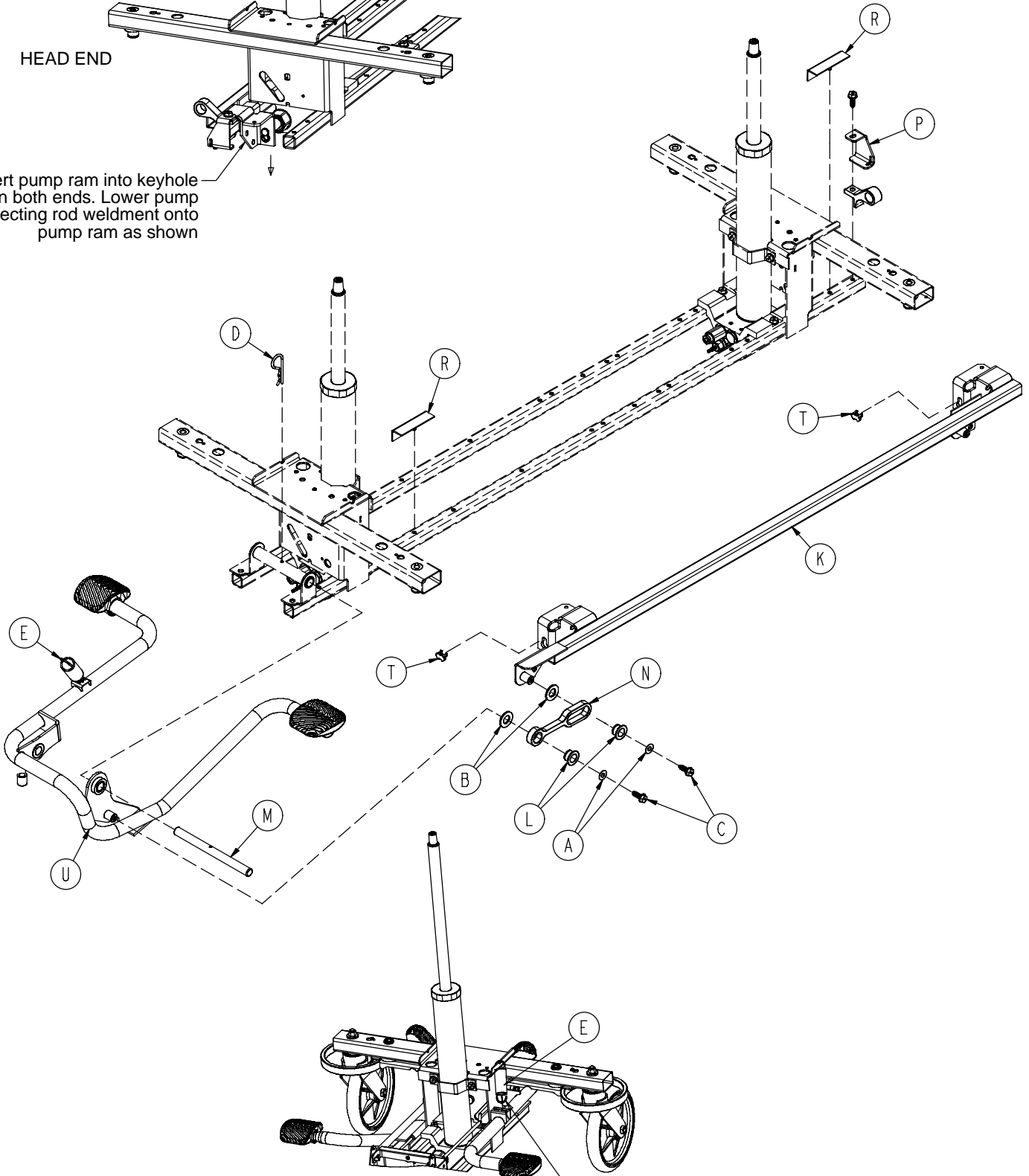
Item	Part No.	Part Name	Qty.
A	0026-067-000	Slotted Spring Pin	6
B	0753-003-004	Brake Rod Support	4
C	(page 35)	Drive Link Assembly	2
D	0753-003-137	Brake Rod	1
E	0753-003-015	Brake Rod Nyliner	4
F	0753-003-099	Butterfly "V" Pedal	1
G	0753-003-112	Side Control Link	1
H	(page 36)	Drive Link Assembly	1
J	1210-201-335	Red Brake Label	1
K	1210-201-336	Green Steer Label	1
L	0753-003-133	Retainment Spacer	1

Base with Dual Side Hydraulics

Assembly part number 0753-005-200 (reference only)

HEAD END

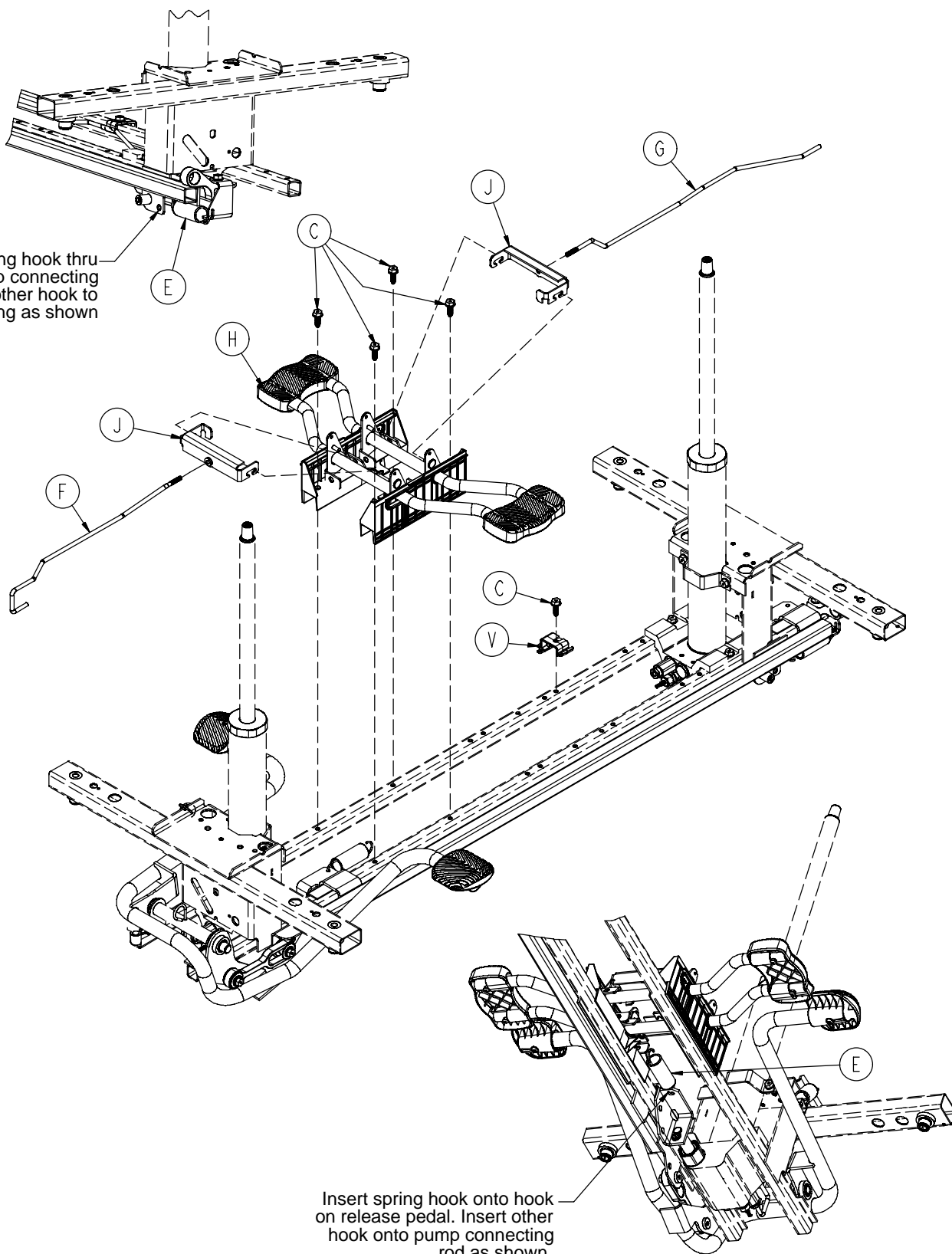
Insert pump ram into keyhole slot on both ends. Lower pump connecting rod weldment onto pump ram as shown



Insert spring hook thru slots in pump pedal
Attach other end onto jack tower as shown

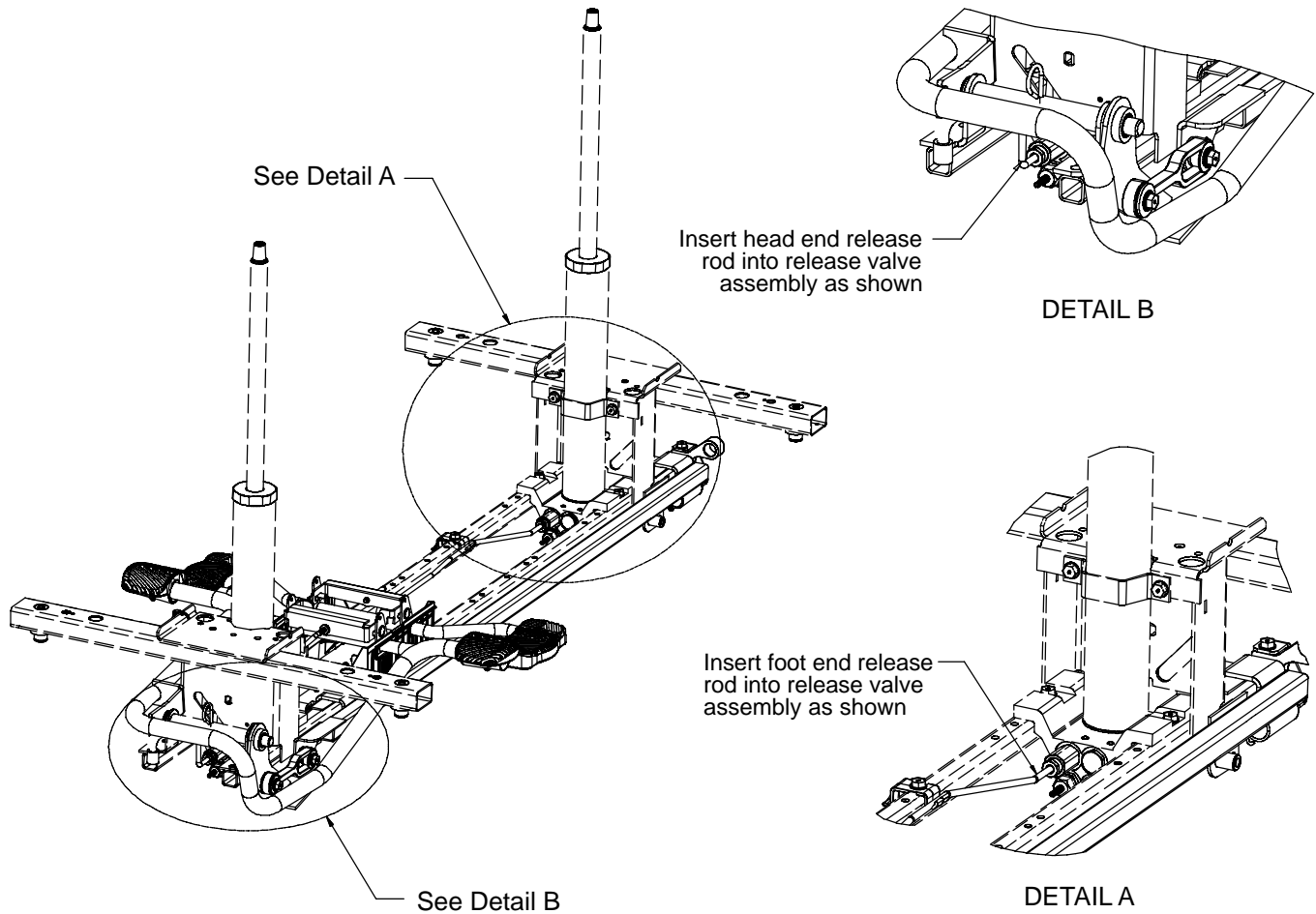
Base with Dual Side Hydraulics

Insert spring hook thru hole in pump connecting rod. Attach other hook to return spring as shown



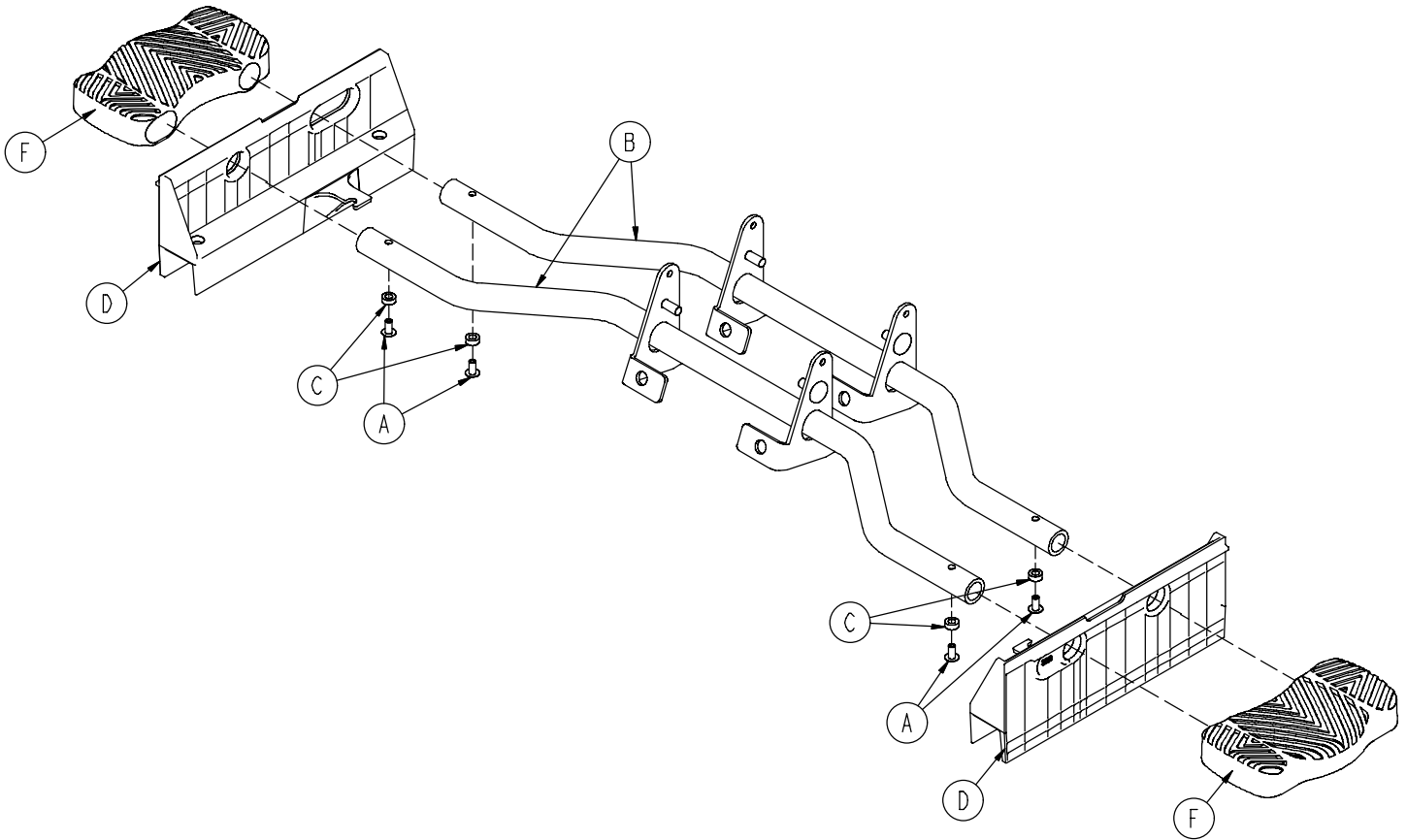
Insert spring hook onto hook on release pedal. Insert other hook onto pump connecting rod as shown.

Base with Dual Side Hydraulics



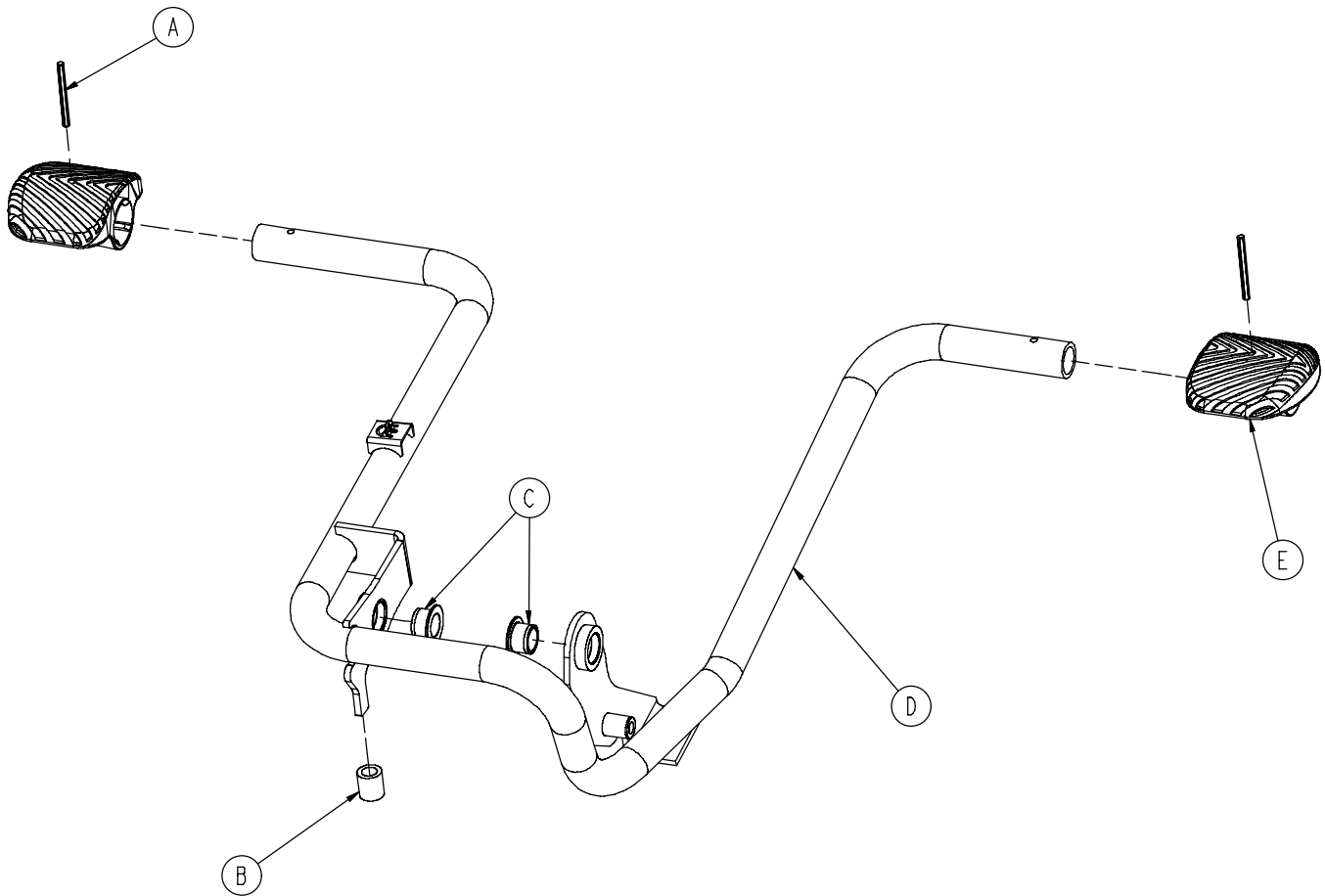
Item	Part No.	Part Name	Qty.
A	0011-023-000	Washer	2
B	0014-071-000	Washer	2
C	0023-288-000	Hex Washer Hd. Screw	7
D	0027-031-000	Hair Pin Cotter	1
E	0038-497-000	Extension Spring	3
F	0753-004-014	Head End Release Rod	1
G	0753-004-015	Foot End Release Rod	1
H	(page 29)	Release Pedal Assembly	1
J	0753-004-132	Release Pedal Swivel	2
K	0753-005-037	Pump Connecting Rod	1
L	0753-005-044	Pump Pedal Bushing	2
M	0753-005-074	Pivot Pin	1
N	0753-005-075	Pump Pedal Link	1
P	0753-005-087	Return Spring Hook	1
R	0753-005-088	Wear Strip	2
T	0753-005-089	Pump Ram Plug	2
U	(page 30)	Head End Pump Pedal Ass'y	1
V	0753-010-215	Release Rod Bracket	1

0753-004-101 Release Pedal Assembly



Item	Part No.	Part Name	Qty.
A	0025-079-000	Rivet	4
B	0753-004-004	Release Pedal Weldment	2
C	0753-004-029	Release Pedal Standoff	4
D	0753-004-320	Release Pedal Support	2
F	1061-201-127	Short Uni Pedal	2

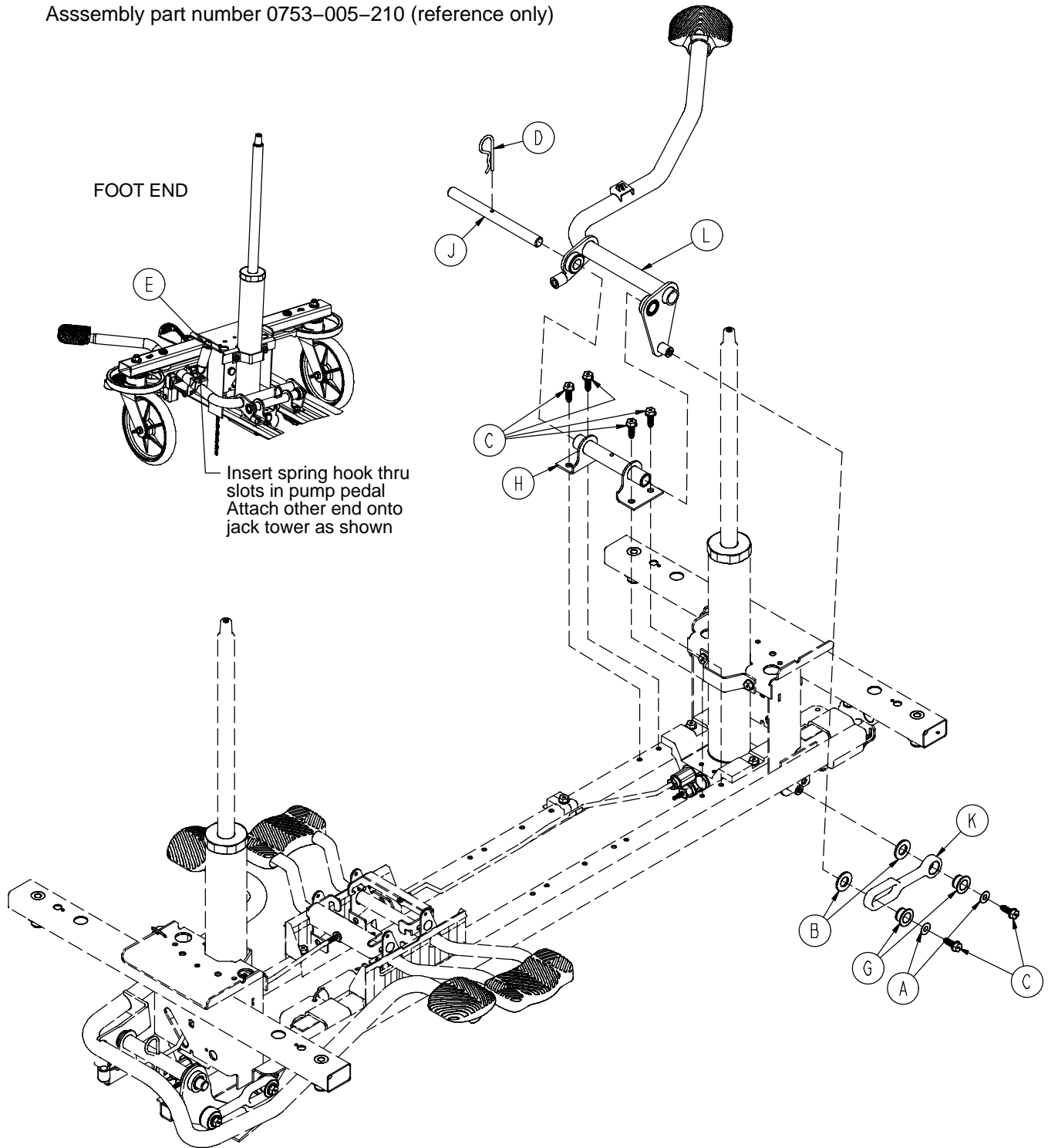
0753-005-185 Head End Pump Pedal Assembly



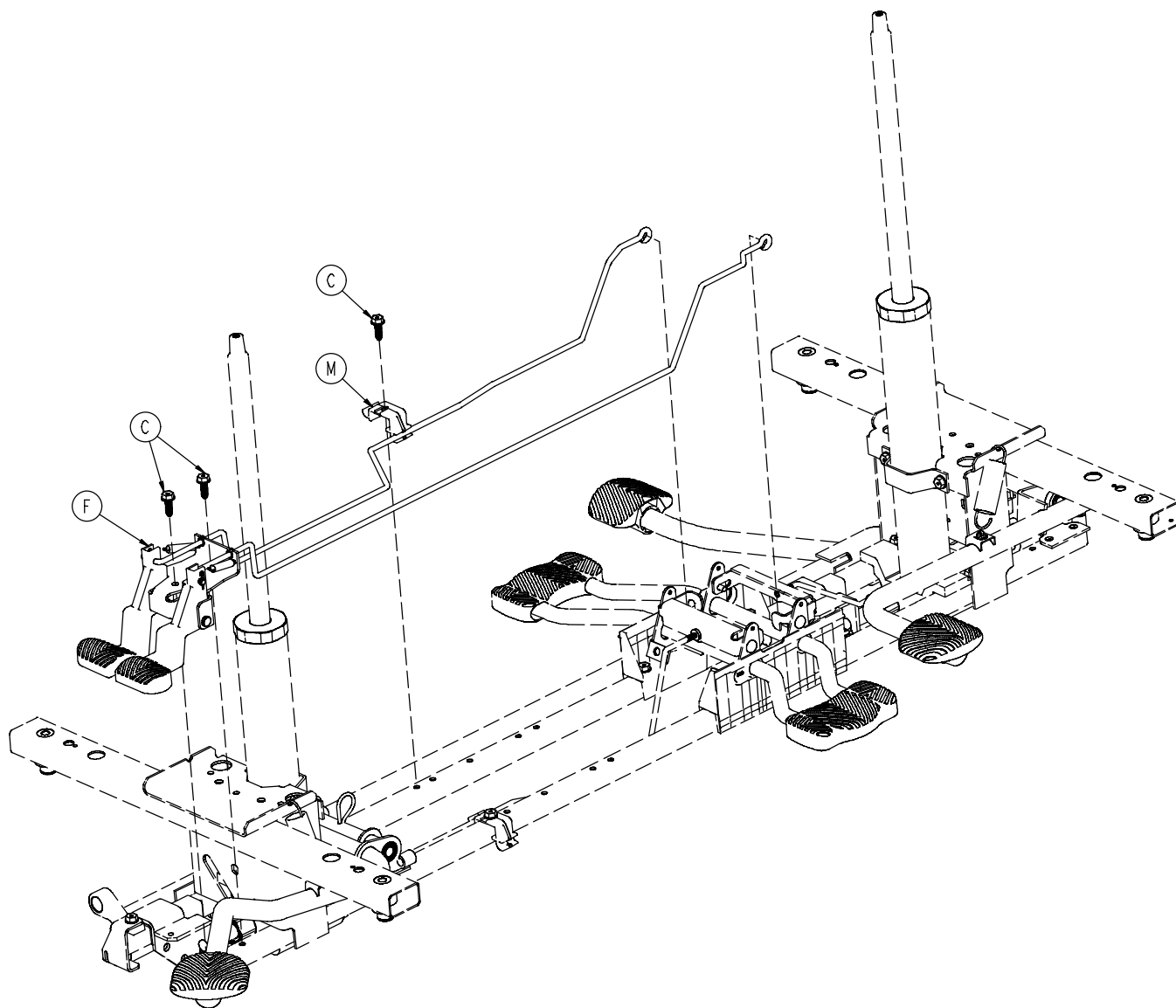
Item	Part No.	Part Name	Qty.
A	0026-343-000	Groove Pin	2
B	0715-001-140	Vinyl Tube	1
C	0753-005-044	Pump Pedal Bushing	2
D	0753-005-180	Head End Pump Pedal Weldment	1
E	0753-201-126	Pump Pedal	2

Base with 3-Side Hydraulics

Assembly part number 0753-005-210 (reference only)



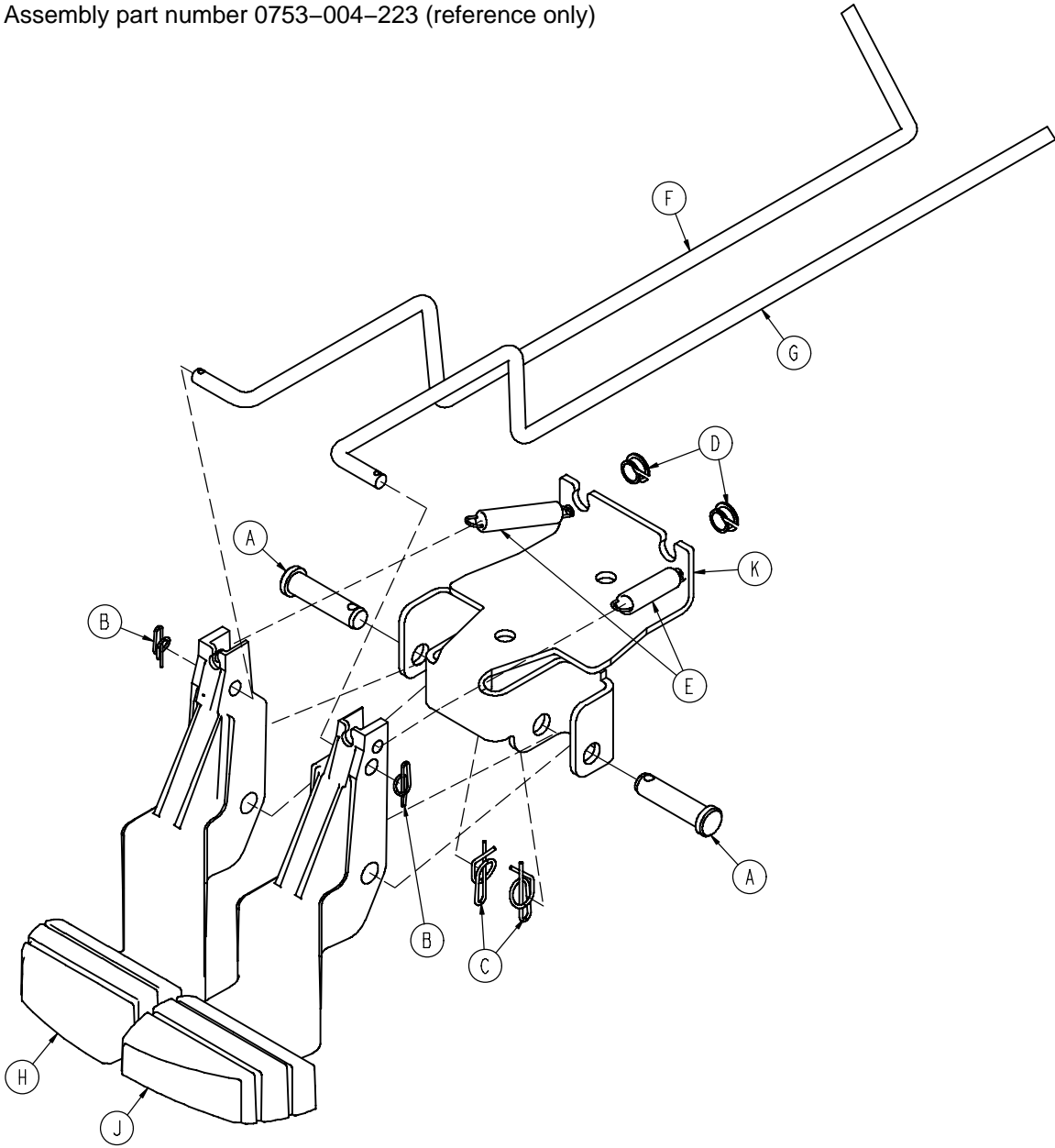
Base with 3-Side Hydraulics



Item	Part No.	Part Name	Qty.
A	0011-023-000	Washer	2
B	0014-071-000	Washer	2
C	0023-288-000	Hex Washer Hd. Screw	9
D	0027-031-000	Cotter Pin	1
E	0038-497-000	Extension Spring	1
F	(page 33)	Foot End Release Pedal Ass'y	1
G	0753-005-044	Pump Pedal Bushing	2
H	0753-005-063	Foot End Mtg. Bracket	1
J	0753-005-074	Pivot Pin	1
K	0753-005-075	Pump Pedal Link	1
L	(page 34)	Foot End Pump Pedal Ass'y	1
M	1040-010-215	Release Rod Bracket	1

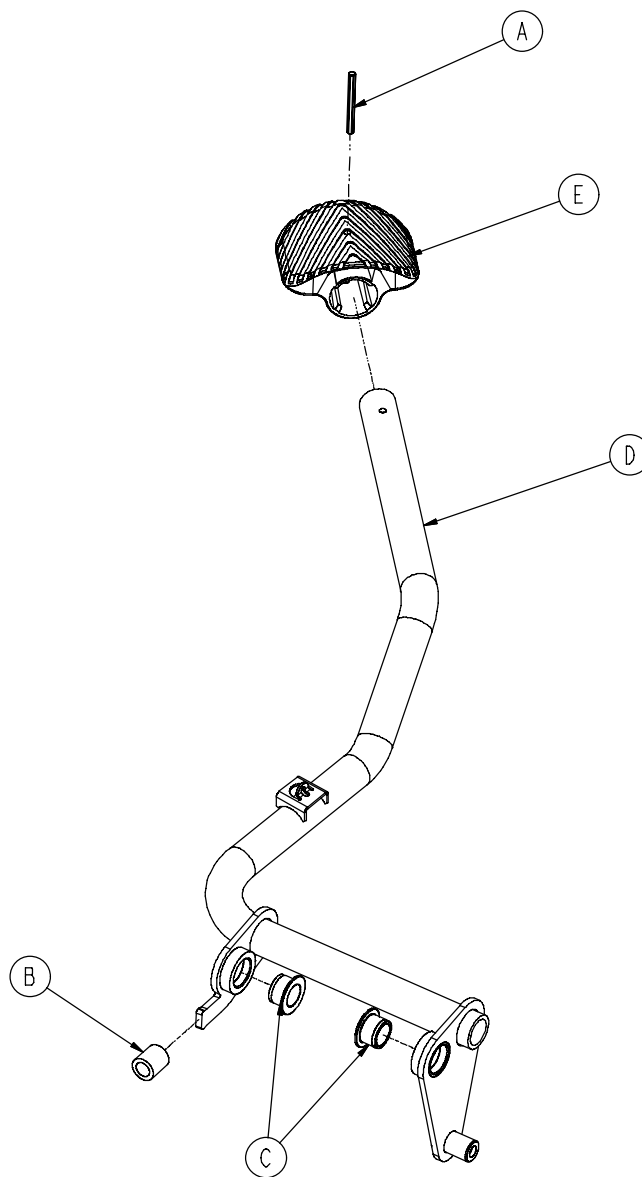
Foot End Release Pedal Assembly

Assembly part number 0753-004-223 (reference only)



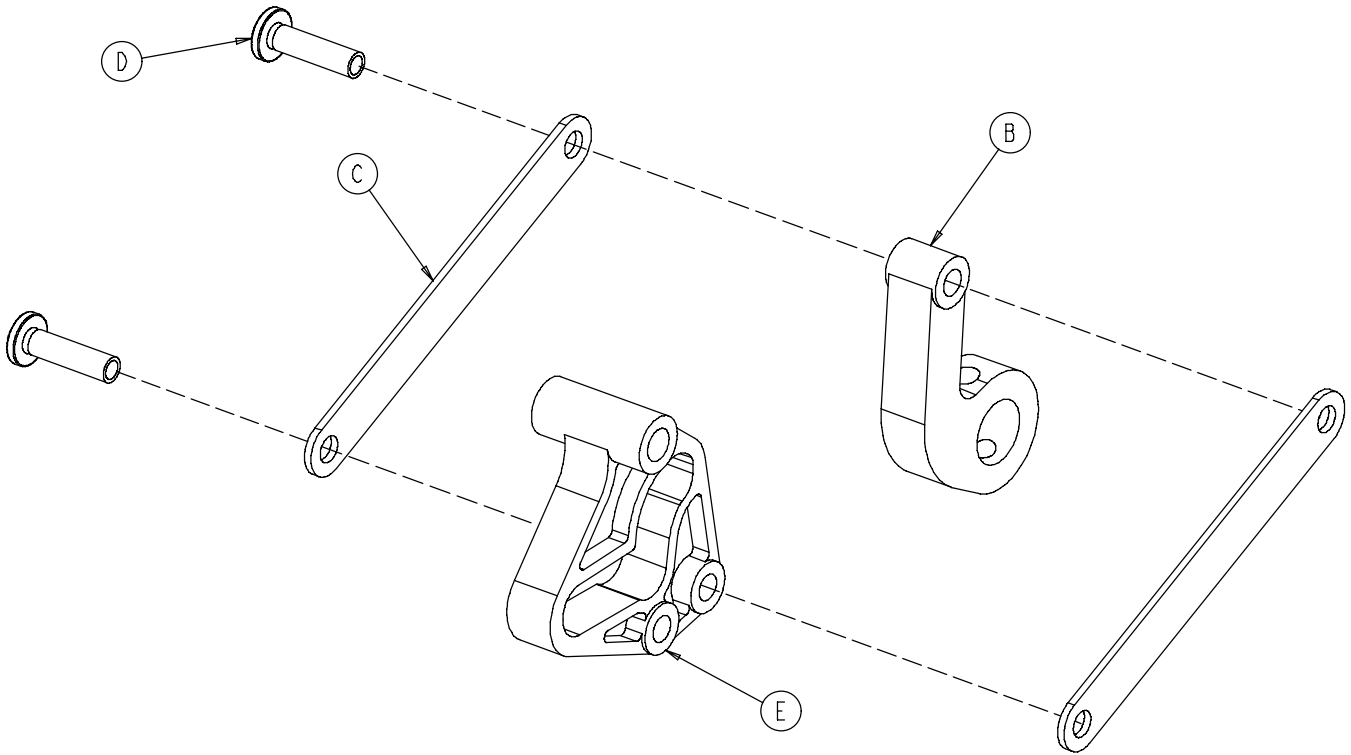
Item	Part No.	Part Name	Qty.
A	0026-132-000	Clevis Pin	2
B	0027-020-000	Rue Ring Cotter	2
C	0027-022-000	Rue Ring Cotter	2
D	0052-822-000	Snap-In Nyliner	2
E	0753-004-028	Release Pedal Return Spring	2
F	0753-004-038	Foot Release Rod	1
G	0753-004-039	Head Release Rod	1
H	0753-004-134	Foot End Release Pedal, Left	1
J	0753-004-135	Foot End Release Pedal, Right	1
K	0753-004-422	Release Pedal Mtg. Bracket	1

0753-005-073 Foot End Pedal/Bearing Assembly



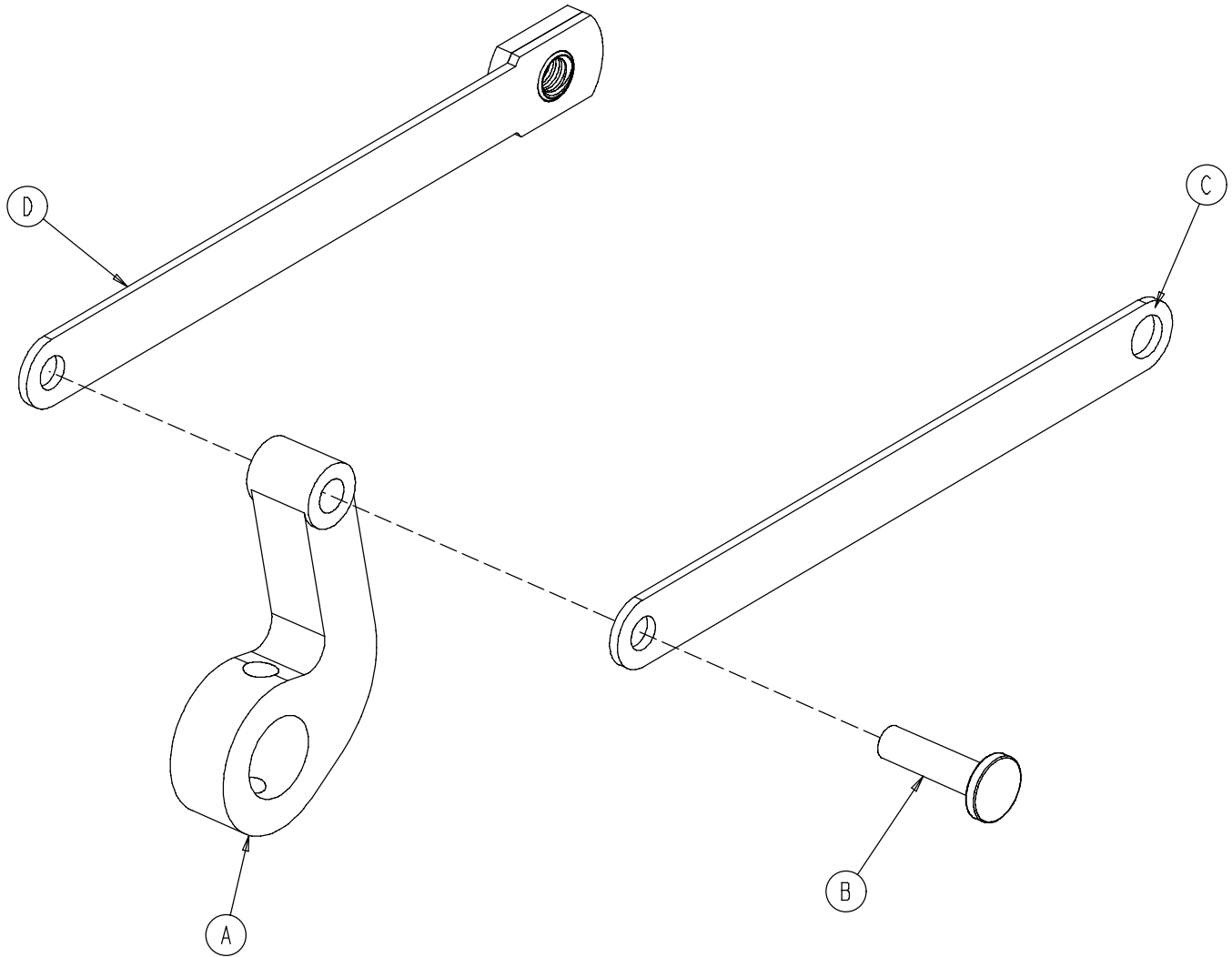
Item	Part No.	Part Name	Qty.
A	0026-343-000	Groove Pin	1
B	0715-001-140	Clear Vinyl Tubing	1
C	0753-005-044	Pump Pedal Bushing	2
D	0753-005-171	Foot End Pedal Weldment	1
E	0715-201-126	Plastic Pump Pedal	1

0753-003-010 Drive Link Assembly



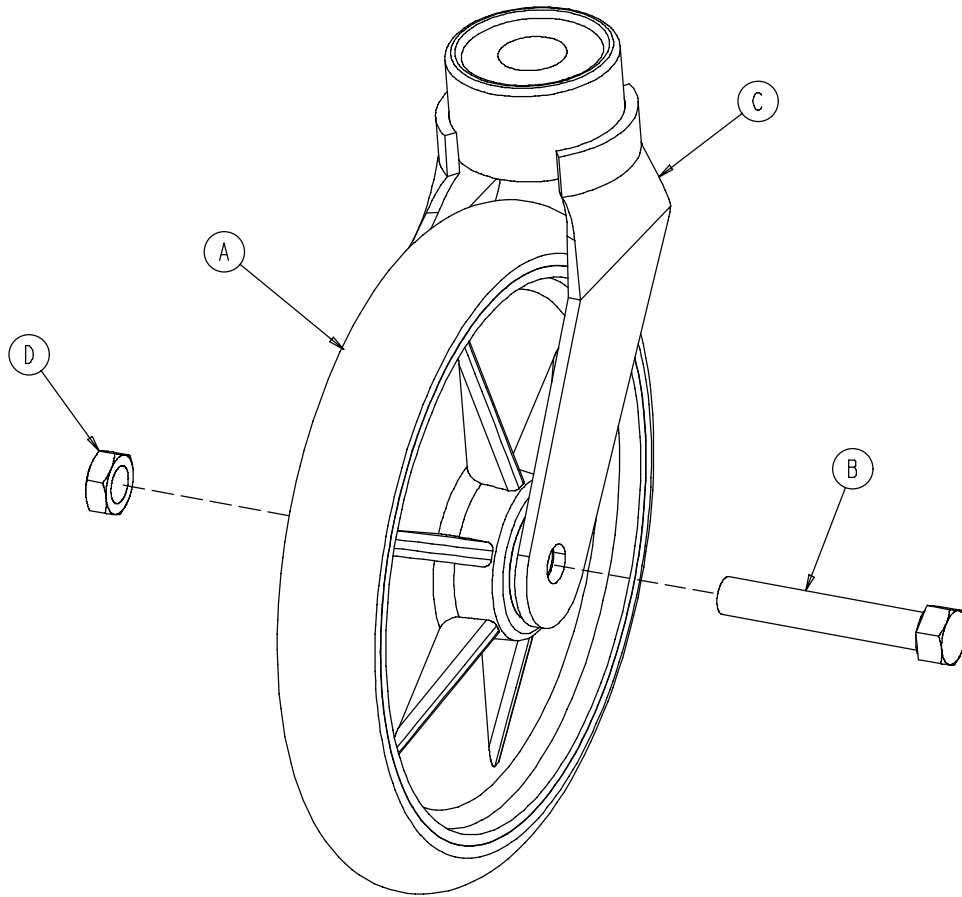
Item	Part No.	Part Name	Qty.
B	0753-003-011	Brake Rod Drive Link	1
C	0753-003-061	Brake Cam Drive Link	2
D	0753-003-098	Flat Hd. Semi-Tubular Rivet	2
E	0753-003-102	Brake Cam	1

0753-006-135 Drive Link Assembly



Item	Part No.	Part Name	Qty.
A	0753-003-011	Brake Rod Drive Link	1
B	0753-003-098	Semi-Tubular Rivet	1
C	0753-006-122	5th Wheel Cam Drive Link	1
D	0753-006-147	Fifth Wheel Drive Link	1

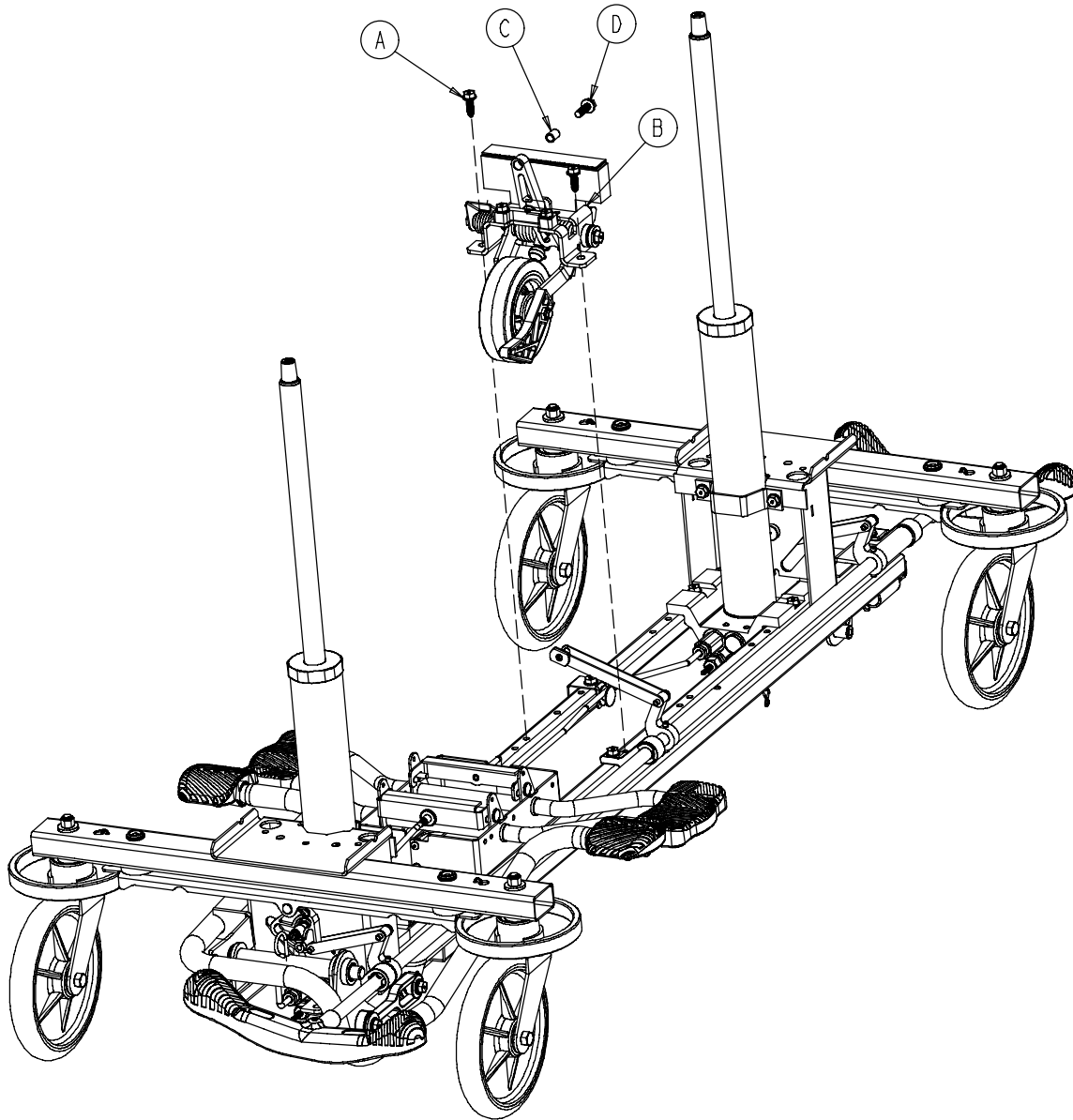
0753-010-020 8" Caster Assembly



Item	Part No.	Part Name	Qty.
A	0715-002-025	Wheel	1
B	0003-099-000	Hex Hd. Cap Screw	1
C	0753-010-021	Caster Horn w/Bearing	1
D	0016-060-000	Centerlock Nut	1

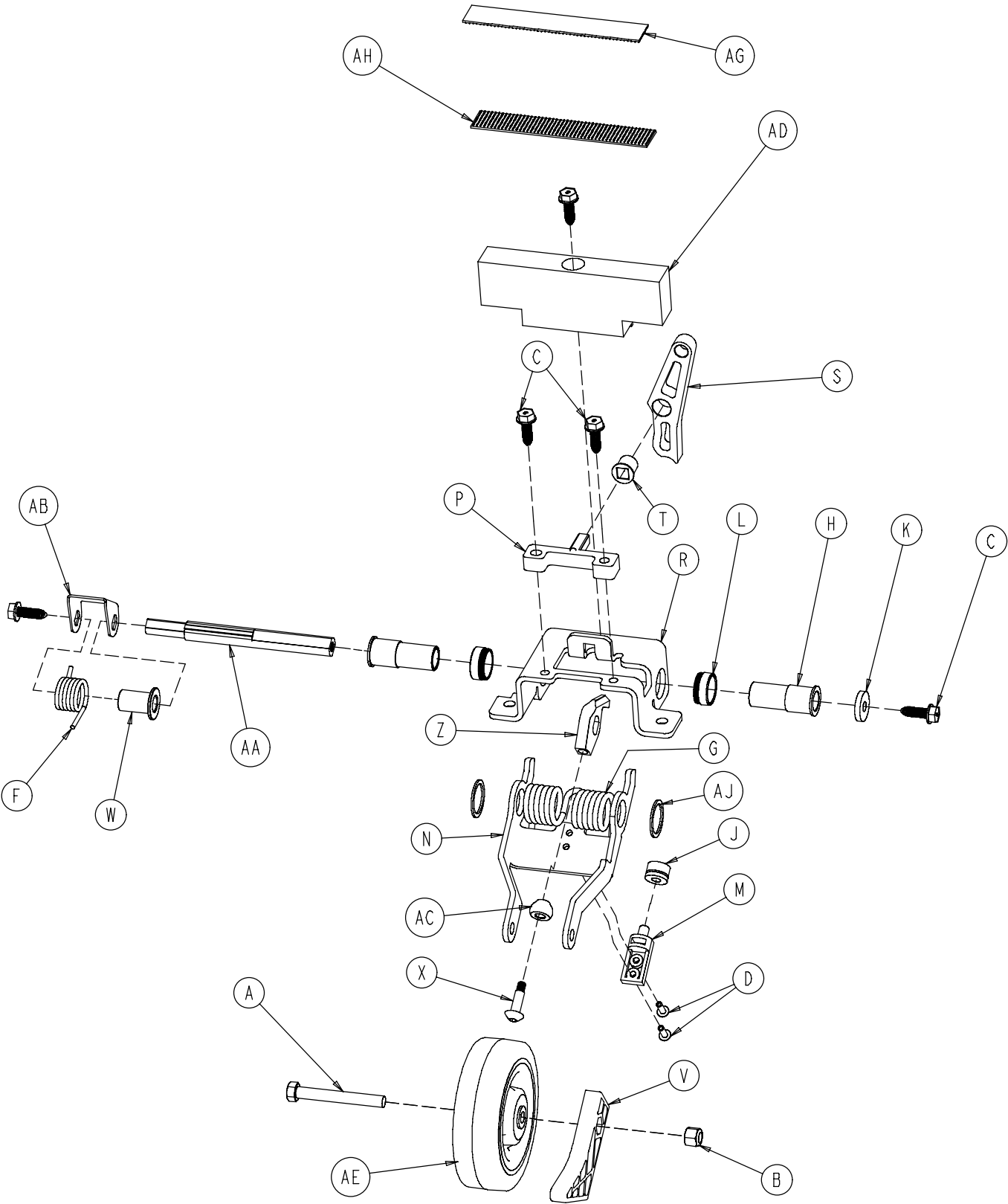
Notes

0753-006-110 Retractable Fifth Wheel Base Assembly



Item	Part No.	Part Name	Qty.
A	0023-288-000	Hex Washer Hd. Screw	2
B	(page 40)	Fifth Wheel Assembly	1
C	0753-006-148	Cam Bearing	1
D	0023-305-000	Hex Hd. Cap Screw	1

0753-006-130 Fifth Wheel Assembly

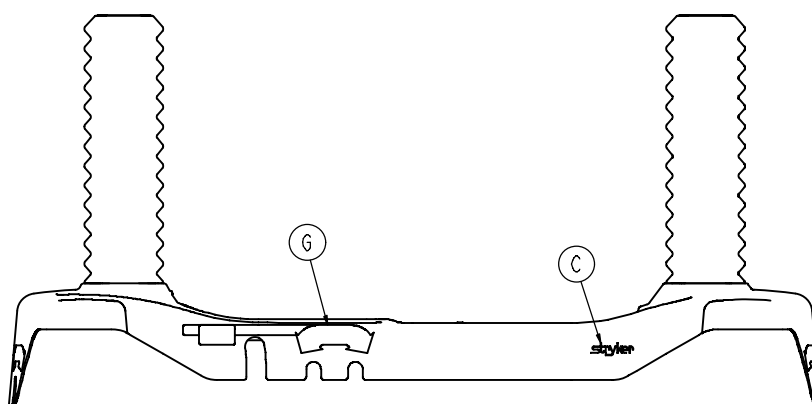
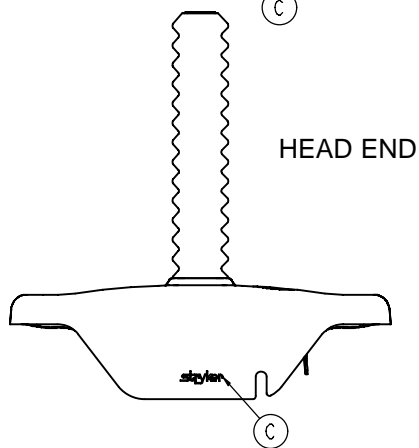
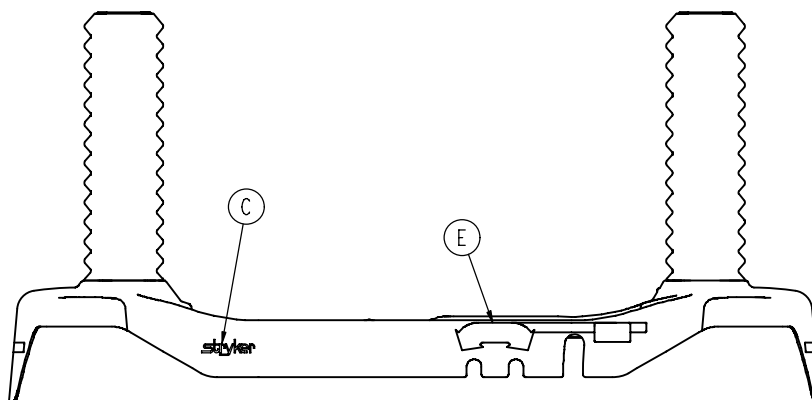
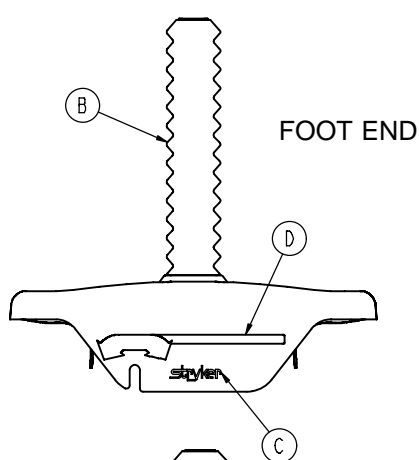
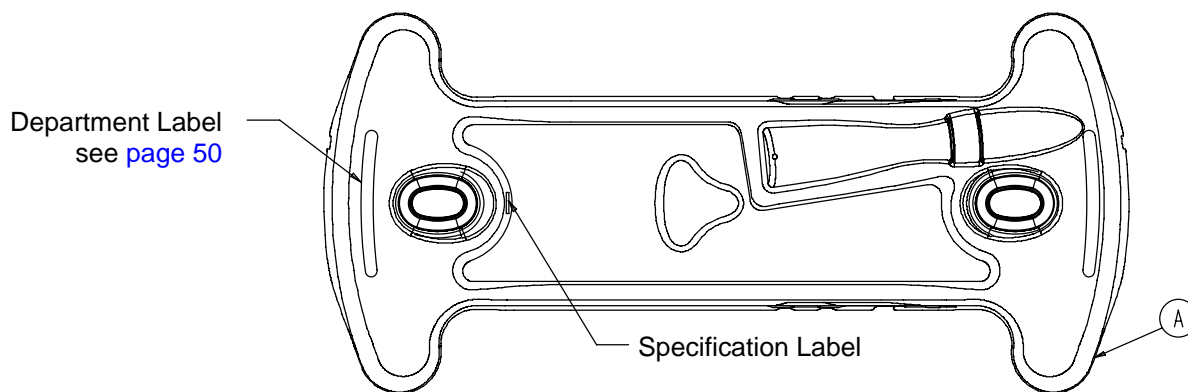


0753-006-130 Fifth Wheel Assembly

Item	Part No.	Part Name	Qty.
A	0003-083-000	Hex Hd. Cap Screw	1
B	0016-035-000	Nylock Hex Nut	1
C	0023-288-000	Hex Washer Hd. Screw	5
D	0025-050-000	Rivet	2
F	0753-006-074	Torsion Spring	1
G	0753-006-075	Torsion Spring	1
H	0753-006-097	Drive Shaft Bearing	2
J	0753-006-106	Dampener	1
K	0753-006-108	Thrust Washer	1
L	0753-006-115	Bearing	2
M	0753-006-120	Bumper Mounting Pin	1
N	0753-006-126	Wheel Bracket	1
P	0753-006-133	Cam Pivot Block	1
R	0753-006-134	Fifth Wheel Mounting Bracket	1
S	0753-006-142	Fifth Wheel Cam	1
T	0753-006-143	Cam Bearing	1
V	0753-006-149	5th Wheel Ramp	1
W	0753-006-152	Spring Spacer	1
X	0753-006-153	Roller Stem	1
Z	0753-006-198	Drive Pin	1
AA	0753-006-223	Drive Shaft	1
AB	0753-006-227	Return Spring Hook	1
AC	0753-006-277	Roller	1
AD	0753-010-045	Hood Standoff	1
AE	1210-001-147	Wheel	1
AG	0753-006-280	Dual Lock	1
AH	0753-006-281	Dual Lock	1
AJ	0011-360-000	Washer	2

Base Labels – Standard Brakes & Hydraulics

Assembly part number 0753-010-062 (reference only)



Item	Part No.	Part Name	Qty.
A	0753-010-040	Base Hood	1
B	1040-010-134	Bellows	2
C	0946-201-060	Stryker Logo Label	4

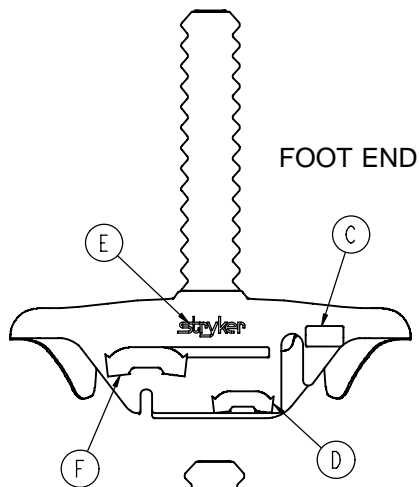
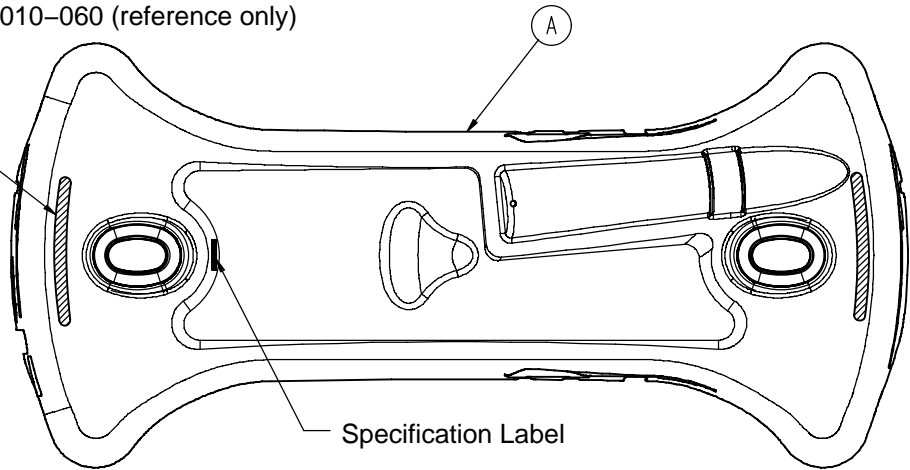
Base Labels – Standard Brakes & Hydraulics

Color Set P/N	Item D Brake/ Steer, Foot End	Item E Lift/Lower, Left	Item G Lift/Lower, Right	Litter Bumper Strip
RED 0753-010-120	0753-010-051	0753-010-055	0753-010-054	1010-700-015
PURPLE 0753-010-121	0753-010-151	0753-010-155	0753-010-154	1010-700-025
GREEN 0753-010-122	0753-010-251	0753-010-255	0753-010-254	1010-700-035
GRAY 0753-010-123	0753-010-351	0753-010-355	0753-010-354	1010-700-045
TEAL 0753-010-124	0753-010-451	0753-010-455	0753-010-454	1010-700-055
PINK 0753-010-125	0753-010-551	0753-010-555	0753-010-554	1010-700-065
BLUE 0753-010-126	0753-010-651	0753-010-655	0753-010-654	1010-700-075

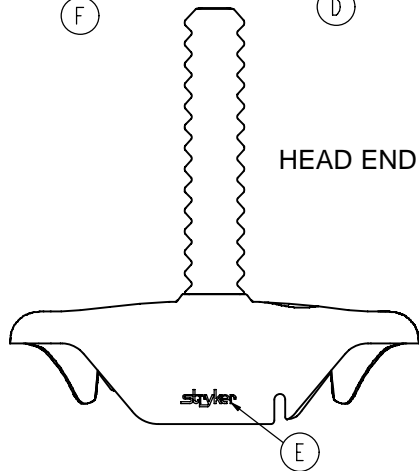
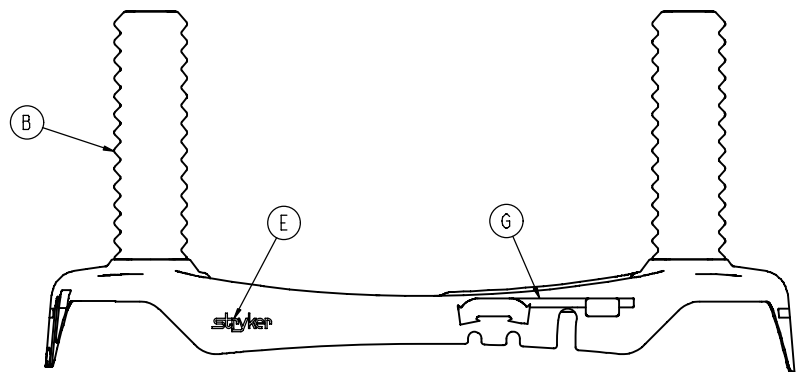
Base Labels – 2-Side Brakes/3-Side Hydraulics

Assembly part number 0753-010-060 (reference only)

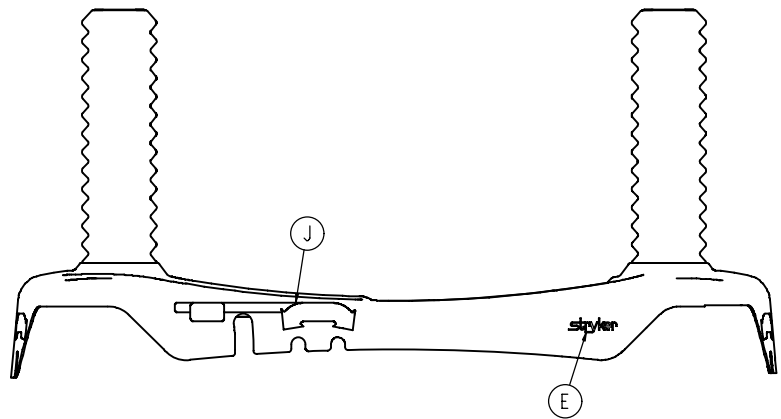
Department Label
see [page 50](#)



FOOT END



HEAD END



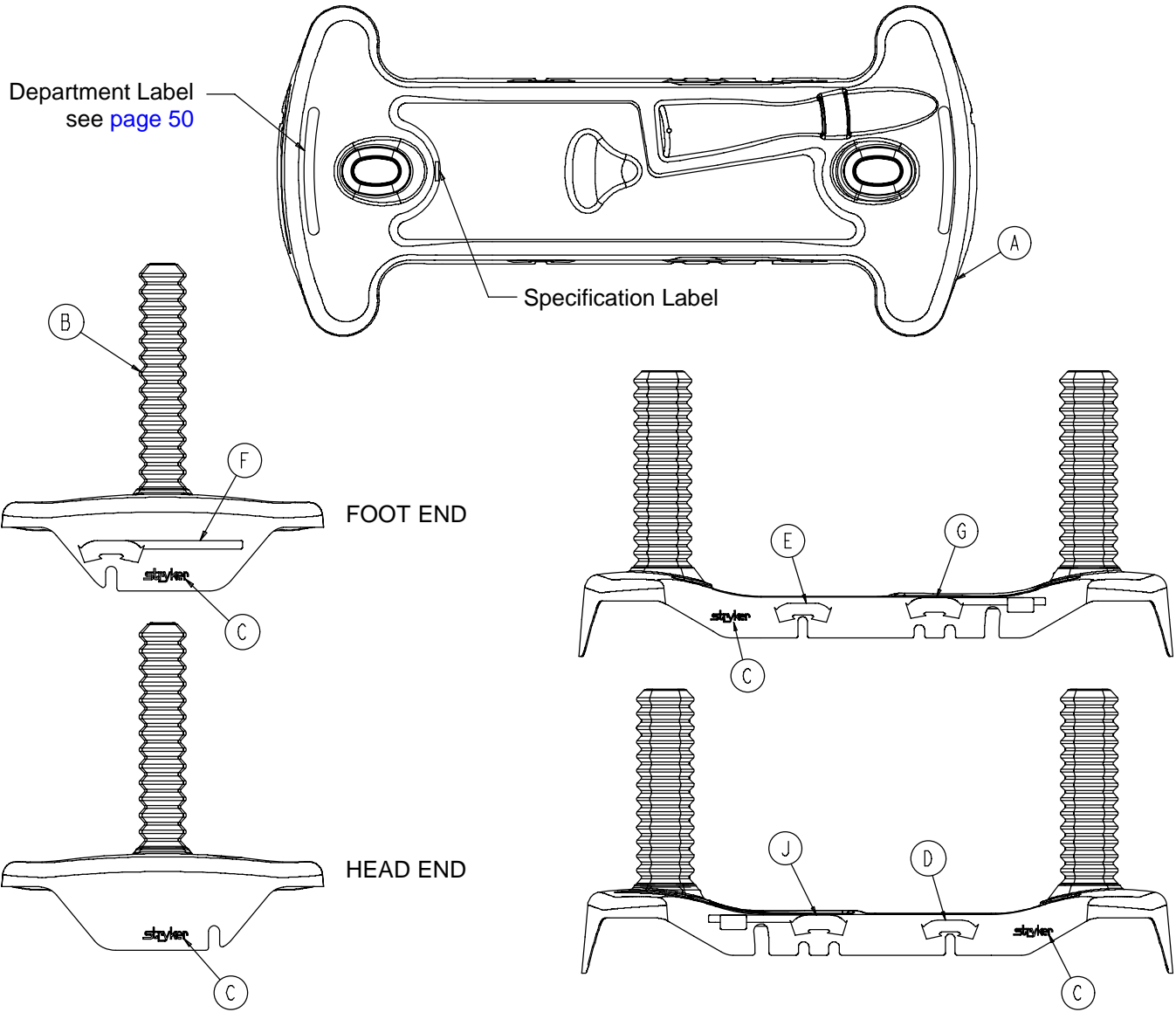
Item	Part No.	Part Name	Qty.
A	0753-010-035	Base Hood	1
B	1040-010-134	Bellows	2
C	0753-010-052	Pump Pedal Label, Foot	1
D	0753-010-053	Release Pedal Label, Foot	1
E	0946-201-060	Stryker Logo Label	4

Base Labels – 2–Side Brakes/3–Side Hydraulics

Color Set P/N	Item F Brake/Steer, Foot End	Item G Lift/Lower, Left	Item J Lift/Lower, Right	Litter Bumper Strip
RED 0753-010-100	0753-010-016	0753-010-055	0753-010-054	1010-700-015
PURPLE 0753-010-101	0753-010-160	0753-010-155	0753-010-154	1010-700-025
GREEN 0753-010-102	0753-010-260	0753-010-255	0753-010-254	1010-700-035
GRAY 0753-010-103	0753-010-360	0753-010-355	0753-010-354	1010-700-045
TEAL 0753-010-104	0753-010-460	0753-010-455	0753-010-454	1010-700-055
PINK 0753-010-105	0753-010-560	0753-010-555	0753-010-554	1010-700-065
BLUE 0753-010-106	0753-010-660	0753-010-655	0753-010-654	1010-700-075

Base Labels – 4-Side Brakes/2-Side Hydraulics

Assembly part number 0753-010-063 (reference only)



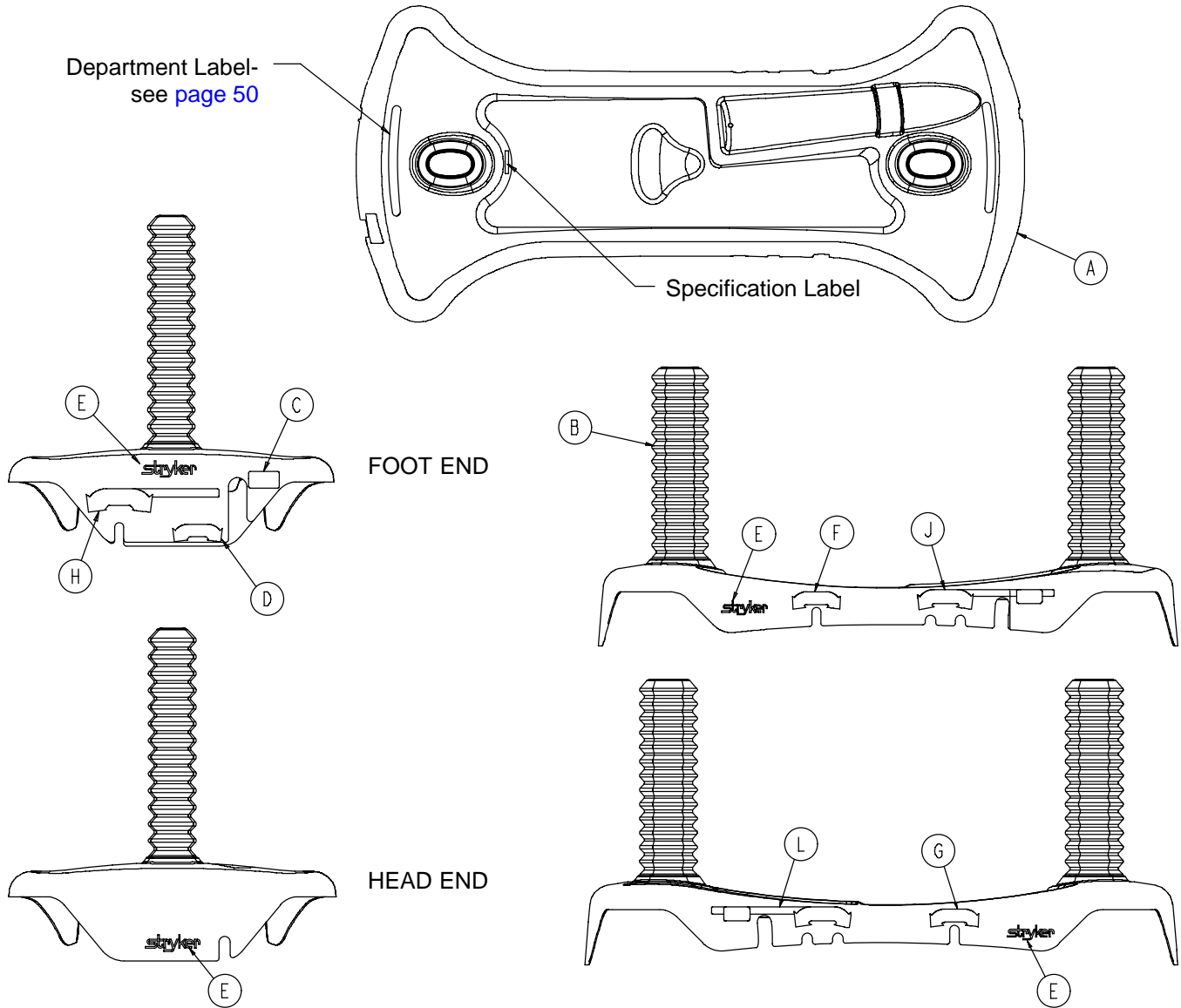
Item	Part No.	Part Name	Qty.
A	0753-010-040	Base Hood	1
B	1040-010-134	Bellows	2
C	0946-201-060	Stryker Logo Label	4
D	0753-010-018	Brake/Steer Label, Right	1
E	0753-010-019	Brake/Steer Label, Left	1

Base Labels – 4–Side Brakes/2–Side Hydraulics

Color Set P/N	Item F Brake/ Steer, Foot End	Item G Lift/Lower, Left	Item J Lift/Lower, Right	Litter Bumper Strip
RED 0753-010-120	0753-010-051	0753-010-055	0753-010-054	1010-700-015
PURPLE 0753-010-121	0753-010-151	0753-010-155	0753-010-154	1010-700-025
GREEN 0753-010-122	0753-010-251	0753-010-255	0753-010-254	1010-700-035
GRAY 0753-010-123	0753-010-351	0753-010-355	0753-010-354	1010-700-045
TEAL 0753-010-124	0753-010-451	0753-010-455	0753-010-454	1010-700-055
PINK 0753-010-125	0753-010-551	0753-010-555	0753-010-554	1010-700-065
BLUE 0753-010-126	0753-010-651	0753-010-655	0753-010-654	1010-700-075

Base Labels – 4-Side Brakes/3-Side Hydraulics

Assembly part number 0753-010-061 (reference only)



Item	Part No.	Part Name	Qty.
A	0753-010-037	Base Hood	1
B	1040-010-134	Bellows	2
C	0753-010-052	Foot End Pump Pedal Label	1
D	0753-010-053	Foot End Release Pedal Label	1
E	0946-201-060	Stryker Logo Label	4
F	0753-010-019	Brake/Steer Label, Left	1
G	0753-010-018	Brake/Steer Label, Left	1

Base Labels – 4–Side Brakes/3–Side Hydraulics

Color Set P/N	Item H Brake/ Steer, Foot End	Item J Lift/Lower, Left	Item L Lift/Lower, Right	Litter Bumper Strip
RED 0753-010-100	0753-010-016	0753-010-055	0753-010-054	1010-700-015
PURPLE 0753-010-101	0753-010-160	0753-010-155	0753-010-154	1010-700-025
GREEN 0753-010-102	0753-010-260	0753-010-255	0753-010-254	1010-700-035
GRAY 0753-010-103	0753-010-360	0753-010-355	0753-010-354	1010-700-045
TEAL 0753-010-104	0753-010-460	0753-010-455	0753-010-454	1010-700-055
PINK 0753-010-105	0753-010-560	0753-010-555	0753-010-554	1010-700-065
BLUE 0753-010-106	0753-010-660	0753-010-655	0753-010-654	1010-700-075

Base Labels

BASE HOOD DEPARTMENT LABELS

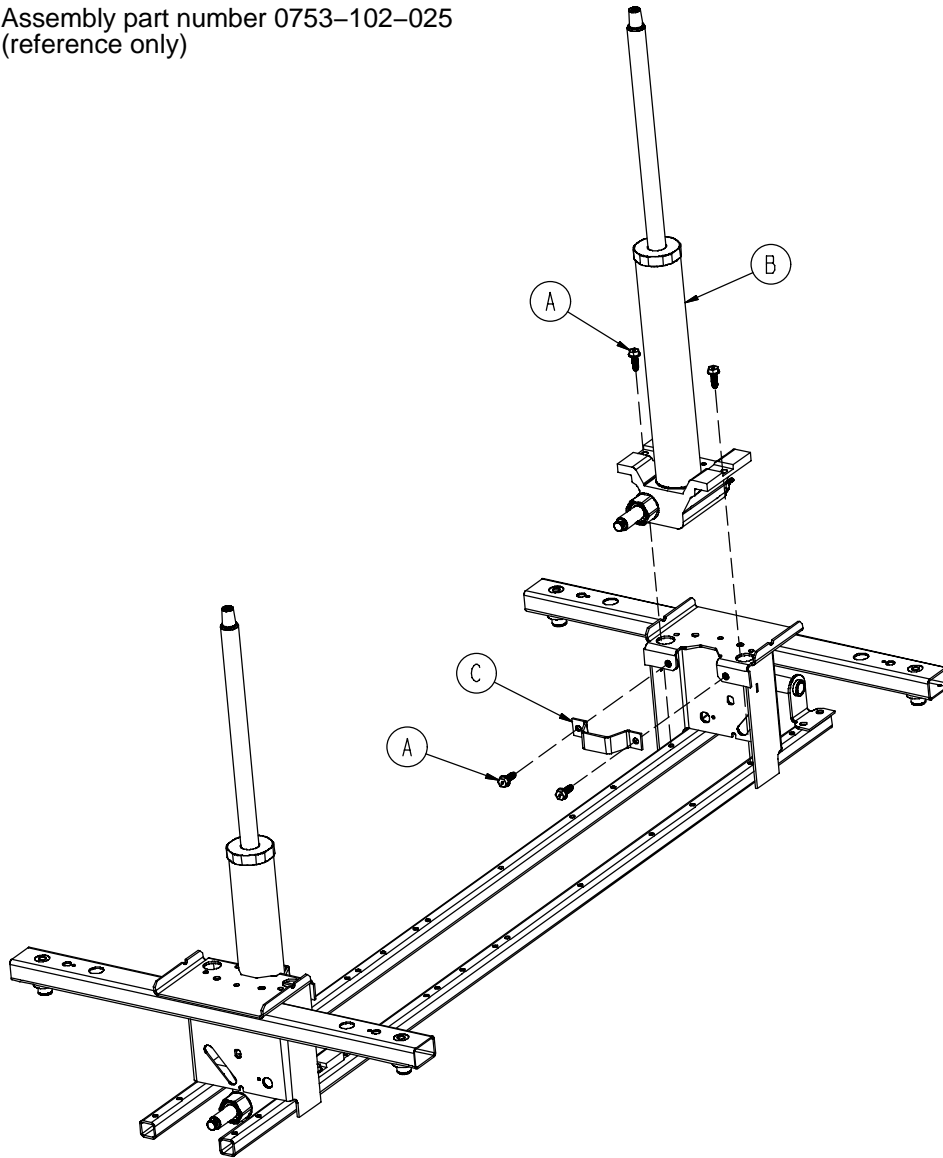
Department	Label Part Number
Emergency	1010-900-215
PACU	1010-900-220
Transport	1010-900-225
Surgery	1010-900-230
Extended Stay	1010-900-235
Maternity	1010-900-240
Endoscopy	1010-900-245
Radiology	1010-900-250
Nuclear Medicine	1010-900-255
Ambulatory Surgery	1010-900-260
G.I. Lab	1010-900-265
Cath. Lab	1010-900-270
Same Day Surgery	1010-900-275
Cardio.	1010-900-280
Ultrasound	1010-900-285

NOTE

All base hood department labels are quantity of two.

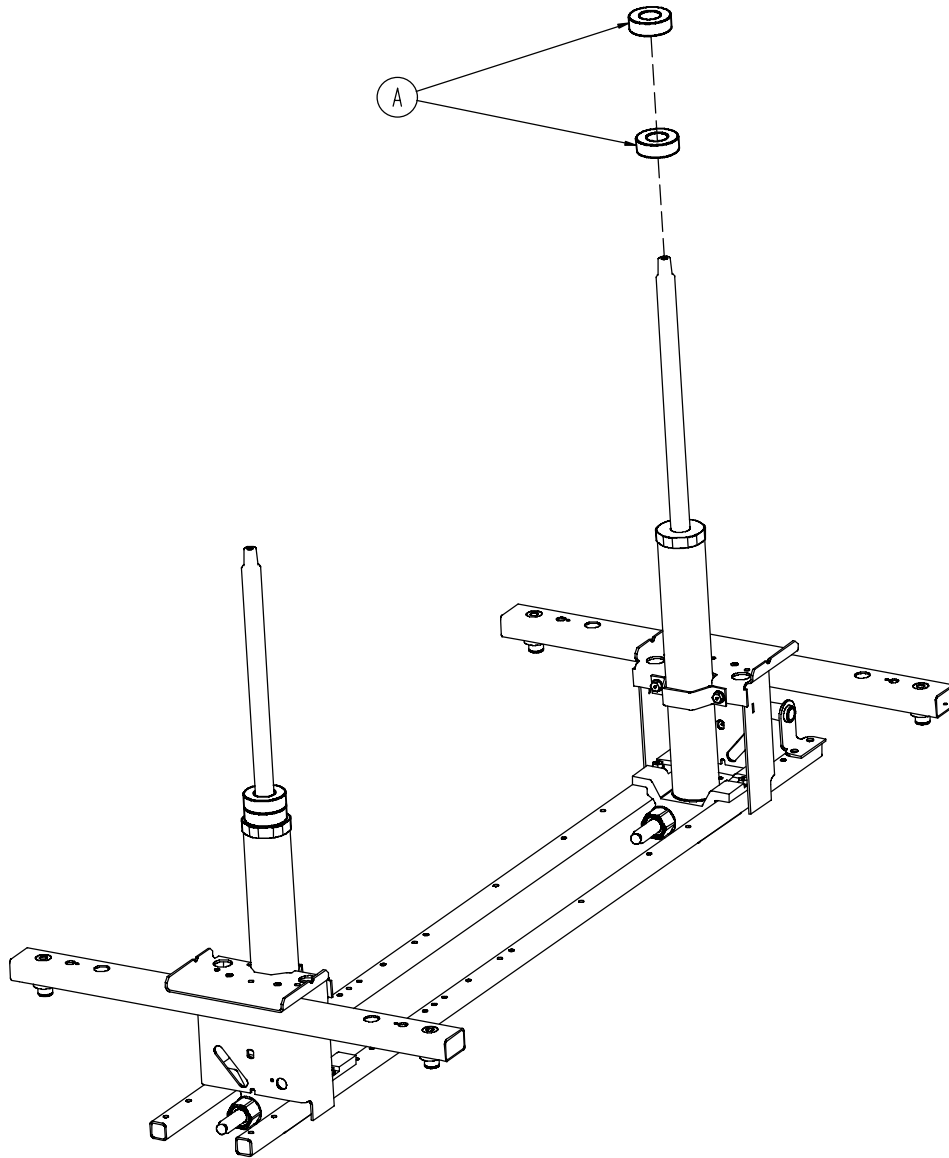
Constant Descent Jacks

Assembly part number 0753-102-025
(reference only)



Item	Part No.	Part Name	Qty.
A	0023-288-000	Hex Washer Hd. Screw	8
B	0753-002-101	Constant Descent Jack Ass'y	2
C	0753-010-007	Reservoir Clamp	2

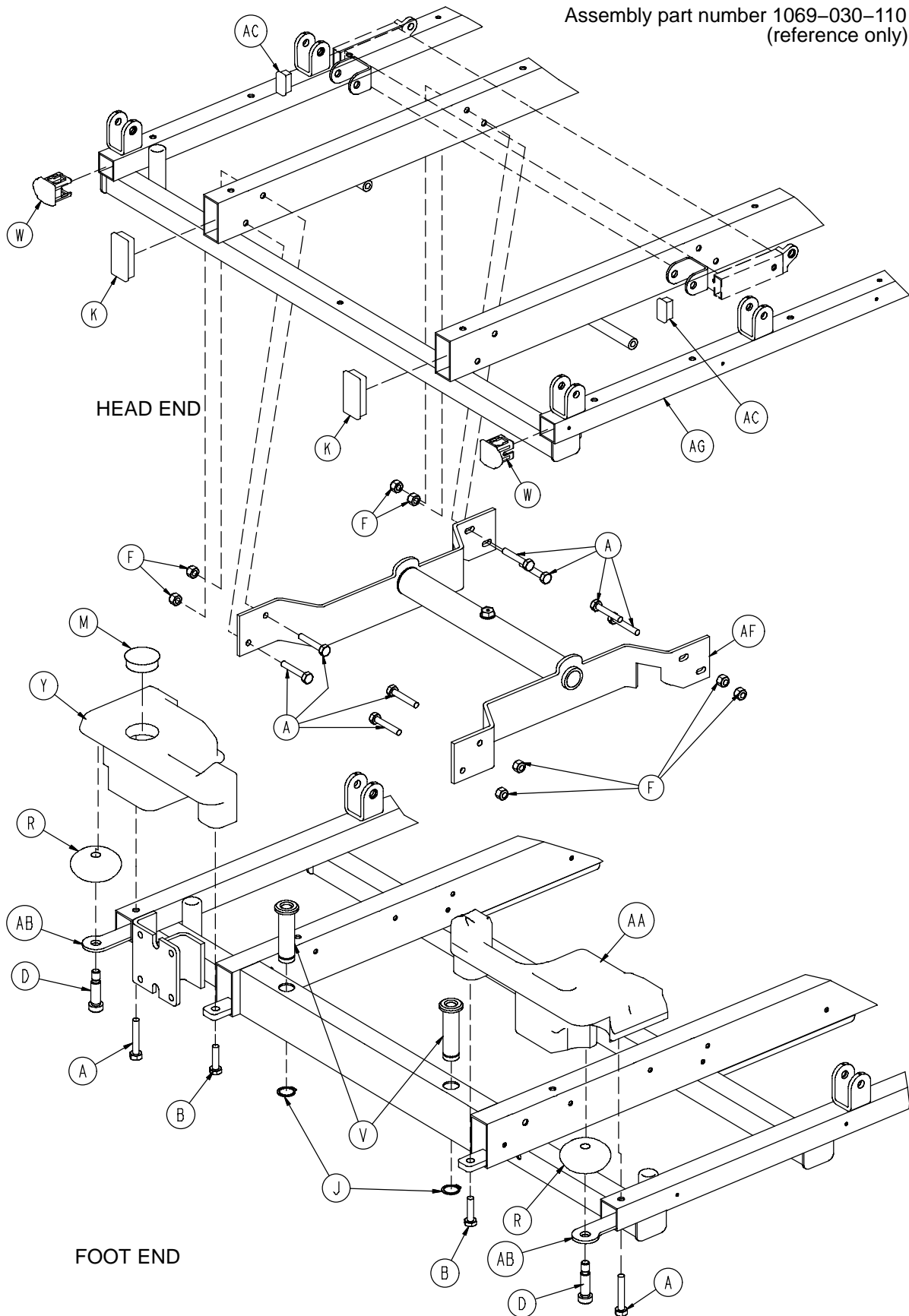
1069-020-010 Trend Limiter



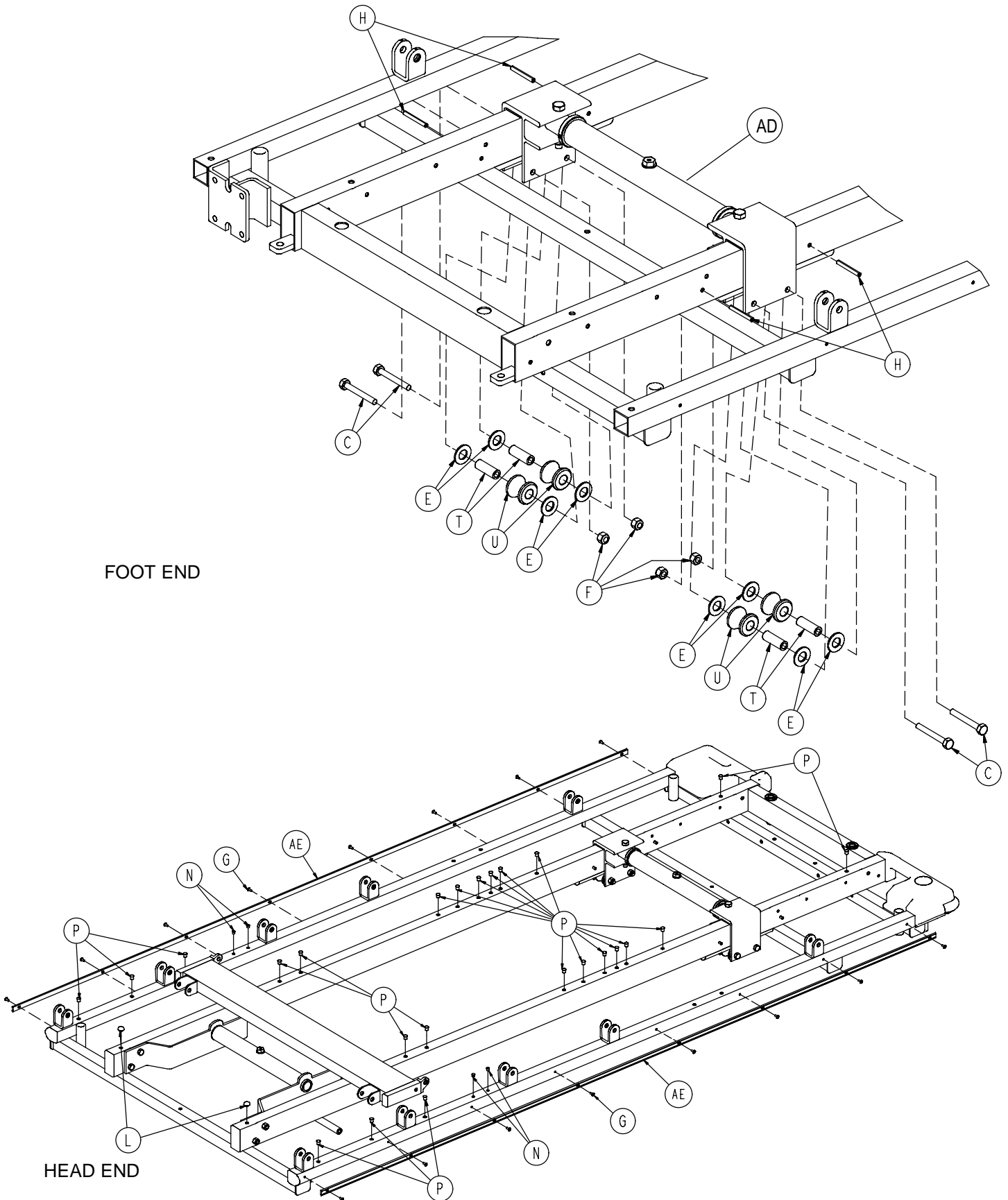
Item	Part No.	Part Name	Qty.
A	1040-010-027	Trend Limiter	4

Litter Assembly

Assembly part number 1069-030-110
(reference only)



Litter Assembly



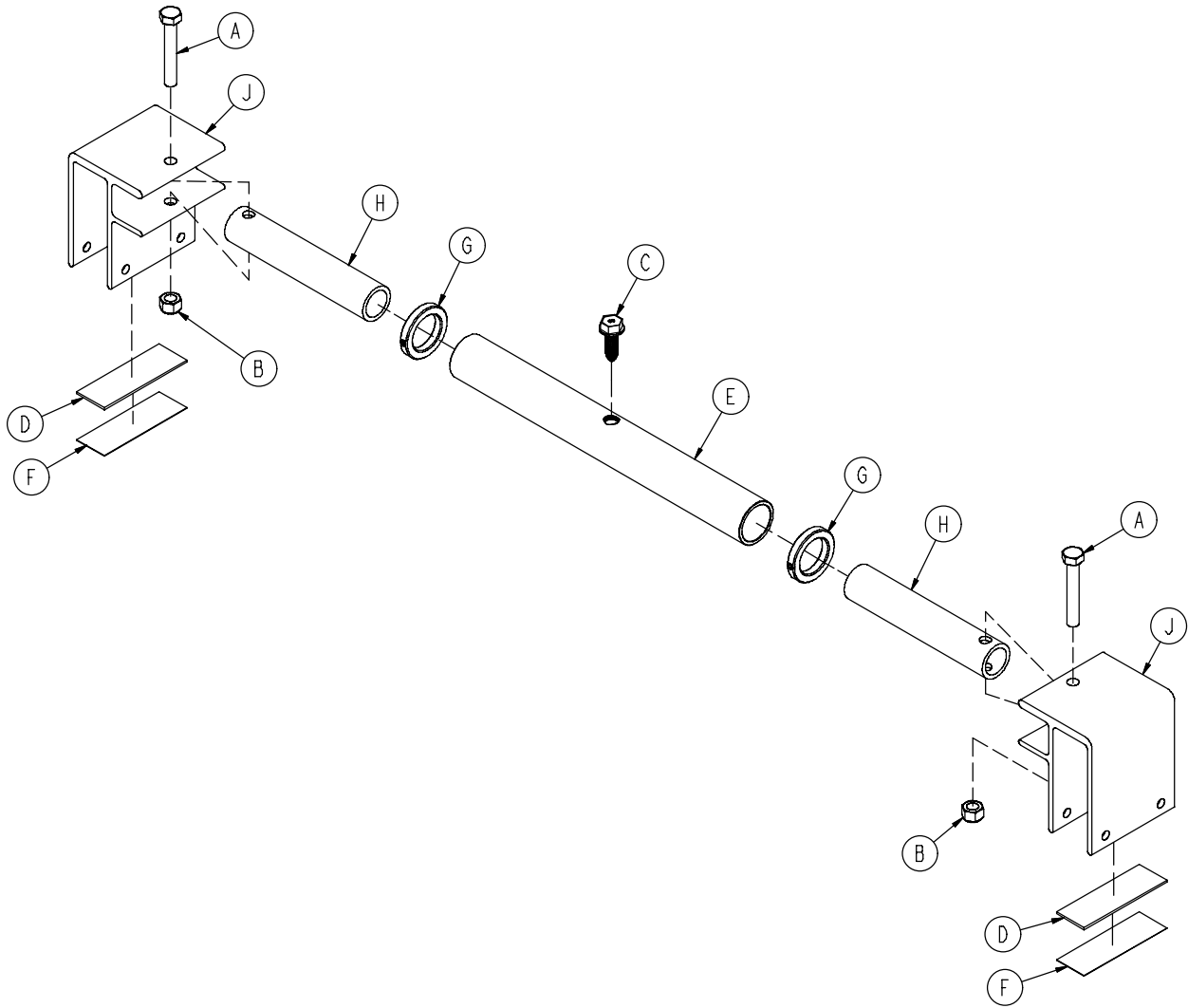
FOOT END

HEAD END

Litter Assembly

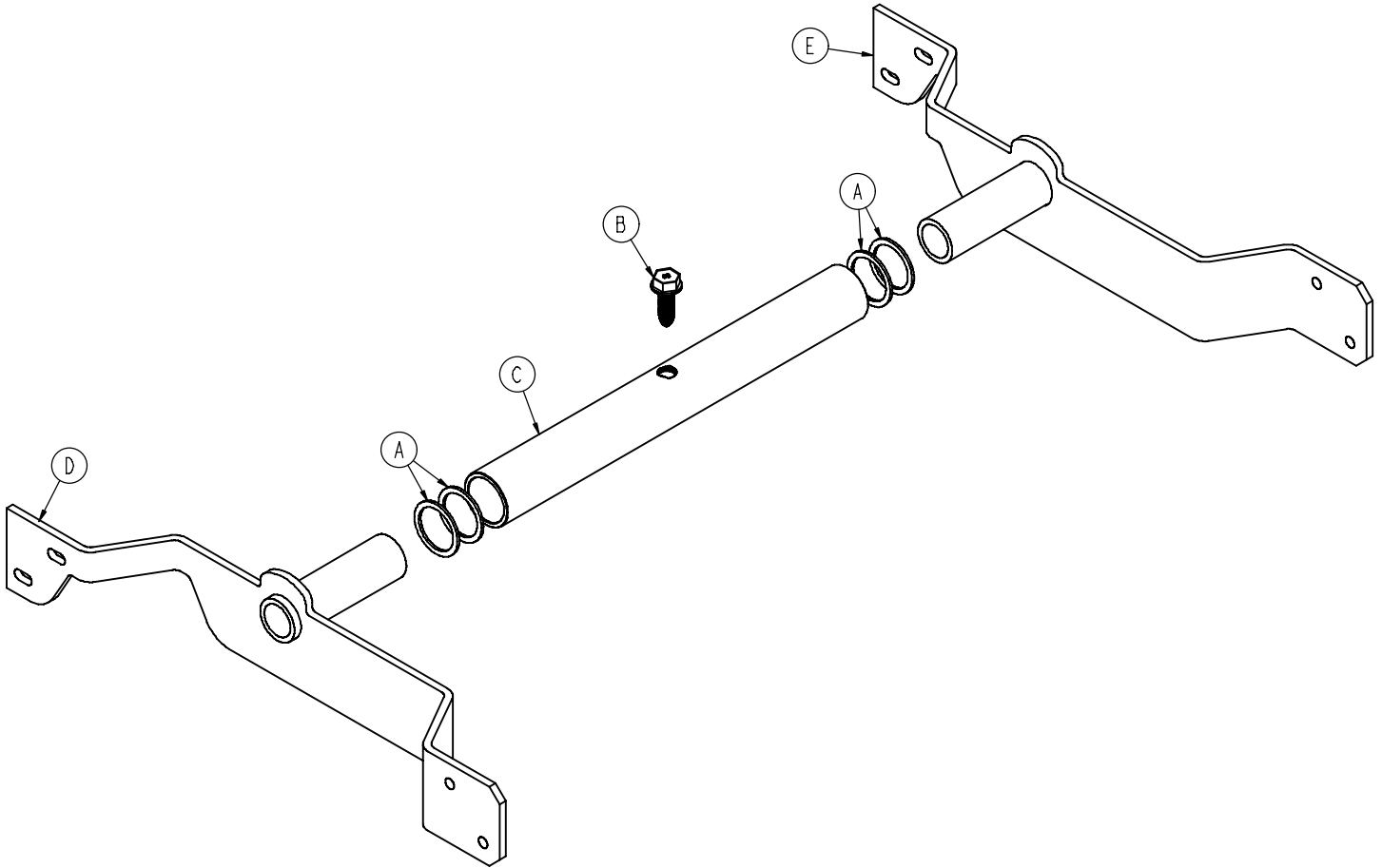
Item	Part No.	Part Name	Qty.
A	0003-047-000	Hex Hd. Cap Screw	10
B	0003-054-000	Hex Hd. Cap Screw	2
C	0003-076-000	Hex Hd. Cap Screw	4
D	0008-024-000	Soc. Hd. Cap Screw	2
E	0011-014-000	Washer	8
F	0016-028-000	Hex Nut	12
G	0025-038-000	Rivet	16
H	0026-057-000	Slotted Spring Pin	4
J	0028-023-000	External Retaining Ring	2
K	0037-049-000	Hole Plug	2
L	0037-052-000	Rubber Bumper	2
M	0037-059-000	Hole Plug	2
N	0037-074-000	Hole Plug	1
P	0721-031-065	Hole Plug	24
R	0721-032-049	Roller Bumper	2
T	0721-032-107	Roller Sleeve	4
U	0721-032-108	Support Roller	4
V	0721-040-026	Footboard Receptacle	2
W	1001-030-029	End Plug	2
Y	1010-001-013	Cover, Foot, Right	1
AA	1010-001-014	Cover, Foot, Left	1
AB	1010-001-017	Roller Plate	2
AC	1010-032-066	Rectangular Hole Plug	2
AD	(page 56)	Jack Support Assembly, F/E	1
AE	1068-020-038	Bumper Channel	2
AF	(page 57)	Jack Support Assembly, H/E	1
AG	1069-030-150	Litter Frame Wldmnt.	1

1010-032-210 Foot End Jack Support Assembly



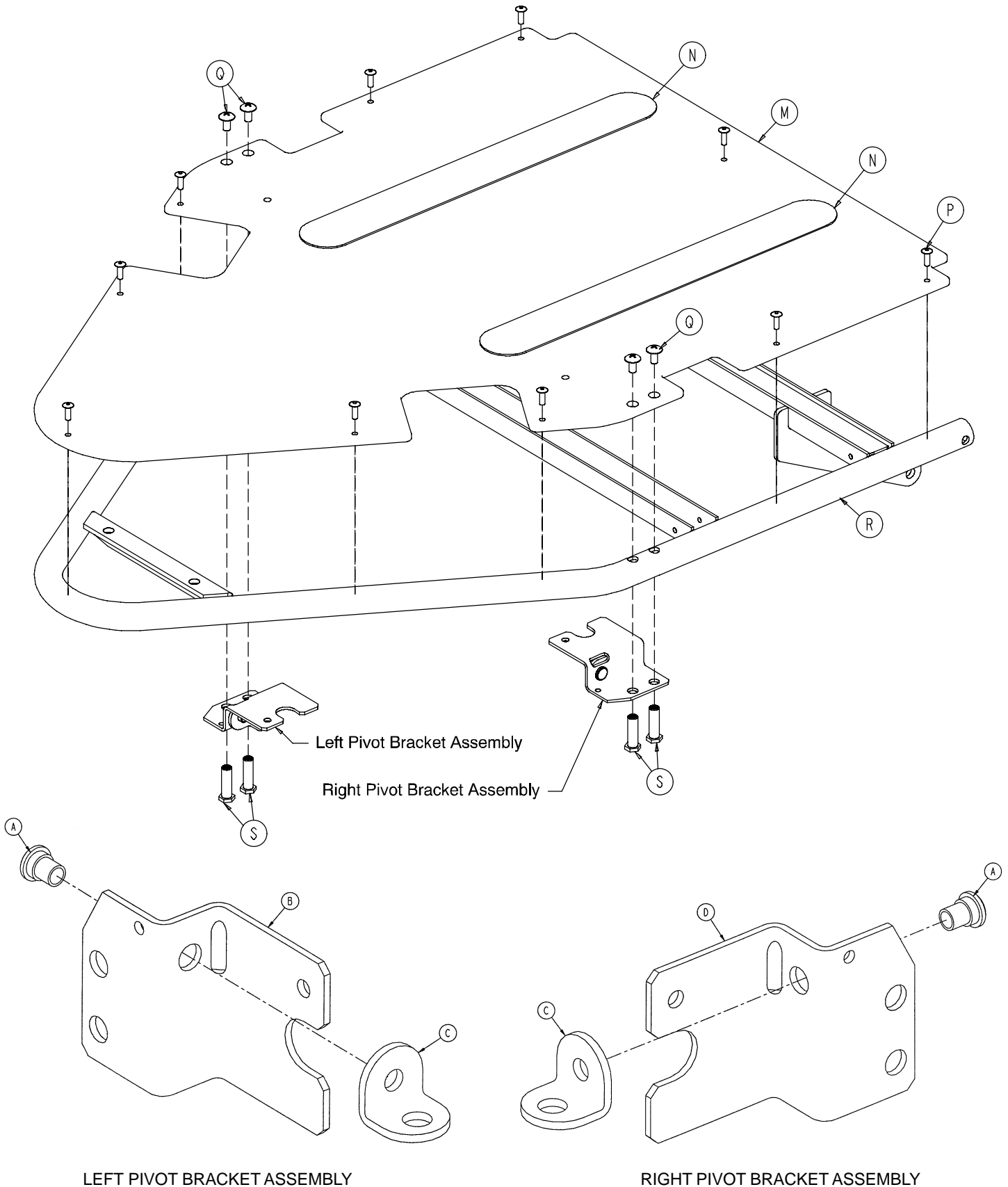
Item	Part No.	Part Name	Qty.
A	0003-040-000	Hex Hd. Cap Screw	2
B	0016-036-000	Nylock Hex Nut	2
C	0023-288-000	Hex Washer Hd. Screw	1
D	0044-029-000	Double Sided Foam Tape	.5 ft.
E	0753-010-029	Support Tube	1
F	0919-030-028	Rack Glide	2
G	0938-001-401	Collar	2
H	1010-032-064	Carrier Tube	2
J	1010-032-108	Roller	3

1069-030-130 Head End Jack Support Assembly

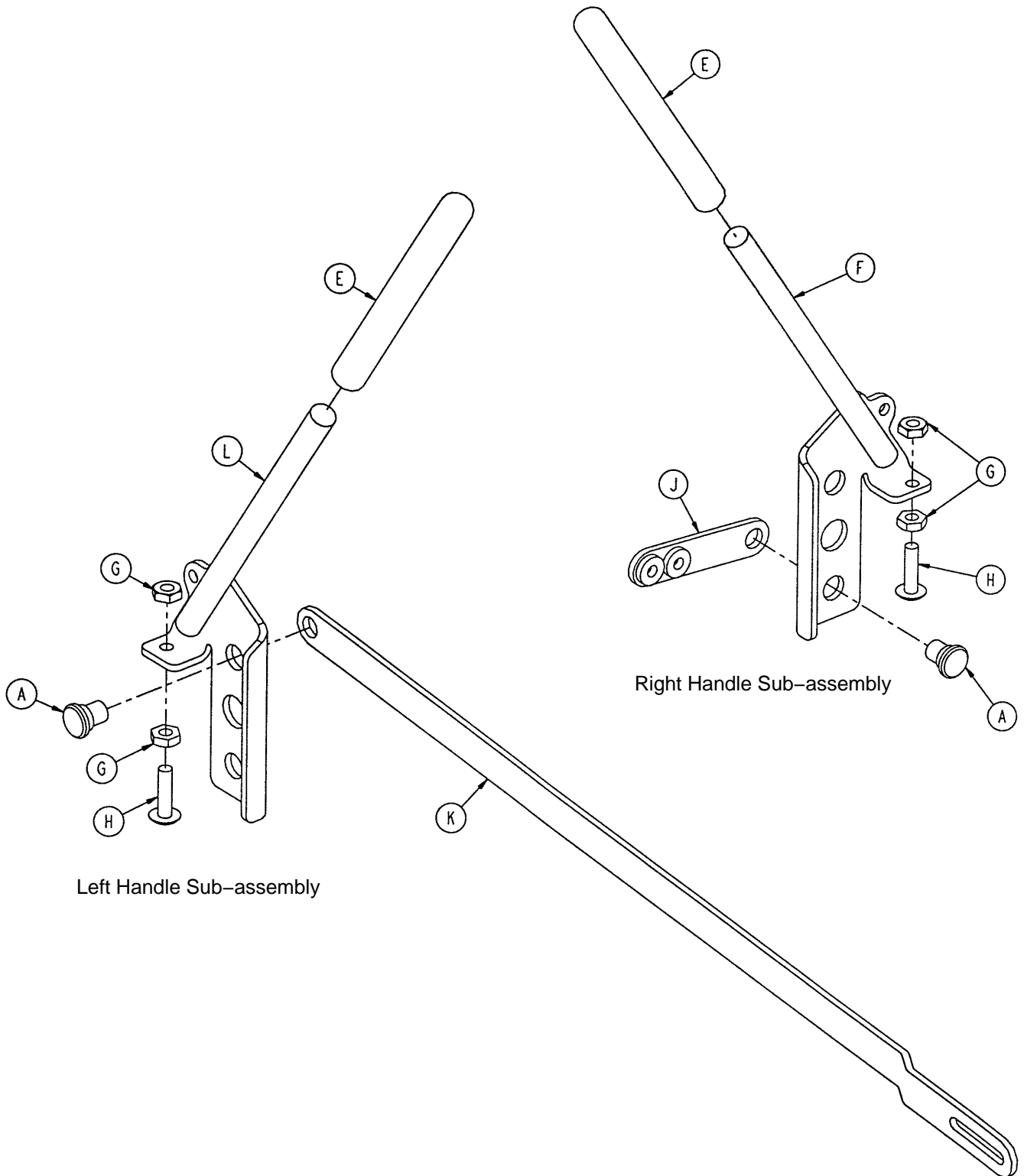


Item	Part No.	Part Name	Qty.
A	0011-360-000	Washer	4
B	0023-288-000	Hex Washer Hd. Screw	1
C	0753-010-029	Support Tube	1
D	1069-030-120	Jack Mount, Left	1
E	1069-030-125	Jack Mount, Right	1

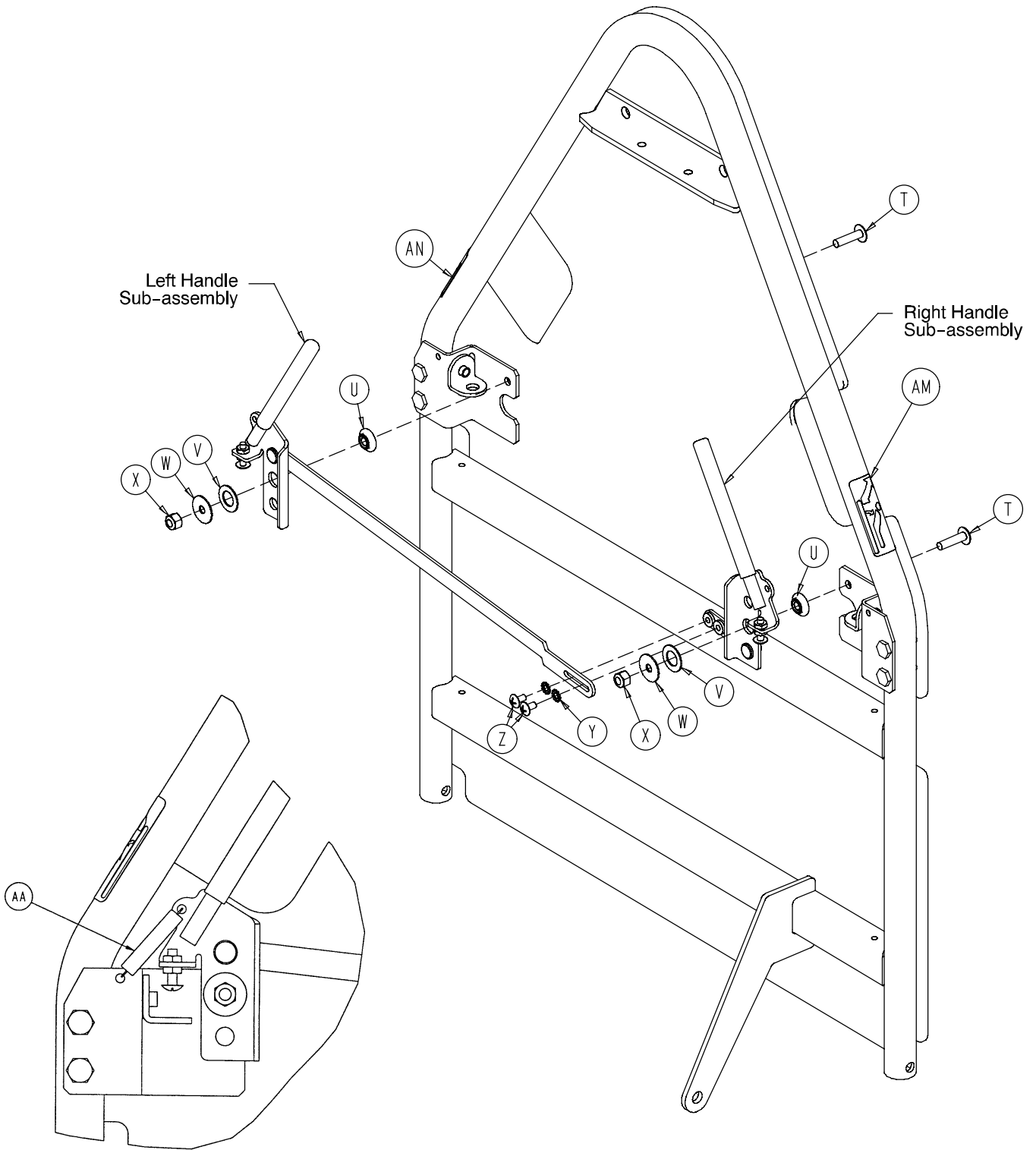
1069-032-120 Zero Articulating Pneumatic Fowler



1069-032-120 Zero Articulating Pneumatic Fowler

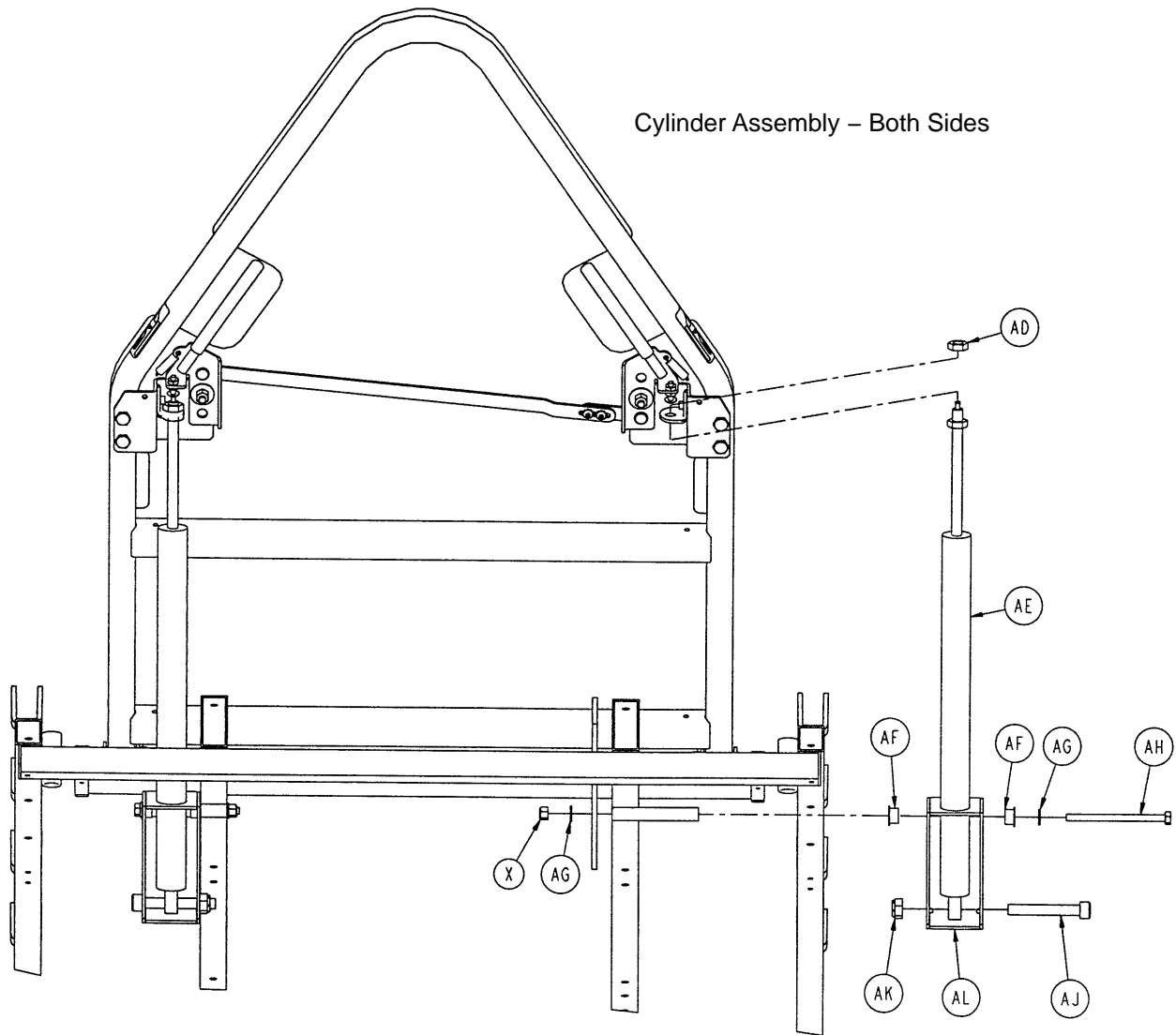


1069-032-120 Zero Articulating Pneumatic Fowler

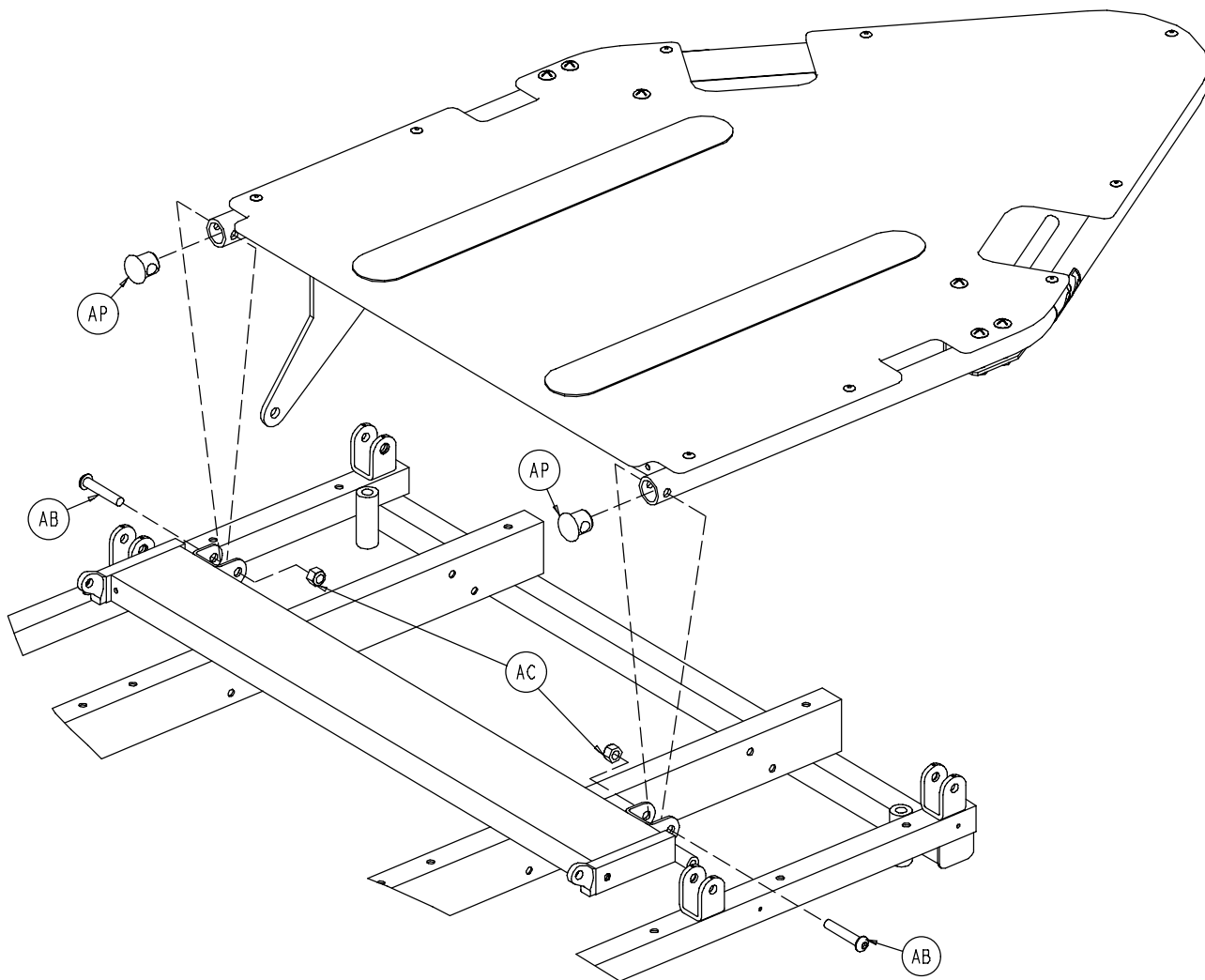


Spring Attachment – Both Sides

1069-032-120 Zero Articulating Pneumatic Fowler

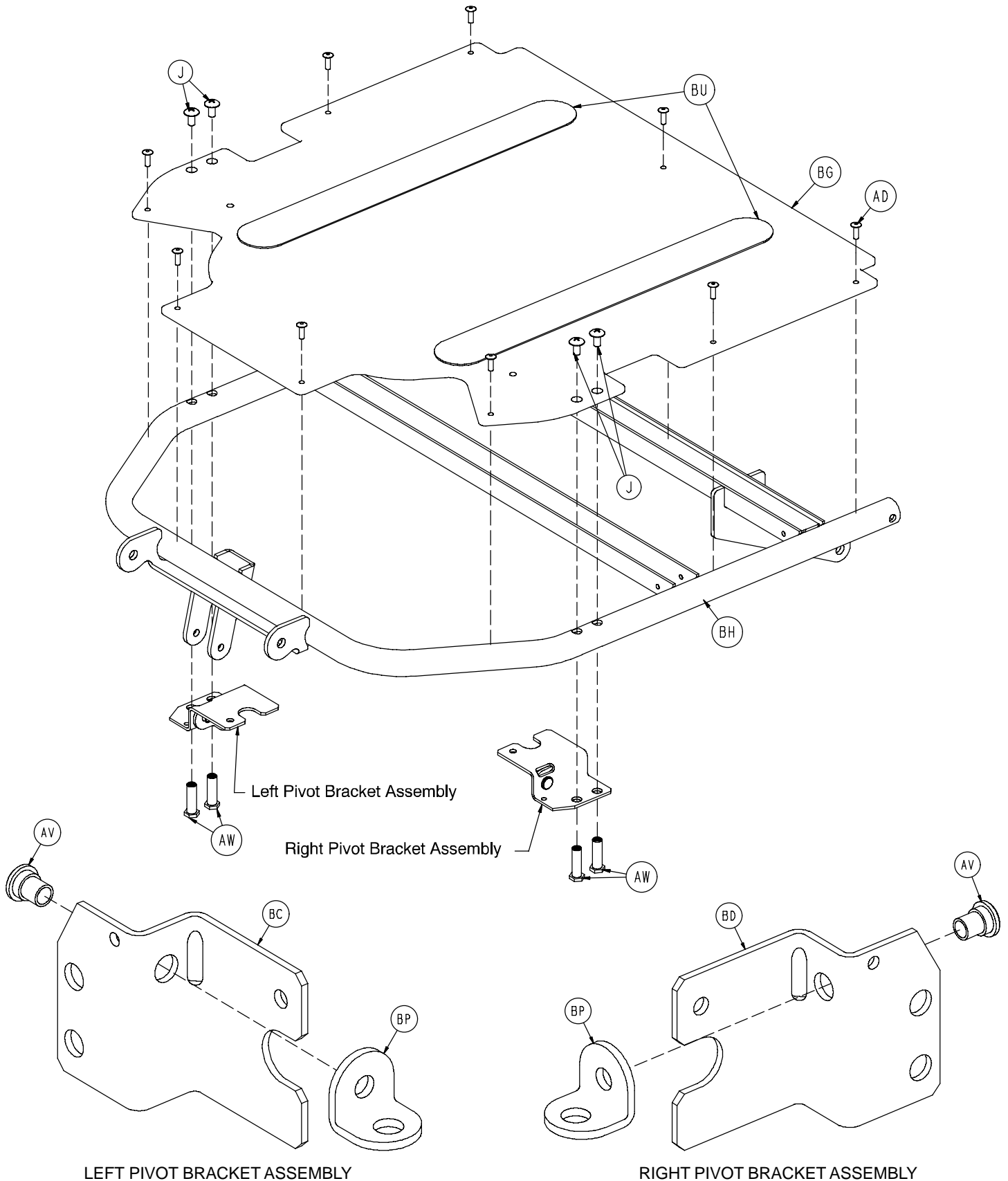


1069-032-120 Zero Articulating Pneumatic Fowler

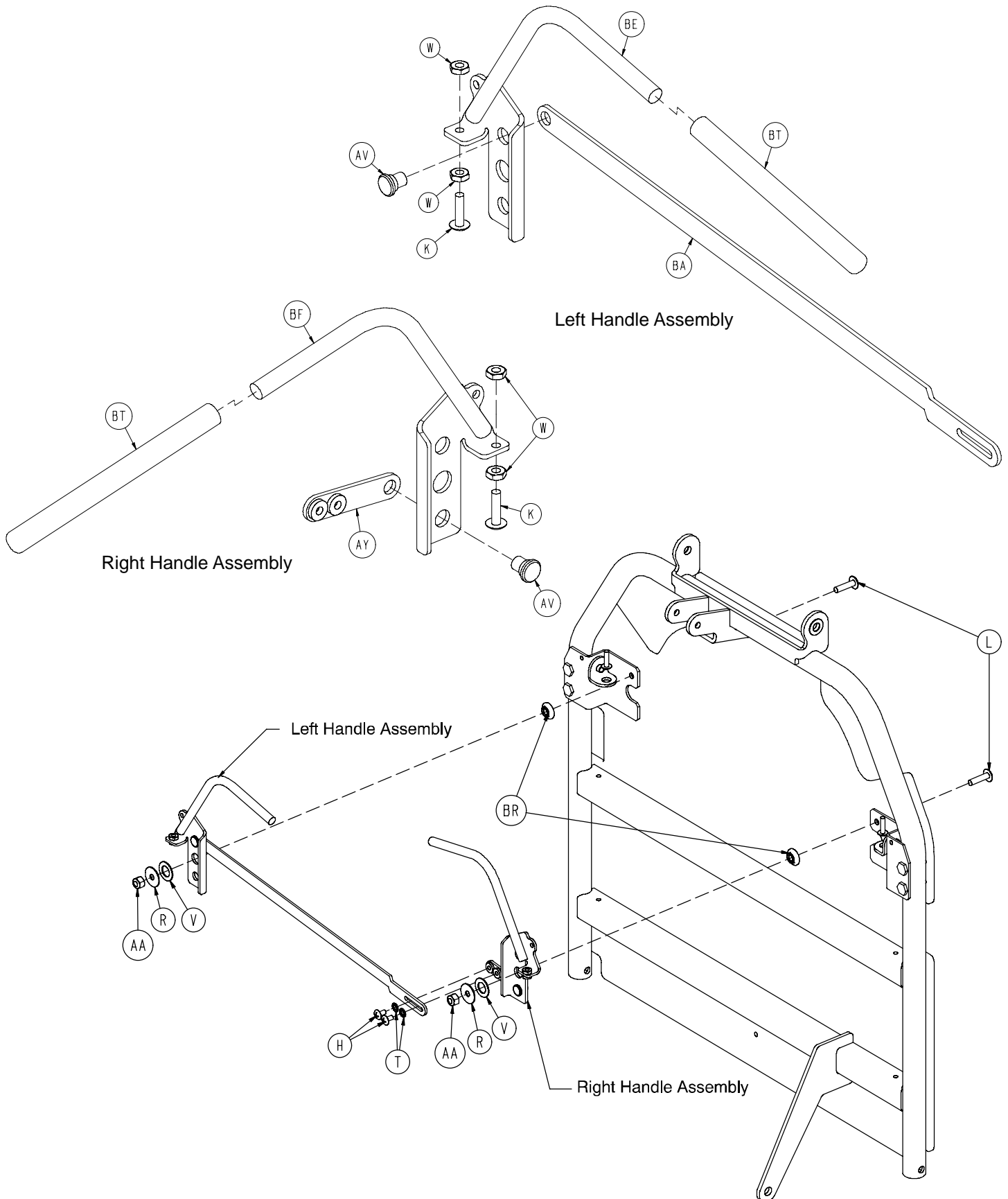


Item	Part No.	Part Name	Qty.	Item	Part No.	Part Name	Qty.
A	1069-031-011	Rivet	4	V	0014-087-000	Nylon Flat Washer	2
B	1069-031-041	Handle Pivot Bracket, Lt.	1	W	0011-180-000	Steel Flat Washer	2
C	1210-031-103	"L" Bracket	2	X	0016-028-000	Nylock Nut	4
D	1069-031-046	Handle Pivot Bracket, Rt.	1	Y	0013-018-000	Ext. Tooth Lock Washer	2
E	1069-031-200	Red Handle Cover	2	Z	0007-019-000	Truss Hd. Screw	2
F	1069-031-085	Handle Weldment, Rt.	1	AA	0038-436-000	Extension Spring	2
G	0015-003-000	Jam Nut	4	AB	0004-054-000	Button Hd. Screw	2
H	0007-050-000	Truss Hd. Screw	2	AC	0016-036-000	Nylock Nut	2
J	1069-031-031	Handle Adj. Link, Short	1	AD	0015-059-000	M10 Nut	2
K	1069-031-032	Handle Adj. Link, Long	1	AE	0360-031-077	Pneumatic Cylinder	2
L	1069-031-080	Handle Weldment, Lt.	1	AF	0052-086-000	Nyliner	4
M	1069-032-065	Fowler Skin	1	AG	0011-063-000	Flat Washer	4
N	7900-001-102	Velcro Pile	2	AH	0003-037-000	Hex Hd. Cap Screw	2
P	0025-050-000	Pop Rivet	10	AJ	0004-323-000	M10 Soc. Hd. Cap Scr.	2
Q	0007-042-000	Truss Hd. Screw	4	AK	0016-090-000	M10 Nylock Nut	2
R	1069-032-160	Fowler Weldment	1	AL	1069-031-036	Cylinder Mounting Box	2
S	1069-031-012	Barrel Nut	4	AM	1069-060-091	Fowler Rel. Label, Rt.	1
T	0007-062-000	Truss Hd. Screw	2	AN	1069-060-092	Fowler Rel. Label, Lt.	1
U	3001-300-099	Fowler Pivot Bushing	2	AP	1069-031-013	Hole Plug	2

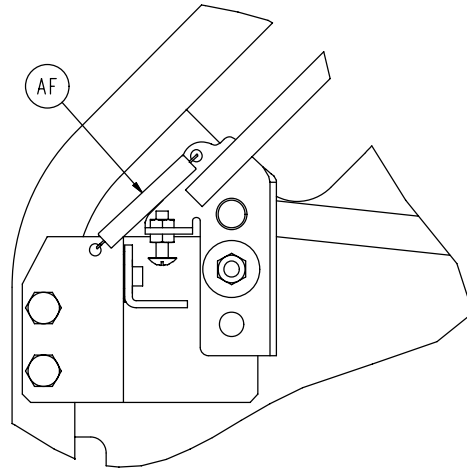
1069-032-115 Single Articulating Pneumatic Fowler



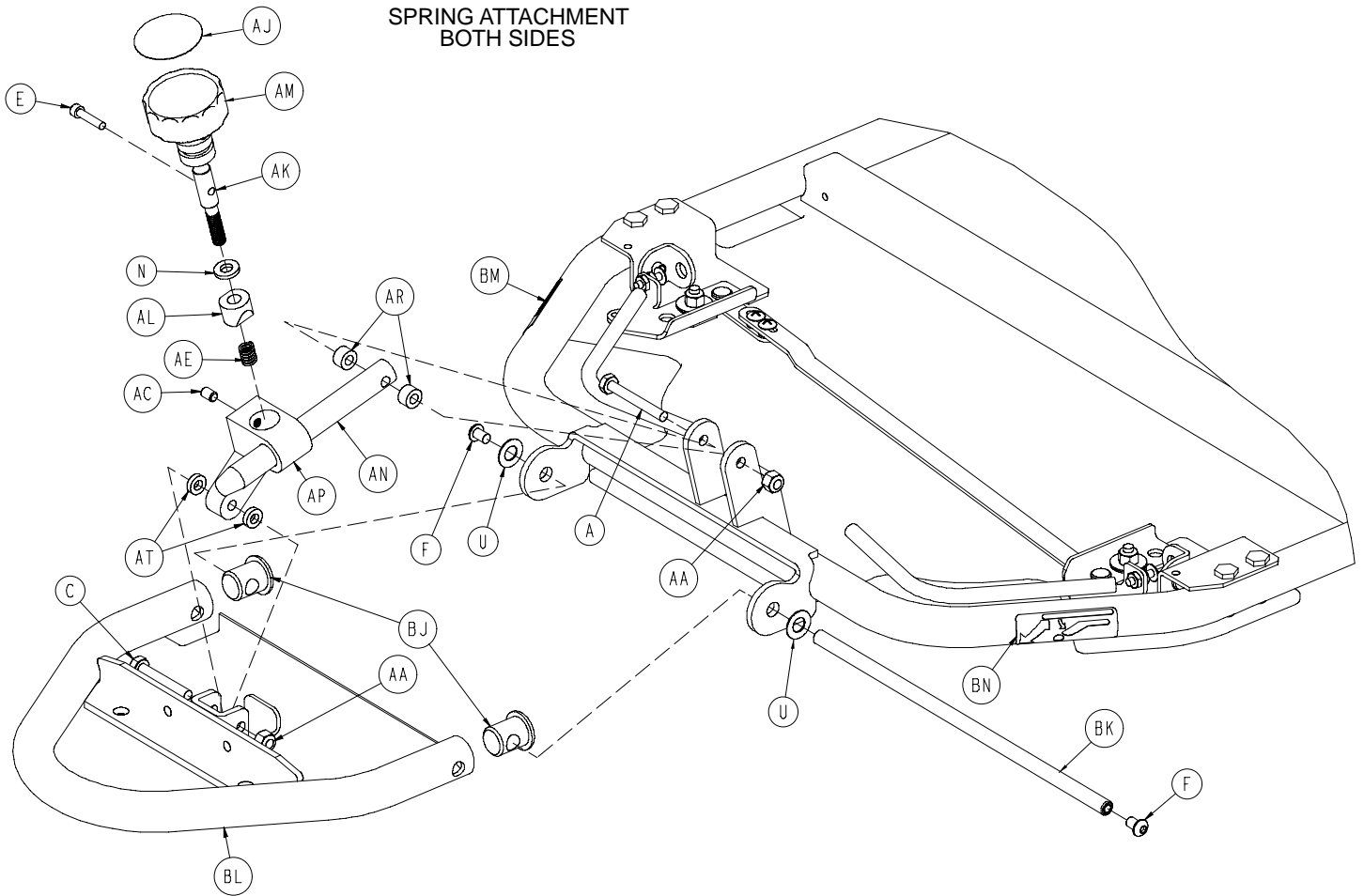
1069-032-115 Single Articulating Pneumatic Fowler



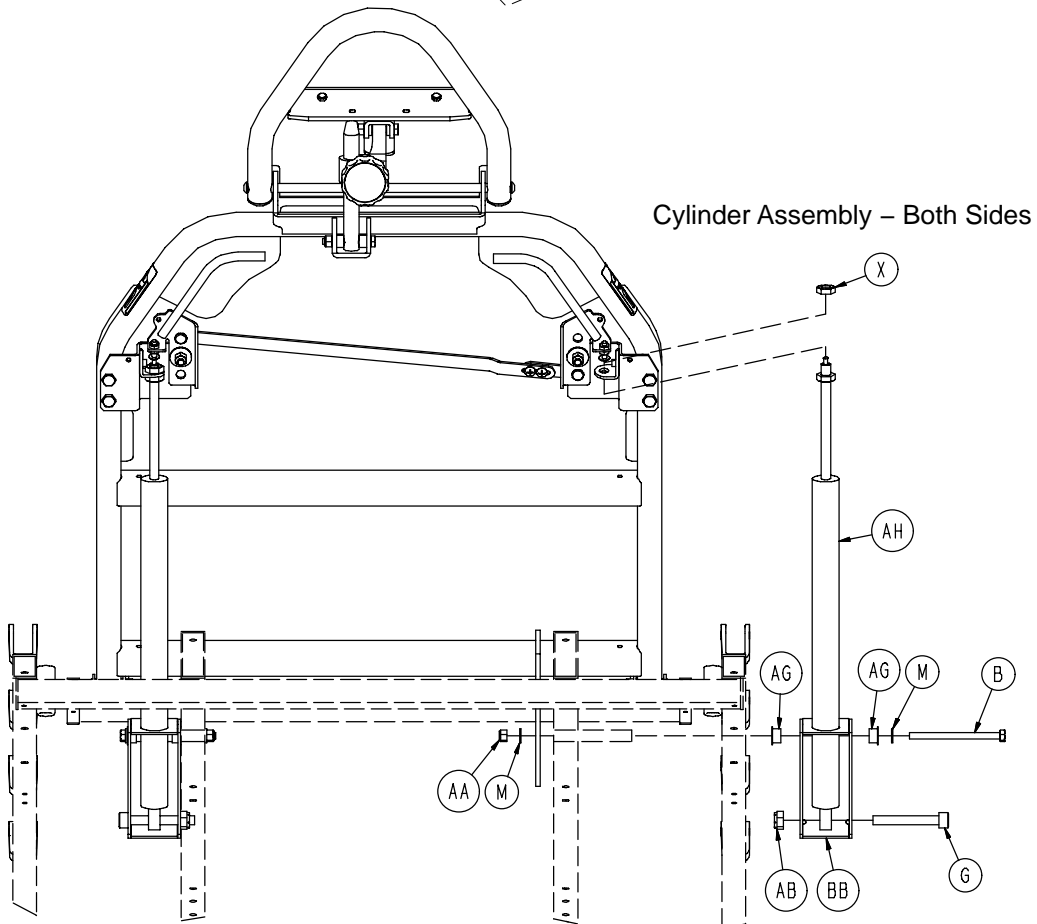
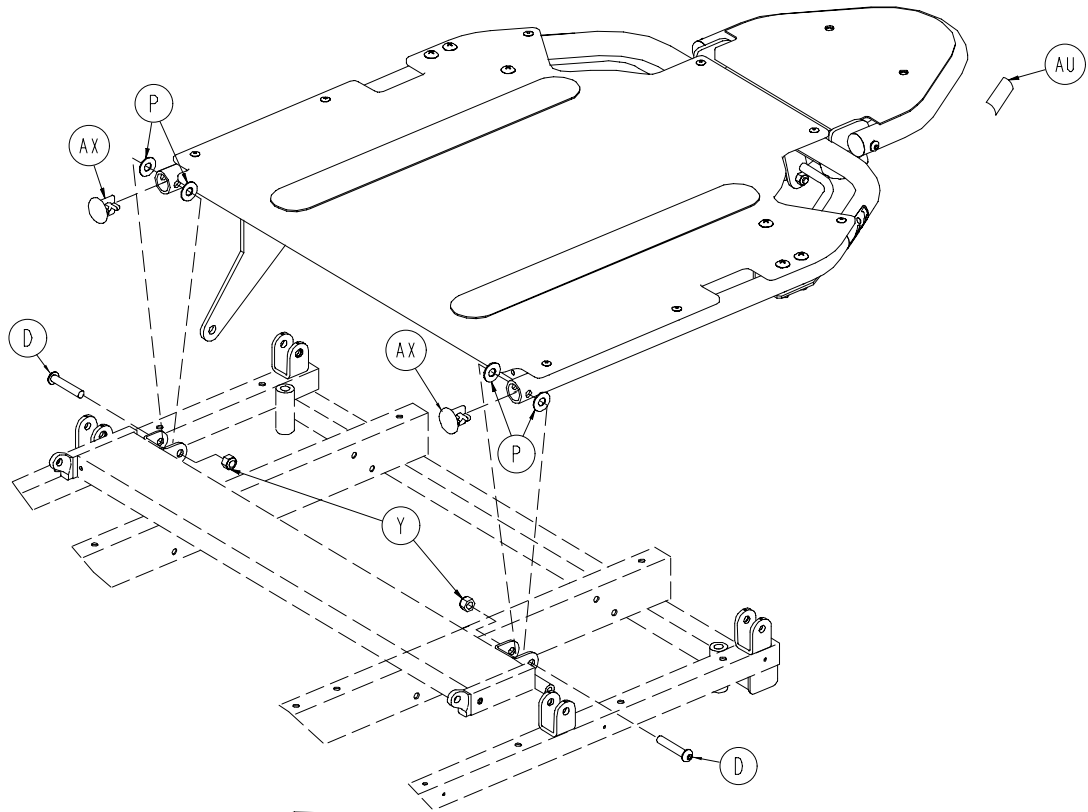
1069-032-115 Single Articulating Pneumatic Fowler



SPRING ATTACHMENT
BOTH SIDES



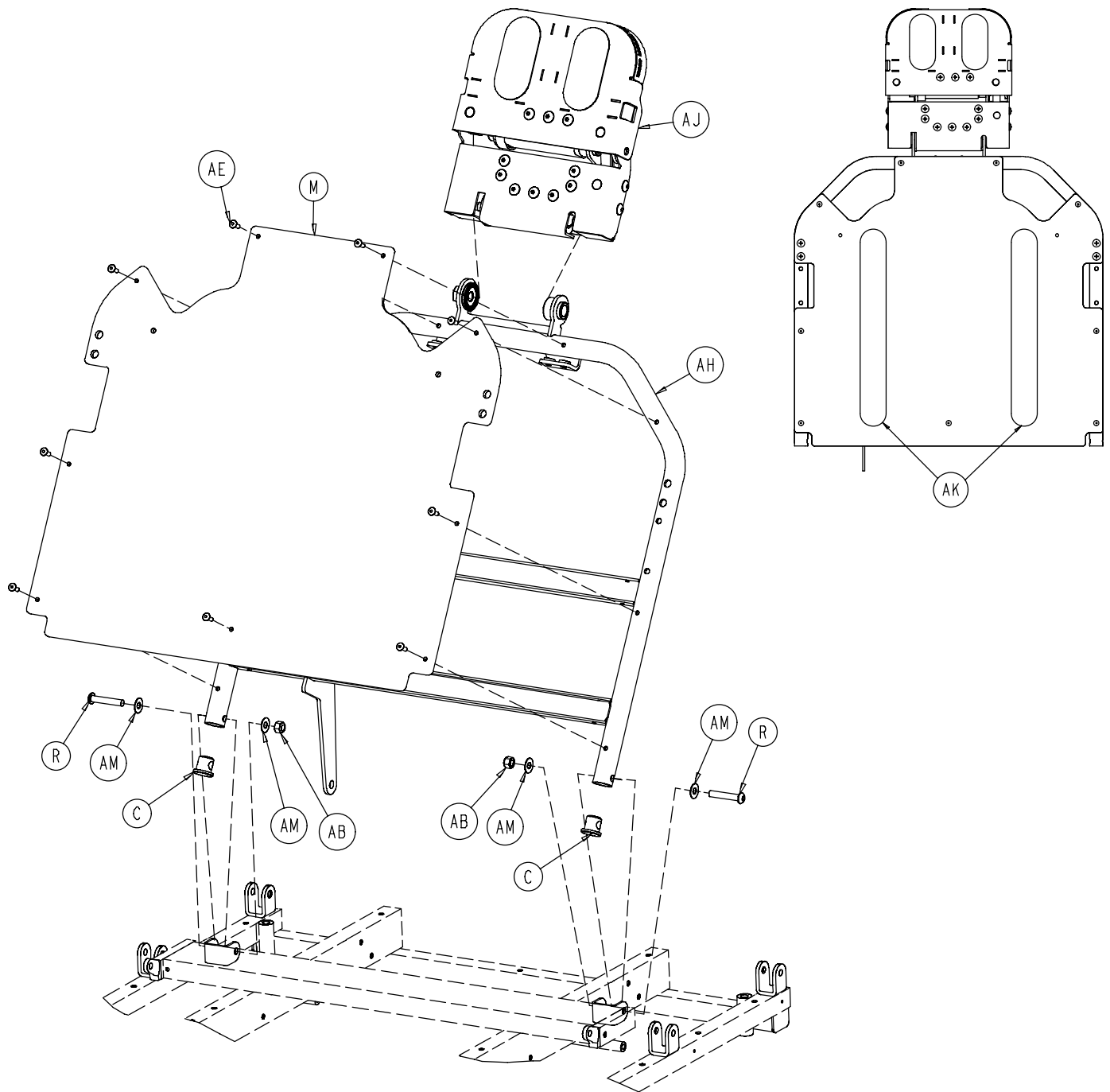
1069-032-115 Single Articulating Pneumatic Fowler



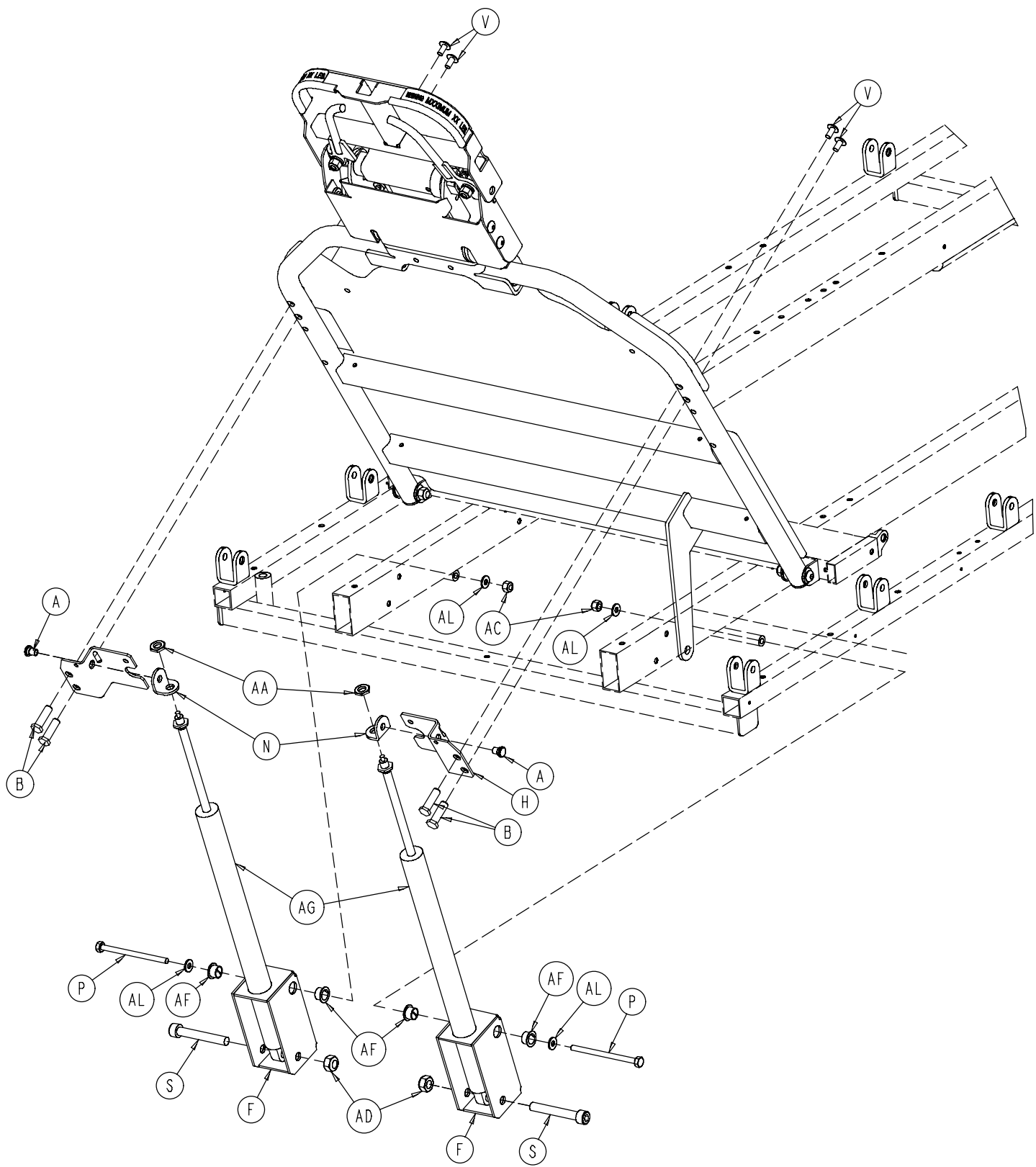
1069-032-115 Single Articulating Pneumatic Fowler

Item	Part No.	Part Name	Qty.	Item	Part No.	Part Name	Qty.
A	0003-076-000	Hex Hd. Cap Screw	1	AK	0966-051-018	Shaft	1
B	0003-037-000	Hex Hd. Cap Screw	2	AL	0966-051-019	Wedge Lock	1
C	0003-078-000	Hex Hd. Cap Screw	1	AM	0966-051-024	Modified Knob	1
D	0004-054-000	But. Hd. Cap Screw	2	AN	0966-070-025	Slide Bar	1
E	0004-066-000	Soc. Hd. Cap Screw	1	AP	0966-070-027	Bar Clamp	1
F	0004-074-000	But. Hd. Cap Screw	2	AR	0966-070-036	Spacer	2
G	0004-323-000	Soc. Hd. Cap Screw	2	AT	0966-070-037	Spacer	2
H	0007-019-000	Truss Hd. Mach. Screw	2	AU	1010-091-057	Max. Weight Label	2
J	0007-042-000	Truss Hd. Mach. Screw	4	AV	1069-031-011	Shoulder Rivet	4
K	0007-050-000	Truss Hd. Mach. Screw	2	AW	1069-031-012	Barrel Nut	4
L	0007-062-000	Truss Hd. Mach. Screw	2	AX	1069-031-013	1" Hole Plug	2
M	0011-063-000	Washer	4	AY	1069-031-031	Short Handle Adj. Link	1
N	0011-108-000	Washer	1	BA	1069-031-032	Long Handle Adj. Link	1
P	0011-179-000	Washer	4	BB	1069-031-036	Cylinder Mounting Box	2
R	0011-180-000	Washer	2	BC	1069-031-041	Handle Pivot Brkt., Lt.	1
T	0013-018-000	Ext. Tooth Lock Washer	2	BD	1069-031-046	Handle Pivot Brkt., Rt.	1
U	0014-020-000	Washer	2	BE	1069-031-070	Left Handle Weldment	1
V	0014-087-000	Washer	2	BF	1069-031-075	Right Handle Weldment	1
W	0015-003-000	Hex Nut	4	BG	1069-032-075	Fowler Skin	1
X	0015-059-000	Nylock Hex Nut	2	BH	1069-032-170	Fowler Weldment	1
Y	0016-036-000	Hex Nut	2	BJ	1069-033-107	1" Hole Plug	2
AA	0016-028-000	Hex Nut	6	BK	1069-033-108	Head Pivot Shaft	1
AB	0016-090-000	Nylock Hex Nut	2	BL	1069-033-110	Head Piece Weldment	1
AC	0021-073-000	Set Screw	1	BM	1069-060-091	Fowler Release Label, Rt.	1
AD	0025-050-000	Rivet	9	BN	1069-060-092	Fowler Release Label, Lt.	1
AE	0038-171-000	Compression Spring	1	BP	1210-031-103	Pivot Tab	2
AF	0038-436-000	Extension Spring	2	BR	3001-300-099	Modified Bushing	2
AG	0052-086-000	Nyliner	4	BT	5050-531-200	Vinyl Cap	2
AH	0360-031-077	Gas Cylinder	2	BU	7900-001-102	Velcro Pile	2
AJ	0966-001-065	Lock Label	1				

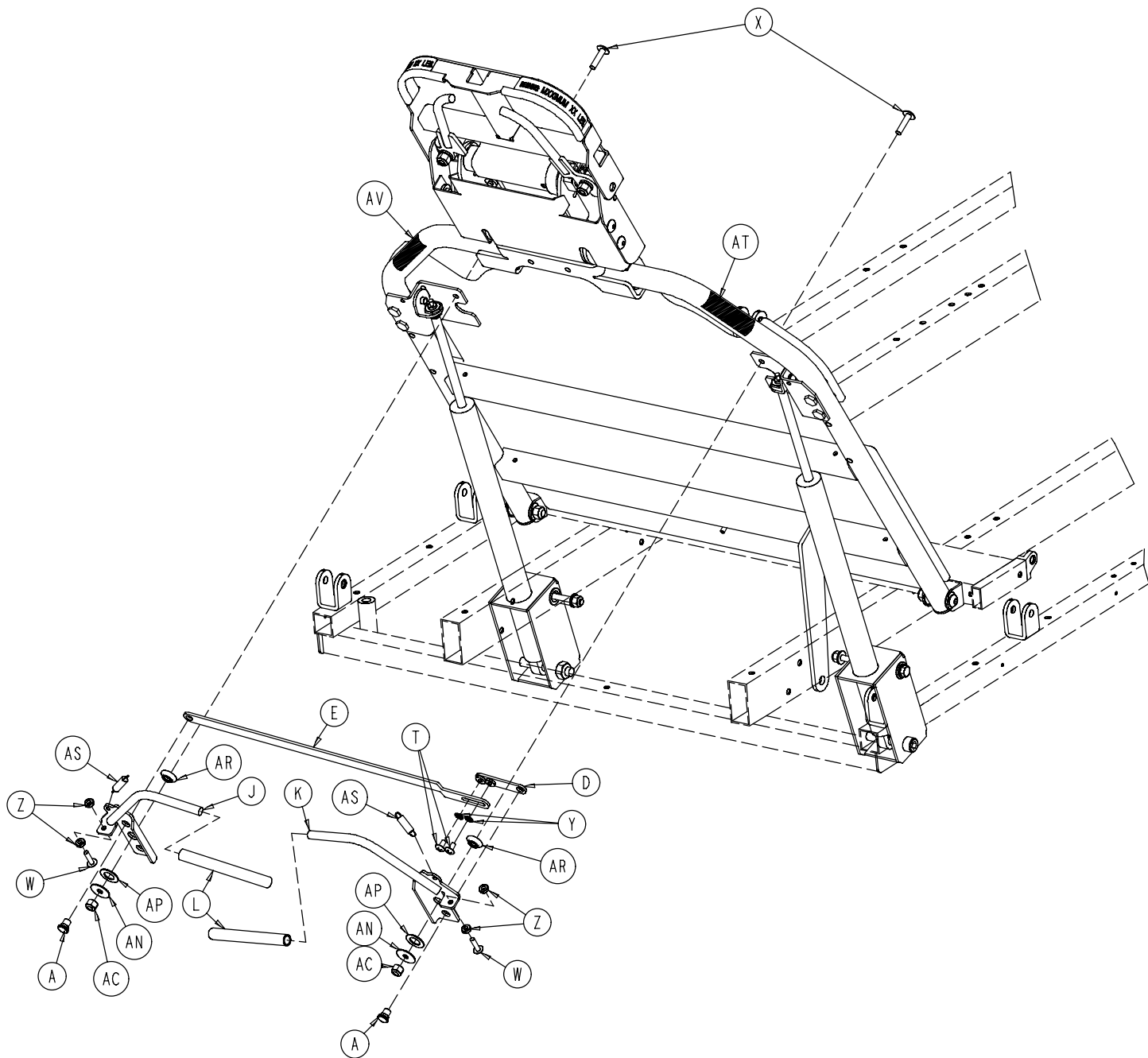
1069-132-110 Dual Articulating Pneumatic Fowler



1069-132-110 Dual Articulating Pneumatic Fowler



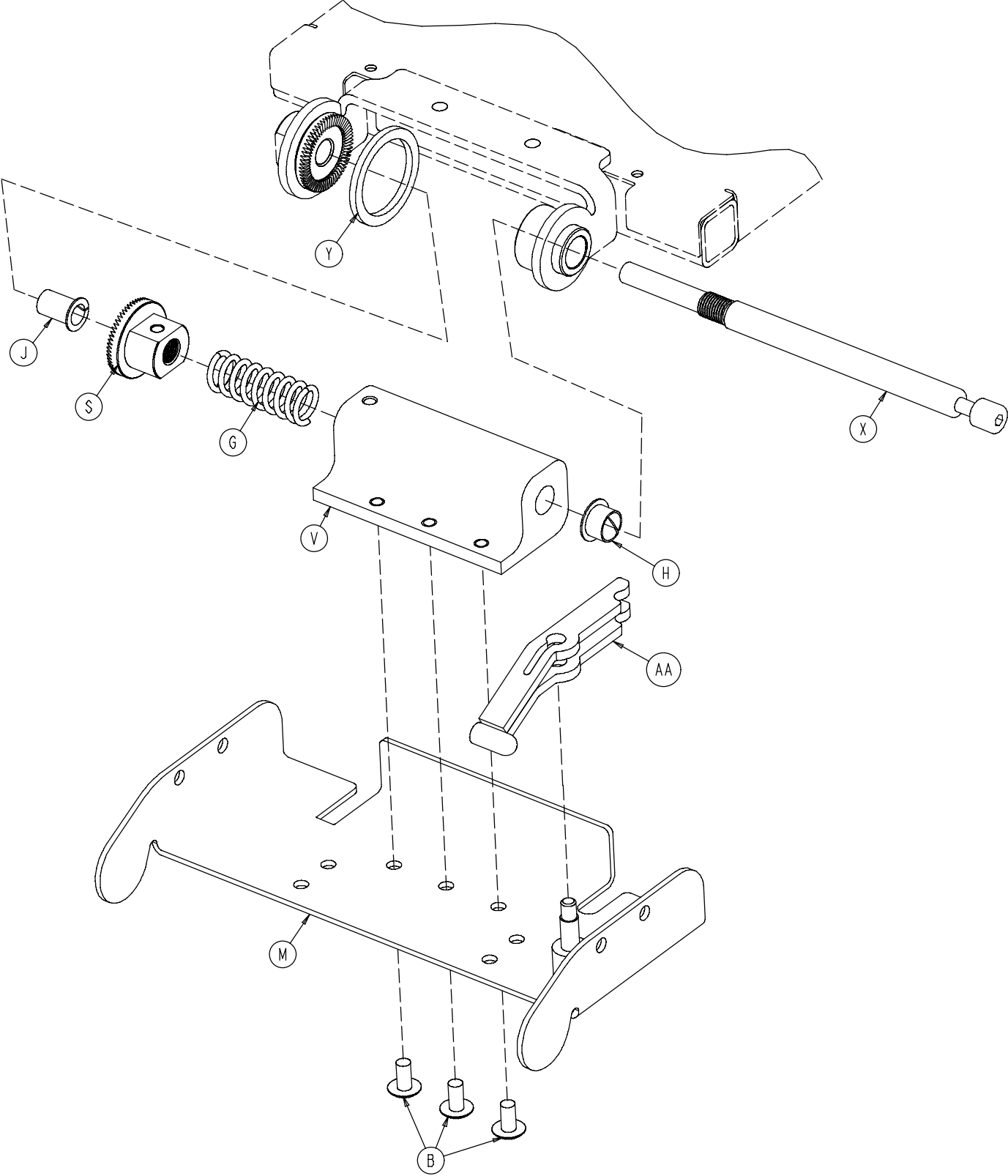
1069-132-110 Dual Articulating Pneumatic Fowler



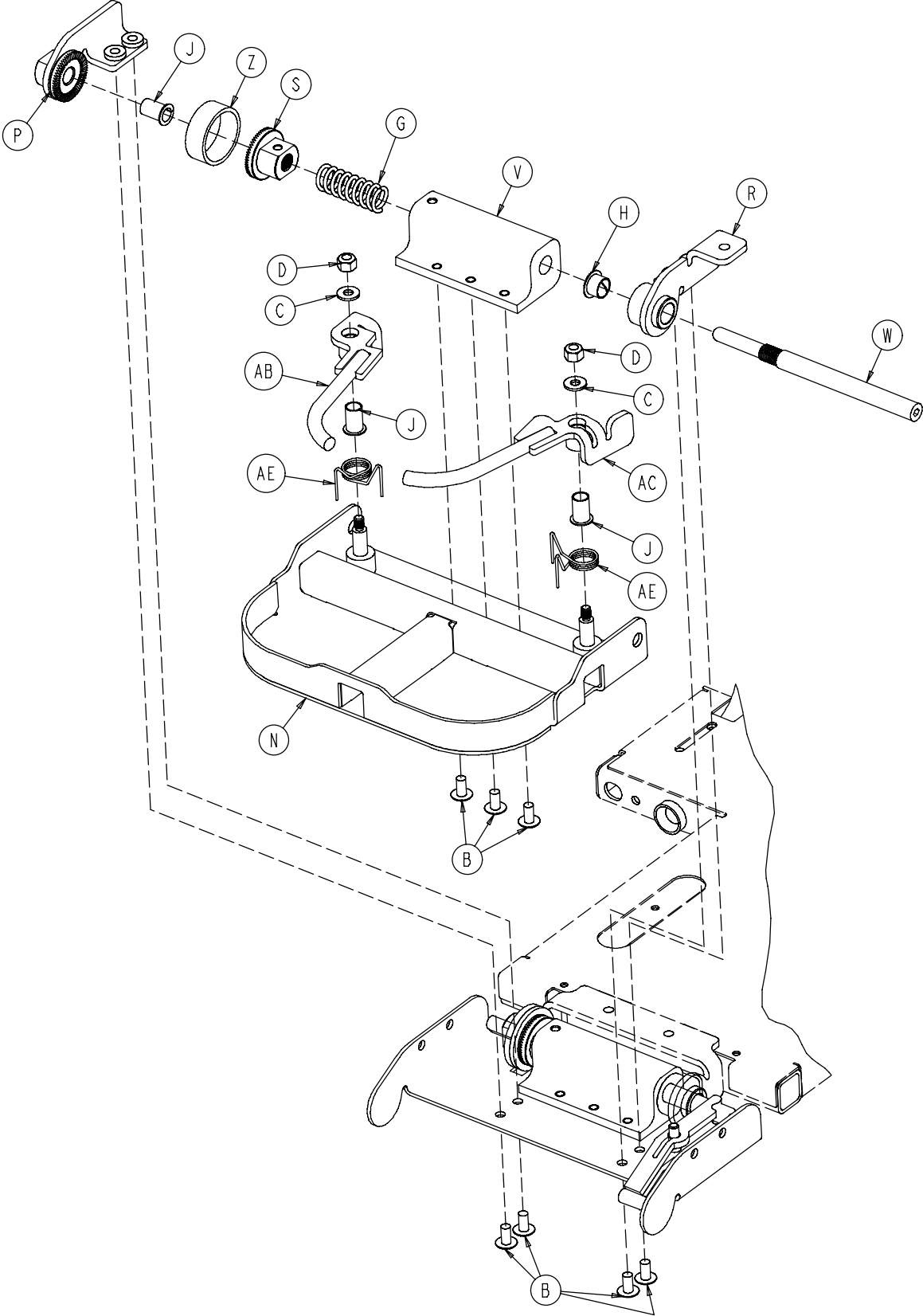
1069–132–110 Dual Articulating Pneumatic Fowler

Item	Part No.	Part Name	Qty.
A	1069–031–011	Rivet	4
B	1069–031–012	Barrel Nut	4
C	1069–031–013	Hole Plug	2
D	1069–031–031	Short Handle Adjustment Link	1
E	1069–031–032	Long Handle Adjustment Link	1
F	1069–031–036	Cylinder Mounting Box	2
G	1069–031–041	Handle Pivot Bracket, Left	1
H	1069–031–046	Handle Pivot Bracket, Right	1
J	1069–031–060	Handle Weldment, Left	1
K	1069–031–065	Handle Weldment, Right	1
L	1069–031–200	Handle Cap	2
M	1069–032–055	Fowler Skin	1
N	1210–031–103	Pivot Tab	2
P	0003–037–000	Hex Hd. Cap Screw	2
R	0004–183–000	Button Hd. Screw	2
S	0004–323–000	Soc. Hd. Cap Screw	2
T	0007–019–000	Truss Hd. Screw	2
V	0007–042–000	Truss Hd. Screw	4
W	0007–050–000	Truss Hd. Screw	2
X	0007–062–000	Truss Hd. Screw	2
Y	0013–018–000	External Tooth Lockwasher	2
Z	0015–003–000	Hex Nut	4
AA	0015–059–000	Nylock Hex Nut	2
AB	0016–036–000	Nylock Hex Nut	2
AC	0016–028–000	Hex Nut	4
AD	0016–090–000	Nylock Hex Nut	2
AE	0025–050–000	Dome Head Rivet	9
AF	0052–086–000	Nyliner	4
AG	0360–031–077	Pneumatic Cylinder	2
AH	1069–132–150	Fowler Weldment	1
AJ	(page 72)	Head Piece Assembly	1
AK	7900–001–102	Velcro Pile	2.5'
AL	0011–063–000	Washer	4
AM	0011–179–000	Washer	4
AN	0011–180–000	Washer	2
AP	0014–087–000	Washer	2
AR	3001–300–099	Modified Bushing	2
AS	0038–436–000	Extension Spring	2
AT	1069–060–091	Fowler Release Label, Right	1
AV	1069–060–092	Fowler Release Label, Left	1

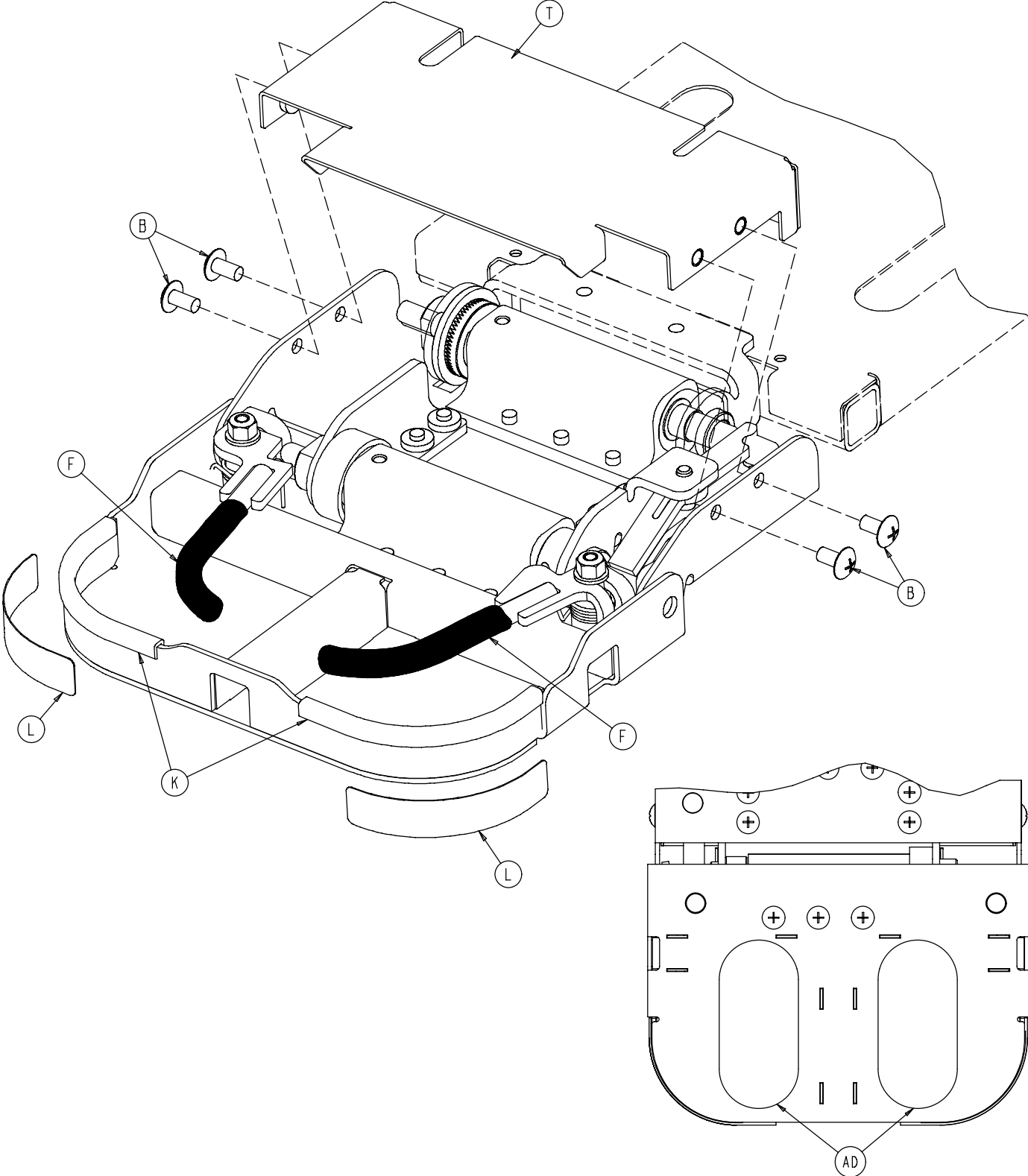
1069-133-020 Optional Dual Articulating Head Piece



1069-133-020 Optional Dual Articulating Head Piece



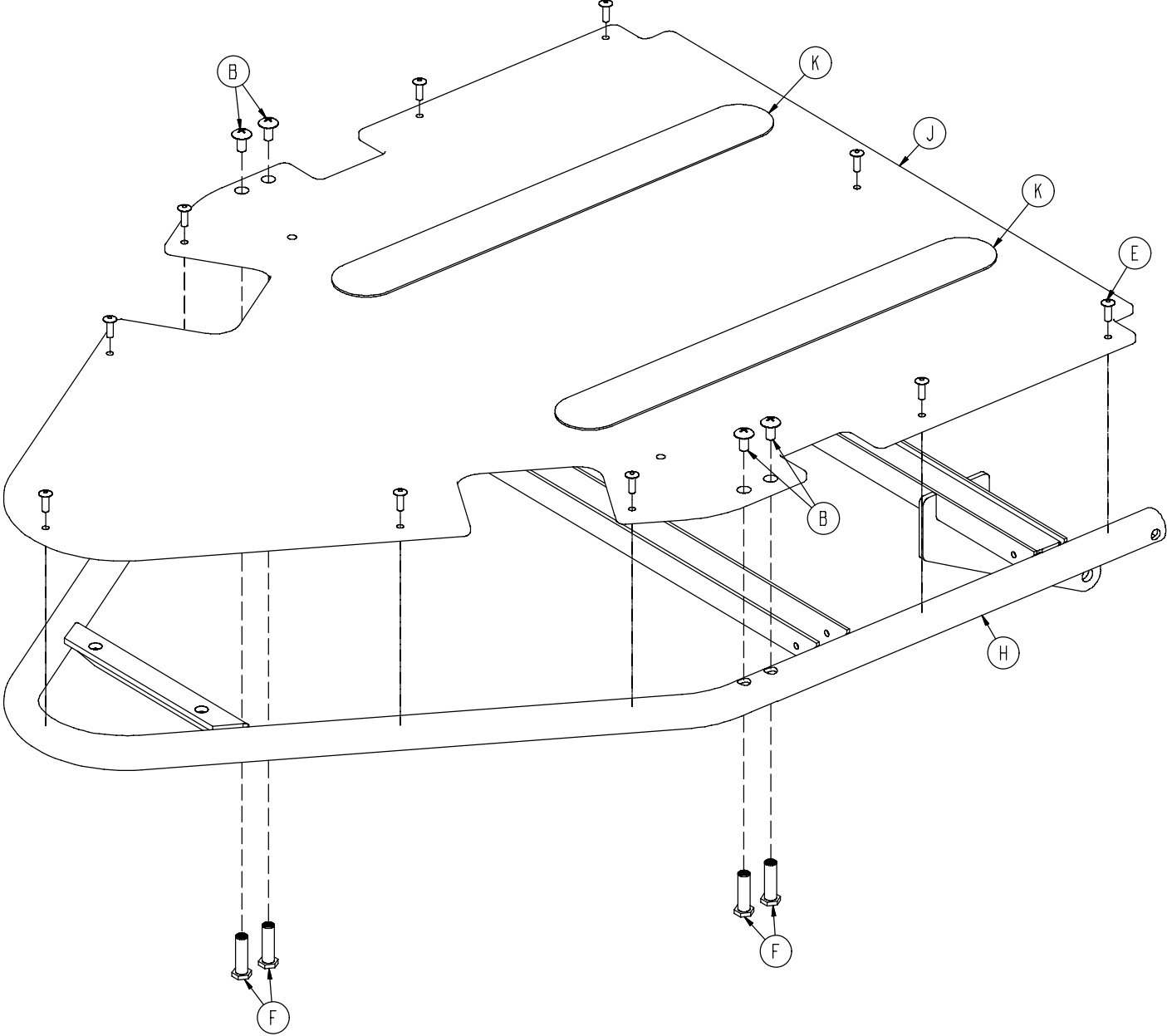
1069-133-020 Optional Dual Articulating Head Piece



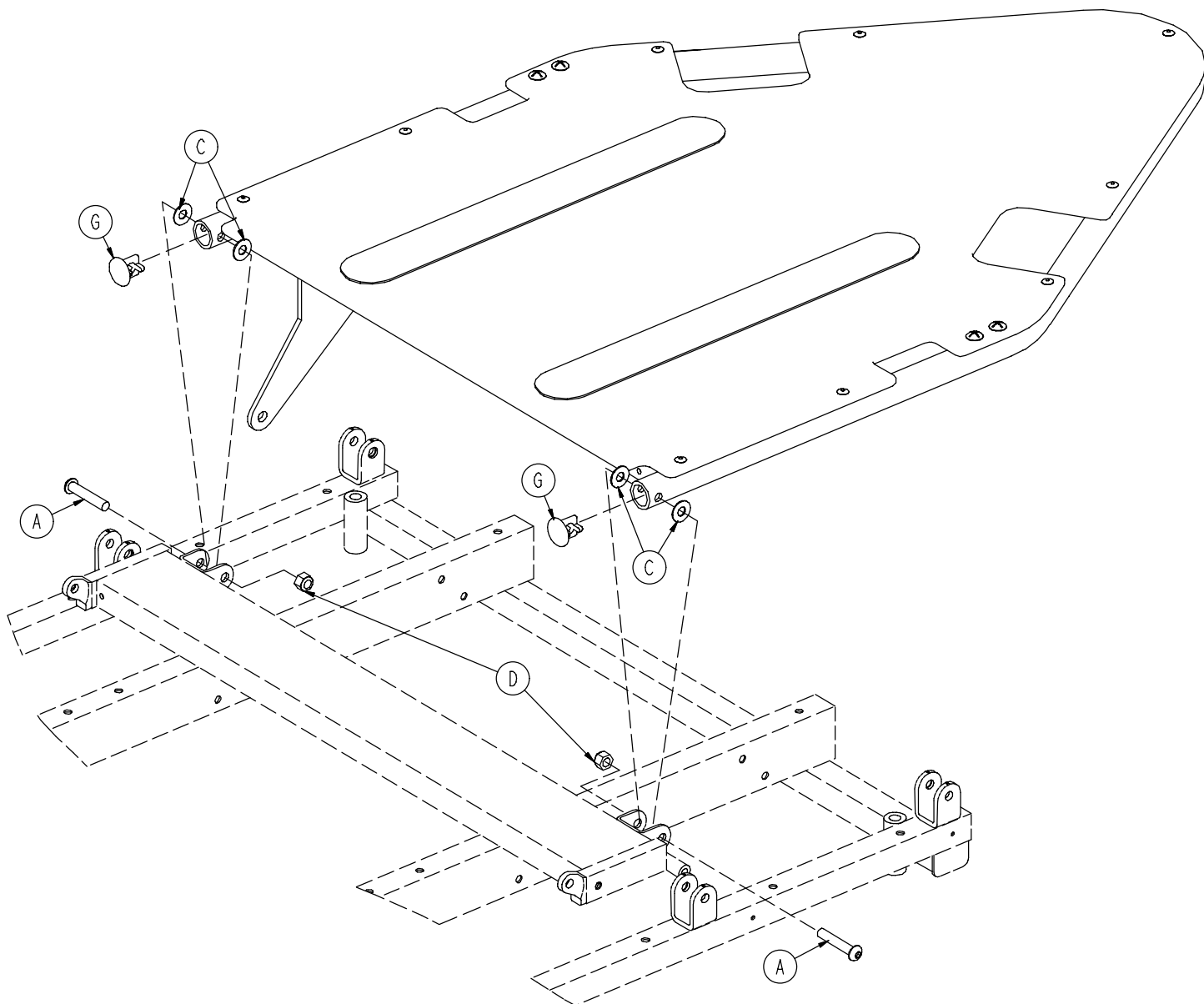
1069-133-020 Optional Dual Articulating Head Piece

Item	Part No.	Part Name	Qty.
B	0007-080-000	Truss Hd. Mach. Screw	14
C	0011-304-000	Washer	2
D	0016-123-000	Hex Nut	2
F	0037-200-000	Vinyl Cap	2
G	0038-474-000	Compression Spring	2
H	0052-086-000	Nyliner	2
J	0052-815-000	Nyliner	4
K	0058-056-000	Edge Trim	2
L	1068-091-021	40 Pounds Max. Label	2
M	1069-133-030	Neck Weldment	1
N	1069-133-040	Head Weldment	1
P	1069-133-057	Head Bracket Weldment, Rt.	1
R	1069-133-058	Head Bracket Weldment, Lt.	1
S	1069-133-073	Shaft Gear	2
T	1069-133-075	Head Piece Cover	1
V	1069-133-076	Gear Housing	2
W	1069-133-083	Head Shaft	1
X	1069-133-084	Neck Shaft	1
Y	1069-133-085	Neck Spacer	1
Z	1069-133-088	Head Spacer	1
AA	1069-133-100	Link Weldment	1
AB	1069-133-110	Handle Weldment, Right	1
AC	1069-133-115	Handle Weldment, Left	1
AD	7900-001-102	4.25" Velcro Pile	.71 Ft.
AE	1069-133-121	Handle Torsion Spring	2

1069-042-160 Zero Articulating Crank Fowler

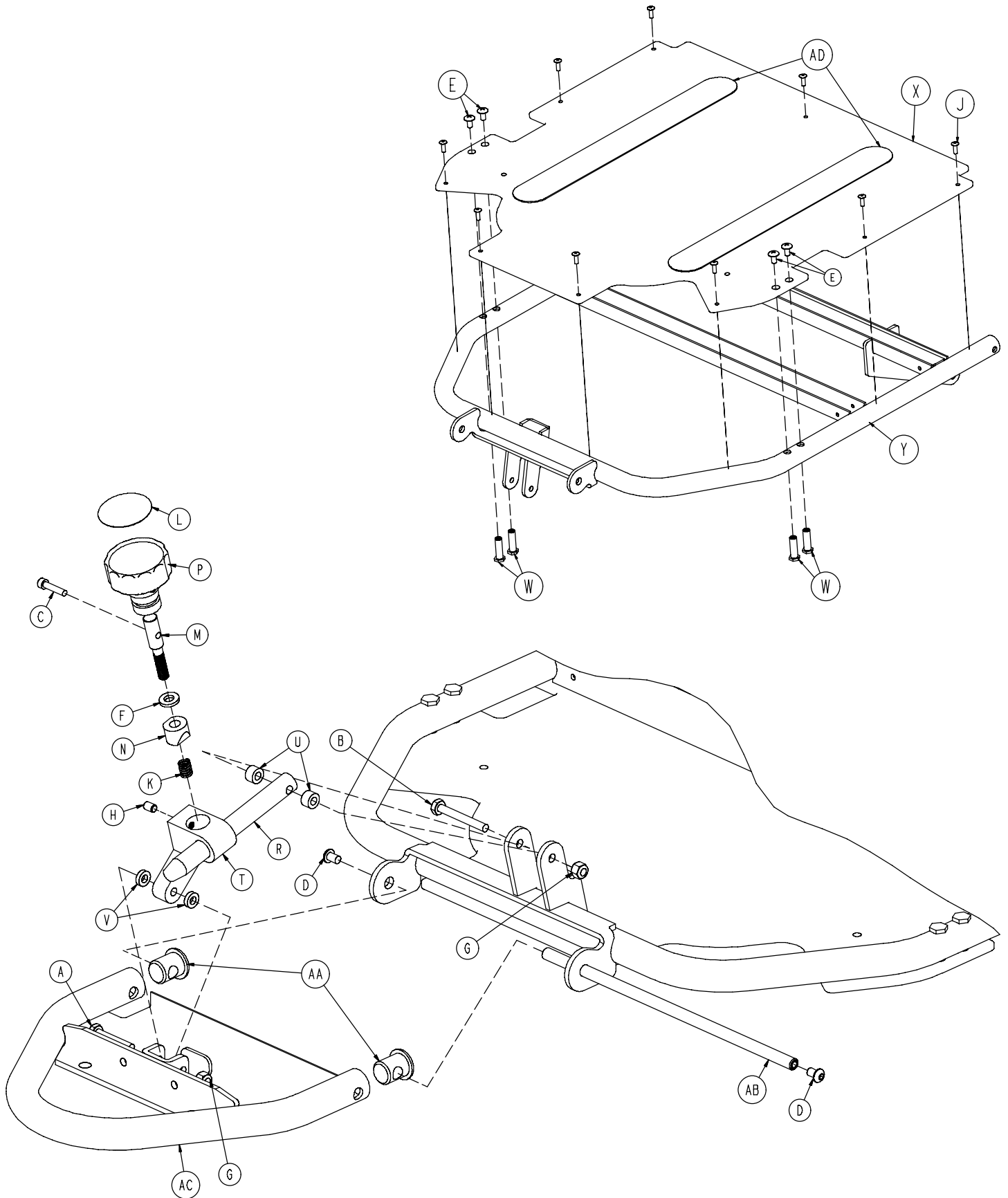


1069-042-160 Zero Articulating Crank Fowler

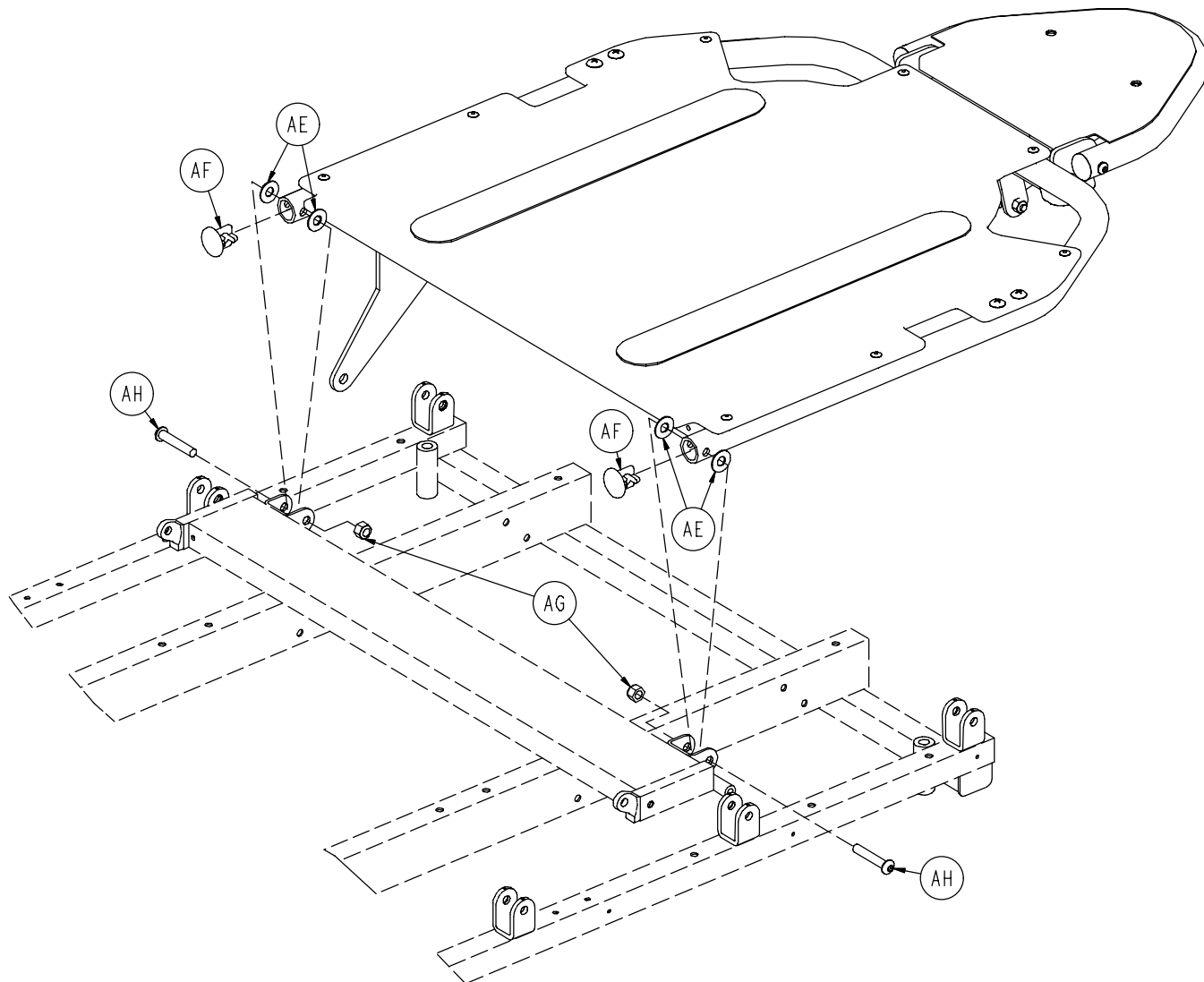


Item	Part No.	Part Name	Qty.
A	0004-054-000	Button Hd. Cap Screw	2
B	0007-042-000	Truss Hd. Mach. Screw	4
C	0011-179-000	Washer	4
D	0016-036-000	Nylock Nut	2
E	0025-050-000	Rivet	10
F	1069-031-012	Barrel Nut	4
G	1069-031-013	1" Hole Plug	2
H	1069-032-160	Fowler Weldment	1
J	1069-032-065	Fowler Skin	1
K	7900-001-102	Velcro Pile	2

1069-042-155 Single Articulating Crank Fowler

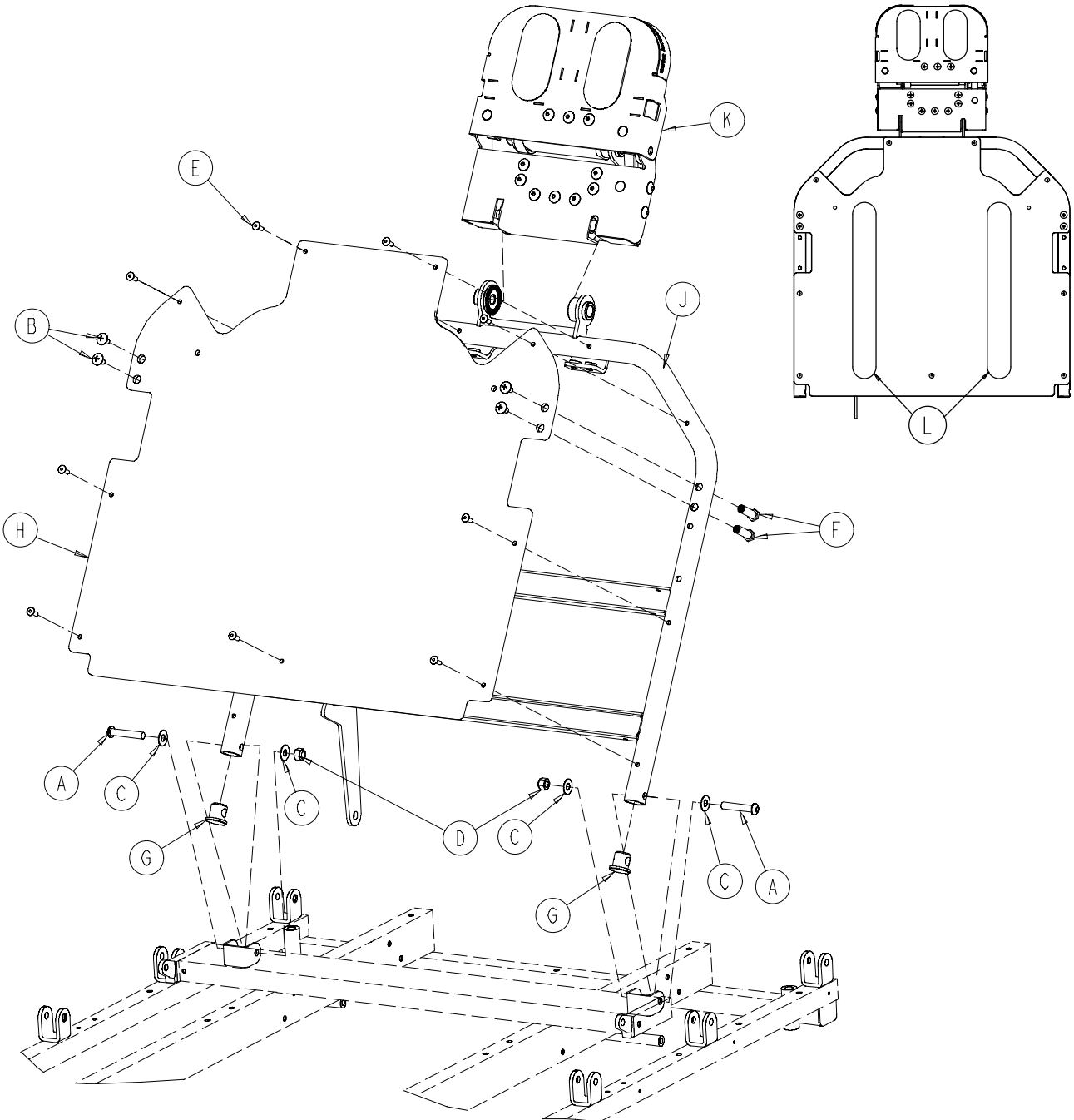


1069-042-155 Single Articulating Crank Fowler



Item	Part No.	Part Name	Qty.	Item	Part No.	Part Name	Qty.
A	0003-078-000	Hex Hd. Cap Screw	1	T	0966-070-027	Bar Clamp	1
B	0003-076-000	Hex Hd. Cap Screw	1	U	0966-070-036	Spacer	2
C	0004-066-000	Soc. Hd. Cap Screw	1	V	0966-070-037	Spacer	2
D	0004-074-000	Button Hd. Screw	2	W	1069-031-012	Barrel Nut	4
E	0007-042-000	Truss Hd. Screw	4	X	1069-032-075	Fowler Skin	1
F	0011-108-000	Steel Flat Washer	1	Y	1069-032-170	Fowler Weldment	1
G	0016-028-000	Nylock Nut	2	AA	1069-033-107	Hole Plug	2
H	0021-073-000	Set Screw	1	AB	1069-033-108	Head Pivot Shaft	1
J	0025-050-000	Pop Rivet	9	AC	1069-033-110	Head Piece Weldment	1
K	0038-171-000	Compression Spring	1	AD	7900-001-102	Velcro Pile	2
L	0966-001-065	Label	1	AE	0011-179-000	Nylon Washer	4
M	0966-051-018	Shaft	1	AF	1069-031-013	Hole Plug	2
N	0966-051-019	Modified Wedge Lock	1	AG	0016-036-000	Nylock Nut	2
P	0966-051-024	Knob	1	AH	0004-054-000	Button Hd. Screw	2
R	0966-070-025	Slide Bar	1				

1069-142-150 Dual Articulating Crank Fowler

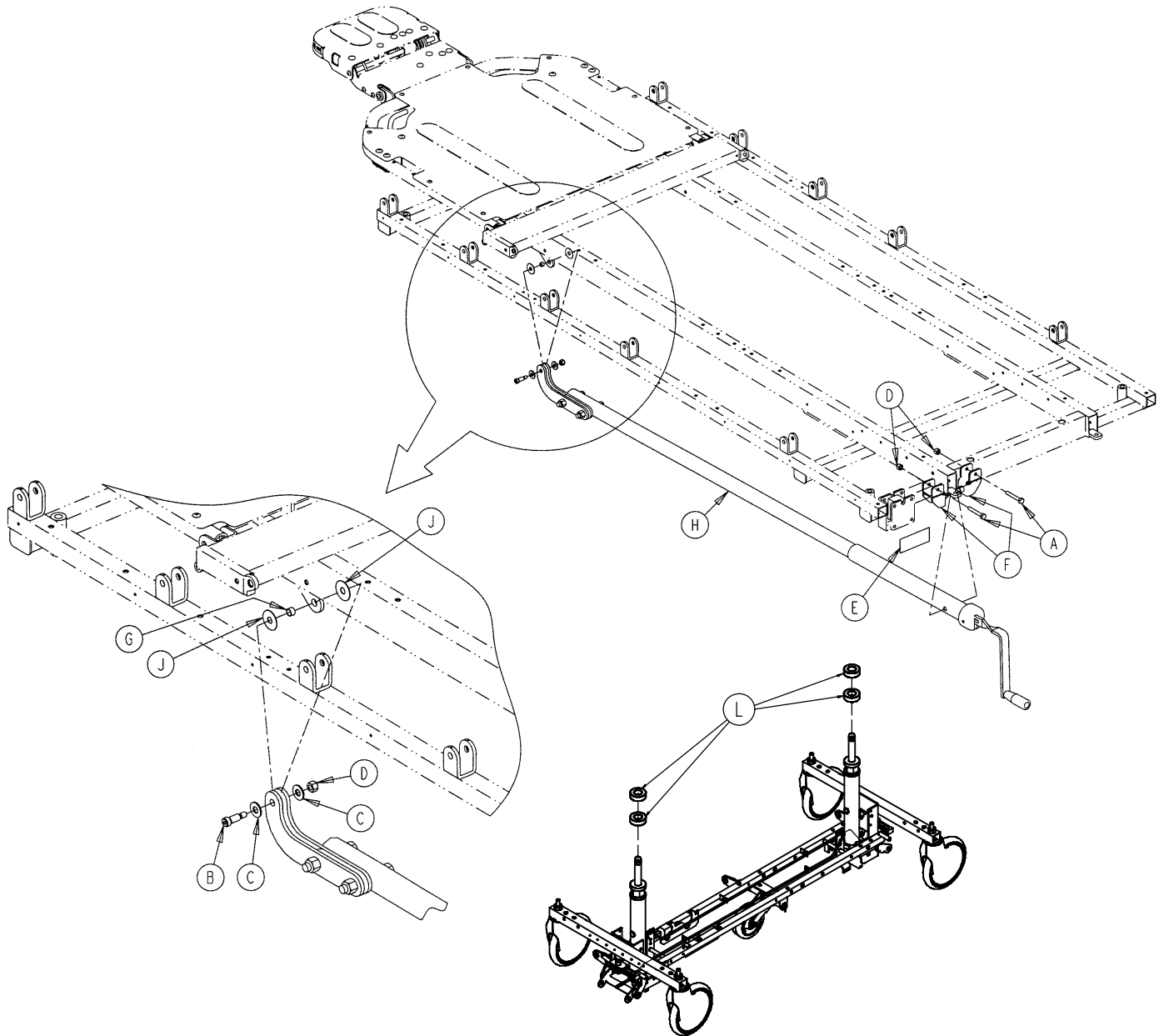


1069-142-150 Dual Articulating Crank Fowler

Item	Part No.	Part Name	Qty.
A	0004-054-000	Button Hd. Screw	2
B	0007-042-000	Truss Hd. Screw	4
C	0011-179-000	Washer	4
D	0016-036-000	Nylock Nut	2
E	0025-050-000	Pop Rivet	9
F	1069-031-012	Barrel Nut	4
G	1069-031-013	Hole Plug	2
H	1069-032-055	Fowler Skin	1
J	1069-132-150	Fowler Weldment	1
K	(page 72)	Head Piece Assembly	1
L	7900-001-102	Velcro Pile	2.5 ft.

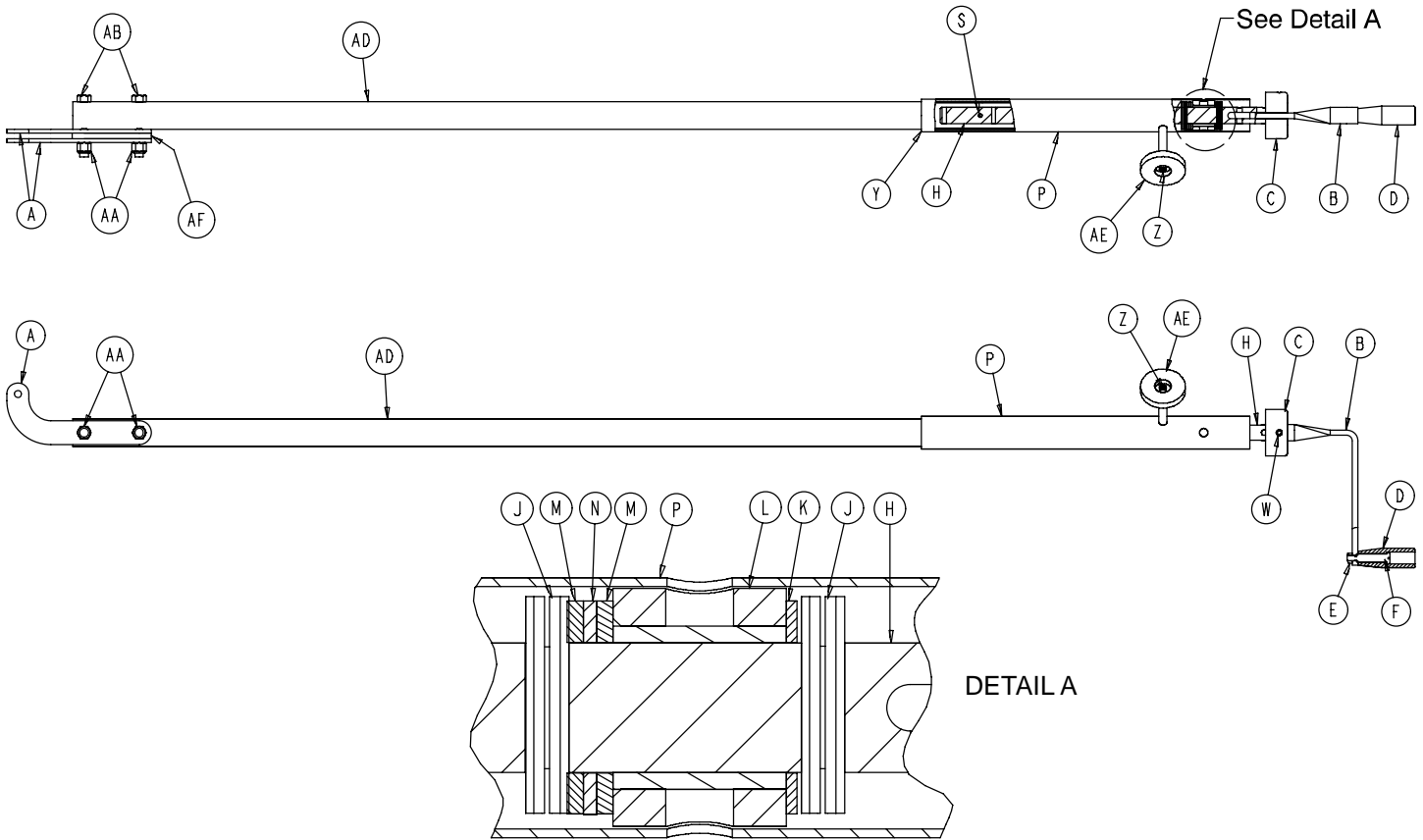
Crank Fowler Assembly

Assembly part number 1069-042-020 (reference only)



Item	Part No.	Part Name	Qty.
A	0003-078-000	Hex Hd. Cap Screw	2
B	0008-027-000	Shoulder Bolt	1
C	0011-003-000	Flat Washer	2
D	0016-028-000	Nylock Nut	3
E	0946-001-064	Fowler Symbol Label	1
F	1010-034-015	Mounting Bracket Ass'y	2
G	1066-033-068	Sleeve	1
H	(page 83)	Crankscrew Assembly	1
J	0014-019-000	Nylon Flat Washer	2
L	1040-010-027	Spacer	4

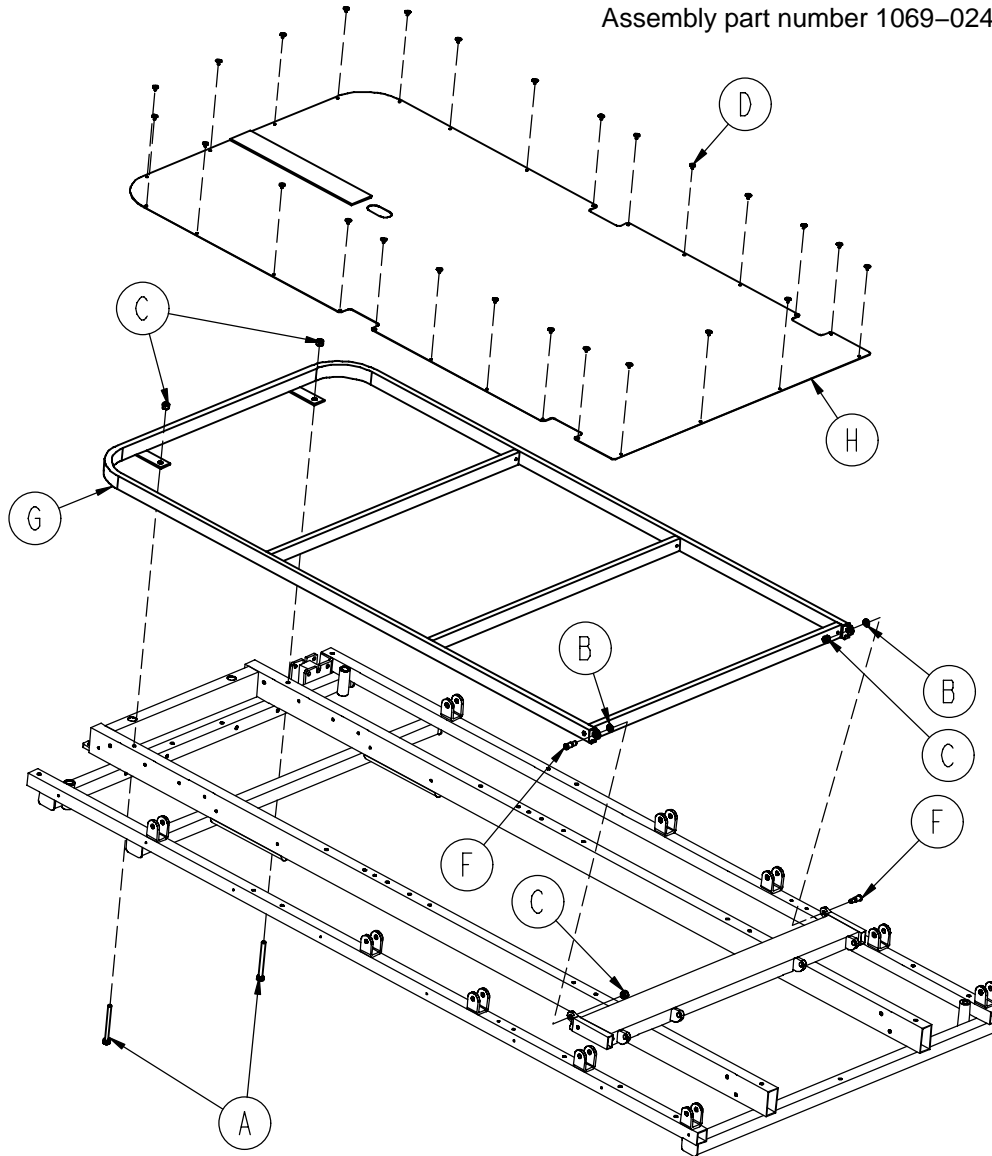
1069-042-010 Fowler Crankscrew Assembly



Item	Part No.	Part Name	Qty.
A	1069-042-023	Crank Arm Link	2
B	1550-001-016	Crank Handle	1
C	0946-033-018	Crank Disc	1
D	0938-001-177	Knob	1
E	0016-005-000	Conelock Nut	1
F	0378-024-029	Shoulder Bolt	1
H	0946-033-035	Fowler Screw	1
J	0026-014-000	Roll Pin	2
K	0081-174-000	Thrust Washer	1
L	0938-001-175	Bearing Assembly	1
M	0081-176-000	Thrust Washer	2
N	0081-175-000	Thrust Washer	1
P	1510-034-084	Screw Cover Assembly	1
S	0026-010-000	Roll Pin	1
W	0026-045-000	Roll Pin	1
Y	7900-001-102	Velcro Pile Tape	4"
Z	0004-007-000	Soc. Hd. Cap Screw	1
AA	0016-035-000	Nylon Hex Nut	2
AB	0003-027-000	Hex Hd. Cap Screw	2
AD	1069-042-021	Drive Tube Assembly	1
AE	1550-001-014	Magnet	1
AF	1069-042-024	Crank Spacer	1

Stationary Foot Section Assembly

Assembly part number 1069-024-004 (reference only)

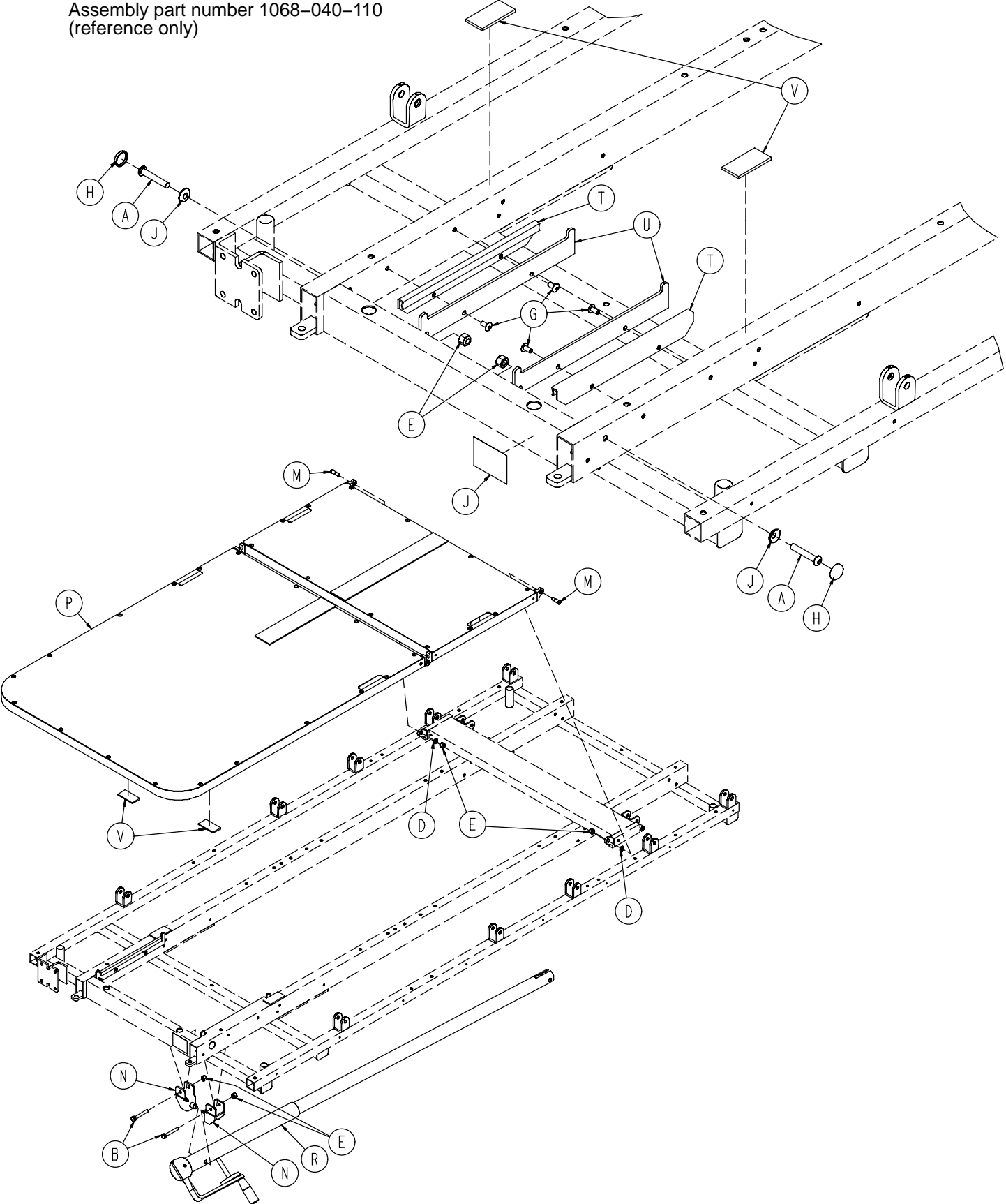


Item	Part No.	Part Name	Qty.
A	0003-073-000	Hex Hd. Cap Screw	2
B	0014-003-000	Washer	2
C	0016-028-000	Hex Nut	4
D	0025-101-000	Rivet	26
F	1010-032-060	Pivot Bolt	2
G	1068-044-050	Stationary Foot Weldment	1
H	1069-019-001	Foot Section Skin	1
J	7900-001-102	Velcro Pile	1

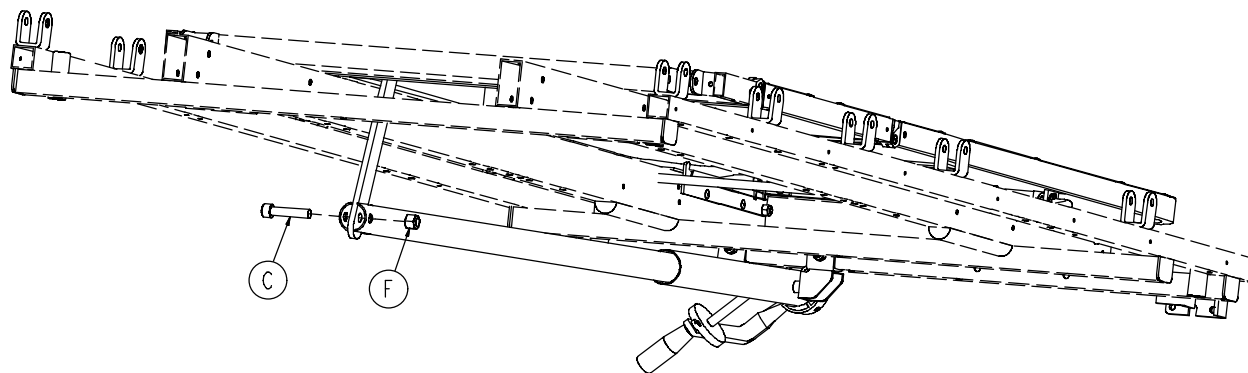
Notes

Knee Gatch Assembly

Assembly part number 1068-040-110
(reference only)

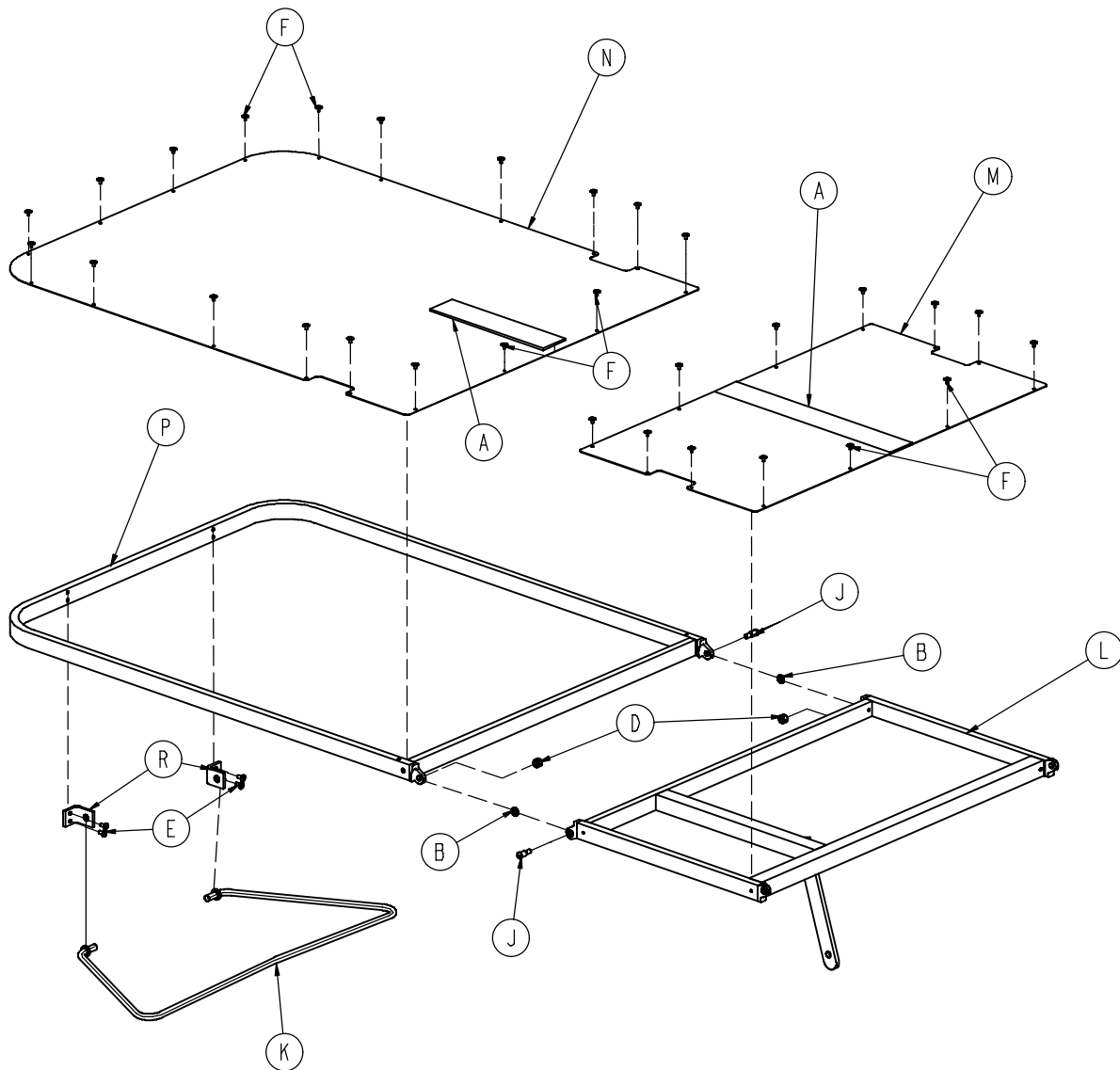


Knee Gatch Assembly



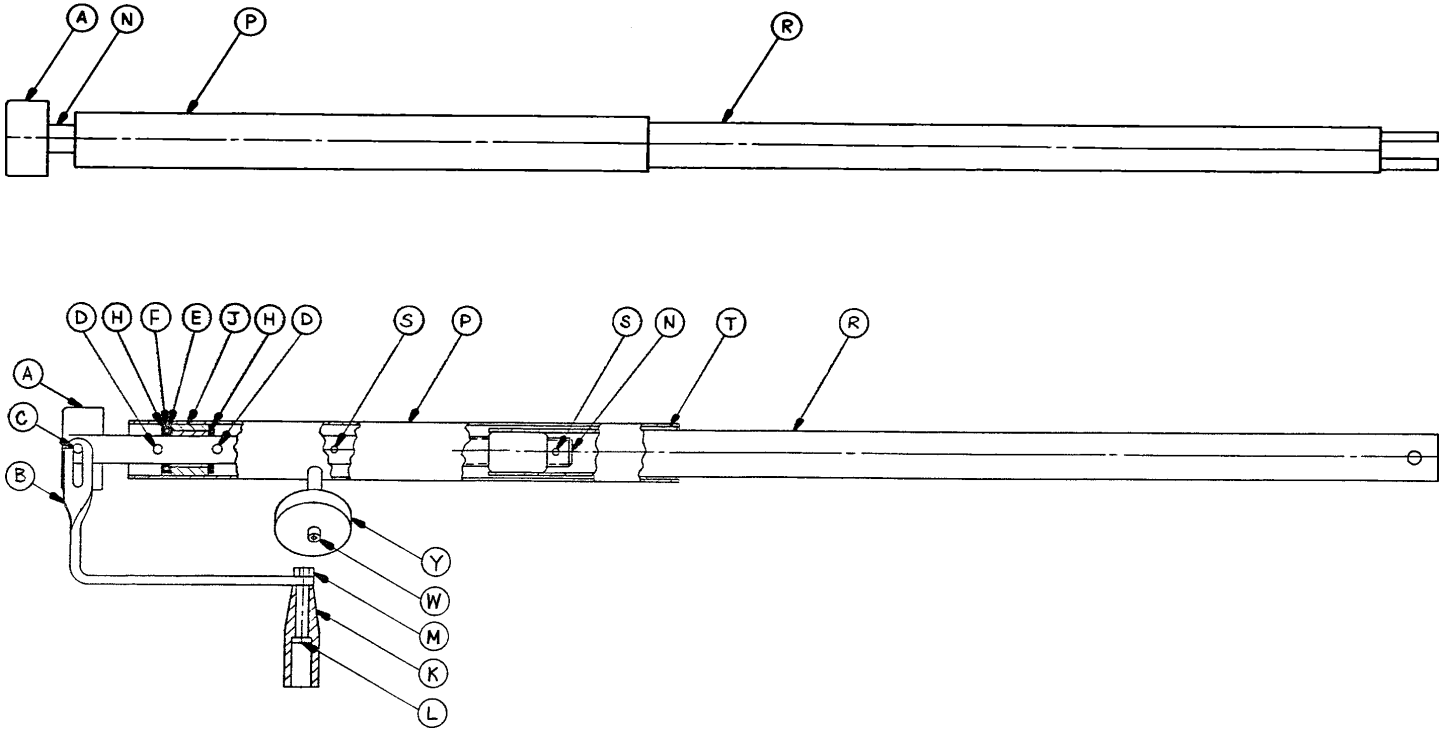
Item	Part No.	Part Name	Qty.
A	0004-135-000	Button Hd. Cap Screw	10
B	0003-078-000	Hex Hd. Cap Screw	2
C	0004-105-000	Socket Hd. Cap Screw	1
D	0014-003-000	Washer	2
E	0016-028-000	Hex Nut	6
F	0016-035-000	Nylock Hex Nut	1
G	0025-079-000	Dome Hd. Rivet	4
H	0037-055-000	Protective Cap	2
J	0037-056-000	Retaining Washer	2
K	0721-031-065	Hole Plug	2
L	0946-001-065	Knee Gatch Label	1
M	1010-032-060	Pivot Bolt	2
N	1010-034-015	Mounting Bracket	2
P	(page 88)	Foot/Thigh Subassembly	1
R	(page 89)	Gatch Crankscrew Assembly	1
T	1510-034-190	Slider Pad	2
U	1510-034-194	Calf Stand Rest	2
V	7900-001-102	Velcro Pile	.33 ft.

1068-041-010 Knee Gatch Foot and Thigh Section



Item	Part No.	Part Name	Qty.
A	7900-001-102	Velcro Adhesive Pile	1.92'
B	0014-003-000	Washer	2
D	0016-028-000	Nylock Hex Nut	2
E	0025-079-000	Rivet	4
F	0025-101-000	Rivet	30
J	1010-032-060	Pivot Bolt	2
K	1710-034-127	Calf Stand Bar	1
L	1010-034-025	Thigh Section Weldment	1
M	1066-034-059	Thigh Section Skin	1
N	1068-040-044	Calf Section Skin	1
P	1068-040-050	Calf Section Weldment	1
R	1510-034-088	Calf Stand Bracket	2

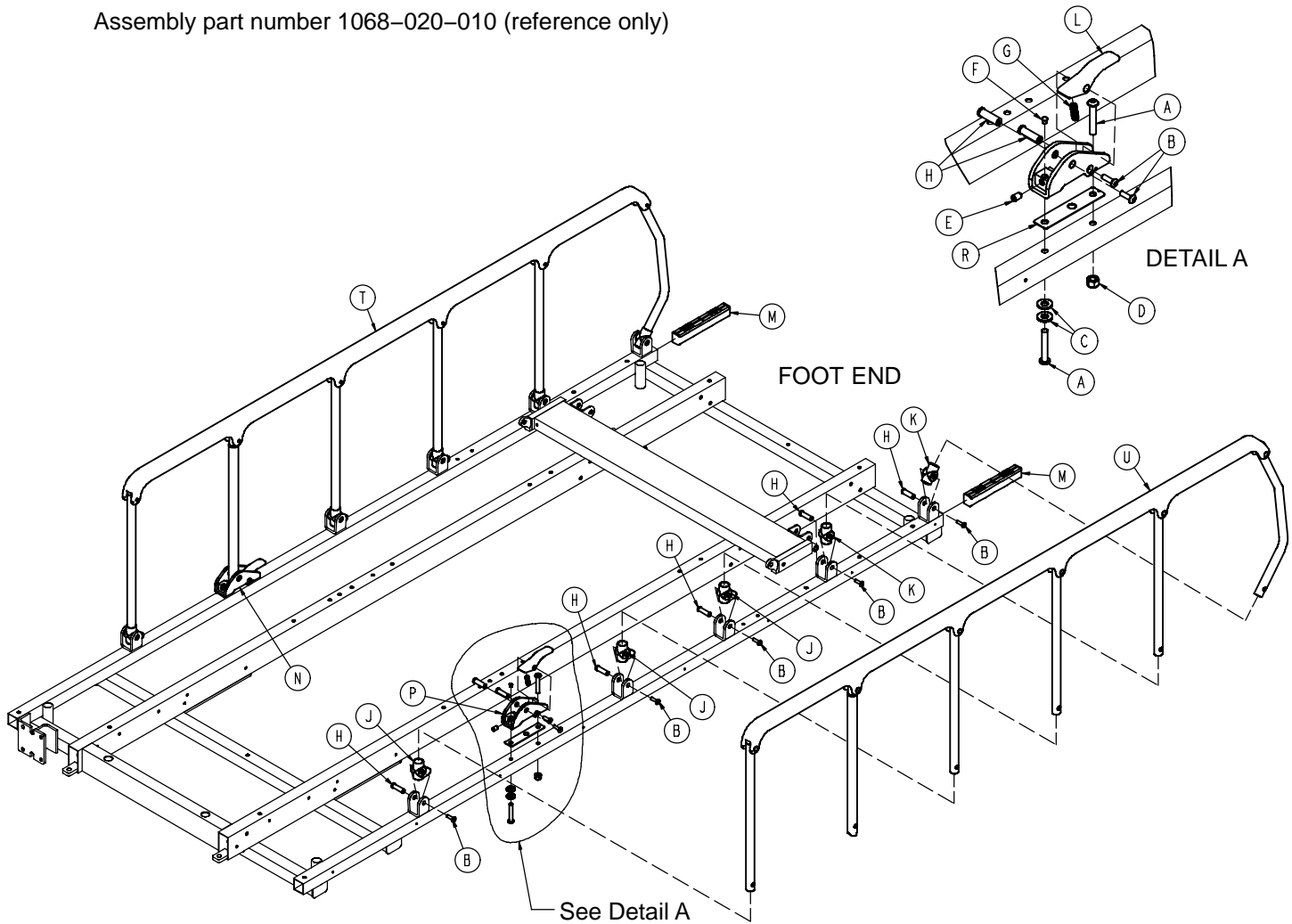
1068-046-010 Knee Gatch Crankscrew Assembly



Item	Part No.	Part Name	Qty.
A	0946-033-018	Crank Disk	1
B	1550-001-016	Crank Handle	1
C	0026-045-000	Roll Pin	1
D	0026-014-000	Roll Pin	2
E	0081-176-000	Thrust Washer	1
F	0081-175-000	Thrust Bearing	1
H	0081-174-000	Thrust Washer	2
J	0938-001-175	Bearing Assembly	1
K	0938-001-177	Knob	1
L	0378-024-029	Shoulder Bolt	1
M	0016-005-000	Conelock Nut	1
N	0946-034-025	Knee Gatch Screw	1
P	1510-034-084	Screw Cover Assembly	1
R	1068-046-012	Gatch Drive Tube Assembly	1
S	0026-010-000	Roll Pin	2
T	7900-001-102	Velcro Pile Tape	.3'
W	0004-007-000	Soc. Head Cap Screw	1
Y	1550-001-014	Magnet	1

Siderail to Litter Assembly, Two-Position Siderails

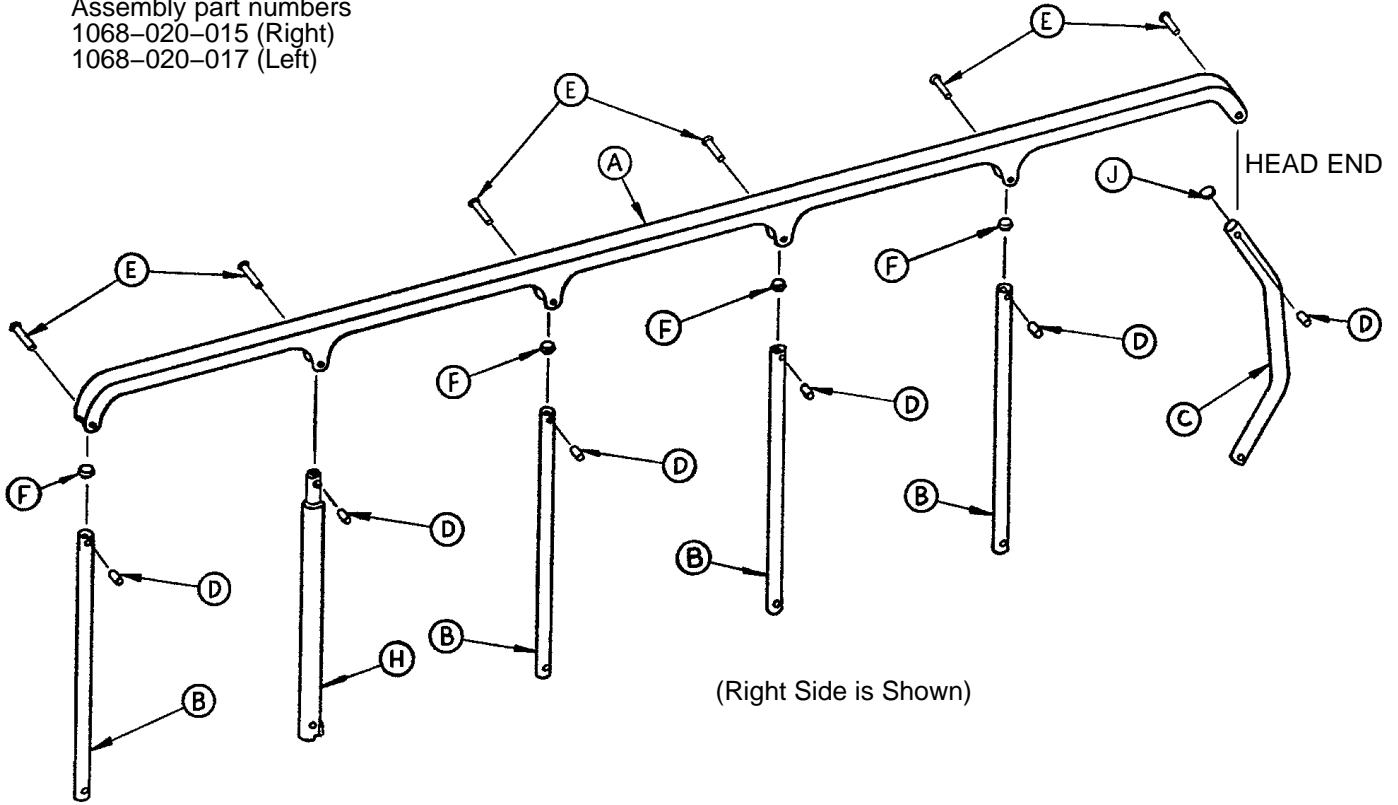
Assembly part number 1068-020-010 (reference only)



Item	Part No.	Part Name	Qty.
A	0004-135-000	Button Hd. Cap Screw	4
B	0004-515-000	Button Hd. Cap Screw	14
C	0011-002-000	Flat Washer	4
D	0016-028-000	Nylock Hex Nut	2
E	0021-104-000	Set Screw	2
F	0037-074-000	Hole Plug	2
G	0038-220-000	Compression Spring	2
H	0721-026-066	Pivot Screw	14
J	0721-026-068	Upright Cradle	6
K	0721-026-069	Upright Sleeve	4
L	0721-026-074	Lock Handle	2
M	1010-026-069	Lock Support	2
N	1010-026-080	Lock Housing, Left	1
P	1010-026-081	Lock Housing, Right	1
R	1010-026-103	Spring Retainer	2
T	(page 91)	Siderail Assembly, Right	1
U	(page 91)	Siderail Assembly, Left	1

Two-Position Siderail Assembly, Right and Left

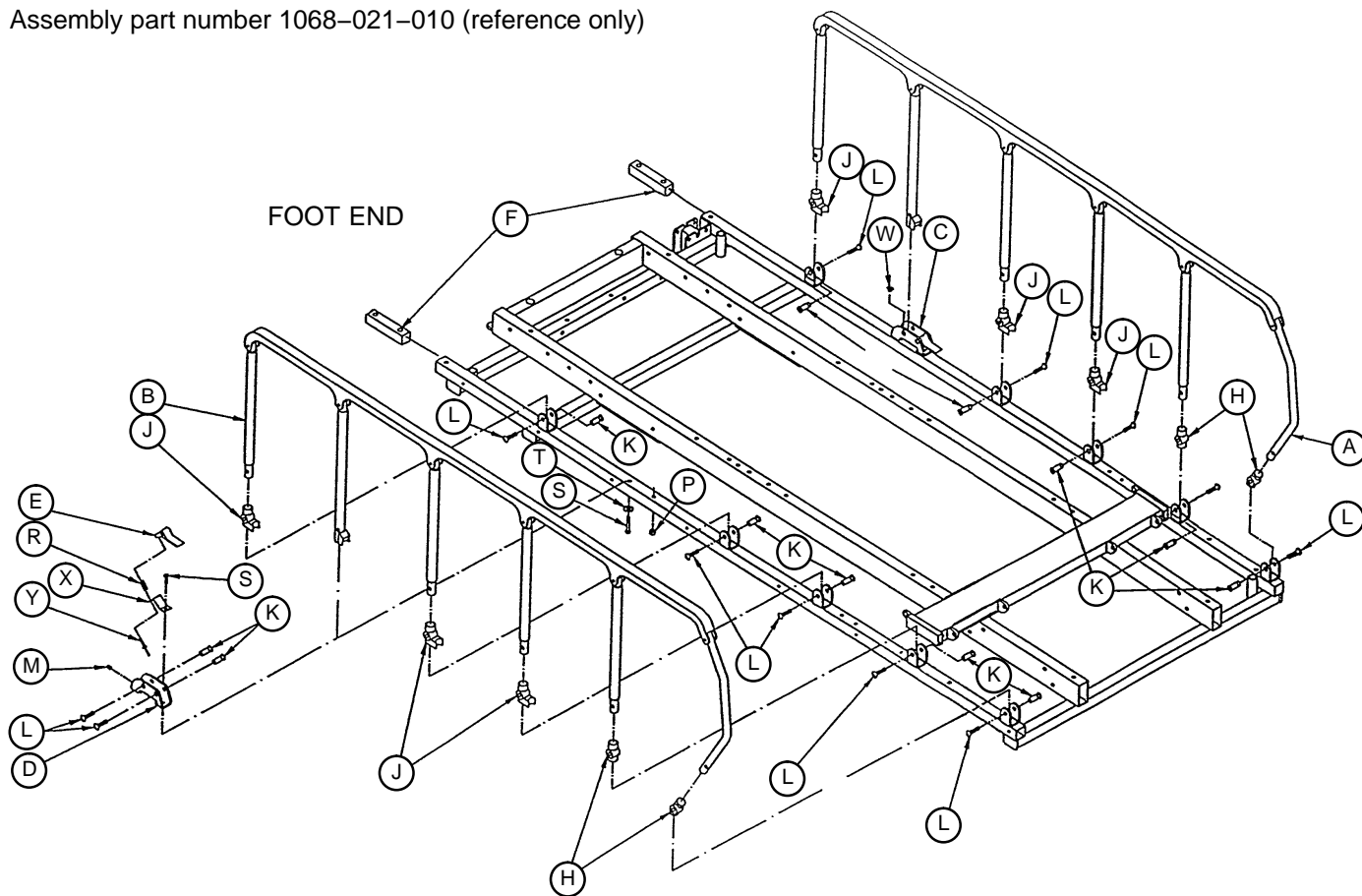
Assembly part numbers
 1068-020-015 (Right)
 1068-020-017 (Left)



Item	Part No.	Part Name	Qty.
A	1010-026-015	Top Rail	1
B	1010-026-083	Upright	4
C	1010-026-084	Upright, Bent	1
D	1010-026-082	Sleeve, Bearing	6
E	0025-106-000	Semi-Tubular Rivet	6
F	1010-026-010	Round Hole Plug	4
H	1010-026-085	Latch Upright Ass'y	1
J	1010-026-012	Bent Spindle Rest	1

Siderail to Litter Ass'y, Optional 3-Position Siderail

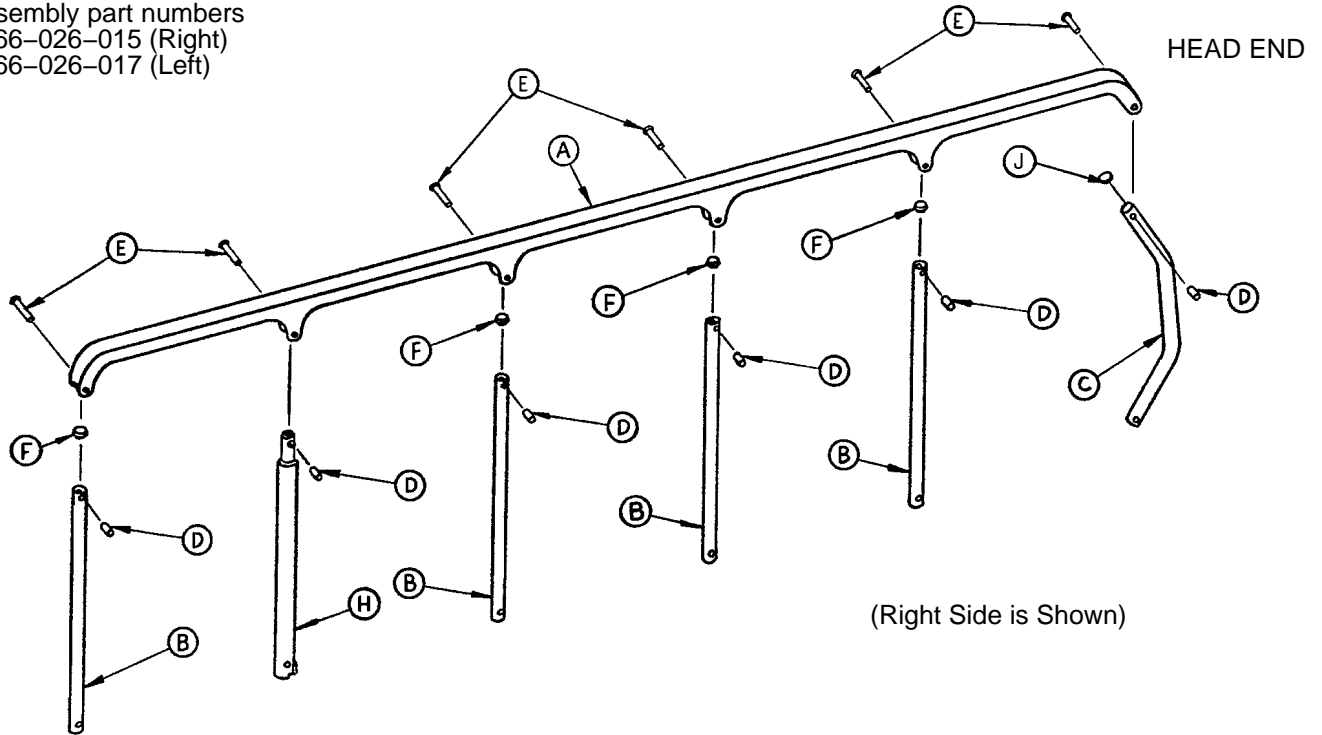
Assembly part number 1068-021-010 (reference only)



Item	Part No.	Part Name	Qty.
A	(page 93)	Siderail Assembly, Right	1
B	(page 93)	Siderail Assembly, Left	1
C	1066-026-018	Lock Housing, Right	1
D	1066-026-016	Lock Housing, Left	1
E	1066-026-022	Lock Handle	2
F	1010-026-069	Lock Support	2
H	0721-026-069	Sleeve Upright	4
J	0721-026-068	Cradle Upright	6
K	0721-026-066	Pivot Screw	14
L	0004-515-000	Button Hd. Cap Screw	14
M	0021-104-000	Set Screw	2
P	0016-028-000	Nylock Hex Nut	2
R	0038-220-000	Compression Spring	2
S	0004-135-000	Button Hd. Cap Screw	4
T	0011-002-000	Flat Washer	4
W	0037-074-000	Hole Plug	2
X	1066-126-019	Spring Plate	2

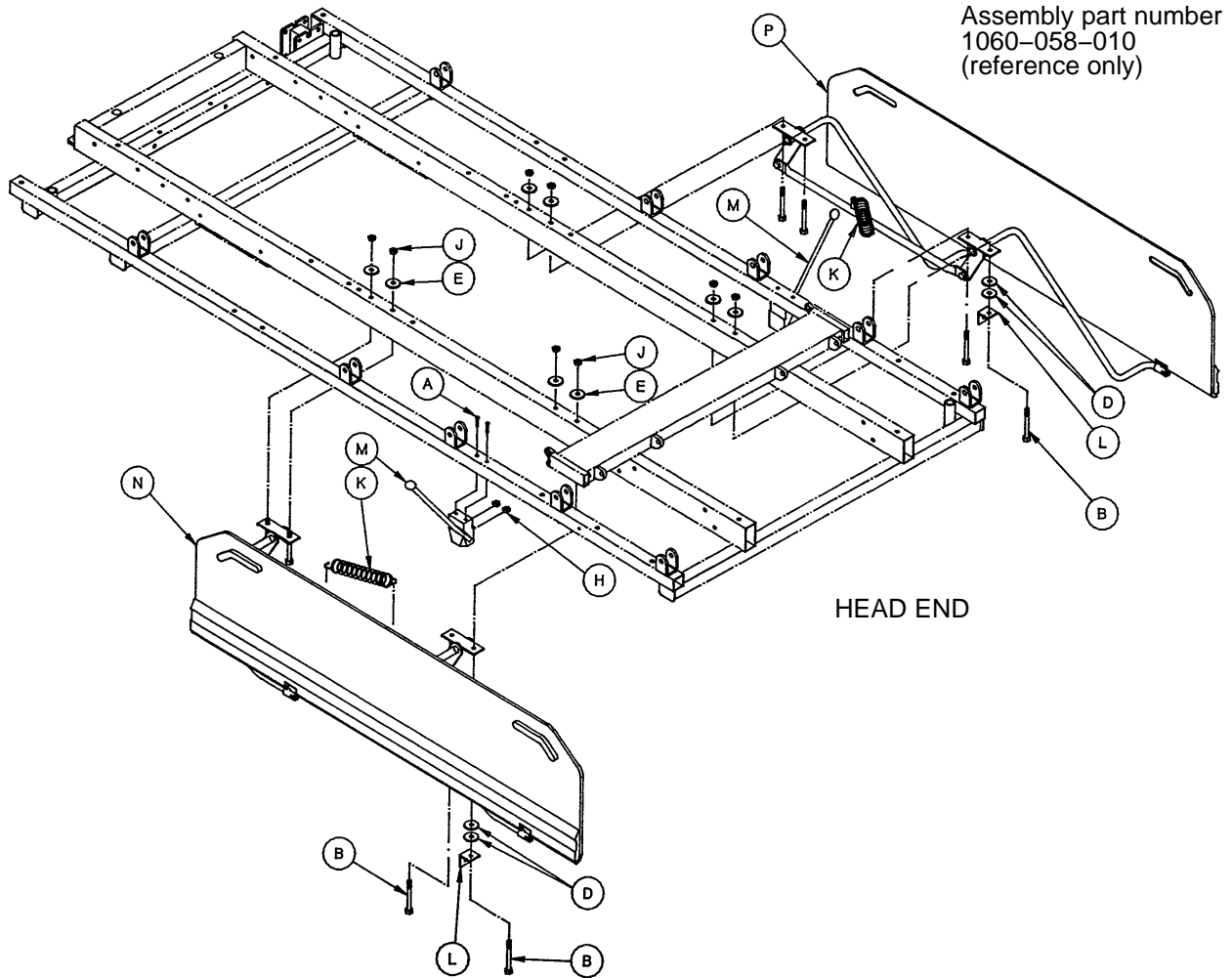
Optional 3-Position Siderail Assembly, Right and Left

Assembly part numbers
 1066-026-015 (Right)
 1066-026-017 (Left)



Item	Part No.	Part Name	Qty.
A	1010-026-015	Top Rail	1
B	1010-026-083	Upright	4
C	1010-026-084	Upright, Bent	1
D	1010-026-082	Sleeve, Bearing	6
E	0025-106-000	Semi-Tubular Rivet	6
F	1010-026-010	Round Hole Plug	4
H	1066-026-027	Latch Upright Ass'y	1
J	1010-026-012	Bent Spindle Rest	1

Optional Transfer System Assembly

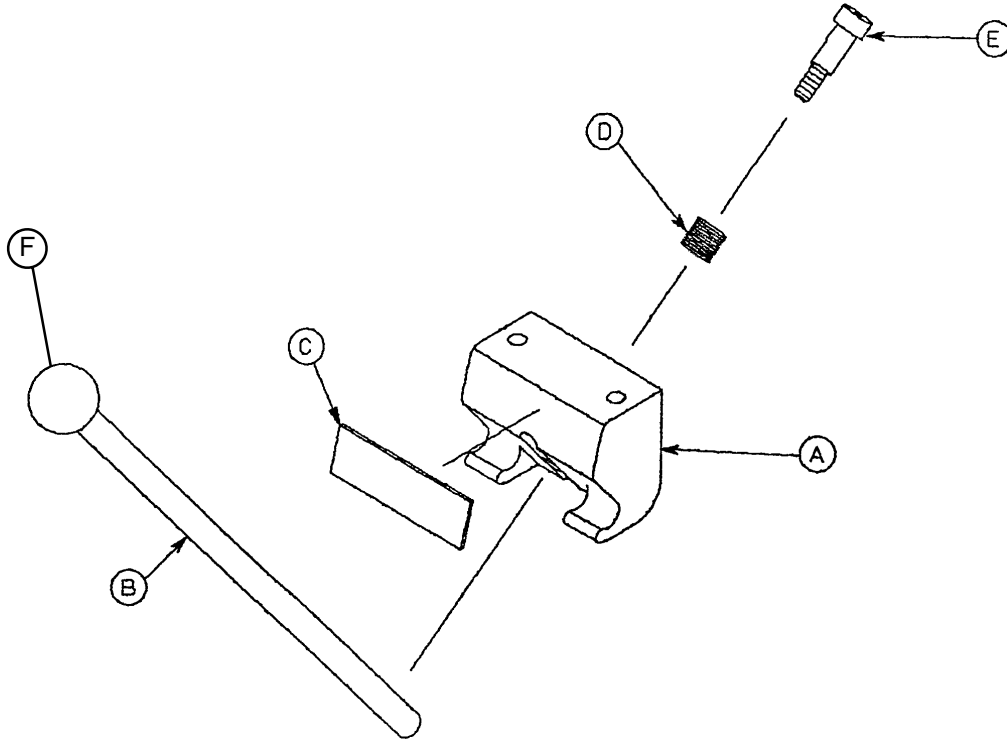


Assembly part number
1060-058-010
(reference only)

HEAD END

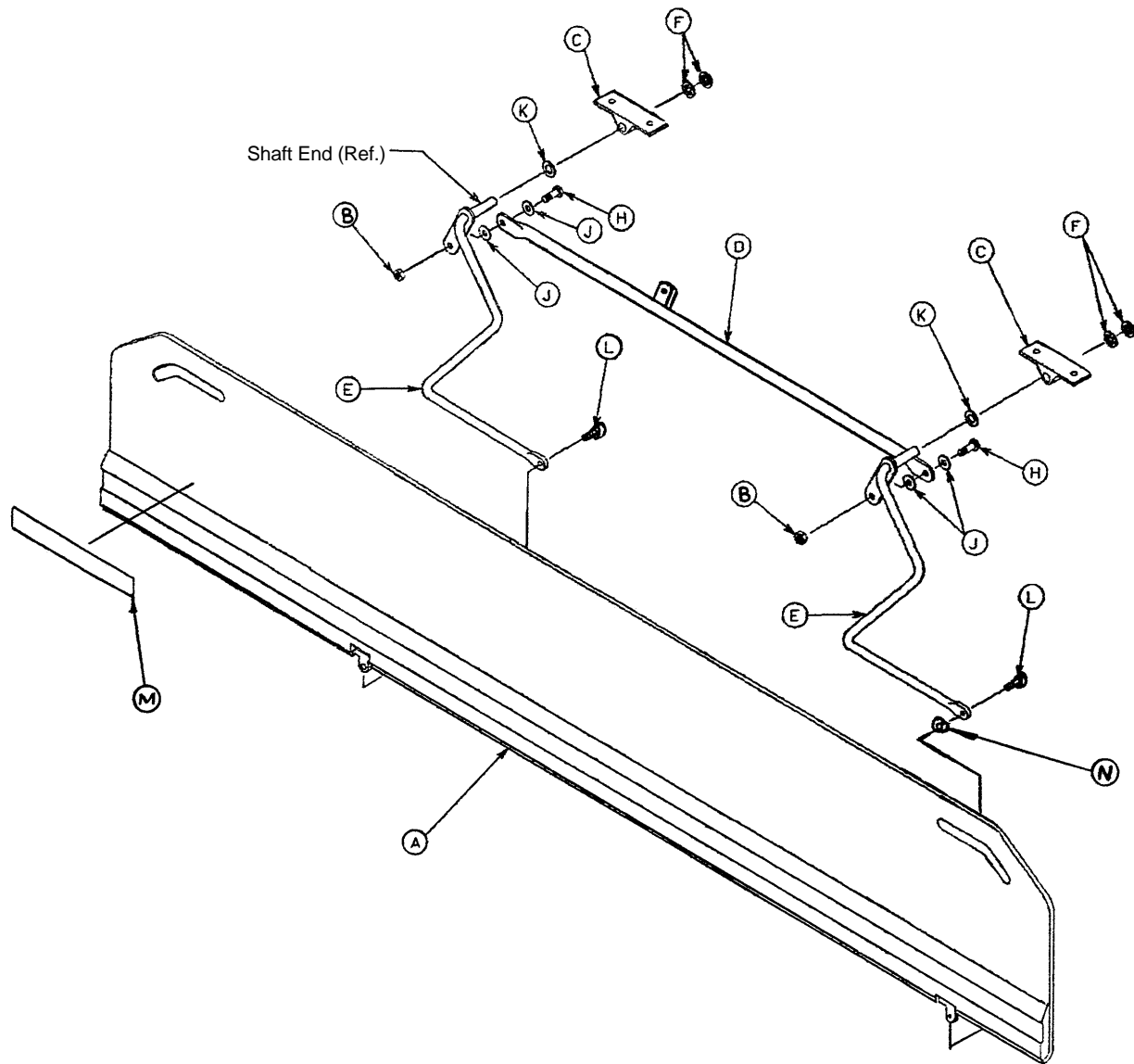
Item	Part No.	Part Name	Qty.
A	0002-100-000	Pan Hd. Mach. Screw	4
B	0003-073-000	Hex Hd. Cap Screw	8
D	0011-002-000	Washer	4
E	0011-180-000	Washer	8
H	0016-003-000	Fiberlock Nut	4
J	0016-028-000	Nylock Nut	8
K	0038-218-000	Extension Spring	2
L	1010-024-025	Spring Retainer	2
M	(page 95)	Board Support Assembly	2
N	(page 96)	Arm Board Ass'y, Left	1
P	(page 97)	Arm Board Ass'y, Right	1

1010-024-030 Arm Board Support Assembly



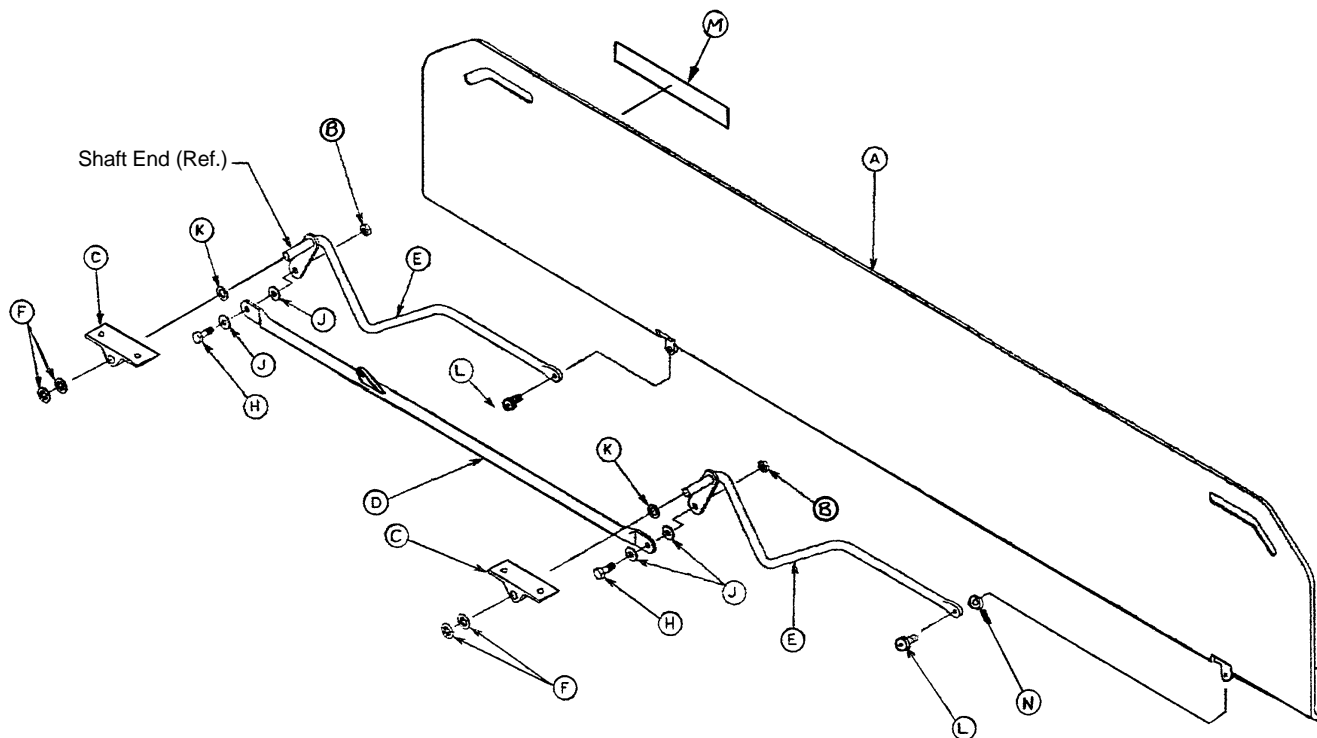
Item	Part No.	Part Name	Qty.
A	1010-024-015	Support Block	1
B	1010-024-016	Support Arm	1
C	1010-024-014	Warning Label	1
D	0038-263-000	Spring	1
E	0008-017-000	Shoulder Bolt	1
F	1010-026-046	Ball Knob	1

1060-001-114 Optional Transfer Board, Left



Item	Part No.	Part Name	Qty.
A	1060-001-077	Arm Board Ass'y, Left	1
B	0016-028-000	Nylock Hex Nut	2
C	1010-032-098	Pivot	2
D	1060-001-074	Connecting Link Ass'y	1
E	1010-032-094	Pivot Arm Ass'y, Left	2
F	0028-093-000	Retaining Ring	4
H	0003-050-000	Hex Hd. Cap Screw	2
J	0011-224-000	Nylon Flat Washer	4
K	0014-021-000	Nylon Flat Washer	2
L	0004-156-000	Soc. Hd. Cap Screw	2
M	0721-024-046	Label	1
N	0014-002-000	Washer	1

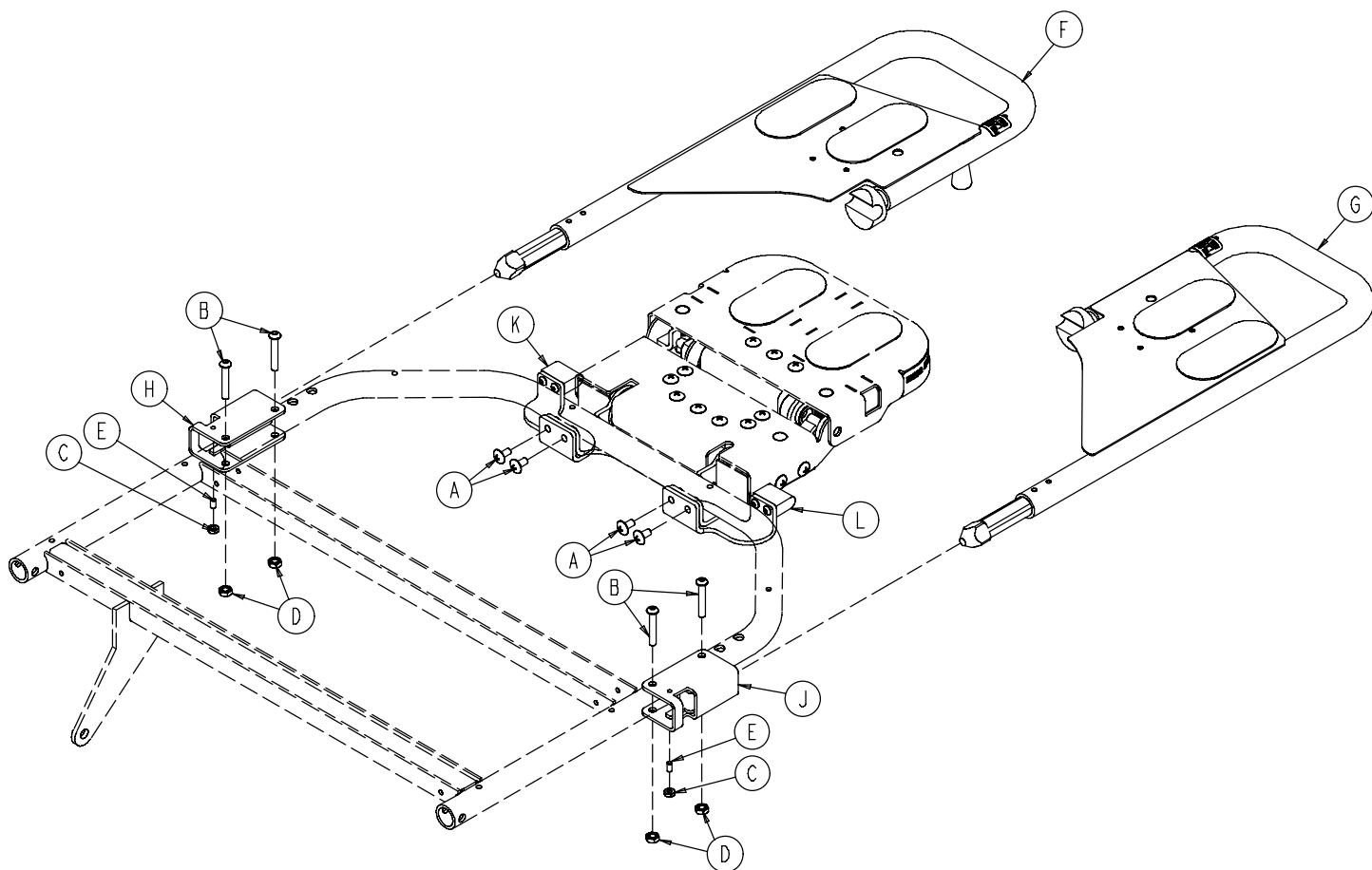
1060-001-115 Optional Transfer Board, Right



Item	Part No.	Part Name	Qty.
A	1060-001-076	Arm Board Ass'y, Right	1
B	0016-028-000	Nylock Hex Nut	2
C	1010-032-098	Pivot	2
D	1060-0010-74	Connecting Link Ass'y	1
E	1010-032-096	Pivot Arm Ass'y, Right	2
F	0028-093-000	Retaining Ring	4
H	0003-050-000	Hex Hd. Cap Screw	2
J	0011-224-000	Nylon Flat Washer	4
K	0014-021-000	Nylon Flat Washer	2
L	0004-156-000	Soc. Hd. Cap Screw	2
M	0721-024-046	Label	1
N	0014-002-000	Washer	1

1069-160-010 Optional Pre-Op/Post-Op Head Pads

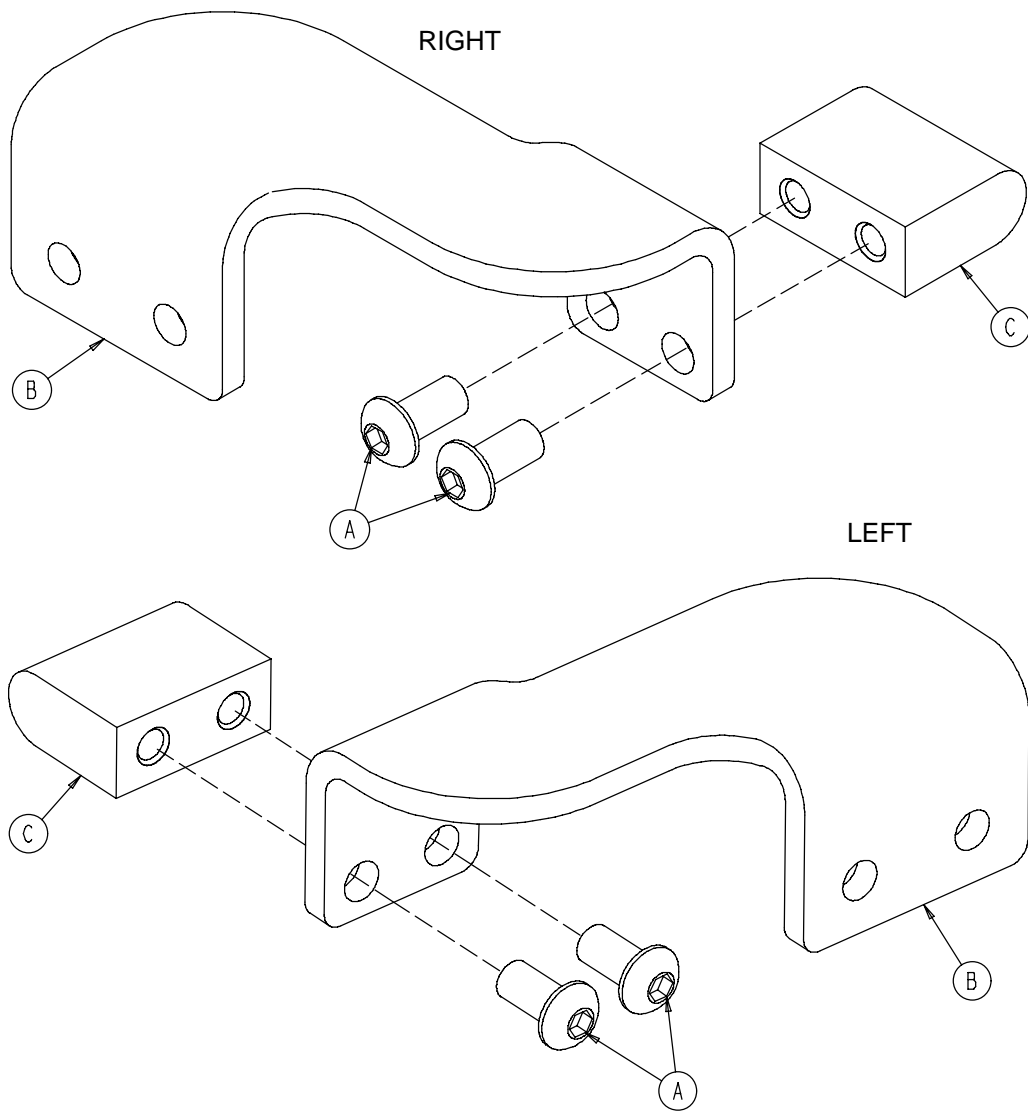
Applies to Crank Fowler Assembly Option Only



Item	Part No.	Part Name	Qty.
A	0007-080-000	Truss Hd. Torx Screw	4
B	0004-135-000	But. Hd. Cap Screw	4
C	0015-004-000	Hex Nut	2
D	0016-005-000	Conelock Nut	4
E	0021-119-000	Set Screw	2
F	(page 100)	Head Piece, Right	1
G	(page 100)	Head Piece, Left	1
H	1069-060-060	Receptacle Weldment, Right	1
J	1069-060-070	Receptacle Weldment, Left	1
K	(page 99)	Latch Bracket, Right	1
L	(page 99)	Latch Bracket, Left	1

1069-060-220/225 Latch Bracket Assembly, Right/Left

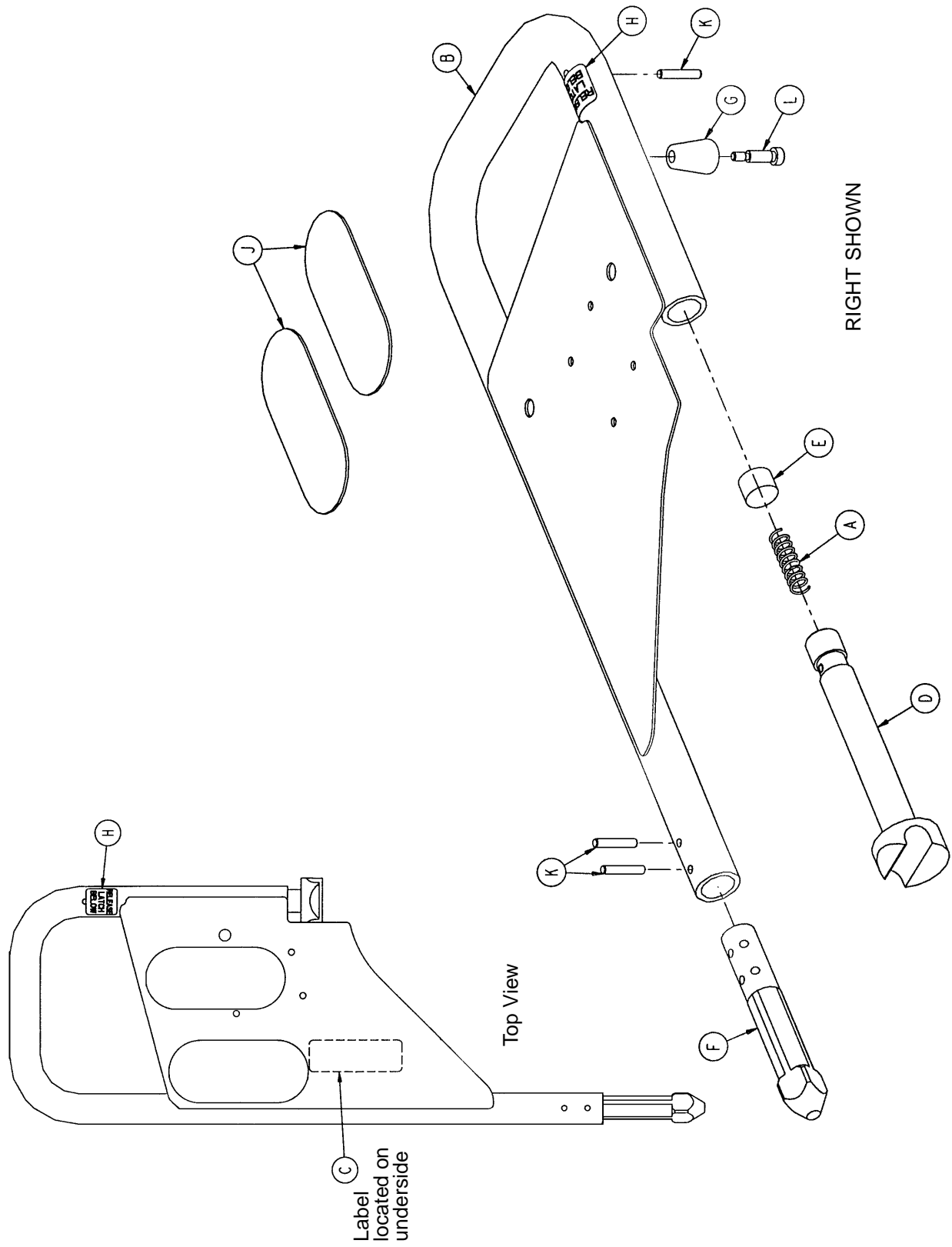
Applies to Crank Fowler Assembly Option Only



Item	Part No.	Part Name	Qty.
A	0004-325-000	Button Hd. Cap Screw	2
B	1069-060-221	Bracket, Right	1
	1069-060-226	Bracket, Left	1
C	1069-060-222	Latch	1

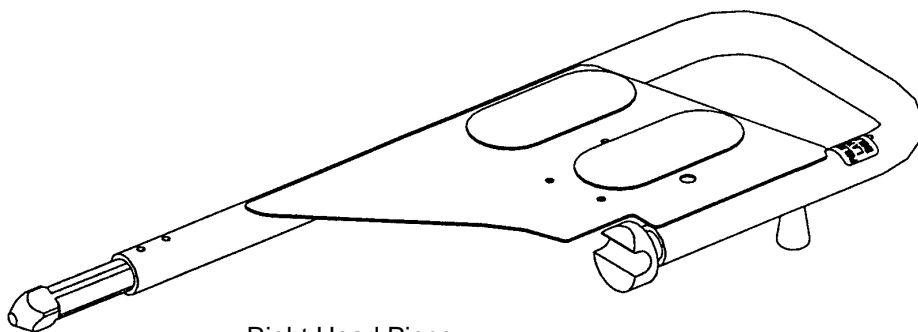
1069-060-025/035 Head Piece Assembly, Right/Left

Applies to Crank Fowler Assembly Option Only

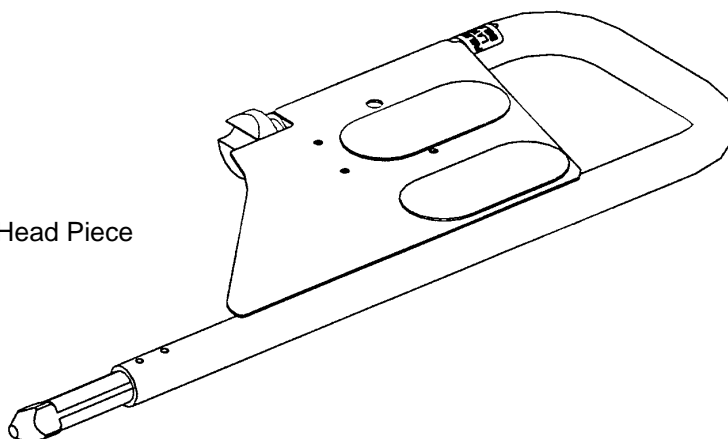


1069-060-025/035 Head Piece Assembly, Right/Left

Applies to Crank Fowler Assembly Option Only



Right Head Piece

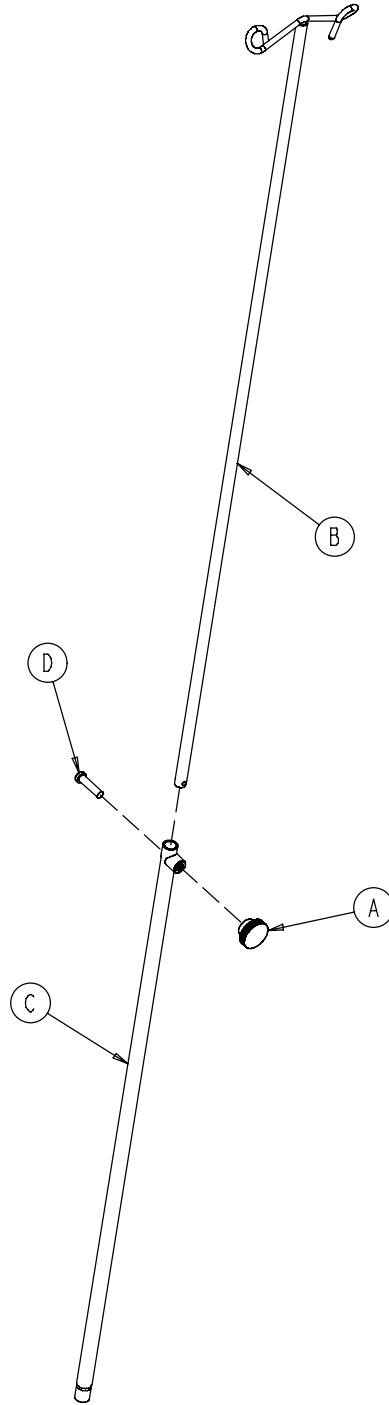


Left Head Piece

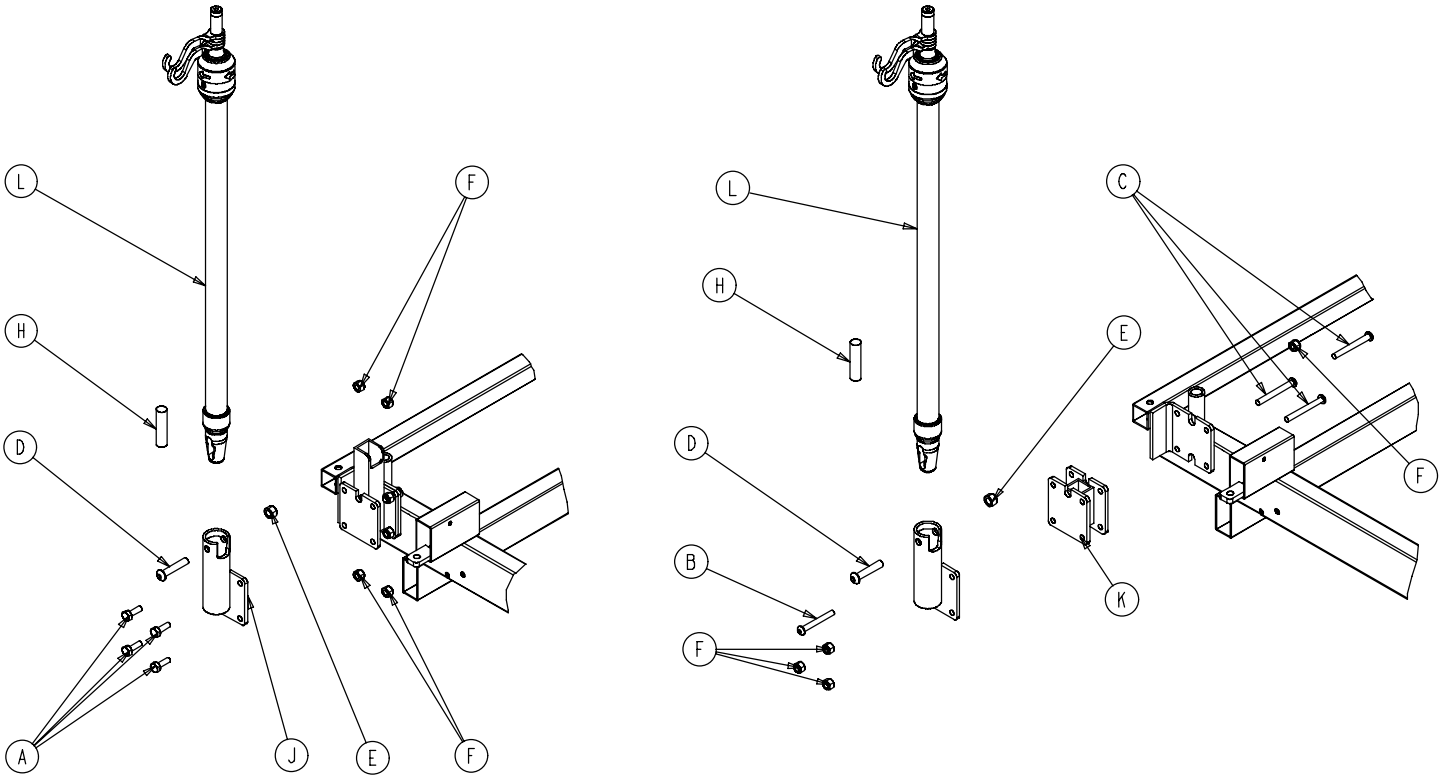
Item	Part No.	Part Name	Qty.
A	0038-162-000	Pin Slide Spring	1
B	1069-060-040	Tube Weldment, Right	1
	1069-060-050	Tube Weldment, Left	1
C	1069-060-090	Head Extension Label	1
D	1069-060-140	Slider Pin	1
E	1069-060-142	Spring Spacer	1
F	1069-060-145	Cam Pin	1
G	1069-060-012	Latch Knob	1
H	1069-260-091	Latch Release Label	1
J	7900-001-102	Velcro Pile (4.5")	2
K	0026-179-000	Spirol Pin	3
L	0008-020-000	Shoulder Bolt	1

0390-025-022 Optional Removable I.V. Pole Assembly

Item	Part No.	Part Name	Qty.
A	0024-023-000	Plastic Knob	1
B	0390-003-053	Double IV Ass'y	1
C	0393-003-043	Tube Assembly	1
D	0004-496-000	Soc. Hd. Cap Screw	1

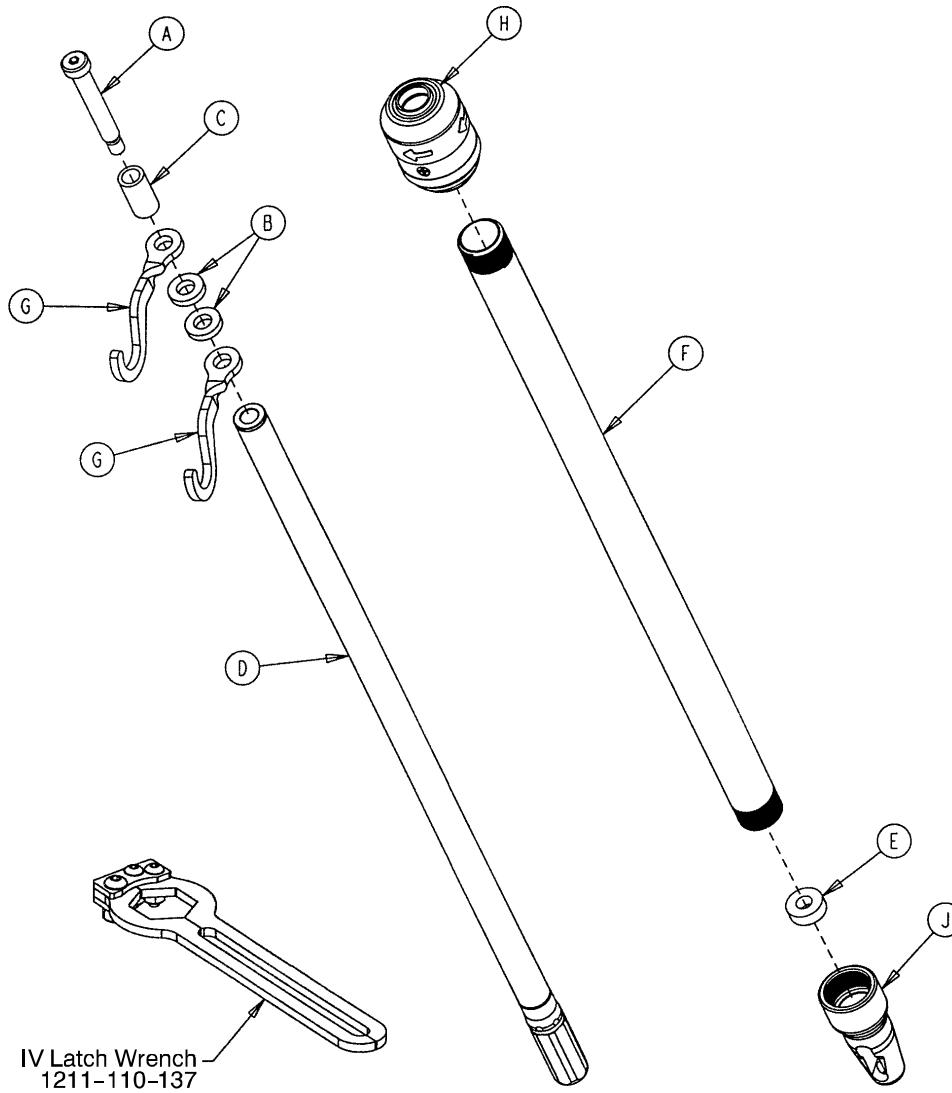


1010-080-000 Optional 2-Stage I.V. Assembly Foot End, Right



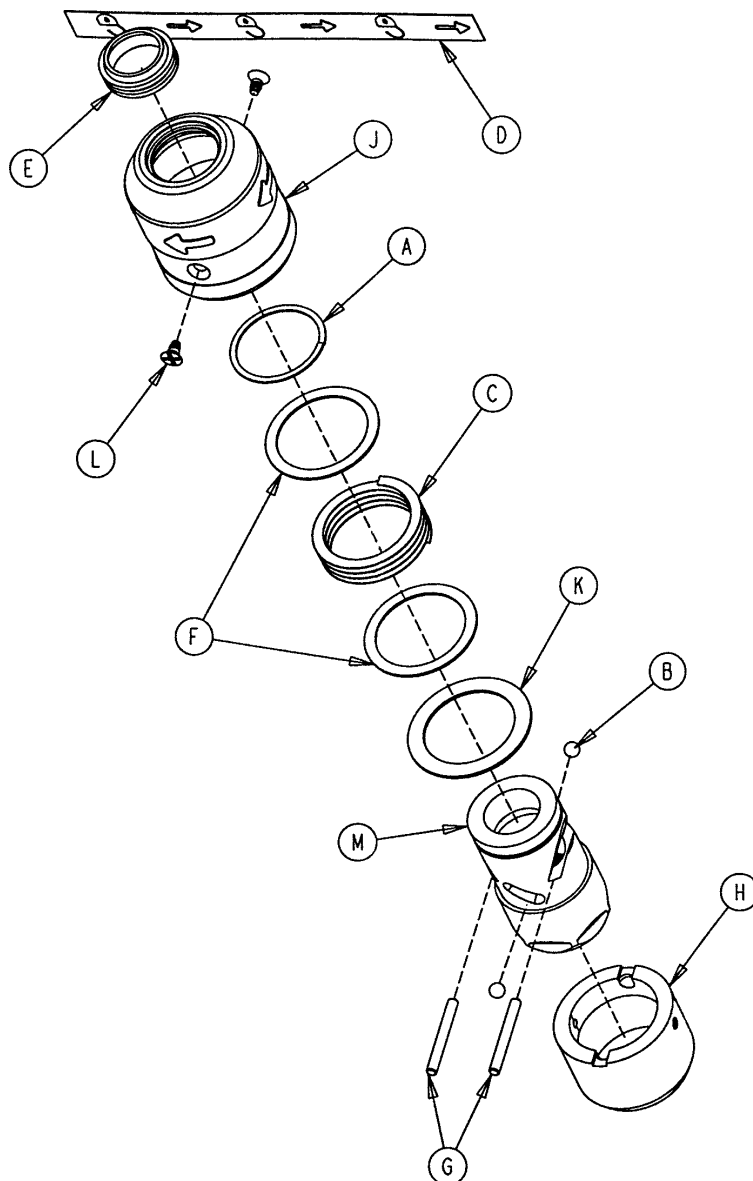
Item	Part No.	Part Name	Qty.
A	0003-050-000	But. Hd. Cap Screw	4
B	0004-097-000	But. Hd. Cap Screw	1
C	0004-163-000	But. Hd. Cap Screw	3
D	0004-199-000	But. Hd. Cap Screw	1
E	0016-011-000	Flexlock Nut	1
F	0016-028-000	Nylock Nut	4
H	1001-059-042	IV Plug	1
J	1001-259-111	IV Socket Ass'y	1
K	1020-054-067	Spacer Weldment	3
B	(page 104)	2-Stage IV Pole Ass'y	1

1211-210-010 Optional 2-Stage IV Pole Assembly



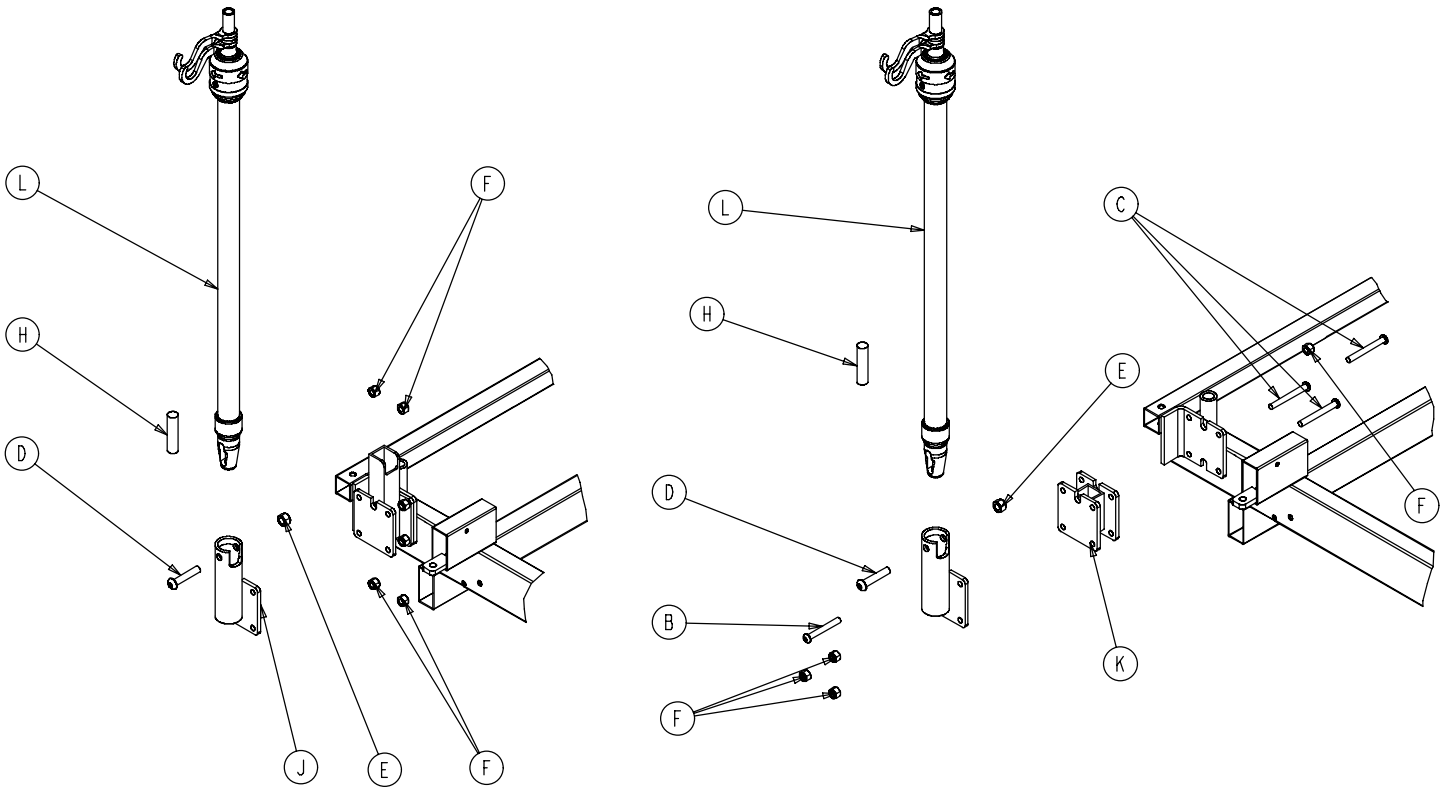
Item	Part No.	Part Name	Qty.
A	0008-031-000	Soc. Hd. Cap Screw	1
B	0052-017-000	Washer	2
C	0926-400-162	Spacer	1
D	1211-210-029	2nd Stage Assembly	1
E	1001-359-013	Dampener	1
F	1001-159-028	Base Tube	1
G	1010-059-016	IV Hook	2
H	(page 105)	IV Pole Latch	1
J	1001-359-112	Pivot	1

1211-210-026 IV Pole Latch Assembly



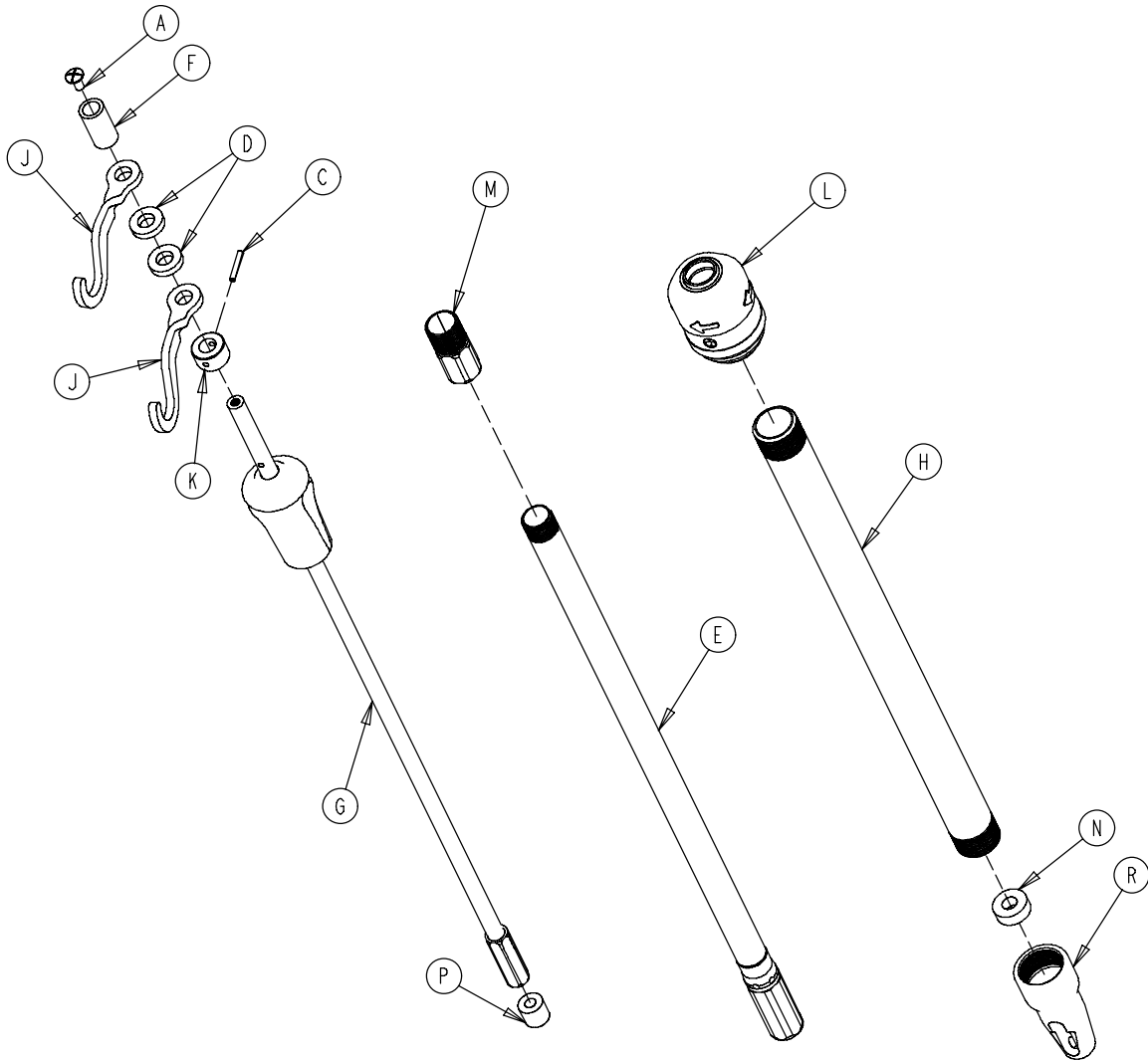
Item	Part No.	Part Name	Qty.
A	0028-167-000	Retaining Ring	1
B	0031-004-000	Steel Ball	2
C	0038-392-000	Crest-to-Crest Spring	1
D	1211-091-034	Release Label	1
E	1211-110-018	IV Latch Seal	1
F	1211-110-020	Washer	2
G	1211-110-021	IV Latch Locking Pin	2
H	1211-110-022	IV Latch Guide	1
J	1211-110-024	IV Latch O.D. Housing	1
K	1211-110-035	Washer	1
L	1211-110-036	Self-Tapping Screw	2
M	1211-210-023	IV Latch I.D. Housing	1

1020-062-000 Optional 3-Stage I.V. Assembly Foot End, Right



Item	Part No.	Part Name	Qty.
A	0003-050-000	But. Hd. Cap Screw	4
B	0004-097-000	But. Hd. Cap Screw	1
C	0004-163-000	But. Hd. Cap Screw	3
D	0004-199-000	But. Hd. Cap Screw	1
E	0016-011-000	Flexlock Nut	1
F	0016-028-000	Nylock Nut	4
H	1001-059-042	Plug	3
J	1001-259-111	IV Pivot Weldment	1
K	1020-054-067	Spacer Weldment	3
L	(page 107)	IV Pole Assembly	1

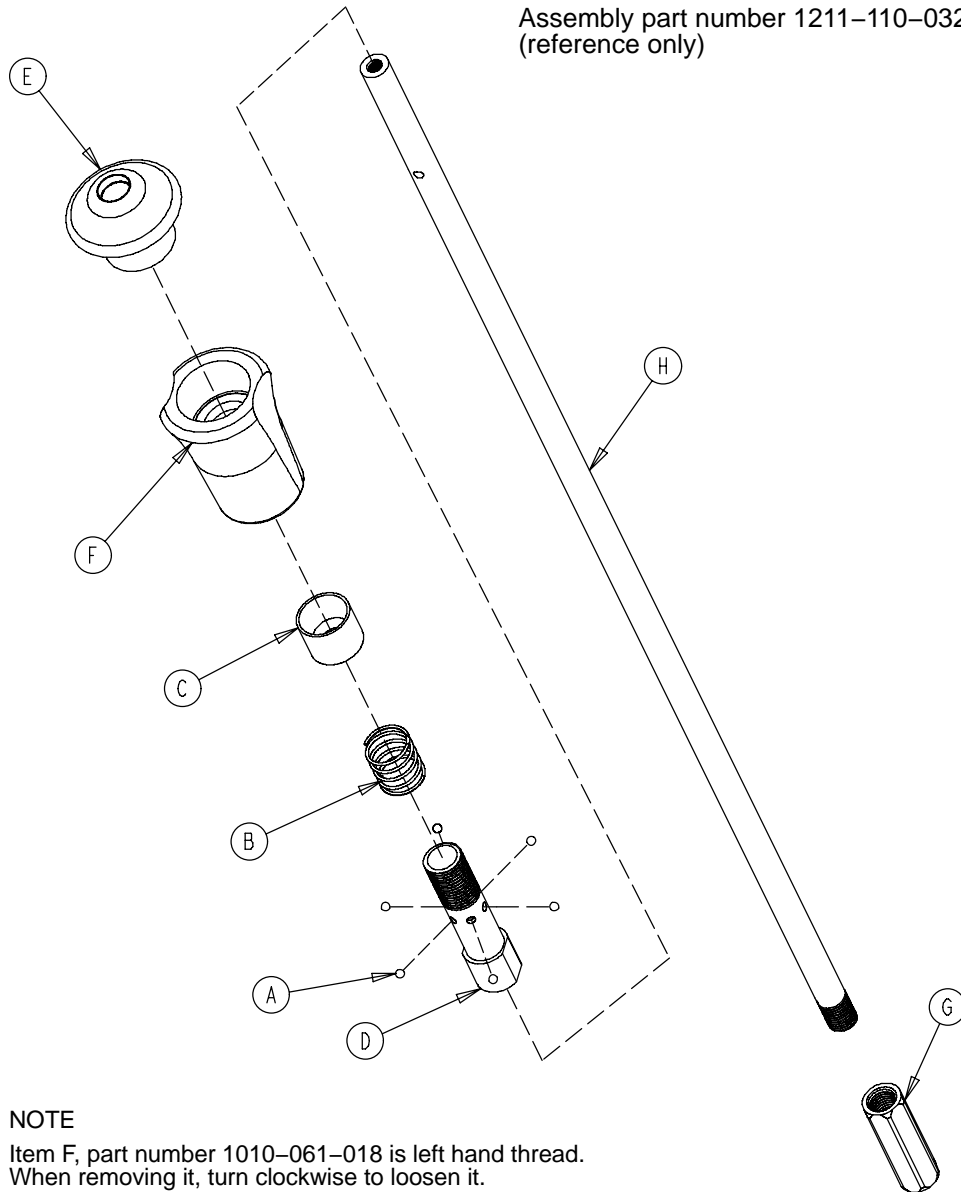
1211-211-010 Optional 3-Stage IV Pole Assembly



Item	Part No.	Part Name	Qty.
A	0007-004-000	Truss Hd. Machine Screw	1
C	0026-076-000	Roll Pin	1
D	0052-017-000	Spacer	2
E	1211-210-031	2nd Stage Assembly	1
F	0926-400-162	Spacer	1
G	(page 108)	3rd Stage Assembly	1
H	1001-161-023	Base Tube	1
J	1010-059-016	IV Hook	2
K	1010-061-014	Collar	1
L	(page 105)	IV Pole Latch	1
M	1211-110-016	Threaded Adaptor	1
N	1001-359-013	Dampener	1
P	1001-359-014	Dampener	1
R	1001-359-112	Pivot	1

3-Stage IV Pole 3rd Stage Assembly

Assembly part number 1211-110-032
(reference only)

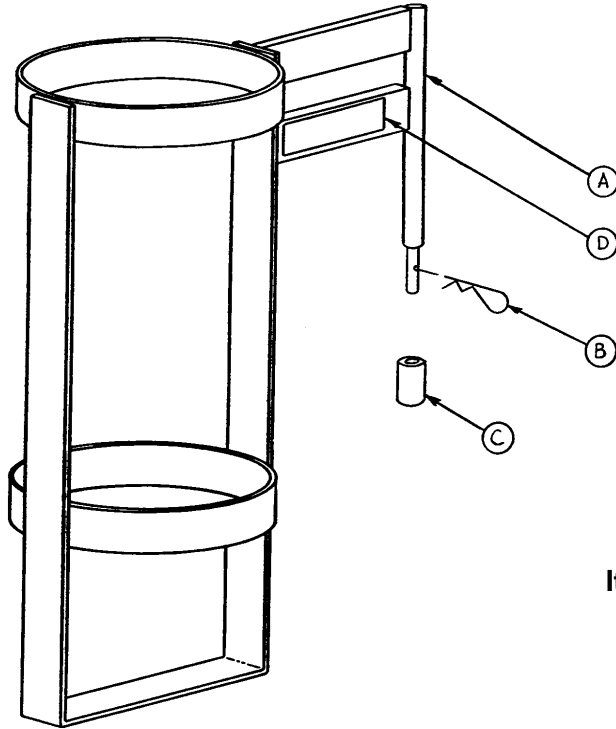


NOTE

Item F, part number 1010-061-018 is left hand thread.
When removing it, turn clockwise to loosen it.

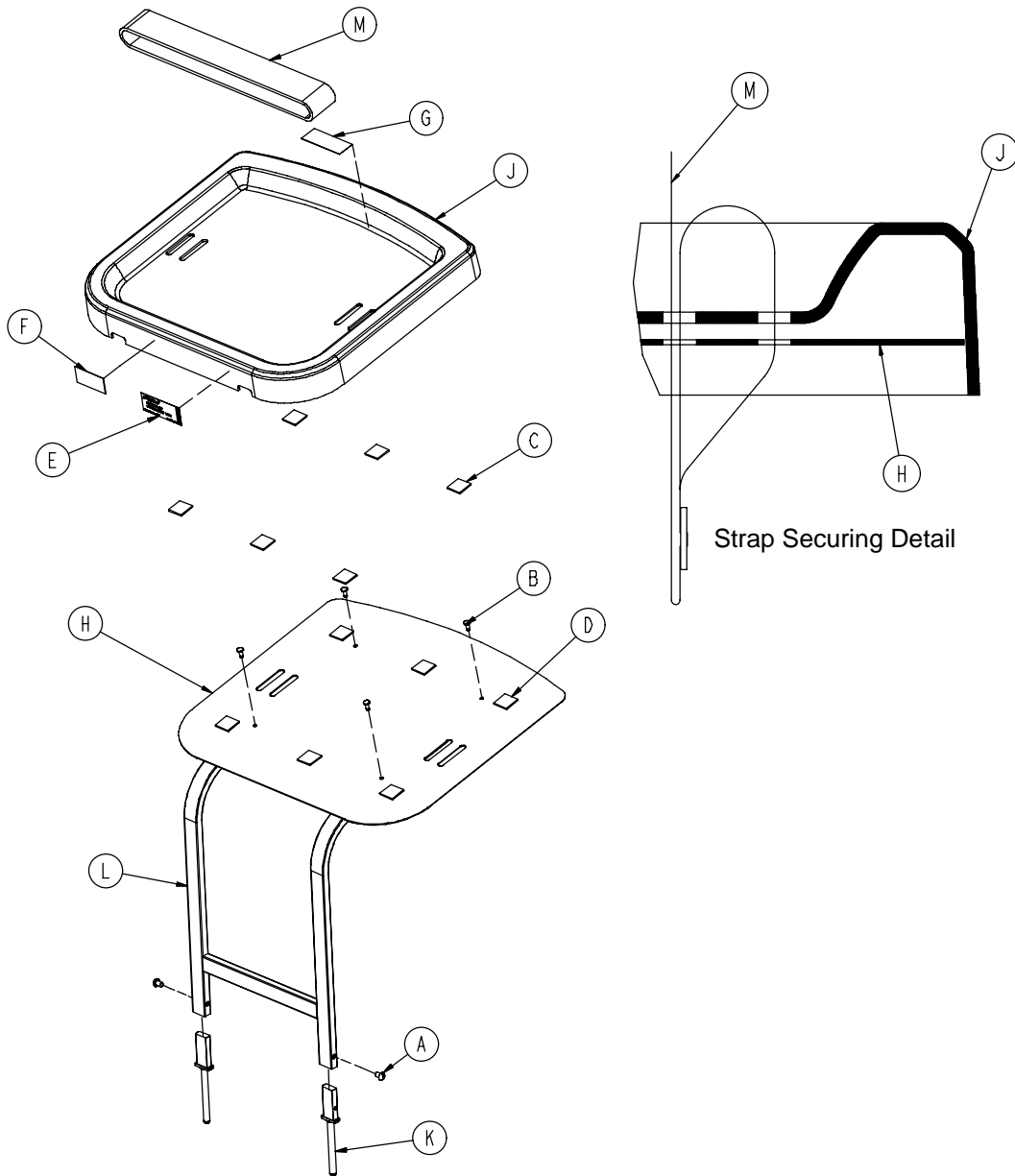
Item	Part No.	Part Name	Qty.
A	0031-021-000	Ball	6
B	0038-303-000	Compression Spring	1
C	1010-061-013	Ball Retainer	1
D	1010-061-016	Retaining Shaft	1
E	1010-061-017	Thumb Knob	1
F	1010-061-018	Hand Guard	1
G	1211-110-117	Nut	1
H	1211-110-033	3rd Extension Rod	1

1010-030-000 Optional Upright Oxygen Bottle Holder



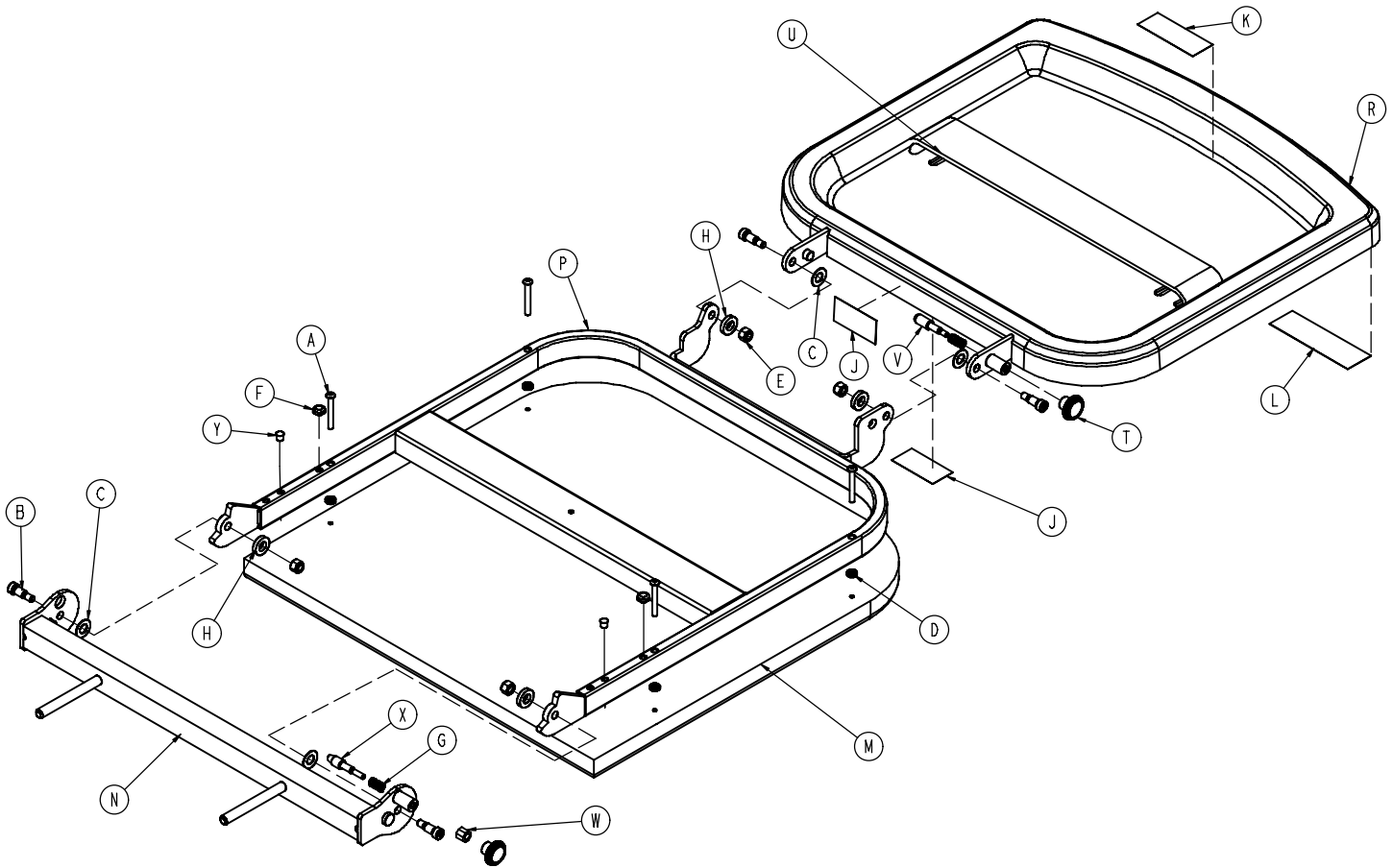
Item	Part No.	Part Name	Qty.
A	1010-030-011	Upright Bottle Holder	1
B	0027-012-000	Cotter Pin	1
C	0741-030-024	Nylon Stand-Off	1
D	1010-030-017	Specification Label	1

0785-045-200 Optional Defibrillator Tray Assembly



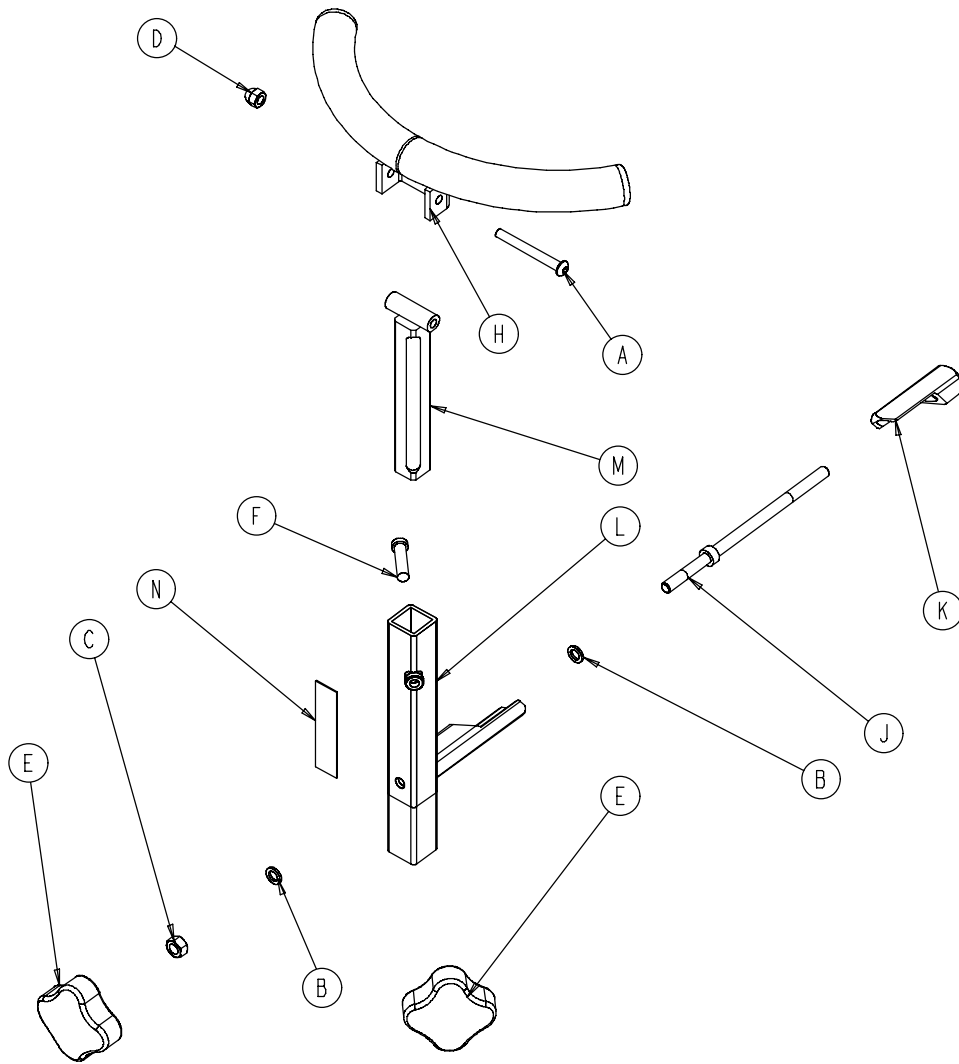
Item	Part No.	Part Name	Qty.
A	0002-044-000	Round Hd. Machine Screw	2
B	0025-055-000	Rivet	4
C	0029-008-000	Dual Lock	6
D	0029-010-000	Dual Lock	6
E	0785-045-201	Defib Tray Label	1
F	0785-045-402	Push/Pull Label	1
G	0785-045-403	Weight Capacity Label	1
H	0785-045-204	Tray Support	1
J	0785-045-207	Tray	1
K	0785-045-208	Bayonet	1
L	0785-045-210	Frame Weldment	1
M	1010-050-021	Long Strap	1

0785-045-400 Optional Defib Tray/Foot Extender/ Foot Board



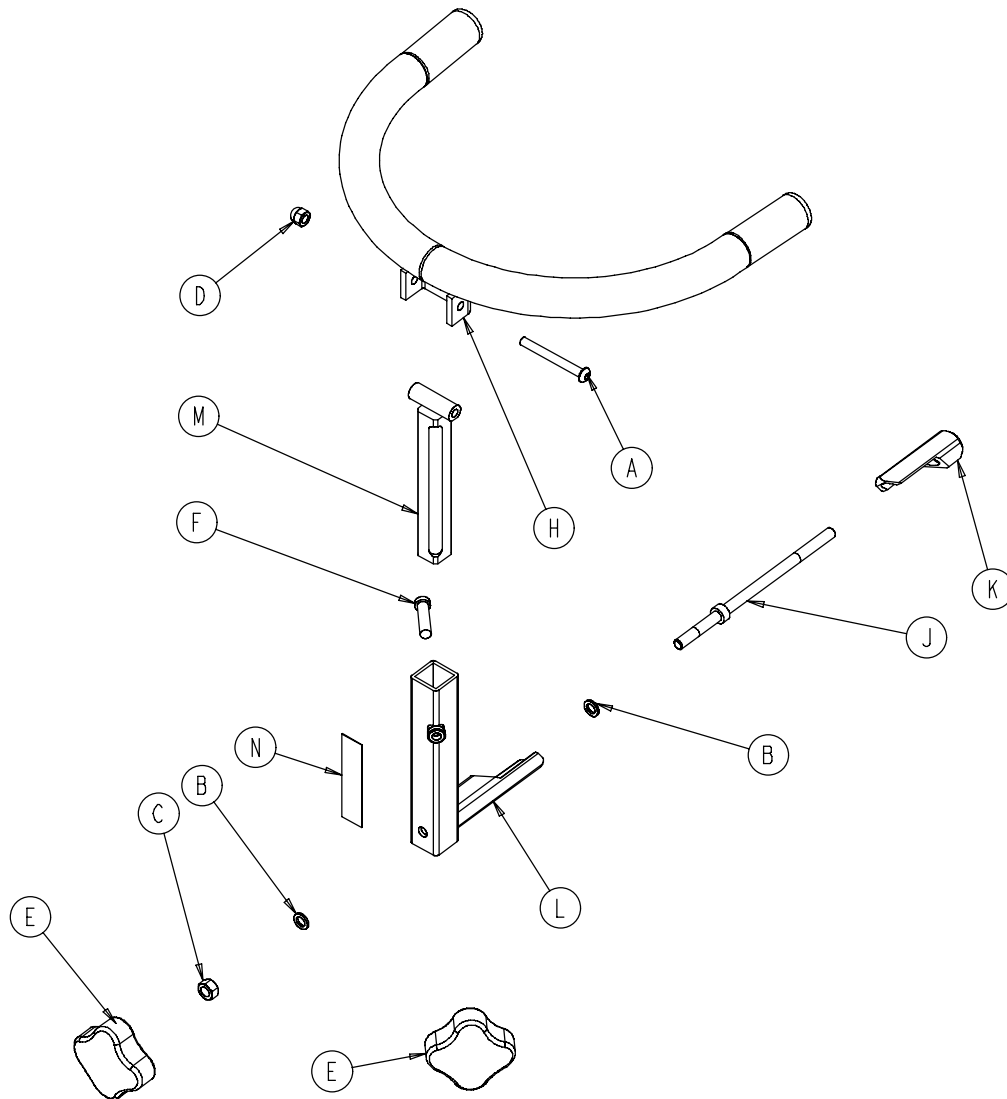
Item	Part No.	Part Name	Qty.
A	0004-215-000	But Hd. Cap Screw	4
B	0008-049-000	Soc. Hd. Cap Screw	4
C	0014-020-000	Washer	4
D	0014-120-000	Washer	4
E	0016-028-000	Hex Nut	4
F	0037-052-000	Rubber Bumper	2
G	0038-133-000	Compression Spring	2
H	0052-017-000	Spacer	4
J	0785-045-402	Push/Pull Label	2
K	0785-045-403	Weight Capacity Label	1
L	0785-045-401	Foot Extender/Defib Tray Label	1
M	0785-045-405	Cushion	1
N	0785-045-410	Base Mounting Weldment	1
P	0785-045-420	Frame Pivot Weldment	1
R	0785-045-430	Tray	1
T	0785-045-450	Knob	2
U	1010-050-021	Long Strap	1
V	1010-050-242	Lock Pin	1
W	1010-050-250	Lock Adjuster	1
X	1010-050-248	Lower Pin Lock	1
Y	0721-031-065	Hole Plug	2

1068-251-000 Optional Temporal Wrist Rest Assembly



Item	Part No.	Part Name	Qty.
A	0004-163-000	But. Hd. Cap Screw	1
B	0014-003-000	Fiber Washer	2
C	0015-012-000	Hex Nut	1
D	0017-004-000	Acorn Nut	1
E	0024-054-000	Knob, Female	2
F	0004-371-000	Low Profile Soc. Hd. Cap Scr.	1
H	1068-051-050	Tube Weldment	1
J	1068-250-041	Wedge Bolt	1
K	1068-250-042	Locking Wedge	1
L	1068-250-050	Base Tube Weldment	1
M	1068-252-055	Support Bar Weldment	1
N	1068-290-051	Specification Label	1

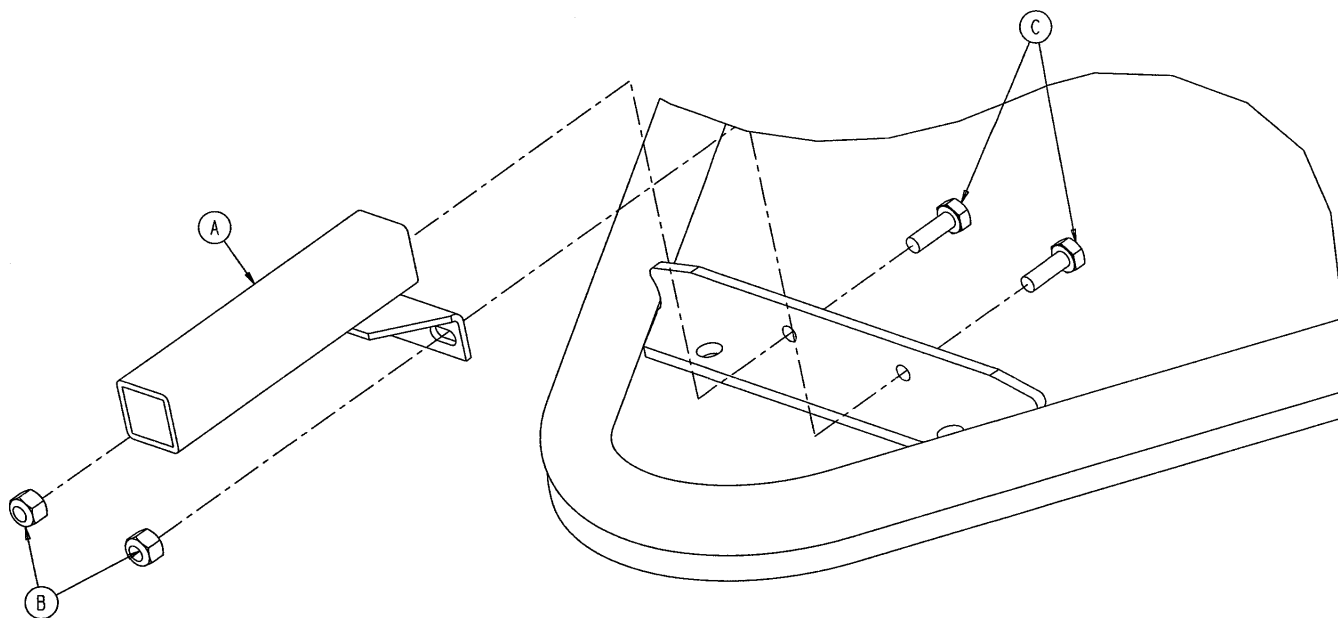
1068-250-000 Optional Superior Wrist Rest Assembly



Item	Part No.	Part Name	Qty.
A	0004-163-000	But. Hd. Cap Screw	1
B	0014-003-000	Fiber Washer	2
C	0015-012-000	Hex Nut	1
D	0017-004-000	Acorn Nut	1
E	0024-054-000	Knob, Female	2
F	0004-371-000	Low Profile Soc. Hd. Cap Scr.	1
H	1068-050-055	Tube Weldment	1
J	1068-250-041	Wedge Bolt	1
K	1068-250-042	Locking Wedge	1
L	1068-250-050	Base Tube Weldment	1
M	1068-252-055	Support Bar Weldment	1
N	1068-290-050	Specification Label	1

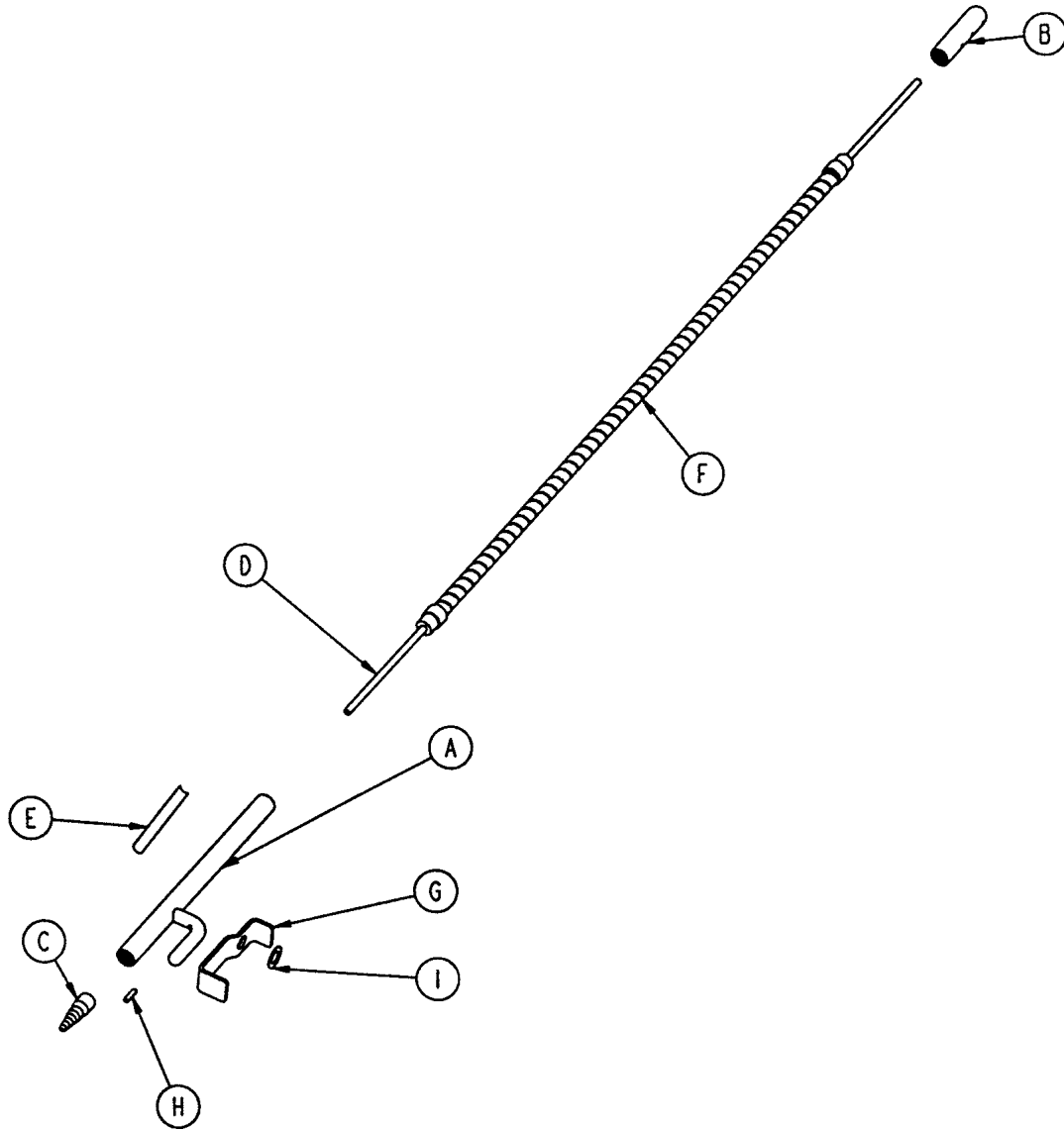
1069-033-205 Optional Wrist Rest Mounting Bracket

Applies to Zero Articulating Fowlers Only



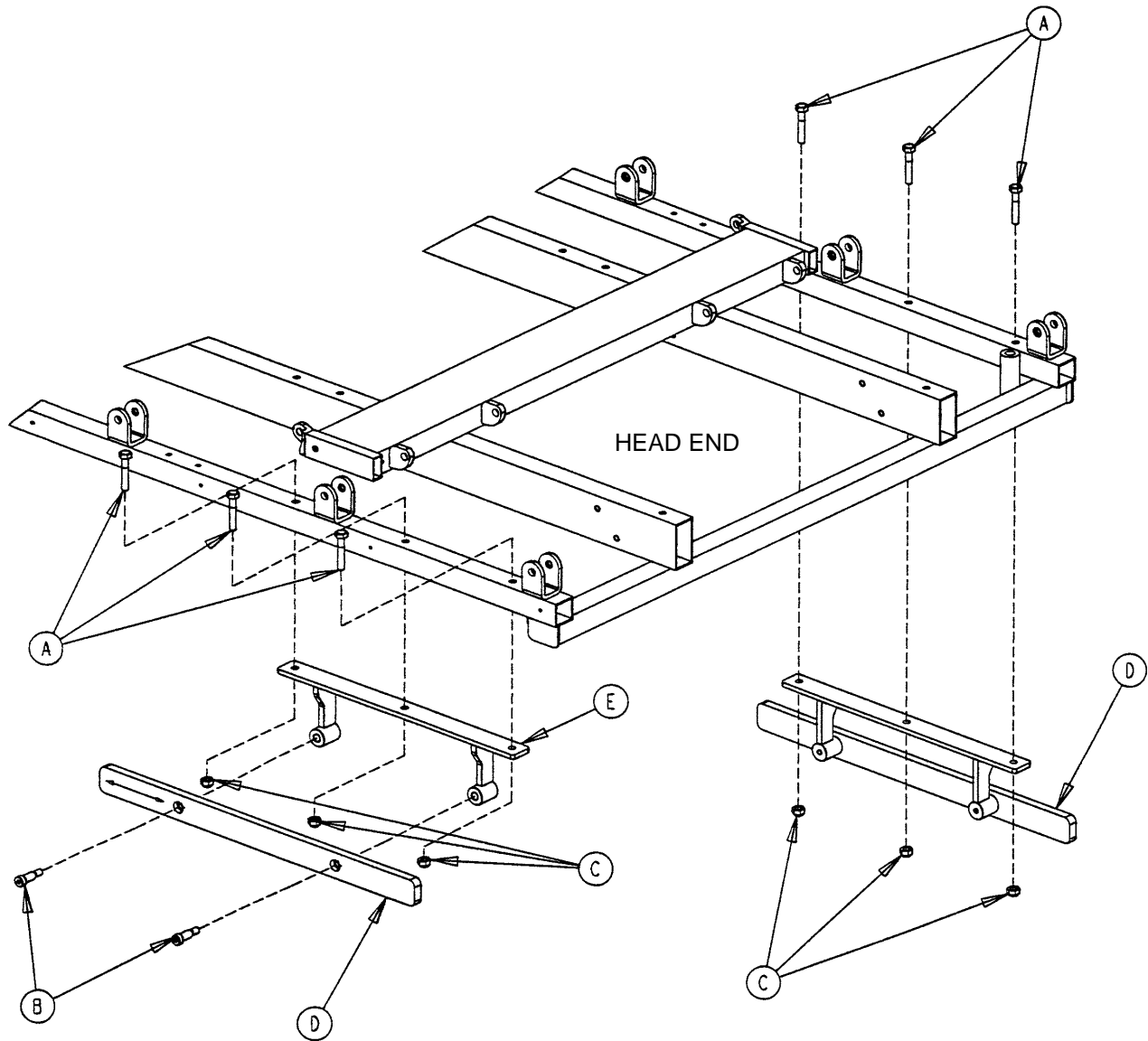
Item	Part No.	Part Name	Qty.
A	1069-033-200	Wrist Rest Mounting Tube	1
B	0016-028-000	Hex Nut	2
C	0003-002-000	Hex Hd. Cap Screw	2

1068-168-000 Optional Air Delivery / Drape Support



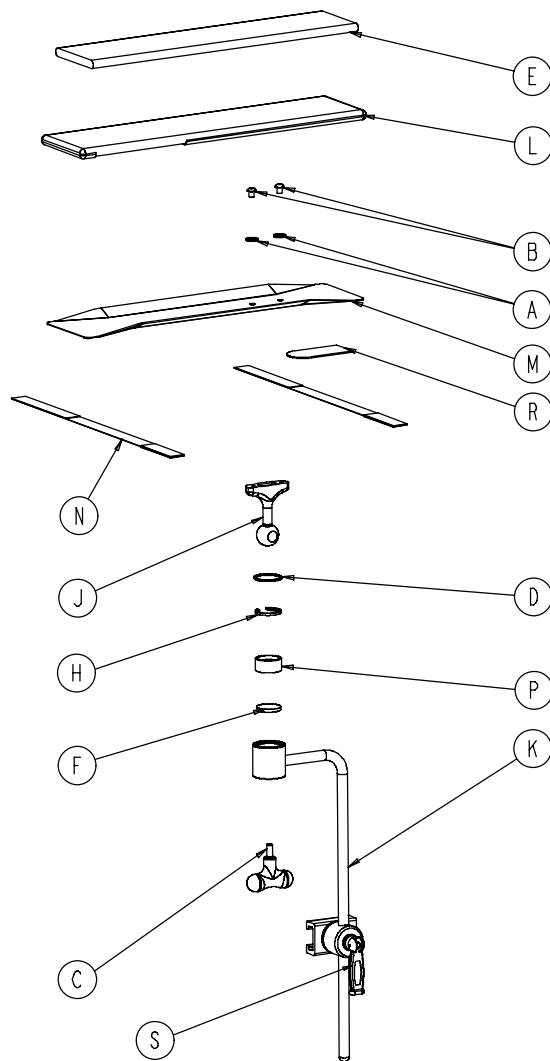
Item	Part No.	Part Name	Qty.
A	1068-168-050	Drape Support Weldment	1
B	1068-068-043	Oxygen Tube Cap	1
C	1068-268-042	Oxygen Tube Receptacle	1
D	1068-068-041	Oxygen Supply Line	1
E	1068-090-068	Specification Label	1
F	1066-085-013	Goose Neck	1
G	1068-168-015	O ₂ Latch	1
H	0026-172-000	Roll Pin	1
I	0014-007-000	Nylon Washer	1

1068-266-000 Optional Accessory Rail Assembly



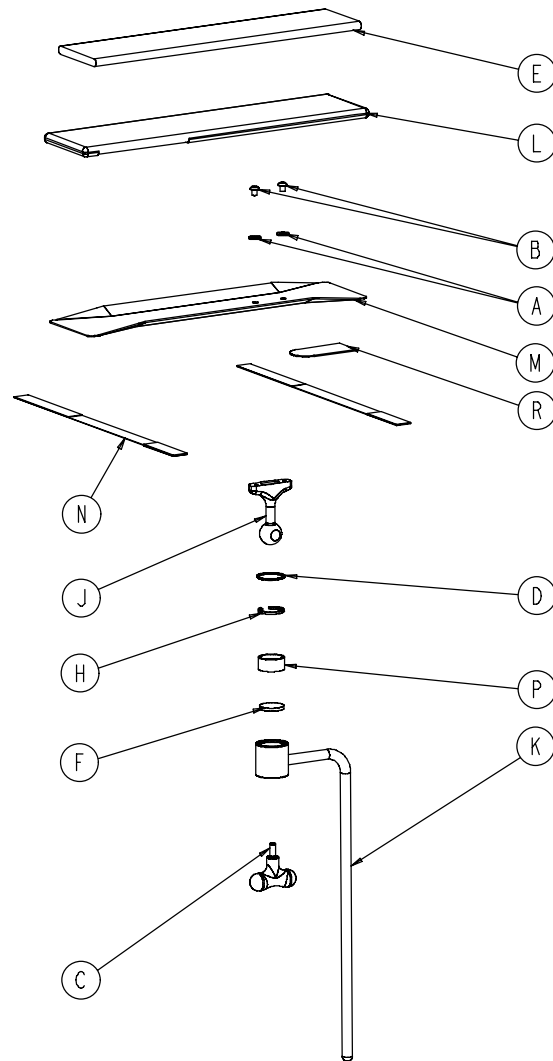
Item	Part No.	Part Name	Qty.
A	0003-047-000	Hex Hd. Cap Screw	6
B	0008-015-000	Shoulder Bolt	4
C	0016-028-000	Nylock Hex Nut	6
D	1068-066-042	Option Bar Rail	2
E	1068-266-050	Mounting Bracket Weldment	2

1068-056-110 Optional Arm Board with Direct Clamp



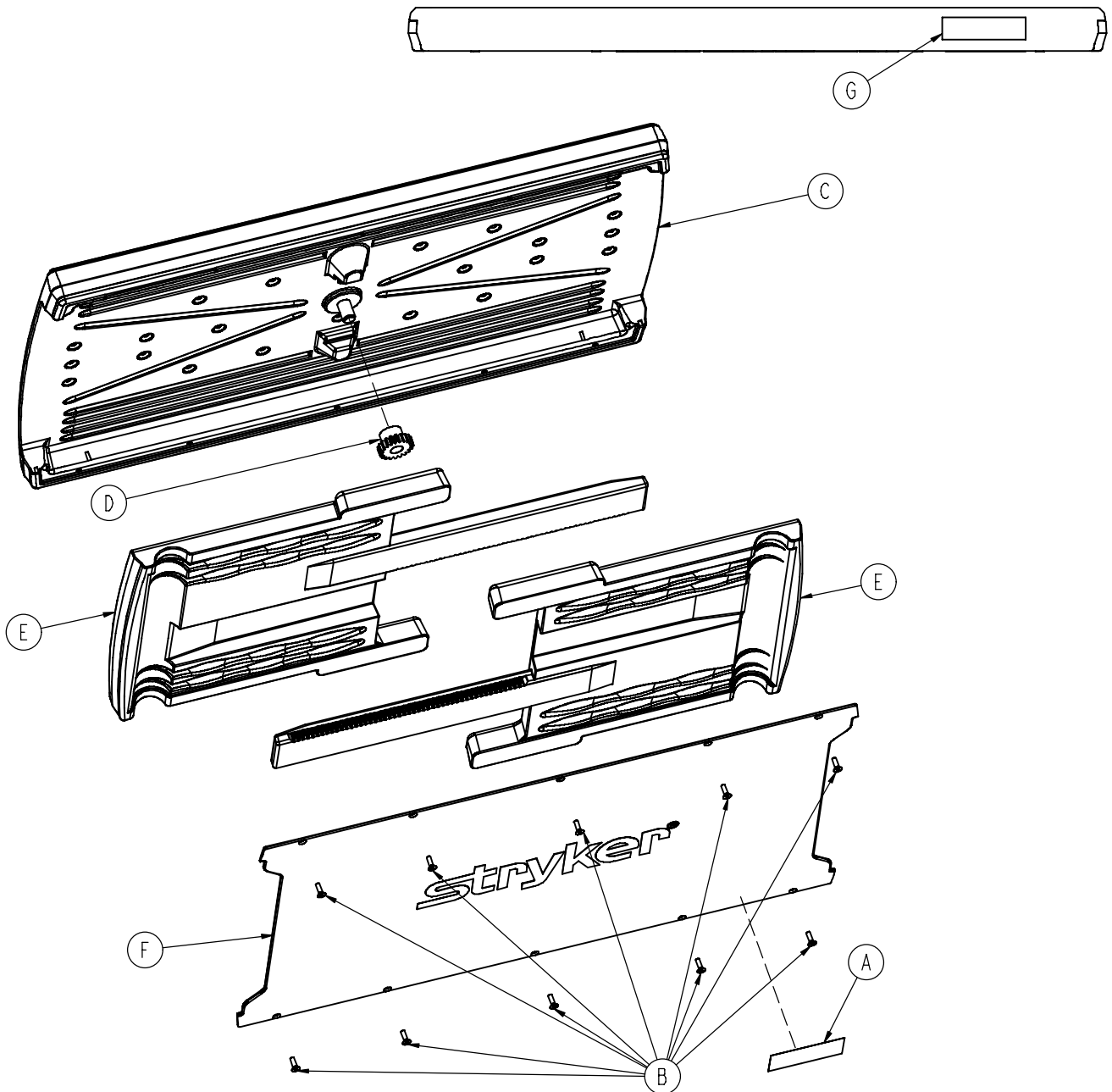
Item	Part No.	Part Name	Qty.
A	0011-003-000	Flat Washer	2
B	0004-269-000	Button Hd. Cap Screw	2
C	0024-044-000	T-Handle	1
D	0028-104-000	Retaining Ring	1
E	0390-011-012	Foam Pad	1
F	1060-001-152	Disc	1
H	1060-001-154	Split Ring	1
J	1060-001-155	Ball Post	1
K	1060-001-159	Leg Support Bar	1
L	1068-056-013	Arm Board Cover	1
M	1068-056-015	Arm Board	1
N	1068-056-016	Restraint Strap Assembly	2
P	8812-670-000	Jaw	1
R	7900-001-102	Adhesive Velcro Pile	4"
S	1068-054-010	Direct Clamp	1

1068-055-010 Optional Arm Board Assembly



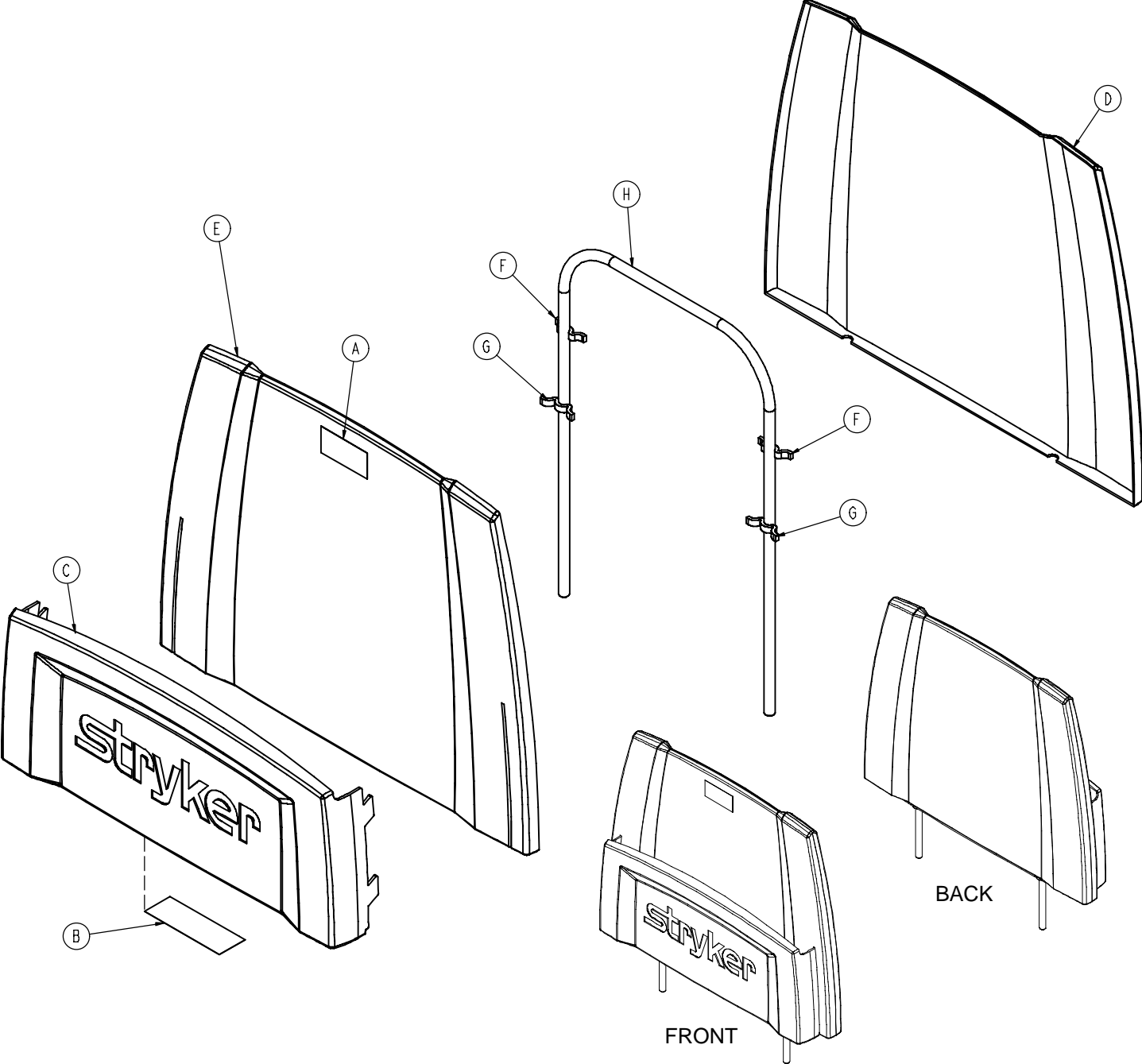
Item	Part No.	Part Name	Qty.
A	0011-003-000	Flat Washer	2
B	0004-269-000	Button Hd. Cap Screw	2
C	0024-044-000	T-Handle	1
D	0028-104-000	Retaining Ring	1
E	0390-011-012	Foam Pad	1
F	1060-001-152	Disc	1
H	1060-001-154	Split Ring	1
J	1060-001-155	Ball Post	1
K	1060-001-159	Leg Support Bar	1
L	1068-056-013	Arm Board Cover	1
M	1068-056-015	Arm Board	1
N	1068-056-016	Restraint Strap Assembly	2
P	8812-670-000	Jaw	1
R	7900-001-102	Adhesive Velcro Pile	4"

0785-045-700 Optional Serving Tray Assembly



Item	Part No.	Part Name	Qty.
A	0785-045-701	Serving Tray Label	1
B	0785-045-704	Flat Hd. Torx Screw	10
C	0785-045-705	Serving Tray Top	1
D	0785-045-706	Serving Tray Pinion	1
E	0785-045-710	Serving Tray Slider	2
F	0785-045-715	Serving Tray Cover	1
G	0785-045-403	Weight Capacity Label	1

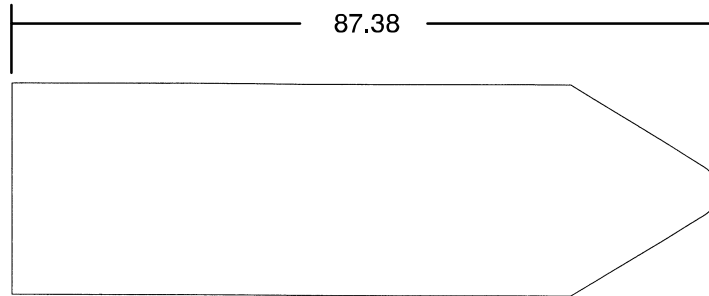
0785-045-500 Optional Foot Board/Chartholder Assembly



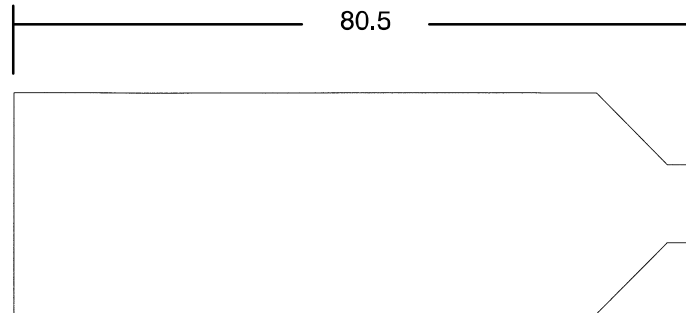
Item	Part No.	Part Name	Qty.
A	0785-045-402	Push/Pull Label	1
B	0785-045-501	Foot Board Label	1
C	0785-045-511	Chartholder	1
D	0785-045-512	Foot Board Back	1
E	0785-045-513	Foot Board Front	1
F	0785-045-514	Small Standoff	2
G	0785-045-515	Large Standoff	2
H	0946-029-010	Support Weldment	1

Mattresses and Siderail Pads

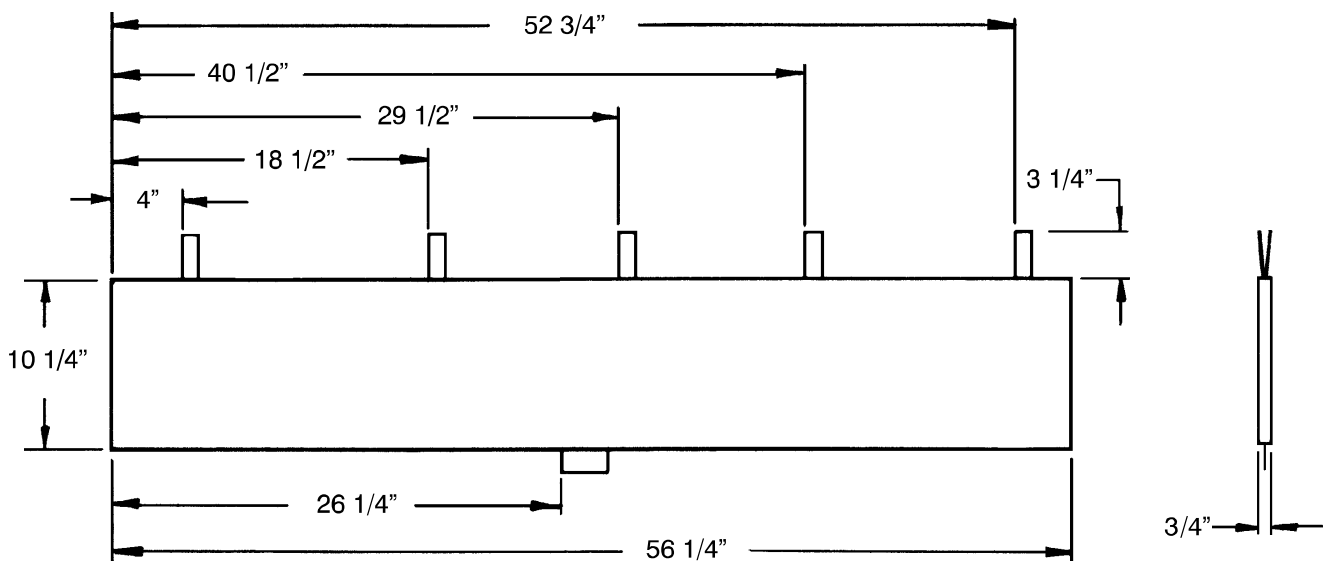
ZERO
ARTICULATION
MATTRESS



DUAL
ARTICULATION
MATTRESS



- Mattress, 2" Thick x 26" Wide, Standard, Dual Articulation part # 1069-026-050
- Mattress, 3" Thick x 26" Wide, Standard, Dual Articulation part # 1069-026-060
- Mattress, 4" Thick x 26" Wide, Standard, Dual Articulation part # 1069-026-090
- Mattress, 3" Thick x 26" Wide, Enhanced Comfort, Dual Articulation part # 1069-026-070
- Mattress, 4" Thick x 26" Wide, Enhanced Comfort, Dual Articulation part # 1069-026-080
- Mattress, 3" Thick x 26" Wide, Standard, Zero Articulation part # 1069-026-010
- Mattress, 3" Thick x 26" Wide, Enhanced Comfort, Zero Articulation part # 1069-026-020
- Mattress, 4" Thick x 26" Wide, Enhanced Comfort, Zero Articulation part # 1069-026-030



- Siderail Pad Set part # 1010-052-000

Warranty

Limited Warranty:

Stryker Medical Division, a division of Stryker Corporation, warrants to the original purchaser that its products should be free from defects in material and workmanship for a period of one (1) year after date of delivery. Stryker's obligation under this warranty is expressly limited to supplying replacement parts and labor for, or replacing, at its option, any product which is, in the sole discretion of Stryker, found to be defective. If requested by Stryker, products or parts for which a warranty claim is made shall be returned prepaid to Stryker's factory. Any improper use or any alteration or repair by others in such manner as in Stryker's judgement affects the product materially and adversely shall void this warranty. Any repair of Stryker products using parts not provided or authorized by Stryker shall void this warranty. No employee or representative of Stryker is authorized to change this warranty in any way.

Stryker Medical stretcher products are designed for a 10 year expected service life under normal use, conditions, and with appropriate periodic maintenance as described in the maintenance manual for each device. Stryker warrants to the original purchaser that the welds on its stretcher products will be free from structural defects for the expected 10 year life of the stretcher product as long as the original purchaser owns the product.

This statement constitutes Stryker's entire warranty with respect to the aforesaid equipment. STRYKER MAKES NO OTHER WARRANTY OR REPRESENTATION, EITHER EXPRESSED OR IMPLIED, EXCEPT AS SET FORTH HEREIN. THERE IS NO WARRANTY OF MERCHANTABILITY AND THERE ARE NO WARRANTIES OF FITNESS FOR ANY PARTICULAR PURPOSE. IN NO EVENT SHALL STRYKER BE LIABLE HEREUNDER FOR INCIDENTAL OR CONSEQUENTIAL DAMAGES ARISING FROM OR IN ANY MANNER RELATED TO SALES OR USE OF ANY SUCH EQUIPMENT.

To Obtain Parts and Service:

Stryker products are supported by a nationwide network of dedicated Stryker Field Service Representatives. These representatives are factory trained, available locally, and carry a substantial spare parts inventory to minimize repair time. Simply call your local representative, or call Stryker Customer Service at (800) 327-0770.

Service Contract Coverage:

Stryker has developed a comprehensive program of service contract options designed to keep your equipment operating at peak performance at the same time it eliminates unexpected costs. We recommend that these programs be activated *before* the expiration of the new product warranty to eliminate the potential of additional equipment upgrade charges.

A SERVICE CONTRACT HELPS TO:

- Ensure equipment reliability
- Stabilize maintenance budgets
- Diminish downtime
- Establish documentation for JCAHO
- Increase product life
- Enhance trade-in value
- Address risk management and safety

Warranty

Stryker offers the following service contract programs:

SPECIFICATIONS	GOLD	SILVER	PM* ONLY
Annually scheduled preventative maintenance	X		X
All parts,** labor, and travel	X	X	
Unlimited emergency service calls	X	X	
Priority one contact; two hour phone response	X	X	X
Most repairs will be completed within 3 business days	X	X	
JCAHO documentation	X	X	X
On-site log book w/ preventative maintenance & emergency service records	X		
Factory-trained Stryker Service Technicians	X	X	X
Stryker authorized parts	X	X	X
End of year summary	X		
Stryker will perform all service during regular business hours (9-5)	X	X	X

* Replacement parts and labor for products under PM contract will be discounted.

** Does not include any disposable items, I.V. poles (except for Stryker HD permanent poles), mattresses, or damage resulting from abuse.

Stryker Medical also offers *personalized* service contracts.

Pricing is determined by age, location, model and condition of product.

For more information on our service contracts, please call your local representative or call (800) 327-0770 (option #2).

Return Authorization:

Merchandise cannot be returned without approval from the Stryker Customer Service Department. An authorization number will be provided which must be printed on the returned merchandise. Stryker reserves the right to charge shipping and restocking fees on returned items.

SPECIAL, MODIFIED, OR DISCONTINUED ITEMS NOT SUBJECT TO RETURN.

Damaged Merchandise:

ICC Regulations require that claims for damaged merchandise must be made with the carrier within fifteen (15) days of receipt of merchandise. **DO NOT ACCEPT DAMAGED SHIPMENTS UNLESS SUCH DAMAGE IS NOTED ON THE DELIVERY RECEIPT AT THE TIME OF RECEIPT.** Upon prompt notification, Stryker will file a freight claim with the appropriate carrier for damages incurred. Claim will be limited in amount to the actual replacement cost. In the event that this information is not received by Stryker within the fifteen (15) day period following the delivery of the merchandise, or the damage was not noted on the delivery receipt at the time of receipt, the customer will be responsible for payment of the original invoice in full.

Claims for any short shipment must be made within thirty (30) days of invoice.

International Warranty Clause:

This warranty reflects U.S. domestic policy. Warranty outside the U.S. may vary by country. Please contact your local Stryker Medical representative for additional information.

European Representative

Stryker EMEA RA/QA Director
Stryker France
ZAC Satolas Green Pusignan
Av. De Satolas Green
69881 MEYZIEU Cedex
France

stryker[®]

3800 E. Centre Ave., Portage, MI 49002
(800) 327-0770
www.stryker.com



JH 10/06 1069-109-002 REV D