

stryker<sup>®</sup>

# Parts Manual

---

Medical

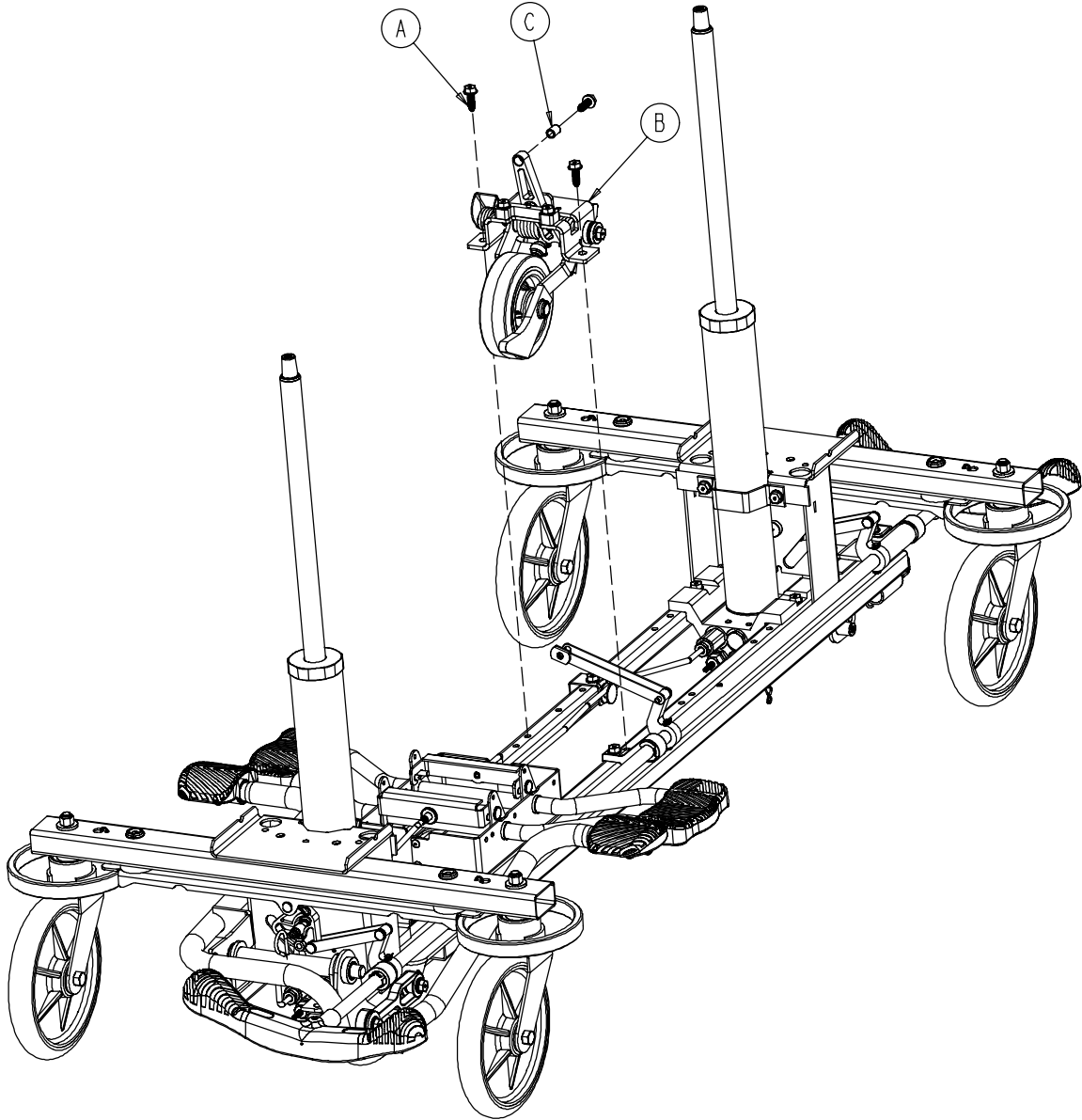
---

Eye Surgery Stretcher  
Model 1069

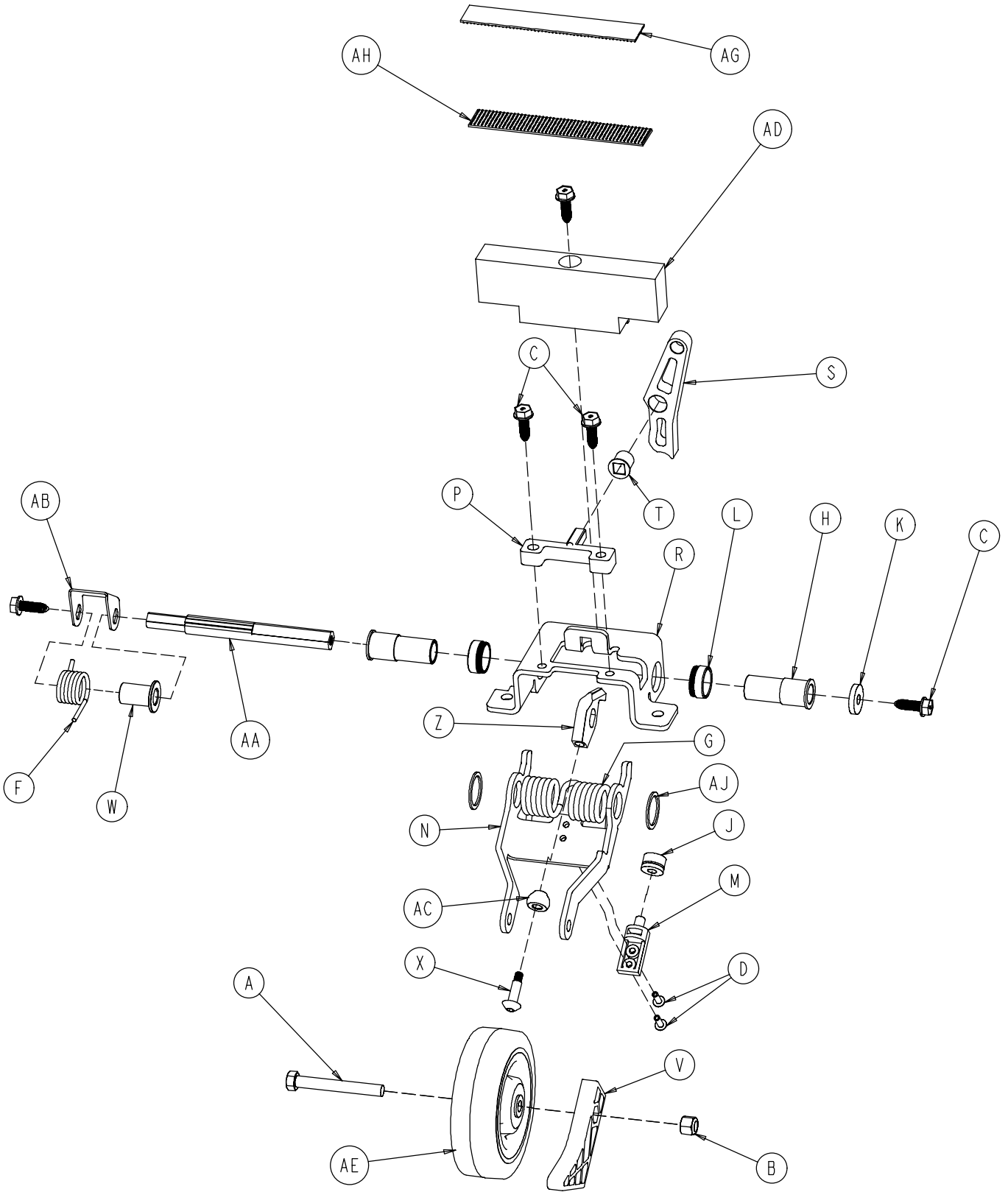


# 0753-006-110

---



|   |              |   |
|---|--------------|---|
| A | 0023-288-000 | 3 |
| B | 0753-006-130 | 1 |
| C | 0753-006-148 | 1 |

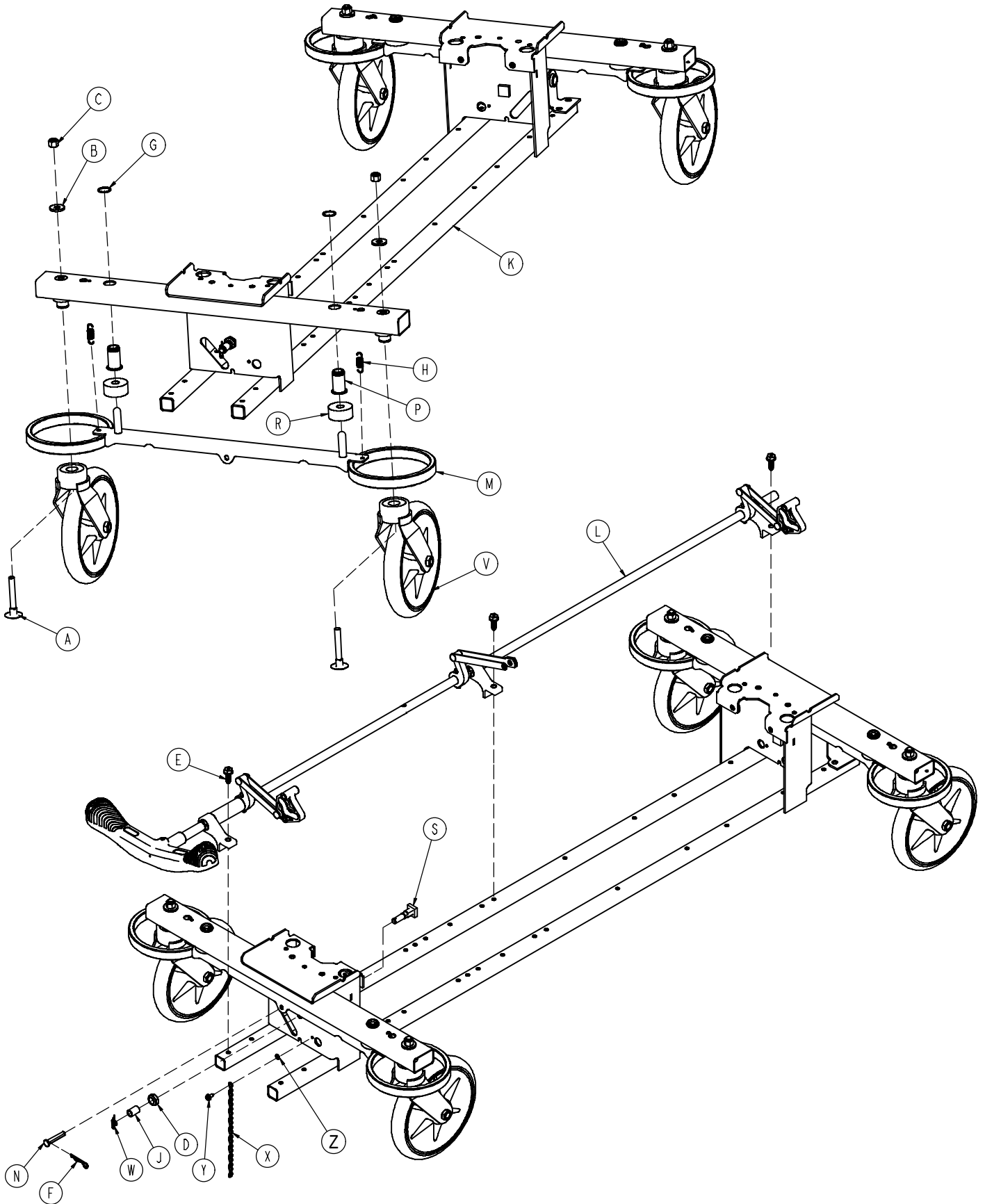


# 0753-006-130

---

|    |              |   |
|----|--------------|---|
| A  | 0003-083-000 | 1 |
| B  | 0016-035-000 | 1 |
| C  | 0023-288-000 | 5 |
| D  | 0025-050-000 | 2 |
| E  | 0038-525-000 | 1 |
| F  | 0753-006-074 | 1 |
| G  | 0753-006-075 | 1 |
| H  | 0753-006-097 | 2 |
| J  | 0753-006-106 | 1 |
| K  | 0753-006-108 | 1 |
| L  | 0753-006-115 | 2 |
| M  | 0753-006-120 | 1 |
| N  | 0753-006-126 | 1 |
| P  | 0753-006-133 | 1 |
| R  | 0753-006-134 | 1 |
| S  | 0753-006-142 | 1 |
| T  | 0753-006-143 | 1 |
| V  | 0753-006-149 | 1 |
| W  | 0753-006-152 | 1 |
| X  | 0753-006-153 | 1 |
| Z  | 0753-006-198 | 1 |
| AA | 0753-006-223 | 1 |
| AB | 0753-006-227 | 1 |
| AC | 0753-006-277 | 1 |
| AD | 0753-010-045 | 1 |
| AE | 1210-001-147 | 1 |
| AG | 0753-006-280 | 1 |
| AH | 0753-006-281 | 1 |
| AJ | 0011-360-000 | 2 |



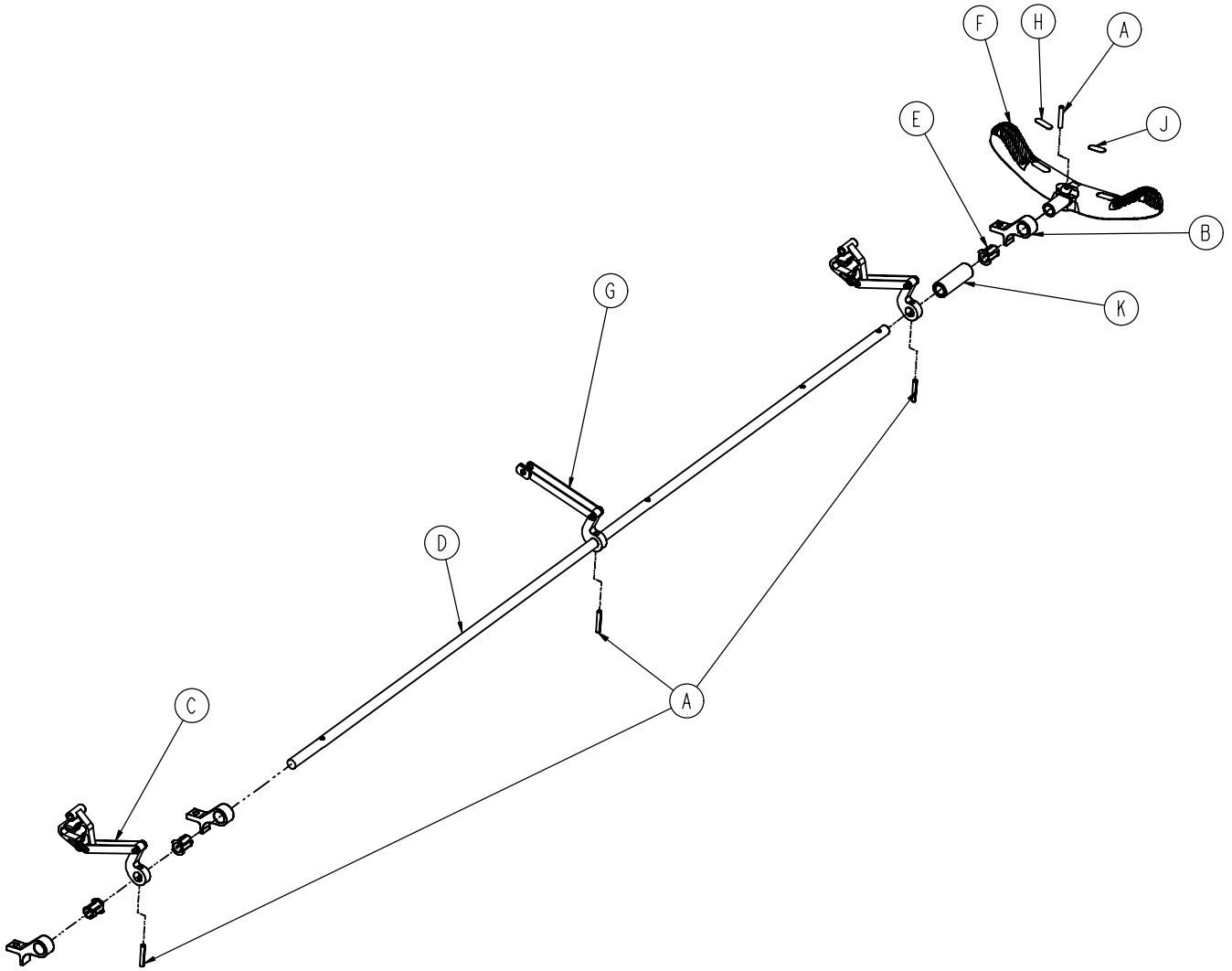


# 0753-003-134

---

|   |              |   |
|---|--------------|---|
| A | 0005-044-000 | 4 |
| B | 0011-262-000 | 4 |
| C | 0016-035-000 | 4 |
| D | 0016-049-000 | 2 |
| E | 0023-288-000 | 3 |
| F | 0027-012-000 | 2 |
| G | 0028-037-000 | 4 |
| H | 0038-439-000 | 4 |
| J | 0081-037-000 | 2 |
| K | 0753-001-001 | 1 |
| L | 0753-003-135 | 1 |
| M | 0753-003-006 | 2 |
| N | 0753-003-066 | 2 |
| P | 0753-003-079 | 4 |
| R | 0753-003-121 | 4 |
| S | 0753-003-230 | 2 |
| V | 0753-010-020 | 4 |
| W | 0027-022-000 | 2 |
| X | 3001-200-052 | 1 |
| Y | 0003-364-000 | 1 |
| Z | 0013-018-000 | 1 |

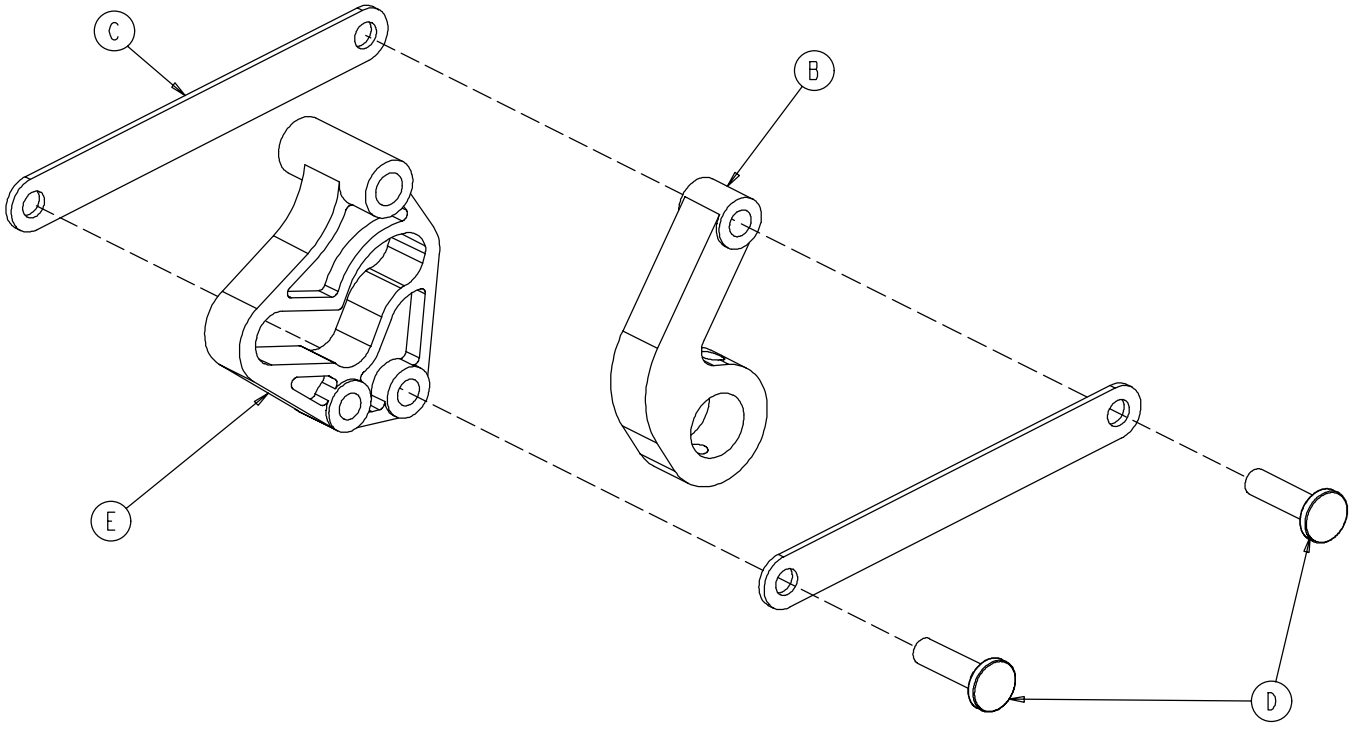
# 0753-003-135



|   |              |   |
|---|--------------|---|
| A | 0026-067-000 | 4 |
| B | 0753-003-004 | 3 |
| C | 0753-003-010 | 2 |
| D | 0753-003-137 | 1 |
| E | 0753-003-015 | 3 |
| F | 0753-003-099 | 1 |
| G | 0753-006-135 | 1 |
| H | 1210-201-335 | 1 |
| J | 1210-201-336 | 1 |
| K | 0753-003-133 | 1 |

# 0753-003-010

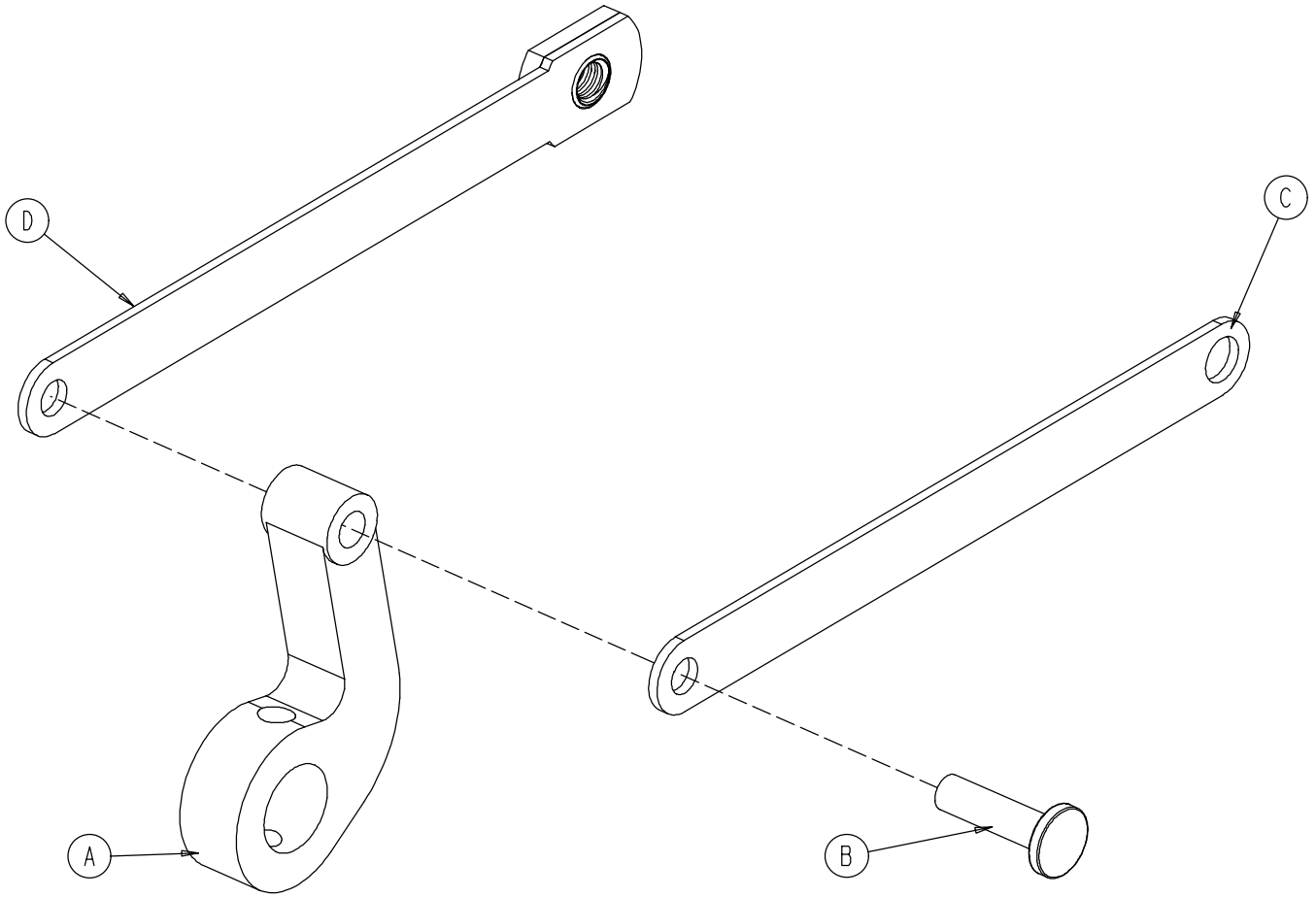
---



|   |              |   |
|---|--------------|---|
| B | 0753-003-011 | 1 |
| C | 0753-003-061 | 2 |
| D | 0753-003-098 | 2 |
| E | 0753-003-102 | 1 |

# 0753-006-135

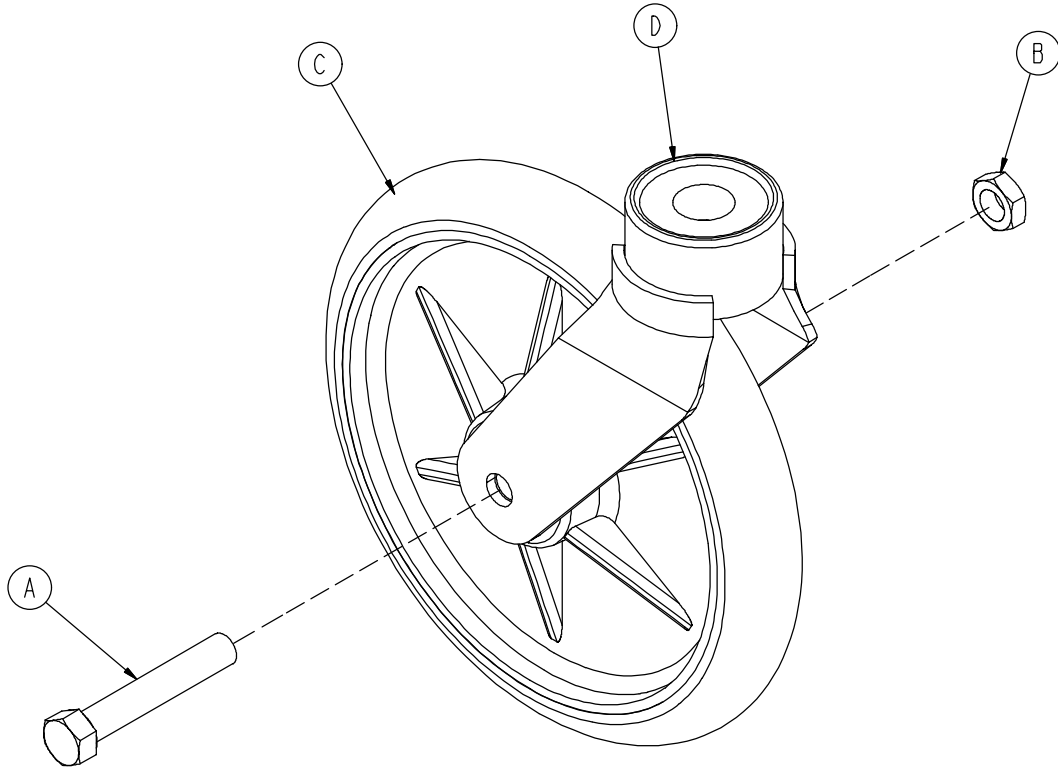
---



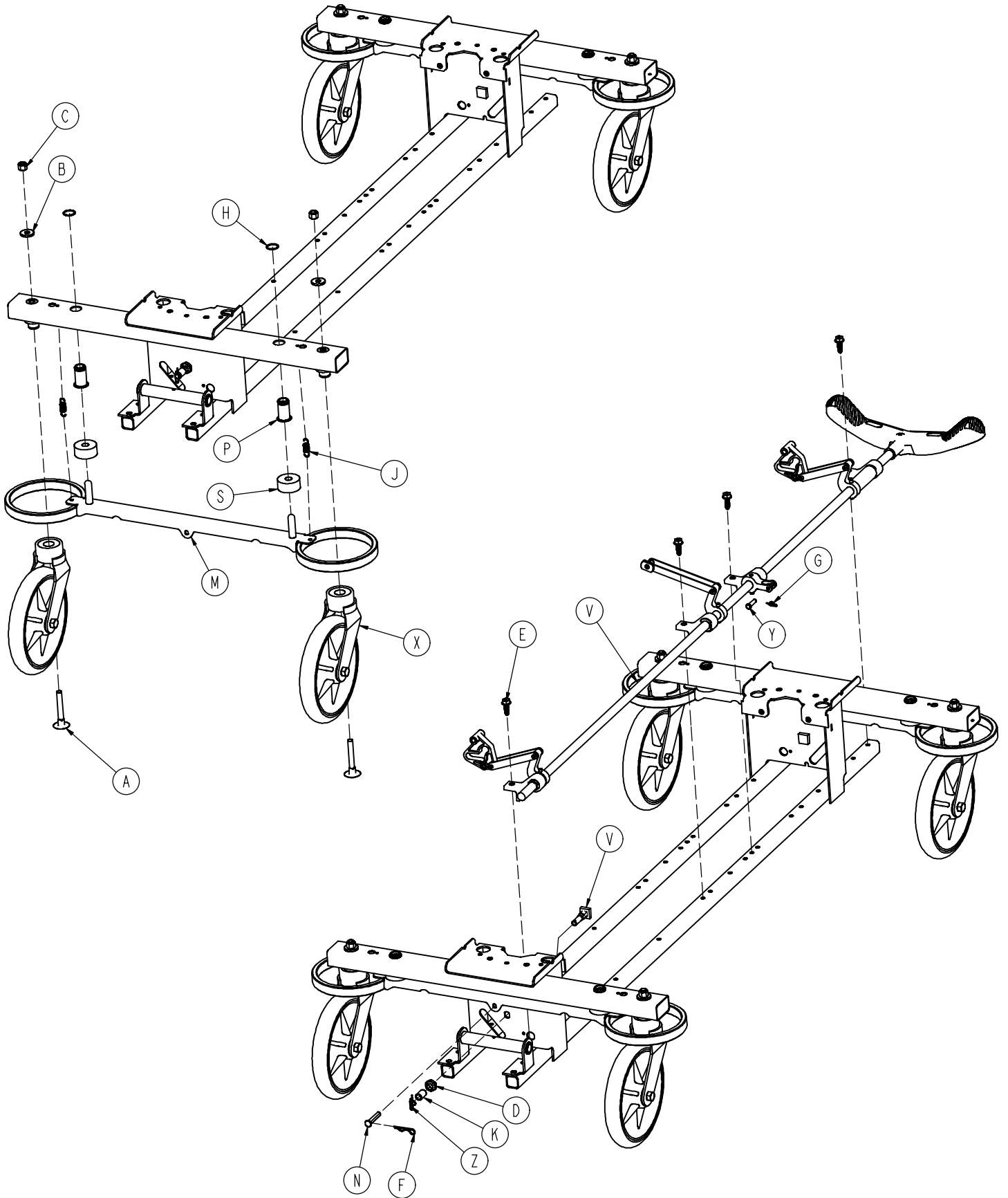
|   |              |   |
|---|--------------|---|
| A | 0753-003-011 | 1 |
| B | 0753-003-098 | 1 |
| C | 0753-006-122 | 1 |
| D | 0753-006-147 | 1 |

# 0753-010-220

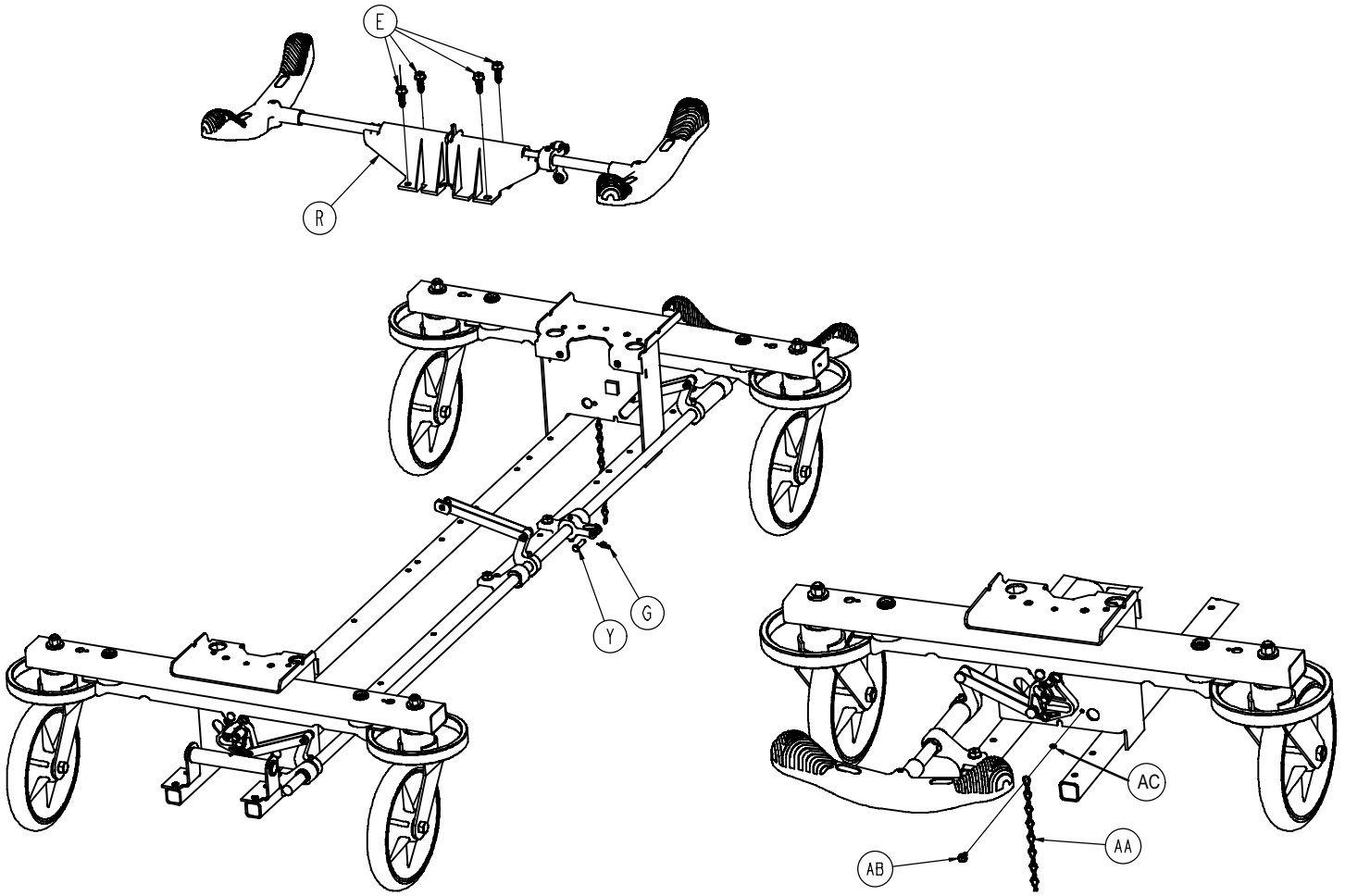
---



|   |              |   |
|---|--------------|---|
| A | 0003-099-000 | 1 |
| B | 0016-060-000 | 1 |
| C | 0715-003-215 | 1 |
| D | 0753-010-021 | 1 |



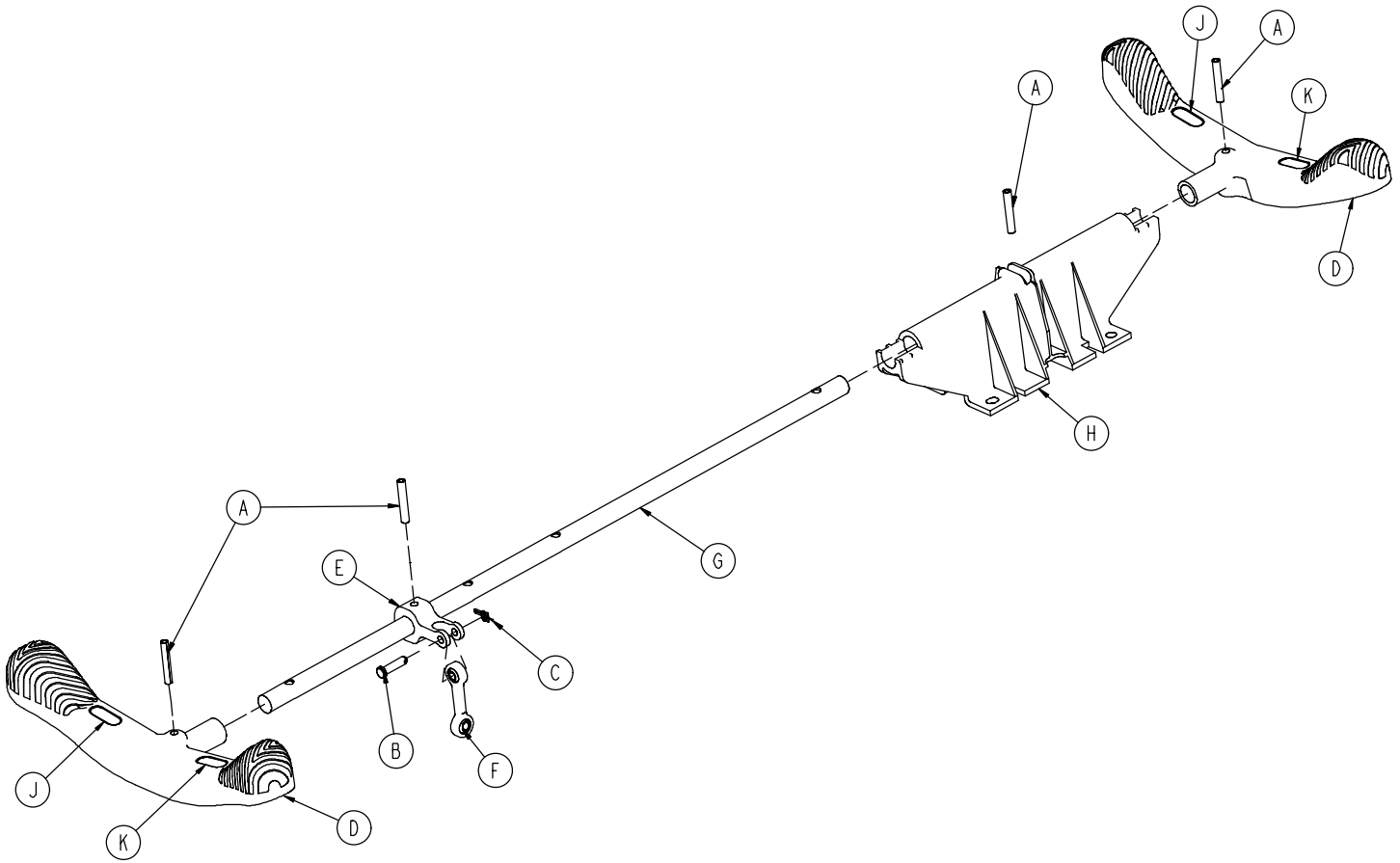
# 0753-003-138



|   |              |   |    |              |   |
|---|--------------|---|----|--------------|---|
| A | 0005-044-000 | 4 | N  | 0753-003-066 | 2 |
| B | 0011-262-000 | 4 | P  | 0753-003-079 | 4 |
| C | 0016-035-000 | 4 | R  | 0753-003-210 | 1 |
| D | 0016-049-000 | 2 | S  | 0753-003-121 | 4 |
| E | 0023-288-000 | 8 | T  | 0753-003-136 | 1 |
| F | 0027-012-000 | 2 | V  | 0753-003-230 | 2 |
| G | 0027-020-000 | 1 | X  | 0753-010-020 | 4 |
| H | 0028-037-000 | 4 | Y  | 0026-340-000 | 1 |
| J | 0038-439-000 | 4 | Z  | 0027-022-000 | 2 |
| K | 0081-037-000 | 2 | AA | 3001-200-052 | 1 |
| L | 0753-001-001 | 1 | AB | 0003-364-000 | 1 |
| M | 0753-003-006 | 2 | AC | 0013-018-000 | 1 |

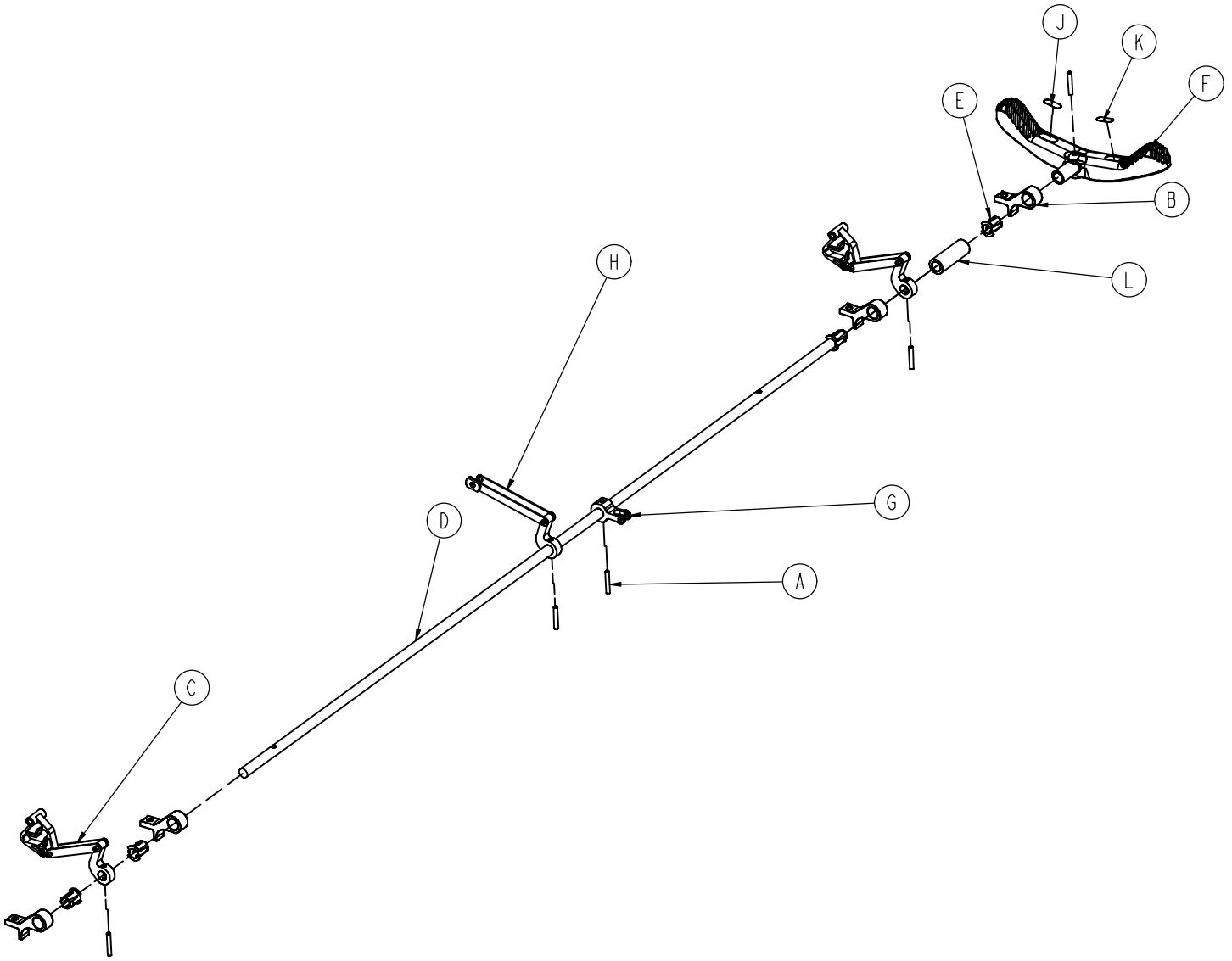


# 0753-003-210

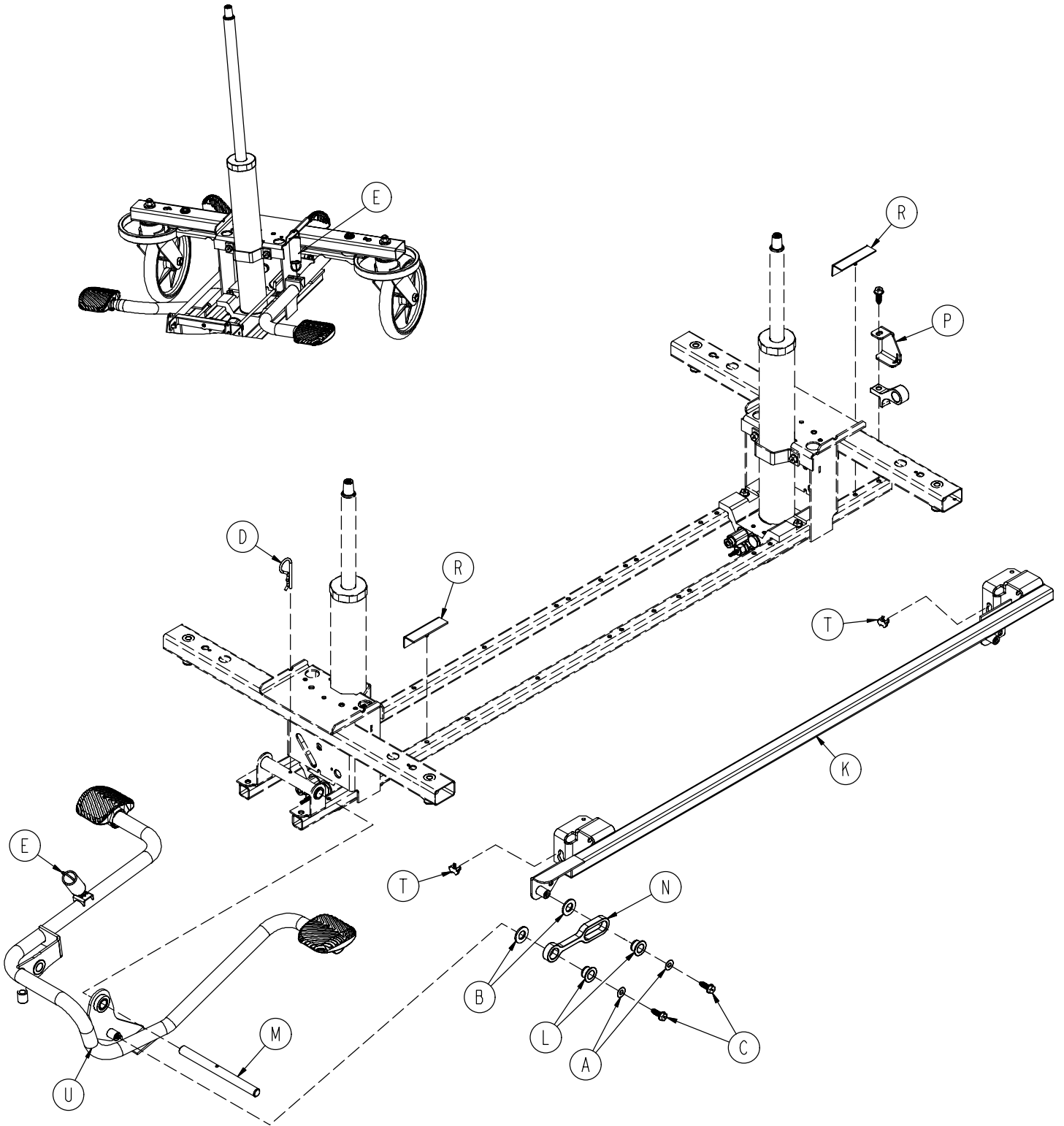


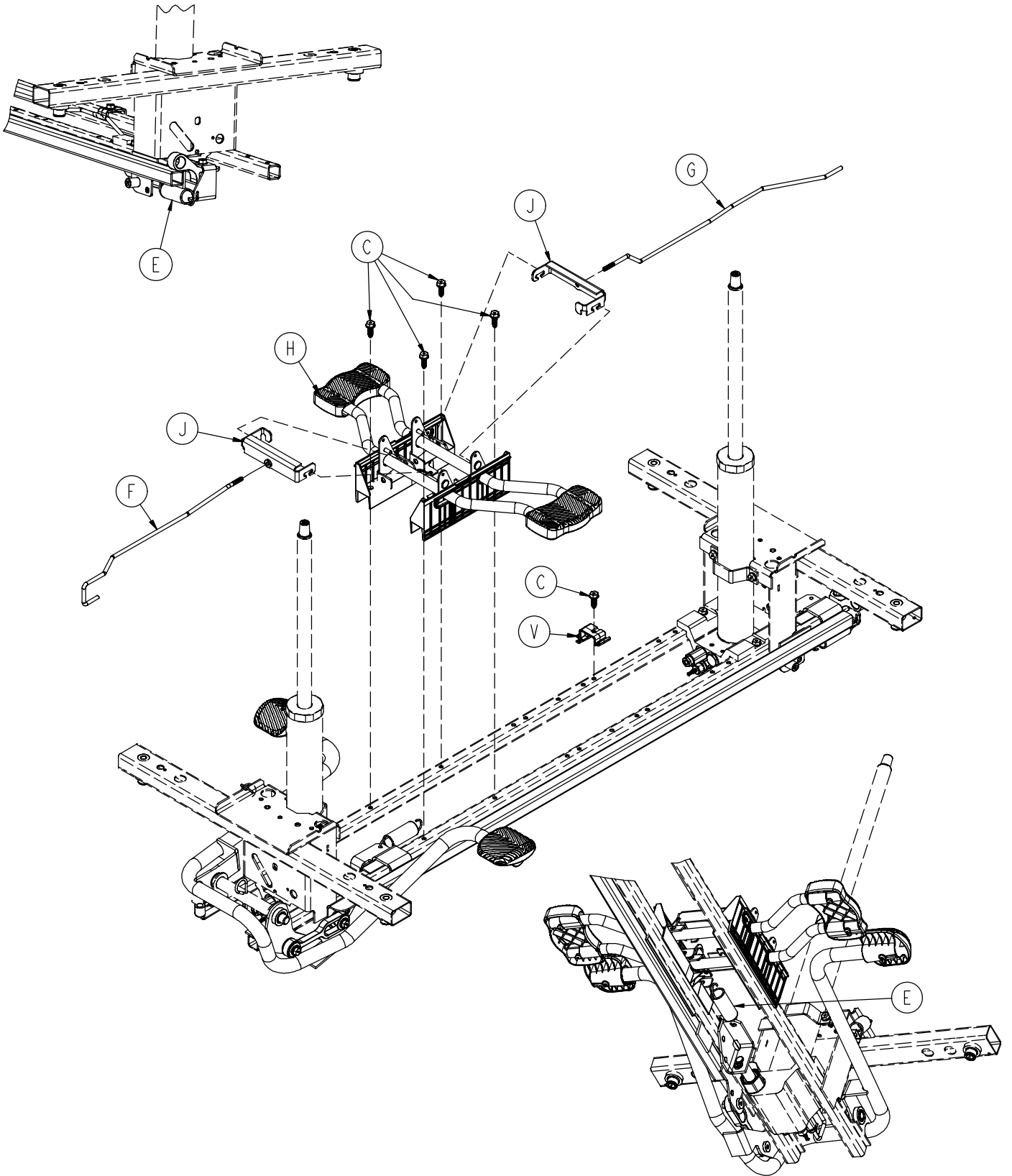
|   |              |   |
|---|--------------|---|
| A | 0026-067-000 | 4 |
| B | 0026-340-000 | 1 |
| C | 0027-020-000 | 1 |
| D | 0753-003-099 | 2 |
| E | 0753-003-112 | 1 |
| F | 0753-003-117 | 1 |
| G | 0753-003-119 | 1 |
| H | 0753-003-214 | 1 |
| J | 1210-201-335 | 2 |
| K | 1210-201-336 | 2 |

# 0753-003-136

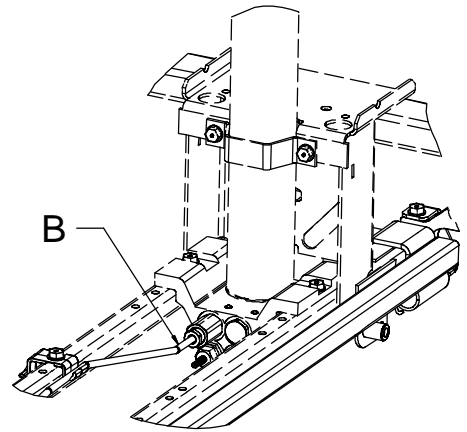
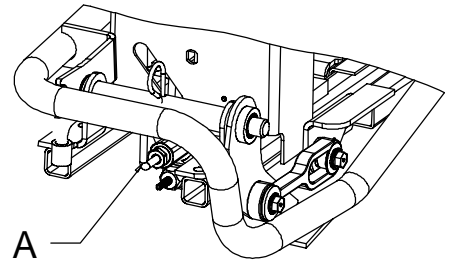
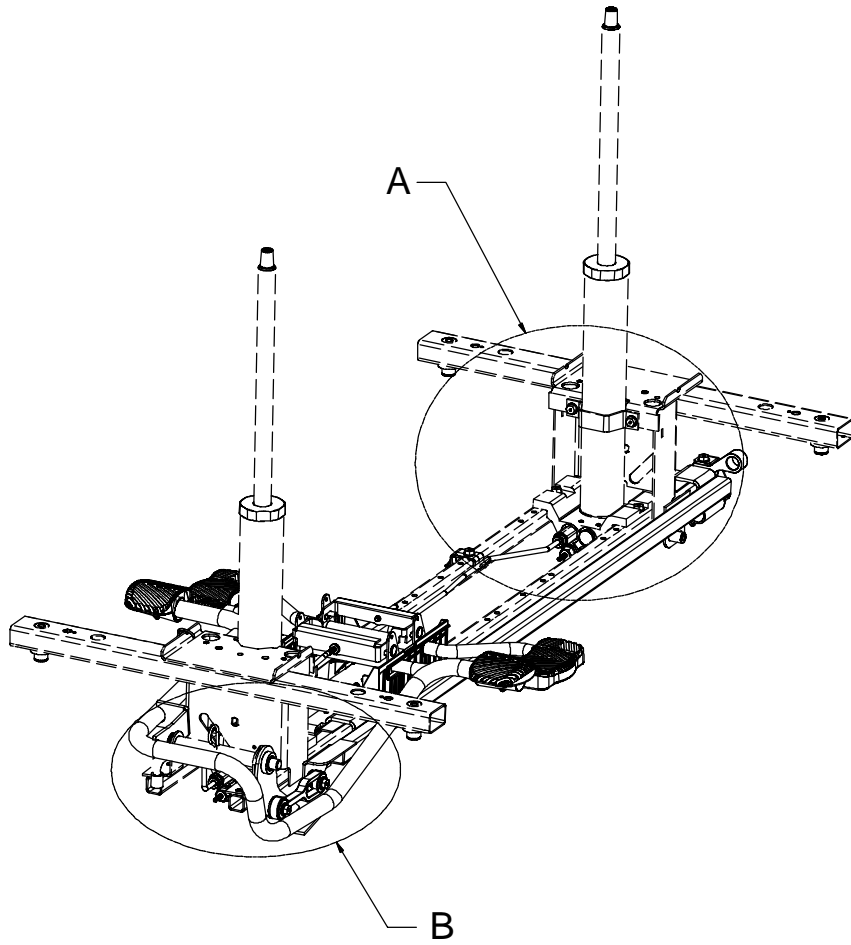


|   |              |   |
|---|--------------|---|
| A | 0026-067-000 | 6 |
| B | 0753-003-004 | 4 |
| C | 0753-003-010 | 2 |
| D | 0753-003-137 | 1 |
| E | 0753-003-015 | 4 |
| F | 0753-003-099 | 1 |
| G | 0753-003-112 | 1 |
| H | 0753-006-135 | 1 |
| J | 1210-201-335 | 1 |
| K | 1210-201-336 | 1 |
| L | 0753-003-133 | 1 |



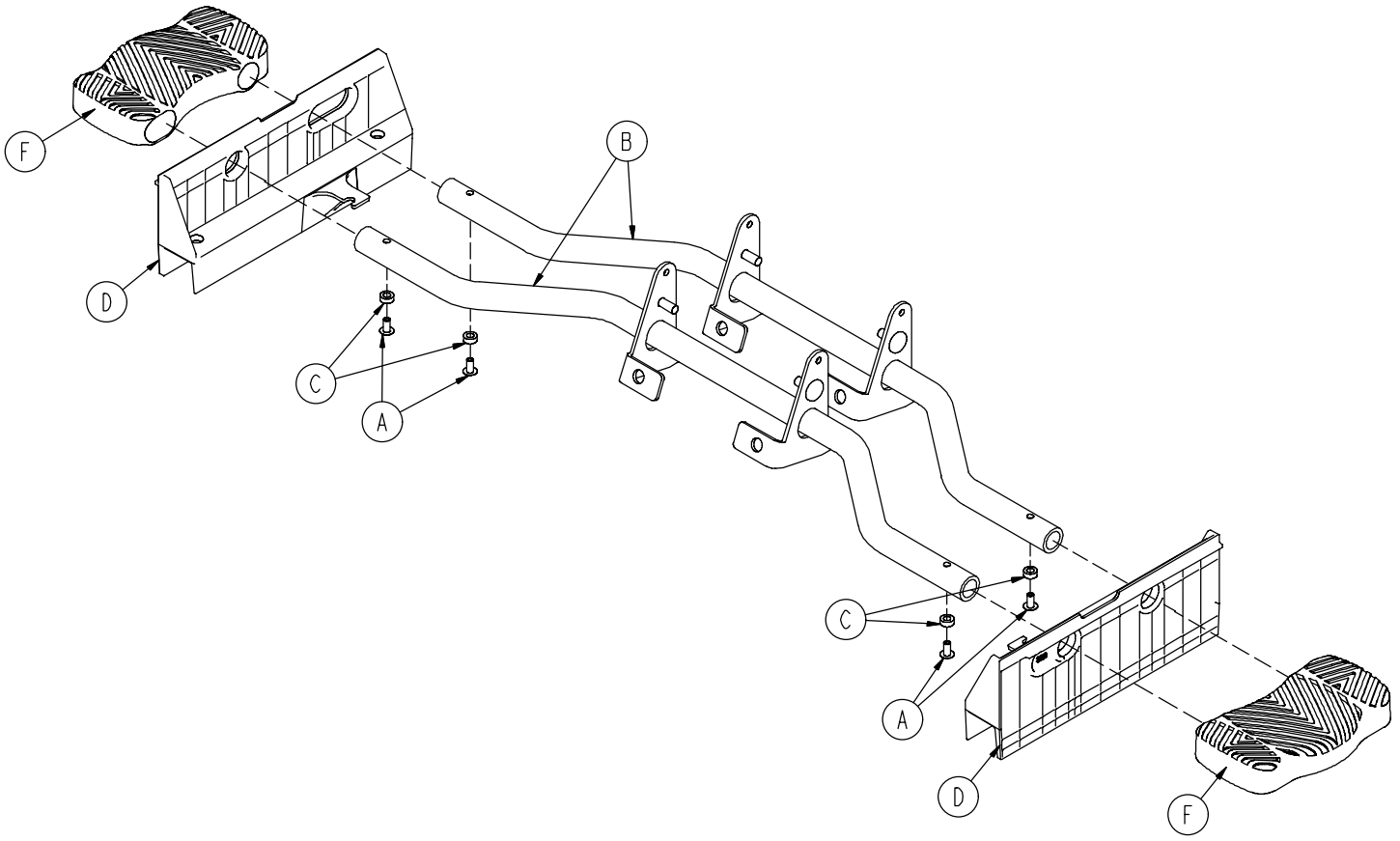


# 0753-005-200



|   |              |   |
|---|--------------|---|
| A | 0011-023-000 | 2 |
| B | 0014-071-000 | 2 |
| C | 0023-288-000 | 7 |
| D | 0027-031-000 | 1 |
| E | 0038-497-000 | 3 |
| F | 0753-004-014 | 1 |
| G | 0753-004-015 | 1 |
| H | 0753-004-101 | 1 |
| J | 0753-004-132 | 2 |
| K | 0753-005-037 | 1 |
| L | 0753-005-044 | 2 |
| M | 0753-005-074 | 1 |
| N | 0753-005-075 | 1 |
| P | 0753-005-087 | 1 |
| R | 0753-005-088 | 2 |
| T | 0753-005-089 | 2 |
| U | 0753-005-185 | 1 |
| V | 0753-010-215 | 1 |

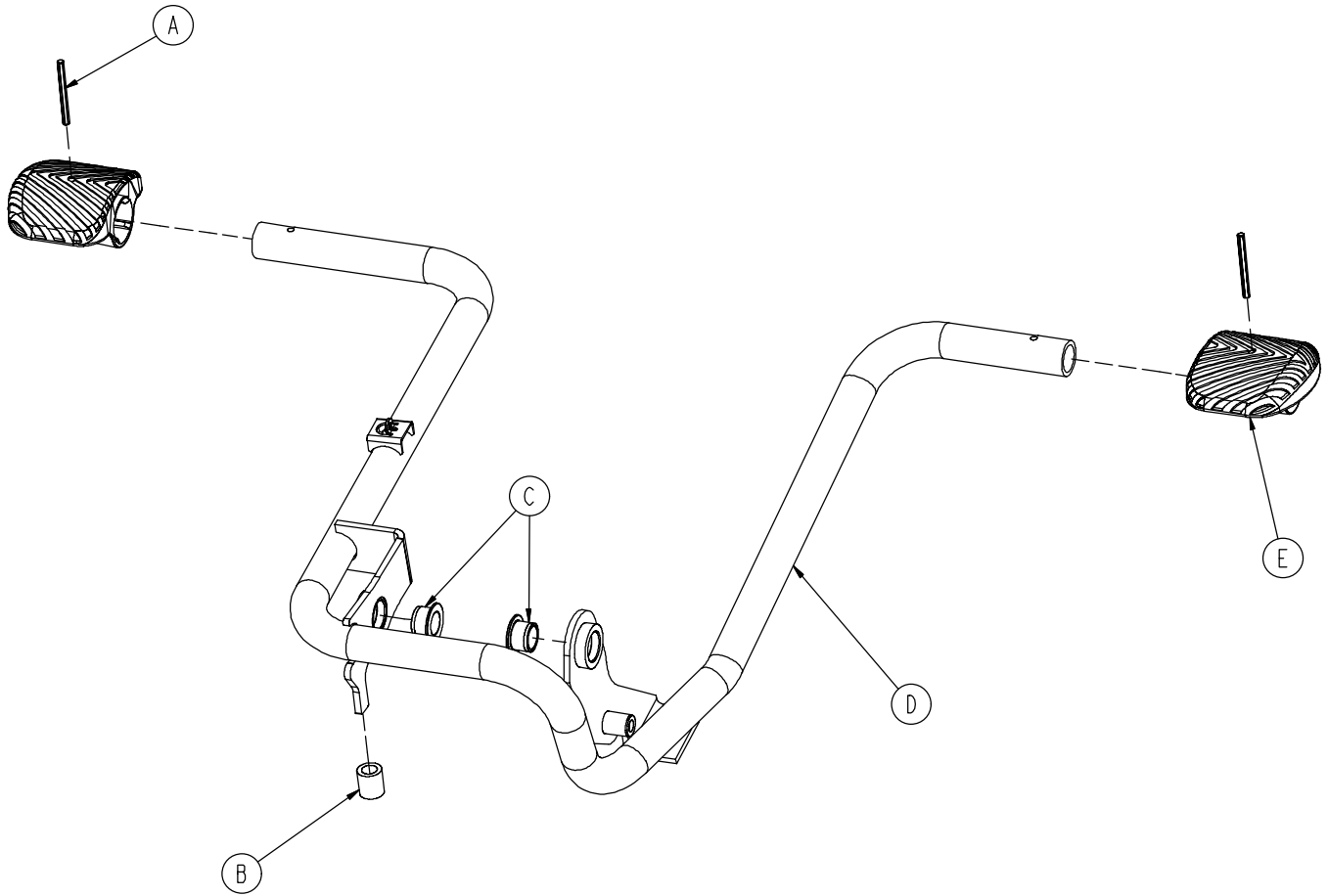
# 0753-004-101



|   |              |   |
|---|--------------|---|
| A | 0025-079-000 | 4 |
| B | 0753-004-004 | 2 |
| C | 0753-004-029 | 4 |
| D | 0753-004-320 | 2 |
| F | 1061-201-127 | 2 |

# 0753-005-185

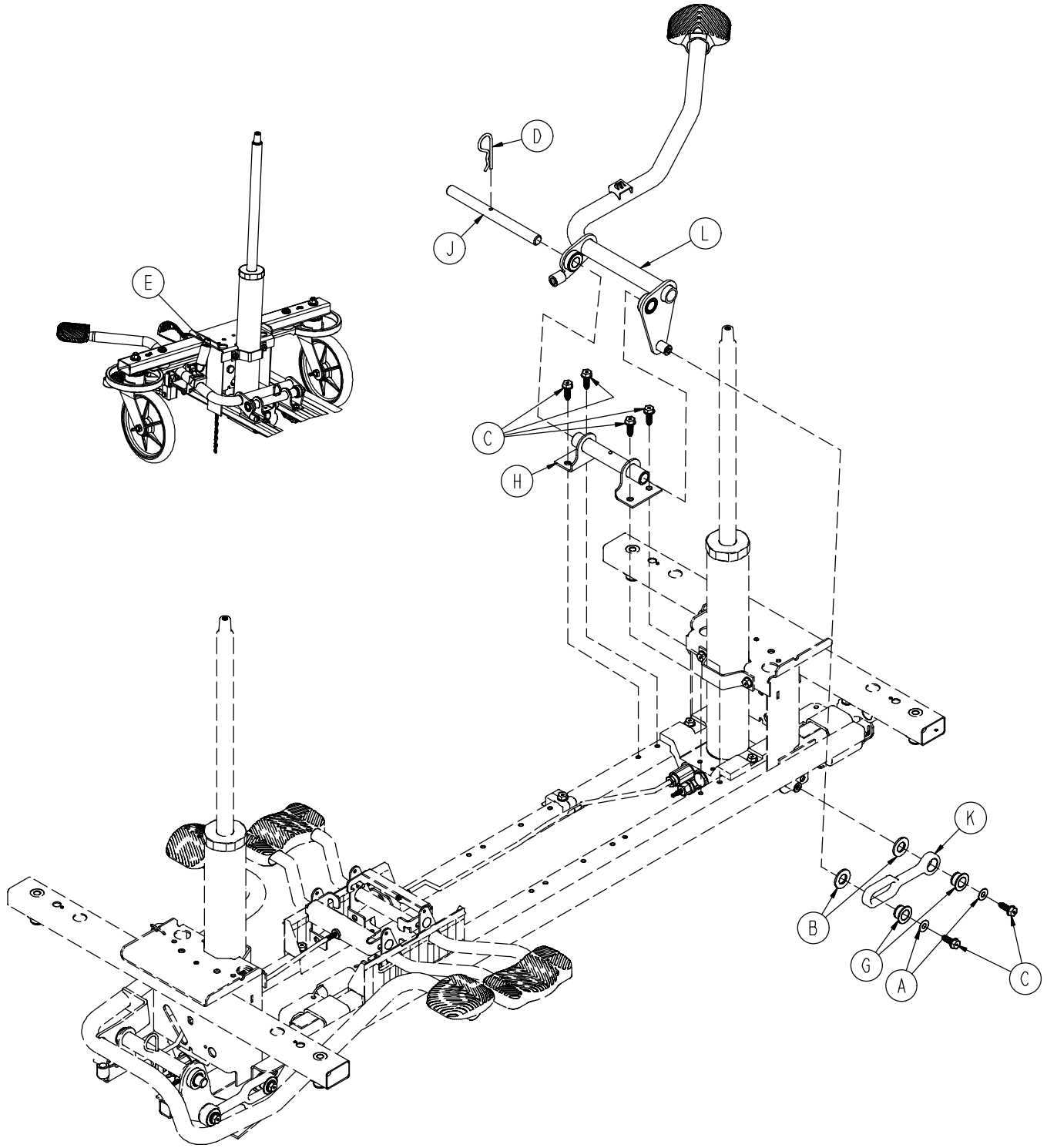
---



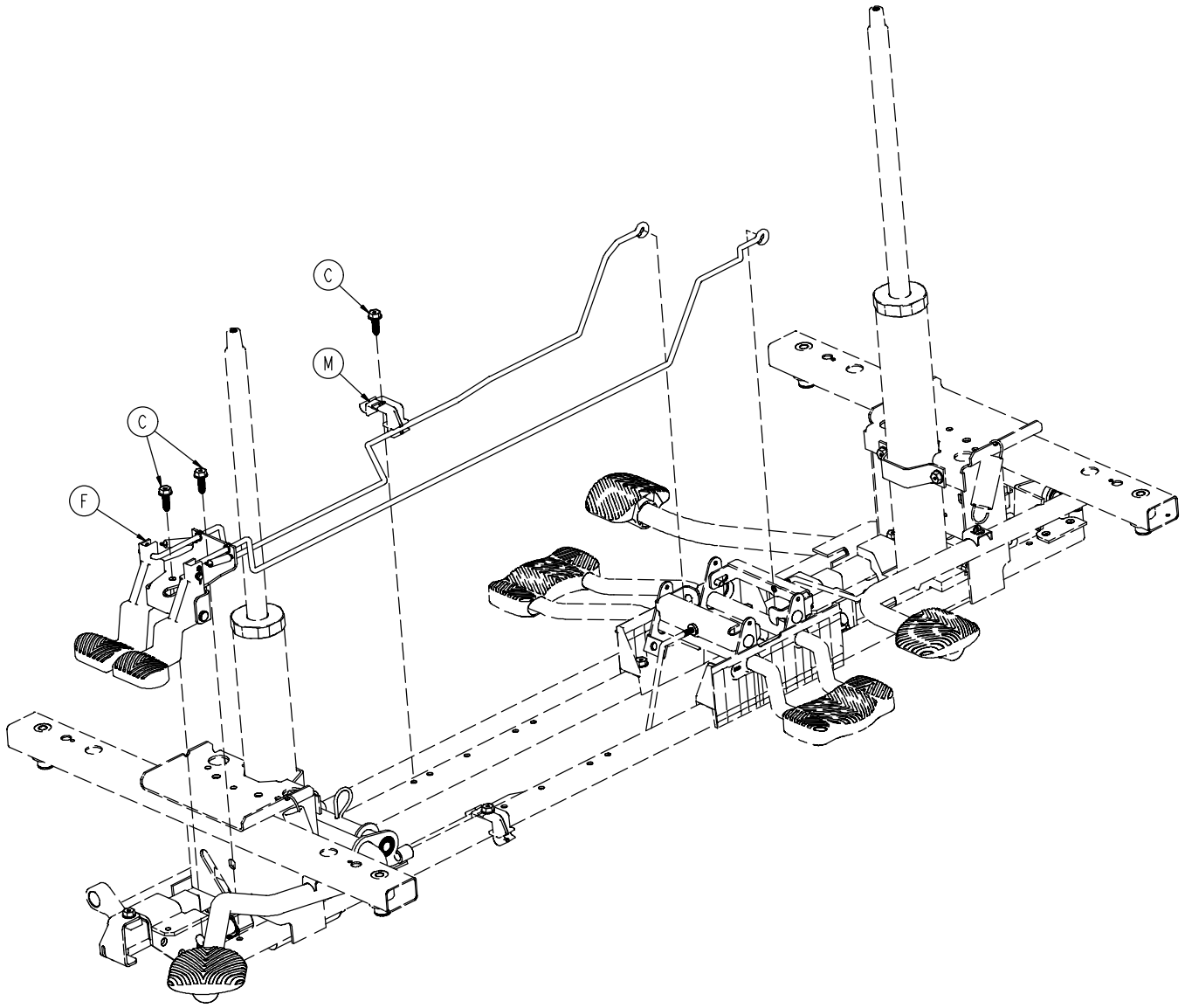
|   |              |   |
|---|--------------|---|
| A | 0026-343-000 | 2 |
| B | 0715-001-140 | 1 |
| C | 0753-005-044 | 2 |
| D | 0753-005-180 | 1 |
| E | 0753-201-126 | 2 |



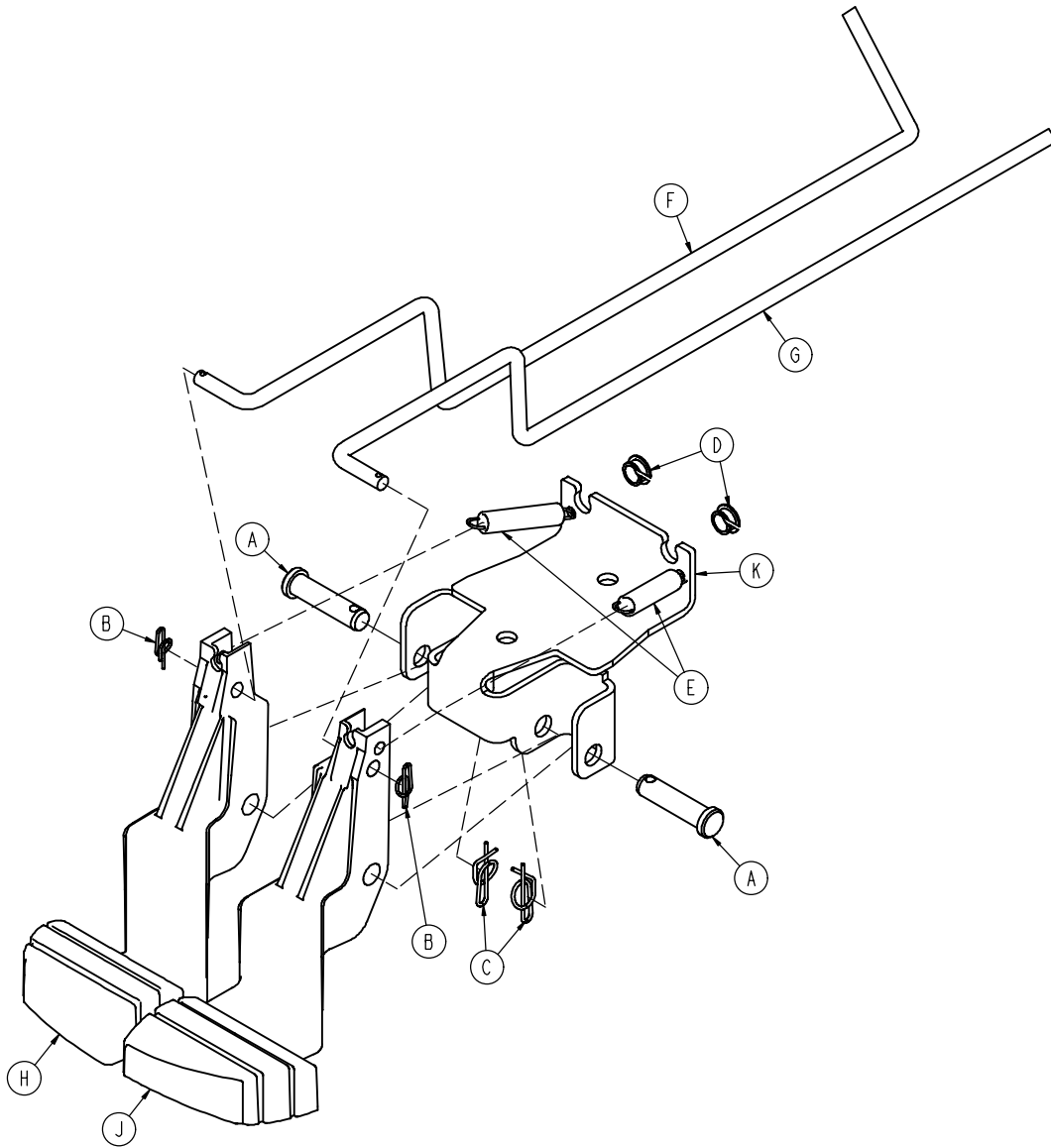




# 0753-005-210



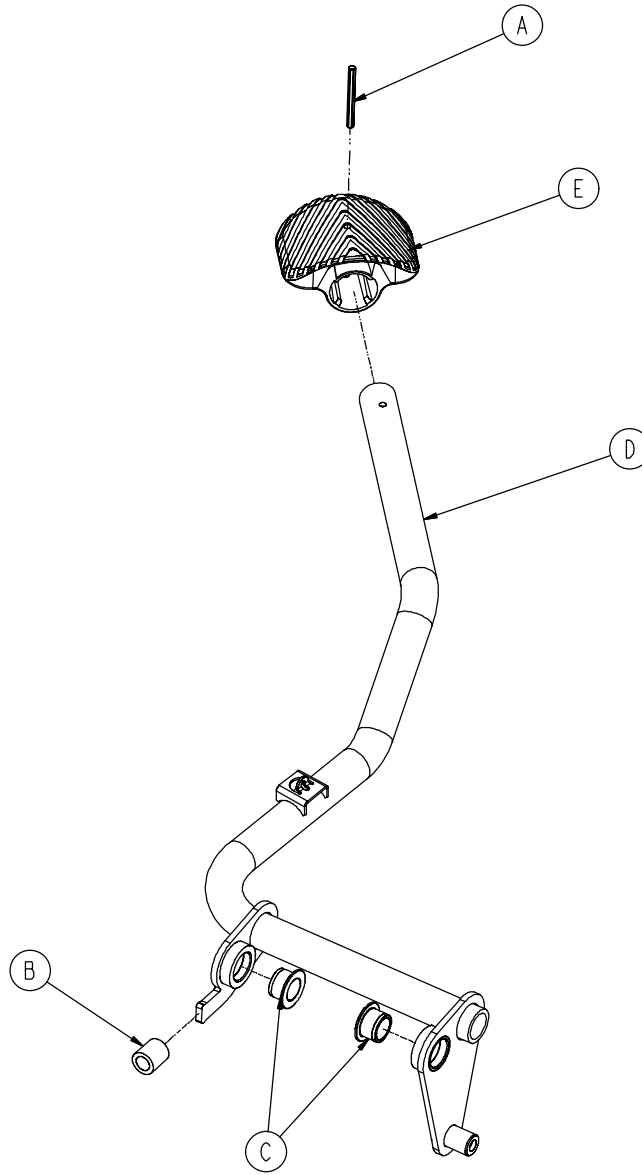
|   |              |   |
|---|--------------|---|
| A | 0011-023-000 | 2 |
| B | 0014-071-000 | 2 |
| C | 0023-288-000 | 9 |
| D | 0027-031-000 | 1 |
| E | 0038-497-000 | 1 |
| F | 0753-004-223 | 1 |
| G | 0753-005-044 | 2 |
| H | 0753-005-063 | 1 |
| J | 0753-005-074 | 1 |
| K | 0753-005-075 | 1 |
| L | 0753-005-173 | 1 |
| M | 1040-010-215 | 1 |



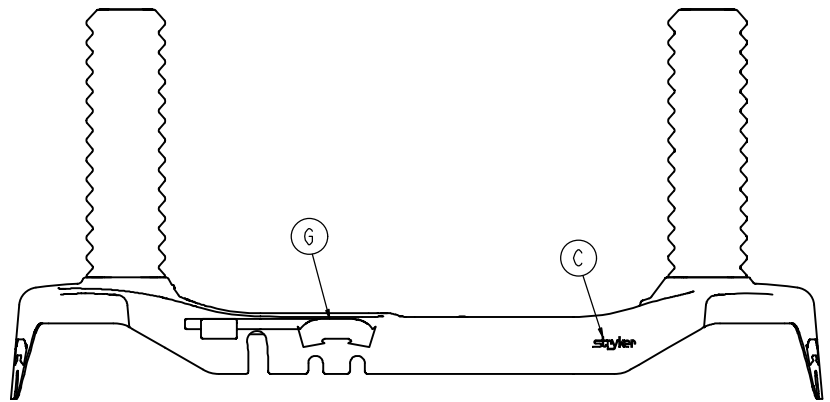
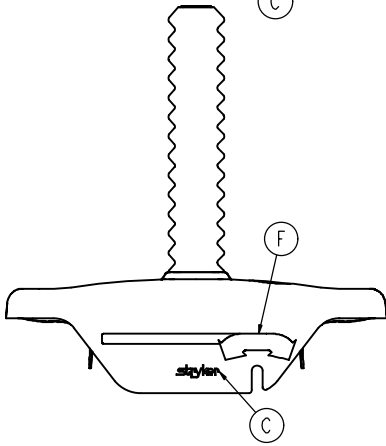
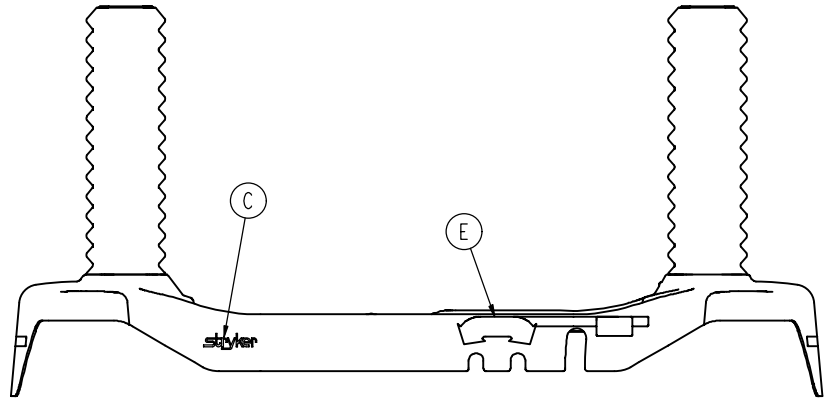
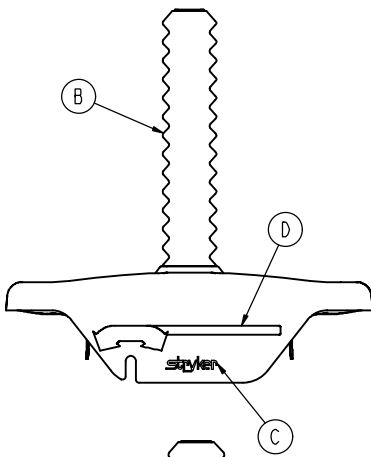
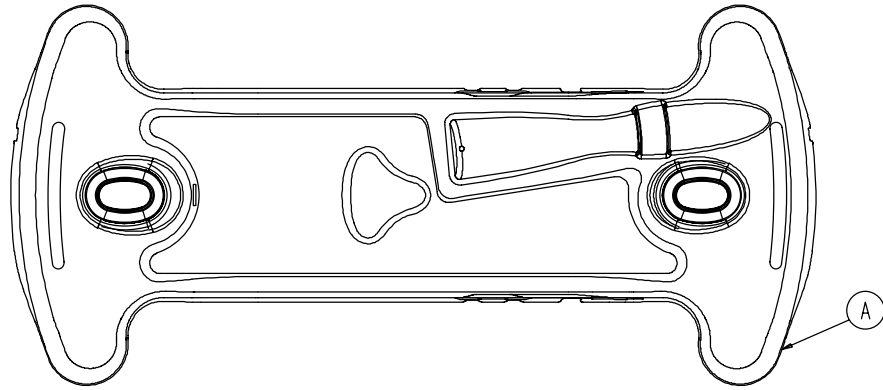
|   |              |   |
|---|--------------|---|
| A | 0026-132-000 | 2 |
| B | 0027-020-000 | 2 |
| C | 0027-022-000 | 2 |
| D | 0052-822-000 | 2 |
| E | 0753-004-028 | 2 |
| F | 0753-004-038 | 1 |
| G | 0753-004-039 | 1 |
| H | 0753-004-134 | 1 |
| J | 0753-004-135 | 1 |
| K | 0753-004-422 | 1 |

# 0753-005-173

---



|   |              |   |
|---|--------------|---|
| A | 0026-343-000 | 1 |
| B | 0715-001-140 | 1 |
| C | 0753-005-044 | 2 |
| D | 0753-005-171 | 1 |
| E | 0715-201-126 | 1 |



A  
B  
C

0753-010-040  
1040-010-134  
0946-201-060

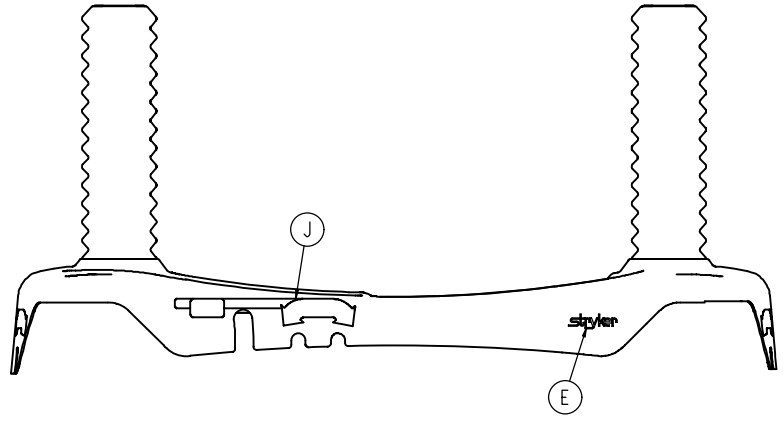
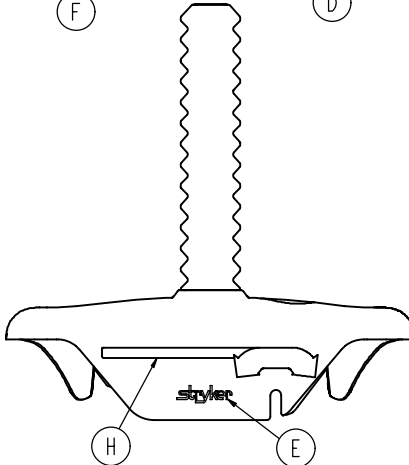
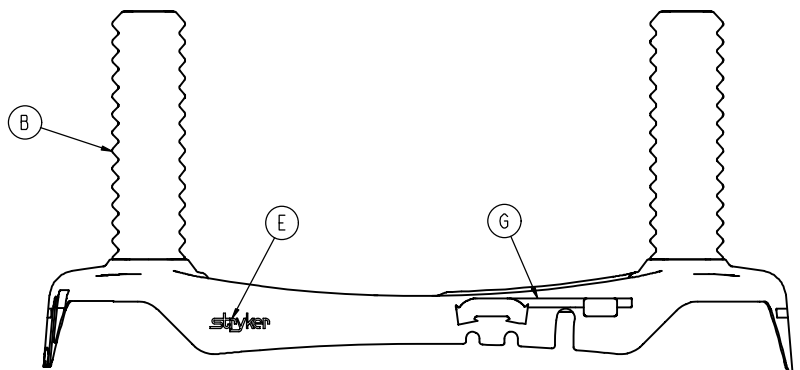
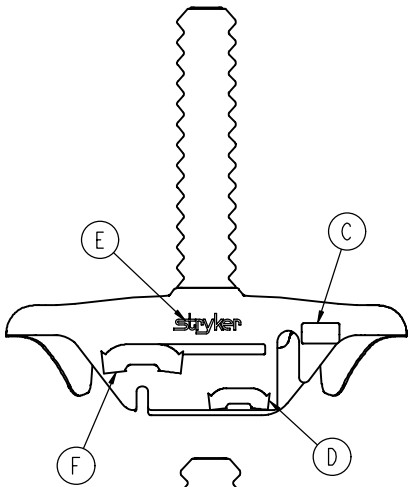
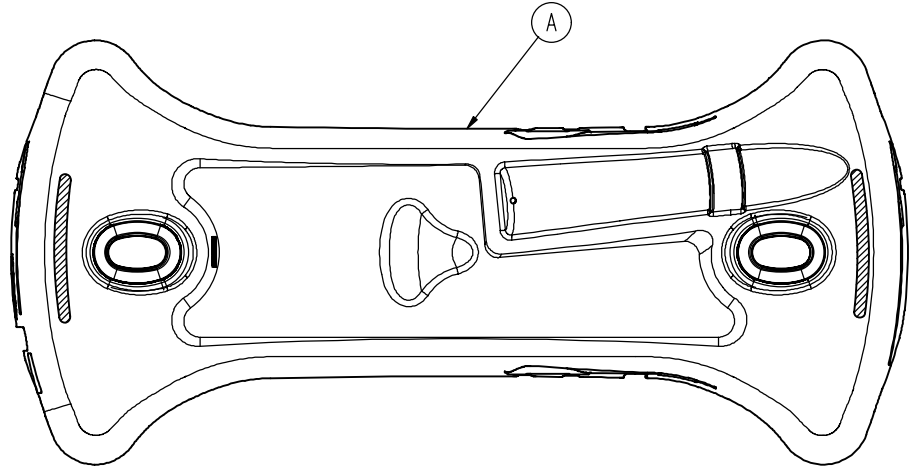
1  
2  
4

# 0753-010-062

---

|                        | <b>D</b>     | <b>E</b>     | <b>F</b>     | <b>J</b>     |
|------------------------|--------------|--------------|--------------|--------------|
| RED<br>0753-010-120    | 0753-010-051 | 0753-010-055 | 0753-010-017 | 0753-010-054 |
| PURPLE<br>0753-010-121 | 0753-010-151 | 0753-010-155 | 0753-010-170 | 0753-010-154 |
| GREEN<br>0753-010-122  | 0753-010-251 | 0753-010-255 | 0753-010-270 | 0753-010-254 |
| GRAY<br>0753-010-123   | 0753-010-351 | 0753-010-355 | 0753-010-370 | 0753-010-354 |
| TEAL<br>0753-010-124   | 0753-010-451 | 0753-010-455 | 0753-010-470 | 0753-010-454 |
| PINK<br>0753-010-125   | 0753-010-551 | 0753-010-555 | 0753-010-270 | 0753-010-554 |
| BLUE<br>0753-010-126   | 0753-010-651 | 0753-010-655 | 0753-010-670 | 0753-010-654 |

# 0753-010-060



|   |              |   |
|---|--------------|---|
| A | 0753-010-035 | 1 |
| B | 1040-010-134 | 2 |
| C | 0753-010-052 | 1 |
| D | 0753-010-053 | 1 |
| E | 0946-201-060 | 4 |

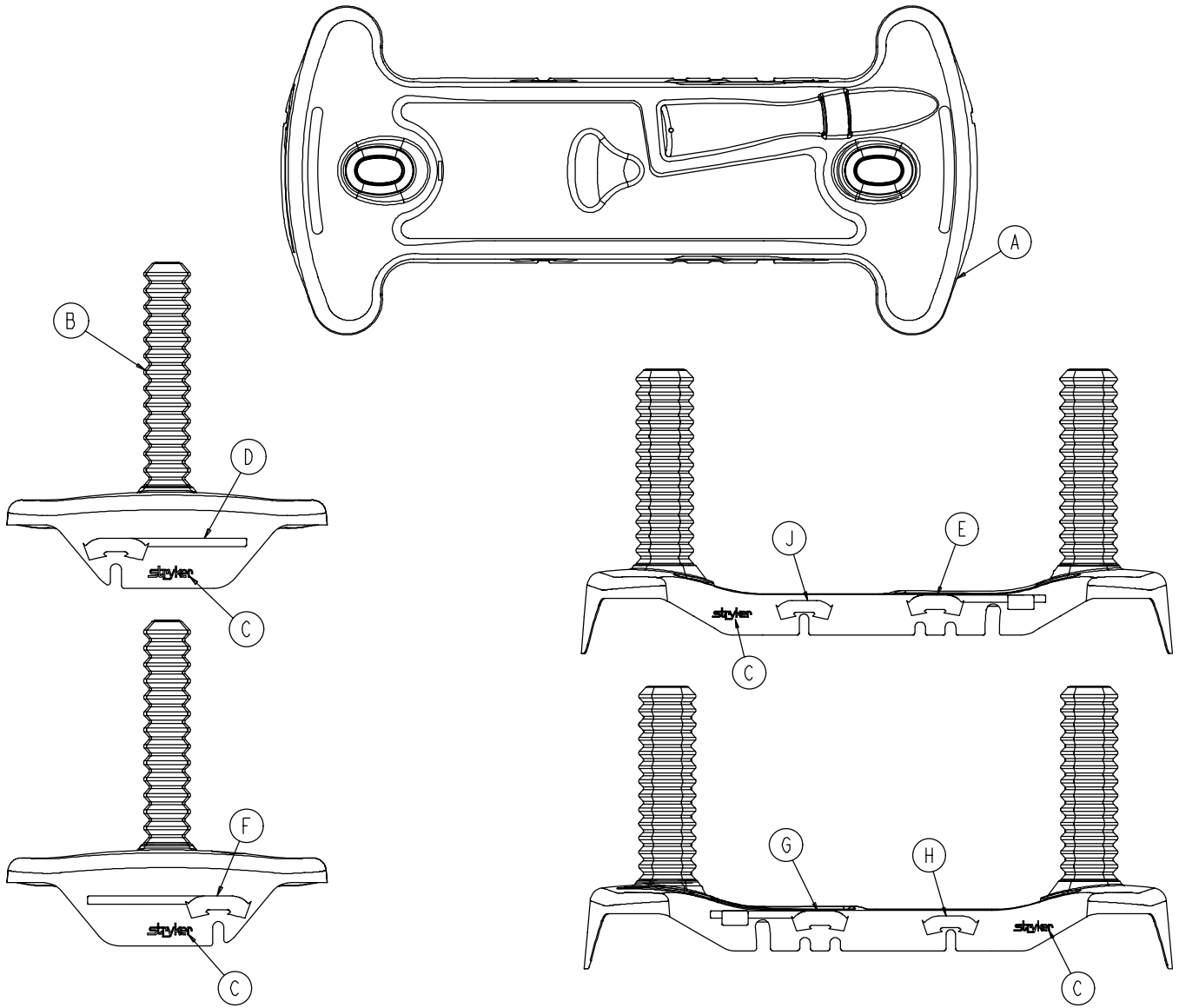
# 0753-010-060

---

|                        | <b>F</b>     | <b>G</b>     | <b>H</b>     | <b>J</b>     |
|------------------------|--------------|--------------|--------------|--------------|
| RED<br>0753-010-120    | 0753-010-016 | 0753-010-055 | 0753-010-017 | 0753-010-054 |
| PURPLE<br>0753-010-121 | 0753-010-160 | 0753-010-155 | 0753-010-170 | 0753-010-154 |
| GREEN<br>0753-010-122  | 0753-010-260 | 0753-010-255 | 0753-010-270 | 0753-010-254 |
| GRAY<br>0753-010-123   | 0753-010-360 | 0753-010-355 | 0753-010-370 | 0753-010-354 |
| TEAL<br>0753-010-124   | 0753-010-460 | 0753-010-455 | 0753-010-470 | 0753-010-454 |
| PINK<br>0753-010-125   | 0753-010-560 | 0753-010-555 | 0753-010-270 | 0753-010-554 |
| BLUE<br>0753-010-126   | 0753-010-660 | 0753-010-655 | 0753-010-670 | 0753-010-654 |



# 0753-010-063



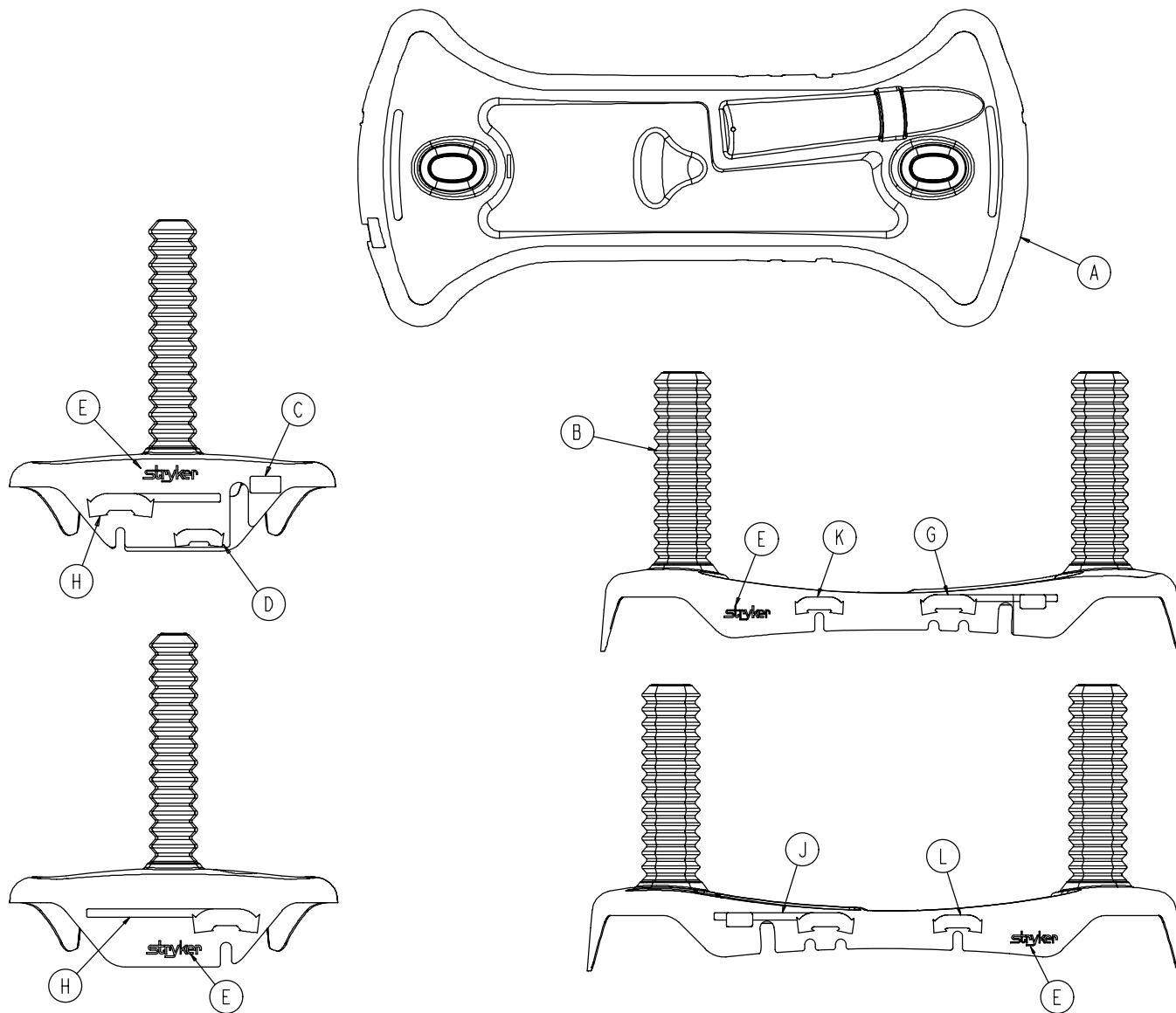
|   |              |   |
|---|--------------|---|
| A | 0753-010-040 | 1 |
| B | 1040-010-134 | 2 |
| C | 0946-201-060 | 4 |
| H | 0753-010-018 | 1 |
| J | 0753-010-019 | 1 |

# 0753-010-063

---

|                        | <b>F</b>     | <b>G</b>     | <b>H</b>     | <b>J</b>     |
|------------------------|--------------|--------------|--------------|--------------|
| RED<br>0753-020-120    | 0753-010-091 | 0753-010-055 | 0753-010-057 | 0753-010-054 |
| PURPLE<br>0753-020-121 | 0753-010-191 | 0753-010-155 | 0753-010-210 | 0753-010-154 |
| GREEN<br>0753-020-122  | 0753-010-291 | 0753-010-255 | 0753-010-310 | 0753-010-254 |
| GRAY<br>0753-020-123   | 0753-010-391 | 0753-010-355 | 0753-010-410 | 0753-010-354 |
| TEAL<br>0753-020-124   | 0753-010-491 | 0753-010-455 | 0753-010-510 | 0753-010-454 |
| PINK<br>0753-020-125   | 0753-010-591 | 0753-010-555 | 0753-010-610 | 0753-010-554 |
| BLUE<br>0753-020-126   | 0753-010-691 | 0753-010-655 | 0753-010-710 | 0753-010-654 |

# 0753-010-061

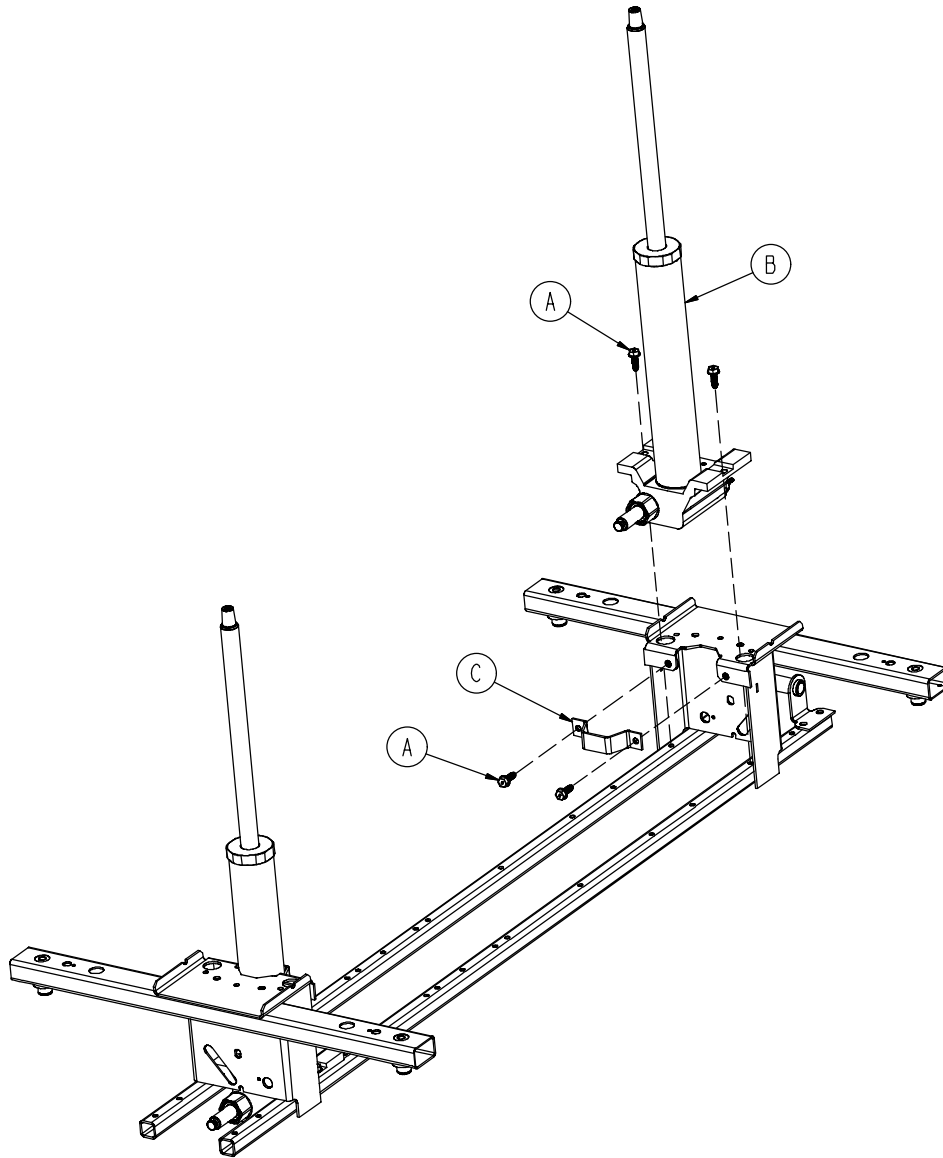


|   |              |   |
|---|--------------|---|
| A | 0753-010-037 | 1 |
| B | 1040-010-134 | 2 |
| C | 0753-010-052 | 1 |
| D | 0753-010-053 | 1 |
| E | 0946-201-060 | 4 |
| K | 0753-010-019 | 1 |
| L | 0753-010-018 | 1 |

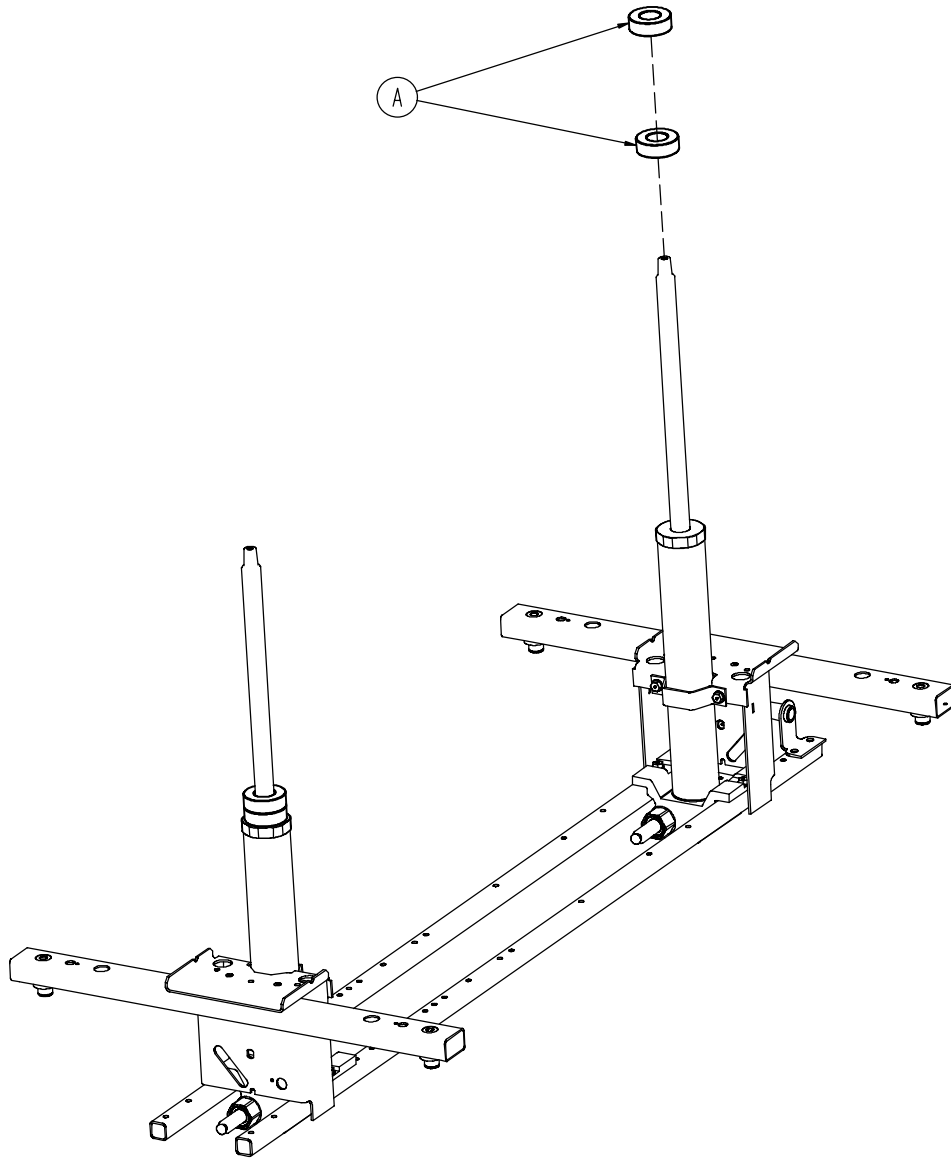
# 0753-010-061

---

|                        | <b>F</b>     | <b>G</b>     | <b>H</b>     | <b>J</b>     |
|------------------------|--------------|--------------|--------------|--------------|
| RED<br>0753-010-100    | 0753-010-016 | 0753-010-055 | 0753-010-017 | 0753-010-054 |
| PURPLE<br>0753-010-101 | 0753-010-160 | 0753-010-155 | 0753-010-170 | 0753-010-154 |
| GREEN<br>0753-010-102  | 0753-010-260 | 0753-010-255 | 0753-010-270 | 0753-010-254 |
| GRAY<br>0753-010-103   | 0753-010-360 | 0753-010-355 | 0753-010-370 | 0753-010-354 |
| TEAL<br>0753-010-104   | 0753-010-460 | 0753-010-455 | 0753-010-470 | 0753-010-454 |
| PINK<br>0753-010-105   | 0753-010-560 | 0753-010-555 | 0753-010-570 | 0753-010-554 |
| BLUE<br>0753-010-106   | 0753-010-660 | 0753-010-655 | 0753-010-670 | 0753-010-654 |



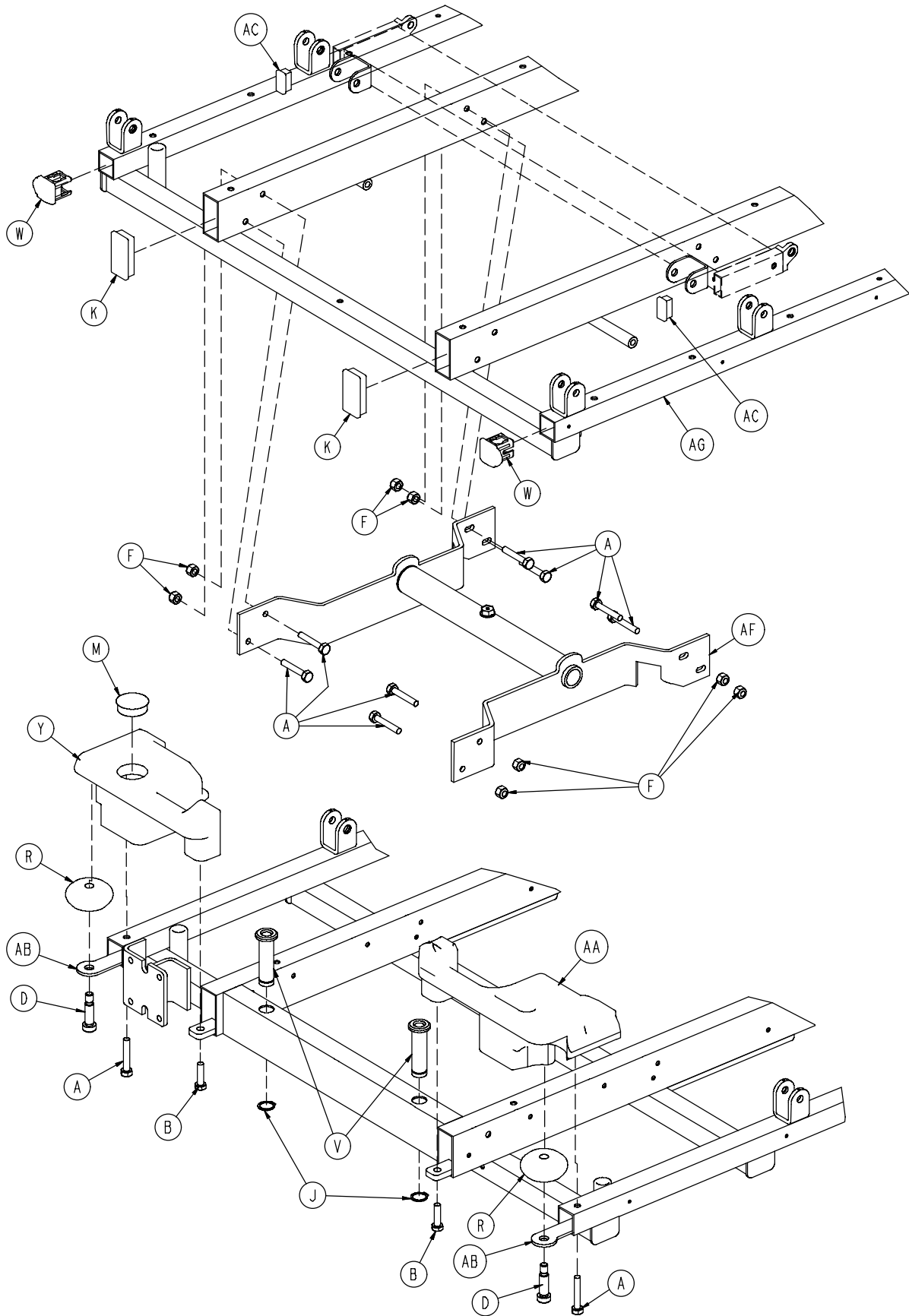
|   |              |   |
|---|--------------|---|
| A | 0023-288-000 | 8 |
| B | 0753-002-101 | 2 |
| C | 0753-010-007 | 2 |

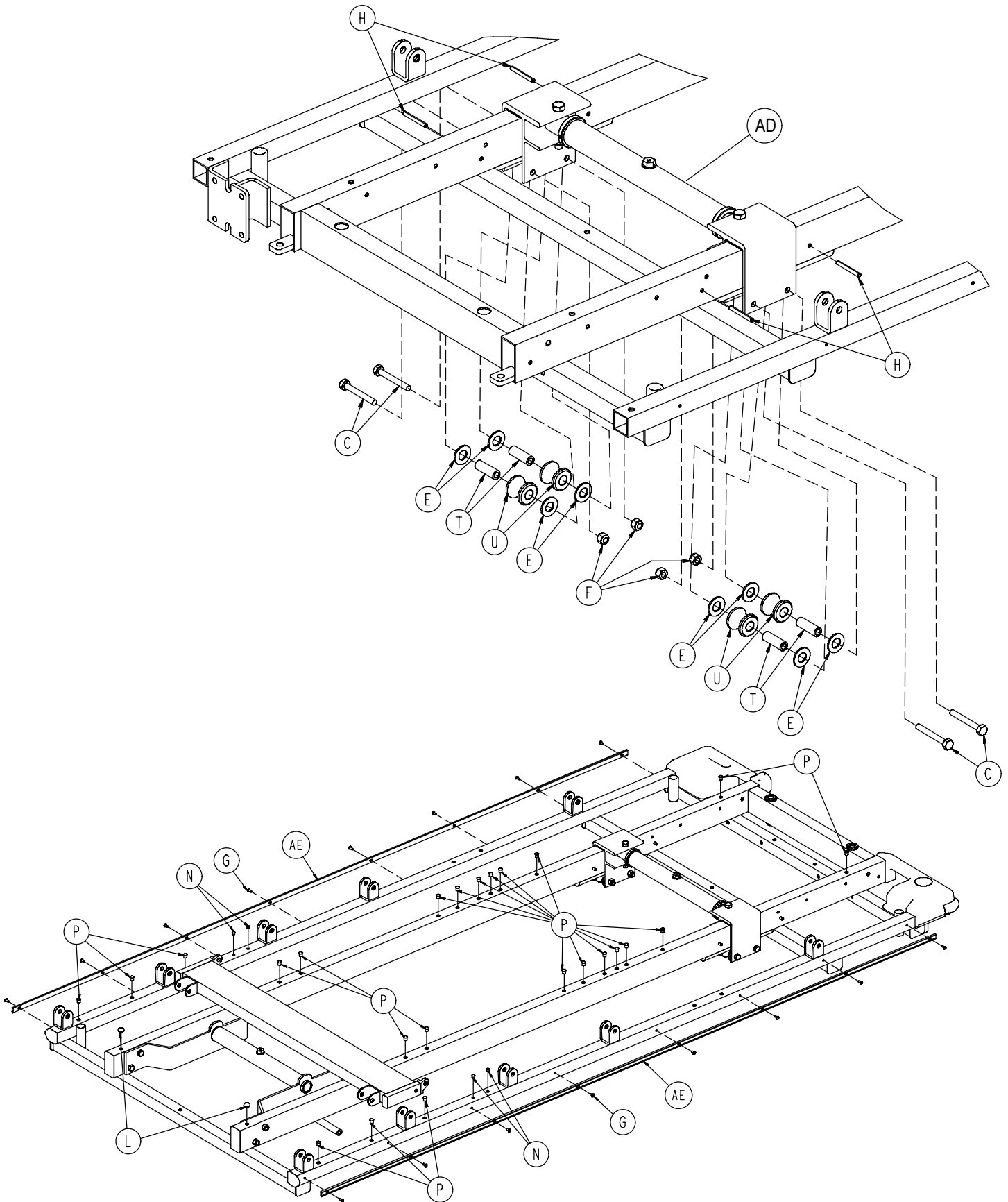


A

1040-010-027

4





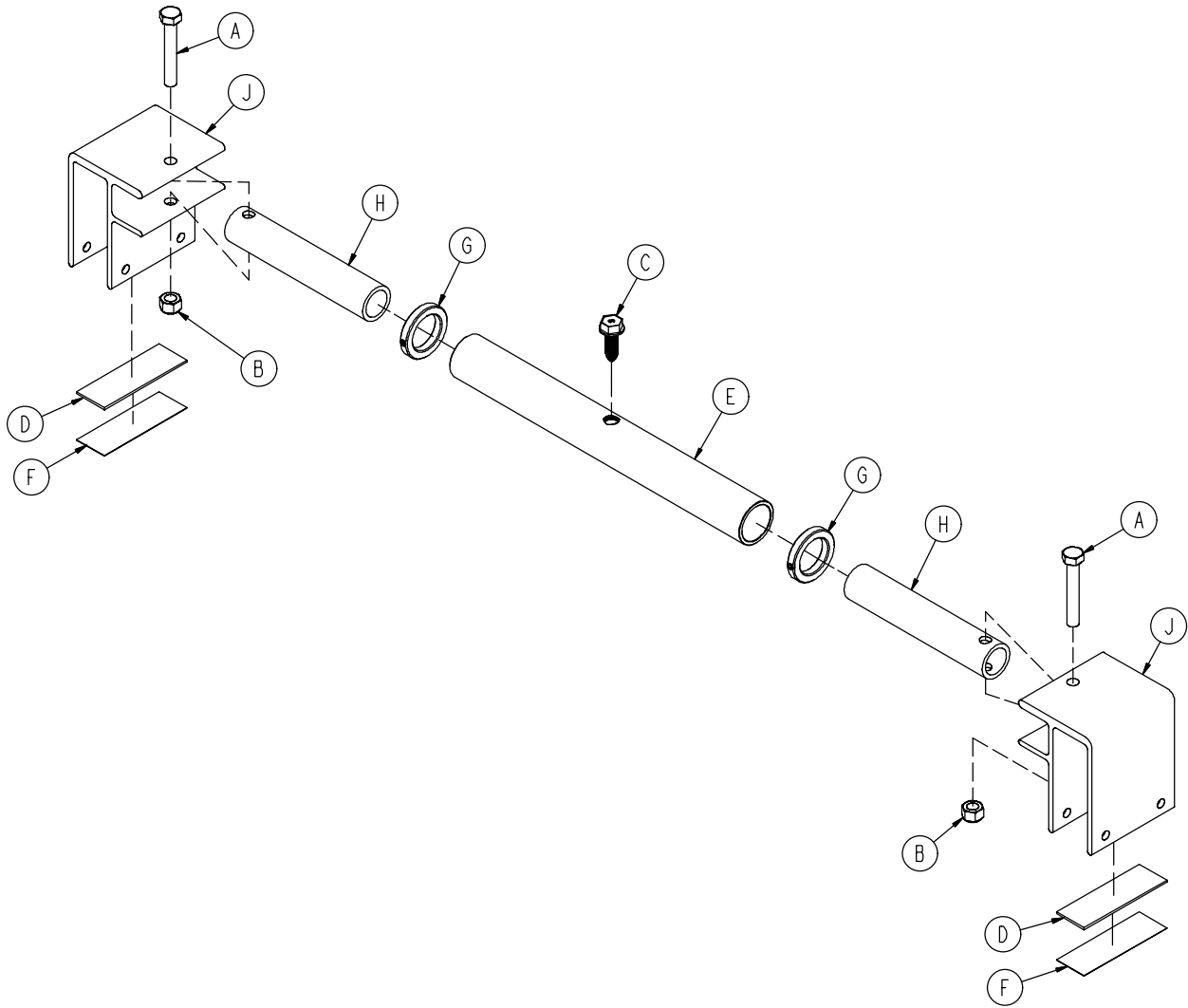


# 1069-030-110

---

|    |              |    |
|----|--------------|----|
| A  | 0003-047-000 | 10 |
| B  | 0003-054-000 | 2  |
| C  | 0003-076-000 | 4  |
| D  | 0008-024-000 | 2  |
| E  | 0011-014-000 | 8  |
| F  | 0016-028-000 | 12 |
| G  | 0025-038-000 | 16 |
| H  | 0026-057-000 | 4  |
| J  | 0028-023-000 | 2  |
| K  | 0037-049-000 | 2  |
| L  | 0037-052-000 | 2  |
| M  | 0037-059-000 | 1  |
| N  | 0037-074-000 | 4  |
| P  | 0721-031-065 | 24 |
| R  | 0721-032-049 | 2  |
| T  | 0721-032-107 | 4  |
| U  | 0721-032-108 | 4  |
| V  | 0721-040-026 | 2  |
| W  | 1001-030-029 | 2  |
| Y  | 1010-001-013 | 1  |
| AA | 1010-001-014 | 1  |
| AB | 1010-001-017 | 2  |
| AC | 1010-032-066 | 2  |
| AD | 1010-032-210 | 1  |
| AE | 1068-020-038 | 2  |
| AF | 1069-030-130 | 1  |
| AG | 1069-030-150 | 1  |

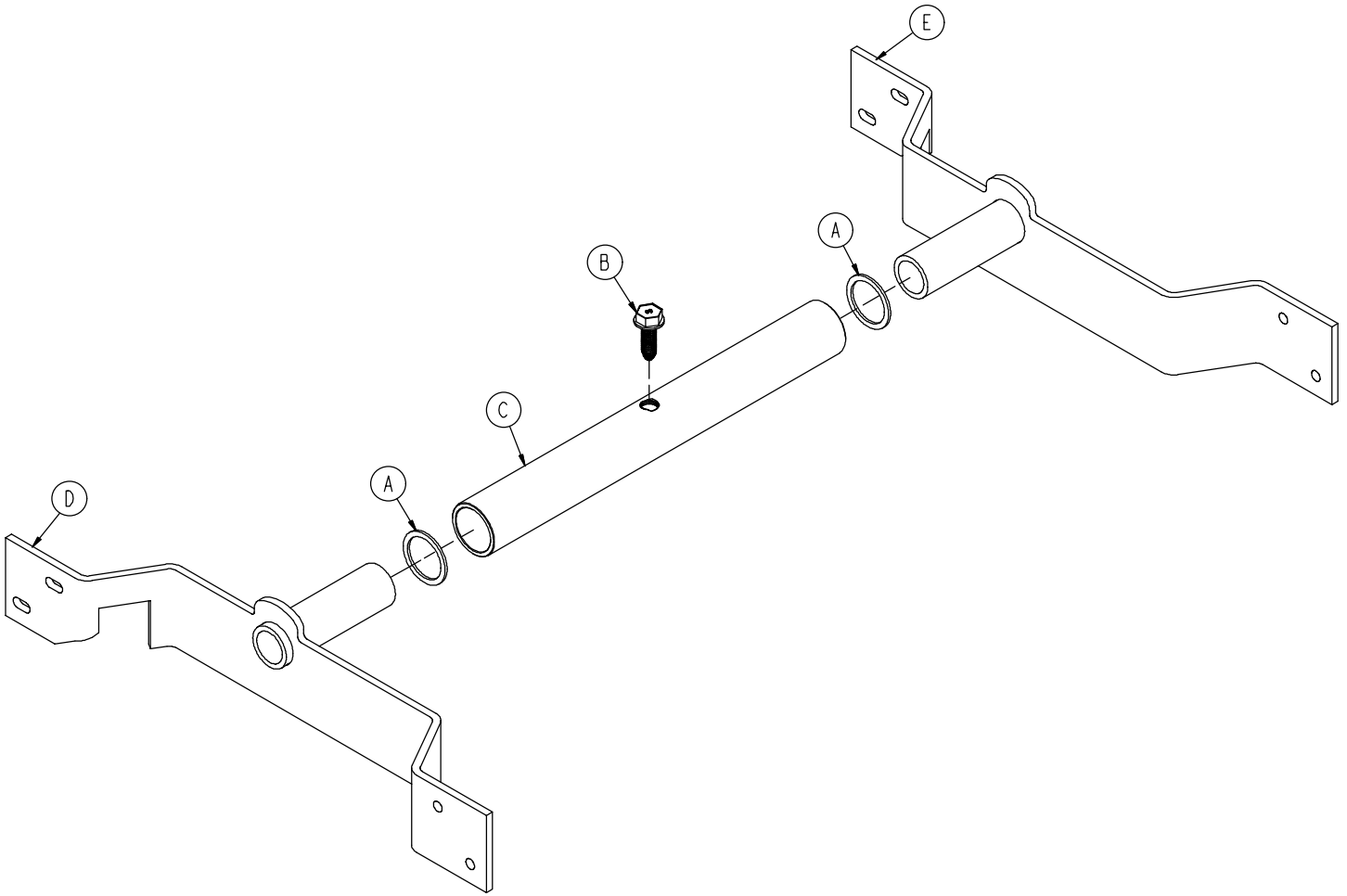
# 1010-032-210



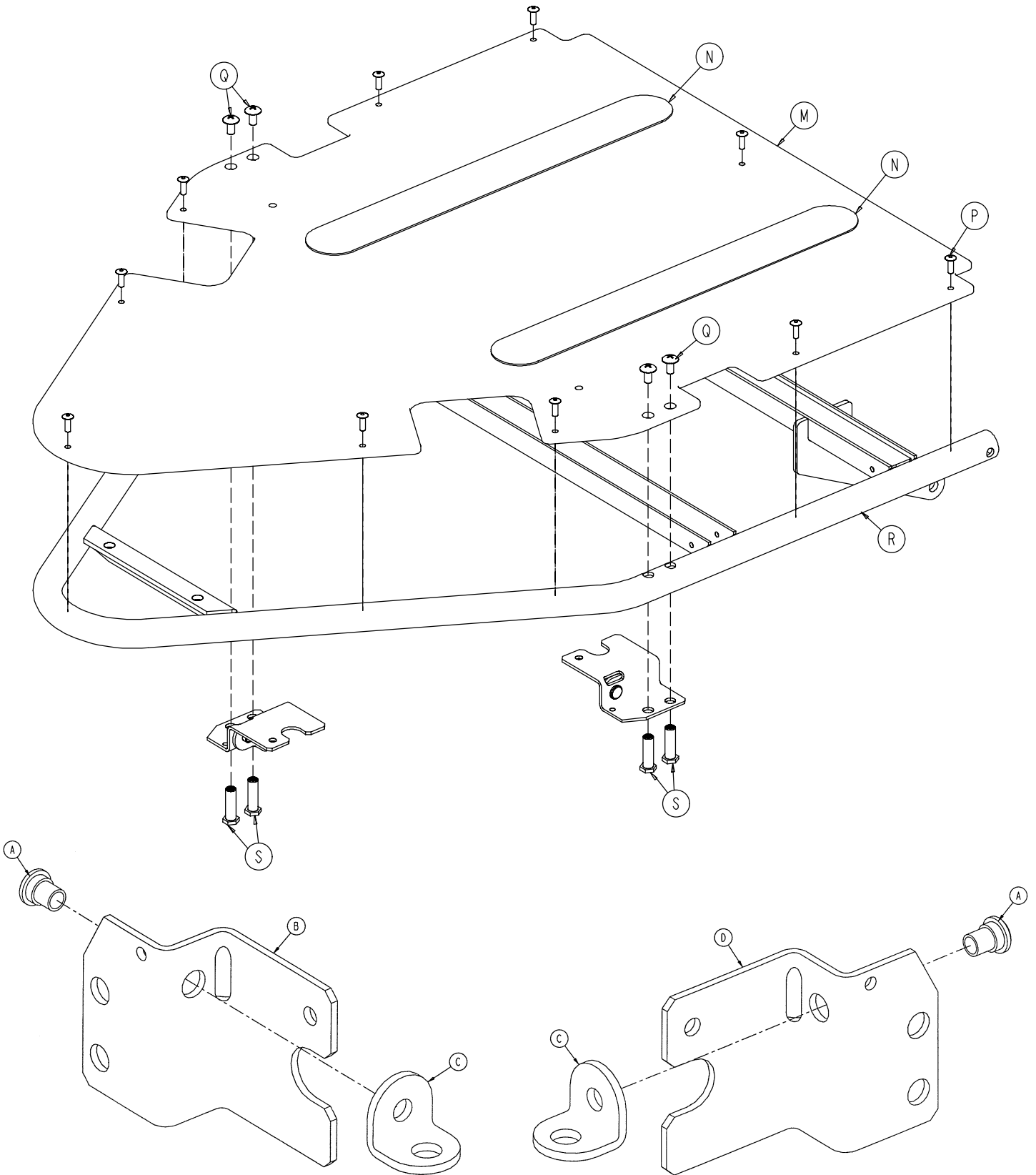
|   |              |        |
|---|--------------|--------|
| A | 0003-040-000 | 2      |
| B | 0016-036-000 | 2      |
| C | 0023-288-000 | 1      |
| D | 0044-029-000 | .5 ft. |
| E | 0753-010-029 | 1      |
| F | 0919-030-028 | 2      |
| G | 0938-001-401 | 2      |
| H | 1010-032-064 | 2      |
| J | 1010-032-108 | 3      |

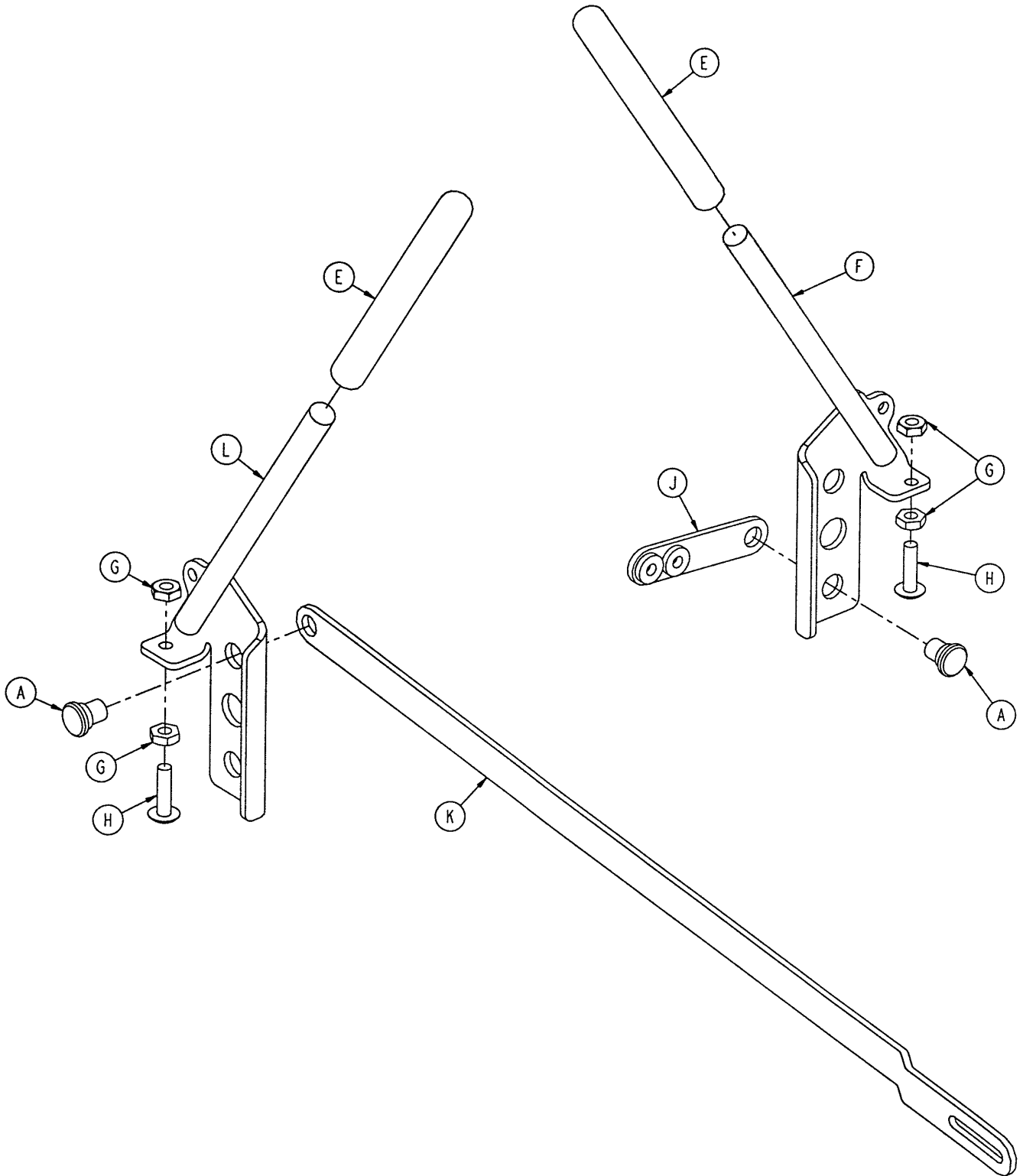
# 1069-030-130

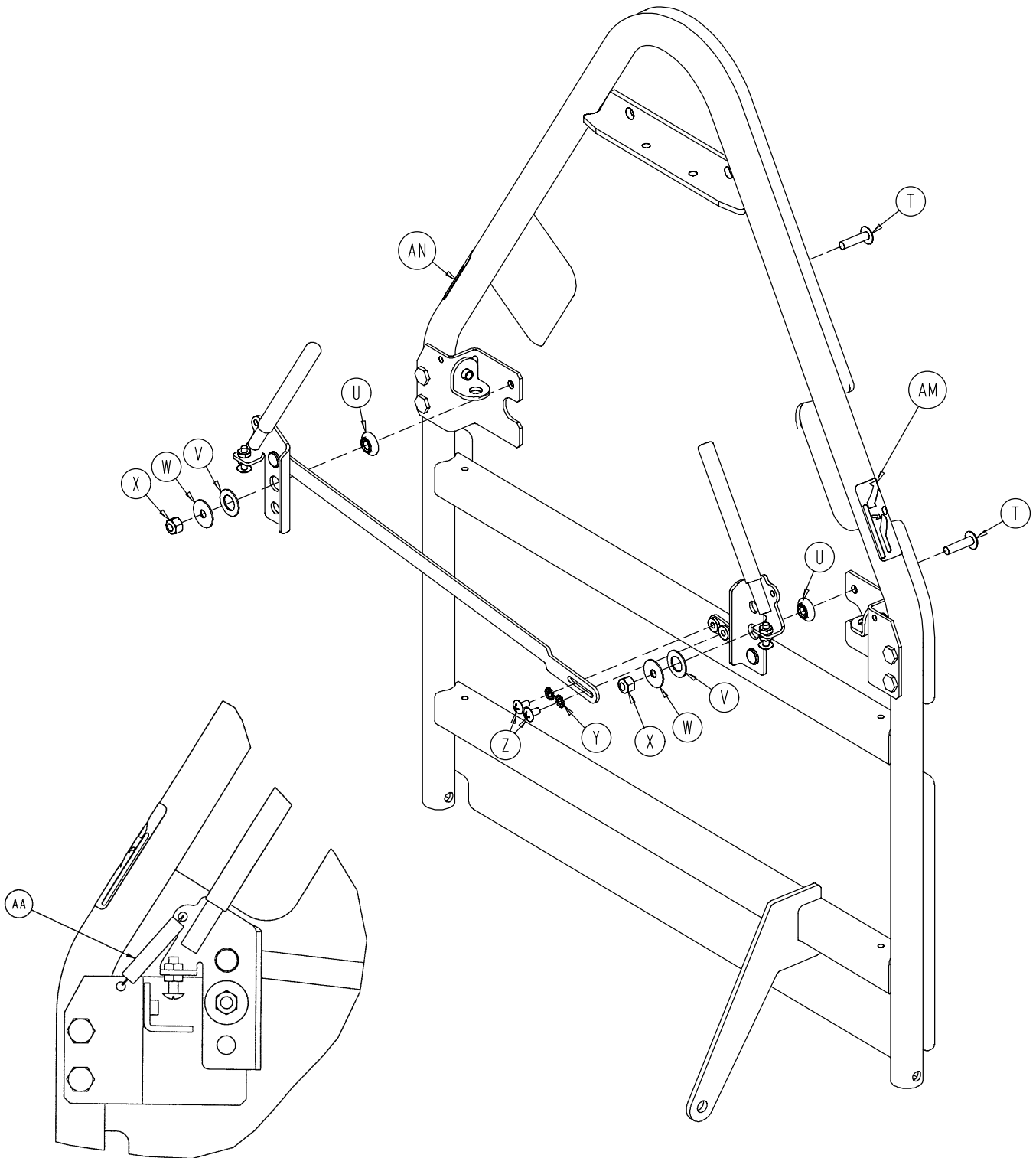
---

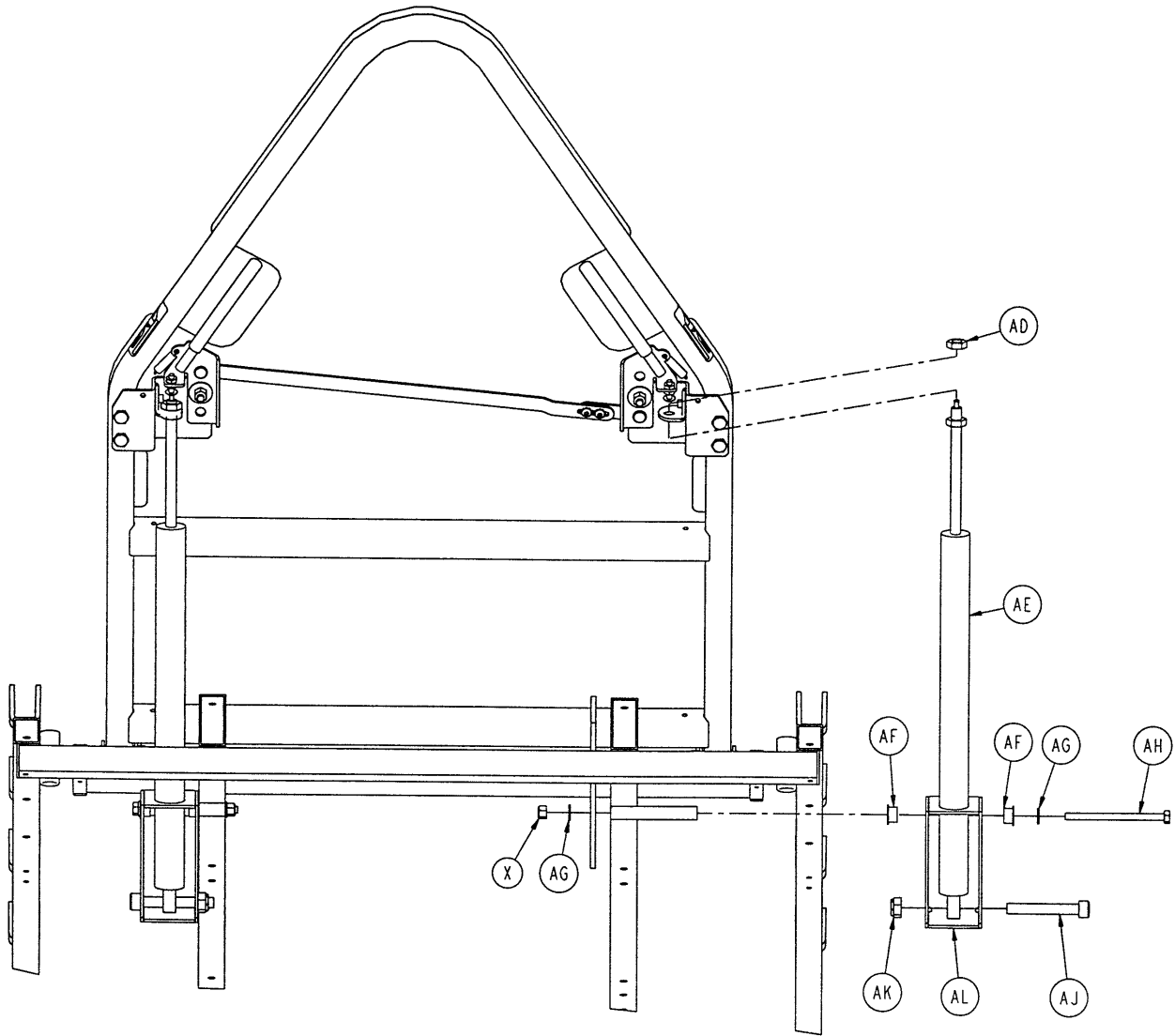


|   |              |   |
|---|--------------|---|
| A | 0011-360-00  | 2 |
| B | 0023-288-000 | 1 |
| C | 0753-010-029 | 1 |
| D | 1069-030-120 | 1 |
| E | 1069-030-125 | 1 |

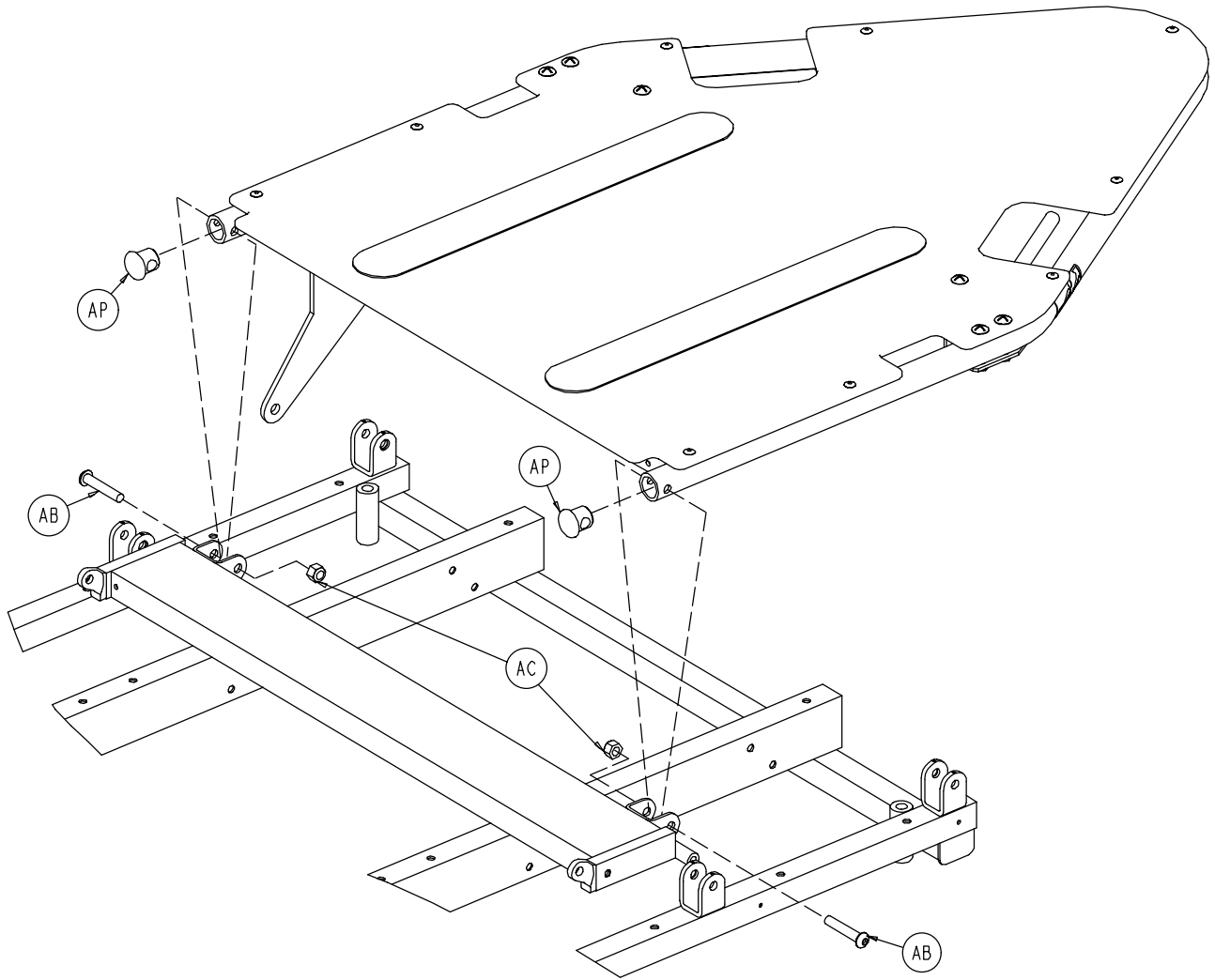






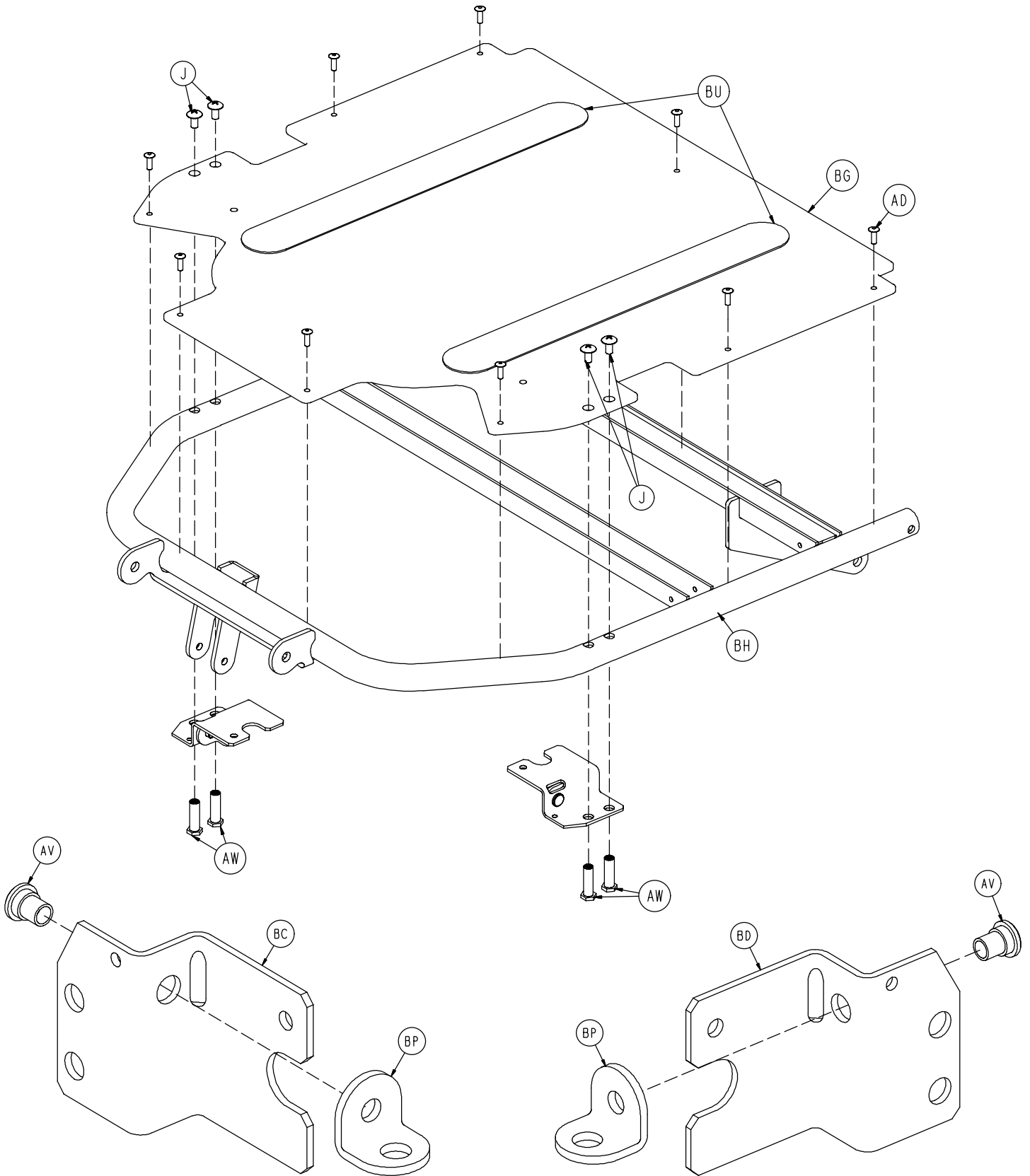


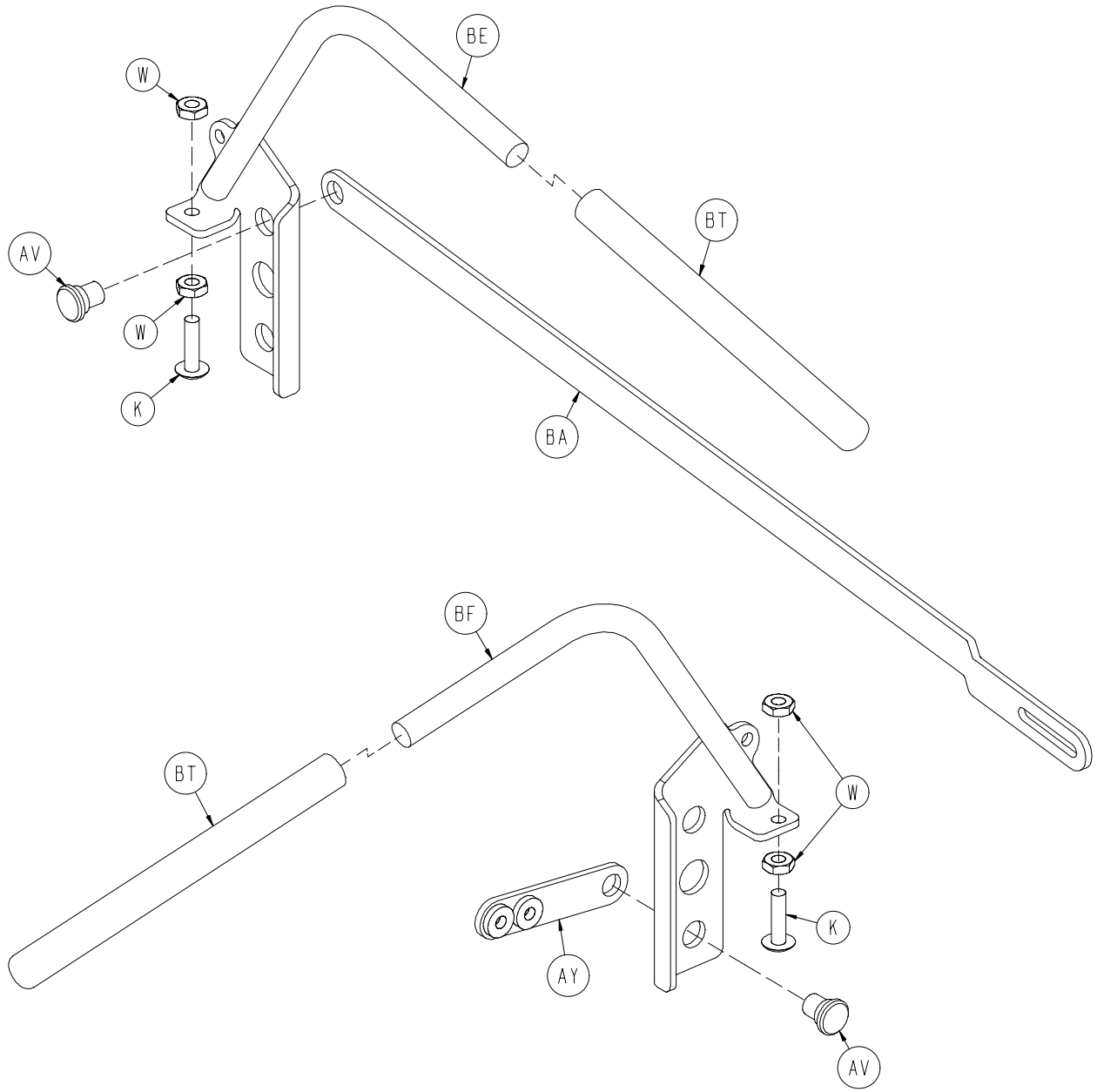
# 1069-032-120

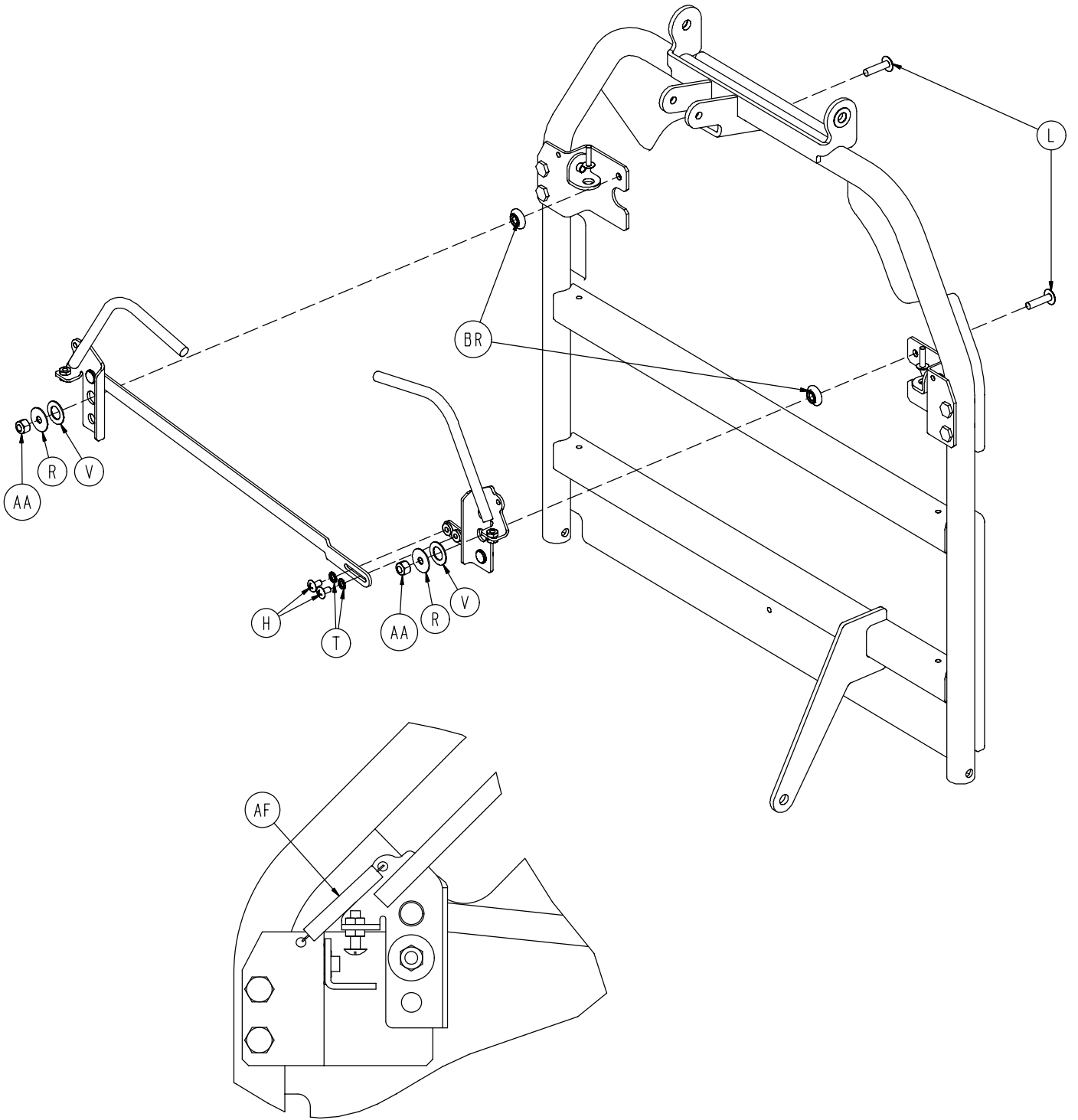


|   |              |    |    |              |   |
|---|--------------|----|----|--------------|---|
| A | 1069-031-011 | 4  | V  | 0014-087-000 | 2 |
| B | 1069-031-041 | 1  | W  | 0011-180-000 | 2 |
| C | 1210-031-103 | 2  | X  | 0016-028-000 | 4 |
| D | 1069-031-046 | 1  | Y  | 0013-018-000 | 2 |
| E | 1069-031-200 | 2  | Z  | 0007-019-000 | 2 |
| F | 1069-031-085 | 1  | AA | 0038-436-000 | 2 |
| G | 0015-003-000 | 4  | AB | 0004-054-000 | 2 |
| H | 0007-050-000 | 2  | AC | 0016-036-000 | 2 |
| J | 1069-031-031 | 1  | AD | 0015-059-000 | 2 |
| K | 1069-031-032 | 1  | AE | 0360-031-077 | 2 |
| L | 1069-031-080 | 1  | AF | 0052-086-000 | 4 |
| M | 1069-032-065 | 1  | AG | 0011-063-000 | 4 |
| N | 7900-001-102 | 2  | AH | 0003-037-000 | 2 |
| P | 0025-050-000 | 10 | AJ | 0004-323-000 | 2 |
| Q | 0007-042-000 | 4  | AK | 0016-090-000 | 2 |
| R | 1069-032-060 | 1  | AL | 1069-031-036 | 2 |
| S | 1069-031-012 | 4  | AM | 1069-060-091 | 1 |
| T | 0007-062-000 | 2  | AN | 1069-060-092 | 1 |
| U | 3001-300-099 | 2  | AP | 1069-031-013 | 2 |

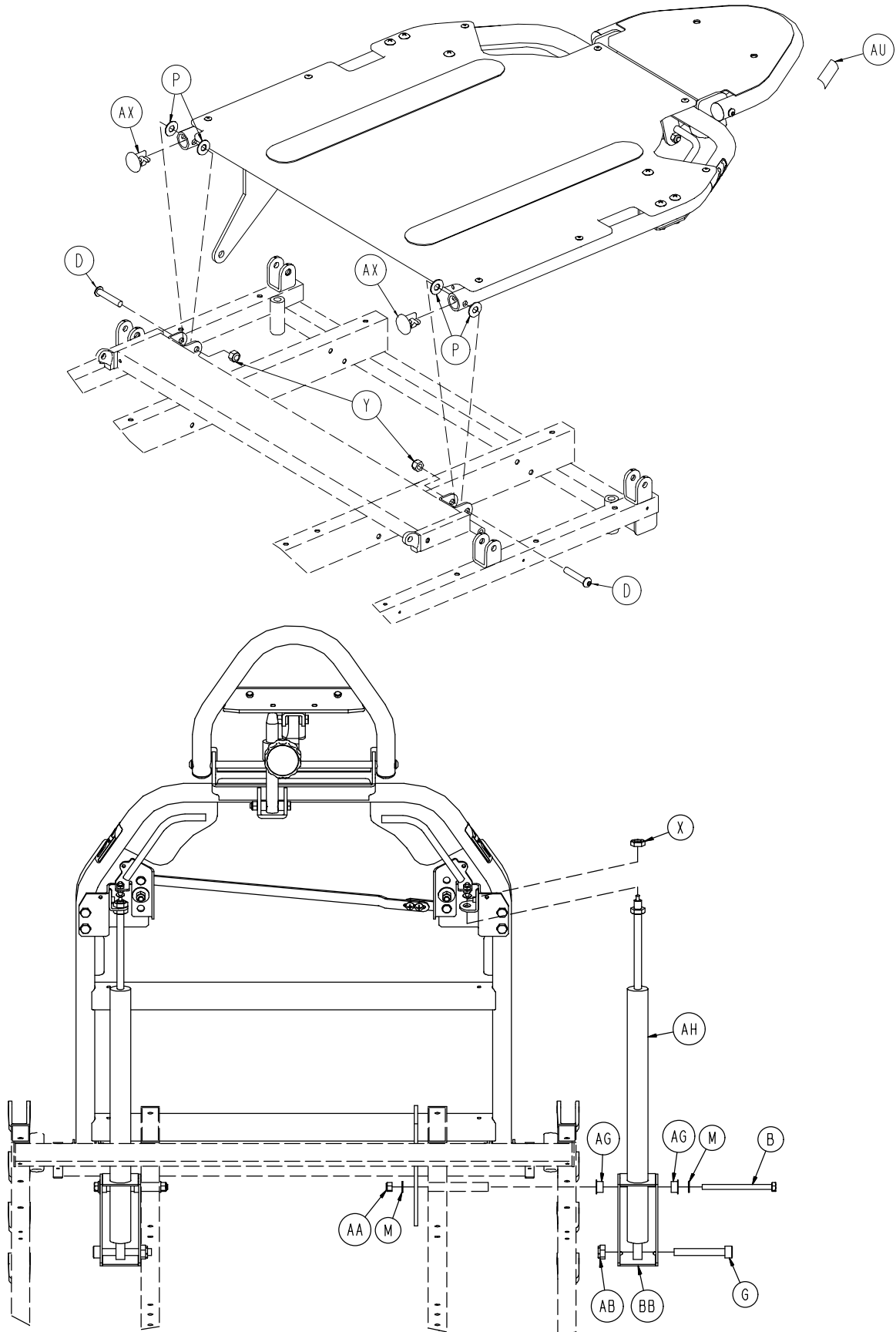








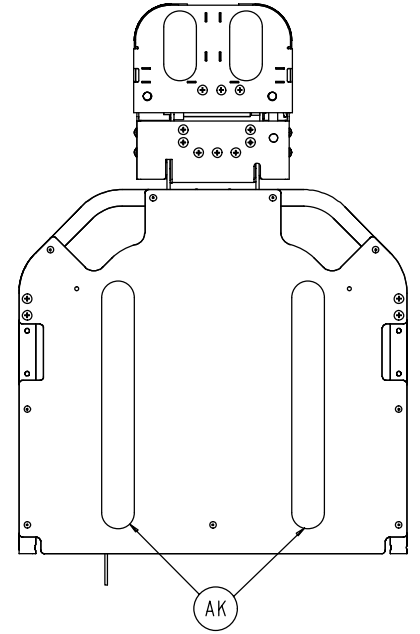
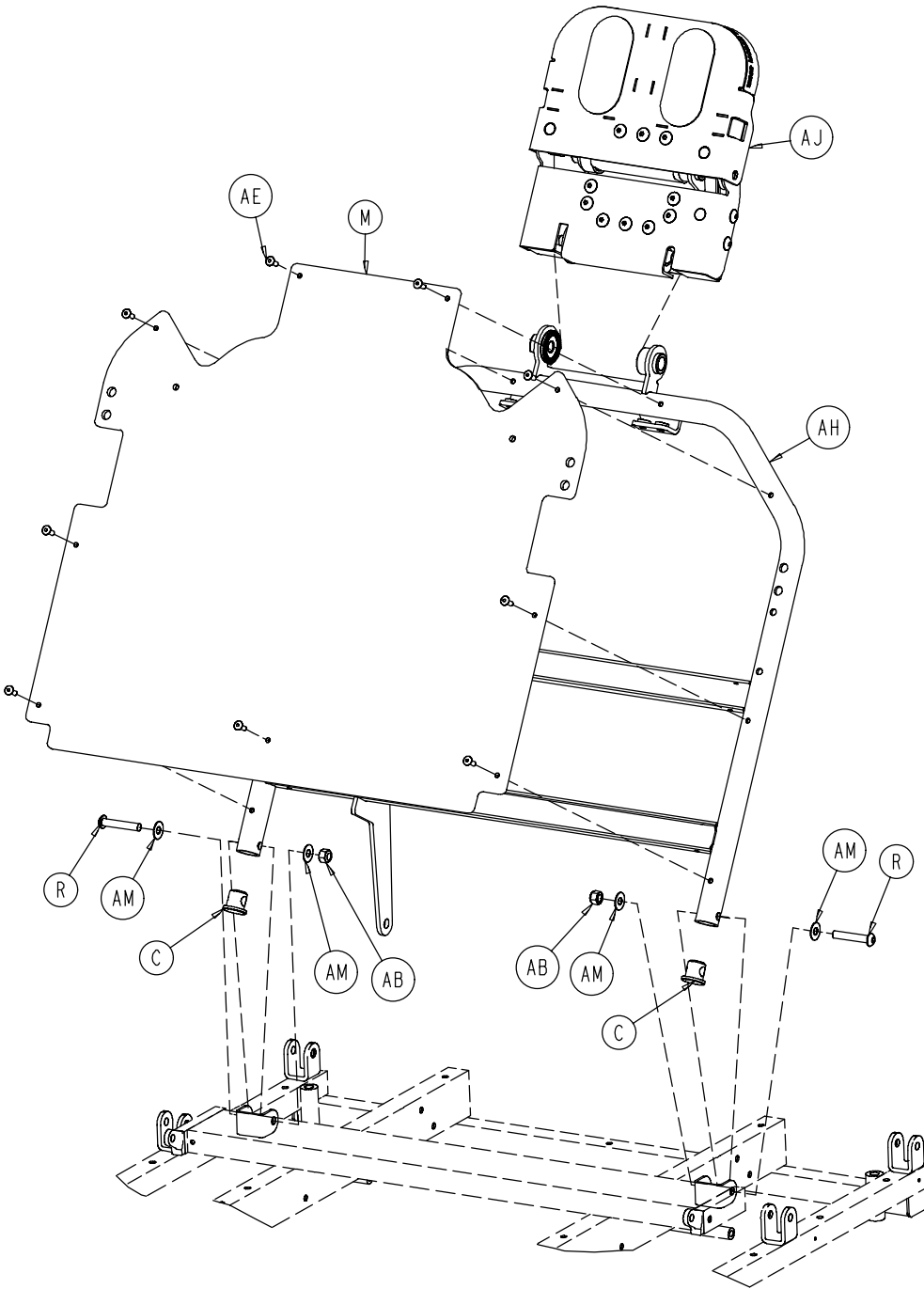


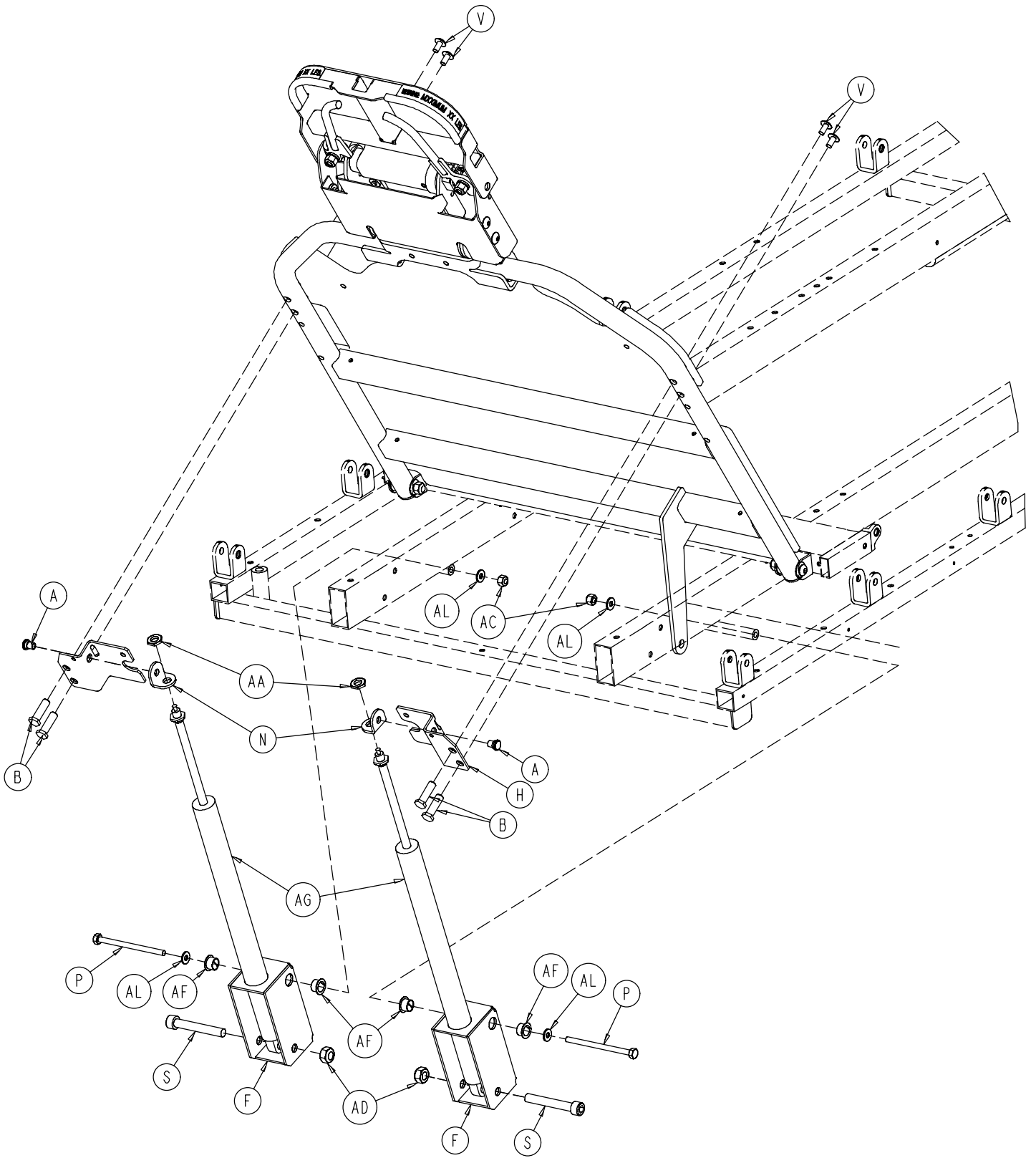


# 1069-032-115

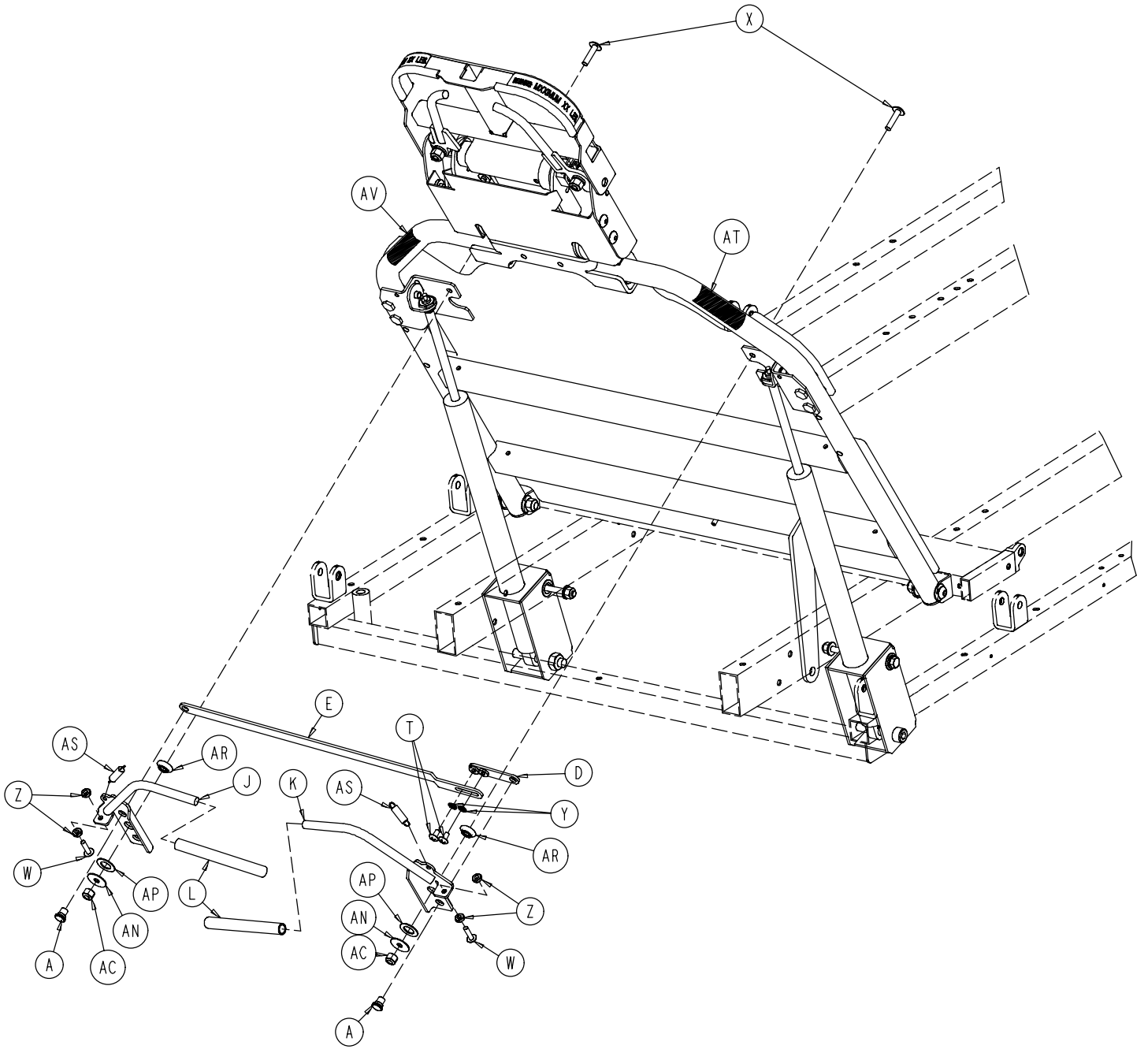
---

|    |              |   |    |              |   |
|----|--------------|---|----|--------------|---|
| A  | 0003-076-000 | 1 | AK | 0966-051-018 | 1 |
| B  | 0003-037-000 | 2 | AL | 0966-051-019 | 1 |
| C  | 0003-078-000 | 1 | AM | 0966-051-024 | 1 |
| D  | 0004-054-000 | 2 | AN | 0966-070-025 | 1 |
| E  | 0004-066-000 | 1 | AP | 0966-070-027 | 1 |
| F  | 0004-074-000 | 2 | AR | 0966-070-036 | 2 |
| G  | 0004-323-000 | 2 | AT | 0966-070-037 | 2 |
| H  | 0007-019-000 | 2 | AU | 1010-091-057 | 2 |
| J  | 0007-042-000 | 4 | AV | 1069-031-011 | 4 |
| K  | 0007-050-000 | 2 | AW | 1069-031-012 | 4 |
| L  | 0007-062-000 | 2 | AX | 1069-031-013 | 2 |
| M  | 0011-063-000 | 4 | AY | 1069-031-031 | 1 |
| N  | 0011-108-000 | 1 | BA | 1069-031-032 | 1 |
| P  | 0011-179-000 | 4 | BB | 1069-031-036 | 2 |
| R  | 0011-180-000 | 2 | BC | 1069-031-041 | 1 |
| T  | 0013-018-000 | 2 | BD | 1069-031-046 | 1 |
| U  | 0014-020-000 | 2 | BE | 1069-031-070 | 1 |
| V  | 0014-087-000 | 2 | BF | 1069-031-075 | 1 |
| W  | 0015-003-000 | 4 | BG | 1069-032-075 | 1 |
| X  | 0015-059-000 | 2 | BH | 1069-032-170 | 1 |
| Y  | 0016-036-000 | 2 | BJ | 1069-033-107 | 2 |
| AA | 0016-028-000 | 6 | BK | 1069-033-108 | 1 |
| AB | 0016-090-000 | 2 | BL | 1069-033-110 | 1 |
| AC | 0021-073-000 | 1 | BM | 1069-060-091 | 1 |
| AD | 0025-050-000 | 9 | BN | 1069-060-092 | 1 |
| AE | 0038-171-000 | 1 | BP | 1210-031-103 | 2 |
| AF | 0038-436-000 | 2 | BR | 3001-300-099 | 2 |
| AG | 0052-086-000 | 4 | BT | 5050-531-200 | 2 |
| AH | 0360-031-077 | 2 | BU | 7900-001-102 | 2 |
| AJ | 0966-001-065 | 1 |    |              |   |





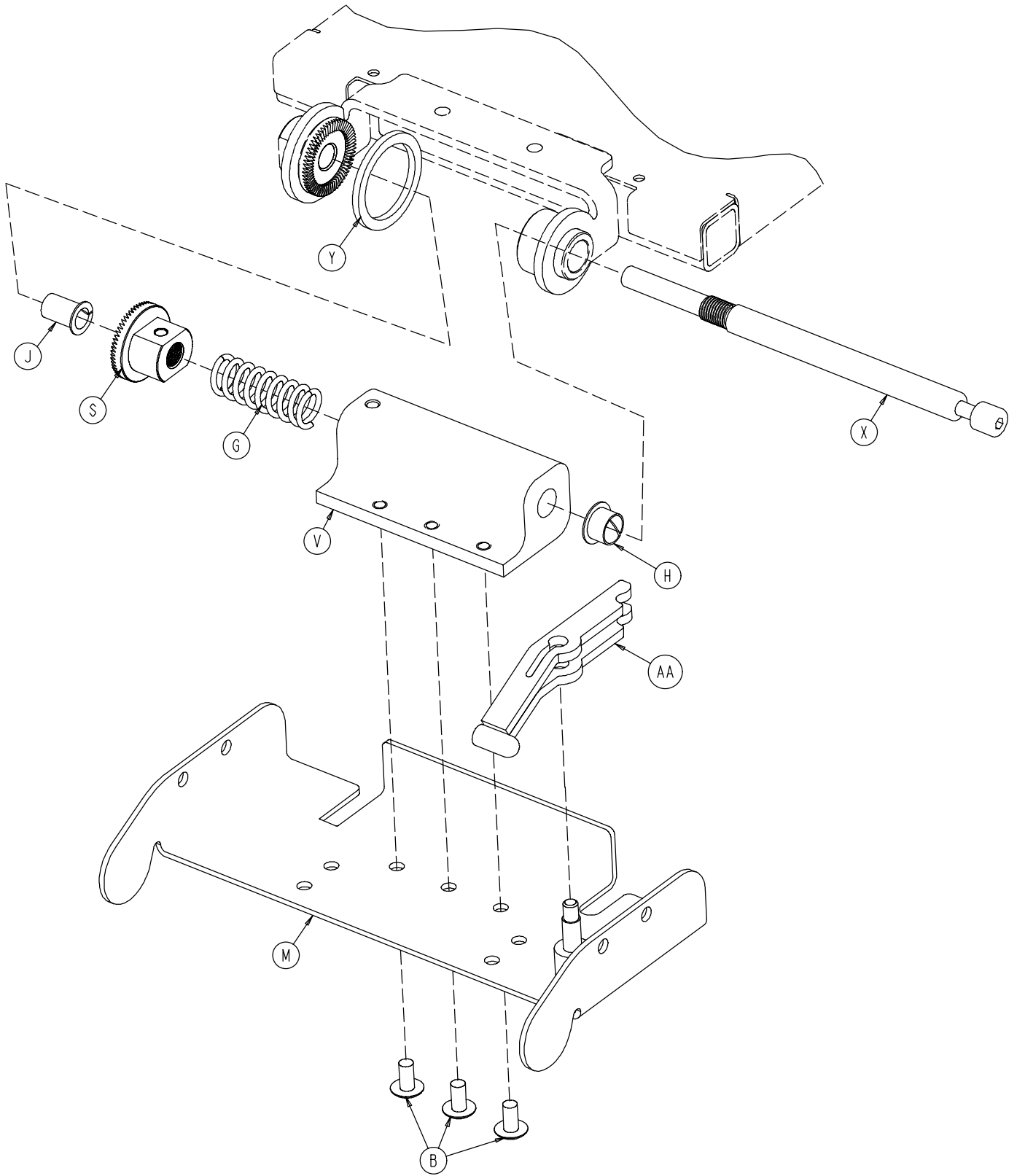


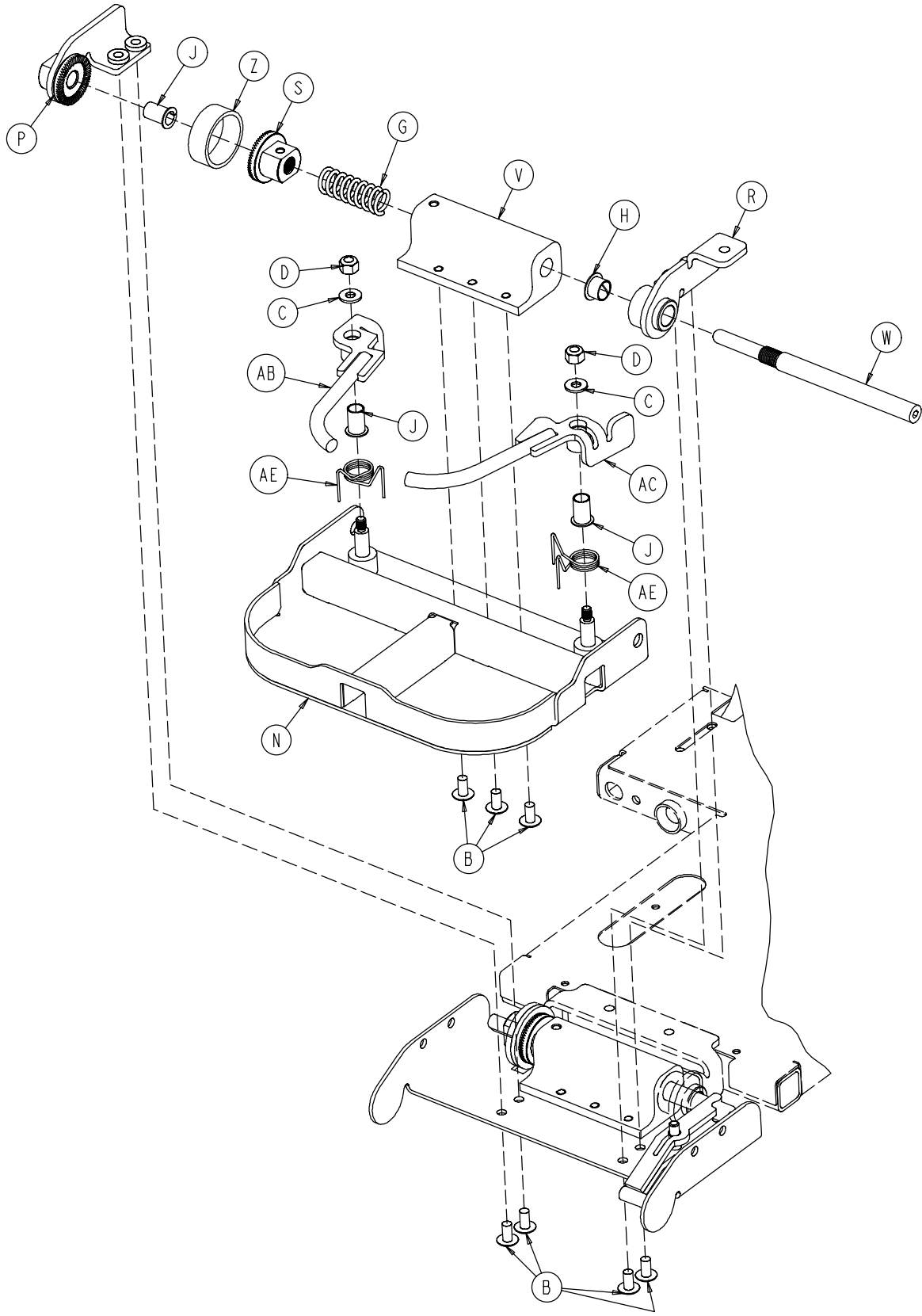


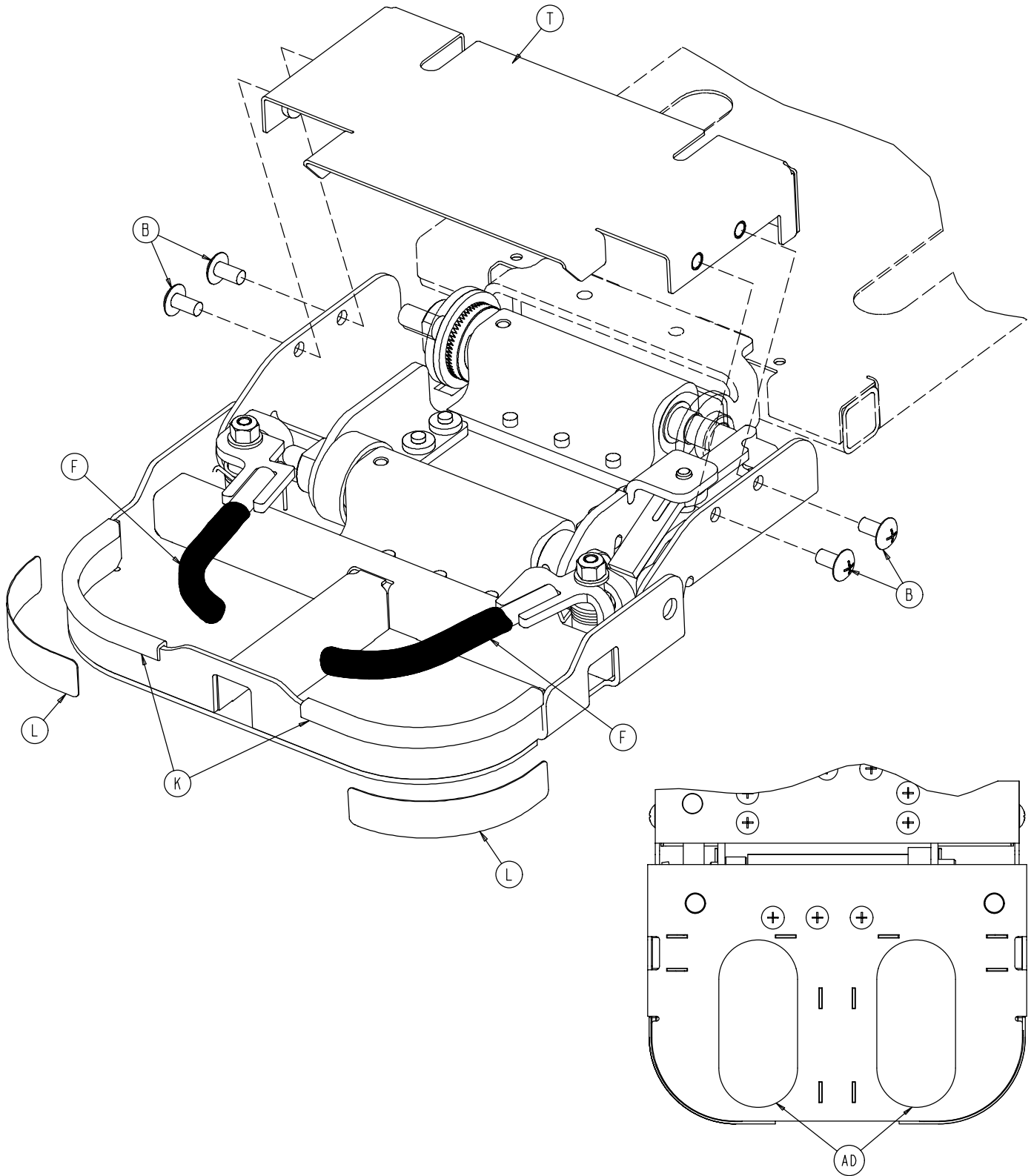
# 1069-132-110

---

|    |              |         |
|----|--------------|---------|
| A  | 1069-031-011 | 4       |
| B  | 1069-031-012 | 4       |
| C  | 1069-031-013 | 2       |
| D  | 1069-031-031 | 1       |
| E  | 1069-031-032 | 1       |
| F  | 1069-031-036 | 2       |
| G  | 1069-031-041 | 1       |
| H  | 1069-031-046 | 1       |
| J  | 1069-031-060 | 1       |
| K  | 1069-031-065 | 1       |
| L  | 1069-031-200 | 2       |
| M  | 1069-032-055 | 1       |
| N  | 1210-031-103 | 2       |
| P  | 0003-037-000 | 2       |
| R  | 0004-054-000 | 2       |
| S  | 0004-323-000 | 2       |
| T  | 0007-019-000 | 2       |
| V  | 0007-042-000 | 4       |
| W  | 0007-050-000 | 2       |
| X  | 0007-062-000 | 2       |
| Y  | 0013-018-000 | 2       |
| Z  | 0015-003-000 | 4       |
| AA | 0015-059-000 | 2       |
| AB | 0016-036-000 | 2       |
| AC | 0016-028-000 | 4       |
| AD | 0016-090-000 | 2       |
| AE | 0025-050-000 | 9       |
| AF | 0052-086-000 | 4       |
| AG | 0360-031-077 | 2       |
| AH | 1069-132-150 | 1       |
| AJ | 1069-133-020 | 1       |
| AK | 7900-001-102 | 2.5 ft. |
| AL | 0011-063-000 | 4       |
| AM | 0011-179-000 | 4       |
| AN | 0011-180-000 | 2       |
| AP | 0014-087-000 | 2       |
| AR | 3001-300-099 | 2       |
| AS | 0038-436-000 | 2       |
| AT | 1069-060-091 | 1       |
| AV | 1069-060-092 | 1       |



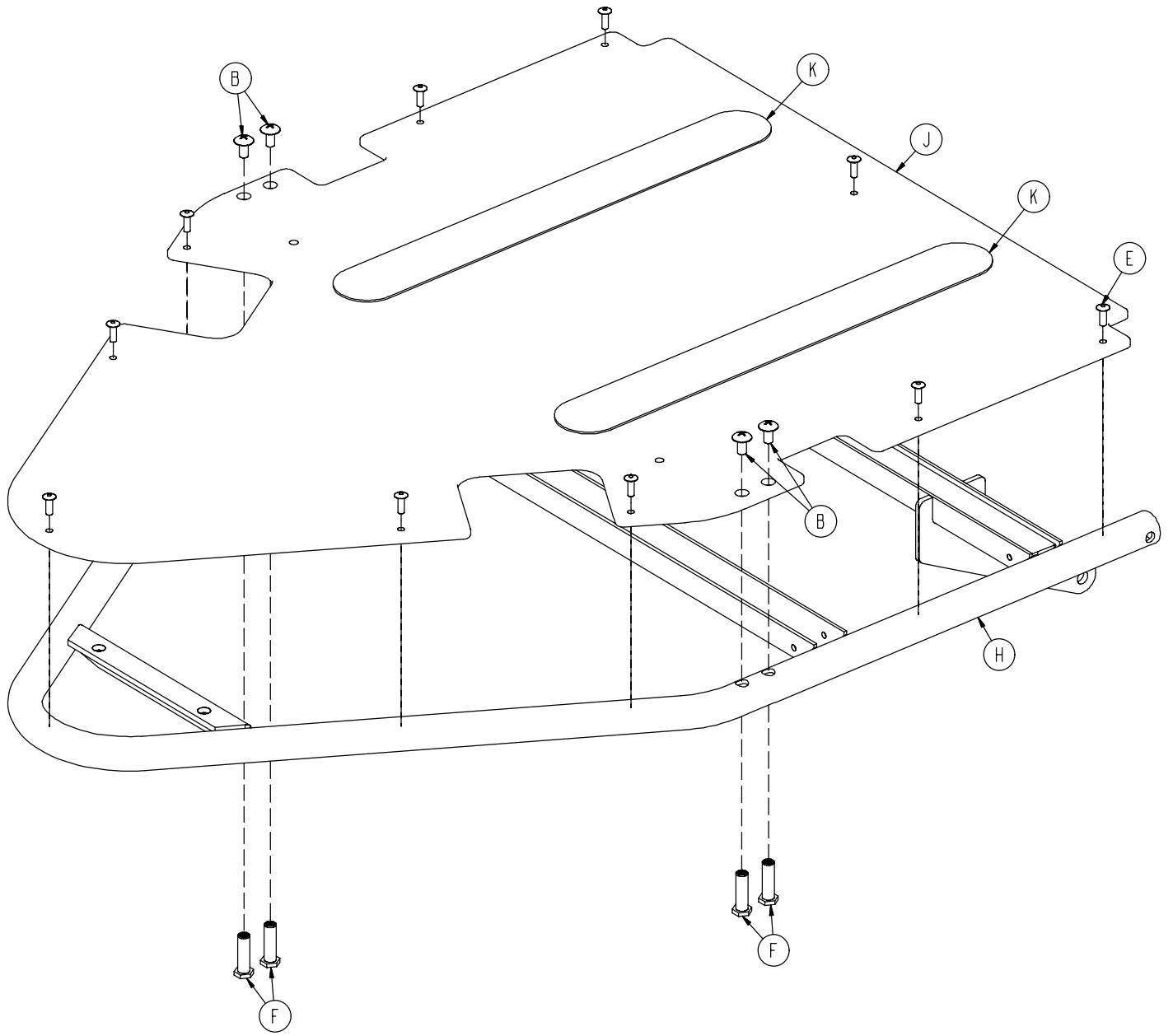




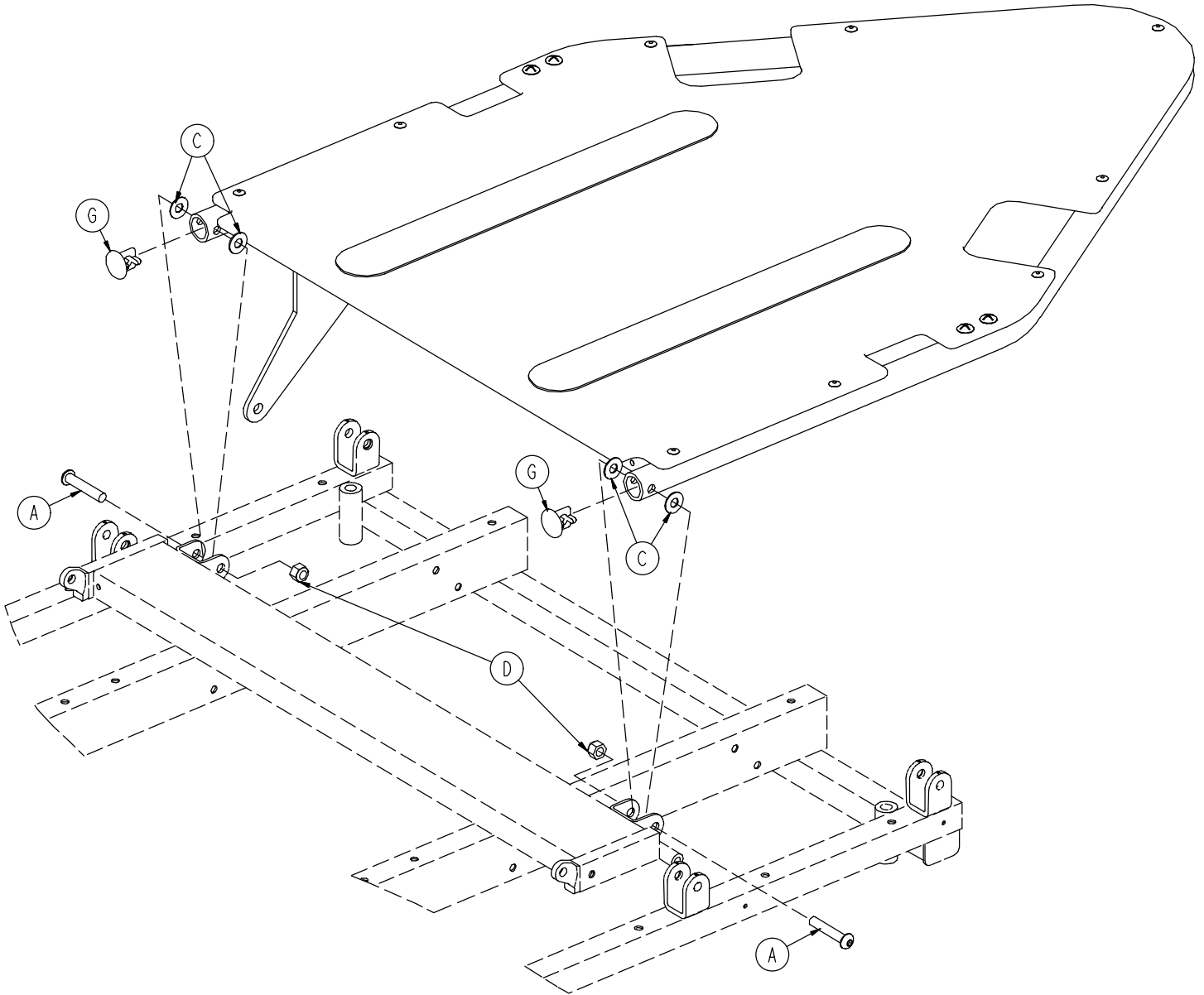
# 1069-133-020

---

|    |              |         |
|----|--------------|---------|
| B  | 0007-080-000 | 14      |
| C  | 0011-304-000 | 2       |
| D  | 0016-123-000 | 2       |
| F  | 0037-200-000 | 2       |
| G  | 0038-474-000 | 2       |
| H  | 0052-086-000 | 2       |
| J  | 0052-815-000 | 4       |
| K  | 0058-056-000 | 2       |
| L  | 1068-091-021 | 2       |
| M  | 1069-133-030 | 1       |
| N  | 1069-133-040 | 1       |
| P  | 1069-133-057 | 1       |
| R  | 1069-133-058 | 1       |
| S  | 1069-133-073 | 2       |
| T  | 1069-133-075 | 1       |
| V  | 1069-133-076 | 2       |
| W  | 1069-133-083 | 1       |
| X  | 1069-133-084 | 1       |
| Y  | 1069-133-085 | 1       |
| Z  | 1069-133-088 | 1       |
| AA | 1069-133-100 | 1       |
| AB | 1069-133-110 | 1       |
| AC | 1069-133-115 | 1       |
| AD | 7900-001-102 | .71 Ft. |
| AE | 1069-133-121 | 2       |

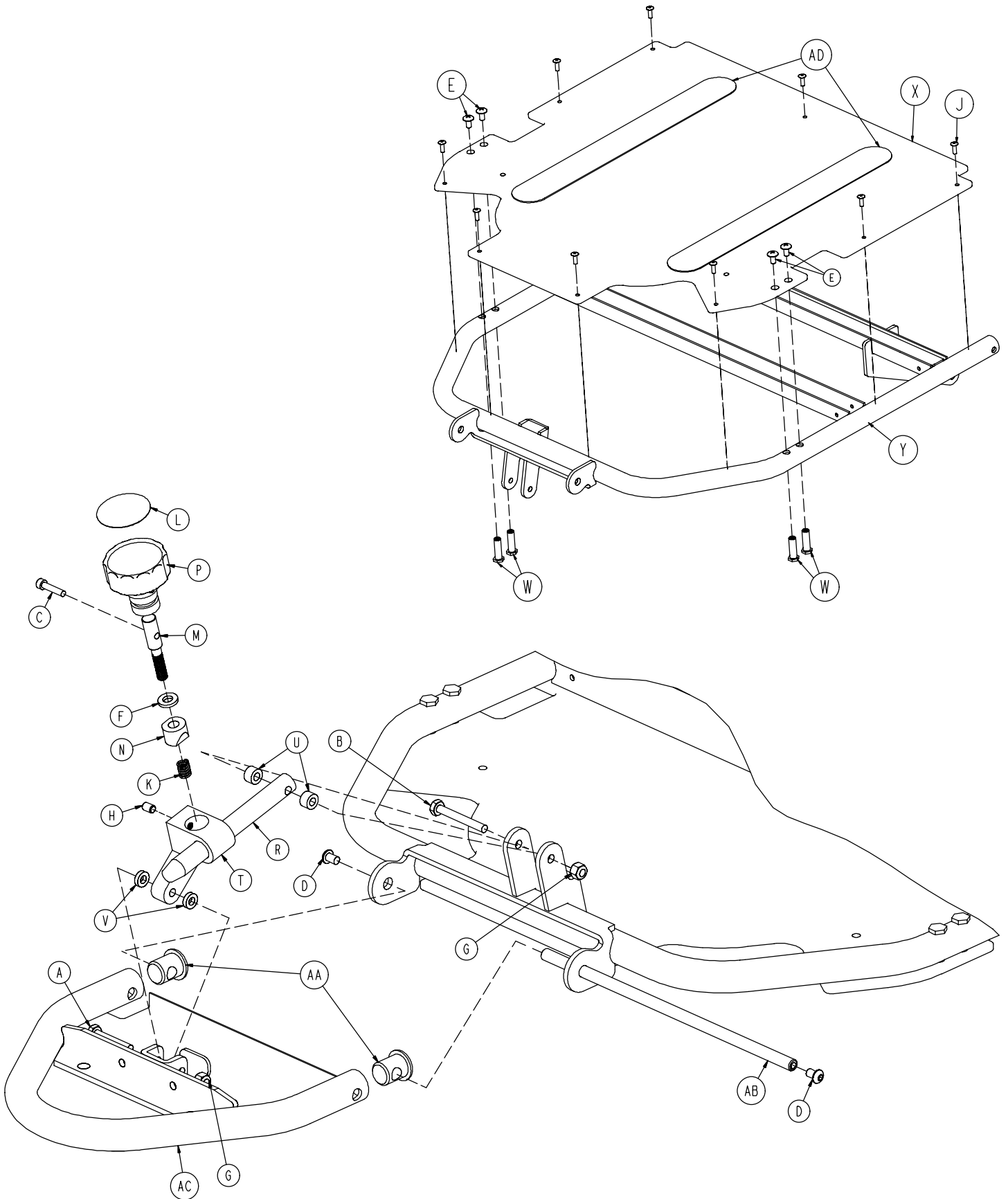


# 1069-042-160

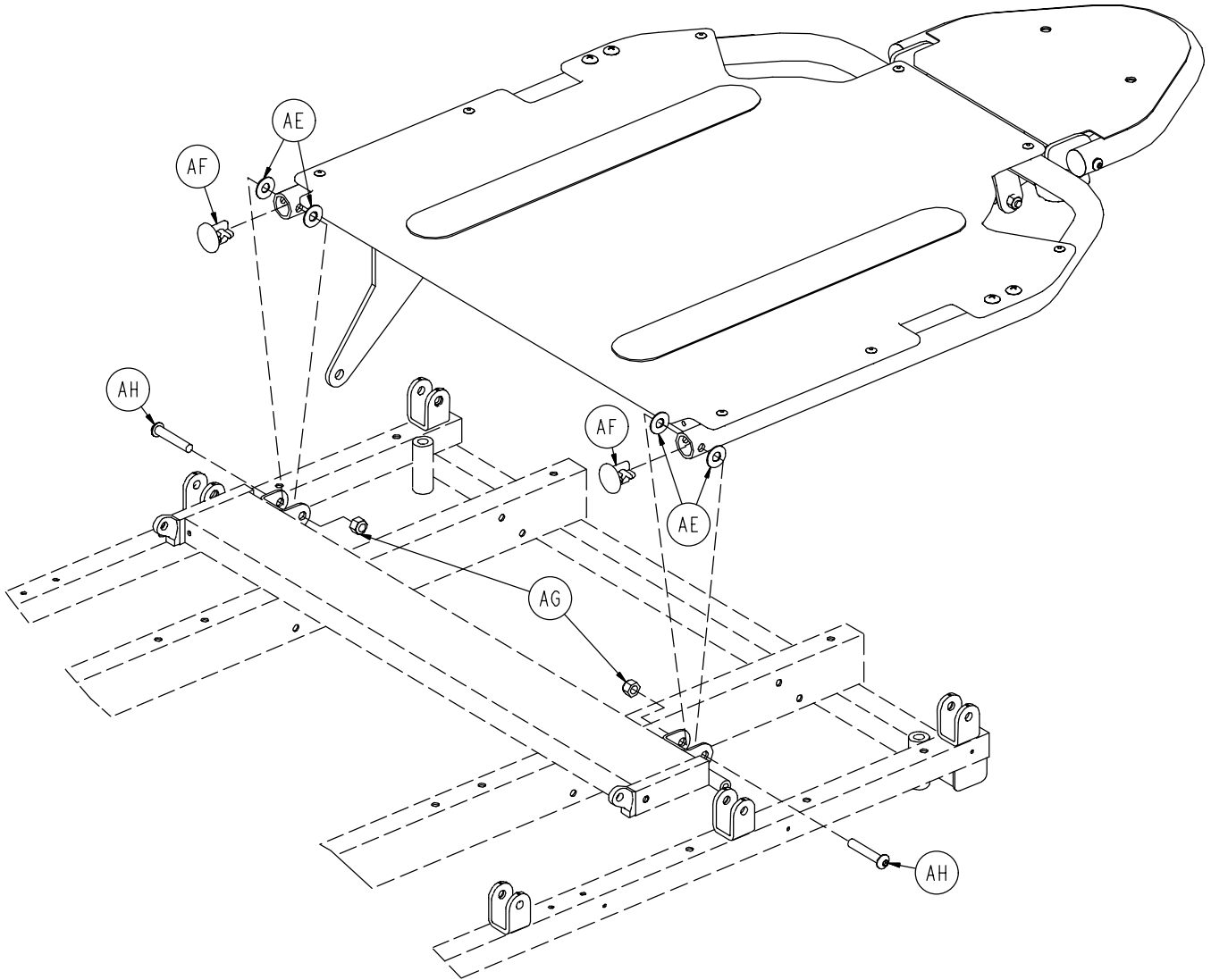


|   |              |    |
|---|--------------|----|
| A | 0004-054-000 | 2  |
| B | 0007-042-000 | 4  |
| C | 0011-179-000 | 4  |
| D | 0016-036-000 | 2  |
| E | 0025-050-000 | 10 |
| F | 1069-031-012 | 4  |
| G | 1069-031-013 | 2  |
| H | 1069-032-160 | 1  |
| J | 1069-032-065 | 1  |
| K | 7900-001-102 | 2  |

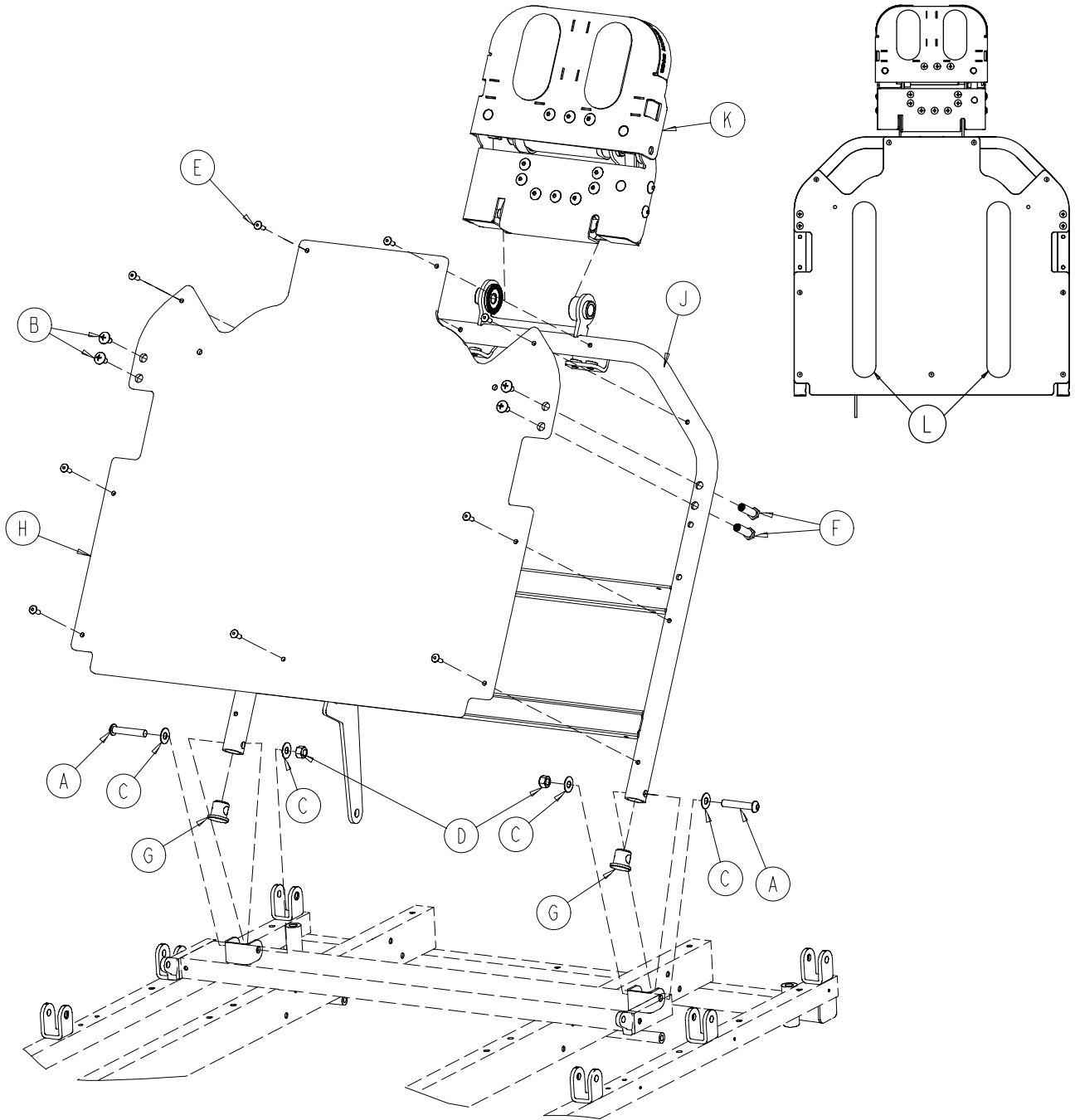




# 1069-042-155



|   |              |   |    |              |   |
|---|--------------|---|----|--------------|---|
| A | 0003-005-000 | 1 | T  | 0966-070-027 | 1 |
| B | 0003-076-000 | 1 | U  | 0966-070-036 | 2 |
| C | 0004-066-000 | 1 | V  | 0966-070-037 | 2 |
| D | 0004-074-000 | 2 | W  | 1069-031-012 | 4 |
| E | 0007-042-000 | 4 | X  | 1069-032-075 | 1 |
| F | 0011-108-000 | 1 | Y  | 1069-032-170 | 1 |
| G | 0016-028-000 | 2 | AA | 1069-033-107 | 2 |
| H | 0021-073-000 | 1 | AB | 1069-033-108 | 1 |
| J | 0025-050-000 | 9 | AC | 1069-033-110 | 1 |
| K | 0038-171-000 | 1 | AD | 7900-001-102 | 2 |
| L | 0966-001-065 | 1 | AE | 0011-179-000 | 4 |
| M | 0966-051-018 | 1 | AF | 1069-031-013 | 2 |
| N | 0966-051-019 | 1 | AG | 0016-036-000 | 2 |
| P | 0966-051-024 | 1 | AH | 0004-054-000 | 2 |
| R | 0966-070-025 | 1 |    |              |   |

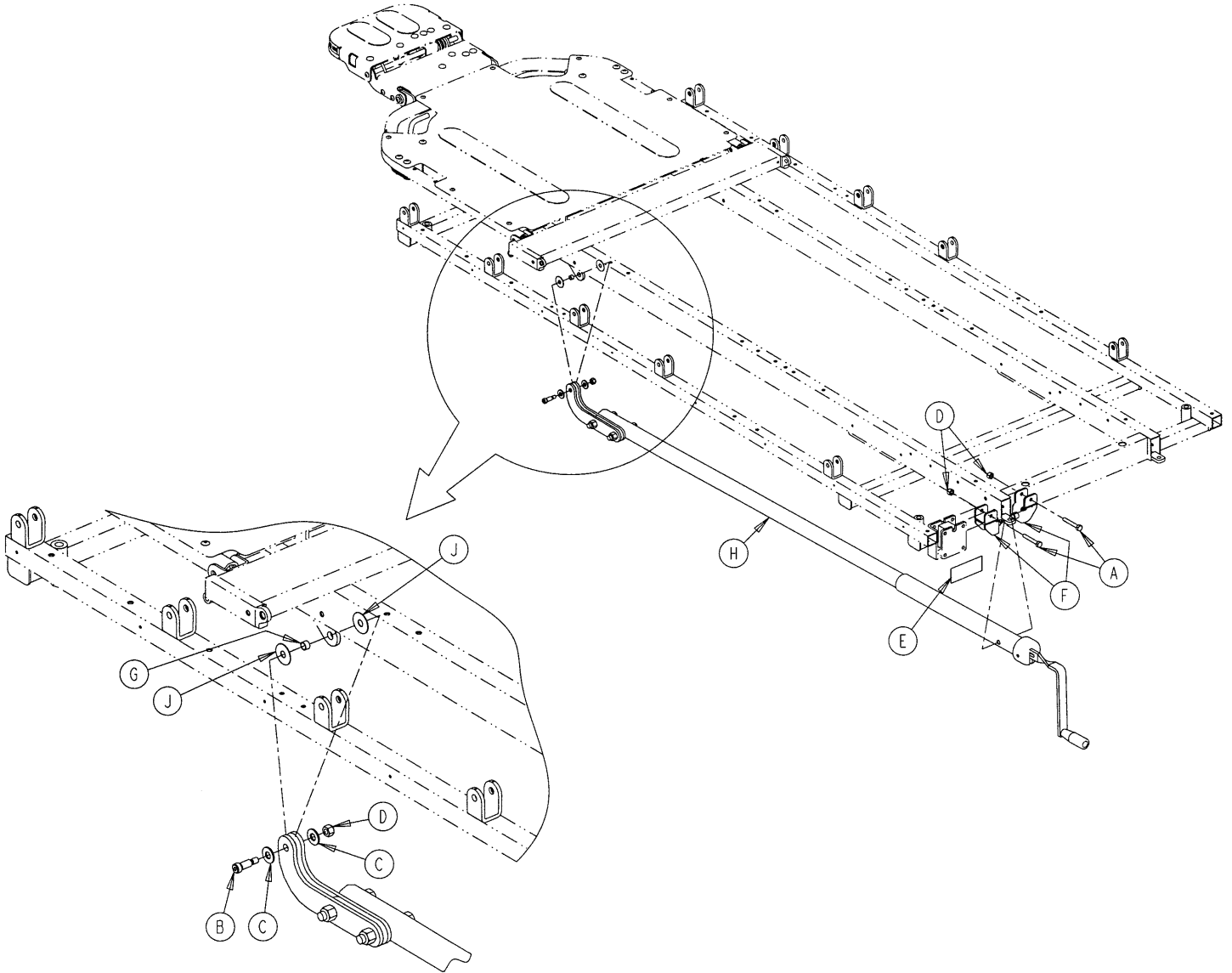


# 1069-142-150

---

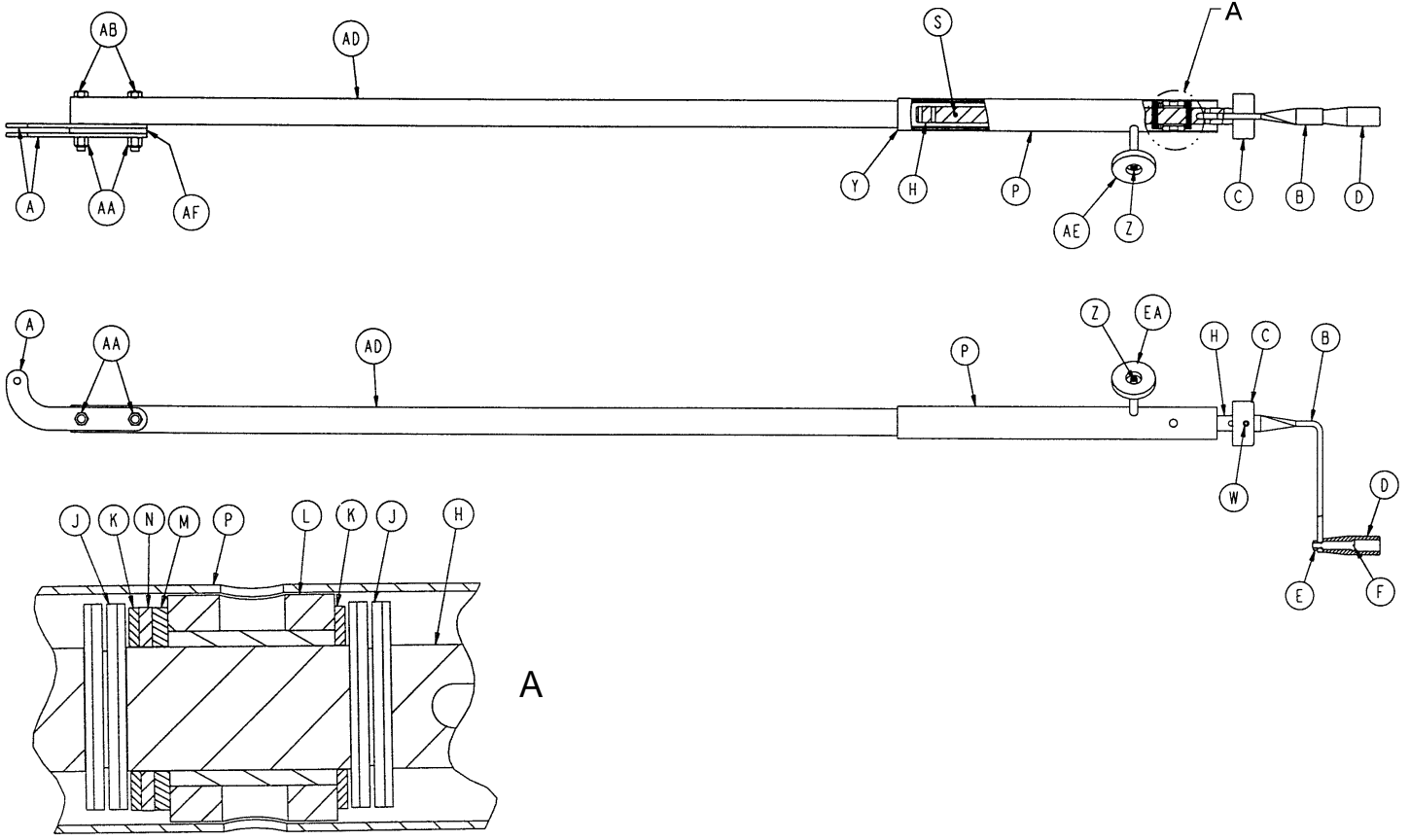
|   |              |         |
|---|--------------|---------|
| A | 0004-054-000 | 2       |
| B | 0007-042-000 | 4       |
| C | 0011-179-000 | 4       |
| D | 0016-036-000 | 2       |
| E | 0025-050-000 | 9       |
| F | 1069-031-012 | 4       |
| G | 1069-031-013 | 2       |
| H | 1069-032-055 | 1       |
| J | 1069-132-150 | 1       |
| K | 1069-133-020 | 1       |
| L | 7900-001-102 | 2.5 ft. |

# 1069-042-020

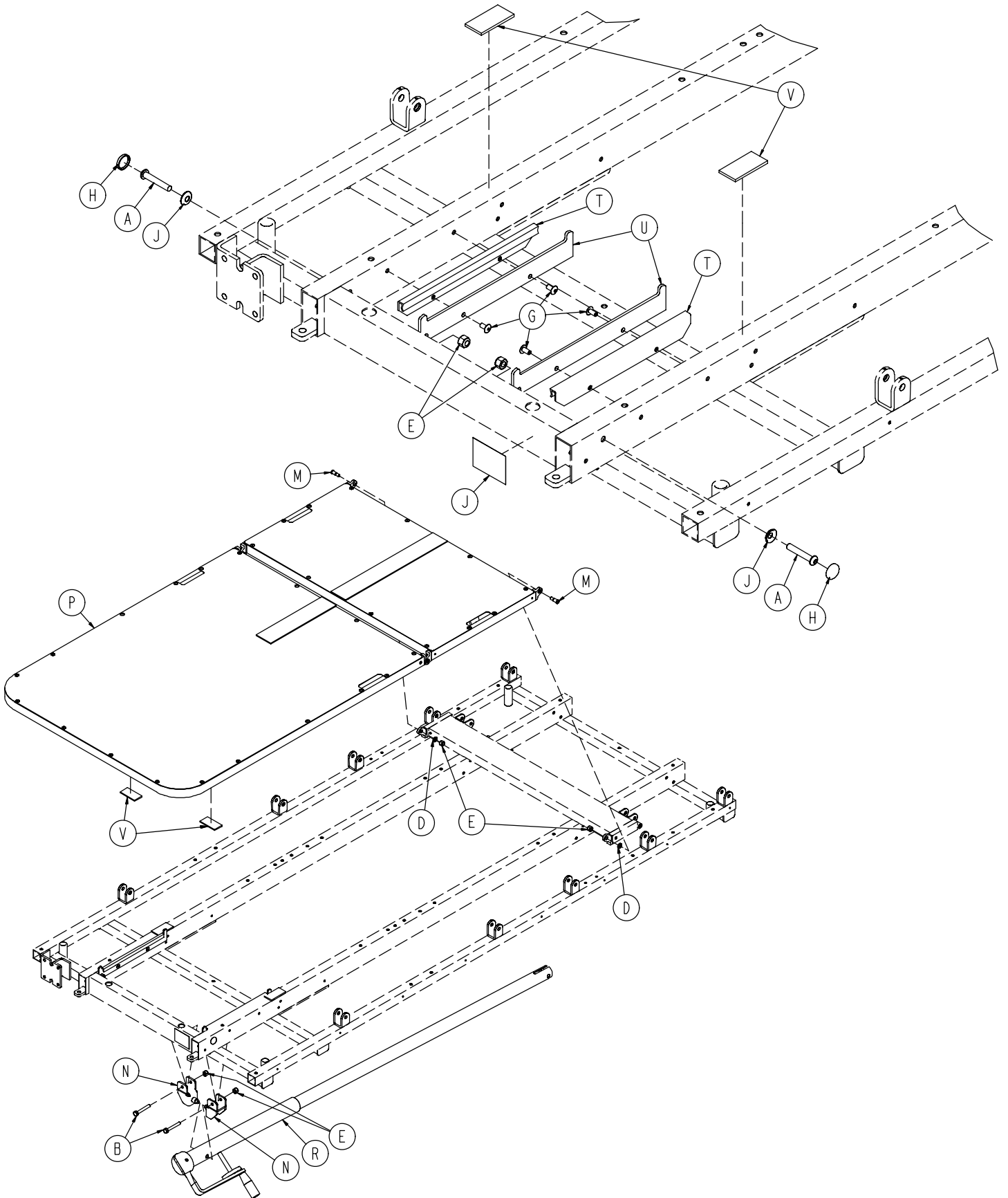


|   |              |   |
|---|--------------|---|
| A | 0003-078-000 | 2 |
| B | 0008-027-000 | 1 |
| C | 0011-003-000 | 2 |
| D | 0016-028-000 | 3 |
| E | 0946-001-064 | 1 |
| F | 1010-034-015 | 2 |
| G | 1066-033-068 | 1 |
| H | 1069-042-020 | 1 |
| J | 0014-019-000 | 2 |

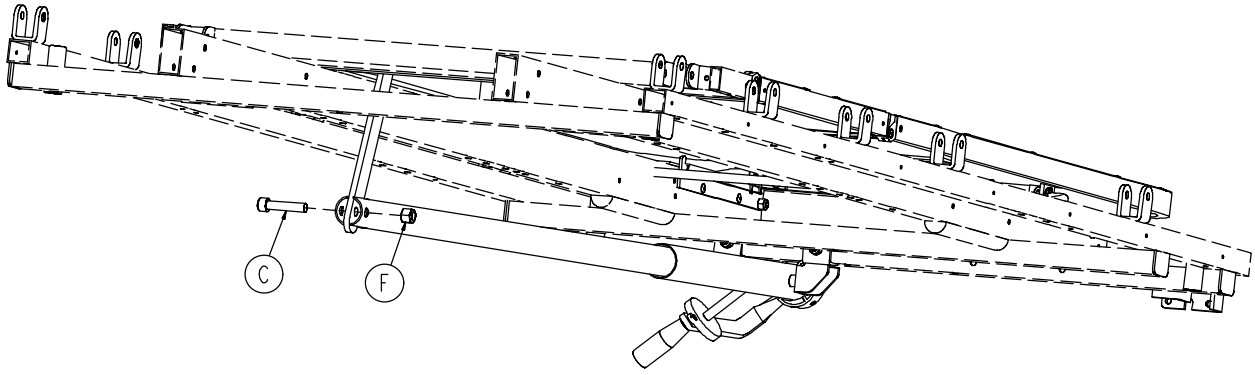
# 1069-042-020



|    |              |   |
|----|--------------|---|
| A  | 1069-042-023 | 2 |
| B  | 1550-001-016 | 1 |
| C  | 0946-033-018 | 1 |
| D  | 0938-001-177 | 1 |
| E  | 0016-005-000 | 1 |
| F  | 0378-024-029 | 1 |
| H  | 0946-033-035 | 1 |
| J  | 0026-014-000 | 2 |
| K  | 0081-174-000 | 2 |
| L  | 0938-001-175 | 1 |
| M  | 0081-176-000 | 1 |
| N  | 0081-175-000 | 1 |
| P  | 1510-034-084 | 1 |
| S  | 0026-010-000 | 1 |
| W  | 0026-045-000 | 1 |
| Y  | 7900-001-102 | 4 |
| Z  | 0004-007-000 | 1 |
| AA | 0016-035-000 | 2 |
| AB | 0003-027-000 | 2 |
| AD | 1069-042-021 | 1 |
| AE | 1550-001-014 | 1 |
| AF | 1069-042-024 | 1 |



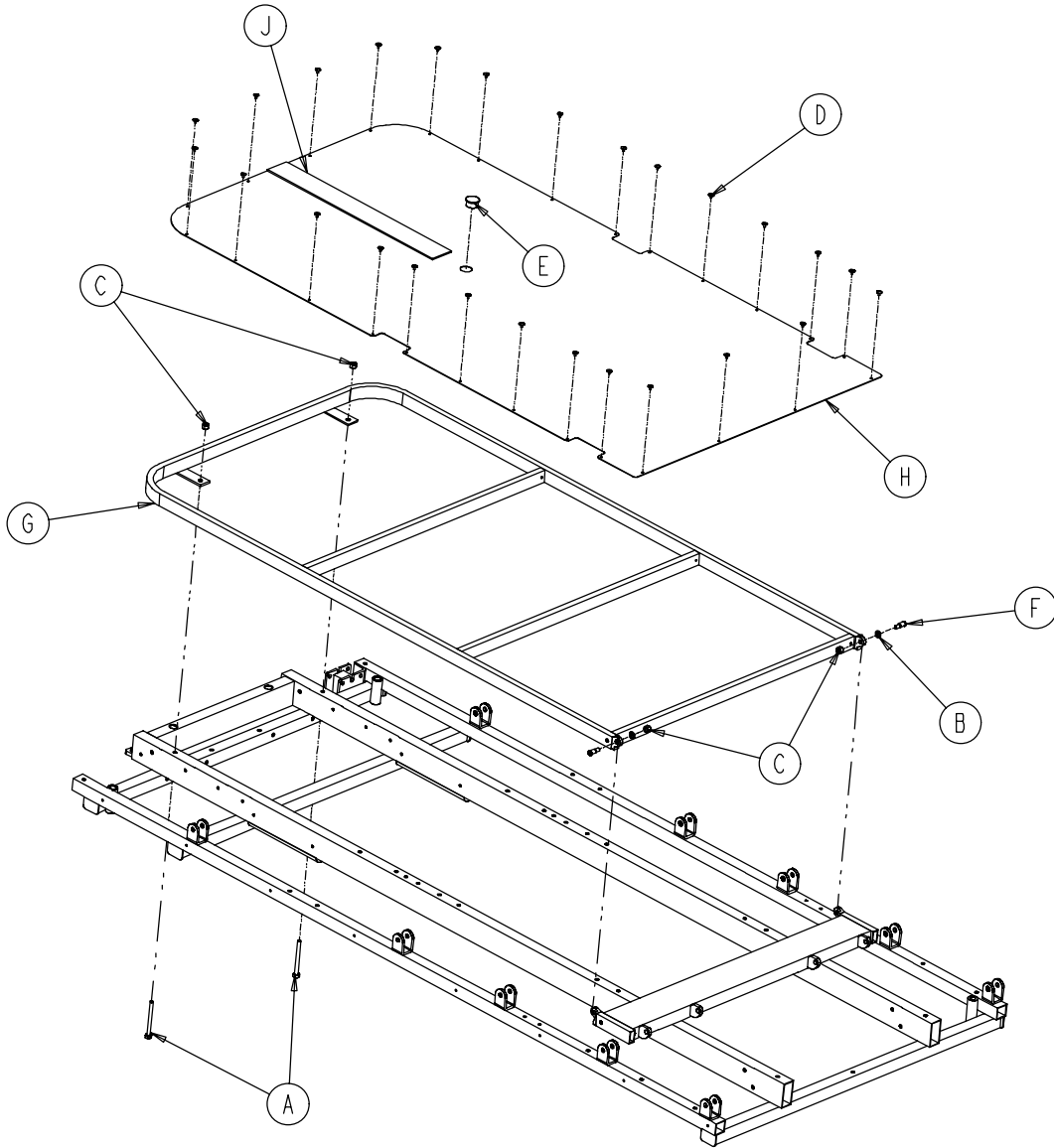
# 1068-040-110



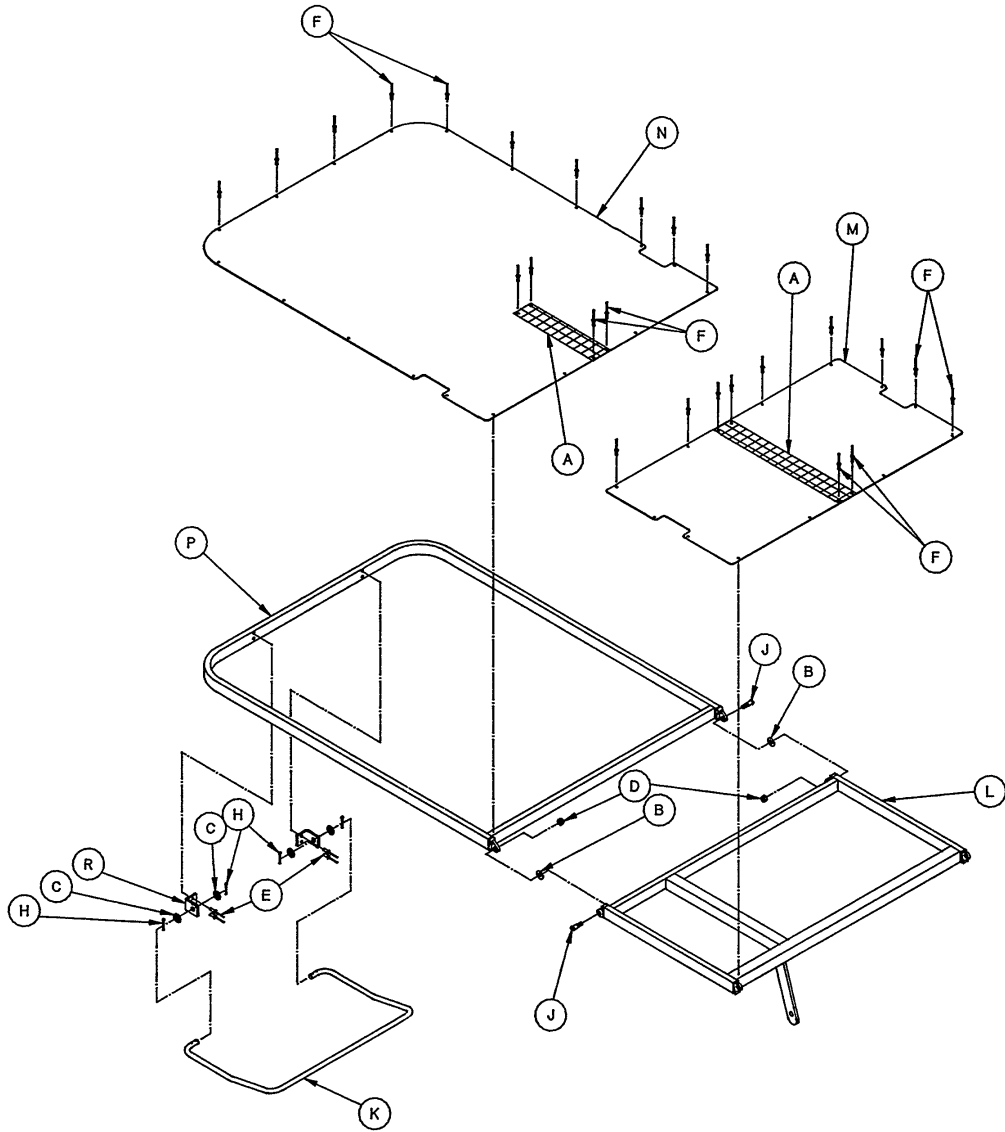
|   |              |         |
|---|--------------|---------|
| A | 0004-135-000 | 10      |
| B | 0003-078-000 | 2       |
| C | 0004-105-000 | 1       |
| D | 0014-003-000 | 2       |
| E | 0016-028-000 | 6       |
| F | 0016-035-000 | 1       |
| G | 0025-079-000 | 4       |
| H | 0037-055-000 | 2       |
| J | 0037-056-000 | 2       |
| K | 0721-031-065 | 2       |
| L | 0946-001-065 | 1       |
| M | 1010-032-060 | 2       |
| N | 1010-034-015 | 2       |
| P | 1068-041-010 | 1       |
| R | 1068-046-010 | 1       |
| T | 1510-034-190 | 2       |
| U | 1510-034-194 | 2       |
| V | 7900-001-102 | .33 ft. |



# 1069-024-004

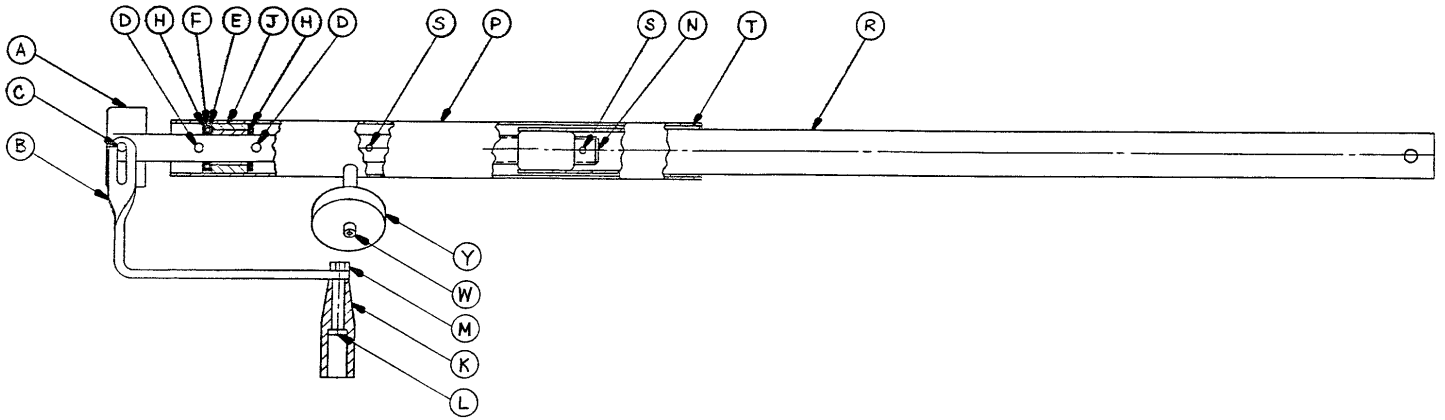
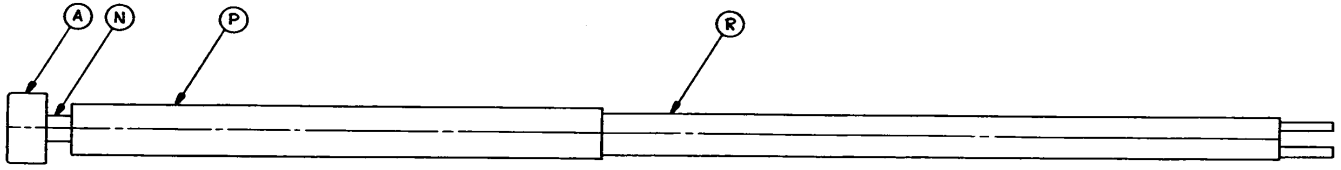


|   |              |         |
|---|--------------|---------|
| A | 0003-073-000 | 2       |
| B | 0014-003-000 | 2       |
| C | 0016-028-000 | 4       |
| D | 0025-101-000 | 26      |
| E | 0037-208-000 | 1       |
| F | 1010-032-060 | 2       |
| G | 1068-044-050 | 1       |
| H | 1069-019-001 | 1       |
| J | 7900-001-102 | 24 1/2" |



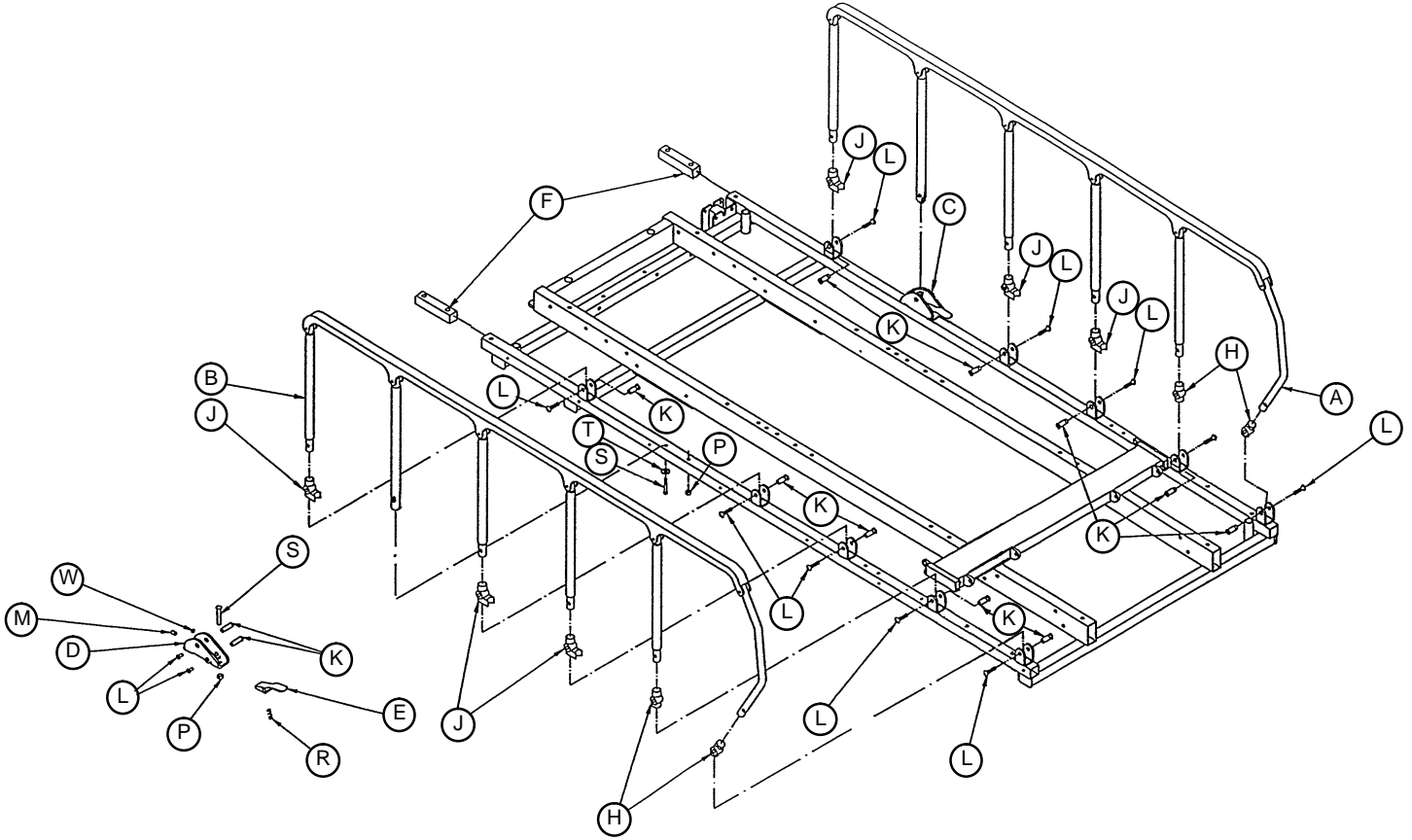
|   |              |       |
|---|--------------|-------|
| A | 7900-001-102 | 1.92' |
| B | 0014-003-000 | 2     |
| C | 0014-021-000 | 4     |
| D | 0016-028-000 | 2     |
| E | 0025-079-000 | 4     |
| F | 0025-101-000 | 38    |
| H | 0027-007-000 | 4     |
| J | 1010-032-060 | 2     |
| K | 1010-034-023 | 1     |
| L | 1010-034-025 | 1     |
| M | 1066-034-059 | 1     |
| N | 1068-040-044 | 1     |
| P | 1068-040-050 | 1     |
| R | 1510-034-088 | 2     |

# 1068-046-010

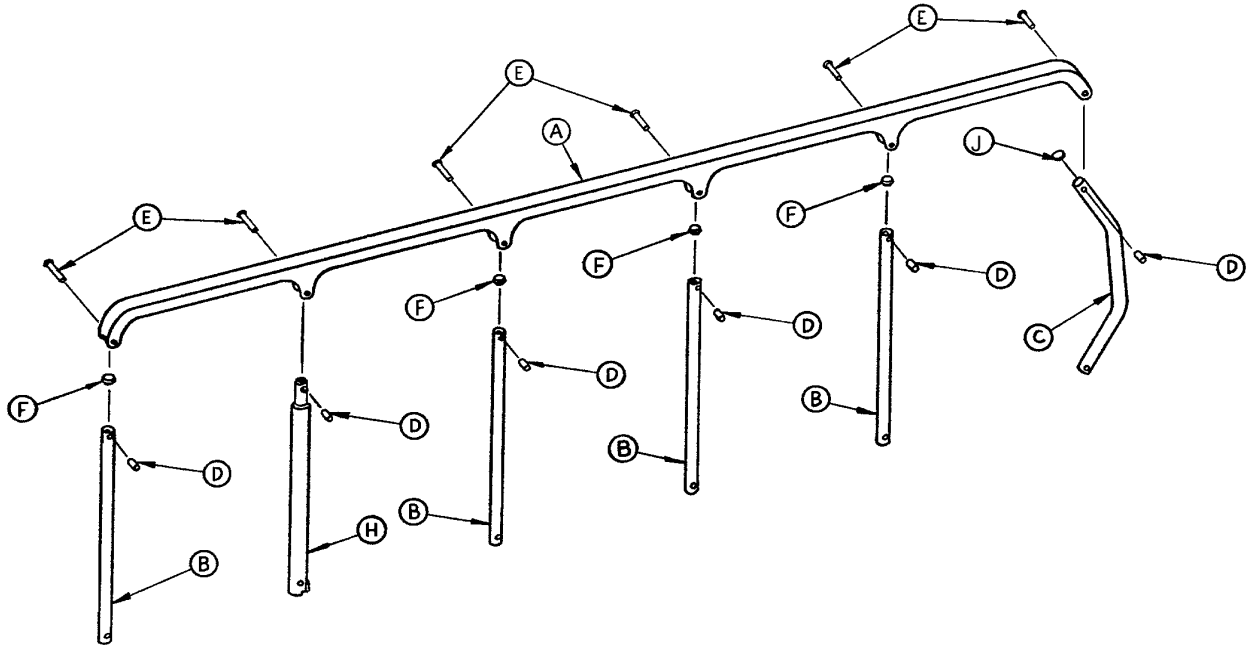


|   |              |     |
|---|--------------|-----|
| A | 0946-033-018 | 1   |
| B | 1550-001-016 | 1   |
| C | 0026-045-000 | 1   |
| D | 0026-014-000 | 2   |
| E | 0081-176-000 | 1   |
| F | 0081-175-000 | 1   |
| H | 0081-174-000 | 2   |
| J | 0938-001-175 | 1   |
| K | 0938-001-177 | 1   |
| L | 0378-024-029 | 1   |
| M | 0016-005-000 | 1   |
| N | 0946-034-025 | 1   |
| P | 1510-034-084 | 1   |
| R | 1068-046-012 | 1   |
| S | 0026-010-000 | 2   |
| T | 7900-001-102 | .3' |
| W | 0004-007-000 | 1   |
| Y | 1550-001-014 | 1   |

# 1068-020-010

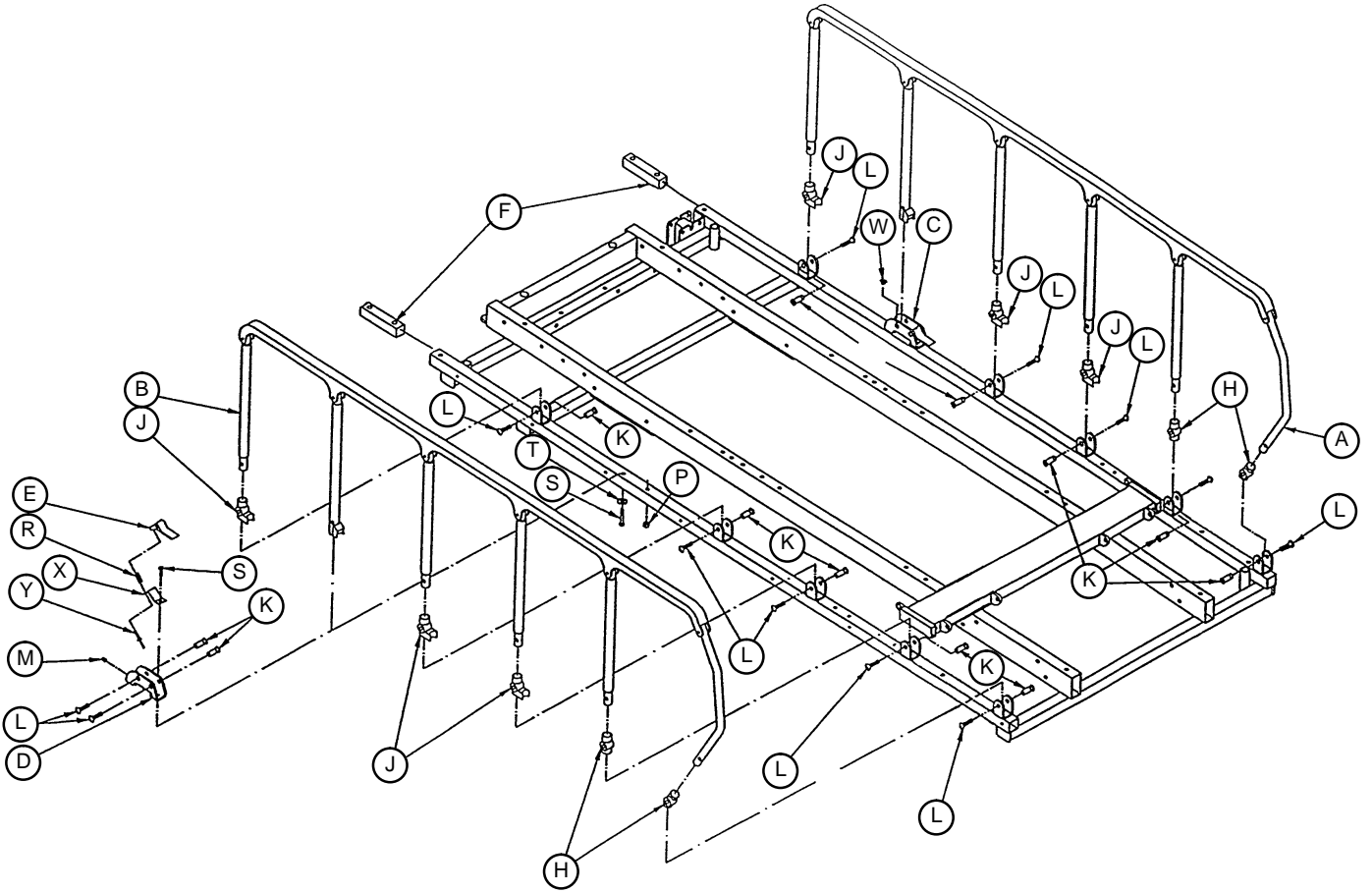


|   |              |    |
|---|--------------|----|
| A | 1068-026-015 | 1  |
| B | 1068-026-017 | 1  |
| C | 1010-026-080 | 1  |
| D | 1010-026-081 | 1  |
| E | 0721-026-074 | 2  |
| F | 1010-026-069 | 2  |
| H | 0721-026-069 | 4  |
| J | 0721-026-068 | 6  |
| K | 0721-026-066 | 14 |
| L | 0004-136-000 | 14 |
| M | 0021-104-000 | 2  |
| P | 0016-028-000 | 2  |
| R | 0038-220-000 | 2  |
| S | 0004-135-000 | 4  |
| T | 0011-002-000 | 4  |
| W | 0037-074-000 | 2  |

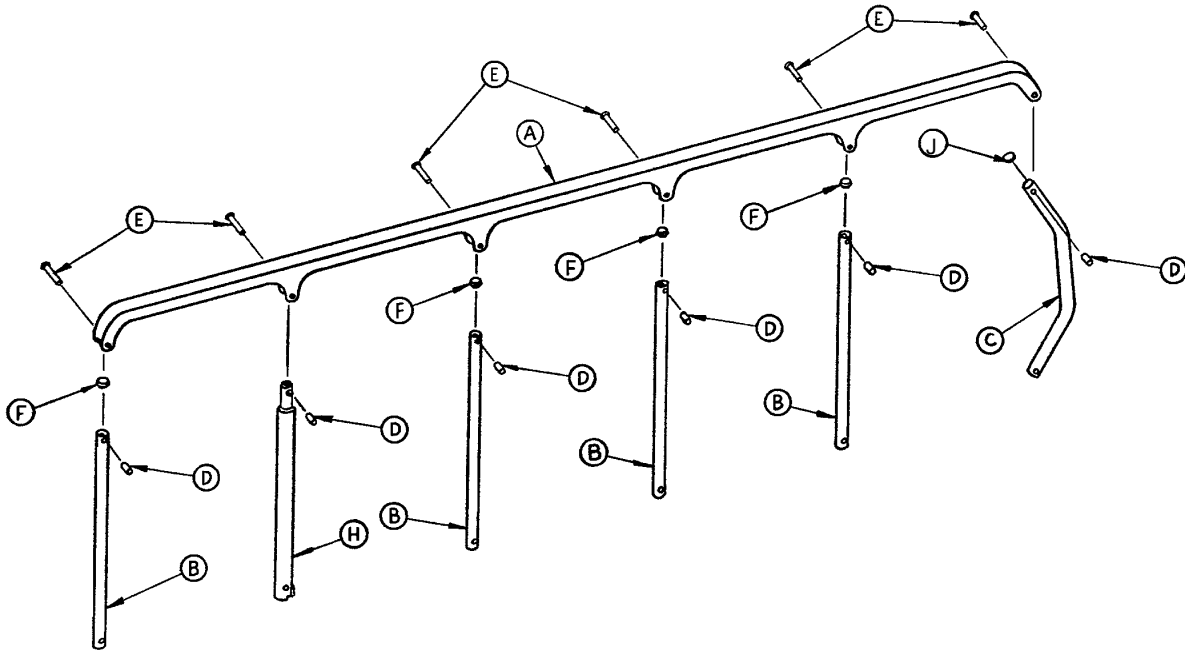


|   |              |   |
|---|--------------|---|
| A | 1010-026-015 | 1 |
| B | 1010-026-083 | 4 |
| C | 1010-026-084 | 1 |
| D | 1010-026-082 | 6 |
| E | 0025-106-000 | 6 |
| F | 1010-026-010 | 4 |
| H | 1010-026-085 | 1 |
| J | 1010-026-012 | 1 |

# 1068-021-010

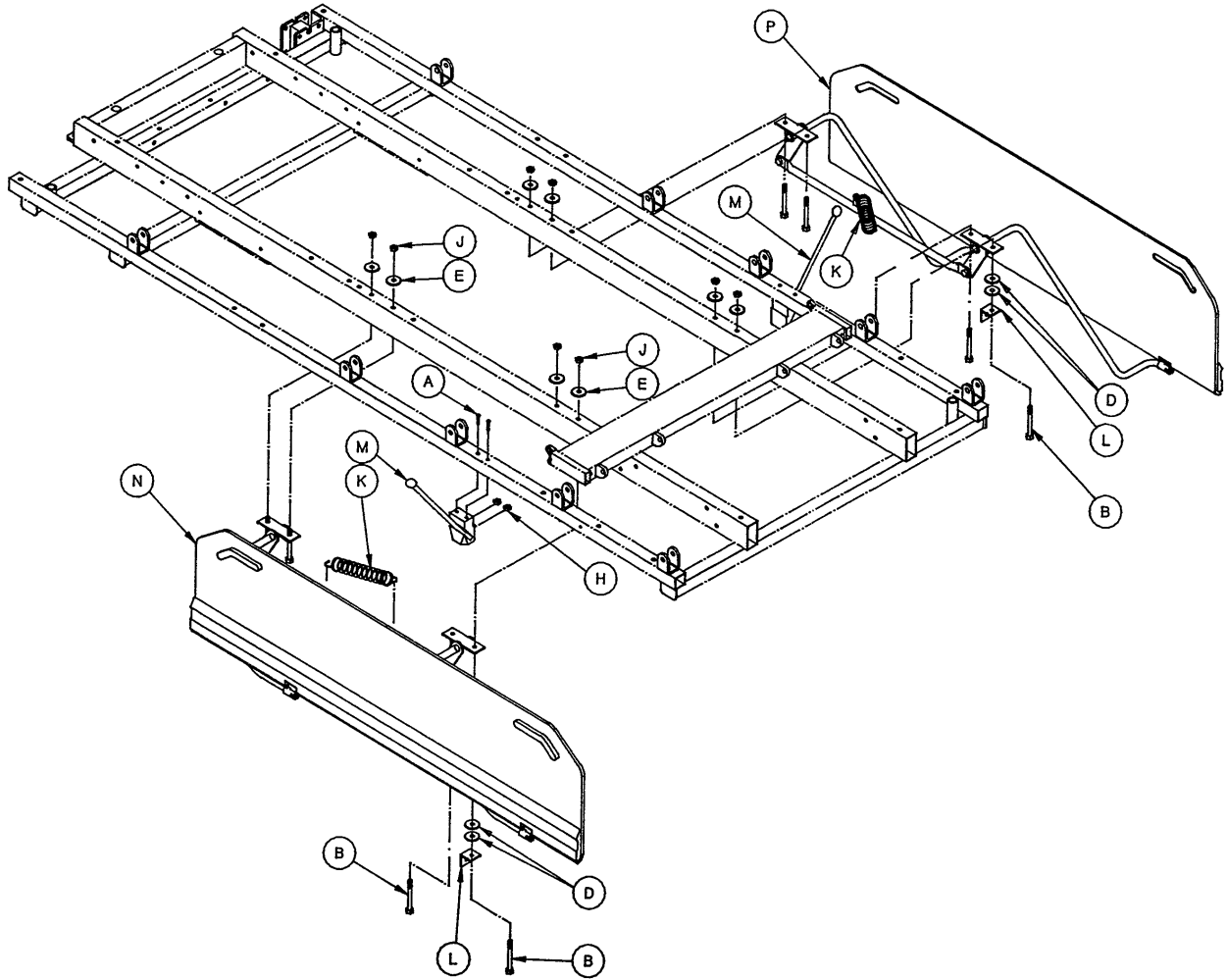


|   |              |    |
|---|--------------|----|
| A | 1066-026-015 | 1  |
| B | 1066-026-017 | 1  |
| C | 1066-026-018 | 1  |
| D | 1066-026-016 | 1  |
| E | 1066-026-022 | 2  |
| F | 1010-026-069 | 2  |
| H | 0721-026-069 | 4  |
| J | 0721-026-068 | 6  |
| K | 0721-026-066 | 14 |
| L | 0004-136-000 | 14 |
| M | 0021-104-000 | 2  |
| P | 0016-028-000 | 2  |
| R | 0038-220-000 | 2  |
| S | 0004-135-000 | 4  |
| T | 0011-002-000 | 4  |
| W | 0037-074-000 | 2  |
| X | 1066-126-019 | 2  |



|   |              |   |
|---|--------------|---|
| A | 1010-026-015 | 1 |
| B | 1010-026-083 | 4 |
| C | 1010-026-084 | 1 |
| D | 1010-026-082 | 6 |
| E | 0025-106-000 | 6 |
| F | 1010-026-010 | 4 |
| H | 1066-026-027 | 1 |
| J | 1010-026-012 | 1 |

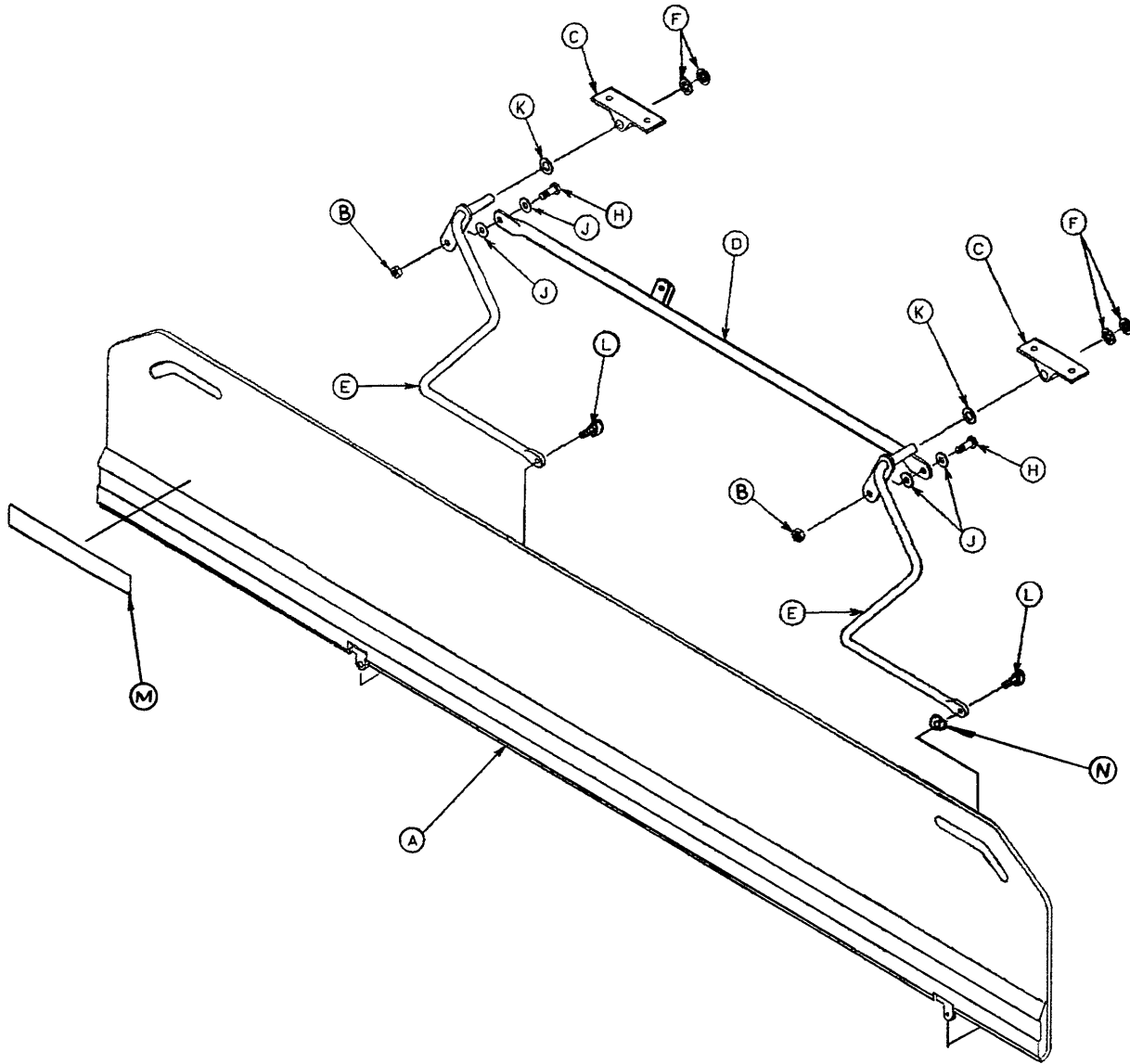
# 1060-058-010



|   |              |   |
|---|--------------|---|
| A | 0002-100-000 | 4 |
| B | 0003-073-000 | 8 |
| D | 0011-002-000 | 4 |
| E | 0011-180-000 | 8 |
| H | 0016-003-000 | 4 |
| J | 0016-028-000 | 8 |
| K | 0038-218-000 | 2 |
| L | 1010-024-025 | 2 |
| M | 1010-091-030 | 2 |
| N | 1060-001-114 | 1 |
| P | 1060-001-115 | 1 |

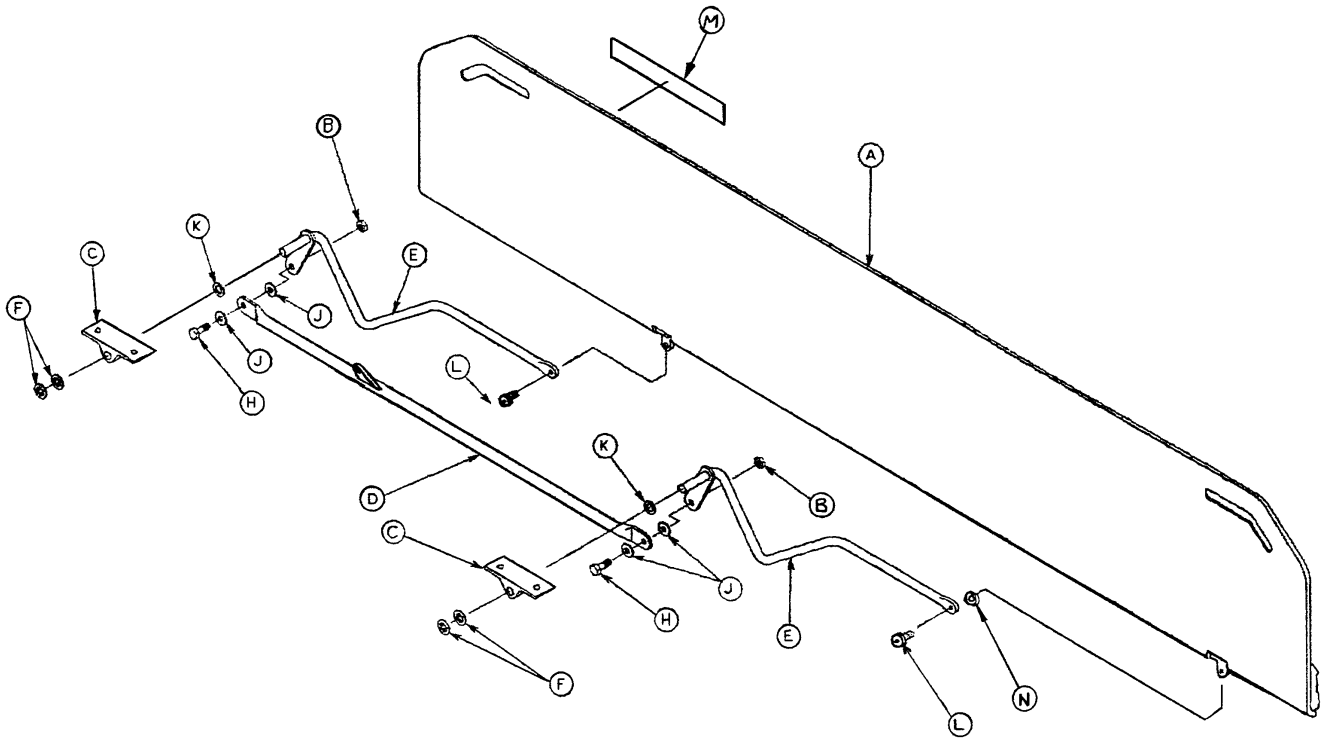


# 1060-001-114



|   |              |   |
|---|--------------|---|
| A | 1060-001-077 | 1 |
| B | 0016-028-000 | 2 |
| C | 1010-032-098 | 2 |
| D | 1060-001-074 | 1 |
| E | 1010-032-094 | 2 |
| F | 0028-093-000 | 4 |
| H | 0003-050-000 | 2 |
| J | 0011-224-000 | 4 |
| K | 0014-021-000 | 2 |
| L | 0004-156-000 | 2 |
| M | 0721-024-046 | 1 |
| N | 0014-002-000 | 1 |

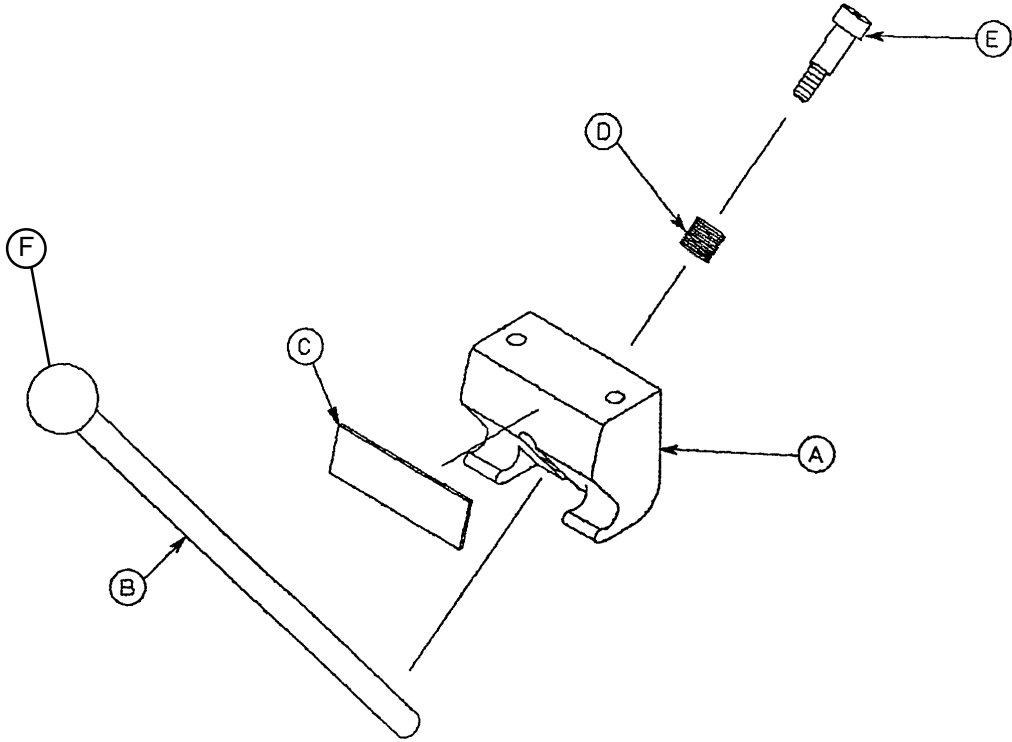
# 1060-001-115



|   |              |   |
|---|--------------|---|
| A | 1060-001-076 | 1 |
| B | 0016-028-000 | 2 |
| C | 1010-032-098 | 2 |
| D | 1060-001-074 | 1 |
| E | 1010-032-096 | 2 |
| F | 0028-093-000 | 4 |
| H | 0003-050-000 | 2 |
| J | 0011-224-000 | 4 |
| K | 0014-021-000 | 2 |
| L | 0004-156-000 | 2 |
| M | 0721-024-046 | 1 |
| N | 0014-002-000 | 1 |

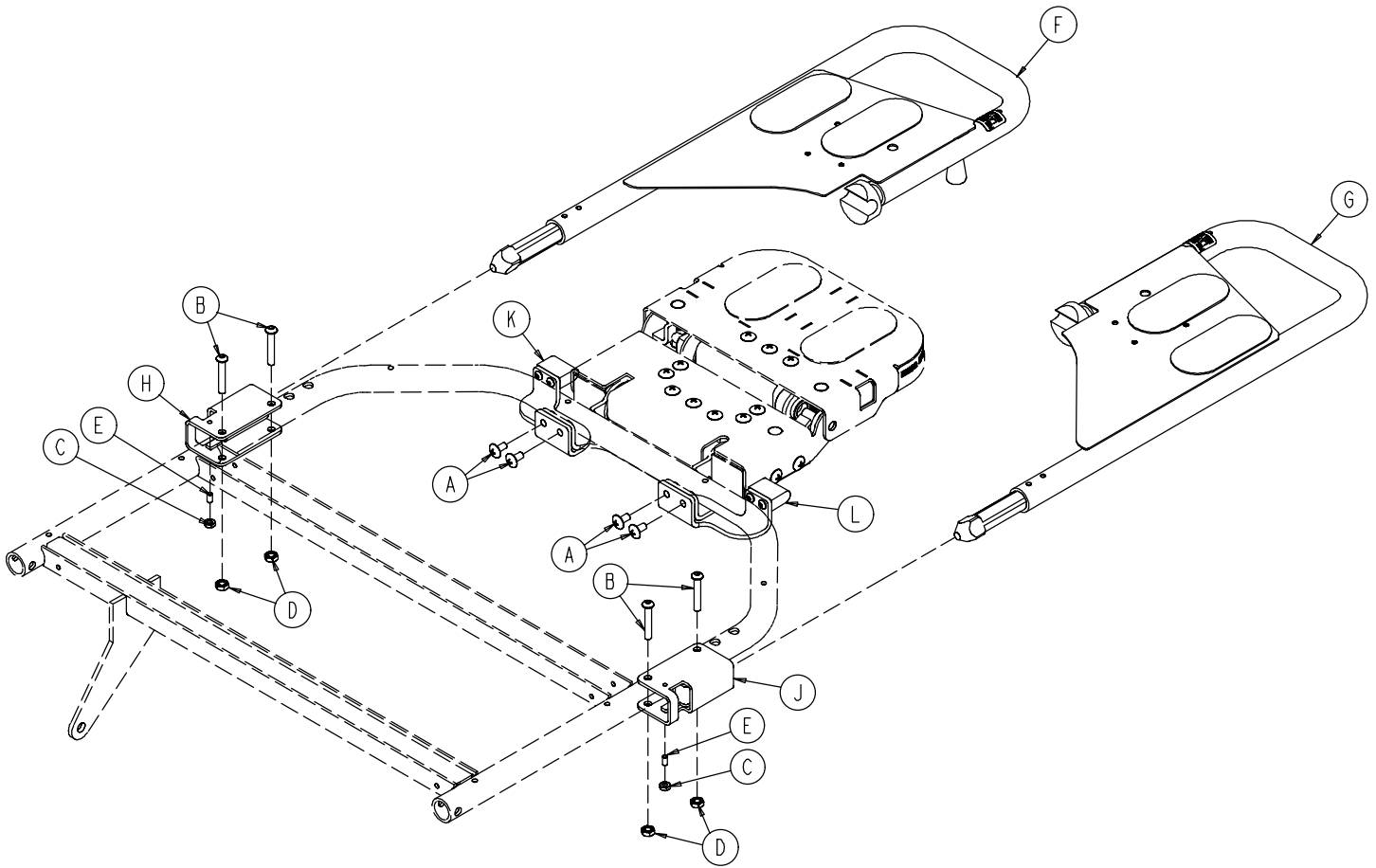
# 1010-091-030

---



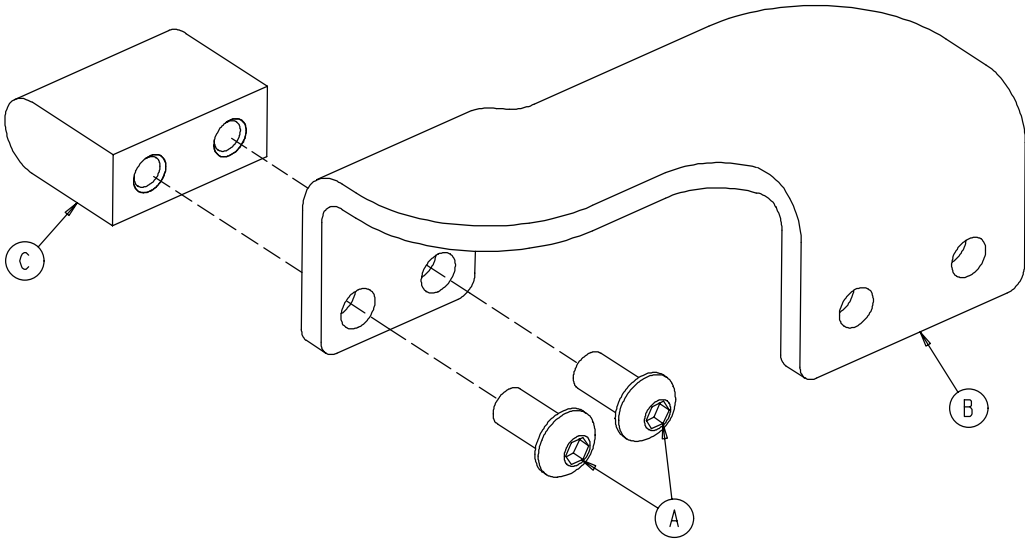
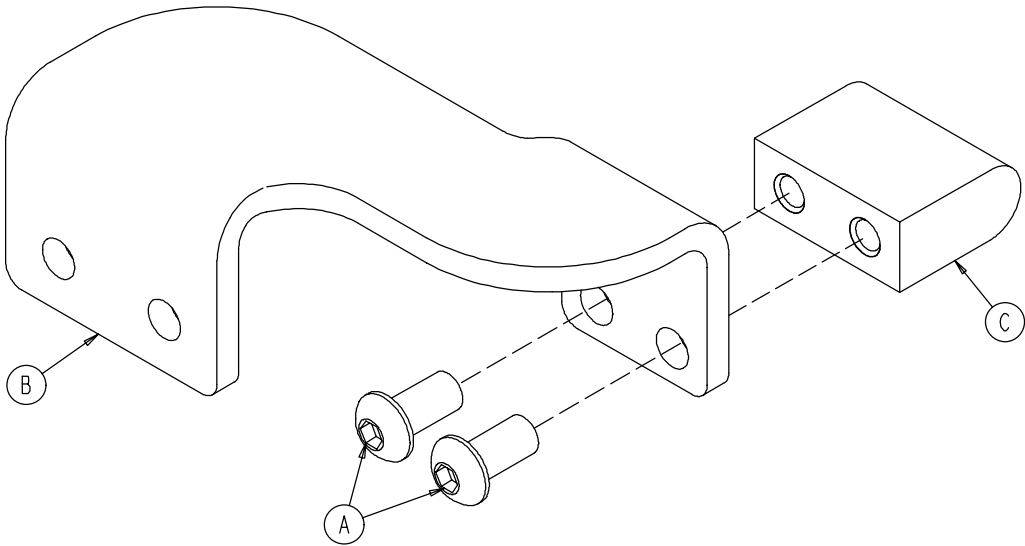
|   |              |   |
|---|--------------|---|
| A | 1010-024-015 | 1 |
| B | 1010-024-016 | 1 |
| C | 1010-091-014 | 1 |
| D | 0038-263-000 | 1 |
| E | 0008-017-000 | 1 |
| F | 1010-026-046 | 1 |

# 1069-160-010



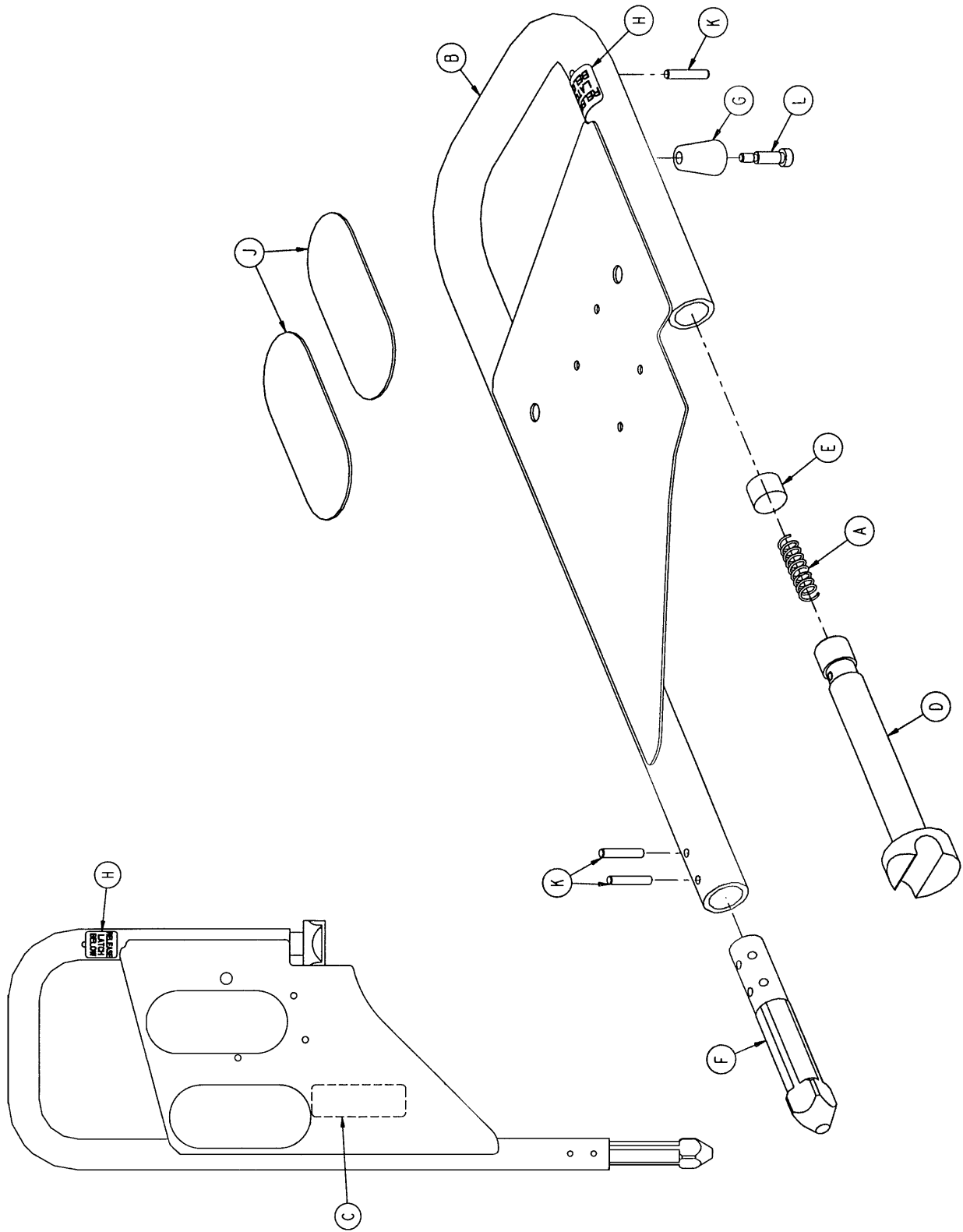
|   |              |   |
|---|--------------|---|
| A | 0007-080-000 | 4 |
| B | 0004-135-000 | 4 |
| C | 0015-004-000 | 2 |
| D | 0016-005-000 | 4 |
| E | 0021-119-000 | 2 |
| F | 1069-060-025 | 1 |
| G | 1069-060-035 | 1 |
| H | 1069-060-060 | 1 |
| J | 1069-060-070 | 1 |
| K | 1069-060-220 | 1 |
| L | 1069-060-225 | 1 |

1069-060-220 & 1069-060-225



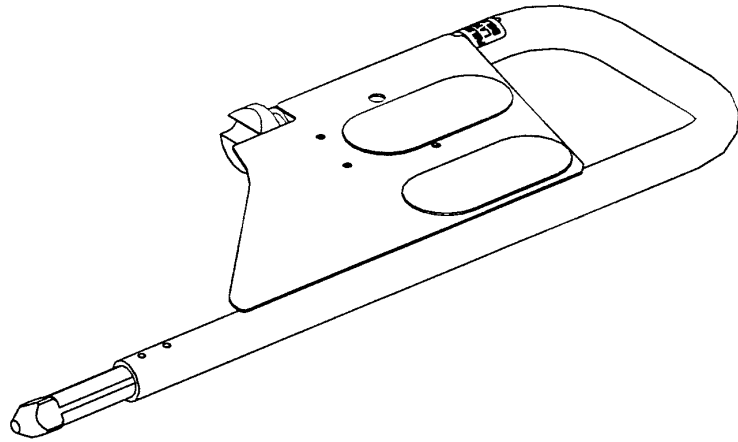
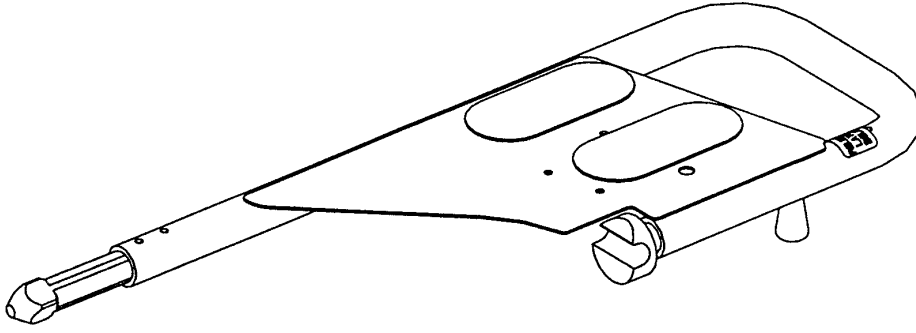
|   |              |   |
|---|--------------|---|
| A | 0004-325-000 | 2 |
| B | 1069-060-221 | 1 |
|   | 1069-060-226 | 1 |
| C | 1069-060-222 | 1 |





# 1069-060-025 & 1069-060-035

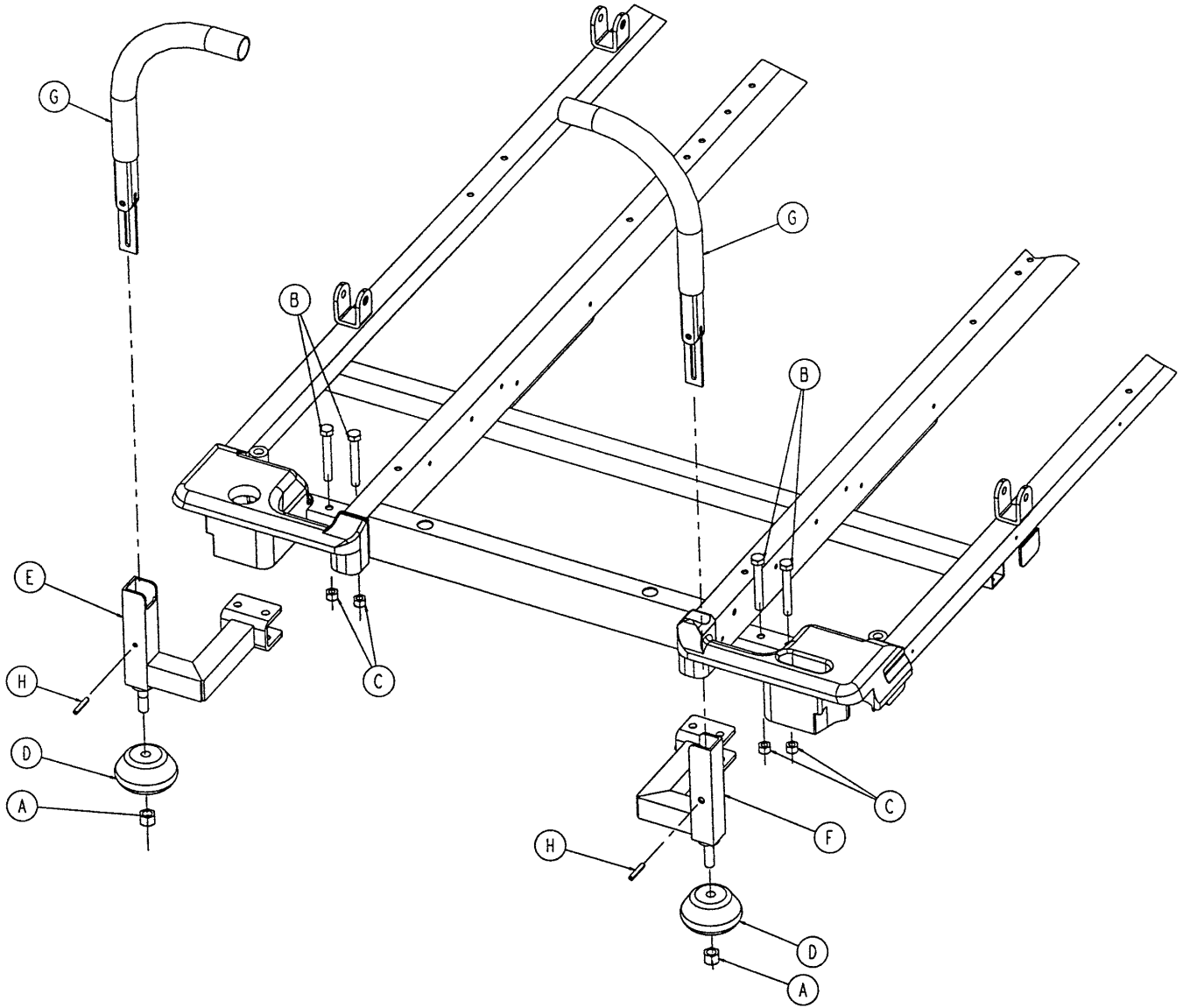
---



|   |              |   |
|---|--------------|---|
| A | 0038-162-000 | 1 |
| B | 1069-060-040 | 1 |
|   | 1069-060-050 | 1 |
| C | 1069-060-090 | 1 |
| D | 1069-060-140 | 1 |
| E | 1069-060-142 | 1 |
| F | 1069-060-145 | 1 |
| G | 1069-060-012 | 1 |
| H | 1069-260-091 | 1 |
| J | 7900-001-102 | 2 |
| K | 0026-179-000 | 3 |
| L | 0008-020-000 | 1 |

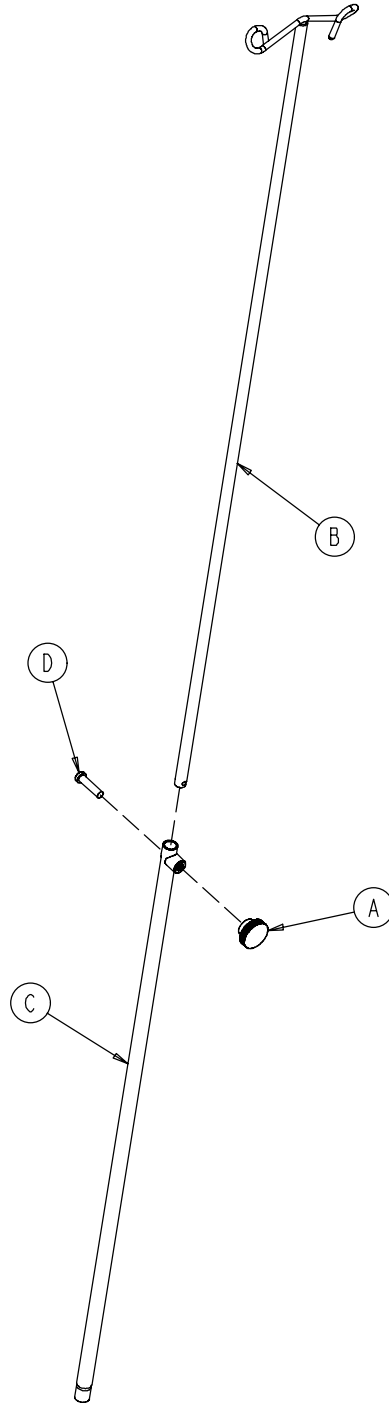


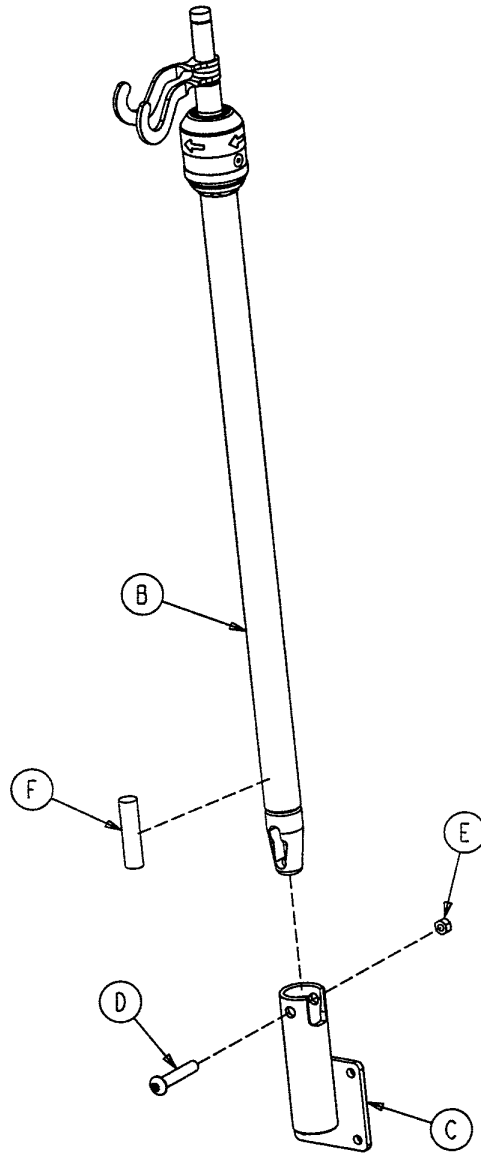
# 1069-600-010



|   |              |   |
|---|--------------|---|
| A | 0016-035-000 | 2 |
| B | 0003-062-000 | 4 |
| C | 0016-028-000 | 4 |
| D | 0926-400-142 | 2 |
| E | 1069-600-055 | 1 |
| F | 1069-600-056 | 1 |
| G | 1211-351-010 | 2 |
| H | 0026-011-000 | 2 |

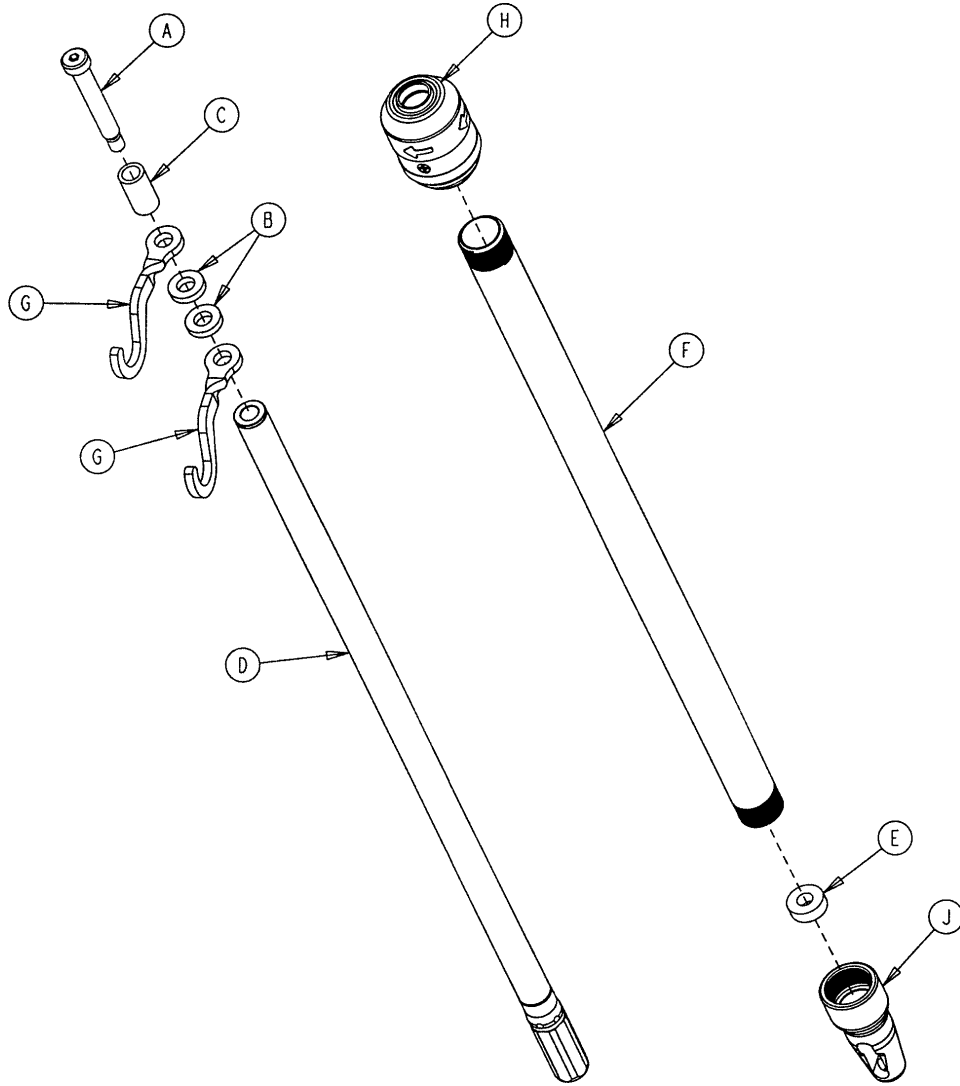
|   |              |   |
|---|--------------|---|
| A | 0024-023-000 | 1 |
| B | 0390-003-053 | 1 |
| C | 0393-003-043 | 1 |
| D | 0004-496-000 | 1 |





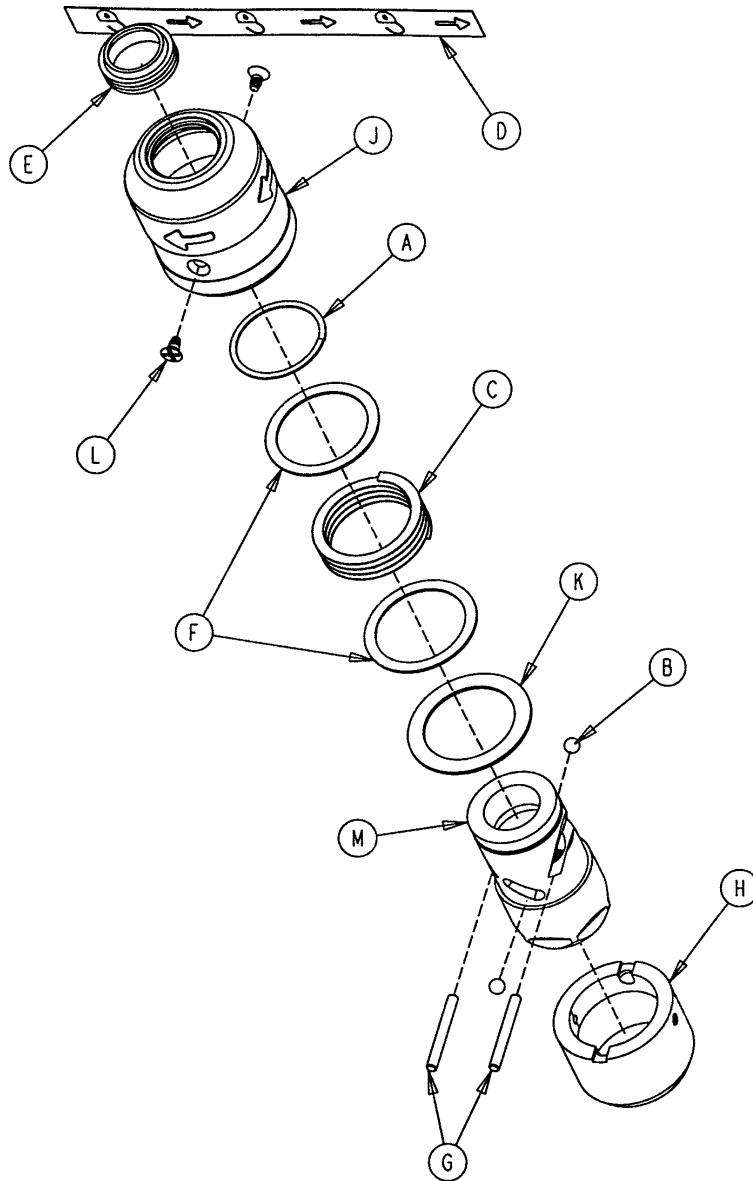
|   |              |   |
|---|--------------|---|
| B | 1211-210-010 | 1 |
| C | 1001-259-111 | 1 |
| D | 0004-199-000 | 1 |
| E | 0016-011-000 | 1 |
| F | 1001-059-042 | 1 |

# 1211-210-010

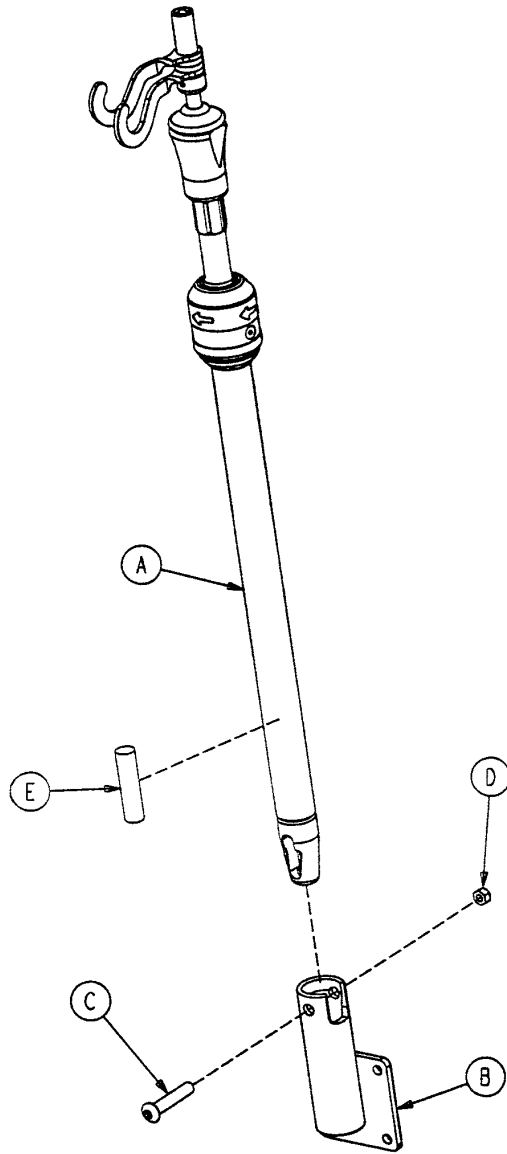


|   |              |   |
|---|--------------|---|
| A | 0008-031-000 | 1 |
| B | 0052-017-000 | 2 |
| C | 0926-400-162 | 1 |
| D | 1211-210-029 | 1 |
| E | 1001-359-013 | 1 |
| F | 1001-159-028 | 1 |
| G | 1010-059-016 | 2 |
| H | 1211-110-026 | 1 |
| J | 1001-359-112 | 1 |

# 1211-210-026

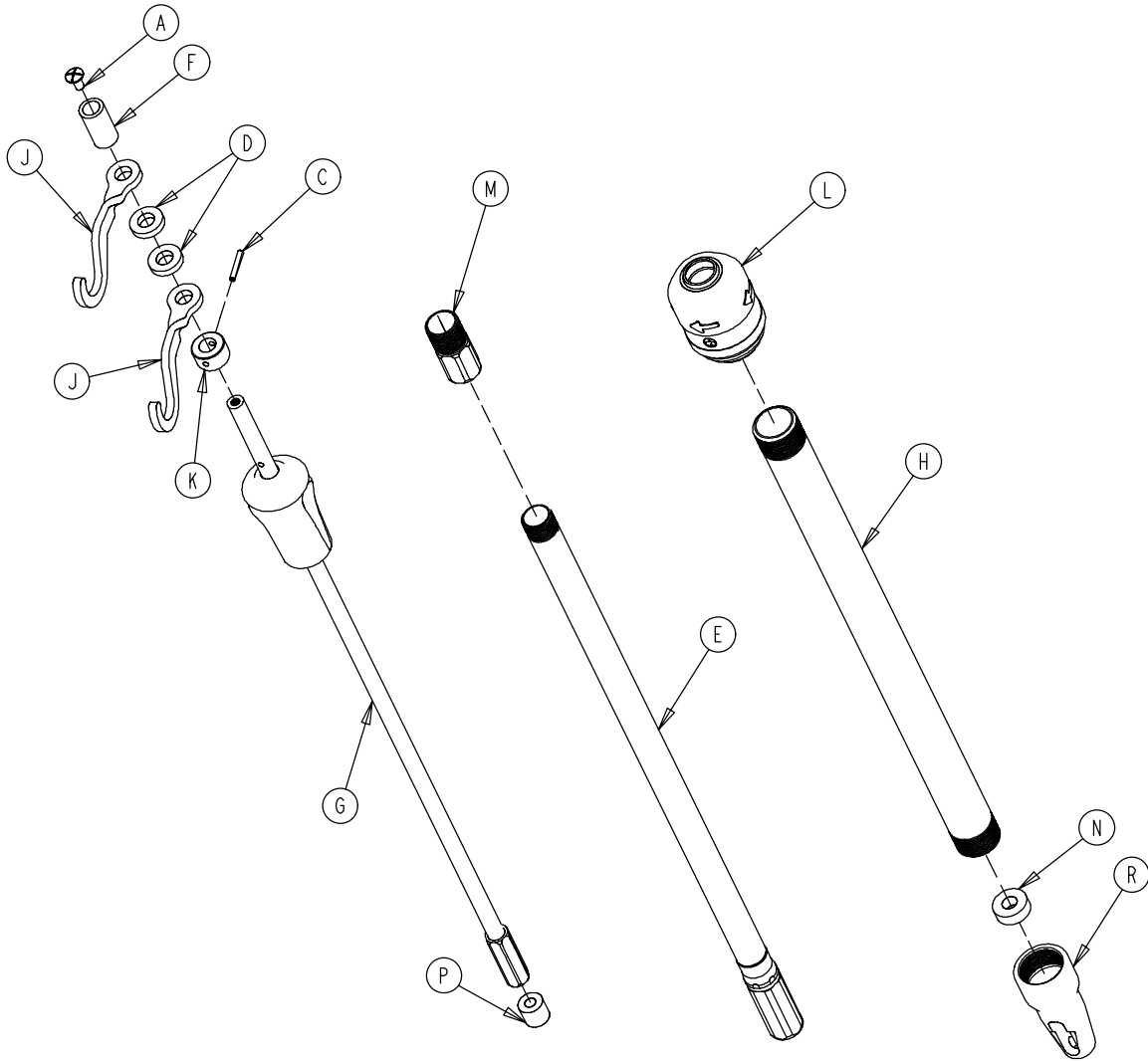


|   |              |   |
|---|--------------|---|
| A | 0028-167-000 | 1 |
| B | 0031-004-000 | 2 |
| C | 0038-392-000 | 1 |
| D | 1211-091-034 | 1 |
| E | 1211-110-018 | 1 |
| F | 1211-110-020 | 2 |
| G | 1211-110-021 | 2 |
| H | 1211-110-022 | 1 |
| J | 1211-110-024 | 1 |
| K | 1211-110-035 | 1 |
| L | 1211-110-036 | 2 |
| M | 1211-210-023 | 1 |



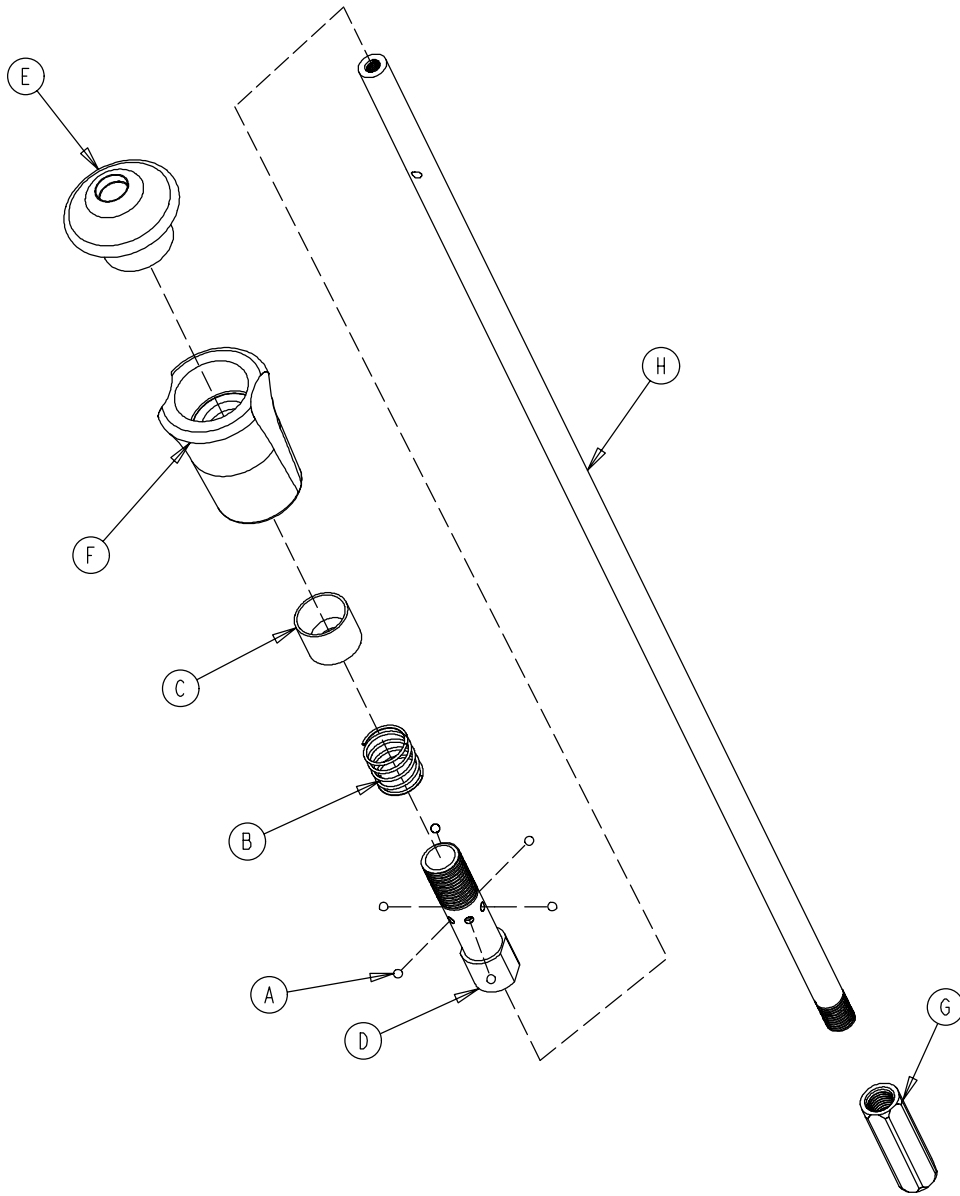
|   |              |   |
|---|--------------|---|
| A | 1211-211-010 | 1 |
| B | 1001-259-111 | 1 |
| C | 0004-199-000 | 1 |
| D | 0016-011-000 | 1 |
| E | 1001-059-042 | 1 |

# 1211-211-010



|   |              |   |
|---|--------------|---|
| A | 0007-004-000 | 1 |
| C | 0026-076-000 | 1 |
| D | 0052-017-000 | 2 |
| E | 1211-210-031 | 1 |
| F | 0926-400-162 | 1 |
| G | 1211-110-032 | 1 |
| H | 1001-161-023 | 1 |
| J | 1010-059-016 | 2 |
| K | 1010-061-014 | 1 |
| L | 1211-210-026 | 1 |
| M | 1211-110-016 | 1 |
| N | 1001-359-013 | 1 |
| P | 1001-259-014 | 1 |
| R | 1001-359-112 | 1 |

# 1211-110-032

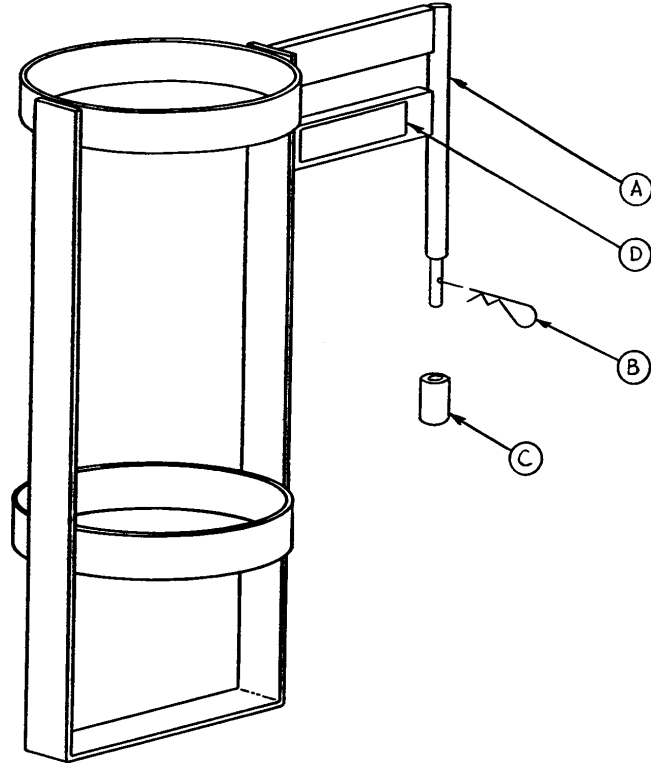


|   |              |   |
|---|--------------|---|
| A | 0031-021-000 | 6 |
| B | 0038-303-000 | 1 |
| C | 1010-061-013 | 1 |
| D | 1010-061-016 | 1 |
| E | 1010-061-017 | 1 |
| F | 1010-061-018 | 1 |
| G | 1211-110-117 | 1 |
| H | 1211-110-033 | 1 |



# 1010-030-000

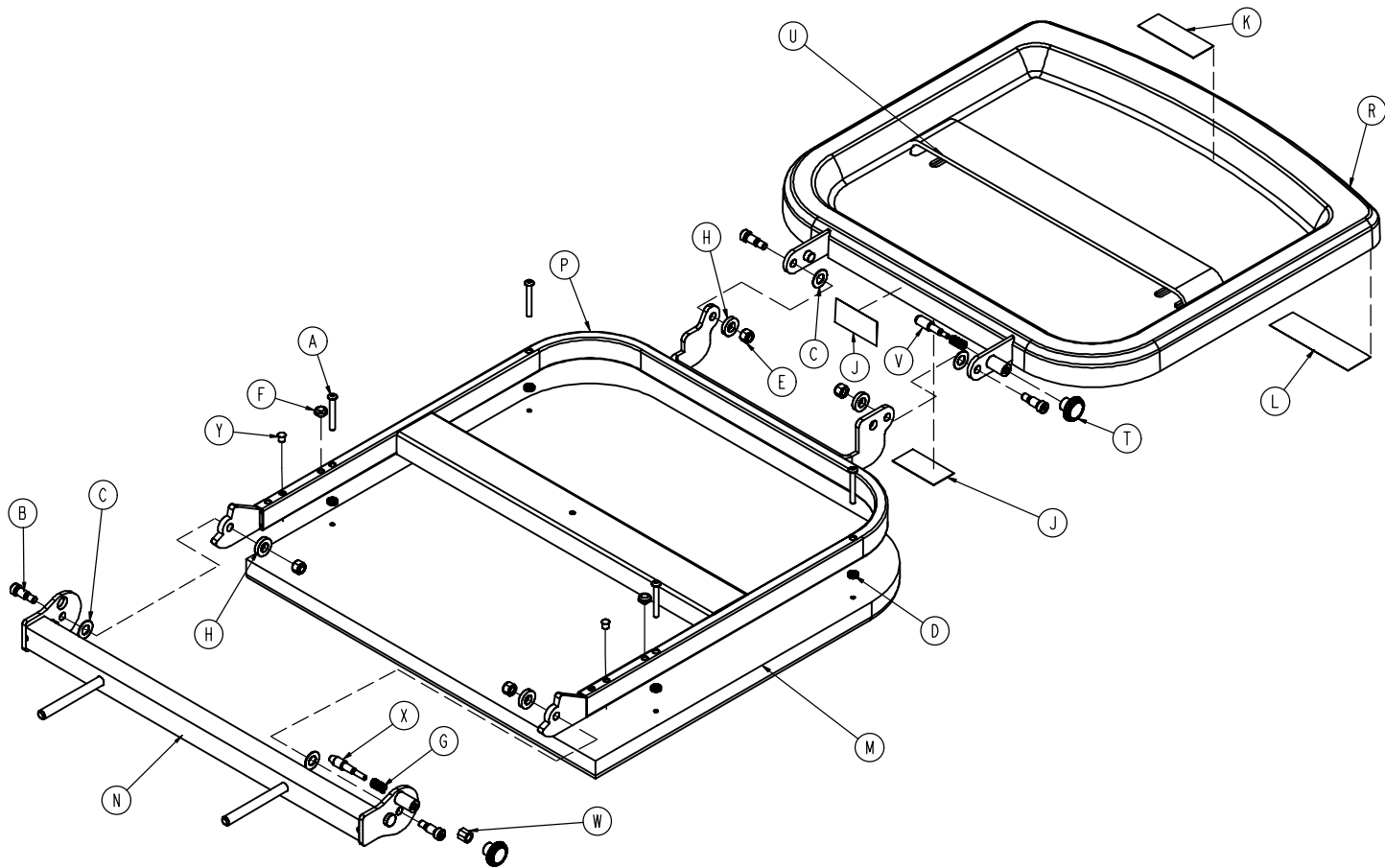
---



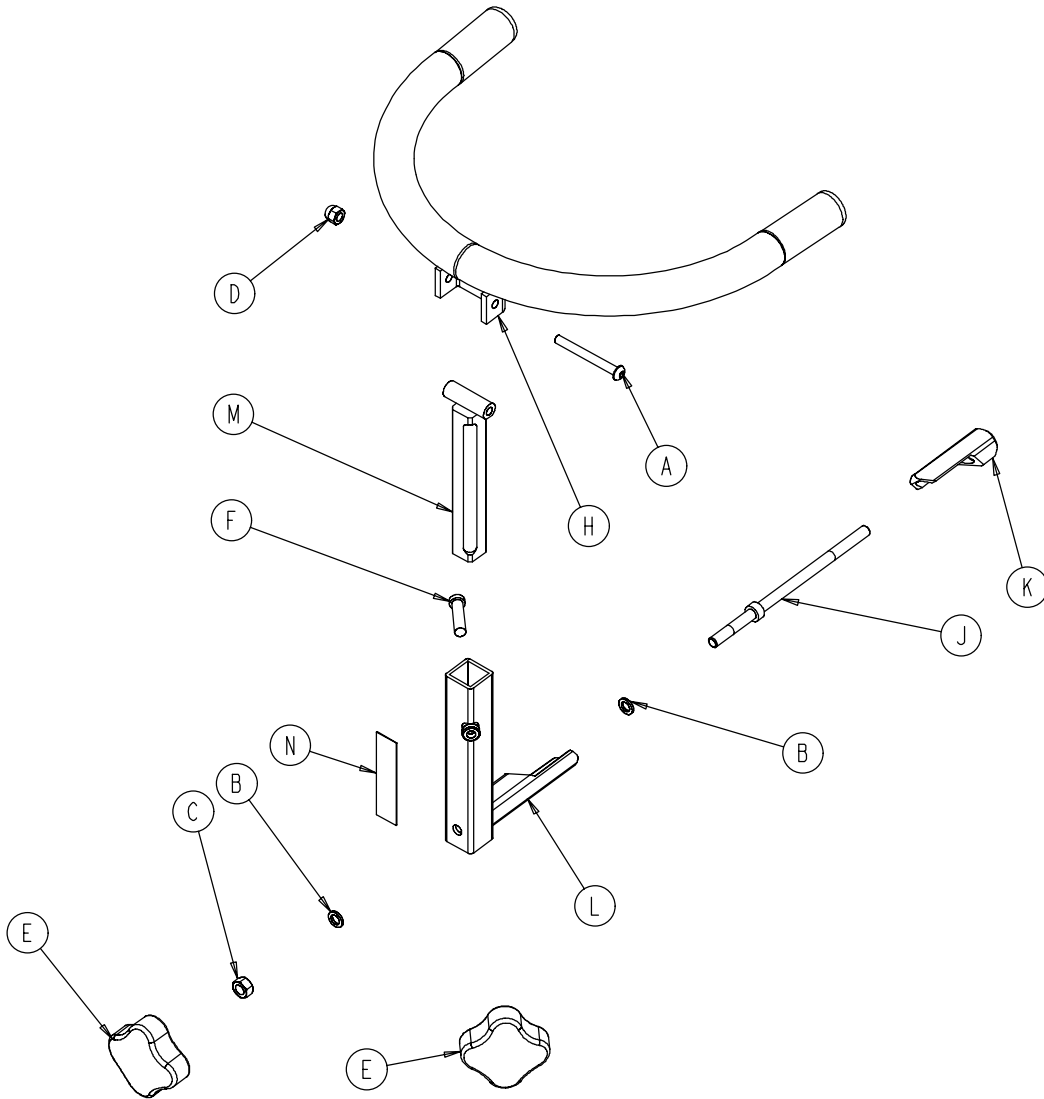
|   |              |   |
|---|--------------|---|
| A | 1010-030-011 | 1 |
| B | 0027-012-000 | 1 |
| C | 0741-030-024 | 1 |
| D | 1010-030-017 | 1 |



# 0785-045-400

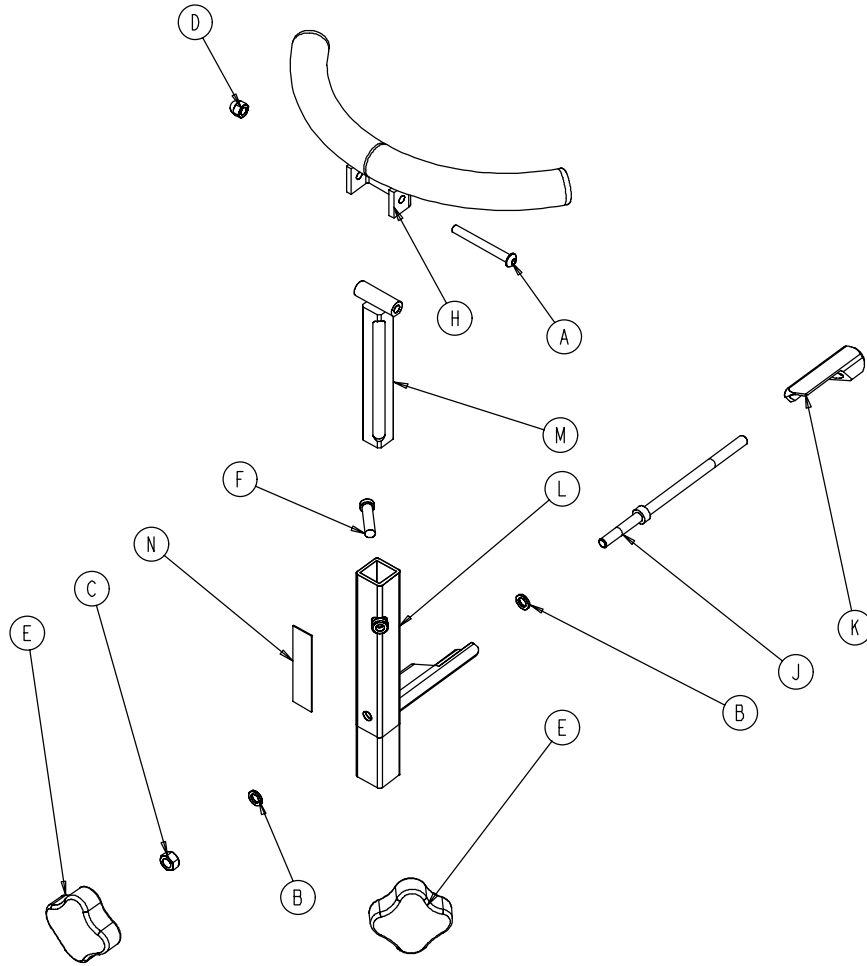


|   |              |   |
|---|--------------|---|
| A | 0004-215-000 | 4 |
| B | 0008-049-000 | 4 |
| C | 0014-020-000 | 4 |
| D | 0014-120-000 | 4 |
| E | 0016-028-000 | 4 |
| F | 0037-052-000 | 2 |
| G | 0038-133-000 | 2 |
| H | 0052-017-000 | 4 |
| J | 0785-045-402 | 2 |
| K | 0785-045-403 | 1 |
| L | 0785-045-401 | 1 |
| M | 0785-045-405 | 1 |
| N | 0785-045-410 | 1 |
| P | 0785-045-420 | 1 |
| R | 0785-045-430 | 1 |
| T | 0785-045-450 | 2 |
| U | 1010-050-021 | 1 |
| V | 1010-050-242 | 1 |
| W | 1010-050-250 | 1 |
| X | 1010-050-248 | 1 |
| Y | 0721-031-065 | 2 |



|   |              |   |
|---|--------------|---|
| A | 0004-163-000 | 1 |
| B | 0014-003-000 | 2 |
| C | 0015-012-000 | 1 |
| D | 0017-004-000 | 1 |
| E | 0024-054-000 | 2 |
| F | 0004-371-000 | 1 |
| H | 1068-050-055 | 1 |
| J | 1068-250-041 | 1 |
| K | 1068-250-042 | 1 |
| L | 1068-250-050 | 1 |
| M | 1068-252-055 | 1 |
| N | 1068-290-050 | 1 |

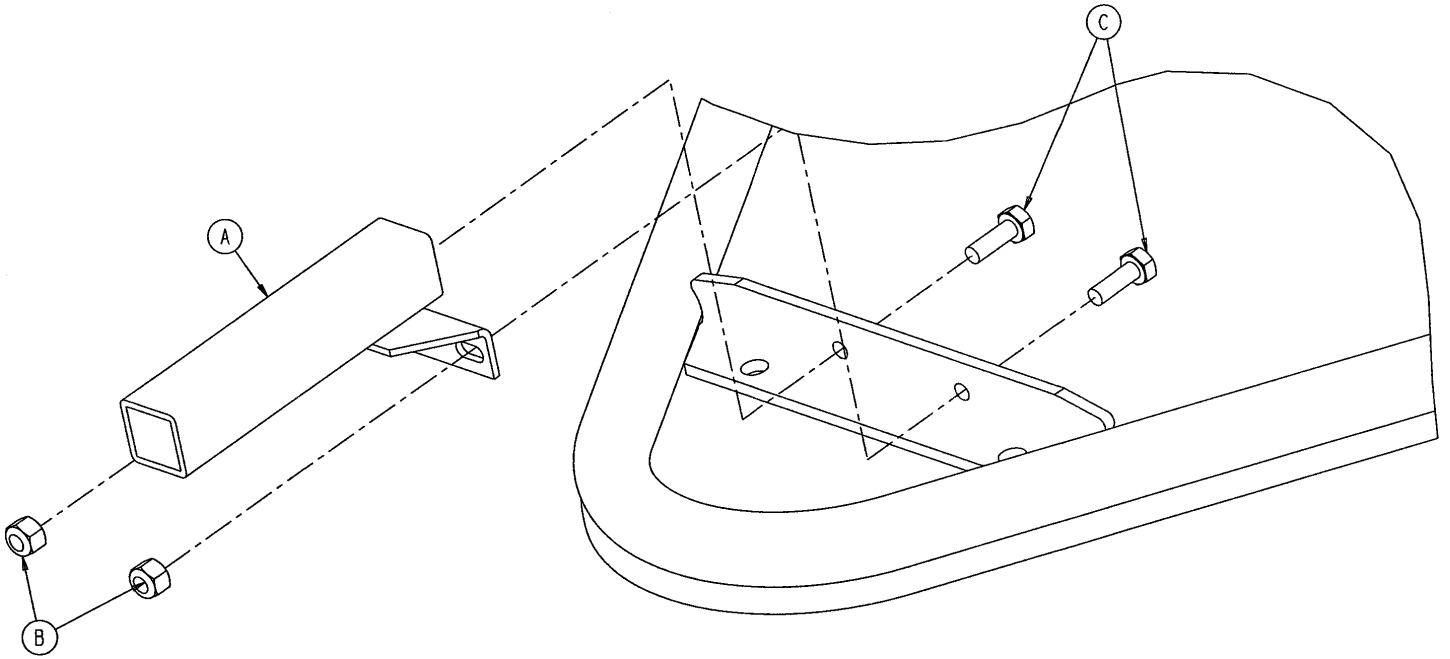
# 1068-251-000



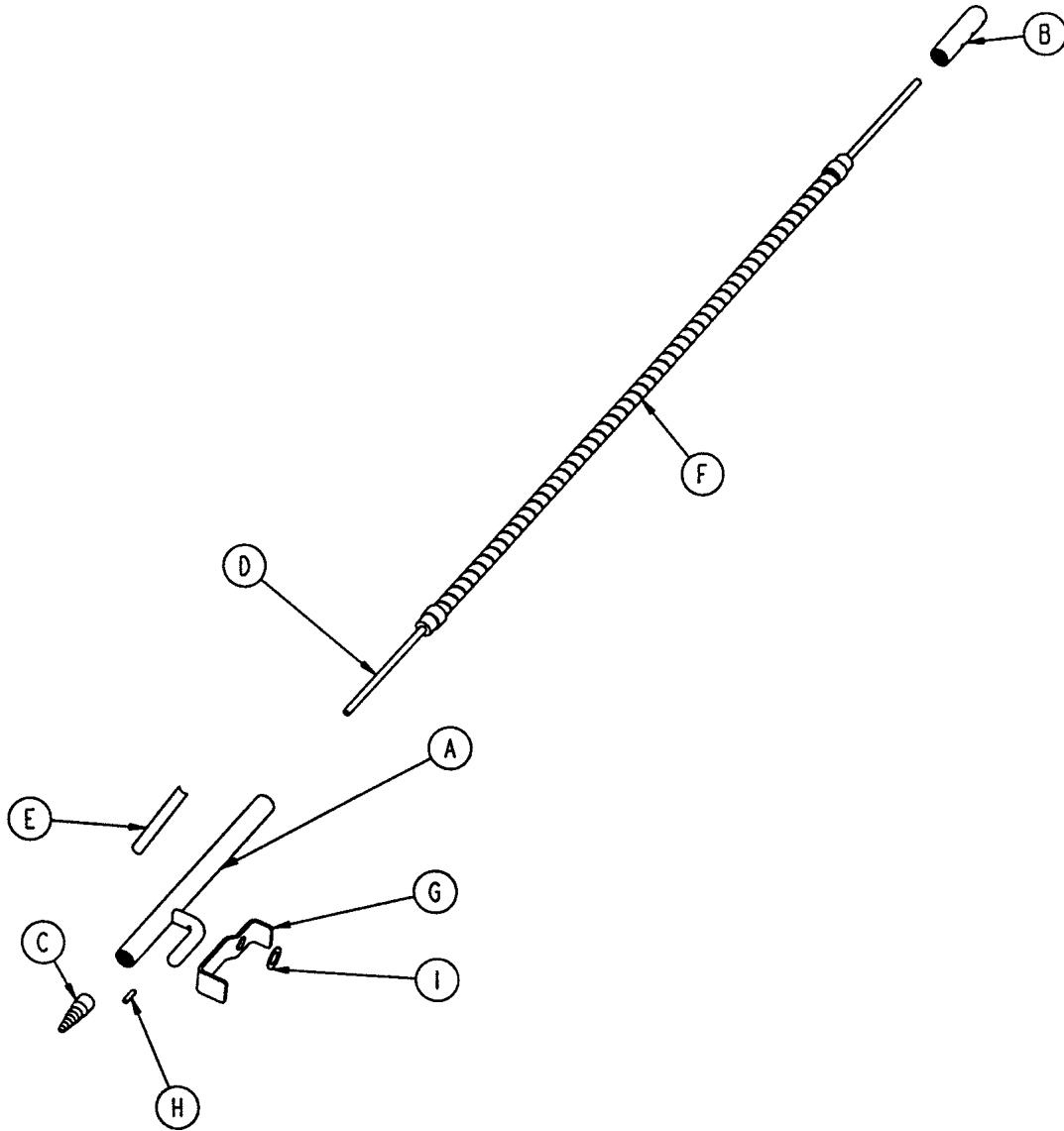
|   |              |   |
|---|--------------|---|
| A | 0004-163-000 | 1 |
| B | 0014-003-000 | 2 |
| C | 0015-012-000 | 1 |
| D | 0017-004-000 | 1 |
| E | 0024-054-000 | 2 |
| F | 0004-371-000 | 1 |
| H | 1068-051-050 | 1 |
| J | 1068-250-041 | 1 |
| K | 1068-250-042 | 1 |
| L | 1068-250-050 | 1 |
| M | 1068-252-055 | 1 |
| N | 1068-290-051 | 1 |

# 1068-033-205

---

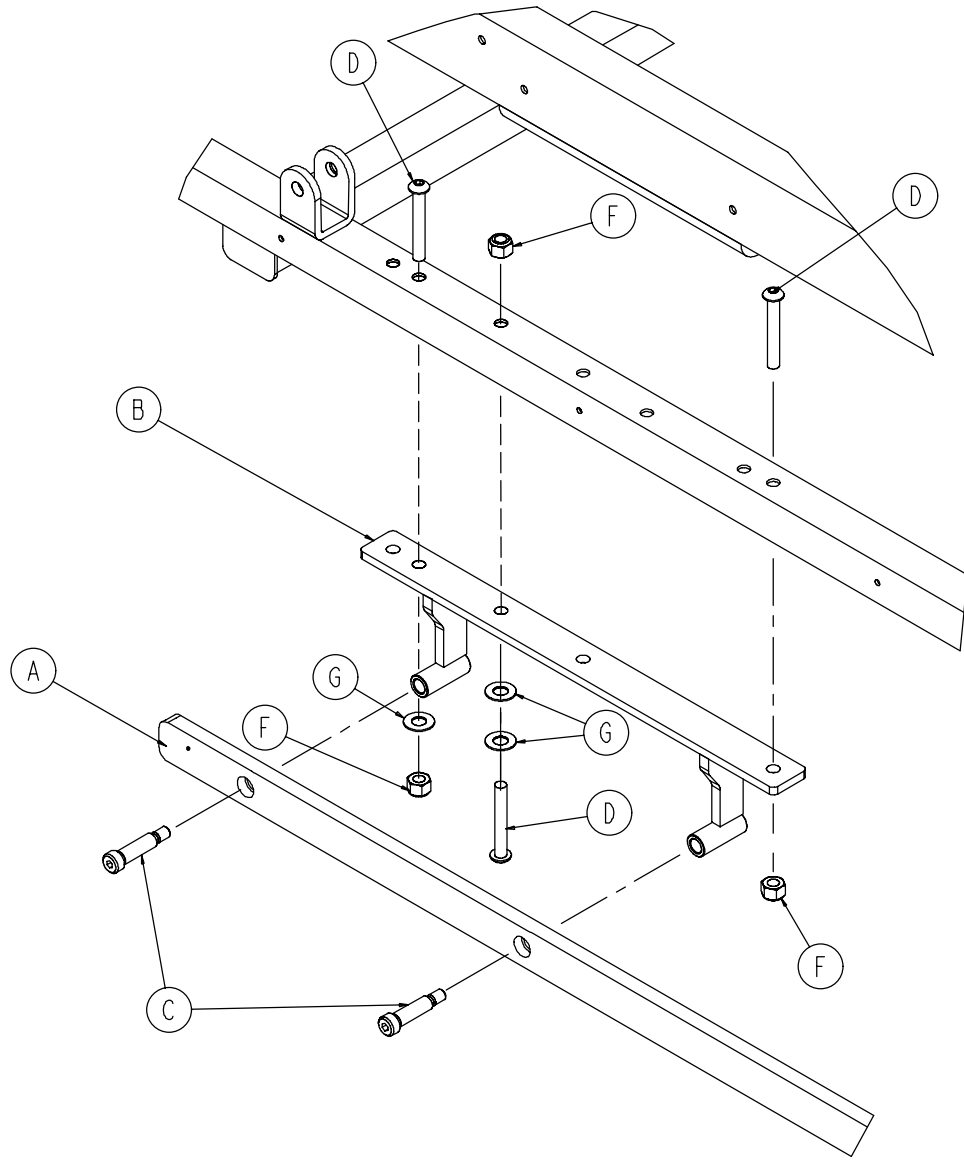


|   |              |   |
|---|--------------|---|
| A | 1069-033-200 | 1 |
| B | 0016-028-000 | 2 |
| C | 0003-002-000 | 2 |



|   |              |   |
|---|--------------|---|
| A | 1068-168-050 | 1 |
| B | 1068-068-043 | 1 |
| C | 1068-268-042 | 1 |
| D | 1068-068-041 | 1 |
| E | 1068-090-068 | 1 |
| F | 1066-085-013 | 1 |
| G | 1068-168-015 | 1 |
| H | 0026-172-000 | 1 |
| I | 0014-007-000 | 1 |

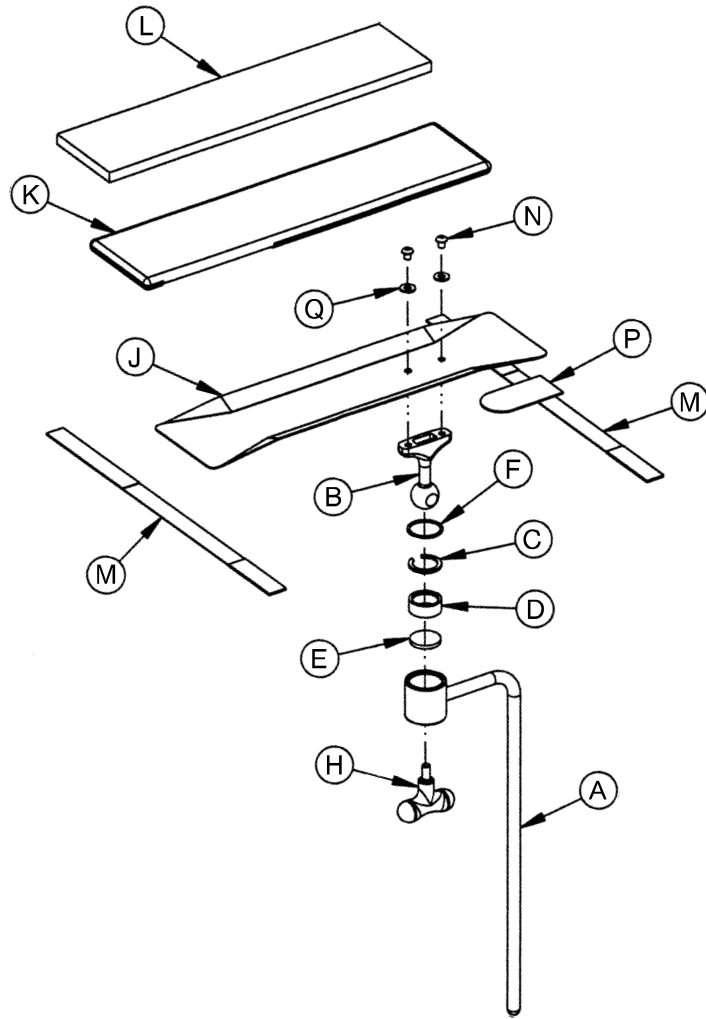
# 1069-600-130



|   |              |    |
|---|--------------|----|
| A | 1069-600-131 | 2  |
| B | 1069-600-125 | 4  |
| C | 0008-006-000 | 4  |
| D | 0004-173-000 | 12 |
| F | 0016-028-000 | 12 |
| G | 0011-121-000 | 3  |

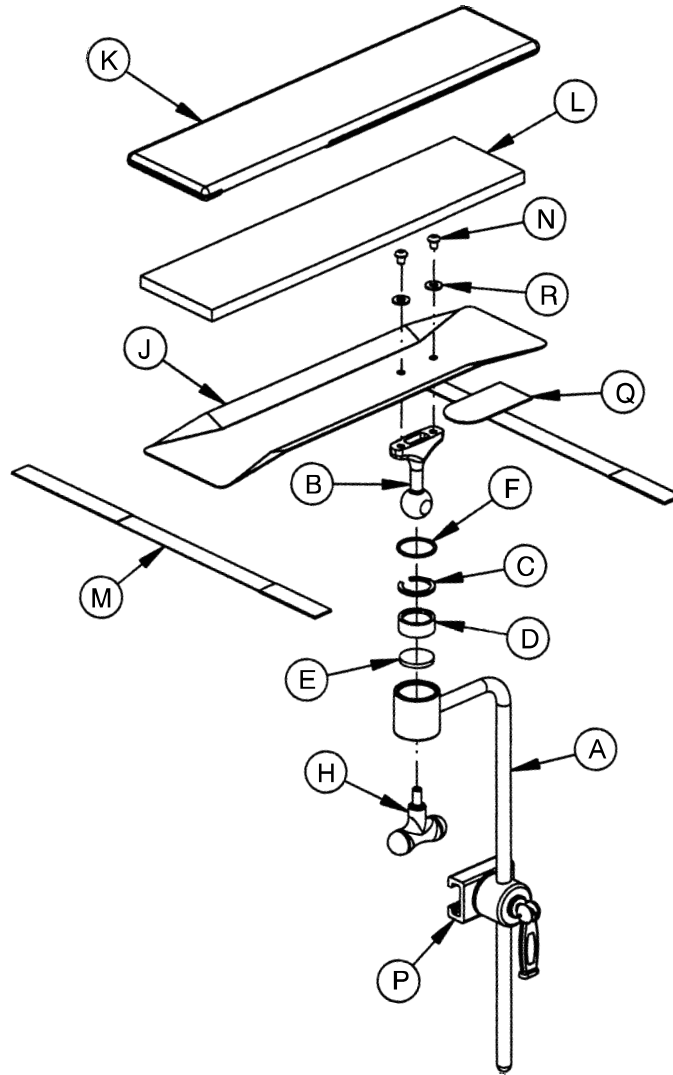


# 1068-055-010



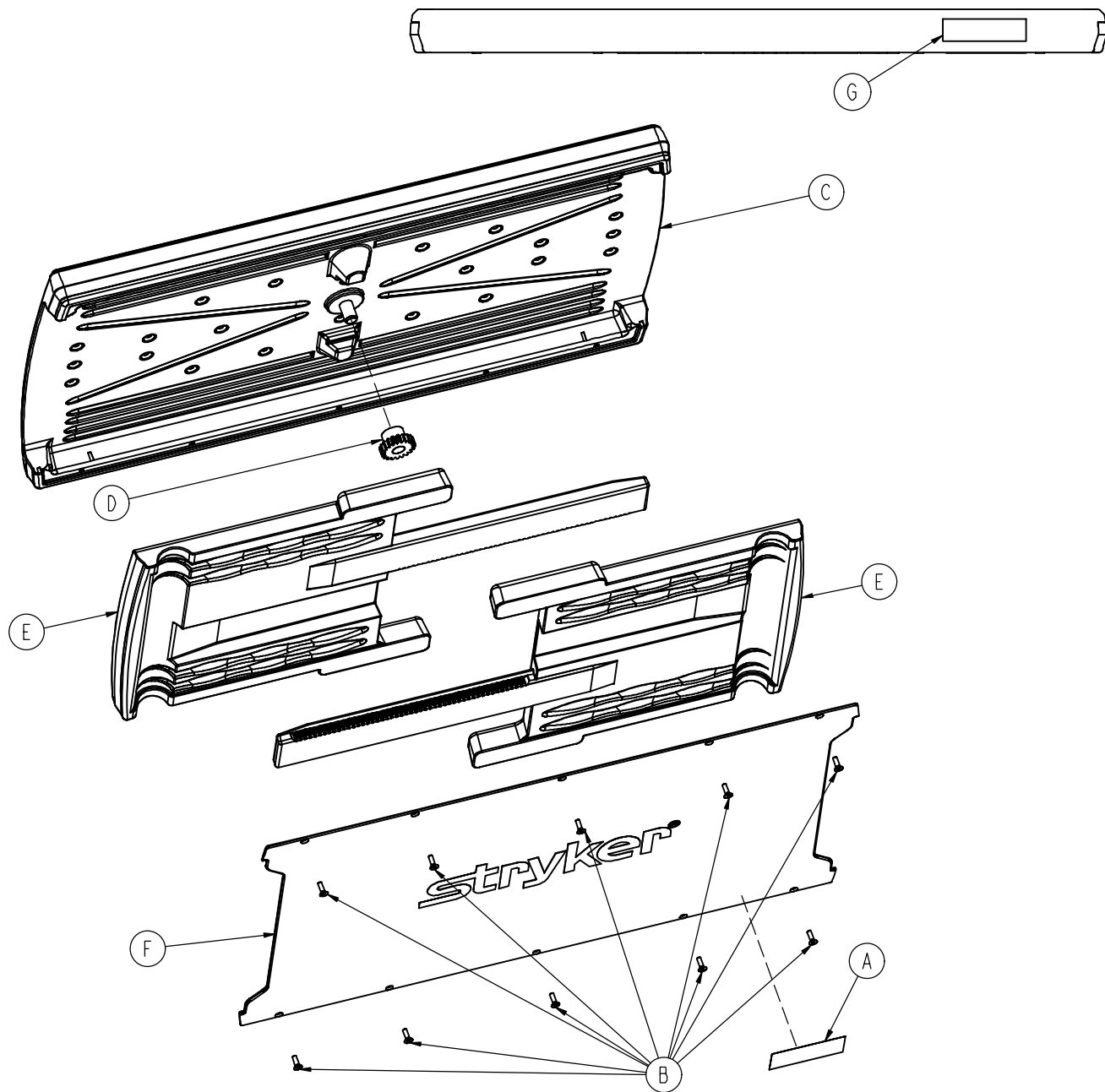
|   |              |    |
|---|--------------|----|
| A | 1060-001-159 | 1  |
| B | 1060-001-155 | 1  |
| C | 1060-001-154 | 1  |
| D | 1060-001-153 | 1  |
| E | 1060-001-152 | 1  |
| F | 0028-104-000 | 1  |
| H | 0024-044-000 | 1  |
| J | 1068-056-015 | 1  |
| K | 1068-056-013 | 1  |
| L | 0390-011-012 | 1  |
| M | 1068-056-016 | 2  |
| N | 0004-269-000 | 2  |
| P | 7900-001-102 | 4" |
| Q | 0011-003-000 | 2  |

# 1068-056-110



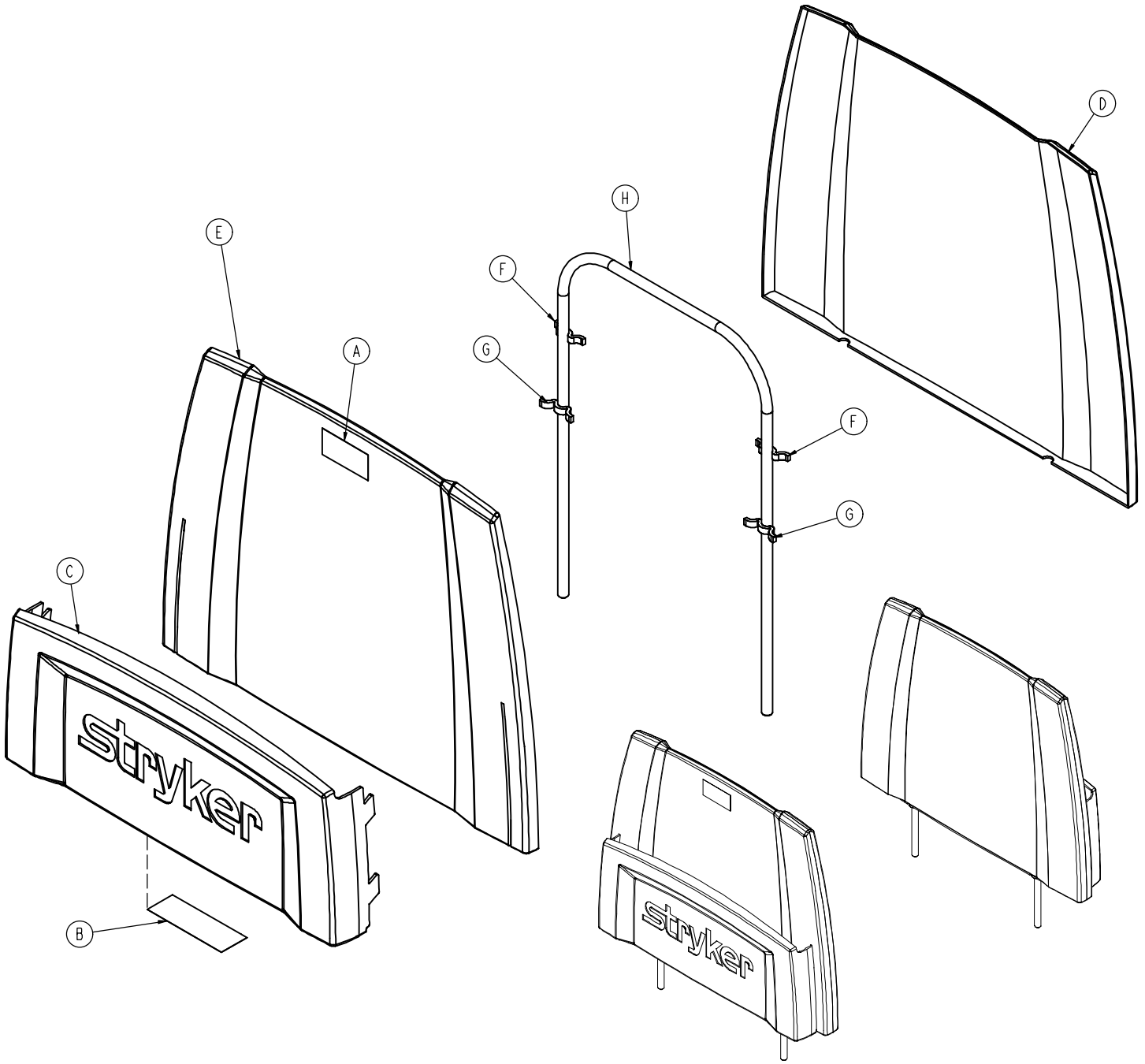
|   |              |    |
|---|--------------|----|
| A | 1060-001-159 | 1  |
| B | 1060-001-155 | 1  |
| C | 1060-001-154 | 1  |
| D | 1060-001-153 | 1  |
| E | 1060-001-152 | 1  |
| F | 0028-104-000 | 1  |
| H | 0024-044-000 | 1  |
| J | 1068-056-015 | 1  |
| K | 1068-056-013 | 1  |
| L | 0390-011-012 | 1  |
| M | 1068-056-016 | 2  |
| N | 0004-269-000 | 2  |
| P | 1068-054-010 | 1  |
| Q | 7900-001-102 | 4" |
| R | 0011-003-000 | 2  |

# 0785-045-700



|   |              |    |
|---|--------------|----|
| A | 0785-045-701 | 1  |
| B | 0785-045-704 | 10 |
| C | 0785-045-705 | 1  |
| D | 0785-045-706 | 1  |
| E | 0785-045-710 | 2  |
| F | 0785-045-715 | 1  |
| G | 0785-045-403 | 1  |

# 0785-045-500



|   |              |   |
|---|--------------|---|
| A | 0785-045-402 | 1 |
| B | 0785-045-501 | 1 |
| C | 0785-045-511 | 1 |
| D | 0785-045-512 | 1 |
| E | 0785-045-513 | 1 |
| F | 0785-045-514 | 2 |
| G | 0785-045-515 | 2 |
| H | 0946-029-010 | 1 |

# International Addresses



## **EASTERN EUROPE**

### **Stryker SA - Export Business**

Grand-Rue 90  
P.O. Box 1567  
1820 Montreux, Switzerland  
Phone: 011-41-21-966-14-00  
Fax: 011-41-21-966-14-01

## **AUSTRIA**

### **Stryker-Howmedica Osterreich GmbH**

Millenium Tower  
Handelskai 94-96  
120 Wien  
Austria  
Phone: 011-43-1-240-27-6400  
Fax: 011-43-1-240-27-6410

## **BELGIUM**

### **NV Stryker SA**

Ikaros Business Park- Fase III  
Ikaroslaan 12  
1930 Zaventem, Brussels  
Belgium  
Phone: 011-32-2-717-9210  
Fax: 011-32-2-717-9249

## **DENMARK**

### **Stryker Denmark**

Filial of Stryker AB  
Postbox 772  
1532 Copenhagen  
Denmark  
Phone: 011-45-33-93-6099  
Fax: 011-45-33-93-2069

## **ENGLAND**

### **Stryker UK Limited**

Stryker House  
Hambridge Road  
Newbury, Berkshire  
RG14 5EG, England  
Phone: 011-44-1635-556-500  
Phone: 011-44-1635-262-400  
Fax: 011-44-1635-580-300

## **FINLAND**

**Stryker AB, Finland**  
PO 80 Makelankatu 2  
00501 Helsinki  
Finland  
Phone: 011-35-89-774-4680  
Fax: 011-35-89-774-46820

## **FRANCE**

**Stryker France SA**  
ZAC - Avenue de Satolas Green  
69330 Pusignan  
France  
Phone: 011-33-472-45-36-00  
Fax: 011-33-472-45-36-99

## **GERMANY**

**Stryker Howmedica GmbH**  
Dr. Homer Stryker Platz 1  
47228 Duisburg  
Germany  
Phone: 011-49-2065-837-0  
Fax: 011-49-2065-837-837

## **GREECE**

**Stryker Hellas EPE**  
455 Messogion ave  
153 43 Agia Paraskevi  
Athens, Greece  
Phone: 011-30-2-10-600-32-22  
Fax: 011-30-2-10-600-48-12

## **ITALY**

**Stryker Italia Srl**  
Via Ghisalba 15B  
00188 Roma  
Italy  
Phone: 011-39-06-33-05-41  
Fax: 011-39-06-33-614-067

## **MIDDLE EAST / NORTH AFRICA**

**Stryker Osteonics SA**  
Twin Towers  
11th Floor, Suite 1101 & 1102  
P.O. Box 41446  
Baniyas Road  
Dubai, Deira, UAE  
Phone: 011-97-14-222-2842  
Fax: 011-97-14-224-7381

## **NETHERLANDS**

**Stryker Nederlands BV**  
(P.O. Box 13, 4180 BA Waardenburg)  
4181 CD Waardenburg  
The Netherlands  
Phone: 011-31-418-569-700  
Fax: 011-31-418-569-777

## **NORWAY**

**Stryker Norway**  
Norsk Filial  
Nedre Vollgate 3  
0158 Oslo  
Norway  
Phone: 011-47-22-42-22-44  
Fax: 011-47-22-42-22-54

## **POLAND**

**Stryker Polska Sp. ZO.O**  
Kolejowa 5/7  
01-217 Warszawa  
Poland  
Phone: 011-48-22-434-88-50  
Fax: 011-48-22-434-88-60

## **PORTUGAL**

**Stryker Portugal Produtos Medicos, LTDA.**  
Avenida Marechal Gomes da Costa, 35  
1800-255 Lisboa  
Portugal  
Phone: 011-35-1-21-839-49-10  
Fax: 011-35-1-21-839-49-19

## **ROMANIA**

**Stryker Osteonics Romania S.R.L.**  
19, Leonida Str.  
District 2  
7000 Bucharest  
Romania  
Phone: 011-40-2-12-12-11-22  
Fax: 011-40-2-12-12-11-33

## **SOUTH AFRICA**

**Stryker Osteonics PTY. LTD.**  
3 Susan Street  
Strydom Park  
Johannesburg, 2194 - South Africa  
Mailing Address:  
P.O. Box 48039  
2129 Roosevelt Park  
Johannesburg, South Africa  
Phone: 011-27-11-791-4644  
Fax: 011-27-11-791-4696

## **SPAIN**

**Stryker Howmedica Iberica S.L.U.**  
Manual Tovar, 35  
28034 Madrid  
Spain  
Phone: 011-34-91-728-35-00  
Phone: 011-34-91-358-20-44  
Fax: 011-34-91-358-07-48

## **SWEDEN**

**Stryker AB/Scandinavia**  
Box 50425  
SE-204 14 Malmo  
Sweden  
Phone: 011-46-40-691-81-00  
Fax: 011-46-40-691-81-91

---

## **European Representative**

Stryker EMEA RA/QA Director  
Stryker France  
ZAC Satolas Green Pusignan  
Av. De Satolas Green  
69881 MEYZIEU Cedex  
France

**stryker**<sup>®</sup>

3800 E. Centre Ave., Portage, MI 49002  
(800) 327-0770  
[www.stryker.com](http://www.stryker.com)



JH 10/06 1069-600-371 REV C