

stryker®

Operations Manual

Medical

Eye Surgery Stretcher
Model 1069

**Important
Information**

File in your
maintenance
records

For parts or technical
assistance call
800 327 0770 (option 2)



Table of Contents


| | |
|--|--------|
| Introduction | |
| Specifications | 2 |
| Warning / Caution / Note Definition | 2 |
| Summary of Safety Precautions | 3 |
| Operating Base Controls | 4, 5 |
| Raising And Lowering Litter Height | 6 |
| Trendelenburg/Reverse Trendelenburg Positioning | 6 |
| Applying The Brake System | 7 |
| Operating the Fifth Wheel | 7 |
| Using Siderails | 8 |
| Using The Optional Patient Transfer Board/Arm Board | 9, 10 |
| Operating Crank Fowler/Crank Knee Gatch | 10 |
| Operating Pneumatic Fowler | 11 |
| Operating Enhanced Clearance Head Piece | 12 |
| Using Optional Pre–Op/Post–Op Head Extensions | 12 |
| Using Optional Inflatable Head Support Cushion | 13 |
| Using Optional Wrist Rests | 13 |
| Using Optional Drape Support/Oxygen Tubing | 13 |
| Operating the Optional Foot Extension / Defibrillator Tray | 14 |
| Using the Optional Serving Tray | 15 |
| Operating Optional Permanently Attached I.V. Poles | 16, 17 |
| Preventative Maintenance | 18 |
| Cleaning | 19 |
| Warranty | |
| Obtaining Parts and Service | 20 |
| Supplemental Warranty Coverage | 20 |
| Return Authorization | 21 |
| Freight Damage Claims | 21 |

Introduction

INTRODUCTION

This manual is designed to assist you with the operation of the Model 1069 Eye Surgery Stretcher. Read it thoroughly before using the equipment or beginning any maintenance on it.

SPECIFICATIONS

| | | |
|-------------------------------------|--------------|---|
| Maximum Weight Capacity | 500 pounds |  |
| Overall Bed Length/Width | 90" / 31.5" | |
| Minimum/Maximum Bed Height | 22.25" / 34" | |
| Fowler Angle | 0 to 90° | |
| Knee Gatch Angle | 0 to 30° | |
| Trendelenburg/Reverse Trendelenburg | -18° to +18° | |

Stryker reserves the right to change specifications without notice.

WARNING / CAUTION / NOTE DEFINITION

The words WARNING, CAUTION and NOTE carry special meanings and should be carefully reviewed.

WARNING

Alerts the reader about a situation, which if not avoided, could result in death or serious injury. It may also describe potential serious adverse reactions and safety hazards.

CAUTION

Alerts the reader of a potentially hazardous situation, which if not avoided, may result in minor or moderate injury to the user or patient or damage to the equipment or other property. This includes special care necessary for the safe and effective use of the device and the care necessary to avoid damage to a device that may occur as a result of use or misuse.

NOTE

This provides special information to make maintenance easier or important instructions clearer.



Safe Working Load

Summary of Safety Precautions

Before operating this stretcher, it is important to read and understand all information in this manual. Carefully read and strictly follow the warnings and cautions listed on this page.

WARNING

Always apply the caster brakes when a patient is getting on or off the stretcher. Push on the stretcher to ensure the brakes are securely locked. Always engage the brakes unless the stretcher is being moved. Injury could result if the stretcher moves while a patient is getting on or off the stretcher.

Be sure the siderail latching mechanism is working properly at all times. If it is not, refer to your stretcher maintenance manual for "Siderail Latch Adjustment".

When using the transfer board to transfer a patient, **always** lock the brakes on all stretchers, beds, etc. being used and **always** be certain the transfer board is placed securely on the surface of the mating stretcher or bed. The patient stretcher and the mating surface must be at the same height before the patient is transferred.

The weight of the patient's head is resting on the head piece and must be supported by the operator when the latches are released and the head piece is being positioned. Failure to adequately support the head piece while positioning the head could result in patient injury.

CAUTION

To avoid damage, remove any equipment that may be in the way before raising or lowering the litter height. When lowering the siderail to the collapsed position, keep extremities of patients and staff away from the siderail spindles or injury could occur.

To avoid injury or damage to the equipment, do not allow the siderail to lower on its own.

Operation of the pneumatic Fowler is a manual procedure. Use caution when raising the Fowler while a patient is on the stretcher. Use proper lifting techniques and get additional assistance, if necessary. Failure to use proper lifting techniques could cause injury to the operator.

Keep hands/fingers clear of the area around the Fowler release handle and the Fowler frame when lowering the Fowler. Injury could result if care is not taken when lowering the Fowler.

Do not reach between the side of the head extension and the articulating head piece to pull the release handle. Finger injury could result.

To avoid possible pinch points when adjusting the head piece, keep your fingers away from the jointed areas.

When the transfer board is being used to transfer a patient, the support post must be in the stored (down) position. Damage to the support post will occur if it is pushed up against a stretcher, table, etc.

If the stretcher is equipped with the optional foot end I.V. pole, the I.V. pole must be in the raised position when the foot extension/defibrillator tray is installed. If the I.V. pole is not raised, the foot extension will not function properly and injury could occur.

If the stretcher is equipped with the optional foot end push handles, use caution while the foot extension/defibrillator tray is installed to avoid pinching your fingers.

To avoid damage while transporting the stretcher, verify the I.V. pole is at a low enough height to allow it to safely pass through door openings and under light fixtures.

To avoid damage, the weight of the I.V. bags should not exceed 40 pounds.

The unit cannot be raised (hydraulics on base) with a patient lift under the stretcher.

The hood may not be used for stepping.

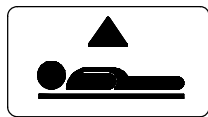
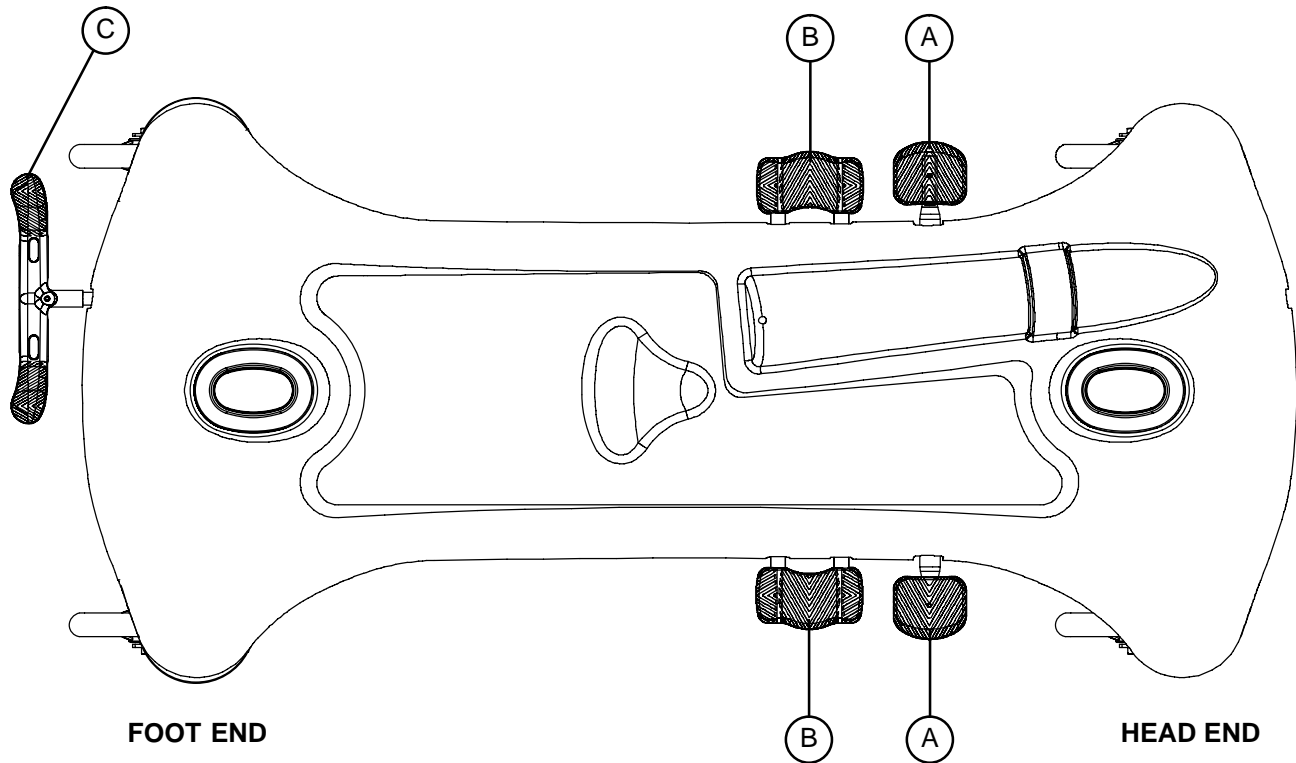
Note

Clean hood storage area regularly.

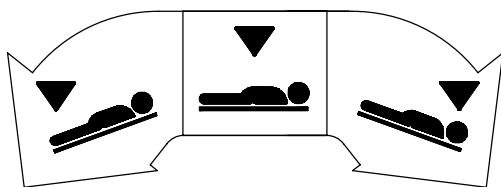
The bottom of the brake rings should be cleaned regularly to prevent wax and/or floor remnant buildup.

Stretcher Operation

OPERATING BASE CONTROLS – SIDE CONTROL



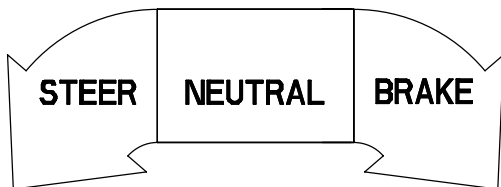
Pump pedal (A) to raise the litter.



Depress in the center of pedal (B) to lower both ends of the stretcher together.

Depress the side of pedal (B) closest to the foot end of the stretcher to lower the foot end.

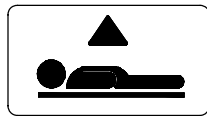
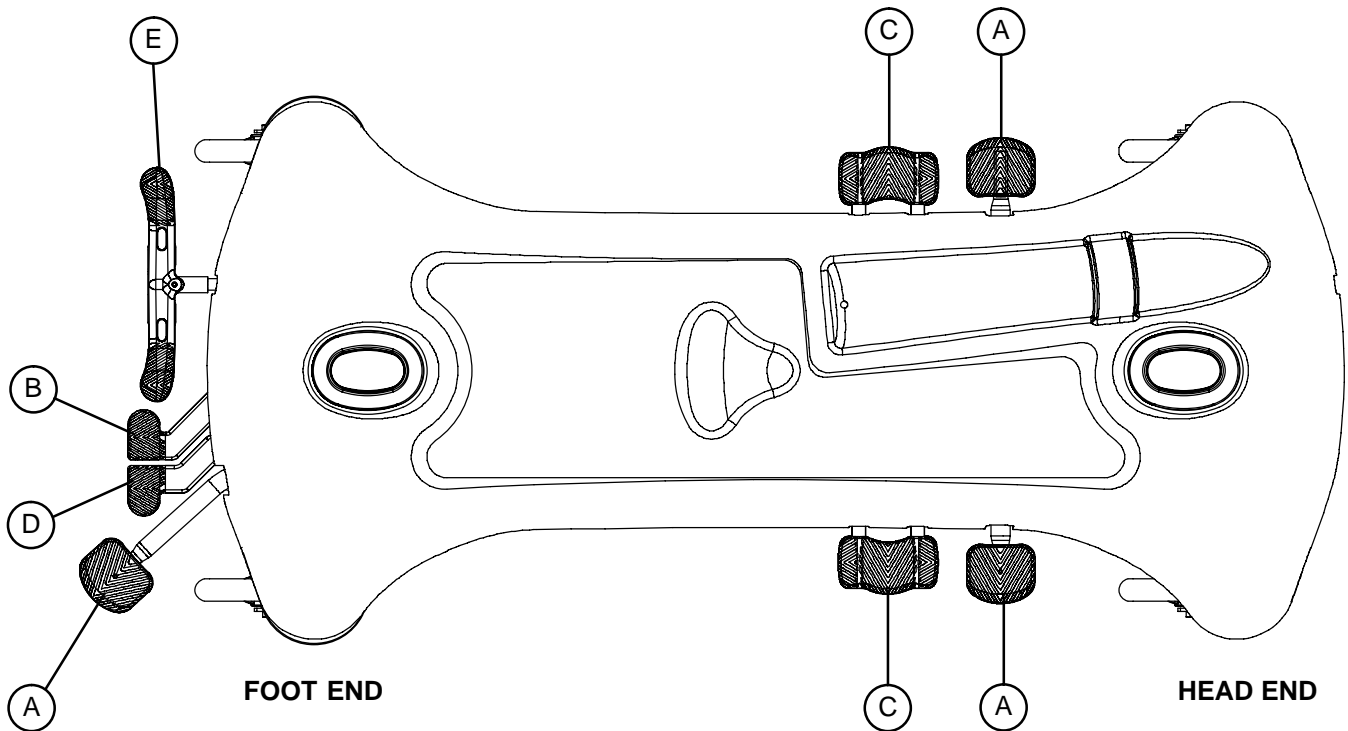
Depress the side of pedal (B) closest to the head end of the stretcher to lower the head end.



Pedal (C) – Brake and Steer functions

Stretcher Operation

OPERATING BASE CONTROLS – 3-SIDED CONTROLS

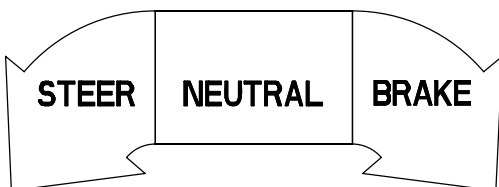
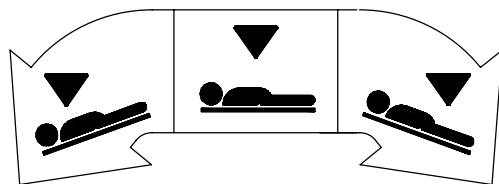


Pump pedal (A) at the foot end or sides of the stretcher to raise the litter

Depress pedal (B) or the side of pedal (C) closest to the head end of the stretcher to lower the head end of the stretcher.

Depress pedal (D) or the side of pedal (C) closest to the foot end of the stretcher to lower the foot end of the stretcher.

Depress in the center of pedal (C) or depress pedals (B) and (D) together to lower both ends of the stretcher together.



Pedal (E) – Brake and Steer functions (foot end).

Stretcher Operation

RAISING AND LOWERING LITTER HEIGHT – SIDE CONTROL

CAUTION

To avoid damage, remove any equipment that may be in the way before raising or lowering the litter height.

To **raise** the litter height, pump pedal (A) repeatedly until the desired height is achieved (see illustration on [page 4](#)).

To **lower** both ends of the litter together, depress the center of pedal (B). To lower only the head end of the litter, depress the side of pedal (B) closest to the head end. To lower only the foot end of the litter, depress the side of pedal (B) closest to the foot end (see illustration on [page 4](#)). The base may be equipped with optional variable descent controls. With variable descent controls, the farther you press down on the pedal, the faster the litter will lower.

RAISING AND LOWERING LITTER HEIGHT – 3–SIDED CONTROLS

To **raise** the litter height, pump pedal (A) repeatedly until the desired height is achieved (see illustration on [page 5](#)).

To **lower** both ends of the litter simultaneously, depress pedal (B) and (D) together using the same foot or depress in the center of pedal (C). To lower only the head end of the litter, depress pedal (B) or the side of pedal (C) closest to the head end of the stretcher. To lower only the foot end of the stretcher, depress pedal (D) or the side of pedal (C) closest to the foot end of the stretcher.

The base may be equipped with optional variable descent controls. With variable descent controls, the farther you press down on the pedal, the faster the litter will lower.

TRENDELENBURG/REVERSE TRENDELENBURG – SIDE CONTROL

NOTE

Litter height must be raised first in order to achieve a trend. or reverse trend. position.

CAUTION

To avoid damage, remove any equipment that may be in the way before lowering the stretcher.

For **Trendelenburg** positioning (head down), depress the side of pedal (B) closest to the head end of the stretcher (see illustration, [page 4](#)).

For **Reverse Trendelenburg** positioning (foot down), depress the side of pedal (B) closest to the foot end.

NOTE

The higher the litter is before pedal (B) is activated, the greater the trend. or reverse trend. angle will be. (Maximum trend. angle is +18°. Maximum reverse trend. angle is –18°).

TRENDELENBURG/REVERSE TRENDELENBURG – 3–SIDED CONTROLS

CAUTION

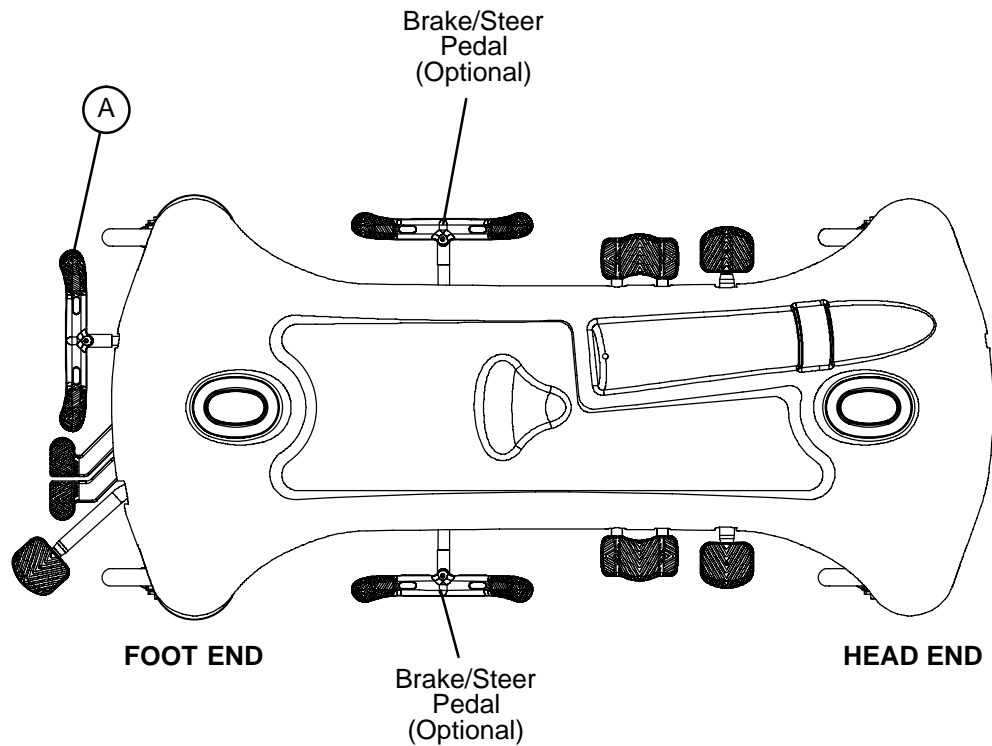
To avoid damage, remove any equipment that may be in the way before lowering the stretcher.

For **Trendelenburg** positioning (head down), depress pedal (B) or the side of pedal (C) closest to the head end of the stretcher (see illustration, [page 5](#)).

For **Reverse Trendelenburg** positioning (foot down), depress pedal (D) or the side of pedal (C) closest to the foot end of the stretcher.

Stretcher Operation

APPLYING THE BRAKE SYSTEM



WARNING

Always apply the caster brakes when a patient is getting on or off the stretcher. Push on the stretcher to ensure the brakes are securely locked. Always engage the brakes unless the stretcher is being moved. Injury could result if the stretcher moves while a patient is getting on or off the stretcher.

To engage the brakes, push fully down on the right side of pedal (A).

NOTE

Your stretcher may be equipped with optional side control brake and steer functions in addition to the standard foot end controls. The side control brakes operate the same as the foot end version.

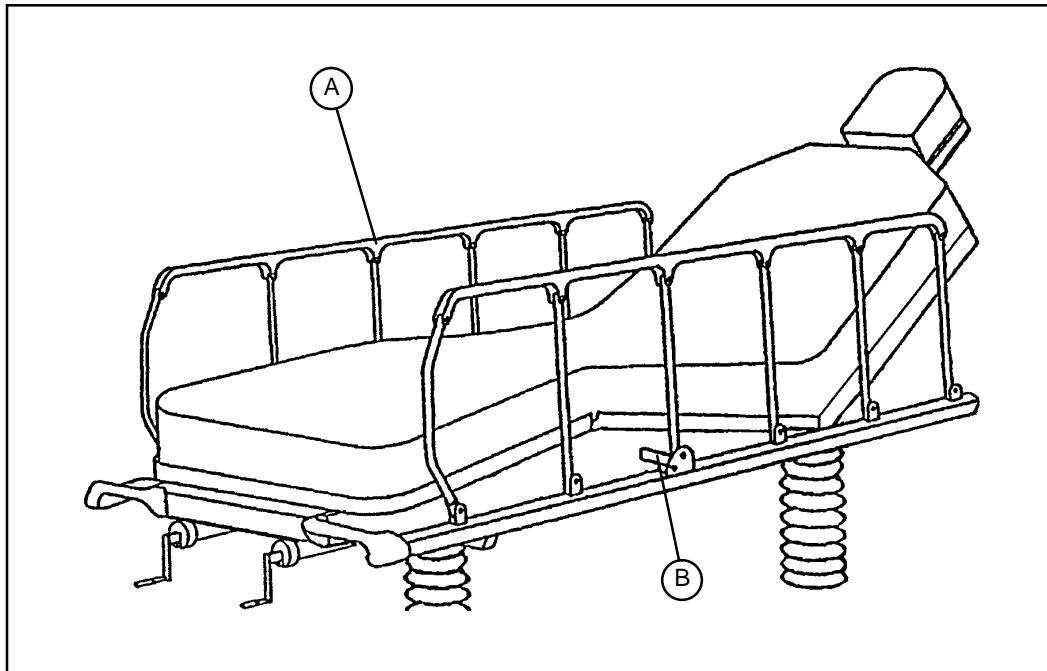
OPERATING THE FIFTH WHEEL

The purpose of the fifth wheel option is to help guide the stretcher when transporting a patient along a straight line and also for pivoting at corners.

To engage the fifth wheel, push the proper side of the brake/steer pedal to the full down position.

Stretcher Operation

USING THE SIDERAILS



CAUTION

Be sure the siderail latching mechanism (B) is working properly at all times. If it is not, refer to your stretcher maintenance manual for "Siderail Latch Adjustment".

When lowering the siderail to the collapsed position, keep extremities of patients and staff away from the siderail spindles or injury could occur.

To avoid injury or damage to the equipment, do not allow the siderail to lower on its own.

- **To engage the siderails:** Pull up the siderail (A) and raise it to the full up position so that latch (B) engages.
- **To disengage the siderails:** Pull up on latch (B) and guide the siderail to the full down position.

Stretcher Operation

USING THE PATIENT TRANSFER BOARD

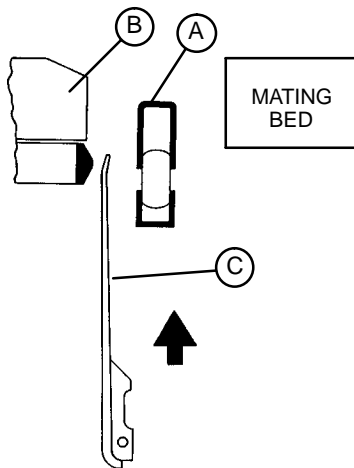
WARNING

When using the transfer board to transfer a patient, **always** lock the brakes on all stretchers, beds, etc. being used and **always** be certain the transfer board is placed securely on the surface of the mating stretcher or bed. The patient stretcher and the mating surface must be at the same height before the patient is transferred.

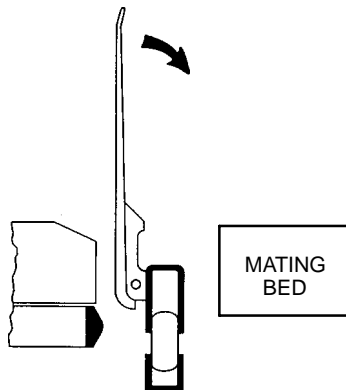
Transferring Patients:

Note

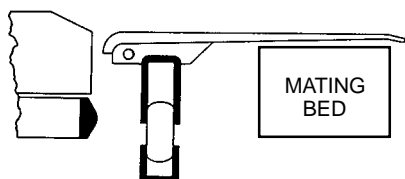
The transfer board (C) is located between the siderail (A) and the mattress (B). (See illustration).



1. Lower siderail (A) to full down position.
2. Raise the transfer board (C) from the bottom while lifting from the top.



3. When the transfer board is fully raised, it can be pivoted downward onto the surface of the mating bed or stretcher.

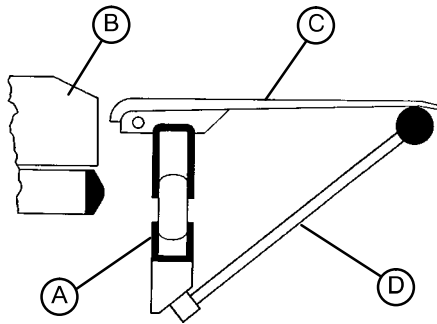


- Important:** Be sure the brakes have been applied on both the stretcher and the mating bed or stretcher before beginning step 4.
4. Using a sheet, draw the patient onto the mating bed or stretcher.

Stretcher Operation

USING THE PATIENT TRANSFER BOARD/ARM BOARD (CONTINUED)

Using the transfer board as an armboard:

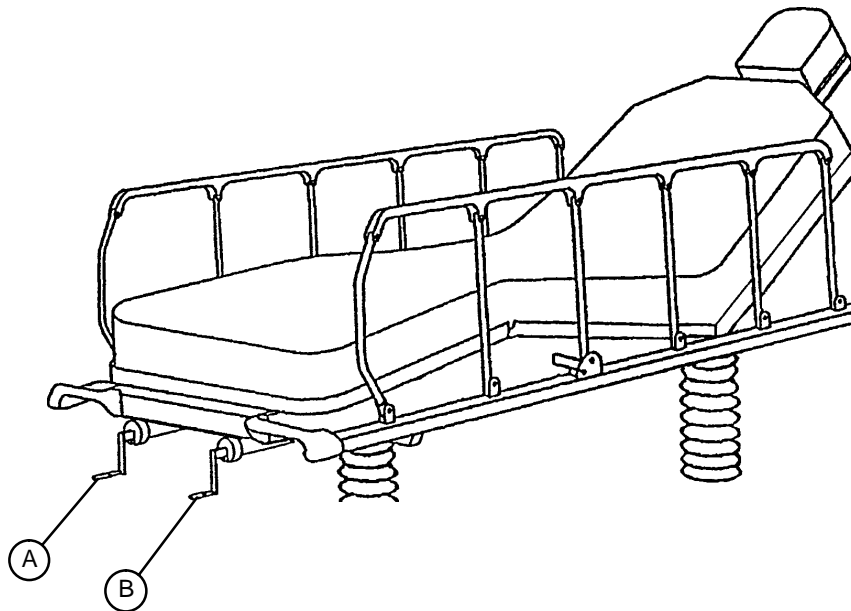


1. Raise the support post (D) to the up position.
2. Raise the transfer board (C) from the bottom while lifting from the top.
3. When the transfer board is fully raised, it can be pivoted downward onto the support post (D).

CAUTION

When the transfer board is being used to transfer a patient, the support post (D) must be in the stored (down) position. Damage to the support post will occur if it is pushed up against a stretcher, table, etc.

OPERATING THE CRANK FOWLER/CRANK KNEE GATCH



The Fowler and Gatch crank handles are stored under the litter and held out of the way with magnets. Pivot the crank out and push in to engage it.

Turn crank handle (A) clockwise to raise the Fowler, counterclockwise to lower the Fowler.

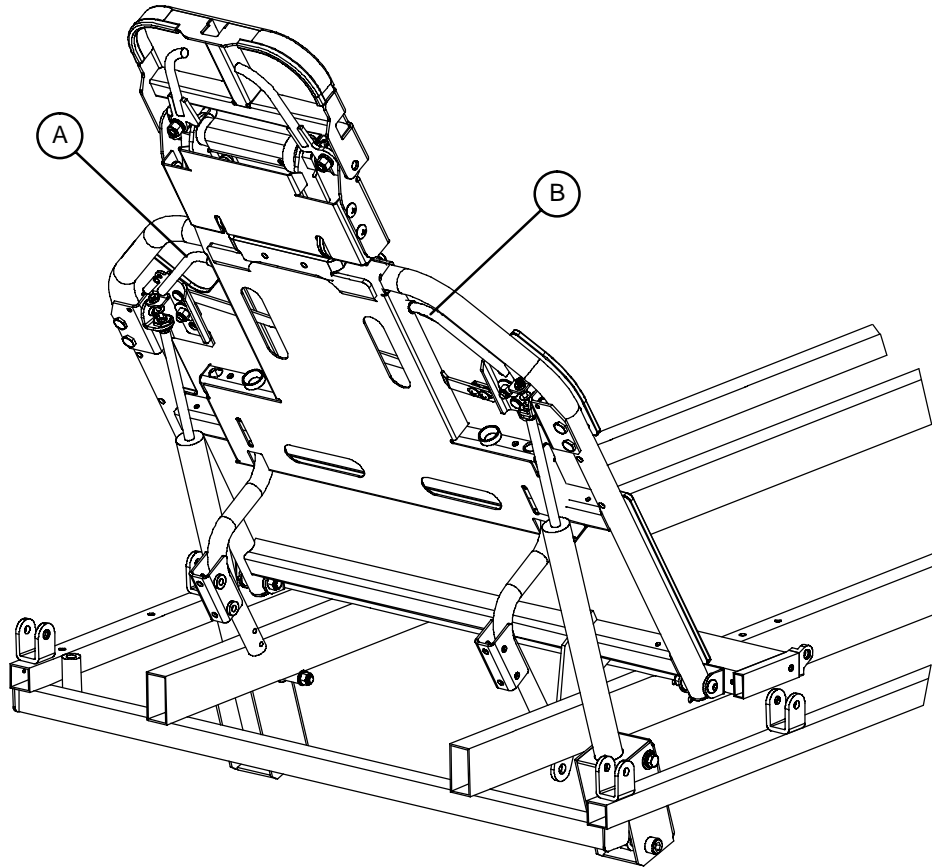
Turn crank handle (B) clockwise to raise the Knee Gatch, counterclockwise to lower the Knee Gatch.

NOTE

The stretcher may have a stationary foot end instead of a Knee Gatch.

Stretcher Operation

OPERATING THE PNEUMATIC FOWLER



- Squeeze handles (A & B) for pneumatic assistance in lifting the Fowler to the desired height. Remove hand(s) from the handles when the desired height is achieved.

CAUTION

Operation of the pneumatic Fowler is a manual procedure. Use caution when raising the Fowler while a patient is on the stretcher. Use proper lifting techniques and get additional assistance, if necessary. Failure to use proper lifting techniques could cause injury to the operator.

Keep hands/fingers clear of the area around the Fowler release handle and the Fowler frame when lowering the Fowler. Injury could result if care is not taken when lowering the Fowler.

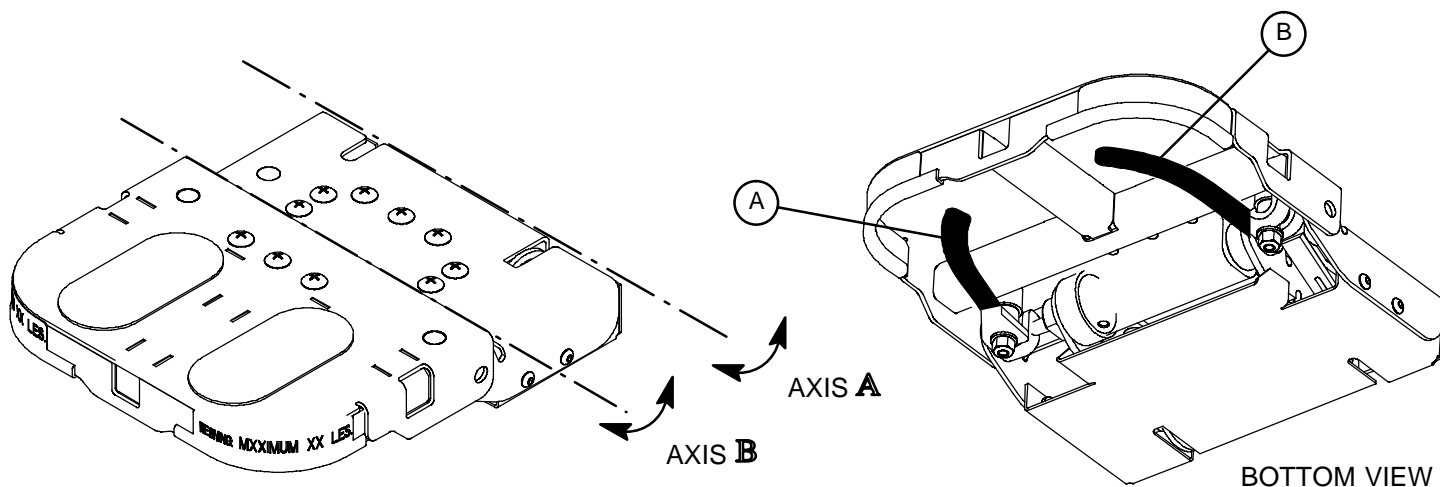
- To lower the Fowler, squeeze handles (A & B) and push down on the Fowler until it has reached the desired height. Remove your hand(s) from the handle when the desired height is achieved.

CAUTION

If the pneumatic system appears to be difficult to operate, refer to your maintenance manual for a pneumatic Fowler adjustment procedure.

Stretcher Operation

OPERATING THE OPTIONAL ENHANCED CLEARANCE HEAD PIECE



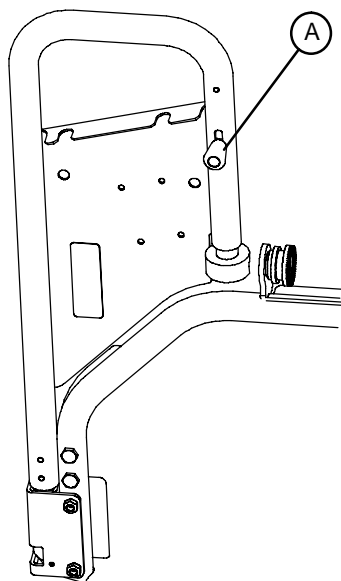
To operate the articulating head piece, grasp either handle under the head section and squeeze. Handle (A) releases one latch and rotates the head piece on axis "A". Handle (B) releases the other latch and rotates the head section on axis "B". For ease of operation, it is recommended to release only one latch at a time.

WARNING

The weight of the patient's head is resting on the head piece and must be supported by the operator when the latches are released and the head piece is being positioned. Failure to adequately support the head piece while positioning the head could result in patient injury.

To avoid possible pinch points when adjusting the head piece, keep your fingers away from the jointed areas. Do not reach between the side of the head extension and the articulating head piece to pull the release handle. Finger injury could result.

USING THE OPTIONAL PRE-OP/POST-OP HEAD EXTENSIONS



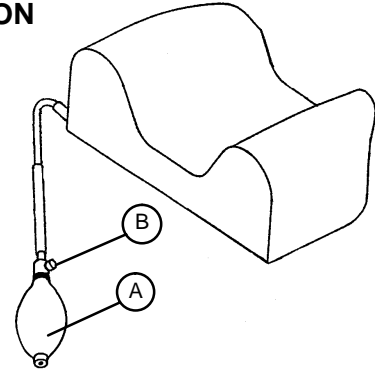
The Pre-Op/Post-Op Head Extensions are designed to provide additional litter surface and to protect the patient's head during transport. The head extensions can be used as push handles when the stretcher is being moved.

To add the extensions to the litter, slide the extension tube into the receptacle tube on the side of the Fowler frame. Pivot the extension upward until it locks into place on the head piece frame. To release the extension, pull the red knob (A) under the extension toward you, rotate the extension downward and pull it straight out of the socket.

Stretcher Operation

USING THE OPTIONAL INFLATABLE HEAD SUPPORT CUSHION

The optional inflatable head support cushion has two internal air bladders. Squeeze the bulb (A) to inflate the bladders and provide more stability for the patient's head. Press the release valve (B) to deflate the bladders.

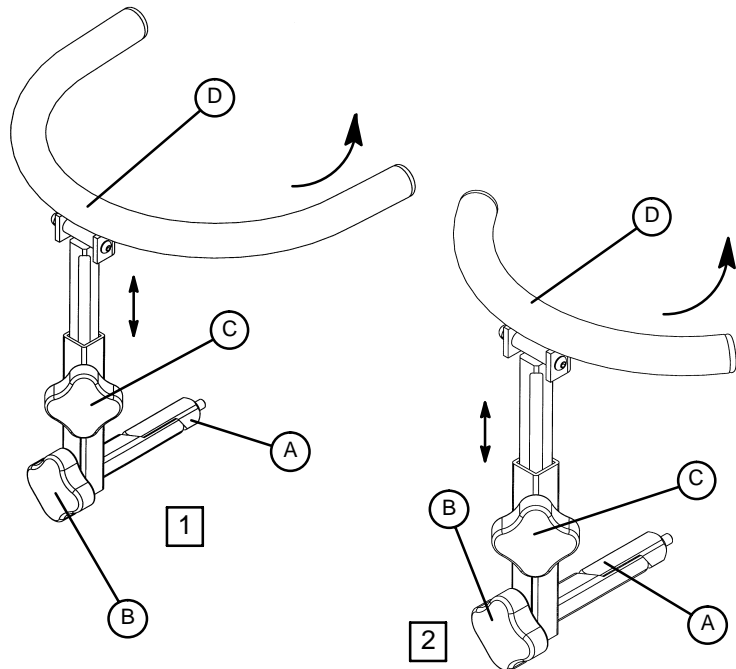


USING THE OPTIONAL WRIST RESTS

There are two optional wrist rests available for the 1069; standard **1** and temporal **2**.

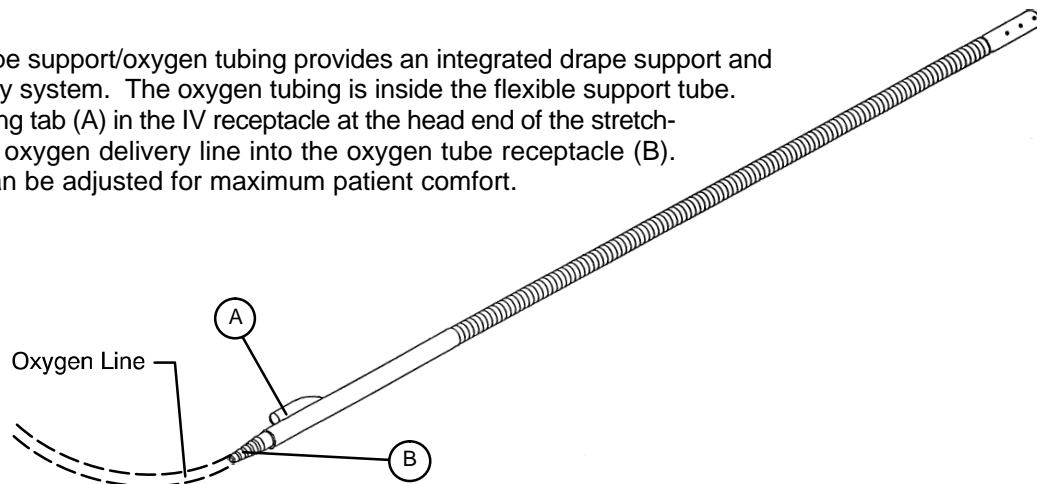
To use the wrist rest, insert the support tube (A) into the socket in the Fowler head piece assembly. Turn knob (B) clockwise to secure the wrist rest assembly.

To adjust the height of the wrist rest, turn knob (C) counterclockwise to loosen it. Raise or lower the wrist rest to the desired height, and turn the knob clockwise to tighten it and hold the wrist rest in place. The "U" shaped rest (D) can be pivoted up and away from the patient when the wrist rest is not in use.



USING THE OPTIONAL DRAPE SUPPORT/OXYGEN TUBING

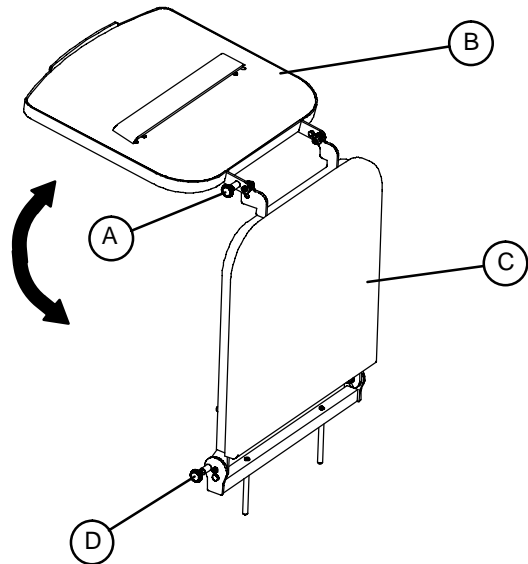
The optional drape support/oxygen tubing provides an integrated drape support and patient air delivery system. The oxygen tubing is inside the flexible support tube. Place the mounting tab (A) in the IV receptacle at the head end of the stretcher and insert the oxygen delivery line into the oxygen tube receptacle (B). The assembly can be adjusted for maximum patient comfort.



Stretcher Operation

USING THE OPTIONAL FOOT EXTENSION/DEFIBRILLATOR TRAY

1. To use as a defibrillator tray, pull out the top knob (A) and pivot the tray (B) over the foot extension (C) until the tray extends flat over the foot end of the stretcher.
2. To use as a foot extension, pull out knob (A) and pivot the defibrillator tray back until it locks against the foot extension (C). While holding onto the assembly, pull out the bottom knob (D) and lower the foot extension down until it is flat.



CAUTION

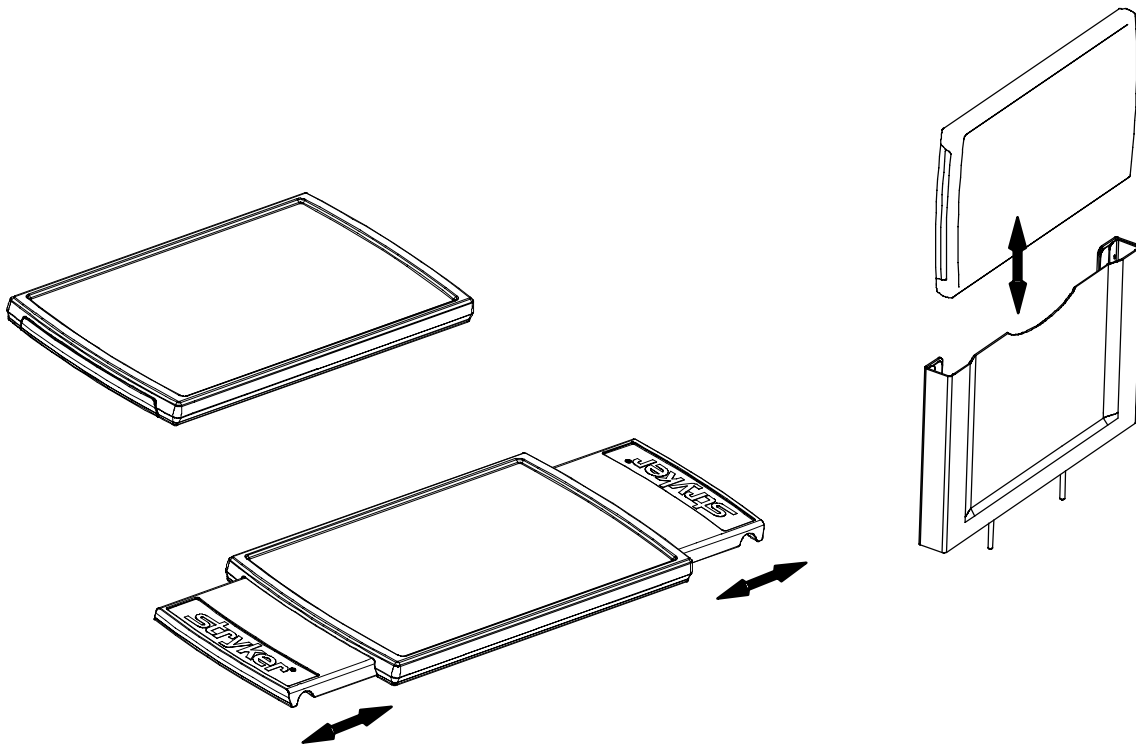
If the stretcher is equipped with the optional foot end IV pole, the IV pole must be in the raised position when the foot extension/defibrillator tray is installed. If the IV pole is not raised, the foot extension will not function properly and injury could occur.

If the stretcher is equipped with the optional foot end push handles, use caution while the foot extension/defibrillator tray is installed to avoid pinching your fingers.

To avoid damage, do not put items weighing more than 30 pounds on the defibrillator tray.

Stretcher Operation

USING THE OPTIONAL SERVING TRAY



Pull out on either end of the serving tray to extend it to the proper width to fit on top of the stretcher siderails.

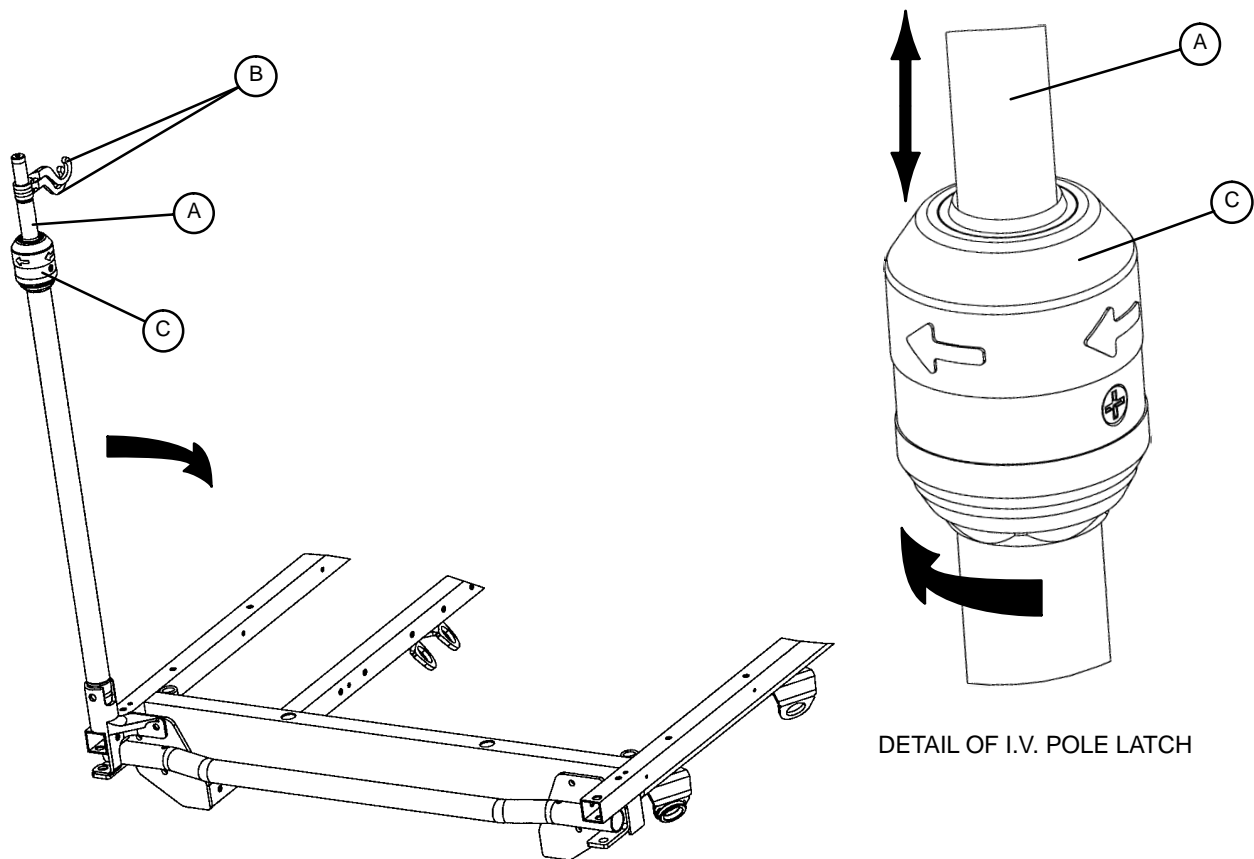
To store the serving tray in the optional serving tray holder/foot board, push in both ends of the serving tray and slide it into the holder.

CAUTION

To avoid damage, do not put items weighing more than 30 pounds on the serving tray.

Stretcher Operation

OPERATING THE OPTIONAL 2-STAGE PERMANENTLY ATTACHED IV POLE



NOTE

The 2-stage permanently attached IV pole is an option and may have been installed at either the head, foot or both ends of the stretcher. The choice was made at the time the stretcher was purchased.

To use the 2-stage permanently attached IV pole:

3. Lift and pivot the pole from the storage position and push down until it is locked into the receptacle.
4. To raise the height of the pole, pull up on the telescoping portion (A) until it locks into place at its fully raised position.
5. Rotate the IV hangers (B) to desired position and hang the IV bags.
6. To lower the IV pole, turn the latch (C) clockwise until section (A) lowers.

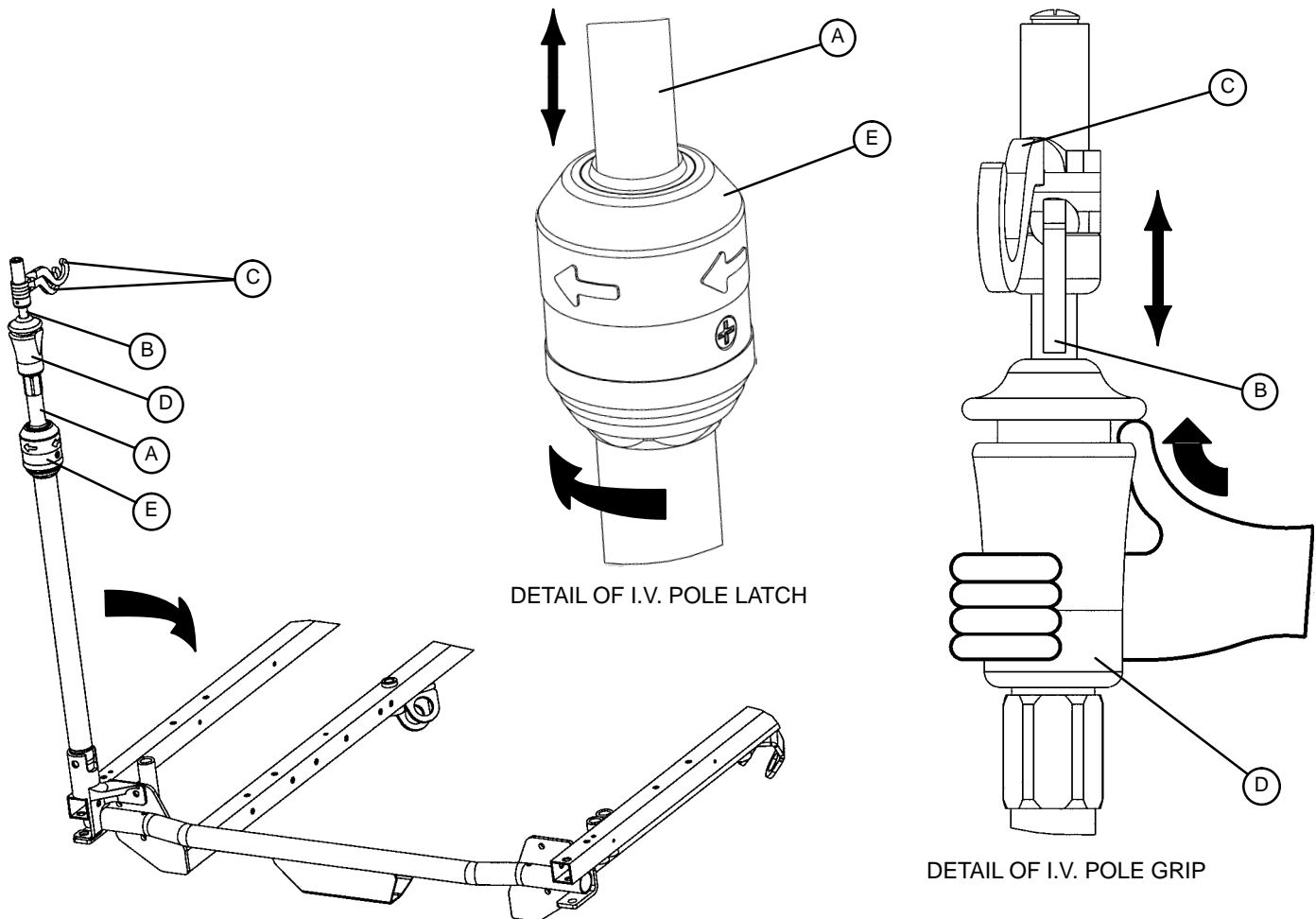
CAUTION

To avoid damage, the weight of the IV bags should not exceed 40 pounds.

To avoid damage while transporting the stretcher, verify the IV pole is at a low enough height to allow it to safely pass through door openings and under light fixtures.

Stretcher Operation

OPERATING THE OPTIONAL 3-STAGE PERMANENTLY ATTACHED IV POLE



NOTE

The 3-stage permanently attached IV pole is an option and may have been installed at either the head, foot or both ends of the stretcher. The choice was made at the time the stretcher was purchased.

To use the 3-stage permanently attached IV pole:

1. Lift and pivot the pole from the storage position and push down until it is locked into the receptacle.
2. To raise the height of the pole, pull up on the telescoping portion (A) until it locks into place at its fully raised position.
3. For a higher IV pole, pull up on section (B). Release section (B) at any desired height and it will lock into place.
4. Rotate the IV hangers (C) to the desired position and hang the IV bags.
5. To lower the IV pole, push up on the red portion of grip (D) while holding onto section (B) until it lowers. Turn latch (E) clockwise until section (A) lowers.

CAUTION

To avoid damage, the weight of the IV bags should not exceed 40 pounds.

To avoid damage while transporting the stretcher, verify the IV pole is at a low enough height to allow it to safely pass through door openings and under light fixtures.

Preventative Maintenance

CHECKLIST

- _____ All fasteners secure
- _____ Siderails move and latch properly
- _____ Engage brake pedal and push on the stretcher to ensure all casters lock securely
- _____ Steer function working properly
- _____ All casters secure and swiveling properly
- _____ Body restraints working properly
- _____ I.V. pole intact and operating properly
- _____ Oxygen bottle holder intact and operating properly
- _____ Fowler operating properly
- _____ Optional articulating head piece locking and releasing properly
- _____ Knee Gatch operating properly
- _____ Trendelenburg/Reverse Trendelenburg operating properly
- _____ No rips or cracks in mattress cover
- _____ Arm boards intact and operating properly
- _____ Arm board support levers intact and operating properly
- _____ Ground chain intact
- _____ No leaks at hydraulic connections
- _____ Hydraulic jacks holding properly
- _____ Hydraulic drop rate set properly
- _____ Hydraulic oil level sufficient
- _____ Lubricate where required, including the pin and block ("U" joint) on the Fowler assembly

Serial No. _____

Completed By: _____

Date: _____

NOTE

Preventative maintenance should be performed at a minimum of annually. A preventative maintenance program should be established for all Stryker Medical equipment. Preventative maintenance may need to be performed more frequently based on the usage level of the product.

Cleaning

Hand wash all surfaces of the stretcher with warm water and mild detergent. **DRY THOROUGHLY.** Do not steam clean, pressure wash, hose off or ultrasonically clean. Using these methods of cleaning is **not** recommended and may void this product's warranty.

Suggested cleaners for stretcher surfaces:

Quaternary Cleaners (active ingredient – ammonium chloride)

Phenolic Cleaners (active ingredient – o-phenylphenol)

Chlorinated Bleach Solution (5.25% – less than 1 part bleach to 100 parts water)

Avoid oversaturation and ensure the product does not stay wet longer than the chemical manufacturer's guidelines for proper disinfecting.

CAUTION

SOME CLEANING PRODUCTS ARE CORROSIVE IN NATURE AND MAY CAUSE DAMAGE TO THE PRODUCT IF USED IMPROPERLY. If the products described above are used to clean Stryker patient care equipment, measures must be taken to insure the beds are wiped with clean water and thoroughly dried following cleaning. Failure to properly rinse and dry the beds will leave a corrosive residue on the surface of the bed, possibly causing premature corrosion of critical components. Failure to follow the above directions when using these types of cleaners may void this product's warranty.

Clean Velcro® **AFTER EACH USE.** Saturate Velcro® with disinfectant and allow disinfectant to evaporate. (Appropriate disinfectant for nylon Velcro® should be determined by the hospital.)

REMOVAL OF IODINE COMPOUNDS

This solution may be used to remove iodine stains from mattress cover surfaces.

1. Use a solution of 1–2 tablespoons Sodium Thiosulfate in a pint of warm water to clean the stained area. Clean as soon as possible after staining occurs. If stains are not immediately removed, allow solution to soak or stand on the surface.
2. Rinse surfaces which have been exposed to the solution in clear water before returning bed to service.

Warranty

Limited Warranty:

Stryker Medical Division, a division of Stryker Corporation, warrants to the original purchaser that its products should be free from defects in material and workmanship for a period of one (1) year after date of delivery. Stryker's obligation under this warranty is expressly limited to supplying replacement parts and labor for, or replacing, at its option, any product which is, in the sole discretion of Stryker, found to be defective. If requested by Stryker, products or parts for which a warranty claim is made shall be returned prepaid to Stryker's factory. Any improper use or any alteration or repair by others in such manner as in Stryker's judgement affects the product materially and adversely shall void this warranty. Any repair of Stryker products using parts not provided or authorized by Stryker shall void this warranty. No employee or representative of Stryker is authorized to change this warranty in any way.

Stryker Medical stretcher products are designed for a 10 year expected service life under normal use, conditions, and with appropriate periodic maintenance as described in the maintenance manual for each device. Stryker warrants to the original purchaser that the welds on its stretcher products will be free from structural defects for the expected 10 year life of the stretcher product as long as the original purchaser owns the product.

This statement constitutes Stryker's entire warranty with respect to the aforesaid equipment. STRYKER MAKES NO OTHER WARRANTY OR REPRESENTATION, EITHER EXPRESSED OR IMPLIED, EXCEPT AS SET FORTH HEREIN. THERE IS NO WARRANTY OF MERCHANTABILITY AND THERE ARE NO WARRANTIES OF FITNESS FOR ANY PARTICULAR PURPOSE. IN NO EVENT SHALL STRYKER BE LIABLE HEREUNDER FOR INCIDENTAL OR CONSEQUENTIAL DAMAGES ARISING FROM OR IN ANY MANNER RELATED TO SALES OR USE OF ANY SUCH EQUIPMENT.

To Obtain Parts and Service:

Stryker products are supported by a nationwide network of dedicated Stryker Field Service Representatives. These representatives are factory trained, available locally, and carry a substantial spare parts inventory to minimize repair time. Simply call your local representative, or call Stryker Customer Service at (800) 327-0770.

Service Contract Coverage:

Stryker has developed a comprehensive program of service contract options designed to keep your equipment operating at peak performance at the same time it eliminates unexpected costs. We recommend that these programs be activated *before* the expiration of the new product warranty to eliminate the potential of additional equipment upgrade charges.

A SERVICE CONTRACT HELPS TO:

- Ensure equipment reliability
- Stabilize maintenance budgets
- Diminish downtime
- Establish documentation for JCAHO
- Increase product life
- Enhance trade-in value
- Address risk management and safety

Warranty

Stryker offers the following service contract programs:

| SPECIFICATIONS | GOLD | SILVER | PM* ONLY |
|--|-------------|---------------|-----------------|
| Annually scheduled preventative maintenance | X | | X |
| All parts,** labor, and travel | X | X | |
| Unlimited emergency service calls | X | X | |
| Priority one contact; two hour phone response | X | X | X |
| Most repairs will be completed within 3 business days | X | X | |
| JCAHO documentation | X | X | X |
| On-site log book w/ preventative maintenance & emergency service records | X | | |
| Factory-trained Stryker Service Technicians | X | X | X |
| Stryker authorized parts | X | X | X |
| End of year summary | X | | |
| Stryker will perform all service during regular business hours (9-5) | X | X | X |

* Replacement parts and labor for products under PM contract will be discounted.

** Does not include any disposable items, I.V. poles (except for Stryker HD permanent poles), mattresses, or damage resulting from abuse.

Stryker Medical also offers *personalized* service contracts.

Pricing is determined by age, location, model and condition of product.

For more information on our service contracts, please call your local representative or call (800) 327-0770 (option #2).

Return Authorization:

Merchandise cannot be returned without approval from the Stryker Customer Service Department. An authorization number will be provided which must be printed on the returned merchandise. Stryker reserves the right to charge shipping and restocking fees on returned items.

SPECIAL, MODIFIED, OR DISCONTINUED ITEMS NOT SUBJECT TO RETURN.

Damaged Merchandise:

ICC Regulations require that claims for damaged merchandise must be made with the carrier within fifteen (15) days of receipt of merchandise. **DO NOT ACCEPT DAMAGED SHIPMENTS UNLESS SUCH DAMAGE IS NOTED ON THE DELIVERY RECEIPT AT THE TIME OF RECEIPT.** Upon prompt notification, Stryker will file a freight claim with the appropriate carrier for damages incurred. Claim will be limited in amount to the actual replacement cost. In the event that this information is not received by Stryker within the fifteen (15) day period following the delivery of the merchandise, or the damage was not noted on the delivery receipt at the time of receipt, the customer will be responsible for payment of the original invoice in full.

Claims for any short shipment must be made within thirty (30) days of invoice.

International Warranty Clause:

This warranty reflects U.S. domestic policy. Warranty outside the U.S. may vary by country. Please contact your local Stryker Medical representative for additional information.

European Representative

Stryker EMEA RA/QA Director
Stryker France
ZAC Satolas Green Pusignan
Av. De Satolas Green
69881 MEYZIEU Cedex
France

stryker[®]

3800 E. Centre Ave., Portage, MI 49002
(800) 327-0770
www.stryker.com



JH 10/06 1069-109-001 REV E