

4928 OVER BED TABLE

ASSEMBLY AND OPERATING INSTRUCTIONS



CAUTION SPRING LOADED ASSEMBLY
 READ INSTRUCTIONS SHEET CAREFULLY BEFORE PROCEEDING!

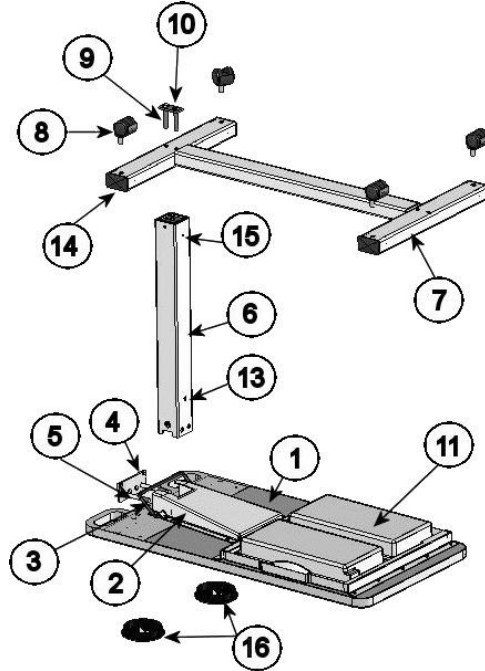
PARTS LIST

1	TOP 18 X 32	8	TWIN HOODED CASTER (CA06)
2	TOP BRACKET (400003-specify color)	9	BOLT PLATE (101023)
3	TRIP HANDLE (482835-specify color)	10	3/8-16 x 2 1/4" BOLTS (2) (BT05)
4	BACK MOUNTING PLATE (400063- specify color)	11	OPTIONAL VANITY
5	3/8 -16 x 3 1/4" BOLT (2) (BT06)	12	HOLE PLUG (2) (PL05)
6	COLUMN ASSEMBLY (495091-90N)	13	BLACK SHIPPING SCREW
7	U-BASE ASSEMBLY (Depends on color)	14	4600 CASTER PLUG (460004)
		16	Cup Holders (ch01pack of 2)

TOOLS REQUIRED

PHILLIPS SCREWDRIVER
 9/16" WRENCHES

ASSEMBLY INSTRUCTIONS



- 1 Lay (#1) top on table or floor with (#2) Top Bracket as shown
- 2 Insert Mounting Bolts (#5) through Back Mounting Plate (#4) and turn just enough to begin threading into Top Bracket (#2).
- 3 Insert the Column Assembly (#6) with the shipping screw (#13) facing inwards, as shown. The embossed dimples on the Back Mounting Plate (#4) and the Top Bracket (#2) must fit into the mating holes at the end of the outer column. Tighten the bolts with a 9/16" wrench.
- 4 Carefully install the four Casters (#8) into the Base Assembly (#7)
- 5 Insert two bolts (#10) through the Bolt Plate (#9), and then through the Base Assembly (#7) as shown. Align the bolts with the holes in the bottom of the inner column and tighten with 9/16" wrench.
- 6 Place the complete table upright on the casters.
- 7 Install two Hole Plugs (#12) into the base leg opposite the column.
- 8 Remove the Shipping Screw (#13) and discard.

OPERATING INSTRUCTIONS

- 1 To raise or lower the top, squeeze the Trip Lever (#2) upward to release the lock and adjust the top to the desired position.
- 2 To lubricate the Column Assembly (#6), raise the top until the Column Assembly (#6) is fully extended. Located the lubrication port (#15) and apply a small amount of spray lubricant or lighter machine oil, repeat as needed.

4928 OVER BED TABLE ASSEMBLY AND OPERATING INSTRUCTIONS



- 3 Insert Cup holders (#16) into table top cavities