
IMPORTANT
Keep manual
on file at all
times.

stryker[®]
Medical



Model 6081 MX-PRO[™]

▲RUGGED[™] Incubator Transporter

OPERATIONS/MAINTENANCE MANUAL

For Parts or Technical Assistance
1-800-327-0770

Thank you for purchasing the Rugged™ IT Cot. We strongly believe Rugged™ products are the best designed, best manufactured and best supported products on the market.

If you need any help operating or servicing this product, please contact Stryker Customer Service at 1-800-327-0770. In addition to facilitating your parts orders, our customer service and technical support representatives can answer your technical and troubleshooting questions.

DISCLAIMER

This manual is not intended to be all inclusive. Safe and proper use of this product is the responsibility of the operator. The general safety warnings and cautions provided in this manual are intended to be guidelines for safe usage. The operator should also remember the federal, state and local regulations and standards concerning usage. Training on the proper use of this product should always be provided to new operators before they use this product in the field.

NOTE

Read and understand the incubator manufacturer's instruction manual prior to installing and using an incubator on the Rugged™ IT Cot.

Table of Contents

Introduction	
Specifications	3
Warning / Caution / Note Definition	3
Warranty	
Obtaining Parts and Service	4
Supplemental Warranty Coverage	4
Return Authorization	5
Freight Damage Claims	5
Summary of Safety Precautions	6
Set-Up Procedures	7
Component Identification	8
Vehicle Safety Hook Installation	9
Cot Fastener Installation	10, 11
Cot Positions	12
Rolling the Cot	13
Loading the Cot into a Vehicle	14
Unloading the Cot from a Vehicle	15
Changing Cot Height	16
Operating Break-away Head Section	17
Operating I.V. Poles	18, 19
Installing the Incubator Adaptor	20
Installing the Airborne™ Incubator on the Rugged™ IT Cot	21
Installing the Air-Shields® Incubator on the Rugged™ IT Cot	22, 23
Installing the Ohmeda® Air-Vac Incubator on the Rugged™ IT Cot	24
Installing the Airborne™ O ₂ Bottle Module on the Rugged™ IT Cot	25
Preventative Maintenance	
Cleaning	26
Preventative Maintenance Schedule & Checklist	27
Maintenance Record	28
Training Record	29
Assembly Drawings and Parts Lists	
Cot Assembly	30–32
Base Assembly	33–35
Wheel Assembly	36
Lock Bar Assembly	37
Litter/Base Adapter Assembly	38
Base Lift Bar Assembly	39
Litter Assembly	40, 41

Table of Contents

Assembly Drawings and Parts Lists (Continued)

Lift Tube Assembly	42, 43
Breakaway Head Section Assembly	44–46
Release Handle Assembly	47
Airborne™ Adaptor Mounting Assembly	48
Airborne™ Incubator Adaptor Assembly	49
Air-Shields® Adaptor Mounting Assembly	50
Air-Shields® Incubator Adaptor Assembly	51
Ohmeda® Air-Vac Adaptor Mounting Assembly	52
Ohmeda® Air-Vac Incubator Adaptor Assembly	53
Airborne™ O ₂ Bottle Module Mounting Assembly	54
Airborne™ O ₂ Bottle Module Assembly	55
I.V. Pole Mounting Assembly, Right	56
2-Stage I.V. Assembly, Right	57
3-Stage I.V. Assembly, Right	58
I.V. Pole Mounting Assembly, Left	59
2-Stage I.V. Assembly, Left	60
3-Stage I.V. Assembly, Left	61
2-Stage I.V. Pole Assembly	62
3-Stage I.V. Pole Assembly	63
3-Stage I.V. Pole 3rd Stage Assembly	64
Pull Handle Assembly	65
Replacement Parts List	66

Introduction

INTRODUCTION

This manual is designed to assist you with the operation and maintenance of the Model 6081 **RUGGED™** MX-PRO Incubator Transporter. Read it thoroughly before using the equipment or beginning any maintenance on it.

SPECIFICATIONS

Overall Length/Minimum Length/Width	80"/62"/23" – 2032 mm./1575 mm./584 mm.
Height ¹ – Position 1	12.0" – 305 mm.
Position 2	19.5" – 495 mm.
Position 3	23.5" – 597 mm.
Position 4	26.5" – 673 mm.
Position 5	29.5" – 749 mm.
Position 6	32.0" – 813 mm.
Position 7	34.5" – 876 mm.
Position 8	37.0" – 940 mm.
Weight ²	72 pounds – 33 kg.
Maximum Weight Capacity	600 pounds – 272 kg.
Caster Diameter/Width	6"/2" – 132 mm./51 mm.
Minimum Operators Required for Loading/Unloading	2
Recommended Fastener Systems	Model 6370/6374 Floor Mount Type Model 6371/6375 Wall Mount Type
Recommended Floor Height	Up to 33" – 838 mm.
Roll-In Style	Yes

¹ Height measured from bottom of litter surface at seat section to ground level.

² Cot is weighed without the incubator mounting kit.

Stryker reserves the right to change specifications without notice.

The MX-PRO IT is designed to conform to the Federal Specification for the Star-of-Life Ambulance KKK-A-1822-D.

WARNING / CAUTION / NOTE DEFINITION

The words WARNING, CAUTION and NOTE carry special meanings and should be carefully reviewed.

WARNING

The personal safety of the patient or user may be involved. Disregarding this information could result in injury to the patient or user.

CAUTION

These instructions point out special procedures or precautions that must be followed to avoid damaging the equipment.

NOTE

This provides special information to make maintenance easier or important instructions clearer.

Warranty

Limited Warranty:

Stryker Medical Division, a division of Stryker Corporation, warrants to the original purchaser that its products should be free from defects in material and workmanship for a period of one (1) year after date of delivery. Stryker's obligation under this warranty is expressly limited to supplying replacement parts and labor for, or replacing, at its option, any product which is, in the sole discretion of Stryker, found to be defective. Stryker warrants to the original purchaser that the frame and welds on its beds will be free from structural defects for as long as the original purchaser owns the bed. If requested by Stryker, products or parts for which a warranty claim is made shall be returned prepaid to Stryker's factory. Any improper use or any alteration or repair by others in such manner as in Stryker's judgement affects the product materially and adversely shall void this warranty. Any repair of Stryker products using parts not provided or authorized by Stryker shall void this warranty. No employee or representative of Stryker is authorized to change this warranty in any way. Stryker Medical ambulance cots are designed for a 5 year expected life under normal use conditions and appropriate periodic maintenance as described in the maintenance manual for each device.

This statement constitutes Stryker's entire warranty with respect to the aforesaid equipment. STRYKER MAKES NO OTHER WARRANTY OR REPRESENTATION, EITHER EXPRESSED OR IMPLIED, EXCEPT AS SET FORTH HEREIN. THERE IS NO WARRANTY OF MERCHANTABILITY AND THERE ARE NO WARRANTIES OF FITNESS FOR ANY PARTICULAR PURPOSE. IN NO EVENT SHALL STRYKER BE LIABLE HEREUNDER FOR INCIDENTAL OR CONSEQUENTIAL DAMAGES ARISING FROM OR IN ANY MANNER RELATED TO SALES OR USE OF ANY SUCH EQUIPMENT.

To Obtain Parts and Service:

Stryker products are supported by a nationwide network of dedicated Stryker Field Service Representatives. These representatives are factory trained, available locally, and carry a substantial spare parts inventory to minimize repair time. Simply call your local representative, or call Stryker Customer Service at (800) 327-0770.

Service Contract Coverage:

Stryker has developed a comprehensive program of service contract options designed to keep your equipment operating at peak performance at the same time it eliminates unexpected costs. We recommend that these programs be activated *before* the expiration of the new product warranty to eliminate the potential of additional equipment upgrade charges.

A SERVICE CONTRACT HELPS TO:

- Ensure equipment reliability
- Stabilize maintenance budgets
- Diminish downtime
- Establish documentation for JCAHO
- Increase product life
- Enhance trade-in value
- Address risk management and safety

Warranty

Stryker offers the following service contract programs:

Program Levels:

- PLATINUM – Preventive Maintenance Inspection Three Times Annually (includes free annual mattress upgrade)
- GOLD – Preventive Maintenance Inspection Twice Annually
- SILVER – Preventive Maintenance Inspection Annually

All Program Levels Include the Following:

- Unlimited Emergency Service Calls
- Priority Contact – Two Hour Phone Response
- Most Repairs Will Be Completed Within Three Business Days
- JCAHO Documentation
- On–Site Maintenance Log Book with Preventative Maintenance & Emergency Service Records
- Factory Trained Stryker Service Technicians with Fully Stocked Vans
- Stryker Authorized Parts
- End of Year Summary

Not included:

- Any disposable items
- I.V. Poles
- Mattresses
- Damage resulting from abuse

***For more information on our service contracts,
please call your local representative or call (800) 327-0770 (option #2).***

Return Authorization:

Merchandise cannot be returned without approval from the Stryker Customer Service Department. An authorization number will be provided which must be printed on the returned merchandise. Stryker reserves the right to charge shipping and restocking fees on returned items.

SPECIAL, MODIFIED, OR DISCONTINUED ITEMS NOT SUBJECT TO RETURN.

Damaged Merchandise:

ICC Regulations require that claims for damaged merchandise must be made with the carrier within fifteen (15) days of receipt of merchandise. DO NOT ACCEPT DAMAGED SHIPMENTS UNLESS SUCH DAMAGE IS NOTED ON THE DELIVERY RECEIPT AT THE TIME OF RECEIPT. Upon prompt notification, Stryker will file a freight claim with the appropriate carrier for damages incurred. Claim will be limited in amount to the actual replacement cost. In the event that this information is not received by Stryker within the fifteen (15) day period following the delivery of the merchandise, or the damage was not noted on the delivery receipt at the time of receipt, the customer will be responsible for payment of the original invoice in full.

Claims for any short shipment must be made within thirty (30) days of invoice.

International Warranty Clause:

This warranty reflects U.S. domestic policy. Warranty outside the U.S. may vary by country. Please contact your local Stryker Medical representative for additional information.

Patent Information

Rugged Products are manufactured under the following patents:

United States 5,575,026
 5,537,700

Other Patents Pending

Summary of Safety Precautions

The following is a list of safety precautions that must be observed when operating or servicing this unit. The precautions are repeated throughout the manual, where applicable. Carefully read this list before using or servicing the unit.

WARNING

- Improper usage of the **▲RUGGED▲** Cot can cause injury to the patient or operator. Operate the cot only as described in this manual.
- Never leave a patient unattended on the cot or injury could result. Hold the cot securely while a patient is on the cot.
- Adaptors are intended for use only on the Model 6081 Rugged™ Incubator Transporter Cot. They are not intended for installation on any other Rugged™ Cot or any cot from another manufacturer. Using these adaptors on any cot other than the Rugged™ Model 6081 may result in damage to the cot and/or injury to the patient or user.
- Verify the adaptor is properly installed on the cot and the incubator is securely fastened to the adaptor prior to use. An improperly attached adaptor or incubator may cause injury to the patient or user.
- Be sure the undercarriage has engaged and locked before removing the loading wheels from the patient compartment floor of the vehicle. An unlocked undercarriage will not support the cot and injury to the patient and/or operator could result.
- Do not allow untrained helpers to assist in the operation of the cot. Untrained technicians/helpers can cause injury to the patient or themselves.
- Grasping the **▲RUGGED▲** Cot improperly can cause injury. Grasp only the lifting bars to lift the cot. Keep hands, fingers and feet away from moving parts. To avoid injury, use extreme caution when placing your feet on the base tubes while raising and lowering the cot.
- Do not modify the **▲RUGGED▲** Cot. Modifying the cot can cause unpredictable operation resulting in injury to the patient or operator. Modifying the cot will also void its warranty (see page 4).
- Have the vehicle safety hook installed by a certified mechanic. Improper safety hook installation can cause injury to the patient or operator or damage to the unit.
- Failure to use the vehicle safety hook can cause injury to the patient or operator. Install and use the safety hook as described in this manual.
- Do not pull on the safety bar when unloading the cot. Damage to the safety bar could result and injury to the patient or operator could occur.
- Improper maintenance can cause injury or damage to the unit. Maintain the cot as described in this manual. Use only Stryker approved parts and maintenance procedures. Using unapproved parts and procedures could cause unpredictable operation and/or injury and will void the product warranty.
- Do not step or ride on the base of the **▲RUGGED▲** cot. Damage to the cot could occur, resulting in injury to the patient or operator.
- Failure to properly clean or dispose of contaminated cot components will increase the risk of exposure to bloodborne pathogens and may cause injury to the patient or the operator.
- Do not exceed the 600 pound (272 kg.) weight limit of the cot, including incubator, equipment and patient. Damage to the cot and/or injury to the patient or user could occur.
- An unrestrained patient can be injured during transport. Always follow the incubator manufacturer's instructions for restraining the patient during transport.

CAUTION

- Damage to the cot can occur if the cot is lowered in the shortened position. Use only positions 5–8 (see page 12) when the cot is shortened.
- Lifting the cot by the safety bar can cause damage to the cot unless the cot is equipped with the lift capable safety bar. Lift the cot only by the lifting bars.
- Do not allow the cot undercarriage to drop unassisted (commonly known as a “hot drop”) when removing the cot from the vehicle. Repeated hot dropping will cause premature wear or damage to the cot.

Set-Up Procedures

Unpack the cartons and check all items for proper operation. It is important that the **▲RUGGED™** Cot is working properly before it is put into service. Have a qualified service person use the following list and the operation instructions to check the cot before it is put into service.

- All fasteners secure (reference all assembly prints)
- All welds intact, not cracked or broken
- No bent or broken tubing or sheet metal
- No debris in wheels
- All wheels secure, rolling and swivelling properly
- Optional accessories intact and operating properly
- Height positioning latch functioning properly
- Cot secure in each height position
- Undercarriage folds properly
- Break-away head section operating properly
- Safety bar operating properly
- Does the vehicle safety hook engage the safety bar so that the cot loads and unloads easily from the vehicle?
- Is there an approved crash-stable fastener (Stryker part number 6370/6374 or 6371/6375 – not included) installed in the vehicle?

The patient compartment of the vehicle in which the **▲RUGGED™** Cot will be used must have:

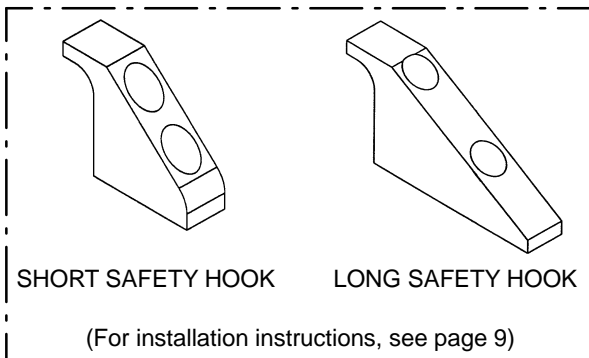
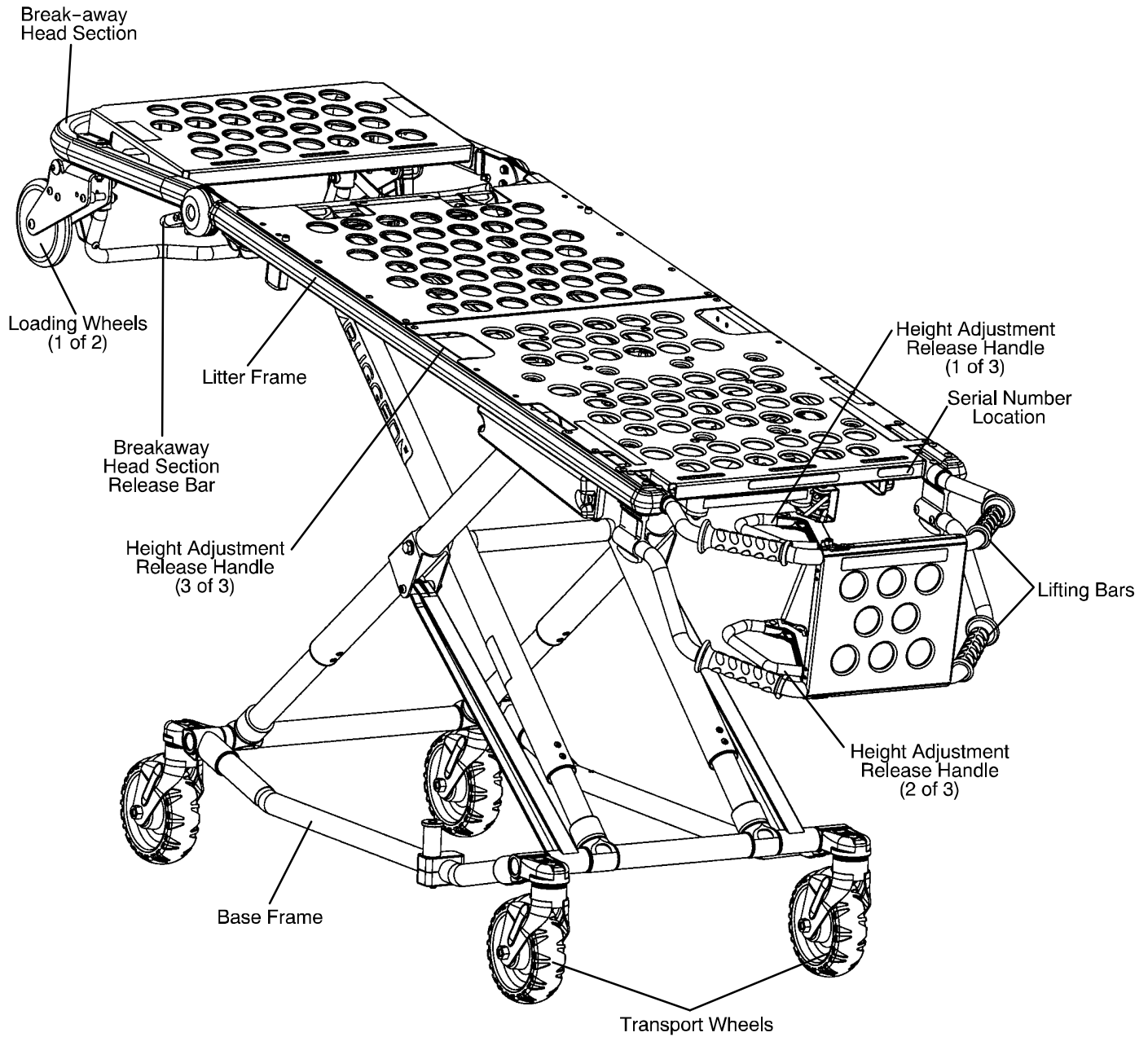
- A smooth rear edge for cot loading.
- A level floor large enough for the folded cot.
- Stryker 6370/6374 or 6371/6375 crash stable cot fastener (not included).
- 33" (840 mm.) maximum loading height.
- Space to install the safety hook.

When necessary, modify the vehicle to fit the cot. Do not modify the cot.

WARNING

Do not modify the **▲RUGGED™** Cot. Modifying the cot can cause unpredictable operation resulting in injury to the patient or operator. Modifying the cot will also void its warranty (see page 4).

Component Identification



Vehicle Safety Hook Installation

The vehicle safety hook is a device shipped with the cot. The safety hook activates the safety bar and prevents the cot from being removed from the vehicle accidentally.

Installation of the safety hook should be done by a certified mechanic familiar with ambulance construction. Consult the vehicle manufacturer before installing the safety hook and be sure the installation of the safety hook does not damage or interfere with the brake lines, oxygen lines, fuel lines, fuel tank or the electrical wiring of the vehicle.

Required Hardware for Installation of the Safety Hook (Not Supplied)

- (2) Grade 5, 1/4"–20 Socket Head Cap Screws*
- (2) Flat Washers
- (2) Lock Washers
- (2) 1/4"–20 Nuts

* The length of the socket head cap screws depends on the thickness of the vehicle floor. Use screws long enough to go completely through the patient compartment floor, washer and nut by at least two full threads.

Place the cot in the cot fastener. Remove the cot from the fastener and unload it from the vehicle. While the cot is being removed from the vehicle, note the position of the unloading wheels and the safety bar.

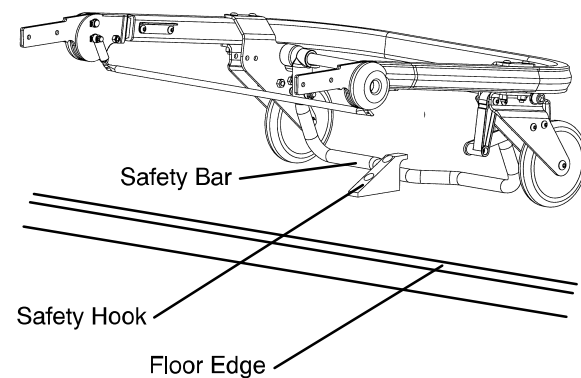
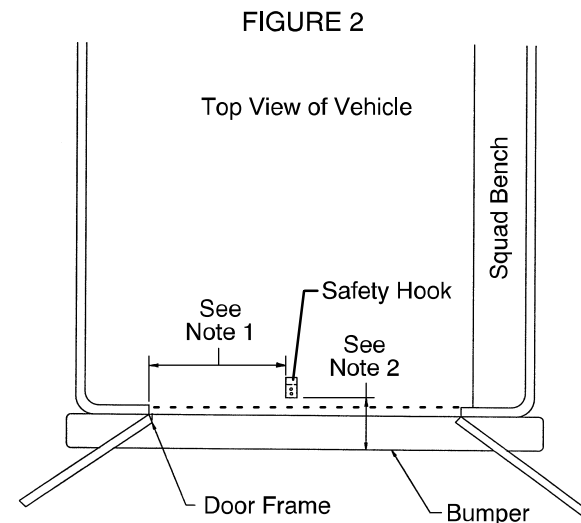
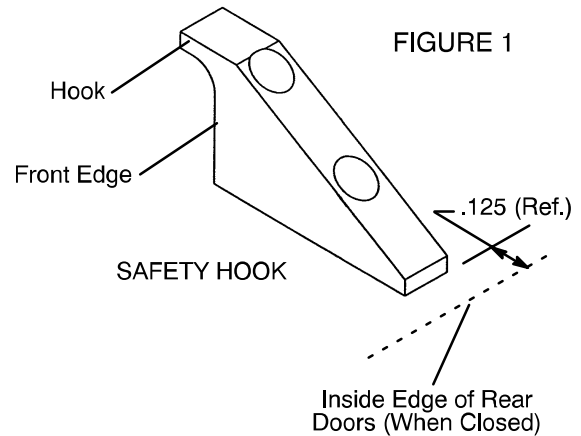
NOTE 1. Center the safety hook on the cot safety bar with the hook facing the front of the vehicle. Be sure the safety hook will always engage the safety bar when the cot is unloaded from the vehicle.

NOTE 2. The safety hook should be installed as close to the rear of the vehicle as possible while allowing the vehicle doors to close (see Figures 1 & 2). Be sure the bumper and the bumper step do not interfere with the folding and unfolding of the cot's undercarriage.

Mark the desired position of the safety hook on the patient compartment floor. Drill the holes for the socket head cap screws. Attach the safety hook to the patient compartment floor.

WARNING

Improper safety hook installation can cause injury to the patient and/or operator or damage to the cot. Have a certified mechanic install the safety hook. Failure to install the safety hook can cause injury to the patient or operator. Install and use the safety hook as described in this manual.



Cot Fastener Installation

The Stryker Model 6370/6374 and 6371/6375 Cot Fastener systems are designed to be compatible only with cots which conform to the installation specifications listed on page 11. Ambulance cots which currently meet these specifications are:

Stryker

Model 6060 DX Emergency Transport

Model 6070 LX Emergency Transport

Model 6080 MX-PRO

Model 6081 MX-PRO Incubator Transporter

Model 6090 EZ-PRO

Model 6091 EZ-PRO2

Ferno-Washington

Model 29-M Three Level Roll-In Cot*

Model 93 ES Squadmate™ *

Model 93 EX Squadmate™ *

Model 35-A Mobile Transporter™ *

Model 35-A+ Mobile Transporter Plus™ *

Model 35-IT Incubator Transporter*

WARNING

It is the responsibility of the cot operator to ensure that the cot being used in the Stryker Model 6370/6374 or 6371/6375 Cot Fastener Systems meets the installation specifications listed on page 11. Injury may result if a non-compatible cot is used in the Stryker Model 6370/6374 or 6371/6375 Fastener System.

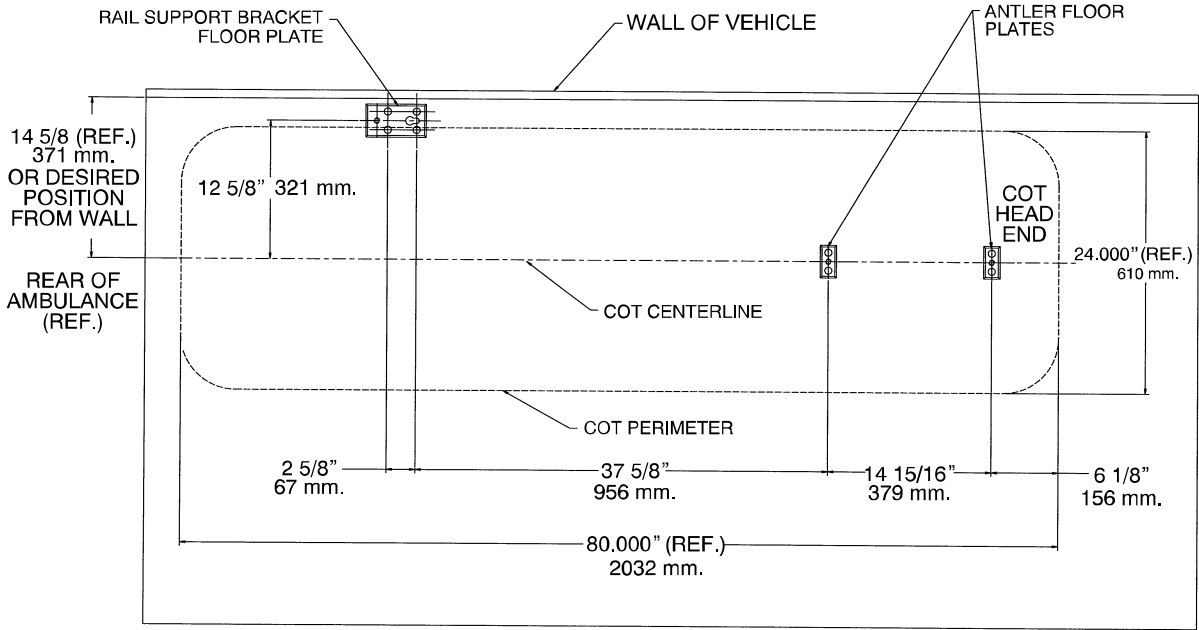
NOTE

Adjustment of the rail clamp assembly may be required in order to compensate for any variation in cot retaining post position depending on the ambulance cot manufacturer and model number.

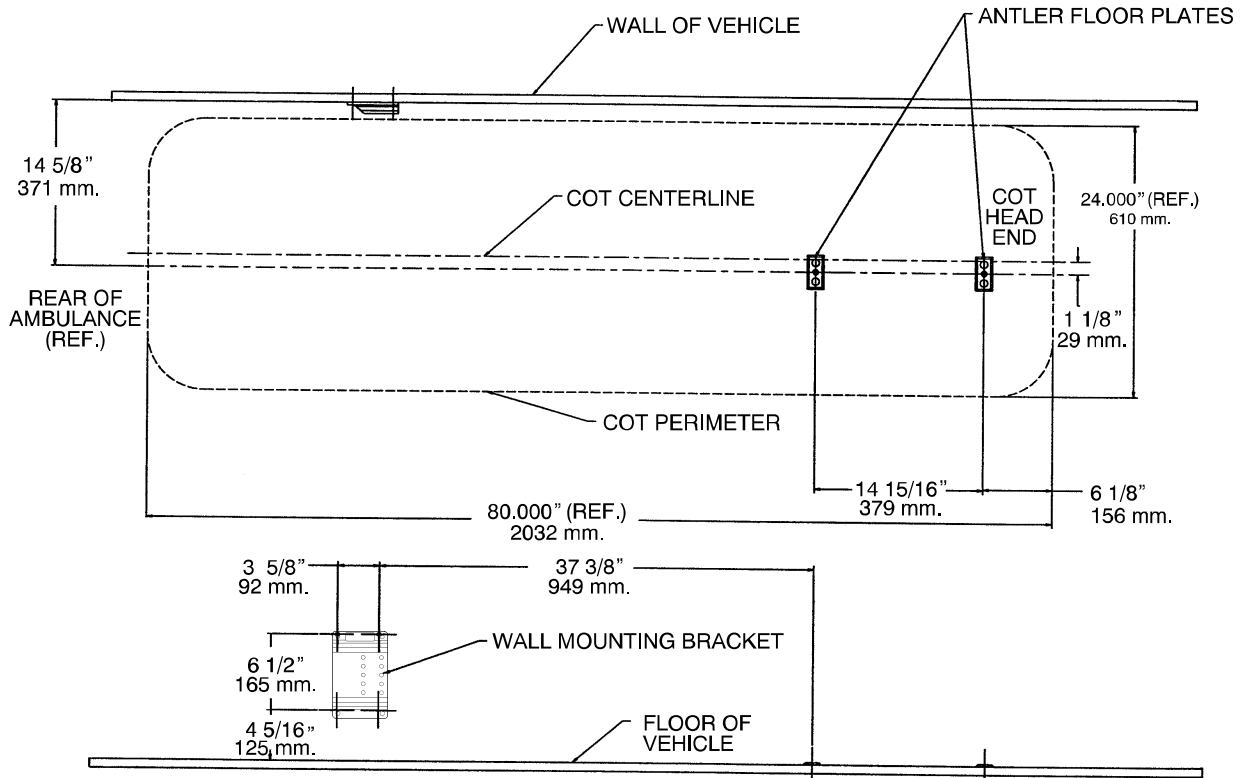
For more detailed installation and operation instructions for the Stryker Model 6370/6374 and 6371/6375 Cot Fastener systems, refer to part number 6370-90-10 Rugged™ Cot Fastener Installation/Operation Instructions.

* 1999 model year or earlier. Stryker is not responsible for changes in specifications to other manufacturer's cots.

Cot Fastener Installation

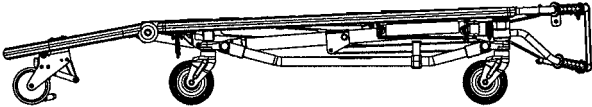


INSTALLATION SPECIFICATIONS – FLOOR MOUNT FASTENER (MODEL 6370/6374)

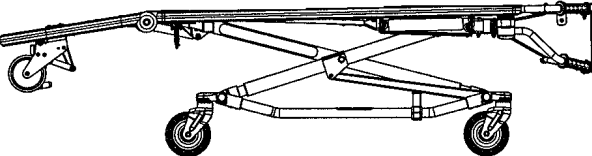


INSTALLATION SPECIFICATIONS – WALL MOUNT FASTENER (MODEL 6371/6375)

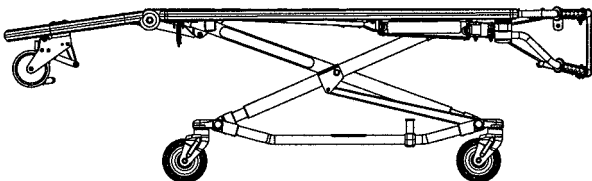
Cot Positions



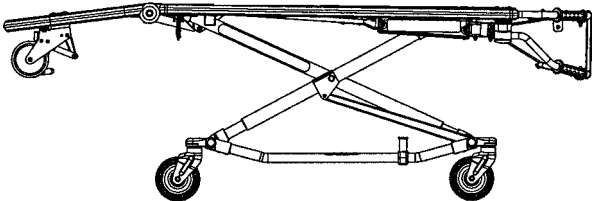
Position 1 – Use for incubator transfer/storage.



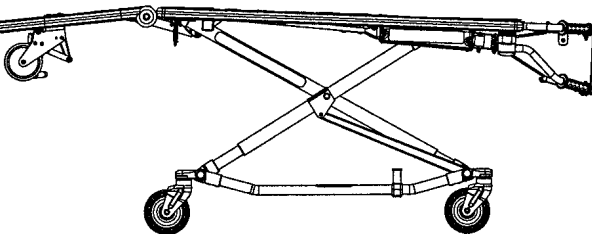
Position 2 – Use for incubator transfer/cot rolling.



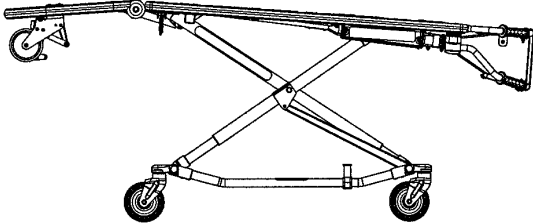
Position 3 – Use for incubator transfer/cot rolling.



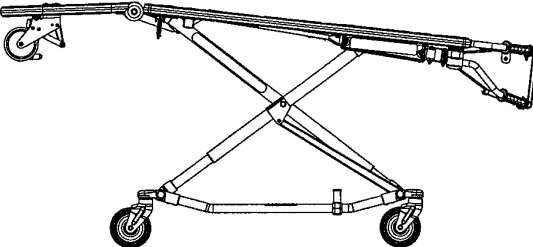
Position 4 – Use for incubator transfer/cot rolling.



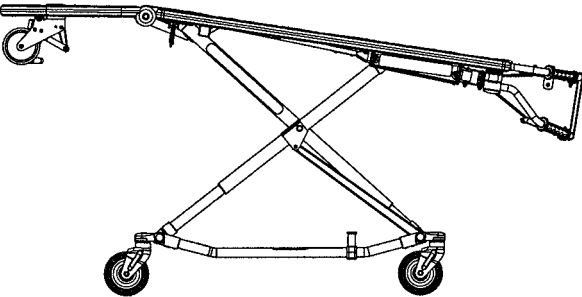
Position 5 – Use for incubator transfer/cot rolling.



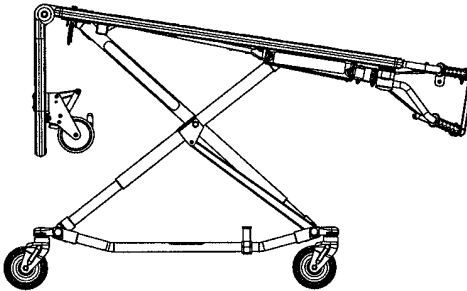
Position 6 – Use for incubator transfer/cot rolling.



Position 7 – Use for vehicle loading only.



Position 8 – Use for vehicle loading only.



Use for cot rolling in positions 5 & 6 when space is limited.

Cot Operation

Operating Guidelines

- Use the **▲RUGGED▲** Cot only as described in this manual.
- Read all labels and instructions on the cot before using the cot.
- Two operators are required to manipulate the cot. Use additional properly trained attendants when working with heavy equipment. The operators should maintain control of the cot and the release handles and instruct the additional attendants appropriately.
- Do not adjust, roll or load the cot without advising all the attendants. Stay with the patient and control the cot at all times.

Rolling the **▲RUGGED▲** Cot

Verify the incubator is secured in the adaptor. Place the cot in positions 2–6 for rolling (see page 12 for cot positions). When rolling the cot, position an operator at the foot end and one at the head end at all times.

NOTE

Placing the cot in position 3 or position 4 for rolling is recommended with an incubator on the cot. In these positions, the incubator will be in a level position for transporting.

WARNING

Rolling the cot in a loading position (7 & 8) could cause the cot to tip resulting in injury to the patient or operator. Use only the recommended positions (2–6) when rolling the cot.

To prevent injury, operators must assist any additional attendants with the placement of their hands to avoid possible pinch points on the cot.

Cot Operation

Loading the **ARUGGED™** Cot into a Vehicle

When loading the cot into a vehicle, an operator should remember the following important issues:

- There must be a safety hook properly installed in the vehicle so that the bumper does not interfere with the front legs of the base frame. (See page 9 for safety hook installation instructions.)
- The operator(s) must be able to lift the total weight of the patient, cot, incubator and any other items on the cot.
- The higher the operator must lift the cot, the more difficult it becomes to hold the weight. The operator may need help loading the cot into a vehicle if he/she is too short or if the cot is too heavy for the operator to lift safely.

The operator must be able to lift the cot high enough for the cot's legs to unfold completely and lock when the cot is unloaded. A shorter operator will have to raise his/her arms higher to enable the undercarriage to unfold.

Place the cot in a loading position (position 7 or 8 – see page 12). Roll the cot to the open door of the patient compartment. Fold the vehicle bumper to the raised position (if available).

Push the cot forward until the loading wheels are on the patient compartment floor and the safety bar passes the safety hook.

WARNING

Failure to use the safety hook can cause injury to the patient or operator. Install and use the safety hook as described in this manual.

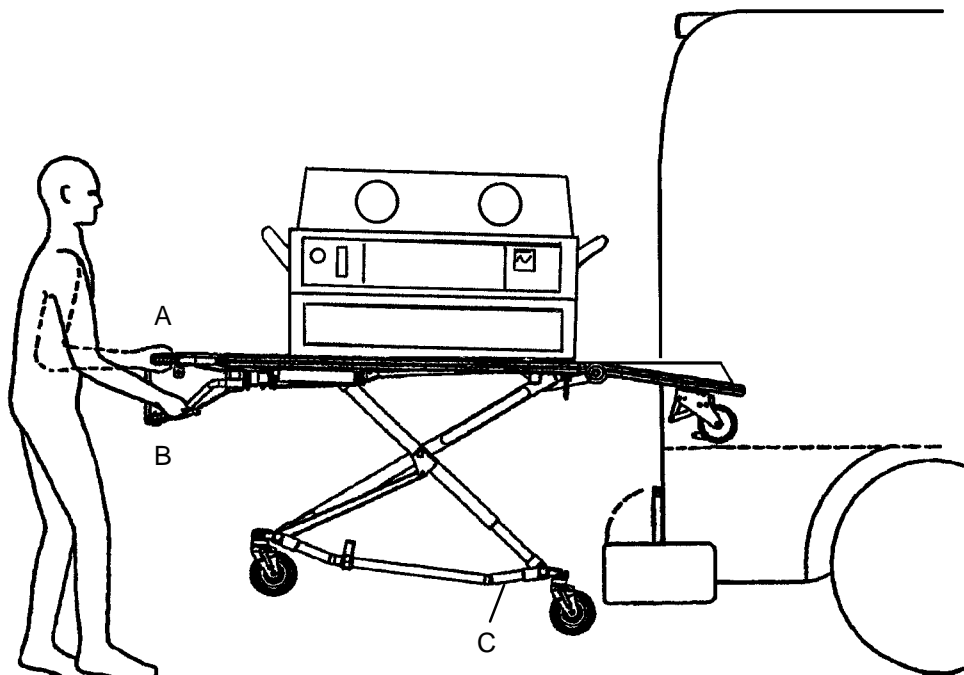
Operator 1 – Grasp the cot frame at the foot end. Lift the foot end of the cot until the weight is off the latching mechanism. Squeeze and hold the release handle (location A or B).

Operator 2 – Grasp the base frame where indicated (location C). Raise and hold the undercarriage until it stops in its uppermost position.

Both operators – Push the cot into the patient compartment, engaging the cot fastener (not included).

NOTE

Loose items or debris on the patient compartment floor can interfere with the operation of the safety hook and cot fastener. Keep the patient compartment floor clear.



Cot Operation

Unloading the Cot from a Vehicle

Properly disconnect the incubator from any vehicle mounted equipment or instrumentation before unloading the cot from the vehicle.

Disengage the cot from the cot fastener. (For more detailed instructions, reference the cot fastener installation/operation instruction manual – Stryker part number 6370–90–10.)

Operator 1 – Grasp the cot frame. Pull the cot from the patient compartment until the safety bar engages the safety hook.

WARNING

Failure to use the safety hook can cause injury to the patient or operator. Install and use the safety hook as described in this manual.

Operator 2 – Grasp the base frame where indicated, lift slightly, and lower the base frame to its fully extended position while operator 1 squeezes and holds the release handle.

Operator 1 – Let go of the release handle and be sure the undercarriage locks into place.

Operator 2 – Disengage the safety bar from the safety hook by pushing the safety release lever forward.

WARNING

Do not pull or lift on the safety bar when unloading the cot. Damage to the safety bar could result and injury to the patient or operator could occur.

Remove the cot from the vehicle. Place the cot in a rolling position (positions 2–6 – see page 12).

CAUTION

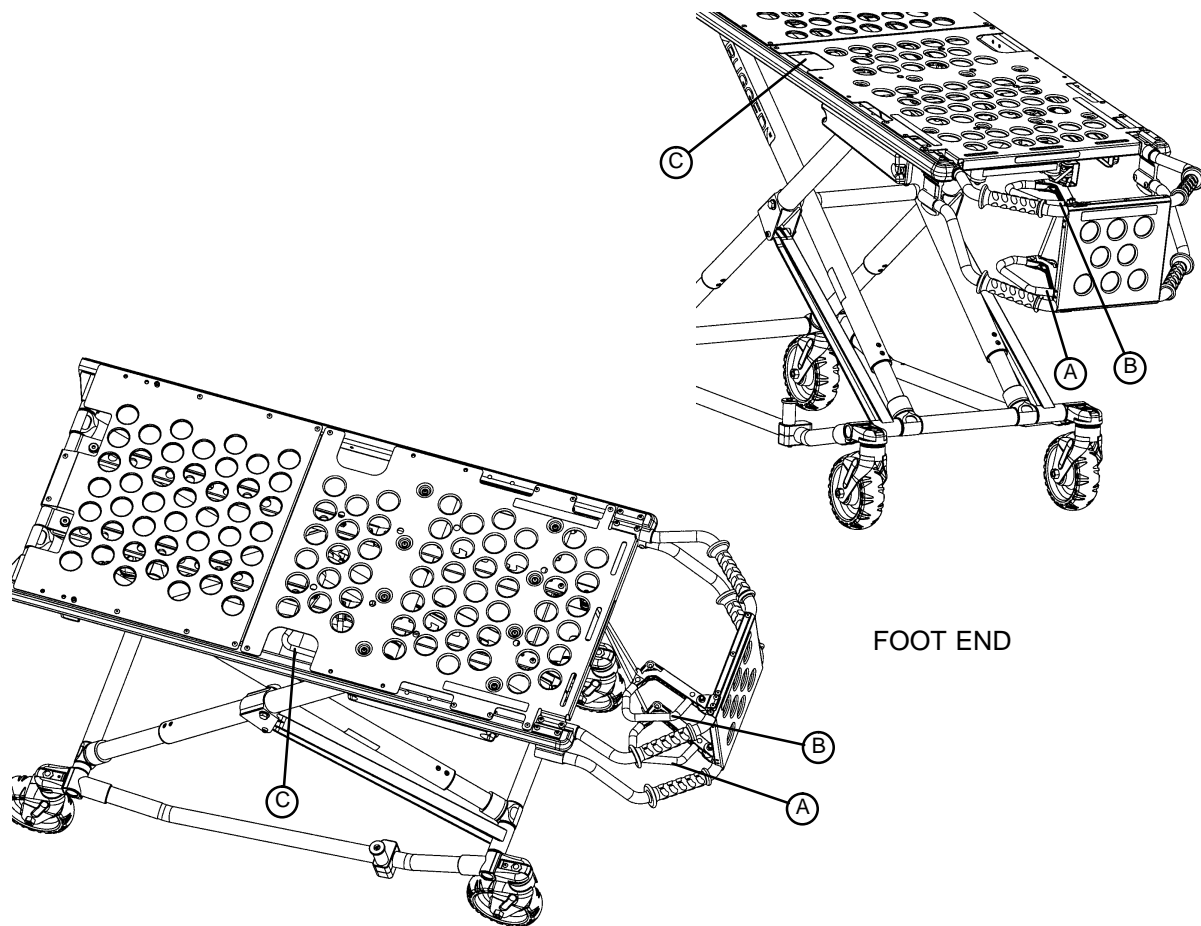
Do not allow the cot undercarriage to drop unassisted (commonly known as a “hot drop”) when removing the cot from the vehicle. Repeated hot dropping will cause premature wear or damage to the cot.

WARNING

Be sure the undercarriage has engaged before removing the loading wheels from the patient compartment floor of the vehicle. An unlocked undercarriage will not support the cot and injury to the patient or operator could result.

Cot Operation

Changing Cot Height



NOTE

Changing the cot height requires a minimum of two operators, positioned at both ends or on each side of the cot. Each operator must grasp the cot frame securely.

To lower the cot from the ends, the operator at the foot end of the cot positions his/her hands so the release handle (A or B) can be squeezed while a secure grip is maintained on the lifting bars. Both operators must lift the cot until the weight is off the latching mechanism (approximately 1/4" – 6 mm.). The operator at the foot end squeezes and holds the release handle and both operators then raise or lower the cot together. The handle is released when the desired position is reached. Both operators should maintain a secure grip on the litter frame until the latching mechanism is securely locked into position.

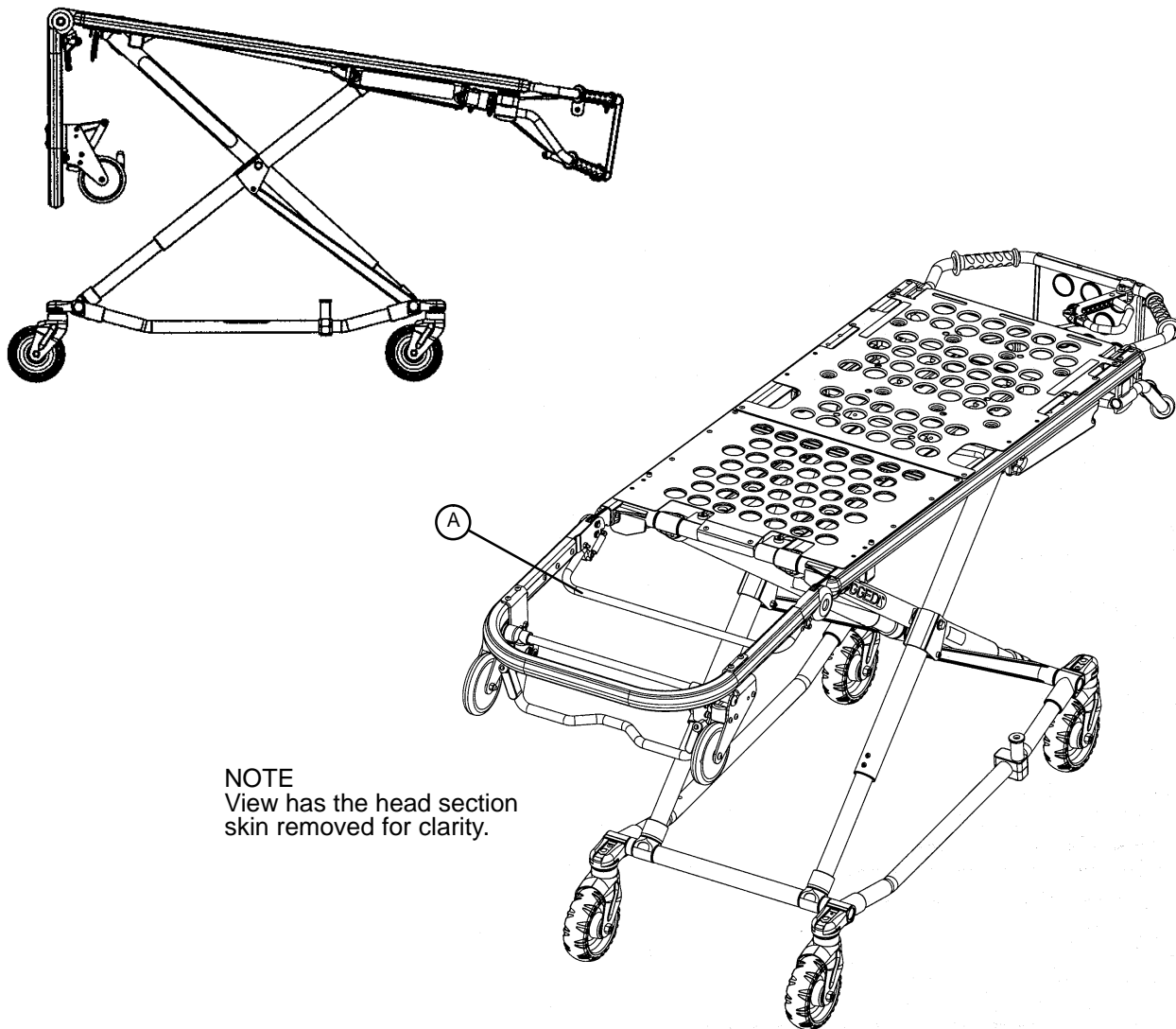
To lower the cot from the sides, the operator on the patient's right positions his/her hands so he/she can reach the release handle at the midpoint of the litter (C). Both operators must lift the cot until the weight is off the latching mechanism (approximately 1/4" – 6 mm.). The operator at the patient's right squeezes and holds the release handle. Both operators then raise or lower the cot together. The handle is released when the desired position is reached. Both operators should maintain a secure grip on the litter frame until the latching mechanism is securely locked into position.

WARNING

Grasping the **ARUGGED™** Cot improperly can cause injury. Grasp only the litter frame or the lifting bar to lift the cot. Keep hands, fingers and feet away from moving parts. To avoid injury, use extreme caution when placing your feet on the base tubes while raising and lowering the cot.

Cot Operation

Operating Breakaway Head Section



NOTE
View has the head section skin removed for clarity.

The head end of the cot litter folds down to shorten the length of the cot and allow for maneuvering when space is limited in elevators, halls, etc.

The breakaway head section should only be used when the cot is in positions 5–8 (see page 12).

To lower the breakaway head section, squeeze the release bar (A) at the head end of the cot with one hand while supporting the head section with the other hand. Lower the head section.

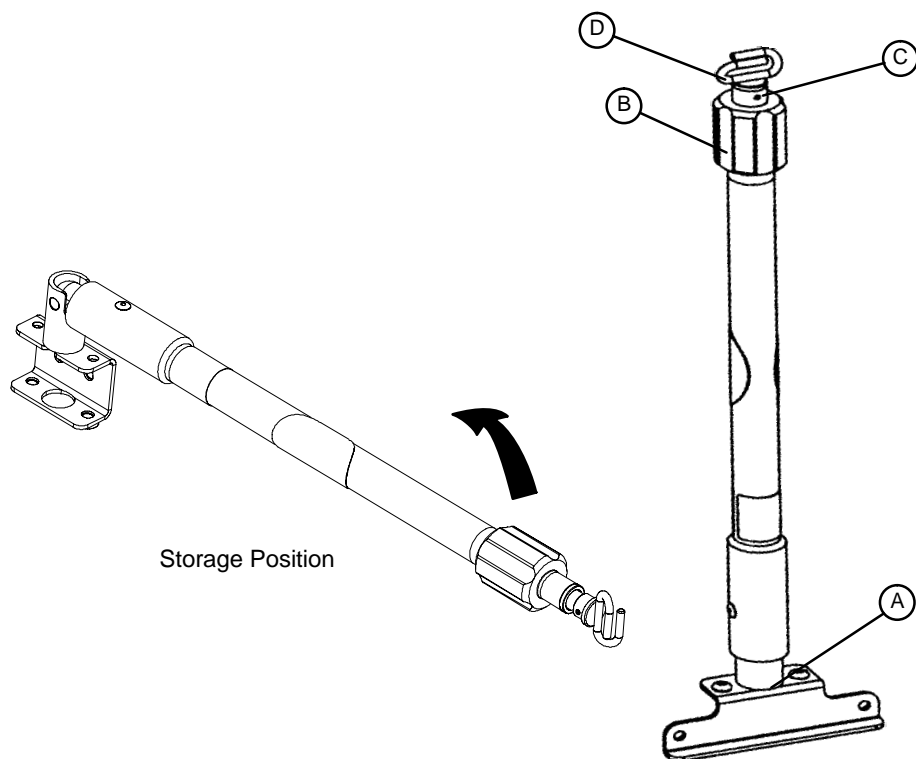
To raise the breakaway head section, lift the breakaway head section until the release bar clicks and the head section locks into place.

CAUTION

Damage to the cot can occur if the cot is lowered in the shortened position. Use only positions 5–8 (see page 12) when the cot is shortened.

Cot Operation

Operating 2-Stage I.V. Pole



1. Lift and pivot the pole from the storage position and push down until it is locked into receptacle (A).
2. To raise the height of the pole, turn the lock actuator (B) counterclockwise and pull up on the telescoping portion (C) of the pole to raise it to the desired height.
3. Turn the lock actuator (B) clockwise to lock the telescoping portion in place.
4. Hang I.V. bags on the I.V. hook (D).

CAUTION

The weight of the I.V. bags should not exceed 40 pounds.

Cot Operation

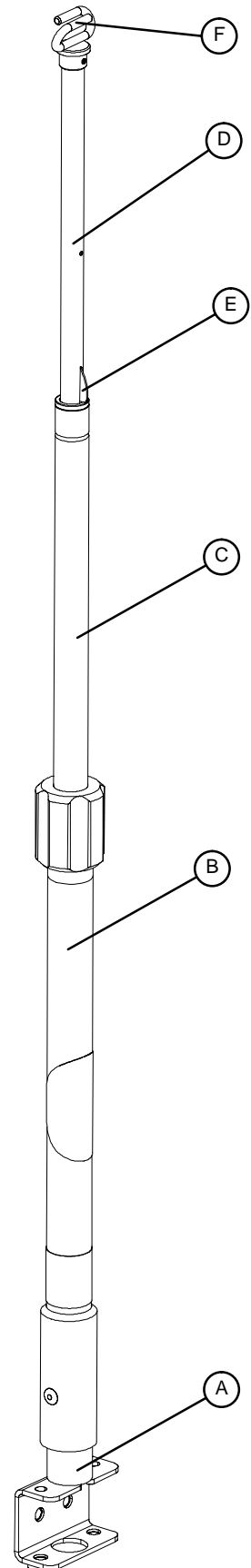
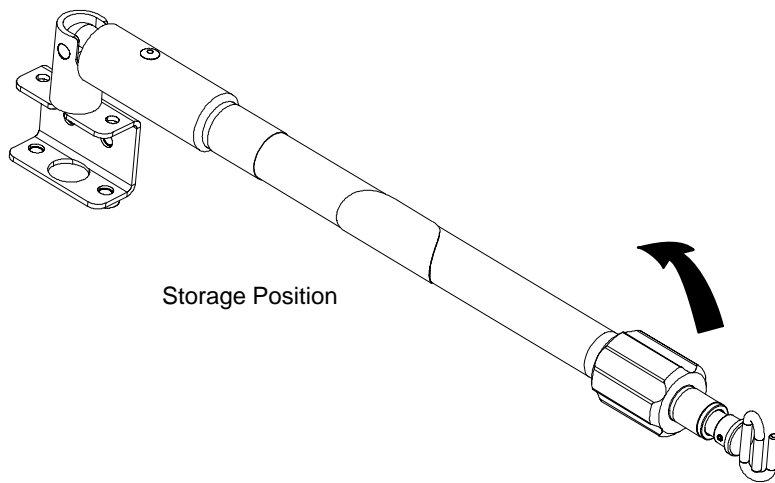
Operating 3-Stage I.V. Pole (Optional Equipment)

1. Lift and pivot the pole from the storage position and push down until it is locked into receptacle (A).
2. To raise the height of the pole, turn the lock actuator (B) counterclockwise and pull up on the bottom telescoping portion (C) of the pole to raise it to the desired height.
3. Turn the lock actuator (B) clockwise to lock the bottom telescoping portion in place.
4. For a higher I.V. pole, pull up on section (D) until the spring clip (E) engages.
5. Hang I.V. bags on the I.V. hook (F).

CAUTION

The weight of the I.V. bags should not exceed 40 pounds.

6. To lower the I.V. pole, push in on the spring clip (E) and slide section (D) down into section (C). Turn the lock actuator (B) counterclockwise and slide section (C) into the bottom tube.
7. Lift up and pivot the pole down into the storage position.



Cot Operation

Removing/Installing the Incubator Adaptor/O₂ Module

NOTE

- The incubator adaptor may have been installed at the factory if the adaptor was ordered with the Rugged™ IT Cot.
- If the adaptor was purchased as a retrofit kit, follow these instructions for installation:

WARNING

These adaptors are intended for use only on the Model 6081 Rugged™ Incubator Transporter Cot. They are not intended for installation on any other Rugged™ Cot or on any cot from another manufacturer. Using these adaptors on any cot other than the Rugged™ Model 6081 may result in damage to the cot and/or injury to the patient or user.

1. Remove the existing adaptor if there is one already present. Refer to the chart below to locate the pages for removal and installation instructions for each adaptor.

INCUBATOR/MODULE	PAGE	REQUIRED TOOL(S)
Airborne™	48	5/32, 3/16 Allen Wrench
Air-Shields®	50	5/32, 3/16 Allen Wrench
Ohmeda® Air-Vac	52	5/32 Allen Wrench
Airborne™ O ₂ Module	54	1/2" Socket & Ratchet

2. Install the new incubator adaptor. Refer to the chart above to locate the pages with removal and installation instructions for each adaptor.
3. Align the adaptor assembly with the mounting holes in the Rugged™ IT Cot as shown in the appropriate illustration.
4. Reference the appropriate illustration to determine the correct location for installation of the provided fasteners. Apply a few drops of the provided Loctite to the threads of the fasteners and tighten them securely.
5. Install the incubator on the adaptor. Refer to the chart below to locate the pages for installation instructions for each incubator.

INCUBATOR/MODULE	PAGE
Airborne™	21
Air-Shields®	22 & 23
Ohmeda® Air-Vac	24
Airborne™ O ₂ Module	25

WARNING

Verify the adaptor is properly installed on the cot and the incubator is securely fastened to the adaptor prior to use. An improperly attached adaptor or incubator may cause injury to the patient or user.

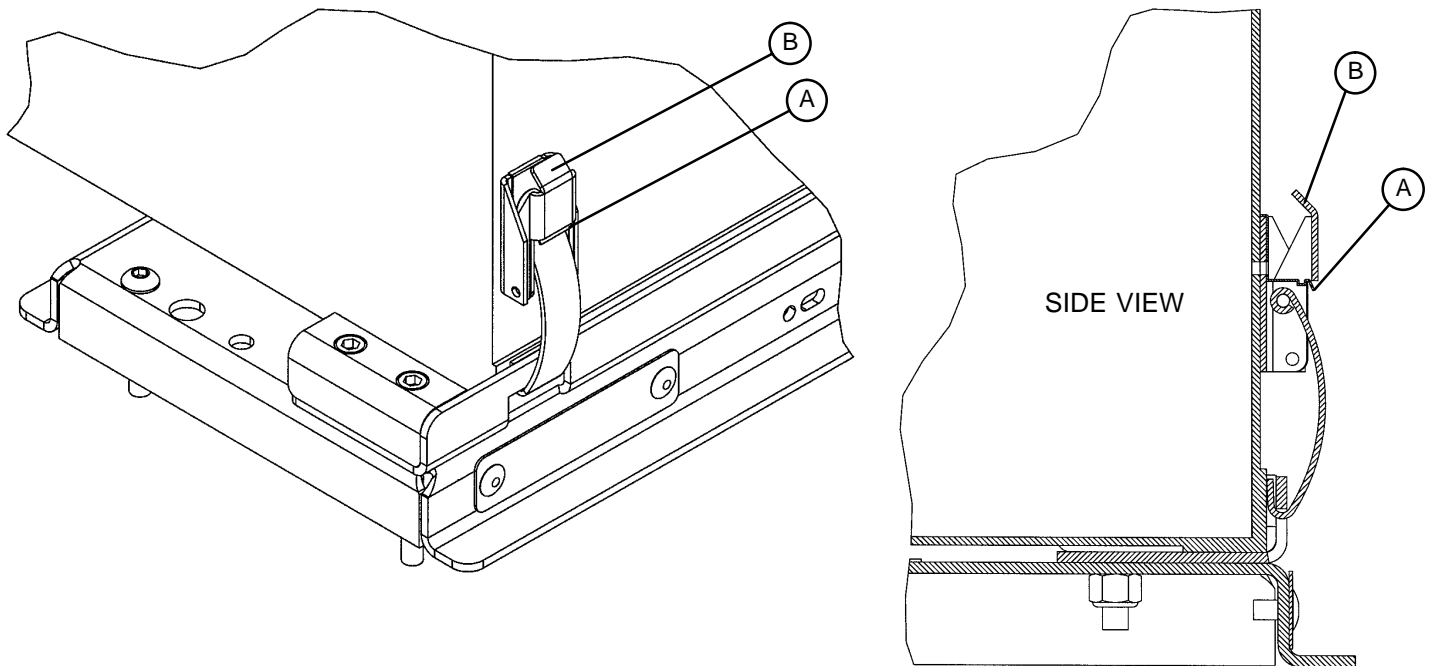
Cot Operation

Installing the Airborne™ Incubator on the Rugged™ IT Cot

Prior to installing the incubator on the Rugged™ IT Cot, read and understand this manual and the manual supplied with the incubator.

WARNING

The Stryker Model 6081–200 adaptor is designed to secure only Airborne 20H™ incubators to the Model 6081 Rugged™ IT Cot. Using this adaptor on any cot other than the Rugged™ Model 6081 or using any unapproved incubators on this adaptor may result in damage to the cot and/or injury to the patient or user.



1. Push down on latch tab (A) to release latch tab (B).
2. Pull down on the latch tab (B) and open each of the latches on the four corners of the incubator.
3. Place the Airborne™ incubator into the adaptor on the cot. Verify all four corners of the incubator are properly seated in the adaptor.
4. Insert each latch into its slot on the adaptor. Push up on the latch tab (B) to secure the latches. Verify all four latches are securely fastened.

WARNING

Verify the adaptor is properly installed on the cot and the incubator is securely fastened to the adaptor prior to use. An improperly attached adaptor or incubator may cause injury to the patient or user.

Cot Operation

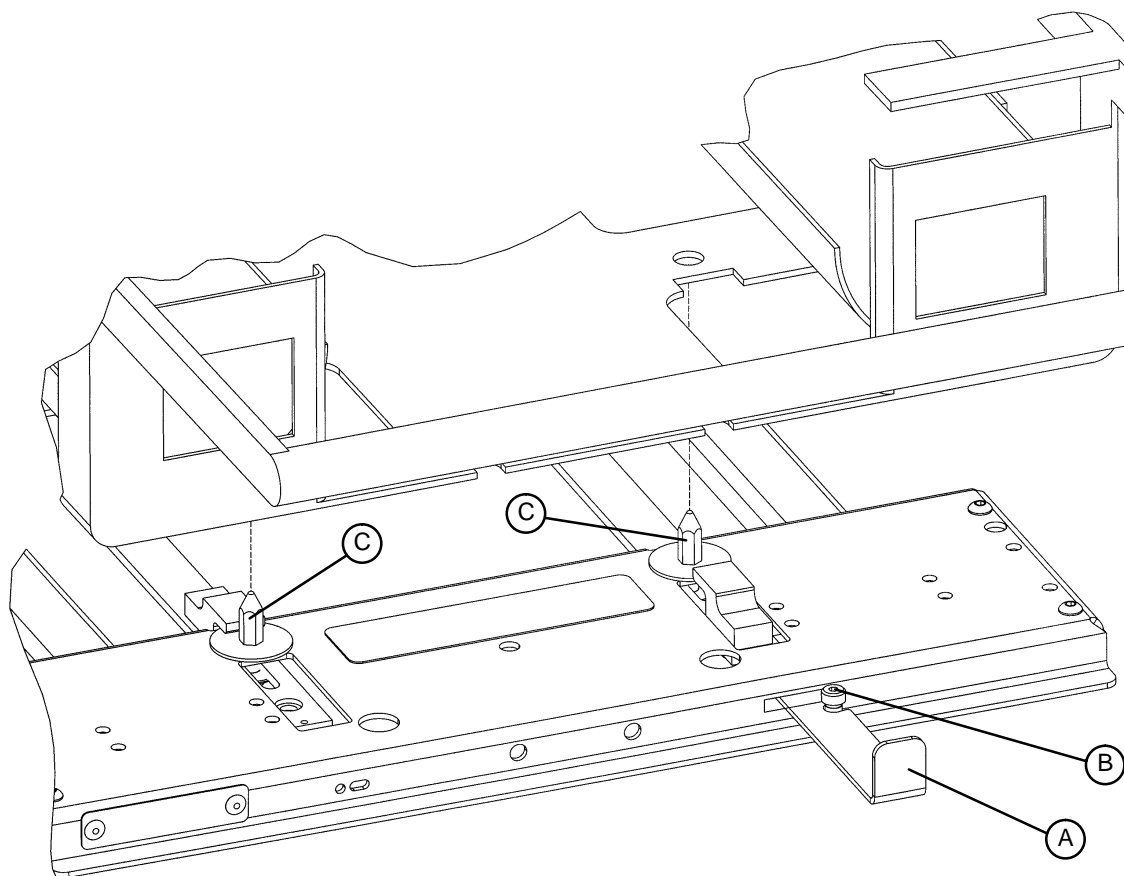
Installing the Air-Shields® Incubator on the Rugged™ IT Cot

Prior to installing the incubator on the Rugged™ IT Cot, read and understand this manual and the manual supplied with the incubator.

WARNING

The Stryker Model 6081–300 adaptor is designed to secure only Air-Shields® incubators to the Model 6081 Rugged™ IT Cot. Using this adaptor on any cot other than the Rugged™ Model 6081 or using any unapproved incubators on this adaptor may result in damage to the cot and/or injury to the patient or user.

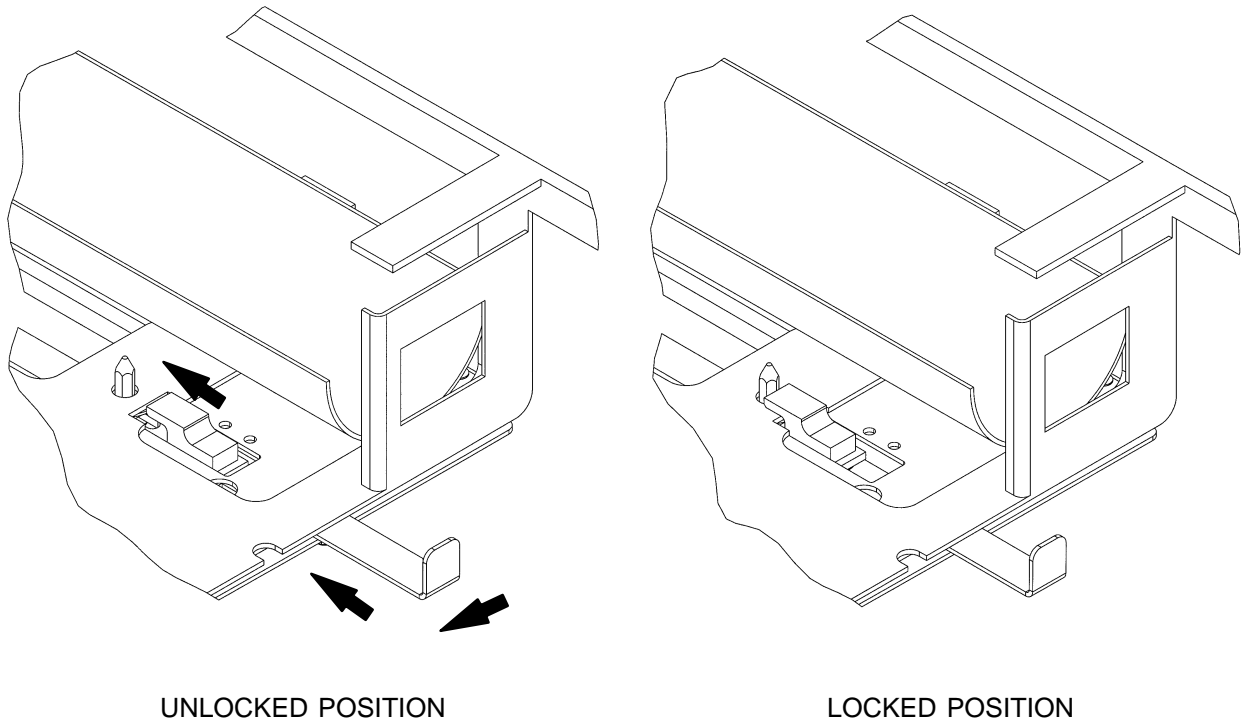
The Stryker Model 6081–300 Air-Shields® adaptor is designed to accommodate a 1999 or earlier model TI100, TI500 and Globetrotter Series incubator. Stryker is not responsible for specification changes to the Air-Shields® TI100 Series incubator.



1. Pull out the red latch handle (A) on the adaptor and move it to the right until the slot in the handle engages with the shoulder bolt (B) on the adaptor.
2. Place the incubator on the adaptor, aligning the holes in the incubator with the 4 pins (C – 2 of 4 shown) on the adaptor.

Cot Operation

Installing the Air-Shields® Incubator on the Rugged™ IT Cot (Continued)



3. Move the latch handle to the left to release it. The handle retracts and the latches engage, securing the incubator. Inspect all four locking points to verify the latches are securely engaged and are not obstructed by anything (hoses, wires, etc.).

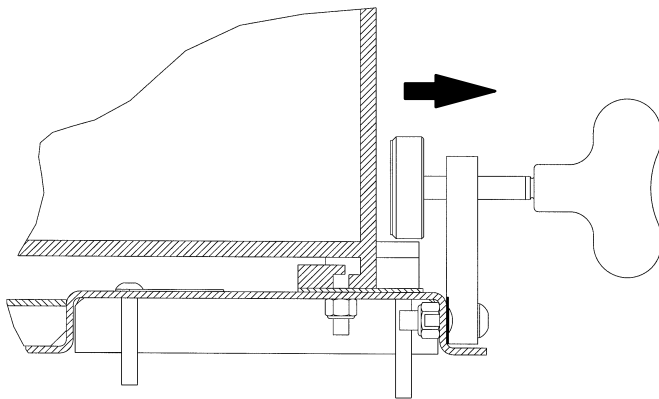
WARNING

Verify the adaptor is properly installed on the cot and the incubator is securely fastened to the adaptor prior to use. An improperly attached adaptor or incubator may cause injury to the patient or user.

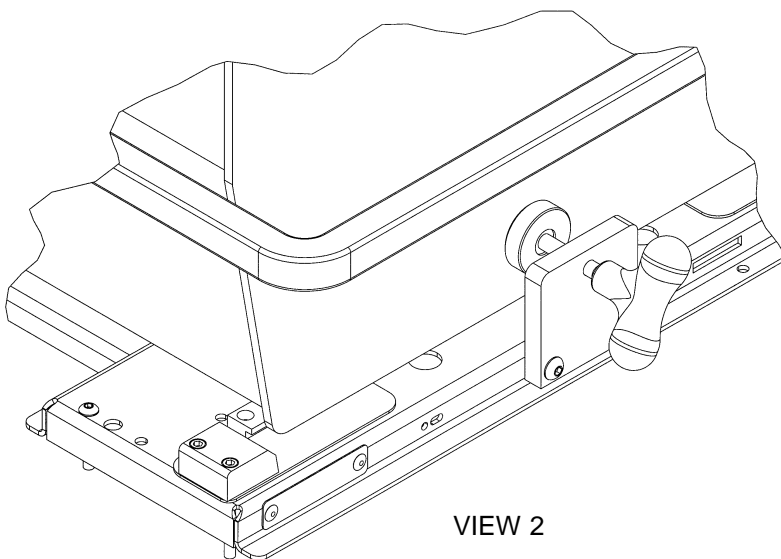
Cot Operation

Installing the Ohmeda® Air-Vac Incubator on the Rugged™ IT Cot

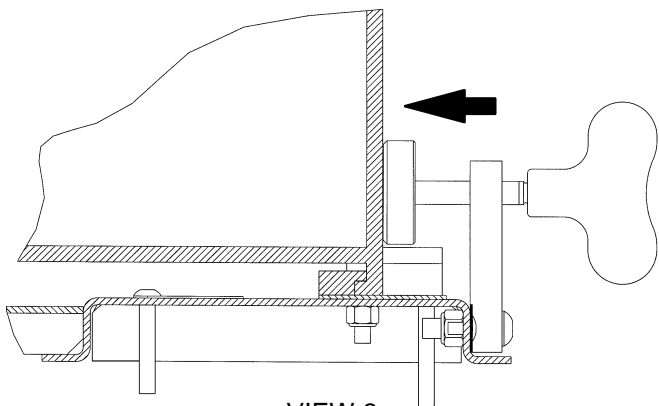
Prior to installing the incubator on the Rugged™ IT Cot, read and understand this manual and the manual supplied with the incubator.



VIEW 1



VIEW 2



VIEW 3

WARNING

The Stryker Model 6081–100 adaptor is designed to secure only Ohmeda® Air-Vac incubators to the Model 6081 Rugged™ IT Cot. Using this adaptor on any cot other than the Rugged™ Model 6081 or using any unapproved incubators on this adaptor may result in damage to the cot and/or injury to the patient or user.

1. Verify the locking knob is retracted (view 1).
2. Place the Ohmeda® Air-Vac incubator on the adaptor. Be sure the “L” shaped mounting tabs align properly with the mounting rail (views 1 & 2).
3. Slide the incubator to the head end of the cot so the mounting tabs mate with the mounting rail (view 3).
4. Tighten the locking knob securely against the incubator (view 3).

WARNING

Verify the adaptor is properly installed on the cot and the incubator is securely fastened to the adaptor prior to use. An improperly attached adaptor or incubator may cause injury to the patient or user.

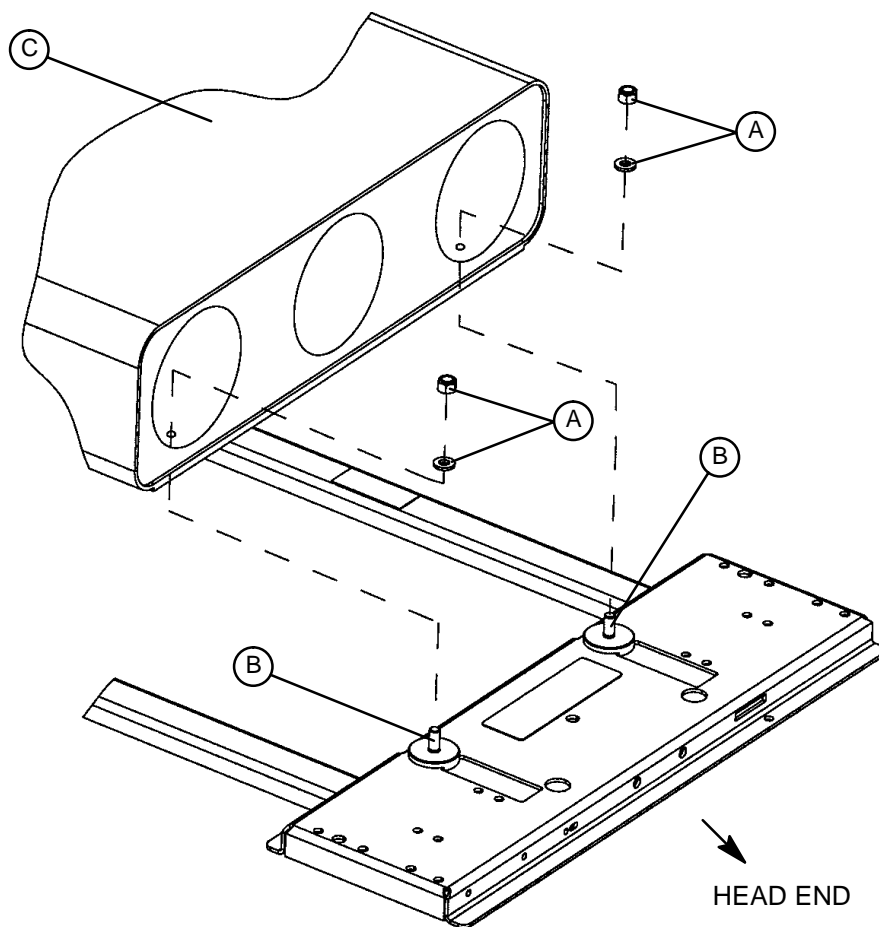
Cot Operation

Installing the Airborne™ O₂ Bottle Module on the Rugged™ IT Cot

Prior to installing the Airborne™ O₂ Bottle Module on the Rugged™ IT Cot, read and understand this manual and the manual supplied with the O₂ module.

WARNING

The Stryker Model 6081–201 adaptor is designed to secure only Airborne O₂ Bottle Modules to the Model 6081 Rugged™ IT Cot. Using this adaptor on any cot other than the Rugged™ Model 6081 or using any unapproved incubators or O₂ modules on this adaptor may result in damage to the cot and/or injury to the patient or user.



1. Using a 1/2" socket and ratchet, remove the four 5/16" hex nuts and washers (A) from the mounting studs (B) on the adaptor.
2. Locate the mounting holes in the bottom of the O₂ bottle module (C).
3. Install the O₂ bottle holder on the adaptor mounting studs (B) with the bottle openings toward the break-away head section. Verify all four mounting studs are properly seated in the mounting holes of the O₂ bottle holder.
4. Using a 1/2" socket and ratchet, install the four 5/16" hex nuts and washers (A) removed in step one and tighten them securely.

WARNING

Verify the adaptor is properly installed on the cot and the O₂ module is securely fastened to the adaptor prior to use. An improperly attached adaptor or O₂ module may cause injury to the patient or user.

Cleaning

Hand wash all surfaces of the cot with warm water and mild detergent. Dry thoroughly. **DO NOT STEAM CLEAN, PRESSURE WASH, HOSE OFF OR ULTRASONICALLY CLEAN.** Using these methods of cleaning is **not** recommended and may void this product's warranty.

In general, when used in those concentrations recommended by the manufacturer, either phenolic type or quaternary type disinfectants can be used. Iodophor type disinfectants are not recommended for use because staining may result. The following products have been tested and have been found not to have a harmful effect **WHEN USED IN ACCORDANCE WITH MANUFACTURERS RECOMMENDED DILUTION.***

TRADE NAME	DISINFECTANT TYPE	MANUFACTURER	*MANUFACTURER'S RECOMMENDED DILUTION
A33	Quaternary	Airwick (Professional Products Division)	2 ounces/gallon
A33 (dry)	Quaternary	Airwick (Professional Products Division)	1/2 ounce/gallon
Beaucoup	Phenolic	Huntington Laboratories	1 ounce/gallon
Blue Chip	Quaternary	S.C. Johnson	2 ounces/gallon
Elimstaph	Quaternary	Walter G. Legge	1 ounce/gallon
Franklin Phenomysan F2500	Phenolic	Purex Corporation	1 1/4 ounce/gallon
Franklin Sentinel	Quaternary	Purex Corporation	2 ounces/gallon
Galahad	Phenolic	Puritan Churchill Chemical Company	1 ounce/gallon
Hi-Tor	Quaternary	Huntington Laboratories	1/2 ounce/gallon
LPH	Phenolic	Vestal Laboratories	1/2 ounce/gallon
Matar	Phenolic	Huntington Laboratories	1/2 ounce/gallon
Omega	Quaternary	Airwick (Professional Products Division)	1/2 ounce/gallon
Quanto	Quaternary	Huntington Laboratories	1 ounce/gallon
Sanikleen	Quaternary	West Chemical Products	2 ounces/ gallon
Sanimaster II	Quaternary	Service Master	1 ounce/gallon
Vesphene	Phenolic	Vestal Laboratories	1 1/4 ounce/ gallon

Quaternary Germicidal Disinfectants, used as directed, and/or Chlorine Bleach products, typically 5.25% Sodium Hypochlorite in **dilutions ranging between 1 part bleach to 100 parts water, and 2 parts bleach to 100 parts water are not considered mild detergents.** These products are corrosive in nature and may cause damage to your cot if used improperly. If these types of products are used to clean Stryker patient handling equipment, measures must be taken to insure the cots are rinsed with clean water and thoroughly dried following cleaning. Failure to properly rinse and dry the cots will leave a corrosive residue on the surface of the cot, possibly causing premature corrosion of critical components.

NOTE

Failure to follow the above directions when using these types of cleaners may void this product's warranty.

REMOVAL OF IODINE COMPOUNDS

1. Use a solution of 1–2 tablespoons Sodium Thiosulfate in a pint of warm water to clean the stained area. Clean as soon as possible after staining occurs. If stains are not immediately removed, allow solution to soak or stand on the surface. Rinse surfaces which have been exposed to the solution in clear water before returning unit to service.

Preventative Maintenance

Operation	Schedule	Procedure
Cleaning & Disinfecting	Each use.	See page 26.
Inspection	<p>For 1 – 25 calls per month, inspect cot every 6 months</p> <p>For 26+ calls per month, inspect cot every 3 months</p> <p>A visual inspection of all major cot functions should be performed prior to each use.</p>	See below for checklist.

NOTE

Keep up-to-date maintenance records using the form on page 28.

Parts, Service or Technical Assistance:

Contact Stryker Customer Service at 1-800-327-0770 or

Stryker Medical
 6300 Sprinkle Road
 Kalamazoo, MI 49001
 ATTN: Customer Service

CHECKLIST

- _____ All fasteners secure (reference all assembly prints)
- _____ All welds intact, not cracked or broken
- _____ No bent or broken tubing or sheet metal
- _____ No debris in wheels
- _____ All wheels secure, rolling and swivelling properly
- _____ Optional accessories intact and operating properly
- _____ Height positioning latch functioning properly
- _____ Cot secure in each height position
- _____ Undercarriage folds properly
- _____ Breakaway head section operating properly
- _____ Safety bar operating properly
- _____ Incubator adaptor attachment hardware intact
- _____ Incubator adaptor latches working properly

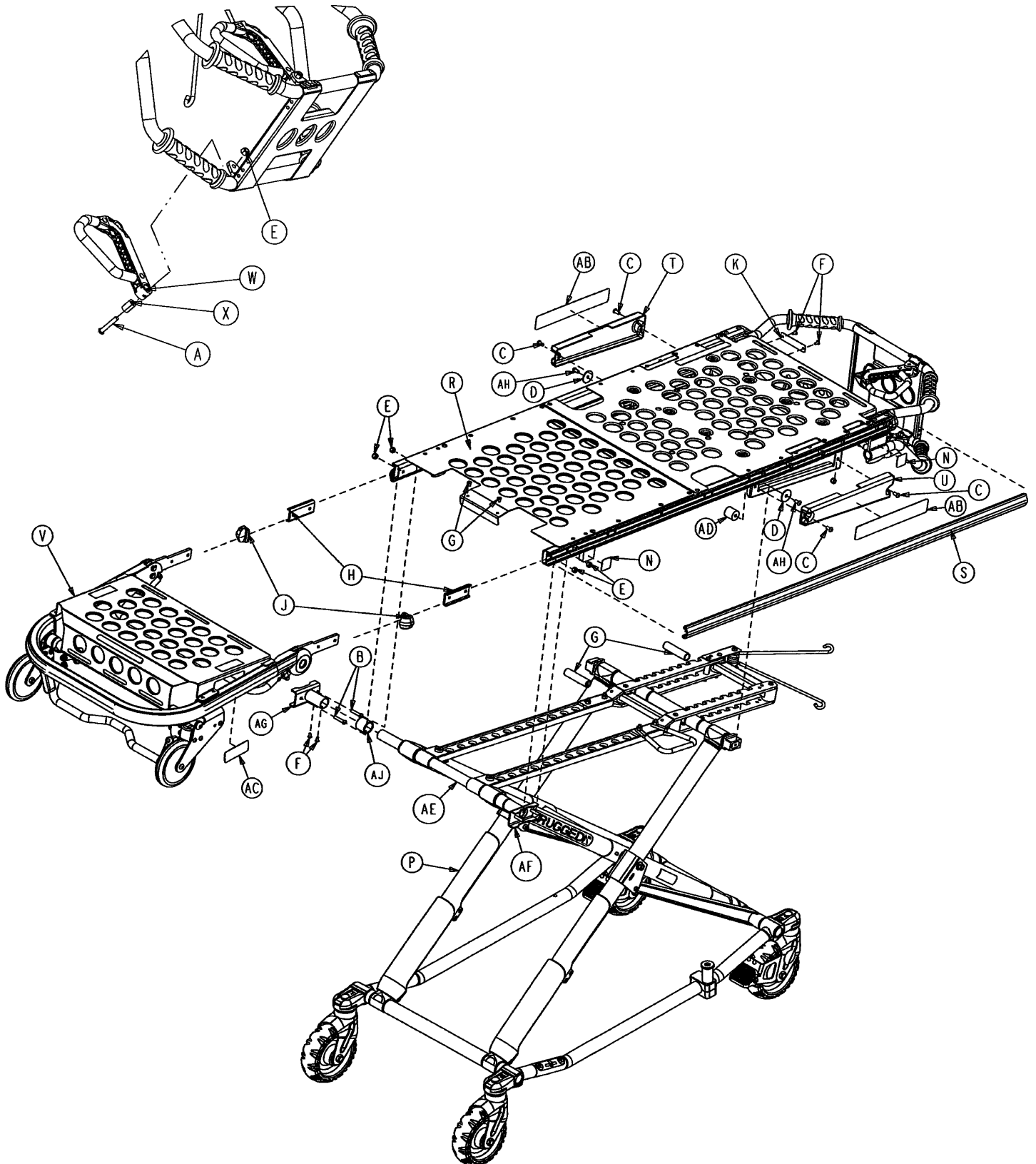
Serial No. _____

Completed By: _____

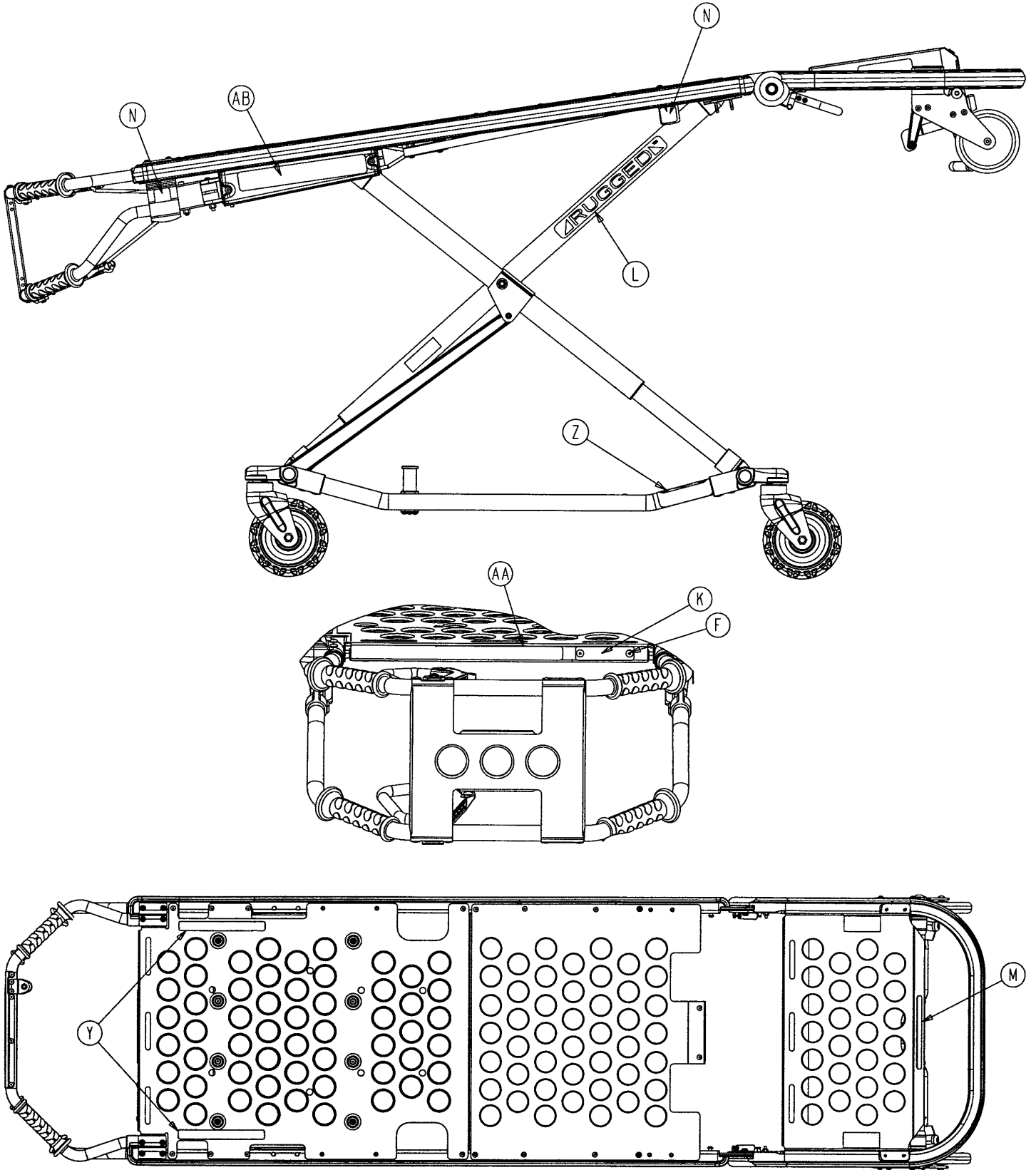
Date: _____

Cot Assembly

Assembly part number 6081-1-11 (reference only)



Cot Assembly



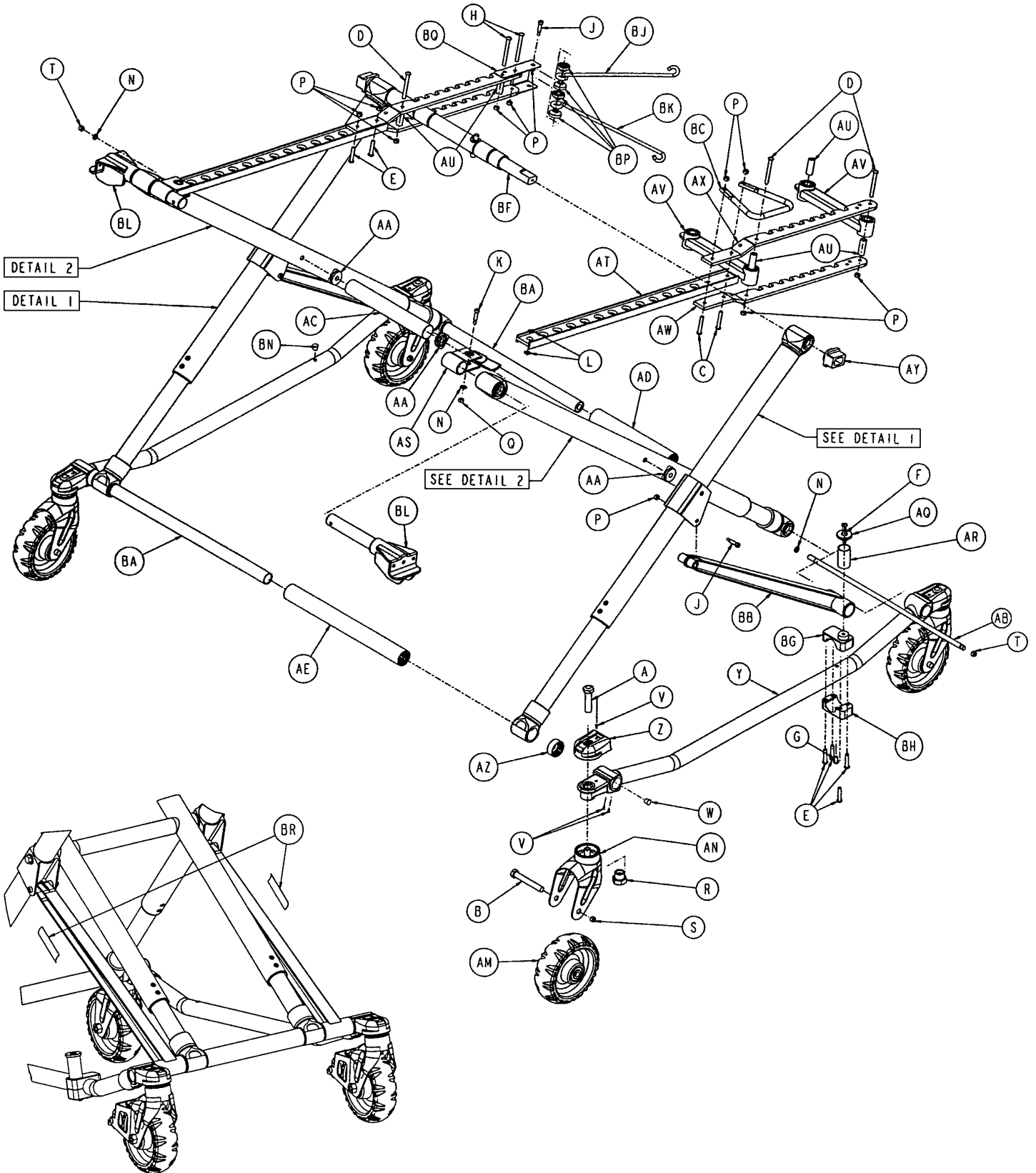
(SOME PARTS REMOVED FOR CLARITY)

Cot Assembly

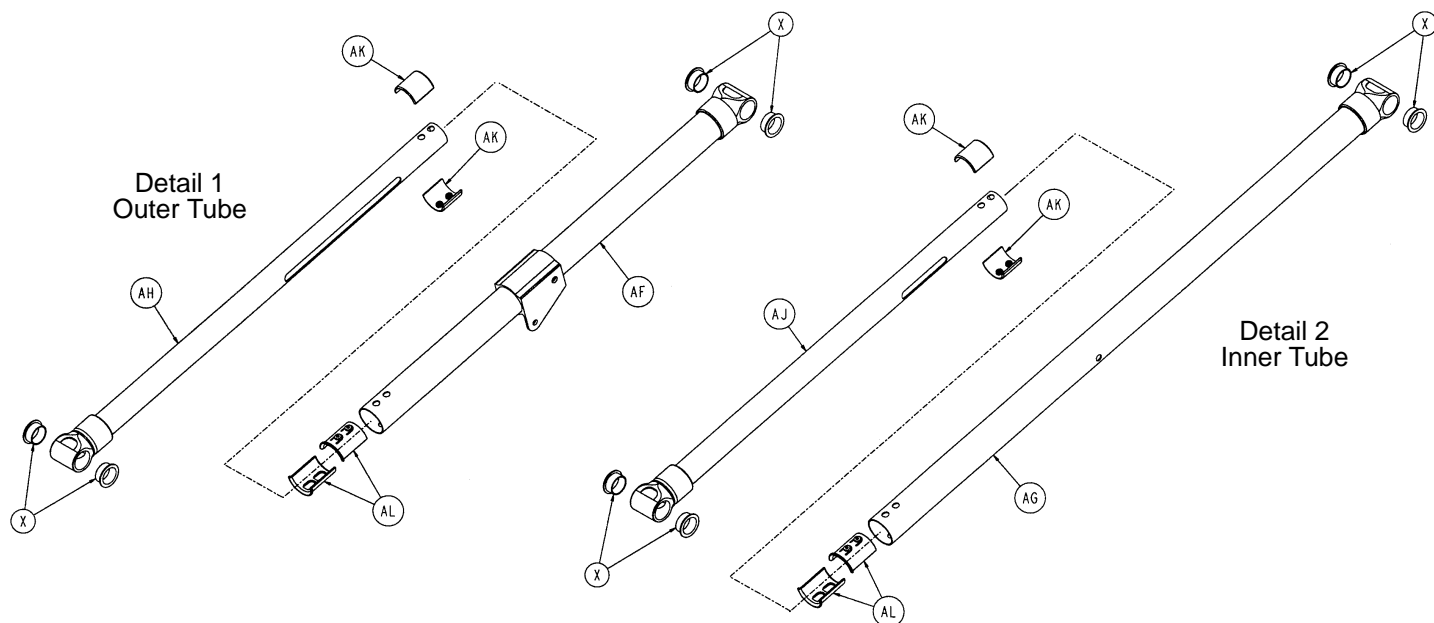
Item	Part No.	Part Name	Qty.
A	4-135	H. Soc. But. Hd. Cap Scr.	2
B	4-198	H. Soc. But. Hd. Cap Scr.	4
C	4-232	H. Soc. But. Hd. Cap Scr.	4
D	11-355	Flat Washer	2
E	16-28	Fiberlock Nut	8
F	25-79	Pop Rivet	6
G	38-348	Extension Spring	2
H	6060-37-26	Spacer Plate	2
J	6060-37-35	End Cap	2
K	6060-90-2	Serial Number Tag	1
L	6060-90-3	Large "Rugged" Label	2
M	6060-90-4	Small "Rugged" Label	2
N	6060-90-114	"Hands Clear" Label	4
P	(page 33 & 34)	Base Assembly	1
R	(page 40 & 41)	Litter Assembly	1
S	6080-30-43	Litter Frame Bumper	2
T	6080-33-36	Retainer Plate Cover, Lt.	1
U	6080-33-37	Retainer Plate Cover, Rt.	1
V	(page 44 & 46)	Breakaway Head Ass'y	1
W	(page 47)	Release Handle Ass'y	2
X	6080-40-44	Link Release Spacer	2
Y	6082-90-106	"600 LB. Max." Label	2
Z	6080-90-108	"Lift Here" Label	2
AA	6080-90-9	"Damage Warning" Label	1
AB	6081-90-110	"ITMX-Pro" Label	2
AC	6081-90-37	Specification Label	1
AD	37-82	Rubber Bumper	2
AE	6081-5-51	Full Width Pivot Tube	1
AF	6082-5-34	Litter/Base Adapter, Right	1
AG	6082-5-35	Litter/Base Adapter, Left	1
AH	4-235	Hex Soc. But. Hd. Cap Screw	2
AJ	6082-5-60	Spacer Sleeve	2

Base Assembly

Assembly part number 6080-1-11 (reference only)



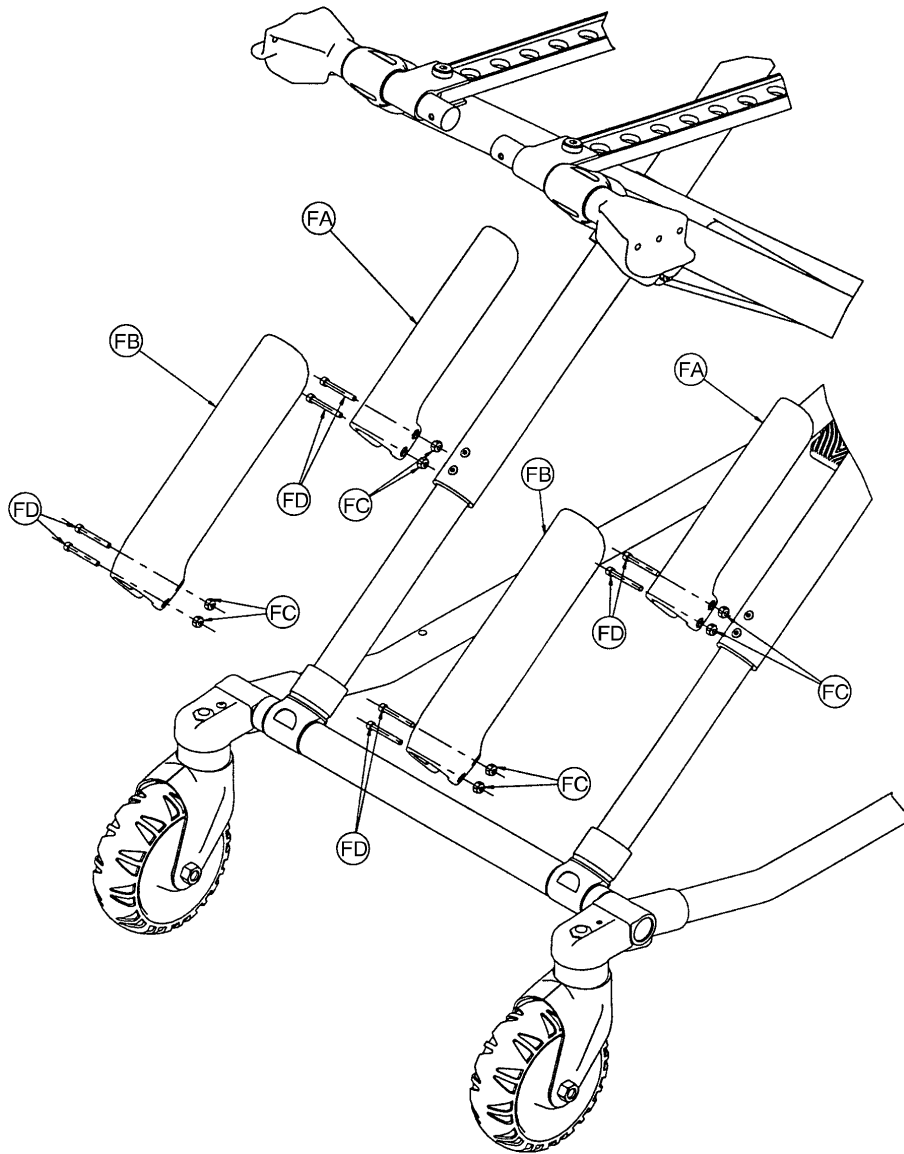
Base Assembly



Item	Part No.	Part Name	Qty.	Item	Part No.	Part Name	Qty.
A	3-353	Hex Hd. Cap Screw	4	AH	6060-1-57	B. Piv. Out. Lift Tube Wldmt.	2
B	3-205	Hex Hd. Cap Screw	4	AJ	6060-1-59	B. Piv. In. Lift Tube Wldmt.	2
C	4-135	H. Soc. But. Hd. Cap Scr.	2	AK	6060-1-70	Upper Frame Tube Bearing	8
D	4-163	H. Soc. But. Hd. Cap Scr.	3	AL	6060-1-71	Lower Frame Tube Bearing	8
E	4-198	H. Soc. But. Hd. Cap Scr.	6	AM	(page 36)	Wheel Assembly	4
F	4-204	H. Soc. But. Hd. Cap Scr.	1	AN	6060-2-12	Caster Horn Assembly	*
G	4-232	H. Soc. But. Hd. Cap Scr.	1	AQ	6060-4-43	Retaining Post Cap	1
H	4-234	H. Soc. But. Hd. Cap Scr.	2	AR	6060-4-44	Retaining Post Tube	1
J	8-28	Soc. Hd. Shoulder Bolt	3	AS	6060-5-29	Ht. Adj. Rack Mtg. Pivot	2
K	8-45	Hex Soc. Shoulder Bolt	2	AT	6060-5-32	Height Adjustment Bar	2
L	11-350	Nylon Washer	4	AU	6060-5-37	Spacer Link Spacer	5
N	11-4	Flat Washer	4	AV	6060-5-38	Spacer Link	2
P	16-28	Fiberlock Hex Nut	12	AW	6060-5-42	Lower Ht. Adjustment Rack	2
Q	16-35	Nylock Hex Nut	2	AX	6060-5-43	Upper Ht. Adjustment Rack	2
R	6090-1-9	Caster Nut	4	AY	6060-5-44	Lock Bar Slide Bearing	2
S	16-60	Centerlock Nut	4	AZ	6080-1-29	Outer Base Spacer, Hd. End	2
T	16-89	Centerlock Nut	2	BA	6080-1-43	Base Tube	2
V	25-133	Dome Hd. Rivet	12	BB	6080-1-46	Support Link	2
W	37-225	End Cap	4	BC	6080-5-26	Side Release Handle	1
X	81-244	Flange Bearing	16	BF	(page 37)	Lock Bar Assembly	1
Y	6060-101-15	Outer Base Tube Ass'y	2	BG	6080-4-45	Ret. Post Casting, Top	1
Z	6060-1-21	Caster Mount Cover	4	BH	6080-4-46	Ret. Post Casting, Bottom	1
AA	6060-1-27	Connecting Rod Bearing	4	BJ	6080-40-22	Upper Link	1
AB	6060-101-28	Connecting Rod	1	BK	6080-40-23	Lower Link	1
AC	6060-1-30	Center Base Spacer	1	BL	(page 38)	Litter/Base Adapter Ass'y	2
AD	6060-1-31	Inner Base Spcr., Ft. End	1	BN	721-31-65	Hole Plug	1
AE	6060-1-32	Inner Base Spcr., Hd. End	1	BP	6080-40-25	Link Bushing	4
AF	6060-201-53	Lit. Piv. Out. Lift T. Wldmt.	2	BQ	6080-40-88	Link Bracket	1
AG	6060-101-55	Lit. Piv. In. Lift Tube Wldmt.	2	BR	946-1-73	Stryker Logo Label	2

* If the cot is not equipped with a wheel lock option, item AN, Caster Horn is quantity of 4. If the cot is equipped with the wheel lock option, item AN, Caster Horn is quantity of 3.

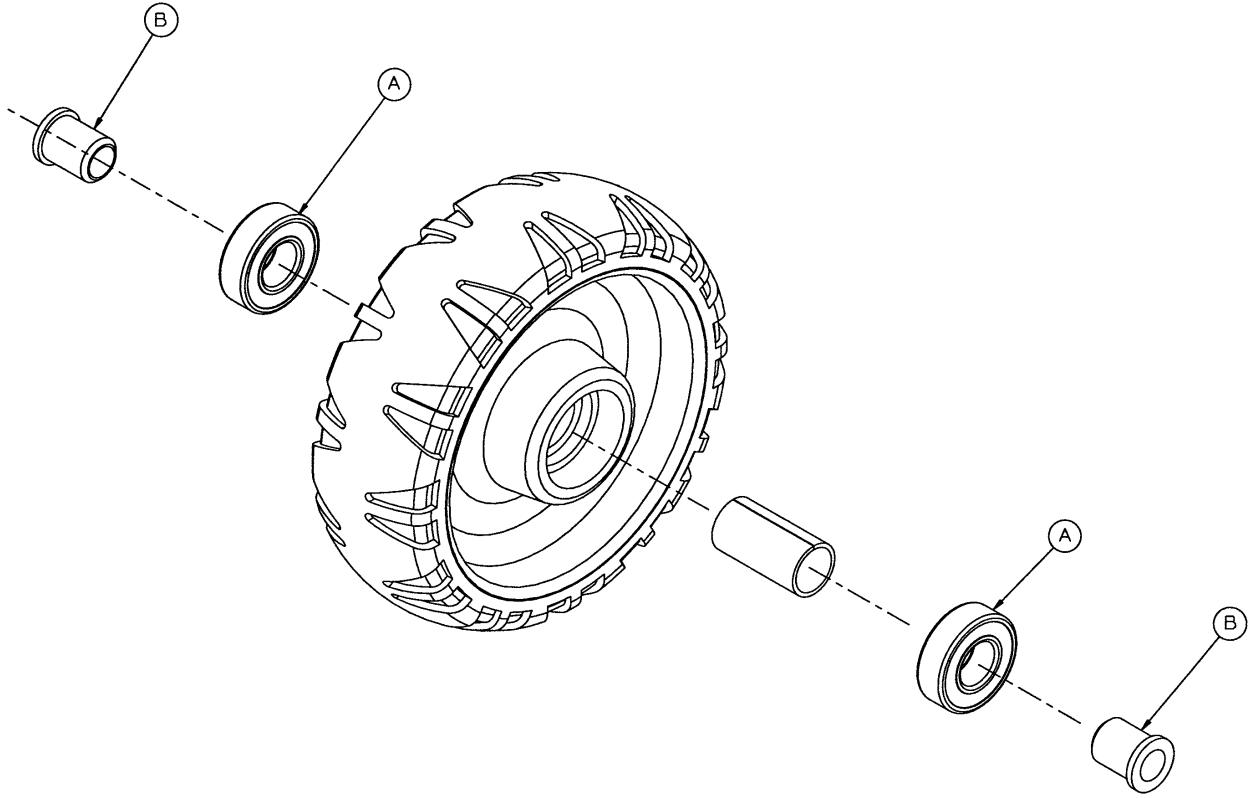
Base Assembly



FRAME GUARD OPTION 6080-145

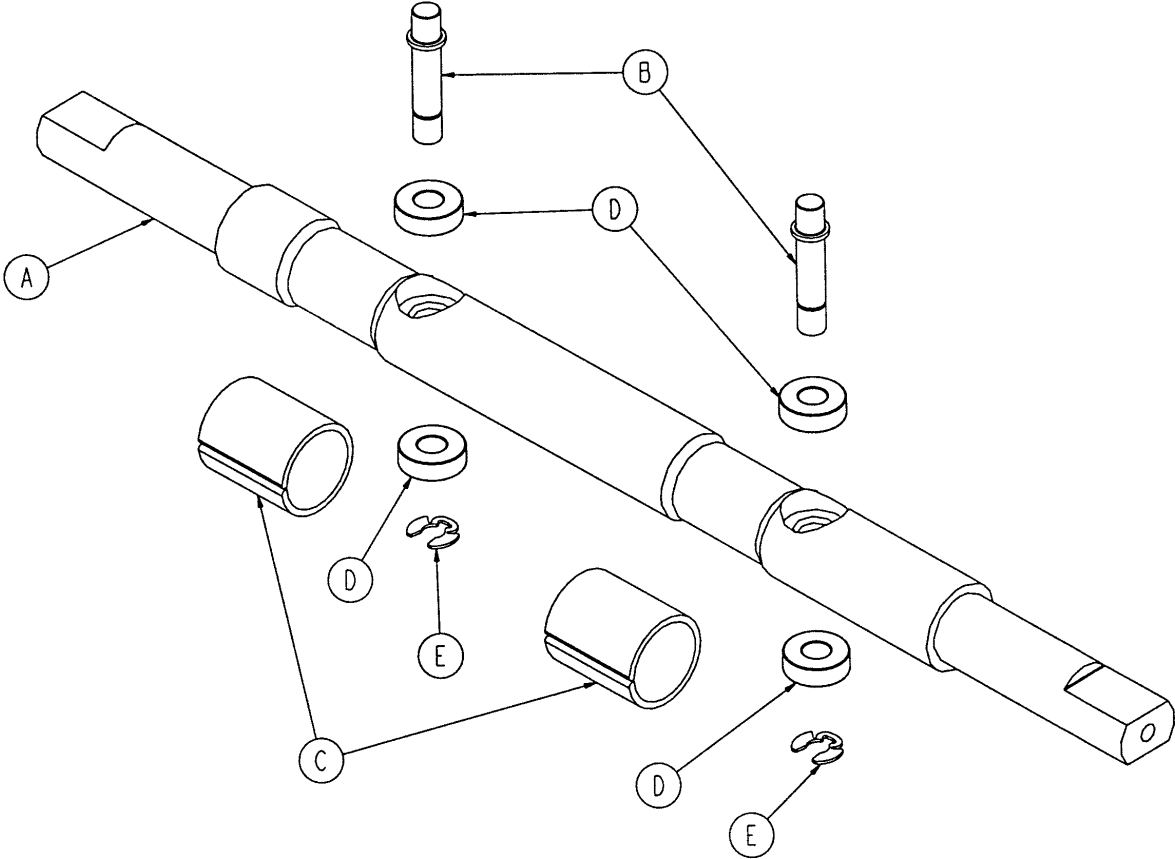
Item	Part No.	Part Name	Qty.
FA	6080-145-1	Upper Frame Guard	2
FB	6080-145-2	Lower Frame Guard	2
FC	16-111	Hex Nut	8
FD	4-215	Hex But. Hd. Cap Scr.	8

6060-2-10 Wheel Assembly



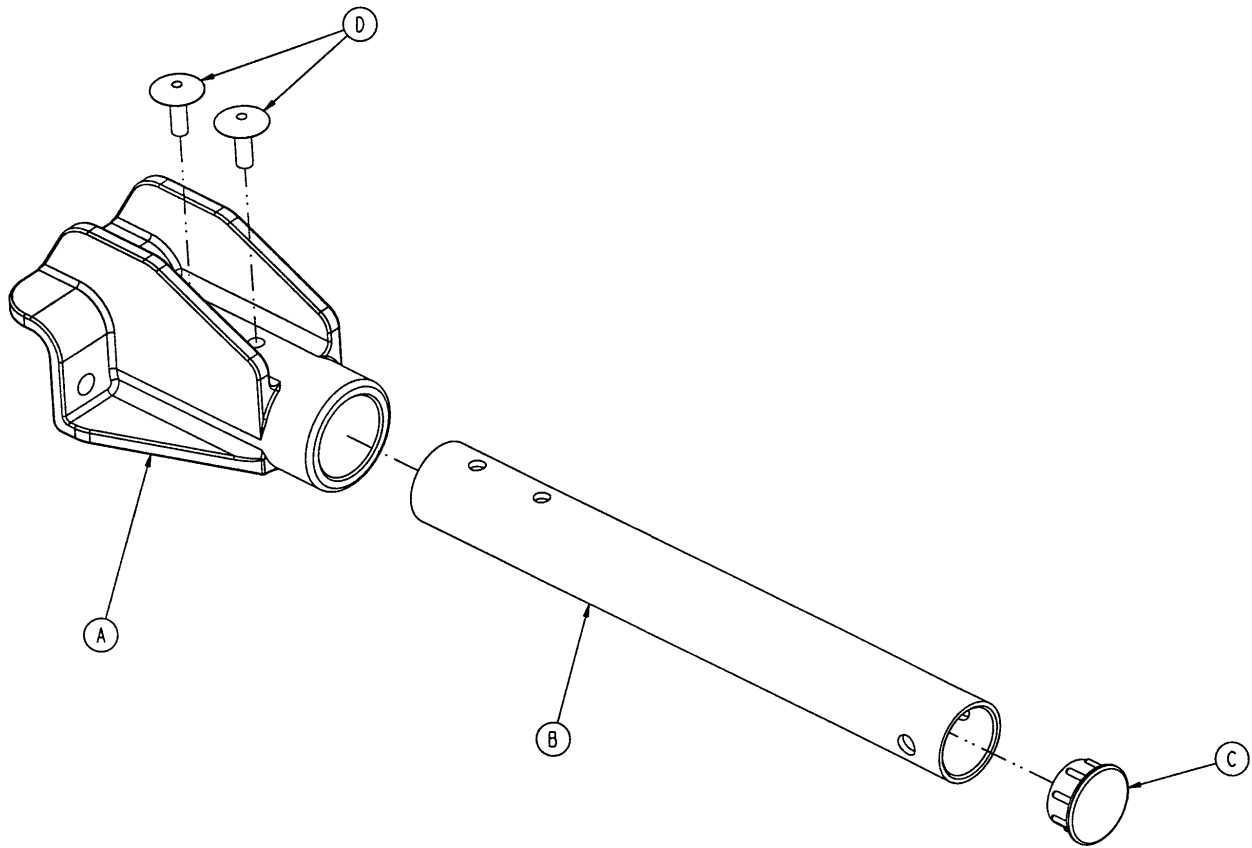
Item	Part No.	Part Name	Qty.
A	81-226	Bearing	2
B	715-1-255	Wheel Bushing	2

6080-5-56 Lock Bar Assembly



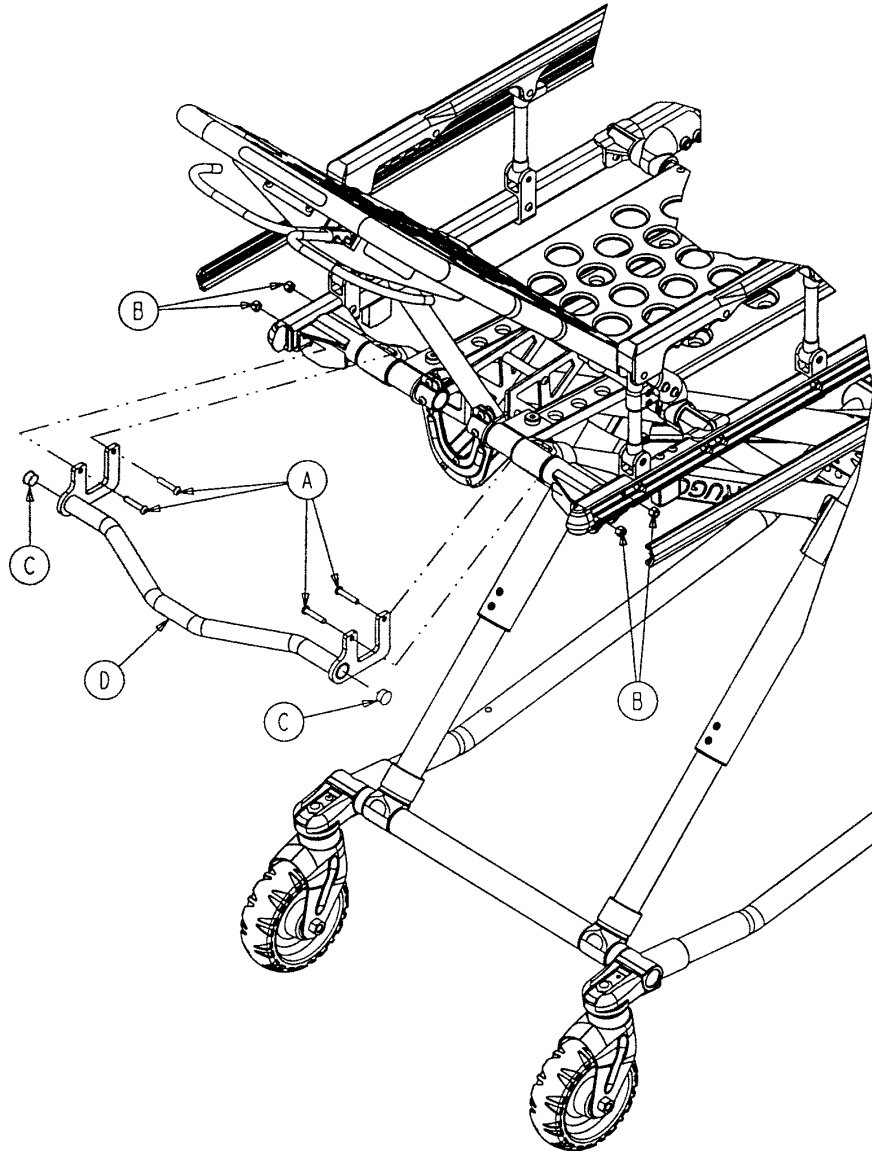
Item	Part No.	Part Name	Qty.
A	6080-5-55	Lock Bar	1
B	6060-5-96	Latch Pin	2
C	6080-5-36	Wear Ring	2
D	81-248	Bearing	4
E	28-181	Retaining Ring	2

6080-5-50 Litter/Base Adapter Assembly



Item	Part No.	Part Name	Qty.
A	6080-5-34	Adapter Mounting Bracket	1
B	6080-5-51	Adapter Pivot Tube	1
C	37-204	Hole Plug	1
D	25-128	Flange Rivet	2

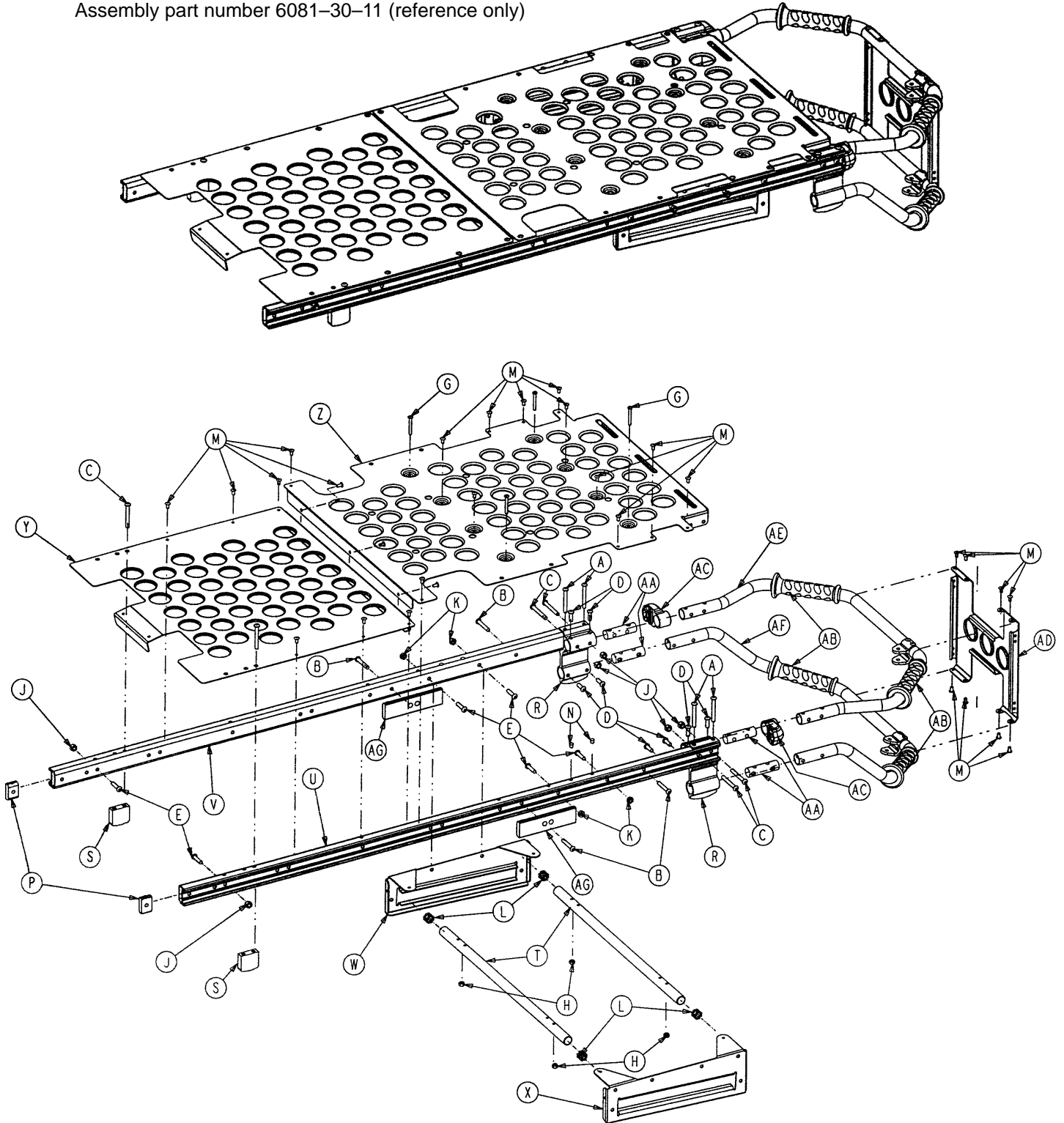
6080-157 Optional Base Lift Bar Assembly



Item	Part No.	Part Name	Qty.
A	4-135	Hex Soc. But. Hd. Cap Screw	4
B	16-28	Nylock Hex Nut	4
C	37-238	Tube Plug	2
D	6080-157-13	Breakaway Lift Bar Weldment	1

Litter Assembly

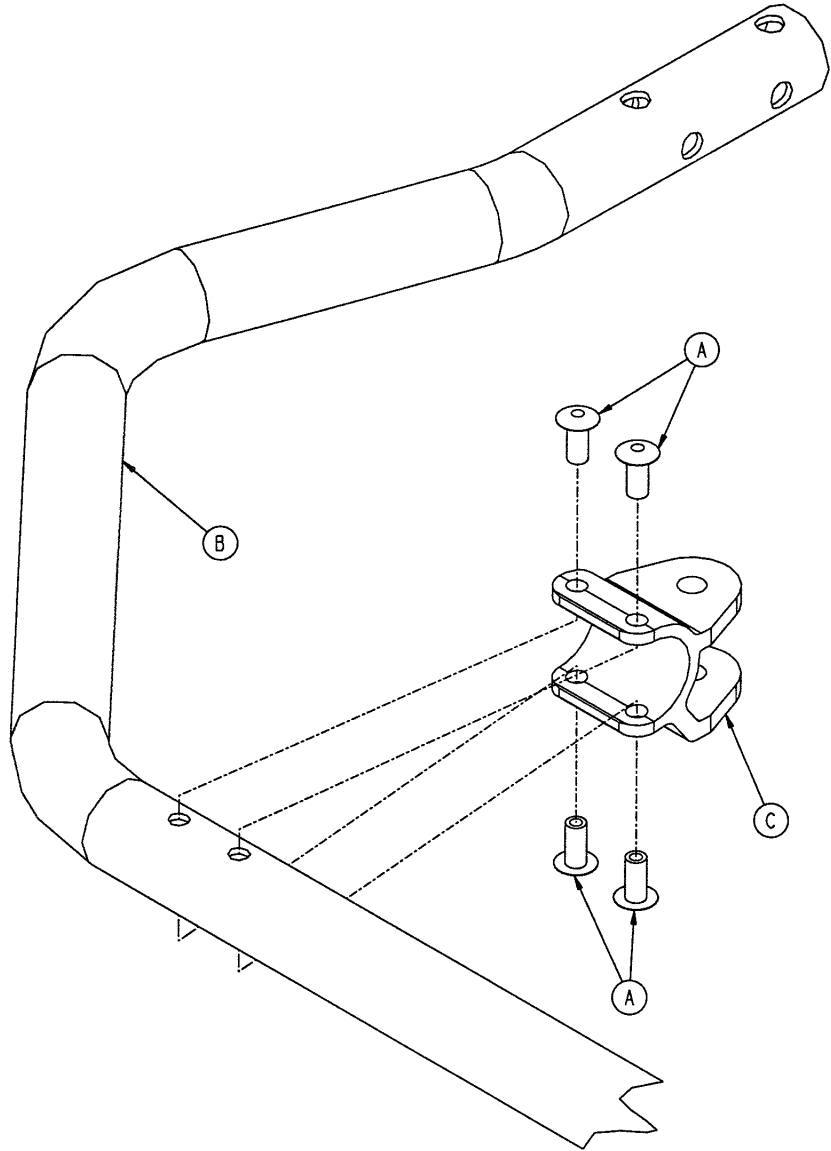
Assembly part number 6081-30-11 (reference only)



Litter Assembly

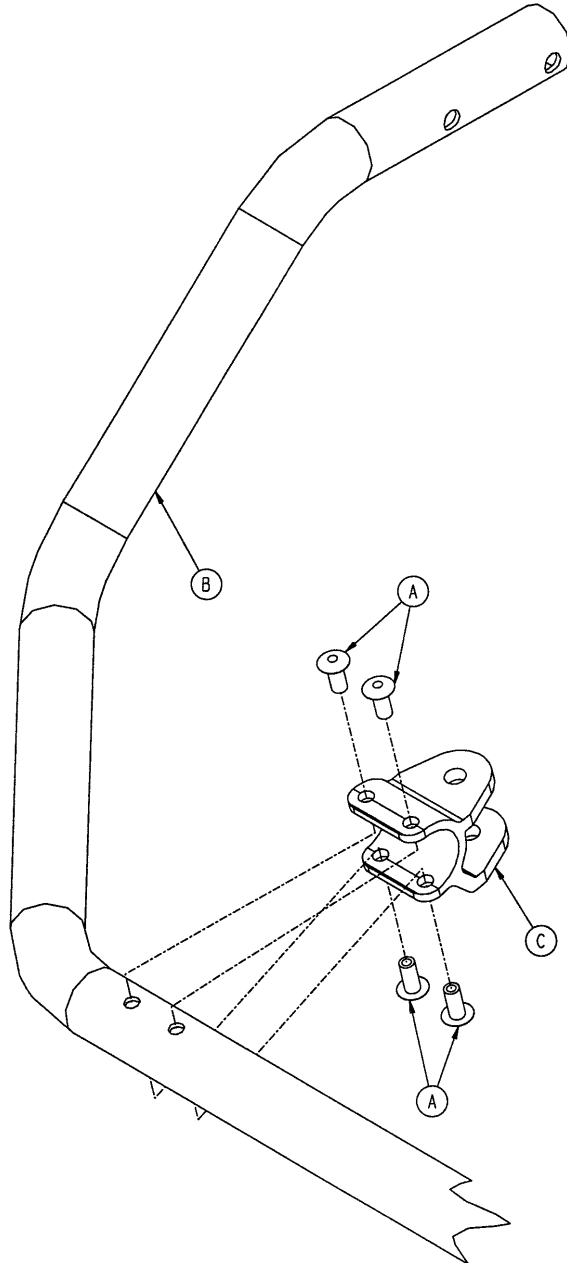
Item	Part No.	Part Name	Qty.
A	4-97	Hex Soc. But. Hd. Cap Scr.	6
B	4-135	Hex Soc. But. Hd. Cap Scr.	4
C	4-163	Hex Soc. But. Hd. Cap Scr.	4
D	4-161	Hex Soc. But. Hd. Cap Scr.	8
E	4-197	Hex Soc. But. Hd. Cap Scr.	6
G	4-215	Hex Soc. But. Hd. Cap Scr.	4
H	16-3	Fiberlock Hex Nut	4
J	16-28	Fiberlock Hex Nut	6
K	16-78	Centerlock Hex Nut	4
L	18-38	Umbrella Nut	4
M	25-79	Dome Head Rivet	27
N	721-31-65	Hole Plug	4
P	6060-25-33	Pivot Mount Spacer	2
R	6080-30-38	Foot End Litter Stop	2
S	6080-30-40	Litter Stop	2
T	6080-30-42	Cross Brace	2
U	6081-30-46	Outer Support Rail, Rt.	1
V	6081-30-47	Outer Support Rail, Lt.	1
W	6080-33-32	Slide Plate, Left	1
X	6080-33-33	Slide Plate, Right	1
Y	6081-34-46	Midsection Skin	1
Z	6081-38-45	Foot Section Skin	1
AA	6080-39-43	Lift Bar Plug	4
AB	6080-40-11	Grip	4
AC	6080-40-12	Outer Rail End Cap, Foot	2
AD	6080-240-30	Lift Bar Brace	1
AE	(page 42)	Upper Lift Tube Ass'y	1
AF	(page 43)	Lower Lift Tube Assembly	1
AG	6081-25-33	Large Insert	2

6080-40-51 Upper Lift Tube Assembly



Item	Part No.	Part Name	Qty.
A	25-79	Rivet	4
B	6080-40-18	Upper Lifting Bar	1
C	6080-40-38	Release Handle Pivot	1

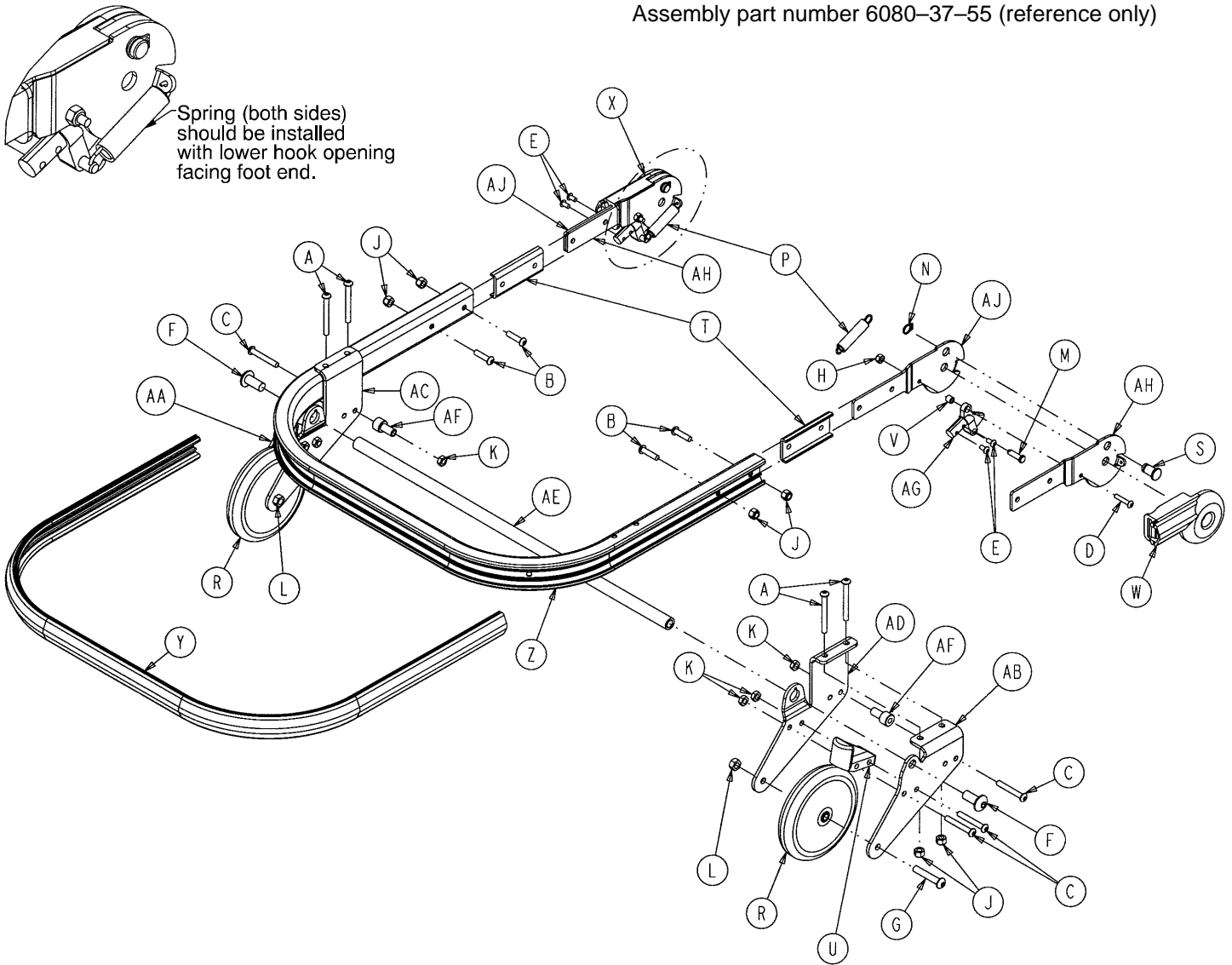
6080-40-52 Lower Lift Tube Assembly



Item	Part No.	Part Name	Qty.
A	25-79	Rivet	4
B	6080-40-19	Lower Lifting Bar	1
C	6080-40-38	Release Handle Pivot	1

Breakaway Head Assembly

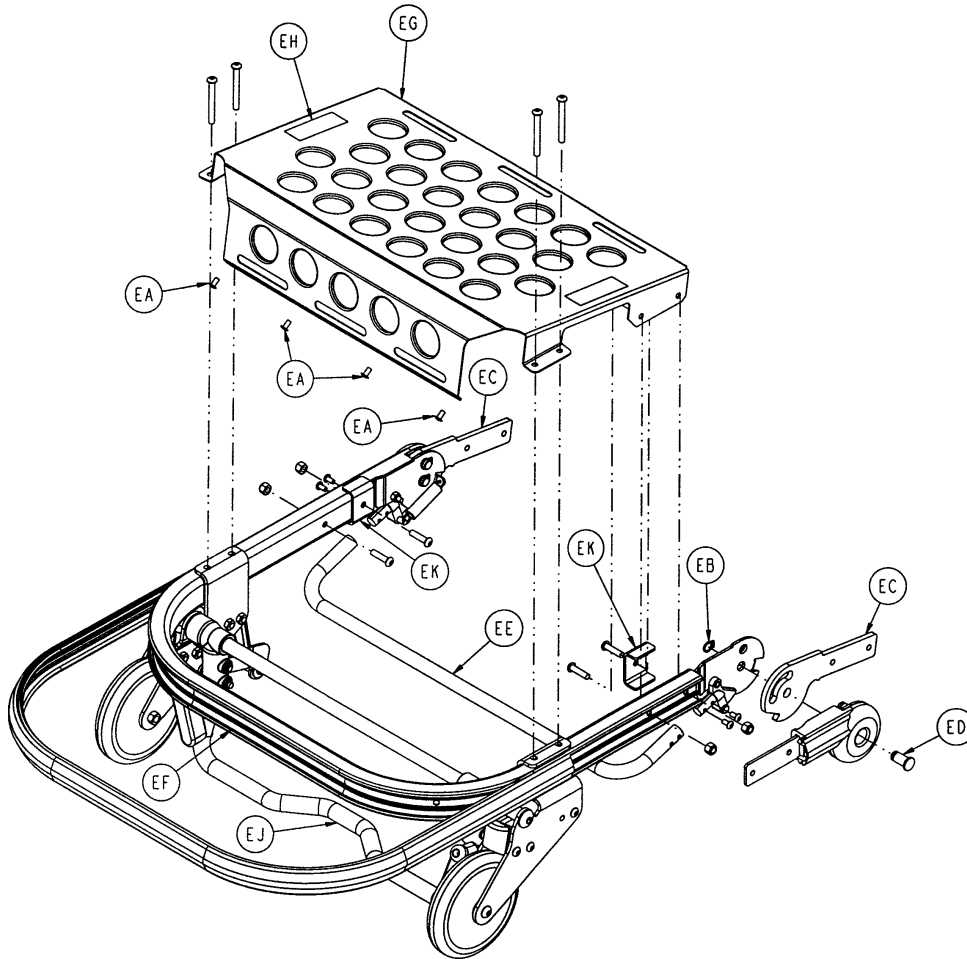
Assembly part number 6080-37-55 (reference only)



Item	Part No.	Part Name	Qty.	Item	Part No.	Part Name	Qty.
A	4-163	H. Soc. But. Hd. Cap Scr.	4	T	6060-37-26	Pivot Spacer Plate	2
B	4-197	H. Soc. But. Hd. Cap Scr.	4	U	6060-37-33	Horn Stop Block	2
C	4-204	H. Soc. But. Hd. Cap Scr.	9	V	6060-37-36	Trigger Lock Spacer	2
D	4-222	H. Soc. But. Hd. Cap Scr.	2	W	6060-37-37	Pivot Cover, Right	1
E	4-231	H. Soc. But. Hd. Cap Scr.	4	X	6060-37-38	Pivot Cover, Left	1
F	4-310	But. Hd. Cap Screw	2	Y	6080-36-44	Bumper	1
G	4-54	But. Hd. Cap Screw	2	Z	6080-36-45	Outer Rail	1
H	16-3	Fiberlock Hex Nut	2	AA	6080-37-27	Outer Caster Horn, Left	1
J	16-28	Fiberlock Hex Nut	12	AB	6080-37-28	Outer Caster Horn, Right	1
K	16-78	Centerlock Hex Nut	7	AC	6080-37-29	Inner Caster Horn, Left	1
L	16-20	Centerlock Hex Nut	2	AD	6080-37-30	Inner Caster Horn, Right	1
M	26-269	Clevis Pin	2	AE	6080-37-34	Safety Hook Pivot Tube	1
N	28-138	Retaining Ring	4	AF	6080-37-49	Release Handle Spacer	2
P	38-410	Extension Spring	2	AG	6090-37-39	Trigger Lock	2
R	6060-36-20	Five Inch Wheel Ass'y	2	AH	6082-37-42	Pivot Form, Right	2
S	6060-36-24	Pivot Stop Pin	2	AJ	6082-37-43	Pivot Form, Left	2

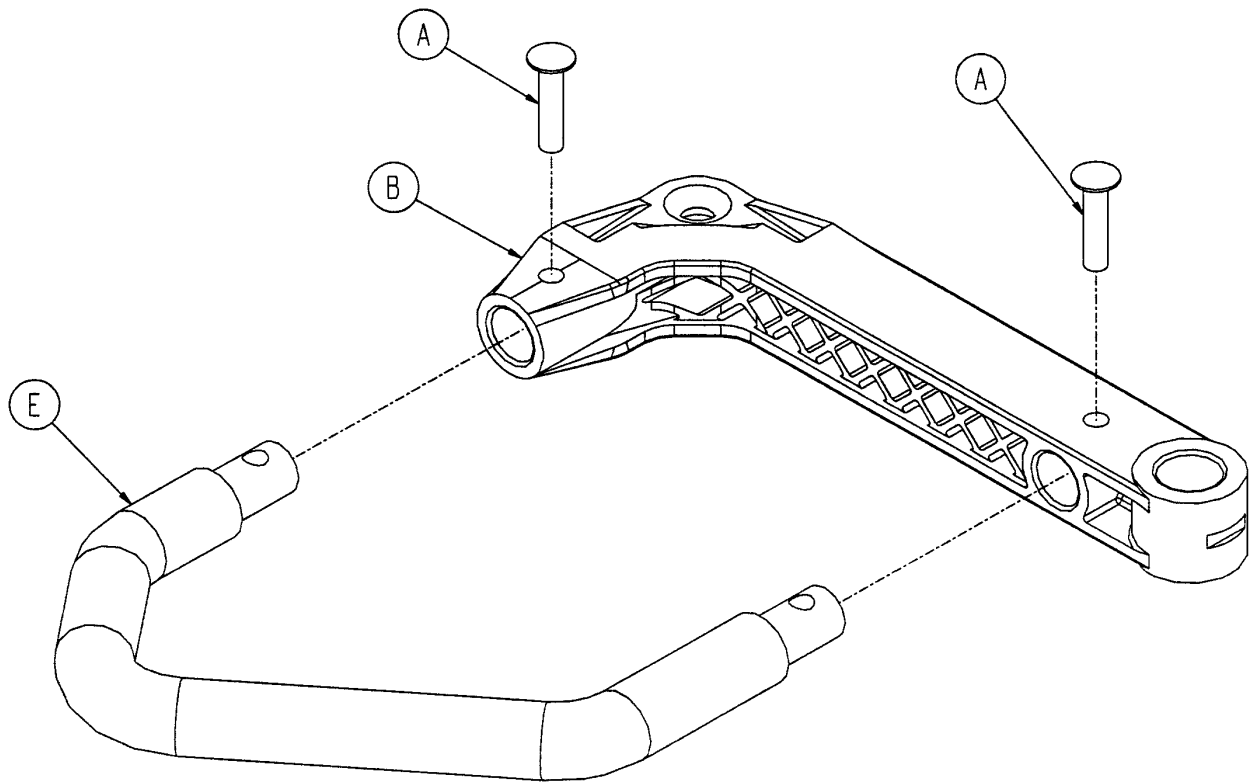
Breakaway Head Assembly

Assembly part number 6081-37-10 (reference only)



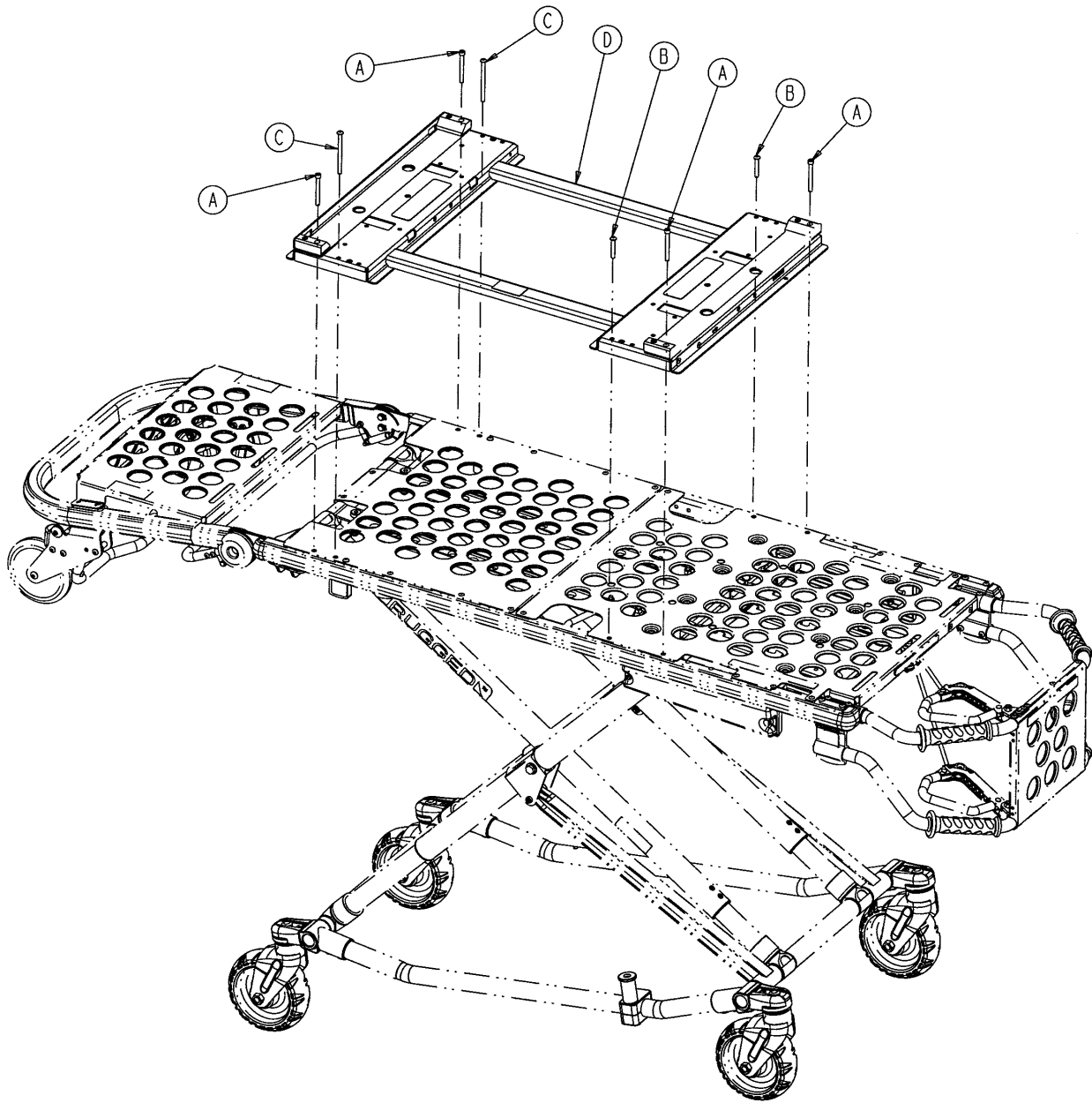
Item	Part No	Part Name	Qty.
EA	25-79	Rivet	2
EB	28-138	Retaining Ring	2
EC	6082-37-40	Center Pivot	4
ED	6080-36-25	Pivot Pin	2
EE	6080-36-47	Bent Release Crossbar	1
EF	6080-37-55	Breakaway Head Ass'y	1
EG	6081-37-45	Breakaway Head Skin	1
EH	6081-91-57	40 Lb. Max. Caution Label	2
EJ	6091-156-10	Safety Hook Option	1
EK	6082-37-25	Strength Bracket	2

6080-40-40 Release Handle Assembly



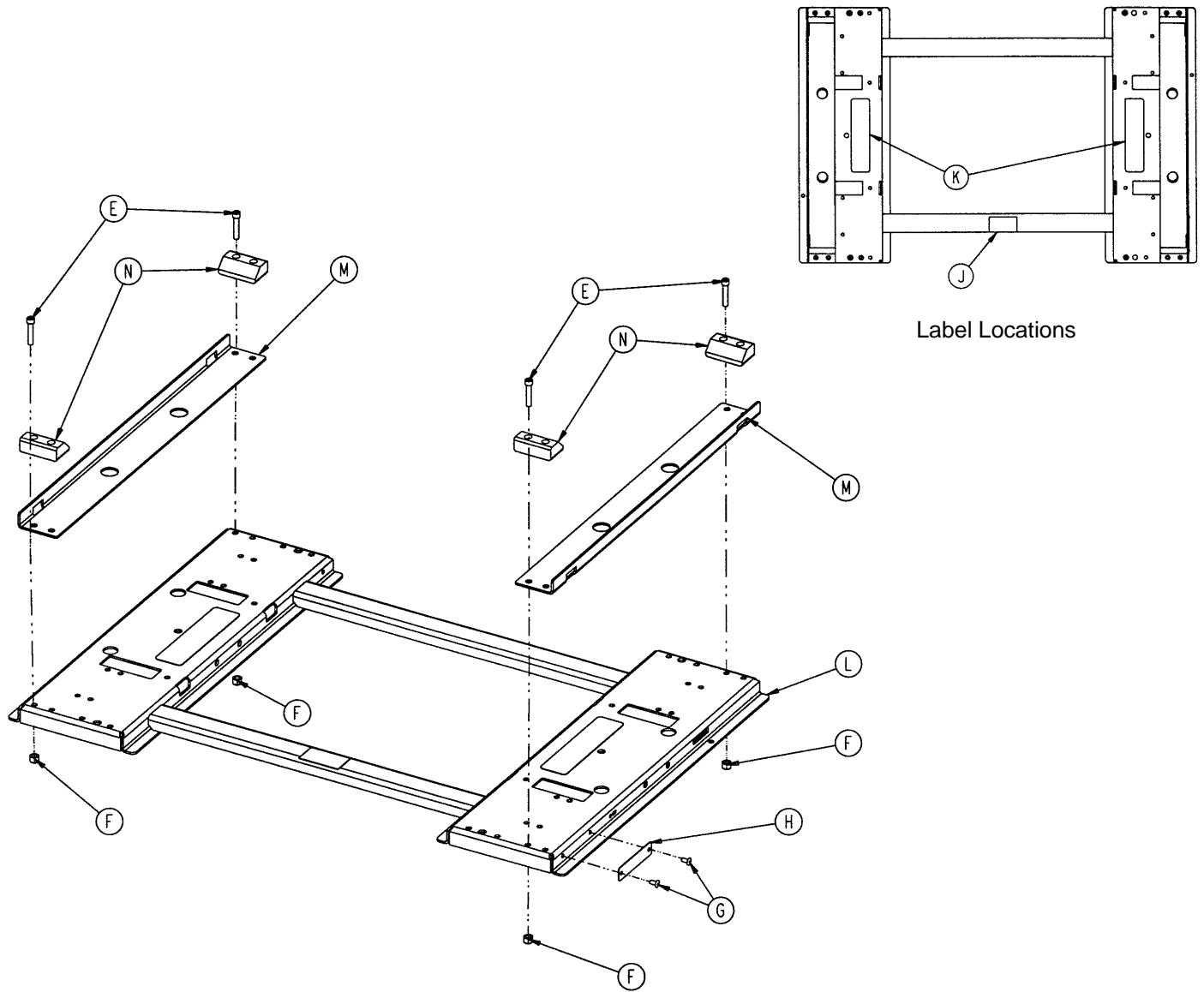
Item	Part No.	Part Name	Qty.
A	25-125	Rivet	2
B	6080-40-41	Release Handle Link	1
E	6080-40-50	Side Release Handle Ass'y	1

6081-200-10 Airborne™ Adaptor Mounting Assembly



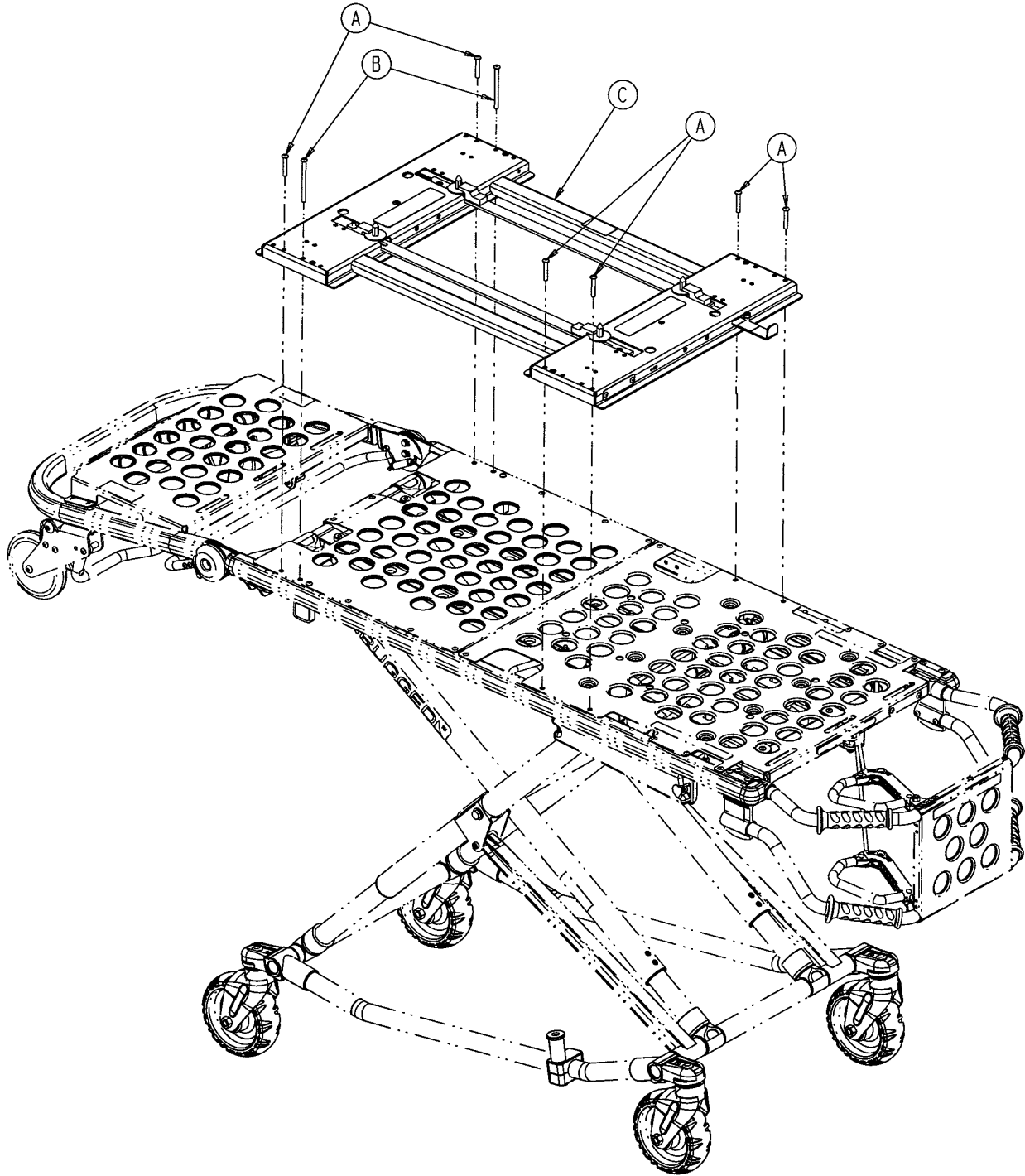
Item	Part No.	Part Name	Qty.
A	4-117	Soc. Hd. Cap Screw	4
B	4-135	Button Hd. Cap Screw	2
C	4-218	Button Hd. Cap Screw	2
D	(page 49)	Adaptor Assembly	1

6081-200-10 Airborne™ Incubator Adaptor Assembly



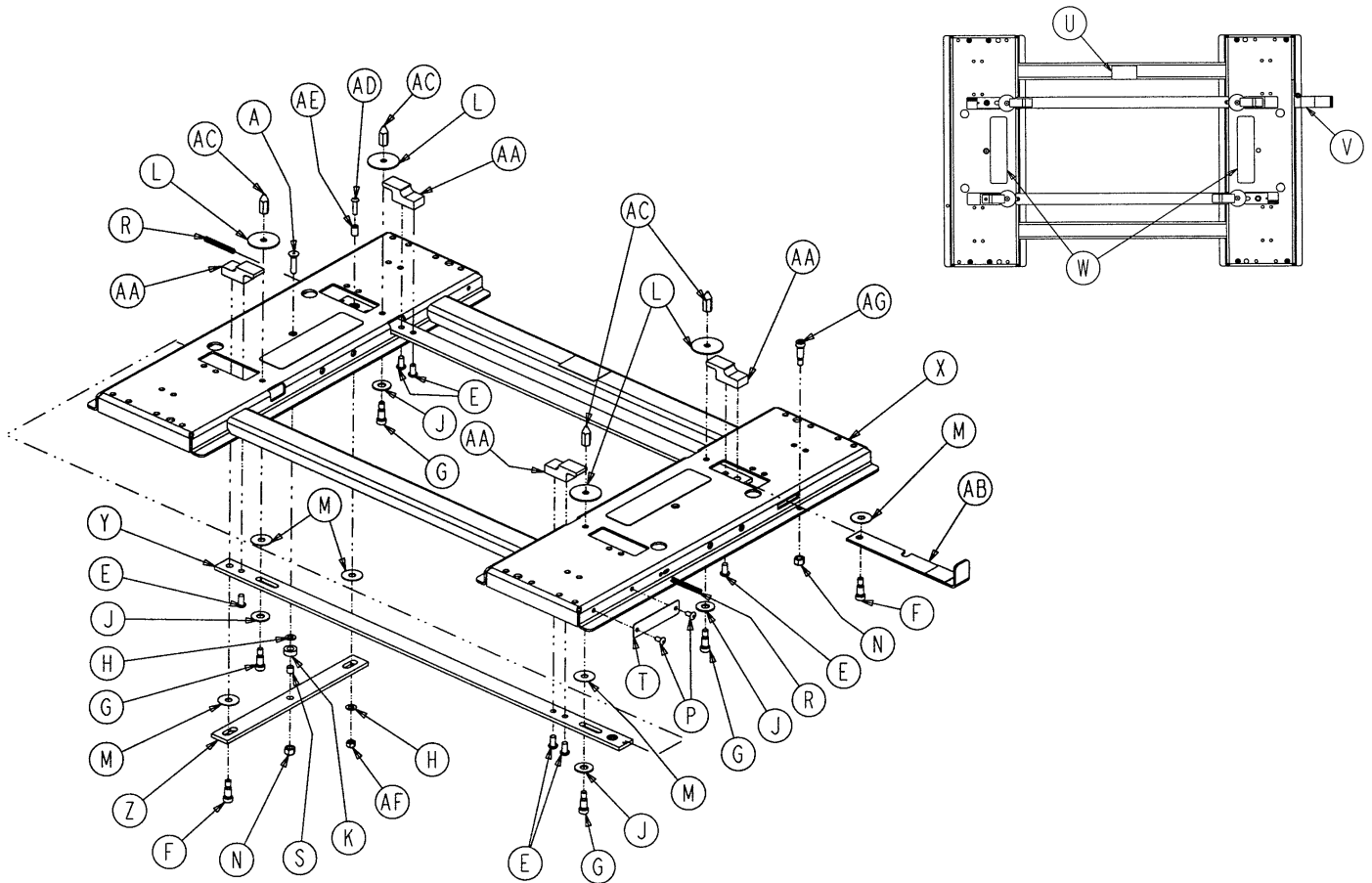
Item	Part No.	Part Name	Qty.
E	4-142	Soc. Hd. Cap Screw	4
F	16-28	Nylock Nut	4
G	25-79	Pop Rivet	2
H	6060-90-2	Serial Number Tag	1
J	6081-91-202	Specification Label	1
K	6081-91-201	Warning Label	2
L	6081-100-20	Frame Weldment	1
M	6081-200-20	Mounting Angle	2
N	6081-200-22	Mounting Wedge	4

6081-300-10 Air-Shields® Adaptor Mounting Ass'y



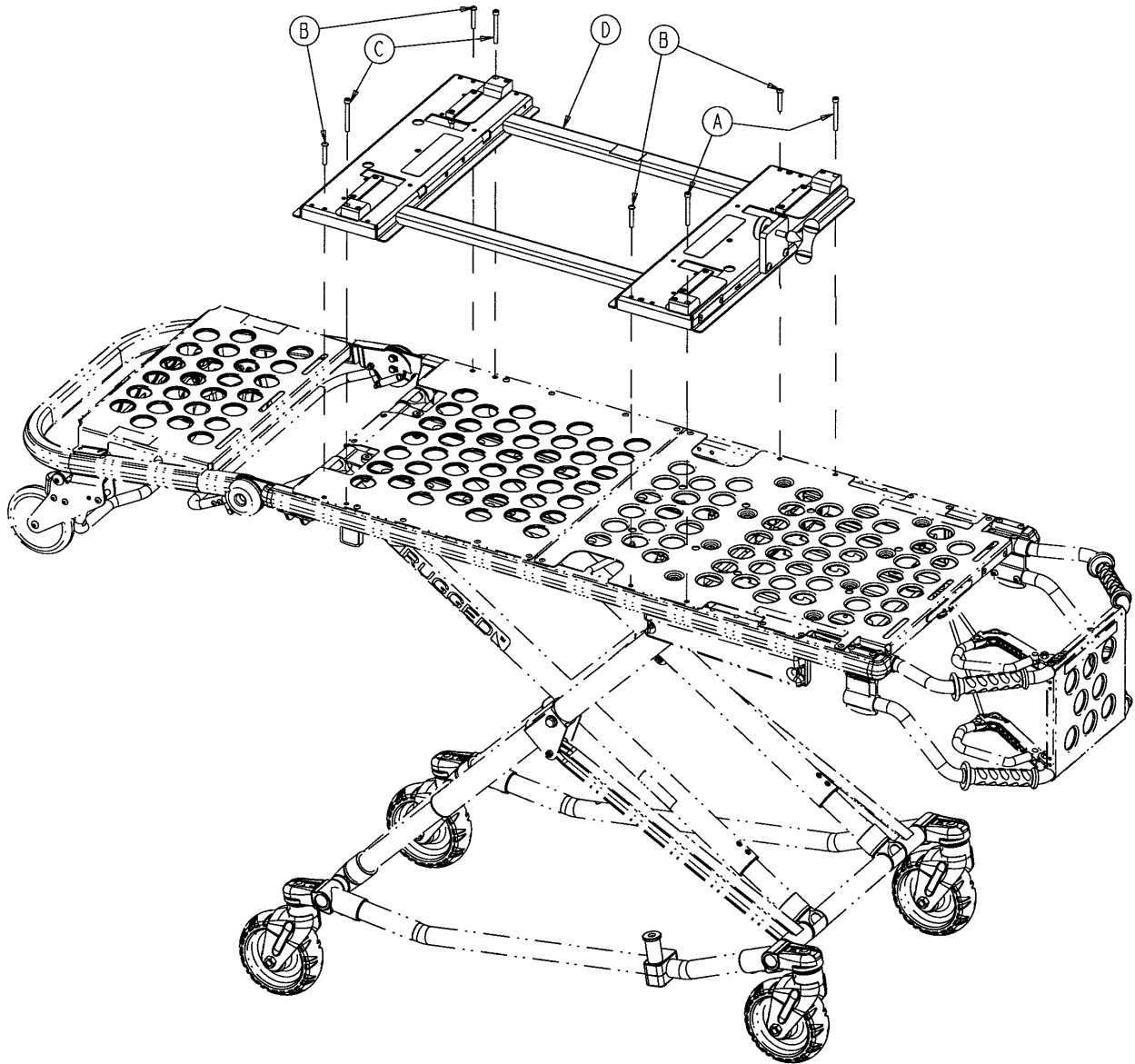
Item	Part No.	Part Name	Qty.
A	4-135	But. Hd. Cap Screw	6
B	4-218	But. Hd. Cap Screw	2
C	(page 51)	Adaptor Assembly	1

6081-300-10 Air-Shields® Incubator Adaptor Ass'y



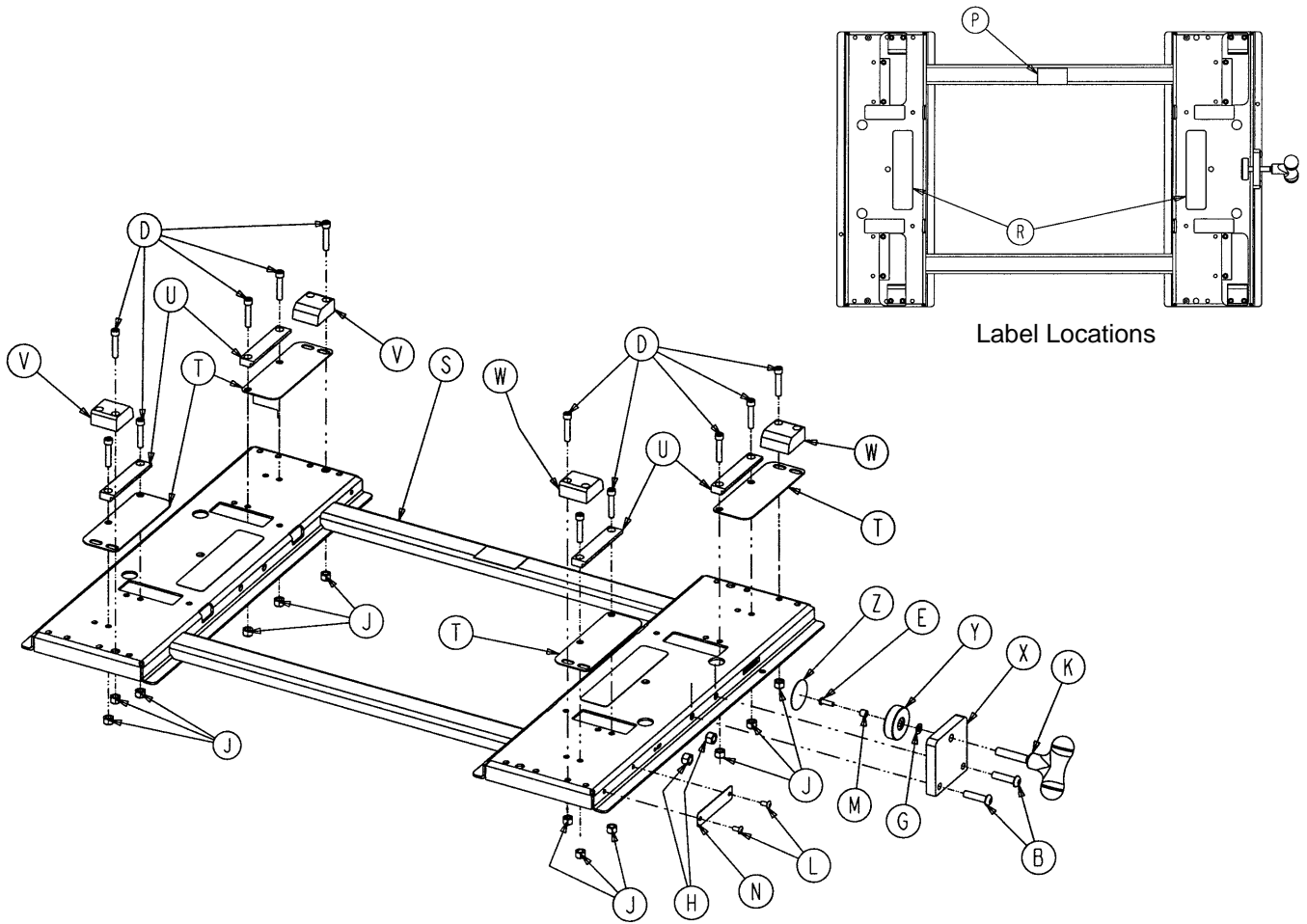
Item	Part No.	Part Name	Qty.	Item	Part No.	Part Name	Qty.
A	1-105	Flat Hd. Machine Screw	1	U	6081-90-302	Specification Label	1
E	4-325	But. Hd. Cap Screw	6	V	6081-90-303	Lock Pull Label	1
F	8-49	Shoulder Bolt	2	W	6081-91-301	Warning Label	2
G	8-51	Shoulder Bolt	4	X	6081-100-20	Frame Weldment	1
H	11-64	Washer	2	Y	6081-300-20	Slide Bar	2
J	11-193	Washer	4	Z	6081-300-21	Pivot Bar	1
K	11-423	Plastic Spacer	1	AA	6081-300-22	Lock Block	4
L	11-445	Washer	4	AB	6081-300-23	Pull Handle	1
M	14-19	Nylon Washer	7	AC	6081-300-24	Hex Pin	4
N	16-28	Nylock Nut	2	AD	4-278	But. Hd. Cap Screw	1
P	25-79	Pop Rivet	2	AE	6081-25-35	Pivot Sleeve	1
R	38-453	Extension Spring	2	AF	16-3	Nylock Nut	1
S	715-1-333	Sleeve	1	AG	8-15	Shoulder Bolt	1
T	6060-90-2	Serial Number Tag	1				

6081-100 Ohmeda™ Incubator Mounting Assembly



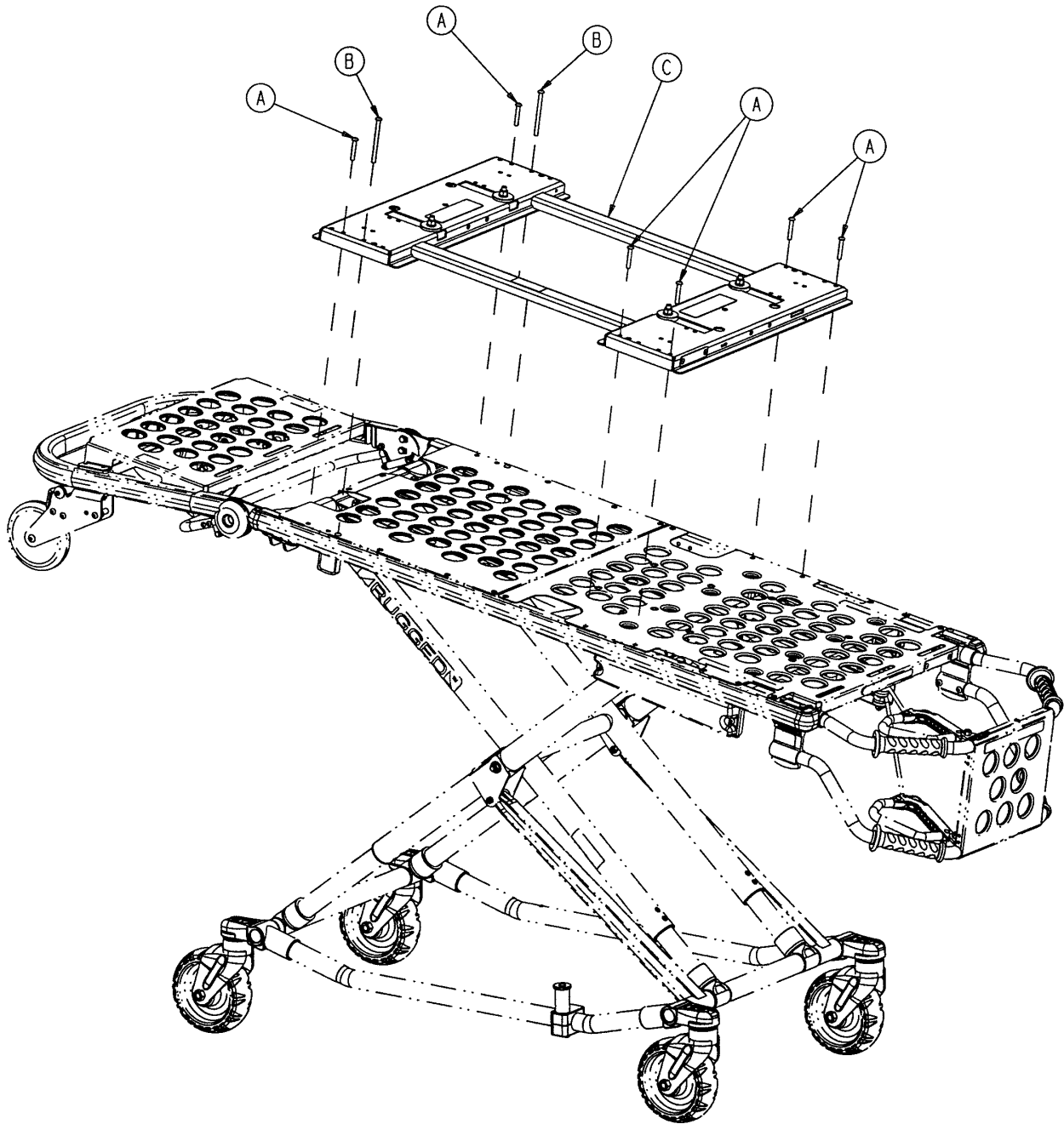
Item	Part No.	Part Name	Qty.
A	4-117	Soc. Hd. Cap Screw	2
B	4-135	But. Hd. Cap Screw	4
C	4-339	Soc. Hd. Cap Screw	2
D	(page 53)	Adaptor Assembly	1

6081-100-10 Ohmeda™ Incubator Mounting Kit Ass'y



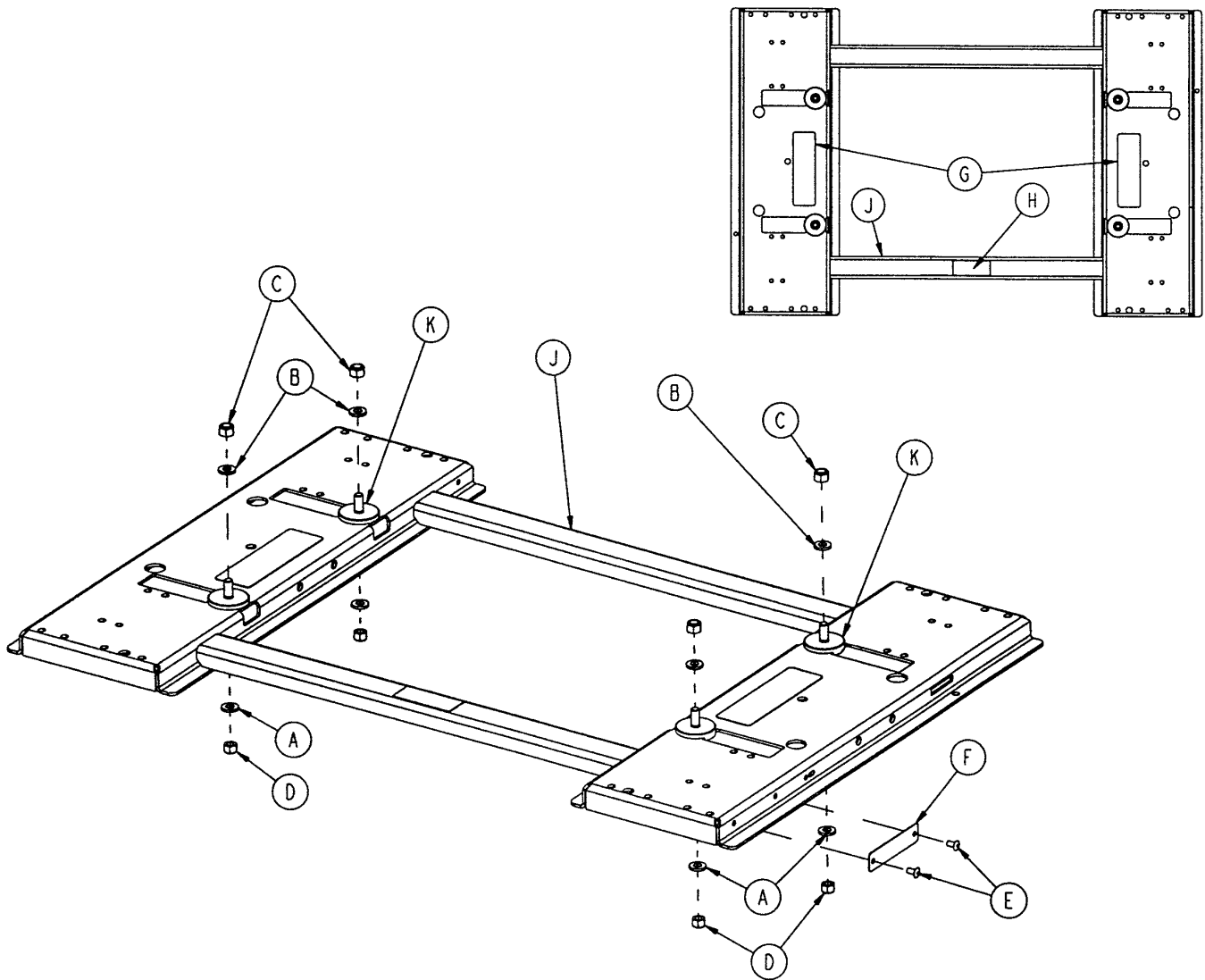
Item	Part No.	Part Name	Qty.
B	4-130	But. Hd. Cap Screw	2
D	4-142	Soc. Hd. Cap Screw	12
E	4-149	But. Hd. Cap Screw	1
G	11-64	Washer	1
H	16-11	Nylock Nut	2
J	16-28	Nylock Nut	12
K	24-66	Male Knob	1
L	25-79	Pop Rivet	2
M	6060-37-36	Sleeve	1
N	6060-90-2	Serial Number Tag	1
P	6081-90-102	Specification Label	1
R	6081-91-101	Warning Label	2
S	6081-100-20	Frame Weldment	1
T	6081-100-26	Wear Plate	4
U	6081-100-27	Stop Block	4
V	6081-100-28	Wedge Block, Right	2
W	6081-100-29	Wedge Block, Left	2
X	6081-100-30	Knob Block	1
Y	6081-100-31	Knob Pusher	1
Z	6081-100-32	Friction Pad	1

6081-201-10 Airborne™ O₂ Module Adaptor Mtg. Ass'y



Item	Part No.	Part Name	Qty.
A	4-135	But Hd. Cap Screw	6
B	4-218	But. Hd. Cap Screw	2
C	(page 55)	O2 Module Adaptor Ass'y	1

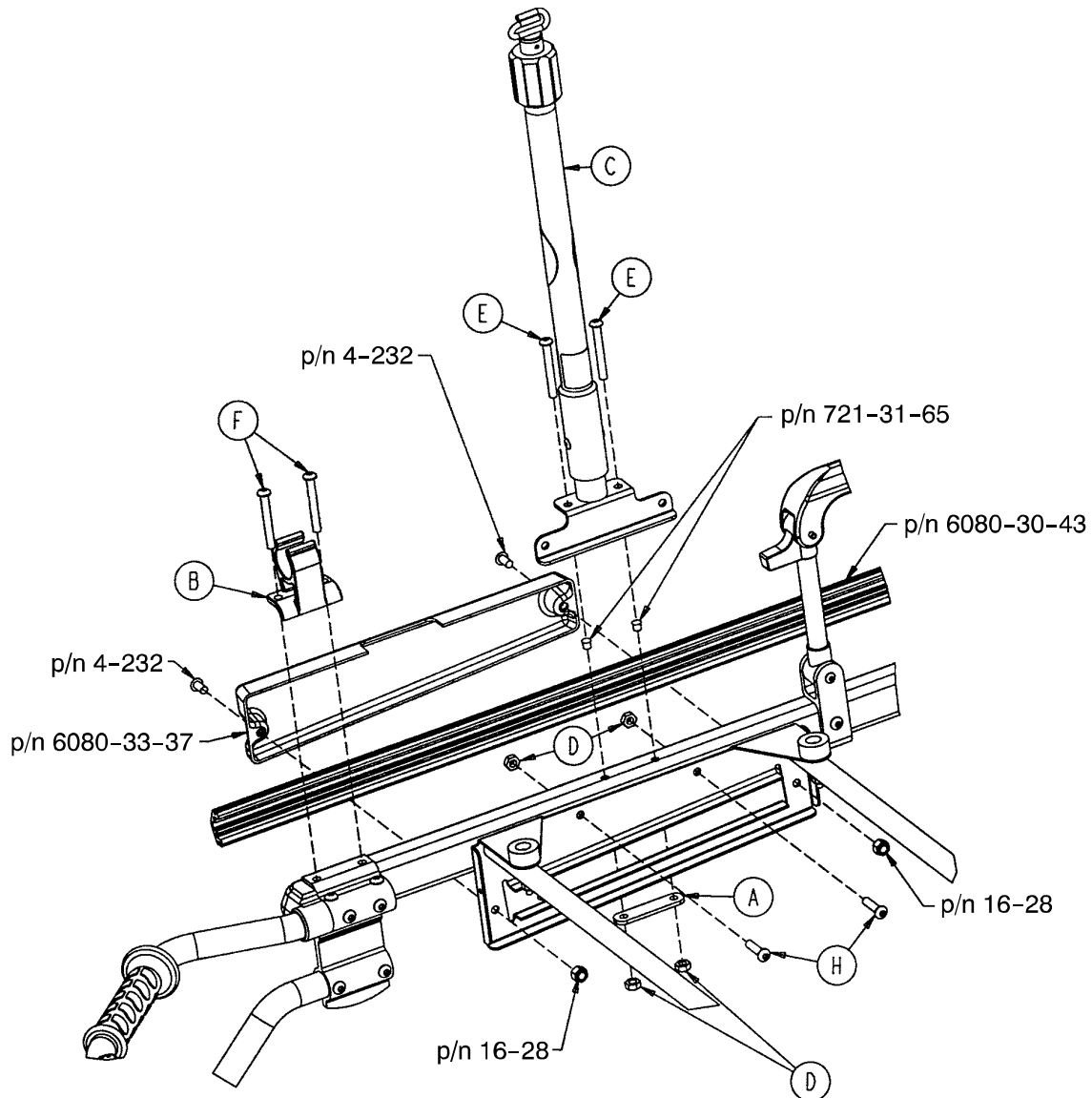
6081-201-10 Airborne™ O₂ Module Adaptor Assembly



Item	Part No.	Part Name	Qty.
A	11-77	Flat Washer	4
B	11-447	Flat Washer	4
C	16-11	Nylock Nut	4
D	16-28	Nylock Nut	4
E	25-79	Pop Rivet	2
F	6060-90-2	Serial Number Tag	1
G	6081-92-201	Warning Label	2
H	6081-93-201	Specification Label	1
J	6081-100-20	Frame Weldment	1
K	6081-201-20	Mounting Stud	4

6080-210-10 Optional 2-Stage I.V. Mounting Ass'y, Rt.

6080-215-10 Optional 3-Stage I.V. Mounting Ass'y, Rt.

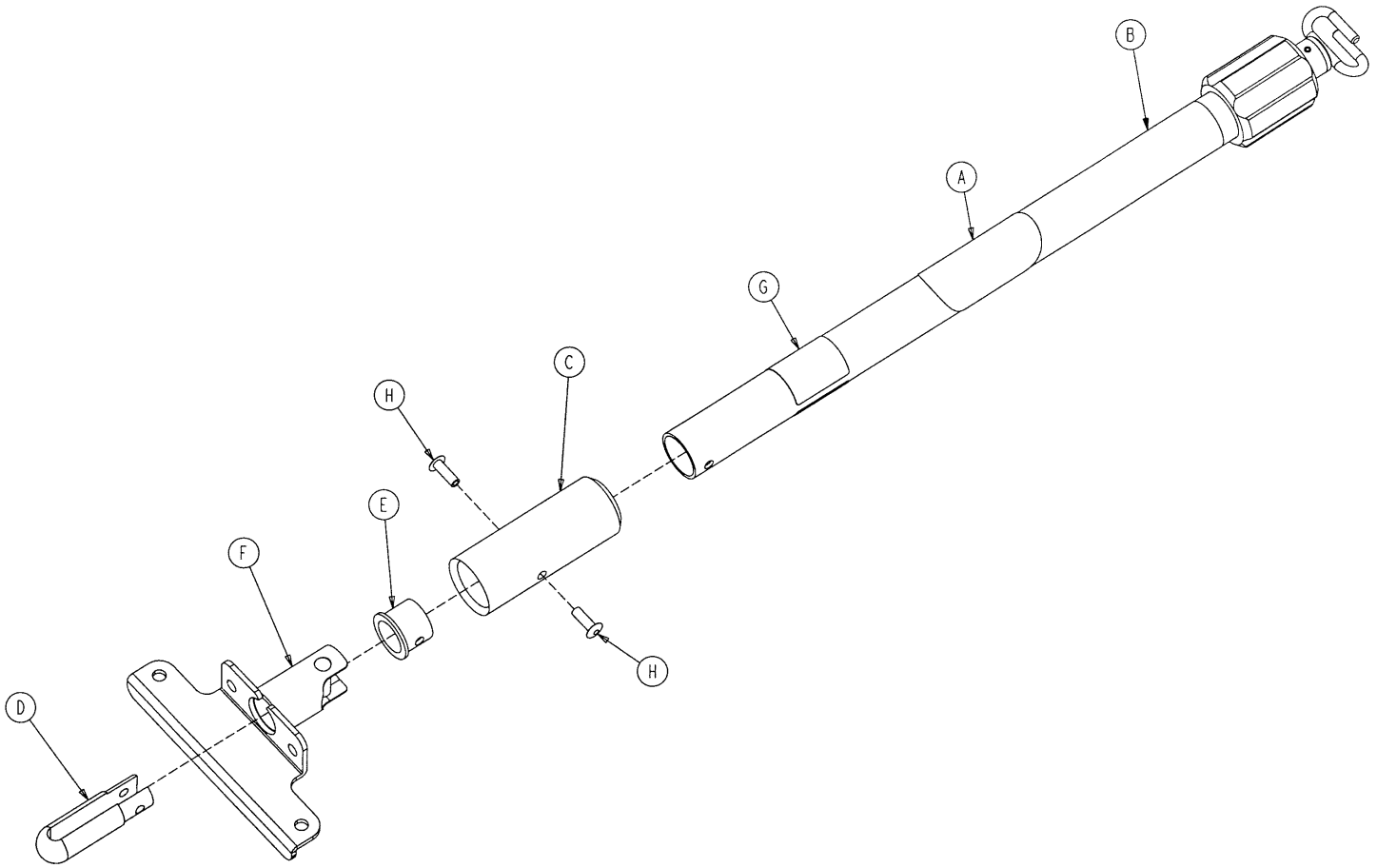


6080-210-10

6080-215-10

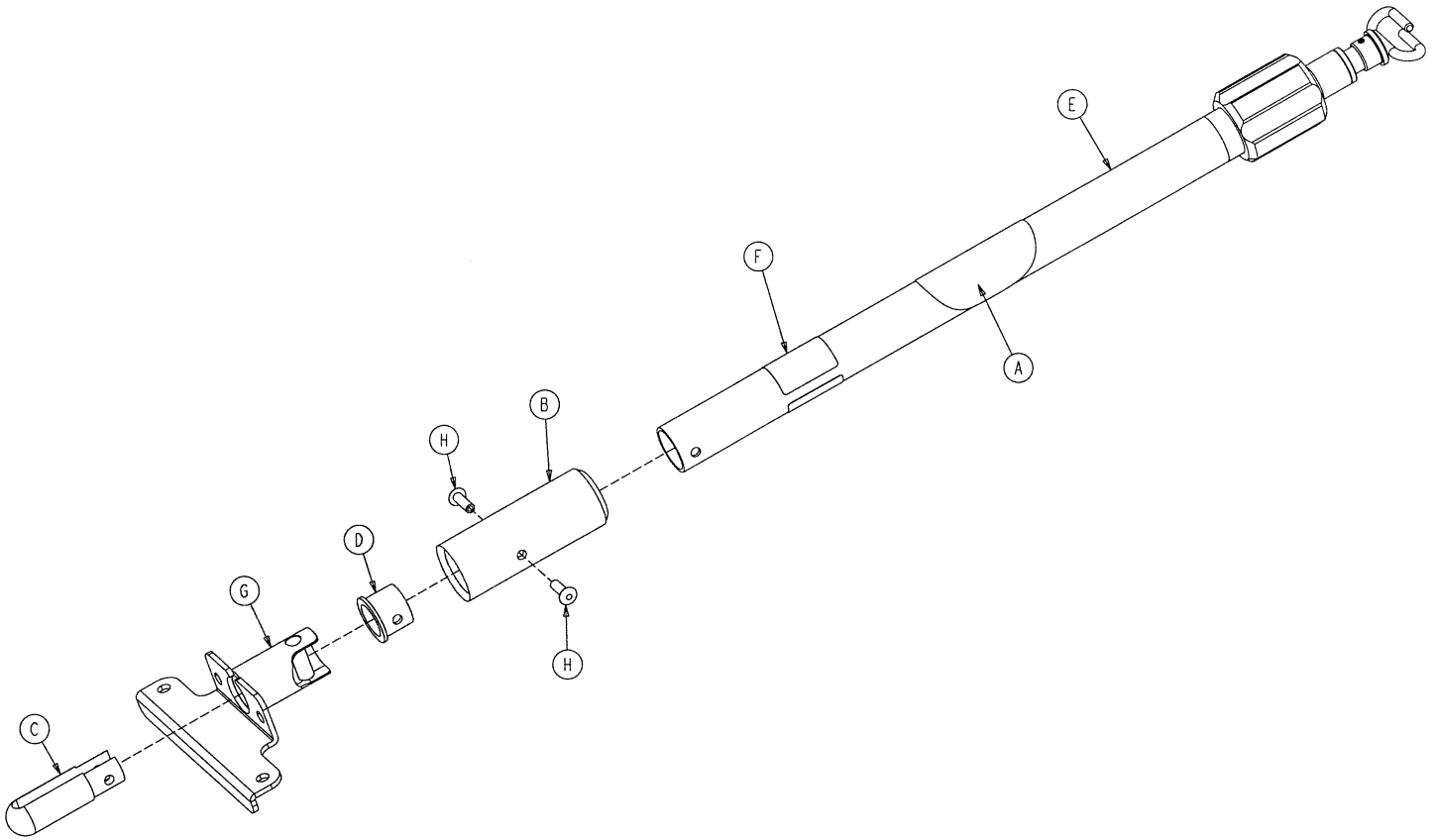
Item	Part No.	Part Name	Qty.	Item	Part No.	Part Name	Qty.
A	6070-110-32	I.V. Retainer Plate	1	A	6070-110-32	I.V. Retainer Plate	1
B	6080-110-35	I.V. Clip	1	B	6080-110-35	I.V. Clip	1
C	(page 57)	2-Stage I.V. Pole, Right	1	C	(page 58)	3-Stage I.V. Pole, Right	1
D	16-78	Centerlock Hex Nut	4	D	16-78	Centerlock Hex Nut	4
E	4-97	Hex Soc. But. Hd. Cap Scr.	2	E	4-97	Hex Soc. But. Hd. Cap Scr.	2
F	4-163	Hex Soc. But. Hd. Cap Scr.	2	F	4-163	Hex Soc. But. Hd. Cap Scr.	2
G	4-197	Hex Soc. But. Hd. Cap Scr.	2	G	4-197	Hex Soc. But. Hd. Cap Scr.	2

6080-210-20 2-Stage I.V. Assembly, Patient Right



Item	Part No.	Part Name	Qty.
A	6070-90-105	Caution Label	1
B	(page 62)	2-Stage I.V. Pole Assembly	1
C	6070-210-45	I.V. Pole Sleeve	1
D	6070-210-46	I.V. Pivot	1
E	6070-210-49	I.V. Pivot Ring	1
F	6080-210-52	I.V. Socket Weldment, Right	1
G	6090-90-31	Specification Label	1
H	25-133	Blind Rivet	2

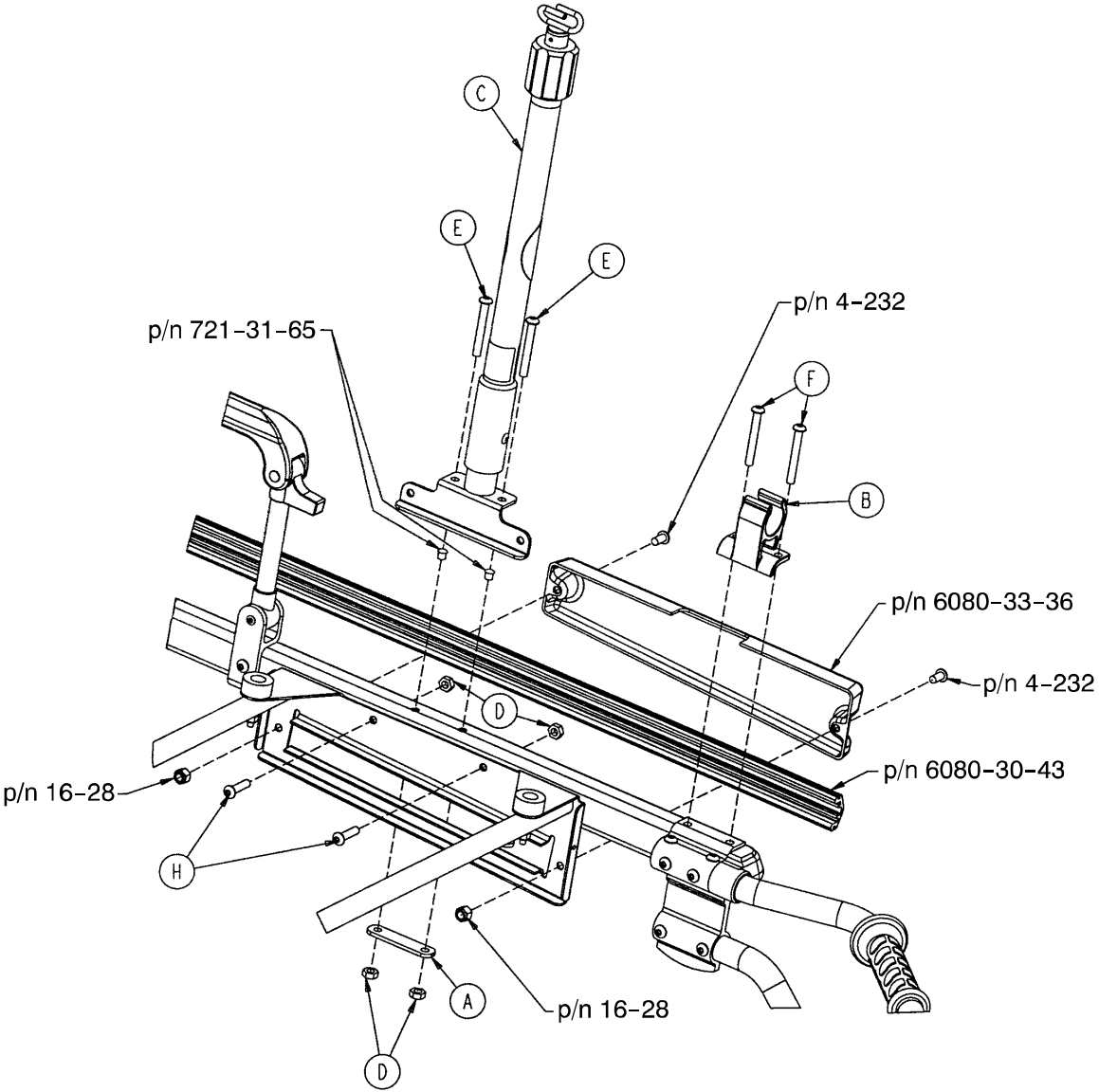
6080-215-20 3-Stage I.V. Assembly, Patient Right



Item	Part No.	Part Name	Qty.
A	6070-90-105	Caution Label	1
B	6070-210-45	I.V. Pole Sleeve	1
C	6070-210-46	I.V. Pivot	1
D	6070-210-49	I.V. Pivot Ring	1
E	(page 63)	3-Stage I.V. Pole Assembly	1
F	6080-90-33	Specification Label	1
G	6080-210-52	I.V. Socket Weldment, Right	1
H	25-133	Blind Rivet	2

6080-211-10 Optional 2-Stage I.V. Mounting Ass'y, Left

6080-216-10 Optional 3-Stage I.V. Mounting Ass'y, Left

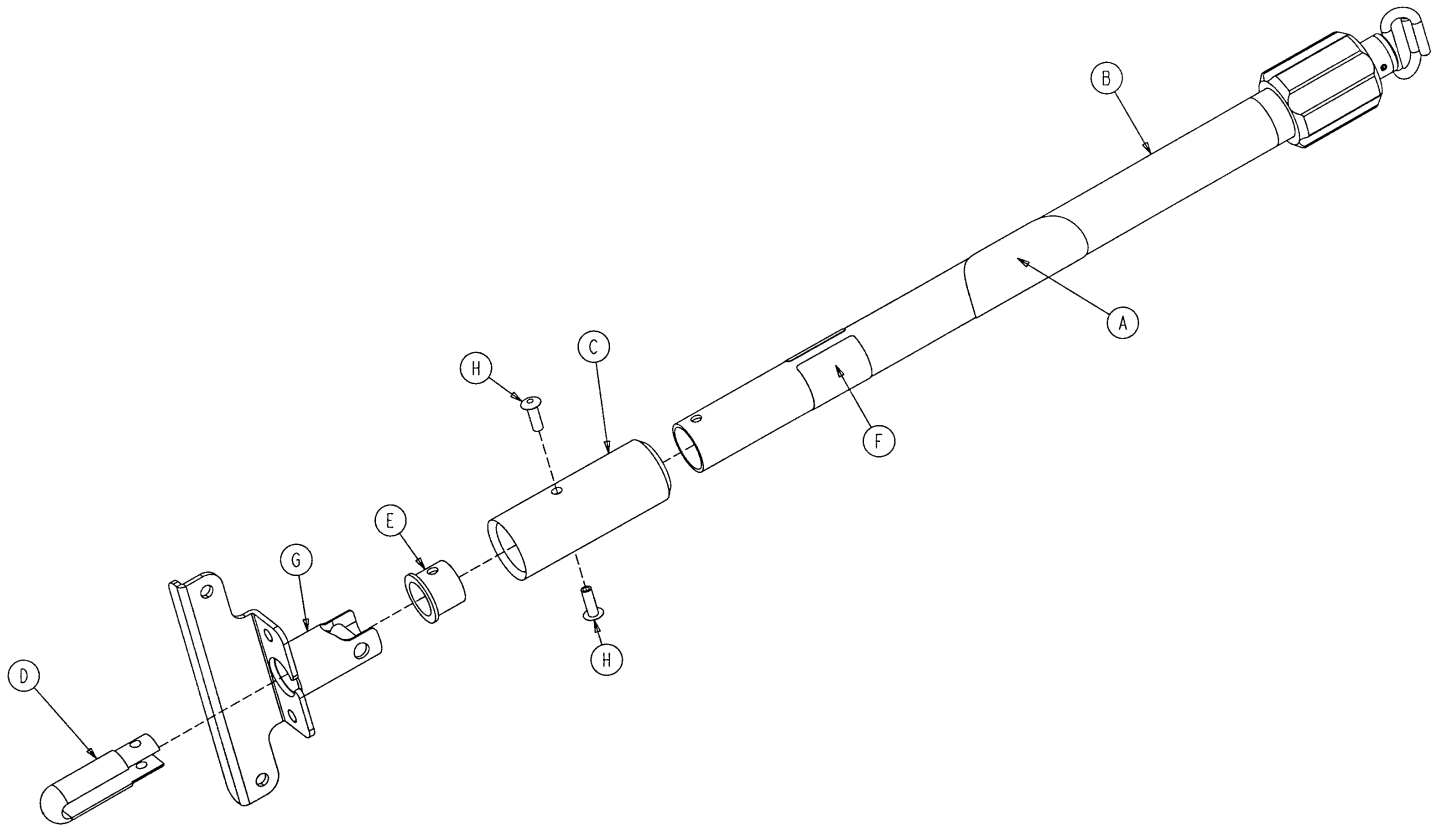


6080-211-10

6080-216-10

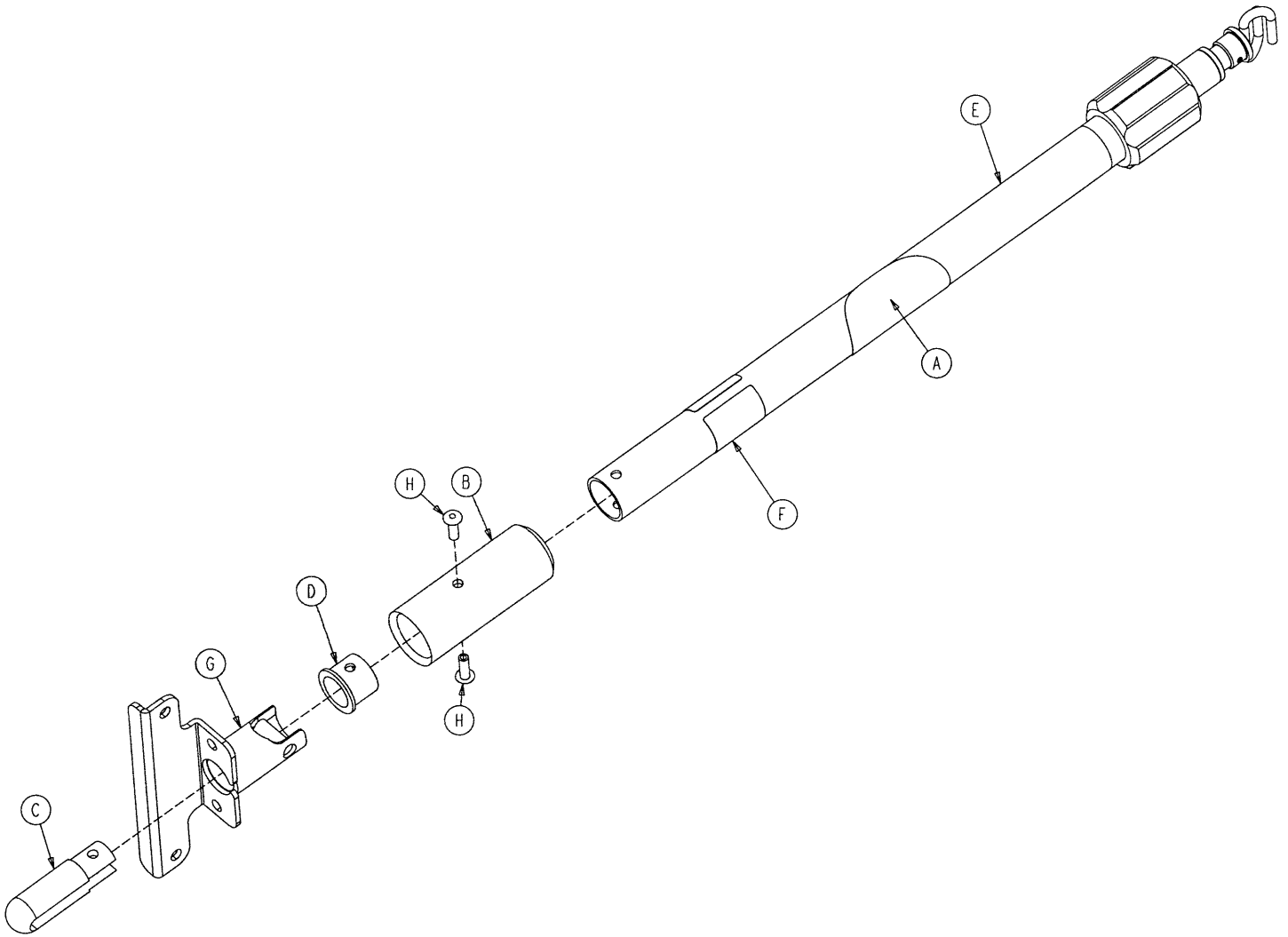
Item	Part No.	Part Name	Qty.	Item	Part No.	Part Name	Qty.
A	6070-110-32	I.V. Retainer Plate	1	A	6070-110-32	I.V. Retainer Plate	1
B	6080-110-35	I.V. Clip	1	B	6080-110-35	I.V. Clip	1
C	(page 60)	2-Stage I.V. Pole, Left	1	C	(page 61)	3-Stage I.V. Pole, Left	1
D	16-78	Centerlock Hex Nut	4	D	16-78	Centerlock Hex Nut	4
E	4-97	H. Soc. But. Hd. Cap Scr.	2	E	4-97	H. Soc. But. Hd. Cap Scr.	2
F	4-163	H. Soc. But. Hd. Cap Scr.	2	F	4-163	H. Soc. But. Hd. Cap Scr.	2
G	4-197	H. Soc. But. Hd. Cap Scr.	2	G	4-197	H. Soc. But. Hd. Cap Scr.	2

6080-211-20 2-Stage I.V. Assembly, Patient Left



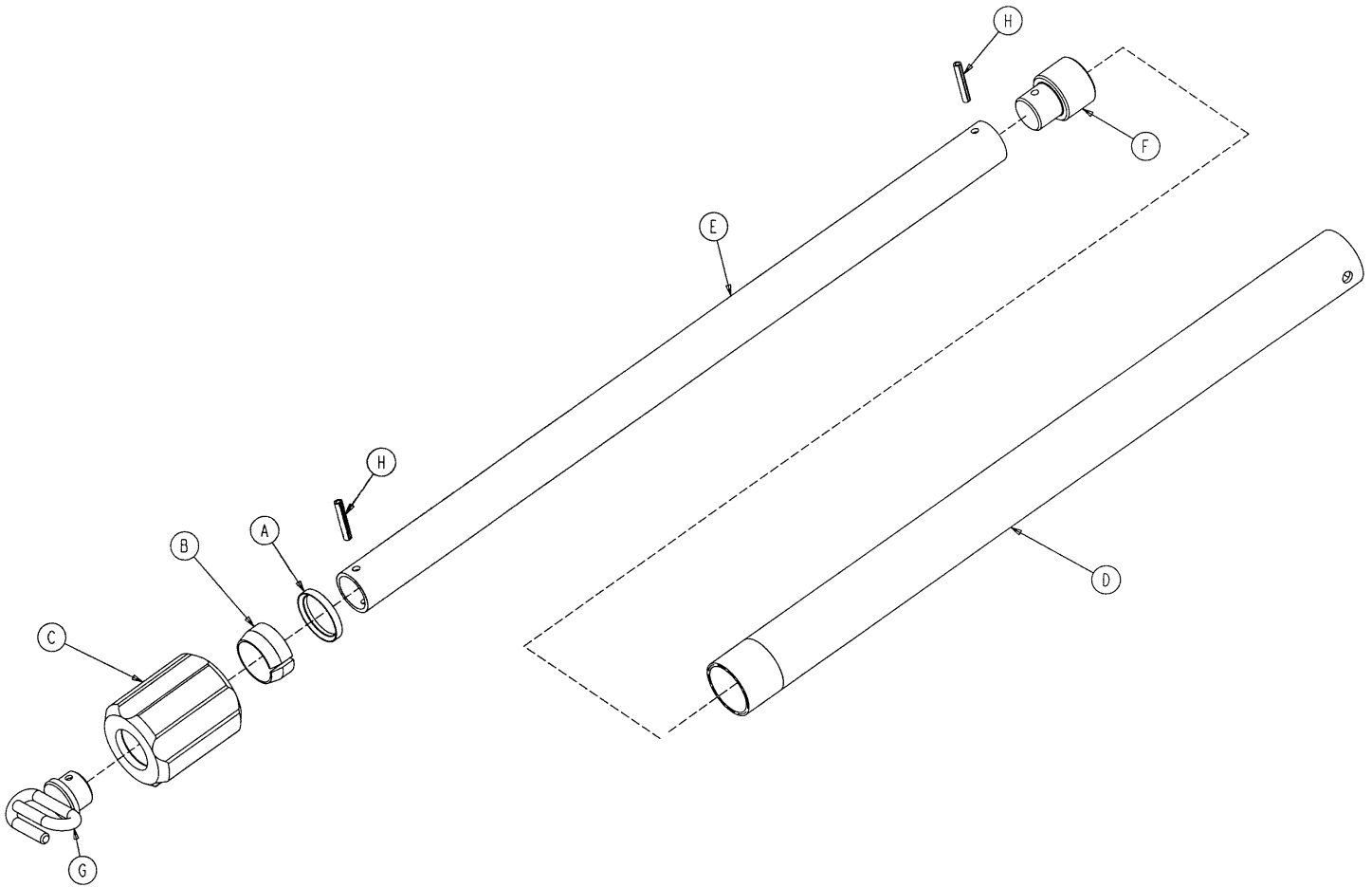
Item	Part No.	Part Name	Qty.
A	6070-90-105	Caution Label	1
B	(page 62)	2-Stage I.V. Pole Assembly	1
C	6070-210-45	I.V. Pole Sleeve	1
D	6070-210-46	I.V. Pivot	1
E	6070-210-49	I.V. Pivot Ring	1
F	6080-90-32	Specification Label	1
G	6080-211-52	I.V. Socket Weldment, Left	1
H	25-133	Blind Rivet	2

6080-216-20 3-Stage I.V. Assembly, Patient Left



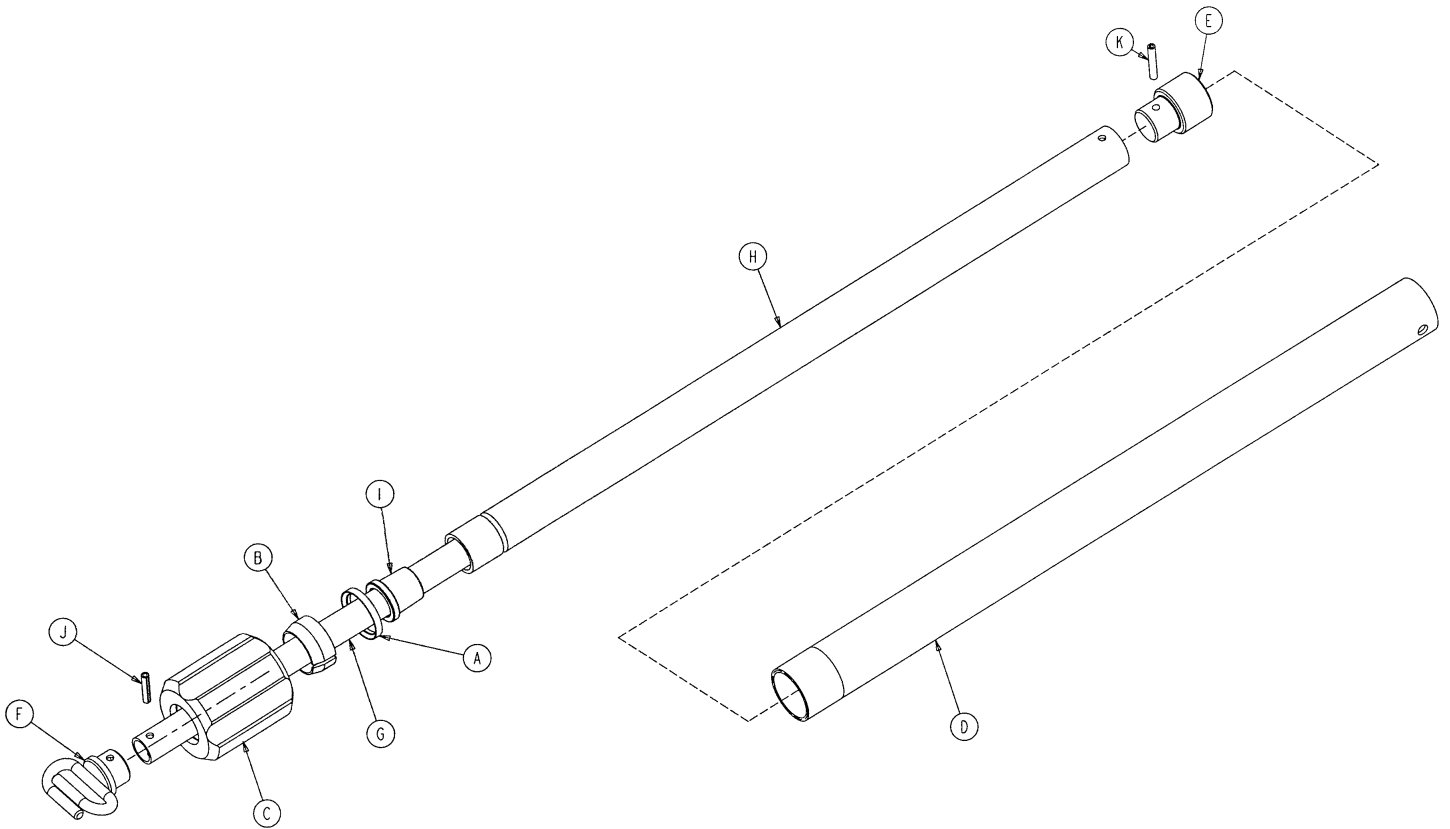
Item	Part No.	Part Name	Qty.
A	6070-90-105	Caution Label	1
B	6070-210-45	I.V. Pole Sleeve	1
C	6070-210-46	I.V. Pivot	1
D	6070-210-49	I.V. Pivot Ring	1
E	(page 63)	3-Stage I.V. Pole Assembly	1
F	6080-90-34	Specification Label	1
G	6080-211-52	I.V. Socket Weldment, Left	1
H	25-133	Blind Rivet	2

6070-210-40 2-Stage I.V. Pole Assembly



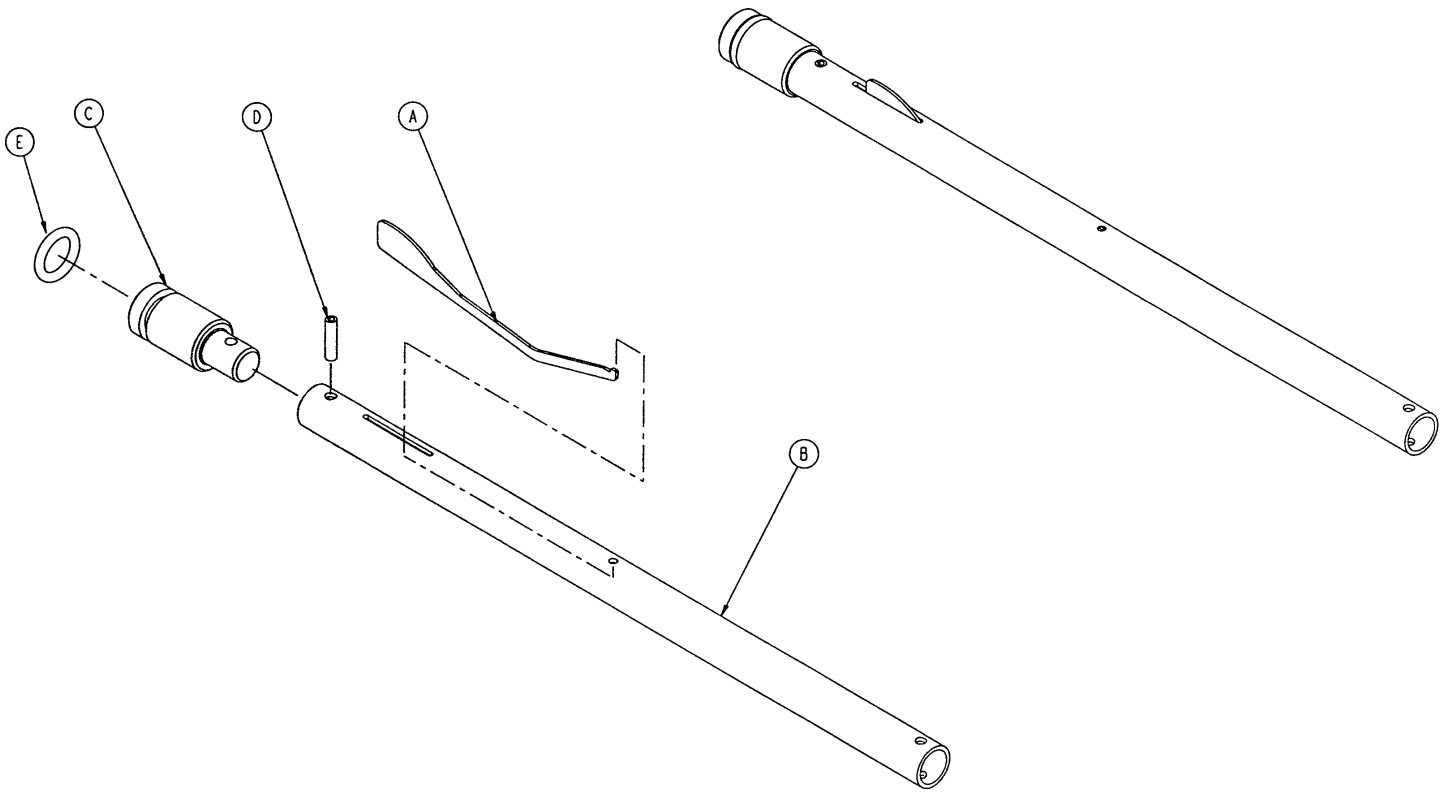
Item	Part No.	Part Name	Qty.
A	1210-110-46	Back-Up Ring	1
B	1210-110-47	Lock Ring	1
C	1210-110-49	Molded Actuator	1
D	6070-210-41	Base Tube	1
E	6070-110-42	2nd Stage Tube	1
F	6070-110-44	2nd Stage Slide Plug	1
G	6070-110-50	Hook Weldment	1
H	26-6	Roll Pin	2

6070-215-40 3-Stage I.V. Pole Assembly



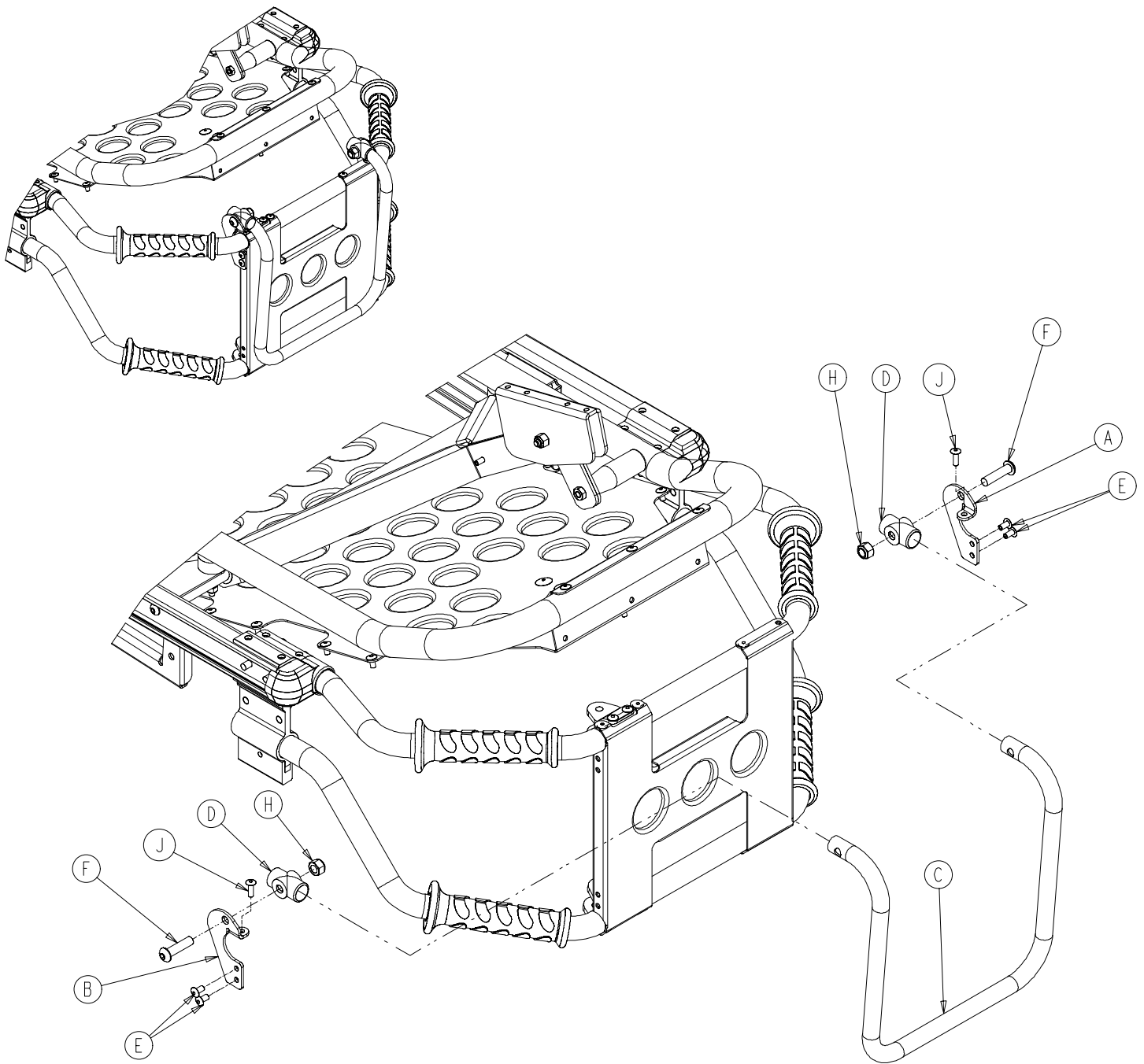
Item	Part No.	Part Name	Qty.
A	1210-110-46	Back-Up Ring	1
B	1210-110-47	Lock Ring	1
C	1210-110-49	Molded Actuator	1
D	6070-210-41	Base Tube	1
E	6070-110-44	2nd Stage Slide Plug	1
F	6070-110-50	Hook Weldment	1
G	(page 64)	3rd Stage Assembly	1
H	6070-115-42	2nd Stage Tube	1
I	6070-115-45	Bearing Plug	1
J	26-5	Spring Pin	1
K	26-6	Spring Pin	1

6070-115-30 3rd Stage Ass'y – Optional 3-Stage I.V. Pole



Item	Part No.	Part Name	Qty.
A	6070-115-141	Spring Clip	1
B	6070-115-143	3rd Stage Tube	1
C	6070-115-44	3rd Stage Slide Plug	1
D	26-4	Roll Pin	1
E	45-139	O-Ring	1

6080-155-20 Optional Pull Handle Assembly



Item	Part No	Part Name	Qty.
A	6080-255-1	Pull Handle Bracket, Left	1
B	6080-255-2	Pull Handle Bracket, Right	1
C	6080-255-3	Pull Handle	1
D	721-26-69	Upright Sleeve	2
E	25-79	Dome Hd. Rivet	4
F	4-130	Hex Soc. But. Hd. Cap Screw	2
H	16-36	Nylock Hex Nut	2
J	23-133	Rivet	2

Quick Reference Replacement Part Numbers

<u>ITEM</u>	<u>PART NUMBER</u>
Bumper, Litter Foot Section	6080-30-43
Bumper, Litter Break-Away Head Section	6080-36-44
Extension Spring, Height Adjustment	38-348
Handle, Pull	6080-155-20
Height Limit Kit	6060-202
Label, Cot Base "Lift Here"	6080-90-8
Label, Cot I.V. Pole Caution	6070-90-5
Label, Damage Warning	6080-90-9
Manual, Maintenance/Operations, IT Cot	6081-90-17
Manual, Installation/Operation, Cot Fastener	6370-90-10
Permanent I.V. Pole Kit, 2-Stage, Right	6080-210
Permanent I.V. Pole Kit, 2-Stage, Left	6080-211
Permanent I.V. Pole Kit, 3-Stage, Right	6080-215
Permanent I.V. Pole Kit, 3-Stage, Left	6080-216
Safety Hook, Long	6060-36-18
Safety Hook, Short	6060-36-17
Storage Net, Base	6080-150-10
Touch-Up Paint (Yellow)	6060-199-10
Touch-Up Paint (Black)	6060-199-11
Video, In-Service	6081-90-2
Wheel Assembly, Base	6060-2-10
Wheel Bearing	81-226
Wheel Mount Cover	6060-1-21
Wheel Mount Cover Rivet	25-133
X-Frame Guard Option	6080-145



European Representative

Stryker France
BP 50040-95946 Roissy Ch. de Gaulle
Cedex-France

Phone: 33148632290
Fax: 33148632175

stryker[®]
Medical

6300 Sprinkle Road, Kalamazoo, MI 49001-9799

(800) 327-0770
www.strykermedical.com



DH 4/01 6081-90-17 REV A