

Performance-PRO XT

Maintenance Manual

REF 6086



Table of Contents

Warning/Caution/Note Definition	4
Summary of safety precautions	4
Introduction for service	5
Expected service life	5
Contact information	5
Serial number location	5
Preventive maintenance	6
Regular inspection and adjustments	6
Every month or two hours	6
Every three months or six hours	6
Every six months or 12 hours	7
Every 12 months or 24 hours	7
Foot end fastener part replacement schedule	8
Maintenance record	9
Training record	10
Service	11
Backrest adjustment	11
Wheel locking force adjustment	12
Cot retaining post adjustment	13
Cot retaining post replacement	13
Cot retaining post screw replacement	14
Head section replacement	15
Backrest gas cylinder replacement	15
Inner, inner tube replacement	16
Outer, inner tube replacement	18
Outer, outer tube replacement	19
Inner, outer tube replacement	20
Siderail assembly replacement (standard)	21
Siderail assembly replacement (XPS option)	21
Ratchet assembly replacement (XPS option)	23
Release handle assembly replacement (XPS option)	23
Spring handle assembly replacement (XPS option)	24
Cot assembly	25
Base assembly	30
Caster horn assembly	34
Adjustable caster lock assembly	35
No Steer-Lock option - 6506-037-000	36
6 in. molded wheel assembly	37
Cot retaining post option, patient right - 6085-033-000	38
Dual cot retaining post option - 6085-034-000	39
Kickstand assembly option - 6085-102-000	40
Kickstand sub assembly	41
Inner leg assembly	42
Outer lift tube assembly, litter pivot, patient right	43
Outer lift tube assembly, litter pivot, patient left	44
Litter base assembly	45
Lock bar assembly	46
Standard siderail	47
Siderail assembly	48
Outer rail sub assembly, patient right	49

Outer rail sub assembly, patient left	50
Slide housing assembly, patient left	51
Slide housing assembly, patient right	52
XPS siderail option - 6086-032-000	53
XPS main assembly, patient right	54
XPS main assembly, patient left	55
Foot end assembly, left hand option - 6085-001-015	56
Foot end assembly, right hand option - 6085-001-016	58
Trend option - 6085-031-000	60
Trend assembly	61
Gatch option - 6085-032-000	62
Gatch assembly	63
Gatch support assembly	66
Fowler assembly	67
Retractable head section option - 6085-027-000	68
Head section assembly	69
Head section (non-Power-LOAD compatible) option - 6506-001-020	71
Head section (Power-LOAD compatible) option - 6506-001-021	72
Head section bonding	73
Left hand release handle option - 6086-029-000	74
Right hand release handle option - 6086-030-000	76
Antler only head section option - 6086-050-000	78
Head section option - 6500-002-020	80
Head section lock assembly	82
In-fastener shut-off assembly option - 6500-001-027	83
No head section oxygen bottle holder option - 6506-036-000	84
Bent, antler only head section option - 650600020020	85
Power-LOAD compatible, no O2, left hand release handle option - 6086-054-000	87
Power-LOAD compatible option - 6086-055-000	90
Performance-LOAD option - 6086-034-001	92
Foot end fastener assembly (Power-LOAD compatible option)	94
XPR restraint package option - 650600030010	97
X-restraint package option - 6500-001-430	98
G-rated restraint package option - 6500-002-030	99
Belt extension option - 6082-160-050	100
Defibrillator platform option - 6506-170-000	101
Defibrillator platform common components	103
Equipment hook option - 6500-147-000	105
Head extension option - 6100-044-000	106
Head extension assembly	107
Pillow option - 6100-045-000	108
Load wheel, hard	109
Wheel, front	110
IV pole assembly, two-stage, patient right - 6500-310-000	111
IV pole assembly, two-stage, patient left - 6500-311-000	112
IV pole assembly, three-stage, patient right - 6500-315-000	113

IV pole assembly, three-stage, patient left - 6500-316-000	114
HAVASU IV pole assembly, two-stage, patient right - 6500-101-041	115
HAVASU IV pole assembly, two-stage, patient left - 6500-101-042	116
HAVASU IV pole assembly, three-stage, patient right - 6500-101-043	117
HAVASU IV pole assembly, three-stage, patient left - 6500-101-044	118
Oxygen bottle holder option, foot end - 6500-240-000	119
Oxygen bottle holder assembly	120
Oxygen bottle holder option, Fowler - 6500-241-000	121
Retractable head section oxygen bottle holder option - 6085-046-000	122
Base storage net option- 6500-160-000	123
Backrest pouch option - 6500-130-000	124
Head end storage flat option - 6085-035-000	125
Transfer flat option	126
Mattress option, knee Gatch bolster - 6506-034-000	127
Mattress option, knee Gatch bolster, XPS - 6500-003-130	128
Mattress option, knee Gatch bolster, grey, XPS - 6506-041-000	129
Safety hook, short - 6060-036-017/Safety hook, long - 6060-036-018/Safety hook, J - 6092-036-018	130

Warning/Caution/Note Definition

The words **WARNING**, **CAUTION**, and **NOTE** carry special meanings and should be carefully reviewed.

WARNING

Alerts the reader about a situation which, if not avoided, could result in death or serious injury. It may also describe potential serious adverse reactions and safety hazards.

CAUTION

Alerts the reader of a potentially hazardous situation which, if not avoided, may result in minor or moderate injury to the user or patient or damage to the product or other property. This includes special care necessary for the safe and effective use of the device and the care necessary to avoid damage to a device that may occur as a result of use or misuse.

Note - Provides special information to make maintenance easier or important instructions clearer.

Summary of safety precautions

Always read and strictly follow the warnings and cautions listed on this page. Service only by qualified personnel.

CAUTION

- Always use authorized parts to avoid the risk of product damage.
 - The cot retaining post is shipped pre-configured for an X-frame cot. If the fastener has been configured for an H-frame cot, you must adjust the retaining post to accommodate the fastener.
-

Introduction for service

This manual assists you with the service of your Stryker product. Read this manual to service this product. This manual does not address the operation of this product. See the Operations Manual for operating and use instructions. To view your Operations Manual online, see <https://techweb.stryker.com/>.

Expected service life

Performance-PRO XT cot has a seven year expected service life under normal use conditions and with appropriate periodic maintenance.

Contact information

Contact Stryker Customer Service or Technical Support at: 1-800-327-0770.

Stryker Medical
3800 E. Centre Avenue
Portage, MI 49002
USA

Note - The user and/or the patient should report any serious product-related incident to both the manufacturer and the Competent authority of the European Member State where the user and/or patient is established.

To view your operations or maintenance manual online, see <https://techweb.stryker.com/>.

Have the serial number (A) of your Stryker product available when calling Stryker Customer Service or Technical Support. Include the serial number in all written communication.

Serial number location

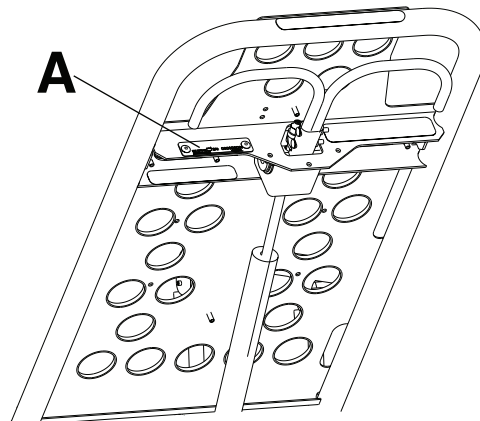


Figure 1 – Serial number location

Preventive maintenance

CAUTION - Always use authorized parts to avoid the risk of product damage.

Establish and follow a maintenance schedule and keep records of the maintenance activity. Remove product from service before you perform the preventive maintenance inspection. You may need to perform preventive maintenance checks more often based on your level of product usage. Service only by qualified personnel.

When using maintenance products, follow the directions of the manufacturer and reference all material safety data sheets (MSDS).

Regular inspection and adjustments

The following schedule is a general guide to maintenance. Factors such as weather, terrain, geographical location, and individual usage will alter the required maintenance schedule. If you are unsure how to perform these checks, contact your Stryker service technician. If you are in doubt as to what intervals to follow to maintain your product, consult your Stryker service technician. Check each routine and replace worn parts if necessary.

Every month or two hours

Inspect these items every month or two hours of motor run time, whichever comes first.

Item	Inspect
Manual backup release handle	Manual backup release handle functions
Litter	Frame and litter
Base	Frame and base
Wheels	All wheels are secure, roll, and swivel
Head section	Safety bar operates. Pull toward the head section to make sure that the safety bar swings and rotates freely and pulls back to the home position
Restraint	Restraints function with no excessive wear (such as a bent or broken receiver or latch plate or torn or frayed webbing)

Every three months or six hours

Inspect these items every three months or six hours of motor run time, whichever comes first.

Item	Inspect
Manual backup release handle	Base extends and retracts when you pull the manual backup release handle
	Cot does not lower when you pull the manual backup release handle with 100 lb (45 kg) or more on the cot
Litter	All fasteners are secure
	Backrest cylinder operates
	Adjust pneumatic cylinder for full range of motion, if required
	Dead stop (6085-001-094) for wear
Base	All fasteners are secure

Item	Inspect
X-frame	X-frame expands and retracts
Kickstand (option)	Retracts fully to the transport position
	Bolts are tightened
Head section	All fasteners are secure
	Head section extends and locks
Accessories and parts	All accessories and parts operate (such as IV pole, head extension and pillow, and restraint extender)

Every six months or 12 hours

Inspect these items every six months or 12 hours of motor run time, whichever comes first.

Item	Inspect
Litter	No bent, broken, or damaged components
	No damage or tears on cot grips
	Siderails operate and latch
	Foot rest operates
Mattress	No cracks or tears
Base	No bent, broken, or damaged components
	Cot retaining post is secure. If not, replace the screw
	No excessive damage to X-frame guards
Wheels	Free of debris
Head section	No bent, broken, or damaged components
	Grip bar has no excessive damage or tears
	Load wheels are secure and roll
Kickstand (option)	Lubricate the kickstand spring and internal spring housing using Tri-Flow® lubrication.

Every 12 months or 24 hours

Inspect these items every 12 months or 24 hours of motor run time, whichever comes first.

Item	Inspect
Settings	Cot and fastener fit and function
	Safety bar connects to the vehicle safety hook
Manual backup release handle	Returns to the stowed position
Litter	All welds are intact, not cracked, or broken
	Warning labels present, legible

Item	Inspect
	Fowler bumper and screws
Base	All welds are intact, not cracked, or broken
Wheels	Check and adjust wheel locks
Retractable head section oxygen bottle holder (option)	Straps and clips for wear
Defibrillator platform (option)	Straps not frayed or torn
	Latch hooks are intact and secure

Foot end fastener part replacement schedule

For **Performance-LOAD** compatible cots, you must replace the foot end fastener parts every 18,078 calls. This is to make sure that the **Performance-LOAD** remains functional. Follow this call volume time table to remain compliant with this requirement.

Calls per day	Months
≤ 7	Not applicable
8	77
9	67
10	59

Maintenance record

Date	Maintenance operation performed	By	Hours

Training record

	Training date		
Trainee name	Basic training	Refresher update	Owner's manual, in-service, formal class, etc.

Service

Backrest adjustment

Tools required:

- 1/2" combination wrench
- 5/32" hex wrench
- 3/32" hex wrench
- Small slotted screwdriver
- Loctite®

Procedure:

1. Move the backrest to 73 degrees for easier access.

Note

- Before you continue with the backrest adjustment procedure, make sure that the cylinder (A) is threaded into the yoke (B) so no threads are showing on the shaft of the cylinder (Figure 2 and Figure 3).
- If threads are showing:
 - a. Using a 3/32" hex wrench, remove the set screw (C) from the center of the yoke. Save the screw.
 - b. Using a small slotted screwdriver, remove the E-clip (D) and pin (E) that secures the bottom of the pneumatic cylinder.
 - c. Thread the cylinder shaft (A) into the yoke (B) so no threads are showing.
 - d. Using a small slotted screwdriver, replace the E-clip (D), pin (E), and set screw (C) using Loctite® (Figure 2 and Figure 3).

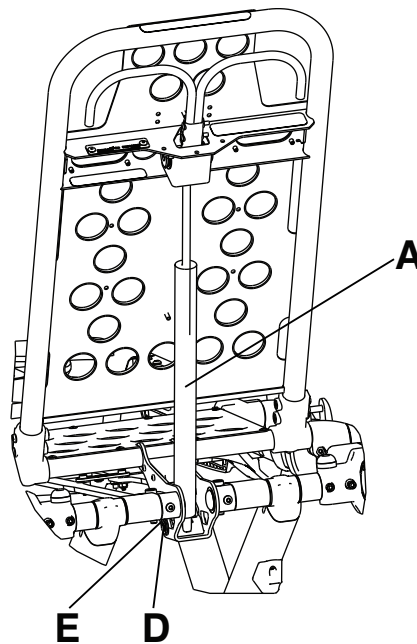


Figure 2 – Backrest adjustment

2. Using a 1/2" combination wrench, loosen the hex nut (F) on the backrest pivot (J) while you hold the set screw (H) fixed in the pivot (Figure 3).
3. Using a 5/32" hex wrench, turn the set screw (H) until there is no play between the backrest release handle (K) and the pneumatic cylinder release button (Figure 3).

Note - Make sure that the backrest moves from flat to at least 73 degrees. If not, turn the set screw clockwise 1/2 turn. Repeat until at least 73 degrees of movement is achieved.

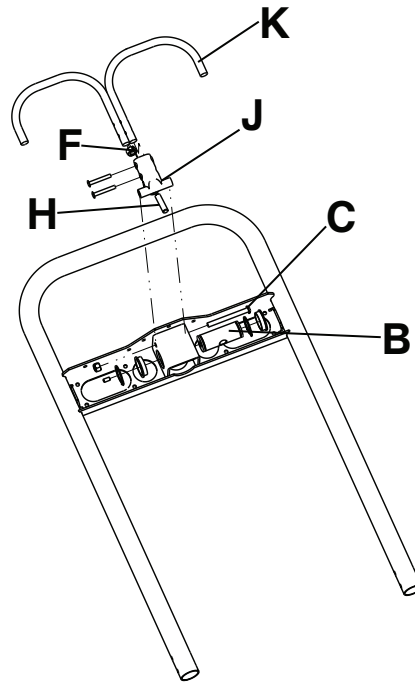


Figure 3 – Remove the backrest components

4. Lower the backrest to a 5-10 degree angle and release the handle.
5. Apply approximately 50 lb of force to the end of the backrest.

Note - If the backrest drifts down, turn the set screw counterclockwise. Repeat until the backrest does not drift down.

6. Using a 1/2" combination wrench, tighten the hex nut (F) while you hold the set screw fixed in the pivot (Figure 3).
7. Verify proper operation before you return the product to service.

Wheel locking force adjustment

Tools required:

- 5/32" hex wrench
- 7/16" combination wrench or socket

Procedure:

1. Using a 5/32" hex wrench and 7/16" combination wrench or socket, remove the socket screw from the center of the lock pedal. Save the screw. The wheel lock is initially assembled with the pedal set at the minimum locking force. The marker on the pedal (A) is aligned with the marker on the octagonal sleeve (B) (Figure 4).
2. Remove the octagonal sleeve (B). Rotate the octagonal sleeve counterclockwise to increase the pedal locking force and clockwise to decrease the locking force. Insert the octagonal sleeve into the pedal.
3. Using a 5/32" hex wrench and 7/16" combination wrench or socket, reinstall the socket screw (removed in step 1).
4. Test the pedal locking force and make sure that the pedal holds before you return the product to service.

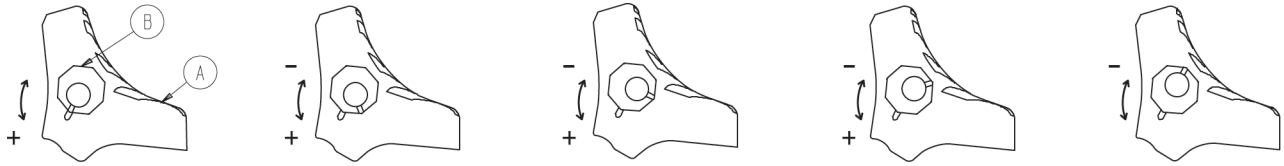


Figure 4 – Wheel locking force adjustment

Cot retaining post adjustment

CAUTION - The cot retaining post is shipped pre-configured for an X-frame cot. If the fastener has been configured for an H-frame cot, you must adjust the retaining post to accommodate the fastener.

Note

- To determine if your cot is an X-frame or H-frame cot, look for an arrow or groove on the bottom bracket of the cot retaining post.
- The cot retaining post is set for an X-frame cot if the arrow on the bottom bracket of the retaining post points toward the head end of the cot or if the groove in the bottom bracket is located on the inside of the patient left side of the base tube.
- The cot retaining post is set for an H-frame cot if the arrow on the bottom bracket of the retaining post points toward the foot end of the cot or if the groove in the bottom bracket is located on the outside of the patient left side of the base tube.

Tools required:

- T30 Torx driver

Procedure:

1. Using a T30 Torx driver, remove the two socket head cap screws (A) that secure the brackets (B) to the base frame (C) (Figure 5). Save the screws.

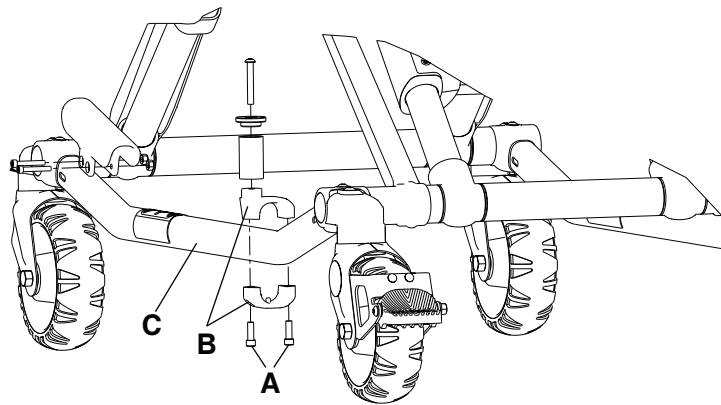


Figure 5 – Cot retaining post

2. Turn the bottom bracket 180 degrees.
3. Using a T30 Torx driver, reinstall the two socket head cap screws (removed in step 1).
4. Verify proper operation before you return the product to service.

Cot retaining post replacement

Note - You may need to adjust the rail clamp assembly to compensate for any variation in cot retaining post position depending on the ambulance cot manufacturer and model number.

Tools required:

- T30 Torx driver

- 5/32" hex wrench
- Torque wrench (in-lb)

Procedure:

1. Raise the product to the highest height position.
2. Turn the cot on the patient left side.

Note - Locate the arrow or groove on the bottom bracket. You must assemble the replacement retaining post bracket in the same orientation.

3. Using a T30 Torx driver, remove the two socket head cap screws (A) that secure the cot retaining post to the base tube (B) (Figure 6). Discard the screws and cot retaining post.
4. Insert the button head cap screw (C) through the retaining post cap (D) and post tube (E), and then into the top pin bracket (F) (Figure 6).
5. Using a 5/32" hex wrench, tighten the button head cap screw (C) to secure the retaining post cap (D) and post tube (E) to the top pin bracket (F) (Figure 6). Using a torque wrench, torque the screw to 100-140 in-lb.
6. Assemble the cot retaining post across the base tube. Align the holes of the brackets and insert two socket head cap screws (A) into the threaded holes of the bottom pin bracket (G) (Figure 6).
7. Using a T30 Torx driver, tighten the two socket head cap screws.
8. Verify proper operation before you return the product to service.

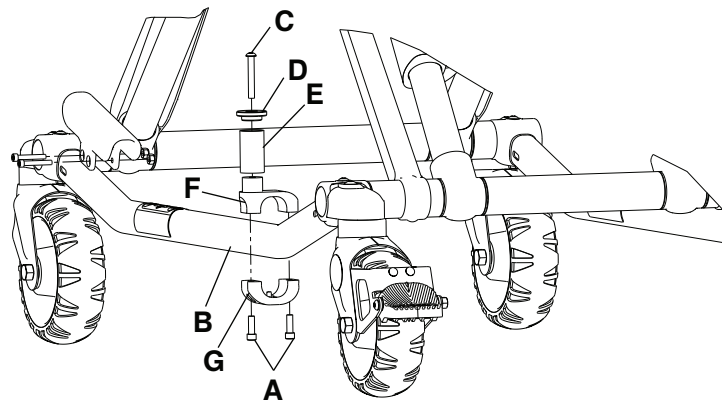


Figure 6 – Cot retaining post replacement

Cot retaining post screw replacement

Tools required:

- T25 Torx driver
- 5/32" hex wrench
- Torque wrench (in-lb)

Procedure:

1. Using a T25 Torx driver or 5/32" hex wrench, remove the button head cap screw that secures the retaining post cap and post tube to the top pin bracket. Discard the screw.
2. Using a 5/32" hex wrench, install and tighten the button head cap screw (0004-503-000) to secure the retaining post cap and tube to the top portion of the retaining post assembly. Using a torque wrench, torque the screw to 100-140 in-lb.

Note - If you cannot torque the screw to 100-140 in-lb, then you must replace the entire cot retaining post (see *Cot retaining post replacement* (page 13)).

3. Verify proper operation before you return the product to service.

Head section replacement

Tools required:

- 7/16" combination wrench
- 3/16" hex wrench

Procedure:

1. Raise the product to the highest height position.
2. Using a 7/16" combination wrench and a 3/16" hex wrench, remove the two screws (A) that secure the cap bearings to the base litter interface bracket (one on each side) (Figure 7). Save the screws.

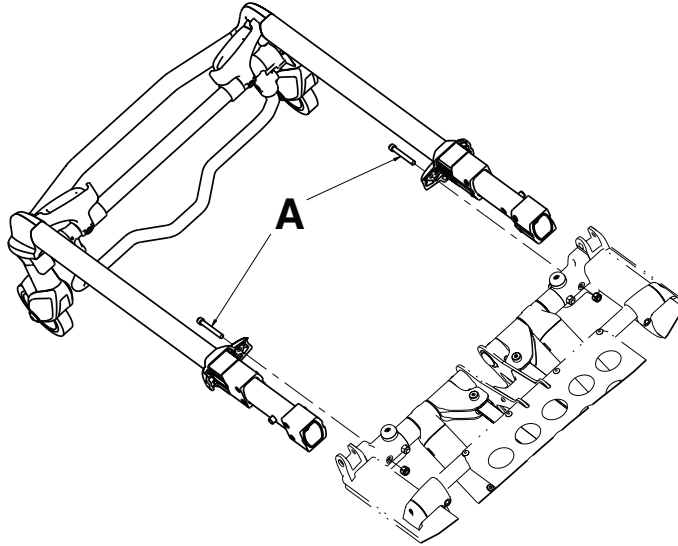


Figure 7 – Head section

3. Squeeze the head release handles and remove the head section assembly.
4. Reverse steps to reinstall.
5. Verify proper operation before you return the product to service.

Backrest gas cylinder replacement

Tools required:

- 3/32" hex wrench
- Slotted screwdriver

Procedure:

1. Raise the cot and backrest to the full upright position.
2. Using a 3/32" hex wrench, loosen the set screw (A) that secures the gas shaft to the yoke (Figure 8).

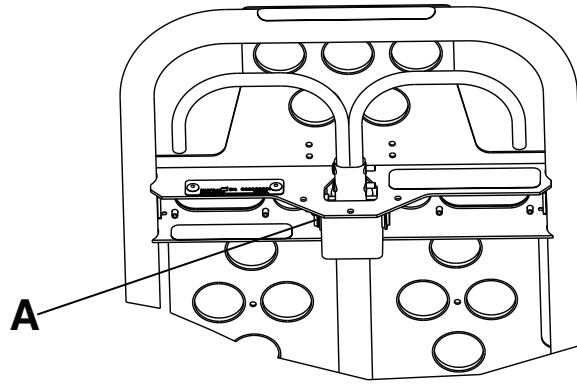


Figure 8 – Set screw location

3. Using a slotted screwdriver, remove the E-clip from the clevis pin that secures the bottom of the gas cylinder. Save the E-clip.
4. Unscrew the gas cylinder shaft from the yoke.
5. Reverse steps to reinstall.
6. Verify proper operation before you return the product to service.

Inner, inner tube replacement

Note - Always replace both the head end inner lift tube and foot end inner lift tube, even if only one is bent. Replace both at the same time so the lift system operates and to prevent further product damage.

Tools required:

- (2) saw horse
- 3/8" combination wrench
- 7/16" combination wrench
- T25 Torx driver
- (2) 9/16" combination wrench
- Dead blow hammer

Procedure:

1. Using a T25 Torx driver, remove the four button head cap screws (A) from the base stiffener (B) (Figure 9). Save the screws.

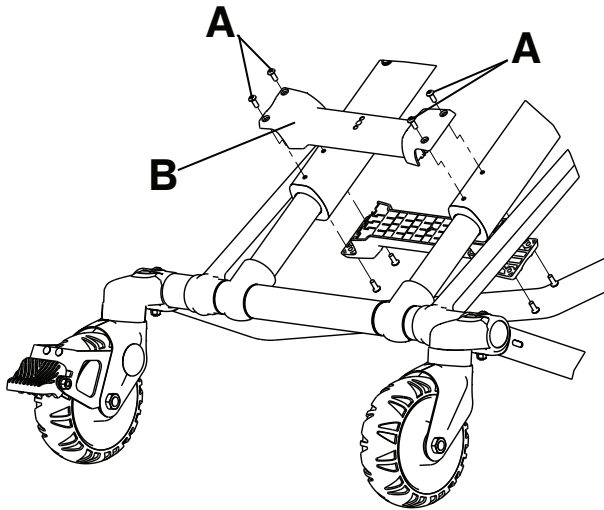


Figure 9 – Remove the base stiffener

2. Lower the cot to the lowest position.
3. Flip the cot upside down on the two saw horses.
4. Using a 3/8" and 7/16" combination wrench, remove all four caster mount bolts (C) that secure the outer lift tube assemblies to the foot base tubes (Figure 10).

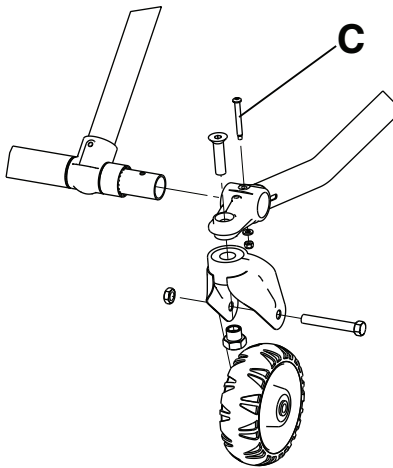


Figure 10 – Remove the caster mount bolts

5. Using two 9/16" combination wrenches and a dead blow hammer, remove the base connecting rod (D) and centerlock hex jam nut (E).

Note - Save the bearings (F) that fall out (Figure 11).

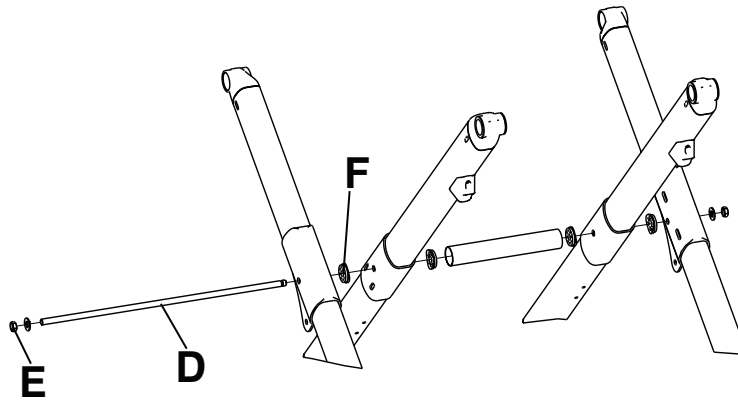


Figure 11 – Save the bearings

6. Remove the outer base tube weldment (G) on the side that is damaged. Leave the opposite side on to support the X-frame (Figure 12).
7. Slide the foot base tubes (H) through the X-frame legs to loosen the X-frame (Figure 12).

Note - The opposite side will still have the outer base tube and foot base tubes attached to the X-frame.
8. Remove the inner tube and save the bushings (J) to reuse on the new tube (Figure 12).

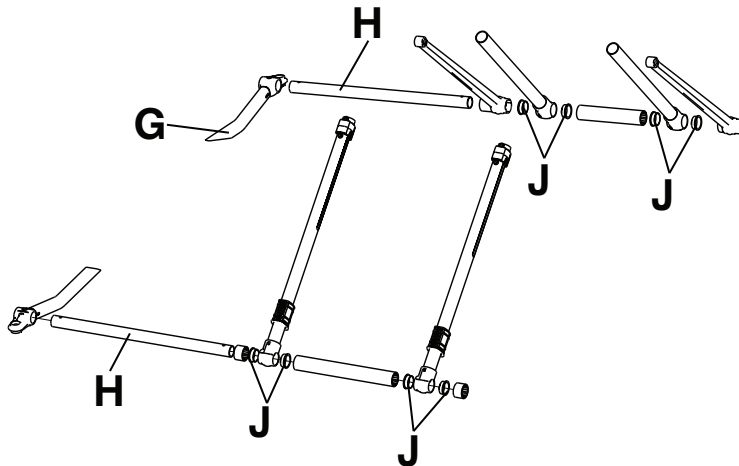


Figure 12 – Disassemble the X-frame

9. Reverse steps to reinstall.
10. Verify proper operation before you return the product to service.

Outer, inner tube replacement

Tools required:

- (2) saw horse
- 3/8" combination wrench
- 7/16" combination wrench
- T25 Torx driver
- (2) 9/16" combination wrench
- Dead blow hammer
- T27 Torx driver

Procedure:

1. Complete steps 1-7 from *Inner, inner tube replacement* (page 16).
2. Using a T27 Torx driver, remove the truss head screw (A) that secures the X-frame guard (B) to the inner tube (Figure 13). Save the screw.

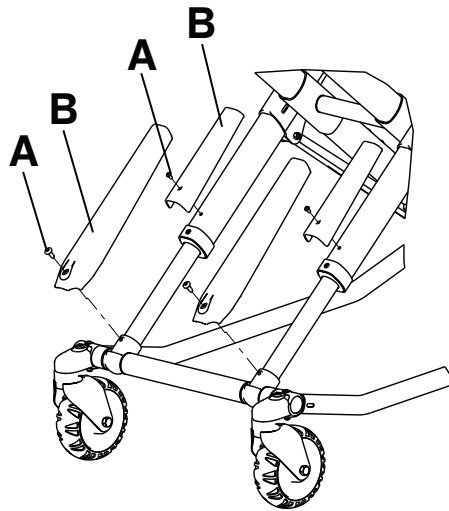


Figure 13 – Remove the truss head screws

3. Using a T25 Torx driver, remove the two button head cap screws (C) that secure the tube bearing (Figure 14). Save the screws.

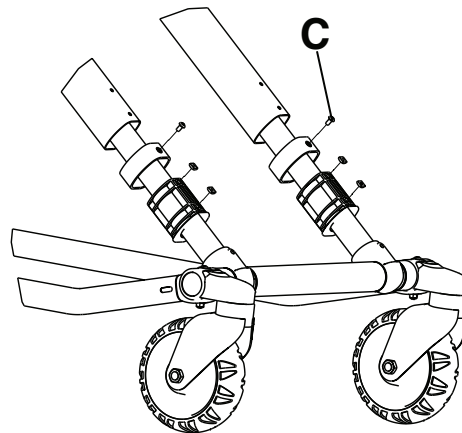


Figure 14 – Remove the button head cap screws

4. Remove the inner tube and save the tube bushings to reuse on the new inner tube.
5. Reverse steps to install the new inner tube.

Note - Make sure that the X-frame guard screw hole on the new inner tube faces the top of the cot when you reinstall.

6. Verify proper operation before you return the product to service.

Outer, outer tube replacement

Tools required:

- (2) saw horse
- 3/8" combination wrench
- 7/16" combination wrench

- T25 Torx driver
- (2) 9/16" combination wrench
- Dead blow hammer
- 3/16" Allen wrench
- 1/2" combination wrench
- Needle nose pliers

Procedure:

1. Complete steps 1-7 from *Inner, inner tube replacement* (page 16).
 2. Using a T25 Torx driver, remove the two button head cap screws that secure the tube bearing (Figure 14). Save the screws.
 3. Remove and save the inner tube.
 4. Remove and save the outer tube X-frame guard (Figure 13).
 5. Using a 3/16" Allen wrench and 1/2" combination wrench, remove the bolt that secures the timing link to the outer tube and remove the timing link.
 6. Depending on where your side release handle is located, you may need to remove the height adjustment rack springs. Using needle nose pliers, remove the two return springs for the height adjustment rack.
 7. Using a 3/16" Allen wrench, remove the four bolts that secure the slider housing. Save the bolts and slider housing.
 8. Remove the outer tube and the tube bushings. Discard the outer tube. Save the tube bushings.
 9. Reverse steps to reinstall.
- Note** - Make sure that the X-frame guard screw hole on the new inner tube faces the top of the cot when you reinstall.
10. Verify proper operation before you return the product to service.

Inner, outer tube replacement

Tools required:

- (2) saw horse
- 3/8" combination wrench
- 7/16" combination wrench
- T25 Torx driver
- (2) 9/16" combination wrench
- Dead blow hammer
- 3/16" Allen wrench

Procedure:

1. Complete steps 1-7 from *Inner, inner tube replacement* (page 16).
2. Remove and save the inner tube.
3. Using a T25 Torx driver, remove the screw that secures the base dead stop from the outer tube. Save the screw.
4. Using a 7/16" combination wrench and a 3/16" Allen wrench, remove the two screws that secure the cap bearings to the base litter interface bracket (one on each side). Save the screws and cap bearings.
5. Squeeze the head release handles and slowly remove the head section assembly.
6. Using a 7/16" combination wrench and 3/16" Allen wrench, remove the bolt that secures the litter interface bracket. Save the bolt.
7. Using a 3/16" Allen wrench, remove the two screws that hold the litter interface bracket together. Save the screws.

8. For the Trendelenburg option, using a T25 driver, remove the two screws that secure the Trend support bracket. Save the screws.
9. For the Gatch option, using a T25 driver, remove the four screws that secure the Gatch support brackets. Save the screws.
10. Pull out on the outer rail until the litter interface bracket is off of the litter crosstube.
11. Remove the outer tube and tube bushings from the litter crosstube. Discard the outer tube. Save the tube bushings.
12. Reverse steps to reinstall.

Note - Make sure that the X-frame guard screw hole on the new inner tube faces the top of the cot when you reinstall.

13. Verify proper operation before you return the product to service.

Siderail assembly replacement (standard)

Tools required:

- T25 Torx driver

Procedure:

1. Raise the product to the highest height position.
2. Raise the siderail to the up and locked position.
3. Using a T25 Torx driver, remove the three spindle screws that secure the siderail assembly. Save the screws.
4. Remove and discard the siderail.
5. Reverse steps to reinstall.
6. Verify proper operation before you return the product to service.

Siderail assembly replacement (XPS option)

Tools required:

- T25 Torx driver
- 1/4" hex wrench
- 3/16" hex wrench
- Slotted screwdriver
- Torque wrench (ft-lb)
- Rubber mallet

Procedure:

1. Raise the product to the highest height position.
2. Remove the mattress.
3. Using a T25 Torx driver, remove the button head cap screw (A) and black bumper (B) on the side where you are replacing the siderail (Figure 15). Save the screw and bumper.

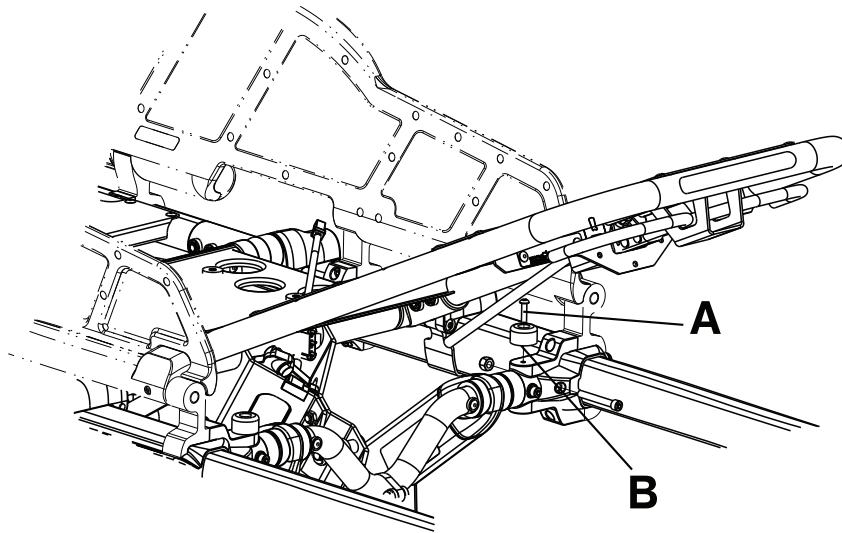


Figure 15 – Siderail assembly replacement (XPS)

4. Using a slotted screwdriver, remove the outer rail bumper. Save the bumper.

Note

- Hold on to the siderail main assembly when you remove the outer rail bumper to prevent the outer rail bumper from falling off.
- The head end and middle siderail pivots may be loose and could fall off of the main assembly.

5. Using a 1/4" hex wrench, remove the socket head cap screws (C) that secure the siderail clamp (D) to the ratchet assembly at the foot end of the main assembly (Figure 16). Save the screws.

Note

- The siderail will be loose, so do not operate or pull on the siderail.
- Using a torque wrench, torque both screws to 22 ± 3.3 ft-lb when you reinstall.

6. Using a 3/16" hex wrench, remove the two socket head cap screws (E) that secure the middle siderail clamp (F) to the outer rail assembly (Figure 16). Save the screws.
7. Using a 3/16" hex wrench, remove the two socket head cap screws (G) that secure the top and bottom of the base/litter interface bracket to the outer rail assembly (Figure 16). Save the screws.

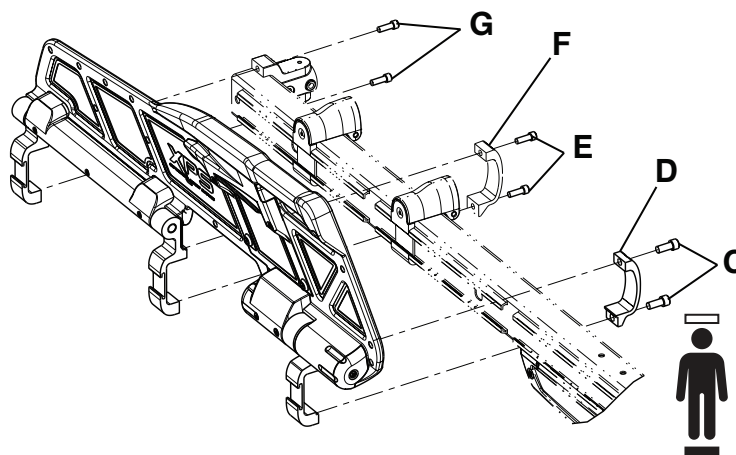


Figure 16 – Remove the siderail assembly

8. Reverse steps to reinstall. Use a rubber mallet to reinstall the outer rail bumper.
9. Verify proper operation before you return the product to service.

Ratchet assembly replacement (XPS option)

Tools required:

- 3/32" hex wrench
- 1/4" hex wrench
- 3/16" hex wrench
- Torque wrench (in-lb)

Procedure:

1. Apply the brakes.
2. Remove the mattress from the cot.
3. Place the product in the highest height position.
4. Raise the siderail to the up and locked position.
5. Using a 3/32" hex wrench, remove the two socket head cap screws (M) that secure the ratchet cover (G) to the ratchet assembly (J) (Figure 17). Remove and save the ratchet cover. Save the screws.
6. Using a 1/4" hex wrench, remove the socket head cap screws (P) that secure the siderail clamp (D) to the ratchet assembly at the foot end of the main assembly. Save the screws.
7. Using a 3/16" hex wrench, remove the four socket head cap screws (T) that secure the ratchet assembly to the overmold assembly (K). Remove and discard the ratchet assembly. Save the screws.

Note - Using a torque wrench, torque the socket head cap screws to 9.00 - 11.00 ft-lb when you reinstall.

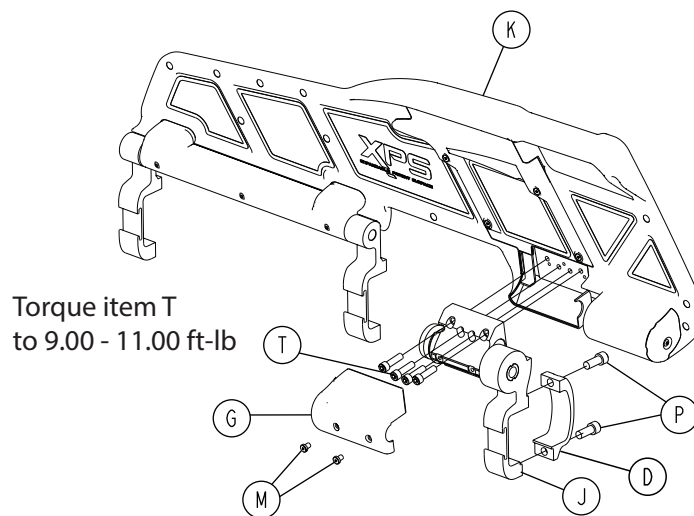


Figure 17 – Ratchet assembly components (XPS)

8. Grasp the ratchet assembly and pull toward the head end of the cot to remove. Discard the ratchet assembly.
9. Reverse steps to reinstall.
10. Verify proper operation before you return the product to service.

Release handle assembly replacement (XPS option)

Tools required:

- 3/32" hex wrench
- Small slotted screwdriver

Procedure:

1. Apply the brakes.

2. Remove the mattress from the cot.
3. Place the product in the highest height position.
4. Raise the siderail to the up and locked position.
5. Using a 3/32" hex wrench, remove the four socket head cap screws (N and P) that secure the release cover (L) to the overmold assembly (K) (Figure 18). Remove and save the release cover. Save the screws.
6. Using a small slotted screwdriver, pry the handle spring (D) up. Remove and save the spring.
7. Grasp the handle assembly (B) and lift the handle spring side to remove from the cover. Discard the handle assembly.

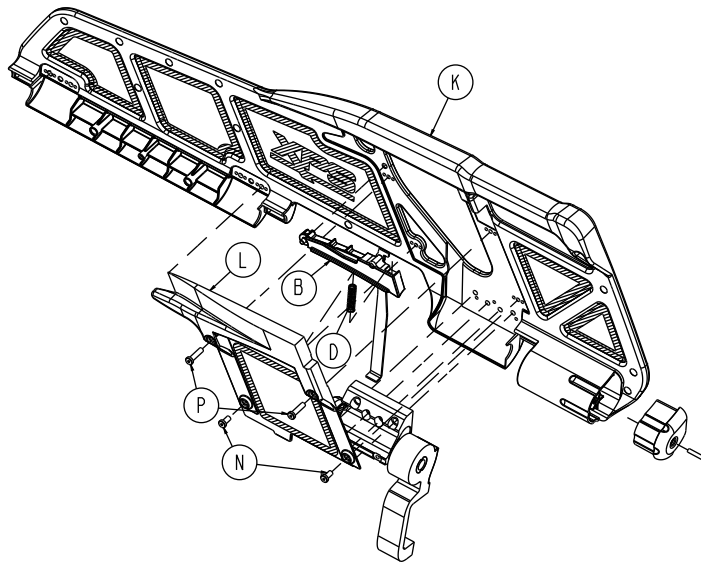


Figure 18 – Release/spring handle assembly components (XPS)

8. Reverse steps to reinstall.
9. Verify proper operation before you return the product to service.

Spring handle assembly replacement (XPS option)

Tools required:

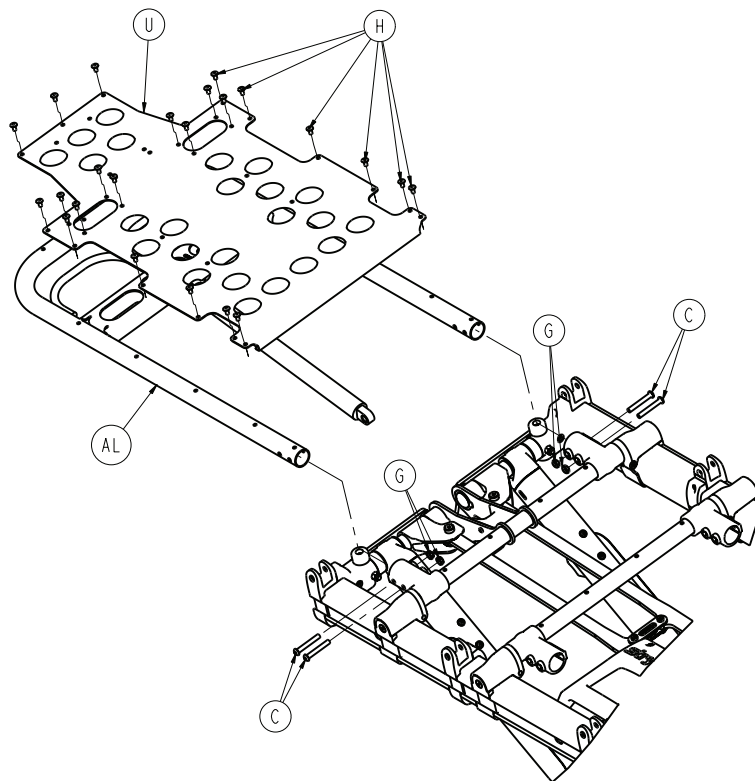
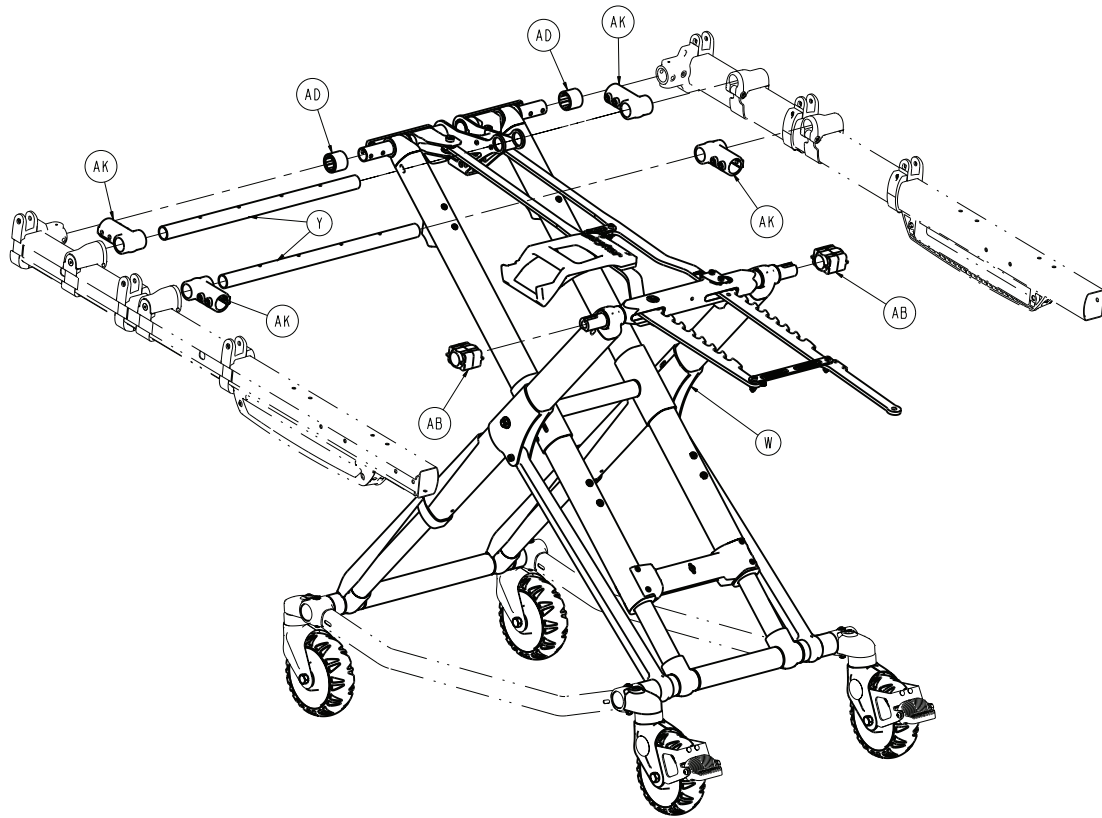
- 3/32" hex wrench
- Small slotted screwdriver

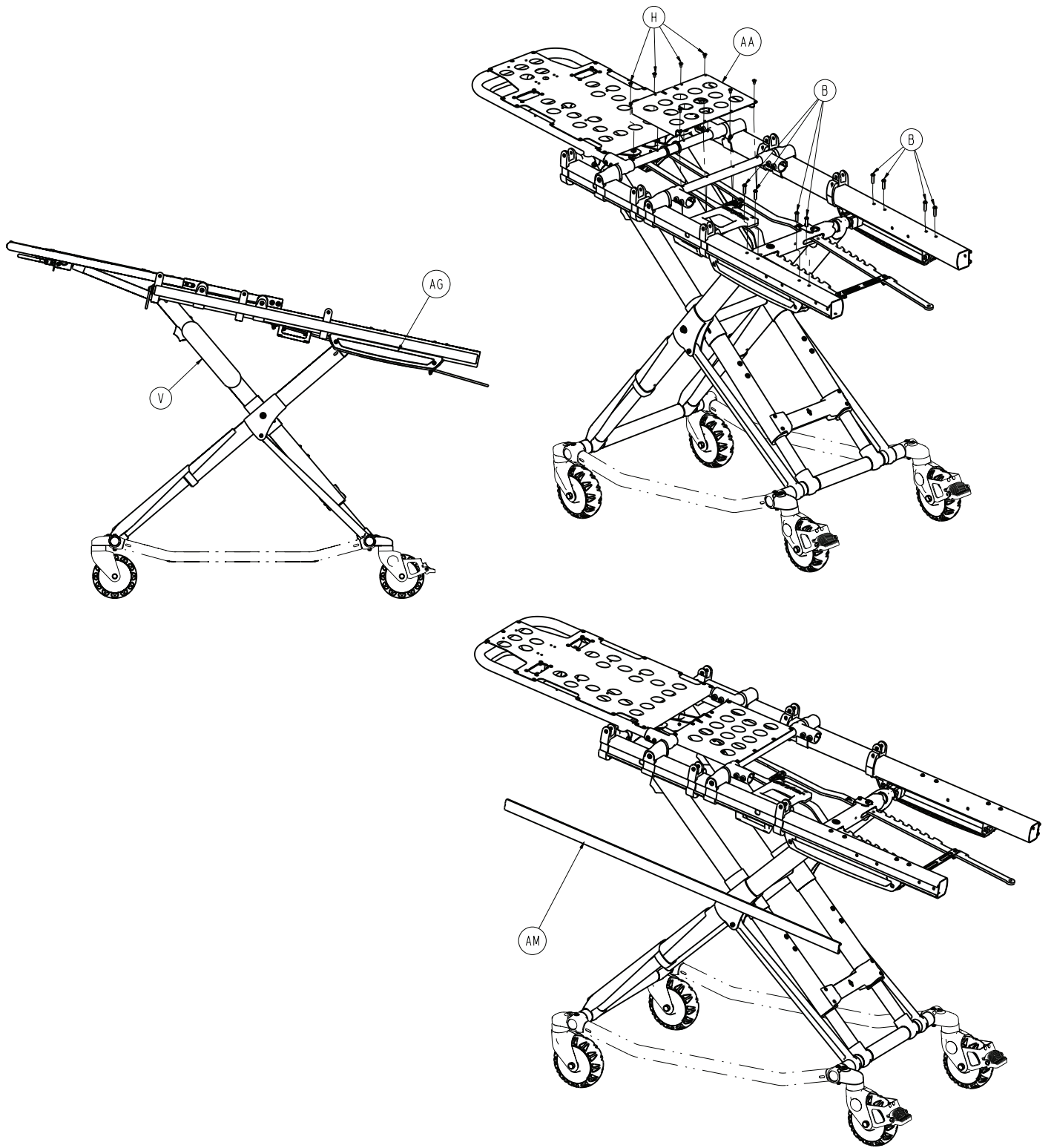
Procedure:

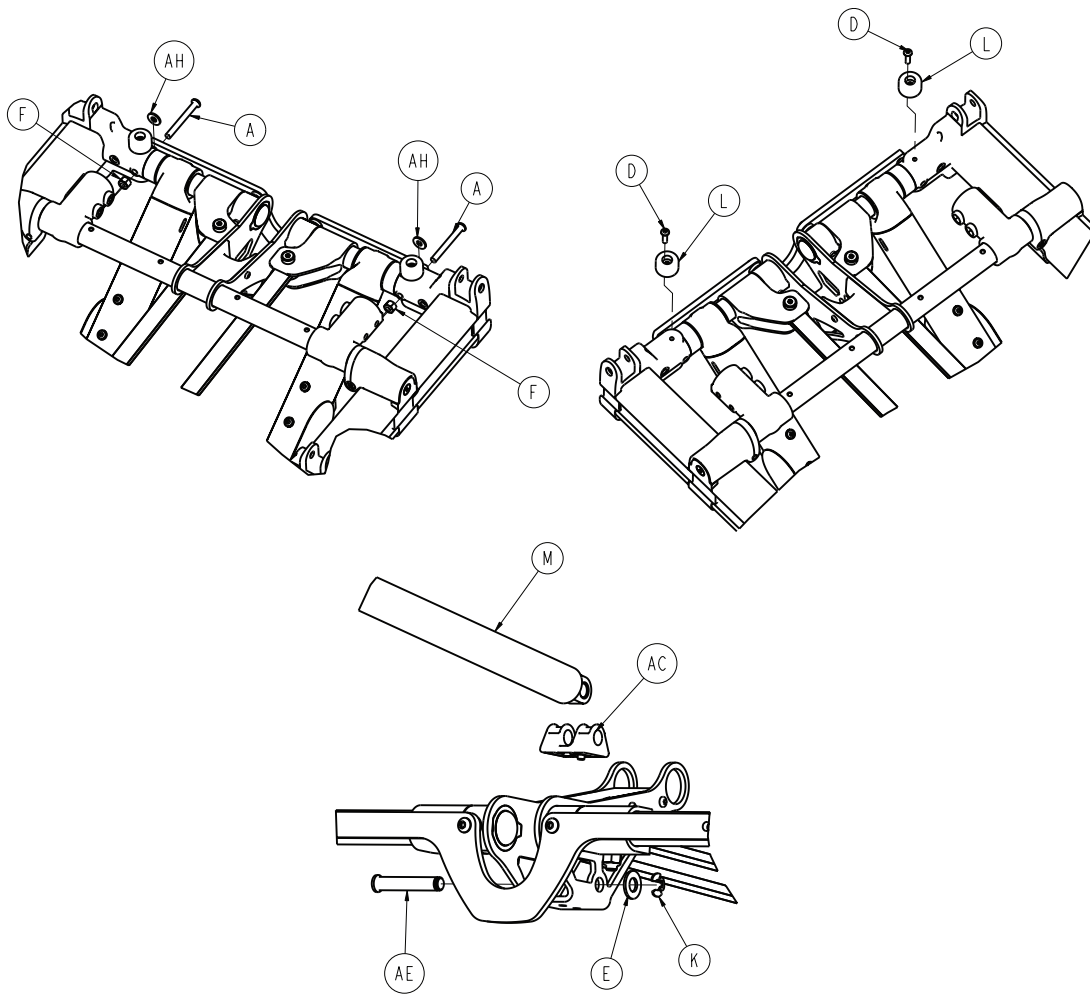
1. Apply the brakes.
2. Remove the mattress from the cot.
3. Place the product in the highest height position.
4. Raise the siderail to the up and locked position.
5. Using a 3/32" hex wrench, remove the four socket head cap screws (N and P) that secure the release cover (L) to the overmold assembly (K) (Figure 18). Remove and save the release cover. Save the screws.
6. Using a small slotted screwdriver, pry the handle spring (D) up. Remove and discard the spring.
7. Reverse steps to reinstall.
8. Verify proper operation before you return the product to service.

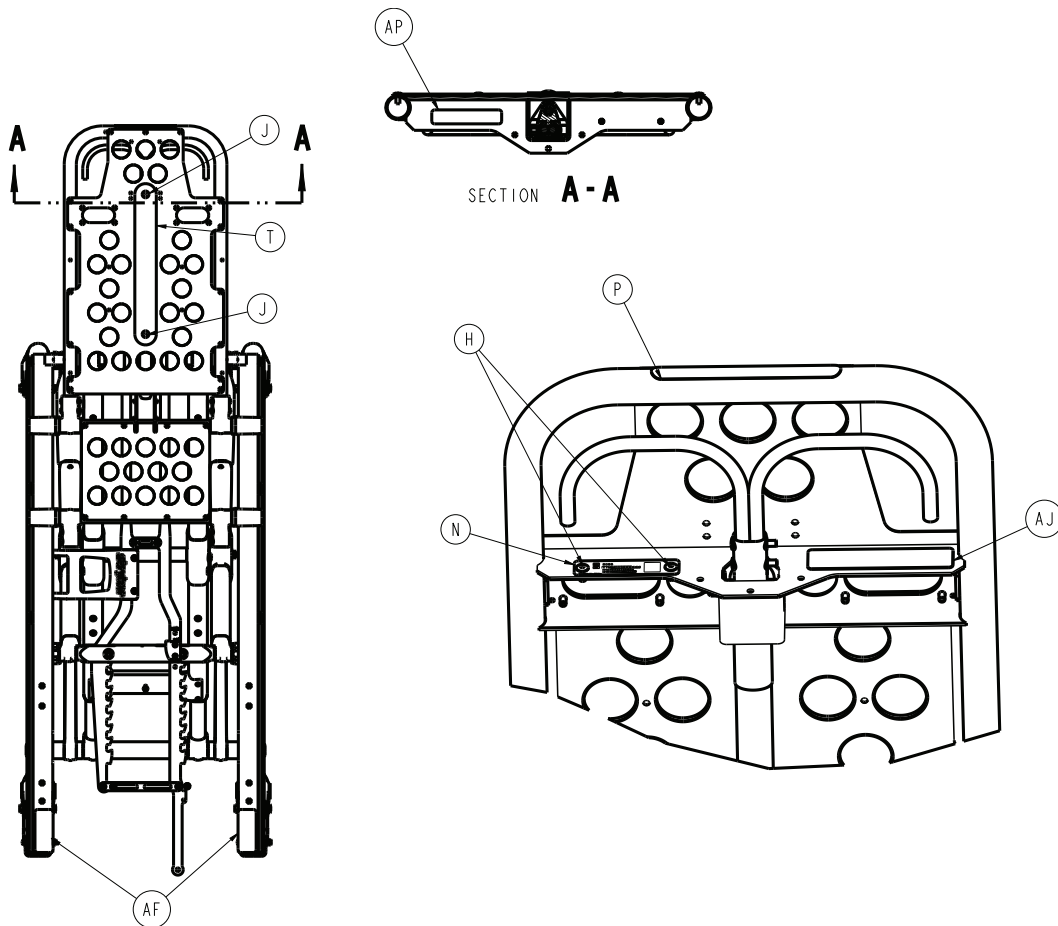
Cot assembly

6086-001-010 Rev AA (Reference only)







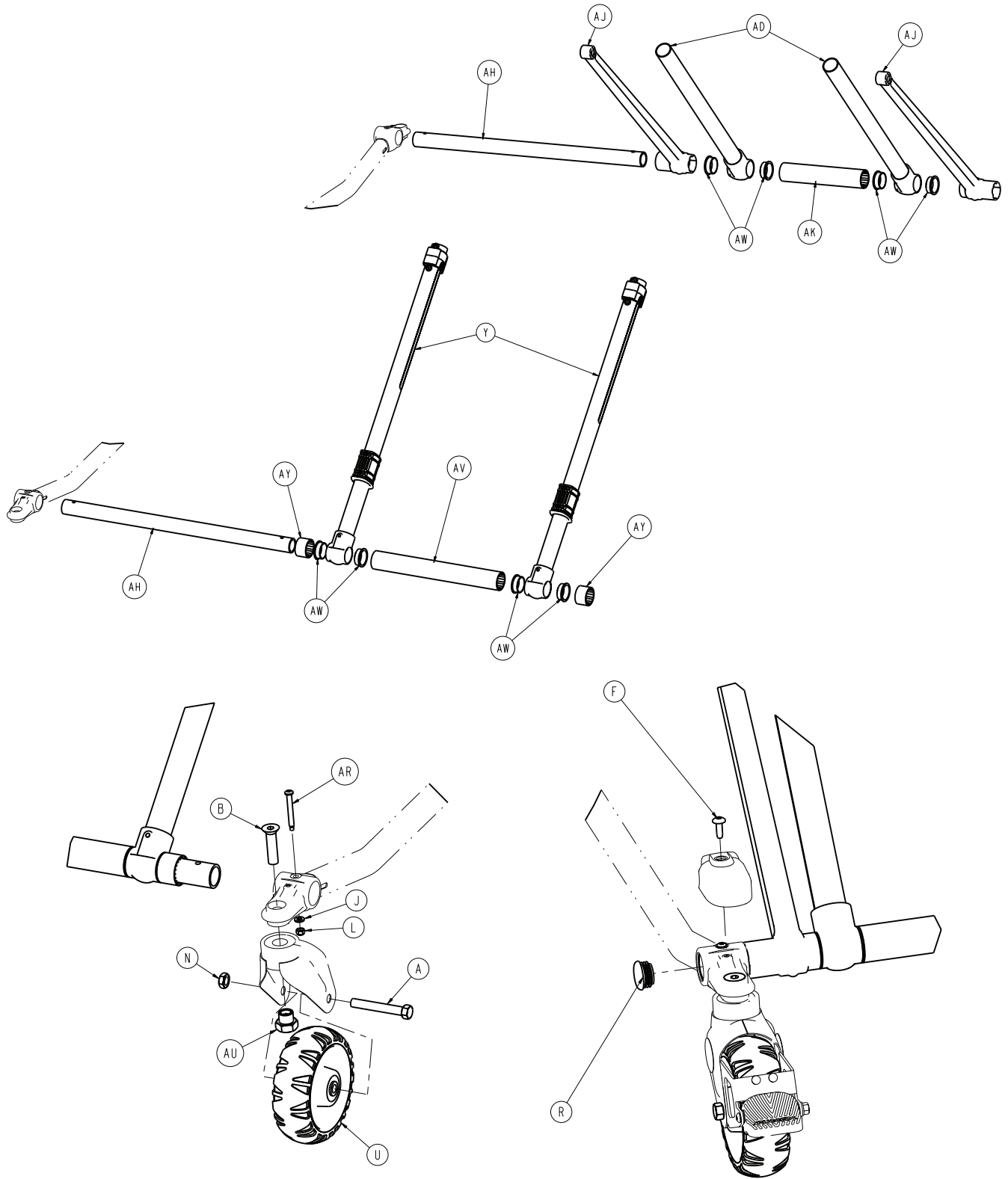


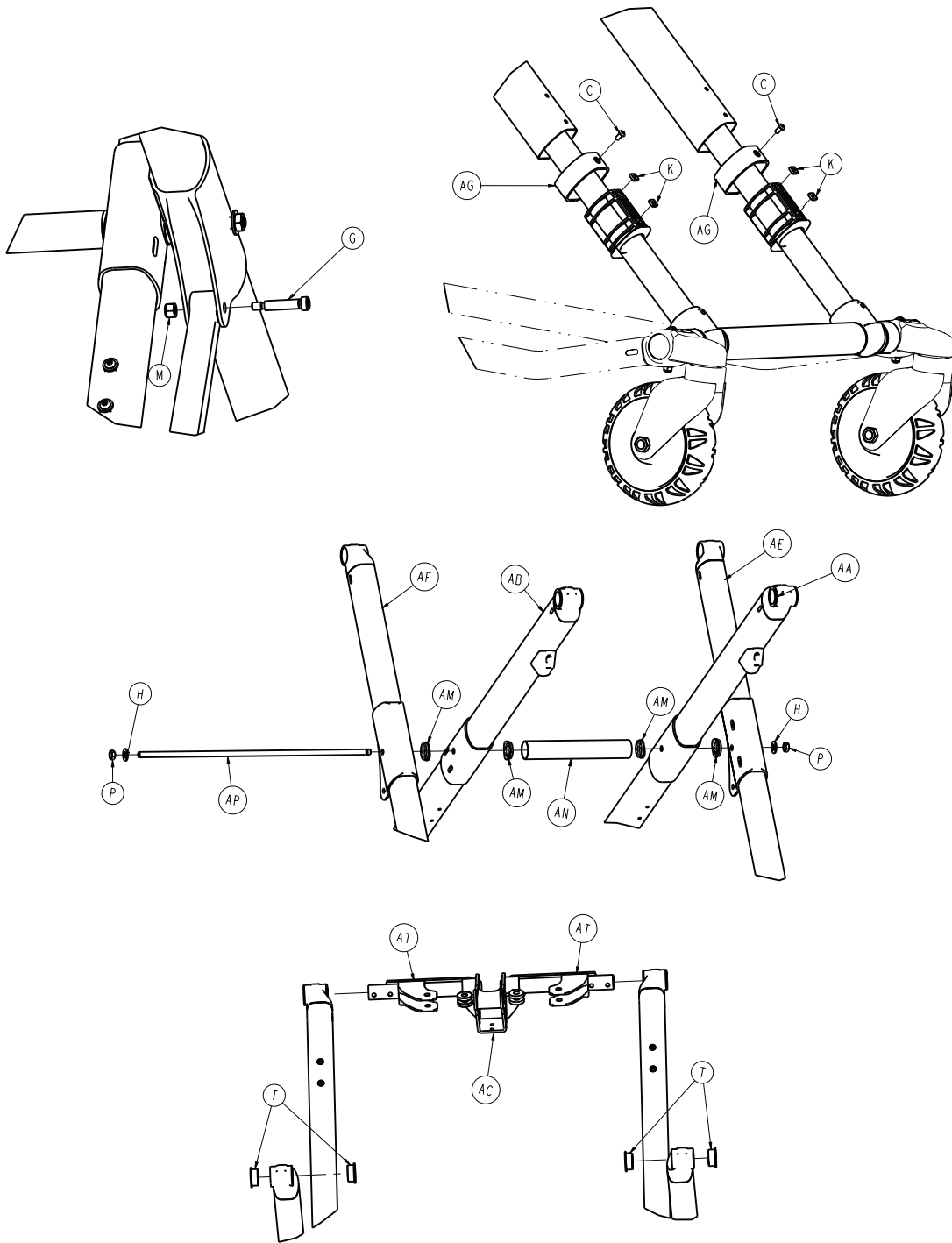
Item	Number	Name	Quantity
A	0004-163-000	Button head cap screw	2
B	0004-594-000	Button head cap screw	8
C	0004-596-000	Button head cap screw	4
D	0004-614-000	Button head cap screw	2
E	0011-004-000	Washer	1
F	0016-028-000	Fiberlock hex nut	2
G	0016-102-000	Nylock hex nut	4
H	0025-079-000	Dome head rivet	33
J	0025-132-000	Dome head rivet	2
K	0028-181-000	Truarc ring	1
L	0056-028-000	Bumper, black	2
M	6500-031-077	Gas spring	1
N	6086-001-926	6086 tag, serial number	1
P	6060-090-004	Label, RUGGED , small	1
T	6082-001-085	2" adhesive loop pile	1
U	6082-032-045	Fowler skin	1
V	6082-090-043	Label, 11"	2
W	6086-001-012	Base assembly (page 30)	1
Y	6085-001-110	Litter support crosstube	2
AA	6085-001-113	Mid-section skin	1
AB	6085-001-127	Rack bar slider	2

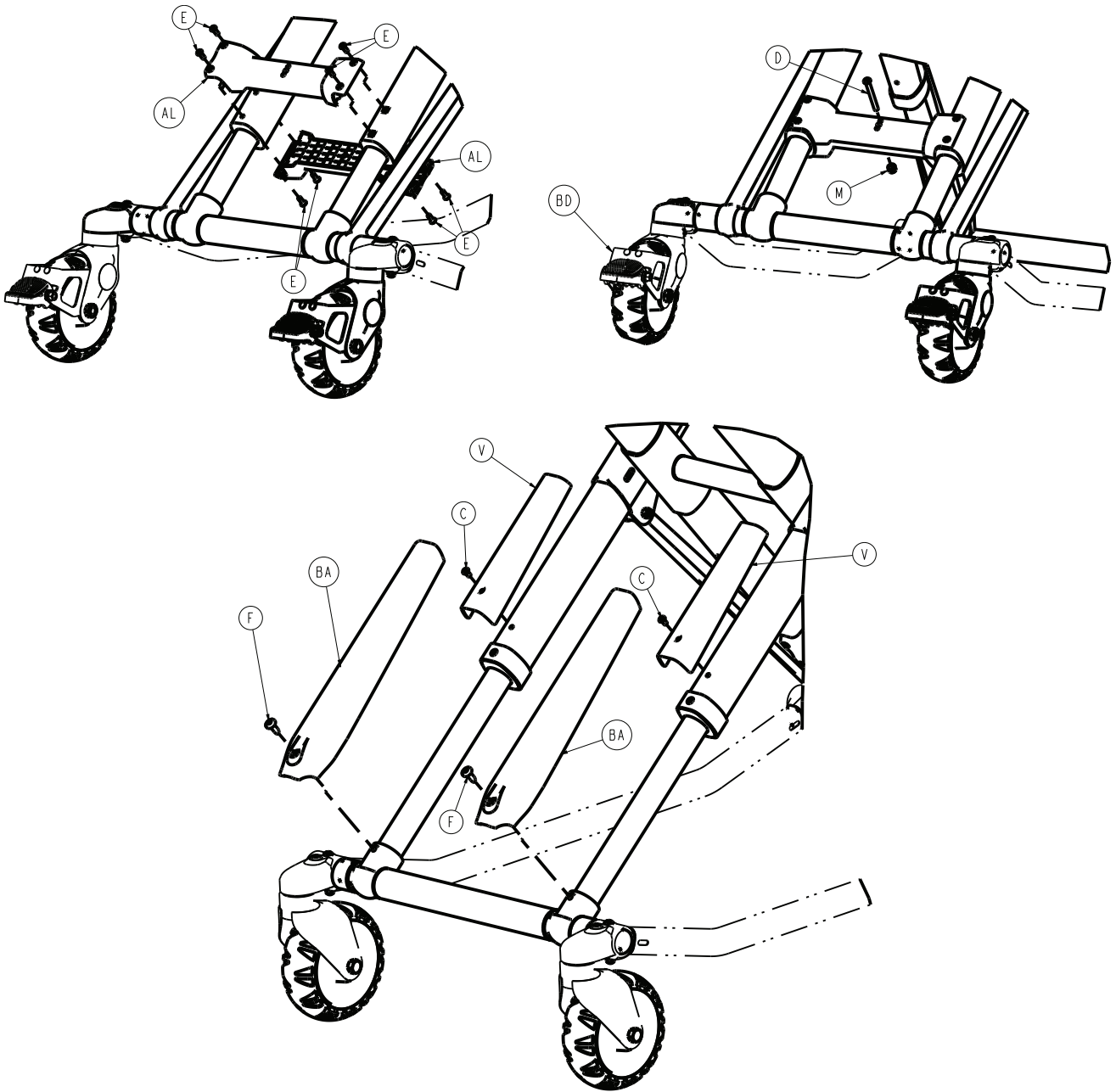
Item	Number	Name	Quantity
AC	6085-001-132	Fowler cylinder support	1
AD	6085-001-134	Plastic extrusion - spacer	2
AF	6085-101-155	Label, weight capacity	2
AG	6085-101-156	Label, slider housing	2
AH	6085-001-177	Litter/base spacer - small	2
AJ	6086-101-100	Label, Performance-PRO specification	1
AK	6100-003-125	Straight "T" pivot	4
AL	6500-001-018	<i>Fowler assembly</i> (page 67)	1
AM	6500-001-127	Outer rail bumper	2
AN	6506-012-003	Standard Fowler	1
AP	639000010901	Label, EAR	1

Base assembly

6086-001-012 Rev AA (Reference only)





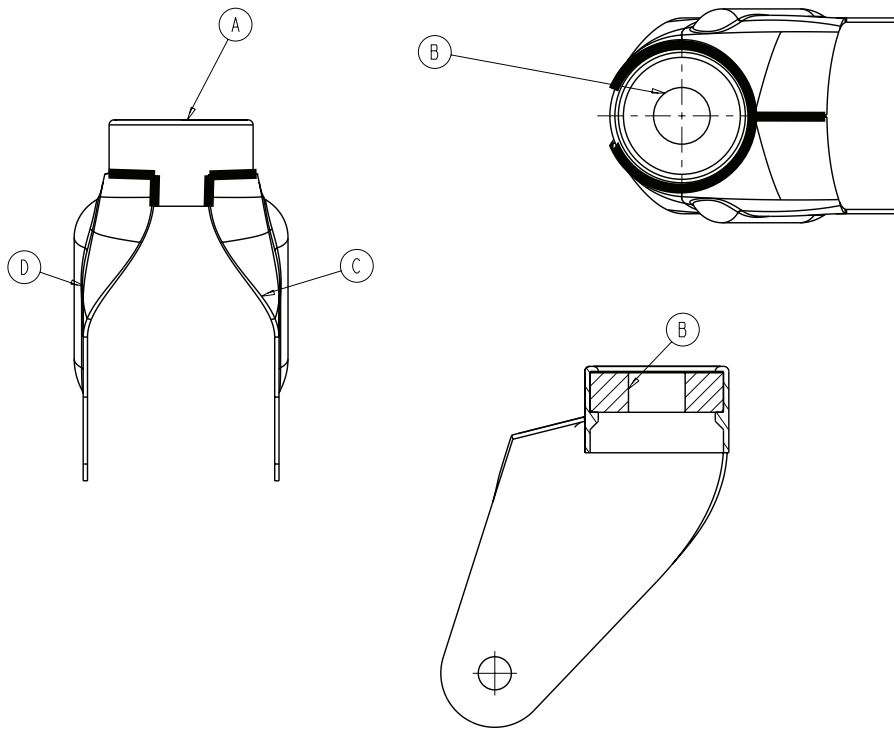


Item	Number	Name	Quantity
A	0003-205-000	Hex head cap screw	4
B	0004-319-000	Flat head/hex socket bolt	4
C	0004-587-000	Button head cap screw	4
D	0004-597-000	Button head cap screw	1
E	0004-634-000	Button head cap screw	8
F	0007-086-000	Truss head screw	6
G	0008-057-000	Socket head shoulder screw	2
H	0011-004-000	Flat washer	2
J	0014-002-000	Washer	4
K	0015-051-000	Square nut	4
L	0016-002-000	Fiberlock nut	4
M	0016-028-000	Fiberlock hex nut	3

Item	Number	Name	Quantity
N	0016-060-000	Toplock hex jam nut	4
P	0016-089-000	Centerlock hex nut	2
R	0037-083-000	Tube plug	4
T	0081-244-000	Flange bearing	4
U	6060-002-010	6 in. molded wheel assembly (page 37)	4
V	6500-001-180	X-frame guard, upper, top	2
Y	6085-001-017	Inner leg assembly (page 42)	2
AA	6085-001-023	Outer lift tube assembly, litter pivot, patient right (page 43)	1
AB	6085-001-024	Outer lift tube assembly, litter pivot, patient left (page 44)	1
AC	6085-001-026	Litter base assembly (page 45)	1
AD	6085-001-051	Inner base leg weldment, short	2
AE	6085-001-052	Outer base leg weldment, patient right, foot end	1
AF	6085-001-053	Outer base leg weldment, patient left, foot end	1
AG	6500-001-228	Inner lift tube sleeve	2
AH	6500-001-229	Foot base tube	2
AJ	6085-101-082	Timing link	2
AK	6085-001-086	Mid base spacer, foot end	1
AL	6085-001-087	Base stiffener	2
AM	6085-001-088	Connecting rod, bearing	4
AN	6085-001-090	Connecting rod, spacer	1
AP	6085-001-091	Connecting rod, base	1
AR	6085-001-097	Caster mount bolt	4
AT	6085-001-129	Litter base extrusion	2
AU	6090-001-009	EMS cot caster nut	4
AV	6500-001-129	Plastic extrusion - spacer	1
AW	6500-001-166	Flange bearing	8
AY	6500-001-178	Plastic extrusion - spacer	2
BA	6500-001-179	X-frame guard, lower	2
BB	6500-001-183	Plastic extrusion - spacer	2
BC	6500-001-230	Plastic extrusion - spacer	1

Caster horn assembly

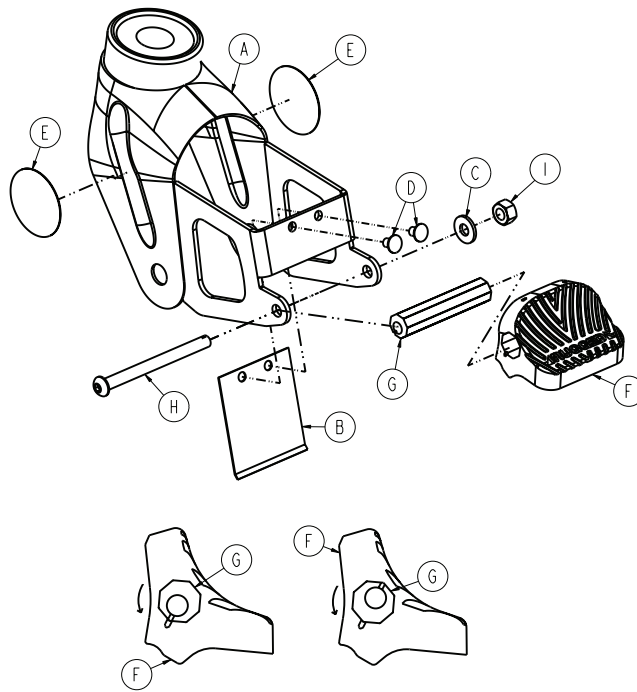
6082-002-012 Rev C (Reference only)



Item	Number	Name	Quantity
A	6082-002-039	Bearing retainer	1
B	0081-227-000	Bearing	1
C	6082-002-042	Caster horn plate, patient left	1
D	6082-002-043	Caster horn plate, patient right	1

Adjustable caster lock assembly

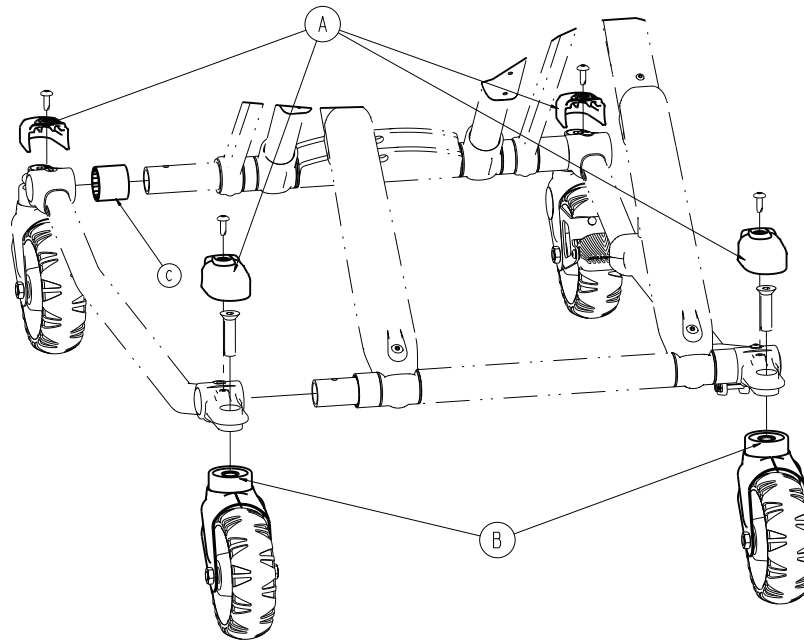
6086-200-010 Rev A (Reference only)



Item	Number	Name	Quantity
A	6082-100-012	Caster horn	1
B	6080-100-032	Spring	1
C	0011-456-000	Washer	1
D	0025-153-000	Semi-tubular rivet	2
E	6506-001-900	Label	2
F	6080-300-030	Pedal, adjustable caster lock	1
G	6080-200-041	Octagonal sleeve, adjustable caster lock	1
H	0004-098-000	Hex socket button head cap screw	1
I	0016-118-000	Centerlock nut	1

No Steer-Lock option - 6506-037-000

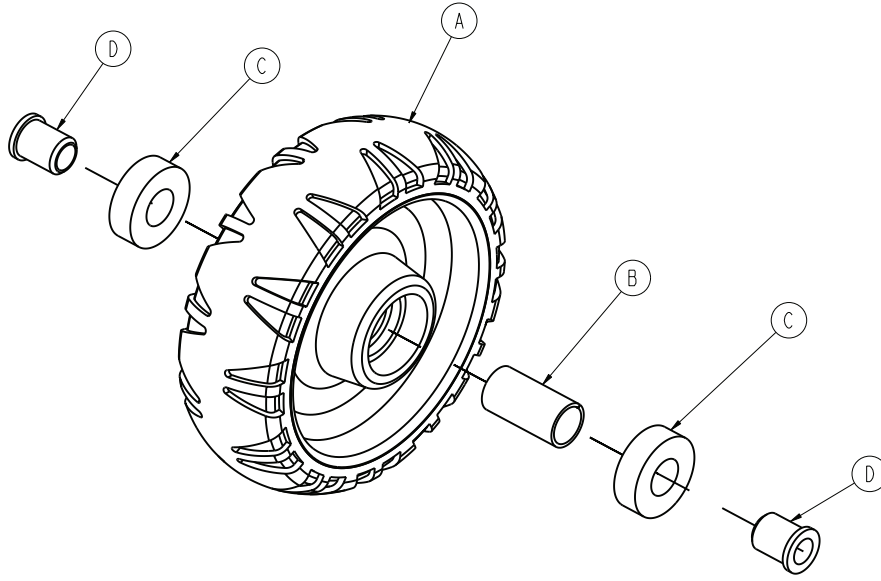
Rev A (Reference only)



Item	Number	Name	Quantity
A	6500-001-177	Caster mount cover	4
B	6082-002-012	Caster horn assembly (page 34)	2
C	6500-001-230	Plastic extrusion - spacer	1

6 in. molded wheel assembly

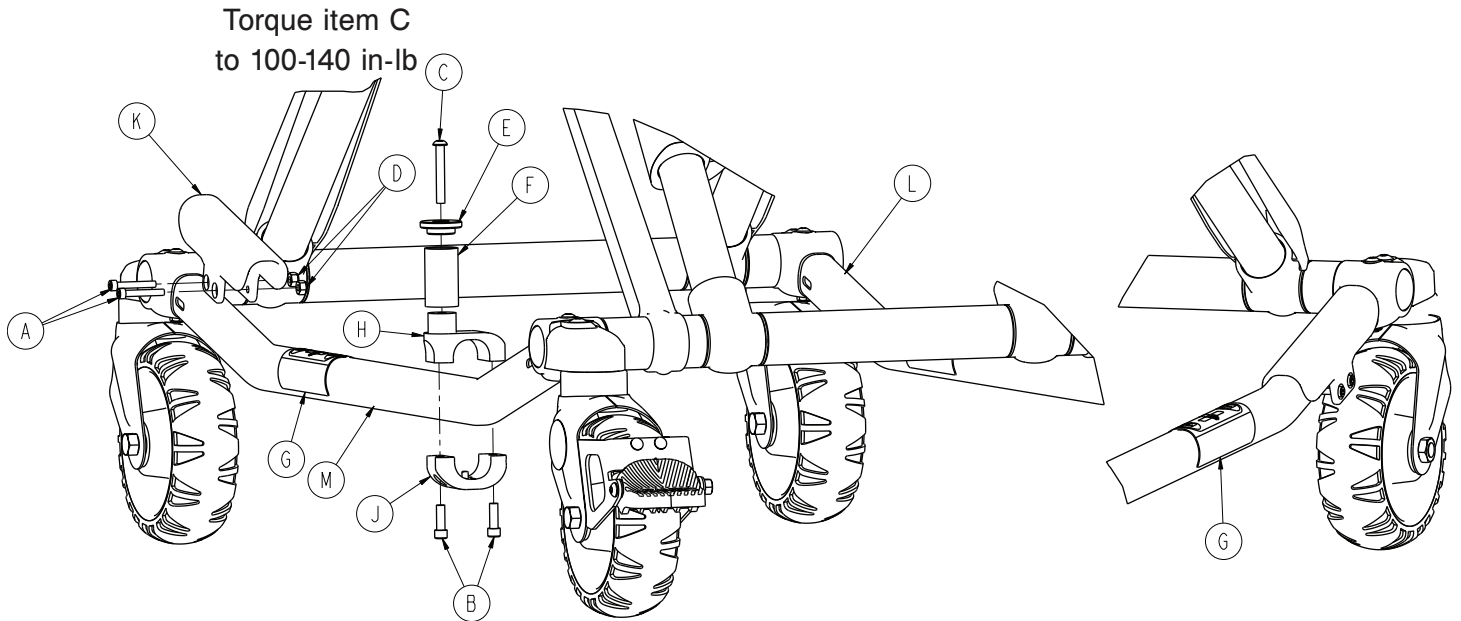
6060-002-010 Rev D (Reference only)



Item	Number	Name	Quantity
A	6060-002-045	6 in. molded wheel	1
B	6060-002-046	Bearing spacer	1
C	0081-226-000	Bearing	2
D	0715-001-255	Wheel bushing	2

Cot retaining post option, patient right - 6085-033-000

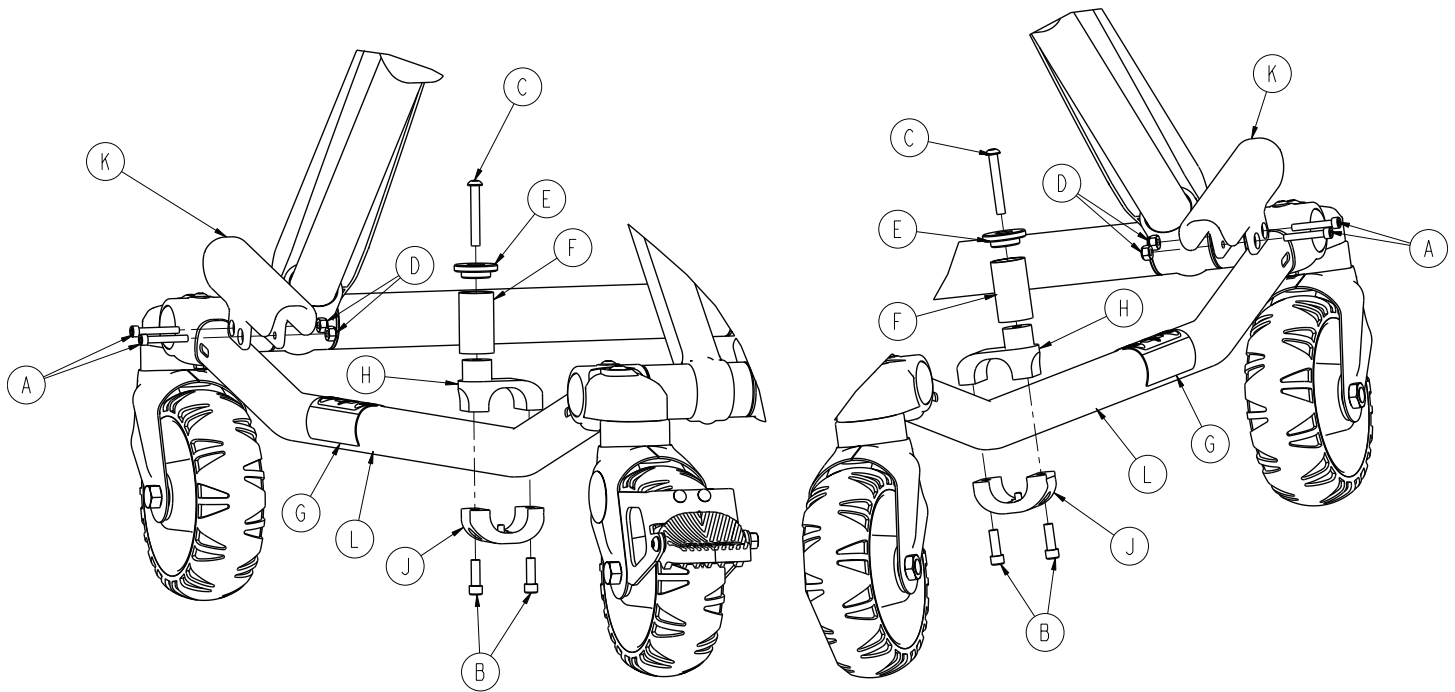
Rev E (Reference only)



Item	Number	Name	Quantity
A	0004-160-000	Socket head cap screw	2
B	0004-591-000	Socket head cap screw	2
C	0004-503-000	Button head cap screw	1
D	0016-003-000	Nylock hex nut	2
E	6060-004-043	Retaining post cap	1
F	6060-004-044	Post tube	1
G	6080-090-108	Label, lift here	2
H	6500-101-189	Top pin bracket	1
J	6500-101-190	Bottom pin bracket	1
K	6500-001-302	Base tube protector	1
L	6085-001-056	Outer base tube weldment	1
M	6085-001-057	Outer base tube weldment	1

Dual cot retaining post option - 6085-034-000

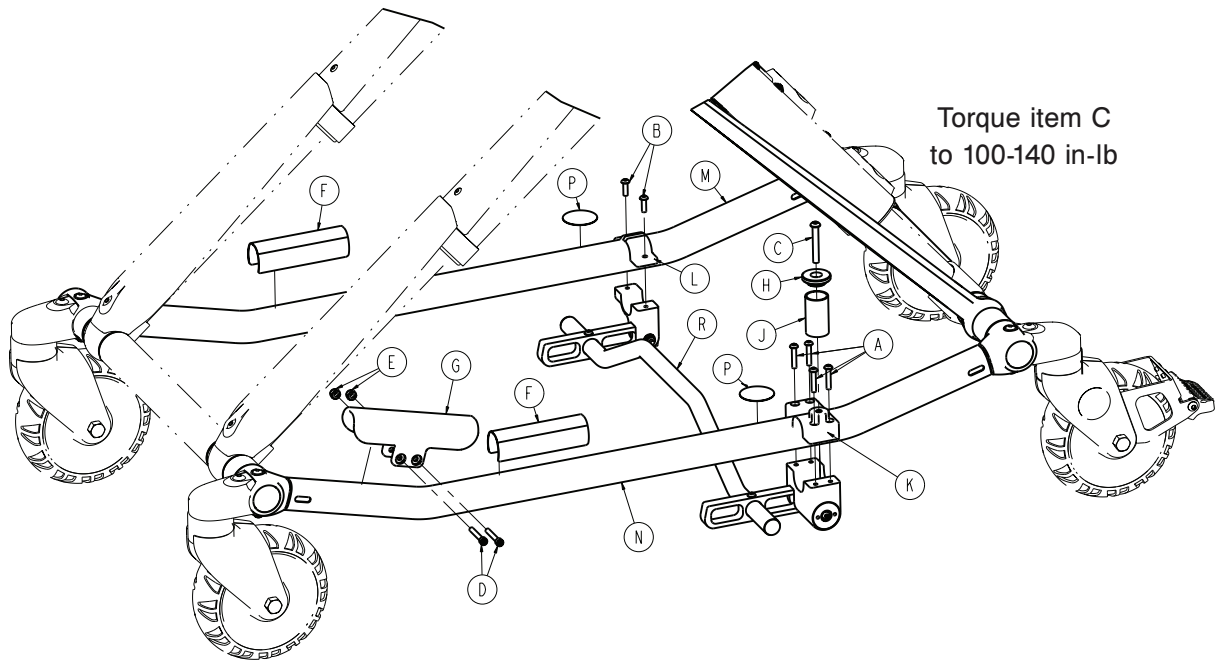
Rev D (Reference only)



Item	Number	Name	Quantity
A	0004-160-000	Socket head cap screw	4
B	0004-591-000	Socket head cap screw	4
C	0004-503-000	Button head cap screw	2
D	0016-003-000	Nylock hex nut	4
E	6060-004-043	Retaining post cap	2
F	6060-004-044	Post tube	2
G	6080-090-108	Label, lift here	2
H	6500-101-189	Top pin bracket	2
J	6500-101-190	Bottom pin bracket	2
K	6500-001-302	Base tube protector	2
L	6085-001-057	Outer base tube weldment	2

Kickstand assembly option - 6085-102-000

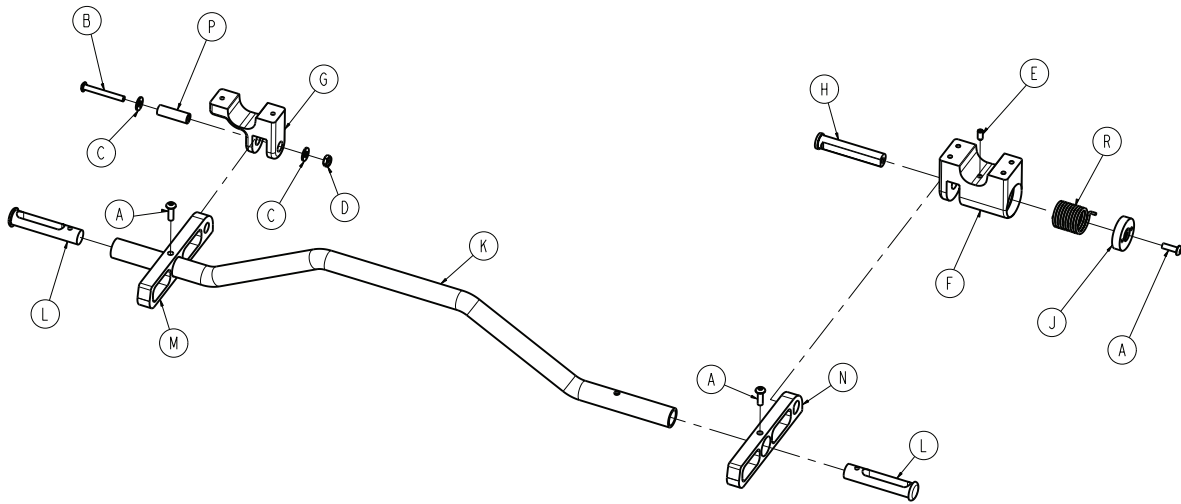
Rev A (Reference only)



Item	Number	Name	Quantity
A	0004-460-000	Button head socket screw	4
B	0004-515-000	Button head cap screw	2
C	0004-503-000	Button head cap screw	1
D	0004-160-000	Socket head cap screw	2
E	0016-003-000	Nylock hex nut	2
F	6080-090-108	Label, lift here	2
G	6500-001-302	Base tube protector	1
H	6060-004-043	Retaining post cap	1
J	6060-004-044	Post tube	1
K	6085-002-001	Kickstand cot retaining post bracket	1
L	6085-002-002	Kickstand top pin bracket	1
M	6085-001-056	Outer base tube weldment	1
N	6085-001-057	Outer base tube weldment	1
P	6506-001-900	Label, refer to instruction manual	2
R	6085-002-016	<i>Kickstand sub assembly</i> (page 41)	1

Kickstand sub assembly

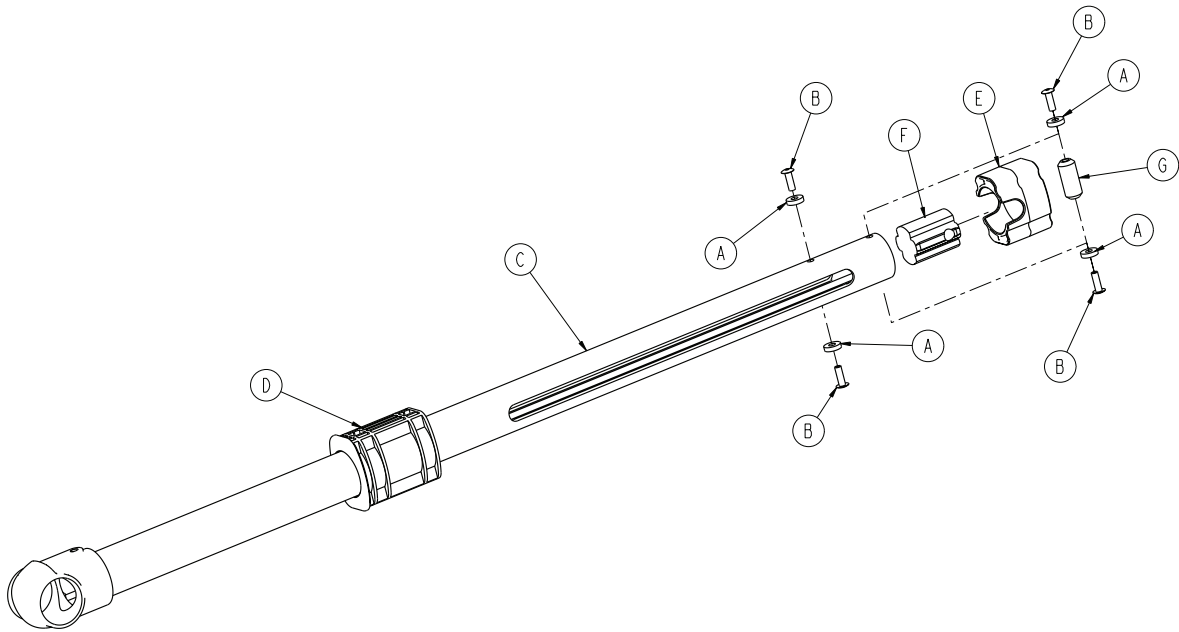
6085-002-016 Rev A (Reference only)



Item	Number	Name	Quantity
A	0004-515-000	Button head cap screw	3
B	0004-636-000	Button head cap screw	1
C	0011-302-000	Plain washer	2
D	0016-131-000	Nylock hex nut	1
E	0021-180-000	Set screw	1
F	6085-002-003	Kickstand spring housing	1
G	6085-002-004	Kickstand bottom bracket	1
H	6085-002-006	Kick bolt	1
J	6085-002-007	Kick bolt head	1
K	6085-002-008	Kick tube	1
L	6085-002-009	Kick tube cap	2
M	6085-002-011	Rocker strut, patient left	1
N	6085-002-012	Rocker strut, patient right	1
P	6085-002-013	Kickstand spacer	1
R	6085-002-014	Kickstand torsion spring	1

Inner leg assembly

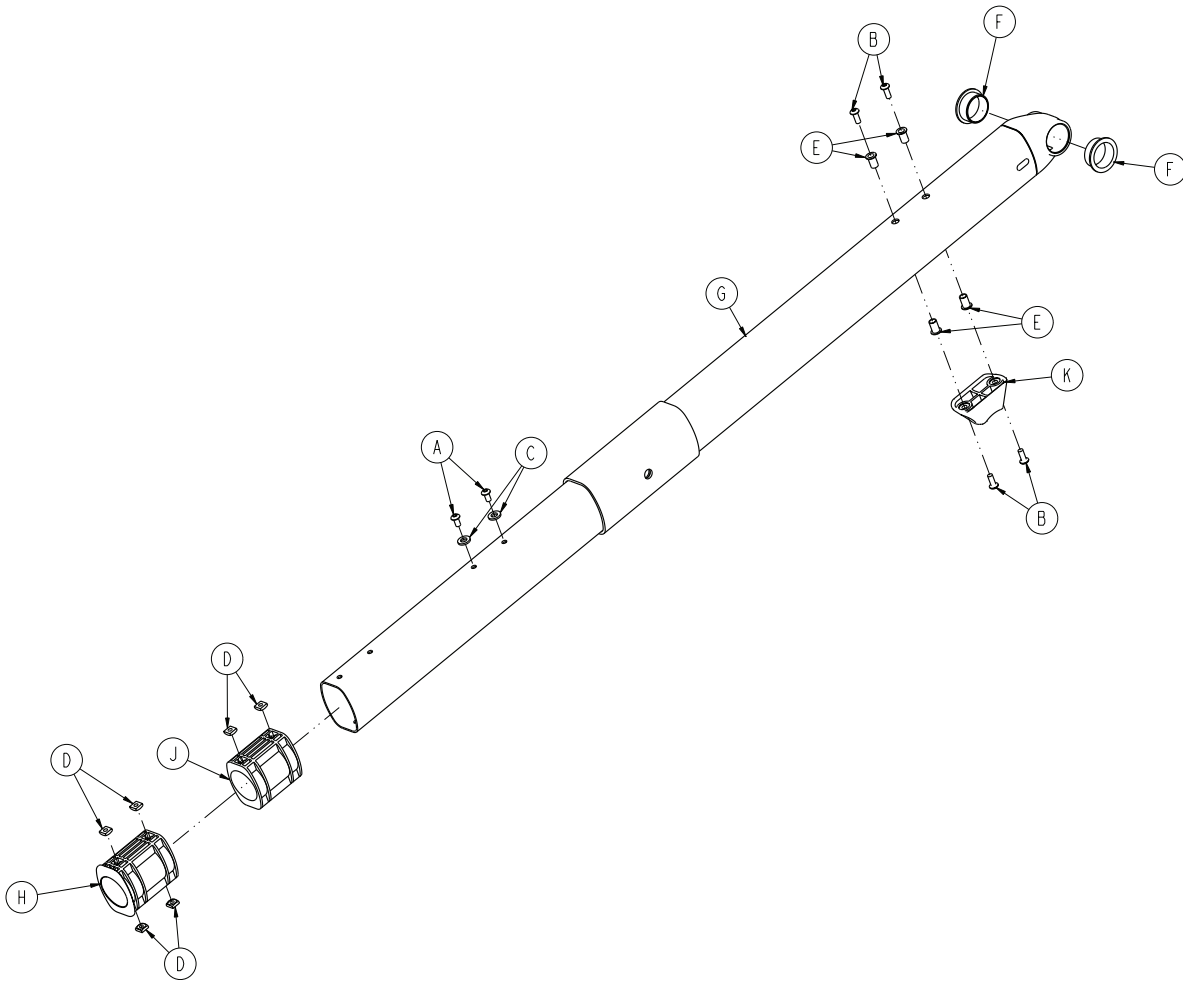
6085-001-017 Rev A (Reference only)



Item	Number	Name	Quantity
A	0014-115-000	Washer	4
B	0025-133-000	Dome head rivet	4
C	6085-001-050	Inner base leg weldment	1
D	6085-001-095	Lower frame tube bearing	1
E	6085-001-102	Upper frame tube bearing	1
F	6085-001-112	Inner leg bumper	1
G	6085-001-126	Hot drop dampener retainer	1

Outer lift tube assembly, litter pivot, patient right

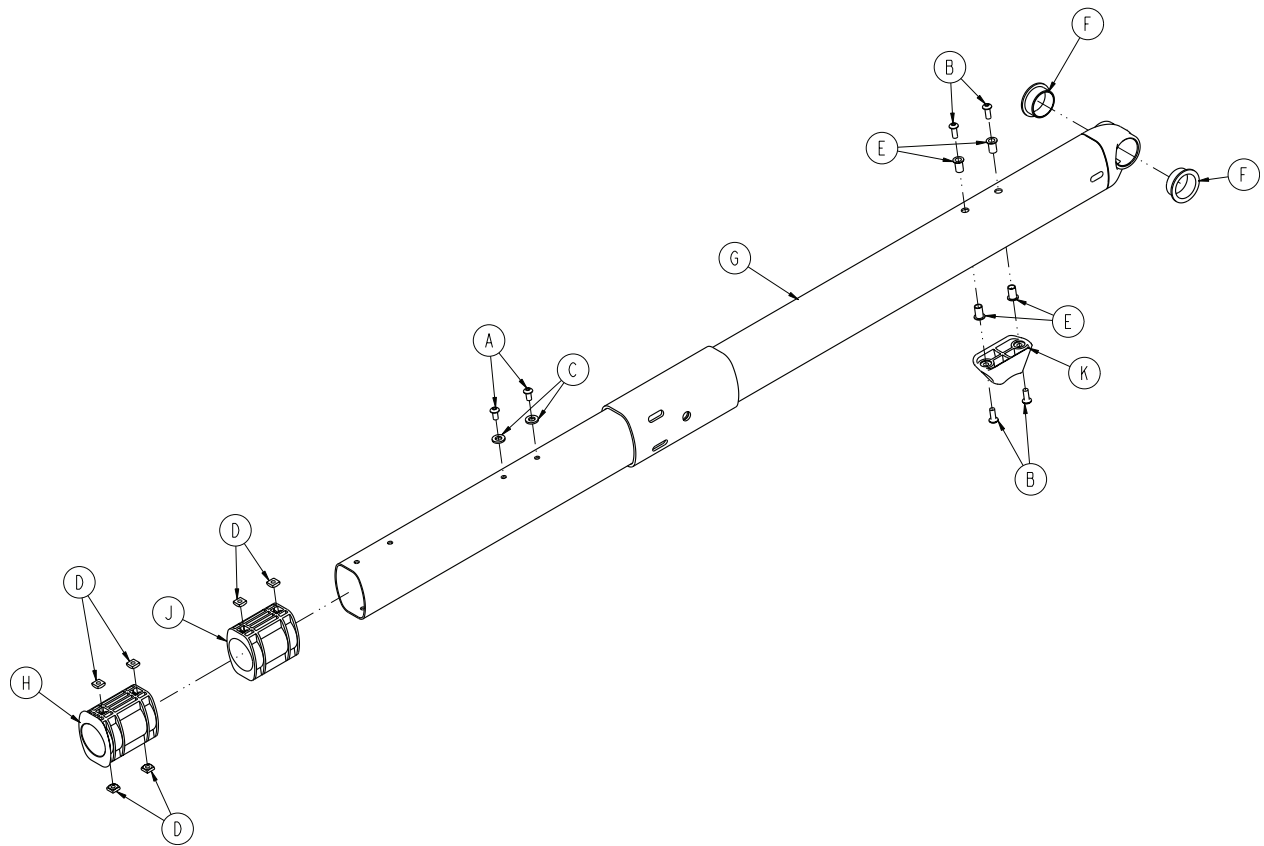
6085-001-023 Rev B (Reference only)



Item	Number	Name	Quantity
A	0004-587-000	Button head cap screw	2
B	0004-634-000	Button head cap screw	4
C	0014-002-000	Washer	2
D	0015-051-000	Square nut	6
E	0055-100-075	Riv nut	4
F	0081-244-000	Flange bearing	2
G	6085-001-054	Inner base leg weldment	1
H	6085-001-095	Lower frame tube bearing	1
J	6085-001-096	Slide bearing	1
K	6500-001-125	Base dead stop	1

Outer lift tube assembly, litter pivot, patient left

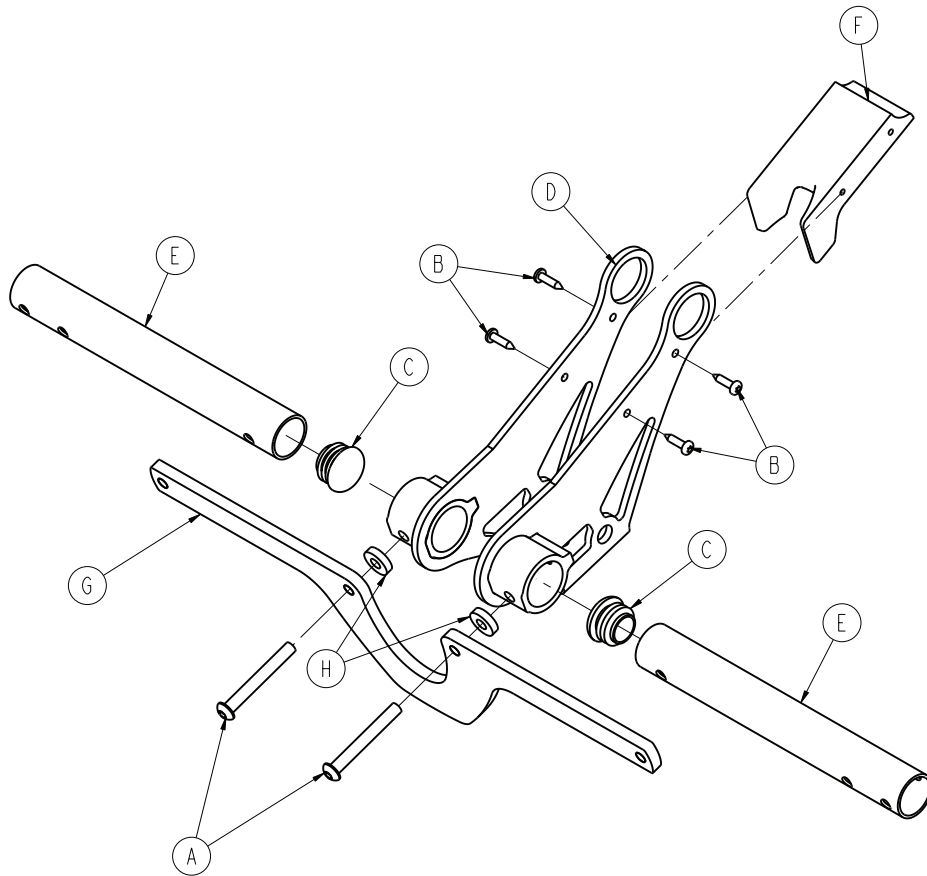
6085-001-024 Rev B (Reference only)



Item	Number	Name	Quantity
A	0004-587-000	Button head cap screw	2
B	0004-634-000	Button head cap screw	4
C	0014-002-000	Washer	2
D	0015-051-000	Square nut	6
E	0055-100-075	Riv nut	4
F	0081-244-000	Flange bearing	2
G	6085-001-054	Inner base leg weldment	1
H	6085-001-095	Lower frame tube bearing	1
J	6085-001-096	Slide bearing	1
K	6500-001-125	Base dead stop	1

Litter base assembly

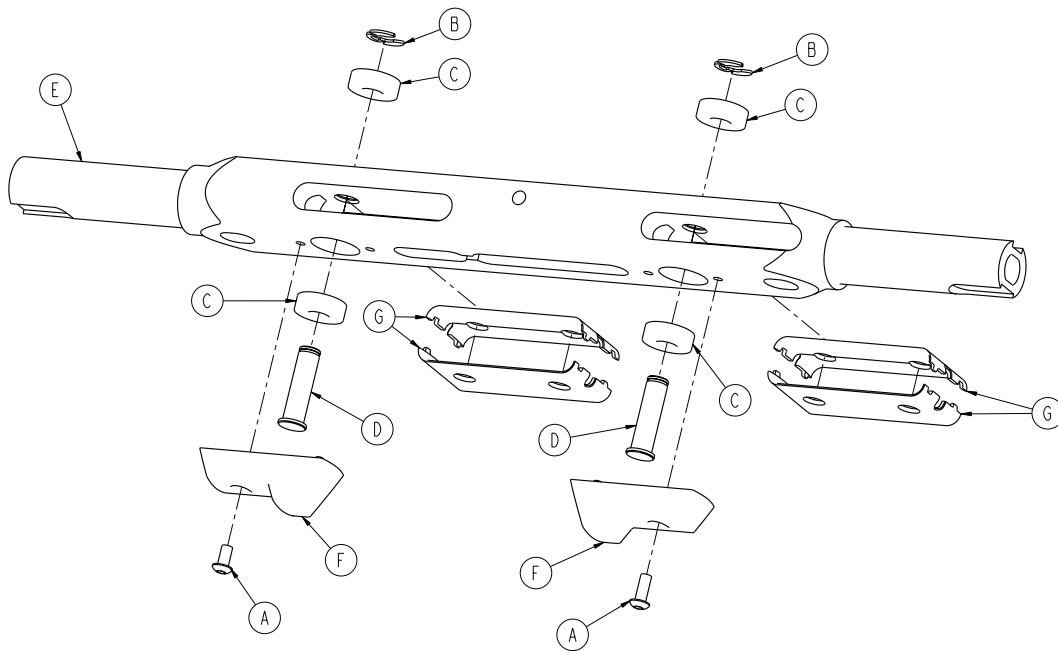
6085-001-026 Rev E (Reference only)



Item	Number	Name	Quantity
A	0004-388-000	Button head cap screw	2
B	0023-162-000	Delta screw	4
C	0037-243-000	Tube plug	2
D	6085-001-055	Litter base interface weldment	1
E	6085-001-131	Litter base tube	2
F	6085-001-140	Litter base stiffener cover	1
G	6085-001-176	Litter/base stiffener	1

Lock bar assembly

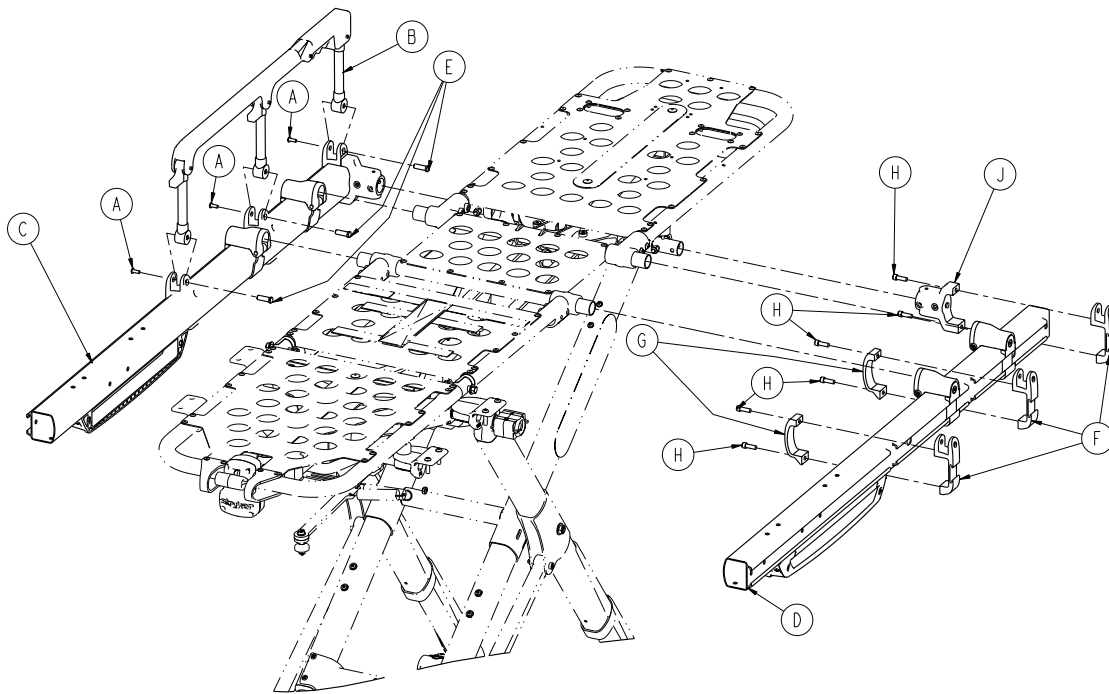
6085-001-013 Rev A (Reference only)



Item	Number	Name	Quantity
A	0004-634-000	Button head cap screw	2
B	0028-181-000	Truarc ring	2
C	0081-248-000	Bearing	4
D	6082-005-096	Height adjustment rack latch pin	2
E	6085-001-093	Height adjustment rack lock bar	1
F	6085-001-094	Base dead stop	2
G	6085-001-136	Lock bar slide bushing	4

Standard siderail

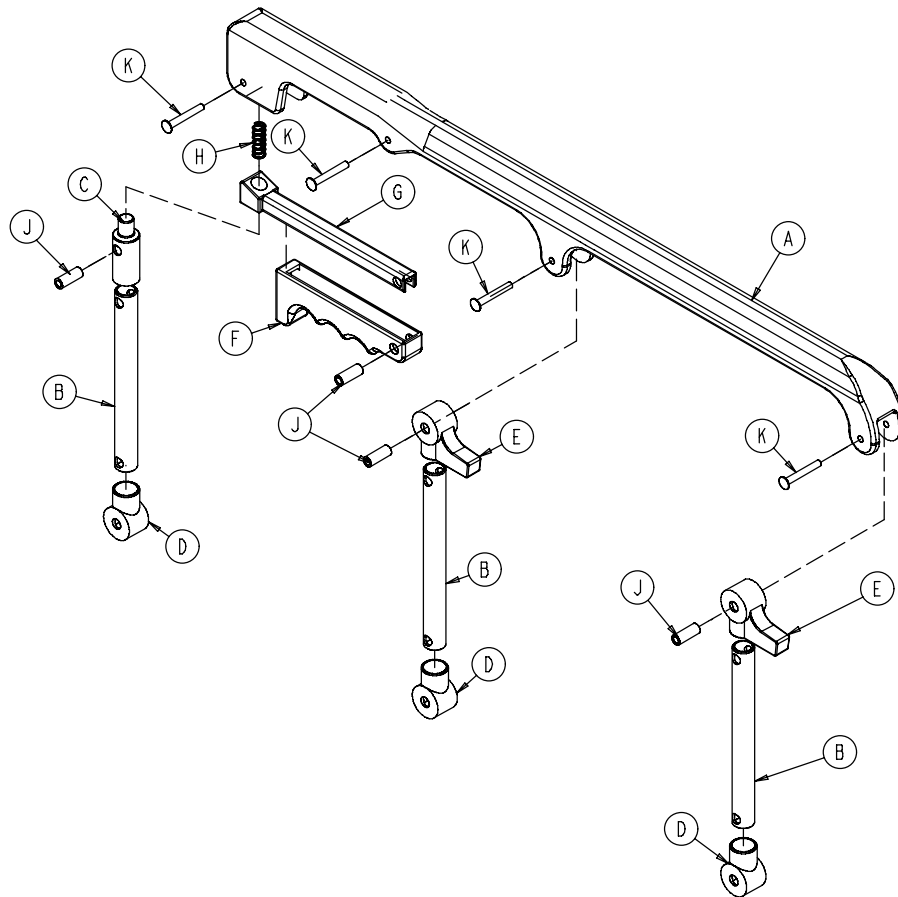
6086-058-000 Rev B (Reference only)



Item	Number	Name	Quantity
A	0004-585-000	Button head cap screw	6
B	6082-026-010	Siderail assembly (page 48)	2
C	6086-001-025	Outer rail sub assembly, patient right (page 49)	1
D	6086-001-027	Outer rail sub assembly, patient left (page 50)	1
E	6500-001-118	Siderail nut	6
F	6500-001-116	Siderail bracket	6
G	6500-001-117	Siderail clamp	4
H	0004-591-000	Socket head cap screw	12
J	6500-001-102	Base/litter interface bracket	2

Siderail assembly

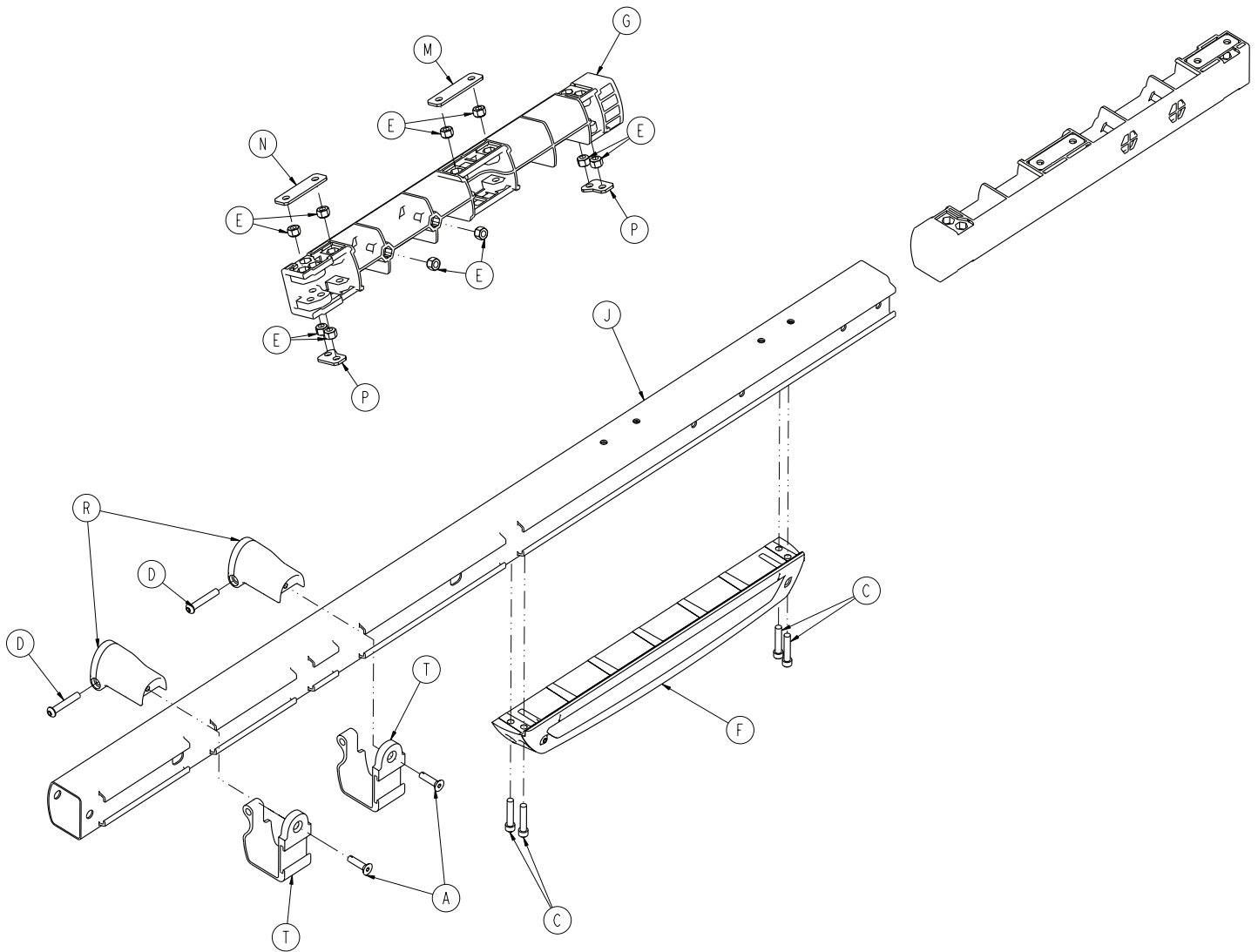
6082-026-010 Rev B (Reference only)



Item	Number	Name	Quantity
A	6060-025-024	Top rail	1
B	6060-025-043	Spindle	3
C	6060-025-047	Spindle lock	1
D	6060-025-041	Spindle pivot	3
E	6060-025-040	Spindle pivot stop	2
F	6060-025-029	Lock release grip	1
G	6061-125-030	Lock bar casting	1
H	0038-344-000	Lock release compression spring	1
J	6060-025-035	Pivot bushing	4
K	0025-131-000	Rivet	4

Outer rail sub assembly, patient right

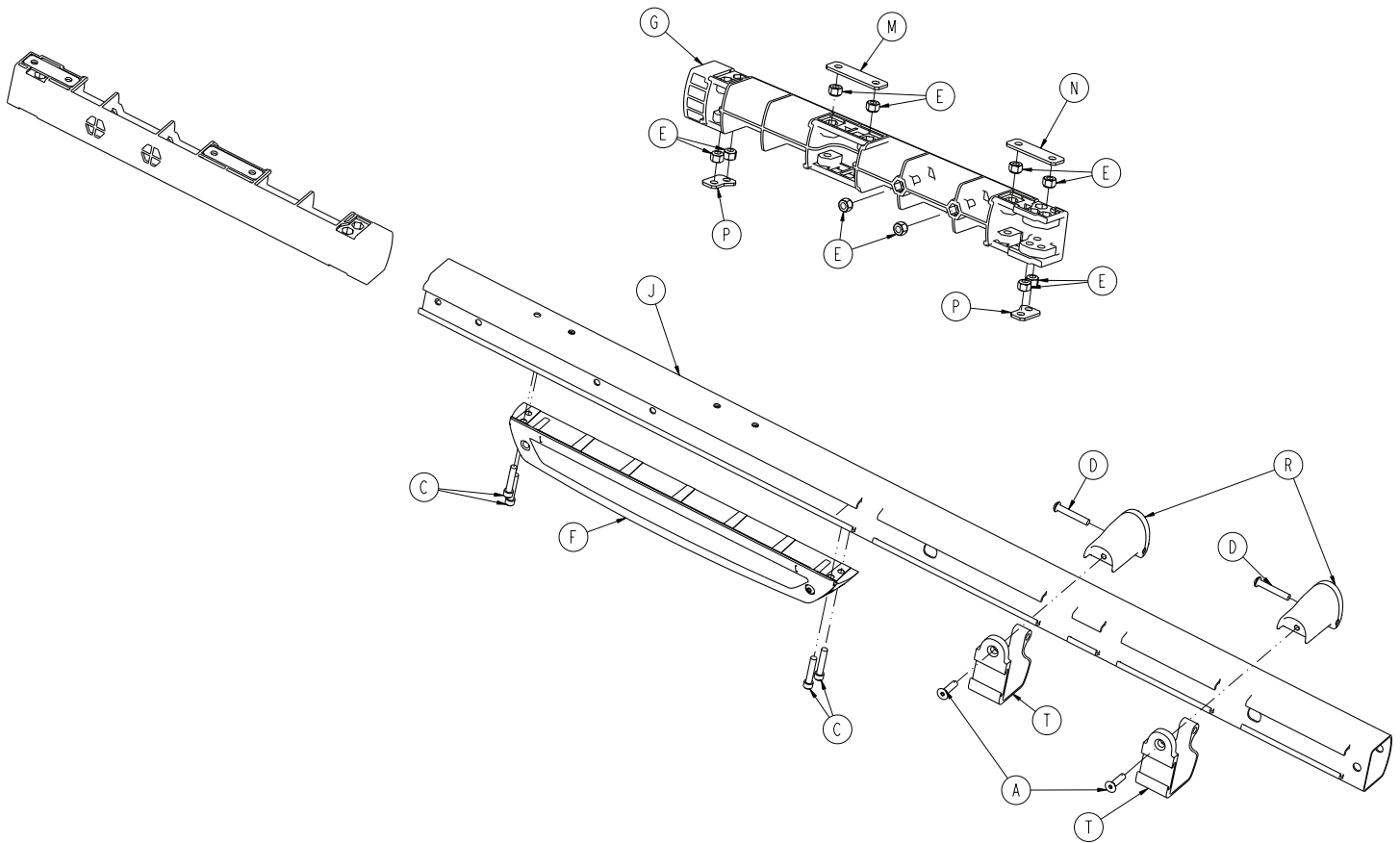
6086-001-025 Rev C (Reference only)



Item	Number	Name	Quantity
A	0001-004-011	Flat head cap screw	2
C	0004-613-000	Socket head cap screw	4
D	0004-848-000	Button head cap screw	2
E	0016-028-000	Fiberlock hex nut	10
F	6085-001-029	Slide housing assembly, patient right (page 52)	1
G	6500-001-098	Litter dead stop, internal	1
J	6500-001-114	Outer rail extrusion	1
M	6500-001-243	IV pole backer plate	1
N	6500-001-244	IV clip backer plate	1
P	6500-001-245	Sensor housing backer plate	2
R	6500-002-130	Litter support bracket	2
T	6500-002-131	Litter support bracket, inner	2

Outer rail sub assembly, patient left

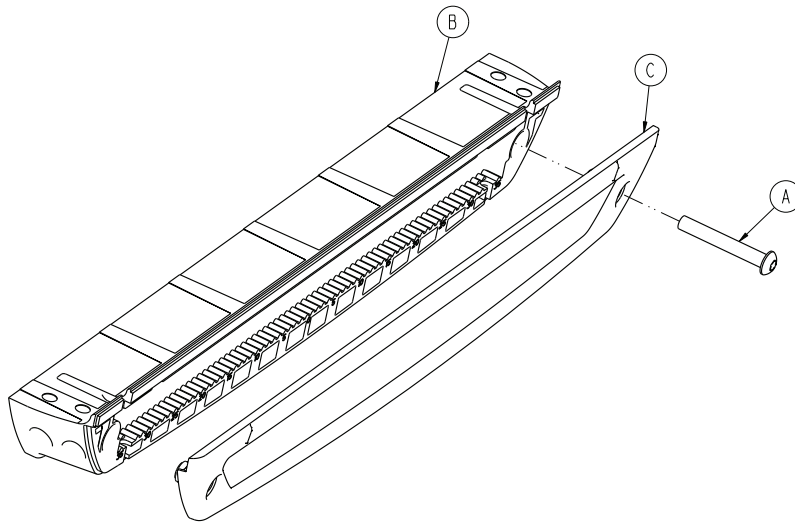
6086-001-027 Rev C (Reference only)



Item	Number	Name	Quantity
A	0001-004-011	Flat head cap screw	2
C	0004-613-000	Socket head cap screw	4
D	0004-848-000	Button head cap screw	2
E	0016-028-000	Fiberlock hex nut	10
F	6085-001-028	Slide housing assembly, patient left (page 51)	1
G	6500-001-098	Litter dead stop, internal	1
J	6500-001-115	Outer rail, patient right	1
M	6500-001-243	IV pole backer plate	1
N	6500-001-244	IV clip backer plate	1
P	6500-001-245	Sensor housing backer plate	2
R	6500-002-130	Litter support bracket	2
T	6500-002-131	Litter support bracket, inner	2

Slide housing assembly, patient left

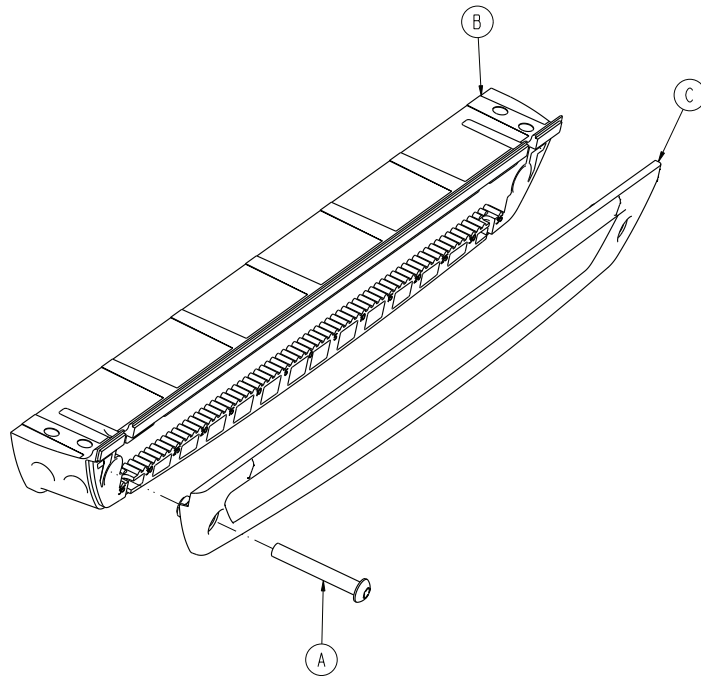
6085-001-028 Rev A (Reference only)



Item	Number	Name	Quantity
A	0004-596-000	Button head cap screw	1
B	6500-001-124	Sensor housing	1
C	6500-001-199	Sensor housing cover	1

Slide housing assembly, patient right

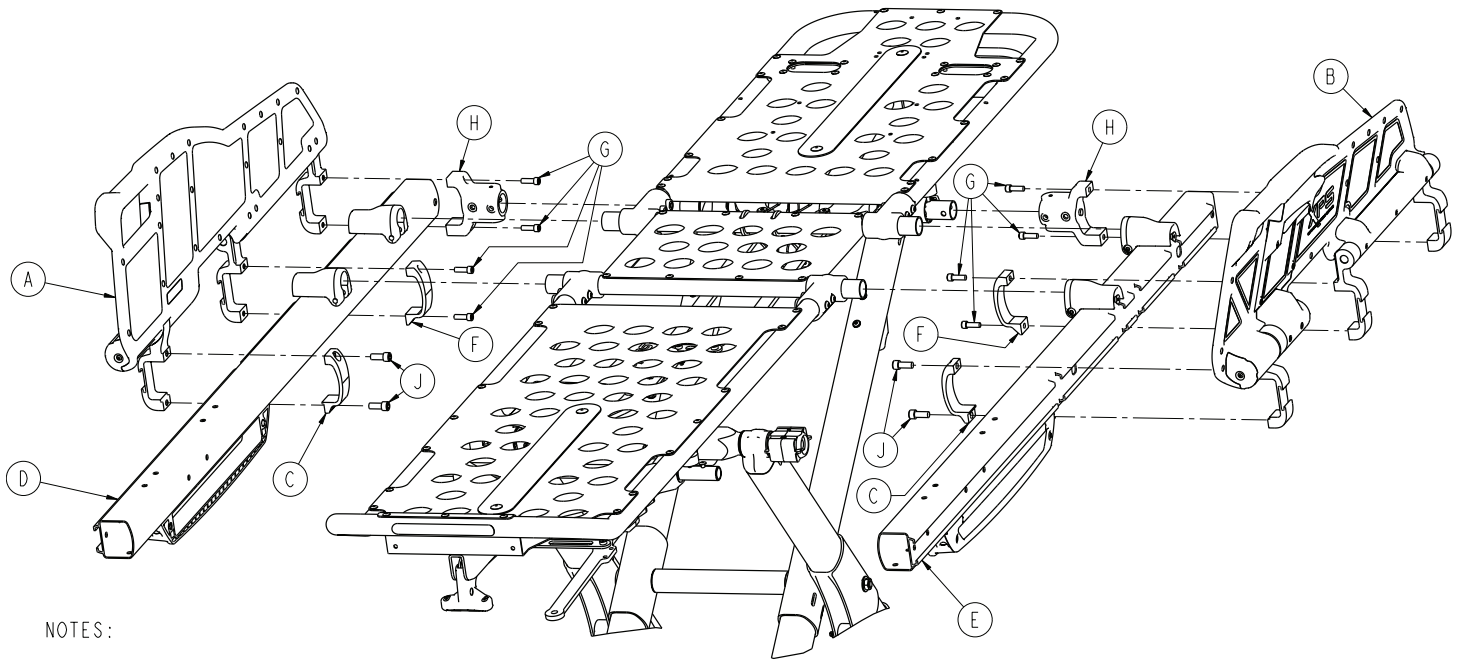
6085-001-029 Rev A (Reference only)



Item	Number	Name	Quantity
A	0004-596-000	Button head cap screw	1
B	6500-001-124	Sensor housing	1
C	6500-001-199	Sensor housing cover	1

XPS siderail option - 6086-032-000

Rev A (Reference only)



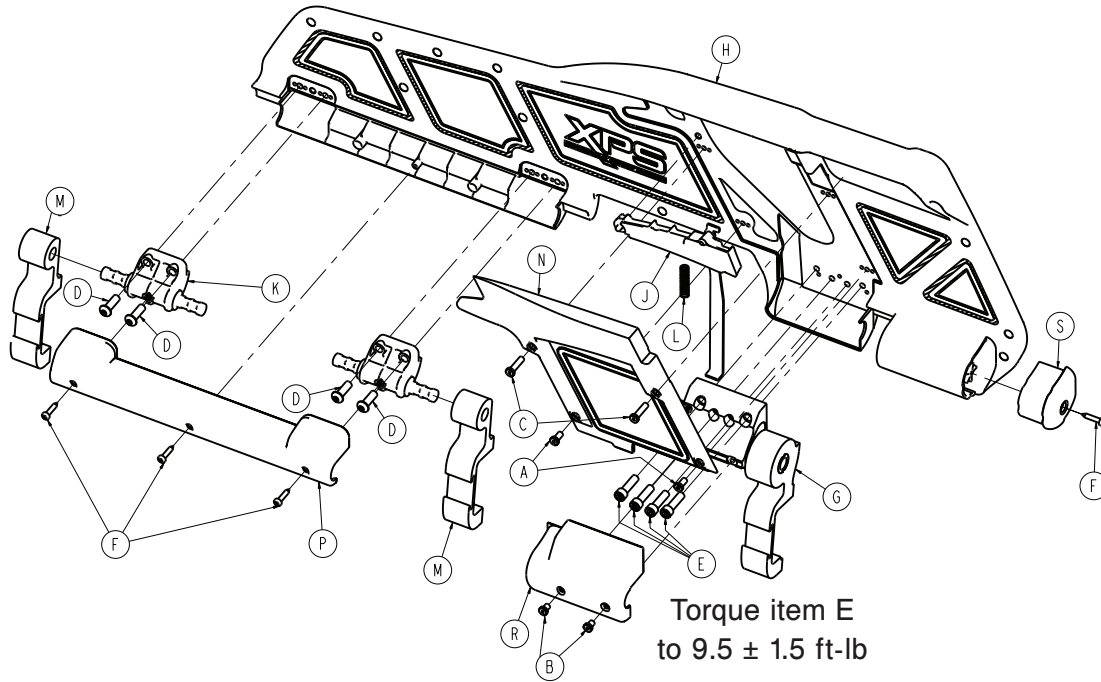
NOTES:

I TORQUE ITEM J TO 22 ± 3.3 FT-LB.

Item	Number	Name	Quantity
A	6500-003-034	XPS main assembly, patient right (page 54)	1
B	6500-003-044	XPS main assembly, patient left (page 55)	1
C	6500-003-099	XPS siderail clamp	2
D	6086-001-025	Outer rail sub assembly, patient right (page 49)	1
E	6086-001-027	Outer rail sub assembly, patient left (page 50)	1
F	6500-001-117	Siderail clamp	2
G	0004-591-000	Socket head cap screw	8
H	6500-001-102	Base/litter interface bracket	2
J	0004-900-000	Socket head cap screw	4

XPS main assembly, patient right

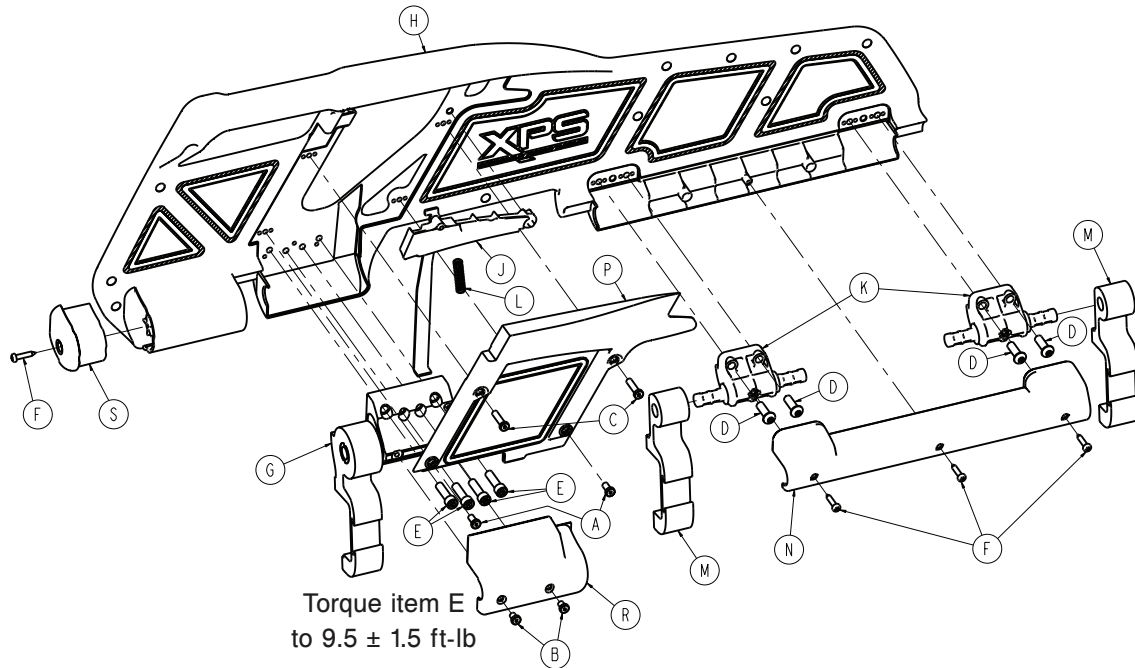
6500-003-034 Rev C (Reference only)



Item	Number	Name	Quantity
A	0004-400-000	Socket head cap screw	2
B	0004-402-000	Socket head cap screw	2
C	0004-403-000	Socket head cap screw	2
D	0004-468-000	Button head cap screw	4
E	0004-661-000	Socket head cap screw	4
F	0023-297-000	Delta screw	4
G	6500-003-035	XPS ratchet assembly, patient right	1
H	6500-003-037	XPS overmold assembly, patient right	1
J	6500-003-043	XPS handle assembly, patient right	1
K	6500-003-084	Support pivot	2
L	6500-003-085	XPS spring handle	1
M	6500-003-086	XPS siderail pivot	2
N	6500-003-094	XPS release cover, patient right	1
P	6500-003-097	XPS pivot cover	1
R	6500-003-119	XPS ratchet cover, patient right/patient left	1
S	6500-003-121	End cap cover, patient right	1

XPS main assembly, patient left

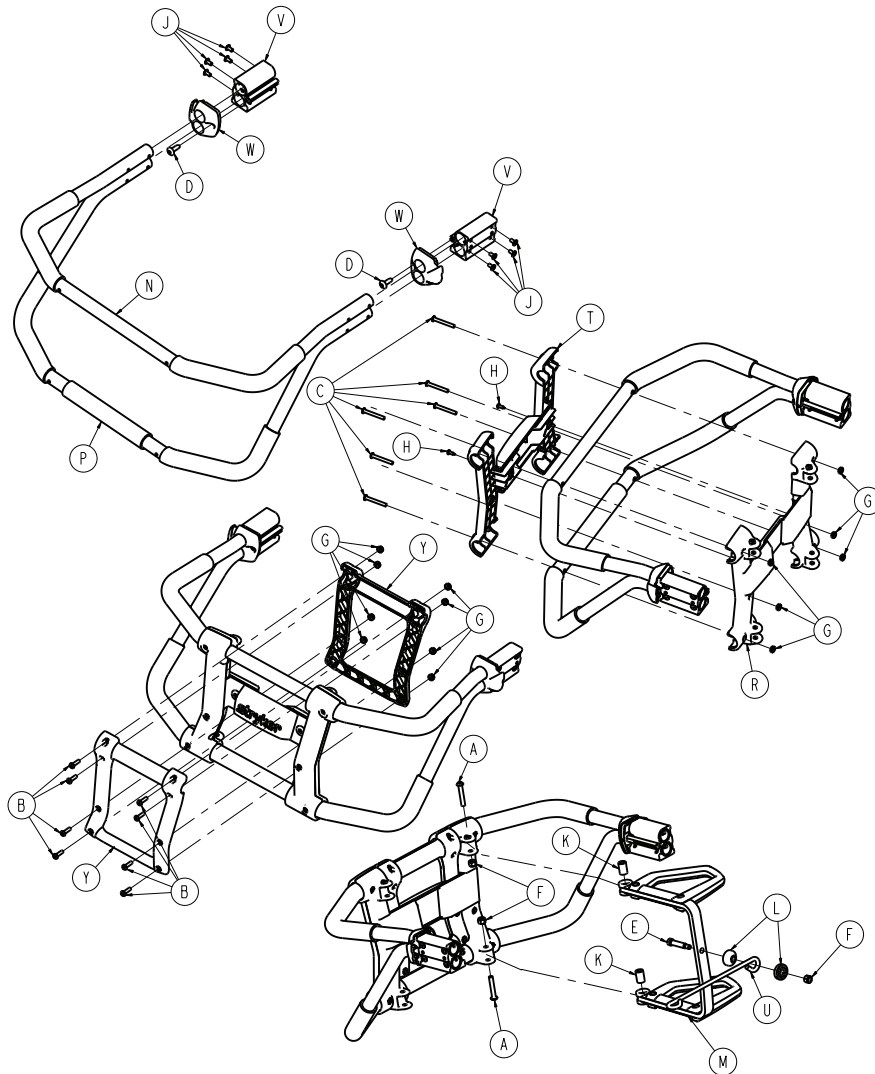
6500-003-044 Rev C (Reference only)



Item	Number	Name	Quantity
A	0004-400-000	Socket head cap screw	2
B	0004-402-000	Socket head cap screw	2
C	0004-403-000	Socket head cap screw	2
D	0004-468-000	Button head cap screw	4
E	0004-661-000	Socket head cap screw	4
F	0023-297-000	Delta screw	4
G	6500-003-036	XPS ratchet assembly, patient right	1
H	6500-003-038	XPS overmold assembly, patient right	1
J	6500-003-045	XPS handle assembly, patient right	1
K	6500-003-084	Support pivot	2
L	6500-003-085	XPS spring handle	1
M	6500-003-086	XPS siderail pivot	2
N	6500-003-097	XPS pivot cover	1
P	6500-003-102	XPS release cover, patient left	1
R	6500-003-120	XPS ratchet cover, patient right/patient left	1
S	6500-003-122	End cap cover, patient right	1

Foot end assembly, left hand option - 6085-001-015

Rev B (Reference only)

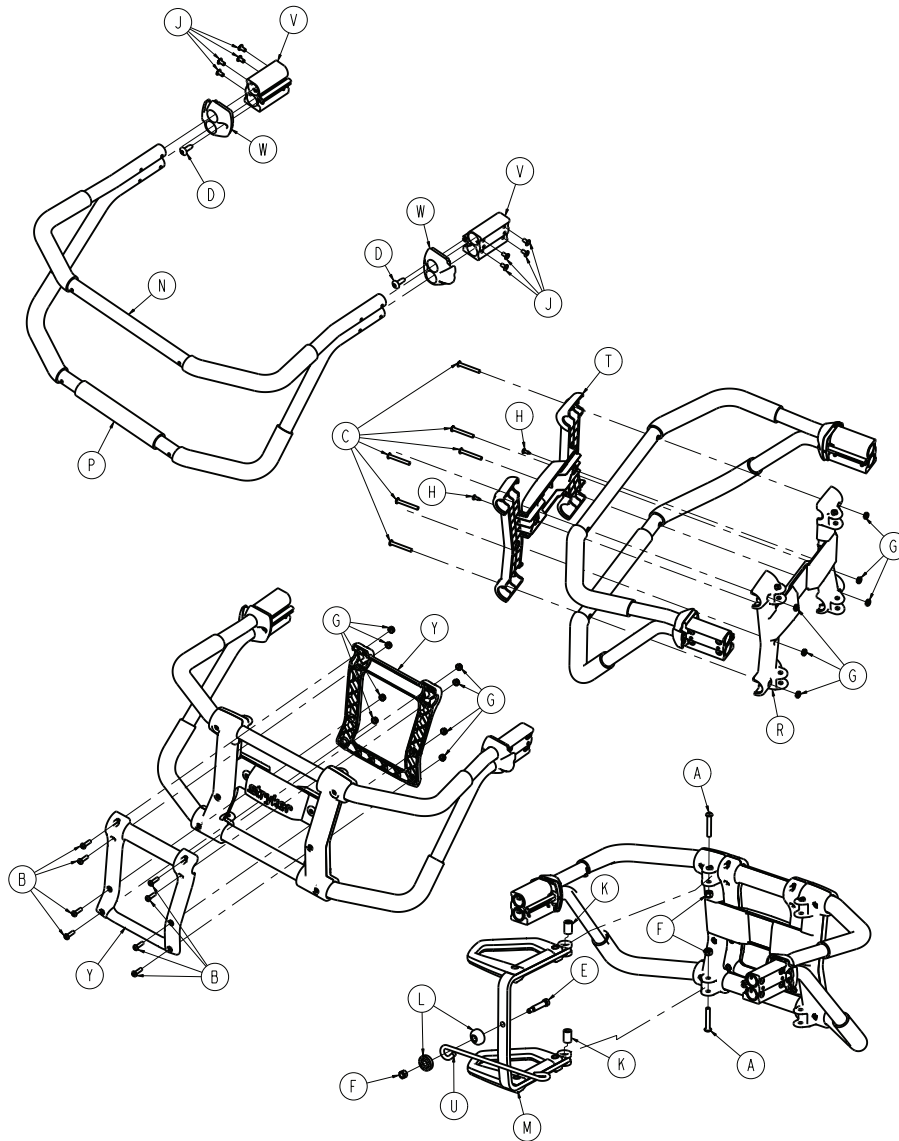


Item	Number	Name	Quantity
A	0004-376-000	Button head cap screw	2
B	0004-614-000	Button head cap screw	8
C	0004-615-000	Button head cap screw	6
D	0007-086-000	Truss head screw	2
E	0008-033-000	Socket head shoulder bolt	1
F	0016-028-000	Fiberlock hex nut	3
G	0016-131-000	Nylock hex nut	14
H	0023-167-000	Delta screw	2
J	0025-079-000	Dome head rivet	8
K	6080-040-044	Spacer link release	2
L	6082-040-025	Link bushing	2
M	6082-040-061	Release handle assembly	1
N	6085-001-106	Lift bar, upper	1
P	6085-001-107	Lift bar, lower	1

Item	Number	Name	Quantity
R	6085-001-108	Rear plate lift tube support	1
T	6085-001-109	Face plate lift tube support	1
U	6085-001-111	Pull handle link	1
V	6500-001-133	Machined extruded bracket	2
W	6500-001-144	Transition cap	2
Y	6500-001-154	Outside pull handle	2

Foot end assembly, right hand option - 6085-001-016

Rev B (Reference only)

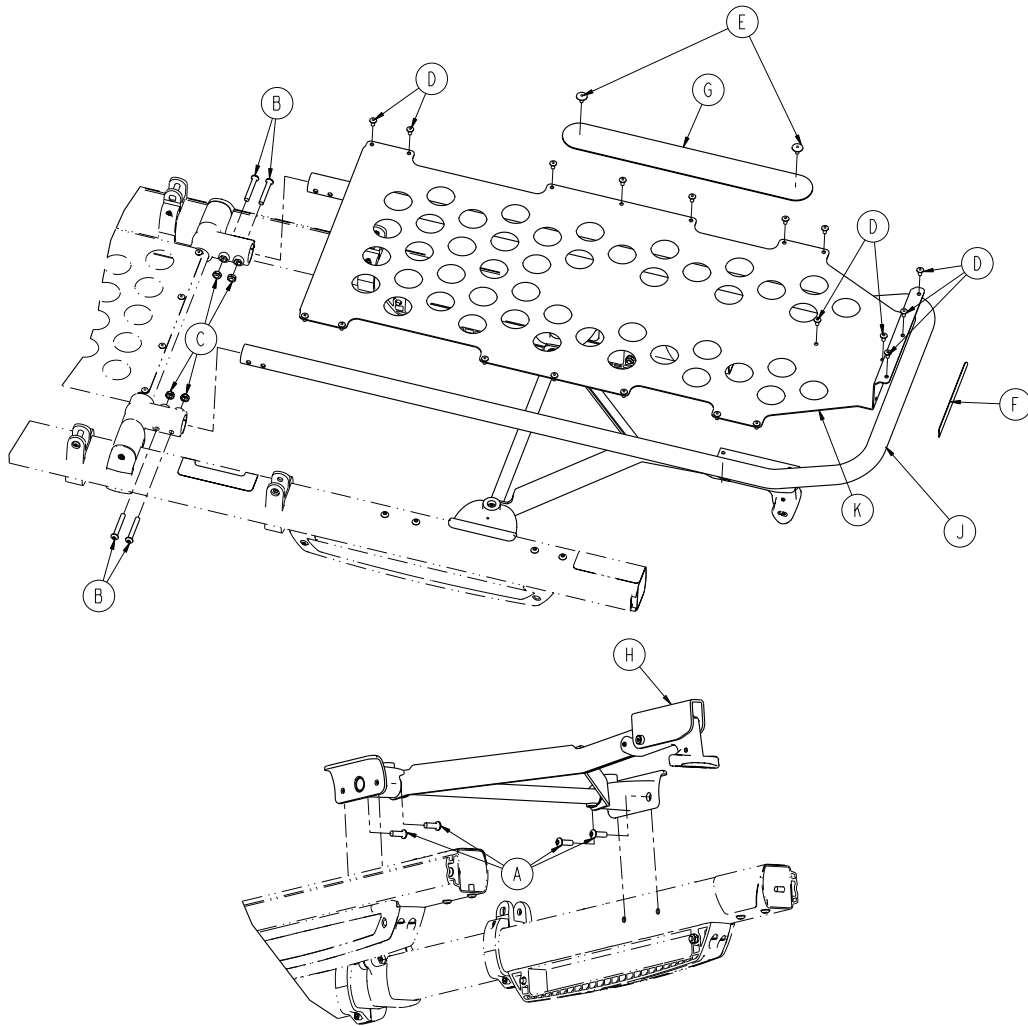


Item	Number	Name	Quantity
A	0004-376-000	Button head cap screw	2
B	0004-614-000	Button head cap screw	8
C	0004-615-000	Button head cap screw	6
D	0007-086-000	Truss head screw	2
E	0008-033-000	Socket head shoulder bolt	1
F	0016-028-000	Fiberlock hex nut	3
G	0016-131-000	Nylock hex nut	14
H	0023-167-000	Delta screw	2
J	0025-079-000	Dome head rivet	8
K	6080-040-044	Spacer link release	2
L	6082-040-025	Link bushing	2
M	6082-040-062	Release handle assembly	1
N	6085-001-106	Lift bar, upper	1

Item	Number	Name	Quantity
P	6085-001-107	Lift bar, lower	1
R	6085-001-108	Rear plate lift tube support	1
T	6085-001-109	Face plate lift tube support	1
U	6085-001-111	Pull handle link	1
V	6500-001-133	Machined extruded bracket	2
W	6500-001-144	Transition cap	2
Y	6500-001-154	Outside pull handle	2

Trend option - 6085-031-000

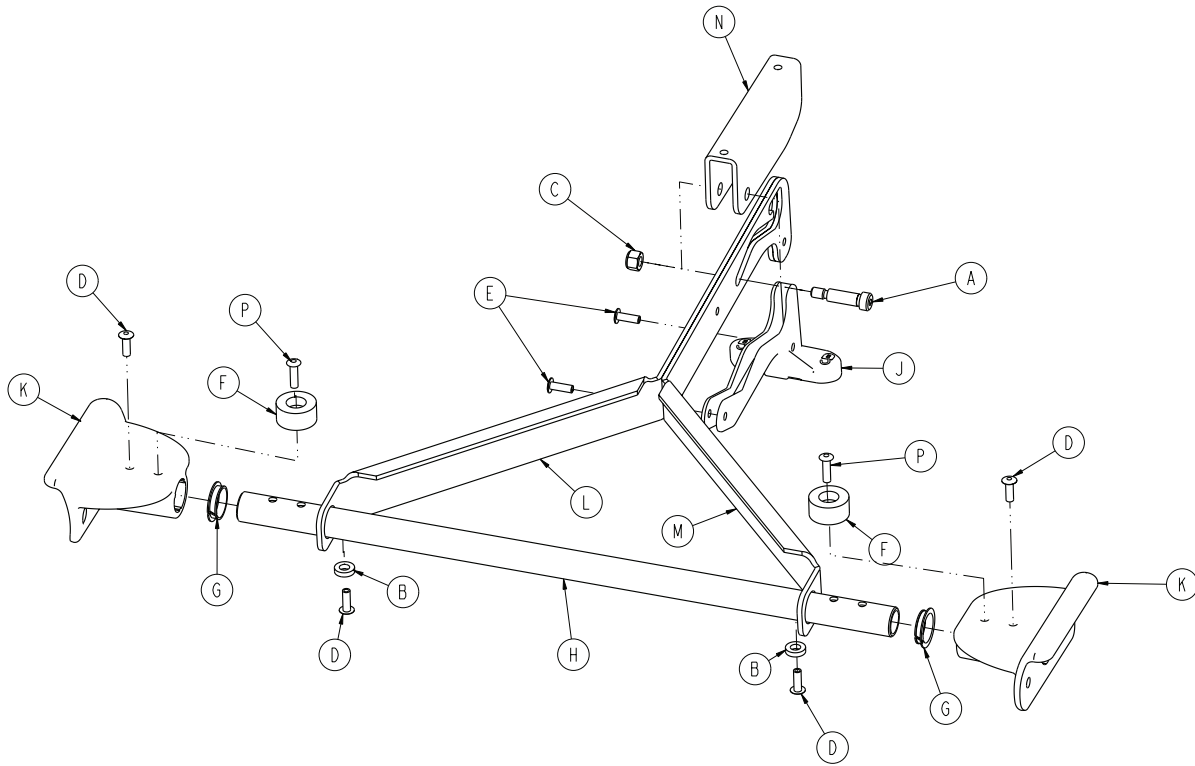
Rev A (Reference only)



Item	Number	Name	Quantity
A	0004-592-000	Button head cap screw	4
B	0004-596-000	Button head cap screw	4
C	0016-102-000	Nylock hex nut	4
D	0025-079-000	Dome head rivet	19
E	0025-132-000	Dome head rivet	2
F	6060-090-004	Label, small	1
G	6082-001-085	2" adhesive loop pole	1
H	6500-001-019	<i>Trend assembly</i> (page 61)	1
J	6500-001-197	Foot section tube	1
K	6500-001-198	Foot section skin	1

Trend assembly

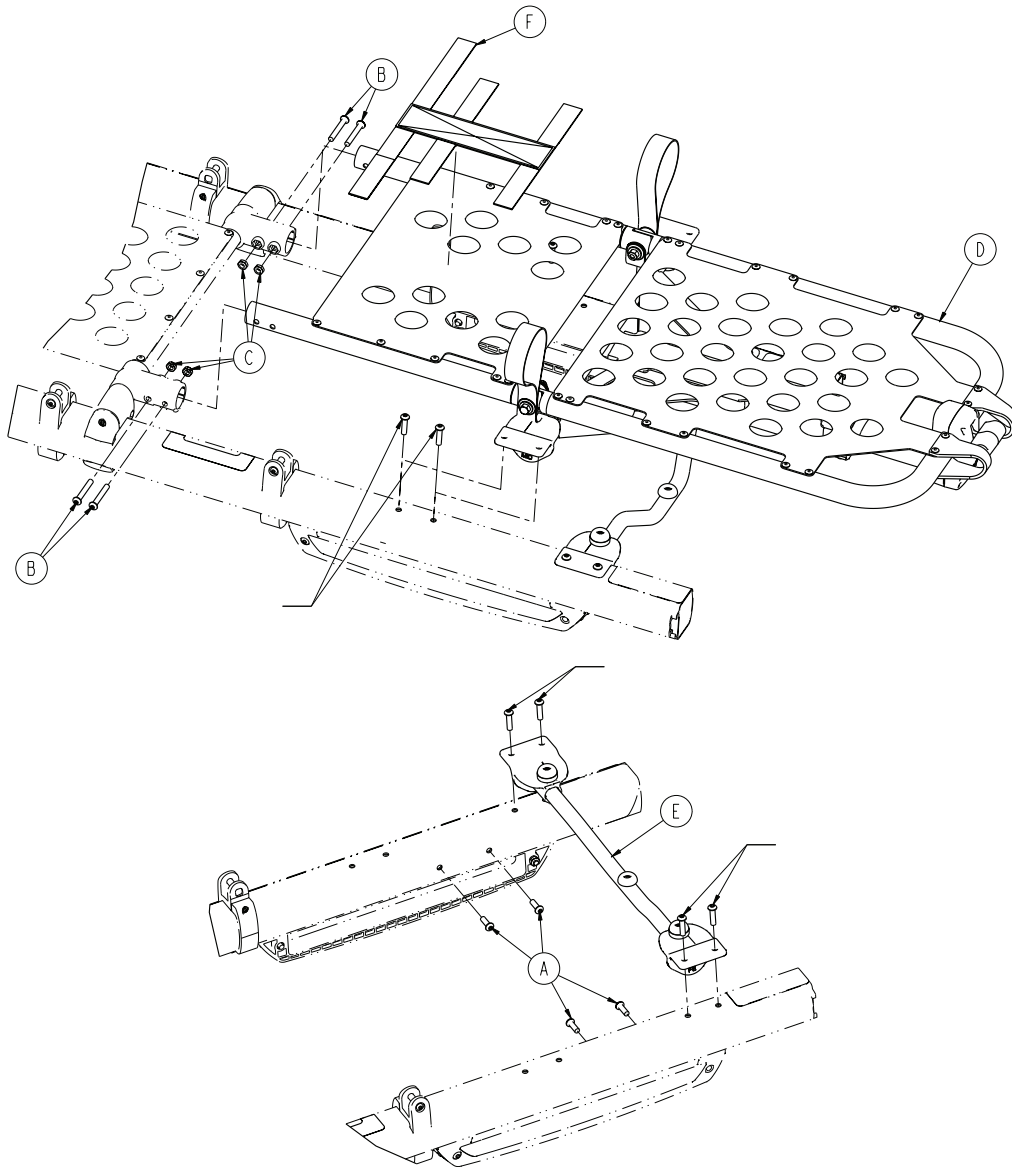
6500-001-019 Rev D (Reference only)



Item	Number	Name	Quantity
A	0008-074-000	Socket head shoulder screw	1
B	0014-067-000	Washer	2
C	0016-028-000	Hex nut	1
D	0025-133-000	Dome head rivet	4
E	0025-186-000	Semi-tubular rivet	2
F	0056-016-000	Bumper	2
G	0081-255-000	Split bearing	2
H	6500-001-107	Litter cross brace	1
J	6500-001-108	Trend release	1
K	6500-001-109	Trend support bracket	2
L	6500-001-203	Calf stand support, patient right	1
M	6500-001-204	Calf stand support, patient left	1
N	6500-001-205	Retainer, calf stand	1
P	0025-651-000	Dome head rivet	2

Gatch option - 6085-032-000

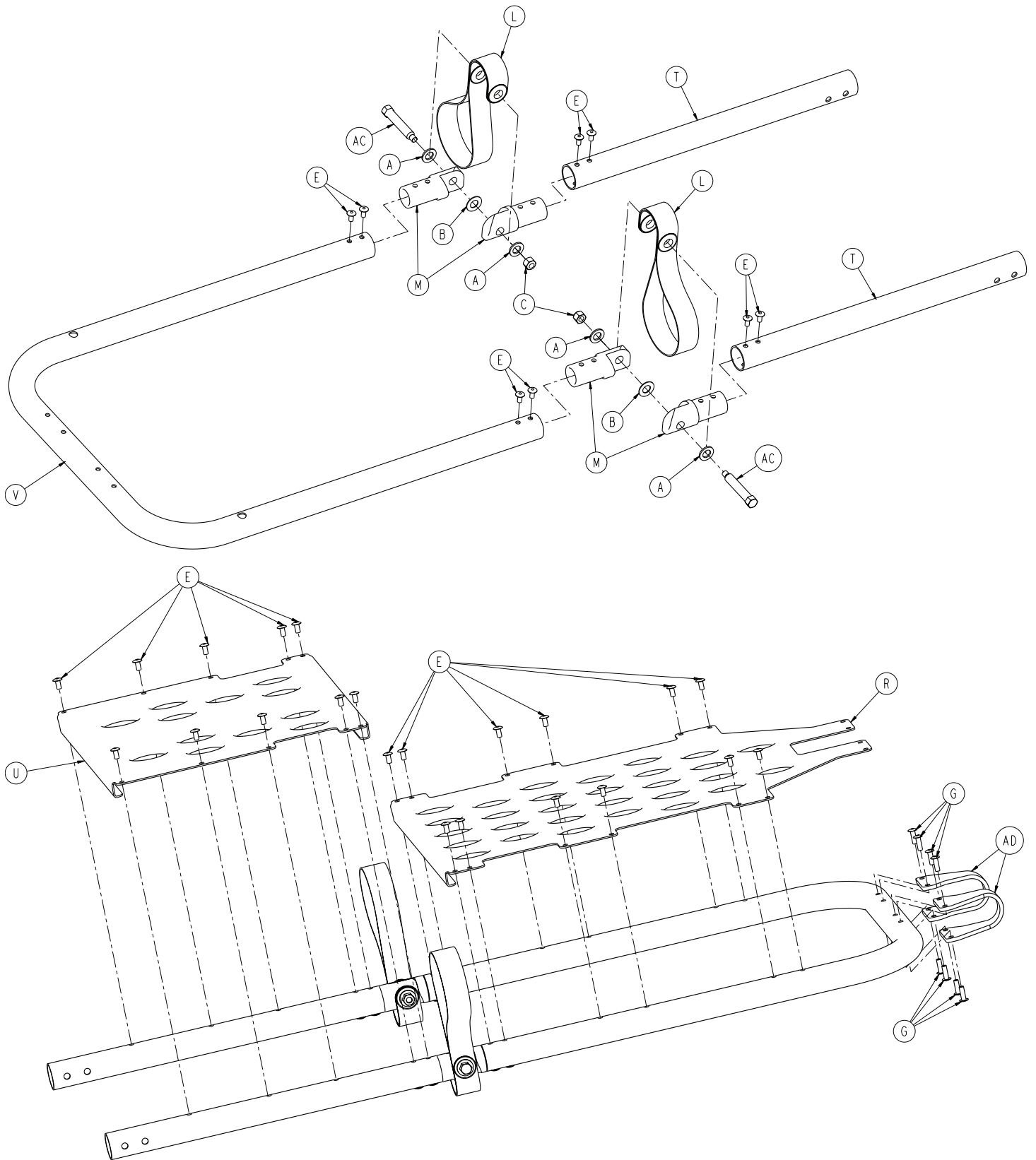
Rev A (Reference only)

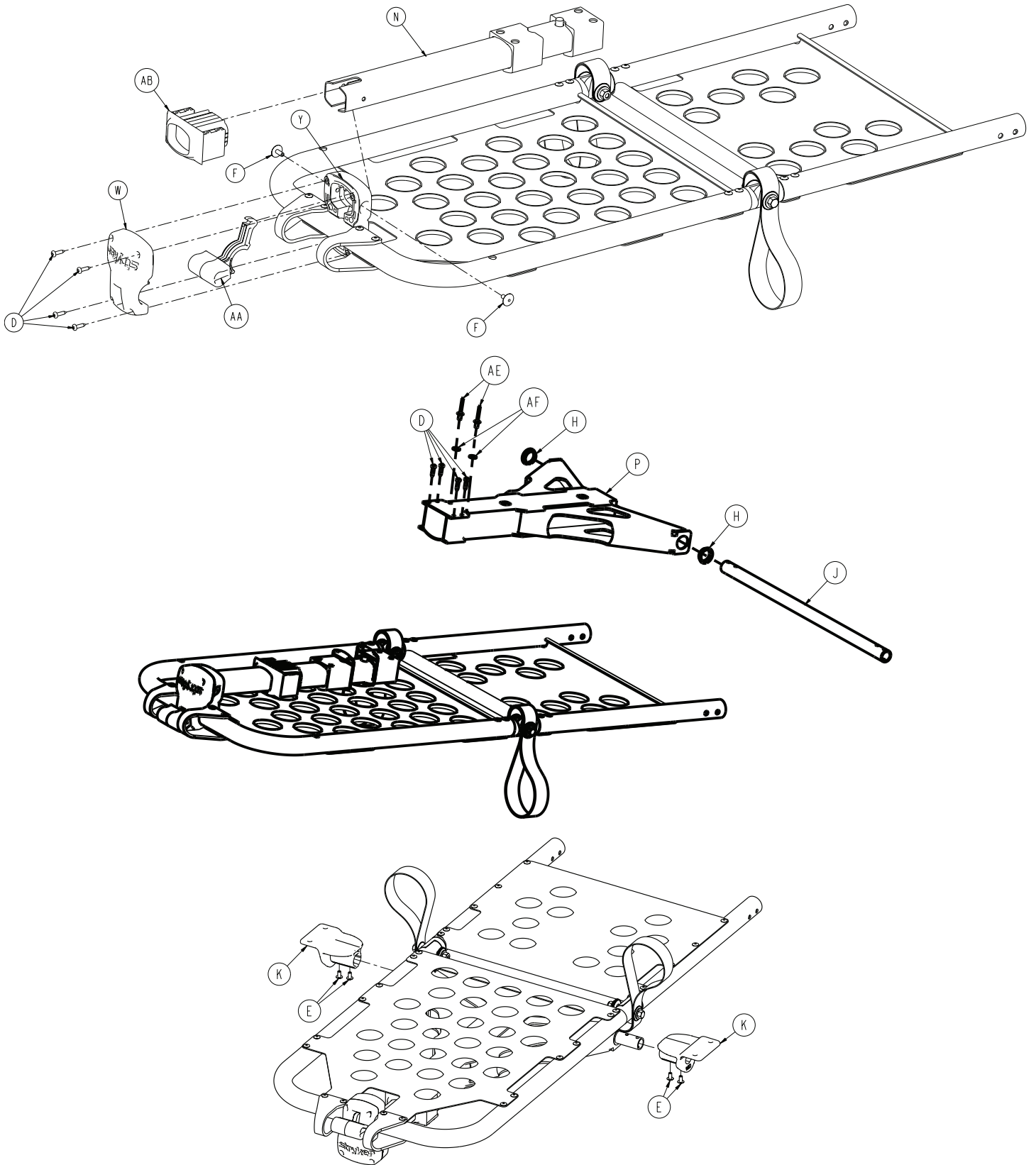


Item	Number	Name	Quantity
A	0004-592-000	Button head cap screw	4
B	0004-596-000	Button head cap screw	4
C	0016-102-000	Nylock hex nut	4
D	6085-001-030	<i>Gatch assembly</i> (page 63)	1
E	6085-001-031	<i>Gatch support assembly</i> (page 66)	1
F	6550-001-197	Velcro® strap	1

Gatch assembly

6085-001-030 Rev AA (Reference only)



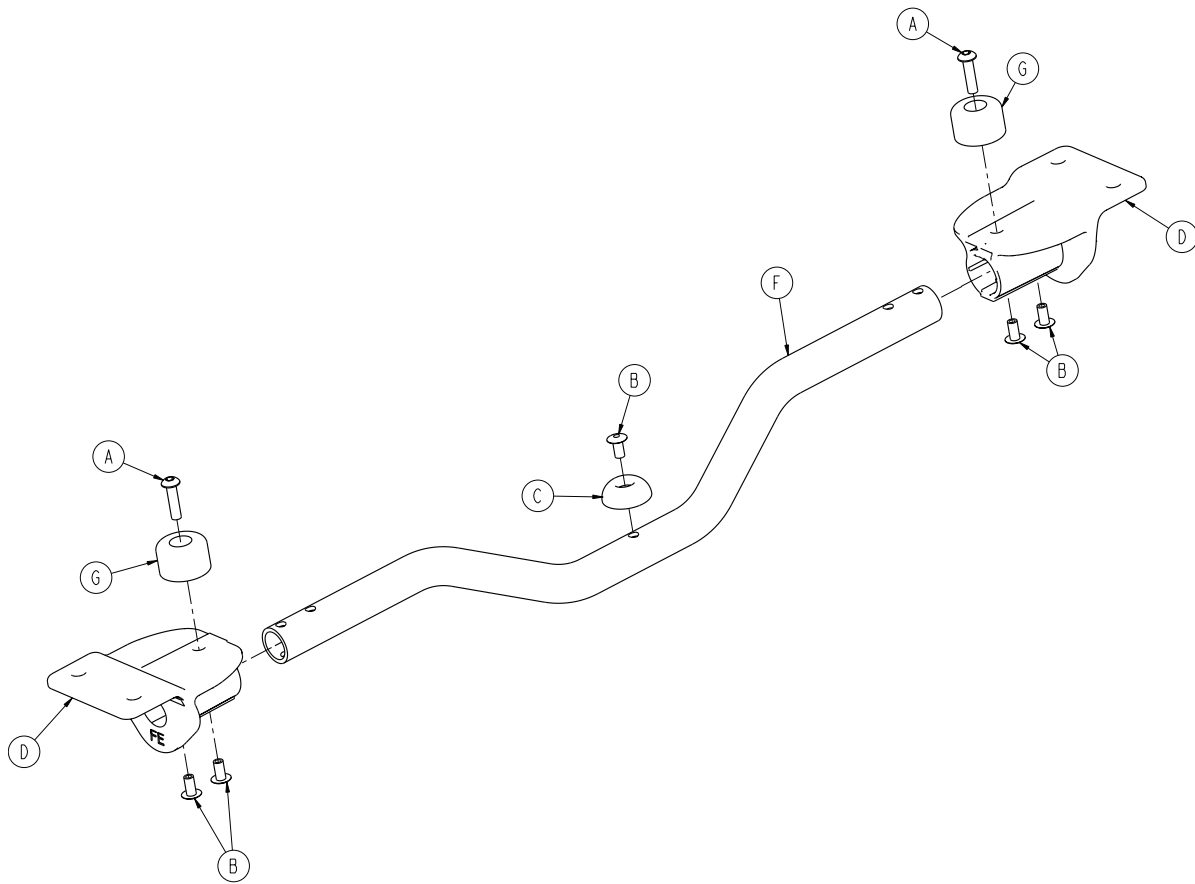


Item	Number	Name	Quantity
A	0011-448-000	Plain washer	4
B	0014-020-000	Flat washer	2
C	0016-028-000	Fiberlock hex nut	2
D	0023-162-000	Delta screw	8

Item	Number	Name	Quantity
E	0025-079-000	Dome head pop rivet	34
F	0025-132-000	Large flange rivet	2
G	0025-133-000	Dome head pop rivet	8
H	0081-255-000	Split bearing	2
J	6085-001-123	Gatch crosstube	1
K	6085-001-125	Gatch support, mid	2
L	6100-031-096	Trend lift strap	2
M	6100-031-108	Gatch pivot	4
N	6550-001-017	Telescoping assembly, Gatch	1
P	6550-001-057	Lock tube weldment, Gatch	1
R	6550-001-110	Foot section skin	1
T	6550-001-111	Thigh section tube	2
U	6550-001-112	Thigh section skin	1
V	6550-001-116	Foot section u-tube	1
W	6550-001-124	Gatch release, front	1
Y	6550-001-125	Gatch release, back	1
AA	6550-001-126	Gatch release lever	1
AB	6550-001-131	Gatch bearing end cap	1
AC	6550-001-186	Gatch pivot pin	2
AD	6550-001-193	Gatch handle guard	2
AE	0025-271-000	Closed end blind rivet, dome head	2
AF	0011-062-000	Washer	2

Gatch support assembly

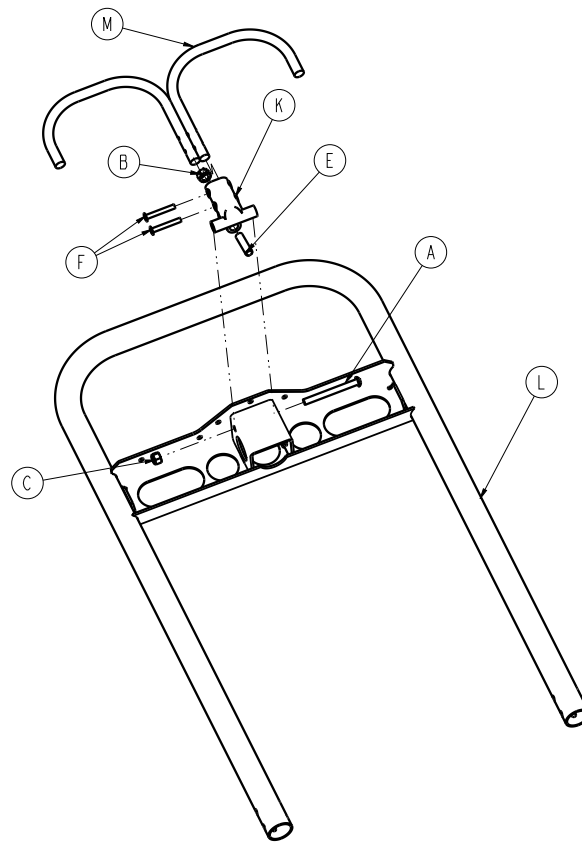
6085-001-031 Rev C (Reference only)



Item	Number	Name	Quantity
A	0004-614-000	Button head cap screw	2
B	0025-079-000	Dome head rivet	5
C	0946-001-155	Bumper	1
D	6085-001-135	Gatch support, foot end	2
F	6500-001-346	Gatch crosstube	1
G	0056-028-000	Bumper, black	2

Fowler assembly

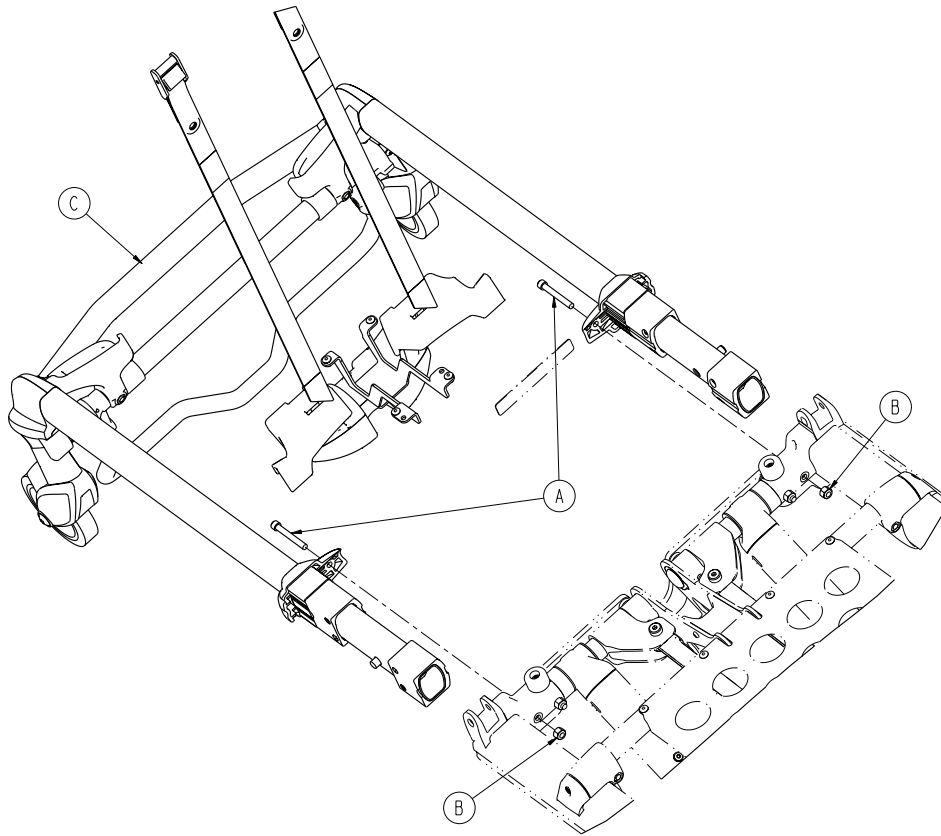
6500-001-018 Rev D (Reference only)



Item	Number	Name	Quantity
A	0004-597-000	Button head cap screw	1
B	0015-050-000	Hex nut	1
C	0016-028-000	Hex nut	1
E	0021-138-000	Set screw	1
F	0025-131-000	Rivet	2
K	6060-032-040	Fowler lift pivot	1
L	6082-032-050	Fowler weldment	1
M	6082-032-052	Release handle weldment	1

Retractable head section option - 6085-027-000

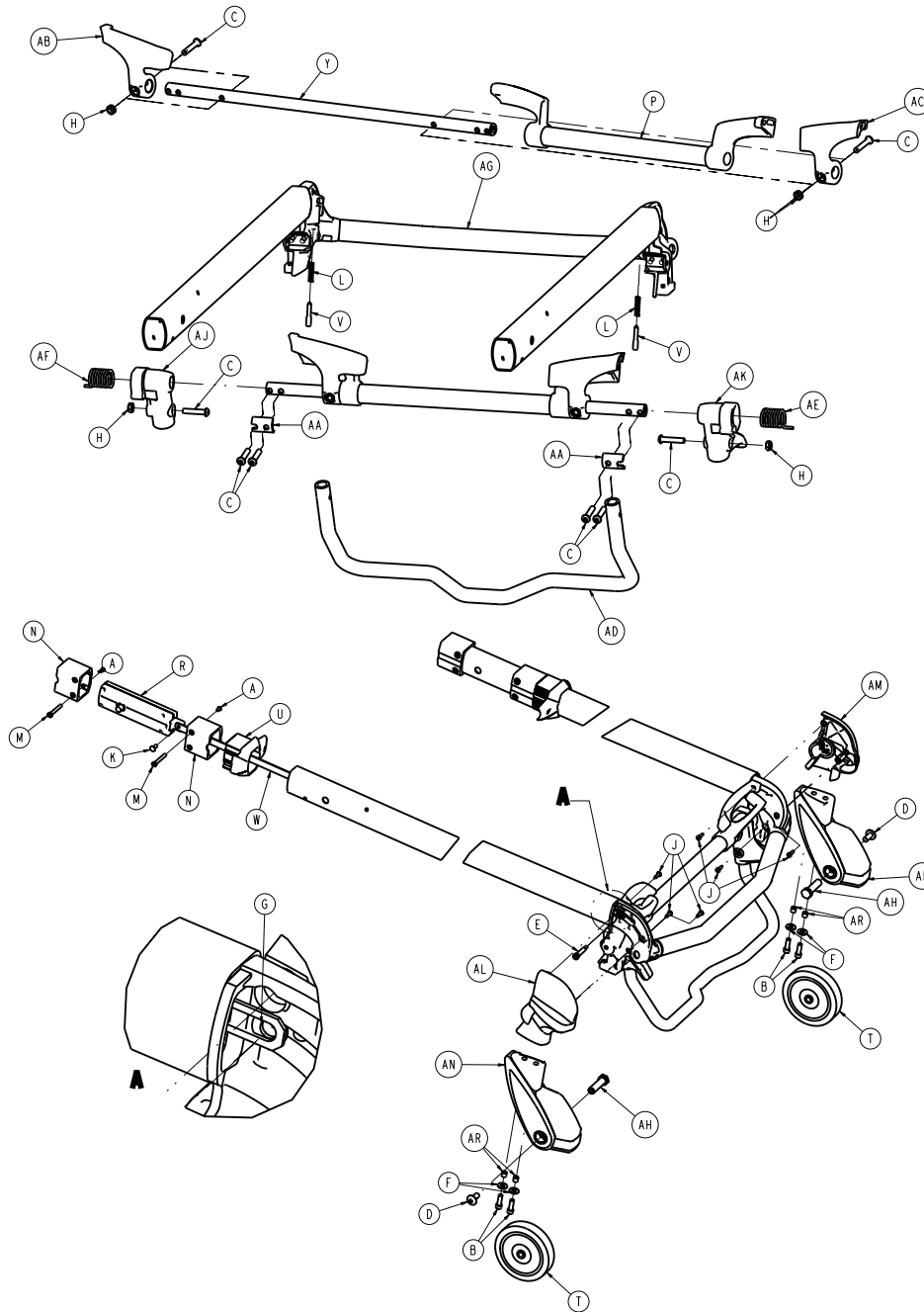
Rev B (Reference only)



Item	Number	Name	Quantity
A	0004-595-000	Socket head cap screw	2
B	0016-028-000	Fiberlock hex nut	2
C	6500-002-023	Head section assembly (page 69)	1

Head section assembly

6500-002-023 Rev C (Reference only)

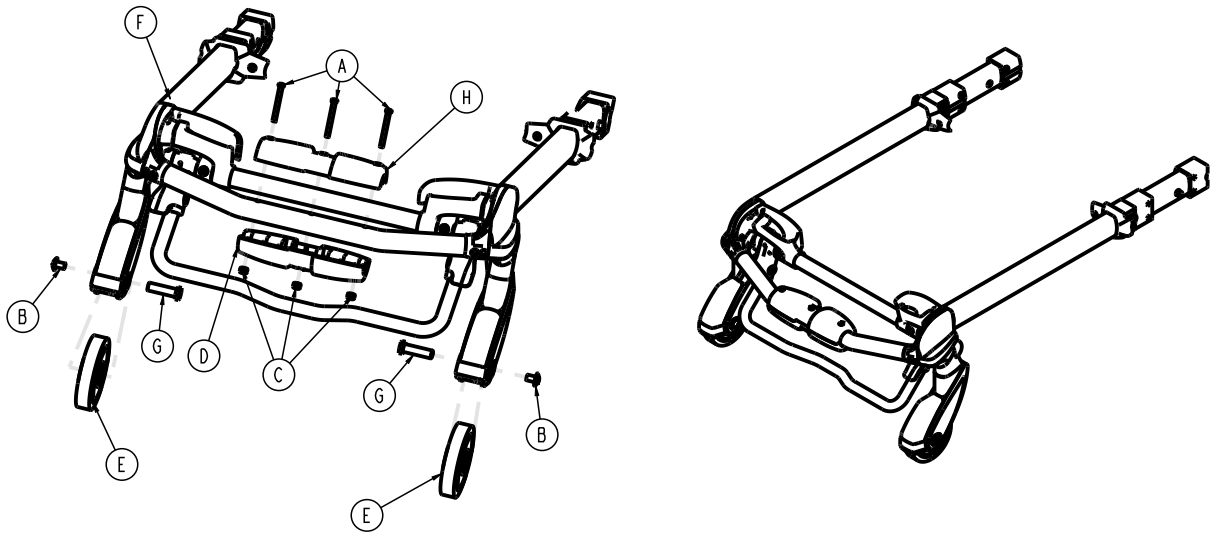


Item	Number	Name	Quantity
A	0004-168-000	Button head cap screw	4
B	0004-591-000	Socket head cap screw	4
C	0004-612-000	Button head cap screw	8
D	0007-556-000	Truss head machine screw	2
E	0008-030-000	Socket head shoulder screw	2
F	0011-624-000	Washer	4
G	0014-002-000	Washer	2
H	0016-102-000	Nylock hex nut	4

Item	Number	Name	Quantity
J	0023-162-000	Delta screw	4
K	0025-126-000	Rivet	2
L	0038-570-000	Compression spring	2
M	6085-001-169	Head section nut	4
N	6085-001-170	Internal bearing	4
P	6500-001-023	Head trigger assembly	1
R	6500-001-026	<i>Head section lock assembly (page 82)</i>	2
T	6500-001-086	Front wheel	2
U	6500-001-087	Cap bearing	2
V	6500-001-093	Safety bar lock pin	2
W	6500-001-096	Head section release link	2
Y	6500-001-220	Head section pivot crosstube	1
AA	6500-001-221	Crosstube clamp	2
AB	6500-001-280	Head section guard, patient right	1
AC	6500-001-281	Head section guard, patient left	1
AD	6500-001-322	Sliding head section safety bar	1
AE	6500-001-325	Safety bar torsion spring, patient left	1
AF	6500-001-326	Safety bar torsion spring, patient right	1
AG	6500-002-024	Telescoping tube assembly	1
AH	6500-002-106	Load wheel spacer	2
AJ	6500-002-107	Safety bar pivot, patient right	1
AK	6500-002-108	Safety bar pivot, patient left	1
AL	6500-002-109	Load wheel horn, cover, patient left	1
AM	6500-002-110	Load wheel horn, cover, patient right	1
AN	6500-002-120	Load wheel horn, patient left	1
AP	6500-002-121	Load wheel horn, patient right	1
AR	6500-002-114	Compression limiter sleeve	4

Head section (non-Power-LOAD compatible) option - 6506-001-020

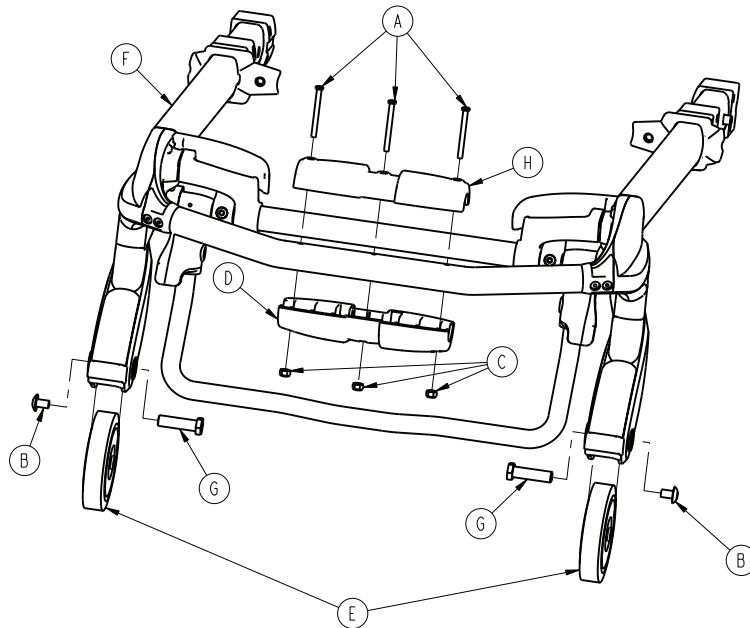
Rev AA (Reference only)



Item	Number	Name	Quantity
A	0004-656-000	Socket head cap screw	3
B	0007-556-000	Truss head machine screw	2
C	0016-002-000	Fiberlock hex nut	3
D	6085-001-174	Oxygen bottle holder, bottom	1
E	6500-001-086	Front wheel	2
F	650600020020	<i>Bent, antler only head section option - 650600020020 (page 85)</i>	1
G	6500-002-106	Load wheel fastener	2
H	6500-002-156	Top guide, head end	1

Head section (Power-LOAD compatible) option - 6506-001-021

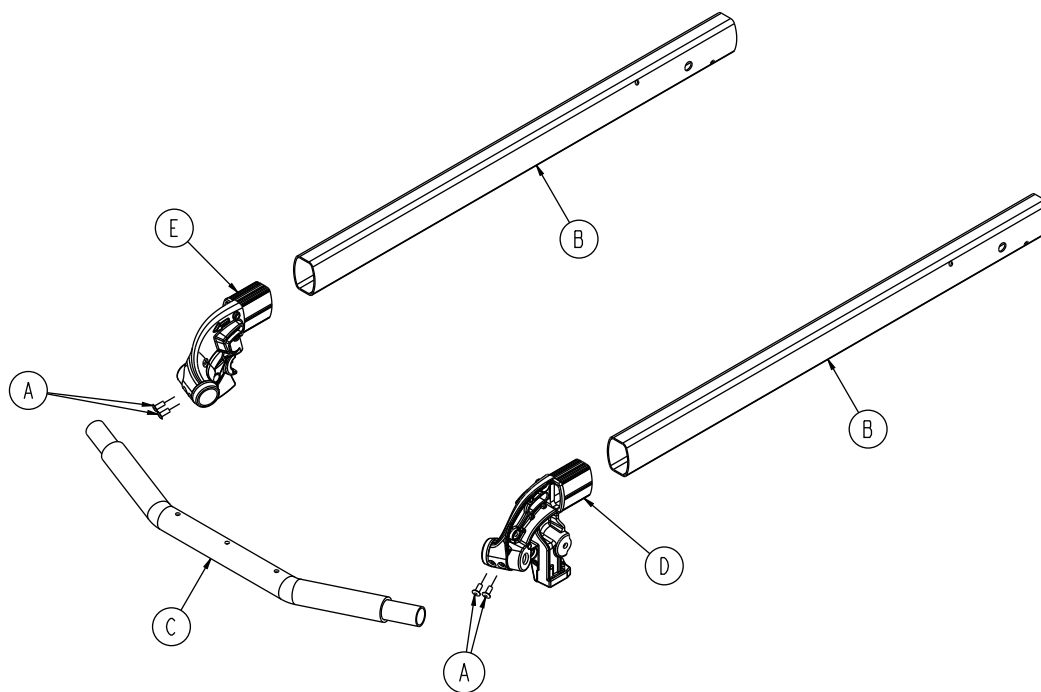
Rev B (Reference only)



Item	Number	Name	Quantity
A	0004-656-000	Socket head cap screw	3
B	0007-556-000	Truss head machine screw	2
C	0016-002-000	Fiberlock hex nut	3
D	6085-001-174	Oxygen bottle holder, bottom	1
E	6500-101-086	Load wheel, hard	2
F	6500-002-020	Head section option - 6500-002-020 (page 80)	1
G	6500-002-104	Load wheel pin	2
H	6500-002-156	Top guide, head end	1

Head section bonding

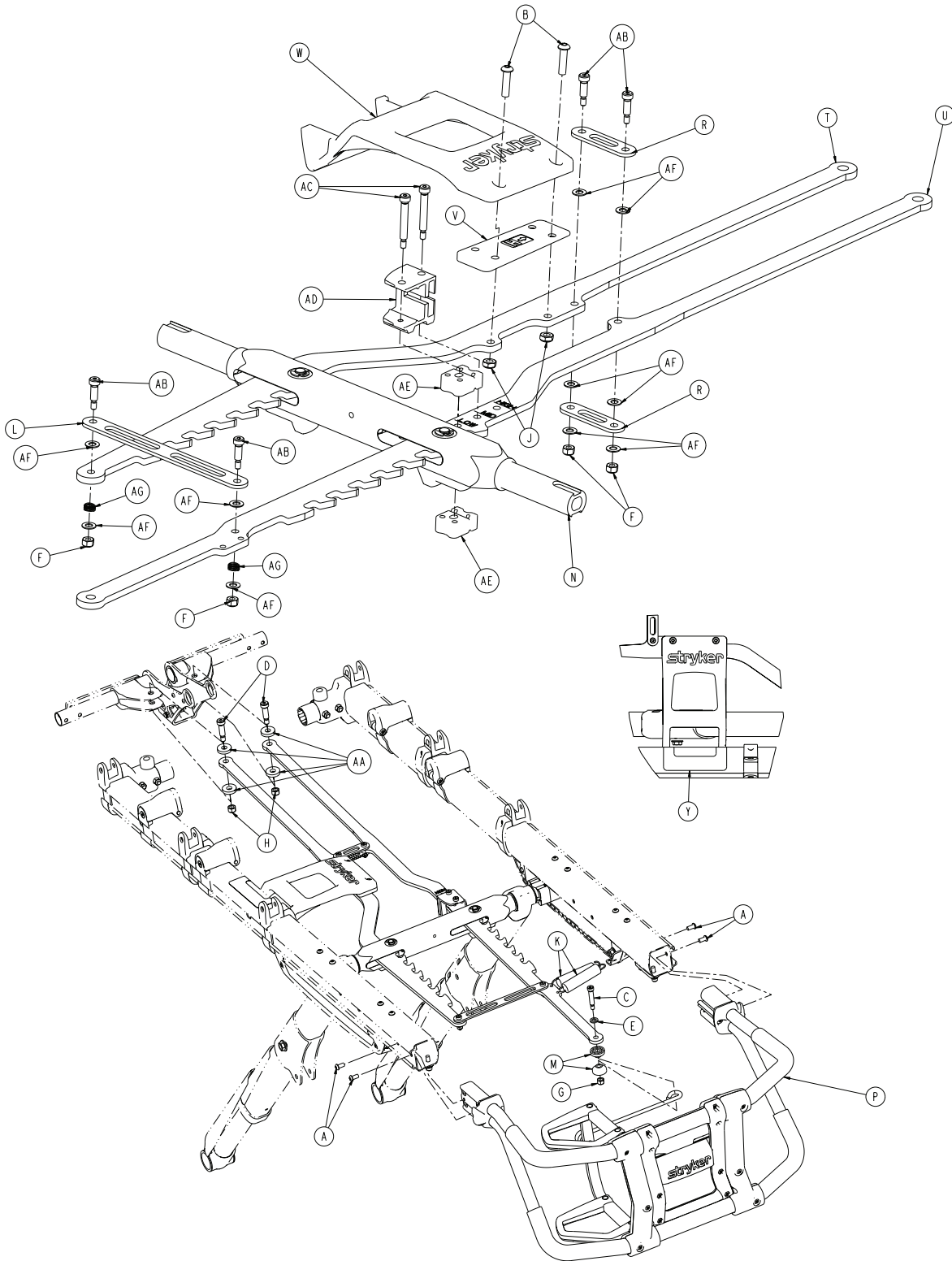
650700080150 Rev AE (Reference only)



Item	Number	Name	Quantity
A	0025-079-000	Dome head rivet	4
B	6085-001-144	Head section telescoping tube	2
C	6500-001-084	Lifting bar, front	1
D	6500-002-080	Load wheel forging, patient right	1
E	6500-002-081	Load wheel forging, patient left	1

Left hand release handle option - 6086-029-000

Rev A (Reference only)

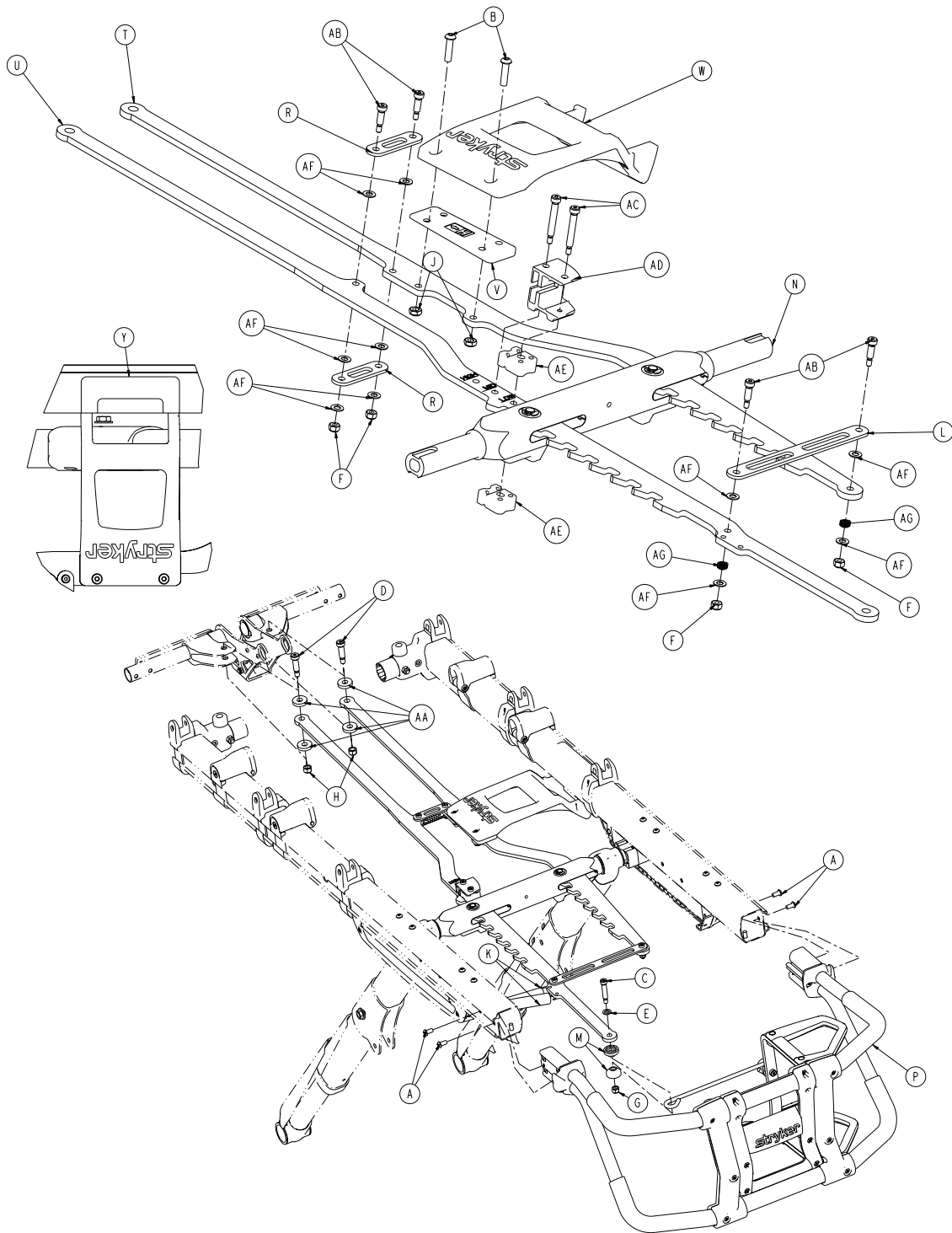


Item	Number	Name	Quantity
A	0004-589-000	Button head cap screw	4
B	0004-594-000	Button head cap screw	2

Item	Number	Name	Quantity
C	0008-033-000	Socket head shoulder screw	1
D	0008-081-000	Socket head shoulder screw	2
E	0011-352-000	Washer	1
F	0016-002-000	Fiberlock hex nut	4
G	0016-028-000	Fiberlock hex nut	1
H	0016-036-000	Nylock hex nut	2
J	0016-102-000	Nylock hex nut	2
K	0038-508-000	Extension spring	2
L	6082-005-038	Cross brace	1
M	6082-040-025	End link bushing	2
N	6085-001-013	<i>Lock bar assembly (page 46)</i>	1
P	6085-001-015	<i>Foot end assembly, left hand option - 6085-001-015 (page 56)</i>	1
R	6085-001-089	Cross brace	2
T	6085-001-099	Rack, patient right	1
U	6085-001-100	Rack, patient left	1
V	6085-001-141	Side release spacer	1
W	6085-001-142	Side release handle	1
Y	6085-001-159	Label, side release	1
AA	6085-001-175	Rack washer	4
AB	0008-020-000	Socket head shoulder screw	4
AC	0008-079-000	Socket head shoulder screw	2
AD	6085-001-098	Bumper housing	1
AE	6085-001-101	Rack bumper deadstop	2
AF	0014-004-000	Washer	10
AG	0038-374-000	Crest-to-crest spring	2

Right hand release handle option - 6086-030-000

Rev A (Reference only)

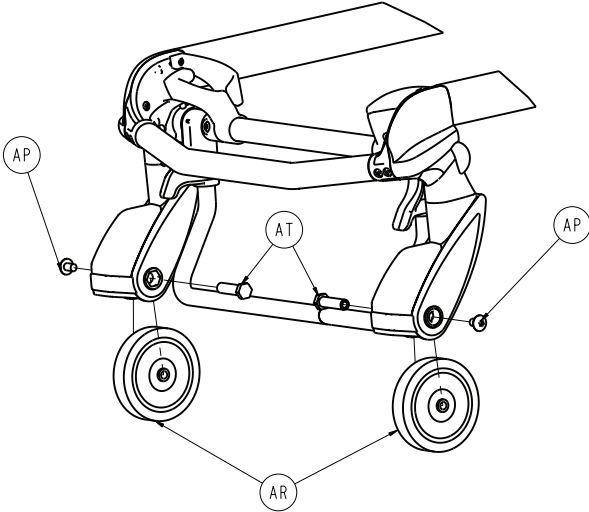
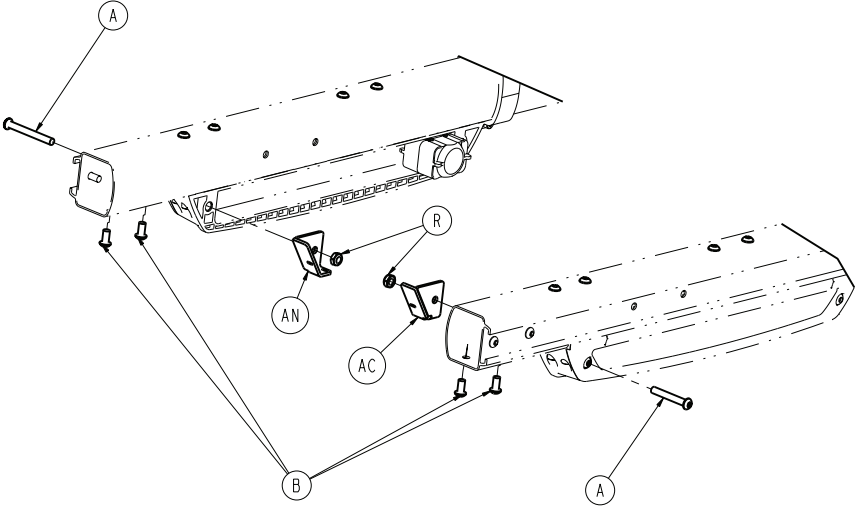


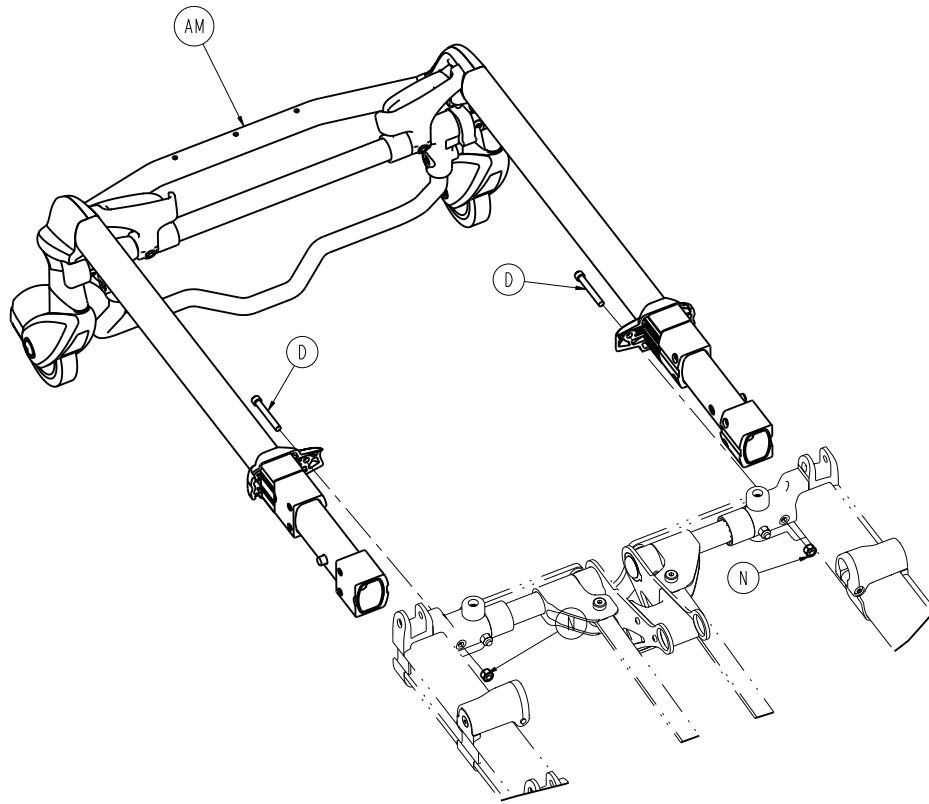
Item	Number	Name	Quantity
A	0004-589-000	Button head cap screw	4
B	0004-594-000	Button head cap screw	2
C	0008-033-000	Socket head shoulder screw	1
D	0008-081-000	Socket head shoulder screw	2
E	0011-352-000	Washer	1

Item	Number	Name	Quantity
F	0016-002-000	Fiberlock hex nut	4
G	0016-028-000	Fiberlock hex nut	1
H	0016-036-000	Nylock hex nut	2
J	0016-102-000	Nylock hex nut	2
K	0038-508-000	Extension spring	2
L	6082-005-038	Cross brace	1
M	6082-040-025	End link bushing	2
N	6085-001-013	<i>Lock bar assembly (page 46)</i>	1
P	6085-001-015	<i>Foot end assembly, left hand option - 6085-001-015 (page 56)</i>	1
R	6085-001-089	Cross brace	2
T	6085-001-099	Rack, patient right	1
U	6085-001-100	Rack, patient left	1
V	6085-001-141	Side release spacer	1
W	6085-001-142	Side release handle	1
Y	6085-001-159	Label, side release	1
AA	6085-001-175	Rack washer	4
AB	0008-020-000	Socket head shoulder screw	4
AC	0008-079-000	Socket head shoulder screw	2
AD	6085-001-128	Bumper housing	1
AE	6085-001-101	Rack bumper deadstop	2
AF	0014-004-000	Washer	10
AG	0038-374-000	Crest-to-crest spring	2

Antler only head section option - 6086-050-000

Rev D (Reference only)

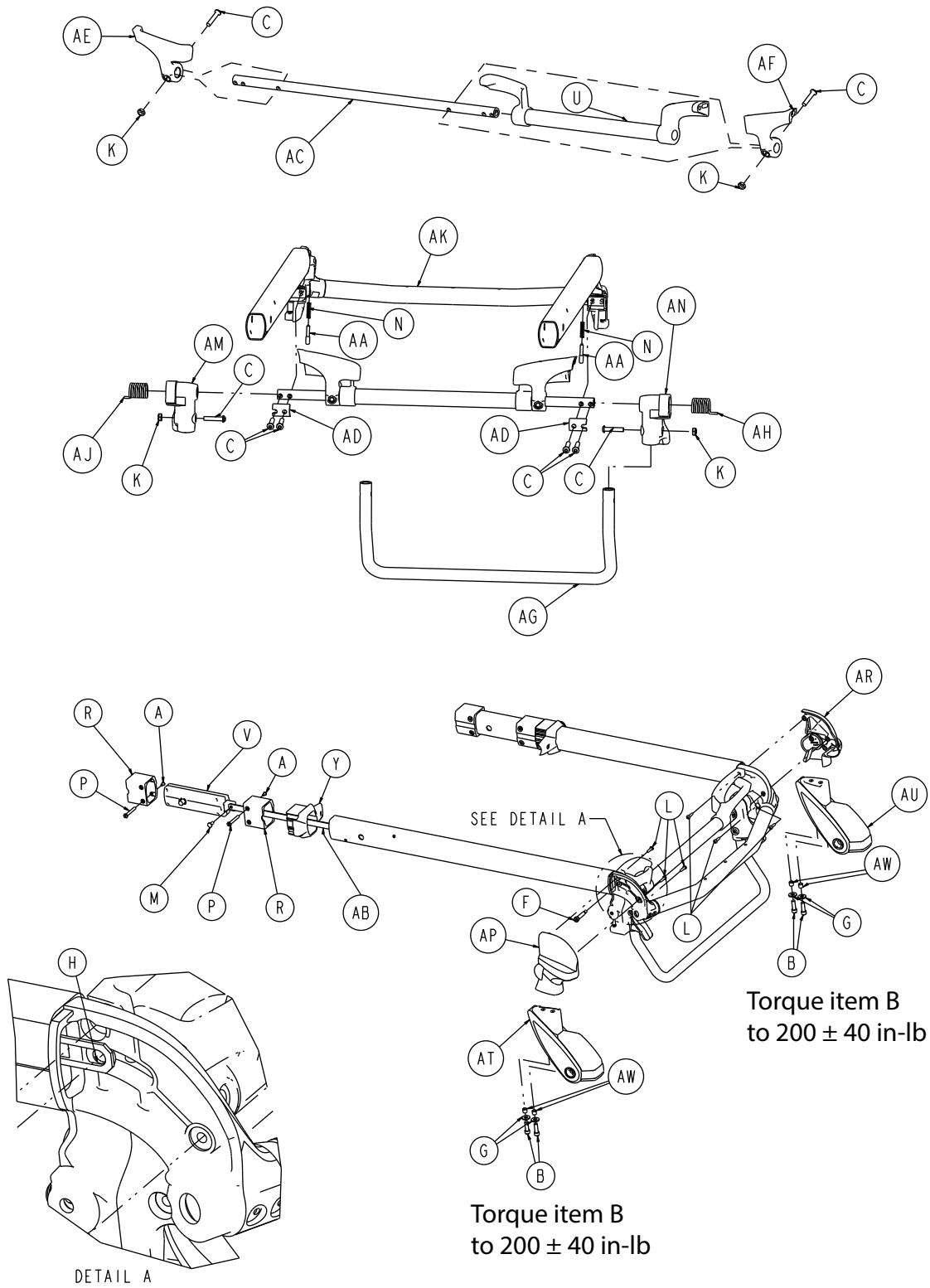




Item	Number	Name	Quantity
A	0004-387-000	Button head cap screw	2
B	0004-589-000	Button head cap screw	4
C	6085-001-178	Litter/base spacer - large	2
D	0004-595-000	Socket head cap screw	2
N	0016-028-000	Fiberlock hex nut	2
R	0016-102-000	Nylock hex nut	2
AC	6085-001-092	Rack spring bracket	1
AM	650600020020	<i>Bent, antler only head section option - 650600020020 (page 85)</i>	1
AN	6085-001-104	Rack spring bracket	1
AP	0007-556-000	Truss head machine screw	2
AR	6500-001-086	Wheel, front	2
AT	6500-002-106	Load wheel fastener	2
AV	6085-101-143	Fowler cylinder pin	1

Head section option - 6500-002-020

Rev AA (Reference only)

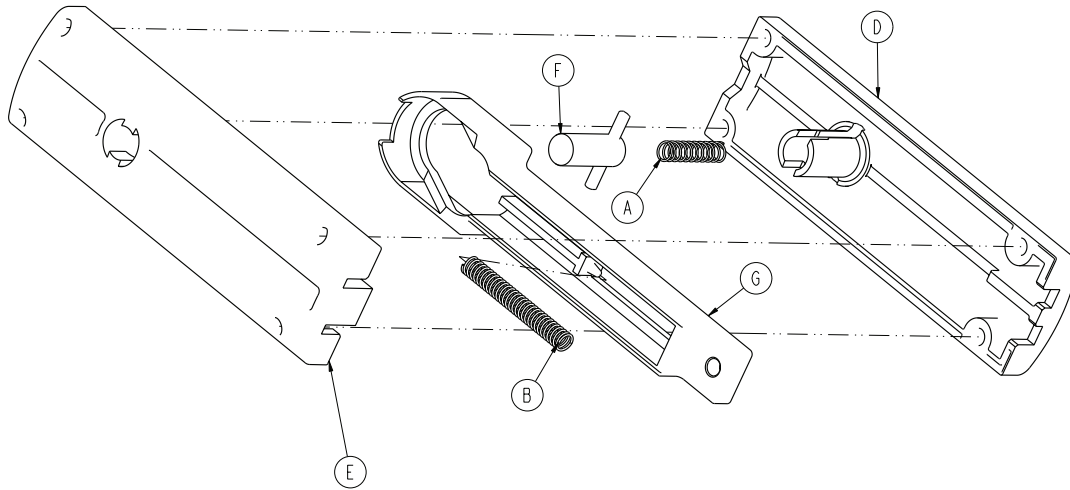


Note - Place washer (item H) between the release link and forging.

Item	Number	Name	Quantity
A	0004-168-000	Button head cap screw	4
B	0004-591-000	Socket head cap screw	4
C	0004-612-000	Button head cap screw	8
F	0008-030-000	Socket head shoulder screw	2
G	0011-624-000	Washer	4
H	0014-002-000	Washer	2
K	0016-102-000	Nylock hex nut	4
L	0023-162-000	Delta screw	6
M	0025-126-000	Semi-tubular rivet	2
N	0038-570-000	Compression spring	2
P	6085-001-169	Head section nut	4
R	6085-001-170	Internal bearing	4
U	6500-001-023	Head trigger assembly	1
V	6500-001-026	<i>Head section lock assembly (page 82)</i>	2
Y	6500-001-087	Cap bearing	2
AA	6500-001-093	Safety bar lock pin	2
AB	6500-001-096	Head section release link	2
AC	6500-001-220	Head section pivot crosstube	1
AD	6500-001-221	Crosstube clamp	2
AE	6500-001-280	Head section guard, patient right	1
AF	6500-001-281	Head section guard, patient left	1
AG	6500-001-322	Sliding head section safety bar	1
AH	6500-001-325	Safety bar torsion spring, patient left	1
AJ	6500-001-326	Safety bar torsion spring, patient right	1
AK	650700080150	<i>Head section bonding (page 73)</i>	1
AM	6500-002-107	Safety bar pivot, patient right	1
AN	6500-002-108	Safety bar pivot, patient left	1
AP	6500-002-109	Load wheel horn cover, patient left	1
AR	6500-002-110	Load wheel horn cover, patient right	1
AT	6500-002-120	Load wheel horn, patient left	1
AU	6500-002-121	Load wheel horn, patient right	1
AW	6500-002-114	Compression limiter sleeve	4

Head section lock assembly

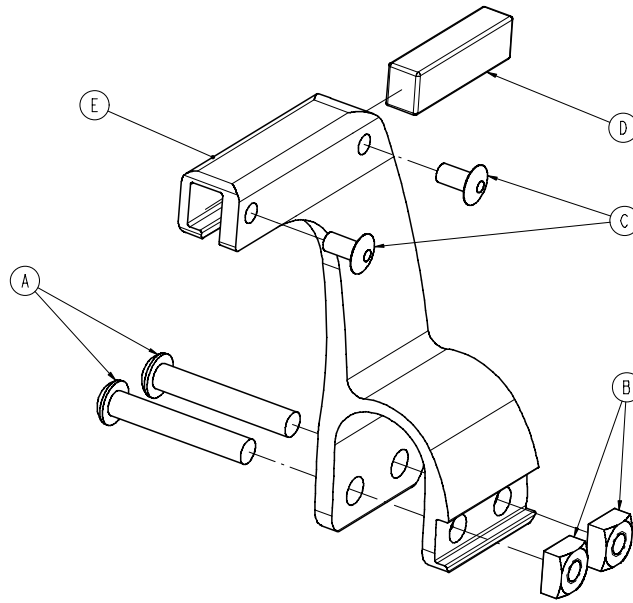
6500-001-026 Rev C (Reference only)



Item	Number	Name	Quantity
A	0038-570-000	Compression spring	1
B	0038-134-000	Compression spring	1
D	6500-001-091	Top latch housing	1
E	6500-001-092	Bottom latch housing	1
F	6500-001-025	Latch assembly	1
G	6500-001-095	Actuation slide	1

In-fastener shut-off assembly option - 6500-001-027

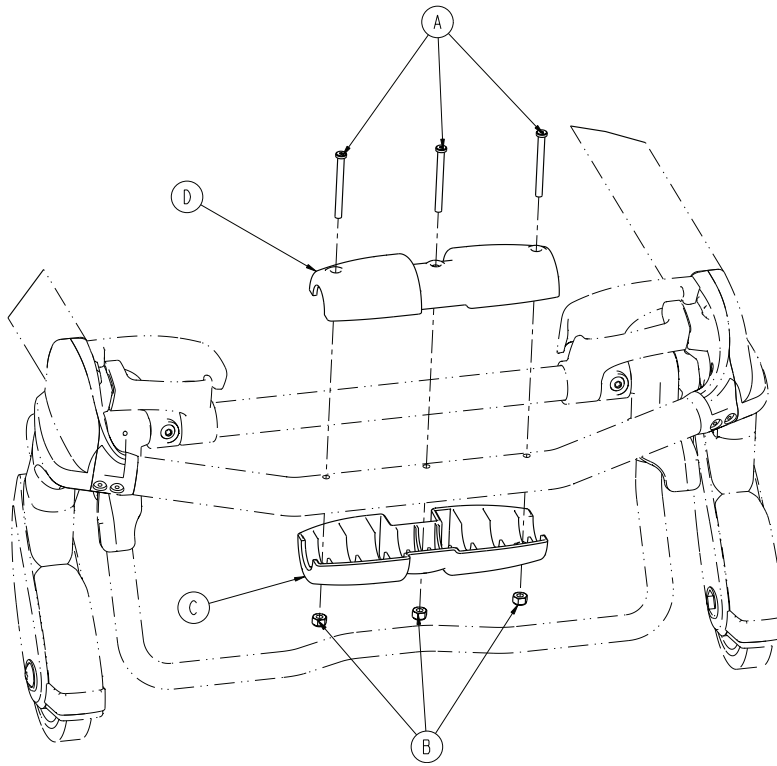
Rev C (Reference only)



Item	Number	Name	Quantity
A	0004-376-000	Button head cap screw	2
B	0015-016-000	Square nut	2
C	0025-079-000	Dome head rivet	2
D	6500-001-271	Ambulance shut-off magnet	1
E	6500-001-272	Fastener shut-off magnet holder	1

No head section oxygen bottle holder option - 6506-036-000

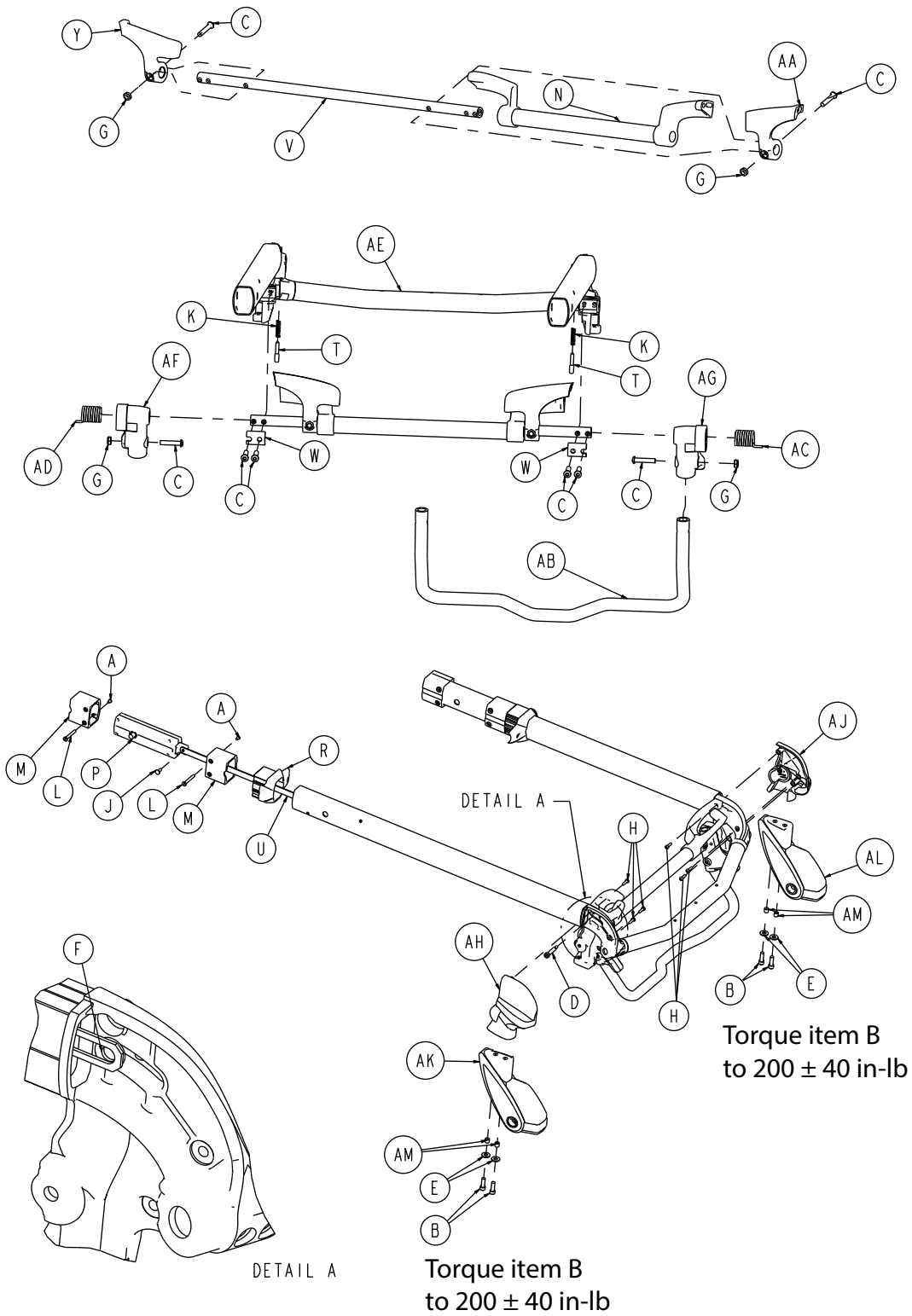
Rev A (Reference only)



Item	Number	Name	Quantity
A	0004-656-000	Socket head cap screw	3
B	0016-002-000	Fiberlock hex nut	3
C	6085-001-174	Oxygen bottle holder, bottom	1
D	6500-002-156	Top guide, head end	1

Bent, antler only head section option - 650600020020

Rev AA (Reference only)

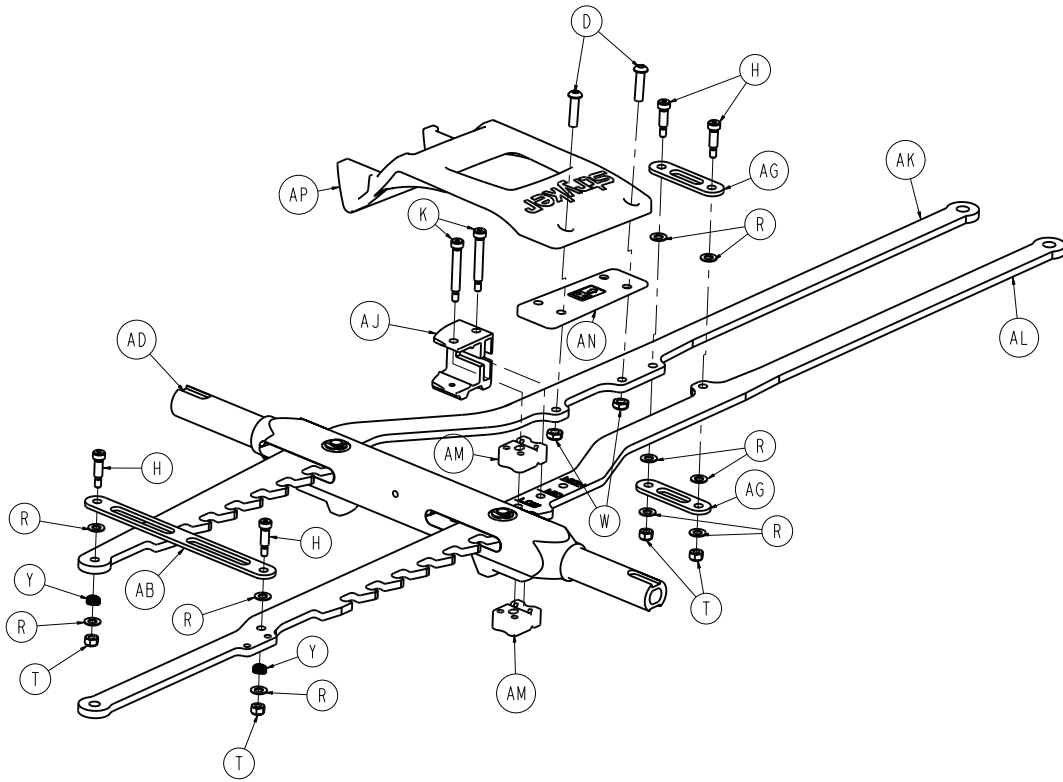


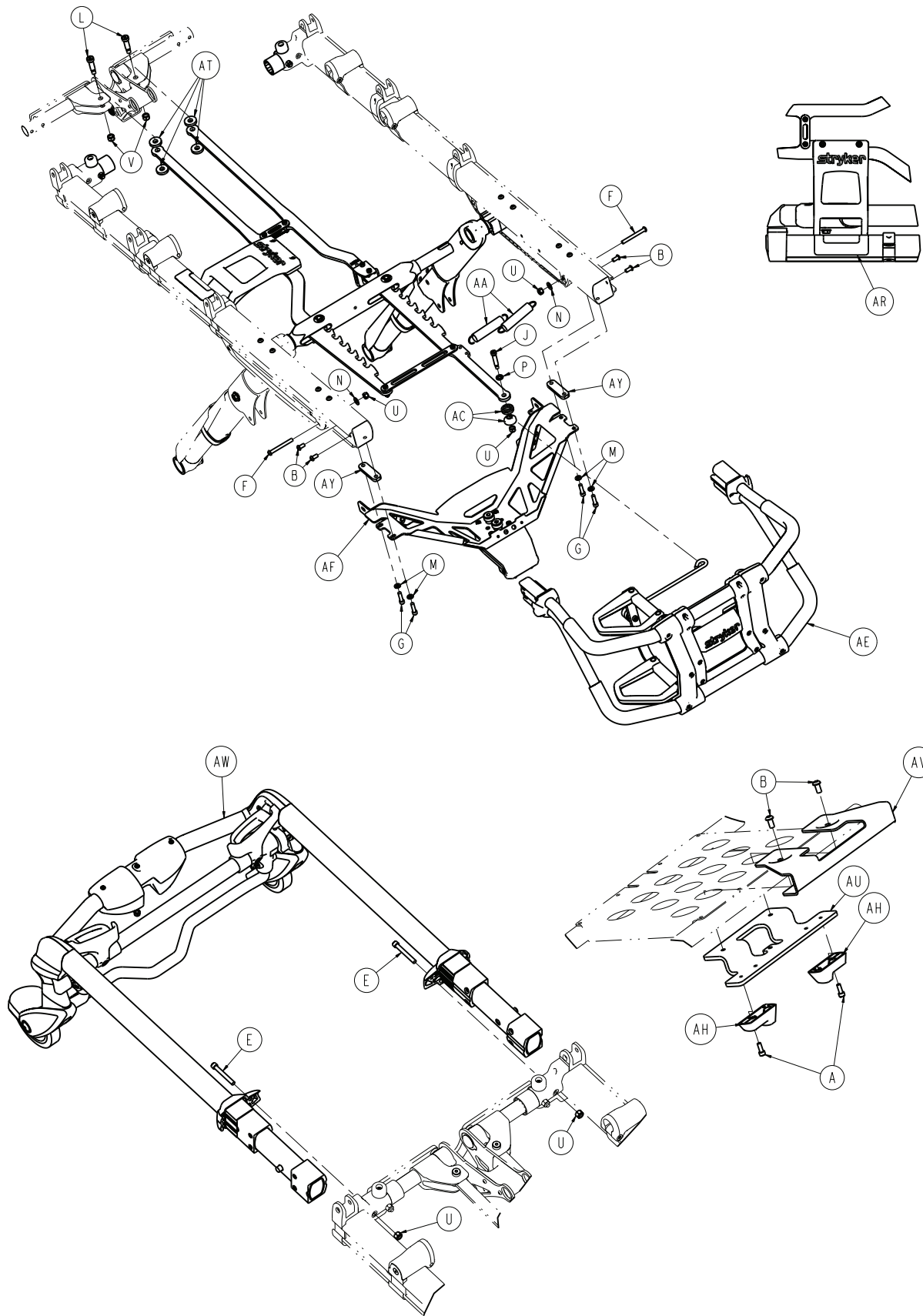
Item	Number	Name	Quantity
A	0004-168-000	Button head cap screw	4
B	0004-591-000	Socket head cap screw	4
C	0004-612-000	Button head cap screw	8

Item	Number	Name	Quantity
D	0008-030-000	Socket head shoulder screw	2
E	0011-624-000	Washer	4
F	0014-002-000	Washer	2
G	0016-102-000	Nylock hex nut	4
H	0023-162-000	Delta screw	6
J	0025-126-000	Semi-tubular rivet	2
K	0038-570-000	Compression, wire	2
L	6085-001-169	Head section nut	4
M	6085-001-170	Internal bearing	4
N	6500-001-023	Head trigger assembly	1
P	6500-001-026	<i>Head section lock assembly (page 82)</i>	2
R	6500-001-087	Cap bearing	2
T	6500-001-093	Safety bar lock pin	2
U	6500-001-096	Head section release link	2
V	6500-001-220	Head section pivot crosstube	1
W	6500-001-221	Crosstube clamp	2
Y	6500-001-280	Head section guard, patient right	1
AA	6500-001-281	Head section guard, patient left	1
AB	6506-001-322	Bent head section safety bar	1
AC	6500-001-325	Safety bar torsion spring, patient left	1
AD	6500-001-326	Safety bar torsion spring, patient right	1
AE	650700080150	<i>Head section bonding (page 73)</i>	1
AF	6500-001-107	Safety hook pivot, patient right	1
AG	6500-001-108	Safety hook pivot, patient left	1
AH	6500-001-109	Load wheel horn cover, patient left	1
AJ	6500-001-110	Load wheel horn cover, patient right	1
AK	6500-001-120	Load wheel horn, patient left	1
AL	6500-001-121	Load wheel horn, patient right	1
AM	6500-001-114	Compression limiter sleeve	4

Power-LOAD compatible, no O2, left hand release handle option - 6086-054-000

Rev B (Reference only)



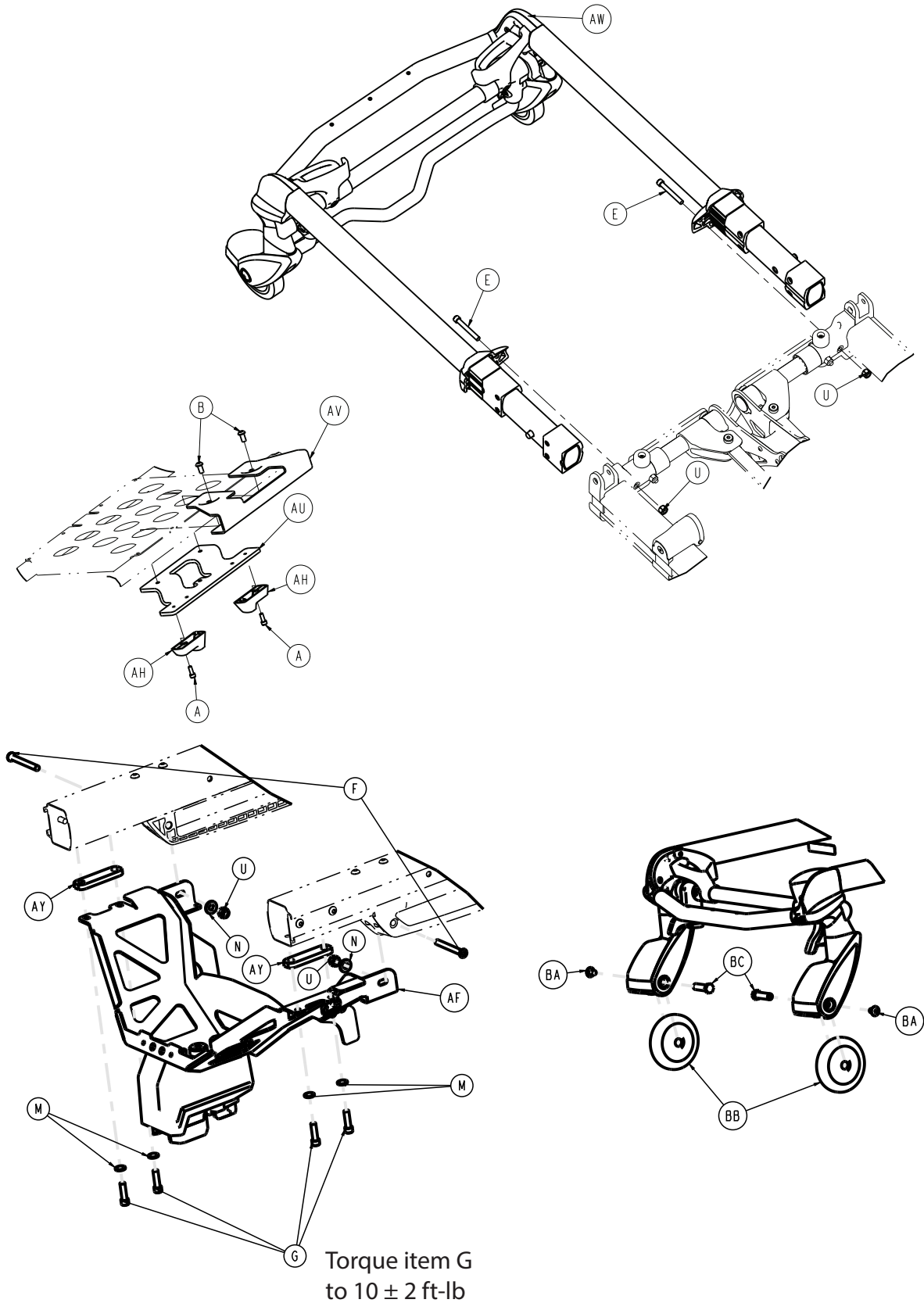


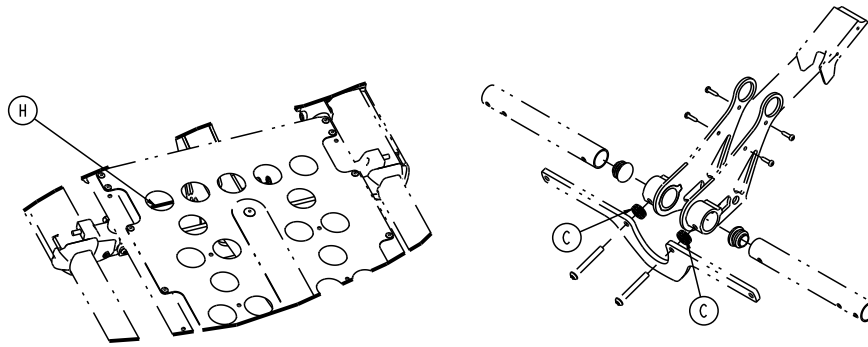
Item	Number	Name	Quantity
A	0004-348-000	Socket head cap screw	2
B	0004-589-000	Button head cap screw	6

Item	Number	Name	Quantity
D	0004-594-000	Button head cap screw	2
E	0004-595-000	Socket head cap screw	2
F	0004-387-000	Button head cap screw	2
G	0004-661-000	Socket head cap screw	4
H	0008-020-000	Socket head shoulder bolt	4
J	0008-033-000	Socket head shoulder bolt	1
K	0008-079-000	Socket head shoulder bolt	2
L	0008-081-000	Socket head shoulder bolt	2
M	0011-065-000	Washer	4
N	0011-077-000	Washer	2
P	0011-352-000	Washer	1
R	0014-004-000	Washer	10
T	0016-002-000	Fiberlock hex nut	4
U	0016-028-000	Fiberlock hex nut	5
V	0016-036-000	Nylock hex nut	2
W	0016-102-000	Nylock hex nut	2
Y	0038-374-000	Crest-to-crest spring	2
AA	0038-508-000	Extension spring	2
AB	6082-005-038	Cross brace - height adjustment rack	1
AC	6082-040-025	Link bushing, end	2
AD	6085-001-013	<i>Lock bar assembly (page 46)</i>	1
AE	6085-001-015	<i>Foot end assembly, left hand option - 6085-001-015 (page 56)</i>	1
AF	6085-001-032	<i>Foot end fastener assembly (Power-LOAD compatible option) (page 94)</i>	1
AG	6085-001-089	Cross brace - height adjustment rack	2
AH	6085-001-094	Dead stop, base	2
AJ	6085-001-098	Bumper housing	1
AK	6085-001-099	Rack, patient right	1
AL	6085-001-100	Rack, patient left	1
AM	6085-001-101	Dead stop, bumper, rack	2
AN	6085-001-141	Spacer, side release	1
AP	6085-001-142	Handle, side release	1
AR	6085-001-159	Label, side release	1
AT	6085-001-175	Washer, rack	4
AU	6085-001-181	Bracket, bottom, load arm guide	1
AV	6085-001-182	Bracket, top, load arm guide	1
AW	6500-002-020	<i>Head section option - 6500-002-020 (page 80)</i>	1
AY	6500-002-126	Spacer plate, foot end fastener	2

Power-LOAD compatible option - 6086-055-000

Rev AA (Reference only)

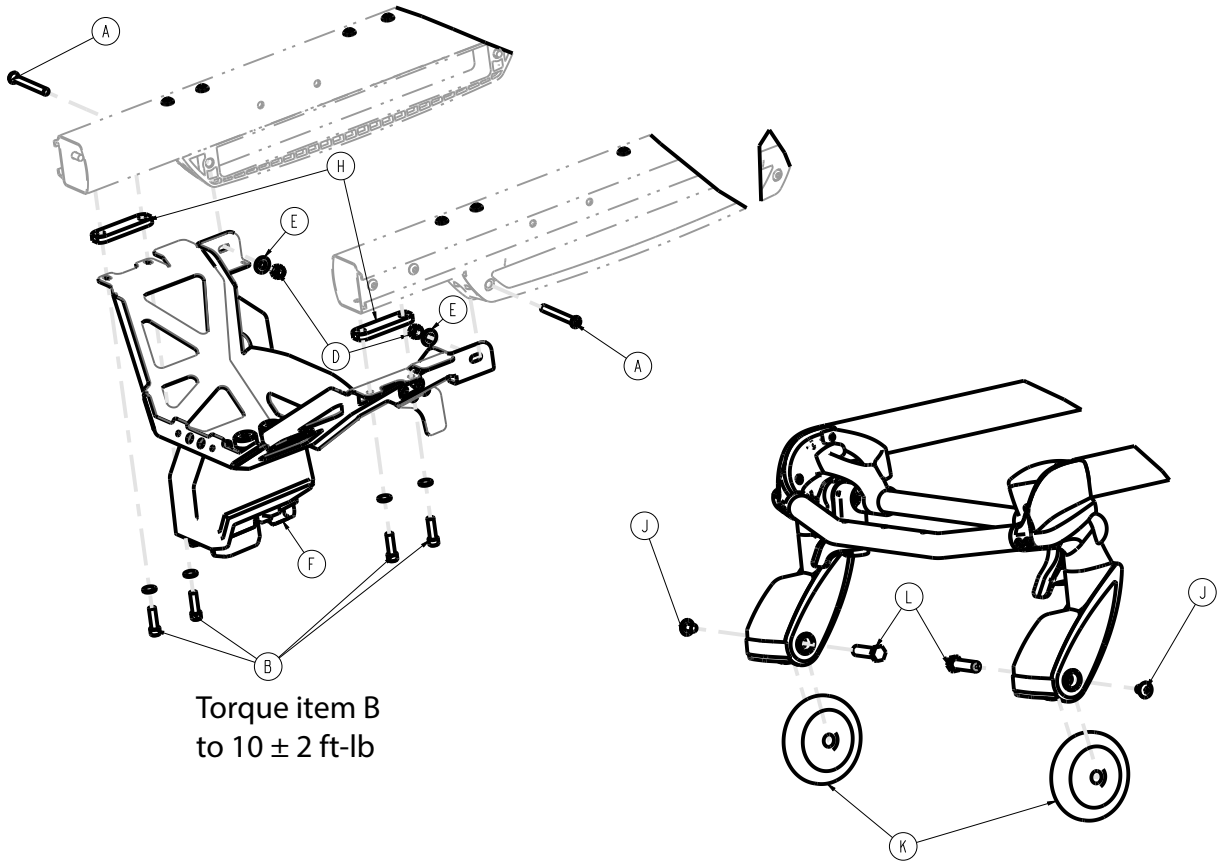




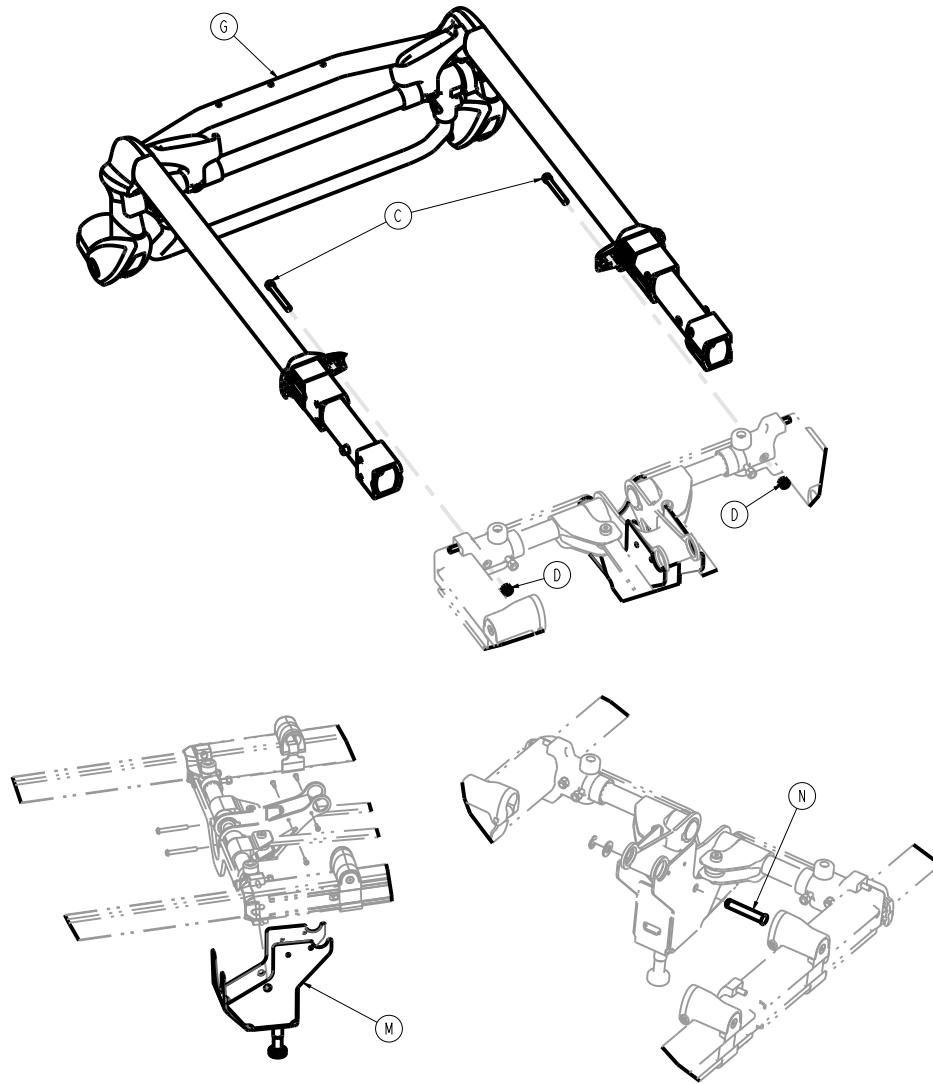
Item	Number	Name	Quantity
A	0004-348-000	Socket head cap screw	2
B	0004-589-000	Button head cap screw	2
C	6085-001-178	Litter/base spacer -large	2
E	0004-595-000	Socket head cap screw	2
F	0004-387-000	Button head cap screw	2
G	0004-661-000	Socket head cap screw	4
H	6085-101-143	Fowler cylinder pin	1
M	0011-065-000	Washer	4
N	0011-077-000	Washer	2
U	0016-028-000	Fiberlock hex nut	4
AF	6085-001-032	Foot end fastener assembly (Power-LOAD compatible option) (page 94)	1
AH	6085-001-094	Base dead stop	2
AU	6085-001-181	Load arm guide bracket, bottom	1
AV	6085-001-182	Load arm guide bracket, top	1
AW	6500-002-020	Head section option - 6500-002-020 (page 80)	1
AY	6500-002-126	Foot end fastener spacer plate	2
BA	0007-556-000	Truss head machine screw	2
BB	6500-101-086	Load wheel, hard	2
BC	6500-002-104	Load wheel pin	2

Performance-LOAD option - 6086-034-001

Rev AA (Reference only)



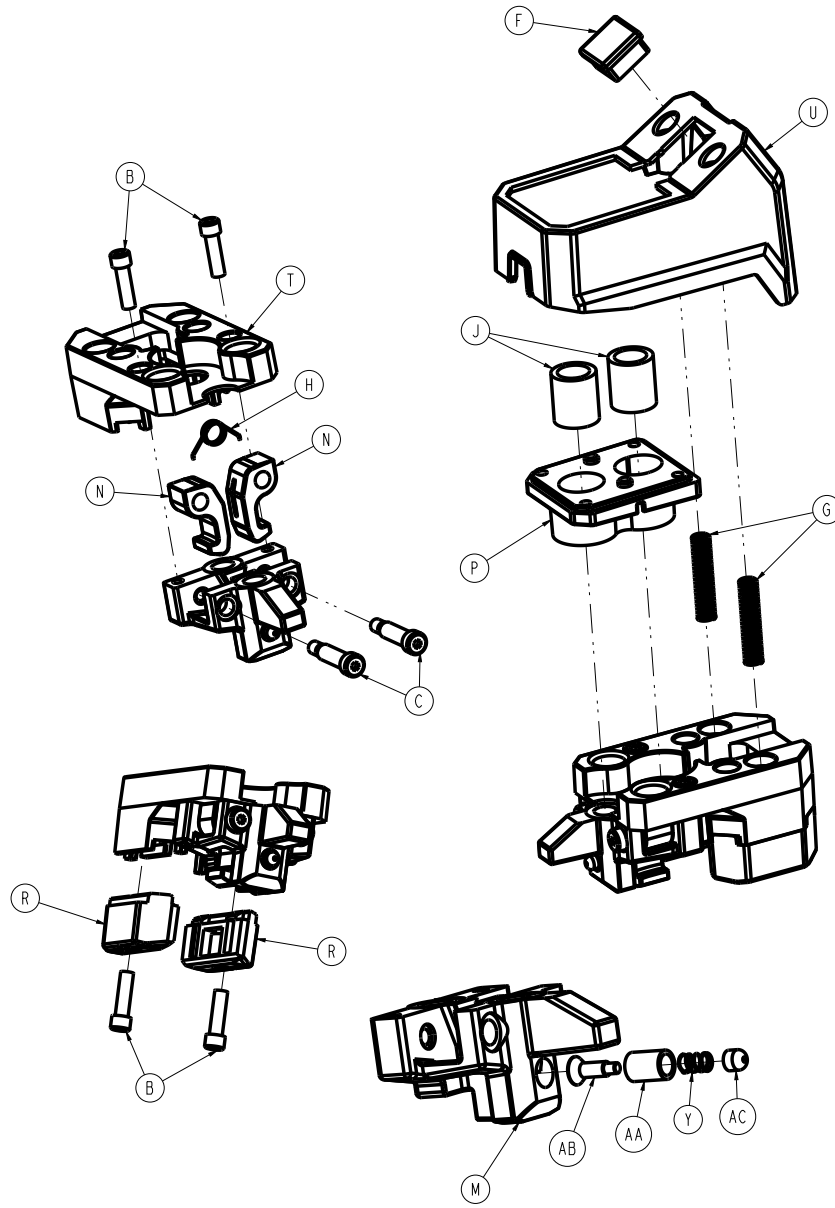
Torque item B
to 10 ± 2 ft-lb

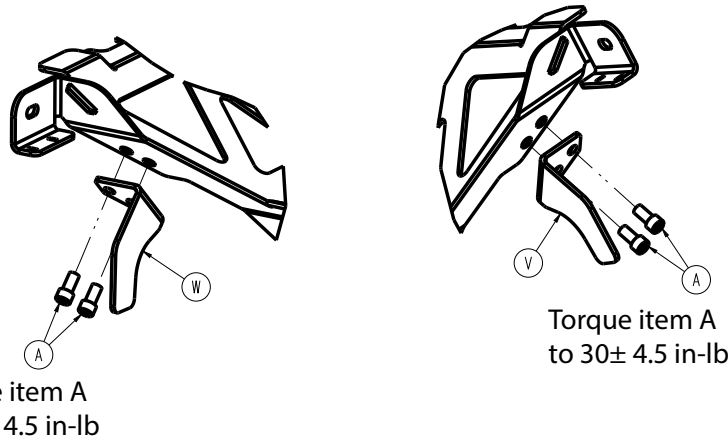
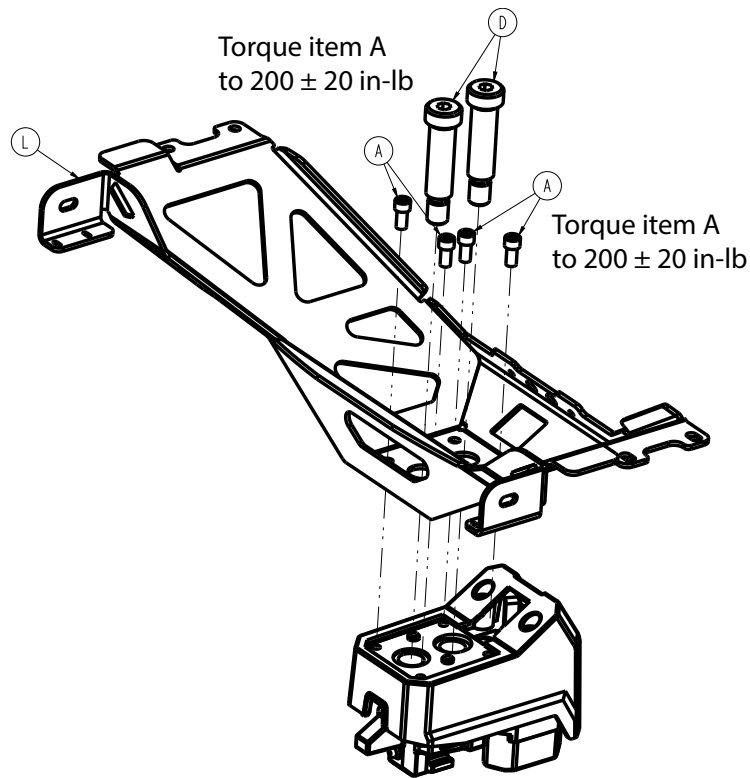


Item	Number	Name	Quantity
A	0004-387-000	Button head cap screw	2
B	0004-661-000	Button head cap screw	4
C	0004-595-000	Socket head cap screw	2
D	0016-028-000	Fiberlock hex nut	4
E	0011-077-000	Washer	2
F	6085-001-032	Foot end fastener assembly (Power-LOAD compatible option) (page 94)	1
G	6500-002-020	Head section option - 6500-002-020 (page 80)	1
H	6500-002-126	Foot end fastener spacer plate	2
J	0007-556-000	Truss head machine screw	2
K	6500-101-086	Load wheel, hard	2
L	6500-002-106	Load wheel fastener	2
M	6392-001-061	Head end hitch assembly	1
N	6392-001-523	Fowler cylinder assembly	1

Foot end fastener assembly (Power-LOAD compatible option)

6085-001-032 Rev AB (Reference only)



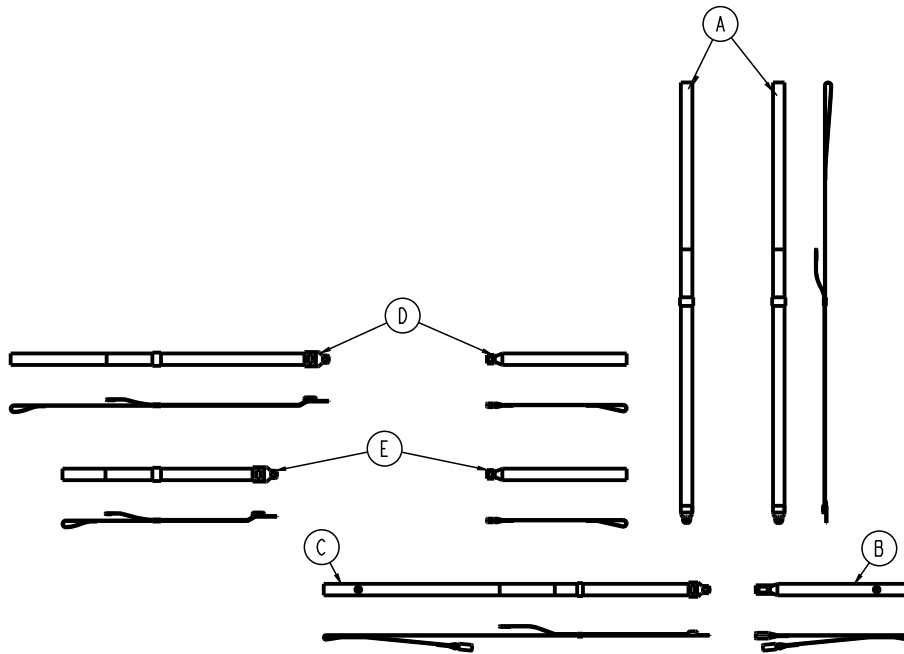


Item	Number	Name	Quantity
A	0004-660-000	Socket head cap screw	8
B	0004-661-000	Socket head cap screw	4
C	0008-088-000	Socket head set screw	2
D	0008-087-000	Socket head set screw	2
F	0037-010-000	Hole plug	1
G	0038-889-000	Compression spring	2
H	0038-891-000	Torsion spring	1
J	0081-437-000	Sleeve bearing	2
L	6500-002-050	Bracket weldment	1
M	650000020111	Foot end fastener guide	1
N	6500-002-112	Foot end fastener hook	2
P	650001020113	Foot end fastener bearing plate	1
R	6500-002-122	Foot end faster wear pad	2

Item	Number	Name	Quantity
T	650001020130	Floating plate, machined	1
U	6500-002-136	Foot end fastener housing	1
V	6500-002-146	Foot end fastener hook, patient right	1
W	6500-002-147	Foot end fastener hook, patient left	1
Y	0038-001-012	Compression wire	1
AA	6500-002-148	Plunger housing	1
AB	6500-002-149	Plunger	1
AC	6500-002-152	Plunger cap	1

XPR restraint package option - 650600030010

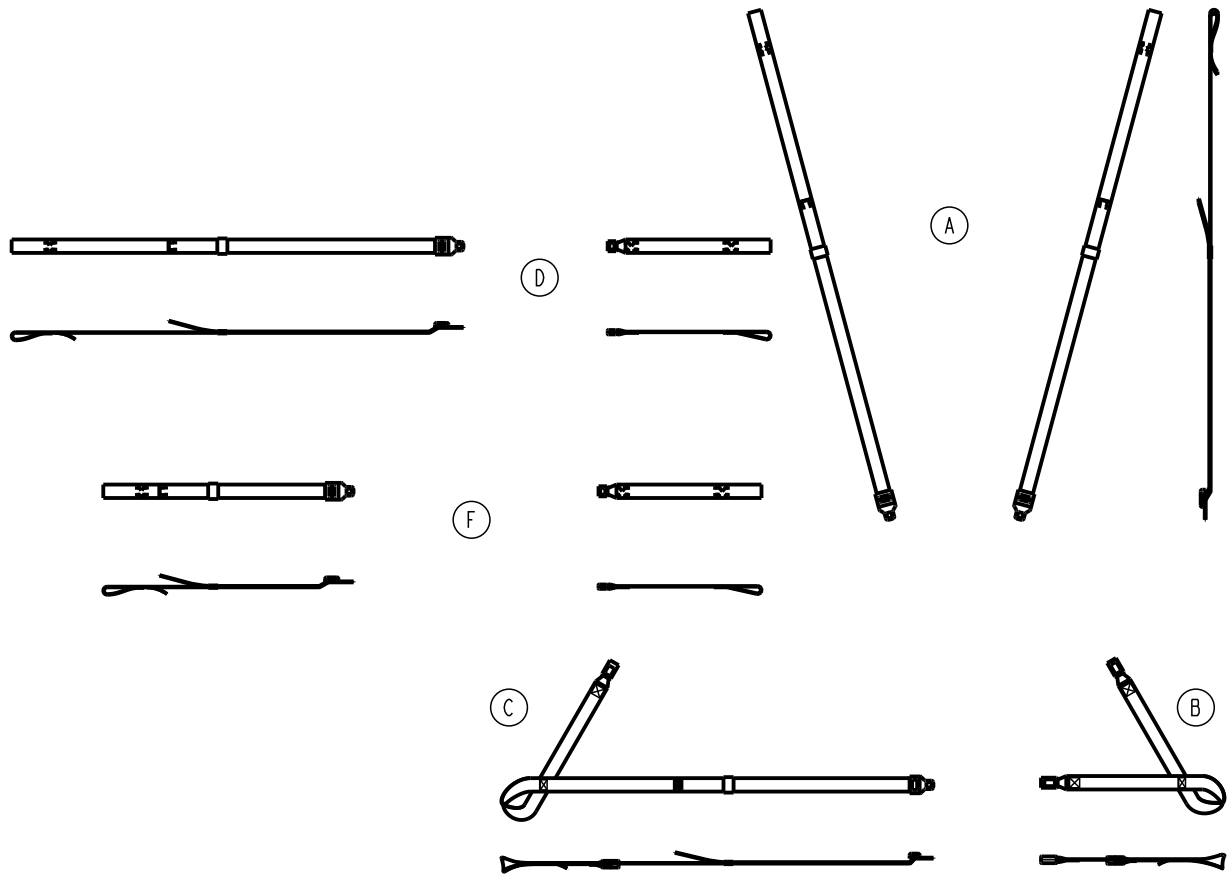
Rev AC (Reference only)



Item	Number	Name	Quantity
A	650600030001	XPR shoulder restraint	2
B	650600030002	XPR waist double buckle restraint	1
C	650600030003	XPR waist single buckle long restraint	1
D	650600030004	XPR thigh restraint	1
E	650600030005	XPR ankle restraint	1
G	650600030011	Label, XPR restraint package	1

X-restraint package option - 6500-001-430

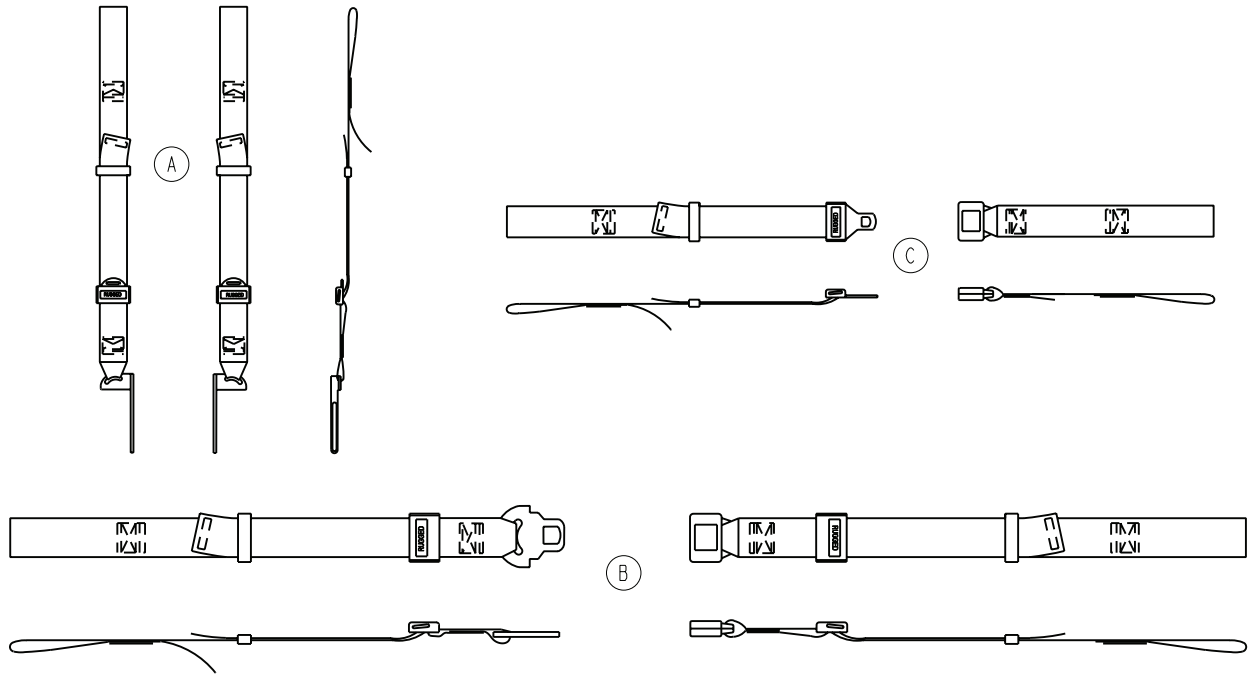
Rev G (Reference only)



Item	Number	Name	Quantity
A	6500-001-401	Shoulder restraint	2
B	6500-001-402	X-double buckle strap	1
C	6500-001-403	X-buckle and tongue strap	1
D	6500-001-404	Thigh restraint	1
F	6500-001-405	Ankle restraint	1

G-rated restraint package option - 6500-002-030

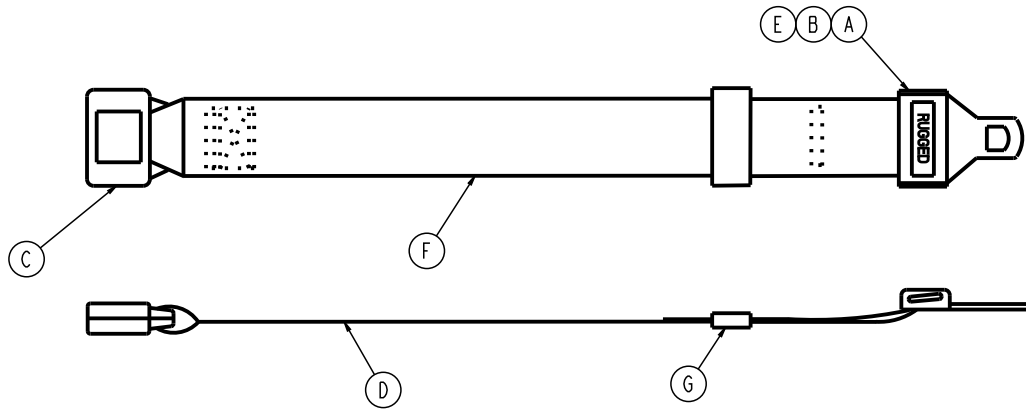
Rev G (Reference only)



Item	Number	Name	Quantity
A	6500-001-391	Shoulder harness restraint	1
B	6500-001-393	Waist restraint	1
C	6500-001-395	Leg restraint	2

Belt extension option - 6082-160-050

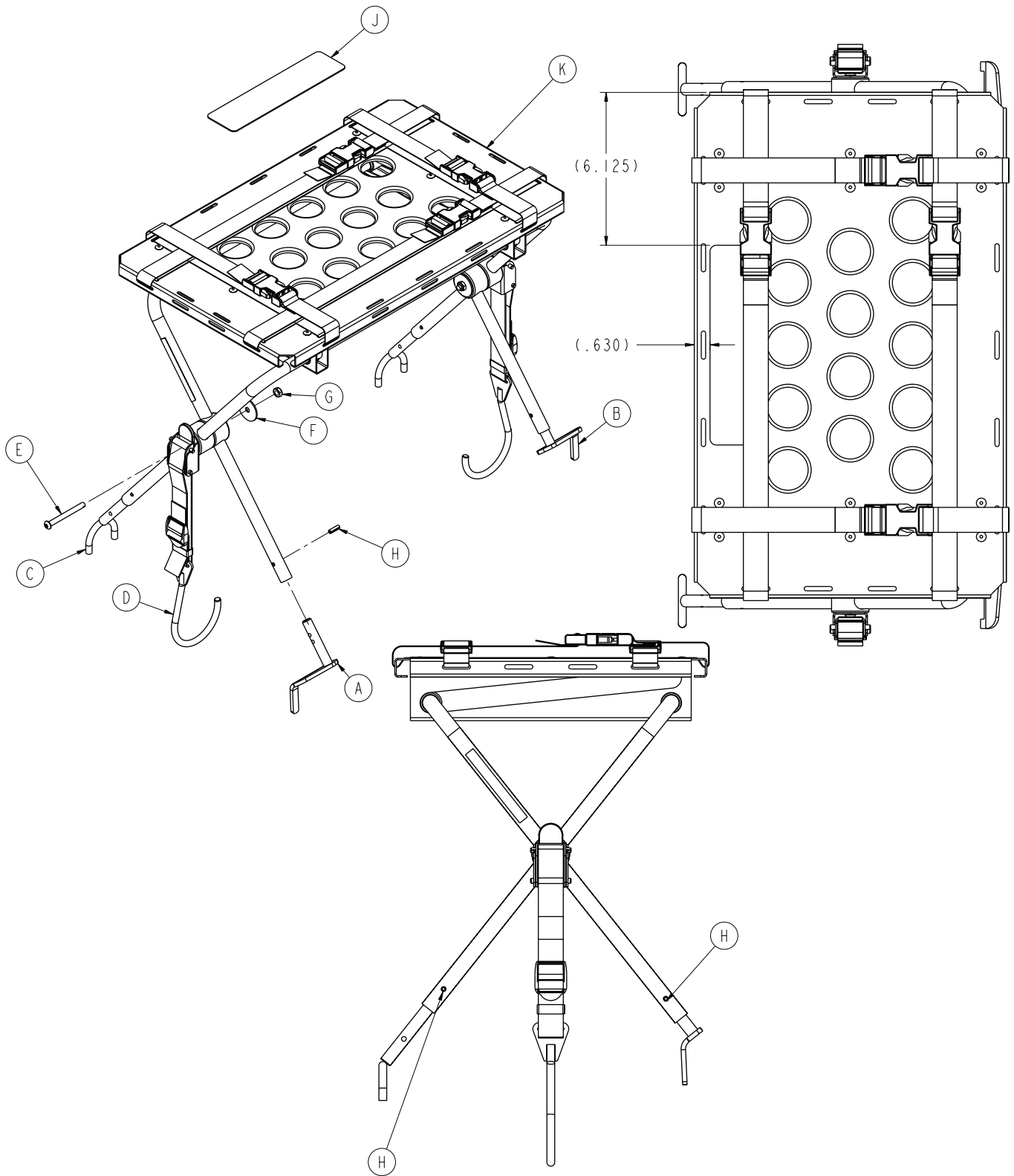
Rev C (Reference only)



Item	Number	Name	Quantity
A		Tongue (Intertek p/n 2122681)	
B		Cap (Intertek p/n 2122525)	
C		Buckle (Intertek p/n 2122682)	
D	6082-090-001	Label, belt extension	1
E	6060-090-011	Label, RUGGED	1
F		Belt, 2" wide, black	
G		Belt retainer	

Defibrillator platform option - 6506-170-000

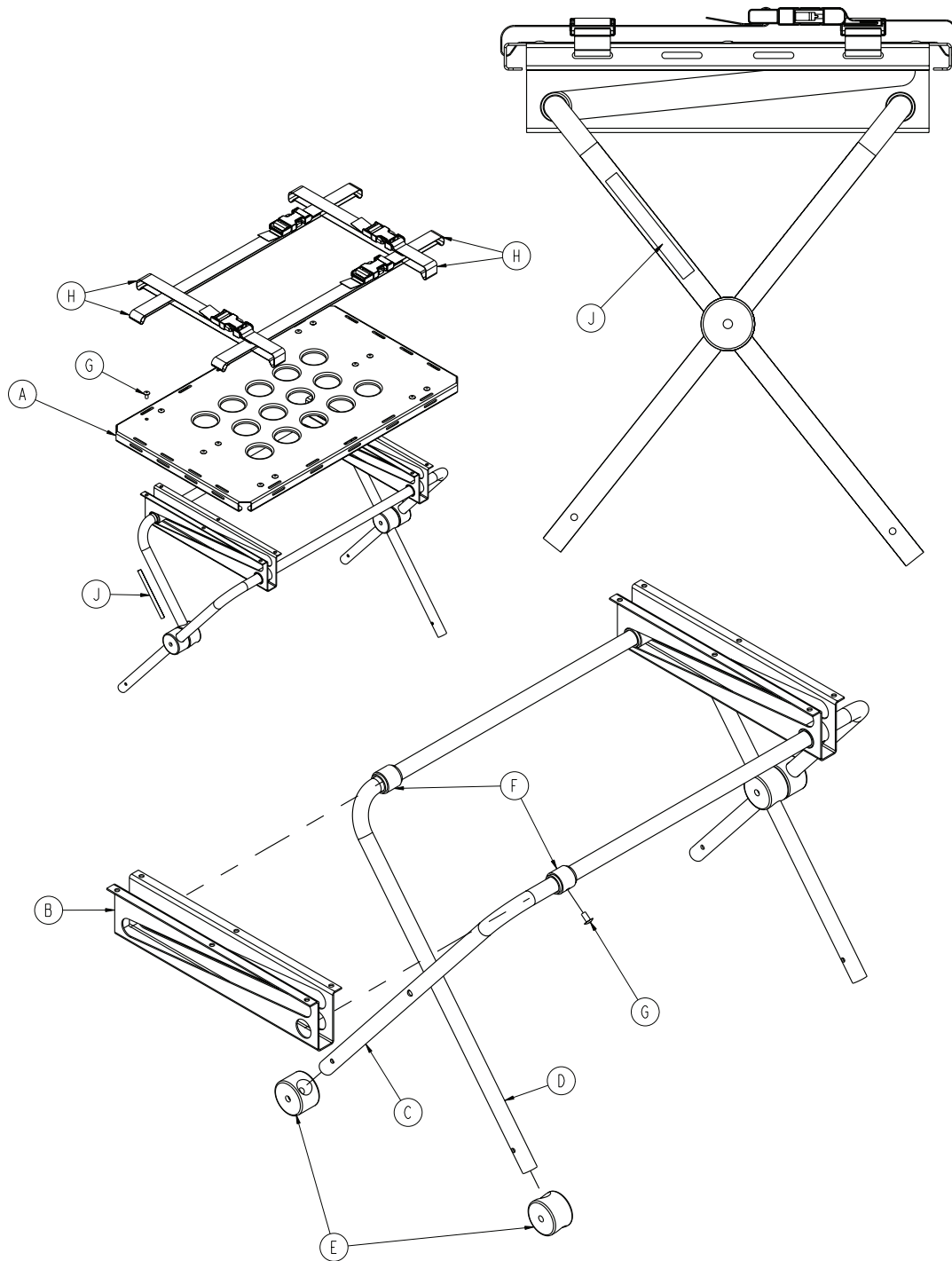
6500-101-046 Rev A (Reference only)



Item	Number	Name	Quantity
A	6100-170-050	Head end bracket weldment, patient left	1
B	6100-170-051	Head end bracket weldment, patient right	1
C	6082-170-050	Defibrillator u-foot weldment	2
D	6100-170-020	Defibrillator latch strap assembly	2
E	0004-234-000	Button head cap screw	2
F	0011-355-000	Washer	2
G	0016-102-000	Nylock nut	2
H	0026-172-000	Slotted spring pin	4
J	6500-101-298	Label, defibrillator platform	1
K	6082-170-020	<i>Defibrillator platform common components (page 103)</i>	1

Defibrillator platform common components

6082-170-020 Rev B (Reference only)

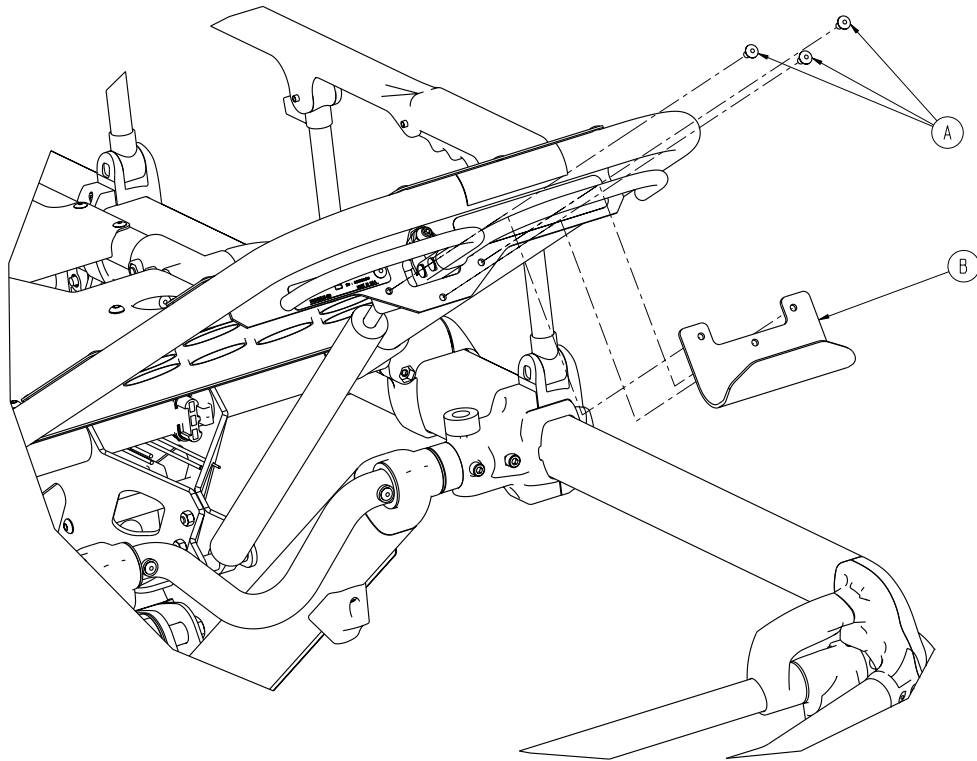


Item	Number	Name	Quantity
A	6080-170-011	Top panel	1
B	6080-170-012	Leg support	2
C	6080-170-013	Stationary defibrillator leg	1
D	6080-170-014	Sliding defibrillator leg	1
E	6080-170-015	Support pivot leg	4
F	6080-170-016	Leg collar	4

Item	Number	Name	Quantity
G	0025-079-000	Dome head rivet	16
H	6060-170-022	Defibrillator platform strap, long	4
J	6080-090-023	Label	2

Equipment hook option - 6500-147-000

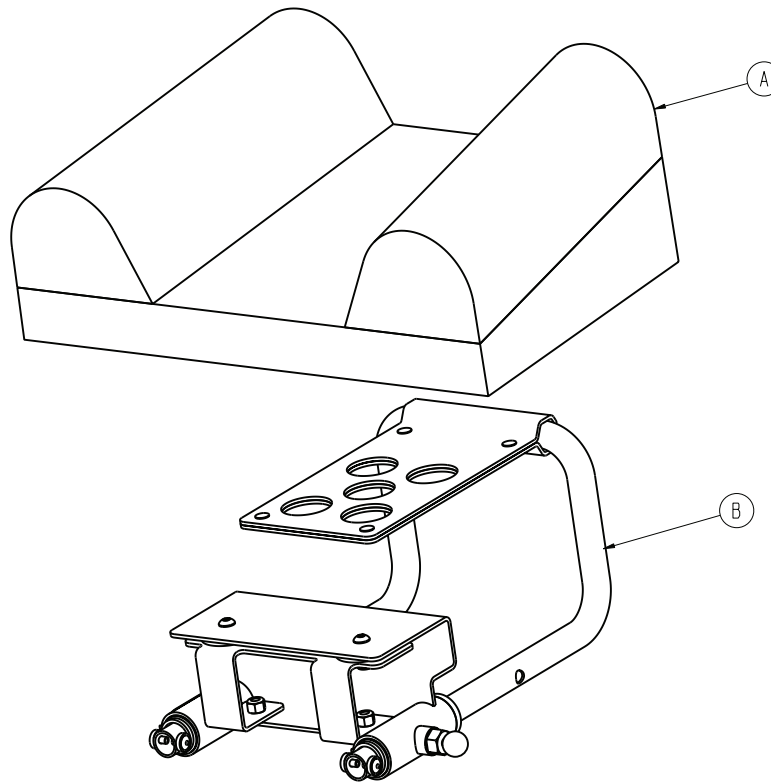
Rev B (Reference only)



Item	Number	Name	Quantity
A	0025-079-000	Dome head rivet	3
B	6500-001-237	Equipment hook	1

Head extension option - 6100-044-000

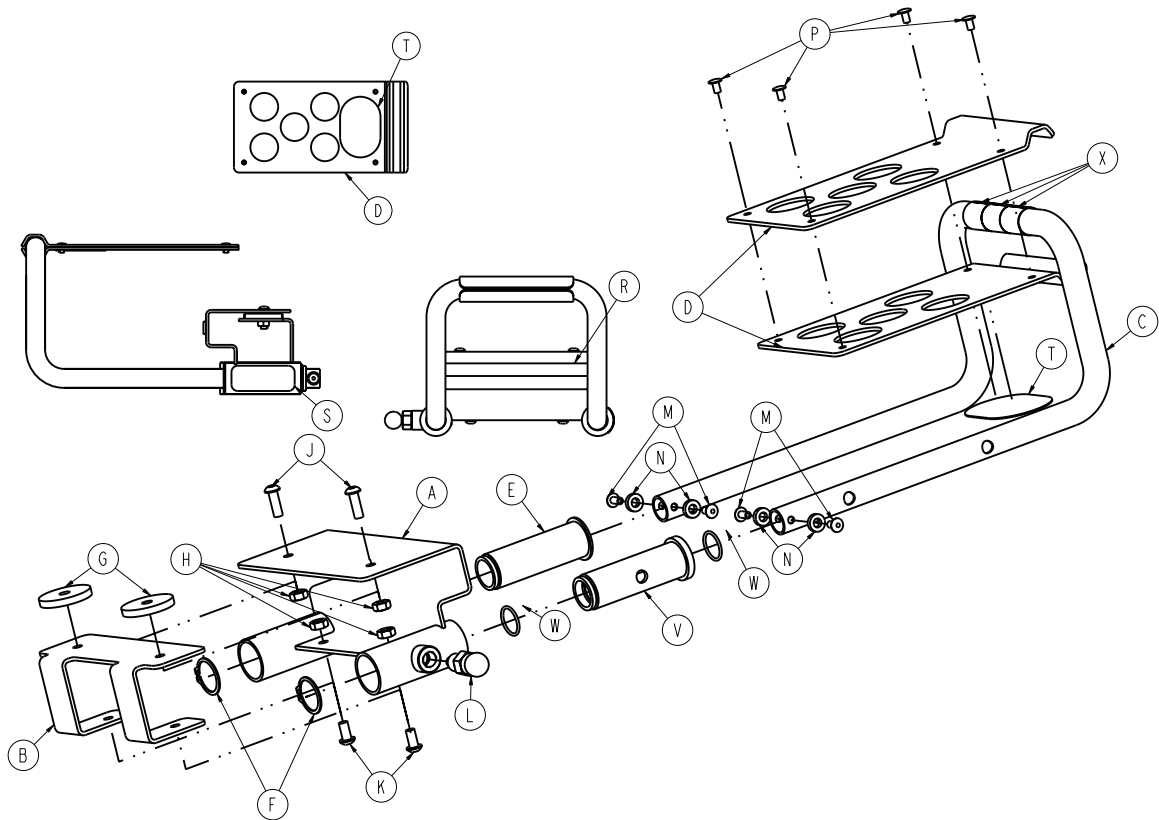
Rev B (Reference only)



Item	Number	Name	Quantity
A	6100-041-030	<i>Pillow option - 6100-045-000 (page 108)</i>	1
B	6100-044-012	<i>Head extension assembly (page 107)</i>	1

Head extension assembly

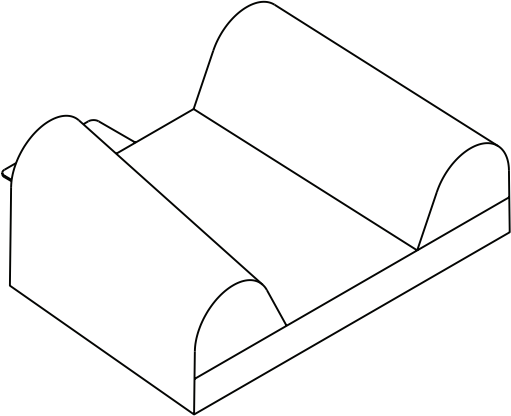
6100-044-012 Rev F (Reference only)



Item	Number	Name	Quantity
A	6100-044-010	Bracket weldment	1
B	6100-044-007	Support	1
C	6100-044-011	Extension tube	1
D	6100-044-008	Pillow support	2
E	6100-044-005	Insert	1
F	0028-076-000	Clip	2
G	6100-044-006	Spacer	2
H	0016-028-000	Nylock nut	4
J	0004-161-000	Button head cap screw	2
K	0004-232-000	Button head cap screw	2
L	6372-010-016	Pull pin assembly	1
M	0025-079-000	Rivet	4
N	0014-067-000	Washer	4
P	0025-031-000	Semi-tubular rivet	4
R	6060-090-004	Label, (small) RUGGED	1
S	6100-090-013	Label, specification	1
T	6100-044-013	Velcro® hook	1
V	6100-044-004	Insert	1
W	0045-999-603	O-ring	2
X	6100-011-014	Head extension tape	3

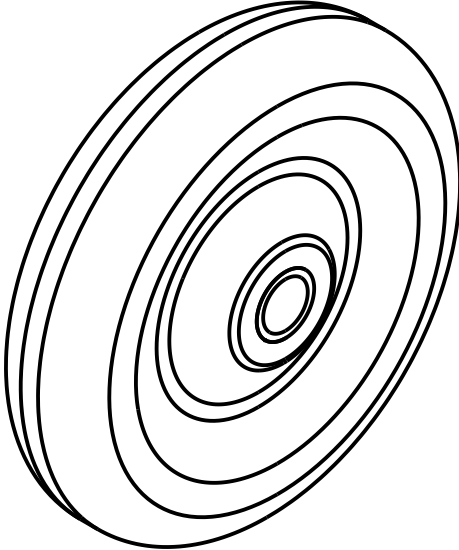
Pillow option - 6100-045-000

6100-041-030 Rev AA (Reference only)



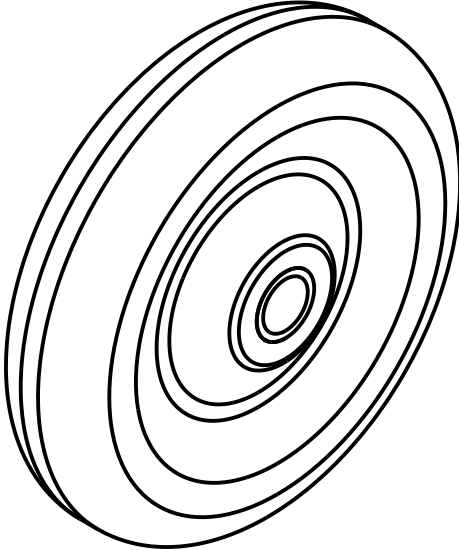
Load wheel, hard

6500-101-086 Rev A (Reference only)



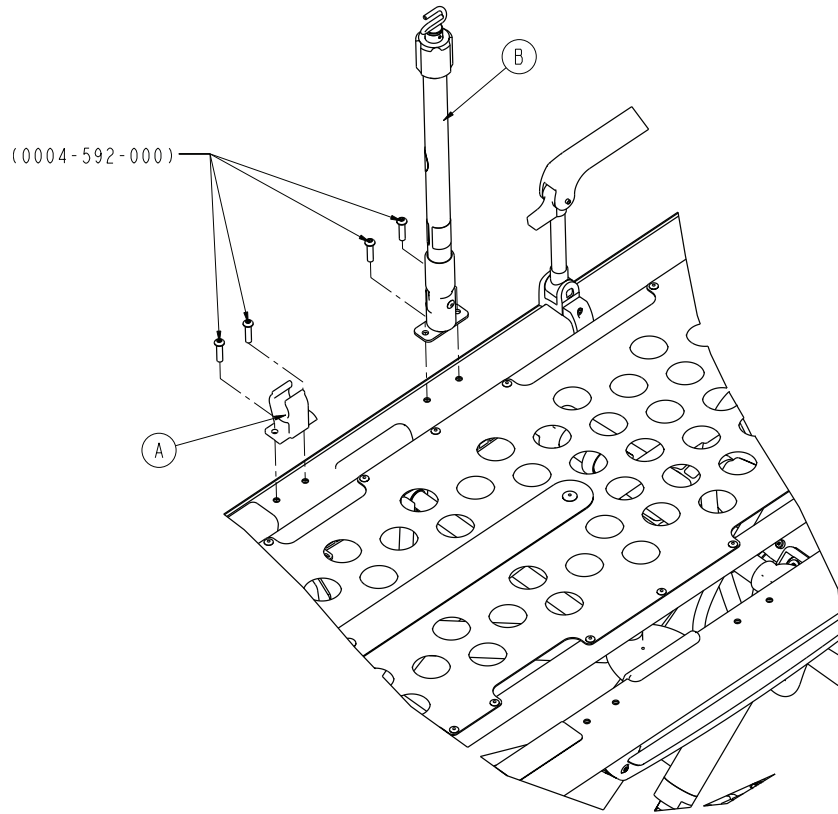
Wheel, front

6500-001-086 Rev A (Reference only)



IV pole assembly, two-stage, patient right - 6500-310-000

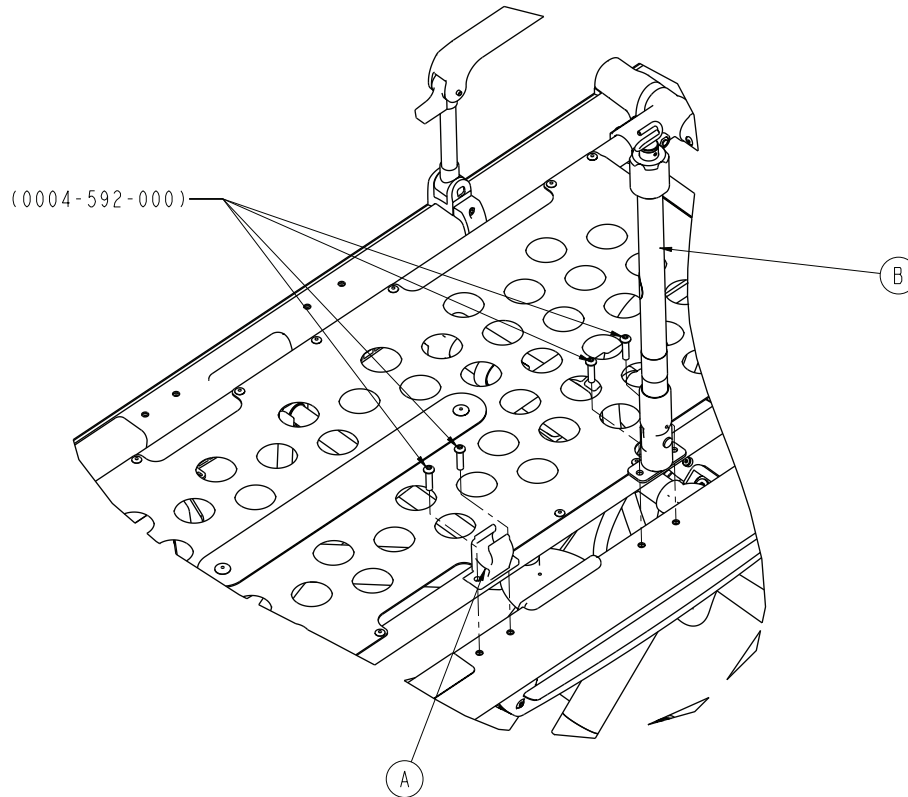
Rev B (Reference only)



Item	Number	Name	Quantity
A	6100-115-060	Clip, IV pole	1
B	6500-101-041	HAVASU IV pole assembly, two-stage, patient right - 6500-101-041 (page 115)	1

IV pole assembly, two-stage, patient left - 6500-311-000

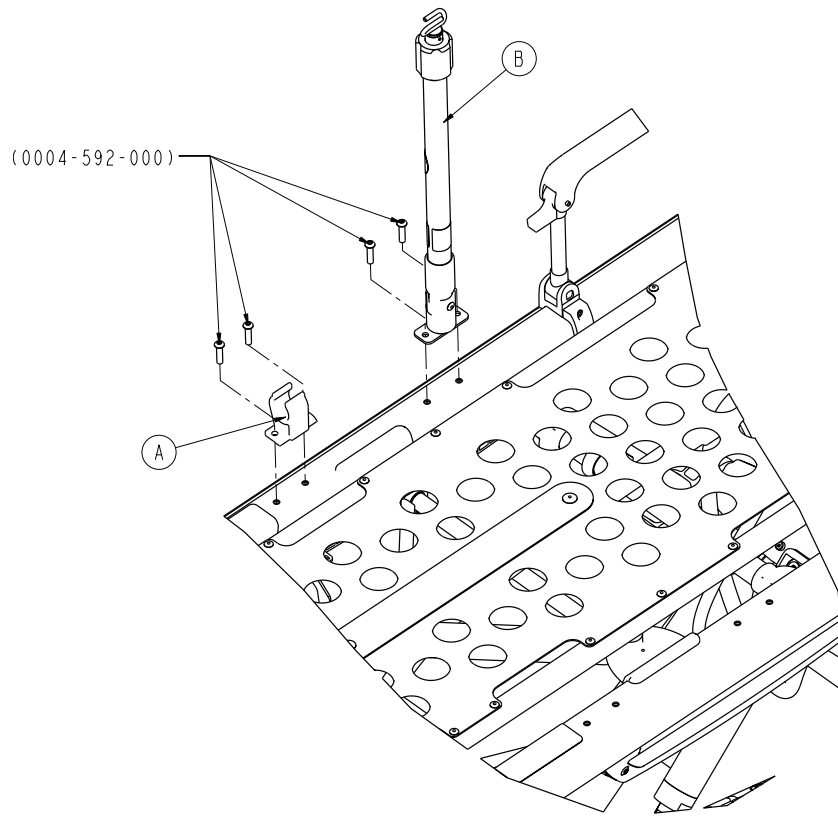
Rev B (Reference only)



Item	Number	Name	Quantity
A	6100-115-060	Clip, IV pole	1
B	6500-101-042	HAVASU IV pole assembly, two-stage, patient left - 6500-101-042 (page 116)	1

IV pole assembly, three-stage, patient right - 6500-315-000

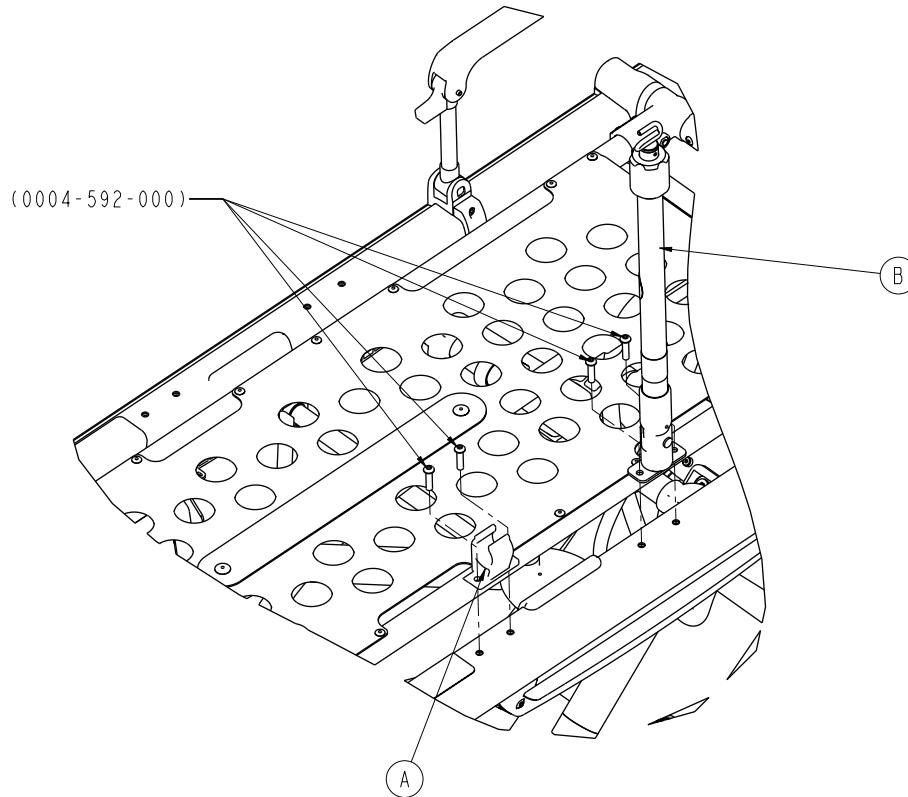
Rev B (Reference only)



Item	Number	Name	Quantity
A	6100-115-060	Clip, IV pole	1
B	6500-101-043	HAVASU IV pole assembly, three-stage, 1 patient right - 6500-101-043 (page 117)	1

IV pole assembly, three-stage, patient left - 6500-316-000

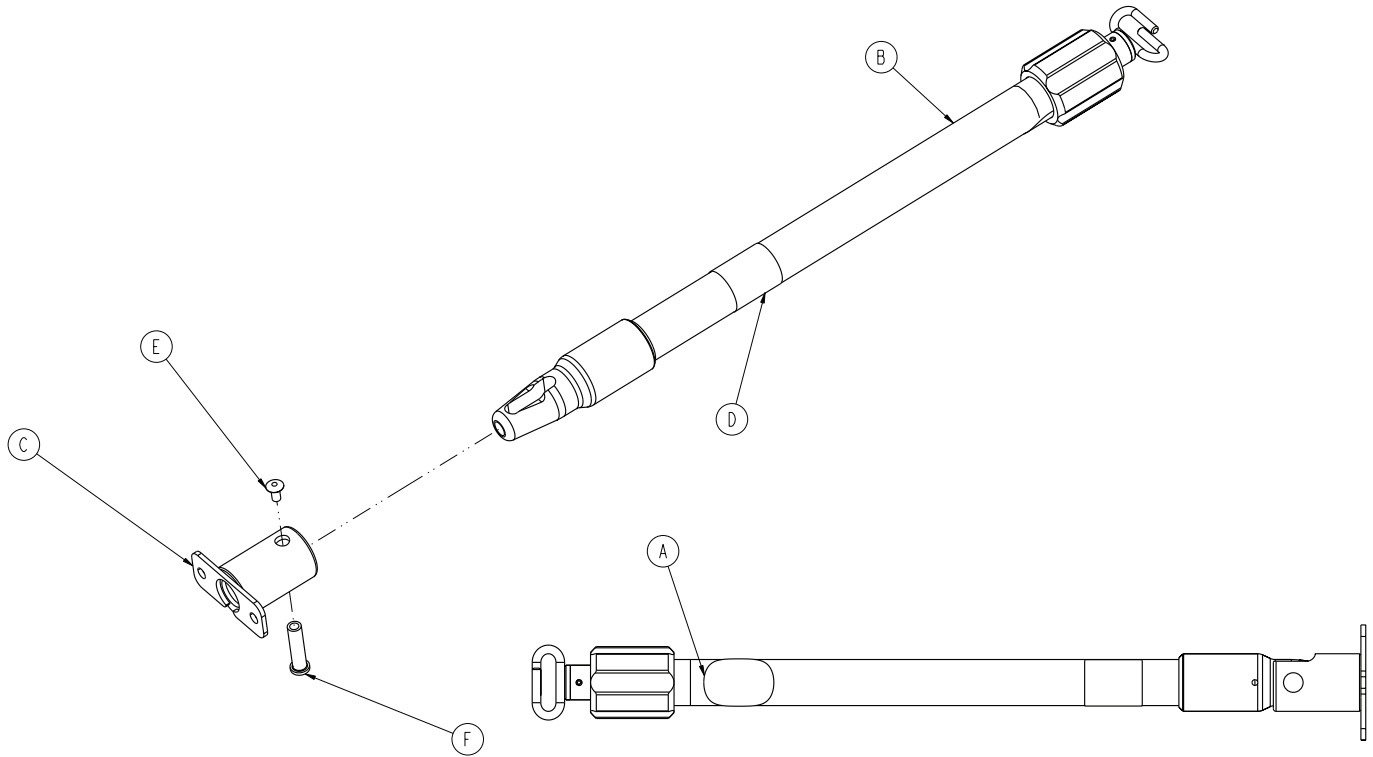
Rev B (Reference only)



Item	Number	Name	Quantity
A	6100-115-060	Clip IV pole	1
B	6500-101-044	HAVASU IV pole assembly, three-stage, 1 patient left - 6500-101-044 (page 118)	1

HAVASU IV pole assembly, two-stage, patient right - 6500-101-041

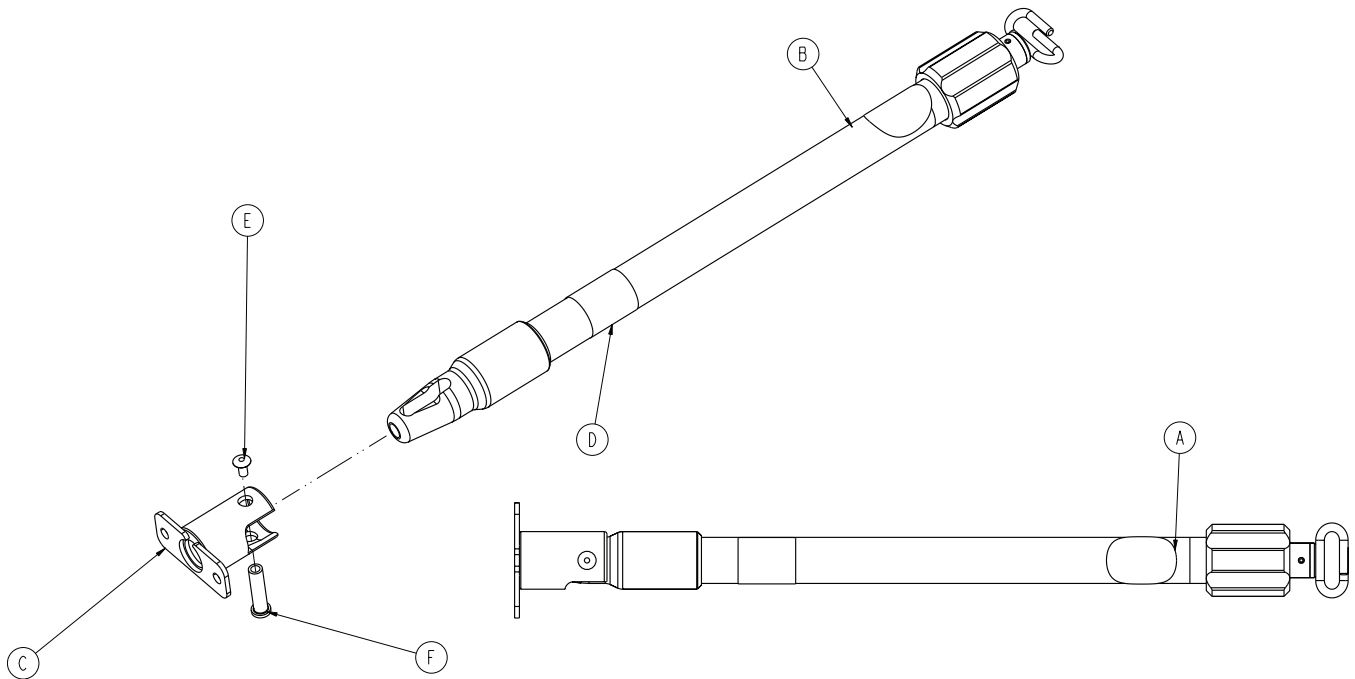
Rev AA (Reference only)



Item	Number	Name	Quantity
A	650600350901	Label, EAR	1
B	6070-210-070	Pole assembly	1
C	6100-115-051	Socket weldment	1
D	6500-101-253	Label, two-stage IV pole, patient right	1
E	0025-079-000	Dome head pop rivet	1
F	6070-110-037	IV pivot pin	1

HAVASU IV pole assembly, two-stage, patient left - 6500-101-042

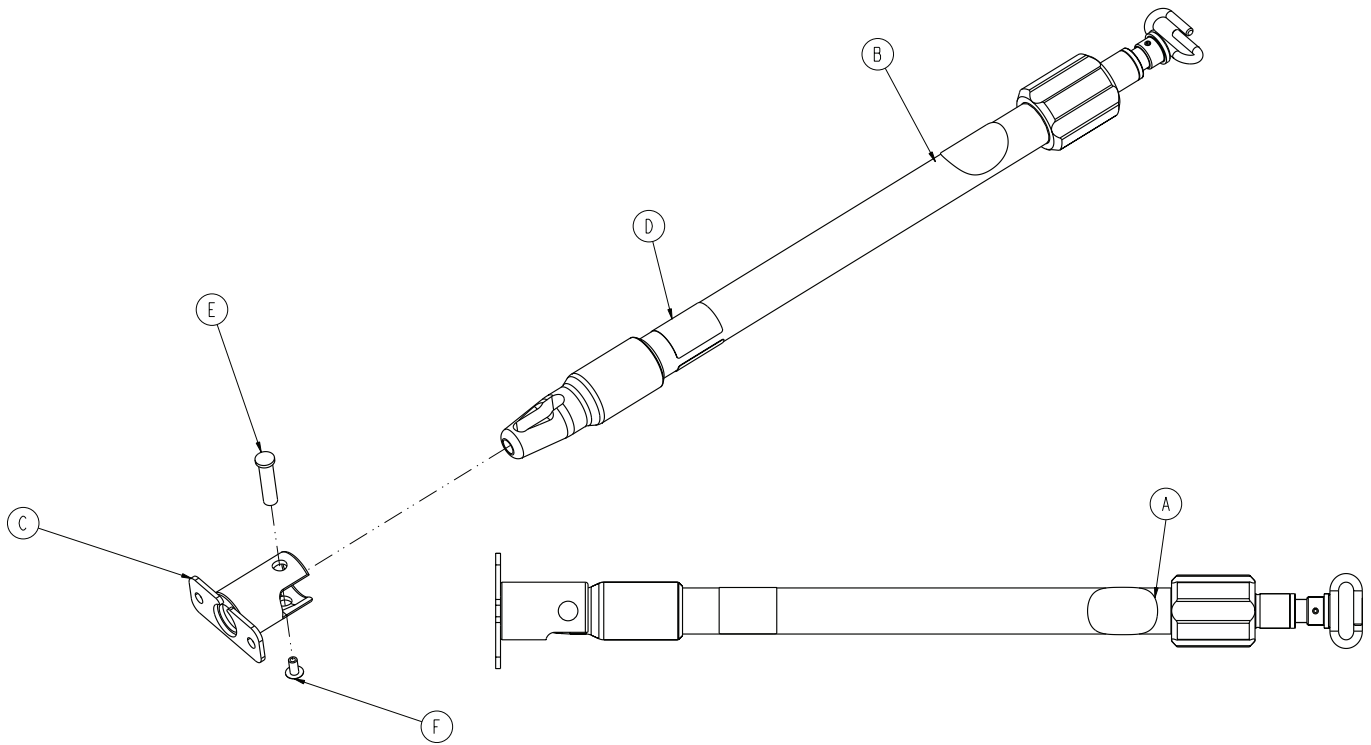
Rev AA (Reference only)



Item	Number	Name	Quantity
A	650600350901	Label, EAR	1
B	6070-210-070	Pole assembly	1
C	6100-115-051	Socket weldment	1
D	6500-101-254	Label, two-stage IV pole, patient left	1
E	0025-079-000	Dome head pop rivet	1
F	6070-110-037	IV pivot pin	1

HAVASU IV pole assembly, three-stage, patient right - 6500-101-043

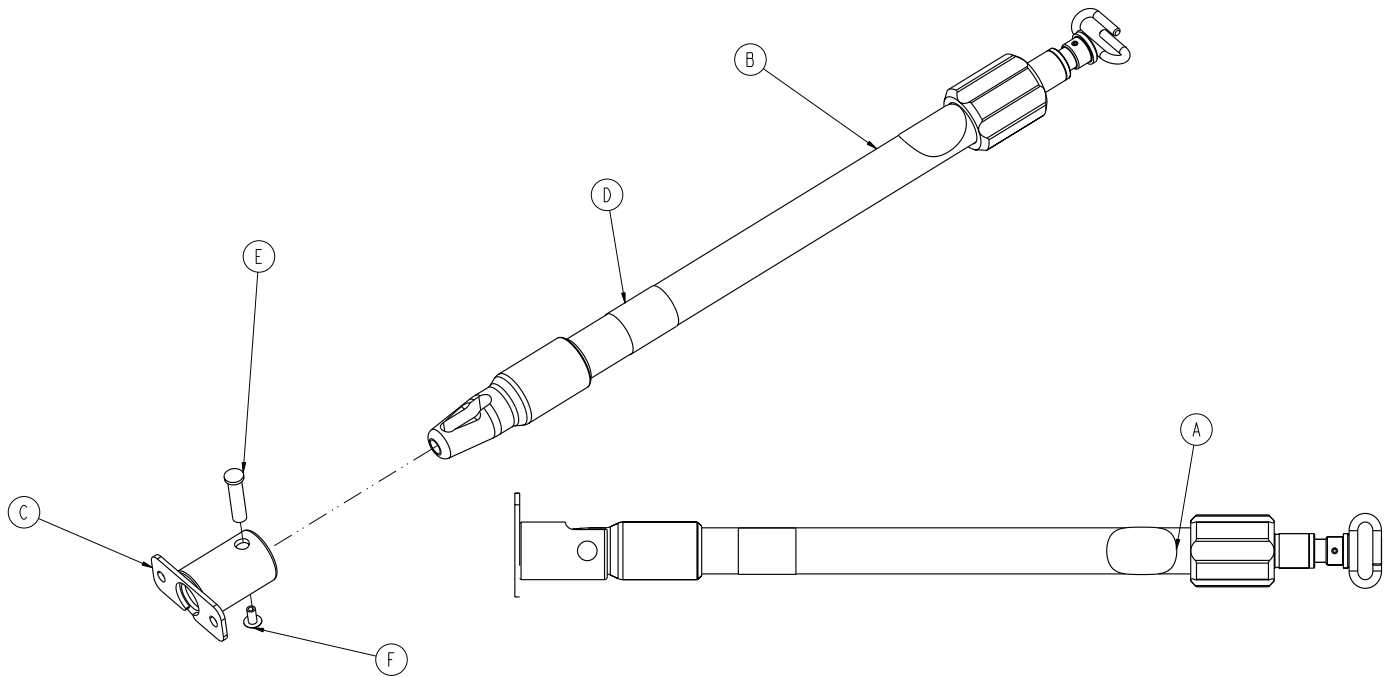
Rev AA (Reference only)



Item	Number	Name	Quantity
A	650600350901	Label, EAR	1
B	6070-215-070	Pole assembly	1
C	6100-115-051	Socket weldment	1
D	6500-101-255	Label, three-stage IV pole, patient right	1
E	6070-110-037	IV pivot pin	1
F	0025-079-000	Dome head pop rivet	1

HAVASU IV pole assembly, three-stage, patient left - 6500-101-044

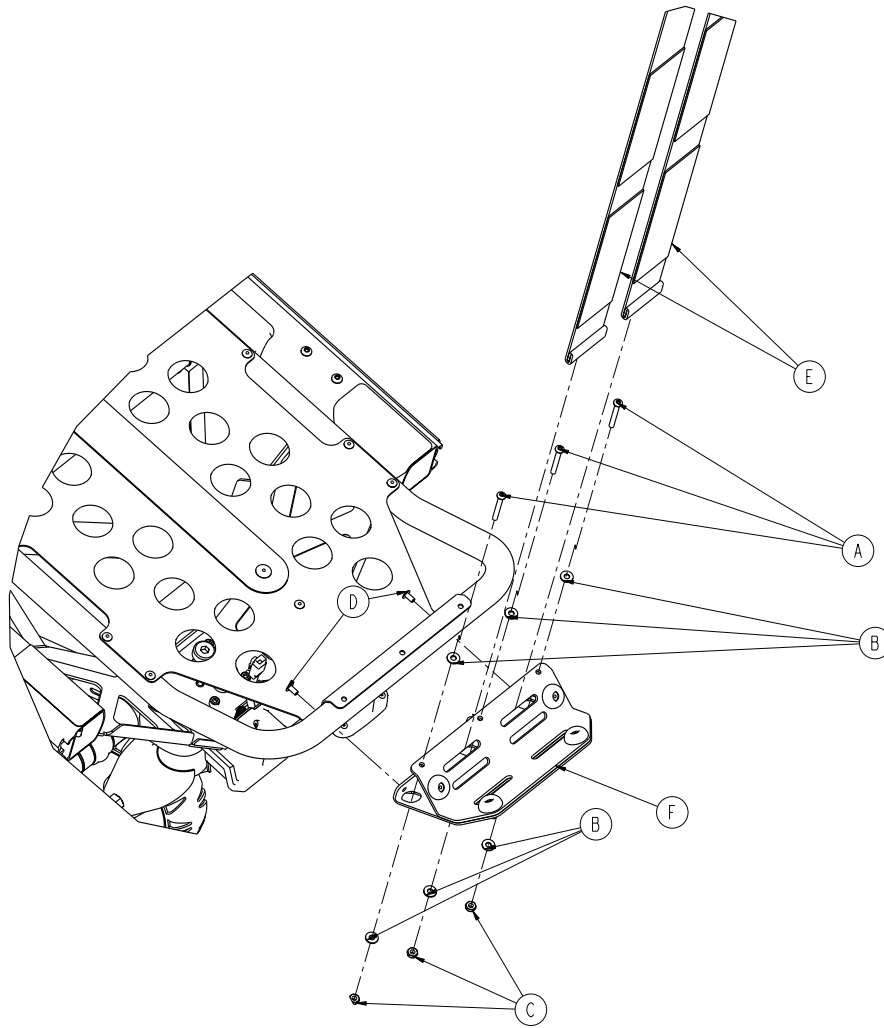
Rev AA (Reference only)



Item	Number	Name	Quantity
A	650600350901	Label, EAR	1
B	6070-215-070	Pole assembly	1
C	6100-115-051	Socket weldment	1
D	6500-101-256	Label, three-stage IV pole, patient left	1
E	6070-110-037	IV pivot pin	1
F	0025-079-000	Dome head pop rivet	1

Oxygen bottle holder option, foot end - 6500-240-000

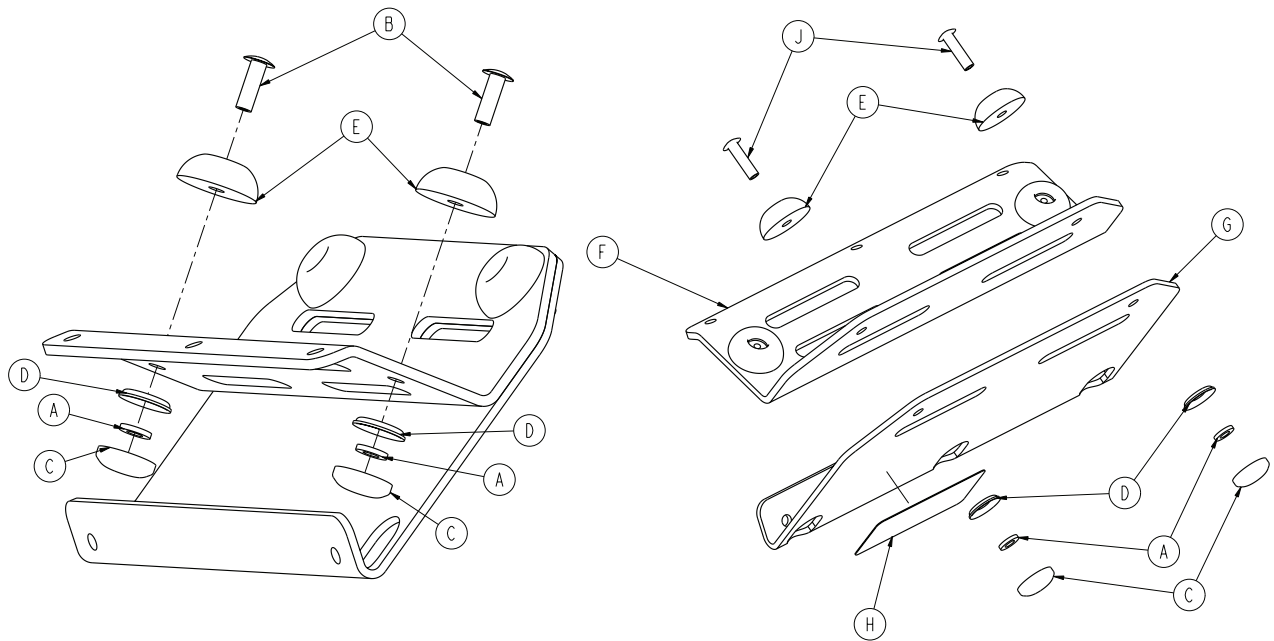
Rev A (Reference only)



Item	Number	Name	Quantity
A	0004-862-000	Button head cap screw	3
B	0011-001-000	Flat washer	6
C	0016-131-000	Nylock hex nut	3
D	0025-079-000	Dome head pop rivet	2
E	6060-140-013	Oxygen bottle restraint strap	2
F	6500-101-040	Oxygen bottle holder assembly (page 120)	1

Oxygen bottle holder assembly

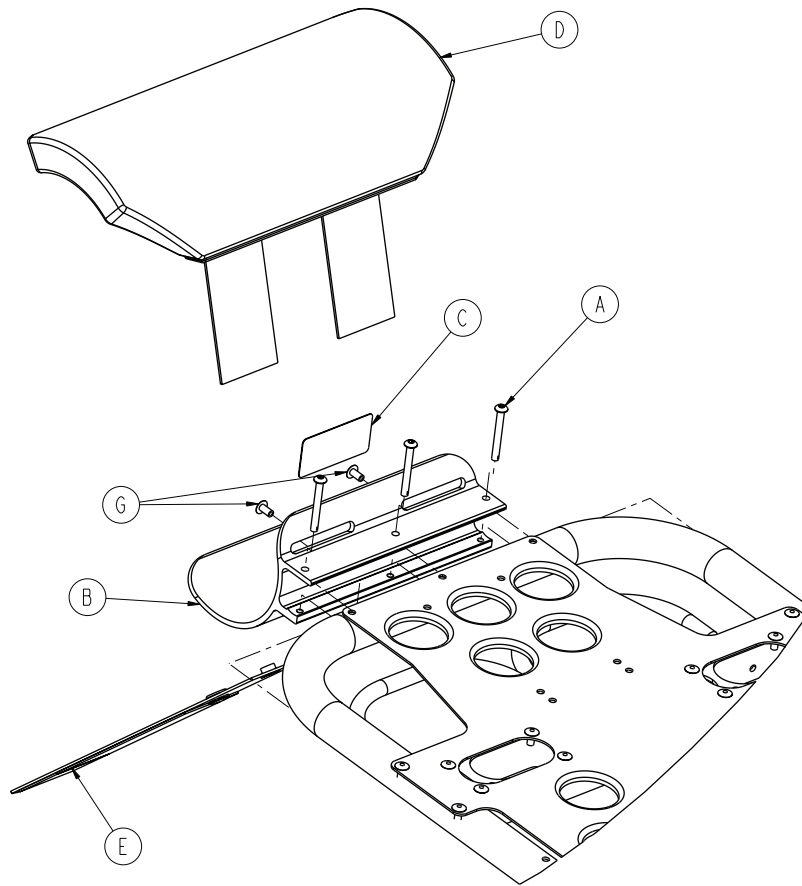
6500-101-040 Rev A (Reference only)



Item	Number	Name	Quantity
A	0011-436-000	Washer	4
B	0025-133-000	Dome head rivet	2
C	0037-055-000	Black protective cap	4
D	0037-056-000	Retaining washer	4
E	0946-001-155	Bumper	4
F	6500-001-239	Tray	1
G	6500-001-240	Bracket	1
H	6500-101-257	Label	1
J	0025-086-000	Blind rivet	2

Oxygen bottle holder option, Fowler - 6500-241-000

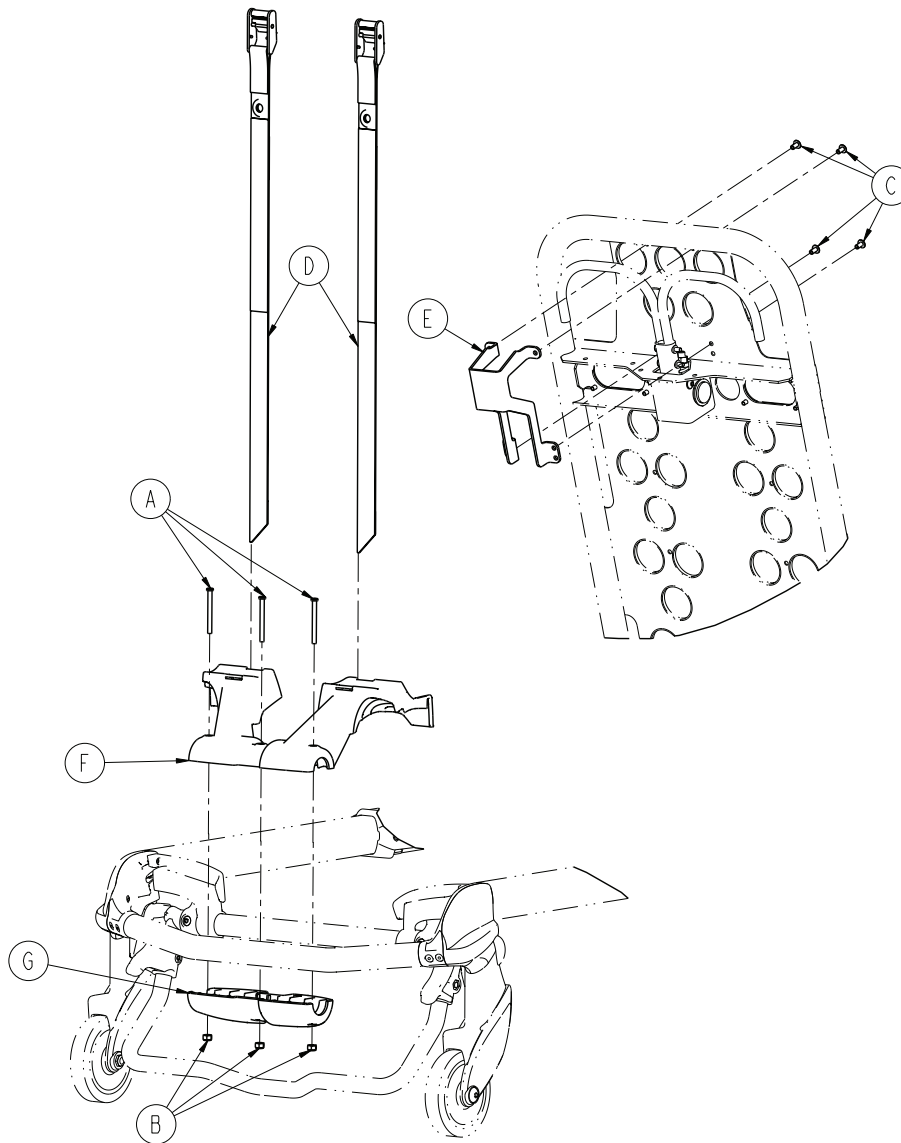
Rev B (Reference only)



Item	Number	Name	Quantity
A	0004-636-000	Button head cap screw	3
B	6500-001-119	Backrest oxygen holder bracket	1
C	6500-101-231	Label, Fowler oxygen bottle holder	1
D	6500-001-260	Fowler oxygen bottle holder cover	1
E	6500-001-261	Fowler oxygen bottle holder strap	1
G	0025-079-000	Dome head pop rivet	2

Retractable head section oxygen bottle holder option - 6085-046-000

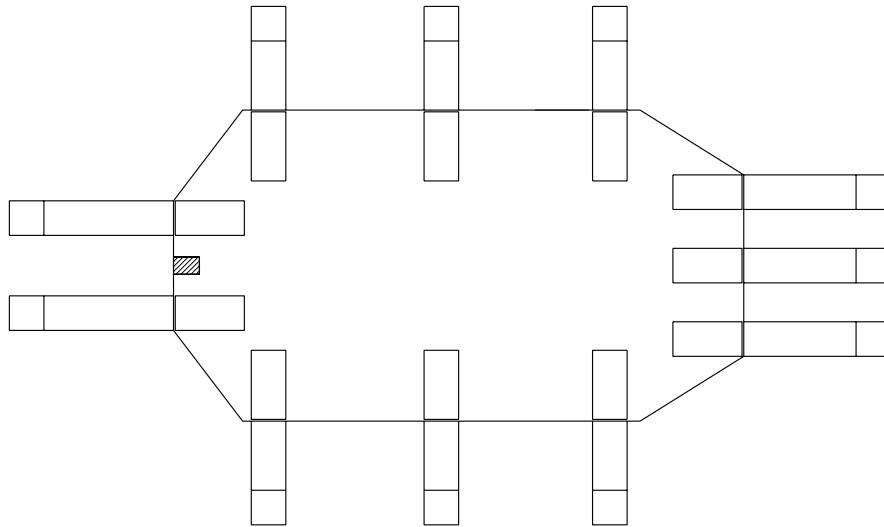
Rev B (Reference only)



Item	Number	Name	Quantity
A	0004-656-000	Socket head cap screw	3
B	0016-002-000	Fiberlock hex nut	3
C	0025-079-000	Dome head rivet	4
D	6085-001-171	Oxygen strap, head end	2
E	6085-001-172	Oxygen Fowler guard	1
F	6085-001-173	Oxygen bottle holder, top	1
G	6085-001-174	Oxygen bottle holder, bottom	1

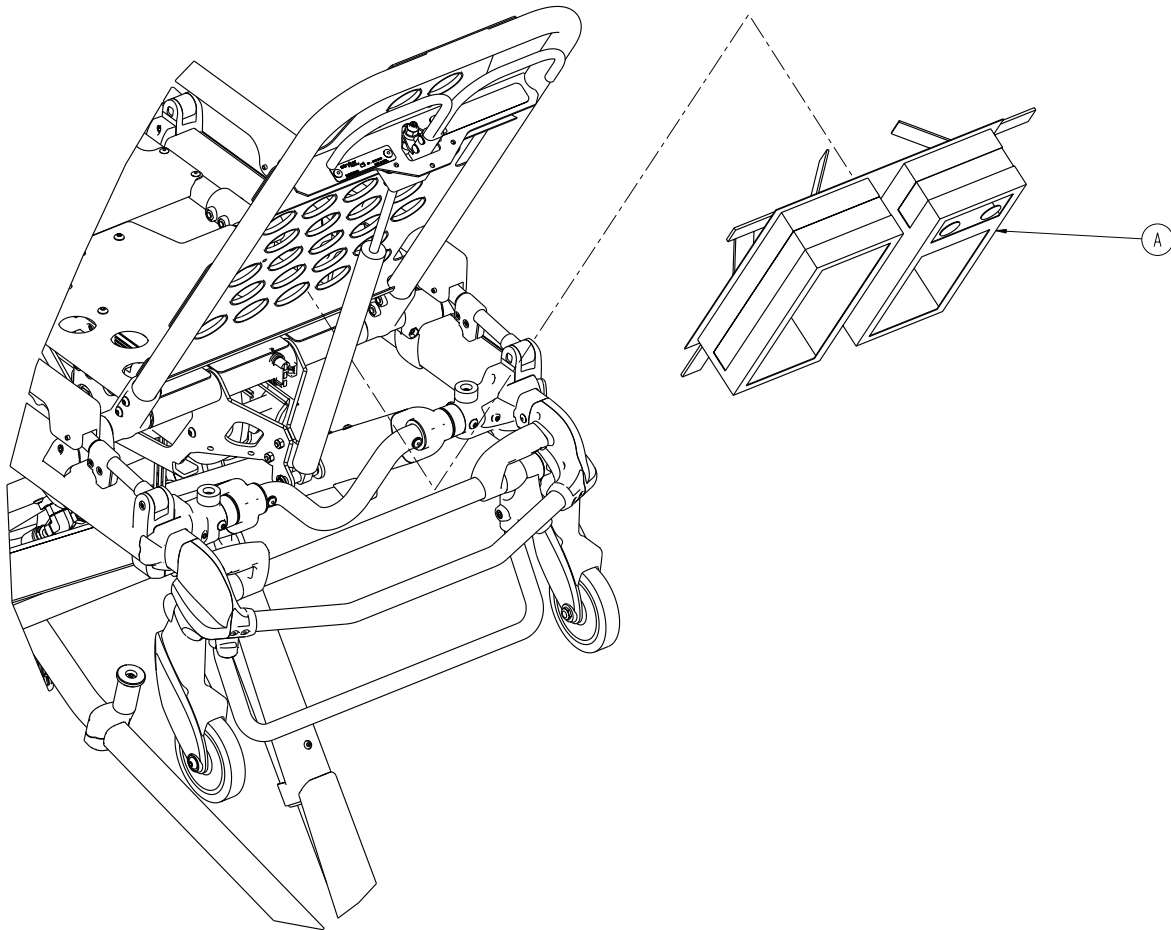
Base storage net option- 6500-160-000

6500-001-126 Rev AB (Reference only)



Backrest pouch option - 6500-130-000

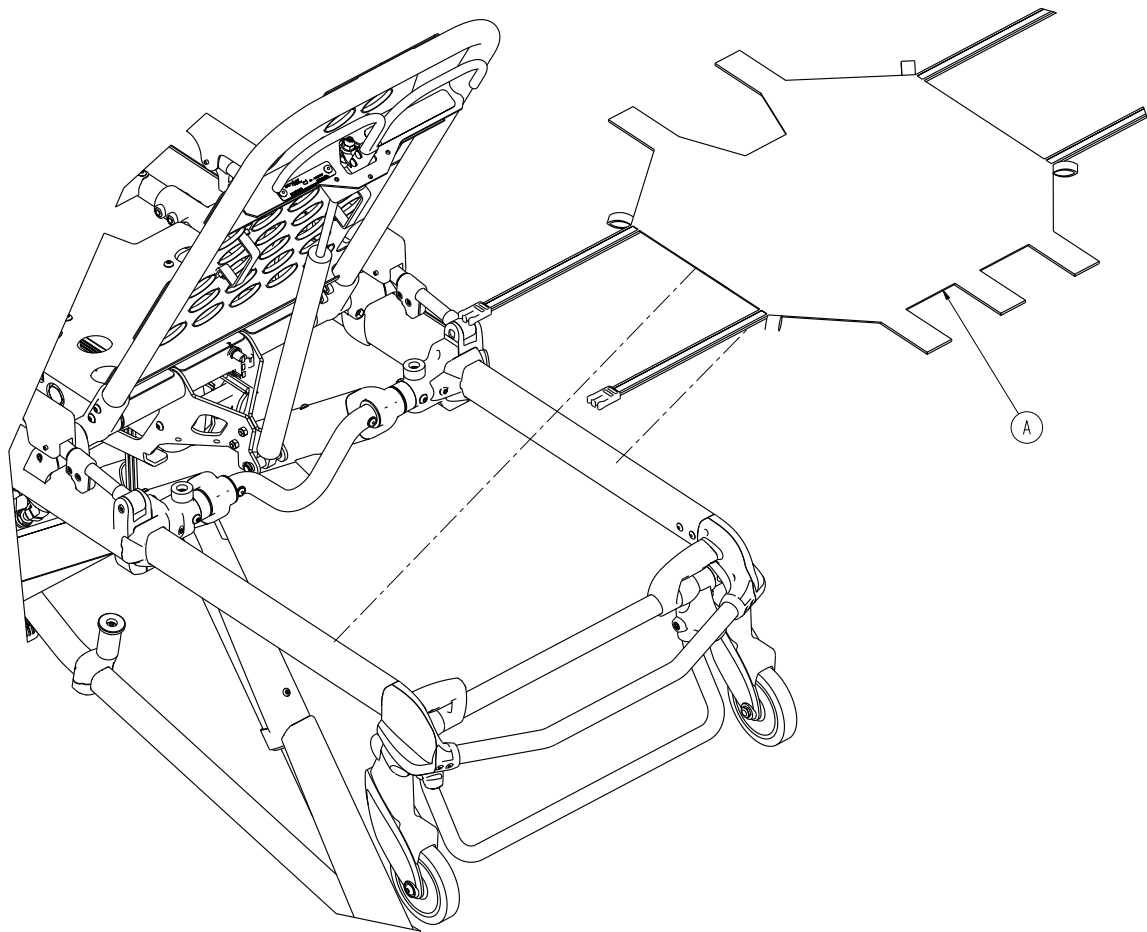
Rev A (Reference only)



Item	Number	Name	Quantity
A	6500-001-241	Pocketed backrest storage pouch	1

Head end storage flat option - 6085-035-000

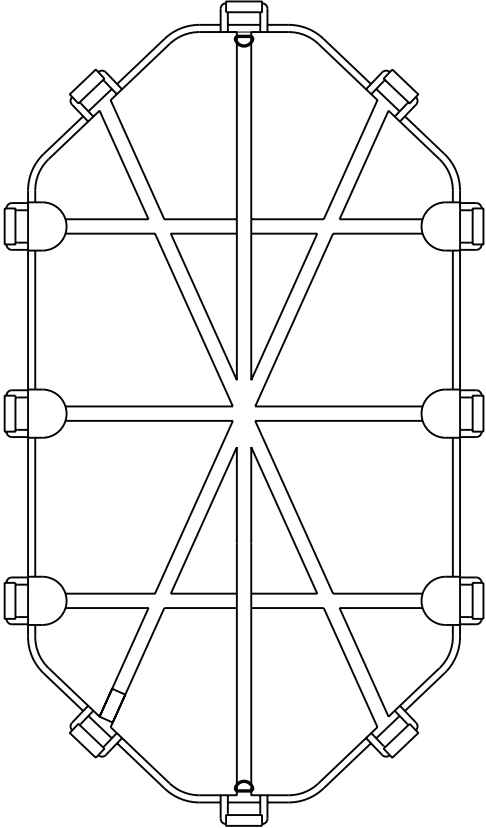
Rev A (Reference only)



Item	Number	Name	Quantity
A	6085-001-154	Head end storage flat	1

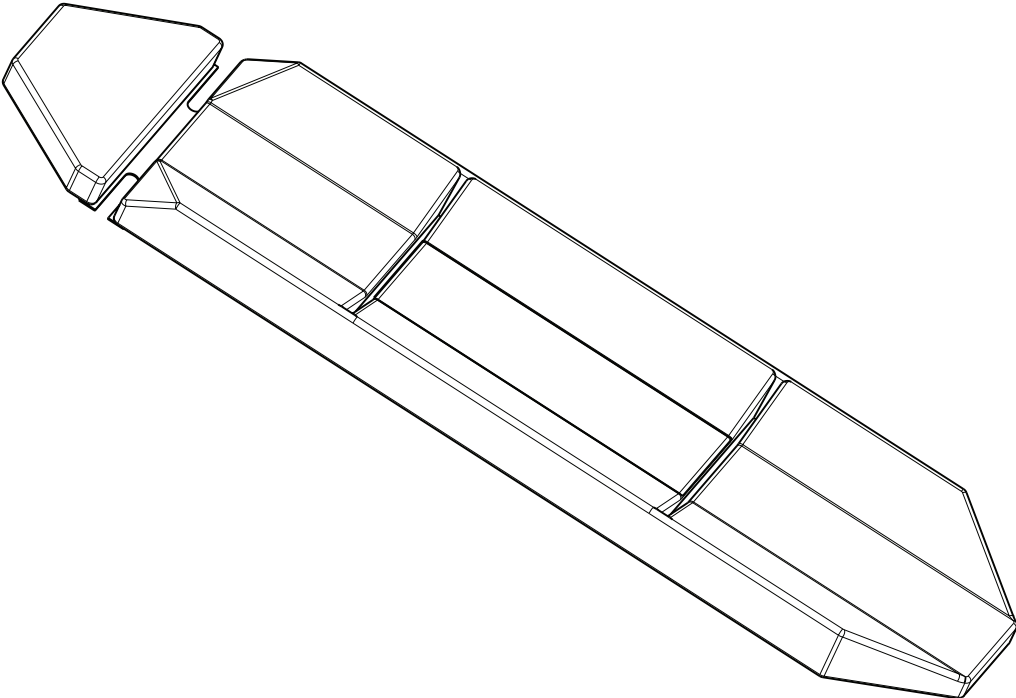
Transfer flat option

6005-001-001 Rev AA (Reference only)



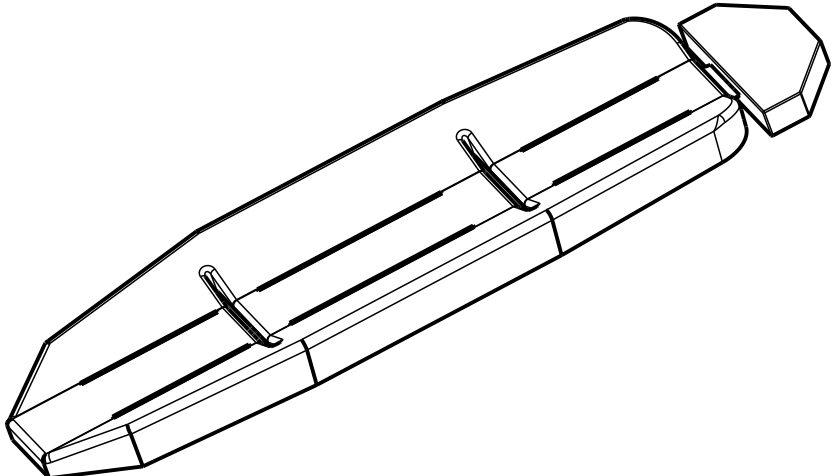
Mattress option, knee Gatch bolster - 6506-034-000

6500-002-150 Rev AB (Reference only)



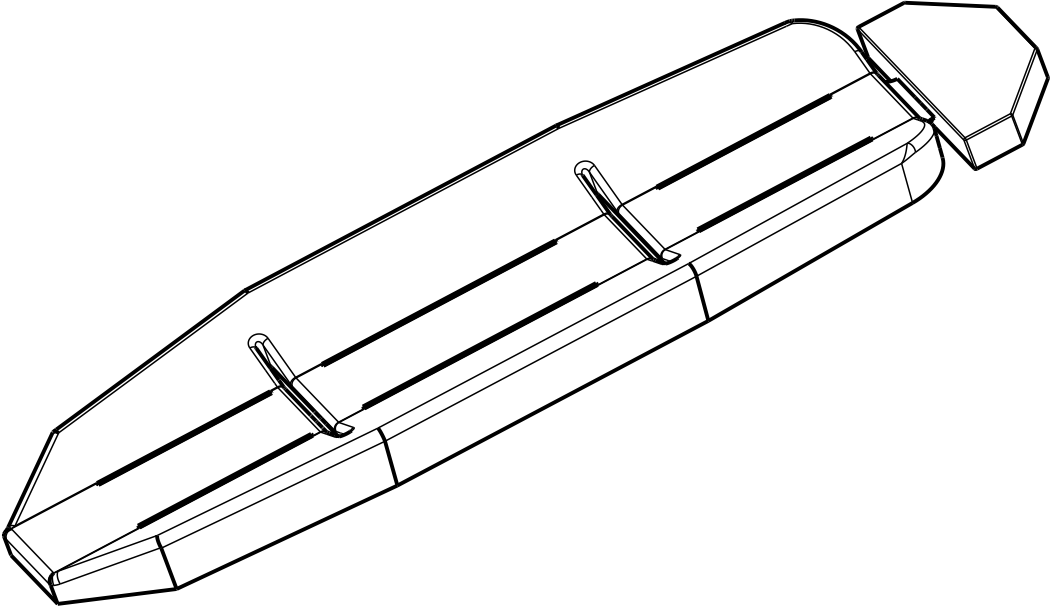
Mattress option, knee Gatch bolster, XPS - 6500-003-130

Rev AB (Reference only)



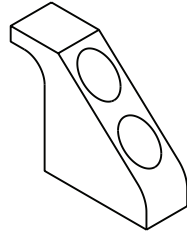
Mattress option, knee Gatch bolster, grey, XPS - 6506-041-000

6506-003-130 Rev AB (Reference only)

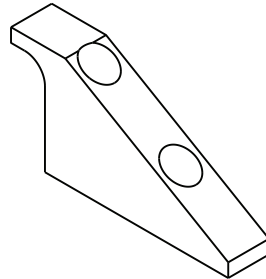


Safety hook, short - 6060-036-017/Safety hook, long - 6060-036-018/ Safety hook, J - 6092-036-018

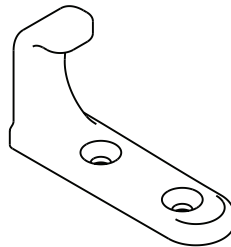
Safety hook, short - 6060-036-017 Rev A (Reference only)



Safety hook, long - 6060-036-018 Rev D (Reference only)



Safety hook, J - 6092-036-018 Rev A (Reference only)





Stryker Corporation or its divisions or other corporate affiliated entities own, use or have applied for the following trademarks or service marks: **HAVASU, Performance-LOAD, Performance-PRO, Power-LOAD, Power-PRO, RUGGED, SMRT Battery System, Steer-Lock, Stryker, XPR, XPS**. All other trademarks are trademarks of their respective owners or holders.



Stryker Medical
3800 E. Centre Avenue
Portage, MI 49002
USA