



POWER PRO IT

Model 6510 RUGGED®

stryker®

Operations/Maintenance Manual



For Parts or Technical Assistance:
USA: 1-800-327-0770 (option 2)
Canada: 1-888-233-6888



Table of Contents

Introduction	6
Intended Use	6
Specifications	6
WARNING / CAUTION / NOTE DEFINITION.	7
Symbols.	9
Warranty	10
Stryker EMS Return Policy	11
Return Authorization.	11
Damaged Merchandise	11
International Warranty Clause.	11
Patent Information	11
Summary of Safety Precautions	12
Component Identification	17
Product Inspection	18
General Inspection.	18
Setup Procedures.	20
Cot Load Height and “Jog” Function	21
Cot Fastener Installation	22
In-Fastener Shut-Off	24
Vehicle Safety Hook Installation	25
Ambulance Configuration	25
Required Hardware for Installation of the Safety Hook (Not Supplied)	25
Positioning and Installing the Safety Hook.	26
Cot Features	28
Optional Wheel Lock(s)	28
Wheel Locking Force	29
Cot Retaining Post	29
Battery Power Indicator	30
Hour Meter	31
Optional Head End Storage Flat	32
Cot Operation.	33
Operating Guidelines	33
Proper Lifting Techniques.	33
Ambulance Cot Motion.	34
Loading the Occupied Cot into a Vehicle - Powered Method	35
High Speed Retract/Extend	36
Loading the Occupied Cot into a Vehicle with Two Operators at the Foot End	36
Loading the Unoccupied Cot into a Vehicle - Powered Method	37
Unloading the Cot from a Vehicle - Powered Method.	38
Manual Override Operation	40
Unloading the Cot from a Vehicle - Manual Method	41
Loading the Cot into a Vehicle - Manual Method	41
Adjusting Cot Height	43

Table of Contents

Cot Operation (Continued)	
Using Additional Assistance	43
Operating the Retractable Head Section	44
Battery Operation	45
Removing / Installing the Incubator Adaptor	46
Installing the Airborne™ Incubator In The Side By Side Configuration on the Model 6510 ARUGGED POWER PRO IT Ambulance Cot	47
Installing the Drager® Incubator on the model 6510 ARUGGED POWER PRO IT Ambulance Cot	48
Installing the Airborne™ Stackable on the model 6510 ARUGGED POWER PRO IT Ambulance Cot	50
Installing the Air Sled on the model 6510 ARUGGED POWER PRO IT Ambulance Cot	51
Cleaning	53
Washing Procedure	53
Washing Limitations	53
REMOVAL OF IODINE COMPOUNDS	54
Preventative Maintenance	55
Base Lubrication	56
Regular Inspection and Adjustments	57
Maintenance Record	59
Training Record	60
Assembly Drawings	61
Cot Assembly - 6510-001-010	61
Base Assembly - 6500-001-012	69
Outer Lift Tube Assembly, Base Pivot - 6500-001-021	74
Inner Lift Tube Assembly, Base Pivot - 6500-001-022	75
Inner Lift Tube, Litter Pivot - 6500-001-034	76
Inner Lift Tube, Litter Pivot - 6500-001-034	77
Outer Rail, Patient Right Assembly - 6510-001-027	78
Outer Rail, Patient Left Assembly - 6510-001-028	80
Hall Sensor Assembly - 6500-001-028	82
Empty Housing Assembly - 6500-001-029	83
Powerplant Assembly - 6510-001-014	84
Hydraulic Sub-Assembly - 6500-001-030	86
Foot End Assembly - 6500-001-015	87
Switch Assembly - 6500-001-016	91
Trend Assembly - 6510-001-013	92
Head Section Assembly - 6500-001-020	93
Head Section Lock Assembly - 6500-001-026	95
In-Fastener Shut-Off Assembly - 6500-001-027	96
Airborne Side By Side Assembly Option - 6510-028-000	97
Incubator Adaptor Assembly - Airborne Side By Side	98
Drager Assembly Option - 6510-029-000	100
Drager Extended Option Assembly - 6510-041-000	101
Incubator Adaptor Assembly - Drager	102

Table of Contents

Assembly Drawings (Continued)	
Airborne Stackable Assembly Option - 6510-027-000	104
Incubator Adaptor Assembly - Airborne Stackable	105
No Adapter Option Assembly, Air Sled - 6510-042-000	106
Trouble Shooting Guide	108
POWER PRO Electronics and Hydraulics Locator	108
POWER PRO Hydraulic Manifold Components Locator	109
POWER PRO Electrical System Block Diagram	110
POWER PRO Troubleshooting Guide	112
Recycling Passport.	115
Product: 6500-700-006	115
Product: 6500-001-016.	116
Product: 6500-001-028	117
Product: 6500-001-015.	118
Product: 6500-001-014.	118
Product: 6500-001-030	119
Product: 6500-001-159.	120
Quick Reference Replacement Parts List	121
EMC Information.	122
POWER PRO IT.	122

Introduction


INTRODUCTION

This manual is designed to assist you with the operation and maintenance of the model 6510 **RUGGED** POWER PRO Incubator Transport (IT) Ambulance Cot. Read it thoroughly before using the equipment or beginning any maintenance on it.

INTENDED USE

The model 6510 **RUGGED** POWER PRO IT Ambulance Cot is intended to be used as an incubator transport cot. It is optionally equipped with an adapter to accommodate a chosen model of incubator.

SPECIFICATIONS

Maximum Cot Load Capacity 	700 pounds	315 kg
Maximum Unassisted Lift Capacity	500 pounds	225 kg
Backrest Articulation/Shock Position	2° to 73° / +15°	
Overall Length/Minimum Length/Width	81" / 63" / 23"	206 cm/160 cm/58,5 cm
Height ¹ (Infinite height position between lowest and highest position)		
• Highest Position	41.5"	105 cm
• Lowest Position	14"	36 cm
Width	23"	58 cm
Weight ²	134 pounds	60,7 kg
Wheels		
• Diameter	6"	15 cm
• Width	2"	5 cm
Caster Diameter/Width	6" / 2"	15,2 cm/5,1 cm
Minimum Operators Required for Loading/Unloading an Occupied Cot		
• Occupied Cot	2	
• Unoccupied Cot	1	
Recommended Loading Height ³	Up to 36"	91 cm
Recommended Fastener Systems		
• Floor Mount	Model 6370 or 6377	
• Wall Mount	Model 6371	
Roll-In Style	Yes	
Single Wheel Lock / Double Wheel Lock	Optional	
Hydraulic Oil	Stryker Part Number 6500-001-293	
Battery System	DeWALT® 24 Volt NiCd Battery	
- Battery	Stryker Part Number 6500-700-006	
- Charger	Stryker Part Number 6500-070-000 (120 Volt) Part Number 6500-072-000 (12/24 Volt)	

Introduction

Environmental Conditions	Operation	Storage and Transportation
Temperature		
Relative Humidity		
Atmospheric Pressure		

¹Height measured from the top of cot, at the center point, to ground level.

² Cot is weighed with 1 battery and without incubator or fasteners.

³ POWER PRO IT can accommodate lead decks up to 36" (91 cm). Load wheel height can be set between 26" and 36" (66 cm to 91 cm).

Stryker reserves the right to change specifications without notice.

The yellow and black color scheme is a proprietary trademark of Stryker Corporation.

The POWER PRO IT is designed to conform to the Federal Specification for the Star-of-Life Ambulance (KKK-A-1822).

The POWER PRO IT is designed to be compatible with competitive cot fastener systems.

DeWALT® is a registered trademark of Black & Decker Inc.

Patents pending.

WARNING / CAUTION / NOTE DEFINITION

The words WARNING, CAUTION and NOTE carry special meanings and should be carefully reviewed.

WARNING

Alerts the reader about a situation, which if not avoided, could result in death or serious injury. It may also describe potential serious adverse reactions and safety hazards.

CAUTION

Alerts the reader of a potentially hazardous situation, which if not avoided, may result in minor or moderate injury to the user or patient or damage to the equipment or other property. This includes special care necessary for the safe and effective use of the device and the care necessary to avoid damage to a device that may occur as a result of use or misuse.

NOTE

This provides special information to make maintenance easier or important instructions clearer.

[Return To Table of Contents](#)

Introduction

Contact Stryker Customer Service or Technical Support at: (800) 327-0770 or (269) 324-6500.

Stryker Medical
3800 E. Centre Avenue
Portage, MI 49002
USA

Please have the serial number of your Stryker product when calling Stryker Customer Service or Technical Support. Include the serial number in all written communication.

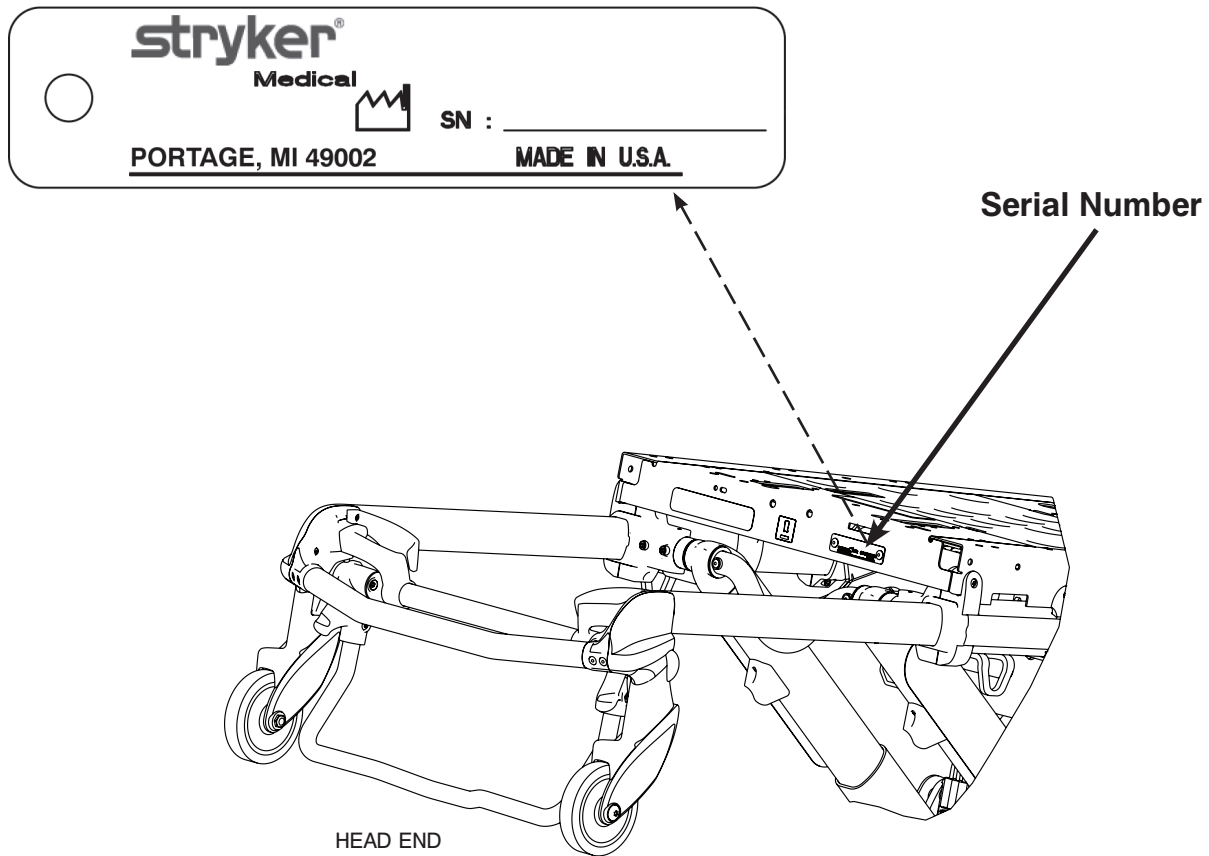


Figure 1 - Cot Serial Number & Location

Symbols



Warning, consult accompanying documentation



Safe Working Load Symbol



Dangerous Voltage Symbol



Pinch Point



Extend



Retract



Type B Equipment: equipment providing a particular degree of protection against electric shock, particularly regarding allowable leakage current.

Internally Powered Equipment: Equipment able to operate from an internal (removable) electric power source.

Mode of Operation: 10% (1 Min. On / 5 Min. Off)

IPX6

Protection from powerful jets.



Do not transport incubator and/or equipment in raised position.



Transport incubator and/or equipment in low position only.



Recognized by Underwriters Laboratories, Inc.



In accordance with European Directive 2002/96/EC on Waste Electrical and Electronic Equipment, this symbol indicates that the product must not be disposed of as unsorted municipal waste, but should be collected separately. Refer to your local distributor for return and/or collection systems available in your country.

Warranty

Stryker EMS, a division of the Stryker Corporation, offers one warranty option in the United States:

Two (2) year parts and labor. Stryker EMS warrants to the original purchaser that its products should be free from manufacturing non-conformances that affect product performance and customer satisfaction for a period of two (2) years after date of delivery. Stryker's obligation under this warranty is expressly limited to supplying replacement parts and labor for, or replacing, at its option, any product that is, in the sole discretion of Stryker, found to be defective. Expendable components, i.e. mattresses, restraints, IV poles, storage nets, storage pouches, O2 straps, and other soft goods, have a one (1) year limited warranty.

Stryker Medical EMS products are designed for a 7 year expected service life under normal use, conditions, and with appropriate periodic maintenance as described in the maintenance manual for each device. Stryker warrants to the original purchaser that the welds on its EMS products will be free from structural defects for the expected 7 year life of the EMS product as long as the original purchaser owns the product. Original purchasers will also obtain a three (3) year limited parts warranty for the X-frame components of the POWER PRO cot and a three (3) year limited power train warranty covering the motor pump assembly and hydraulic cylinder assembly. Stryker's obligation under this three (3) year limited warranty is expressly limited to supplying replacement parts and labor for, or replacing, at its option, any part that is, in the sole discretion of Stryker, found to be defective.

If Stryker requests, products or parts for which an original purchaser makes a warranty claim, the purchaser shall return the product or part prepaid freight to Stryker's factory.

Any improper use or alteration or repair by unauthorized service providers in such a manner as in Stryker's judgment affects the product materially and adversely, shall void this warranty. Any repair of Stryker products using parts not provided or authorized by Stryker shall void this warranty. No employee or representative of Stryker is authorized to change this warranty in any way.

This statement constitutes Stryker EMS's entire warranty with respect to the aforesaid equipment. STRYKER MAKES NO OTHER WARRANTY OR REPRESENTATION EITHER EXPRESSED OR IMPLIED, EXCEPT AS SET FORTH HEREIN. THERE IS NO WARRANTY OF MERCHANTABILITY AND THERE ARE NO WARRANTIES OF FITNESS FOR ANY PARTICULAR PURPOSE. IN NO EVENT SHALL STRYKER BE LIABLE HEREUNDER FOR INCIDENTAL OR CONSEQUENTIAL DAMAGES ARISING FROM OR IN ANY MANNER RELATED TO SALES OR USE OF ANY SUCH EQUIPMENT.

DEWALT® Product Warranty

Any DEWALT® product purchased from Stryker EMS is covered for a period of one (1) year after date of delivery. Stryker's obligation under this warranty is expressly limited to supplying replacement parts and labor for, or replacing, at its option, any product that is, in the sole discretion of Stryker, found to be defective.

Warranty

STRYKER EMS RETURN POLICY

Cots, Stair Chairs, Evacuation Chairs, Cot Fasteners and Aftermarket Accessories may be returned up to 180 days of receipt if they meet the following guidelines:

Prior to 30 Days

- 30 day money back guarantee in effect
- Stryker EMS is responsible for all charges
- Returns will not be approved on modified items

Prior to 90 Days

- Product must be **unused, undamaged** and in the original packaging
- Customer is responsible for a 10% restocking fee

Prior to 180 Days

- Product must be **unused, undamaged** and in the original packaging
- Customer is responsible for a 25% restocking fee

RETURN AUTHORIZATION

Merchandise cannot be returned without approval from the Stryker Customer Service Department. An authorization number will be provided which must be printed on the returned merchandise. Stryker reserves the right to charge shipping and restocking fees on returned items. SPECIAL, MODIFIED, OR DISCONTINUED ITEMS NOT SUBJECT TO RETURN.

DAMAGED MERCHANDISE

ICC Regulations require that claims for damaged merchandise must be made with the carrier within fifteen (15) days of receipt of merchandise. DO NOT ACCEPT DAMAGED SHIPMENTS UNLESS SUCH DAMAGE IS NOTED ON THE DELIVERY RECEIPT AT THE TIME OF RECEIPT. Upon prompt notification, Stryker will file a freight claim with the appropriate carrier for damages incurred. Claim will be limited in amount to the actual replacement cost. In the event that this information is not received by Stryker within the fifteen (15) day period following the delivery of the merchandise, or the damage was not noted on the delivery receipt at the time of receipt, the customer will be responsible for payment of the original invoice in full. Claims for any short shipment must be made within thirty (30) days of invoice.

INTERNATIONAL WARRANTY CLAUSE

This warranty reflects U.S. domestic policy. Warranty outside the U.S. may vary by country. Please contact your local Stryker Medical representative for additional information.

PATENT INFORMATION

ARUGGED products are covered by one or more of the following patents:

United States	5,575,026	6,276,010	6,648,343	6,908,133	6,796,757
	5,537,700	6,125,485	6,735,794	7,100,224	D527,103

Other Patents Pending

Summary of Safety Precautions

The following is a list of safety precautions that must be observed when operating or servicing this unit. The precautions are repeated throughout the manual, where applicable. Carefully read this list before using or servicing the unit.

WARNING

- Do not modify the model 6510 **▲RUGGED▲** POWER PRO IT ambulance cot or any components of the cot, including the hydraulic unit. Modifying the product can cause unpredictable operation resulting in injury to the patient or operator. Modifying the product will also void its warranty.
- The in-fastener shut-off module must be positioned properly before placing the ambulance cot into EMS service. Failure to install the in-fastener shut-off module may cause injury to the patient or operator and/or damage to the vehicle.
- It is the responsibility of the cot operator to ensure the ambulance cot being used in the Stryker cot fastener system meets the installation specifications listed on [page 23](#). Injury may result if a non-compatible ambulance cot is used in the Stryker cot fastener system.
- Have the vehicle safety hook installed by a certified mechanic. Improper safety hook installation can result in injury to the patient or operator and/or damage to the cot.
- Failure to install the vehicle safety hook can result in injury to the patient or operator. Install and use the safety hook as described in this manual. To avoid injury, verify the safety bar has engaged the safety hook before removing the ambulance cot from the patient compartment.
- Install the vehicle safety hook at least 1/8" (3 mm) from the edge of the rear ambulance door. After installation, verify that the undercarriage locks in the load position without contacting the emergency vehicle bumper.
- The ambulance cot must have at least 5/8" (1,6 mm) of clearance between the emergency vehicle bumper and the ambulance cot to disengage the safety bar when unloading the product from the ambulance. Verify that the product is locked in a rolling position before disengaging the safety bar from the safety hook (if equipped).
- Never apply the optional wheel lock(s) while a patient is on the ambulance cot. Tipping could occur if the ambulance cot is moved while wheel locks are applied, resulting in injury to the patient or operator and/or damage to the product.
- Never install or use wheel locks on an ambulance cot with excessively worn wheels. Installing or using wheel locks on wheels with less than a 6" (16 cm) diameter could compromise the holding ability of the wheel lock, resulting in injury to the patient or operator and/or damage to the product or other equipment.
- To avoid risk of electric shock, never attempt to open the battery pack for any reason. If the battery pack case is cracked or damaged, do not insert it into the charger. Return damaged battery packs to a service center for recycling.
- Do not remove the battery when the ambulance cot is activated.
- Avoid contact with a wet battery or battery enclosure. Contact may cause injury to the patient or operator.
- When the optional head-end storage flat is being used, ensure it does not interfere with the operation of the retractable head section, safety bar and safety hook. Injury to the patient or operator could result.
- Improper usage of the model 6510 **▲RUGGED▲** POWER PRO IT ambulance cot can cause injury to the patient or operator. Operate the ambulance cot only as described in this manual.
- Entanglement in powered ambulance cot mechanisms can cause serious injury. Operate the ambulance cot only when all persons are clear of the mechanisms.
- Practice changing height positions and loading and unloading the ambulance cot until operation of the product is fully understood. Improper use can cause injury.
- Do not allow untrained assistants to assist in the operation of the ambulance cot. Untrained technicians/assistants can cause injury to the patient or themselves.
- Do not ride on the base of the model 6510 **▲RUGGED▲** POWER PRO IT ambulance cot. Damage to the product could occur, resulting in injury to the patient or operator.
- Grasping the model 6510 **▲RUGGED▲** POWER PRO IT ambulance cot improperly can cause injury. Keep hands, fingers and feet away from moving parts.
- Transporting the cot sideways can cause the cot to tip, resulting in possible damage to the product and/or injury to the patient or operator. **Transporting the cot in a lowered position, head or foot end first, will minimize the potential of a cot tip.**
- Any emergency vehicle to be used with this ambulance cot **must** have the in-fastener shut-off system installed.

Summary of Safety Precautions

WARNING (CONTINUED)

- Never leave a patient unattended on the ambulance cot or injury could result. Hold the ambulance cot securely while a patient is on the cot.
- High obstacles such as curbing, steps or rough terrain can cause the ambulance cot to tip, possibly causing injury to the patient or operator. **Transporting the cot in lower positions can reduce the potential of a cot tip.** If possible, obtain additional assistance (see [page 43](#) for a reference chart) or take an alternate route.
- Whenever the weight of the ambulance cot and patient is off the wheels, the ambulance cot will **automatically** enter the high speed retract mode if the retract button is pressed.
- Once the weight is off the ground, the operator(s) must support the load of the patient, ambulance cot and any accessories. Failure to support the load properly may cause injury to the patient or operator.
- To avoid injury, verify the safety bar has engaged the safety hook before removing the ambulance cot from the patient compartment.
- Do not pull or lift on the safety bar when unloading the ambulance cot. Damage to the safety bar could result and injury to the patient or operator could occur.
- Do not press the extend (+) button until the safety bar engages the safety hook.
- To avoid injury, always verify that the head section is locked into place prior to operating the ambulance cot (see [page 44](#)). The head section must be extended and locked into position before loading/unloading the ambulance cot.
- When using a standard ambulance cot fastener, do not load the cot into the vehicle with the head section retracted. Loading the cot with the head section retracted may cause the product to tip or not engage properly in the cot fastener, possibly causing injury to the patient or operator and/or damage to the cot.
- The one person loading and unloading procedures are for use only with an empty ambulance cot. Do not use the procedures when loading/unloading a patient. Injury to the patient or operator could result.
- Do not attempt to operate the ambulance cot when loaded into a cot fastener. The in-fastener shut-off is **only** a means for disabling the electronic functionality. Damage to the product or injury to the patient or operator may occur.
- In-fastener shut-off must be installed in all ambulances in which the cot will be used.
- Use any appropriate personal safety equipment (goggles, respirator, etc.) to avoid the risk of inhaling contagion. Use of power washing equipment can aerate contamination collected during the use of the ambulance cot.
- Failure to properly clean or dispose of other ambulance cot components will increase the risk of bloodborne pathogens and may cause injury to the patient or operator.
- Hydraulically raising or lowering the cot may temporarily affect electronic patient monitoring equipment. For best results, patient monitoring should be conducted when the cot is idle.
- **SOME CLEANING PRODUCTS ARE CORROSIVE IN NATURE AND MAY CAUSE DAMAGE TO THE PRODUCT IF USED IMPROPERLY.** If the products described above are used to clean Stryker patient care equipment, measures must be taken to insure the cots are wiped with clean water and thoroughly dried following cleaning. Failure to properly rinse and dry the cots will leave a corrosive residue on the surface of the cots, possibly causing premature corrosion of critical components.
- Escaping fluid under pressure can penetrate the skin causing serious injury. Avoid the hazard by relieving pressure before disconnecting hydraulic or other lines. Tighten all connections before applying pressure. If an accident occurs, see a doctor immediately. Any fluid injected into the skin must be surgically removed within a few hours or gangrene may result. Doctors unfamiliar with this type of injury should reference a knowledgeable medical source.
- Adapters are intended for use only on the model 6510 **ARUGGED** POWER PRO IT ambulance cot. They are not intended for installation on any other **ARUGGED** Cot or any cot from another manufacturer. Using these adaptors on any cot other than the model 6510 **ARUGGED** POWER PRO IT ambulance cot may result in damage to the cot and/or injury to the patient or user.
- Verify the adaptor is properly installed on the cot and the incubator is securely fastened to the adaptor prior to use. An improperly attached adaptor or incubator may cause injury to the patient or user.
- To minimize the potential of a cot tip occurring, the stacked (6510-027) and side-by-side (6510-028) configurations shall not be exposed to inclines greater than 5° when in positions other than the low height (transport) position.
- To minimize the potential of a cot tip occurring, the side-by-side (6510-028) configuration shall not be exposed to inclines greater than 10° when in the low height (transport) position.

[Return To Table of Contents](#)

Summary of Safety Precautions

WARNING (CONTINUED)

- Medical electrical equipment requires special precautions regarding EMC and needs to be installed and put into service according to the EMC information provided on [pages 122 - 125](#) to prevent equipment malfunction.
- Portable and mobile RF communication equipment can affect Medical Electrical Equipment.

CAUTION

- Set the cot height limit to the proper stop height prior to operation.
- Installation of the safety hook should be done by a certified mechanic familiar with ambulance construction. Consult the vehicle manufacturer before installing the safety hook and be sure the installation of the safety hook does not damage or interfere with the brake lines, oxygen lines, fuel lines, fuel tank or electrical wiring of the vehicle.
- Wheel locks are only intended to help prevent the ambulance cot from rolling while unattended. Wheel locks may not provide sufficient resistance on all surfaces or under loads.
- The ambulance cot fastener comes pre configured for an X-Frame cot, if the fastener has been configured for an H-frame style cot, the cot retaining post must be adjusted to accommodate the fastener.
- Only use the battery and charger as specified.
- The POWER PRO IT is not for use with an AC adaptor.
- Ensure that the battery is charged prior to placing into service. An uncharged or depleted battery may cause poor ambulance cot performance.
- A preventative maintenance program should be established for all Stryker EMS equipment. Preventative maintenance may need to be performed more frequently based on the usage level of the product. Close attention should be given to safety features including, but not limited to:
 - Hydraulic power mechanism
 - All electrical controls return to off or neutral position when released
- For additional maintenance information, refer to the preventative maintenance section.
- The weight of the equipment in the head end storage flat (if equipped) must not exceed 40 pounds (18 kg).
- Before operating the cot, clear any obstacles that may interfere and cause injury to the operator or patient.
- The ambulance cot can be set at any height position. Establish the required load height for the ambulance cot prior to placing the unit into service.
- Loading, unloading or changing the position of a loaded ambulance cot requires a minimum of **two trained operators**. The operator(s) must be able to lift the total weight of the patient, cot and any other items on the cot (if additional assistance is needed, see [page 43](#) for a reference chart).
- When unloading the ambulance cot from the patient compartment, ensure the caster wheels are safely set on the ground or damage to the product may occur.
- Do not “jog” the ambulance cot past the established load height of the product when the safety bar engages the vehicle safety hook or damage may occur to the product.
- Remove the battery if the cot is not going to be used for an extended period of time (over 24 hours).
- Remove the battery before washing the cot.
- Do not steam clean or ultrasonically clean this ambulance cot. Maximum water temperature should not exceed 180 °F/82 °C. Maximum air dry temperature (cart washers) is 240 °F/115 °C. Maximum water pressure should not exceed 1500 psi/130.5 bar. If a hand held wand is being used to wash the unit, the pressure nozzle must be kept a minimum of 61 centimeters from the unit. Towel dry all casters and interface points. Failure to comply with these instructions may invalidate any/all warranties.
- Improper maintenance can cause injury or damage to the product. Maintain the ambulance cot as described in this manual. Use only Stryker approved parts and maintenance procedures. Using unapproved parts and procedures could cause unpredictable operation and/or injury and will void the product warranty.
- Failure to use authorized parts, lubricants, etc. could cause damage to the ambulance cot and will void the warranty of the product.
- Hydraulic hose connections and lines can fail due to physical damage, kinks, age, and exposure. Check hoses and lines regularly to avoid damage to the cot. Check and tighten loose connections.
- Hydraulic fluid connections can loosen due to physical damage and vibration. Check and tighten loose connections.

Summary of Safety Precautions

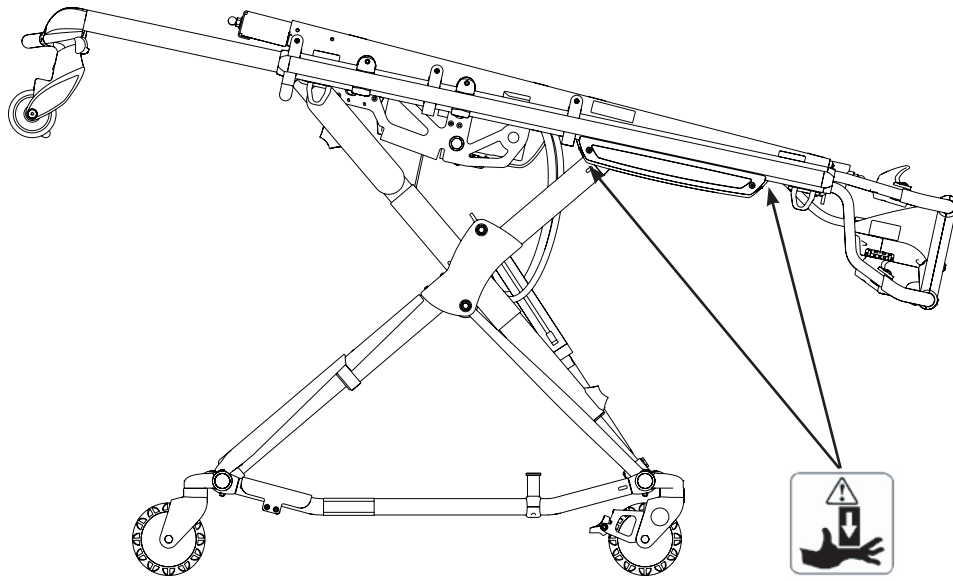
CAUTION (CONTINUED)

- When charging batteries in an ambulance vehicle, locate the charger either in the forward cab or an enclosed compartment (i.e. cabinet).
- When using the single incubator, you must use the center mounting or tipping may occur.
- If an obstacle is encountered while using the foot end push bars, use extreme caution as the head end may tip.
- Carefully store equipment in the cot to prevent them from being jammed in the mechanism.
- Do not lift the head end of the cot by using the head extension. The extendable head section should be used when lifting the head end of the cot.
- The incubator should only be moved when the cot is at its lowest position.
- To avoid malfunction, the model 6510 **▲RUGGED▲** POWER PRO IT ambulance cot should not be used adjacent to or stacked with other equipment. If adjacent or stacked use is necessary, the model 6510 **▲RUGGED▲** POWER PRO IT ambulance cot should be observed to verify normal operation in the configuration in which it will be used.
- The model 6510 **▲RUGGED▲** POWER PRO IT Ambulance Cot is not designed to transport more than 1 incubator.

NOTES

- This manual should be considered a permanent part of the ambulance cot and should remain with the product even if the cot is subsequently sold.
- Adjustment of the rail clamp assembly may be required in order to compensate for any variation in the cot retaining post position depending on the ambulance cot manufacturer and model number.
- If the arrow on the bottom bracket of the retaining post points toward the head end of the cot, the retaining post is set for an X-frame style cot. If the arrow points toward the foot end of the cot the post is set for an H-frame style cot.
- If the push button switch remains activated, the motor will remain halted until the operator releases the button. Once the push button is released, depress the appropriate button to “jog” the cot height in either direction.
- Add an additional 1/2" (1,3 cm) inch to your deck height measurement to allow for variations with patient weight and equipment added to the cot.
- The operators must lift the cot slightly off the ground to use the manual extend or retract while a patient is on the cot.
- Keep your spare battery on the charger at all times. Batteries slowly lose power when not on the charger.
- Failure to follow the cleaning directions when using the specified types of cleaners may void this product's warranty.
- Activation of the manual release may cause the ambulance cot to drop slowly if less than 40 pounds (18 kg) are on the cot.
- When operating the manual release, avoid rapid lifting or lowering of the base or movement may appear sluggish; lift with a slow constant motion.
- Store batteries when not in use.

Summary of Safety Precautions



WARNING: Pinch Points

Figure 2 - Potential Pinch Points

Component Identification

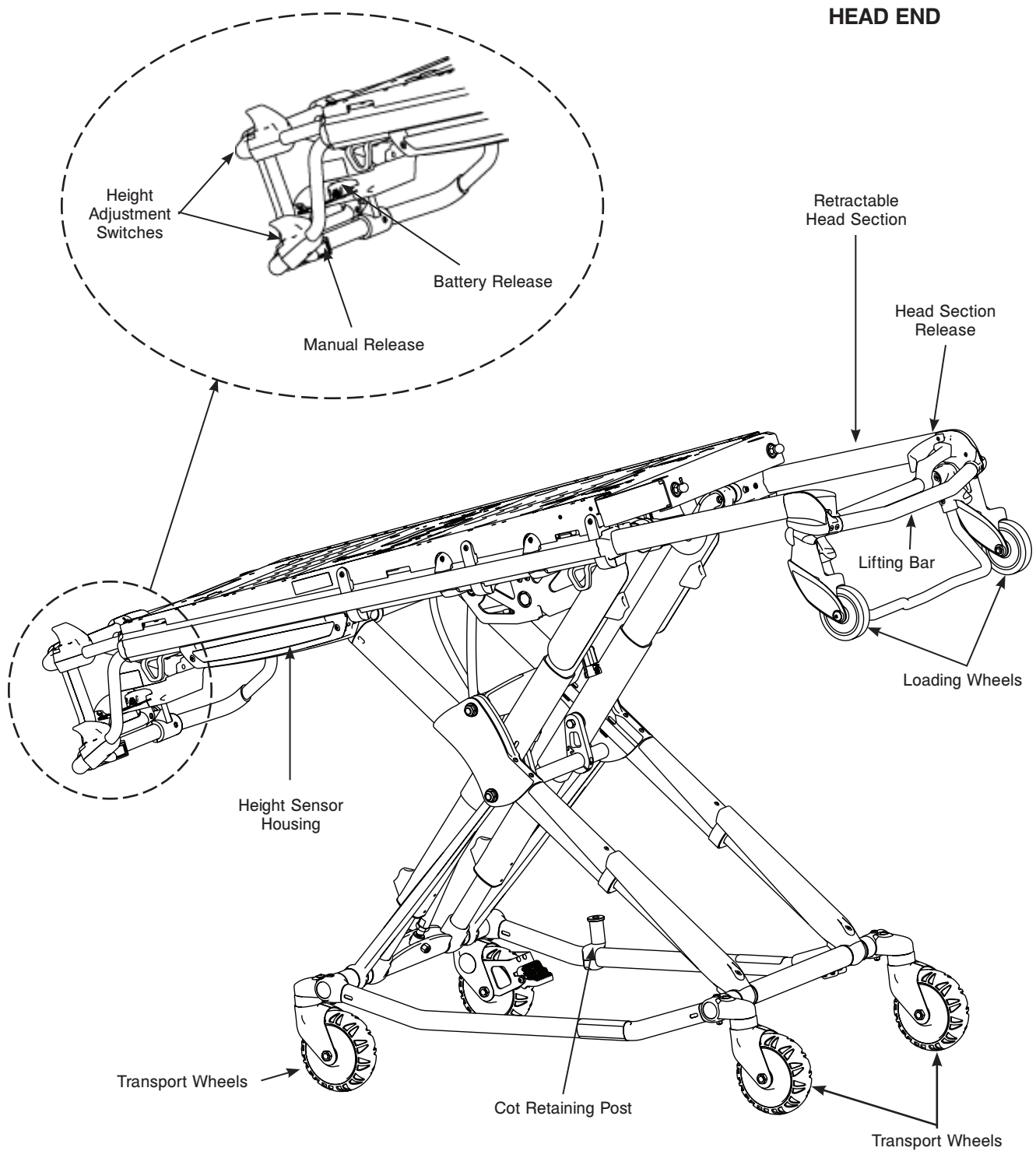


Figure 3 - Cot Components

Product Inspection

GENERAL INSPECTION

The condition of the ambulance cot is the responsibility of the owner. It is important that the ambulance cot is working properly before the product is put into service. Have a qualified service person use the following list and the operation instructions to check the ambulance cot before the product is put into service.

Unpack the cartons and check all items for proper operation.

Item	Routine	Page(s)
Battery	Unpack batteries and charger Charge battery according to DeWALT® instructions	P/N 6500-001-206

CAUTION

When charging batteries in an ambulance vehicle, locate the charger either in the forward cab or an enclosed compartment (i.e. cabinet).

Prior to checking the features and condition of the cot, the battery must be charged until the red LED lights continuously to ensure a full charge. Refer to the DeWALT® instructions for further charging information.

Once the battery is fully charged, inspect the ambulance cot for the following points:

Item	Routine	Page(s)
Battery	Charge spare battery (if necessary) according to DeWALT® instructions.	P/N 6500-001-206
	Install battery into foot-end enclosure, battery indicator operates.	45
	Ensure the battery remains firmly secured.	45
	Release and remove battery from foot-end enclosure.	45
	Reinstall battery into foot-end enclosure.	45
Hydraulics	Inspect motor mount, all fasteners secure.	108
	Check cylinder attachments at both ends, all fasteners secure.	108
	Inspect main cable, all connections secure.	108
	Inspect hoses and cylinder seal for leaks.	108
Electronic Controls	Check battery indicator, charged.	30
	Extend cot to raised position.	43
	Verify "jog" function operating smoothly.	43
	Lower to retracted position, cot secures in a mid-height position (motor does not operate).	43
	Determine and set ambulance vehicle load height	21
	Check high speed retract.	36
	Extend cot to full height, no drift.	43
Manual Release	Verify the manual release lever functions properly, adjust accordingly.	40
	With the cot empty, check the raise/lower function.	40
	With the cot loaded with a minimum of 45 kg, check the raise/lower function.	40
	With the cot loaded with a minimum of 45 kg, check the load/unload function.	38

Product Inspection

Item	Routine	Page(s)
Litter	All fasteners secure (reference all assembly drawings).	
	All welds intact, not cracked or broken.	
	No bent, broken, or damaged components.	
	Inspect hand grips, no defects or tears.	
Head Section	All fasteners secure (reference all assembly drawings).	
	No bent or broken tubing or sheet metal.	
	Verify the head section extends and retracts properly.	44
	Inspect grip on lift bar, no defects or tears.	
	Load wheels are secure and roll freely.	
	Verify the safety bar operates properly.	25
Base	All fasteners secure (reference all assembly drawings).	
	All welds intact, not cracked or broken.	
	No bent, broken, or damaged components.	
Wheels and Tires	No debris in wheels.	
	All wheels secure, rolling and swiveling properly.	
	Operate wheel locks (if equipped) - wheel secure when engaged, rolls freely when disengaged.	28 - 29
Cot Fastener	Inspect the cot retaining post, fasteners secure.	29
	Install in-fastener shut-off module. Determine and set in-fastener shut-off position. Verify the ambulance cot and cot fastener fit and function properly.	24
	Install vehicle safety hook.	25 - 27
	Verify the safety bar engages the vehicle safety hook properly.	26
Accessories	Verify removable oxygen bottle holder (if equipped) operates properly.	
	Head-end storage flat (if equipped) installed properly.	32

Setup Procedures

Ensure that all shipping and packaging materials have been removed from the product(s) prior to use.

The patient compartment of the vehicle in which the ambulance cot will be used must have:

- A smooth rear edge for cot loading.
- A level floor large enough for the folded cot.
- Stryker 6370/6374/6377/6378/6379 or 6371/6375 crash stable cot fastener (not included).
- In-fastener shut-off module installed and positioned properly.
- Space to install the safety hook.

When necessary, modify the vehicle to fit the cot. Do not modify the cot.

WARNING

Do not modify the **▲RUGGED▲** POWER PRO IT ambulance cot or any components of the cot, including the hydraulic unit. Modifying the product can cause unpredictable operation resulting in injury to the patient or operator. Modifying the product will also void its warranty.

Any emergency vehicle to be used with this ambulance cot **must** have the in-fastener shut-off system installed.

Refer to DEWALT® manual (Stryker part number 6500-001-206) for battery and charger operation.

NOTE

- This manual should be considered a permanent part of the ambulance cot and should remain with the product even if the cot is subsequently sold.
- Stryker continually seeks advancements in product design and quality. Therefore, while this manual contains the most current product information available at the time of printing, there may be minor discrepancies between your ambulance cot and this manual. If you have any questions, please contact Stryker Customer Service or Technical Support at (800) 327-0770 or (269) 324-6500.

Setup Procedures

COT LOAD HEIGHT AND “JOG” FUNCTION

The control mechanism of the ambulance cot utilizes height sensors to set the load height stop for the cot. The sensors are used to match the load wheel height for a specific ambulance deck height.

The ambulance cot can be set from 26" to 36" (66 cm to 91,4 cm). Establish the height for the cot prior to placing the unit into service. The load height of the ambulance cot can be modified at anytime, but must be determined and set before the cot is placed into service.

To Set Cot Load Height:

1. Locate the sensor housing on the patient right side of the ambulance cot (Figure 4a), using a T27 Torx wrench, remove the sensor housing cover by loosening the two (2) screws (one on each end) (Figure 4b).



Figure 4a - Sensor Housing



Figure 4b - Loosening Screws



Figure 4c - Adjusting Height

2. Adjust only the left height sensor (Figure 4c).
 - a. Move the sensor to the far left, then push the plus (+) button to move the cot to its highest position.
 - b. Measure the cot height from the bottom of the load wheels to the floor.
 - c. To reach the desired cot height you will need to adjust the cylinder shaft. Untighten the nut at the end of the shaft (Figure 4d).
 - i. To increase the height, rotate the shaft clockwise.
 - ii. To decrease cot height, rotate the shaft counter-clockwise.

Note: Add an additional 1/2" (1,3 cm) to your deck height measurement to allow for variations with patient weight and other equipment added to the cot.

3. After the proper load wheel height is set, ensure all the height sensor cables are secured and are lying flat in the housing between the sensors (Figure 4e). Replace the sensor housing cover using the screws removed in step 1.
4. Following completion of the sensor height adjustment, verify the cot properly engages the safety hook.



Figure 4d - Adjusting Shaft



Figure 4e - Securing Cables

Cot Fastener Installation

The Stryker Cot Fastener systems are designed to be compatible only with cots which conform to the installation specifications listed on [page 23](#).

WARNING

It is the responsibility of the cot operator to ensure that the cot being used in the Stryker Cot Fastener System meets the installation specifications listed on page 20. Injury may result if a non-compatible cot is used in the Stryker Fastener System.

NOTE

- Adjustment of the rail clamp assembly may be required in order to compensate for any variation in the cot retaining post position depending on the ambulance cot manufacturer and model number.
- For more detailed instruction and operation instructions for the Stryker Cot Fastener systems, refer to part number 6370-090-010 **RUGGED** Cot Fastener Installation/Operation Instructions.

Cot Fastener Installation

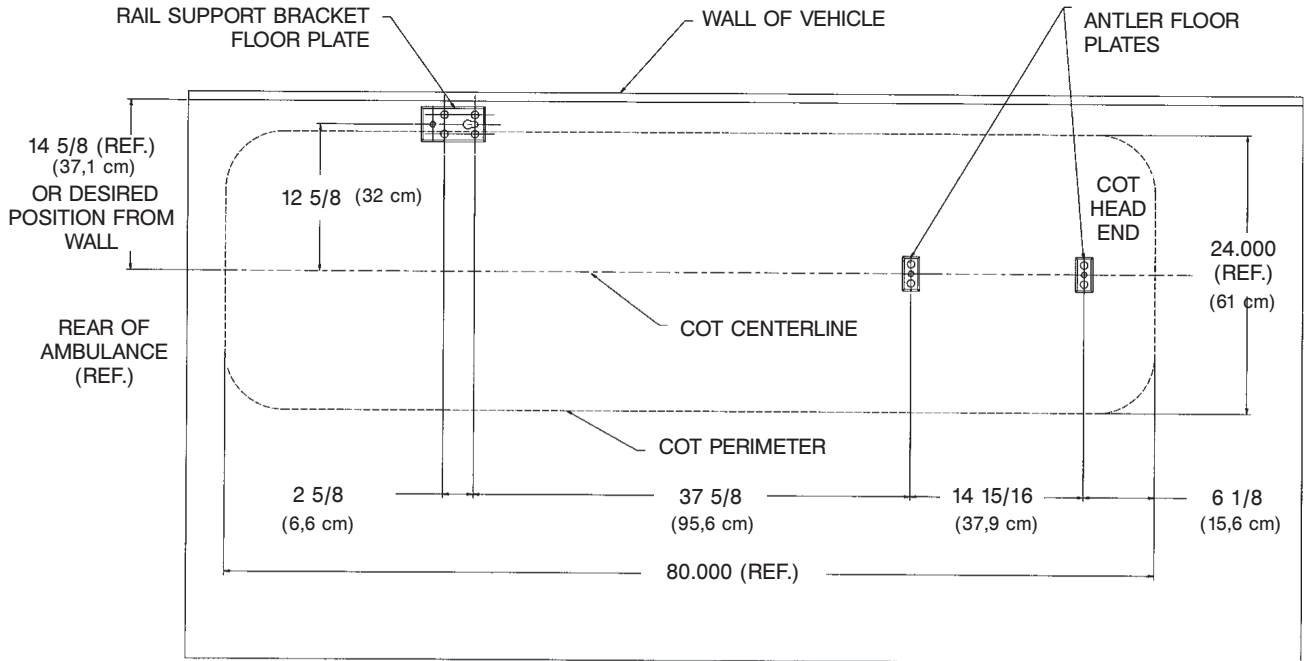


Figure 5 - Installation Specifications - Floor Mount Fastener

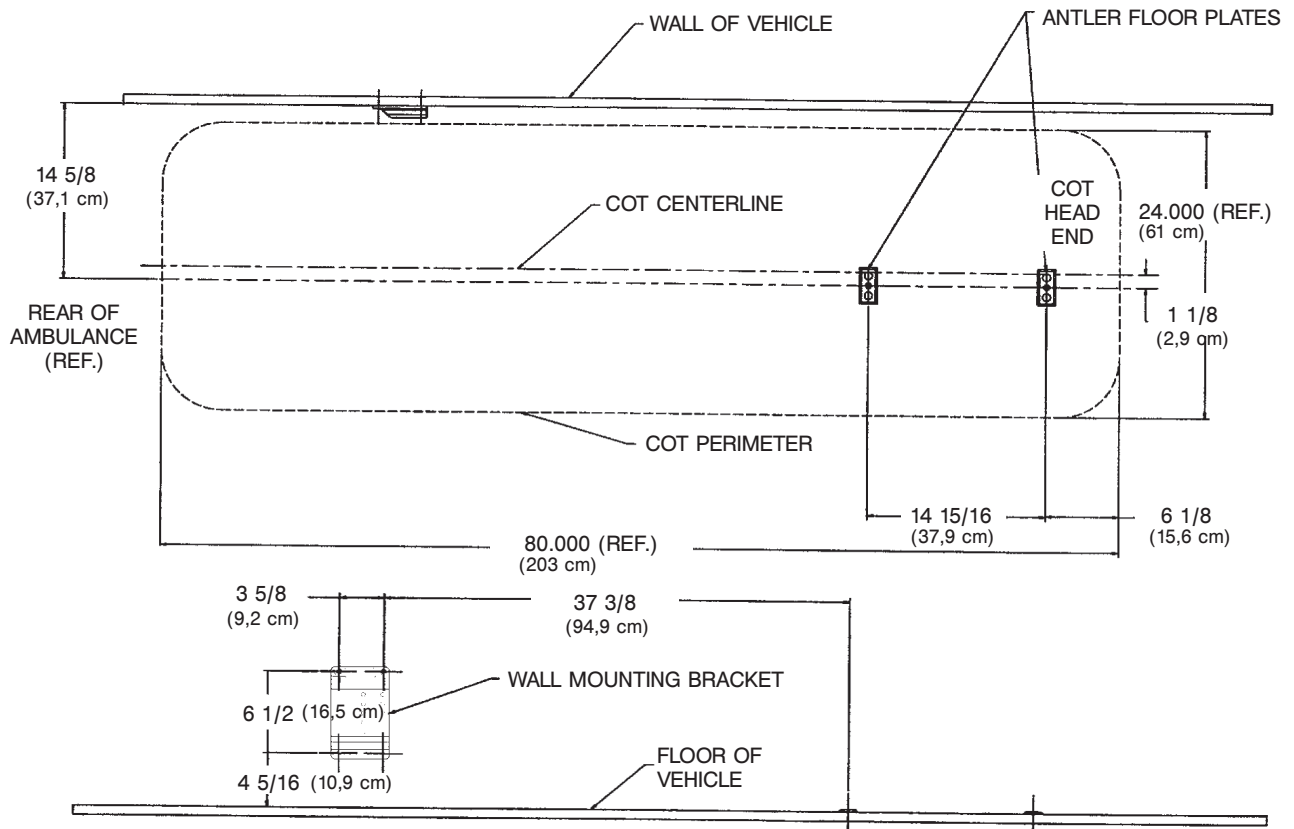


Figure 6 - Installation Specifications - Wall Mount Fastener

Cot Fastener Installation

IN-FASTENER SHUT-OFF

WARNING

The in-fastener shut-off must be positioned properly before placing the cot into service. Failure to install the in-fastener shut-off may cause injury to the patient or operator and/or damage to the vehicle.

The ambulance cot and fastener system have an integrated in-fastener shut-off function that disables the cot motor when the cot is secured in the ambulance cot fastener. Be sure the bolts on the fastener are tightened before installing the shut-off bracket. The shut-off magnet must be installed on the rail clamp assembly before putting the ambulance cot into service.

1. Place the ambulance cot into a loading position (any position where the load wheels of the head section meet the vehicle floor height). Roll the ambulance cot to the open door of the patient compartment. Lift the vehicle bumper to the raised position (if possible).
2. Push the ambulance cot forward until the load wheels are on the patient compartment floor and the safety bar passes the safety hook.
3. For maximum clearance to lift the base, pull the ambulance cot until the safety bar engages the safety hook.
4. Raise the base and push the ambulance cot into the patient compartment following loading instructions.
5. Engage the **extended** head section of the cot into the cot fastener antler and secure the cot post into the fastener rail clamp.
6. Adjust the magnet assembly along the rail clamp until the arrow on the sensor housing is lined up with the fastener as shown in Figure 7.
7. Using a T27 Torx wrench, securely fasten the bolts attaching the magnet assembly to the rail clamp assembly.
8. Press the retract (–) button to ensure the motor does not turn on while the cot is in the fastener. The battery indicator will still light. If the cot moves, readjust the the cot fastener.

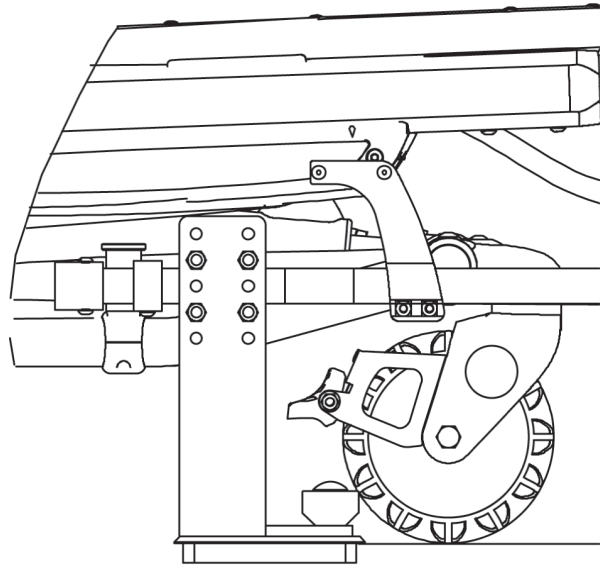


Figure 7 - Cot Engaging Cot Fastener

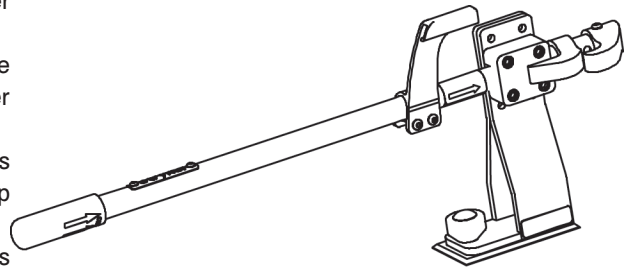


Figure 8 - In-Fastener Shut-Off Module

WARNING

- Do not attempt to operate the ambulance cot when loaded into a cot fastener.
- The in-fastener shut-off is **only** a means for disabling the electronic functionality. Damage to the product or injury to the patient or operator may occur.
- In-fastener shut-off must be installed in all ambulances in which the cot will be used.

Vehicle Safety Hook Installation

AMBULANCE CONFIGURATION

The vehicle safety hook is a device shipped with the cot. The safety bar and hook are designed to keep the cot from being accidentally removed from the ambulance and to provide increased operator assurance and confidence when unloading. The vehicle safety hook was designed to ensure compatibility and proper operation of the cot during unloading when used in an ambulance vehicle compliant with Federal Regulation KKK-A-1822.

According to federal regulations (reference KKK- A-1822), the bumper height of the ambulance shall be installed equidistant 2 inches (5 cm) from the ambulance floor to the ground level, defined as the ambulance deck height (refer to Figure 9). The bumper step shall have a minimum depth of 5 inches (13 cm) and a maximum depth of 10 inches (25 cm). If the bumper length is greater than 7 inches (18 cm), then the bumper must be able to fold. Installation of the safety hook into any ambulance vehicle compliant with this federal specification will provide adequate clearance for the cot base to lower to its fully extended position (refer to Figure 10). The cot is compatible with all ambulance deck heights up to 32 inches (81 cm) as long as the ambulance meets the federal specifications outlined in KKK-A-1822.

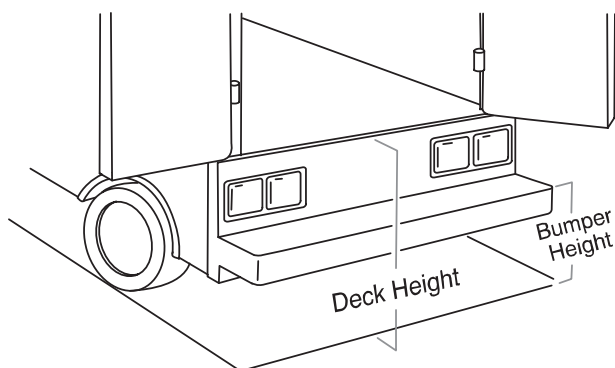


Figure 9 - Ambulance Configuration

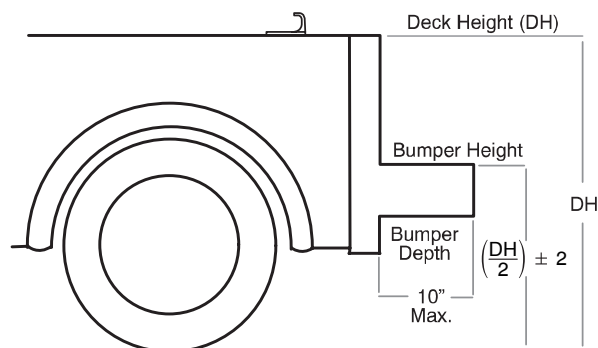


Figure 10 - Ambulance Configuration

CAUTION

- Height limit kit is recommended for ambulance deck heights less than 30 inches (76 cm) – Stryker part number 6060-202-000.
- Installation of the safety hook should be done by a certified mechanic familiar with ambulance construction. Consult the vehicle manufacturer before installing the safety hook and be sure the installation of the safety hook does not damage or interfere with the brake lines, oxygen lines, fuel lines, fuel tank or electrical wiring of the vehicle.

REQUIRED HARDWARE FOR INSTALLATION OF THE SAFETY HOOK (NOT SUPPLIED)

- (2) Grade 5, 1/4"-20 Socket Head Cap Screws*
- (2) Grade 5, 1/4"-20 Flat Socket Head Cap Screws*
- (2) Flat Washers
- (2) Lock Washers
- (2) 1/4"-20 Nuts

* The length of the socket head cap screws depends on the thickness of the vehicle floor. Use screws long enough to go completely through the patient compartment floor, washer and nut by at least two full threads.

Vehicle Safety Hook Installation

POSITIONING AND INSTALLING THE SAFETY HOOK

WARNING

- Have the vehicle safety hook installed by a certified mechanic. Improper safety hook installation can cause injury to the patient and/or operator or damage to the cot.
- Failure to install the safety hook can cause injury to the patient or operator. Install and use the safety hook as described in this manual.
- Install the safety hook at least 1/8 inch from the edge of the rear ambulance door. After installation, verify the cot legs lock into the load position without contacting the ambulance bumper.
- To avoid injury, verify the safety bar has engaged the safety hook before removing the cot from the patient compartment.

Note:

Stryker EMS recommends that, prior to installation, the certified mechanic plan the placement of the safety hook in the rear of the vehicle.

Procedure:

1. Remove the cot from the fastener and unload it from the vehicle.
2. While the cot is being removed, note the position of the load wheels and the safety bar.
3. Center the safety hook on the cot safety bar, with the hook facing the front of the vehicle (Figure 11). For best results, the face of the safety hook which engages the safety bar should be at least 3-3/4" from the leading edge of the door sill (Figure 11).

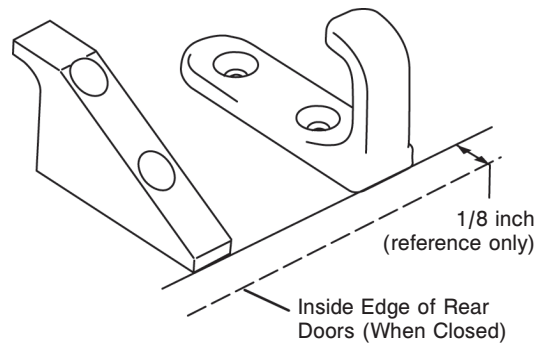


Figure 11 - Safety Hook Placement

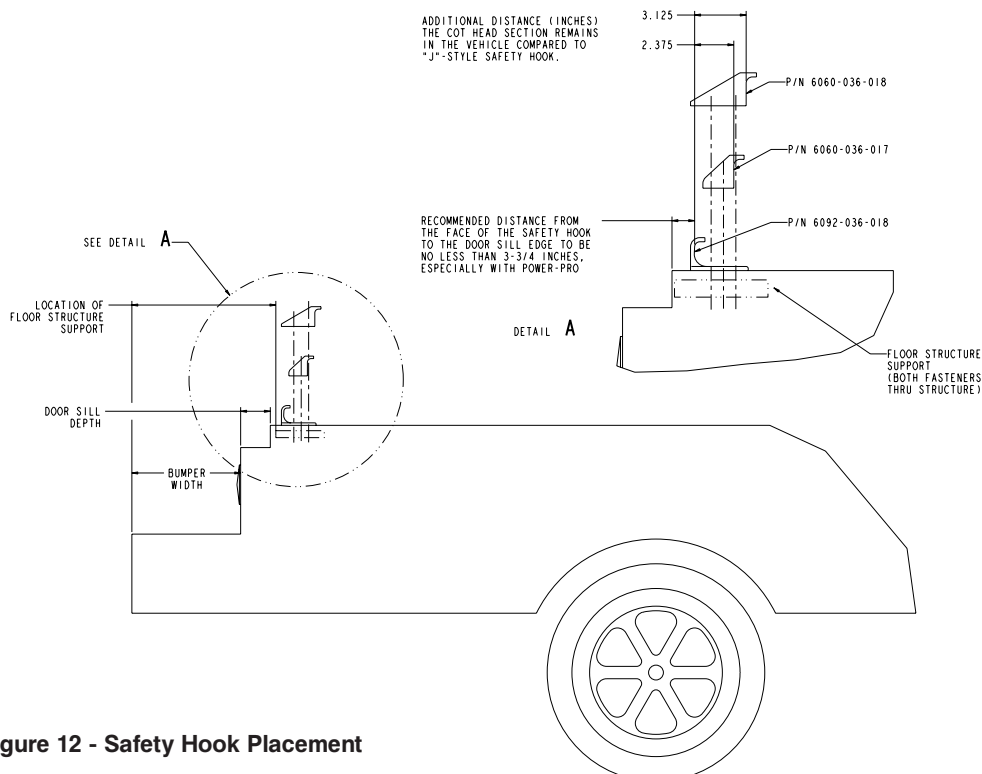


Figure 12 - Safety Hook Placement

Vehicle Safety Hook Installation

POSITIONING AND INSTALLING THE SAFETY HOOK (CONTINUED)

4. Mark the position of the safety hook on the patient compartment floor. The safety hook should be installed as close as possible to the rear of the vehicle while allowing the vehicle doors to close and checking that the load wheels always remain on the patient compartment floor (i.e., wheels do not roll off the door sill when the cot safety bar engages the safety hook) when the cot is loaded and unloaded from road and/or curb height (Figure 13).
5. Ensure the bumper and bumper step do not interfere with the operation of the cot.
6. Drill the holes for the socket head cap screws.
7. Fasten the safety hook to the patient compartment floor and verify that the safety hook always engages the cot safety bar when the cot is unloaded from the vehicle (Figure 14).

Note

If the ambulance cot can be removed by rolling to one side of the vehicle and not engaging the safety hook, an additional safety hook should be installed.

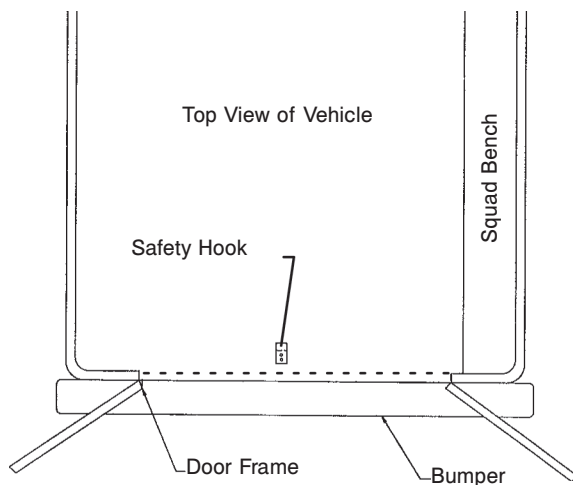


Figure 13 - Safety Hook Placement

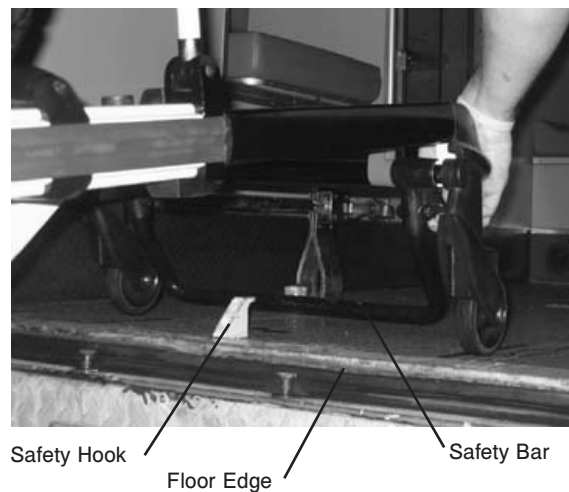


Figure 14 - Safety Bar Engaging Safety Hook

WARNING

- The cot must have at least 5/8" of clearance between the ambulance bumper and the cot to disengage the safety bar when unloading the cot from the ambulance. Verify the cot legs lock into the load position before disengaging the safety bar from the safety hook. Failure to properly lock the cot into position can cause injury to the patient or operator and/or damage to the cot.

Cot Features

OPTIONAL WHEEL LOCK(S)

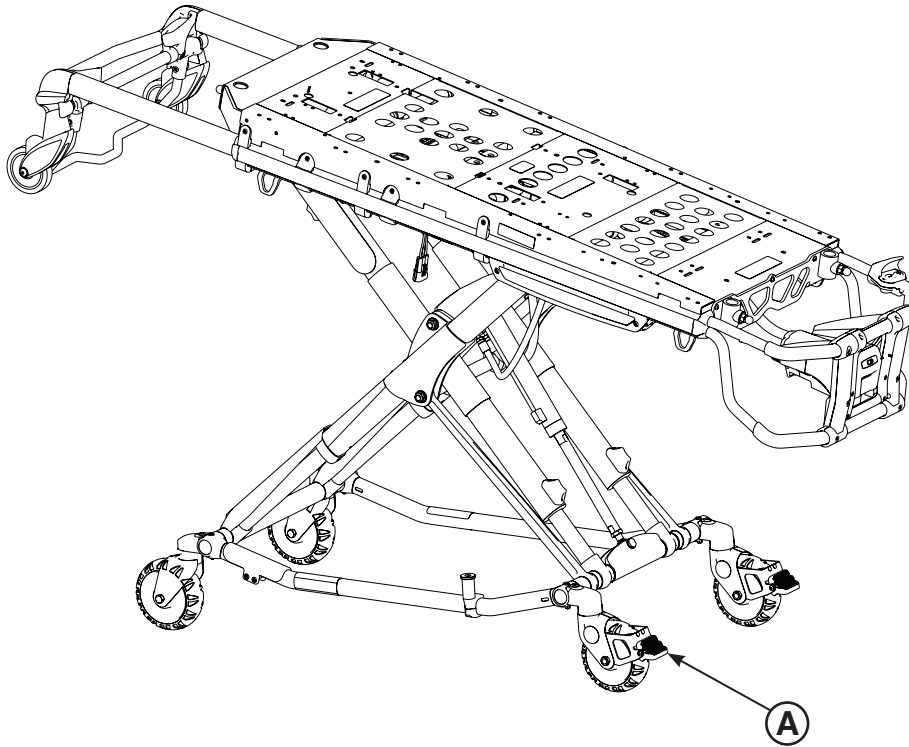


Figure 15 - **RUGGED** Wheel Lock

Operating the Optional Wheel Locks

1. To activate the optional wheel lock(s), press fully down on the pedal (A) until it stops and is resting firmly against the surface of the wheel.
2. To release the optional wheel lock(s), depress the upper face of the pedal with your foot or lift up with your toe under the pedal. The upper portion of the pedal will rest against the caster frame when the wheel lock is released.

WARNING

- Never apply the optional wheel lock(s) while a patient is on the cot. Tipping could occur if the cot is moved while a wheel lock is applied, resulting in injury to the patient or operator and/or damage to the cot.
- Never leave a patient unattended on the cot or injury could result. Hold the cot securely while a patient is on the cot.
- Never install or use a wheel lock on a cot with excessively worn wheels. Installing or using a wheel lock on a wheel with less than a 6" diameter could compromise the holding ability of the wheel lock, possibly resulting in injury to the patient or operator and/or damage to the cot or other equipment.

CAUTION

Wheel lock(s) are only intended to help prevent the cot from rolling while unattended. A wheel lock may not provide sufficient resistance on all surfaces or under loads.

Cot Features

WHEEL LOCKING FORCE

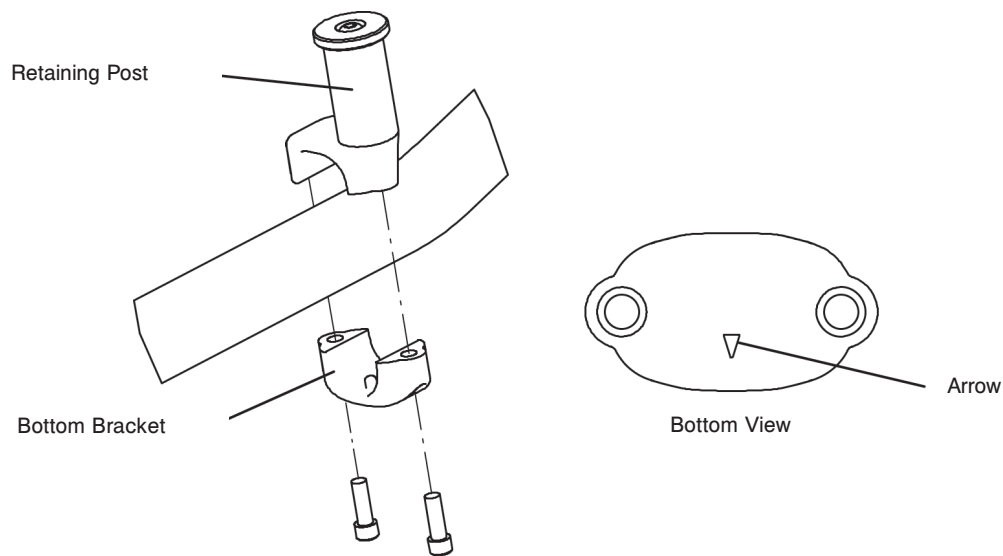


Adjusting the Wheel Locking Force

Wheel lock(s) are only intended to help prevent the cot from rolling while unattended. A wheel lock may not provide sufficient resistance on all surfaces or under loads.

1. To adjust the wheel locking force, remove the socket screw from the center of the lock pedal. The wheel lock is initially assembled with the pedal set at the minimum locking force. The marker on the pedal (item A) is aligned with the marker on the octagonal sleeve (item B).
2. Remove the sleeve (B). Rotate the sleeve counterclockwise to increase the pedal locking force and clockwise to decrease the locking force. Insert the sleeve into the pedal. Reinstall the socket screw.
3. Test the pedal locking force and verify the pedal holds properly before returning the cot to service.

COT RETAINING POST



CAUTION

Adjusting the Cot Retaining Post

The ambulance cot fastener comes preconfigured for an X-Frame cot, if the fastener has been configured for an H-frame style cot, the cot retaining post must be adjusted to accommodate the fastener.

1. Remove the bolts holding the two retaining post brackets to the base frame.
2. Turn the bottom bracket 180°.
3. Reinstall the bolts.

NOTE: If the arrow on the bottom bracket of the retaining post points toward the head end of the cot, the retaining post is set for an X-frame style cot. If the arrow points toward the foot end of the cot the post is set for an H-frame style cot.

Cot Features

BATTERY POWER INDICATOR

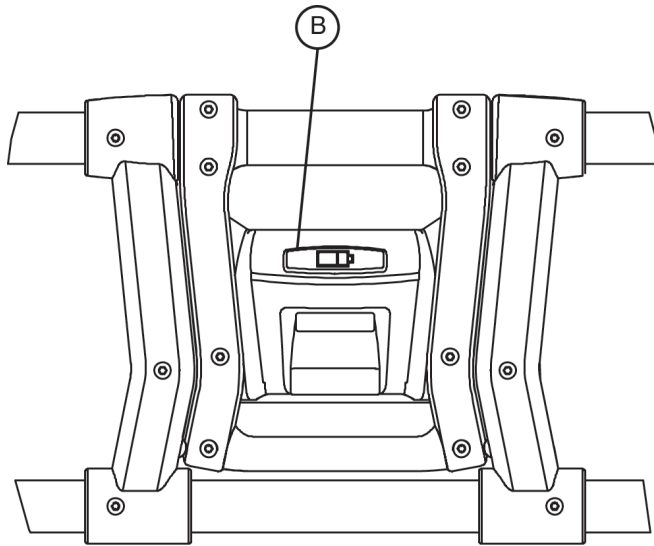


Figure 18 - Battery Power Indicator

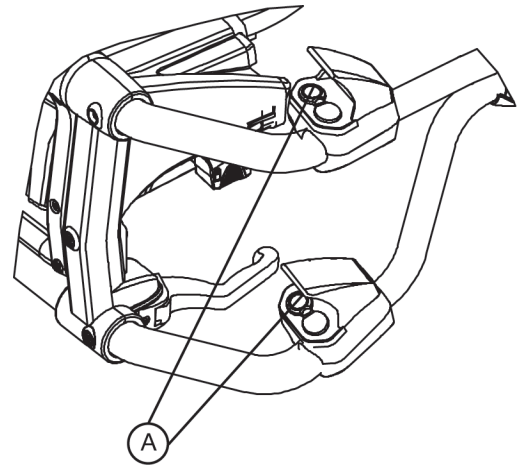


Figure 19 - Retract Switches

To check the battery power level, depress **lightly** on the retract (–) switch (A) to activate the battery power indicator light (B). The battery power indicator is located at the foot-end control enclosure, represented by a battery icon.

- The indicator lights GREEN when the battery is fully charged or has adequately charged battery power.
- The indicator flashes RED when the battery needs to be recharged or replaced.

WARNING

- To avoid risk of electric shock, never attempt to open the battery pack for any reason. If the battery pack case is cracked or damaged, do not insert it into the charger. Return damaged battery packs to a service center for recycling.
- Do not remove the battery when the ambulance cot is activated.
- Avoid contact with a wet battery or battery enclosure. Contact may cause injury to the patient or operator.

CAUTION

- Only use the battery and charger as specified.
- The POWER PRO IT ambulance cot is not for use with an AC adapter.
- When charging batteries in an ambulance vehicle, locate the charger either in the forward cab or an enclosed compartment (i.e. cabinet).
- Ensure that the battery is fully charged prior to placing into service. An uncharged or depleted battery may cause poor ambulance cot performance.
- Refer to the DeWALT® manual (Stryker part number 6500-001-206) for battery and charger information.

Cot Features

HOUR METER

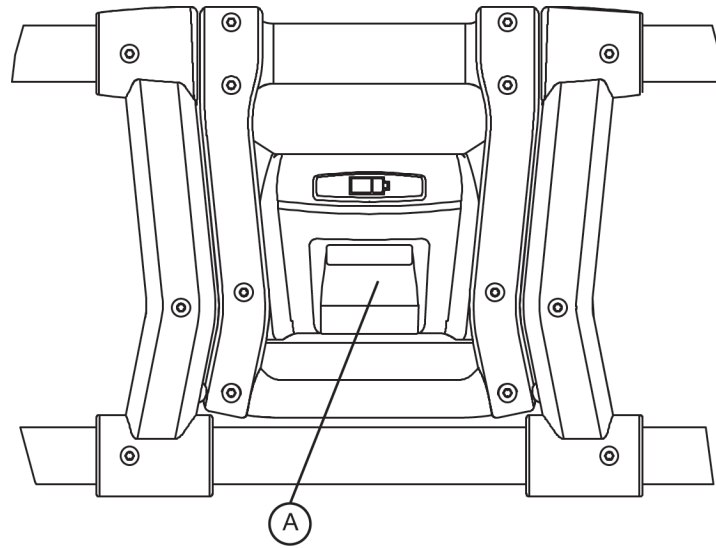


Figure 20 - Usage Meter

The cot has an hour meter on the foot-end control enclosure that indicates the amount of time (HHH.H hours) that the hydraulics have been activated. The hour meter can be used to help determine the frequency for preventative maintenance procedures found on [pages 55 - 59](#).

CAUTION

- A preventative maintenance program should be established for all Stryker EMS equipment. Preventative maintenance may need to be performed more frequently based on the usage level of the product. Close attention should be given to safety features including, but not limited to:
 - Hydraulic power mechanism
 - All electrical controls return to off or neutral position when released
- For additional maintenance information, refer to the preventative maintenance section on [page 55 - 59](#).

Cot Features

OPTIONAL HEAD END STORAGE FLAT

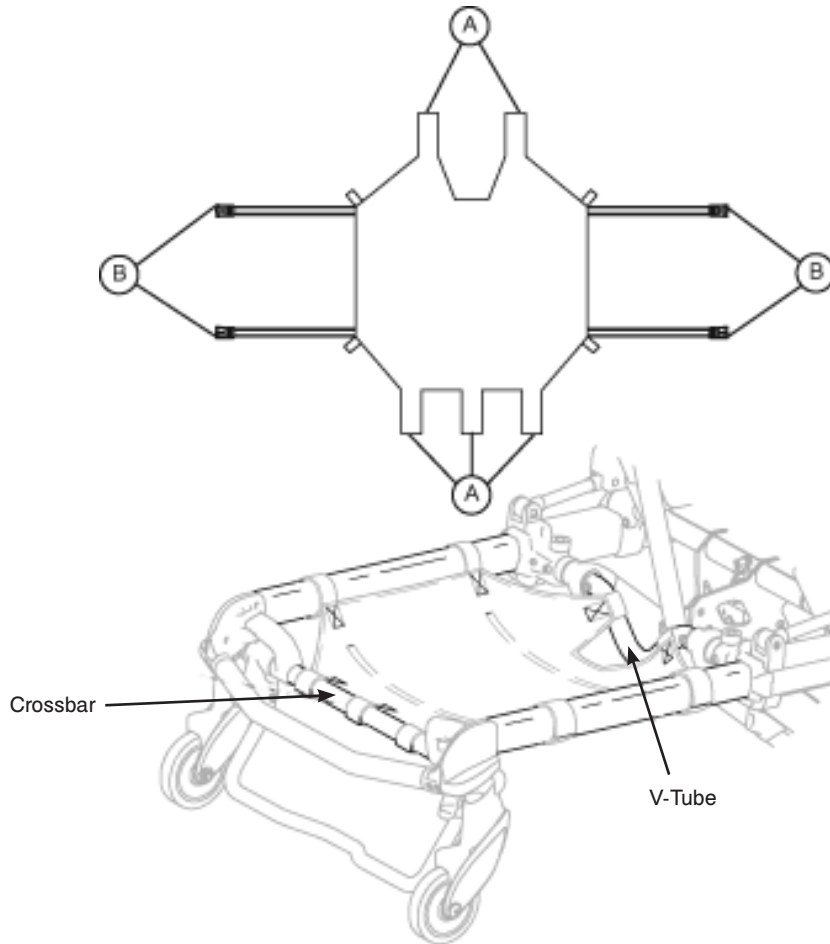


Figure 21 - Head End Storage Flat

Installing the Optional Head End Storage Flat

1. Install the Velcro® straps (A) across the V-Tube near the pneumatic cylinder and around the crossbar of the retractable head section.
2. Buckle the restraint straps (B) around the outer rails of the retractable head section.

WARNING

When the optional head-end storage flat is being used, ensure it does not interfere with the operation of the retractable head section, safety bar and safety hook. Injury to the patient or operator could result.

CAUTION

The weight of the equipment in the head end storage flat (if equipped) must not exceed 40 pounds (18 kg).

Cot Operation

OPERATING GUIDELINES

- Use the cot only as described in this manual.
- Read all labels and instructions on the cot before using the cot.
- Use a minimum of two (2) operators to manipulate the cot while a patient is on the cot. If additional assistance is needed, see the reference chart on [page 43](#).
- The ambulance cot can be transported in low height position. Stryker recommends transporting the patient in as low a position as is comfortable for the operators to maneuver the cot.
- **Only use the wheel lock(s) during patient transfer or without a patient on the ambulance cot.**
- Use properly trained helpers when necessary to control the cot and patient.

WARNING

- Improper usage of the **▲RUGGED▲** POWER PRO IT ambulance cot can cause injury to the patient or operator. Operate the ambulance cot only as described in this manual.
- Entanglement in powered ambulance cot mechanisms can cause serious injury. Operate the ambulance cot only when all persons are clear of the mechanisms.
- Practice changing height positions and loading the ambulance cot until operation of the product is fully understood. Improper use can cause injury.
- Do not allow untrained assistants to assist in the operation of the ambulance cot. Untrained technicians/assistants can cause injury to the patient or themselves.
- Do not ride on the base of the **▲RUGGED▲** POWER PRO IT ambulance cot. Damage to the product could occur, resulting in injury to the patient or operator.
- Grasping the **▲RUGGED▲** POWER PRO IT ambulance cot improperly can cause injury. Keep hands, fingers and feet away from moving parts. To avoid injury, use extreme caution when placing your hands and feet near the base tubes while raising and lowering the ambulance cot.
- Any emergency vehicle to be used with this ambulance cot **must** have the in-fastener shut-off system installed.

CAUTION

Before operating the cot, clear any obstacles that may interfere and cause injury to the operator or patient.

PROPER LIFTING TECHNIQUES

When lifting the ambulance cot and patient, there are five basic guidelines to help you avoid injury:

- Keep your hands close to your body.
- Keep your back straight.
- Coordinate your movements with your partner and lift with your legs.
- Avoid twisting.
- Always operate the ambulance cot as described in this manual.

Cot Operation

AMBULANCE COT MOTION

1. When rolling the cot with a patient on it, position an operator at the foot end and one at the head end of the cot **at all times**.
2. During transport, approach door sills and/or other low obstacles squarely and lift each set of wheels over the obstacle separately.

WARNING

- High obstacles such as curbing, steps or rough terrain can cause the ambulance cot to tip, possibly causing injury to the patient or operator. Transporting the cot in lower positions can reduce the potential of a cot tip. If possible, obtain additional assistance (see [page 43](#) for a reference chart) or take an alternate route.
- Never leave a patient unattended on the ambulance cot or injury could result. Hold the ambulance cot securely while a patient is on the product.
- Never apply the optional wheel lock(s) while a patient is on the cot. Tipping could occur if the cot is moved while the wheel lock is applied, resulting in injury to the patient or operator and/or damage to the cot.
- Hydraulically raising or lowering the cot may temporarily affect electronic patient monitoring equipment. For best results, patient monitoring be conducted when the cot is idle.

CAUTION

The ambulance cot can be set at any height position. Establish the required load height for the ambulance cot prior to placing the unit into service (reference [page 21](#) for instructions).

Cot Operation

LOADING THE OCCUPIED COT INTO A VEHICLE - POWERED METHOD

Loading an occupied cot into the vehicle requires a minimum of **two (2) trained operators**.

NOTE

Cot operators must be able to lift the total weight of the patient, cot and any items on the cot. The higher an operator must lift the cot, the more difficult it becomes to hold the weight. An operator may need help loading the cot if he/she is small or if the patient is too large to lift safely.

When loading the cot into a vehicle, an operator should remember the following important issues:

- There must be a safety hook properly installed in the vehicle so that the bumper does not interfere with the front legs of the base frame. (See [page 26](#) for safety hook installation instructions.)



Figure 22 - Safety Bar Engaging Safety Hook

WARNING

Failure to install and use the vehicle safety hook can result in injury to the patient or operator. Install and use the hook as described in this manual.

CAUTION

- Loading, unloading or changing the position of a loaded ambulance cot requires a minimum of **two trained operators**. The operator(s) must be able to lift the total weight of the patient, cot and any other items on the cot (if additional assistance is needed, see [page 43](#) for a reference chart).
1. Place the cot in a loading position (any position where the loading wheels meet the vehicle floor height).
 2. Roll the cot to the open patient compartment.
 3. Lift the vehicle bumper to the raised position (if possible).
 4. Push the cot forward until the load wheels are on the patient compartment floor and the safety bar passes the safety hook (Figure 22). For maximum clearance to lift the base, pull the cot back until the safety bar engages the safety hook. Operator two should verify that the bar engages the safety hook.

Operator 1 - Grasp the cot frame at the foot end and push the retract (–) button until the undercarriage of the cot retracts fully.

Operator 2 - Securely grasp the cot outer rail to stabilize the cot during retraction.

Both Operators - Push the cot into the patient compartment , until the cot engages the cot fastener (not included).

WARNING

When using a standard ambulance cot fastener, do not load the cot into the vehicle with the head section retracted. Loading the cot with the head section retracted may cause the product to tip or not engage properly in the cot fastener, possibly causing injury to the patient or operator and/or damage to the cot.

Cot Operation

LOADING THE OCCUPIED COT INTO A VEHICLE - POWERED METHOD (CONTINUED)

HIGH SPEED RETRACT/EXTEND

- The ambulance cot is equipped with a high-speed retract mode to expedite loading/unloading the cot into and out of a vehicle.
- The undercarriage **rapidly** retracts towards its uppermost position once the weight of the ambulance cot and patient is off the wheels. Press the retract (-) button to actuate the control switch.
- The undercarriage **rapidly** extends towards its lowermost position once the weight of the ambulance cot and patient is off the wheels. Press the extend (+) button to actuate the control switch.

WARNING

- Whenever the weight of the ambulance cot and patient is off the wheels, the ambulance cot will **automatically** enter the high speed retract mode if the retract (-) button is pressed.
- Once the weight is off the ground, the operator(s) must support the load of the patient, ambulance cot and any accessories. Failure to support the load properly may cause injury to the patient or operator.

LOADING THE OCCUPIED COT INTO A VEHICLE WITH TWO OPERATORS AT THE FOOT END

1. Place the cot in a loading position (any position where the loading wheels meet the vehicle floor height). Roll the cot to the open patient compartment. Lift the vehicle bumper to the raised position (if possible).
2. Push the cot forward until the load wheels are on the patient compartment floor and the safety bar passes the safety hook.
3. For maximum clearance to lift the base, pull the cot back until the safety bar engages the safety hook. One operator should remain at the foot end while the second operator engages the safety hook as described above.
4. The second operator should return to the foot end and both operators should lift the cot while one operator pushes the retract (-) button until the undercarriage of the cot retracts fully.
5. Both operators should push the cot into the patient compartment, until the cot engages the cot fastener (not included).

Cot Operation

LOADING THE UNOCCUPIED COT INTO A VEHICLE - POWERED METHOD

Loading an **unoccupied** cot into the emergency vehicle can be accomplished by a single operator.

WARNING

The one person loading and unloading procedures are for use only with an empty ambulance cot. Do not use the procedures when loading/unloading a patient. Injury to the patient or operator could result.

1. Place the ambulance cot into a loading position (any position where the load wheels of the head section meet the vehicle floor height).
2. Roll the ambulance cot to the open door of the patient compartment.
3. Lift the vehicle bumper to the raised position (if possible).
4. Push the ambulance cot forward until the load wheels are on the patient compartment floor and the safety bar passes the safety hook.
5. For maximum clearance to lift the base, pull the ambulance cot until the safety bar engages the safety hook. Operator two should verify that the bar engages the safety hook.
6. Grasp the ambulance cot frame at the foot end and press the retract (-) button, until the undercarriage of the ambulance cot retracts into its uppermost position (Figure 23).
7. Push the ambulance cot into the patient compartment until the ambulance cot engages the cot fastener (not included).



Figure 23 - Push the Retract Button

WARNING

- When using a standard ambulance cot fastener, do not load the cot into the vehicle with the head section retracted.
- Loading the cot with the head section retracted may cause the product to tip or not engage properly in the cot fastener, possibly causing injury to the patient or operator and/or damage to the cot.

Cot Operation

UNLOADING THE COT FROM A VEHICLE - POWERED METHOD

Unloading the cot from the vehicle while a patient is on the cot requires a minimum of **two (2) operators**, positioned at each end of the ambulance cot. Each operator must grasp the ambulance cot frame securely.

Disengage the cot from the cot fastener (For more detailed instructions, reference the ambulance cot fastener installation/operation manual - Stryker part number 6370-090-010).

Lift the vehicle bumper to the raised position (if possible).

WARNING

Do not press the extend (+) button until the safety bar engages the safety hook.

Operator 1 - Grasp the ambulance cot frame at the foot end. Pull the cot out of the patient compartment until the safety bar engages the safety hook. Operator two should verify that the bar engages the safety hook.

WARNING

To avoid injury, verify the safety bar has engaged the safety hook before removing the ambulance cot from the patient compartment.

Operator 2 - Stabilize the cot during the unloading operation by securely grasping the outer rail.

Operator 1 - Depress the extend (+) button to lower the undercarriage to its fully extended position.

Operator 2 - Push the safety bar release lever forward to disengage the safety bar from the safety hook in the patient compartment (Figure 24).



Figure 24 - Disengaging the Safety Bar

WARNING

- Do not pull or lift on the safety bar when unloading the cot. Damage to the safety bar could result and injury to the patient or operator could occur.

Remove the load wheels from the patient compartment of the vehicle.

CAUTION

- When unloading the cot from the patient compartment, ensure the caster wheels are safely set on the ground or damage to the product may occur.
- Do not “jog” the cot past the load height while the safety bar is engaged.

Cot Operation

UNLOADING THE COT FROM A VEHICLE - POWERED METHOD (CONTINUED)

Unloading an **unoccupied** ambulance cot from a vehicle can be accomplished by a single operator.

WARNING

- The one person loading and unloading procedures are for use only with an empty ambulance cot.
 - Do not use the procedures when unloading a patient. Injury to the patient or operator could result.
1. Disengage the cot from the cot fastener (For more detailed instructions, reference the ambulance cot fastener installation/operation manual - Stryker part number 6370-090-010).
 2. Lift the vehicle bumper to the raised position (if possible).
 3. Grasp the cot frame at the foot end. Pull the cot out of the patient compartment until the safety bar engages the safety hook. Operator two should verify that the bar engages the safety hook.

WARNING

- Do not pull or lift on the safety bar when unloading the cot.
 - Damage to the safety bar could result and injury to the patient or operator could occur.
4. Depress the extend (+) button to lower the undercarriage to its fully extended position (Figure 25).
 5. Push the safety bar release lever forward to disengage the safety bar from the safety hook in the patient compartment.
 6. Remove the load wheels from the patient compartment of the vehicle.



Figure 25 - Push the Extend Button

CAUTION

- When unloading the ambulance cot from the patient compartment, ensure the caster wheels are safely set on the ground or damage to the product may occur.
- Do not “jog” the cot past the load height while the safety bar is engaged.

Cot Operation

MANUAL OVERRIDE OPERATION

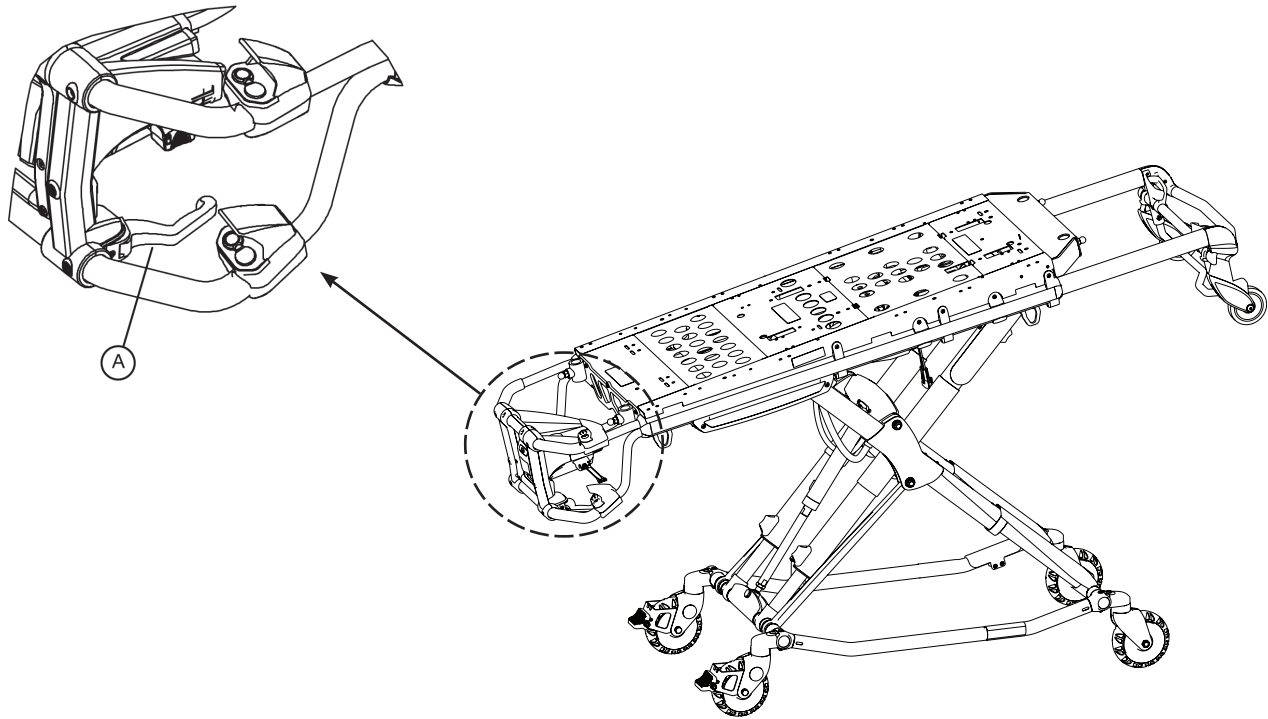


Figure 26 - Manual Release Handle

In the event of loss of electrical function, the ambulance cot is equipped with a manual override to allow manual operation of the product until electrical functionality is restored.

The **red** manual release lever (A) is located along the patient left side of the lower lift bar at the foot end of the cot.

To raise or lower the cot with the manual release:

Both Operators - lift the cot during the raise/lower operation to support the weight of the cot.

With the ambulance cot supported by an operator at each end, the operator at the foot-end must pull the release handle towards the lift bar. While the release handle is pulled, raise or lower the ambulance cot to the desired position and then release the handle to lock ambulance cot into position.

NOTE

- The operators must lift the cot weight slightly off the wheels to use the manual extend or retract while a patient is on the cot.
- Activation of the manual release may cause the ambulance cot to drop slowly if less than 40 pounds (18 kg) are on the cot, which may cause injury to the patient or operator.

Cot Operation

LOADING THE COT INTO A VEHICLE - MANUAL METHOD

To load the cot with the manual release:

1. Place the cot in a loading position (any position where the loading wheels meet the vehicle floor height). Roll the cot to the open door of the patient compartment. Lift the vehicle bumper to the raised position (if possible).
2. Push the cot forward until the loading wheels are on the patient compartment floor and the safety bar passes the safety hook.
3. For maximum clearance to lift the base, pull the cot back until the safety bar engages the safety hook.
4. Operator 1 - Grasp the cot frame at the foot end. Lift the foot end of the cot until the weight is off the latching mechanism. Squeeze and hold the release handle.
5. Operator 2 - Stabilize the cot by placing your hand on the outer rail. Grasp the base frame. After the foot end operator has lifted the cot and squeezed the release handle, raise the undercarriage until it stops in the uppermost position and hold it there.
6. Both Operators - Push the cot into the patient compartment, engaging the cot fastener (not included).

NOTE

When operating the manual release, avoid rapid lifting or lowering of the base or movement may appear sluggish; lift with a slow constant motion.

UNLOADING THE COT FROM A VEHICLE - MANUAL METHOD

Unloading the cot from the vehicle while a patient is on the cot requires a minimum of **two (2) operators**, positioned at each end of the ambulance cot. Each operator must grasp the ambulance cot frame securely.

1. Disengage the cot from the cot fastener (For more detailed instructions, reference the ambulance cot fastener installation/operation manual - Stryker part number 6370-090-010).
2. Lift the vehicle bumper to the raised position (if equipped).
3. Operator 1 - Grasp the ambulance cot frame at the foot end. Pull the manual release lever to lower the undercarriage to its fully extended position. Pull the cot out of the patient compartment until the safety bar engages the safety hook. Operator two should verify that the bar engages the safety hook.
4. Operator 2 - Stabilize the cot during the unloading operation by securely grasping the outer rail.
5. Operator 2 - Push the safety bar release lever forward to disengage the safety bar from the safety hook in the patient compartment (Figure 27).
6. Remove the load wheels from the patient compartment of the vehicle.

WARNING

- To avoid injury, verify the safety bar has engaged the safety hook before removing the ambulance cot from the patient compartment.
- Do not pull or lift on the safety bar when unloading the cot. Damage to the safety bar could result and injury to the patient or operator could occur.

CAUTION

When unloading the cot from the patient compartment, ensure the caster wheels are safely set on the ground or damage to the product may occur.



Figure 27 - Disengaging the Safety Bar

Cot Operation

UNLOADING THE COT FROM A VEHICLE - MANUAL METHOD (CONTINUED)

Unloading an **unoccupied** ambulance cot from a vehicle can be accomplished by a single operator.

WARNING

The one person loading and unloading procedures are for use only with an empty ambulance cot. Do not use the procedures when unloading a patient. Injury to the patient or operator could result.

1. Disengage the cot from the cot fastener (For more detailed instructions, reference the ambulance cot fastener installation/operation manual - Stryker part number 6370-090-010).
2. Lift the vehicle bumper to the raised position (if possible).
3. Grasp the cot frame at the foot end. Pull the manual release lever to lower the undercarriage to its fully extended position. Pull the cot out of the patient compartment until the safety bar engages the safety hook. Operator two should verify that the bar engages the safety hook.
4. Push the safety bar release lever forward to disengage the safety bar from the safety hook in the patient compartment.
5. Remove the load wheels from the patient compartment of the vehicle.

WARNING

Do not pull or lift on the safety bar when unloading the cot. Damage to the safety bar could result and injury to the patient or operator could occur.

CAUTION

- When unloading the ambulance cot from the patient compartment, ensure the caster wheels are safely set on the ground or damage to the product may occur.
- Hydraulic fluid will become more viscous when the POWER Pro is used for extended periods in cold temperatures. When using the manual release function to extend the base during unloading in cold weather conditions, hold the release lever engaged for approximately one second after the cot wheels touch the ground to minimize sagging of the litter as the cot is removed from the ambulance.

Cot Operation

ADJUSTING COT HEIGHT

Changing height of the cot while a patient is on the cot requires a minimum of **two (2) operators**, positioned at each end of the ambulance cot.

Operator 1 - Grasp the ambulance cot frame at the foot-end. Actuate the control switch, depress either the (+) or (-) button depending on desired travel direction, and allow the litter to raise/lower to the desired position.

Operator 2 - Maintain a firm grip on the outer rail until the ambulance cot is securely in position.

WARNING

Grasping the **RUGGED** ambulance cot improperly can cause injury. Keep hands, fingers and feet away from moving parts. To avoid injury, use extreme caution when placing your hands and feet near the base tubes while raising and lowering the ambulance cot.

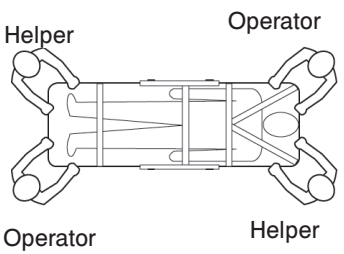
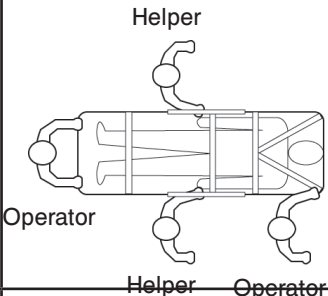
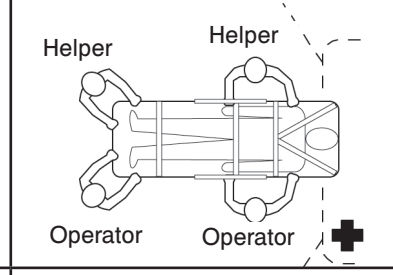
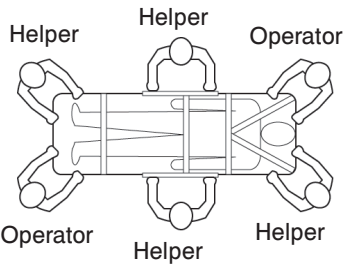
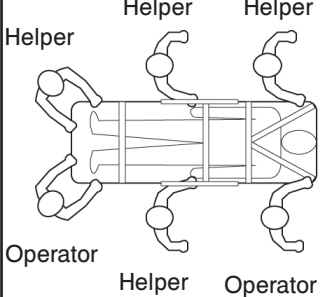
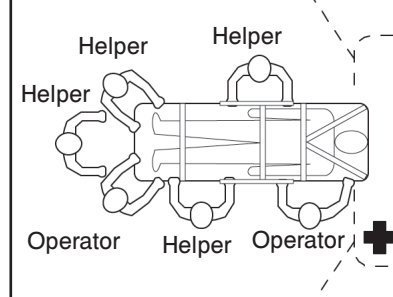
NOTE

If the push button switch remains activated, the motor will remain halted until the operator releases the button. Once the push button is released, actuate the extend (+) button again to “jog” the cot height up further.

CAUTION

Do not “jog” the ambulance cot past the established load height of the product when the safety bar engages the vehicle safety hook or damage may occur to the product.

USING ADDITIONAL ASSISTANCE

	Changing Levels	Rolling	Loading/Unloading
Two Operators Two Helpers			
Two Operators Four Helpers			

[Return To Table of Contents](#)

Cot Operation

OPERATING THE RETRACTABLE HEAD SECTION

The head section telescopes from a first position suitable for loading the ambulance cot into an emergency vehicle to a second position retracted within the litter frame. When retracted, the ambulance cot can roll in any direction on the caster wheels even in the lowest position, allowing improved mobility and maneuverability.

To extend the head section:

1. Grasp the outer rail with one hand for support and release the lever (A), rotate the lever towards the head end of the cot to release the head section from the locked position.
2. While holding the handle (A) in the released position, pull the head section away from the litter frame, lengthening the head section until it engages in the fully extended position.

To retract the head section:

1. Grasp the outer rail with one hand for support and release the lever (A), rotate the lever towards the head end of the cot to release the head section from the locked position.
2. While holding the handle (A) in the released position, push the head section toward the litter frame, retracting the head section until it engages in the retracted position.

WARNING

- To avoid injury, always verify that the head section is locked into place prior to operating the ambulance cot.
- When using a standard ambulance cot fastener, do not attempt to load the ambulance cot into the patient compartment with the head section retracted. Loading the ambulance cot with the head section retracted may cause the product to tip or not engage properly in the cot fastener, possibly causing injury to the patient or operator and/or damage to the product.

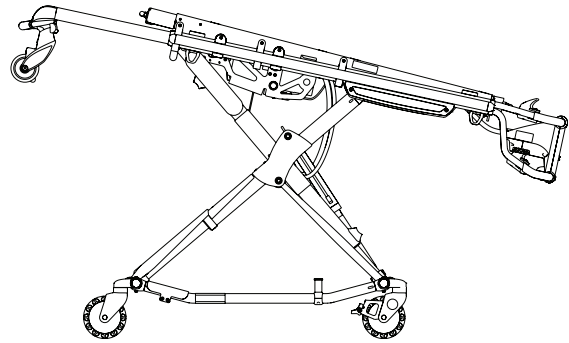


Figure 28 - Head Section Extended

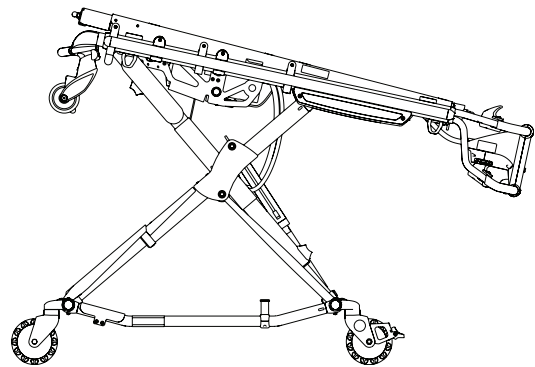


Figure 29 - Head Section Retracted

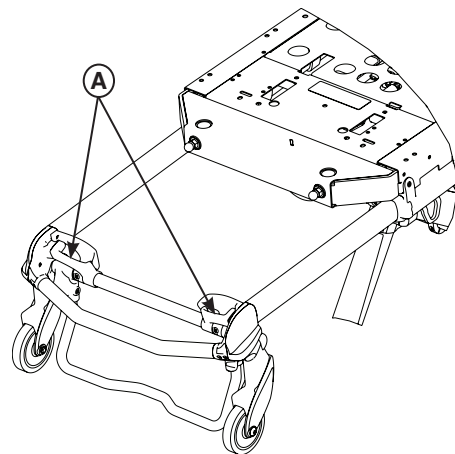


Figure 30 - Head Section Release Handles

Cot Operation

BATTERY OPERATION

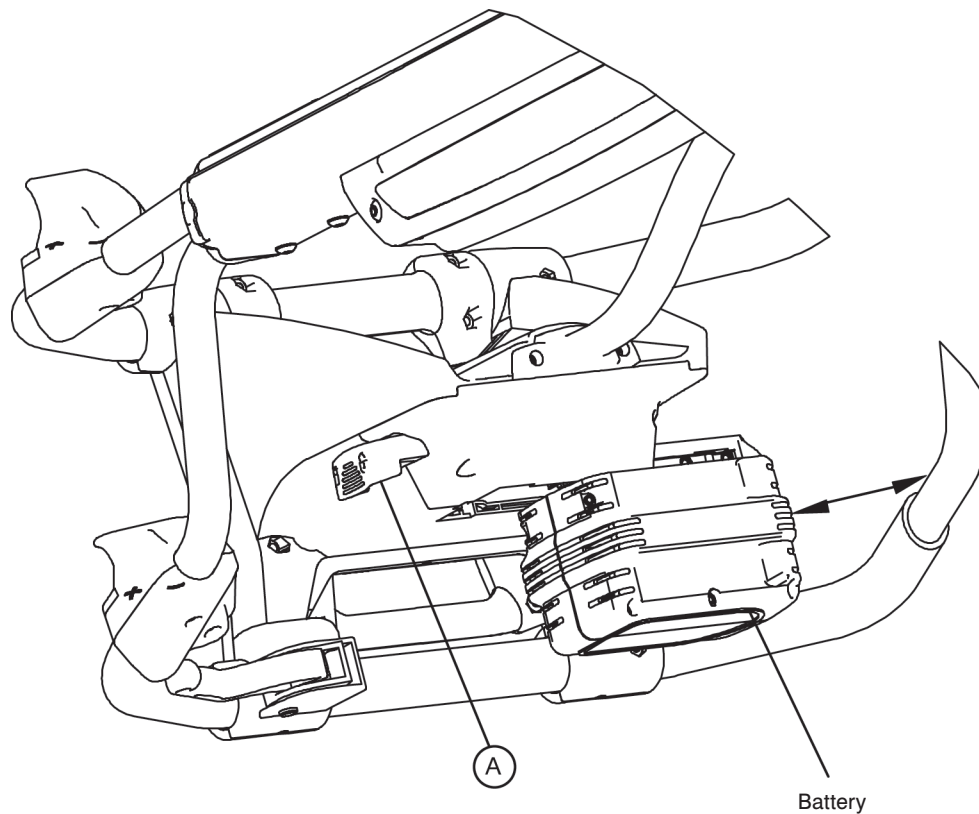


Figure 31 - Battery Removal & Replacement

The ambulance cot is supplied with two removable 24-volt DEWALT® batteries as the power source. To install the battery, align the tabs in the battery enclosure and push the battery into the enclosure until the latch clicks into place.

To remove the battery, locate the **red** battery release (A) along the patient left side of the foot end control enclosure. Push the battery release button to release the latch. Slide the released battery out of the enclosure to the left (not shown).

To reinstall the battery, align the tabs in the battery enclosure and push the battery into the enclosure until the latch clicks into place. The indicator will light **GREEN**, if the battery is fully charged or has adequate battery power. If the indicator flashes red, the battery needs to be recharged or replaced.

NOTE

Keep your spare battery on the charger at all times. Batteries slowly lose power when not on the charger.

WARNING

- To avoid risk of electric shock, never attempt to open the battery pack for any reason. If the battery pack case is cracked or damaged, do not insert it into the charger. Return damaged battery packs to a service center for recycling.
- Do not remove the battery when the ambulance cot is activated.
- Avoid contact with a wet battery or battery enclosure. Contact may cause injury to the patient or operator.

CAUTION

Remove the battery if the cot is not going to be used for an extended period of time (over 24 hours).

[Return To Table of Contents](#)

Cot Operation

REMOVING / INSTALLING THE INCUBATOR ADAPTOR

NOTE

- The incubator adaptor may have been installed at the factory if the adaptor was ordered with the model 6510 **RUGGED** POWER PRO IT ambulance cot.
- If the adaptor was purchased as a retrofit kit, follow these instructions for installation.

WARNING

These adaptors are intended for use only on the model 6510 **RUGGED** POWER PRO IT ambulance cot. They are not intended for installation on any other **RUGGED** Cot or on any cot from another manufacturer. Using these adaptors on any cot other than the model 6510 **RUGGED** POWER PRO IT ambulance cot may result in damage to the cot and /or injury to the patient or user.

1. Remove the existing adaptor if there is one already present. Refer to Table 1.0 to locate the pages for removal and installation instructions of each adaptor.
2. Install the new incubator adaptor. Refer to Table 1.0 to locate the pages with removal and installation instructions of each adaptor.
3. Align the adaptor assembly with the mounting holes in the **RUGGED** IT Cot as shown in the appropriate illustration.
4. Reference the appropriate illustration to determine the correct location for installation of the provided fasteners. Apply a few drops of the provided Loctite to the threads of the fasteners and tighten them securely.
5. Install the incubator on the adaptor. Refer the Table 2.0 to locate the pages for installation instructions of each incubator.

Incubator/Module	Page	Required Tool(s)
Airborne™ Side By Side	97-99	5/32, 3/16 Allen Wrench, 1/2" Socket & Ratchet
Drager®	100-102	5/32, 3/16 Allen Wrench
Airborne™ Stackable	104-105	1/2" Socket & Ratchet
Air Sled (No Adaptor Option)	106	1/2" Socket & Ratchet

Table 1.0

Incubator	Page
Airborne™ Side By Side	47
Drager®	48-49
Airborne™ Stackable	50
Air Sled (No Adaptor Option)	51-52

Table 2.0

WARNING

Verify the adaptor is properly installed on the cot and the incubator is securely fastened to the adaptor prior to use. An improperly attached adaptor or incubator may cause injury to the patient or user.

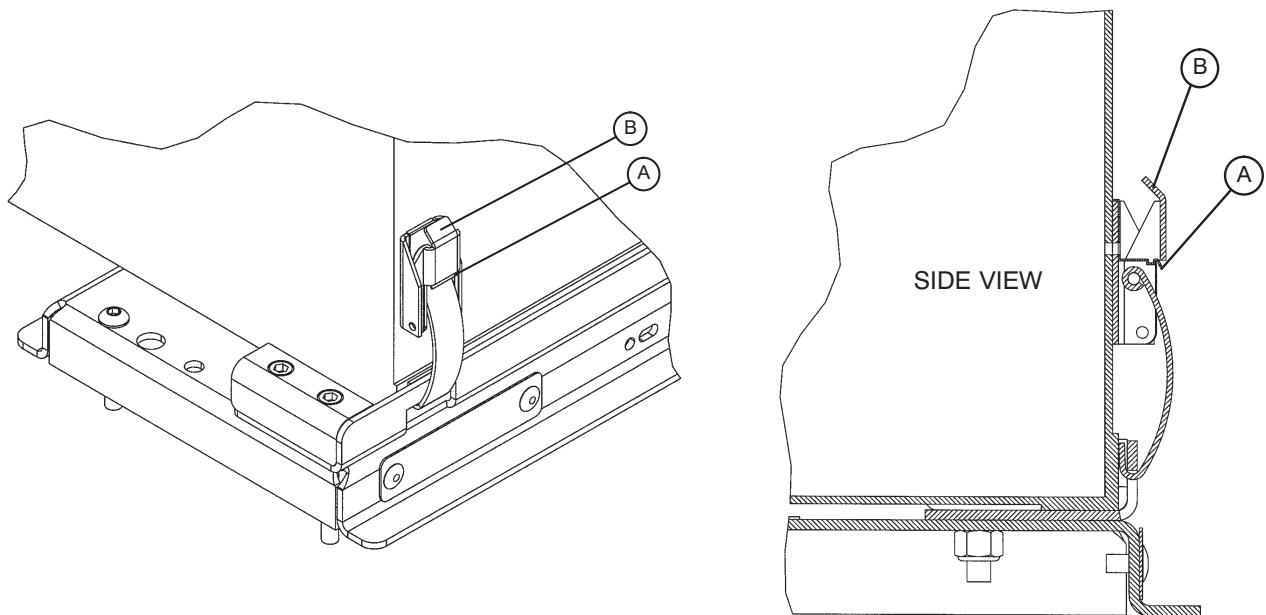
Cot Operation

INSTALLING THE AIRBORNE™ INCUBATOR IN THE SIDE BY SIDE CONFIGURATION ON THE MODEL 6510 **RUGGED** POWER PRO IT AMBULANCE COT.

Prior to installing the Airborne™ Side By Side Incubator on the model 6510 **RUGGED** POWER PRO IT ambulance cot, read and understand this manual and the manual supplied with the incubator.

WARNING

The Stryker Model 6510-028 adaptor is designed to secure only Airborne™ incubators to the model 6510 **RUGGED** POWER PRO IT ambulance cot. Using this adaptor on any cot other than the model 6510 **RUGGED** POWER PRO IT ambulance cot or using any unapproved incubators on this adaptor may result in damage to the cot and/or injury to the patient or user.



1. Push down on latch tab (A) to release latch tab (B).
2. Pull down on the latch tab (B) and open each of the latches on the four corners of the incubator.
3. Place the Airborne™ incubator into the adaptor on the cot. Verify all four corners of the incubator are properly seated in the adaptor.
4. Insert each latch into its slot on the adaptor. Push up on latch (B) to secure the latches. Verify all four latches are securely fastened.

WARNING

Verify the adaptor is properly installed on the cot and the incubator is securely fastened to the adaptor prior to use. An improperly attached adaptor or incubator may cause injury to the patient or user.

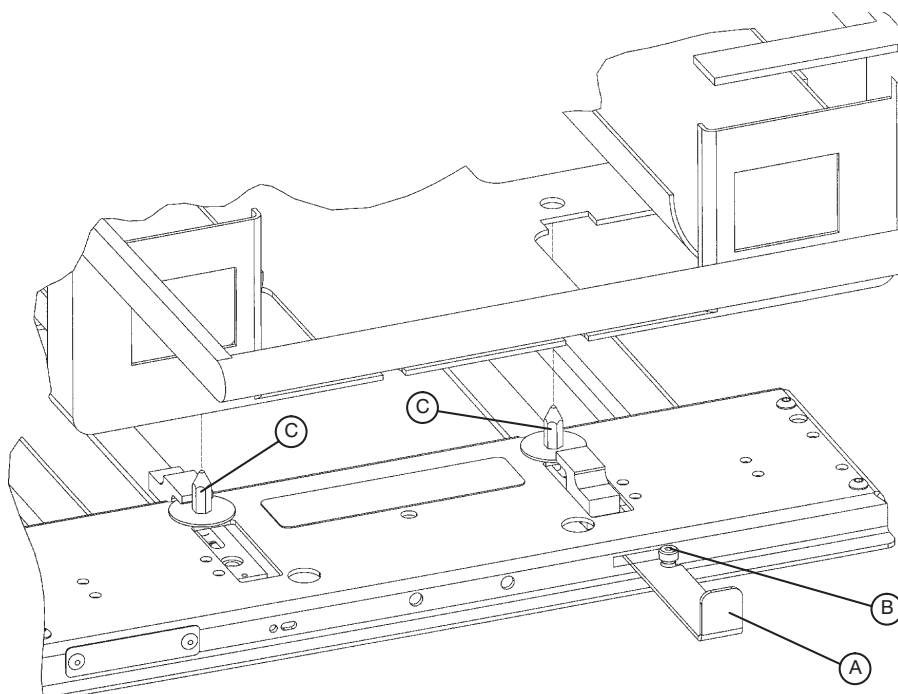
Cot Operation

INSTALLING THE DRAGER® INCUBATOR ON THE MODEL 6510 **RUGGED** POWER PRO IT AMBULANCE COT

Prior to installing the Drager® Incubator on the model 6510 **RUGGED** POWER PRO IT ambulance cot, read and understand this manual and the manual supplied with the incubator.

WARNING

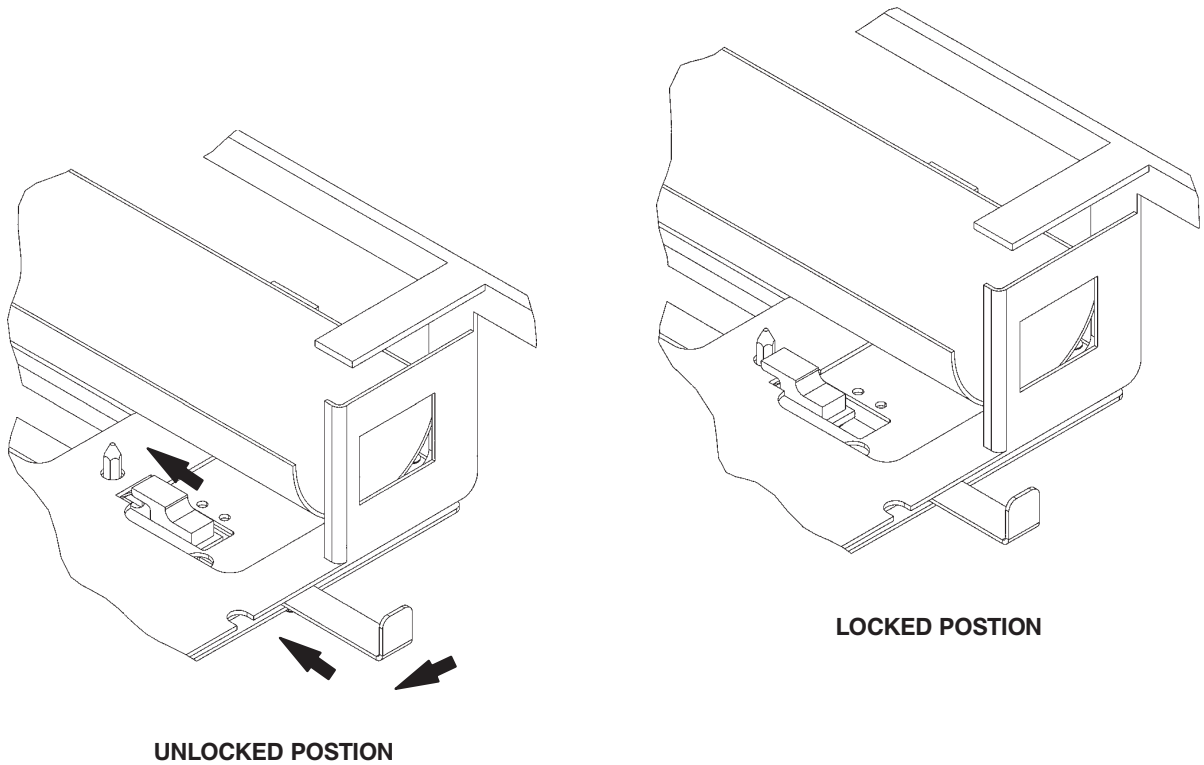
- The Stryker Model 6510-029 adaptor is designed to secure only Drager® incubators to the 6510 **RUGGED** POWER PRO IT ambulance cot. Using this adaptor on any cot other than the model 6510 POWER PRO IT ambulance cot or using any unapproved incubators on this adaptor may result in damage to the cot and/or injury to the patient or user.
- Stryker is not responsible for specifications changes to the Drager® (or Air-Shields® Series) incubators.



1. Pull out the red latch handle (A) on the adaptor and move it to the right until the slot in the handle engages with the shoulder bolt (B) on the adaptor.
2. Place the incubator on the adaptor, aligning the holes in the incubator with the four pins (C) on the adaptor (2 of the 4 pins are shown only).
3. Move the latch handle to the left to release it. The handle retracts and the latches engage, securing the incubator.

Cot Operation

INSTALLING THE DRAGER® INCUBATOR ON THE MODEL 6510 **RUGGED** POWER PRO IT AMBULANCE COT (CONTINUED)



Inspect all four locking points to verify the latches are securely engaged and are not obstructed by anything (hoses, wires, etc.).

WARNING

Verify the adaptor is properly installed on the cot and the incubator is securely fastened to the adaptor prior to use. An improperly attached adaptor or incubator may cause injury to the patient or user.

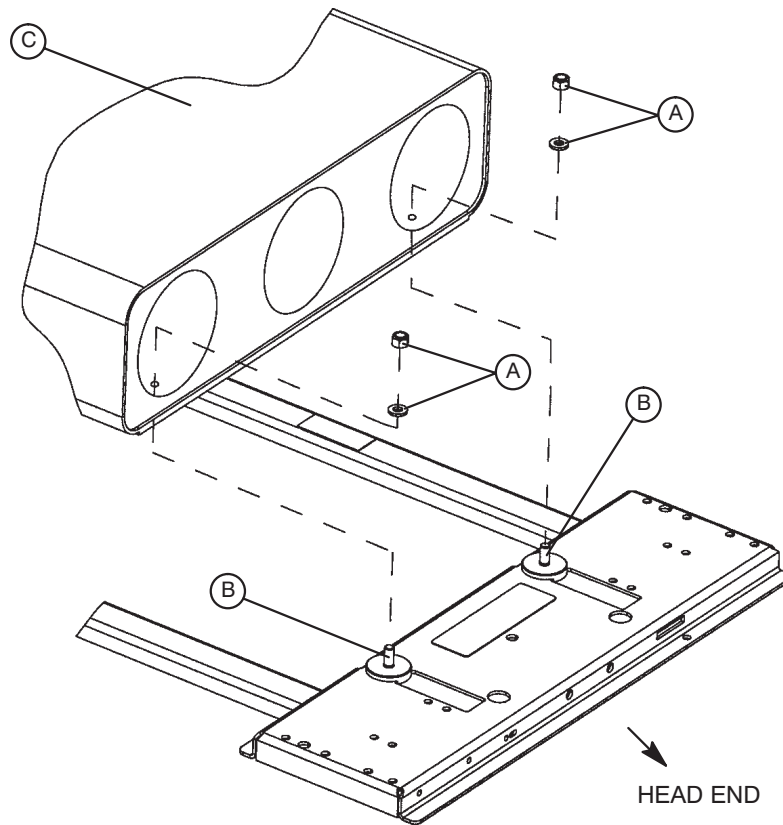
Cot Operation

INSTALLING THE AIRBORNE™ STACKABLE ON THE MODEL 6510 **RUGGED** POWER PRO IT AMBULANCE COT

Prior to installing the Airborne™ Stackable on the **RUGGED** IT Cot, read and understand this manual and the manual supplied with the incubator.

WARNING

The Stryker Model 6510-027 adaptor is designed to secure only an Airborne Stackable to the Model 6510 **RUGGED** IT Cot. Using this adaptor on any cot other than the **RUGGED** Model 6510 or using any unapproved incubators or Stackables on this adaptor may result in damage to the cot and/or injury to the patient or user.



1. Using the 1/2" socket and ratchet, remove the four 5/16" hex nuts and washers (A) from the mounting studs (B) on the adaptor.
2. Locate the mounting holes in the bottom of the O₂ bottle module (C).
3. Install the O₂ bottle holder on the adaptor mounting studs (B) with the bottle openings toward the breakaway head section. Verify all four mounting studs are properly seated in the mounting holes of the O₂ bottle holder.
4. Using a 1/2" socket and ratchet, install the four 5/16" hex nuts and washers (A) removed in step one and tighten them securely.

WARNING

Verify the adaptor is properly installed on the cot and the O₂ module is securely fastened to the adaptor prior to use. An improperly attached adaptor or O₂ module may cause injury to the patient or user.

Cot Operation

INSTALLING THE AIR SLED ON THE MODEL 6510 **RUGGED** POWER PRO IT AMBULANCE COT

Prior to installing the Air Sled on the **RUGGED** IT Cot, read and understand this manual and the manual supplied with the incubator. These instructions are to be used for installing the Air Sled with the manufacturer's supplied sled receptacle (not included).

WARNING

- The Stryker Model 6510-042-000, no adaptor option is designed to secure incubators without an adaptor to the **RUGGED** Model 6510 IT Cot.
- Using this configuration on any cot other than the **RUGGED** Model 6510 or using any unapproved incubators on this adaptor may result in damage to the cot and/or injury to the patient or user.
- Stryker is not responsible for specification or option changes to Air Sled compatible incubators.

1. Bolt the receptacle to the litter frame using the supplied fasteners (Figure 1).
2. Insert the Air Sled into the receptacle using the latching system which is part of the Air Sled apparatus (Figure 1).

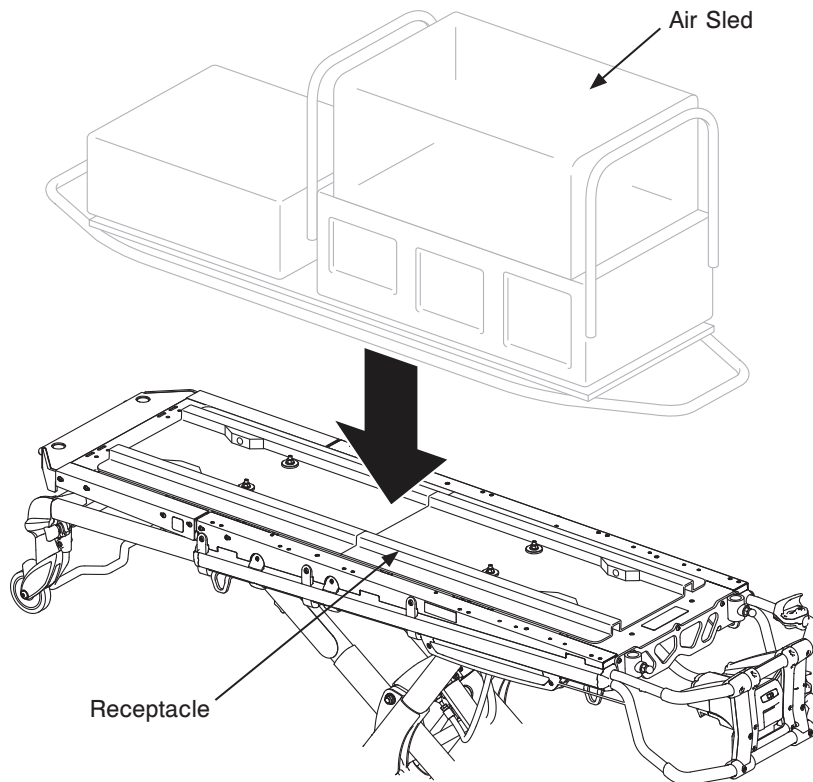


Figure 1

Cot Operation

INSTALLING THE AIR SLED ON THE MODEL 6510 **RUGGED** POWER PRO IT AMBULANCE COT

Prior to installing the Air Sled on the **RUGGED** IT Cot, read and understand this manual and the manual supplied with the incubator. These instructions are to be used for securing the Air Sled using straps to the litter surface of the **RUGGED** Model 6510 IT Cot.

WARNING

- The Stryker Model 6510-042-000, no adaptor option is designed to secure incubators without an adaptor to the **RUGGED** Model 6510 IT Cot.
- Using this configuration on any cot other than the **RUGGED** Model 6510 or using any unapproved incubators on this adaptor may result in damage to the cot and/or injury to the patient or user.
- Stryker is not responsible for specification or option changes to Air Sled compatible incubators.

1. Secure the Air Sled to the litter surface using the straps, (not supplied) (Figure 2).
2. Ensure the straps are secured from the head end push bars to the Air Sled (Figure 2).
3. Confirm the Air Sled is secured to the receptacle as shown in the final installation view below (Figure 3).

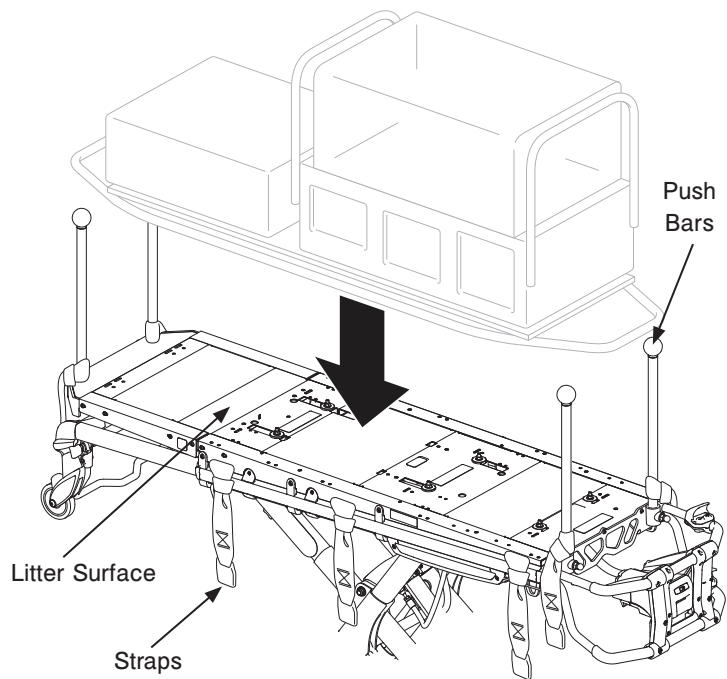


Figure 2

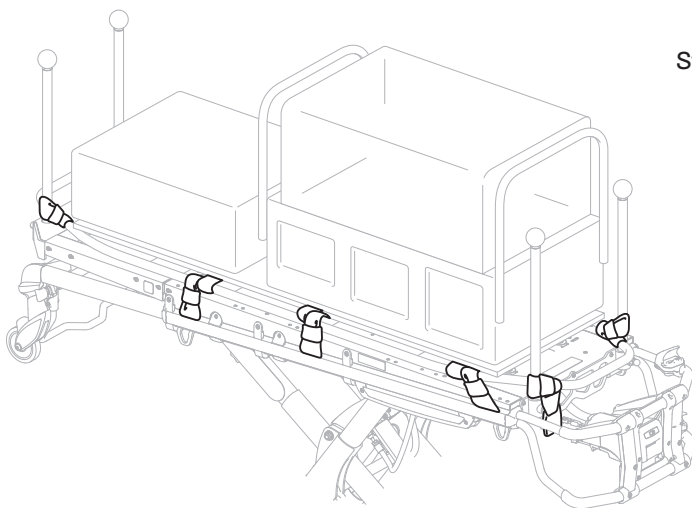


Figure 3

Cleaning

The **RUGGED** POWER PRO IT ambulance cot is designed to be power washable. The unit may show some signs of oxidation or discoloration from continuous washing, however, no degradation of the cot's performance characteristics or functionality will occur due to power washing as long as the proper procedures are followed.

Thoroughly clean the cot once a month. Clean Velcro **AFTER EACH USE**. Saturate Velcro with disinfectant and allow disinfectant to evaporate. (Appropriate disinfectant for nylon Velcro should be determined by the service.)

WASHING PROCEDURE

- **Remove the battery!** The battery and charger are **not** immersible or power washable.
- Follow the cleaning solution manufacturer's dilution recommendations exactly.
- The preferred method Stryker Medical recommends for power washing the POWER PRO IT ambulance cot is with the standard hospital surgical cart washer or hand held wand unit.

WASHING LIMITATIONS

WARNING

Use any appropriate personal safety equipment (goggles, respirator, etc.) to avoid the risk of inhaling contagion. Use of powerwashing equipment can aerate contamination collected during the use of the cot.

CAUTION

- DO NOT STEAM CLEAN OR ULTRASONICALLY CLEAN THE UNIT.
- Maximum water temperature should not exceed 180°F/82°C.
- Maximum air dry temperature (cart washers) is 240°F/115°C.
- Maximum water pressure should not exceed 1500 psi/130.5 bar. If a hand held wand is being used to wash the unit, the pressure nozzle must be kept a minimum of 24 inches (61 cm) from the unit.
- Towel dry all casters and interface points.
- Failure to comply with these instructions may invalidate any/all warranties.
- Remove the battery before washing the cot.

Cleaning

In general, when used in those concentrations recommended by the manufacturer, either phenolic type or quaternary type disinfectants can be used. Iodophor type disinfectants are not recommended for use because staining may result.

Suggested cleaners for the **RUGGED** POWER PRO IT cot surfaces:

- Quaternary Cleaners (active ingredient - ammonium chloride)
- Phenolic Cleaners (active ingredient - o-phenylphenol)
- Chlorinated Bleach Solution (5.25% - less than 1 part bleach to 100 parts water)

Avoid over saturation and ensure the product does not stay wet longer than the chemical manufacturer's guidelines for proper disinfecting.

WARNING

SOME CLEANING PRODUCTS ARE CORROSIVE IN NATURE AND MAY CAUSE DAMAGE TO THE PRODUCT IF USED IMPROPERLY. If the products described above are used to clean Stryker patient care equipment, measures must be taken to insure the cots are wiped with clean water and thoroughly dried following cleaning. Failure to properly rinse and dry the cots will leave a corrosive residue on the surface of the cots, possibly causing premature corrosion of critical components.

NOTE

Failure to follow the above directions when using these types of cleaners may void this product's warranty.

REMOVAL OF IODINE COMPOUNDS

Use a solution of 1/2 tablespoons Sodium Thiosulfate in a pint of warm water to clean the stained area. Clean as soon as possible after staining occurs. If stains are not immediately removed, allow solution to soak or stand on the surface. Rinse surfaces which have been exposed to the solution in clear water before returning unit to service.

WARNING

Failure to properly clean or dispose of contaminated mattress or cot components will increase the risk of exposure to bloodborne pathogens and may cause injury to the patient or the operator.

Preventative Maintenance

The **▲RUGGED▲** POWER PRO IT ambulance cot requires regular maintenance. Establish and follow a maintenance schedule and keep records of maintenance activity (see page 52 for a form).

WARNING

- Do not modify the **▲RUGGED▲** POWER PRO IT ambulance cot or any components of the cot, including the hydraulic unit. Modifying the product can cause unpredictable operation resulting in injury to the patient or operator. Modifying the product will also void its warranty.
- Escaping fluid under pressure can penetrate the skin causing serious injury. Avoid the hazard by relieving pressure before disconnecting hydraulic or other lines. Tighten all connections before applying pressure. If an accident occurs, see a doctor immediately. Any fluid injected into the skin must be surgically removed within a few hours or gangrene may result. Doctors unfamiliar with this type of injury should reference a knowledgeable medical source.

When using maintenance products, follow the directions of the manufacturer and reference all material safety data sheets.

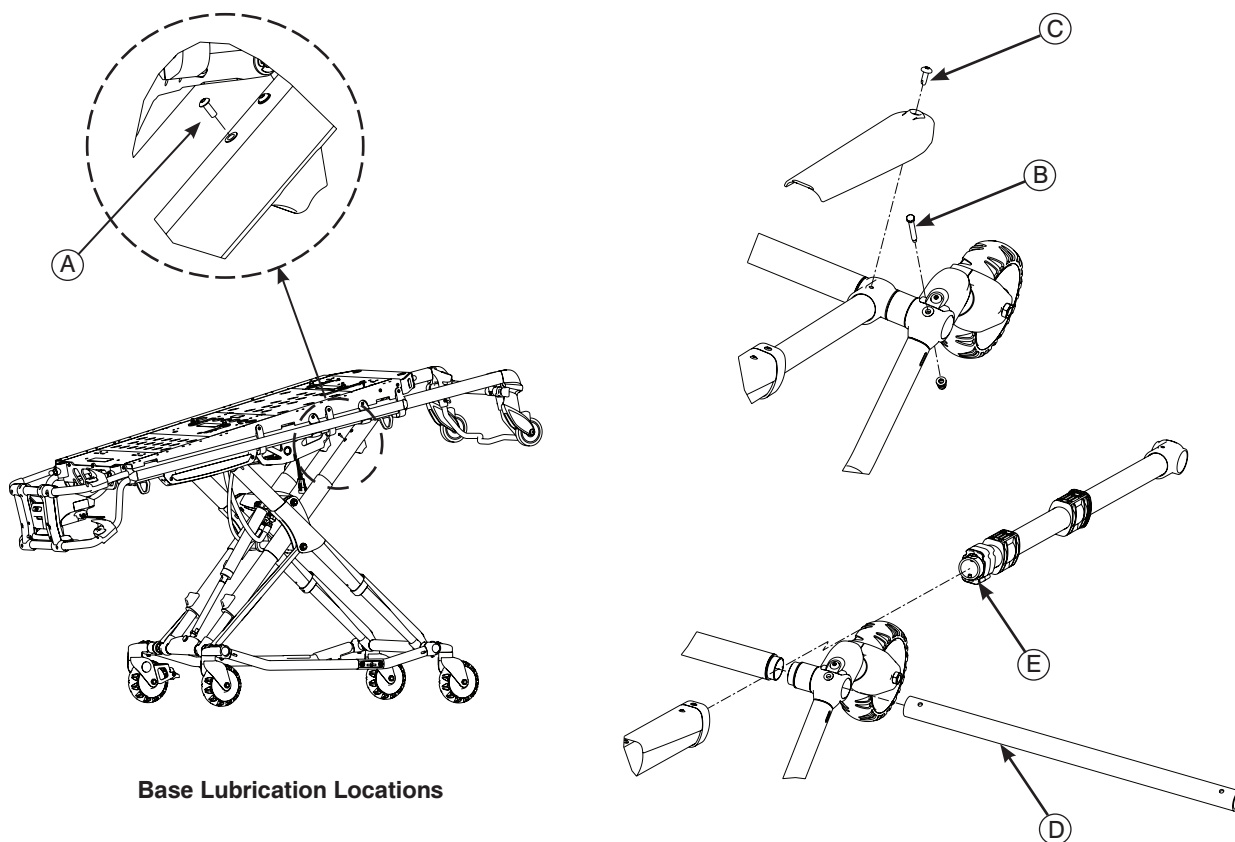
CAUTION

- Improper maintenance can cause injury or damage to the product. Maintain the ambulance cot as described in this manual. Use only Stryker approved parts and maintenance procedures. Using unapproved parts and procedures could cause unpredictable operation and/or injury and will void the product warranty.
- Failure to use authorized parts, lubricants, etc. could cause damage to the ambulance cot and will void the warranty of the product.
- Hydraulic lines, hoses, and connections can fail or loosen due to physical damage, kinks, age, and exposure. Check hoses and lines regularly to avoid damage to the cot. Check and tighten loose connections.
- Do not tip the ambulance cot onto its load wheels and actuate the product as this will allow air to enter the hydraulic system.

Preventative Maintenance

BASE LUBRICATION

- The **RUGGED** POWER PRO has been designed to operate without the need for lubrications.
- Tri-Flow with Teflon[®] lubricant may be used to reduce the force required to raise the undercarriage and to minimize wear.
- Do not use silicone, WD-40[™], or lithium grease. They could harm the moving parts of the cot.



Base Lubrication Locations

1. Raise the Power PRO cot to the raised position.
2. Remove one of the button head cap screws (item A) from both the patient right and patient left litter pivot inner lift tubes (item number 6500-001-034 and 6500-001-035).
3. Using the plastic applicator tube, spray Tri-Flow with Teflon[®] lubricant (Stryker part number 6082-190-012) into each of the recently removed button head cap screw locations.
4. Let set for two minutes.
5. Extend the retractable head section until it locks in place (item number 6500-001-020).
6. Tip the cot toward the foot end until the operator lift bars rest on the floor.
7. Remove the two caster mount spacers (item B) from the outer base tube assembly (item number 6500-001-054).
8. Remove both lower X-frame guards (item C) from the inner lift tube assembly (item number 6500-001-022).
9. Remove foot base tube (item D) by sliding horizontally to the patient left or right.
10. Remove both inner lift tube assemblies (item number 6500-001-022) from the inner base tube frame (item number 6500-001-056).
11. Using the plastic applicator tube, spray Tri-Flow with Teflon[®] lubricant (Stryker part number 6082-199-012) directly onto the upper bearing (item E).
12. Reverse above procedures to assembly the cot.
13. Wipe off any excess Tri-Flow from the external components of the Power PRO cot.

REGULAR INSPECTION AND ADJUSTMENTS

Maintenance Intervals

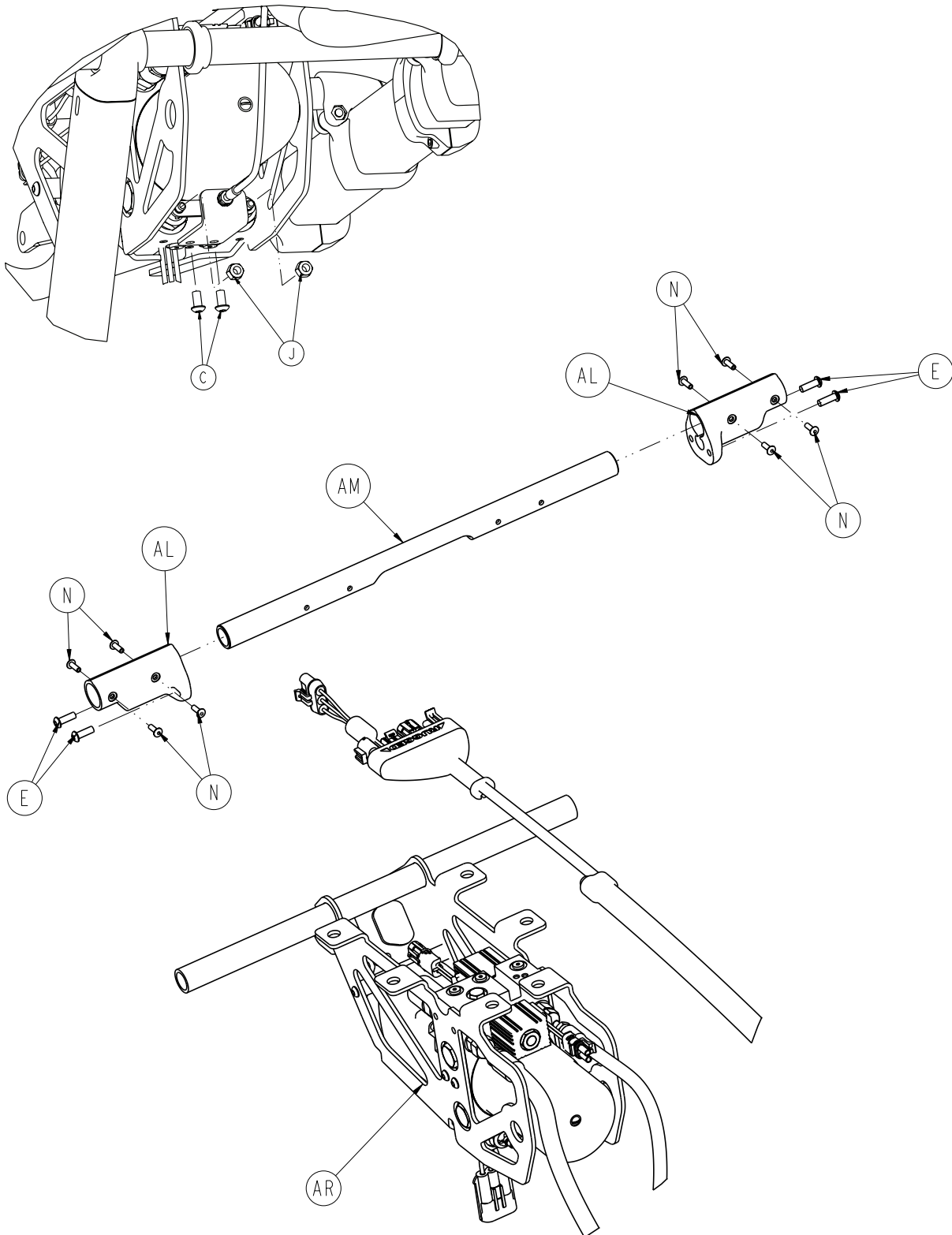
The following schedule is intended as a general guide to maintenance. Bear in mind that such factors as weather, terrain, geographical location, and individual usage will alter the required maintenance schedule. If you are unsure as to how to perform these checks please consult the electronic trouble shooting guide or contact your Stryker service technician. If you are in doubt as to what intervals to follow in maintaining your product, consult your Stryker service technician.

Item	Routine	Every (whichever comes first)			
		1 Month or 2 hours	3 Months or 6 hours	6 Months or 12 hours	12 Months or 24 hours
Settings	Verify the in-fastener shut-off is configured properly	X			
	Verify the ambulance cot and fastener fit and function properly				X
	Verify the safety bar engages the vehicle safety hook properly				X
Cylinder	All fasteners are secure (reference all assembly drawings)		X		
	Verify the cylinder is adjusted so the lock nut is tight and the cot stops moving when it hits the dead stops.				X
	Inspect for and verify that there are no hydraulic fluid (red) leaks; inspect the fittings and tighten as necessary		X		
Hydraulics	Inspect motor mount and verify that all fasteners are secure		X		
	Verify that there are no hydraulic fluid leaks		X		
	Inspect the reservoir and verify that there are no leaks		X		
	Inspect hoses and fittings for damage or wear; replace as necessary		X		
	Verify the hydraulic velocity fuse - Place a weight of approximately 50lbs on the cot, raise the cot, lift the cot with two operators, pull the manual release, rapidly set the cot down, verify that the cot does not drop.				X
	Extend cot to raised position, measure and check load height				X
Electronic Controls	Verify "jog" function is operating				X
	Verify high speed retract is working				X
	Verify there is no damage or wear to either switch				X
Switches	Verify both switches operate correctly - Replace if necessary				X
	Verify there is no damage or wear to either switch				X
Cables/Wires	Verify there is no damage or pinching of wiring harness, cables or lines		X		
	Check routing(s) and connection(s), verify there are no hanging wires	X			
	Verify there are no damaged connectors, replace if necessary		X		

Item	Routine	Every (whichever comes first)			
		1 Month or 2 hours	3 Months or 6 hours	6 Months or 12 hours	12 Months or 24 hours
Manual Release	Verify that the manual release functions properly	X			
	Verify the release handle returns to the stowed position				X
	Verify the base extends/retracts smoothly when the manual release is engaged		X		
	With 100 lbs or more on the cot, verify the cot does not lower when the manual release is pulled		X		
Litter	Inspect the ambulance cot frame/litter	X			
	Verify all welds intact, not cracked or broken				X
	Verify no bent, broken or damaged components			X	
	Verify all fasteners secure (reference all assembly drawings)		X		
	Verify warning labels present, legible (reference assembly drawings)				X
	Verify no damage or tears on cot grips			X	
Base	Adjust pneumatic cylinder for full range of motion, if required		X		
	Inspect the ambulance cot frame/base	X			
	Verify all welds intact, not cracked or broken				X
	Verify no bent, broken, or damaged components			X	
Wheels	Verify all fasteners secure		X		
	Verify no excessive damage to X-frame guards, replace if necessary			X	
	Verify wheels are free of debris			X	
	Verify tires in good condition				X
	Verify all wheels secure, rolling and swiveling properly	X			
	Check and adjust optional wheel locks as necessary				X
X-Frame	Verify smooth operation of X-frame		X		
Head Section	Verify all fasteners secure		X		
	Verify no bent, broken, or damaged components			X	
	Verify the head section extends and locks properly		X		
	Verify the grip bar has no excessive damage or tears			X	
	Verify load wheels are secure and roll properly			X	
	Verify the safety bar operates properly	X			

Cot Assembly - 6510-001-010

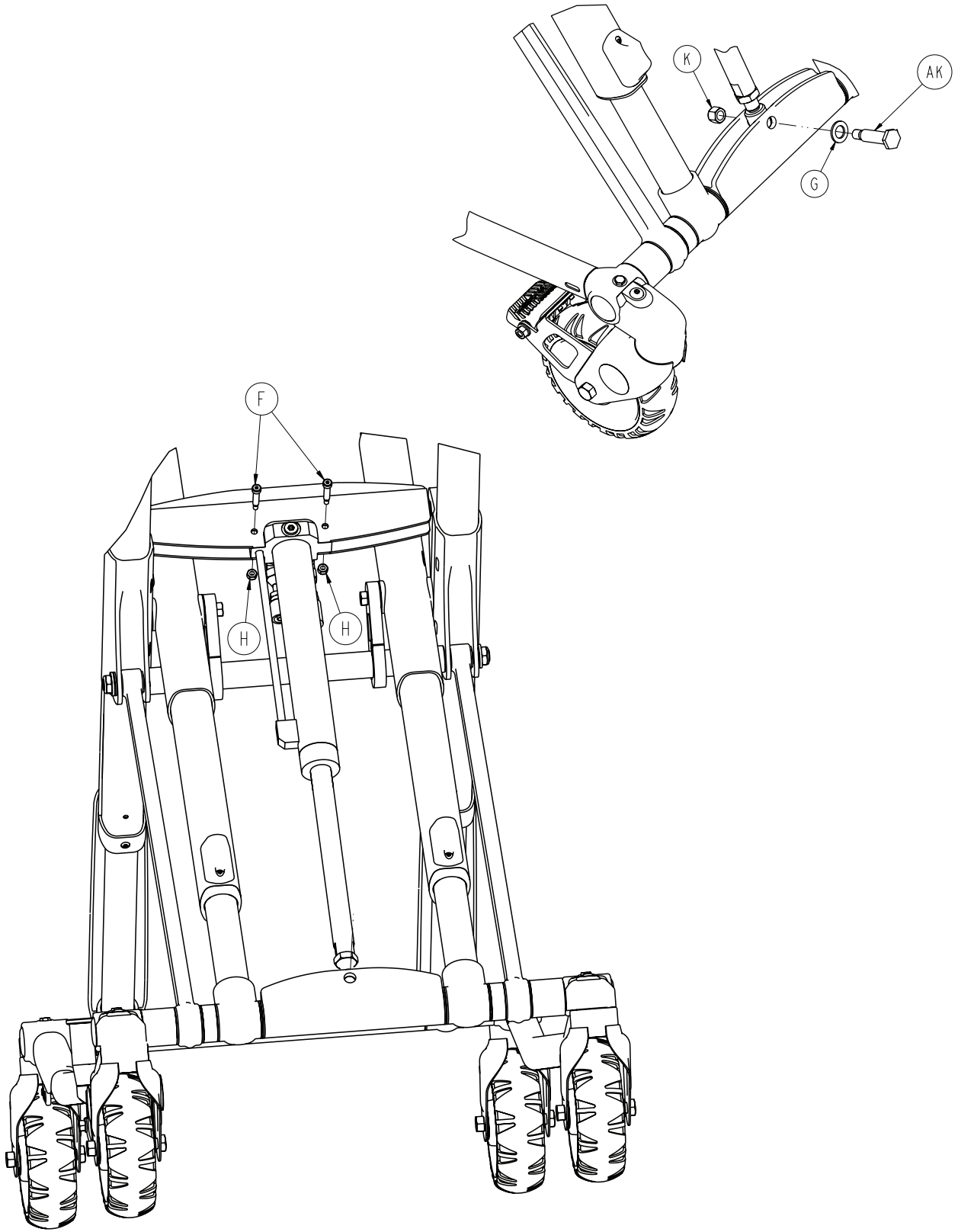
For Reference Only: 6510-001-010



[Return To Table of Contents](#)

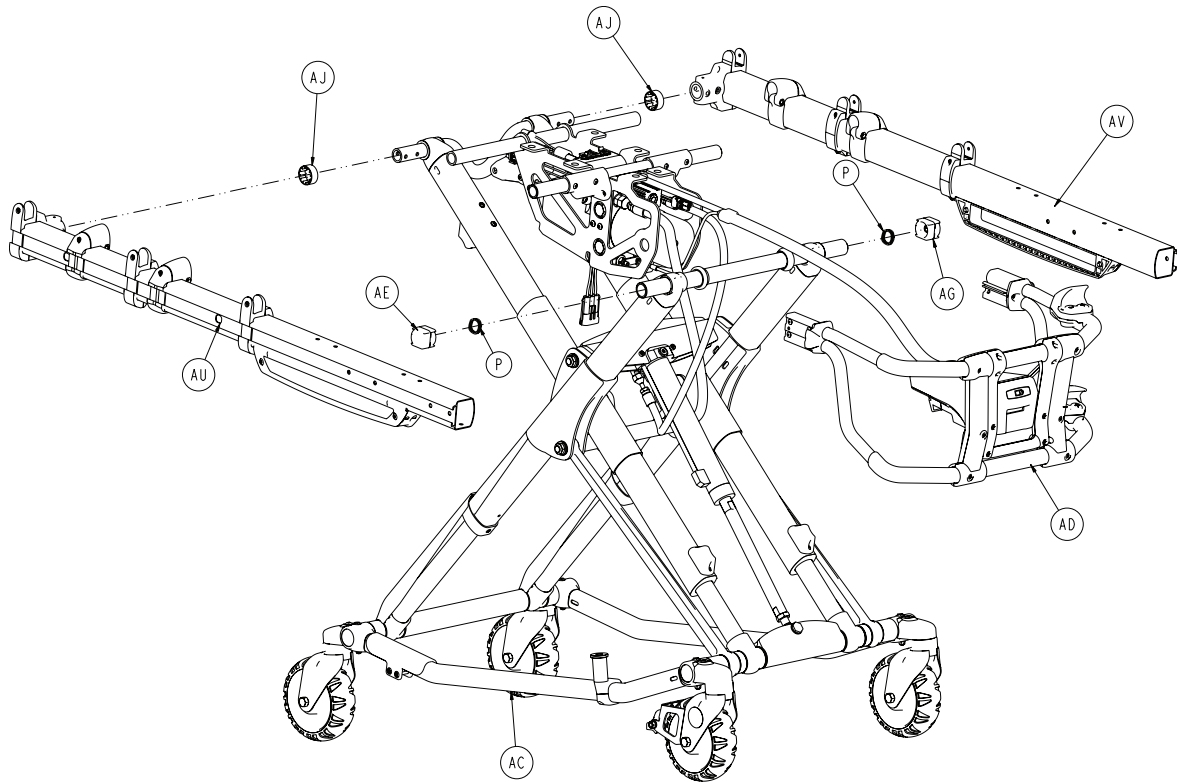
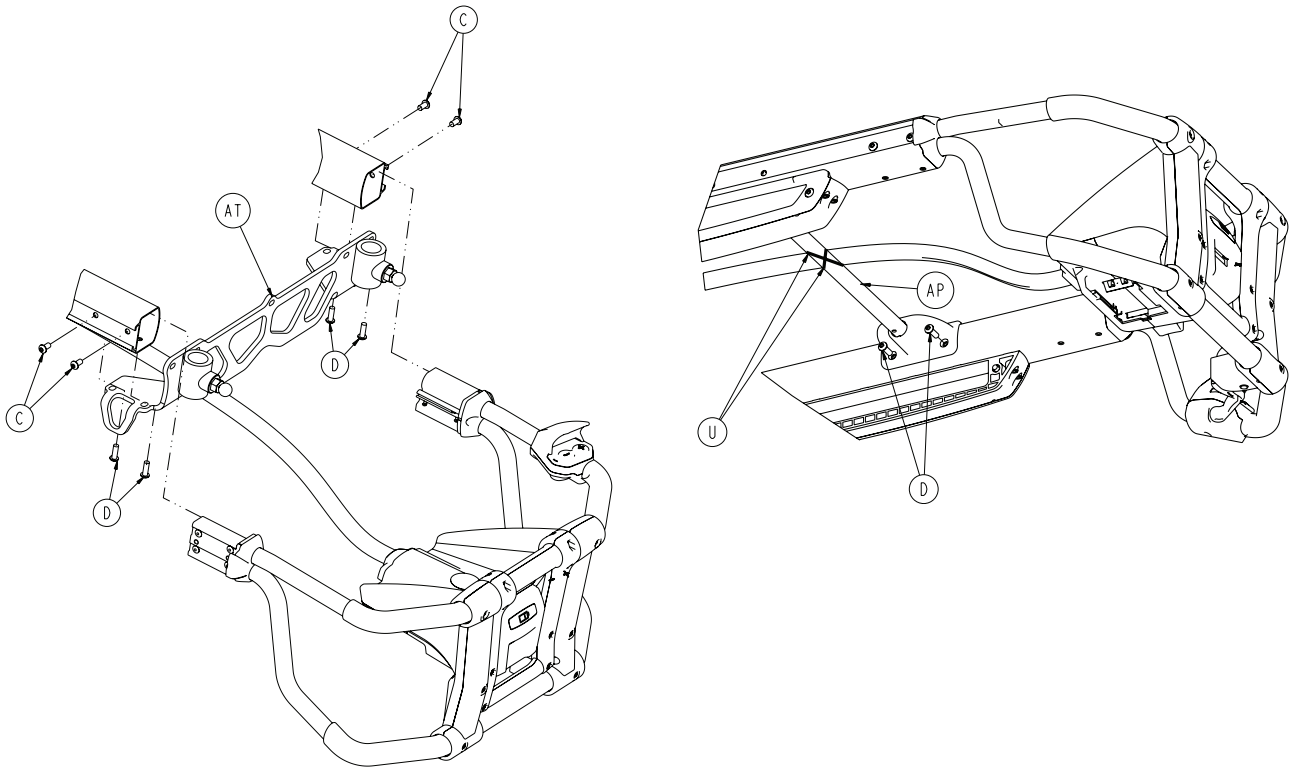
Cot Assembly - 6510-001-010

For Reference Only: 6510-001-010



Cot Assembly - 6510-001-010

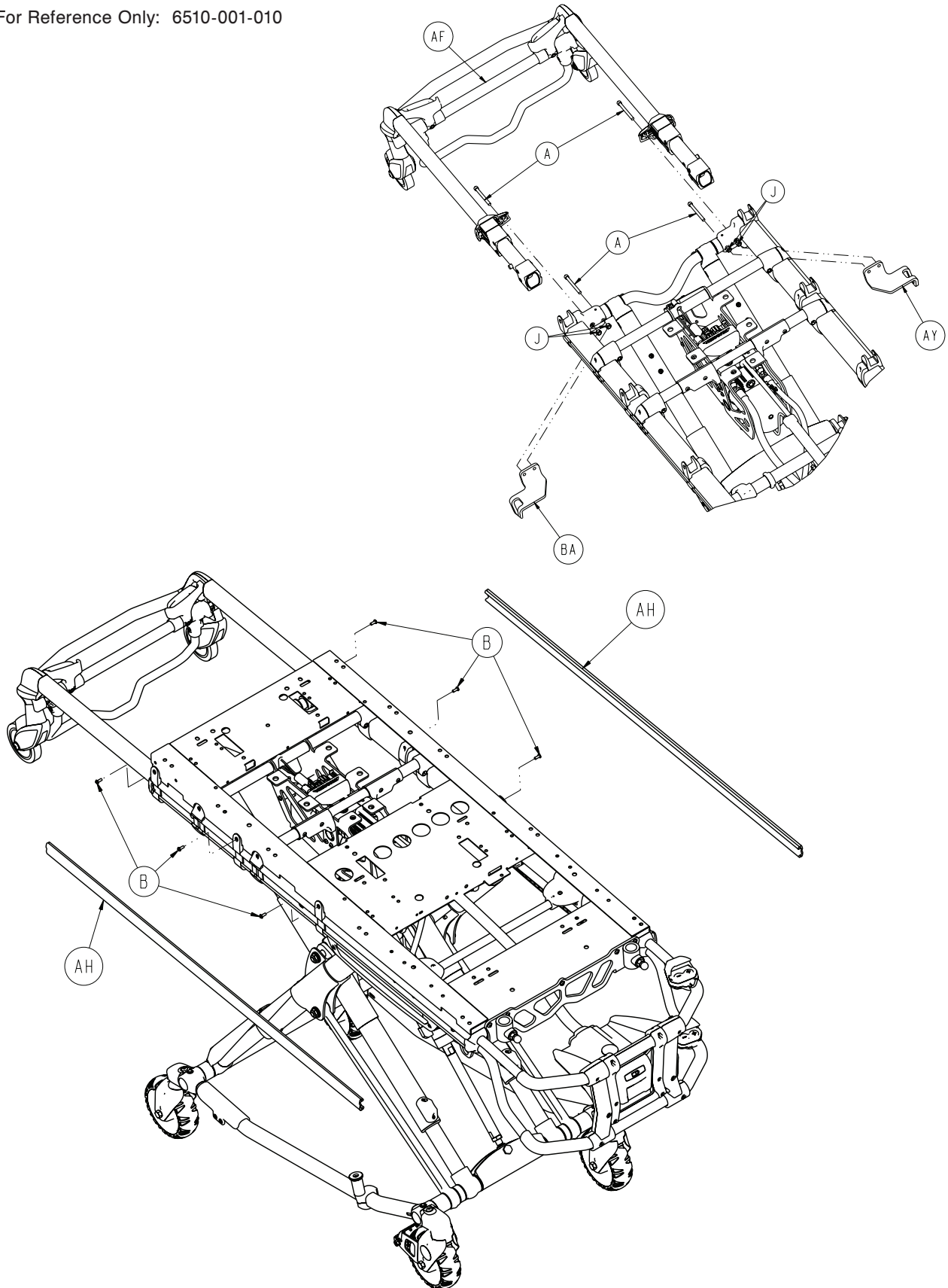
For Reference Only: 6510-001-010



[Return To Table of Contents](#)

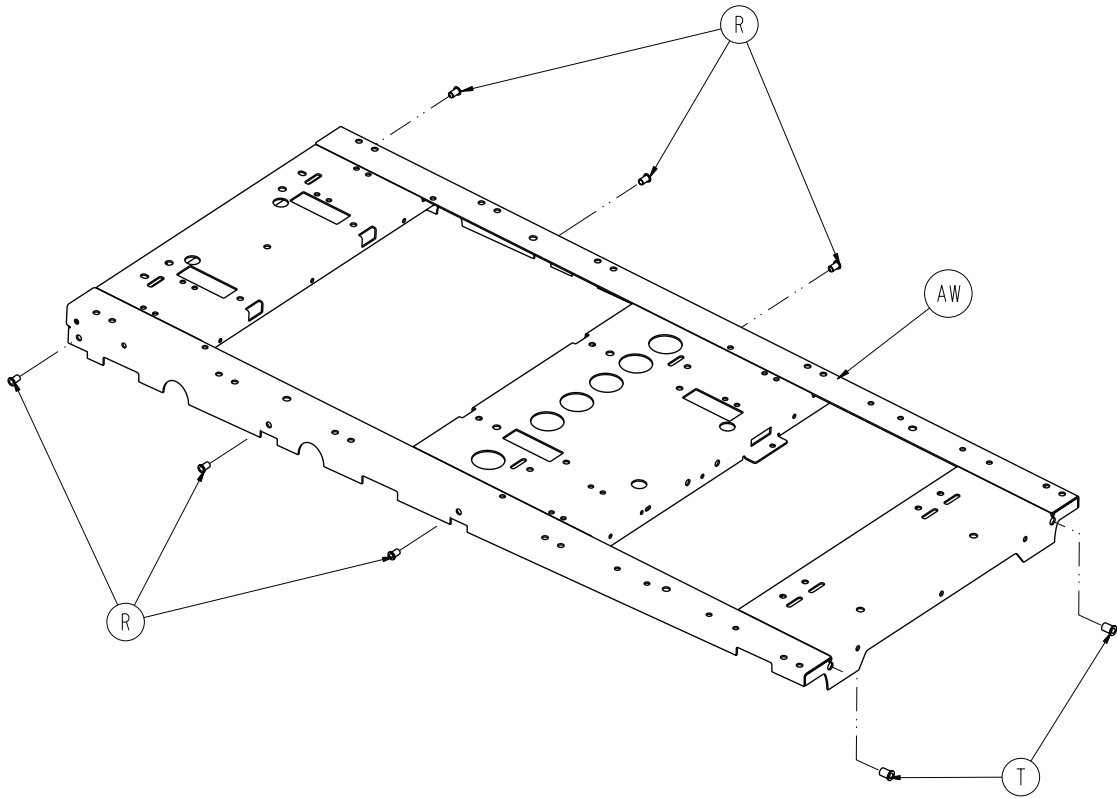
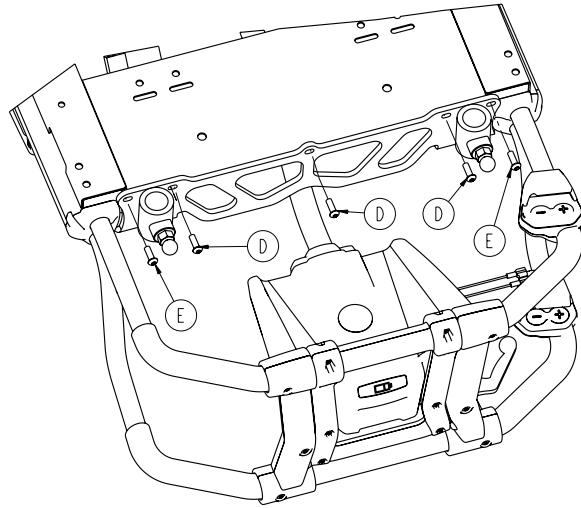
Cot Assembly - 6510-001-010

For Reference Only: 6510-001-010



Cot Assembly - 6510-001-010

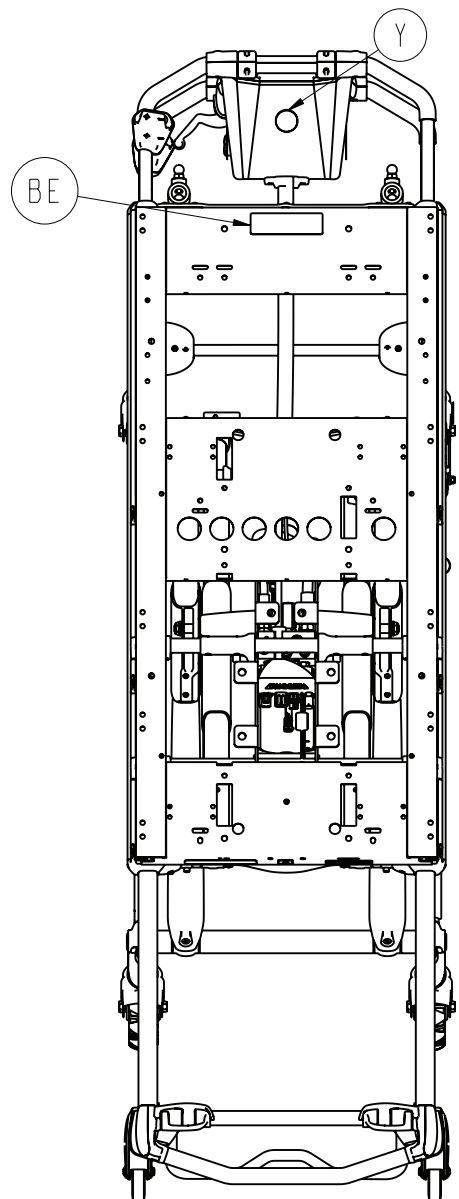
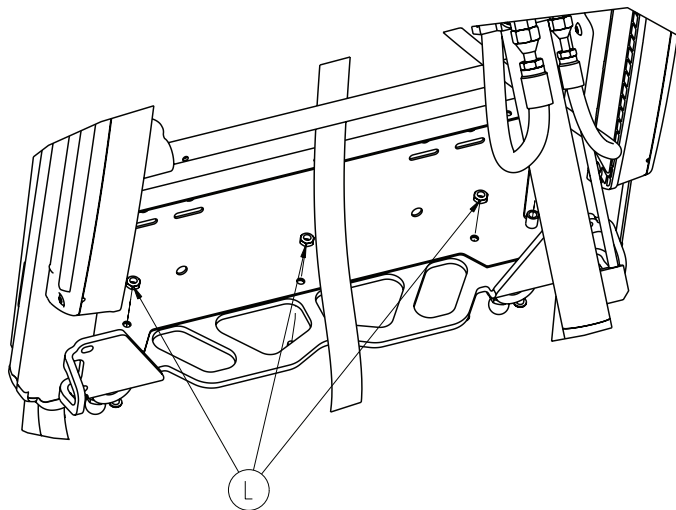
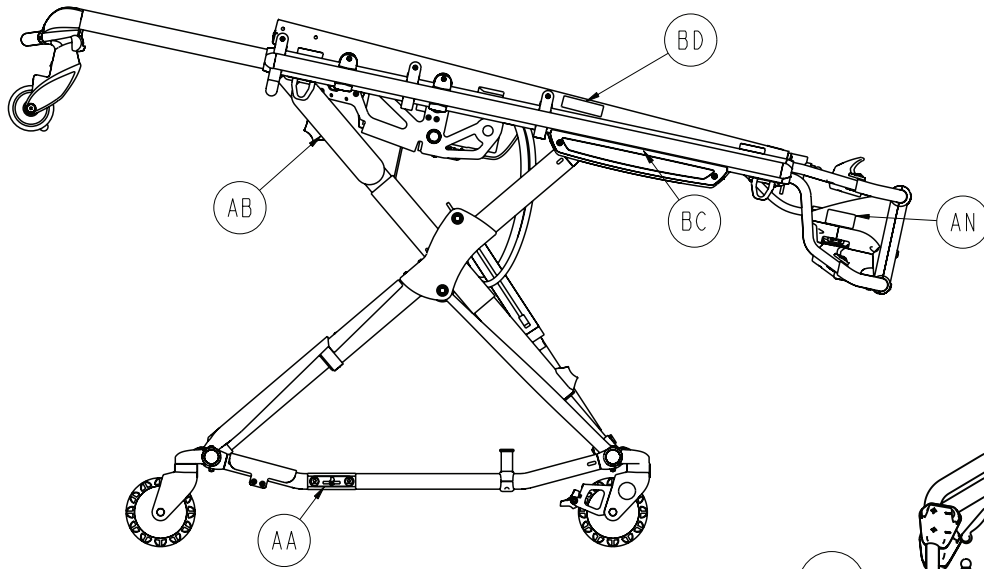
For Reference Only: 6510-001-010



[Return To Table of Contents](#)

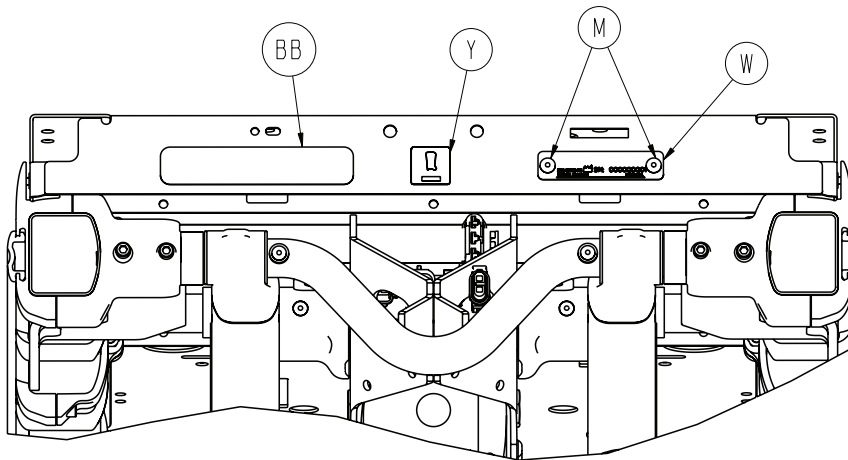
Cot Assembly - 6510-001-010

For Reference Only: 6510-001-010



Cot Assembly - 6510-001-010

For Reference Only: 6510-001-010



Item	Part No.	Part Name	Qty.
A	0004-517-000	Socket Head Cap Screw	4
B	0004-585-000	Button Head Cap Screw	6
C	0004-589-000	Button Head Cap Screw	6
D	0004-592-000	Button Head Cap Screw	11
E	0004-593-000	Button Head Cap Screw	6
F	0008-030-000	Socket Head Cap Screw	2
G	0011-013-000	Washer	1
H	0016-002-000	Fiberlock Hex Nut	2
J	0016-028-000	Fiberlock Hex Nut	6
K	0016-035-000	Nylock Hex Nut	1
L	0016-102-000	Nylock Hex Nut	3
M	0025-079-000	Rivet	2
N	0025-133-000	Rivet	8
P	0038-574-000	Crest to Crest Spring	2
R	0055-100-075	Riv Nut	6
T	0055-100-076	Riv Nut	2
U	0059-211-000	Nylon Cable Tie	2
V	2030-009-901	WEEE Label	1
W	6060-090-002	Serial Number Tag	1
Y	6080-090-101	Brake Warning Label	1
AA	6080-090-108	Fusion Lift Here Label	2
AB	6082-090-043	11" Label	2
AC	6500-001-012	Base Assembly	1
AD	6500-001-015	Foot End Assembly	1
AE	6500-001-017	Magnet Slider	1
AF	6500-001-020	Head Section Assembly	1
AG	6500-001-123	Hall Effects Slider	1
AH	6500-001-127	Outer Rail Bumper	2
AJ	6500-001-128	Plastic Extrusion Spacer	2

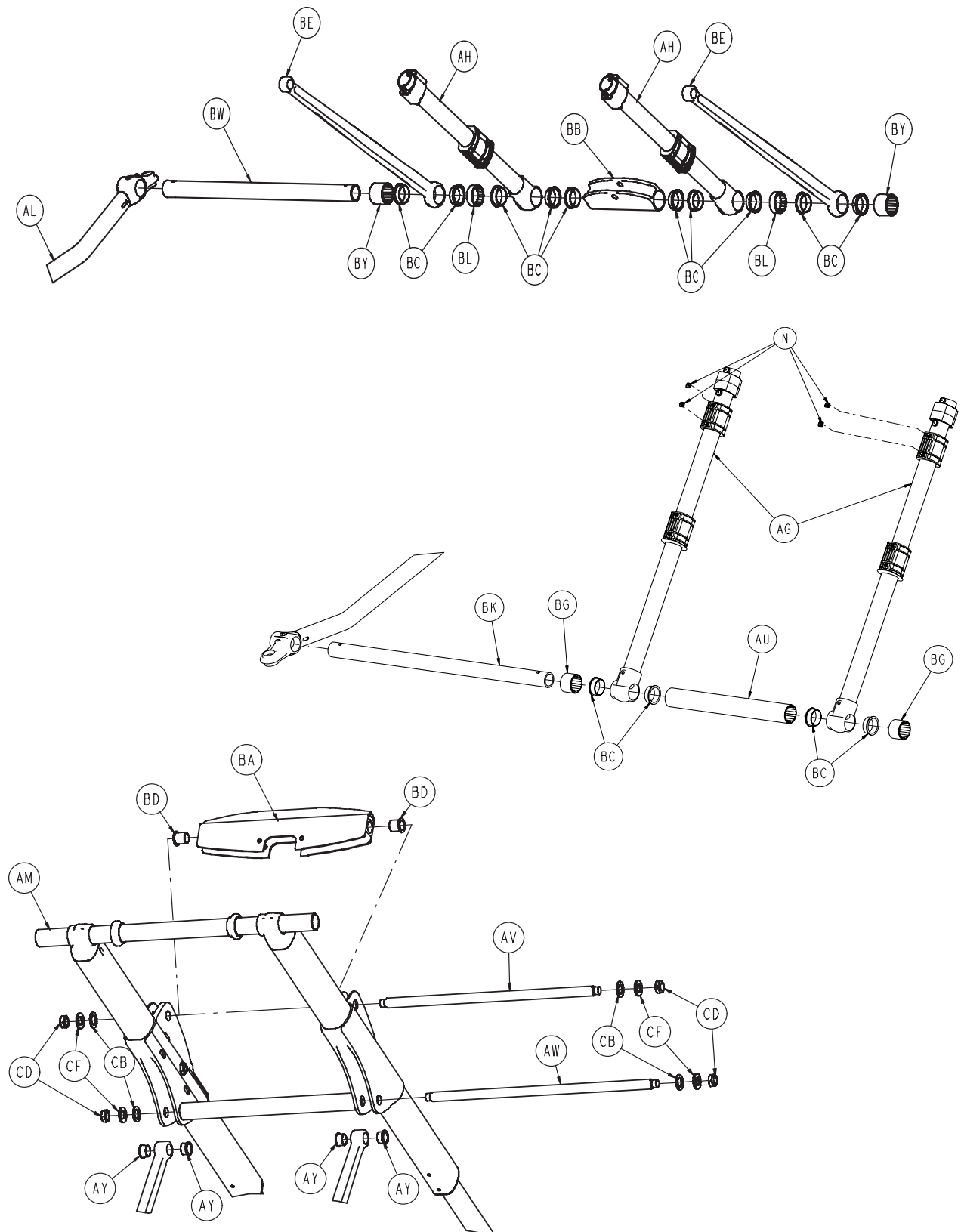
[Return To Table of Contents](#)

Cot Assembly - 6510-001-010

Item	Part No.	Part Name	Qty.
AK	6500-001-168	Rod Attachment Pin	1
AL	6500-001-195	Motor Mount Casting	2
AM	6500-001-196	Litter Cross Brace	1
AN	6500-001-258	DeWalt Label	2
AP	6510-001-013	Cross Brace Assembly	1
AR	6510-001-014	Mounted Power Plant Assembly	1
AT	6510-001-025	F/E Push/Pull Bracket Assembly	1
AU	6510-001-027	Outer Rail, Patient Right, Sub Assy	1
AV	6510-001-028	Outer Rail, Patient Left, Sub Assy	1
AW	6510-001-050	Litter Main Weldment	1
AY	6510-001-108	H/E Tie Down Bracket, Patient Right	1
BA	6510-001-109	H/E Tie Down Bracket, Patient Left	1
BB	6510-001-114	Power Pro XT Spec Label	1
BC	6510-001-116	Power Pro IT Label	2
BD	6510-001-117	Weight Capacity Label	2
BE	6510-001-121	Warning Label	1

Base Assembly - 6500-001-012

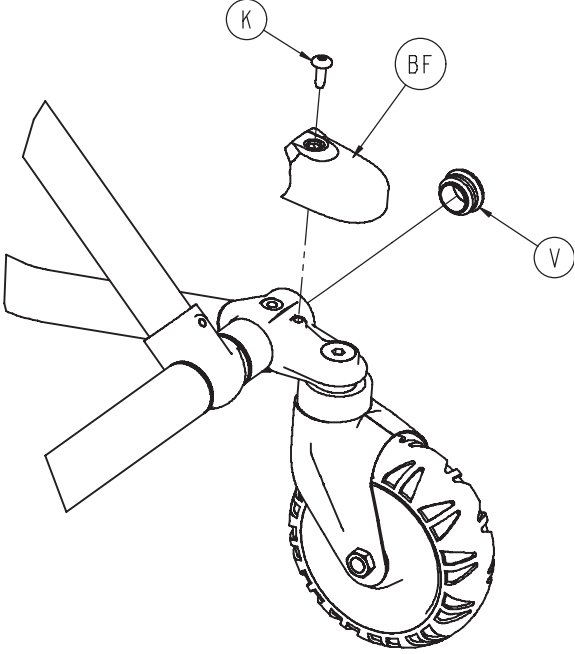
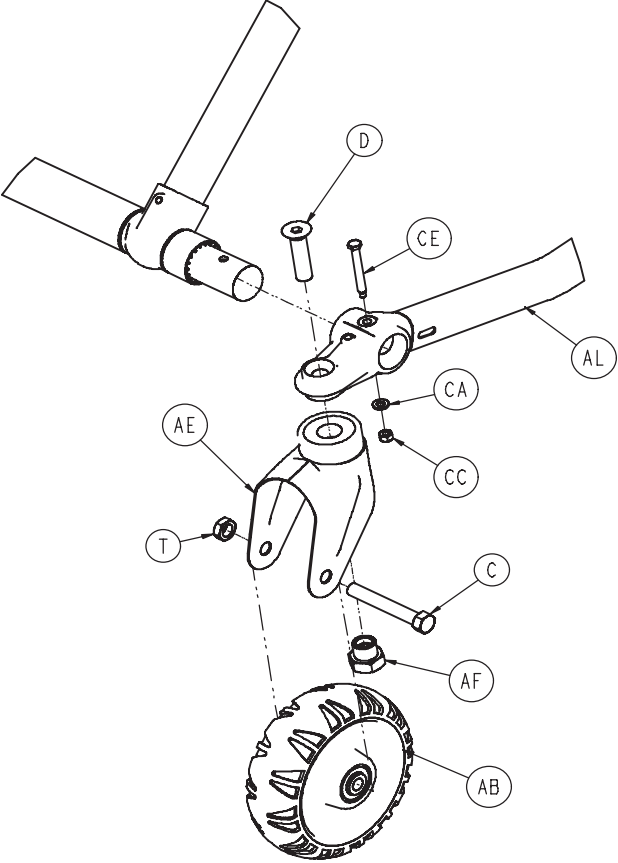
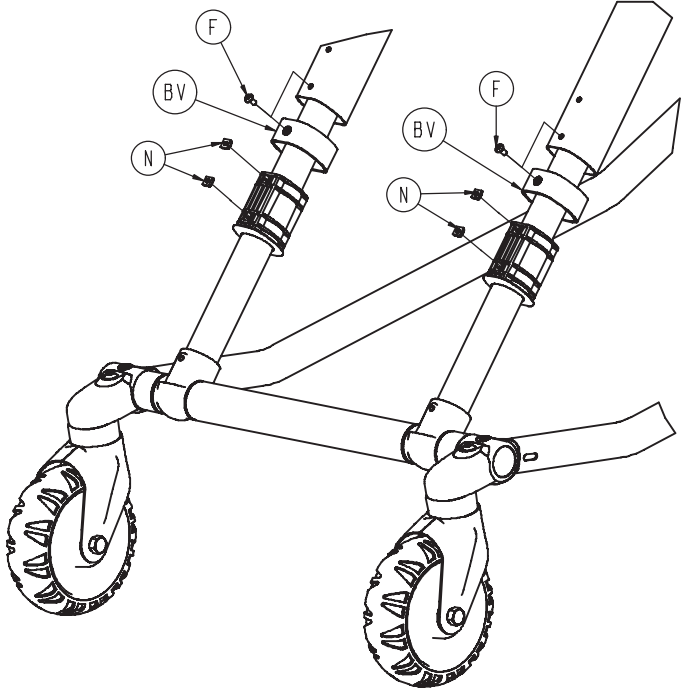
For Reference Only: 6500-001-012



[Return To Table of Contents](#)

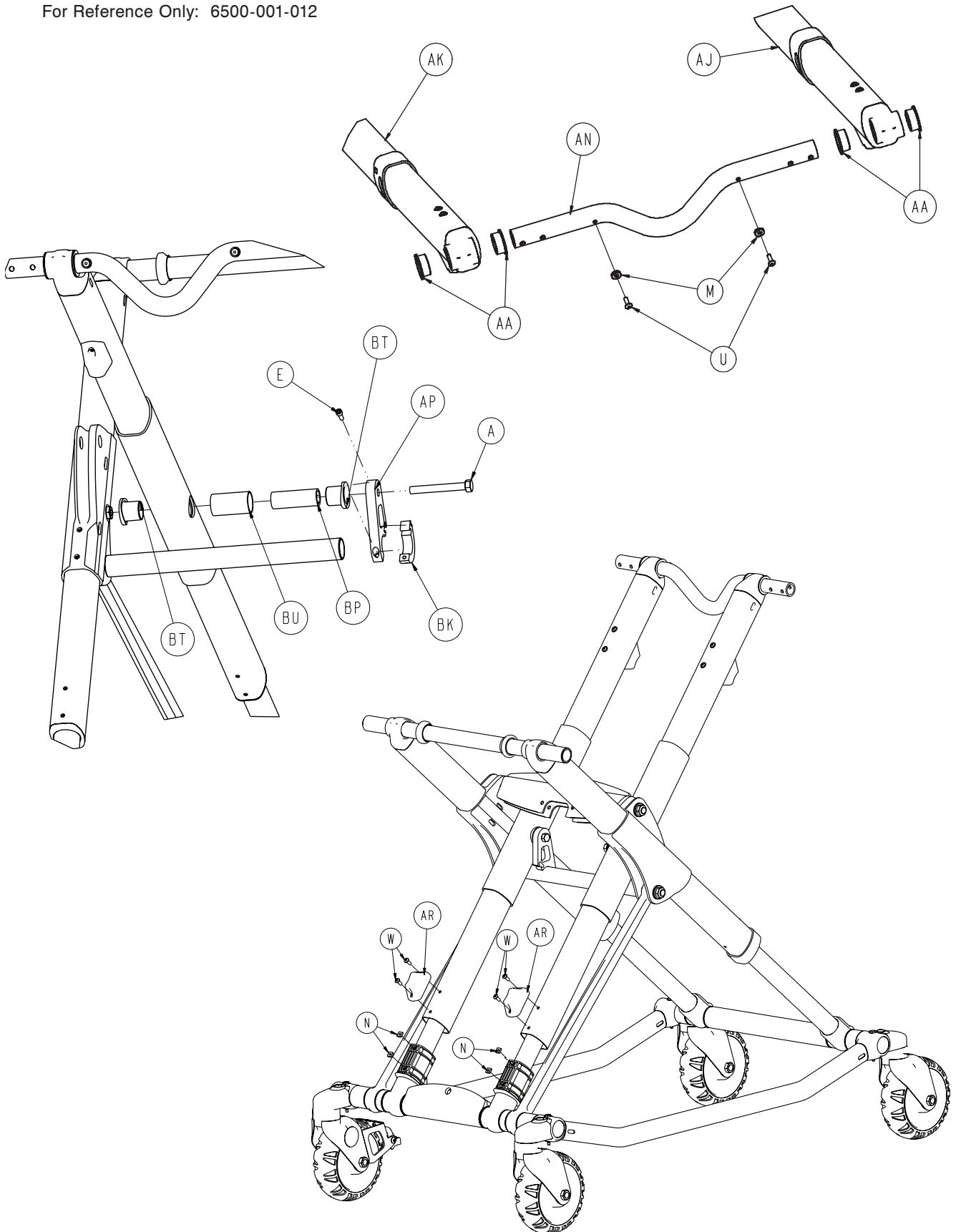
Base Assembly - 6500-001-012

For Reference Only: 6500-001-012



Base Assembly - 6500-001-012

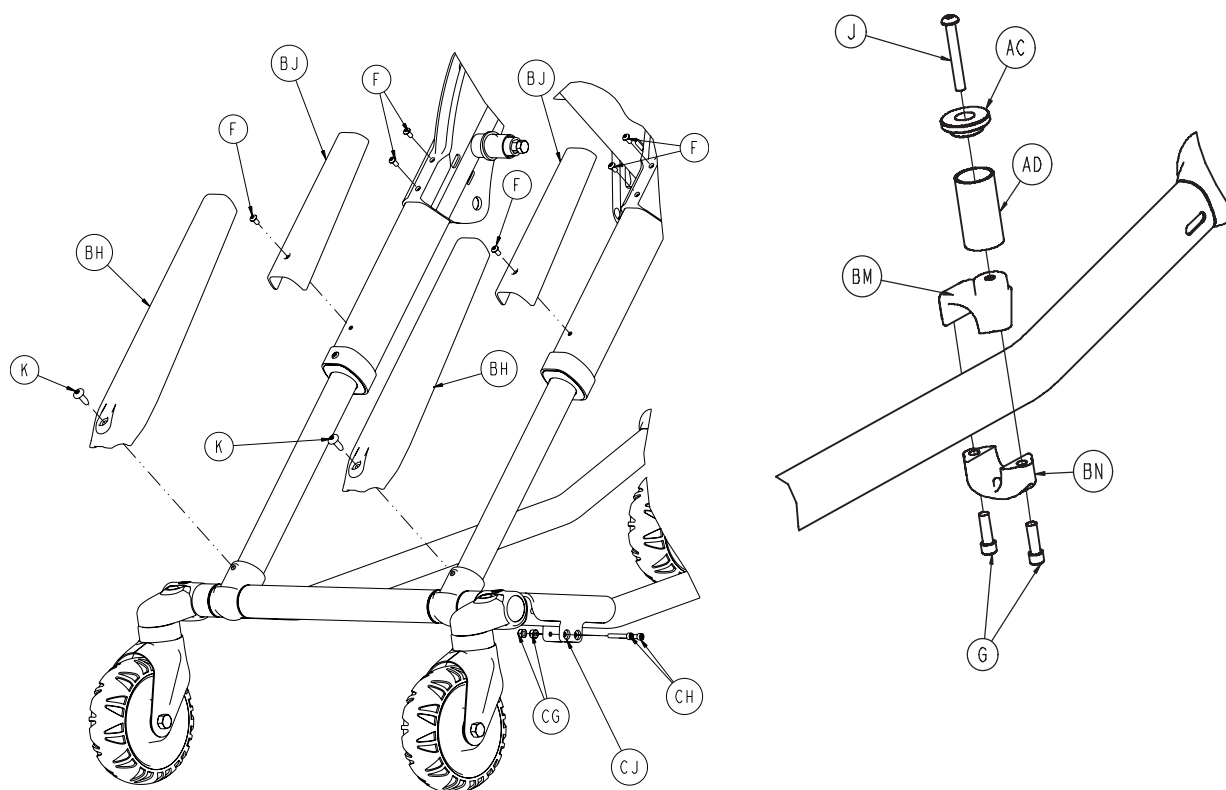
For Reference Only: 6500-001-012



[Return To Table of Contents](#)

Base Assembly - 6500-001-012

For Reference Only: 6500-001-012



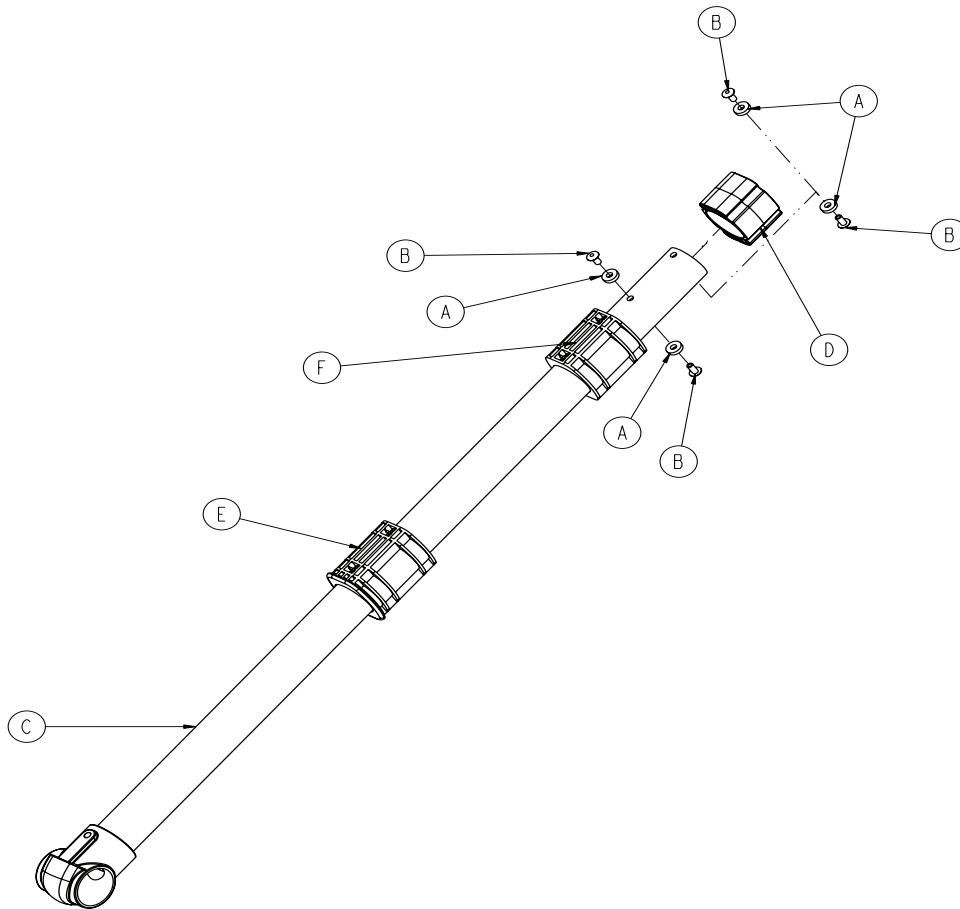
Item	Part No.	Part Name	Qty.
A	0003-388-000	Hex Head Cap Screw	2
C	0003-205-000	Hex Head Cap Screw	4
D	0004-319-000	Flat Head/ Hex Socket Bolt	4
E	0004-038-000	Socket Head Cap Screw	2
F	0004-587-000	Button Head Cap Screw	8
G	0004-591-000	Socket Head Cap Screw	2
J	0004-631-000	Hex Head Cap Screw	1
K	0007-086-000	Truss Head Screw	6
M	0014-115-000	Washer	2
N	0015-051-000	Square Nut	12
T	0016-060-000	Toplock Hex Nut	4
U	0025-133-000	Rivet	10
V	0037-083-000	Tube Plug	4
W	0004-634-000	Button Head Cap Screw	4
AA	0081-244-000	Bearing-Flange	4
AB	6060-002-010	Molded Wheel Assembly	4
AC	6060-004-043	Retaining Post Cap	1
AD	6060-004-044	Post Tube	1
AE	6082-002-012	Caster Assembly	2
AF	6090-001-009	Caster Nut	4
AG	6500-001-021	Outer Lift Tube Assembly	2
AH	6500-001-022	Inner Lift Tube Assembly	2

Base Assembly - 6500-001-012

Item	Part No.	Part Name	Qty.
AJ	6500-001-034	Inner Lift Tube PR	1
AK	6500-001-035	Inner Lift Tube PL	1
AL	6500-001-054	Outer Base Tube Weldment	2
AM	6500-001-056	Frame, Base, Tube	1
AN	6500-001-090	Head End Cross tube	1
AP	6500-001-308	Strap	1
AR	6500-001-125	Dead Stop	2
AT	6500-001-309	Strap	1
AU	6500-001-129	Plastic Extrusion - Spacer	1
AV	6500-001-171	Cross tube Cylinder Mount	1
AW	6500-001-182	Cross Tube, Stiffener Bar	1
AY	6500-001-162	Flange Bearing	4
BA	6500-001-164	Pivot, Cylinder Mount, Top	1
BB	6500-001-165	Pivot, Cylinder Mount, Bottom	1
BC	6500-001-166	Bearing, Flange	14
BD	6500-001-157	Bearing, Flange	2
BE	6500-001-172	Support Link	2
BF	6500-001-177	Cover, Caster Mount	4
BG	6500-001-178	Plastic Extrusion - Spacer	2
BH	6500-001-179	X-Frame Lower Guard	2
BJ	6500-001-180	X-Frame Upper Guard	2
BK	6500-001-310	Strap Clamp	2
BL	6500-001-183	Plastic Extrusion - Spacer	2
BM	6500-001-189	Top Pin Bracket	1
BN	6500-001-190	Bottom Pin Bracket	1
BP	6500-001-217	Post, Pivot, Base Tube	2
BT	6500-001-226	Bearing, Pivot, Base Tube	4
BU	6500-001-227	Post, Pivot, Base tube	2
BV	6500-001-228	Sleeve, Inner Lift Tube	2
BW	6500-001-229	Base Tube Foot	2
BY	6500-001-230	Plastic Extrusion - Spacer	2
CA	0014-002-000	Flat Washer	4
CB	0014-040-000	Flat Washer	4
CC	0016-002-000	Fiberlock Nut	4
CD	0016-049-000	Nylon Hex Nut	4
CE	6500-001-145	Spacer	4
CF	6500-001-225	"D" Washer	4
CG	0016-003-000	Nylock Hex Nut	2
CH	0004-160-000	Socket Head Cap Screw	2
CJ	6500-001-302	Base Tube Protector	1

Outer Lift Tube Assembly, Base Pivot - 6500-001-021

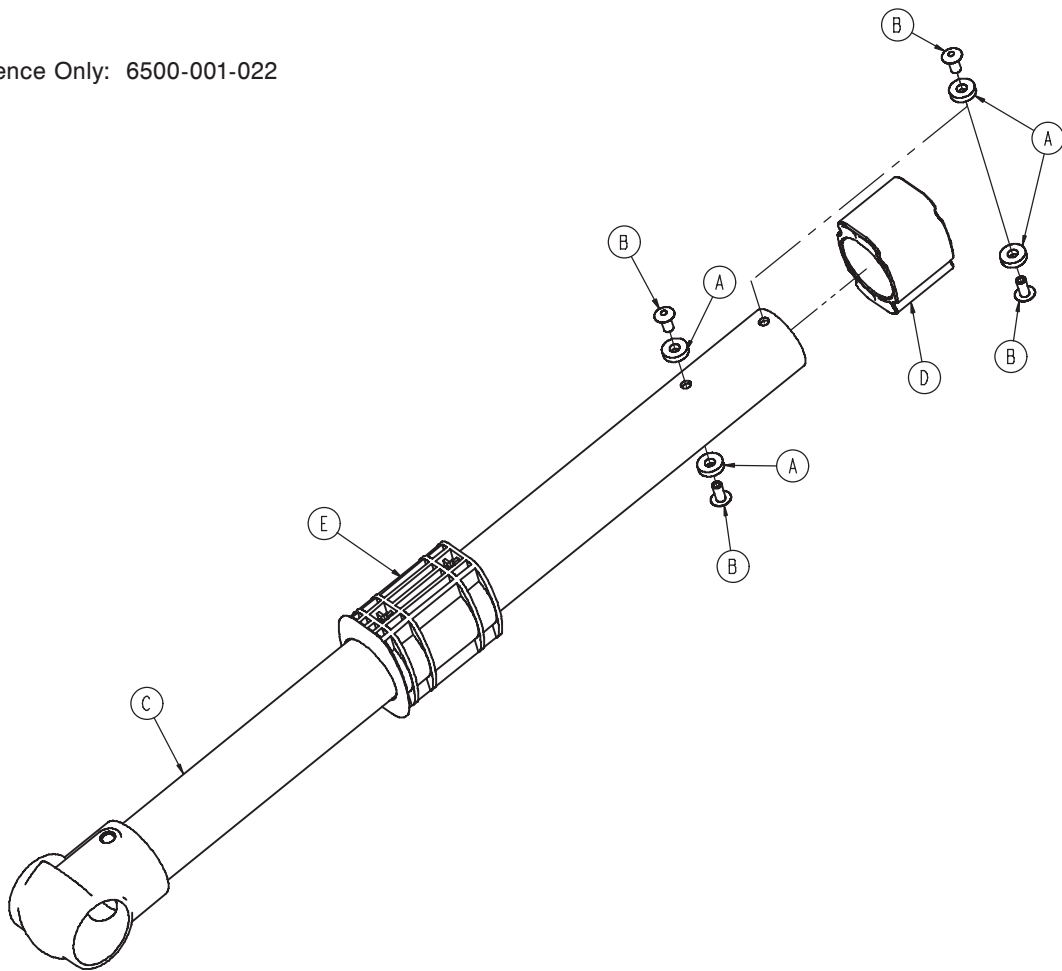
For Reference Only: 6500-001-021



Item	Part No.	Part Name	Qty.
A	0014-115-000	Washer	4
B	0025-079-000	Rivet	4
C	6500-001-050	Outer Lift Tube Weldment	1
D	6500-001-186	Bearing	1
E	6500-001-187	Bearing	1
F	6500-001-311	Sleeve Bearing	1

Inner Lift Tube Assembly, Base Pivot - 6500-001-022

For Reference Only: 6500-001-022



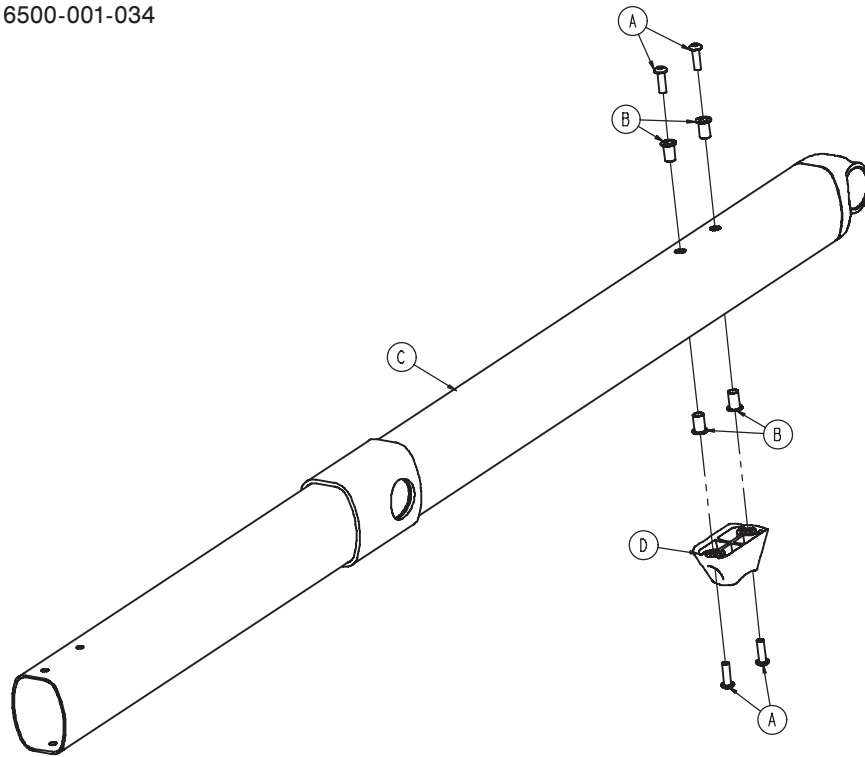
Item	Part No.	Part Name	Qty.
A	0014-115-000	Washer	4
B	0025-079-000	Rivet	4
C	6500-001-051	Inner Lift Tube Weldment	1
D	6500-001-186	Bearing	1
E	6500-001-187	Bearing	1

[Return To Table of Contents](#)

Inner Lift Tube, Litter Pivot - 6500-001-034

Patient Right Assembly

For Reference Only: 6500-001-034

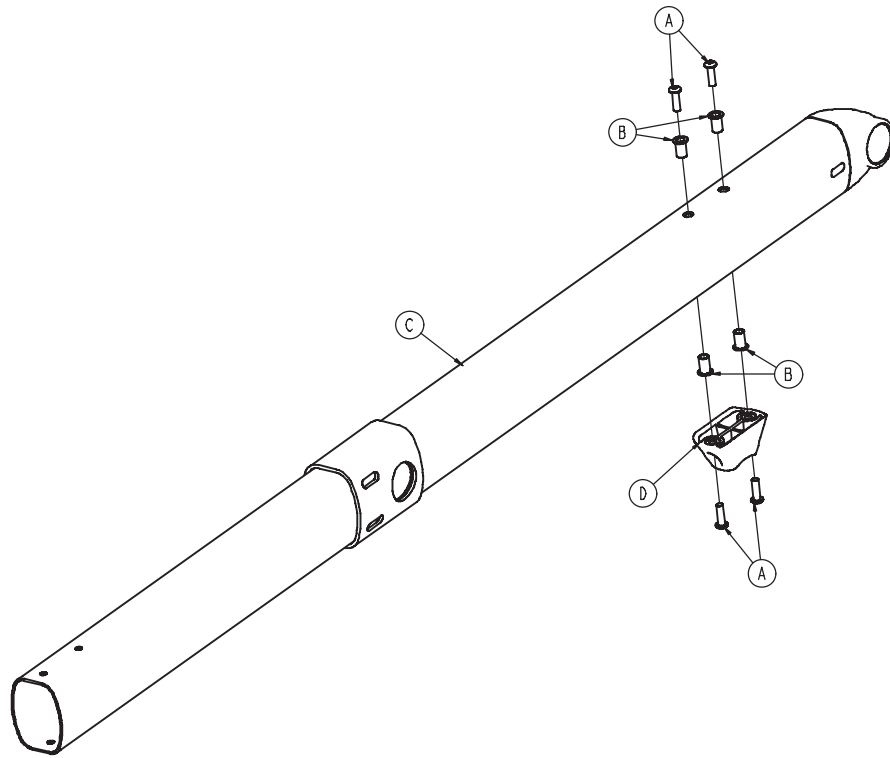


Item	Part No.	Part Name	Qty.
A	0004-590-000	Button Head Cap Screw	4
B	0055-100-075	Nut	4
C	6500-001-053	Inner Lift Tube Weldment	1
D	6500-001-125	Dead Stop	1

Inner Lift Tube, Litter Pivot - 6500-001-034

Patient Left Assembly

For Reference Only: 6500-001-035

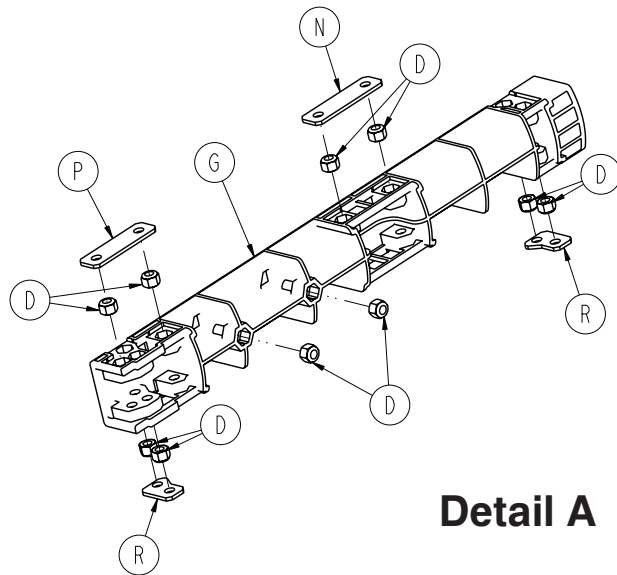
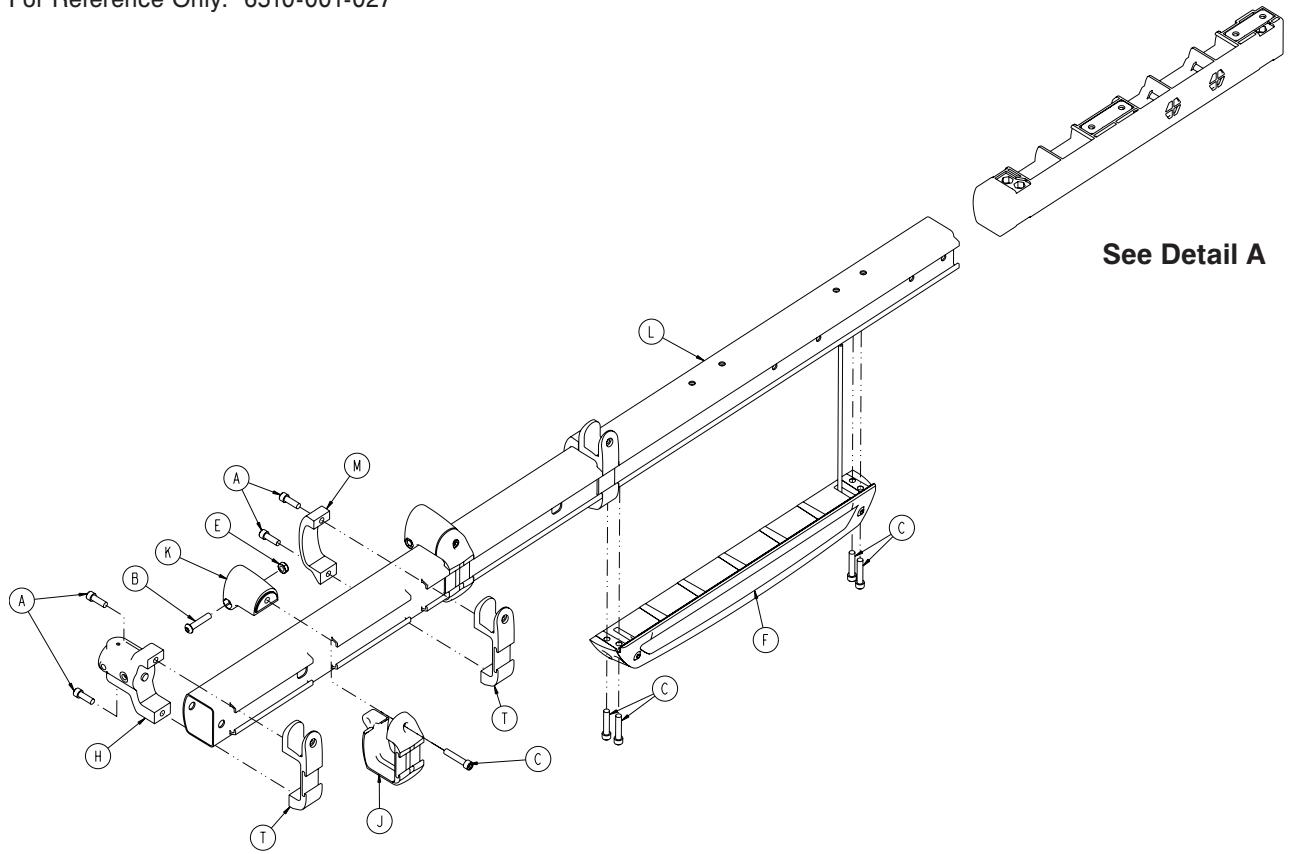


Item	Part No.	Part Name	Qty.
A	0004-590-000	Button Head Cap Screw	4
B	0055-100-075	Nut	4
C	6500-001-053	Inner Lift Tube Weldment	1
D	6500-001-125	Dead Stop	1

[Return To Table of Contents](#)

Outer Rail, Patient Right Assembly - 6510-001-027

For Reference Only: 6510-001-027

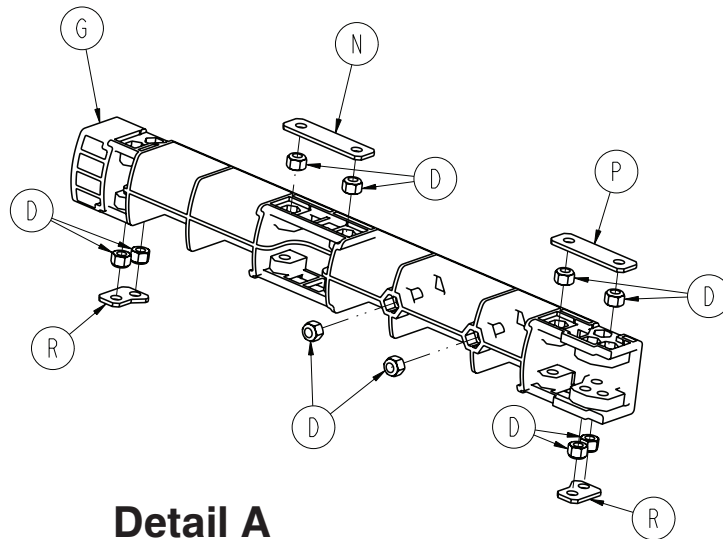
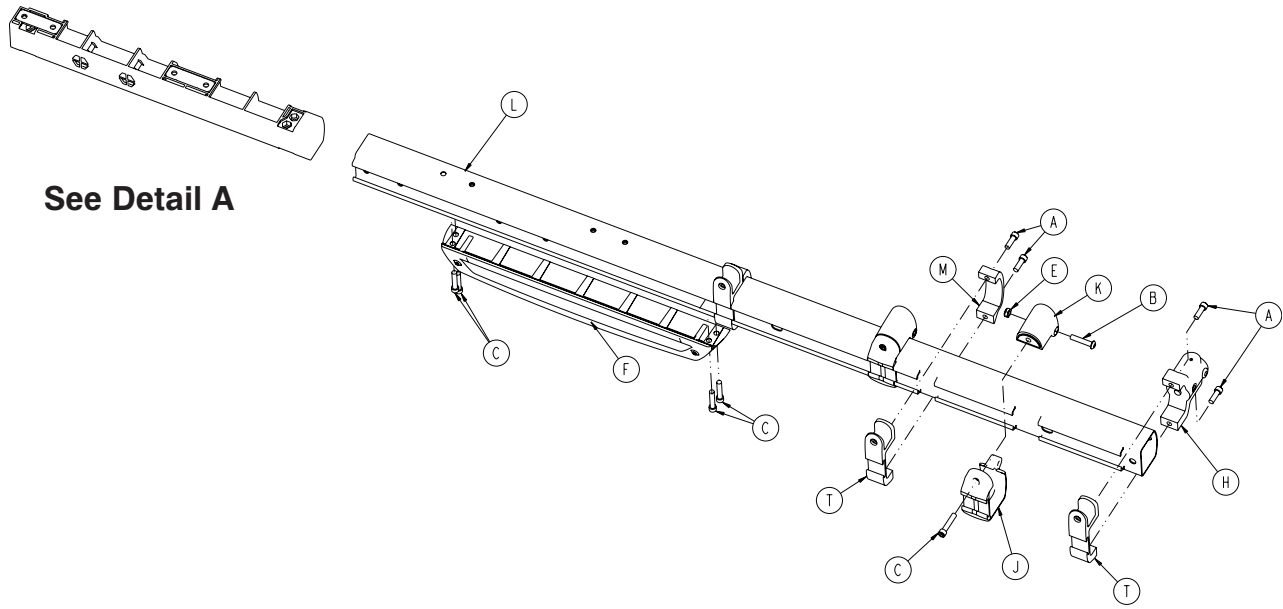


Outer Rail, Patient Right Assembly - 6510-001-027

Item	Part No.	Part Name	Qty.
A	0004-591-000	Socket Head Cap Screw	6
B	0004-612-000	Button Head Cap Screw	2
C	0004-613-000	Socket Head Cap Screw	6
D	0016-028-000	Fiberlock Hex Nut	10
E	0016-102-000	Nylock Hex Nut	2
F	6500-001-028	Hall Sensor Assembly	1
G	6500-001-098	Dead Stop	1
H	6500-001-102	Base/Litter Interface Bracket	1
J	6500-001-104	Litter Support Bracket, Outside	2
K	6500-001-106	Litter Support Bracket, Inside	2
L	6500-001-114	Outer Rail Extrusion	1
M	6500-001-117	Siderail Clamp	2
N	6500-001-243	IV Pole Backer Plate	1
P	6500-001-244	IV Clip Backer Plate	1
R	6500-001-245	Sensor Housing Backer Plate	2
T	6510-001-115	Siderail Bracket	3

Outer Rail, Patient Left Assembly - 6510-001-028

For Reference Only: 6510-001-028

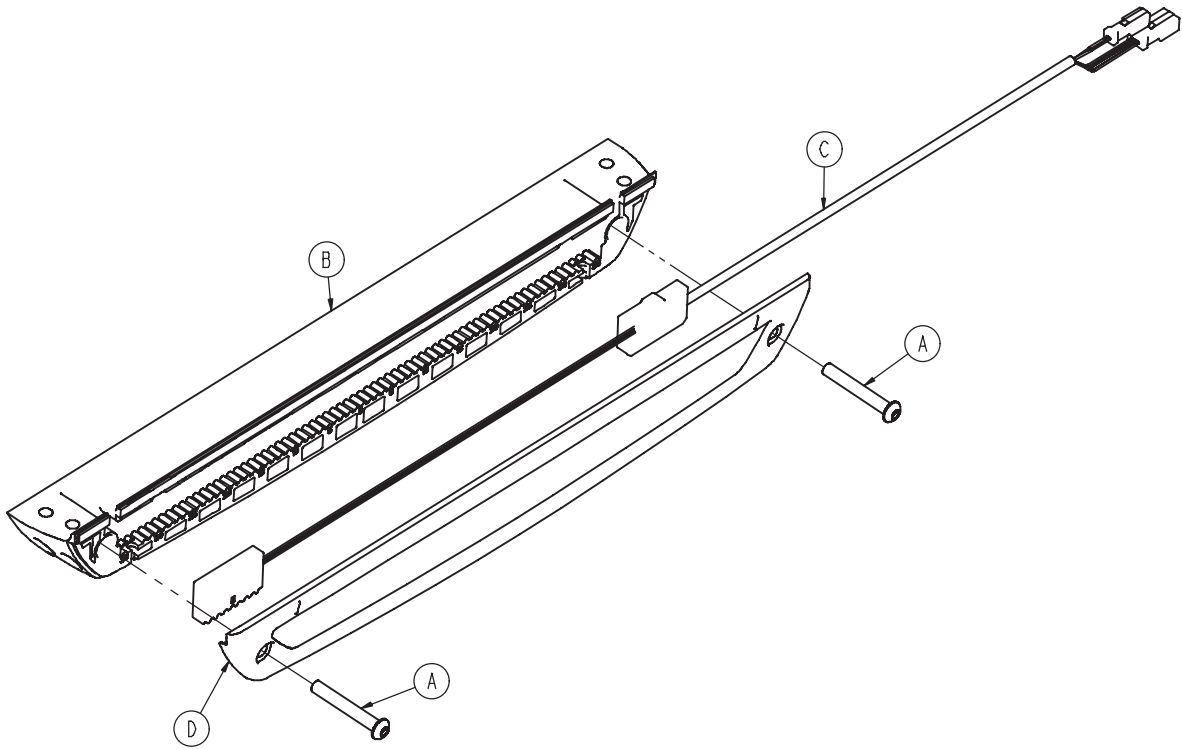


Outer Rail, Patient Left Assembly - 6510-001-028

Item	Part No.	Part Name	Qty.
A	0004-591-000	Socket Head Cap Screw	6
B	0004-612-000	Button Head Cap Screw	2
C	0004-613-000	Socket Head Cap Screw	6
D	0016-028-000	Fiberlock Hex Nut	10
E	0016-102-000	Nylock Hex Nut	2
F	6500-001-029	Empty Sensor Housing	1
G	6500-001-098	Dead Stop	1
H	6500-001-102	Base/Litter Interface Bracket	1
J	6500-001-104	Litter Support Bracket, Outside	2
K	6500-001-106	Litter Support Bracket, Inside	2
L	6500-001-115	Outer Rail Extrusion	1
M	6500-001-117	Siderail Clamp	2
N	6500-001-243	IV Pole Backer Plate	1
P	6500-001-244	IV Clip Backer Plate	1
R	6500-001-245	Sensor Housing Backer Plate	2
T	6510-001-115	Siderail Bracket	3

Hall Sensor Assembly - 6500-001-028

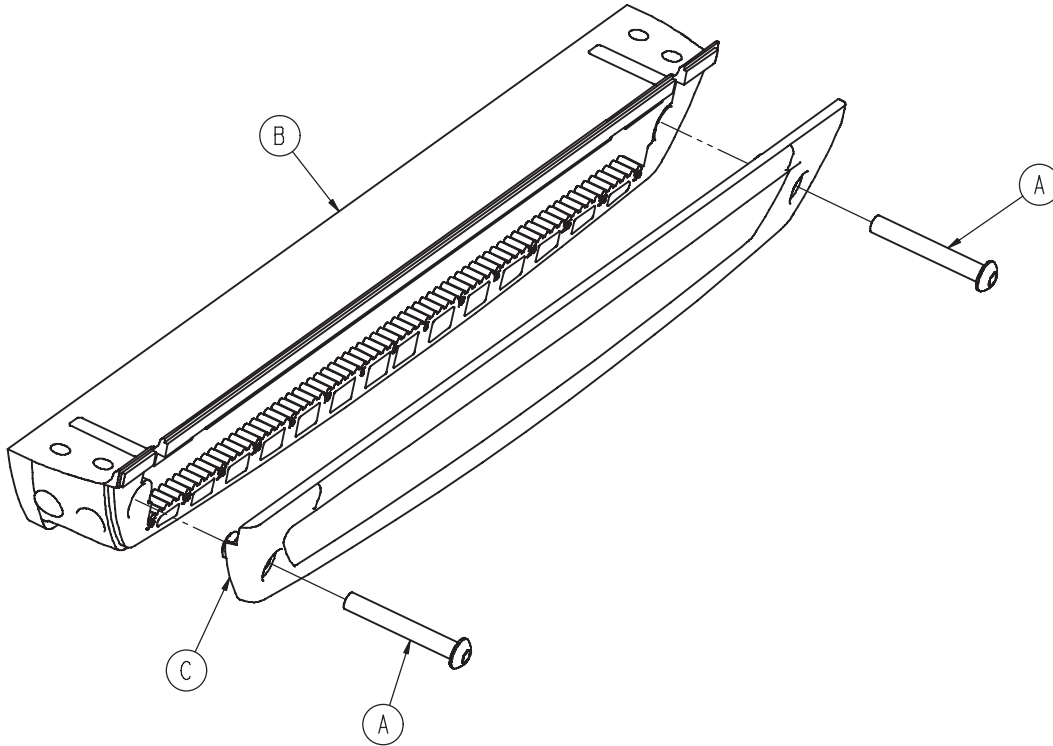
For Reference Only: 6500-001-028



Item	Part No.	Part Name	Qty.
A	0004-596-000	Button Head Cap Screw	2
B	6500-001-124	Sensor Housing	1
C	6500-001-160	Hall Effects Sensor	1
D	6500-001-199	Housing Cover	1

Empty Housing Assembly - 6500-001-029

For Reference Only: 6500-001-029

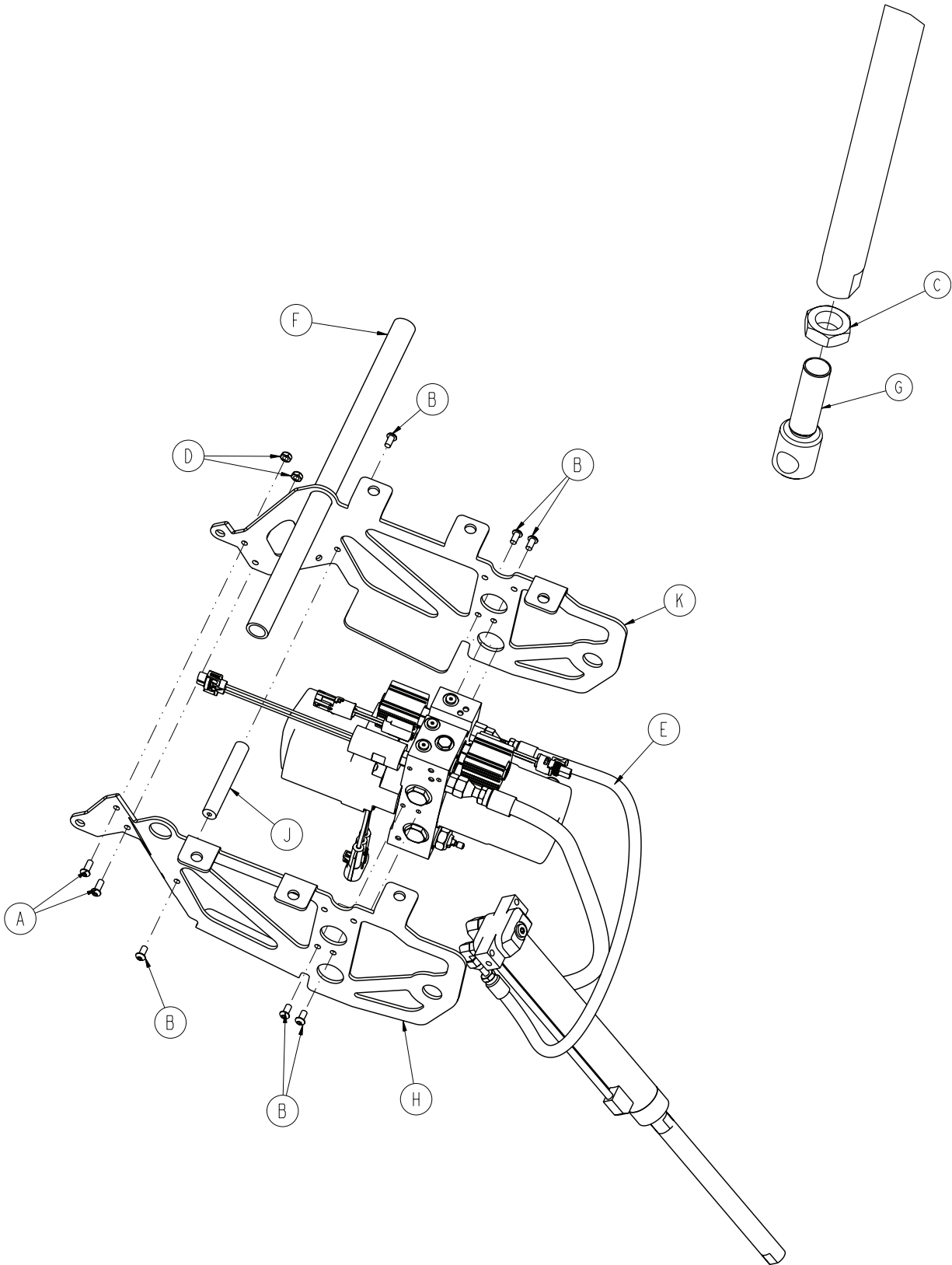


Item	Part No.	Part Name	Qty.
A	0004-596-000	Button Head Cap Screw	2
B	6500-001-124	Sensor Housing	1
C	6500-001-199	Housing Cover	1

[Return To Table of Contents](#)

Powerplant Assembly - 6510-001-014

For Reference Only: 6510-001-014

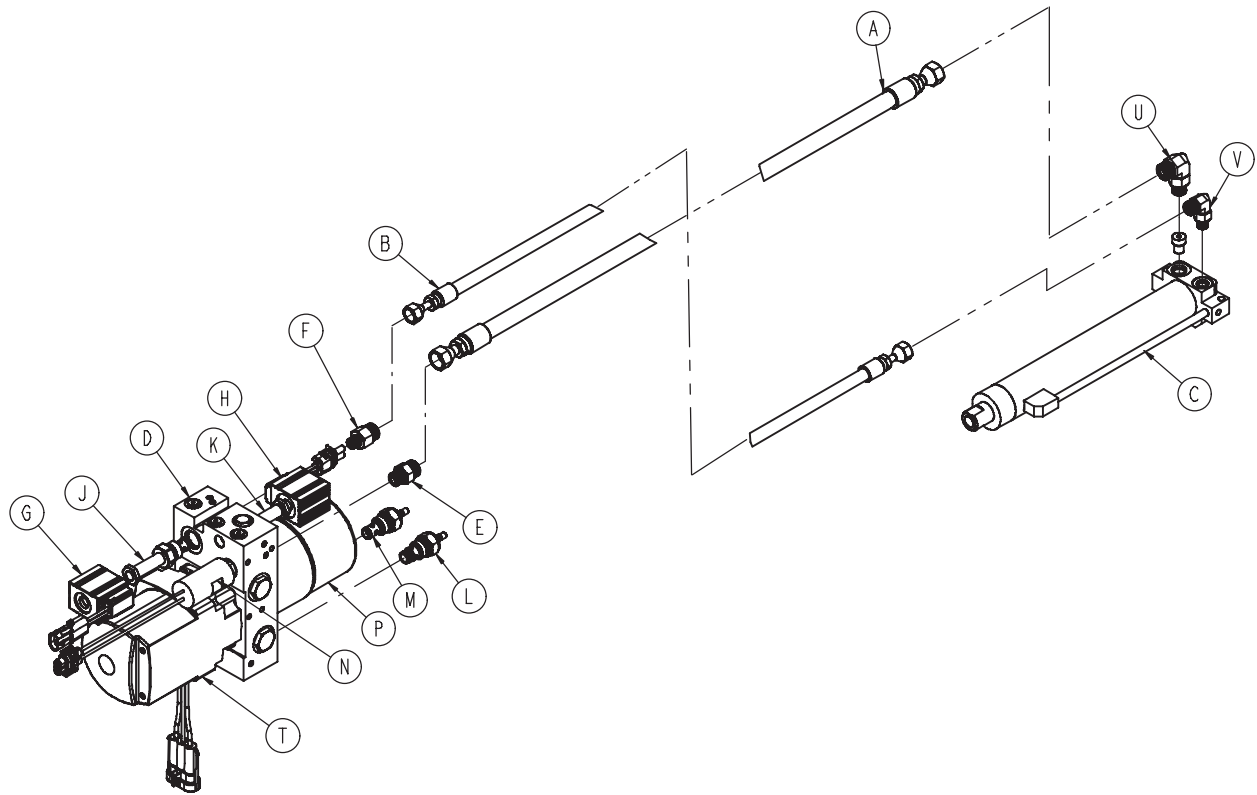


Powerplant Assembly - 6510-001-014

Item	Part No.	Part Name	Qty.
A	0004-577-000	Button Head Cap Screw	2
B	0004-589-000	Button Head Cap Screw	6
C	0015-052-000	Hex Jam Nut	1
D	0016-102-000	Nylock Hex Nut	2
E	6500-001-030	Hydraulics	1
F	6500-001-105	Litter Support Cross Tube	1
G	6500-001-169	Cylinder Rod End	1
H	6500-001-194	Motor Mount	1
J	6500-001-212	Motor Mount Cross Bar	1
K	6500-001-294	Motor Mount	1

Hydraulic Sub-Assembly - 6500-001-030

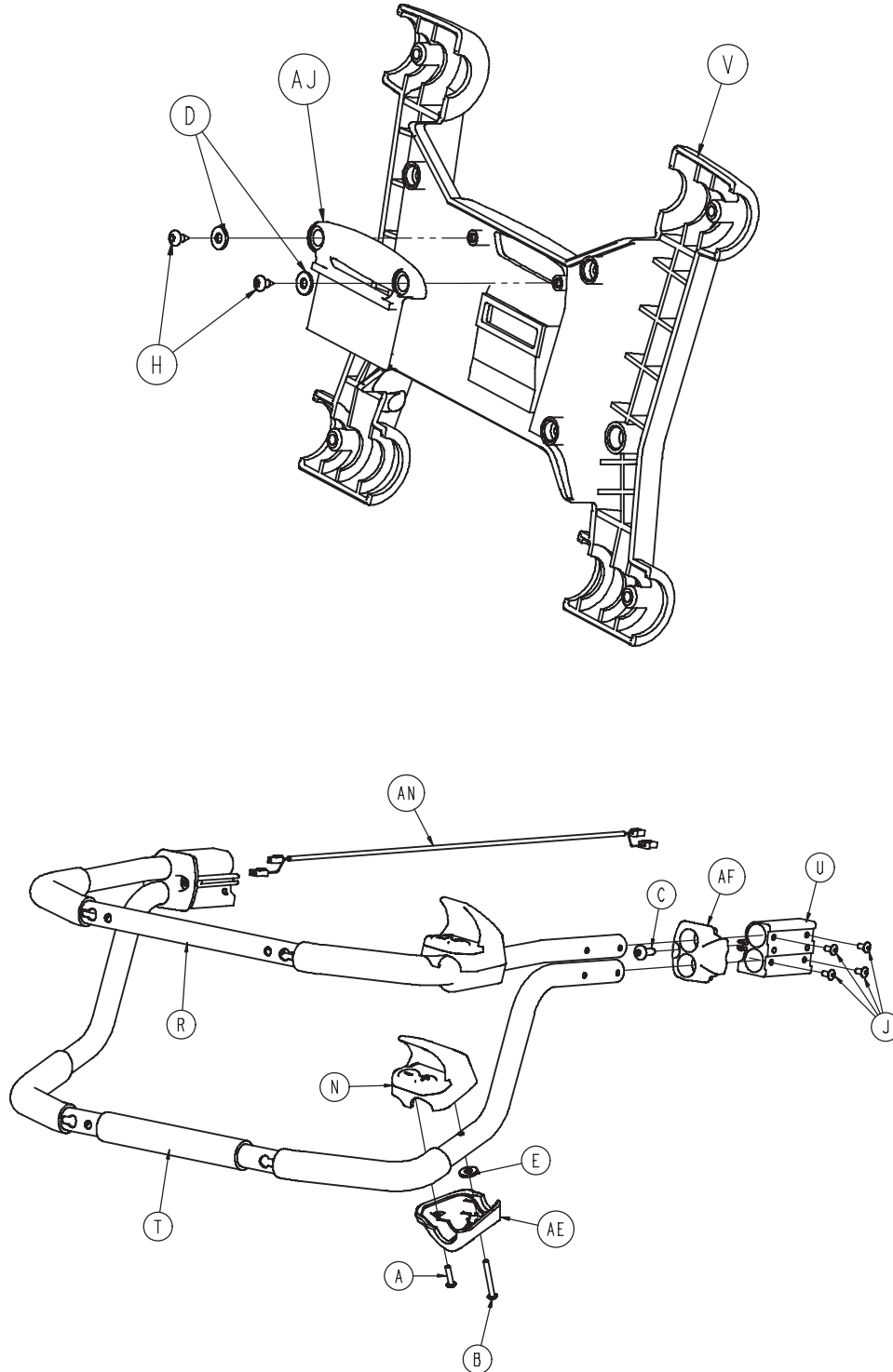
For Reference Only: 6500-001-030



Item	Part No.	Part Name	Qty.
A	6500-001-210	Hose, Cap Side	1
B	6500-001-211	Hose, Rod Side	1
C	6500-001-213	Cylinder	1
D	6500-001-214	Manifold Assembly	1
E	6500-001-282	Hose Fitting, Cap Side, Manifold	1
F	6500-001-283	Hose Fitting, Rod Side, Manifold	1
G	6500-001-284	Solenoid, A Valve	1
H	6500-001-285	Solenoid, B Valve	1
J	6500-001-286	A Valve	1
K	6500-001-287	B Valve	1
L	6500-001-288	Manual Valve, Locking	1
M	6500-001-289	Manual Valve, Non-locking	1
N	6500-001-290	Pressure Switch	1
P	6500-001-291	Reservoir	1
R	6500-001-293	Hydraulic Fluid	1
T	6500-001-295	Motor	1
U	6500-001-296	Hose Fitting, Cap Side, Cylinder	1
V	6500-001-297	Hose Fitting, Rod Side, Cylinder	1

Foot End Assembly - 6500-001-015

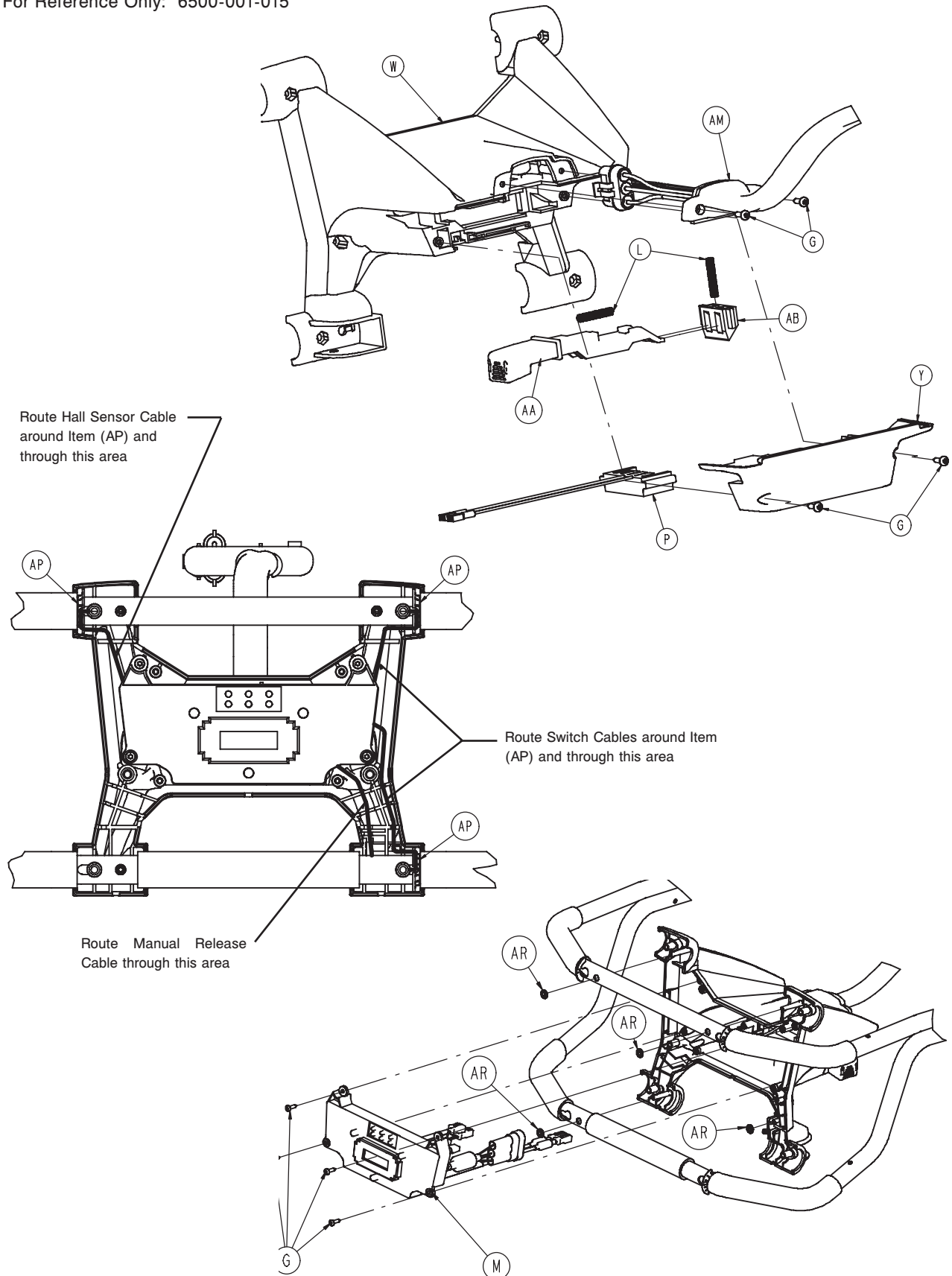
For Reference Only: 6500-001-015



[Return To Table of Contents](#)

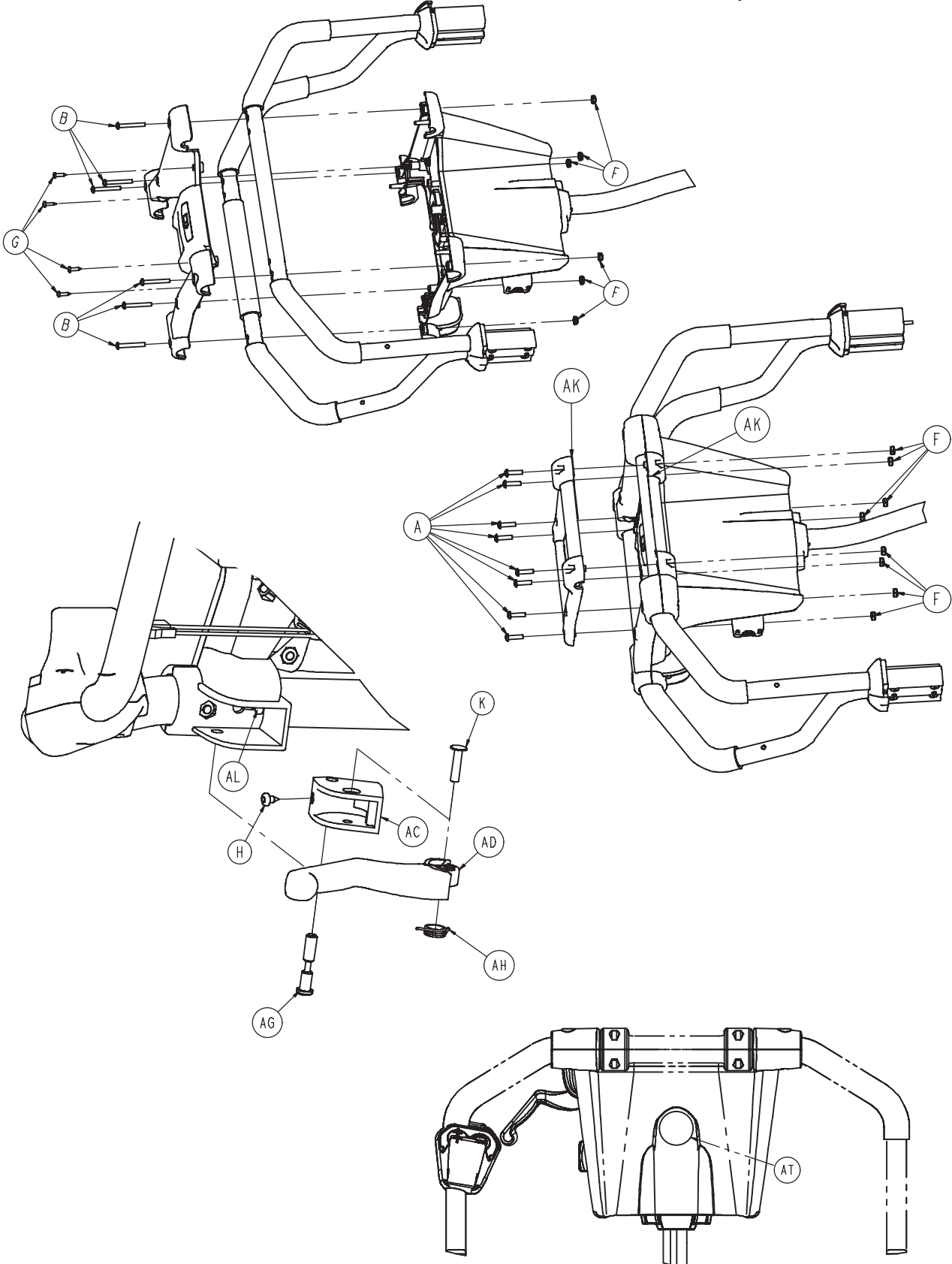
Foot End Assembly - 6500-001-015

For Reference Only: 6500-001-015



Foot End Assembly - 6500-001-015

For Reference Only: 6500-001-015



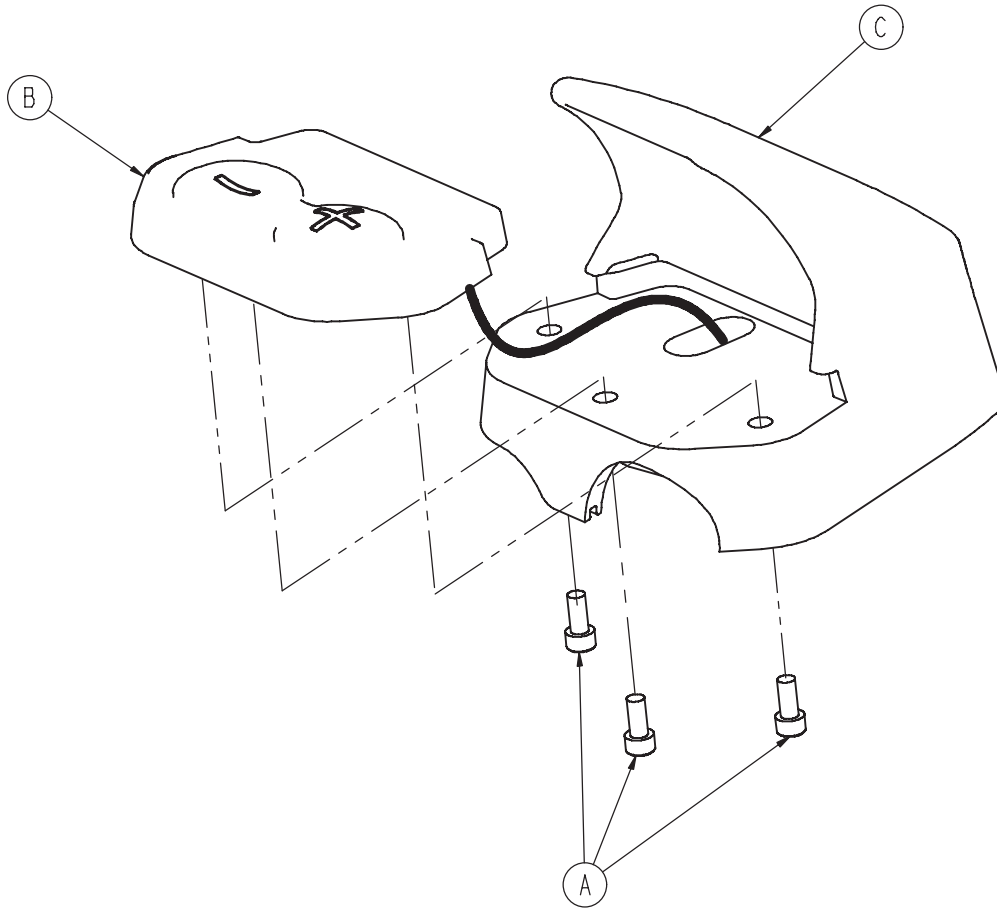
[Return To Table of Contents](#)

Foot End Assembly - 6500-001-015

Item	Part No.	Part Name	Qty.
A	0004-614-000	Button Head Cap Screw	10
B	0004-615-000	Button Head Cap Screw	8
C	0007-065-000	Truss Head Screw	2
D	0011-062-000	Washer	2
E	0011-543-000	Washer	2
F	0016-131-000	Nut - Nylock Hex	2
G	0023-162-000	Pan Head Thread Forming Screw	12
H	0023-163-000	Pan Head Thread Forming Screw	3
J	0025-079-000	Rivet	8
K	0025-187-000	Semi-Tubular Rivet	1
L	0038-572-000	Compression Spring	2
M	6500-001-014	Electronics Assembly	1
N	6500-001-016	Switch Assembly	2
P	6500-001-101	Terminal Block	1
R	6500-001-131	Upper Lifting Bar	1
T	6500-001-132	Lower Lifting Bar	1
U	6500-001-133	Machined Extruded Bracket	2
V	6500-001-134	Battery Enclosure - Face Plate	1
W	6500-001-135	Top Plate, Foot End Enclosure	1
Y	6500-001-136	Bottom Plate, Foot End Enclosure	1
AA	6500-001-138	Button, Battery Release	1
AB	6500-001-139	Lock, Battery Release	1
AC	6500-001-140	Pivot, manual Release Actuator	1
AD	6500-001-141	Lever, manual Release Actuator	1
AE	6500-001-142	Housing, Lower, Button, Footend	2
AF	6500-001-144	Transition Cap, PR	2
AG	6500-001-146	Pivot Pin, Manual Release	1
AH	6500-001-147	Torsion Spring	1
AJ	6500-001-153	ORB, Light Panel	1
AK	6500-001-154	Pull Handle	2
AL	6500-001-156	Cable, Manual Release	1
AM	6500-001-159	Cable Assembly	1
AN	6500-001-161	Cable, Hall Effects	1
AP	6500-001-275	Wire Route Clip	3
AR	0028-116-000	Pushnut	4
AT	6080-090-101	Warning Label	1

Switch Assembly - 6500-001-016

For Reference Only: 6500-001-015

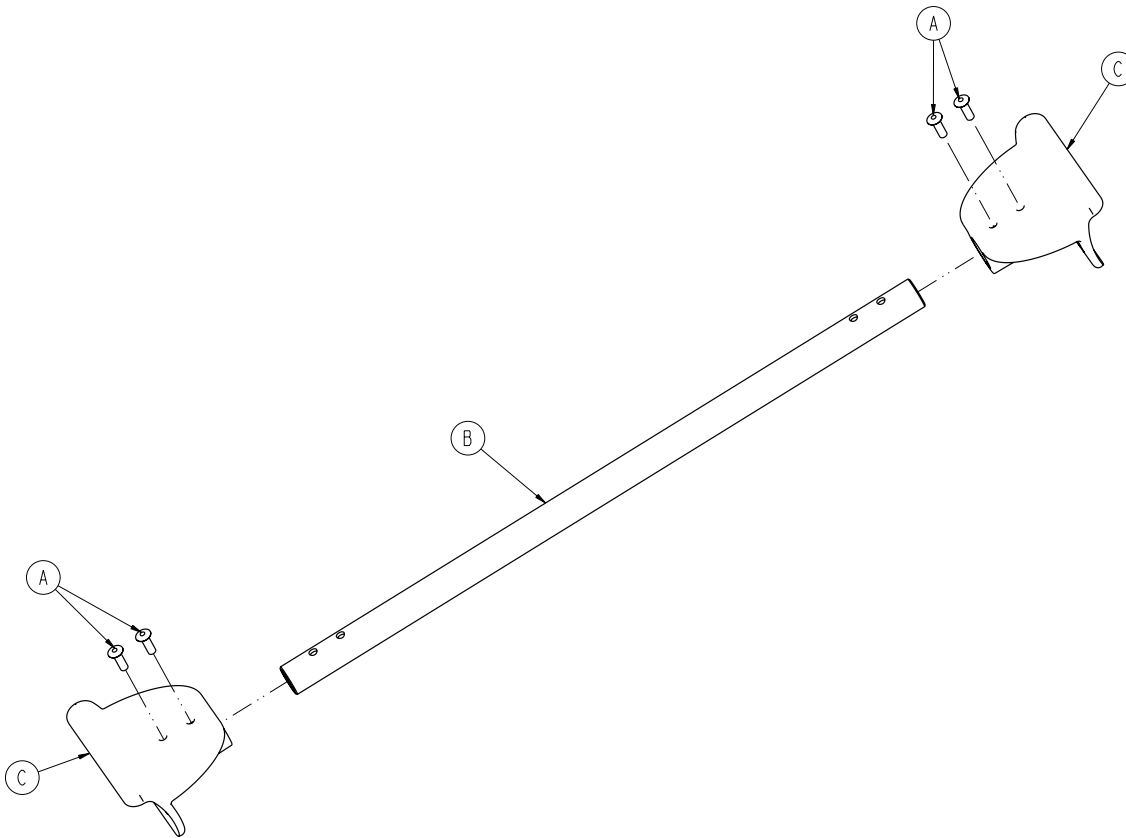


Item	Part No.	Part Name	Qty.
A	0004-616-000	Socket Head Cap Screw	3
B	6500-001-130	Activation Switch	1
C	6500-001-143	Housing, Upper, Button, Footend	1

[Return To Table of Contents](#)

Trend Assembly - 6510-001-013

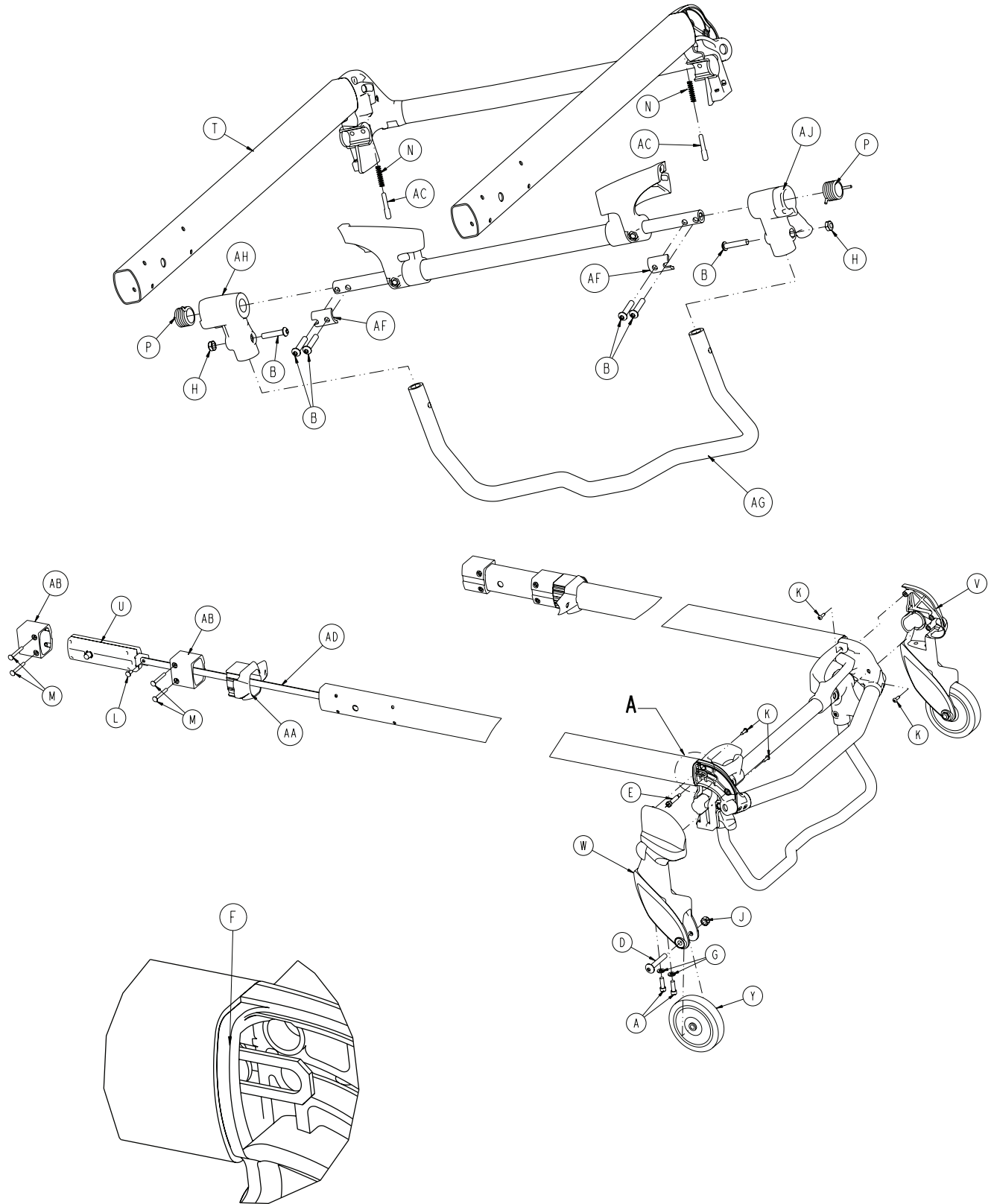
For Reference Only: 6510-001-013



Item	Part No.	Part Name	Qty.
A	0025-133-000	Rivet	4
B	6500-001-107	Litter Cross Brace	1
C	6500-001-109	Trend Support Bracket	2

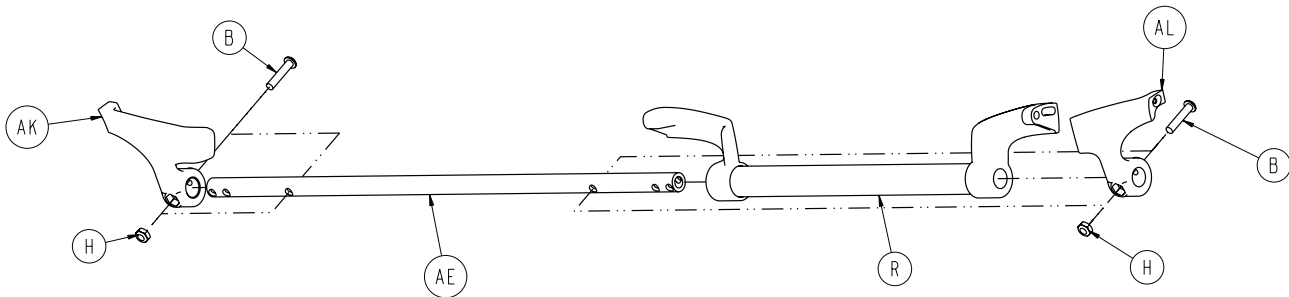
Head Section Assembly - 6500-001-020

For Reference Only: 6500-001-020



[Return To Table of Contents](#)

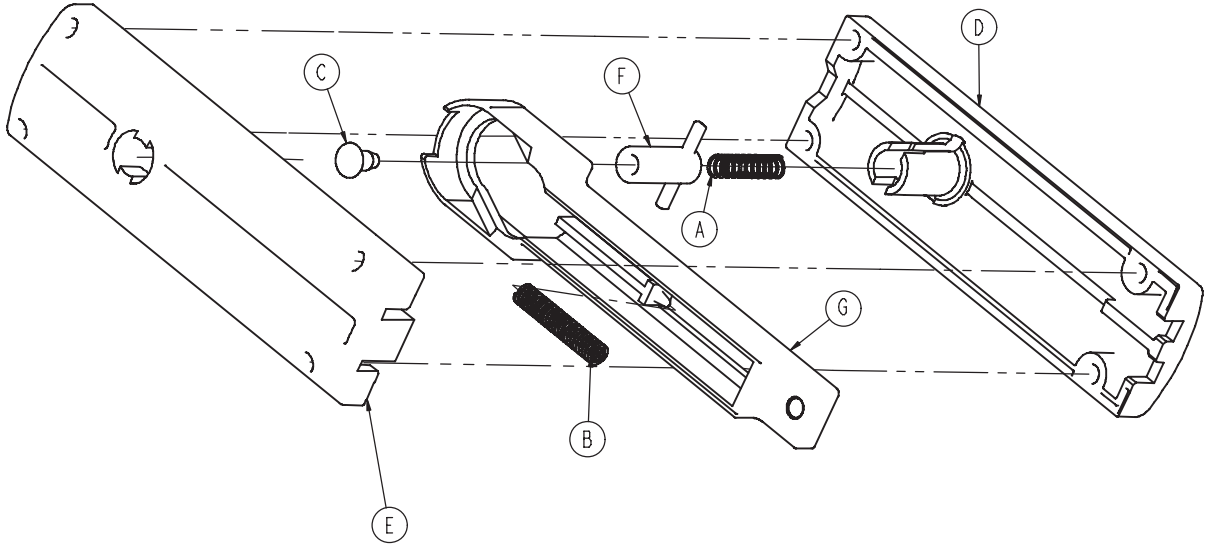
Head Section Assembly - 6500-001-020



Item	Part No.	Part Name	Qty.
A	0004-591-000	Socket Head Cap Screw	4
B	0004-612-000	Button Head Cap Screw	8
D	0007-036-000	Truss Head Machine Screw	2
E	0008-030-000	Socket Head Shoulder Screw	2
F	0014-002-000	Washer	2
G	0011-065-000	Washer	4
H	0016-102-000	Nut	4
J	0016-123-000	Nut	2
K	0023-162-000	Pan Head Thread Forming Screw	8
L	0025-126-000	Rivet	2
M	0025-185-000	Rivet	8
N	0038-570-000	Compression Spring	2
P	0038-575-000	Torsion Spring	2
R	6500-001-023	Head Trigger Assembly	1
T	6500-001-024	Tube Assembly	1
U	6500-001-026	Lock Assembly	2
V	6500-001-082	Load Wheel Horn	1
W	6500-001-083	Load Wheel Horn	1
Y	6500-001-086	Front Wheel	2
AA	6500-001-087	Bearing	2
AB	6500-001-088	Bearing	4
AC	6500-001-093	Pin	2
AD	6500-001-096	Link	2
AE	6500-001-220	Cross Tube	1
AF	6500-001-221	Clamp, Cross Tube	2
AG	6500-001-222	Hook Tube	1
AH	6500-001-223	Pivot	1
AJ	6500-001-224	Pivot	1
AK	6500-001-280	Head Section Guard, PR	1
AL	6500-001-281	Head Section Guard, PL	1

Head Section Lock Assembly - 6500-001-026

For Reference Only: 6500-001-026

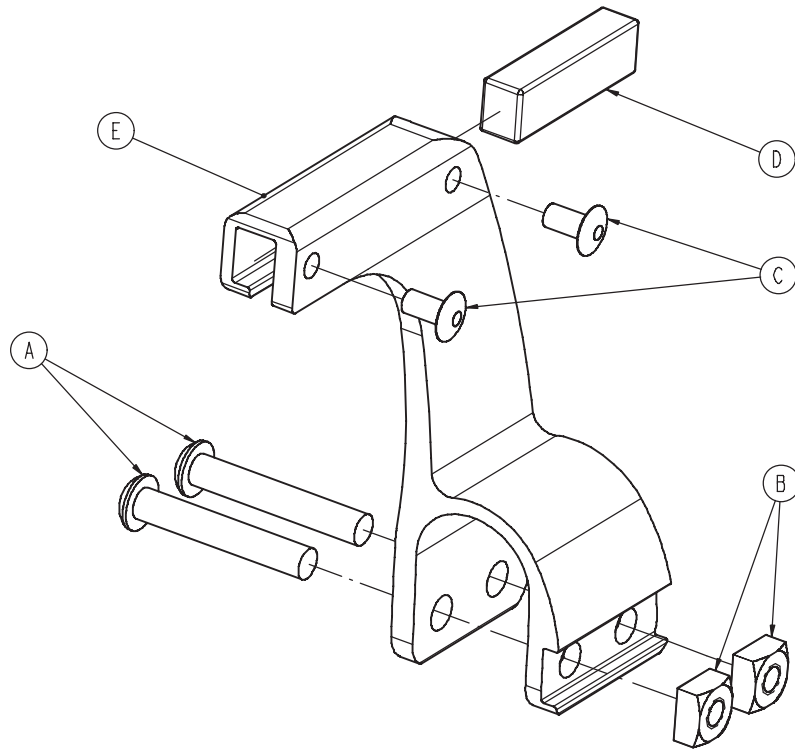


Item	Part No.	Part Name	Qty.
A	0038-570-000	Compression Spring	1
B	0038-572-000	Compression Spring	1
C	6500-001-089	Bearing Tip	1
D	6500-001-091	Latch Housing	1
E	6500-001-092	Latch Housing	1
F	6500-001-094	Pin	1
G	6500-001-095	Actuation Slide	1

[Return To Table of Contents](#)

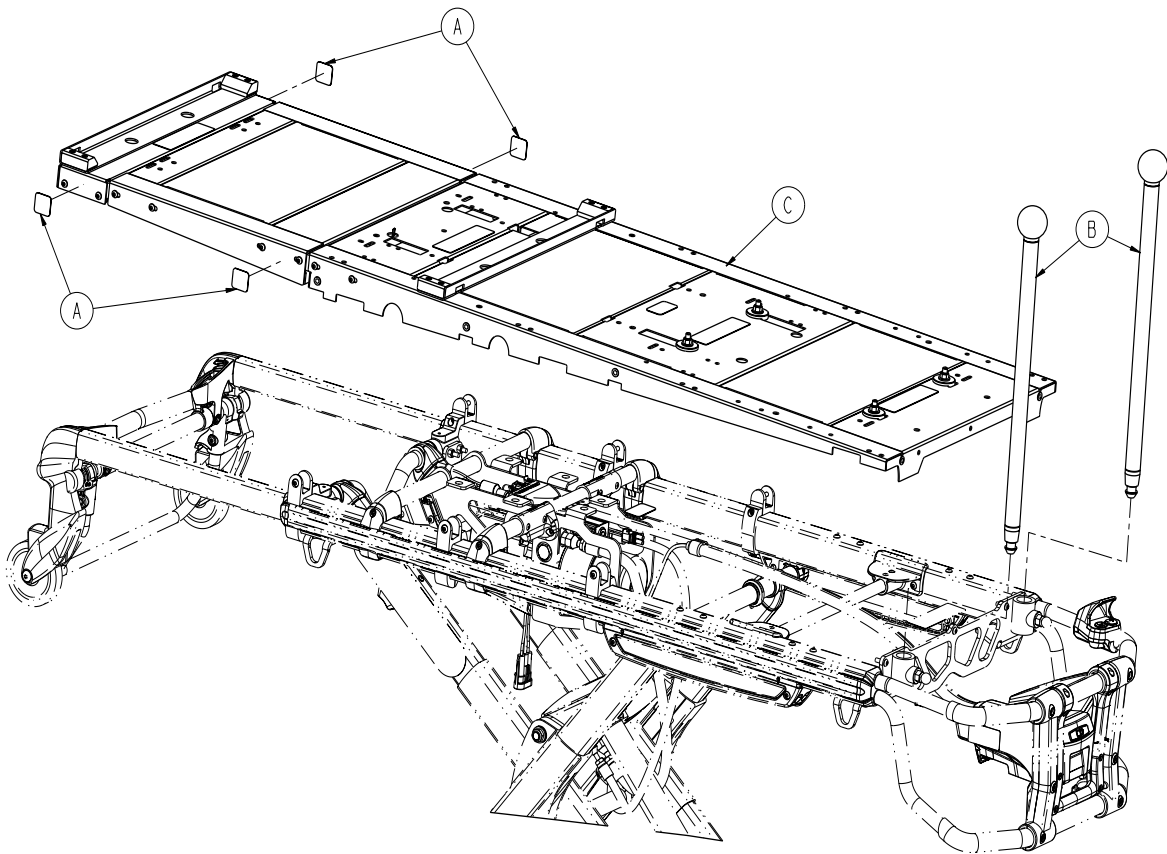
In-Fastener Shut-Off Assembly - 6500-001-027

For Reference Only: 6500-001-027



Item	Part No.	Part Name	Qty.
A	0004-135-000	Button Head Cap Screw	2
B	0015-016-000	Square Nut	2
C	0025-079-000	Rivet	2
D	6500-001-271	Magnet	1
E	6500-001-272	Holder	1

Airborne Side By Side Assembly Option - 6510-028-000

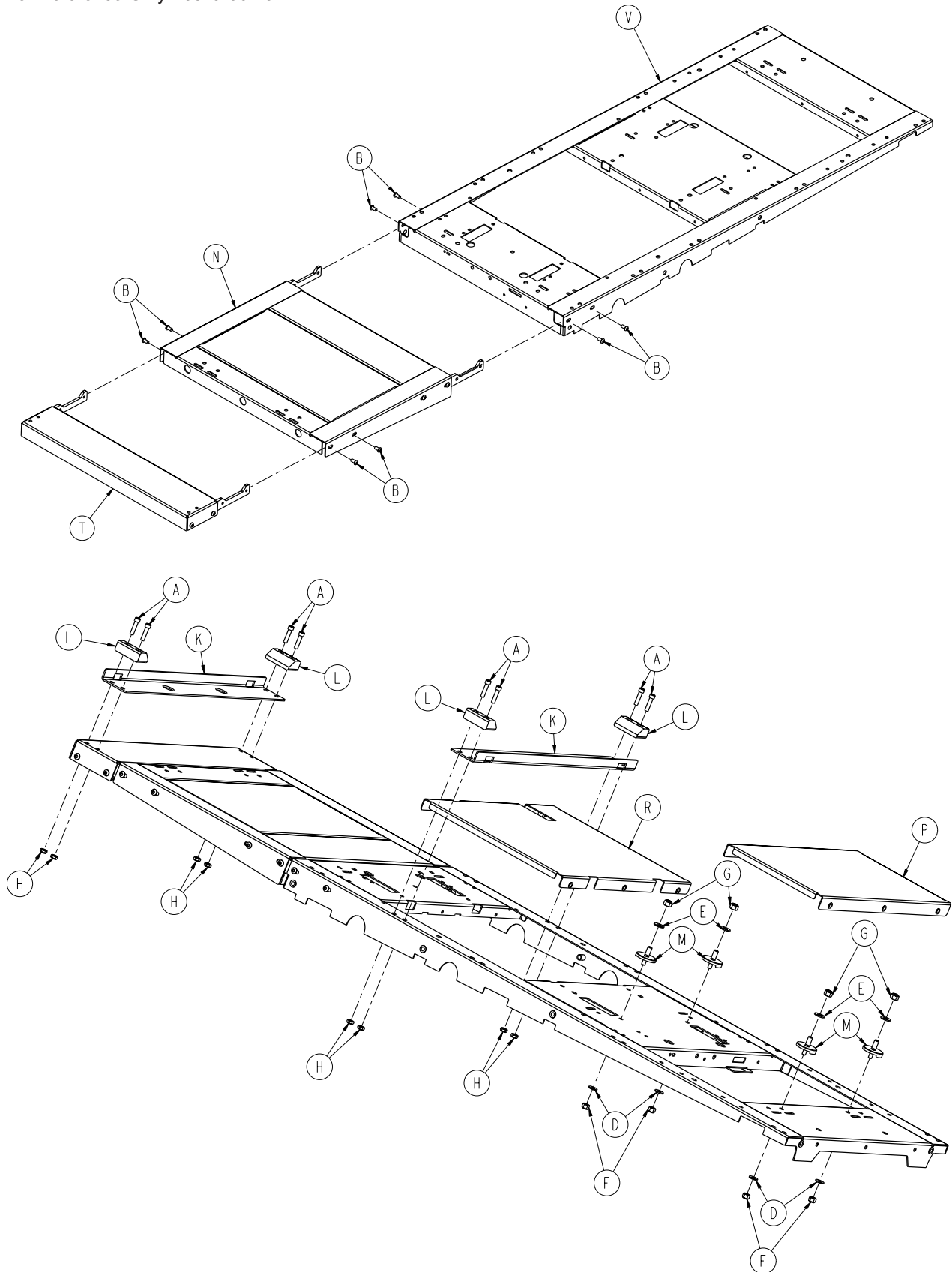


Item	Part No.	Part Name	Qty.
A	6060-090-114	Warning Label	4
B	6510-001-015	Push Bar Assembly	2
C	6510-001-017	Incubator Adaptor Assembly (Airborne Side By Side - see pg. 98)	1

[Return To Table of Contents](#)

Incubator Adaptor Assembly - Airborne Side By Side

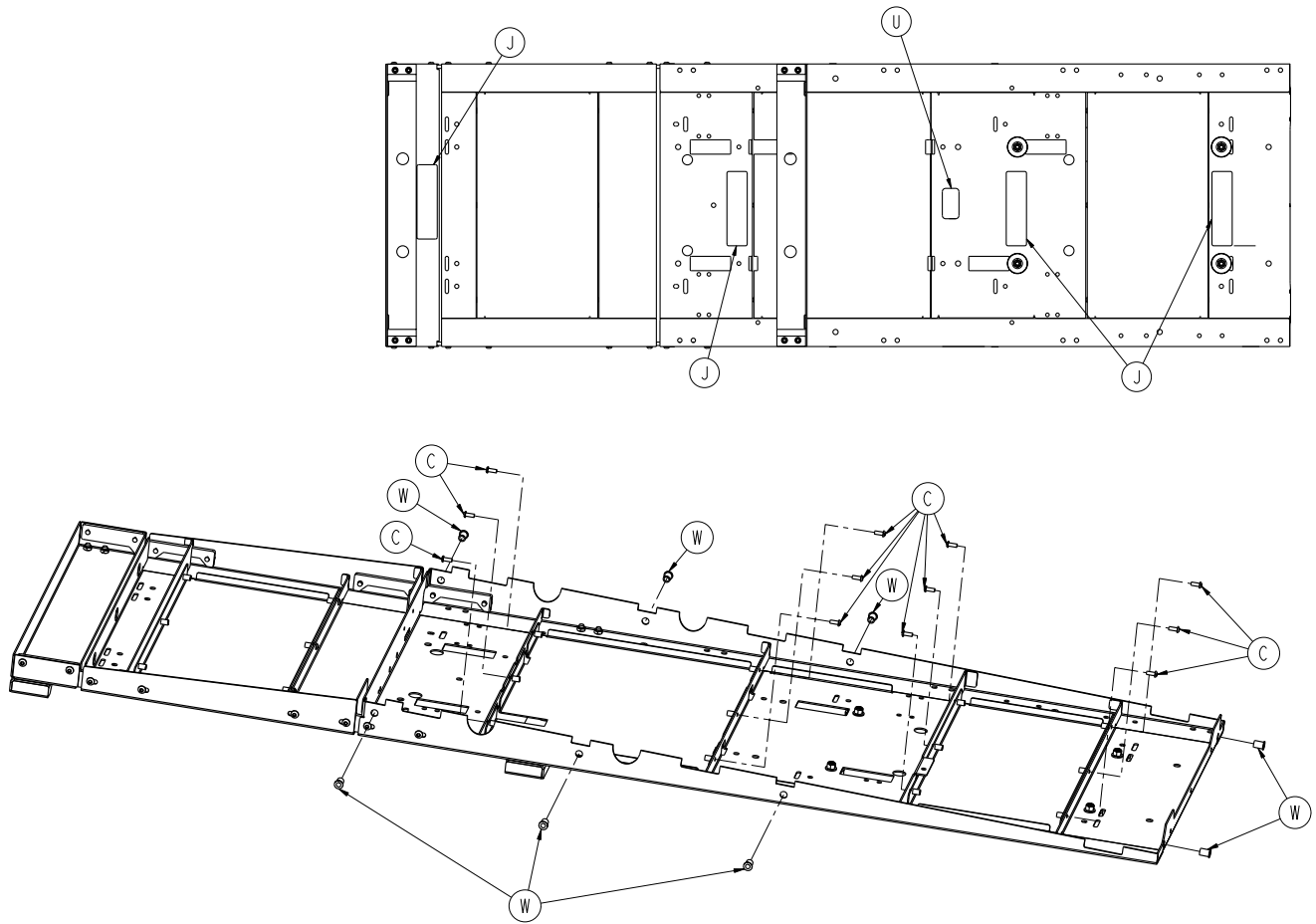
For Reference Only: 6510-001-017



[Return To Table of Contents](#)

Incubator Adaptor Assembly - Airborne Side By Side

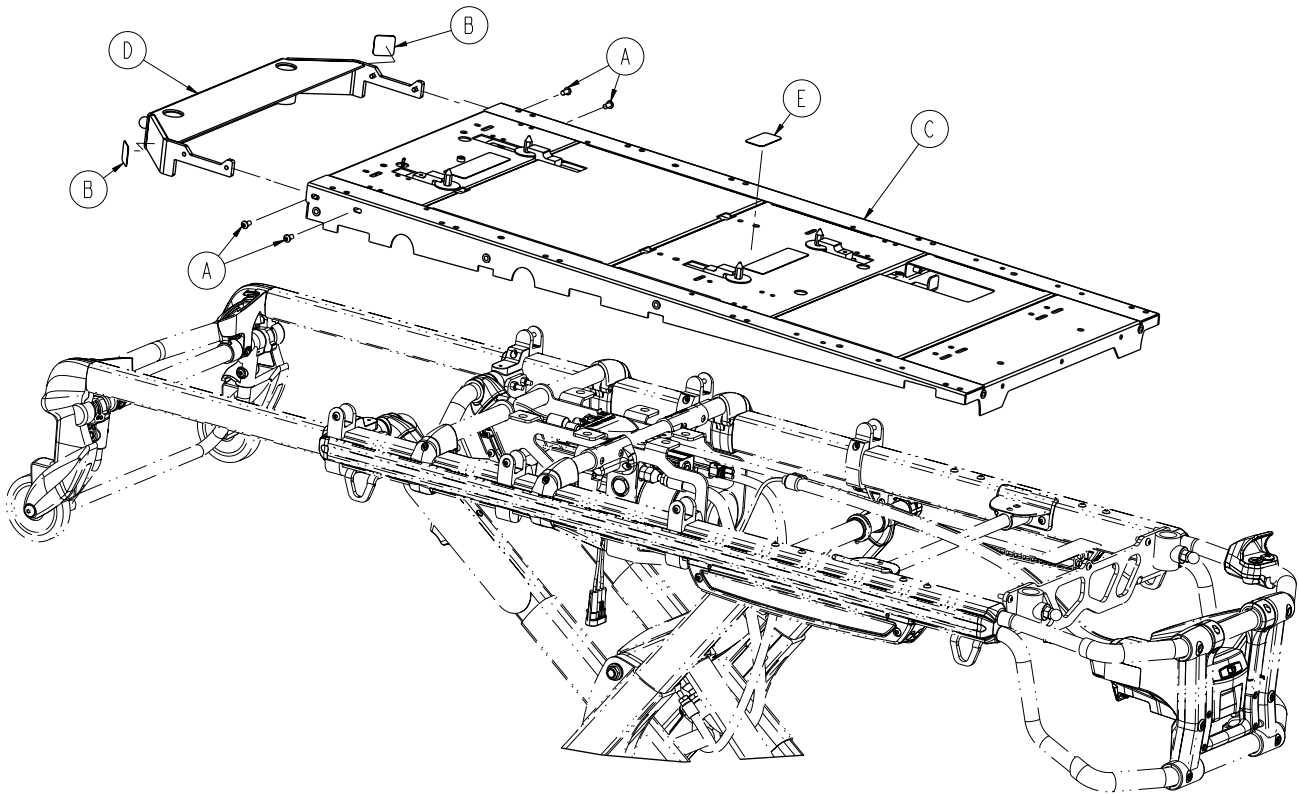
For Reference Only: 6510-001-017



Item	Part No.	Part Name	Qty.
A	0004-028-000	Socket Head Cap Screw	8
B	0004-589-000	Button Head Cap Screw	8
C	0004-634-000	Button Head Cap Screw	12
D	0011-077-000	Washer	4
E	0011-447-000	Washer	4
F	0016-028-000	Fiberlock Hex Nut	4
G	0016-036-000	Nylock Hex Nut	4
H	0016-102-000	Nylock Hex Nut	8
J	6510-001-128	Warning Label	4
K	6510-001-131	Mounting Angle	2
L	6081-200-022	Airborne IT Cot Wedge	4
M	6081-201-020	Mounting Stud	4
N	6510-001-018	Extension Assembly	1
P	6510-001-021	Skin Assembly	1
R	6510-001-022	Skin Assembly	1
T	6510-001-026	Short Extension Assembly	1
U	6510-001-106	Spec Label	1
V	6510-001-050	Main Litter Weldment	1
W	0055-100-076	1/4-20 Riv Nut	8

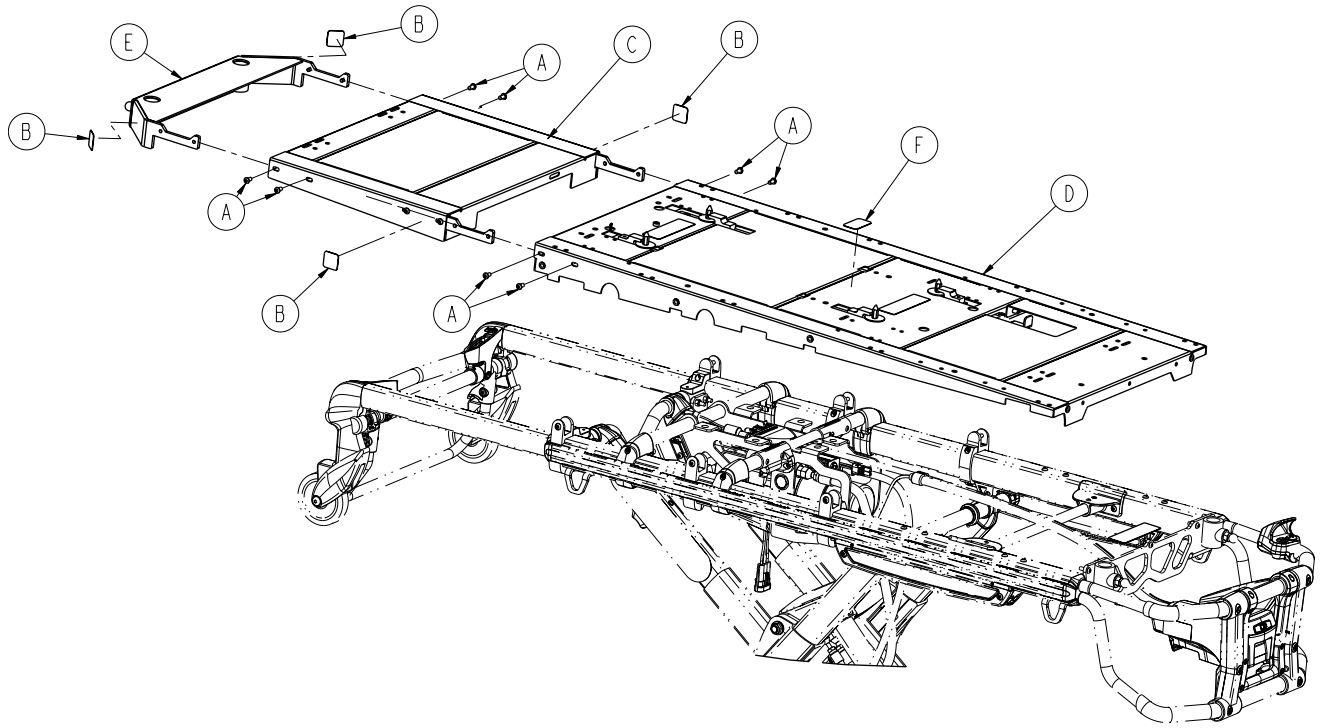
[Return To Table of Contents](#)

Drager Assembly Option - 6510-029-000



Item	Part No.	Part Name	Qty.
A	0004-589-000	Button Head Cap Screw	4
B	6060-090-114	Warning Label	2
C	6510-001-019	Incubator Adaptor Assembly (Drager - see pg. 102)	1
D	6510-001-029	H/E Push Bracket Assembly	1
E	6510-001-107	Spec Label	1

Drager Extended Option Assembly - 6510-041-000

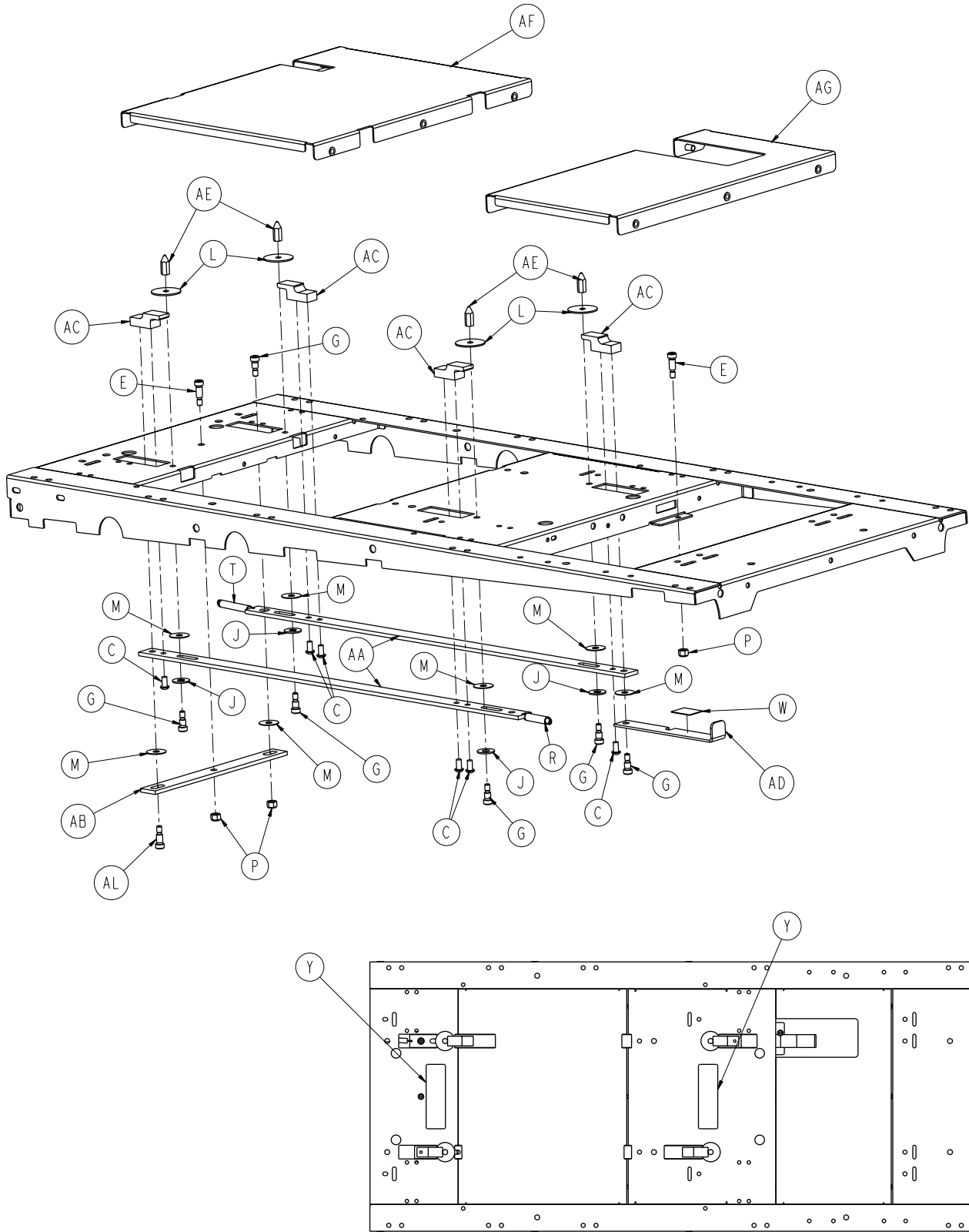


Item	Part No.	Part Name	Qty.
A	0004-589-000	Button Head Cap Screw	8
B	6060-090-114	Warning Label	4
C	6510-001-018	Extension Assembly	1
D	6510-001-019	Incubator Adaptor Assembly (Drager - see pg. 102)	1
E	6510-001-029	H/E Push Bracket Assembly	1
F	6510-001-123	Drager Extended Label	1

[Return To Table of Contents](#)

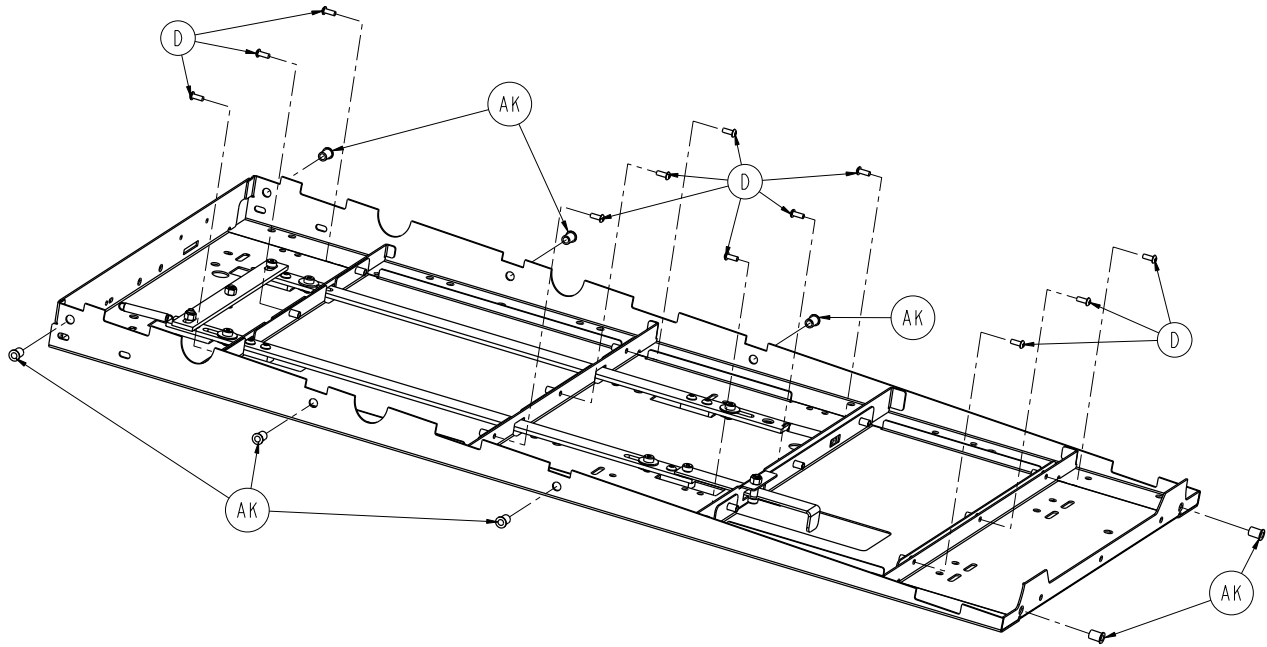
Incubator Adaptor Assembly - Drager

For Reference Only: 6510-001-019



[Return To Table of Contents](#)

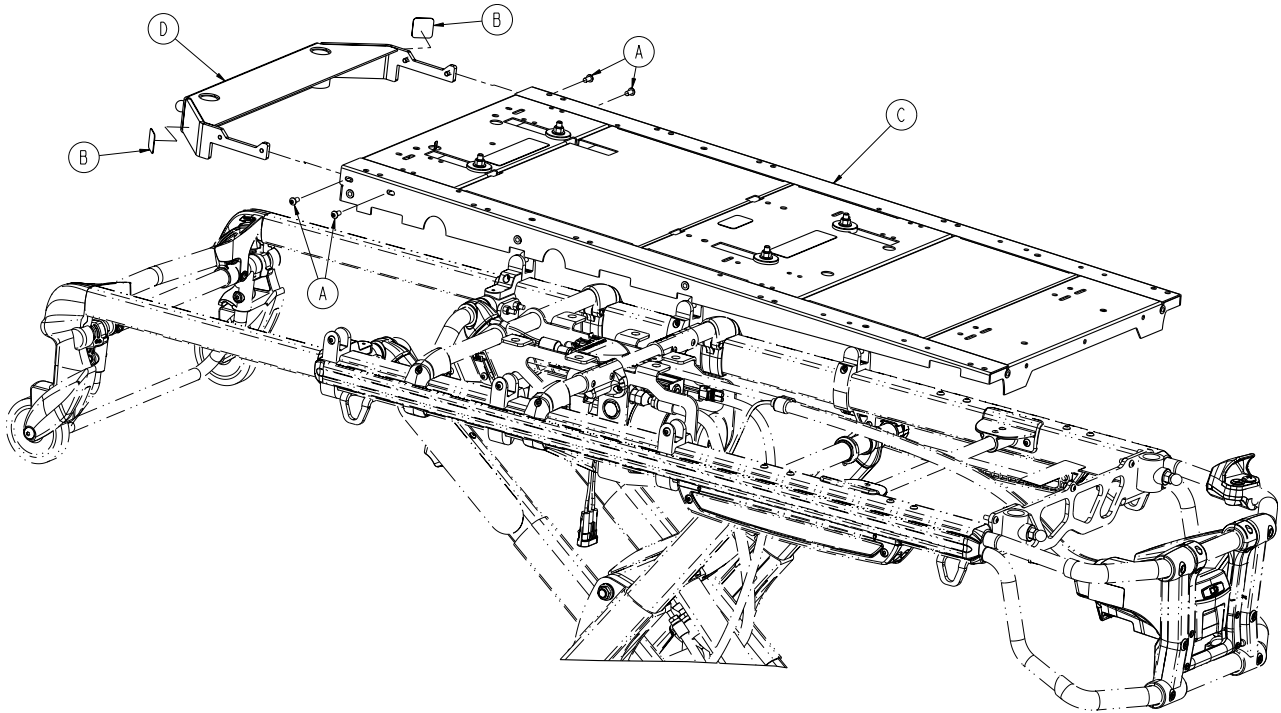
Incubator Adapter Assembly - Drager



Item	Part No.	Part Name	Qty.
A	0004-589-000	Button Head Cap Screw	6
D	0004-634-000	Button Head Cap Screw	12
E	0008-015-000	Socket Head Shoulder Bolt	2
G	0008-051-000	Socket Head Shoulder Bolt	6
J	0011-193-000	Washer	4
L	0011-445-000	Washer	4
M	0014-019-000	Washer	7
P	0016-028-000	Fiberlock Hex Nut	3
R	0038-453-000	Extension Spring	1
T	0038-576-000	Extension Spring	1
W	6081-090-303	Lock Pull Label	1
Y	6510-001-125	Warning Label	2
AA	6081-300-020	Slide Bar	2
AB	6081-300-021	Tie Bar-Air Shields	1
AC	6081-300-022	Lock Blade	4
AD	6081-300-023	Pull Handle Air Shields	1
AE	6081-300-024	Hex Pin (Air Shields)	4
AF	6510-001-022	Skin Assembly	1
AG	6510-001-023	Skin Assembly	1
AJ	6510-001-050	Main Litter Weldment	1
AK	0055-100-076	1/4"-20 Riv Nut	8
AL	0008-049-000	Socket Head Shoulder Bolt	1

[Return To Table of Contents](#)

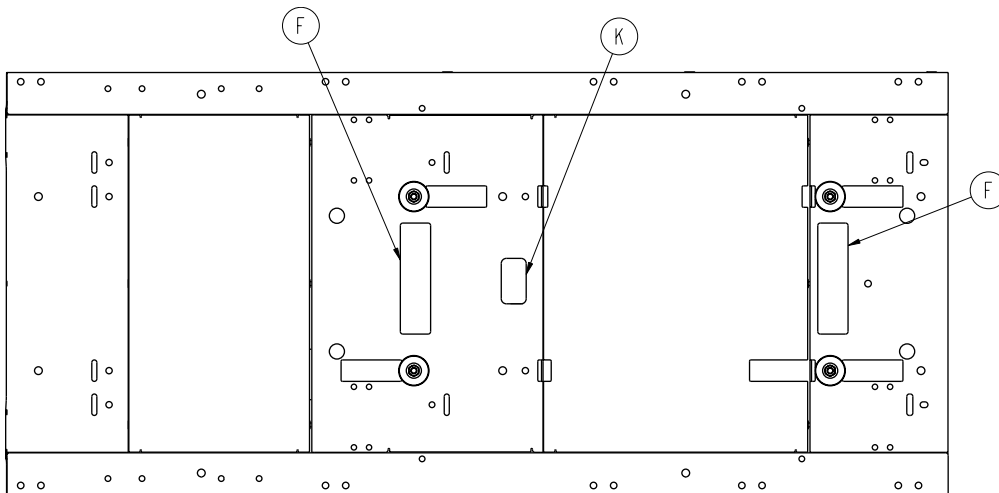
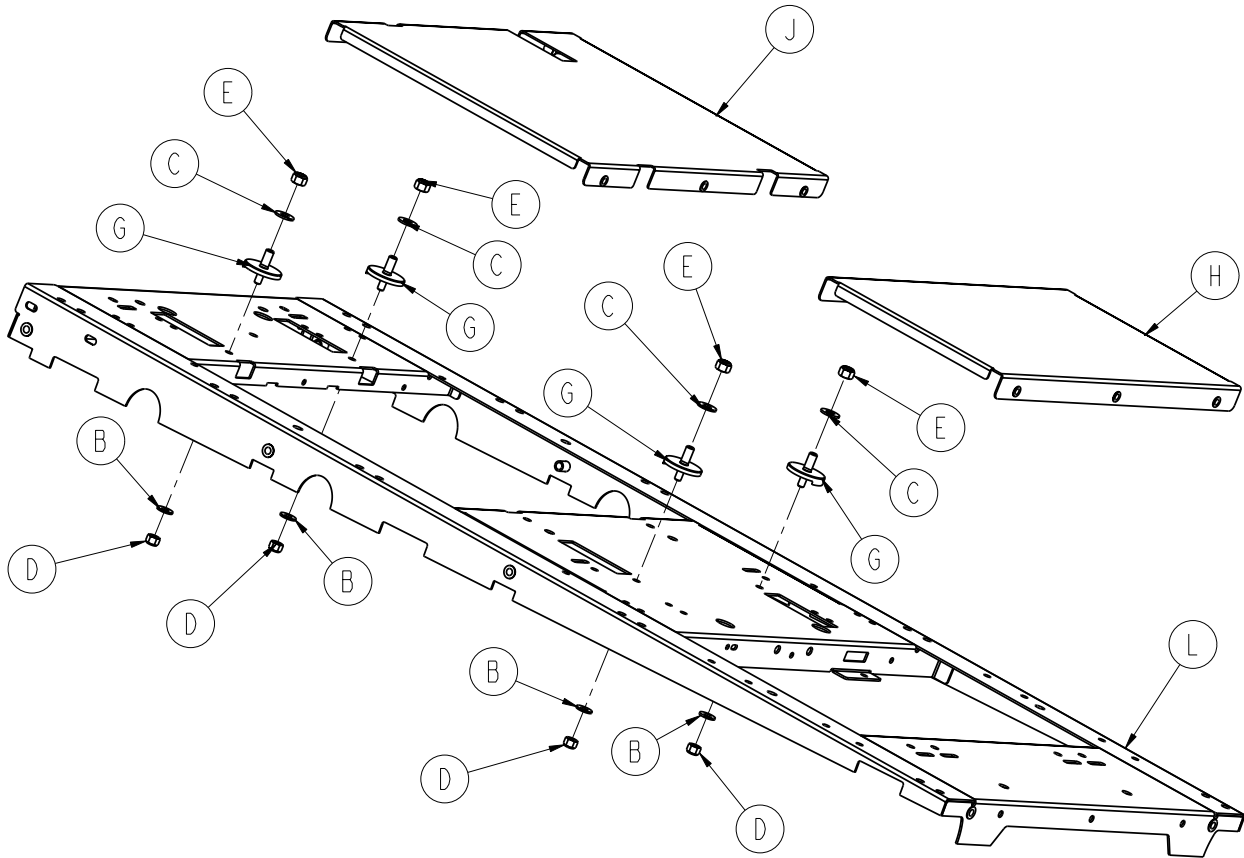
Airborne Stackable Assembly Option - 6510-027-000



Item	Part No.	Part Name	Qty.
A	0004-589-000	Button Head Cap Screw	4
B	6060-090-114	Warning Label	2
C	6510-001-020	Incubator Adaptor Assembly (Airborne Stackable - see pg. 105)	1
D	6510-001-029	H/E Push Bracket Assembly	1

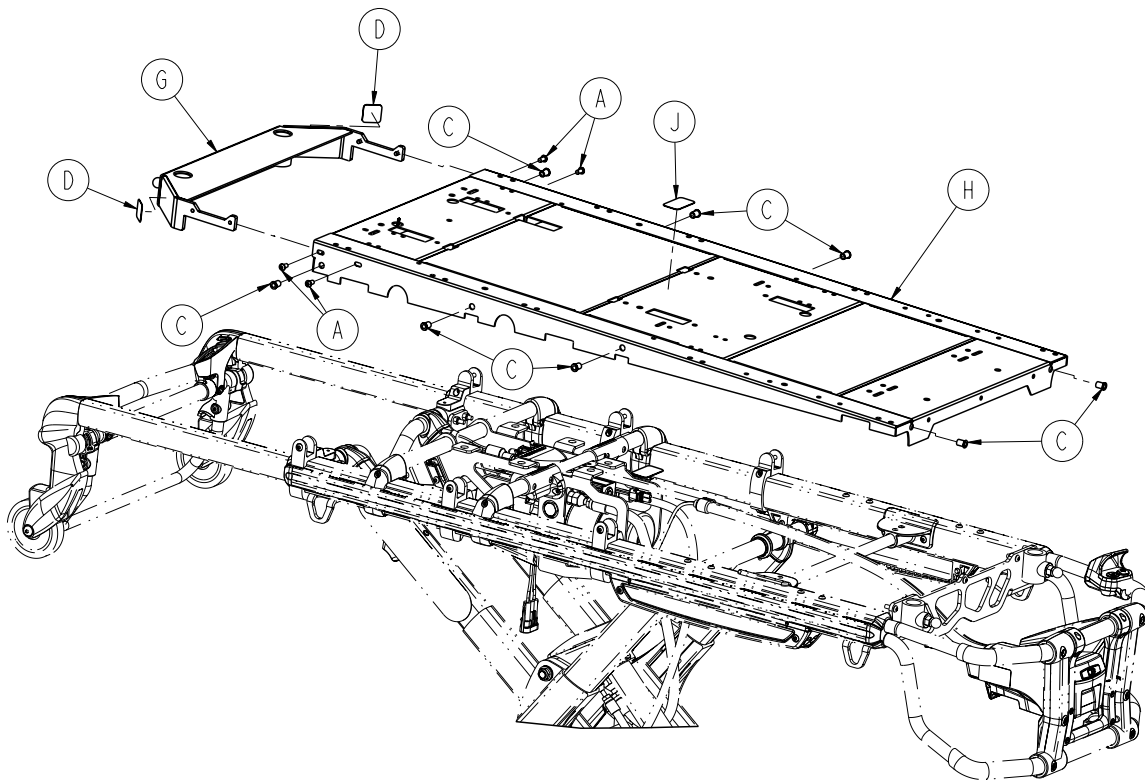
Incubator Adaptor Assembly - Airborne Stackable

For Reference Only: 6510-001-020



[Return To Table of Contents](#)

No Adapter Option Assembly, Air Sled - 6510-042-000



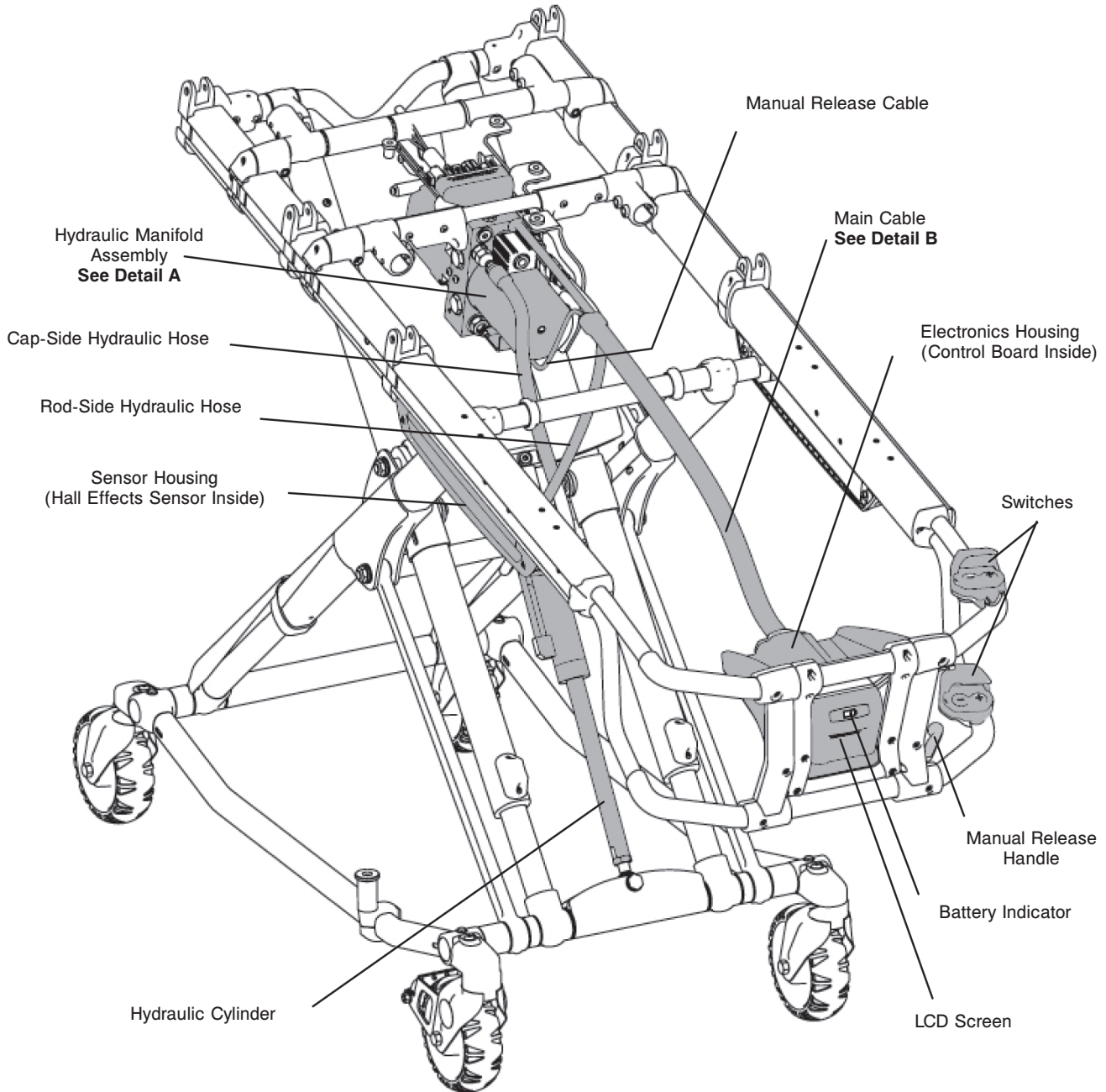
Item	Part No.	Part Name	Qty.
A	0004-589-000	Button Head Cap Screw	4
B	0004-634-000	Button Head Cap Screw	12
C	0055-100-076	1/4"-20 Riv Nut	8
D	6060-090-114	Warning Label	2
E	6510-001-021	Skin Assembly	1
F	6510-001-022	Skin Assembly	1
G	6510-001-029	Head End Push Bracket Assembly	1
H	6510-001-050	Main Litter Weldment	1
F	6510-001-124	No Adapter Label	1

Notes

Trouble Shooting Guide

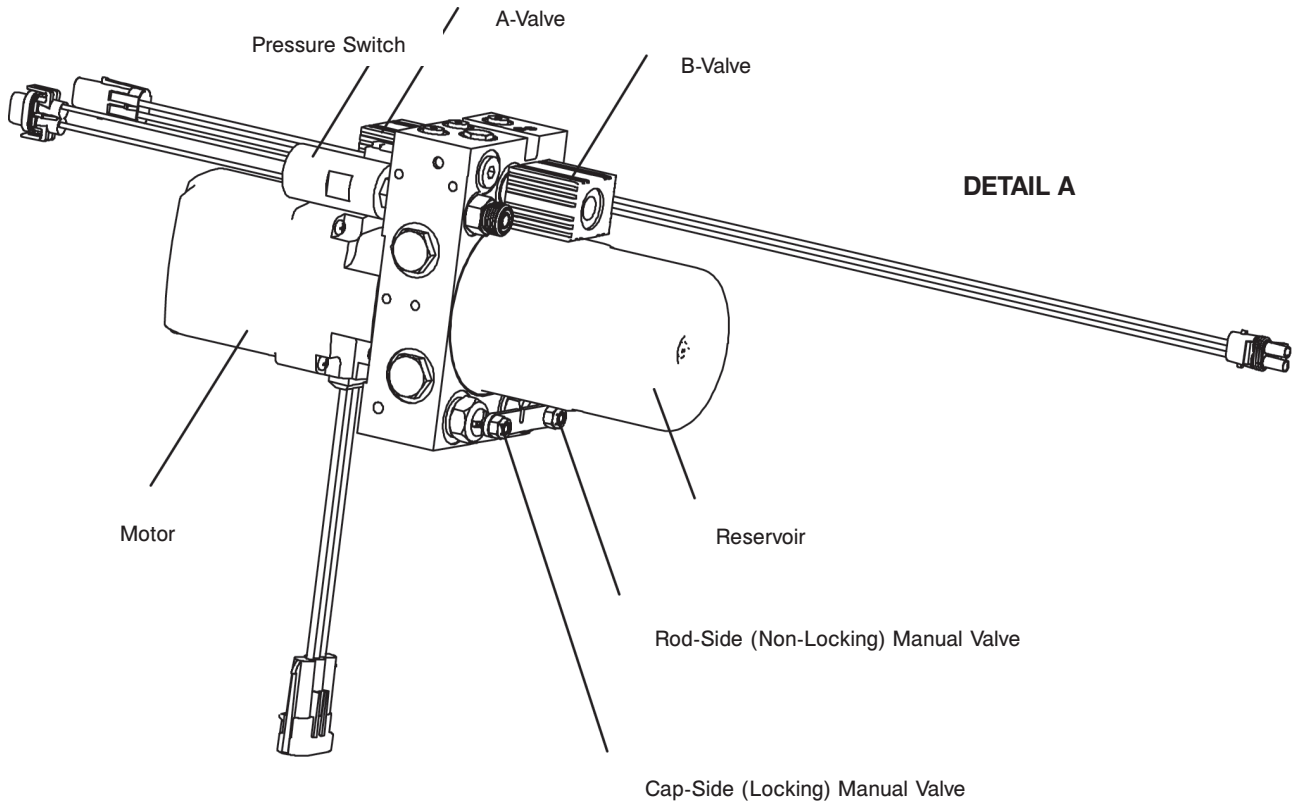
POWER PRO ELECTRONICS AND HYDRAULICS LOCATOR

Note: Some Components removed for clarity



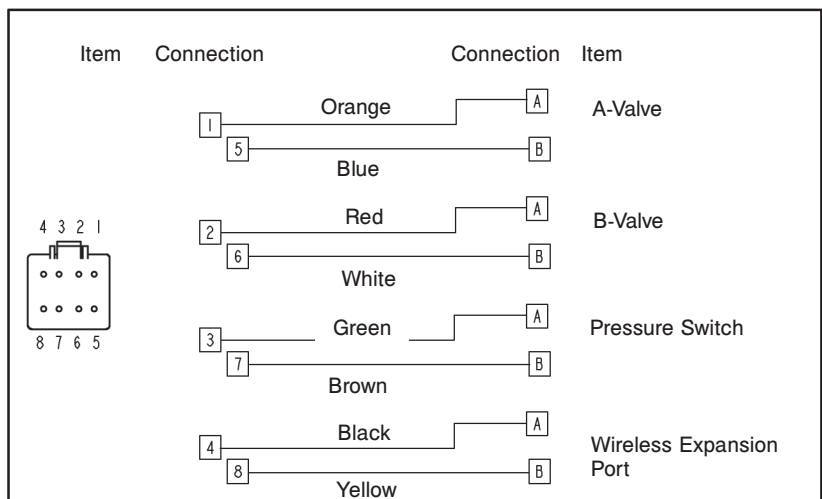
Trouble Shooting Guide

POWER PRO HYDRAULIC MANIFOLD COMPONENTS LOCATOR



DETAIL B

Wiring Schematics Main Cable 8-Pin Connector

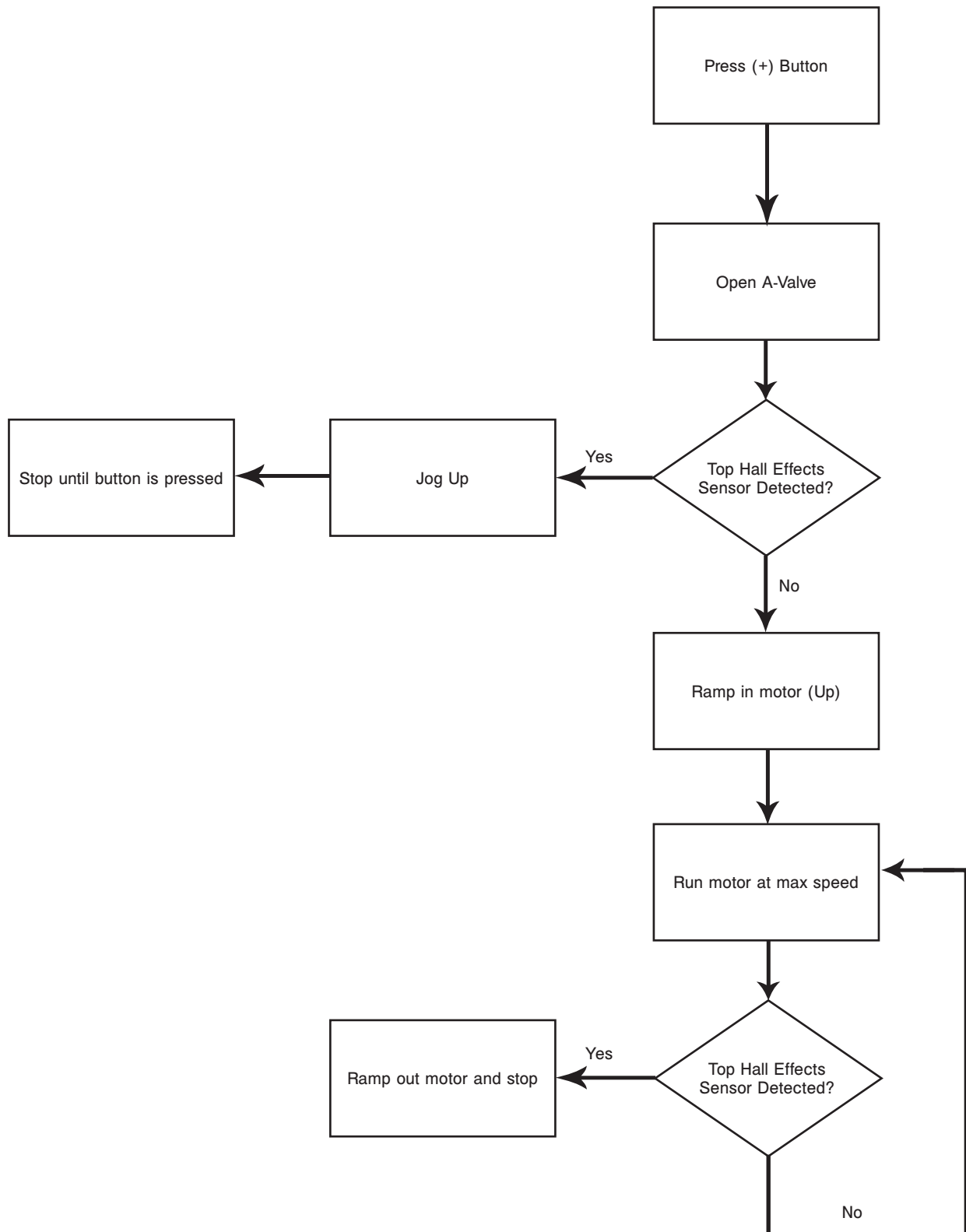


[Return To Table of Contents](#)

Trouble Shooting Guide

POWER PRO ELECTRICAL SYSTEM BLOCK DIAGRAM

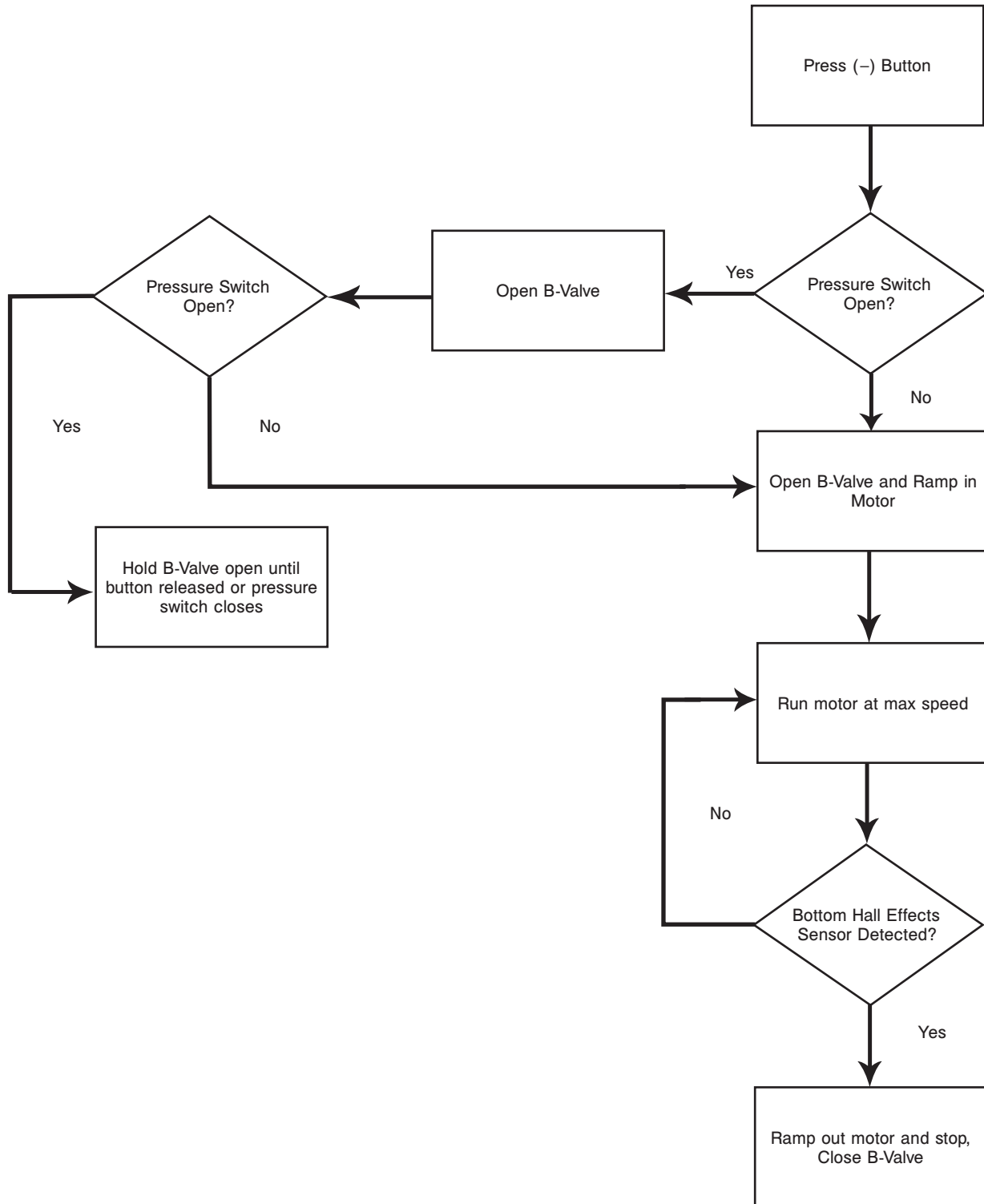
Lift and Extend (Unload) Functions



Trouble Shooting Guide

POWER PRO Electrical System Block Diagram

Lower and Retract (Load) Functions



Trouble Shooting Guide

POWER PRO TROUBLESHOOTING GUIDE

Check for proper operation after each step. When the problem is fixed, return the cot to service. If assistance is needed at any time during troubleshooting, please contact a service technician at (800) 327-0770 or (269) 324-6500.

PROBLEM	SOLUTION
Litter drifts (without patient weight).	<ol style="list-style-type: none"> 1. Check manual release cable adjustment. 2. Change 'B' valve. 3. Change 'locking' manual valve. 4. Call Technical Support.
Base drifts (without patient weight).	<ol style="list-style-type: none"> 1. Check manual release cable adjustment. 2. Change 'A valve. 3. Change 'non-locking' manual valve. 4. Call Technical Support.
Litter does not lower in the powered mode.	<ol style="list-style-type: none"> 1. Check battery indicator light. <ol style="list-style-type: none"> a. Blinking CONSTANT RED, change/replace battery. b. IRREGULAR RED flashing, check for broken or disconnected connectors and/or wires in the electrical circuit. c. GREEN LIGHT on constantly but solenoid valve does not activate. <ol style="list-style-type: none"> i. Try other switch; if it works replace bad switch. ii. Change out B-valve solenoid or B-valve 2. Call Technical Support.
Base/Litter does not extend in the powered mode.	<ol style="list-style-type: none"> 1. Check battery indicator light. 2. Perform manual flush on the cot. <ol style="list-style-type: none"> b. Blinking CONSTANT RED, change/replace battery. c. IRREGULAR RED flashing, check for broken or disconnected connectors and/or wires in the electrical circuit. d. GREEN LIGHT on without motor activation. <ol style="list-style-type: none"> i. Try other switch; if it works replace bad switch. ii. Change hall effect cable. 3. Motor engaged but doesn't raise cot. <ol style="list-style-type: none"> a. If motor is spinning freely, adjust manual release cable and replace locking manual valve. b. If motor is stalled, replace A-valve. 4. Call Technical Support.
Base does not retract when in the powered mode.	<ol style="list-style-type: none"> 1. Check battery indicator light. <ol style="list-style-type: none"> a. Blinking CONSTANT RED, change/replace battery. b. IRREGULAR RED flashing, check for broken or disconnected connectors and/or wires in the electrical circuit. c. GREEN LIGHT on without motor activation. <ol style="list-style-type: none"> i. Try other switch; if it works replace bad switch. ii. Change hall effect cable. d. GREEN LIGHT on with motor activation, replace non-locking valve. 2. Call Technical Support.

Trouble Shooting Guide

POWER PRO TROUBLESHOOTING GUIDE (CONTINUED)

PROBLEM	SOLUTION
Base does not extend in the manual mode.	<ol style="list-style-type: none">1. Check manual cable adjustment.2. Change non-locking manual valve.3. Call Technical Support.
Base does not retract in the manual mode.	<ol style="list-style-type: none">1. Check manual release cable adjustment.2. Change locking manual valve.3. Call Technical Support.
Litter does not retract in the manual mode (with patient weight).	<ol style="list-style-type: none">1. Make sure weight is off of the casters before lowering the cot.2. Check manual cable adjustment.3. Replace locking manual valve.4. Call Technical Support.
Litter does not extend in the manual mode.	<ol style="list-style-type: none">1. Check manual cable adjustment.2. Change non-locking manual valve.3. Call Technical Support.
High Speed retract does not engage.	<ol style="list-style-type: none">1. Check that weight is off the casters.2. Change Pressure switch.3. Change Hall Effect cable.4. Call Technical Support.

Trouble Shooting Guide

Adjusting the Manual Release Cable

Tools:

- 8mm wrench
- 10mm wrench

1. Support the litter so no weight is on the base.
2. Ensure the cable is intact.
3. Using a 10mm wrench, loosen the cable lock nut.
4. Using a 8mm hex wrench, adjust the tension on the manual release cable.
5. Tighten cable lock nut.

Filling the Reservoir - Use only Mobil Mercon Synthetic Blend Oil (6500-001-293)

Note: Any time you work with the hydraulics you may lose some oil.

Tools:

- 3/16" Allen wrench

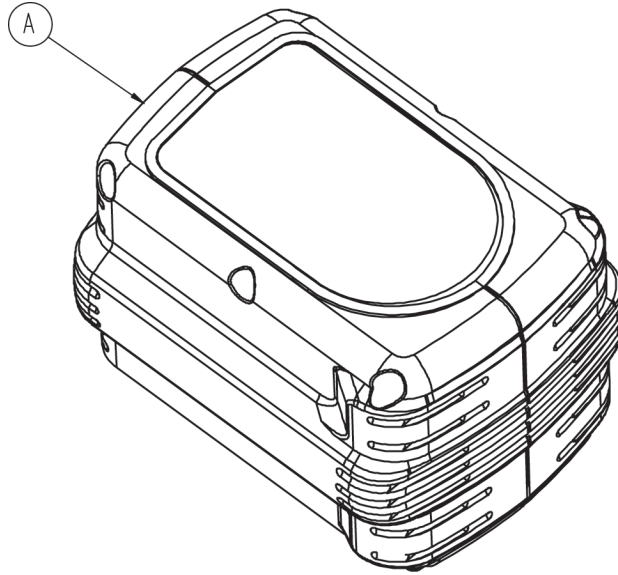
1. Raise the cot to the full up position.
2. Ensure the fill port is horizontal and lined up with the hole in the motor mount.
3. Remove the port plug using a 3/16" Allen wrench.
4. Fill the reservoir up to the bottom of the fill port.
5. Replace the plug and run the cot up and down a few times.

Recycling Passport

PRODUCT: 6500-700-006
(REFERENCE ONLY)



View of battery



Item	Recycling/Material Code	Important Information	Qty
A	Battery Pack	NiCd	2

NOTE

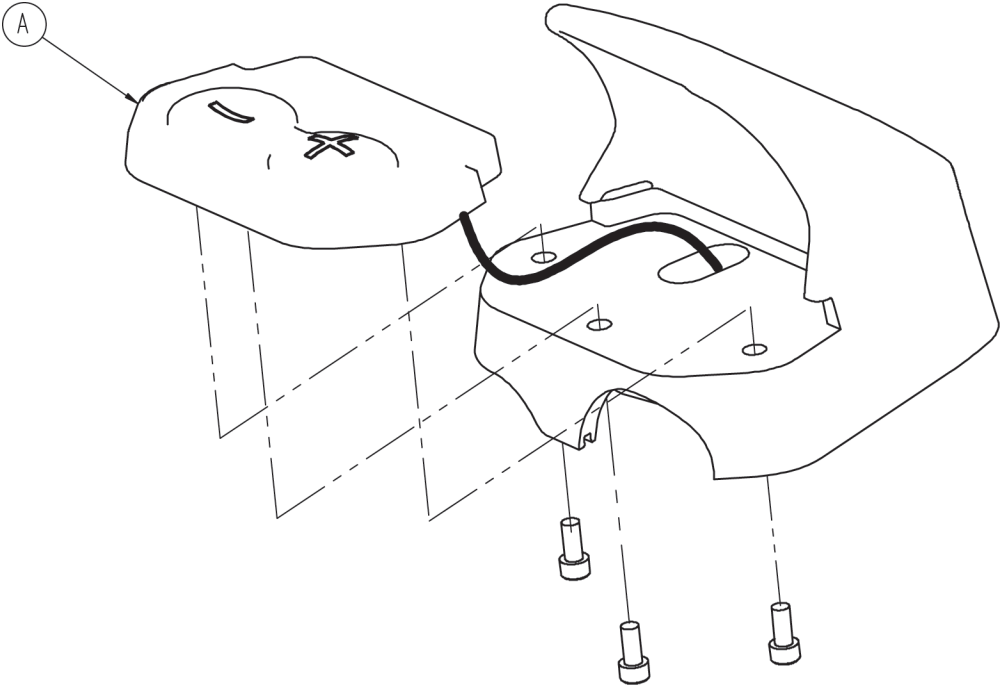
Reference DEWALT® Manual (Part Number 6500-001-206) for battery recycling information.

Recycling Passport

PRODUCT: 6500-001-016
(REFERENCE ONLY)



Exploded view of switch assembly



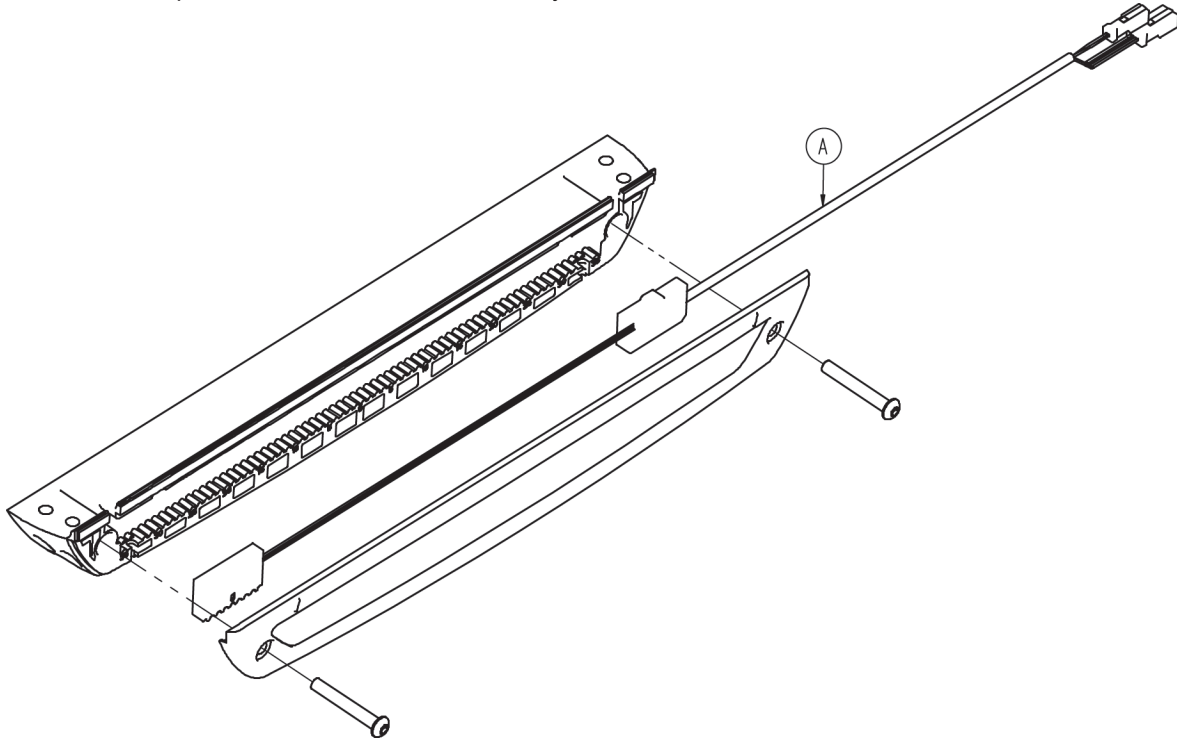
Item	Recycling/Material Code	Important Information	Qty
A	Printed Circuit Board		2

Recycling Passport

PRODUCT: 6500-001-028
(REFERENCE ONLY)



Exploded view of hall sensor assembly



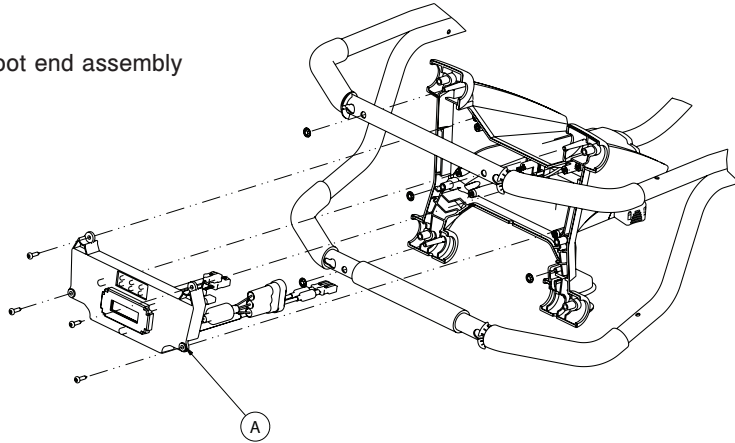
Item	Recycling/Material Code	Important Information	Qty
A	Printed Circuit Board		1

Recycling Passport



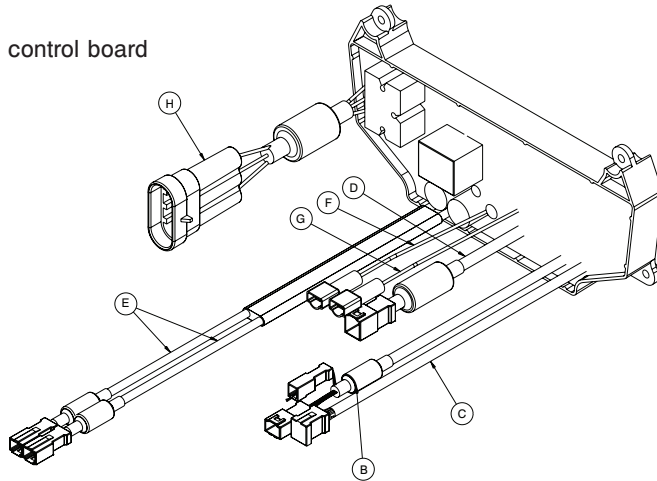
PRODUCT: 6500-001-015
(REFERENCE ONLY)

Exploded view of foot end assembly



PRODUCT: 6500-001-014
(REFERENCE ONLY)

Exploded view of electronics control board



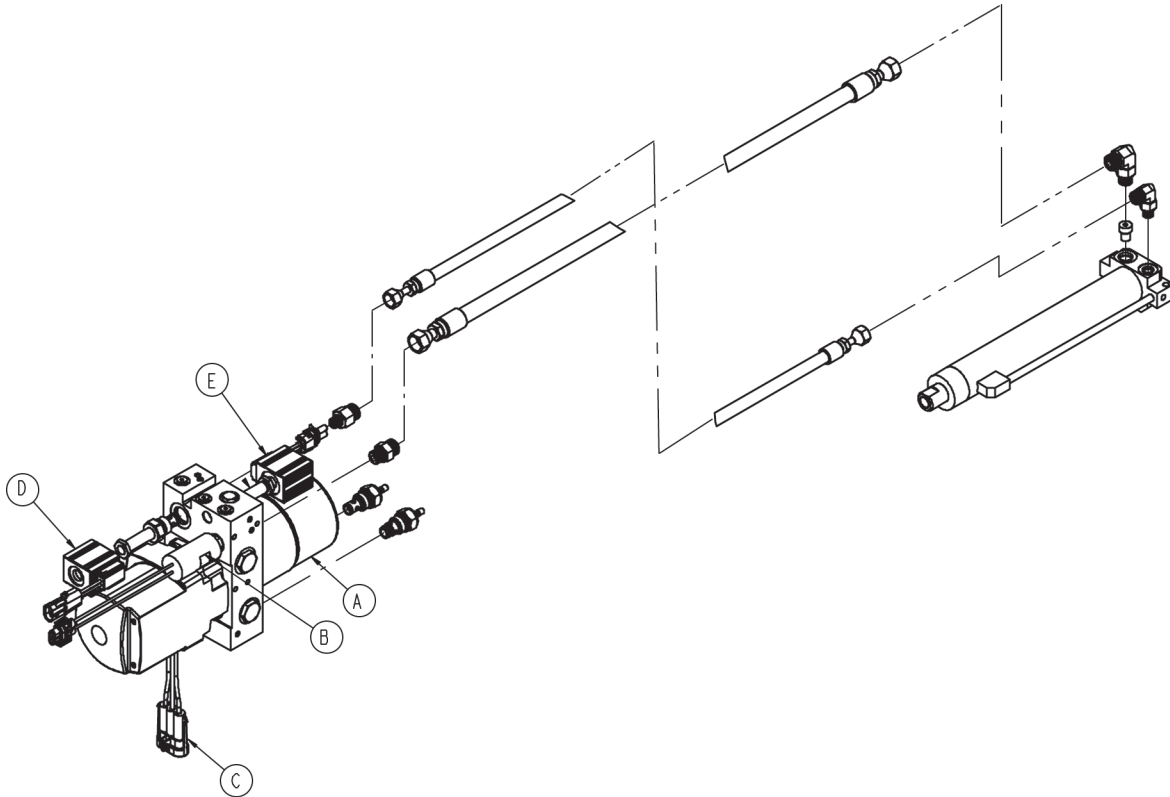
Item	Recycling/Material Code	Important Information	Qty
A	Printed Circuit Board	Contains Liquid Crystal Display	1
B	External Electrical Cable		1
C	External Electrical Cable		1
D	External Electrical Cable		1
E	External Electrical Cable		1
F	External Electrical Cable		1
G	External Electrical Cable		1
H	External Electrical Cable		1

Recycling Passport

PRODUCT: 6500-001-030
(REFERENCE ONLY)



Exploded view of hydraulics assembly



Item	Recycling/Material Code	Important Information	Qty
A	Motor	Contains Automatic Transmission Fluid*	1
B	External Electrical Cable		1
C	External Electrical Cable		1
D	External Electrical Cable		1
E	External Electrical Cable		1

* Mobil Mercon V Synthetic Blend or equivalent

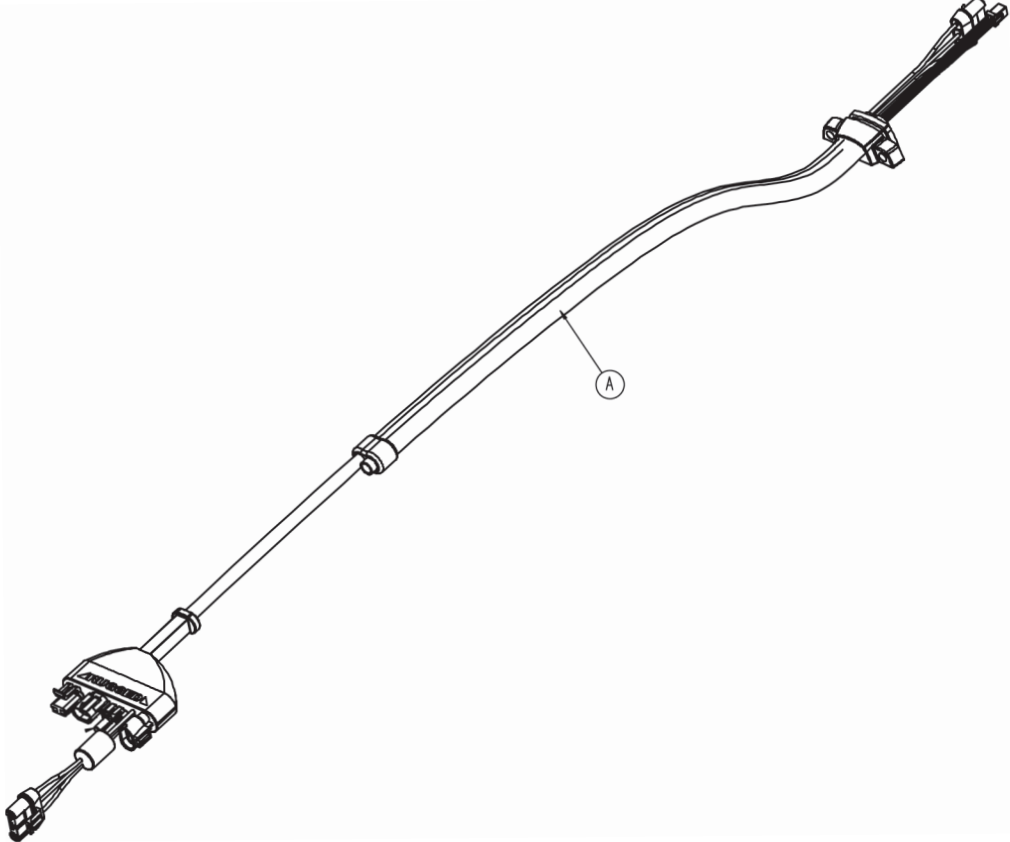
[Return To Table of Contents](#)

Recycling Passport

PRODUCT: 6500-001-159
 (REFERENCE ONLY)



Main Cable Assembly



Item	Recycling/Material Code	Important Information	Qty
A	External Electrical Cable		1

Quick Reference Replacement Parts List

NOTE

The parts and accessories listed on this page are all currently available for purchase. Some of the parts identified on the assembly drawings pages in this manual may not be individually available for purchase. Please call Stryker Customer Service at (800) 327-0770 or (269) 324-6500 for availability and pricing.

Part Name	Part Number
Base Storage Flat	6500-160-000
DC Battery Charger, 110V, Domestic	6500-070-000
DC Battery Charger 12V/24V, In-ambulance	6500-072-000
Hydraulic Oil	6500-001-293
Label, Base, "Lift Here"	6080-090-008
Label, I.V. Pole Caution	6070-090-005
Label, Damage Warning	6080-090-009
Manual, Installation/Operation, Cot Fastener	6370-090-010
NiCd Battery Pack	6500-060-000
Safety Hook, Long	6060-036-018
Safety Hook, Short	6060-036-017
Safety Hook, J Hook	6092-036-018
Storage Flat Option	6500-128-000
Touch-Up Paint (Yellow)	6060-199-010
Touch-Up Paint (Yellow)	6060-199-011
Wheel Bearing	0081-226-000
Wheel Lock	6082-200-010

EMC Information

POWER PRO IT

Guidance and Manufacturer's declaration - Electromagnetic Immunity			
The model 6510 RUGGED Incubator Transport Cot is suitable for use in the electromagnetic environment specified below. The customer or the user of the model 6510 RUGGED Incubator Transport Cot should assure that it is used in such an environment.			
Immunity Test	IEC 60601 Test Level	Compliance Level	Electromagnetic Environment Guidance
Electrostatic Discharge (ESD) IEC 61000-4-2	+6 kV contact +8 kV air	+6 kV contact +8 kV air	Floors should be wood, concrete, or ceramic tile. If floors are covered with synthetic material, the relative humidity should be at least 30%. Applies to: • Cot, • DeWalt AC/DC charger (6500-070-000), • DeWalt DC/DC Charger (6500-072-000).
Electrostatic fast Transient/burst IEC61000-4-4	+2 kV for power supply lines +1 kV for input/output lines	+2 kV for power supply lines +1 kV for input/output lines	Main power quality should be that of a typical commercial or hospital environment. Applies to: • DeWalt AC/DC charger (6500-070-000).
Surge IEC 61000-4-5	+8 kV differential mode +2 kV common mode	+8 kV differential mode +2 kV common mode	Main power quality is that of a typical commercial and/or hospital environment. Applies to: • DeWalt AC/DC charger (6500-070-000).
Voltage dips, voltage variations and short interruptions on power supply input lines IEC 61000-4-11	<5%Ut (95% dipUt) for 0,5 cycle 40%Ut (60% dop in Ut) for 5 cycles 70%Ut (30% dip in Ut) for 25 cycles. <5% Ut (>95% dip in Ut) for 5 sec.	<5%Ut (95% dipUt) for 0,5 cycle 40%Ut (60% dop in Ut) for 5 cycles 70%Ut (30% dip in Ut) for 25 cycles. <5% Ut (>95% dip in Ut) for 5 sec.	Main power quality should be that of a typical commercial and/or hospital environment. If the user of the DeWalt AC/DC Charger (6500-070-000) requires continued operation during power main interruptions, it is recommended that the device be powered from an uninterrupted power supply or a battery.
Power frequency (50/60 Hz) magnetic field IEC 61000-4-8	3 A/m	3 A/m	Power frequency magnetic fields should be at levels characteristic of a typical location in a typical commercial and/or hospital environment. Applies to: • Cot, • DeWalt AC/DC charger (6500-070-000), • DeWalt DC/DC Charger (6500-072-000).
Note: U_T is the a.c. mains voltage prior to applications of the test level.			

EMC Information


POWER PRO IT (CONTINUED)

Recommended separation distances between portable and mobile RF communications equipment and the POWER PRO IT.			
The model 6510 ▲RUGGED▲ Incubator Transport Cot is intended for use in an electromagnetic environment in which radiated RF disturbances are controlled. The customer or the user of the model 6510 ▲RUGGED▲ Incubator Transport Cot can help prevent electromagnetic interferences by maintaining a minimum distance between portable and mobile RF communications equipment (transmitters) and the model 6510 ▲RUGGED▲ Incubator Transport Cot as recommended below, according to the maximum output power of the communications equipment.			
Rated maximum output power of transmitter W	Separation distance according to frequency of transmitter		
	m		
	150 kHz to 80 MHz $d=1,2 \sqrt{P}$	80 MHz to 800 MHz $d=1,2 \sqrt{P}$	8000 MHz to 2,5 GHz $d=2,3 \sqrt{P}$
0,01	0,12	0,12	0,23
0,1	0,38	0,38	0,73
1	1,2	1,2	2,3
10	3,8	3,8	7,3
100	12	12	23
For transmitters rated at a maximum output power not listed above, the recommended separation distance d in meters (m) can be estimated using the equation applicable to the frequency of the transmitter, where P is the maximum output power rating of the transmitter in watts (W) according to the transmitter manufacturer.			
NOTE 1 At 80 MHz and 800 MHz, the separation distance for the higher frequency range applies.			
NOTE 2 These guidelines may not apply in all situations. Electromagnetic propagation is affected by absorption and reflection from structures, objects and people.			

EMC Information

POWER PRO IT (CONTINUED)

The model 6510 **▲RUGGED▲** Incubator Transport Cot is suited for use in the electromagnetic environment specified below. The customer or the user of the model 6510 **▲RUGGED▲** Incubator Transport Cot should assure that it is used in such an environment.

Immunity Test	IEC 60601 Test Level	Compliance Level	Electromagnetic Environment - Guidance
Conducted RF IEC 6100-4-6	3 Vrms 150 kHz to 80 MHz	3 Vrms	<p>Portable and mobile RF communications equipment should be used no closer to any part of the model 6510 ▲RUGGED▲ Incubator Transport Cot, including cables, than the recommended separation distance calculated from the equation appropriate for the frequency of the transmitter.</p> <p style="text-align: center;">Recommended Separation Distance</p> $d=1,2 \sqrt{P}$ <p style="text-align: center;">Applies to: DeWalt AC/DC Charger (6500-070-000)</p>
Radiated RF IEC 61000-4-3	3 V/m 80 MHz to 2,5 GHz	3 V/m	<p style="text-align: center;">$d=1,2 \sqrt{P}$ 80 MHz to 800 MHz</p> <hr/> <p style="text-align: center;">$d=2,3 \sqrt{P}$ 800 MHz to 2.5 GHz</p> <p>where P is the maximum output power rating of the transmitter in watts (W) according to the transmitter manufacturer and d is the recommended separation distance in metres (m).</p> <p>Field strengths from fixed RF transmitters, as determined by an electromagnetic site survey, ^a should be less than the compliance level in each frequency range. ^b</p> <p>Interference may occur in the vicinity of equipment marked with the following symbol:</p> <div style="text-align: center;">  </div>

NOTE 1

At 80 MHz and 800 MHz, the higher frequency range applies.

NOTE 2

These guidelines may not apply in all situations. Electromagnetic propagation is affected by absorption and reflection from structures, objects and people.

^aField strengths from fixed transmitters, such as base stations for radio (cellular/cordless) telephones and land mobile radios, amateur radio, AM and FM radio broadcast, and TV broadcast cannot be predicted theoretically with accuracy. To assess the electromagnetic environment due to fixed RF transmitters, an electromagnetic site survey should be considered. If the measured field strength in the location in which the model 6510 **▲RUGGED▲** Incubator Transport Cot is used exceeds the applicable RF compliance level above, the model 6510 **▲RUGGED▲** Incubator Transport Cot should be observed to verify normal operation. If abnormal performance is observed, additional measures may be necessary, such as reorienting or relocating the model 6510 **▲RUGGED▲** Incubator Transport Cot.

^bOver the frequency range 150 kHz to 80 MHz, field strengths are less than 3 V/m.

[Return To Table of Contents](#)

EMC Information

POWER PRO IT (CONTINUED)

Guidance and Manufacturer's declaration - Electromagnetic Emissions		
The model 6510 ▲RUGGED▲ Incubator Transport Cot is intended for use in an electromagnetic environment specified below. The customer or the user of the model 6510 ▲RUGGED▲ Incubator Transport Cot should assure that it is used in such an environment.		
Emissions Test	Compliance	Electromagnetic Environment
RF Emissions CISPR 11	Group 1	The model 6510 ▲RUGGED▲ Incubator Transport Cot uses RF energy only for its internal function. Therefore, its RF emissions are very low and are not likely to cause any interference in nearby electronic equipment.
RF Emissions CISPR 11	Cot: Class A	The model 6510 ▲RUGGED▲ Incubator Transport Cot is suitable for use in all establishments other than domestic and those directly connected to the public low voltage power supply network that supplies buildings used for domestic purposes.
	DeWalt AC/DC Charger (6500-070-000): Class B	The model 6510 ▲RUGGED▲ Incubator Transport Cot is suitable for use in all establishments including domestic establishments and those directly connected to the public low-voltage power supply network that supplies buildings used for domestic purposes.
	DeWalt DC/DC Charger (6500-072-000): Class B	
Harmonic Emissions IEC 61000-3-2	Cot: N/A	
	DeWalt AC/DC Charger (6500-070-000): Class A	
	DeWalt DC/DC Charger (6500-072-000): N/A	
Voltage Fluctuations Flicker Emissions IEC 6100-3-3	Cot: N/A	
	DeWalt AC/DC Charger (6500-070-000): Complies	
	DeWalt DC/DC Charger (6500-072-000): N/A	

UNITED STATES
Stryker Medical
3800 E. Centre Ave.,
Portage, Michigan USA
49002

CANADA
Stryker Canada
45 Innovation Drive
Hamilton, Ontario Canada
L9H 7L8

EC	REP
----	-----

European Representative
Stryker France
ZAC Satolas Green Pusignan
Av. De Satolas Green
69881 MEYZIEU Cedex
France

stryker[®]