

Power-PRO™ IT Cot

Maintenance Manual

REF 6516



Table of Contents

Warning/Caution/Note Definition	4
Summary of safety precautions	4
Pinch points	4
Introduction for service	6
Expected service life	6
Contact information	6
Serial number location - Power-PRO	6
Serial number location - SMRT	6
Preventive maintenance	7
Lubrication	7
Regular inspection and adjustments	7
Every month or two hours	7
Every three months or six hours	8
Every six months or 12 hours	8
Every 12 months or 24 hours	9
Maintenance record	10
Training record	11
Troubleshooting	12
Electronics and hydraulics locator	12
Hydraulic assembly	13
Hydraulic assembly wiring schematics	13
Electrical system block diagram - unload	14
Electrical system block diagram - load	14
SMRT charger power LED is not illuminated	15
SMRT charger will not charge the SMRT Pak	16
SMRT charger indicator LEDs are not illuminated when the Pak is inserted	16
A fully charged SMRT Pak does not provide sufficient power for cot operation	16
Charger indicates a temperature delay (flashing amber LED), but the Pak is within the normal operating temperature range	17
SMRT charger indicates a SMRT Pak error (amber LED), but the Pak performs well on the cot	17
Litter drifts (without patient weight)	17
Base drifts (without patient weight)	17
Litter does not lower in the powered mode	17
Litter does not extend in the powered mode	18
Base does not retract in the powered mode	18
Base does not extend in the manual mode	18
Base does not retract in the manual mode	19
Litter does not retract in the manual mode (with patient weight)	19
Litter does not extend in the manual mode	19
High speed retract does not engage	19
LCD error codes - main micro	19
Safety micro	20
Main cable assembly	21
Main cable assembly wiring schematics	21
Control board assembly	22
Control board wiring schematics	23
Service	24
Head section replacement	24
Manual release cable adjustment	24
Filling the hydraulics assembly reservoir	25
Wheel locking force adjustment	26
Steer-Lock™ mechanism adjustment	26
Cot retaining post adjustment	27
Cot retaining post replacement	28

Cot retaining post screw replacement	28
Hydraulic A valve or B valve replacement	29
Hydraulic manual release valve replacement	30
Hydraulic cylinder replacement	31
Hydraulic hose replacement.....	32
Terminal block replacement	33
12 VDC automotive cable fuse replacement.....	35
Cot assembly	36
Base assembly	41
Caster horn assembly - 6082-002-012.....	45
Adjustable caster lock assembly	46
6 in. molded wheel assembly.....	47
Load wheel, hard - 6500-101-086	48
Wheel, front - 6500-001-086.....	49
No Steer-Lock™ option - 6506-037-000	50
Steer-Lock option - 6506-038-000.....	51
Steer-Lock sub assembly, head end	52
Outer lift tube assembly, base pivot - 6500-301-021.....	53
Inner lift tube assembly, base pivot - 6500-301-022	54
Inner lift tube, litter pivot, patient right assembly - 6500-001-034	55
Inner lift tube, litter pivot, patient left assembly - 6500-001-035.....	56
Outer rail sub assembly, right.....	57
Outer rail sub assembly, left	58
Hall sensor assembly.....	59
Sensor housing assembly	60
Power plant assembly.....	61
Hydraulic sub assembly - 6500-101-030.....	63
Foot end assembly	64
Cross brace assembly	68
Button assembly - 650600010016.....	69
Antler only head section option - 6516-043-000.....	70
Power-LOAD compatible option - 6516-144-000	72
Performance-LOAD option - 6516-034-001	74
Power-LOAD and Performance-LOAD option - 6516-034-002.....	76
Head section (non-Power-LOAD compatible) - 6506-001-020	79
Head section (Power-LOAD compatible) - 6506-001-021	80
Head section - 6500-002-020	81
Bent, antler only head section - 650600020020.....	83
Head section lock assembly - 6500-001-026	86
In-fastener shut-off assembly option - 6500-001-027	87
No head section oxygen bottle holder option - 6506-036-000	88
Foot end fastener assembly (Power-LOAD compatible option).....	89
Cot retaining post, right - 6085-033-000.....	92
Airborne side-by-side assembly option - 6516-128-000.....	93
Incubator adapter, airborne side-by-side.....	94
Extension assembly - 6510-001-018.....	96
Drager® stackable option - 6516-129-000	97

Drager® extended assembly option - 6516-141-000	98
Incubator adaptor assembly - Drager®	99
Airborne stackable assembly option - 6516-127-000.....	102
Incubator adaptor assembly - airborne stackable	103
No adapter assembly option, air sled - 6516-142-000	105
Push bar option - 6550-040-000	106
Corner handle assembly option.....	107
Storage flat, head end - 6500-128-000.....	108
Storage net, base - 6500-160-000.....	109
Battery pack, SMRT - 6500-033-000.....	110
Safety hook, short - 6060-036-017/Safety hook, long - 6060-036-018/Safety hook, J - 6092-036-018.....	111
EMC information	112
Recycling passport	116
650600010016	116
6500-002-028	117
6500-102-015	118
6500-001-214	119
6500-002-159	120
6500-201-148	121
6500-201-010	122
6500-101-010	123

Warning/Caution/Note Definition

The words **WARNING**, **CAUTION**, and **NOTE** carry special meanings and should be carefully reviewed.

WARNING

Alerts the reader about a situation which, if not avoided, could result in death or serious injury. It may also describe potential serious adverse reactions and safety hazards.

CAUTION

Alerts the reader of a potentially hazardous situation which, if not avoided, may result in minor or moderate injury to the user or patient or damage to the product or other property. This includes special care necessary for the safe and effective use of the device and the care necessary to avoid damage to a device that may occur as a result of use or misuse.

Note - Provides special information to make maintenance easier or important instructions clearer.

Summary of safety precautions

Always read and strictly follow the warnings and cautions listed on this page. Service only by qualified personnel.

WARNING

- Always keep your hands clear of the red safety bar pivots when you load, unload, or change the height position of the cot.
 - Always relieve pressure before you disconnect hydraulic or other lines. Escaping fluid under pressure can penetrate the skin and cause serious injury. Tighten all connections before you apply pressure. If an accident occurs, see a doctor immediately.
 - Do not use bare hands to check for hydraulic leaks.
-

CAUTION

- Always use authorized parts to avoid the risk of product damage.
 - Always check hoses and lines regularly to avoid damage to the cot. Check and tighten loose connections. Hydraulic lines, hoses, and connections can fail or loosen due to physical damage, kinks, age, and environment exposure.
 - Do not tip the cot onto its load wheels and actuate the product as this will allow air to enter the hydraulic system.
 - Do not lubricate the bearings in the X-frame as it will degrade the performance of the cot and may void its warranty.
 - The cot retaining post is shipped pre-configured for an X-frame cot. If the fastener has been configured for an H-frame cot, you must adjust the retaining post to accommodate the fastener.
-

Pinch points

WARNING - Always keep your hands clear of the red safety bar pivots when you load, unload, or change the height position of the cot.

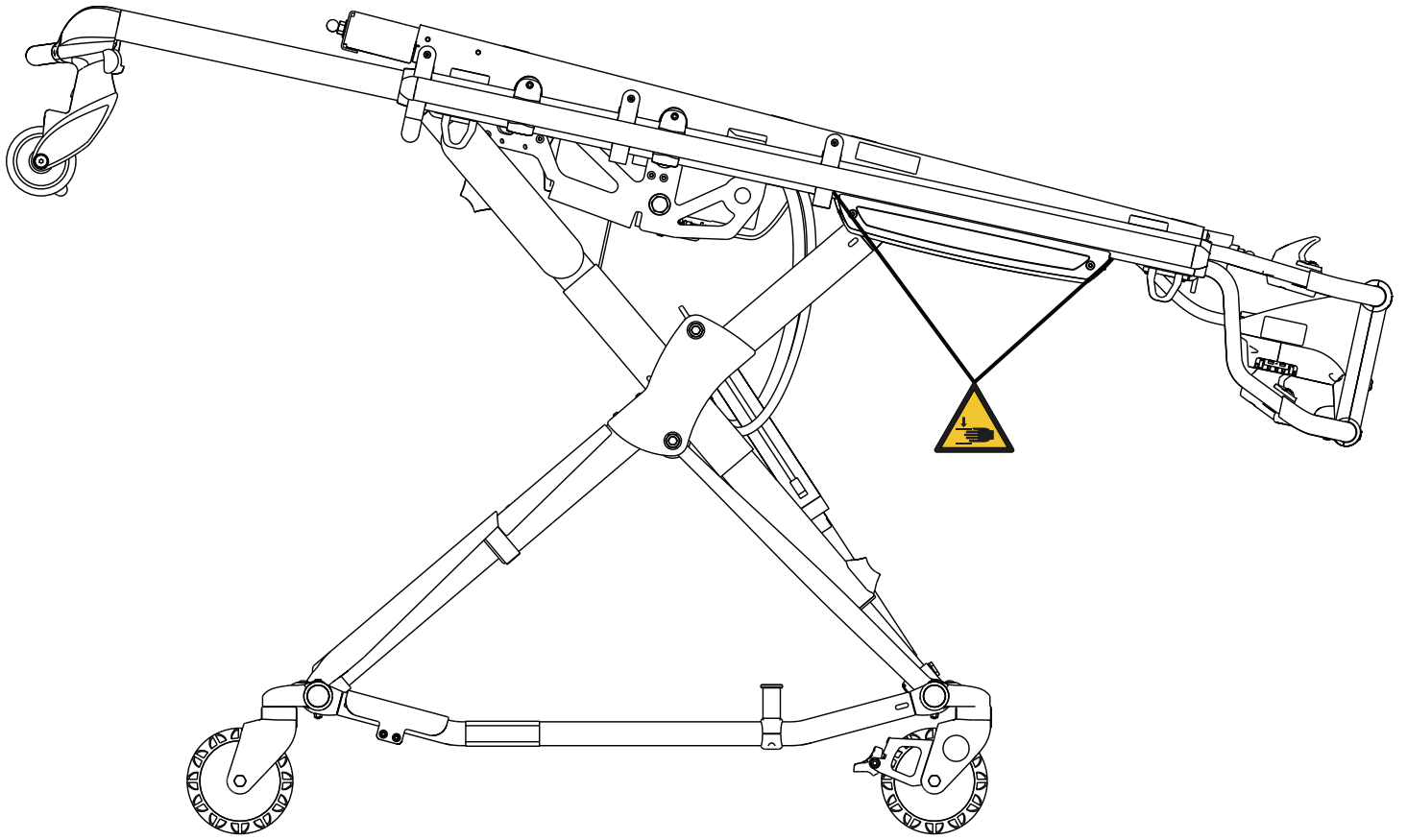


Figure 1 – Pinch points

Introduction for service

This manual assists you with the service of your Stryker product. Read this manual to service this product. This manual does not address the operation of this product. See the Operations Manual for operating and use instructions. To view your Operations Manual online, see <https://techweb.stryker.com/>.

Expected service life

Power-PRO has a seven year expected service life under normal use conditions and with appropriate periodic maintenance.

The **SMRT** charger has a seven year expected service life under normal use conditions and with appropriate periodic maintenance.

The **SMRT** Pak battery has a two year expected service life under normal use conditions.

Contact information

Contact Stryker Customer Service or Technical Support at: 1-800-327-0770.

Stryker Medical
3800 E. Centre Avenue
Portage, MI 49002
USA

To view your operations or maintenance manual online, see <https://techweb.stryker.com/>.

Have the serial number (A) of your Stryker product available when calling Stryker Customer Service or Technical Support. Include the serial number in all written communication.

Serial number location - Power-PRO

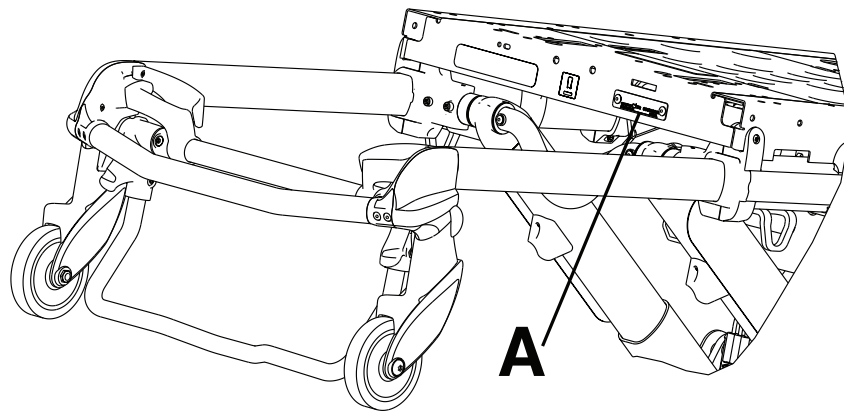


Figure 2 – Serial number location

Serial number location - SMRT

The serial number for the **SMRT** charger is located on the bottom of the unit. The lot number for the **SMRT** Pak is located on the top of the **SMRT** Pak above the red release button.

Preventive maintenance

WARNING

- Always relieve pressure before you disconnect hydraulic or other lines. Escaping fluid under pressure can penetrate the skin and cause serious injury. Tighten all connections before you apply pressure. If an accident occurs, see a doctor immediately.
 - Do not use bare hands to check for hydraulic leaks.
-

CAUTION

- Always use authorized parts to avoid the risk of product damage.
 - Always check hoses and lines regularly to avoid damage to the cot. Check and tighten loose connections. Hydraulic lines, hoses, and connections can fail or loosen due to physical damage, kinks, age, and environment exposure.
 - Do not tip the cot onto its load wheels and actuate the product as this will allow air to enter the hydraulic system.
-

Establish and follow a maintenance schedule and keep records of the maintenance activity. Remove product from service before you perform the preventive maintenance inspection. You may need to perform preventive maintenance checks more often based on your level of product usage. Service only by qualified personnel.

When using maintenance products, follow the directions of the manufacturer and reference all material safety data sheets (MSDS).

Lubrication

CAUTION - Do not lubricate the bearings in the X-frame as it will degrade the performance of the cot and may void its warranty.

The cot has been designed to operate without the need for lubrication.

Regular inspection and adjustments

The following schedule is a general guide to maintenance. Factors such as weather, terrain, geographical location, and individual usage will alter the required maintenance schedule. If you are unsure how to perform these checks, contact your Stryker service technician. If you are in doubt as to what intervals to follow to maintain your product, consult your Stryker service technician. Check each routine and replace worn parts if necessary.

Every month or two hours

Inspect these items every month or two hours of motor run time, whichever comes first.

Item	Inspect
Settings	In-fastener shutoff configuration
Cylinder	Extend cylinder rod. Wipe the cylinder rod with a soft cloth and household cleaner.
Cables and wires	No hanging wires from routings or connections
Manual backup release handle	Manual backup release handle functions
Litter	Frame and litter
Base	Frame and base
Wheels	All wheels are secure, roll, and swivel
Head section	Safety bar operates. Pull toward the head section to make sure that the safety bar swings and rotates freely and pulls back to the home position

Item	Inspect
Battery	SMRT Pak housing and terminal area for cracks or damage before first and every use
Charger	SMRT charger and parts for cuts in the cord, bent pins or contacts, or cracks in the housing before first and every use

Every three months or six hours

Inspect these items every three months or six hours of motor run time, whichever comes first.

Item	Inspect
Cylinder	All fasteners are secure
	No hydraulic fluid (red) leaks
	Loose fittings - tighten, if needed
Hydraulics	Motor mount fasteners are secure
	No hydraulic fluid leaks
	No leaks from reservoir
Cables and wires	No damage or pinching of wiring harness, cable, or lines
	No damaged connectors
Manual backup release handle	Base extends and retracts when you pull the manual backup release handle
	Cot does not lower when you pull the manual backup release handle with 100 lb (45 kg) or more on the cot
Litter	All fasteners are secure
	Backrest cylinder operates
	Adjust pneumatic cylinder for full range of motion, if required
Base	All fasteners are secure
X-frame	X-frame expands and retracts
Head section	All fasteners are secure
	Head section extends and locks

Every six months or 12 hours

Inspect these items every six months or 12 hours of motor run time, whichever comes first.

Item	Inspect
Hydraulics	Hoses and fittings for damage or wear
	Hydraulic velocity fuse - place a weight of approximately 50 lb (23 kg) on the cot, raise the cot, lift the cot with two operators, pull the manual backup release handle, rapidly set the cot down, and make sure that the cot does not drop

Item	Inspect
Electronic controls	Extend cot to raised position, measure and check load height
	Jog function operates
	High speed retract works
Switches	No damage or wear to either switch
	Both switches operate
Litter	No bent, broken, or damaged components
	No damage or tears on cot grips
Base	No bent, broken, or damaged components
	Cot retaining post is secure. If not, replace the screw
	No excessive damage to X-frame guards
Wheels	Free of debris
Head section	No bent, broken, or damaged components
	Grip bar has no excessive damage or tears
	Load wheels are secure and roll

Every 12 months or 24 hours

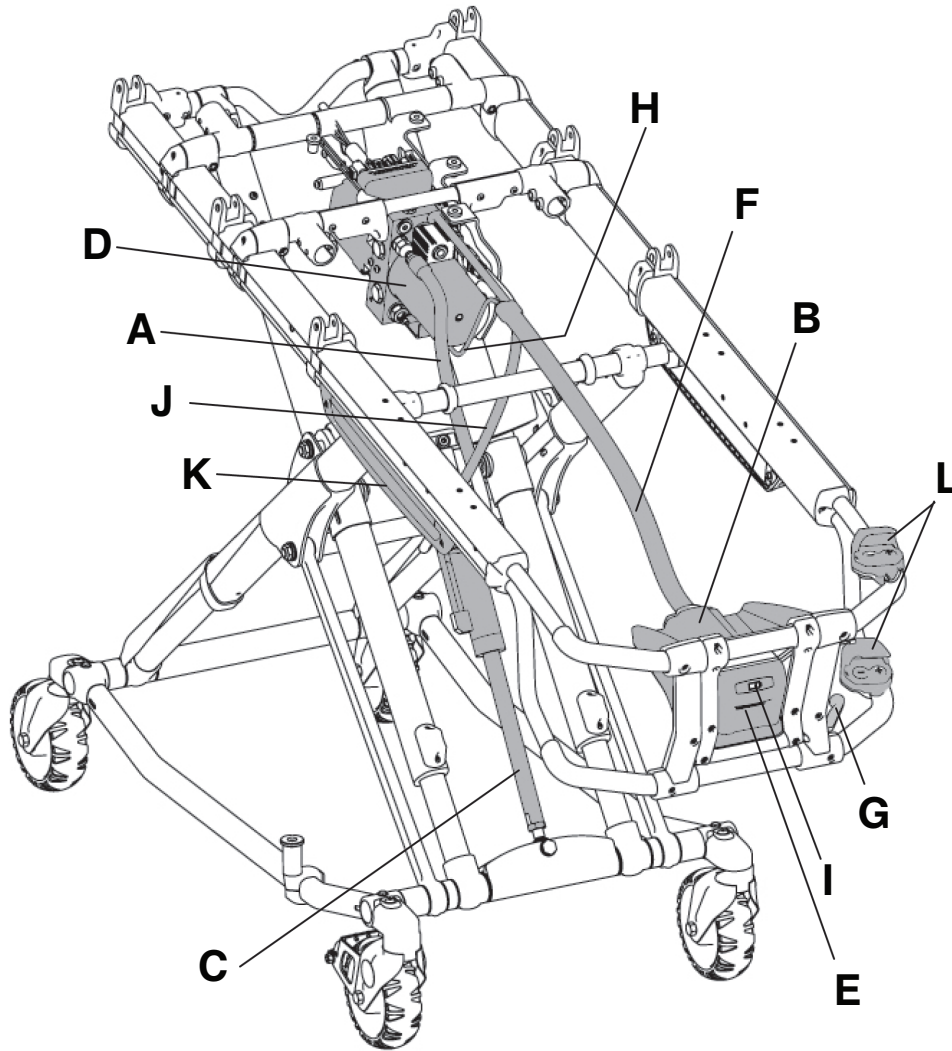
Inspect these items every 12 months or 24 hours of motor run time, whichever comes first.

Item	Inspect
Settings	Cot and fastener fit and function
	Safety bar connects to the vehicle safety hook
Cylinder	Cylinder is adjusted - lock nut is tight and the cot stops moving when it hits the dead stops
Manual backup release handle	Returns to the stowed position
Litter	All welds are intact, not cracked, or broken
	Warning labels present, legible
Base	All welds are intact, not cracked, or broken
Wheels	Check and adjust wheel locks

Troubleshooting

Electronics and hydraulics locator

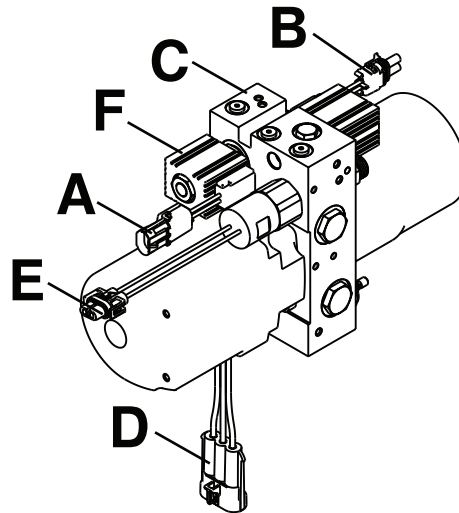
Note - Some components have been removed for clarity.



A	Cap-side hydraulic hose
B	Electronic housing (control board inside)
C	Hydraulic cylinder
D	Hydraulic manifold assembly
E	LCD screen
F	Main cable

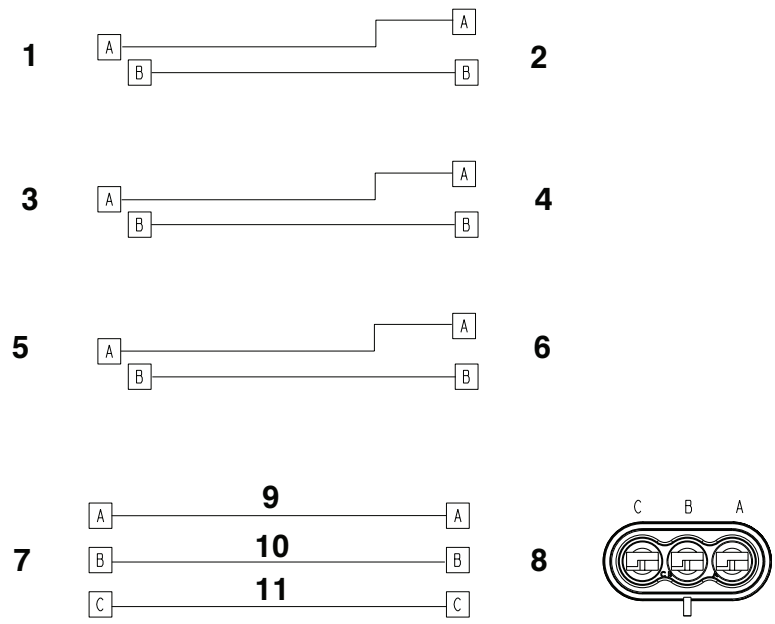
G	Manual backup release handle
H	Manual release cable
I	Power indicator LED
J	Rod-side hydraulic hose
K	Sensor housing (hall effects sensor inside)
L	Switches, height adjustment

Hydraulic assembly



A	A-valve connector	D	Motor connector
B	B-valve connector	E	Pressure switch
C	Hydraulic manifold	F	Pressure switch connector

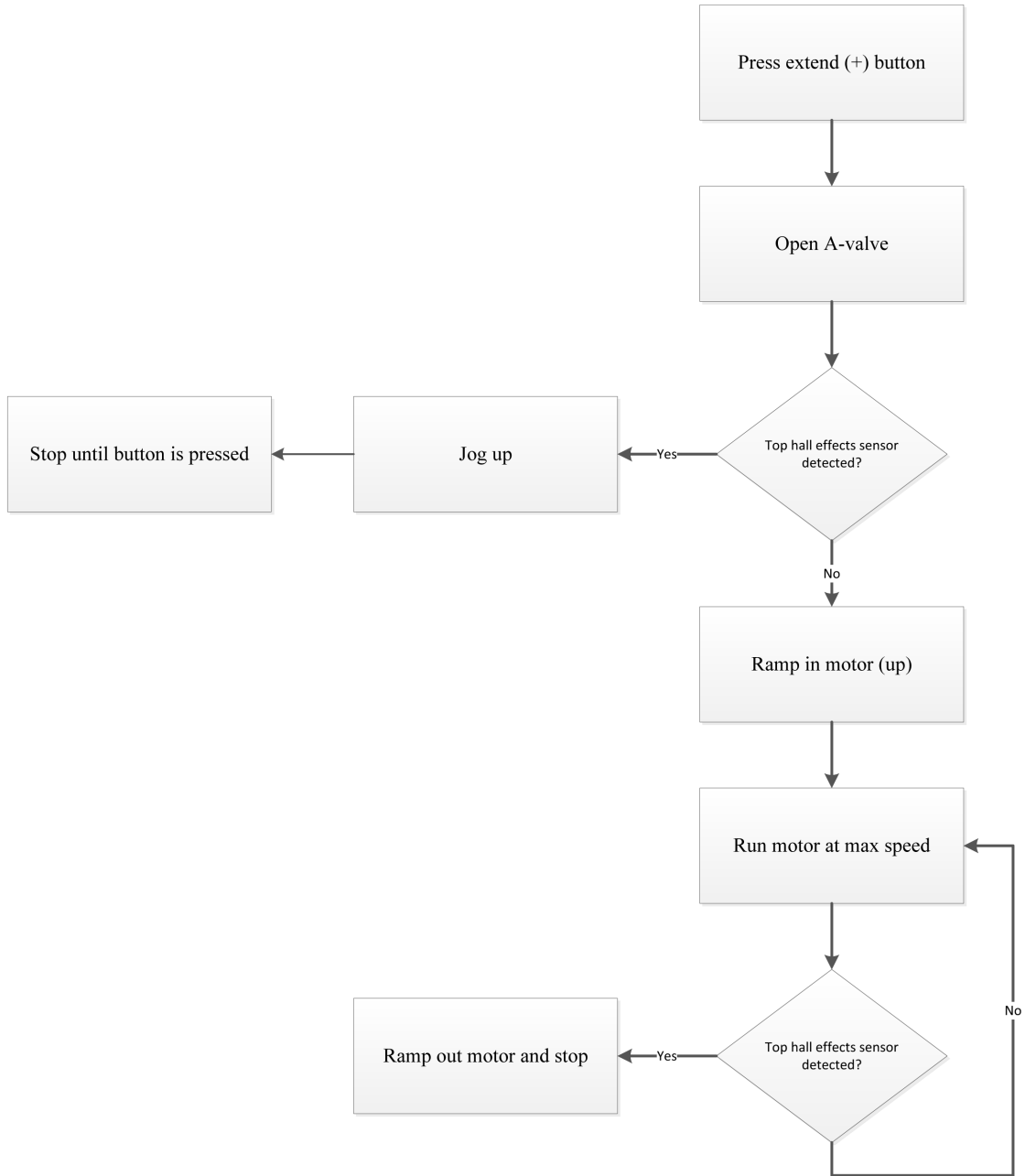
Hydraulic assembly wiring schematics



1	Pressure switch	7	Motor
2	Pressure switch connector	8	Motor connector
3	A-valve solenoid	9	Blue
4	A-valve connector	10	Black
5	B-valve solenoid	11	Green
6	B-valve connector		

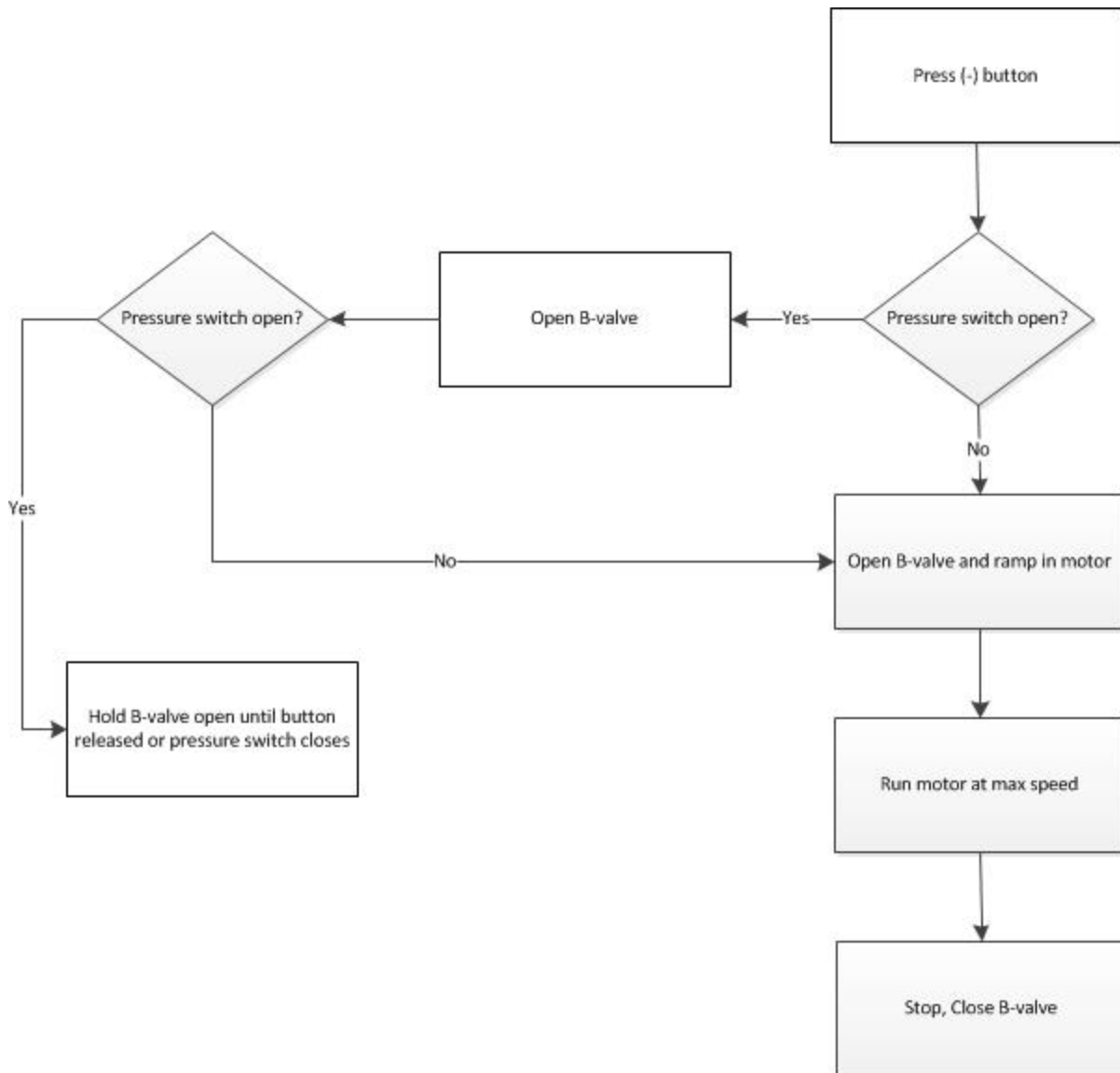
Electrical system block diagram - unload

Lift and extend functions



Electrical system block diagram - load

Lower and retract functions



SMRT charger power LED is not illuminated

Make sure that the AC power supply or DC cable is connected.

1. If using an AC power supply, make sure that the:
 - a. AC power cord is plugged into a wall outlet and the wall outlet has AC power.
 - b. AC power cord is plugged into the power supply.
 - c. AC power supply output cord is plugged into the charger.
2. If using a DC cable, make sure that the:
 - a. DC cable is plugged into a power source with 12.5 - 16 VDC.

Note - The DC power supply output cord adaptor LED should be illuminated.
 - b. Power cord adaptor internal fuse has continuity. If not, replace the fuse. See *12 VDC automotive cable fuse replacement* (page 35).
 - c. DC cable is plugged into the charger.
3. Check for 12.5 - 16 VDC at the power supply output cord that plugs into the charger.

- a. If 12.5 - 16 VDC is not present, replace the power supply assembly.
- b. If 12.5 - 16 VDC is present, replace the charger.

SMRT charger will not charge the SMRT Pak

1. Make sure that the charger power LED is illuminated.
 - a. If not, see *SMRT charger indicator LEDs are not illuminated when the Pak is inserted* (page 16).
2. Make sure that the charger indicator LEDs flash when the charger is first powered.
 - a. If the LEDs flash at start up, go to step 3.
 - b. If the LEDs do not flash at start up, replace the charger.
3. Reinsert the **SMRT Pak** on the charger and check the charger indicator LEDs for the status of the **SMRT Pak**:
 - a. Solid amber = a **SMRT Pak** error. See *A fully charged SMRT Pak does not provide sufficient power for cot operation* (page 16).
 - b. Flashing amber = a temperature delay. Allow the **SMRT Pak** time to get to normal operating temperature. Reinstall the **SMRT Pak** and recheck step 3.
 - c. Solid green = a fully charged and ready **SMRT Pak**. See *A fully charged SMRT Pak does not provide sufficient power for cot operation* (page 16).

SMRT charger indicator LEDs are not illuminated when the Pak is inserted

1. Unplug the charger, wait five seconds, and plug the charger back into the wall outlet.
2. Make sure that the charger power LED is illuminated. If not, see *SMRT charger power LED is not illuminated* (page 15).
3. Make sure that the **SMRT Pak** is fully inserted into the charger. If not, reinsert the **SMRT Pak** fully, listen for an audible click, and make sure that the charger indicator LEDs illuminate.
4. Try another **SMRT Pak** to identify any issues.

Note - Separate and label **SMRT Paks** during troubleshooting.

- a. If the charger indicator LEDs do not illuminate, replace the charger.
- b. If the charger indicator LEDs illuminate, replace the original **SMRT Pak**.

A fully charged SMRT Pak does not provide sufficient power for cot operation

1. Fully charge the **SMRT Pak** for two hours.
 - a. If the charger indicator LED is solid green, indicating a fully charged and ready **SMRT Pak**, go to step 2.
 - b. If the charger indicator LED is solid amber, indicating a **SMRT Pak** error, replace the **SMRT Pak**.
2. Immediately following a full charge, remove the **SMRT Pak** from the charger and check the voltage at the power terminals on the Pak for 26 VDC minimum.
 - a. If the Pak has a 26 VDC minimum, go to step 3.
 - b. If the VDC is less than 26 VDC, replace the Pak.
3. Wait exactly one hour and charge the **SMRT Pak** again.
 - a. If the charger indicator LED turns solid green (indicating a fully charged and ready **SMRT Pak**) in less than one minute, call Stryker Technical Support.
 - b. If the charger indicator LED flashes green for longer than one minute, replace the Pak.

Charger indicates a temperature delay (flashing amber LED), but the Pak is within the normal operating temperature range

1. Remove the **SMRT** Pak from the charger and allow the Pak to cool for at least four hours at room temperature.
2. Insert the Pak into the charger.
 - a. If the charger indicator LED is flashing green, then the Pak is charging.
 - b. If the charger indicator LED is flashing amber, indicating a temperature delay, replace the Pak.

SMRT charger indicates a SMRT Pak error (amber LED), but the Pak performs well on the cot

1. Fully discharge the **SMRT** Pak by powering a cot until the cot indicator LED flashes red.
2. Recharge the Pak.
 - a. If the charger indicator LED is solid green, indicating a fully charged and ready Pak, then the Pak is ready for use.
 - b. If the charger indicator LED is solid amber, indicating a Pak error, call Stryker Technical Support.

Litter drifts (without patient weight)

Check for proper operation after each step. When the problem is fixed, return the cot to service. If assistance is needed at any time during troubleshooting, please contact a Stryker service technician at (800) 327-0770.

1. Flush the hydraulic system by squeezing the manual release handle while simultaneously pressing the (+) power button for approximately 15 seconds. Repeat if necessary.
2. Check the manual release cable adjustment.
3. Change the 'locking' manual valve.
4. Change the 'B' valve.

Base drifts (without patient weight)

1. Flush the hydraulic system by squeezing the manual release handle while simultaneously pressing the (+) power button for approximately 15 seconds. Repeat if necessary.
2. Check the manual release cable adjustment.
3. Change the 'non-locking' manual valve.
4. Change the 'A' valve.

Litter does not lower in the powered mode

1. Check the power indicator LED.
 - a. If blinking constant amber, change the battery.
2. Check for error on LCD.
3. Check for broken or disconnected wires.
4. Check for 24 VDC at connector (C) on the main cable by the motor while pressing the retract (-) button. If voltage is present, replace (in order) the hall effects sensor, solenoid, and/or 'B' valve. If voltage is not present, go to step 5.
5. Check for 24 VDC on electronics assembly pins 1 blue and 5 orange on (F) while pressing the retract (-) button. If voltage is not present, replace the electronics assembly. If voltage is present, replace the wire harness.

- a. If the green light turns on, but does not lower, try the other switch. If the other switch works, replace the bad switch.

Litter does not extend in the powered mode

1. Check the power indicator LED.
 - a. If blinking constant amber, change the battery.
2. Check for error on LCD.
3. Check for broken or disconnected wires.
4. Check for 24 VDC at connector (C) on the main cable by the motor while pressing the retract (-) button. If voltage is present, replace (in order) the hall effects sensor, solenoid, and/or 'B' valve. If voltage is not present, go to step 5.
5. Check for 24 VDC on electronics assembly pins 1 blue and 5 orange on (F) while pressing the retract (-) button. If voltage is not present, replace the electronics assembly. If voltage is present, replace the wire harness.
 - a. If the green light turns on, but does not lower, try the other switch. If the other switch works, replace the bad switch.
6. Check the motor.
 - a. If the motor runs, but does not raise the cot:
 - Check the manual release cable for too much tension.
 - Lightly tap the manual locking valve.
 - Replace the manual locking valve.
 - b. If the motor is stalled, replace the 'A' valve.
 - c. If the light is green, but the motor does not run:
 - Check for 24 VDC at connector (E) on the main cable. If voltage is present, replace the hall effects sensor.
 - If the hall effects sensor is replaced and the motor still does not run, replace the hydraulic subassembly.
 - If voltage is not present, go to the next step.
 - Check for 24 VDC on the electronics assembly connection (H) (-) lead on black (+) lead on green while pressing the extend (+) button. If voltage is not present, replace the electronics assembly. If voltage is present, replace the main cable.

Base does not retract in the powered mode

1. Check the power indicator LED.
 - a. If blinking constant amber, change the battery.
2. Check for error on LCD.
3. Check for broken or disconnected wires.
4. Check for 24 VDC at connector (C) on the main cable by the motor while pressing the retract (-) button. If voltage is present, replace (in order) the hall effects sensor, solenoid, and/or 'B' valve. If voltage is not present, go to step 5.
5. Check for 24 VDC on the electronics assembly pins 1 blue and 5 orange on (F) while pressing the retract (-) button. If voltage is not present, replace the electronics assembly. If voltage is present, replace the wire harness.

Base does not extend in the manual mode

1. Check the manual cable adjustment.
2. Change the non-locking manual valve.

Base does not retract in the manual mode

1. Check the manual release cable adjustment.
2. Change the locking manual valve.

Litter does not retract in the manual mode (with patient weight)

1. Make sure that the weight is off of the casters before lowering the cot.
2. Check the manual cable adjustment.
3. Replace the locking manual valve.

Litter does not extend in the manual mode

1. Check the manual cable adjustment.
2. Change the non-locking manual valve.

High speed retract does not engage

1. Check that the weight is off of the casters.
2. Change the pressure switch.
3. Change the hall effect cable.

LCD error codes - main micro

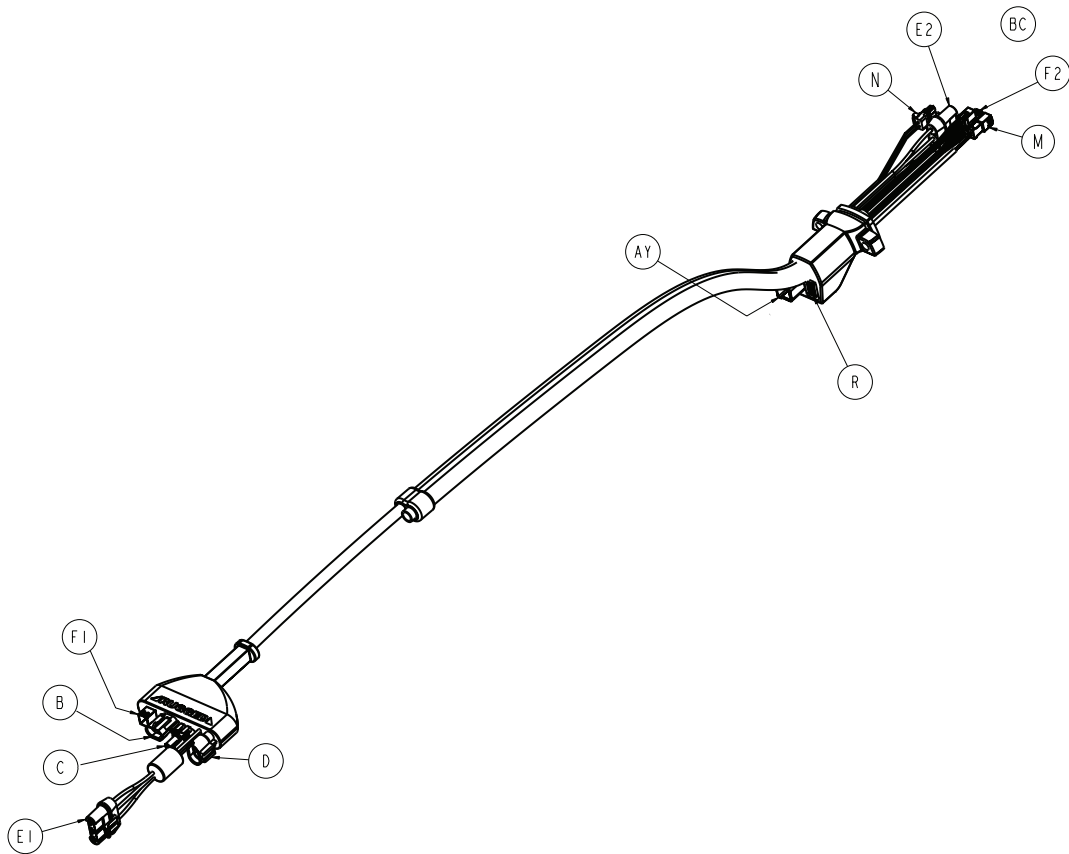
LCD display	Error description	Detection period
ERR 01	RAM diagnostic failure	Initialization
ERR 02	Program memory failure	Initialization
ERR 03	EE diagnostic failure	Initialization
ERR 04	EEPROM type and hardware type incompatible	Initialization
ERR 10	Valves diagnostic failure	Initialization
ERR 61	EEPROM rev and firmware rev incompatible	Initialization
ERR 21	Motor shorted	Initialization
ERR 22	Motor open	Initialization
ERR 23	High power gating relay shorted	Initialization
ERR 51	Motor drive FET shorted - Q15	Initialization
ERR 52	Motor drive FET shorted - Q11	Initialization
ERR 55	Motor drive FET shorted - Q16	Initialization
ERR 56	Motor drive FET shorted - Q12	Initialization
ERR 62	Main micro and ASIC current limit mismatch	Initialization

LCD display	Error description	Detection period
ERR 80	Extend (+) or retract (-) button detected without key	Run time
ERR 31	Electronics board over temp (280.22° F ± 5%)	Run time
ERR 81	Bad hall effect sensor combination	Run time
ERR 93	Safety micro non-responsive	Run time

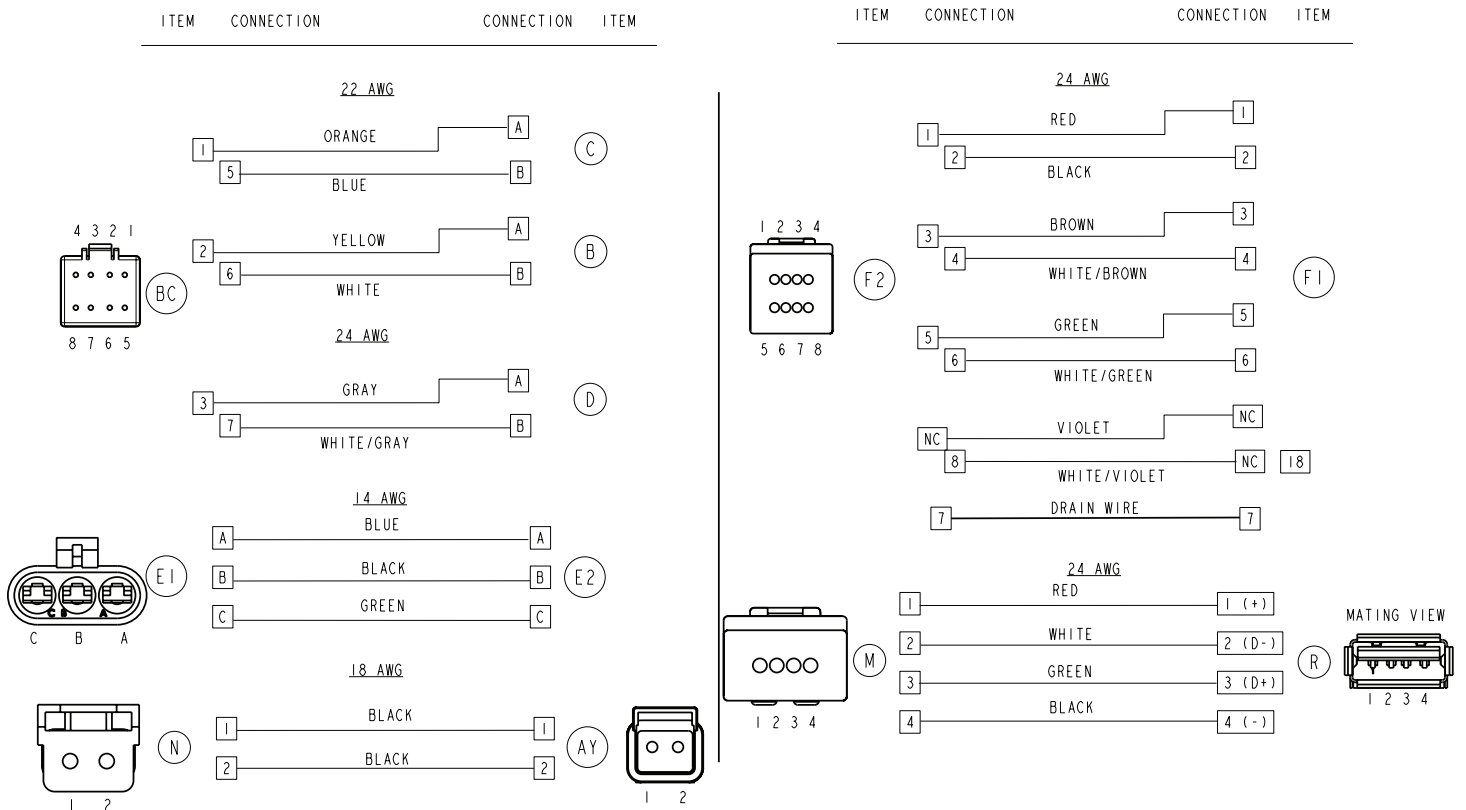
Safety micro

LCD display	Error description	Detection period
ERR 05	RAM diagnostic failure	Initialization
ERR 06	Program memory diagnostic failure	Initialization
ERR 08	EEPROM type and hardware type incompatible	Initialization
ERR 40	Data error	Run time
ERR 41	Charging failed battery voltage	Run time
ERR 42	Charging failed read battery	Run time
ERR 43	Charging failed battery charging time or over voltage limit	Run time
ERR 44	Charging failed charging current	Run time
ERR 45	Charging failed delta temp	Run time
ERR 63	EEPROM rev and firmware rev incompatible	Initialization
ERR 83	Extend (+) or retract (-) button detected without key	Run time
ERR 90	ASIC driving without microprocessor instruction	Run time

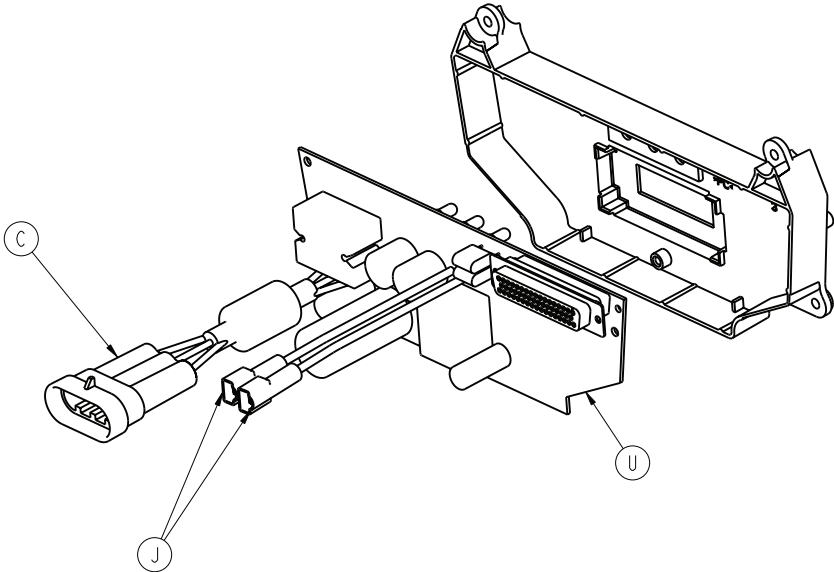
Main cable assembly



Main cable assembly wiring schematics



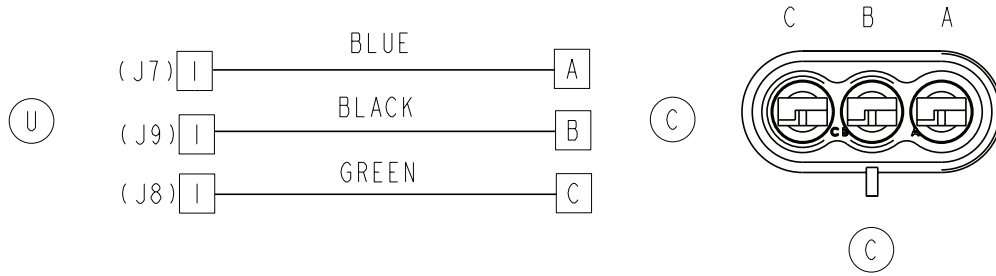
Control board assembly



Control board wiring schematics

ITEM	CONNECTION	CONNECTION	ITEM
------	------------	------------	------

MOTOR CABLE



BATTERY POSITIVE



BATTERY NEGATIVE



Service

Head section replacement

Tools required:

- 7/16" combination wrench
- 3/16" hex wrench

Procedure:

1. Raise the product to the highest height position.
2. Using a 7/16" combination wrench and a 3/16" hex wrench, remove the two screws (A) that secure the cap bearings to the base litter interface bracket (one on each side) (Figure 3). Save the screws.

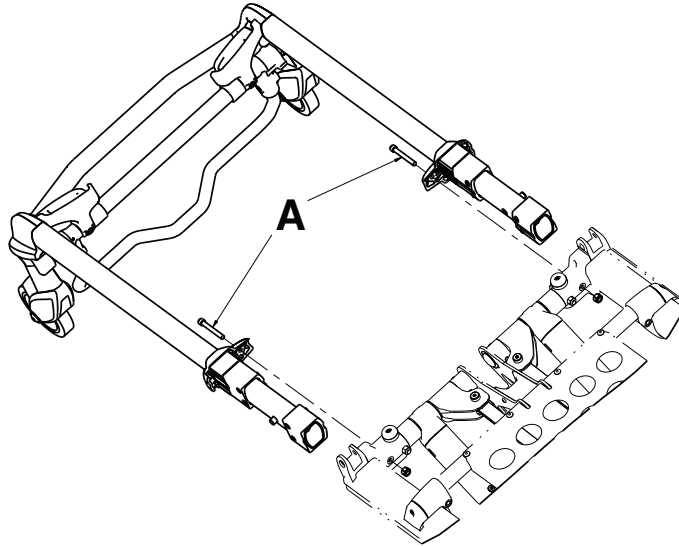


Figure 3 – Head section

3. Squeeze the head release handles and remove the head section assembly.
4. Reverse steps to reinstall.
5. Verify proper operation before you return the product to service.

Manual release cable adjustment

Tools required:

- 8 mm combination wrench
- 10 mm combination wrench
- (2) Weights (50 lb each)

Procedure:

1. Support the litter so no weight is on the base.
2. Make sure that the manual release cable is intact (A) (Figure 4).
3. Using a 10 mm combination wrench, loosen the cable lock nut (B) (Figure 4).
4. Using an 8 mm combination wrench, adjust the tension on the manual release cable so it just starts to touch the manual release dual pull bracket (C) (Figure 4).

Note - Make sure that the manual release dual pull bracket is not tight against the manual valve nuts.

5. Tighten the cable lock nut.
6. Place 50 lb of weight on the hydraulic skin.
7. Load height must read 34 1/2" to 35 1/2".
8. Place 100 lb of weight on the hydraulic skin, raise cot to the highest height position, pull the manual release handle, and make sure that the cot does not drop.
9. Remove 100 lb of weight, raise the cot to full height, pull the manual release handle, and make sure that the cot drops.

Note - If steps 6-9 do not work, repeat steps 3-9.

10. Verify proper operation before you return the product to service.

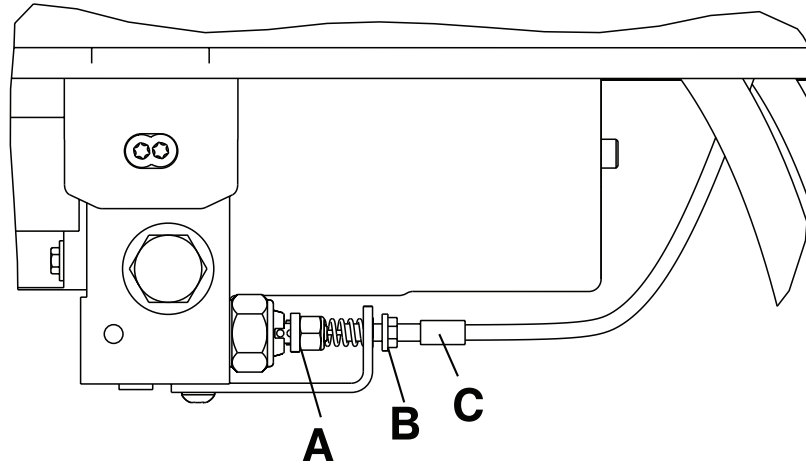


Figure 4 – Manual release cable

Filling the hydraulics assembly reservoir

Use only **Mobil Mercon® V Synthetic Blend Oil** (6500-001-293) when you fill the hydraulics assembly reservoir.

Note - Any time you work with the hydraulics you may lose some oil.

Tools required:

- 3/16" hex wrench

Procedure:

1. Raise the product to the highest height position.
2. Make sure that the fill port is horizontal and lined up with the hole in the motor mount.
3. Using a 3/16" hex wrench, remove the port plug (A) (Figure 5). Save the port plug.
4. Fill the reservoir up to the bottom of the fill port.
5. Using a 3/16" hex wrench, replace the plug and raise and lower the cot a few times.
6. Verify proper operation before you return the product to service.

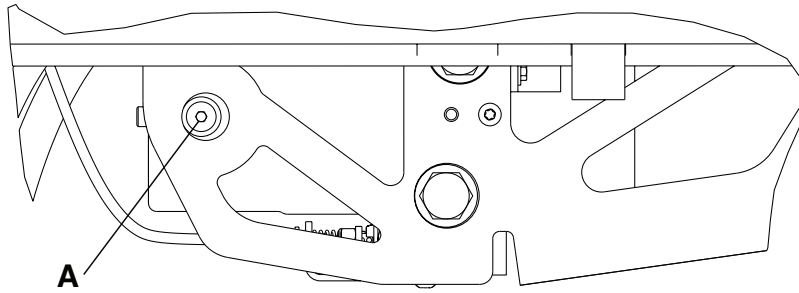


Figure 5 – Hydraulic assembly reservoir

Wheel locking force adjustment

Tools required:

- 5/32" hex wrench
- 7/16" combination wrench or socket

Procedure:

1. Using the 5/32" hex wrench and 7/16" combination wrench or socket, remove the socket screw from the center of the lock pedal. Save the screw. The wheel lock is initially assembled with the pedal set at the minimum locking force. The marker on the pedal (A) is aligned with the marker on the octagonal sleeve (B) (Figure 6).
2. Remove the sleeve (B). Rotate the sleeve counterclockwise to increase the pedal locking force and clockwise to decrease the locking force. Insert the sleeve into the pedal (Figure 6).
3. Using the 5/32" hex wrench and 7/16" combination wrench or socket, reinstall the socket screw (removed in step 1).
4. Test the pedal locking force and make sure that the pedal holds before you return the product to service.

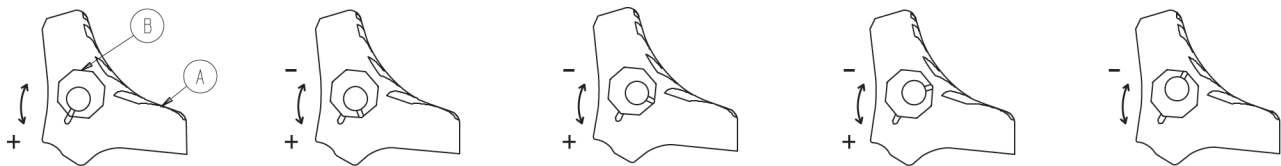


Figure 6 – Wheel locking force adjustment

Steer-Lock™ mechanism adjustment

Tools required:

- 9/16" combination wrench

Procedure:

1. If your Steer-Lock mechanism will not engage:
 - a. Using a 9/16" combination wrench, adjust the barrel nuts toward the foot end of the cot (Figure 7).
 - b. After adjustment, make sure that a minimum of one full thread is exposed on each side of the barrel nut.
2. If your Steer-Lock mechanism will not disengage:
 - a. Using a 9/16" combination wrench, adjust the barrel nuts toward the head end of the cot (Figure 8).
 - b. After adjustment, make sure that a minimum of one full thread is exposed on each side of the barrel nut.



Figure 7 – Barrel nut at the foot end

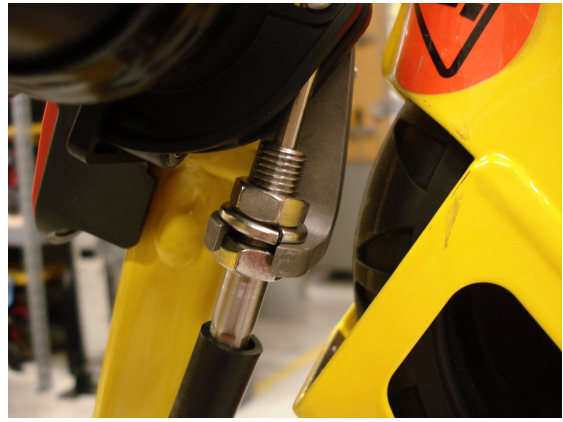


Figure 8 – Barrel nut at the head end

Cot retaining post adjustment

CAUTION - The cot retaining post is shipped pre-configured for an X-frame cot. If the fastener has been configured for an H-frame cot, you must adjust the retaining post to accommodate the fastener.

Note

- To determine if your cot is an X-frame or H-frame cot, look for an arrow or groove on the bottom bracket of the cot retaining post.
- The cot retaining post is set for an X-frame cot if the arrow on the bottom bracket of the retaining post points toward the head end of the cot or if the groove in the bottom bracket is located on the inside of the patient left side of the base tube.
- The cot retaining post is set for an H-frame cot if the arrow on the bottom bracket of the retaining post points toward the foot end of the cot or if the groove in the bottom bracket is located on the outside of the patient left side of the base tube.

Tools required:

- T30 Torx driver

Procedure:

1. Using a T30 Torx driver, remove the two socket head cap screws (A) that secure the brackets (B) to the base frame (C) (Figure 9). Save the screws.

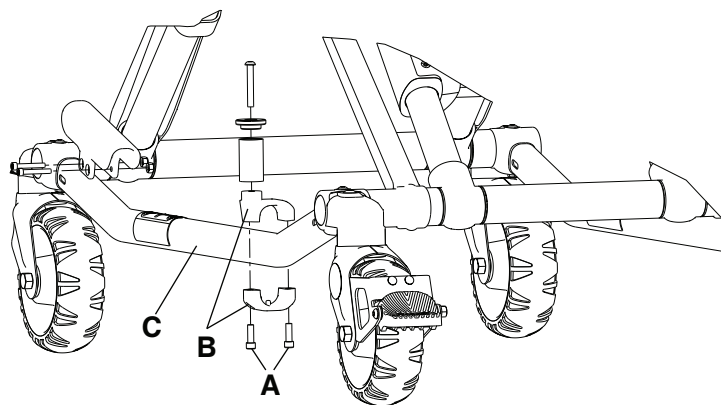


Figure 9 – Cot retaining post

2. Turn the bottom bracket 180 degrees.
3. Using a T30 Torx driver, reinstall the two socket head cap screws (removed in step 1).

4. Verify proper operation before you return the product to service.

Cot retaining post replacement

Note - You may need to adjust the rail clamp assembly to compensate for any variation in cot retaining post position depending on the ambulance cot manufacturer and model number.

Tools required:

- T30 Torx driver
- 5/32" hex wrench
- Torque wrench (in-lb)

Procedure:

1. Raise the product to the highest height position.
2. Turn the cot on the patient left side.

Note - Locate the arrow or groove on the bottom bracket. You must assemble the replacement retaining post bracket in the same orientation.

3. Using a T30 Torx driver, remove the two socket head cap screws (A) that secure the cot retaining post to the base tube (B) (Figure 10). Discard the screws and cot retaining post.
4. Insert the button head cap screw (C) through the retaining post cap (D) and post tube (E), and then into the top pin bracket (F) (Figure 10).
5. Using a 5/32" hex wrench, tighten the button head cap screw (C) to secure the retaining post cap (D) and post tube (E) to the top pin bracket (F) (Figure 10). Using a torque wrench, torque the screw to 100-140 in-lb.
6. Assemble the cot retaining post across the base tube. Align the holes of the brackets and insert two socket head cap screws (A) into the threaded holes of the bottom pin bracket (G) (Figure 10).
7. Using a T30 Torx driver, tighten the two socket head cap screws.
8. Verify proper operation before you return the product to service.

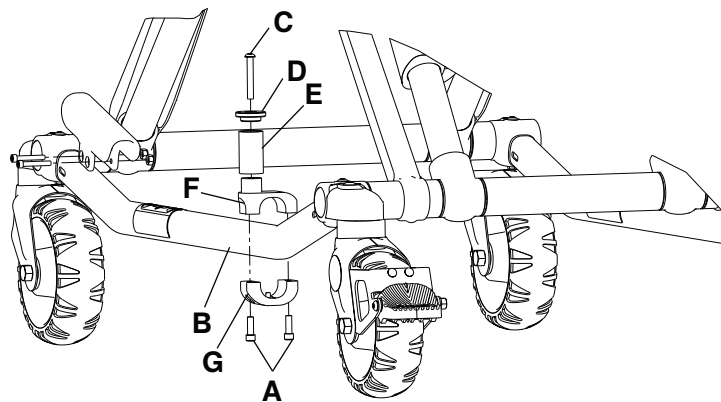


Figure 10 – Cot retaining post replacement

Cot retaining post screw replacement

Tools required:

- T25 Torx driver
- 5/32" hex wrench
- Torque wrench (in-lb)

Procedure:

1. Using a T25 Torx driver or 5/32" hex wrench, remove the button head cap screw that secures the retaining post cap and post tube to the top pin bracket. Discard the screw.
2. Using a 5/32" hex wrench, install and tighten the button head cap screw (0004-503-000) to secure the retaining post cap and tube to the top portion of the retaining post assembly. Using a torque wrench, torque the screw to 100-140 in-lb.

Note - If you cannot torque the screw to 100-140 in-lb, then you must replace the entire cot retaining post (see *Cot retaining post replacement* (page 28)).

3. Verify proper operation before you return the product to service.

Hydraulic A valve or B valve replacement

Tools required:

- T25 Torx driver
- 3/4" combination wrench
- 7/8" combination wrench
- (2) Saw horse
- Towels

Procedure:

1. Raise the product to the highest height position.
2. Using two saw horses, support the litter. Activate the manual release handle to relieve any hydraulic oil pressure.
3. Using a T25 Torx driver, remove the seat pan from the litter to access the hydraulic assembly.
4. Disconnect all connections to the main cable assembly.
5. Using a 3/4" combination wrench, remove the nut that secures the solenoid to the A valve (A) or B valve (B) (Figure 11). Save the nut.
6. Remove the solenoid from the valve. Save the solenoid.
7. Using a 7/8" combination wrench, remove the A valve or B valve from the hydraulic subassembly (Figure 11).

Note - Hydraulic oil will leak from the valve and manifold. Lay down towels to catch the oil.

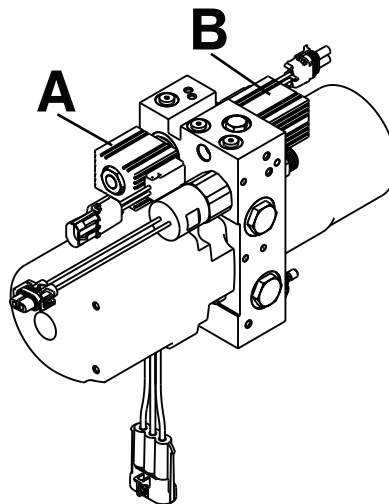


Figure 11 – Hydraulic A valve or B valve replacement

8. Reverse steps to reinstall.

9. Check functionality by raising and lowering the cot several times. If necessary, add hydraulic oil (see *Filling the hydraulics assembly reservoir* (page 25)).
10. Verify proper operation before you return the product to service.

Hydraulic manual release valve replacement

Tools required:

- T27 Torx driver
- 7/16" combination wrench
- 1/8" hex wrench
- 7/8" hex wrench
- (2) Saw horse

Procedure:

1. Raise the product to the highest height position.
2. Using two saw horses, support the litter. Activate the manual release handle to relieve any hydraulic oil pressure.
3. Using a T27 Torx driver, remove the two button head cap screws (A) that secure the manual release cable bracket to the bottom of the hydraulic subassembly (Figure 12).
4. Using a 1/8" hex wrench, place the hex wrench through the stem at the groove in the valve body to hold the valve stem in position.
5. Using a 7/16" combination wrench, remove the Nylock hex nut (B) from each of the valve stems (Figure 12).
6. Using a 7/8" hex wrench, remove the valve (C or D) to be replaced (Figure 12).

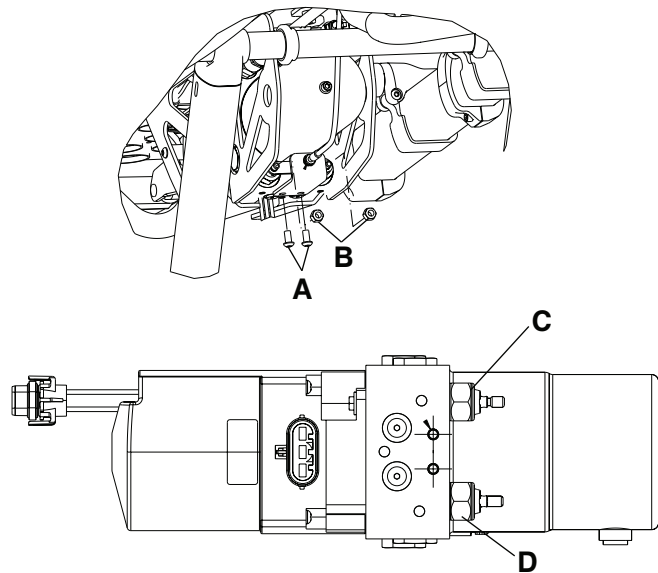


Figure 12 – Hydraulic manual release valve

7. Reverse steps to reinstall.
8. Check functionality by raising and lowering the cot several times. If necessary, add hydraulic oil (see *Filling the hydraulics assembly reservoir* (page 25)).
9. Verify proper operation before you return the product to service.

Hydraulic cylinder replacement

Tools required:

- 9/16" combination wrench
- 3/4" combination wrench
- 11/16" combination wrench
- 13/16" combination wrench
- 3/8" combination wrench
- 1/8" hex wrench
- (2) Saw horse
- Towels

Procedure:

1. Raise the product to the highest height position.
2. Using two saw horses, support the litter. Activate the manual release handle. Manually compress the ram to remove the tension on the base cross tube connecting bolt.
3. Using a 3/4" and 9/16" combination wrench, remove the rod attachment pin (A), washer (B), and Nylock hex nut (C) that secure the hydraulic cylinder to the base (Figure 13). Save all parts.
4. Activate the manual release handle and fully compress the hydraulic cylinder.
5. Using an 11/16" combination wrench and a 13/16" combination wrench, remove both hoses (D) from the hydraulic cylinder (E) (Figure 13).

Note - Hydraulic oil will leak from the hoses and cylinder. Lay down towels to catch the oil.

6. Keep the hose ends high and upright to minimize the amount of fluid lost.
7. Using a 1/8" hex wrench and 3/8" combination wrench, remove the two socket head set screws (F) and Fiberlock hex nuts (G) that secure the hydraulic cylinder to the base (Figure 13). Save the nuts and screws.

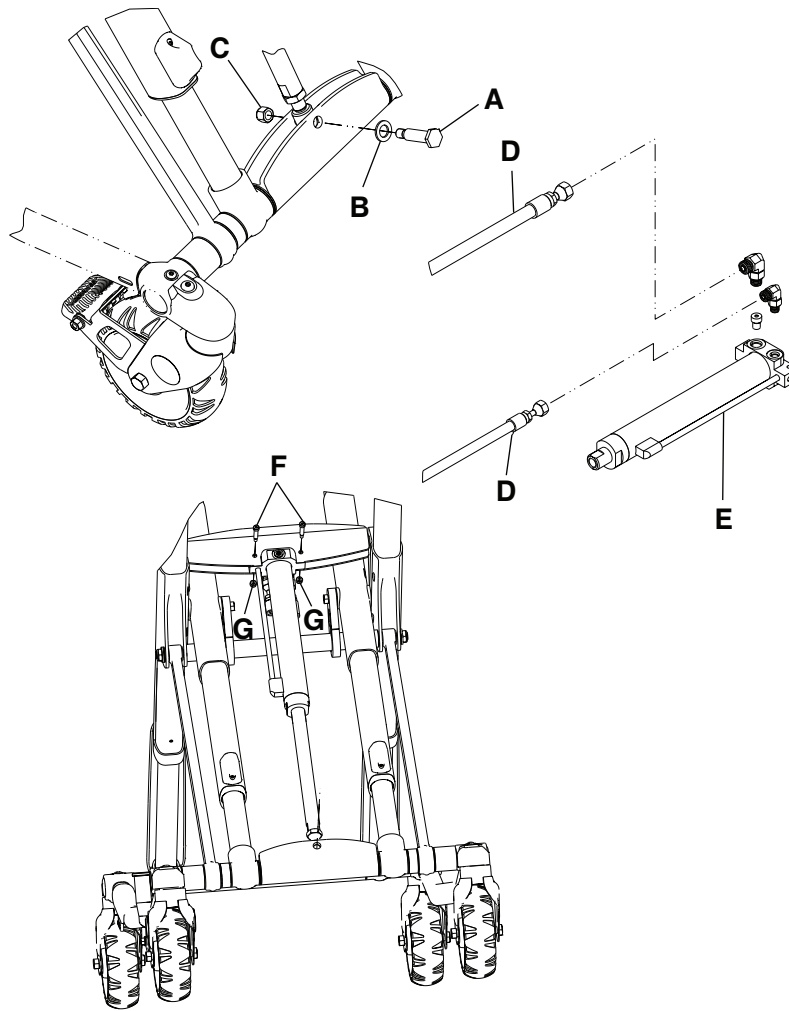


Figure 13 – Hydraulic cylinder replacement

8. Reverse steps to reinstall.
9. Check functionality by raising and lowering the cot several times. If necessary, add hydraulic oil (see *Filling the hydraulics assembly reservoir* (page 25)).
10. Verify proper operation before you return the product to service.

Hydraulic hose replacement

Tools required:

- 11/16" combination wrench
- 13/16" combination wrench
- (2) Saw horse
- Towels

Procedure:

1. Raise the product to the highest height position.
2. Using two saw horses, support the litter. Activate the manual release handle to relieve any hydraulic oil pressure.

Note

- Pay attention to the routing of the hydraulic hose for reinstallation.
- Hydraulic oil will leak from the hoses and cylinder. Lay down towels to catch the oil.

- Using a 11/16" combination wrench and a 13/16" combination wrench, remove the hydraulic hose (A or B) (Figure 14). Discard the hose.

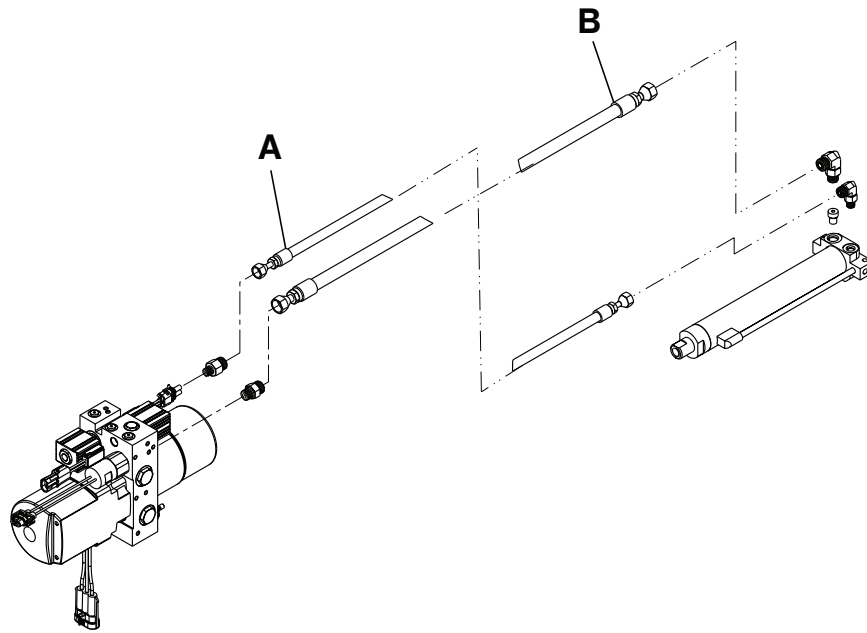


Figure 14 – Hydraulic hose replacement

- Reverse steps to reinstall.
- Check functionality by raising and lowering the cot several times. If necessary, add hydraulic oil (see *Filling the hydraulics assembly reservoir* (page 25)).
- Verify proper operation before you return the product to service.

Terminal block replacement

Tools required:

- T20 Torx driver
- T25 Torx driver

Procedure:

- Raise the product to the highest height position.
- Remove and save the battery.
- Using a T25 Torx driver, remove the six outer button head cap screws (A) from the face plate (Figure 15). Save the screws.
- Using a T20 Torx driver, remove the four inner delta screws (B) from the face plate to remove the face plate (Figure 15). Save the screws and face plate.
- Using a T20 Torx driver, remove the four delta screws (C) that secure the electronics assembly to the foot end enclosure and pull the electronics assembly out (Figure 15). Save all parts.

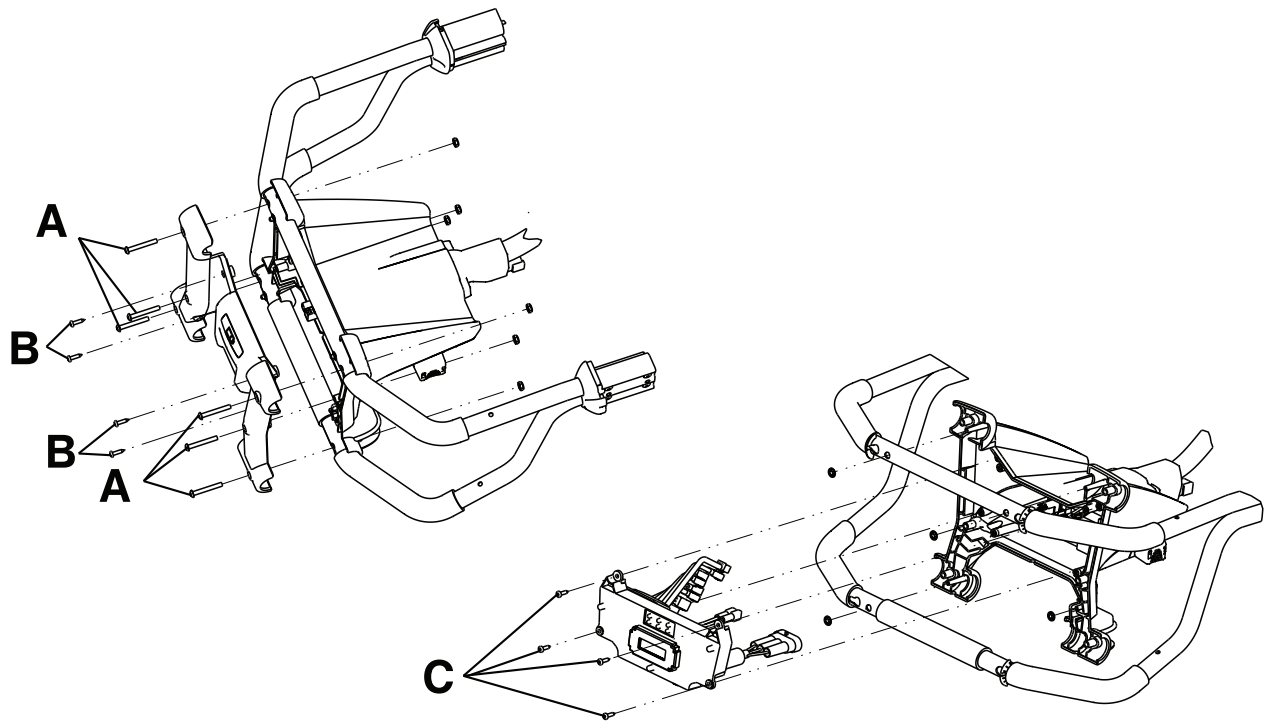


Figure 15 – Terminal block replacement

6. Unplug the black and red wires that connect the cot connector cable assembly (D) to the control board (E) (Figure 16).
7. Using a T20 Torx driver, remove the two delta screws (F) from the bottom plate of the foot end enclosure (G) to remove the enclosure (Figure 16). Save all parts.

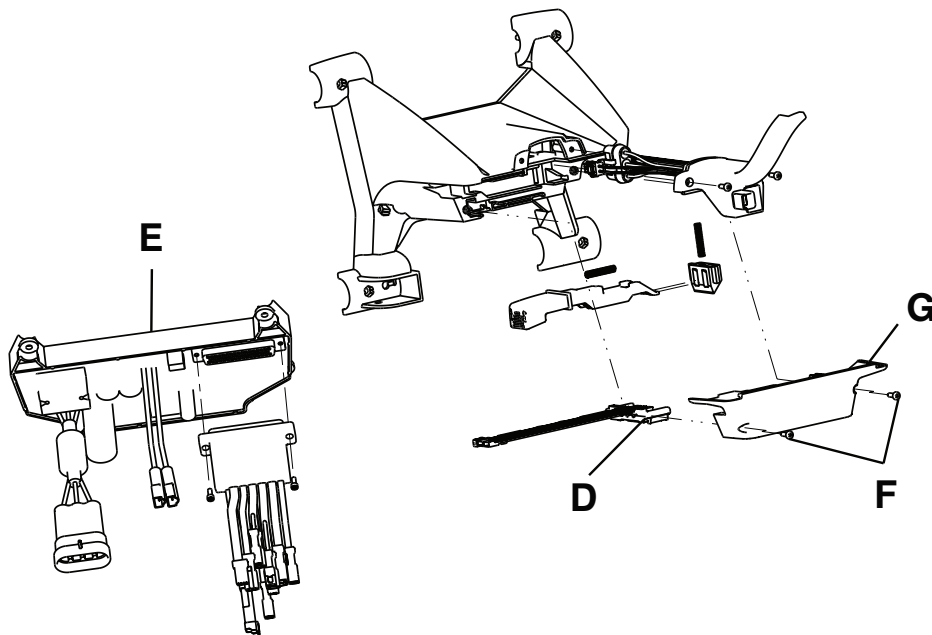


Figure 16 – Control board and cot connector cable assembly

8. Remove and discard the terminal block.
9. Reverse steps to reinstall.
10. Check functionality by raising and lowering the cot several times.
11. Verify proper operation before you return the product to service.

12 VDC automotive cable fuse replacement

Tools required:

- None

Procedure:

1. Unplug the adaptor cable from the plug (B) and the plug connector (A) (Figure 17).
2. Unscrew the tip on the source end and remove the fuse.

Note - The source tip and the fuse tension spring are loose and could be dropped.

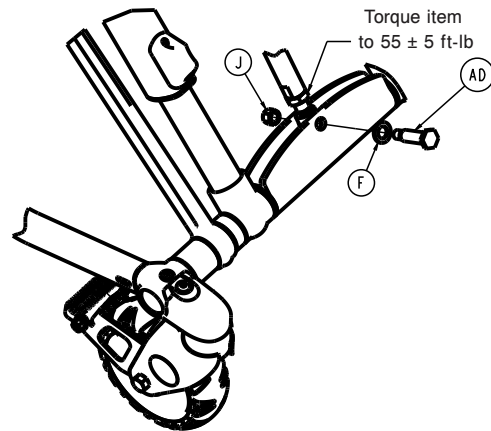
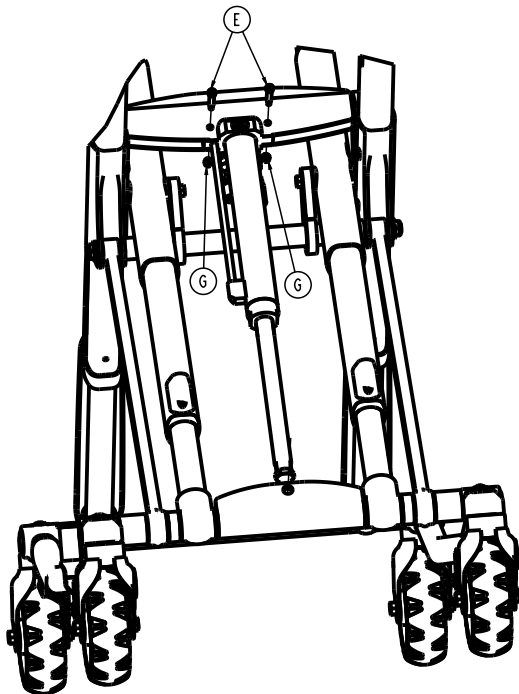
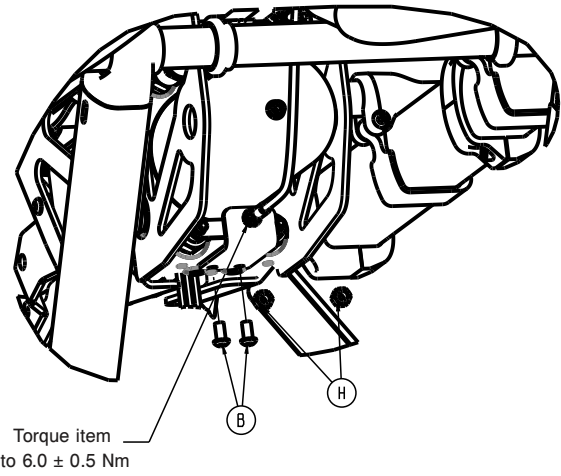
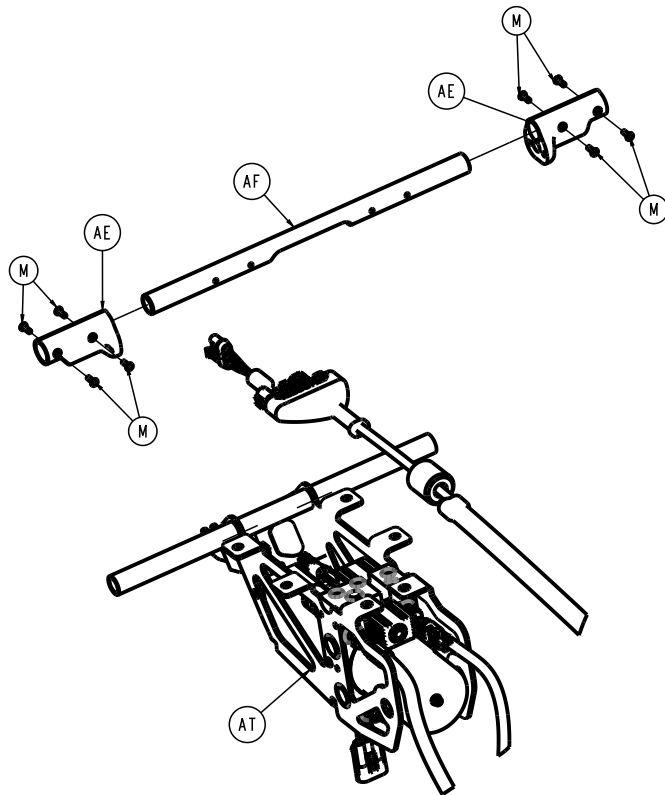
3. Install the supplied 10A 250V fuse into the source end of the adaptor cable and screw the tip back on.
4. Plug both ends back into the source and the charger.
5. Test for functionality before you return the charger to service.

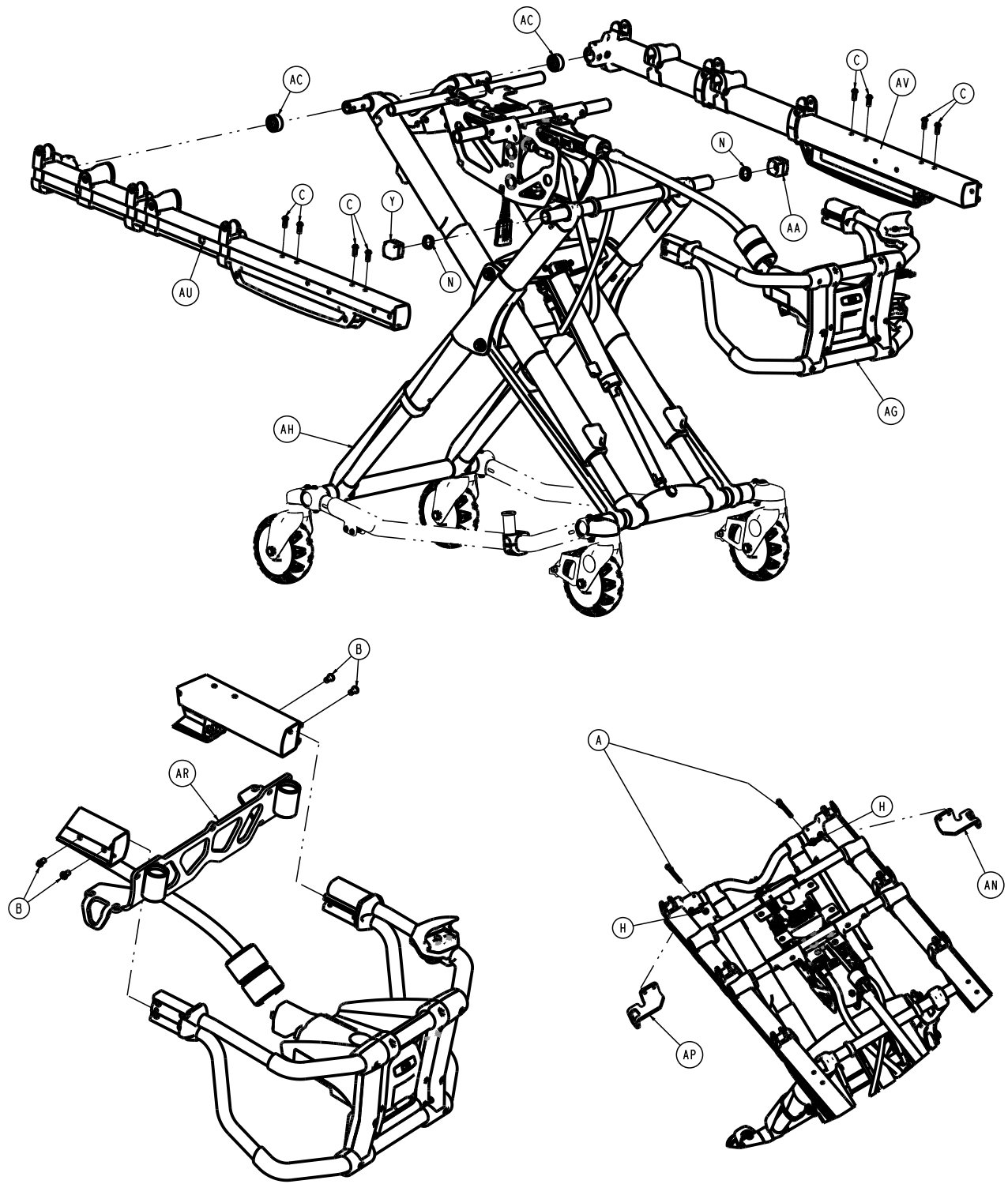


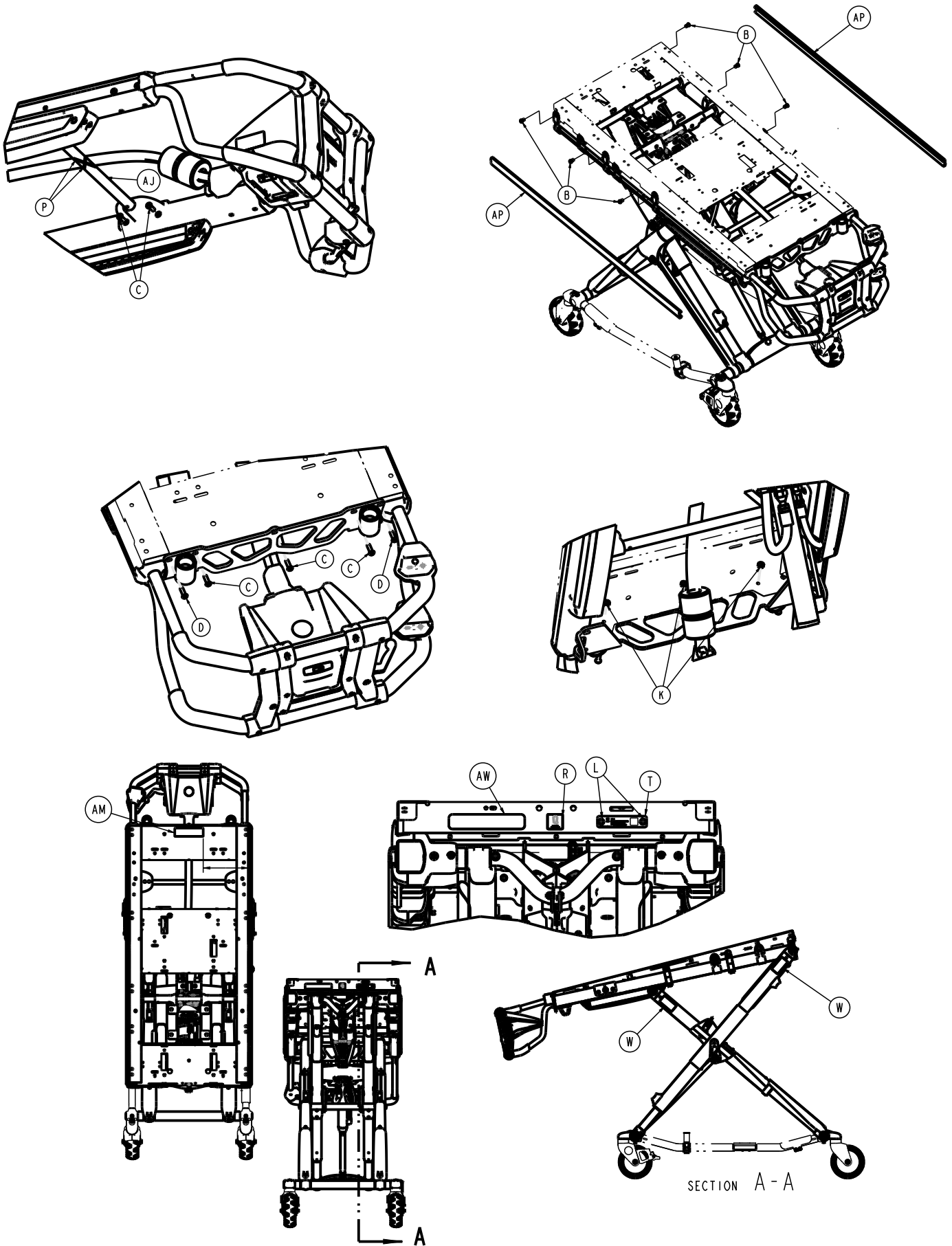
Figure 17 – 12 VDC automotive cable

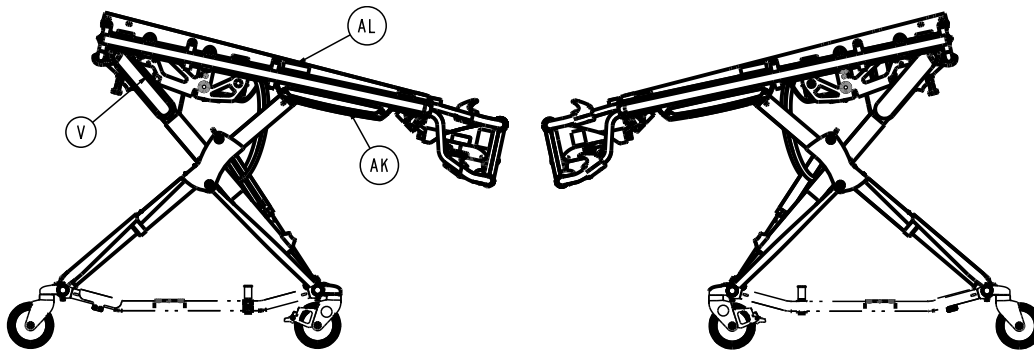
Cot assembly

6516-001-010 Rev AB (Reference only)







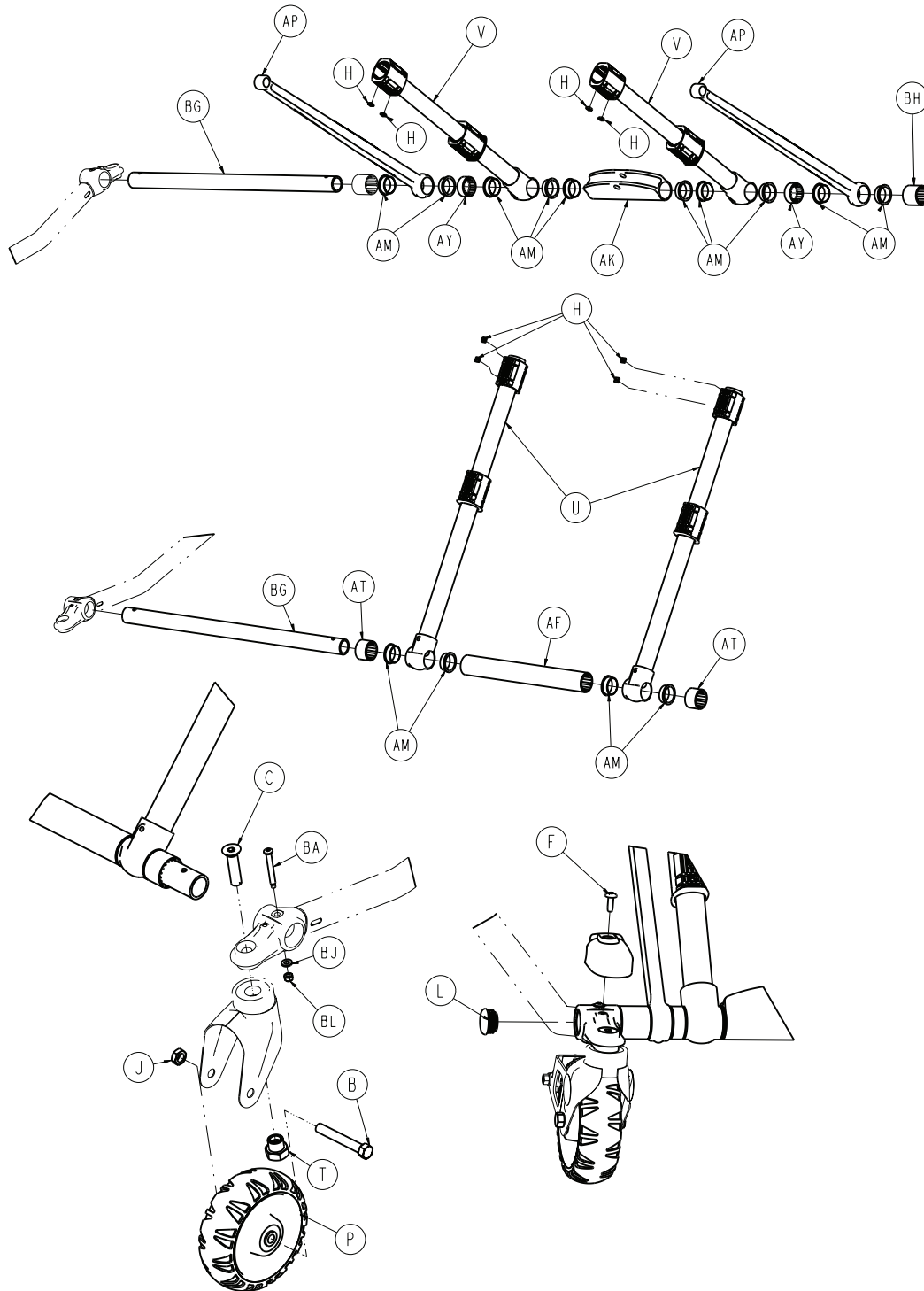


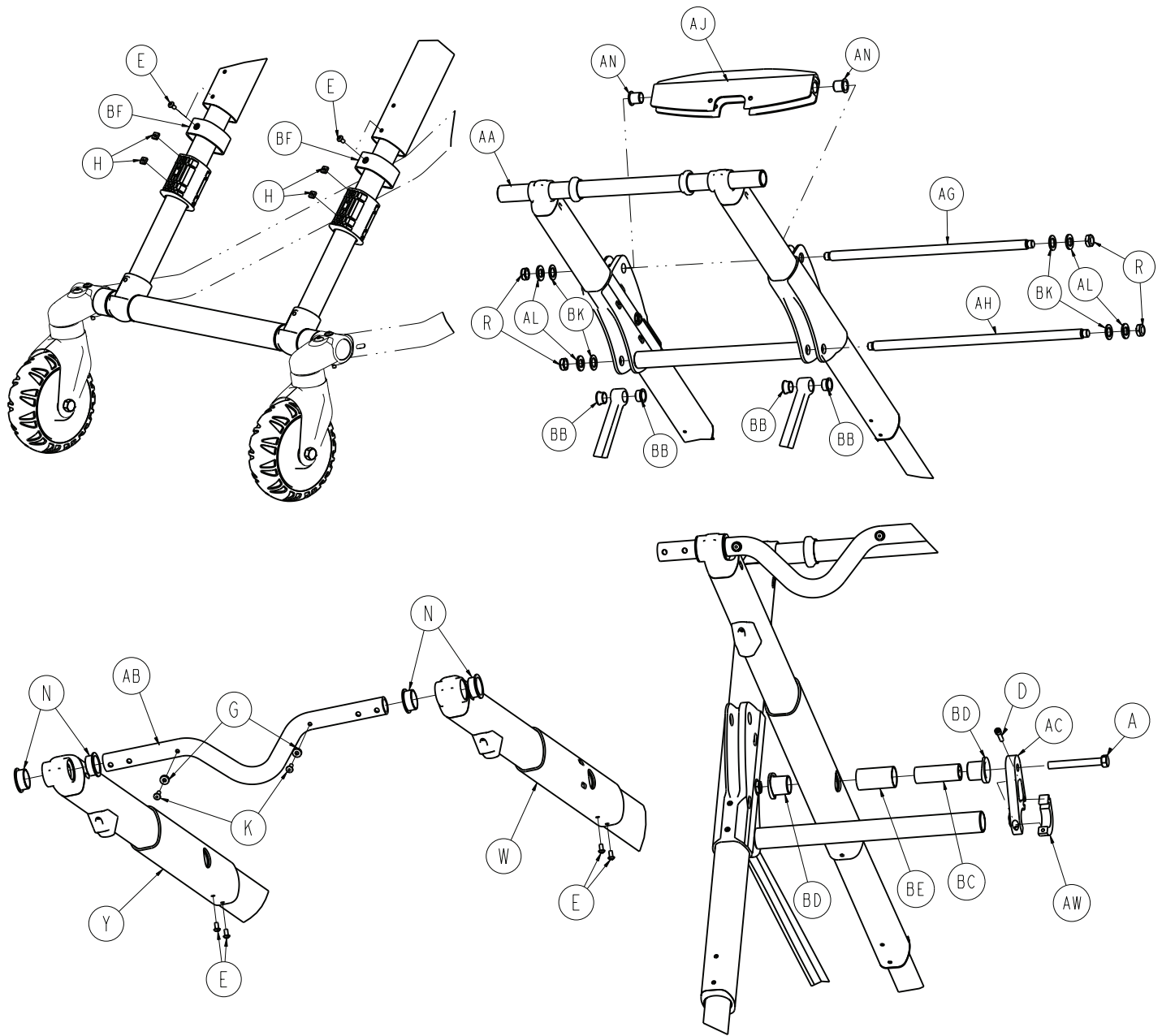
Item	Number	Name	Quantity
A	0004-517-000	Socket head cap screw	2
B	0004-589-000	Button head cap screw	12
C	0004-592-000	Button head cap screw	15
D	0004-593-000	Button head cap screw	2
E	0008-030-000	Socket head set screw	2
F	0011-013-000	Washer	1
G	0016-002-000	Fiberlock hex nut	2
H	0016-028-000	Fiberlock hex nut	4
J	0016-035-000	Nylock hex nut	1
K	0016-102-000	Nylock hex nut	3
L	0025-079-000	Dome head rivet	2
M	0025-133-000	Dome head rivet	8
N	0038-574-000	Crest-to-crest spring	2
P	0059-211-000	Nylon cable tie 11"	2
R	2030-009-901	Label, WEEE	1
T	6516-001-926	6516 tag, serial number	1
V	6082-090-043	Label, 11"	2
W	6252-101-139	Label, do not lubricate	4
Y	6500-001-017	Slider, magnet	1
AA	6500-001-123	Slider, hall effects	1
AB	6500-001-127	Outer rail bumper	2
AC	6500-001-128	Plastic extrusion - spacer	2
AD	6500-001-168	Pin, rod attachment	1
AE	6500-001-195	Motor mount casting	2
AF	6500-001-196	Litter cross brace	1
AG	6500-102-015	Foot end assembly	1
AH	6506-001-012	Base assembly	1
AJ	6510-001-013	Cross brace assembly	1
AK	6510-101-116	Label, Power-PRO IT	2
AL	6510-101-117	Label, weight capacity	2
AM	6510-101-121	Label, warning	1
AN	6510-001-126	Tie down head end bracket, left	1
AP	6510-001-127	Tie down head end bracket, right	1
AR	6510-101-052	Foot end socket weldment	1
AT	6516-001-014	Power plant, assembly, mounted	1

Item	Number	Name	Quantity
AU	6516-001-027	Outer rail subassembly, right	1
AV	6516-001-028	Outer rail subassembly, left	1
AW	6516-101-100	Label, Power-PRO IT specification	1

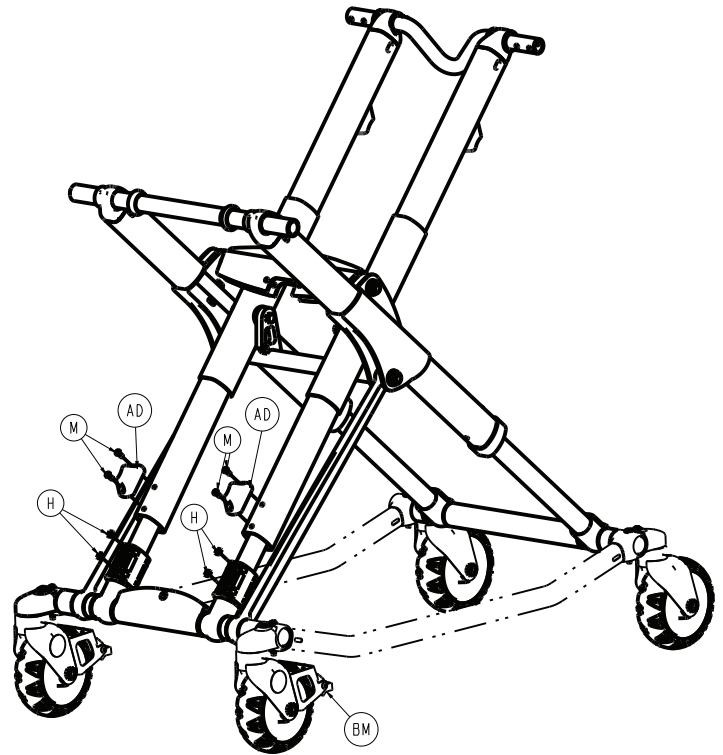
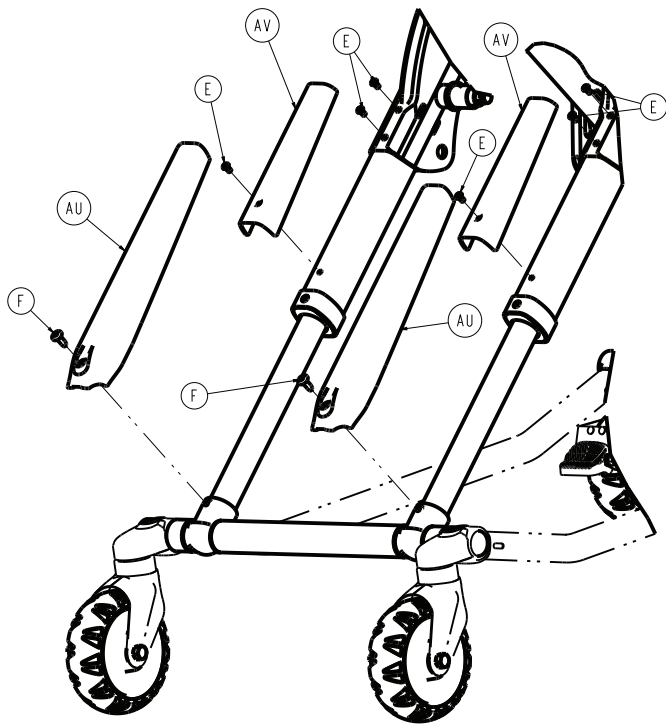
Base assembly

6506-001-012 Rev AA (Reference only)





Note - Item AE (6500-001-309) not shown for clarity (mirror image of item AC (6500-001-308)).

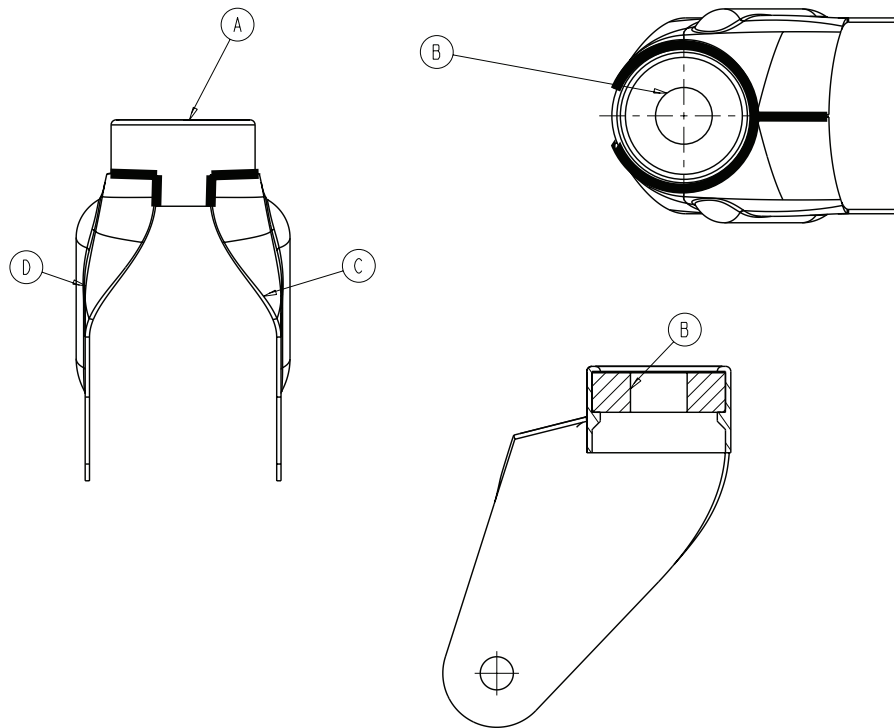


Item	Number	Name	Quantity
A	0003-388-000	Hex head cap screw	2
B	0003-205-000	Hex head cap screw	4
C	0004-319-000	Flat head/hex socket bolt	4
D	0004-659-000	Socket head cap screw	2
E	0004-587-000	Button head cap screw	12
F	0007-086-000	Truss head screw	6
G	0014-115-000	Washer	2
H	0015-051-000	Square nut	16
J	0016-060-000	Toplock hex jam nut	4
K	0025-133-000	Dome head pop rivet	2
L	0037-083-000	Tube plug	4
M	0004-634-000	Button head cap screw	4
N	0081-244-000	Flange bearing	4
P	6060-002-010	6 in. molded wheel assembly (6 in. molded wheel assembly (page 47))	4
R	0016-049-000	Nylock hex nut	4
T	6090-001-009	Caster nut	4

Item	Number	Name	Quantity
U	6500-301-021	Outer lift tube assembly (<i>Outer lift tube assembly, base pivot - 6500-301-021 (page 53)</i>)	2
V	6500-301-022	Inner lift tube assembly (<i>Inner lift tube assembly, base pivot - 6500-301-022 (page 54)</i>)	2
W	6500-001-034	Inner lift tube assembly, litter pivot, right (<i>Inner lift tube, litter pivot, patient right assembly - 6500-001-034 (page 55)</i>)	1
Y	6500-001-035	Inner lift tube assembly, litter pivot, left (<i>Inner lift tube, litter pivot, patient left assembly - 6500-001-035 (page 56)</i>)	1
AA	6500-001-056	Inner tube base frame	1
AB	6500-001-090	Head end cross tube	1
AC	6500-001-308	Base strap, right	1
AD	6500-001-125	Base dead stop	2
AE	6500-001-309	Base strap, left	1
AF	6500-001-129	Plastic extrusion spacer	1
AG	6500-001-171	Cylinder mount cross tube	1
AH	6500-001-182	Stiffener bar cross tube	1
AJ	6500-001-164	Cylinder mount pivot, top	1
AK	6500-001-165	Cylinder mount pivot, bottom	1
AL	6500-001-225	"D" washer	4
AM	6500-001-166	Flange bearing	14
AN	6500-001-157	Flange bearing	2
AP	6500-001-172	Support link	2
AT	6500-001-178	Plastic extrusion spacer	2
AU	6500-001-179	Top X-frame guard, lower	2
AV	6500-001-180	Top X-frame guard, upper	2
AW	6500-001-310	Base strap clamp	2
AY	6500-001-183	Plastic extrusion spacer	2
BA	6085-001-097	Caster mount bolt	4
BB	6500-001-162	Flange bearing	4
BC	6500-001-341	Base tube pivot post	2
BD	6500-001-226	Base tube pivot bearing	4
BE	6500-001-227	Base tube pivot post	2
BF	6500-001-228	Inner lift tube sleeve	2
BG	6500-001-229	Foot base tube	2
BH	6500-001-230	Plastic extrusion spacer	1
BJ	0014-002-000	Washer	4
BK	0014-040-000	Flat washer	4
BL	0016-002-000	Fiberlock nut	4
BM	6086-200-010	Adjustable caster lock assembly	2

Caster horn assembly - 6082-002-012

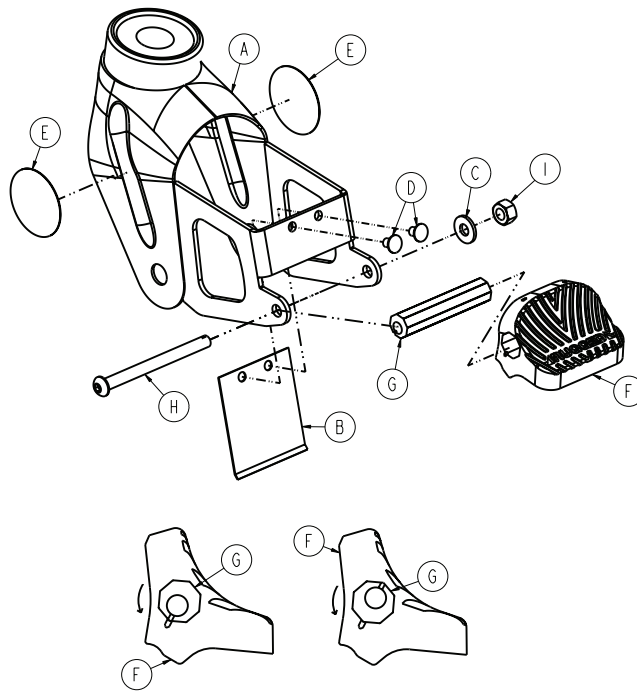
Rev C (Reference only)



Item	Number	Name	Quantity
A	6082-002-039	Bearing retainer	1
B	0081-227-000	Bearing	1
C	6082-002-042	Caster horn plate, left	1
D	6082-002-043	Caster horn plate, right	1

Adjustable caster lock assembly

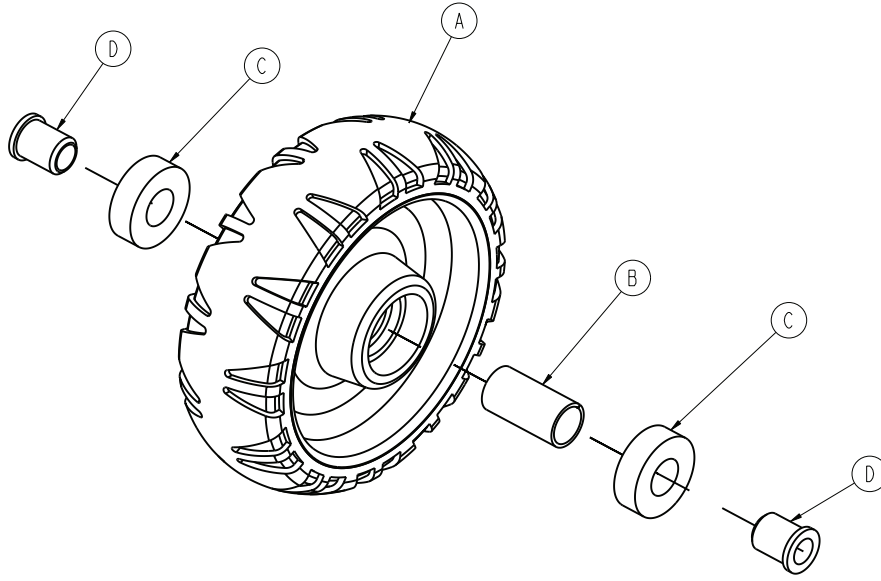
6086-200-010 Rev A (Reference only)



Item	Number	Name	Quantity
A	6082-100-012	Caster horn	1
B	6080-100-032	Spring	1
C	0011-456-000	Washer	1
D	0025-153-000	Semi-tubular rivet	2
E	6506-001-900	Label	2
F	6080-300-030	Pedal, adjustable caster lock	1
G	6080-200-041	Octagonal sleeve, adjustable caster lock	1
H	0004-098-000	Hex socket button head cap screw	1
I	0016-118-000	Centerlock nut	1

6 in. molded wheel assembly

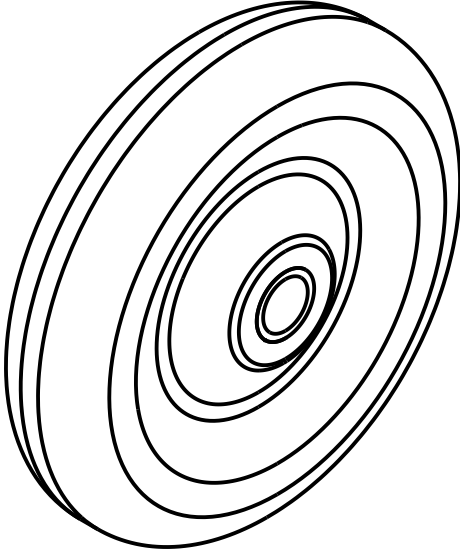
6060-002-010 Rev D (Reference only)



Item	Number	Name	Quantity
A	6060-002-045	6 in. molded wheel	1
B	6060-002-046	Bearing spacer	1
C	0081-226-000	Bearing	2
D	0715-001-255	Wheel bushing	2

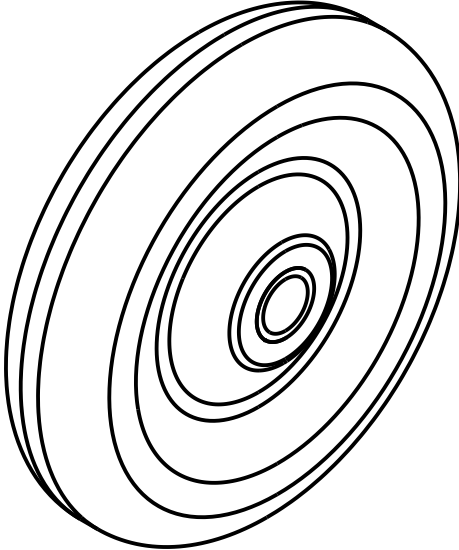
Load wheel, hard - 6500-101-086

Rev A (Reference only)



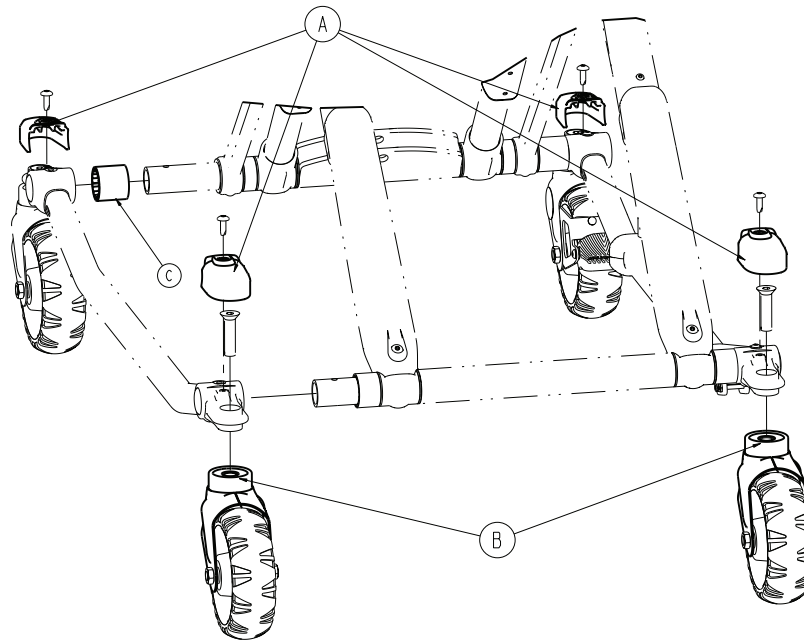
Wheel, front - 6500-001-086

Rev A (Reference only)



No Steer-Lock™ option - 6506-037-000

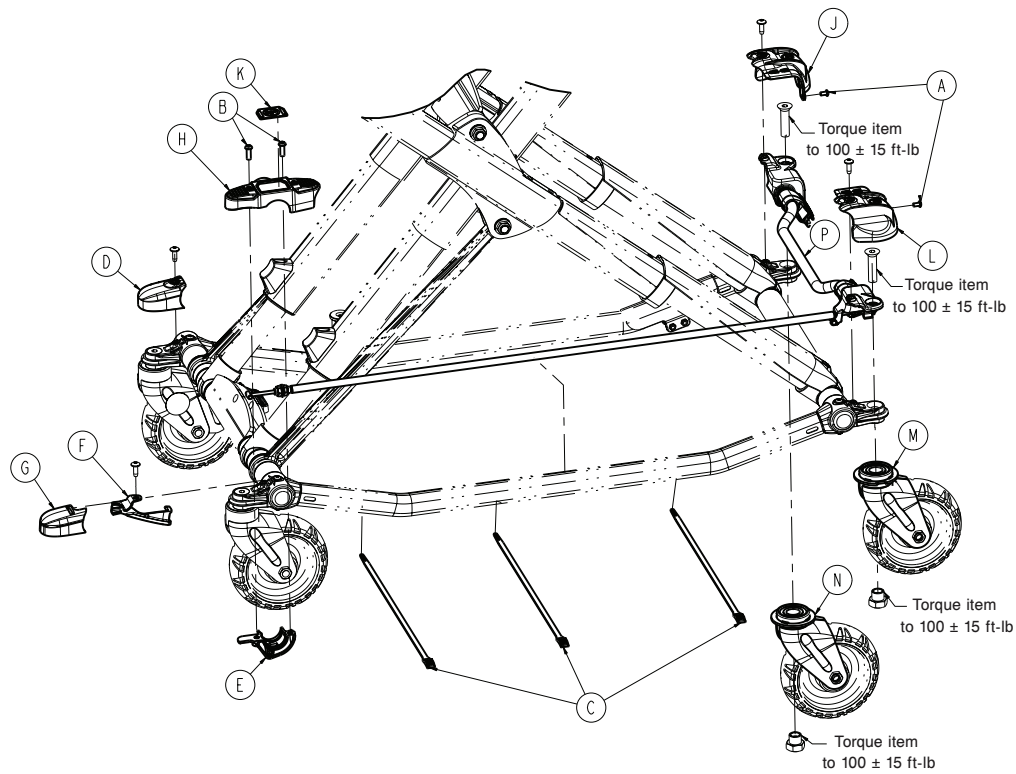
Rev A (Reference only)



Item	Number	Name	Quantity
A	6500-001-177	Caster mount cover	4
B	6082-002-012	Caster horn assembly - 6082-002-012 (page 45)	2
C	6500-001-230	Plastic extrusion - spacer	1

Steer-Lock option - 6506-038-000

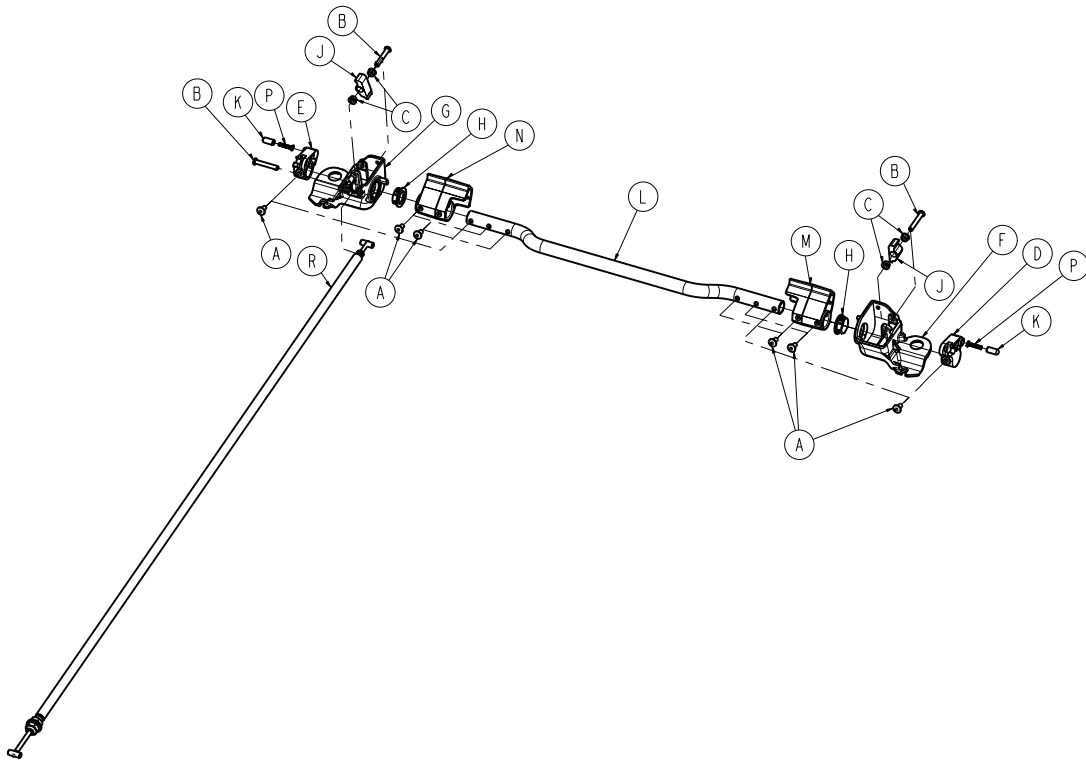
Rev A (Reference only)



Item	Number	Name	Quantity
A	0004-587-000	Button head cap screw	2
B	0004-592-000	Button head cap screw	2
C	0059-211-000	Cable tie	3
D	6500-001-177	Caster mount cover	1
E	6500-002-243	Steer-Lock pedal collar, foot end	1
F	6500-002-244	Steer-Lock cable support bracket	1
G	6500-002-245	Caster mount cover	1
H	6500-002-246	Steer-Lock overmolded pedal, foot end	1
J	6500-002-247	Steer-Lock housing cover, head end	1
K	6500-002-248	Label, Steer-Lock pedal, foot end	1
L	6500-002-249	Steer-Lock housing cover, head end	1
M	6500-002-255	Steer-Lock caster horn weldment, left	1
N	6500-002-260	Steer-Lock caster horn weldment, right	1
P	6506-002-265	Steer-Lock sub assembly, head end (page 52)	1

Steer-Lock sub assembly, head end

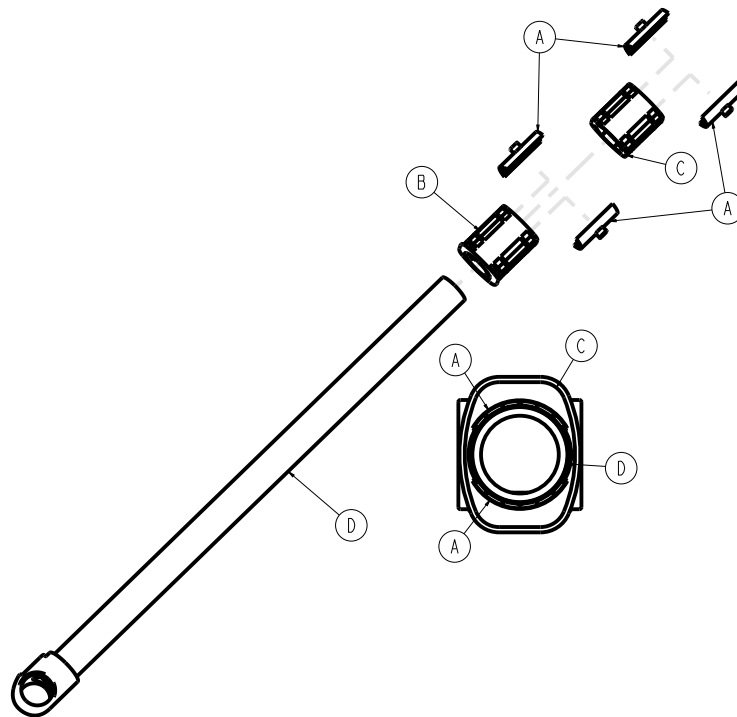
6506-002-265 Rev A (Reference only)



Item	Number	Name	Quantity
A	0025-079-000	Dome head rivet	6
B	0027-036-000	Self locking implanted cotter (SLIC) pin	3
C	0081-347-000	Flange bearing	4
D	6500-002-230	Steer-Lock plunger housing	1
E	6500-002-231	Steer-Lock plunger housing	1
F	6500-002-234	Steer-Lock mechanism housing	1
G	6500-002-235	Steer-Lock mechanism housing	1
H	6500-002-236	Steer-Lock custom flange bushing	2
J	6500-002-237	Steer-Lock lock pawl	2
K	6500-002-238	Steer-Lock plunger button	2
L	6500-002-240	Steer-Lock cross tube	1
M	6500-002-241	Steer-Lock pedal, head end	1
N	6500-002-251	Steer-Lock pedal, head end	1
P	6500-002-252	Compression spring	2
R	6500-002-250	Steer-Lock push-pull flex rod assembly	1

Outer lift tube assembly, base pivot - 6500-301-021

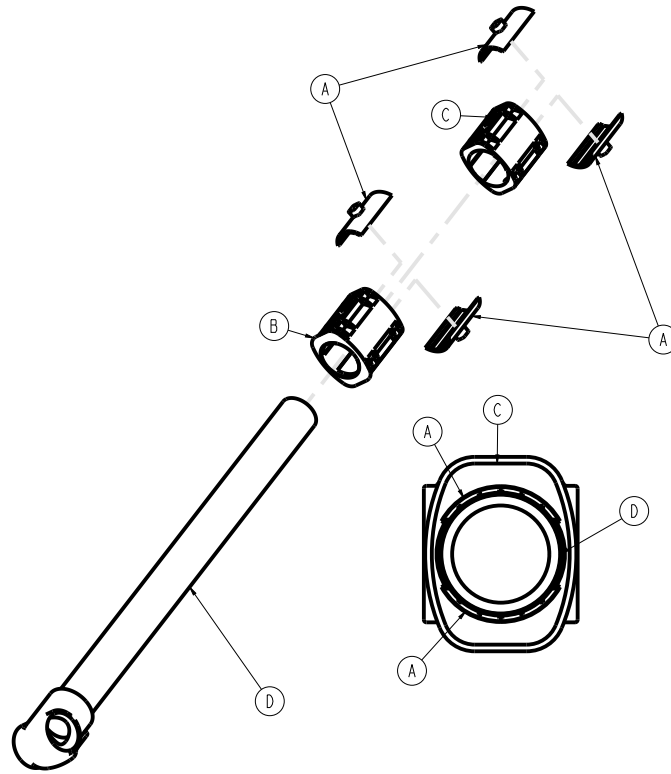
Rev B (Reference only)



Item	Number	Name	Quantity
A	6500-101-327	Half shell bearing	4
B	6500-001-328	Bearing carrier, lower	1
C	6500-001-329	Bearing carrier, middle	1
D	6500-301-050	Outer lift tube weldment	1

Inner lift tube assembly, base pivot - 6500-301-022

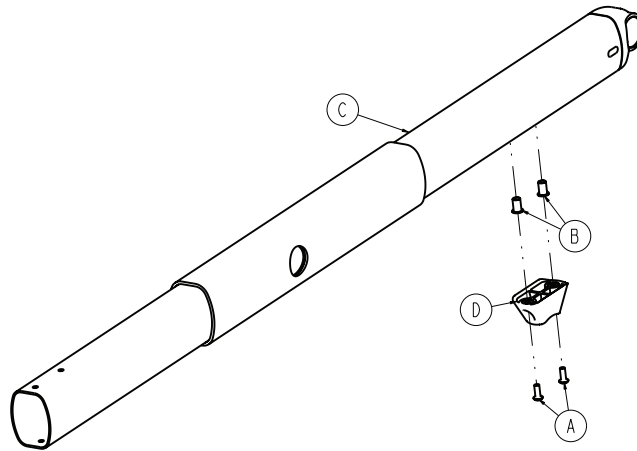
Rev C (Reference only)



Item	Number	Name	Quantity
A	6500-101-327	Half shell bearing	4
B	6500-001-328	Bearing carrier, lower	1
C	6500-001-329	Bearing carrier, middle	1
D	6500-301-051	Lift tube weldment, base pivot	1

Inner lift tube, litter pivot, patient right assembly - 6500-001-034

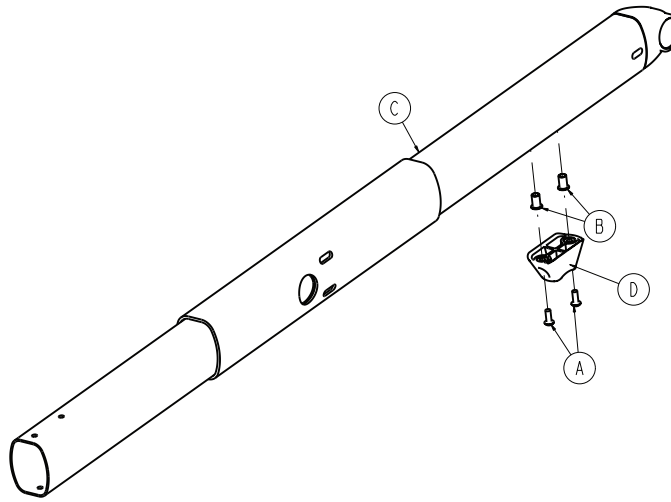
Rev F (Reference only)



Item	Number	Name	Quantity
A	0004-634-000	Button head cap screw	2
B	0055-100-075	Nut	2
C	6500-001-355	Inner lift tube weldment	1
D	6500-001-125	Dead stop	1

Inner lift tube, litter pivot, patient left assembly - 6500-001-035

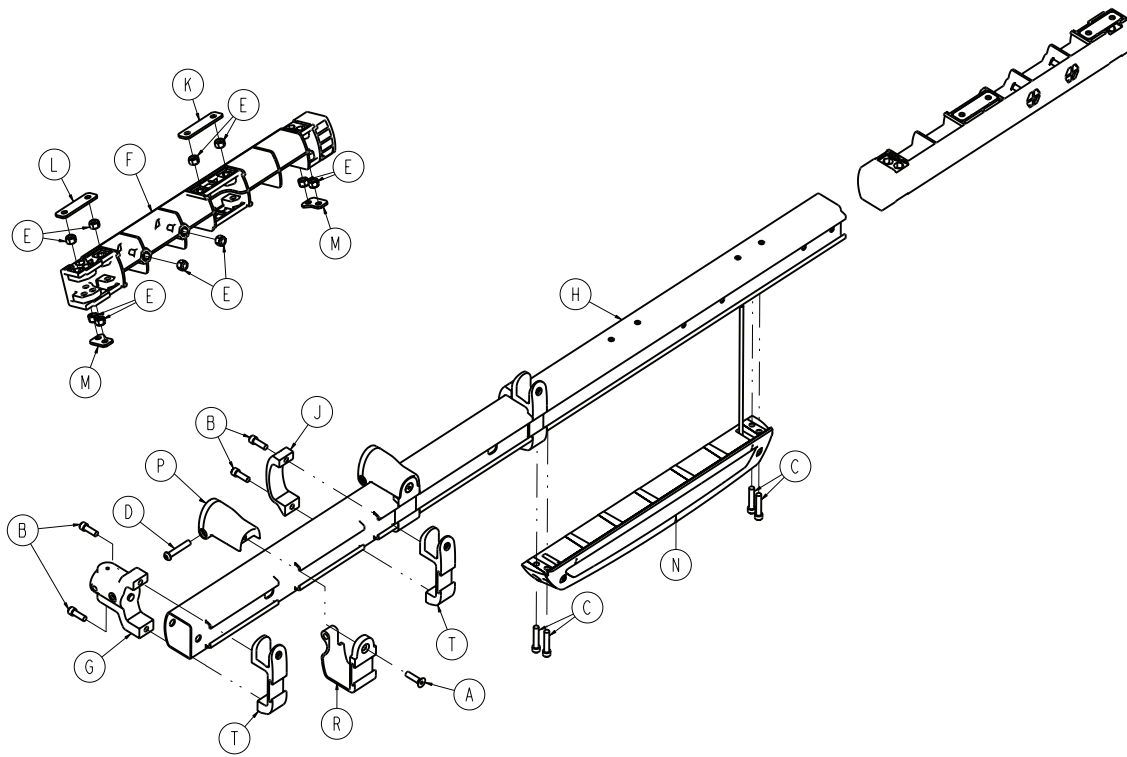
Rev F (Reference only)



Item	Number	Name	Quantity
A	0004-634-000	Button head cap screw	2
B	0055-100-075	Nut	2
C	6500-301-053	Inner lift tube weldment	1
D	6500-001-125	Dead stop	1

Outer rail sub assembly, right

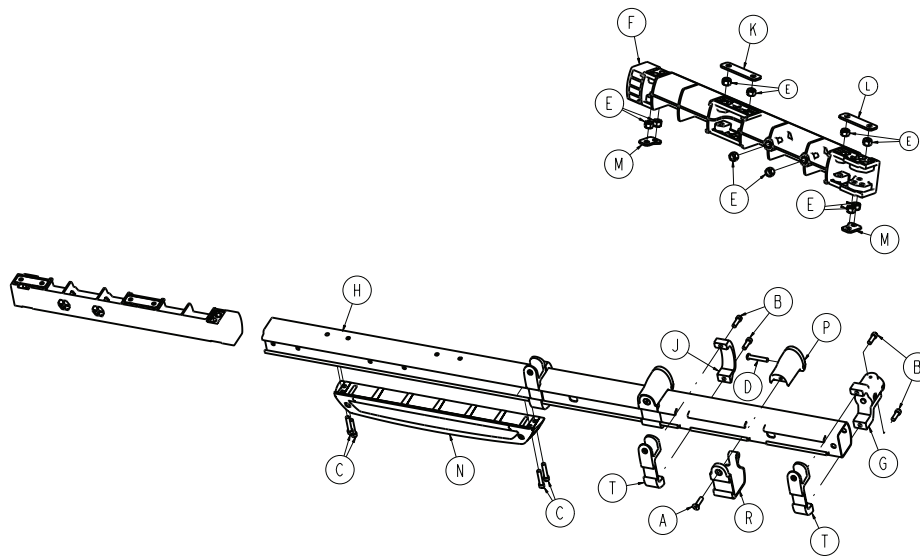
6516-001-027 Rev B (Reference only)



Item	Number	Name	Quantity
A	0001-004-011	Flat head cap screw	2
B	0004-591-000	Socket head cap screw	6
C	0004-613-000	Socket head cap screw	4
D	0004-848-000	Button head cap screw	2
E	0016-028-000	Fiberlock hex nut	10
F	6500-001-098	Litter dead stop, internal	1
G	6500-001-102	Base/litter interface bracket	1
H	6500-001-114	Outer rail extrusion	1
J	6500-001-117	Siderail clamp	2
K	6500-001-243	IV pole backer plate	1
L	6500-001-244	IV clip backer plate	1
M	6500-001-245	Sensor housing bracket plate	2
N	6500-002-028	<i>Hall sensor assembly (page 59)</i>	1
P	6500-002-130	Litter support bracket	2
R	6500-002-131	Litter support bracket, inner	2
T	6510-001-115	Siderail bracket	3

Outer rail sub assembly, left

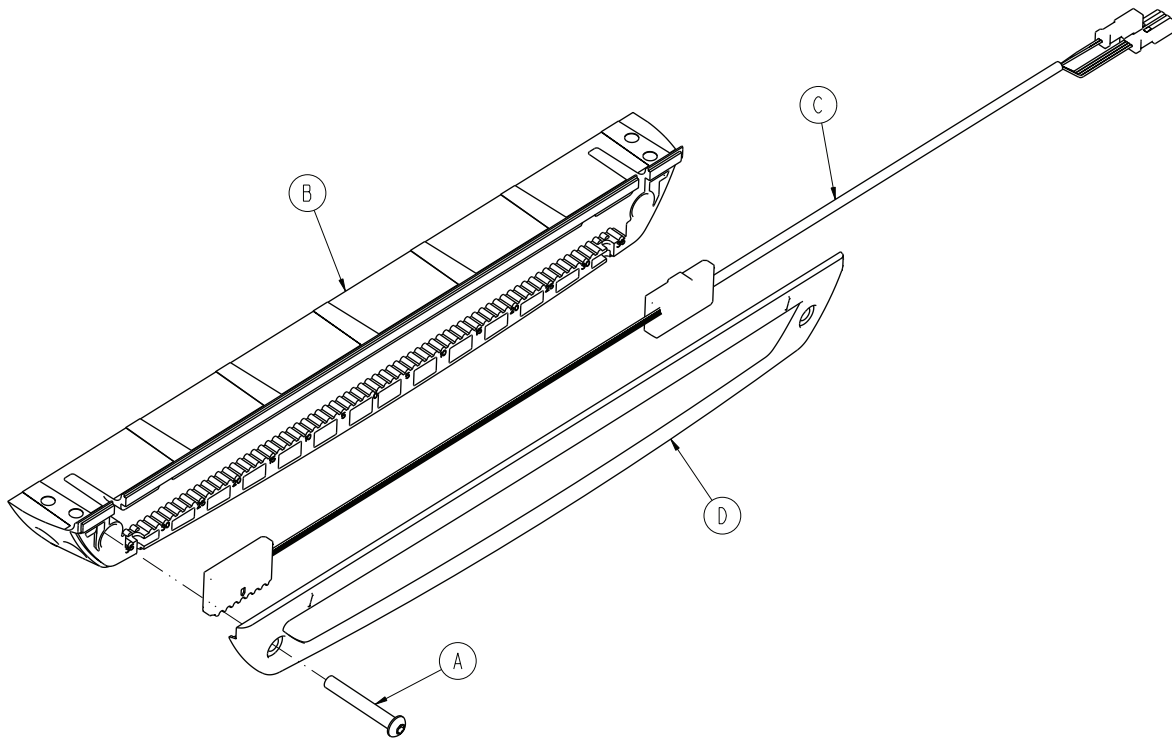
6516-001-028 Rev B (Reference only)



Item	Number	Name	Quantity
A	0001-004-011	Flat head cap screw	2
B	0004-591-000	Socket head cap screw	6
C	0004-613-000	Socket head cap screw	4
D	0004-848-000	Button head cap screw	2
E	0016-028-000	Fiberlock hex nut	10
F	6500-001-098	Litter dead stop, internal	1
G	6500-001-102	Base/litter interface bracket	1
H	6500-001-115	Outer rail extrusion	1
J	6500-001-117	Siderail clamp	2
K	6500-001-243	IV pole backer plate	1
L	6500-001-244	IV clip backer plate	1
M	6500-001-245	Sensor housing bracket plate	2
N	6500-002-029	Sensor housing assembly (page 60)	1
P	6500-002-130	Litter support bracket	2
R	6500-002-131	Litter support bracket, inner	2
T	6510-001-115	Siderail bracket	3

Hall sensor assembly

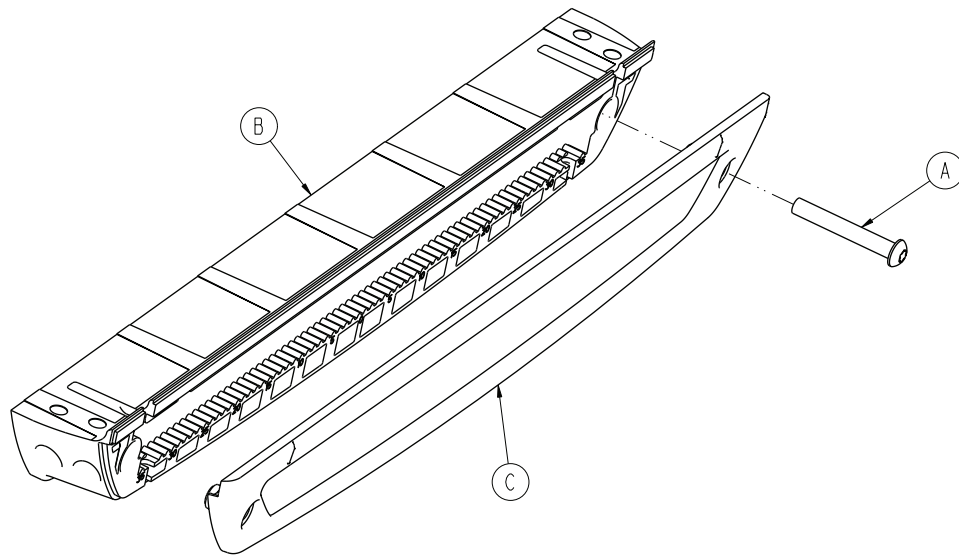
6500-002-028 Rev A (Reference only)



Item	Number	Name	Quantity
A	0004-596-000	Button head cap screw	1
B	6500-001-124	Sensor housing	1
C	6500-001-160	Hall effects sensor	1
D	6500-001-199	Housing cover	1

Sensor housing assembly

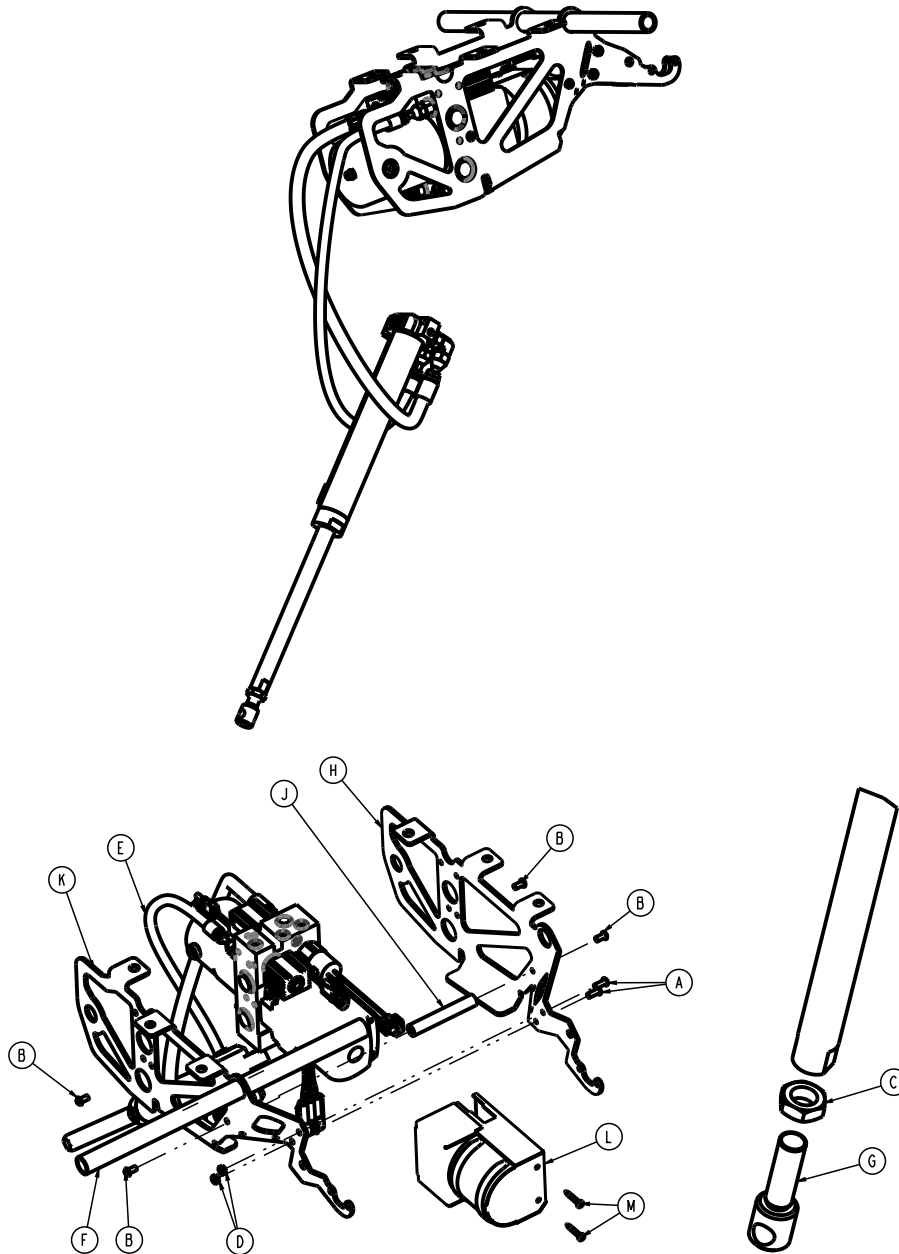
6500-002-029 Rev A (Reference only)



Item	Number	Name	Quantity
A	0004-596-000	Button head cap screw	1
B	6500-001-124	Sensor housing	1
C	6500-001-199	Housing cover	1

Power plant assembly

6516-001-014 Rev D (Reference only)

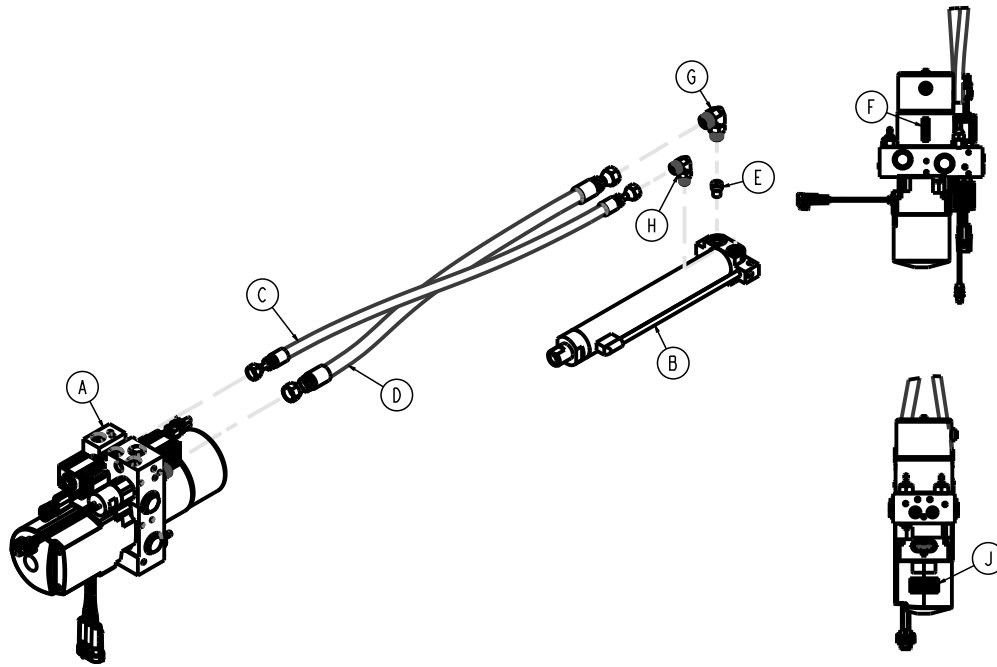


Item	Number	Name	Quantity
A	0004-577-000	Button head cap screw	2
B	0004-589-000	Button head cap screw	4
C	0015-052-000	Hex jam nut	1
D	0016-102-000	Nylock hex nut	2
E	6500-101-030	Hydraulic sub assembly - 6500-101-030 (page 63)	1
F	6500-001-105	Litter support, cross tube	1
G	6500-001-169	Cylinder, rod end	1
H	6500-002-194	Motor mount	1
J	6500-001-212	Motor mount cross bar	1
K	6500-002-294	Motor mount	1

Item	Number	Name	Quantity
L	6506-001-820	Motor can weldment	1
M	0023-333-000	Pan head sheet metal screw	2

Hydraulic sub assembly - 6500-101-030

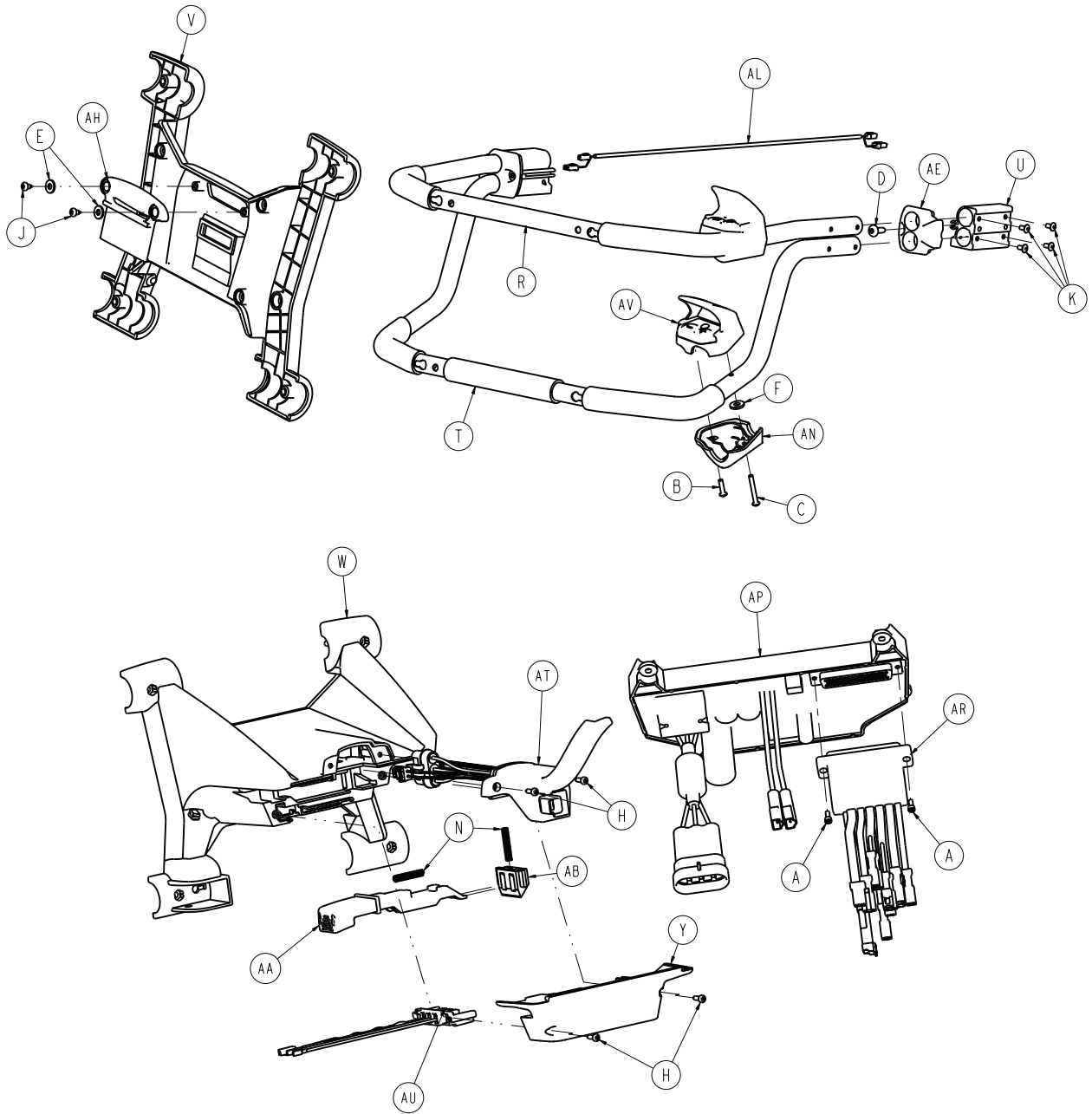
Rev AC (Reference only)

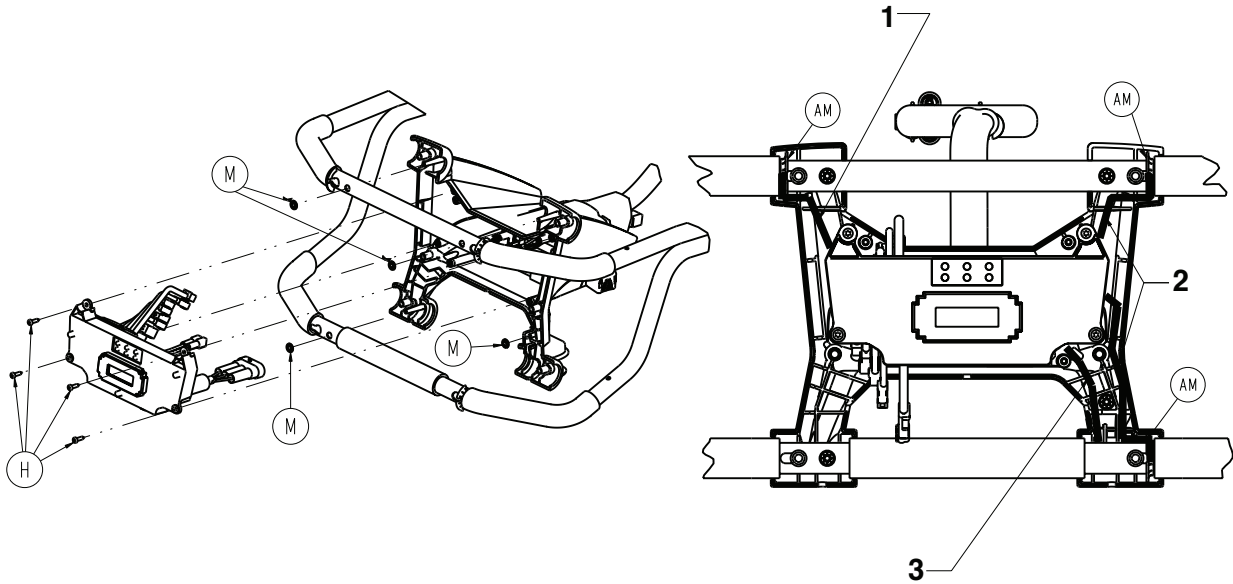


Item	Number	Name	Quantity
A	6500-101-214	Manifold assembly	1
B	6500-002-034	Hydraulic cylinder assembly	1
C	6500-001-211	Hydraulic hose assembly	1
D	6500-001-210	Hydraulic hose	1
E	Depatie 8506-1.9	Vonberg velocity fuse	1
F	Depatie fusion bar code label	Label, serial number	1
G	6500-001-296	Cap side hose fitting, cylinder	1
H	6500-001-297	Rod side hose fitting, cylinder	1
J	Depatie PPQC label	Label, quality control	1

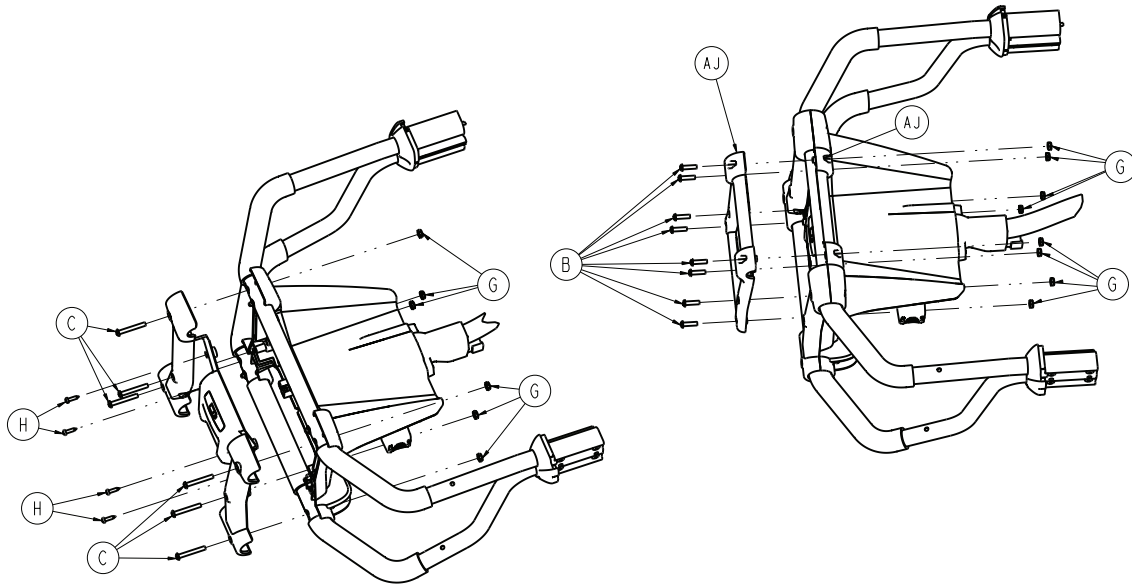
Foot end assembly

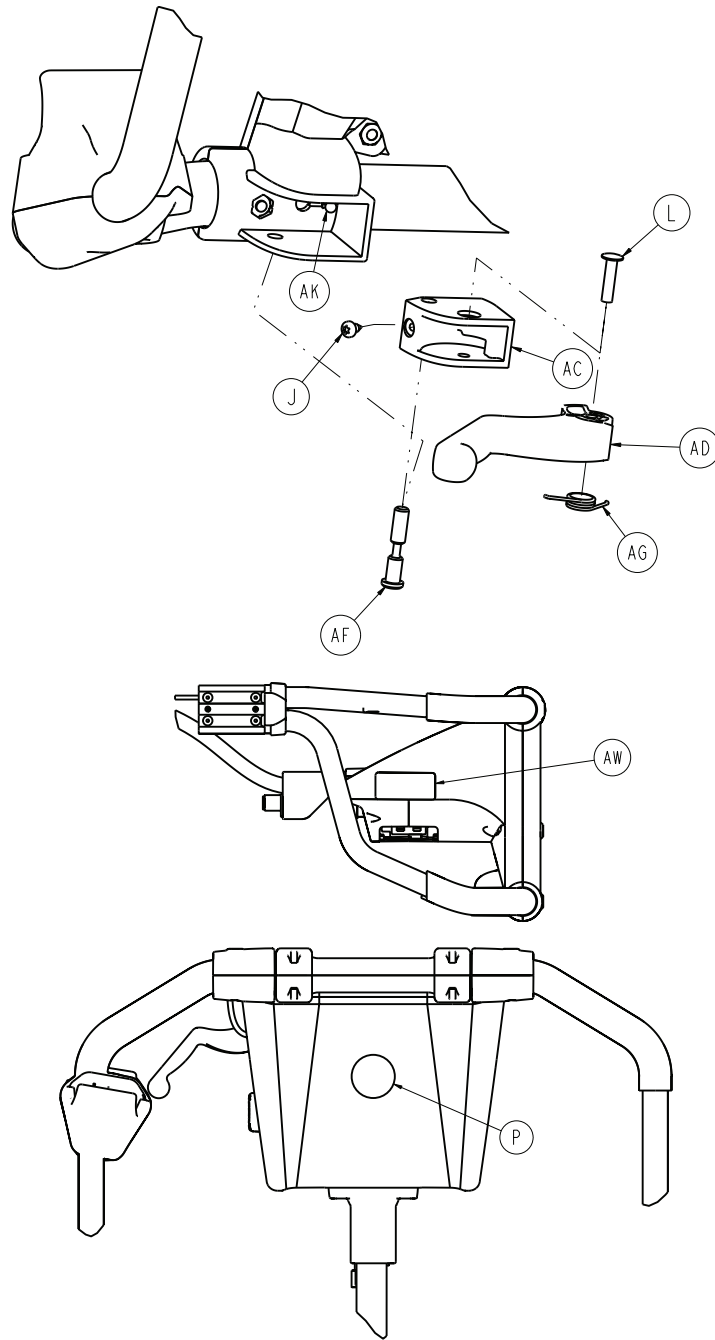
6500-102-015 Rev AA (Reference only)





1	Route hall sensor cable around item (AM) and through this area
2	Route switch cables around item (AM) and through this area
3	Route manual release cable through this area



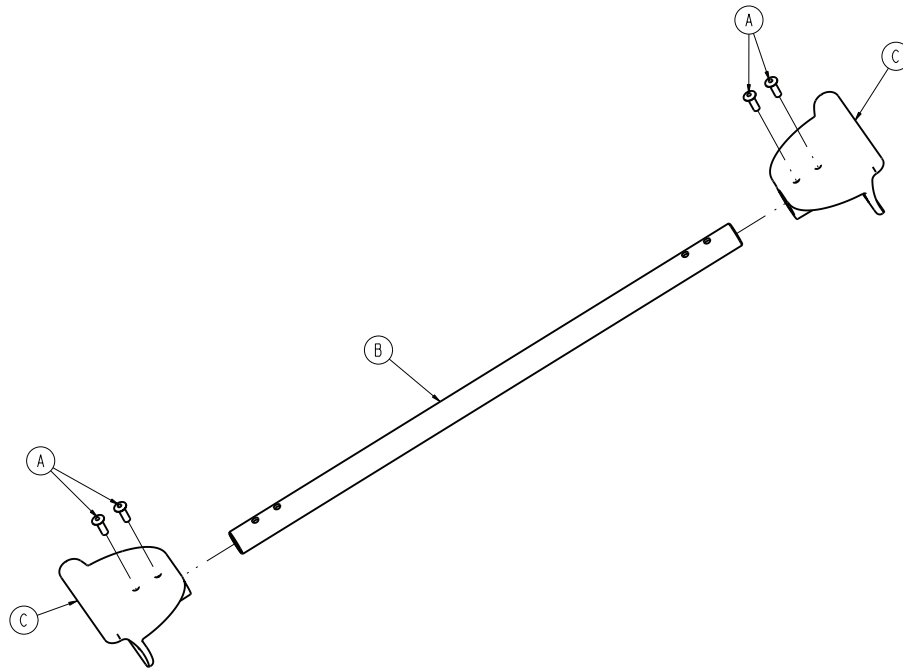


Item	Number	Name	Quantity
A	0004-874-000	Socket head cap screw	2
B	0004-614-000	Button head cap screw	10
C	0004-615-000	Button head cap screw	8
D	0007-086-000	Truss head screw	2
E	0011-062-000	Washer	2
F	0011-543-000	Washer	2
G	0016-131-000	Nylock hex nut	14
H	0023-162-000	Delta screw	12
J	0023-163-000	Delta screw	3
K	0025-079-000	Dome head rivet	8

Item	Number	Name	Quantity
L	0025-187-000	Semi-tubular rivet	1
M	0028-116-000	Push nut	4
N	0038-572-000	Compression spring	2
P	6506-001-900	Label, refer to instruction manual	1
R	6500-001-131	Upper lifting bar	1
T	6500-001-132	Lower lift bar	1
U	6500-001-133	Machined extruded bracket	2
V	6500-001-134	Battery enclosure, face plate	1
W	6500-001-135	Foot end enclosure, top plate	1
Y	6500-001-136	Foot end enclosure, bottom plate	1
AA	6500-001-138	Battery release button	1
AB	6500-001-139	Battery release lock	1
AC	6500-001-140	Manual release actuator pivot	1
AD	6500-001-141	Manual release actuator lever	1
AE	6500-001-144	Transition cap	2
AF	6500-001-146	Manual release pivot pin	1
AG	6500-001-147	Single spring	1
AH	6500-001-153	Light panel orb	1
AJ	6500-001-154	Pull handle, outside	2
AK	6500-001-156	Manual release cable assembly	1
AL	6500-001-161	Hall effects cable	1
AM	6500-001-275	Wire route clip	3
AN	6500-001-358	Lower housing button, foot end	2
AP	6500-102-014	Control board assembly	1
AR	6500-002-103	Cot dongle	1
AT	6500-002-159	Cable assembly	1
AU	6500-102-216	Cot connector cable assembly	1
AV	650600010016	<i>Button assembly - 650600010016</i> (page 2 69)	
AW	6500-001-356	Label, SMRT power	1

Cross brace assembly

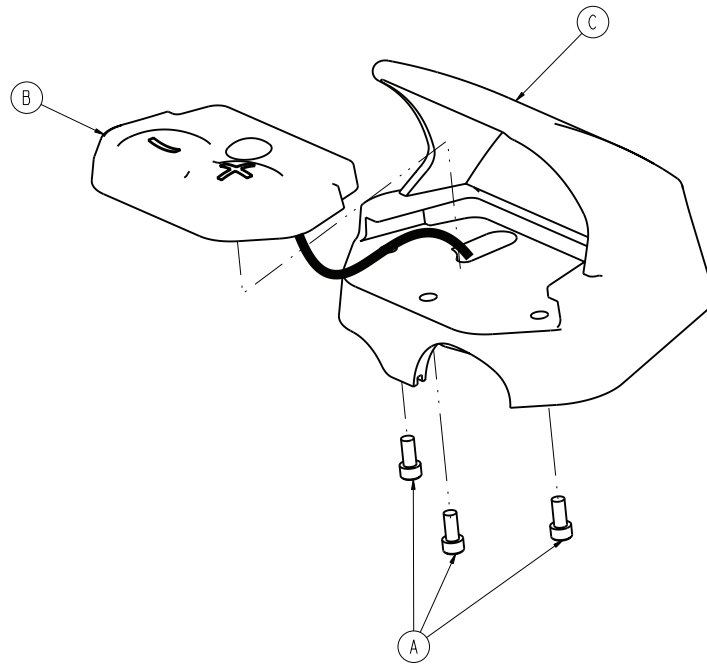
6510-001-013 Rev A (Reference only)



Item	Number	Name	Quantity
A	0025-133-000	Rivet	4
B	6500-001-107	Litter cross brace	1
C	6500-001-109	Trend support bracket	2

Button assembly - 650600010016

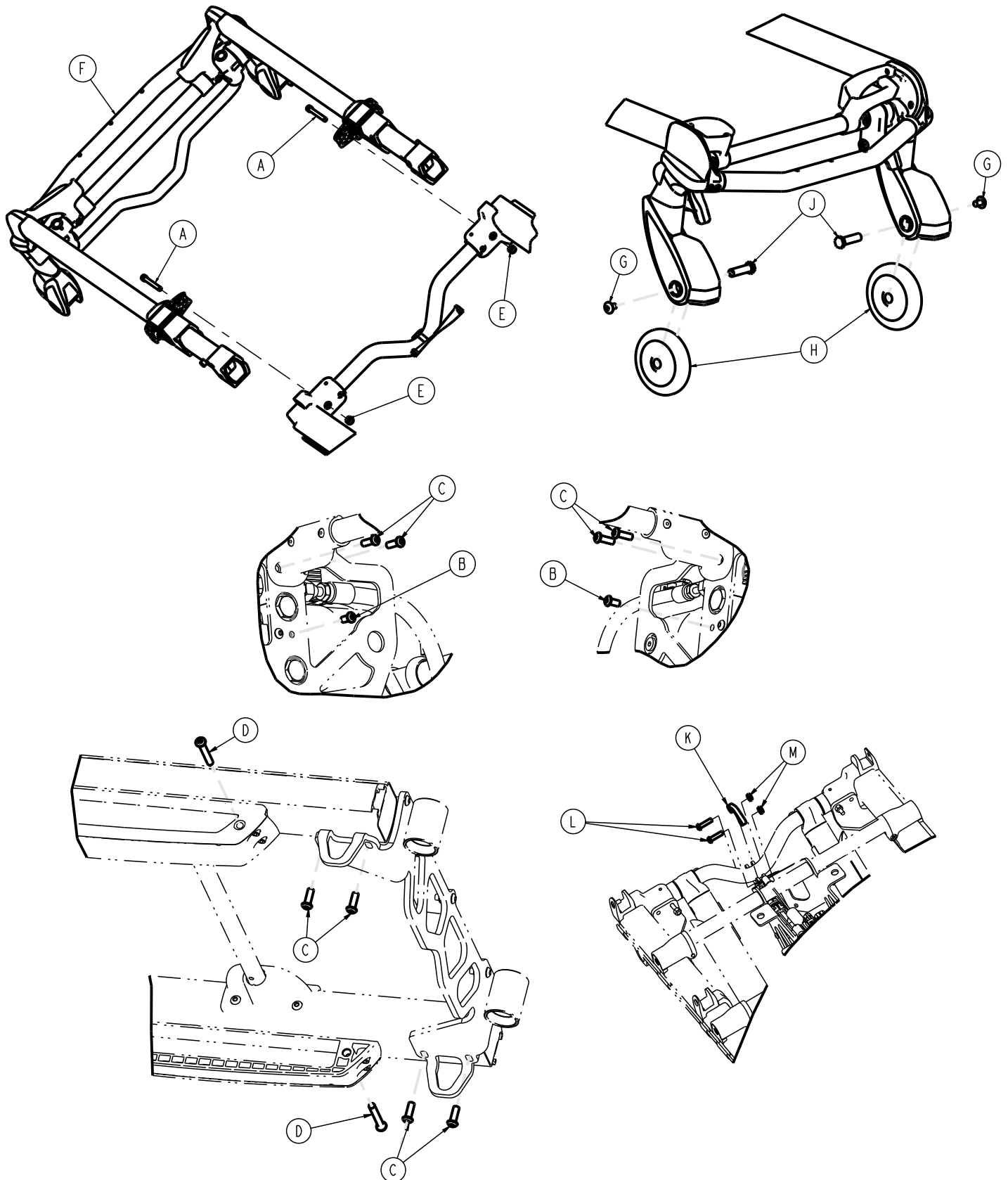
Rev AA (Reference only)



Item	Number	Name	Quantity
A	37J102-1	Socket head cap screw	3
B	650600010130	Switch	1
C	6500-001-359	Button upper housing, foot end	1

Antler only head section option - 6516-043-000

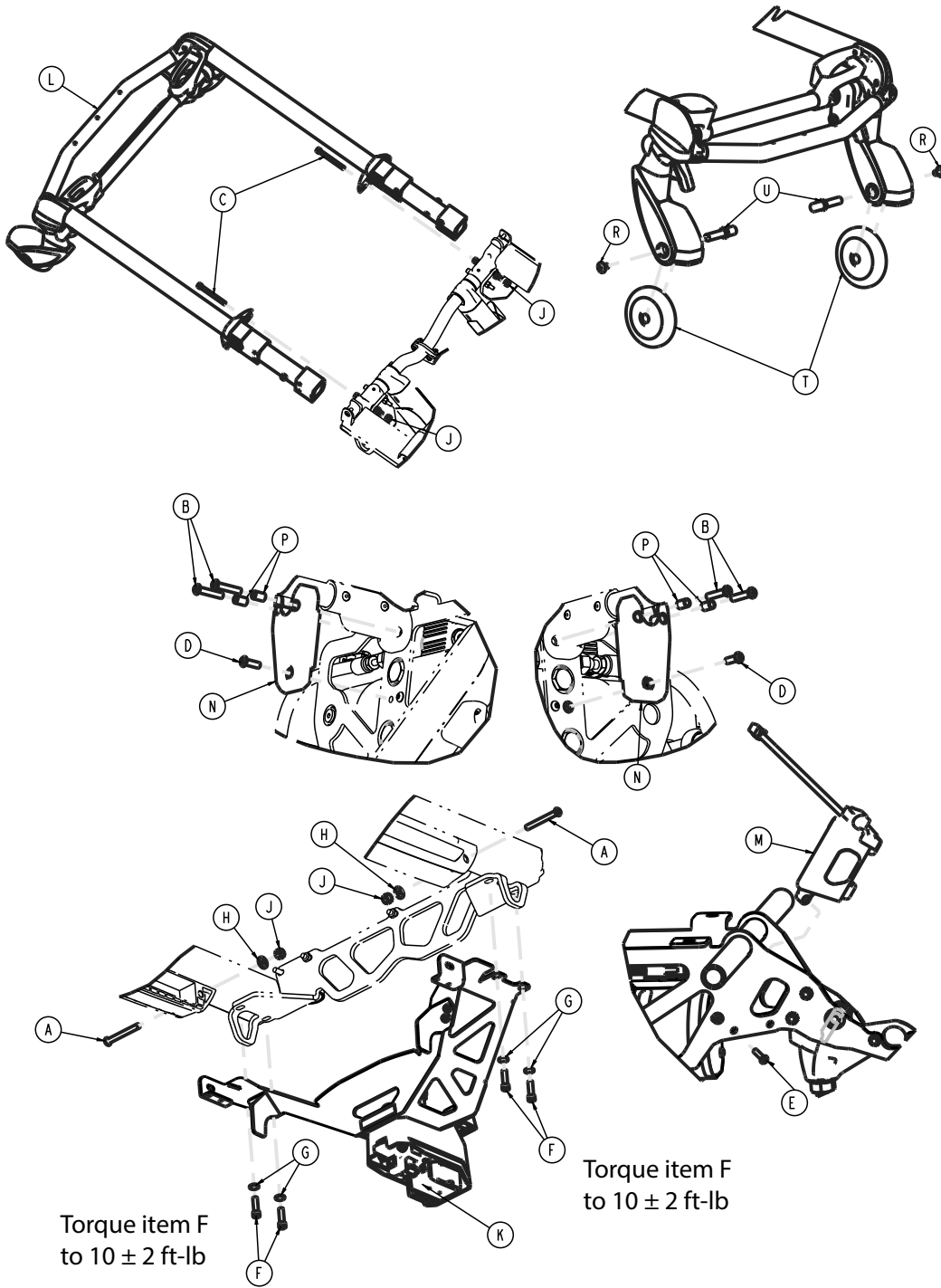
Rev D (Reference only)

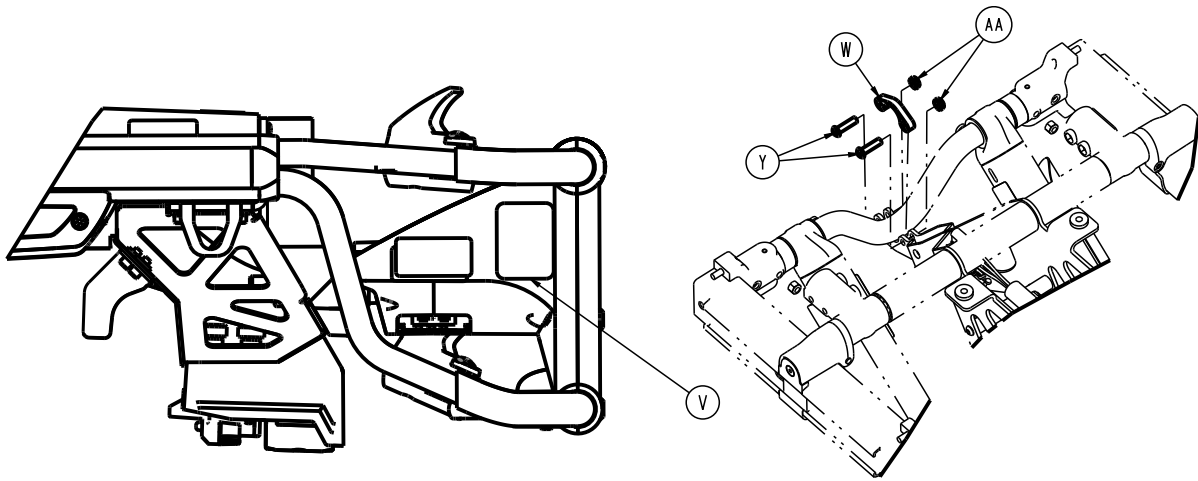


Item	Number	Name	Quantity
A	0004-517-000	Socket head cap screw	2
B	0004-589-000	Button head cap screw	2
C	0004-593-000	Button head cap screw	8
D	0004-596-000	Button head cap screw	2
E	0016-028-000	Fiberlock hex nut	2
F	650600020020	<i>Bent, antler only head section - 650600020020 (page 83)</i>	1
G	0007-556-000	Truss head machine screw	2
H	6500-001-086	Wheel, front	2
J	6500-002-106	Load wheel fastener	2
K	6500-002-195	Collar	1
L	0004-594-000	Button head cap screw	2
M	0016-102-000	Nylock hex nut	2

Power-LOAD compatible option - 6516-144-000

Rev AA (Reference only)

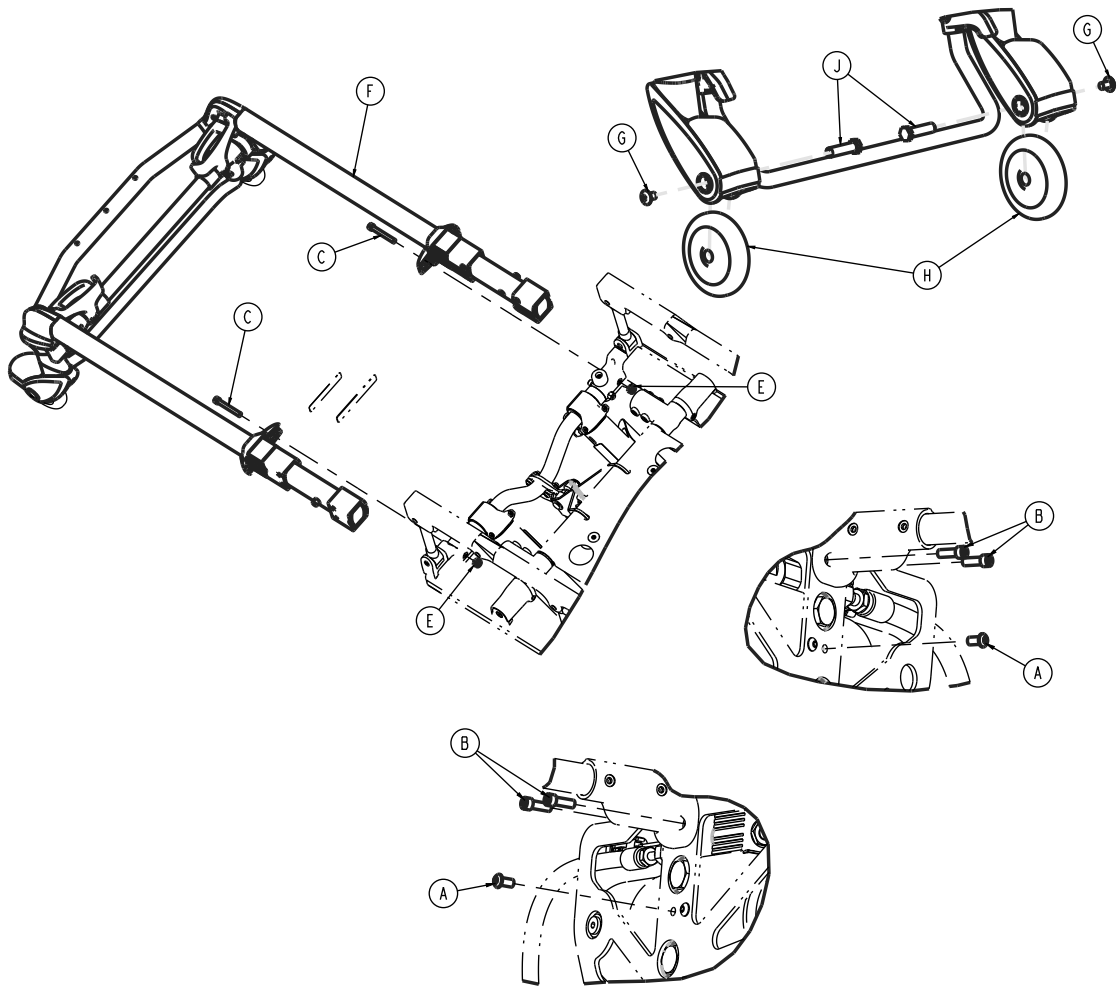


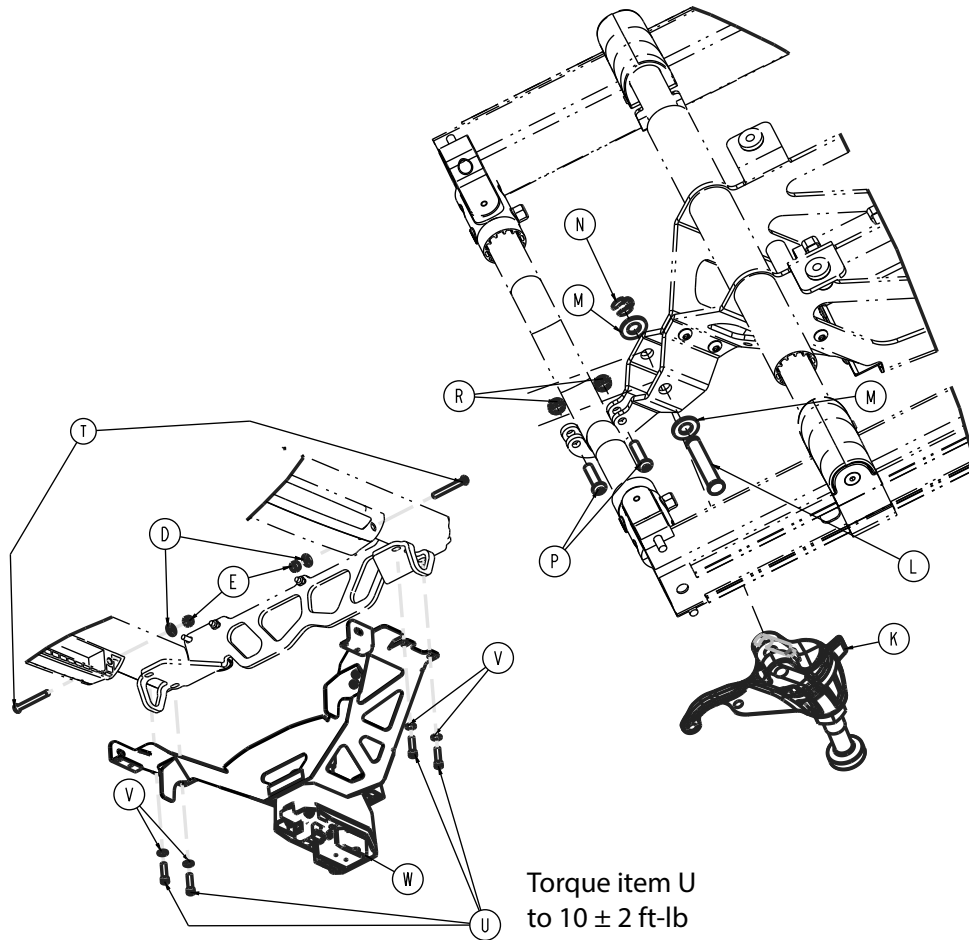


Item	Number	Name	Quantity
A	0004-387-000	Button head cap screw	2
B	0004-395-000	Button head cap screw	4
C	0004-517-000	Socket head cap screw	2
D	0004-593-000	Button head cap screw	2
E	0004-614-000	Button head cap screw	1
F	0004-661-000	Socket head cap screw	4
G	0011-065-000	Washer	4
H	0011-077-000	Washer	2
J	0016-028-000	Fiberlock hex nut	4
K	6500-002-013	Foot end fastener assembly (Power-LOAD compatible option) (page 89)	1
L	6500-002-020	Head section - 6500-002-020 (page 81)	1
M	6500-002-100	Cot comm board	1
N	6500-002-123	Cot arm spacer	2
P	6500-002-124	Cot arm spacer sleeve	4
R	0007-556-000	Truss head machine screw	2
T	6500-101-086	Load wheel, hard	2
U	6500-002-104	Load wheel pin	2
V	6516-101-101	Label, FCC	1
W	6500-002-195	Collar	1
Y	0004-594-000	Button head cap screw	2
AA	0016-102-000	Nylock hex nut	2

Performance-LOAD option - 6516-034-001

Rev AA (Reference only)

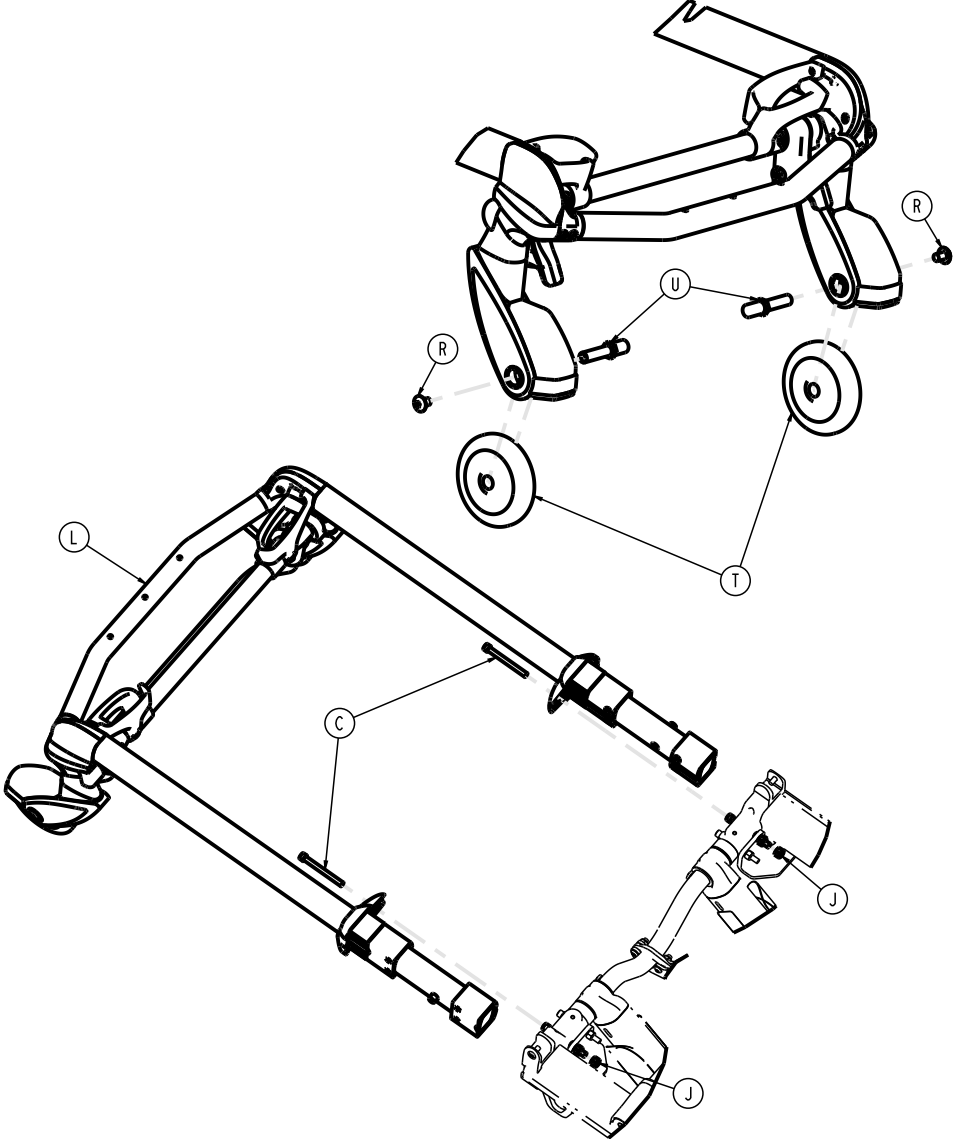


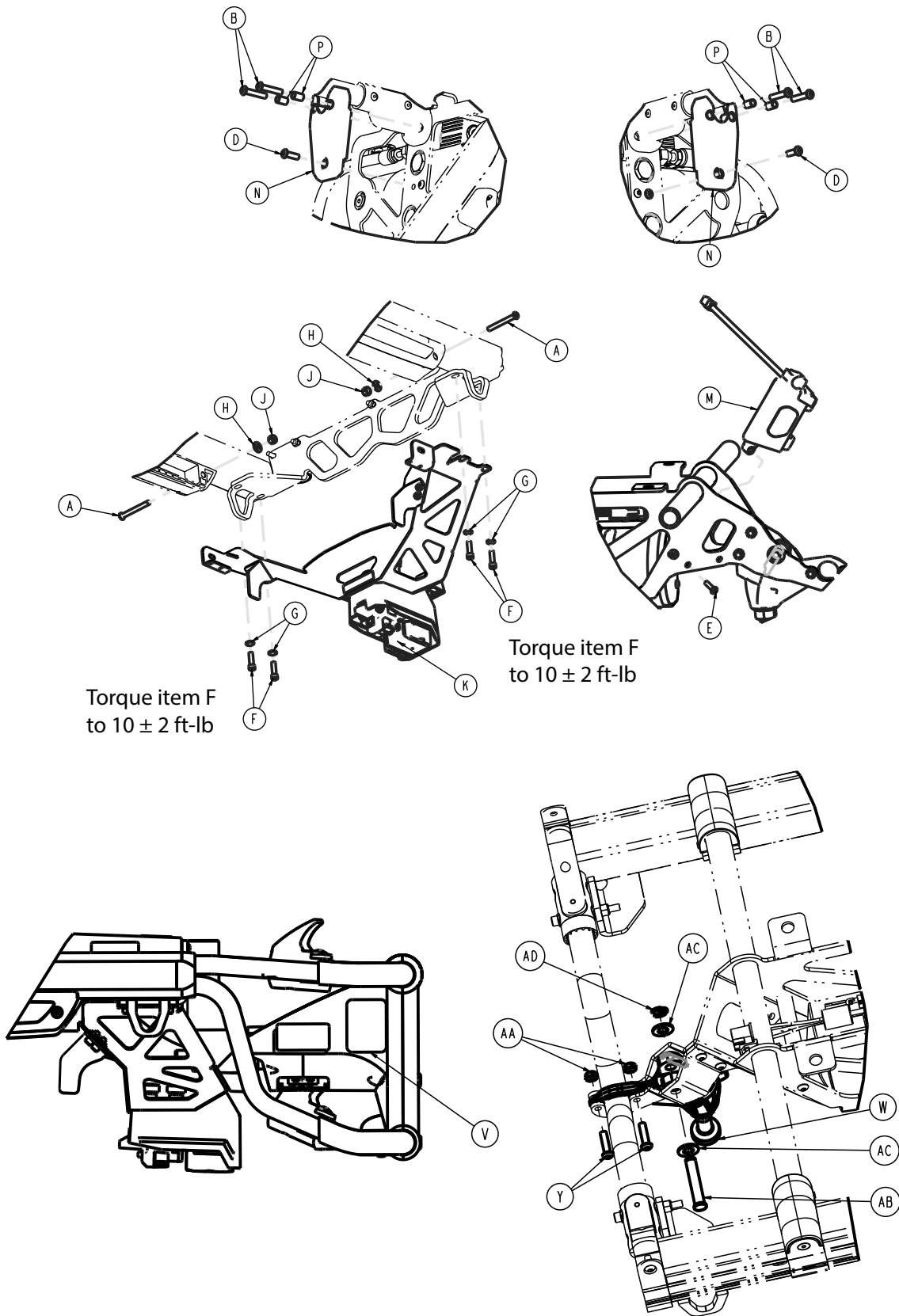


Item	Number	Name	Quantity
A	0004-589-000	Button head cap screw	6
B	0004-591-000	Socket head cap screw	4
C	0004-517-000	Socket head cap screw	2
D	0011-077-000	Washer	2
E	0016-028-000	Fiberlock hex nut	6
F	6500-002-020	Head section	1
G	0007-556-000	Truss head machine screw	2
H	6500-101-086	Load wheel, hard	2
J	6500-002-106	Load wheel spacer	2
K	6392-001-062	Head end forging assembly	1
L	6085-101-143	Fowler cylinder pin	1
M	0011-004-000	Washer	2
N	0028-181-000	Truarc ring	1
P	0004-594-000	Button head cap screw	2
R	0016-102-000	Nylock hex nut	2
T	0004-387-000	Button head cap screw	2
U	0004-661-000	Socket head cap screw	4
V	0011-065-000	Washer	4
W	6500-002-013	Foot end fastener assembly (Power-LOAD compatible option) (page 89)	1

Power-LOAD and Performance-LOAD option - 6516-034-002

Rev AA (Reference only)



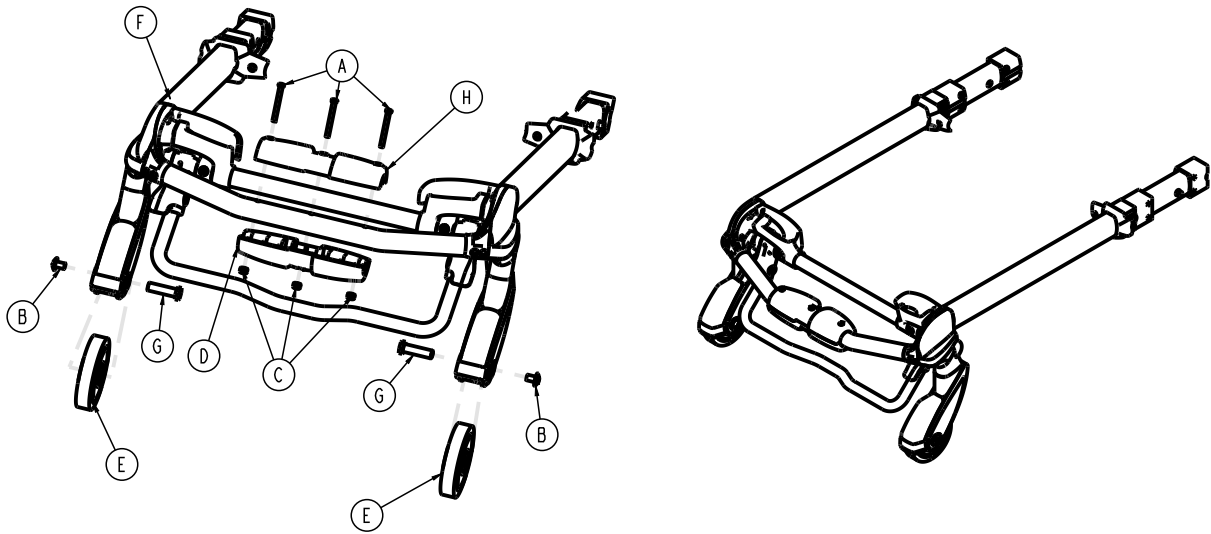


Item	Number	Name	Quantity
A	0004-387-000	Button head cap screw	2
B	0004-395-000	Button head cap screw	4
C	0004-517-000	Socket head cap screw	2

Item	Number	Name	Quantity
D	0004-593-000	Button head cap screw	2
E	0004-614-000	Button head cap screw	1
F	0004-661-000	Socket head cap screw	4
G	0011-065-000	Washer	4
H	0011-077-000	Washer	2
J	0016-028-000	Fiberlock hex nut	4
K	6500-002-013	<i>Foot end fastener assembly (Power-LOAD compatible option) (page 89)</i>	1
L	6500-002-020	Head section	1
M	6500-002-100	Comm board	1
N	6500-002-123	Arm spacer	2
P	6500-002-124	Arm spacer sleeve	4
R	0007-556-000	Truss head machine screw	2
T	6500-101-086	Load wheel, hard	2
U	6500-002-104	Load wheel pin	2
V	6516-101-101	FCC label	1
W	6392-001-062	Head end forging assembly	1
Y	0004-594-000	Button head cap screw	2
AA	0016-102-000	Nylock hex nut	2
AB	6085-101-143	Fowler cylinder pin	1
AC	0011-004-000	Washer	2
AD	0028-181-000	Truarc ring	1

Head section (non-Power-LOAD compatible) - 6506-001-020

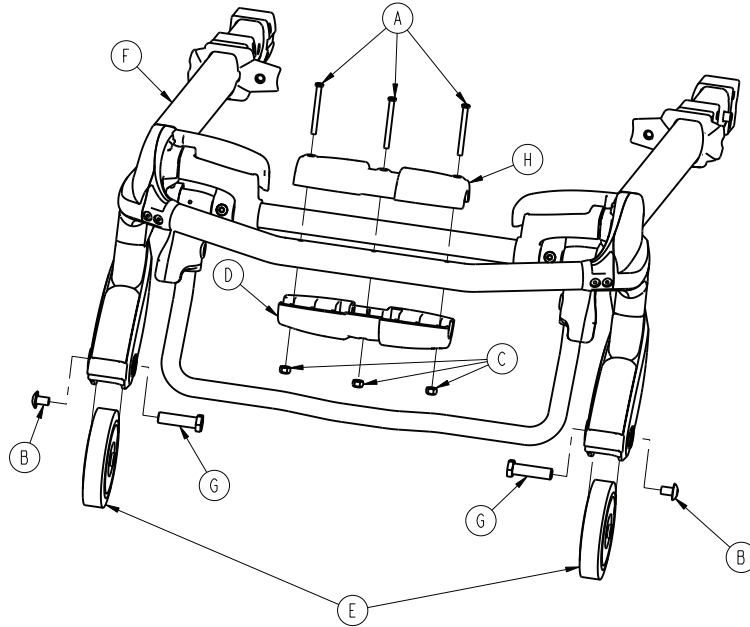
Rev AA (Reference only)



Item	Number	Name	Quantity
A	0004-656-000	Socket head cap screw	3
B	0007-556-000	Truss head machine screw	2
C	0016-002-000	Fiberlock hex nut	3
D	6085-001-174	Oxygen bottle holder, bottom	1
E	6500-001-086	Front wheel	2
F	650600020020	<i>Bent, antler only head section - 650600020020 (page 83)</i>	1
G	6500-002-106	Load wheel fastener	2
H	6500-002-156	Top guide, head end	1

Head section (Power-LOAD compatible) - 6506-001-021

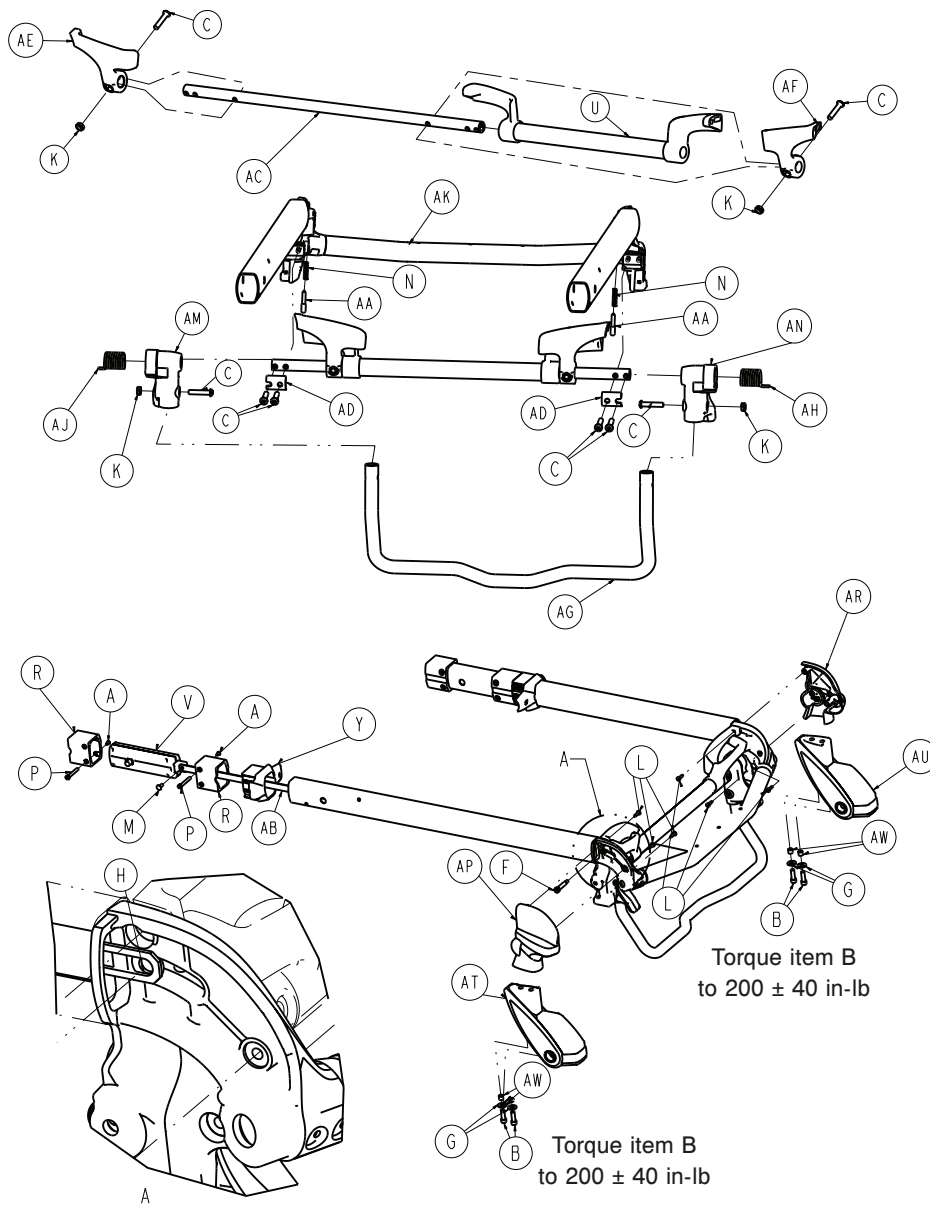
Rev B (Reference only)



Item	Number	Name	Quantity
A	0004-656-000	Socket head cap screw	3
B	0007-556-000	Truss head machine screw	2
C	0016-002-000	Fiberlock hex nut	3
D	6085-001-174	Oxygen bottle holder, bottom	1
E	6500-101-086	Load wheel, hard	2
F	6500-002-020	Head section - 6500-002-020 (page 81)	1
G	6500-002-104	Load wheel pin	2
H	6500-002-156	Top guide, head end	1

Head section - 6500-002-020

Rev D (Reference only)



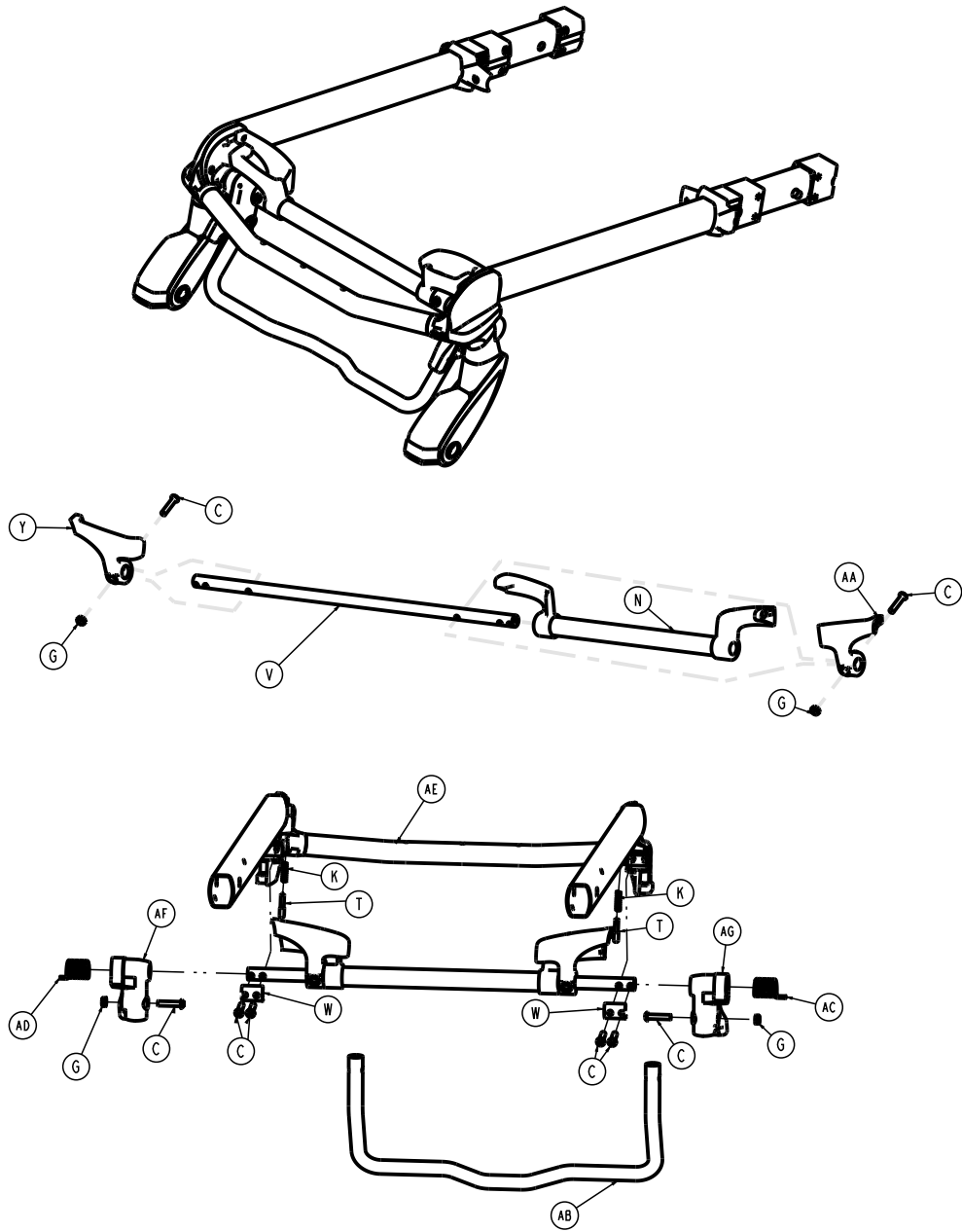
Note - Place washer (item H) between the release link and forging.

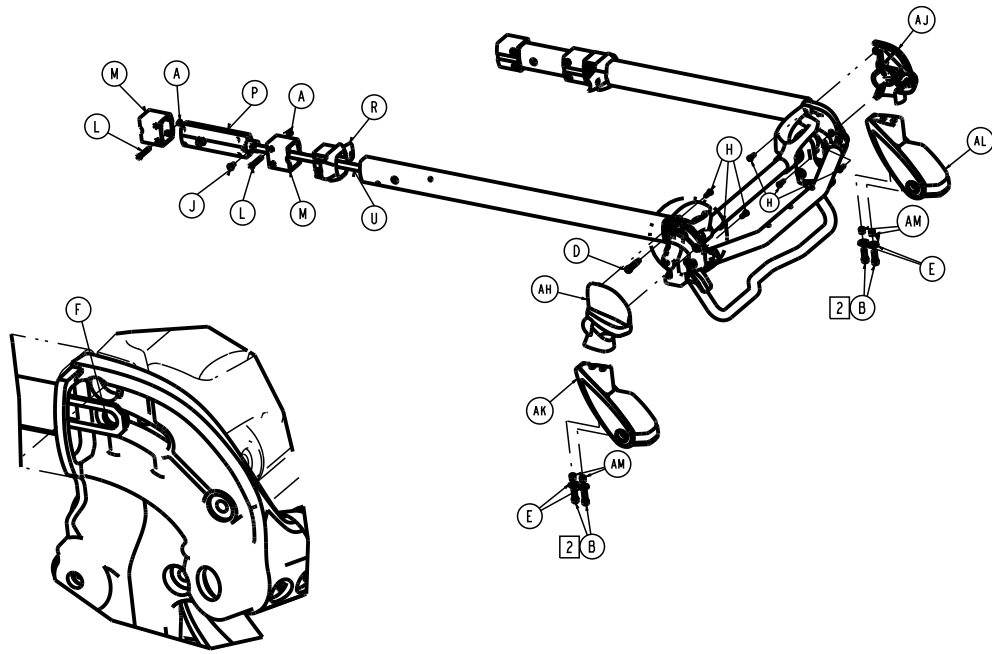
Item	Number	Name	Quantity
A	0004-168-000	Button head cap screw	4
B	0004-591-000	Socket head cap screw	4
C	0004-612-000	Button head cap screw	8
F	0008-030-000	Socket head shoulder screw	2
G	0011-624-000	Washer	4
H	0014-002-000	Washer	2
K	0016-102-000	Nylock hex nut	4
L	0023-162-000	Delta screw	6
M	0025-126-000	Semi-tubular rivet	2
N	0038-570-000	Compression spring	2

Item	Number	Name	Quantity
P	6085-001-169	Head section nut	4
R	6085-001-170	Internal bearing	4
U	6500-001-023	Head trigger assembly	1
V	6500-001-026	<i>Head section lock assembly - 6500-001-2026 (page 86)</i>	2
Y	6500-001-087	Cap bearing	2
AA	6500-001-093	Safety bar lock pin	2
AB	6500-001-096	Head section release link	2
AC	6500-001-220	Head section pivot crosstube	1
AD	6500-001-221	Crosstube clamp	2
AE	6500-001-280	Head section guard, right	1
AF	6500-001-281	Head section guard, left	1
AG	6500-001-322	Sliding head section safety bar	1
AH	6500-001-325	Safety bar torsion spring, left	1
AJ	6500-001-326	Safety bar torsion spring, right	1
AK	6500-002-025	Telescoping tube assembly	1
AM	6500-002-107	Safety bar pivot, right	1
AN	6500-002-108	Safety bar pivot, left	1
AP	6500-002-109	Load wheel horn cover, left	1
AR	6500-002-110	Load wheel horn cover, right	1
AT	6500-002-120	Load wheel horn, left	1
AU	6500-002-121	Load wheel horn, right	1
AW	6500-002-114	Compression limiter sleeve	4

Bent, antler only head section - 650600020020

Rev A (Reference only)



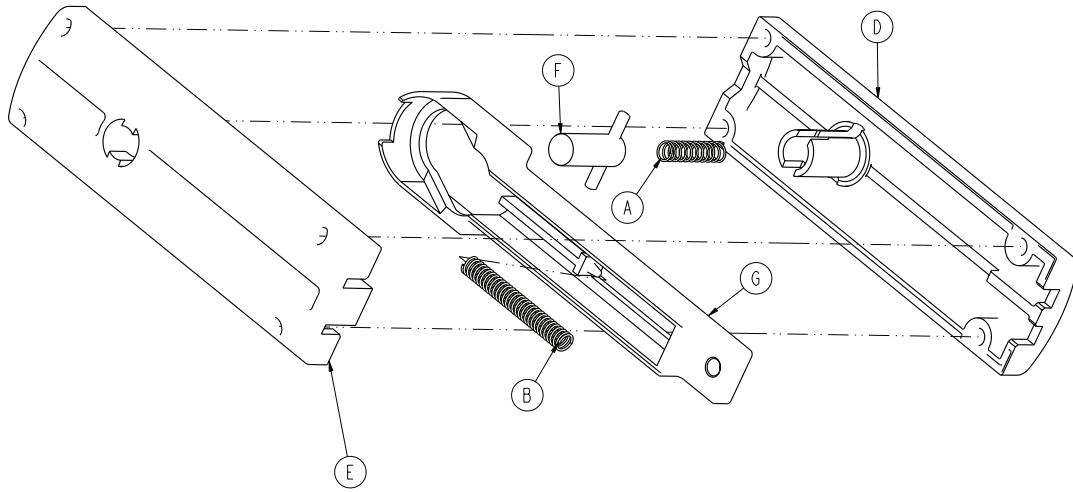


Item	Number	Name	Quantity
A	0004-168-000	Button head cap screw	4
B	0004-591-000	Socket head cap screw	4
C	0004-612-000	Button head cap screw	8
D	0008-030-000	Socket head shoulder screw	2
E	0011-624-000	Washer	4
F	0014-002-000	Washer	2
G	0016-102-000	Nylock hex nut	4
H	0023-162-000	Delta screw	6
J	0025-126-000	Semi-tubular rivet	2
K	0038-570-000	Compression, wire	2
L	6085-001-169	Head section nut	4
M	6085-001-170	Internal bearing	4
N	6500-001-023	Head trigger assembly	1
P	6500-001-026	Head section lock assembly	2
R	6500-001-087	Cap bearing	2
T	6500-001-093	Safety bar lock pin	2
U	6500-001-096	Head section release link	2
V	6500-001-220	Head section pivot crosstube	1
W	6500-001-221	Crosstube clamp	2
Y	6500-001-280	Head section guard, right	1
AA	6500-001-281	Head section guard, left	1
AB	6506-001-322	Bent head section safety bar	1
AC	6500-001-325	Safety bar torsion spring, left	1
AD	6500-001-326	Safety bar torsion spring, right	1
AE	6500-001-025	Telescoping tube assembly	1
AF	6500-001-107	Safety hook pivot, right	1
AG	6500-001-108	Safety hook pivot, left	1
AH	6500-001-109	Load wheel horn cover, left	1

Item	Number	Name	Quantity
AJ	6500-001-110	Load wheel horn cover, right	1
AK	6500-001-120	Load wheel horn, left	1
AL	6500-001-121	Load wheel horn, right	1
AM	6500-001-114	Compression limiter sleeve	4

Head section lock assembly - 6500-001-026

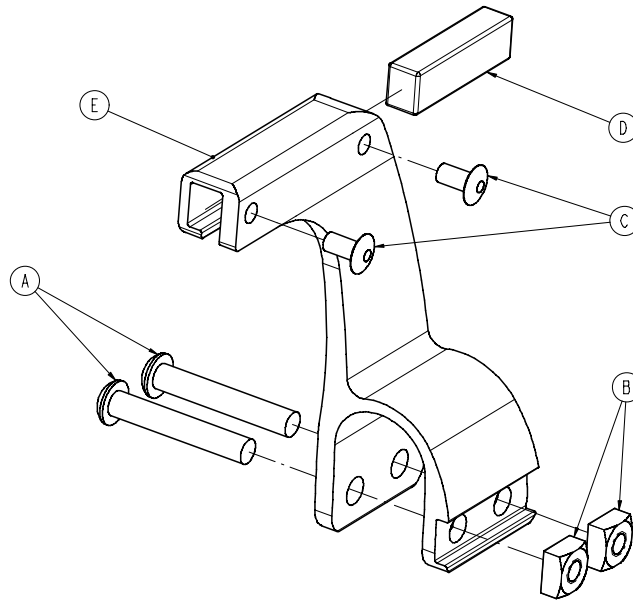
Rev C (Reference only)



Item	Number	Name	Quantity
A	0038-570-000	Compression spring	1
B	0038-134-000	Compression spring	1
D	6500-001-091	Top latch housing	1
E	6500-001-092	Bottom latch housing	1
F	6500-001-025	Latch assembly	1
G	6500-001-095	Actuation slide	1

In-fastener shut-off assembly option - 6500-001-027

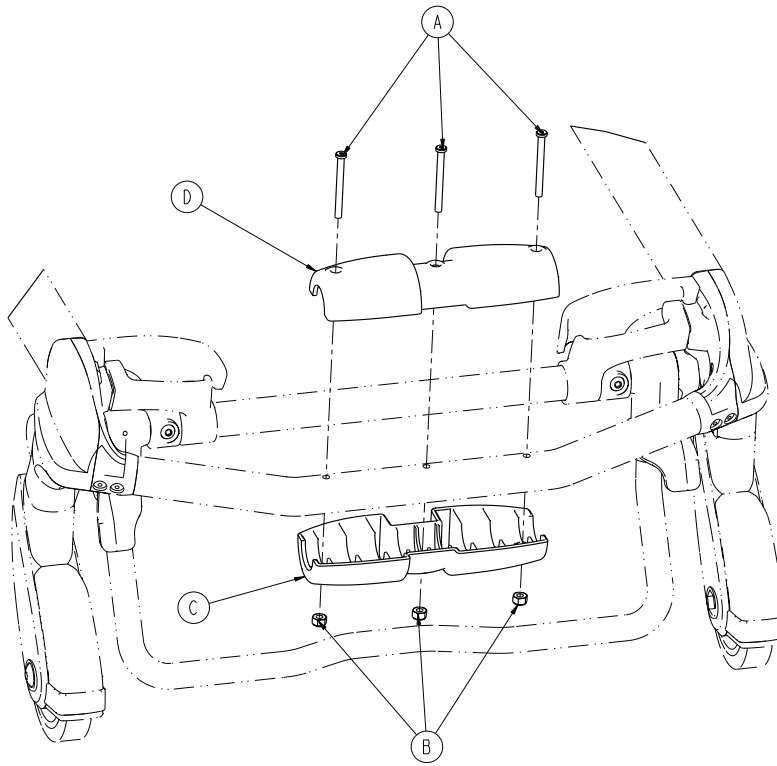
Rev C (Reference only)



Item	Number	Name	Quantity
A	0004-376-000	Button head cap screw	2
B	0015-016-000	Square nut	2
C	0025-079-000	Dome head rivet	2
D	6500-001-271	Ambulance shut-off magnet	1
E	6500-001-272	Fastener shut-off magnet holder	1

No head section oxygen bottle holder option - 6506-036-000

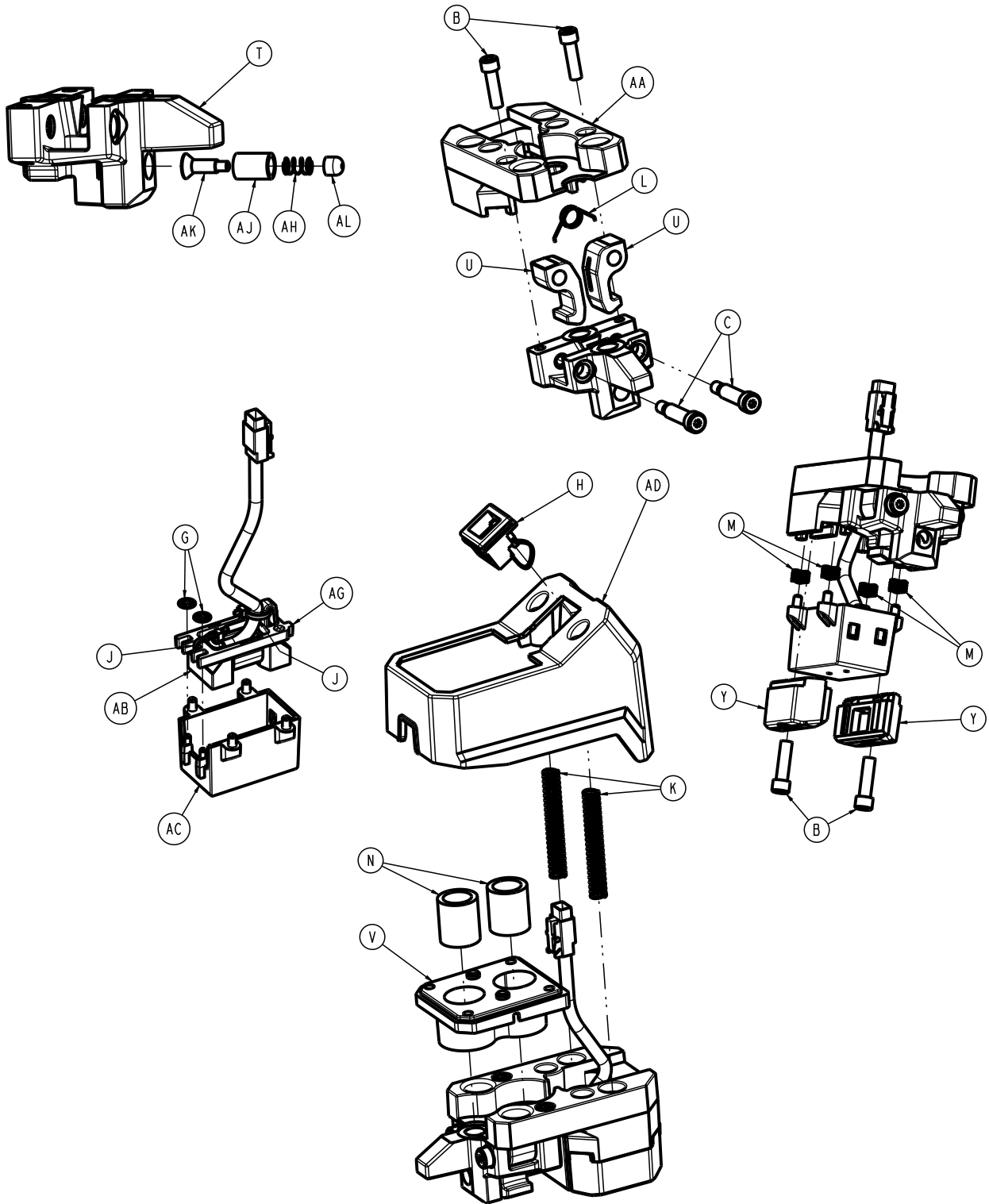
Rev A (Reference only)

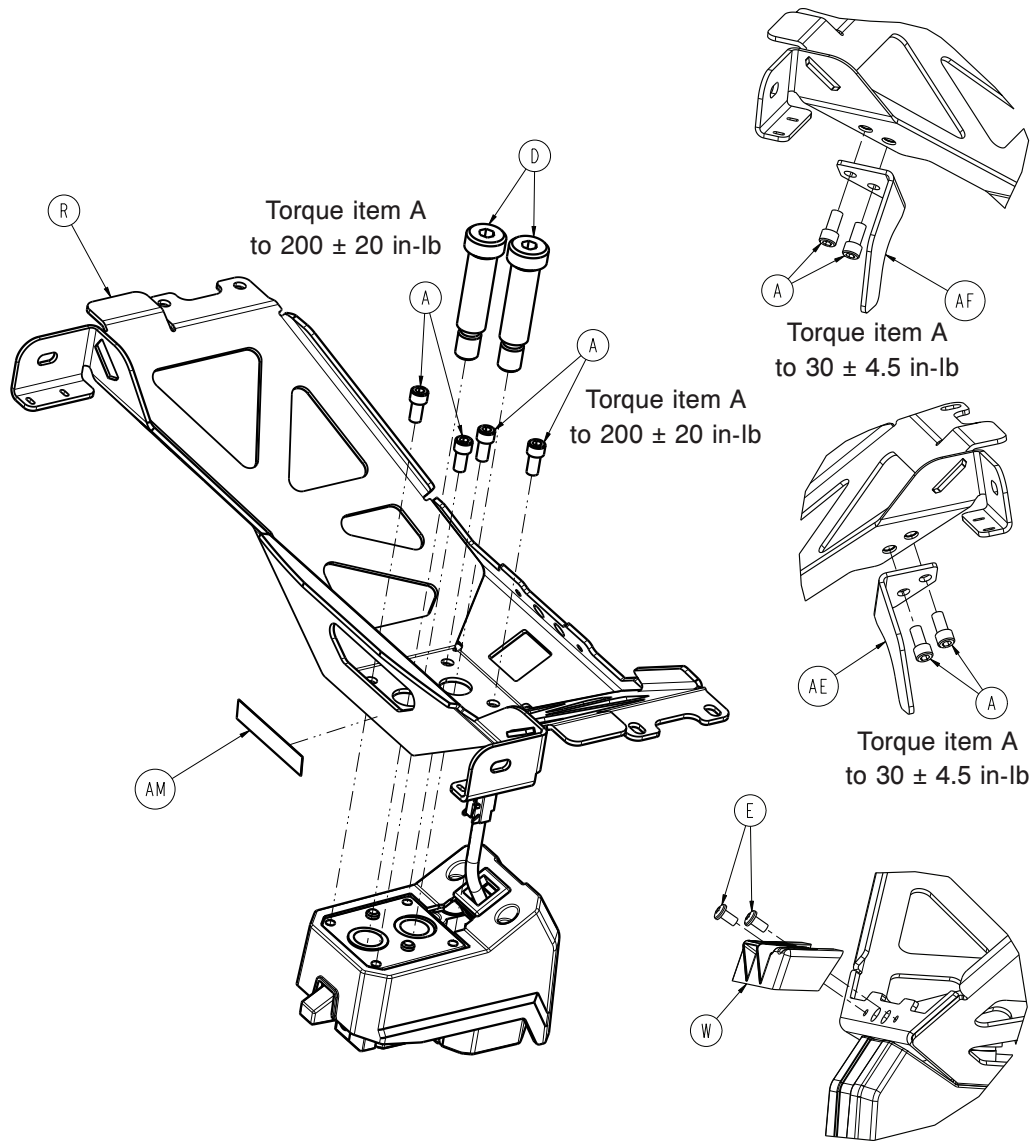


Item	Number	Name	Quantity
A	0004-656-000	Socket head cap screw	3
B	0016-002-000	Fiberlock hex nut	3
C	6085-001-174	Oxygen bottle holder, bottom	1
D	6500-002-156	Top guide, head end	1

Foot end fastener assembly (Power-LOAD compatible option)

6500-002-013 Rev AD (Reference only)





Item	Number	Name	Quantity
A	0004-660-000	Socket head cap screw	8
B	0004-661-000	Socket head cap screw	4
C	0008-088-000	Socket head set screw	2
D	0008-087-000	Socket head set screw	2
E	700000660477	Pan head thread rolling screw	2
G	0028-217-000	Push nut	2
H	0037-248-000	Lay-in strain relief bushing	1
J	0038-111-000	Cable tie	2
K	0038-889-000	Compression wire	2
L	0038-891-000	Torsion spring	1
M	0038-900-000	Wave spring	4
N	0081-437-000	Sleeve bearing	2
R	6500-002-050	Bracket weldment	1
T	650000020111	Foot end fastener guide, machined	1
U	6500-002-112	Foot end fastener hook	2
V	650001020113	Foot end fastener bearing plate	1

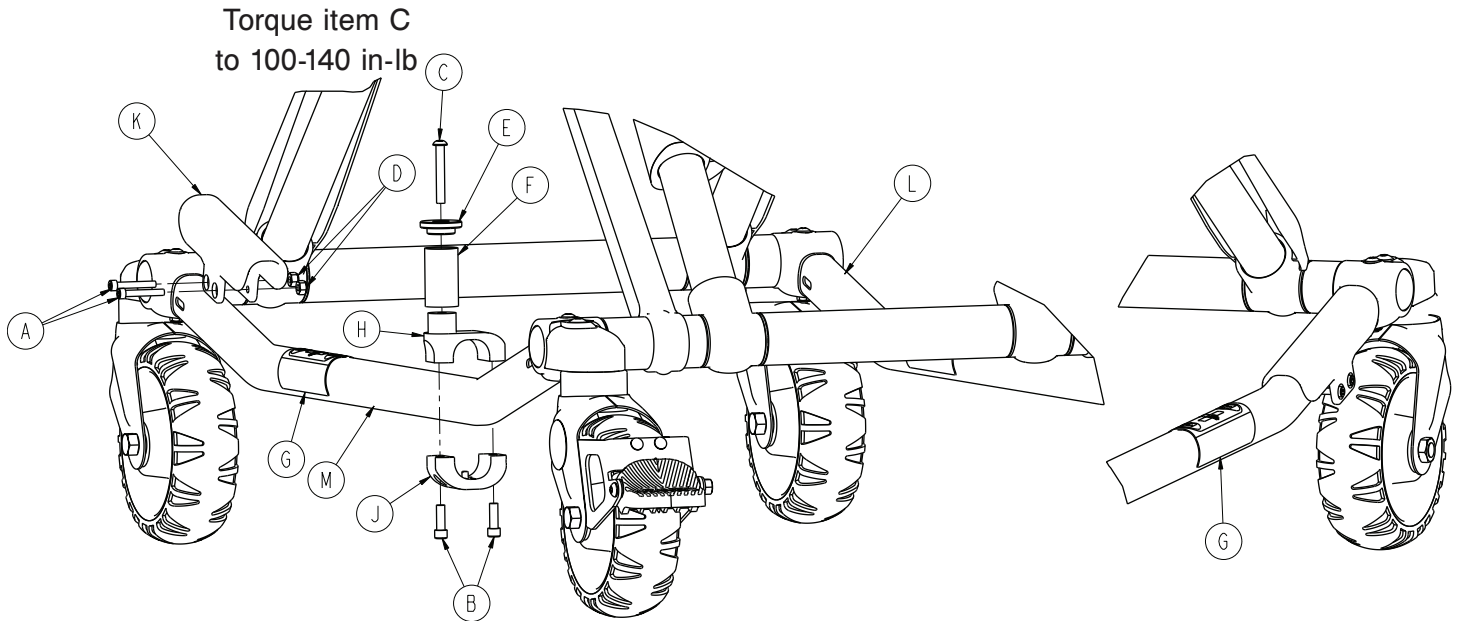
Item	Number	Name	Quantity
W	6500-002-119	Foot end fastener spacer	1
Y	6500-002-122	Foot end fastener wear pad	2
AA	650001020130	Floating plate, machined	1
AB	6500-002-133	Secondary coil	1
AC	6500-002-135	Foot end fastener coil holder	1
AD	6500-002-136	Foot end fastener housing	1
AE	6500-002-146	Foot end fastener hook, right	1
AF	6500-002-147	Foot end fastener hook, left	1
AG	6500-002-144	Tie down coil strap	1
AH	0038-001-012	Compression wire	1
AJ	6500-002-148	Plunger housing	1
AK	6500-002-149	Plunger	1
AL	6500-002-152	Plunger cap	1
AM	650600010927	Label, CAN RSS-216	1

Notes:

2	Leave enough slack in the cable in the indicated area to allow item AC to have a full range of travel after assembly
4	Install zip tie around large wire jacket, as shown
5	Leave the strain relief loose on the wire

Cot retaining post, right - 6085-033-000

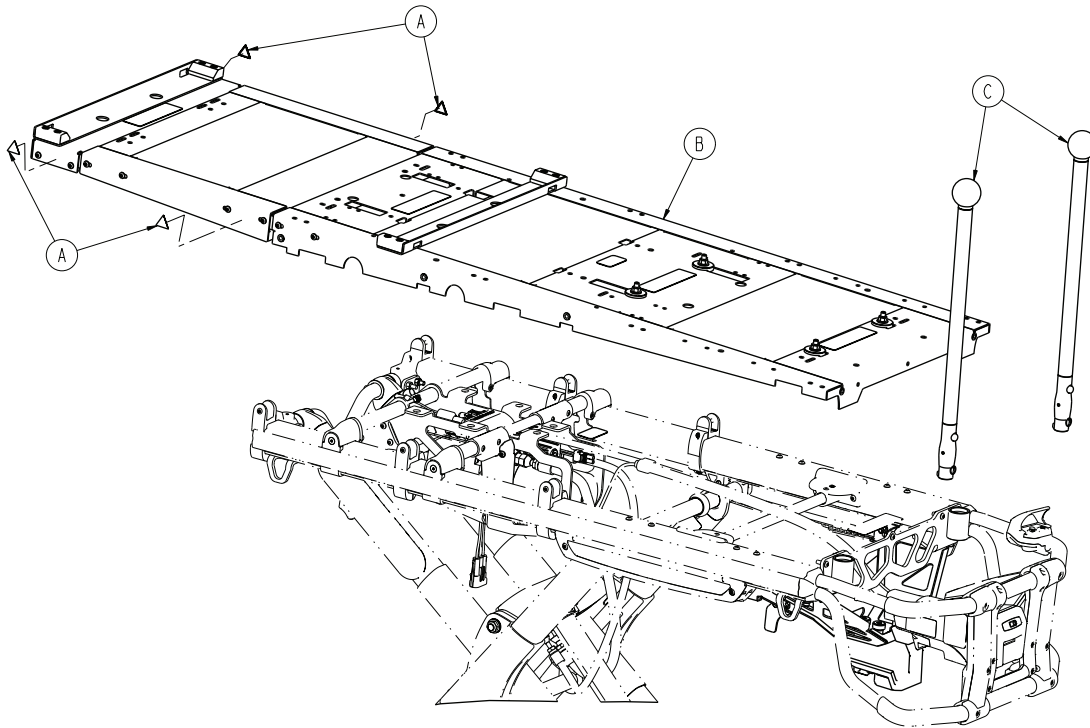
Rev E (Reference only)



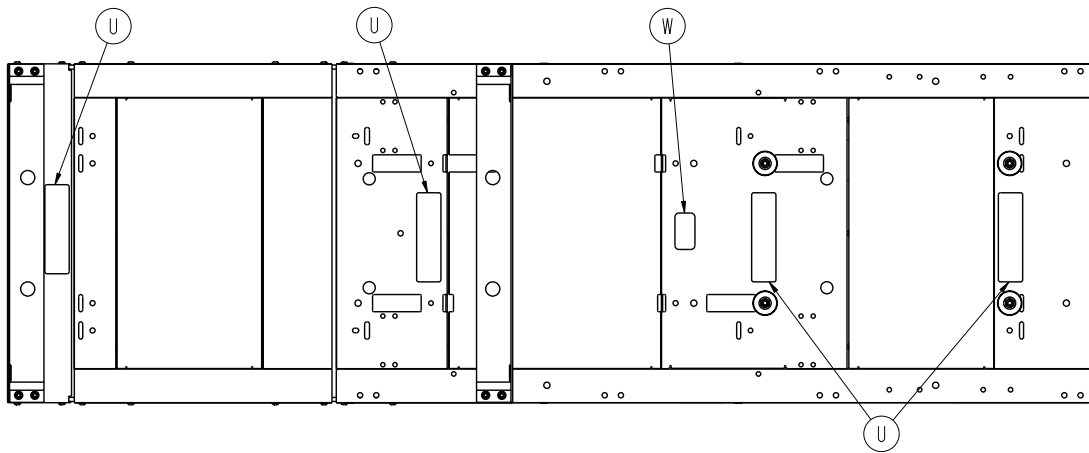
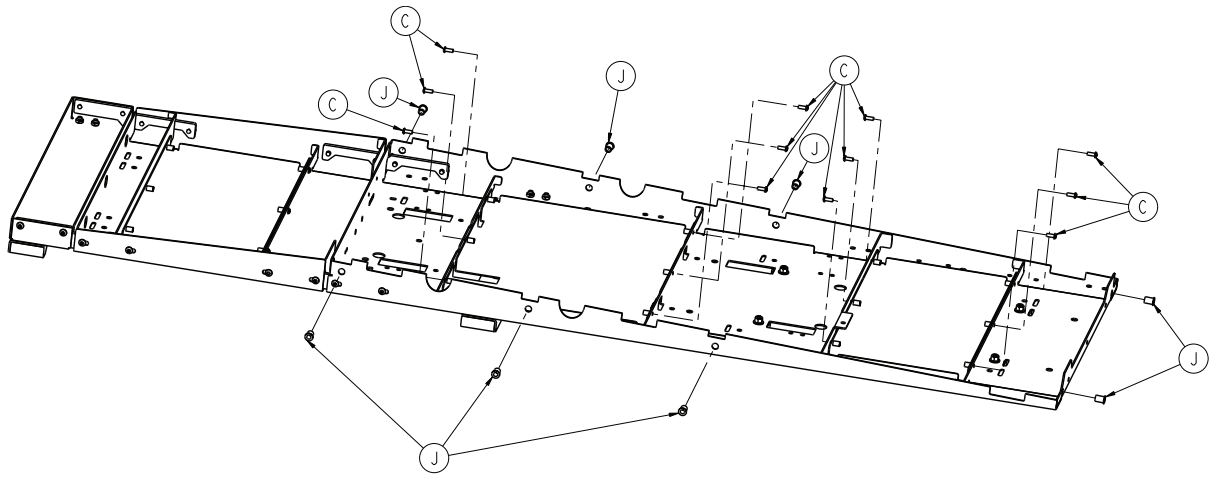
Item	Number	Name	Quantity
A	0004-160-000	Socket head cap screw	2
B	0004-591-000	Socket head cap screw	2
C	0004-503-000	Button head cap screw	1
D	0016-003-000	Nylock hex nut	2
E	6060-004-043	Retaining post cap	1
F	6060-004-044	Post tube	1
G	6080-090-108	Label, lift here	2
H	6500-101-189	Top pin bracket	1
J	6500-101-190	Bottom pin bracket	1
K	6500-001-302	Base tube protector	1
L	6085-001-056	Outer base tube weldment	1
M	6085-001-057	Outer base tube weldment	1

Airborne side-by-side assembly option - 6516-128-000

Rev A (Reference only)



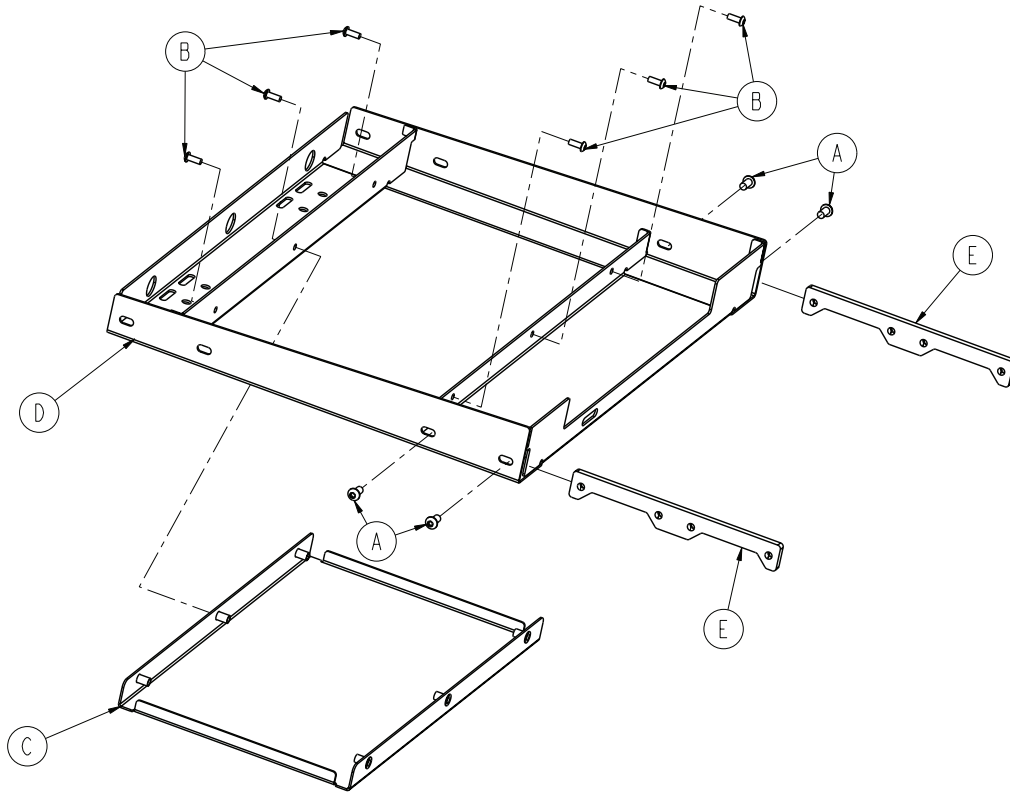
Item	Number	Name	Quantity
A	6506-001-905	Label, warning, crushing of hands	4
B	6516-101-017	Incubator adapter, airborne side-by-side	1
C	6550-001-026	Handle, corner, assembly	2



Item	Number	Name	Quantity
A	0004-028-000	Socket head cap screw	8
B	0004-589-000	Button head cap screw	8
C	0004-634-000	Button head cap screw	12
D	0011-077-000	Washer	4
E	0011-447-000	Washer	4
F	0016-028-000	Fiberlock hex nut	4
G	0016-036-000	Nylock hex nut	4
H	0016-102-000	Nylock hex nut	8
J	0055-100-076	Riv nut	8
K	6081-200-022	Wedge, airborne IT cot	4
L	6081-201-020	Mounting stud	4
M	6510-001-018	Extension assembly	1
N	6510-001-021	Skin assembly	1
P	6510-001-022	Skin assembly	1
R	6510-001-026	Extension assembly, short	1
T	6510-001-050	Weldment, litter, main	1
U	6510-101-128	Label, warning	4
V	6516-001-131	Mounting angle	2
W	6516-101-106	Label, specification, airborne oxygen side-by-side	1

Extension assembly - 6510-001-018

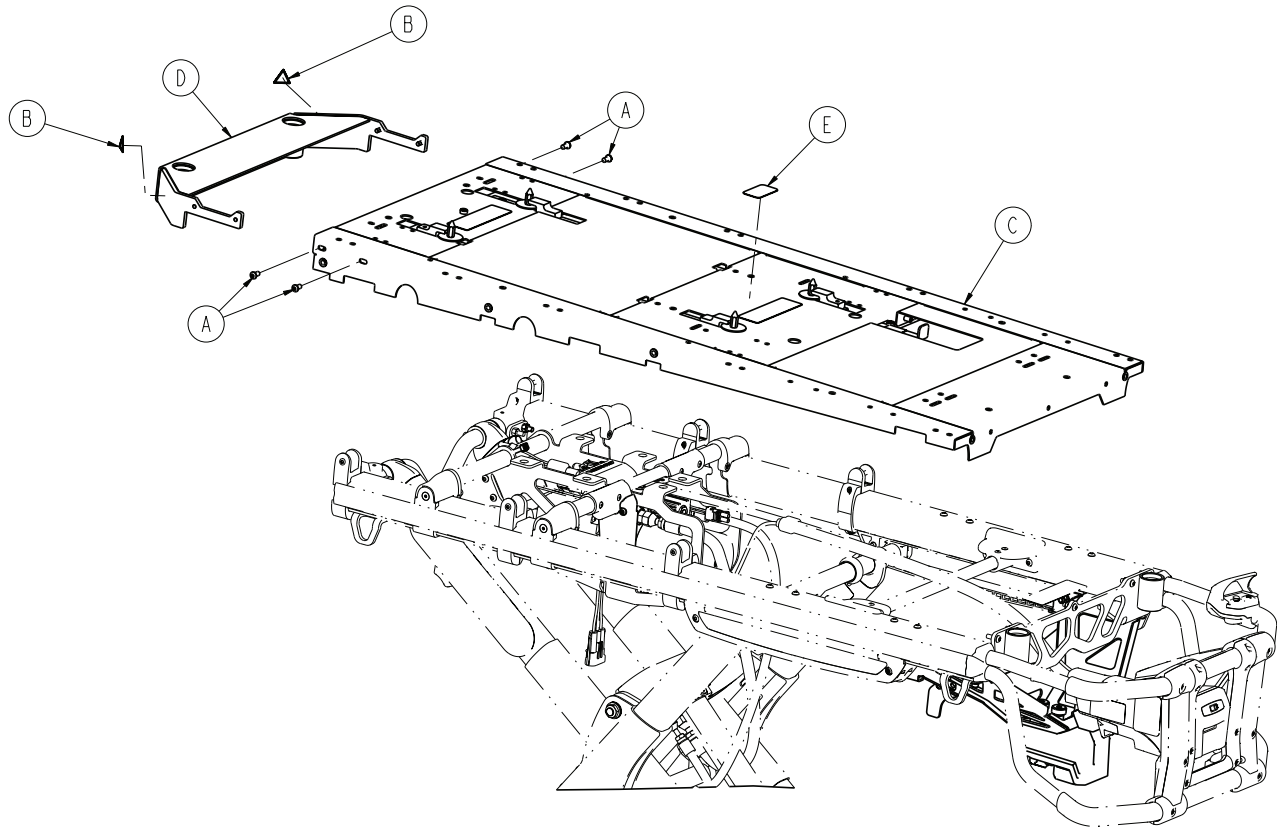
Rev B (Reference only)



Item	Number	Name	Quantity
A	0004-589-000	Button head cap screw	4
B	0004-634-000	Button head cap screw	6
C	6510-001-021	Skin assembly	1
D	6510-001-051	Weldment, litter extension	1
E	6510-001-090	Connecting bar	2

Drager® stackable option - 6516-129-000

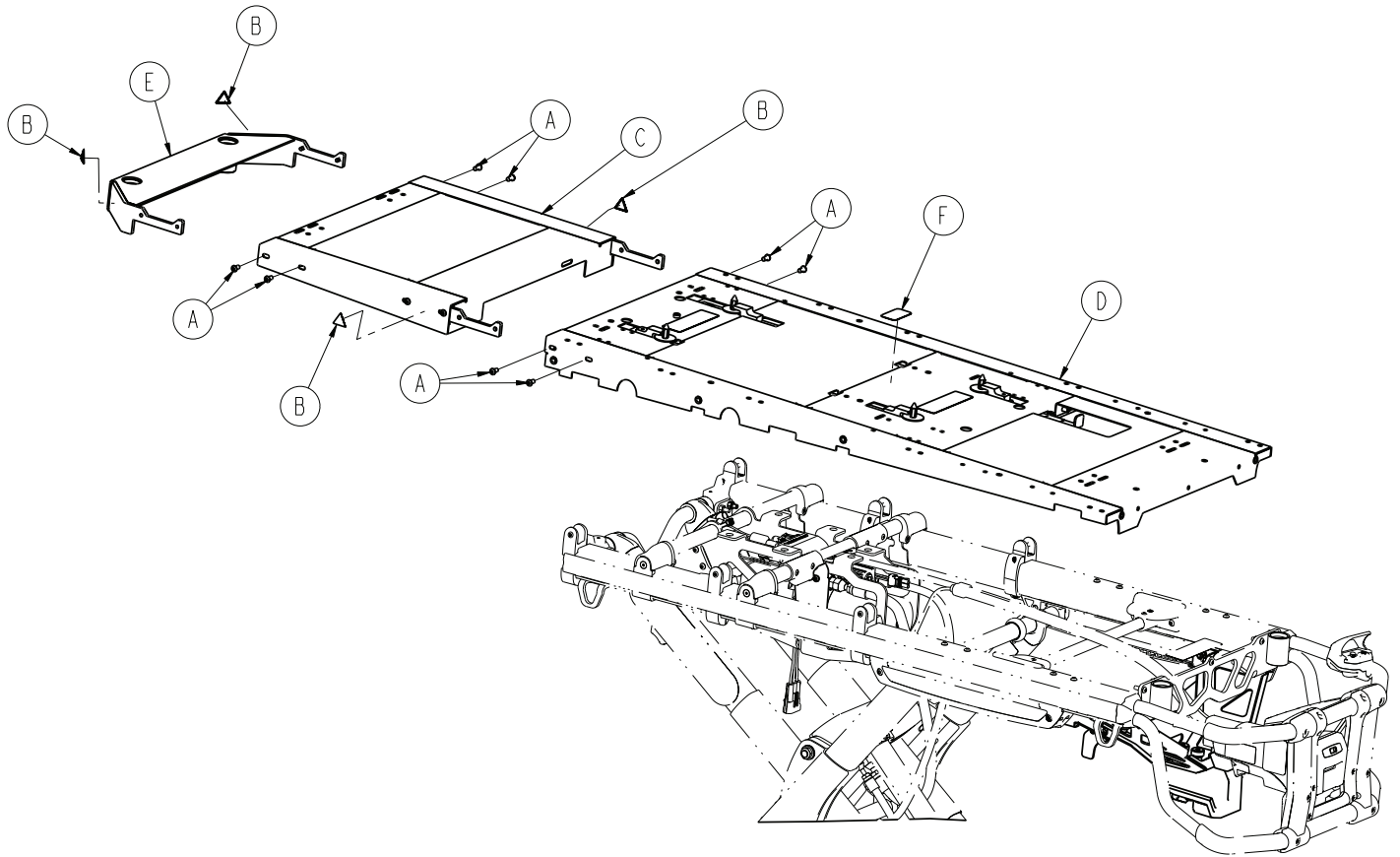
Rev A (Reference only)



Item	Number	Name	Quantity
A	0004-589-000	Button head cap screw	4
B	6506-001-905	Label, warning: crushing of hands	2
C	6510-101-019	Incubator adaptor assembly Drager®	1
D	6510-101-053	Weldment, socket, head end	1
E	6516-101-107	Label, specification, Drager®	1

Drager® extended assembly option - 6516-141-000

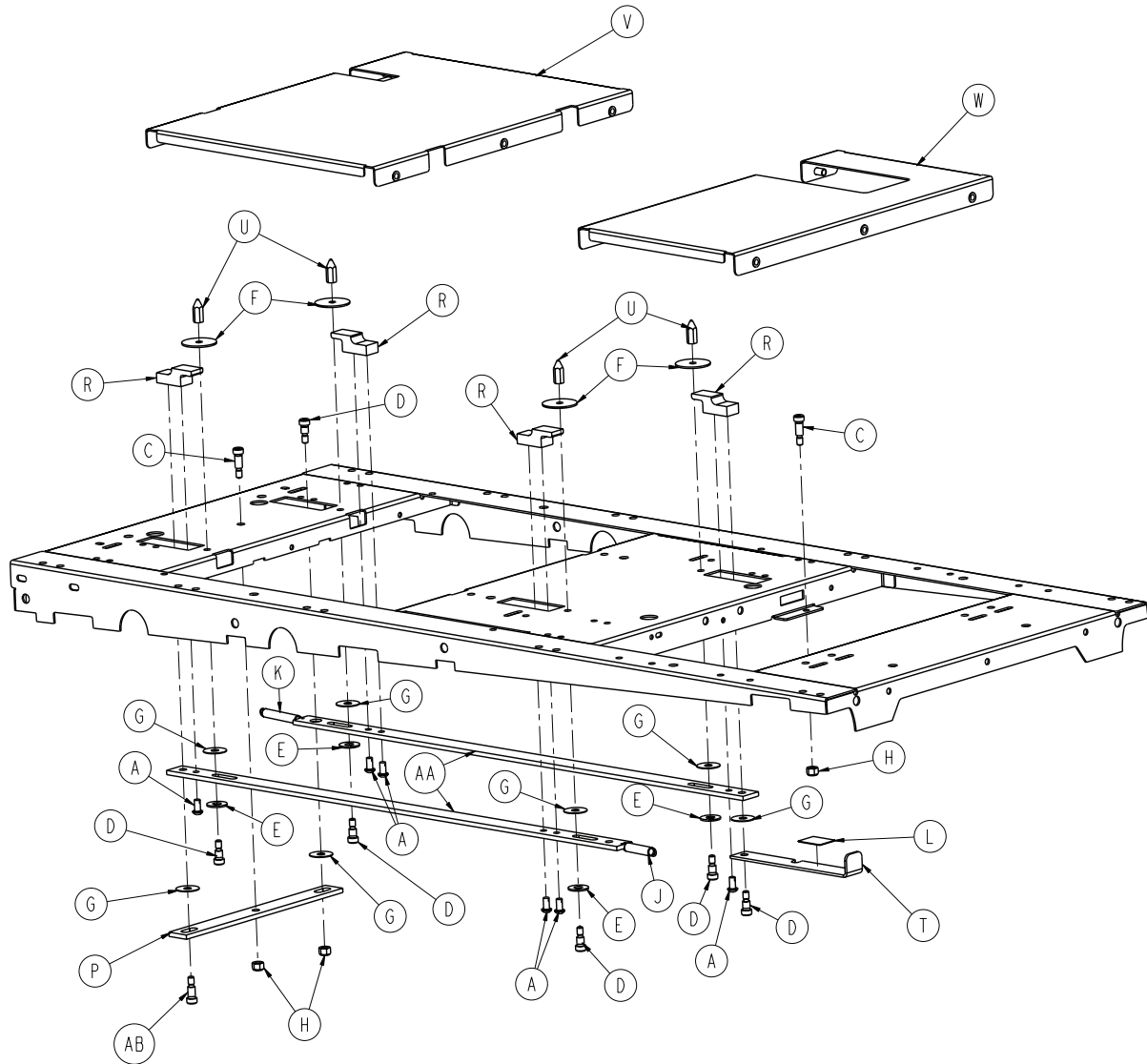
Rev A (Reference only)

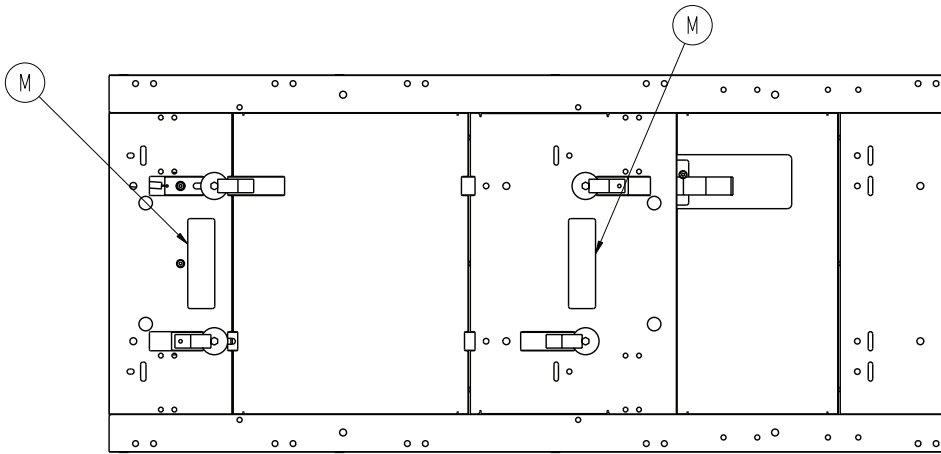
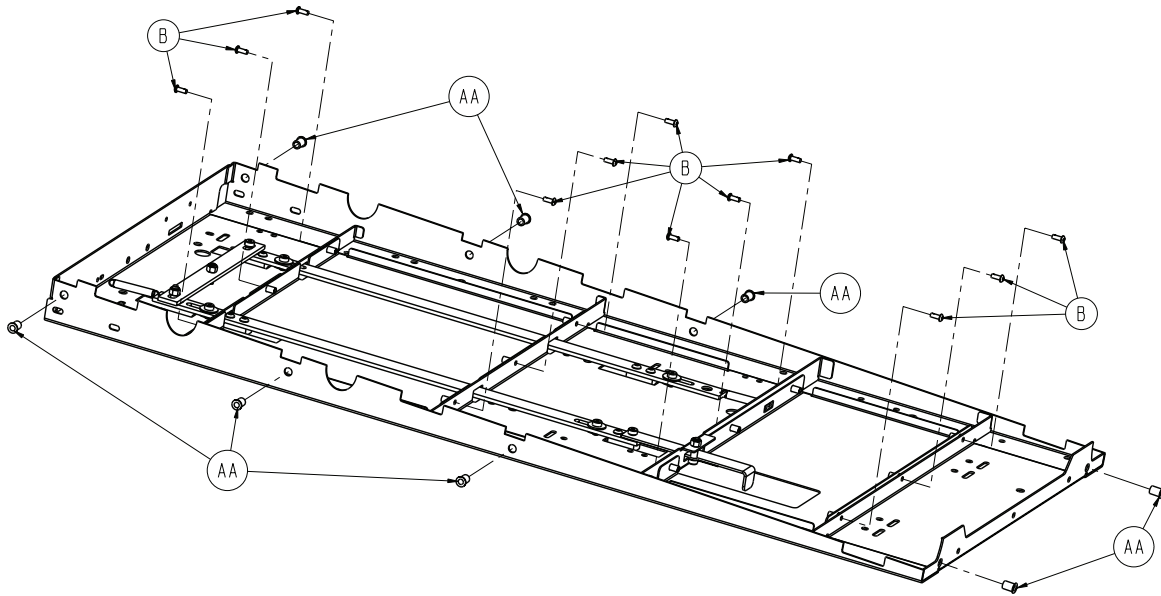


Item	Number	Name	Quantity
A	0004-589-000	Button head cap screw	8
B	6506-001-905	Label, warning: crushing of hands	4
C	6510-001-018	Extension assembly	1
D	6510-101-019	Incubator adaptor assembly, Drager®	1
E	6510-101-053	Weldment, socket, head end	1
F	6516-101-123	Label, Drager® extended	1

Incubator adaptor assembly - Dräger®

6510-101-019 Rev A (Reference only)



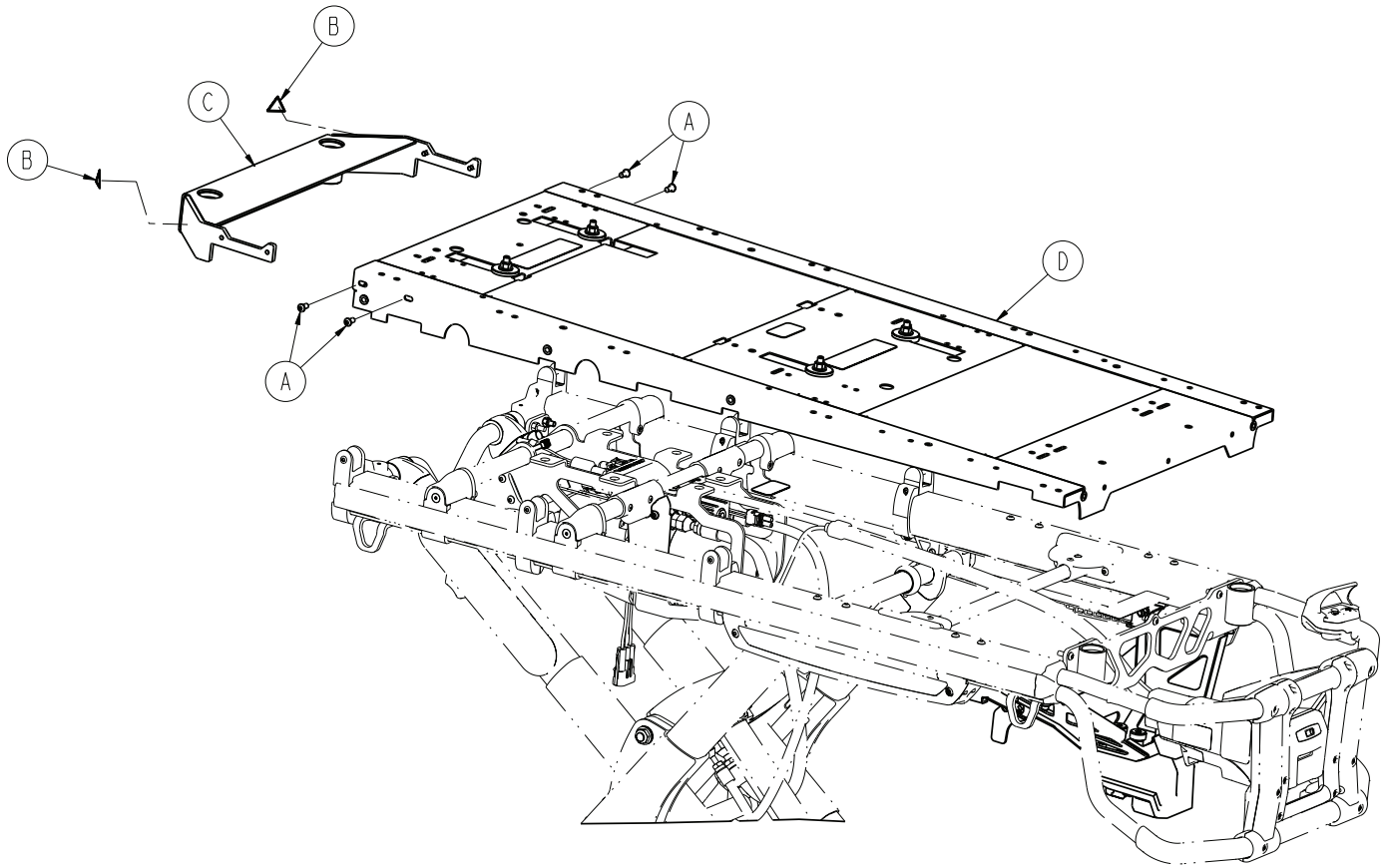


Item	Number	Name	Quantity
A	0004-589-000	Button head cap screw	6
B	0004-634-000	Button head cap screw	12
C	0008-015-000	Socket head set screw	2
D	0008-051-000	Socket head set screw	6
E	0011-193-000	Washer	4
F	0011-445-000	Washer	4
G	0014-019-000	Washer	7
H	0016-028-000	Fiberlock hex nut	3
J	0038-453-000	Extension spring	1
K	0038-576-000	Extension spring	1
L	6081-090-303	Label, lock pull	1
M	6510-101-125	Label, warning	2
N	6081-300-020	Slide bar	2
P	6081-300-021	Tie bar - air shields	1
R	6081-300-022	Lock blade	4
T	6081-300-023	Pull handle air shields	1
U	6081-300-024	Hex pin (air shields)	4

Item	Number	Name	Quantity
V	6510-001-022	Skin assembly	1
W	6510-001-023	Skin assembly	1
Y	6510-001-050	Weldment, litter, main	1
AA	0055-100-076	Riv nut	8
AB	0008-049-000	Socket head set screw	1

Airborne stackable assembly option - 6516-127-000

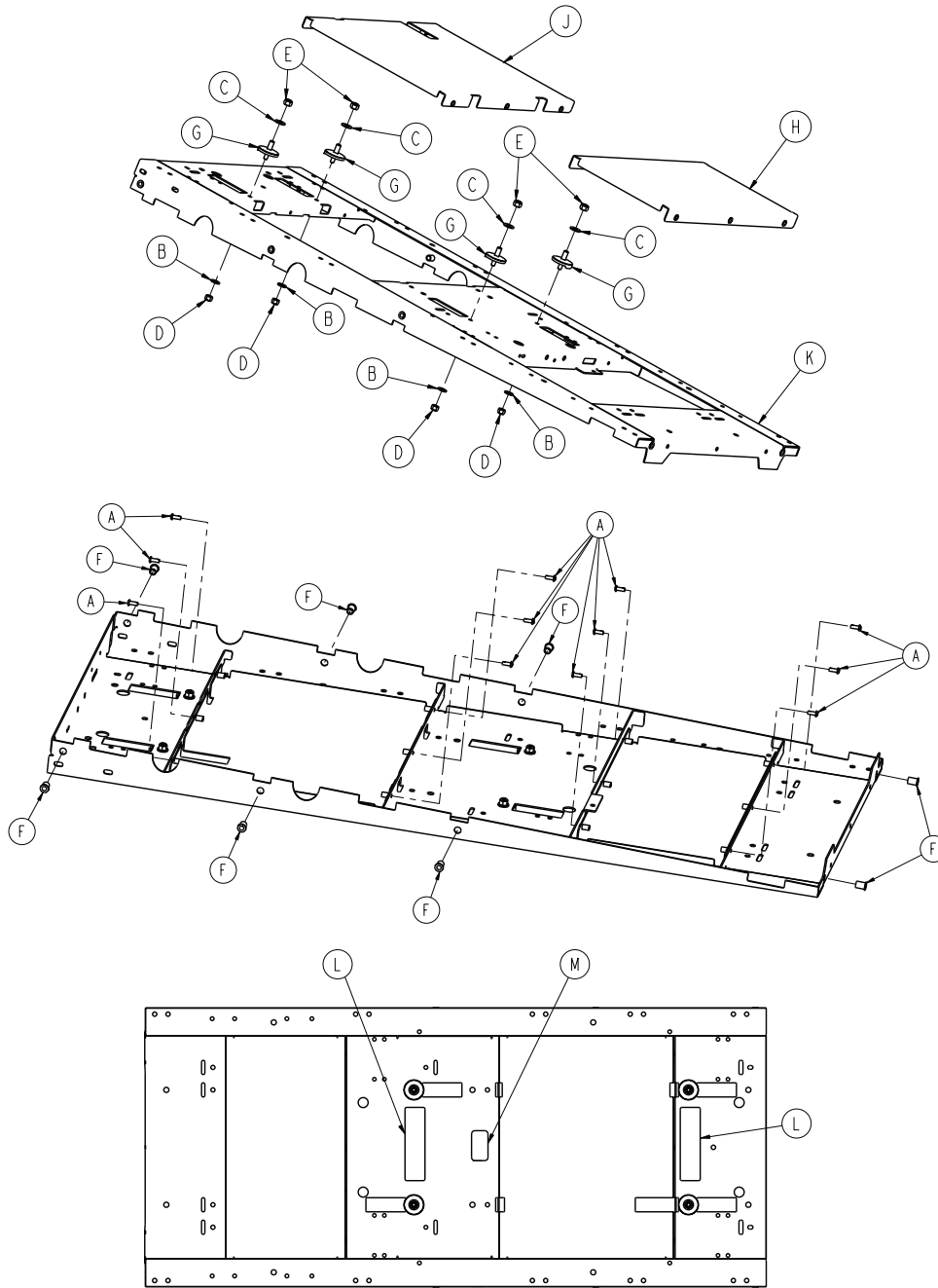
Rev A (Reference only)



Item	Number	Name	Quantity
A	0004-589-000	Button head cap screw	4
B	6506-001-905	Label, warning: crushing of hands	2
C	6510-101-053	Weldment, socket, head end	1
D	6516-101-020	Incubator adapter assembly, airborne	1

Incubator adaptor assembly - airborne stackable

6516-101-020 Rev A (Reference only)

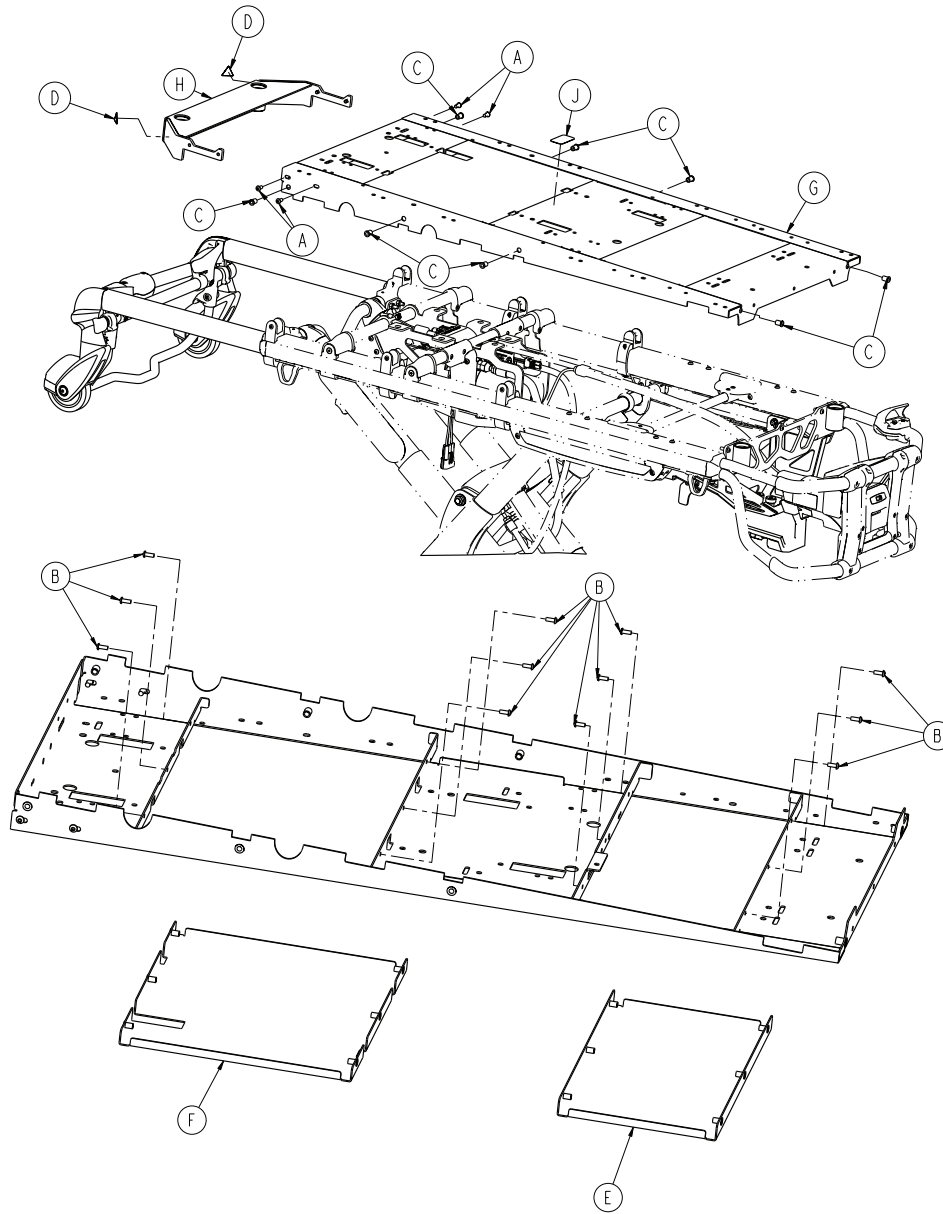


Item	Number	Name	Quantity
A	0004-634-000	Button head cap screw	12
B	0011-077-000	Washer	4
C	0011-447-000	Washer	4
D	0016-028-000	Fiberlock hex nut	4
E	0016-036-000	Nylock hex nut	4
F	0055-100-076	Riv nut	8
G	6081-201-020	Mounting stud	4
H	6510-001-021	Skin assembly	1
J	6510-001-022	Skin assembly	1

Item	Number	Name	Quantity
K	6510-001-050	Weldment, litter, main	1
L	6510-101-128	Label, warning	2
M	6516-101-105	Label, specification, airborne oxygen	1

No adapter assembly option, air sled - 6516-142-000

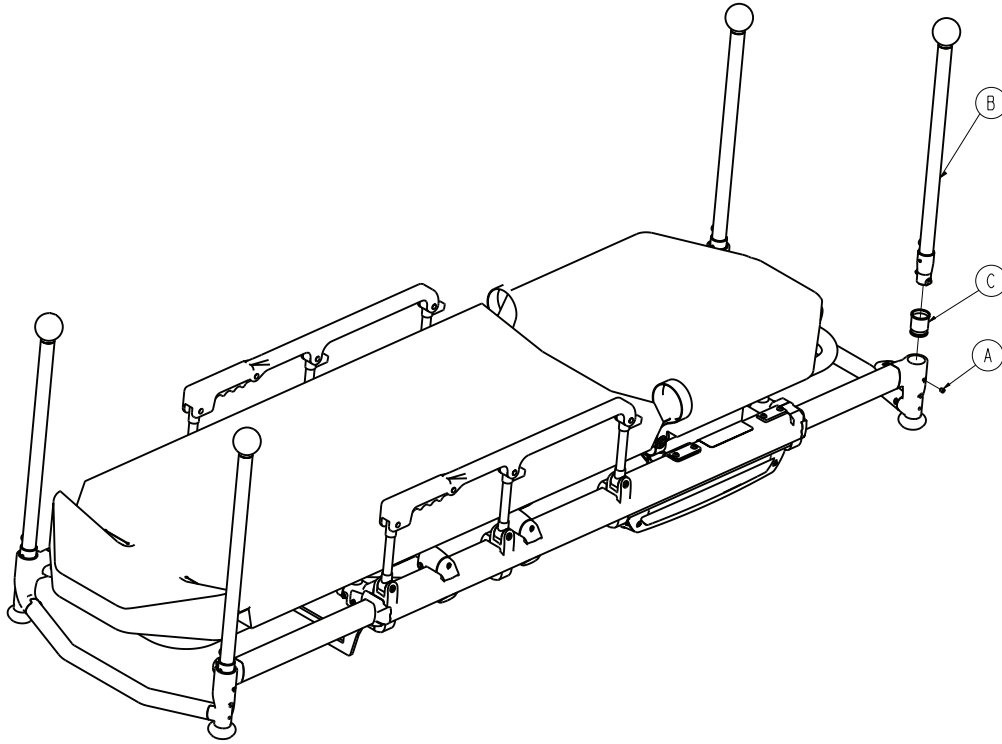
Rev A (Reference only)



Item	Number	Name	Quantity
A	0004-589-000	Button head cap screw	4
B	0004-634-000	Button head cap screw	12
C	0055-100-076	Riv nut	8
D	6506-001-905	Label, warning: crushing of hands	2
E	6510-001-021	Skin assembly	1
F	6510-001-022	Skin assembly	1
G	6510-001-050	Weldment, litter, main	1
H	6510-101-053	Weldment, socket, head end	1
J	6516-101-124	Label, specification, no adapter option	1

Push bar option - 6550-040-000

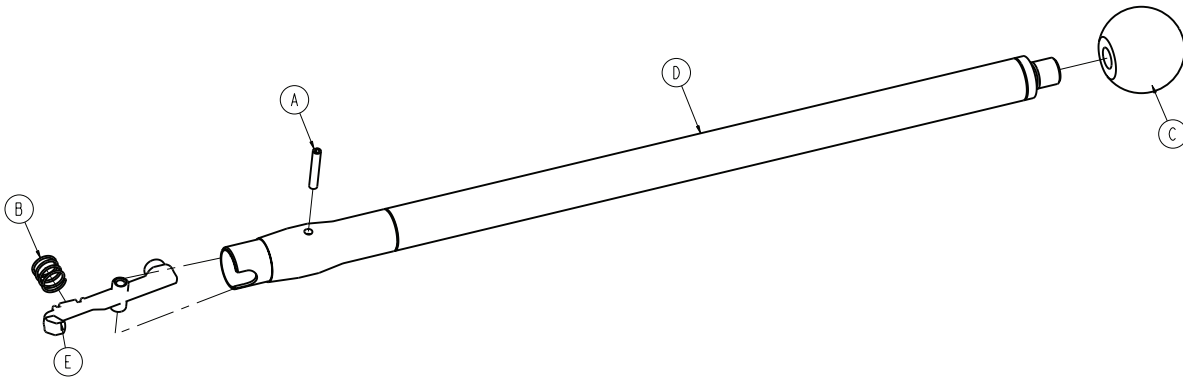
Rev A (Reference only)



Item	Number	Name	Quantity
A	0021-179-000	Set screw	4
B	6550-001-026	Corner handle assembly option (page 107)	4
C	6550-001-108	Push bar sleeve	4
D	6550-001-199	Push bar storage pouch	1

Corner handle assembly option

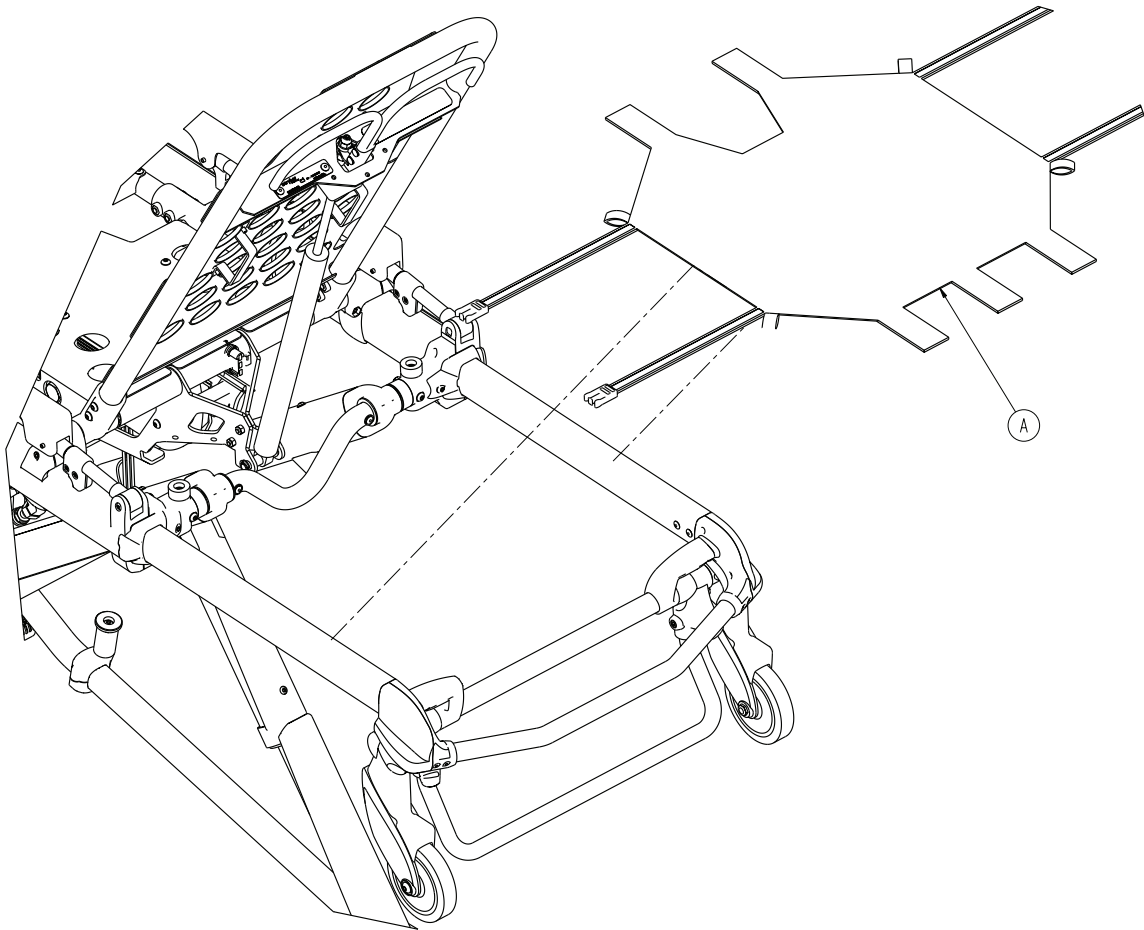
6550-001-026 Rev AA (Reference only)



Item	Number	Name	Quantity
A	0026-387-000	Slotted spring pin	1
B	0038-589-000	Compression spring	1
C	6510-001-119	Handle ball	1
D	6550-001-067	Handle weldment	1
E	655000010100	Push bar lock button	1

Storage flat, head end - 6500-128-000

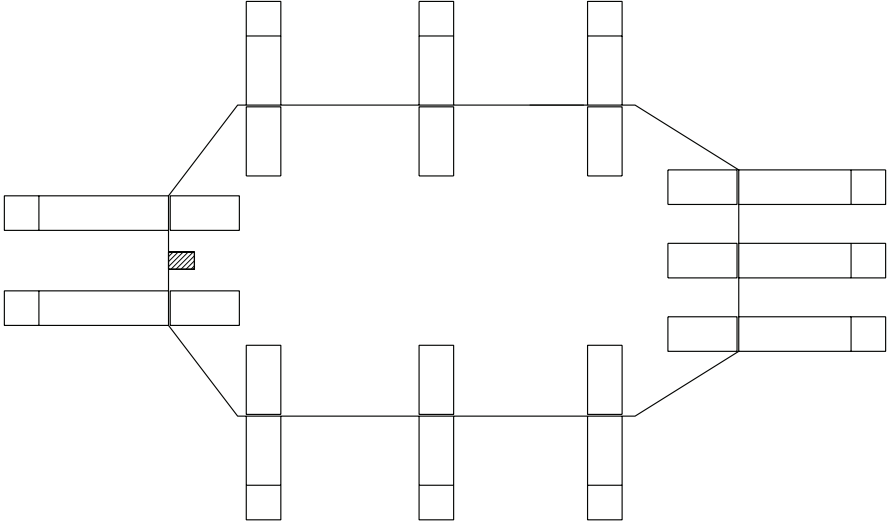
Rev A (Reference only)



Item	Number	Name	Quantity
A	6500-001-232	Head end storage flat	1

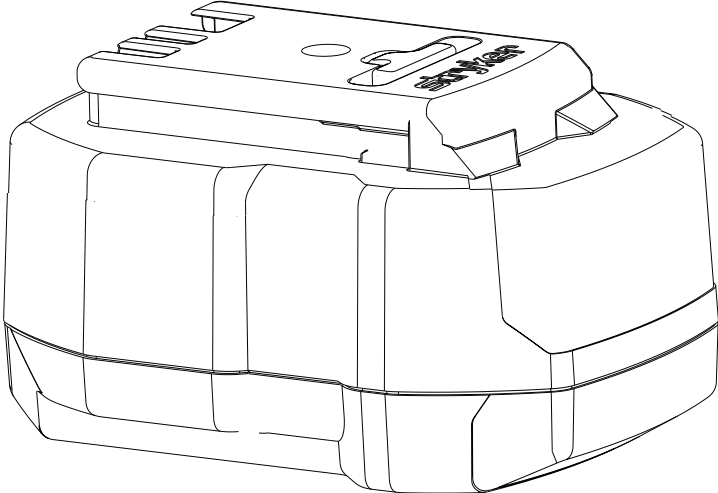
Storage net, base - 6500-160-000

6500-001-126 Rev AA (Reference only)



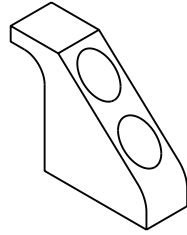
Battery pack, SMRT - 6500-033-000

6500-101-010 Rev AC (Reference only)

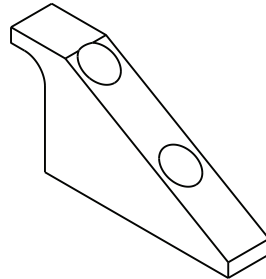


Safety hook, short - 6060-036-017/Safety hook, long - 6060-036-018/ Safety hook, J - 6092-036-018

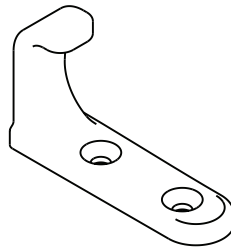
Safety hook, short - 6060-036-017 Rev A (Reference only)



Safety hook, long - 6060-036-018 Rev D (Reference only)



Safety hook, J - 6092-036-018 Rev A (Reference only)



EMC information

Guidance and manufacturer's declaration - electromagnetic emissions		
<p>Power-PRO is intended for use in the electromagnetic environment specified below. The customer or the user of Power-PRO should assure that it is used in such an environment.</p>		
Emissions test	Compliance	Electromagnetic environment
RF Emissions CISPR 11	Group 1	Power-PRO and SMRT Charger use RF energy only for its internal function. Therefore, its RF emissions are very low and are not likely to cause any interference in nearby electronic equipment.
RF Emissions CISPR 11	Group 2	Power-PRO with the Power-LOAD compatibility option must emit electromagnetic energy in order to perform its intended function. Nearby electronic equipment may be affected.
RF Emissions CISPR 11	Power-PRO : Class A	Power-PRO is suitable for use in all establishments other than domestic and those directly connected to the public low-voltage power supply network that supplies buildings used for domestic purposes.
	SMRT charger (6500-201-010): Class B	The SMRT charger is suitable for use in all establishments, including domestic establishments and those directly connected to the public low-voltage power supply network that supplies buildings used for domestic purposes.
Harmonic Emissions IEC 61000-3-2	Power-PRO : N/A SMRT charger (6500-201-010): Class A	The SMRT charger is suitable for use in all establishments, including domestic establishments and those directly connected to the public low-voltage power supply network that supplies buildings used for domestic purposes.
Voltage Fluctuations Flicker Emissions IEC 61000-3-3	Power-PRO : N/A SMRT charger (6500-201-010): complies	The SMRT charger is suitable for use in all establishments, including domestic establishments and those directly connected to the public low-voltage power supply network that supplies buildings used for domestic purposes.

Recommended separations distances between portable and mobile RF communications equipment and Power-PRO	
<p>Power-PRO is intended for use in an electromagnetic environment in which radiated RF disturbances are controlled. The customer or the user of Power-PRO can help prevent electromagnetic interferences by maintaining a minimum distance between portable and mobile RF communications equipment (transmitters) and Power-PRO as recommended below, according to the maximum output power of the communications equipment.</p>	
Rated maximum output power of transmitter W	Separation distance according to frequency of transmitter m

Recommended separations distances between portable and mobile RF communications equipment and Power-PRO			
	150 kHz to 80 MHz $D=(1.2) (\sqrt{P})$	80 MHz to 800 MHz $D=(0.18) (\sqrt{P})$	800 MHz to 2.5 GHz $D=(0.35) (\sqrt{P})$
0.01	0.12	0.018	0.035
0.1	0.38	0.57	0.11
1	1.2	0.18	0.35
10	3.8	0.57	1.1
100	12	1.8	3.5

For transmitters rated at a maximum output power not listed above, the recommended separation distance d in meters (m) can be estimated using the equation applicable to the frequency of the transmitter, where P is the maximum output power rating of the transmitter in watts (W) according to the transmitter manufacturer. Note 1: At 80 MHz and 800 MHz, the separation distance for the higher frequency range applies. Note 2: These guidelines may not apply in all situations. Electromagnetic propagation is affected by absorption and reflection from structures, objects, and people.


Guidance and manufacturer's declaration - electromagnetic immunity			
<p>Power-PRO is suitable for use in the electromagnetic environment specified below. The customer or the user of Power-PRO should assure that it is used in such an environment.</p>			
Immunity test	IEC 60601 test level	Compliance level	Electromagnetic environment-guidance
Electrostatic discharge (ESD) IEC 61000-4-2	± 6 kV contact ± 8 kV air	± 6 kV contact ± 8 kV air	Floors should be wood, concrete or ceramic tile. If floors are covered with synthetic material, the relative humidity should be at least 30%. Applies to: <ul style="list-style-type: none"> • Power-PRO • SMRT charger (6500-201-010)
Electrostatic fast Transient/ burst IEC 61000-4-4	± 2 kV for power supply lines ± 1 kV for input/output lines	± 2 kV for power supply lines ± 1 kV for input/output lines	Mains power quality should be that of a typical commercial or hospital environment. Applies to: <ul style="list-style-type: none"> • SMRT charger (6500-201-010)
Surge IEC 61000-4-5	± 8 kV line(s) to line(s) ± 2 kV line(s) to earth	± 8 kV line(s) to line(s) ± 2 kV line(s) to earth	Mains power quality should be that of a typical commercial or hospital environment. Applies to: <ul style="list-style-type: none"> • SMRT charger (6500-201-010)

Guidance and manufacturer's declaration - electromagnetic immunity

<p>Voltage dips, voltage variations and short interruptions on power supply input lines</p> <p>IEC 61000-4-11</p>	<p><5% U_T (95% dip in U_T) for 0.5 cycle</p> <p>40% U_T (60% dip in U_T) for 5 cycle</p> <p>70% U_T (30% dip in U_T) for 25 cycles</p> <p>0% U_T for 250 cycles</p> <p><5% U_T (>95% dip in U_T) for 5 sec.</p>	<p><5% U_T (95% dip in U_T) for 0.5 cycle</p> <p>40% U_T (60% dip in U_T) for 5 cycle</p> <p>70% U_T (30% dip in U_T) for 25 cycles</p> <p>0% U_T for 250 cycles</p> <p><5% U_T (>95% dip in U_T) for 5 sec.</p>	<p>Mains power quality should be that of a typical commercial or hospital environment. If the user of the SMRT charger requires continued operation during power main interruptions, it is recommended that the device be powered from an uninterrupted power supply or a battery.</p>
<p>Power frequency (50/60Hz) magnetic field</p> <p>IEC 61000-4-8</p>	<p>3 A/m</p>	<p>3 A/m</p>	<p>Power frequency magnetic fields should be at levels characteristic of a typical location in a typical commercial or hospital environment. Applies to:</p> <ul style="list-style-type: none"> • Power-PRO • SMRT charger (6500-201-010)

Note: U_T is the a.c. mains voltage before applications of the test level.

Guidance and manufacturer's declaration - electromagnetic immunity

<p>Conducted RF IEC 61000-4-6</p> <p>Radiated RF IEC 61000-4-3</p>	<p>3 Vrms 150kHz to 80MHz</p> <p>20 V/m 80 MHz to 2.5 GHz</p>	<p>3 V</p> <p>20 V/m</p>	<p>Portable and mobile RF communications equipment should be used no closer to any part of Power-PRO or SMRT charger, including cables, than the recommended separation distance calculated from the equation appropriate for the frequency of the transmitter.</p> <p>Recommended separation distance</p> <p>$D=(1.2) (\sqrt{P})$</p> <p>$D=(.18) (\sqrt{P})$</p> <p>80 MHz to 800 MHz</p> <p>$D=(0.35) (\sqrt{P})$</p> <p>800 MHz to 2.5 GHz</p> <p>where <i>P</i> is the maximum output power rating of the transmitter in watts (W) according to the transmitter manufacturer and <i>d</i> is the recommended separation distance in meters (m).</p> <p>Field strengths from fixed RF transmitters, as determined by an electromagnetic site ^a should be less than the compliance level in each frequency range.^b</p> <p>Interference may occur in the vicinity of equipment marked with the following symbol:</p> 
--	---	--------------------------	---

Note 1: At 80 MHz and 800 MHz, the higher frequency range applies.

Note 2: These guidelines may not apply in all situations. Electromagnetic propagation is affected by absorption and reflection from structures, objects, and people.

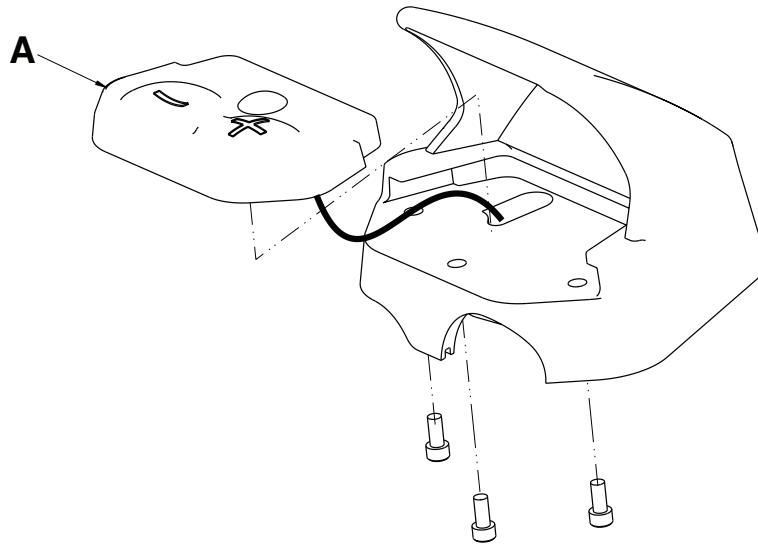
^a Field strengths from fixed transmitters, such as base stations for radio (cellular/cordless) telephones and land mobile radios, amateur radio, AM and FM radio broadcast, and TV broadcast cannot be predicted theoretically with accuracy. To assess the electromagnetic environment due to fixed RF transmitters, an electromagnetic site survey should be considered. If the measured field strength in the location in which **Power-PRO** is used exceeds the applicable RF compliance level above, the **Power-PRO** system should be observed to verify normal operation. If abnormal performance is observed, additional measures may be necessary, such as reorienting or relocating **Power-PRO**.

^b Over the frequency range 150 kHz to 80 MHz, field strengths are less than 20 V/m.

Recycling passport

650600010016

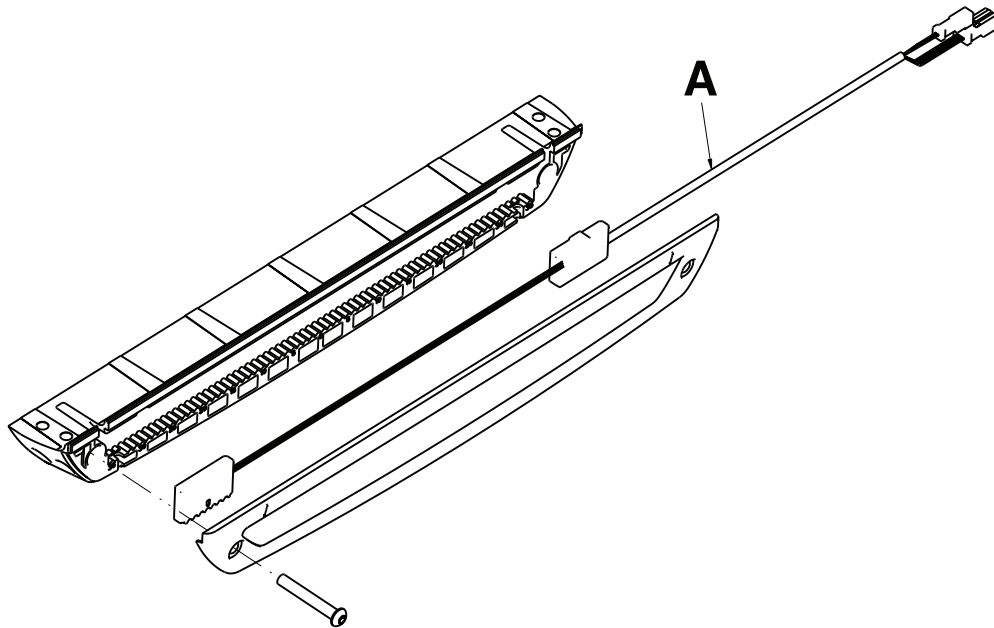
Rev AA



Item	Recyclable part number	Material code	Important information	Quantity
A	650600010130	Printed circuit board		2

6500-002-028

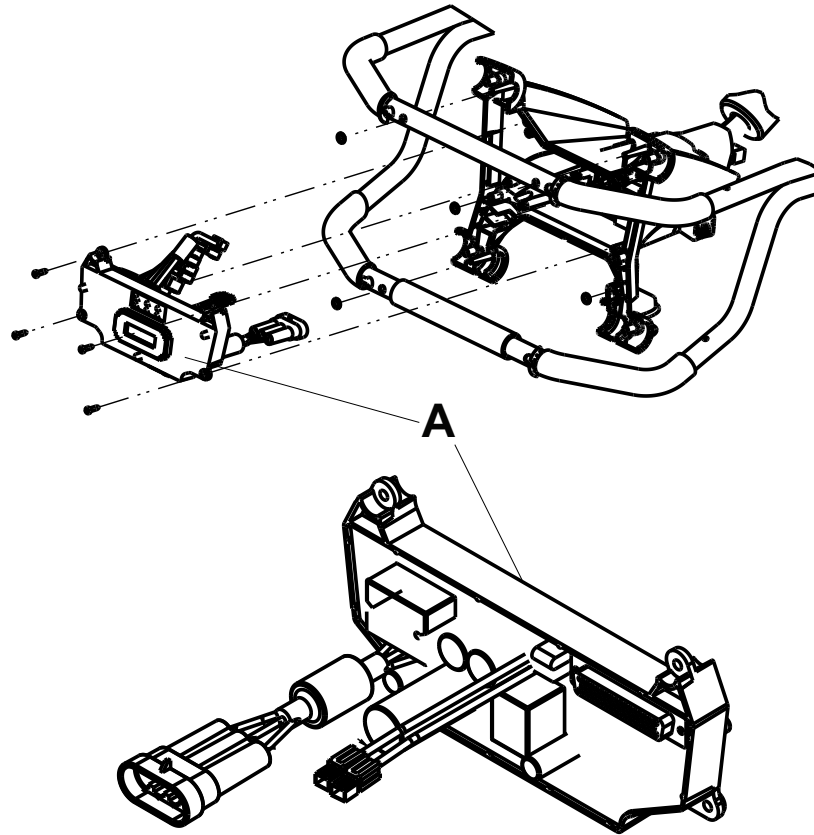
Rev A



Item	Recyclable part number	Material code	Important information	Quantity
A	6500-001-160	Printed circuit board		1

6500-102-015

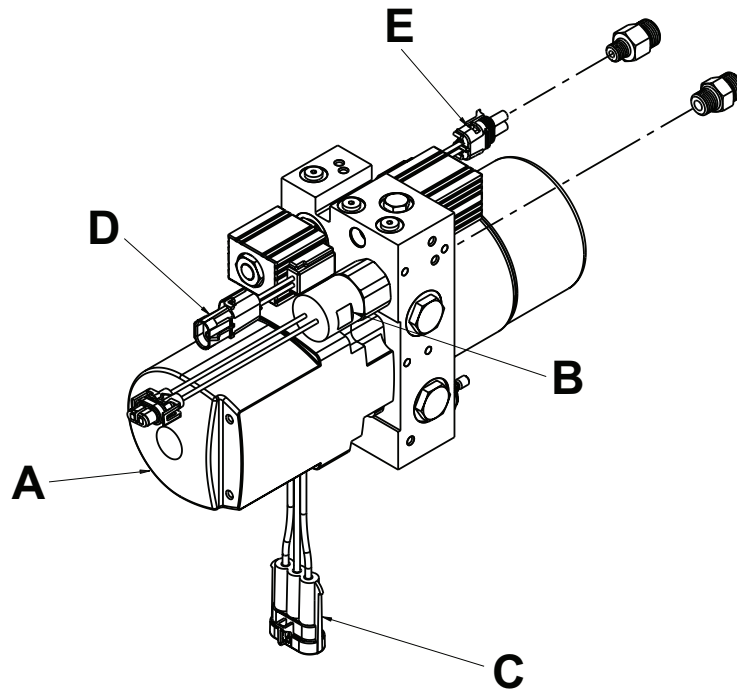
Rev AA



Item	Recyclable part number	Material code	Important information	Quantity
A	6500-102-014	Printed circuit board	Contains liquid crystal display	1

6500-001-214

Rev N

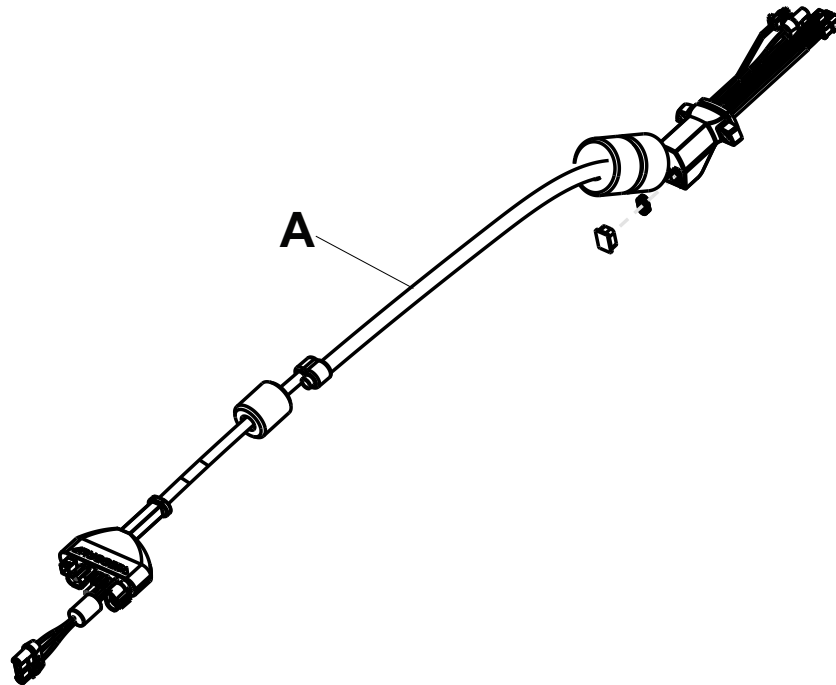


Item	Recyclable part number	Material code	Important information	Quantity
A	413768	Motor	Contains automatic transmission fluid*	1
B	6500-001-290	External electrical cable		1
C	12264	External electrical cable		1
D	12010973	External electrical cable		1
E	12015792	External electrical cable		1

*Mobil Mercon V Synthetic blend or equivalent

6500-002-159

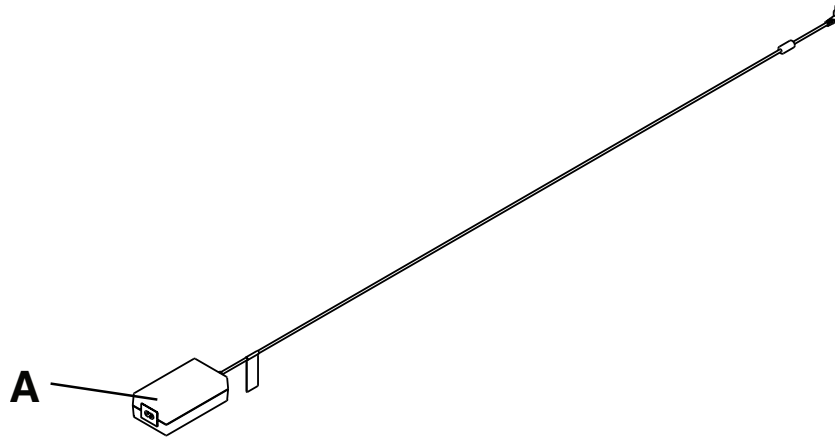
Rev AB



Item	Recyclable part number	Material code	Important information	Quantity
A	6500-002-159	External electrical cable		1

6500-201-148

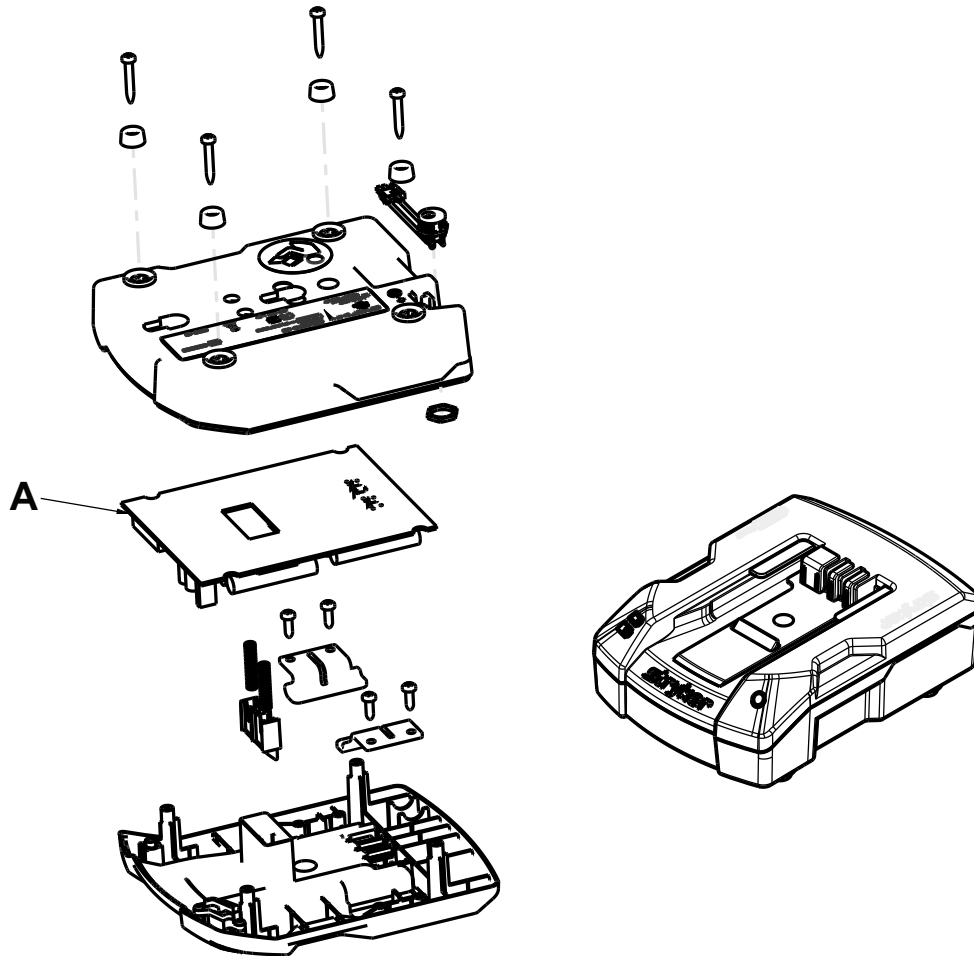
Rev AA



Item	Recyclable part number	Material code	Important information	Quantity
A	6500-201-248	Power supply		1

6500-201-010

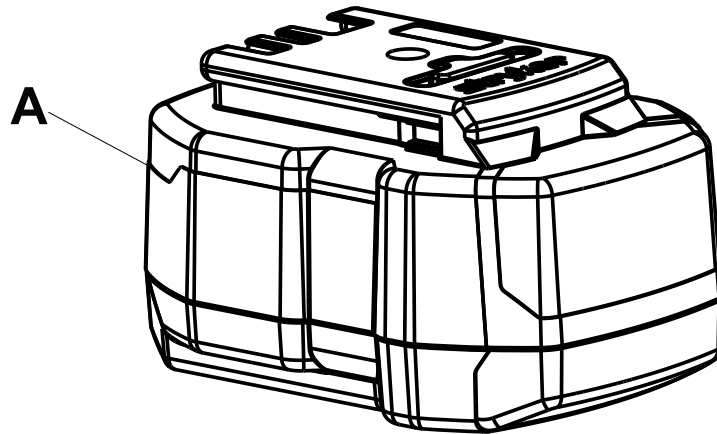
Rev AA



Item	Recyclable part number	Material code	Important information	Quantity
A	6500-201-140	Charger PCB		1

6500-101-010

Rev AC



Item	Recyclable part number	Material code	Important information	Quantity
A	6500-101-010	NiCd		2



The Rechargeable Battery Recycling Corporation (RBRC) is a non-profit, public service organization that promotes the recycling of portable rechargeable batteries. Batteries must be delivered to a battery collection site. Visit the RBRC website (www.rbc.org) to find a nearby collection site or call the phone number shown on the recycling symbol.

stryker



Stryker Medical
3800 E. Centre Avenue
Portage, MI 49002
USA