

POWER PRO TL
Ambulance Cot
Model 6550 RUGGED®

stryker®

Operations/Maintenance Manual



For Parts or Technical Assistance:
USA: 1-800-327-0770 (option 2)
Canada: 1-888-233-6888

CE

Table of Contents

Introduction	6
Specifications	6
WARNING / CAUTION / NOTE DEFINITION.	7
Symbols and Definitions	9
Warranty	10
DeWALT® Product Warranty	10
Stryker EMS Return Policy	11
Return Authorization.	11
Damaged Merchandise	11
International Warranty Clause.	11
Patent Information	11
Summary of Safety Precautions	12
Component Identification	17
Product Inspection	18
General Inspection.	18
Setup Procedures.	20
Cot Fastener Installation	21
Cot Features	23
Using Patient Restraint Straps	23
Using the Patient Restraint Belt Extension (Optional Equipment)	25
Pedi-Mate™ Infant Restraint System (Optional Equipment) Attachment Instructions	26
Operating the Wheel Lock(s)	28
Adjusting the Wheel Locking Force.	29
Adjusting the Footrest and Knee Gatch.	30
Operating the Backrest	31
Operating the Siderails.	31
Battery Power Indicator	32
Hour Usage Meter	33
Installing the Backrest Storage Pouch (Optional Equipment)	34
Using the Equipment Hook (Optional Equipment).	35
Operating the Rigid Push Bars and Storage Pouch (Optional Equipment)	36
Operating the 2-Stage I.V. Pole (Optional Equipment)	37
Operating the 3-Stage I.V. Pole (Optional Equipment)	38
Cot Operation.	39
Operating Guidelines	39
Proper Lifting Techniques.	39
Raising and Lowering the Cot (unoccupied)	40
Raising and Lowering the Cot (occupied)	40
Transporting a Patient	40
Transferring the Patient to the Cot	41
Using the TRUGGED Transfer Flat (Optional Equipment)	41
Ambulance Cot Motion.	41
Tail Lift Loading and Unloading	42

Table of Contents

Cot Operation (Continued)	
Ramp Loading and Unloading	43
Engaging the Cot into the Fastener	44
Removing the Cot from the Fastener	45
High Speed Retract/Extend	46
Caster Steer Lock	46
Manual Raising and Lowering of the Cot	47
Adjusting Cot Height	48
Using Additional Assistance	48
Operating the Retractable Head/Foot Sections	49
Battery Operation	50
Hydraulic Sub-Assembly (6550-001-030) Access Instructions	51
Cleaning	52
Washing Procedure	52
Washing Limitations	52
Removal of Iodine Compounds	53
Preventative Maintenance	54
Regular Inspection and Adjustments	55
Maintenance Record	57
Training Record	58
Assembly Drawings	59
Cot Assembly	59
Base Assembly	71
Telescoping Foot End	79
Telescoping Head Section	81
Fowler Assembly	83
Gatch Assembly	84
Telescoping Gatch Assembly	89
Hitch Assembly, Foot End	90
Hitch Assembly, Head End	94
Mounted Hydraulics Assembly	97
Hydraulics Sub-Assembly	99
Outer Rail, Patient Right	101
Outer Rail, Patient Left	102
Inner Lift Tube Assembly	103
Outer Lift Tube Assembly	104
Inner Lift Tube Assembly, Litter Pivot, Patient Right	105
Inner Lift Tube Assembly, Litter Pivot, Patient Left	106
Caster, Steer Lock, Wheel Lock Assembly	107
Corner Handle Assembly	108
2-Stage I.V. Assembly, Patient Left - 6550-211-000	111
2-Stage I.V. Pole Assembly, Patient Left - 6500-001-042	112
2-Stage I.V. Assembly, Dual - 6550-212-000	113

Table of Contents


Assembly Drawings (Continued)





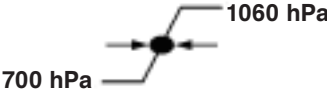

3-Stage I.V. Assembly, Patient Right - 6550-215-000	114
3-Stage I.V. Pole Assembly, Patient Right - 6500-001-043	115
3-Stage I.V. Assembly, Patient Left - 6550-216-000	116
3-Stage I.V. Pole Assembly, Patient Left - 6500-001-044	117
3-Stage I.V. Assembly, Dual - 6550-217-000	118
No I.V. Pole Assembly Option - 6550-218-000	119
Optional Push Bar Assembly - 6550-040-000	120
Removable Oxygen Bottle Holder Assembly - 6080-140-000	121
Optional Defibrillator Platform - 6100-170-000	122
Trouble Shooting Guide	123
POWER PRO Electronics and Hydraulics Locator	123
POWER PRO Hydraulic Manifold Components Locator	124
POWER PRO Electrical System Block Diagram	125
POWER PRO Troubleshooting Guide	127
Recycling Passport.	130
Battery Pack: 6500-700-006.	130
Switch Housing Assembly: 6550-001-036	131
Foot End Assembly: 6550-001-022	132
Electronics Assembly: 6550-001-014	133
Hydraulic Power Unit: 6550-001-030.	134
Main Cable: 6550-001-172	135
Quick Reference Replacement Part List	136
EMC Information.	137
POWER PRO TL	137

Introduction

This manual is designed to assist you with the operation and maintenance of the **RUGGED** POWER PRO TL Ambulance Cot. Read it thoroughly before using the equipment or beginning any maintenance on it.

SPECIFICATIONS

Maximum Cot Load Capacity 	50 stones	317.5 kg	700 pounds
Maximum Unassisted Lift Capacity	50 stones	317.5 kg	700 pounds
Backrest Articulation/Shock Position	0° to 73°		
Overall Length/Minimum Length/Width	194.3 cm / 139.7cm / 58.4 cm		76.5" / 55" / 23"
Height ¹	Adjustable from:	48.2 cm to 96.5 cm	19.5" to 38"
Weight ²	10.35 stones	67 kg	145 pounds
Caster Diameter/Width	15.2 cm / 5.1 cm		6" / 2"
Minimum Operators Required for Loading/ Unloading an Occupied Cot	2		
Minimum Operators Required for Loading/ Unloading an Unoccupied Cot	1		
Recommended Fastener Systems	Model 6385, 6386, 6387		
Double Wheel Lock / Four Wheel Lock	2 Wheel Lock Standard, 4 Optional		
Hydraulic Oil	Stryker Part Number 6500-001-293		
Battery System	DeWALT® 24 Volt NiCd Battery		
- Battery	Stryker Part Number 6500-700-006		
- Charger	230 Volt - Stryker Part Number 6500-071-000		
Standards (Cots and Chargers)	IEC 60601-1 CAN/CSA-C22.2 No. 601.1-M90 UL 60601-1 IEC 60601-1-2:2001 BS EN:1789		

Environmental Conditions	Operation	Storage and Transportation
Temperature		
Relative Humidity		
Atmospheric Pressure		

¹ Height measured from bottom of mattress at seat section to ground level.

² Cot is weighed with 1 battery and without mattress and restraints.

Stryker reserves the right to change specifications without notice.

The POWER PRO TL is designed to be compatible with competitive cot fastener systems.

DeWALT® is a registered trademark of Black & Decker Inc.

Patents pending.

Introduction

WARNING / CAUTION / NOTE DEFINITION

The words WARNING, CAUTION and NOTE carry special meanings and should be carefully reviewed.

WARNING

Alerts the reader about a situation, which if not avoided, could result in death or serious injury. It may also describe potential serious adverse reactions and safety hazards.

CAUTION

Alerts the reader of a potentially hazardous situation, which if not avoided, may result in minor or moderate injury to the user or patient or damage to the equipment or other property. This includes special care necessary for the safe and effective use of the device and the care necessary to avoid damage to a device that may occur as a result of use or misuse.

NOTE

This provides special information to make maintenance easier or important instructions clearer.

Introduction

Contact Stryker Customer Service or Technical Support at: +44 (0) 1635 262431.

Stryker UK Limited
Hambridge Rd.
Newbury, Berkshire
RG14 5EG, England

Please have the serial number of your Stryker product available when calling Stryker Customer Service or Technical Support. Include the serial number in all written communication.

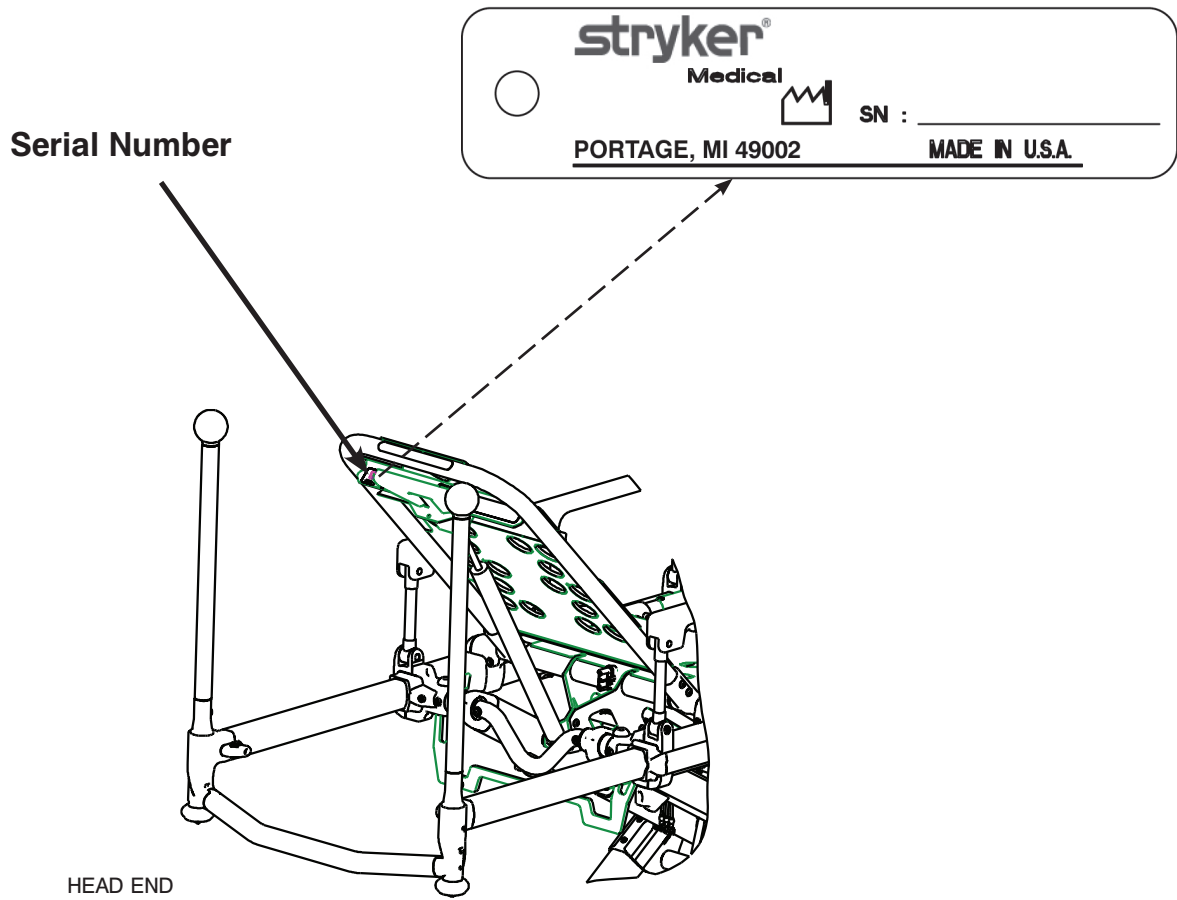


Figure 1 - Cot Serial Number & Location

Symbols and Definitions



Warning, consult accompanying documentation



Dangerous Voltage Symbol



Pinch Point



Extend



Retract



Type B Equipment: equipment providing a particular degree of protection against electric shock, particularly regarding allowable leakage current and reliability of the protective earth connection.

Internally Powered Equipment: equipment able to operate from an internal (removable) electrical power source.

Mode of Operation: 10% (33 sec. On / 5 Min. Off)

IPX6

Protection from powerful jets of water.



Safe Working Load Symbol



The DeWALT® Battery System is a registered trademark of Black & Decker Inc.



In accordance with European Directive 2002/96/EC on Waste Electrical and Electronic Equipment, this symbol indicates that the product must not be disposed of as unsorted municipal waste, but should be collected separately. Refer to your local distributor for return and/or collection systems available in your country.



Medical Equipment Classified by Underwriters Laboratories Inc. with Respect to Electric Shock, Fire, Mechanical and Other Specified Hazards Only in Accordance with UL 60601-1, First Edition (2003) and CAN/CSA C22.2 No. 601.1-M90 with updates 1 and 2.



BS EN 1789:2000 Certified.

Warranty

Stryker EMS, a division of the Stryker Corporation, offers two distinct warranty options in the United States:

One (1) year parts and labor. Under this option, Stryker EMS warrants to the original purchaser that its products should be free from manufacturing non-conformances that affect product performance and customer satisfaction for a period of one (1) year after date of delivery. Stryker's obligation under this warranty is expressly limited to supplying replacement parts and labor for, or replacing, at its option, any product that is, in the sole discretion of Stryker, found to be defective.

Two (2) year parts. Under this option, Stryker EMS warrants to the original purchaser that non-expendable components of its products should be free from manufacturing non-conformances that affect product performance and customer satisfaction for a period of two (2) years after date of delivery. Stryker's obligation under this warranty is expressly limited to supplying replacement parts for, or replacing, at its option, any product which is, in the sole discretion of Stryker, found to be defective. Expendable components, i.e. mattresses, restraints, IV poles, storage nets, storage pouches, O2 straps, and other soft goods, have a one (1) year limited warranty with this option.

Under either warranty option, Stryker Medical EMS products are designed for a 7 year expected service life under normal use, conditions, and with appropriate periodic maintenance as described in the maintenance manual for each device. Stryker warrants to the original purchaser that the welds on its EMS products will be free from structural defects for the expected 7 year life of the EMS product as long as the original purchaser owns the product.

If Stryker requests, products or parts for which an original purchaser makes a warranty claim, the purchaser shall return the product or part prepaid freight to Stryker's factory.

Any improper use or alteration or repair by unauthorized service providers in such a manner as in Stryker's judgment affects the product materially and adversely, shall void this warranty. Any repair of Stryker products using parts not provided or authorized by Stryker shall void this warranty. No employee or representative of Stryker is authorized to change this warranty in any way.

This statement constitutes Stryker EMS's entire warranty with respect to the aforesaid equipment. STRYKER MAKES NO OTHER WARRANTY OR REPRESENTATION EITHER EXPRESSED OR IMPLIED, EXCEPT AS SET FORTH HERIN. THERE IS NO WARRANTY OF MERCHANTABILITY AND THERE ARE NO WARRANTIES OF FITNESS FOR ANY PARTICULAR PURPOSE. IN NO EVENT SHALL STRYKER BE LIABLE HEREUNDER FOR INCIDENTAL OR CONSEQUENTIAL DAMAGES ARISING FROM OR IN ANY MANNER RELATED TO SALES OR USE OF ANY SUCH EQUIPMENT.

DeWALT® PRODUCT WARRANTY

Any DeWALT® product purchased from Stryker EMS is covered for a period of one (1) year after date of delivery. Stryker's obligation under this warranty is expressly limited to supplying replacement parts and labor for, or replacing, at its option, any product that is, in the sole discretion of Stryker, found to be defective due to faulty materials or workmanship.

Warranty

STRYKER EMS RETURN POLICY

Cots, Stair Chairs, Evacuation Chairs, Cot Fasteners and Aftermarket Accessories may be returned up to 180 days of receipt if they meet the following guidelines:

Prior to 30 Days

- 30 day money back guarantee in effect
- Stryker EMS is responsible for all charges
- Returns will not be approved on modified items

Prior to 90 Days

- Product must be **unused, undamaged** and in the original packaging
- Customer is responsible for a 10% restocking fee

Prior to 180 Days

- Product must be **unused, undamaged** and in the original packaging
- Customer is responsible for a 25% restocking fee

RETURN AUTHORIZATION

Merchandise cannot be returned without approval from the Stryker Customer Service Department. An authorization number will be provided which must be printed on the returned merchandise. Stryker reserves the right to charge shipping and restocking fees on returned items.

SPECIAL, MODIFIED, OR DISCONTINUED ITEMS NOT SUBJECT TO RETURN.

DAMAGED MERCHANDISE

ICC Regulations require that claims for damaged merchandise must be made with the carrier within fifteen (15) days of receipt of merchandise. **DO NOT ACCEPT DAMAGED SHIPMENTS UNLESS SUCH DAMAGE IS NOTED ON THE DELIVERY RECEIPT AT THE TIME OF RECEIPT.** Upon prompt notification, Stryker will file a freight claim with the appropriate carrier for damages incurred. Claim will be limited in amount to the actual replacement cost. In the event that this information is not received by Stryker within the fifteen (15) day period following the delivery of the merchandise, or the damage was not noted on the delivery receipt at the time of receipt, the customer will be responsible for payment of the original invoice in full. Claims for any short shipment must be made within thirty (30) days of invoice.

INTERNATIONAL WARRANTY CLAUSE

This warranty reflects U.S. domestic policy. Warranty outside the U.S. may vary by country. Please contact your local Stryker Medical representative for additional information.

PATENT INFORMATION

RUGGED products are covered by one or more of the following patents:

United States	5,575,026	6,276,010	6,648,343	6,908,133	6,796,757
	5,537,700	6,125,485	6,735,794	7,100,224	D527,103
Other Patents Pending					

Summary of Safety Precautions

The following is a list of safety precautions that must be observed when operating or servicing this unit. The precautions are repeated throughout the manual, where applicable. Carefully read this list before using or servicing the unit.

WARNING

- Do not modify the **▲RUGGED▲** ambulance cot or any components of the cot, including the hydraulic unit. Modifying the product can cause unpredictable operation resulting in injury to the patient or operator. Modifying the product will also void its warranty.
- It is the responsibility of the cot operator to ensure the ambulance cot being used in the Stryker cot fastener system meets the installation specifications listed on [page 21](#). Injury may result if a non-compatible ambulance cot is used in the Stryker cot fastener system.
- To avoid accidental release of the Pedi-Mate™, and possible injury to the infant, ensure that the restraint buckle is located away from obstructions on the ambulance cot or accessories.
- Never apply the optional wheel lock(s) while a patient is on the ambulance cot. Tipping could occur if the ambulance cot is moved while wheel locks are applied, resulting in injury to the patient or operator and/or damage to the product.
- Never install or use wheel locks on an ambulance cot with excessively worn wheels. Installing or using wheel locks on wheels with less than a 6" (16 cm) diameter could compromise the holding ability of the wheel lock, resulting in injury to the patient or operator and/or damage to the product or other equipment.
- To avoid risk of electric shock, never attempt to open the battery pack for any reason. If the battery pack case is cracked or damaged, do not insert it into the charger. Return damaged battery packs to a service center for recycling.
- Do not remove the battery when the ambulance cot is activated.
- Avoid contact with a wet battery or battery enclosure. Contact may cause injury to the patient or operator.
- Improper usage of the **▲RUGGED▲** ambulance cot can cause injury to the patient or operator. Operate the ambulance cot only as described in this manual.
- Entanglement in powered ambulance cot mechanisms can cause serious injury. Operate the ambulance cot only when all persons are clear of the mechanisms.
- Practice changing height positions and loading and unloading the ambulance cot until operation of the product is fully understood. Improper use can cause injury.
- Do not allow untrained assistants to assist in the operation of the ambulance cot. Untrained technicians/assistants can cause injury to the patient or themselves.
- Do not ride on the base of the **▲RUGGED▲** ambulance cot. Damage to the product could occur, resulting in injury to the patient or operator.
- Grasping the **▲RUGGED▲** ambulance cot improperly can cause injury. Keep hands, fingers and feet away from moving parts.
- Transporting the cot sideways can cause the cot to tip, resulting in possible damage to the product and/or injury to the patient or operator. **Transporting the cot in a lowered position, head or foot end first, will minimize the potential of a cot tip.**
- Always use all restraint straps to secure the patient to the ambulance cot. An unrestrained patient may fall from the ambulance cot and be injured.
- Do not attach restraints to the base or cross tubes, improper restraint attachment could result in damage to the cot further resulting in injury to the patient or operator.
- Never leave a patient unattended on the ambulance cot or injury could result. Hold the ambulance cot securely while a patient is on the cot.
- Siderails are not intended to serve as a patient restraint device. Refer to [page 23](#) and [page 24](#) for proper restraint strap usage. Failure to utilize the siderails properly could result in patient injury.
- High obstacles such as curbing, steps or rough terrain can cause the ambulance cot to tip, possibly causing injury to the patient or operator. **Transporting the cot in lower positions can reduce the potential of a cot tip.** If possible, obtain additional assistance ([see page 48](#) for a reference chart) or take an alternate route. Once the weight is off the ground, the operator(s) must support the load of the patient, ambulance cot and any accessories. Failure to support the load properly may cause injury to the patient or operator.
- Explosion Hazard - Do not use cot in presence of flammable anesthetics.

Summary of Safety Precautions

WARNING (CONTINUED)

- Do not attempt to operate the ambulance cot when loaded into a cot fastener. Damage to the product or injury to the patient or operator may occur.
- Use any appropriate personal safety equipment (goggles, respirator, etc.) to avoid the risk of inhaling contagion. Use of power washing equipment can aerate contamination collected during the use of the ambulance cot.
- Failure to properly clean or dispose of contaminated mattress or other ambulance cot components will increase the risk of blood borne pathogens and may cause injury to the patient or operator.
- Hydraulically raising or lowering the cot may temporarily affect electronic patient monitoring equipment. For best results, patient monitoring should be conducted when the cot is idle.
- **SOME CLEANING PRODUCTS ARE CORROSIVE IN NATURE AND MAY CAUSE DAMAGE TO THE PRODUCT IF USED IMPROPERLY.** If the products described above are used to clean Stryker patient care equipment, measures must be taken to insure the cots are wiped with clean water and thoroughly dried following cleaning. Failure to properly rinse and dry the cots will leave a corrosive residue on the surface of the cots, possibly causing premature corrosion of critical components.
- Escaping fluid under pressure can penetrate the skin causing serious injury. Avoid the hazard by relieving pressure before disconnecting hydraulic or other lines. Tighten all connections before applying pressure. If an accident occurs, see a doctor immediately. Any fluid injected into the skin must be surgically removed within a few hours or gangrene may result. Doctors unfamiliar with this type of injury should reference a knowledgeable medical source.
- Ensure the push bar is properly locked into its mount to prevent the bar from coming out during use and possibly injuring the operator or patient.
- Do not lift the cot with the push bars. Lifting the cot by the push bars may result in failure of the push bar lock mechanism and may injure the operator or patient.
- When not in use, the push bars should be stored in the base storage pouch provided with the push bar option.
- A lift gate stop which is not properly functioning can result in injury to the patient or operator; ensure that the cot is unable to roll back off the lift before using the lift with a cot and patient. Verify the lift gate stop is maintained and functioning properly and ensure that the cot is secure at all times when on the tail lift.
- It is important to ensure that the push bar is properly locked into its mount to prevent the bar from coming out during use and possibly injuring the operator or patient.
- Medical electrical equipment requires special precautions regarding EMC and needs to be installed and put into service according to the EMC information provided on [page 137](#) to prevent equipment malfunction.
- Portable and mobile RF communication equipment can affect Medical Electrical Equipment.

CAUTIONS

- Ensure that restraints are not entangled in the base frame when raising and lowering the cot.
- Wheel locks are only intended to help prevent the ambulance cot from rolling while unattended. Wheel locks may not provide sufficient resistance on all surfaces or under loads.
- Only use the battery and charger as specified.
- The POWER PRO TL is not for use with an AC adaptor.
- Ensure that the battery is charged prior to placing into service. An uncharged or depleted battery may cause poor ambulance cot performance.
- A preventative maintenance program should be established for all Stryker EMS equipment. Preventative maintenance may need to be performed more frequently based on the usage level of the product. Close attention should be given to safety features including, but not limited to:
 - Hydraulic power mechanism
 - All electrical controls return to off or neutral position when released
 - For additional maintenance information, refer to the preventative maintenance section.
- Do not store items under the ambulance cot mattress. Storing items under the mattress can interfere with the operation of the ambulance cot.
- The weight of the equipment in the pocketed backrest storage pouch (if equipped) must not exceed 1.4 stones (20 pounds), (9 kg).

Summary of Safety Precautions

CAUTIONS (CONTINUED)

- To avoid damage to the equipment hook, the weight of the accessories or equipment must not exceed 1.4 stones (20 pounds), (9 kg).
- The weight of the I.V. bags or equipment must not exceed 2.9 stones (40 pounds), (18 kg) for usage on the I.V. poles (if equipped).
- The weight of the removable oxygen bottle holder and/or equipment must not exceed 1.78 stones (25 pounds), (11.3 kg).
- Before operating the cot, clear any obstacles that may interfere and cause injury to the operator or patient.
- Loading, unloading or changing the position of a loaded ambulance cot requires a minimum of **two trained operators**. The operator(s) must be able to lift the total weight of the patient, cot and any other items on the cot (if additional assistance is needed, see Using Additional Assistance under the Cot Operations section).
- Remove the battery if the cot is not going to be used for an extended period of time (over 24 hours).
- Remove the battery before washing the cot.
- Do not steam clean or ultrasonically clean this ambulance cot. Maximum water temperature should not exceed 180 °F/82 °C. Maximum air dry temperature (cart washers) is 240 °F/115 °C. Maximum water pressure should not exceed 1500 psi/130.5 bar. If a hand held wand is being used to wash the unit, the pressure nozzle must be kept a minimum of 61 centimeters from the unit. Towel dry all casters and interface points. Failure to comply with these instructions may invalidate any/all warranties.
- Improper maintenance can cause injury or damage to the product. Maintain the ambulance cot as described in this manual. Use only Stryker approved parts and maintenance procedures. Using unapproved parts and procedures could cause unpredictable operation and/or injury and will void the product warranty.
- Failure to use authorized parts, lubricants, etc. could cause damage to the ambulance cot and will void the warranty of the product.
- Hydraulic hose connections and lines can fail due to physical damage, kinks, age, and exposure. Check hoses and lines regularly to avoid damage to the cot. Check and tighten loose connections.
- Hydraulic fluid connections can loosen due to physical damage and vibration. Check and tighten loose connections.
- When charging batteries in an ambulance vehicle, locate the charger either in the forward cab or an enclosed compartment (i.e. cabinet).
- The unit must be in its fully down position in order to properly engage the cot fastener (not included). In order to ensure the cot is in the lowest position press the retract (-) button until the cot stops moving downward. This should be done prior to attempting to engage the cot into the cot fastener (not included). **In order to reduce risk of damage to the cot or cot fastener, do not attempt to activate the cot height activation while it is engaged in the cot fastener.**
- When not in use, the push bars should be stored in the base storage pouch provided with the push bar option.
- To avoid malfunction, the model 6550 **▲RUGGED▲** POWER PRO TL ambulance cot should not be used adjacent to or stacked with other equipment. If adjacent or stacked use is necessary, the model 6550 **▲RUGGED▲** POWER PRO TL ambulance cot should be observed to verify normal operation in the configuration in which it will be used.
- Possible fire hazard when used with oxygen administering equipment of other than the nasal, mask, or 1/2 bed length tent type. Oxygen tent should not extend below mattress support level. An oxygen rich environment is defined as an environment where the oxygen concentration levels are greater than 25% for ambient pressures up to 110 kPa or the partial pressure of oxygen is greater than 27.5 kPa at ambient pressures exceeding 110kPa.
- The weight of the monitoring equipment must not exceed 5.4 stones (75 pounds), (34 kg) with the defibrillator platform (if equipped). Monitoring equipment should not be stored on the cot or on the defibrillator platform when in the ambulance vehicle.

Summary of Safety Precautions

NOTES

- This manual should be considered a permanent part of the ambulance cot and should remain with the product even if the cot is subsequently sold.
- These are general instructions for installation of the Pedi-Mate™. Safe and proper use of the Pedi-Mate™ is solely at the discretion of the user. Stryker recommends all users be trained on the proper use of the Pedi-Mate™ before using it in an actual situation.
- The operators must lift the cot slightly off the ground to use the manual extend or retract while a patient is on the cot.
- Keep your spare battery on the charger at all times. Batteries slowly lose power when not on the charger.
- Failure to follow the cleaning directions when using the specified types of cleaners may void this product's warranty.
- Activation of the manual release may cause the ambulance cot to drop slowly if less than 9.2 stones (130 pounds), (59 kg) are on the cot.
- When operating the manual release, avoid rapid lifting or lowering of the base or movement may appear sluggish; lift with a slow constant motion.

Summary of Safety Precautions

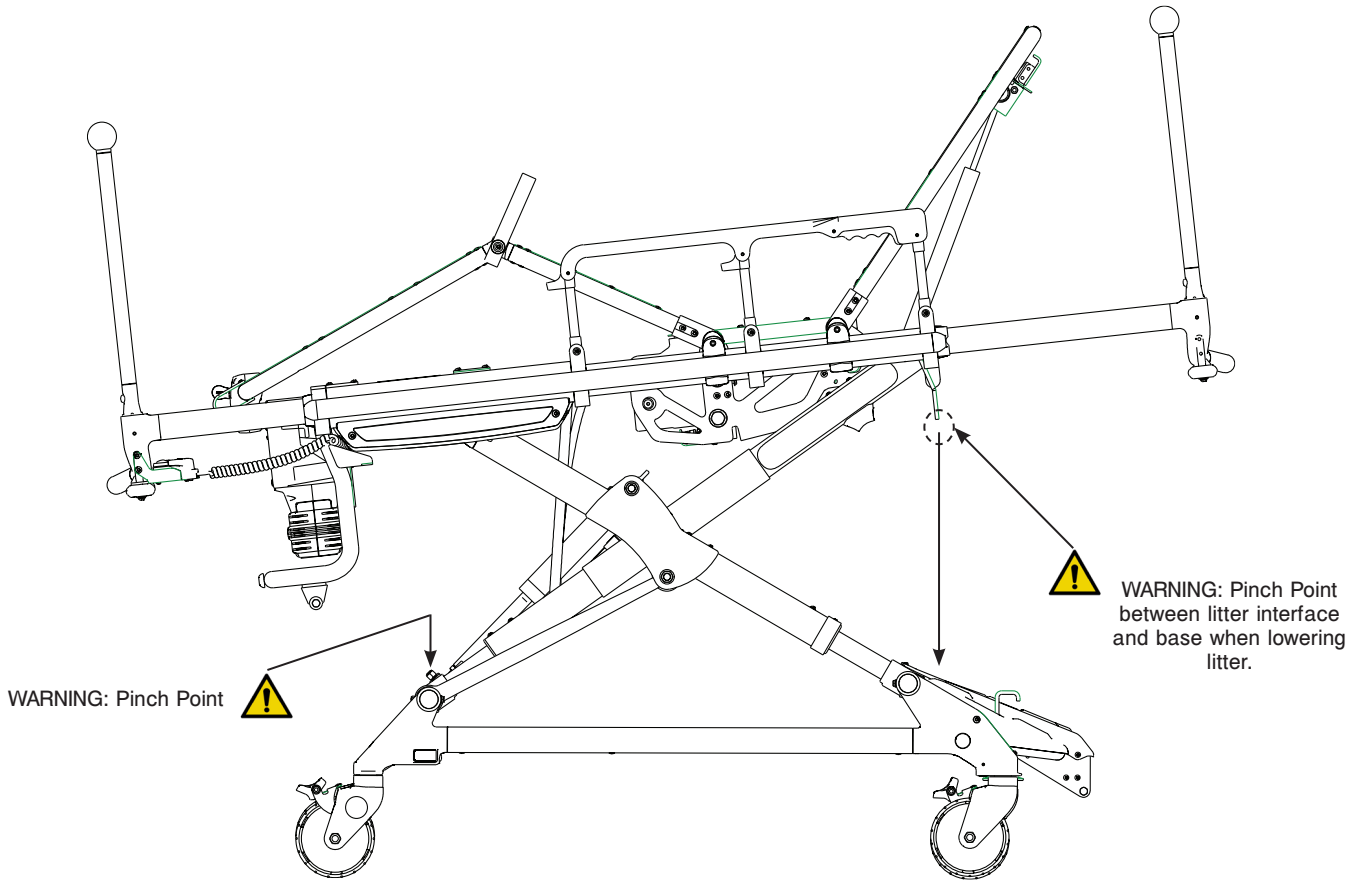


Figure 2 - Potential Pinch Points

Component Identification

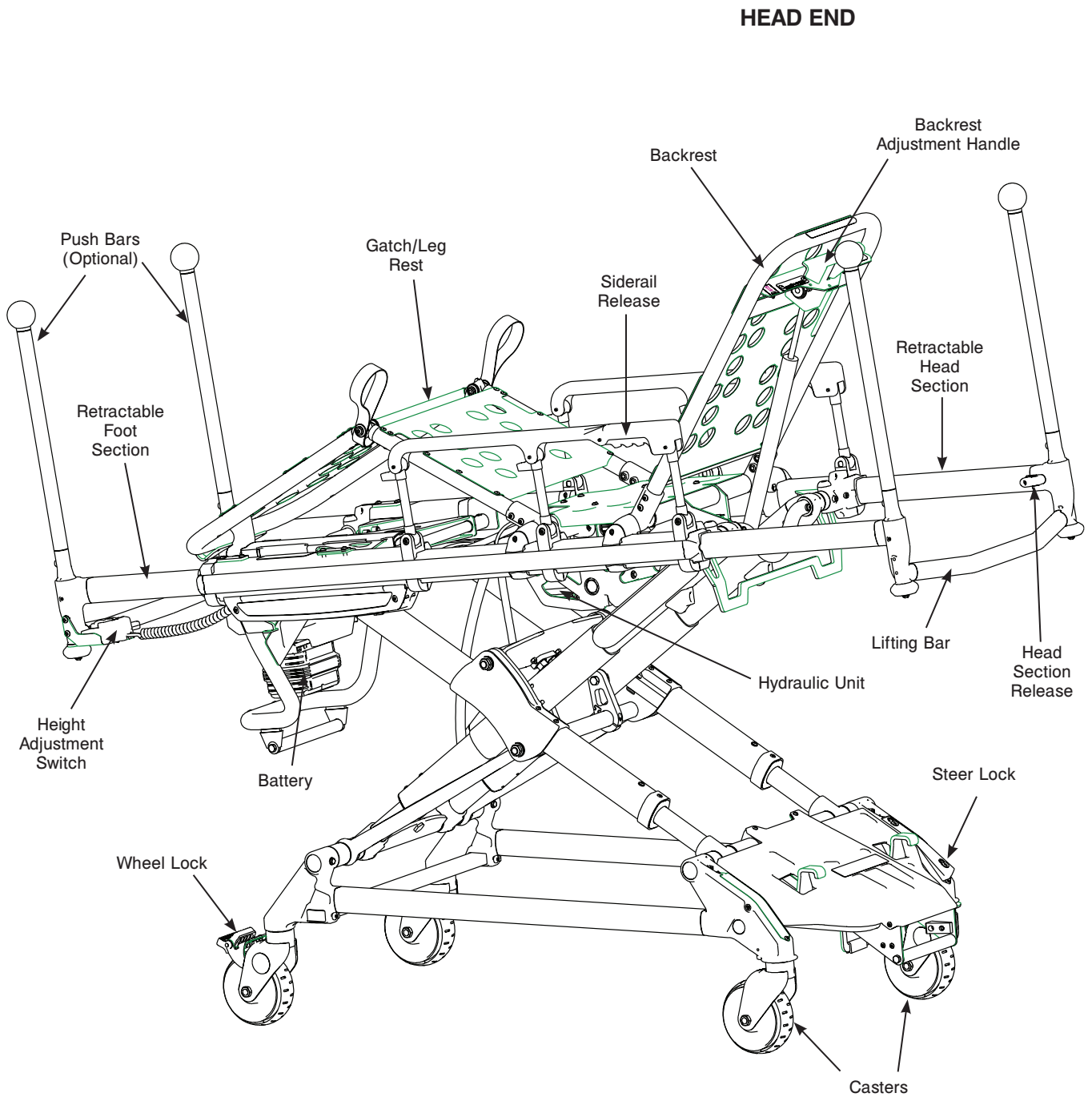


Figure 3 - Cot Components

Product Inspection

GENERAL INSPECTION

The condition of the ambulance cot is the responsibility of the owner. It is important that the ambulance cot is working properly before the product is put into service. Have a qualified service person use the following list and the operation instructions to check the ambulance cot before the product is put into service.

Unpack the cartons and check all items for proper operation.

Item	Routine	Page(s)
Battery	Unpack batteries and charger Charge battery according to DeWALT® instructions	P/N 6500-001-206

CAUTION

When charging batteries in an ambulance vehicle, locate the charger either in the forward cab or an enclosed compartment (i.e. cabinet).

Prior to checking the features and condition of the cot, the battery must be charged until the red LED lights continuously to ensure a full charge. Refer to the DeWALT® instructions for further charging information.

Once the battery is fully charged, inspect the ambulance cot for the following points:

Item	Routine	Page(s)
Battery	Charge spare battery (if necessary) according to DeWalt® instructions.	P/N 6500-001-206
	Install battery into foot-end enclosure, battery indicator operates.	50
	Ensure the battery remains firmly secured.	50
	Release and remove battery from foot-end enclosure.	50
	Reinstall battery into foot-end enclosure.	50
Hydraulics	Inspect motor mount, all fasteners secure	131
	Check cylinder attachments at both ends, all fasteners secure.	123
	Inspect main cable, all connections secure.	123
	Inspect hoses and cylinder seal for leaks.	123
Electronic Controls	Check battery indicator, charged.	32
	Extend cot to raised position.	48
	Check high speed retract.	46
	Extend cot to full height, no drift.	48
Manual Release	Verify the manual release lever functions properly, adjust accordingly.	47, 129
	With the cot empty, check the raise/lower function.	47
	With the cot loaded with a minimum of 9.2 stones (130 lbs), (59 kg), check the raise/lower function.	47
Litter	All fasteners secure (reference all assembly drawings).	
	All welds intact, not cracked or broken.	
	No bent, broken, or damaged components	
	Verify siderails operate and latch properly.	31
	Verify backrest cylinder operates properly through range of motion.	31
	Verify the leg rest operates properly.	30
	Install body restraints. Restraints intact and operating properly.	23-24
	No rips or tears in mattress cover.	

Product Inspection

Item	Routine	Page(s)
Head/Foot Section	All fasteners secure (reference all assembly drawings).	
	No bent or broken tubing or sheet metal.	
	Verify the head/foot section extends and retracts properly.	49
Base	All fasteners secure (reference all assembly drawings).	
	All welds intact, not cracked or broken.	
	No bent, broken, or damaged components.	
Wheels and Tires	No debris in wheels.	
	All wheels secure, rolling and swiveling properly.	
	Operate wheel locks; wheel secure when engaged, rolls freely when disengaged.	28-29
Accessories	Verify I.V. Pole (if equipped) operates properly.	37-38
	Verify Pedi-Mate™ restraint package (if equipped) intact.	26-27
	Verify equipment hook (if equipped) is installed properly.	35
	Verify pocketed backrest storage pouch (if equipped) is installed properly.	34
	Verify 36" restraint extender (if equipped) is included.	24
	Verify the Bariatric transfer flat (if equipped) is included.	41

Setup Procedures

The patient compartment of the vehicle in which the ambulance cot will be used must have:

- A level floor large enough for the folded cot.
- Stryker 6385 cot fastener (not included).

When necessary, modify the vehicle to fit the cot. Do not modify the cot.

WARNING

- Do not modify the **RUGGED** POWER PRO TL ambulance cot or any components of the cot, including the hydraulic unit. Modifying the product can cause unpredictable operation resulting in injury to the patient or operator. Modifying the product will also void its warranty.
- Refer to DEWALT® manual (Stryker part number 6500-001-206) for battery and charger operation.

NOTE

- This manual should be considered a permanent part of the ambulance cot and should remain with the product even if the cot is subsequently sold.
- Stryker continually seeks advancements in product design and quality. Therefore, while this manual contains the most current product information available at the time of printing, there may be minor discrepancies between your ambulance cot and this manual.
- If you have any questions, please contact your Stryker Customer Service or Technical Support representative.

Cot Fastener Installation

The **▲RUGGED▲** POWER PRO TL Cot Fastener system, model 6385, 6386, and 6387 are designed to be compatible only with cots which conform to the Cot Fastener Installation specifications listed on the following page.

The **▲RUGGED▲** POWER PRO TL Cot Fastener system, model 6385, 6386 and 6387 are not designed for any purpose other than to restrict movement of an ambulance cot being transported in the patient compartment of an ambulance under normal conditions. Usage of this product in any other way becomes the complete responsibility of the owner/user. Caution must be used at all times during placement of the cot into the ambulance.

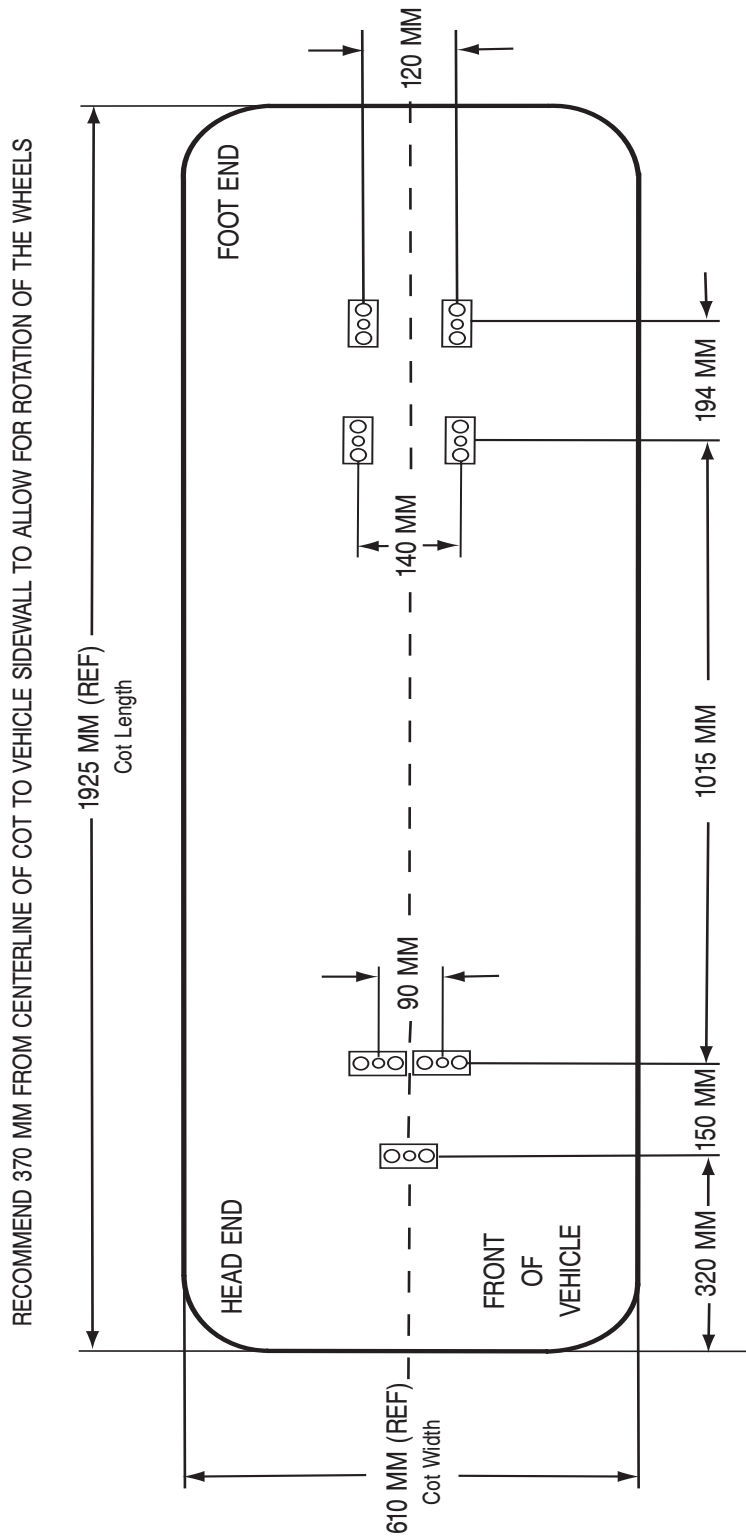
WARNING

It is the responsibility of the cot operator to ensure that the cot being used in the **▲RUGGED▲** POWER PRO TL Cot Fastener system, model 6385, 6386, or 6387 meets the installation specifications listed on the following page. Injury may result if a non-compatible cot is used in the **▲RUGGED▲** POWER PRO TL Cot Fastener system, model 6385, 6386 or 6387.

NOTE

For more detailed instruction and operation instructions for the **▲RUGGED▲** POWER PRO TL Cot Fastener system, model 6385, 6386 or 6387, refer to the 6385 **▲RUGGED▲** Cot Fastener Operations/Maintenance Manual.

Cot Fastener Installation



CENTERLINE OF COT MUST BE PARALLEL TO VEHICLE WALL

Note: Floor plates spaced evenly around centerline of cot.

Figure 6 - Installation Specifications

Cot Features

USING PATIENT RESTRAINT STRAPS

WARNING

Always use all restraint straps to secure the patient on the cot. An unrestrained patient may fall from the cot and be injured.

1. Secure the patient on the cot with **all** the restraint straps.
2. Buckle the restraints across the patient's chest/shoulders, waist and legs (Figure 14).
3. Keep the restraint straps buckled when the cot is not being used with a patient to avoid damage to the buckles and straps.

WARNING

Do not attach restraints to the base or cross-tubes, improper restraint attachment could result in damage to the cot further resulting in injury to the patient or operator.

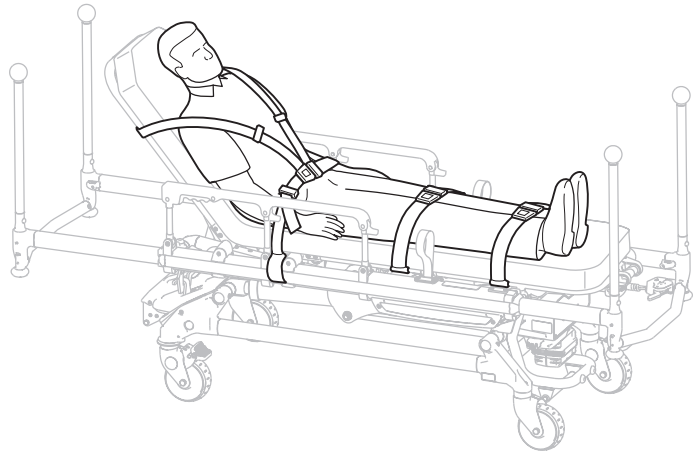


Figure 14 - Safety Restraints

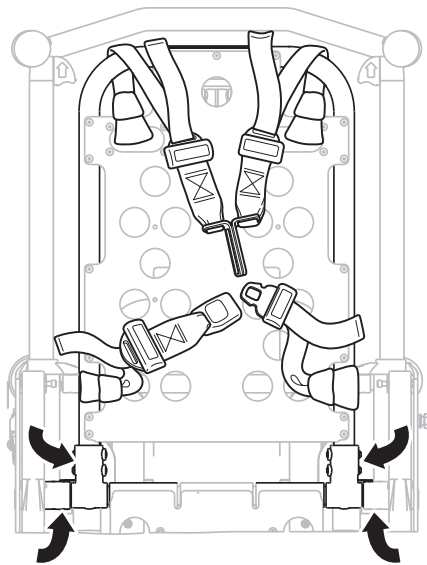


Figure 15 - Head Section Restraints

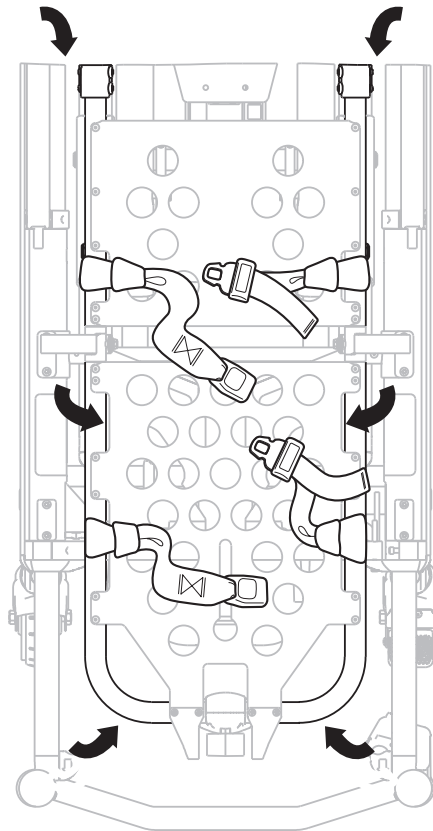


Figure 16 - Foot Section Restraints

To attach the patient restraint straps to the cot litter frame, feed the loop end of each strap through the litter frame at each of the designated locations in Figure 15 and 16 and then feed the buckle or latch plate back through the loop end of the strap. The arrows indicate alternate attachment areas.

When attaching the restraint straps to the cot, remember the attachment points should provide both strong anchorage and proper restraint position while not interfering with equipment and accessories.

Cot Features

USING PATIENT RESTRAINT STRAPS (CONTINUED)

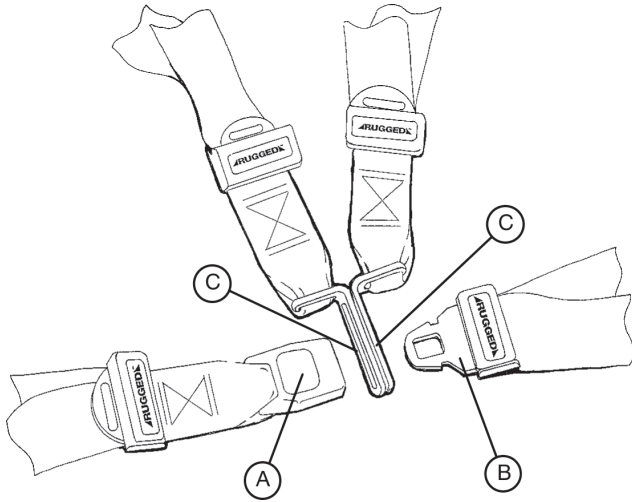


Figure 17 - Buckling the Safety Restraints

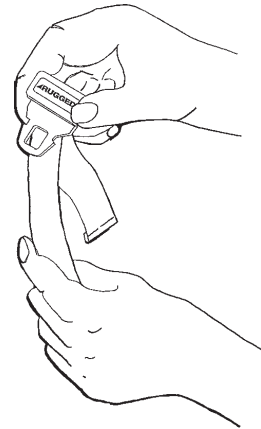


Figure 18 - Lengthening the Safety Restraint

CAUTION

Ensure that restraints are not entangled in the base frame when raising and lowering the cot.

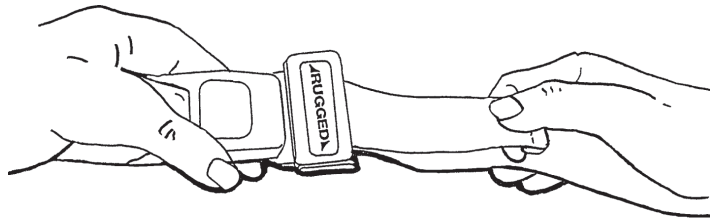


Figure 19 - Shortening the Safety Restraint

When the cot is put into service, open the restraints and place them at either side of the cot until the patient is positioned on the cot mattress. Lengthen the restraints, buckle them around the patient and shorten them until the required tightness is achieved.

To open the restraint:

1. Press the red button (A) on the front of the buckle “receiver”.
2. This releases the buckle latch plate (B) which can then be pulled out of the receiver (Fig. 17).

To close the restraint:

1. Push the latch plate into the receiver until a “click” is heard.
2. When fastening the chest restraint ensure the latch plate passes through both links (C) on the shoulder strap (Fig. 17).

To lengthen the restraint:

1. Grasp the buckle latch plate, turn it at an angle to the webbing, then pull it out (Fig. 18).
2. A hemmed tab at the end of the webbing prevents the latch plate from coming off the strap.

To shorten the restraint:

1. Grasp the hemmed tab, pull the webbing back through the latch plate until the required tightness is achieved (Fig. 19).

Note

- Whenever a restraint is buckled on a patient, verify the latch plate is fully engaged and any extra webbing is not tangled in the cot or hanging loose.
- Inspection of the restraints should be done **at least** once a month (more frequently if used heavily). Inspection should include checking for a bent or broken receiver or latch plate, torn or frayed webbing, etc. Any restraint showing wear or not operating properly **must** be replaced immediately.

Cot Features

USING THE PATIENT RESTRAINT BELT EXTENSION (OPTIONAL EQUIPMENT)

Use the restraint belt extension (Stryker part number 6082-160-050) for extra length when buckling the lap belt around large patients.

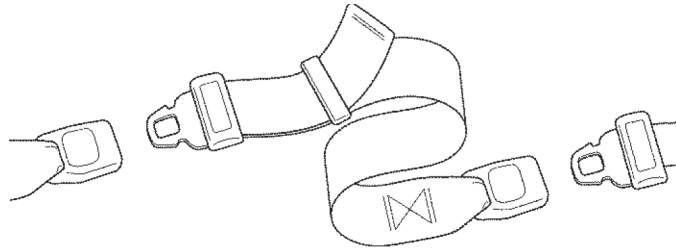


Figure 20 - Attaching the Restraint Belt Extension

Cot Features

PEDI-MATE™ INFANT RESTRAINT SYSTEM (OPTIONAL EQUIPMENT) ATTACHMENT INSTRUCTIONS

Refer to the Pedi-Mate™ users manual for the manufacturer's recommendations for the use, operation and care of the Pedi-Mate™ Infant Restraint System.

Securing the Pedi-Mate™ to the cot:

1. Remove any restraints already attached to the cot.
2. Raise the cot backrest to the full upright position.
3. Position the Pedi-Mate™ pad flat on the backrest with the black backrest straps out (see Figure 21).



Figure 21 - Positioning the Pedi-Mate™

4. Wrap the straps around the backrest and insert the ends of the straps through the brackets. Securely fasten the buckle (see Figure 22).

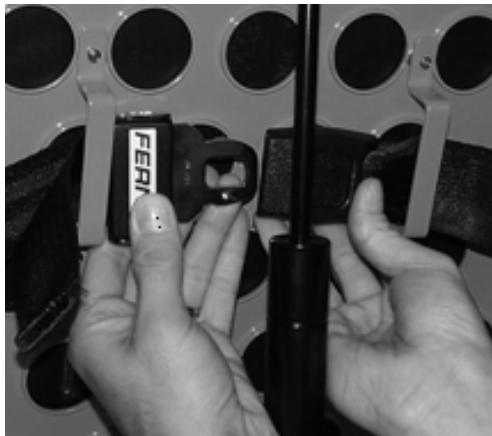


Figure 22 - Fastening the Pedi-Mate™ Buckle

WARNING

To avoid accidental release of the Pedi-Mate™, and possible injury to the infant, ensure the buckle is located away from obstructions on the cot or accessories.

Cot Features

PEDI-MATE™ INFANT RESTRAINT SYSTEM ATTACHMENT INSTRUCTIONS (CONTINUED)

5. Pull firmly on the end of the adjustable backrest strap and tighten it securely.
6. Insert the mainframe straps between the cot frame and the mattress. To ensure the release button is toward the foot end of the cot, insert the buckle behind the litter crossbrace and bring it up in front of the crossbrace. Secure the buckle around the crossbrace, leaving a little slack in the strap for final adjustment (see Figure 23).



Figure 23 - Securing the Safety Restraints on a **RUGGED** Cot

WARNING

To avoid accidental release of the Pedi-Mate™, and possible injury to the infant, ensure the buckle is located away from obstructions on the cot.

7. Verify all the straps are snug and fastened securely (see Figure 24).



Figure 24- Pedi-Mate™ Strapped to a **RUGGED** Cot

NOTE

- These are general instructions for installation of the Pedi-Mate™. Safe and proper use of the Pedi-Mate™ is solely at the discretion of the user. Stryker recommends all users be trained on the proper use of the Pedi-Mate™ before using it in an actual situation.
- Retain these instructions for future reference. Include them with the product in the event of transfer to new users.
- Pedi-Mate™ is a trademark of Ferno-Washington Inc.

[Return To Table of Contents](#)

Cot Features

OPERATING THE WHEEL LOCK(S)

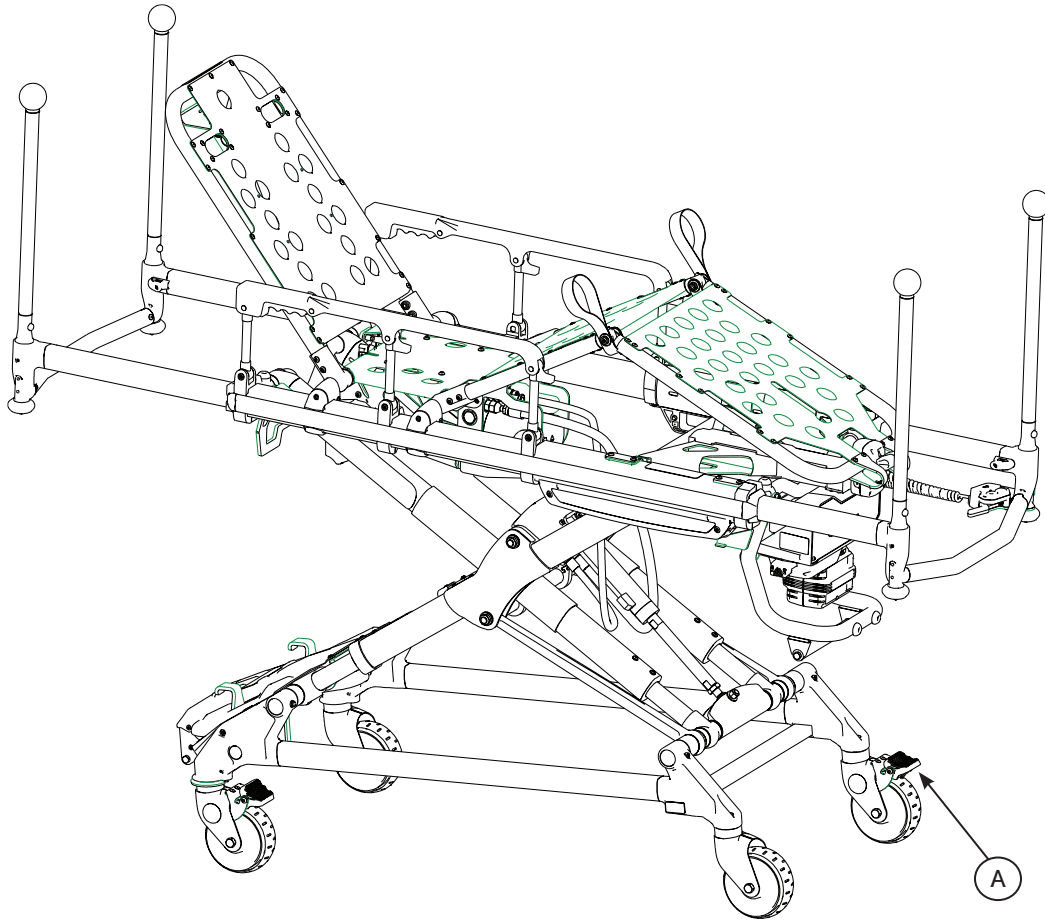


Figure 25 - **RUGGED** Wheel Lock

The Power Pro TL includes corner to corner wheel locks as a standard feature with an option to specify locks for all four wheels.

1. To secure the wheel lock(s), press down on the base of the locking pedal (A) until it rests firmly against the surface of the wheel.
2. To release the wheel lock(s), press the upper face of the pedal until it returns to its upright position. The upper portion of the pedal will rest against the caster frame when the wheel lock is released.

WARNING

- Never apply the wheel lock(s) while a patient is on the cot. Tipping could occur if the cot is moved while a wheel lock is applied, resulting in injury to the patient or operator and/or damage to the cot.
- Never leave a patient unattended on the cot or injury could result. Hold the cot securely while a patient is on the cot.
- Never install or use a wheel lock on a cot with excessively worn wheels. Installing or using a wheel lock on a wheel with less than a 6" diameter could compromise the holding ability of the wheel lock, possibly resulting in injury to the patient or operator and/or damage to the cot or other equipment.

CAUTION

Wheel lock(s) are only intended to help prevent the cot from rolling while unattended. A wheel lock may not provide sufficient resistance on all surfaces or under loads.

[Return To Table of Contents](#)

Cot Features

ADJUSTING THE WHEEL LOCKING FORCE



Figure 26 - Wheel Locking Force Adjustment

1. To adjust the wheel locking force, remove the socket screw from the center of the lock pedal. The wheel lock is initially assembled with the pedal set at the minimum locking force. The marker on the pedal (item A) is aligned with the marker on the octagonal sleeve (item B).
2. Remove the sleeve (B). Rotate the sleeve counterclockwise to increase the pedal locking force and clockwise to decrease the locking force. Insert the sleeve into the pedal. Reinstall the socket screw.
3. Test the pedal locking force and verify the pedal holds properly before returning the cot to service.

Cot Features

ADJUSTING THE FOOTREST AND KNEE GATCH

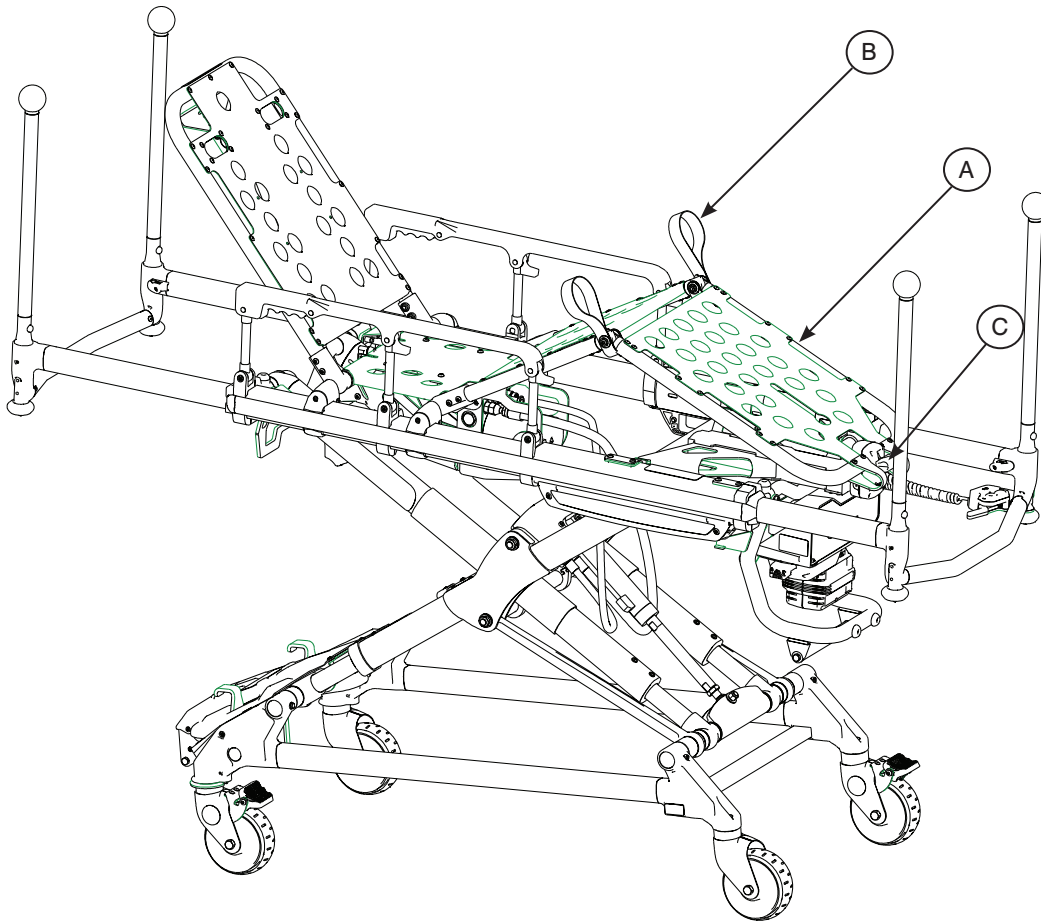


Figure 28 - Gatch Raised

The footrest is adjustable to allow for elevation of the patient's legs.

To raise the Footrest, lift the foot rest frame (A) as high as possible until it locks in place. Be sure the foot rest frame is securely locked before releasing your grip.

To lower the Footrest, lift the foot rest frame (A) and, while holding the frame, push up on the red release handle (C). Slowly lower the footrest to the flat position.

To raise the Knee Gatch, lift either of the red lifting loops (B) until the knee gatch is in its fully raised position then slowly lower the knee gatch to allow the support bracket to engage in the locking mechanism. Check to be sure the lock is fully engaged before releasing the lifting loop.

To lower the Knee Gatch, lift either of the red lifting loops (B) to relieve pressure on the locking mechanism and while holding the loop, push on the red release handle (C) until the bracket disengages. Lower the knee gatch to the flat position.

Cot Features

OPERATING THE BACKREST

To raise or lower the backrest, squeeze the red release handle (A) and move the backrest into the desired position. Release the handle at any point, and the backrest will lock into position.

Note: Lowering the backrest without a patient may require slightly more pressure.

OPERATING THE SIDERAILS

To raise, swing the siderail up toward the head end of the cot until it locks in place. When a patient is on the cot, always keep the siderails in the raised position unless the patient is being transferred.

To lower, squeeze the red release handle (B) to release the siderail latch. Guide the siderail down toward the foot end until flat.

WARNING

Siderails are not intended to serve as a patient restraint device. Refer to [pages 23](#) and [24](#) for proper restraint strap usage. Failure to utilize the siderails properly could result in patient injury.

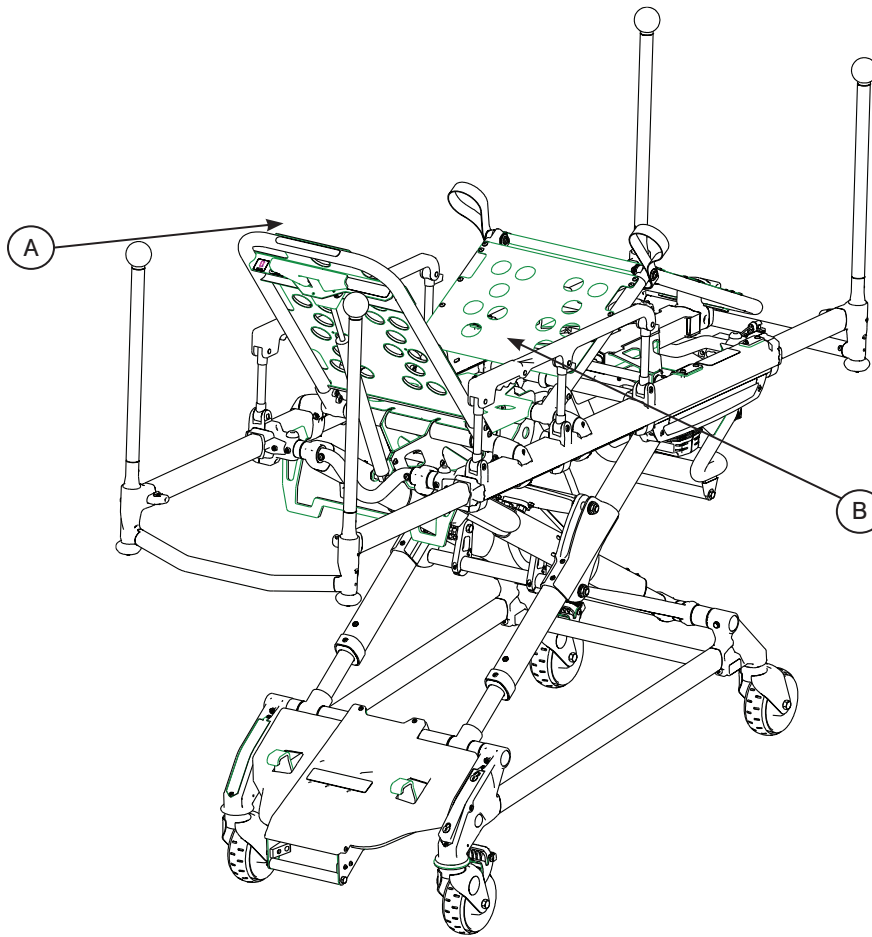


Figure 29 - Backrest Elevated and Siderails Raised

Cot Features

BATTERY POWER INDICATOR

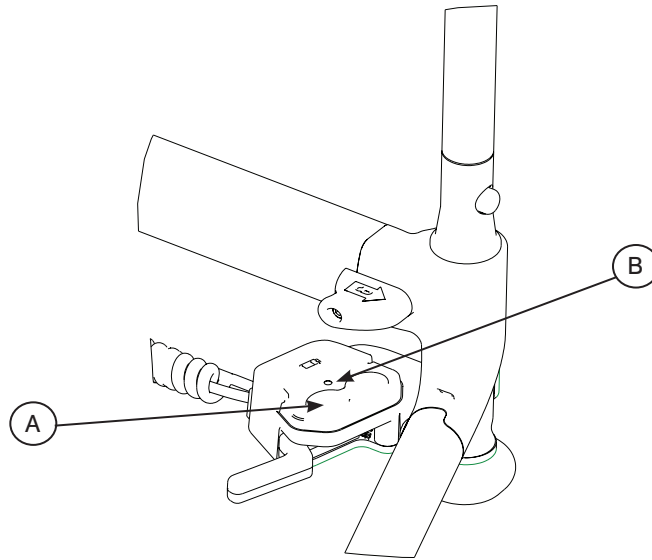


Figure 30 - Extend and Retract Button

To check the battery power level, depress **lightly** on the minus (-) button (A) to activate the battery power indicator light (B). The battery power indicator is located on the button at the foot end, represented by the red or green light.

- The indicator lights GREEN when the battery has adequate charge.
- The indicator flashes RED when the battery needs to be changed and recharged.

WARNING

- To avoid risk of electric shock, never attempt to open the battery pack for any reason. If the battery pack case is cracked or damaged, do not insert it into the charger. Return damaged battery packs to a service center for recycling.
- Do not remove the battery when the ambulance cot is activated.
- Avoid contact with a wet battery or battery enclosure. Contact may cause injury to the patient or operator.

CAUTION

- Only use the battery and charger as specified.
- The POWER PRO TL ambulance cot is not for use with an AC adapter.
- When charging batteries in an ambulance vehicle, locate the charger either in the forward cab or an enclosed compartment (i.e. cabinet).
- Ensure that the battery is fully charged prior to placing into service. An uncharged or depleted battery may cause poor ambulance cot performance.
- Refer to the DeWALT® manual (Stryker part number 6500-001-206) for battery and charger information.

Cot Features

HOUR USAGE METER

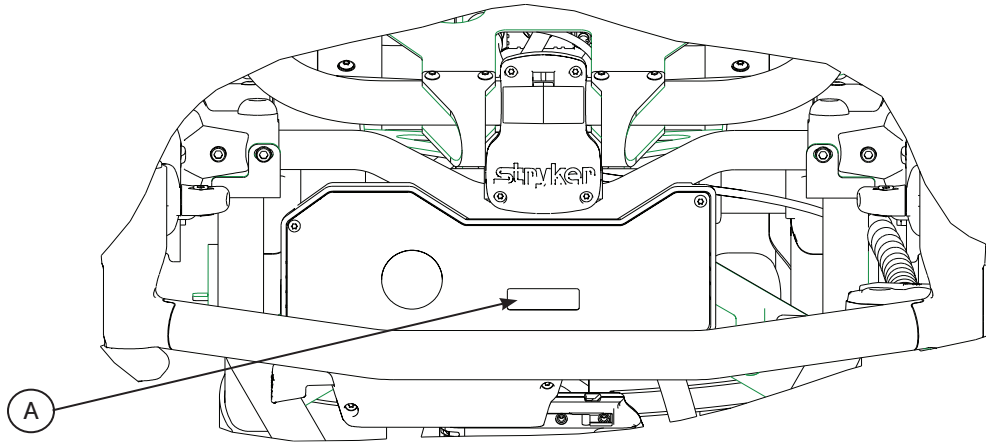


Figure 31 - Hour Usage Meter

The cot has an hour usage meter at the foot-end control enclosure that indicates the amount of time (HHH.H hours) that the cot has been in use under power, and supports scheduling of preventative maintenance activities found on [page 54](#) and [56](#).

⚠ CAUTION

- A preventative maintenance program should be established for all Stryker EMS equipment. Preventative maintenance may need to be performed more frequently based on the usage level of the product.
- Close attention should be given to safety features including, but not limited to:
 - Hydraulic power mechanism
 - All electrical controls return to off or neutral position when released
- For additional maintenance information, refer to the preventative maintenance section (pages 48-51).

Cot Features

INSTALLING THE BACKREST STORAGE POUCH (OPTIONAL EQUIPMENT)

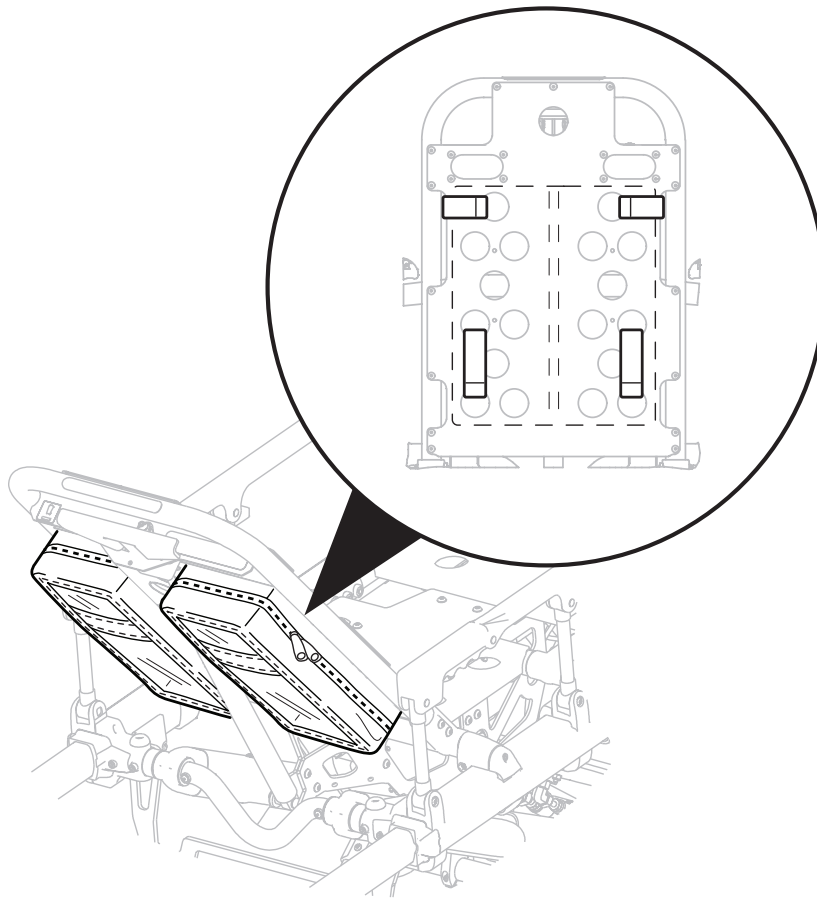


Figure 33 - Backrest Storage Pouch

1. Install the optional backrest storage pouch using the Velcro® straps. Insert each strap through the corresponding holes in the backrest skin and mount the pouch flat against the backrest.

⚠ CAUTION

- Do not store items under the ambulance cot mattress. Storing items under the mattress can interfere with the operation of the ambulance cot.
- The weight of the equipment in the pocketed backrest storage pouch (if equipped) must not exceed 1.4 stones (20 pounds), (9 kg).
- Make sure the pouch does not interfere with the operation of the retractable head section.

Cot Features

USING THE EQUIPMENT HOOK (OPTIONAL EQUIPMENT)

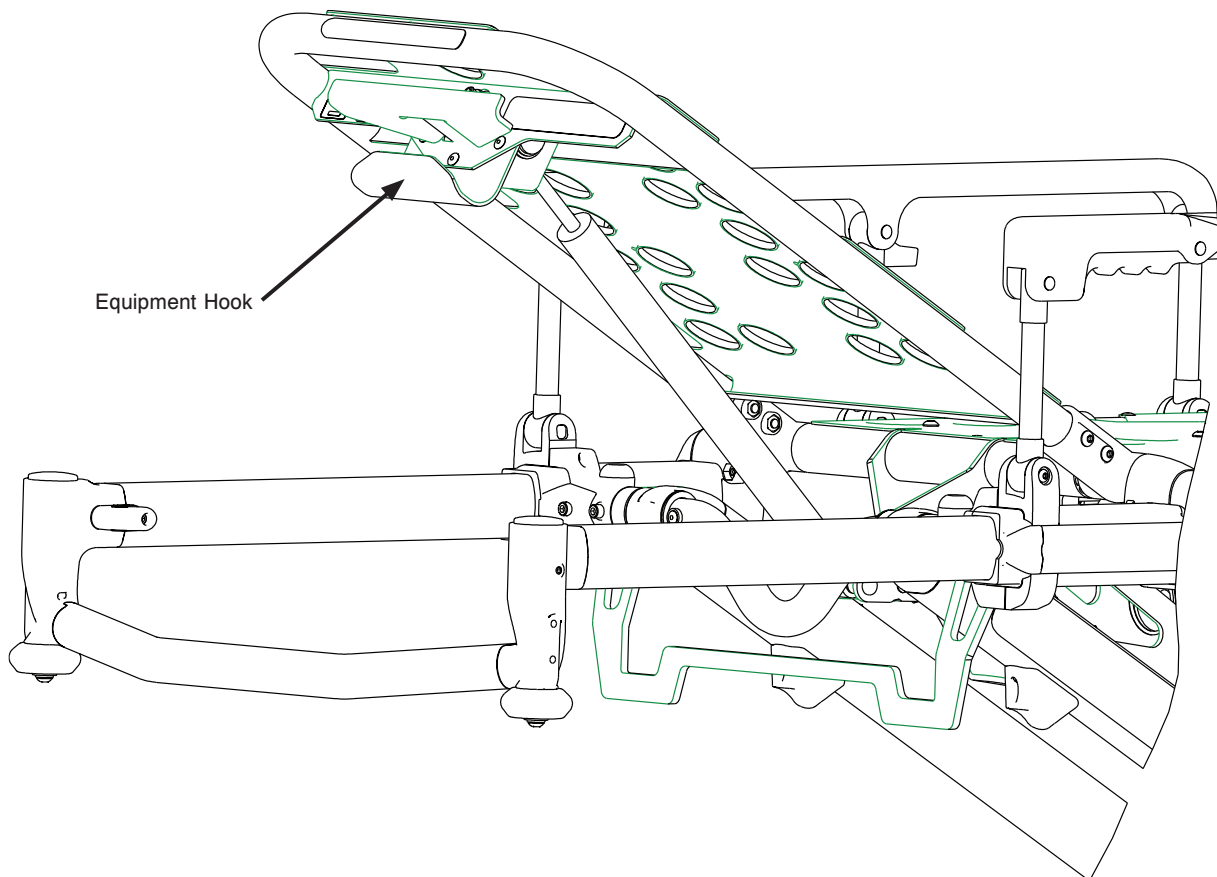


Figure 34 - Equipment Hook

The equipment hook is used to hang additional accessories or equipment such as defibrillators or monitors.

⚠ CAUTION

To avoid damage to the equipment hook, the weight of the accessories or equipment must not exceed 1.4 stones (20 pounds), (9 kg).

Cot Features

OPERATING THE RIGID PUSH BARS AND STORAGE POUCH (OPTIONAL EQUIPMENT)

The **optional** rigid push bars are valuable tools for manoeuvring the cot at any height position.

Installing the Rigid Push Bar

1. Insert the bars into each of the four corner sockets and push down until each locking mechanism is fully engaged (refer to Figure 35a).

WARNING

- It is important to ensure that the push bar is securely attached before mounting the cot to prevent injury to operation or patient.
- Do not lift the cot with the push bars. Lifting the cot by the push bars may result in failure of the push bar lock mechanism and may injure the operator or patient.

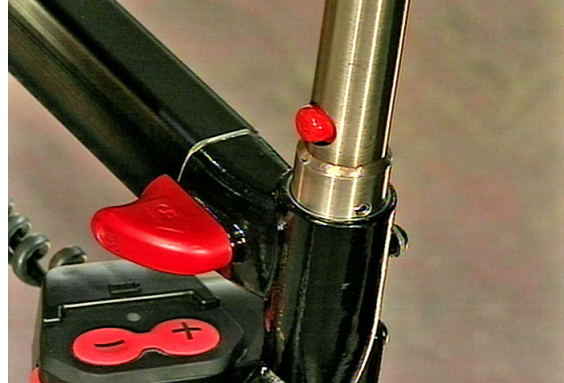


Figure 35a - Installed Push Bar

Removing the Rigid Push Bar

1. Press the red release button and lift out of its socket.
2. When not in use, the push bars should be stowed in the storage pouch located on the base frame. (refer to Figure 35b).

CAUTION

When not in use, the push bars should be stowed in the base storage pouch located on the base frame.



Figure 35b - Store Push Bar

Attaching the Storage Pouch

1. To attach the storage pouch, connect the corresponding buckles to secure the pouch.
2. Check to be sure the pouch, and contents do not interfere with the cot operation before raising or lowering the cot, or attempting transport.

Cot Features

OPERATING THE 2-STAGE I.V. POLE (OPTIONAL EQUIPMENT)

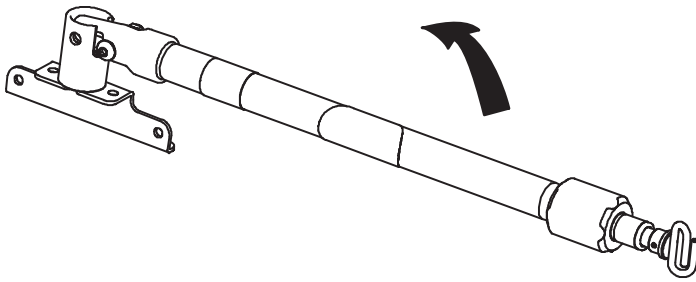


Figure 36 - 2-Stage I.V. Pole Storage Position

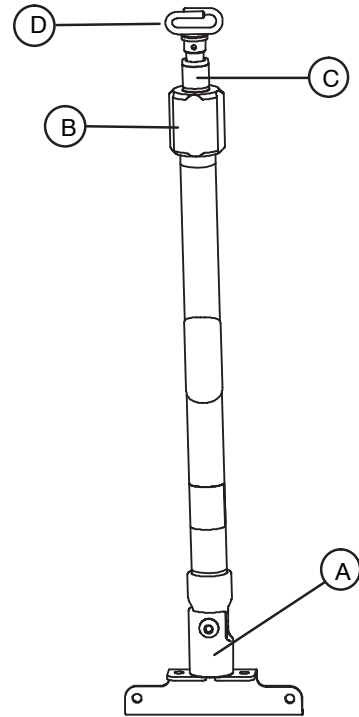


Figure 37 - 2-Stage I.V. Pole

1. Lift and pivot the pole from the storage position and push down until it is locked into receptacle (A).
2. To raise the height of the pole, turn the lock actuator (B) counterclockwise and pull up on the telescoping portion (C) of the pole to raise it to the desired height.
3. Turn the lock actuator (B) clockwise to lock the telescoping portion in place.
4. Hang the I.V. bags on the I.V. hook (D).

CAUTION

To avoid damage to the I.V. pole, the weight of the I.V. bags or equipment must not exceed 2.8 stones, (40 pounds), (18 kg).

5. Turn the lock actuator (B) counterclockwise and slide section (C) into the bottom tube.
6. Lift up and pivot the pole down into the storage position.

Cot Features

OPERATING THE 3-STAGE I.V. POLE (OPTIONAL EQUIPMENT)

1. Lift and pivot the pole from the storage position and push down until it is locked into receptacle (A).
2. To raise the height of the pole, turn the lock actuator (B) counterclockwise and pull up on the bottom telescoping portion (C) of the pole to raise it to the desired height.
3. Turn the lock actuator (B) clockwise to lock the bottom telescoping portion in place.
4. For a higher I.V. pole, pull up on section (D) until the spring clip (E) engages.
5. Hang I.V. bags on the I.V. hook (F).

CAUTION

To avoid damage to the I.V. pole, the weight of the I.V. bags or equipment must not exceed 2.8 stones, (40 pounds), (18 kg).

6. To lower the I.V. pole, push in on the spring clip (E) and slide section (D) down into section (C). Turn the lock actuator (B) counterclockwise and slide section (C) into the bottom tube.
7. Lift and pivot the I.V. pole down into the storage position.

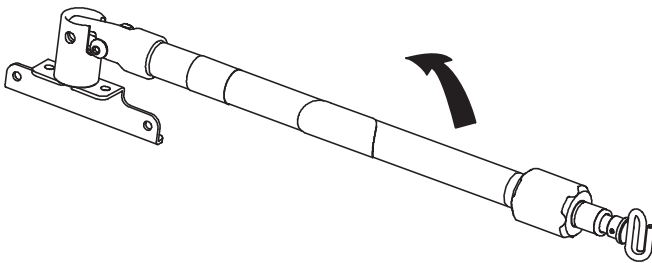


Figure 38 - 3-Stage I.V. Pole Storage Position

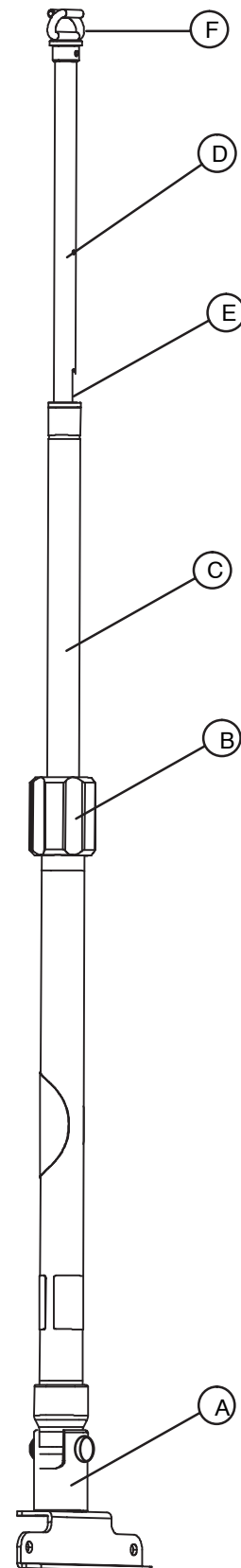


Figure 39 - 3-Stage I.V. Pole

Cot Operation

OPERATING GUIDELINES

- Use the cot only as described in this manual.
- Read all labels and instructions on the cot before using the cot.
- Use a minimum of two (2) operators to manipulate the cot while a patient is on the cot. If additional assistance is needed, see the reference chart on [page 48](#).
- Do not adjust, roll or load the cot into a vehicle without advising the patient. Stay with the patient and control the cot at all times.
- The ambulance cot can be transported in any position. Stryker recommends transporting the patient in as low a position as is comfortable for the operators to maneuver the cot.
- Only use the wheel lock(s) during patient transfer or without a patient on the ambulance cot.
- Always use the restraint straps.
- Use properly trained helpers when necessary to control the cot and patient.

WARNING

- Improper usage of the **▲RUGGED▲** POWER PRO TL ambulance cot can cause injury to the patient or operator. Operate the ambulance cot only as described in this manual.
- Entanglement in powered ambulance cot mechanisms can cause serious injury. Operate the ambulance cot only when all persons are clear of the mechanisms.
- Practice changing height positions and loading the ambulance cot until operation of the product is fully understood. Improper use can cause injury.
- Do not allow untrained assistants to assist in the operation of the ambulance cot. Untrained technicians/assistants can cause injury to the patient or themselves.
- Do not ride on the base of the **▲RUGGED▲** POWER PRO TL ambulance cot. Damage to the product could occur, resulting in injury to the patient or operator.
- Transporting the cot sideways can cause the cot to tip, resulting in possible damage to the product and/or injury to the patient or operator. Transporting the cot in a lowered position, head or foot end first, will minimize the potential of a cot tip.
- Grasping the **▲RUGGED▲** POWER PRO TL ambulance cot improperly can cause injury. Keep hands, fingers and feet away from moving parts. To avoid injury, use extreme caution when placing your hands and feet near the base tubes while raising and lowering the ambulance cot.

CAUTION

Before operating the cot, clear any obstacles that may interfere and cause injury to the operator or patient.

PROPER LIFTING TECHNIQUES

- When lifting the ambulance cot and patient, there are five basic guidelines to help you avoid injury:
- Keep your hands close to your body.
- Keep your back straight.
- Coordinate your movements with your partner and lift with your legs.
- Avoid twisting.
- Always operate the ambulance cot as described in this manual.

Cot Operation

RAISING AND LOWERING THE COT (UNOCCUPIED)

To raise the cot, simply press and hold the PLUS (+) button and the cot will rise to its highest position in about 6 seconds.

To lower the cot, press and hold the MINUS (-) button and the cot will move from its highest position to the lowest position in about 6 seconds.

RAISING AND LOWERING THE COT (OCCUPIED)

WARNING

A minimum of two operators are required to raise or lower an occupied cot.

To raise the cot, both operators should grasp the cot frame to lend stability as the foot end operator presses the PLUS (+) button on the control module.

To lower the cot, maintain a firm grip on the cot frame, as the foot end operator presses the MINUS (-) button on the control module. When the cot reaches the desired height, release the button and the cot will stop.

TRANSPORTING A PATIENT

WARNING

- A minimum of two operators are required to transport a patient on the cot.
- In addition to the head and foot end, larger patients may require additional operators.

The Power Pro TL cot can transport a patient in any height position, however, lower heights lend to improved balance and stability, so Stryker recommends keeping the cot in the lowest position comfortable for the cot operators.

During transport, approach doorways and other low obstacles squarely and lift each set of wheels over the obstacle separately. High obstacles should be avoided. Stryker recommends finding an alternate route or seeking additional help with transport.

Cot Operation

TRANSFERRING THE PATIENT TO THE COT

1. Roll the cot to the patient.
2. Place the cot beside the patient and raise or lower the cot to the level of the patient.
3. Lower the siderails closest to the patient and open the patient restraint straps.
4. Engage wheel locks to prevent cot from moving during patient transfer.
5. Transfer the patient to the cot using accepted EMS procedures.
6. Use all the restraint straps to secure the patient to the cot (refer to [pages 23](#) and [24](#) for usage instructions).
7. Raise the siderails and adjust the backrest and leg rest as necessary.
8. Disengage wheel locks for transport.

WARNING

- Always use all restraint straps to secure the patient on the cot. An unrestrained patient may fall from the cot and be injured.
- Never leave a patient unattended on the ambulance cot or injury could result. Hold the ambulance cot securely while a patient is on the product.
- Never apply the optional wheel lock(s) while a patient is on the cot. Tipping could occur if the cot is moved while the wheel lock is applied, resulting in injury to the patient or operator and/or damage to the cot.
- Siderails are not intended to serve as a patient restraint device. Refer to [pages 23](#) and [24](#) for proper restraint strap usage. Failure to utilize the siderails properly could result in patient injury.
- Hydraulically raising or lowering the cot may temporarily affect electronic patient monitoring equipment. For best results, patient monitoring should be conducted when the cot is idle.

USING THE TRANSFER FLAT (OPTIONAL EQUIPMENT)

When transferring large patients, use of the  Transfer Flat (Stryker part number 6083-001-200) is recommended.

AMBULANCE COT MOTION

- Make sure all the restraint straps are securely buckled around the patient (refer to Using Restraint Straps under the Cot Operations section).
- The cot can be in any position for rolling.
- When rolling the cot with a patient on it, position an operator at the foot end and one at the head end of the cot **at all times**.
- During transport, approach door sills and/or other low obstacles squarely and lift each set of wheels over the obstacle separately.

WARNING

- High obstacles such as curbing, steps or rough terrain can cause the ambulance cot to tip, possibly causing injury to the patient or operator.
- Transporting the cot in lower positions can reduce the potential of a cot tip. If possible, obtain additional assistance (refer to [page 48](#)) or take an alternate route.

Cot Operation

TAIL LIFT LOADING AND UNLOADING

Loading an occupied cot into a vehicle requires a minimum of **two (2) trained operators**.

WARNING

A lift gate stop which is not properly functioning can result in injury to the patient or operator; ensure that the cot is unable to roll back off the lift before using the lift with a cot and patient. Verify the lift gate stop is maintained and functioning properly and ensure that the cot is secure at all times when on the tail lift.

1. Ensure that the patient is secured at all times while on the cot.
2. Move the cot to its lowest position for greater stability by pressing the retract or minus button.
3. Push the cot forward onto the tail lift, head end first. Ensure that the wheels are in the proper location on the tail lift to allow the safety stop to properly rotate in place and prevent the cot from roll backwards (refer to Figure 40).
4. Before raising the tail lift, verify that there is adequate distance between the cot and rear of ambulance, and that there is nothing hanging down from the cot.
5. As one operator raises the tail lift, the second operator should maintain a firm grip on the cot frame to provide greater stability.
6. Both operators should carefully guide the cot into the patient compartment and into the cot fastener (refer to Figure 41). Cot Fastener not included.



Figure 40 - Load Cot



Figure 41 - Push Cot in Patient Compartment

CAUTION

- The unit must be in its fully down position in order to properly engage the cot fastener (not included). In order to ensure the cot is in the lowest position press the retract (-) button until the cot stops moving downward. This should be done prior to attempting to engage the cot into the cot fastener (not included).
- **In order to reduce risk of damage to the cot or cot fastener, do not attempt to activate the cot height activation while it is engaged in the cot fastener.**

To Unload a Cot:

1. Ensure the safety gate stop is in position to prevent the cot from rolling off of the lift.
2. Raise the tail lift to the ambulance floor level and disengage the cot from the cot fastener system.
3. Both operators should firmly grasp the cot frame and roll the cot into the tail lift, being sure that the cot is fully removed from the patient compartment and the cot wheels are in the proper position to allow the lift to lower freely.
4. Lower the tail lift to the ground and check to be sure that it is fully lowered and stopped before disengaging the tail lift safety gate and allowing the cot to be rolled off the tail lift.

Cot Operation

RAMP LOADING AND UNLOADING

Loading an occupied cot into a vehicle requires a minimum of **two (2) trained operators**.

1. Ensure that the patient is secured at all times while on the cot.
2. Before pushing up the ramp, lower the cot to its lowest position by pushing the retract (-) button for maximum stability. Also verify that there is nothing hanging down from the cot such as blankets or straps (refer to Figure 42).
3. Using the optional push bars, both operators should push/pull the cot up the ramp, head end first. The operators should take care to guide the cot up the center of the ramp (refer to Figure 43).
4. Both operators should then push the cot into the patient compartment, until the cot engages the cot fastener (not included).



Figure 42 - Load Cot

CAUTION

- The unit must be in its fully down position in order to properly engage the cot fastener (not included).
- In order to ensure the cot is in the lowest position press the retract (-) button until the cot stops moving downward. This should be done prior to attempting to engage the cot into the cot fastener (not included).
- In order to reduce risk of damage to the cot or cot fastener, do not attempt to activate the cot height activation while it is engaged in the cot fastener (not included).



Figure 43 - Push Cot in Patient Compartment

Cot Operation

ENGAGING THE COT INTO THE FASTENER

1. Before attempting to engage the cot into the fastener, ensure that the pedal is fully depressed and the cot is completely lowered. (refer to Figure 46).

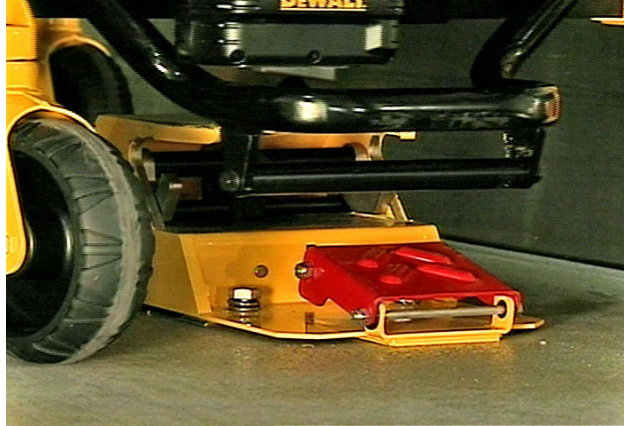


Figure 46 - Pedal fully depressed

2. Guide the cot into both the head and foot end portions of the fastener until the locking mechanism is engaged. (refer to Figure 47a).



Figure 47a - Cot in Fastener - (Foot End)

3. Check to be sure the cot is securely fastened at both the head and foot end before releasing your grip on the cot (refer to Figure 47b).

CAUTION

- The unit must be in its fully down position in order to properly engage the cot fastener (not included).
- In order to ensure the cot is in the lowest position press the retract (-) button until the cot stops moving downward. This should be done prior to attempting to engage the cot into the cot fastener (not included).
- In order to reduce risk of damage to the cot or cot fastener, do not attempt to activate the cot height activation while it is engaged in the cot fastener (not included).

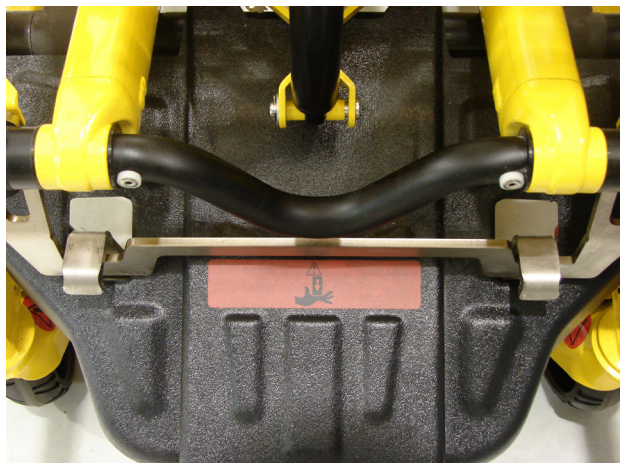


Figure 47b - Cot in Fastener (Head End)

Cot Operation

REMOVING THE COT FROM THE FASTENER

1. Press down firmly on the foot pedal until the locking mechanism disengages (refer to Figure 48).

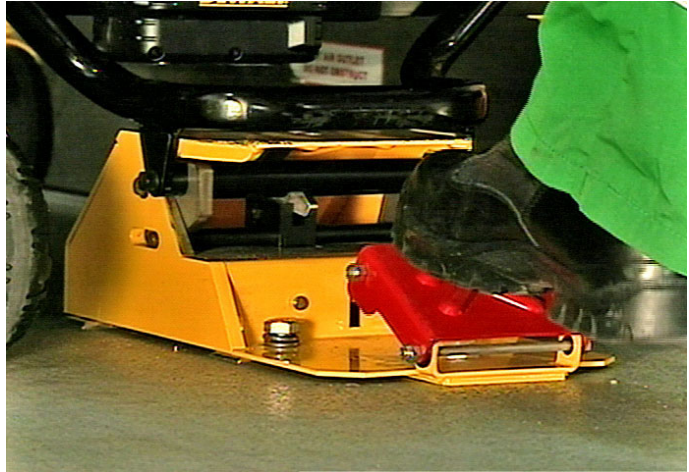


Figure 48 - Press on foot end

2. Roll the cot out of the patient compartment (refer to Figure 49).

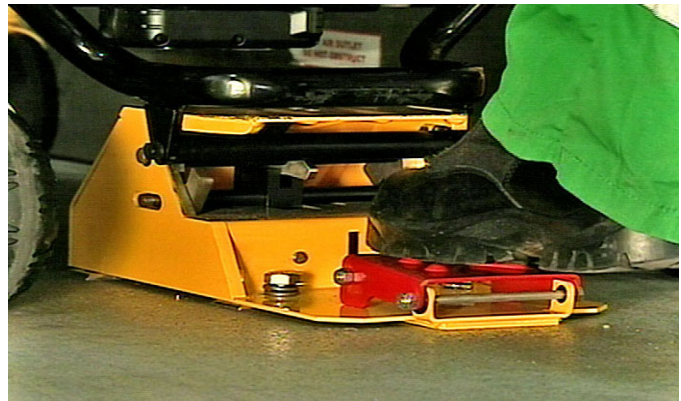


Figure 49 - Remove cot

Cot Operation

HIGH SPEED RETRACT/EXTEND

- The ambulance cot is equipped with a high-speed retract mode to expedite lifting the cot over obstacles.
- The undercarriage **rapidly** retracts towards its uppermost position once the weight of the ambulance cot and patient is off the wheels. Press the retract (-) button to actuate the control switch.
- The undercarriage **rapidly** extends towards its lowermost position once the weight of the ambulance cot and patient is off the wheels. Press the extend (+) button to actuate the control switch and extend the base.

WARNING

- Whenever the weight of the ambulance cot and patient is off the wheels, the ambulance cot will **automatically** enter the high speed retract mode if the retract (-) button is pressed.
- Once the weight is off the ground, the operator(s) must support the load of the patient, ambulance cot and any accessories. Failure to support the load properly may cause injury to the patient or operator.

CASTER STEER LOCK

The caster steer lock feature locks the head end caster to improve control in steering the cot and unlocks the caster to allow free swiveling for greater mobility.

CAUTION

Engaging the steer lock and attempting to push the cot sideways may affect the cot stability.

To engage the caster steer lock:

1. Press the front portion of the steer lock pedal (refer to Figure 50).
2. Push the cot towards the head end.
3. The caster will swivel and align in the forward position and the steer lock will engage.

To disengage the caster steer lock:

1. Press the rear portion of the steer lock pedal (refer to Figure 51).
2. After the pedal is in the unlocked position, push the cot in any direction.
3. The casters will swivel freely.



Figure 50 - Engage Caster Steer Lock



Figure 51 - Disengage Caster Steer Lock

NOTE

When engaging the cot into the fastener, it is advised to disengage the caster steer lock feature to allow the head end casters to swivel freely and allow the head end of the cot to more easily align with the fastener.

Cot Operation

MANUAL RAISING AND LOWERING OF THE COT

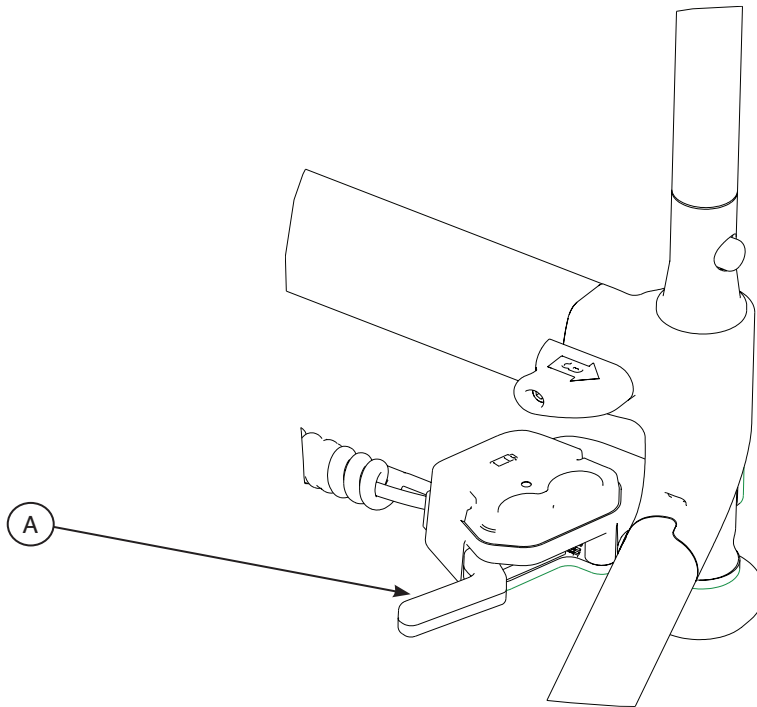


Figure 52 - Manual Release Handle

The Power Pro TL is equipped with a manual override function to allow two operator manual raising and lowering of the cot with or without a patient.

The **red** manual release lever (A) is located along the patient left side of the lift bar at the foot end of the cot.

To raise or lower the cot with the manual release:

Both Operators - lift the cot during the raise/lower operation to support the weight of the cot.

With the ambulance cot supported by an operator at each end, the foot end operator pulls the release handle toward the lift bar as both operators lift the cot slightly to take pressure off of the cot base. While the release handle is pulled, raise or lower the ambulance cot to the desired position and then release the handle to lock ambulance cot into position.

NOTE

- The operators must lift the cot weight slightly off the wheels to use the manual extend or retract while a patient is on the cot.

CAUTION

Activation of the manual release may cause the ambulance cot to drop slowly if less than 9.2 stones (130 pounds), (59 kg) are on the cot.

Cot Operation

ADJUSTING COT HEIGHT

Changing the height of the cot while a patient is on the cot requires a minimum of **two (2) operators**, positioned at each end of the ambulance cot.

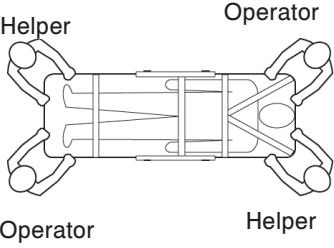
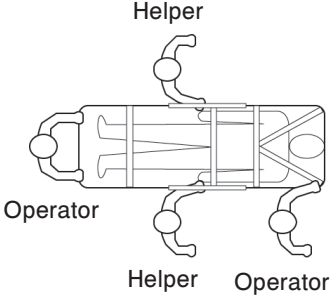
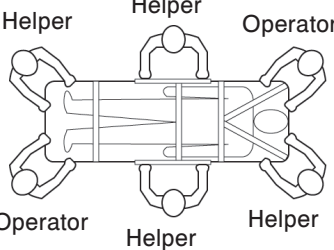
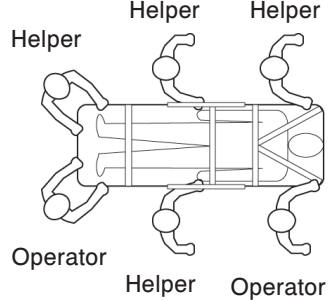
Operator 1 - Grasp the ambulance cot frame at the foot end. Actuate the control switch, depress either the (+) or (-) button depending on desired travel direction, and allow the litter to raise/lower to the desired position.

Operator 2 - Maintain a firm grip on the outer rail until the ambulance cot is in position.

WARNING

Grasping the **RUGGED** ambulance cot improperly can cause injury. Keep hands, fingers and feet away from moving parts. To avoid injury, use extreme caution when placing your hands and feet near the base tubes while raising and lowering the ambulance cot.

USING ADDITIONAL ASSISTANCE

	Changing Levels	Rolling
Two Operators Two Helpers		
Two Operators Four Helpers		

Cot Operation

OPERATING THE RETRACTABLE HEAD/FOOT SECTIONS

The head section telescopes from an extended position suitable for loading the ambulance cot into an emergency vehicle to a second position retracted within the litter frame.

To Extend the Head or Foot Section:

1. Squeeze the red release levers (A) on each side of the frame as you pull the head or foot section out of its retracted position.
2. Check to be sure the head or foot section is securely locked in position.

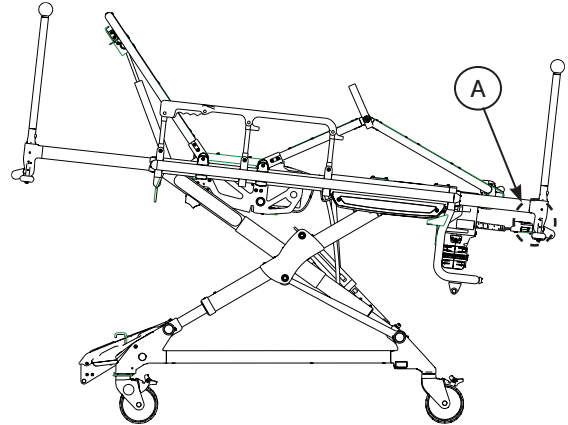


Figure 61 - Head and Foot Section Extended

To Retract the Head or Foot Section:

1. Squeeze the red release levers (A) on each side of the frame as you push the head or foot section out of its extended position.
2. Check to be sure the head or foot section is securely locked in position.

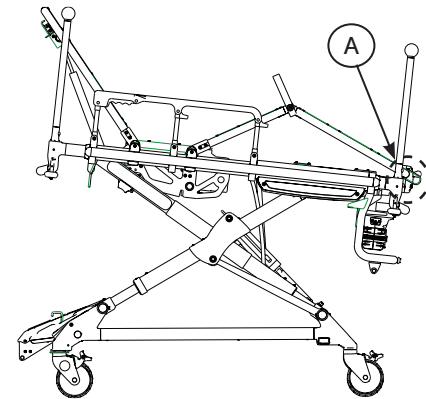


Figure 62 - Head and Foot Section Retracted

 **CAUTION**

Never operate the cot with the head or foot section in a partially extended and unlocked position.

Cot Operation

BATTERY OPERATION

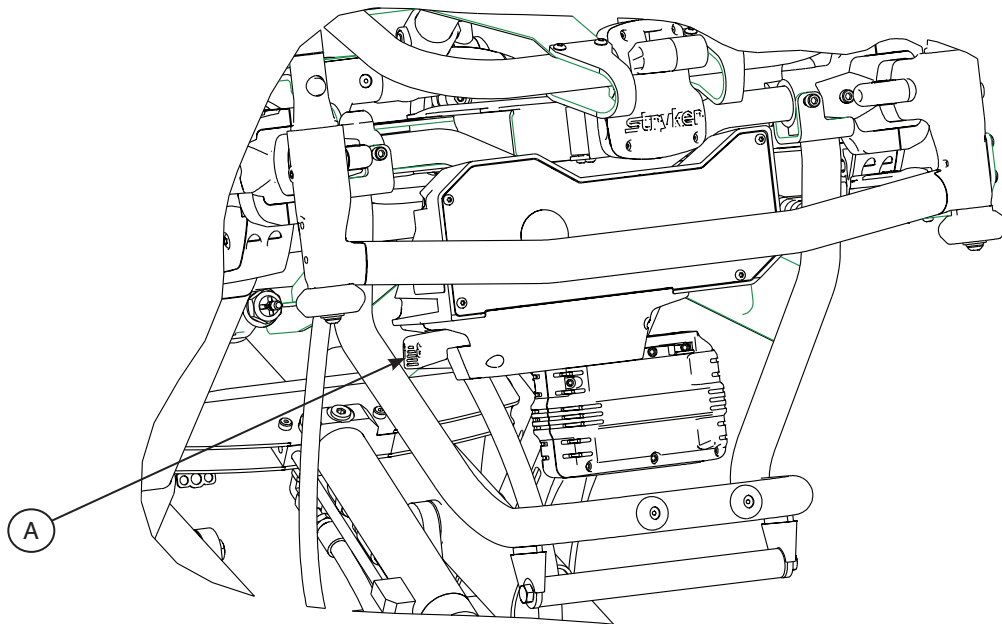


Figure 64 - Battery Removal & Replacement

The ambulance cot is supplied with two removable 24 Volt DeWALT® batteries as the power source. To insert the battery, align it with the battery mounting bracket slot and push the battery into the enclosure until it locks into place.

To remove the battery, locate the **RED** battery release (A) along the patient right side of the foot end control enclosure. Push the battery release button to release the latch. Slide the released battery out of the enclosure to the right (not shown).

To reinstall the battery, align the tabs in the battery enclosure and push the battery into the enclosure until the latch clicks into place. Once the battery is installed, a green indicator light located adjacent to the foot end controls will confirm the battery has adequate charge. If the indicator flashes red, the battery needs to be changed and recharged.

NOTE

Keep your spare battery on the charger at all times. Batteries slowly lose power when not on the charger.

WARNING

- To avoid risk of electric shock, never attempt to open the battery pack for any reason. If the battery pack case is cracked or damaged, do not insert it into the charger. Return damaged battery packs to a service center for recycling.
- Do not remove the battery when the ambulance cot is activated.
- Avoid contact with a wet battery or battery enclosure. Contact may cause injury to the patient or operator.

CAUTION

Remove the battery if the cot is not going to be used for an extended period of time (over 24 hours).

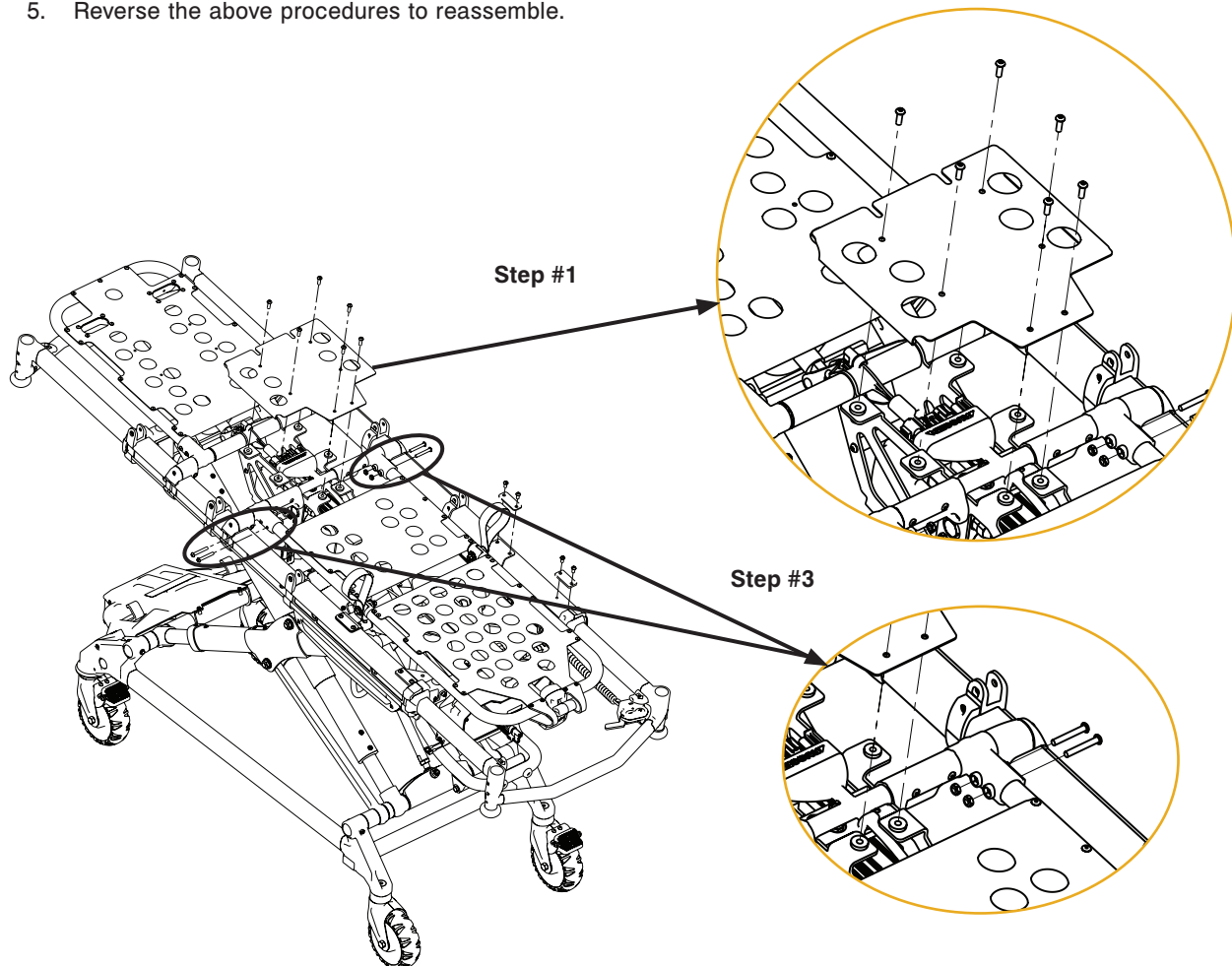
Hydraulic Sub-Assembly (6550-001-030) Access Instructions

Tools Required:

- T27 Torx Wrench

Procedure:

1. Using a T27 Torx wrench, remove the six button head cap screws (p/n 0004-592-000) from the six well nuts (p/n 0055-100-074) that hold the mid-section (p/n 6550-001-111) to the motor mounts (p/n 6500-001-294) and (p/n 6500-001-194).
2. Remove the mid-section skin (p/n 6550-001-111) and lay to the side out of the way along with the six button head cap screws (p/n 0004-592-000). The six well nuts will stay with the two motor mounts (p/n 6500-001-294) and (p/n 6500-001-194).
3. Remove the four button head cap screws (p/n 0004-596-000) and the four nylock hex nuts (p/n 0016-102-000) from the two straight “T” pivots (p/n 6100-003-125) that hold the gatch assembly (p/n 6550-001-019) to the litter cross brace (p/n 6500-001-196).
4. Flip the gatch assembly (p/n 6550-001-019) toward the foot end of the cot until it rests on the telescoping foot end (p/n 6550-001-015).
5. Reverse the above procedures to reassemble.



Cleaning

The **RUGGED** POWER PRO TL ambulance cot is designed to be power washable. The unit may show some signs of oxidation or discoloration from continuous washing, however, no degradation of the cot's performance characteristics or functionality will occur due to power washing as long as the proper procedures are followed.

Thoroughly clean the cot once a month. Clean Velcro AFTER EACH USE. Saturate Velcro with disinfectant and allow disinfectant to evaporate. (Appropriate disinfectant for nylon Velcro should be determined by the service.)

WASHING PROCEDURE

- **Remove the battery.** The battery and charger are **not** immersible or power washable.
- Follow the cleaning solution manufacturer's dilution recommendations exactly.
- The preferred method Stryker Medical recommends for power washing the POWER PRO TL ambulance cot is with the standard hospital surgical cart washer or hand held wand unit.

WASHING LIMITATIONS

WARNING

Use any appropriate personal safety equipment (goggles, respirator, etc.) to avoid the risk of inhaling contagion. Use of power washing equipment can aerate contamination collected during the use of the cot.

CAUTION

- DO NOT STEAM CLEAN OR ULTRASONICALLY CLEAN THE UNIT
- Maximum water temperature should not exceed 82°C /180°F.
- Maximum air dry temperature (cart washers) is 115°C /240°F.
- Maximum water pressure should not exceed 130.5 bar/1500 psi/ If a hand held wand is being used to wash the unit, the pressure nozzle must be kept a minimum of 61 cm (24 inches) from the unit.
- Towel dry all casters and interface points.
- Failure to comply with these instructions may invalidate any/all warranties.
- Remove the battery before washing the cot.

Cleaning

In general, when used in those concentrations recommended by the manufacturer, either phenolic type or quaternary type disinfectants can be used. Iodophor type disinfectants are not recommended for use because staining may result.

Suggested cleaners for the **RUGGED** POWER PRO TL cot surfaces:

- Quaternary Cleaners (active ingredient - ammonium chloride)
- Phenolic Cleaners (active ingredient - o-phenylphenol)
- Chlorinated Bleach Solution (5.25% - less than 1 part bleach to 100 parts water)

Avoid oversaturation and ensure the product does not stay wet longer than the chemical manufacturer's guidelines for proper disinfecting.

WARNING

- SOME CLEANING PRODUCTS ARE CORROSIVE IN NATURE AND MAY CAUSE DAMAGE TO THE PRODUCT IF USED IMPROPERLY. If the products described above are used to clean Stryker patient care equipment, measures must be taken to insure the cots are wiped with a cloth soaked in clean water and thoroughly dried following cleaning.
- Failure to properly rinse and dry the cots will leave a corrosive residue on the surface of the cots, possibly causing premature corrosion of critical components.

NOTE

Failure to follow the above directions when using these types of cleaners may void this product's warranty.

REMOVAL OF IODINE COMPOUNDS

Use a solution of 1/2 tablespoons Sodium Thiosulfate in a pint of warm water to clean the stained area. Clean as soon as possible after staining occurs. If stains are not immediately removed, allow solution to soak or stand on the surface. Rinse surfaces which have been exposed to the solution in clear water before returning unit to service.

WARNING

Failure to properly clean or dispose of contaminated mattress or cot components will increase the risk of exposure to blood borne pathogens and may cause injury to the patient or the operator.

Preventative Maintenance

The **RUGGED** POWER PRO TL ambulance cot requires regular maintenance. Establish and follow a maintenance schedule and keep records of maintenance activity (refer to [page 57](#) for a form).

WARNING

- Do not modify the **RUGGED** POWER PRO TL ambulance cot or any components of the cot, including the hydraulic unit. Modifying the product can cause unpredictable operation resulting in injury to the patient or operator. Modifying the product will also void its warranty.
- Escaping fluid under pressure can penetrate the skin causing serious injury. Avoid the hazard by relieving pressure before disconnecting hydraulic or other lines. Tighten all connections before applying pressure.
- If an accident occurs, see a doctor immediately. Any fluid injected into the skin must be surgically removed within a few hours or gangrene may result. Doctors unfamiliar with this type of injury should reference a knowledgeable medical source.

When using maintenance products, follow the directions of the manufacturer and reference all material safety data sheets.

CAUTION

- Improper maintenance can cause injury or damage to the product. Maintain the ambulance cot as described in this manual. Use only Stryker approved parts and maintenance procedures. Using unapproved parts and procedures could cause unpredictable operation and/or injury and will void the product warranty.
- Failure to use authorized parts, lubricants, etc. could cause damage to the ambulance cot and will void the warranty of the product.
- Hydraulic lines, hoses, and connections can fail or loosen due to physical damage, kinks, age, and exposure. Check hoses and lines regularly to avoid damage to the cot. Check and tighten loose connections.
- Do not tip the ambulance cot on end and actuate the product as this will allow air to enter the hydraulic system.

Preventative Maintenance

REGULAR INSPECTION AND ADJUSTMENTS

Maintenance Intervals

The following schedule is intended as a general guide to maintenance. Bear in mind that such factors as weather, terrain, geographical location, and individual usage will alter the required maintenance schedule. If you are unsure as to how to perform these checks please contact your Stryker service technician. If you are in doubt as to what intervals to follow in maintaining your product, consult your Stryker service technician.

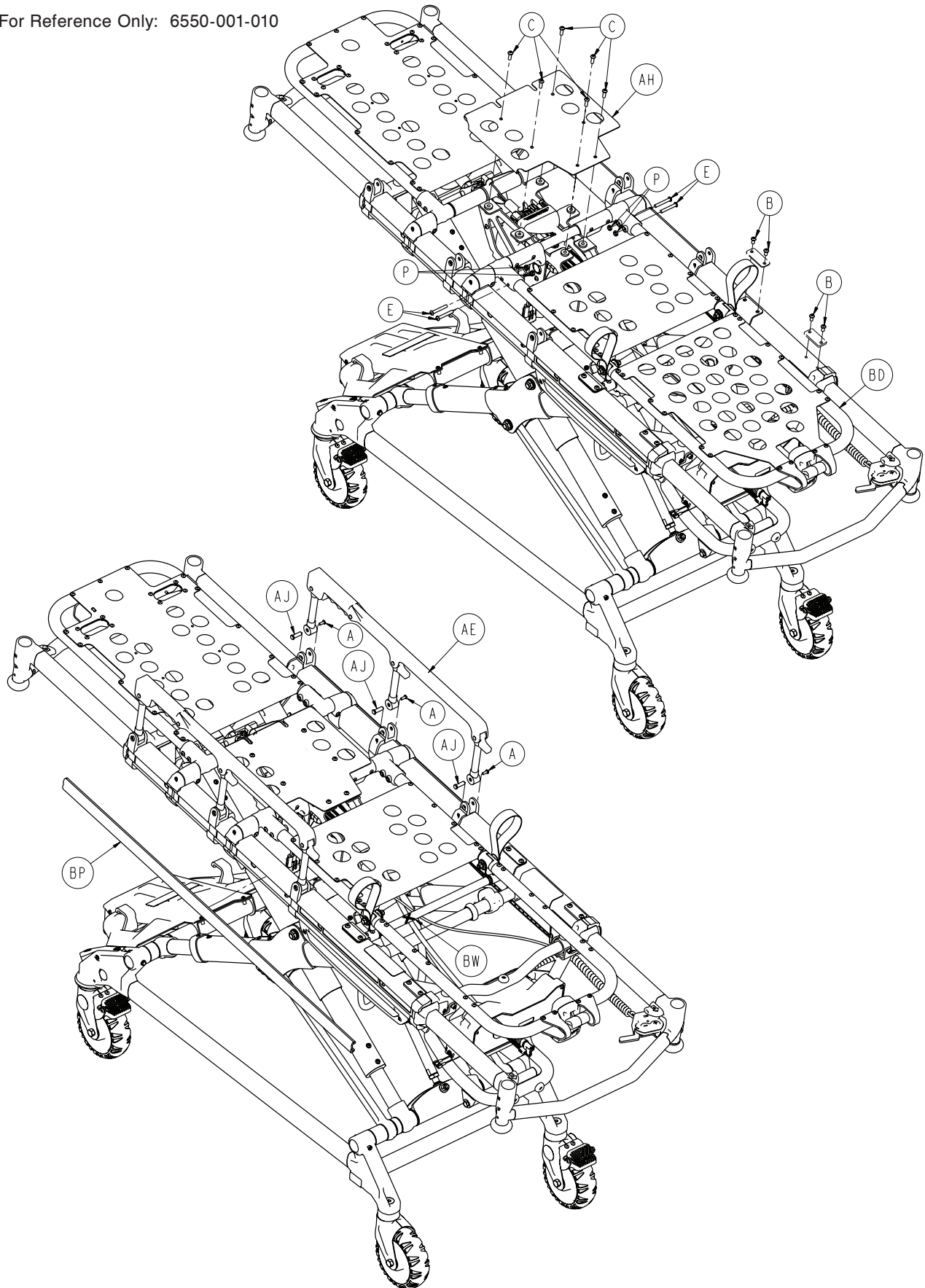
Item	Routine	Every (whichever comes first)			
		1 Month or 2 hours	3 Months or 6 hours	6 Months or 12 hours	12 Months or 24 hours
Cylinder	Verify the ambulance cot and fastener fit and function properly.		X		X
	All fasteners are secure (reference all assembly drawings). Verify the cylinder is adjusted so the lock nut is tight and the cot stops moving when it hits the dead stops.				X
Hydraulics	Inspect for and verify that there are no hydraulic fluid (red) leaks; inspect the fittings and tighten as necessary. Wipe away any residual fluids.		X		
	Inspect motor mount and verify that all fasteners are secure.		X		
	Verify that there are no hydraulic fluid leaks. Wipe any fluid drops.		X		
	Inspect the reservoir and verify that there are no leaks.		X		
	Inspect hoses and fittings for damage or wear; replace as necessary.			X	
	Verify the hydraulic velocity fuse - Place a weight of approximately 3.6 stones (50 pounds), (22.7 kg) on the cot, raise the cot, lift the cot with two operators, pull the manual release, rapidly set the cot down, verify that the cot does not drop.				X
Electronic Controls	Verify high speed retract is working.			X	
Switches	Verify there is no damage or wear to switch.			X	
	Verify switch operates correctly - Replace if necessary.			X	
Cables/Wires	Verify there is no damage or pinching of wiring harness, cables or lines.		X		
	Check routing(s) and connection(s), verify there are no hanging wires.	X			
	Verify there are no damaged connectors, replace if necessary.		X		
Manual Release	Verify that the manual release functions properly.	X			
	Verify the release handle returns to the stowed position.				X
	Verify the base extends/retracts smoothly when the manual release is engaged.		X		
	With 7.1 stones (100 lbs) or more on the cot, verify the cot does not lower when the manual release is pulled.		X		

Preventative Maintenance

Item	Routine	Every (whichever comes first)			
		1 Month or 2 hours	3 Months or 6 hours	6 Months or 12 hours	12 Months or 24 hours
Litter	Inspect the ambulance cot frame/litter.	X			
	Verify all welds intact, not cracked or broken.				X
	Verify no bent, broken or damaged components.			X	
	Verify all fasteners secure (reference all assembly drawings).		X		
	Verify warning labels present, legible (reference assembly drawings).				X
	Verify the siderails operate and latch properly.			X	
	Verify the backrest cylinder operates properly.		X		
Adjust pneumatic cylinder for full range of motion, if required.	Verify the footrest operates properly.		X		
	Verify no cracks or tears on cot mattress.			X	
Mattress	Inspect patient restraints for proper function and no excessive wear.	X			
	Check for bent or broken receiver or latch plate, torn or frayed webbing. Note: Restraints showing wear or not operating properly must be replaced immediately.	X			
Base	Inspect the ambulance cot frame/base.	X			
	Verify all welds intact, not cracked or broken.				X
	Verify no bent, broken, or damaged components.			X	
	Verify all fasteners secure.		X		
	Verify wheels are free of debris.			X	
Wheels	Verify tyres in good condition.				X
	Verify all wheels secure, rolling and swiveling properly.				
	Check and adjust wheel locks as necessary.	X			
	Verify smooth operation of X-frame.				X
X-Frame	Verify all fasteners secure.		X		
	Verify no bent, broken, or damaged components.				
Head Section	Verify the head and foot sections extend and lock properly.		X		
	Verify the grip bar has no excessive damage.				
	Verify the IV pole (optional) operates properly.		X		
Accessories	Verify the restraint extender (optional) operates properly.		X		
	Verify the push bars (optional) lock and unlock properly.		X		
			X		

Cot Assembly

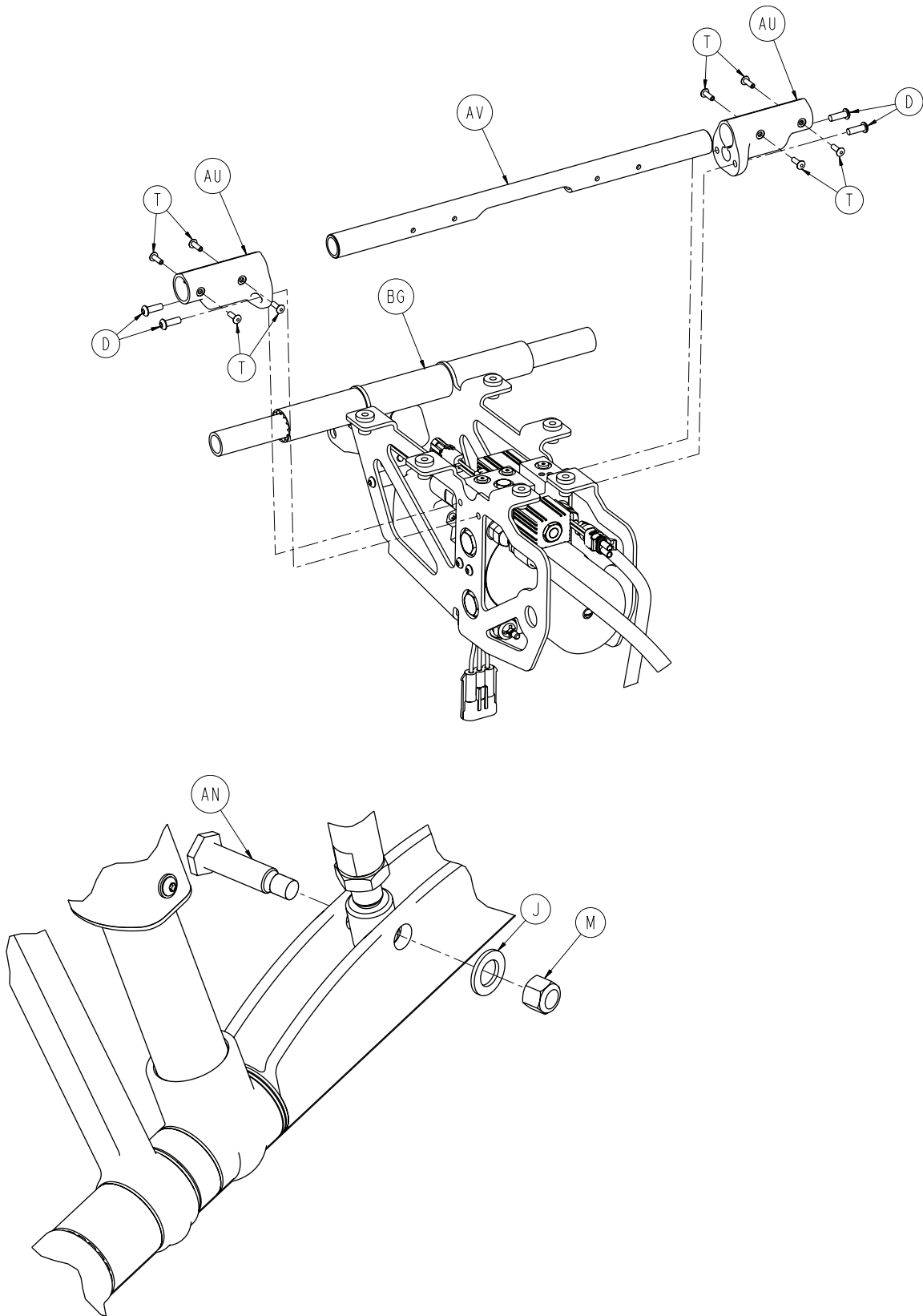
For Reference Only: 6550-001-010



[Return To Table of Contents](#)

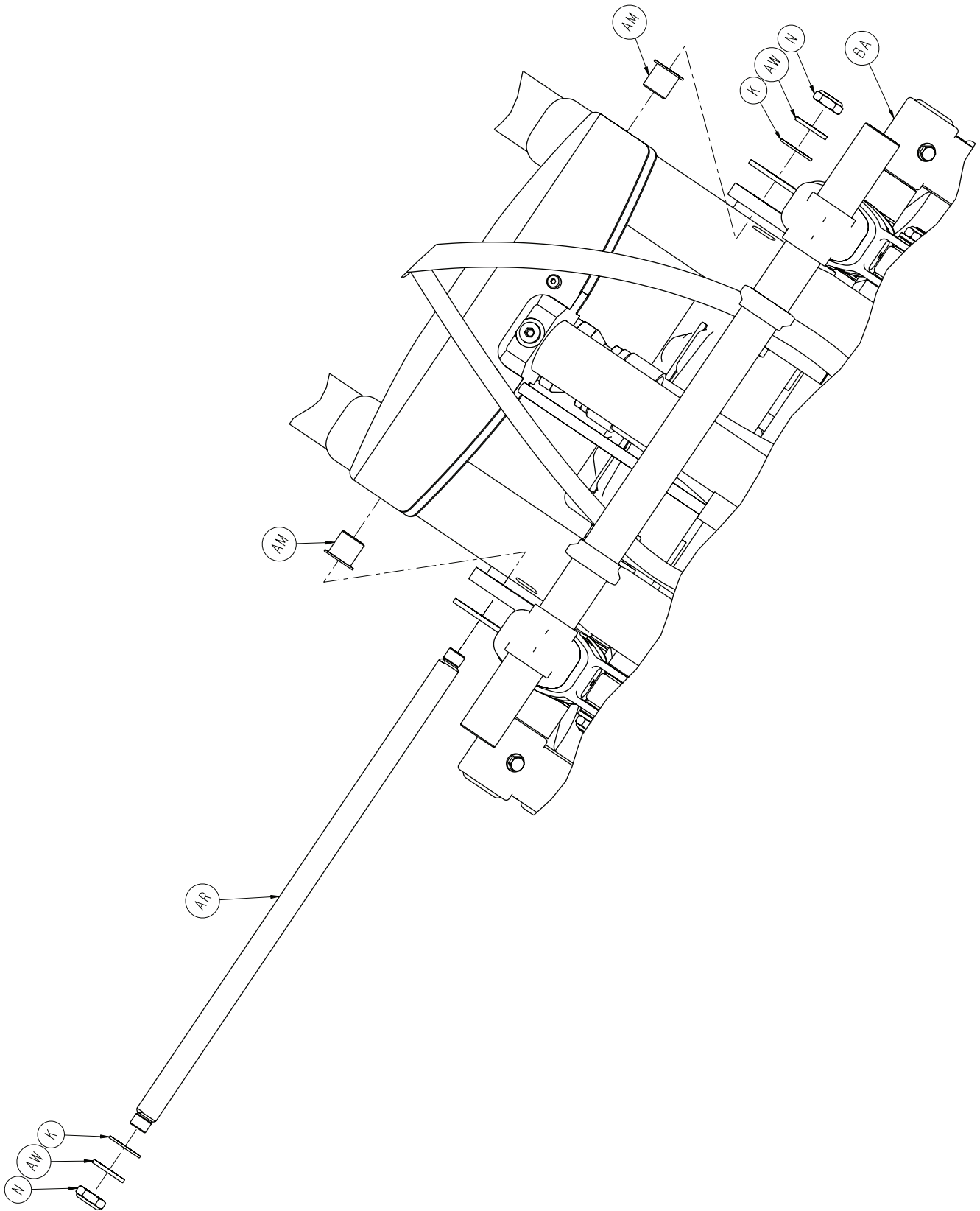
Cot Assembly

For Reference Only: 6550-001-010



Cot Assembly

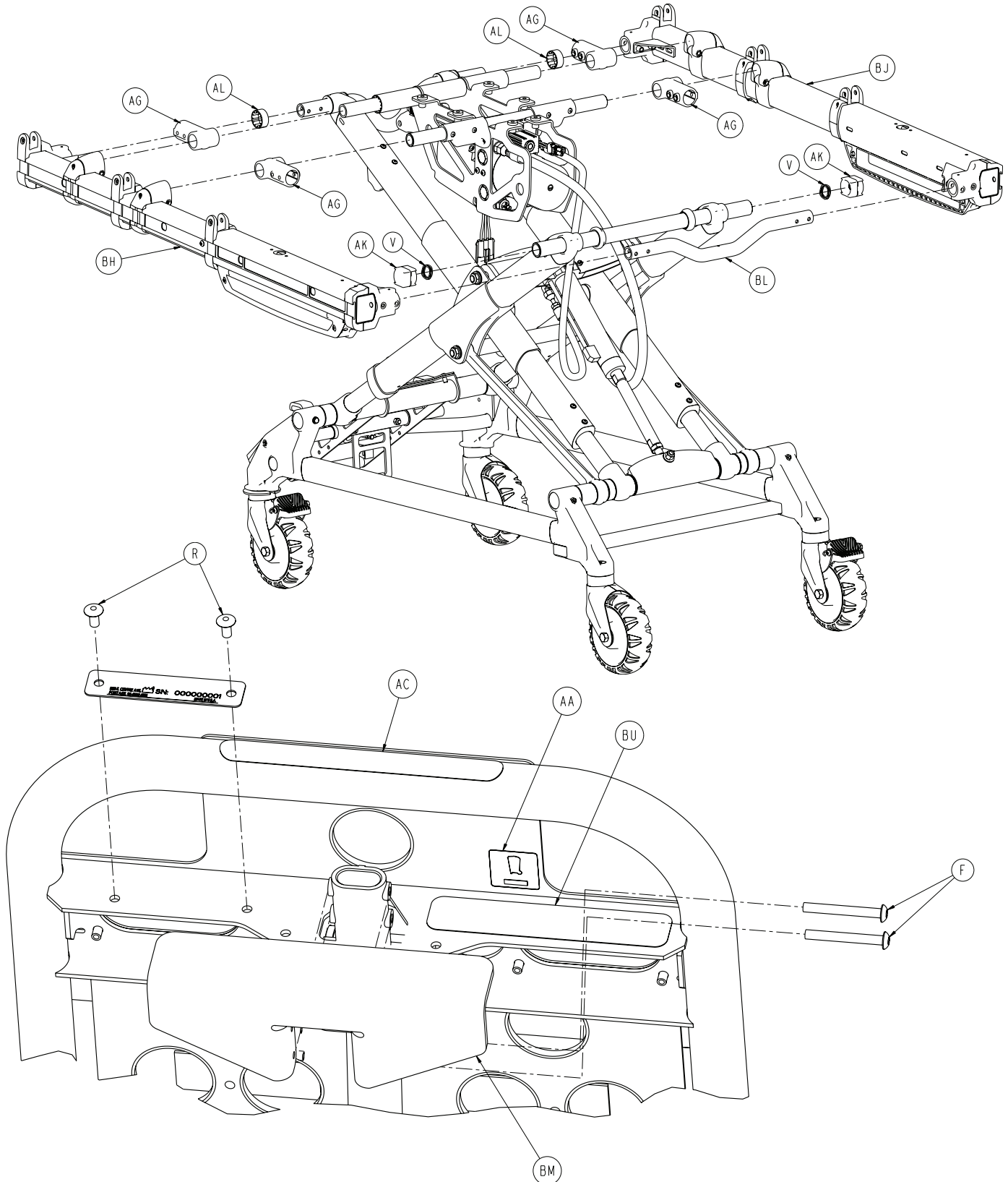
For Reference Only: 6550-001-010



[Return To Table of Contents](#)

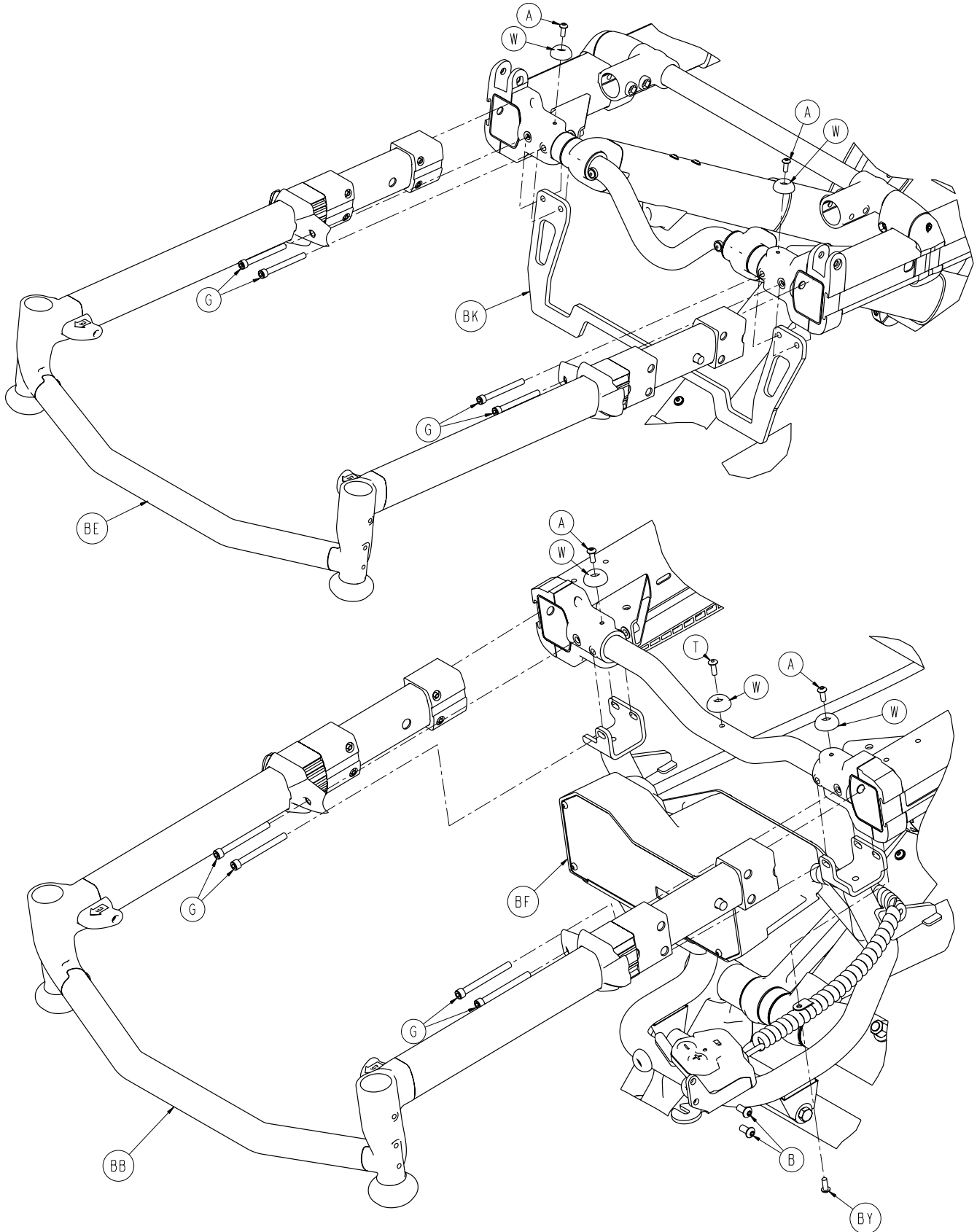
Cot Assembly

For Reference Only: 6550-001-010



Cot Assembly

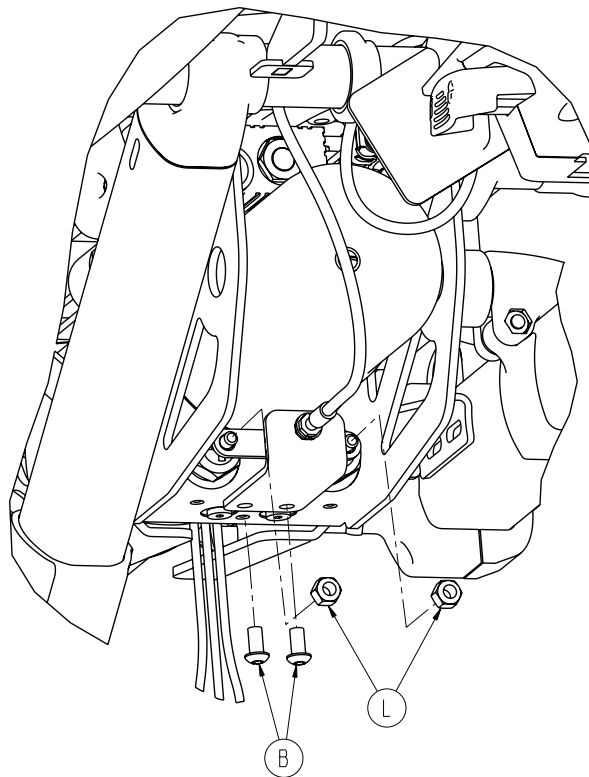
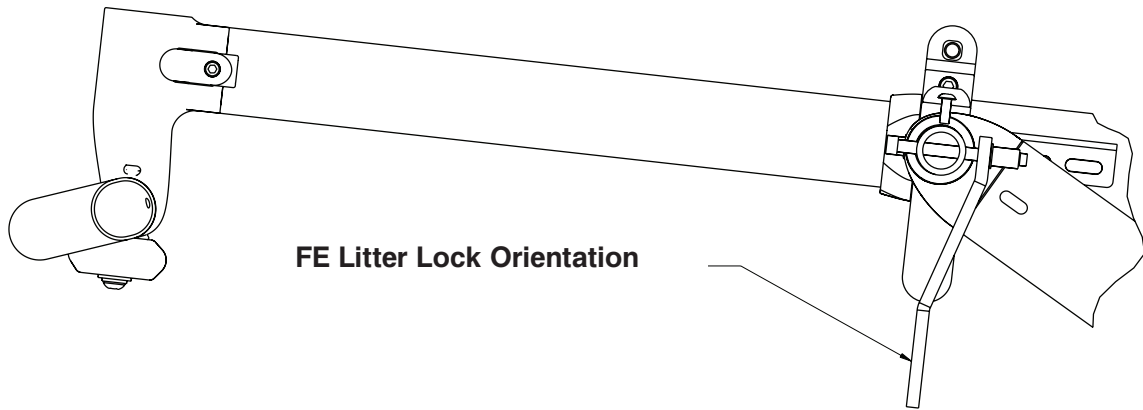
For Reference Only: 6550-001-010



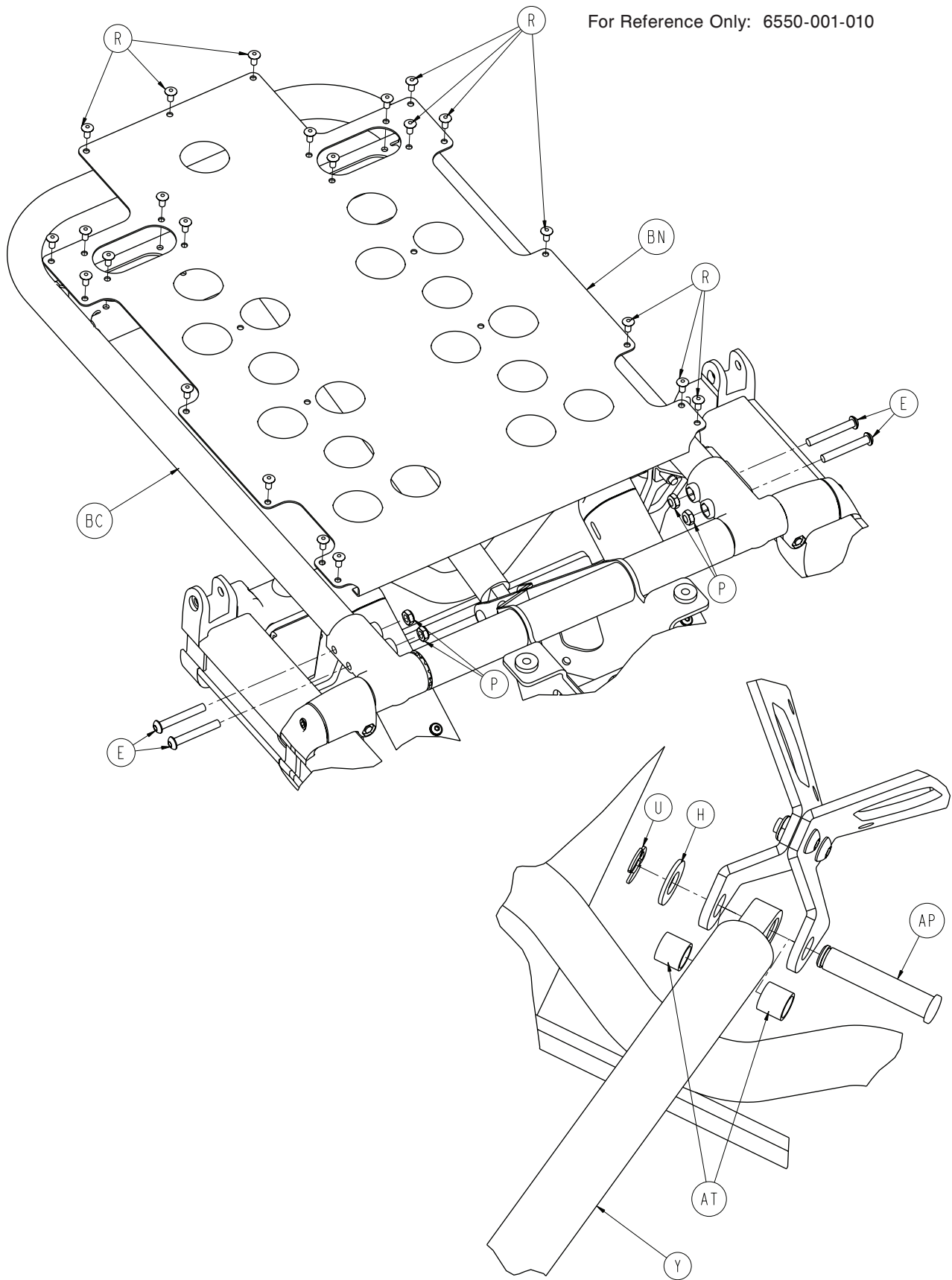
[Return To Table of Contents](#)

Cot Assembly

For Reference Only: 6550-001-010



Cot Assembly

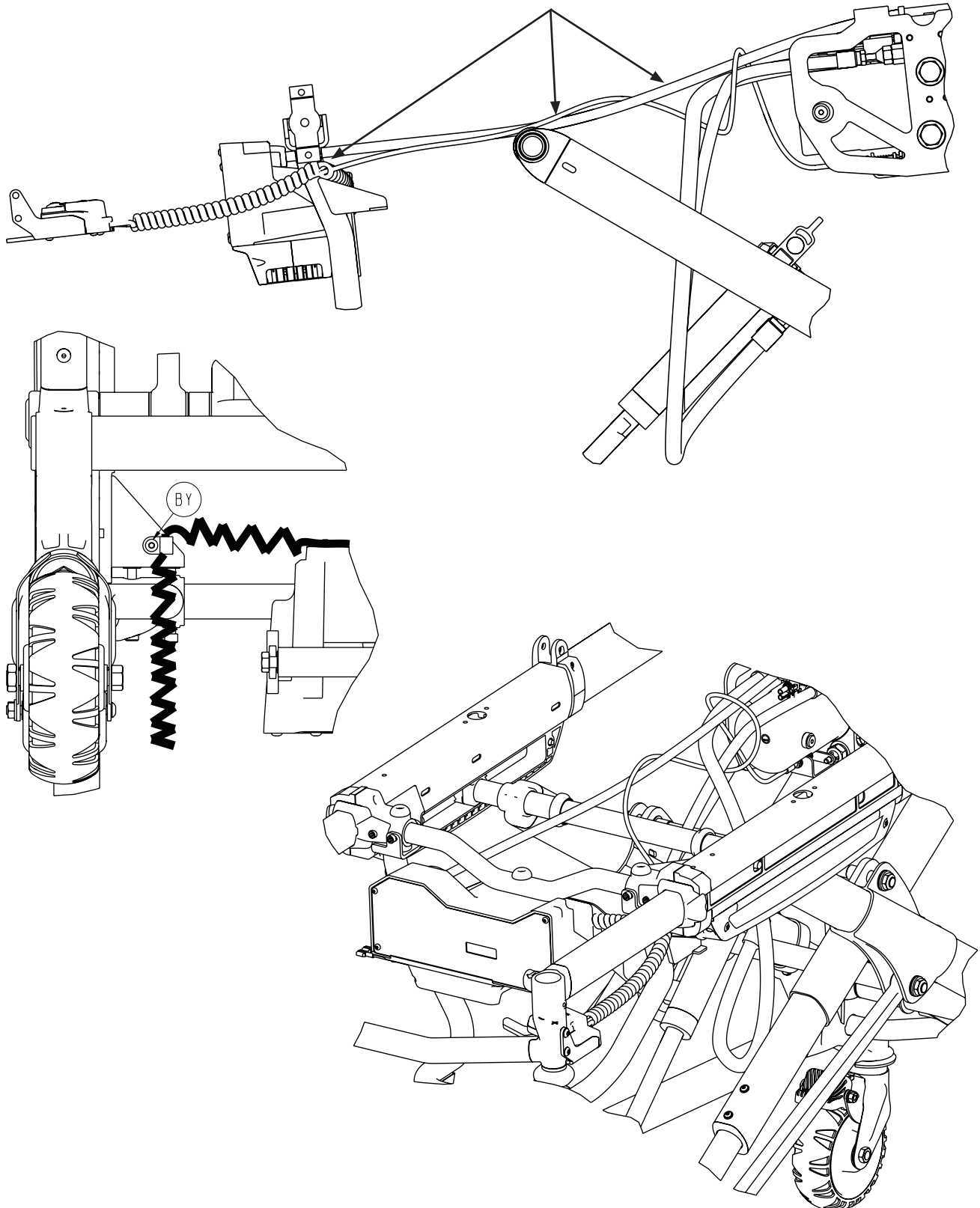


For Reference Only: 6550-001-010

Cot Assembly

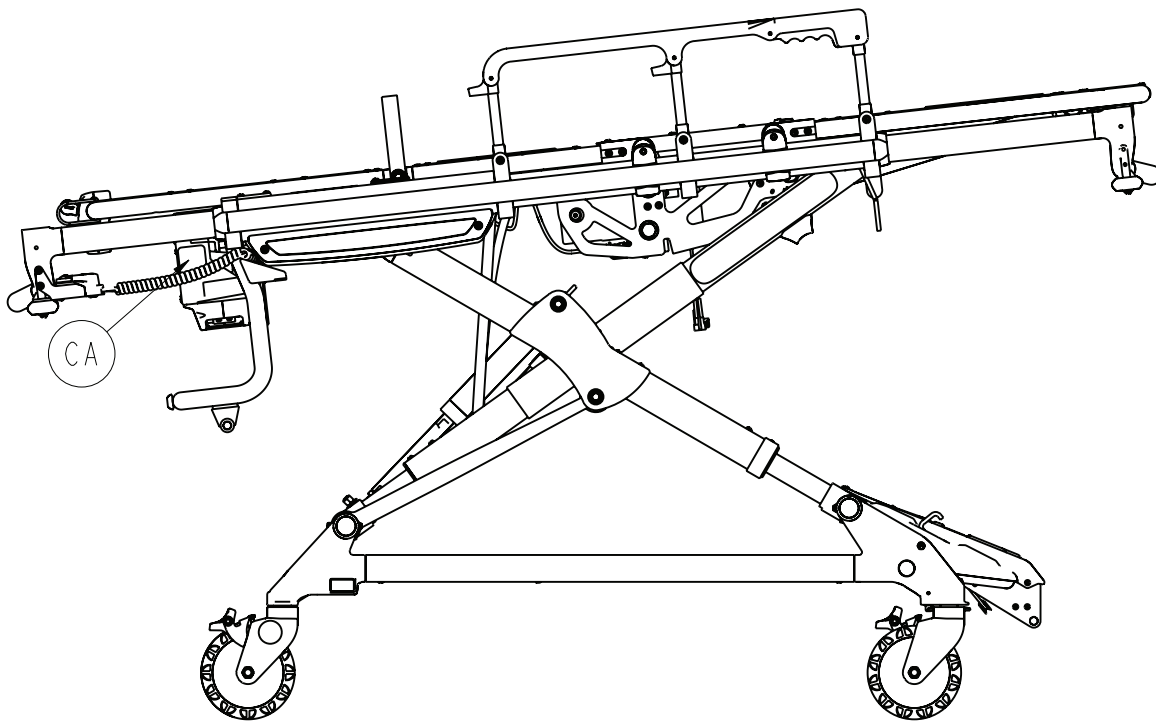
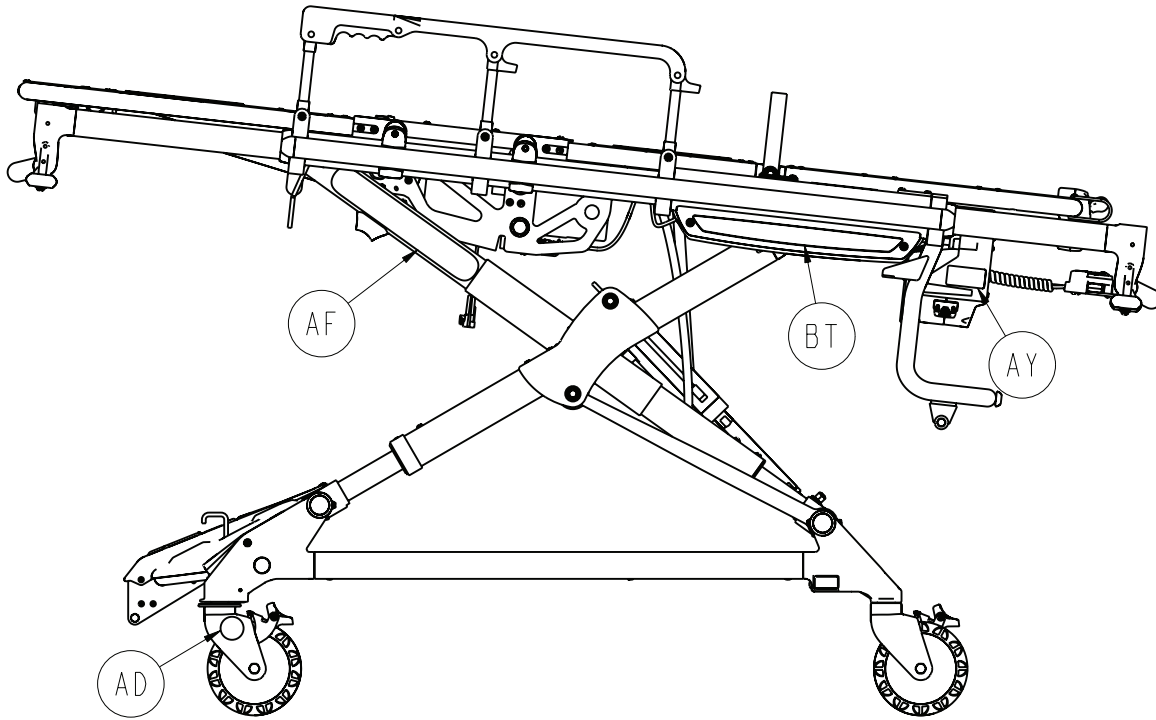
For Reference Only: 6550-001-010

CABLE ROUTING



Cot Assembly

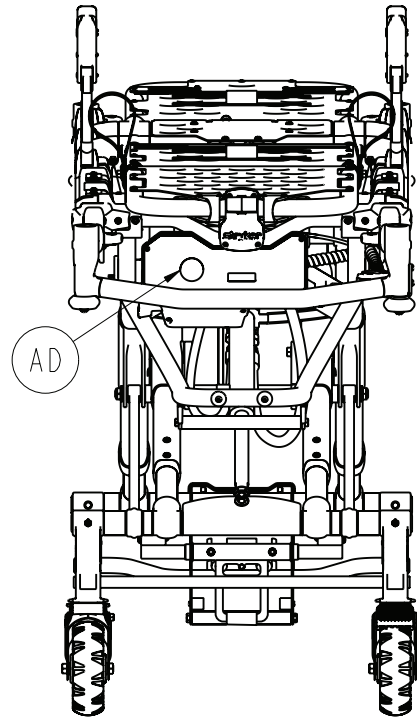
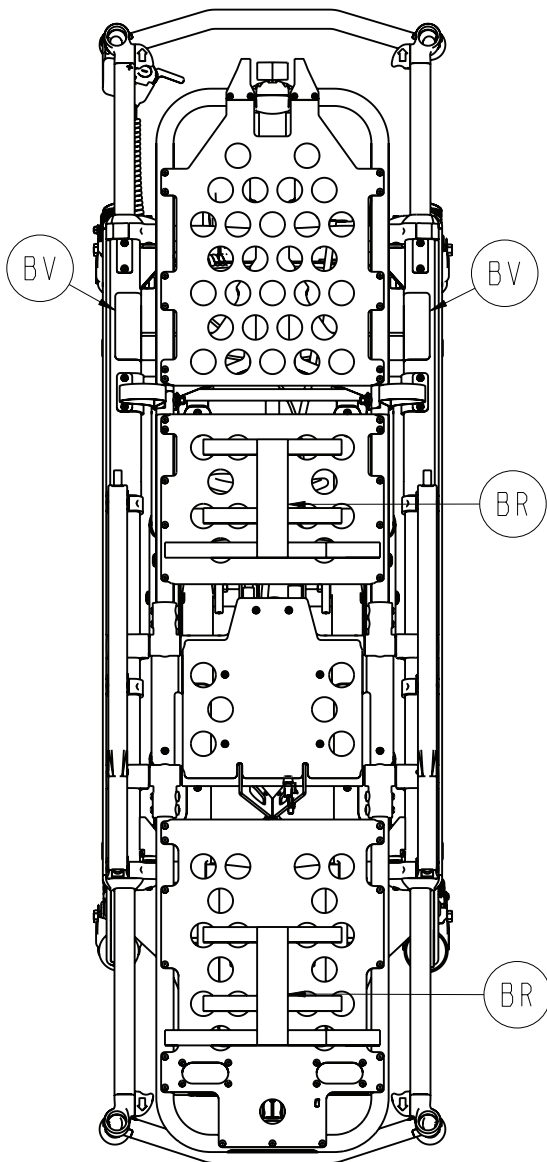
For Reference Only: 6550-001-010



[Return To Table of Contents](#)

Cot Assembly

For Reference Only: 6550-001-010



Cot Assembly

Cot Assembly - Components - 6550-001-010 (reference only)

Item	Part No.	Part Name	Qty.
A	0004-585-000	Button Head Cap Screw	10
B	0004-589-000	Button Head Cap Screw	12
C	0004-592-000	Button Head Cap Screw	6
D	0004-593-000	Button Head Cap Screw	4
E	0004-596-000	Button Head Cap Screw	8
F	0004-850-000	Button Head Cap Screw	2
G	0004-852-000	Socket Head Cap Screw	8
H	0011-004-000	Washer	1
J	0011-013-000	Washer	1
K	0014-040-000	Washer	2
L	0016-028-000	Nylock Hex Nut	2
M	0016-035-000	Nylock Hex Nut	1
N	0016-049-000	Nylock Hex Nut	2
P	0016-102-000	Nylock Hex Nut	8
R	0025-079-000	Rivet	25
T	0025-133-000	Rivet	9
U	0028-181-000	Truarc Ring	1
V	0038-574-000	Crest-to-Crest Spring	2
W	0946-001-155	Bumper	5
Y	1010-031-077	Gas Spring	1
AA	2030-009-901	WEEE Label	1
AC	6060-090-004	'RUGGED', Small Label	1
AD	6080-090-101	Brake Warning Label	5
AE	6082-026-010	Siderail Assembly	2
AF	6082-090-043	Stryker Label	2
AG	6100-003-125	Straight "T" Pivot	4
AH	6500-001-111	Mid Section Skin	1
AJ	6500-001-118	Siderail Nut	6
AK	6500-001-123	Hall Effects Slider	2
AL	6500-001-128	Plastic Extrusion Spacer	2
AM	6500-001-157	Flange Bearing	2
AN	6500-001-168	Rod Attachment Pin	1
AP	6500-001-170	Fowler Cylinder Pin	1
AR	6500-001-171	Cylinder Mount Cross Tube	1
AT	6500-001-191	Fowler Cylinder Spacer	2
AU	6500-001-195	Motor Mount Casting	2
AV	6500-001-196	Litter Cross Brace	1
AW	6500-001-225	"D" Washer	2
AY	6500-001-258	DeWalt Label	1
BA	6550-001-012	Base Assembly	1
BB	6550-001-015	Telescoping Foot End	1
BC	6550-001-018	Fowler Assembly	1
BD	6550-001-019	Gatch Assembly	1
BE	6550-001-020	Telescoping Head Section	1
BF	6550-001-022	Hitch, FE	1
BG	6550-001-031	Mounted Hydraulics	1
BH	6550-001-032	Outer Rail, Patient Right	1
BJ	6550-001-033	Outer Rail, Patient Left	1
BK	6550-001-090	Litter Hitch Interface, HE	1
BL	6550-001-091	Litter Cross Tube, FE	1

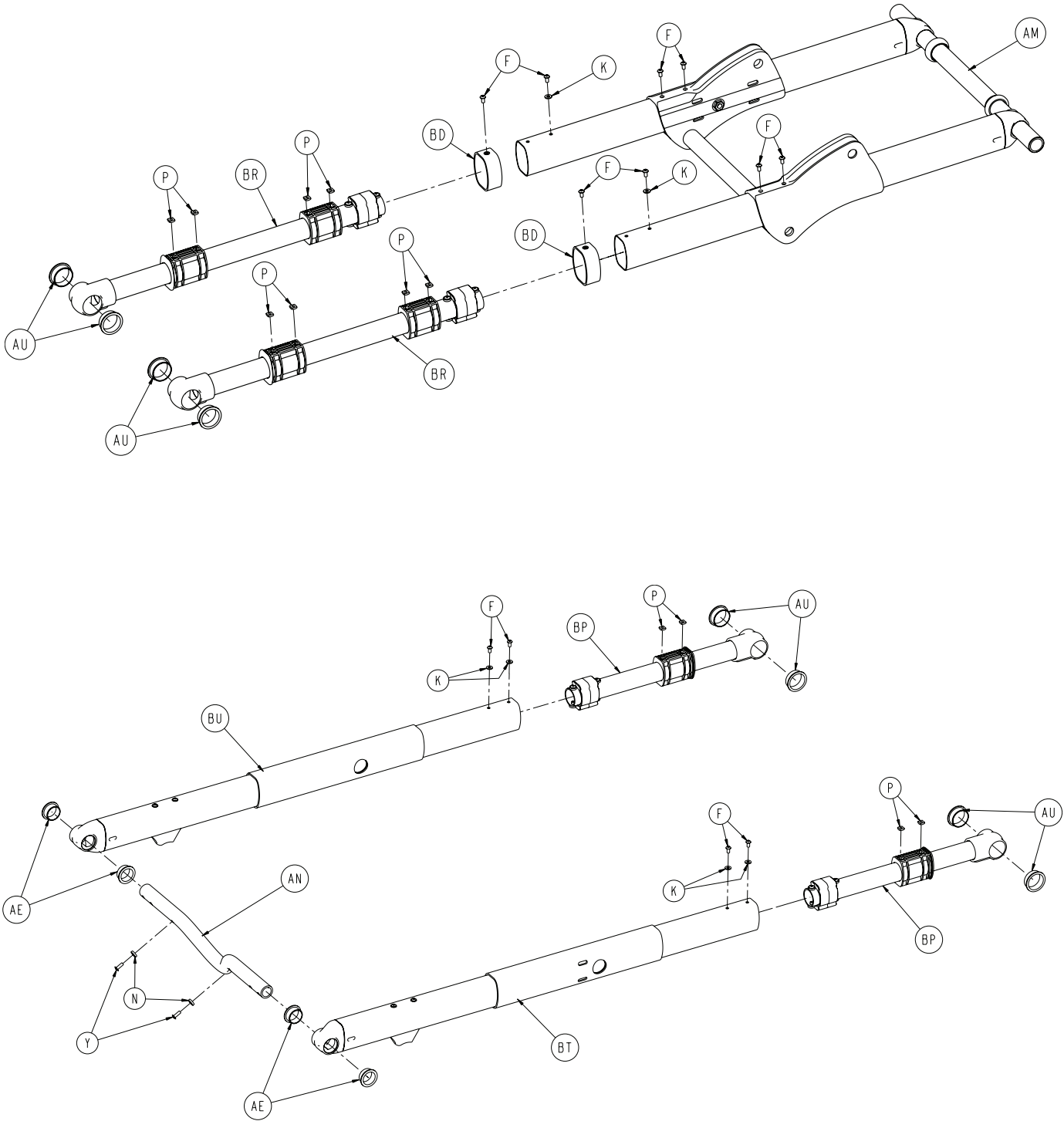
Cot Assembly

Cot Assembly - Components - 6550-001-010 (reference only)

Item	Part No.	Part Name	Qty.
BM	6550-001-099	Fowler Release Handle	1
BN	6550-001-102	Backrest Skin	1
BP	6550-001-170	Outer Rail Bumper	2
BR	6550-001-197	Velcro Strap	2
BT	6550-001-233	Power Pro TL Label	2
BU	6550-001-234	Power Pro TL Specification Label	1
BV	6550-001-259	Weight Capacity Label	2
BW	0059-211-000	11" Nylon Cable Tie	3
BY	0004-634-000	Button Head Cap Screw	1
CA	6550-001-201	O ² Caution Label	1

Base Assembly

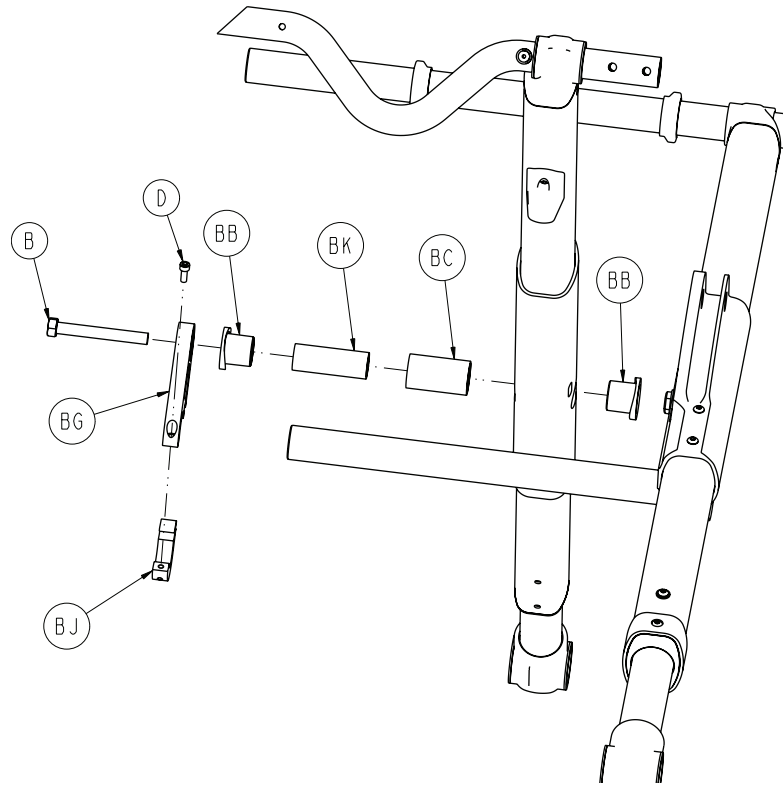
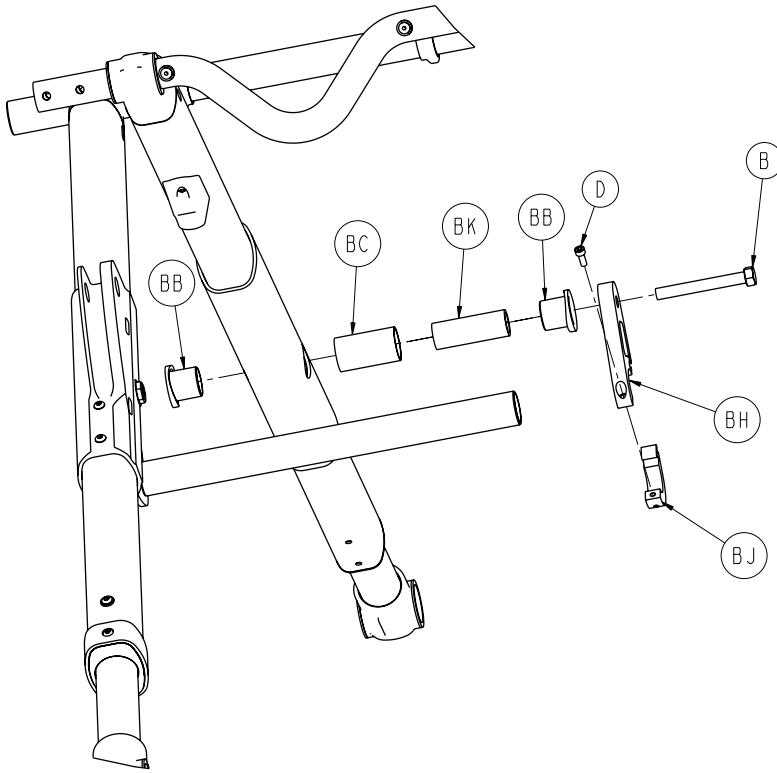
For Reference Only: 6550-001-012



[Return To Table of Contents](#)

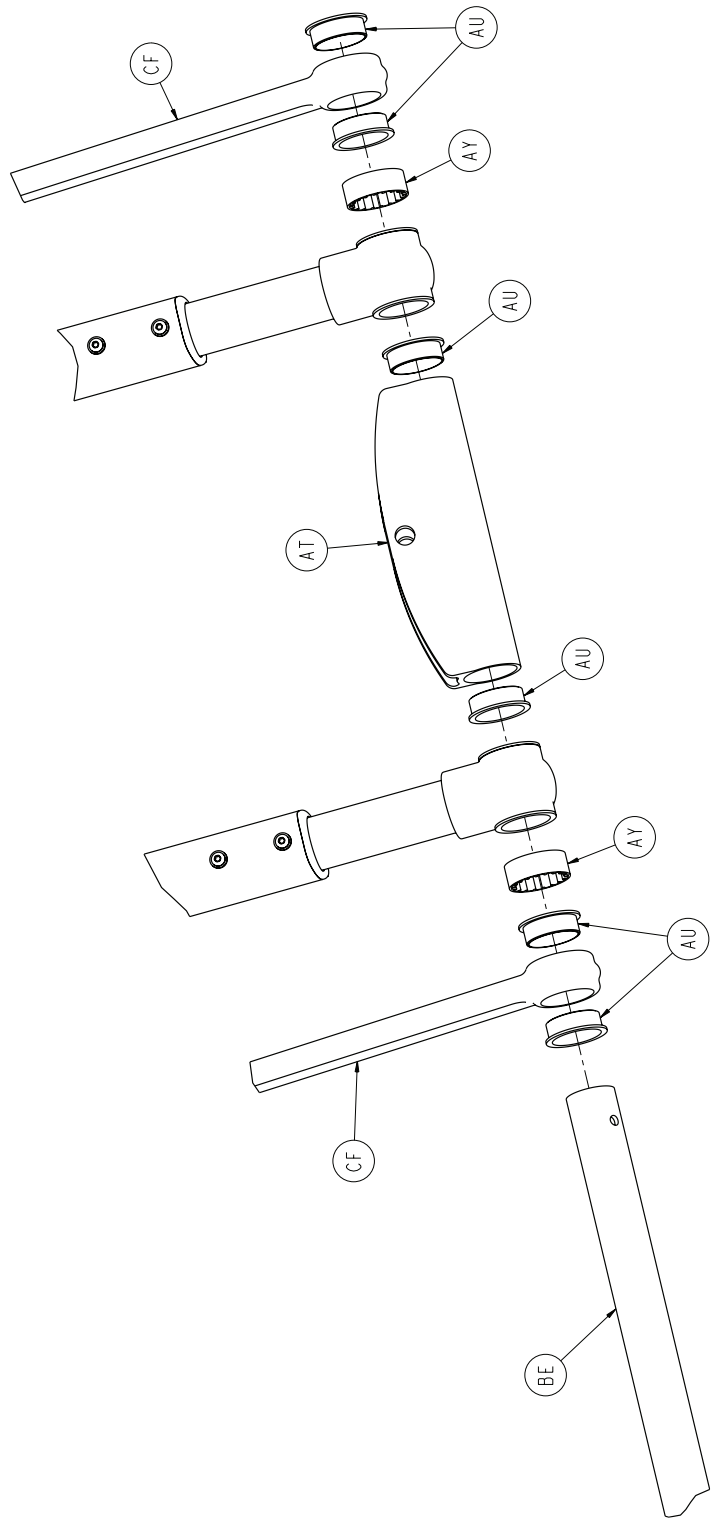
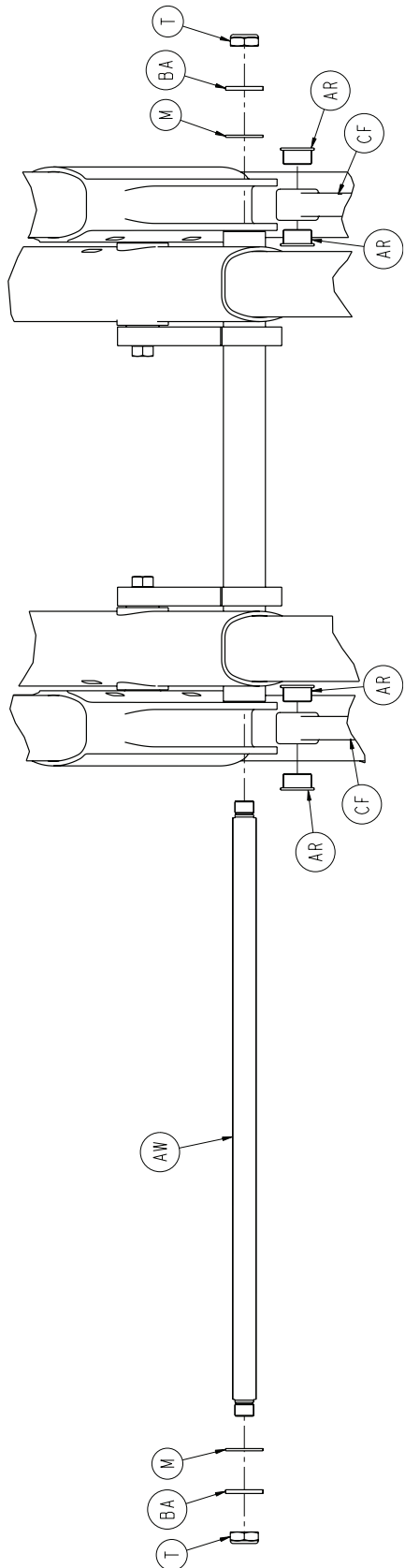
Base Assembly

For Reference Only: 6550-001-012



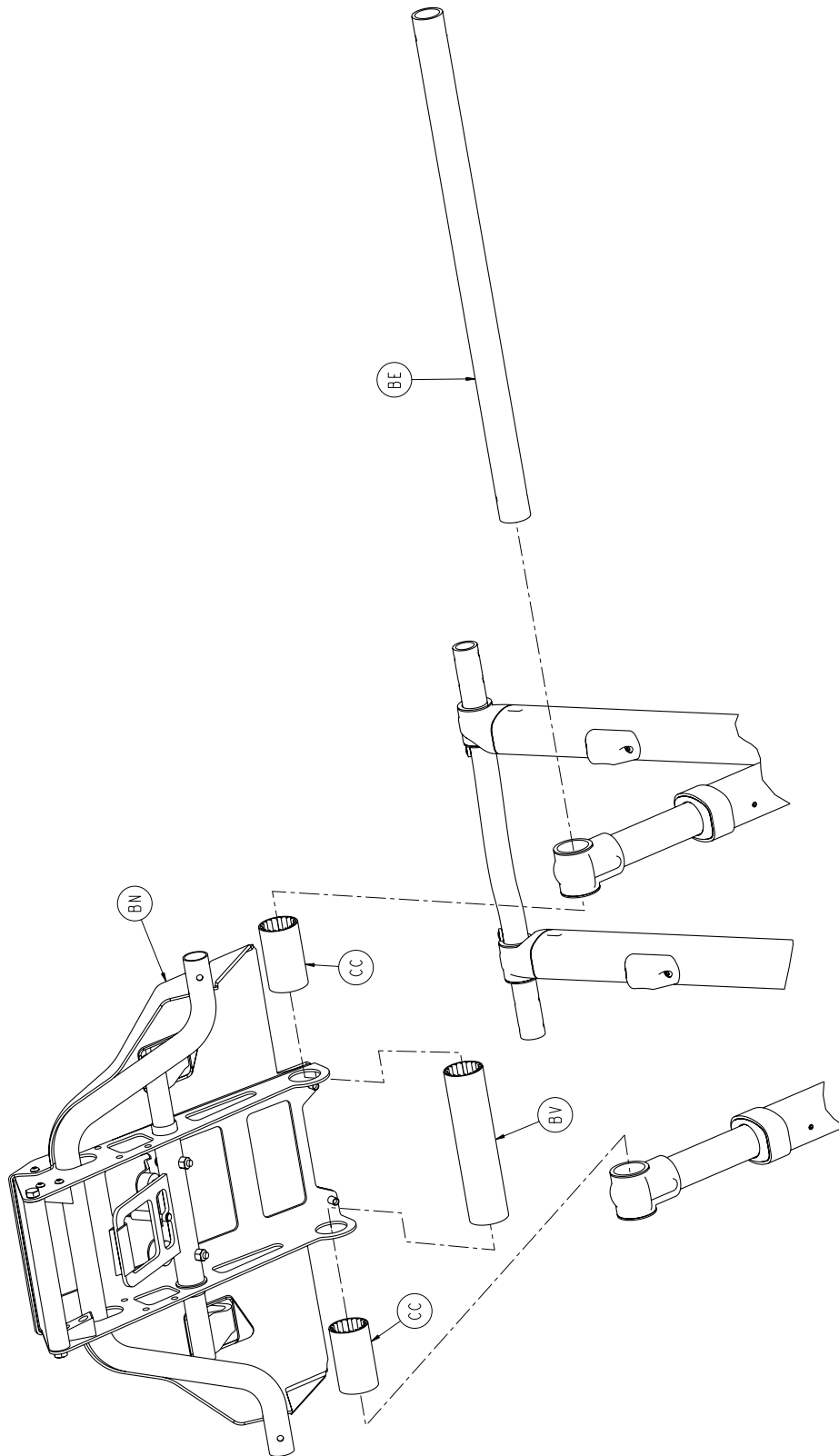
Base Assembly

For Reference Only: 6550-001-012



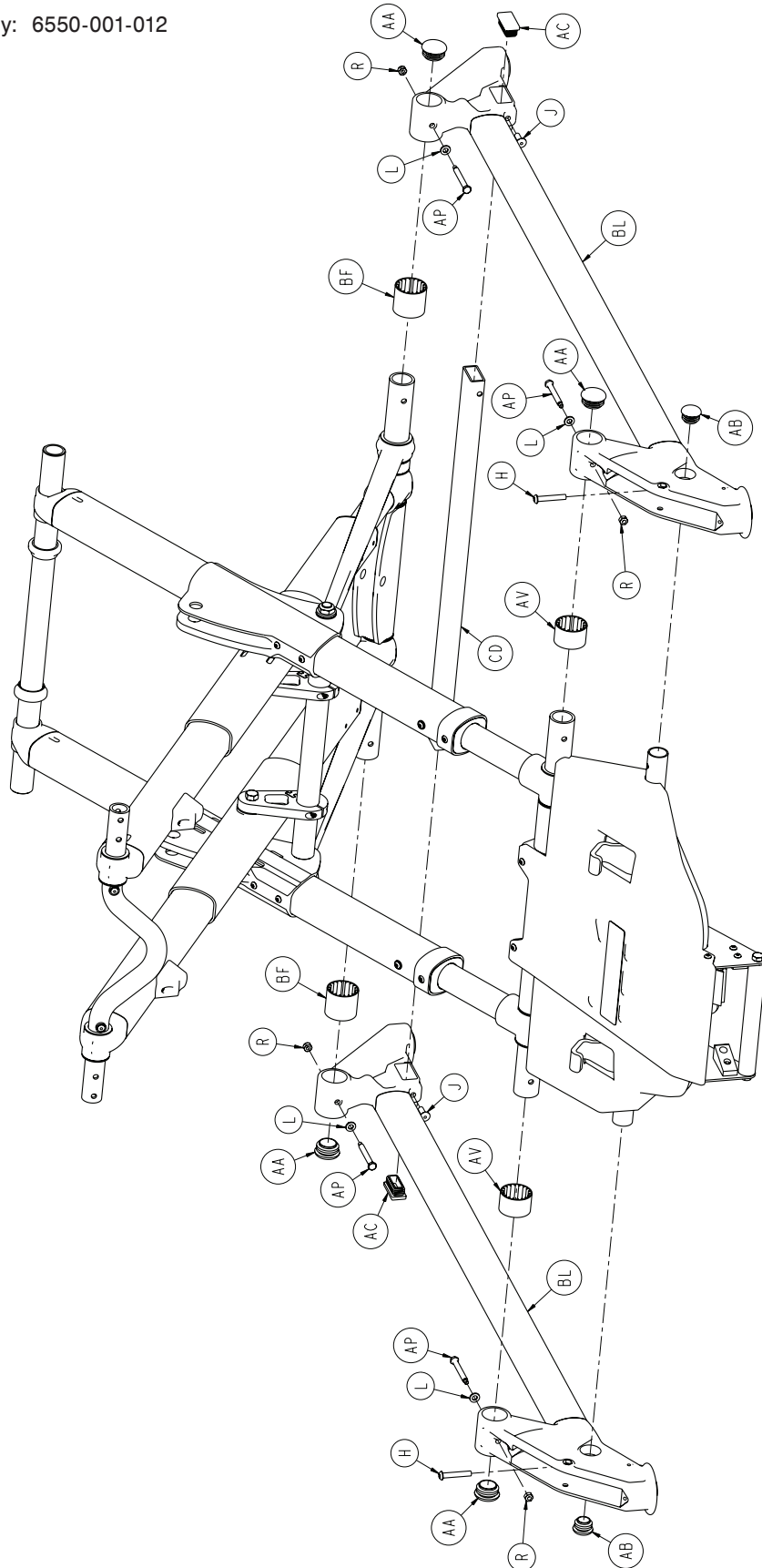
Base Assembly

For Reference Only: 6550-001-012



Base Assembly

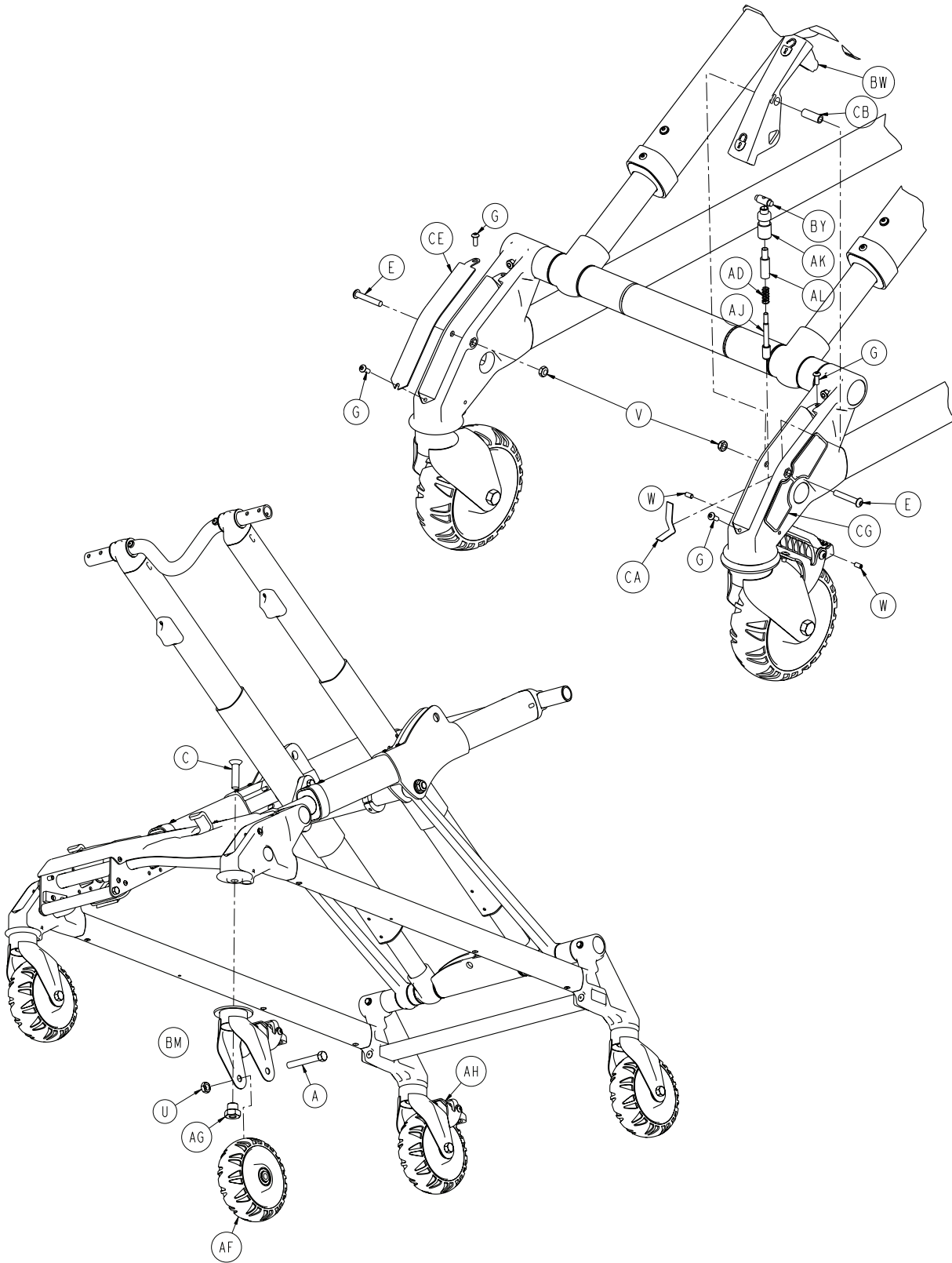
For Reference Only: 6550-001-012



[Return To Table of Contents](#)

Base Assembly

For Reference Only: 6550-001-012



Base Assembly

Base Assembly - Components - 6550-001-012 (reference only)

Item	Part No.	Part Name	Qty.
A	0003-205-000	Hex Head Cap Screw	4
B	0003-388-000	Hex Head Cap Screw	2
C	0004-319-000	Flat Head/ Hex Socket Bolt	4
D	0004-438-000	Socket Head Cap Screw	2
E	0004-376-000	Button Head Cap Screw	2
F	0004-587-000	Button Head Cap Screw	12
G	0004-634-000	Button Head Cap Screw	1
H	0004-848-000	Button Head Cap Screw	6
J	0025-142-000	Large Flange Open End Pop Rivet	2
K	0011-062-000	Washer	4
L	0014-002-000	Washer	4
M	0014-040-000	Washer	2
N	0014-115-000	Washer	2
P	0015-051-000	Square Nut	12
R	0016-002-000	Fiberlock Hex Nut	4
T	0016-049-000	Nylock Hex Nut	2
U	0016-060-000	Toplock Hex Jam Nut	4
V	0016-102-000	Nylock Hex Nut	2
W	0021-180-000	Set Screw	2
Y	0025-133-000	Rivet	2
AA	0037-083-000	Tube Plug	4
AB	0037-243-000	Tube Plug	2
AC	0037-244-000	Hole Plug	2
AD	0038-382-000	Compression Spring	1
AE	0081-244-000	Flange Bearing	4
AF	6060-002-010	6" Molded Wheel Assembly	4
AG	6090-001-009	Caster Nut	4
AH	6100-003-022	Brake and Caster Assembly	1
AJ	6100-003-136	Steer Lock Pin	1
AK	6100-203-135	Pin Sleeve-Steer Lock	1
AL	6100-203-136	Steer Lock Plastic Bushing	1
AM	6500-001-056	Frame, Base, Tube, Inner	1
AN	6500-001-090	Head End Cross Tube	1
AP	6500-001-145	Caster Mount Spacer	4
AR	6500-001-162	Flange Bearing	1
AT	6500-001-165	Cylinder Mount, Bottom Pivot	14
AU	6500-001-166	Flange Bearing	14
AV	6500-001-178	Spacer, Base, Outer	2
AW	6500-001-182	Cross Tube, Stiffener Bar	1
AY	6500-001-183	Spacer, Base, Outer	2
BA	6500-001-225	"D" Washer	2
BB	6500-001-226	Bearing, Pivot, Base, Tube	4
BC	6500-001-227	Post, Pivot, Base, Tube	2
BD	6500-001-228	Inner Lift Tube Sleeve	4
BE	6500-001-229	Base Tube, Foot	2
BF	6550-001-203	Spacer, Solid, FE	2
BG	6500-001-308	Base Strap, Patient Right	1
BH	6500-001-309	Base Strap, Patient Left	1
BJ	6500-001-310	Base Strap Clamp	2

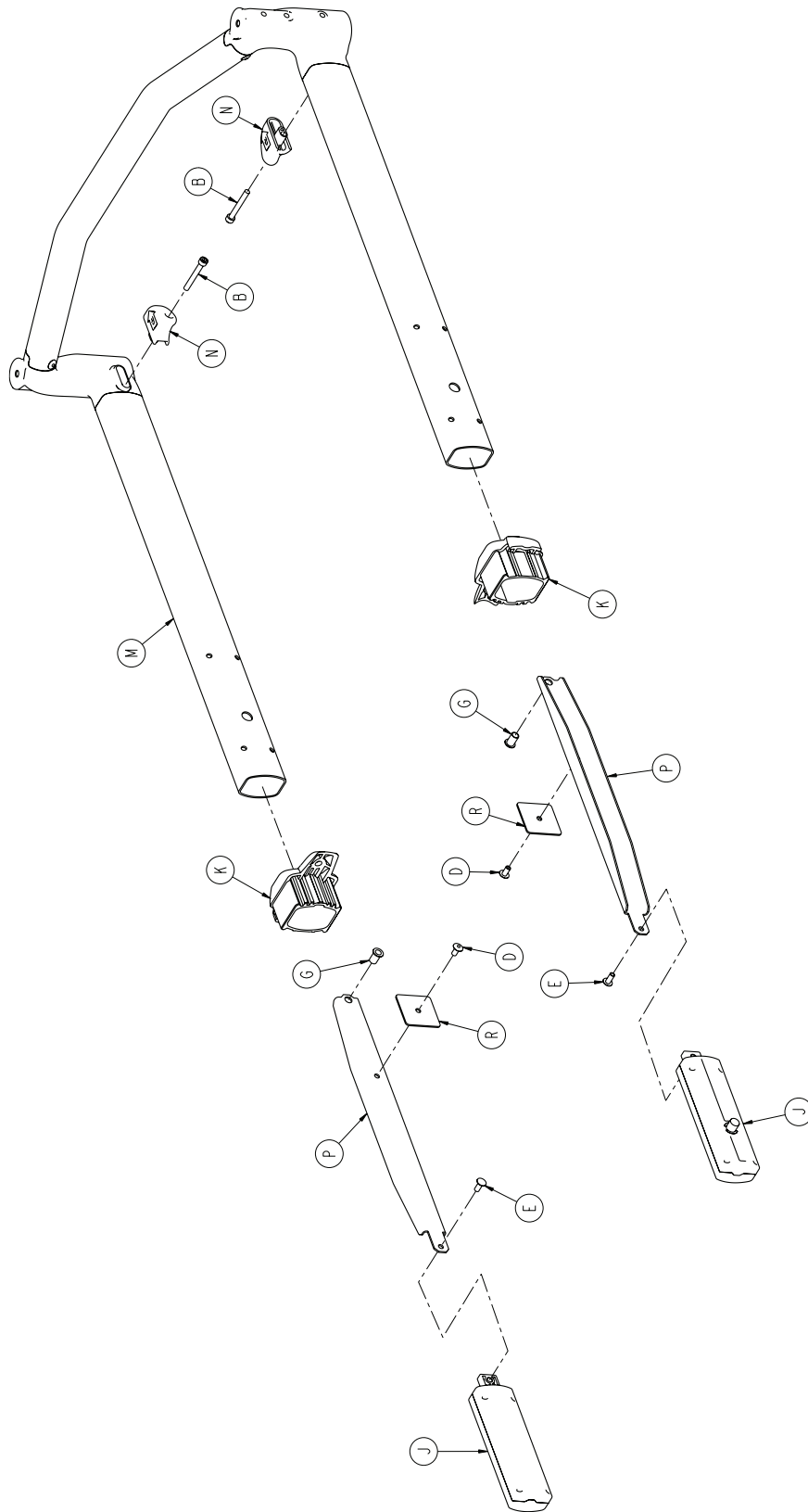
Base Assembly

Base Assembly - Components - 6550-001-012 (reference only)

Item	Part No.	Part Name	Qty.
BK	6500-001-341	Post, Pivot, Base, Tube	2
BL	6550-001-013	Outer Base Tube Assembly	2
BM	6550-001-016	Wheel Lock Caster, Steer Lock	1
BN	6550-001-021	Hitch, HE	1
BP	6550-001-023	Inner Lift Tube Assembly (Page 103)	2
BR	6550-001-028	Outer Lift Tube Assembly (Page 104)	2
BT	6550-001-034	Inner Lift Tube Ass'y, Litter Pivot, PR	1
BU	6550-001-035	Inner Lift Tube Ass'y, Litter Pivot, PL	1
BV	6550-001-085	Spacer, Base, Outer	1
BW	6550-001-103	Steer Lock Pedal	1
BY	6550-001-104	Steer Lock Cross Piece	1
CA	6550-001-105	Steer Lock Spring	1
CB	6550-001-107	Steer Lock Pivot	1
CC	6550-001-204	Spacer, Solid, HE	2
CD	6550-001-171	Rectangular Cross Tube, FE	1
CE	6550-001-179	Steer Lock Cover	1
CF	6550-001-200	Support Link	2
CG	6550-001-106	Steerlock Label	1

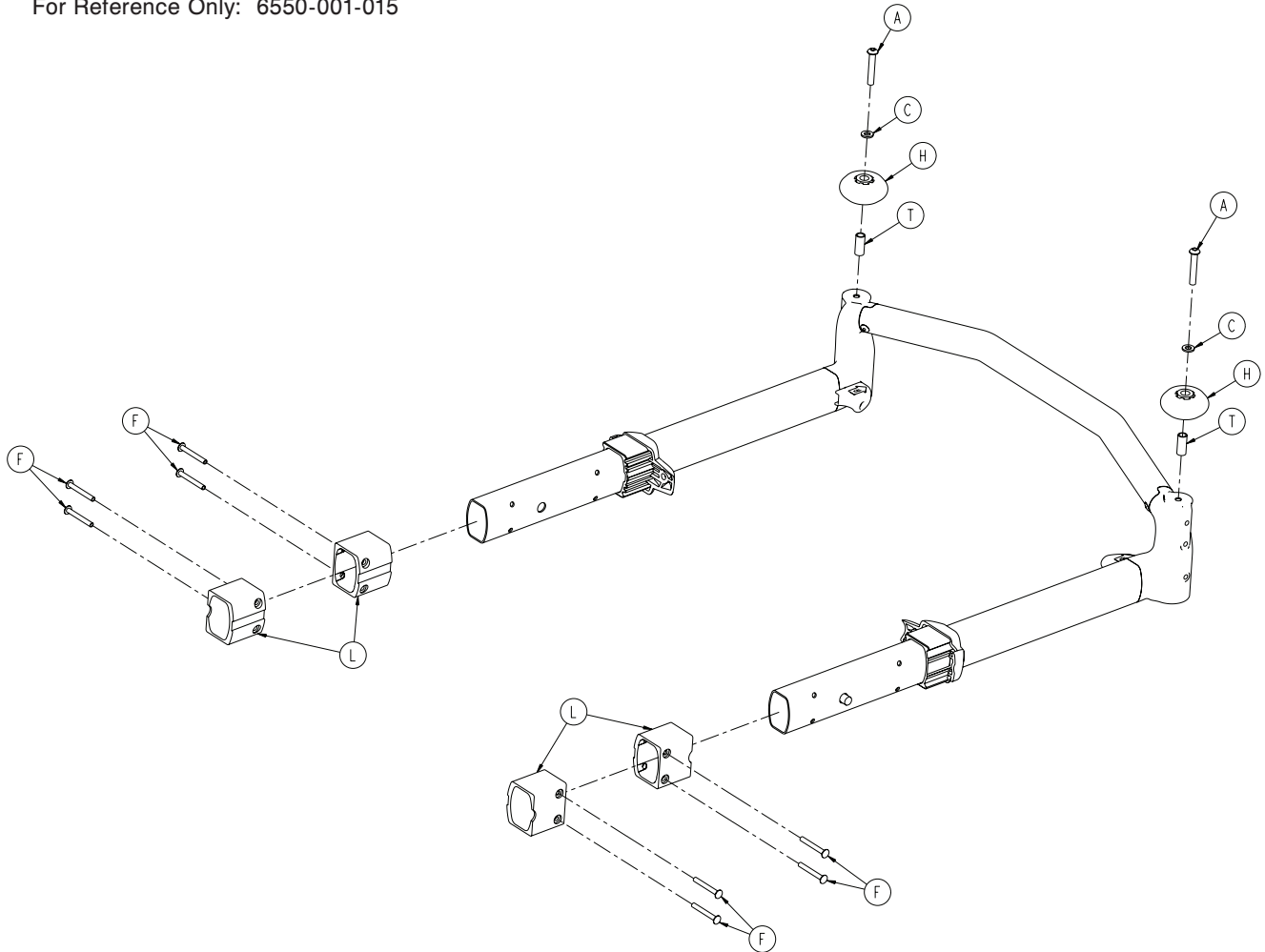
Telescoping Foot End

For Reference Only: 6550-001-015



Telescoping Foot End

For Reference Only: 6550-001-015

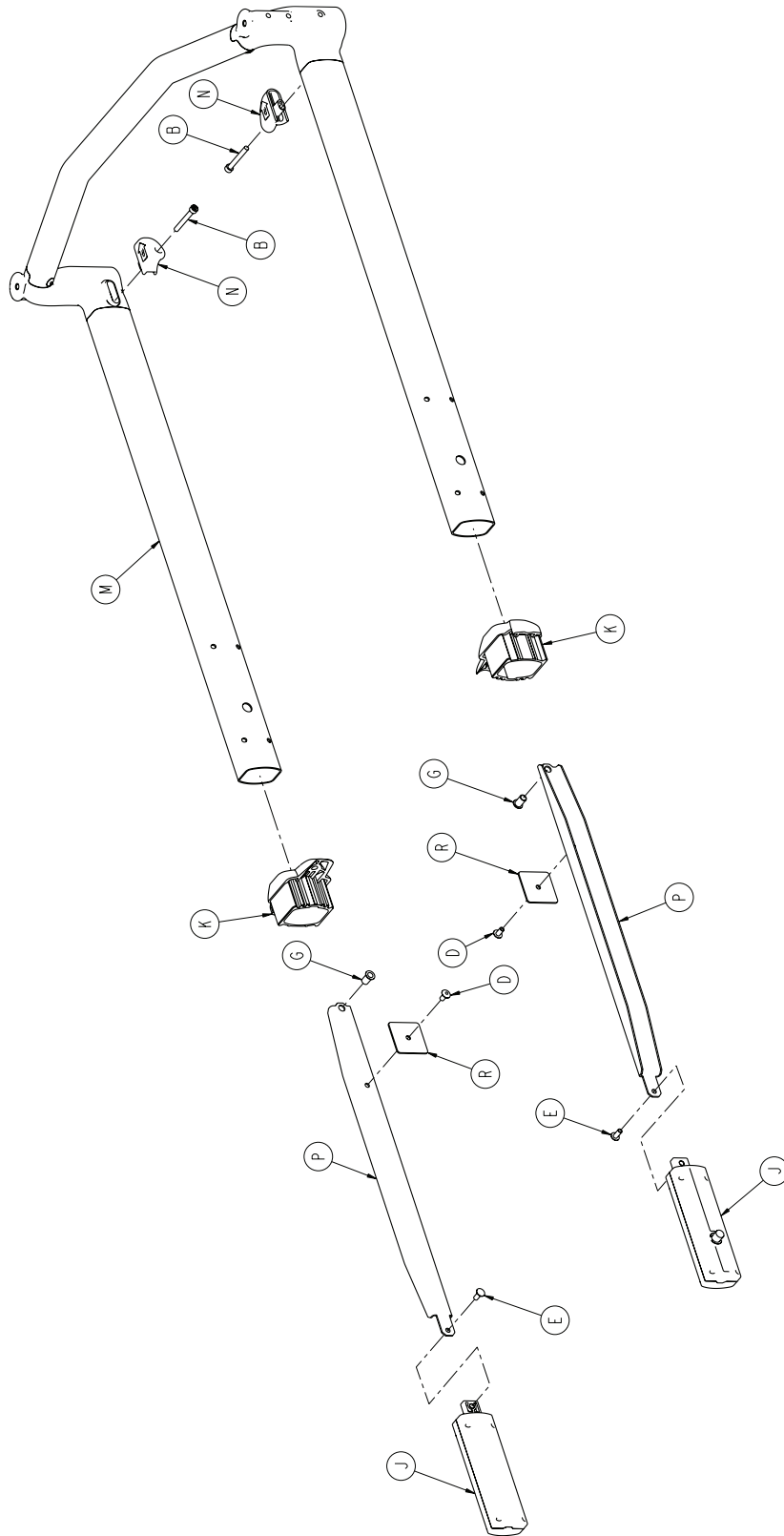


Telescoping Foot End Assembly - Components - 6550-001-015 (reference only)

Item	Part No.	Part Name	Qty.
A	0004-848-000	Button Head Cap Screw	2
B	0004-849-000	Socket Head Cap Screw	2
C	0011-065-000	Washer	2
D	0025-079-000	Rivet	2
E	0025-126-000	Rivet	2
F	0025-185-000	Rivet	8
G	0055-100-075	Riv Nut	2
H	0721-032-049	Bumper Roller	2
J	6500-001-026	Head Section Lock Assembly	2
K	6500-001-087	Cap Bearing	2
L	6500-001-088	Internal Bearing	4
M	6550-001-025	Frame, FE, Bonded	1
N	6550-001-156	Section Release Trigger, HE/FE	2
P	6550-001-162	Link Release, FE	2
R	6550-001-163	Link Guide	2
T	6550-001-169	Bumper Pivot	2

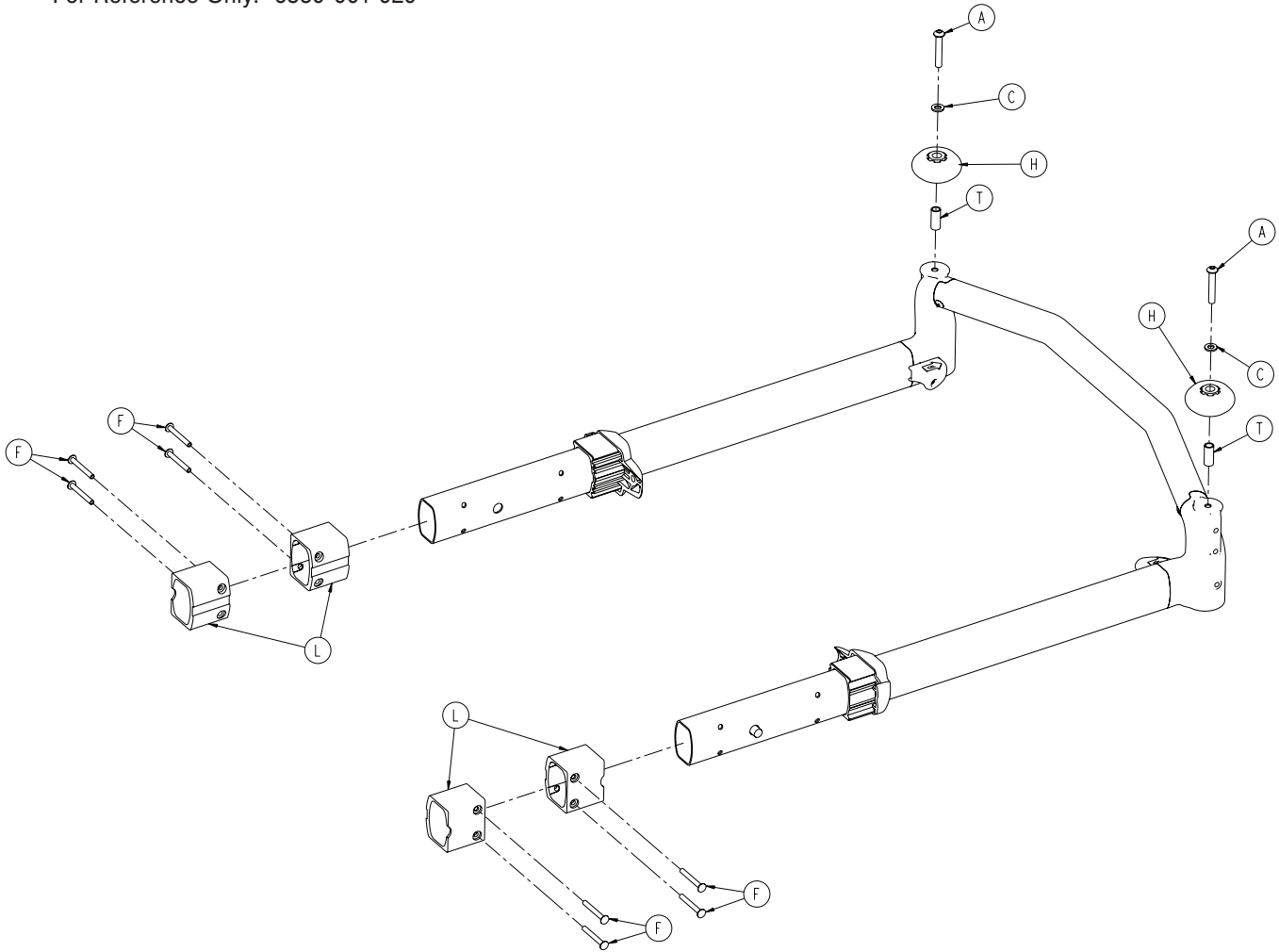
Telescoping Head Section

For Reference Only: 6550-001-020



Telescoping Head Section

For Reference Only: 6550-001-020

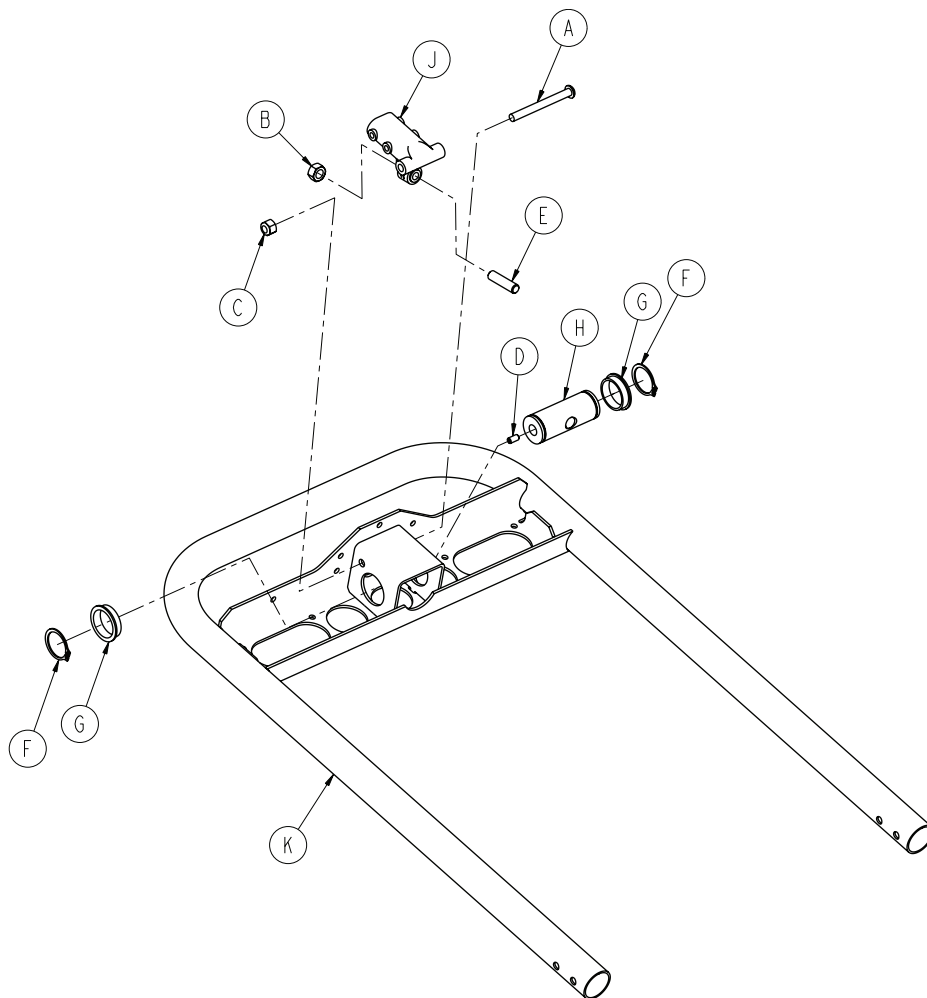


Telescoping Head Section Assembly - Components - 6550-001-020 (reference only)

Item	Part No.	Part Name	Qty.
A	0004-848-000	Button Head Cap Screw	2
B	0004-849-000	Socket Head Cap Screw	2
C	0011-065-000	Washer	2
D	0025-079-000	Rivet	2
E	0025-126-000	Rivet	2
F	0025-185-000	Rivet	8
G	0055-100-075	Riv Nut	2
H	0721-032-049	Bumper Roller	2
J	6500-001-026	Head Section Lock Assembly	2
K	6500-001-087	Cap Bearing	2
L	6500-001-088	Internal Bearing	4
M	6550-001-024	Frame, HE, Bonded	1
N	6550-001-156	Section Release Trigger, HE/FE	2
P	6550-001-161	Link Release, HE	2
R	6550-001-163	Link Guide	2
T	6550-001-169	Bumper Pivot	2

Fowler Assembly

For Reference Only: 6550-001-018



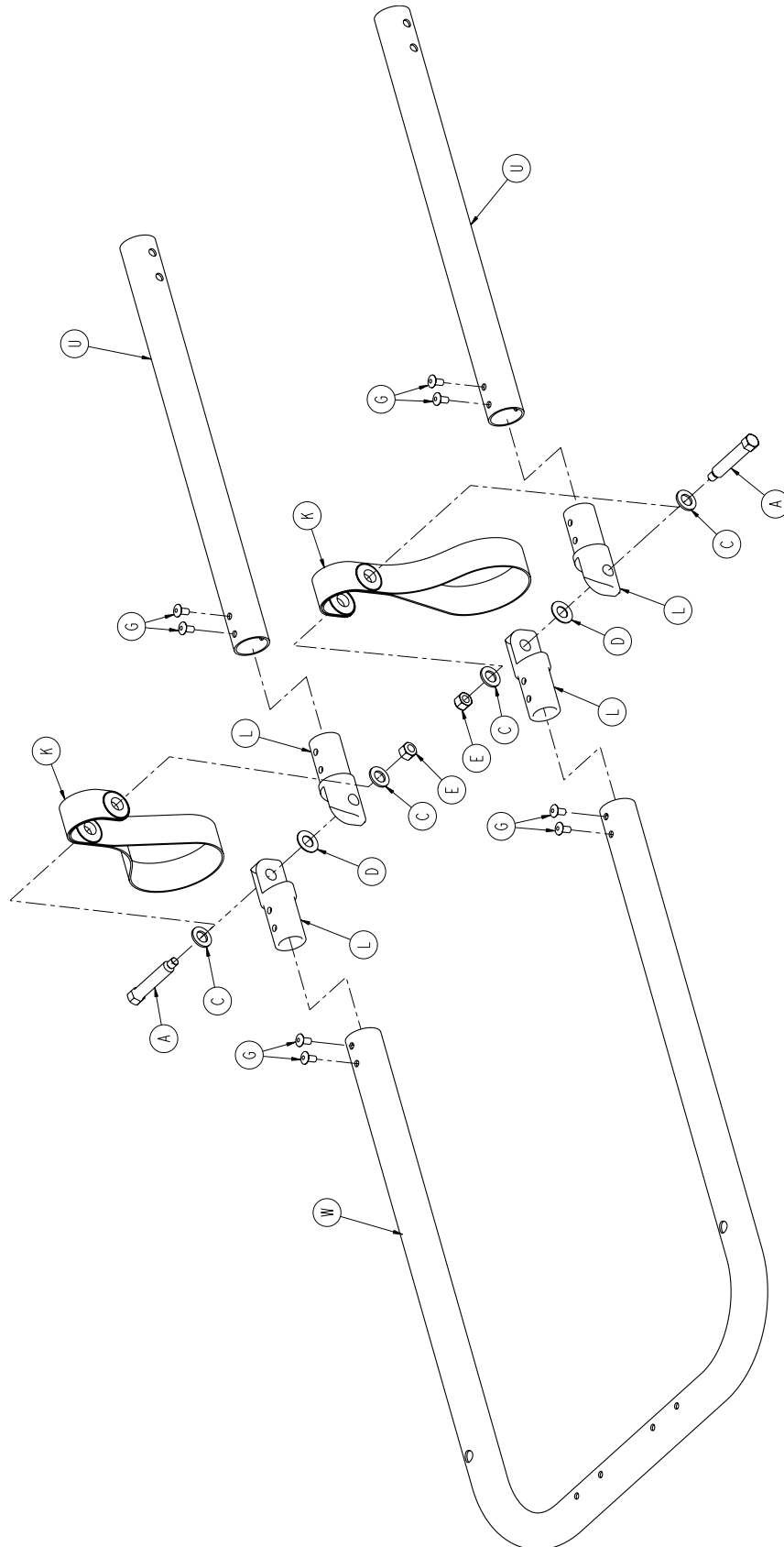
Fowler Assembly - Components - 6550-001-018 (reference only)

Item	Part No.	Part Name	Qty.
A	0004-597-000	Button Head Cap Screw	1
B	0015-050-000	Hex Nut	1
C	0016-028-000	Fiberlock Hex Nut	1
D	0021-119-000	Set Screw	1
E	0021-138-000	Set Screw	1
F	0028-076-000	External Retaining Ring	2
G	0946-035-025	Liner	2
H	6060-032-038	Gas Spring Yoke	1
J	6060-032-040	Fowler Lift Pivot - handle - semi	1
K	6550-001-051	Fowler Weldment	1

[Return To Table of Contents](#)

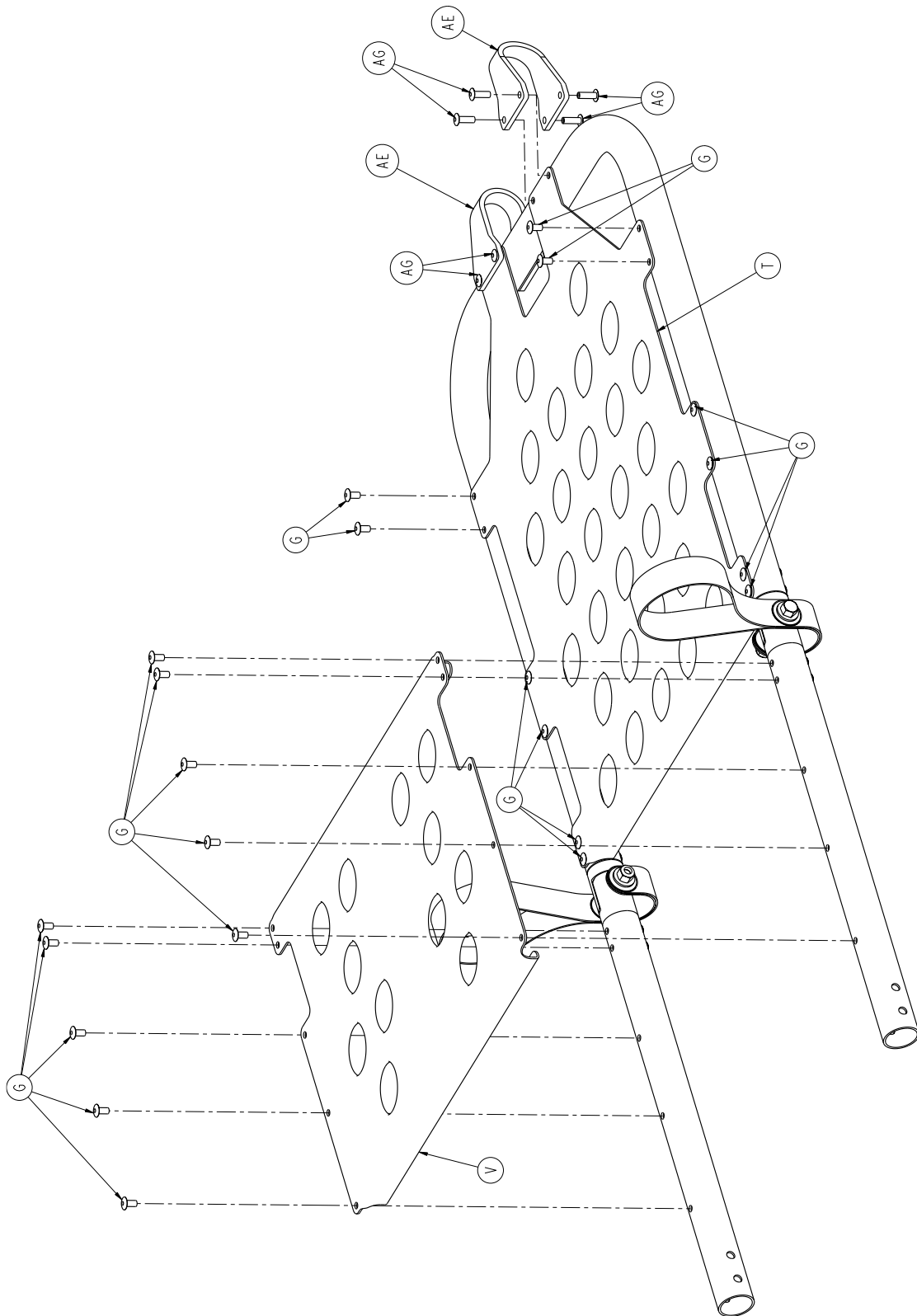
Gatch Assembly

For Reference Only: 6550-001-019



Gatch Assembly

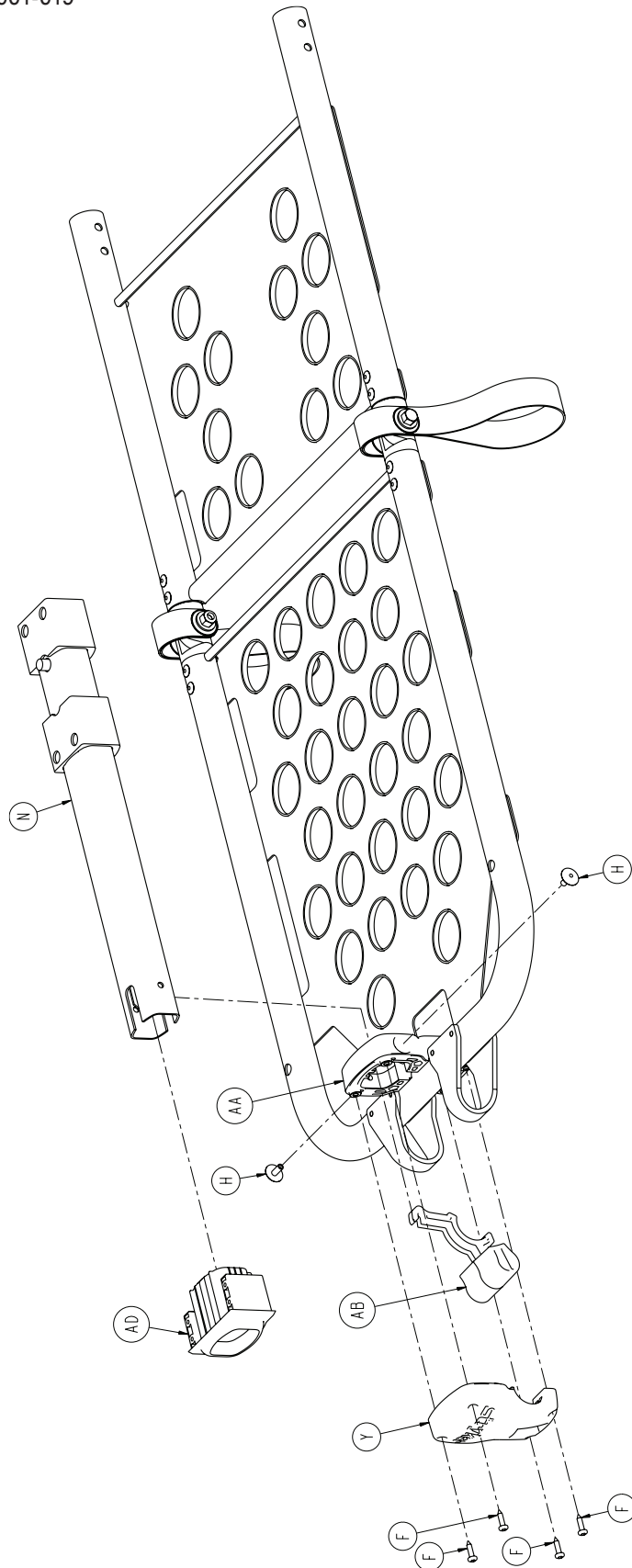
For Reference Only: 6550-001-019



[Return To Table of Contents](#)

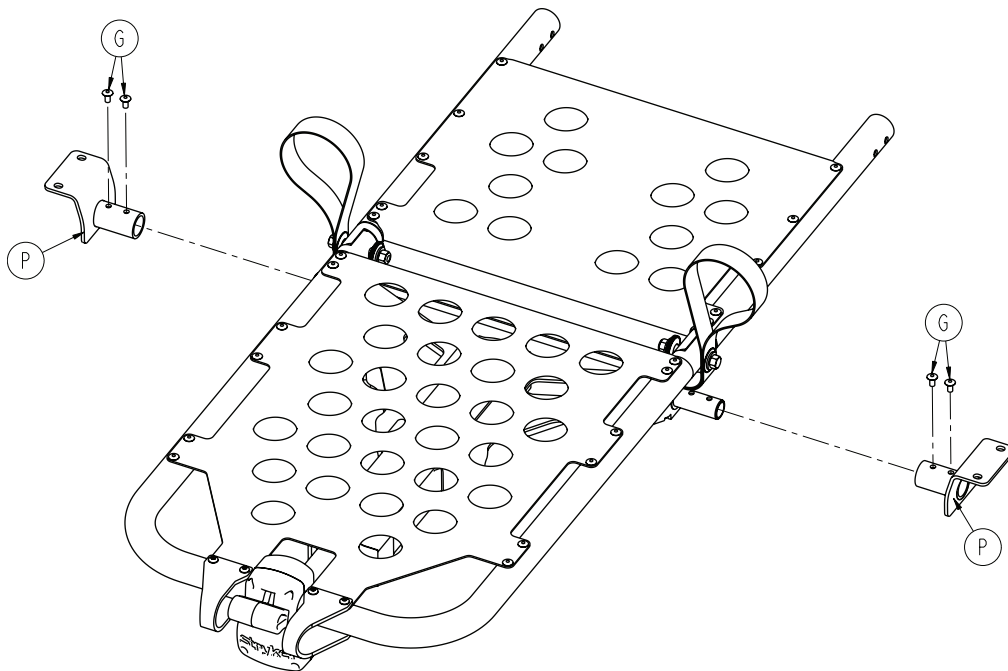
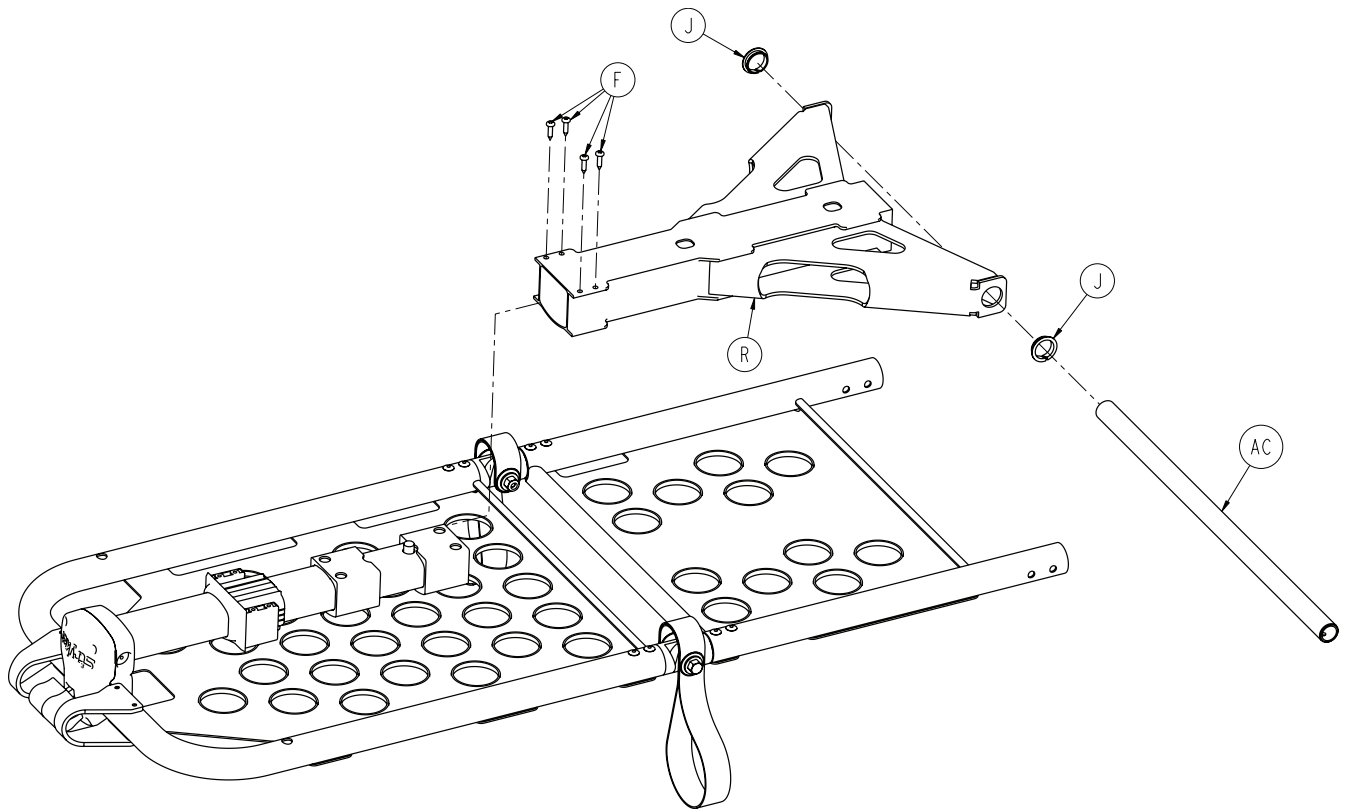
Gatch Assembly

For Reference Only: 6550-001-019



Gatch Assembly

For Reference Only: 6550-001-019



[Return To Table of Contents](#)

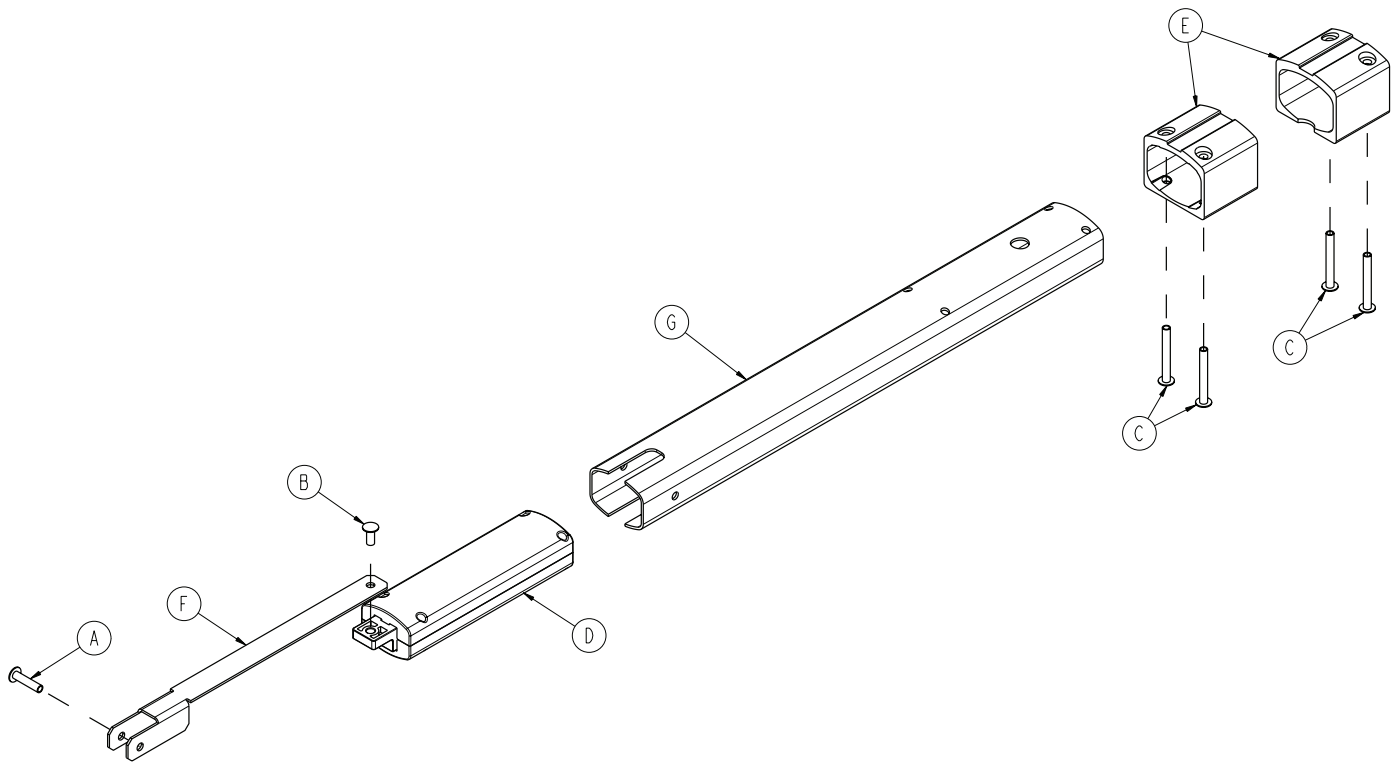
Gatch Assembly

Gatch Assembly - Components - 6550-001-019 (reference only)

Item	Part No.	Part Name	Qty.
A	6550-001-186	Gatch Pivot Pin	2
C	0011-448-000	Plain Washer	4
D	0014-020-000	Washer	2
E	0016-028-000	Fiberlock Hex Nut	2
F	0023-162-000	Screw	8
G	0025-079-000	Rivet	34
H	0025-132-000	Rivet	2
J	0081-255-000	Split Bearing	2
K	6100-031-096	Trend Lift Strap	2
L	6100-031-108	Pivot, Knee, Litter	4
N	6550-001-017	Gatch Telescoping Assembly	1
P	6550-001-053	Gatch Pivot Weldment	2
R	6550-001-057	Gatch Lock Tube Weldment	1
T	6550-001-110	Foot Section Skin	1
U	6550-001-111	Thigh Section Tube	2
V	6550-001-112	Thigh Section Skin	1
W	6550-001-116	U-Tube, Telescoping Foot Section	1
Y	6550-001-124	Front Gatch Release	1
AA	6550-001-125	Back Gatch Release	1
AB	6550-001-126	Lever Front Gatch Release	1
AC	6550-001-129	Cross Tube, Pivot, Gatch	1
AD	6550-001-131	End Cap, Bearing, Gatch	1
AE	6550-001-193	Guard, Gatch Handle	1
AG	0025-133-000	Rivet	8

Telescoping Gatch Assembly

For Reference Only: 6550-001-017

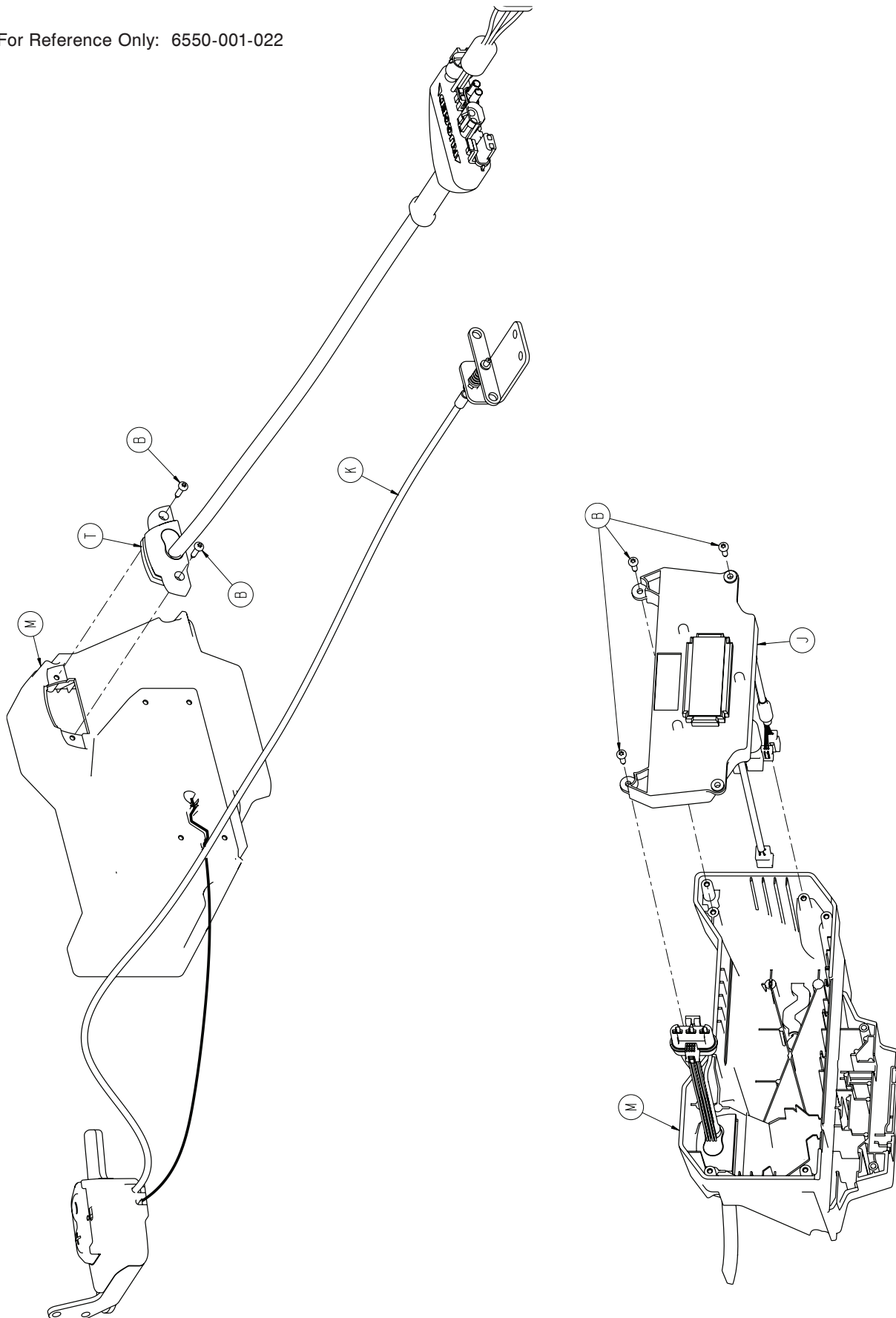


Telescoping Gatch Assembly - Components - 6550-001-017 (reference only)

Item	Part No.	Part Name	Qty.
A	0025-125-000	Semi-Tubular Rivet	1
B	0025-126-000	Semi-Tubular Rivet	1
C	0025-185-000	Semi-Tubular Rivet	4
D	6500-001-026	Head Section Lock Assembly	1
E	6500-001-088	Internal Bearing	2
F	6550-001-115	Gatch Link	1
G	6550-001-119	Gatch Inner Tube	1

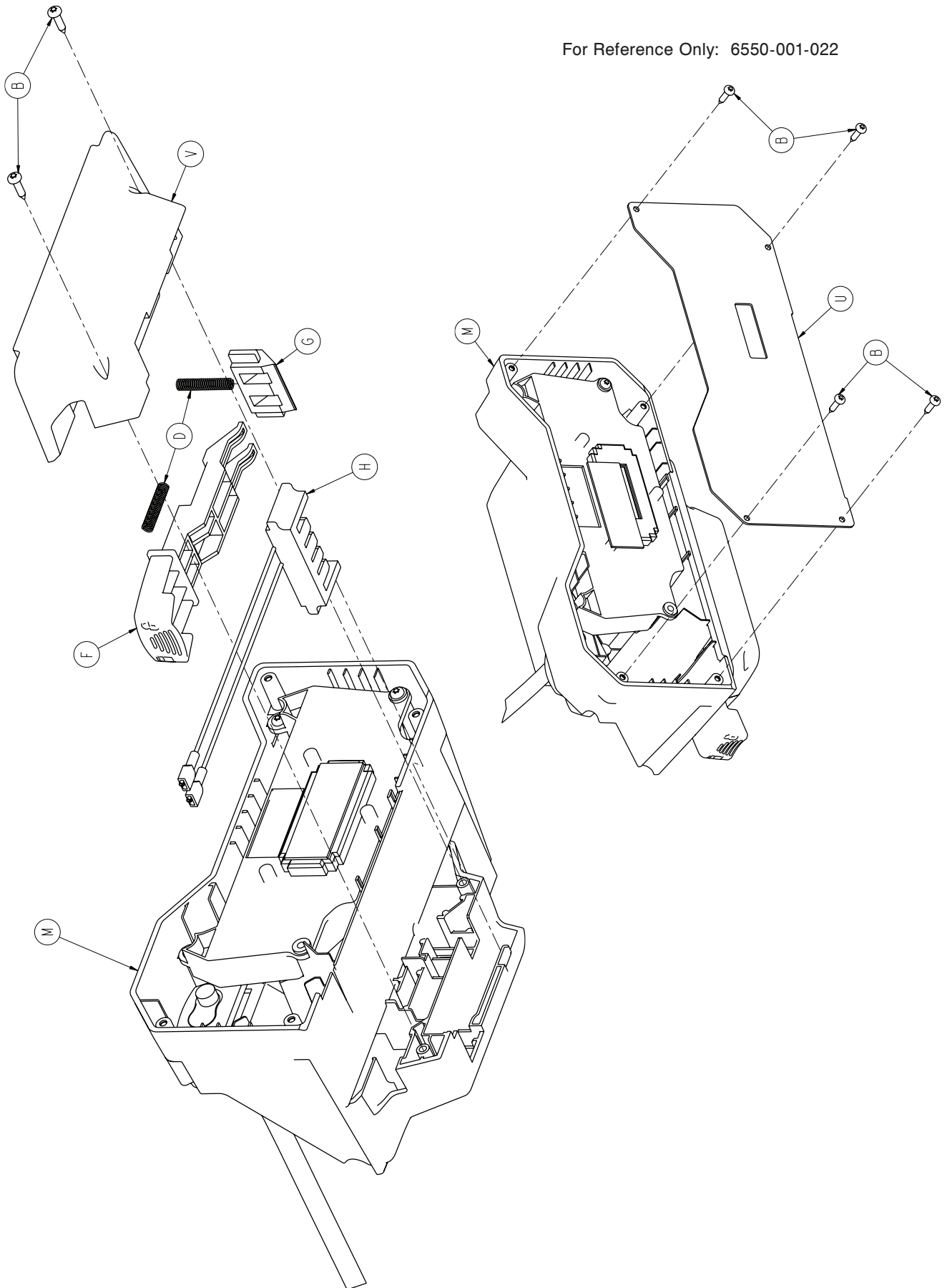
Hitch Assembly, Foot End

For Reference Only: 6550-001-022



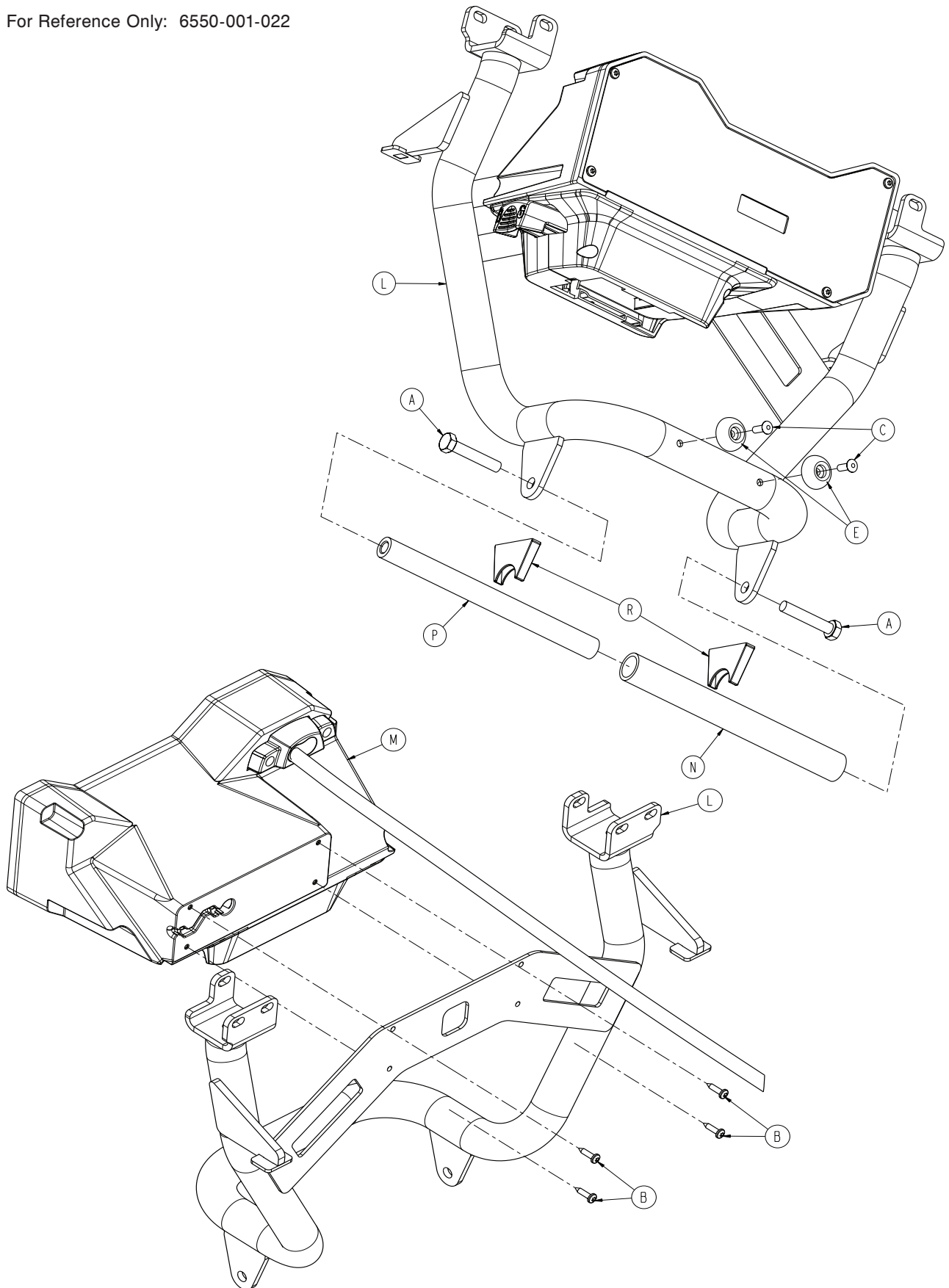
Hitch Assembly, Foot End

For Reference Only: 6550-001-022



Hitch Assembly, Foot End

For Reference Only: 6550-001-022



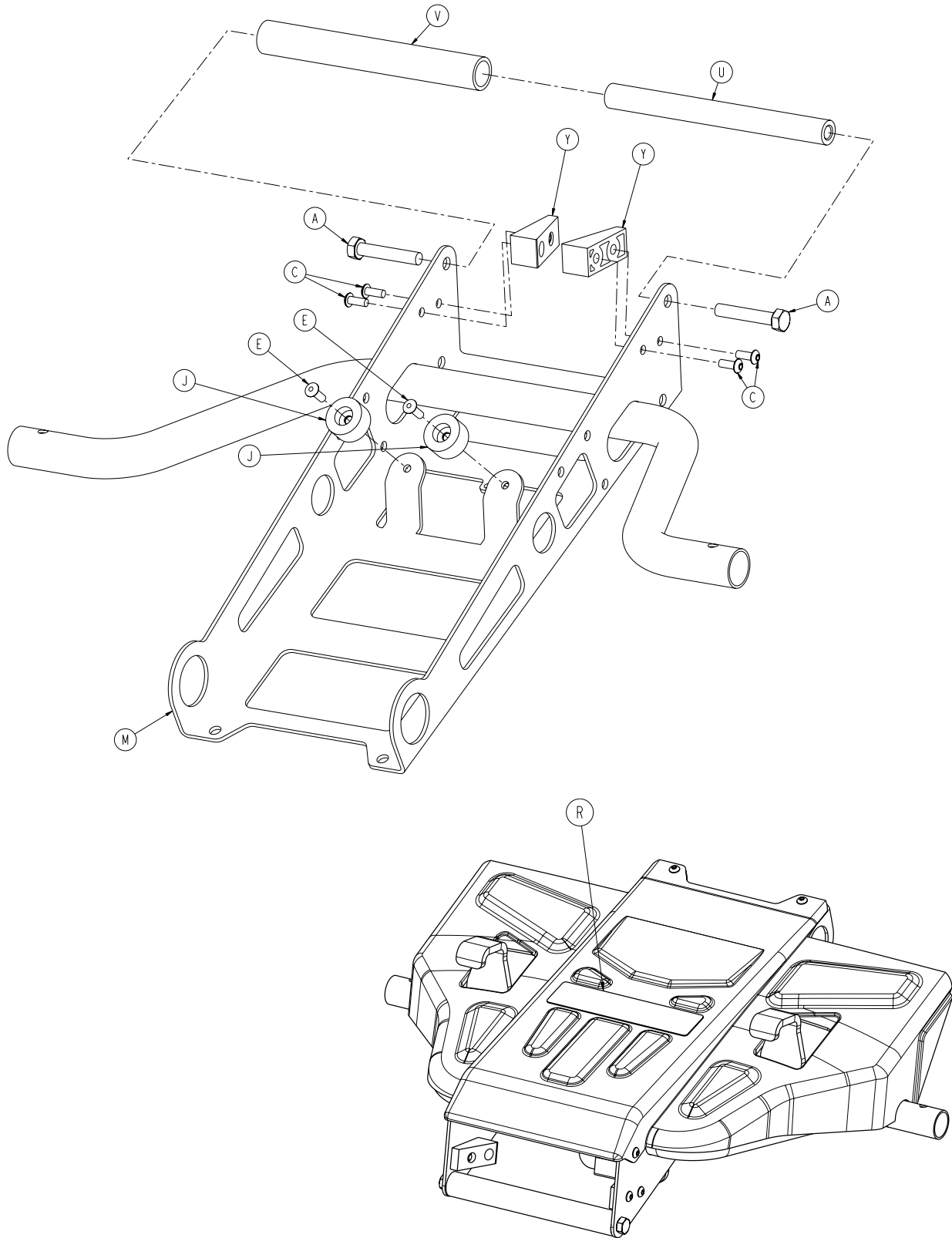
Hitch Assembly, Foot End

Hitch Assembly, Foot End - Components - 6550-001-022 (reference only)

Item	Part No.	Part Name	Qty.
A	0003-391-000	Hex Head Cap Screw	2
B	0023-162-000	Screw	15
C	0025-133-000	Rivet	2
D	0038-572-000	Compression Spring	2
E	0946-001-155	Bumper	2
F	6500-001-138	Battery Release Button	1
G	6500-001-139	Battery Release Lock	1
H	6500-001-216	Terminal Block, Reterminated	1
J	6550-001-014	Electronics Assembly	1
K	6550-001-029	Switch Assembly	1
L	6550-001-060	Tube Weldment, FE Hitch	1
M	6550-001-092	Board Enclosure	1
N	6550-001-141	Sleeve, Bar, FE Hitch	1
P	6550-001-146	Bar, FE Hitch	1
R	6550-001-167	Wear Guard, FE Hitch	2
T	6550-001-172	Cable Assembly	1
U	6550-001-173	Cover, FE Housing	1
V	6550-001-178	Bottom Plate, Foot End Enclosure	1

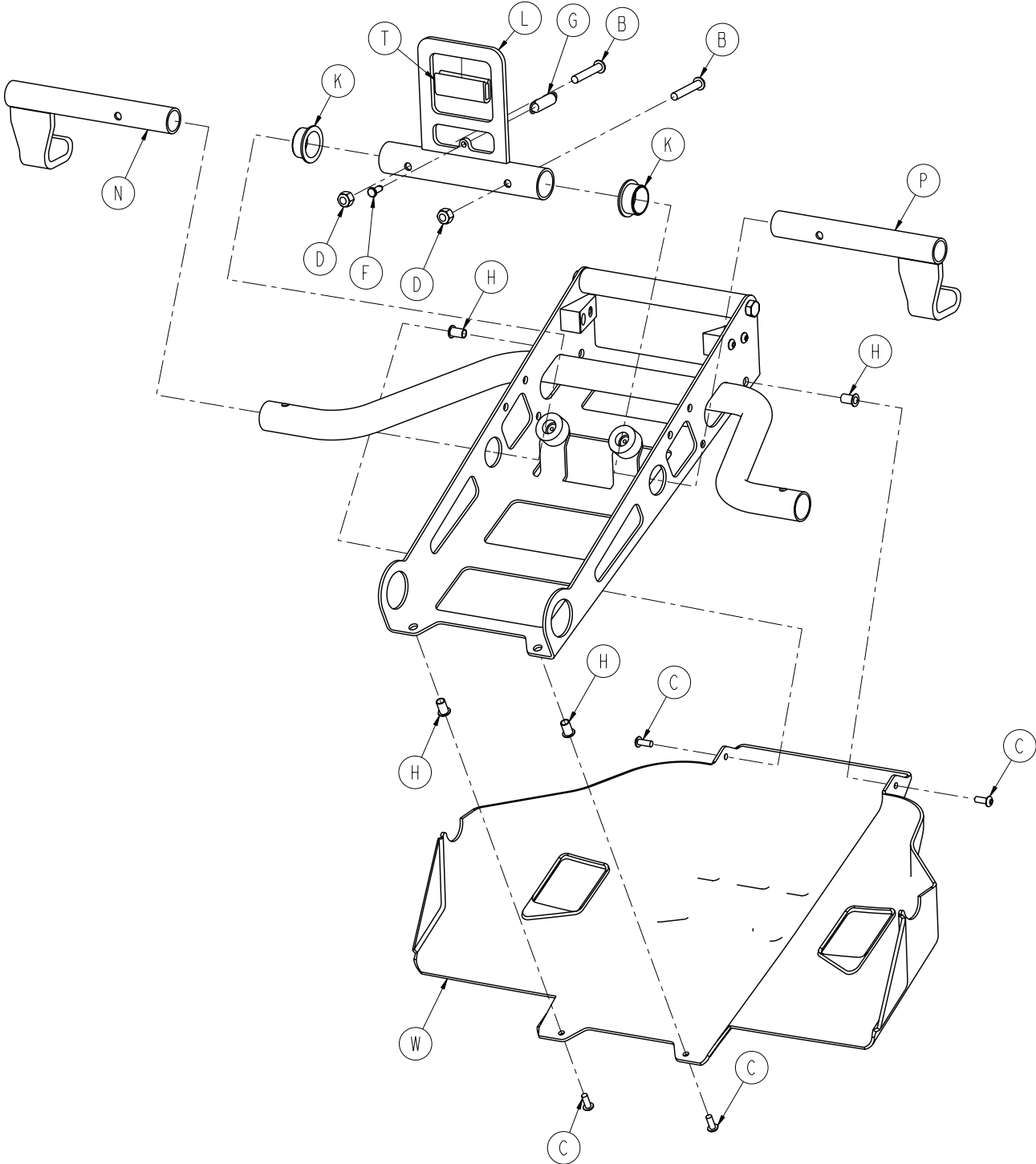
Hitch Assembly, Head End

For Reference Only: 6550-001-021



Hitch Assembly, Head End

For Reference Only: 6550-001-021



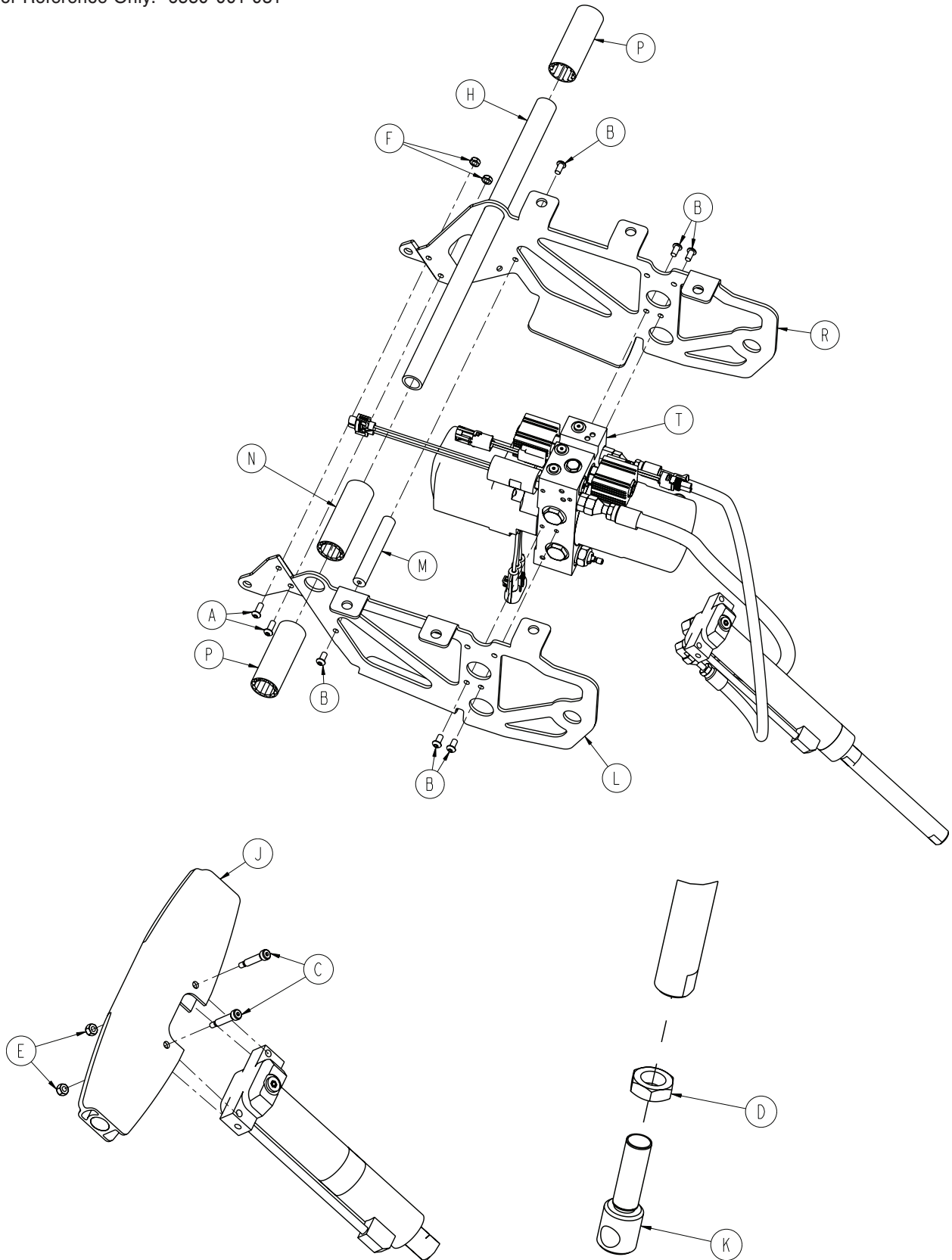
Hitch Assembly, Head End

Hitch Assembly, Head End - Components - 6550-001-021 (reference only)

Item	Part No.	Part Name	Qty.
A	0003-391-000	Hex Head Cap Screw	2
B	0004-376-000	Button Head Cap Screw	2
C	0004-634-000	Button Head Cap Screw	8
D	0016-028-000	Fiberlock Hex Nut	2
E	0025-133-000	Rivet	2
F	0026-385-000	Clevis Pin	1
G	0038-588-000	Extension Spring	1
H	0055-100-075	Riv Nut	4
J	0056-016-000	Bumper	2
K	0081-012-002	Flange Bearing	2
L	6550-001-054	Crash Connect Center Weldment	1
M	6550-001-055	Case Weldment, HE Hitch	1
N	6550-001-059	Crash Connect Center Wldmnt, PL	1
P	6550-001-063	Crash Connect Center Wldmnt, PR	1
R	6550-001-083	Label, Pinch Point, HE Hitch	1
T	6550-001-087	Wear Strip, HE Hitch	1
U	6550-001-134	Bar, HE Hitch	1
V	6550-001-140	Sleeve, Bar, HE Hitch	1
W	6550-001-174	Cover, HE Hitch	2
Y	6550-001-175	Guide, HE Hitch	2

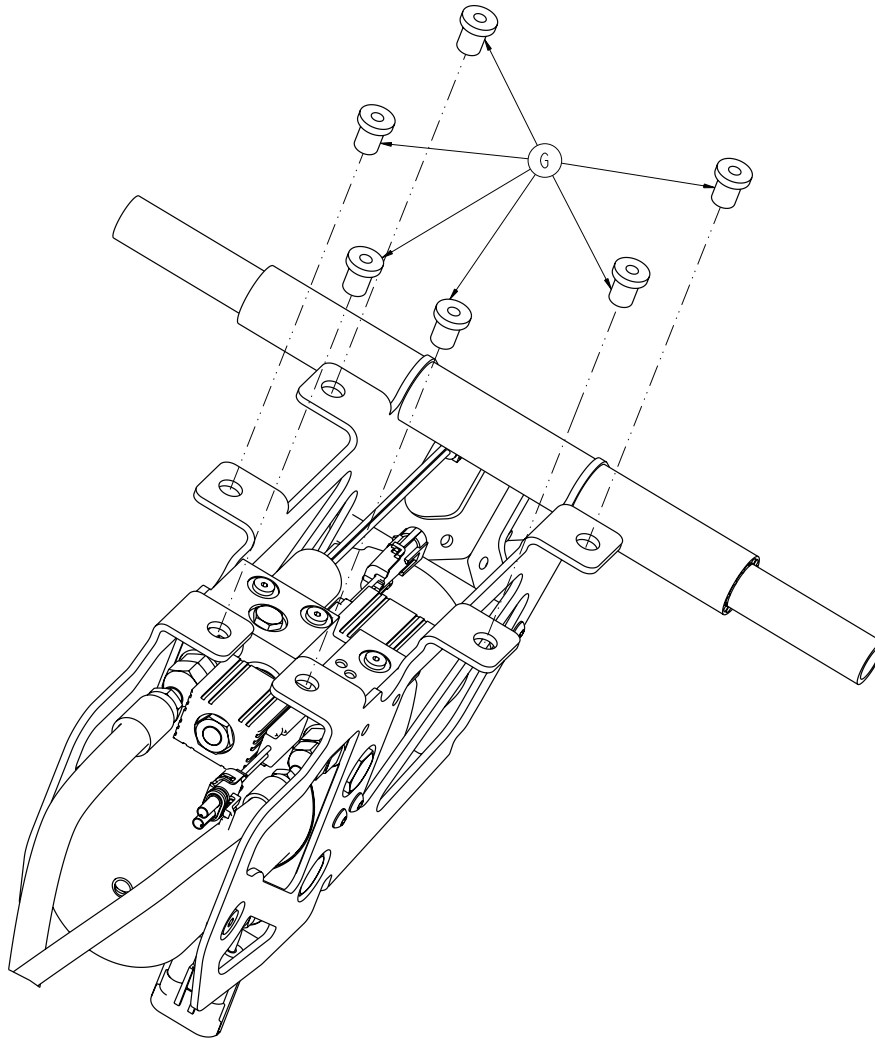
Mounted Hydraulics Assembly

For Reference Only: 6550-001-031



[Return To Table of Contents](#)

Mounted Hydraulics Assembly

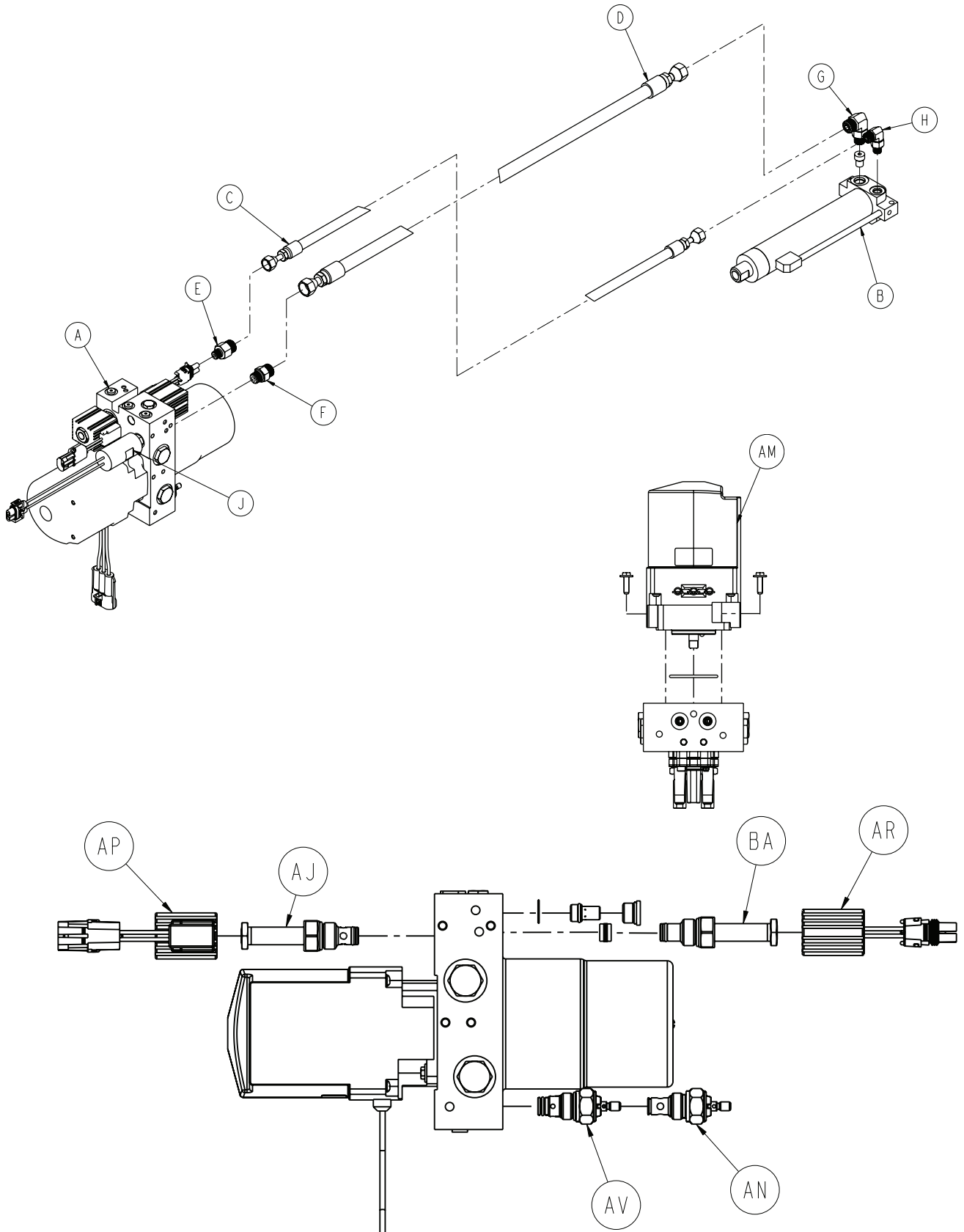


Mounted Hydraulics Assembly - Components - 6550-001-031 (reference only)

Item	Part No.	Part Name	Qty.
A	0004-577-000	Button Head Cap Screw	2
B	0004-589-000	Button Head Cap Screw	6
C	0008-030-000	Socket Head Shoulder Bolt	2
D	0015-052-000	Hex Jam Nut	1
E	0016-002-000	Fiberlock Hex Nut	2
F	0016-102-000	Nylock Hex Nut	2
G	0055-100-074	Well Nut	6
H	6500-001-105	Cross Tube, Litter Support	1
J	6500-001-164	Pivot, Cylinder Mount, Top	1
K	6500-001-169	Rod End, Cylinder	1
L	6500-001-194	Motor Mount	1
M	6500-001-212	Cross Bar, Motor Mount	1
N	6500-001-249	Plastic Extrusion, Spacer	1
P	6500-001-250	Plastic Extrusion, Spacer	2
R	6500-001-294	Motor Mount	1
T	6550-001-030	Hydraulics Assembly	1

Hydraulics Sub-Assembly

For Reference Only: 6550-001-030



[Return To Table of Contents](#)

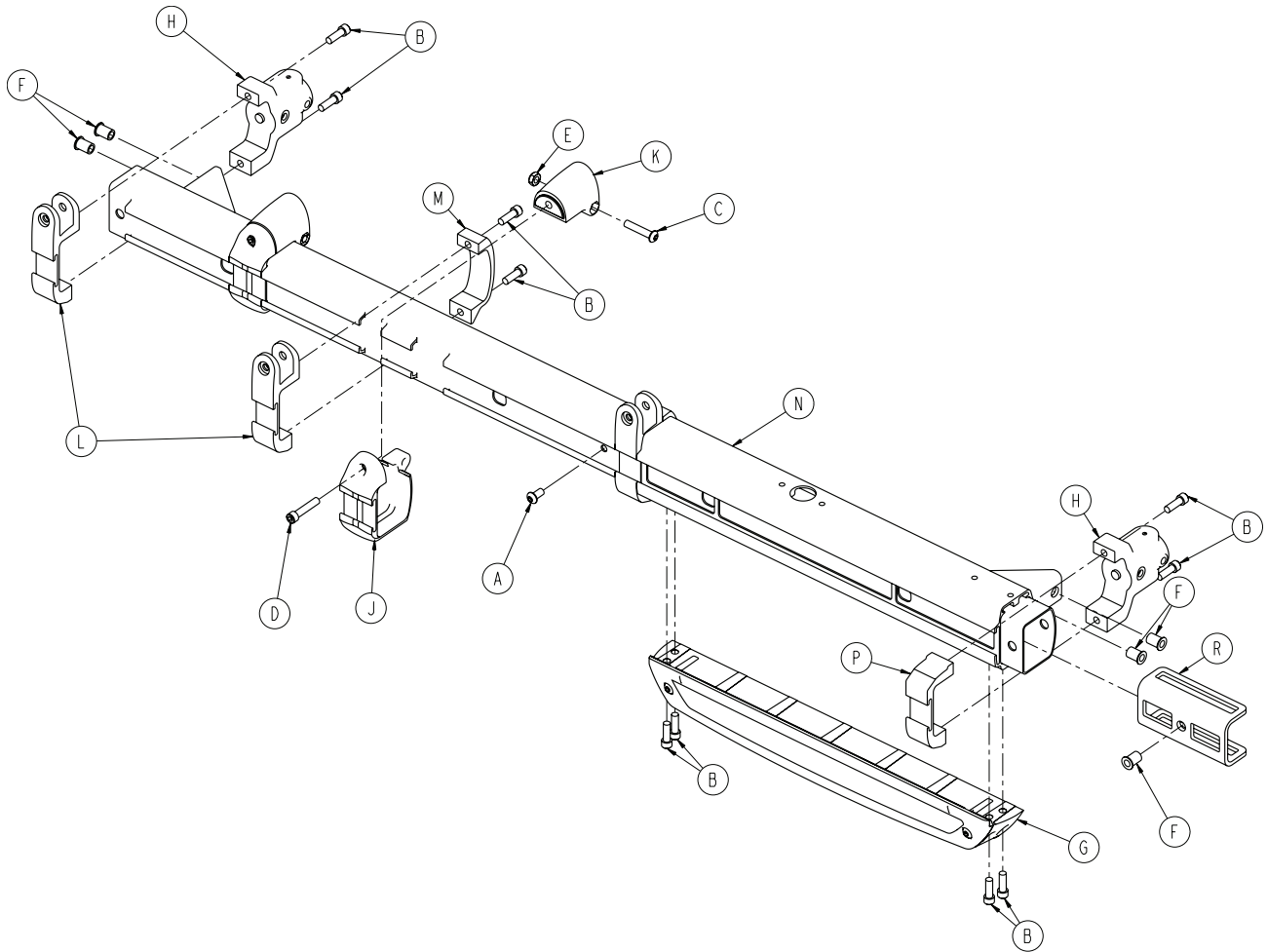
Hydraulics Sub-Assembly

Hydraulics Sub-Assembly - Components - 6550-001-030 (reference only)

Item	Part No.	Part Name	Qty.
A	6500-001-214	Manifold Assembly	1
B	6550-001-213	Cylinder	1
C	6500-001-211	Hydraulic Hose, Rod Side,	1
D	6500-001-210	Hydraulic Hose, Cap Side	1
E	6500-001-282	Hose Fitting, Rod Side, Manifold	1
F	6500-001-283	Hose Fitting, Cap Side, Manifold	1
G	6500-001-296	Hose Fitting, Cap Side, Cylinder	1
H	6500-001-297	Hose Fitting, Rod Side, Cylinder	1
J	6500-001-290	Pressure Switch	1
AJ	6500-001-286	A Valve	1
AM	6500-001-295	Motor	1
AN	6500-001-289	Manual Valve, Non-Locking	1
AP	6500-001-284	Solenoid, A Valve	1
AR	6500-001-285	Solenoid, B Valve	1
AV	6500-001-288	Manual Valve, Locking	1
BA	6500-001-287	B Valve	1

Outer Rail, Patient Right

For Reference Only: 6550-001-032



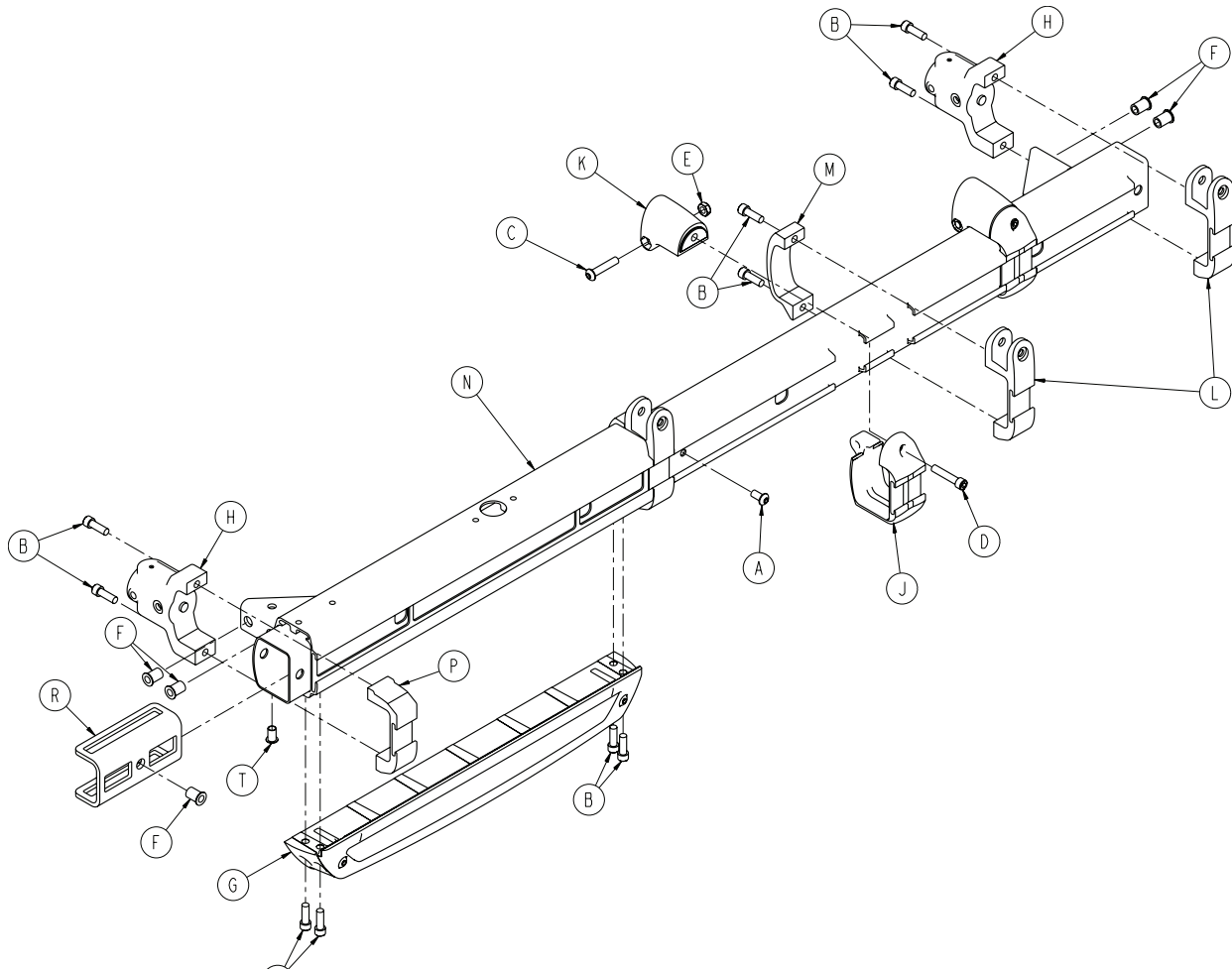
Outer Rail Assembly, Patient Right - Components - 6550-001-032 (reference only)

Item	Part No.	Part Name	Qty.
A	0004-589-000	Button Head Cap Screw	1
B	0004-591-000	Socket Head Cap Screw	12
C	0004-6120-000	Button Head Cap Screw	2
D	0004-613-000	Socket Head Cap Screw	2
E	0016-102-000	Nylock Hex Nut	2
F	0055-100-076	Riv Nut	5
G	6550-001-029	Sensor Housing, Empty	1
H	6550-001-102	Bracket, Base/Litter Interface	2
J	6550-001-104	Support Bracket, Litter, Outside	2
K	6550-001-106	Support Bracket, Litter, Inside	2
L	6550-001-116	Siderail Bracket	3
M	6550-001-117	Siderail Clamp	2
N	6550-001-064	Outer Rail, PR	1
P	6550-001-096	Clamp, Outer Rail	1
R	6550-001-166	Dead Stop	1

[Return To Table of Contents](#)

Outer Rail, Patient Left

For Reference Only: 6550-001-033

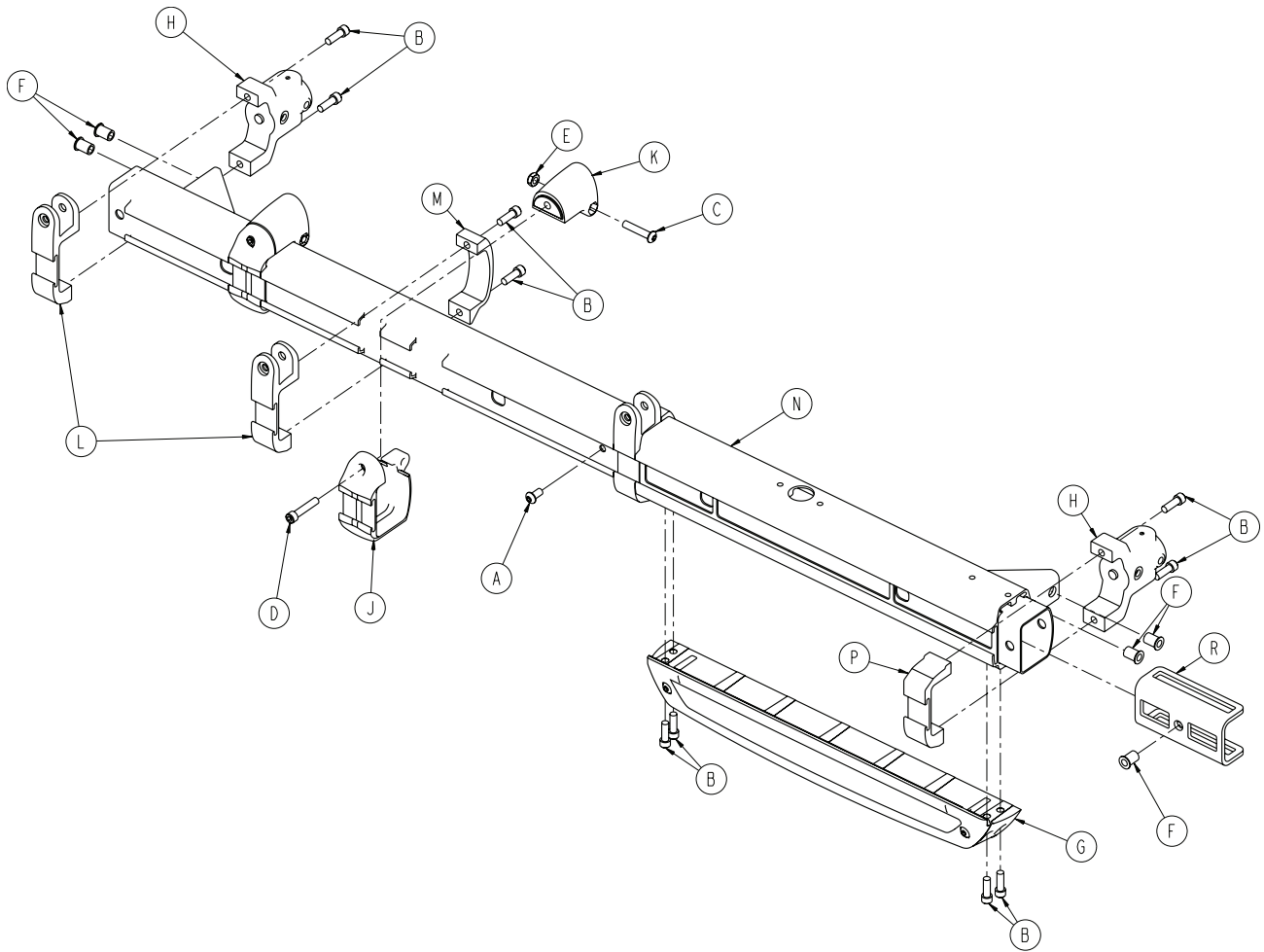


Outer Rail Assembly, Patient Left - Components - 6550-001-032 (reference only)

Item	Part No.	Part Name	Qty.
A	0004-589-000	Button Head Cap Screw	1
B	0004-591-000	Socket Head Cap Screw	12
C	0004-6120-000	Button Head Cap Screw	2
D	0004-613-000	Socket Head Cap Screw	2
E	0016-102-000	Nylock Hex Nut	2
F	0055-100-076	Riv Nut	5
G	6500-001-029	Sensor Housing, Empty	1
H	6500-001-102	Bracket, Base/Litter Interface	2
J	6500-001-104	Support Bracket, Litter, Outside	2
K	6500-001-106	Support Bracket, Litter, Inside	2
L	6500-001-116	Siderail Bracket	3
M	6500-001-117	Siderail Clamp	2
N	6550-001-065	Outer Rail, PL	1
P	6550-001-096	Clamp, Outer Rail	1
R	6550-001-166	Dead Stop	1
T	0055-100-075	Riv Nut	1

Inner Lift Tube Assembly

For Reference Only: 6550-001-023

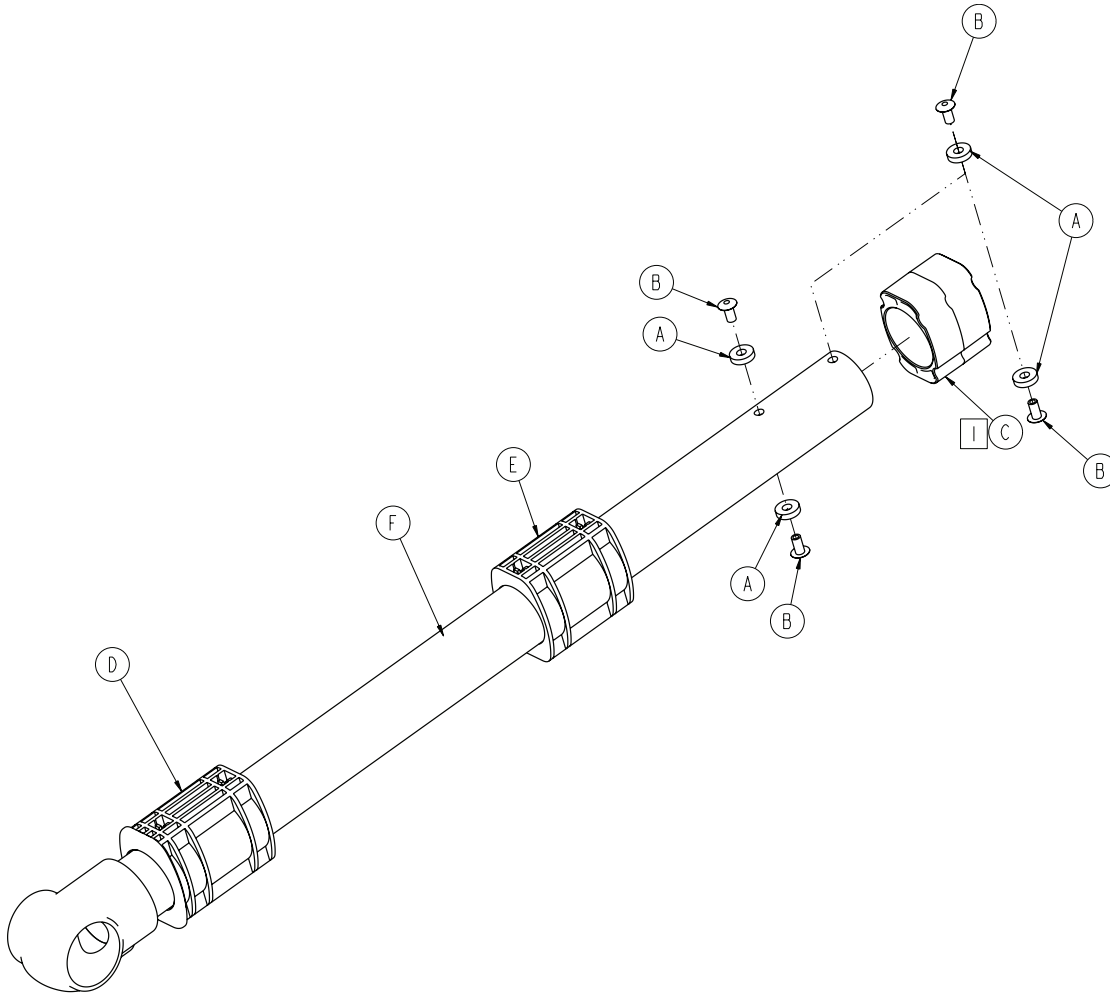


Inner Lift Tube Assembly - Components - 6550-001-023 (reference only)

Item	Part No.	Part Name	Qty.
A	0014-115-000	Washer	4
B	0025-079-000	Rivet	4
C	6500-001-186	Upper Frame Tube Bearing	1
D	6500-001-187	Lower Frame Tube Bearing	1
E	6550-001-066	Inner Lift Tube Wldmnt, Base Pivot	1

Outer Lift Tube Assembly

For Reference Only: 6550-001-028

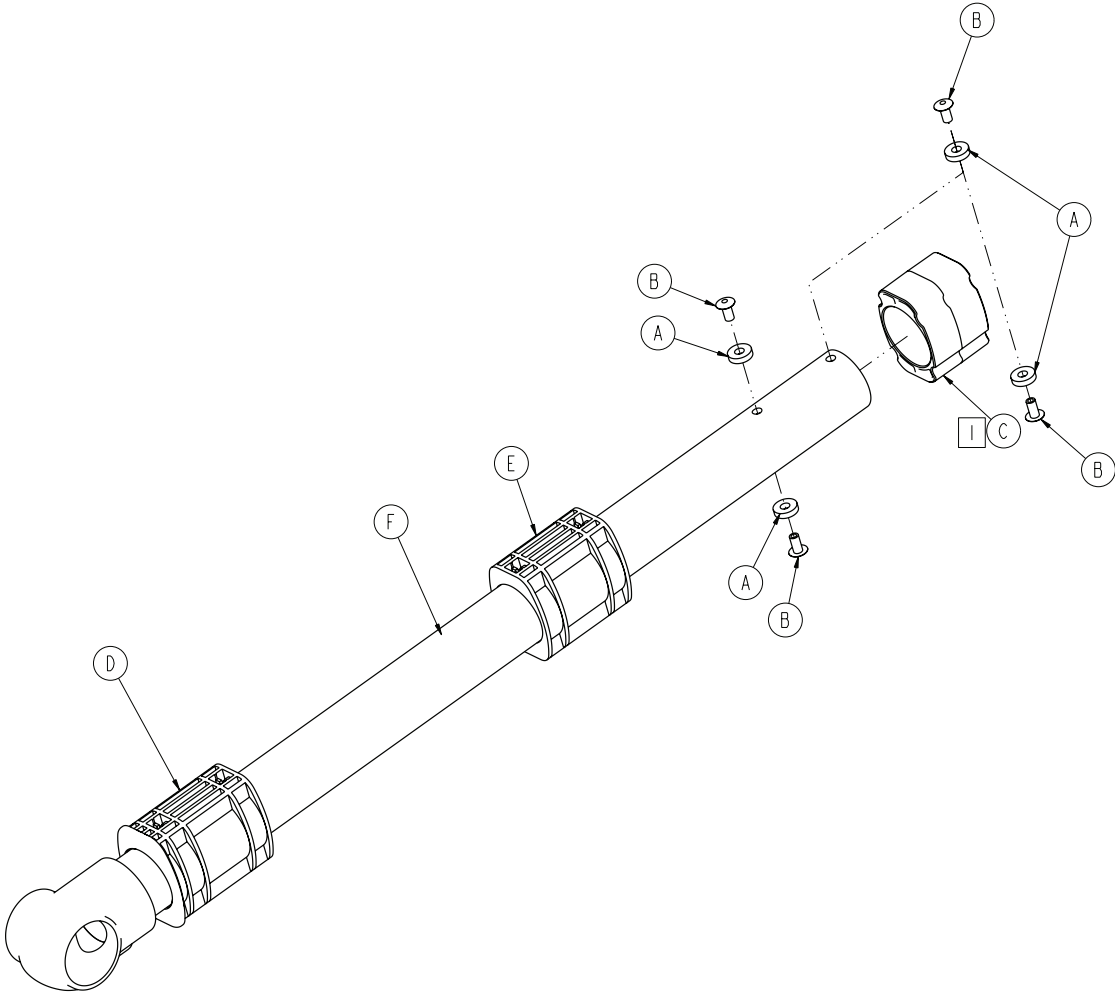


Outer Lift Tube Assembly - Components - 6550-001-028 (reference only)

Item	Part No.	Part Name	Qty.
A	0014-115-000	Washer	4
B	0025-079-000	Rivet	4
C	6500-001-186	Upper Frame Tube Bearing	1
D	6500-001-187	Lower Frame Tube Bearing	1
E	6500-001-311	Slide Bearing	1
F	6550-001-056	Outer Lift Tube Wldmnt, Base Pivot	1

Inner Lift Tube Assembly, Litter Pivot, Patient Right

For Reference Only: 6550-001-034

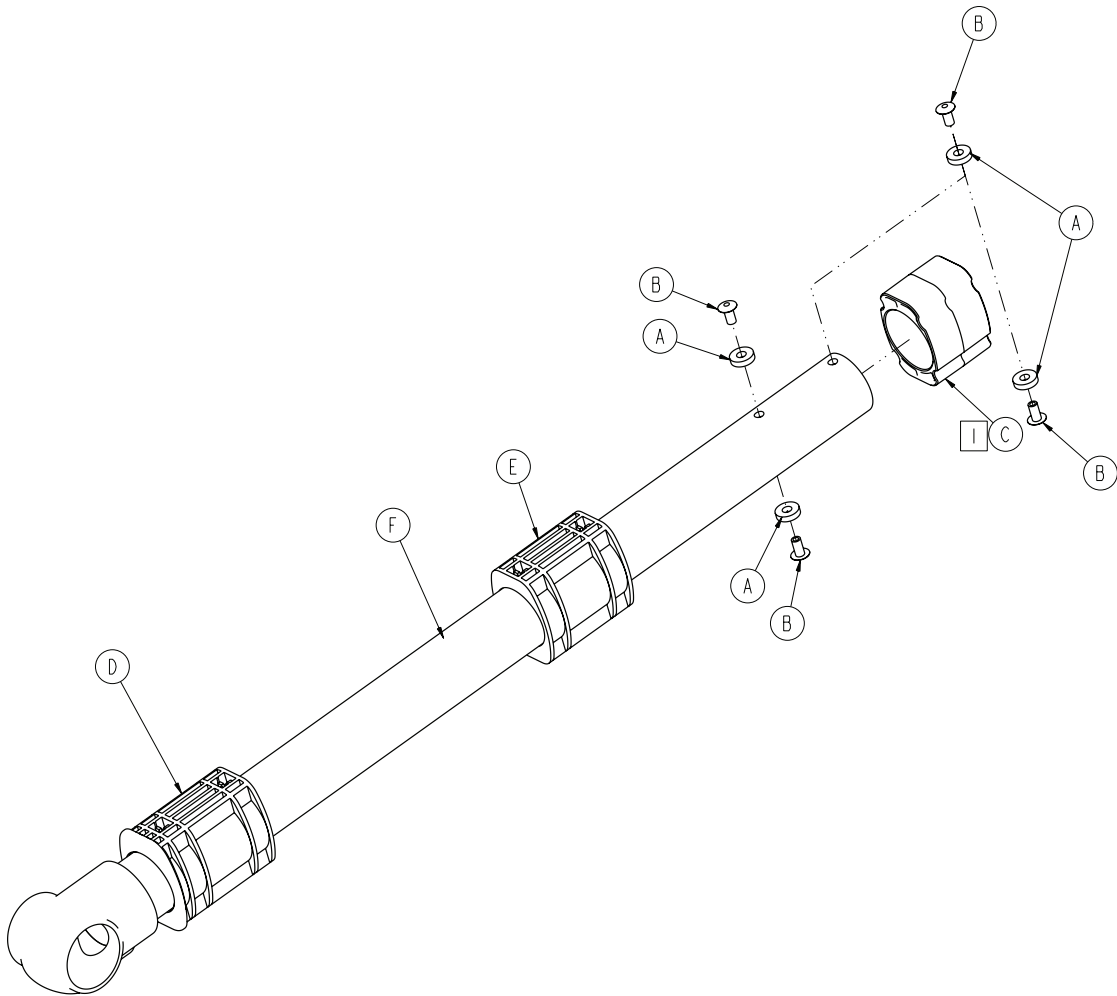


Inner Lift Tube Assembly, Litter Pivot, PR - Components - 6550-001-034 (reference only)

Item	Part No.	Part Name	Qty.
A	0004-634-000	Button Head Cap Screw	4
B	0055-100-075	Riv Nut	4
C	6500-001-125	Dead Stop, Base	1
D	6550-001-058	Inner Lift Tube Wldmnt, Litter Pivot	1

Inner Lift Tube Assembly, Litter Pivot, Patient Left

For Reference Only: 6550-001-035

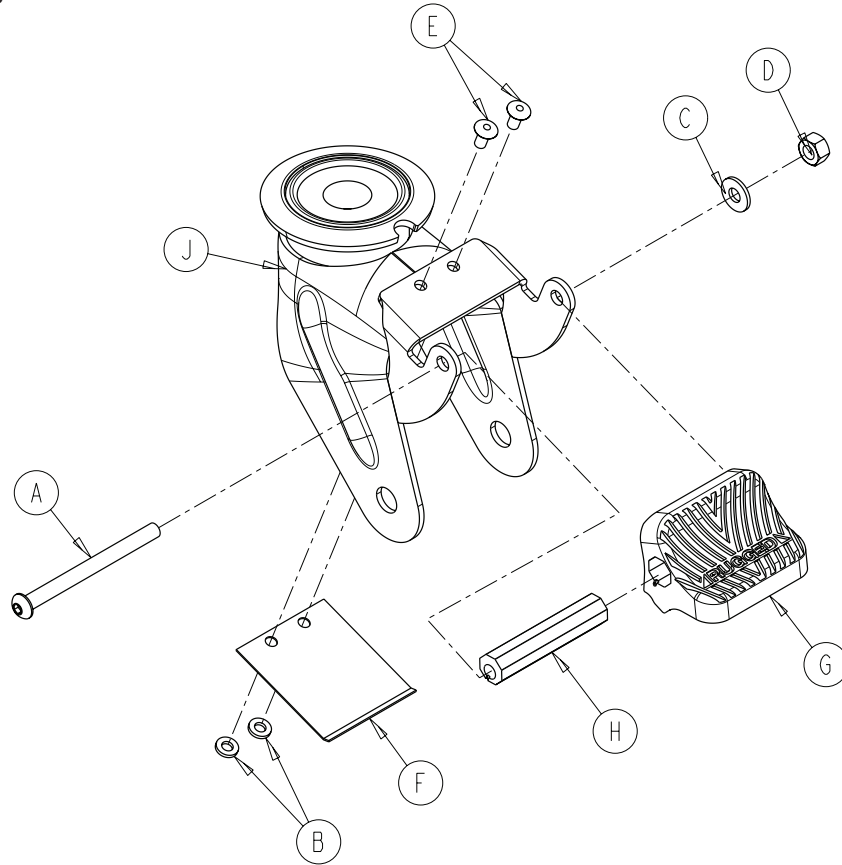


Inner Lift Tube Assembly, Litter Pivot, PL - Components - 6550-001-035 (reference only)

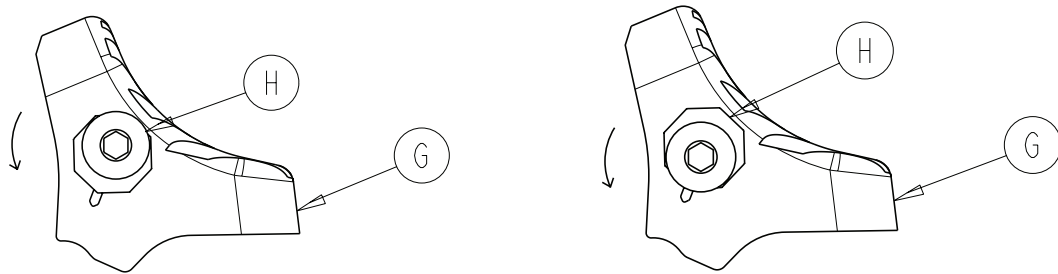
Item	Part No.	Part Name	Qty.
A	0004-634-000	Button Head Cap Screw	4
B	0055-100-075	Riv Nut	4
C	6500-001-125	Dead Stop, Base	1
D	6550-001-058	Inner Lift Tube Wldmnt, Litter Pivot	1

Caster, Steer Lock, Wheel Lock Assembly

For Reference Only: 6550-001-016



Note: Item H can be rotated incrementally in the counter clockwise direction to increase locking force.

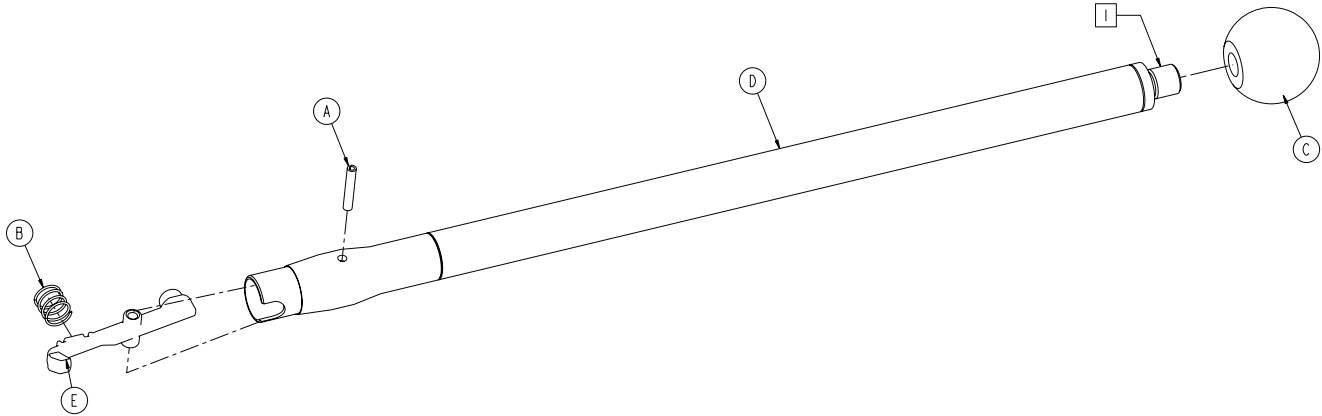


Caster, Steer Lock, Wheel Lock Assembly - Components - 6550-001-016 (reference only)

Item	Part No.	Part Name	Qty.
A	0004-098-000	Button Head Cap Screw	1
B	0011-454-000	Washer	2
C	0011-456-000	Washer	1
D	0016-118-000	Hex Lock Nut	1
E	0025-079-000	Rivet	2
F	6080-100-032	Test Model	1
G	6080-200-030	Adjustable Caster Lock Pedal	1
H	6080-200-041	Octagonal Sleeve - Adj. Caster Lock	1
J	6550-001-050	Caster Horn, FE	1

Corner Handle Assembly

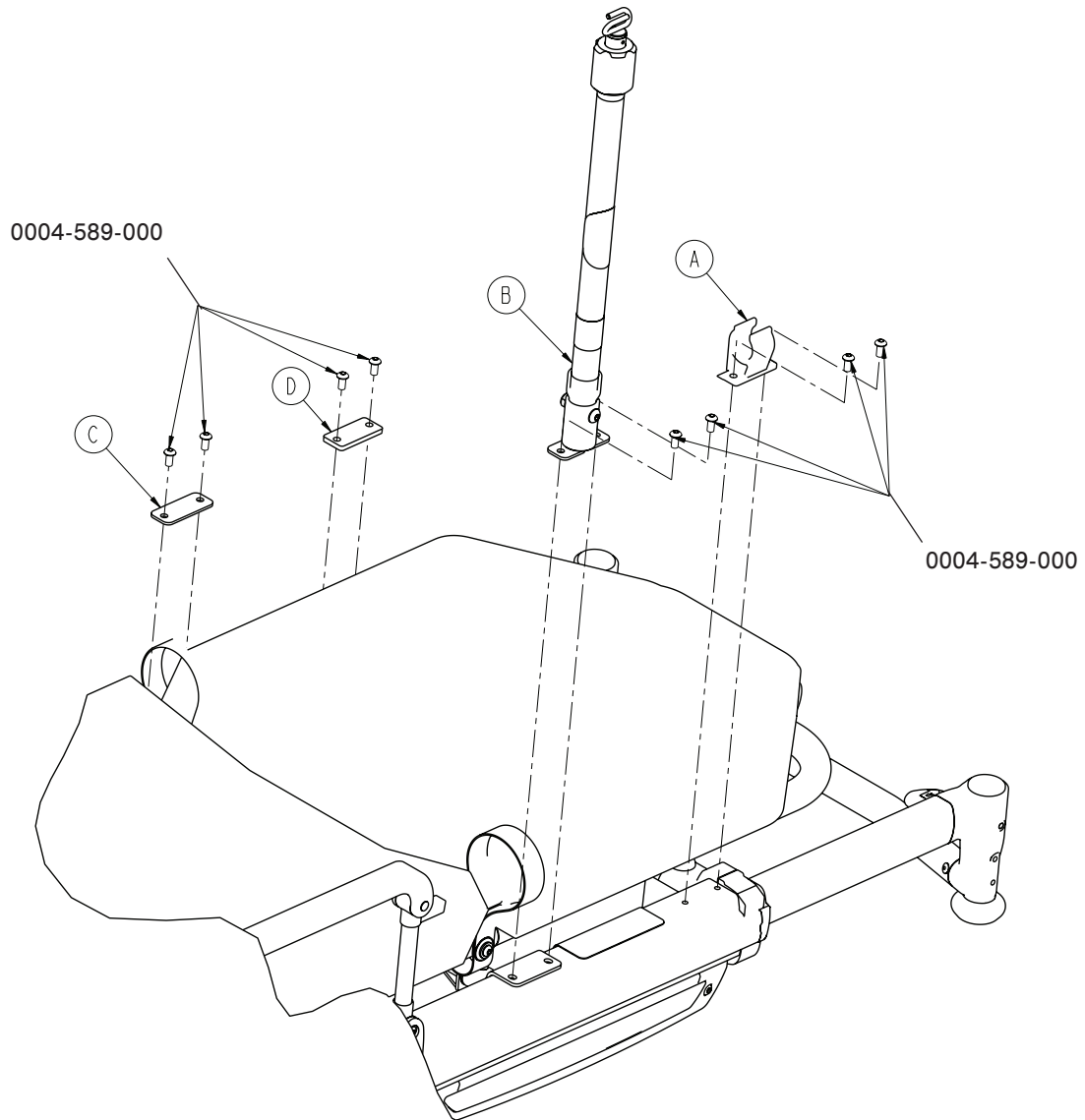
For Reference Only: 6550-001-026



Corner Handle Assembly - Components - 6550-001-026 (reference only)

Item	Part No.	Part Name	Qty.
A	0026-387-000	Slotted Spring Pin	1
B	0038-589-000	Compression Spring	1
C	6510-001-119	Handle Ball	1
D	6550-001-067	Handle Weldment	1
E	6550-001-100	Push Bar Lock Button	1

2-Stage I.V. Assembly, Patient Right - 6550-210-000

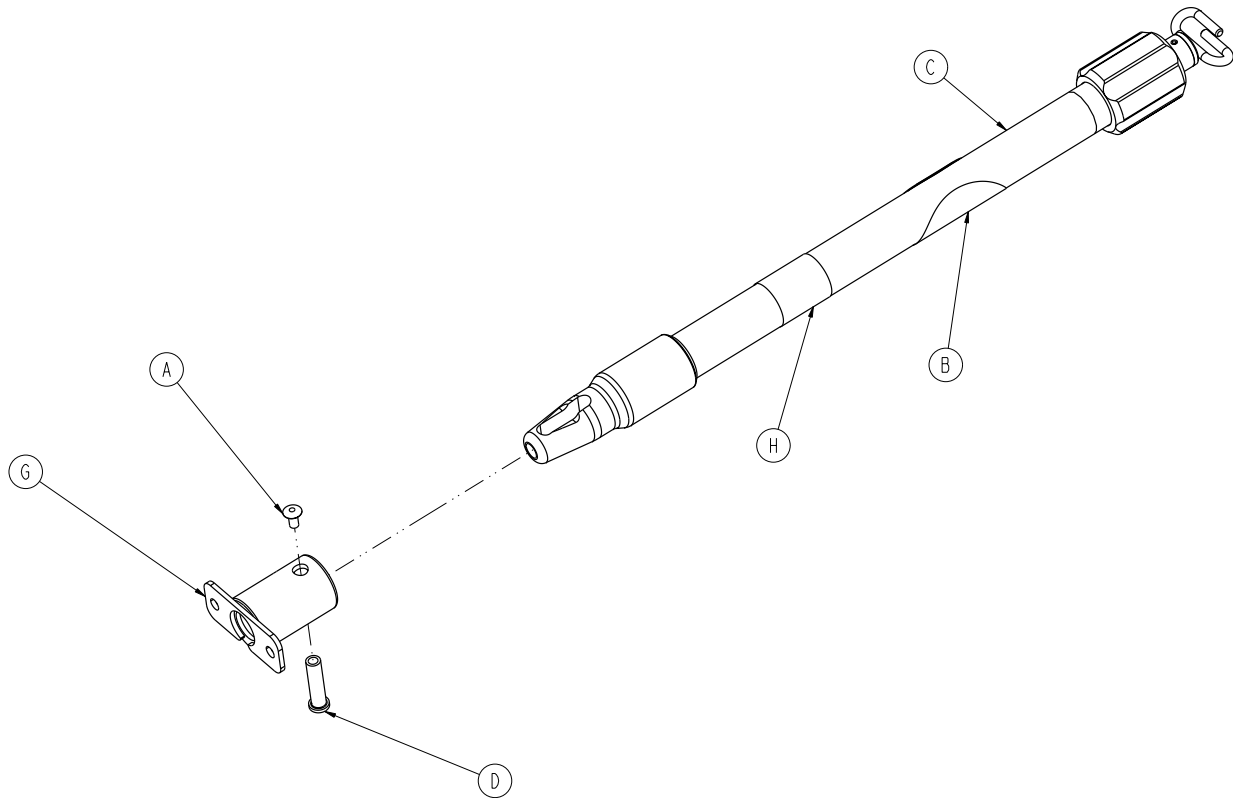


NOTE: 0004-589-000 shown in Cot Assembly

2-Stage I.V. Pole Assembly, PR - Components - 6550-210-000

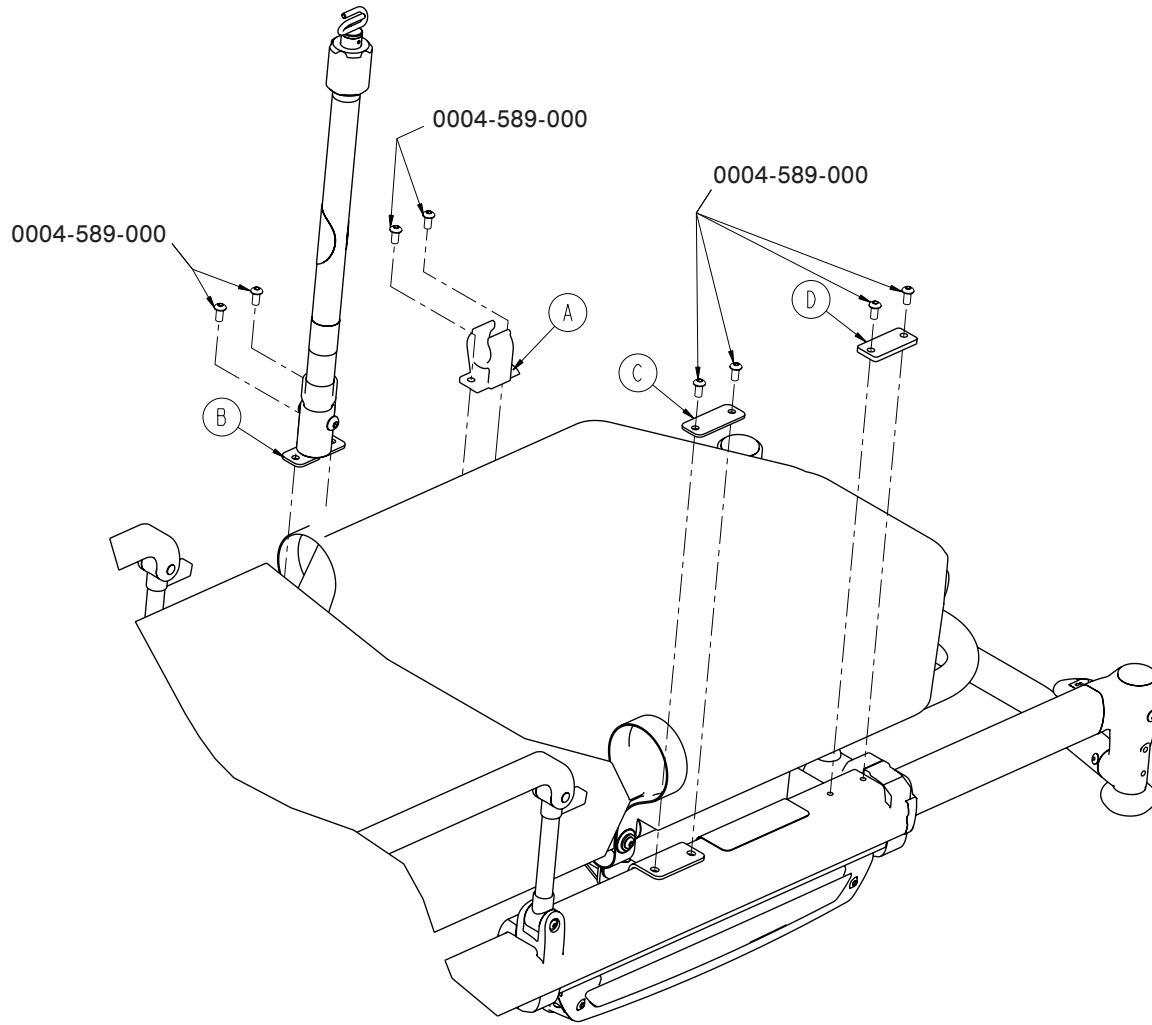
Item	Part No.	Part Name	Qty.
A	6100-115-060	I.V. Pole Clip	1
B	6500-001-041	I.V. Pole Assembly, 2 Stage, PR (pg. 110)	1
C	6550-001-117	I.V. Pole Spacer Plate	1
D	6550-001-118	I.V. Clip Spacer Plate	1

2-Stage I.V. Pole Assembly, Patient Right - 6500-001-041



Item	Part No.	Part Name	Qty.
A	0025-079-000	Dome Head Rivet	1
B	6070-090-105	Caution Label	1
C	6070-210-070	Pole Assembly	1
D	6070-110-037	IV Pivot Pin	1
G	6100-115-051	Socket Weldment	1
H	6500-001-253	Label	1

2-Stage I.V. Assembly, Patient Left - 6550-211-000

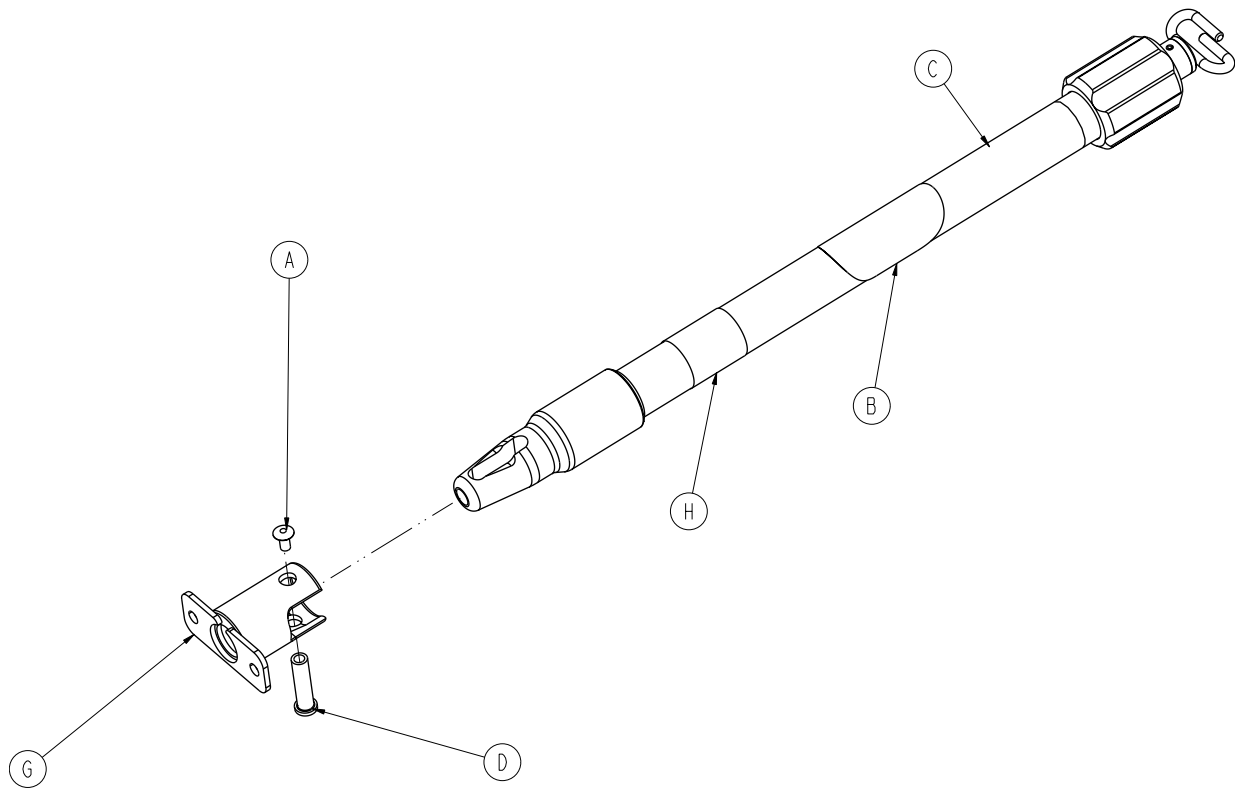


NOTE: 0004-589-000 shown in Cot Assembly

2-Stage I.V. Pole Assembly, PL - Components - 6550-211-000

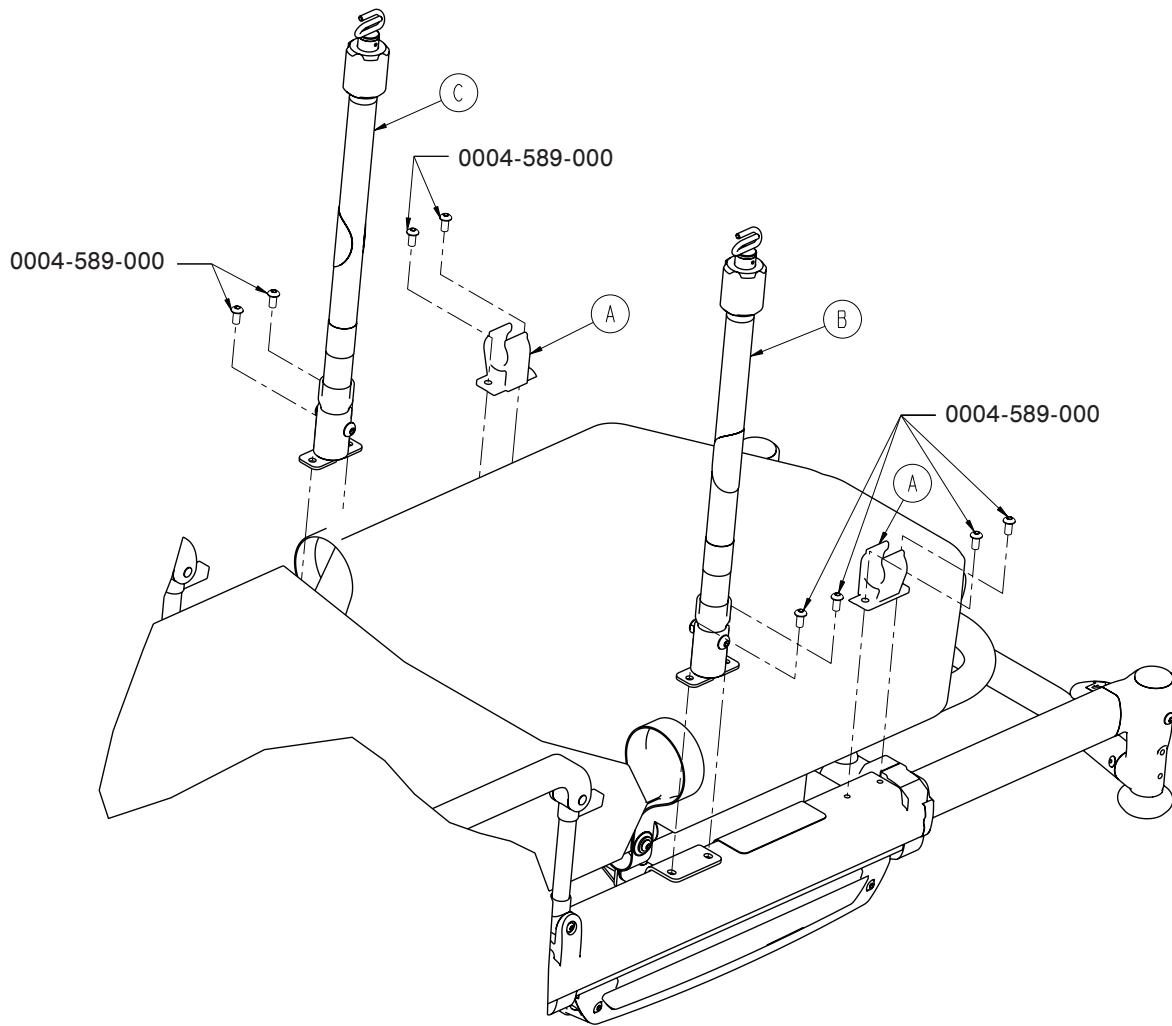
Item	Part No.	Part Name	Qty.
A	6100-115-060	I.V. Pole Clip	1
B	6500-001-042	I.V. Pole Assembly, 2 Stage, PR (pg. 112)	1
C	6550-001-117	I.V. Pole Spacer Plate	1
D	6550-001-118	I.V. Clip Spacer Plate	1

2-Stage I.V. Pole Assembly, Patient Left - 6500-001-042



Item	Part No.	Part Name	Qty
A	0025-079-000	Dome Head Rivet	1
B	6070-090-105	Caution Label	1
C	6070-210-070	Pole Assembly	1
D	6070-110-037	IV Pivot Pin	1
G	6100-115-051	Socket Weldment	1
H	6500-001-254	Label	1

2-Stage I.V. Assembly, Dual - 6550-212-000



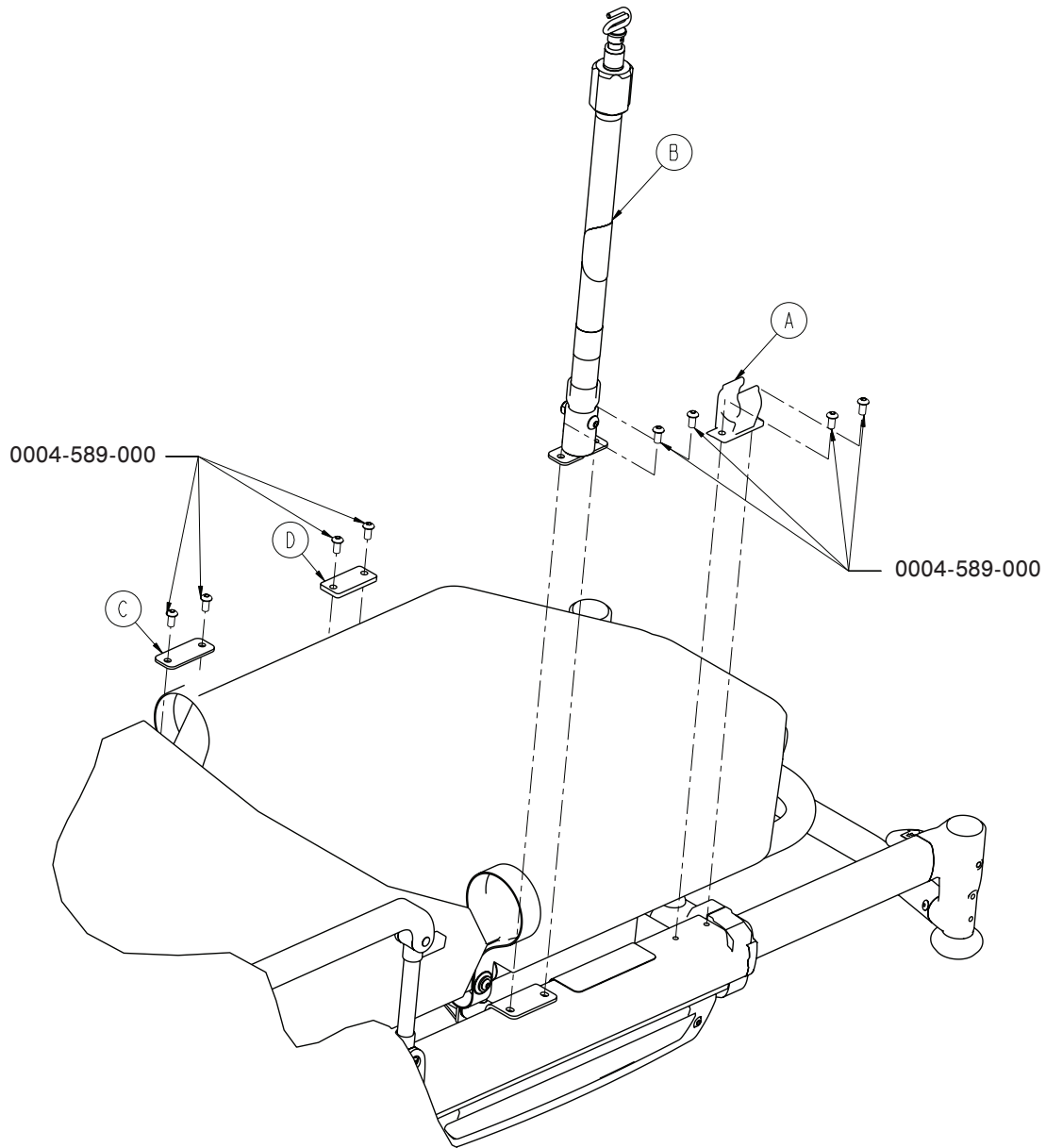
NOTE: 0004-589-000 shown in Cot Assembly

2-Stage I.V. Pole Assembly, Dual - Components - 6550-212-000

Item	Part No.	Part Name	Qty.
A	6100-115-060	I.V. Pole Clip	1
B	6500-001-041	I.V. Pole Assembly, 2 Stage, PR (pg. 110)	1
C	6500-001-042	I.V. Pole Assembly, 2 Stage, PL (pg. 112)	1

[Return To Table of Contents](#)

3-Stage I.V. Assembly, Patient Right - 6550-215-000

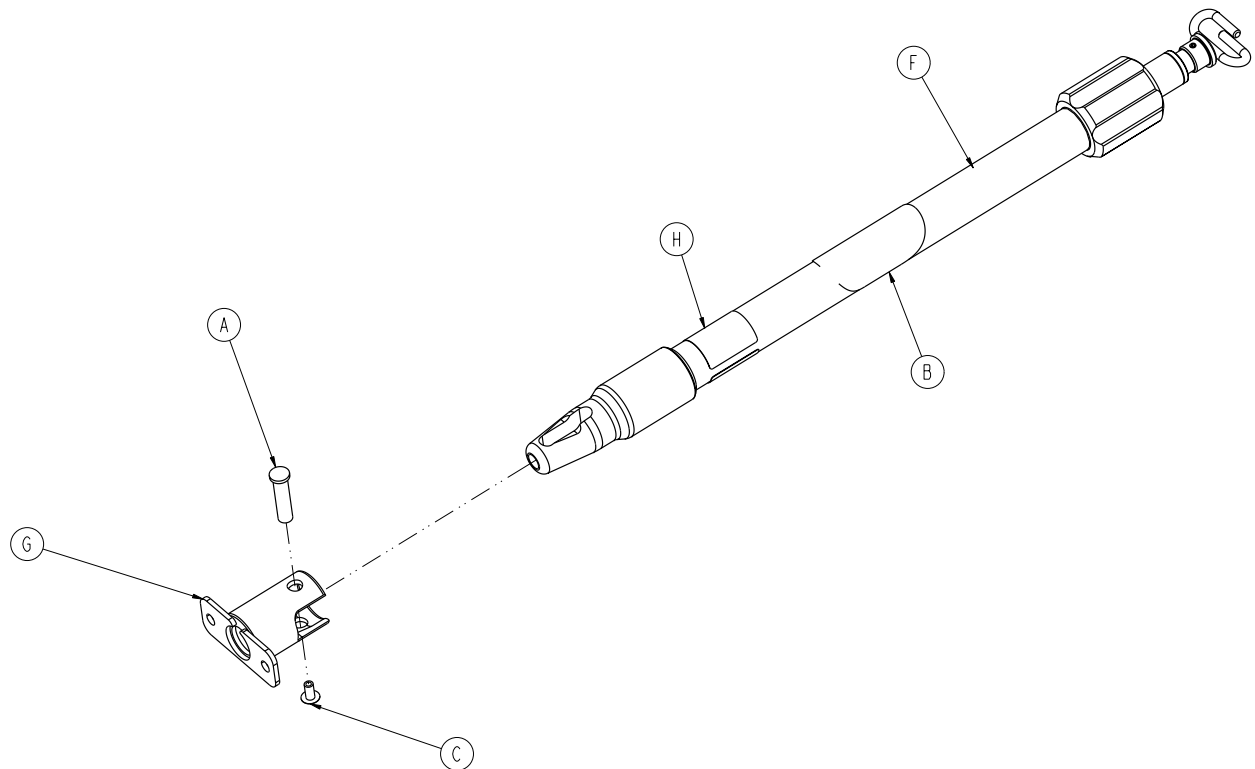


NOTE: 0004-589-000 shown in Cot Assembly

3-Stage I.V. Pole Assembly, PR - Components - 6550-215-000

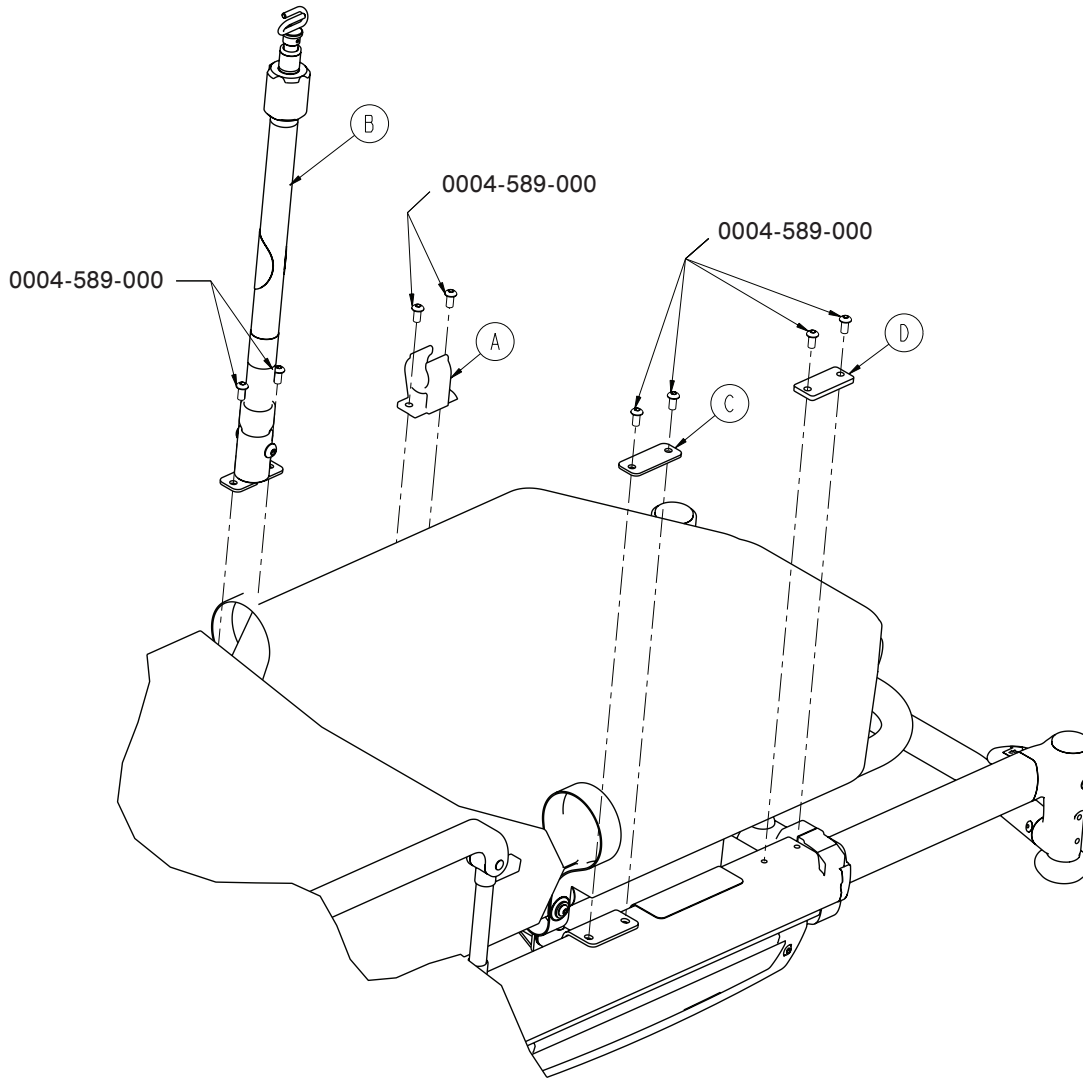
Item	Part No.	Part Name	Qty.
A	6100-115-060	I.V. Pole Clip	1
B	6500-001-043	I.V. Pole Assembly, 3 Stage, PR (pg. 115)	1
C	6550-001-117	I.V. Pole Spacer Plate	1
D	6550-001-118	I.V. Clip Spacer Plate	1

3-Stage I.V. Pole Assembly, Patient Right - 6500-001-043



Item	Part No.	Part Name	Qty.
A	6070-110-037	IV Pivot Pin	1
B	6070-090-105	Caution Label	1
C	0025-079-000	Dome Head Rivet	1
F	6070-215-070	Pole Assembly	1
G	6100-115-051	Socket Weldment	1
H	6500-001-255	Label	1

3-Stage I.V. Assembly, Patient Left - 6550-216-000

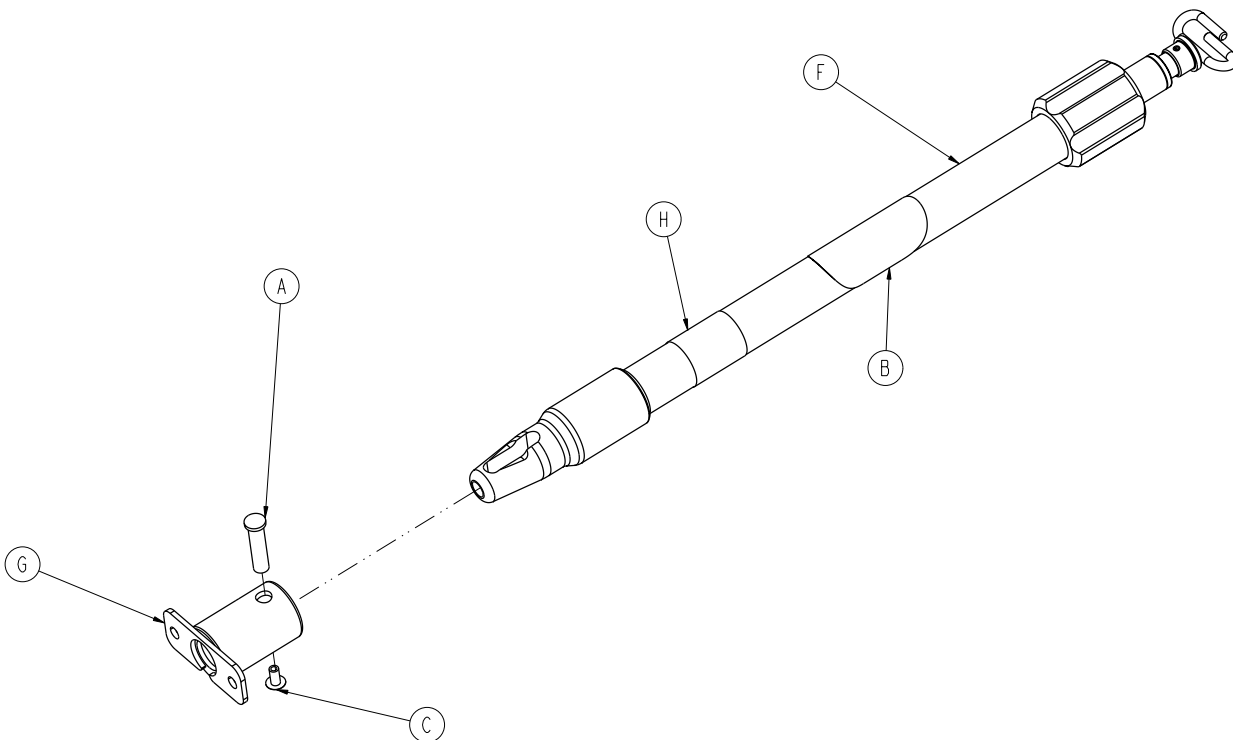


NOTE: 0004-589-000 shown in Cot Assembly

3-Stage I.V. Pole Assembly, PL - Components - 6550-216-000

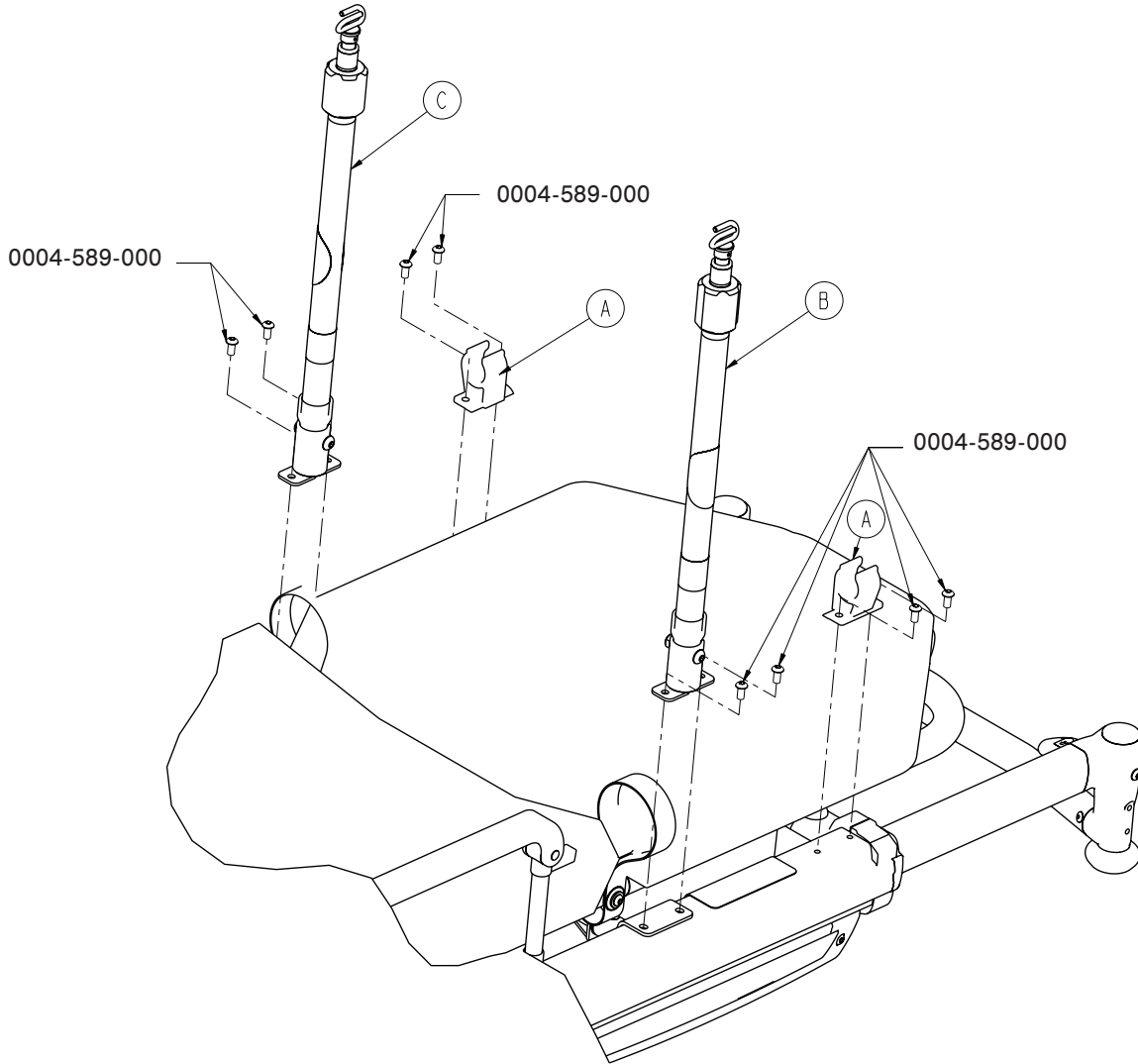
Item	Part No.	Part Name	Qty.
A	6100-115-060	I.V. Pole Clip	1
B	6500-001-044	I.V. Pole Assembly, 3 Stage, PL (pg. 117)	1
C	6550-001-117	I.V. Pole Spacer Plate	1
D	6550-001-118	I.V. Clip Spacer Plate	1

3-Stage I.V. Pole Assembly, Patient Left - 6500-001-044



Item	Part No.	Part Name	Qty.
A	6070-110-037	IV Pivot Pivot	1
B	6070-090-105	Caution Label	1
C	0025-079-000	Dome Head Rivet	1
F	6070-215-070	Pole Assembly	1
G	6100-115-051	Socket Weldment	1
H	6500-001-256	Label	1

3-Stage I.V. Assembly, Dual - 6550-217-000

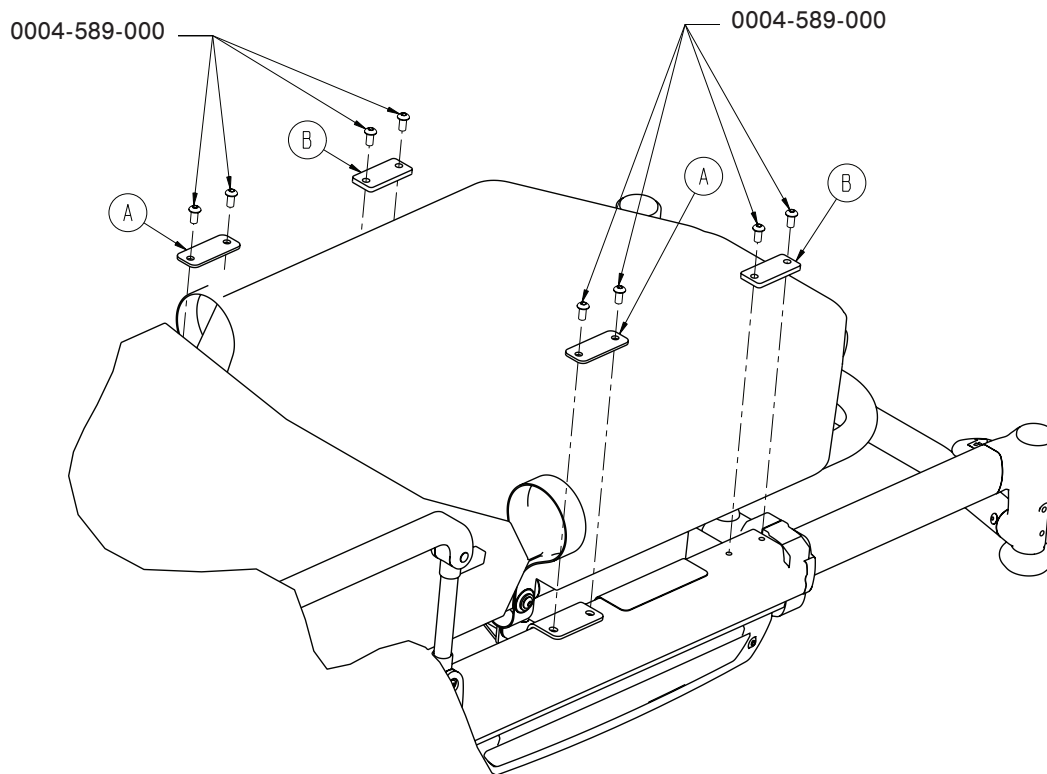


NOTE: 0004-589-000 shown in Cot Assembly

3-Stage I.V. Pole Assembly, Dual - Components - 6550-217-000

Item	Part No.	Part Name	Qty.
A	6100-115-060	I.V. Pole Clip	1
B	6500-001-043	I.V. Pole Assembly, 3 Stage, PR (pg. 115)	1
C	6550-001-044	I.V. Pole Assembly, 3 Stage, PL (pg. 117)	1

No I.V. Pole Assembly Option - 6550-218-000

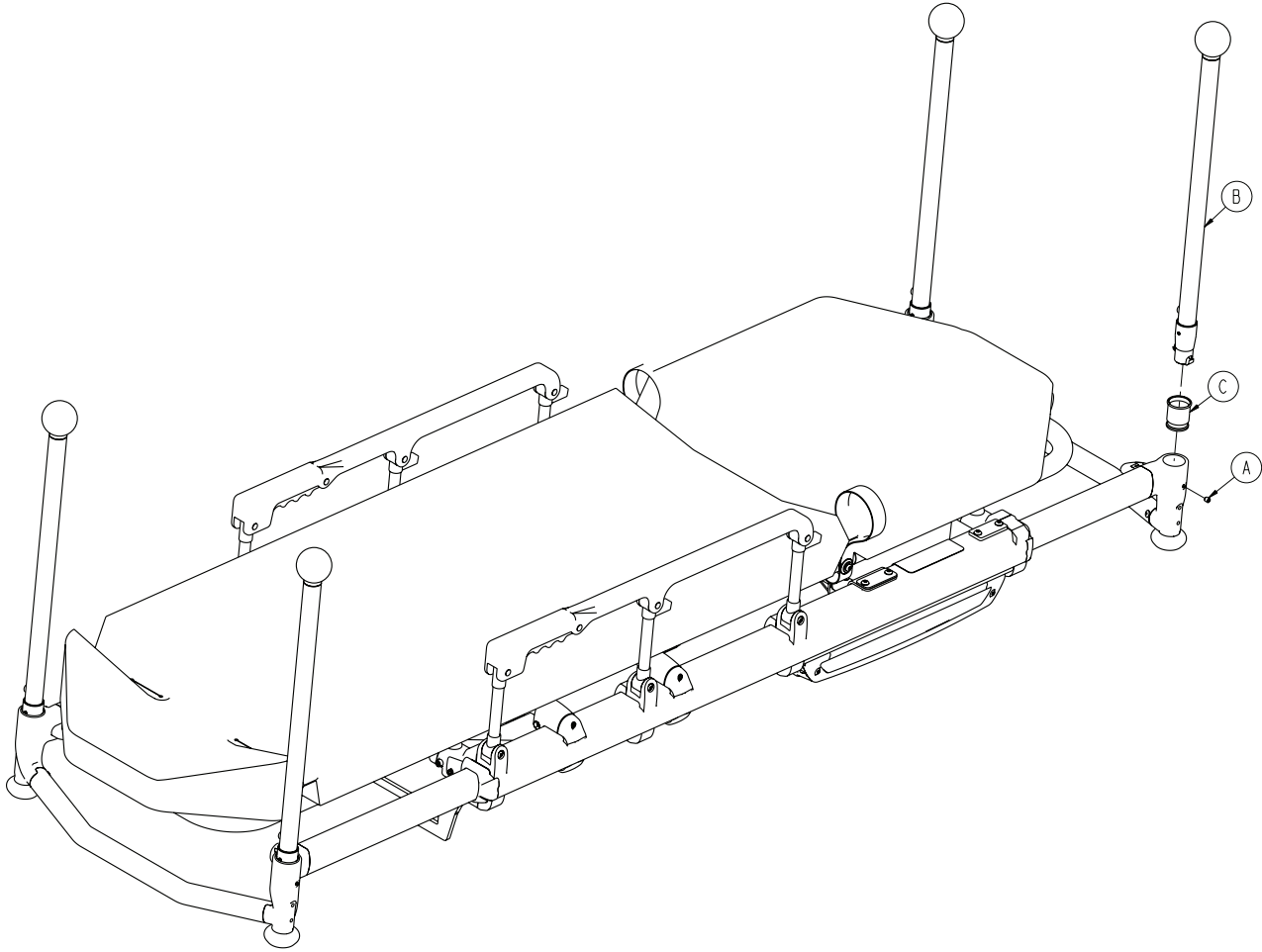


NOTE: 0004-589-000 shown in Cot Assembly

No I.V. Pole Assembly Option - Components - 6550-218-000

Item	Part No.	Part Name	Qty.
A	6550-001-117	I.V. Pole Spacer Plate	1
B	6550-001-118	I.V. Clip Spacer Plate	1

Optional Push Bar Assembly - 6550-040-000

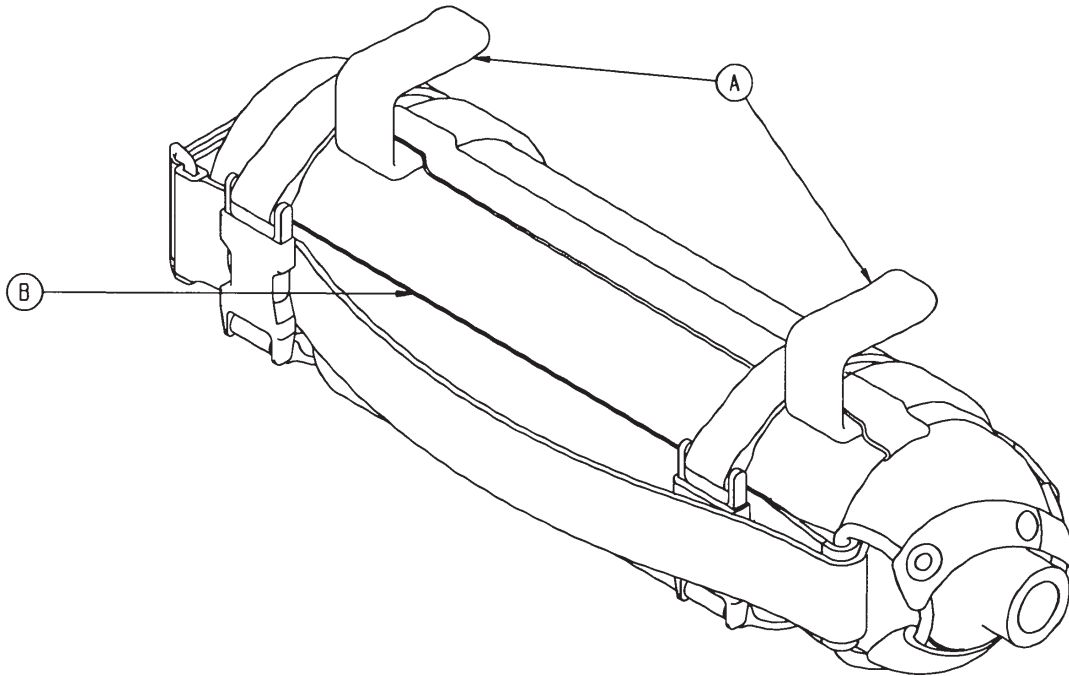


Push Bar Assembly Option - Components - 6550-040-000

Item	Part No.	Part Name	Qty.
A	0021-179-000	Set Screw	4
B	6550-001-026	Corner Assembly Handle (pg. 108)	4
C	6550-001-108	Push Bar Sleeve	4
D	6550-001-199	Push Bar Storage Pouch	1

Removable Oxygen Bottle Holder Assembly - 6080-140-000

For Reference Only: 6080-140-010

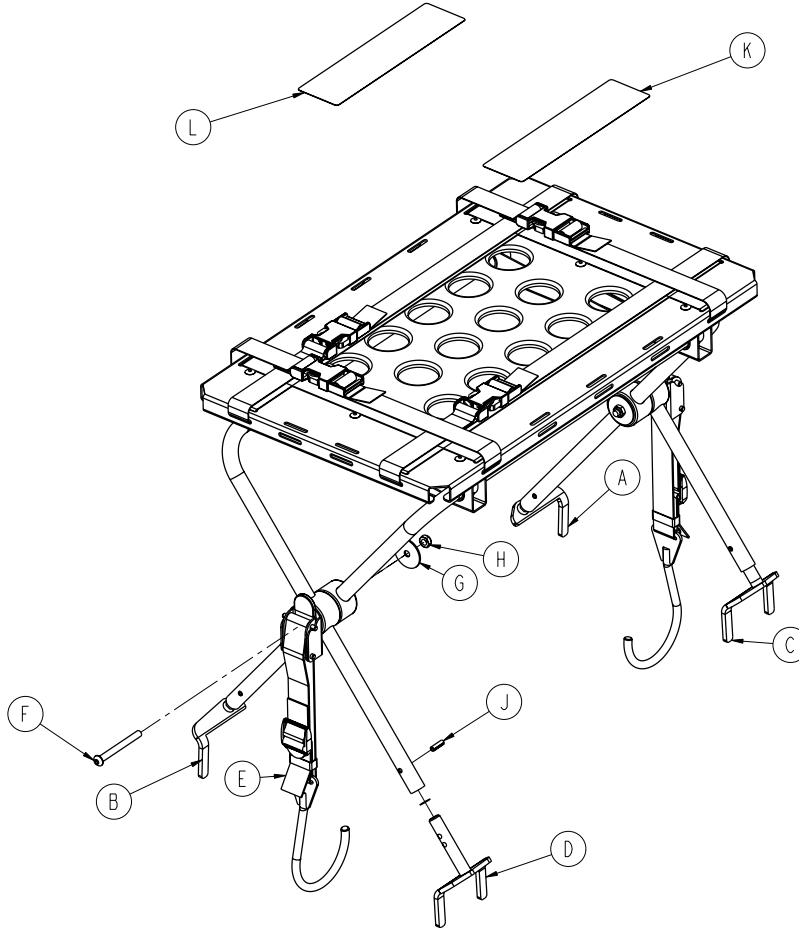


Item	Part No.	Part Name	Qty.
A	6080-140-011	Oxygen Bottle Holder Hanger	2
B	6080-140-012	Oxygen Bottle Holder	1

NOTE: Max Load = 1.78 stones (25 lbs)

Optional Defibrillator Platform - 6100-170-000

For Reference Only: 6100-170-010



Item	Part No.	Part Name	Qty.
A	6100-170-050	Head End Bracket Weldment, PL	1
B	6100-170-051	Head End Bracket Weldment, PR	1
C	6100-170-052	Foot End Bracket Weldment, PL	1
D	6100-170-053	Foot End Bracket Weldment, PR	1
E	6100-170-020	Defib Latch Strap Assembly	2
F	0004-234-000	Button Head Cap Screw	2
G	0011-355-000	Washer	2
H	0016-102-000	Nylock Nut	2
J	0026-172-000	Slotted Spring Pin	4
K	6500-090-022	Label, "Spec and Warn", German	1
L	6500-090-023	Label, "Spec and Warn", English	1

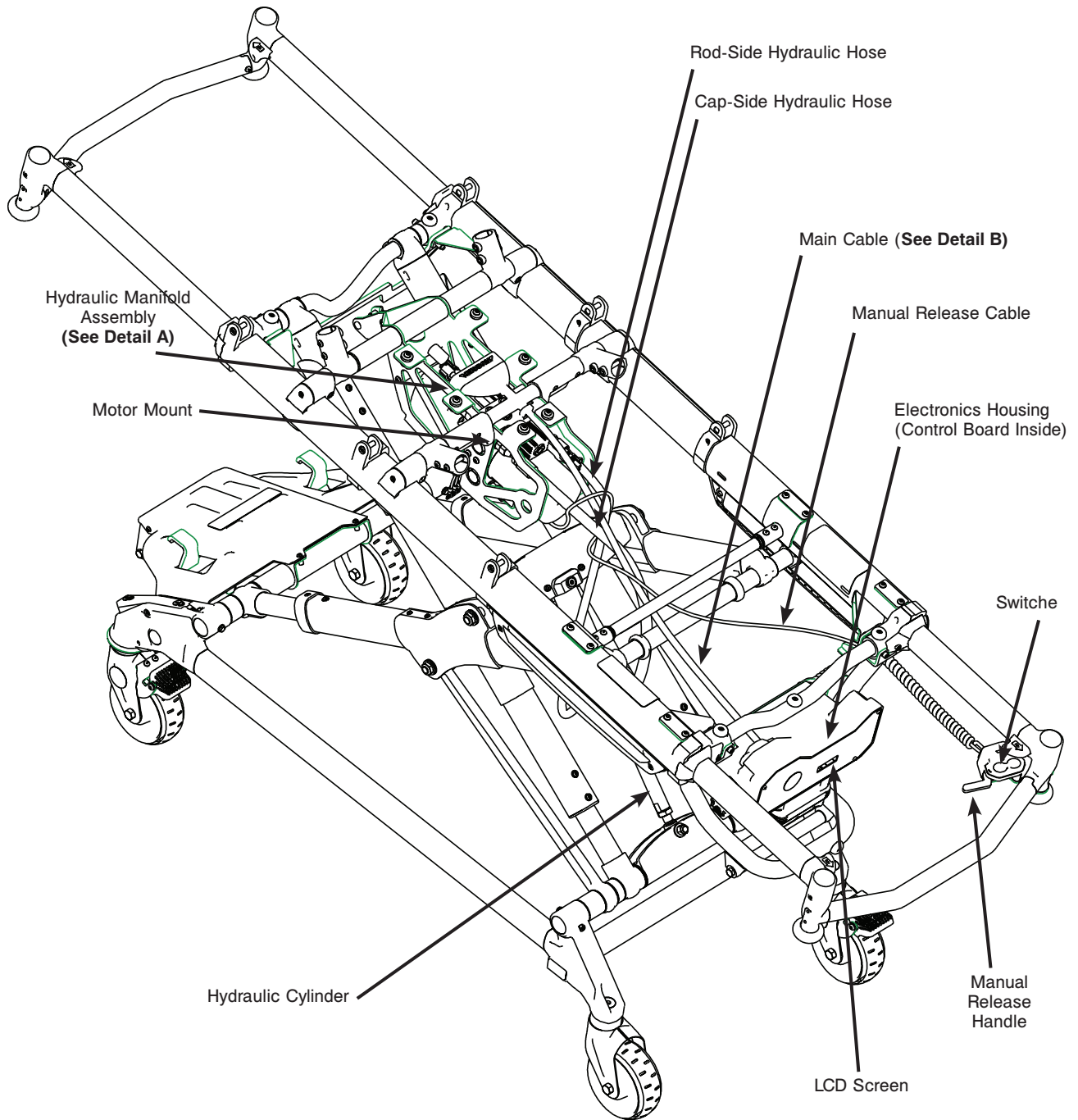
CAUTION

The weight of the monitoring equipment must not exceed 5.4 stones (75 pounds), (34 kg) with the defibrillator platform (if equipped). Monitoring equipment should not be stored on the cot or on the defibrillator platform when in the ambulance vehicle.

Trouble Shooting Guide

POWER PRO ELECTRONICS AND HYDRAULICS LOCATOR

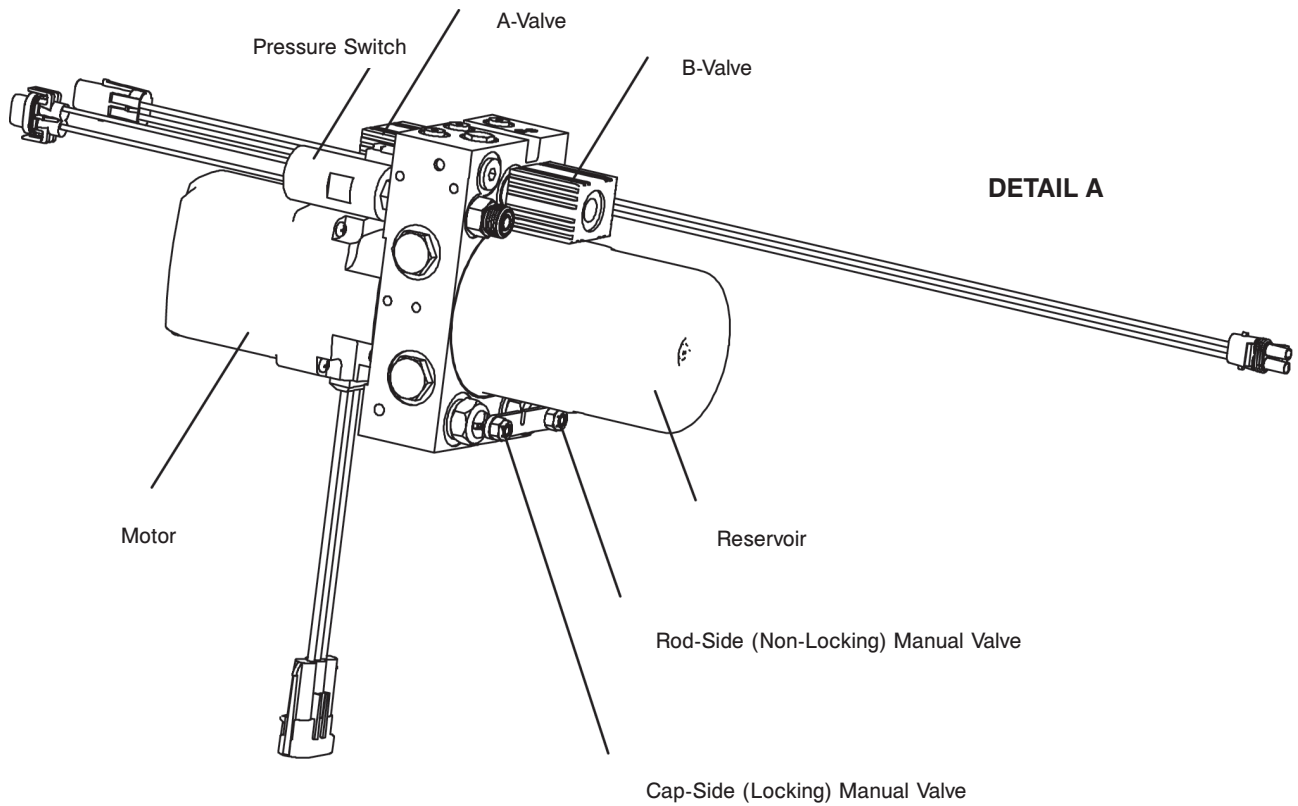
Note: Some Components removed for clarity



[Return To Table of Contents](#)

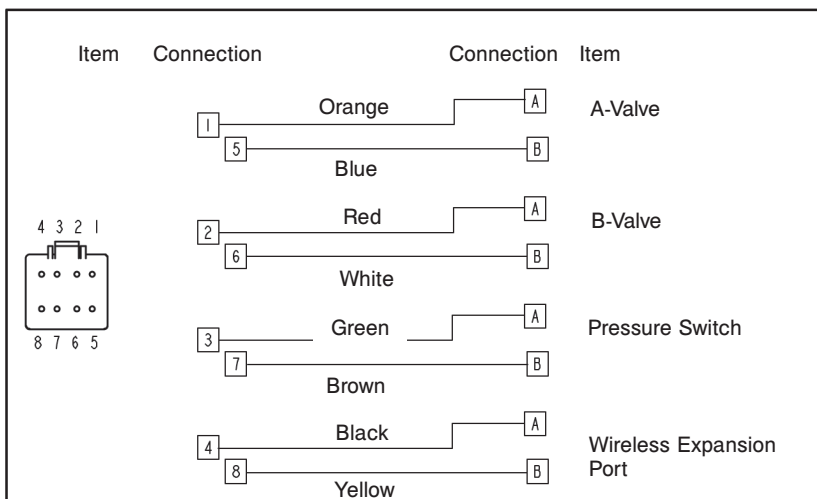
Trouble Shooting Guide

POWER PRO HYDRAULIC MANIFOLD COMPONENTS LOCATOR



DETAIL B

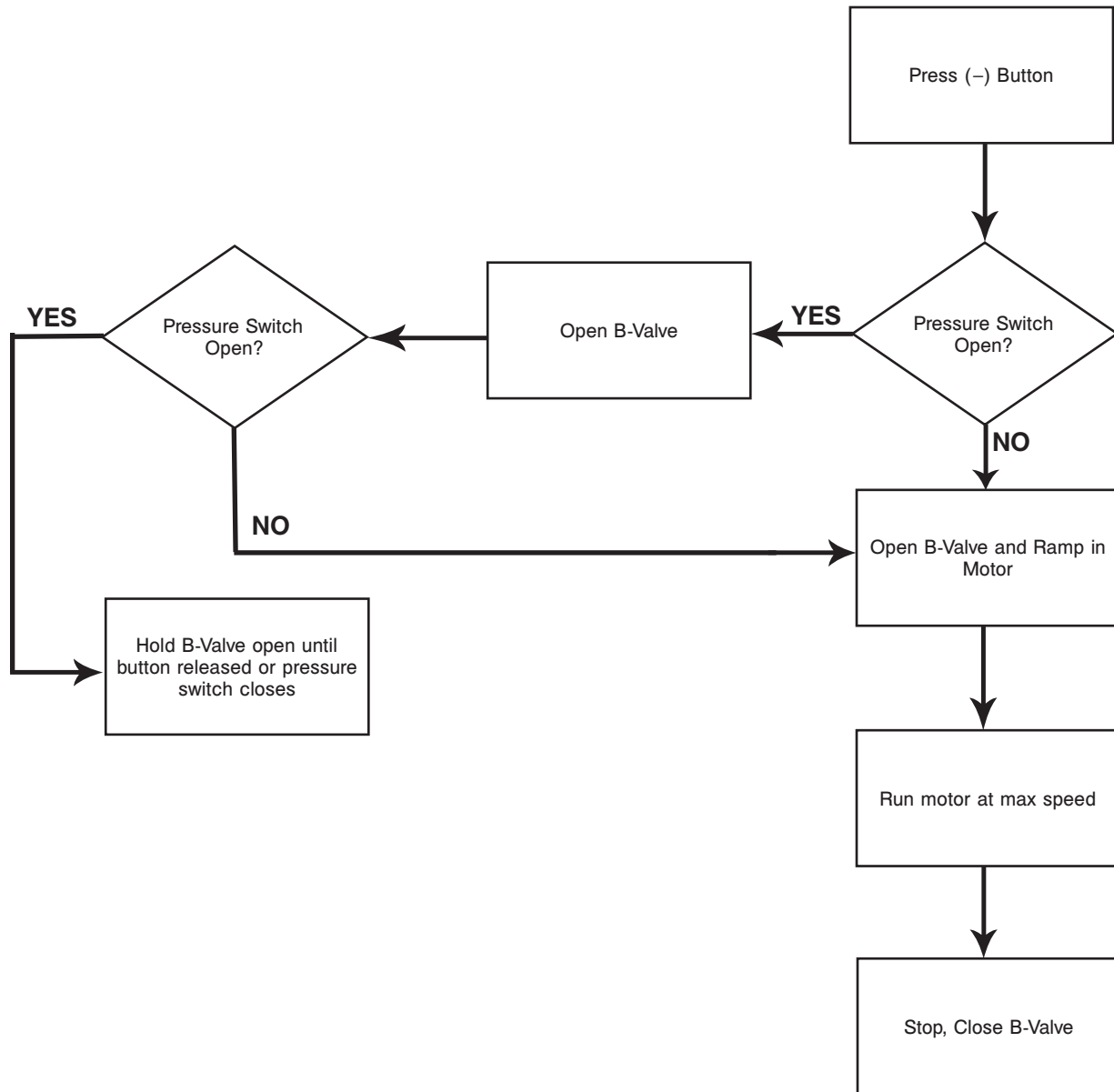
Wiring Schematics
Main Cable 8-Pin Connector



Trouble Shooting Guide

POWER PRO ELECTRICAL SYSTEM BLOCK DIAGRAM

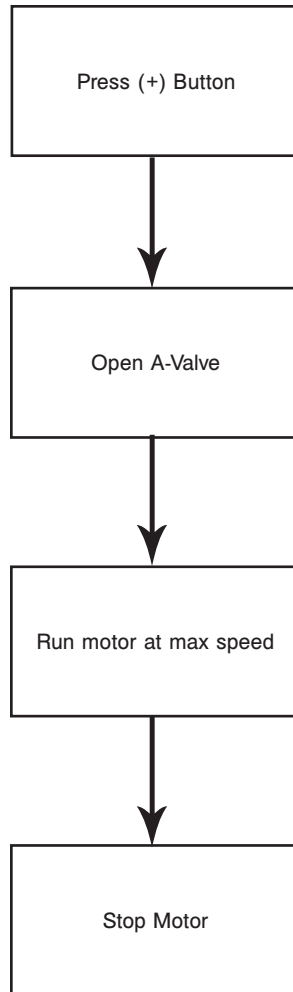
Lower and Retract Functions



Trouble Shooting Guide

POWER PRO ELECTRICAL SYSTEM BLOCK DIAGRAM

Lift and Extend Functions



Trouble Shooting Guide

POWER PRO TROUBLESHOOTING GUIDE

Check for proper operation after each step. When the problem is fixed, return the cot to service. If assistance is needed at any time during troubleshooting, please contact a service technician at (800) 327-0770 or (269) 324-6500.

PROBLEM	SOLUTION
Litter drifts (without patient weight).	<ol style="list-style-type: none"> 1. Check manual release cable adjustment. 2. Change 'B' valve. 3. Change 'locking' manual valve. 4. Call Technical Support.
Base drifts (without patient weight).	<ol style="list-style-type: none"> 1. Check manual release cable adjustment. 2. Change 'A' valve. 3. Change 'non-locking' manual valve. 4. Call Technical Support.
Litter does not lower in the powered mode.	<ol style="list-style-type: none"> 1. Check battery indicator light. <ol style="list-style-type: none"> a. Blinking CONSTANT RED, change/replace battery. b. IRREGULAR RED flashing, check for broken or disconnected connectors and/or wires in the electrical circuit. c. GREEN LIGHT on constantly but solenoid valve does not activate. <ol style="list-style-type: none"> i. Try other switch; if it works replace bad switch. ii. Change out B-valve solenoid or B-valve 2. Call Technical Support.
Base/Litter does not extend in the powered mode.	<ol style="list-style-type: none"> 1. Check battery indicator light. 2. Perform manual flush on the cot. <ol style="list-style-type: none"> b. Blinking CONSTANT RED, change/replace battery. c. IRREGULAR RED flashing, check for broken or disconnected connectors and/or wires in the electrical circuit. d. GREEN LIGHT on without motor activation. <ol style="list-style-type: none"> i. Try other switch; if it works replace bad switch. 3. Motor engaged but doesn't raise cot. <ol style="list-style-type: none"> a. If motor is spinning freely, adjust manual release cable and replace locking manual valve. b. If motor is stalled, replace A-valve. 4. Call Technical Support.
Base does not retract when in the powered mode.	<ol style="list-style-type: none"> 1. Check battery indicator light. <ol style="list-style-type: none"> a. Blinking CONSTANT RED, change/replace battery. b. IRREGULAR RED flashing, check for broken or disconnected connectors and/or wires in the electrical circuit. c. GREEN LIGHT on without motor activation. <ol style="list-style-type: none"> i. Try other switch; if it works replace bad switch. d. GREEN LIGHT on with motor activation, replace non-locking valve. 2. Call Technical Support.

Trouble Shooting Guide

POWER PRO TROUBLESHOOTING GUIDE (CONTINUED)

PROBLEM	SOLUTION
Base does not extend in the manual mode.	<ol style="list-style-type: none">1. Check manual cable adjustment.2. Change non-locking manual valve.3. Call Technical Support.
Base does not retract in the manual mode.	<ol style="list-style-type: none">1. Check manual release cable adjustment.2. Change locking manual valve.3. Call Technical Support.
Litter does not retract in the manual mode (with patient weight).	<ol style="list-style-type: none">1. Make sure weight is off of the casters before lowering the cot.2. Check manual cable adjustment.3. Replace locking manual valve.4. Call Technical Support.
Litter does not extend in the manual mode.	<ol style="list-style-type: none">1. Check manual cable adjustment.2. Change non-locking manual valve.3. Call Technical Support.
High Speed retract does not engage.	<ol style="list-style-type: none">1. Check that weight is off the casters.2. Change Pressure switch.3. Call Technical Support.

Trouble Shooting Guide

Adjusting the Manual Release Cable

Tools:

- 8mm wrench
 - 10mm wrench
1. Support the litter so no weight is on the base.
 2. Ensure the cable is intact.
 3. Using a 10mm wrench, loosen the cable lock nut.
 4. Using a 8mm hex wrench, adjust the tension on the manual release cable.
 5. Tighten cable lock nut.

Filling the Reservoir - Use only Mobil Mercon Synthetic Blend Oil (6500-001-293)

Note: Any time you work with the hydraulics you may lose some oil.

Tools:

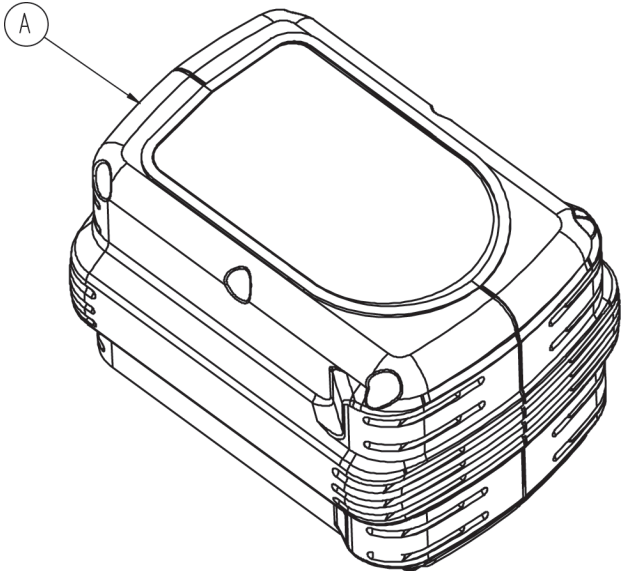
- 3/16" Allen wrench
1. Raise the cot to the full up position.
 2. Ensure the fill port is horizontal and lined up with the hole in the motor mount.
 3. Remove the port plug using a 3/16" allen wrench.
 4. Fill the reservoir up to the bottom of the fill port.
 5. Replace the plug and run the cot up and down a few times.

Recycling Passport

BATTERY PACK: 6500-700-006



View of Battery



Item	Recycling/Material Code	Important Information	Qty
A	Battery Pack	NiCd	2

NOTE

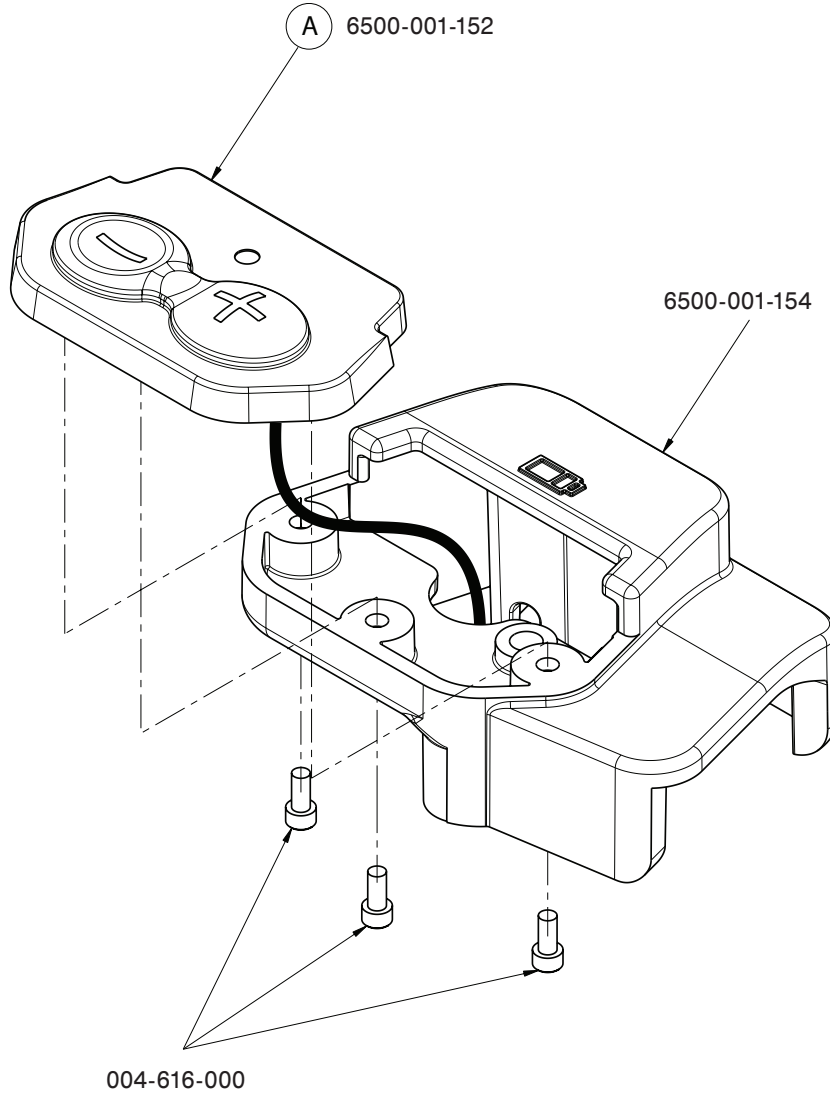
Reference DeWALT® Manual (Part Number 6500-001-206) for battery recycling information.

Recycling Passport

SWITCH HOUSING ASSEMBLY: 6550-001-036



Exploded view of Switch Housing Assembly



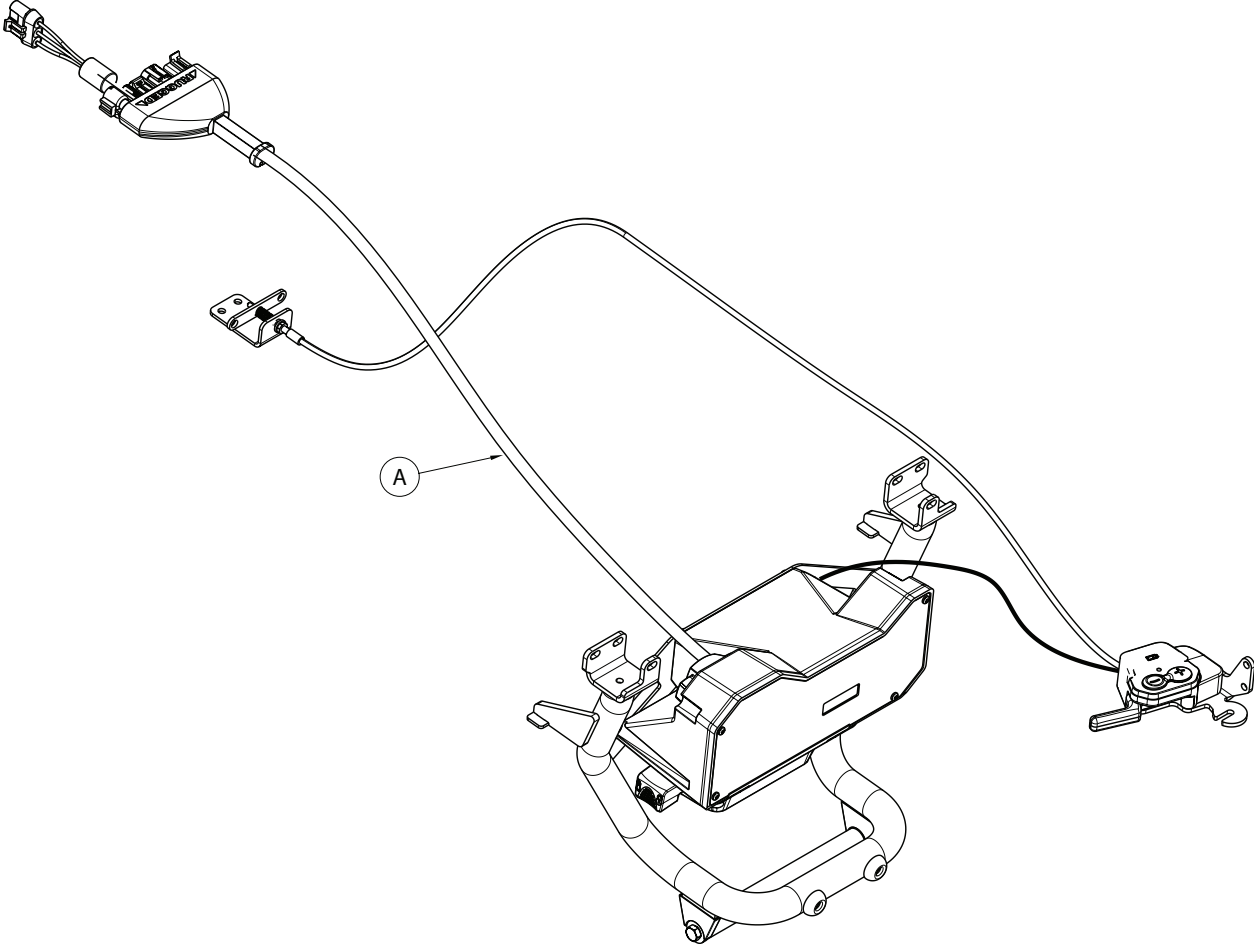
Item	Recycling/Material Code	Important Information	Qty
A	Printed Circuit Board		2

Recycling Passport

FOOT END ASSEMBLY: 6550-001-022



Exploded view of Foot End Assembly



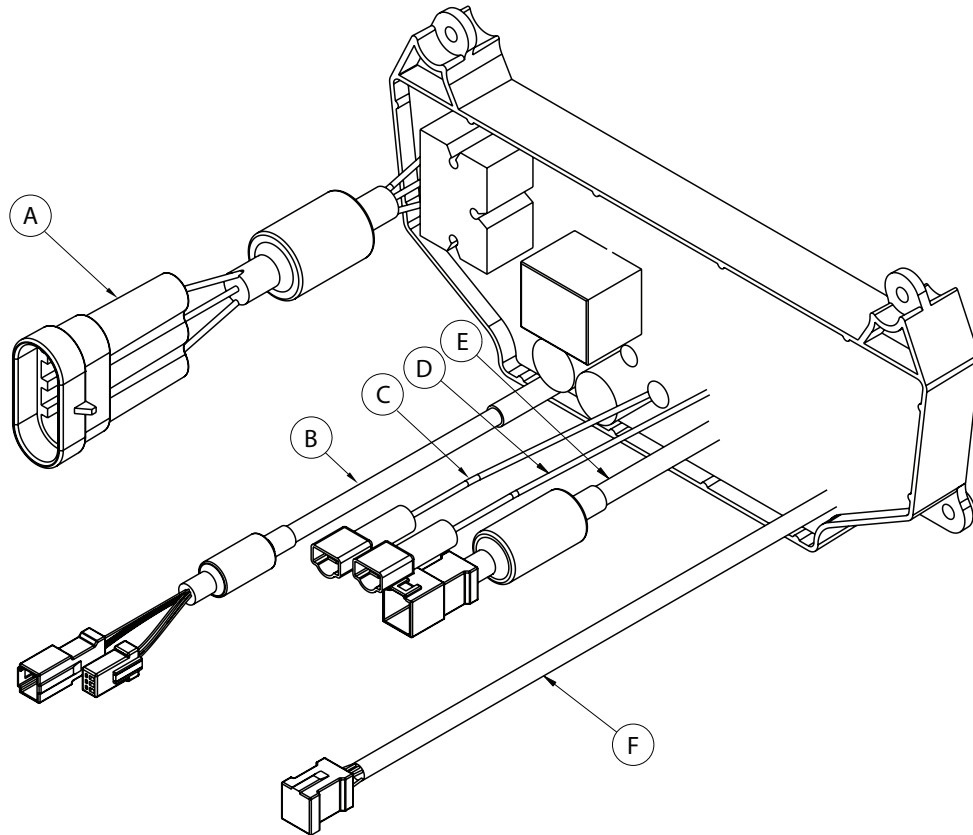
Item	Recycling/Material Code	Important Information	Qty
A	Printed Circuit Board	Contains Liquid Crystal Display	1

Recycling Passport

ELECTRONICS ASSEMBLY: 6550-001-014



Exploded view of Electronics Control Board



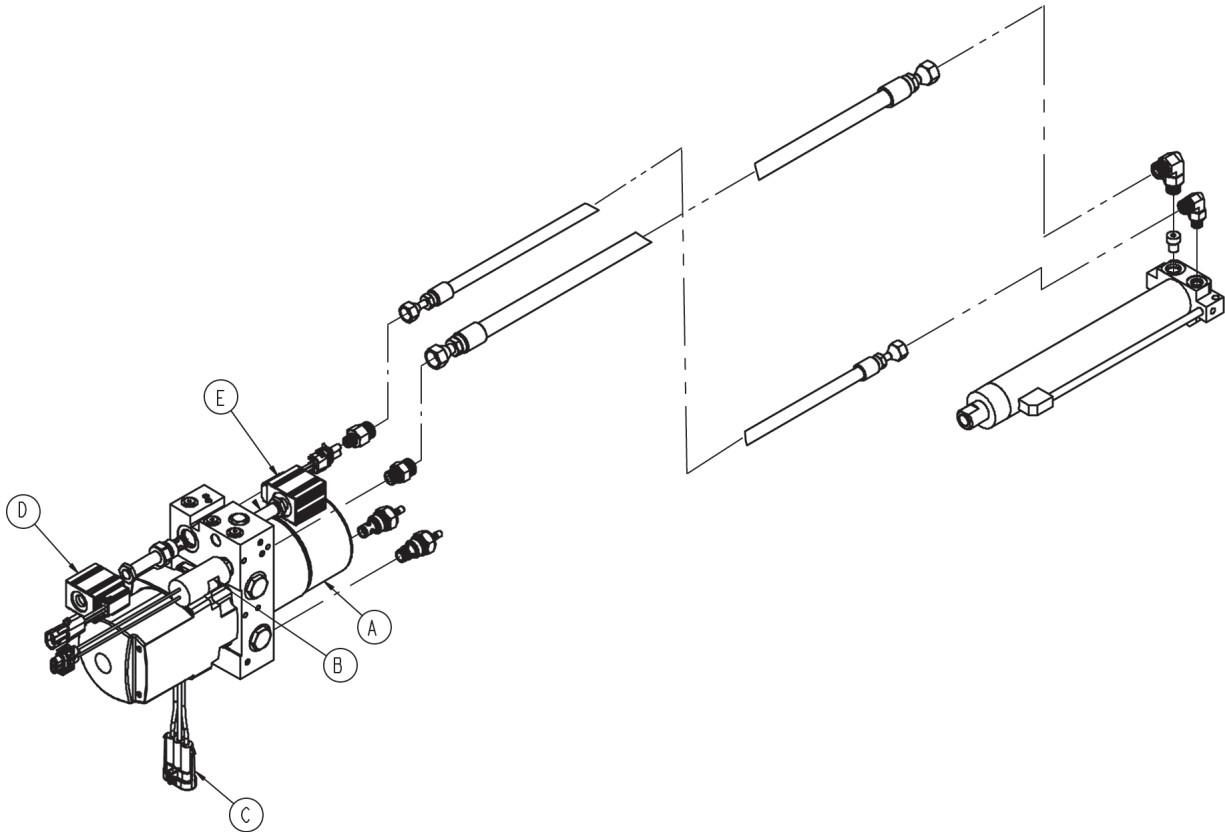
Item	Recycling/Material Code	Important Information	Qty
A	External Electrical Cable		1
B	External Electrical Cable		1
C	External Electrical Cable		1
D	External Electrical Cable		1
E	External Electrical Cable		1
F	External Electrical Cable		1

Recycling Passport

HYDRAULIC POWER UNIT: 6550-001-030



Exploded view of Hydraulics Assembly

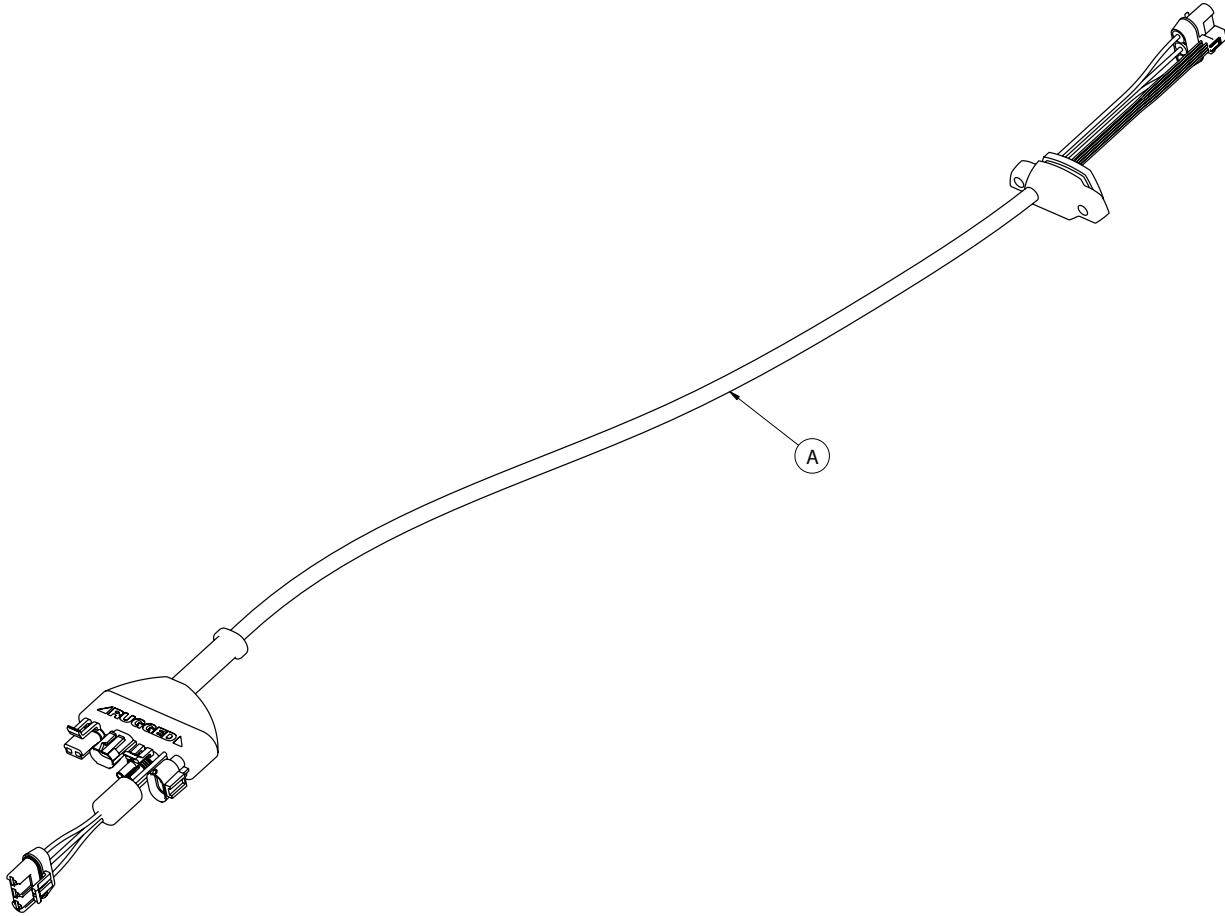


Item	Recycling/Material Code	Important Information	Qty
A	Motor	Contains Automatic Transmission Fluid*	1
B	External Electrical Cable		1
C	External Electrical Cable		1
D	External Electrical Cable		1
E	External Electrical Cable		1

* Mobil Mercon V Synthetic Blend or equivalent

Recycling Passport

MAIN CABLE: 6550-001-172



Item	Recycling/Material Code	Important Information	Qty
A	External Electrical Cable		1

Quick Reference Replacement Part List

Note

The parts and accessories listed on this page are all currently available for purchase. Some of the parts identified on the assembly drawing parts in this manual may not be individually available for purchase. Please call Stryker Customer Service at +44 (0) 1635 262431 for availability and pricing.

Part Name	Part Number
Backrest Pouch Option	6500-130-000
Defibrillator Platform	6100-170-000
DC Battery Charger, 230V, International	6500-071-000
DC Battery Charger 12V/24V, In-Ambulance	6500-072-000
Equipment Hook	6500-700-003
Gas Cylinder, Fowler	1010-031-077
Hydraulic Oil	6500-001-293
I.V. Pole, 2-Stage, Right	6500-210-000
I.V. Pole, 2-Stage, Left	6500-211-000
I.V. Pole, 2-Stage, Dual	6500-212-000
I.V. Pole, 3-Stage, Right	6500-215-000
I.V. Pole, 3-Stage, Left	6500-216-000
I.V. Pole, 3-Stage, Dual	6500-217-000
Label, I.V. Pole Caution	6070-090-005
Label, Damage Warning	6080-090-009
Oxygen Bottle Holder, Removable	6080-140-000
Manual Installation / Operation, Cot Fastener	6385-009-001
Mattress, Bolster	6550-001-084
NiCd Battery Pack	6500-700-006
Restraint Belt Extension	6082-160-050
Restraint, Chest	6060-260-046
Restraint, Lap Belt (2 Used per Unit)	6060-160-044
Restraint Package	6082-260-010
Restraint, Shoulder Harness	6060-260-045
Restraint Strap Plastic Cap (short)	6082-160-051
Restraint Strap Plastic Cap (long)	6082-160-055
Touch-up Paint (Yellow)	6060-199-010
Touch-up Paint (Black)	6060-199-011
Wheel Lock	6082-200-010

EMC Information

POWER PRO TL

Guidance and Manufacturer's declaration - Electromagnetic Immunity			
The model 6550 RUGGED Ambulance Cot is suitable for use in the electromagnetic environment specified below. The customer or the user of the model 6550 RUGGED Ambulance Cot should assure that it is used in such an environment.			
Immunity Test	IEC 60601 Test Level	Compliance Level	Electromagnetic Environment Guidance
Electrostatic Discharge (ESD) IEC 61000-4-2	± 6 kV contact ± 8 kV air	± 6 kV contact ± 8 kV air	Floors should be wood, concrete, or ceramic tile. If floors are covered with synthetic material, the relative humidity should be at least 30%. Applies to: <ul style="list-style-type: none"> Cot, DeWalt AC/DC Charger (6500-070-000), DeWalt AC/DC Charger (6500-071-000), DeWalt DC/DC Charger (6500-072-000).
Electrostatic fast Transient/burst IEC61000-4-4	± 2 kV for power supply lines ± 1 kV for input/output lines	± 2 kV for power supply lines ± 1 kV for input/output lines	Main power quality should be that of a typical commercial or hospital environment. Applies to: <ul style="list-style-type: none"> DeWalt AC/DC Charger (6500-070-000), DeWalt AC/DC Charger (6500-071-000).
Surge IEC 61000-4-5	± 8 kV differential mode ± 2 kV common mode	± 8 kV differential mode ± 2 kV common mode	Main power quality is that of a typical commercial and/or hospital environment. Applies to: <ul style="list-style-type: none"> DeWalt AC/DC Charger (6500-070-000), DeWalt AC/DC Charger (6500-071-000).
Voltage dips, voltage variations and short interruptions on power supply input lines IEC 61000-4-11	$< 5\%U_t$ (95% dip U_t) for 0,5 cycle $40\%U_t$ (60% dip in U_t) for 5 cycles $70\%U_t$ (30% dip in U_t) for 25 cycles. $< 5\% U_t$ ($> 95\%$ dip in U_t) for 5 sec.	$< 5\%U_t$ (95% dip U_t) for 0,5 cycle $40\%U_t$ (60% dip in U_t) for 5 cycles $70\%U_t$ (30% dip in U_t) for 25 cycles. $< 5\% U_t$ ($> 95\%$ dip in U_t) for 5 sec.	Main power quality should be that of a typical commercial and/or hospital environment. If the user of the DeWalt AC/DC Charger (6500-070-000) or (6500-071-000) requires continued operation during power main interruptions, it is recommended that the device be powered from an uninterrupted power supply or a battery.
Power frequency (50/60 Hz) magnetic field IEC 61000-4-8	3 A/m	3 A/m	Power frequency magnetic fields should be at levels characteristic of a typical location in a typical commercial and/or hospital environment. Applies to: <ul style="list-style-type: none"> Cot, DeWalt AC/DC Charger (6500-070-000), DeWalt AC/DC Charger (6500-071-000), DeWalt DC/DC Charger (6500-072-000).
Note: U_T is the a.c. mains voltage prior to applications of the test level.			


EMC Information

POWER PRO TL (CONTINUED)

Recommended separation distances between portable and mobile RF communications equipment and the POWER PRO TL.			
The model 6550 RUGGED Ambulance Cot is intended for use in an electromagnetic environment in which radiated RF disturbances are controlled. The customer or the user of the model 6550 RUGGED Ambulance Cot can help prevent electromagnetic interferences by maintaining a minimum distance between portable and mobile RF communications equipment (transmitters) and the model 6550 RUGGED Ambulance Cot as recommended below, according to the maximum output power of the communications equipment.			
Rated maximum output power of transmitter W	Separation distance according to frequency of transmitter		
	m		
	150 kHz to 80 MHz $d=1,2 \sqrt{P}$	80 MHz to 800 MHz $d=1,2 \sqrt{P}$	8000 MHz to 2,5 GHz $d=2,3 \sqrt{P}$
0,01	0,12	0,12	0,23
0,1	0,38	0,38	0,73
1	1,2	1,2	2,3
10	3,8	3,8	7,3
100	12	12	23
For transmitters rated at a maximum output power not listed above, the recommended separation distance d in meters (m) can be estimated using the equation applicable to the frequency of the transmitter, where P is the maximum output power rating of the transmitter in watts (W) according to the transmitter manufacturer.			
NOTE 1 At 80 MHz and 800 MHz, the separation distance for the higher frequency range applies.			
NOTE 2 These guidelines may not apply in all situations. Electromagnetic propagation is affected by absorption and reflection from structures, objects and people.			

EMC Information

POWER PRO TL (CONTINUED)

<p>The model 6550 ▲RUGGED▲ Ambulance Cot is suited for use in the electromagnetic environment specified below. The customer or the user of the model 6550 ▲RUGGED▲ Ambulance Cot should assure that it is used in such an environment.</p>			
Immunity Test	IEC 60601 Test Level	Compliance Level	Electromagnetic Environment - Guidance
<p>Conducted RF IEC 6100-4-6</p>	<p>3 Vrms 150 kHz to 80 MHz</p>	<p>3 Vrms</p>	<p>Portable and mobile RF communications equipment should be used no closer to any part of the model 6550 ▲RUGGED▲ Ambulance Cot, including cables, than the recommended separation distance calculated from the equation appropriate for the frequency of the transmitter.</p> <p style="text-align: center;">Recommended Separation Distance</p> $d=1,2 \sqrt{P}$ <p>Applies to Chargers:</p> <ul style="list-style-type: none"> • DeWalt AC/DC Charger (6500-070-000), • DeWalt AC/DC Charger (6500-071-000).
<p>Radiated RF IEC 61000-4-3</p>	<p>3 V/m 80 MHz to 2,5 GHz</p>	<p>3 V/m</p>	<p style="text-align: center;">$d=1,2 \sqrt{P}$ 80 MHz to 800 MHz</p> <p>Applies to Cot and Chargers:</p> <ul style="list-style-type: none"> • DeWalt AC/DC Charger (6500-070-000), • DeWalt AC/DC Charger (6500-071-000), • DeWalt DC/DC Charger (6500-072-000). <hr/> <p style="text-align: center;">$d=2,3 \sqrt{P}$ 800 MHz to 2.5 GHz</p> <p>where P is the maximum output power rating of the transmitter in watts (W) according to the transmitter manufacturer and d is the recommended separation distance in metres (m).</p> <p>Field strengths from fixed RF transmitters, as determined by an electromagnetic site survey, ^a should be less than the compliance level in each frequency range. ^b</p> <p>Interference may occur in the vicinity of equipment marked with the following symbol:</p> <div style="text-align: center;">  </div> <p>Applies to Cot and Chargers:</p> <ul style="list-style-type: none"> • DeWalt AC/DC Charger (6500-070-000), • DeWalt AC/DC Charger (6500-071-000), • DeWalt DC/DC Charger (6500-072-000).

EMC Information

POWER PRO TL (CONTINUED)

The model 6550 **RUGGED** Ambulance Cot is suited for use in the electromagnetic environment specified below. The customer or the user of the model 6550 **RUGGED** Ambulance Cot should assure that it is used in such an environment.

Immunity Test	IEC 60601 Test Level	Compliance Level	Electromagnetic Environment - Guidance
---------------	----------------------	------------------	--

(Continued from previous page)

NOTE 1: At 80 MHz and 800 MHz, the higher frequency range applies.

NOTE 2: These guidelines may not apply in all situations. Electromagnetic propagation is affected by absorption and reflection from structures, objects and people.

^aField strengths from fixed transmitters, such as base stations for radio (cellular/cordless) telephones and land mobile radios, amateur radio, AM and FM radio broadcast, and TV broadcast cannot be predicted theoretically with accuracy. To assess the electromagnetic environment due to fixed RF transmitters, an electromagnetic site survey should be considered. If the measured field strength in the location in which the model 6550 **RUGGED** Ambulance Cot is used exceeds the applicable RF compliance level above, the model 6550 **RUGGED** Ambulance Cot should be observed to verify normal operation. If abnormal performance is observed, additional measures may be necessary, such as reorienting or relocating the model 6550 **RUGGED** Ambulance Cot.

^bOver the frequency range 150 kHz to 80 MHz, field strengths are less than 3 V/m.

EMC Information

POWER PRO TL (CONTINUED)

Guidance and Manufacturer's declaration - Electromagnetic Emissions		
The model 6550 ▲RUGGED▲ Ambulance Cot is intended for use in an electromagnetic environment specified below. The customer or the user of the model 6550 ▲RUGGED▲ Ambulance Cot should assure that it is used in such an environment.		
Emissions Test	Compliance	Electromagnetic Environment
RF Emissions CISPR 11	Group 1	The model 6550 ▲RUGGED▲ Ambulance Cot uses RF energy only for its internal function. Therefore, its RF emissions are very low and are not likely to cause any interference in nearby electronic equipment.
RF Emissions CISPR 11	Cot: Class A	The model 6550 ▲RUGGED▲ Ambulance Cot is suitable for use in all establishments other than domestic and those directly connected to the public low voltage power supply network that supplies buildings used for domestic purposes.
	DeWalt AC/DC Charger (6500-070-000): Class B DeWalt AC/DC Charger (6500-071-000): Class B	The model 6550 ▲RUGGED▲ Ambulance Cot is suitable for use in all establishments including domestic establishments and those directly connected to the public low-voltage power supply network that supplies buildings used for domestic purposes.
	DeWalt DC/DC Charger (6500-072-000): Class B	
Harmonic Emissions IEC 61000-3-2	Cot: N/A	
	DeWalt AC/DC Charger (6500-070-000): Class A DeWalt AC/DC Charger (6500-071-000): Class A	
	DeWalt DC/DC Charger (6500-072-000): N/A	
Voltage Fluctuations Flicker Emissions IEC 6100-3-3	Cot: N/A	
	DeWalt AC/DC Charger (6500-070-000): Complies DeWalt AC/DC Charger (6500-071-000): Complies	
	DeWalt DC/DC Charger (6500-072-000): N/A	

STRYKER UK LIMITED
Hambridge Rd.
Newbury, Berkshire
RG14 5EG, England

UNITED STATES
Stryker Medical
3800 E. Centre Ave.,
Portage, Michigan USA
49002

EC	REP
----	-----

European Representative
Stryker France
ZAC Satolas Green Pusignan
Av. De Satolas Green
69881 MEYZIEU Cedex
France

stryker[®]