

Power-PRO™ TL

REF Model 6550

stryker®

Operations/Maintenance Manual



For parts or technical assistance:

USA: 1-800-327-0770

UK: +44 (0) 1635 262431

CE

Table of Contents

Symbols and Definitions	6
Symbols	6
Warning/Caution/Note Definition	7
Introduction	8
Product Description	8
Intended Use of Product.	8
Specifications	9
Contact Information	11
Serial Number Location	11
Product Illustration	12
Summary of Safety Precautions	13
Pinch Points	17
Setup Procedures.	18
Product Inspection	19
Cot Fastener Installation	21
Engaging the Cot into the Fastener.	23
Removing the Cot from the Fastener	24
Operation Guide	25
Operating Guidelines	25
Proper Lifting Techniques.	25
Transferring the Patient to the Cot	26
Rolling the Cot.	26
Adjusting The Height of the Cot with Two Operators	27
Tail Lift Loading and Unloading	28
Ramp Loading and Unloading.	29
Loading and Unloading the Cot Using the Optional Oxygen Bottle Holder	30
High Speed Retract/Extend	31
Using the Manual Override.	32
Using Additional Assistance	33
Removing and Replacing the Battery	34
Removing and Replacing a SMRT Pak	34
Removing and Replacing a DeWALT® Battery	35
Using the Battery Power Indicator.	36
Using the Hour Meter.	37
Using Restraint Straps	38
Using the Optional Restraint Belt Extension	40
Operating the Backrest	41
Operating the Siderails.	41
Operating the Retractable Head and Foot Sections.	42
Adjusting the Footrest	43
Operating the Wheel Lock(s)	44
Operating the Caster Steer Lock	45

Table of Contents

Installing the Push Bars	46
Removing the Push Bars	46
Attaching the Push Bar Storage Pouch	46
Operating the Optional 2-Stage I.V. Pole	47
Operating the Optional 3-Stage I.V. Pole	48
Optional Accessories	49
Using the Equipment Hook	50
Attaching the Pedi-Mate® Infant Restraint System	51
Installing the Backrest Storage Pouch.	53
Using the Oxygen Bottle Holder	54
Cleaning.	55
Washing Procedure	55
Washing Limitations	55
Removal of Iodine Compounds	56
Preventative Maintenance.	57
Lubrication.	57
Regular Inspection and Adjustments	58
Maintenance Record.	60
Training Record	61
Troubleshooting Guide	62
Electronics and Hydraulics Locator.	62
Hydraulic Manifold Components Locator	63
Electrical System Block Diagram	64
Troubleshooting Guide	66
Main Cable Assembly	69
Electronics Assembly.	69
Electronics Assembly Wiring Schematics	70
Quick Reference Replacement Parts List	71
Service Information.	73
Accessing the Hydraulic Subassembly (6550-001-030)	73
Manual Release Cable Adjustment	74
Filling the Reservoir	74
Wheel Locking Force Adjustment	75
Cot Assembly	76
Base Assembly.	85
Inner Lift Tube Assembly, Litter Pivot, Right - 6550-001-034.	91
Inner Lift Tube Assembly, Litter Pivot, Left - 6550-001-035.	92
Caster, Steer Lock, Wheel Lock Assembly.	93
Hitch Assembly, Head End	94
Outer Rail, Right.	97
Outer Rail, Left.	98
Mounted Hydraulics Assembly.	99
Hydraulics Subassembly.	101
Hitch Assembly, Foot End	103











[Return To Table of Contents](#)

Table of Contents

Telescoping Foot End - 6550-001-015	106
Telescoping Head Section - 6550-001-020	108
Fowler Assembly	110
Gatch Assembly	111
Gatch Telescoping Assembly - 6550-001-017	114
No I.V. Pole Assembly Option	115
2-Stage I.V. Pole, Right - 6550-210-000	116
2-Stage I.V. Pole Assembly, Right - 6500-001-041	117
2-Stage I.V. Pole, Left - 6550-211-000	118
2-Stage I.V. Pole Assembly, Left - 6500-001-042	119
2-Stage I.V. Pole, Dual - 6550-212-000	120
3-Stage I.V. Pole, Right - 6550-215-000	121
3-Stage I.V. Pole Assembly, Right - 6500-001-043	122
3-Stage I.V. Pole, Left - 6550-216-000	123
3-Stage I.V. Pole Assembly, Left - 6500-001-044	124
3-Stage I.V. Pole, Dual - 6550-217-000	125
Optional Push Bar - 6550-040-000	126
Optional Corner Handle Assembly.	127
Label, SMRT Power	128
Label, DeWALT®	129
Optional Accessories	130
Equipment Hook - 6500-147-000	131
Oxygen Bottle Holder - 6550-002-020	132
Removable Oxygen Bottle Holder - 6080-140-000	133
Defibrillator Platform - 6100-170-000	134
Backrest Pouch - 6500-130-000	135
Recycling Passport.	136
EMC Information.	143
Warranty	147
Stryker EMS Return Policy.	148
Return Authorization.	148
Damaged Merchandise	148
International Warranty Clause.	148
Patent Information	148

Symbols and Definitions

SYMBOLS

	Warning, consult accompanying documentation
	Safe Working Load Symbol
	Dangerous Voltage Symbol
	Pinch Point
	Extend
	Retract
	Type B Equipment: equipment providing a particular degree of protection against electric shock, particularly regarding allowable leakage current and reliability of the protective earth connection. Internally Powered Equipment: Equipment able to operate from an internal (removable) electric power source. Mode of Operation: 10% (33 Sec. On / 5 Min. Off)
IPX6	Protection from powerful jets of water
	Medical Equipment Classified by Underwriters Laboratories Inc. With Respect to Electric Shock, Fire, and Mechanical Hazards Only in Accordance with UL 60601-1, First Edition (2003) and CAN/CSA C22.2 No. 601.1-M90 with updates 1 and 2.
	In accordance with European Directive 2002/96/EC on Waste Electrical and Electronic Equipment, this symbol indicates that the product must not be disposed of as unsorted municipal waste, but should be collected separately. Refer to your local distributor for return and/or collection systems available in your country.
	BS EN 1789:2000 Certified

Symbols and Definitions

WARNING/CAUTION/NOTE DEFINITION

The words **WARNING**, **CAUTION** and **NOTE** carry special meanings and should be carefully reviewed.

WARNING

Alerts the reader about a situation which, if not avoided, could result in death or serious injury. It may also describe potential serious adverse reactions and safety hazards.

CAUTION

Alerts the reader of a potentially hazardous situation which, if not avoided, may result in minor or moderate injury to the user or patient or damage to the equipment or other property. This includes special care necessary for the safe and effective use of the device and the care necessary to avoid damage to a device that may occur as a result of use or misuse.

NOTE

Provides special information to make maintenance easier or important instructions clearer.

Introduction

This manual is designed to assist you with the operation and maintenance of the Power-PRO™ TL cot. Carefully read this manual thoroughly before using the equipment or beginning maintenance on it. To ensure safe operation of this equipment, it is recommended that methods and procedures be established for educating and training staff on the safe operation of this cot.

PRODUCT DESCRIPTION


The Model 6550 Power-PRO™ TL powered cot reduces manual lifting. The battery-powered hydraulic system raises and lowers the patient with the touch of a button and the retractable head section and foot section shorten the cot for 360-degree mobility in any height position.

INTENDED USE OF PRODUCT

The Stryker Model 6550 Power-PRO™ TL ambulance cot is a wheeled device which consists of a platform mounted on a wheeled frame that is designed to support patients in a horizontal position. The device has siderails and has the option available to support the temporary or permanent placement of I.V. poles. An ambulance cot provides the operator a method of transporting patients from a location, typically outside of a healthcare facility, to another location via an ambulance. The cots are intended for transportation purposes and are not intended to be used as hospital stretchers or beds.

Introduction

SPECIFICATIONS

	Safe Working Load Note: Safe Working Load indicates the sum of the patient, mattress and accessory weight.	50 stones	318 kg	700 lb
Maximum Unassisted Lift Capacity		50 stones	318 kg	700 lb
Backrest Articulation/Shock Position		0° to 75° / +15°		
Overall Length		206 cm		81 in
Standard Length/Minimum Length/Width		194.3 cm / 139.7 cm / 58 cm		76.5 in / 55 in / 23 in
Height ¹		Adjustable from 36 cm to 106 cm		Adjustable from 14 in to 41.5 in
Weight ²		10.35 stones	66 kg	145 lb
Caster Diameter/Width		15 cm / 5 cm		6 in / 2 in
Minimum Operators Required for Loading/ Unloading an Occupied Cot		2		
Minimum Operators Required for Loading/ Unloading an Unoccupied Cot		1		
Recommended Fastener Systems		Model 6385, 6386, 6387, 6388, or 6389		
Double Wheel Lock / Four Wheel Lock		Double Wheel Lock Standard/Four Wheel Lock Optional		
Hydraulic Oil		Stryker Part Number 6500-001-293		
Power System ³				
- Battery		24V DC NiCd - SMRT™ Power System 24V DC NiCd - DeWALT® Battery System		
- Charger		120V/240Vac or 12V DC - SMRT™ Power System 120V/240Vac or 12V DC - DeWALT® Battery System		
Standards (Cots and Chargers)		IEC 60601-1 CAN/CSA-C22.2 No. 601.1-M90 UL 60601-1 IEC 60601-1-2:2001 BS EN 1789		

¹ Height measured from bottom of mattress at seat section to ground level.

² Cot is weighed with 1 battery and without mattress and restraints.

³ Cot is compatible with the SMRT™ Power System and DeWALT® Battery System.

Stryker reserves the right to change specifications without notice.

The Power-PRO™ TL is designed to be compatible with competitive cot fastener systems.

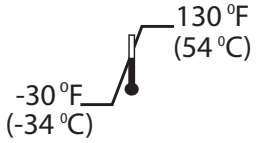

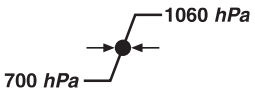
DeWALT® is a registered trademark of Black & Decker Inc.

Patents pending.

The yellow and black color scheme is a proprietary trademark of Stryker Corporation.

Introduction

SPECIFICATIONS (CONTINUED)

Environmental Conditions	Operation
Temperature	 A line graph showing a temperature range. The line starts at a point labeled -30 °F (-34 °C), rises to a peak labeled 130 °F (54 °C), and then descends. A small vertical line segment is drawn at the peak.
Relative Humidity	 A line graph showing a relative humidity range. The line starts at a point labeled 0%, rises to a peak labeled 100%, and then descends. Three teardrop-shaped icons are positioned above the line between the 0% and 100% marks.
Atmospheric Pressure	 A line graph showing an atmospheric pressure range. The line starts at a point labeled 700 hPa, rises to a peak labeled 1060 hPa, and then descends. Two horizontal arrows point towards each other at the peak.

Introduction

CONTACT INFORMATION

Contact Stryker Customer Service or Technical Support at: +44 (0) 1635 262431.

Stryker UK Limited
Hambridge Rd.
Newbury, Berkshire
RG14 5EG, England

Please have the serial number (see Figure 1) of your Stryker product available when calling Stryker Customer Service or Technical Support. Include the serial number in all written communication.

SERIAL NUMBER LOCATION

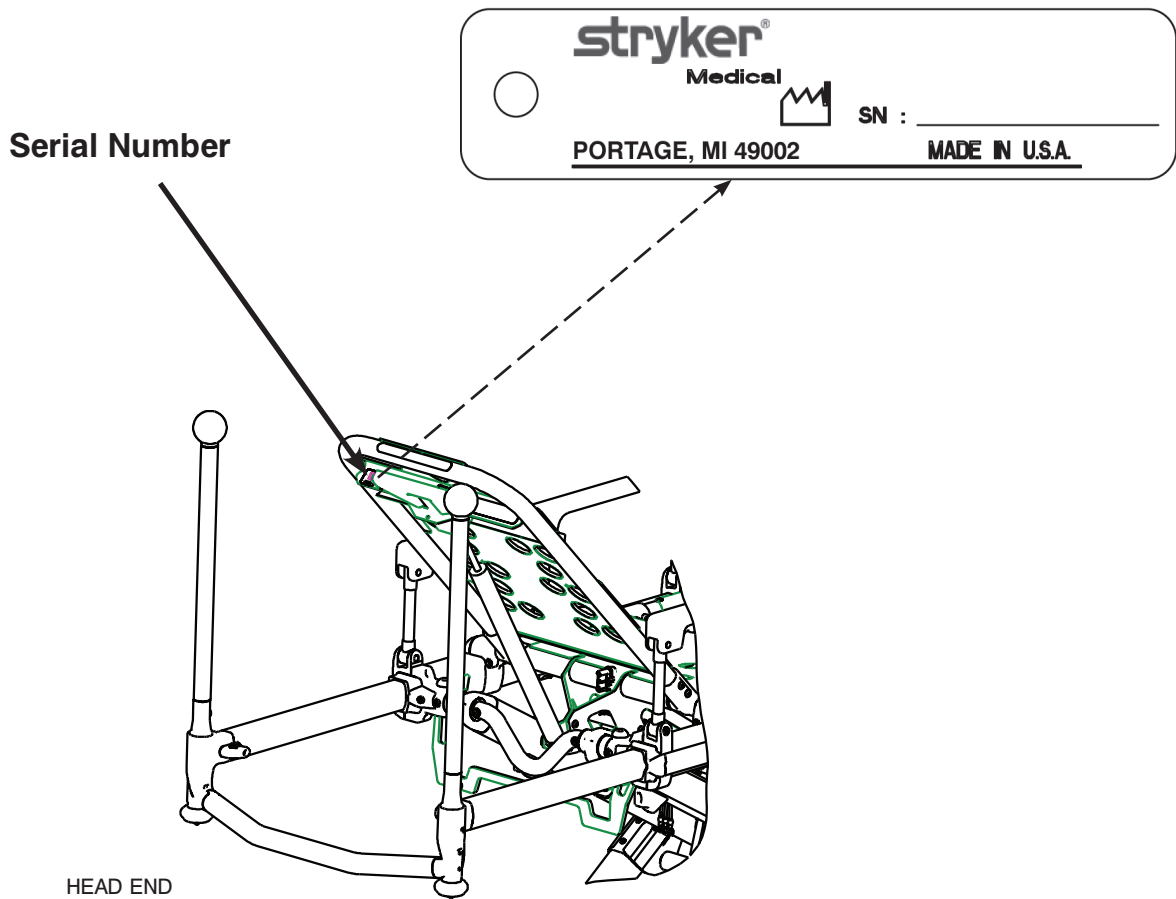


Figure 1: Cot Serial Number & Location

Introduction

PRODUCT ILLUSTRATION

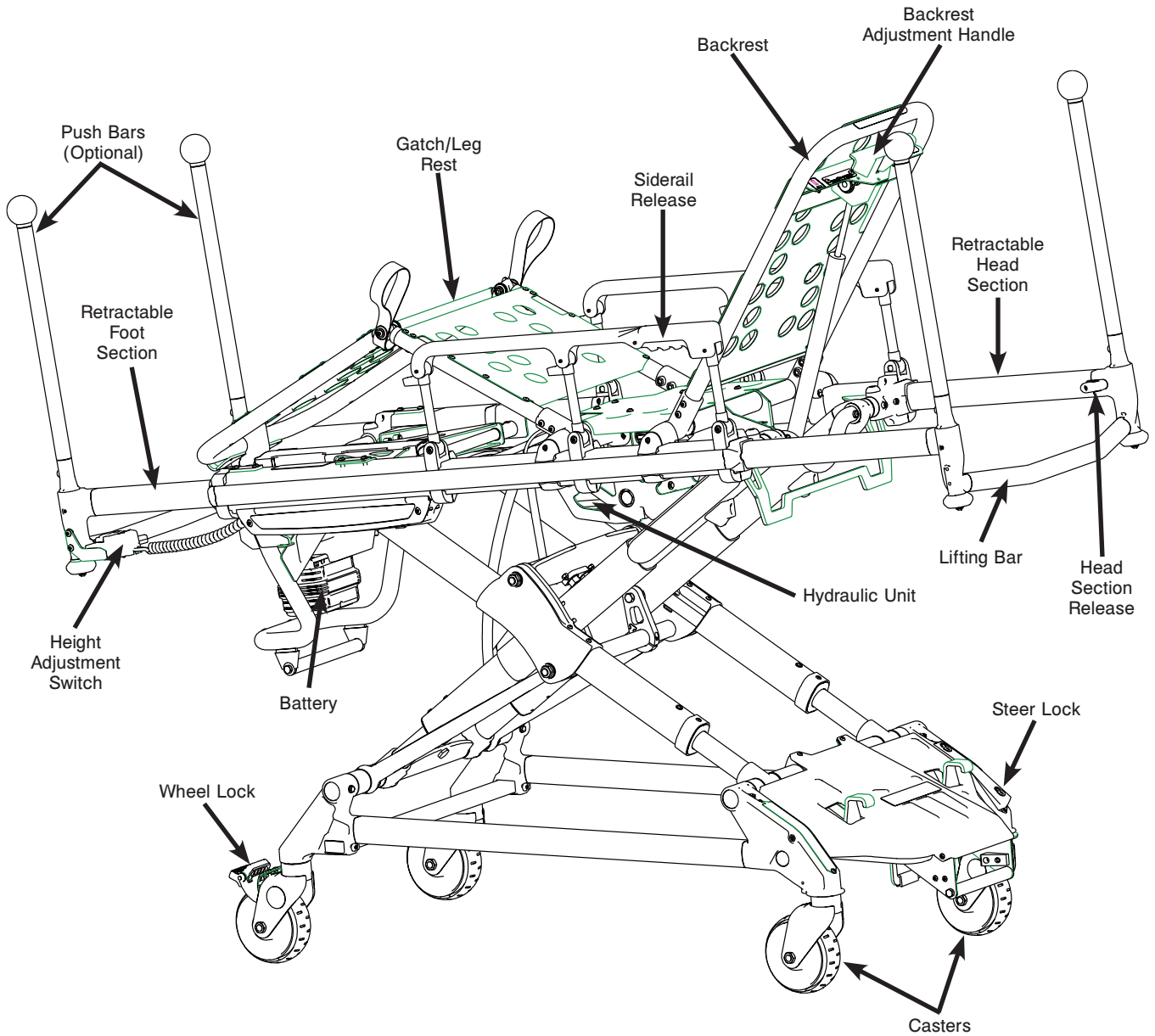


Figure 2: Cot Components

Summary of Safety Precautions

Carefully read and strictly follow the warnings and cautions listed on these pages. Service only by qualified personnel.

WARNING

- Improper usage of the cot can cause injury to the patient or operator. Operate the cot only as described in this manual.
- Do not modify the cot or any components of the cot. Modifying the product can cause unpredictable operation resulting in injury to the patient or operator. Modifying the product also voids its warranty (see [page 147](#)).
- It is the responsibility of the cot operator to ensure that the cot being used in the Stryker Cot Fastener Systems meets the installation specifications listed on [page 22](#). Injury may result if a non-compatible cot is used in the Stryker Fastener System.
- Do not attempt to operate the cot when it is loaded into a cot fastener.
- Entanglement in powered cot mechanisms can cause serious injury. Operate the cot only when all persons are clear of the mechanisms.
- Practice changing height positions and loading the cot until operation of the product is fully understood. Improper use can cause injury.
- Do not allow untrained assistants to assist in the operation of the cot. Untrained technicians/assistants can cause injury to the patient or themselves.
- Ensure proper hand placement on hand grips.
- Do not ride on the base of the cot. Damage to the product could occur, resulting in injury to the patient or operator.
- Transporting the cot sideways can cause the cot to tip, resulting in possible damage to the product and/or injury to the patient or operator. Transporting the cot in a lowered position, head or foot end first, minimizes the potential of a cot tip.
- Grasping the cot improperly can cause injury. Keep hands, fingers and feet away from moving parts. To avoid injury, use extreme caution when placing your hands and feet near the base tubes while raising and lowering the cot.
- Always use all restraint straps to secure the patient on the cot. An unrestrained patient may fall from the cot and be injured.
- Never leave a patient unattended on the cot or injury could result. Hold the cot securely while a patient is on the product.
- Never apply the wheel lock(s) while a patient is on the cot. Tipping could occur if the cot is moved while the wheel lock is applied, resulting in injury to the patient or operator and/or damage to the cot.
- Siderails are not intended to serve as a patient restraint device. See [page 38](#) for proper restraint strap usage. Failure to utilize the siderails properly could result in patient injury.
- A minimum of two operators are required to transport a patient on the cot.
- In addition to the head and foot end, larger patients may require additional operators.
- Hydraulically raising or lowering the cot may temporarily affect electronic patient monitoring equipment. For best results, patient monitoring should be conducted when the cot is idle.
- High obstacles, such as curbing, steps or rough terrain, can cause the cot to tip, possibly causing injury to the patient or operator.
- Transporting the cot in lower positions reduces the potential of a cot tip. If possible, obtain additional assistance or take an alternate route.
- A lift gate stop which is not properly functioning can result in injury to the patient or operator; ensure that the cot is unable to roll back off of the lift before using the lift with a cot and patient. Verify the lift gate stop is maintained and functioning properly and ensure that the cot is secure at all times when on the tail lift.
- Whenever the weight of the cot and patient is off of the wheels, the cot will automatically enter the high speed retract mode if the retract (–) button is pressed.
- Once the weight is off of the ground, the operator(s) must support the load of the patient, cot and any accessories. Failure to support the load properly may cause injury to the patient or operator.
- To avoid risk of electric shock, never attempt to open the battery pack for any reason. If the battery pack case is cracked or damaged, do not insert it into the charger. Return damaged battery packs to a service center for recycling.
- Do not remove the battery when the cot is activated.
- Avoid direct contact with a wet battery or battery enclosure. Contact may cause injury to the patient or operator.
- Always use all restraint straps to secure the patient on the cot. An unrestrained patient may fall from the cot and be injured.

[Return To Table of Contents](#)

Summary of Safety Precautions

WARNING (CONTINUED)

- Do not attach restraints to the base or cross tubes, improper restraint attachment could result in damage to the cot further resulting in injury to the patient or operator.
- Never install or use a wheel lock on a cot with excessively worn wheels. Installing or using a wheel lock on a wheel with less than a 6 in diameter could compromise the holding ability of the wheel lock, possibly resulting in injury to the patient or operator and/or damage to the cot or other equipment.
- Ensure that the push bar is properly locked into its mount to prevent the bar from coming out during use and possibly injuring the operator and/or patient.
- Do not lift the cot with the push bars. Lifting the cot by the push bars may result in failure of the push bar lock mechanism and may injure the operator and/or patient.
- When not in use, store the push bars in the base storage pouch that is provided with the push bar option.
- To avoid accidental release of the Pedi-Mate®, and possible injury to the infant, ensure that the restraint buckle is located away from obstructions on the cot or accessories.
- Use of power washing equipment can aerate contamination collected during the use of the cot. Use any appropriate personal safety equipment (goggles, respirator, etc.) to avoid the risk of inhaling contagion.
- **SOME CLEANING PRODUCTS ARE CORROSIVE IN NATURE AND MAY CAUSE DAMAGE TO THE PRODUCT IF USED IMPROPERLY.** If the products described above are used to clean Stryker EMS equipment, measures must be taken to insure the cots are wiped with clean water and thoroughly dried following cleaning. Failure to properly rinse and dry the cots will leave a corrosive residue on the surface of the cots, possibly causing premature corrosion of critical components.
- Failure to properly clean or dispose of contaminated mattress or other cot components will increase the risk of bloodborne pathogens and may cause injury to the patient or operator.
- Escaping fluid under pressure can penetrate the skin causing serious injury. Avoid the hazard by relieving pressure before disconnecting hydraulic or other lines. Tighten all connections before applying pressure. If an accident occurs, see a doctor immediately. Any fluid injected into the skin must be surgically removed within a few hours or gangrene may result. Doctors unfamiliar with this type of injury should reference a knowledgeable medical source.
- To avoid the risk of injury, do not use bare hands to check for hydraulic leaks.
- Medical electrical equipment requires special precautions regarding EMC and needs to be installed and put into service according to the EMC information provided on [page 143](#) to prevent equipment malfunction. Portable and mobile RF communication equipment can affect Medical Electrical Equipment.
- Explosion Hazard - Do not use cot in presence of flammable anesthetics.

CAUTION

- When charging a battery in an ambulance, locate the charger in an enclosed cabinet and out of patient reach during transport.
- The unit must be in its lowest position to properly engage the cot fastener (not included). To ensure that the cot is in the lowest position, press the retract (-) button until the cot stops moving down. This should be done before attempting to engage the cot into the cot fastener (not included).
- To reduce the risk of damage to the cot or cot fastener, do not attempt to activate the cot height activation while it is engaged in the cot fastener (not included).
- Before operating the cot, clear any obstacles that may interfere and cause injury to the operator or patient.
- Remove the battery if the cot is not going to be used for an extended period of time (more than 24 hours).
- Only use the battery and charger as specified.
- The cot is not for use with an AC adapter.
- Ensure that the battery is fully charged prior to placing into service. An uncharged or depleted battery may cause poor cot performance.
- Ensure that the restraints are not entangled in the base frame when raising and lowering the cot.
- Never operate the cot with the head section or foot section in an unlocked position.
- Wheel lock(s) are only intended to help prevent the cot from rolling while unattended and to aid in patient transfer. A wheel lock may not provide sufficient resistance on all surfaces or under loads.

Summary of Safety Precautions

CAUTION (CONTINUED)

- Engaging the steer lock and attempting to push the cot sideways may affect the cot stability.
 - To avoid damage to the I.V. pole, the weight of the I.V. bags or equipment must not exceed 2.8 stones (18 kg) (40 lb).
 - To avoid damage to the equipment hook, the weight of the accessories or equipment must not exceed 2.5 stones (16 kg) (35 lb).
 - To avoid damage to the equipment hook, remove all accessories or equipment from the hook while transporting the stretcher in the ambulance.
 - Do not store items under the cot mattress. Storing items under the mattress can interfere with the operation of the cot.
 - The weight of the equipment in the pocketed backrest storage pouch (if equipped) must not exceed 1.4 stones (9 kg) (20 lb).
 - Ensure that the storage pouch does not interfere with the operation of the retractable head section.
 - To avoid damage to the oxygen bottle holder (if equipped), the weight of the equipment must not exceed 2.9 stones (18 kg) (40 lb).
 - Only use oxygen bottles which lie within the width of the cot and are large enough to be firmly held by the straps.
 - DO NOT STEAM CLEAN OR ULTRASONICALLY CLEAN THE UNIT.
 - Maximum water temperature should not exceed 82°C/180°F.
 - Maximum air dry temperature (cart washers) is 115°C/240°F.
 - Maximum water pressure should not exceed 130.5 bar/1500 psi. If a hand held wand is being used to wash the unit, the pressure nozzle must be kept a minimum of 61 cm (24 inches) from the unit.
 - Towel dry all casters and interface points.
 - Failure to comply with these instructions may invalidate any/all warranties.
 - Always remove the battery before washing the cot.
 - A preventative maintenance program should be established for all Stryker EMS equipment. Preventative maintenance may need to be performed more frequently based on the usage level of the product. Close attention should be given to safety features including, but not limited to:
 - Hydraulic power mechanism
 - All electrical controls return to off or neutral position when released
- For additional maintenance information, see the preventative maintenance information.
- Improper maintenance can cause injury or damage to the product. Maintain the cot as described in this manual. Use only Stryker approved parts and maintenance procedures. Using unapproved parts and procedures could cause unpredictable operation and/or injury and will void the product warranty (see [page 147](#)).
 - Failure to use authorized parts, lubricants, etc. could cause damage to the cot and will void the warranty of the product.
 - Hydraulic lines, hoses, and connections can fail or loosen due to physical damage, kinks, age, and exposure. Check hoses and lines regularly to avoid damage to the cot. Check and tighten loose connections.
 - Do not tip the cot and actuate the product as this will allow air to enter the hydraulic system.
 - Do not lubricate the bearings in the X-frame as it will degrade the performance of the cot and may void its warranty (see [page 147](#)).
 - The weight of the monitoring equipment must not exceed 5.4 stones (34 kg) (75 lb) on the defibrillator platform (if equipped). Monitoring equipment should not be stored on the cot or on the defibrillator platform when in the ambulance vehicle.
 - To avoid malfunction, do not use the unit adjacent to or stacked with other equipment. If adjacent or stacked use is necessary, observe the unit to verify normal operation in the configuration in which it will be used.
 - Possible fire hazard when used with oxygen administering equipment of other than the nasal, mask or 1/2 bed length tent type. Oxygen tent should not extend below mattress support level. An oxygen rich environment is an environment where the oxygen concentration levels are greater than 25% for ambient pressures up to 110 kPa or the partial pressure of oxygen is greater than 27.5 kPa at ambient pressures exceeding 110 kPa.
-

Summary of Safety Precautions

NOTE

- Loose items or debris on the patient compartment floor can interfere with the operation of the cot fastener. Keep the patient compartment floor clear.
- This manual should be considered a permanent part of the cot and should remain with the product even if the cot is subsequently sold.
- Stryker continually seeks advancements in product design and quality. Therefore, while this manual contains the most current product information available at the time of printing, there may be minor discrepancies between your cot and this manual. If you have any questions, please contact Stryker Customer Service or Technical Support at +44 (0) 1635 262431.
- The operators must lift the cot weight slightly off of the wheels to use the manual extend or retract while a patient is on the cot.
- Activation of the manual back-up release handle may cause the cot to drop slowly if less than 7 stones (45 kg) (100 lb) are on the cot.
- Batteries slowly lose charge when not on the charger.
- Lowering the backrest without a patient may require slightly more pressure.
- When engaging the cot into the fastener, it is advised to disengage the caster steer lock feature to allow the head end casters to swivel freely and allow the head end of the cot to more easily align with the fastener.
- These are general instructions for installation of the Pedi-Mate®. Safe and proper use of the Pedi-Mate® is solely at the discretion of the user. Stryker recommends that all users be trained on the proper use of the Pedi-Mate® before using it in an actual situation. Retain these instructions for future reference. Include them with the product in the event of transfer to new users.
- Failure to follow the cleaning directions when using the specified types of cleaners may void this product's warranty (see [page 147](#)).

Summary of Safety Precautions

PINCH POINTS

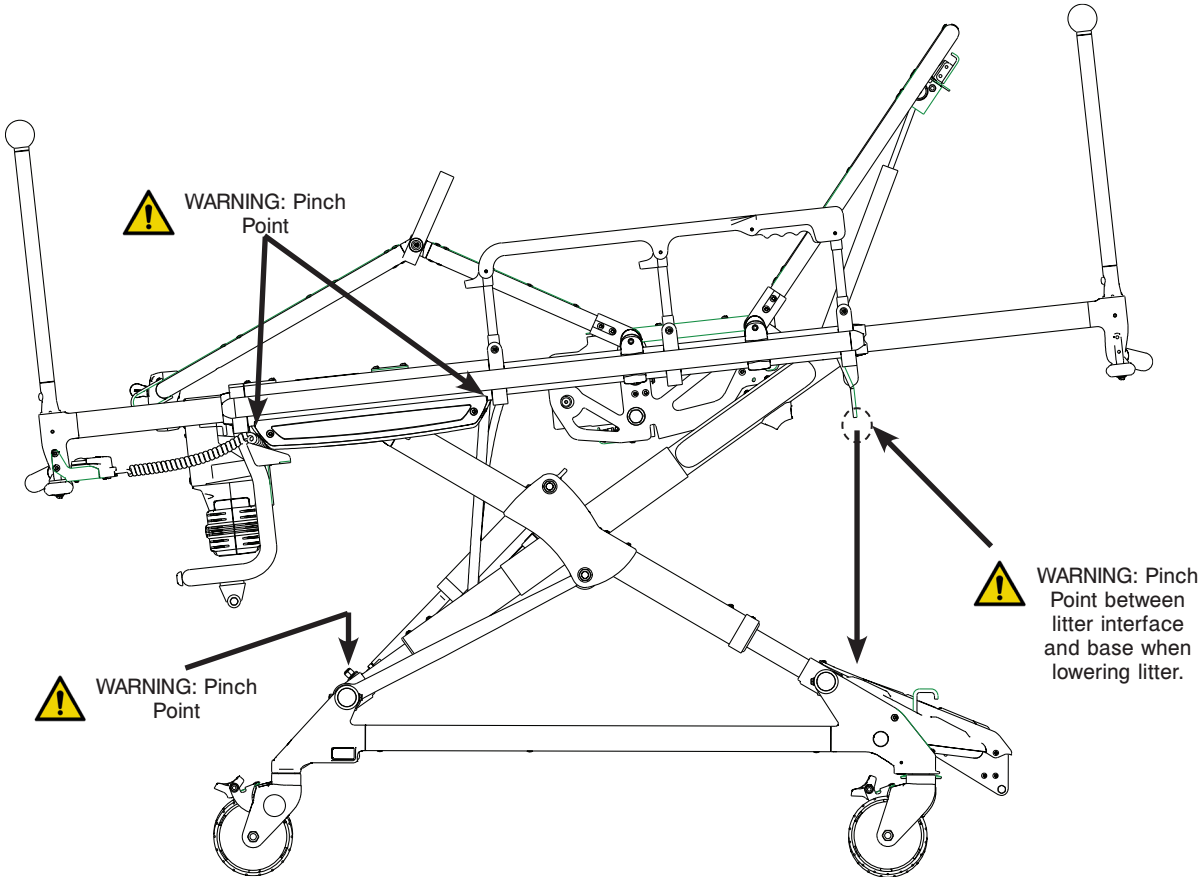


Figure 3: Potential Pinch Points

Setup Procedures

Ensure that all shipping and packaging materials have been removed from the product(s) prior to use.

Unpack the cartons and check all items for proper operation. It is important that the cot is working properly before it is put into service. Have a qualified service person use the Product Inspection checklist on [page 19](#) and the operation instructions to check the cot before it is put into service. See Figure 2 on [page 12](#) to identify all of the cot components.

The patient compartment of the vehicle in which the cot will be used must have a:

- Level floor large enough for the folded cot.
- Stryker Model 6385, 6386, 6387, 6388, or 6389 Cot Fastener System (not included).

Note: Loose items or debris on the patient compartment floor can interfere with the operation of the cot fastener. Keep the patient compartment floor clear.

When necessary, modify the vehicle to fit the cot. Do not modify the cot.

WARNING

- Improper usage of the cot can cause injury to the patient or operator. Operate the cot only as described in this manual.
- Do not modify the cot or any components of the cot. Modifying the product can cause unpredictable operation resulting in injury to the patient or operator. Modifying the product also voids its warranty (see [page 147](#)).

Note:

- This manual should be considered a permanent part of the cot and should remain with the product even if the cot is subsequently sold.
- Stryker continually seeks advancements in product design and quality. Therefore, while this manual contains the most current product information available at the time of printing, there may be minor discrepancies between your cot and this manual. If you have any questions, please contact Stryker Customer Service or Technical Support at +44 (0) 1635 262431.

Product Inspection

The condition of the cot is the responsibility of the owner. It is important that the cot is working properly before the product is put into service. Have a qualified service technician use the following list and the operation instructions to check the cot before the product is put into service.

The battery must be charged prior to checking the features and condition of the cot.

Item	Routine
Battery	Unpack batteries and charger
	Charge battery according to SMRT Power System instructions (6500-009-101) or DeWALT® Battery System instructions

The power indicator LED, located on the height adjustment switch of the cot, is solid green when the battery is fully charged or has adequately charged battery power.

CAUTION

When charging a battery in an ambulance, locate the charger in an enclosed cabinet and out of patient reach during transport.

After the battery is fully charged, inspect the cot for the following points:

Item	Routine	Page
Battery	Charge spare battery (if necessary) according to SMRT Pak or DeWALT® battery instructions	34
	Install battery into foot end enclosure - power indicator LED operates	34
	Ensure that the battery remains firmly secured	34
	Release and remove battery from foot end enclosure	34
	Reinstall battery into foot end enclosure	34
Hydraulics	Inspect motor mount - all fasteners secure	62
	Check cylinder attachments at both ends - all fasteners secure	62
	Inspect main cable - all connections secure	62
	Inspect hoses and cylinder seal for leaks	62
Electronic Controls	Check power indicator LED - charged	36
	Extend cot to raised position	31
	Check high speed retract	31
	Extend cot to full height - no drift	31
Manual Back-up Release	Verify the manual back-up release handle functions properly - adjust accordingly	32
	With the cot empty, check the raise/lower function	32
	With the cot loaded with a minimum of 7 stones (45 kg) (100 lb), check the raise/lower function	32
Litter	All fasteners secure (reference all assembly drawings)	
	All welds intact - not cracked or broken	
	No bent, broken, or damaged components	
	Verify siderails operate and latch properly	41
	Verify backrest cylinder operates properly through range of motion	41
	Verify the footrest operates properly	43
	Install body restraints. Restraints intact and operating properly.	38
	No rips or tears in mattress cover	

[Return To Table of Contents](#)

Product Inspection

Item	Routine	Page
Head/Foot Section	All fasteners secure (reference all assembly drawings)	
	No bent or broken tubing or sheet metal	
	Verify the head/foot section extends and retracts properly	42
Base	All fasteners secure (reference all assembly drawings)	
	All welds intact - not cracked or broken	
	No bent, broken, or damaged components	
Wheels and Tires	No debris in wheels	
	All wheels secure, rolling and swiveling properly	
	Operate wheel locks (if equipped) - wheel secure when engaged, rolls freely when disengaged	44
Accessories	Verify I.V. pole (if equipped) operates properly	47
	Verify removable oxygen bottle holder (if equipped) operates properly	
	Verify equipment hook (if equipped) is installed properly	50
	Verify Pedi-Mate® restraint package (if equipped) is installed properly	51
	Verify pocketed backrest storage pouch (if equipped) is installed properly	53
	Verify oxygen bottle holder (if equipped) operates properly	54
	Verify 36 in restraint extender (if equipped) is included	40

Cot Fastener Installation

The Power-PRO TL Cot Fastener System, Model 6385, 6386, 6387, 6388, and 6389, are designed to be compatible only with cots which conform to the installation specifications listed on [page 22](#).

The Power-PRO TL Cot Fastener System, Model 6385, 6386, 6387, 6388, and 6389, are not designed for any other purpose than to restrict cot movement as it is being transported in the patient compartment of an ambulance under normal conditions. Usage of this product in any other way becomes the complete responsibility of the owner/user. Caution must be used at all times during placement of the cot into the ambulance.

 **WARNING**

It is the responsibility of the cot operator to ensure that the cot being used in the Stryker Cot Fastener Systems meets the installation specifications listed on [page 22](#). Injury may result if a non-compatible cot is used in the Stryker Fastener System.

For more information about the Power-PRO TL Cot Fastener System, Model 63585, 6386, 6387, 6388, and 6389, see the Cot Fastener Operations/Maintenance Manual (6385-009-001).

Cot Fastener Installation

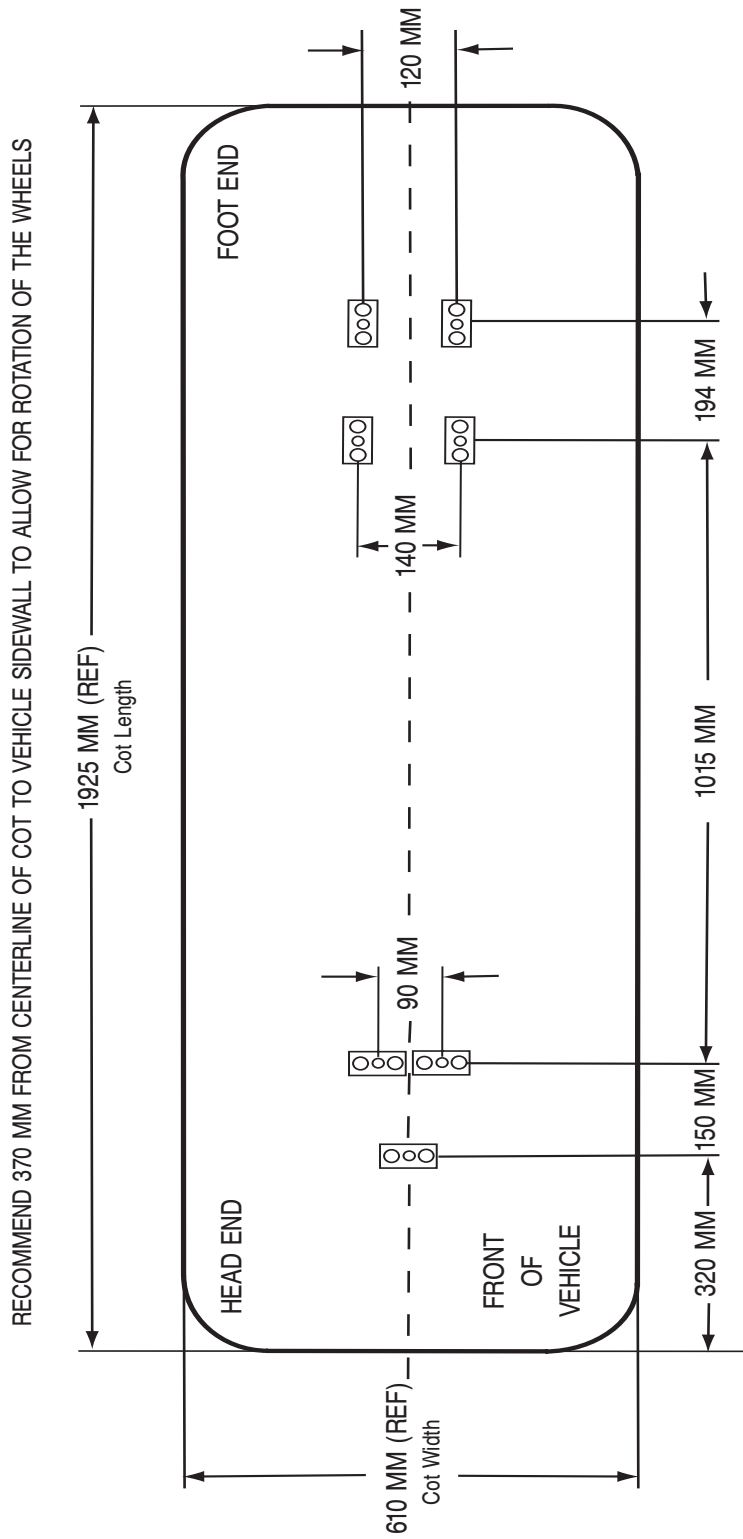


Figure 4: Installation Specifications

Operation Guide

ENGAGING THE COT INTO THE FASTENER

To engage the cot into the fastener:

1. Before attempting to engage the cot into the fastener, ensure that the pedal is fully depressed and the cot is completely lowered as shown in Figure 5.
2. Guide the cot into both the head end and foot end of the fastener until the locking mechanism is engaged as shown in Figure 6.

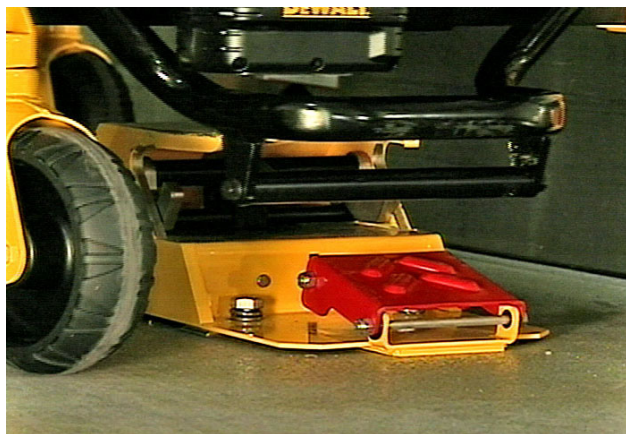


Figure 5: Pedal Fully Depressed



Figure 6: Cot in Fastener - (Foot End)

3. Make sure that the cot is securely fastened at both the head end and foot end before releasing your grip on the cot as shown in Figure 7.

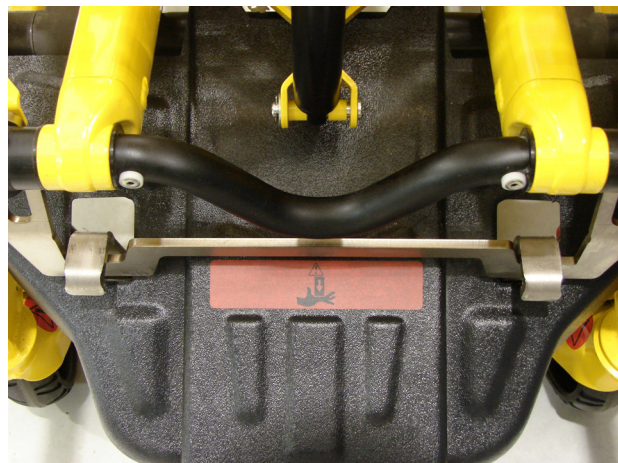


Figure 7: Cot in Fastener (Head End)

CAUTION

- The unit must be in its lowest position to properly engage the cot fastener (not included). To ensure that the cot is in the lowest position, press the retract (-) button until the cot stops moving down. This should be done before attempting to engage the cot into the cot fastener (not included).
 - To reduce the risk of damage to the cot or cot fastener, do not attempt to activate the cot height activation while it is engaged in the cot fastener (not included).
-

Operation Guide

REMOVING THE COT FROM THE FASTENER

To remove the cot from the fastener:

1. Press down firmly on the foot pedal until the locking mechanism disengages as shown in Figure 8.
2. Roll the cot out of the patient compartment as shown in Figure 9.

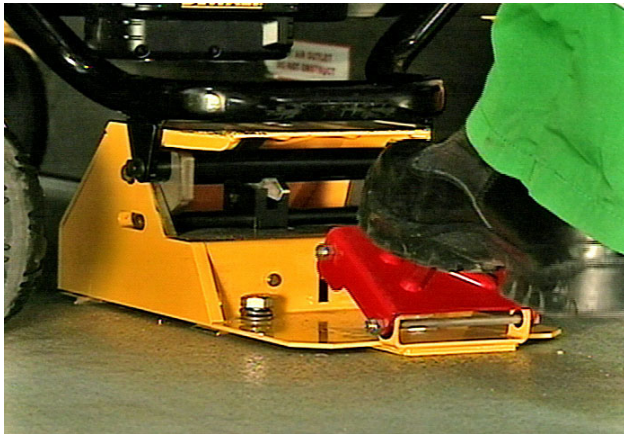


Figure 8: Press Foot End

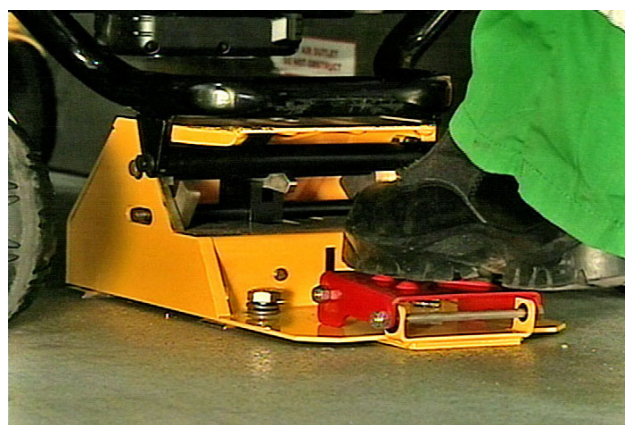


Figure 9: Remove Cot

Operation Guide

OPERATING GUIDELINES

- Use the cot only as described in this manual.
- Read all labels and instructions on the cot before using the cot.
- Use a minimum of two (2) trained operators to operate the cot while a patient is on the cot. If additional assistance is needed, see “Using Additional Assistance” on [page 33](#).
- Do not adjust, roll or load the cot into a vehicle without advising the patient. Stay with the patient and control the cot at all times.
- The cot can be transported in any position. Stryker recommends that the operators transport the patient in the lowest comfortable position to maneuver the cot.
- Only use the wheel lock(s) during patient transfer or without a patient on the cot.
- Always use the restraint straps.
- Use properly trained helpers when necessary to control the cot and patient.

WARNING

- Improper usage of the cot can cause injury to the patient or operator. Operate the cot only as described in this manual.
- Entanglement in powered cot mechanisms can cause serious injury. Operate the cot only when all persons are clear of the mechanisms.
- Practice changing height positions and loading the cot until operation of the product is fully understood. Improper use can cause injury.
- Do not allow untrained assistants to assist in the operation of the cot. Untrained technicians/assistants can cause injury to the patient or themselves.
- Ensure proper hand placement on hand grips.
- Do not ride on the base of the cot. Damage to the product could occur, resulting in injury to the patient or operator.
- Transporting the cot sideways can cause the cot to tip, resulting in possible damage to the product and/or injury to the patient or operator. Transporting the cot in a lowered position, head or foot end first, minimizes the potential of a cot tip.
- Grasping the cot improperly can cause injury. Keep hands, fingers and feet away from moving parts. To avoid injury, use extreme caution when placing your hands and feet near the base tubes while raising and lowering the cot.

CAUTION

Before operating the cot, clear any obstacles that may interfere and cause injury to the operator or patient.

PROPER LIFTING TECHNIQUES

When lifting the cot and patient, there are five basic guidelines to help you avoid injury:

- Keep your hands close to your body.
- Keep your back straight.
- Coordinate your movements with your partner and lift with your legs.
- Avoid twisting.
- Always operate the cot as described in this manual.

Operation Guide

TRANSFERRING THE PATIENT TO THE COT

To transfer the patient to the cot:

1. Roll the cot to the patient.
2. Place the cot beside the patient and raise or lower the cot to the level of the patient.
3. Lower the siderails and open the restraint straps.
4. Engage the wheel locks to prevent the cot from moving during patient transfer.
5. Transfer the patient to the cot using accepted EMS procedures.
6. Use all the restraint straps to secure the patient to the cot (see [page 38](#)).
7. Raise the siderails and adjust the backrest and leg rest as necessary.
8. Disengage the wheel locks for transport.

WARNING

- Always use all restraint straps to secure the patient on the cot. An unrestrained patient may fall from the cot and be injured.
- Never leave a patient unattended on the cot or injury could result. Hold the cot securely while a patient is on the product.
- Never apply the wheel lock(s) while a patient is on the cot. Tipping could occur if the cot is moved while the wheel lock is applied, resulting in injury to the patient or operator and/or damage to the cot.
- Siderails are not intended to serve as a patient restraint device. See [page 38](#) for proper restraint strap usage. Failure to utilize the siderails properly could result in patient injury.
- Hydraulically raising or lowering the cot may temporarily affect electronic patient monitoring equipment. For best results, patient monitoring should be conducted when the cot is idle.

ROLLING THE COT

WARNING

- A minimum of two operators are required to transport a patient on the cot.
- In addition to the head and foot end, larger patients may require additional operators.

The Power-PRO TL cot can transport a patient in any height position, however, lower heights may improve balance and stability, so Stryker recommends keeping the cot in the lowest position that is comfortable for the cot operators.

When rolling the cot:

- Make sure that all of the restraint straps are securely buckled around the patient (see [page 38](#)).
- Place the cot in any position for rolling.
- Position an operator at the foot end and one at the head end of the cot **at all times** when rolling the cot with a patient on it.
- Approach door sills and/or other low obstacles squarely and lift each set of wheels over the obstacle separately.

WARNING

- High obstacles, such as curbing, steps or rough terrain, can cause the cot to tip, possibly causing injury to the patient or operator.
 - Transporting the cot in lower positions reduces the potential of a cot tip. If possible, obtain additional assistance or take an alternate route.
-

Operation Guide

ADJUSTING THE HEIGHT OF THE COT WITH TWO OPERATORS

Changing the height of the cot while a patient is on the cot requires a minimum of **two (2) trained operators** who are positioned at each end of the cot.

To raise or lower the cot:

1. **Operator 1 (Foot End)** – Grasp the cot frame at the foot end and press either the extend (+) button on the control switch to raise the litter or the (-) button on the control switch to lower the litter to the desired position.
2. **Operator 2 (Head End)** – Maintain a firm grip on the outer rail until the cot is securely in the desired position.

WARNING

Grasping the cot improperly can cause injury. Keep hands, fingers and feet away from moving parts. To avoid injury, use extreme caution when placing your hands and feet near the base tubes while raising and lowering the cot.

Operation Guide

TAIL LIFT LOADING AND UNLOADING

Loading an occupied cot into a vehicle requires a minimum of **two (2) trained operators**.

WARNING

- A lift gate stop which is not properly functioning can result in injury to the patient or operator; ensure that the cot is unable to roll back off of the lift before using the lift with a cot and patient. Verify the lift gate stop is maintained and functioning properly and ensure that the cot is secure at all times when on the tail lift.
- Ensure proper hand placement on hand grips.

To load the cot:

1. Ensure that the patient is secured at all times while on the cot.
2. Move the cot to its lowest position for greater stability by pressing the retract (-) button.
3. Push the cot forward onto the tail lift, head end first as shown in Figure 10. Ensure that the wheels are in the proper location on the tail lift to allow the safety stop to properly rotate in place and prevent the cot from rolling backwards as shown in Figure 11.
4. Before raising the tail lift, verify that there is adequate distance between the cot and rear of the ambulance, and that there is nothing hanging down from the cot.
5. As one operator raises the tail lift, the second operator should maintain a firm grip on the cot frame to provide greater stability.
6. Both operators should carefully guide the cot into the patient compartment and into the cot fastener (not included).



Figure 10: Load Cot



Figure 11: Push Cot into Patient Compartment

CAUTION

- The unit must be in its lowest position to properly engage the cot fastener (not included). To ensure that the cot is in the lowest position, press the retract (-) button until the cot stops moving down. This should be done before attempting to engage the cot into the cot fastener (not included).
- To reduce the risk of damage to the cot or cot fastener, do not attempt to activate the cot height activation while it is engaged in the cot fastener (not included).

To unload the cot:

1. Ensure that the safety gate stop is in position to prevent the cot from rolling off of the lift.
2. Raise the tail lift to the ambulance floor level and disengage the cot from the cot fastener system.
3. Both operators should firmly grasp the cot frame and roll the cot into the tail lift. Make sure that the cot is fully removed from the patient compartment and the cot wheels are in the proper position to allow the lift to lower freely.
4. Lower the tail lift to the ground and ensure that it is fully lowered and stopped before disengaging the tail lift safety gate and allowing the cot to be rolled off of the tail lift.

Operation Guide

RAMP LOADING AND UNLOADING

Loading an occupied cot into a vehicle requires a minimum of **two (2) trained operators**.

WARNING

Ensure proper hand placement on hand grips.

To load the cot:

1. Ensure that the patient is secured at all times while on the cot.
2. Before pushing up the ramp, lower the cot to its lowest position by pressing the retract (-) button for maximum stability. Also verify that there is nothing hanging down from the cot, such as blankets or straps.
3. Using the optional push bars, both operators should push/pull the cot up the ramp, head end first. The operators should carefully guide the cot up the center of the ramp as shown in Figure 13).
4. Both operators should then push the cot into the patient compartment, until the cot engages the cot fastener (not included).



Figure 12: Lower Cot



Figure 13: Push Cot in Patient Compartment

CAUTION

- The unit must be in its lowest position to properly engage the cot fastener (not included). To ensure that the cot is in the lowest position, press the retract (-) button until the cot stops moving down. This should be done before attempting to engage the cot into the cot fastener (not included).
 - To reduce the risk of damage to the cot or cot fastener, do not attempt to activate the cot height activation while it is engaged in the cot fastener (not included).
-

Cot Operation

LOADING AND UNLOADING THE COT USING THE OPTIONAL OXYGEN BOTTLE HOLDER

To load and unload the cot with the optional oxygen bottle holder, attach the winch cable to the winch attachment rod (A) as shown in Figure 14.

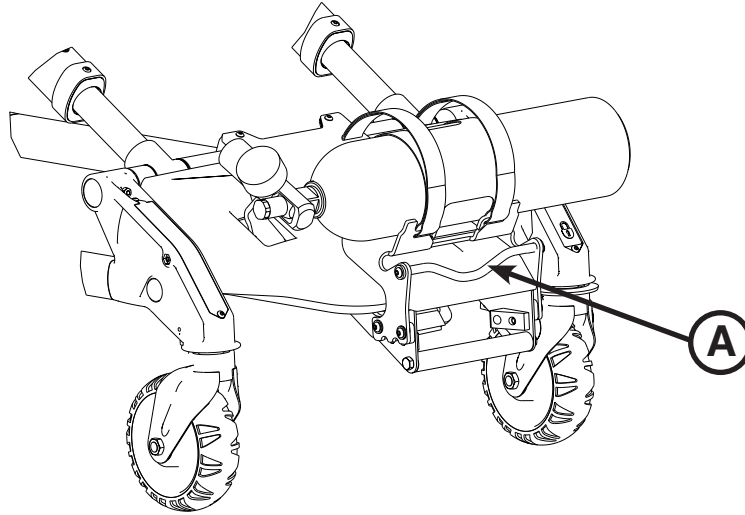


Figure 14: Winch Attachment Rod

The length of the loading ramp should be at least 8.5 feet. Verify the ramp can support the weight of the cot, patient and equipment.

Note:

- With the cot in the lowest position, the optional oxygen bottle holder can be used to load patients weighing up to 50 stones (318 kg) (700 lb).
- Proper inspection and maintenance of the optional oxygen bottle holder accessory should be followed as identified in the Preventative Maintenance Checklist (see [page 57](#)).

Operation Guide

HIGH SPEED RETRACT/EXTEND

The cot is equipped with a high-speed retract mode to expedite lifting the cot over obstacles.

- The undercarriage **rapidly** retracts toward the highest position once the weight of the cot and patient is off of the wheels. Press the retract (-) button to actuate the control switch.
- The undercarriage **rapidly** extends toward the lowest position once the weight of the cot and patient is off of the wheels. Press the extend (+) button to actuate the control switch.

WARNING

- Whenever the weight of the cot and patient is off of the wheels, the cot will **automatically** enter the high speed retract mode if the retract (-) button is pressed.
 - Once the weight is off of the ground, the operator(s) must support the load of the patient, cot and any accessories. Failure to support the load properly may cause injury to the patient or operator.
-

Operation Guide

USING THE MANUAL OVERRIDE

In the event of loss of electrical function, the cot is equipped with a manual override to allow manual operation of the product until electrical functionality is restored. You can use the red manual back-up release handle to raise or lower the cot.

The **red** manual back-up release handle (A) is located along the patient left side of the lower lift bar at the foot end of the cot as shown in Figure 15.

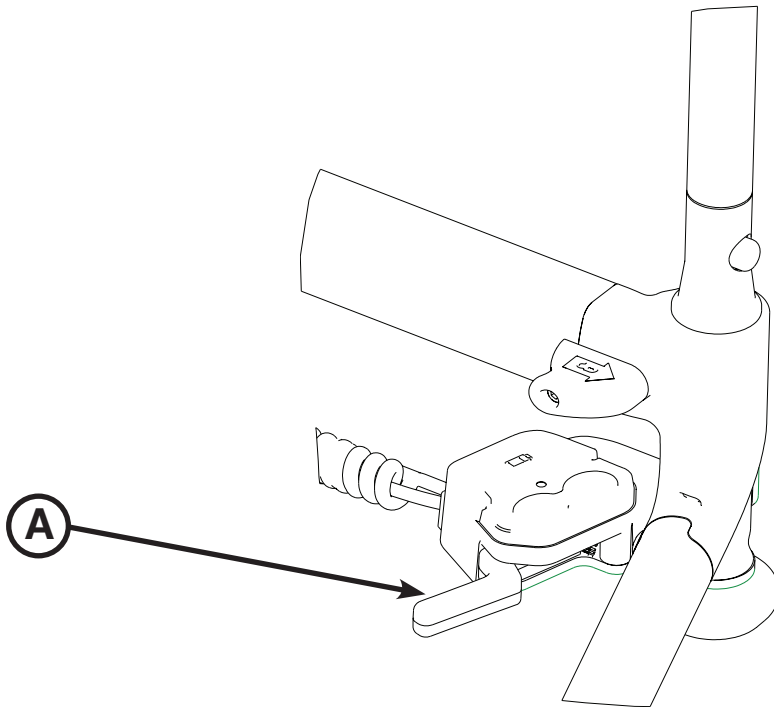


Figure 15: Manual Release Handle

To raise or lower the cot with the manual back-up release handle:

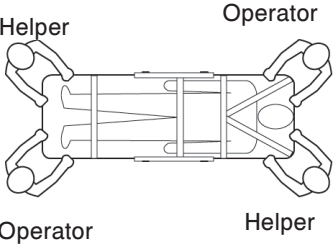
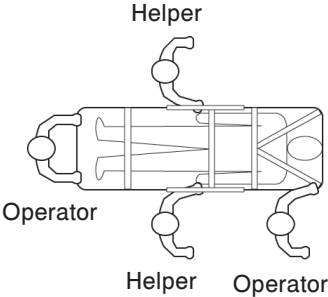
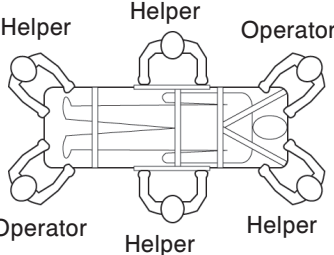
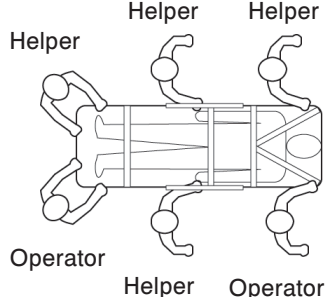
1. **Both Operators** – Lift the cot during the raise/lower operation to support the weight of the cot at each end.
2. **Operator 1 (Foot End)** – Pull the manual back-up release handle toward the lift bar. While the manual back-up release handle is pulled, raise or lower the cot to the desired position and then release the handle to lock the cot into position.

Note:

- The operators must lift the cot weight slightly off of the wheels to use the manual extend or retract while a patient is on the cot.
- Activation of the manual back-up release handle may cause the cot to drop slowly if less than 7 stones (45 kg) (100 lb) are on the cot.

Operation Guide

USING ADDITIONAL ASSISTANCE

	Changing Levels	Rolling
<p>Two Operators</p> <p>Two Helpers</p>		
<p>Two Operators</p> <p>Four Helpers</p>		

Operation Guide

REMOVING AND REPLACING THE BATTERY

The cot is supplied with two removable 24V SMRT Paks or 24V DeWALT® batteries as the power source.

See the SMRT Power System Operations/Maintenance manual (6500-009-101) for additional SMRT Pak and SMRT Charger information. See the DeWALT® Battery System manual for battery and charger information.

REMOVING AND REPLACING A SMRT PAK

WARNING

- To avoid risk of electric shock, never attempt to open the battery pack for any reason. If the battery pack case is cracked or damaged, do not insert it into the charger. Return damaged battery packs to a service center for recycling.
 - Do not remove the battery when the cot is activated.
 - Avoid direct contact with a wet battery or battery enclosure. Contact may cause injury to the patient or operator.
-

To remove the SMRT Pak:

1. Press the RED one hand release button (C) or press the battery release button (A) to release the SMRT Pak (B) from the cot as shown in Figure 16.
2. Slide the released SMRT Pak out of the enclosure.

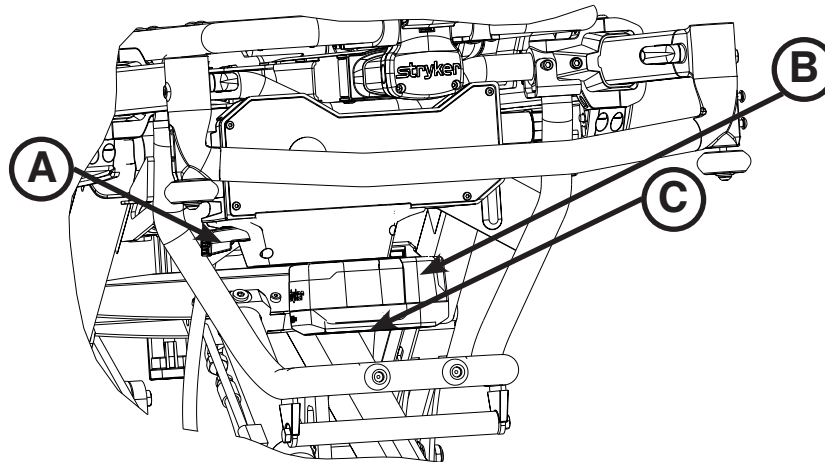


Figure 16: SMRT Pak Removal and Replacement

To reinstall or replace the SMRT Pak:

1. Align the tabs in the battery enclosure.
2. Push the SMRT Pak into the enclosure until the latch clicks into place.
 - The cot power indicator LED is solid GREEN if the SMRT Pak is fully charged and ready.
 - The cot power indicator LED flashes RED if the SMRT Pak needs to be recharged or replaced.

Note: Batteries slowly lose charge when not on the charger.

CAUTION

Remove the battery if the cot is not going to be used for an extended period of time (more than 24 hours).

Operation Guide

REMOVING AND REPLACING A DEWALT® BATTERY

WARNING

- To avoid risk of electric shock, never attempt to open the battery pack for any reason. If the battery pack case is cracked or damaged, do not insert it into the charger. Return damaged battery packs to a service center for recycling.
 - Do not remove the battery when the cot is activated.
 - Avoid direct contact with a wet battery or battery enclosure. Contact may cause injury to the patient or operator.
-

To remove the battery:

1. Press the red battery release button (A), located on the patient right side of the foot end control enclosure, to release the battery (B) from the cot as shown in Figure 17.
2. Slide the released battery out of the enclosure.

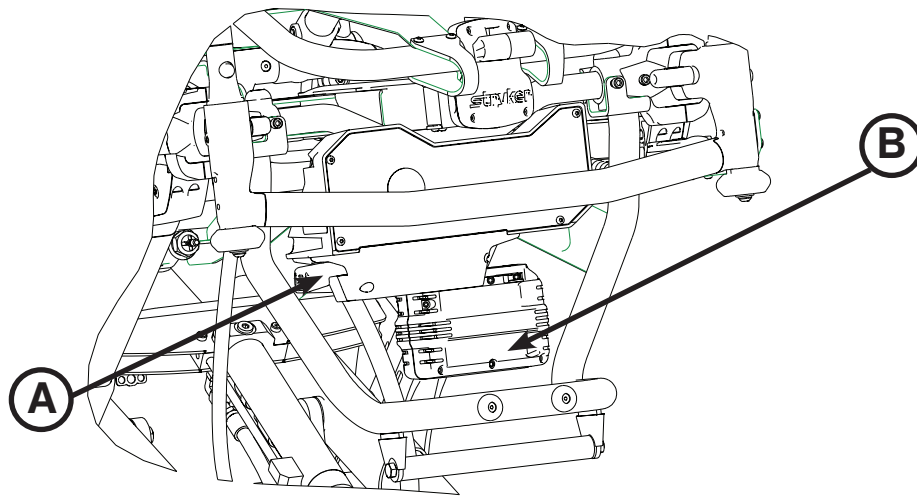


Figure 17: DEWALT® Battery Removal & Replacement

To reinstall or replace the battery:

1. Align the tabs in the battery enclosure.
2. Push the battery into the enclosure until the latch clicks into place.
 - The cot power indicator LED is solid GREEN if the battery is fully charged and ready.
 - The cot power indicator LED flashes RED if the battery needs to be recharged or replaced.

Note: Batteries slowly lose charge when not on the charger.

CAUTION

Remove the battery if the cot is not going to be used for an extended period of time (more than 24 hours).

Operation Guide

USING THE BATTERY POWER INDICATOR

To check the battery power level, depress **lightly** on the retract (-) button (A) to activate the power indicator LED (B) as shown in Figure 18.

The power indicator LED, located on the height adjustment switch of the cot, is represented by a red or green light.

- The indicator LED is solid green when the battery is fully charged or has adequately charged battery power.
- The indicator LED flashes red when the battery needs to be recharged or replaced.

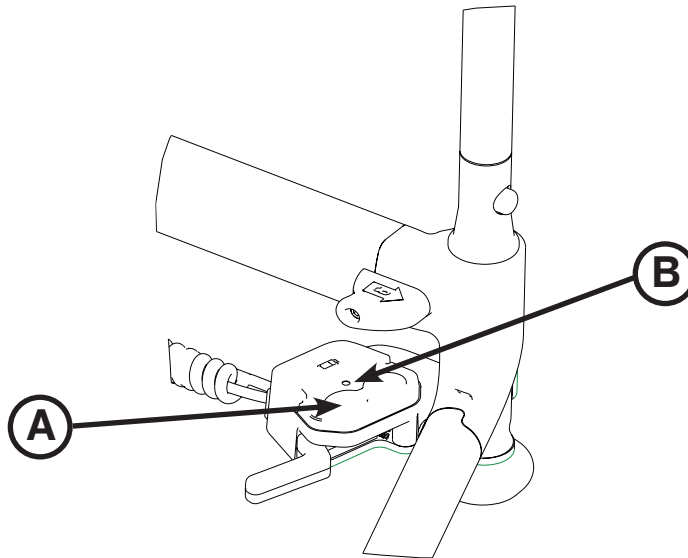


Figure 18: Battery Power Indicator

WARNING

- To avoid risk of electric shock, never attempt to open the battery pack for any reason. If the battery pack case is cracked or damaged, do not insert it into the charger. Return damaged battery packs to a service center for recycling.
- Do not remove the battery when the cot is activated.
- Avoid direct contact with a wet battery or battery enclosure. Contact may cause injury to the patient or operator.

CAUTION

- Only use the battery and charger as specified.
- The cot is not for use with an AC adapter.
- When charging a battery in an ambulance, locate the charger in an enclosed cabinet and out of patient reach during transport.
- Ensure that the battery is fully charged prior to placing into service. An uncharged or depleted battery may cause poor cot performance.

See the SMRT Power System Operations/Maintenance manual (6500-009-101) for additional SMRT Pak and SMRT Charger information. See the DeWALT® Battery System manual for battery and charger information.

Operation Guide

USING THE HOUR METER

The hour meter, located on the foot end control enclosure as shown in Figure 19, indicates the amount of time (HHH.H hours) that the cot has been in use under power. You can use the hour meter to determine the frequency for preventative maintenance procedures as listed on [page 57](#).

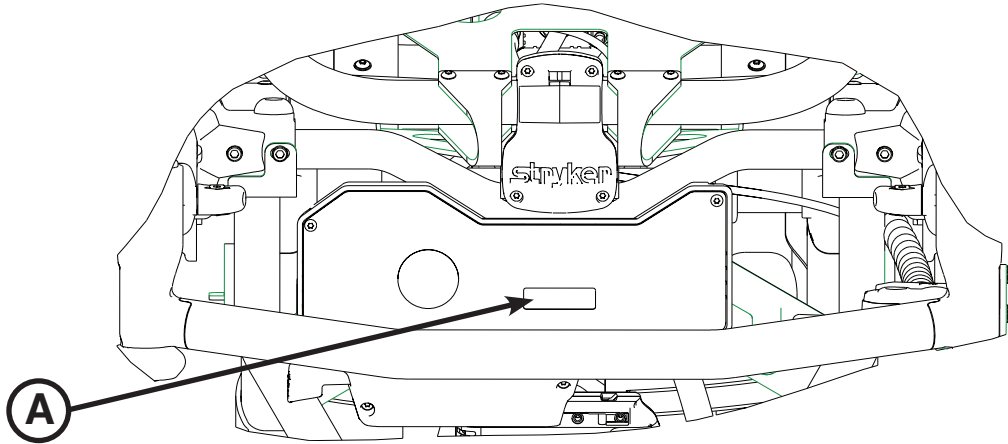


Figure 19: Hour Meter

Operation Guide

USING RESTRAINT STRAPS

WARNING

Always use all restraint straps to secure the patient on the cot. An unrestrained patient may fall from the cot and be injured.

Always secure the patient on the cot with all of the restraint straps. Buckle the restraints across the patient's chest/shoulders, waist and legs as shown in Figure 20.1. Keep the restraint straps buckled when the cot is not being used with a patient to avoid damage to the buckles and straps.

WARNING

Do not attach restraints to the base or cross tubes, improper restraint attachment could result in damage to the cot further resulting in injury to the patient or operator.

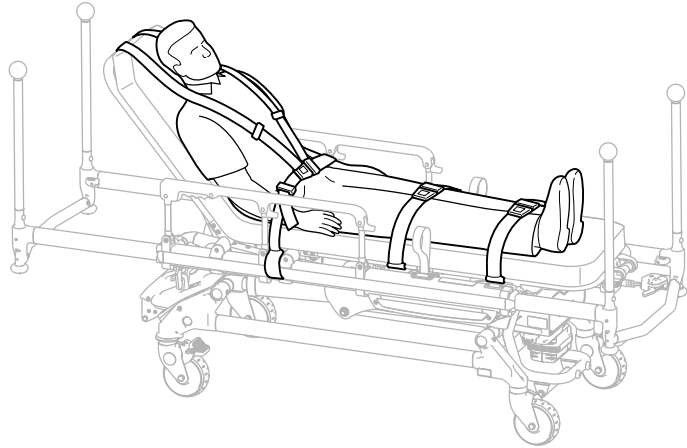


Figure 20.1: Safety Restraints

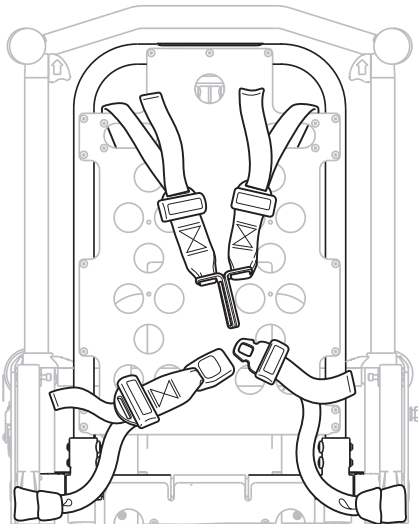


Figure 20.2: Head Section Restraints

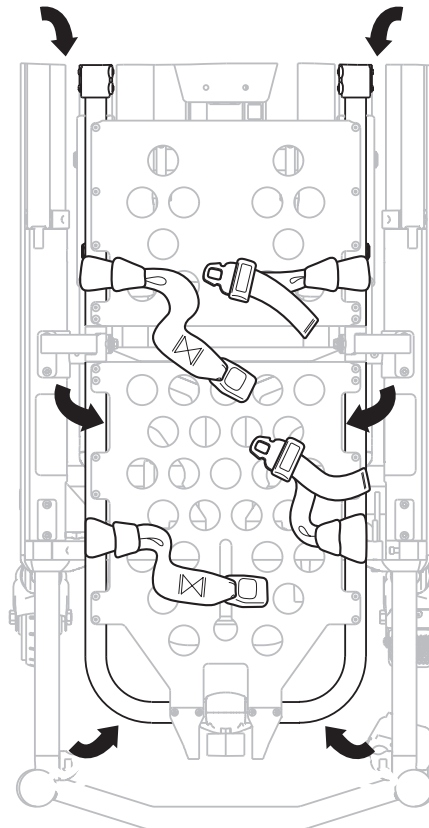


Figure 20.3: Foot Section Restraints

To attach the patient restraint straps to the cot litter frame, feed the loop end of each strap through the litter frame at each of the designated locations in Figure 20.2 and 20.3 and then feed the buckle or latch plate back through the loop end of the strap. The arrows indicate alternate attachment areas.

When attaching the restraint straps to the cot, the attachment points should provide both strong anchorage and proper restraint position while not interfering with equipment and accessories.

Operation Guide

USING RESTRAINT STRAPS (CONTINUED)

CAUTION

Ensure that the restraints are not entangled in the base frame when raising and lowering the cot.

When the cot is put into service, open the restraints and place them at either side of the cot until the patient is positioned on the cot mattress. Lengthen the restraints, buckle them around the patient and shorten them until the required tightness is achieved.

- **To open the restraint**, press the red button (A) on the front of the buckle “receiver”. This releases the buckle latch plate (B) which can then be pulled out of the receiver as shown in Figure 21.1.
- **To close the restraint**, push the latch plate into the receiver until a “click” is heard. When fastening the chest restraint ensure that the latch plate passes through both links (C) on the shoulder strap as shown in Figure 21.1.
- **To lengthen the restraint**, grasp the buckle latch plate, turn it at an angle to the webbing, then pull it out as shown in Figure 21.2. A hemmed tab at the end of the webbing prevents the latch plate from coming off of the strap.
- **To shorten the restraint**, grasp the hemmed tab and pull the webbing back through the latch plate until the required tightness is achieved as shown in Figure 21.3.

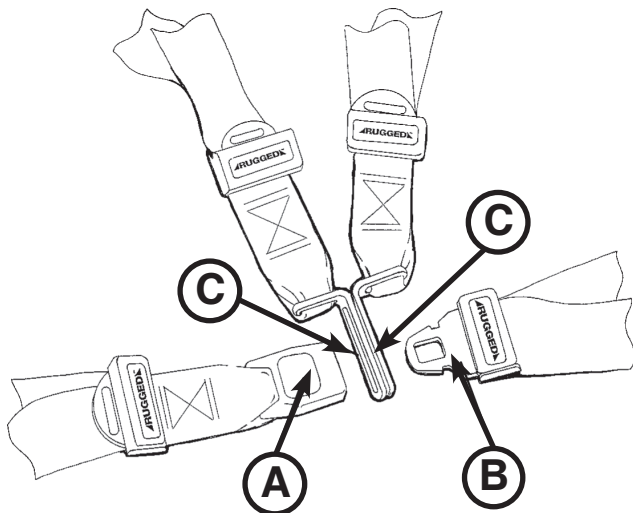


Figure 21.1: Buckling the Safety Restraints

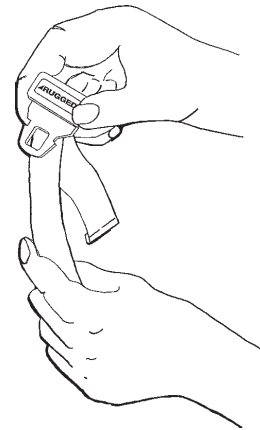


Figure 21.2: Lengthening the Safety Restraint

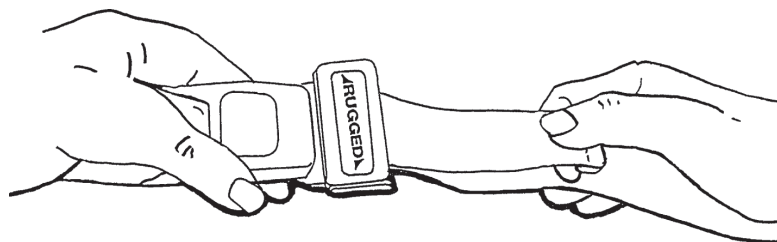


Figure 21.3: Shortening the Safety Restraint

Whenever a restraint is buckled on a patient, verify that the latch plate is fully engaged and any extra webbing is not tangled in the cot or hanging loose.

Inspect the restraints **at least** once a month (more frequently if used heavily). Inspection should include checking for a bent or broken receiver or latch plate, torn or frayed webbing, etc. Any restraint showing wear or not operating properly **must** be replaced immediately.

Operation Guide

USING THE OPTIONAL RESTRAINT BELT EXTENSION

Use the restraint belt extension (6082-160-050), as shown in Figure 22, for extra length when buckling the lap belt around large patients.

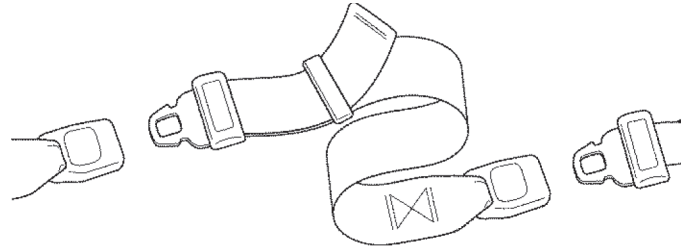


Figure 22: Attaching the Restraint Belt Extension

Operation Guide

OPERATING THE BACKREST

To **raise the backrest**, as shown in Figure 23, squeeze handle (A) to move the backrest to the desired height.

To **lower the backrest**, squeeze handle (A) and push down on the backrest frame until the backrest has reached the desired height.

Note: Lowering the backrest without a patient may require slightly more pressure.

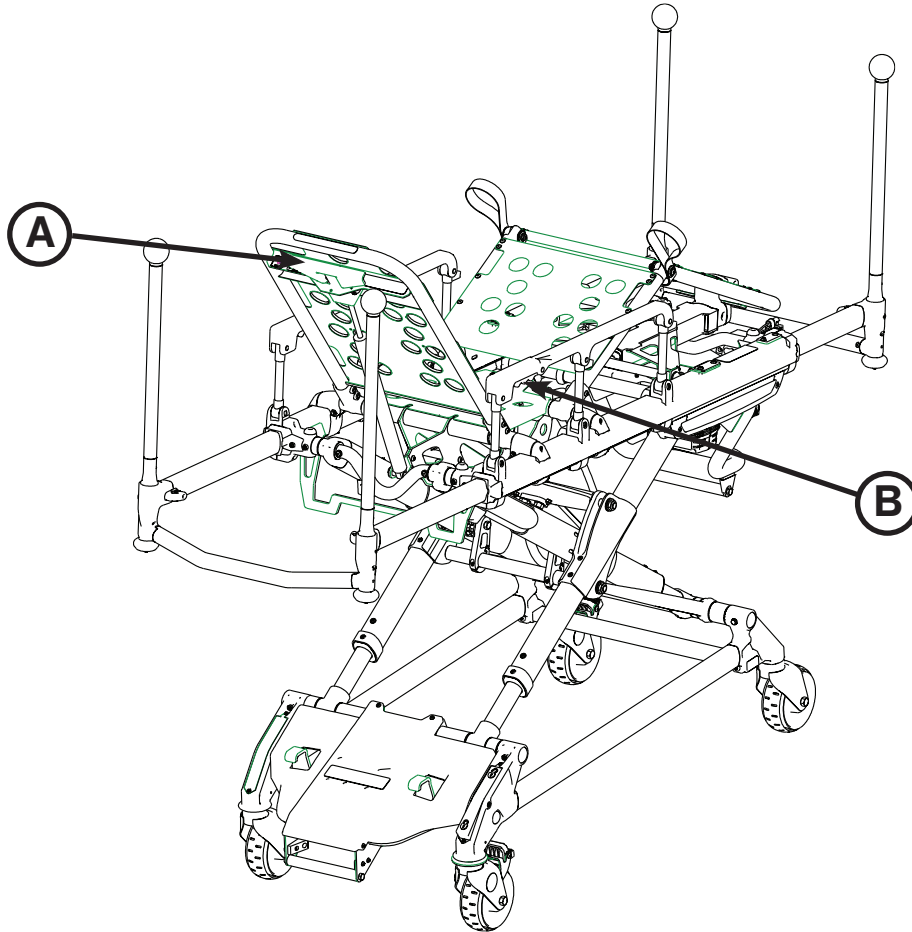


Figure 23: Backrest Elevated and Siderails Raised

OPERATING THE SIDERAILS

To **raise the siderails**, as shown in Figure 23, lift up on the siderail until the latch clicks and the siderail locks into place. When a patient is on the cot, always keep the siderails in the raised position unless the patient is being transferred.

To **lower the siderails**, squeeze handle (B) to release the siderail latch. Guide the siderail down toward the foot end until flat.

WARNING

Siderails are not intended to serve as a patient restraint device. See [page 38](#) for proper restraint strap usage. Failure to utilize the siderails properly could result in patient injury.

Operation Guide

OPERATING THE RETRACTABLE HEAD AND FOOT SECTIONS

The head section telescopes from an extended position to a retracted position within the litter frame.

To extend the head or foot section:

1. Squeeze the red release levers (A) on each side of the frame as you pull the head or foot section out of its retracted position as shown in Figure 24.1.
2. Make sure that the head or foot section is securely locked into position.

To retract the head or foot section:

1. Squeeze the red release levers (A) on each side of the frame as you push the head or foot section out of its extended position as shown in Figure 24.2.
2. Make sure that the head or foot section is securely locked into position.

CAUTION

Never operate the cot with the head section or foot section in an unlocked position.

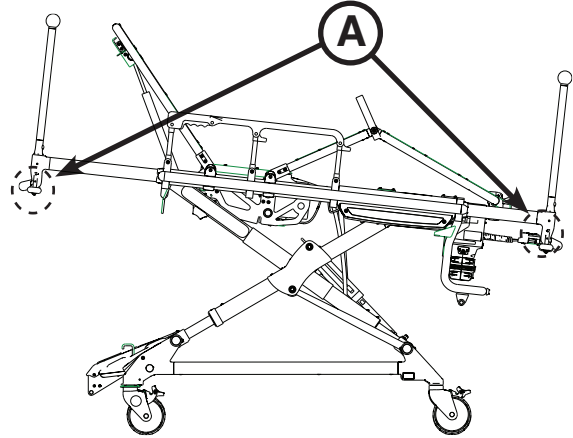


Figure 24.1: Head and Foot Section Extended

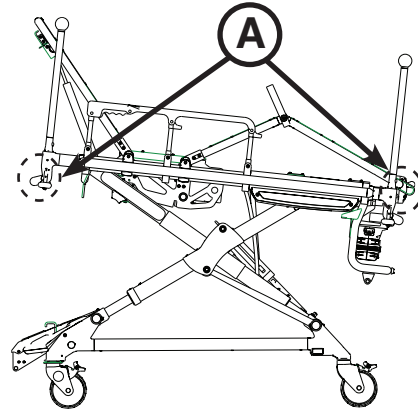


Figure 24.2: Head and Foot Section Retracted

Operation Guide

ADJUSTING THE FOOTREST

The footrest is adjustable to elevate the patient's legs as shown in Figure 25.

To raise the footrest, lift the footrest frame (A) as high as possible. The support bracket engages automatically when released.

To lower the footrest, lift the footrest frame (A) and while holding the frame, lift up on the release handle (C) until the bracket disengages. Lower the footrest until it is flat.

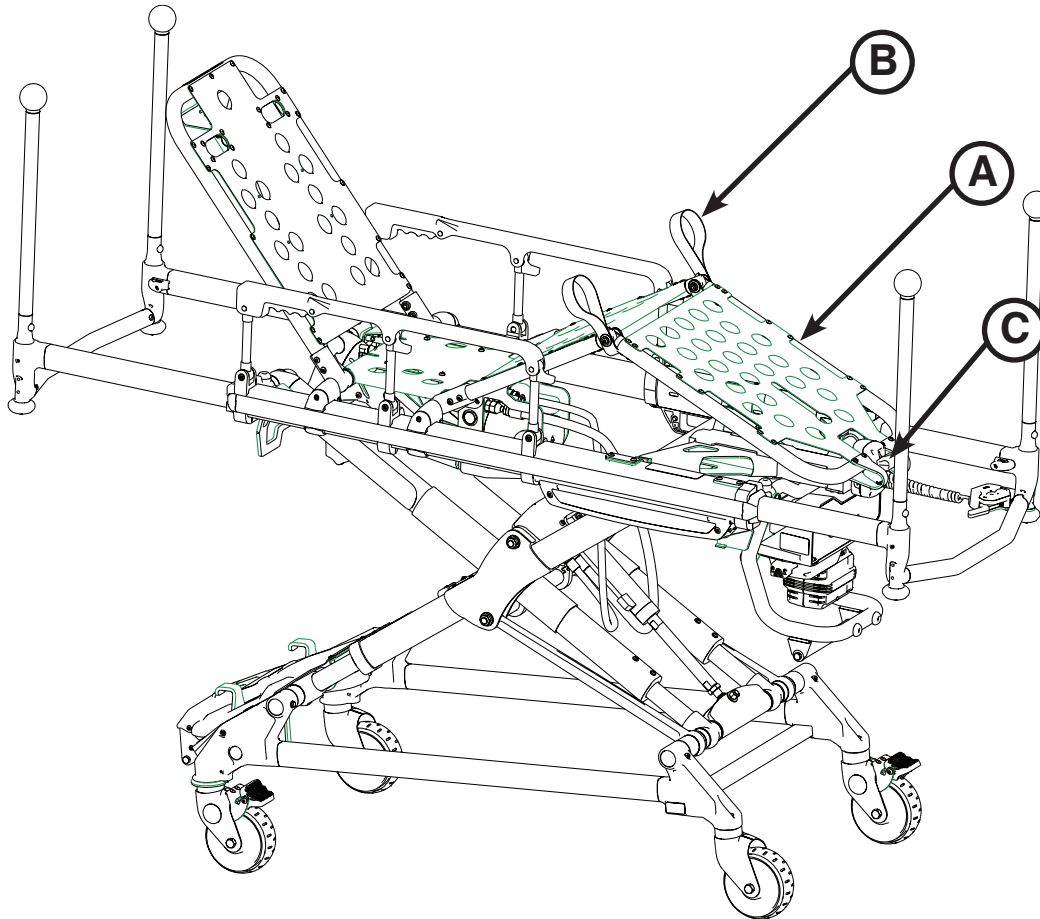


Figure 25: Footrest Elevated and Gatch Raised

To raise the gatch, lift either of the red lifting loops (B) until the gatch is in its fully raised position, then slowly lower the gatch to allow the support bracket to engage into the locking mechanism. Make sure that the lock is fully engaged before releasing the lifting loop.

To lower the gatch, lift either of the red lifting loops (B) to relieve pressure on the locking mechanism and while holding the loop, lift up on the red release handle (C) until the bracket disengages. Lower the gatch to the flat position.

Operation Guide

OPERATING THE WHEEL LOCK(S)

The Power-PRO TL includes corner to corner wheel locks as a standard feature, with an option to specify locks for all four wheels.

To secure the wheel lock(s), press down on the base of the locking pedal (A) until it rests firmly against the surface of the wheel as shown in Figure 26.

To release the wheel lock(s), press the upper face of the pedal with your foot or lift up with your toe under the pedal. The upper portion of the pedal will rest against the caster frame when the wheel lock is released.

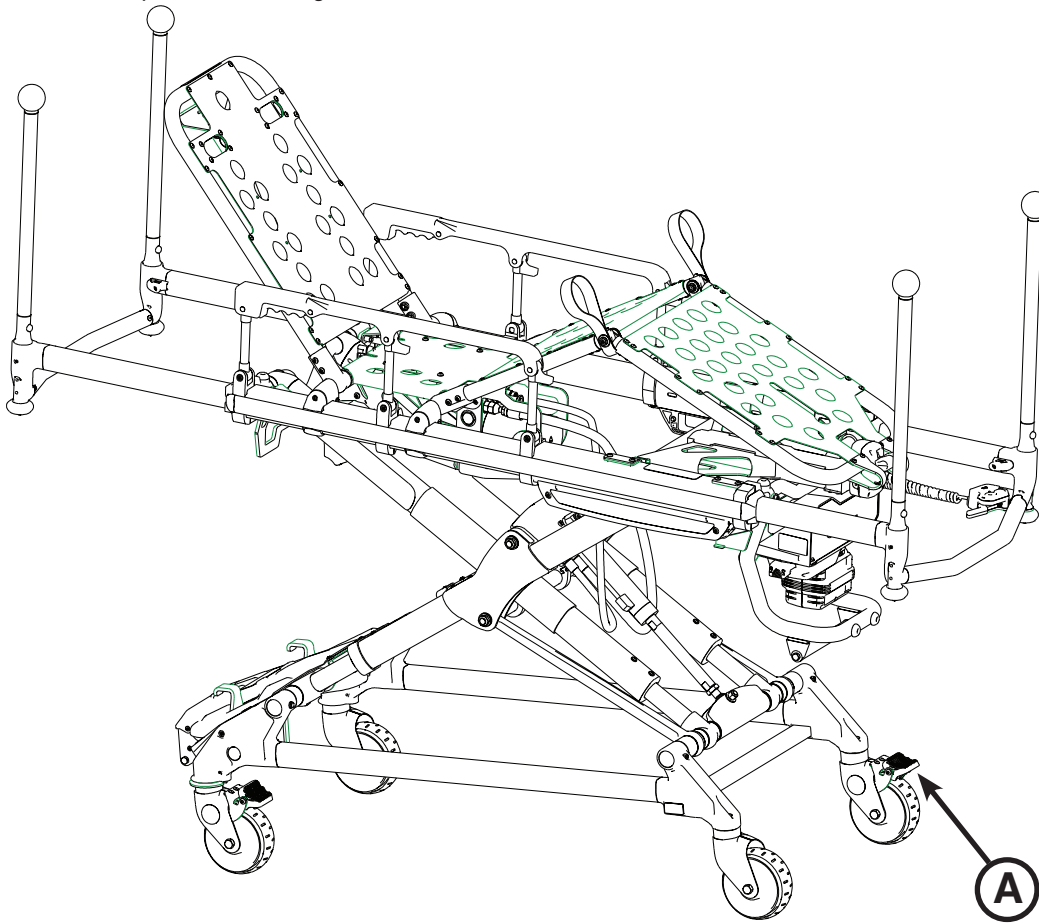


Figure 26: Wheel Lock

WARNING

- Never apply the wheel lock(s) while a patient is on the cot. Tipping could occur if the cot is moved while a wheel lock is applied, resulting in injury to the patient or operator and/or damage to the cot.
- Never leave a patient unattended on the cot or injury could result. Hold the cot securely while a patient is on the cot.
- Never install or use a wheel lock on a cot with excessively worn wheels. Installing or using a wheel lock on a wheel with less than a 6 in diameter could compromise the holding ability of the wheel lock, possibly resulting in injury to the patient or operator and/or damage to the cot or other equipment.

CAUTION

Wheel lock(s) are only intended to help prevent the cot from rolling while unattended and to aid in patient transfer. A wheel lock may not provide sufficient resistance on all surfaces or under loads.

[Return To Table of Contents](#)

Operation Guide

OPERATING THE CASTER STEER LOCK

The caster steer lock feature locks the head end caster to improve steering control and unlocks the caster to allow for free swiveling for greater mobility.

CAUTION

Engaging the steer lock and attempting to push the cot sideways may affect the cot stability.

To engage the caster steer lock:

1. Press the front portion of the steer lock pedal as shown in Figure 27.1.
2. Push the cot toward the head end.
3. The caster swivels and aligns into the forward position and the steer lock engages.



Figure 27.1: Engage Caster Steer Lock



Figure 27.2: Disengage Caster Steer Lock

To disengage the caster steer lock:

1. Press the rear portion of the steer lock pedal as shown in Figure 27.2.
2. After the pedal is in the unlocked position, push the cot in any direction.
3. The casters swivel freely.

Note: When engaging the cot into the fastener, it is advised to disengage the caster steer lock feature to allow the head end casters to swivel freely and allow the head end of the cot to more easily align with the fastener.

Operation Guide

INSTALLING THE PUSH BARS

The **optional** push bars allow you to maneuver the cot at any height position.

To install the push bars:

1. Insert each bar into one of the four corner sockets.
2. Push down until each locking mechanism is fully engaged as shown in Figure 28.1.

WARNING

- Ensure that the push bar is properly locked into its mount to prevent the bar from coming out during use and possibly injuring the operator and/or patient.
- Do not lift the cot with the push bars. Lifting the cot by the push bars may result in failure of the push bar lock mechanism and may injure the operator and/or patient.



Figure 28.1: Installed Push Bar

REMOVING THE PUSH BARS

To remove the push bars:

1. Press the red release button and lift each bar out of its corner socket.
2. Place the removed push bars into the storage pouch that is located on the base frame as shown in Figure 28.2.

WARNING

When not in use, store the push bars in the base storage pouch that is provided with the push bar option.

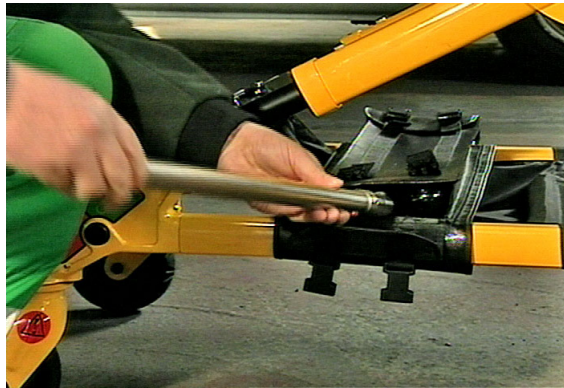


Figure 28.2: Stored Push Bar

ATTACHING THE PUSH BAR STORAGE POUCH

To attach the storage pouch:

1. Connect the corresponding buckles to secure the pouch to the cot frame (A) as shown in Figure 28.3.
2. Ensure that the pouch and its contents do not interfere with the cot operation before raising or lowering the cot or transporting the cot.

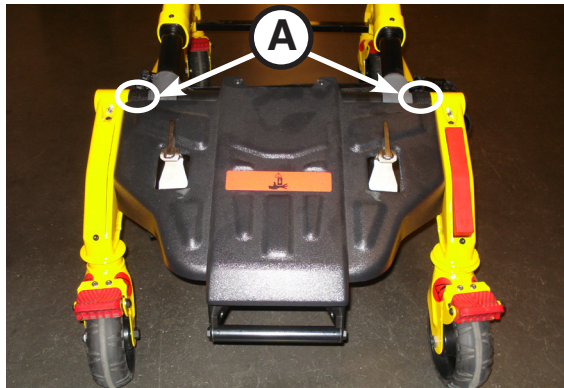


Figure 28.3: Push Bar Storage Pouch

Operation Guide

OPERATING THE OPTIONAL 2-STAGE I.V. POLE

To use the 2-stage I.V. pole as shown in Figure 29.2):

1. Lift and pivot the pole from the storage position and push down until it is locked into the receptacle (A).
2. To raise the height of the pole, turn the lock actuator (B) counterclockwise and pull up on the telescoping portion (C) of the pole to raise it to the desired height.
3. Turn the lock actuator (B) clockwise to lock the telescoping portion in place.
4. Hang the I.V. bags on the I.V. hook (D).
5. Turn the lock actuator (B) counterclockwise and slide section (C) into the bottom tube.
6. Turn the lock actuator (B) clockwise to tighten.
7. Lift up and pivot the pole down into the storage position as shown in Figure 29.1.

CAUTION

To avoid damage to the I.V. pole, the weight of the I.V. bags or equipment must not exceed 2.8 stones (18 kg) (40 lb).

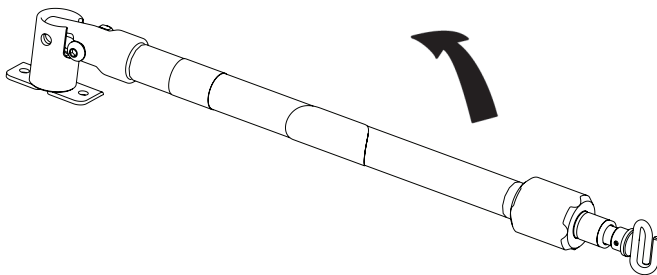


Figure 29.1: 2-Stage I.V. Pole Storage Position

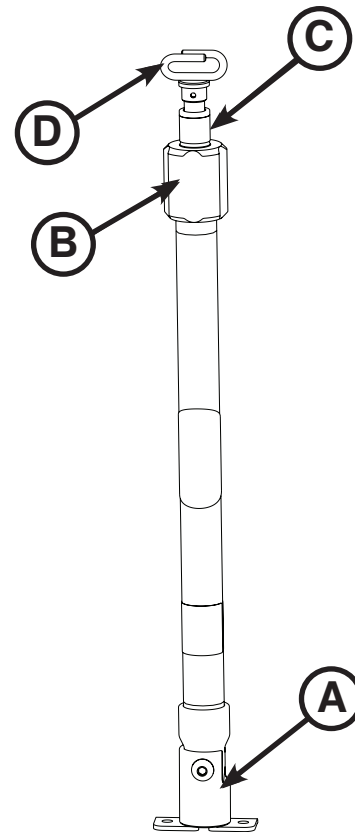


Figure 29.2: 2-Stage I.V. Pole

Operation Guide

OPERATING THE OPTIONAL 3-STAGE I.V. POLE

To use the 3-stage I.V. pole as shown in Figure 30.2):

1. Lift and pivot the pole from the storage position and push down until it is locked into the receptacle (A).
2. To raise the height of the pole, turn the lock actuator (B) counterclockwise and pull up on the bottom telescoping portion (C) of the pole to raise it to the desired height.
3. Turn the lock actuator (B) clockwise to lock the bottom telescoping portion in place.
4. For a higher I.V. pole, pull up on section (D) until the spring clip (E) engages.
5. Hang I.V. bags on the I.V. hook (F).
6. To lower the I.V. pole, push in on the spring clip (E) and slide section (D) down into section (C). Turn the lock actuator (B) counterclockwise and slide section (C) into the bottom tube.
7. Turn the lock actuator (B) clockwise to tighten.
8. Lift up and pivot the pole down into the storage position as shown in Figure 30.1.

CAUTION

To avoid damage to the I.V. pole, the weight of the I.V. bags or equipment must not exceed 2.8 stones (18 kg) (40 lb).

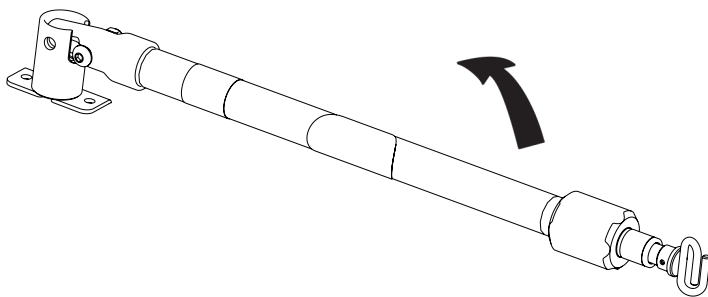


Figure 30.1: 3-Stage I.V. Pole Storage Position

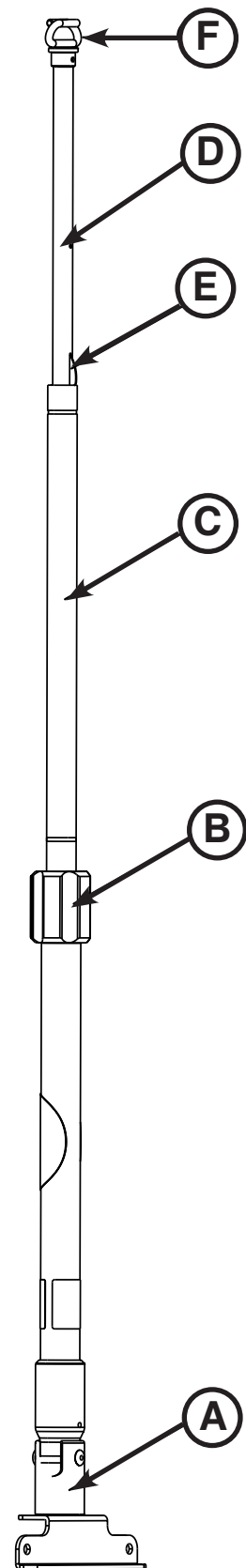


Figure 30.2: 3-Stage I.V. Pole

Optional Accessories

The accessories listed below can be purchased and installed on the Power-PRO TL cot.

Accessory	Part Number	Operation Guide Page Number
Equipment Hook	6500-147-000	50
Pedi-Mate® Restraint Package	6091-300-010	51
Backrest Storage Pouch	6500-130-000	53
Oxygen Bottle Holder	6550-002-020	54

Optional Accessories

USING THE EQUIPMENT HOOK

Use the equipment hook (A) as shown in Figure 31) to hang additional accessories or equipment, such as defibrillators or monitors.

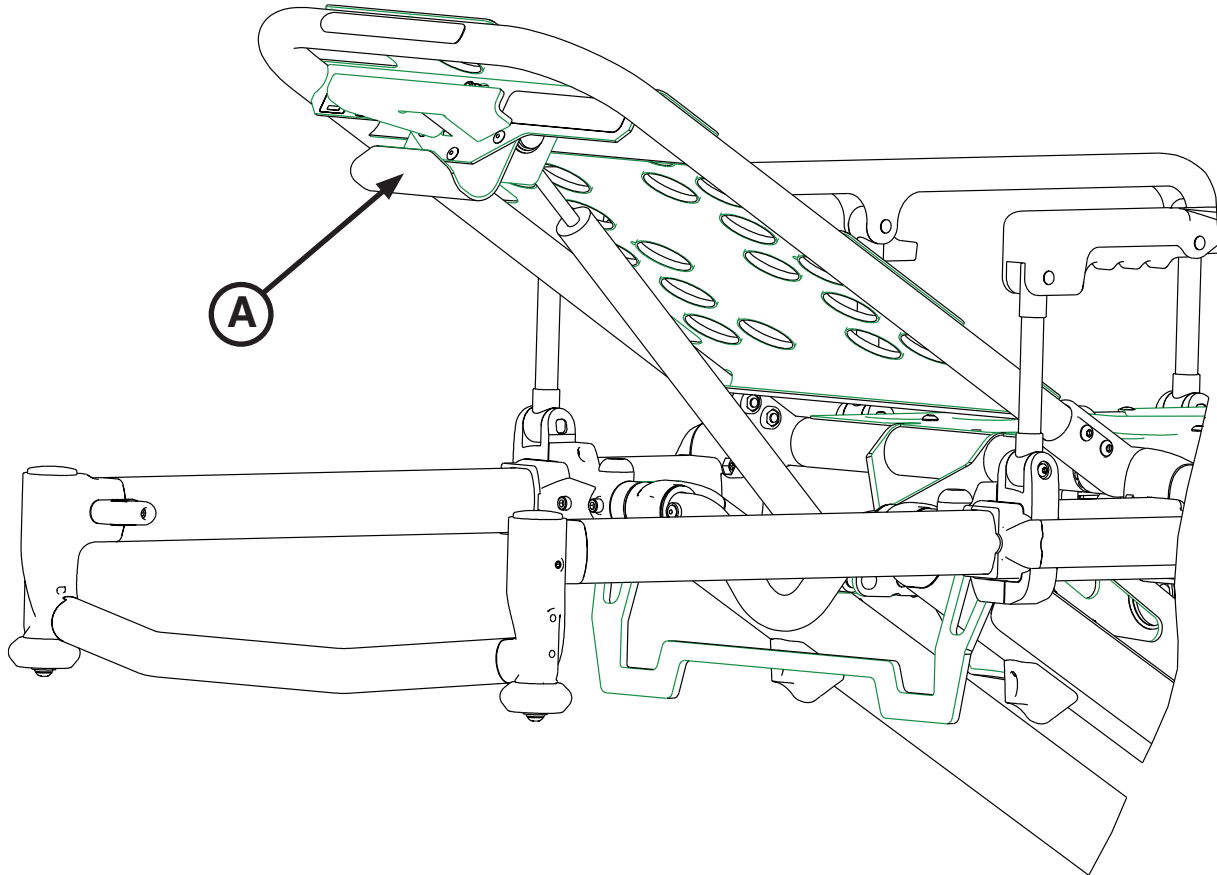


Figure 31: Equipment Hook

⚠ CAUTION

- To avoid damage to the equipment hook, the weight of the accessories or equipment must not exceed 2.5 stones (16 kg) (35 lb).
 - To avoid damage to the equipment hook, remove all accessories or equipment from the hook while transporting the stretcher in the ambulance.
-

Optional Accessories

ATTACHING THE PEDI-MATE® INFANT RESTRAINT SYSTEM

See the Pedi-Mate® users manual for the manufacturer's recommendations for the use, operation and care of the Pedi-Mate® Infant Restraint System.

To secure the Pedi-Mate® to the cot:

1. Remove any restraints that are already attached to the cot.
2. Raise the cot backrest to the full upright position.
3. Position the Pedi-Mate® pad flat on the backrest with the black backrest straps out as shown in Figure 32.1.



Figure 32.1: Positioning the Pedi-Mate®

4. Wrap the straps around the backrest and insert the ends of the straps through the brackets. Securely fasten the buckle as shown in Figure 32.2.

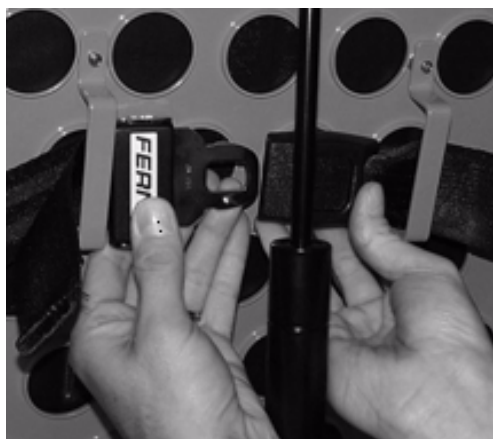


Figure 32.2: Fastening the Pedi-Mate® Buckle

WARNING

To avoid accidental release of the Pedi-Mate®, and possible injury to the infant, ensure that the buckle is located away from obstructions on the cot or accessories.

Optional Accessories

ATTACHING THE PEDI-MATE® INFANT RESTRAINT SYSTEM (CONTINUED)

5. Pull firmly on the end of the adjustable backrest strap and tighten it securely.
6. Insert the mainframe straps between the cot frame and the mattress. To ensure that the release button is located toward the foot end of the cot, insert the buckle behind the litter cross brace and bring it up in front of the cross brace. Secure the buckle around the cross brace, leaving a little slack in the strap for final adjustment as shown in Figure 32.3.



Figure 32.3: Securing the Safety Restraints on a Cot

WARNING

To avoid accidental release of the Pedi-Mate®, and possible injury to the infant, ensure that the buckle is located away from obstructions on the cot or accessories.

7. Verify that all of the straps are snug and fastened securely as shown in Figure 32.4.



Figure 32.4: Pedi-Mate® Strapped to a Cot

Note: These are general instructions for installation of the Pedi-Mate®. Safe and proper use of the Pedi-Mate® is solely at the discretion of the user. Stryker recommends that all users be trained on the proper use of the Pedi-Mate® before using it in an actual situation. Retain these instructions for future reference. Include them with the product in the event of transfer to new users.

Pedi-Mate® is a registered trademark of Ferno-Washington, Inc.

Optional Accessories

INSTALLING THE BACKREST STORAGE POUCH

Install the optional backrest storage pouch using the Velcro® straps as shown in Figure 33. Insert each strap through a hole in the backrest skin and mount the pouch flat against the backrest.

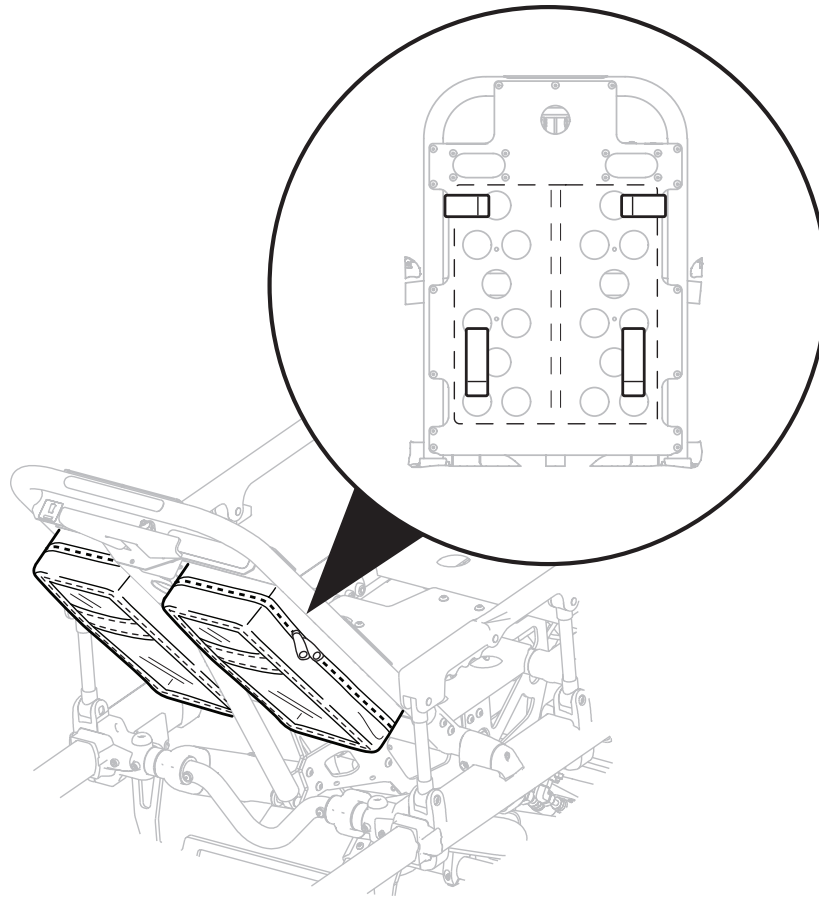


Figure 33: Backrest Storage Pouch

CAUTION

- Do not store items under the cot mattress. Storing items under the mattress can interfere with the operation of the cot.
 - The weight of the equipment in the pocketed backrest storage pouch (if equipped) must not exceed 1.4 stones (9 kg) (20 lb).
 - Ensure that the storage pouch does not interfere with the operation of the retractable head section.
-

Optional Accessories

USING THE OXYGEN BOTTLE HOLDER

To attach an oxygen bottle to the oxygen bottle holder:

1. Center the oxygen bottle on the cradled surface of item (A) as shown in Figure 34.
2. Tighten both straps (B) around the oxygen bottle.
3. Secure the slack on the straps and buckle both straps.

Note: Inspect the straps and buckles for wear between use and replace the strap if it is no longer holding the oxygen bottle.

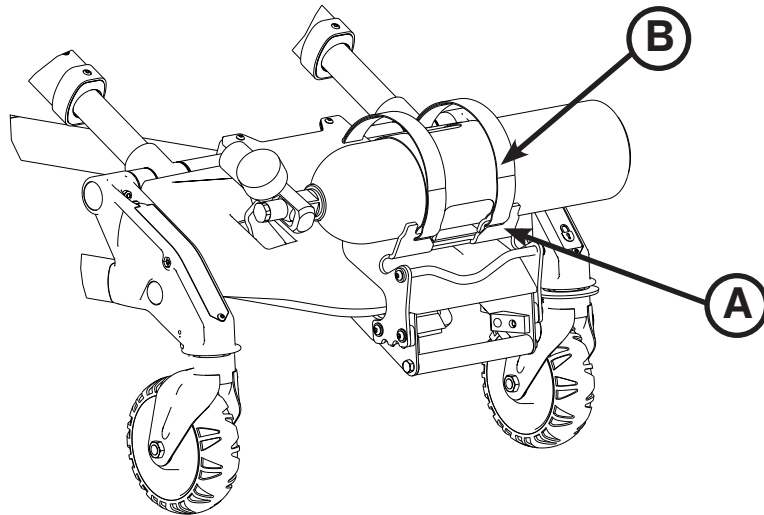


Figure 34: Oxygen Bottle Holder

⚠ CAUTION

- To avoid damage to the oxygen bottle holder (if equipped), the weight of the equipment must not exceed 2.9 stones (18 kg) (40 lb).
 - Only use oxygen bottles which lie within the width of the cot and are large enough to be firmly held by the straps.
-

Cleaning

The Power-PRO™ TL cot is designed to be power washable. The unit may show some signs of oxidation or discoloration from continuous washing, however, no degradation of the cot's performance characteristics or functionality will occur due to power washing as long as the proper procedures are followed.

Thoroughly clean the cot once a month. Clean Velcro® AFTER EACH USE. Saturate Velcro® with disinfectant and allow disinfectant to evaporate. (Appropriate disinfectant for nylon Velcro® should be determined by the service.)

WASHING PROCEDURE

- **Always remove the battery!** Never wash the cot with the battery installed.
- Follow the cleaning solution manufacturer's dilution recommendations exactly.
- The preferred method Stryker Medical recommends for power washing the cot is with the standard hospital surgical cart washer or hand held wand unit.

WASHING LIMITATIONS

WARNING

Use of power washing equipment can aerate contamination collected during the use of the cot. Use any appropriate personal safety equipment (goggles, respirator, etc.) to avoid the risk of inhaling contagion.

CAUTION

- DO NOT STEAM CLEAN OR ULTRASONICALLY CLEAN THE UNIT.
 - Maximum water temperature should not exceed 82°C/180°F.
 - Allow to air dry.
 - Maximum water pressure should not exceed 130.5 bar/1500 psi. If a hand held wand is being used to wash the unit, the pressure nozzle must be kept a minimum of 61 cm (24 inches) from the unit.
 - Towel dry all casters and interface points.
 - Failure to comply with these instructions may invalidate any/all warranties.
 - Always remove the battery before washing the cot.
-

Cleaning

In general, when used in those concentrations recommended by the manufacturer, either phenolic type or quaternary (**excluding Virex® TB**) type disinfectants can be used. Iodophor type disinfectants are not recommended for use because staining may result.

Suggested cleaners for the cot surfaces:

- Quaternary Cleaners (active ingredient - ammonium chloride)
- Phenolic Cleaners (active ingredient - o-phenylphenol)
- Chlorinated Bleach Solution (5.25% - less than 1 part bleach to 100 parts water)

Avoid over saturation and ensure that the product does not stay wet longer than the chemical manufacturer's guidelines for proper disinfecting.

WARNING

SOME CLEANING PRODUCTS ARE CORROSIVE IN NATURE AND MAY CAUSE DAMAGE TO THE PRODUCT IF USED IMPROPERLY. If the products described above are used to clean Stryker EMS equipment, measures must be taken to insure the cots are wiped with clean water and thoroughly dried following cleaning. Failure to properly rinse and dry the cots will leave a corrosive residue on the surface of the cots, possibly causing premature corrosion of critical components.

Note: Failure to follow the above directions when using these types of cleaners may void this product's warranty (see [page 147](#)).

REMOVAL OF IODINE COMPOUNDS

Use a solution of 1/2 Tablespoon Sodium Thiosulfate in a pint of warm water to clean the stained area. Clean as soon as possible after staining occurs. If stains are not immediately removed, allow solution to soak or stand on the surface. Rinse surfaces which have been exposed to the solution in clear water before returning unit to service.

WARNING

Failure to properly clean or dispose of contaminated mattress or cot components will increase the risk of exposure to bloodborne pathogens and may cause injury to the patient or the operator.

Preventative Maintenance

Preventative maintenance should be performed at a minimum of annually. A preventative maintenance program should be established for all Stryker Medical equipment. Preventative maintenance may need to be performed more frequently based on the usage level of the product. The cot requires regular maintenance. Establish and follow a maintenance schedule and keep records of maintenance activity (see [page 60](#) for a form).

CAUTION

A preventative maintenance program should be established for all Stryker EMS equipment. Preventative maintenance may need to be performed more frequently based on the usage level of the product. Close attention should be given to safety features including, but not limited to:

- Hydraulic power mechanism
- All electrical controls return to off or neutral position when released

For additional maintenance information, see the preventative maintenance information on [page 57](#).

WARNING

- Do not modify the cot or any components of the cot. Modifying the product can cause unpredictable operation resulting in injury to the patient or operator. Modifying the product will also void its warranty (see [page 147](#)).
 - Escaping fluid under pressure can penetrate the skin causing serious injury. Avoid the hazard by relieving pressure before disconnecting hydraulic or other lines. Tighten all connections before applying pressure. If an accident occurs, see a doctor immediately. Any fluid injected into the skin must be surgically removed within a few hours or gangrene may result. Doctors unfamiliar with this type of injury should reference a knowledgeable medical source.
 - To avoid the risk of injury, do not use bare hands to check for hydraulic leaks.
-

When using maintenance products, follow the directions of the manufacturer and reference all material safety data sheets.

CAUTION

- Improper maintenance can cause injury or damage to the product. Maintain the cot as described in this manual. Use only Stryker approved parts and maintenance procedures. Using unapproved parts and procedures could cause unpredictable operation and/or injury and will void the product warranty (see [page 147](#)).
 - Failure to use authorized parts, lubricants, etc. could cause damage to the cot and will void the warranty of the product.
 - Hydraulic lines, hoses, and connections can fail or loosen due to physical damage, kinks, age, and exposure. Check hoses and lines regularly to avoid damage to the cot. Check and tighten loose connections.
 - Do not tip the cot and actuate the product as this will allow air to enter the hydraulic system.
-

LUBRICATION

The cot has been designed to operate without the need for lubrication.

CAUTION

Do not lubricate the bearings in the X-frame as it will degrade the performance of the cot and may void its warranty (see [page 147](#)).

Preventative Maintenance

REGULAR INSPECTION AND ADJUSTMENTS

Maintenance Intervals

The following schedule is intended as a general guide to maintenance. Bear in mind that such factors as weather, terrain, geographical location, and individual usage will alter the required maintenance schedule. If you are unsure as to how to perform these checks please contact your Stryker service technician. If you are in doubt as to what intervals to follow in maintaining your product, consult your Stryker service technician. Use the hour meter (see [page 37](#)) to determine the frequency for preventative maintenance procedures.

Item	Routine	Every (whichever comes first)			
		1 Month or 2 hours	3 Months or 6 hours	6 Months or 12 hours	12 Months or 24 hours
Settings	Verify the cot and fastener fit and function properly		X		X
Cylinder	All fasteners are secure (reference all assembly drawings)				
	Verify the cylinder is adjusted so the lock nut is tight and the cot stops moving when it hits the dead stops				X
Hydraulics	Inspect for and verify that there are no hydraulic fluid (red) leaks; inspect the fittings and tighten as necessary. Wipe away any residual fluids.		X		
	Inspect motor mount and verify that all fasteners are secure		X		
	Verify that there are no hydraulic fluid leaks. Wipe any fluid drops.		X		
	Inspect the reservoir and verify that there are no leaks		X		
	Inspect hoses and fittings for damage or wear; replace as necessary			X	
Switches	Verify the hydraulic velocity fuse - Place a weight of approximately 3.6 stones (22.7 kg) (50 lb) on the cot, raise the cot, lift the cot with two operators, pull the manual back-up release handle, rapidly set the cot down, verify that the cot does not drop			X	
	Verify high speed retract is working			X	
	Verify there is no damage or wear to either switch			X	
Cables/Wires	Verify both switches operate correctly - Replace if necessary			X	
	Verify there is no damage or pinching of wiring harness, cables or lines		X		
	Check routing(s) and connection(s), verify there are no hanging wires	X			
Manual Back-up Release Handle	Verify there are no damaged connectors, replace if necessary		X		
	Verify that the manual back-up release handle functions properly	X			
	Verify the manual back-up release handle returns to the stowed position				X
	Verify the base extends/retracts smoothly when the manual back-up release handle is engaged		X		
	With 7.1 stones (45.5 kg) (100 lb) or more on the cot, verify the cot does not lower when the manual backup release handle is pulled		X		

Preventative Maintenance

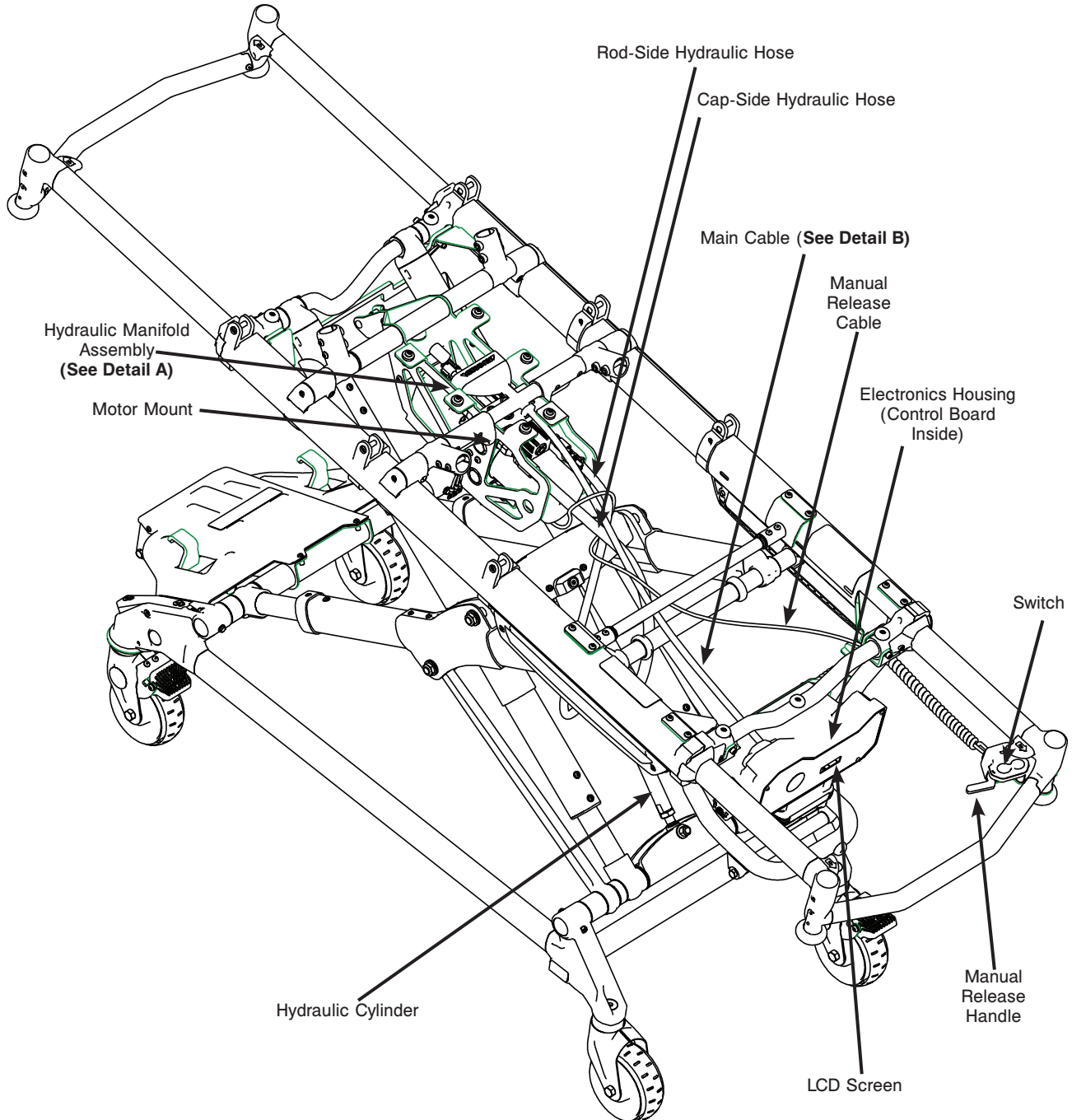
Item	Routine	Every (whichever comes first)				
		1 Month or 2 hours	3 Months or 6 hours	6 Months or 12 hours	12 Months or 24 hours	
Litter	Inspect the cot frame/litter	X				
	Verify all welds intact, not cracked or broken				X	
	Verify no bent, broken or damaged components			X		
	Verify all fasteners secure (reference all assembly drawings)		X			
	Verify warning labels present, legible (reference assembly drawings)				X	
	Verify the siderails operate and latch properly			X		
	Verify the backrest cylinder operates properly		X			
	Adjust pneumatic cylinder for full range of motion, if required		X			
	Verify the footrest operates properly			X		
	Verify no cracks or tears on cot mattress			X		
Mattress						
Restraints	Inspect patient restraints for proper function and no excessive wear	X				
Base	Inspect the cot frame/base	X				
	Verify all welds intact, not cracked or broken				X	
	Verify no bent, broken, or damaged components			X		
	Verify all fasteners secure		X			
Wheels	Verify wheels are free of debris			X		
	Verify tires in good condition				X	
	Verify all wheels secure, rolling and swiveling properly	X				
	Check and adjust wheel locks as necessary				X	
X-Frame	Verify smooth operation of X-frame		X			
Head Section	Verify all fasteners secure		X			
	Verify no bent, broken, or damaged components				X	
	Verify the head section extends and locks properly		X			
Accessories	Verify the I.V. pole (optional) operates properly		X			
	Verify the restraint extender (optional) operates properly		X			
	Verify the push bars (optional) lock and unlock properly		X			
	Verify the oxygen bottle holder (optional) operates properly		X			

[Return To Table of Contents](#)

Troubleshooting Guide

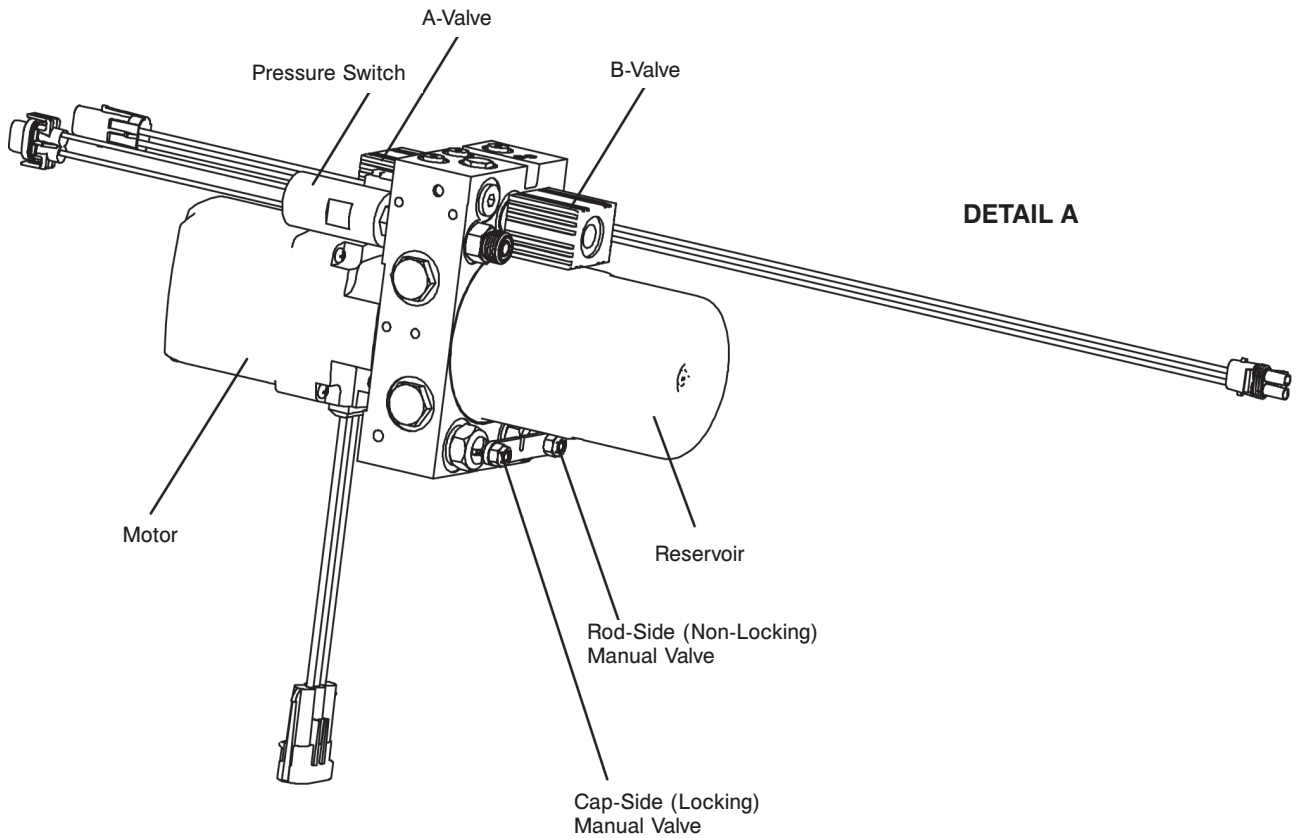
ELECTRONICS AND HYDRAULICS LOCATOR

Note: Some components have been removed for clarity.



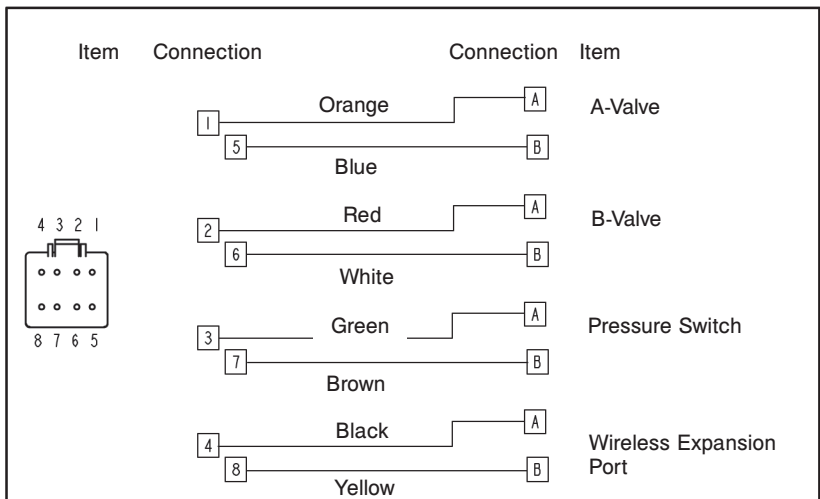
Troubleshooting Guide

HYDRAULIC MANIFOLD COMPONENTS LOCATOR



DETAIL B

Wiring Schematics Main Cable 8-Pin Connector

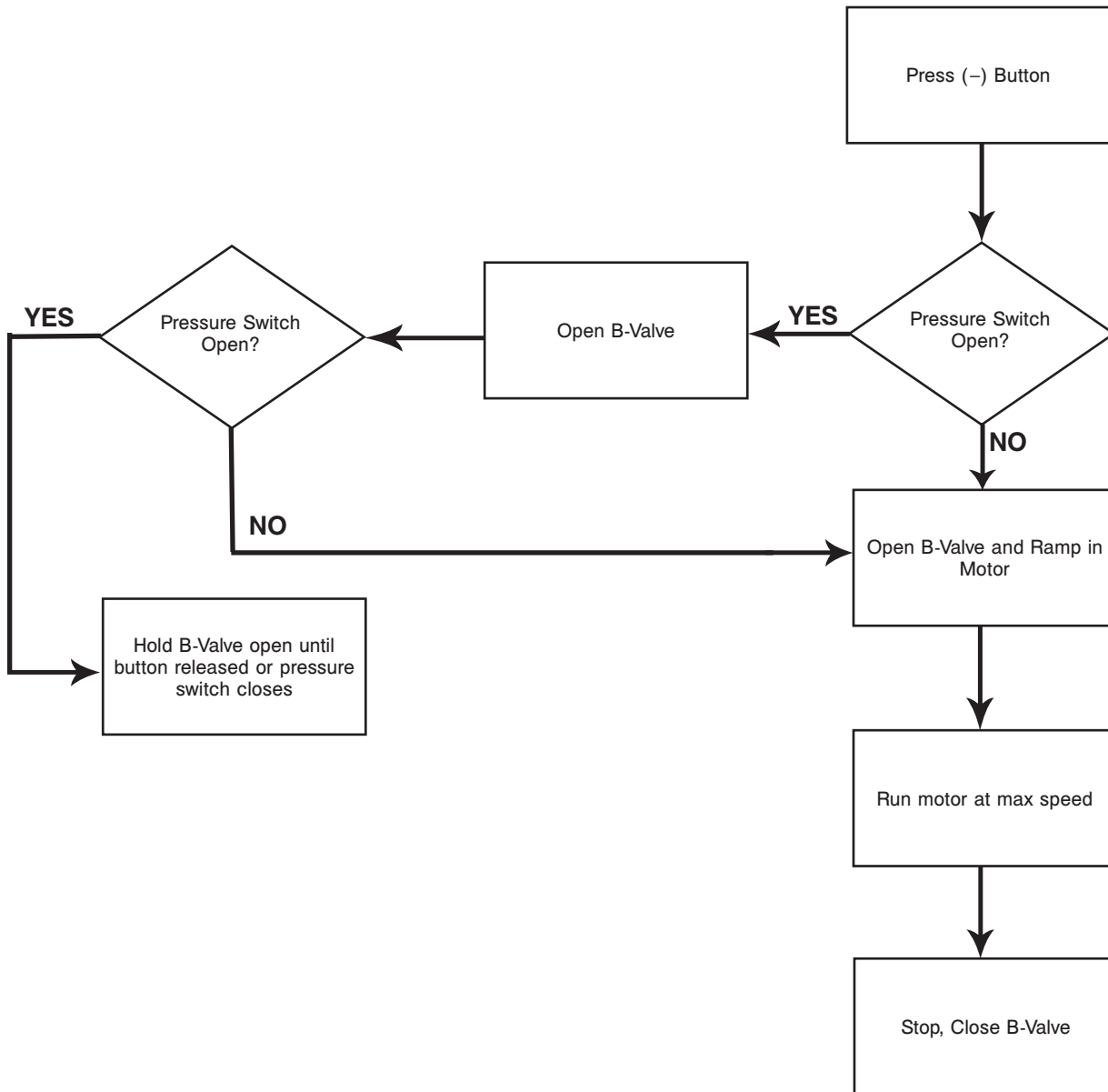


[Return To Table of Contents](#)

Troubleshooting Guide

ELECTRICAL SYSTEM BLOCK DIAGRAM

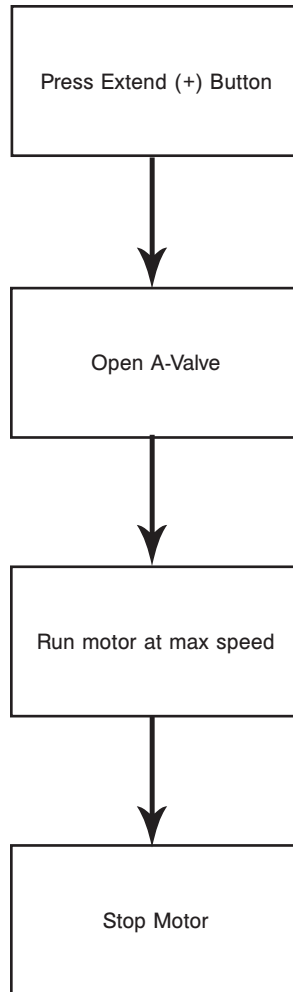
Lower and Retract Functions



Troubleshooting Guide

ELECTRICAL SYSTEM BLOCK DIAGRAM

Lift and Extend Functions



Troubleshooting Guide

TROUBLESHOOTING GUIDE

Check for proper operation after each step. When the problem is fixed, return the cot to service. If assistance is needed at any time during troubleshooting, please contact a service technician at (800) 327-0770 or (269) 324-6500.

PROBLEM	SOLUTION	PAGE(S)
Litter drifts (without patient weight).	<ol style="list-style-type: none"> 1. Check manual release cable adjustment. 2. Change 'locking' manual valve. 3. Change 'B' valve. 	
Base drifts (without patient weight).	<ol style="list-style-type: none"> 1. Check manual release cable adjustment. 2. Change 'non-locking' manual valve. 3. Change 'A' valve. 	
Litter does not lower in the powered mode.	<ol style="list-style-type: none"> 1. Check power indicator LED. <ol style="list-style-type: none"> A. If blinking constant RED, change battery. B. If blinking a patterned RED short, short, long flash: <ol style="list-style-type: none"> i. Check for broken or disconnected wires. ii. Check for 24V DC at connector (C) on the main cable by the motor while pressing the retract (-) button. If voltage is present, replace (in order) the solenoid and or 'B' valve. If voltage is not present, go to step iii. iii. Check for 24V DC on electronics assembly pins 1 blue and 5 orange on (F) while pressing the retract (-) button. If voltage is not present, replace the electronics assembly. If voltage is present, replace the wire harness. C. If the GREEN light turns on, but does not lower, try the other switch. If the other switch works, replace the bad switch. 	69, 70

Troubleshooting Guide

TROUBLESHOOTING GUIDE (CONTINUED)

PROBLEM	SOLUTION	PAGE(S)
<p>Litter does not extend in the powered mode.</p>	<ol style="list-style-type: none"> 1. Check power indicator LED. <ol style="list-style-type: none"> A. If blinking constant RED, change battery. B. If blinking a patterned RED short, short, long flash: <ol style="list-style-type: none"> i. Check for broken or disconnected wires. ii. Check for 24V DC at connector (B) on the main cable by the motor while pressing the extend (+) button. If voltage is present, replace (in order) the solenoid and or 'A' valve. If voltage is not present, go to step iii. iii. Check for 24V DC on electronics assembly pins 2 white and 6 red on (F) while pressing the extend (+) button. If voltage is not present, replace the electronics assembly. If voltage is present, replace the wire harness. C. If the GREEN light turns on, but does not lower, try the other switch. If the other switch works, replace the bad switch. 2. Check motor. <ol style="list-style-type: none"> A. If the motor runs, but does not raise the cot: <ol style="list-style-type: none"> i. Check the manual release cable for too much tension. ii. Lightly tap the manual locking valve. iii. Replace the manual locking valve. B. If the motor is stalled, replace the 'A' valve. C. If the light is GREEN, but the motor does not run <ol style="list-style-type: none"> i. Check for 24V DC at connector (E) on the main cable. If voltage is present and the motor does not run, replace the hydraulic sub assembly. If voltage is not present, go to step ii. ii. Check for 24V DC on electronics assembly connection (H) (-) lead on black (+) lead on green while pressing the extend (+) button. If voltage is not present, replace the electronics assembly. If voltage is present, replace the main cable. 	<p>69, 70</p>

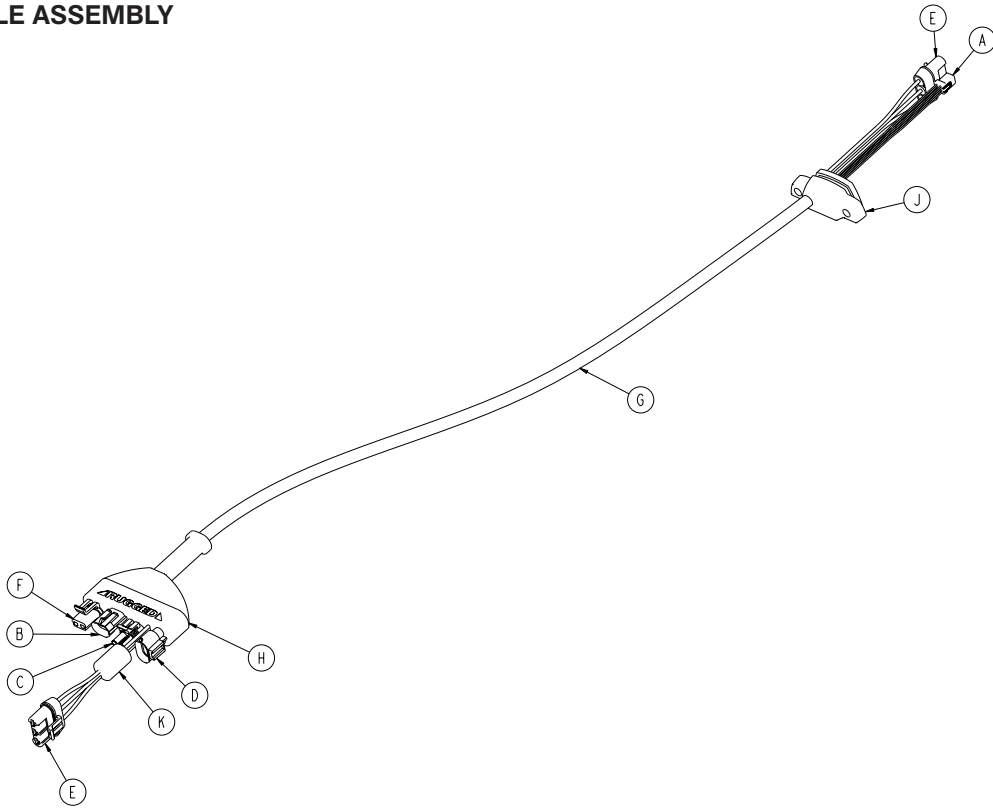
Troubleshooting Guide

TROUBLESHOOTING GUIDE (CONTINUED)

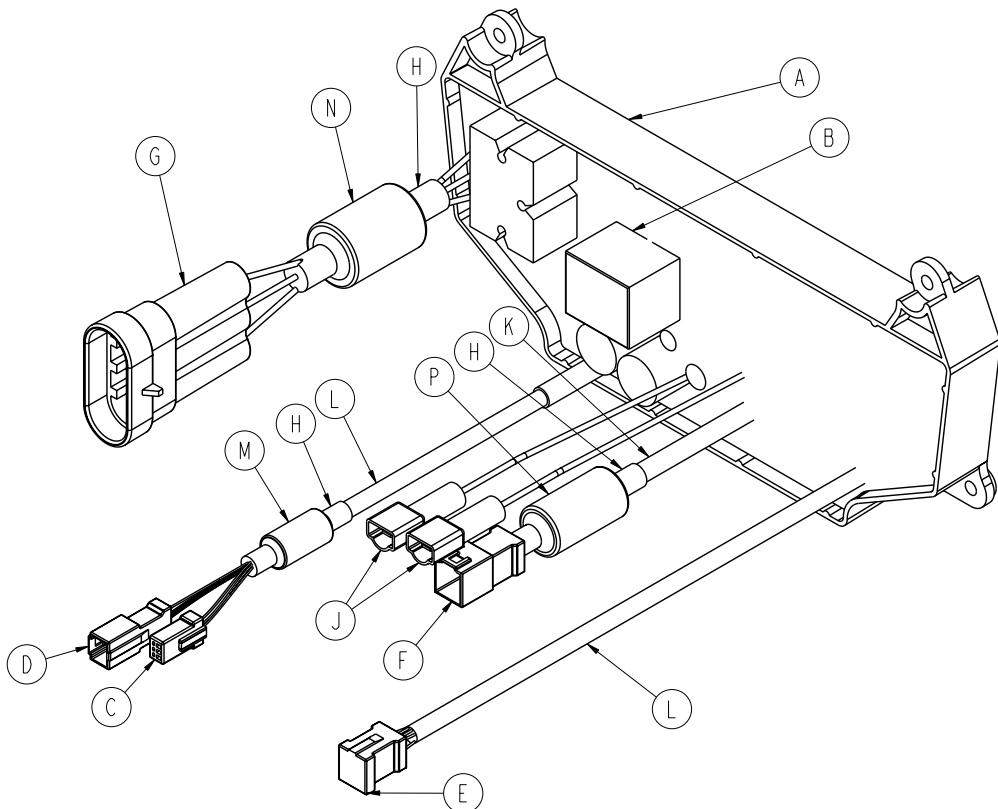
PROBLEM	SOLUTION	PAGE(S)
Base does not retract in the powered mode.	<ol style="list-style-type: none"> 1. Check power indicator LED. <ol style="list-style-type: none"> A. If blinking constant RED, change battery. B. If blinking a patterned RED short, short, long flash: <ol style="list-style-type: none"> i. Check for broken or disconnected wires. ii. Check for 24V DC at connector (B) on the main cable by the motor while pressing the extend (+) button. If voltage is present, replace (in order) the solenoid and or 'A' valve. If voltage is not present, go to step iii. iii. Check for 24V DC on electronics assembly pins 2 white and 6 red on (F) while pressing the extend (+) button. If voltage is not present, replace the electronics assembly. If voltage is present, replace the wire harness. 	69, 70
Base does not extend in the manual mode.	<ol style="list-style-type: none"> 1. Check manual cable adjustment. 2. Change 'non-locking' manual valve. 	
Base does not retract in the manual mode.	<ol style="list-style-type: none"> 1. Check manual release cable adjustment. 2. Change 'locking' manual valve. 	
Litter does not retract in the manual mode (with patient weight).	<ol style="list-style-type: none"> 1. Make sure that the weight is off of the casters before lowering the cot. 2. Check manual cable adjustment. 3. Replace 'locking' manual valve. 	
Litter does not extend in the manual mode.	<ol style="list-style-type: none"> 1. Check manual cable adjustment. 2. Change 'non-locking' manual valve. 	
High Speed retract does not engage.	<ol style="list-style-type: none"> 1. Check that weight is off of the casters. 2. Change pressure switch. 	

Troubleshooting Guide

MAIN CABLE ASSEMBLY



ELECTRONICS ASSEMBLY



[Return To Table of Contents](#)

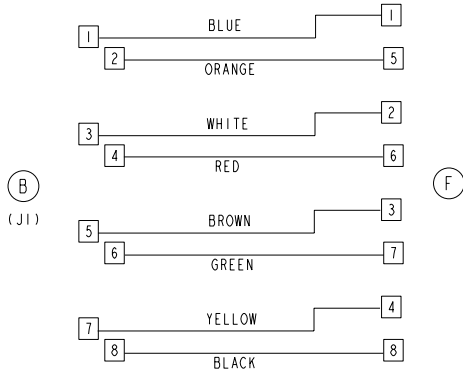
Troubleshooting Guide

ELECTRONICS ASSEMBLY WIRING SCHEMATICS

WIRING SCHEMATICS

ITEM	CONNECTION	CONNECTION	ITEM
------	------------	------------	------

HYDRAULICS - 22 AWG



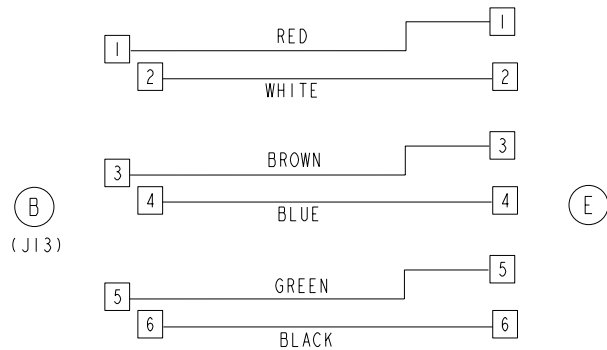
SWITCH/INDICATORS - 22 AWG



WIRING SCHEMATICS

ITEM	CONNECTION	CONNECTION	ITEM
------	------------	------------	------

HAND HELD PROGRAMMER - 22 AWG



WIRING SCHEMATICS

ITEM	CONNECTION	CONNECTION	ITEM
------	------------	------------	------

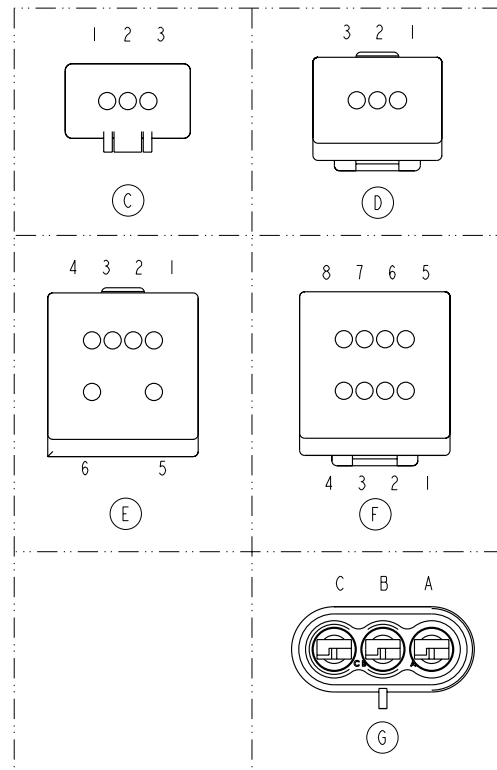
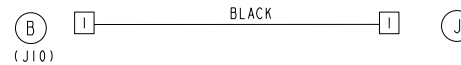
MOTOR CABLE - 14 AWG



BATTERY POSITIVE - 14 AWG



BATTERY NEGATIVE - 14 AWG



Quick Reference Replacement Parts List

The parts and accessories listed on this page are all currently available for purchase. Some of the parts identified on the assembly drawing parts in this manual may not be individually available for purchase.

Part Name	Part Number
Backrest Pouch Option	6500-130-000
Base Storage Net	6500-160-000
Defibrillator Platform	6100-170-000
Equipment Hook Option	6500-147-000
Gas Cylinder, Fowler	1010-031-077
Hydraulic Oil	6500-001-293
I.V. Pole, 2-Stage, Right	6500-210-000
I.V. Pole, 2-Stage, Left	6500-211-000
I.V. Pole, 2-Stage, Dual	6500-212-000
I.V. Pole, 3-Stage, Right	6500-215-000
I.V. Pole, 3-Stage, Left	6500-216-000
I.V. Pole, 3-Stage, Dual	6500-217-000
Kit, Battery Pack, SMRT Pak	6500-700-046
Kit, SMRT Power System 12V DC (Car Charger), includes charger, 2 paks, and power cord	6500-700-040
Kit, SMRT Power System 240Vac (Wall Charger), includes charger, 2 paks, and power cord	6500-700-043
Kit, SMRT Power System 240Vac (Wall Charger), includes charger, 2 paks, and power cord	6500-700-044
Kit, SMRT Power System 240Vac (Wall Charger), includes charger, 2 paks, and power cord	6500-700-045
Kit, Battery Pack, DeWALT® 24V NiCd	6500-700-006
Kit, Battery Charger, DeWALT® 12V DC (Car Charger)	6500-700-009
Kit, Battery Charger, DeWALT® 120Vac (Wall Charger)	6500-700-007
Kit, Battery Charger, DeWALT® 240Vac (International Wall Charger)	6500-700-008
Label, I.V. Pole Caution	6070-090-005
Label, Damage Warning	6080-090-009
Manual, Installation/Operation, Cot Fastener	6385-009-001
Mattress, Bolster (Knee Gatch)	6550-001-084
Mounting Bracket, SMRT Charger	6500-201-100
Oxygen Bottle Holder, Removable	6080-140-000
Oxygen Bottle Holder	6550-002-020
Oxygen Bottle Holder Strap	6550-002-004

[Return To Table of Contents](#)

Quick Reference Replacement Parts List

Part Name	Part Number
Restraint Belt Extension	6082-160-050
Restraint, Chest	6060-260-046
Restraint, Lap Belt (2 Used per Unit)	6060-160-044
Restraint Package, Domestic	6082-260-010
Restraint, Shoulder Harness	6060-260-045
Restraint Strap Plastic Cap (Short)	6082-160-051
Restraint Strap Plastic Cap (Tall)	6082-160-055
Touch-Up Paint (Yellow)	6060-199-010
Touch-Up Paint (Black)	7000-001-322
Wheel Lock	6082-200-010

Service Information

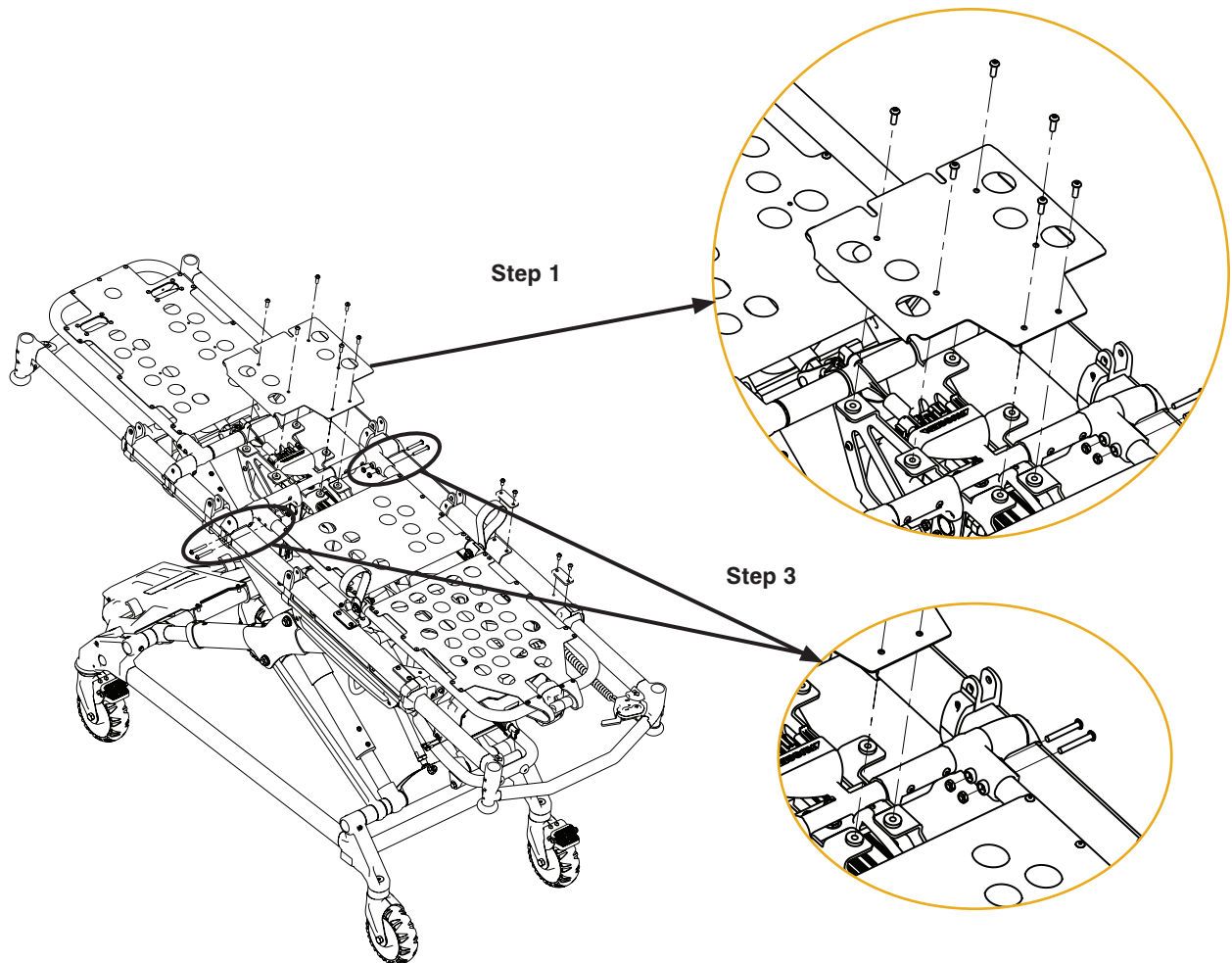
ACCESSING THE HYDRAULIC SUBASSEMBLY (6550-001-030)

Tools Required:

- T27 Torx Driver

Procedure:

1. Using a T27 Torx driver, remove the six button head cap screws (0004-592-000) from the six well nuts (0055-100-074) that hold the mid-section (6550-001-111) to the motor mounts (6500-001-294) and (6500-001-194).
2. Remove the mid-section skin (6550-001-111) and lay to the side out of the way along with the six button head cap screws (0004-592-000). The six well nuts will stay with the two motor mounts (6500-001-294) and (6500-001-194).
3. Remove the four button head cap screws (0004-596-000) and the four Nylock hex nuts (0016-102-000) from the two straight "T" pivots (6100-003-125) that hold the gatch assembly (6550-001-019) to the litter cross brace (6500-001-196).
4. Flip the gatch assembly (6550-001-019) toward the foot end of the cot until it rests on the telescoping foot end (6550-001-015).
5. Reverse the above procedures to reassemble.



Service Information

MANUAL RELEASE CABLE ADJUSTMENT

Tools Required:

- 8 mm Combination Wrench
- 10 mm Wrench

Procedure:

1. Support the litter so no weight is on the base.
2. Ensure that the cable is intact.
3. Using a 10 mm wrench, loosen the cable lock nut.
4. Using a 8 mm hex wrench, adjust the tension on the manual release cable.
5. Tighten cable lock nut.

FILLING THE RESERVOIR

Use only Mobil Mercon Synthetic Blend Oil (6500-001-293)

Note: Any time you work with the hydraulics you may lose some oil.

Tools Required:

- 3/16" Allen Wrench

Procedure:

1. Raise the cot to the full up position.
2. Ensure that the fill port is horizontal and lined up with the hole in the motor mount.
3. Remove the port plug using a 3/16" Allen wrench.
4. Fill the reservoir up to the bottom of the fill port.
5. Replace the plug and run the cot up and down a few times.

Service Information

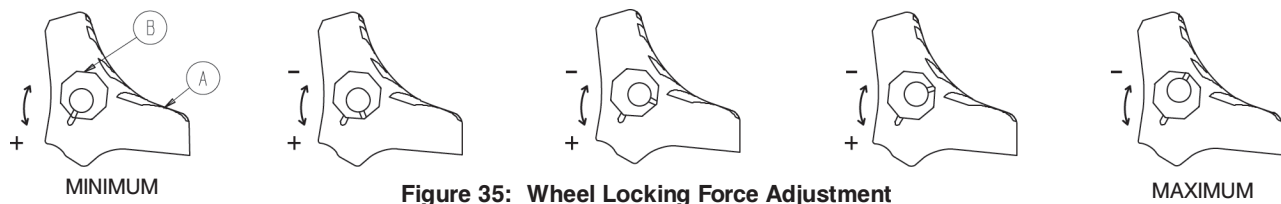
WHEEL LOCKING FORCE ADJUSTMENT

Tools Required:

- 5/32" Allen Wrench
- 7/16" Combination Wrench or Socket

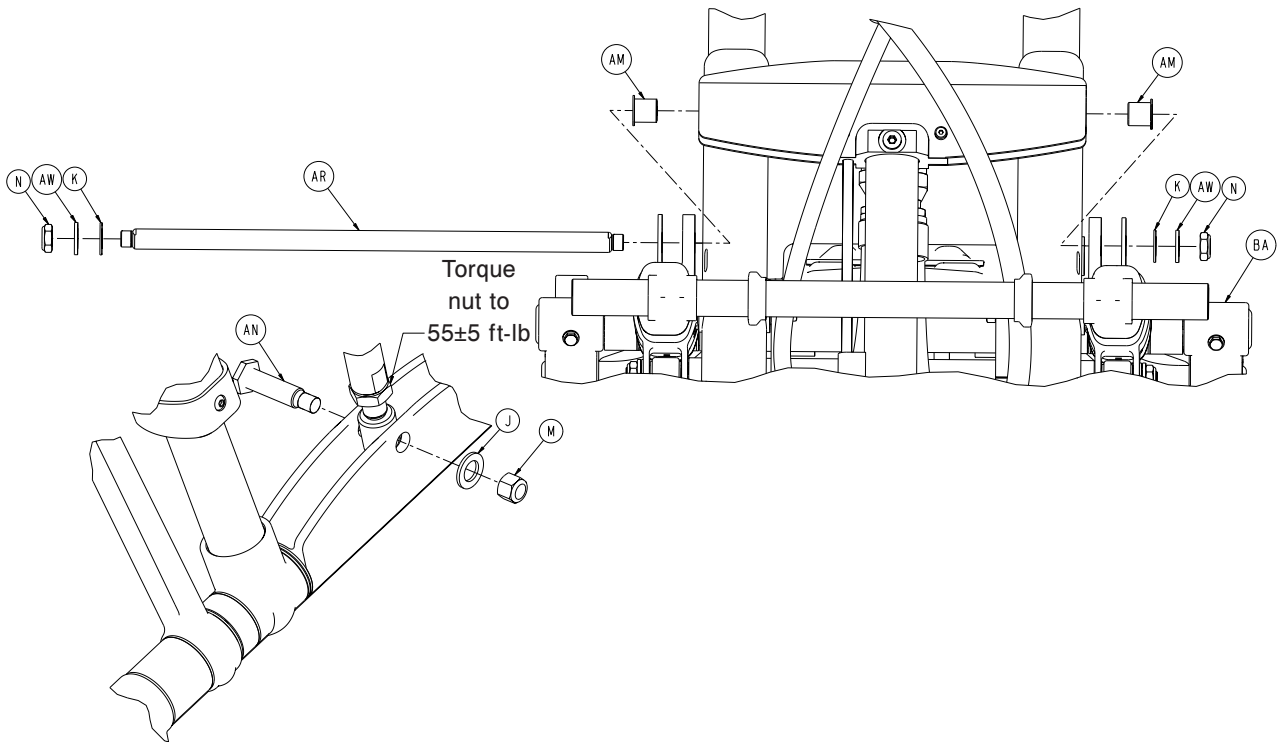
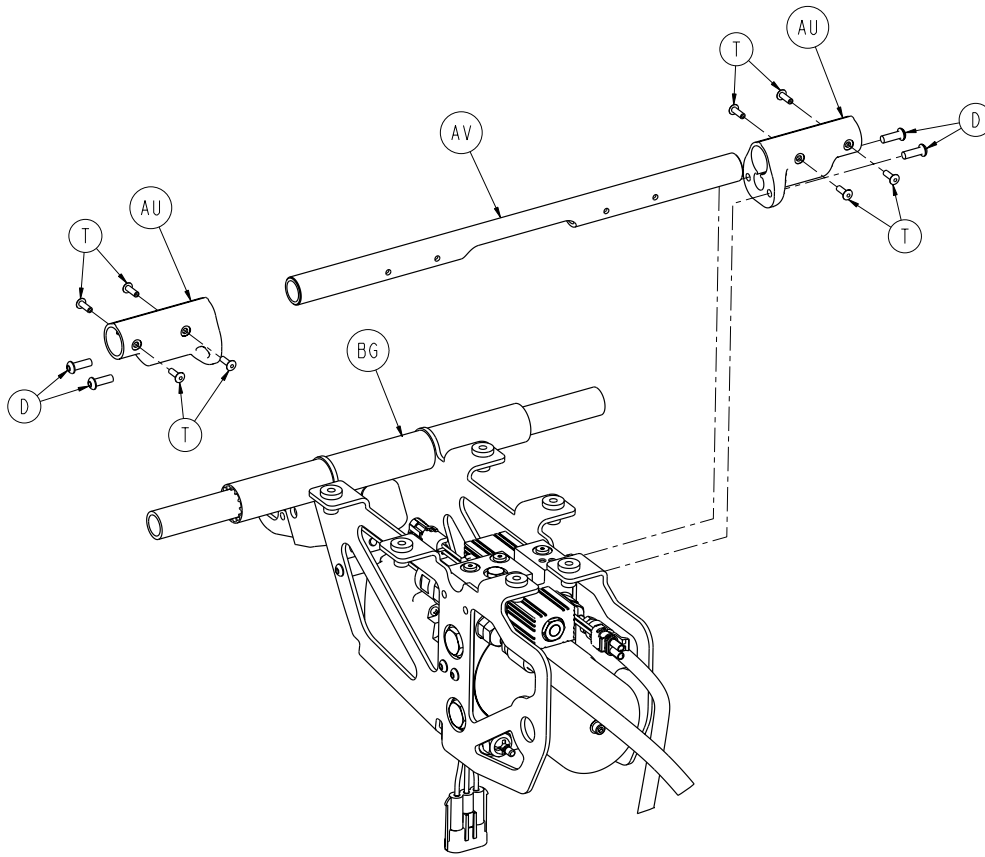
Procedure:

1. Using the 5/32" Allen wrench and 7/16" combination wrench or socket, remove the socket screw from the center of the lock pedal. The wheel lock is initially assembled with the pedal set at the minimum locking force. The marker on the pedal (A) is aligned with the marker on the octagonal sleeve (B).
2. Remove the sleeve (B). Rotate the sleeve counterclockwise to increase the pedal locking force and clockwise to decrease the locking force. Insert the sleeve into the pedal.
3. Using the 5/32" Allen wrench and 7/16" combination wrench or socket, reinstall the socket screw.
4. Test the pedal locking force and verify that the pedal holds properly before returning the cot to service.

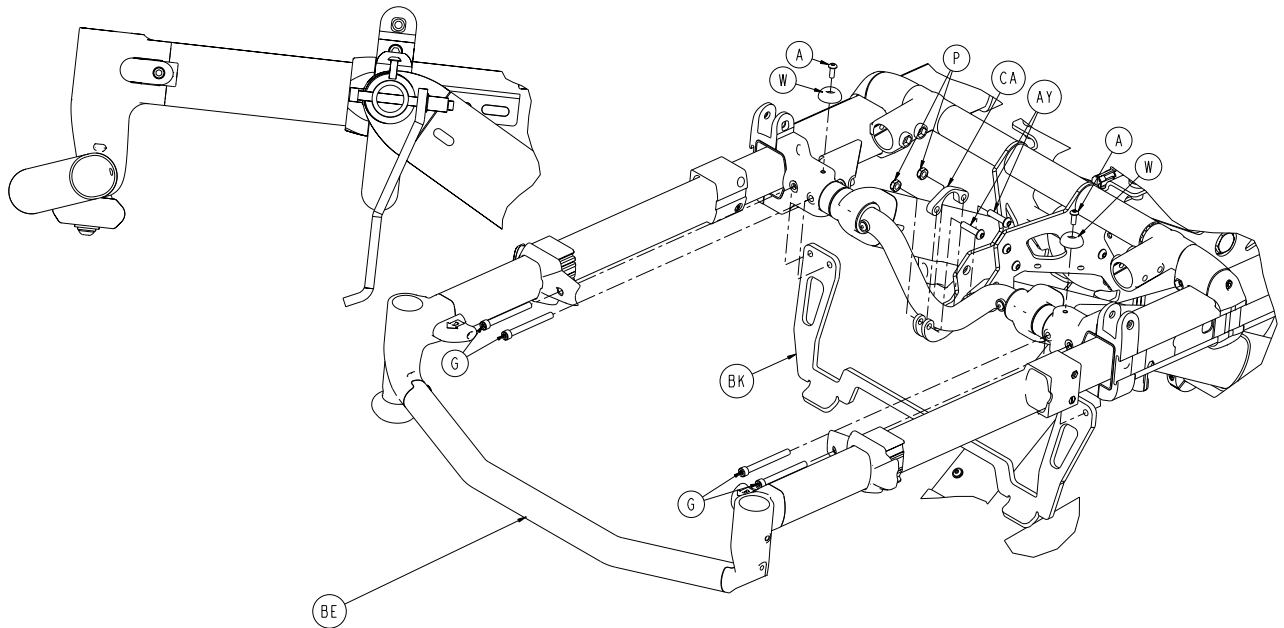
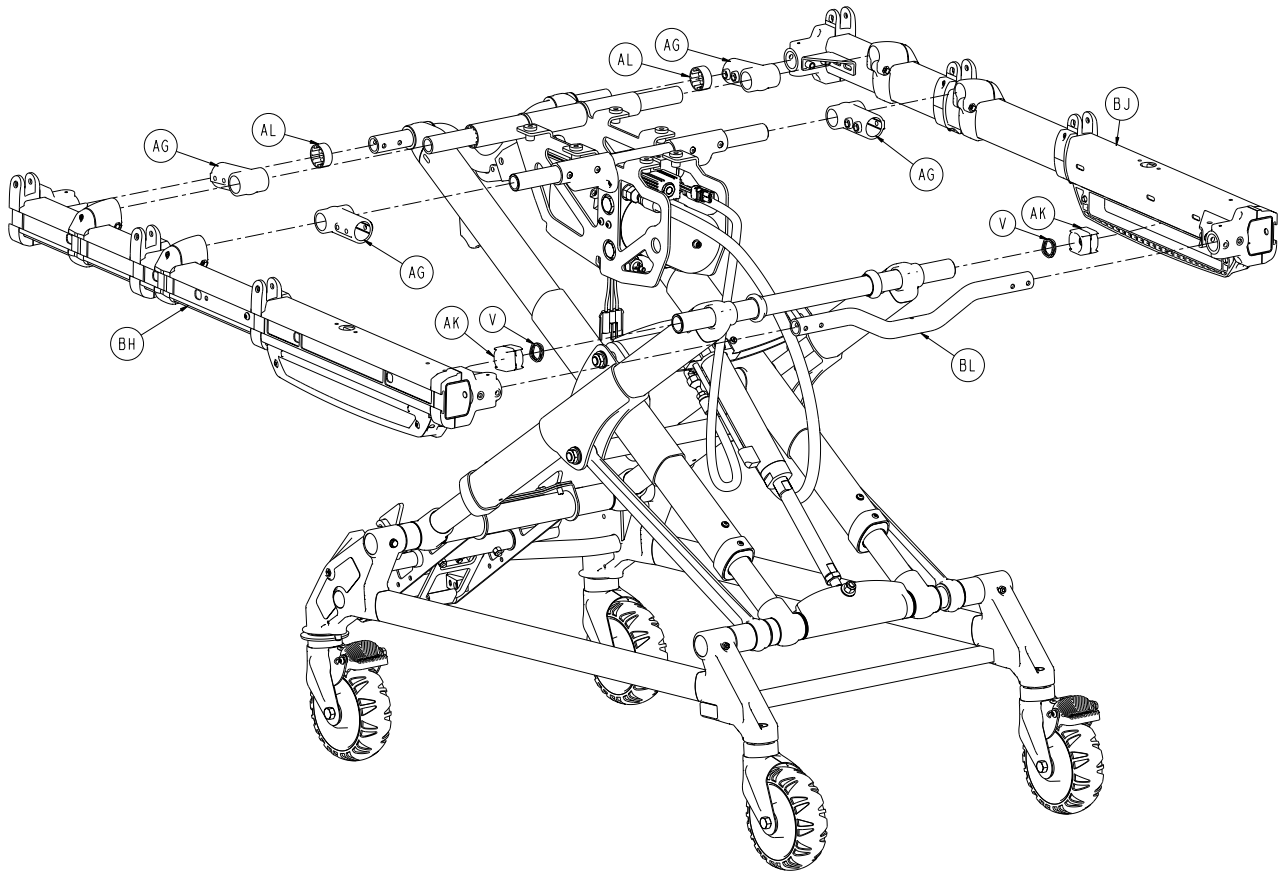


Cot Assembly

6550-001-010 Rev M (Reference Only)

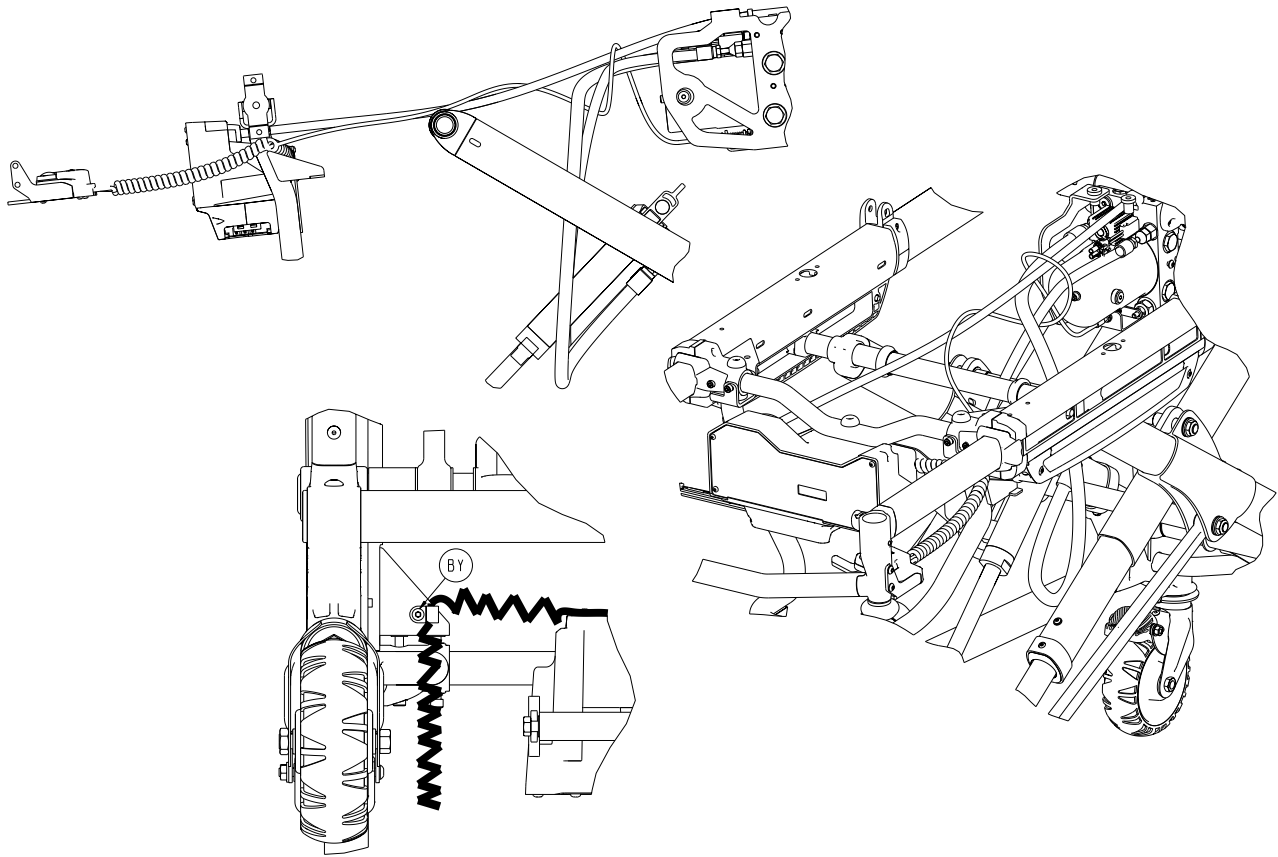
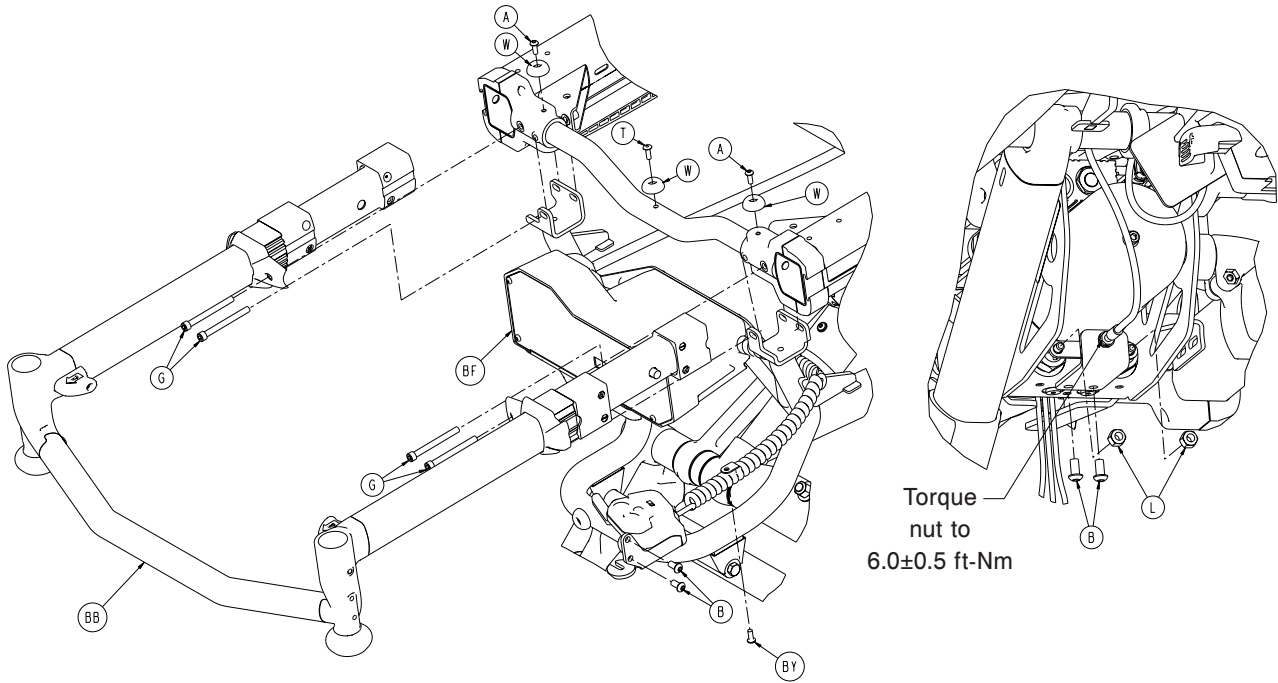


Cot Assembly

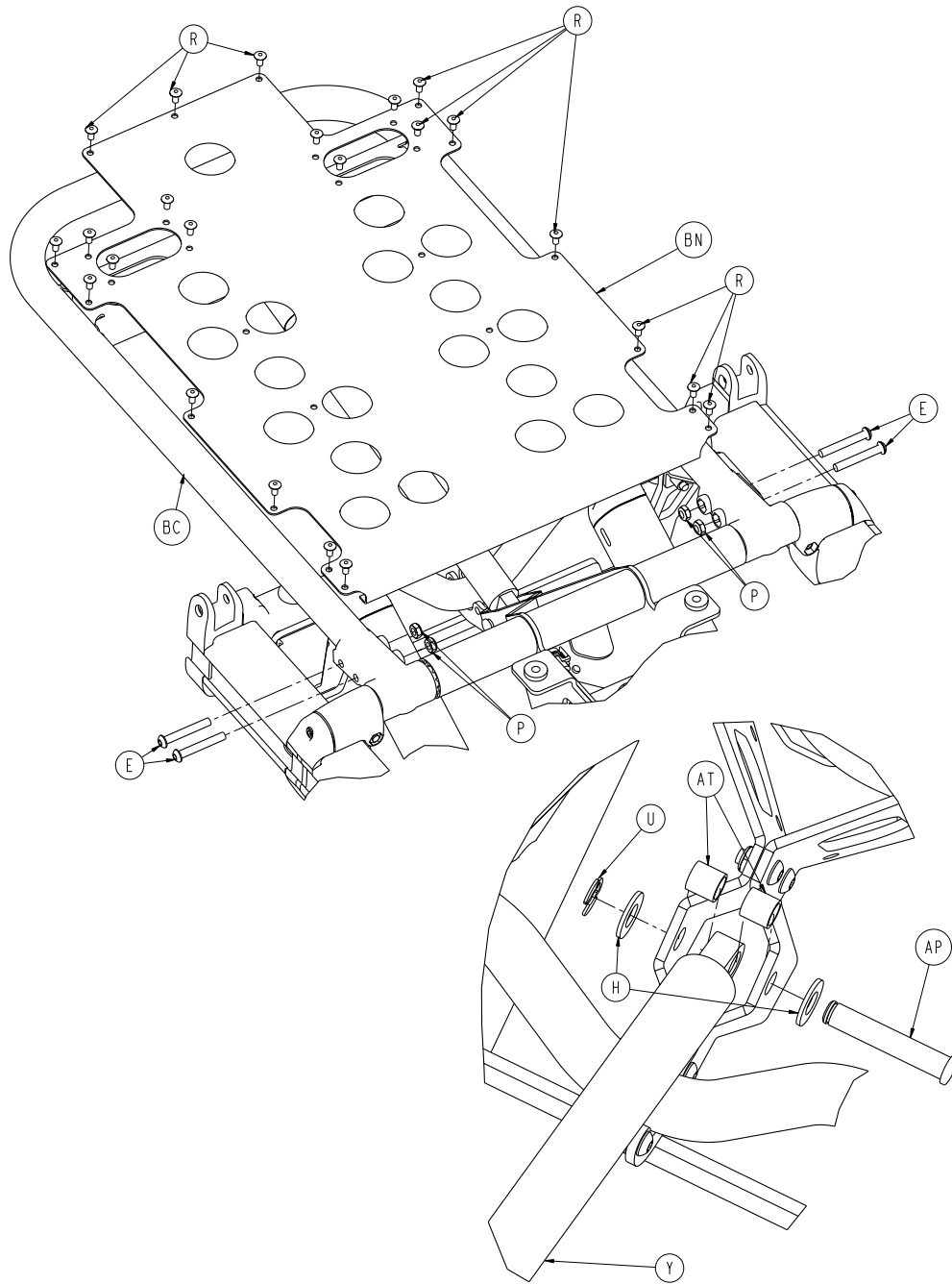


[Return To Table of Contents](#)

Cot Assembly

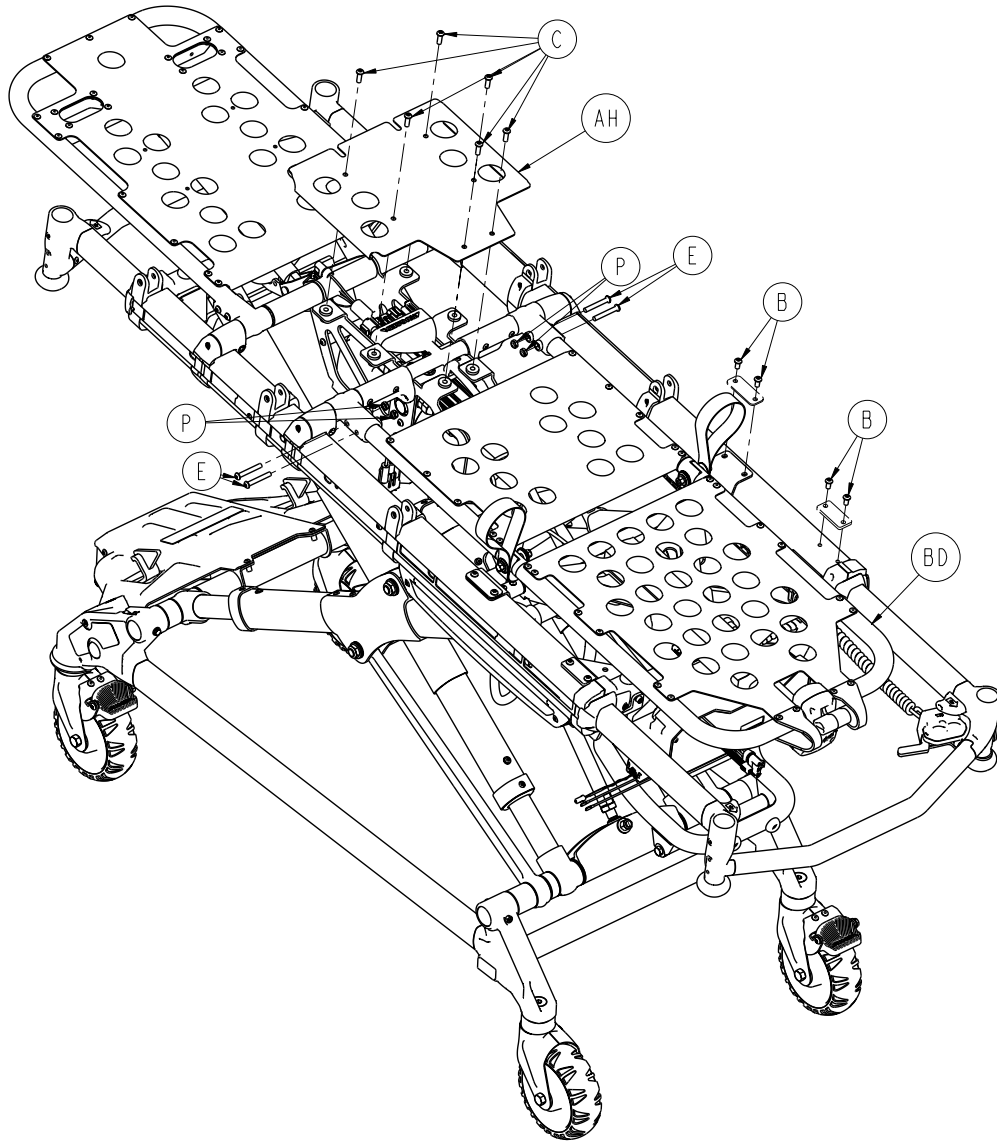


Cot Assembly

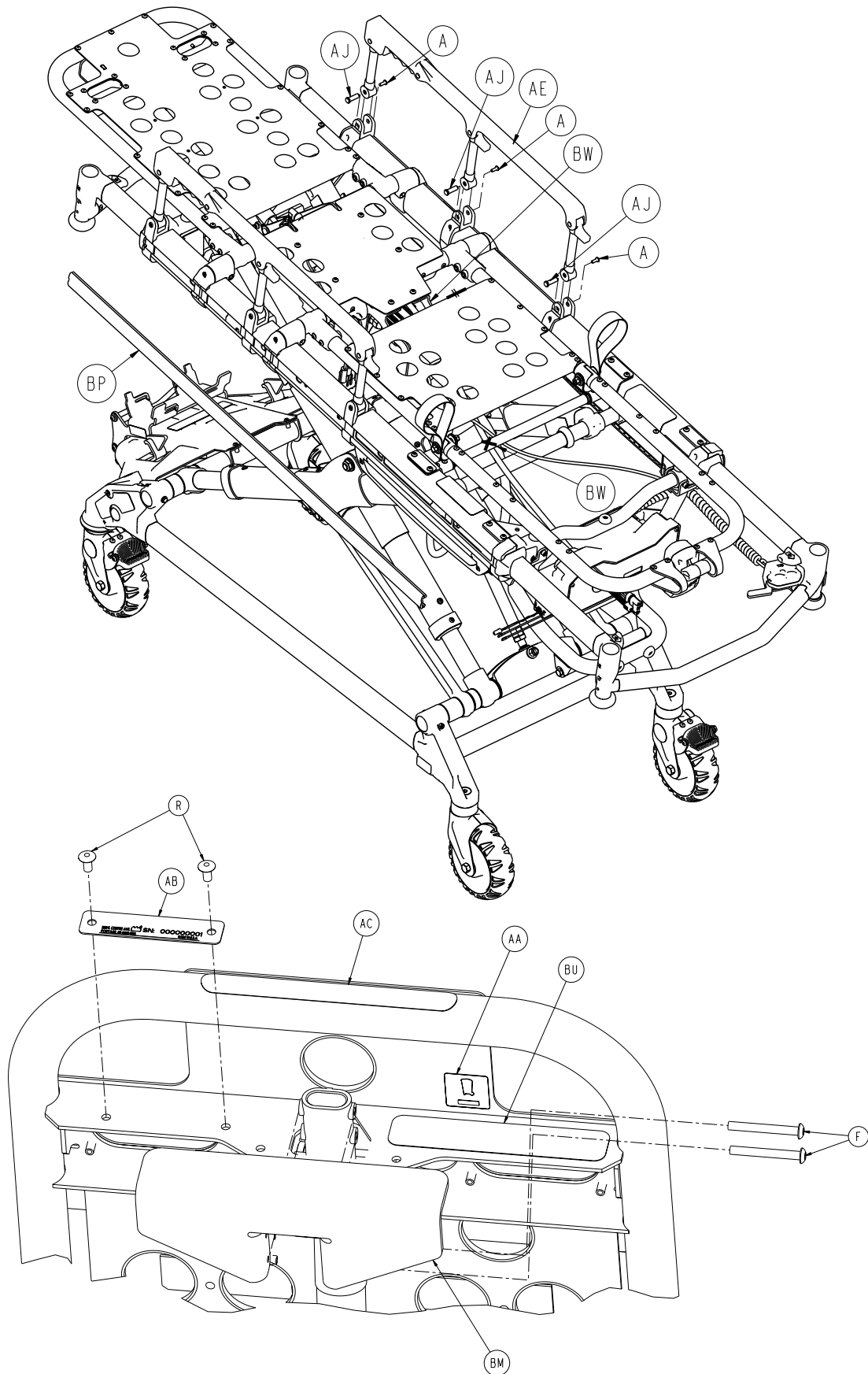


[Return To Table of Contents](#)

Cot Assembly

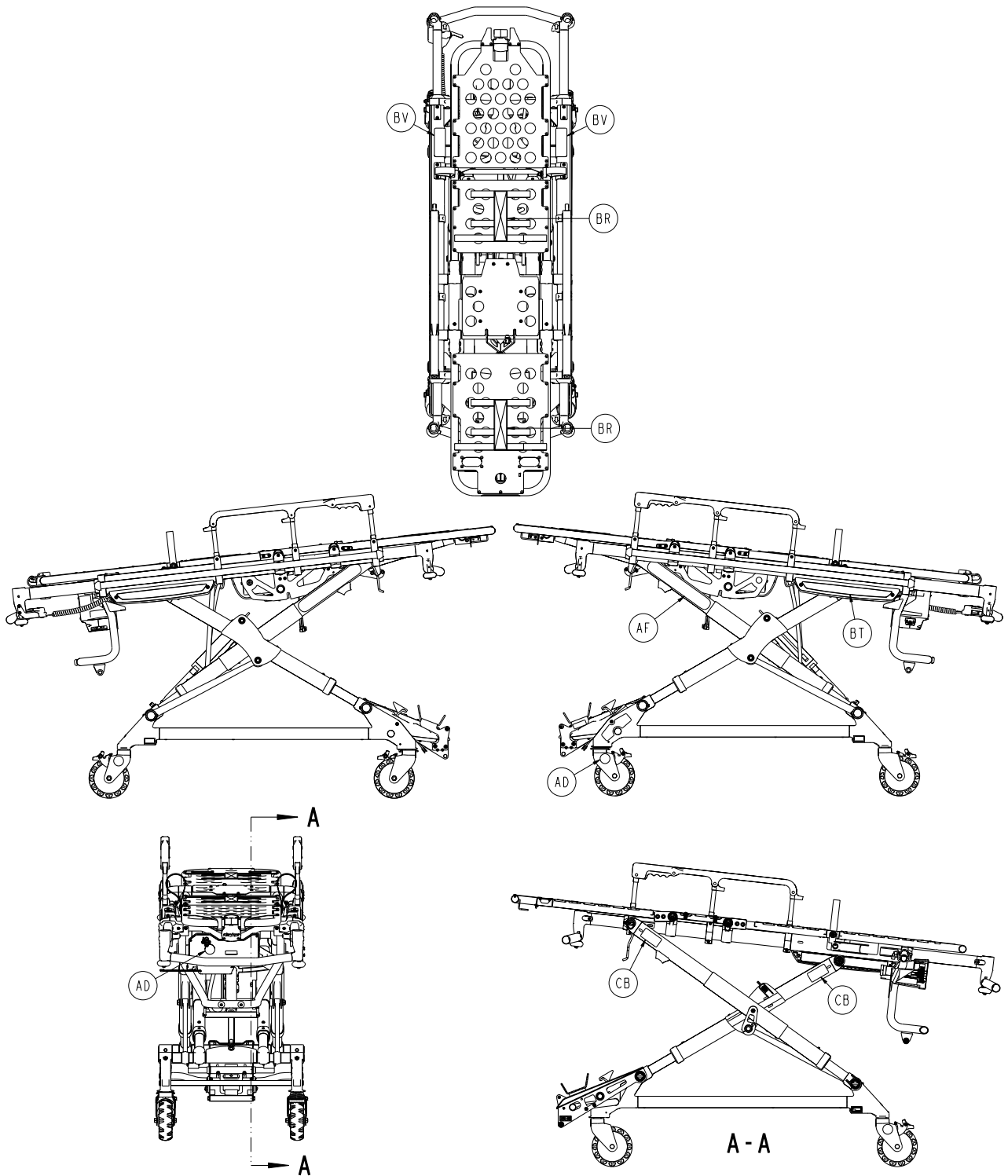


Cot Assembly



[Return To Table of Contents](#)

Cot Assembly



Cot Assembly

Cot Assembly - 6550-001-010 Rev M (Reference Only)

Item	Part No.	Part Name	Qty.
A	0004-585-000	Button Head Cap Screw	10
B	0004-589-000	Button Head Cap Screw	12
C	0004-592-000	Button Head Cap Screw	6
D	0004-593-000	Button Head Cap Screw	4
E	0004-596-000	Button Head Cap Screw	8
F	0004-636-000	Button Head Cap Screw	2
G	0004-852-000	Socket Head Cap Screw	8
H	0011-004-000	Washer	2
J	0011-013-000	Washer	1
K	0014-040-000	Washer	2
L	0016-028-000	Nylock Hex Nut	2
M	0016-035-000	Nylock Hex Nut	1
N	0016-049-000	Nylock Hex Nut	2
P	0016-102-000	Nylock Hex Nut	10
R	0025-079-000	Rivet	25
T	0025-133-000	Rivet	9
U	0028-181-000	Truarc Ring	1
V	0038-574-000	Crest-to-Crest Spring	2
W	0946-001-155	Bumper	5
Y	6500-031-077	Gas Spring	1
AA	2030-009-901	Label, WEEE	1
AB	6060-090-002	Serial Number Tag	1
AC	6060-090-004	Label, Small	1
AD	6080-090-101	Label, Brake Warning	5
AE	6082-026-010	Siderail Assembly	2
AF	6082-090-043	Label, Stryker	2
AG	6100-003-125	Straight "T" Pivot	4
AH	6500-001-111	Mid Section Skin	1
AJ	6500-001-118	Siderail Nut	6
AK	6500-001-123	Hall Effects Slider	2
AL	6500-001-128	Plastic Extrusion Spacer	2
AM	6500-001-157	Flange Bearing	2
AN	6500-001-168	Rod Attachment Pin	1
AP	6085-101-143	Fowler Cylinder Pin	1
AR	6500-001-171	Cylinder Mount Cross Tube	1
AT	6500-001-191	Fowler Cylinder Spacer	2
AU	6500-001-195	Motor Mount Casting	2
AV	6500-001-196	Litter Cross Brace	1
AW	6500-001-225	"D" Washer	2
AY	0004-594-000	Button Head Cap Screw	2
BA	6550-001-012	Base Assembly (page 13)	1
BB	6550-001-015	Telescoping Foot End	1
BC	6550-001-018	Fowler Assembly	1
BD	6550-001-019	Gatch Assembly	1
BE	6550-001-020	Telescoping Head Section	1
BF	6550-001-022	Hitch, Foot End (page 31)	1
BG	6550-101-031	Mounted Hydraulics (page 99)	1
BH	6550-101-032	Outer Rail, Right (page 97)	1
BJ	6550-101-033	Outer Rail, Left (page 98)	1
BK	6550-001-090	Litter Hitch Interface, Head End	1
BL	6550-001-091	Litter Cross Tube, Foot End	1

[Return To Table of Contents](#)

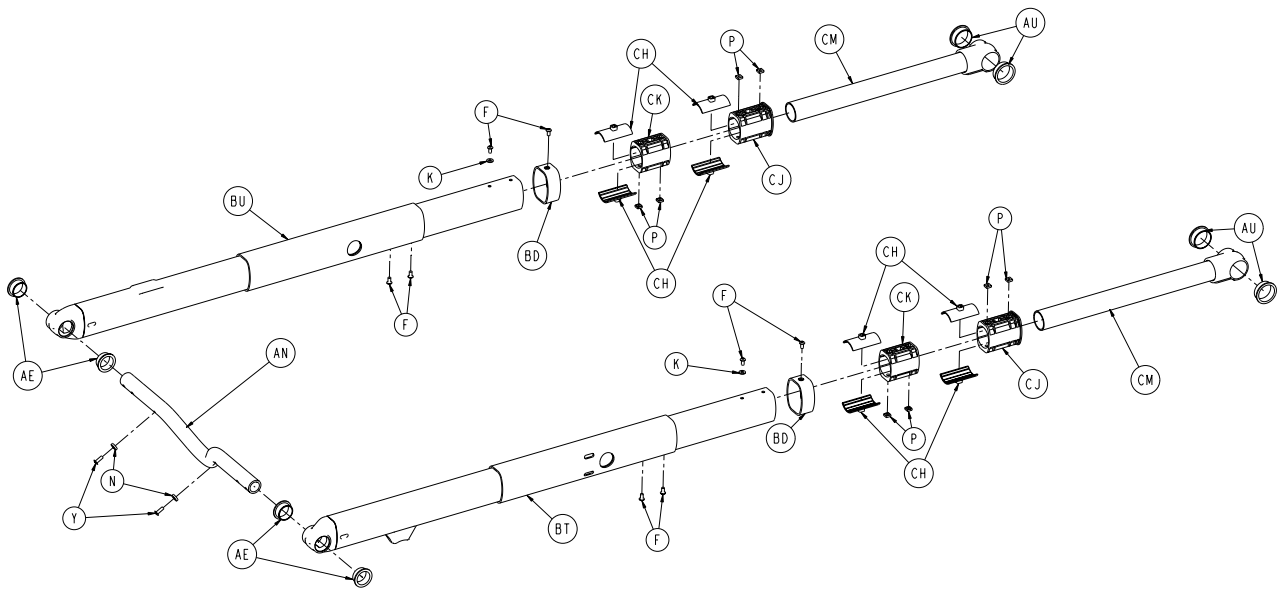
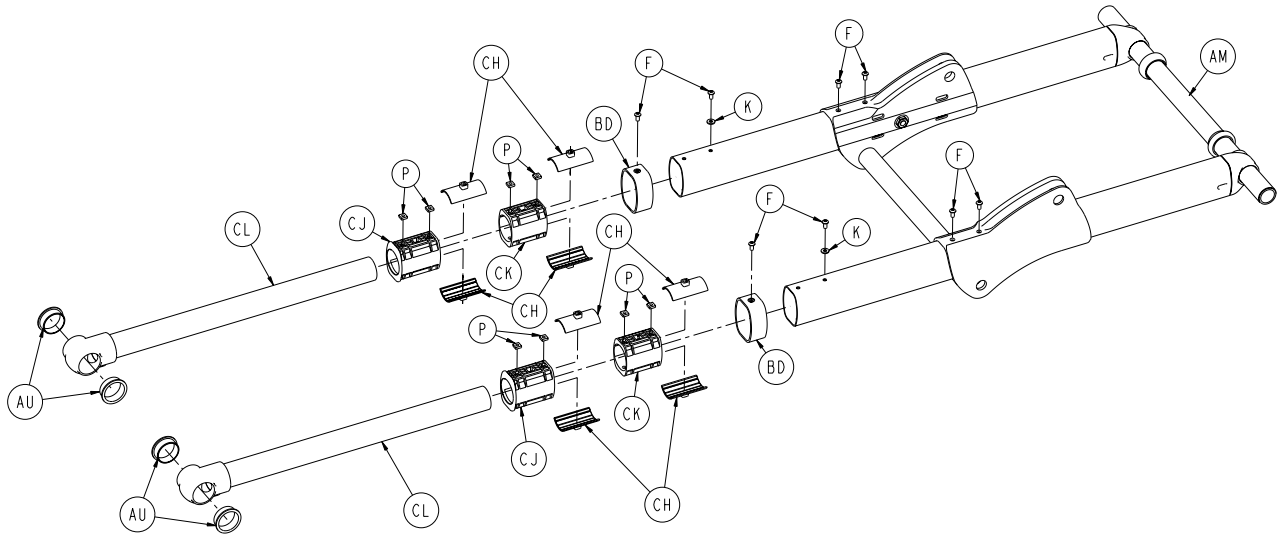
Cot Assembly

Cot Assembly - 6550-001-010 Rev M (Reference Only) (Continued)

Item	Part No.	Part Name	Qty.
BM	6550-001-099	Fowler Release Handle	1
BN	6550-001-102	Backrest Skin	1
BP	6550-001-170	Outer Rail Bumper	2
BR	6550-001-197	Velcro® Strap	2
BT	6550-001-233	Label, Power-PRO™ TL	2
BU	6550-001-234	Label, Power-PRO™ TL Specification	1
BV	6550-001-259	Label, Weight Capacity	2
BW	0059-211-000	11" Nylon Cable Tie	3
BY	0004-634-000	Button Head Cap Screw	1
CA	6500-002-195	Collar	1
CB	6252-001-139	Label, Do Not Lubricate	4

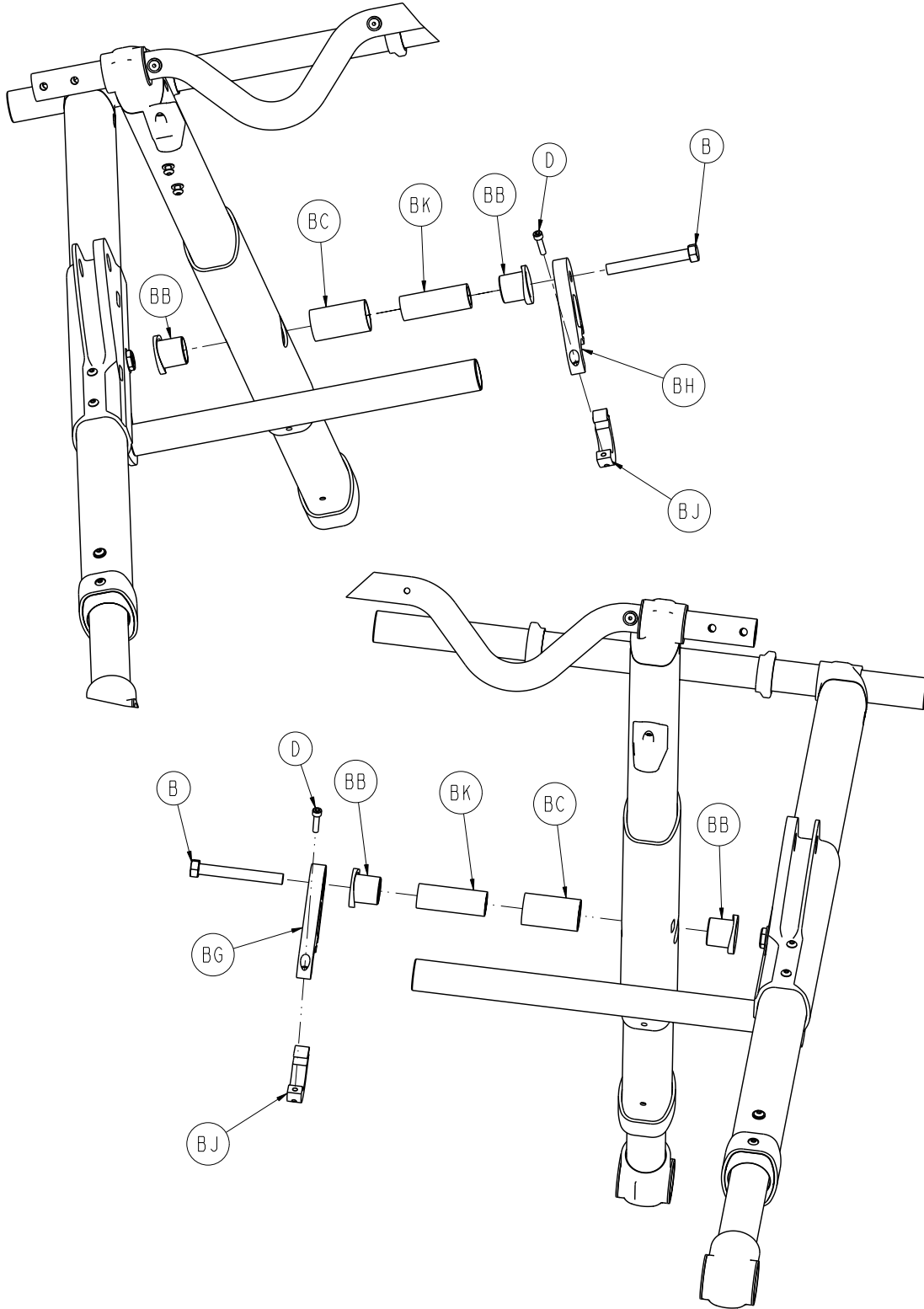
Base Assembly

6550-001-012 Rev H (Reference Only)

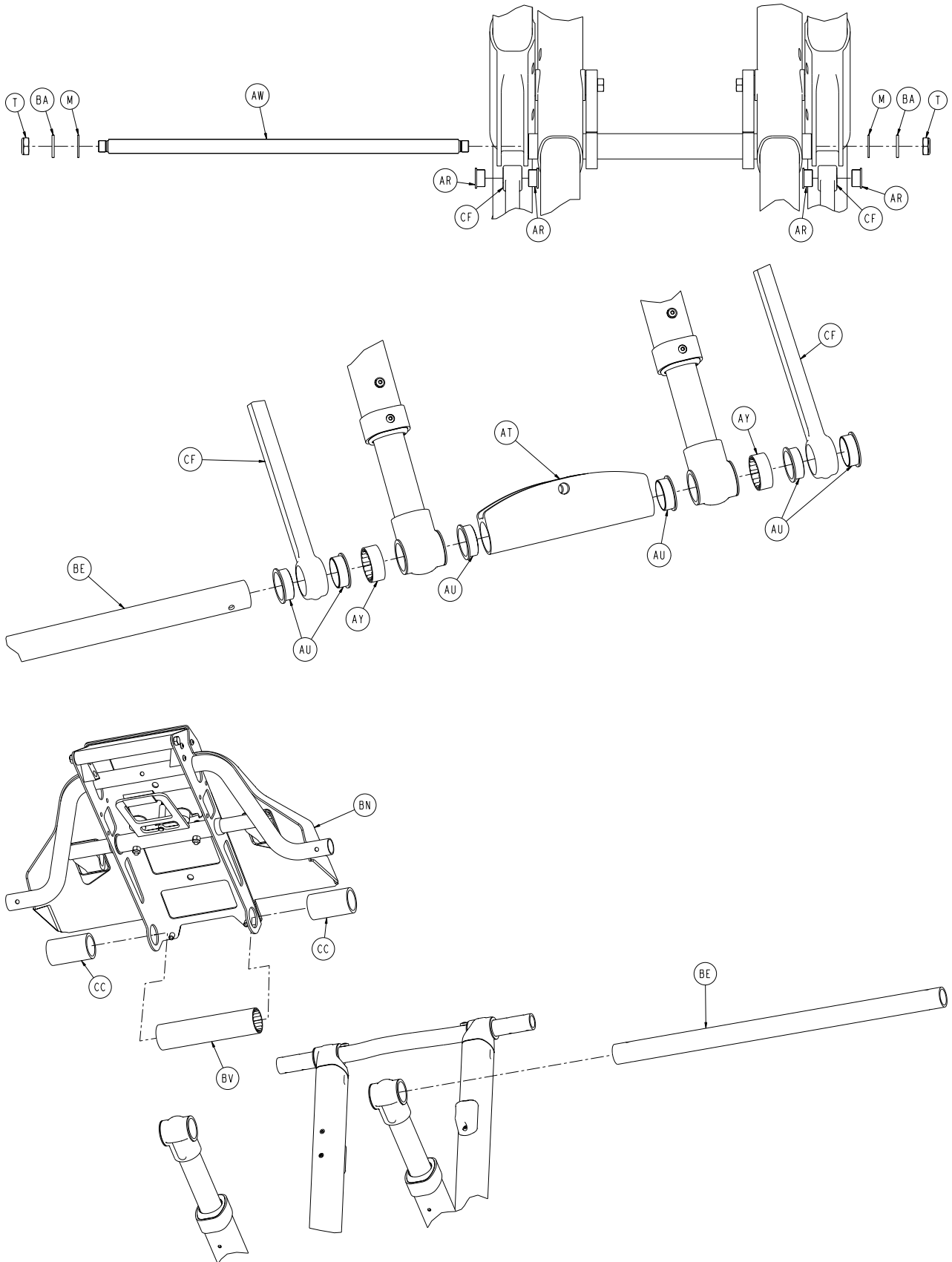


[Return To Table of Contents](#)

Base Assembly

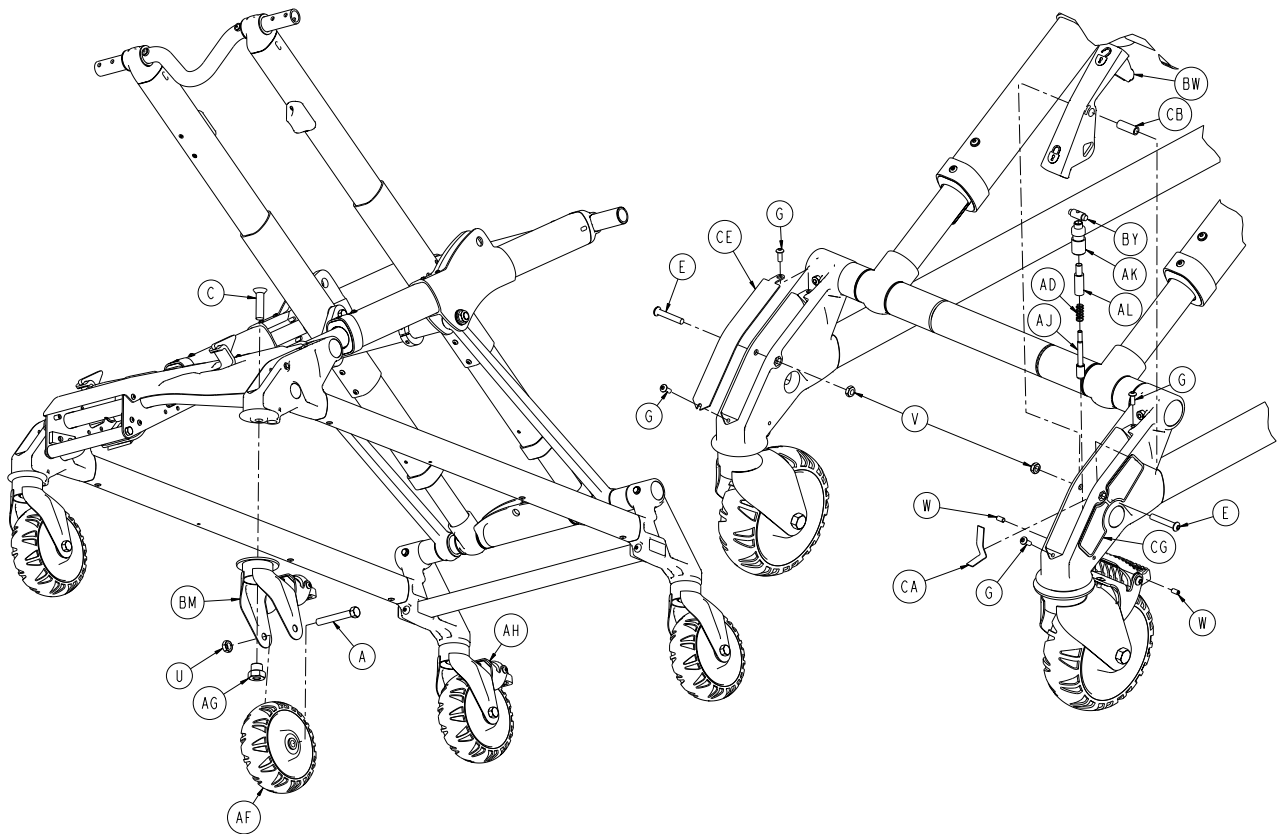
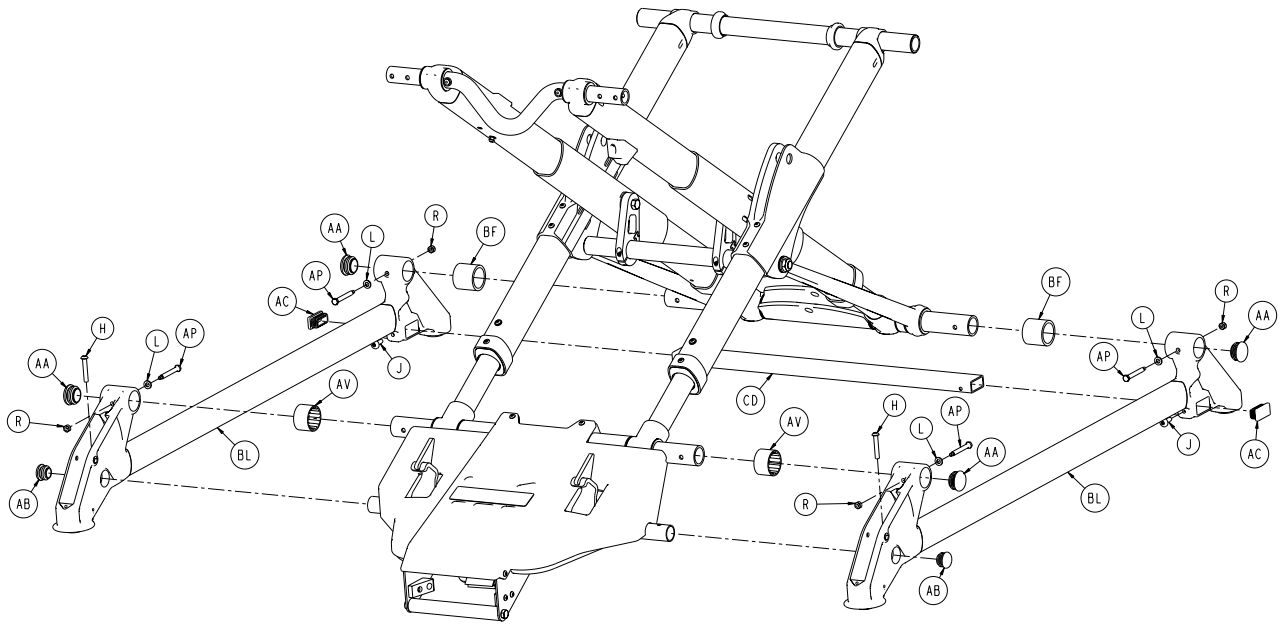


Base Assembly



[Return To Table of Contents](#)

Base Assembly



Base Assembly

Base Assembly - 6550-001-012 Rev H (Reference Only)

Item	Part No.	Part Name	Qty.
A	0003-205-000	Hex Head Cap Screw	4
B	0003-388-000	Hex Head Cap Screw	2
C	0004-319-000	Flat Head Socket Screw	4
D	0004-659-000	Socket Head Cap Screw	2
E	0004-376-000	Button Head Cap Screw	2
F	0004-587-000	Button Head Cap Screw	16
G	0004-634-000	Button Head Cap Screw	4
H	0004-848-000	Button Head Cap Screw	2
J	0007-086-000	Truss Head Screw	2
K	0011-062-000	Washer	4
L	0014-002-000	Washer	4
M	0014-040-000	Washer	2
N	0014-115-000	Washer	2
P	0015-051-000	Square Nut	16
R	0016-002-000	Fiberlock Hex Nut	4
T	0016-049-000	Nylock Hex Nut	2
U	0016-060-000	Toplock Hex Jam Nut	4
V	0016-102-000	Nylock Hex Nut	2
W	0021-180-000	Set Screw	2
Y	0025-133-000	Rivet	2
AA	0037-083-000	Tube Plug	4
AB	0037-243-000	Tube Plug	2
AC	0037-244-000	Hole Plug	2
AD	0038-382-000	Compression Spring	1
AE	0081-244-000	Flange Bearing	4
AF	6060-002-010	6" Molded Wheel Assembly	4
AG	6090-001-009	Caster Nut	4
AH	6100-003-022	Brake and Caster Assembly	1
AJ	6100-003-136	Steer Lock Pin	1
AK	6100-203-135	Pin Sleeve-Steer Lock	1
AL	6100-203-136	Steer Lock Plastic Bushing	1
AM	6500-001-056	Inner Tube Base Frame	1
AN	6500-001-090	Cross Tube, Head End	1
AP	6500-001-145	Caster Mount Spacer	4
AR	6500-001-162	Flange Bearing	4
AT	6500-001-165	Cylinder Mount Pivot, Bottom	1
AU	6500-001-166	Flange Bearing	14
AV	6500-001-178	Base Spacer, Outer	2
AW	6500-001-182	Stiffener Bar Cross Tube	1
AY	6500-001-183	Base Spacer, Outer	2
BA	6500-001-225	"D" Washer	2
BB	6500-001-226	Base Tube Pivot Bearing	4
BC	6500-001-227	Base Tube Pivot Post	2
BD	6500-001-228	Inner Lift Tube Sleeve	4
BE	6500-001-229	Base Tube, Foot	2
BF	6550-001-203	Solid Spacer, Foot End	2
BG	6500-001-308	Base Strap, Right	1
BH	6500-001-309	Base Strap, Left	1
BJ	6500-001-310	Base Strap Clamp	2

[Return To Table of Contents](#)

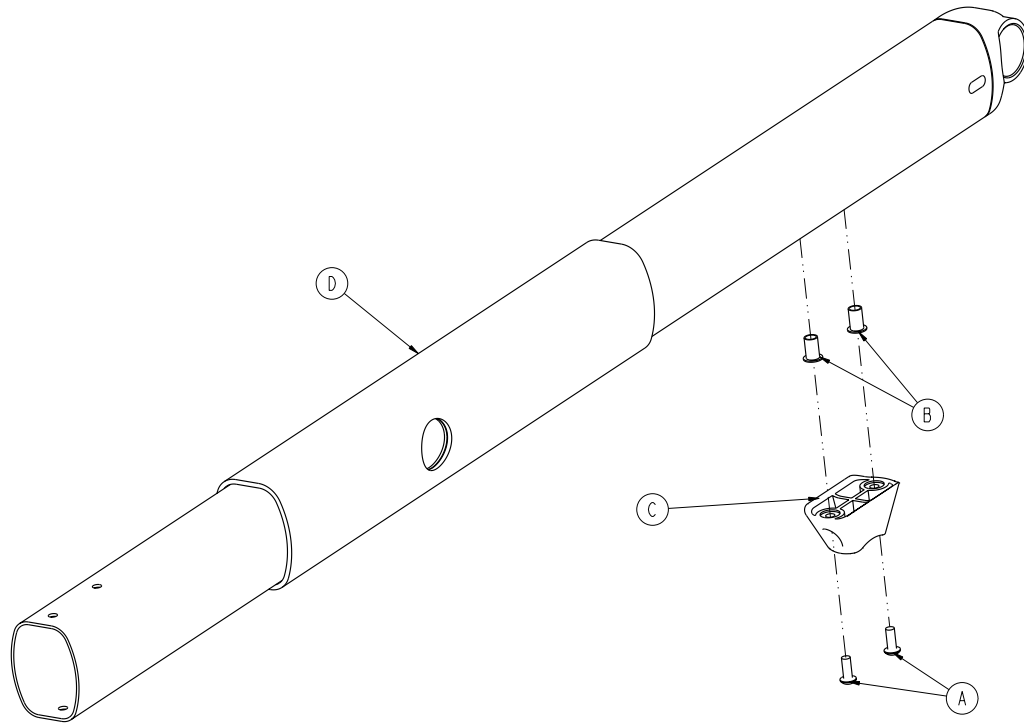
Base Assembly

Base Assembly - 6550-001-012 Rev H (Reference Only) (Continued)

Item	Part No.	Part Name	Qty.
BK	6500-001-341	Base Tube Pivot Post	2
BL	6550-001-013	Outer Base Tube Assembly	2
BM	6550-001-016	Wheel Lock Caster, Steer Lock	1
BN	6550-001-021	Hitch, Head End	1
BT	6550-001-034	Inner Lift Tube Assy, Litter Pivot, Right	1
BU	6550-001-035	Inner Lift Tube Assy, Litter Pivot, Left	1
BV	6550-001-085	Base Spacer, Outer	1
BW	6550-001-103	Steer Lock Pedal	1
BY	6550-001-104	Steer Lock Cross Piece	1
CA	6550-001-105	Steer Lock Spring	1
CB	6550-001-107	Steer Lock Pivot	1
CC	6550-001-204	Solid Spacer, Head End	2
CD	6550-001-171	Rectangular Cross Tube, Foot End	1
CE	6550-001-179	Steer Lock Cover	1
CF	6550-001-200	Support Link	2
CG	6550-001-106	Label, Steerlock	1
CH	6500-001-327	Half Shell Bearing	16
CJ	6500-001-328	Lower Bearing Carrier	4
CK	6500-001-329	Middle Bearing Carrier	4
CL	6500-301-051	Base Pivot Lift Tube Weldment	2
CM	6550-101-066	Inner Lift Tube Weldment, Base Pivot	2

Inner Lift Tube Assembly, Litter Pivot, Right - 6550-001-034

Rev C

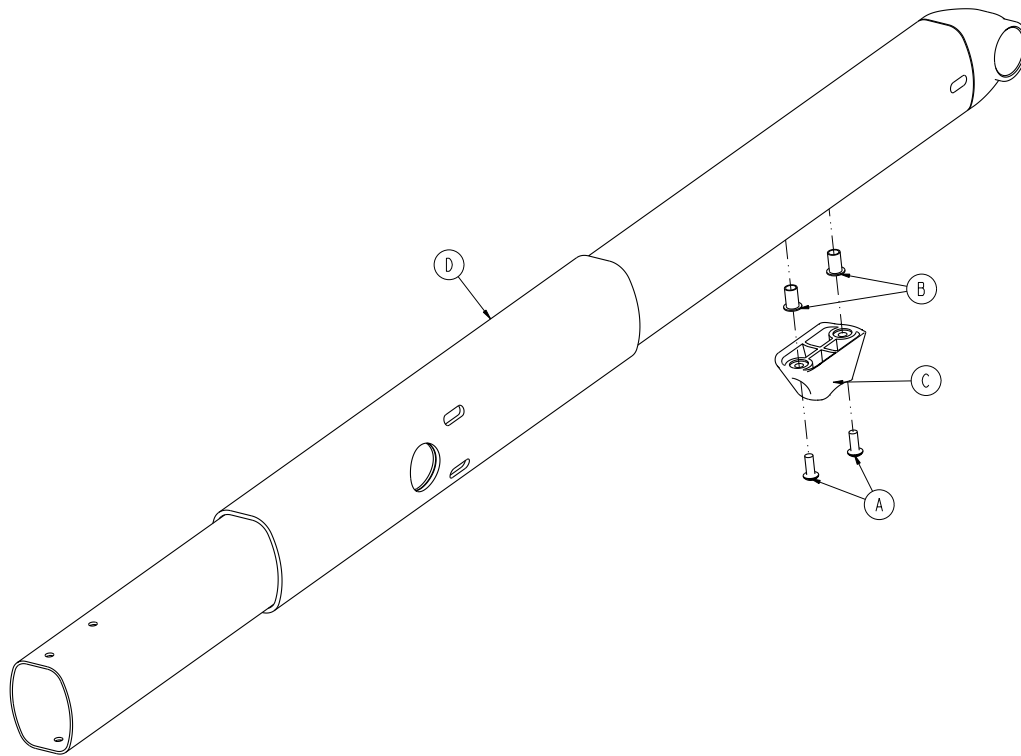


Item	Part No.	Part Name	Qty.
A	0004-634-000	Button Head Cap Screw	2
B	0055-100-075	Riv Nut	2
C	6500-001-125	Base Dead Stop	1
D	6550-001-260	Litter Pivot Inner Lift Tube Weldment	1

[Return To Table of Contents](#)

Inner Lift Tube Assembly, Litter Pivot, Left - 6550-001-035

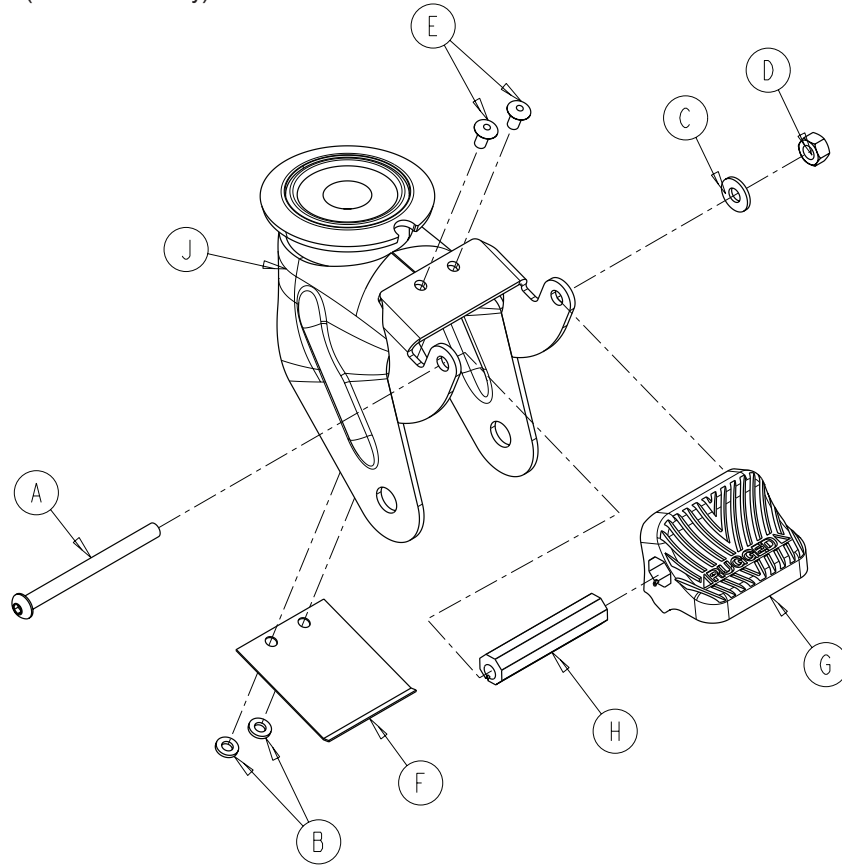
Rev C



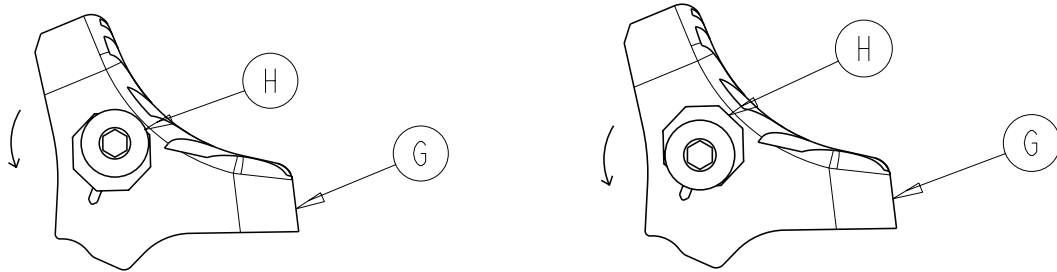
Item	Part No.	Part Name	Qty.
A	0004-634-000	Button Head Cap Screw	2
B	0055-100-075	Riv Nut	2
C	6500-001-125	Base Dead Stop	1
D	6550-101-058	Litter Pivot Inner Lift Tube Weldment	1

Caster, Steer Lock, Wheel Lock Assembly

6550-001-016 Rev B (Reference Only)



Note: Item H can be rotated incrementally in the counter clockwise direction to increase locking force.

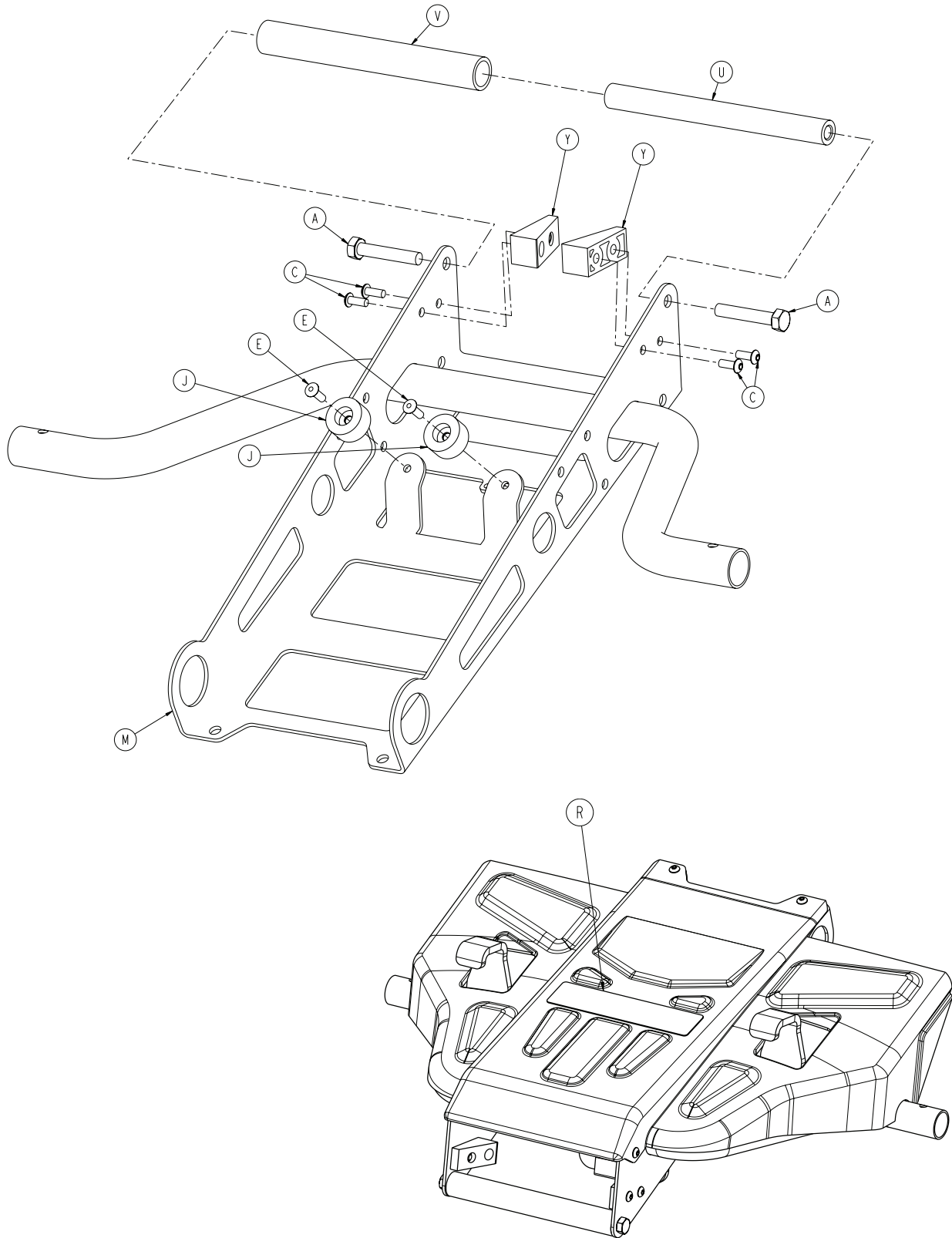


Item	Part No.	Part Name	Qty.
A	0004-098-000	Button Head Cap Screw	1
B	0011-454-000	Washer	2
C	0011-456-000	Washer	1
D	0016-118-000	Hex Lock Nut	1
E	0025-079-000	Rivet	2
F	6080-100-032	Spring	1
G	6080-300-030	Adjustable Caster Lock Pedal	1
H	6080-200-041	Adj Caster Lock Octagonal Sleeve	1
J	6550-001-050	Caster Horn, Foot End	1

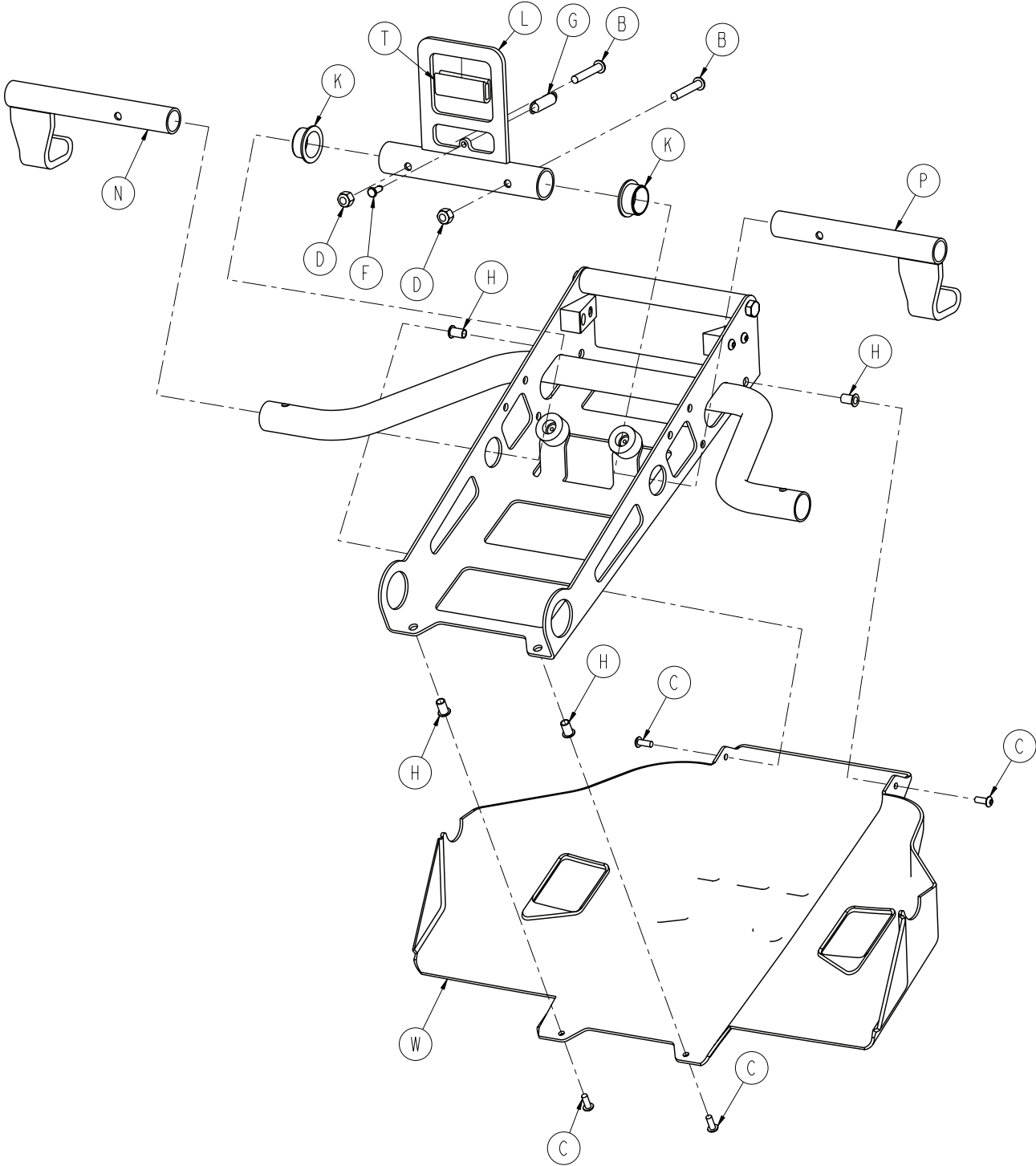
[Return To Table of Contents](#)

Hitch Assembly, Head End

6550-001-021 Rev B (Reference Only)



Hitch Assembly, Head End



[Return To Table of Contents](#)

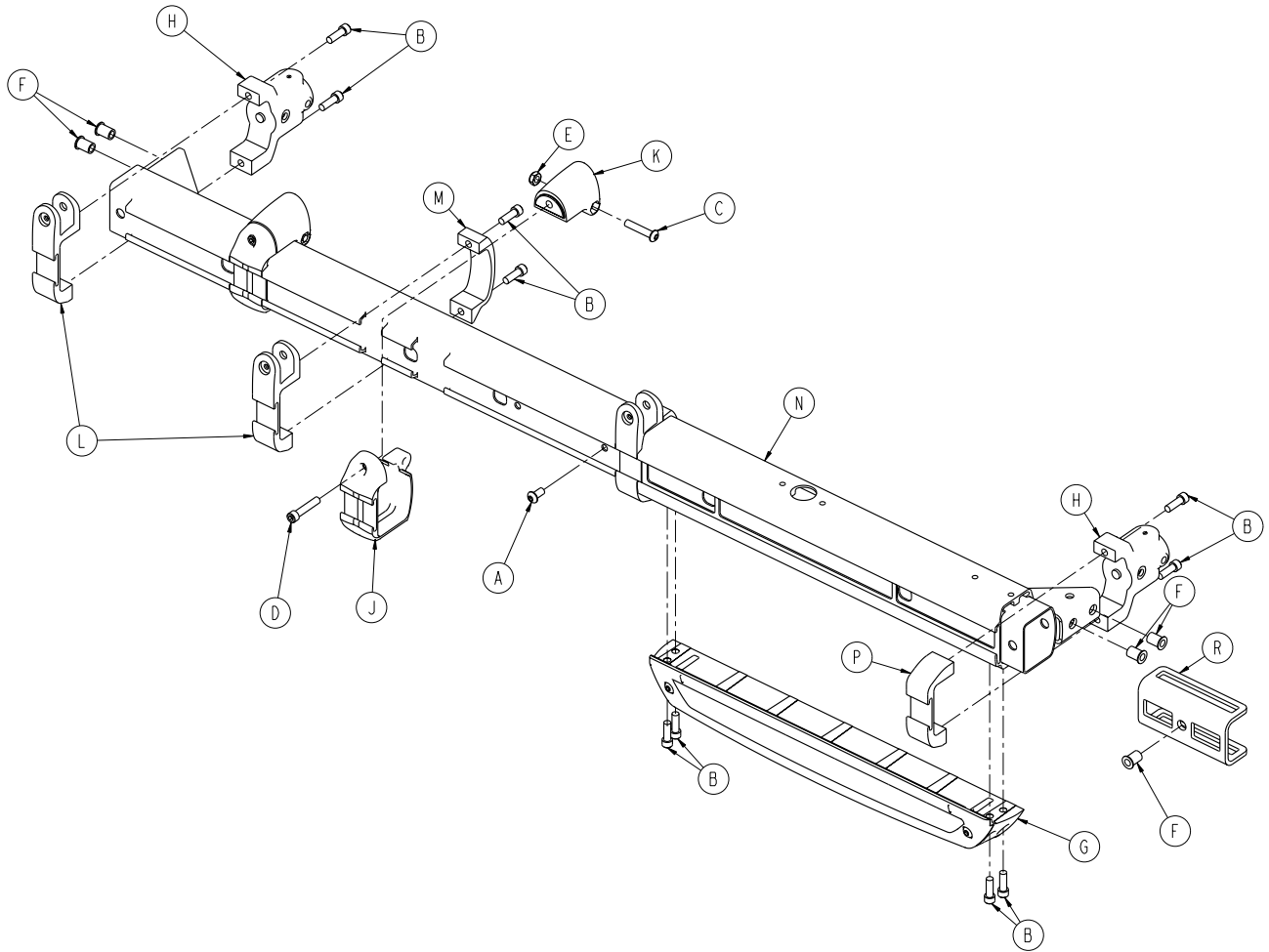
Hitch Assembly, Head End

Hitch Assembly, Head End - 6550-001-021 Rev B (Reference Only)

Item	Part No.	Part Name	Qty.
A	0003-391-000	Hex Head Cap Screw	2
B	0004-376-000	Button Head Cap Screw	2
C	0004-634-000	Button Head Cap Screw	8
D	0016-028-000	Fiberlock Hex Nut	2
E	0025-133-000	Rivet	2
F	0026-385-000	Clevis Pin	1
G	0038-588-000	Extension Spring	1
H	0055-100-075	Riv Nut	4
J	0056-016-000	Bumper	2
K	0081-012-002	Flange Bearing	2
L	6550-001-054	Crash Connect Center Weldment	1
M	6550-001-055	Case Weldment Hitch, Head End	1
N	6550-001-059	Crash Connect Center Wldmnt, Left	1
P	6550-001-063	Crash Connect Center Wldmnt, Right	1
R	6550-001-083	Label, Hitch Pinch Point, Head End	1
T	6550-001-087	Hitch Wear Strip, Head End	1
U	6550-001-134	Hitch Bar, Head End	1
V	6550-001-140	Hitch Bar Sleeve, Head End	1
W	6550-001-174	Hitch Cover, Head End	1
Y	6550-001-175	Hitch Guide, Head End	2

Outer Rail, Right

6550-101-032 Rev A (Reference Only)

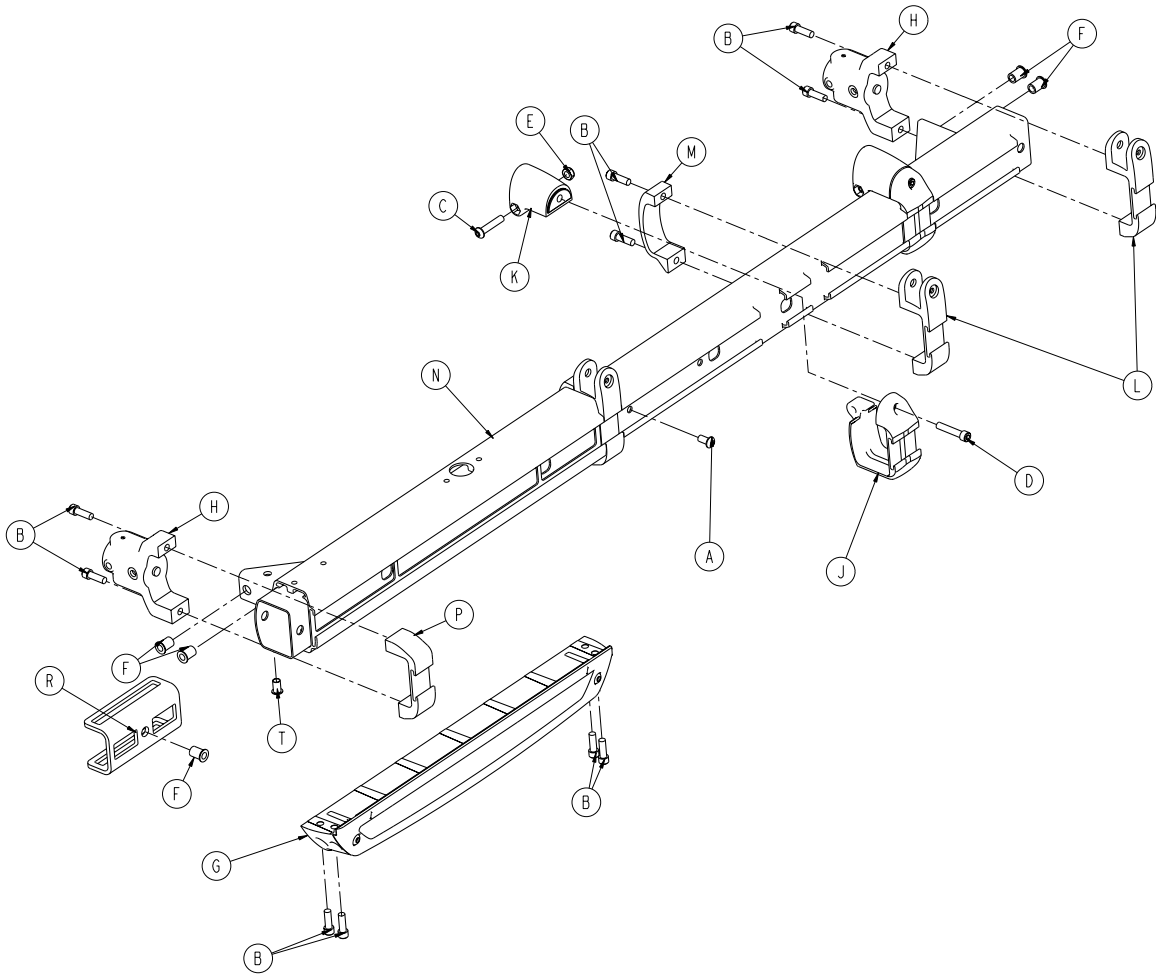


Item	Part No.	Part Name	Qty.
A	0004-589-000	Button Head Cap Screw	1
B	0004-591-000	Socket Head Cap Screw	12
C	0004-612-000	Button Head Cap Screw	2
D	0004-613-000	Socket Head Cap Screw	2
E	0016-102-000	Nylock Nut	2
F	0055-100-076	Riv Nut	5
G	6500-001-029	Empty Sensor Housing	1
H	6500-001-102	Base/Litter Interface Bracket	2
J	6500-001-104	Litter Support Bracket, Outside	2
K	6500-001-106	Litter Support Bracket, Inside	2
L	6500-001-116	Siderail Bracket	3
M	6500-001-117	Siderail Clamp	2
N	6550-101-064	Outer Rail Weldment, Right	1
P	6550-001-096	Outer Rail Clamp	1
R	6550-001-166	Dead Stop	1

[Return To Table of Contents](#)

Outer Rail, Left

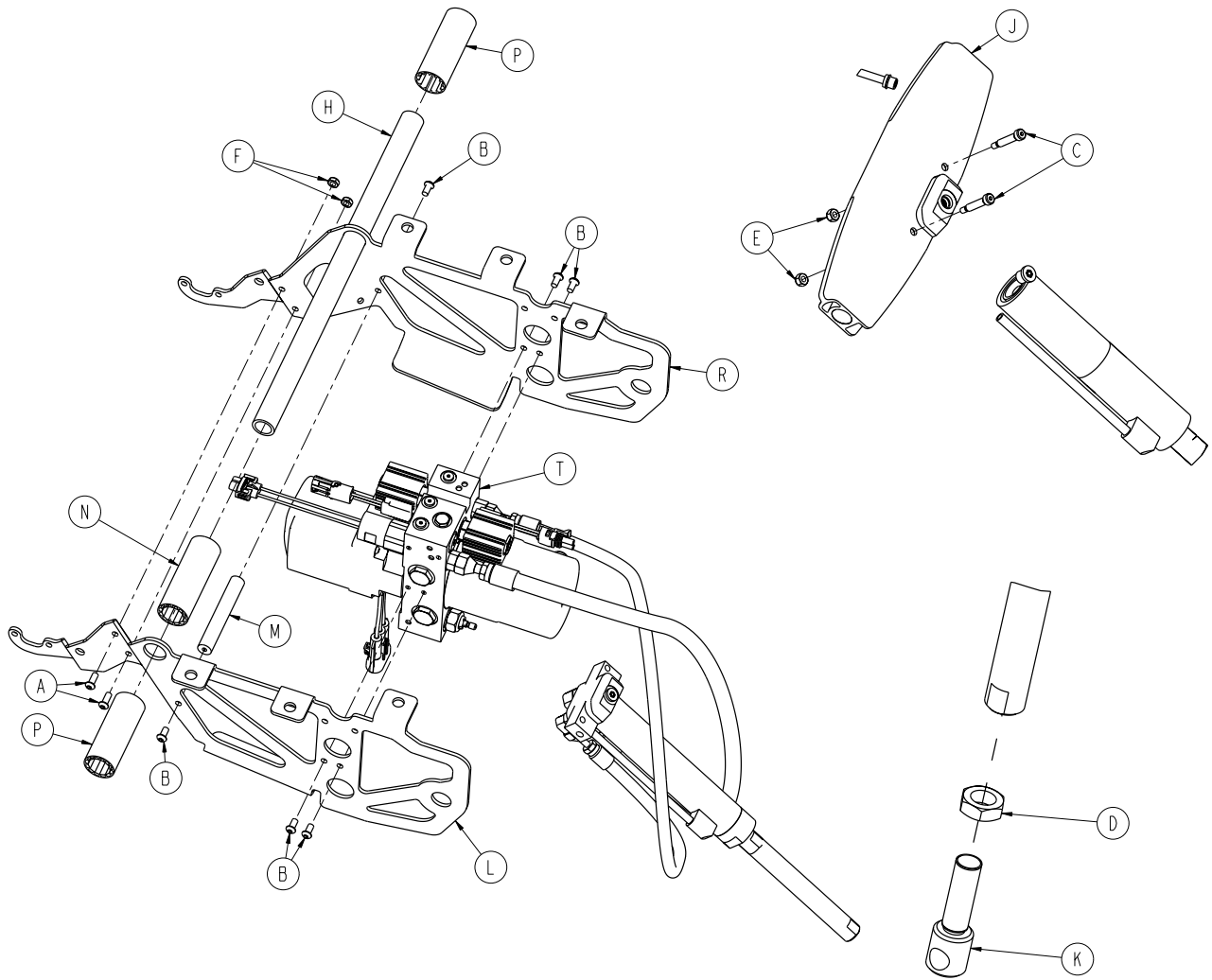
6550-101-033 Rev A (Reference Only)



Item	Part No.	Part Name	Qty.
A	0004-589-000	Button Head Cap Screw	1
B	0004-591-000	Socket Head Cap Screw	12
C	0004-612-000	Button Head Cap Screw	2
D	0004-613-000	Socket Head Cap Screw	2
E	0016-102-000	Nylock Hex Nut	2
F	0055-100-076	Riv Nut	5
G	6500-001-029	Empty Sensor Housing	1
H	6500-001-102	Base/Litter Interface Bracket	2
J	6500-001-104	Litter Support Bracket, Outside	2
K	6500-001-106	Litter Support Bracket, Inside	2
L	6500-001-116	Siderail Bracket	3
M	6500-001-117	Siderail Clamp	2
N	6550-101-065	Outer Rail Weldment, Left	1
P	6550-001-096	Outer Rail Clamp	1
R	6550-001-166	Dead Stop	1
T	0055-100-075	Riv Nut	1

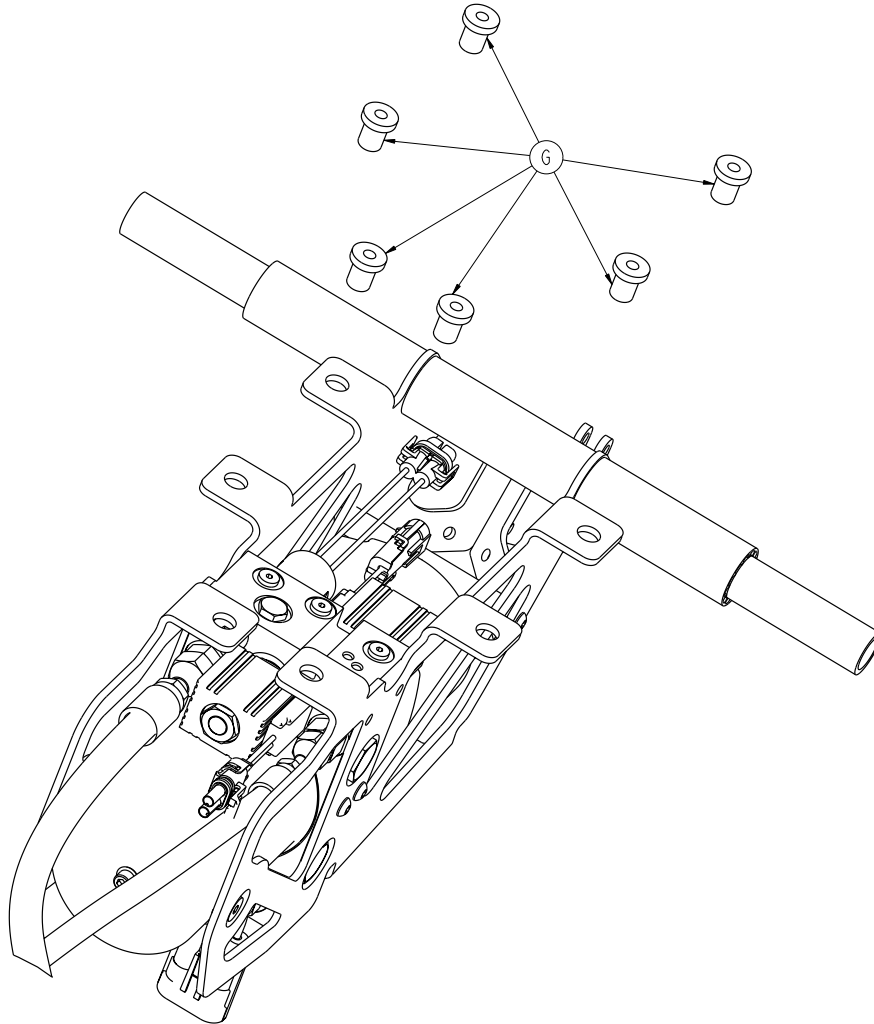
Mounted Hydraulics Assembly

6500-101-031 Rev A (Reference Only)



[Return To Table of Contents](#)

Mounted Hydraulics Assembly

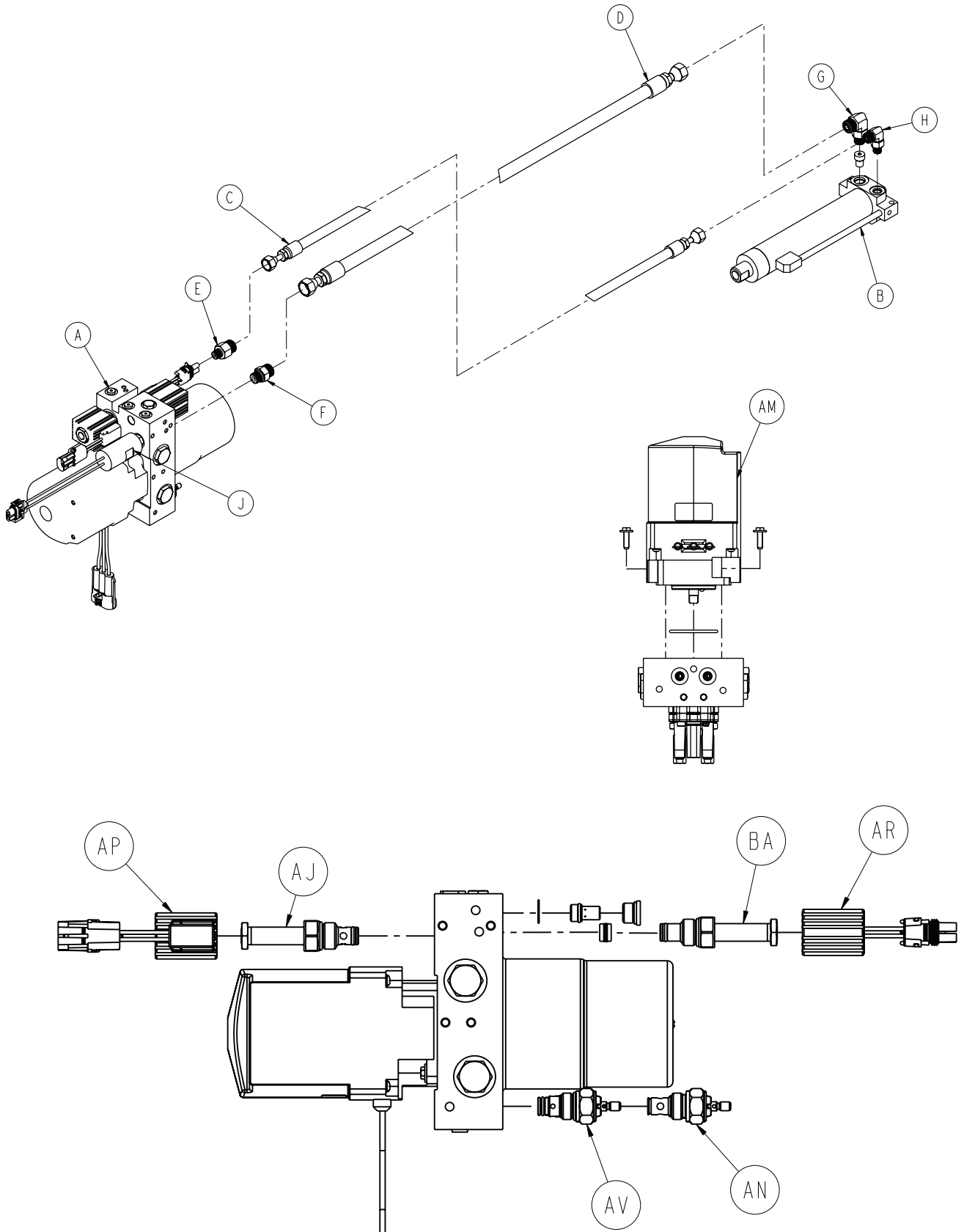


Mounted Hydraulics Assembly - 6550-101-031 Rev B (Reference Only)

Item	Part No.	Part Name	Qty.
A	0004-577-000	Button Head Cap Screw	2
B	0004-589-000	Button Head Cap Screw	6
C	0008-030-000	Socket Head Shoulder Screw	2
D	0015-052-000	Hex Jam Nut	1
E	0016-002-000	Fiberlock Hex Nut	2
F	0016-102-000	Nylock Hex Nut	2
G	0055-100-074	Well Nut	6
H	6500-001-105	Cross Tube, Litter Support	1
J	6500-001-164	Pivot, Cylinder Mount, Top	1
K	6500-001-169	Rod End, Cylinder	1
L	6500-002-194	Motor Mount	1
M	6500-001-212	Cross Bar, Motor Mount	1
N	6500-001-249	Plastic Extrusion, Spacer	1
P	6500-001-250	Plastic Extrusion, Spacer	2
R	6500-002-294	Motor Mount	1
T	6550-001-030	Hydraulics Assembly (page 103)	1

Hydraulics Subassembly

6550-001-030 (Reference Only)



[Return To Table of Contents](#)

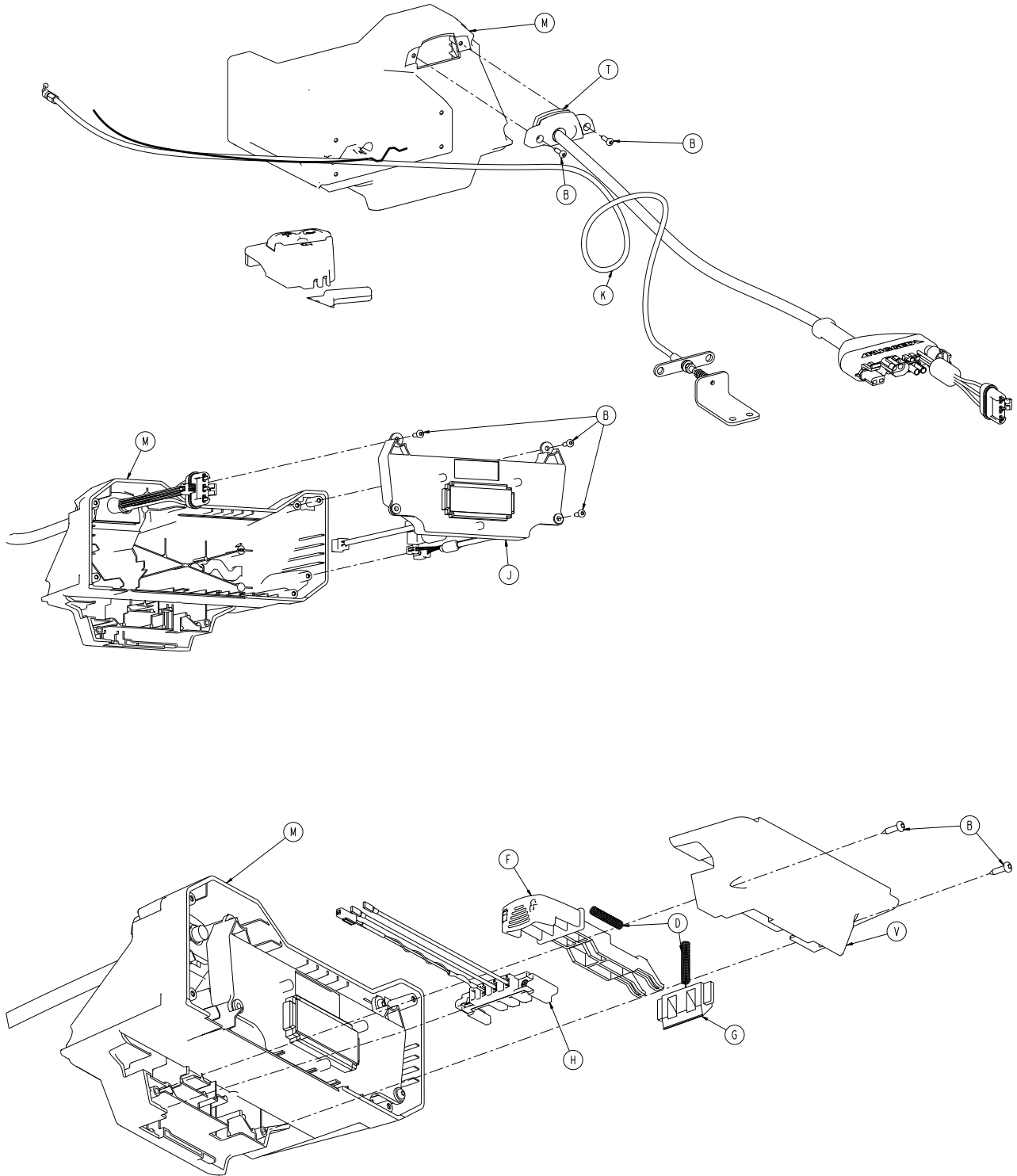
Hydraulics Subassembly

Hydraulics Subassembly - 6550-001-030 (Reference Only)

Item	Part No.	Part Name	Qty.
A	6500-001-214	Manifold Assembly	1
B	6550-001-213	Cylinder	1
C	6500-001-211	Hydraulic Hose, Rod Side,	1
D	6500-001-210	Hydraulic Hose, Cap Side	1
E	6500-001-282	Hose Fitting, Rod Side, Manifold	1
F	6500-001-283	Hose Fitting, Cap Side, Manifold	1
G	6500-001-296	Hose Fitting, Cap Side, Cylinder	1
H	6500-001-297	Hose Fitting, Rod Side, Cylinder	1
J	6500-001-290	Pressure Switch	1
AJ	6500-001-286	A-Valve	1
AM	6500-001-295	Motor	1
AN	6500-001-289	Manual Valve, Non-Locking	1
AP	6500-001-284	Solenoid, A-Valve	1
AR	6500-001-285	Solenoid, B-Valve	1
AV	6500-001-288	Manual Valve, Locking	1
BA	6500-001-287	B-Valve	1

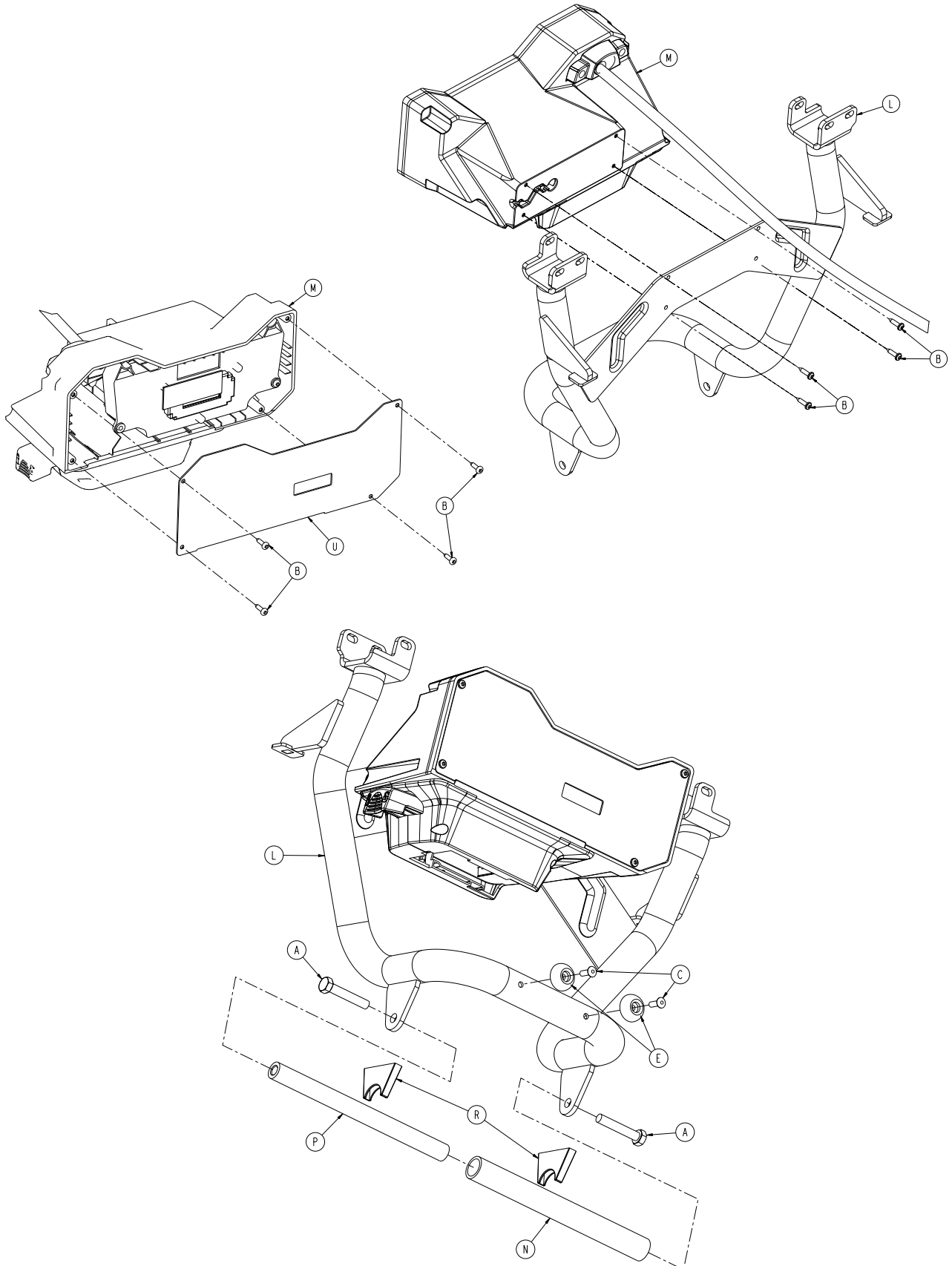
Hitch Assembly, Foot End

6550-001-022 Rev B (Reference Only)



[Return To Table of Contents](#)

Hitch Assembly, Foot End



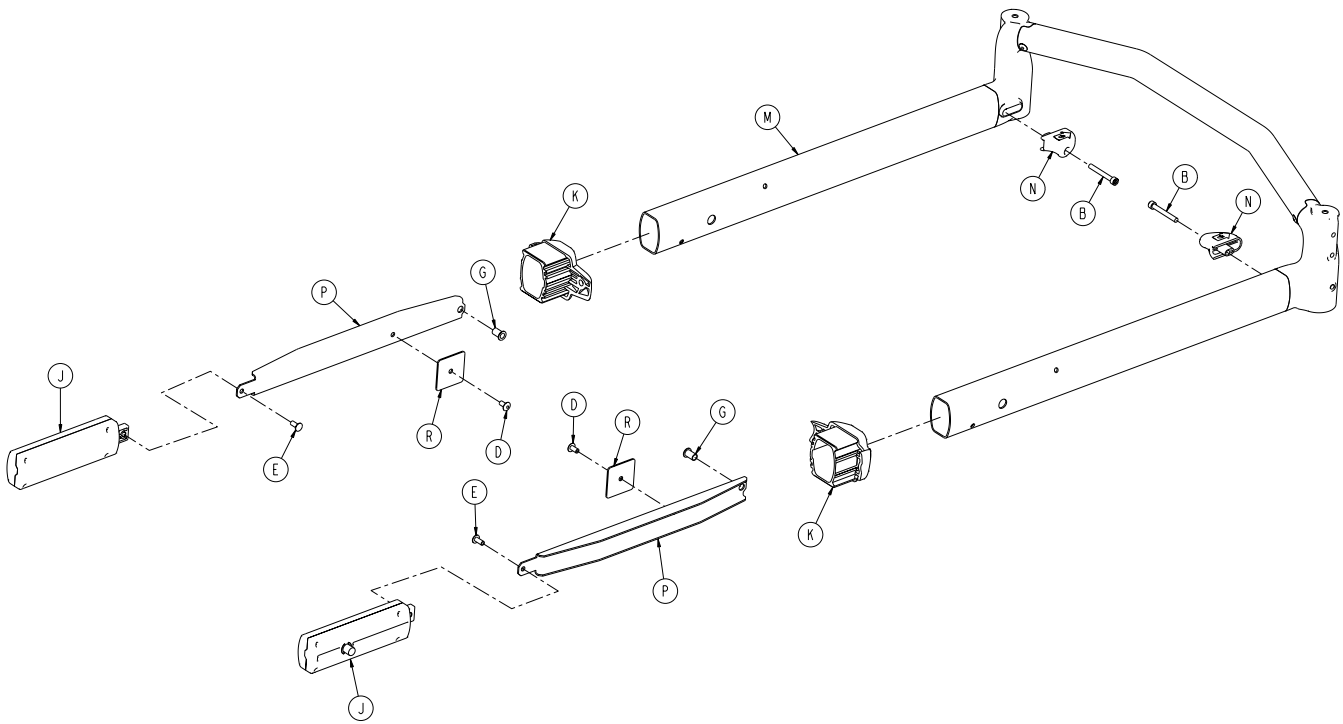
Hitch Assembly, Foot End

Hitch Assembly, Foot End - 6550-001-022 Rev B (Reference Only)

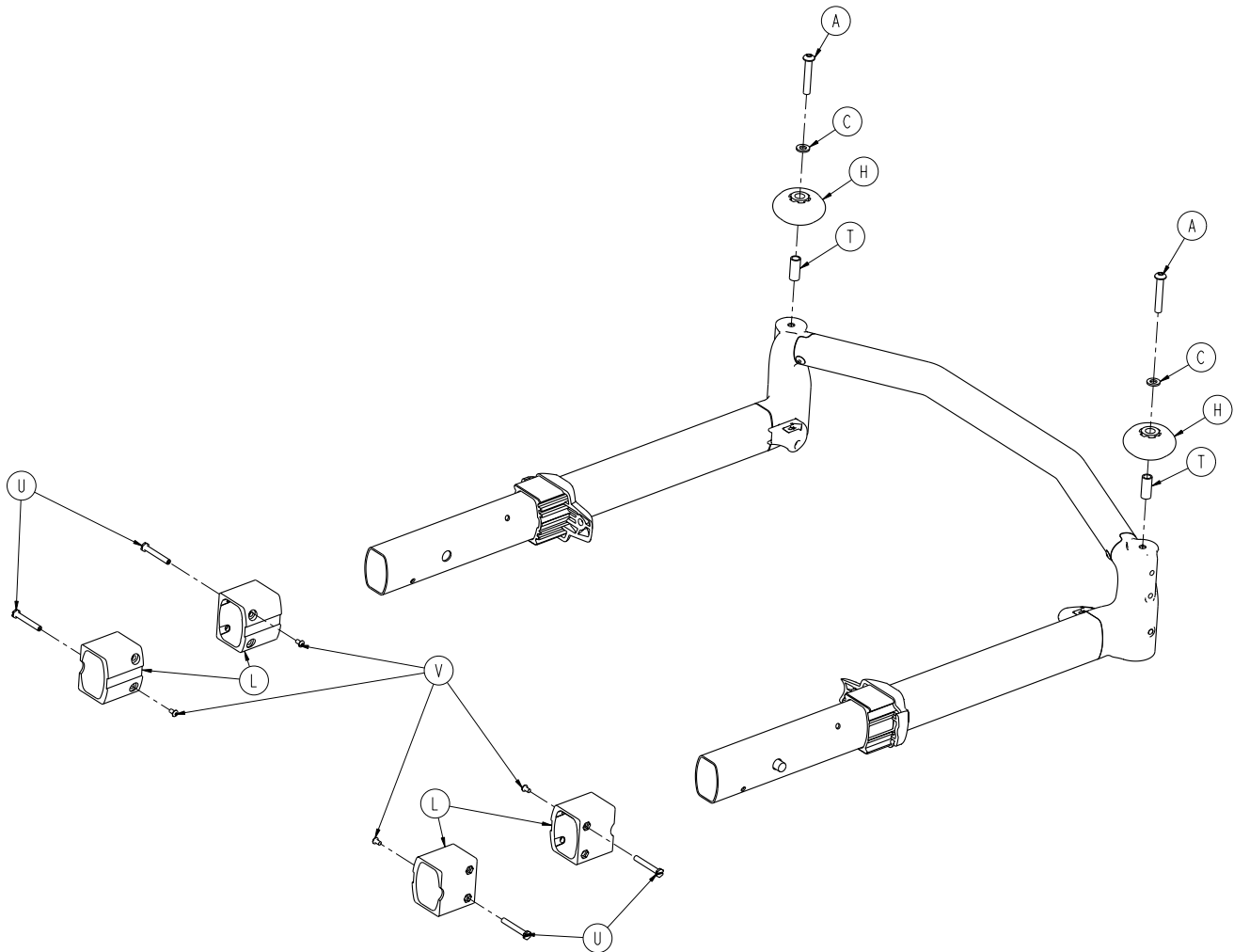
Item	Part No.	Part Name	Qty.
A	0003-391-000	Hex Head Cap Screw	2
B	0023-162-000	Screw	15
C	0025-133-000	Rivet	2
D	0038-572-000	Compression Spring	2
E	0946-001-155	Bumper	2
F	6500-001-138	Battery Release Button	1
G	6500-001-139	Battery Release Lock	1
H	6500-002-216	Cot Connector Cable Assembly	1
J	6550-001-014	Electronics Assembly	1
K	6550-001-029	Switch Assembly	1
L	6550-001-060	Hitch Tube Weldment, Foot End	1
M	6550-001-092	Board Enclosure	1
N	6550-001-141	Hitch Bar Sleeve, Foot End	1
P	6550-001-146	Hitch Bar, Foot End	1
R	6550-001-167	Hitch Wear Guard, Foot End	2
T	6550-001-172	Cable Assembly	1
U	6550-001-173	Housing Cover, Foot End	1
V	6550-001-178	Bottom Plate Enclosure, Foot End	1

Telescoping Foot End - 6550-001-015

Rev B



Telescoping Foot End - 6550-001-015



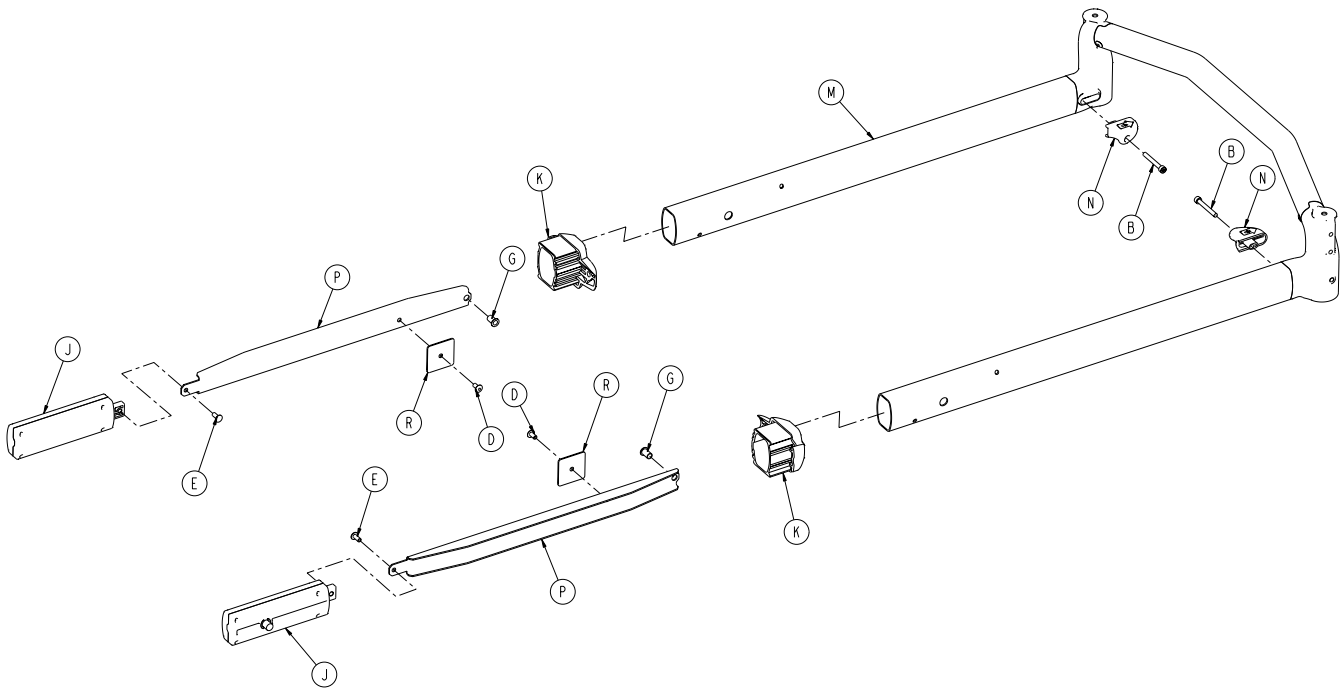
Telescoping Foot End Assembly 6550-001-015 Rev B

Item	Part No.	Part Name	Qty.
A	0004-848-000	Button Head Cap Screw	2
B	0004-849-000	Socket Head Cap Screw	2
C	0011-065-000	Washer	2
D	0025-079-000	Rivet	2
E	0025-126-000	Rivet	2
G	0055-100-075	Riv Nut	2
H	0721-032-049	Bumper Roller	2
J	6500-001-026	Head Section Lock Assembly	2
K	6500-001-087	Cap Bearing	2
L	6085-001-170	Internal Bearing	4
M	6550-001-025	Bonded Frame, Foot End	1
N	6550-001-156	Section Release Trigger	2
P	6550-001-162	Link Release, Foot End	2
R	6550-001-163	Link Guide	2
T	6550-001-169	Bumper Pivot	2
U	6085-001-169	Headsection Nut	4
V	0004-168-000	Button Head Cap Screw	4

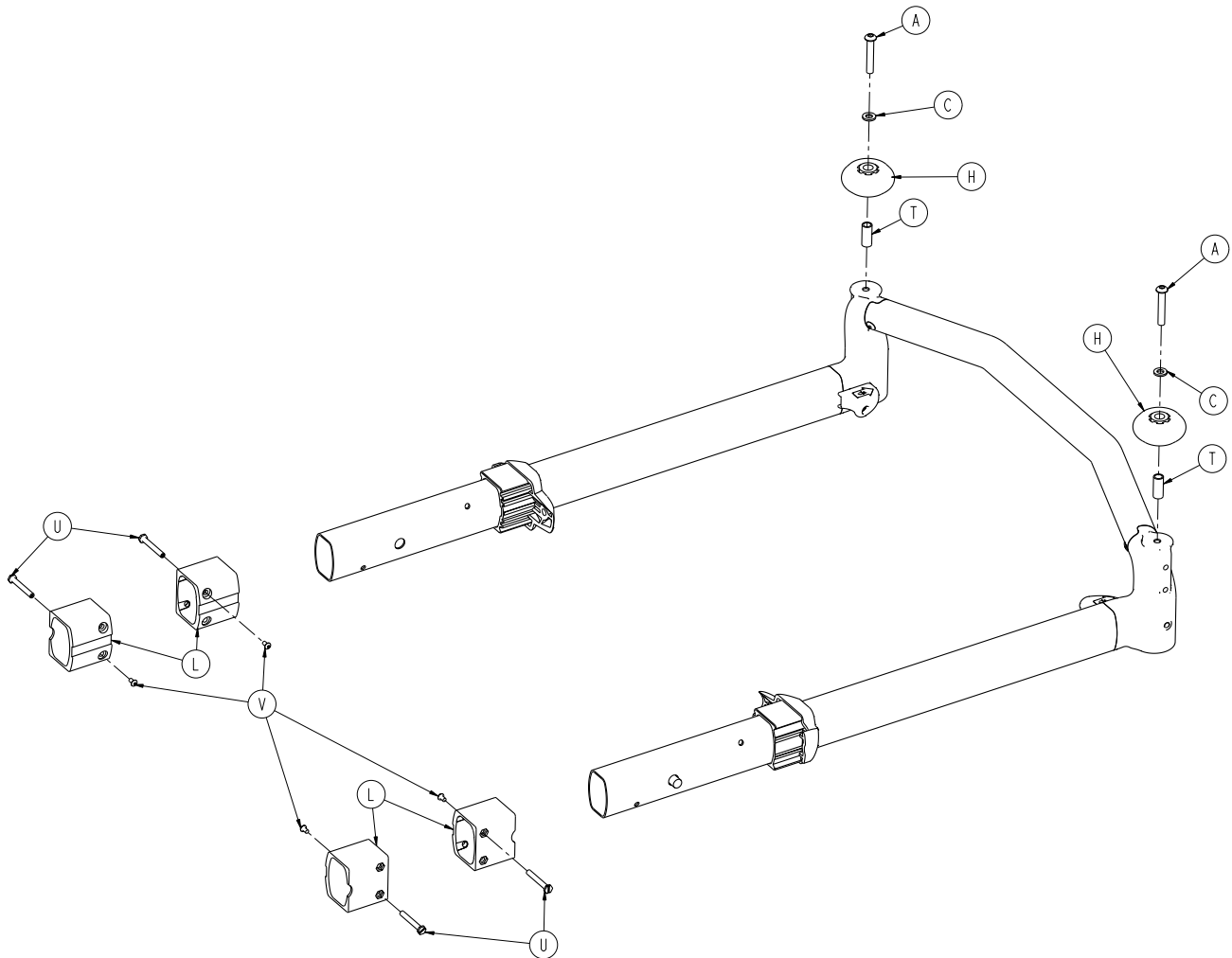
[Return To Table of Contents](#)

Telescoping Head Section - 6550-001-020

Rev B



Telescoping Head Section - 6550-001-020



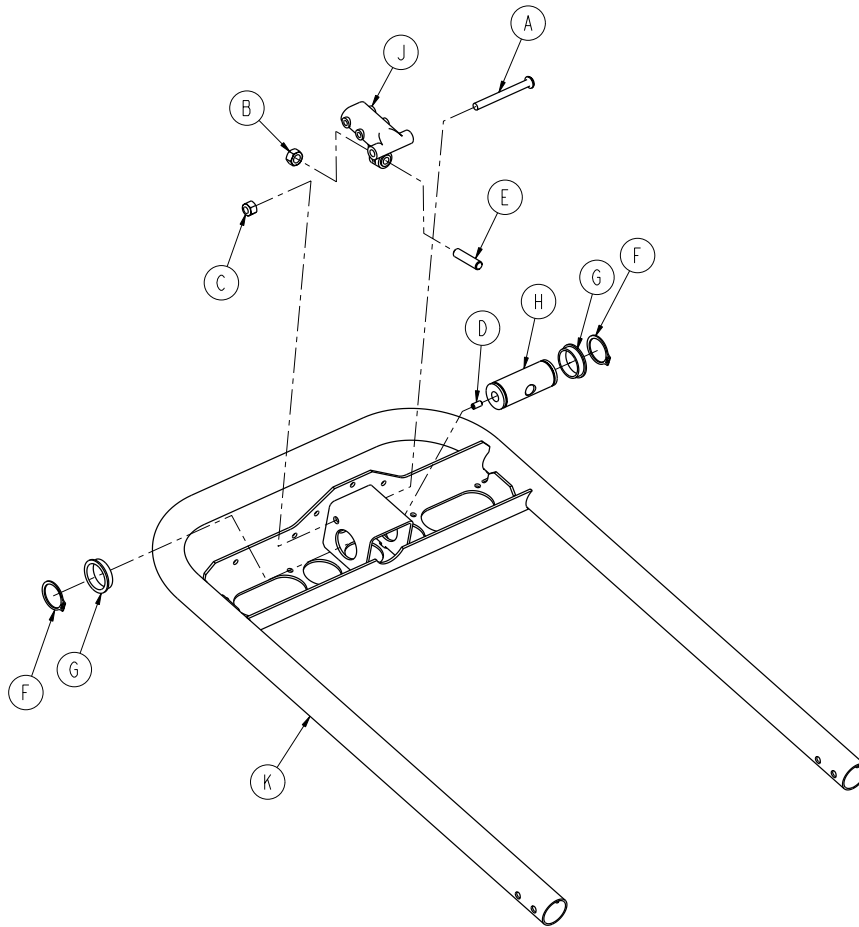
Telescoping Head Section Assembly 6550-001-020 Rev B

Item	Part No.	Part Name	Qty.
A	0004-848-000	Button Head Cap Screw	2
B	0004-849-000	Socket Head Cap Screw	2
C	0011-065-000	Washer	2
D	0025-079-000	Rivet	2
E	0025-126-000	Rivet	2
G	0055-100-075	Riv Nut	2
H	0721-032-049	Bumper Roller	2
J	6500-001-026	Head Section Lock Assembly	2
K	6500-001-087	Cap Bearing	2
L	6085-001-170	Internal Bearing	4
M	6550-001-024	Bonded Frame, Head End	1
N	6550-001-156	Section Release Trigger	2
P	6550-001-161	Link Release, Head End	2
R	6550-001-163	Link Guide	2
T	6550-001-169	Bumper Pivot	2
U	6085-001-169	Headsection Nut	4
V	0004-168-000	Button Head Cap Screw	4

[Return To Table of Contents](#)

Fowler Assembly

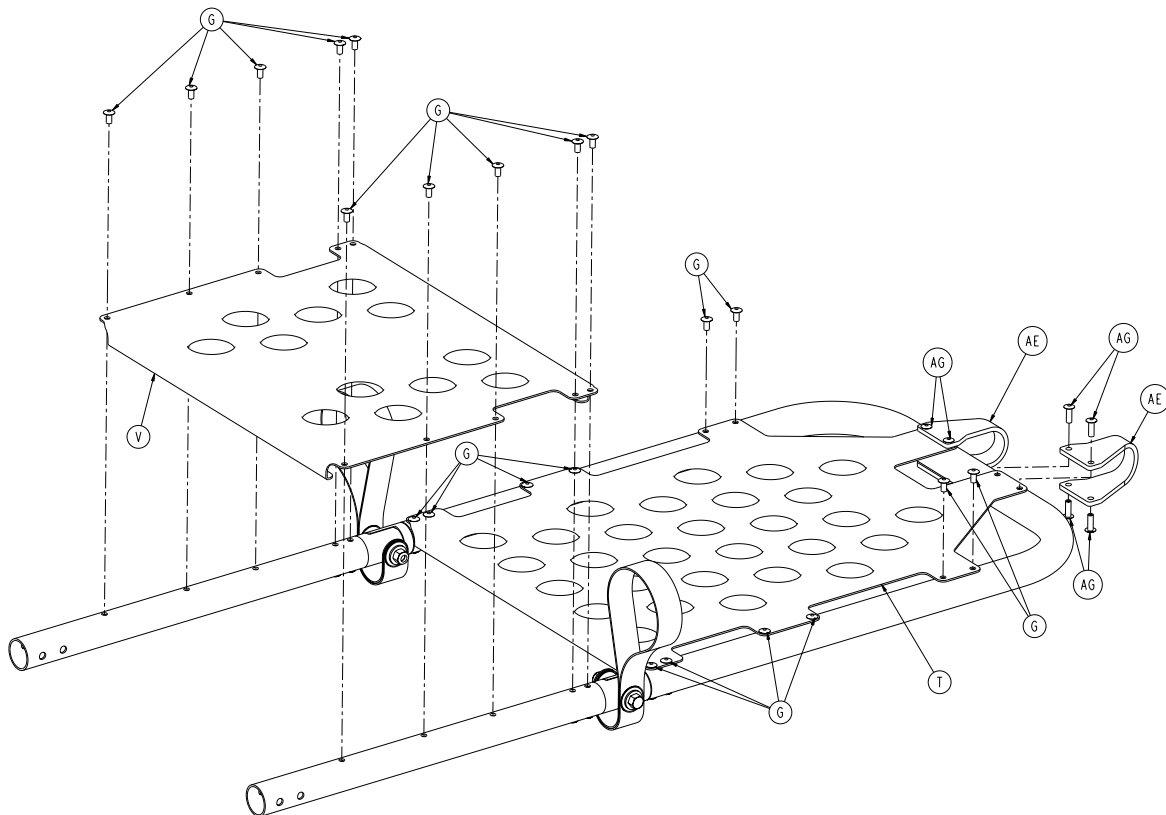
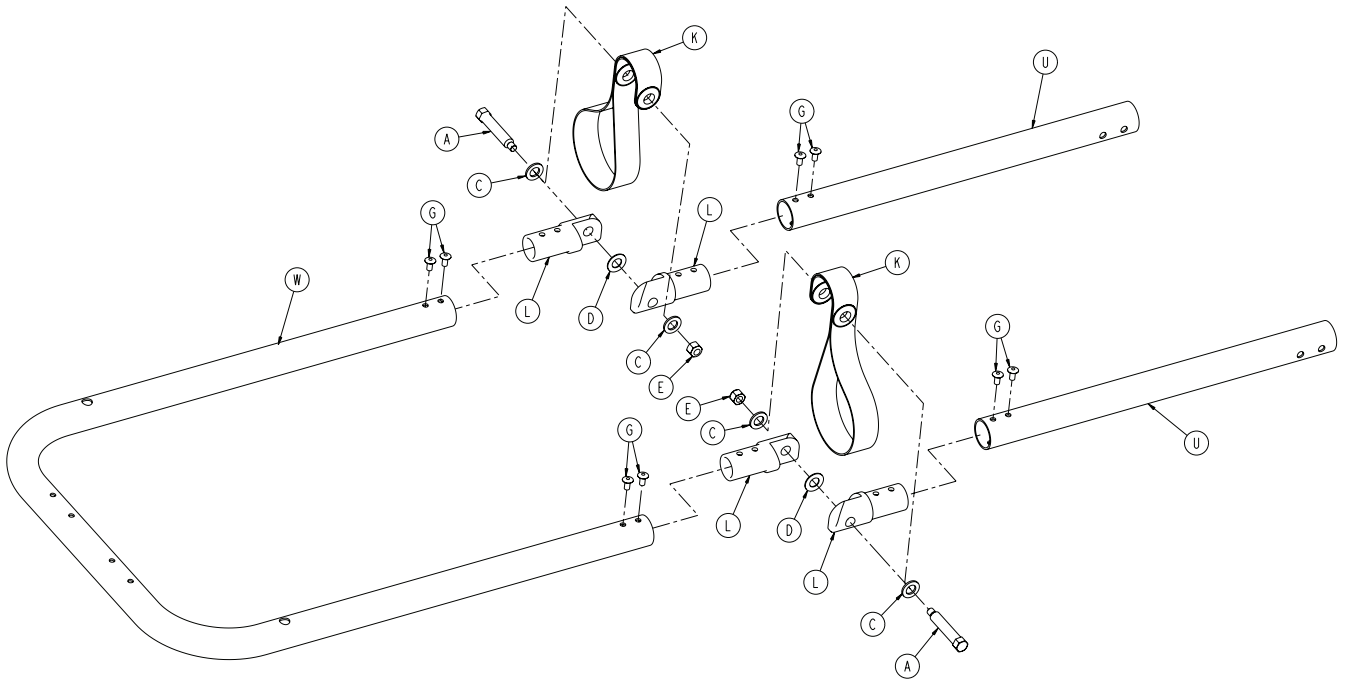
6550-001-018 Rev B (Reference Only)



Item	Part No.	Part Name	Qty.
A	0004-597-000	Button Head Cap Screw	1
B	0015-050-000	Hex Nut	1
C	0016-028-000	Fiberlock Hex Nut	1
D	0021-180-000	Set Screw	1
E	0021-138-000	Set Screw	1
F	0028-076-000	External Retaining Ring	2
G	0946-035-025	Liner	2
H	6060-032-038	Gas Spring Yoke	1
J	6060-032-040	Fowler Lift Pivot	1
K	6550-001-051	Fowler Weldment	1

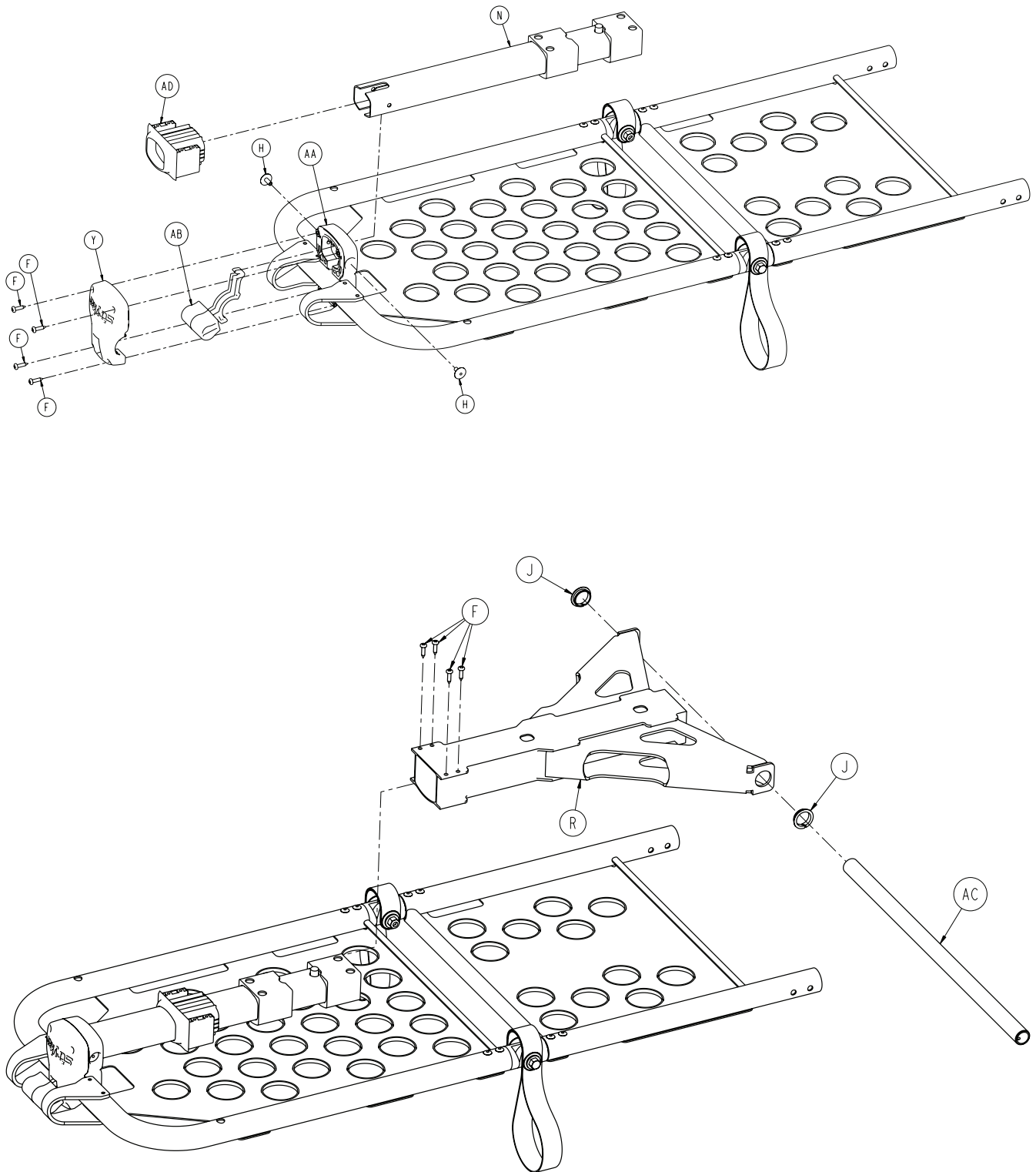
Gatch Assembly

6550-001-019 Rev E (Reference Only)

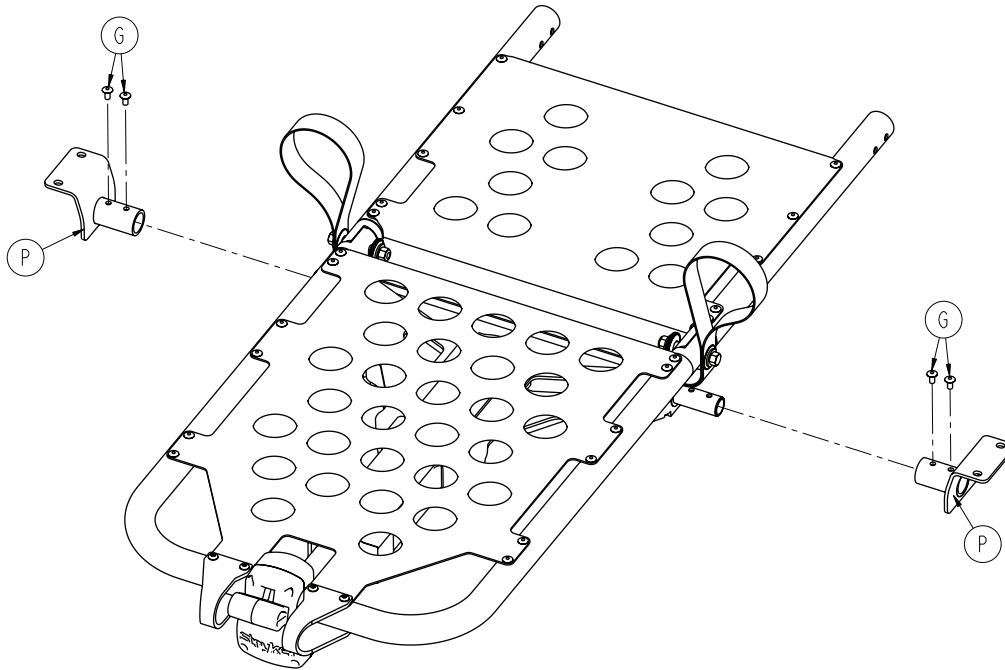


[Return To Table of Contents](#)

Gatch Assembly



Gatch Assembly



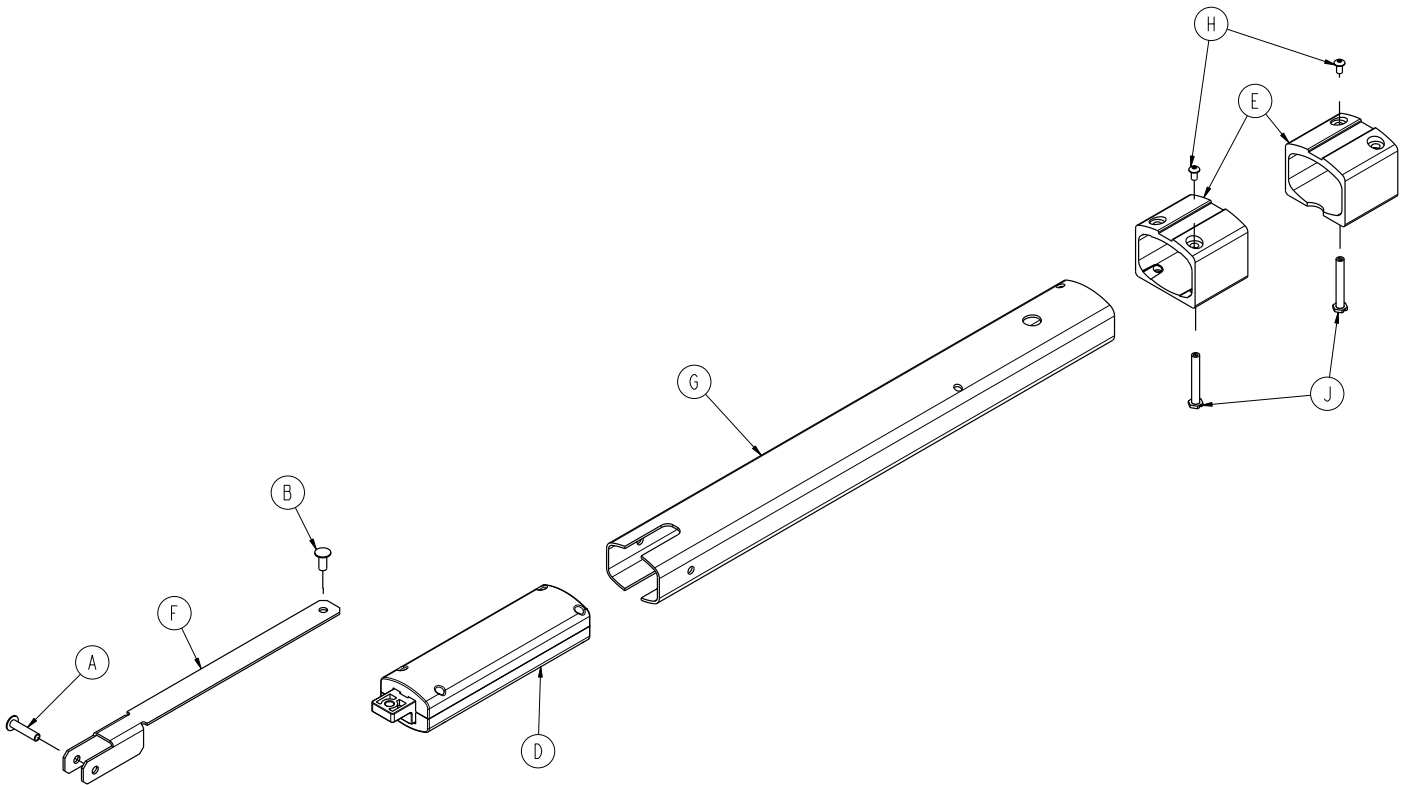
Gatch Assembly 6550-001-019 Rev E (Reference Only)

Item	Part No.	Part Name	Qty.
A	6550-001-186	Gatch Pivot Pin	2
C	0011-448-000	Plain Washer	4
D	0014-020-000	Washer	2
E	0016-028-000	Fiberlock Hex Nut	2
F	0023-162-000	Screw	8
G	0025-079-000	Rivet	34
H	0025-132-000	Rivet	2
J	0081-255-000	Split Bearing	2
K	6100-031-096	Trend Lift Strap	2
L	6100-031-108	Litter Knee Pivot	4
N	6550-001-017	Gatch Telescoping Assy (page 114)	1
P	6550-001-053	Gatch Pivot Weldment	2
R	6550-001-057	Gatch Lock Tube Weldment	1
T	6550-001-110	Foot Section Skin	1
U	6550-001-111	Thigh Section Tube	2
V	6550-001-112	Thigh Section Skin	1
W	6550-001-116	Telescoping Foot Section U-Tube	1
Y	6550-001-124	Front Gatch Release	1
AA	6550-001-125	Back Gatch Release	1
AB	6550-001-126	Lever Front Gatch Release	1
AC	6550-001-129	Gatch Pivot Cross Tube	1
AD	6550-001-131	Gatch Bearing End Cap	1
AE	6550-001-193	Gatch Handle Guard	2
AG	0025-133-000	Rivet	8

[Return To Table of Contents](#)

Gatch Telescoping Assembly - 6550-001-017

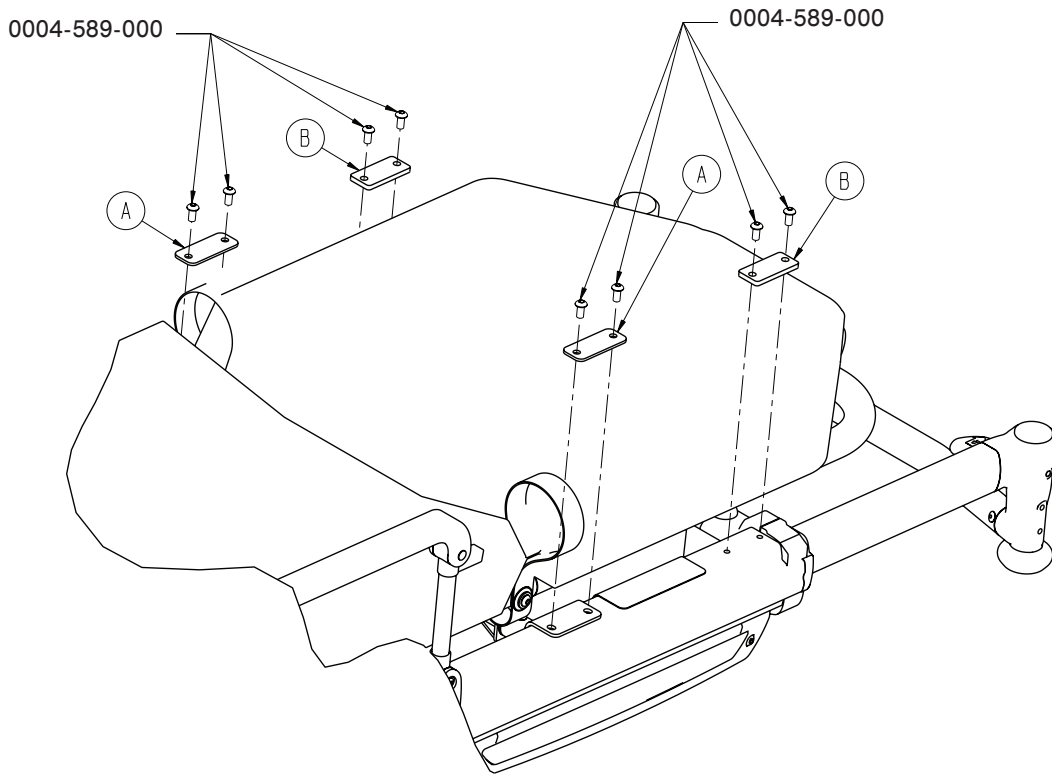
Rev B



Item	Part No.	Part Name	Qty.
A	0025-125-000	Semi-Tubular Rivet	1
B	0025-126-000	Semi-Tubular Rivet	1
D	6500-001-026	Head Section Lock Assembly	1
E	6085-001-170	Internal Bearing	2
F	6550-001-115	Gatch Link	1
G	6550-001-119	Gatch Inner Tube	1
H	0004-168-000	Button Head Cap Screw	2
J	6085-001-169	Headsection Nut	2

No I.V. Pole Assembly Option

6550-218-000 Rev A (Reference Only)



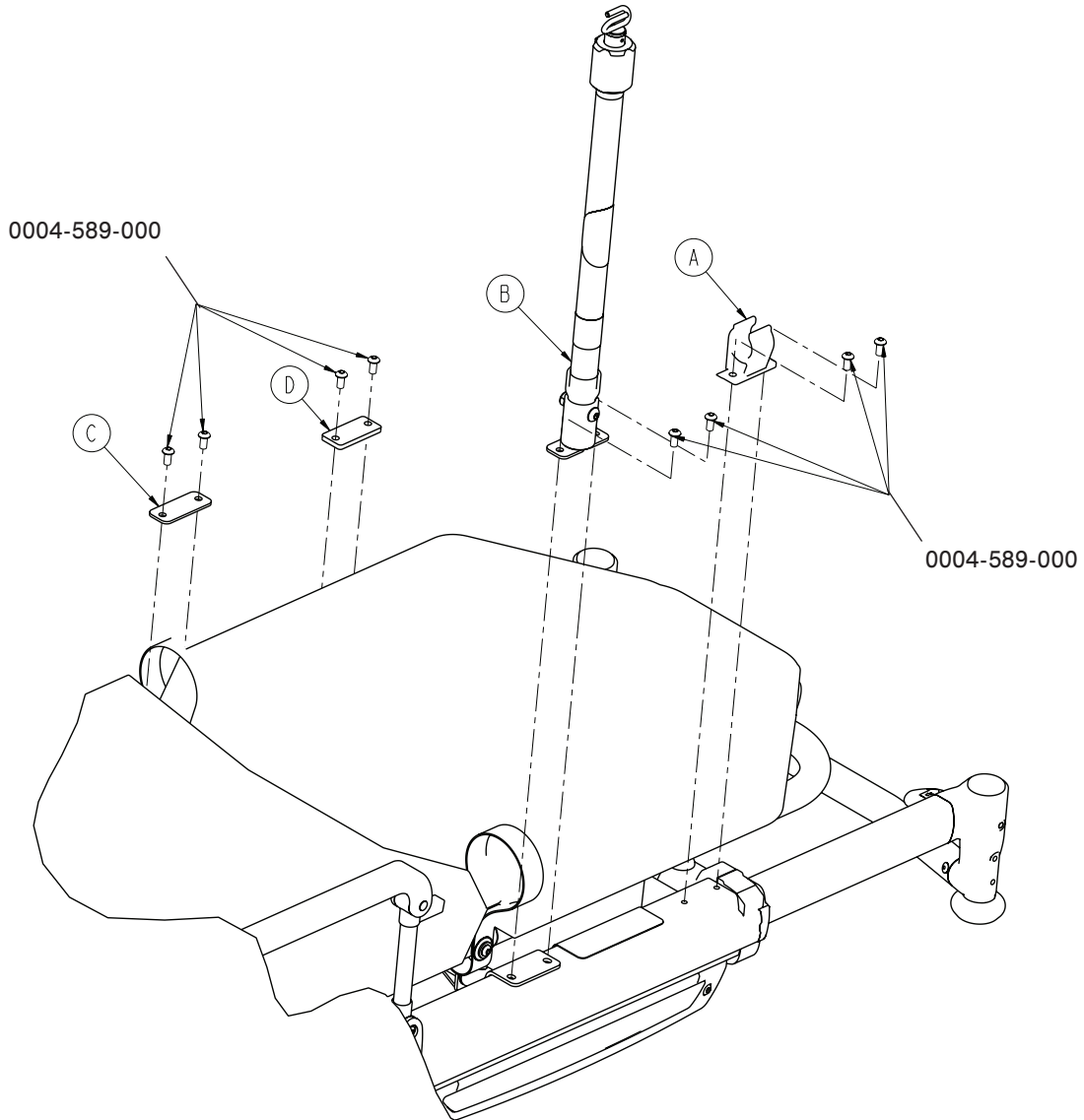
Note: 0004-589-000 shown in cot assembly

Item	Part No.	Part Name	Qty.
A	6550-001-117	I.V. Pole Spacer Plate	2
B	6550-001-118	I.V. Clip Spacer Plate	2

[Return To Table of Contents](#)

2-Stage I.V. Pole, Right - 6550-210-000

Rev A

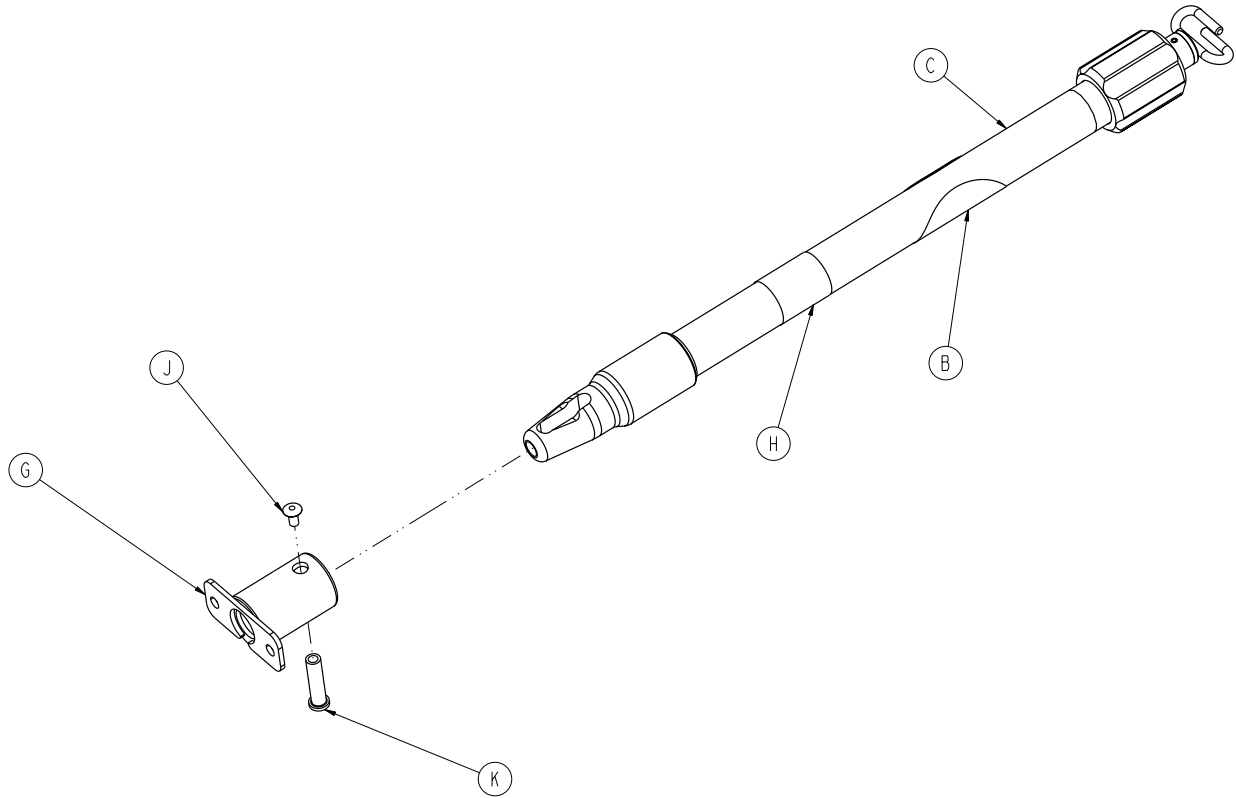


Note: 0004-589-000 shown in cot assembly

Item	Part No.	Part Name	Qty.
A	6100-115-060	I.V. Pole Clip	1
B	6500-001-041	2-Stage I.V. Pole Assembly, Right (page 117)	1
C	6550-001-117	I.V. Pole Spacer Plate	1
D	6550-001-118	I.V. Clip Spacer Plate	1

2-Stage I.V. Pole Assembly, Right - 6500-001-041

Rev C

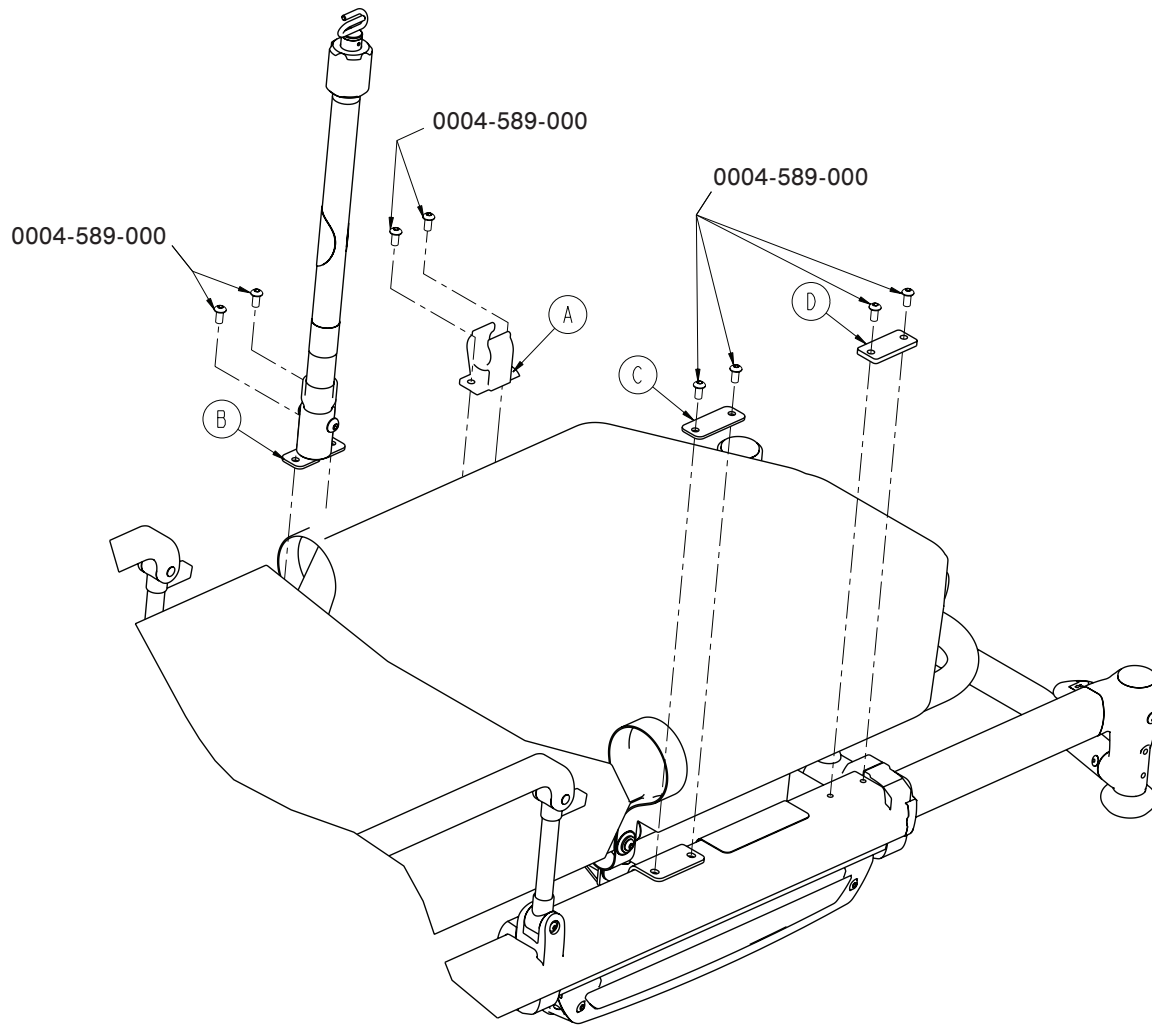


Item	Part No.	Part Name	Qty.
B	6070-090-105	Label, No Push/Pull	1
C	6070-210-070	2-Stage I.V. Pole Assembly	1
G	6100-115-051	Socket Weldment	1
H	6500-001-253	Label	1
J	0025-079-000	Dome Head Rivet	1
K	6070-110-037	I.V. Pivot Pin	1

[Return To Table of Contents](#)

2-Stage I.V. Pole, Left - 6550-211-000

Rev A

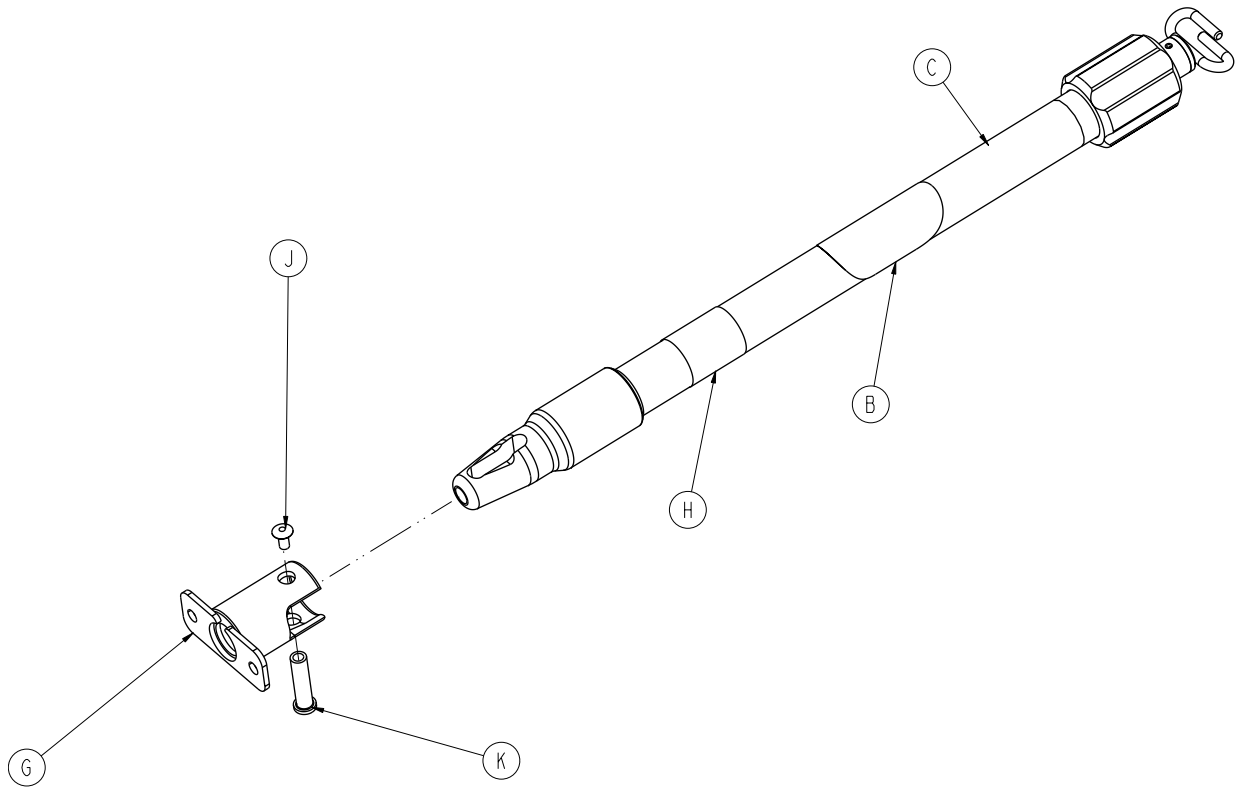


Note: 0004-589-000 shown in cot assembly

Item	Part No.	Part Name	Qty.
A	6100-115-060	I.V. Pole Clip	1
B	6500-001-042	2-Stage I.V. Pole Assembly, Left (page 119)	1
C	6550-001-117	I.V. Pole Spacer Plate	1
D	6550-001-118	I.V. Clip Spacer Plate	1

2-Stage I.V. Pole Assembly, Left - 6500-001-042

Rev C

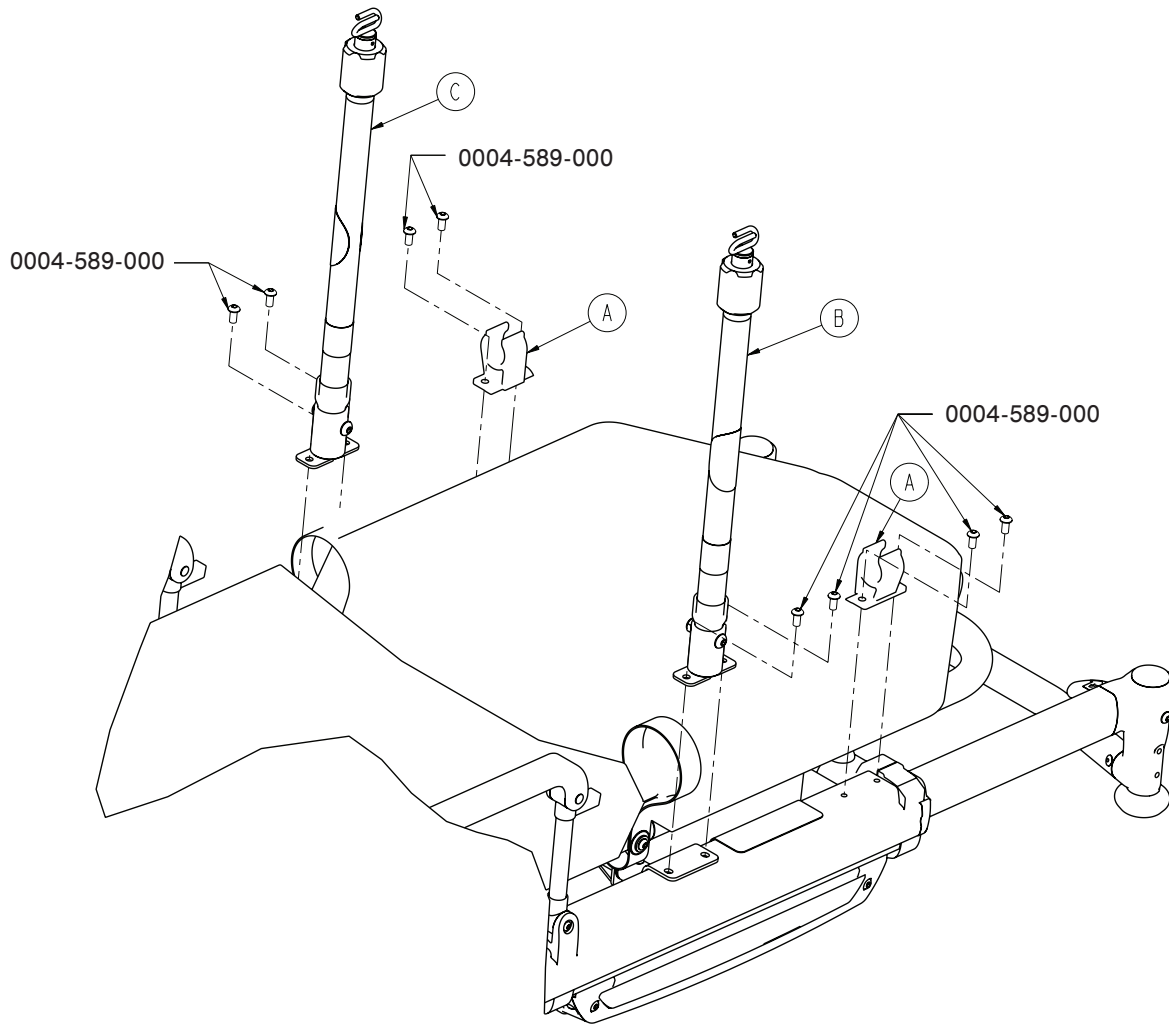


Item	Part No.	Part Name	Qty
B	6070-090-105	Label, No Push/Pull	1
C	6070-210-070	2-Stage I.V. Pole Assembly	1
G	6100-115-051	Socket Weldment	1
H	6500-001-254	Label	1
J	0025-079-000	Dome Head Rivet	1
K	6070-110-037	I.V. Pivot Pin	1

[Return To Table of Contents](#)

2-Stage I.V. Pole, Dual - 6550-212-000

Rev A

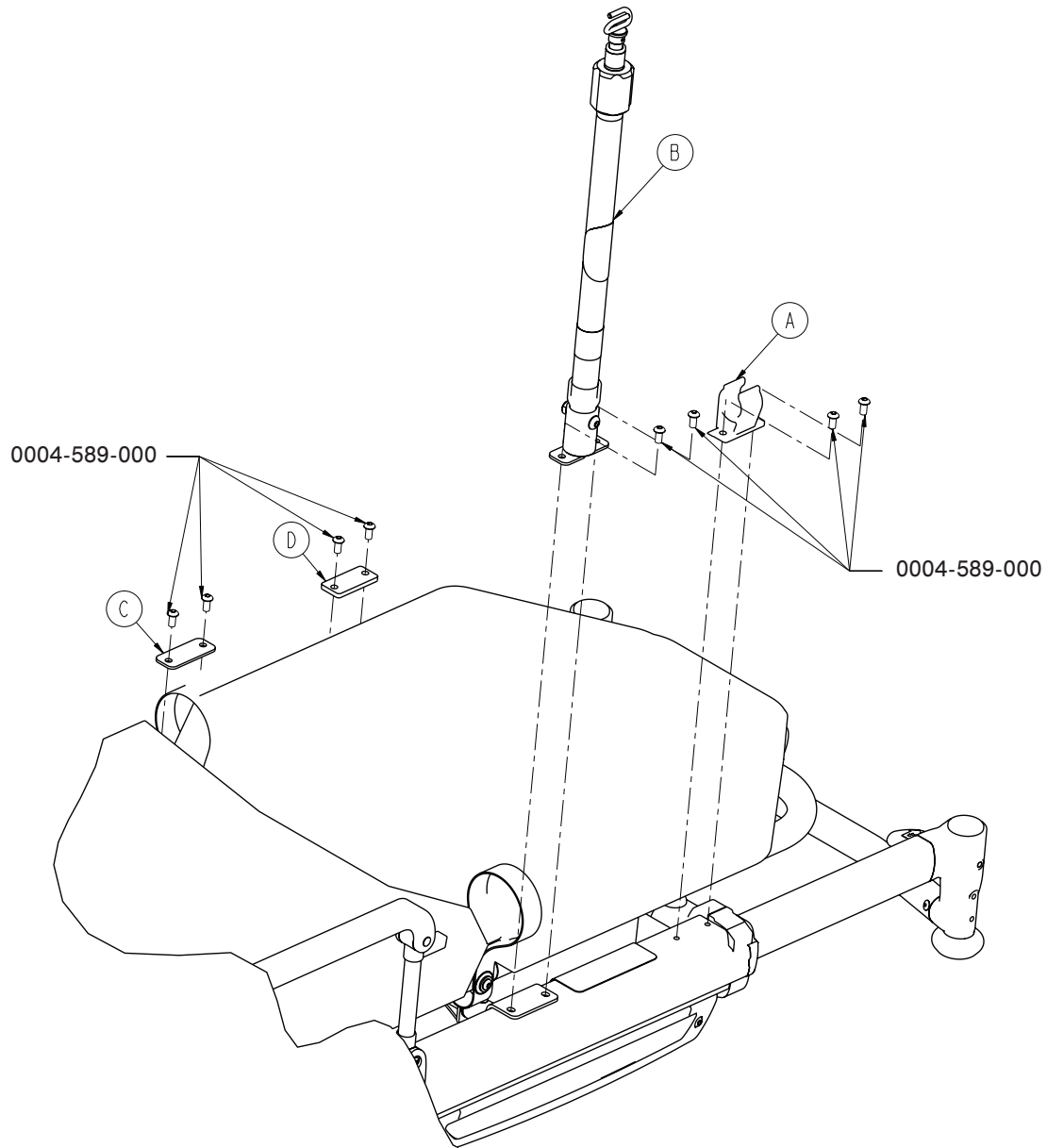


Note: 0004-589-000 shown in cot assembly

Item	Part No.	Part Name	Qty.
A	6100-115-060	I.V. Pole Clip	1
B	6500-001-041	2-Stage I.V. Pole Assembly, Right (page 117)	1
C	6500-001-042	2-Stage I.V. Pole Assembly, Left (page 119)	1

3-Stage I.V. Pole, Right - 6550-215-000

Rev A



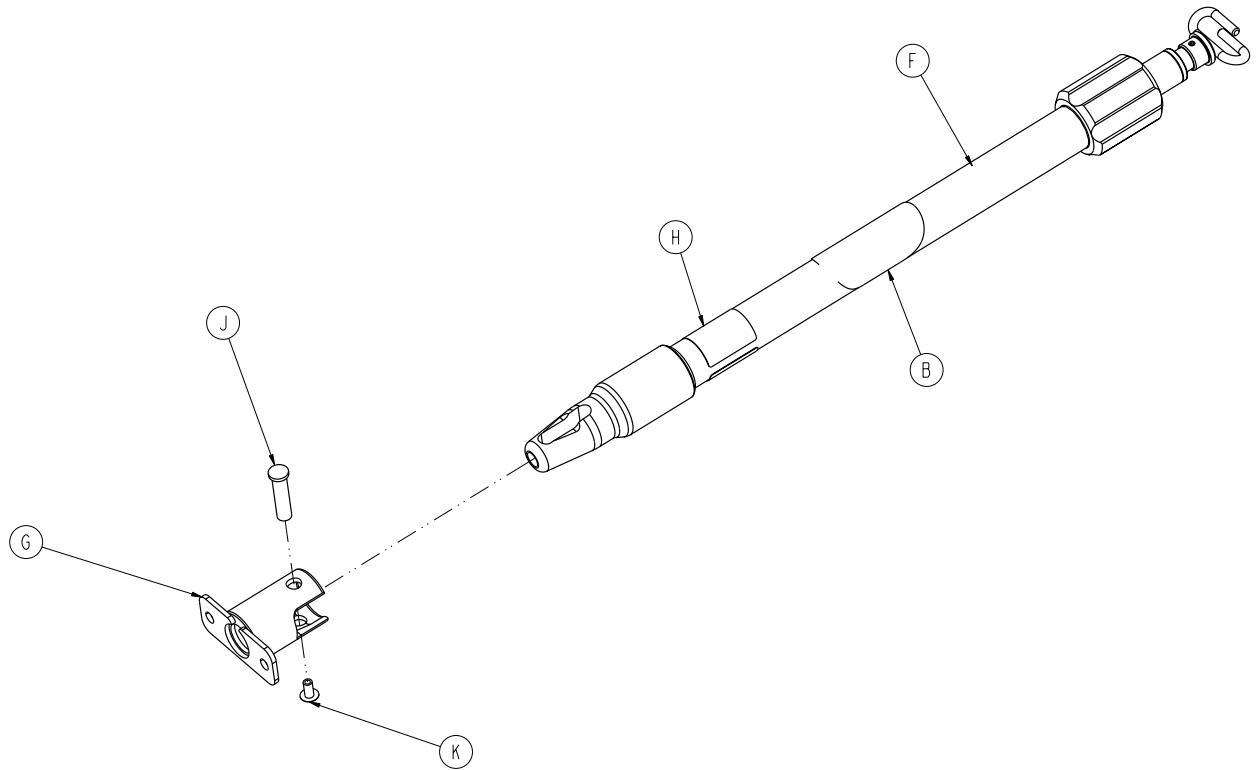
Note: 0004-589-000 shown in cot assembly

Item	Part No.	Part Name	Qty.
A	6100-115-060	I.V. Pole Clip	1
B	6500-001-043	3-Stage I.V. Pole Assembly, Right (page 122)	1
C	6550-001-117	I.V. Pole Spacer Plate	1
D	6550-001-118	I.V. Clip Spacer Plate	1

[Return To Table of Contents](#)

3-Stage I.V. Pole Assembly, Right - 6500-001-043

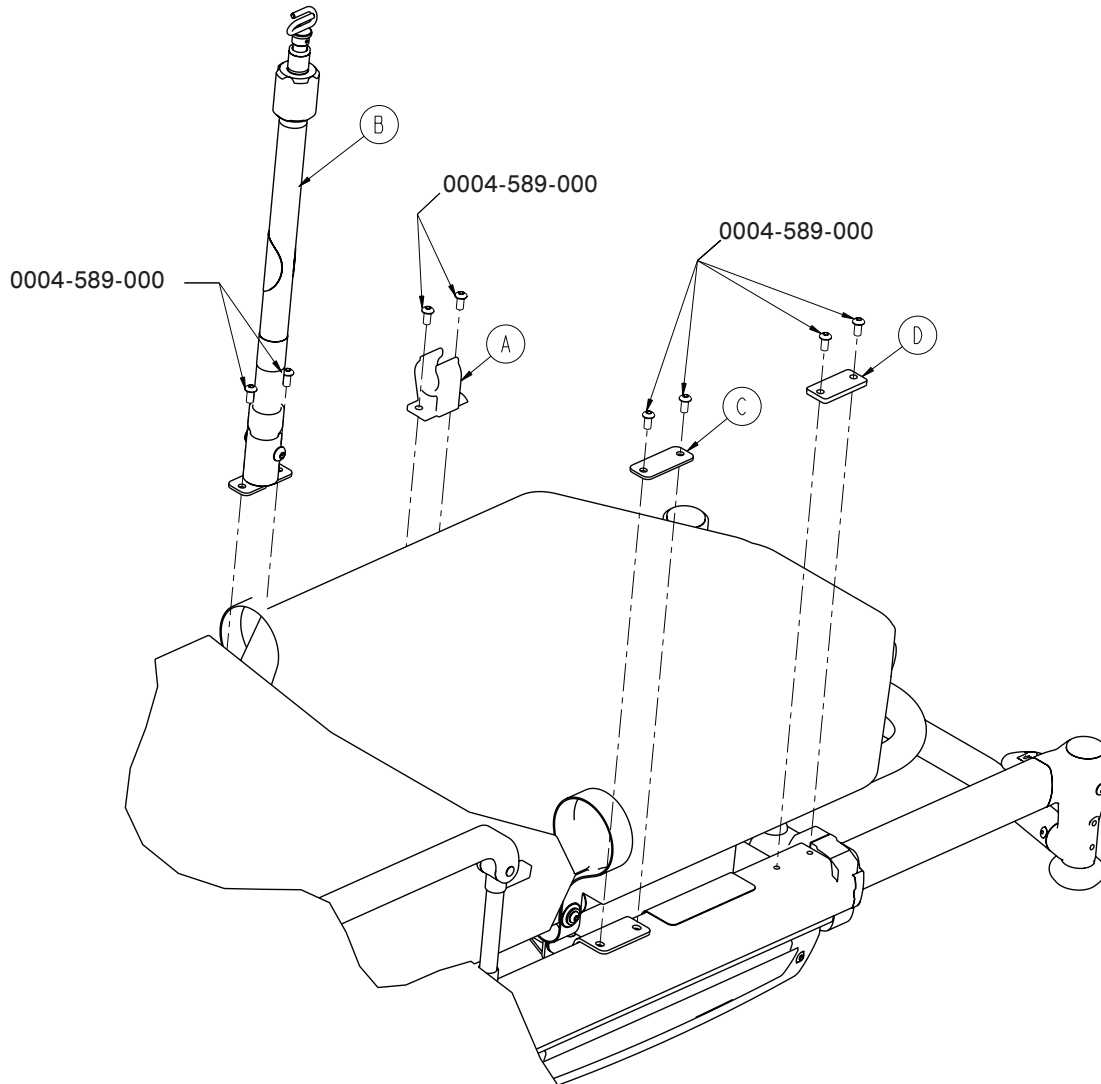
Rev D



Item	Part No.	Part Name	Qty.
B	6070-090-105	Label, No Push/Pull	1
F	6070-215-070	3-Stage I.V. Pole Assembly	1
G	6100-115-051	Socket Weldment	1
H	6500-001-255	Label	1
J	6070-110-037	I.V. Pivot Pin	1
K	0025-079-000	Dome Head Rivet	1

3-Stage I.V. Pole, Left - 6550-216-000

Rev A



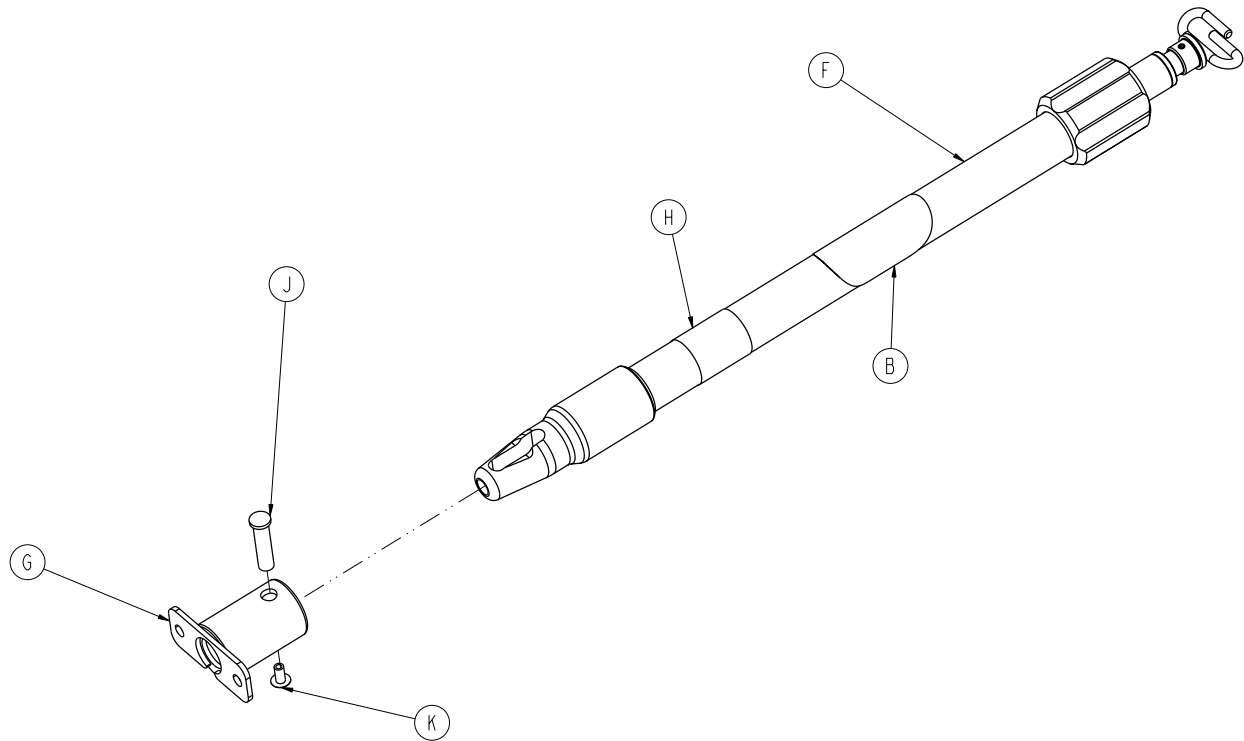
Note: 0004-589-000 shown in cot assembly

Item	Part No.	Part Name	Qty.
A	6100-115-060	I.V. Pole Clip	1
B	6500-001-044	3-Stage I.V. Pole Assembly, Left (page 124)	1
C	6550-001-117	I.V. Pole Spacer Plate	1
D	6550-001-118	I.V. Clip Spacer Plate	1

[Return To Table of Contents](#)

3-Stage I.V. Pole Assembly, Left - 6500-001-044

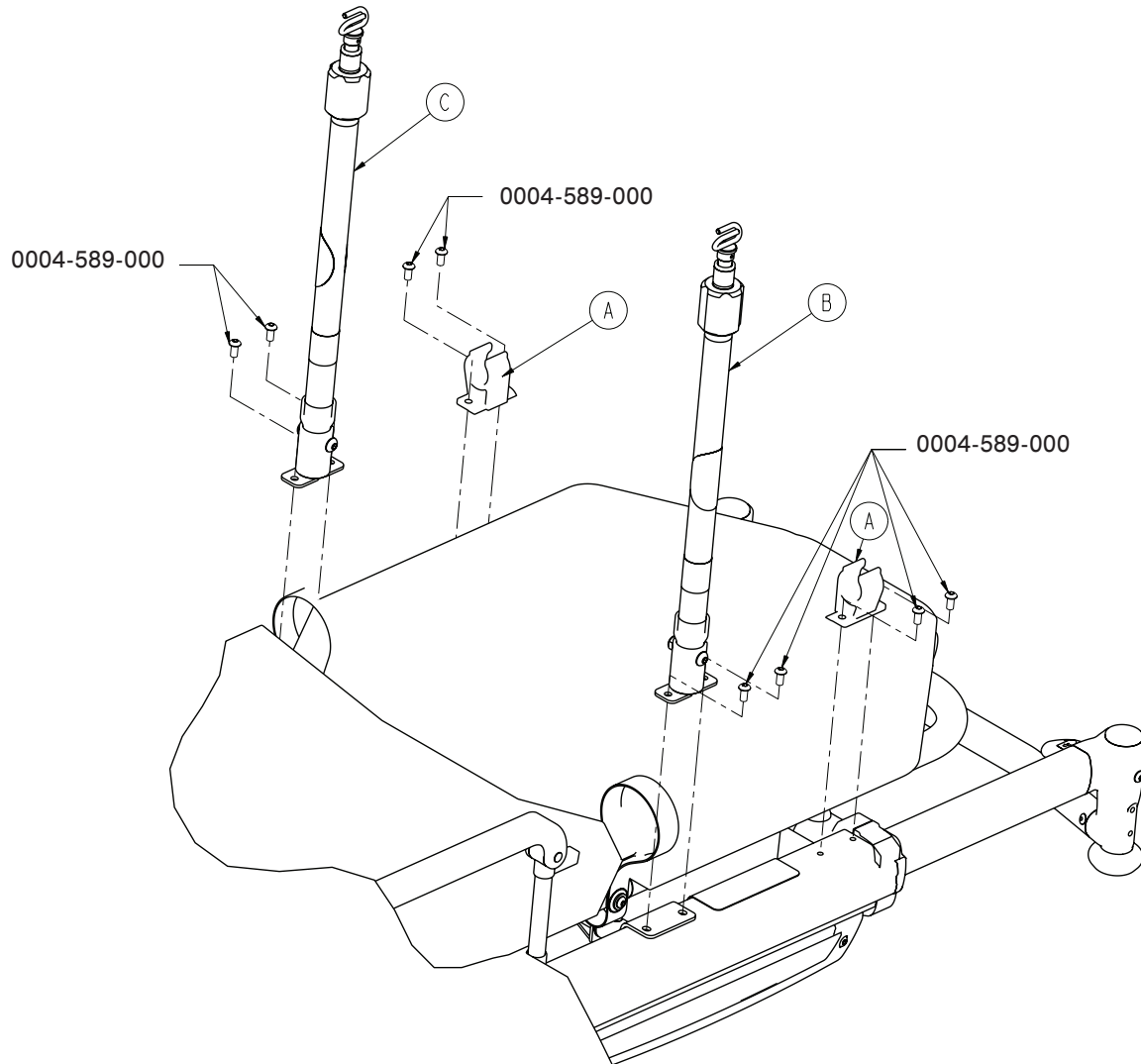
Rev D



Item	Part No.	Part Name	Qty.
B	6070-090-105	Label, No Push/Pull	1
F	6070-215-070	3-Stage I.V. Pole Assembly	1
G	6100-115-051	Socket Weldment	1
H	6500-001-256	Label	1
J	6070-110-037	I.V. Pivot	1
K	0025-079-000	Dome Head Rivet	1

3-Stage I.V. Pole, Dual - 6550-217-000

Rev A



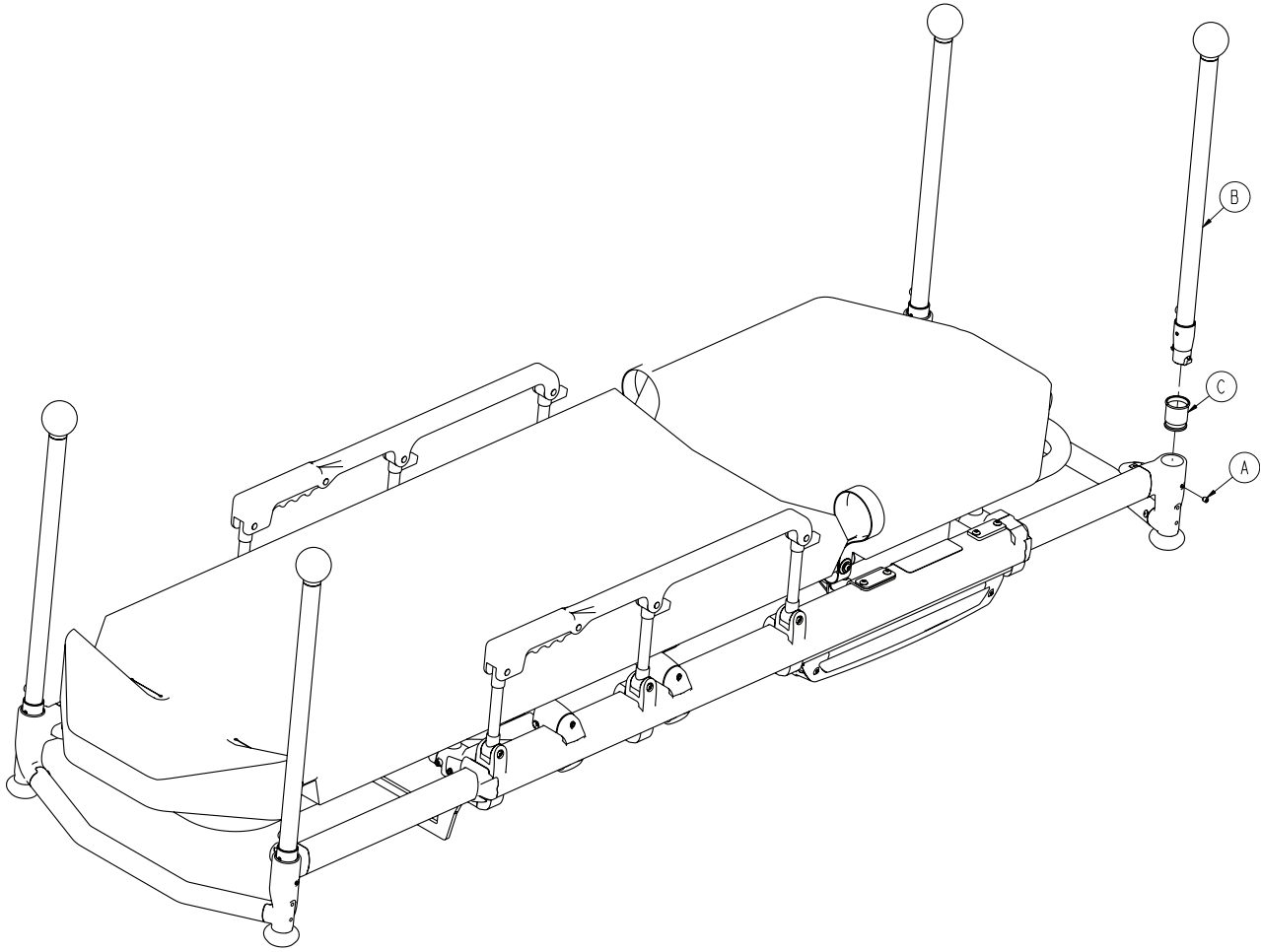
Note: 0004-589-000 shown in cot assembly

Item	Part No.	Part Name	Qty.
A	6100-115-060	I.V. Pole Clip	2
B	6500-001-043	3-Stage I.V. Pole Assembly, Right (page 122)	1
C	6550-001-044	3-Stage I.V. Pole Assembly, Left (page 124)	1

[Return To Table of Contents](#)

Optional Push Bar - 6550-040-000

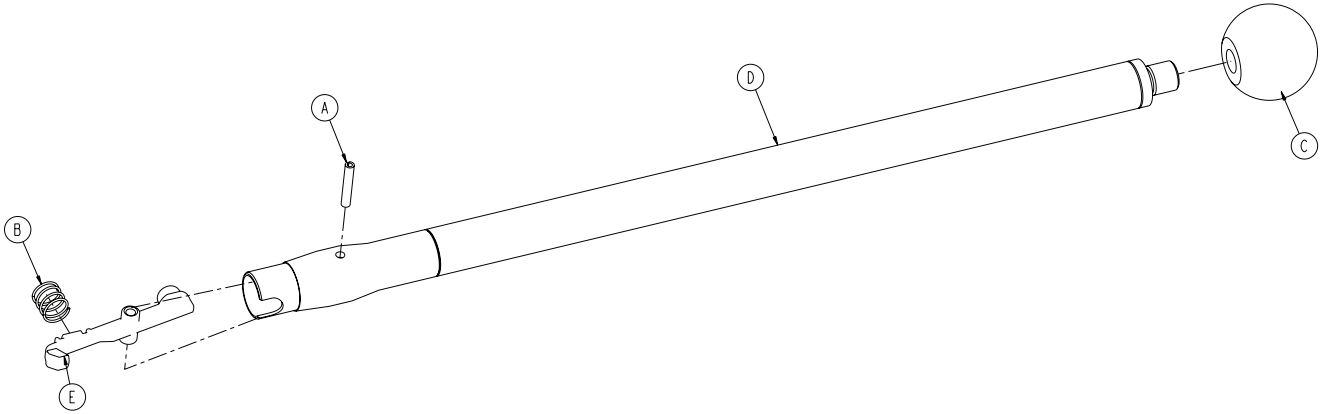
Rev A



Item	Part No.	Part Name	Qty.
A	0021-179-000	Set Screw	4
B	6550-001-026	Corner Handle Assy (page 127)	4
C	6550-001-108	Push Bar Sleeve	4
D	6550-001-199	Push Bar Storage Pouch	1

Optional Corner Handle Assembly

6550-001-026 Rev B (Reference Only)

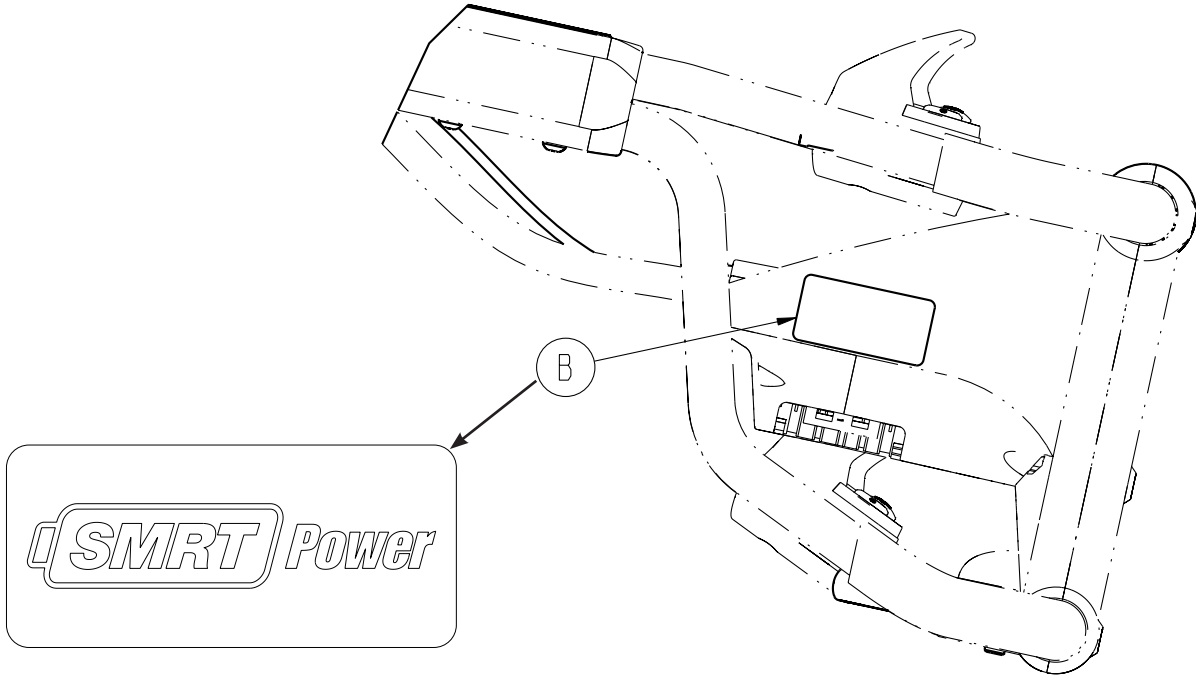


Item	Part No.	Part Name	Qty.
A	0026-387-000	Slotted Spring Pin	1
B	0038-589-000	Compression Spring	1
C	6510-001-119	Handle Ball	1
D	6550-001-067	Handle Weldment	1
E	6550-001-100	Push Bar Lock Button	1

[Return To Table of Contents](#)

Label, SMRT Power

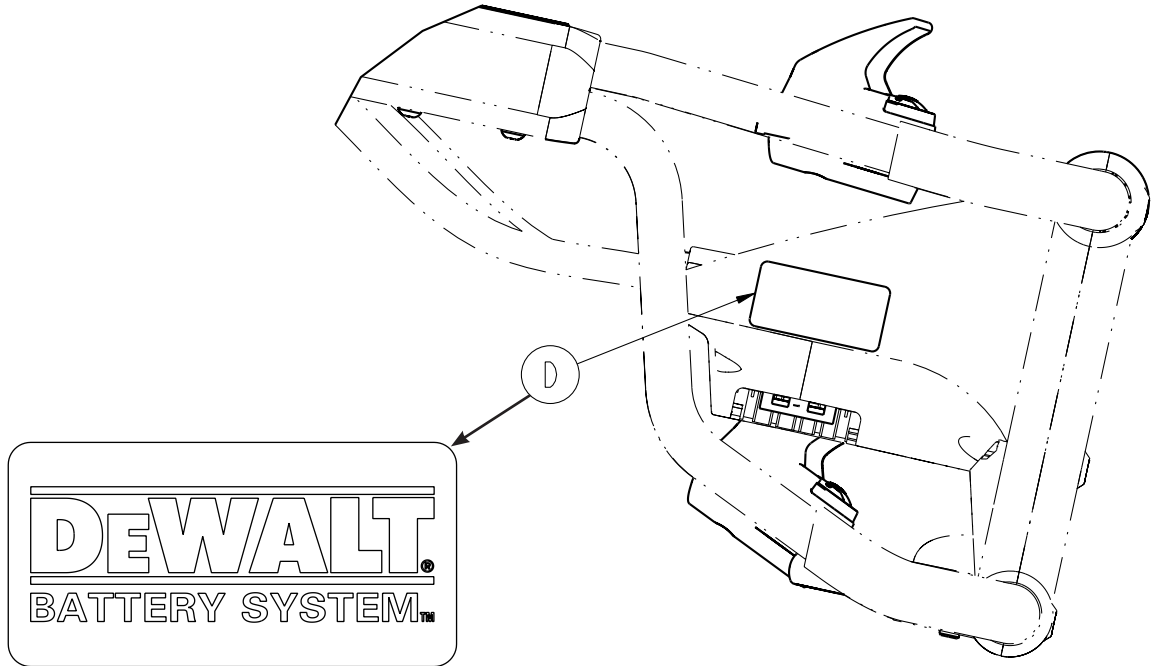
6500-030-000 Rev A (Reference Only)
6500-031-000 Rev A (Reference Only)
6500-032-000 Rev A (Reference Only)



Item	Part No.	Part Name	Qty.
B	6500-001-356	Label, SMRT Power	1

Label, DeWALT®

6500-271-000 Rev A (Reference Only)
6500-275-000 Rev A (Reference Only)



Item	Part No.	Part Name	Qty.
D	6500-001-258	Label, DeWALT®	1

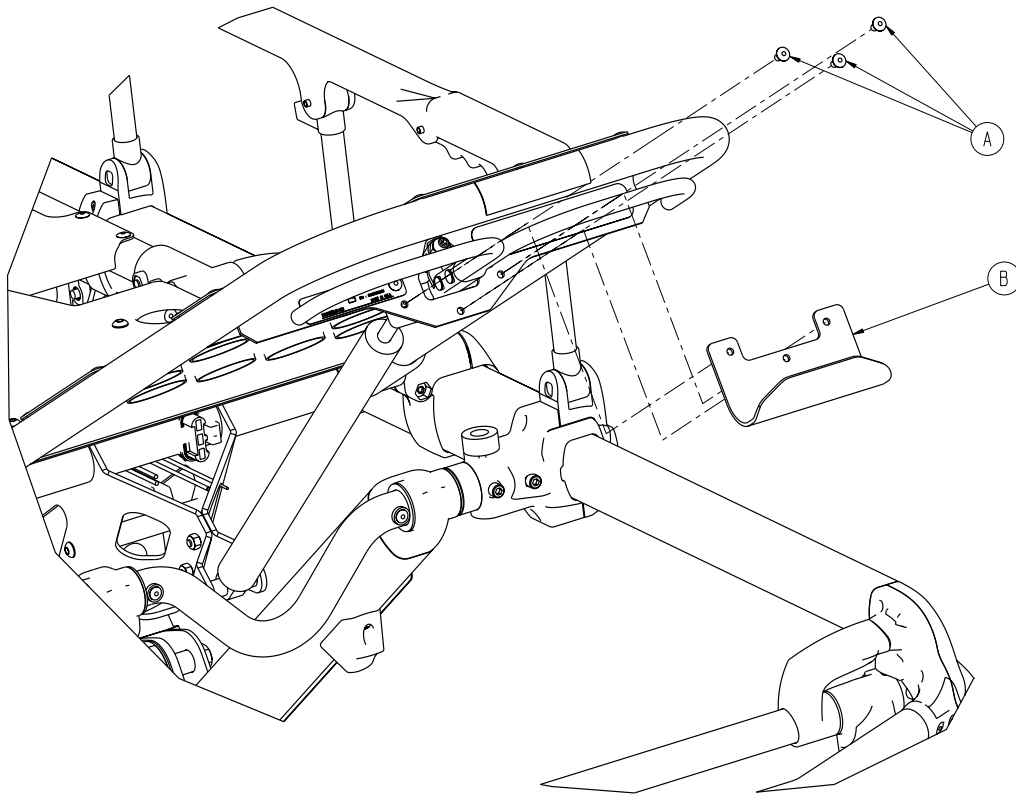
Optional Accessories

The accessories listed below can be purchased and installed on the Power-PRO TL cot.

Accessory	Part Number	Assembly Page Number
Equipment Hook	6500-147-000	131
Oxygen Bottle Holder	6550-002-020	132
Oxygen Bottle Holder, Removable	6080-140-000	133
Defibrillator Platform	6100-170-000	134
Pocketed Back Rest Pouch	6500-130-000	135

Equipment Hook - 6500-147-000

Rev B

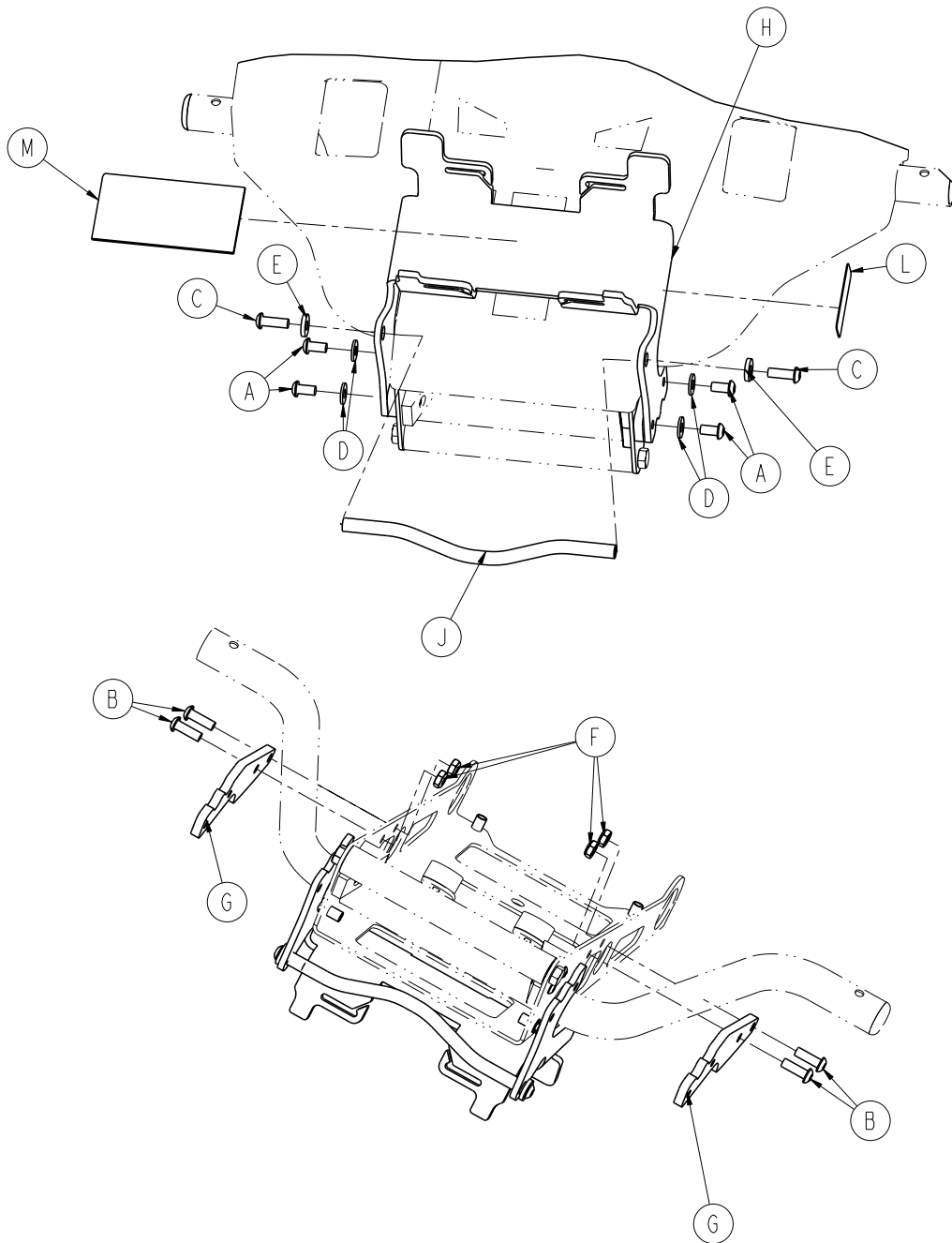


Item	Part No.	Part Name	Qty.
A	0025-079-000	Dome Head Rivet	3
B	6500-001-237	Equipment Hook	1

[Return To Table of Contents](#)

Oxygen Bottle Holder - 6550-002-020

Rev A



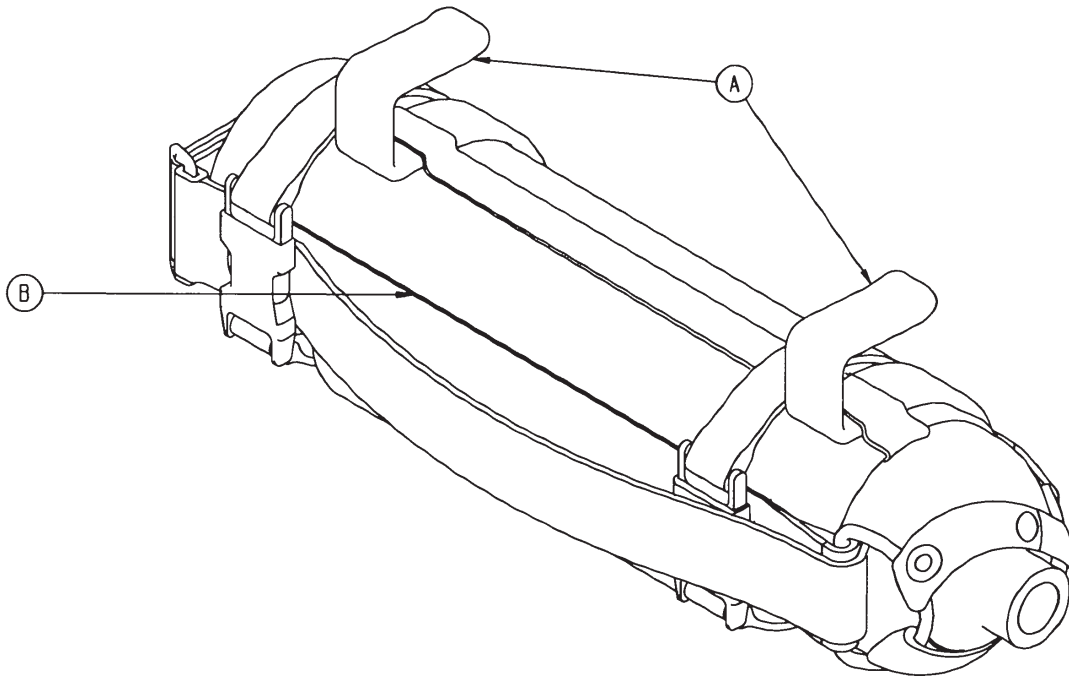
Item	Part No.	Part Name	Qty.
A	0004-589-000	Button Head Cap Screw	4
B	0004-592-000	Button Head Cap Screw	4
C	0004-593-000	Button Head Cap Screw	2
D	0011-063-000	Washer	4
E	0011-209-000	Washer	2
F	0016-102-000	Nylock Nut	4
G	6550-002-001	Oxygen Bracket	2
H	6550-002-002	Oxygen Tray	1
J	6550-002-003	Oxygen Rod	1
K	6550-002-004	Oxygen Bottle Strap	1
L	6550-002-009	Label, Oxygen Bottle Holder	1
M	6500-001-262	Neoprene Pad	1

[Return To Table of Contents](#)

Removable Oxygen Bottle Holder - 6080-140-000

Rev A

6080-140-010 Rev A (Reference Only)



Item	Part No.	Part Name	Qty.
A	6080-140-011	Oxygen Bottle Holder Hanger	2
B	6080-140-012	Oxygen Bottle Holder	1

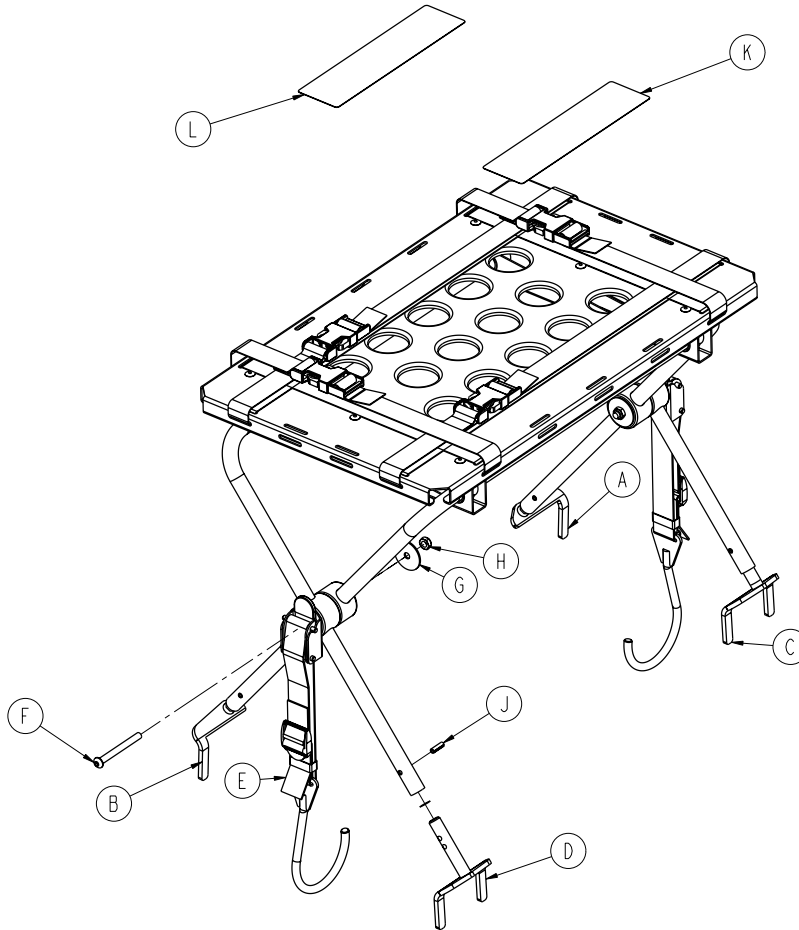
Note: Max Load = 1.78 stones (11.4 kg) (25 lb)

[Return To Table of Contents](#)

Defibrillator Platform - 6100-170-000

Rev C

6100-170-010 Rev D (Reference Only)



Item	Part No.	Part Name	Qty.
A	6100-170-050	Head End Bracket Weldment, Left	1
B	6100-170-051	Head End Bracket Weldment, Right	1
C	6100-170-052	Foot End Bracket Weldment, Left	1
D	6100-170-053	Foot End Bracket Weldment, Right	1
E	6100-170-020	Defib Latch Strap Assembly	2
F	0004-234-000	Button Head Cap Screw	2
G	0011-355-000	Washer	2
H	0016-102-000	Nylock Nut	2
J	0026-172-000	Slotted Spring Pin	4
K	6100-090-022	Label, "Spec and Warn", German	1
L	6100-090-023	Label, "Spec and Warn", English	1
M	6082-170-020	Defib Platform Common Components	1

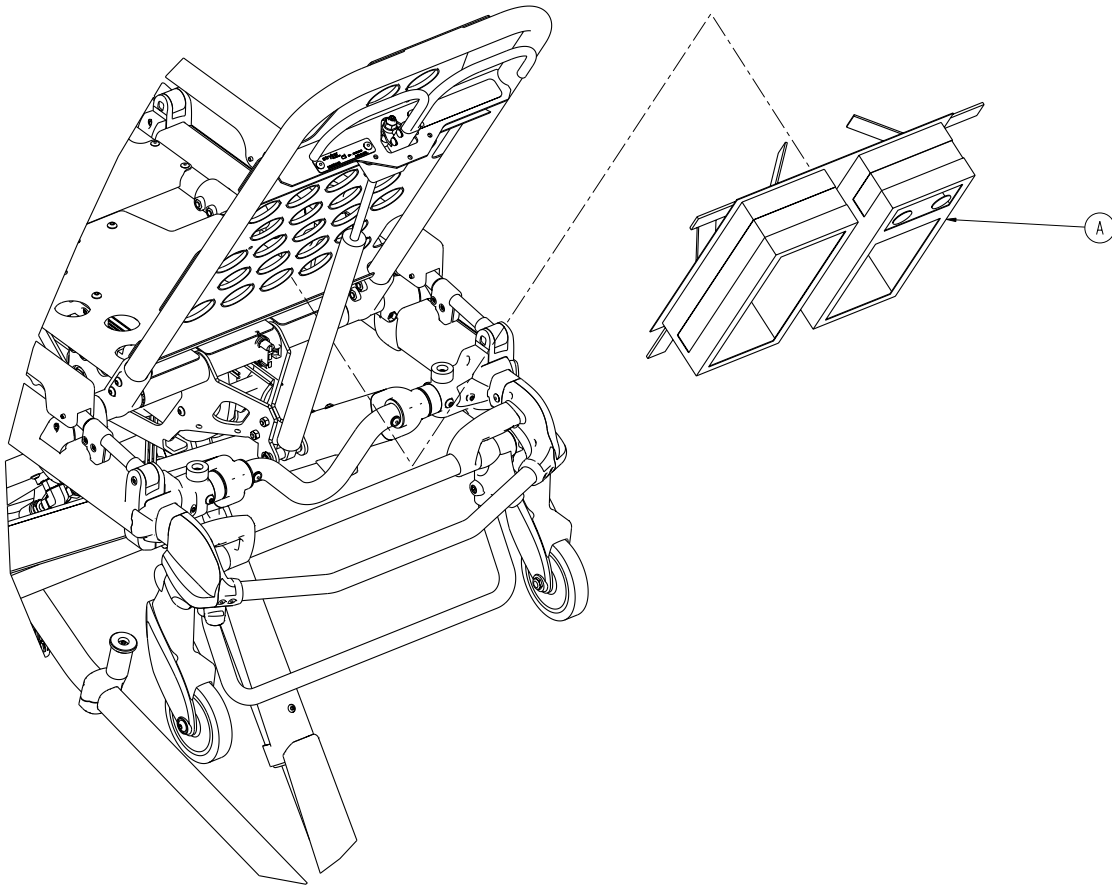
CAUTION

The weight of the monitoring equipment must not exceed 5.4 stones (34 kg) (75 lb) on the defibrillator platform (if equipped). Monitoring equipment should not be stored on the cot or on the defibrillator platform when in the ambulance vehicle.

[Return To Table of Contents](#)

Backrest Pouch - 6500-130-000

Rev A



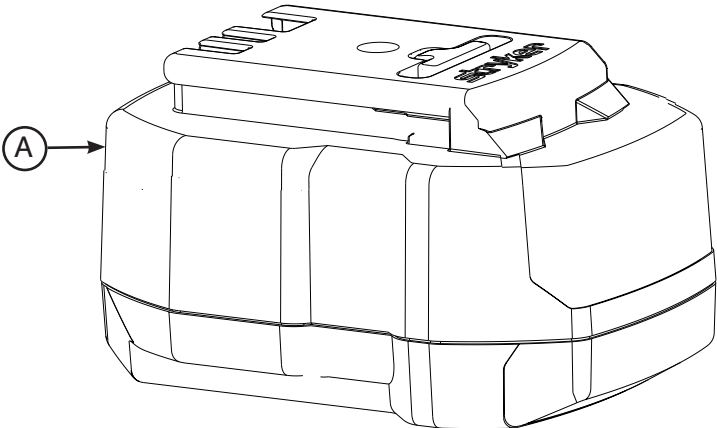
Item	Part No.	Part Name	Qty.
A	6500-001-241	Pocketed Backrest Storage Pouch	1

Recycling Passport

Assembly Part Number: 6500-101-010 (Reference Only)



View of battery



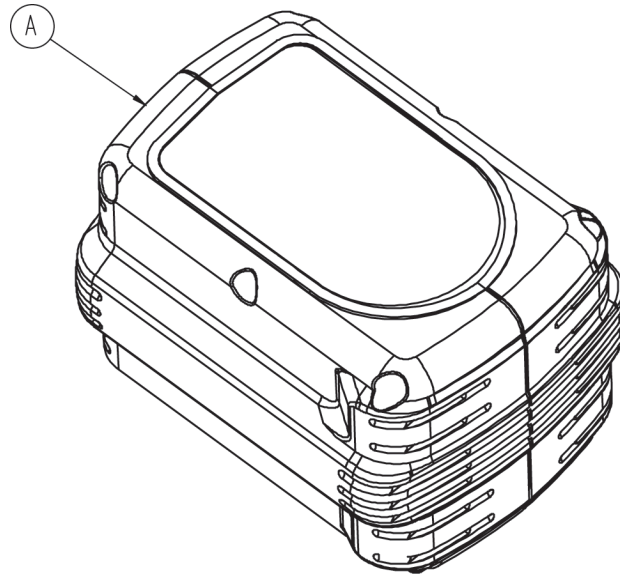
Item	Recycling/Material Code	Important Information	Qty
A	SMRT Pak (6500-101-010)	NiCd	2

Recycling Passport

Assembly Part Number: 6500-700-006 (Reference Only)



View of battery

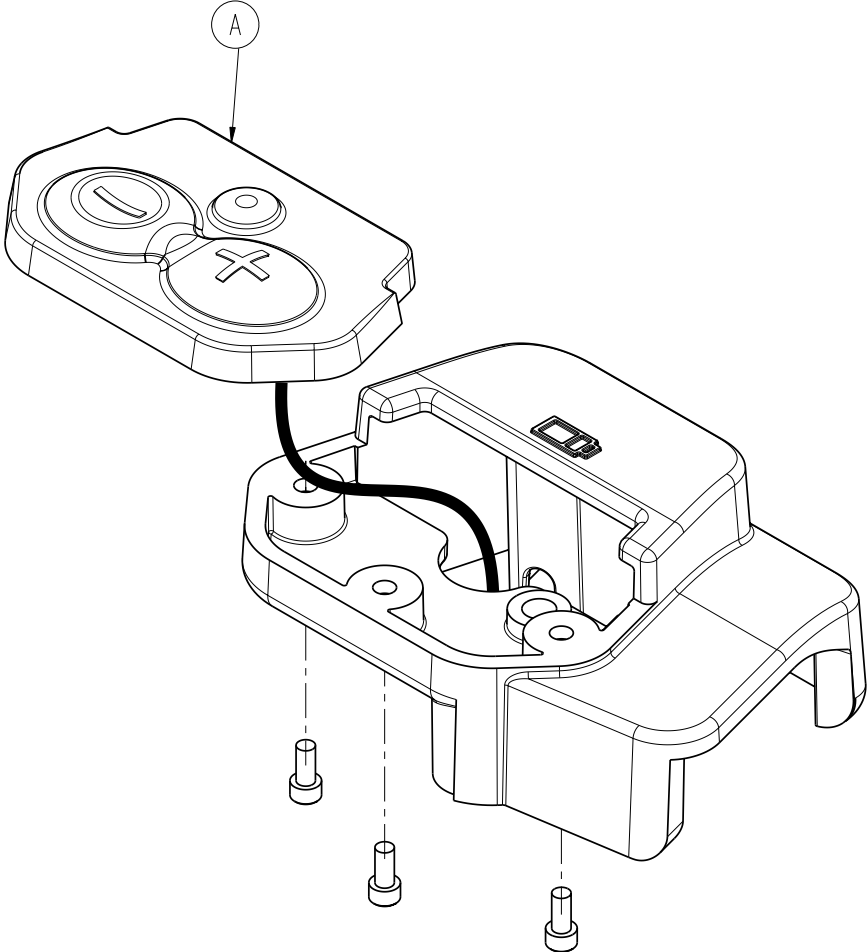


Item	Recycling/Material Code	Important Information	Qty
A	Battery Pack	NiCd	2

Note: See the DeWALT® Manual for battery recycling information.

Recycling Passport

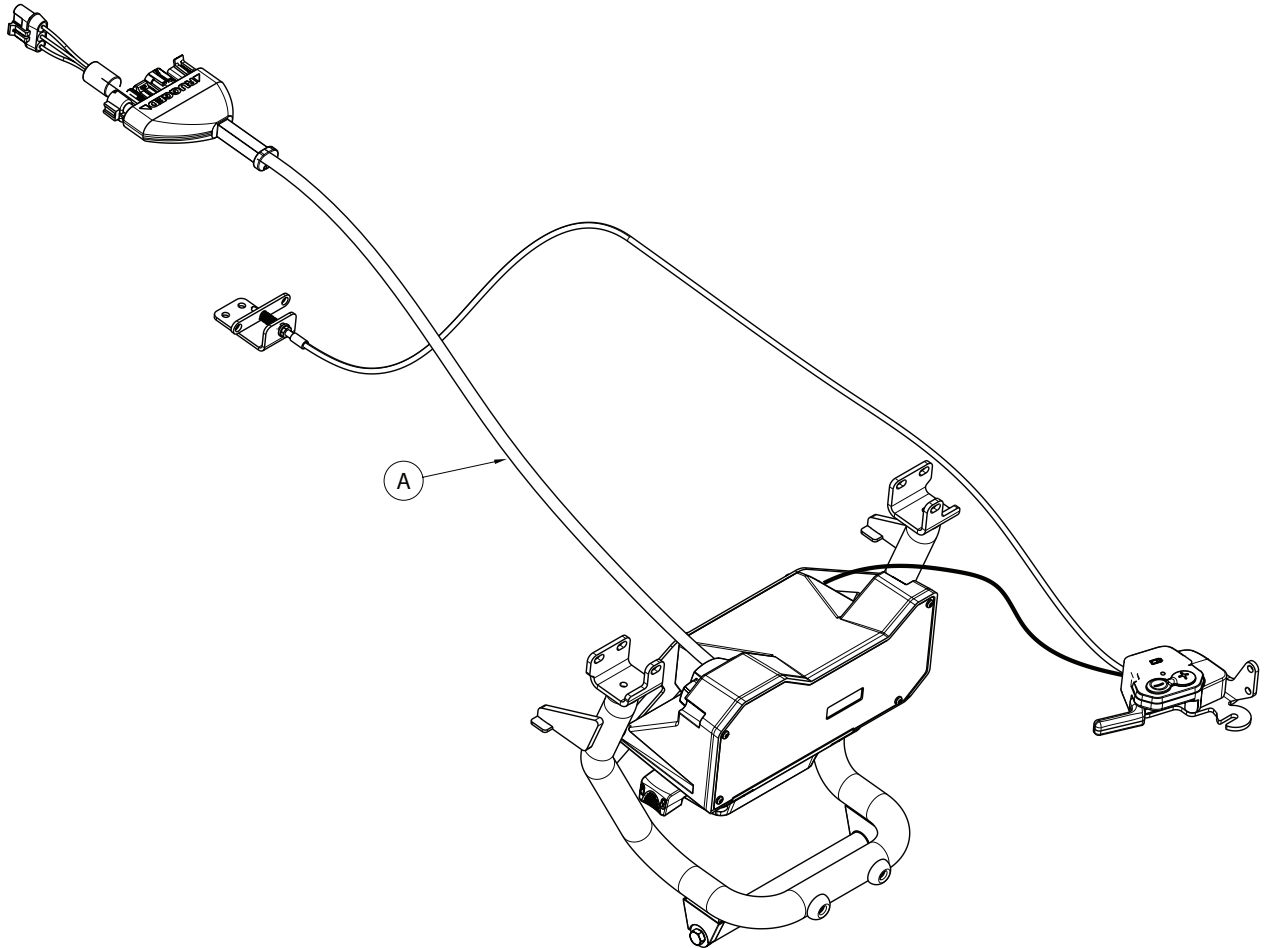
Assembly Part Number: 6550-101-036 (Reference Only)



Item	Recycling/Material Code	Important Information	Qty
A	Printed Circuit Board		1

Recycling Passport

Assembly Part Number: 6550-001-022 (Reference Only)

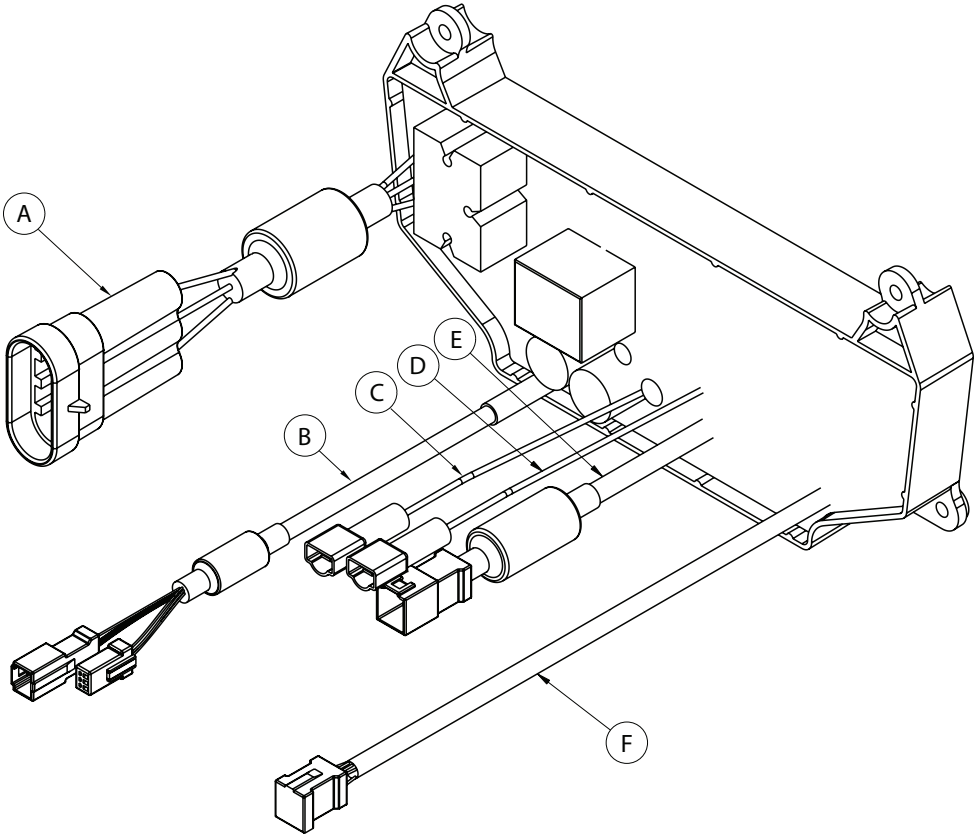


Item	Recycling/Material Code	Important Information	Qty
A	Printed Circuit Board	Contains Liquid Crystal Display	1

[Return To Table of Contents](#)

Recycling Passport

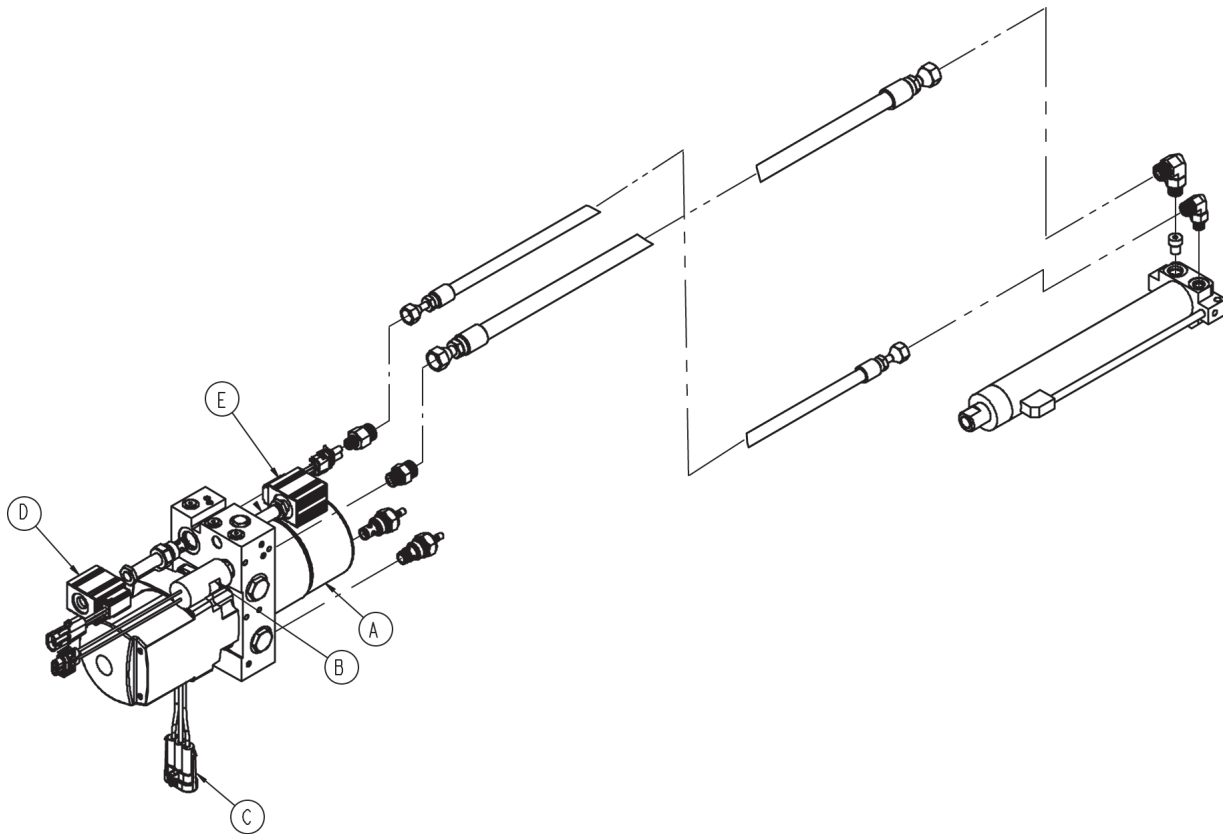
Assembly Part Number: 6550-001-014 (Reference Only)



Item	Recycling/Material Code	Important Information	Qty
A	External Electrical Cable		1
B	External Electrical Cable		1
C	External Electrical Cable		1
D	External Electrical Cable		1
E	External Electrical Cable		1
F	External Electrical Cable		1

Recycling Passport

Assembly Part Number: 6550-001-030 (Reference Only)



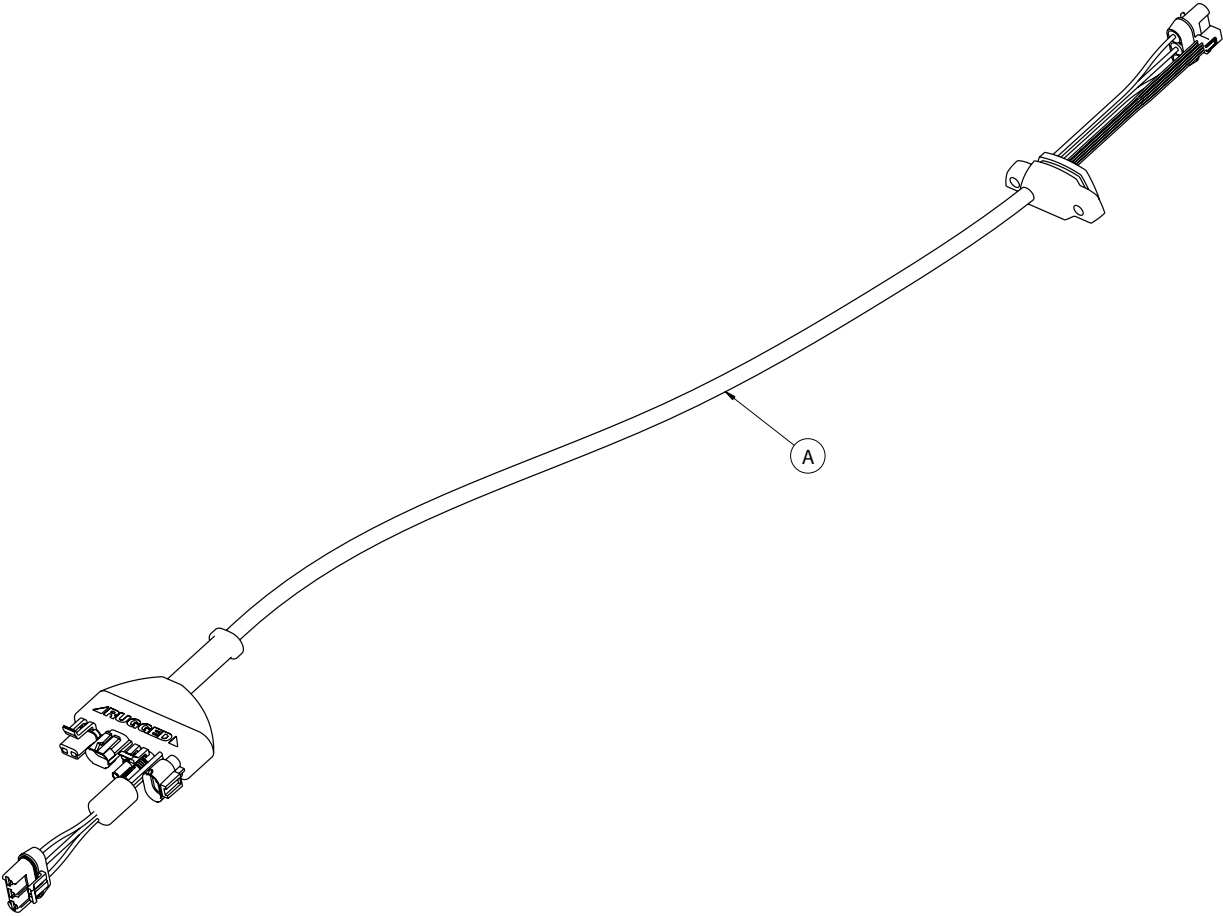
Item	Recycling/Material Code	Important Information	Qty
A	Motor	Contains Automatic Transmission Fluid*	1
B	External Electrical Cable		1
C	External Electrical Cable		1
D	External Electrical Cable		1
E	External Electrical Cable		1

* Mobil Mercon® V Synthetic Blend or equivalent

[Return To Table of Contents](#)

Recycling Passport

Assembly Part Number: 6550-001-172 (Reference Only)



Item	Recycling/Material Code	Important Information	Qty
A	External Electrical Cable		1

EMC Information

POWER-PRO™ TL

Guidance and Manufacturer's declaration - Electromagnetic Immunity			
The model 6550 Power-PRO™ TL cot is suitable for use in the electromagnetic environment specified below. The customer or the user of the model 6550 Power-PRO™ TL cot should ensure that it is used in such an environment.			
Immunity Test	IEC 60601 Test Level	Compliance Level	Electromagnetic Environment Guidance
Electrostatic Discharge (ESD) IEC 61000-4-2	± 6 kV contact ± 8 kV air	± 6 kV contact ± 8 kV air	Floors should be wood, concrete, or ceramic tile. If floors are covered with synthetic material, the relative humidity should be at least 30%. Applies to: <ul style="list-style-type: none"> Cot, SMRT Charger (6500-201-010), DEWALT® AC/DC Charger (6500-070-000), DEWALT® DC/DC Charger (6500-072-000).
Electrostatic fast Transient/burst IEC 61000-4-4	± 2 kV for power supply lines ± 1 kV for input/output lines	± 2 kV for power supply lines ± 1 kV for input/output lines	Main power quality should be that of a typical commercial or hospital environment. Applies to: <ul style="list-style-type: none"> SMRT Charger (6500-201-010), DEWALT® AC/DC Charger (6500-070-000).
Surge IEC 61000-4-5	± 8 kV differential mode ± 2 kV common mode	± 8 kV differential mode ± 2 kV common mode	Main power quality is that of a typical commercial and/or hospital environment. Applies to: <ul style="list-style-type: none"> SMRT Charger (6500-201-010), DEWALT® AC/DC Charger (6500-070-000).
Voltage dips, voltage variations and short interruptions on power supply input lines IEC 61000-4-11	$<5\% U_T$ ($>95\%$ dip in U_T) for 0,5 cycle $40\% U_T$ (60% dip in U_T) for 5 cycles $70\% U_T$ (30% dip in U_T) for 25 cycles $<5\% U_T$ ($>95\%$ dip in U_T) for 5 seconds	$<5\% U_T$ ($>95\%$ dip in U_T) for 0,5 cycle $40\% U_T$ (60% dip in U_T) for 5 cycles $70\% U_T$ (30% dip in U_T) for 25 cycles $<5\% U_T$ ($>95\%$ dip in U_T) for 5 seconds	Main power quality should be that of a typical commercial and/or hospital environment. If the user of the charger requires continued operation during power main interruptions, it is recommended that the device be powered from an uninterrupted power supply or a battery.
Power frequency (50/60 Hz) magnetic field IEC 61000-4-8	3 A/m	3 A/m	Power frequency magnetic fields should be at levels characteristic of a typical location in a typical commercial and/or hospital environment. Applies to: <ul style="list-style-type: none"> Cot, SMRT Charger (6500-201-010), DEWALT® AC/DC Charger (6500-070-000), DEWALT® DC/DC Charger (6500-072-000).
Note: U_T is the alternating current mains voltage prior to application of the test level.			

[Return To Table of Contents](#)


EMC Information

POWER-PRO™ TL (CONTINUED)

Recommended separation distances between portable and mobile RF communications equipment and the Power-PRO™ TL.			
The model 6550 Power-PRO™ TL cot is intended for use in an electromagnetic environment in which radiated RF disturbances are controlled. The customer or the user of the model 6550 Power-PRO™ TL cot can help prevent electromagnetic interferences by maintaining a minimum distance between portable and mobile RF communications equipment (transmitters) and the model 6550 Power-PRO™ TL cot as recommended below, according to the maximum output power of the communications equipment.			
Rated maximum output power of transmitter W	Separation distance according to frequency of transmitter		
	m		
	150 kHz to 80 MHz	80 MHz to 800 MHz	800 MHz to 2.5 GHz
	$d=1.17\sqrt{P}$	$d=1.17\sqrt{P}$	$d=2.33\sqrt{P}$
0,01	0,12	0,12	0,23
0,1	0,38	0,38	0,73
1	1,2	1,2	2,3
10	3,8	3,8	7,3
100	12	12	23
For transmitters rated at a maximum output power not listed above, the recommended separation distance d in meters (m) can be estimated using the equation applicable to the frequency of the transmitter, where P is the maximum output power rating of the transmitter in watts (W) according to the transmitter manufacturer.			
Note 1: At 80 MHz and 800 MHz, the separation distance for the higher frequency range applies.			
Note 2: These guidelines may not apply in all situations. Electromagnetic propagation is affected by absorption and reflection from structures, objects and people.			

EMC Information

POWER-PRO™ TL (CONTINUED)

The model 6550 Power-PRO™ TL cot is suited for use in the electromagnetic environment specified below. The customer or the user of the model 6550 Power-PRO™ TL cot should ensure that it is used in such an environment.					
Immunity Test	IEC 60601 Test Level	Compliance Level	Electromagnetic Environment - Guidance		
Conducted RF IEC 61000-4-6	3 Vrms 150 kHz to 80 MHz	3 Vrms	Portable and mobile RF communications equipment should be used no closer to any part of the model 6550 Power-PRO™ TL cot, including cables, than the recommended separation distance calculated from the equation appropriate for the frequency of the transmitter. Recommended separation distance $d=1.2\sqrt{P}$ Applies to: <ul style="list-style-type: none"> • SMRT Charger (6500-201-010), • DeWALT® AC/DC Charger (6500-070-000) 		
Radiated RF IEC 61000-4-3	3 V/m 80 MHz to 2,5 GHz	3 V/m	<table border="0" style="width: 100%;"> <tr> <td style="text-align: center; padding: 5px;"> $d=1.2\sqrt{P}$ 80 MHz to 800 MHz </td> </tr> <tr> <td style="text-align: center; padding: 5px;"> $d=2.3\sqrt{P}$ 800 MHz to 2.5 GHz </td> </tr> </table> <p>where P is the maximum output power rating of the transmitter in watts (W) according to the transmitter manufacturer and d is the recommended separation distance in metres (m).</p> <p>Field strengths from fixed RF transmitters, as determined by an electromagnetic site survey, ^a should be less than the compliance level in each frequency range. ^b</p> <p>Interference may occur in the vicinity of equipment marked with the following symbol:</p> <div style="text-align: center;">  </div>	$d=1.2\sqrt{P}$ 80 MHz to 800 MHz	$d=2.3\sqrt{P}$ 800 MHz to 2.5 GHz
$d=1.2\sqrt{P}$ 80 MHz to 800 MHz					
$d=2.3\sqrt{P}$ 800 MHz to 2.5 GHz					
<p>Note 1: At 80 MHz and 800 MHz, the higher frequency range applies.</p> <p>Note 2: These guidelines may not apply in all situations. Electromagnetic propagation is affected by absorption and reflection from structures, objects and people.</p>					
<p>^a Field strengths from fixed transmitters, such as base stations for radio (cellular/cordless) telephones and land mobile radios, amateur radio, AM and FM radio broadcast, and TV broadcast cannot be predicted theoretically with accuracy. To assess the electromagnetic environment due to fixed RF transmitters, an electromagnetic site survey should be considered. If the measured field strength in the location in which the model 6550 Power-PRO™ TL cot is used exceeds the applicable RF compliance level above, the model 6550 Power-PRO™ TL cot should be observed to verify normal operation. If abnormal performance is observed, additional measures may be necessary, such as reorienting or relocating the model 6550 Power-PRO™ TL cot.</p> <p>^b Over the frequency range 150 kHz to 80 MHz, field strengths are less than 3 V/m.</p>					

[Return To Table of Contents](#)

EMC Information

POWER-PRO™ TL (CONTINUED)

Guidance and Manufacturer's declaration - Electromagnetic Emissions		
The model 6550 Power-PRO™ TL cot is intended for use in an electromagnetic environment specified below. The customer or the user of the model 6550 Power-PRO™ TL cot should ensure that it is used in such an environment.		
Emissions Test	Compliance	Electromagnetic Environment
RF Emissions CISPR 11	Group 1	The model 6550 Power-PRO™ TL cot uses RF energy only for its internal function. Therefore, its RF emissions are very low and are not likely to cause any interference in nearby electronic equipment.
RF Emissions CISPR 11	Cot: Class A	The model 6550 Power-PRO™ TL cot is suitable for use in all establishments other than domestic and those directly connected to the public low-voltage power supply network that supplies buildings used for domestic purposes.
	SMRT Charger (6500-201-010): Class A	The SMRT Charger is suitable for use in all establishments other than domestic establishments other than domestic and those directly connected to the public low-voltage power supply network that supplies buildings used for domestic purposes.
	DeWALT® AC/DC Charger (6500-070-000): Class B	The DeWALT® AC/DC Charger and DeWALT® DC/DC Charger are suitable for use in all establishments including domestic establishments and those directly connected to the public low-voltage power supply network that supplies buildings used for domestic purposes.
	DeWALT® DC/DC Charger (6500-072-000): Class B	
Harmonic Emissions IEC 61000-3-2	Cot: N/A	
	SMRT Charger (6500-201-010): Class A	
	DeWALT® AC/DC Charger (6500-070-000): Class A	
	DeWALT® DC/DC Charger (6500-072-000): N/A	
Voltage Fluctuations Flicker Emissions IEC 61000-3-3	Cot: N/A	
	SMRT Charger (6500-201-010): Complies	
	DeWALT® AC/DC Charger (6500-070-000): Complies	
	DeWALT® DC/DC Charger (6500-072-000): N/A	

Warranty

Stryker EMS, a division of the Stryker Corporation, offers one warranty option in the United States:

Two (2) year parts and labor. Stryker EMS warrants to the original purchaser that its products should be free from manufacturing non-conformances that affect product performance and customer satisfaction for a period of two (2) years after date of delivery. Stryker's obligation under this warranty is expressly limited to supplying replacement parts and labor for, or replacing, at its option, any product that is, in the sole discretion of Stryker, found to be defective. Expendable components, i.e. mattresses, restraints, I.V. poles, storage nets, storage pouches, oxygen straps, and other soft goods, have a one (1) year limited warranty.

The Stryker Power-PRO TL is designed for a 7 year expected service life under normal use conditions, and with appropriate periodic maintenance as described in the maintenance manual. Stryker warrants to the original purchaser that the welds on the Power-PRO TL will be free from structural defects for the expected 7 year life of the product as long as the original purchaser owns the product. Original purchasers will also obtain a three (3) year limited parts warranty for the X-frame components of the Power-PRO cot and a three (3) year limited power train warranty covering the motor pump assembly and hydraulic cylinder assembly. Stryker's obligation under this three (3) year limited warranty is expressly limited to supplying replacement parts and labor for, or replacing, at its option, any part that is, in the sole discretion of Stryker, found to be defective.

SMRT Power Warranties. Stryker EMS warrants the SMRT Charger for the same duration as the Stryker product for which it is furnished. All SMRT Paks are warranted to be free from manufacturing non-conformances that affect product performance and customer satisfaction for a period of one (1) year.

Upon Stryker's request, purchaser shall return to Stryker's factory any product or part (freight prepaid by Stryker) for which an original purchaser makes a warranty claim.

Any improper use or alteration or repair by unauthorized service providers in such a manner as in Stryker's judgment affects the product materially and adversely, shall void this warranty. Any repair of Stryker products using parts not provided or authorized by Stryker shall void this warranty. No employee or representative of Stryker is authorized to change this warranty in any way.

This statement constitutes Stryker EMS's entire warranty with respect to the aforesaid equipment. STRYKER MAKES NO OTHER WARRANTY OR REPRESENTATION EITHER EXPRESSED OR IMPLIED, EXCEPT AS SET FORTH HEREIN. THERE IS NO WARRANTY OF MERCHANTABILITY AND THERE ARE NO WARRANTIES OF FITNESS FOR ANY PARTICULAR PURPOSE. IN NO EVENT SHALL STRYKER BE LIABLE HEREUNDER FOR INCIDENTAL OR CONSEQUENTIAL DAMAGES ARISING FROM OR IN ANY MANNER RELATED TO SALES OR USE OF ANY SUCH EQUIPMENT.

DEWALT® Product Warranty

Any DEWALT® product purchased from Stryker EMS is covered for a period of one (1) year after date of delivery. Stryker's obligation under this warranty is expressly limited to supplying replacement parts and labor for, or replacing, at its option, any product that is, in the sole discretion of Stryker, found to be defective.

Warranty

STRYKER EMS RETURN POLICY

Cots, Stair Chairs, Evacuation Chairs, Cot Fasteners and Aftermarket Accessories may be returned up to 180 days of receipt if they meet the following guidelines:

Prior to 30 Days

- 30 day money back guarantee in effect
- Stryker EMS is responsible for all charges
- Returns will not be approved on modified items

Prior to 90 Days

- Product must be **unused, undamaged** and in the original packaging
- Customer is responsible for a 10% restocking fee

Prior to 180 Days

- Product must be **unused, undamaged** and in the original packaging
- Customer is responsible for a 25% restocking fee

RETURN AUTHORIZATION

Stryker customer service department must approve any merchandise return and will provide an authorization number to be printed on any returned merchandise. Stryker reserves the right to charge shipping and restocking fees on returned items. SPECIAL, MODIFIED, OR DISCONTINUED ITEMS NOT SUBJECT TO RETURN.

DAMAGED MERCHANDISE

ICC Regulations require that claims for damaged merchandise must be made with the carrier within fifteen (15) days of receipt of merchandise. DO NOT ACCEPT DAMAGED SHIPMENTS UNLESS SUCH DAMAGE IS NOTED ON THE DELIVERY RECEIPT AT THE TIME OF RECEIPT. Upon prompt notification, Stryker will file a freight claim with the appropriate carrier for damages incurred. Claim will be limited in amount to the actual replacement cost. In the event that this information is not received by Stryker within the fifteen (15) day period following the delivery of the merchandise, or the damage was not noted on the delivery receipt at the time of receipt, the customer will be responsible for payment of the original invoice in full. Claims for any short shipment must be made within thirty (30) days of invoice.

INTERNATIONAL WARRANTY CLAUSE

This warranty reflects U.S. domestic policy. Warranty outside the U.S. may vary by country. Please contact your local Stryker Medical representative for additional information.

PATENT INFORMATION

The Stryker Power-PRO TL cot is covered by one or more of the following patents:

United States	5,537,700	5,575,026	6,908,133	7,398,571	7,540,047
---------------	-----------	-----------	-----------	-----------	-----------

Other patents pending

The Stryker SMRT Power System is covered by one or more of the following patents:

United States	5,977,746	6,018,227
---------------	-----------	-----------

Other patents pending



Stryker Medical
3800 E. Centre Ave.
Portage, Michigan USA
49002



Stryker France S.A.S.
ZAC - Avenue de Satolas Green
69881 MEYZIEU Cedex
France



stryker[®]