

Power-PRO™ TL

REF 6550

stryker®

Parts Manual



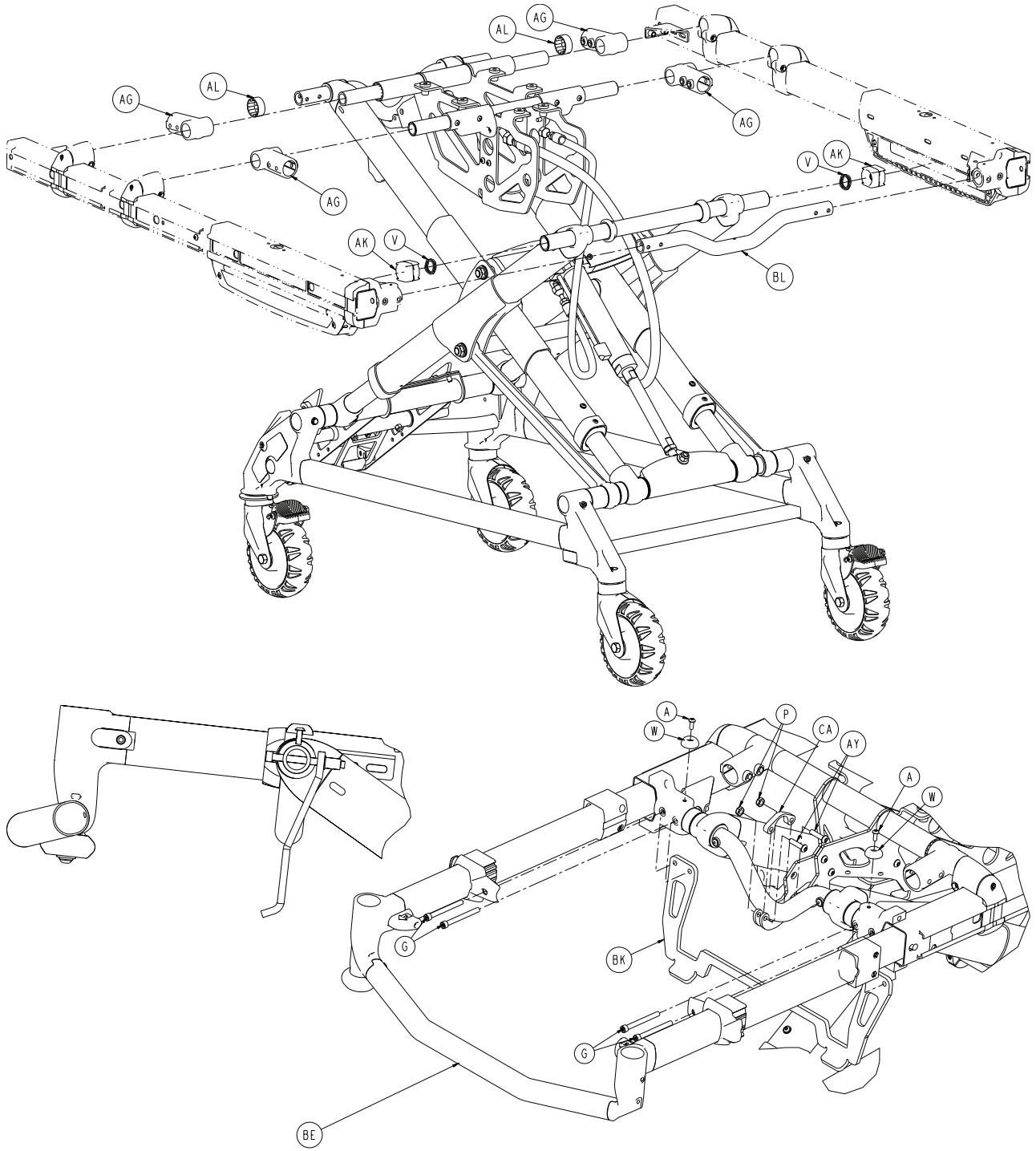
Table of Contents

6550-001-010.....	3
6550-001-012.....	11
6550-500-000.....	17
6550-501-000.....	18
6082-002-012.....	19
6100-003-022.....	20
6550-001-034.....	21
6550-001-035.....	22
6550-001-021.....	23
6550-034-000.....	26
6082-026-010.....	27
6550-101-032.....	28
6550-101-033.....	29
6550-031-000.....	30
6500-003-034.....	31
6500-003-044.....	32
6550-150-000.....	33
6550-101-031.....	34
6550-101-030.....	36
6550-001-022.....	37
6550-001-029.....	40
6550-101-036.....	41
6550-001-015.....	42
6550-001-020.....	44
6550-001-018.....	46
6506-012-003.....	47
6506-012-004.....	48
6550-001-019.....	49
6550-001-017.....	52
6550-040-000.....	53
6550-001-026.....	54
6060-160-010.....	55
6082-160-050.....	56
6500-033-000.....	57
6550-170-000.....	58
6082-170-020.....	59
6500-147-000.....	61
6550-218-000.....	62
6550-310-000.....	63
6500-101-041.....	64
6550-311-000.....	65
6500-101-042.....	66
6550-312-000.....	67

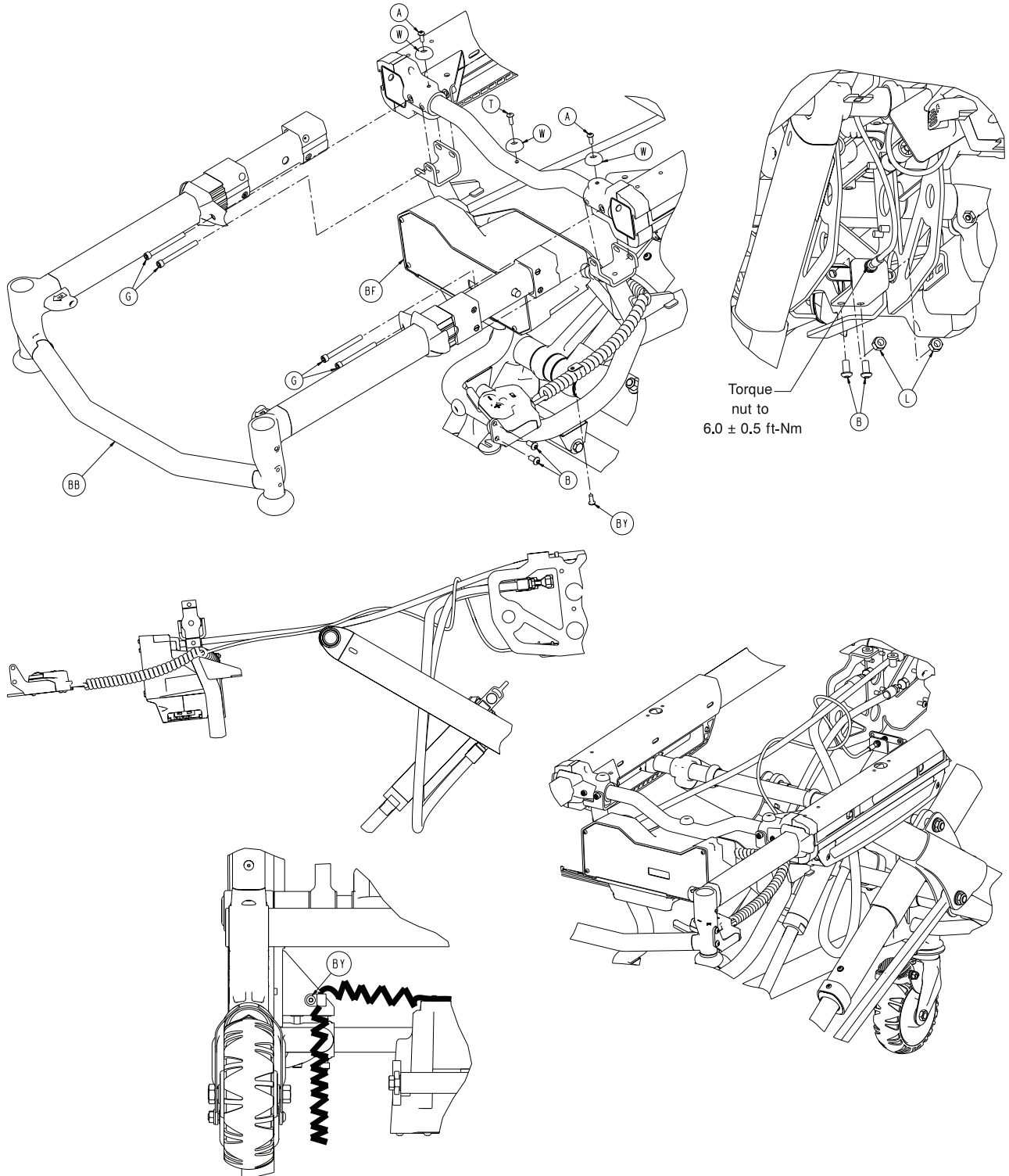
Table of Contents

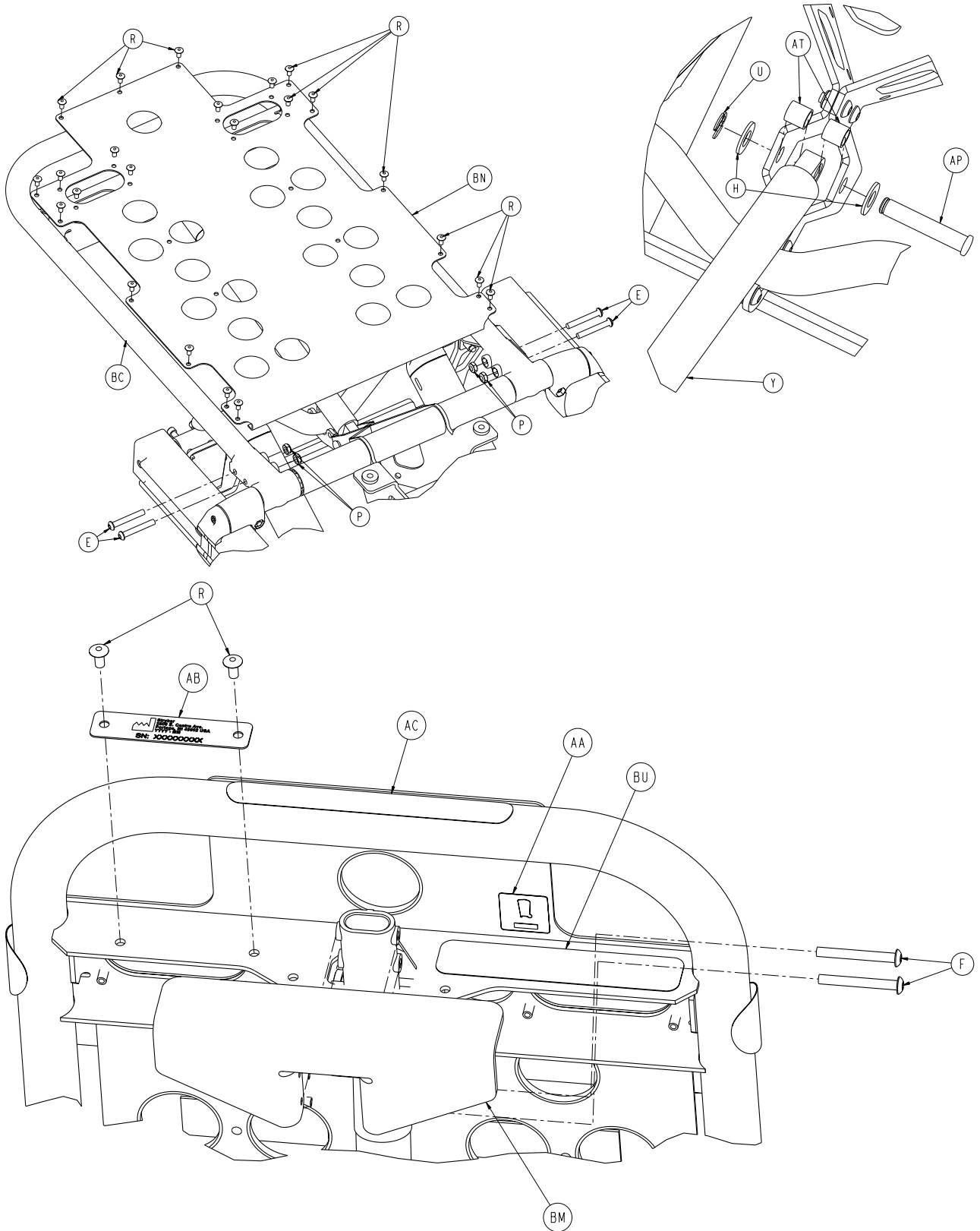
6550-315-000.....	68
6500-101-043.....	69
6550-316-000.....	70
6500-101-044.....	71
6550-317-000.....	72
6550-102-020.....	73
6080-140-000.....	74
6500-160-000.....	75
6500-130-000.....	76
6550-001-084.....	77
6550-001-295.....	78
6500-003-130.....	79
6390-101-010.....	80
6550-101-036.....	81
6550-001-022.....	82
6550-101-014.....	83
6550-101-030.....	84
6550-001-172.....	85

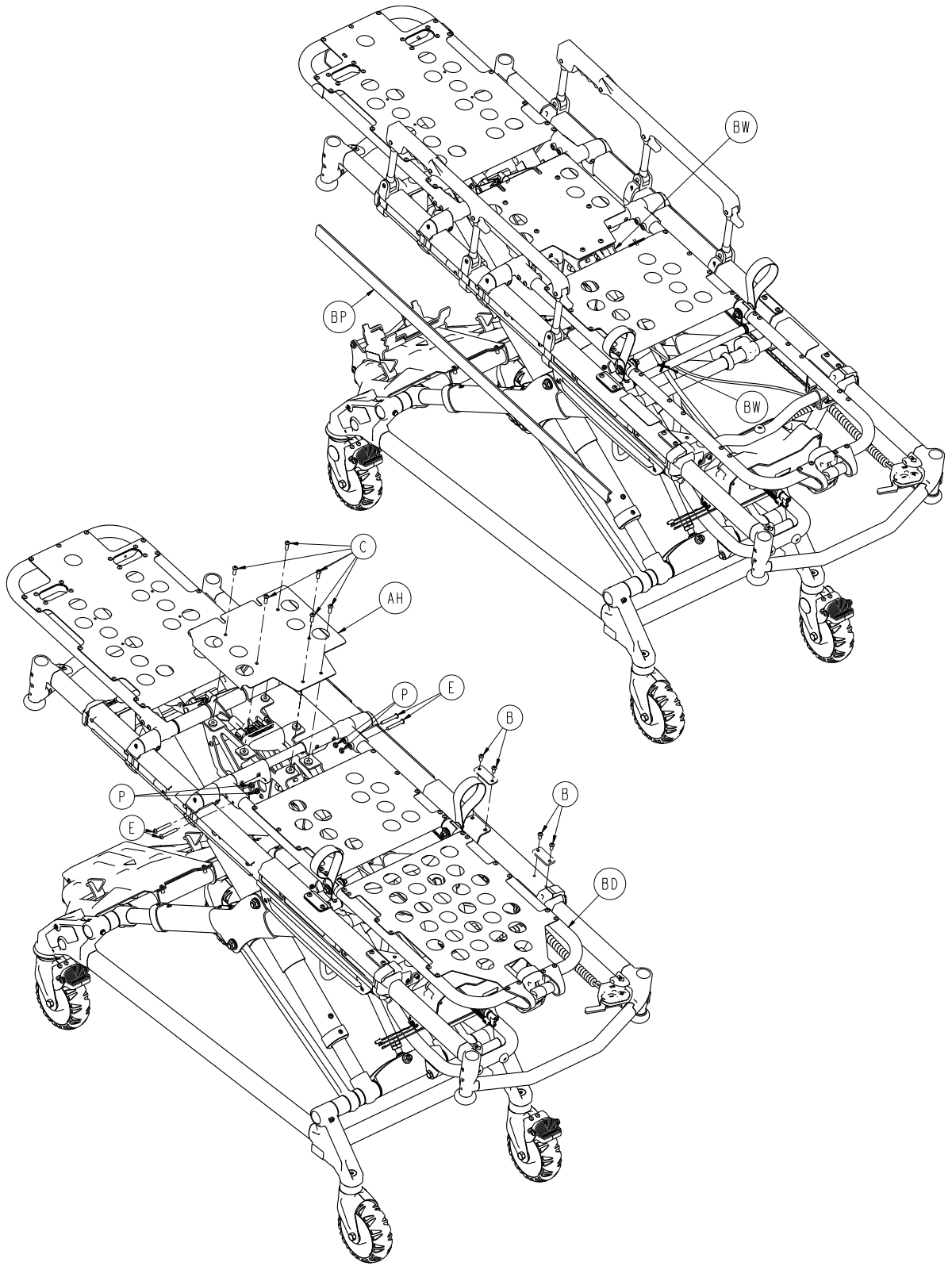
6550-001-010

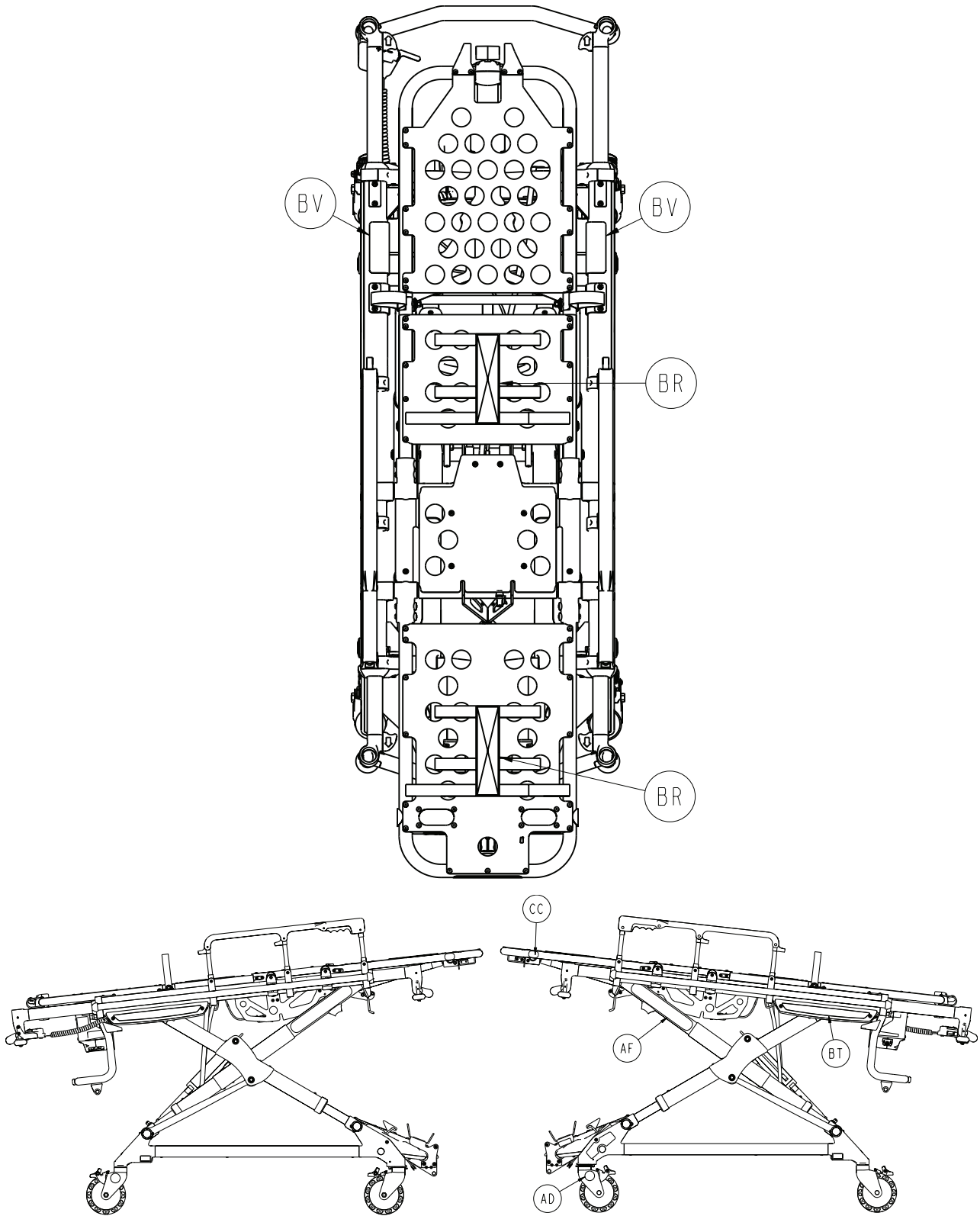


6550-001-010

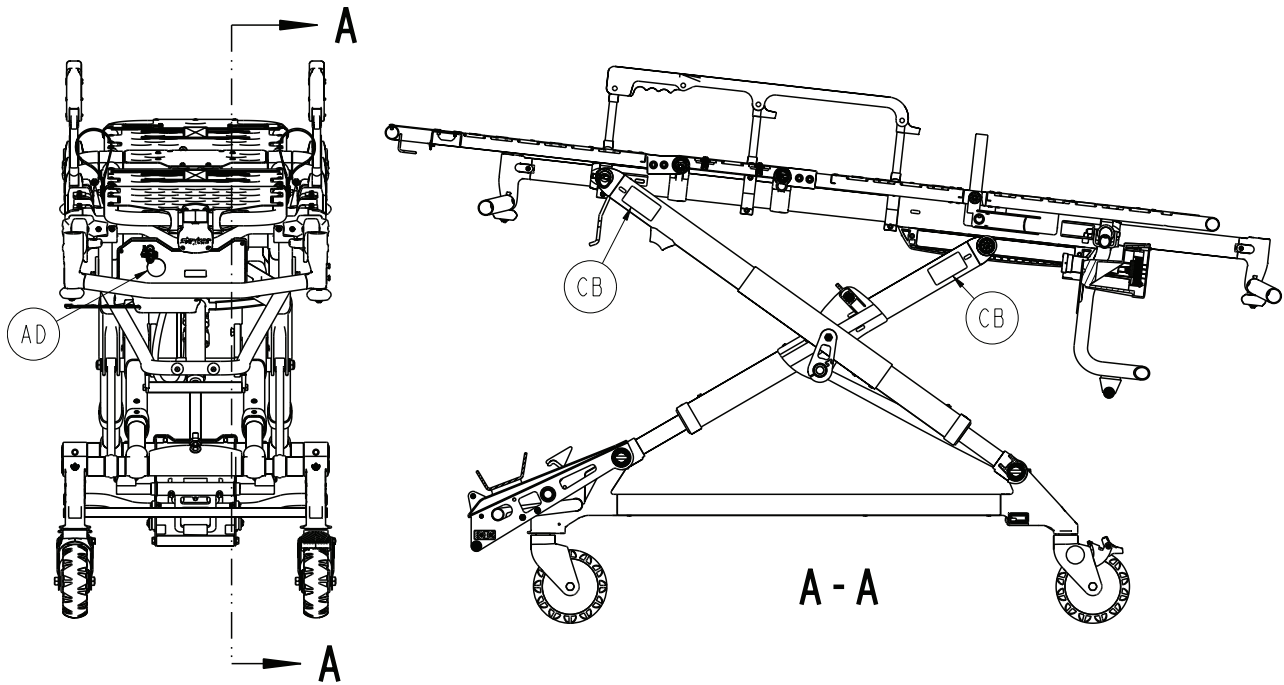








6550-001-010



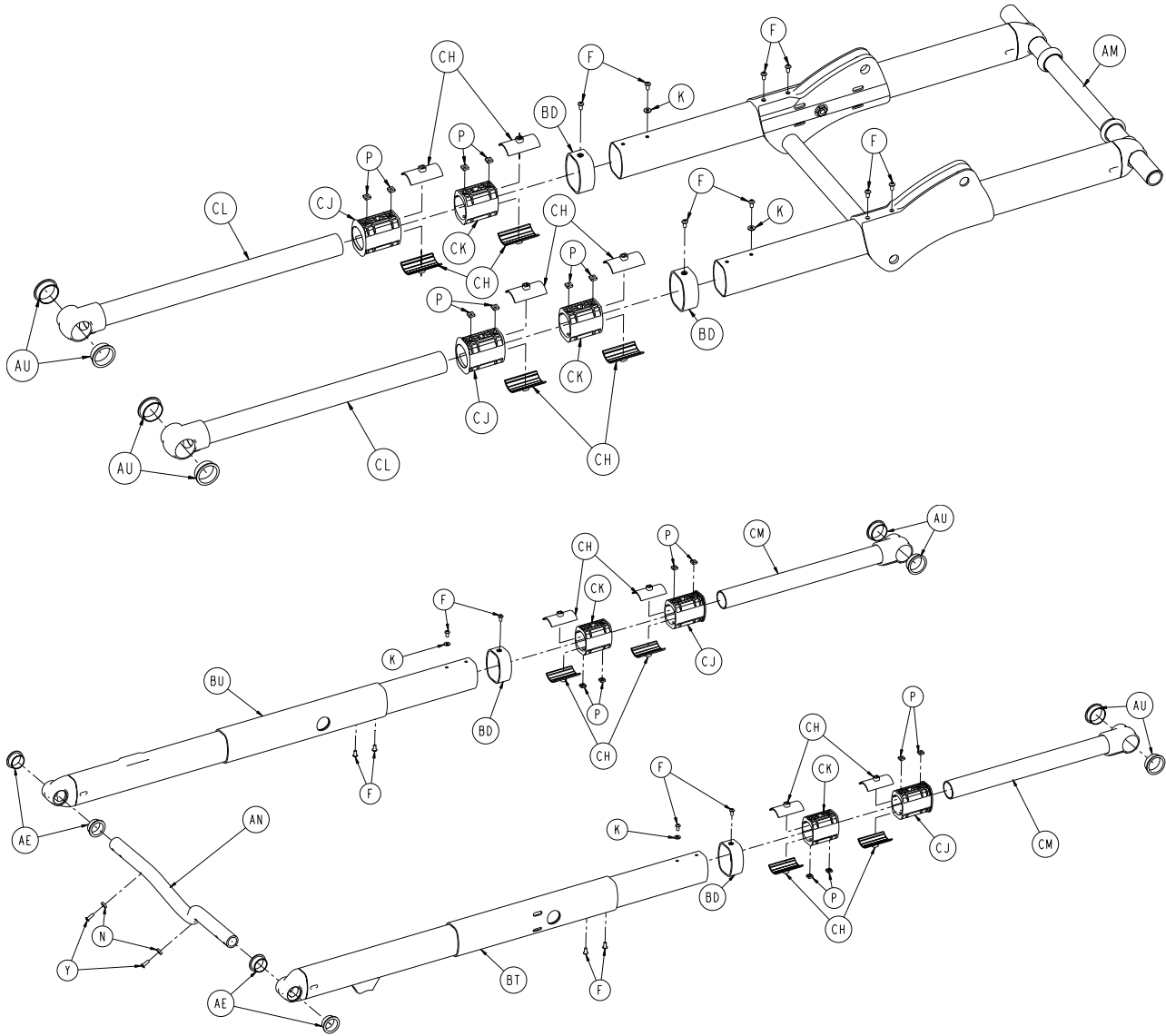
A	0004-585-000	4
B	0004-589-000	12
C	0004-592-000	6
D	0004-593-000	4
E	0004-596-000	8
F	0004-636-000	2
G	0004-852-000	8
H	0011-004-000	2
J	0011-013-000	1
K	0014-040-000	2
L	0016-028-000	2
M	0016-035-000	1
N	0016-049-000	2
P	0016-102-000	10
R	0025-079-000	25
T	0025-133-000	9
U	0028-181-000	1
V	0038-574-000	2
W	0946-001-155	5
Y	6500-031-077	1
AA	2030-009-901	1
AB	6060-090-002	1
AC	6060-090-004	1
AD	6506-001-900	5
AF	6082-090-043	2
AG	6100-003-125	4
AH	6500-001-111	1

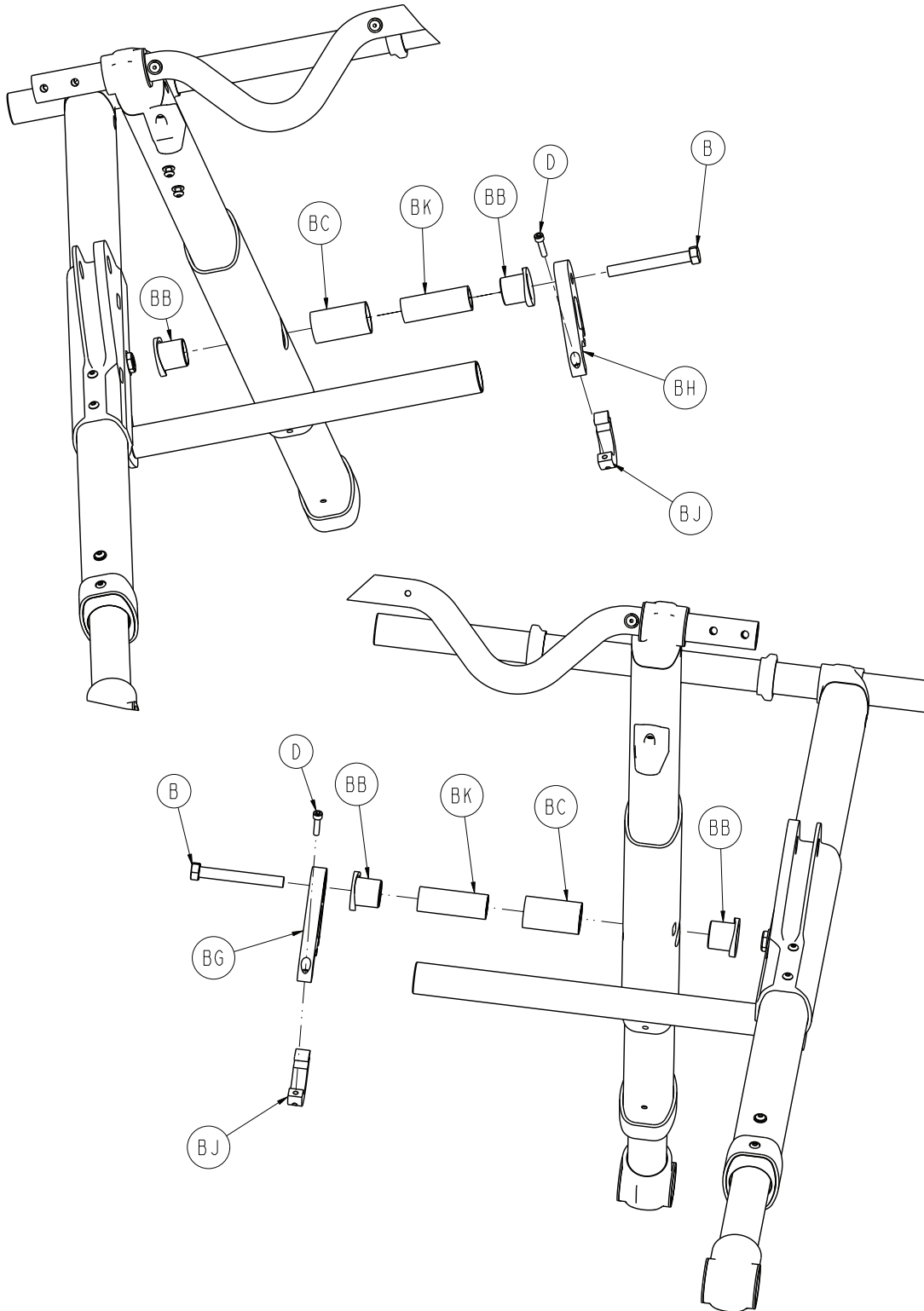
6550-001-010

AK	6500-001-123	2
AL	6500-001-128	2
AM	6500-001-157	2
AN	6500-001-168	1
AP	6085-101-143	1
AR	6500-001-171	1
AT	6500-001-191	2
AU	6500-001-195	2
AV	6500-001-196	1
AW	6500-001-225	2
AY	0004-594-000	2
BA	6550-001-012	1
BB	6550-001-015	1
BC	6550-001-018	1
BD	6550-001-019	1
BE	6550-001-020	1
BF	6550-001-022	1
BG	6550-101-031	1
BK	6550-001-090	1
BL	6550-001-091	1
BM	6550-001-099	1
BN	6550-001-102	1
BP	6550-001-170	2
BR	6550-001-197	2
BT	6550-101-233	2
BU	6550-101-234	1
BV	6085-101-155	2
BW	0059-211-000	3
BY	0004-634-000	1
CA	6500-002-195	1
CB	6252-101-139	4
CC	6506-001-901	2

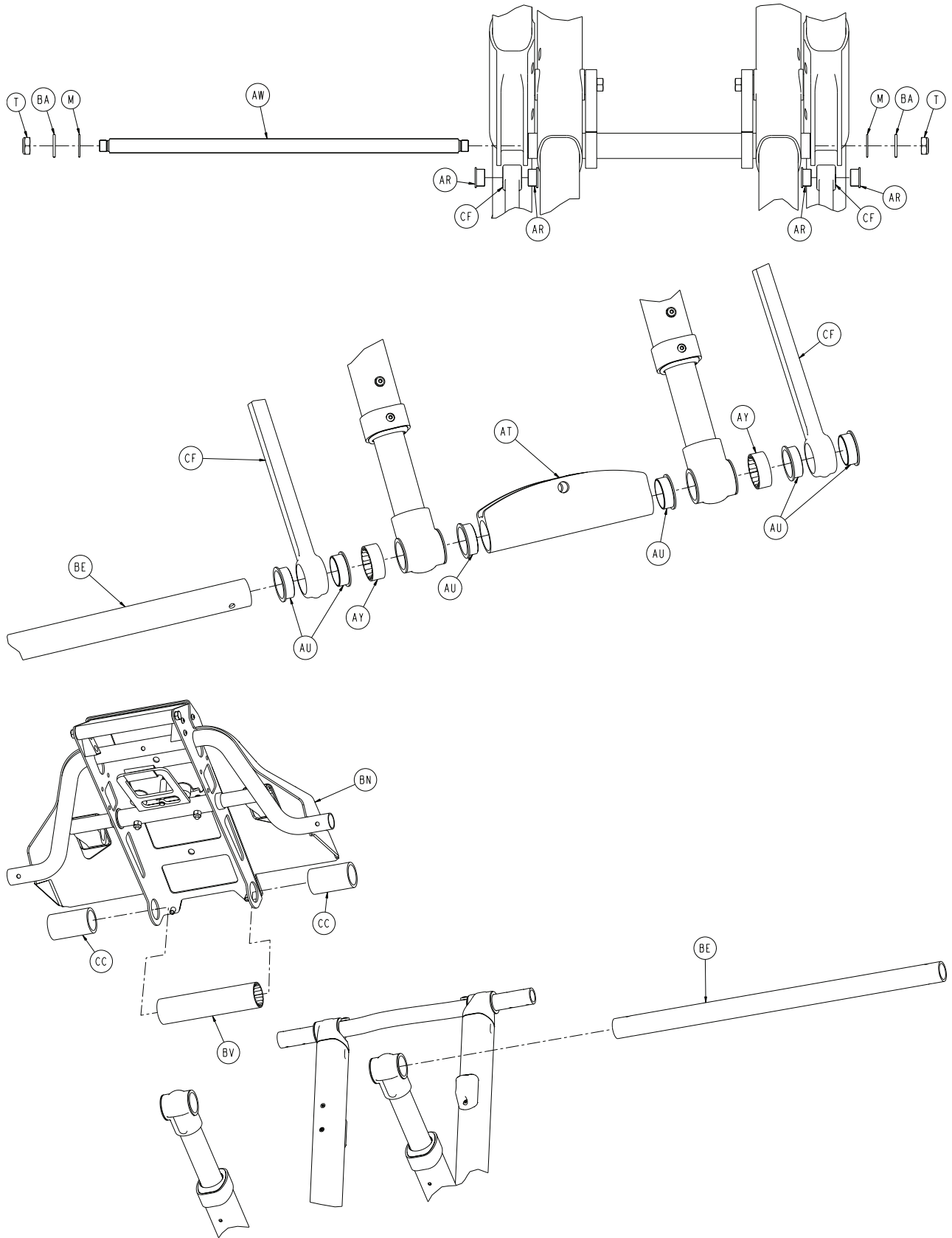
6550-001-012

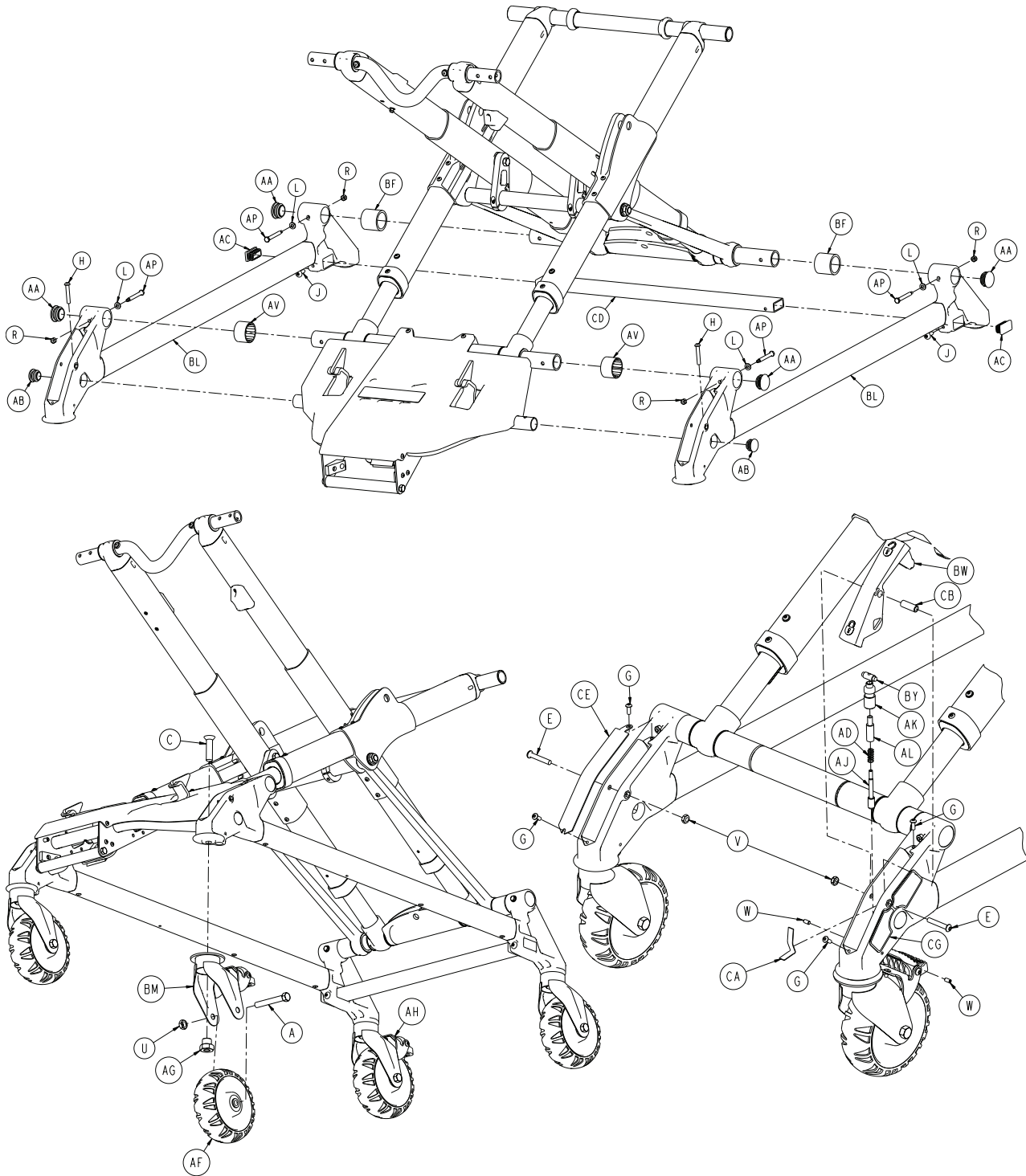
Rev J (Reference only)





6550-001-012





A	0003-205-000	4
B	0003-388-000	2
C	0004-319-000	4
D	0004-659-000	2
E	0004-376-000	2
F	0004-587-000	16

6550-001-012

G	0004-634-000	4
H	0004-848-000	2
J	0007-086-000	2
K	0011-062-000	4
L	0014-002-000	4
M	0014-040-000	2
N	0014-115-000	2
P	0015-051-000	16
R	0016-002-000	4
T	0016-049-000	2
U	0016-060-000	4
V	0016-102-000	2
W	0021-180-000	2
Y	0025-133-000	2
AA	0037-083-000	4
AB	0037-243-000	2
AC	0037-244-000	2
AD	0038-382-000	1
AE	0081-244-000	4
AF	6060-002-010	4
AG	6090-001-009	4
AH	6100-003-022	1
AJ	6100-003-136	1
AK	6100-203-135	1
AL	6100-203-136	1
AM	6500-001-056	1
AN	6500-001-090	1
AP	6500-001-145	4
AR	6500-001-162	4
AT	6500-001-165	1
AU	6500-001-166	14
AV	6500-001-178	2
AW	6500-001-182	1
AY	6500-001-183	2
BA	6500-001-225	2
BB	6500-001-226	4
BC	6500-001-227	2
BD	6500-001-228	4
BE	6500-001-229	2
BF	6550-001-203	2
BG	6500-001-308	1
BH	6500-001-309	1
BJ	6500-001-310	2
BK	6500-001-341	2
BL	6550-001-013	2
BM	6550-001-016	1

6550-001-012

BN	6550-001-021	1
BT	6550-001-034	1
BU	6550-001-035	1
BV	6550-001-085	1
BW	6550-001-103	1
BY	6550-001-104	1
CA	6550-001-105	1
CB	6550-001-107	1
CC	6550-001-204	2
CD	6550-001-171	1
CE	6550-001-179	1
CF	6550-001-200	2
CG	6550-001-106	1
CH	6500-101-327	16
CJ	6500-001-328	4
CK	6500-001-329	4
CL	6500-301-051	2
CM	6550-101-066	2

Rev A (Reference only)

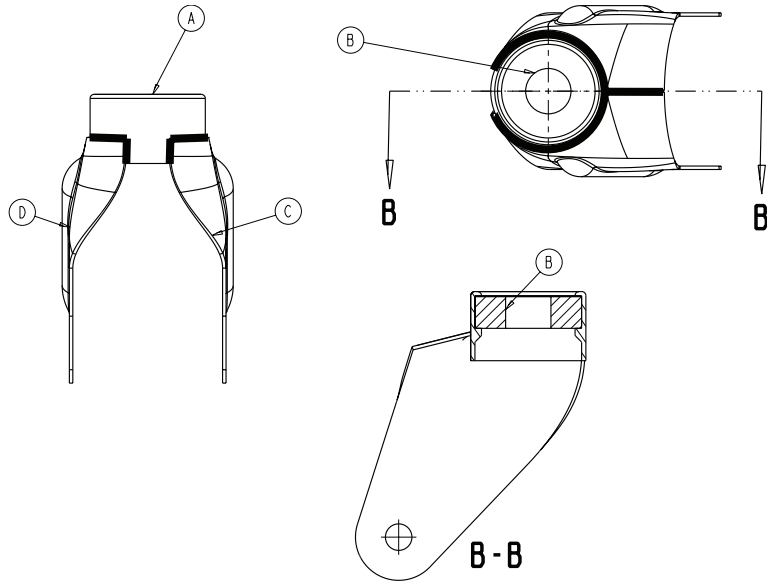
A 6082-002-012 2

Rev B (Reference only)

A	6100-003-022	2
B	6506-001-900	4

6082-002-012

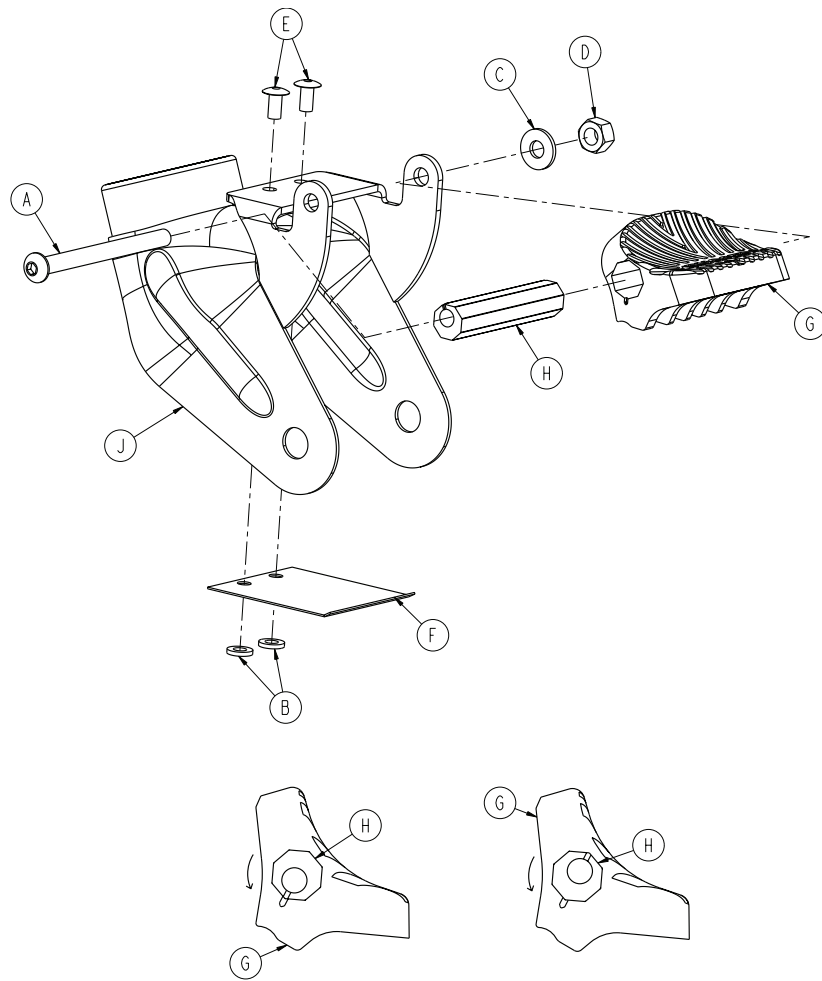
Rev C (Reference only)



A	6082-002-039	1
B	0081-227-000	1
C	6082-002-042	1
D	6082-002-043	1

6100-003-022

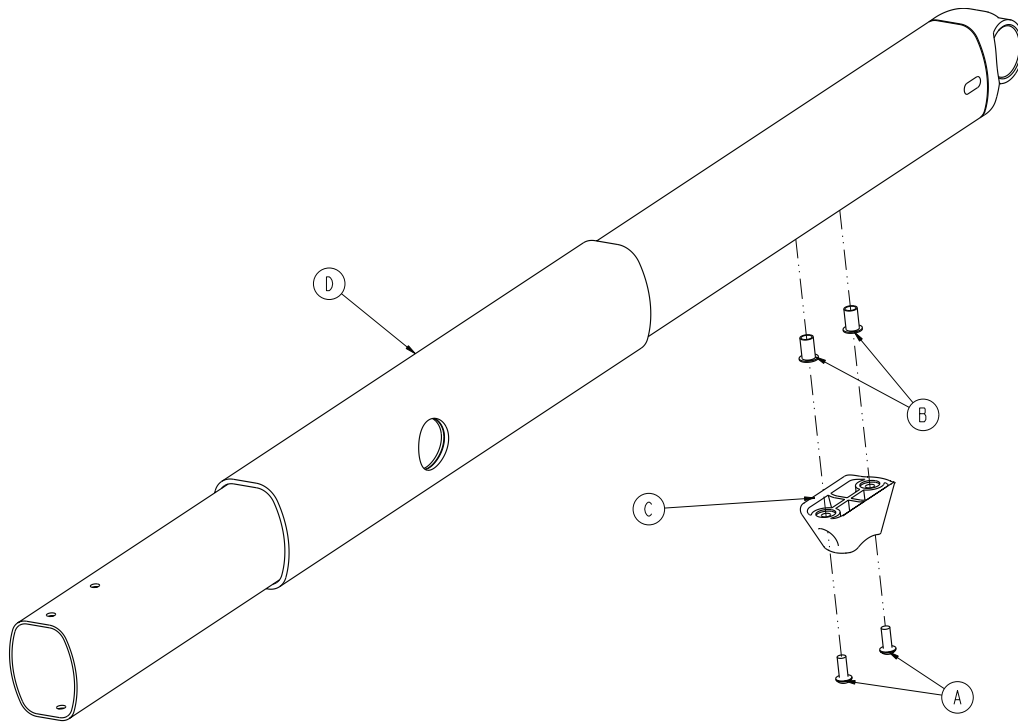
Rev C (Reference only)



A	0004-098-000	1
B	0011-454-000	2
C	0011-456-000	1
D	0016-118-000	1
E	0025-079-000	2
F	6080-100-032	1
G	6080-300-030	1
H	6080-200-041	1
J	6100-003-055	1

6550-001-034

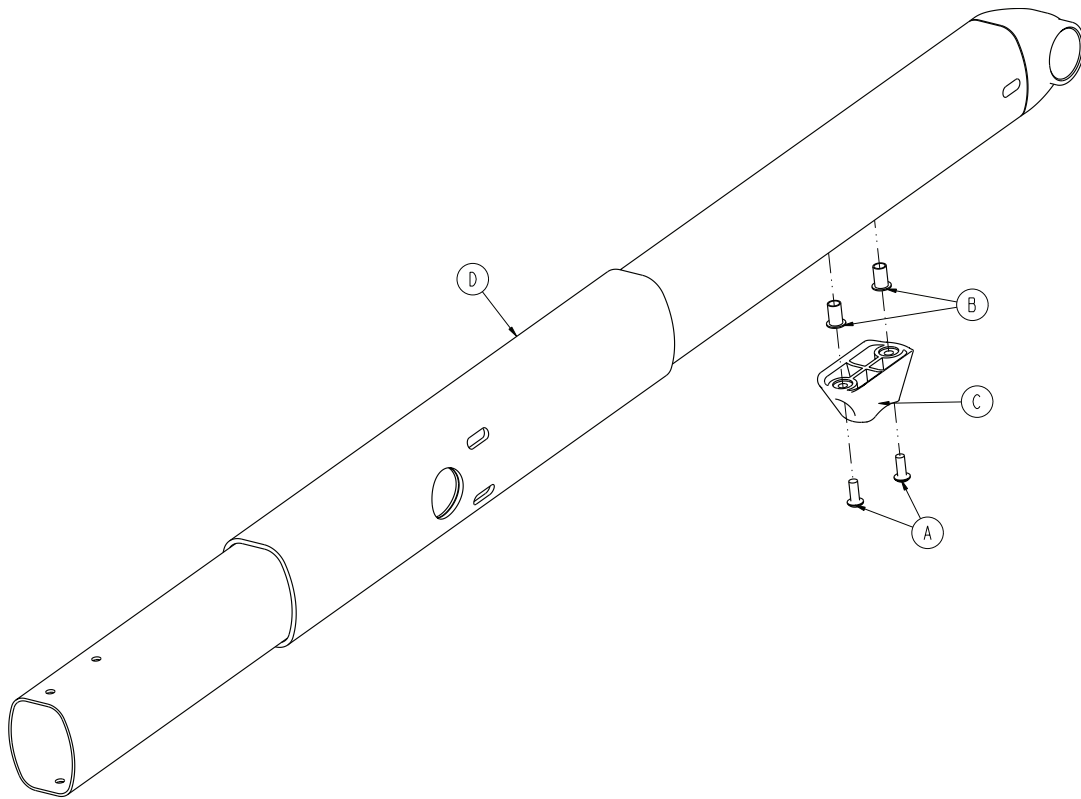
Rev C (Reference only)



A	0004-634-000	2
B	0055-100-075	2
C	6500-001-125	1
D	6550-001-260	1

6550-001-035

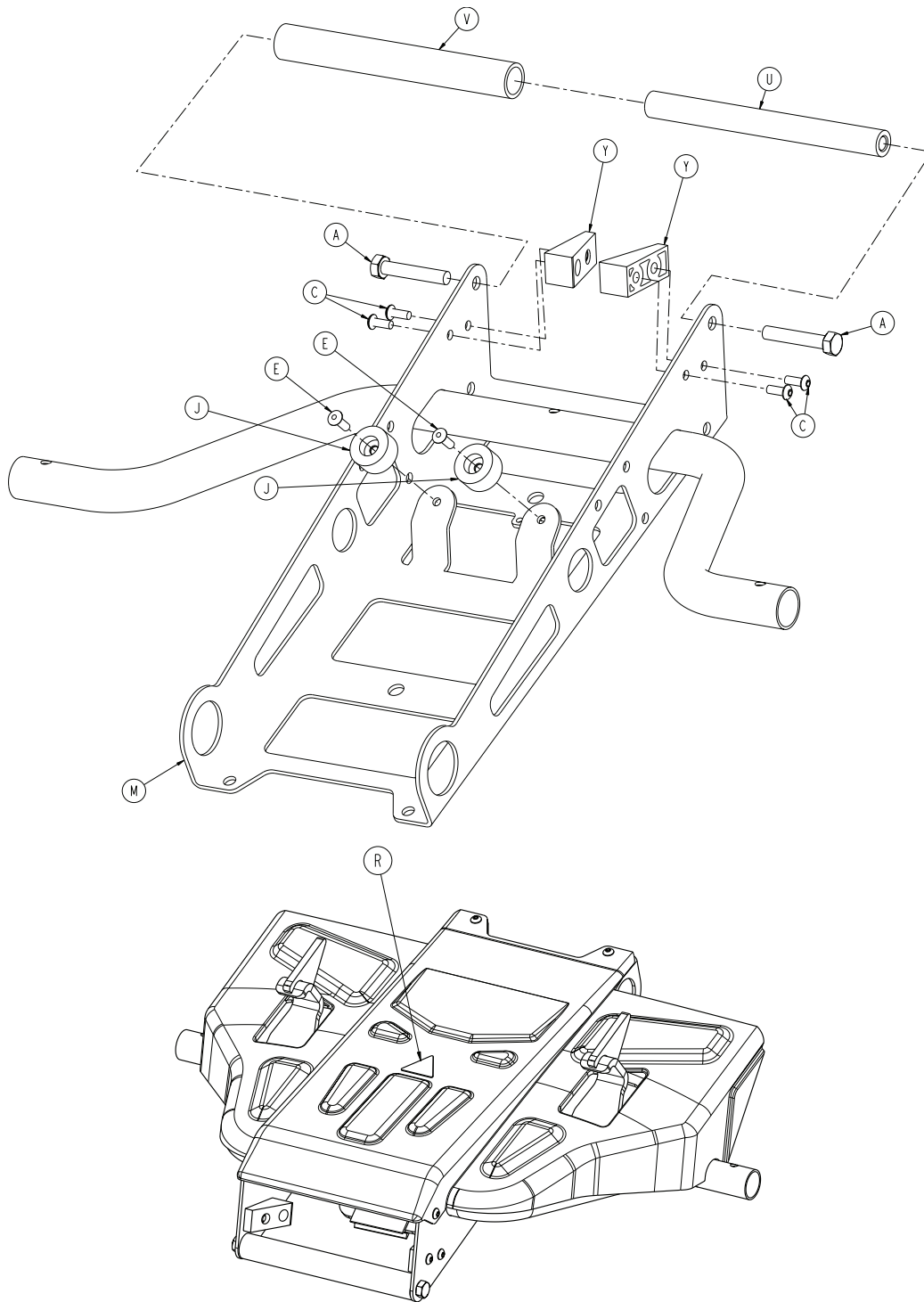
Rev C (Reference only)



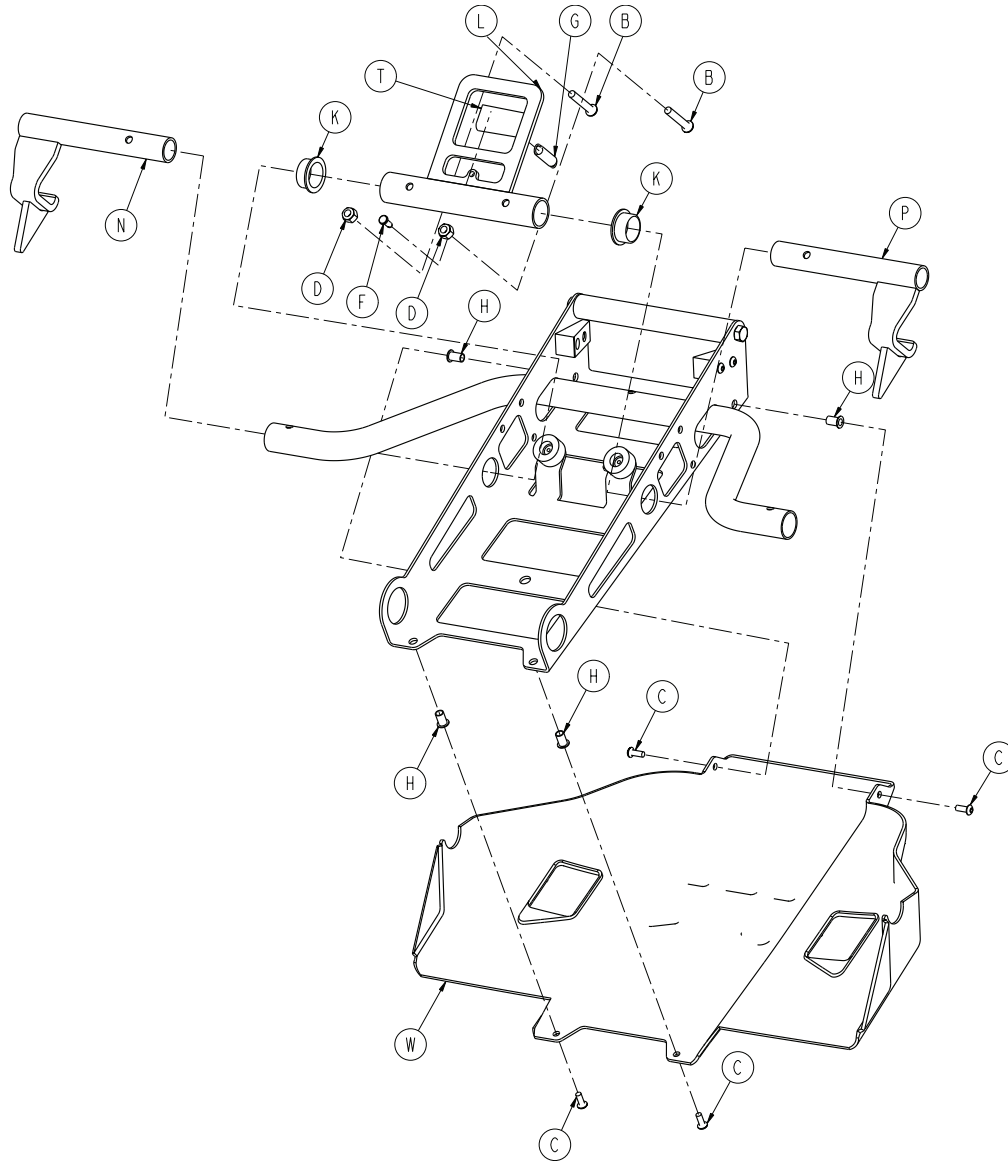
A	0004-634-000	2
B	0055-100-075	2
C	6500-001-125	1
D	6550-101-058	1

6550-001-021

Rev C (Reference only)



6550-001-021



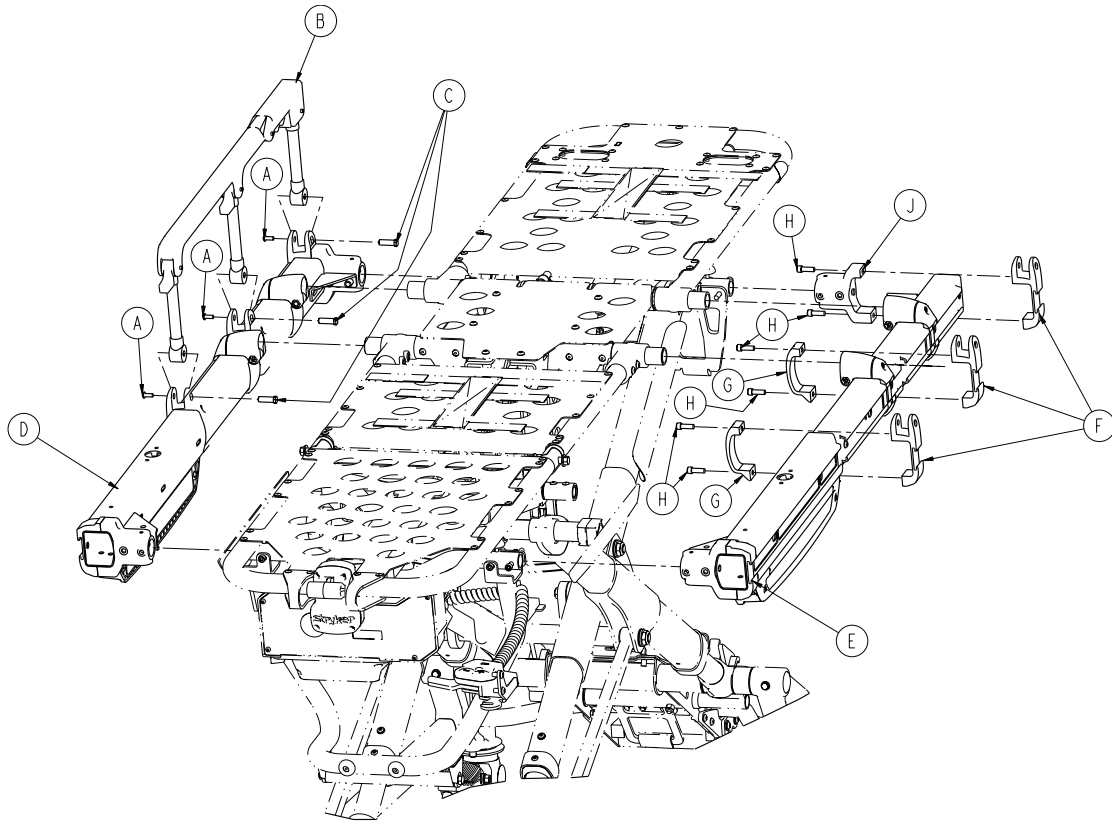
A	0003-391-000	2
B	0004-376-000	2
C	0004-634-000	8
D	0016-028-000	2
E	0025-133-000	2
F	0026-385-000	1
G	0038-588-000	1
H	0055-100-075	4
J	0056-016-000	2
K	0081-012-002	2
L	6550-001-054	1
M	6550-001-055	1
N	6550-001-059	1
P	6550-001-063	1

6550-001-021

R	6550-101-083	1
T	6550-001-087	1
U	6550-001-134	1
V	6550-001-140	1
W	6550-001-174	1
Y	6550-001-175	2

6550-034-000

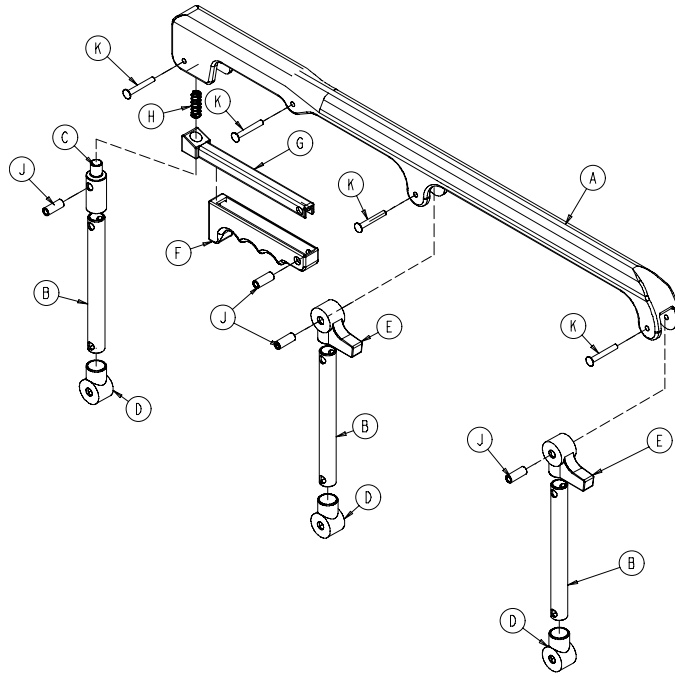
Rev A (Reference only)



A	0004-585-000	6
B	6082-026-010	2
C	6500-001-118	6
D	6550-101-032	1
E	6550-101-033	1
F	6500-001-116	6
G	6500-001-117	4
H	0004-591-000	12
J	6500-001-102	2

6082-026-010

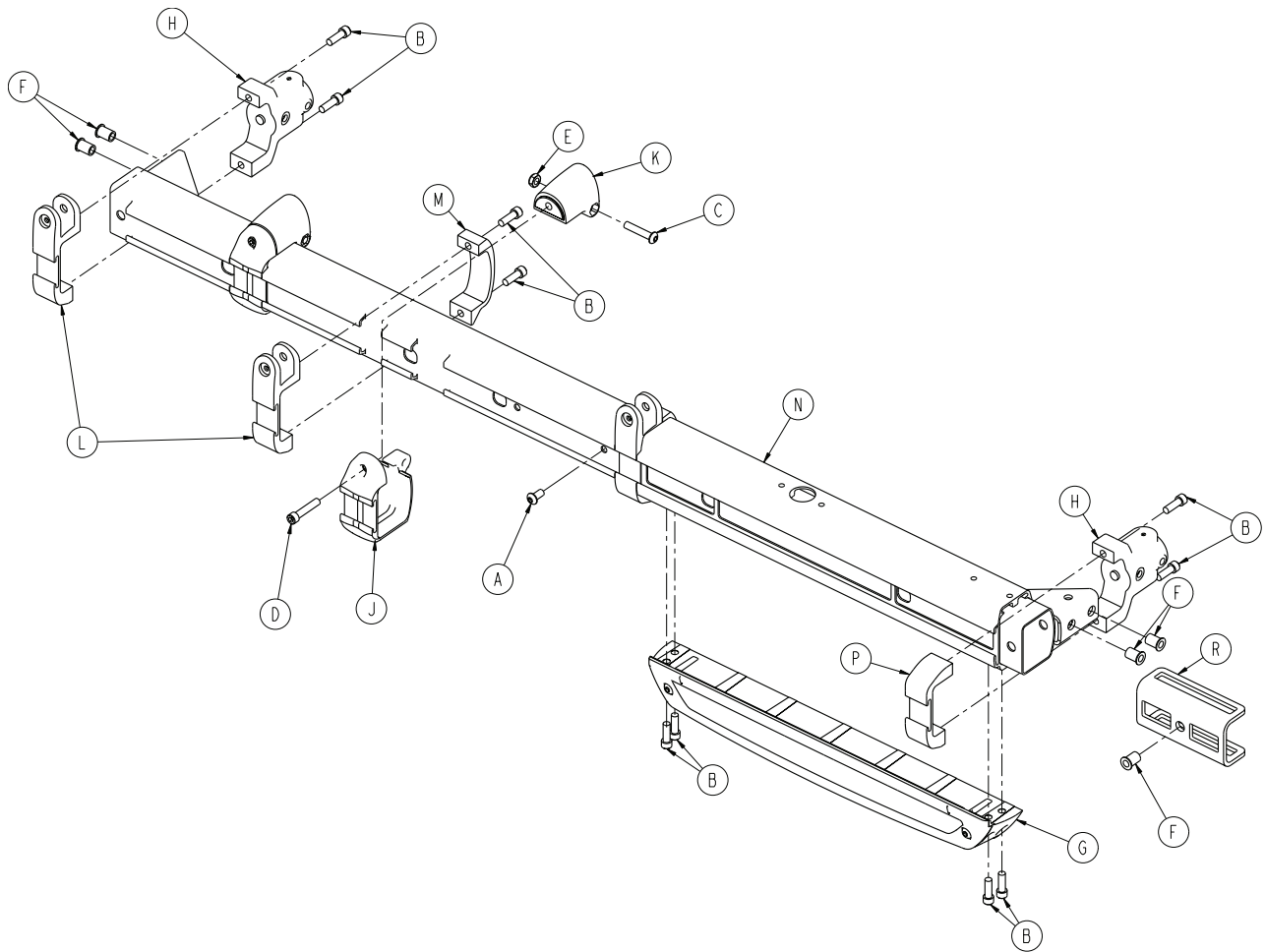
Rev B (Reference only)



A	6060-025-024	1
B	6060-025-043	3
C	6060-025-047	1
D	6060-025-041	3
E	6060-025-040	2
F	6060-025-029	1
G	6061-125-030	1
H	0038-344-000	1
J	6060-025-035	4
K	0025-131-000	4

6550-101-032

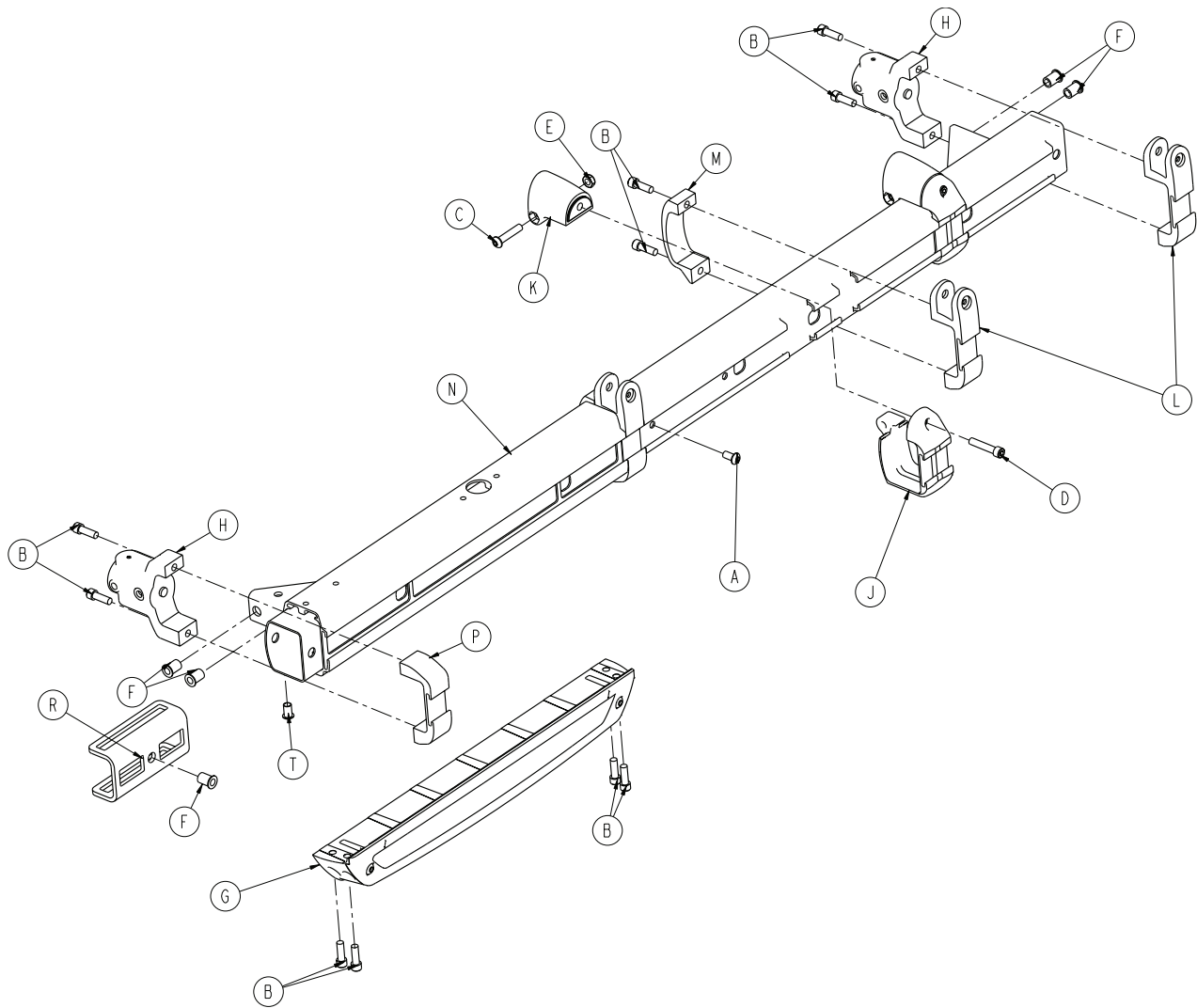
Rev B (Reference only)



A	0004-589-000	1
B	0004-591-000	6
C	0004-612-000	2
D	0004-613-000	2
E	0016-102-000	2
F	0055-100-076	5
G	6500-001-029	1
H	6500-001-102	1
J	6500-001-104	2
K	6500-001-106	2
N	6550-101-064	1
P	6550-001-096	1
R	6550-001-166	1

6550-101-033

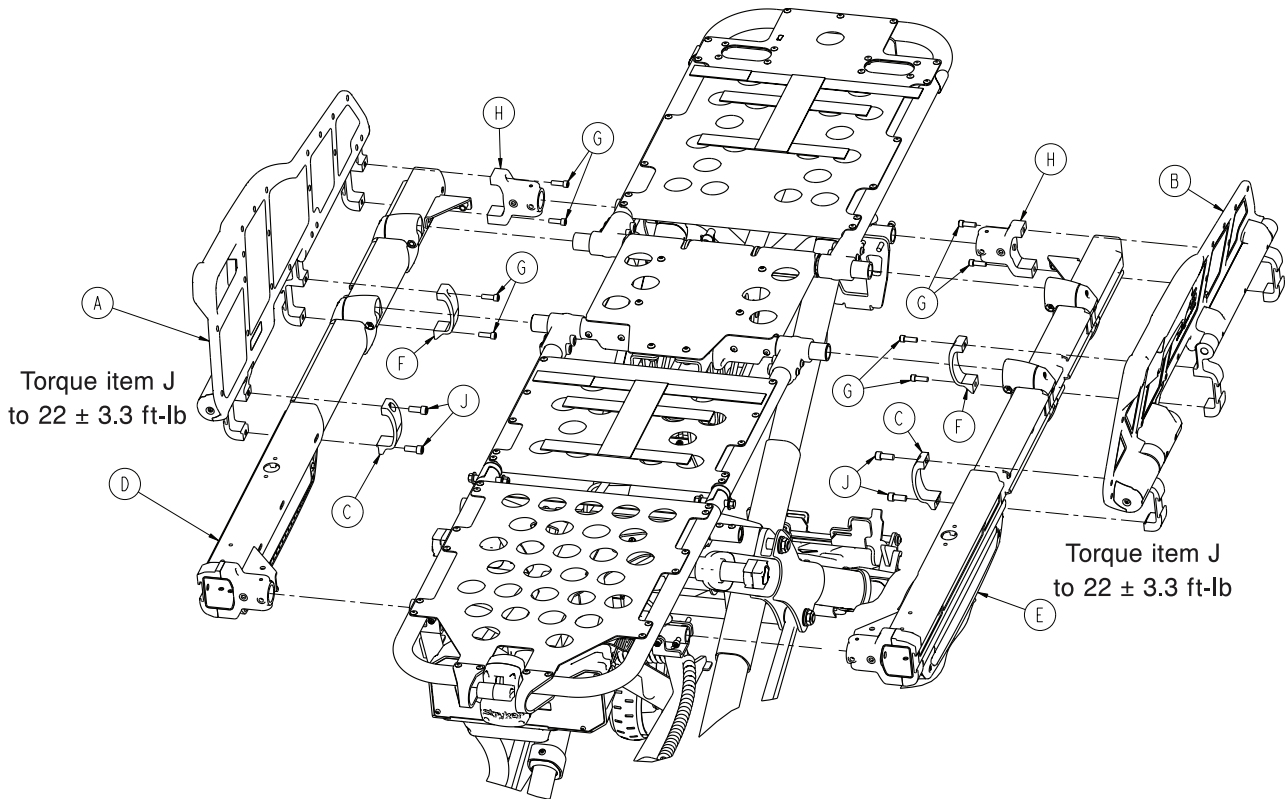
Rev B (Reference only)



A	0004-589-000	1
B	0004-591-000	6
C	0004-612-000	2
D	0004-613-000	2
E	0016-102-000	2
F	0055-100-076	5
G	6500-001-029	1
H	6500-001-102	1
J	6500-001-104	2
K	6500-001-106	2
N	6550-101-065	1
P	6550-001-096	1
R	6550-001-166	1
T	0055-100-075	1

6550-031-000

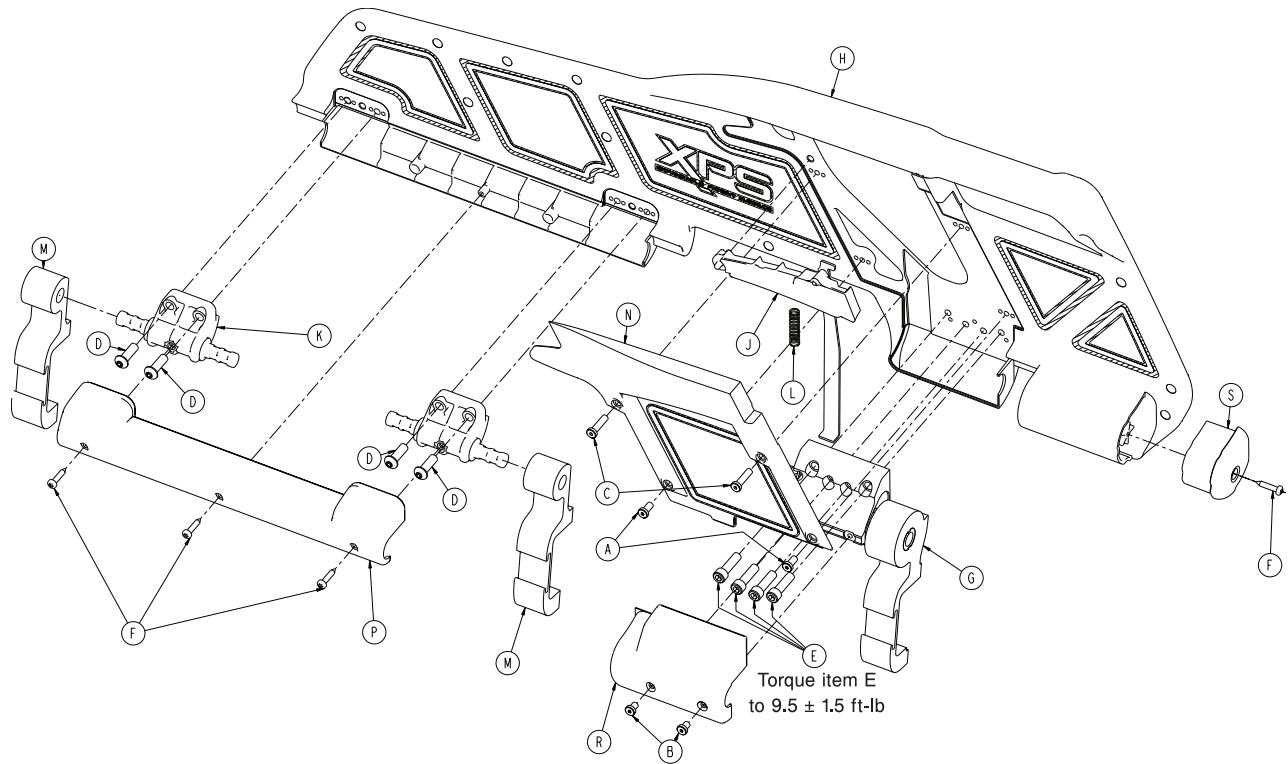
Rev A (Reference only)



A	6500-003-034	1
B	6500-003-044	1
C	6500-003-099	2
D	6550-101-032	1
E	6550-101-033	1
F	6500-001-117	2
G	0004-591-000	8
H	6500-001-102	2
J	0004-900-000	4

6500-003-034

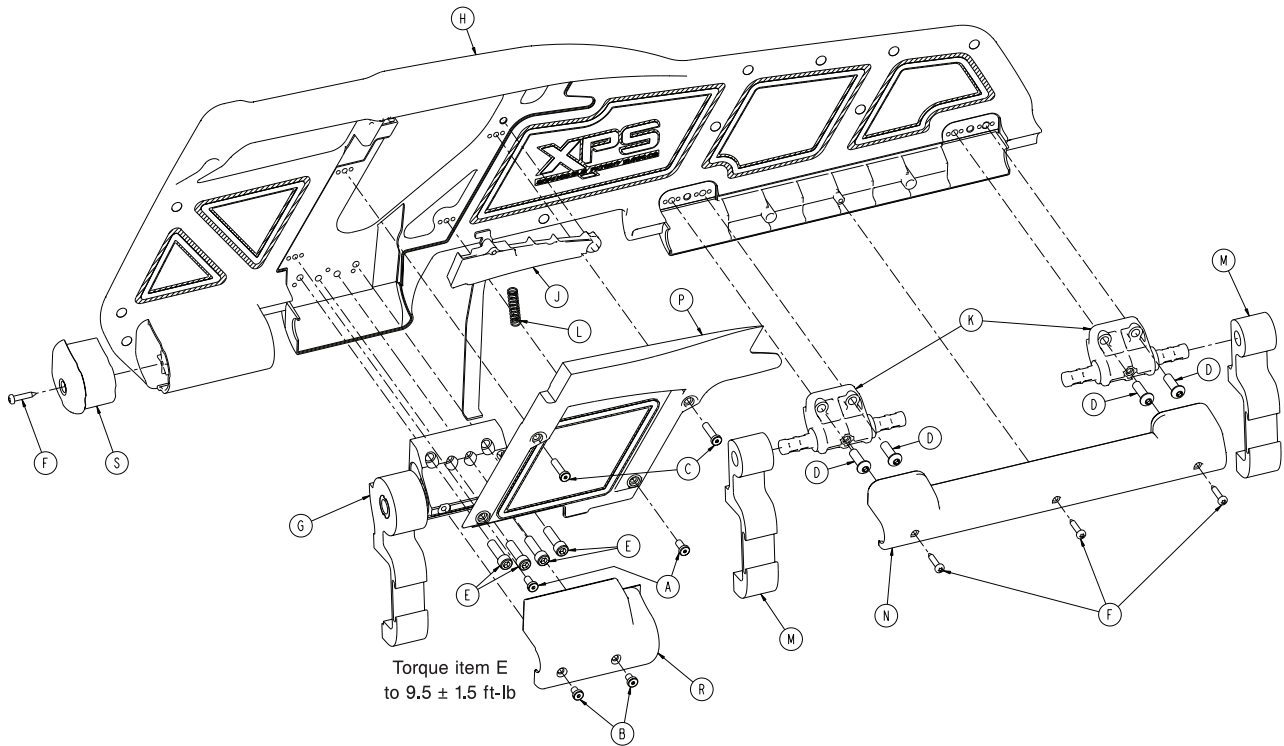
Rev C (Reference only)



A	0004-400-000	2
B	0004-402-000	2
C	0004-403-000	2
D	0004-468-000	4
E	0004-661-000	4
F	0023-297-000	4
G	6500-003-035	1
H	6500-003-037	1
J	6500-003-043	1
K	6500-003-084	2
L	6500-003-085	1
M	6500-003-086	2
N	6500-003-094	1
P	6500-003-097	1
R	6500-003-119	1
S	6500-003-121	1

6500-003-044

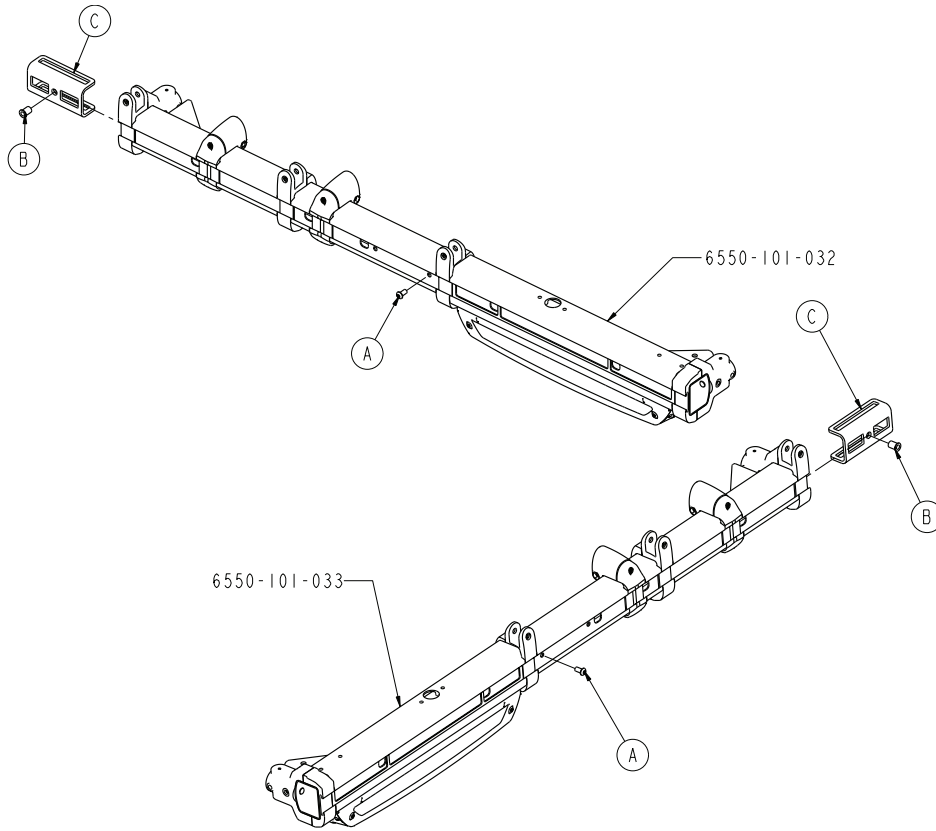
Rev C (Reference only)



A	0004-400-000	2
B	0004-402-000	2
C	0004-403-000	2
D	0004-468-000	4
E	0004-661-000	4
F	0023-297-000	4
G	6500-003-036	1
H	6500-003-038	1
J	6500-003-045	1
K	6500-003-084	2
L	6500-003-085	1
M	6500-003-086	2
N	6500-003-097	1
P	6500-003-102	1
R	6500-003-120	1
S	6500-003-122	1

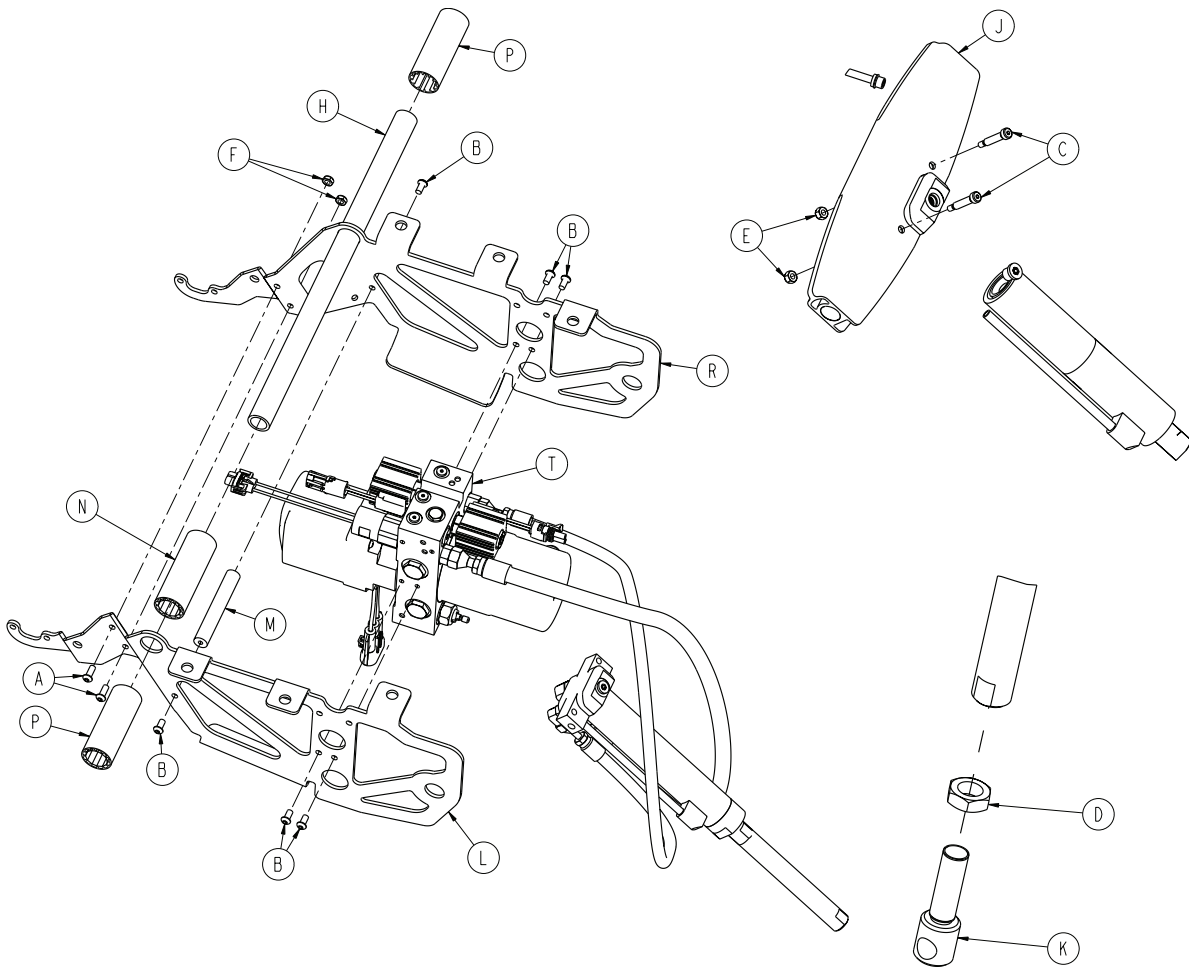
6550-150-000

Rev A (Reference only)

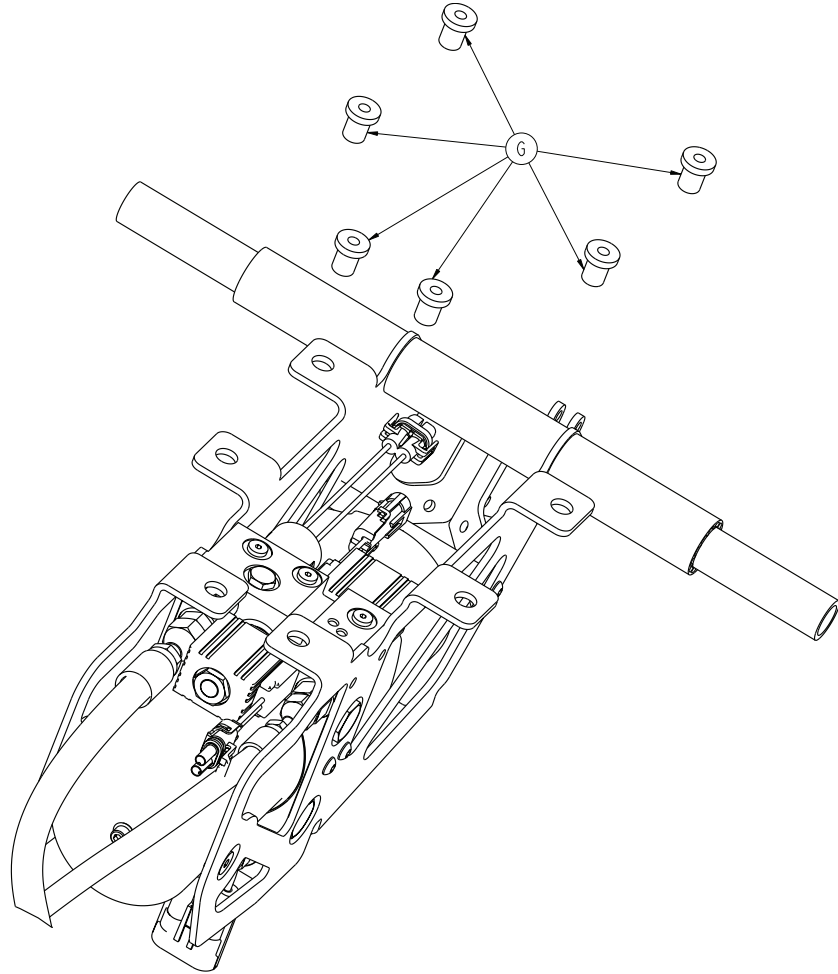


A	0004-589-000	2
B	0055-100-076	2
C	6550-001-166	2
D	6550-102-020	1

Rev B (Reference only)

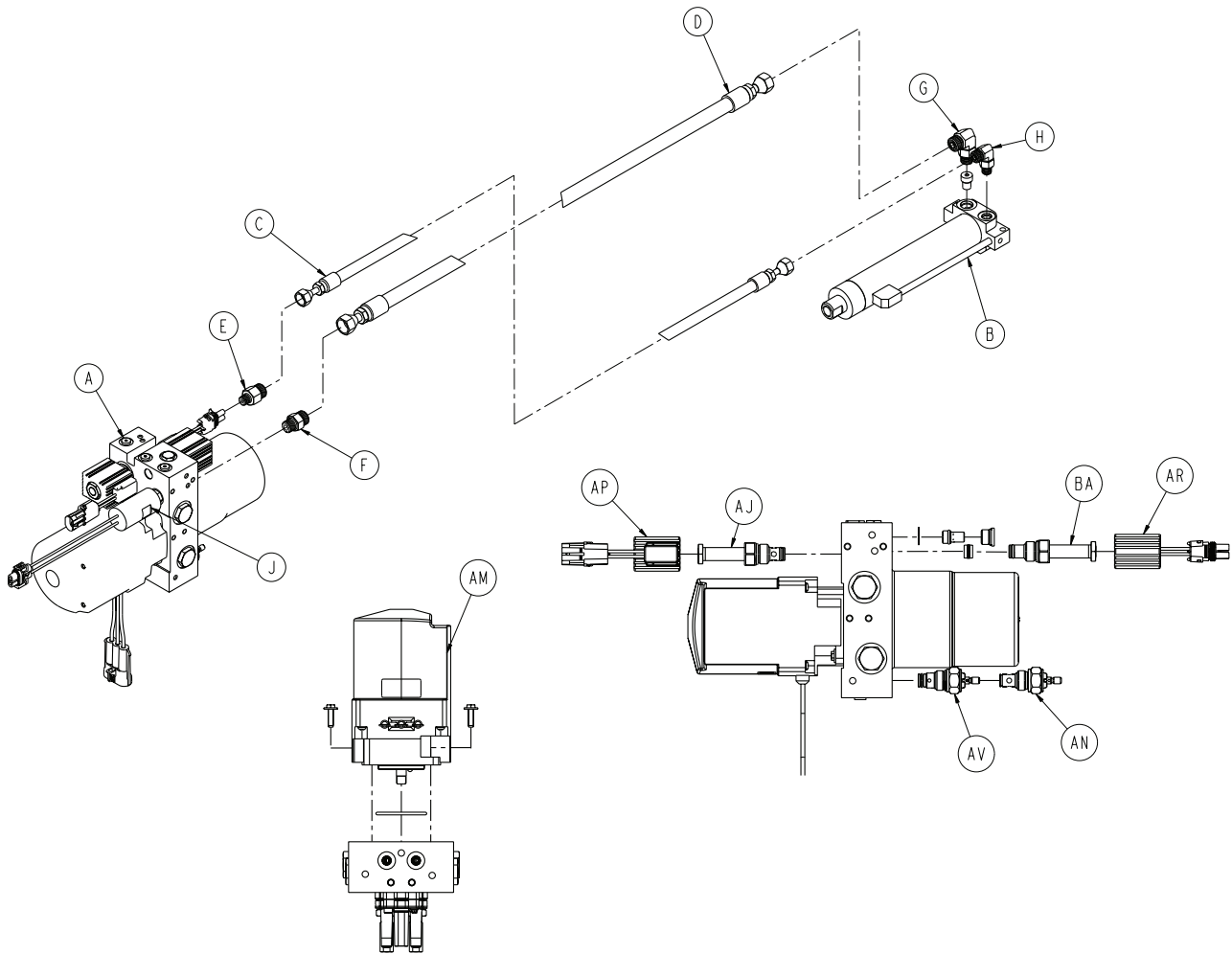


6550-101-031



A	0004-577-000	2
B	0004-589-000	6
C	0008-030-000	2
D	0015-052-000	1
E	0016-002-000	2
F	0016-102-000	2
G	0055-100-074	6
H	6500-001-105	1
J	6500-001-164	1
K	6500-001-169	1
L	6500-002-194	1
M	6500-001-212	1
N	6500-001-249	1
P	6500-001-250	2
R	6500-002-294	1
T	6550-101-030	1

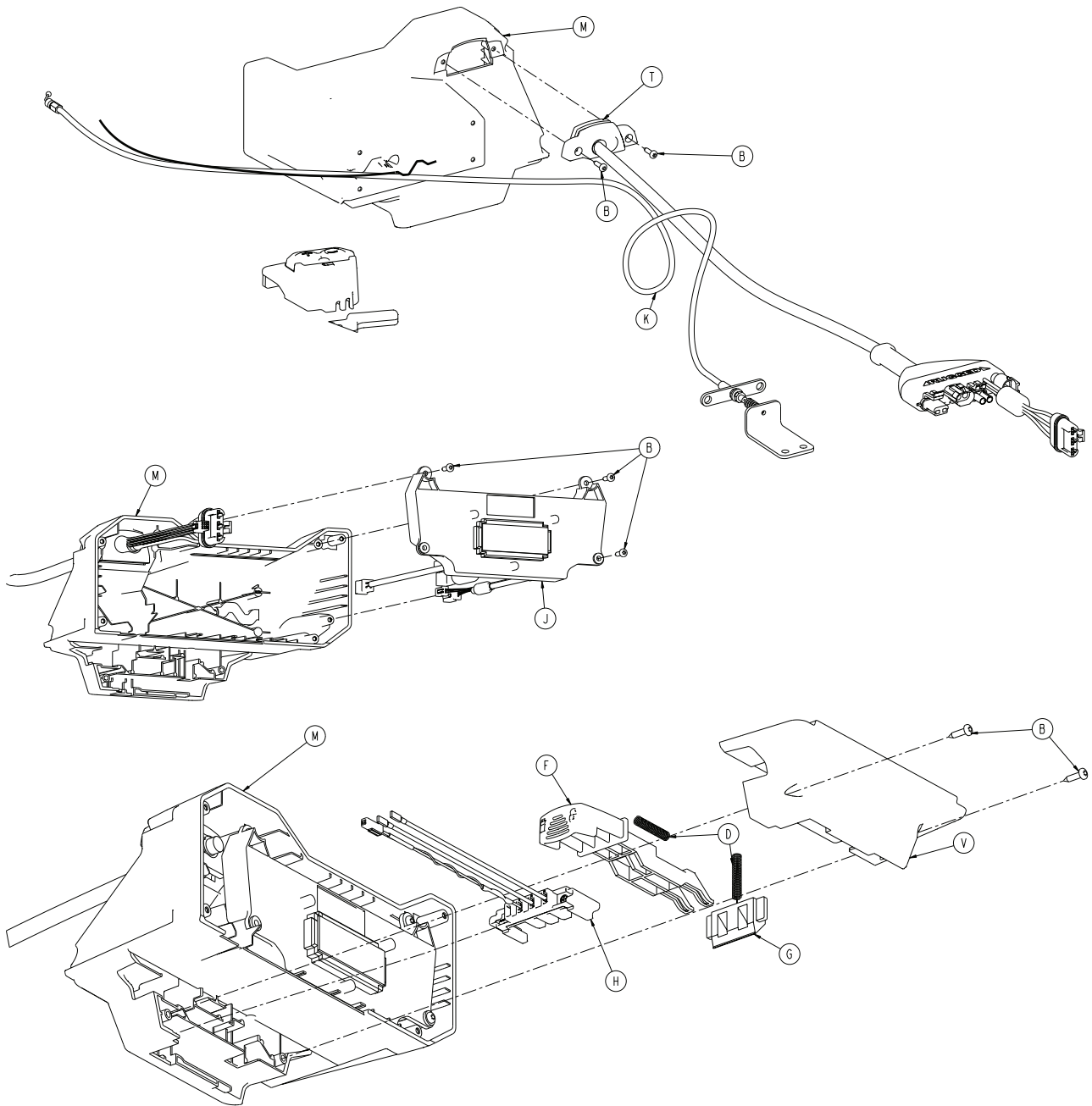
6550-101-030

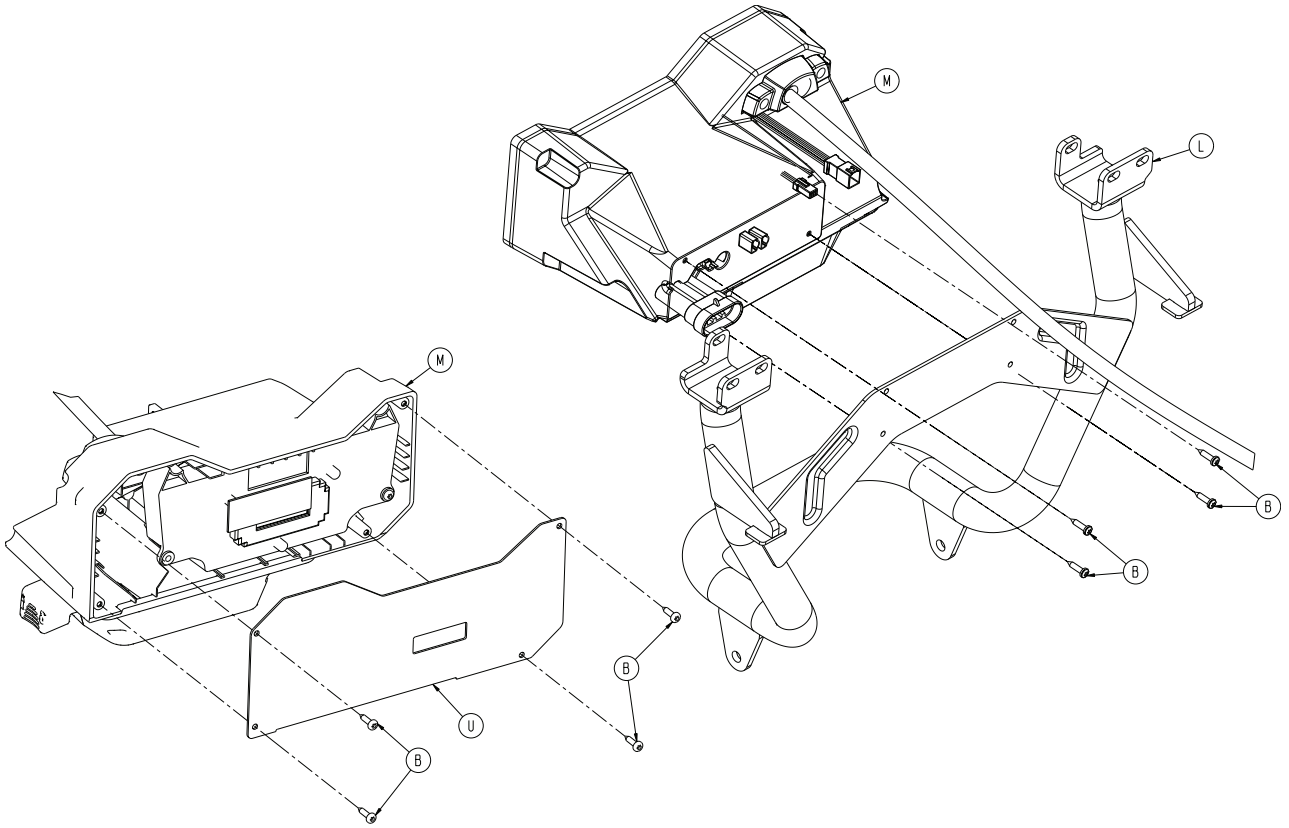


A	6500-001-214	1
B	6550-001-213	1
C	6500-001-211	1
D	6500-001-210	1
E	6500-001-282	1
F	6500-001-283	1
G	6500-001-296	1
H	6500-001-297	1
J	6500-001-290	1
AJ	6500-001-286	1
AM	6500-001-295	1
AN	6500-001-289	1
AP	6500-001-284	1
AR	6500-001-285	1
AV	6500-001-288	1
BA	6500-001-287	1

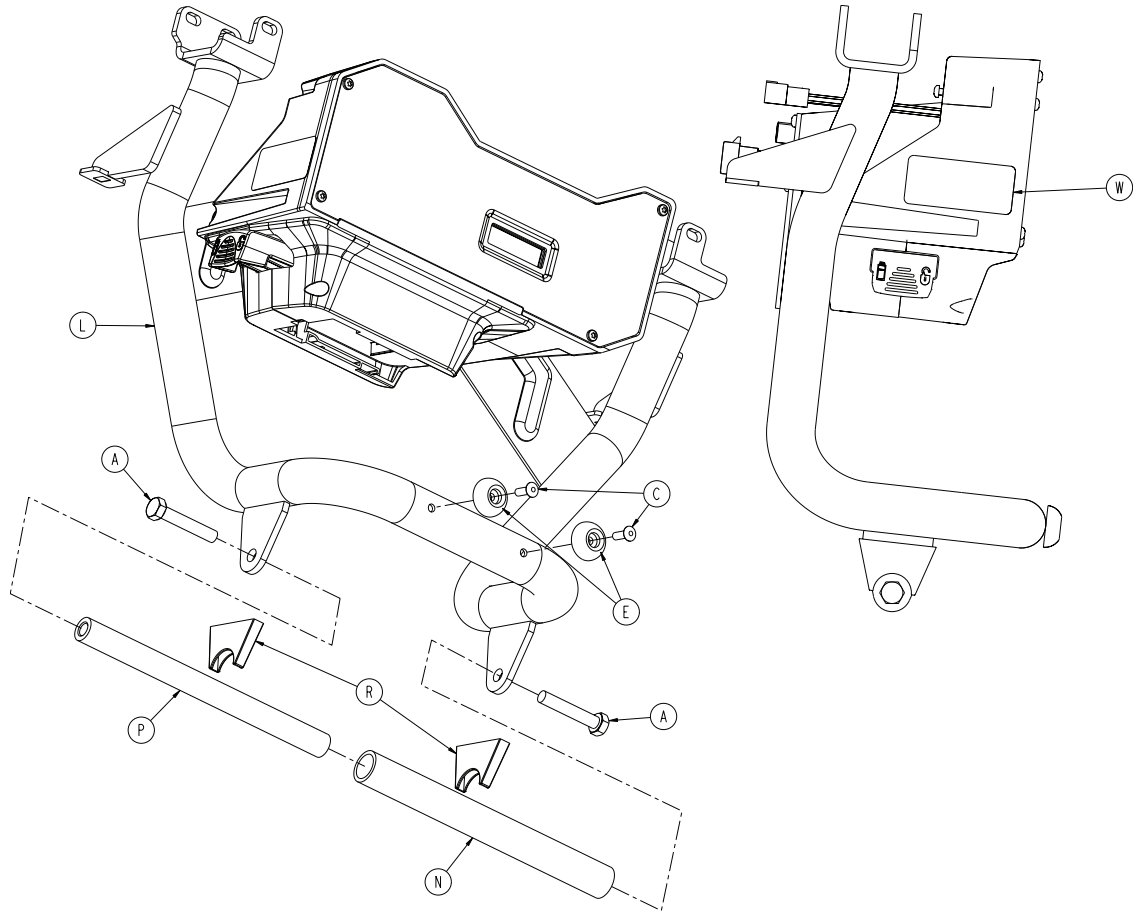
6550-001-022

Rev D (Reference only)





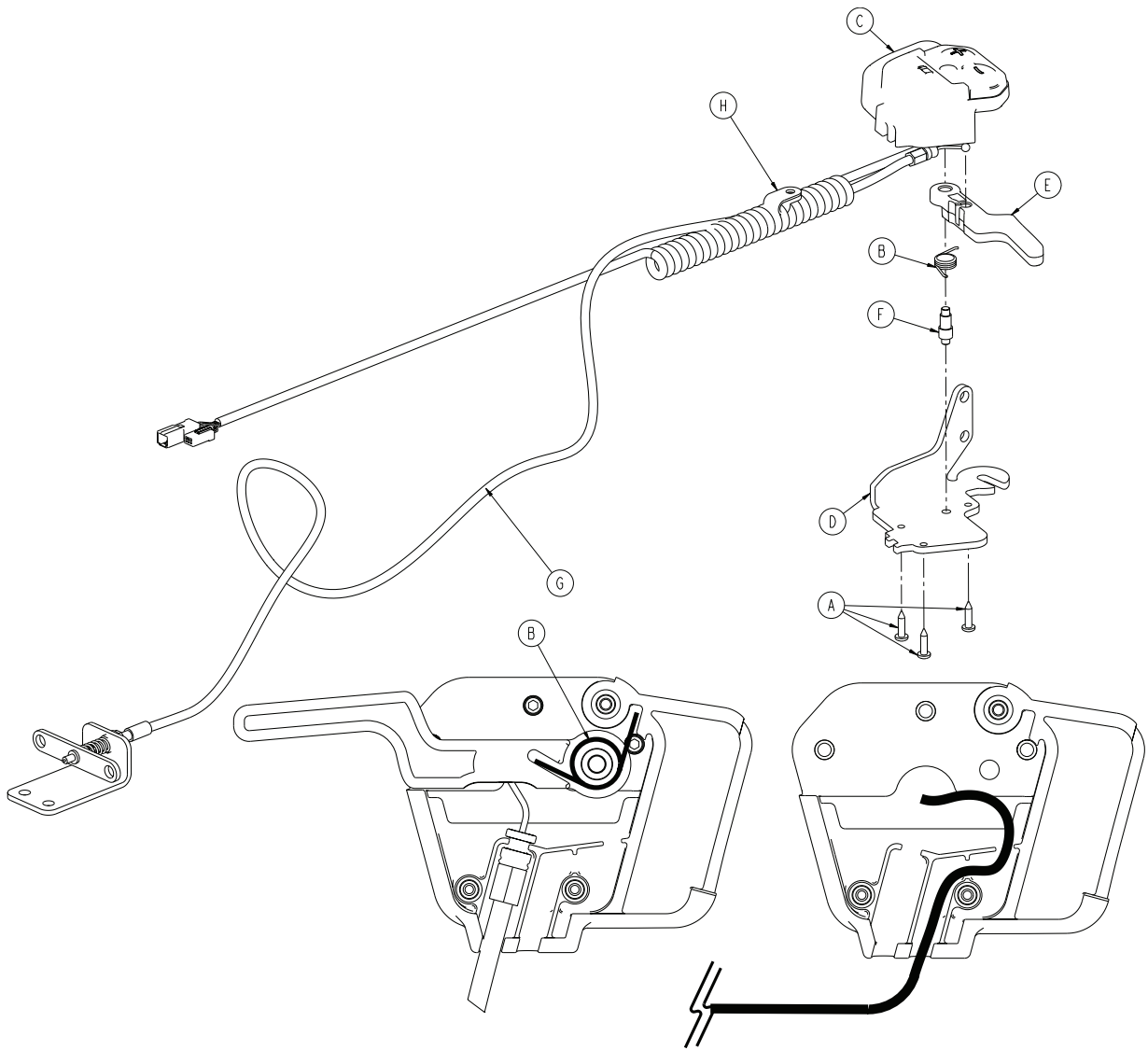
6550-001-022



A	0003-391-000	2
B	0023-162-000	15
C	0025-133-000	2
D	0038-572-000	2
E	0946-001-155	2
F	6500-001-138	1
G	6500-001-139	1
H	6500-002-216	1
J	6550-101-014	1
K	6550-001-029	1
L	6550-001-060	1
M	6550-001-092	1
N	6550-001-141	1
P	6550-001-146	1
R	6550-001-167	2
T	6550-001-172	1
U	6550-101-173	1
V	6550-001-178	1
W	6500-001-356	1

6550-001-029

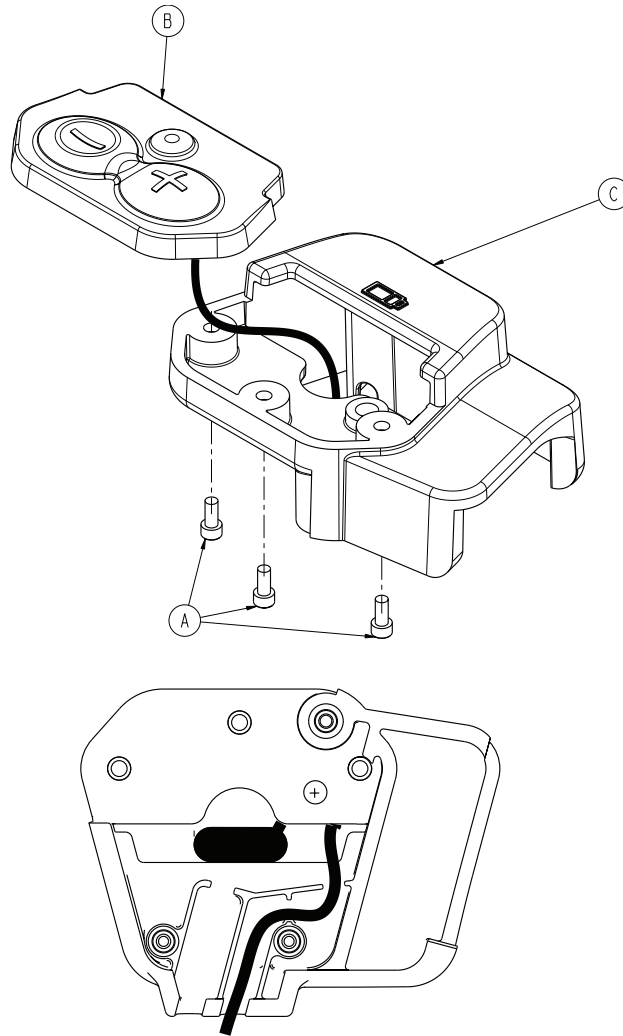
Rev F (Reference only)



A	0023-162-000	3
B	6500-001-147	1
C	6550-101-036	1
D	6550-001-153	1
E	6550-001-155	1
F	6550-001-168	1
G	6550-001-177	1
H	0052-116-000	1

6550-101-036

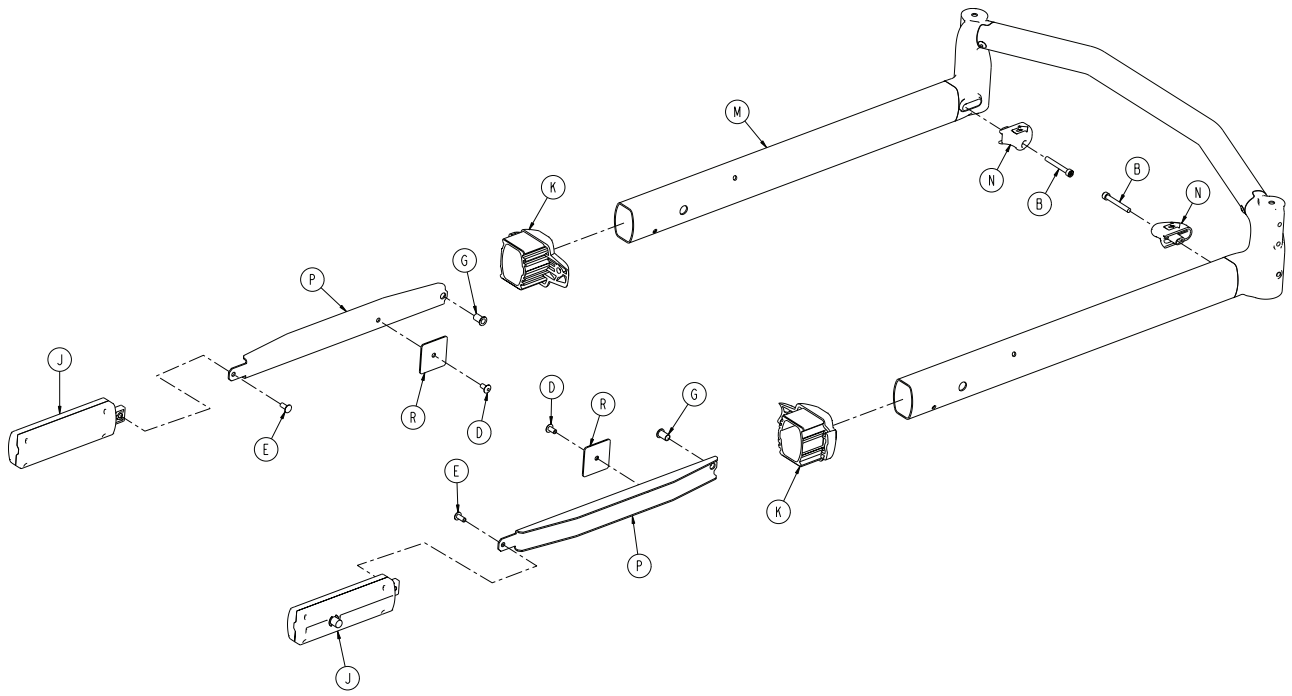
Rev C (Reference only)



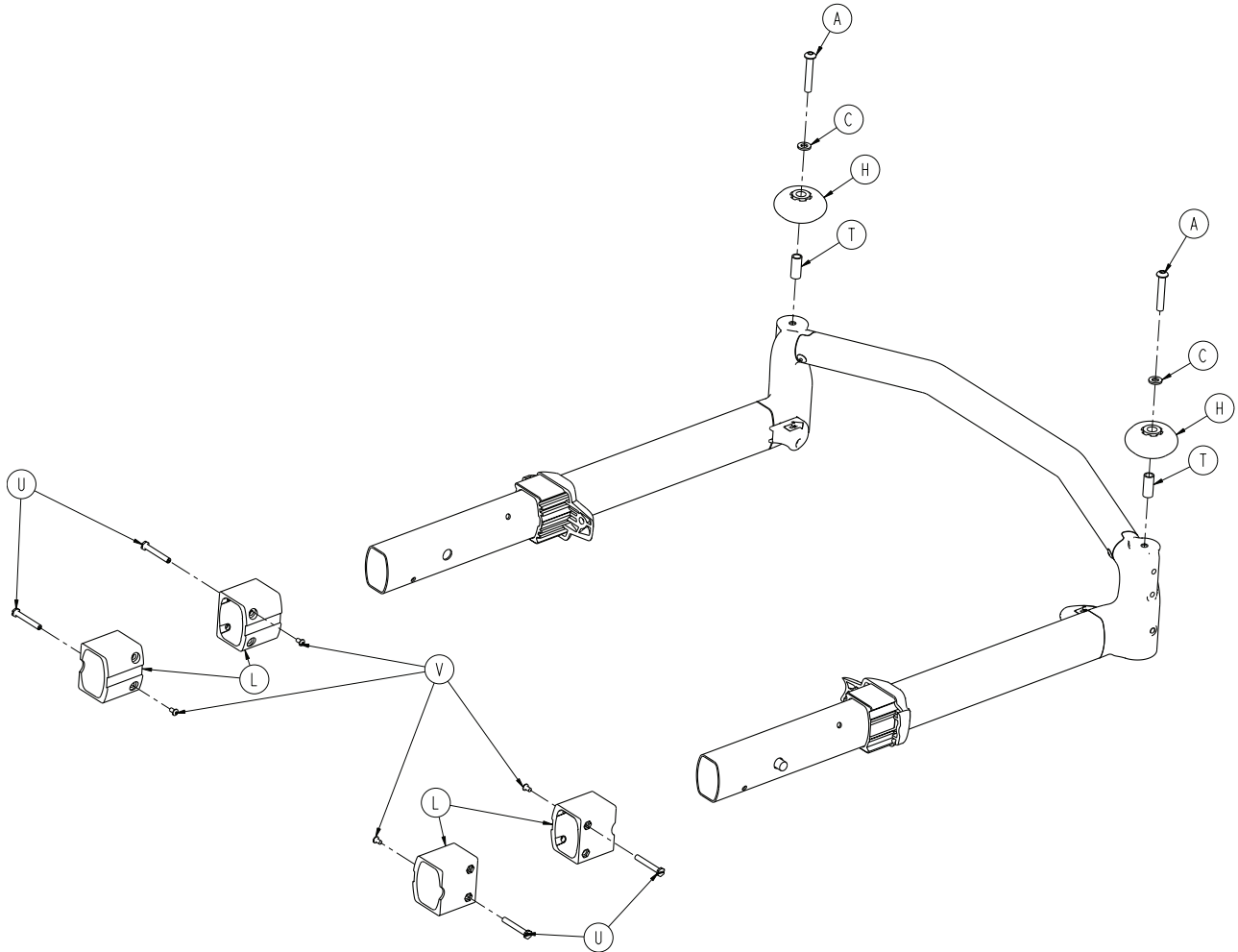
B	6550-101-152	1
C	6550-001-154	1

6550-001-015

Rev B (Reference only)

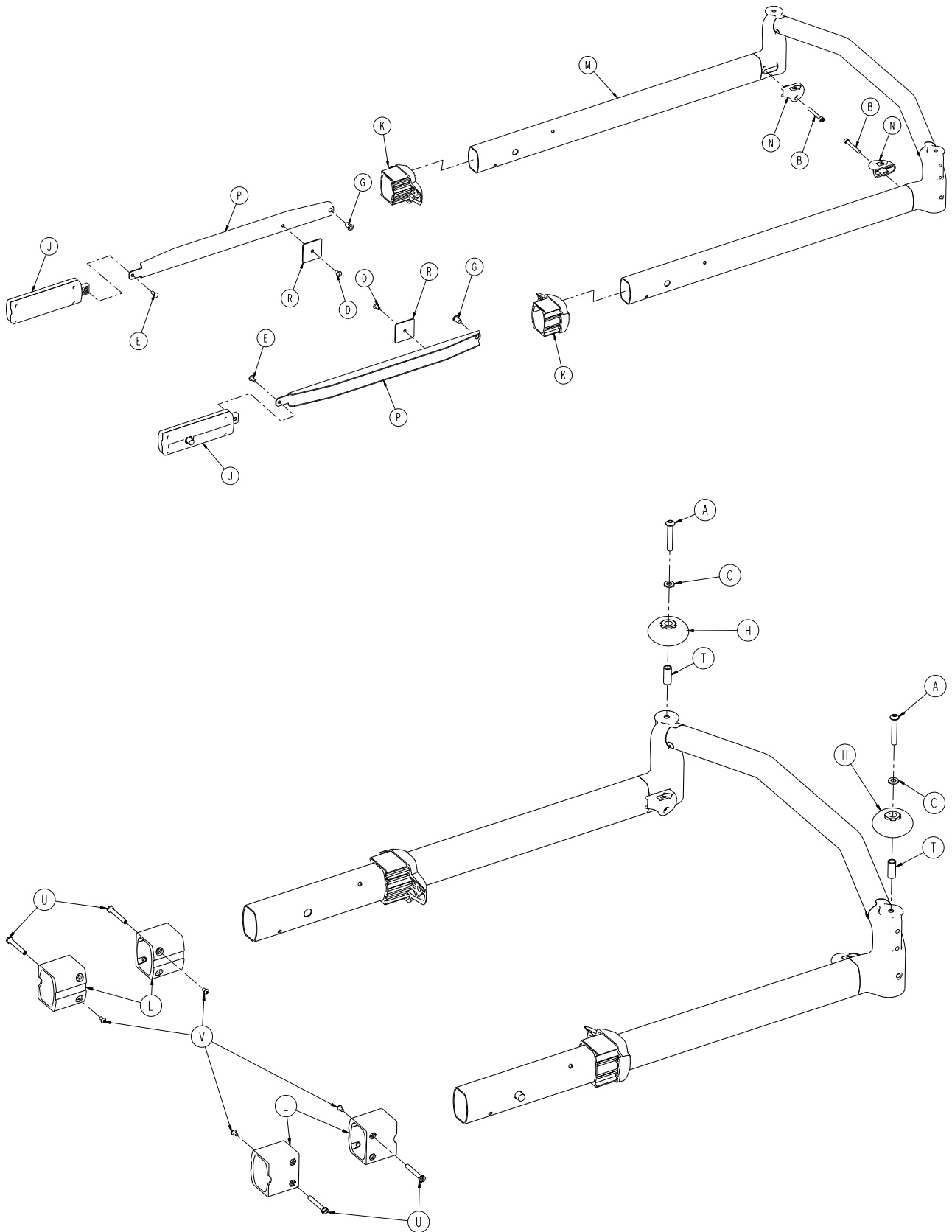


6550-001-015



A	0004-848-000	2
B	0004-849-000	2
C	0011-065-000	2
D	0025-079-000	2
E	0025-126-000	2
G	0055-100-075	2
H	0721-032-049	2
J	6500-001-026	2
K	6500-001-087	2
L	6085-001-170	4
M	6550-001-025	1
N	6550-001-156	2
P	6550-001-162	2
R	6550-001-163	2
T	6550-001-169	2
U	6085-001-169	4
V	0004-168-000	4

Rev B (Reference only)

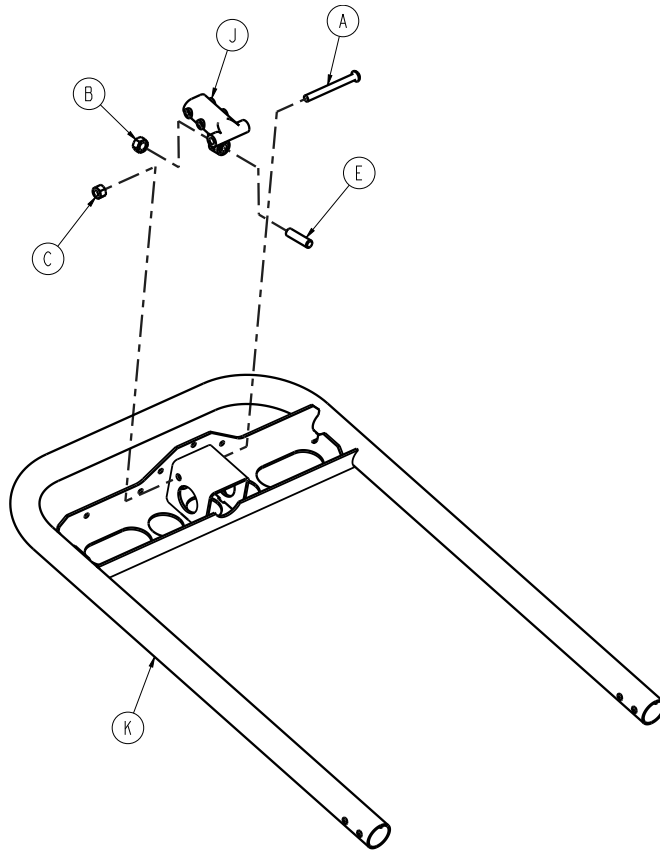


6550-001-020

A	0004-848-000	2
B	0004-849-000	2
C	0011-065-000	2
D	0025-079-000	2
E	0025-126-000	2
G	0055-100-075	2
H	0721-032-049	2
J	6500-001-026	2
K	6500-001-087	2
L	6085-001-170	4
M	6550-001-024	1
N	6550-001-156	2
P	6550-001-161	2
R	6550-001-163	2
T	6550-001-169	2
U	6085-001-169	4
V	0004-168-000	4

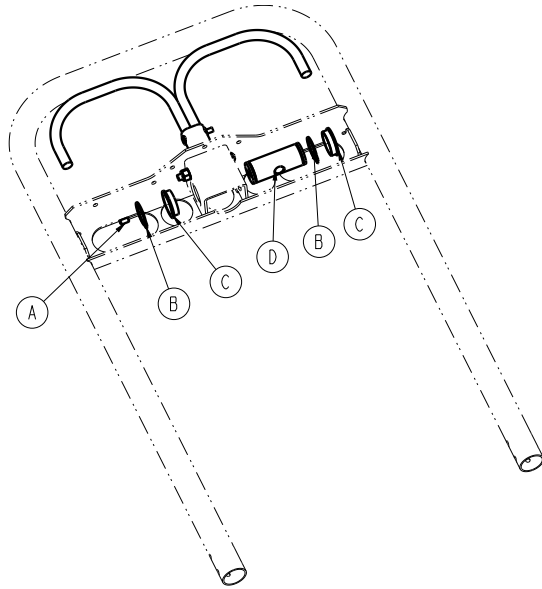
6550-001-018

Rev C (Reference only)



A	0004-597-000	1
B	0015-050-000	1
C	0016-028-000	1
D	0021-180-000	1
E	0021-138-000	1
F	0028-076-000	2
G	0946-035-025	2
H	6060-032-038	1
J	6060-032-040	1
K	6550-001-051	1

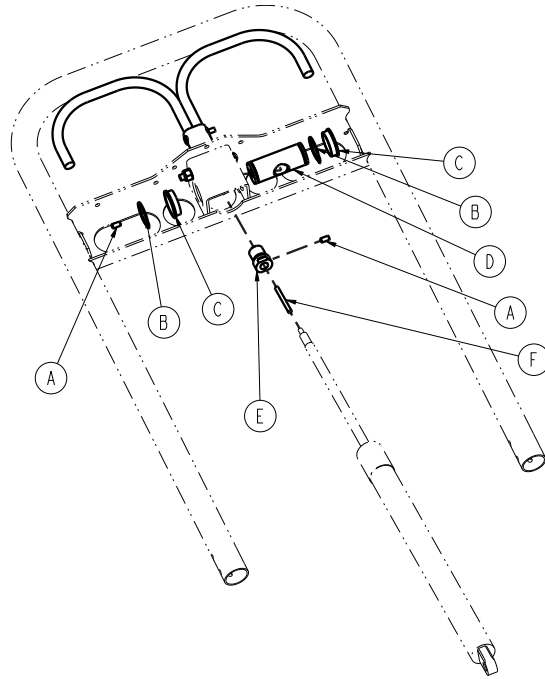
Rev A (Reference only)



A	0021-180-000	1
B	0028-076-000	2
C	0946-035-025	2
D	6060-032-038	1

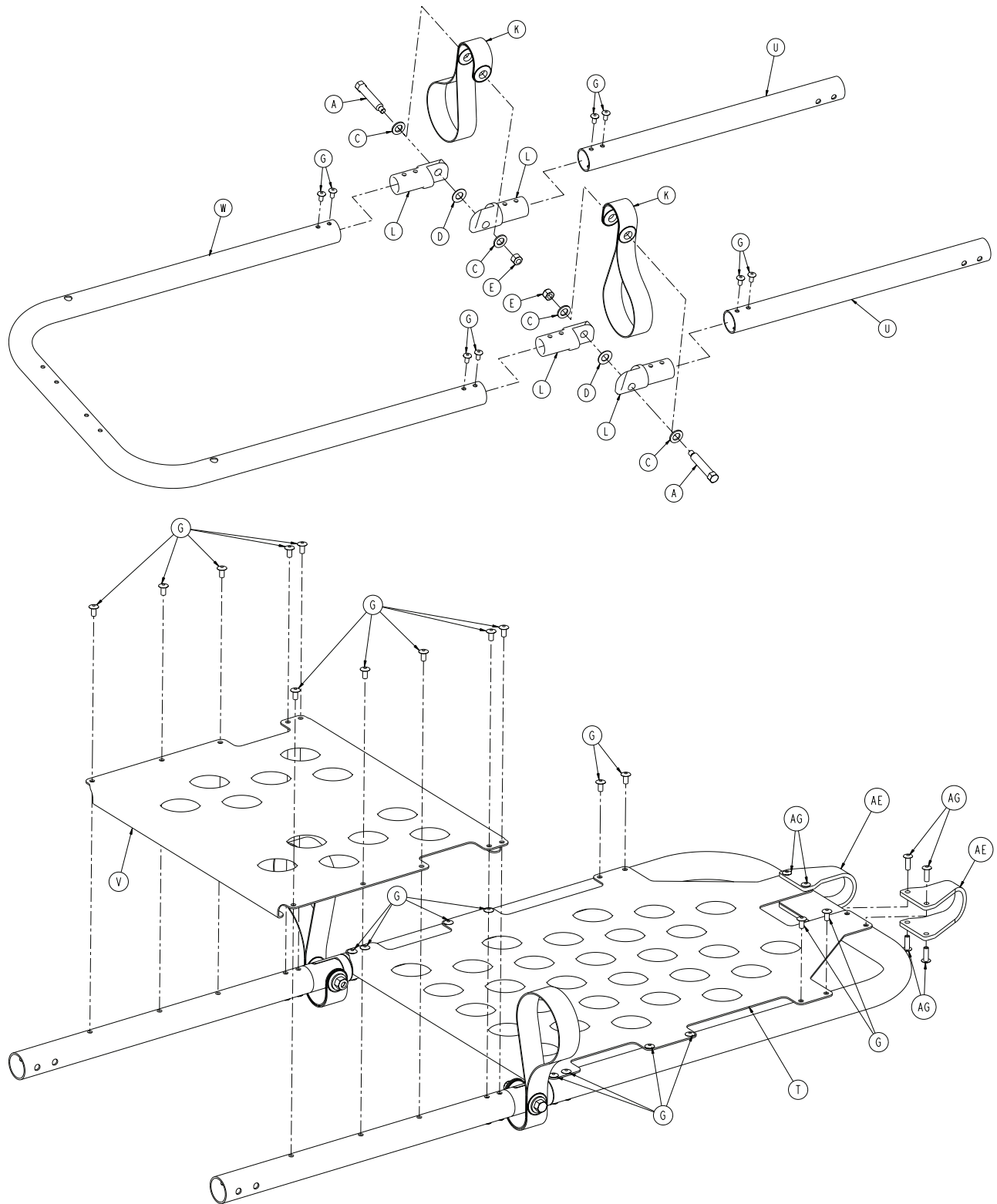
6506-012-004

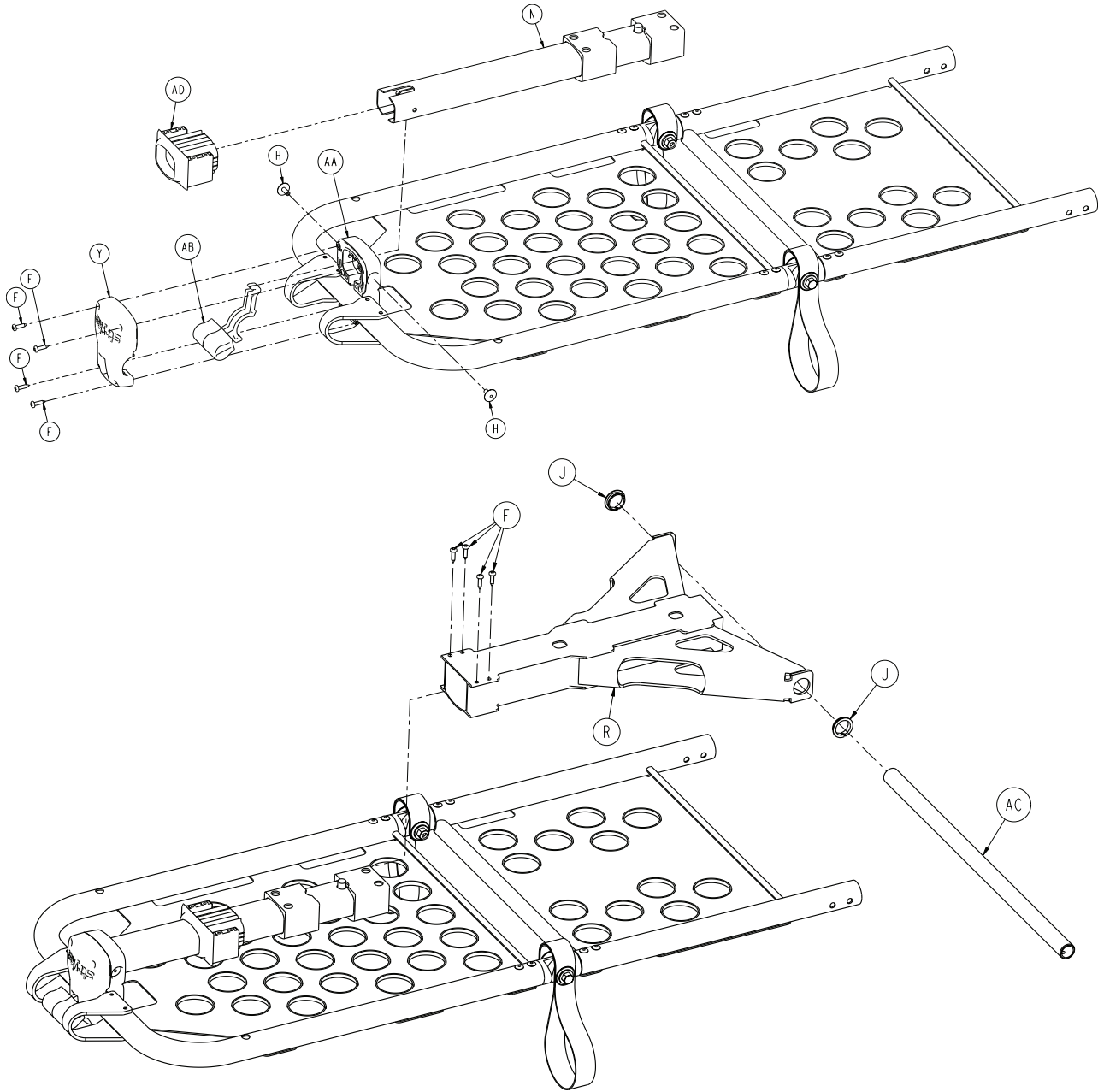
Rev A (Reference only)



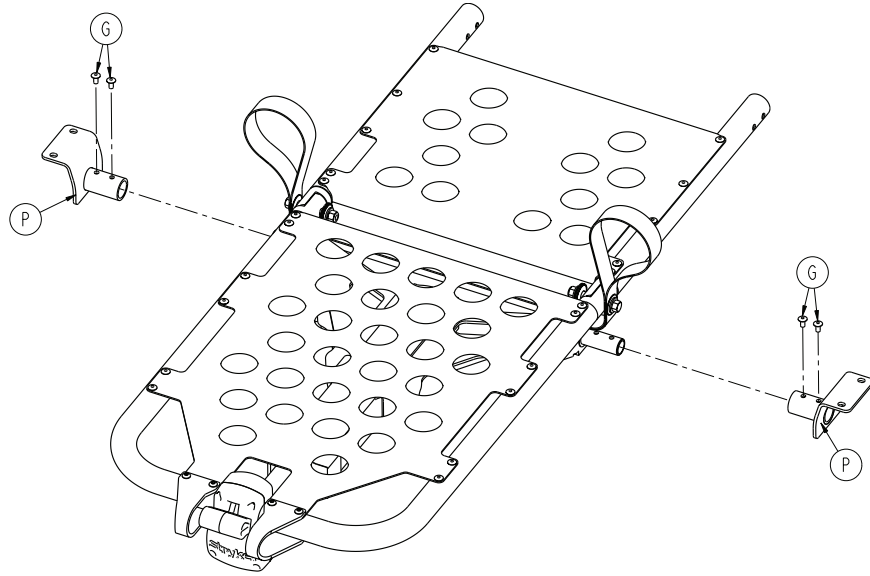
A	0021-180-000	1
B	0028-076-000	2
C	0946-035-025	2
D	6060-032-053	1
E	6506-012-001	1
F	6506-012-002	1

Rev E (Reference only)





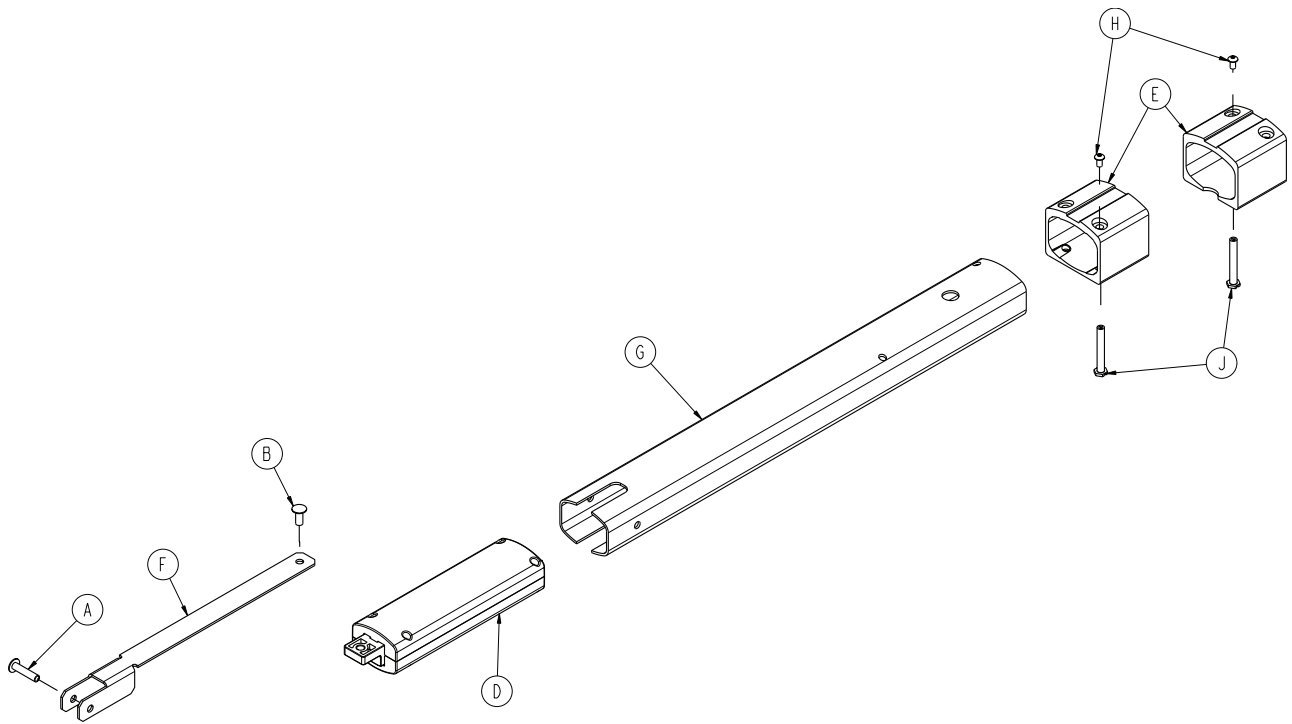
6550-001-019



A	6550-001-186	2
C	0011-448-000	4
D	0014-020-000	2
E	0016-028-000	2
F	0023-162-000	8
G	0025-079-000	34
H	0025-132-000	2
J	0081-255-000	2
K	6100-031-096	2
L	6100-031-108	4
N	6550-001-017	1
P	6550-001-053	
R	6550-001-057	1
T	6550-001-110	1
U	6550-001-111	2
V	6550-001-112	1
W	6550-001-116	1
Y	6550-001-124	1
AA	6550-001-125	1
AB	6550-001-126	1
AC	6550-001-129	1
AD	6550-001-131	1
AE	6550-001-193	2
AG	0025-133-000	8

6550-001-017

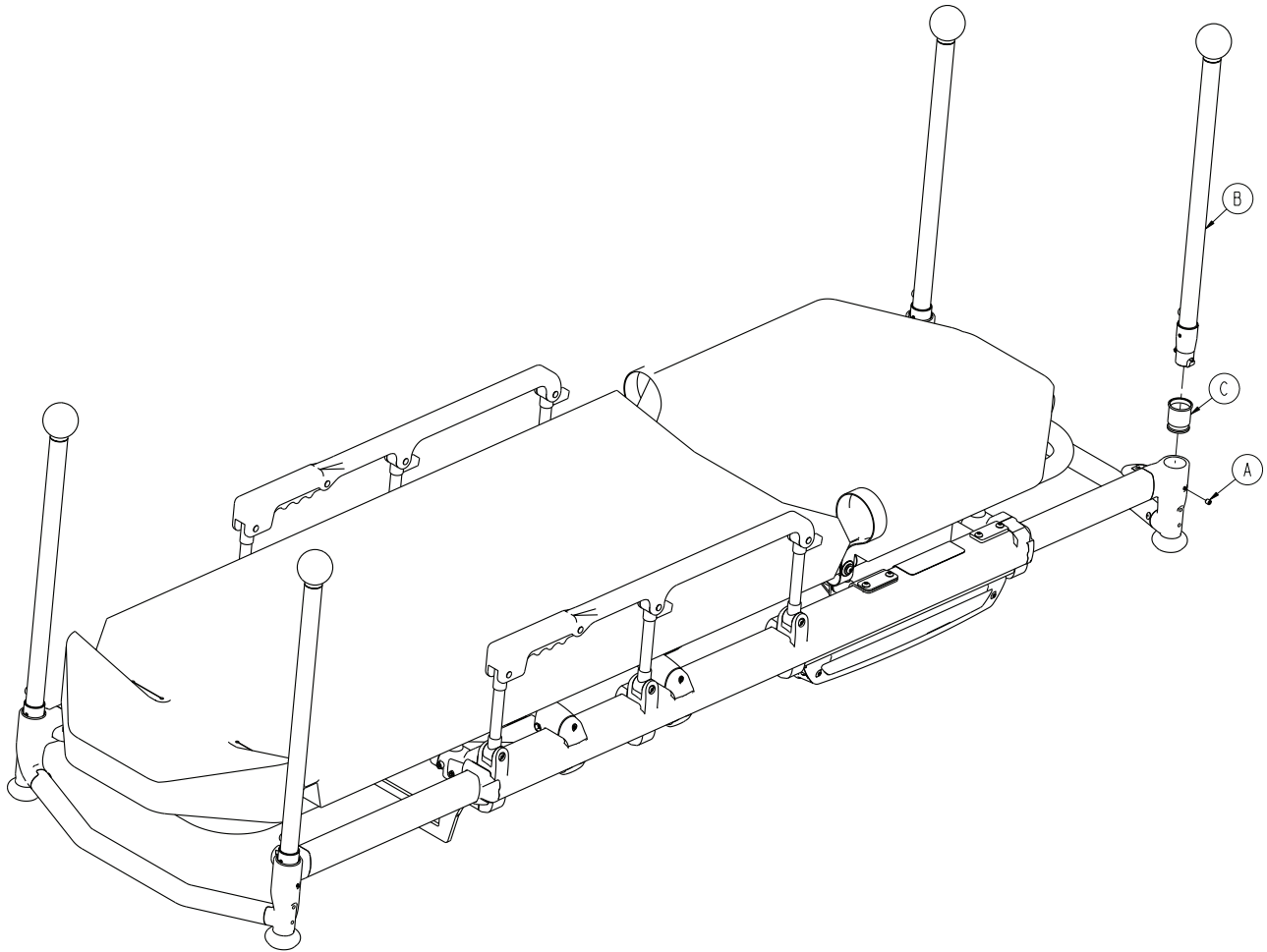
Rev B (Reference only)



A	0025-125-000	1
B	0025-126-000	1
D	6500-001-026	1
E	6085-001-170	2
F	6550-001-115	1
G	6550-001-119	1
H	0004-168-000	2
J	6085-001-169	2

6550-040-000

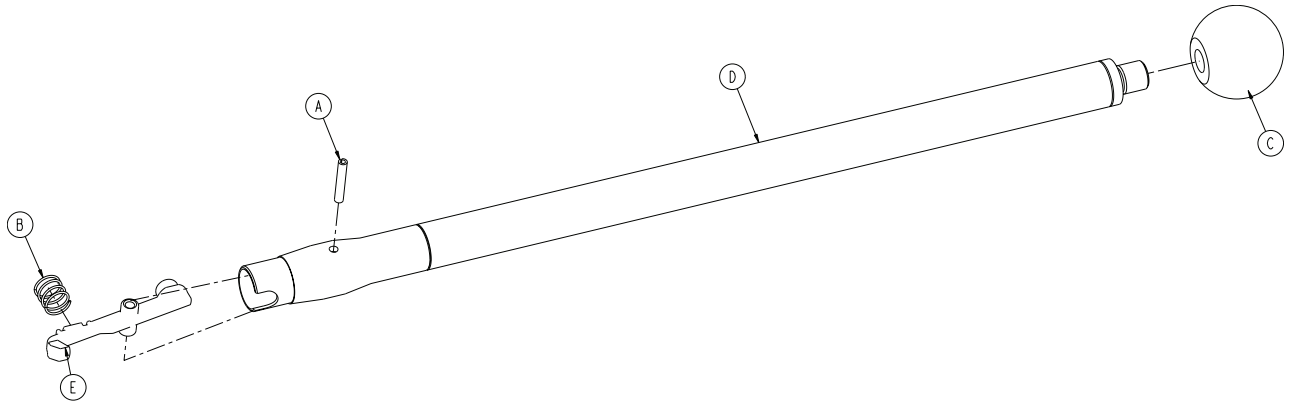
Rev A (Reference only)



A	0021-179-000	4
B	6550-001-026	4
C	6550-001-108	4
D	6550-001-199	1

6550-001-026

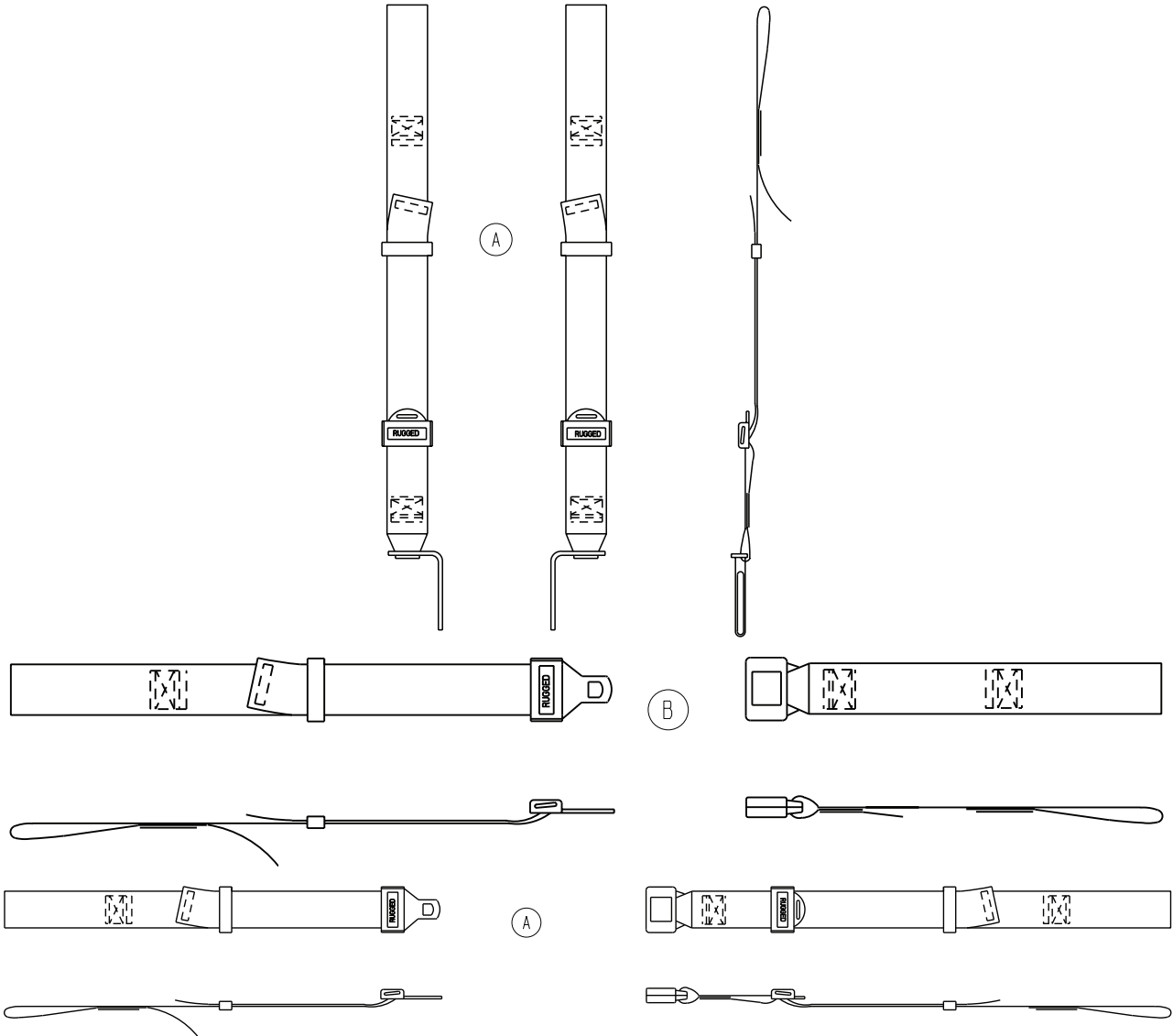
Rev B (Reference only)



A	0026-387-000	1
B	0038-589-000	1
C	6510-001-119	1
D	6550-001-067	1
E	6550-001-100	1

Rev C (Reference only)

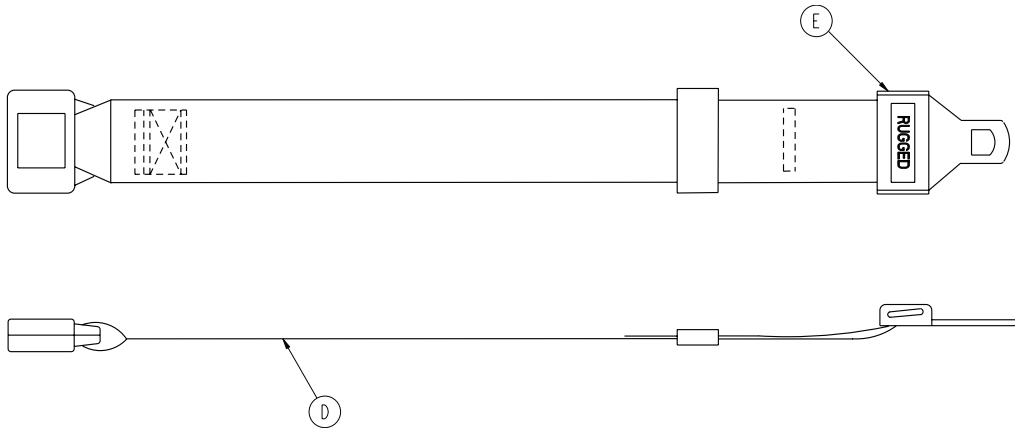
 <p>stryker[®]</p> <p>REF 6060-160-045 SHOULDER HARNESS RESTRAINT</p> <p>Manufactured for Stryker Medical 3800 E. Centre Ave. Portage, MI 49002 USA</p> 	 <p>REF 6506 REF 6550</p>
--	---



A	6060-160-045	1
B	6060-160-044	1

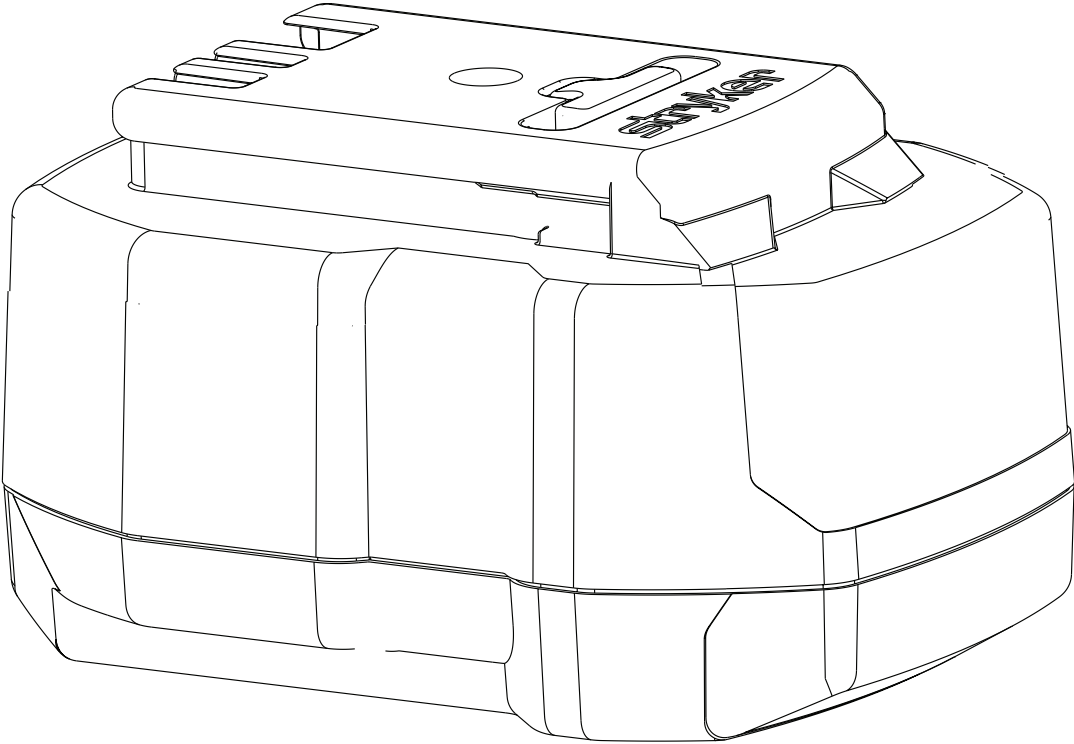
6082-160-050

Rev B (Reference only)



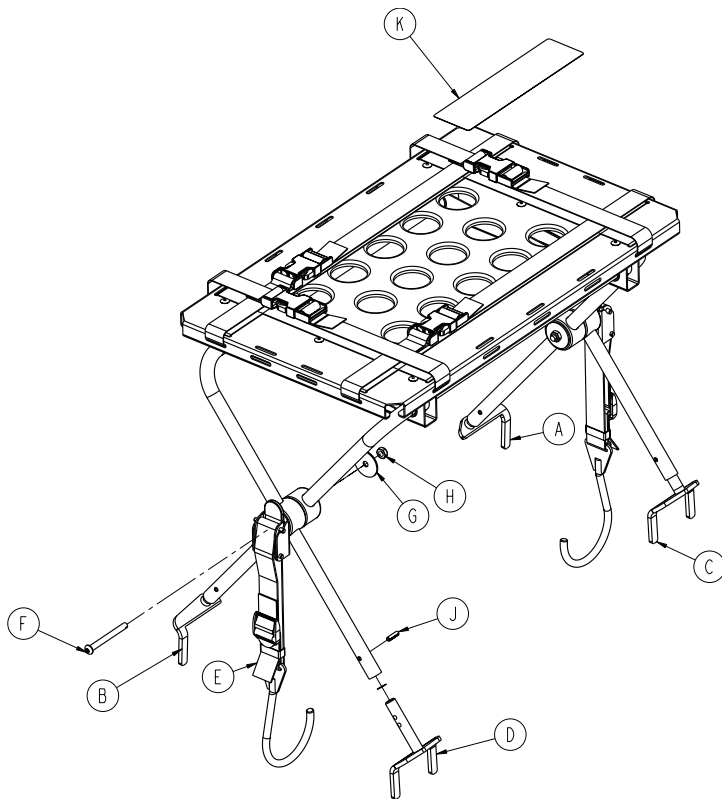
D	6082-090-001	1
E	6060-090-011	1

Rev A / 6500-101-010 Rev E (Reference only)



6550-170-000

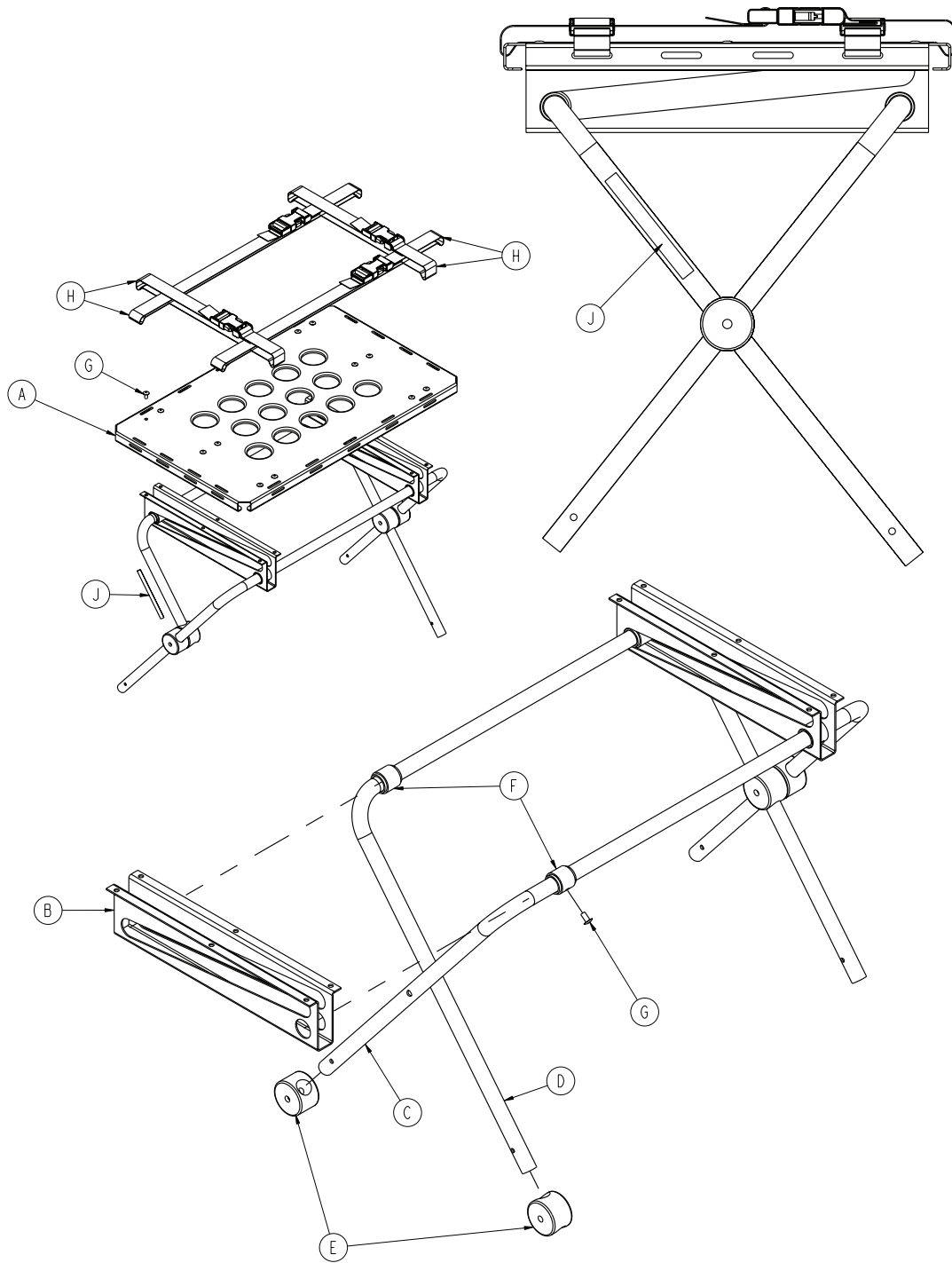
Rev A/6550-170-010 Rev A (Reference only)



A	6100-170-050	1
B	6100-170-051	1
C	6100-170-052	1
D	6100-170-053	1
E	6100-170-020	2
F	0004-234-000	2
G	0011-355-000	2
H	0016-102-000	2
J	0026-172-000	4
K	6100-190-023	1
L	6082-170-020	1

6082-170-020

Rev B (Reference only)



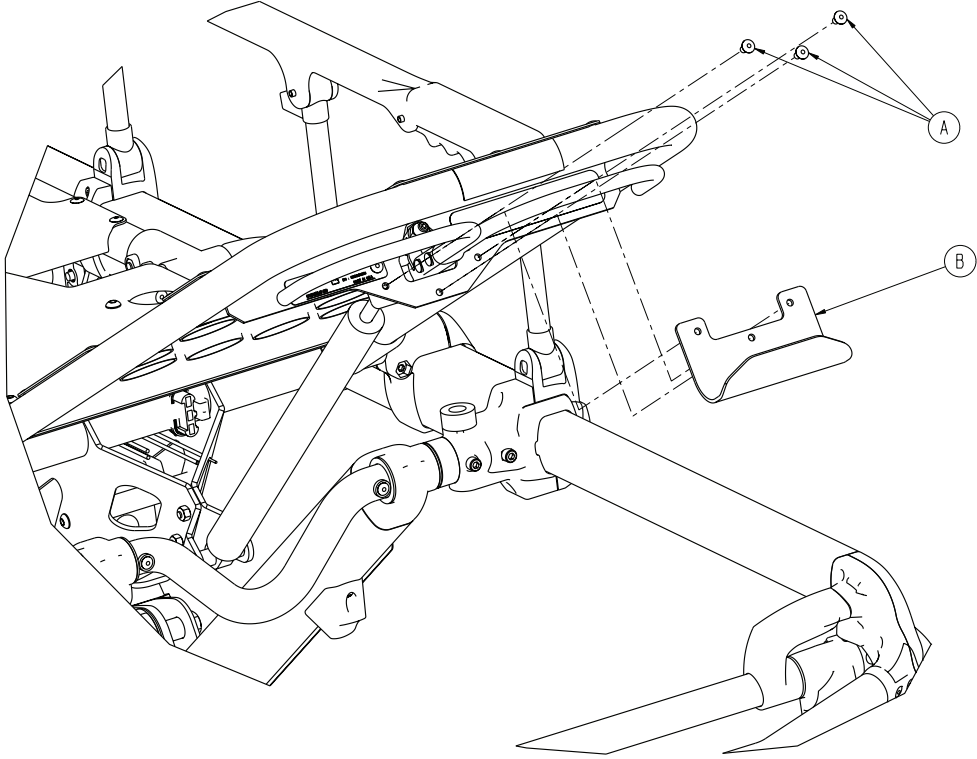
A	6080-170-011	1
B	6080-170-012	2
C	6080-170-013	1
D	6080-170-014	1
E	6080-170-015	4
F	6080-170-016	4

6082-170-020

G	0025-079-000	16
H	6060-170-022	4
J	6080-090-023	2

6500-147-000

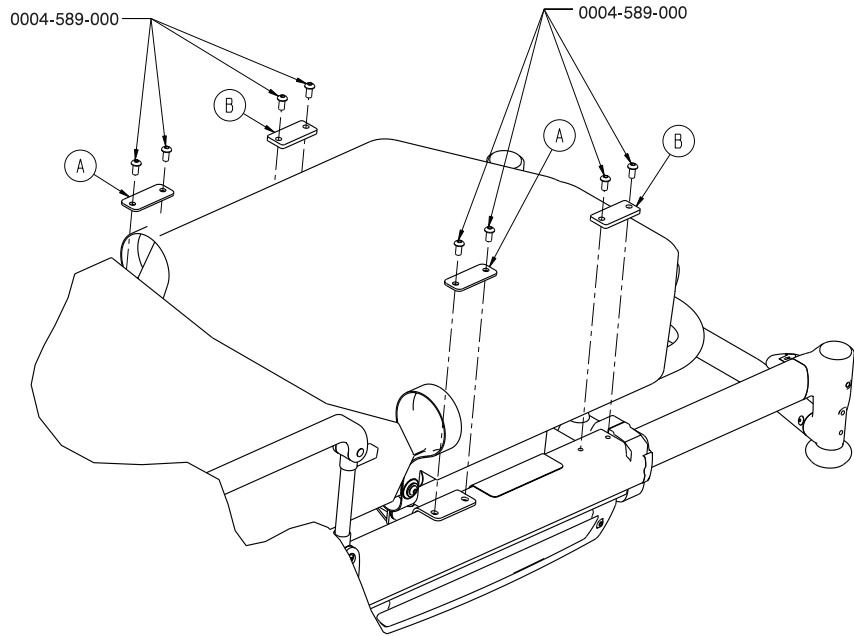
Rev B (Reference only)



A	0025-079-000	3
B	6500-001-237	1

6550-218-000

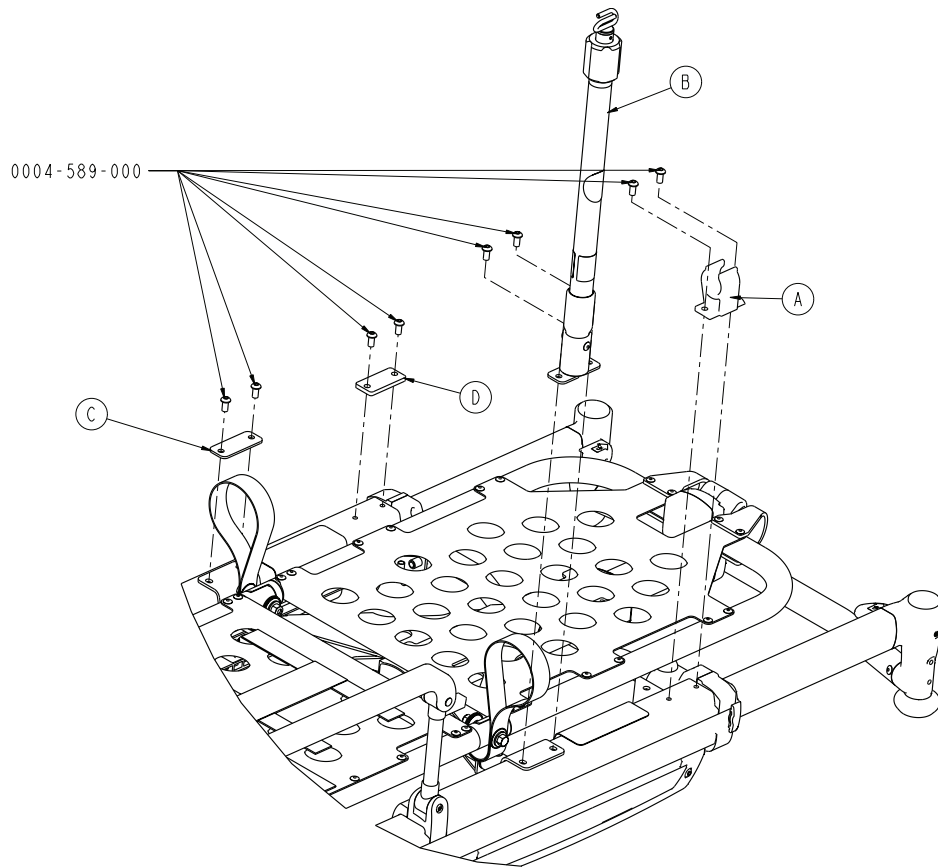
Rev A (Reference only)



A	6550-001-117	2
B	6550-001-118	2

6550-310-000

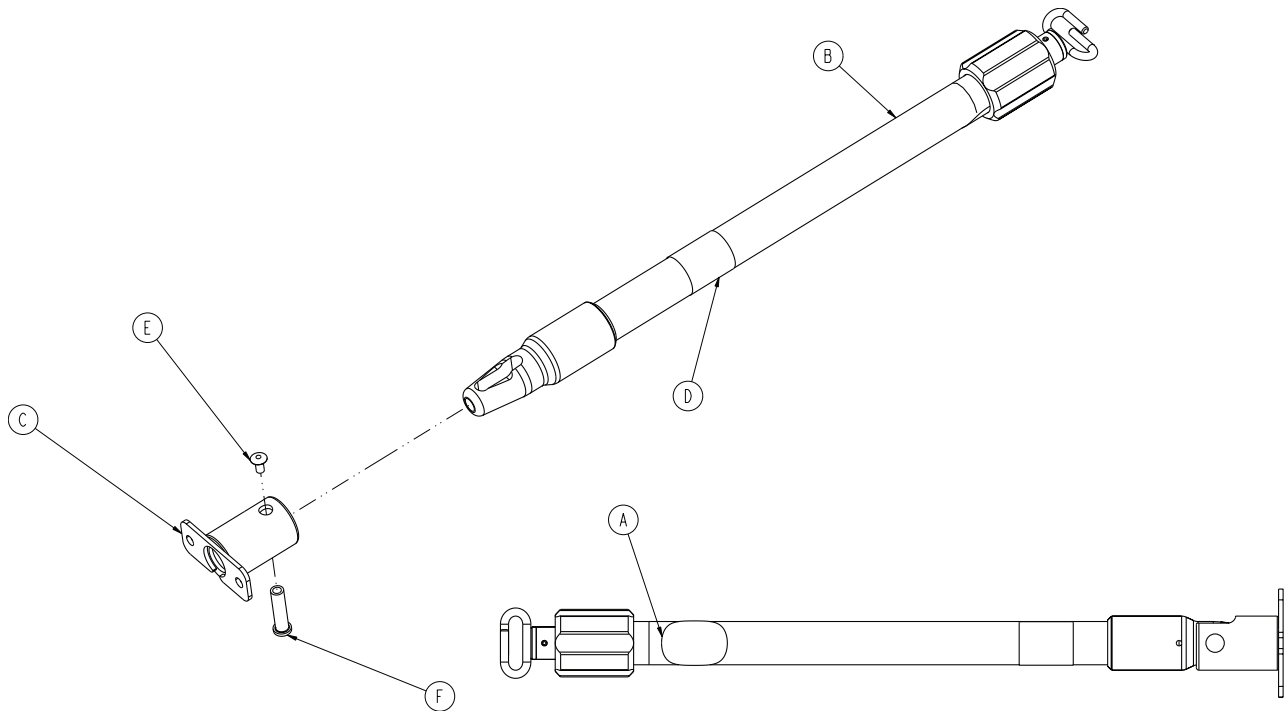
Rev A (Reference only)



A	6100-115-060	1
B	6500-101-041	1
C	6550-001-117	1
D	6550-001-118	1

6500-101-041

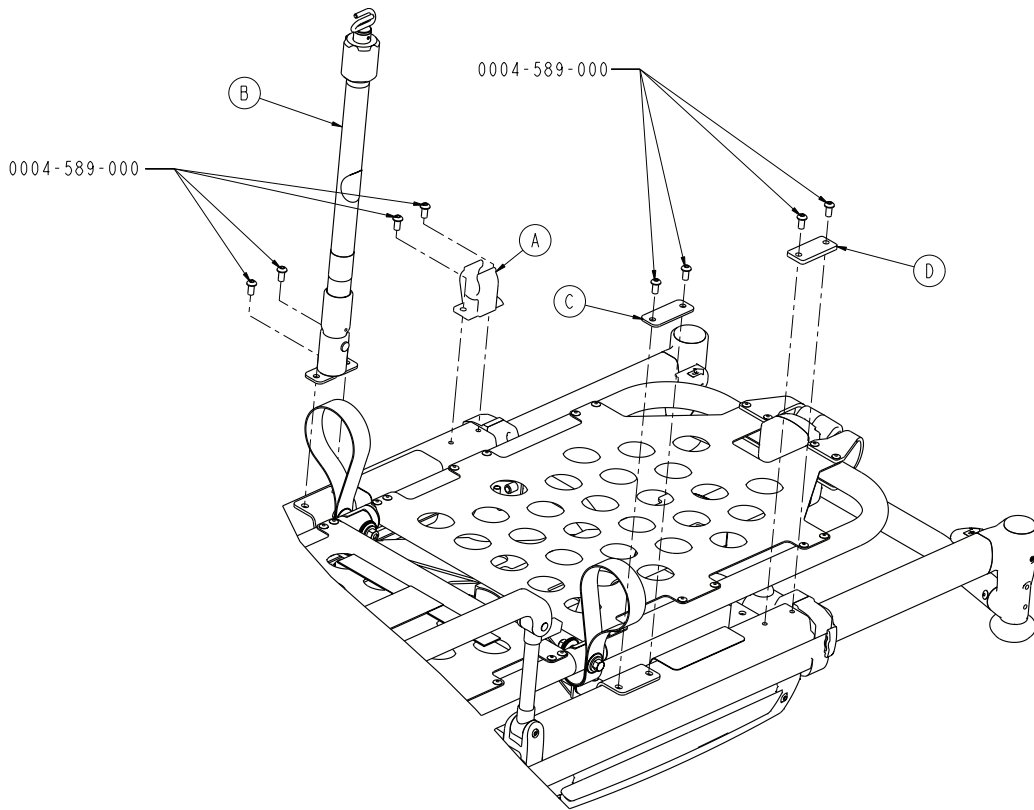
Rev A (Reference only)



A	6506-001-901	1
B	6070-210-070	1
C	6100-115-051	1
D	6500-101-253	1
E	0025-079-000	1
F	6070-110-037	1

6550-311-000

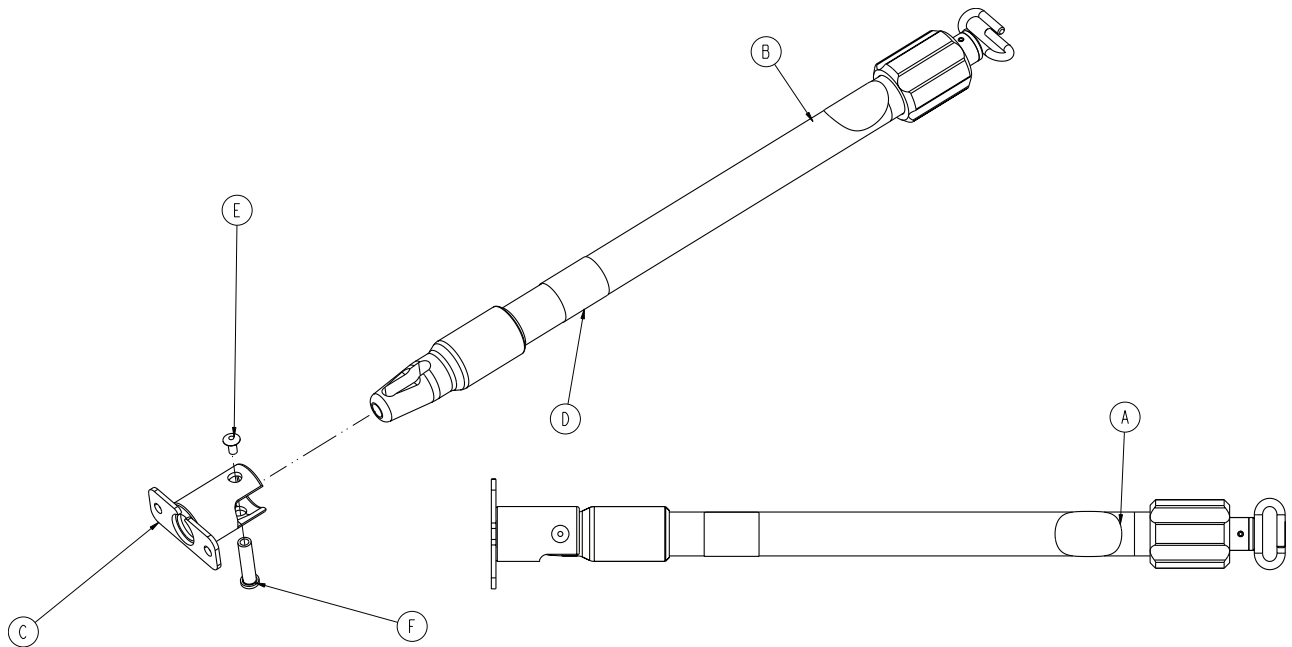
Rev A (Reference only)



A	6100-115-060	1
B	6500-101-042	1
C	6550-001-117	1
D	6550-001-118	1

6500-101-042

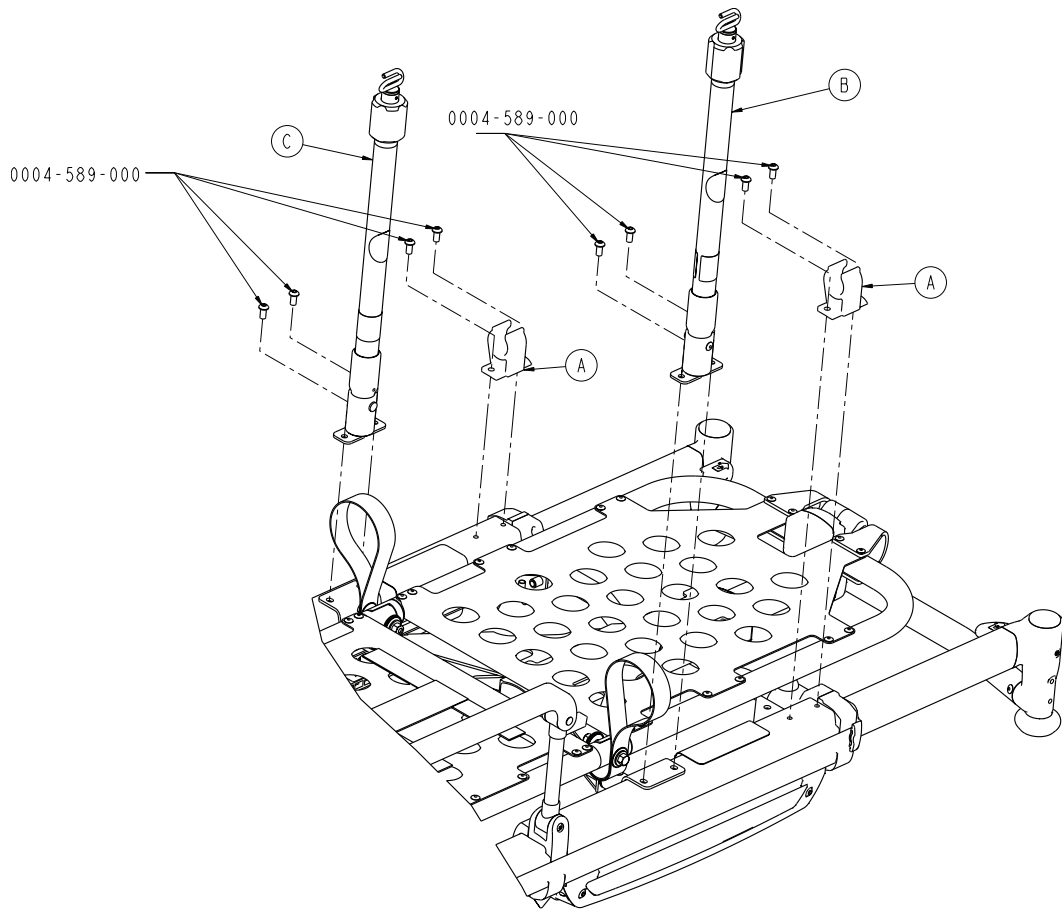
Rev A (Reference only)



A	6506-001-901	1
B	6070-210-070	1
C	6100-115-051	1
D	6500-101-254	1
E	0025-079-000	1
F	6070-110-037	1

6550-312-000

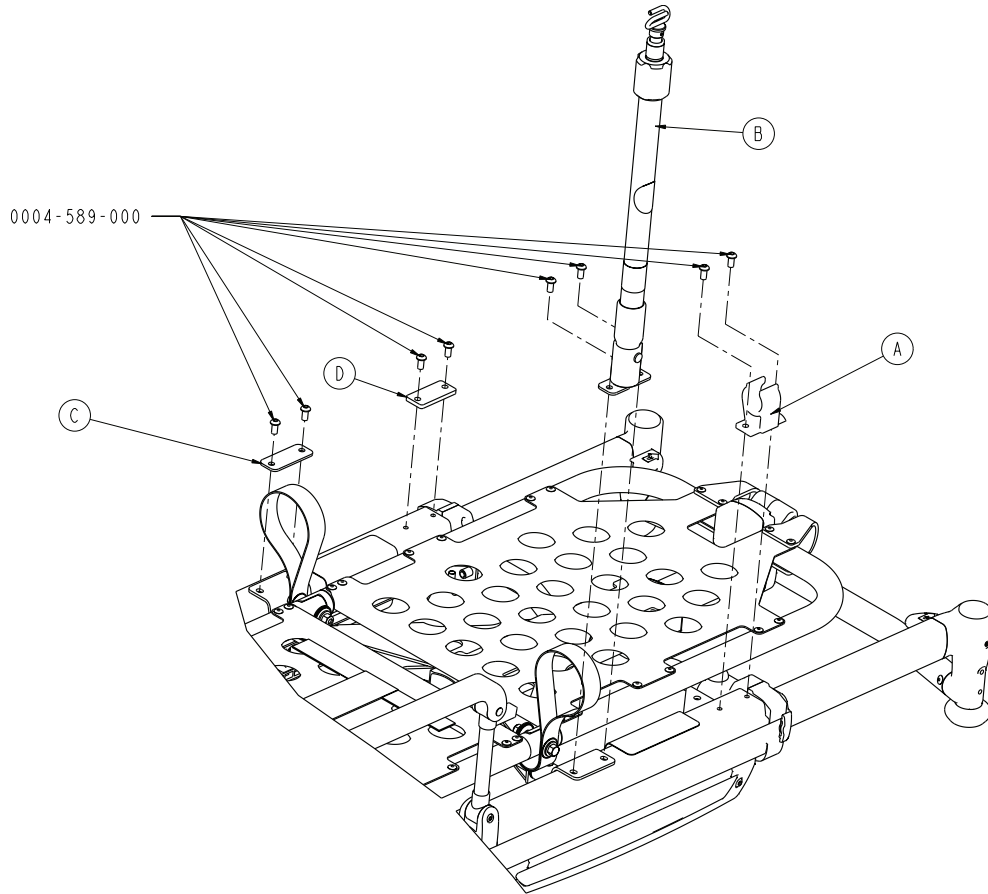
Rev A (Reference only)



A	6100-115-060	1
B	6500-101-041	1
C	6500-101-042	1

6550-315-000

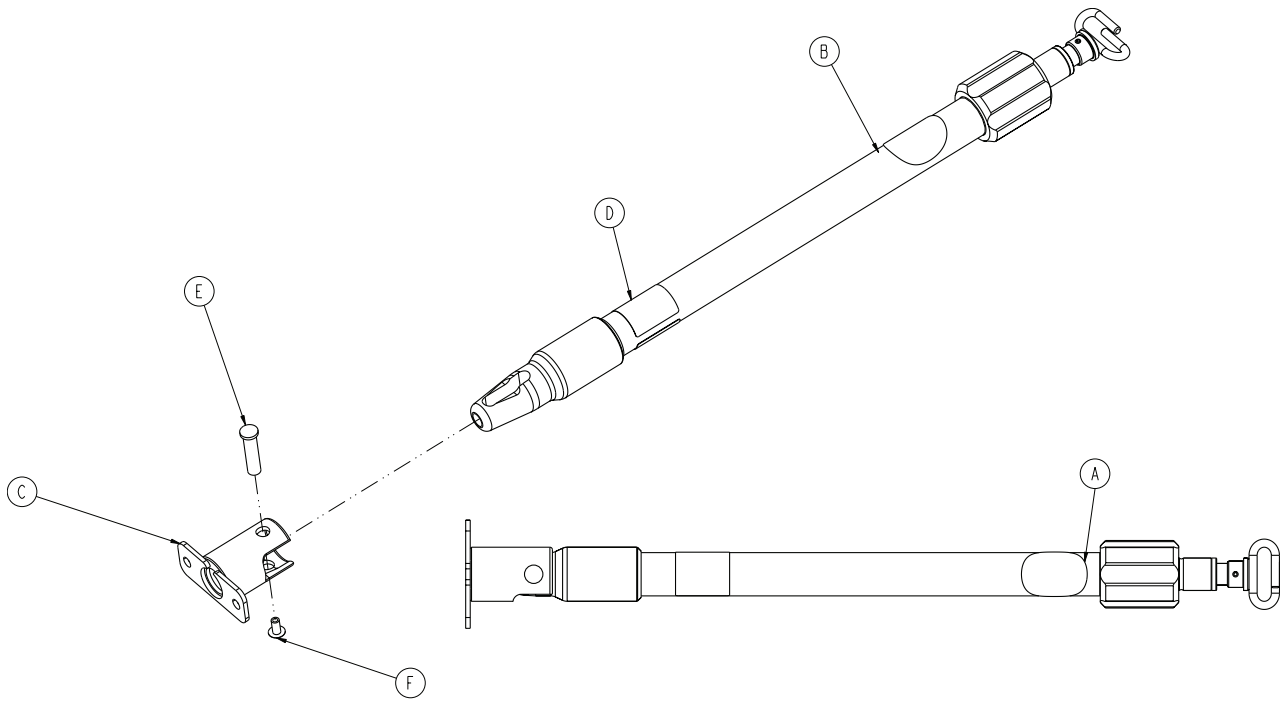
Rev A (Reference only)



A	6100-115-060	1
B	6500-101-043	1
C	6550-001-117	1
D	6550-001-118	1

6500-101-043

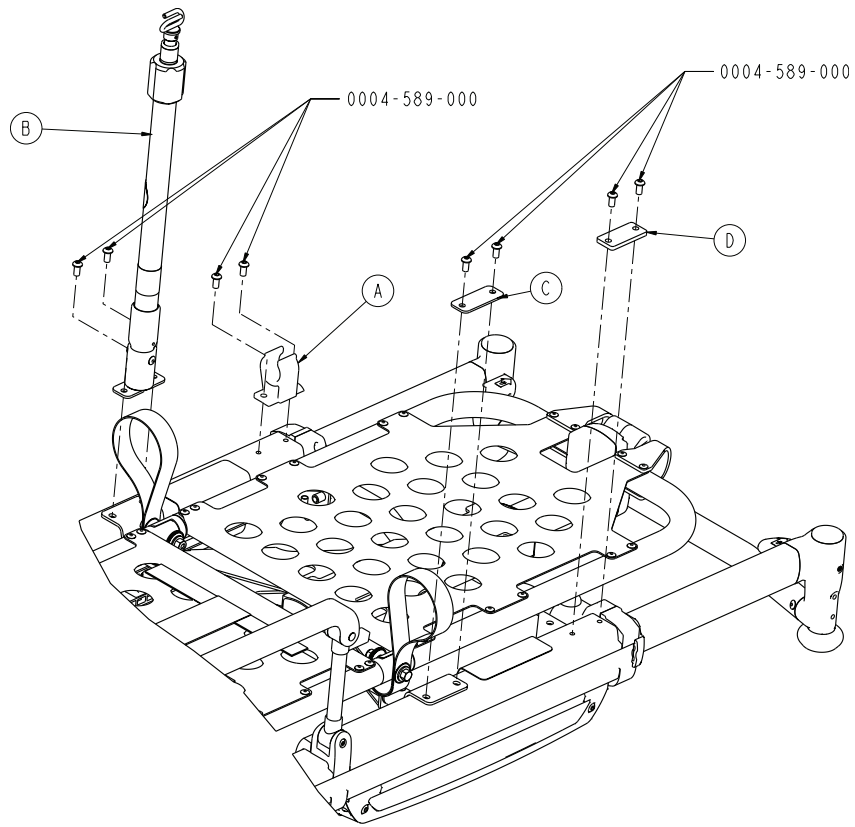
Rev A (Reference only)



A	6506-001-901	1
B	6070-215-070	1
C	6100-115-051	1
D	6500-101-255	1
E	6070-110-037	1
F	0025-079-000	1

6550-316-000

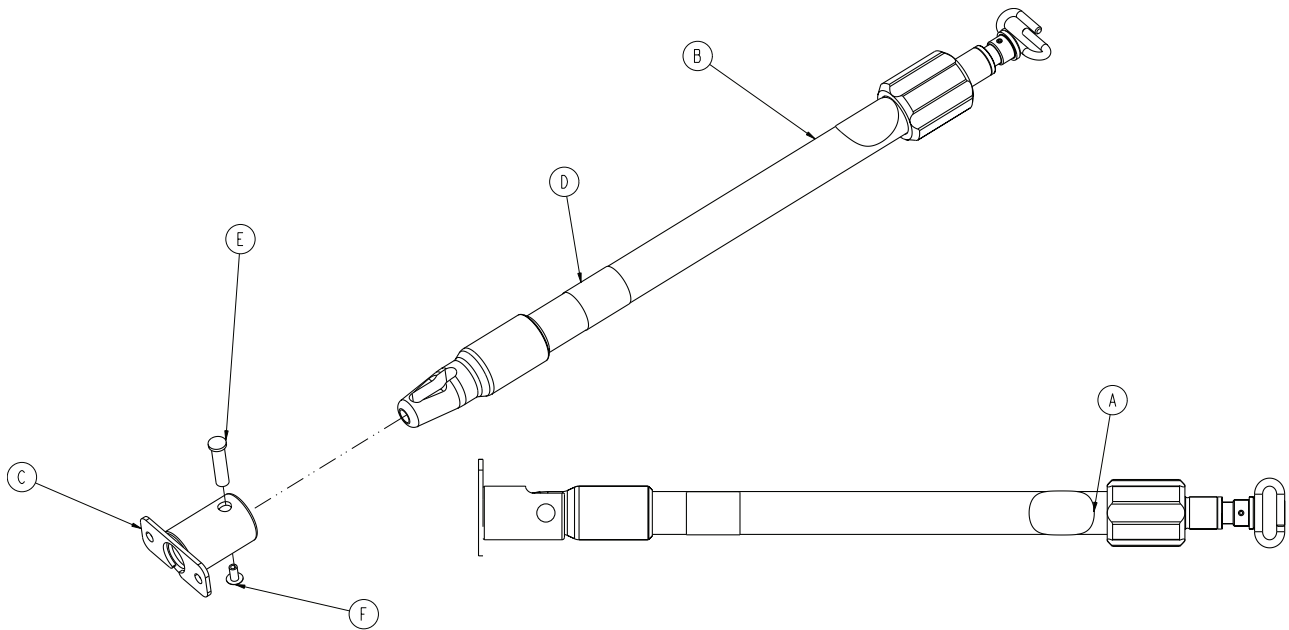
Rev A (Reference only)



A	6100-115-060	1
B	6500-101-044	1
C	6550-001-117	1
D	6550-001-118	1

6500-101-044

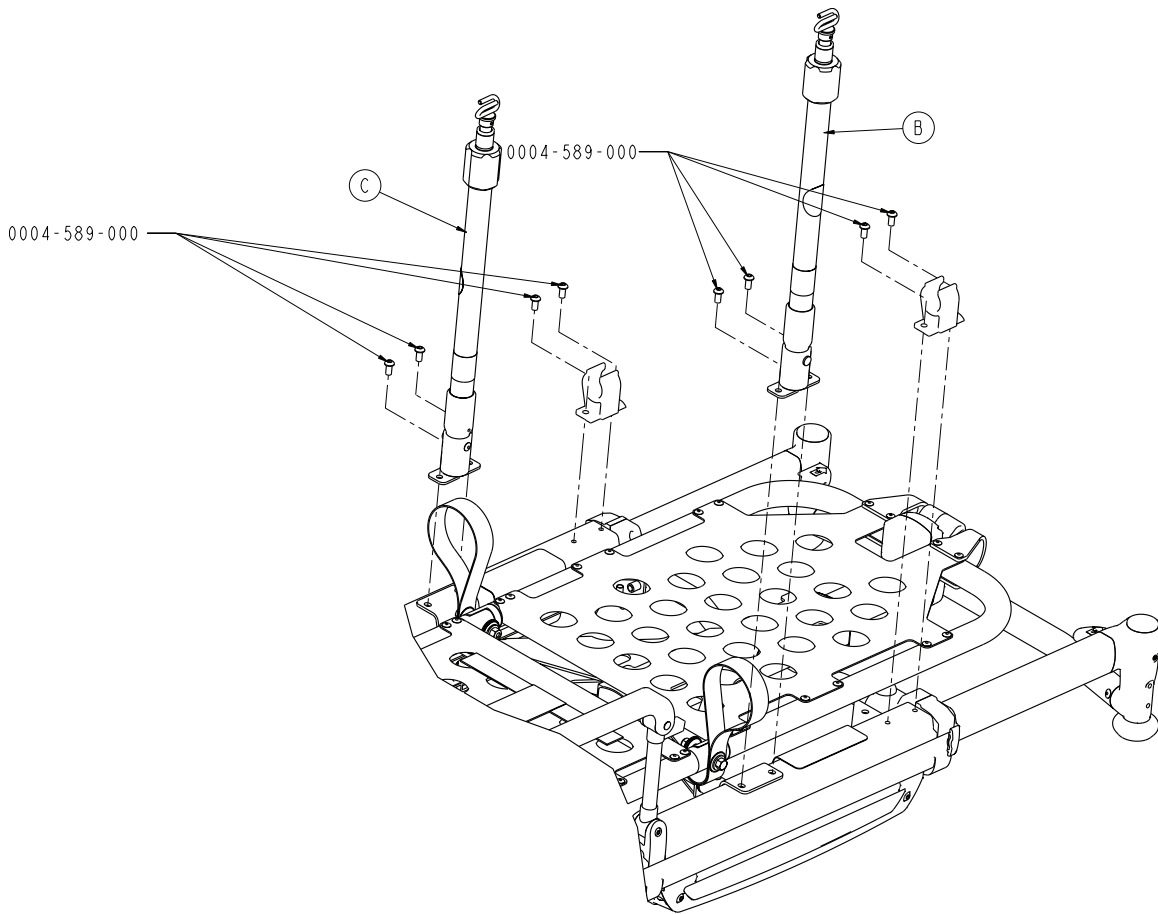
Rev A (Reference only)



A	6506-001-901	1
B	6070-215-070	1
C	6100-115-051	1
D	6500-101-256	1
E	6070-110-037	1
F	0025-079-000	1

6550-317-000

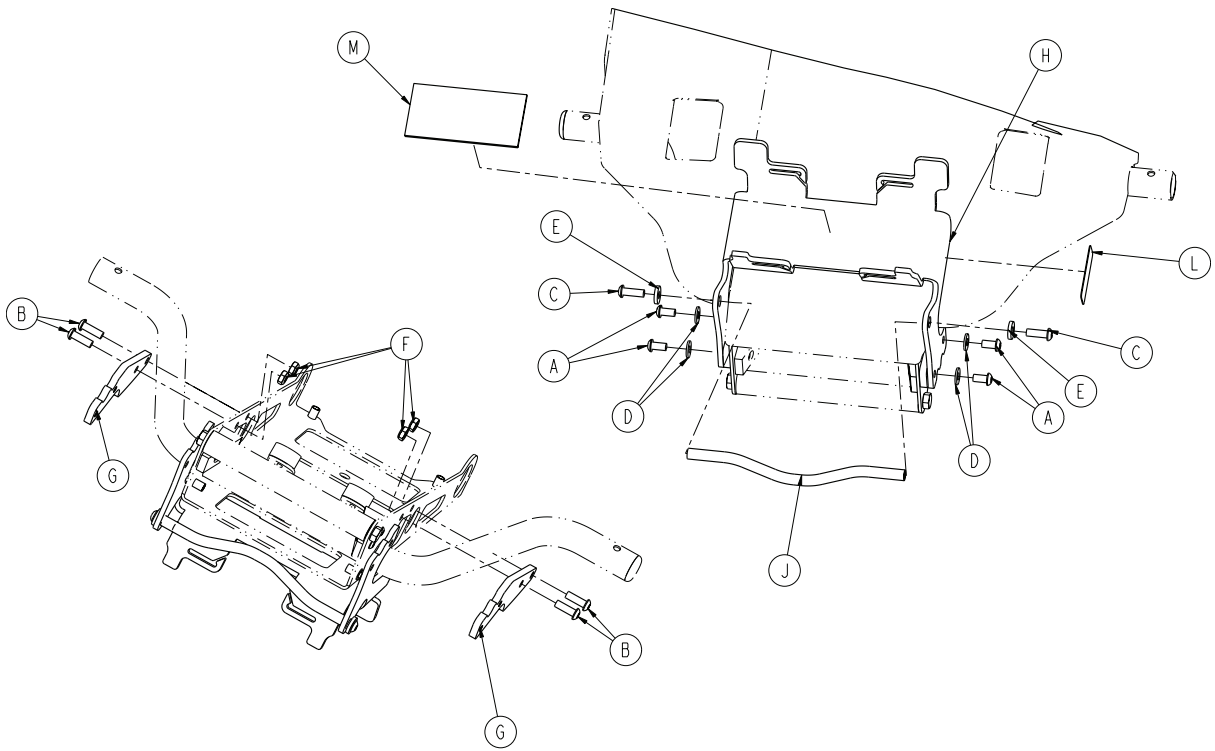
Rev A (Reference only)



A	6100-115-060	2
B	6500-101-043	1
C	6550-101-044	1

6550-102-020

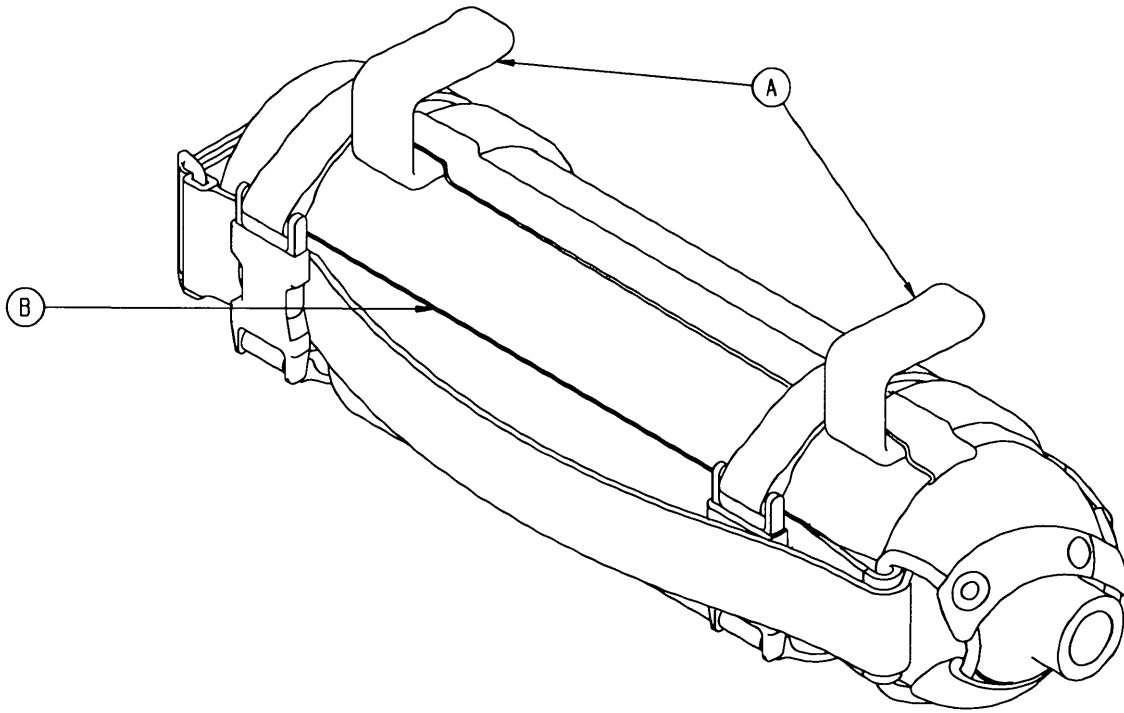
Rev A (Reference only)



A	0004-589-000	4
B	0004-592-000	4
C	0004-593-000	2
D	0011-063-000	4
E	0011-209-000	2
F	0016-102-000	4
G	6550-002-001	2
H	6550-002-002	1
J	6550-002-003	1
K	6550-002-004	1
L	6550-102-009	1
M	6500-001-262	1

6080-140-000

Rev A/6080-140-010 Rev A (Reference only)



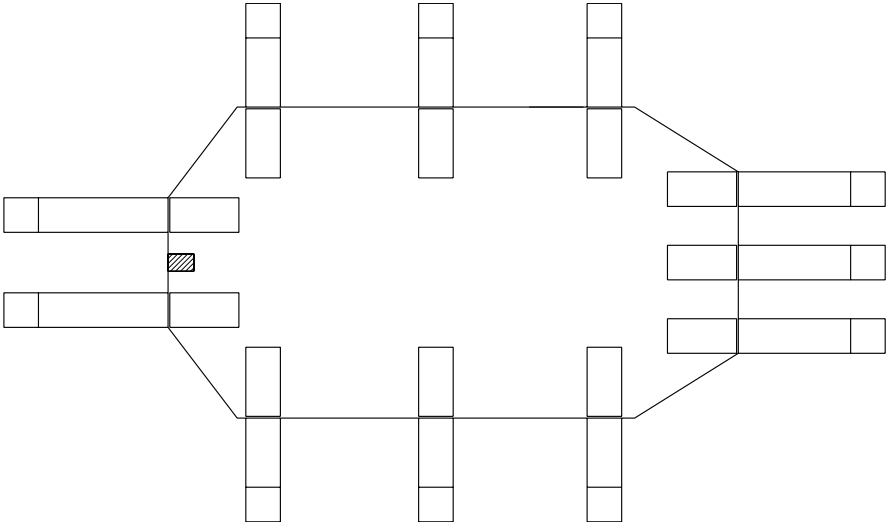
B

6080-140-012

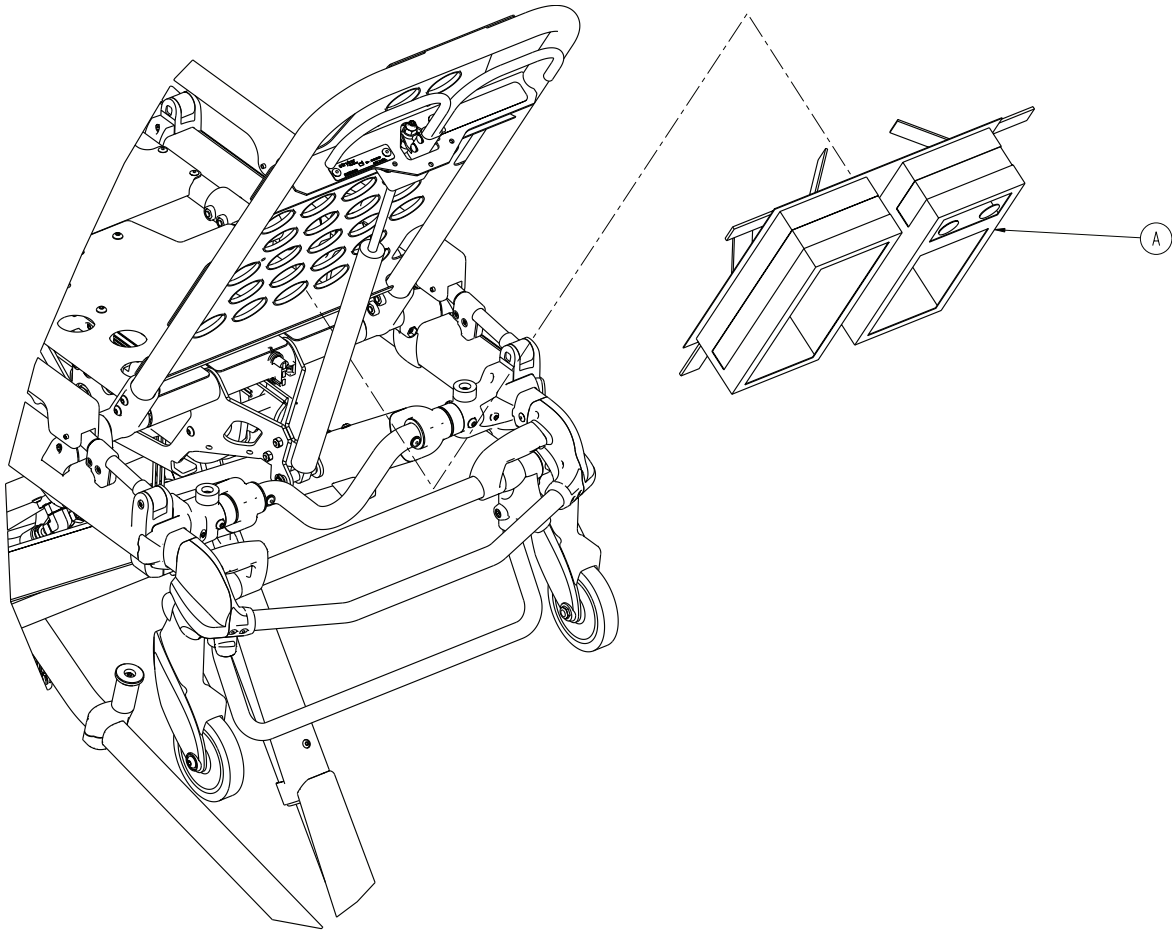
1

6500-160-000

Rev A/6500-001-126 Rev E (Reference only)



Rev A (Reference only)

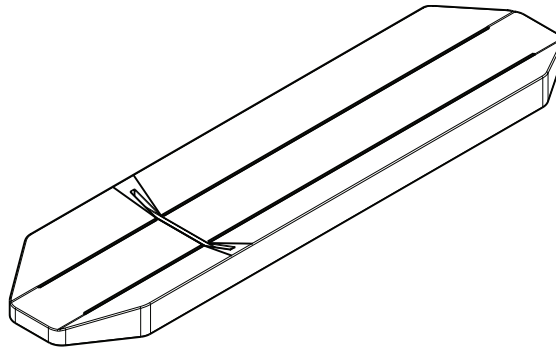


A



6500-001-241

1

Rev F (Reference only)



6550-001-284 REV A5

stryker  

REF 6550-001-084
KNEE GATCH BOLSTER MATTRESS
3800 E. Centre Ave.
Portage, MI 49002-5826 Made in U.S.A.

SN 0 0 0 0 0 0 0 0 0

ALL NEW MATERIAL
consisting of
**POLYURETHANE
FOAM**

Finished
Size: 25" X 17 3/4" X 7"
Net Wt. of Filling Mat'l lbs. 3

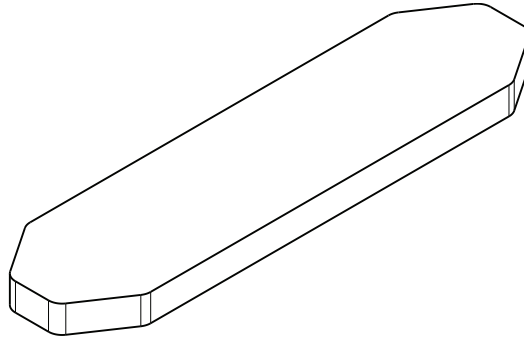
NOTICE:
THIS ARTICLE CONFORMS WITH
FLAMMABILITY STANDARDS:
16 CFR 1632.4

CERTIFICATION IS MADE BY
THE MANUFACTURER THAT THE
MATERIALS IN THIS ARTICLE
ARE DESCRIBED IN ACCORD-
ANCE WITH LAW.



stryker
3800 E. Centre Ave.
Portage, MI 49002-5826

YEAR	MONTH
XXXXXXXX	
4-DIGIT LOT NO.	
SAMPLE	
(0 0 0 0 0 0 1 2)	
MANUFACTURED	
JUNE, 2004	
LOT NO. 12	

Rev B (Reference only)



6550-001-296 REV B.0

stryker  

REF 6550-001-295
FLAT KNEE GATCH MATTRESS
3800 E. Centre Ave.
Portage, MI 49002-5826 Made in U.S.A.

SN 0 0 0 0 0 0 0 0


ALL NEW MATERIAL
consisting of
**POLYURETHANE
FOAM**

Finished
Size: 24" X 17 3/4" X 70"
Net Wt. of Filling Mat'l Is: 2.75

NOTICE:
THIS ARTICLE CONFORMS WITH
FLAMMABILITY STANDARDS:
BS EN 607-1, FMVSS 302,
16 CFR 1632.4

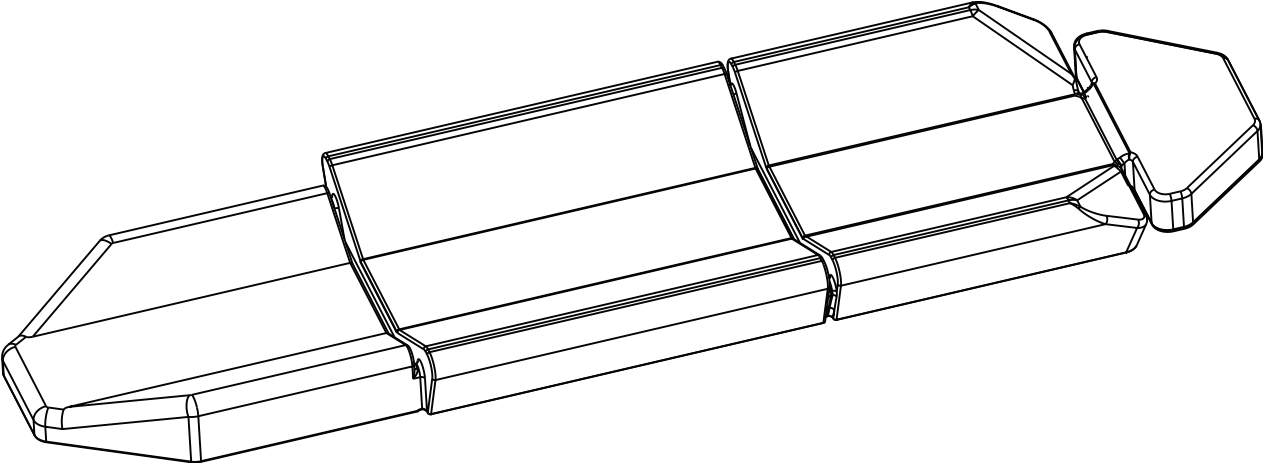
CERTIFICATION IS MADE BY
THE MANUFACTURER THAT THE
MATERIALS IN THIS ARTICLE
ARE DESCRIBED IN ACCORD-
ANCE WITH LAW.

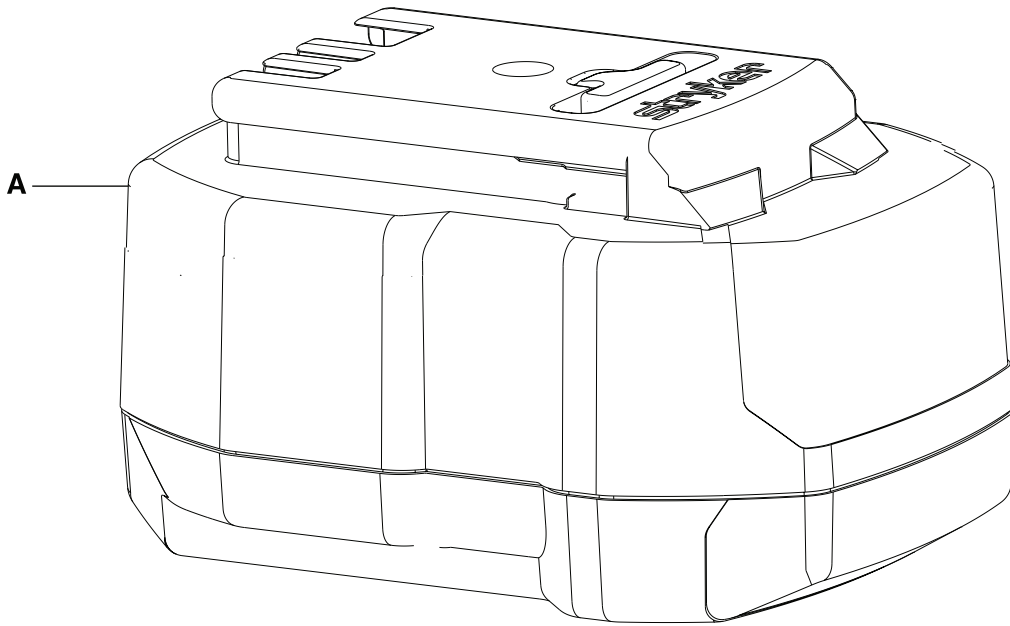
stryker

 3800 E. Centre Ave.
Portage, MI 49002-5826

[YEAR] [MONTH]
XXXXXXXX
[4 DIGIT LOT NO.]
SAMPLE
04080012
MANUFACTURED
JUNE, 2004
LOT NO. 12

Rev G (Reference only)



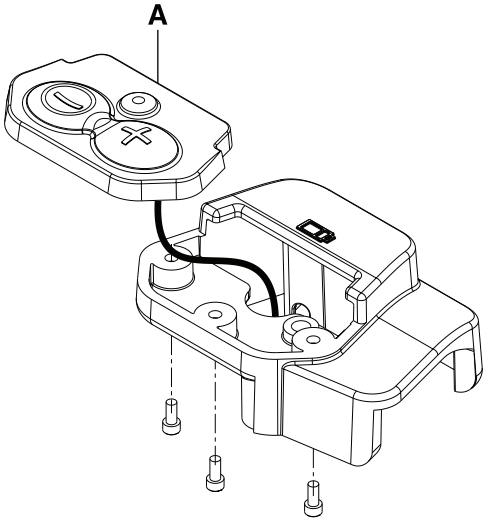


A	2
---	---





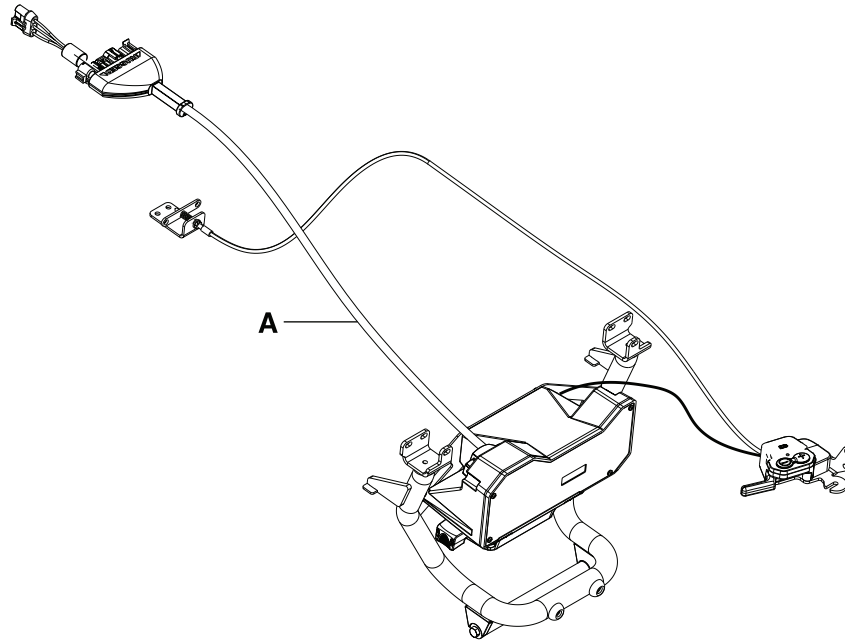
Rev C (Reference only)



A	1
---	---



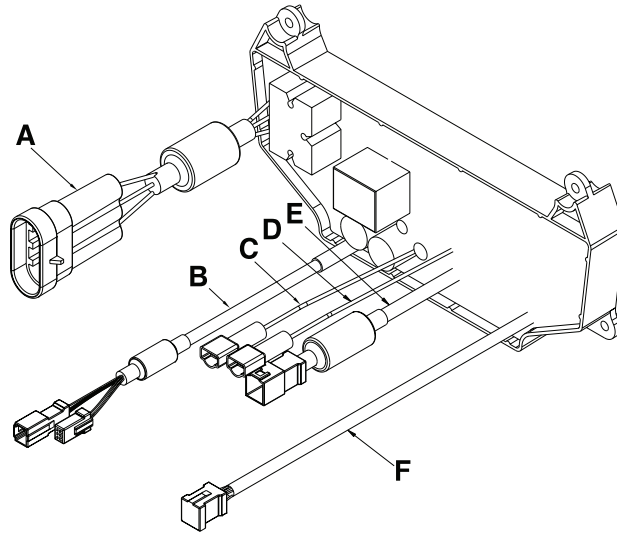
Rev D (Reference only)



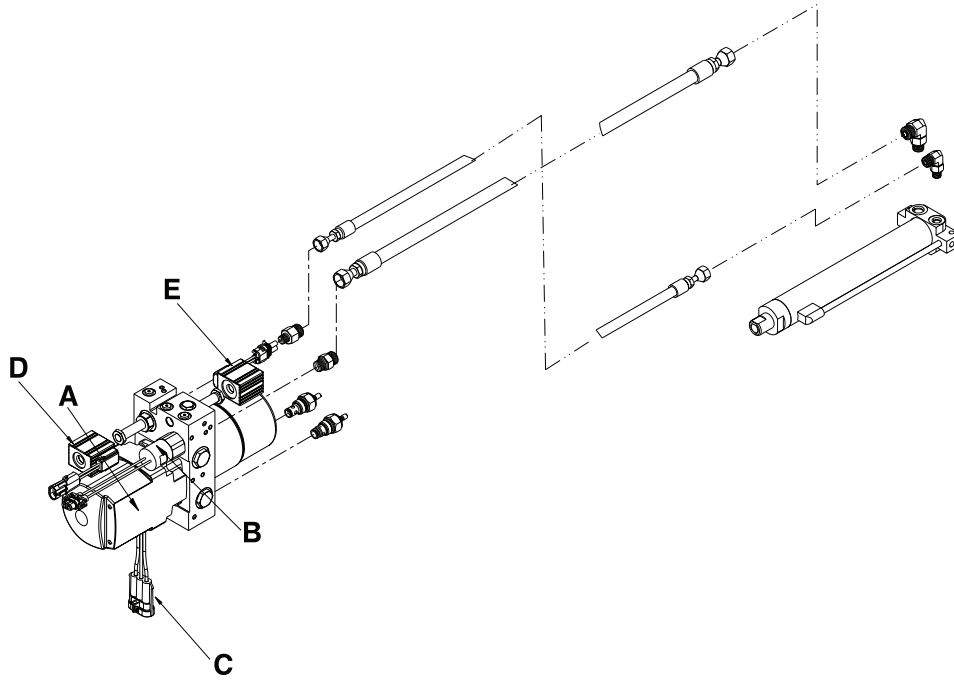
A	1
---	---



Rev A (Reference only)



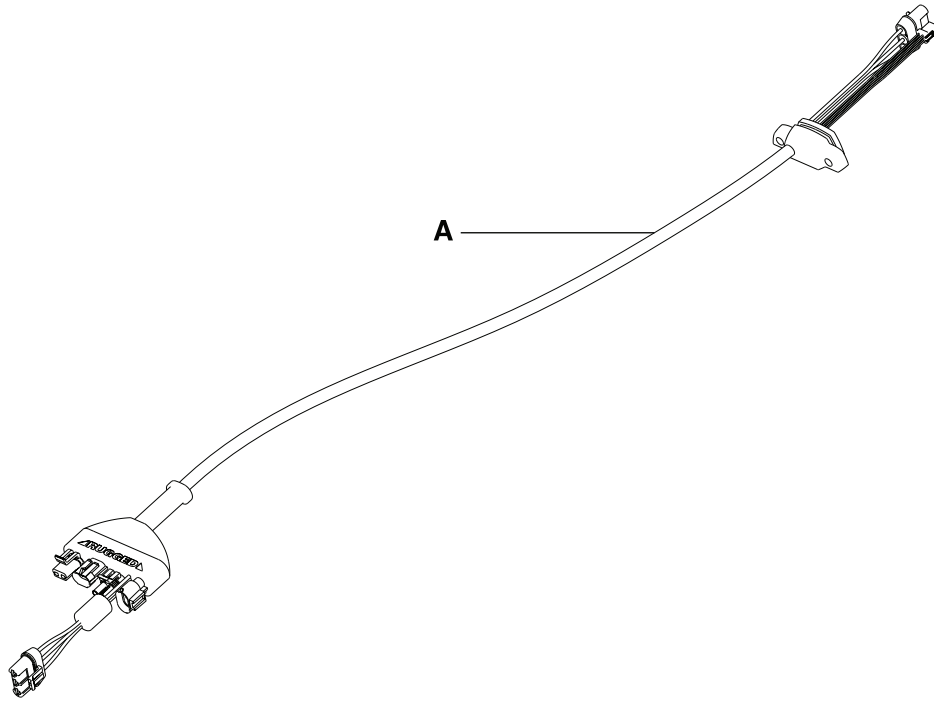
A	1
B	1
C	1
D	1
E	1
F	1



A	1
B	1
C	1
D	1
E	1



Rev D (Reference only)



A	1
---	---

English Equivalence Part Number: 6550-609-001 REV B



Stryker Medical
3800 E. Centre Avenue
Portage, MI 49002
USA



Stryker EMEA RA/QA Director
ZAC - Avenue de Satolas Green
69881 MEYZIEU Cedex
France

stryker[®]