

Power-PRO™ TL Cot

Operations Manual





















REF 6550















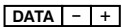


FR
HR
IT
NL
NO
SL
SV
TR

EN
DA
DE
FI

Symbols

	Refer to instruction manual/booklet
	Consult instructions for use
	CE mark
	Authorized representative in the European Community
	European medical device
	General warning
	Caution
	Warning; crushing of hands
	Warning; non-ionizing radiation
	No pushing
	Do not lubricate
	Catalogue number
	Lot (batch) code
	Serial number
	For US Patents see www.stryker.com/patents
	Manufacturer
	Date of manufacture
	Importer
	Mass of equipment with safe working load
	Safe working load

	Type B applied part
	Type BF applied part
	Medical Equipment Classified by Underwriters Laboratories Inc. With Respect to Electric Shock, Fire, and Mechanical Hazards Only in Accordance with ANSI/AAMI ES60601-1:2012 and CAN/CSA-C22.2 No. 60601-1:14.
	Direct current
	Alternating current
	Class II electrical equipment: equipment in which protection against electric shock does not rely on basic insulation only, but in which additional safety precautions such as double insulation or reinforced insulation are provided, there being no provision for protective earthing or reliance upon installation conditions.
	Dangerous voltage
	SMRT power system
	Extend
	Retract
IPX0	Non-protected
IPX6	Protection from powerful water jets
	In accordance with European Directive 2012/19/EU on Waste Electrical and Electronic Equipment (WEEE) as amended, this symbol indicates that the product should be collected separately for recycling. Do not dispose of as unsorted municipal waste. Contact local distributor for disposal information. Ensure infected equipment is decontaminated prior to recycling.
	WEEE Directive (2012/96/EC). Contains cadmium.
	The Rechargeable Battery Recycling Corporation (RBRC) is a non-profit, public service organization that promotes the recycling of portable rechargeable batteries. Batteries must be delivered to a battery collection site. Visit the RBRC website (www.rbrc.org) to find a nearby collection site or call the phone number shown on the recycling symbol.
	Contains nickel cadmium cells and should be recycled accordingly
	Battery terminal identification (data line, negative, and positive)
KRX 23/44	Ni-Cd cell identification per IEC 61951-1:2003







<p>2300 mAh (1.2A/2h)</p>	<p>Battery capacity, typical charge, and duration</p>
	<p>Do not clean with bleach</p>
	<p>Shoulder restraint</p>
	<p>Double buckle waist restraint</p>
	<p>Single buckle waist restraint</p>
	<p>Thigh restraint</p>
	<p>Ankle restraint</p>

Table of Contents

Warning/Caution/Note Definition	3
Summary of safety precautions	3
Pinch points	6
Mechanical stability	6
Introduction	8
Product description	8
Indications for use	8
Clinical benefits	8
Contraindications	9
Expected service life	9
Disposal/recycle	9
Specifications - Power-PRO	9
European REACH	10
Standards with required options	11
Schnitzler Pediatric Restraint System compatibility	11
Specifications - SMRT	12
Product illustration - Power-PRO	13
Product illustration - SMRT	14
Contact information	14
Serial number location - Power-PRO	15
Serial number location - SMRT	15
Setup	16
Installation	16
Installing the cot fastener	16
Operation	17
Checking the battery power level	17
Checking the hour meter and error display	17
Operating guidelines	18
Proper lifting techniques	19
Transferring the patient to the cot	19
Rolling the cot with a patient	19
Raising or lowering the cot	20
Raising, lowering, or releasing the cot with power	20
Raising or lowering the cot manually with the manual override	21
Expediting load with the high speed retract mode	21
Loading the cot to the cot fastener	21
Removing the cot from the cot fastener	22
Loading the cot with a tail lift	22
Unloading the cot with a tail lift	23
Loading the cot with a ramp	24
Loading and unloading a cot with the optional oxygen bottle holder	24
Positioning operators and helpers	25
Raising or lowering the backrest	25
Raising or lowering the siderails	26
Raising or lowering the siderails (XPS option)	26
Extending the retractable head section or foot section	26
Retracting the retractable head section or foot section	27
Raising or lowering the knee Gatch option	28
Applying or releasing a wheel lock	29
Applying or releasing the Steer-Lock option	29
Securing the patient with the restraint straps	30
Adding a restraint strap extension	30
Securing a patient with the X-restraint/XPR restraint straps	30
Attaching the X-restraint/XPR shoulder restraints	31
Attaching the X-restraint/XPR waist restraints	32
Attaching the X-restraint/XPR thigh restraints	32
Attaching the X-restraint/XPR ankle restraints	32
Securing the patient with the Pedi-Mate® infant restraint system	33
Attaching the defibrillator platform	33
Hanging equipment from the equipment hook	36

Positioning the two-stage IV pole.....	36
Positioning the three-stage IV pole option	37
Attaching an oxygen bottle to the oxygen bottle holder	38
Attaching the push bars option	39
Removing and storing the push bars in the push bar storage pouch	39
Attaching the base storage net option	40
Attaching the backrest storage pouch	40
Attaching the mattress	41
Inserting a SMRT Pak.....	42
Removing a SMRT Pak from the cot	42
Storing the battery	43
Charging the SMRT Pak	43
Checking the SMRT Pak power level with the SMRT charger	44
Electrical power installation requirements.....	44
Installing the SMRT charger	45
Installing the mounting bracket option	45
Attaching the charger onto the mounting bracket option	46
Powering the charger	47
Disconnecting the charger	48
Accessories and parts	49
Cleaning and disinfecting the XPR restraint straps.....	51
Cleaning	52
Suggested cleaners.....	52
Cleaning the charger	53
Cleaning the battery	53
Preventive maintenance	54
Lubrication.....	54
Regular inspection and adjustments	54
Every month or two hours.....	54
Every three months or six hours.....	55
Every six months or 12 hours.....	56
Every 12 months or 24 hours	56
EMC information	58

Warning/Caution/Note Definition

The words **WARNING**, **CAUTION**, and **NOTE** carry special meanings and should be carefully reviewed.

WARNING

Alerts the reader about a situation which, if not avoided, could result in death or serious injury. It may also describe potential serious adverse reactions and safety hazards.

CAUTION

Alerts the reader of a potentially hazardous situation which, if not avoided, may result in minor or moderate injury to the user or patient or damage to the product or other property. This includes special care necessary for the safe and effective use of the device and the care necessary to avoid damage to a device that may occur as a result of use or misuse.

Note - Provides special information to make maintenance easier or important instructions clearer.

Summary of safety precautions

Always read and strictly follow the warnings and cautions listed on this page. Service only by qualified personnel.

WARNING

- Always keep your hands clear of the red safety bar pivots when you load, unload, or change the height position of the cot.
- Always use both hands when transporting the cot.
- Always install the cot fastener by qualified personnel only. Improper installation could result in injury to the patient or operator.
- Always make sure that all cots meet the installation specifications for the Stryker cot fastener system.
- Always adjust the rail clamp assembly to match the cot retaining post position for the cot manufacturer and model number.
- Do not remove the battery when the cot is active.
- Always operate the product only when all persons are clear of the mechanisms. Entanglement in powered product mechanisms can cause serious injury.
- Always inspect **SMRT** Paks for damage before every use.
- Do not allow untrained assistants to assist in the operation of the product.
- Always follow proper hand placement on hand grips. Keep all hands clear of the red safety bar pivots when you load or unload the cot or change cot height position.
- Do not ride on the base of the cot.
- Do not transport the cot sideways to avoid the risk of tipping. Always transport the cot in a lowered position, head end or foot end first to minimize the risk of tipping.
- Always keep hands, fingers, and feet away from moving parts. Use caution when placing your hands and feet near the base tubes while you raise or lower the cot.
- Always install the in-fastener shut-off system in any emergency vehicle that will be used with this cot and an antler style cot fastener.
- Always conduct patient monitoring when the cot is idle. If you hydraulically raise or lower the product you may temporarily affect electronic patient monitoring equipment.
- Always use all restraint straps to secure the patient on the product. An unrestrained patient may fall from the product and be injured.
- Do not leave a patient unattended. Hold the product while a patient is on the product.
- Do not apply a wheel lock when a patient is on the product or when you move the product to avoid the risk of tipping.
- Do not use siderails as a patient restraint device.
- Always transport the cot at a lower height to reduce the risk of a cot tip. If possible, obtain additional assistance or take an alternate route.
- Always avoid high obstacles, such as curbing, steps, or rough terrain to avoid the risk of the product tipping over.
- Always use two operators to raise or lower the cot with a patient.

- Always make sure that the cot is not able to roll back off of the lift before you use the tail lift with a cot and patient. Make sure that the lift gate stop is maintained and functioning.
- Always lock the head section into place before you operate the cot.
- Do not attempt to load the cot into the vehicle patient compartment with the head section retracted. Loading the cot with the head section retracted may cause the product to tip or not connect to the vehicle cot fastener.
- Do not install or apply a wheel lock on a product with worn wheels that are less than 6 in. diameter.
- Do not leave a patient or occupant unattended. Hold the product while a patient or occupant is on the product.
- Always use all restraint straps to secure the patient on the cot. An unrestrained patient may fall from the cot.
- Do not attach restraint straps to the base tubes or cross tubes.
- Always locate the buckle away from obstructions or accessories on the cot to avoid the risk of accidental release of **Pedi-Mate®** infant restraint system and injury to the infant.
- Do not attach the defibrillator platform on a Model 6086 **Performance-PRO XT** cot with the **Power-LOAD** option to avoid the risk of a cot tip.
- Always lock the push bars into the mounts to prevent the push bars from coming out during use.
- Do not lift the product with the push bars.
- Always store the push bars in the base storage pouch when not in use.
- Do not attempt to open the battery pack for any reason, to avoid the risk of electric shock. If the battery pack case is cracked or damaged, do not insert it into the charger. Return damaged battery packs to a service center for recycling.
- Always avoid direct contact with a wet battery or battery enclosures. Contact may cause injury to the patient or operator.
- Do not insert a cracked or damaged **SMRT Pak** into the **SMRT charger**. Return damaged **SMRT Paks** to a service center for recycling.
- Always have a certified mechanic, familiar with ambulance vehicle construction, install the mounting bracket option and the **SMRT charger**.
- Always mount the **SMRT charger** to the mounting bracket option in an enclosed cabinet and out of patient reach during transport to comply with established crash test standards.
- Always make sure that the mounting bracket option is securely attached to the surface.
- Always use any appropriate personal protective equipment while power washing to avoid inhaling contagion. Power washing equipment may aerate contamination.
- Always wear insulated rubber gloves, in addition to personal protective equipment, when cleaning the **SMRT Pak** to reduce the risk of injury.
- Always disconnect the **SMRT charger** from the wall outlet before cleaning to avoid the risk of electrical hazards.
- Do not spray fluid directly onto the **SMRT charger**.
- Do not power wash the **SMRT charger**.
- Do not use solvents, lubricants, or other chemicals to clean the **SMRT charger** unless otherwise directed.
- Do not immerse the **SMRT charger** in water or allow water to collect on top of the **SMRT charger** to avoid the risk of electric shock.
- Always use only non-conductive materials to wipe the **SMRT Pak**.
- Always avoid excessive water exposure to the **SMRT Pak** terminals.
- Always refer to the disinfectant's Material Safety Data Sheet (MSDS) to verify the pH range. Disinfectants with pH levels higher than 10.5 may cause the **SMRT Pak** housing material to crack.
- Do not directly handle or make contact with the **SMRT Pak** terminals while cleaning to avoid the risk of injury.
- Do not immerse the **SMRT Pak** in liquid to reduce the risk of electric shock.
- Do not use solvents, lubricants, or other chemicals to clean the **SMRT Pak** unless otherwise directed.
- Always relieve pressure before you disconnect hydraulic or other lines. Escaping fluid under pressure can penetrate the skin and cause serious injury. Tighten all connections before you apply pressure. If an accident occurs, see a doctor immediately.
- Do not use bare hands to check for hydraulic leaks.

CAUTION

- Improper usage of the product can cause injury to the patient or operator. Operate the product only as described in this manual.
- Do not modify the product or any components of the product. Modifying the product can cause unpredictable operation resulting in injury to patient or operator. Modifying the product also voids its warranty.

- Do not use the product with incompatible restraints.
- Always charge the battery before you place the product into service. An uncharged or depleted battery may cause poor product performance.
- Always clear any obstacles that may interfere and cause injury to the operator or patient before operating the product.
- Always lower the cot to the lowest position to make sure that the cot connects to the cot fastener.
- Do not attempt to change the product height while the cot is connected to the cot fastener.
- Do not sit or stand on the siderails (XPS option).
- Do not use the siderails (XPS option) as a patient transfer device or surface (for example, to slide a patient from the cot to another surface).
- Do not position patients with full weight on the siderails (XPS option).
- Do not use the siderails (XPS option) as a push/pull device or to steer the product.
- Do not entangle the restraint straps in the base frame when you raise or lower the cot.
- Always secure the defibrillator platform to the product when you use the defibrillator platform.
- Always use and adjust the straps that are provided with the defibrillator platform to secure the defibrillator.
- Always change the attachment location or adjust the straps for your specific defibrillator size or shape.
- Do not load the defibrillator platform above the safe working load of 30 lb (13.6 kg).
- Do not load the equipment hook above the safe working load of 35 lb (15.8 kg).
- Always remove all accessories or equipment from the equipment hook when in the vehicle.
- Do not load the IV pole above the safe working load of 25 lb (11.3 kg).
- Do not load the oxygen bottle holder above the safe working load of 1.1 stones (6.8 kg) (15 lb).
- Do not use two oxygen bottle holders at the same time.
- Do not load the base storage net above the safe working load of 20 lb (9 kg).
- Always be careful when you retract the base to avoid damaging items that are stored in the base storage net.
- Do not load the backrest storage pouch above the safe working load of 20 lb (9 kg).
- Do not allow the storage pouch to interfere with the operation of the retractable head section.
- Do not store items under the mattress. Items under the mattress may interfere with product operation.
- Always remove the battery if the cot is not going to be used for an extended period of time (more than 24 hours).
- Always place the electrical **SMRT** charger power cord where it will not be stepped on, tripped over, or otherwise subjected to damage or stress.
- Do not touch the **SMRT** Pak receptacle terminals with metal objects.
- Always grasp and pull the plug, not the cord, when you disconnect the **SMRT** charger to avoid the risk of damage to the electrical plug and cord.
- Do not apply lubricants to the surfaces of the restraints.
- Do not steam clean or ultrasonically clean the product.
- Do not exceed 180 °F (82 °C) as the maximum water temperature.
- Do not exceed 1500 psi (103.4 bar) as the maximum water pressure. If you use a hand held wand to wash the product, keep the pressure nozzle at a minimum of 24 in. (61 cm) from the product.
- Always allow to air dry.
- Always remove the battery before you wash the cot.
- Do not clean, service, or perform maintenance while the product is in use.
- Do not steam clean or ultrasonically clean the **SMRT** Pak.
- Do not exceed 240 °F (115 °C) as the maximum air dry temperature (cart washers).
- Always use authorized parts to avoid the risk of product damage.
- Always check hoses and lines regularly to avoid damage to the cot. Check and tighten loose connections. Hydraulic lines, hoses, and connections can fail or loosen due to physical damage, kinks, age, and environment exposure.
- Do not tip the cot onto its load wheels and actuate the product as this will allow air to enter the hydraulic system.
- Do not lubricate the bearings in the X-frame as it will degrade the performance of the cot and may void its warranty.
- The use of accessories, transducers, and cables, other than those specified or provided by the manufacturer, could result in increased electromagnetic emissions or decreased electromagnetic immunity and result in improper operation.

- The emissions characteristics of this equipment make it suitable for use in industrial areas and hospitals (CISPR 11 class A). If it is used in a residential environment, for which CISPR 11 class B is normally required, this equipment might not offer adequate protection to radio frequency communication services. The user might need to take mitigation measures, such as relocating or reorienting the equipment.
 - Portable RF communications equipment, including peripherals such as antenna cables and external antennas, should be used no closer than 12 inches (30 cm) to any part of **Power-PRO** and **SMRT** charger, including cables specified by the manufacturer.
 - Avoid stacking or placing other equipment adjacent to **Power-PRO** and **SMRT** charger to prevent improper operation of the products. If such use is necessary, carefully observe **Power-PRO** and **SMRT** charger and the other equipment to make sure that they are operating properly.
-

Pinch points

WARNING - Always keep your hands clear of the red safety bar pivots when you load, unload, or change the height position of the cot.

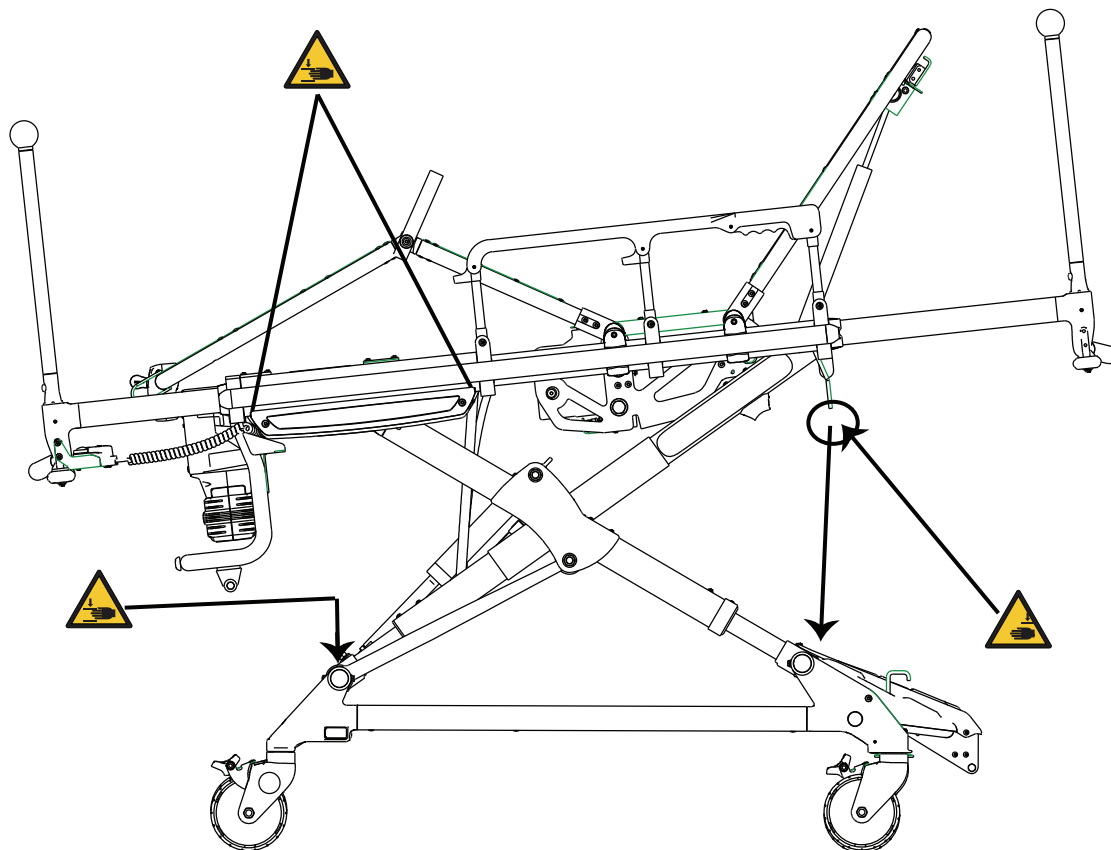


Figure 1 – Pinch points

Mechanical stability

WARNING - Always use both hands when transporting the cot.

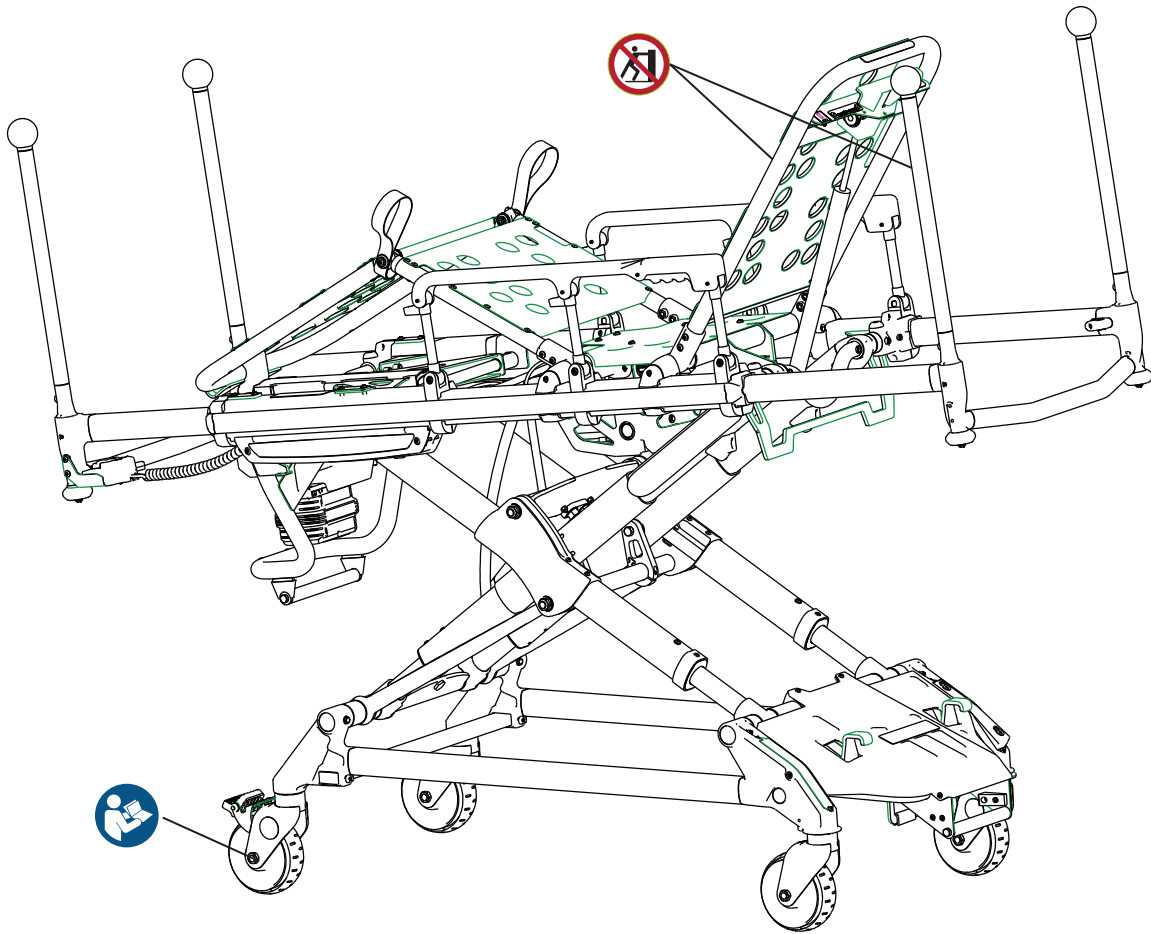


Figure 2 – Mechanical stability

Note - If the cot is on a plane steeper than five degrees, place the cot in the lowest position.

Introduction

This manual assists you with the operation or maintenance of your Stryker product. Read this manual before operating or maintaining this product. Set methods and procedures to educate and train your staff on the safe operation or maintenance of this product.

CAUTION

- Improper usage of the product can cause injury to the patient or operator. Operate the product only as described in this manual.
 - Do not modify the product or any components of the product. Modifying the product can cause unpredictable operation resulting in injury to patient or operator. Modifying the product also voids its warranty.
-

Note

- This manual is a permanent part of the product and should remain with the product even if the product is sold.
- Stryker continually seeks advancements in product design and quality. This manual contains the most current product information available at the time of printing. There may be minor discrepancies between your product and this manual. If you have any questions, contact Stryker Customer Service or Technical Support at 1-800-327-0770.

Product description

The Stryker Model 6550 **Power-PRO™** TL cot is a powered ambulance cot that consists of a platform mounted on a wheeled X-frame designed to support and transport a maximum weight of 700 lb (318 kg) in pre-hospital and hospital environments.

The device is collapsible for use in emergency vehicles and the NiCd battery-powered hydraulic lift system allows operators to raise and lower the cot using the powered controls. The cot is equipped with a manual back-up release handle to allow the operation of cot functions in the event of power loss. The device is equipped with the following: retractable head and foot sections to reduce foot print and allow the cot to maximize maneuverability in tight spaces, siderails, patient securement straps, an adjustable pneumatic backrest and various optional accessories that assist with transport of the patient. Maximum patient comfort is attainable with the three different litter positions of shock, flat leg, and optional knee Gatch positioning.

The **SMRT™** power system consists of a **SMRT** charger™ and a **SMRT** Pak. The **SMRT** Pak powers the hydraulic lift system of the Stryker powered ambulance cots.

Indications for use

The Stryker **Power-PRO** TL is a powered wheeled stretcher that is intended to support and transport the entire body of a traumatized, ambulatory or non-ambulatory human patient (includes infants and adults).

The battery-powered hydraulic lift system helps to reduce the effort required by the operator to raise and lower the cot. The device is made to support patients in a supine (horizontal) or sitting position and to facilitate the transportation of associated medical equipment (such as oxygen bottles, monitors, or pumps) in emergency or transport vehicles. This ambulance cot is to be used in pre-hospital and hospital environments, in emergency and non-emergency applications. It is rated to a maximum capacity of 700 lb (sum of the patient, mattress and accessory weight) and the intended operators of the device are trained professionals, including emergency medical service and medical care center personnel, as well as medical first responders.

Power-PRO TL is not intended for extended stay or use as a hospital bed or in devices that modify air pressure, such as hyperbaric chambers.

Clinical benefits

Cot: patient transport

Fastener: support cot for transport

Cot and fastener system: support and transport patients

Contraindications

None known.

Expected service life

Power-PRO has a seven year expected service life under normal use conditions and with appropriate periodic maintenance.


The **SMRT** charger has a seven year expected service life under normal use conditions and with appropriate periodic maintenance.

The **SMRT** Pak battery has a two year expected service life under normal use conditions.

Disposal/recycle

Always follow the current local recommendations and/or regulations governing environmental protection and the risks associated with recycling or disposing of the equipment at the end of its useful life.

Specifications - Power-PRO

	Note - Safe working load indicates the sum of the patient, mattress, and accessory weight.	700 lb	318 kg
Maximum unassisted lift capacity		700 lb	318 kg
Backrest articulation/shock position (standard Fowler - 6506-012-003)		0° to 73°/+15°	
Backrest articulation/shock position (1865 Fowler option - 6506-012-004)		0° to 75°/+15°	
Overall length		81 in.	206 cm
Standard length/minimum length/width		76.5 in./55 in./23 in.	194.3 cm/139.7 cm/58 cm
Height ¹		Adjustable from 14 in. to 41.5 in.	Adjustable from 36 cm to 106 cm
Weight ²		145 lb	66 kg
Caster diameter/width		6 in./2 in.	15 cm/5 cm
Minimum operators required for loading/ unloading an occupied cot		2	
Minimum operators required for loading/ unloading an unoccupied cot		1	
Recommended fastener systems		Model 6385, 6386, 6387, 6388, or 6389	
Double wheel lock/four wheel lock		Standard/optional	
Hydraulic oil		Stryker part number 6500-001-293	

Power system	
Battery	24 VDC NiCd - SMRT power system
Charger	100-240 VAC 1.20 A, 50/60 Hz or 12 VAC 4.16 A - SMRT power system
Cot duty cycle	10% (33 sec. on/5 min. off)
Standards (cots and chargers)	ANSI/AAMI ES60601-1:2012, CAN/CSA-C22.2 No. 60601-1:14, KKK-A-1822 For standards that require specific options, see <i>Standards with required options</i> (page 11)

¹ Height measured from bottom of mattress at seat section to ground level.

² Cot is weighed with one battery and without mattress and restraints.

Stryker reserves the right to change specifications without notice.

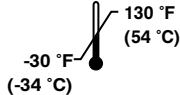
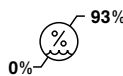
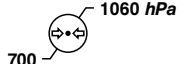
Power-PRO TL is designed to conform to the Federal Specification for the Star-of-Life Ambulance (KKK-A-1822).

Power-PRO TL is designed to be compatible with some competitive cot fastener systems.

Patents pending.

The yellow and black color scheme is a proprietary trademark of Stryker Corporation.

Labels may be unreadable from a viewing distance greater than 12 inches.

Environmental conditions	Operation
Temperature	
Relative humidity	
Atmospheric pressure	

European REACH

In accordance with the European REACH regulation and other environmental regulatory requirements, the components that contain declarable substances are listed.

Description	Number	Substance of very high concern (SVHC) chemical name
Mattress, knee Gatch bolster	6550-001-084	(2H-benzotriazol2-yl)-4, 6-di-tert-pentylphenol
Mattress, knee Gatch bolster, XPS	6500-003-130	(2H-benzotriazol2-yl)-4, 6-di-tert-pentylphenol
Mattress, knee Gatch bolster, grey	6506-003-130	(2H-benzotriazol2-yl)-4, 6-di-tert-pentylphenol
Ni-CAD battery cell	6500-101-129	Cadmium, cadmium hydroxide

Description	Number	Substance of very high concern (SVHC) chemical name
Pole assembly, two-stage	6070-210-070	Lead
Pole assembly, three-stage	6070-215-070	Lead

Standards with required options

To be compliant with the standards, you must install the following required options on your cot.

Standard	Option selection		
	Restraint package	Mattress	Option
BS EN 1789:2007+A2:2014 crash-test standards with the use of a crash-rated fastener	EMS restraint package (6060-160-010), X-restraint package (6500-001-430), or XPR restraint package (650600030010) Note - The X-restraint package and XPR restraint package are compatible with the XPS mattress (6500-003-130/6506-003-130) only.	Knee Gatch bolster mattress (6550-001-084) or XPS mattress (6500-003-130/6506-003-130) (depending on cot siderail)	
BS EN 1865-3:2012 +A1:2015			XPS option (6506-040-000)
BS EN 1865-2:2010 +A1:2015			1865 Fowler option (6506-012-004)

Schnitzler Pediatric Restraint System compatibility

CAUTION - Do not use the product with incompatible restraints.

XPS mattress (6500-003-130 or 6506-003-130)	Schnitzler Pediatric Restraint System (0058-384-000) with serial number less than 720 XPSNPR-2123	Schnitzler Pediatric Restraint System (0058-384-000) with serial number equal to or greater than 720 XPSNPR-2123
Mattress with lot code less than 18001001	Compatible	Compatible
Mattress with lot code equal to or greater than 18001001	Not compatible	Compatible

The Schnitzler Pediatric Restraint System (0058-385-000) is compatible for use with the standard mattress on Model 6100 M-1 Roll-In System, Model 6506 **Power-PRO** XT Cot, and Model 6550 **Power-PRO** TL Cot.

Specifications - SMRT

	SMRT charger	SMRT Pak	AC power supply
Electrical input	13.9 VDC 4.16 A	Not applicable	100-240 VAC 1-2 A 50/60 Hz
Electrical output	Open circuit 40 VDC 1.20 A	24 VDC NiCd	12 VDC 4-6 A
Height	2.375 in. (60.325 mm)	3.25 in. (82.55 mm)	Varies
Width	5.125 in. (130.175 mm)	4 in. (101.6 mm)	Varies
Length	7 in. (177.8 mm)	5.75 in. (146.05 mm)	Varies
Weight	1.3 lb (.59 kg)	3.8 lb (1.7 kg)	Varies
Enclosure protection	IPX0	IPX6	IPX0
Equipment type	Not applicable	Not applicable	Class II
Approvals	ANSI/AAMI ES 60601-1: 2012, CAN/CSA-C22.2 No. 60601-1:14	Not applicable	Not applicable

Environmental conditions	Operation	Charging	Storage and transportation
Temperature	43 °F (6 °C) to 88 °F (31 °C)	43 °F (6 °C) to 88 °F (31 °C)	-4 °F (-20 °C) to 104 °F (40 °C)
Relative	0% to 93%	30% to 75%	0% to 93%
Atmospheric pressure	700 to 1060 hPa	700 to 1060 hPa	500 to 1060 hPa

Specifications are approximate and may vary from unit to unit or as a result of power supply fluctuations.

Stryker reserves the right to change specifications without notice.

Product illustration - Power-PRO

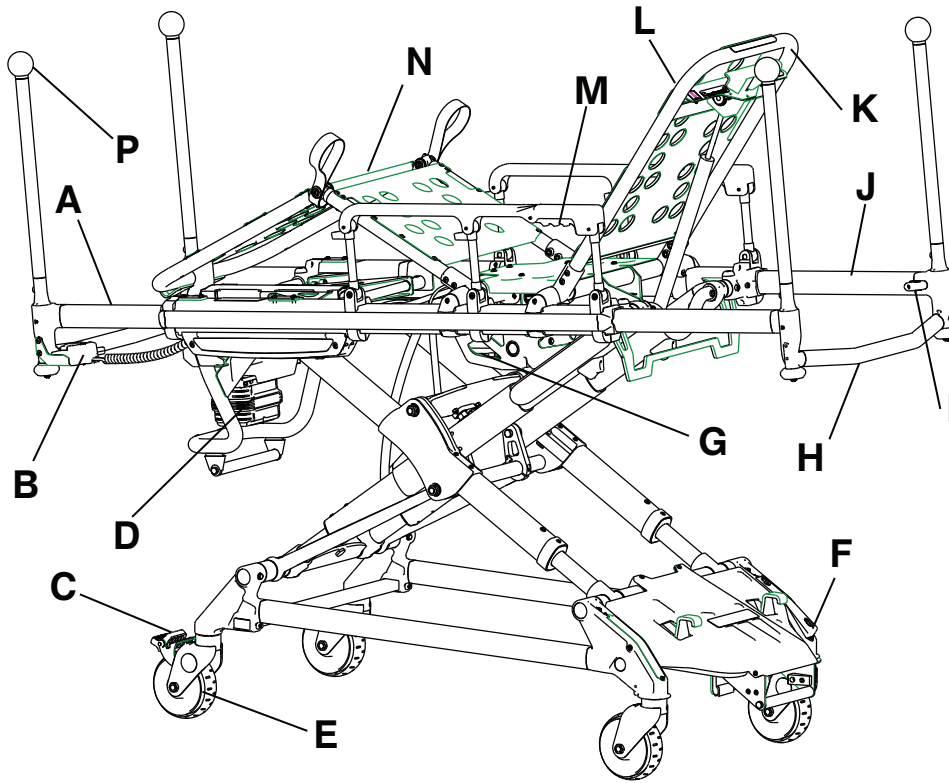


Figure 3 – Power-PRO TL

A	Retractable foot section	I	Battery
B	Height adjustment switch	J	Retractable head section
C	Wheel lock	K	Backrest adjustment handle
D	Battery	L	Backrest
E	Load wheels	M	Siderail release handle
F	Steer-Lock	N	Gatch/leg rest
G	Hydraulic unit	P	Push bars (optional)
H	Head section release handle		

Product illustration - SMRT

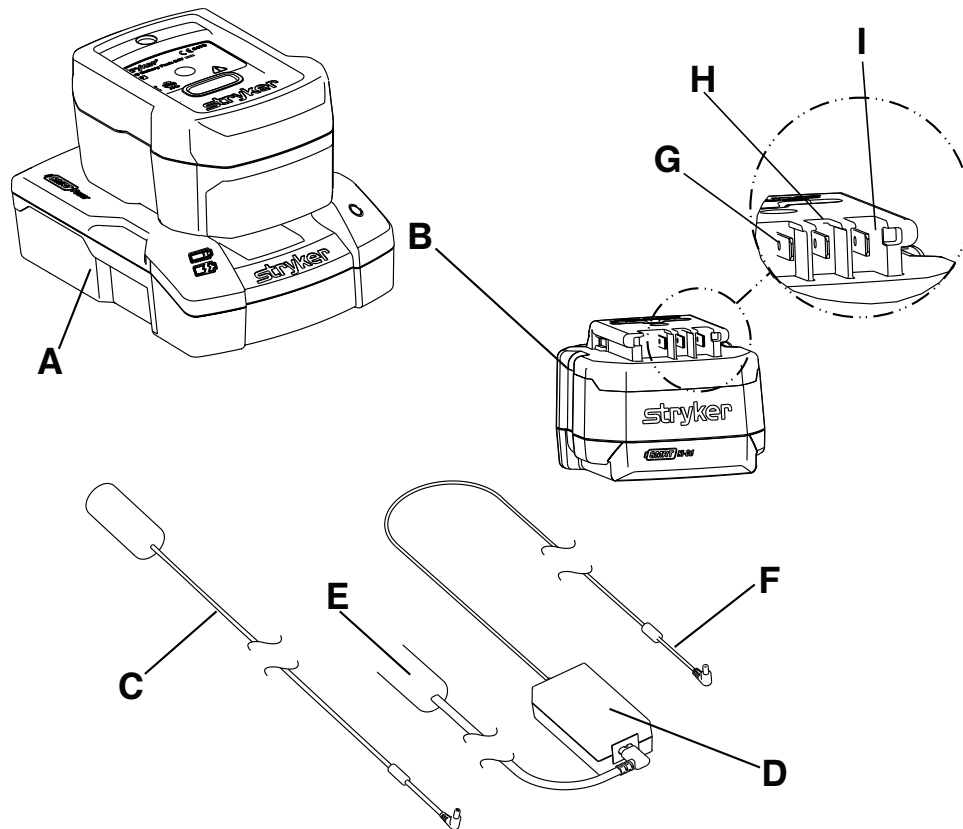


Figure 4 – SMRT power system

A	SMRT charger	F	Output cord
B	SMRT Pak	G	Data
C	DC cable	H	Power (-)
D	AC power supply	I	Power (+)
E	AC power cord		

Contact information

Contact Stryker Customer Service or Technical Support at: 1-800-327-0770.

Stryker Medical
 3800 E. Centre Avenue
 Portage, MI 49002
 USA

Note - The user and/or the patient should report any serious product-related incident to both the manufacturer and the Competent authority of the European Member State where the user and/or patient is established.

To view your operations or maintenance manual online, see <https://techweb.stryker.com/>.

Have the serial number (A) of your Stryker product available when calling Stryker Customer Service or Technical Support. Include the serial number in all written communication.

Serial number location - Power-PRO

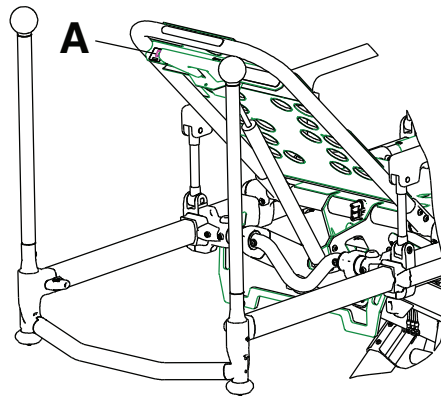


Figure 5 – Serial number location

Serial number location - SMRT

The serial number for the **SMRT** charger is located on the bottom of the unit. The lot number for the **SMRT** Pak is located on the top of the **SMRT** Pak above the red release button.

Setup

During setup, unpack the cartons and check all items for proper operation. Make sure that the product operates before you place it into service.

Remove all the shipping and packaging materials from the product before use.

The patient compartment of the vehicle where the product will be used, must have a:

- Level floor large enough for the folded product
- Stryker cot fastener system

Note - Loose items or debris on the patient compartment floor can interfere with the operation of the product fastener. Keep the patient compartment floor clear.

Unpack the **SMRT** Paks and **SMRT** charger. Charge the **SMRT** Pak before use.

When necessary, modify the vehicle to fit the cot. Do not modify the cot.

Installation

Installing the cot fastener

The Stryker cot fastener systems are compatible only with cots that conform to the installation specifications.

WARNING

- Always install the cot fastener by qualified personnel only. Improper installation could result in injury to the patient or operator.
 - Always make sure that all cots meet the installation specifications for the Stryker cot fastener system.
 - Always adjust the rail clamp assembly to match the cot retaining post position for the cot manufacturer and model number.
-

These instructions are intended for cots with antler style cot fastener systems. For crash-rated cot fasteners, see the appropriate Operations Manual for installation instructions.

Operation

Checking the battery power level

Use the cot battery LED indicator to check the **SMRT Pak** power level. A charged **SMRT Pak**, in working condition, provides up to 25 calls with a 250 pound patient (actual results may vary). The 24 VDC **Power-PRO** system and the **SMRT Pak** is rated for 2.4 amp-hours of electric energy.

WARNING - Do not remove the battery when the cot is active.

CAUTION - Always charge the battery before you place the product into service. An uncharged or depleted battery may cause poor product performance.

To check the battery power level, press the retract (-) button on the cot control switch to activate the cot battery LED indicator. The cot battery LED indicator is located at the foot end control enclosure (shown as a battery symbol).

- The LED is solid green when the battery has a full charge or has an adequate battery power charge.

Note - For best results, use the **SMRT Pak** until the cot battery LED indicator changes from solid green to flashing amber.

- The LED flashes amber when you need to charge or replace the battery

Note - The cot battery LED indicator does not have to flash amber before you remove and replace the **SMRT Pak**, however, this is considered to be a best practice. You can remove and recharge the **SMRT Pak** at any time.

- The LED is a solid amber to indicate a battery error.

Note

- Only use Stryker approved batteries.
- If equipped, the powered cot fastener automatically charges the **SMRT Pak** battery. Automatic charging occurs when you lock the cot into the powered cot fastener (no cable or connectors required). The cot battery LED indicator flashes green for a moment to signify that it is charging.
- Automatic charging will only occur with **SMRT Pak** batteries.

Checking the hour meter and error display

The hour meter indicates the amount of time (HHH.H hours) that the hydraulics were in use. The error display provides error code information for troubleshooting.

Use the hour meter (A) (Figure 6) to determine the frequency of preventive maintenance. Use the error display (A) for troubleshooting. The error display overrides the hour meter display when an error occurs.

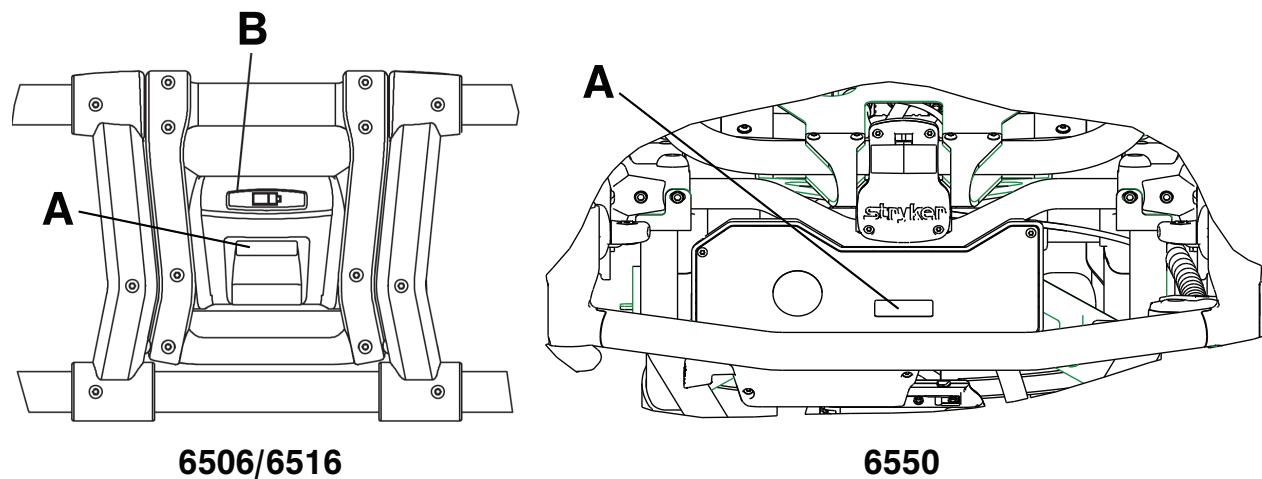


Figure 6 – Checking the hour meter (A), error display (A), and battery status (B)

Operating guidelines

WARNING

- Always operate the product only when all persons are clear of the mechanisms. Entanglement in powered product mechanisms can cause serious injury.
- Always inspect **SMRT Paks** for damage before every use.
- Do not allow untrained assistants to assist in the operation of the product.
- Always follow proper hand placement on hand grips. Keep all hands clear of the red safety bar pivots when you load or unload the cot or change cot height position.
- Do not ride on the base of the cot.
- Do not transport the cot sideways to avoid the risk of tipping. Always transport the cot in a lowered position, head end or foot end first to minimize the risk of tipping.
- Always keep hands, fingers, and feet away from moving parts. Use caution when placing your hands and feet near the base tubes while you raise or lower the cot.
- Always install the in-fastener shut-off system in any emergency vehicle that will be used with this cot and an antler style cot fastener.
- Always conduct patient monitoring when the cot is idle. If you hydraulically raise or lower the product you may temporarily affect electronic patient monitoring equipment.

CAUTION - Always clear any obstacles that may interfere and cause injury to the operator or patient before operating the product.

- Operate the product only as described in this manual.
- Read all labels and instructions on the product before use.
- Practice changing height positions and loading the cot until you fully understand the operation of the product.
- Inspect the **SMRT Pak** housing and terminal area for any cracks or damage before first and every use.
- Always load or unload an occupied cot with a minimum of two trained operators. Two operators must be present when a cot is occupied. Stryker recommends that both operators are at the foot end to reduce the load on each operator. One or two operators can lift from the foot end of the cot.
- Do not adjust, roll, or load the cot into a vehicle without advising the patient. Stay with the patient and control the product at all times.
- You can transport the cot in any position. Stryker recommends that the operators transport the patient in the lowest comfortable position to maneuver the cot.
- Only use the wheel locks during patient transfer or without a patient on the product.

- Do not apply a wheel lock when an occupant is on the product or when moving the product to avoid the risk of tipping.
- Use properly trained helpers to control the cot, when necessary.

Proper lifting techniques

When you lift the product and occupant, follow these proper lifting techniques to avoid the risk of injury:

- Keep your hands close to your body
- Keep your back straight
- Coordinate all movement with your partner
- Lift with your legs
- Avoid twisting

Transferring the patient to the cot

WARNING

- Always use all restraint straps to secure the patient on the product. An unrestrained patient may fall from the product and be injured.
 - Do not leave a patient unattended. Hold the product while a patient is on the product.
 - Do not apply a wheel lock when a patient is on the product or when you move the product to avoid the risk of tipping.
 - Do not use siderails as a patient restraint device.
-

To transfer the patient to the product:

1. Roll the product to the patient (*Rolling the cot with a patient* (page 19)).
2. Place the product beside the patient and raise or lower the product to the level of the patient.
3. Lower the siderails and open the restraint straps.
4. Transfer the patient to the product. Follow accepted EMS procedures.
5. Secure the patient to the product with all of the restraint straps.
6. Raise the siderails and adjust the backrest and footrest as necessary.

Rolling the cot with a patient

WARNING

- Always transport the cot at a lower height to reduce the risk of a cot tip. If possible, obtain additional assistance or take an alternate route.
 - Always avoid high obstacles, such as curbing, steps, or rough terrain to avoid the risk of the product tipping over.
-

To roll the cot with a patient:

1. Position one operator at the foot end and one operator at the head end of the cot.
2. Make sure that the litter is perpendicular when you approach door sills or other low obstacles.
3. Lift each set of wheels over the door sill or obstacle separately.

Raising or lowering the cot

You can raise or lower an unoccupied cot with one operator. If a patient is on the cot, a minimum of two trained operators (one located at each end of the cot) are required to raise or lower the cot.

WARNING

- Always keep hands, fingers, and feet away from moving parts. Use caution when placing your hands and feet near the base tubes while you raise or lower the cot.
- Always follow proper hand placement on hand grips. Keep all hands clear of the red safety bar pivots when you load or unload the cot or change cot height position.
- Always use two operators to raise or lower the cot with a patient.

To raise or lower the cot:

1. Operator 1 (foot end): Grasp the cot frame and press the:
 - Extend (+) button to raise the cot to the desired height
 - Retract (-) button to lower the cot to the desired height
2. Operator 2 (head end): Maintain a firm grip on the outer rail until the cot is at the desired height.

Note - If you press the extend (+) button on the cot control switch after the cot reaches the set cot load height, the motor will remain halted until you release the button. After you release the button, press the extend (+) button again to jog the cot height up higher.

Raising, lowering, or releasing the cot with power

There are two identical cot control switches located on the **Power-PRO** cots. Press the button on either of these switches to raise (extend) the cot, lower (retract) the cot, or release the cot from **Power-LOAD**, if applicable (Figure 7).

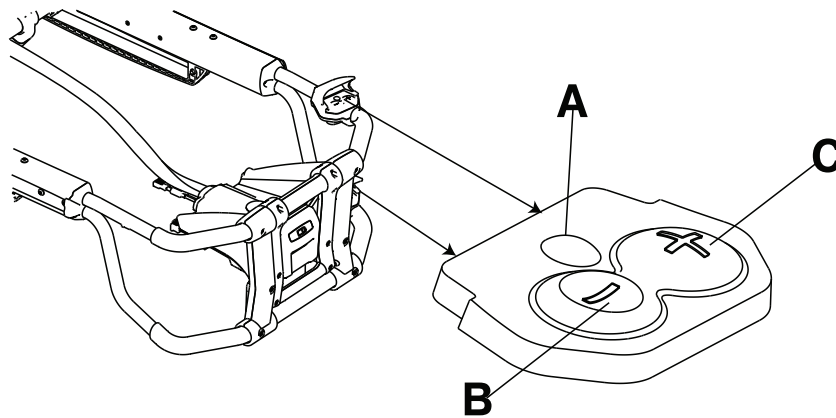


Figure 7 – Cot control switches

Reference	Name	Description
A	Release	Press to unlock the cot (for use with Power-LOAD only)
B	Retract (-)	Press and hold to lower the litter or retract the cot undercarriage
C	Extend (+)	Press and hold to raise the litter or extend the cot undercarriage

Raising or lowering the cot manually with the manual override

In the event of loss of electrical function, you can use the cot manual override. This allows manual operation of the product until the restoration of the electrical, powered functions. Use the red manual back-up release handle to raise or lower the cot.

The manual back-up release handle is located along the patient left side of the lower lift bar at the foot end of the cot.

To raise or lower the cot with the manual back-up release handle:

1. Both operators: Lift the cot during the raise or lower operation to support the weight of the cot at each end.
2. Operator 1 (foot end):
 - a. Pull the manual back-up release handle toward the lift bar.
 - b. While pulling the manual back-up release handle, raise or lower the cot to the desired position.
 - c. Release the handle to lock the cot into position

Note

- Both operators must lift the cot weight off of the wheels to use the manual extend or retract while a patient is on the cot.
- Activation of the manual back-up release handle may cause the cot to lower at a slow rate if less than 50 lb (23 kg) are on the cot.
- Hydraulic fluid will become more viscous when the cot is used for extended periods in cold temperatures. When using the manual back-up release function to extend the base, while unloading in cold weather conditions, hold the manual back-up release handle for approximately one second after the cot wheels touch the ground to minimize sagging of the litter as you remove the cot from the vehicle patient compartment.

Expediting load with the high speed retract mode

When you press the retract (-) button, the cot will enter the high speed retract mode when the cot wheels are not supporting the weight of the cot and patient.

The high-speed retract mode expedites loading of the cot into a vehicle. The undercarriage retracts toward the highest position once the weight of the cot and patient is no longer supported by the wheels. Press the retract (-) button to actuate the control switch.

Loading the cot to the cot fastener

CAUTION

- Always lower the cot to the lowest position to make sure that the cot connects to the cot fastener.
 - Do not attempt to change the product height while the cot is connected to the cot fastener.
-

To load the cot to the cot fastener:

1. Depress the cot pedal and lower the cot. Press the retract (-) button until the product stops moving down to lower the cot.
2. Guide the cot into both the head end and foot end of the cot fastener until the cot locks into place (Figure 8).
3. Make sure that the cot is secure at both the head end and foot end before you release your grip on the cot (Figure 9).



Figure 8 – Cot in both the head end and foot end of the cot fastener

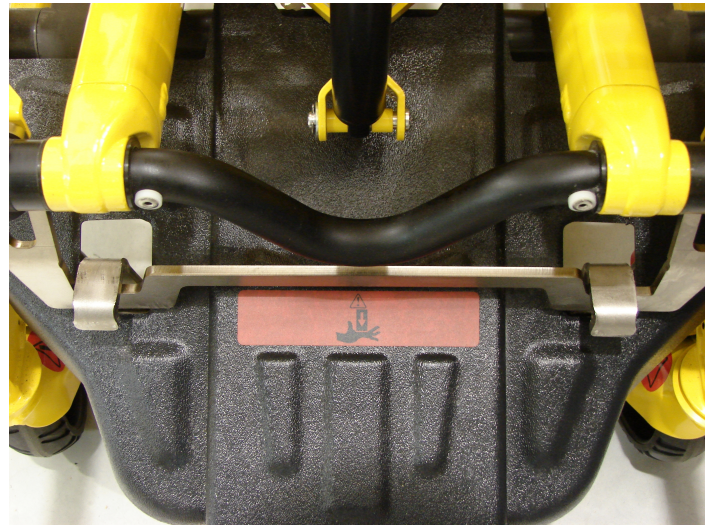


Figure 9 – Cot fastened

Removing the cot from the cot fastener

To remove the cot from the cot fastener:

1. Press down on the foot pedal (Figure 10).
2. Roll the cot out of the vehicle patient compartment.



Figure 10 – Press down on the foot pedal

Loading the cot with a tail lift

Always load an occupied cot with a minimum of two trained operators. Two operators must be present when a cot is occupied. Operators must be able to lift the total weight of the patient, cot, and any items on the cot.

WARNING

- Always make sure that the cot is not able to roll back off of the lift before you use the tail lift with a cot and patient. Make sure that the lift gate stop is maintained and functioning.
 - Always follow proper hand placement on hand grips. Keep all hands clear of the red safety bar pivots when you load or unload the cot or change cot height position.
-

CAUTION

- Always lower the cot to the lowest position to make sure that the cot connects to the cot fastener.

- Do not attempt to change the product height while the cot is connected to the cot fastener.
-

To load the cot:

1. Press the retract (-) button to move the cot to its lowest position for greater stability.
2. Push the cot forward onto the tail lift, head end first (Figure 11). Make sure that the wheels are in the proper location on the tail lift to allow the safety stop to rotate into place and prevent the cot from rolling backward.
3. Before you raise the tail lift, make sure that there is adequate distance between the cot and the rear of the ambulance. Make sure that there is nothing hanging from the cot.
4. As one operator raises the tail lift, the second operator should maintain a firm grip on the cot frame to provide greater stability.
5. Both operators should guide the cot into the vehicle patient compartment and into the vehicle cot fastener (not included) (Figure 12).



Figure 11 – Cot on the tail lift



Figure 12 – Both operators guide the cot into the vehicle patient compartment

Unloading the cot with a tail lift

WARNING

- Always make sure that the cot is not able to roll back off of the lift before you use the tail lift with a cot and patient. Make sure that the lift gate stop is maintained and functioning.
 - Always follow proper hand placement on hand grips. Keep all hands clear of the red safety bar pivots when you load or unload the cot or change cot height position.
-

CAUTION

- Always lower the cot to the lowest position to make sure that the cot connects to the cot fastener.
 - Do not attempt to change the product height while the cot is connected to the cot fastener.
-

To unload the cot:

1. Make sure that the lift gate stop is in position to prevent the cot from rolling off of the tail lift.
2. Raise the tail lift to the vehicle patient compartment floor level.
3. Remove the cot from the vehicle cot fastener.
4. Both operators should grasp the cot frame and roll the cot into the tail lift. Remove the cot from the vehicle patient compartment and make sure that the cot wheels are in the proper position to allow the lift to lower freely.
5. Lower the tail lift to the ground. Make sure that the tail lift is fully lowered and stopped before you remove the tail lift gate stop and allow the cot to be rolled off of the tail lift.

Loading the cot with a ramp

Always load an occupied cot with a minimum of two trained operators. Two operators must be present when a cot is occupied. Operators must be able to lift the total weight of the patient, cot, and any items on the cot.

WARNING - Always follow proper hand placement on hand grips. Keep all hands clear of the red safety bar pivots when you load or unload the cot or change cot height position.

CAUTION

- Always lower the cot to the lowest position to make sure that the cot connects to the cot fastener.
 - Do not attempt to change the product height while the cot is connected to the cot fastener.
-

To load the cot:

1. Make sure that the patient is secure at all times when on the cot.
2. Before you push up the cot up the ramp, press the retract (-) button to move the cot to its lowest position for greater stability (Figure 13). Make sure that there is nothing hanging from the cot.
3. Using the optional push bars, both operators should push or pull the cot up the ramp, head end first (Figure 14). Both operators should guide the cot up the center of the ramp.
4. Both operators should guide the cot into the vehicle patient compartment and connect the cot to the vehicle cot fastener (not included).



Figure 13 – Cot in the lowest position



Figure 14 – Guide the cot up the center of the ramp

Loading and unloading a cot with the optional oxygen bottle holder

To load and unload the cot with the optional oxygen bottle holder:

1. Attach the winch cable to the winch attachment rod (A) (Figure 15).
2. Make sure that the ramp is at least 8.5 ft.
3. Make sure that the ramp can support the weight of the cot, patient, and equipment.

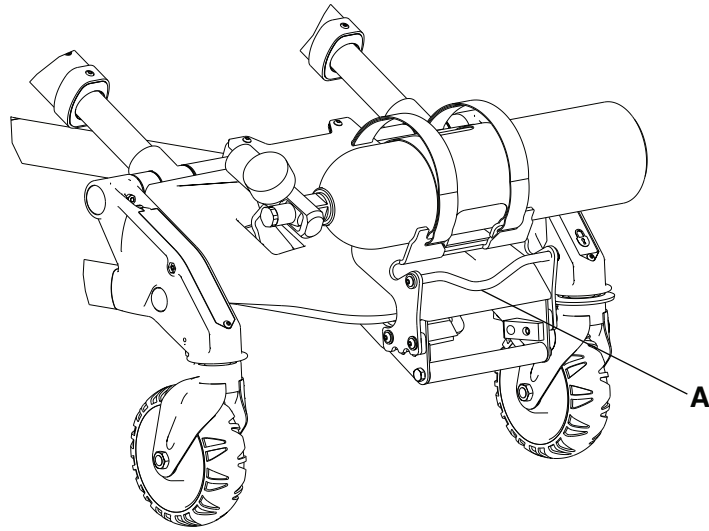


Figure 15 – Winch attachment rod

Note - With the cot in the lowest position, you can use the optional oxygen bottle holder to load patients weighing up to 50 stones (318 kg) (700 lb).

Positioning operators and helpers

WARNING - Always keep your hands clear of the red safety bar pivots when you load, unload, or change the height position of the cot.

	Changing levels	Rolling
Two operators (O) Two helpers (H)		
Two operators (O) Four helpers (H)		

Raising or lowering the backrest

To raise the backrest, squeeze the backrest adjustment handle to move the backrest to the desired height.

To lower the backrest, squeeze the backrest adjustment handle while you push down on the backrest to the desired height.

Raising or lowering the siderails

Always lower the siderails when you transfer a patient to the cot or from the cot.

WARNING - Do not use siderails as a patient restraint device.

To raise the siderails, lift up on the siderail until the latch clicks and the siderail locks into place. Always keep the siderails in the raised position unless you are transferring the patient.

To lower the siderails, squeeze the siderail release handle to release the siderail latch. Guide the siderail down toward the foot end of the cot until the siderail lays flat. Always lower the siderails when you transfer a patient to or from the cot.

Raising or lowering the siderails (XPS option)

You can order your cot with the expandable patient surface (XPS) option or upgrade your cot to add the XPS option.

WARNING - Do not use siderails as a patient restraint device.

CAUTION

- Do not sit or stand on the siderails (XPS option).
 - Do not use the siderails (XPS option) as a patient transfer device or surface (for example, to slide a patient from the cot to another surface).
 - Do not position patients with full weight on the siderails (XPS option).
 - Do not use the siderails (XPS option) as a push/pull device or to steer the product.
-

Siderails (XPS option) attach to the cot and are always available for your use. The siderails (XPS option) adjust according to patient size and lock into seven positions. The siderails also adjust to fit through standard doorways or elevators.

To raise the siderails, lift up on the siderail until it locks into the desired position.

To lower the siderails, lift up to relieve the weight, then pull the red lever. Always lower the siderails when you transfer a patient to or from the cot.

The XPS option is not a primary patient support surface. It includes a wider mattress and is intended to enhance patient comfort.

Extending the retractable head section or foot section

The head section telescopes from an extended position to a retracted position within the litter frame.

WARNING

- Always lock the head section into place before you operate the cot.
 - Do not attempt to load the cot into the vehicle patient compartment with the head section retracted. Loading the cot with the head section retracted may cause the product to tip or not connect to the vehicle cot fastener.
-

To extend the head section or foot section:

1. Squeeze the red release levers (A) on each side of the frame as you pull the head or foot section out of its retracted position (Figure 16).
2. Make sure that the head section or foot section locks into position.

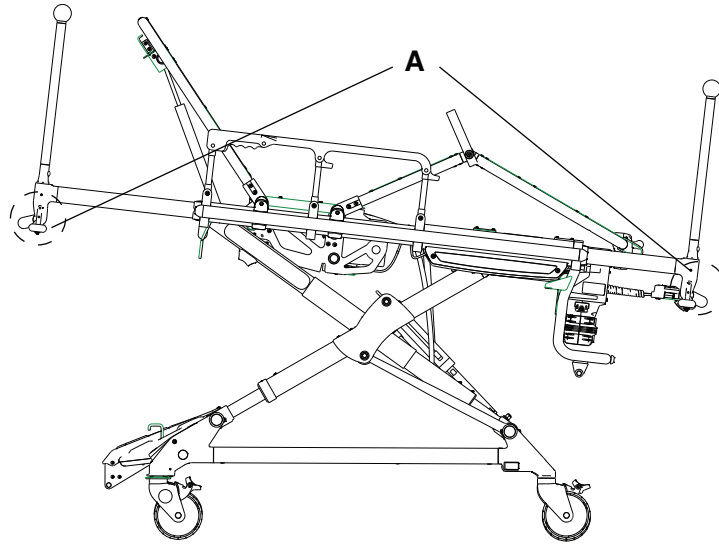


Figure 16 – Extend the head section or foot section

Retracting the retractable head section or foot section

The head section telescopes from an extended position to a retracted position within the litter frame.

WARNING

- Always lock the head section into place before you operate the cot.
 - Do not attempt to load the cot into the vehicle patient compartment with the head section retracted. Loading the cot with the head section retracted may cause the product to tip or not connect to the vehicle cot fastener.
-

To retract the head section or foot section:

1. Squeeze the red release levers (A) on each side of the frame as you push the head or foot section out of its extended position (Figure 17).
2. Make sure that the head section or foot section locks into position.

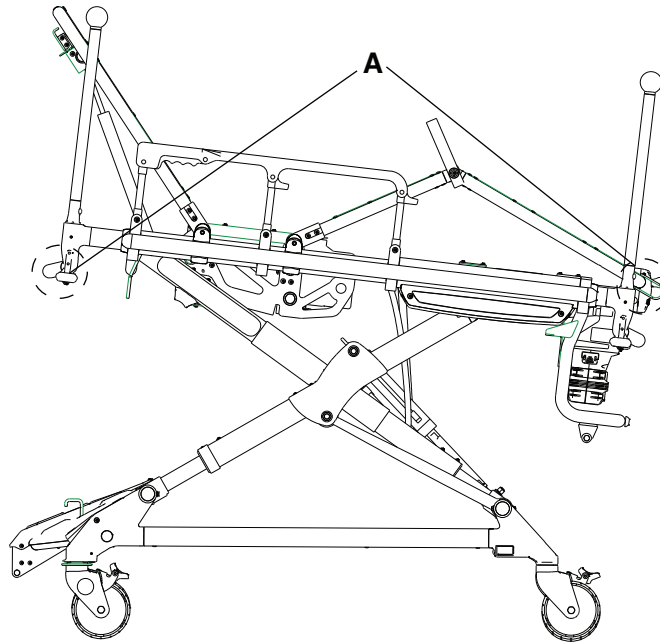


Figure 17 – Retract the head section or foot section

Raising or lowering the knee Gatch option

To raise the knee Gatch:

1. Lift either of the red lifting loops (A) until the knee Gatch is in the highest position (Figure 18).
2. Lower the knee Gatch to secure the support bracket to the locking mechanism.
3. Make sure that the locking mechanism is secure before you release the lifting loop.

To lower the knee Gatch, lift either of the red lifting loops (A) to relieve pressure on the locking mechanism, and while holding the loop, push on the red footrest release handle (B) until the support bracket is released. Lower the knee Gatch until it lays flat.

To raise the knee Gatch in trend, lift the footrest frame (C) as high as possible until the frame locks into place. The support bracket automatically connects when you release the frame.

To lower the knee Gatch in trend, lift the footrest frame (C), and while holding the frame, lift up on the red footrest release handle (B) until the frame releases the support bracket. Lower the footrest until it lays flat.

Note - The foot end oxygen bottle holder option (6500-240-000) is not compatible with the knee Gatch option (6500-082-000).

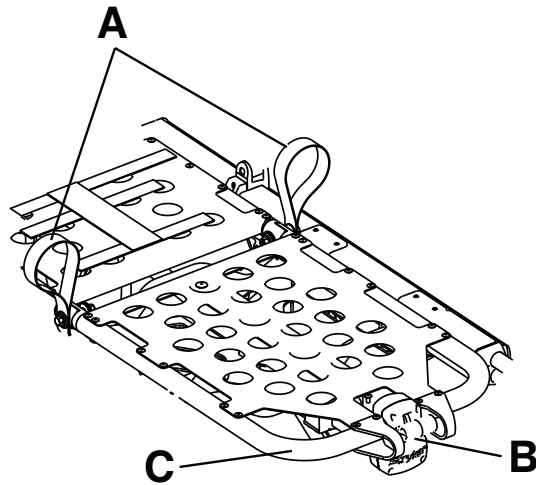


Figure 18 – Gatch

Applying or releasing a wheel lock

WARNING

- Do not apply a wheel lock when a patient is on the product or when you move the product to avoid the risk of tipping.
 - Do not install or apply a wheel lock on a product with worn wheels that are less than 6 in. diameter.
 - Do not leave a patient or occupant unattended. Hold the product while a patient or occupant is on the product.
-

To apply a wheel lock, press down on the pedal until it stops and is resting against the surface of the wheel.

To release a wheel lock, press down on the top of the pedal with your foot or lift up on the pedal with your toe. The top of the pedal will rest against the caster frame when you release the wheel lock.

Note - Wheel locks help prevent the product from rolling while unattended. Wheel locks may not provide sufficient resistance on all surfaces or under loads.

Applying or releasing the Steer-Lock option

To apply the Steer-Lock:

1. From the cot foot end, press the red (lock) side of the foot pedal or from the cot head end, press down on either red pedal.
2. Rotate the cot until at least one head end caster locks.

To release the Steer-Lock:

- From the cot foot end, press the green (unlock) side of the foot pedal or from the cot head end, lift up on either red pedal at the head end.

Securing the patient with the restraint straps

WARNING

- Always use all restraint straps to secure the patient on the cot. An unrestrained patient may fall from the cot.
 - Do not attach restraint straps to the base tubes or cross tubes.
-

CAUTION - Do not entangle the restraint straps in the base frame when you raise or lower the cot.

Note - Restraint straps are a Type BF applied part.

Secure restraint straps to the cot in the required attachment locations (Figure 19). Restraint strap attachment locations should provide strong anchorage and proper restraint position. Do not allow restraint straps to interfere with equipment or accessories. Buckle the restraint straps across the patient's shoulders, waist, and legs. Buckle restraint straps when the cot is not in use.

To attach the patient restraint straps to the cot litter frame, feed the loop end of each strap through the litter frame at each of the designated locations (Figure 19) and then feed the buckle or latch plate back through the loop end of the strap. The arrows indicate alternate attachment areas.

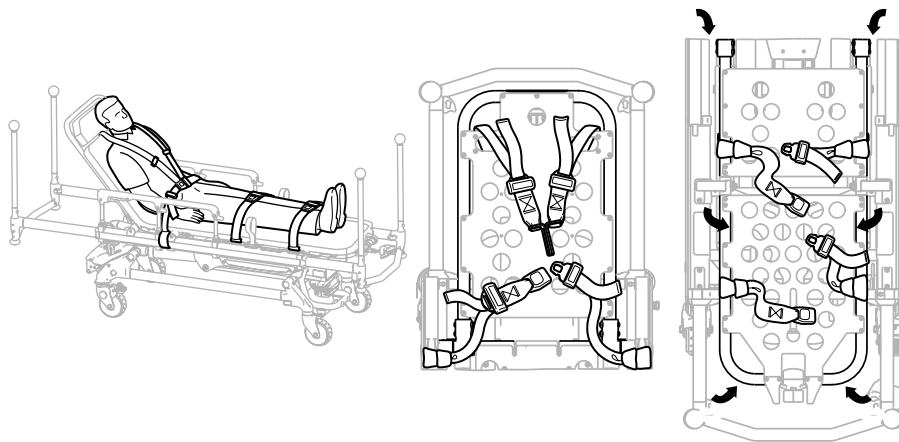


Figure 19 – Restraint strap attachment points

Adding a restraint strap extension

Add a restraint strap extension (6082-160-050) for extra length when you buckle the lap belt around larger patients.

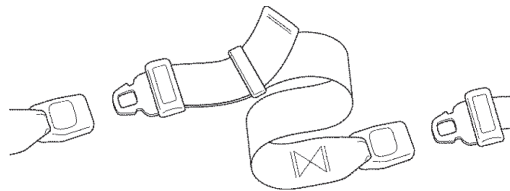


Figure 20 – Restraint strap extension

Securing a patient with the X-restraint/XPR restraint straps

Secure restraint straps to the cot in the required attachment locations: shoulders, waist, thighs, and ankles.

WARNING

- Always use all restraint straps to secure the patient on the cot. An unrestrained patient may fall from the cot.
 - Do not attach restraint straps to the base tubes or cross tubes.
-

CAUTION - Do not entangle the restraint straps in the base frame when you raise or lower the cot.

Note

- The X-restraint/XPR (6500-001-430/650600030010) restraint straps are only compatible with the wider Gatch bolster mattress (6500-003-130/6506-003-130).
- Restraint straps are a Type BF applied part.

Restraint strap attachment locations should provide strong anchorage and proper restraint position (Figure 21). Do not allow restraint straps to interfere with equipment or accessories. Buckle the restraints across the shoulders, waist, thighs, and ankles. Buckle all restraint straps when the cot is not in use.

1. *Attaching the X-restraint/XPR shoulder restraints* (page 31)
2. *Attaching the X-restraint/XPR waist restraints* (page 32)
3. *Attaching the X-restraint/XPR thigh restraints* (page 32)
4. *Attaching the X-restraint/XPR ankle restraints* (page 32)



Figure 21 – Restraint strap attachment locations

Attaching the X-restraint/XPR shoulder restraints

To attach the X-restraint/XPR shoulder restraints:

1. Wrap the restraint around the cot frame.
2. Pull the restraint buckle through the loop, toward the head end of the cot.
3. Feed the buckle under the XPS System.
4. For the Model 6506 **Power-PRO XT** cot and Model 6086 **Performance-PRO XT** cot, pull the restraint tight and toward the back of the backrest.
5. For the Model 6550 **Power-PRO TL** cot, pull the restraint under the cross tube and toward the back of the backrest.
6. Feed the buckle through the opening in the backrest.
7. Connect the patient right shoulder buckle to the patient left waist buckle.
8. Remove any slack from the restraint strap loop.



Figure 22 – Shoulder restraints

Attaching the X-restraint/XPR waist restraints

To attach the X-restraint/XPR waist restraints:

1. Wrap the restraint around the cot frame.
2. Pull the restraint buckles through the loop, toward the head end of the cot.
3. Feed the buckle under the XPS System.
4. Pull the buckles tight. One restraint should angle toward the head end and one should lay straight across the cot.
5. Connect the patient right buckle to the patient left buckle.
6. Remove any slack from the restraint strap loop.



Figure 23 – Waist restraints

Attaching the X-restraint/XPR thigh restraints

To attach the X-restraint/XPR thigh restraints:

1. Wrap the restraint around the cot litter.
2. Pull the restraint buckle through the loop, toward the head end of the cot.
3. Pull the restraint tight.
4. Connect the patient right buckle to the patient left buckle.
5. Remove any slack from the restraint strap loop.



Figure 24 – Thigh restraints

Attaching the X-restraint/XPR ankle restraints

For Model 6506 **Power-PRO XT** cots, Model 6086 **Performance-PRO XT**, and Model 6550 **Power-PRO TL** cots built or upgraded after July 3, 2015 with the Gatch option or any trend only.

To attach the X-restraint/XPR ankle restraints:

1. Wrap the restraint around the cot frame. Wrap around both foot end lift bars.
2. Pull the restraint buckle through the loop, toward the head end of the cot.

3. Pull the buckle tight.
4. Connect the patient right buckle to the patient left buckle.
5. Remove any slack from the restraint strap loop.



Figure 25 – Ankle restraints

Securing the patient with the Pedi-Mate® infant restraint system

WARNING - Always locate the buckle away from obstructions or accessories on the cot to avoid the risk of accidental release of **Pedi-Mate®** infant restraint system and injury to the infant.

To secure the patient with the **Pedi-Mate®** infant restraint system:

1. Remove any restraints from the cot.
2. Raise the cot backrest to the full upright position.
3. Position the **Pedi-Mate®** pad flat on the cot backrest with the black backrest straps facing out.
4. Wrap the straps around the cot backrest and insert the ends of the straps through the brackets.
5. Fasten the buckle.
6. Pull on the end of the adjustable backrest strap to tighten.
7. Insert the mainframe straps between the product frame and the mattress.
8. Insert the buckle behind the litter cross brace and bring it up in front of the litter cross brace.
9. Fasten the buckle around the litter cross brace. Leave slack in the strap for final adjustment.
10. Tighten all straps.

Note - For more information about the **Pedi-Mate®** infant restraint system, see the manufacturer's instructions for use, operation, and care. Safe and proper use of the **Pedi-Mate®** infant restraint system is at the discretion of the user. Set methods and procedures to educate and train your staff on the safe operation or maintenance of this product. These are general instructions only. Keep these instructions for future reference. These instructions are a permanent part of the product and should remain with the product even if the product is sold.

Pedi-Mate® is a registered trademark of Ferno Washington, Inc.

Attaching the defibrillator platform

WARNING - Do not attach the defibrillator platform on a Model 6086 **Performance-PRO XT** cot with the **Power-LOAD** option to avoid the risk of a cot tip.

CAUTION

- Always secure the defibrillator platform to the product when you use the defibrillator platform.
 - Always use and adjust the straps that are provided with the defibrillator platform to secure the defibrillator.
 - Always change the attachment location or adjust the straps for your specific defibrillator size or shape.
 - Do not load the defibrillator platform above the safe working load of 30 lb (13.6 kg).
-

To attach the defibrillator platform:

1. Place the defibrillator platform in the stored position (Figure 26).

2. Open and expand the defibrillator platform legs (Figure 27).

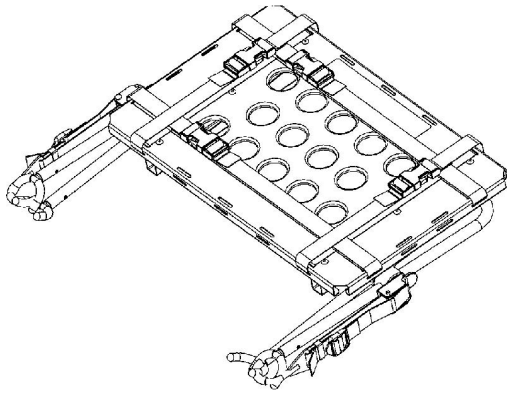


Figure 26 – Stored position

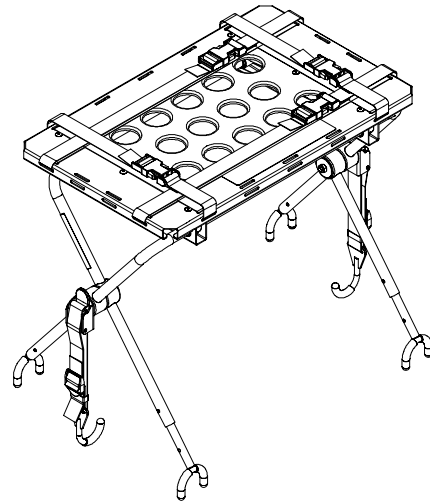


Figure 27 – Open defibrillator platform legs

3. If the product is equipped with an IV pole, raise the IV pole (A) to the up position (Figure 28).
4. Place the defibrillator platform on the product frame.
5. Position the inside legs (B) of the defibrillator platform toward the head end of the product (Figure 28).
6. Place the latch hook (C) under the litter frame or foot end fastener and push the tab (D) up until it locks into place on one side with an audible click (Figure 29). Repeat on the other side. For **Power-LOAD** compatible cots, if equipped, you must lengthen and attach the straps to the foot end fastener (Figure 30).

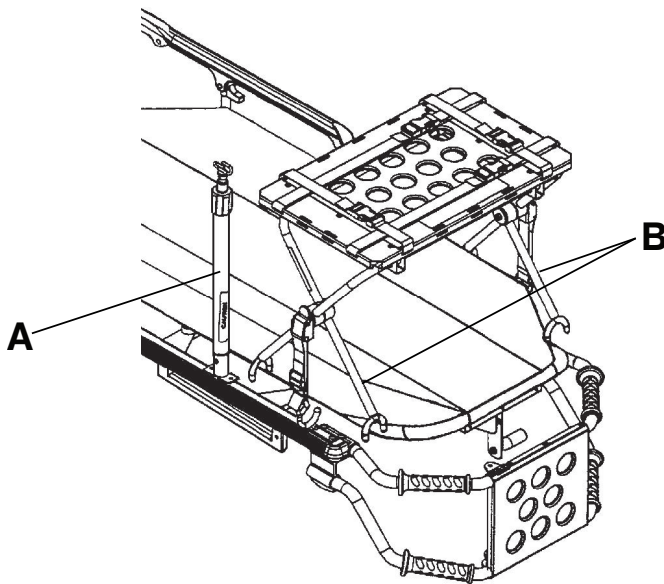


Figure 28 – Raise IV pole and position defibrillator tray (Model 6506 shown)

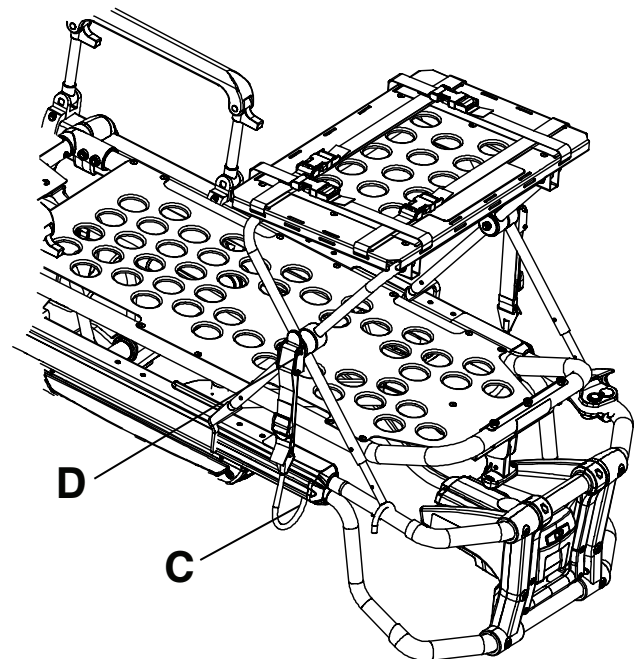


Figure 29 – Latch hook placement (Model 6506 shown)

7. Make sure that the defibrillator platform is secured to the product.
8. Place the defibrillator on the defibrillator platform.

9. Secure the straps (E) to hold the defibrillator on the defibrillator platform (Figure 31).

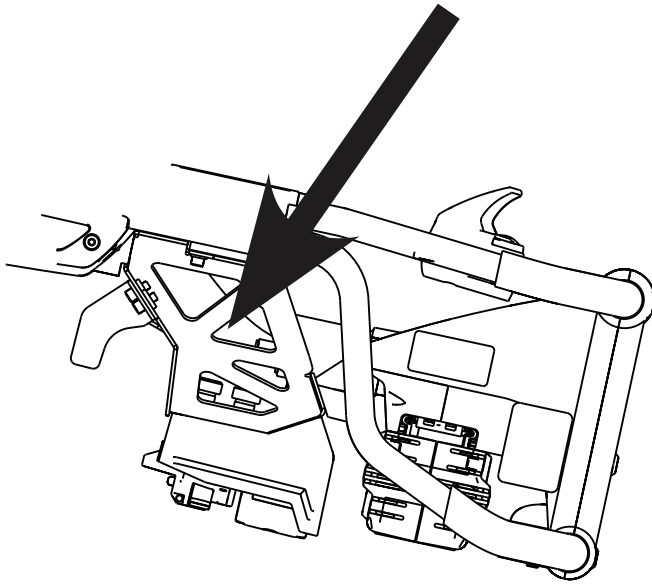


Figure 30 – Tab (Model 6506 shown)

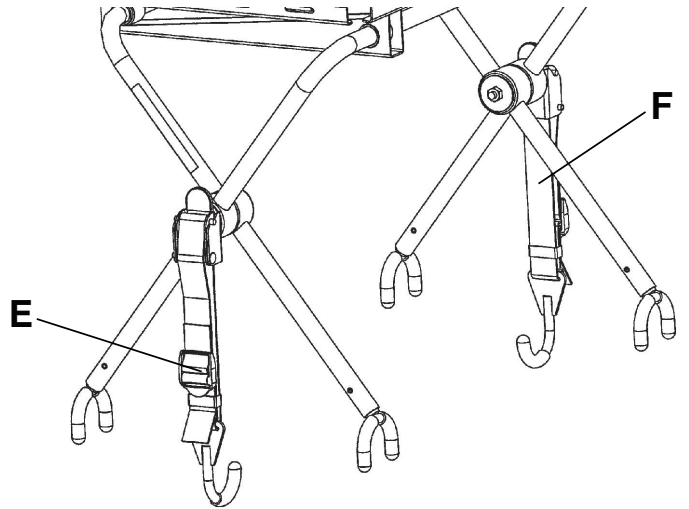


Figure 31 – Attach defibrillator platform to the cot

Note - If the defibrillator platform is not attached to the product after you connect both latch hooks, unlatch the tab. To adjust, loosen or tighten the strap and then push the tab up until it locks into place with an audible click.

Hanging equipment from the equipment hook

Use the equipment hook to hang additional accessories or equipment, such as defibrillators and monitors.

CAUTION

- Do not load the equipment hook above the safe working load of 35 lb (15.8 kg).
 - Always remove all accessories or equipment from the equipment hook when in the vehicle.
-

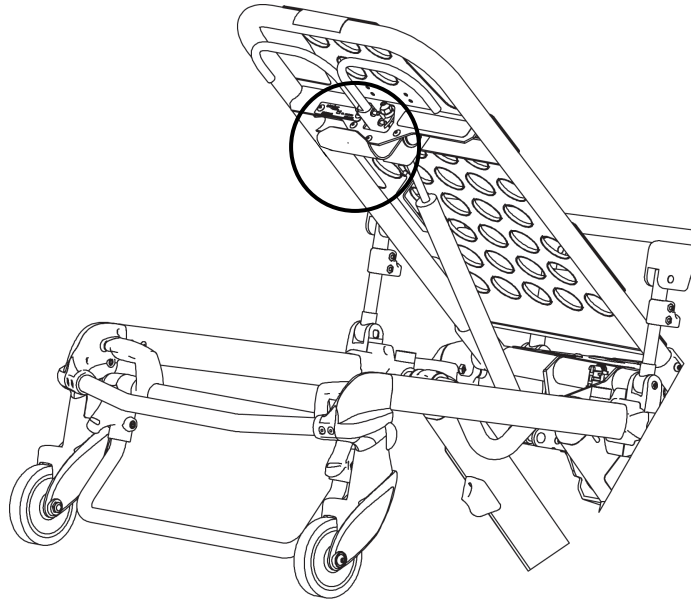


Figure 32 – Equipment hook

Positioning the two-stage IV pole

CAUTION - Do not load the IV pole above the safe working load of 25 lb (11.3 kg).

To position the IV pole (Figure 33):

1. Lift and pivot the IV pole from the storage position and push down until the IV pole locks into the receptacle (A).
2. To raise the height of the pole, turn the locking collar (B) counterclockwise and pull up on the telescoping portion (C) of the pole to raise it to the desired height.
3. Turn the locking collar (B) clockwise to lock the telescoping portion in place.
4. Hang the IV bags on the IV hook (D).
5. Turn the locking collars (B) counterclockwise and slide section (C) into the bottom tube.
6. Turn the locking collars (B) clockwise to tighten.
7. Lift up and pivot the pole down into the storage position (Figure 34).

Note - The dual two-stage IV poles (6500-312-000 or 6550-312-000) are not compatible with either the patient right (6500-310-000 or 6550-310-000) or the patient left (6500-311-000 or 6550-311-000) two-stage IV pole options.

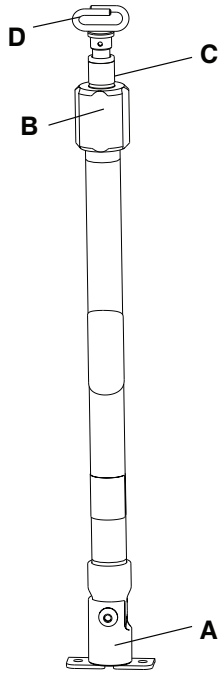


Figure 33 – IV pole raised position

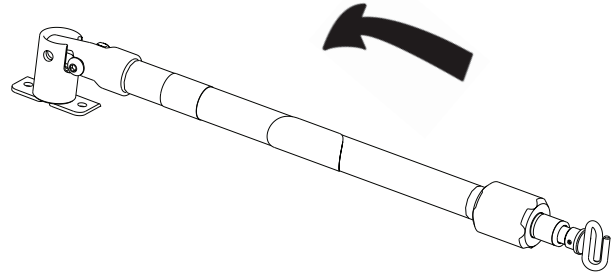


Figure 34 – IV pole storage position

Positioning the three-stage IV pole option

CAUTION - Do not load the IV pole above the safe working load of 25 lb (11.3 kg).

To position the IV pole (Figure 35):

1. Lift and pivot the IV pole from the storage position and push down until the IV pole locks into the receptacle (A).
2. To raise the height of the pole, turn the locking collar (B) counterclockwise and pull up on the telescoping portion (C) of the pole to raise it to the desired height.
3. Turn the locking collar (B) clockwise to lock the telescoping portion in place.
4. For a higher IV pole, pull up on section (D) until the spring clip (E) connects.
5. Hang the IV bags on the IV hook (F).
6. To lower the IV pole, push in on the spring clip (E) and slide section (D) down into section (C). Turn the locking collar (B) counterclockwise and slide section (C) into the bottom tube.
7. Turn the locking collar (B) clockwise to tighten.
8. Lift up and pivot the pole down into the storage position.

Note - The dual three-stage IV poles (6500-317-000 or 6550-317-000) are not compatible with either the patient right (6500-315-000 or 6550-315-000) or the patient left (6500-316-000 or 6550-316-000) three-stage IV pole options.

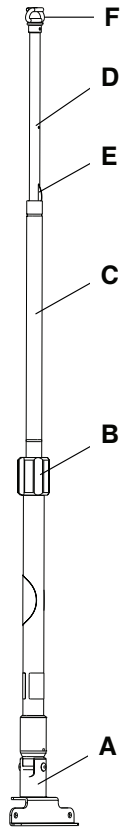


Figure 35 – IV pole raised position

Attaching an oxygen bottle to the oxygen bottle holder

CAUTION

- Do not load the oxygen bottle holder above the safe working load of 1.1 stones (6.8 kg) (15 lb).
 - Do not use two oxygen bottle holders at the same time.
-

To attach an oxygen bottle to the oxygen bottle holder (Figure 36):

1. Center the oxygen bottle holder on the cradled surface of item (A).
2. Tighten both straps (B) around the oxygen bottle.
3. Secure the slack on the straps and buckle both straps.

Note - Do not use the oxygen bottle holder to hold an oxygen bottle holder when the transport vehicle is in motion. Always place the oxygen bottle holder in an appropriate storage location when the transport vehicle is in motion.

Note - Inspect the straps and clips for wear between use. Replace the strap if it no longer holds the oxygen bottle.

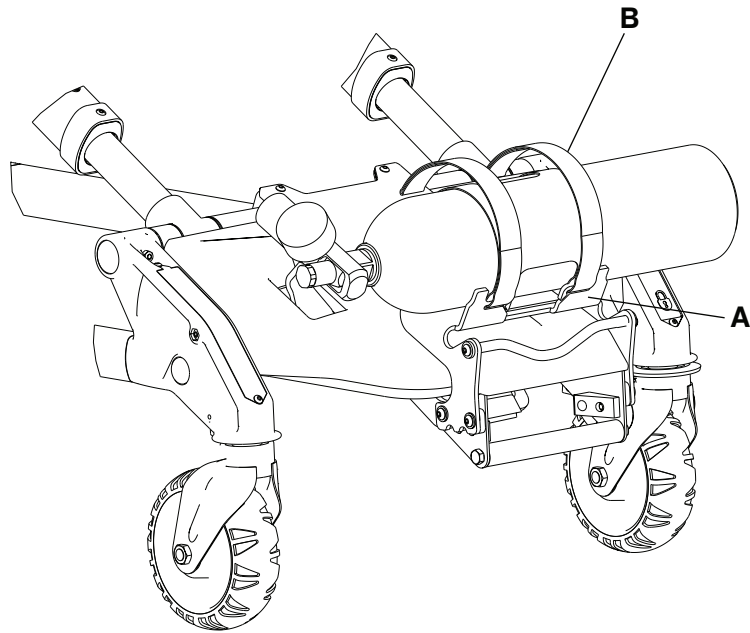


Figure 36 – Oxygen bottle attachment

Attaching the push bars option

The optional push bars allow you to maneuver the product at any height position.

WARNING

- Always lock the push bars into the mounts to prevent the push bars from coming out during use.
 - Do not lift the product with the push bars.
-

To attach the push bars:

1. Insert each push bar into one of the four corner sockets.
2. Push down on each push to lock it into the socket.



Figure 37 – Push bar attached

Removing and storing the push bars in the push bar storage pouch

WARNING - Always store the push bars in the base storage pouch when not in use.

To remove the push bars:

1. Press the red release button and lift each bar out of its corner socket.
2. Place the removed push bars into the base storage pouch that is located on the base frame (Figure 38).

To attach the base storage pouch, connect the corresponding buckles to secure the pouch to the cot frame (Figure 39).

Make sure that the pouch and its contents do not interfere with the cot operation before you raise the cot, lower the cot, or transport the cot.

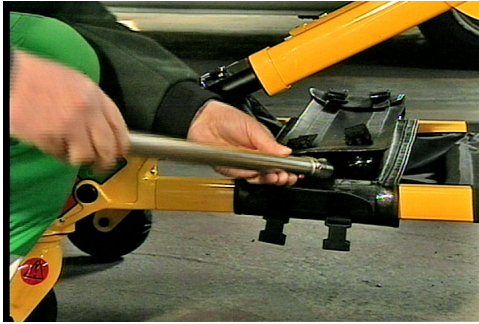


Figure 38 – Removing the push bars



Figure 39 – Attach the push bar storage pouch

Attaching the base storage net option

CAUTION

- Do not load the base storage net above the safe working load of 20 lb (9 kg).
 - Always be careful when you retract the base to avoid damaging items that are stored in the base storage net.
-

To attach the base storage net, wrap the **Velcro®** straps around the base tubes.

Attaching the backrest storage pouch

CAUTION

- Do not load the backrest storage pouch above the safe working load of 20 lb (9 kg).
 - Do not allow the storage pouch to interfere with the operation of the retractable head section.
-

To attach the backrest storage pouch (Figure 40):

1. Insert each strap through a hole in the backrest skin.
2. Mount the pouch flat against the backrest.
3. Secure the backrest storage pouch to the cot with the **Velcro®** straps.

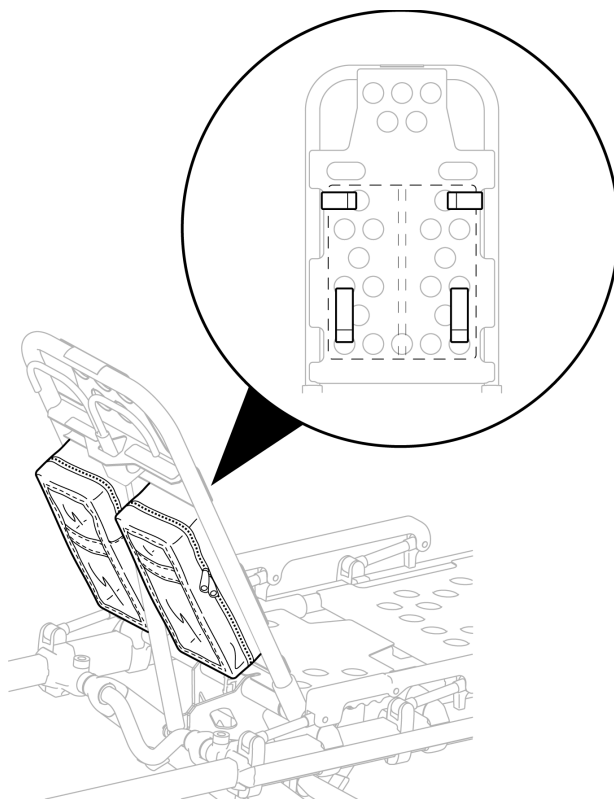


Figure 40 – Backrest storage pouch

Attaching the mattress

Two mattress options are available for use with this product. Use the Gatch bolster mattress (6550-001-084) or flat mattress (6550-001-295) with the standard siderail. Use the wider Gatch bolster mattress (6500-003-130/6506-003-130) with the optional expandable patient surface (XPS).

CAUTION - Do not store items under the mattress. Items under the mattress may interfere with product operation.

To attach the mattress to the cot:

1. Align the **Velcro®** on the back of the mattress with the **Velcro®** on the cot litter.
2. Attach the strap at the foot end of the mattress through the two holes in the foot end skin on the cot litter.
3. Pull the strap through the buckle and attach the **Velcro®** to secure the strap.

Note

- The Gatch bolster mattress (6550-001-084) and the flat mattress (6550-001-295) are not compatible with the XPS siderail option (6550-031-000).
- The optional Gatch bolster mattress for XPS (6500-003-130/6506-003-130) is not compatible with the standard siderail (6550-034-000).
- The mattress is a Type BF applied part.

Inserting a SMRT Pak

The **SMRT Pak** is designed to be compatible with the **Power-PRO XT**, **Power-PRO IT**, and **Power-PRO TL** cots.

To maximize available battery power, only use **SMRT Paks** that have been charged within the last 48 hours.

To insert the **SMRT Pak**:

1. Align the tabs in the battery enclosure.
2. Push the **SMRT Pak** into the enclosure until the latch clicks into place.

The **SMRT Pak** can remain on the **Power-PRO** cot between service calls for up to one week or until the cot battery LED indicator flashes amber.

Removing a SMRT Pak from the cot

After the **SMRT Pak** has been discharged, remove the **SMRT Pak** from the **Power-PRO** cot and replace it with a charged **SMRT Pak**.

Running the **SMRT Pak** repeatedly, without rest periods, can increase the temperature within the cells and reduce life. For example, lifting a heavy patient up and down several times in rapid succession can reduce the **SMRT Pak** life.

WARNING

- Do not remove the battery when the cot is active.
 - Do not attempt to open the battery pack for any reason, to avoid the risk of electric shock. If the battery pack case is cracked or damaged, do not insert it into the charger. Return damaged battery packs to a service center for recycling.
 - Always avoid direct contact with a wet battery or battery enclosures. Contact may cause injury to the patient or operator.
-

CAUTION - Always remove the battery if the cot is not going to be used for an extended period of time (more than 24 hours).

To remove the **SMRT Pak** from the cot:

1. Press the red one hand release button (C) or press the battery release button (A) to release the **SMRT Pak** (B) from the cot (Figure 41).
2. Slide the released **SMRT Pak** out of the enclosure.

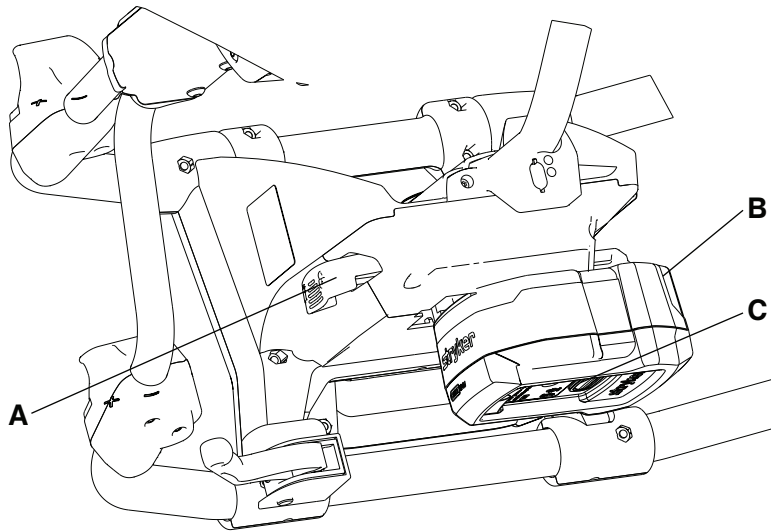


Figure 41 – Releasing the battery

Storing the battery

For the longevity, performance, and safety of this equipment, use the original packaging materials when you store or transport this equipment.

All batteries lose charge during storage or periods of inactivity. A **SMRT Pak** can lose up to 30 percent of its charge within 48 hours after you remove it from the **SMRT** charger. Use and fully charge stored **SMRT** Paks every three months to maintain top performance.

Charging the SMRT Pak

The **SMRT** Pak is intended for use with the **SMRT** charger only.

WARNING - Do not insert a cracked or damaged **SMRT** Pak into the **SMRT** charger. Return damaged **SMRT** Paks to a service center for recycling.

Note

- For extended storage, store the **SMRT** Pak on the **SMRT** charger to trickle charge. The **SMRT** charger keeps the **SMRT** Pak charged and ready for use.
- Store the **SMRT** Pak at room temperature within the allowable temperature charge range of 43 °F to 88 °F (6 °C to 31 °C). Charging the **SMRT** Pak outside of this recommended temperature range reduces **SMRT** Pak life and extends charge time.

To charge the **SMRT** Pak (Figure 42):

1. Insert a clean, dry **SMRT** Pak into the **SMRT** charger. Make sure that the **SMRT** Pak is locked into the **SMRT** charger.

Note

- The **SMRT** charger LED indicator (B) will flash green while charging (Figure 42). The optimum charge time is two hours.
 - When the **SMRT** Pak is charged and ready for use, the **SMRT** charger LED indicator (B) turns to solid green.
2. Press the red release button (A) (Figure 42) and slide the **SMRT** Pak to release the charged and ready **SMRT** Pak from the **SMRT** charger.

The **SMRT** charger manages charging regardless of the **SMRT** Pak charge state.

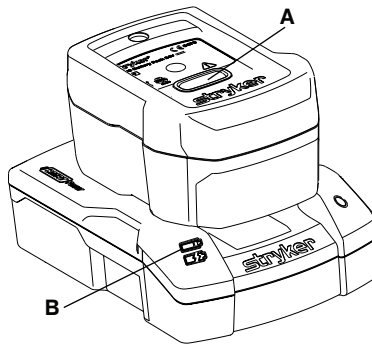


Figure 42 – Charging the SMRT Pak

Checking the SMRT Pak power level with the SMRT charger

Use the **SMRT** charger LED indicators to check the **SMRT** Pak power level.

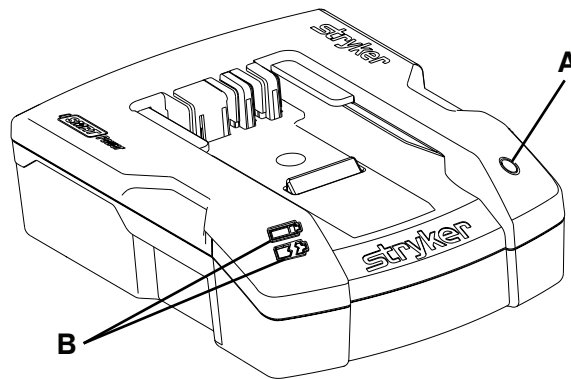


Figure 43 – Checking the SMRT Pak power level

- Power connection: Connect or disconnect the **SMRT** charger from the appropriate power source (*Powering the charger* (page 47)).
- **SMRT** charger power LED (A): If the green LED is illuminated, then the **SMRT** charger has power.
- **SMRT** charger LED indicators (B): Green and amber charger LED indicators provide **SMRT** Pak status information. The LEDs may be in a steady or flashing status based on the condition of the **SMRT** charger or **SMRT** Pak.

SMRT charger LED indicator	Status
Green (flashing)	SMRT charger is charging the SMRT Pak. The optimum charge time is two hours.
Green (solid)	SMRT Pak is charged and ready for use
Amber (flashing)	SMRT Pak temperature delay. The SMRT charger is waiting for the SMRT Pak to reach an allowable temperature range of 43 °F to 88 °F (6 °C to 31 °C).
Amber (solid)	SMRT Pak error. See the troubleshooting section of your maintenance manual.

Electrical power installation requirements

When configuring the electrical power source for **SMRT** charger installation, follow these electrical power requirements for reliable and effective operation.

Power type	Operational voltage range	Frequency	Maximum current draw	Standby current draw	Low voltage shutoff
AC	100 to 240 VAC	50/60 Hz	1.20 A	0.05 A	N/A
DC	12.5 to 16 VDC	N/A	4.16 A	0.20 A	10 VDC

Installing the SMRT charger

When installing the **SMRT** charger, place the **SMRT** charger in an environmentally controlled location that is:

- Free of excessive dust and moisture
- Kept within a constant temperature range. An allowable temperature range is 43 °F to 88 °F (6 °C to 31 °C). The optimal temperature range is 65 °F to 75 °F (18 °C to 24 °C).
- Readily accessed for use

Locate and maintain the power supply and power cords to minimize the risk of damage and inadvertent disconnections.

Installing the mounting bracket option

WARNING

- Always have a certified mechanic, familiar with ambulance vehicle construction, install the mounting bracket option and the **SMRT** charger.
- Always mount the **SMRT** charger to the mounting bracket option in an enclosed cabinet and out of patient reach during transport to comply with established crash test standards.
- Always make sure that the mounting bracket option is securely attached to the surface.

To install the mounting bracket (Figure 44):

1. Use the **SMRT** charger mounting bracket as a template to mark the location of the mounting holes (A) at the area where you will install the mounting bracket.
2. Position the mounting bracket, making sure that the:
 - a. Spring tab (B) is located at the rear of the **SMRT** charger.

Note - When mounting the bracket to a vertical surface, the spring tab should be horizontal with the spring tab point to the left (Figure 44).
 - b. Power cord easily plugs into the rear of the **SMRT** charger.
 - c. **SMRT** charger slides from front to back to connect to the bracket after mounting.
 - d. Bracket is installed correctly for the ambulance or station location:

Ambulance location	Station location
<ul style="list-style-type: none"> • Secure the bracket to a horizontal structural support surface or shelf using size #10, grade 5 screws minimum (not supplied). • Make sure that the selected mounting surface is strong enough to securely hold the SMRT charger and SMRT Pak during transport. • Locate the bracket in an enclosed cabinet and out of patient reach during transport. • Allow for easy SMRT Pak installation and removal. • Locate the power supply within reach of the power cord. 	<ul style="list-style-type: none"> • Secure the bracket to a horizontal or vertical structural support surface using size #10, grade 5 screws minimum (not supplied). • For vertical installation, position the mounting bracket so the spring tab is directly below the mounting screws, so the SMRT Pak remains supported by the SMRT charger even if the release button is accidentally pressed. • Allow for easy SMRT Pak installation and removal. • Locate the power supply within reach of the power cord.

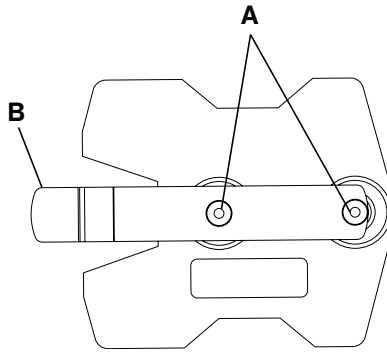


Figure 44 – Mounting bracket

Attaching the charger onto the mounting bracket option

To attach the **SMRT** charger onto the mounting bracket (Figure 45):

1. Align the rear keyway slots (A) onto the bracket fasteners (B).
2. Slide the **SMRT** charger (C) in until it locks into the mounting bracket (D) to secure the charger to the bracket.

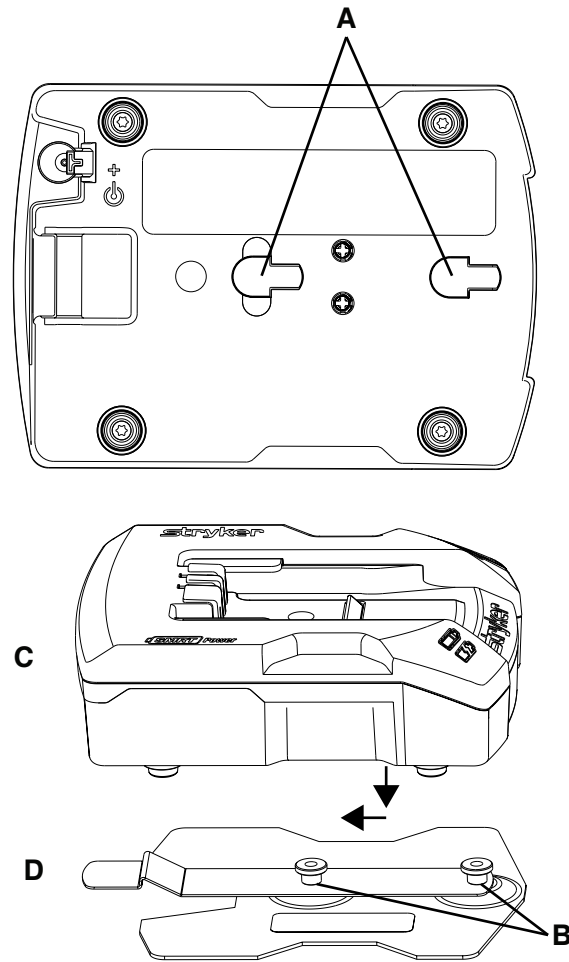


Figure 45 – Attaching the charger

Powering the charger

CAUTION

- Always place the electrical **SMRT** charger power cord where it will not be stepped on, tripped over, or otherwise subjected to damage or stress.
- Do not touch the **SMRT** Pak receptacle terminals with metal objects.

To power the **SMRT** charger (Figure 46):

1. Locate the power connection (A) on the back of the **SMRT** charger.
2. Push the power cord retention tab (B) in to insert the power cord outlet connector into the **SMRT** charger power connection.
3. Plug the power adaptor end of the power cord into the power source.

It is a best practice to use a clean, uninterruptible power source. The **SMRT** charger continuously illuminates a solid green power LED when it is connected to a power supply.

Use only Stryker-approved parts to power the **SMRT** charger.

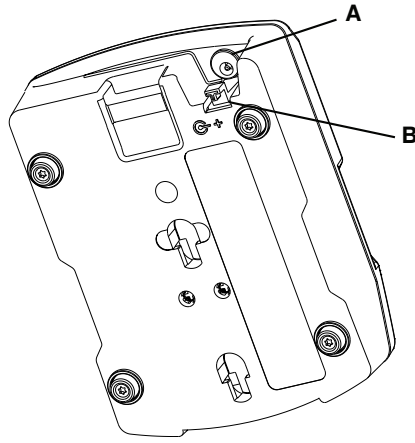


Figure 46 – Powering the charger

Disconnecting the charger

CAUTION - Always grasp and pull the plug, not the cord, when you disconnect the **SMRT** charger to avoid the risk of damage to the electrical plug and cord.

To disconnect the **SMRT** charger, unplug the power cord from the AC or DC power source.

Accessories and parts

These accessories may be available for use with your product. Confirm availability for your configuration or region. Call Stryker Customer Service: 1-800-327-0770.

Name	Number
Backrest pouch	6500-130-000
Belt extension	6082-160-050
Defibrillator platform	6550-170-000
Equipment hook	6500-147-000
Gas cylinder, backrest	1010-031-077
Head extension with pillow	6100-044-000
IV pole, two-stage, right	6550-310-000
IV pole, two-stage, left	6550-311-000
IV pole, two-stage, dual	6550-312-000
IV pole, three-stage, right	6550-315-000
IV pole, three-stage, left	6550-316-000
IV pole, three-stage, dual	6550-317-000
Mattress, knee Gatch bolster	6550-001-084
Mattress, flat knee Gatch	6550-001-295
Mattress, knee Gatch bolster, XPS	6500-003-130
Mattress, knee Gatch bolster, grey, XPS	6506-003-130
Oxygen bottle holder	6550-102-020
Oxygen bottle holder, removable	6080-140-000
Oxygen bottle holder, strap	6550-002-004
Restraint bracket option	6091-300-010
Restraint package, EMS, domestic	6060-160-010
Restraint package, X-restraint	6500-001-430
Restraint package, XPR	650600030010
Siderail, standard	6550-034-000
Siderail, XPS option	6550-031-000
Storage net, base	6500-160-000
Storage pouch, backrest	6500-130-000
Wheel lock	6086-200-010

Use only Stryker-approved parts. Other parts may result in increased electromagnetic emissions or decreased electromagnetic immunity of the system. Do not modify parts. Failure to comply may result in injury.

Name	Number
SMRT charger	6500-201-000
SMRT charger mounting bracket	6500-034-000
SMRT Pak kit, battery pack	6500-700-046
Power components - AC	
Charger power supply	6500-201-148
Power cord, North America	6500-201-149
Power cord, Europe	6500-201-150
Power cord, United Kingdom	6500-201-151
Power cord, Australia	6500-201-153
Power components - DC	
12 VDC cable, automotive	6500-201-147
12-24V cable, DIN plug	6500-201-152
SMRT power kit (includes 1 charger, 2 Paks, and 1 power cord)	
SMRT power kit - 12 VDC, domestic (car charger)	6500-700-040
SMRT power kit - 120 VAC, domestic (wall charger)	6500-700-041
SMRT power kit - 240 VAC, United Kingdom, international	6500-700-043
SMRT power kit - 240 VAC, Europe, international	6500-700-044
SMRT power kit - 240 VAC, Australia, international	6500-700-045

Contact your Stryker sales representative for a complete list of additional parts.

Cleaning and disinfecting the XPR restraint straps

Confirm availability for your configuration or region. Call Stryker Customer Service: 1-800-327-0770.

Suggested cleaners include:

- ≤ 70% isopropyl alcohol; or

A cleaner with the following active ingredients (or equivalent):

- Ammonium salts ≤ 0.31%
- Isopropyl alcohol ≤ 21.000%
- Ethylene glycol monobutyl ether ≤ 3.000% (non-active ingredient)

Note - Failure to use the prescribed cleaners may cause premature degradation and void the product's warranty. For example, do not clean with bleach, **HDQ Neutral®**, or accelerated hydrogen peroxide. If you have questions or concerns, please reach out to Stryker Customer Service (1-800-327-0770).

Recommended cleaning method:

1. Follow the cleaning solution manufacturer's dilution recommendations exactly.
2. To clean, wipe external surfaces to remove all visible soils. Repeat as necessary until the product is clean.

Note - Move the extension buckle to clean the entire restraint strap. Make sure that the restraint surface is dry before you move the extension buckle. Do not move the extension buckle over a surface that is wet with cleaner.

3. To disinfect, wipe external surfaces until wet.
4. Make sure that the product does not stay wet longer than the chemical manufacturer's guidelines for proper disinfecting.
5. Check functionality before you return the product to service.
 - Immersing restraint strap metal buckles can cause buckle corrosion and is not recommended. Rinse with clean water and allow to air dry to reduce chance of corrosion. Replace restraints if metal buckles are corroded.
 - Direct skin contact with visibly soiled, permeable material may increase the risk of infection.
 - Laundering the restraint straps is not recommended.

CAUTION - Do not apply lubricants to the surfaces of the restraints.

Note

- XPR restraint straps have a three month expected service life when using the suggested cleaners shown above.
- Failure to follow the above directions when using these types of cleaners may void this product's warranty.
- Always wipe the product with clean water and dry after cleaning. Some cleaning products are corrosive in nature and may cause damage to the product. Failure to properly rinse and dry the product leaves a corrosive residue on the surface of the product and may cause premature degradation of critical components.

Cleaning

WARNING - Always use any appropriate personal protective equipment while power washing to avoid inhaling contagion. Power washing equipment may aerate contamination.

CAUTION

- Do not steam clean or ultrasonically clean the product.
 - Do not exceed 180 °F (82 °C) as the maximum water temperature.
 - Do not exceed 1500 psi (103.4 bar) as the maximum water pressure. If you use a hand held wand to wash the product, keep the pressure nozzle at a minimum of 24 in. (61 cm) from the product.
 - Always allow to air dry.
 - Always remove the battery before you wash the cot.
 - Do not clean, service, or perform maintenance while the product is in use.
-

The product is power washable. The product may show some signs of oxidation or discoloration from continuous washing. No degradation of the product's performance will occur from power washing as long as you follow the proper procedures.

- Follow the cleaning solution manufacturer's dilution recommendations exactly.
- The preferred method Stryker Medical recommends for power washing the product is with the standard hospital surgical cart washer or hand held wand unit.
- Clean the cot once a month.
- Clean **Velcro®** after each use. Saturate **Velcro®** with disinfectant and allow disinfectant to evaporate. Appropriate disinfectant for nylon **Velcro®** should be determined by the service.
- Immersing restraint strap metal buckles can cause buckle corrosion and is not recommended. Rinse with clean water and allow to air dry to reduce chance of corrosion. Replace restraints if metal buckles are corroded.
- Direct skin contact with visibly soiled, permeable material may increase the risk of infection.

Suggested cleaners

In general, when used in concentrations recommended by the manufacturer, either phenolic type or quaternary (excluding **Virex® TB**) type disinfectants can be used. Iodophor type disinfectants are not recommended for use because staining may occur.

Suggested cleaners include:

- Quaternary cleaners (active ingredient - ammonium chloride) that contain less than 3% glycol ether
- Phenolic cleaners (active ingredient - o-phenylphenol)
- Chlorinated bleach solution (5.25% - less than 1 part bleach to 100 parts water)
- ≤ 21% isopropanol alcohol

Avoid oversaturation. Do not allow the product to stay wet longer than the chemical manufacturer's guidelines for proper disinfecting.

Note

- Failure to follow the above directions when using these types of cleaners may void this product's warranty.
- Always wipe the product with clean water and dry after cleaning. Some cleaning products are corrosive in nature and may cause damage to the product. Failure to properly rinse and dry the product leaves a corrosive residue on the surface of the product and may cause premature corrosion of critical components.

Cleaning the charger

WARNING

- Always wear insulated rubber gloves, in addition to personal protective equipment, when cleaning the **SMRT Pak** to reduce the risk of injury.
 - Always disconnect the **SMRT** charger from the wall outlet before cleaning to avoid the risk of electrical hazards.
 - Do not spray fluid directly onto the **SMRT** charger.
 - Do not power wash the **SMRT** charger.
 - Do not use solvents, lubricants, or other chemicals to clean the **SMRT** charger unless otherwise directed.
 - Do not immerse the **SMRT** charger in water or allow water to collect on top of the **SMRT** charger to avoid the risk of electric shock.
-

To clean the **SMRT** charger:

1. Disconnect the **SMRT** charger from the wall outlet to avoid electrical hazards during cleaning.
2. Wipe surfaces of the **SMRT** charger with a soft cloth dampened with a non-abrasive, hospital disinfectant.
3. Wipe with a cloth moistened with clean water to remove any cleaning chemicals or residue.
4. Dry thoroughly before placing the **SMRT** charger back into service.

Cleaning the battery

The **SMRT Pak** is designed to be power washable. The preferred method for power washing the **SMRT Pak** is with the standard hospital surgical cart washer or hand held wand unit.

WARNING

- Always use any appropriate personal protective equipment while power washing to avoid inhaling contagion. Power washing equipment may aerate contamination.
 - Always wear insulated rubber gloves, in addition to personal protective equipment, when cleaning the **SMRT Pak** to reduce the risk of injury.
 - Always use only non-conductive materials to wipe the **SMRT Pak**.
 - Always avoid excessive water exposure to the **SMRT Pak** terminals.
 - Always refer to the disinfectant's Material Safety Data Sheet (MSDS) to verify the pH range. Disinfectants with pH levels higher than 10.5 may cause the **SMRT Pak** housing material to crack.
 - Do not directly handle or make contact with the **SMRT Pak** terminals while cleaning to avoid the risk of injury.
 - Do not immerse the **SMRT Pak** in liquid to reduce the risk of electric shock.
 - Do not use solvents, lubricants, or other chemicals to clean the **SMRT Pak** unless otherwise directed.
-

CAUTION

- Do not steam clean or ultrasonically clean the **SMRT Pak**.
 - Do not exceed 180 °F (82 °C) as the maximum water temperature.
 - Do not exceed 240 °F (115 °C) as the maximum air dry temperature (cart washers).
 - Do not exceed 1500 psi (103.4 bar) as the maximum water pressure. If you use a hand held wand to wash the product, keep the pressure nozzle at a minimum of 24 in. (61 cm) from the product.
-

To clean the **SMRT Pak**:

1. Remove the **SMRT Pak** from the **Power-PRO** cot or **SMRT** charger.
2. Inspect the **SMRT Pak** housing and terminal area for any cracks or damage.
3. Clean the **SMRT Pak** with a hospital grade disinfectant with a pH range of 6.5 to 10.5.
4. Rinse the **SMRT Pak** thoroughly with clean water to remove any cleaning chemical or residue. Position the **SMRT Pak** to avoid water from pooling near the terminals.
5. Dry the **SMRT Pak** thoroughly before insert the **SMRT Pak** into a **Power-PRO** cot or **SMRT** charger.

Preventive maintenance

WARNING

- Always relieve pressure before you disconnect hydraulic or other lines. Escaping fluid under pressure can penetrate the skin and cause serious injury. Tighten all connections before you apply pressure. If an accident occurs, see a doctor immediately.
 - Do not use bare hands to check for hydraulic leaks.
-

CAUTION

- Always use authorized parts to avoid the risk of product damage.
 - Always check hoses and lines regularly to avoid damage to the cot. Check and tighten loose connections. Hydraulic lines, hoses, and connections can fail or loosen due to physical damage, kinks, age, and environment exposure.
 - Do not tip the cot onto its load wheels and actuate the product as this will allow air to enter the hydraulic system.
-

Establish and follow a maintenance schedule and keep records of the maintenance activity. Remove product from service before you perform the preventive maintenance inspection. You may need to perform preventive maintenance checks more often based on your level of product usage. Service only by qualified personnel.

When using maintenance products, follow the directions of the manufacturer and reference all material safety data sheets (MSDS).

Lubrication

CAUTION - Do not lubricate the bearings in the X-frame as it will degrade the performance of the cot and may void its warranty.

The cot has been designed to operate without the need for lubrication.

Regular inspection and adjustments

The following schedule is a general guide to maintenance. Factors such as weather, terrain, geographical location, and individual usage will alter the required maintenance schedule. If you are unsure how to perform these checks, contact your Stryker service technician. If you are in doubt as to what intervals to follow to maintain your product, consult your Stryker service technician. Check each routine and replace worn parts if necessary.

Every month or two hours

Inspect these items every month or two hours, whichever comes first.

Item	Inspect
Settings	In-fastener shutoff configuration
Cylinder	Extend cylinder rod. Wipe the cylinder rod with a soft cloth and household cleaner.
Cables and wires	No hanging wires from routings or connections
Manual backup release handle	Manual backup release handle functions
Litter	Frame and litter
Base	Frame and base
Wheels	All wheels are secure, roll, and swivel
Head section	Safety bar operates. Pull toward the head section to make sure that the safety bar swings and rotates freely and pulls back to the home position

Item	Inspect
Restraint	Restraints function with no excessive wear (such as a bent or broken receiver or latch plate or torn or frayed webbing)
Battery	SMRT Pak housing and terminal area for cracks or damage before first and every use
Charger	SMRT charger and parts for cuts in the cord, bent pins or contacts, or cracks in the housing before first and every use

Every three months or six hours

Inspect these items every three months or six hours, whichever comes first.

Item	Inspect
Cylinder	All fasteners are secure
	No hydraulic fluid (red) leaks
	Loose fittings - tighten, if needed
Hydraulics	Motor mount fasteners are secure
	No hydraulic fluid leaks
	No leaks from reservoir
Cables and wires	No damage or pinching of wiring harness, cable, or lines
	No damaged connectors
Manual backup release handle	Base extends and retracts when you pull the manual backup release handle
	Cot does not lower when you pull the manual backup release handle with 100 lb (45 kg) or more on the cot
Litter	All fasteners are secure
	Backrest cylinder operates
	Adjust pneumatic cylinder for full range of motion, if required
Base	All fasteners are secure
X-frame	X-frame expands and retracts
Head section	All fasteners are secure
	Head section extends and locks
Accessories and parts (optional)	All accessories and parts operate (such as IV pole, restraint extender, push bars, and oxygen bottle holder)

Every six months or 12 hours

Inspect these items every six months or 12 hours, whichever comes first.

Item	Inspect
Hydraulics	Hoses and fittings for damage or wear
	Hydraulic velocity fuse - place a weight of approximately 50 lb (23 kg) on the cot, raise the cot, lift the cot with two operators, pull the manual backup release handle, rapidly set the cot down, and make sure that the cot does not drop
Electronic controls	Extend cot to raised position, measure and check load height
	Jog function operates
	High speed retract works
Switches	No damage or wear to either switch
	Both switches operate
Litter	No bent, broken, or damaged components
	No damage or tears on cot grips
	Siderails operate and latch
	Foot rest operates
Mattress	No cracks or tears
Base	No bent, broken, or damaged components
Wheels	Free of debris
Head section	No bent, broken, or damaged components
	Grip bar has no excessive damage or tears
	Load wheels are secure and roll
Kickstand (optional)	Lubricate the kickstand spring and internal spring housing (optional) using Tri-Flow® lubrication.

Every 12 months or 24 hours

Inspect these items every 12 months or 24 hours, whichever comes first.

Item	Inspect
Settings	Cot and fastener fit and function
Cylinder	Cylinder is adjusted - lock nut is tight and the cot stops moving when it hits the dead stops
Manual backup release handle	Returns to the stowed position
Litter	All welds are intact, not cracked, or broken
	Warning labels present, legible
Base	All welds are intact, not cracked, or broken

Item	Inspect
Wheels	Check and adjust wheel locks
Retractable head section oxygen bottle holder (optional)	Straps and clips for wear
Defibrillator platform (optional)	Straps not frayed or torn
	Latch hooks are intact and secure

EMC information

CAUTION

- The use of accessories, transducers, and cables, other than those specified or provided by the manufacturer, could result in increased electromagnetic emissions or decreased electromagnetic immunity and result in improper operation.
- The emissions characteristics of this equipment make it suitable for use in industrial areas and hospitals (CISPR 11 class A). If it is used in a residential environment, for which CISPR 11 class B is normally required, this equipment might not offer adequate protection to radio frequency communication services. The user might need to take mitigation measures, such as relocating or reorienting the equipment.

Guidance and manufacturer's declaration - electromagnetic emissions

Power-PRO and **SMRT** charger are intended for use in the electromagnetic environment specified below. The customer or the user of **Power-PRO** and **SMRT** charger should assure that they are used in such an environment.

Emissions test	Compliance	Electromagnetic environment
RF Emissions CISPR 11	Group 1	Power-PRO and SMRT charger use RF energy only for its internal function. Therefore, its RF emissions are very low and are not likely to cause any interference in nearby electronic equipment.
RF Emissions CISPR 11	Power-PRO : Class A	Power-PRO is suitable for use in all establishments other than domestic and those directly connected to the public low-voltage power supply network that supplies buildings used for domestic purposes.
	SMRT charger (6500-201-010): Class B	The SMRT charger is suitable for use in all establishments, including domestic establishments and those directly connected to the public low-voltage power supply network that supplies buildings used for domestic purposes.
Harmonic Emissions IEC 61000-3-2	Power-PRO : N/A SMRT charger (6500-201-010): Class A	The SMRT charger is suitable for use in all establishments, including domestic establishments and those directly connected to the public low-voltage power supply network that supplies buildings used for domestic purposes.
Voltage Fluctuations Flicker Emissions IEC 61000-3-3	Power-PRO : N/A SMRT charger (6500-201-010): complies	The SMRT charger is suitable for use in all establishments, including domestic establishments and those directly connected to the public low-voltage power supply network that supplies buildings used for domestic purposes.

CAUTION

- Portable RF communications equipment, including peripherals such as antenna cables and external antennas, should be used no closer than 12 inches (30 cm) to any part of **Power-PRO** and **SMRT** charger, including cables specified by the manufacturer.
- Avoid stacking or placing other equipment adjacent to **Power-PRO** and **SMRT** charger to prevent improper operation of the products. If such use is necessary, carefully observe **Power-PRO** and **SMRT** charger and the other equipment to make sure that they are operating properly.

Recommended separations distances between portable and mobile RF communications equipment and Power-PRO and SMRT charger

Power-PRO and **SMRT** charger are intended for use in an electromagnetic environment in which radiated RF disturbances are controlled. The customer or the user of **Power-PRO** and **SMRT** charger can help prevent electromagnetic interferences by maintaining a minimum distance between portable and mobile RF communications equipment (transmitters) and **Power-PRO** and **SMRT** charger as recommended below, according to the maximum output power of the communications equipment.

Rated maximum output power of transmitter W	Separation distance according to frequency of transmitter m		
	150 kHz to 80 MHz $D=(1.2) (\sqrt{P})$	80 MHz to 800 MHz $D=(0.35) (\sqrt{P})$	800 MHz to 2.7 GHz $D=(0.70) (\sqrt{P})$
0.01	0.12	0.04	0.07
0.1	0.38	0.11	0.22
1	1.20	0.35	0.70
10	3.79	1.11	2.21
100	12	3.50	7

For transmitters rated at a maximum output power not listed above, the recommended separation distance d in meters (m) can be estimated using the equation applicable to the frequency of the transmitter, where P is the maximum output power rating of the transmitter in watts (W) according to the transmitter manufacturer. Note 1: At 80 MHz and 800 MHz, the separation distance for the higher frequency range applies. Note 2: These guidelines may not apply in all situations. Electromagnetic propagation is affected by absorption and reflection from structures, objects, and people.

Guidance and manufacturer's declaration - electromagnetic immunity

Power-PRO and **SMRT** charger are suitable for use in the electromagnetic environment specified below. The customer or the user of **Power-PRO** and **SMRT** charger should assure that they are used in such an environment.


Immunity test	IEC 60601 test level	Compliance level	Electromagnetic environment-guidance
Electrostatic discharge (ESD) IEC 61000-4-2	± 8 kV contact ± 15 kV air	± 8 kV contact ± 15 kV air	Floors should be wood, concrete or ceramic tile. If floors are covered with synthetic material, the relative humidity should be at least 30%.
Electrostatic fast Transient/ burst IEC 61000-4-4	± 2 kV for power supply lines ± 1 kV for input/output lines	Power-PRO: N/A SMRT Charger (6500-201-010): ± 2 kV for power supply lines ± 1 kV for input/output lines	Mains power quality should be that of a typical commercial or hospital environment.

Guidance and manufacturer's declaration - electromagnetic immunity

<p>Surge IEC 61000-4-5</p>	<p>± 1 kV line(s) to line(s) ± 2 kV line(s) to earth</p>	<p>Power-PRO: N/A SMRT Charger (6500-201-010): ± 1 kV line(s) to line(s) ± 2 kV line(s) to earth</p>	<p>Mains power quality should be that of a typical commercial or hospital environment.</p>
<p>Voltage dips, voltage variations and short interruptions on power supply input lines IEC 61000-4-11</p>	<p>0% U_T for 0.5 cycle at 0°, 45°, 90°, 135°, 180°, 225°, 270°, and 315° 0% U_T for 1 cycle 70% U_T (30% dip in U_T) for 25 cycles 0% U_T for 250 cycles</p>	<p>Power-PRO: N/A SMRT charger (6500-201-010): 0% U_T for 0.5 cycle at 0°, 45°, 90°, 135°, 180°, 225°, 270°, and 315° 0% U_T for 1 cycle 70% U_T (30% dip in U_T) for 25 cycles 0% U_T for 250 cycles</p>	<p>Mains power quality should be that of a typical commercial or hospital environment. If the user of the SMRT charger requires continued operation during power main interruptions, it is recommended that the device be powered from an uninterrupted power supply or a battery.</p>
<p>Power frequency (50/60Hz) magnetic field IEC 61000-4-8</p>	<p>30 A/m</p>	<p>30 A/m</p>	<p>Power frequency magnetic fields should be at levels characteristic of a typical location in a typical commercial or hospital environment.</p>
<p>Electrical transient conduction along supply lines ISO 7637-2</p>	<p>per ISO 7637-2</p>	<p>Power-PRO: N/A SMRT Charger (6500-201-010): per ISO 7637-2</p>	<p>N/A</p>

Note: U_T is the a.c. mains voltage before applications of the test level.

Guidance and manufacturer's declaration - electromagnetic immunity

<p>Conducted RF IEC 61000-4-6</p> <p>Radiated RF IEC 61000-4-3</p>	<p align="center">3 Vrms</p> <p>6 Vrms in ISM and amateur radio bands 150kHz to 80MHz</p> <p align="center">10 V/m</p> <p>80 MHz to 2.7 GHz</p>	<p align="center">3 V</p> <p>6 Vrms in ISM and amateur radio bands</p> <p align="center">10 V/m</p>	<p>Portable and mobile RF communications equipment should be used no closer to any part of Power-PRO or SMRT charger, including cables, than the recommended separation distance calculated from the equation appropriate for the frequency of the transmitter.</p> <p>Recommended separation distance</p> <p>$D=(1.2) (\sqrt{P})$</p> <p>$D=(.35) (\sqrt{P})$</p> <p>80 MHz to 800 MHz</p> <p>$D=(0.70) (\sqrt{P})$</p> <p>800 MHz to 2.7 GHz</p> <p>where P is the maximum output power rating of the transmitter in watts (W) according to the transmitter manufacturer and d is the recommended separation distance in meters (m).</p> <p>Field strengths from fixed RF transmitters, as determined by an electromagnetic site ^a should be less than the compliance level in each frequency range.^b</p> <p>Interference may occur in the vicinity of equipment marked with the following symbol:</p> 
--	---	---	---

Note 1: At 80 MHz and 800 MHz, the higher frequency range applies.

Note 2: These guidelines may not apply in all situations. Electromagnetic propagation is affected by absorption and reflection from structures, objects, and people.

Note 3: The ISM (industrial, scientific and medical) bands between 0.15 MHz and 80 MHz are 6.765 MHz to 6.795 MHz; 13.553 MHz to 13.567 MHz; 26.957 MHz to 27.283 MHz; and 40.66 MHz to 40.70 MHz. The amateur radio bands between 0.15 MHz and 80 MHz are 1.8 MHz to 2.0 MHz, 3.5 MHz to 4.0 MHz, 5.3 MHz to 5.4 MHz, 7 MHz to 7.3 MHz, 10.1 MHz to 10.15 MHz, 14 MHz to 14.2 MHz, 18.07 MHz to 18.17 MHz, 21.0 MHz to 21.4 MHz, 24.89 MHz to 24.99 MHz, 28.0 MHz to 29.7 MHz and 50.0 MHz to 54.0 MHz.

Power-PRO™ TL-båre

Betjeningsvejledning





















REF 6550















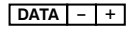








CE

DA

Symboler

	Se betjeningsvejledningen/-brochuren
	Se brugsanvisningen
	CE-mærke
	Autoriseret repræsentant i Det Europæiske Fællesskab
	Medicinsk udstyr for Europa
	Generel advarsel
	Forsigtig
	Advarsel – hænder kan knuses
	Advarsel – ikke-ioniserende stråling
	Må ikke skubbes
	Må ikke smøres
	Katalognummer
	Partikode
	Serienummer
	Se www.stryker.com/patents vedrørende patenter i USA
	Producent
	Fremstillingsdato
	Importør
	Udstyrets masse med sikker arbejdsbelastning
	Sikker arbejdsbelastning

	Type B anvendt del
	Type BF anvendt del
	Medicinsk udstyr klassificeret af Underwriters Laboratories Inc. udelukkende med hensyn til elektrisk stød, brand og mekaniske risici i overensstemmelse med ANSI/AAMI ES60601-1:2012 og CAN/CSA-C22.2 nr. 60601-1:14.
	Jævnstrøm
	Vekselstrøm
	Klasse II elektrisk udstyr: Udstyr der beskytter mod elektrisk stød og ikke udelukkende benytter grundlæggende isolering, men som omfatter yderligere sikkerhedsforholdsregler som f.eks. dobbeltisolering eller forstærket isolering, da beskyttende jordforbindelse eller monteringsforhold ikke forefindes.
	Farlig spænding
	SMRT-strømsystem
	Forlæng
	Tilbagetræk
IPX0	Ikke beskyttet
IPX6	Beskyttet mod kraftige vandstråler
	Ifølge kravene i EU-direktiv 2012/19/EU om affald af elektrisk og elektronisk udstyr (WEEE), som ændret, angiver dette symbol, at produktet skal indsamles separat med henblik på genbrug. Må ikke bortskaffes som usorteret husholdningsaffald. Kontakt nærmeste forhandler vedrørende information om bortskaffelse. Sørg for, at inficeret udstyr dekontamineres før genbrug.
	WEEE-direktivet (2012/96/EF). Indeholder cadmium.
	Rechargeable Battery Recycling Corporation (RBRC) er en non-profit, offentlig serviceorganisation, der fremmer genbrug af bærbare, genopladelige batterier. Batterierne skal indleveres på et batteriindsamlingssted. Gå ind på RBRC's website (www.rbrc.org) for at finde et indsamlingssted i nærheden, eller ring på det telefonnummer, der vises på genbrugssymbolet.
	Indeholder nikkel-cadmium-celler og skal genanvendes i overensstemmelse hermed
	Identifikation af batteripoler (datalinje, negativ og positiv)
KRX 23/44	Identifikation af NiCd-celler i henhold til IEC 61951-1:2003

2300 mAh (1.2A/2h)	Batterikapacitet, typisk ladning og varighed
	Må ikke rengøres med blegemiddel
	Skuldersele
	Taljesele med dobbelt spænde
	Taljesele med enkelt spænde
	Lårsele
	Ankelsele

Indholdsfortegnelse

Definition af betegnelserne Advarsel/Forsigtig/Bemærk	3
Oversigt over sikkerhedsforanstaltninger	3
Klemmepunkter	6
Mekanisk stabilitet	6
Indledning	8
Produktbeskrivelse	8
Indikationer	8
Kliniske fordele	8
Kontraindikationer	9
Forventet levetid	9
Bortskaffelse/genanvendelse	9
Specifikationer - Power-PRO	9
EU's REACH-forordning	10
Standarder med påkrævet ekstraudstyr	11
Kompatibilitet med Schnitzler pædiatrisk selesystem	11
Specifikationer - SMRT	12
Produktillustration - Power-PRO	13
Produktillustration - SMRT	14
Kontaktinformation	14
Serienummerets placering - Power-PRO	15
Serienummerets placering - SMRT	15
Opsætning	16
Installation	16
Installation af bårens beslag	16
Betjening	17
Sådan kontrolleres batteriniveaueet	17
Kontrol af timetæller og fejldisplay	17
Betjeningsvejledning	18
Korrekte løfteteknikker	19
Overførsel af patient til bære	19
Sådan rulles båren med patienten	19
Hævning eller sænkning af båren	20
Sådan hæves, sænkes eller frigøres båren vha. af de strømførte funktioner	20
Sådan hæves og sænkes båren manuelt med den manuelle overstyring	21
Hurtig indladning med hurtig indskubning	21
Indladning af båren i bærebeslaget	21
Fjernelse af båren fra bærebeslaget	22
Indladning af båren vha. en bagsmækklift	22
Udladning af båren vha. en bagsmækklift	23
Indladning af båren ved hjælp af en rampe	24
Indladning og udladning af en bære med den valgfrie iltflaskeholder	24
Positionering af operatører og hjælpere	25
Sådan hæves og sænkes ryglænet	25
Hævning eller sænkning af sengehestene	26
Hævning eller sænkning af sengehestene (valgfri XPS)	26
Forlængelse af den udtrækkelige hovedsektion eller fodsektion	26
Indtrækning af den indtrækkelige hovedsektion eller fodsektion	27
Sådan hæves og sænkes det valgfri bevægelige knæsektion	28
Aktivering eller udløsning af en hjullås	29
Låsning og frigørelse af den valgfrie Steer-Lock	29
Fiksering af patienten med selerne	30
Tilføjelse af en forlængersele	30
Fiksering af en patient med X-selen/XPR-selestropperne	30
Sådan fastgøres X-selen/XPR-skulderselerne	31
Sådan fastgøres X-selen/XPR-taljeselen	32
Sådan fastgøres X-selen/XPR-lårselelerne	32
Sådan fastgøres X-selen/XPR-ankelselerne	32
Fiksering af patienten med Pedi-Mate® selesystemet til spædbørn	33
Fastgørelse af defibrillatorplatformen	33
Ophængning af udstyret på udstyrskrogen	36

Placering af det todelte dropstativ	36
Positionering af det valgfri tredelte dropstativ	37
Fastgøring af iltflaske i iltflaskeholderen	38
Sådan monteres skubbestængerne som ekstraudstyr	39
Fjernelse og opbevaring af skubbestængerne i opbevaringslommen til skubbestænger	39
Påsætning af opbevaringsnettet på bundrammen, tilvalg	40
Fastgøring af opbevaringslomme til ryglænet	40
Fastgøring af madrassen	41
Isætning af en SMRT Pak	42
Sådan fjernes en SMRT Pak fra båren	42
Opbevaring af batteri	43
Opladning af SMRT Pak	43
Kontrol af strømniveau i SMRT Pak vha. SMRT-opladeren	44
Krav til elinstallation	44
Sådan installeres SMRT-opladeren	45
Sådan installeres det valgfrie monteringsbeslag	45
Sådan fastgøres opladeren på det valgfrie monteringsbeslag	46
Strømtilførsel til opladeren	47
Afbrydelse af opladeren	48
Tilbehør og dele	49
Rengøring og desinficering af XPR-selestopperne	51
Rengøring	52
Anbefalede rengøringsmidler	52
Rengøring af opladeren	53
Rengøring af batteriet	53
Forebyggende vedligeholdelse	55
Smøring	55
Regelmæssige inspektioner og justeringer	55
Hver måned eller efter to timers brug	55
Hver tredje måned eller efter seks timers brug	56
Hver sjette måned eller efter 12 timers brug	57
Hver 12. måned eller efter 24 timers brug	58
Oplysninger om EMC	59

Definition af betegnelserne Advarsel/Forsigtig/Bemærk

Betegnelserne **ADVARSEL**, **FORSIGTIG** og **BEMÆRK** benyttes med særlige betydninger og skal læses omhyggeligt.

ADVARSEL

Gør læseren opmærksom på en situation, der kan medføre død eller alvorlig personskade, hvis situationen ikke undgås. Den kan også beskrive potentielle alvorlige hændelser og sikkerhedsfarer.

FORSIGTIG

Gør læseren opmærksom på en potentielt farlig situation, der kan medføre mindre eller moderat personskade på bruger eller patient eller beskadige produktet eller andre genstande, hvis situationen ikke undgås. Dette omfatter særlig omhu, der er nødvendig for sikker og effektiv brug af udstyret og den omhu, der er nødvendig for at undgå beskadigelse af udstyr, som kan opstå som et resultat af brug eller misbrug.

Bemærk - Her gives særlige oplysninger, der letter vedligeholdelse eller uddyber vigtige anvisninger.

Oversigt over sikkerhedsforanstaltninger

Læs altid advarslerne og forholdsreglerne på denne side omhyggeligt, og følg dem nøje. Service må kun foretages af kvalificeret personale.

ADVARSEL

- Ved inladdning, udladning eller ændring af bårens højdeposition skal hænderne altid holdes væk fra de røde sikkerhedsbjæls led.
- Brug altid begge hænder ved transport af båren.
- Bårebeslaget skal altid installeres af kvalificeret personale. Forkert installation kan føre til tilskadekomst for patienten eller operatøren.
- Sørg altid for, at alle bærer opfylder installationsspecifikationerne for Stryker-bårens beslagssystem.
- Justér altid stelklemmesamlingen, så den passer til bårens stoppepindposition for bårefabrikanten og modelnummeret.
- Batteriet må ikke fjernes, når båren er aktiv.
- Brug kun produktet, når alle personer er fri af mekanismerne. Fastklemning mellem produktets strømførte mekanismer kan resultere i alvorlig tilskadekomst.
- Inspicér altid **SMRT** Paks for tegn på skade, før hver brug.
- Lad ikke utrænede personale hjælpe med at betjene produktet.
- Placér altid hænderne korrekt på håndtagene. Ved inladdning eller udladning eller ændring af bårens højdeposition skal alle hænder holdes væk fra de røde sikkerhedsbjæls led.
- Kør ikke på bårens bund.
- Undlad at transportere båren sidelæns for at undgå, at den vælter. Transporter altid båren i en sænket position med hovedenden eller fodenden forrest for at mindske risikoen for, at den vælter.
- Hold altid hænder, fingre og fødder væk fra bevægelige dele. Vær forsigtig, hvis hænder og fødder anbringes nær stængerne i bunden, mens båren hæves eller sænkes.
- Installér altid beslagets automatiske spærresystem i enhver ambulance, der skal anvendes med denne bære og et bærebeslag af hjortetakstypen.
- Patienten skal altid overvåges, når båren holder stille. Hvis båren hæves eller sænkes med hydraulisk kraft, kan dette påvirke det elektroniske patientovervågningsudstyr midlertidigt.
- Brug altid alle seler til at fastgøre patienten på produktet. Hvis en patient ikke fikses ordentligt, kan denne falde ned fra produktet og komme til skade.
- Lad ikke patienten være uden opsyn. Hold fast i produktet, mens patienten ligger på det.
- Brug ikke en hjullås, når en patient befinder sig på produktet, eller når du flytter produktet, for at undgå, at det vælter.
- Brug ikke sengehestene til at fikse patienten.
- Transportér altid båren i den laveste højde for at reducere risikoen for, at den vælter. Få hjælp, hvis det er muligt, eller vælg en anden rute.
- Undgå altid stejle steder, som f.eks. fortovskanter, trin eller ujævnt terræn for at undgå risikoen for, at produktet vælter.

- Brug altid to operatører til at hæve eller sænke båren med en patient.
- Sørg altid for, at båren ikke kan rulle tilbage ned ad liften, før du bruger bagsmækkliften til en bære med en patient. Sørg for, at liftens bagklapsstop er vedligeholdt og fungerer.
- Lås altid hovedsektionen på plads, før båren betjenes.
- Forsøg ikke at sætte båren ind i køretøjets patientrum, mens hovedsektionen er indskubbet. Hvis båren indsættes med indskubbet hovedsektion, kan det forårsage, at produktet tipper over eller ikke kobles sammen med køretøjets bærebeslag.
- Installér eller aktivér ikke en hjullås på et produkt med slidte hjul med en diameter under 6 tommer (15 cm).
- Lad ikke patienten være uden opsyn. Hold fast i produktet, mens der ligger en patient på det.
- Brug altid alle seler til fiksering af patienten på båren. En patient, der ikke er fikseret med sele, kan falde af båren.
- Fastgør ikke selerne til bundens rør eller tværstængerne.
- Brug altid spændet længst væk fra obstruktioner eller tilbehør på båren for at undgå risikoen for utilsigtet udløsning af **Pedi-Mate®**-selesystemet til spædbørn og skade på spædbarnet.
- Fastgør ikke defibrillatorplatformen på en model 6086 **Performance-PRO** XT-bære med det valgfrie **Power-LOAD** for at undgå risikoen for, at båren vælter.
- Skubbestængerne skal altid låses fast i beslagene for at forhindre, at de falder af under brug.
- Produktet må ikke løftes i skubbestængerne.
- Skubbestængerne skal altid opbevares i bundstykkets opbevaringslomme, når de ikke er i brug.
- Forsøg ikke at åbne batteripakken, uanset årsagen, for at undgå risiko for elektrisk stød. Hvis batteripakkens etui har revner eller er gået i stykker, må det ikke sættes i opladeren. Beskadigede batteripakker skal returneres til et servicecenter med henblik på genbrug.
- Undgå altid direkte kontakt med våde batterier eller batterirum. Berøring kan medføre, at patienten eller operatøren kommer til skade.
- Sæt ikke en revnet eller beskadiget **SMRT Pak** i **SMRT**-opladeren. Beskadigede **SMRT** Paks skal returneres til et servicecenter med henblik på genbrug.
- Få altid en autoriseret mekaniker, der er fortrolig med ambulancens konstruktion, til at installere det valgfrie monteringsbeslag og **SMRT**-opladeren.
- Monter altid **SMRT**-opladeren på det valgfrie monteringsbeslag i et lukket skab og uden for patientens rækkevidde under transport for at overholde gældende standarder for kollisionstest.
- Sørg altid for, at det valgfrie monteringsbeslag er omhyggeligt fastgjort til overfladen.
- Brug altid passende personligt beskyttelsesudstyr under højtryksrensning for at undgå indånding af smitstoffer. Højtryksrensningsudstyr kan forårsage, at forureningsstoffer blandes med luften.
- Bær altid isolerede gummihandsker og personligt beskyttelsesudstyr, når du rengør **SMRT Pak** for at mindske risiko for personskade.
- Tag altid **SMRT**-opladeren ud af stikkontakten, inden du starter rengøringen, for at undgå risiko for elektrisk stød.
- Du må ikke sprøjte væske direkte på **SMRT**-opladeren.
- Brug ikke en højtryksrenser til at rengøre **SMRT**-opladeren.
- Brug ikke opløsningsmidler, smøremidler eller andre kemikalier til at rengøre **SMRT**-opladeren, medmindre der gives instruks herom.
- Undlad at nedsænke **SMRT**-opladeren i vand eller lade vand samle sig oven på **SMRT**-opladeren for at undgå risiko for elektrisk stød.
- Brug altid kun ikke-ledende materialer til aftørring af **SMRT Pak**.
- Undgå altid overdreven eksponering med vand på **SMRT Pak**-polerne.
- Se altid desinficeringsmidlets leverandørbrugsanvisning (MSDS) for at verificere pH-området. Desinficeringsmidler med pH-niveauer over 10,5 kan forårsage revner i **SMRT Pak**-huset.
- Håndtér ikke og få ikke kontakt med **SMRT Pak**-polerne under rengøringen for at undgå risikoen for tilskadekomst.
- Nedsænk ikke **SMRT Pak** i væske for at reducere risikoen for elektrisk stød.
- Brug ikke opløsningsmidler, smøremidler eller andre kemikalier til at rengøre **SMRT Pak**, medmindre der gives instruks herom.
- Udløs altid trykket, før du frakobler hydraulikslanger eller andre slanger. Udslip af væske under tryk kan trænge igennem huden og forårsage alvorlige skader. Stram alle forbindelser, før du påfører tryk. Hvis der sker en ulykke, skal du straks søge lægehjælp.
- Tjek aldrig for tegn på hydrauliske lækager med bare hænder.

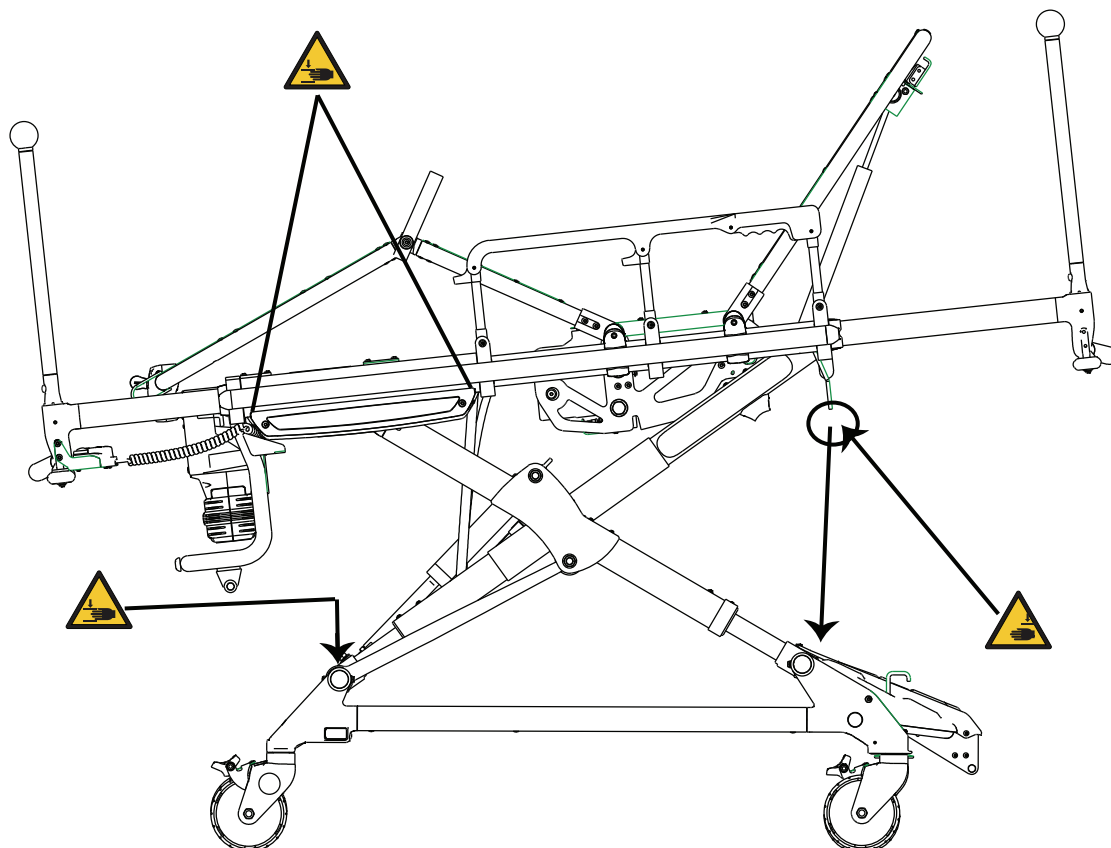
FORSIGTIG

- Forkert brug af produktet kan medføre, at patienten eller operatøren kommer til skade. Produktet må kun betjenes som beskrevet i denne vejledning.
- Hverken produktet eller dets komponenter må ændres. Ændring af produktet kan forårsage uforudsigelig drift, hvilket kan medføre personskade på patient eller operatør. Garantien ugyldiggøres også, hvis produktet ændres.
- Brug ikke produktet med inkompatible seler.
- Oplad altid batteriet, før du tager produktet i brug. Et ikke-opladet eller fladt batteri kan forårsage nedsat ydeevne af produktet.
- Fjern altid eventuelle forhindringer, der kan komme i vejen og forårsage skade på operatøren eller patienten, inden produktet tages i brug.
- Sænk altid båren til den laveste position for at sikre, at båren kobles sammen med bærebeslaget.
- Forsøg ikke at ændre produktets højde, mens båren er koblet sammen med bærebeslaget.
- Det er ikke tilladt at sidde eller stå på sengehestene (valgfrit XPS).
- Brug ikke sengehestene (valgfrit XPS) som en patientoverførselsanordning eller -leje (f.eks. til at overføre en patient fra båren til et andet leje).
- Patienter må ikke lejres med deres fulde vægt på sengehestene (valgfrit XPS).
- Brug ikke sengehestene (valgfrit XPS) til at skubbe/trække eller styre produktet.
- Kontrollér, at selerne ikke vikles ind i bundrammen, når båren hæves eller sænkes.
- Fastgør altid defibrillatorplatformen til produktet, når defibrillatorplatformen anvendes.
- Brug og justér altid de stropper, der følger med defibrillatorplatformen for at sikre defibrillatoren.
- Skift altid fastgørelsesstedet, eller justér stropperne i overensstemmelse med den pågældende defibrillators størrelse eller facon.
- Belast ikke defibrillatorplatformen med mere end den sikre arbejdsbelastning på 30 pund (13,6 kg).
- Udstyrskrogen må ikke påføres større belastninger end den sikre arbejdsbelastning på 35 pund (15,8 kg).
- Fjern altid alt tilbehør eller udstyr fra udstyrskrogen hvis ophængt i køretøjet.
- Dropstativet må ikke påføres større belastninger end den sikre arbejdsbelastning på 25 pund (11,3 kg).
- Lad ikke iltflaskeholderens belastning overstige den sikre arbejdsbelastning på 1,1 stones (6,8 kg) (15 pund).
- Benyt ikke to iltflaskeholdere samtidigt.
- Bundens opbevaringsnet må ikke påføres større belastninger end den sikre arbejdsbelastning på 20 pund (9 kg).
- Vær altid forsigtig, når du trækker bunden tilbage for at undgå at beskadige artikler, der ligger gemt i opbevaringsnettet.
- Fyld ikke ryglænets opbevaringslomme over den sikre arbejdsbelastning på 20 pund (9 kg).
- Sørg for, at opbevaringslommen ikke forstyrrer driften af den tilbagetrækkelige hovedsektion.
- Undlad at opbevare genstande under madrassen. Genstande under madrassen kan vanskeliggøre produktets funktion.
- Fjern altid batteriet, hvis båren ikke skal anvendes i længere tid (over 24 timer).
- Placer altid strømledningen til **SMRT**-opladeren sådan, at man ikke træder på den eller falder over den, eller den på anden måde udsættes for skader eller belastninger.
- Rør ikke ved **SMRT** Pak-modtagerens terminaler med genstande af metal.
- Tag altid fat i stikket, ikke i ledningen, når du frakobler **SMRT**-opladeren, for at undgå risiko for beskadigelse af el-stikket og ledningen.
- Brug ikke smøremiddel på stroppernes overflader.
- Du må ikke rengøre produktet med damprens eller ultralyd.
- Den maksimale vandtemperatur må ikke overstige 180 °F (82 °C).
- Det maksimale vandtryk må ikke overstige 1500 psi (103,4 bar). Hvis du bruger en håndbetjent højtryksrenser til at vaske produktet med, skal trykdysen holdes mindst 24 tommer (61 cm) fra produktet.
- Lad det altid lufttørre.
- Tag altid batteriet ud, før du vasker båren.
- Der må ikke foretages rengøring, service eller vedligeholdelse, mens produktet er i brug.
- **SMRT** Pak må ikke rengøres med damprens eller ultralyd.
- Den maksimale lufttørretemperatur må ikke overstige 240 °F (115 °C) (vaskevogne).
- Brug altid autoriserede dele for at undgå risiko for beskadigelse af produktet.

- Se altid slanger efter med jævne mellemrum for at undgå at beskadige båren. Se efter løse forbindelser, og spænd dem til. Hydrauliklinjer, slanger og forbindelser kan svigte eller løsne sig pga. fysiske skader, knæk, alder og miljømæssige påvirkninger.
- Vip ikke båren ned på dens vægtbærende hjul og aktivér produktet, da dette gør det muligt for luft at trænge ind i det hydrauliske system.
- Smør ikke lejerne i X-frame båren, da dette vil forringe ydeevnen af båren og muligvis ugyldiggøre garantien.
- Brugen af andet ekstraudstyr, andre transducere og kabler end dem, der er angivet eller leveret af fabrikanten, kan resultere i øget elektromagnetiske emissioner eller reduceret elektromagnetisk immunitet og resultere i fejlfunktion.
- Dette udstyrs emissionskarakteristika gør det egnet til brug i industriområder og på hospitaler (CISPR 11 klasse A). Hvis det bruges i et boligmiljø, der almindeligvis kræver CISPR 11 klasse B, er det ikke sikkert, at dette udstyr vil yde tilstrækkelig beskyttelse for RF-kommunikationstjenester. Brugeren kan blive nødt til at træffe afhjælpende foranstaltninger, som f.eks. at flytte eller vende udstyret.
- Bærbart RF-kommunikationsudstyr, herunder ydre enheder som f.eks. antennekabler og eksterne antenner, må ikke bruges tættere end 12 tommer (30 cm) på nogen del af **Power-PRO** og **SMRT**-opladeren, herunder kabler angivet af producenten.
- Undgå at stable andet udstyr oven på eller anbringe andet udstyr op ad **Power-PRO** og **SMRT**-opladeren for at undgå forkert drift af produkterne. Skulle det blive nødvendigt, skal **Power-PRO** og **SMRT**-opladeren og det andet udstyr monitoreres tæt for at sikre korrekt funktion.

Klemmepunkter

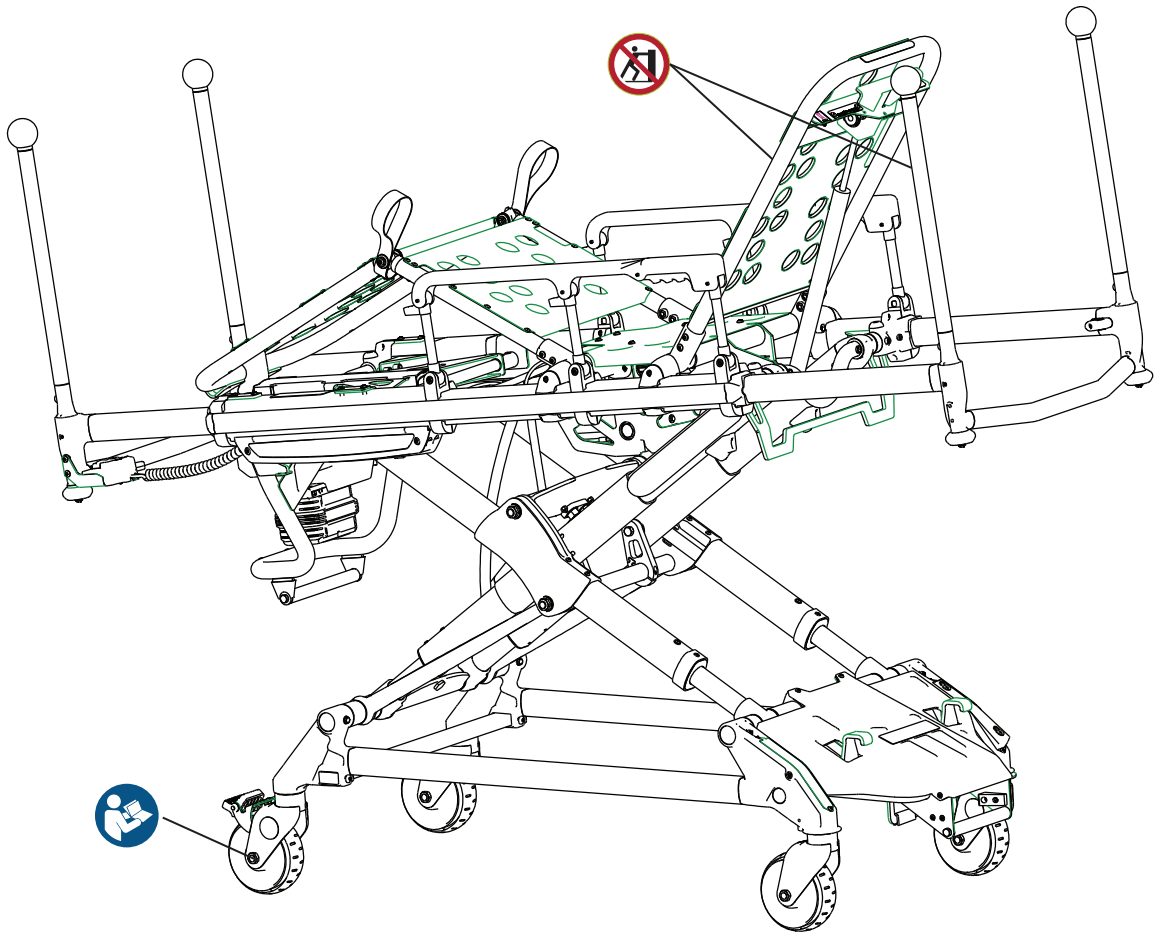
ADVARSEL - Ved inladdning, udladdning eller ændring af bårens højdeposition skal hænderne altid holdes væk fra de røde sikkerhedsbøjlers led.



Figur 1 – Klemmepunkter

Mekanisk stabilitet

ADVARSEL - Brug altid begge hænder ved transport af båren.



Figur 2 – Mekanisk stabilitet

Bemærk - Hvis båret befinder sig på et plan, der er stejlere end 5°, skal båret sættes i den laveste position.

Indledning

Denne manual er en hjælp til betjening eller vedligeholdelse af dit Stryker-produkt. Læs manualen igennem, før du betjener eller vedligeholder produktet. Fastlæg metoder og procedurer til uddannelse og optræning af personalet med henblik på sikker betjening eller vedligeholdelse af dette produkt.

FORSIGTIG

- Forkert brug af produktet kan medføre, at patienten eller operatøren kommer til skade. Produktet må kun betjenes som beskrevet i denne manual.
 - Hverken produktet eller dets komponenter må ændres. Ændring af produktet kan forårsage uforudsigelig drift, hvilket kan medføre personskeade på patient eller operatør. Ændring af produktet vil også ugyldiggøre garantien.
-

Bemærk

- Denne manual er en permanent del af produktet, og den skal opbevares sammen med produktet, selv hvis dette senere sælges.
- Stryker tilstræber hele tiden forbedringer i produktdesign og -kvalitet. Manualen indeholder de seneste tilgængelige produktoplysninger på trykningstidspunktet. Der kan være mindre uoverensstemmelser mellem dit produkt og denne manual. Hvis du har spørgsmål, bedes du kontakte Stryker kundeservice eller teknisk support på +1-800-327-0770.

Produktbeskrivelse

Stryker Model 6550 **Power-PRO™** TL-båren er en strømført ambulancebåre bestående af en platform monteret på en X-ramme med hjul, som er beregnet til at understøtte og transportere en maksimumsvægt på 700 pund (318 kg) i præhospitals- og hospitalsmiljøer.

Enheden er sammenklappelig med henblik på brug i ambulancer, og det NiCd-batteridrevne hydrauliske liftsystem giver operatører mulighed for at hæve og sænke båren vha. de strømførte kontroller. Båren er forsynet med et manuelt backup-udløsergreb, så bårens funktioner kan betjenes i tilfælde af strømtab. Enheden er udstyret med følgende: udtrækkelig hoved- og fodsektion, hvilket reducerer fodaftryk (størrelse) og giver maksimal mulighed for at manøvrere båren i snævre rum, sengeheste, seler til fastgørelse af patienten, et justerbart pneumatisk ryglæn og forskelligt valgfrit tilbehør, som er en hjælp ved transport af patienten. Der opnås maksimal patientkomfort med de tre forskellige lejepositioner, shockposition, flad benposition og positionering af den valgfrie bevægelige knæsektion.

SMRT™-strømsystemet består af en **SMRT-oplader** og en **SMRT Pak**. **SMRT Pak** strømfører det hydrauliske liftsystem til Strykers strømførte ambulancebårer.

Indikationer

Stryker **Power-PRO** TL er en elektrisk båre med hjul, som er beregnet til at understøtte hele kroppen af en tilskadekommet, selvhjulpent eller ikke selvhjulpent, patient og transportere denne (dette indbefatter spædbørn og voksne).

Det batteridrevne hydrauliske løftesystem medvirker til at reducere den kraftanstrengelse, operatøren skal bruge for at hæve og sænke båren. Produktet er fremstillet til at understøtte patienter i liggende (vandret) eller siddende stilling og lette transport af medfølgende medicinsk udstyr (f.eks. iltflasker, monitorer eller pumper) i ambulancer eller transportkøretøjer. Denne ambulancebåre anvendes i præhospitals- og hospitalsmiljøer, i akutte og ikke-akutte situationer. Den er vurderet til at have en maksimal kapacitet på 700 pund (summen af patient-, madras- og tilbehørsvægt), og de tilsigtede operatører af produktet er uddannede fagfolk, herunder skadestuepersonale og plejepersonale samt førstehjælpspersonale.

Power-PRO TL er ikke beregnet til længerevarende ophold eller brug som hospitalsseng eller i enheder, som ændrer lufttryk, f.eks. højtryksskamre.

Kliniske fordele

Båre: Patienttransport

Beslag: Støtter båren under transport

Kontraindikationer

Ingen kendte.

Forventet levetid

Power-PRO har en forventet levetid på syv år under normale brugsforhold og med passende periodisk vedligeholdelse.


SMRT-opladeren har en forventet levetid på syv år under normale brugsforhold og med passende periodisk vedligeholdelse.

SMRT Pak-batteriet har en forventet levetid på to år under normale brugsforhold.

Bortskaffelse/genanvendelse

Følg altid gældende, lokale anbefalinger og/eller forordninger for beskyttelse af miljøet og risici ved genbrug eller bortskaffelse af udstyret ved afslutningen af dets levetid.

Specifikationer - Power-PRO

	Bemærk - Sikker arbejdsbelastning angiver summen af patientens, madrassens og tilbehørets vægt.	700 pund	318 kg
Maksimal uassisteret løftekapacitet		700 pund	318 kg
Ryglænsartikulation/shockposition (standard ryglæn - 6506-012-003)		0° til 73°/+15°	
Ryglænsartikulation/shockposition (valgfrit 1865 ryglæn - 6506-012-004)		0° til 75°/+15°	
Samlet længde		81 tommer	206 cm
Standardlængde/minimumslængde/bredde		76,5 tommer/55 tommer/23 tommer	194,3 cm/139,7 cm/58 cm
Højde ¹		Justerbar fra 14 tommer til 41,5 tommer	Justerbar fra 36 cm til 106 cm
Vægt ²		145 pund	66 kg
Svinghjulenes diameter/bredde		6 tommer/2 tommer	15 cm/5 cm
Påkrævet minimumsantal operatører til indladning/udladning af en bære med patient		2	
Påkrævet minimumsantal operatører til indladning/udladning af en bære uden patient		1	
Anbefalede beslagssystemer		Model 6385, 6386, 6387, 6388 eller 6389	
Lås på to hjul/lås på fire hjul		Standard/valgfri	

Hydraulisk olie	Strykers varenummer 6500-001-293
Strømsystem	
Batteri	24 VDC NiCd - SMRT -strømsystem
Oplader	100-240 VAC 1,20 A, 50/60 Hz eller 12 VAC 4,16 A - SMRT -strømsystem
Bårens driftscyklus	10 % (tændt i 33 sek./slukket i 5 min.)
Standarder (bårer og opladere)	ANSI/AAMI ES60601-1:2012, CAN/CSA-C22.2 Nr. 60601-1:14, KKK-A-1822 For standarder, der kræver specifikt ekstraudstyr, henvises til <i>Standarder med påkrævet ekstraudstyr</i> (side 11)

¹ Højde målt fra bunden af madrassen ved sædesektionen til gulvniveau.

² Båren vejes med ét batteri og uden madras og seler.

Stryker forbeholder sig retten til at ændre specifikationerne uden varsel.

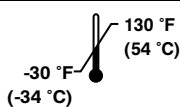
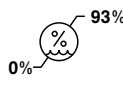
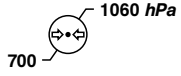
Power-PRO TL er designet til at overholde den amerikanske specifikation for ambulancer mærket med Star of Life (KKK-A-1822).

Power-PRO TL er designet til at være kompatible med visse konkurrerende bærebeslagssystemer.

Patentanmeldt.

Den gule og sorte farve er et proprietært varemærke, der tilhører Stryker Corporation.

Det kan være vanskeligt at læse mærkningerne på afstande over 12 tommer (30 cm).

Miljøforhold	Betjening
Temperatur	
Relativ luftfugtighed	
Atmosfærisk tryk	

EU's REACH-forordning

Ifølge kravene i den europæiske REACH-forordning og andre lovbestemte miljøkrav angives de komponenter, der indeholder oplysningspligtige stoffer.

Beskrivelse	Nummer	Kemisk navn på særligt farligt stof (SVHC)
Madras, aflastning til bevægelig knæsektion	6550-001-084	(2H-benzotriazol-2-yl)-4,6-ditertpentyphenol
Madras, aflastning til bevægelig knæsektion, XPS	6500-003-130	(2H-benzotriazol-2-yl)-4,6-ditertpentyphenol
Madras, aflastning til bevægelig knæsektion, grå	6506-003-130	(2H-benzotriazol-2-yl)-4,6-ditertpentyphenol

Beskrivelse	Nummer	Kemisk navn på særligt farligt stof (SVHC)
Ni-CAD-battericelle	6500-101-129	Cadmium, cadmiumhydroxid
Stativ, todelt	6070-210-070	Bly
Stativ, tredelt	6070-215-070	Bly

Standarder med påkrævet ekstraudstyr

For at overholde standarderne skal følgende påkrævede ekstraudstyr monteres på båret.

Standard	Valg af ekstraudstyr		
	Fikseringspakke	Madras	Ekstraudstyr
BS EN 1789:2007+A2:2014 crash-test-standarder med brug af et crash-klassificeret beslag	EMS-fikseringspakke (6060-160-010), X-fikseringspakke (6500-001-430) eller XPR-fikseringspakke (650600030010) Bemærk - X-fikseringspakken og XPR-fikseringspakken er kun kompatible med XPS-madrassen (6500-003-130/6506-003-130).	Aflastningsmadras til bevægelig knæsektion (6550-001-084) eller XPS-madras (6500-003-130/6506-003-130) (afhængigt af båretens sengehest)	
BS EN 1865-3:2012 +A1:2015			XPS (6506-040-000)
BS EN 1865-2:2010 +A1:2015			1865 Fowler (6506-012-004)

Kompatibilitet med Schnitzler pædiatrisk selesystem

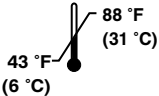
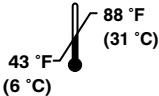
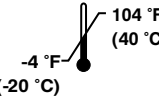
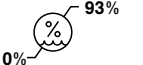
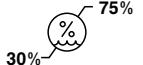
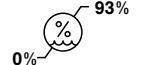
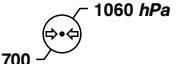
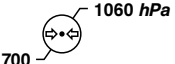
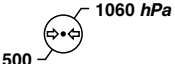
FORSIGTIG - Brug ikke produktet med inkompatible seler.

XPS-madras (6500-003-130 eller 6506-003-130)	Schnitzler pædiatrisk selesystem (0058-384-000) med serienumre lavere end 720 XPSNPR-2123	Schnitzler pædiatrisk selesystem (0058-384-000) med serienumre lig med eller højere end 720 XPSNPR-2123
Madras med partikode lavere end 18001001	Kompatibel	Kompatibel
Madras med partikode lig med eller højere end 18001001	Ikke kompatibel	Kompatibel

Schnitzler pædiatrisk selesystem (0058-385-000) er kompatibelt med standardmadrassen på Model 6100 **M-1** Roll-In System, Model 6506 **Power-PRO** XT-båre og Model 6550 **Power-PRO** TL-båre.

Specifikationer - SMRT

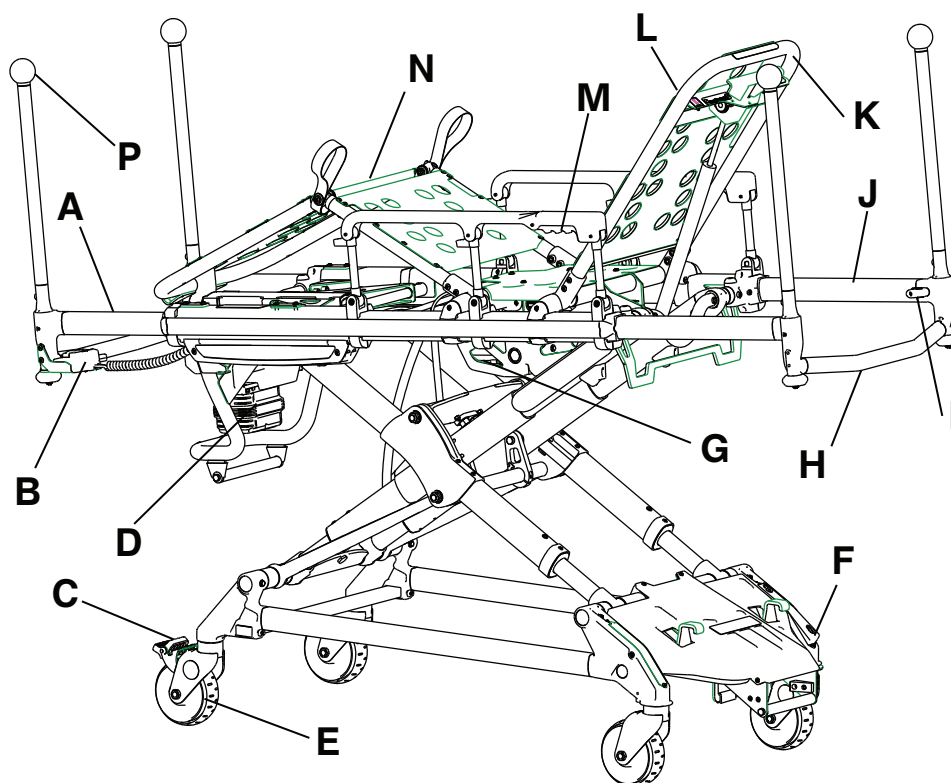
	SMRT-oplader	SMRT Pak	Vekselstrømsforsyning
Elektrisk indgangssignal	13,9 VDC 4,16 A	Ikke relevant	100-240 VAC 1-2 A 50/60 Hz
Elektrisk udgangssignal	Åbent kredsløb 40 VDC 1,20 A	24 VDC NiCd	12 VDC 4-6 A
Højde	2,375 tommer (60,325 mm)	3,25 tommer (82,55 mm)	Varierer
Bredde	5,125 tommer (130,175 mm)	4 tommer (101,6 mm)	Varierer
Længde	7 tommer (177,8 mm)	5,75 tommer (146,05 mm)	Varierer
Vægt	1,3 pund (0,59 kg)	3,8 pund (1,7 kg)	Varierer
Rumbeskyttelse	IPX0	IPX6	IPX0
Udstyrstype	Ikke relevant	Ikke relevant	Klasse II
Godkendelser	ANSI/AAMI ES 60601-1: 2012, CAN/CSA-C22.2 Nr. 60601-1:14	Ikke relevant	Ikke relevant

Miljøforhold	Betjening	Opladning	Opbevaring og transport
Temperatur			
Relativ luftfugtighed			
Atmosfærisk tryk			

Specifikationer er omtrentlige og kan variere fra enhed til enhed eller som følge af udsving i strømtilførslen.

Stryker forbeholder sig retten til at ændre specifikationerne uden varsel.

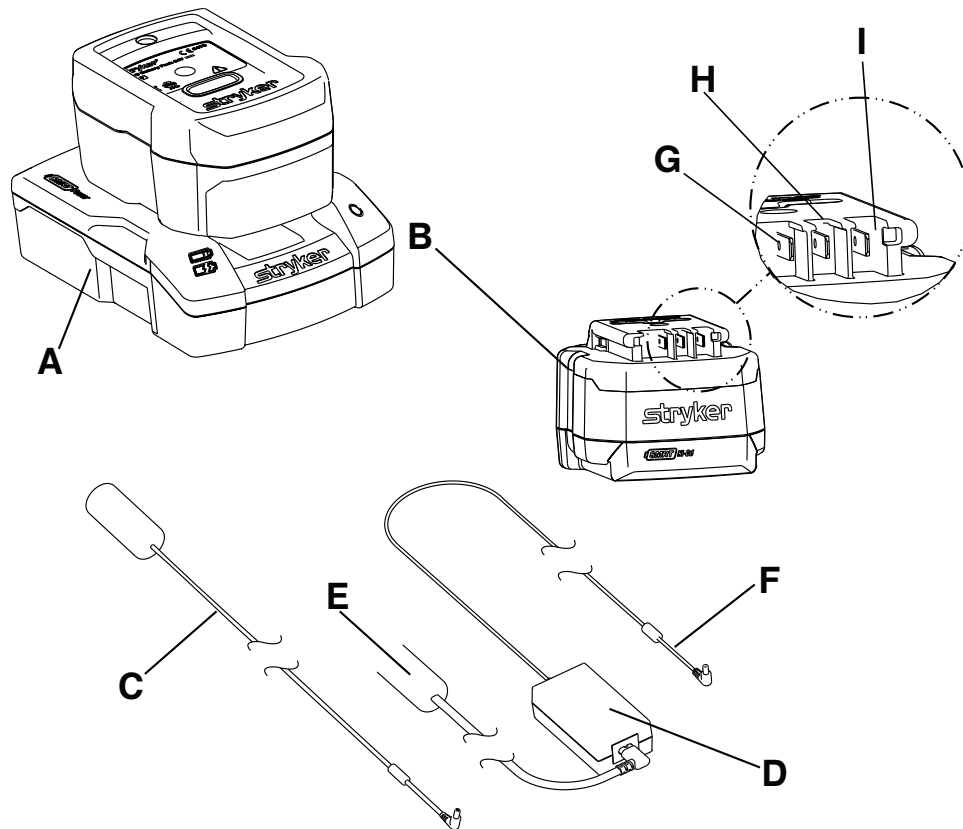
Produktillustration - Power-PRO



Figur 3 – Power-PRO TL

A	Udtrækkelig fodsektion	I	Batteri
B	Højdejusteringskontakt	J	Tilbagetrækkelig hovedsektion
C	Hjullås	K	Justeringshåndtag til ryglæn
D	Batteri	L	Ryglæn
E	Indladringshjul	M	Udløsergreb til sengehest
F	Steer-Lock	N	Bevægelig sektion/lægstøtte
G	Hydraulikenhed	P	Skubbestænger (valgfrie)
H	Udløsergreb til hovedsektion		

Produktillustration - SMRT



Figur 4 – SMRT-strømsystem

A	SMRT-oplader	F	Udgangsledning
B	SMRT Pak	G	Data
C	DC-kabel	H	Strøm (-)
D	Vekselstrømsforsyning	I	Strøm (+)
E	Vekselstrømsledning		

Kontaktinformation

Kontakt Stryker kundeservice eller teknisk support på: 1-800-327-0770.

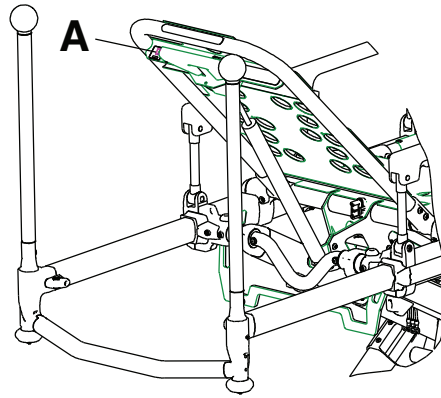
Stryker Medical
3800 E. Centre Avenue
Portage, MI 49002
USA

Bemærk - Brugeren og/eller patienten bør rapportere enhver alvorlig produktrelateret hændelse til såvel producenten som til den kompetente myndighed i den EU-medlemsstat, hvor brugeren og/eller patienten er bosiddende.

Du finder betjenings- eller vedligeholdelsesvejledningen online ved at gå ind på <https://techweb.stryker.com/>.

Hav serienummeret (A) på dit Stryker-produkt klart, når du ringer til Stryker kundeservice eller teknisk support. Inkluder serienummeret i al skriftlig kommunikation.

Serienummerets placering - Power-PRO



Figur 5 – Serienummerets placering

Serienummerets placering - SMRT

Serienummeret for **SMRT**-opladeren sidder i bunden af enheden. Lotnummeret for **SMRT Pak** sidder oven på **SMRT Pak** over den røde udløserknap.

Opsætning

Ved opsætning udpakkes alle kasserne, og alle ting kontrolleres for korrekt funktion. Kontrollér, at produktet fungerer, inden det tages i brug.

Fjern alle forsendelses- og pakningsmaterialer fra produktet inden brug.

Patientrummet i det køretøj, hvor produktet skal anvendes, skal have et:

- Jævnt gulv, der er tilstrækkeligt stort til det sammenfoldede produkt
- Stryker-bårebeslagssystem

Bemærk - Løse genstande eller snavs på patientrummets gulv kan påvirke produktbeslagets funktion. Sørg for, at gulvet i patientrummet holdes rent.

Pak **SMRT** Paks og **SMRT**-opladeren ud. Oplad **SMRT** Pak før brug.

Modificér evt. køretøjet, så det passer til båren. Båren må ikke modificeres.

Installation

Installation af bårens beslag

Stryker bårebeslagssystemer er kun kompatible med bårer, der opfylder installationsspecifikationerne.

ADVARSEL

- Bårebeslaget skal altid installeres af kvalificeret personale. Forkert installation kan føre til tilskadekomst for patienten eller operatøren.
- Sørg altid for, at alle bårer opfylder installationsspecifikationerne for Stryker-bårens beslagssystem.
- Justér altid stelklemmesamlingen, så den passer til bårens stoppepindposition for bårefabrikanten og modelnummeret.

Disse anvisninger gælder for bårer med beslagssystemer af hjortetakstypen. For crash-klassificerede bårebeslag henvises der til den pågældende betjeningsvejlednings installationsanvisninger.

Betjening

Sådan kontrolleres batteriniveauet

Brug LED-indikatoren til kontrol af strømiveauet i **SMRT Pak**. En opladet **SMRT Pak**, i korrekt driftstilstand, giver strøm til 25 udkald med en patient, der vejer 250 lb (113 kg) (faktiske resultater kan variere). 24 V DC **Power-PRO**-systemet og **SMRT Pak** er nomineret til 2,4 amp-timer elektrisk strøm.

ADVARSEL - Batteriet må ikke fjernes, når båren er aktiv.

FORSIGTIG - Oplad altid batteriet, før du tager produktet i brug. Et ikke-opladet eller fladt batteri kan forårsage nedsat ydeevne af produktet.

Batteriets strømiveau kontrolleres ved at trykke på tilbagetrækningsknappen (-) på bårens kontrolkontakt. Dette aktiverer bære batteriets LED-indikator. Batteriets LED-indikator er placeret i fodendens kontrolkabinet (vist med et batterisymbol).

- LED-indikatoren lyser grønt konstant, når batteriet er fuldt opladet eller er tilstrækkeligt opladet.

Bemærk - De bedste resultater fås ved at bruge **SMRT Pak**, indtil batteriets LED-indikator skifter fra konstant grønt lys til blinkende ravgult.

- LED-indikatoren blinker ravgult, når batteriet skal oplades eller udskiftes

Bemærk - Bære batteriets LED-indikator skal ikke nødvendigvis blinke ravgult, før du kan fjerne og udskifte **SMRT Pak**, men det anses for at være det mest hensigtsmæssige. Du kan fjerne og genoplade **SMRT Pak** når som helst.

- LED-indikatoren lyser ravgult konstant, hvis der er opstået en fejl i batteriet.

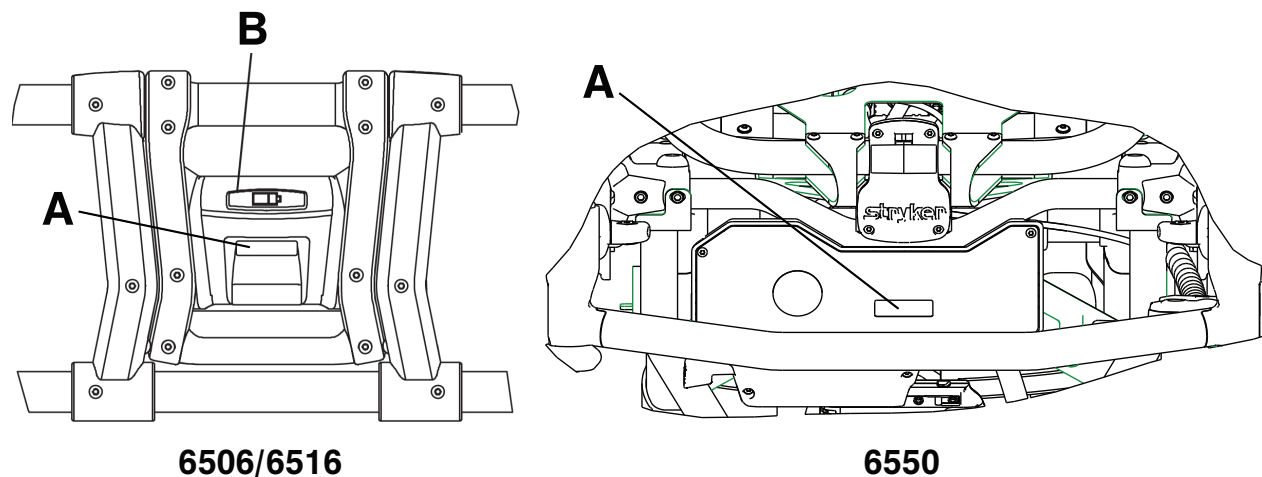
Bemærk

- Brug kun batterier, der er godkendt af Stryker.
- Det elektriske bærebeslag, hvis inkluderet, oplader automatisk **SMRT Pak**-batteriet. Automatisk opladning finder sted, når du låser båren fast i det elektriske bærebeslag (kabel eller konnektorer ikke påkrævet). LED-indikatoren til bårens batteri blinker kort grønt for at vise, at det bliver ladet op.
- Automatisk opladning finder kun sted med **SMRT Pak**-batterier.

Kontrol af timetæller og fejldisplay

Timetælleren viser den mængde tid (TTT, T timer), hvor hydraulikken blev brugt. Fejldisplayet viser fejlkoder og information vedrørende fejlfinding.

Brug timetælleren (A) (Figur 6) til at fastlægge frekvensen af den forebyggende vedligeholdelse. Brug fejldisplayet (A) til fejlfinding. Fejldisplayet tilsidesætter timetælleren, når der opstår en fejl.



Figur 6 – Kontrol af timetæller (A), fejldisplay (A) og batteristatus (B)

Betjeningsvejledning

ADVARSEL

- Brug kun produktet, når alle personer er fri af mekanismerne. Fastklemning mellem produktets strømførte mekanismer kan resultere i alvorlig tilskadekomst.
- Inspicér altid **SMRT** Paks for tegn på skade, før hver brug.
- Lad ikke utrænede personale hjælpe med at betjene produktet.
- Placér altid hænderne korrekt på håndtagene. Ved indladning eller udladning eller ændring af bårens højdeposition skal alle hænder holdes væk fra de røde sikkerhedsbjæls led.
- Kør ikke på bårens bund.
- Undlad at transportere båren sidelæns for at undgå, at den vælter. Transporter altid båren i en sænket position med hovedenden eller fodenden forrest for at mindske risikoen for, at den vælter.
- Hold altid hænder, fingre og fødder væk fra bevægelige dele. Vær forsigtig, hvis hænder og fødder anbringes nær stængerne i bunden, mens båren hæves eller sænkes.
- Installér altid beslagets automatiske spærresystem i enhver ambulance, der skal anvendes med denne bære og et bæreslag af hjortetakstypen.
- Patienten skal altid overvåges, når båren holder stille. Hvis båren hæves eller sænkes med hydraulisk kraft, kan dette påvirke det elektroniske patientovervågningsudstyr midlertidigt.

FORSIGTIG - Fjern altid eventuelle forhindringer, der kan komme i vejen og forårsage skade på operatøren eller patienten, inden produktet tages i brug.

- Produktet må kun betjenes som beskrevet i denne vejledning.
- Læs alle etiketter og instruktioner på produktet før ibrugtagningen.
- Ændring af højdepositioner og indladning af båren skal øves, indtil man har sat sig fuldstændigt ind i, hvordan produktet betjenes.
- Inspicér **SMRT** Pak afskærmningen og terminalområdet for tegn på revner eller skader før første og før hver brug.
- Der skal altid være mindst to uddannede operatører om at ind- eller udlade en bære med en patient. Der skal være to operatører til stede, når der er en patient på båren. Stryker anbefaler, at begge operatører befinder sig i fodenden for at mindske den belastning, som den enkelte operatør udsættes for. En eller to operatører kan løfte fra fodenden af båren.
- Båren må ikke justeres, køres eller anbringes i køretøjet uden først at informere patienten. Bliv hos patienten og sørg for, at produktet konstant er under kontrol.
- Du kan transportere båren i en hvilken som helst position. Stryker anbefaler, at operatørerne transporterer patienten i den laveste komfortable position, når båren skal manøvreres.
- Benyt kun hjullåsene, når en patient overføres, eller når der ikke er nogen patient på produktet.

- Brug ikke en hjullås, når en person befinder sig på produktet, eller hvis produktet flyttes for at undgå, at det vælter.
- Brug korrekt uddannet hjælpepersonale til at styre båren, når det er nødvendigt.

Korrekte løfteteknikker

Ved løft af produktet og patienten skal disse korrekte løfteteknikker følges, så risikoen for skader undgås:

- Hold hænderne tæt ved kroppen
- Hold ryggen ret
- Koordinér dine bevægelser med din partners
- Løft med benene
- Undgå at vride kroppen

Overførsel af patient til båre

ADVARSEL

- Brug altid alle seler til at fastgøre patienten på produktet. Hvis en patient ikke fikses ordentligt, kan denne falde ned fra produktet og komme til skade.
 - Lad ikke patienten være uden opsyn. Hold fast i produktet, mens patienten ligger på det.
 - Brug ikke en hjullås, når en patient befinder sig på produktet, eller når du flytter produktet, for at undgå, at det vælter.
 - Brug ikke sengehestene til at fikse patienten.
-

Sådan overføres patienten til produktet:

1. Kør produktet hen til patienten (*Sådan rulles båren med patienten (side 19)*).
2. Anbring produktet ved siden af patienten og hæv eller sænk produktet til patientens niveau.
3. Sænk sengehestene, og åbn selerne.
4. Overfør patienten til produktet. Følg de accepterede EMS-procedurer.
5. Fastgør patienten til produktet med alle selerne.
6. Hæv sengehestene, og juster ryglænet og fodpladen efter behov.

Sådan rulles båren med patienten

ADVARSEL

- Transportér altid båren i den laveste højde for at reducere risikoen for, at den vælter. Få hjælp, hvis det er muligt, eller vælg en anden rute.
 - Undgå altid stejle steder, som f.eks. fortovskanter, trin eller ujævnt terræn for at undgå risikoen for, at produktet vælter.
-

To roll the cot with a patient:

1. Den ene operatør skal stå ved fodenden og den anden ved hovedenden af båren.
2. Sørg for, at bærelejet ligger vinkelret, når du nærmer dig dørtrin eller andre lavtliggende forhindringer.
3. Løft hvert sæt hjul over dørtrinnet eller forhindringen et ad gangen.

Hævning eller sænkning af båren

Du kan hæve eller sænke en bære uden patient med én operatør. Hvis der ligger en patient på båren, skal der mindst to oplærte operatører til (én i hver ende af båren) for at hæve eller sænke båren.

ADVARSEL

- Hold altid hænder, fingre og fødder væk fra bevægelige dele. Vær forsigtig, hvis hænder og fødder anbringes nær stængerne i bunden, mens båren hæves eller sænkes.
- Placér altid hænderne korrekt på håndtagene. Ved indladning eller udladning eller ændring af bæreens højdeposition skal alle hænder holdes væk fra de røde sikkerhedsbjælsers led.
- Brug altid to operatører til at hæve eller sænke båren med en patient.

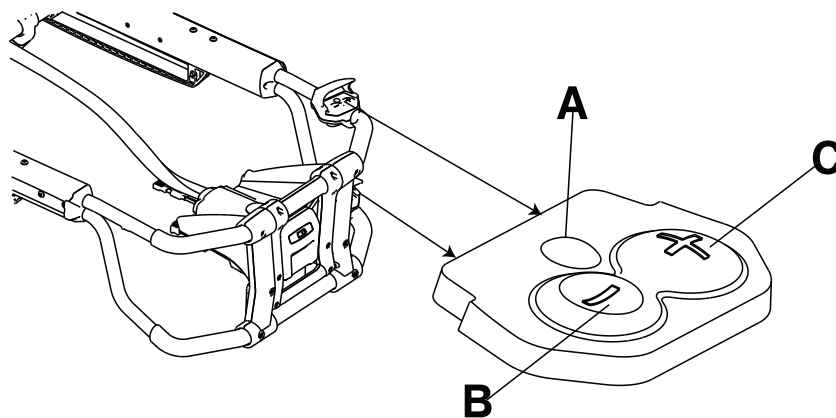
Sådan hæves eller sænkes båren:

1. Operatør 1 (fodende): Grib fat i bårens ramme, og tryk på:
 - Forlængerknappen (+) for at hæve båren til den ønskede højde
 - Tilbagetrækningsknappen (-) for at sænke båren til den ønskede højde
2. Operatør 2 (hovedende): Hold godt fast i den udvendige skinne, indtil båren har den ønskede højde.

Bemærk - Hvis du trykker på forlængerknappen (+) på bæreens kontrolkontakt efter båren har nået den indstillede højde, stopper motoren midlertidigt, indtil du slipper knappen. Efter du har sluppet knappen, trykker du igen på forlængerknappen (+) for at bevæge båren højere op.

Sådan hæves, sænkes eller frigøres båren vha. af de strømførte funktioner

Der er to identiske bærekontrolkontakter på **Power-PRO** bærene. Tryk på en knap på en af disse kontakter for at hæve (forlænge) båren, sænke båren (trække den tilbage) eller frigøre båren fra **Power-LOAD**, hvis relevant (Figur 7).



Figur 7 – Bårens kontrolkontakter

Reference	Navn	Beskrivelse
A	Udløser	Tryk for at låse op for båren (bruges kun med Power-LOAD)
B	Tilbagetrækning (-)	Hold knappen inde for at sænke bærelejet eller trække bæreens understel tilbage
C	Forlængelse (+)	Hold knappen inde for at hæve bærelejet eller forlænge bæreens understel

Sådan hæves og sænkes båren manuelt med den manuelle overstyring

Hvis den elektriske funktion går tabt, kan du bruge bårens manuelle overstyringsfunktion. På denne måde kan produktet betjenes manuelt, indtil de strømførte funktioner er blevet genoprettet. Brug det røde, manuelle backup-udløsergreb til at hæve eller sænke båren.

Det manuelle backup-udløsergreb er placeret langs patientens venstre side på den nedre løftestang i bårens fodende.

Sådan hæves eller sænkes båren ved brug af det manuelle backup-udløsergreb:

1. Begge operatører: Hold båren løftet, mens den hæves eller sænkes, for at understøtte dens vægt i hver ende.
2. Operatør 1 (fodende):
 - a. Træk det manuelle udløsergreb i retning af løftestangen.
 - b. Mens der trækkes i det manuelle backup-udløsergreb, hæves eller sænkes båren til den ønskede position.
 - c. Slip grebet for at låse båren på plads

Bemærk

- Begge operatører skal løfte vægten af båren af hjulene for at kunne bruge den manuelle forlænger- eller tilbagetrækningsfunktion, mens en patient ligger på båren.
- Aktivering af det manuelle backup-udløsergreb kan få båren til at sænkes langsommere, hvis vægtbelastningen på båren er under 50 pund (23 kg).
- Hydraulisk væske bliver mere viskøs, hvis båren bruges i længere perioder i kolde temperaturer. Når den manuelle backup-udløserfunktion bruges til at forlænge bunden, og båren udlades i koldt vejr, skal det manuelle backup-udløsergreb holdes i ca. ét sekund efter, at bårens hjul rører jorden for at minimere hældning af bærelejet, når båren fjernes fra køretøjets patientrum.

Hurtig indladning med hurtig indskubning

Når tilbagetrækningsknappen (-) trykkes ind, starter båren tilbagetrækningstilstanden med høj hastighed, hvis bårens hjul ikke understøtter vægten af båren og patienten.

Tilbagetrækningstilstanden med høj hastighed fremskynder indladningen af båren i køretøjet. Understellet trækkes tilbage mod den højeste position, når vægten af båren og patienten ikke længere bæres af hjulene. Tryk på tilbagetrækningsknappen (-) for at aktivere kontrolkontakten.

Indladning af båren i bærebeslaget

FORSIGTIG

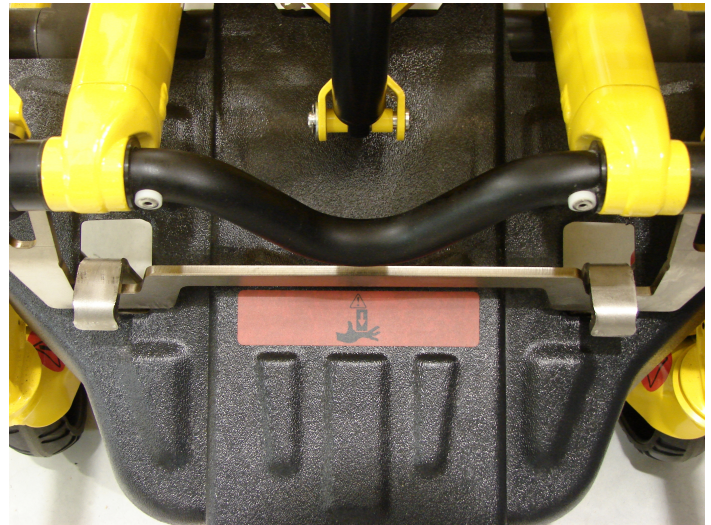
- Sænk altid båren til den laveste position for at sikre, at båren kobles sammen med bærebeslaget.
 - Forsøg ikke at ændre produktets højde, mens båren er koblet sammen med bærebeslaget.
-

To load the cot to the cot fasteners:

1. Tryk bærepedalen ned, og sænk båren. Båren sænkes ved at trykke på indskubningsknappen (-), indtil produktet holder op med at bevæge sig nedad.
2. Før båren ind i både hovedenden og fodenden af bærebeslaget, indtil båren låser på plads (Figur 8).
3. Kontroller, at båren sidder godt fast i både hovedenden og fodenden, før du giver slip på båren (Figur 9).



Figur 8 – Båre i både hovedenden og fodenden af bærebeslaget



Figur 9 – Fastgjort båre

Fjernelse af båren fra bærebeslaget

Sådan fjernes båren fra bærebeslaget:

1. Tryk fodpedalen ned (Figur 10).
2. Køør båren ud af køretøjets patientrum.



Figur 10 – Tryk fodpedalen ned

Inkladning af båren vha. en bagsmækklift

Der skal altid være mindst to uddannede operatører om at inklade en båre med en patient. Der skal være to operatører til stede, når der er en patient på båren. Operatørerne skal kunne løfte den samlede vægt af patienten, båren og eventuelle genstande på båren.

ADVARSEL

- Sørg altid for, at båren ikke kan rulle tilbage ned ad liften, før du bruger bagsmækkliften til en båre med en patient. Sørg for, at liftens bagklapsstop er vedligeholdt og fungerer.
 - Placér altid hænderne korrekt på håndtagene. Ved inkladning eller ukladning eller ændring af bårens højdeposition skal alle hænder holdes væk fra de røde sikkerhedsbøjlers led.
-

FORSIGTIG

- Sænk altid båren til den laveste position for at sikre, at båren kobles sammen med bærebeslaget.
 - Forsøg ikke at ændre produktets højde, mens båren er koblet sammen med bærebeslaget.
-

Sådan indlades båren:

1. Tryk på indskubningsknappen (-) for at flytte båren til den laveste position, så der skabes større stabilitet.
2. Skub båren fremad og ind på bagsmækkliften med hovedenden først (Figur 11). Sørg for, at hjulene befinder sig på det rigtige sted på bagsmækkliften, så sikkerhedsstopet kan dreje på plads og forhindre båren i at rulle baglæns.
3. Før du hæver bagsmækkliften, skal du kontrollere, at der er tilstrækkelig afstand mellem båren og bagenden af ambulancen. Kontrollér, at der ikke hænger noget ned fra båren.
4. Mens den ene operatør hæver bagsmækkliften, skal den anden operatør opretholde et fast greb på bærerammen for at skabe større stabilitet.
5. Begge operatører skal føre båren ind i køretøjets patientrum og ind i køretøjets bærebeslag (medfølger ikke). (Figur 12).



Figur 11 – Båre på bagsmækklift



Figur 12 – Begge operatører fører båren ind i køretøjets patientrum

Udladning af båren vha. en bagsmækklift

ADVARSEL

- Sørg altid for, at båren ikke kan rulle tilbage ned ad liften, før du bruger bagsmækkliften til en bære med en patient. Sørg for, at liftens bagklapsstop er vedligeholdt og fungerer.
 - Placér altid hænderne korrekt på håndtagene. Ved indladning eller udladning eller ændring af bæreposition skal alle hænder holdes væk fra de røde sikkerhedsbjælsers led.
-

FORSIGTIG

- Sænk altid båren til den laveste position for at sikre, at båren kobles sammen med bærebeslaget.
 - Forsøg ikke at ændre produktets højde, mens båren er koblet sammen med bærebeslaget.
-

Sådan udlades båren:

1. Sørg for, at liftens bagklapsstop er placeret således, at båren ikke kan køre af bagsmækkliften.
2. Hæv bagsmækkliften til gulvniveauet i køretøjets patientrum.
3. Sådan fjernes båren fra køretøjets bærebeslag.
4. Begge operatører skal tage fat i bærerammen og køre båren over på bagsmækkliften. Fjern båren fra køretøjets patientrum, og sørg for, at bære hjulene er placeret på en måde, så liften frit kan sænkes.

5. Sænk bagsmækkliften ned på jorden. Kontrollér, at bagsmækkliften er helt sænket og standset, før du fjerner bagklapsstoppet, så båren kan køre af bagsmækkliften.

Inkladning af båren ved hjælp af en rampe

Der skal altid være mindst to uddannede operatører om at inklade en bære med en patient. Der skal være to operatører til stede, når der er en patient på båren. Operatørerne skal kunne løfte den samlede vægt af patienten, båren og eventuelle genstande på båren.

ADVARSEL - Placér altid hænderne korrekt på håndtagene. Ved inkladning eller ukladning eller ændring af bærens højdeposition skal alle hænder holdes væk fra de røde sikkerhedsbøjlers led.

FORSIGTIG

- Sænk altid båren til den laveste position for at sikre, at båren kobles sammen med bærebeslaget.
 - Forsøg ikke at ændre produktets højde, mens båren er koblet sammen med bærebeslaget.
-

Sådan inklades båren:

1. Sørg for, at patienten er forsvarligt fastgjort, når denne befinder sig på båren.
2. Før du skubber båren op ad rampen, skal du trykke på indskubningsknappen (-) for at flytte båren til den laveste position, så der skabes større stabilitet (Figur 13). Kontrollér, at der ikke hænger noget ned fra båren.
3. Vha. af de valgfrie skubbestænger skal begge operatører skubbe eller trække båren op ad rampen med hovedenden først (Figur 14). Begge operatører skal føre båren op ad rampens midte.
4. Begge operatører skal føre båren ind i køretøjets patientrum og koble båren sammen med køretøjets bærebeslag (medfølger ikke).



Figur 13 – Bære i laveste position

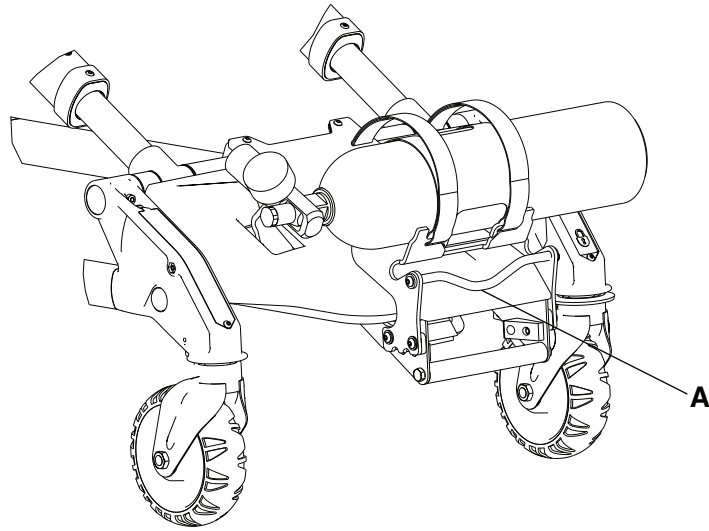


Figur 14 – Før båren op ad rampens midte

Inkladning og ukladning af en bære med den valgfrie iltflaskeholder

Sådan inklades og uklades en bære med den valgfrie iltflaskeholder:

1. Fastgør spilkablet til spilfastgørelsesbøjlen (A) (Figur 15).
2. Sørg for, at rampen er mindst 8,5 fod (ca. 2,6 meter)
3. Sørg for, at rampen kan understøtte vægten af båren, patienten og udstyret.



Figur 15 – Spilfastgørelsesbøjle

Bemærk - Med båren i den laveste position kan du bruge den valgfrie iltflaskeholder til at indlade patienter, der vejer op til 50 stones (318 kg) (700 pund).

Positionering af operatører og hjælpere

ADVARSEL - Ved inlading, udladning eller ændring af bårens højdeposition skal hænderne altid holdes væk fra de røde sikkerhedsbøjlers led.

	Ændring af niveau	Kørsel
To operatører (O) To hjælpere (H)		
To operatører (O) Fire hjælpere (H)		

Sådan hæves og sænkes ryglænet

Ryglænet hæves ved at ryglænets justeringsgreb klemmes ind, hvorpå ryglænet indstilles i den ønskede højde.

Ryglænet sænkes ved at justeringsgrebet klemmes ind samtidig med, at du skubber ryglænet nedad til den ønskede højde.

Hævning eller sænkning af sengehestene

Sænk altid sengehestene, når du overfører en patient til eller fra båren.

ADVARSEL - Brug ikke sengehestene til at fiksere patienten.

Sengehestene hæves ved at løfte op i sengehesten, indtil låsen klikker, og sengehesten låser på plads. Lad altid sengehestene stå i hævet position, medmindre du er ved at overføre patienten.

Sengehestene sænkes ved at klemme på sengehestens udløsergreb, så sengehestens lås udløses. Før sengehesten nedad mod bårens fodende, indtil sengehesten ligger fladt. Sænk altid sengehestene, når du overfører en patient til eller fra båren.

Hævning eller sænkning af sengehestene (valgfri XPS)

Båren kan bestilles med det valgfri udtrækkelige patientleje (XPS), eller du kan opgradere båren til at have det valgfrie XPS.

ADVARSEL - Brug ikke sengehestene til at fiksere patienten.

FORSIGTIG

- Det er ikke tilladt at sidde eller stå på sengehestene (valgfri XPS).
- Brug ikke sengehestene (valgfri XPS) som en patientoverførselsanordning eller -leje (f.eks. til at overføre en patient fra båren til et andet leje).
- Patienter må ikke lejres med deres fulde vægt på sengehestene (valgfri XPS).
- Brug ikke sengehestene (valgfri XPS) til at skubbe/trække eller styre produktet.

Sengeheste (valgfri XPS) monteres på båren og er altid tilgængelige til brug. Sengehestene (valgfri XPS) kan justeres efter patientens størrelse, og kan låses i syv forskellige positioner. Sengehestene kan også justeres, så de passer igennem almindelige dørkarme eller elevatorer.

Sengehestene hæves ved at en sengehest løftes opad, indtil den låser på plads i den ønskede position.

Sengehestene sænkes ved at sengehesten løftes opad for at aflaste vægten, og derpå trækkes i det røde greb. Sænk altid sengehestene, når du overfører en patient til eller fra båren.

Det valgfri XPS udgør ikke en primær patientmadras. Den inkluderer en bredere madras og er beregnet til at øge patientkomforten.

Forlængelse af den udtrækkelige hovedsektion eller fodsektion

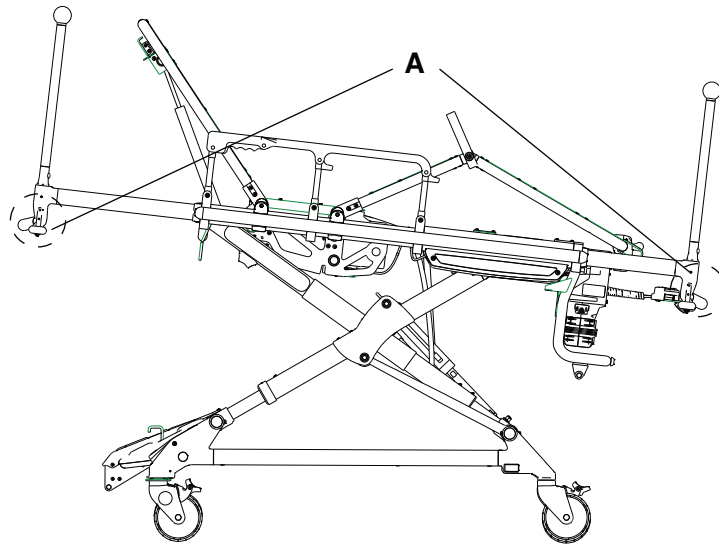
Hovedsektionen skydes sammen fra forlænget position til indskubbet position inden i bærelejets ramme.

ADVARSEL

- Lås altid hovedsektionen på plads, før båren betjenes.
- Forsøg ikke at sætte båren ind i køretøjets patientrum, mens hovedsektionen er indskubbet. Hvis båren indsættes med indskubbet hovedsektion, kan det forårsage, at produktet tipper over eller ikke kobles sammen med køretøjets bærebeslag.

Sådan forlænges hovedsektionen eller fodsektionen:

1. Tryk på de røde udløsergreb (A) på hver side af rammen, mens du trækker hoved- eller fodsektionen ud af den indskubbede position (Figur 16).
2. Sørg for, at hovedsektionen eller fodsektionen låses på plads.



Figur 16 – Forlæng hovedsektionen eller fodsektionen

Indtrækning af den indtrækkelige hovedsektion eller fodsektion

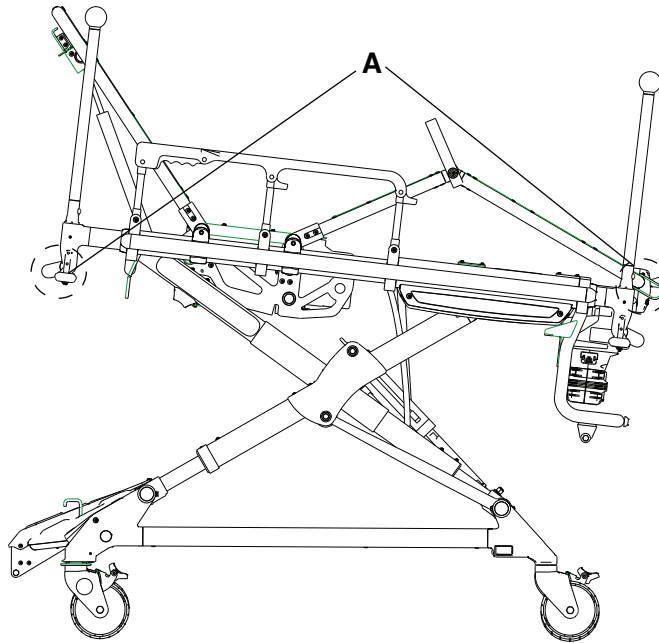
Hovedsektionen skydes sammen fra forlænget position til indskubbet position inden i bærelejts ramme.

ADVARSEL

- Lås altid hovedsektionen på plads, før båren betjenes.
 - Forsøg ikke at sætte båren ind i køretøjets patientrum, mens hovedsektionen er indskubbet. Hvis båren indsættes med indskubbet hovedsektion, kan det forårsage, at produktet tipper over eller ikke kobles sammen med køretøjets bærebeslag.
-

Sådan indtrækkes hovedsektionen eller fodsektionen:

1. Tryk på de røde udløsergreb (A) på hver side af rammen, mens du skubber hoved- eller fodsektionen sammen fra den udtrukne position (Figur 17).
2. Sørg for, at hovedsektionen eller fodsektionen låses på plads.



Figur 17 – Skub hovedsektionen eller fodsektionen sammen

Sådan hæves og sænkes det valgfri bevægelige knæsektion

Sådan hæves den bevægelige knæsektion:

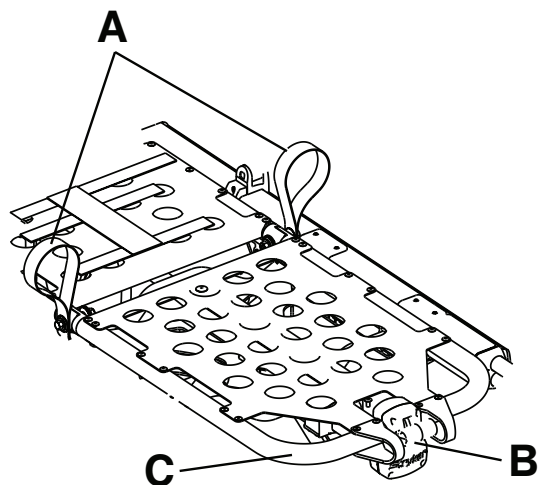
1. Løft den ene af de røde løfteringe (A), indtil den bevægelige knæsektion er i højeste position (Figur 18).
2. Sænk den bevægelige knæsektion for at koble støttebeslaget til låsemekanismen.
3. Kontrollér, at låsemekanismen er sikker, før du slipper løfteringen.

Du sænker den bevægelige knæsektion ved at løfte den ene af de røde løfteringe (A), så trykket på låsemekanismen udløses, og mens du holder i ringen, skubber du på fodpladens røde udløsergreb (B), indtil støttebeslaget er udløst. Sænk den bevægelige knæsektion til den ligger fladt.

Hvis den bevægelige knæsektion skal hæves ved rygleje, løftes fodpladerammen (C) så højt op som muligt, indtil rammen låser på plads. Støttebeslaget kobles automatisk til, når du frigør rammen.

Hvis den bevægelige knæsektion skal sænkes ved rygleje, løftes fodpladerammen (C), og mens du holder fast i rammen, løfter du op i fodpladens røde udløsergreb (B), indtil rammen frigøres fra støttebeslaget. Sænk fodpladen, indtil den ligger fladt.

Bemærk - Den valgfri iltflaskeholder til fodenden (6500-240-000) er ikke kompatibel med den valgfri bevægelige knæsektion (6500-082-000).



Figur 18 – Bevægelig sektion

Aktivering eller udløsning af en hjullås

ADVARSEL

- Brug ikke en hjullås, når en patient befinder sig på produktet, eller når du flytter produktet, for at undgå, at det vælter.
- Installér eller aktivér ikke en hjullås på et produkt med slidte hjul med en diameter under 6 tommer.
- Lad ikke patienten være uden opsyn. Hold fast i produktet, mens der ligger en patient på det.

Hjullåsen aktiveres ved at trykke ned på pedalen, indtil den stopper og hviler ind imod hjulet.

Hjullåsen udløses ved at trykke ned øverst på pedalen med foden eller løfte pedalen op med tåen. Toppen af pedalen vil hvile ind imod svinghjulet, når hjullåsen udløses.

Bemærk - Hjullåse er med til at forhindre, at produktet ruller, mens det er uden opsyn. Hjullåse vil muligvis ikke yde tilstrækkelig modstand på alle underlag eller under belastninger.

Låsning og frigørelse af den valgfrie Steer-Lock

Sådan låses Steer-Lock:

1. Fra bårens fodende trykkes der ned på den røde (låse) side af fodpedalen, eller fra hovedenden trykkes der ned på en af de røde pedaler.
2. Drej båren, indtil mindst én af hovedendens svinghjul er låst.

Sådan frigøres Steer-Lock:

- Fra bårens fodende trykkes der ned på den grønne (låse op) side af fodpedalen, eller fra bårens hovedende løftes der op på en af hovedendens røde pedaler.

Fiksering af patienten med selerne

ADVARSEL

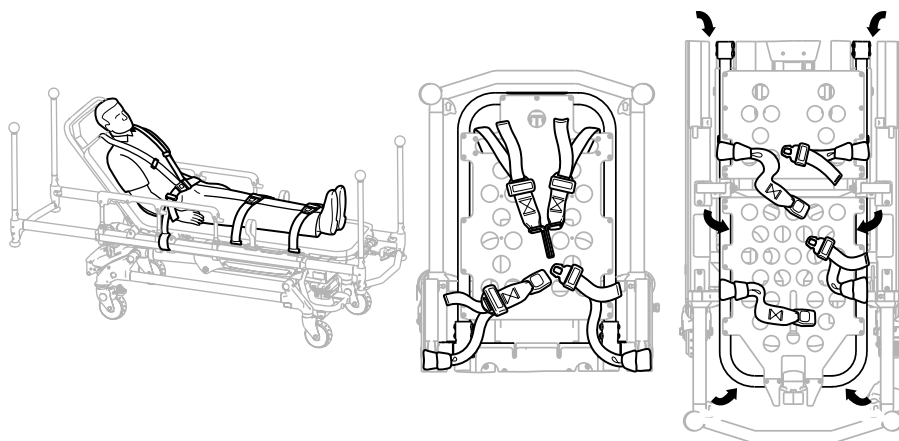
- Brug altid alle seler til fiksering af patienten på båren. En patient, der ikke er fikseret med sele, kan falde af båren.
- Fastgør ikke selerne til bundens rør eller tværstængerne.

FORSIGTIG - Kontrollér, at selerne ikke vikles ind i bundrammen, når båren hæves eller sænkes.

Bemærk - Selerne er Type BF anvendte dele.

Fastgør selerne til båren på de angivne steder (Figur 19). Selernes fastgøringssteder skal give stærk forankring og korrekt fikseringsposition. Sørg for at selerne ikke ligger i vejen for andet udstyr eller tilbehør. Fastspænd selerne hen over patientens skuldre, talje og ben. Spænd selerne fast, når båren ikke er i brug.

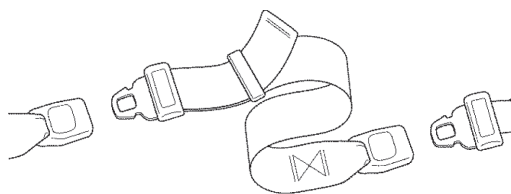
Patientselerne fastgøres til bærelejets ramme ved at føre lækkeenden af hver sele gennem lejerammen på hvert af de angivne steder (Figur 19), hvorefter spændet eller spændets tunge føres tilbage gennem selens lækkeende. Pilene angiver alternative fastgøringsområder.



Figur 19 – Fastgøringspunkter til seler

Tilføjelse af en forlængersele

Tilføj en forlængersele (6082-160-050) for at få mere længde, når hofteselen skal spændes om større patienter.



Figur 20 – Forlængersele

Fiksering af en patient med X-selen/XPR-selestropperne

Fastgør selerne til båren på de foreskrevne fastgøringssteder: Over skuldrene, taljen, lårene og anklerne.

ADVARSEL

- Brug altid alle seler til fiksering af patienten på båren. En patient, der ikke er fikseret med sele, kan falde af båren.
- Fastgør ikke selerne til bundens rør eller tværstængerne.

FORSIGTIG - Kontrollér, at selerne ikke vikles ind i bundrammen, når båren hæves eller sænkes.

Bemærk

- X-selen/XPR (6500-001-430/650600030010) -selestrøpper er kun kompatible med den brede aflastningsmadras til den bevægelige sektion (6500-003-130/6506-003-130).
- Selerne er Type BF anvendte dele.

Selernes fastgøringssteder skal give stærk forankring og korrekt fikseringsposition (Figur 21). Sørg for, at selerne ikke ligger i vejen for andet udstyr eller tilbehør. Fastspænd selerne hen over patientens skuldre, talje, lår og ankler. Spænd alle selerne fast, når båren ikke er i brug.

1. *Sådan fastgøres X-selen/XPR-skuldreselerne (side 31)*
2. *Sådan fastgøres X-selen/XPR-taljeselen (side 32)*
3. *Sådan fastgøres X-selen/XPR-lårselerne (side 32)*
4. *Sådan fastgøres X-selen/XPR-ankelselerne (side 32)*

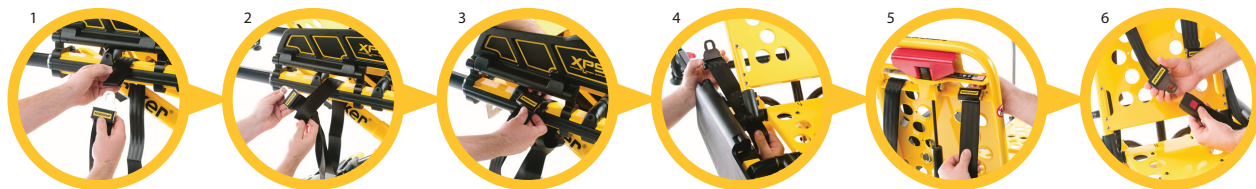


Figur 21 – Selernes fastgøringssteder

Sådan fastgøres X-selen/XPR-skuldreselerne

Sådan fastgøres X-selen/XPR-skuldreselerne:

1. Vikl selen rundt om bårstellet.
2. Træk selespændet igennem løkken i retning mod bårens hovedende.
3. Før spændet ned under XPS-systemet.
4. Model 6506 **Power-PRO** XT-båren og model 6086 **Performance-PRO** XT-båren: Stram selen til i retning af ryglænets bagside.
5. Model 6550 **Power-PRO** TL-båren: Før selen under tværstangen i retning af ryglænets bagside.
6. Før spændet igennem åbningen i ryglænet.
7. Forbind patientens højre skulderspænde med patientens venstre taljespænde.
8. Fjern eventuel overskydende, løs strop i løkken på stroppen.



Figur 22 – Skuldersele

Sådan fastgøres X-selen/XPR-taljeselen

Sådan fastgøres X-selen/XPR-taljeselen:

1. Vikl selen rundt om bårstellet.
2. Træk selespænderne igennem løkken i retning mod bårens hovedende.
3. Før spændet ned under XPS-systemet.
4. Stram spænderne til. Den ene sele bør ligge i en vinkel op imod hovedenden og den anden tværs over båren.
5. Forbind det højre spænde på patienten med det venstre spænde.
6. Fjern eventuel overskydende, løs strop i løkken på stroppen.



Figur 23 – Taljesele

Sådan fastgøres X-selen/XPR-lårselelerne

Sådan fastgøres X-selen/XPR-lårselelerne:

1. Vikl selen rundt om bårlejet.
2. Træk selespændet igennem løkken i retning mod bårens hovedende.
3. Stram selen til.
4. Forbind det højre spænde på patienten med det venstre spænde.
5. Fjern eventuel overskydende, løs strop i løkken på stroppen.



Figur 24 – Lårsele

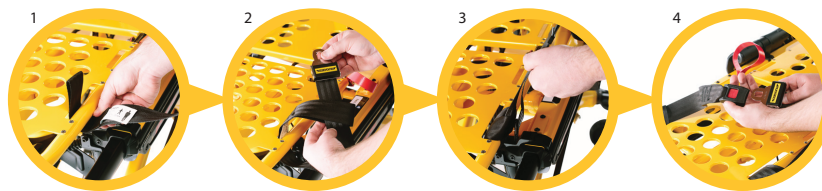
Sådan fastgøres X-selen/XPR-ankelselelerne

Gælder kun model 6506 **Power-PRO XT**-bærer, model 6086 **Performance-PRO XT**- og model 6550 **Power-PRO TL**-bærer fremstillet eller opgraderet efter 3. juli 2015 med valgfri bevægelig sektion eller nogen form for Trendelenburg.

Sådan fastgøres X-selen/XPR-ankelselelerne:

1. Vikl selen rundt om bårstellet. Vikl selen rundt om begge løftestænger i fodenden.
2. Træk selespændet igennem løkken i retning mod bårens hovedende.

3. Stram spændet til.
4. Forbind det højre spænde på patienten med det venstre spænde.
5. Fjern eventuel overskydende, løs strop i løkken på stroppen.



Figur 25 – Ankelseler

Fiksering af patienten med Pedi-Mate® selesystemet til spædbørn

ADVARSEL - Brug altid spændet længst væk fra obstruktioner eller tilbehør på båren for at undgå risikoen for utilsigtet udløsning af **Pedi-Mate®** selesystemet til spædbørn og skade på spædbarnet.

Fiksering af patienten med **Pedi-Mate®** selesystemet til spædbørn:

1. Fjern alle seler fra båren.
2. Hæv bårens ryglæn til fuldt opret position.
3. Anbring **Pedi-Mate®** underlaget fladt på bårens ryglæn med de sorte ryglænsstropperne udad.
4. Vikl stropperne rundt om bårens ryglæn, og før stropperne igennem beslagene.
5. Fastgør spændet.
6. Træk i den justerbare strop på ryglænet for at stramme den.
7. Før hoveddrammens stropper ind mellem produktets ramme og madrassen.
8. Før spændet bag om bærelejets tværstiver, og før det op foran bærelejets tværstiver.
9. Fastgør spændet rundt om bærelejets tværstiver. Lad selen hænge lidt løst til den endelige justering.
10. Stram alle seler til.

Bemærk - Yderligere information om **Pedi-Mate®** selesystemet til spædbørn i producentens brugsanvisning og vejledning til betjening og pleje. Sikker og korrekt brug af **Pedi-Mate®** selesystemet til spædbørn finder sted efter brugerens skøn. Fastlæg metoder og procedurer til uddannelse og optræning af personalet med henblik på sikker betjening eller vedligeholdelse af dette produkt. Disse anvisninger er kun vejledende. Gem disse anvisninger med henblik på senere brug. Disse anvisninger er en permanent del af produktet, og den skal opbevares sammen med produktet, selv hvis dette senere sælges.

Pedi-Mate® er et registreret varemærke tilhørende Ferno Washington, Inc.

Fastgørelse af defibrillatorplatformen

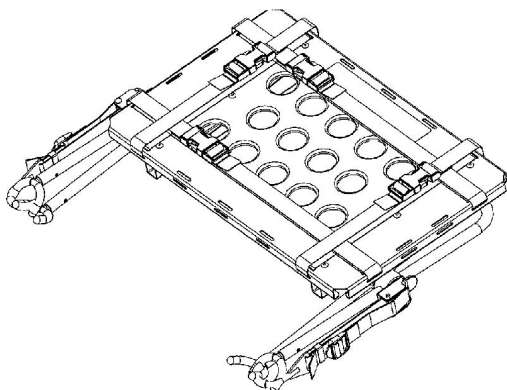
ADVARSEL - Fastgør ikke defibrillatorplatformen på en model 6086 **Performance-PRO XT**-båre med det valgfrie **Power-LOAD** for at undgå risikoen for, at båren vælter.

FORSIGTIG

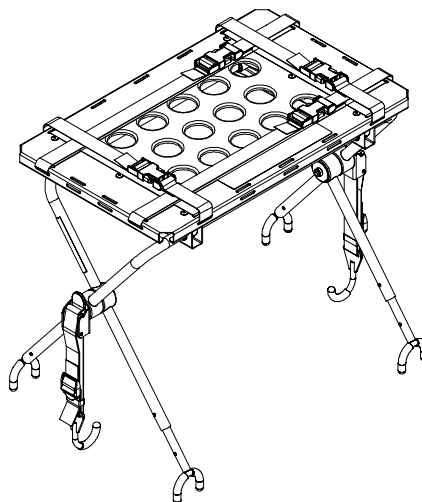
- Fastgør altid defibrillatorplatformen til produktet, når defibrillatorplatformen anvendes.
- Brug og justér altid de stropper, der følger med defibrillatorplatformen for at sikre defibrillatoren.
- Skift altid fastgørelsesstedet, eller justér stropperne i overensstemmelse med den pågældende defibrillators størrelse eller facon.
- Belast ikke defibrillatorplatformen med mere end den sikre arbejdsbelastning på 30 pund (13,6 kg).

Sådan fastgøres defibrillatorplatformen:

1. Sæt defibrillatorplatformen i opbevaringsposition (Figur 26).
2. Åbn for og fold defibrillatorplatformens ben ud (Figur 27).

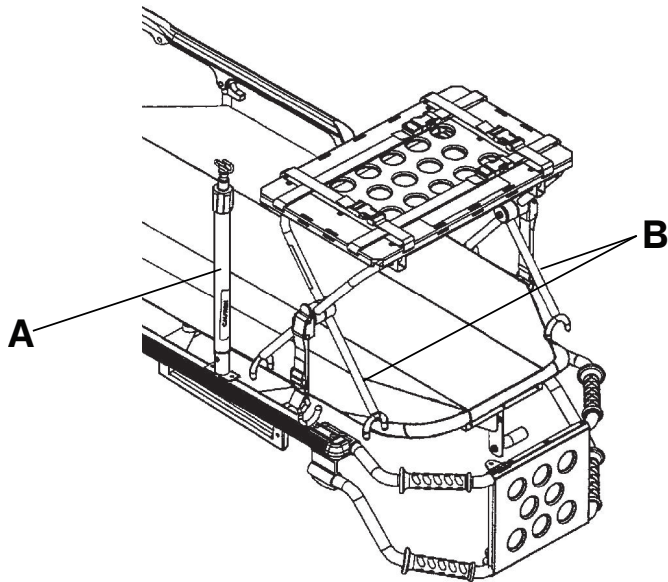


Figur 26 – Opbevaringsposition

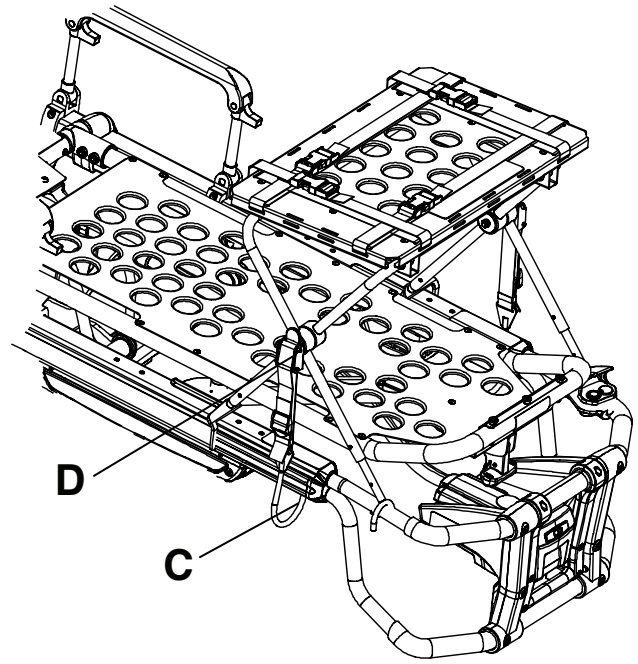


Figur 27 – Defibrillatorplatform med ben åbnet

3. Hvis produktet er forsynet med et dropstativ, skal stativet (A) hæves til opret position (Figur 28).
4. Sæt defibrillatorplatformen på produktrammen.
5. Placér defibrillatorplatformens indvendige ben (B) i retning af produktets hovedende (Figur 28).
6. Placér kroglåsen (C) under bærelejets ramme eller fodendebeslaget, og skub tappen (D) opad, indtil den låser på plads på den ene side med et klik (Figur 29). Gentag på den modsatte side. Ved **Power-LOAD** kompatible bærer, hvis aktuelt, skal stropperne forlænges og fæstnes til fodendebeslaget (Figur 30).

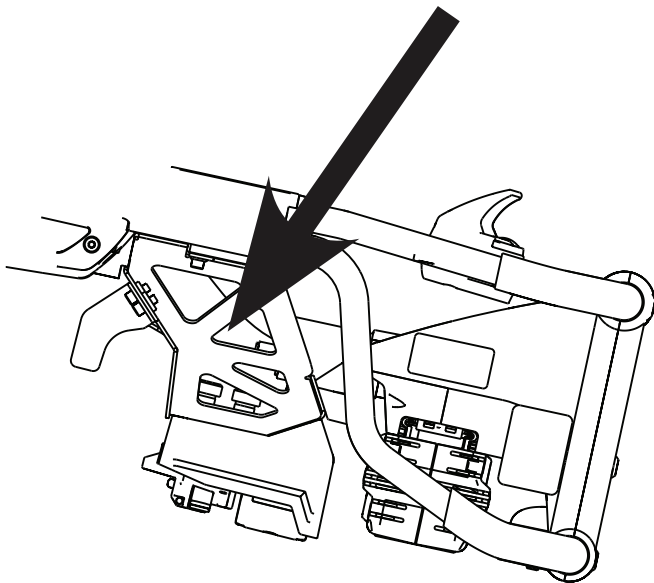


Figur 28 – Hæv dropstativet, og positionér defibrillatorbakken (model 6506 vist)

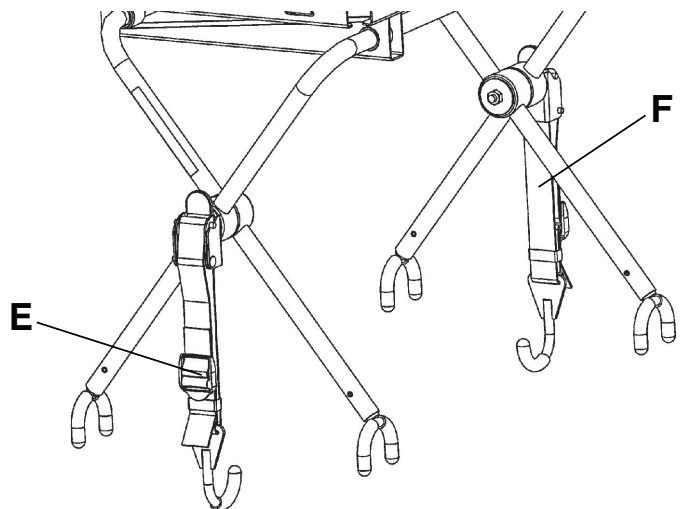


Figur 29 – Placering af låsekrog (model 6506 vist)

7. Sørg for, at defibrillatorplatformen er korrekt fastgjort til produktet.
8. Sæt defibrillatoren på defibrillatorplatformen.
9. Fastgør stropperne (E), så defibrillatoren holdes fast på defibrillatorplatformen (Figur 31).



Figur 30 – Tap (model 6506 vist)



Figur 31 – Fastgør defibrillatorplatformen til båren

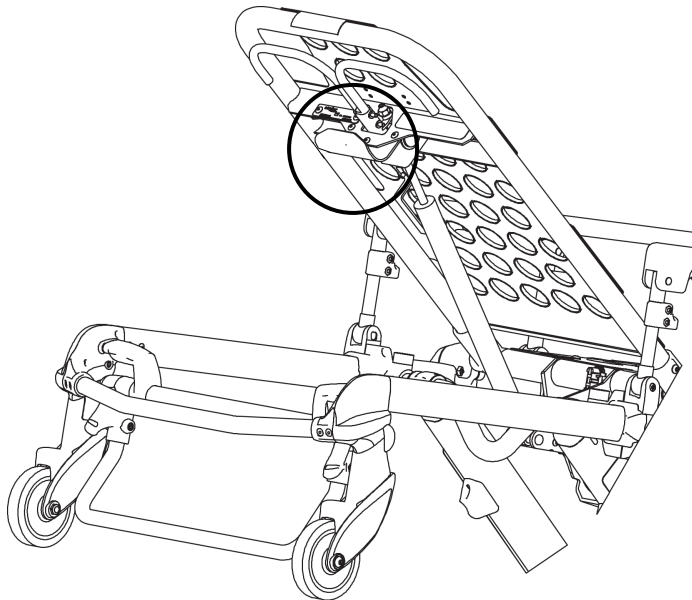
Bemærk - Hvis defibrillatorplatformen ikke sidder fast på produktet efter, at begge kroglåse er låst sammen, skal tappen frigøres. Justér ved at løsne eller spænde stroppen og derpå skubbe tappen opad til den låser på plads med et klik.

Ophængning af udstyret på udstyrskrogen

Brug udstyrskrogen til at hænge andet tilbehør eller udstyr, såsom defibrillatorer og monitorer.

FORSIGTIG

- Udstyrskrogen må ikke påføres større belastninger end den sikre arbejdsbelastning på 35 pund (15,8 kg).
 - Fjern altid alt tilbehør eller udstyr fra udstyrskrogen hvis ophængt i køretøjet.
-



Figur 32 – Udstyrskrog

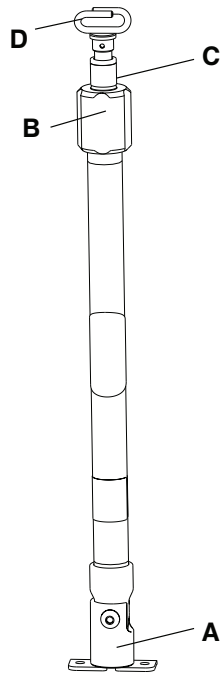
Placering af det todelte dropstativ

FORSIGTIG - Dropstativet må ikke påføres større belastninger end den sikre arbejdsbelastning på 25 pund (11,3 kg).

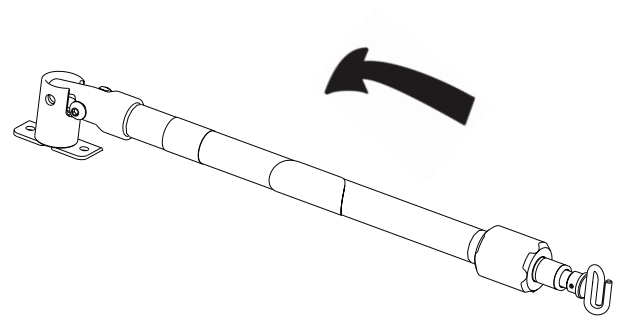
Placering af dropstativet (Figur 33):

1. Løft og drej dropstativet fra dets opbevaringsposition, og skub det nedad, indtil dropstativet låser på plads i holderen (A).
2. Stativet hæves ved at dreje låsekraven (B) i retning mod uret og trække op i den udtrækkelige del (C) af stativet for at hæve den til den ønskede højde.
3. Drej låsekraven (B) mod uret for at låse den udtrækkelige del på plads.
4. Hæng infusionsposerne op på krogen (D).
5. Drej låsekraverne (B) mod urets retning, og skub del (C) ned i det nederste rør.
6. Drej låsekraven (B) i urets retning for at spænde den.
7. Løft og drej stativet nedad til opbevaringspositionen (Figur 34).

Bemærk - De dobbelte todelte dropstativer (6500-312-000 eller 6550-312-000) er ikke kompatible med hverken patientens højre (6500-310-000 eller 6550-310-000) eller patientens venstre (6500-311-000 eller 6550-311-000) valgfrie todelte dropstativ.



Figur 33 – Dropstativ i hævet position



Figur 34 – Dropstativ i opbevaringsposition

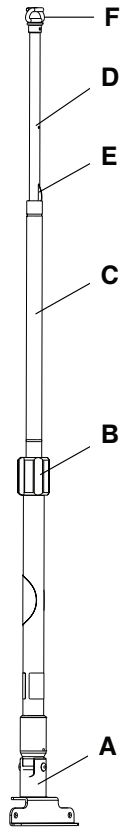
Positionering af det valgfri tredelte dropstativ

FORSIGTIG - Dropstativet må ikke påføres større belastninger end den sikre arbejdsbelastning på 25 pund (11,3 kg).

Placering af dropstativet (Figur 35):

1. Løft og drej dropstativet fra dets opbevaringsposition, og skub det nedad, indtil dropstativet låser på plads i holderen (A).
2. Stativet hæves ved at dreje låsekraven (B) i retning mod uret og trække op i den udtrækkelige del (C) af stativet for at hæve den til den ønskede højde.
3. Drej låsekraven (B) mod uret for at låse den udtrækkelige del på plads.
4. For at gøre stativet højere, trækkes del (D) opad, indtil fjederklemmen (E) kobler til.
5. Hæng infusionsposerne op på krogen (F).
6. Dropstativet sænkes ved at trykke ind på fjederklemmen (E) og skubbe del (D) ned i del (C). Drej låsekraven (B) mod uret, og skub del (C) ned i det nederste rør.
7. Drej låsekraven (B) med uret for at spænde.
8. Løft, og drej stativet nedad til opbevaringspositionen.

Bemærk - De dobbelte tredelte dropstativer (6500-317-000 eller 6550-317-000) er ikke kompatible med hverken patientens højre (6500-315-000 eller 6550-315-000) eller patientens venstre (6500-316-000 eller 6550-316-000) tredelte dropstativ-valgmuligheder.



Figur 35 – Dropstativ i hævet position

Fastgøring af iltflaske i iltflaskeholderen

FORSIGTIG

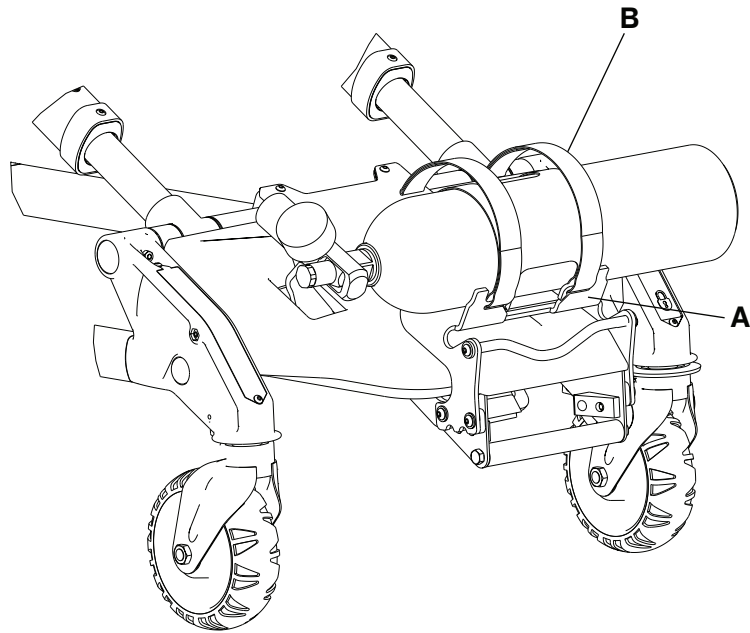
- Lad ikke iltflaskeholderens belastning overstige den sikre arbejdsbelastning på 1,1 stones (6,8 kg) (15 pund).
- Benyt ikke to iltflaskeholdere samtidigt.

Sådan fastgøres en iltflaske i iltflaskeholderen (Figur 36):

1. Placér iltflaskeholderen midt på støttefladen ved punkt (A).
2. Stram de to remme (B) omkring iltflasken.
3. Fastgør den løsthængende del på remmene, og spænd begge remme.

Bemærk - Brug ikke en iltflaskebeholder til at holde en iltflaske, når transportkøretøjet er i bevægelse. Iltflasken skal altid anbringes på et hensigtsmæssigt opbevaringssted, når transportkøretøjet er i bevægelse.

Bemærk - Efterse remme og clips for slid mellem hver brug. Udskift remmen, hvis den ikke længere kan holde iltflasken.



Figur 36 – Fastgøring af iltflaske

Sådan monteres skubbestængerne som ekstraudstyr

De valgfrie skubbestænger giver mulighed for at manøvrere produktet i enhver højdeposition.

ADVARSEL

- Skubbestængerne skal altid låses fast i beslagene for at forhindre, at de falder af under brug.
 - Produktet må ikke løftes i skubbestængerne.
-

Sådan monteres skubbestængerne:

1. Sæt hver skubbestang i holderen i et af de fire hjørner.
2. Skub hver skubbestang ned for at fastlåse den i holderen.



Figur 37 – Skubstang fastgjort

Fjernelse og opbevaring af skubbestængerne i opbevaringslommen til skubbestænger

ADVARSEL - Skubbestængerne skal altid opbevares i bundstykkets opbevaringslomme, når de ikke er i brug.

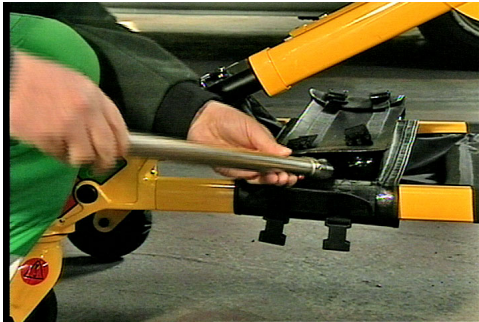
Sådan fjernes skubbestængerne:

1. Tryk på den røde udløserknop, og løft hver bøjle ud af hjørneholderen.

2. Anbring de fjernede skubbestænger i bundstykkets opbevaringslomme, der sidder på bundstykkets ramme (Figur 38).

Bundstykkets opbevaringslomme påsættes ved at forbinde de tilsvarende spænder og fastgøre lommen til bårerammen (Figur 39).

Sørg for, at lommen og dens indhold ikke er i vejen for bårefunktionen, før du hæver, sænker eller transporterer båren.



Figur 38 – Fjernelse af skubbestængerne



Figur 39 – Påsæt opbevaringslommen til skubbestængerne

Påsætning af opbevaringsnettet på bundrammen, tilvalg

FORSIGTIG

- Bundens opbevaringsnet må ikke påføres større belastninger end den sikre arbejdsbelastning på 20 pund (9 kg).
- Vær altid forsigtig, når du trækker bunden tilbage for at undgå at beskadige artikler, der ligger gemt i opbevaringsnettet.

Opbevaringsnettet påsættes ved at vikle **Velcro®**-stropperne rundt om stængerne i bunden.

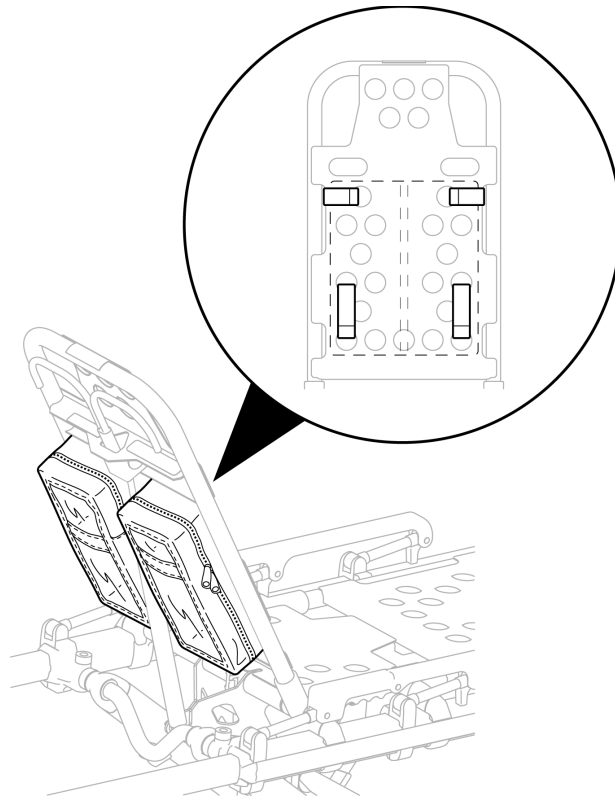
Fastgøring af opbevaringslomme til ryglænet

FORSIGTIG

- Fyld ikke ryglænets opbevaringslomme over den sikre arbejdsbelastning på 20 pund (9 kg).
- Sørg for, at opbevaringslommen ikke forstyrrer driften af den tilbagetrækkelige hovedsektion.

Fastgøring af opbevaringslomme til ryglænet (Figur 40):

1. Indsæt hver sele igennem et hul i ryglænets betræk.
2. Montér posen fladt imod ryglænet.
3. Fastgør ryglænets opbevaringslomme på båren vha. **Velcro®** stropperne.



Figur 40 – Opbevaringslomme til ryglæn

Fastgøring af madrassen

Der findes to madrasser som ekstraudstyr til brug med dette produkt. Aflastningsmadrassen til den bevægelige knæsektion (6550-001-084) eller den flade madras (6550-001-295) anvendes sammen med standard sengehesten. Brug den brede aflastningsmadras til den bevægelige sektion (6500-003-130/6506-003-130) med det valgfrie udtrækkelige patientleje (XPS).

FORSIGTIG - Undlad at opbevare genstande under madrassen. Genstande under madrassen kan vanskeliggøre produktets funktion.

Sådan fastgøres madrassen på båren:

1. Justér **Velcro**®-lukningen på bagsiden af madrassen med **Velcro**®-lukningen på bærelejet.
2. Fastgør remmen i fodenden af madrassen gennem de to huller i fodendefladen på bærelejet.
3. Træk remmen gennem spændet, og fastgør **Velcro**®-lukningen for at fastgøre selen.

Bemærk

- Aflastningsmadrassen til den bevægelige sektion (6550-001-084) og den flade madras (6550-001-295) er ikke kompatible med den valgfrie XPS-sengehest (6550-031-000).
- Den valgfrie aflastningsmadras til den bevægelige knæsektion til XPS (6500-003-130/6506-003-130) er ikke kompatibel med standard sengehesten (6550-034-000).
- Madrassen er en type BF anvendt del.

Isætning af en SMRT Pak

SMRT Pak er designet til at være kompatibel med **Power-PRO XT**, **Power-PRO IT** og **Power-PRO TL** bærer.

For at udnytte batterieffekten bedst muligt må der kun bruges **SMRT Paks**, som har været opladet inden for de sidste 48 timer.

Sådan installeres **SMRT Pak**:

1. Ret tapperne ind i batterirummet.
2. Tryk **SMRT Pak** ind i rummet, indtil låsen klikker på plads.

SMRT Pak kan blive siddende på **Power-PRO**-båren mellem udkald i op til en uge, eller indtil bårens LED-batteriindikator blinker ravgult.

Sådan fjernes en SMRT Pak fra båren

Når **SMRT Pak** er afladet, fjernes **SMRT Pak** fra **Power-PRO**-båren, og den udskiftes med en opladet **SMRT Pak**.

Hvis **SMRT Pak** køres flere gange uden pause, kan det øge temperaturen i cellerne og reducere driftslevetiden. Hvis en tung patient for eksempel løftes op og ned flere gange i træk, kan det reducere **SMRT Paks** driftslevetid.

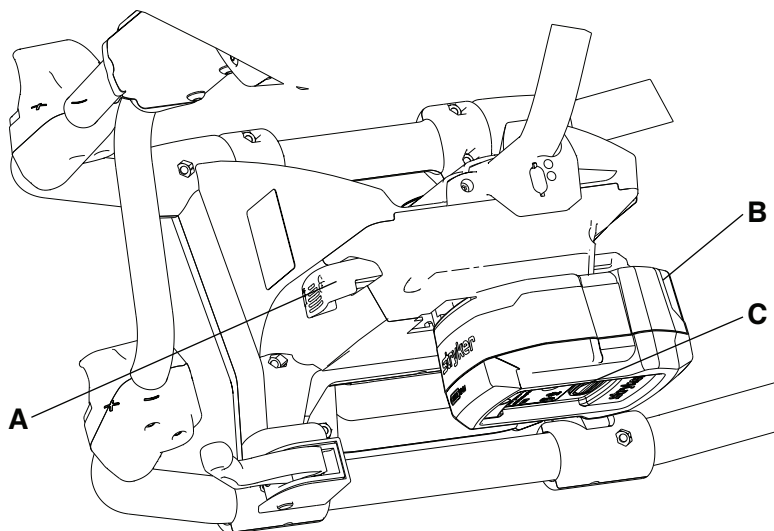
ADVARSEL

- Batteriet må ikke fjernes, når båren er aktiv.
- Forsøg ikke at åbne batteripakken, uanset årsagen, for at undgå risiko for elektrisk stød. Hvis batteripakkens etui har revner eller er gået i stykker, må det ikke sættes i opladeren. Beskadede batteripakker skal returneres til et servicecenter med henblik på genbrug.
- Undgå altid direkte kontakt med våde batterier eller batterirum. Berøring kan medføre, at patienten eller operatøren kommer til skade.

FORSIGTIG - Fjern altid batteriet, hvis båren ikke skal anvendes i længere tid (over 24 timer).

Sådan fjernes **SMRT Pak** fra båren:

1. Tryk på den røde ethånds-udløserknap (C), eller tryk på batteriudløserknappen (A) for at frigøre **SMRT Pak** (B) fra båren (Figur 41).
2. Før den frigjorte **SMRT Pak** ud af batterirummet.



Figur 41 – Frigørelse af batteriet

Opbevaring af batteri

Af hensyn til dette udstyrs levetid, ydeevne og sikkerhed skal du bruge de originale emballagematerialer, når du gemmer eller transporterer dette udstyr.

Alle batterier mister opladning under opbevaring eller i stilstandsperioder. En **SMRT Pak** kan miste op til 30 procent af sin opladning inden for 48 timer efter, at du har taget den ud af **SMRT**-opladeren. **SMRT Paks** skal anvendes og gives en fuld opladning hver tredje måned for at opretholde maksimal ydeevne.

Opladning af SMRT Pak

SMRT Pak er kun beregnet til brug med **SMRT**-opladeren.

ADVARSEL - Sæt ikke en revnet eller beskadiget **SMRT Pak** i **SMRT**-opladeren. Beskadigede **SMRT Paks** skal returneres til et servicecenter med henblik på genbrug.

Bemærk

- Ved længere tids opbevaring skal **SMRT Pak** opbevares på **SMRT**-opladeren til vedligeholdelsesladning. **SMRT**-opladeren holder **SMRT Pak** opladet og klar til brug.
- Opbevar **SMRT Pak** ved stuetemperatur inden for det tilladte opladningsområde på 6 °C til 31 °C (43 °F til 88 °F). Opladning af **SMRT Pak** uden for dette anbefalede temperaturområde reducerer levetiden af **SMRT Pak** og forlænger opladningstiden.

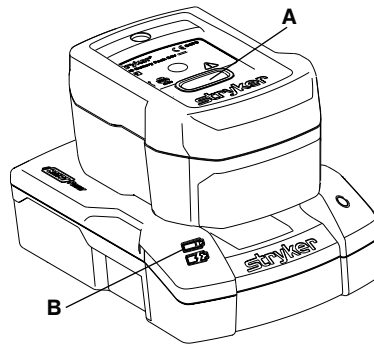
Sådan oplades **SMRT Pak** (Figur 42):

1. Sæt en ren og tør **SMRT Pak** i **SMRT**-opladeren. Sørg for, at **SMRT Pak** er låst ned i **SMRT**-opladeren.

Bemærk

- **SMRT**-opladerens LED-indikator (B) blinker grønt under opladningen (Figur 42). Den optimale opladningstid er to timer.
 - Når **SMRT Pak** er blevet opladet og er klar til brug, skifter **SMRT**-opladerens LED-indikator (B) over til et konstant grønt lys.
2. Tryk på den røde udløserknap (A) (Figur 42), og skub **SMRT Pak** for at frigøre den opladede og klare **SMRT Pak** fra **SMRT**-opladeren.

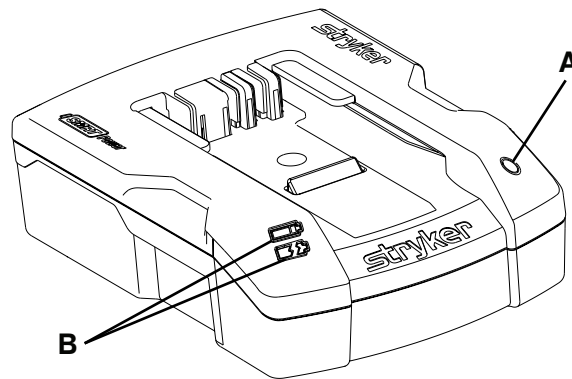
SMRT-opladeren er i stand til at oplade uafhængigt af **SMRT Pak**'ens ladningstilstand.



Figur 42 – Opladning af SMRT Pak

Kontrol af strømniveau i SMRT Pak vha. SMRT-opladeren

Brug **SMRT**-opladerens LED-indikatorer til at kontrollere strømniveauet i **SMRT** Pak.



Figur 43 – Kontrol af strømniveauet i SMRT Pak

- Strømtilslutning: Kobl **SMRT**-opladeren til eller fra den passende strømkilde (*Strømtilførsel til opladeren* (side 47)).
- **SMRT**-opladerens LED for strømniveau (A): Hvis den grønne LED lyser, har **SMRT**-opladeren strøm.
- **SMRT**-opladerens LED-indikatorer (B): Grønne og ravgule LED-indikatorer giver information om status af **SMRT** Pak. LED-indikatorerne kan lyse konstant eller blinke, afhængigt af tilstanden af **SMRT**-opladeren eller **SMRT** Pak.

SMRT-opladerens LED-indikator	Status
Grøn (blinker)	SMRT -opladeren er i gang med at oplade SMRT Pak. Den optimale opladningstid er to timer.
Grøn (vedvarende)	SMRT Pak er opladet og er klar til brug
Ravgul (blinker)	Forsinkelse pga. temperatur af SMRT Pak. SMRT -opladeren venter på, at SMRT Pak når et tilladt temperaturområde på 6 °C til 31 °C (43 °F til 88 °F).
Ravgul (vedvarende)	Fejl i SMRT Pak. Se fejlfindingsafsnittet i vedligeholdelsesmanualen.

Krav til elinstallation

Når den elektriske strømkilde konfigureres for **SMRT**-opladerens installation, skal disse krav til elforsyningen overholdes for at opnå en pålidelig og effektiv drift.

Effekttype	Driftsspændingsområde	Frekvens	Maksimalt strømforbrug	Tomgangsstrømforbrug	Lavspændingsfrakobling
AC	100 til 240 VAC	50/60 Hz	1,20 A	0,05 A	Ikke relevant
DC	12,5 til 16 VDC	Ikke relevant	4,16 A	0,20 A	10 VDC

Sådan installeres SMRT-opladeren

Når **SMRT**-opladeren installeres, skal **SMRT**-opladeren placeres et sted, hvor omgivelserne er kontrolleret, og hvor:

- Der ikke er for meget støv og fugtighed
- Temperaturen holdes konstant inden for et bestemt område. Temperaturen må ligge inden for 6 °C til 31 °C (43 °F til 88 °F). Det optimale temperaturområde er 18 °C til 24 °C (65 °F til 75 °F).
- Den let og hurtigt kan tages i brug.

Find og vedligehold strømforsyning og strømledninger for at mindske risikoen for skader og utilsigtede afbrydelser.

Sådan installeres det valgfrie monteringsbeslag

ADVARSEL

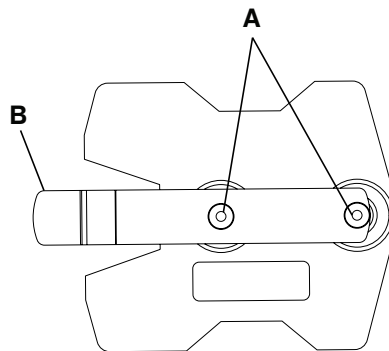
- Få altid en autoriseret mekaniker, der er fortrolig med ambulancens konstruktion, til at installere det valgfrie monteringsbeslag og **SMRT**-opladeren.
 - Monter altid **SMRT**-opladeren på det valgfrie monteringsbeslag i et lukket skab og uden for patientens rækkevidde under transport for at overholde gældende standarder for kollisionstest.
 - Sørg altid for, at det valgfrie monteringsbeslag er omhyggeligt fastgjort til overfladen.
-

Sådan installeres monteringsbeslaget (Figur 44):

1. Brug **SMRT**-opladerens monteringsbeslag som skabelon til at markere, hvor monteringshullerne (A) skal være på det sted, hvor du vil installere monteringsbeslaget.
2. Anbring monteringsbeslaget på en sådan måde, at:
 - a. Fjedertappen (B) sidder bag **SMRT**-opladeren.

Bemærk - Når beslaget monteres på en lodret flade, skal fjedertappen være vandret, så fjedertappen peger til venstre (Figur 44).
 - b. Strømledningen er let at tilslutte bag på **SMRT**-opladeren.
 - c. **SMRT**-opladeren glider bagud fra forsiden og kobler på beslaget efter monteringen.
 - d. Beslaget er installeret korrekt til ambulance eller station:

Ambulance	Station
<ul style="list-style-type: none"> • Fastgør beslaget på en vandret bærende madras eller hylde med skruer, som mindst er af størrelse 10, klasse 5 (medfølger ikke). • Sørg for, at den valgte monteringsflade er stærk nok til at holde SMRT-opladeren og SMRT Pak sikkert på plads under transport. • Find beslaget i et lukket skab, der er uden for patientens rækkevidde under transporten. • Gør det let at installere og fjerne SMRT Pak. • Find strømforsyningen inden for strømledningens rækkevidde. 	<ul style="list-style-type: none"> • Fastgør beslaget på en vandret eller lodret bærende madras med skruer, som mindst er af størrelse 10, klasse 5 (medfølger ikke). • Ved lodret installation anbringes monteringsbeslaget, så fjedertappen sidder umiddelbart under monteringskruerne, og så SMRT Pak fortsat understøttes af SMRT-opladeren, selv hvis der trykkes på udløserknappen ved et uheld. • Gør det let at installere og fjerne SMRT Pak. • Find strømforsyningen inden for strømledningens rækkevidde.

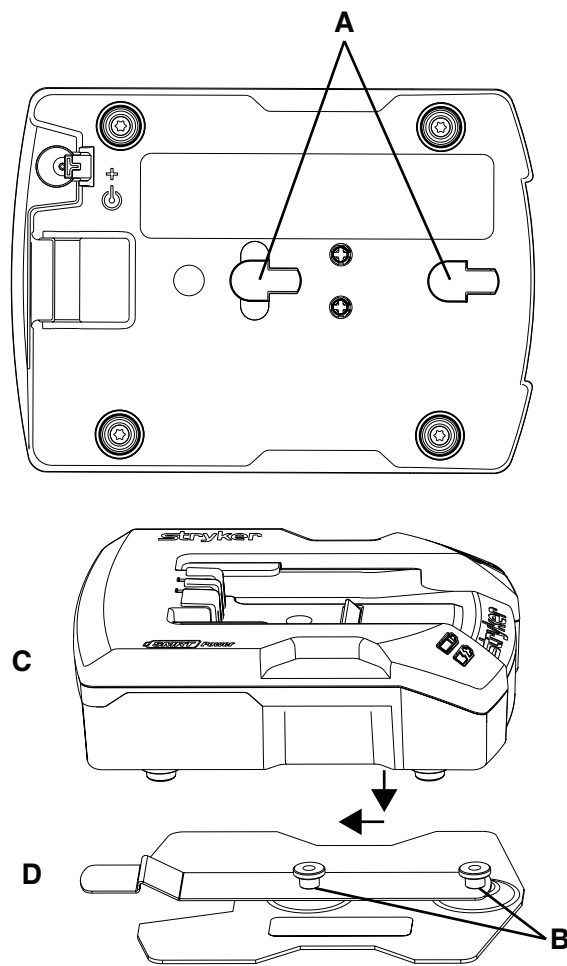


Figur 44 – Monteringsbeslag

Sådan fastgøres opladeren på det valgfrie monteringsbeslag

Sådan fastgøres **SMRT**-opladeren på det valgfrie monteringsbeslag (Figur 45):

1. Ret nøglehullerne (A) bagpå ind med beslagenes lukkemekanismer (B).
2. Skub **SMRT**-opladeren (C) ind, indtil den låser sig fast i monteringsbeslaget (D), så opladeren fastgøres til beslaget.



Figur 45 – Fastgørelse af opladeren

Strømtilførsel til opladeren

FORSIGTIG

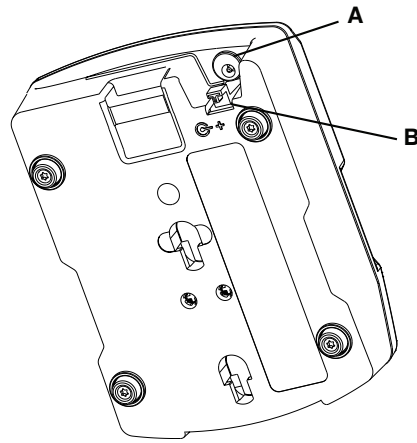
- Placer altid strømledningen til **SMRT**-opladeren sådan, at man ikke træder på den eller falder over den, eller den på anden måde udsættes for skade eller stress.
- Rør ikke ved **SMRT** Pak-modtagerens terminaler med genstande af metal.

To power the **SMRT** charger (Figur 46):

1. Find strømforbindelsen (A) på bagsiden af **SMRT**-opladeren.
2. Tryk strømkablet holdetap (B) ind, så strømledningens stik sættes i **SMRT**-opladerens strømforbindelse.
3. Sæt strømledningens adapterende ind i strømkilden.

Det er bedst at bruge en ren nødstrømkilde. **SMRT**-opladeren viser løbende en konstant grøn LED-indikator, når den er tilsluttet en strømforsyning.

Brug kun dele, som er godkendt af Stryker, til at give strøm til **SMRT**-opladeren.



Figur 46 – Strømtilførsel til opladeren

Afbrydelse af opladeren

FORSIGTIG - Tag altid fat i stikket, ikke i ledningen, når du frakobler **SMRT**-opladeren, for at undgå risiko for beskadigelse af el-stikket og ledningen.

SMRT-opladeren frakobles ved at trække strømledningen ud af veksel- eller jævnstrømskilden.

Tilbehør og dele

Dette tilbehør fås muligvis til brug med dit produkt. Bekræft tilgængelighed for din konfiguration eller dit område. Kontakt Stryker kundeservice: 1-800-327-0770.

Navn	Nummer
Ryglænslomme	6500-130-000
Forlænget bælte	6082-160-050
Defibrillatorplatform	6550-170-000
Udstyrskrog	6500-147-000
Gascylinder, ryglæn	1010-031-077
Forlænget hovedgærde med pude	6100-044-000
Dropstativ, todelt, højre	6550-310-000
Dropstativ, todelt, venstre	6550-311-000
Dropstativ, todelt, dobbelt	6550-312-000
Dropstativ, tredelt, højre	6550-315-000
Dropstativ, tredelt, venstre	6550-316-000
Dropstativ, tredelt, dobbelt	6550-317-000
Madras, aflastning til bevægelig knæsektion	6550-001-084
Madras, flad til bevægelig knæsektion	6550-001-295
Madras, aflastning til bevægelig knæsektion, XPS	6500-003-130
Madras, aflastning til bevægelig knæsektion, grå, XPS	6506-003-130
Ilflaskeholder	6550-102-020
Ilflaskeholder, aftagelig	6080-140-000
Ilflaskeholder, rem	6550-002-004
Selebeslag, tilvalg	6091-300-010
Fikseringspakke, EMS, lokaliseret	6060-160-010
Fikseringspakke, X-sele	6500-001-430
Selepakke, XPR	650600030010
Sengehest, standard	6550-034-000
Sengehest, XPS, tilvalg	6550-031-000
Opbevaringsnet, bund	6500-160-000
Opbevaringslomme, ryglæn	6500-130-000
Hjullås	6086-200-010

Brug kun dele, der er godkendt af Stryker. Andre dele kan føre til øget elektromagnetisk emission eller nedsat elektromagnetisk immunitet for systemet. Dele må ikke ændres. Hvis dette ikke overholdes, kan det medføre personskaade.

Navn	Nummer
SMRT -oplader	6500-201-000
Monteringsbeslag til SMRT -oplader	6500-034-000
SMRT Pak-kit, batteripakke	6500-700-046
Strømkomponenter - Vekselstrøm	
Strømforsyning til oplader	6500-201-148
Elledning, Nordamerika	6500-201-149
Elledning, Europa	6500-201-150
Elledning, Storbritannien	6500-201-151
Elledning, Australien	6500-201-153
Strømkomponenter - Jævnstrøm	
12 VDC-kabel, til køretøjer	6500-201-147
12-24 V kabel, DIN-stik	6500-201-152
SMRT-strømkit (inkluderer 1 oplader, 2 x Pak og 1 elledning)	
SMRT -strømkit - 12 VDC, lokaliseret (biloplader)	6500-700-040
SMRT -strømkit - 120 VAC, lokaliseret (vægoplader)	6500-700-041
SMRT -strømkit - 240 VAC, Storbritannien, internationalt	6500-700-043
SMRT -strømkit - 240 VAC, Europa, internationalt	6500-700-044
SMRT -strømkit - 240 VAC, Australien, internationalt	6500-700-045

Kontakt Strykers lokale repræsentant for at få en fuldstændig liste over yderligere dele.

Rengøring og desinficering af XPR-selestropperne

Bekræft tilgængelighed for din konfiguration eller dit område. Kontakt Stryker kundeservice: 1-800-327-0770.

Anbefalede rengøringsmidler inkluderer:

- ≤70 % isopropylalkohol

Et rengøringsmiddel med følgende aktive indholdsstoffer (eller tilsvarende):

- Ammoniumsalte ≤0,31 %
- Isopropylalkohol ≤21,000 %
- Ethylenglycol monobutyl ether ≤3,000 % (ikke-aktiv indholdsstof)

Bemærk - Manglende brug af de foreskrevne rengøringsmidler kan forårsage for tidlig nedbrydning og ugyldiggøre produktets garanti. Anordningen må ikke rengøres med blegemiddel, **HDQ Neutral®** eller accelerated hydrogen peroxide. Hvis du har spørgsmål eller betænkligheder, kontakt Stryker Kundeservice (1-800-327-0770).

Anbefalet rengøringsmetode:

1. Vær omhyggelig med at følge producentens anbefalinger vedr. fortynding af rengøringsmidlet.
2. Rengøring udføres ved at aftørre udvendige overflader for at fjerne synligt snavs. Gentag efter behov, indtil produktet er rent.

Bemærk - Bevæg forlængerspændet, så hele fikseringsstroppen kan rengøres. Sørg for, at stropens overflade er tør, før du bevæger forlængerspændet. Bevæg ikke forlængerspændet over en overflade, der er våd på grund af rengøringsmiddel.

3. Desinficering udføres ved at aftørre de ydre flader indtil de er våde.
4. Sørg for, at produktet ikke er vådt i længere tid, end retningslinjerne fra kemikaliet's producent anbefaler, for at opnå korrekt desinfektion.
5. Kontrollér funktionaliteten, før produktet tages i brug igen.
 - Nedsænkning af selens metalspænder kan forårsage korrosion af spændet og frarådes. Skyl med rent vand, og lad lufttørre for at mindske risikoen for korrosion. Udskift selerne, hvis spænderne er korroderede.
 - Direkte hudkontakt med synligt tilsmudset, permeabelt materiale kan øge risikoen for infektion.
 - Det anbefales ikke at vaske selerne i vaskemaskine.

FORSIGTIG - Brug ikke smøremiddel på stroppernes overflader.

Bemærk

- XPR-fikseringsstopperne har en forventet brugslevetid på tre måneder, når der anvendes de rengøringsmidler, som anbefales ovenfor.
- Undladelse af at følge ovenstående anvisninger, når disse typer rengøringsmidler anvendes, kan ugyldiggøre produktets garanti.
- Tør altid produktet af med rent vand, og tør det tørt efter rengøringen. Visse rengøringsprodukter er ætsende og kan forårsage skade på produktet. Hvis produktet ikke skylles og tørres ordentligt af, kan det efterlade ætsende reststoffer på produktets overflader, som kan forårsage førtidig forringelse af vigtige komponenter.

Rengøring

ADVARSEL - Brug altid passende personligt beskyttelsesudstyr under højtryksrensning for at undgå indånding af smitstoffer. Højtryksrensningsudstyr kan forårsage, at forureningsstoffer blandes med luften.

FORSIGTIG

- Du må ikke rengøre produktet med damprens eller ultralyd.
- Den maksimale vandtemperatur må ikke overstige 180 °F (82 °C).
- Det maksimale vandtryk må ikke overstige 1500 psi (103,4 bar). Hvis du bruger en håndbetjent højtryksrenser til at vaske produktet med, skal trykdysen holdes mindst 24 tommer (61 cm) fra produktet.
- Lad det altid lufttørre.
- Tag altid batteriet ud, før du vasker båren.
- Der må ikke foretages rengøring, service eller vedligeholdelse, mens produktet er i brug.

Produktet kan højtryksrenses. Produktet kan vise tegn på oxidering eller misfarvning pga. kontinuerlig vask. Der vil ikke ske nogen forringelse af produktets ydelse pga. højtryksrensning, så længe de korrekte procedurer følges.

- Vær omhyggelig med at følge producentens anbefalinger vedr. fortynding af rengøringsmidlet.
- Den foretrukne metode, som Stryker Medical anbefaler til højtryksrens af produktet, er med en almindelig kirurgisk vaskevogn eller håndbetjent højtryksrenser til hospitalsbrug.
- Rengør båren en gang om måneden.
- Rengør **Velcro**®-materialet efter hver brug. Gennemvæd **Velcro**®-materialet med et desinfektionsmiddel, og lad desinfektionsmidlet fordampe. Hvilket desinfektionsmiddel der skal bruges til **Velcro**®-materialet af nylon, afhænger af servicen.
- Nedsækning af selens metalspænder kan forårsage korrosion af spændet og frarådes. Skyl med rent vand, og lad lufttørre for at mindske risikoen for korrosion. Udskift selerne, hvis spænderne er korroderede.
- Direkte hudkontakt med synligt tilmudset, permeabelt materiale kan øge risikoen for infektion.

Anbefalede rengøringsmidler

Det gælder generelt, at hvis de anvendes i de koncentrationer, der anbefales af producenten, kan der anvendes desinfektionsmidler af enten fenol- eller kvarternærtyper (undtagen **Virex**® TB). Rengøringsmidler med iodophor anbefales ikke til brug, da der kan forekomme misfarvninger.

Anbefalede rengøringsmidler inkluderer:

- Kvarternære rengøringsmidler (aktivt stof – ammoniumklorid), der indeholder mindre end 3 % glykolæter
- Fenolholdige rengøringsmidler (aktivt stof – o-fenylfenol)
- Klorholdig blegemiddelopløsning (5,25 % – mindre end 1 del blegemiddel til 100 dele vand)
- ≤ 21 % isopropanolalkohol

Undgå for kraftig gennemvædning. Lad ikke produktet være vådt i længere tid, end retningslinjerne fra kemikaliet's producent anbefaler, for at opnå korrekt desinfektion.

Bemærk

- Undladelse af at følge ovenstående anvisninger, når disse typer rengøringsmidler anvendes, kan ugyldiggøre produktets garanti.
- Tør altid produktet af med rent vand, og tør det tørt efter rengøringen. Visse rengøringsprodukter er ætsende og kan forårsage skade på produktet. Hvis produktet ikke skylles og tørres ordentligt af, kan det efterlade ætsende reststoffer på produktets overflader, som kan forårsage førtidig korrosion af kritiske komponenter.

Rengøring af opladeren

ADVARSEL

- Bær altid isolerede gummihandsker og personligt beskyttelsesudstyr, når du rengør **SMRT Pak** for at mindske risiko for personskade.
 - Tag altid **SMRT**-opladeren ud af stikkontakten, inden du starter rengøringen, for at undgå risiko for elektrisk stød.
 - Du må ikke sprøjte væske direkte på **SMRT**-opladeren.
 - Brug ikke en højtryksrenser til at rengøre **SMRT**-opladeren.
 - Brug ikke opløsningsmidler, smøremidler eller andre kemikalier til at rengøre **SMRT**-opladeren, medmindre, du instrueres heri.
 - Undlad at nedsænke **SMRT**-opladeren i vand eller lade vand samle sig oven på **SMRT**-opladeren for at undgå risiko for elektrisk stød.
-

To clean the **SMRT** charger:

1. Tag **SMRT**-opladeren ud af stikkontakten for at undgå risiko for elektrisk stød under rengøringen.
2. Aftør **SMRT**-opladerens overflade med en blød klud fugtet med et ikke-slibende desinfektionsmiddel af hospitalskvalitet.
3. Aftør med en klud, der er fugtet med rent vand for at fjerne eventuelle kemikalier eller reststoffer.
4. Aftør omhyggeligt, før **SMRT**-opladeren tages i brug igen.

Rengøring af batteriet

SMRT Pak er fremstillet til at blive højtryksrenset. Den foretrukne metode til højtryksrensning af **SMRT Pak** er med standard kirurgisk vaskevogn eller håndbetjent højtryksrenser til hospitalsbrug.

ADVARSEL

- Brug altid passende personligt beskyttelsesudstyr under højtryksrensning for at undgå indånding af smitstoffer. Højtryksrensningsudstyr kan forårsage, at forureningsstoffer blandes med luften.
 - Bær altid isolerede gummihandsker og personligt beskyttelsesudstyr, når du rengør **SMRT Pak** for at mindske risiko for personskade.
 - Brug altid kun ikke-ledende materialer til aftørring af **SMRT Pak**.
 - Undgå altid overdreven eksponering med vand på **SMRT Pak**-polerne.
 - Se altid desinficeringsmidlets leverandørbrugsanvisning (MSDS) for at verificere pH-området. Desinficeringsmidler med pH-niveauer over 10,5 kan forårsage revner i **SMRT Pak**-huset.
 - Håndtér ikke og få ikke kontakt med **SMRT Pak**-polerne under rengøringen for at undgå risikoen for tilskadekomst.
 - Nedsenk ikke **SMRT Pak** i væske for at reducere risikoen for elektrisk stød.
 - Brug ikke opløsningsmidler, smøremidler eller andre kemikalier til at rengøre **SMRT Pak**, medmindre der gives instruks herom.
-

FORSIGTIG

- **SMRT Pak** må ikke rengøres med damprens eller ultralyd.
 - Den maksimale vandtemperatur må ikke overstige 180 °F (82 °C).
 - Den maksimale lufttørretemperatur må ikke overstige 240 °F (115 °C) (vaskevogne).
 - Det maksimale vandtryk må ikke overstige 1500 psi (103,4 bar). Hvis du bruger en håndbetjent højtryksrenser til at vaske produktet med, skal trykdysen holdes mindst 24 tommer (61 cm) fra produktet.
-

Sådan rengøres **SMRT Pak**:

1. Fjern **SMRT Pak** fra **Power-PRO**-båren eller **SMRT**-opladeren.
2. Inspicér **SMRT Pak**-huset og poler for revner eller beskadigelse.
3. Rengør **SMRT Pak** med et desinficeringsmiddel til hospitalsbrug med pH på mellem 6,5 og 10,5.

4. Skyl **SMRT** Pak grundigt med rent vand for at fjerne kemikalier eller rester fra rengøringen. Positionér **SMRT** Pak for at undgå, at vand samler sig i nærheden af polerne.
5. Tør **SMRT** Pak grundigt før indsætning af **SMRT** Pak i en **Power-PRO**-båre eller **SMRT**-oplader.

Forebyggende vedligeholdelse

ADVARSEL

- Udløs altid trykket, før du frakobler hydraulikslanger eller andre slanger. Udslip af væske under tryk kan trænge igennem huden og forårsage alvorlige skader. Stram alle forbindelser, før du påfører tryk. Hvis der sker en ulykke, skal du straks søge lægehjælp.
- Tjek aldrig for tegn på hydrauliske lækager med bare hænder.

FORSIGTIG

- Brug altid autoriserede dele for at undgå risiko for beskadigelse af produktet.
- Se altid slanger efter med jævne mellemrum for at undgå at beskadige bårnen. Se efter løse forbindelser, og spænd dem til. Hydrauliklinjer, slanger og forbindelser kan svigte eller løsne sig pga. fysiske skader, knæk, alder og miljømæssige påvirkninger.
- Vip ikke bårnen ned på dens vægtbærende hjul og aktivér produktet, da dette gør det muligt for luft at trænge ind i det hydrauliske system.

Udarbejd og følg en vedligeholdelsesplan, og før regnskab med vedligeholdelsesaktiviteten. Produktet skal tages ud af brug, inden der udføres den forebyggende vedligeholdelsesinspektion. Du vil muligvis være nødt til at udføre forebyggende vedligeholdelseskontroller oftere, afhængigt af hyppigheden af brugen af produktet. Service må kun foretages af kvalificeret personale.

Når der bruges vedligeholdelsesprodukter, skal producentens anvisninger følges, herunder opslag i alle relevante sikkerhedsdatablade (MSDS).

Smøring

FORSIGTIG - Smør ikke lejerne i X-frame bårnen, da dette vil forringe ydeevnen af bårnen og muligvis ugyldiggøre garantien.

Bårnen er beregnet til at blive brugt uden at skulle smøres.

Regelmæssige inspektioner og justeringer

Det følgende skema er en generel vedligeholdelsesoversigt. Faktorer som vejret, terrænet, geografisk placering og den enkelte operatørs brug vil have indflydelse på tidspunkterne for den nødvendige vedligeholdelse. Hvis du ikke er sikker på, hvordan du skal udføre disse kontroller, bedes du kontakte serviceteknikeren fra Stryker. Hvis du er i tvivl om, hvilke intervaller du bør følge for at holde produktet ved lige, bør du rådføre dig med serviceteknikeren fra Stryker. Udfør hver rutinevedligeholdelse og udskift slidte dele, hvis det er nødvendigt.

Hver måned eller efter to timers brug

Inspicér disse punkter hver måned eller efter to timers brug, alt efter hvad der forekommer først.

Artikel	Inspicér
Indstillinger	Konfiguration af beslagets automatiske spærre
Cylinder	Forlæng cylinderstangen. Tør cylinderstangen af med en blød klud og et almindeligt rengøringsmiddel.
Kabler og ledninger	Ingen hængende ledninger fra ledningsføringer eller tilslutninger
Manuelt backup-udløsergreb	Manuelt backup-udløsergreb, funktioner
Båreleje	Ramme og båreleje

Artikel	Inspicér
Bund	Ramme og bund
Hjul	Alle hjul er sikre og kan køre og dreje rundt
Hovedsektion	Sikkerhedsbøjlen fungerer. Træk den mod hovedsektionen for at kontrollere, at sikkerhedsbøjlen svinger og drejer frit, og at den trækker sig tilbage til udgangspositionen
Sele	Selerne fungerer og har ikke overdrevent slid (f.eks. bøjet eller knækket spændebeslag eller spændetunge eller overrevet eller flosset jordmateriale)
Batteri	SMRT Pak-hus og polområdet for revner eller beskadigelse inden første brug og før hver brug
Oplader	SMRT -oplader og dele for snit i ledningen, bøjede stikben eller kontakter eller revner i huset inden første brug og før hver brug

Hver tredje måned eller efter seks timers brug

Inspicér disse punkter hver tredje måned eller efter seks timers brug, alt efter hvad der forekommer først.

Artikel	Inspicér
Cylinder	Alle fastgørelsesmekanismer er forsvarligt fastgjort
	Ingen lækage af hydraulisk væske (rød)
	Løse tilslutninger - spænd dem til, hvis nødvendigt
Hydraulik	Motorens monteringsbeslag er sikrede
	Ingen lækage af hydraulisk væske
	Ingen lækage fra vandbeholderen
Kabler og ledninger	Ingen beskadigelse eller sammenklemning af ledningsnet, kabel eller ledninger
	Ingen beskadigede konnektorer
Manuelt backup-udløsergreb	Bunden trækkes ud og skubbes ind, når du trækker i det manuelle backup-udløsergreb
	Båren bliver ikke sænket, når du trækker i det manuelle backup-udløsergreb med 100 pund (45 kg) eller mere på båren
Båreleje	Alle fastgørelsesmekanismer er forsvarligt fastgjort
	Cylinderen til ryglænet fungerer
	Justér evt. den pneumatiske cylinder med henblik på det fulde bevægeområde
Bund	Alle fastgørelsesmekanismer er forsvarligt fastgjort
X-ramme	X-rammen kan trækkes ud og skubbes ind
Hovedsektion	Alle fastgørelsesmekanismer er forsvarligt fastgjort

Artikel	Inspicér
	Hovedsektionen kan trækkes ud og låses
Tilbehør og dele (valgfrit)	Alle tilbehør og dele fungerer (f.eks. dropstativ, seleforlænger, skubbestænger og iltflaskeholder)

Hver sjette måned eller efter 12 timers brug

Inspicér disse punkter hver sjette måned eller efter 12 timers brug, alt efter hvad der forekommer først.

Artikel	Inspicér
Hydraulik	Tegn på skader eller slid af slanger og tilslutninger
	Hydraulisk hastighedssikring - læg en vægt på ca. 50 pund (23 kg) på båren. Hæv båren, og løft den med to operatører. Træk i det manuelle backup-udløsergreb og sæt båren hurtigt ned. Sørg for, at båren ikke daler for hurtigt
Elektroniske kontroller	Forlæng båren til den hævede position, mål og kontrollér indladningshøjden
	Joggefunktionen fungerer
	Hurtigindsugning fungerer
Kontakter	Ingen af kontakterne er beskadiget eller slidt
	Begge kontakter fungerer
Båreleje	Ingen bøjede, knækkede eller beskadigede komponenter
	Ingen beskadigelse eller revner på bårerhåndtagene
	Sengehestene fungerer og låser
	Fodpladen fungerer
Madras	Ingen revner eller rifter
Bund	Ingen bøjede, knækkede eller beskadigede komponenter
Hjul	Fri for snavs
Hovedsektion	Ingen bøjede, knækkede eller beskadigede komponenter
	Gribestangen har ingen overdreven beskadigelse eller rifter
	Indladningshjule sidder forsvarligt fast og kører
Støtteben (valgfrit)	Smør støttebenets fjeder og det indvendige af fjederhuset (valgfrit) med Tri-Flow ®-smøring

Hver 12. måned eller efter 24 timers brug

Inspicér disse artikler hver 12. måned eller efter 24 timers brug, alt efter hvad der forekommer først.

Artikel	Inspicér
Indstillinger	Bårens og bårebeslagets passer og fungerer
Cylinder	Cylinderen er justeret - låsemøtrikken er spændt, og båren holder op med at bevæge sig, når den rammer spærrestopklodser
Manuelt backup-udløsergreb	Vender tilbage til opbevaringspositionen
Båreleje	Alle svejsninger er intakte, ikke revnede eller ødelagte
	Advarselsmærkater på plads og læselige
Bund	Alle svejsninger er intakte, ikke revnede eller ødelagte
Hjul	Efterse og juster hjullåse
Iltflaskeholder til tilbagetrækkeligt hovedafsnit (valgfri)	Seler og clips for slid
Defibrillatorplatform (valgfri)	Seler ikke flossede eller forrevne
	Låsekroge er intakte og sikre

Oplysninger om EMC

FORSIGTIG

- Brugen af andet ekstraudstyr, andre transducere og kabler end dem, der er angivet eller leveret af producenten, kan resultere i øget elektromagnetiske emissioner eller reduceret elektromagnetisk immunitet og resultere i ukorrekt funktion.
- Dette udstyrs emissionskarakteristika gør det egnet til brug i industriområder og på hospitaler (CISPR 11 klasse A). Hvis det bruges i et boligmiljø, der almindeligvis kræver CISPR 11 klasse B, er det ikke sikkert, at dette udstyr vil yde tilstrækkelig beskyttelse for RF-kommunikationstjenester. Brugeren kan blive nødt til at træffe afhjælpende foranstaltninger, som f.eks. at flytte eller vende udstyret.

Vejledning og producentens erklæring - elektromagnetiske emissioner

Power-PRO og **SMRT**-opladeren er beregnet til brug i det elektromagnetiske miljø, som er angivet nedenfor. Kunden eller brugeren af **Power-PRO** og **SMRT**-opladeren skal sikre, at de anvendes i et sådant miljø.

Emissionstest	Overensstemmelse	Elektromagnetisk miljø
RF-emissioner CISPR 11	Gruppe 1	Power-PRO og SMRT -opladeren anvender udelukkende RF-energi til interne funktioner. Produktets RF-emissioner er derfor meget lave og burde ikke forårsage interferens med andet elektronisk udstyr i nærheden.
RF-emissioner CISPR 11	Power-PRO : Klasse A	Power-PRO er egnet til brug i alle bygninger med undtagelse af private hjem og andre bygninger, der er tilsluttet det offentlige lavspændingsnetværk, som forsyner bygninger, der anvendes til bopælsformål.
	SMRT -oplader (6500-201-010): Klasse B	SMRT -opladeren er egnet til brug i alle bygninger, herunder private hjem og andre bygninger, der er tilsluttet det offentlige lavspændingsnetværk, som forsyner bygninger, der anvendes til bopælsformål.
Harmoniske emissioner IEC 61000-3-2	Power-PRO : Ikke relevant SMRT -oplader (6500-201-010): Klasse A	SMRT -opladeren er egnet til brug i alle bygninger, herunder private hjem og andre bygninger, der er tilsluttet det offentlige lavspændingsnetværk, som forsyner bygninger, der anvendes til bopælsformål.
Spændingsfluktuationer Flickeremissioner IEC 61000-3-3	Power-PRO : Ikke relevant SMRT -oplader (6500-201-010): Overholder	SMRT -opladeren er egnet til brug i alle bygninger, herunder private hjem og andre bygninger, der er tilsluttet det offentlige lavspændingsnetværk, som forsyner bygninger, der anvendes til bopælsformål.

FORSIGTIG

- Bærbart RF-kommunikationsudstyr, herunder ydre enheder som f.eks. antennekabler og eksterne antenner, må ikke bruges tættere end 12 tommer (30 cm) på nogen del af **Power-PRO** og **SMRT**-opladeren, herunder kabler angivet af producenten.
- Undgå at stable andet udstyr oven på eller anbringe andet udstyr op ad **Power-PRO** og **SMRT**-opladeren for at undgå forkert drift af produkterne. Skulle det blive nødvendigt, skal **Power-PRO** og **SMRT**-opladeren og det andet udstyr monitoreres tæt for at sikre korrekt funktion.

Anbefalede separationsafstande mellem bærbart og mobilt RF-kommunikationsudstyr og Power-PRO og SMRT-opladeren

Power-PRO og **SMRT**-opladeren er beregnet til anvendelse i et elektromagnetisk miljø med begrænset interferens fra feltbåren RF. Kunden eller brugeren af **Power-PRO** og **SMRT**-opladeren kan bidrage til at forhindre elektromagnetisk interferens ved at opretholde en minimumsafstand mellem bærbart og mobilt RF-kommunikationsudstyr (sendere) og **Power-PRO** og **SMRT**-opladeren som anbefalet nedenfor, i henhold til kommunikationsudstyrets maksimale udgangseffekt.

Senderens maksimale nominelle udgangseffekt W	Separationsafstand ifølge senderfrekvensen m		
	150 kHz til 80 MHz $D = (1,2) (\sqrt{P})$	80 MHz til 800 MHz $D = (0,35) (\sqrt{P})$	800 MHz til 2,7 GHz $D = (0,70) (\sqrt{P})$
0,01	0,12	0,04	0,07
0,1	0,38	0,11	0,22
1	1,20	0,35	0,70
10	3,79	1,11	2,21
100	12	3,50	7

Den anbefalede separationsafstand d i meter (m) for sendere med en maksimal udgangseffekt, der ikke er angivet ovenfor, kan beregnes ved hjælp af den ligning, der gælder for den pågældende senders frekvens, hvor P er senderens maksimale nominelle udgangseffekt i watt (W) i henhold til senderens producent. Bemærk 1: Ved 80 MHz og 800 MHz gælder separationsafstanden for de højere frekvensområder. Bemærk 2: Disse retningslinjer gælder ikke nødvendigvis i alle situationer. Elektromagnetisk transmission påvirkes af absorption og refleksion fra strukturer, genstande og mennesker.

Vejledning og producentens erklæring - elektromagnetisk immunitet

Power-PRO og **SMRT**-opladeren er egnet til brug i et elektromagnetisk miljø som angivet nedenfor. Kunden eller brugeren af **Power-PRO** og **SMRT**-opladeren skal sikre, at det anvendes i et sådant miljø.


Immunitetstest	IEC 60601-testniveau	Overensstemmelsesniveau	Elektromagnetisk miljø – vejledning
Elektrostatisk udladning (ESD) IEC 61000-4-2	± 8 kV ved kontakt ± 15 kV via luft	± 8 kV ved kontakt ± 15 kV via luft	Gulve bør være af træ, beton eller keramiske fliser. Hvis gulvene er belagt med syntetisk materiale, bør den relative luftfugtighed være mindst 30 %.
Hurtig elektrostatisk transient/burst IEC 61000-4-4	± 2 kV for strømforsyningsledninger ± 1 kV for indgangs-/udgangsledninger	Power-PRO: Ikke relevant SMRT -oplader (6500-201-010): ± 2 kV for strømforsyningsledninger ± 1 kV for indgangs-/udgangsledninger	Elforsyningen via elnettet skal være af en kvalitet, som er normal for et erhvervs- eller hospitalsmiljø.

Vejledning og producentens erklæring - elektromagnetisk immunitet

<p>Overspænding IEC 61000-4-5</p>	<p>± 1 kV fra ledning til ledning ± 2 kV fra ledning til jord</p>	<p>Power-PRO: Ikke relevant SMRT-oplader (6500-201-010): ± 1 kV fra ledning til ledning ± 2 kV fra ledning til jord</p>	<p>Elforsyningen via elnettet skal være af en kvalitet, som er normal for et erhvervs- eller hospitalsmiljø.</p>
<p>Spændingsfald, spændingsvariationer og korte afbrydelser i strømforsyningsledninger IEC 61000-4-11</p>	<p>0 % U_T i 0,5 cyklus ved 0 °, 45 °, 90 °, 135 °, 180 °, 225 °, 270 ° og 315 ° 0 % U_T i 1 cyklus 70 % U_T (30 % fald i U_T) i 25 cykler 0 % U_T i 250 cyklusser</p>	<p>Power-PRO: Ikke relevant SMRT-oplader (6500-201-010): 0 % U_T i 0,5 cyklus ved 0 °, 45 °, 90 °, 135 °, 180 °, 225 °, 270 ° og 315 ° 0 % U_T i 1 cyklus 70 % U_T (30 % fald i U_T) i 25 cykler 0 % U_T i 250 cyklusser</p>	<p>Elforsyningen via elnettet skal være af en kvalitet, som er normal for et erhvervs- eller hospitalsmiljø. Hvis brugeren af SMRT-opladeren kræver uafbrudt drift under strømafbrydelser, anbefales det, at enheden tilsluttes en nødstrømforsyning eller et batteri.</p>
<p>Netfrekvens (50/60 Hz) magnetfelt IEC 61000-4-8</p>	<p>30 A/m</p>	<p>30 A/m</p>	<p>Magnetfelter for netfrekvens bør være på samme niveau som ved anvendelse i et typisk erhvervs- eller hospitalsmiljø.</p>
<p>Ledningsbårne transienter i elektriske installationer ISO 7637-2</p>	<p>i henhold til ISO 7637-2</p>	<p>Power-PRO: Ikke relevant SMRT-oplader (6500-201-010): i henhold til ISO 7637-2</p>	<p>Ikke relevant</p>

Bemærk: U_T er vekselstrømsspændingen før anvendelse af testniveauet.

Vejledning og producentens erklæring - elektromagnetisk immunitet

<p>Ledningsbåren RF IEC 61000-4-6</p> <p>Feltbåren RF IEC 61000-4-3</p>	<p>3 Vrms 6 Vrms i ISM- og amatørradiobånd 150 kHz til 80 MHz</p> <p>10 V/m 80 MHz til 2,7 GHz</p>	<p>3 V 6 Vrms i ISM- og amatørradiobånd</p> <p>10 V/m</p>	<p>Bærbart og mobilt RF-kommunikationsudstyr bør ikke anvendes nærmere nogen del af Power-PRO eller SMRT-opladeren, inklusive ledninger, end den anbefalede separationsafstand, der er beregnet ud fra ligningen, som gælder for senderens frekvens.</p> <p>Anbefalet separationsafstand</p> <p>$D=(1,2)(\sqrt{P})$</p> <p>$D=(0,35)(\sqrt{P})$</p> <p>80 MHz til 800 MHz</p> <p>$D=(0,70)(\sqrt{P})$</p> <p>800 MHz til 2,7 GHz</p> <p>hvor P er senderens maksimale nominelle udgangseffekt i watt (W) ifølge senderens producent, og d er den anbefalede separationsafstand i meter (m).</p> <p>Feltstyrker fra faste RF-sendere, bestemt ved en elektromagnetisk måling^a på stedet, bør ligge under overensstemmelsesniveauet i alle frekvensområder.^b</p> <p>Der kan forekomme interferens i nærheden af udstyr, der er mærket med følgende symbol:</p> 
---	--	---	---

Bemærk 1: Ved 80 MHz og 800 MHz gælder de høje frekvensområder.

Bemærk 2: Disse retningslinjer gælder ikke nødvendigvis i alle situationer. Elektromagnetisk transmission påvirkes af absorption og refleksion fra strukturer, genstande og mennesker.

Bemærk 3: ISM (Industrial, Scientific and Medical)-bånd mellem 0,15 MHz og 80 MHz er 6,765 MHz til 6,795 MHz, 13,553 MHz til 13,567 MHz, 26,957 MHz til 27,283 MHz og 40,66 MHz til 40,70 MHz. Amatørradiobånd mellem 0,15 MHz og 80 MHz er 1,8 MHz til 2,0 MHz, 3,5 MHz til 4,0 MHz, 5,3 MHz til 5,4 MHz, 7 MHz til 7,3 MHz, 10,1 MHz til 10,15 MHz, 14 MHz til 14,2 MHz, 18,07 MHz til 18,17 MHz, 21,0 MHz til 21,4 MHz, 24,89 MHz til 24,99 MHz, 28,0 MHz til 29,7 MHz og 50,0 MHz til 54,0 MHz.

Power-PRO™ TL-Trage

Bedienungsanleitung





















REF 6550















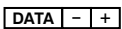








CE

DE

Symbole

	Siehe Bedienungsanleitung
	Gebrauchsanweisung beachten
	CE-Kennzeichnung
	Bevollmächtigter in der Europäischen Gemeinschaft
	Europäisches Medizinprodukt
	Allgemeine Warnung
	Vorsicht
	Warnung: Hände können gequetscht werden
	Warnung: nichtionisierende Strahlung
	Nicht schieben
	Nicht schmieren
	Bestellnummer
	Chargennummer
	Seriennummer
	Für Informationen zu US-Patenten siehe www.stryker.com/patents
	Hersteller
	Herstellungsdatum
	Importeur
	Gerätemasse mit sicherer Arbeitslast
	Sichere Arbeitslast

	Anwendungsteil vom Typ B
	Anwendungsteil vom Typ BF
	Medizinisches Gerät, klassifiziert von Underwriters Laboratories Inc. nur bezüglich Stromschlag-, Brand- und mechanischen Gefahren gemäß ANSI/AAMI ES60601-1:2012 und CAN/CSA-C22.2 Nr. 60601-1:14.
	Gleichstrom
	Wechselstrom
	Elektrische Geräte der Schutzklasse II: Geräte, bei denen der Schutz gegen elektrische Schläge nicht nur von der Basisisolierung abhängt, sondern zusätzliche Sicherheitsvorkehrungen wie eine doppelte oder verstärkte Isolierung vorhanden sind, die jedoch weder an einen Schutzleiter angeschlossen noch auf die Installationsbedingungen angewiesen sind.
	Vorsicht: Hochspannung
	SMRT Stromversorgungssystem
	Anheben
	Absenken
IPX0	Ungeschützt
IPX6	Schutz gegen starkes Strahlwasser
	Gemäß der europäischen Richtlinie 2012/19/EU über Elektro- und Elektronik-Altgeräte (WEEE) in der jeweils geltenden Fassung gibt dieses Symbol an, dass das Produkt getrennt gesammelt werden muss. Nicht als unsortierten Hausmüll entsorgen. Zwecks Informationen zur Entsorgung bitte beim örtlichen Händler nachfragen. Mit infektiösem Material kontaminierte Geräte müssen vor dem Recycling dekontaminiert werden.
	WEEE-Richtlinie (2012/96/EG). Enthält Cadmium.
	Das Gemeinsame Rücknahmesystem (GRS) ist ein gemeinnütziges öffentlich-rechtlich organisiertes Unternehmen, das das Recycling von tragbaren wiederaufladbaren Batterien übernimmt. Die Batterien müssen in einem Sammelbehälter abgelegt werden. Sammelbehälter in Ihrer Nähe finden Sie auf der Website des GRS (www.grs-batterien.de) oder unter der auf dem Recycling-Symbol angegebene Telefonnummer.
	Enthält Nickel-Cadmium-Zellen und sollte dementsprechend recycelt werden
	Kennzeichnung der Batteriepole (Datenlinie, Negativ- und Pluspol)
KRX 23/44	NiCd-Zellen-Kennzeichnung nach IEC 61951-1:2003

2300 mAh (1.2A/2h)	Ladefähigkeit, typische Ladung und Dauer
	Nicht mit Bleichmittel reinigen
	Schultergurt
	Taillengurt mit Doppelgurtschloss
	Taillengurt mit einem Gurtschloss
	Schenkelgurt
	Knöchelgurt

Inhaltsverzeichnis

Definition von Warnung/Vorsicht/Hinweis.....	3
Zusammenfassung der Vorsichtsmaßnahmen.....	3
Quetschpunkte.....	6
Mechanische Stabilität.....	7
Einführung.....	9
Produktbeschreibung.....	9
Anwendungsgebiete.....	9
Klinische Vorteile.....	10
Kontraindikationen.....	10
Erwartete Einsatzdauer.....	10
Entsorgung/Recycling.....	10
Technische Daten – Power-PRO.....	10
REACH (Europa) – Power-PRO.....	11
Normen mit erforderlichen Optionen.....	12
Kompatibilität mit dem Schnitzler Pediatric Restraint System.....	12
Technische Daten – SMRT.....	13
Produktdarstellung – Power-PRO.....	14
Produktabbildung – SMRT.....	15
Kontaktinformationen.....	15
Position der Seriennummer – Power-PRO.....	16
Position der Seriennummer – SMRT.....	16
Einrichtung.....	17
Installation.....	17
Montage des Tragenbefestigungssystems.....	17
Betrieb.....	18
Überprüfen des Akkuladestands.....	18
Den Betriebsstundenzähler und die Fehleranzeige überprüfen.....	18
Bedienungsrichtlinien.....	19
Richtige Hebetekniken.....	20
Umlagern des Patienten auf die Trage.....	20
Rollen der Trage mit einem Patienten.....	20
Anheben und Absenken der Trage.....	21
Anheben, Absenken oder Freigeben der elektrisch gesteuerten Trage.....	21
Trage mit der manuellen Übersteuerung anheben oder absenken.....	22
Beschleunigen des Einladens mit dem Schnelleinfahrmodus.....	23
Verbindung der Trage mit dem Tragenbefestigungssystem.....	23
Trennung der Trage vom Tragenbefestigungssystem.....	23
Einladen der Trage mit einer Hebebühne.....	24
Ausladen der Trage mit einer Hebebühne.....	25
Einladen der Trage mit einer Rampe.....	26
Ein- und Ausladen einer Trage mit optionaler Sauerstoffflaschenhalterung.....	26
Positionierung von Bedienern und Helfern.....	27
Heben und Senken der Rückenlehne.....	27
Anheben und Absenken der Seitengitter.....	28
Anheben bzw. Absenken der Seitengitter (XPS-Option).....	28
Herausziehen des einziehbaren Kopf- oder Fußteils.....	28
Einschieben des einschiebbaren Kopf- oder Fußteils.....	29
Anheben oder Absenken der optionalen Knieverstellung.....	30
Anziehen bzw. Lösen einer Radsperre.....	31
Anwenden oder Aufheben der Steer-Lock-Option.....	31
Sicherung eines Patienten mit den Haltegurten.....	32
Hinzufügen einer Haltegurtverlängerung.....	32
Einen Patienten mit den Kreuzgurten/XPR sichern.....	32
Anlegen der Kreuzgurte/XPR-Schultergurte.....	33
Anlegen der Kreuzgurte/XPR-Taillengurte.....	34
Anlegen der Kreuzgurte/XPR-Schenkelgurte.....	34
Anlegen der Kreuzgurte/XPR-Knöchelgurte.....	34
Sichern eines Patienten mit dem Pedi-Mate® Sicherungssystem für Säuglinge.....	35
Anbringen der Defibrillatorplattform.....	35
Geräte am Gerätehaken aufhängen.....	38

Positionieren des zweistufigen Infusionsständers	38
Positionieren des optionalen dreistufigen Infusionsständers	39
Befestigung einer Sauerstoffflasche in der Sauerstoffflaschenhalterung	40
Option Schiebestangen anbringen.....	41
Abnehmen und Verstauen der Schiebestangen in der Schiebestangen-Aufbewahrungstasche	42
Anbringen des optionalen Aufbewahrungsnetzes im Fahrgestell.....	42
Anbringen des Aufbewahrungsbeutels an der Rückenlehne	43
Befestigung der Matratze	43
Einsetzen eines SMRT Pak.....	44
Entfernen eines SMRT Pak von der Trage	44
Lagern des Akkus	45
Das SMRT Pak aufladen.....	45
Überprüfen des Ladestands des SMRT Pak mit dem SMRT Ladegerät	46
Installationsanforderungen an die Stromversorgung	47
Installieren des SMRT Ladegeräts.....	47
Installieren des optionalen Montagebügels.....	47
Anbringen des Ladegeräts an des optionalen Montagebügels	48
Versorgen des Ladegeräts mit Strom.....	49
Trennen des Ladegeräts vom Netz.....	50
Zubehör- und Ersatzteile	51
Reinigung und Desinfektion der XPR-Haltegurte	53
Reinigung.....	54
Empfohlene Reiniger	54
Reinigen des Ladegeräts	55
Reinigen des Akkus.....	55
Vorbeugende Wartung	57
Schmierung	57
Regelmäßige Inspektion und Anpassungen	57
Jeden Monat oder nach zwei Betriebsstunden	57
Alle drei Monate oder nach sechs Betriebsstunden	58
Alle sechs Monate oder nach 12 Betriebsstunden	59
Alle 12 Monate oder nach 24 Betriebsstunden	60
EMV-Informationen	61

Definition von Warnung/Vorsicht/Hinweis

Die Begriffe **WARNUNG**, **VORSICHT** und **HINWEIS** haben eine besondere Bedeutung und müssen sorgfältig durchgelesen werden.

WARNUNG

Warnt den Leser vor einer Situation, welche bei Nichtvermeiden zu schwerer Verletzung oder zum Tod führen könnte. Hierunter können auch mögliche schwere Nebenwirkungen oder Sicherheitsrisiken beschrieben werden.

VORSICHT

Warnt den Leser vor einer möglichen gefährlichen Situation, welche bei Nichtvermeiden zu leichten oder mittelschweren Verletzungen des Benutzers oder des Patienten oder zu Beschädigung des Produkts oder anderer Gegenstände führen könnte. Dies beinhaltet auch die nötigen besonderen Vorsichtsmaßnahmen zur sicheren und effektiven Benutzung des Geräts und die nötigen Vorsichtsmaßnahmen, um Beschädigungen des Geräts zu vermeiden, die als Ergebnis des Gebrauchs oder der unsachgemäßen Benutzung auftreten könnten.

Hinweis - Hinweise enthalten Informationen, die die Wartung erleichtern oder wichtige Anweisungen verdeutlichen.

Zusammenfassung der Vorsichtsmaßnahmen

Die auf dieser Seite aufgelisteten Warn- und Vorsichtshinweise stets streng befolgen. Nur durch qualifiziertes Personal warten lassen.

WARNUNG

- Beim Einladen oder Ausladen der Trage oder beim Ändern der Höhenposition der Trage die Hände stets von den Drehpunkten des roten Sicherheitsbügels entfernt halten.
- Trage immer mit beiden Händen transportieren.
- Das Tragenbefestigungssystem darf immer nur von qualifiziertem Personal montiert werden. Eine unsachgemäße Montage könnte zu Verletzungen von Patient oder Bediener führen.
- Immer darauf achten, dass alle Tragen die Montagespezifikationen des Stryker-Tragenbefestigungssystems erfüllen.
- Die Schienenklemmenbaugruppe muss immer so eingestellt werden, dass sie auf die Position der Tragenhaltestütze je nach Hersteller und Modellnummer der Trage ausgerichtet ist.
- Den Akku nicht herausnehmen, wenn die Trage aktiviert ist.
- Das Produkt nur benutzen, wenn sich alle Personen in angemessenem Abstand zu den Mechanismen befinden. Verwicklungen in den Mechanismen von angetriebenen Produkten können schwere Verletzungen verursachen.
- Die **SMRT** Paks vor jedem Gebrauch immer auf Schäden überprüfen.
- Ungeschultes Personal darf nicht bei der Bedienung des Produkts helfen.
- Handgriffe nur mit korrekter Positionierung der Hände verwenden. Beim Laden oder Ausladen der Trage oder beim Ändern der Höhenposition der Trage die Hände von den Drehpunkten des roten Sicherheitsbügels entfernt halten.
- Beim Fahren nicht auf dem Fahrgestell der Trage stehen.
- Die Trage nicht seitwärts fahren, um ein Kipprisiko zu vermeiden. Die Trage immer in ihrer abgesenkten Position mit dem Kopf- oder Fußende voraus fahren, um das Kipprisiko zu minimieren.
- Hände, Finger und Füße immer von beweglichen Teilen fernhalten. Vorsichtig vorgehen, wenn beim Anheben oder Absenken der Trage Hände und Füße in der Nähe der Holme des Fahrgestells gehalten werden.
- Das automatische Befestigungsabschaltungssystem muss in jedem Rettungsfahrzeug installiert werden, in dem diese Trage zum Einsatz kommt und ein Tragenbefestigungssystem im Geweihdesign verwendet wird.
- Bei Stillstand der Trage immer den Zustand des Patienten überwachen. Wird das Produkt hydraulisch angehoben oder abgesenkt, kann dies die elektronische Ausrüstung zur Patientenüberwachung vorübergehend beeinflussen.
- Zur Sicherung des Patienten auf dem Produkt immer alle Haltegurte benutzen. Ein nicht durch Haltegurte gesicherter Patient kann von dem Produkt fallen und verletzt werden.
- Einen Patienten nicht unbeaufsichtigt lassen. Das Produkt festhalten, während sich ein Patient darauf befindet.
- Um ein Kipprisiko zu vermeiden, keine Radsperren betätigen, wenn sich ein Patient auf dem Produkt befindet oder das Produkt bewegt wird.

- Die Seitengitter dürfen nicht als Patientenfixierungsvorrichtung verwendet werden.
- Die Trage immer in einer niedrigeren Höhenposition transportieren, um das Risiko, dass die Trage umkippt, zu minimieren. Wenn möglich, zusätzliche Hilfe suchen oder eine alternative Route wählen.
- Große Hindernisse wie Bordsteinkanten, Stufen oder unebenes Gelände müssen stets vermieden werden, um zu vermeiden, dass die Trage umkippt.
- Das Anheben oder Absenken der Trage mit einem Patienten immer mit zwei Bedienern vornehmen.
- Wenn sich ein Patient auf der Trage befindet, ist vor Verwendung einer Hebebühne stets sicherzustellen, dass die Trage nicht von der Plattform herunterrollen kann. Es muss sichergestellt werden, dass die Sicherung der Umwehrgung der Hebebühne ordnungsgemäß funktioniert.
- Das Kopfteil vor Benutzung der Trage immer einrasten lassen.
- Die Trage nicht in den Patientenraum des Fahrzeugs laden, wenn sich das Kopfteil in eingeschobener Position befindet. Das Einladen der Trage, wenn sich das Kopfteil in eingeschobener Position befindet, kann zum Kippen des Produkts führen oder die Verbindung mit dem Tragenbefestigungssystem des Fahrzeugs verhindern.
- An einem Produkt mit abgenutzten Rädern mit einem Durchmesser von weniger als 6 Zoll (15 cm) darf keine Radsperre verwendet werden.
- Einen Patienten niemals unbeaufsichtigt lassen. Das Produkt immer festhalten, während sich ein Patient auf dem Produkt befindet.
- Zur Sicherung des Patienten auf der Trage immer alle Haltegurte benutzen. Ein nicht durch Haltegurte gesicherter Patient kann von der Trage fallen.
- Die Haltegurte nicht an den Fahrgestellholmen oder den Querholmen anbringen.
- Das Gurtschloss nicht neben Obstruktionen oder Zubehör auf der Trage schließen, um ein versehentliches Lösen des **Pedi-Mate®** Sicherungssystems für Säuglinge und Verletzungen des Säuglings zu vermeiden.
- Um das Risiko eines Umkippens der Trage zu vermeiden, darf die Defibrillatorplattform nicht an einer **Performance-PRO XT** Trage Modell 6086 mit **Power-LOAD** Option befestigt werden.
- Die Schiebestangen immer in den Halterungen verriegeln, um zu verhindern, dass die Schiebestangen während des Gebrauchs herausfallen.
- Das Produkt nicht an den Schiebestangen anheben.
- Schiebestangen bei Nichtgebrauch immer in dem Aufbewahrungsbeutel des Fahrgestells aufbewahren.
- Um die Gefahr eines Stromschlags zu vermeiden, nicht versuchen, das Akkupack zu öffnen. Wenn das Gehäuse des Akkupacks einen Riss oder Schäden aufweist, das Akkupack nicht in das Ladegerät einlegen. Beschädigte Akkupacks zum Recyceln bei einem Servicezentrum abgeben.
- Immer den direkten Kontakt mit einem nassen Akku oder nassen Akkugehäusen vermeiden. Ein solcher Kontakt kann zu Verletzungen des Patienten oder des Bedieners führen.
- Keinen defekten oder beschädigten **SMRT Pak** in das **SMRT** Ladegerät stecken. Beschädigte **SMRT Paks** zum Recyceln bei einem Servicezentrum abgeben.
- Der optionale Montagebügel und das **SMRT** Ladegerät müssen immer von einem zertifizierten Mechaniker installiert werden, der sich mit der Bauweise des Rettungswagens auskennt.
- Während des Transports muss das **SMRT** Ladegerät immer am optionalen Montagebügel befestigt sein und sich in einem geschlossenen Gehäuse und außer Reichweite von Patienten befinden, um festgelegten Crash-Test-Normen zu entsprechen.
- Immer sicherstellen, dass der optionale Montagebügel sicher an der Oberfläche befestigt ist.
- Bei der Hochdruckreinigung stets geeignete Schutzkleidung tragen, um eine Ansteckung durch Einatmen zu vermeiden. Bei der Hochdruckreinigung kann es zur Kontamination durch die Luft kommen.
- Beim Reinigen des **SMRT Pak** zusätzlich zur persönlichen Schutzausrüstung immer isolierte Gummihandschuhe tragen, um das Risiko von Verletzungen zu senken.
- Das **SMRT** Ladegerät vor dem Reinigen immer vom Stromnetz trennen, um Gefahren durch Strom zu vermeiden.
- Keine Flüssigkeit direkt auf das **SMRT** Ladegerät sprühen.
- Das **SMRT** Ladegerät nicht mit Hochdruck reinigen.
- Keine Lösungsmittel, Schmiermittel oder andere Chemikalien zum Reinigen des **SMRT** Ladegeräts verwenden, wenn nicht anders angegeben.
- Das **SMRT** Ladegerät nicht in Wasser eintauchen oder zulassen, dass sich Wasser oben auf dem **SMRT** Ladegerät ansammelt, um die Stromschlaggefahr zu vermeiden.
- Das **SMRT Pak** stets mit nicht-leitenden Materialien abwischen.
- Darauf achten, dass die Anschlüsse des **SMRT Pak** keiner übermäßigen Feuchtigkeit ausgesetzt werden.

- Stets den pH-Wert des Desinfektionsmittels beachten (siehe Sicherheitsdatenblatt (MSDS) des Herstellers). Desinfektionsmittel mit einem pH-Wert von über 10,5 können Risse in der Verkleidung des **SMRT Pak** verursachen.
 - Die Anschlüsse des **SMRT Pak** beim Reinigen nicht direkt anfassen bzw. berühren, um das Risiko von Verletzungen zu umgehen.
 - Um das Risiko eines elektrischen Schlags zu reduzieren, das **SMRT Pak** nicht in Flüssigkeiten tauchen.
 - Keine Lösungsmittel, Schmiermittel oder andere Chemikalien zum Reinigen des **SMRT Pak** verwenden, wenn nicht anders angegeben.
 - Stets den Druck ablassen, ehe die Hydraulik- oder andere Leitungen getrennt werden. Unter Druck austretende Flüssigkeit kann durch die Haut dringen und schwere Verletzungen verursachen. Vor dem Beaufschlagen mit Druck alle Verbindungen anziehen. Wenn es zu einem Unfall kommt, muss sofort ein Arzt aufgesucht werden.
 - Nicht mit den bloßen Händen auf Leckagen in der Hydraulik untersuchen.
-

VORSICHT

- Der unsachgemäße Gebrauch des Produkts kann zu Verletzungen des Patienten oder des Bedieners führen. Das Produkt nur wie in diesem Handbuch beschrieben einsetzen.
- Das Produkt oder die Bestandteile des Produkts nicht verändern. Eine Modifizierung des Produkts kann zu unvorhersagbarem Betrieb führen und somit Verletzungen des Patienten oder des Bedieners verursachen. Veränderungen am Produkt lassen außerdem die Garantieansprüche erlöschen.
- Verwenden Sie das Produkt nicht mit inkompatiblen Haltegurten.
- Den Akku immer aufladen, ehe das Produkt in Betrieb genommen wird. Ist der Akku nicht aufgeladen oder entladen, kann dies die Produktleistung beeinträchtigen.
- Vor dem Betrieb des Produkts immer alle Hindernisse aus dem Weg räumen, die sich störend auswirken und Verletzungen des Bedieners oder Patienten verursachen können.
- Die Trage immer auf die niedrigste Position absenken, um sicherzustellen, dass sich die Trage mit dem Tragenbefestigungssystem verbindet.
- Wenn die Trage mit dem Tragenbefestigungssystem verbunden ist, darf die Höhe des Produkts nicht verändert werden.
- Nicht auf die Seitengitter setzen oder stellen (XPS-Option).
- Die Seitengitter (XPS-Option) nicht als Vorrichtung oder Fläche für den Patiententransfer verwenden (z. B. um einen Patienten von der Trage auf eine andere Oberfläche umzulagern).
- Patienten dürfen nicht mit ihrem ganzen Gewicht auf den Seitengittern gelagert werden (XPS-Option).
- Die Seitengitter (XPS-Option) nicht zum Schieben/Ziehen oder zum Lenken des Produkts verwenden.
- Sicherstellen, dass sich die Haltegurte beim Anheben oder Absenken der Trage nicht im Fahrgestellrahmen verheddern.
- Die Defibrillatorplattform immer am Produkt befestigen, wenn sie verwendet werden soll.
- Die Defibrillatorplattform muss immer mit den mitgelieferten Gurten fixiert werden.
- Befestigungsposition und Gurte müssen stets der Größe und Form des jeweiligen Defibrillators entsprechend geändert bzw. angepasst werden.
- Die Defibrillatorplattform nicht mit mehr als der sicheren Arbeitslast von 30 US-Pfund (13,6 kg) belasten.
- Den Gerätehaken nicht mit mehr als der sicheren Arbeitslast von 35 US-Pfund (15,8 kg) belasten.
- Im Fahrzeug müssen sämtliches Zubehör und alle Geräte immer vom Gerätehaken genommen werden.
- Den Infusionsständer nicht mit mehr als der sicheren Arbeitslast von 25 US-Pfund (11,3 kg) belasten.
- Die sichere Arbeitslast der Sauerstoffflaschenhalterung beträgt 15 US-Pfund (6,8 kg) und darf nicht überschritten werden.
- Nur eine Sauerstoffflaschenhalterung pro Trage verwenden.
- Das Aufbewahrungsnetz im Fahrgestell nicht mit mehr als 20 US-Pfund (9 kg) belasten.
- Beim Einfahren des Fahrgestells immer mit Vorsicht vorgehen, damit Gegenstände im Aufbewahrungsnetz des Fahrgestells nicht beschädigt werden.
- Den Aufbewahrungsbeutel an der Rückenlehne nicht mit mehr als 20 US-Pfund (9 kg) belasten.
- Darauf achten, dass der Aufbewahrungsbeutel die Bewegung des einziehbaren Kopfteils nicht im Betrieb behindert.
- Keine Gegenstände unter der Matratze aufbewahren. Unter der Matratze aufbewahrte Gegenstände können den Betrieb des Produkts beeinträchtigen.
- Den Akku immer herausnehmen, wenn die Trage für einen längeren Zeitraum (mehr als 24 Stunden) nicht verwendet wird.

- Das Netzkabel des elektrischen **SMRT** Ladegeräts immer so positionieren, dass niemand auf das Kabel tritt, darüber fällt oder es anderweitig Beschädigungen oder Belastung ausgesetzt wird.
- Die Buchsenanschlüsse des **SMRT** Pak nicht mit Metallgegenständen berühren.
- Zum Trennen des **SMRT** Ladegeräts vom Stromnetz immer am Stecker, nicht am Kabel ziehen, um mögliche Schäden an Stecker und Kabel zu vermeiden.
- Keine Schmiermittel auf die Oberflächen der Haltegurte auftragen.
- Das Produkt nicht mit Dampf oder Ultraschall reinigen.
- Die Wasserhöchsttemperatur von 180 °F (82 °C) darf nicht überschritten werden.
- Der Wasserhöchstdruck von 1500 psi (103,4 bar) darf nicht überschritten werden. Wenn ein handgehaltener Stab zum Waschen des Produkts verwendet wird, muss die Druckdüse zum Produkt einem Abstand von mindestens 24 Zoll (61 cm) gehalten werden.
- Immer lufttrocknen lassen.
- Vor dem Reinigen der Trage immer den Akku herausnehmen.
- Keine Reinigungs-, Instandhaltungs- oder Wartungsarbeiten durchführen, während das Produkt verwendet wird.
- Das **SMRT** Pak nicht mit Dampf oder Ultraschall reinigen.
- Bei der Reinigung mit Trockenluft die Höchsttemperatur von 240 °F (115 °C) nicht überschreiten (Wagenreiniger).
- Immer genehmigte Teile verwenden, um das Risiko von Produktschäden zu vermeiden.
- Die Schläuche und Leitungen regelmäßig überprüfen, um Schäden an der Trage zu vermeiden. Lose Verbindungen überprüfen und anziehen. Die Leitungen, Schläuche und Verbindungen der Hydraulik können versagen oder sich aufgrund von Schäden, Knicken, Abnutzung und Umweltexposition lösen.
- Das Gewicht der Trage nicht auf die Laderäder verlagern und das Produkt betätigen, da dies Luft in das Hydrauliksystem gelangen lässt.
- Die Lager im X-Rahmen dürfen nicht geschmiert werden, da dies die Leistung der Trage beeinträchtigen und zum Erlöschen der Garantie führen kann.
- Werden andere Zubehörteile, Wandler oder Kabel verwendet als vom Hersteller angegeben oder geliefert, kann dies zu einer erhöhten elektromagnetischen Emission oder einer Verminderung der elektromagnetischen Störfestigkeit sowie zu einem unsachgemäßen Betrieb führen.
- Die Emissionseigenschaften dieses Geräts bedeuten, dass es sich für den Betrieb in Gewerbegebieten und Krankenhäusern (CISPR 11 Klasse A) eignet. Bei Verwendung in einer Wohnumgebung (für die normalerweise CISPR 11 Klasse B erforderlich ist) bietet dieses Gerät u. U. keinen ausreichenden Schutz gegenüber hochfrequenten Kommunikationsdiensten. Eventuell muss der Benutzer Abhilfemaßnahmen treffen, z. B. durch eine andere Aufstellung oder Ausrichtung des Geräts.
- Tragbare HF-Kommunikationsgeräte (einschließlich peripherer Teile wie z. B. Antennenkabel und externe Antennen) dürfen nicht näher als im Abstand von 12 Zoll (30 cm) zu irgendeinem Teil des **Power-PRO** und **SMRT** Ladegeräts, einschließlich der vom Hersteller angegebenen Kabel, betrieben werden.
- Die Aufstellung anderer Geräte auf, unter oder neben **Power-PRO** und **SMRT** Ladegerät vermeiden, um einen unsachgemäßen Betrieb der Produkte zu verhindern. Wenn ein derartiger Betrieb unvermeidbar ist, sollten **Power-PRO** und **SMRT** Ladegerät sowie die anderen Geräte beobachtet werden, um die normale Funktion zu bestätigen.

Quetschpunkte

WARNUNG - Beim Einladen oder Ausladen der Trage oder beim Ändern der Höhenposition der Trage die Hände stets von den Drehpunkten der roten Sicherheitsbügel entfernt halten.

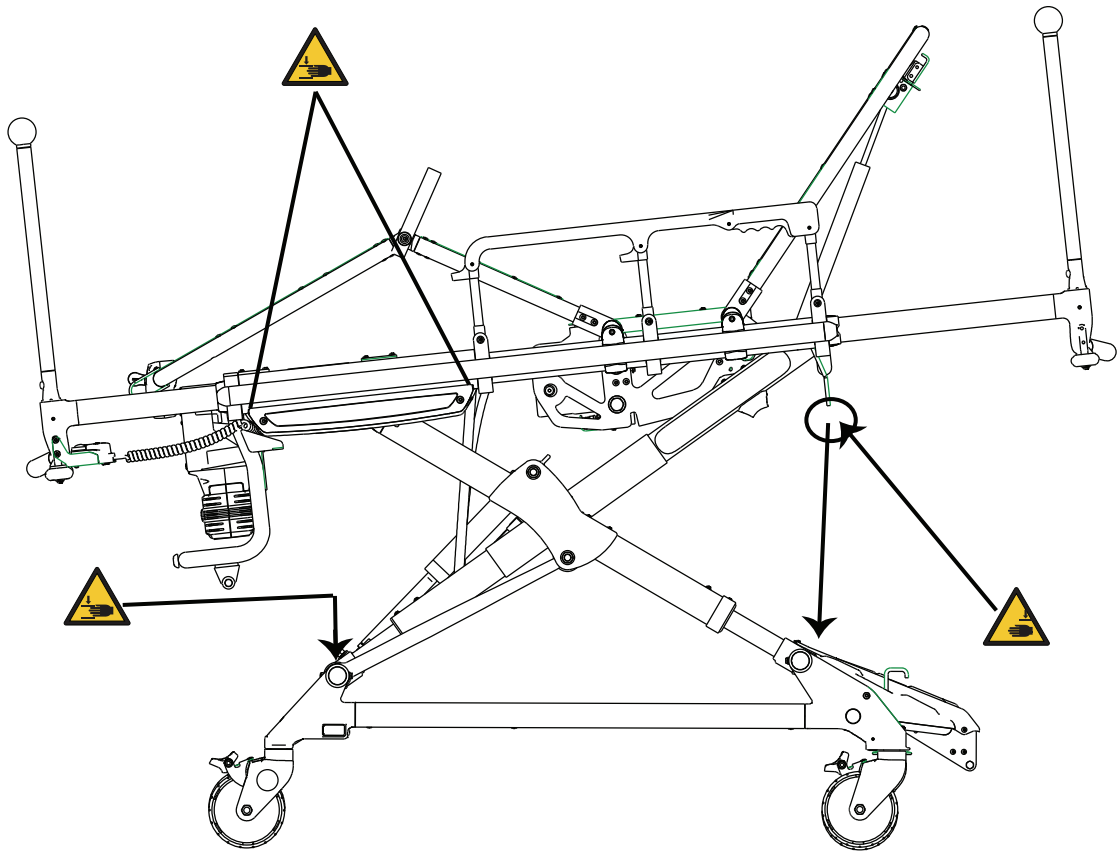


Abbildung 1 – Quetschpunkte

Mechanische Stabilität

WARNUNG - Trage immer mit beiden Händen transportieren.

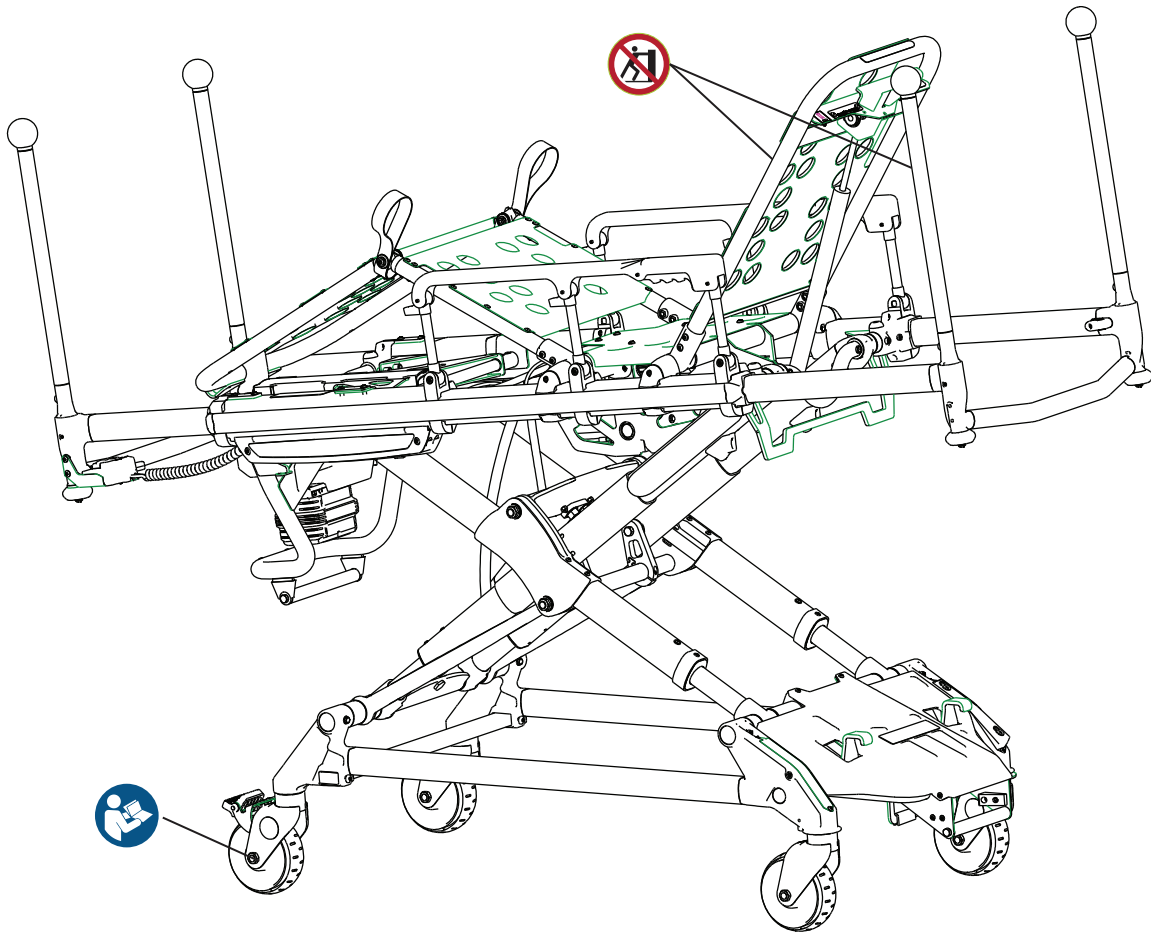


Abbildung 2 – Mechanische Stabilität

Hinweis - Trage auf die niedrigste Höhenposition absenken, wenn sie sich auf einer Fläche befindet, deren Steigungswinkel mehr als fünf Grad beträgt.

Einführung

Dieses Handbuch hilft dem Anwender beim Einsatz bzw. bei der Wartung des Stryker-Produkts. Dieses Handbuch vor dem Einsatz bzw. der Wartung dieses Produkts durchlesen. Es sind Methoden und Verfahren festzulegen, um das Personal über den sicheren Einsatz bzw. die sichere Wartung dieses Produkts zu informieren und zu schulen.

VORSICHT

- Unsachgemäßer Gebrauch des Produkts kann zu Verletzungen des Patienten oder des Anwenders führen. Das Produkt nur wie in diesem Handbuch beschrieben bedienen.
 - Das Produkt oder Bestandteile des Produkts nicht verändern. Eine Modifizierung des Produkts kann zu unvorhergesehenem Betrieb führen und somit Verletzungen des Patienten oder der Bedienperson verursachen. Veränderungen am Produkt lassen außerdem die Garantieansprüche erlöschen.
-

Hinweis

- Dieses Handbuch ist ein fester Bestandteil des Produkts und sollte beim Produkt verbleiben, auch wenn das Produkt verkauft wird.
- Stryker strebt kontinuierlich nach Verbesserungen der Ausführung und Qualität des Produkts. Dieses Handbuch enthält die zum Zeitpunkt der Drucklegung aktuellsten Produktinformationen. Es können geringe Abweichungen zwischen dem Produkt und diesem Handbuch vorliegen. Bei Fragen den Stryker-Kundendienst oder den technischen Support unter +1-800-327-0770 (gebührenfrei in den USA) kontaktieren.

Produktbeschreibung

Die Stryker **Power-PRO™** TL Trage (Modell 6550) ist eine elektronisch gesteuerte Fahrtrage, deren Plattform von einem mit Rädern versehenen X-Rahmen getragen wird, welcher zum Tragen und Transport eines Höchstgewichts von 700 US-Pfund (318 kg) vor Ankunft im Krankenhaus sowie in Krankenhausumgebungen konzipiert ist.

Sie kann zur Verwendung in Rettungsfahrzeugen zusammengeklappt werden und ermöglicht Bedienern dank ihres mit einem NiCd-Akku betriebenen hydraulischen Hebesystems die Trage auf Knopfdruck anzuheben und abzusenken. Die Trage ist mit einem manuellen Sicherheits-Entriegelungsgriff ausgestattet und ermöglicht so die stromlose Verwendung aller elektronisch gesteuerten Tragenfunktionen. Die Trage ist mit platz sparenden einziehbaren Kopf- und Fußteilen ausgestattet, um die Manövrierbarkeit der Trage auch in engen Gängen zu ermöglichen, sowie mit Seitengittern, Patientensicherungsgurten, einer verstellbaren, pneumatisch gestützten Rückenlehne und verschiedenen optionalen Zubehörteilen zur Unterstützung des Patiententransports. Drei verschiedene Liegeflächenpositionen ermöglichen die Schocklagerung, Rückenlage mit flachen Beinen und Lagerung mit optionaler Fußteilverstellung für maximalen Patientenkomfort.

Die **SMRT™** Stromversorgungssystem besteht aus einem **SMRT** Ladegerät und einem **SMRT** Pak. Das **SMRT** Pak versorgt das hydraulische Hebesystem der elektronisch gesteuerten Krankenwagentrage von Stryker mit Strom.

Anwendungsgebiete

Die Stryker **Power-PRO** TL ist eine elektrisch betriebene Fahrtrage, die für den schonenden Transport des gesamten Körpers eines traumatisierten, ambulanten oder nicht ambulanten menschlichen Patienten (einschließlich Kindern und Erwachsenen) bestimmt ist.

Das akkubetriebene hydraulische Hebesystem minimiert den für das Anheben und Absenken der Trage erforderlichen Kraftaufwand des Bedieners. Das Gerät ist auf das Tragen von Patienten in Rückenlage (horizontal) oder in sitzender Position und für den Transport zugehöriger medizinischer Ausrüstung (wie Sauerstoffflaschen, Monitore oder Pumpen) in Notfall- oder Transportfahrzeugen konzipiert. Diese Fahrtrage ist zur Anwendung in Notfall- und Nicht-Notfall-Situationen vor der Ankunft im Krankenhaus sowie in Krankenhausumgebungen vorgesehen. Ihre Nennlast liegt bei maximal 318 kg (Summe des Gewichts des Patienten, der Matratze und des Zubehörs), und das Gerät ist für eine Nutzung durch geschultes Fachpersonal bestimmt, wie z. B. Notfallsanitäter oder medizinisches Personal sowie medizinische Ersthelfer.

Die **Power-PRO** TL ist nicht für eine längere Unterbringung von Patienten, als Krankenhausbett oder für den Einsatz in Vorrichtungen, in denen der Luftdruck modifiziert wird, wie z. B. Druckkammern, geeignet.

Klinische Vorteile

Trage: Patiententransport

Befestigungssystem: Stütztrage für den Transport

Trage- und Befestigungssystem: Unterstützung und Transport von Patienten

Kontraindikationen

Keine bekannt.

Erwartete Einsatzdauer

Die erwartete Einsatzdauer von **Power-PRO** unter normalen Nutzungsbedingungen und mit angemessener regelmäßiger Wartung beträgt sieben Jahre.


Die erwartete Einsatzdauer des **SMRT** Ladegeräts unter normalen Nutzungsbedingungen und mit angemessener regelmäßiger Wartung beträgt sieben Jahre.

Unter normalen Nutzungsbedingungen beträgt die erwartete Lebensdauer des **SMRT Pak** Akkus zwei Jahre.

Entsorgung/Recycling

Stets die aktuellen lokalen Empfehlungen und/oder gesetzlichen Vorschriften zum Umweltschutz und zu den Risiken befolgen, die mit dem Recycling oder der Entsorgung der Geräte am Ende ihrer Nutzungsdauer verbunden sind.

Technische Daten – Power-PRO

	Hinweis - Die sichere Arbeitslast setzt sich aus dem Gewicht von Patient, Matratze und Zubehör zusammen.	700 US-Pfund	318 kg
Maximale eigenständige Hebekapazität		700 US-Pfund	318 kg
Rückenlehnenneigung/Schocklagerung (Fowler-Standardoption – 6506-012-003)		0° bis 73°/+15°	
Rückenlehnenneigung/Schocklagerung (Fowler-Option 1865 – 6506-012-004)		0° bis 75°/+15°	
Gesamtlänge		81 Zoll	206 cm
Standardlänge/Mindestlänge/Breite		76,5 Zoll/55 Zoll/23 Zoll	194,3 cm/139,7 cm/58 cm
Höhe ¹		Verstellbar zwischen 14 Zoll und 41,5 Zoll	Verstellbar zwischen 36 cm und 106 cm
Gewicht ²		145 US-Pfund	66 kg
Laufrollendurchmesser/-breite		6 Zoll/2 Zoll	15 cm/5 cm
Erforderliche Mindestzahl von Bedienern für das Ein- und Ausladen einer Trage mit einem darauf befindlichen Patienten		2	

Erforderliche Mindestzahl von Bedienern für das Ein- und Ausladen einer leeren Trage	1
Empfohlene Befestigungssysteme	Modell 6385, 6386, 6387, 6388 oder 6389
Einzelne/doppelte Radsperren	Standardmäßig/auf Wunsch
Hydrauliköl	Stryker Teilenummer 6500-001-293
Stromversorgungssystem	
Akku	24 V=, NiCd – SMRT Stromversorgungssystem
Ladegerät	100–240 V~, 1,20 A, 50/60 Hz oder 12 V~, 4,16 A – SMRT Stromversorgungssystem
Tragen-Einschaltdauer	10 % (33 Sek. an/5 Min. aus)
Normen (Tragen und Ladegeräte)	ANSI/AAMI ES60601-1:2012, CAN/CSA-C22.2 Nr. 60601-1:14, KKK-A-1822 Normen mit spezifischen Optionen siehe <i>Normen mit erforderlichen Optionen</i> (Seite 12)

¹ Höhe gemessen von der Unterseite der Matratze an der Sitzfläche bis zum Boden.

² Trage wird mit einem Akku und ohne Matratze und Haltegurte gewogen.

Stryker behält sich das Recht vor, technische Daten ohne Vorankündigung zu ändern.

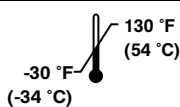
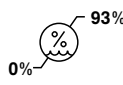
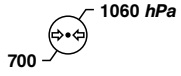
Die **Power-PRO** TL wurde gemäß Bundesspezifikationen für die Star-of-Life-Rettungswagen (KKK-A-1822) konzipiert.

Die **Power-PRO** TL ist für Kompatibilität mit Tragenbefestigungssystemen anderer Hersteller konzipiert.

Angemeldete Patente.

Das gelb-schwarze Farbschema ist ein geschütztes Warenzeichen der Stryker Corporation.

Die Etiketten sind eventuell aus einem Abstand von über 12 Zoll (30 cm) nicht mehr lesbar.

Umweltbedingungen	Betrieb
Temperatur	
Relative Luftfeuchtigkeit	
Luftdruck	

REACH (Europa) – Power-PRO

Gemäß der europäischen REACH-Verordnung und anderen Umweltschutzbestimmungen sind die Komponenten angegeben, die meldepflichtige Stoffe enthalten.

Beschreibung	Nummer	Chemische Bezeichnung des besonders besorgniserregenden Stoffes (SVHC)
Matratze, Fußteilverstellungspolster	6550-001-084	(2H-Benzotriazol-2-yl)-4, 6-Di-tert-Pentylphenol
Matratze, Fußteilverstellungspolster, XPS	6500-003-130	(2H-Benzotriazol-2-yl)-4, 6-Di-tert-Pentylphenol
Matratze, Fußteilverstellungspolster, grau	6506-003-130	(2H-Benzotriazol-2-yl)-4, 6-Di-tert-Pentylphenol
NiCd-Akkuzelle	6500-101-129	Cadmium, Cadmiumhydroxid
Infusionsständer, zweistufig	6070-210-070	Blei
Infusionsständer, dreistufig	6070-215-070	Blei

Normen mit erforderlichen Optionen

Folgende erforderliche Optionen müssen an ihrer Trage installiert sein, um diese Normen zu erfüllen.

Standard	Auswahloptionen		
	Haltegurtpaket	Matratze	Option
BS EN 1789:2007+A2:2014 Crashtest-Normen unter Verwendung eines in Crashtests bewerteten Befestigungssystems	Haltegurtpaket, EMS (6060-160-010), Kreuzgurtpaket (6500-001-430) oder XPR-Haltegurtpaket (650600030010) Hinweis - Kreuzgurtpaket und XPR-Haltegurtpaket sind nur mit der XPS-Matratze (6500-003-130/6506-003-130) kompatibel.	Matratze mit Fußteilverstellungspolster (6550-001-084) oder XPS-Matratze (6500-003-130/6506-003-130) (je nach Seitengitter der Trage)	
BS EN 1865-3:2012 +A1:2015			XPS-Option (6506-040-000)
BS EN 1865-2:2010 +A1:2015			Rückenlehnen (Fowler)-Option 1865 (6506-012-004)

Kompatibilität mit dem Schnitzler Pediatric Restraint System

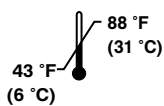
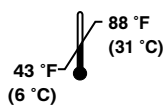
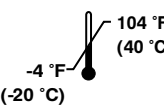
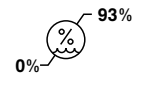
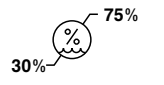
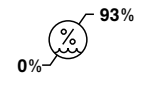
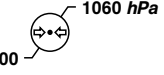
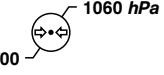
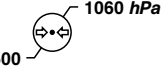
VORSICHT - Verwenden Sie das Produkt nicht mit inkompatiblen Haltegurten.

XPS-Matratze (6500-003-130 oder 6506-003-130)	Schnitzler Pediatric Restraint System (0058-384-000) mit Seriennummer kleiner als 720 XPSNPR-2123	Schnitzler Pediatric Restraint System (0058-384-000) mit Seriennummern gleich oder größer als 720 XPSNPR-2123
Matratze mit Chargennummer kleiner als 18001001	Kompatibel	Kompatibel
Matratze mit Chargennummer gleich oder größer als 18001001	Nicht kompatibel	Kompatibel

Das Schnitzler Pediatric Restraint System (0058-385-000) eignet sich für eine Verwendung mit der Standardmatratze Modell 6100 **M-1**-Rolleneinschubsystem, dem Modell 6506 der **Power-PRO XT**-Trage und dem Modell 6550 der **Power-PRO TL**-Trage.

Technische Daten – SMRT

	SMRT Ladegerät	SMRT Pak	Wechselstromversorgung
Eingangsspannung	13,9 V=, 4,16 A	Nicht zutreffend	100–240 V~ 1–2 A, 50/60 Hz
Ausgangsspannung	Offener Stromkreis, 40 V=, 1,20 A	24 V=, NiCd	12 V=, 4–6 A
Höhe	2,375 Zoll (60,325 mm)	3,25 Zoll (82,55 mm)	variiert
Breite	5,125 Zoll (130,175 mm)	4 Zoll (101,6 mm)	variiert
Länge	7 Zoll (177,8 mm)	5,75 Zoll (146,05 mm)	variiert
Gewicht	1,3 US-Pfund (0,59 kg)	3,8 US-Pfund (1,7 kg)	variiert
Gehäuseschutz	IPX0	IPX6	IPX0
Gerätetyp	Nicht zutreffend	Nicht zutreffend	Klasse II
Zulassungen	ANSI/AAMI ES60601-1: 2012, CAN/CSA-C22.2 Nr. 60601-1:14	Nicht zutreffend	Nicht zutreffend

Umweltbedingungen	Betrieb	Aufladen	Aufbewahrung und Transport
Temperatur			
Relativ			
Luftdruck			

Bei den technischen Daten handelt es sich um ungefähre Werte, die je nach Gerät bzw. durch Netzschwankungen leicht variieren können.

Stryker behält sich das Recht vor, technische Daten ohne Vorankündigung zu ändern.

Produktdarstellung – Power-PRO

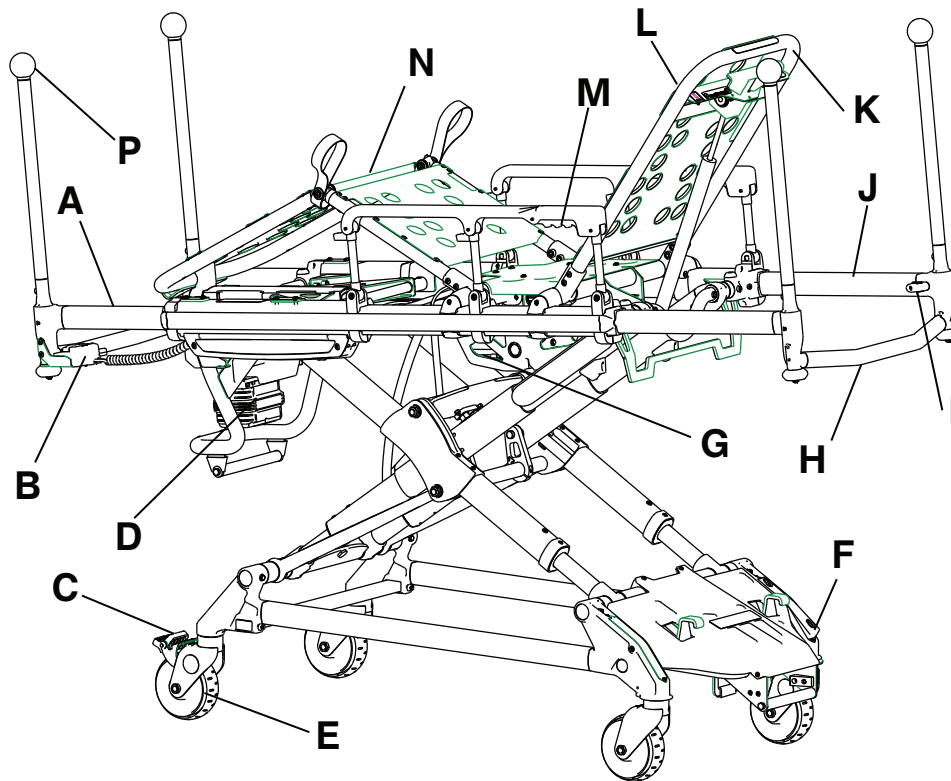


Abbildung 3 – Power-PRO TL

A	Einziehbares Fußteil	I	Batterie
B	Schalter für die Höhenverstellung	J	Einziehbares Kopfteil
C	Radsperr	K	Einstellgriff für die Rückenlehne
D	Batterie	L	Rückenlehne
E	Laderäder	M	Seitengitter-Entriegelungsgriff
F	Laufrollensperre	N	Verstellbarer Knie-/Beinstütze
G	Hydraulikeinheit	P	Schiebestangen (optional)
H	Kopfteil-Entriegelungsgriff		

Produktabbildung – SMRT

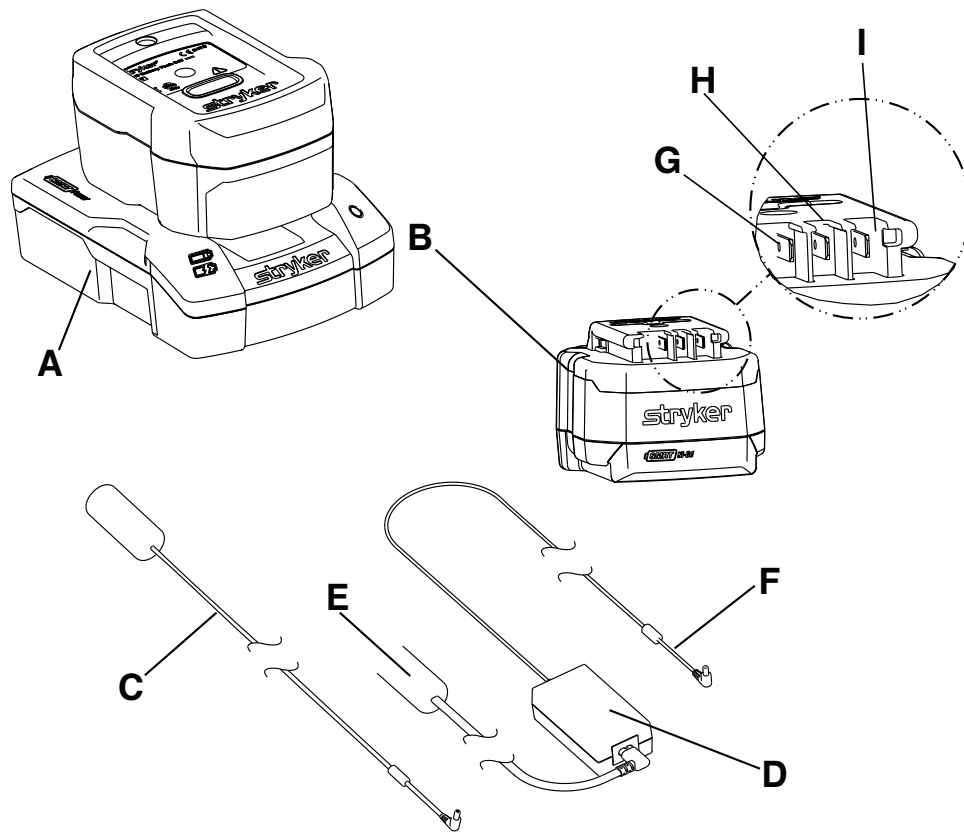


Abbildung 4 – SMRT Stromversorgungssystem

A	SMRT Ladegerät	F	Ausgangskabel
B	SMRT Pak	G	Daten
C	Gleichstromkabel	H	Strom (-)
D	Wechselstromversorgung	I	Strom (+)
E	Wechselstromkabel		

Kontaktinformationen

Der Stryker-Kundendienst bzw. technische Support ist telefonisch erreichbar unter: 1-800-327-0770.

Stryker Medical
3800 E. Centre Avenue
Portage, MI 49002
USA

Hinweis - Der Benutzer und/oder der Patient sollte schwere produktbezogene Vorfälle sowohl dem Hersteller als auch der zuständigen Behörde des europäischen Mitgliedstaats melden, in dem sich der Benutzer und/oder der Patient befindet.

Die Betriebsanleitung bzw. das Wartungshandbuch steht unter der folgenden Adresse im Internet zur Verfügung: <https://techweb.stryker.com/>.

Bei Anrufen beim Stryker-Kundendienst oder technischen Support bitte die Seriennummer (A) des jeweiligen Stryker-Produkts bereithalten. Seriennummer bei allen schriftlichen Mitteilungen angeben.

Position der Seriennummer – Power-PRO

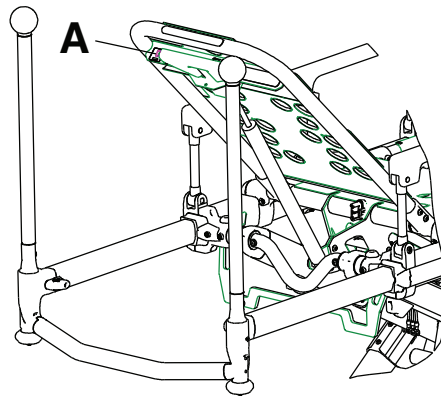


Abbildung 5 – Position der Seriennummer

Position der Seriennummer – SMRT

Die Seriennummer für das **SMRT** Ladegerät befindet sich auf der Unterseite des Geräts. Die Chargennummer für das **SMRT Pak** befindet sich oben auf dem **SMRT Pak** über der roten Entriegelungstaste.

Einrichtung

Zur Einrichtung die Kartons auspacken und alle Artikel auf einwandfreie Funktion überprüfen. Bevor das Produkt in Betrieb genommen wird, muss bestätigt werden, dass es voll funktionstüchtig ist.

Vor dem Gebrauch alle Versand- und Verpackungsmaterialien vom Produkt entfernen.

Der Patientenraum des Fahrzeugs, in dem das Produkt verwendet werden soll, muss Folgendes aufweisen:

- Einen ebenen Boden ausreichender Größe für das zusammengeklappte Produkt
- Tragenbefestigungssystem von Stryker

Hinweis - Lose Gegenstände oder Rückstände auf dem Boden des Patientenraums können die Funktion der Produktbefestigung beeinträchtigen. Den Boden des Patientenraums sauber halten.

SMRT Paks und **SMRT** Ladegerät aus der Verpackung nehmen. **SMRT** Pak vor Verwendung aufladen.

Fahrzeug bei Bedarf abändern, damit die Trage hineinpasst. Nicht die Trage abändern.

Installation

Montage des Tragenbefestigungssystems

Die Stryker-Tragenbefestigungssysteme sind nur mit Tragen kompatibel, die den Montagespezifikationen entsprechen.

WARNUNG

- Das Tragenbefestigungssystem darf immer nur von qualifiziertem Personal montiert werden. Eine unsachgemäße Montage könnte zu Verletzungen von Patient oder Bediener führen.
 - Immer darauf achten, dass alle Tragen die Montagespezifikationen des Stryker-Tragenbefestigungssystems erfüllen.
 - Die Schienenklemmenbaugruppe muss immer so eingestellt werden, dass sie auf die Position der Tragenhaltestütze je nach Hersteller und Modellnummer der Trage ausgerichtet ist.
-

Diese Anleitung ist für Tragen mit Befestigungssystemen im Geweihdesign bestimmt. Eine Installationsanleitung für crashtest-geprüfte Tragenbefestigungssysteme findet Sie in der entsprechenden Bedienungsanleitung.

Betrieb

Überprüfen des Akkuladestands

Der Ladestand des **SMRT Pak** kann anhand der Akku-LED-Anzeige der Trage überprüft werden. Ein aufgeladener, betriebsbereiter **SMRT Pak** ermöglicht bis zu 25 Einsätze mit einem 250 lb (113 kg) schweren Patienten (die tatsächlichen Ergebnisse können abweichen). Das 24 VDC **Power-PRO** System und der **SMRT Pak** haben 2,4 Amperestunden Leistung.

WARNUNG - Den Akku nicht herausnehmen, wenn die Trage aktiviert ist.

VORSICHT - Den Akku immer aufladen, ehe das Produkt in Betrieb genommen wird. Ist der Akku nicht aufgeladen oder entladen, kann dies die Produktleistung beeinträchtigen.

Um den Akkuladestand zu überprüfen, die Einfahrtaste (-) an der Steuerung der Trage drücken, um die Akku-LED-Anzeige der Trage zu aktivieren. Die Akku-LED-Anzeige des Trage befindet sich an der Verkleidung der Steuerung am Fußende (wird als Batteriesymbol angezeigt).

- Die LED leuchtet dauerhaft grün, wenn der Akku voll oder ausreichend weit aufgeladen ist.

Hinweis - Für die besten Ergebnisse den **SMRT Pak** verwenden, bis die LED-Anzeige von grünem Dauerlicht auf oranges Blinklicht wechselt.

- Die LED blinkt orange, wenn der Akku aufgeladen oder ausgetauscht werden muss.

Hinweis - Die Akku-LED-Anzeige der Trage muss zum Austauschen des **SMRT Pak** nicht orange blinken, dies wird jedoch empfohlen. Das **SMRT Pak** kann jederzeit herausgenommen und aufgeladen werden.

- Leuchtet die LED dauerhaft orange, weist dies auf einen Akkufehler hin.

Hinweis

- Nur von Stryker zugelassene Akkus verwenden.
- Falls vorhanden, lädt das elektrisch betriebene Tragenbefestigungssystem den **SMRT Pak**-Akku automatisch auf. Die automatische Aufladung erfolgt, wenn die Trage im elektrisch betriebenen Tragenbefestigungssystem arretiert wird (es sind keine Kabel oder Stecker erforderlich). Die Akku-LED der Trage blinkt kurz grün. Dies bedeutet, dass der Akku aufgeladen wird.
- Die automatische Aufladung ist nur mit einem **SMRT Pak**-Akku möglich.

Den Betriebsstundenzähler und die Fehleranzeige überprüfen

Der Betriebsstundenzähler gibt die Nutzungsdauer (HHH.H Stunden) der Hydraulik an. Die Fehleranzeige zeigt den Fehlercode für die Fehlerbehebung an.

Anhand des Betriebsstundenzählers (A) (Abbildung 6) kann das Intervall für die Präventivwartung bestimmt werden. Die Fehleranzeige (A) dient zur Fehlerbehebung. Im Falle eines Fehlers übersteuert die Fehleranzeige den Betriebsstundenzähler.

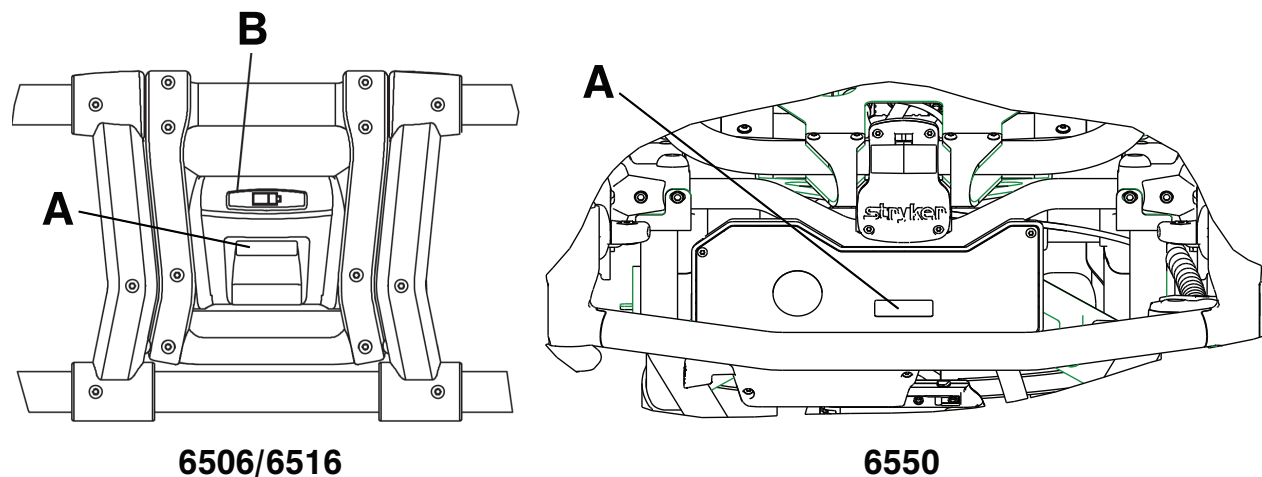


Abbildung 6 – Betriebsstundenzähler (A), Fehleranzeige (A) und Akkustatus (B) überprüfen

Bedienungsrichtlinien

WARNUNG

- Das Produkt nur benutzen, wenn sich alle Personen in angemessenem Abstand zu den Mechanismen befinden. Verwicklungen in den Mechanismen von angetriebenen Produkten können schwere Verletzungen verursachen.
- Die **SMRT** Paks vor jedem Gebrauch immer auf Schäden überprüfen.
- Ungeschultes Personal darf nicht bei der Bedienung des Produkts helfen.
- Handgriffe nur mit korrekter Positionierung der Hände verwenden. Beim Laden oder Ausladen der Trage oder beim Ändern der Höhenposition der Trage die Hände von den Drehpunkten des roten Sicherheitsbügels entfernt halten.
- Beim Fahren nicht auf dem Fahrgestell der Trage stehen.
- Die Trage nicht seitwärts fahren, um ein Kipprisiko zu vermeiden. Die Trage immer in ihrer abgesenkten Position mit dem Kopf- oder Fußende voraus fahren, um das Kipprisiko zu minimieren.
- Hände, Finger und Füße immer von beweglichen Teilen fernhalten. Vorsichtig vorgehen, wenn beim Anheben oder Absenken der Trage Hände und Füße in der Nähe der Holme des Fahrgestells gehalten werden.
- Das automatische Befestigungsabschaltungssystem muss in jedem Rettungsfahrzeug installiert werden, in dem diese Trage zum Einsatz kommt und ein Tragenbefestigungssystem im Geweihdesign verwendet wird.
- Bei Stillstand der Trage immer den Zustand des Patienten überwachen. Wird das Produkt hydraulisch angehoben oder abgesenkt, kann dies die elektronische Ausrüstung zur Patientenüberwachung vorübergehend beeinflussen.

VORSICHT - Vor dem Betrieb des Produkts immer alle Hindernisse aus dem Weg räumen, die sich störend auswirken und Verletzungen des Bedieners oder Patienten verursachen können.

- Das Produkt nur wie in diesem Handbuch beschrieben einsetzen.
- Vor der Verwendung alle Schilder und Anweisungen auf dem Produkt lesen.
- Die Änderung der Höhenpositionen und das Laden der Trage üben, bis Sie mit dem Betrieb des Produkts vollständig vertraut sind.
- Das **SMRT** Pak Gehäuse und den Anschlussbereich vor der ersten und jeder weiteren Verwendung auf Risse oder Schäden überprüfen.
- Eine Trage mit einem darauf befindlichen Patienten immer mit mindestens zwei geschulten Bedienern laden oder ausladen. Wenn sich ein Patient auf einer Trage befindet, müssen immer mindestens zwei Bediener anwesend sein. Stryker empfiehlt, dass sich beide Bediener am Fußende befinden, um die Last für jeden Bediener zu senken. Ein oder zwei Bediener können die Trage am Fußende anheben.
- Die Trage erst einstellen, fahren oder in ein Fahrzeug laden, nachdem der Patient informiert wurde. Immer bei dem Patienten bleiben und das Produkt unter Kontrolle halten.

- Die Trage kann in beliebiger Position gefahren werden. Stryker empfiehlt, dass die Bediener den Patienten in der tiefsten Position transportieren, die für das Manövrieren der Trage bequem ist.
- Die Radsperren nur während der Umlagerung des Patienten oder dann verwenden, wenn sich kein Patient auf dem Produkt befindet.
- Um ein Kipprisiko zu vermeiden, keine Radsperren betätigen, wenn sich eine Person auf dem Produkt befindet oder das Produkt bewegt wird.
- Wenn nötig, ordnungsgemäß geschulte Helfer hinzuziehen, um die Trage unter Kontrolle zu halten.

Richtige Hebetechniken

Beim Anheben von Produkt und Patienten müssen die folgenden angemessenen Hebetechniken angewendet werden, um Verletzungen zu vermeiden:

- Die Hände nah am Körper halten
- Den Rücken gerade halten
- Alle Bewegungen mit Ihrem Partner koordinieren
- Aus den Beinen heraus anheben
- Den Oberkörper nicht verdrehen

Umlagern des Patienten auf die Trage

WARNUNG

- Zur Sicherung des Patienten auf dem Produkt immer alle Haltegurte benutzen. Ein nicht durch Haltegurte gesicherter Patient kann von dem Produkt fallen und verletzt werden.
 - Einen Patienten nicht unbeaufsichtigt lassen. Das Produkt festhalten, während sich ein Patient darauf befindet.
 - Um ein Kipprisiko zu vermeiden, keine Radsperren betätigen, wenn sich ein Patient auf dem Produkt befindet oder das Produkt bewegt wird.
 - Die Seitengitter dürfen nicht als Patientenfixierungsvorrichtung verwendet werden.
-

Umlagern des Patienten auf das Produkt:

1. Das Produkt zum Patienten fahren (*Rollen der Trage mit einem Patienten* (Seite 20)).
2. Das Produkt neben dem Patienten positionieren und auf die Höhe des Patienten anheben oder absenken.
3. Die Seitengitter absenken und die Haltegurte öffnen.
4. Den Patienten auf das Produkt umlagern. Akzeptierte Verfahren der Notfallmedizin befolgen.
5. Den Patienten mit allen Haltegurten auf dem Produkt sichern.
6. Die Seitengitter anheben und Rückenlehne und Fußstütze je nach Bedarf anpassen.

Rollen der Trage mit einem Patienten

WARNUNG

- Die Trage immer in einer niedrigeren Höhenposition transportieren, um das Risiko, dass die Trage umkippt, zu minimieren. Wenn möglich, zusätzliche Hilfe suchen oder eine alternative Route wählen.
 - Große Hindernisse wie Bordsteinkanten, Stufen oder unebenes Gelände müssen stets vermieden werden, um zu vermeiden, dass die Trage umkippt.
-

To roll the cot with a patient:

1. Ein Bediener positioniert sich am Fußende der Trage, der andere am Kopfende.

2. Darauf achten, dass die Liegefläche senkrecht steht, wenn Sie sich Türschwellen oder anderen flachen Hindernissen nähern.
3. Jeden Satz Räder einzeln über die Türschwelle oder das Hindernis heben.

Anheben und Absenken der Trage

Eine nicht belegte Trage kann von nur einem Bediener angehoben oder abgesenkt werden. Befindet sich ein Patient auf der Trage, sind mindestens zwei ausgebildete Bediener (einer am vorderen, der anderen am hinteren Ende der Trage) erforderlich, um die Trage anzuheben oder abzusenken.

WARNUNG

- Hände, Finger und Füße immer von beweglichen Teilen fernhalten. Vorsichtig vorgehen, wenn beim Anheben oder Absenken der Trage Hände und Füße in der Nähe der Holme des Fahrgestells gehalten werden.
 - Handgriffe nur mit korrekter Positionierung der Hände verwenden. Beim Laden oder Ausladen der Trage oder beim Ändern der Höhenposition der Trage die Hände von den Drehpunkten des roten Sicherheitsbügels entfernt halten.
 - Das Anheben oder Absenken der Trage mit einem Patienten immer mit zwei Bedienern vornehmen.
-

Anheben oder Absenken der Trage:

1. Bediener 1 (am Fußende): Die Trage am Rahmen fassen und:
 - die Ausfahrtaste (+) drücken, um die Trage in die gewünschte Höhe zu heben
 - die Einfahrtaste (-) drücken, um die Trage auf die gewünschte Höhe abzusenken
2. Bediener 2 (am Kopfende): Die Außenschiene gut festhalten, bis sich die Trage in der gewünschten Höhe befindet.

Hinweis - Wird die Ausfahrtaste (+) am Steuerschalter der Trage gedrückt, nachdem die Trage die eingestellte Höhe erreicht, bleibt der Motor so lange stehen, bis die Taste losgelassen wird. Nach dem Loslassen der Taste die Ausfahrtaste (+) erneut drücken, um die Trage leicht zu erhöhen.

Anheben, Absenken oder Freigeben der elektrisch gesteuerten Trage

Die **Power-PRO** Tragen sind mit zwei identischen Steuerschaltern ausgestattet. Die Taste auf einem dieser Schalter drücken, um die Trage anzuheben (auszufahren), abzusenken (einzufahren) oder gegebenenfalls aus dem **Power-LOAD** freizugeben (Abbildung 7).

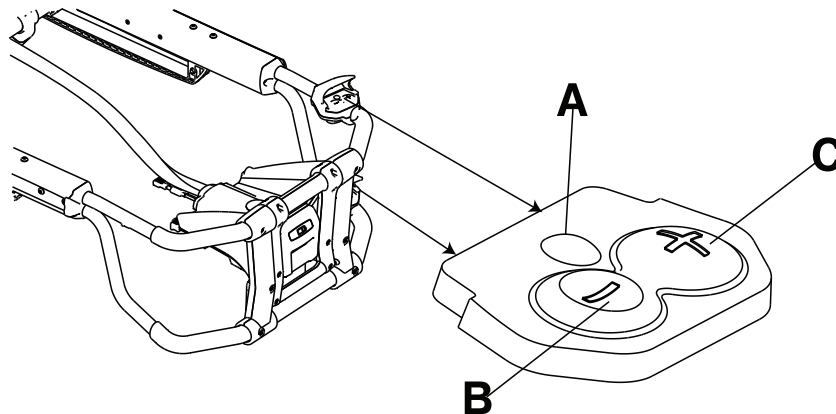


Abbildung 7 – Steuerschalter der Trage

Referenz	Name	Beschreibung
A	Entriegeln	Drücken, um die Trage zu entriegeln (nur Einsatz mit Power-LOAD)
B	Einfahren (-)	Gedrückt halten, um die Liegefläche abzusenken oder das Fahrgestell der Trage einzufahren
C	Ausfahren (+)	Gedrückt halten, um die Liegefläche anzuheben oder das Fahrgestell der Trage auszufahren

Trage mit der manuellen Übersteuerung anheben oder absenken

Falls die Stromversorgung ausfällt, kann die manuelle Übersteuerung der Trage verwendet werden. So kann das Produkt von Hand bedient werden, bis die Funktionen des elektrischen Antriebs wiederhergestellt werden können. Die Trage kann anhand des roten manuellen Sicherheits-Entriegelungsgriffs angehoben und abgesenkt werden.

Der manuelle Sicherheits-Entriegelungsgriff befindet sich entlang der patientenseitig linken Seite der unteren Hebestange am Fußende der Trage.

Anheben bzw. Absenken der Trage mithilfe des manuellen Sicherheits-Entriegelungsgriffs:

1. Beide Bediener: Die Trage beim Anheben bzw. Absenken an beiden Enden halten, um ihr Gewicht zu stützen.
2. Bediener 1 (am Fußende):
 - a. Den manuellen Sicherheits-Entriegelungsgriff in Richtung Hebestange ziehen.
 - b. Beim Ziehen des manuellen Sicherheits-Entriegelungsgriffs die Trage in die gewünschte Position anheben oder absenken.
 - c. Den Griff loslassen, um die Trage in Position zu arretieren.

Hinweis

- Beide Bediener müssen die Trage von den Rädern heben, um das manuelle Ein- oder Ausfahren zu verwenden, während ein Patient auf der Trage liegt.
- Wenn sich weniger als 23 kg auf der Trage befinden, senkt sich die Trage nach der Aktivierung des manuellen Sicherheits-Entriegelungsgriffs möglicherweise nur langsam ab.
- Die hydraulische Flüssigkeit wird viskoser, wenn die Trage längere Zeit bei kalten Temperaturen verwendet wird. Wird die manuelle Sicherheits-Entriegelungsfunktion verwendet, um das Fahrgestell freizugeben, muss bei kalten Temperaturen beim Ausladen für etwa eine Sekunde, nachdem die Räder der Trage den Boden berühren, der manuelle Sicherheits-Entriegelungsgriff gehalten werden, um zu vermeiden, dass die Liegefläche beim Ausladen der Trage aus dem Patientenraum des Fahrzeugs nachgibt.

Beschleunigen des Einladens mit dem Schnelleinfahrmodus

Wird die Einfahrtaste (-) betätigt, wechselt die Trage in den Schnelleinfahrmodus, wenn die Räder der Trage das Gewicht von Trage und Patient nicht stützen.

Mit dem Schnelleinfahrmodus kann die Trage schneller in ein Fahrzeug eingeladen werden. Das Fahrgestell fährt in die höchste Position zurück, sobald das Gewicht von Trage und Patient nicht mehr von den Rädern gestützt werden. Die Einfahrtaste (-) drücken, um den Steuerschalter zu betätigen.

Verbindung der Trage mit dem Tragenbefestigungssystem

VORSICHT

- Die Trage immer auf die niedrigste Position absenken, um sicherzustellen, dass sich die Trage mit dem Tragenbefestigungssystem verbindet.
- Wenn die Trage mit dem Tragenbefestigungssystem verbunden ist, darf die Höhe des Produkts nicht verändert werden.

To load the cot to the cot fastener:

1. Das Pedal der Trage drücken und die Trage absenken. Zum Absenken der Trage die Absenk-Taste (-) drücken, bis das Produkt zum Stillstand kommt.
2. Die Trage sowohl in das Kopf- als auch das Fußende des Tragenbefestigungssystems gleiten lassen, bis die Trage einrastet (Abbildung 8).
3. Sicherstellen, dass die Trage sowohl am Kopf- als auch am Fußende sicher befestigt ist, bevor die Trage losgelassen wird (Abbildung 9).



Abbildung 8 – Mit dem Kopf- und Fußende des Tragenbefestigungssystems verbundene Trage

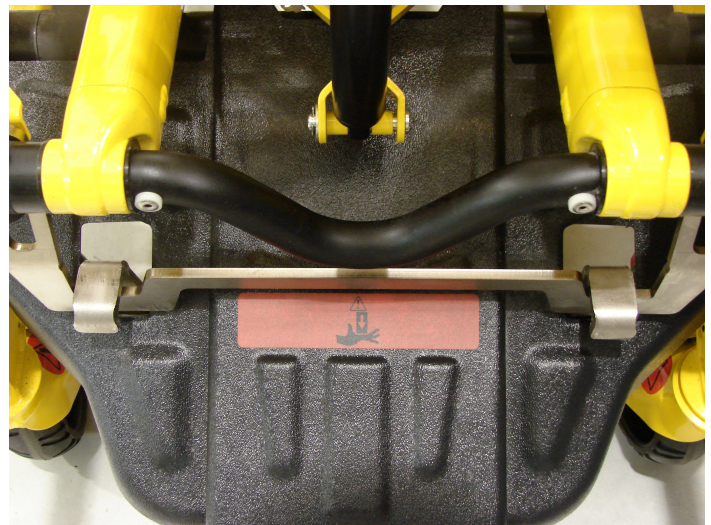


Abbildung 9 – Befestigte Trage

Trennung der Trage vom Tragenbefestigungssystem

Trennen der Trage vom Tragenbefestigungssystem:

1. Das Pedal herunterdrücken (Abbildung 10).
2. Die Trage aus dem Patientenraum des Fahrzeuges herausfahren.

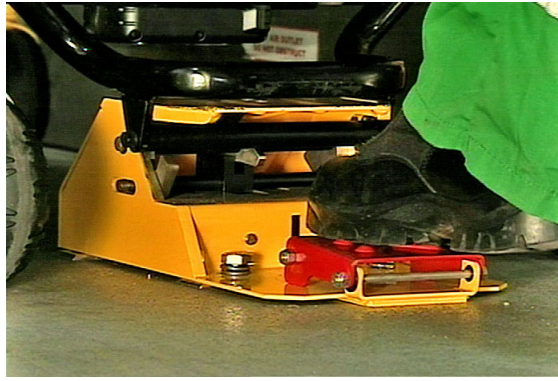


Abbildung 10 – Das Pedal herunterdrücken.

Einladen der Trage mit einer Hebebühne

Eine Trage mit einem darauf befindlichen Patienten muss immer mit mindestens zwei geschulten Bedienern geladen werden. Wenn sich ein Patient auf einer Trage befindet, müssen immer mindestens zwei Bediener anwesend sein. Die Bediener müssen in der Lage sein, das Gesamtgewicht von Patient, Trage und allen Gegenständen auf der Trage zu heben.

WARNUNG

- Wenn sich ein Patient auf der Trage befindet, ist vor Verwendung einer Hebebühne stets sicherzustellen, dass die Trage nicht von der Plattform herunterrollen kann. Es muss sichergestellt werden, dass die Sicherung der Umwehrung der Hebebühne ordnungsgemäß funktioniert.
- Handgriffe nur mit korrekter Positionierung der Hände verwenden. Beim Laden oder Ausladen der Trage oder beim Ändern der Höhenposition der Trage die Hände von den Drehpunkten der roten Sicherheitsbügel entfernt halten.

VORSICHT

- Die Trage immer auf die niedrigste Position absenken, um sicherzustellen, dass sich die Trage mit dem Tragenbefestigungssystem verbindet.
- Wenn die Trage mit dem Tragenbefestigungssystem verbunden ist, darf die Höhe des Produkts nicht verändert werden.

Einladen der Trage:

1. Die Absenk-Taste (-) drücken, um die Trage auf ihre niedrigste Höhenposition abzusenken und so ihre Stabilität zu erhöhen.
2. Die Trage mit dem Kopfende zuerst vorwärts auf die Hebebühne schieben (Abbildung 11). Es muss sichergestellt werden, dass die Räder ordnungsgemäß auf der Hebebühne platziert sind, damit der Sicherheitsanschlag einschwenken und so ein Herunterrollen der Trage verhindern kann.
3. Vor dem Hochfahren der Hebebühne muss sichergestellt werden, dass sich zwischen der Trage und der Rückseite des Rettungswagens ein ausreichender Abstand befindet. Sicherstellen, dass nichts von der Trage herunterhängt.
4. Während ein Bediener die Hebebühne hochfährt, sollte der andere Bediener den Rahmen der Trage fest umgreifen, um die Trage so zusätzlich zu stabilisieren.
5. Die Trage sollte von beiden Bedienern in den Patientenraum und das Tragenbefestigungssystem des Fahrzeugs (nicht im Lieferumfang enthalten) geschoben werden (Abbildung 12).



Abbildung 11 – Trage auf einer Hebebühne



Abbildung 12 – Beide Bediener schieben die Trage in den Patientenraum des Fahrzeugs

Ausladen der Trage mit einer Hebebühne

WARNUNG

- Wenn sich ein Patient auf der Trage befindet, ist vor Verwendung einer Hebebühne stets sicherzustellen, dass die Trage nicht von der Plattform herunterrollen kann. Es muss sichergestellt werden, dass die Sicherung der Umwehung der Hebebühne ordnungsgemäß funktioniert.
- Handgriffe nur mit korrekter Positionierung der Hände verwenden. Beim Laden oder Ausladen der Trage oder beim Ändern der Höhenposition der Trage die Hände von den Drehpunkten der roten Sicherheitsbügel entfernt halten.

VORSICHT

- Die Trage immer auf die niedrigste Position absenken, um sicherzustellen, dass sich die Trage mit dem Tragenbefestigungssystem verbindet.
- Wenn die Trage mit dem Tragenbefestigungssystem verbunden ist, darf die Höhe des Produkts nicht verändert werden.

Ausladen der Trage:

1. Sicherstellen, dass der Sicherheitsanschlag ordnungsgemäß positioniert ist, um ein Herunterrollen der Trage von der Hebebühne zu verhindern.
2. Die Hebebühne auf dieselbe Höhenposition des Bodens des Patientenraums des Fahrzeugs hochfahren.
3. Die Trage vom Tragenbefestigungssystem trennen.
4. Beide Bediener halten die Trage an ihrem Rahmen fest und fahren sie auf die Hebebühne. Die Trage aus dem Patientenraum des Fahrzeugs entfernen und vergewissern, dass die Räder der Trage ordnungsgemäß platziert sind, um ein ungehindertes Absinken der Hebebühne zu ermöglichen.
5. Die Hebebühne bis zum Boden absenken. Sicherstellen, dass die Hebebühne vollständig abgesenkt und zum Stillstand gekommen ist, bevor der Sicherheitsanschlag der Hebebühne entschert und die Trage von der Hebebühne heruntergefahren wird.

Einladen der Trage mit einer Rampe

Eine Trage mit einem darauf befindlichen Patienten muss immer mit mindestens zwei geschulten Bedienern geladen werden. Wenn sich ein Patient auf einer Trage befindet, müssen immer mindestens zwei Bediener anwesend sein. Die Bediener müssen in der Lage sein, das Gesamtgewicht von Patient, Trage und allen Gegenständen auf der Trage zu heben.

WARNUNG - Handgriffe nur mit korrekter Positionierung der Hände verwenden. Beim Laden oder Ausladen der Trage oder beim Ändern der Höhenposition der Trage die Hände von den Drehpunkten der roten Sicherheitsbügel entfernt halten.

VORSICHT

- Die Trage immer auf die niedrigste Position absenken, um sicherzustellen, dass sich die Trage mit dem Tragenbefestigungssystem verbindet.
 - Wenn die Trage mit dem Tragenbefestigungssystem verbunden ist, darf die Höhe des Produkts nicht verändert werden.
-

Einladen der Trage:

1. Sicherstellen, dass die Sicherheit des Patienten auf der Trage stets gewährleistet ist.
2. Bevor die Trage auf die Rampe geschoben wird, die Absenk-Taste (-) drücken, um die Trage auf ihre niedrigste Höhenposition abzusenken und so die Stabilität zu erhöhen (Abbildung 13). Sicherstellen, dass nichts von der Trage herunterhängt.
3. Beide Bediener können die Trage nun mit dem Kopfende zuerst an den optionalen Schiebestangen die Rampe hochschieben oder -ziehen (Abbildung 14). Die Trage sollte von beiden Bedienern entlang der Mitte der Rampe nach oben geschoben werden.
4. Die Trage sollte von beiden Bedienern in den Patientenraum des Fahrzeugs geschoben und mit dem Tragenbefestigungssystem des Fahrzeugs verbunden werden (nicht im Lieferumfang enthalten).



Abbildung 13 – Trage auf ihrer niedrigsten Höhenposition



Abbildung 14 – Trage entlang der Mitte der Rampe nach oben schieben

Ein- und Ausladen einer Trage mit optionaler Sauerstoffflaschenhalterung

Ein- und Ausladen der Trage mit optionaler Sauerstoffflaschenhalterung:

1. Das Windenseil an der hierfür vorgesehenen Befestigungsstange (A) befestigen (Abbildung 15).
2. Sicherstellen, dass die Länge der Rampe mindestens 2,6 m beträgt.
3. Sicherstellen, dass das Gewicht von Trage, Patient und Ausrüstung die maximale Gewichtskapazität der Rampe nicht übersteigt.

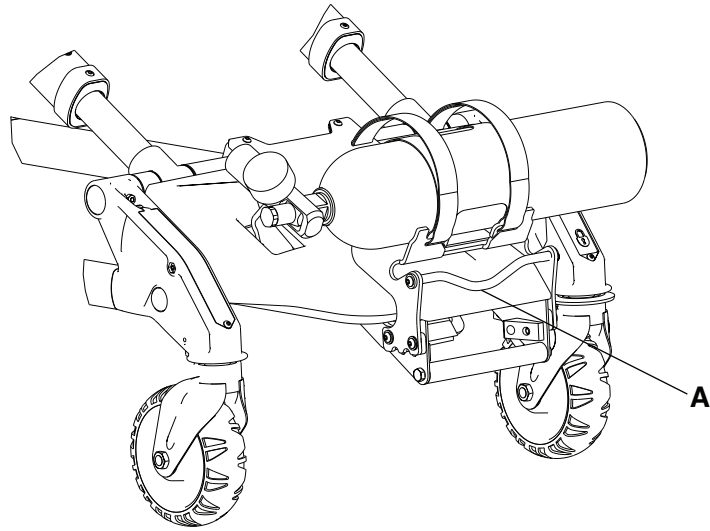


Abbildung 15 – Befestigungsstange für das Windenseil

Hinweis - Auf der niedrigsten Höhenposition der Trage kann die optionale Sauerstoffflaschenhalterung für den Transport von Patienten bis zu einem Gewicht von 318 kg verwendet werden.

Positionierung von Bedienern und Helfern

WARNUNG - Beim Einladen oder Ausladen der Trage oder beim Ändern der Höhenposition der Trage die Hände stets von den Drehpunkten der roten Sicherheitsbügel entfernt halten.

	Anheben/Absenken	Fahren
Zwei Bediener (O) Zwei Helfer (H)		
Zwei Bediener (O) Vier Helfer (H)		

Heben und Senken der Rückenlehne

Um die Rückenlehne zu heben, auf den Einstellgriff der Rückenlehne drücken, um die Rückenlehne in die gewünschte Höhe zu stellen.

Um die Rückenlehne zu senken, den Einstellgriff der Rückenlehne drücken und gleichzeitig die Rückenlehne in die gewünschte Höhe stellen.

Anheben und Absenken der Seitengitter

Die Seitengitter müssen immer gesenkt werden, wenn ein Patient von der oder auf die Trage transferiert werden soll.

WARNUNG - Die Seitengitter dürfen nicht als Fixierungsvorrichtung verwendet werden.

Zum Anheben der Seitengitter das Seitengitter heben, bis es hörbar verrastet. Die Seitengitter immer in der angehobenen Position belassen, solange nicht ein Patient transferiert werden soll.

Zum Absenken der Seitengitter den Entriegelungsgriff des Seitengitters zusammendrücken, um die Lasche des Seitengitters zu lösen. Das Seitengitter in Richtung des Fußendes der Trage in die flache Position bringen. Die Seitengitter müssen immer gesenkt werden, wenn ein Patient von der oder auf die Trage transferiert werden soll.

Anheben bzw. Absenken der Seitengitter (XPS-Option)

Die Trage kann mit der optionalen erweiterbaren Liegefläche (XPS) bestellt oder später mit der XPS-Option aufgerüstet werden.

WARNUNG - Die Seitengitter dürfen nicht als Fixierungsvorrichtung verwendet werden.

VORSICHT

- Nicht auf die Seitengitter setzen oder stehen (XPS-Option).
 - Die Seitengitter (XPS-Option) nicht als Vorrichtung oder Fläche für den Patiententransfer verwenden (z. B. um einen Patienten von der Trage auf eine andere Oberfläche umzulagern).
 - Patienten dürfen nicht mit ihrem ganzen Gewicht auf den Seitengittern gelagert werden (XPS-Option).
 - Die Seitengitter (XPS-Option) nicht zum Schieben/Ziehen oder zum Lenken des Produkts verwenden.
-

Die Seitengitter (XPS-Option) werden an der Trage befestigt und können jederzeit verwendet werden. Die Seitengitter (XPS-Option) lassen sich je nach Größe des Patienten in sieben verschiedene Positionen einstellen und verrasten. Die Seitengitter lassen sich auch so verstellen, dass die Trage durch Türen oder in Aufzüge mit Standardgröße passt.

Um die Seitengitter zu heben, das Seitengitter nach oben ziehen, bis es in der gewünschten Position einrastet.

Um die Seitengitter zu senken, nach oben ziehen, um das Gewicht zu entlasten, und dann am roten Hebel ziehen. Die Seitengitter müssen immer gesenkt werden, wenn ein Patient von der oder auf die Trage transferiert werden soll.

Die XPS-Option ist keine primäre Patientenbettauflage. Sie umfasst eine breitere Matratze und soll den Komfort des Patienten erhöhen.

Herausziehen des einziehbaren Kopf- oder Fußteils

Das Kopfteil kann von einer herausgezogenen in eine eingeschobene Position innerhalb des Liegeflächenrahmens geschoben werden.

WARNUNG

- Das Kopfteil vor Benutzung der Trage immer einrasten lassen.
 - Die Trage nicht in den Patientenraum des Fahrzeugs laden, wenn sich das Kopfteil in eingeschobener Position befindet. Das Einladen der Trage, wenn sich das Kopfteil in eingeschobener Position befindet, kann zum Kippen des Produkts führen oder die Verbindung mit dem Tragenbefestigungssystem des Fahrzeugs verhindern.
-

Herausziehen des Kopf- oder Fußteils:

1. Die roten Entriegelungshebel (A) an beiden Seiten des Rahmens drücken und das Kopf- oder Fußteil aus seiner eingeschobenen Position herausziehen (Abbildung 16).
2. Sicherstellen, dass das Kopf- oder Fußteil einrastet.

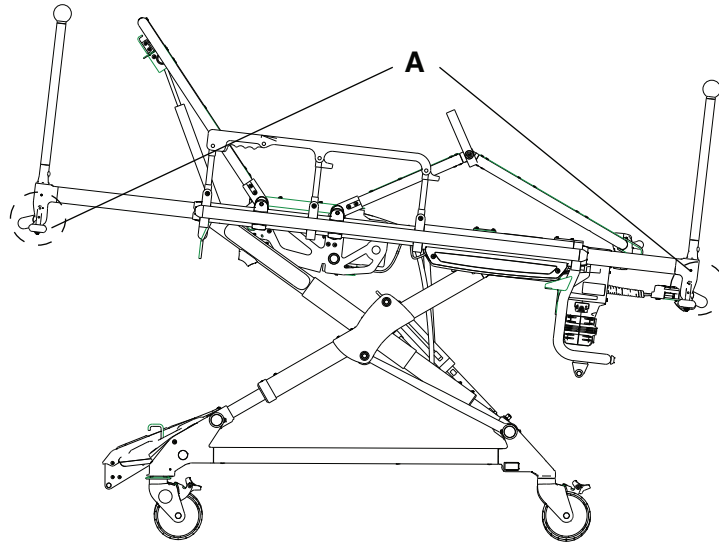


Abbildung 16 – Herausziehen des Kopf- oder Fußteils

Einschieben des einschiebbaren Kopf- oder Fußteils

Das Kopfteil kann von einer herausgezogenen in eine eingeschobene Position innerhalb des Liegeflächenrahmens geschoben werden.

WARNUNG

- Das Kopfteil vor Benutzung der Trage immer einrasten lassen.
 - Die Trage nicht in den Patientenraum des Fahrzeugs laden, wenn sich das Kopfteil in eingeschobener Position befindet. Das Einladen der Trage, wenn sich das Kopfteil in eingeschobener Position befindet, kann zum Kippen des Produkts führen oder die Verbindung mit dem Tragenbefestigungssystem des Fahrzeugs verhindern.
-

Einschieben des Kopf- oder Fußteils:

1. Die roten Entriegelungshebel (A) an beiden Seiten des Rahmens drücken und das Kopf- oder Fußteil aus seiner herausgezogenen Position zurückschieben (Abbildung 17).
2. Sicherstellen, dass das Kopf- oder Fußteil einrastet.

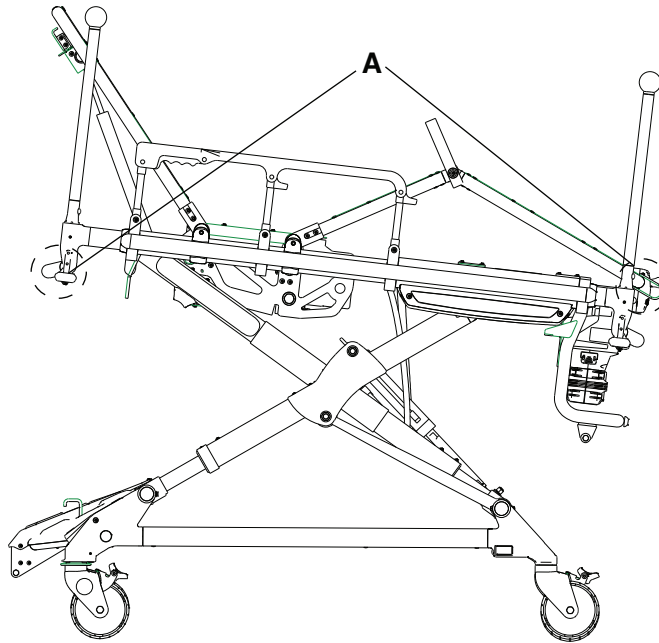


Abbildung 17 – Einschieben des Kopf- oder Fußteils

Anheben oder Absenken der optionalen Knieteilverstellung

Anheben der Knieteilverstellung:

1. An einer der roten Hebeschlaufen (A) ziehen, bis sich die Knieteilverstellung in der höchsten Stellung befindet (Abbildung 18).
2. Die Knieteilverstellung absenken, um die Stützhalterung am Verriegelungsmechanismus zu fixieren.
3. Darauf achten, dass der Verriegelungsmechanismus arretiert ist, bevor die Hebeschleufe losgelassen wird.

Zum Senken der Knieteilverstellung an einer der roten Hebeschlaufen (A) ziehen, um den Verriegelungsmechanismus zu entlasten, und bei festgehaltener Schlaufe auf den roten Entriegelungsgriff (B) der Fußstütze drücken, bis sich die Stützhalterung löst. Die Knieteilverstellung in die flache Position absenken.

Um die Knieteilverstellung in einer Trendelenburg-Position anzuheben, den Rahmen der Fußstütze (C) so weit wie möglich anheben, bis der Rahmen arretiert. Die Stützhalterung fixiert automatisch, wenn der Rahmen entriegelt wird.

Um die Knieteilverstellung in einer Trendelenburg-Position abzusenken, den Rahmen der Fußstütze (C) anheben und bei festgehaltenem Rahmen den roten Entriegelungsgriff (B) der Fußstütze anheben, bis der Rahmen die Stützhalterung freigibt. Die Fußstütze in die flache Position absenken.

Hinweis - Die optionale Sauerstoffflaschenhalterung am Fußende (6500-240-000) ist nicht mit der optionalen Knieteilverstellung (6500-082-000) kompatibel.

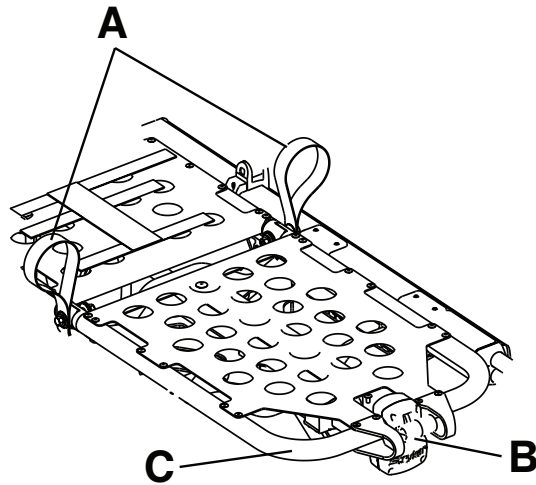


Abbildung 18 – Knieenteilverstellung

Anziehen bzw. Lösen einer Radsperre

WARNUNG

- Um ein Kipprisiko zu vermeiden, keine Radsperren betätigen, wenn sich ein Patient auf dem Produkt befindet oder das Produkt bewegt wird.
- An einem Produkt mit abgenutzten Rädern mit einem Durchmesser von weniger als 6 Zoll darf keine Radsperre verwendet werden.
- Einen Patienten niemals unbeaufsichtigt lassen. Das Produkt immer festhalten, während sich ein Patient auf dem Produkt befindet.

Um eine Radsperre zu betätigen, auf das Pedal treten, bis es stoppt und an der Radoberfläche anliegt.

Um eine Radsperre zu lösen, mit dem Fuß auf das Pedal treten oder das Pedal mit dem Zeh anheben. Die Oberseite des Pedals kommt beim Lösen der Radsperre am Rahmen der Laufrolle zu liegen.

Hinweis - Die Radsperren verhindern, dass das Produkt wegrollt, während es unbeaufsichtigt ist. Radsperren bieten möglicherweise nicht auf allen Oberflächen oder unter allen Belastungen ausreichend Halt.

Anwenden oder Aufheben der Steer-Lock-Option

So wenden Sie die Steer-Lock-Funktion an:

1. Am Fußende der Trage die rote (Verriegelung) Seite des Fußpedals oder am Kopfende der Trage auf eines der roten Pedale drücken.
2. Die Trage drehen, bis mindestens eine der Laufrollen am Kopfende einrastet.

So lösen Sie die Steer-Lock:

- Am Fußende der Trage die grüne (Entriegelung) Seite des Fußpedals oder am Kopfende der Trage eines der roten Pedale heben.

Sicherung eines Patienten mit den Haltegurten

WARNUNG

- Zur Sicherung des Patienten auf der Trage immer alle Haltegurte benutzen. Ein nicht durch Haltegurte gesicherter Patient kann von der Trage fallen.
- Die Haltegurte nicht an den Fahrgestellholmen oder an den Querholmen anbringen.

VORSICHT - Sicherstellen, dass sich die Haltegurte beim Anheben oder Absenken der Trage nicht im Fahrgestellrahmen verheddern.

Hinweis - Die Haltegurte sind ein Anwendungsteil vom Typ BF.

Haltegurte an den erforderlichen Befestigungsstellen an der Trage anbringen (Abbildung 19). Die Befestigungsstellen der Haltegurte müssen für eine solide Verankerung und ordnungsgemäße Rückhalteposition sorgen. Die Haltegurte dürfen Ausstattung und Zubehör nicht beeinträchtigen. Die Haltegurte über Schultern, Taille und Beinen des Patienten festschnallen. Bei Nichtgebrauch der Trage die Gurtschlösser der Haltegurte schließen.

Zur Befestigung der Haltegurte am Liegeflächenrahmen der Trage, die Schlaufe am Ende jedes Gurtes an den hierfür vorgesehenen Stellen durch den Liegeflächenrahmen ziehen (Abbildung 19) und dann die Schnalle und das Gurtschloss durch das Schlaufenende des Gurtes führen. Die Pfeile kennzeichnen alternative Befestigungsstellen.

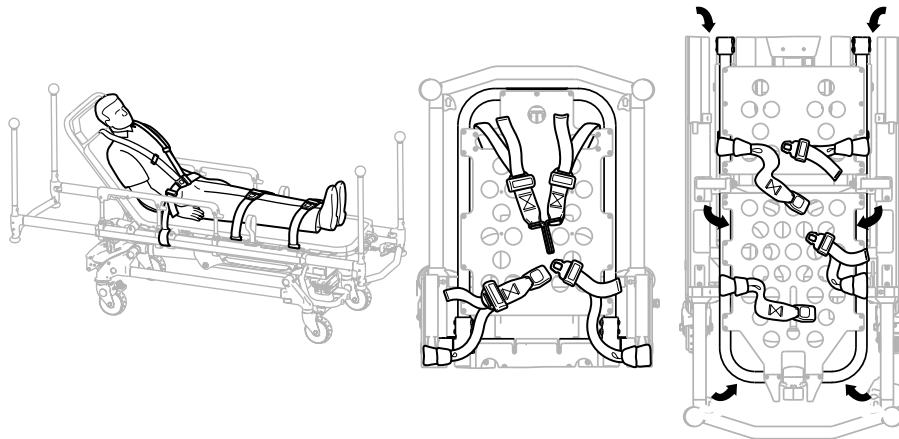


Abbildung 19 – Befestigungsstellen der Haltegurte

Hinzufügen einer Haltegurtverlängerung

Bei größeren Patienten kann der Beckengurt zusätzlich mit einer Haltegurtverlängerung (6082-160-050) verlängert werden.

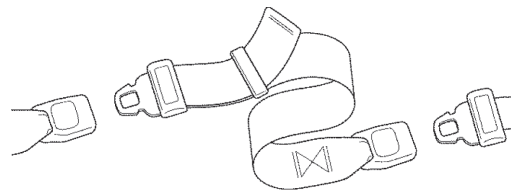


Abbildung 20 – Haltegurtverlängerung

Einen Patienten mit den Kreuzgurten/XPR sichern

Die Haltegurte an den entsprechenden Stellen an der Trage befestigen: Schultern, Taille, Schenkel und Knöchel.

WARNUNG

- Zur Sicherung des Patienten auf der Trage immer alle Haltegurte benutzen. Ein nicht durch Haltegurte gesicherter Patient kann von der Trage fallen.

- Die Haltegurte nicht an den Fahrgestellholmen oder an den Querholm anbringen.

VORSICHT - Sicherstellen, dass sich die Haltegurte beim Anheben oder Absenken der Trage nicht im Fahrgestellrahmen verheddern.

Hinweis

- Die Kreuzgurte/XPR (6500-001-430/650600030010) Haltegurte sind nur mit der breiteren Matratze mit Knieteilverstellungspolster (6500-003-130/6506-003-130) kompatibel.
- Die Haltegurte sind ein Anwendungsteil vom Typ BF.

Die Befestigungsstellen der Haltegurte müssen für eine solide Verankerung und ordnungsgemäße Rückhalteposition sorgen (Abbildung 21). Die Haltegurte dürfen Ausstattung und Zubehör nicht beeinträchtigen. Die Haltegurte über den Schultern, der Taille, den Oberschenkeln und den Knöcheln des Patienten festschnallen. Bei Nichtgebrauch der Trage alle Gurtschlösser der Haltegurte schließen.

1. Anlegen der Kreuzgurte/XPR-Schultergurte (Seite 33)
2. Anlegen der Kreuzgurte/XPR-Taillengurte (Seite 34)
3. Anlegen der Kreuzgurte/XPR-Schenkelgurte (Seite 34)
4. Anlegen der Kreuzgurte/XPR-Knöchelgurte (Seite 34)



Abbildung 21 – Befestigungspositionen der Haltegurte

Anlegen der Kreuzgurte/XPR-Schultergurte

Anlegen der Kreuzgurte/XPR-Schultergurte

1. Den Haltegurt um den Tragenrahmen legen.
2. Das Gurtschloss durch die Schlaufe in Richtung Kopfende der Trage ziehen.
3. Das Gurtschloss unter das XPS-System führen.
4. Bei den Tragen Modell 6506 **Power-PRO** XT und Modell 6086 **Performance-PRO** XT den Gurt fest in Richtung Rückenlehne anziehen.
5. Bei der Trage Modell 6550 **Power-PRO** TL den Gurt unter dem Querholm und in Richtung Rückenlehne anziehen.
6. Das Gurtschloss durch die Öffnung in der Rückenlehne führen.
7. Das Schultergurtschloss zur Rechten des Patienten mit der Taillenschnalle zur Linken des Patienten verbinden.
8. Jegliches Spiel aus der Schlaufe des Haltegurts entfernen.



Abbildung 22 – Schultergurte

Anlegen der Kreuzgurte/XPR-Taillengurte

Anlegen der Kreuzgurte/XPR-Taillengurte:

1. Den Haltegurt um den Tragenrahmen legen.
2. Die Gurtschlösser durch die Schlaufe in Richtung Kopfende der Trage ziehen.
3. Das Gurtschloss unter das XPS-System führen.
4. Das Gurtschloss fest anziehen. Ein Gurt sollte in Richtung Kopfende führen, der andere gerade über der Trage liegen.
5. Das Gurtschloss zur Rechten des Patienten mit dem Gurtschloss zur Linken des Patienten verbinden.
6. Jegliches Spiel aus der Schlaufe des Haltegurts entfernen.



Abbildung 23 – Taillengurte

Anlegen der Kreuzgurte/XPR-Schenkelgurte

Anlegen der Kreuzgurte/XPR-Schenkelgurte:

1. Den Haltegurt um die Liegefläche der Trage legen.
2. Das Gurtschloss durch die Schlaufe in Richtung Kopfende der Trage ziehen.
3. Den Gurt fest anziehen.
4. Das Gurtschloss zur Rechten des Patienten mit dem Gurtschloss zur Linken des Patienten verbinden.
5. Jegliches Spiel aus der Schlaufe des Haltegurts entfernen.



Abbildung 24 – Schenkelgurte

Anlegen der Kreuzgurte/XPR-Knöchelgurte

Nur für die Tragen Modell 6506 **Power-PRO XT**, Modell 6086 **Performance-PRO XT** und Modell 6550 **Power-PRO TL**, die nach dem 3. Juli 2015 mit der optionalen Knierteilverstellung oder einer Trendelenburg-Position jeglicher Art hergestellt bzw. nachgerüstet wurden.

Anlegen der Kreuzgurte/XPR-Knöchelgurte:

1. Den Haltegurt um den Tragenrahmen legen. Um beide Hebestangen am Fußende wickeln.

2. Das Gurtschloss durch die Schlaufe in Richtung Kopfende der Trage ziehen.
3. Das Gurtschloss fest anziehen.
4. Das Gurtschloss zur Rechten des Patienten mit dem Gurtschloss zur Linken des Patienten verbinden.
5. Jegliches Spiel aus der Schlaufe des Haltegurts entfernen.

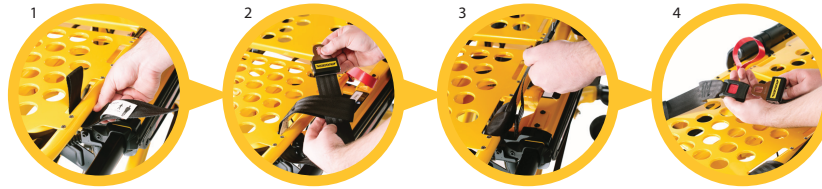


Abbildung 25 – Knöchelgurte

Sichern eines Patienten mit dem Pedi-Mate® Sicherungssystem für Säuglinge

WARNUNG - Die Schnalle nicht neben Obstruktionen oder Zubehör auf der Trage schließen, um ein versehentliches Lösen des **Pedi-Mate®** Sicherungssystems für Säuglinge und Verletzungen des Säuglings zu vermeiden.

Sichern des Patienten mit dem **Pedi-Mate®** Sicherungssystem für Säuglinge:

1. Sämtliche Gurte von der Trage entfernen.
2. Die Rückenlehne der Trage ganz aufrecht stellen.
3. Das **Pedi-Mate®** Polster flach auf die Rückenlehne der Trage legen. Die Gurte der Rückenlehne müssen dabei nach außen weisen.
4. Die Gurte um die Rückenlehne der Trage legen und die Enden der Gurte durch die Halterungen führen.
5. Die Schnalle schließen.
6. Um den Gurt anzuziehen, am Ende des Gurts der verstellbaren Rückenlehne ziehen.
7. Die Gurte des Hauptrahmens zwischen den Produktrahmen und die Matratze führen.
8. Die Schnalle hinter die Querstrebe der Liegefläche ein- und vor der Querstrebe der Liegefläche herausführen.
9. Die Schnalle um die Querstrebe der Liegefläche schließen. Für eine nachträgliche Anpassung noch etwas Spiel im Gurt lassen.
10. Alle Gurte anziehen.

Hinweis - Weitere Informationen zum **Pedi-Mate®** Sicherungssystem für Säuglinge finden sich in der Bedienungs-, Betriebs- und Pflegeanleitung des Herstellers. Der Bediener hat den sicheren und ordnungsgemäßen Gebrauch des **Pedi-Mate®** Sicherungssystems für Säuglinge sicherzustellen. Es sind Methoden und Verfahren festzulegen, um das Personal über den sicheren Einsatz bzw. die sichere Wartung dieses Produkts zu informieren und zu schulen. Hierbei handelt es sich lediglich um allgemeine Anweisungen. Diese Anleitung aufbewahren, um später nachschlagen zu können. Diese Anweisungen sind ein fester Bestandteil des Produkts und sollten beim Produkt verbleiben, auch wenn das Produkt verkauft wird.

Pedi-Mate® ist eine eingetragene Marke von Ferno Washington, Inc.

Anbringen der Defibrillatorplattform

WARNUNG - Um das Risiko eines Umkippens der Trage zu vermeiden, darf die Defibrillatorplattform nicht an einer **Performance-PRO XT** Trage Modell 6086 mit **Power-LOAD** Option befestigt werden.

VORSICHT

- Die Defibrillatorplattform immer am Produkt befestigen, wenn sie verwendet werden soll.
- Die Defibrillatorplattform muss immer mit den mitgelieferten Gurten fixiert werden.

- Befestigungsposition und Gurte müssen stets der Größe und Form des jeweiligen Defibrillators entsprechend geändert bzw. angepasst werden.
- Die Defibrillatorplattform nicht mit mehr als der sicheren Arbeitslast von 30 US-Pfund (13,6 kg) belasten.

Zum Anbringen der Defibrillatorplattform:

1. Die Defibrillatorplattform in die Verstauposition bringen (Abbildung 26).
2. Die Standfüße der Defibrillatorplattform ausklappen (Abbildung 27).

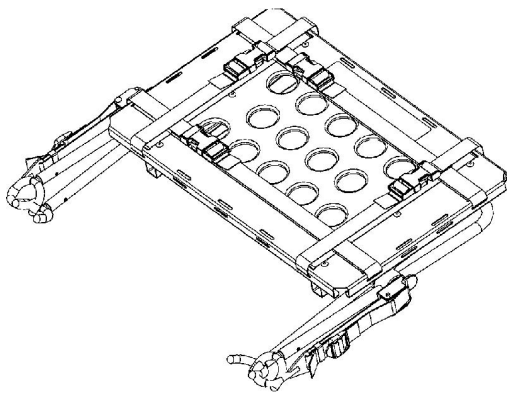


Abbildung 26 – Verstauposition

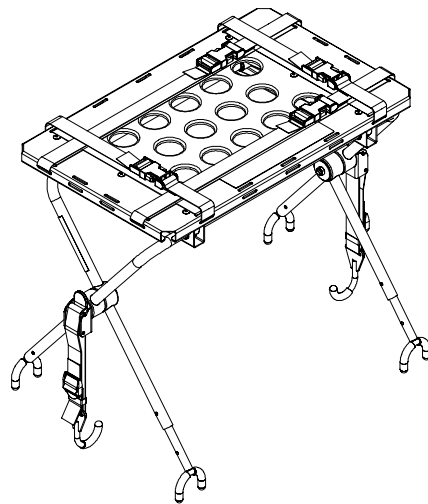


Abbildung 27 – Die Standfüße der Defibrillatorplattform ausklappen

3. Ist das Produkt mit einem Infusionsständer (A) ausgestattet, diesen nach oben klappen (Abbildung 28).
4. Die Defibrillatorplattform auf den Produktrahmen setzen.
5. Die Innenfüße (B) der Defibrillatorplattform in Richtung des Kopfendes des Produkts positionieren (Abbildung 28).
6. Den Arretierhaken (C) unter den Rahmen der Liegefläche oder die Befestigung am Fußende legen und die Lasche (D) nach oben drücken, bis sie auf einer Seite hörbar einrastet (Abbildung 29). Auf der anderen Seite wiederholen. Bei mit **Power-LOAD** kompatiblen Tragen müssen die Gurte verlängert und am Befestigungssystem am Fußende angebracht werden (Abbildung 30).

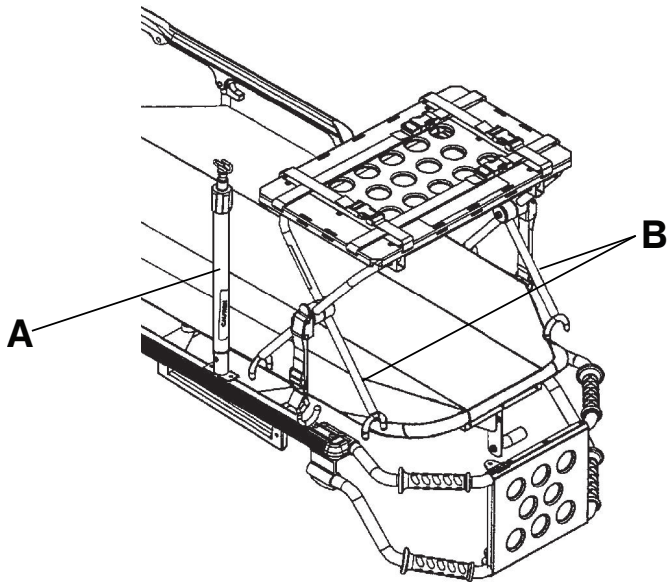


Abbildung 28 – Infusionsständer anheben und das Defibrillator-Tablett in Position bringen (Abbildung zeigt Modell 6506)

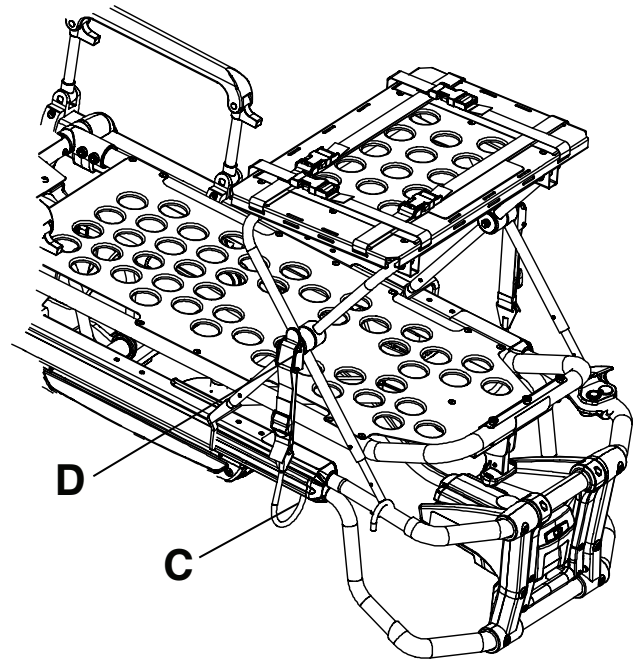


Abbildung 29 – Anbringen des Arretierhakens (Abbildung zeigt Modell 6506)

7. Sicherstellen, dass die Defibrillatorplattform sicher am Produkt befestigt ist.
8. Den Defibrillator auf die Defibrillatorplattform stellen.
9. Den Defibrillator mit den Gurten (E) an der Defibrillatorplattform befestigen (Abbildung 31).

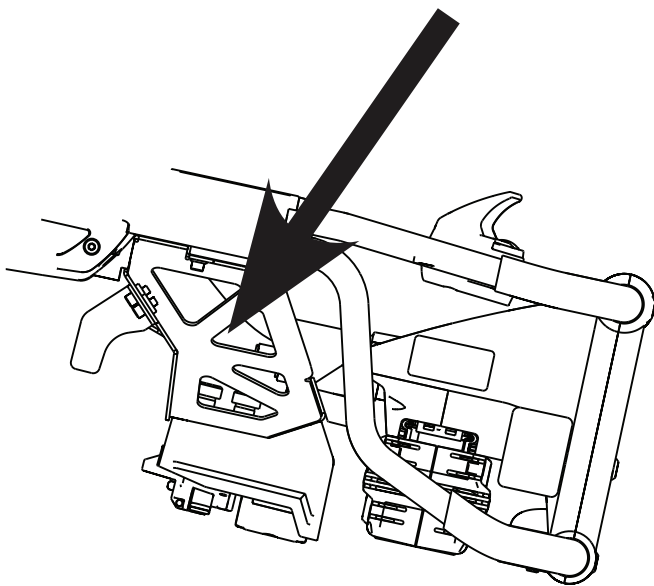


Abbildung 30 – Lasche (Abbildung zeigt Modell 6506)

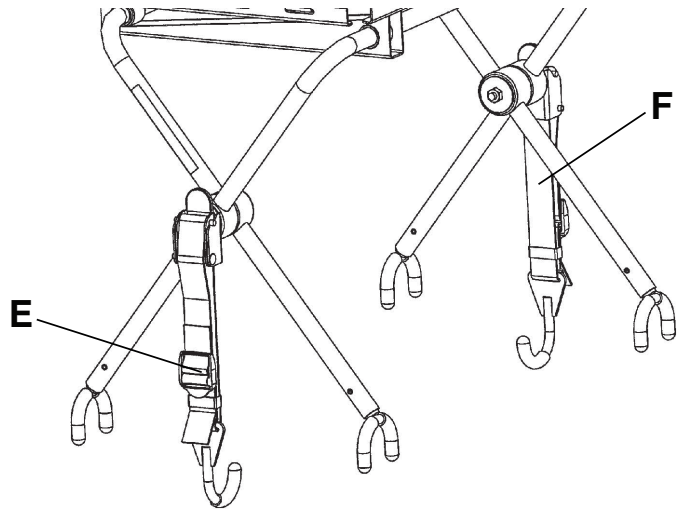


Abbildung 31 – Defibrillatorplattform an der Trage befestigen

Hinweis - Ist die Defibrillatorplattform nach dem Anbringen beider Arretierhaken nicht am Produkt befestigt, die Lasche lösen. Zum Verstellen den Gurt lockern oder anziehen und die Lasche dann nach oben schieben, bis sie hörbar verrastet.

Geräte am Gerätehaken aufhängen

Am Gerätehaken können zusätzliches Zubehör oder Geräte wie Defibrillatoren oder Monitore aufgehängt werden.

VORSICHT

- Das Gerät nicht mit mehr als der sicheren Arbeitslast von 15,8 kg belasten.
 - Im Fahrzeug müssen sämtliches Zubehör und alle Geräte immer vom Gerätehaken genommen werden.
-

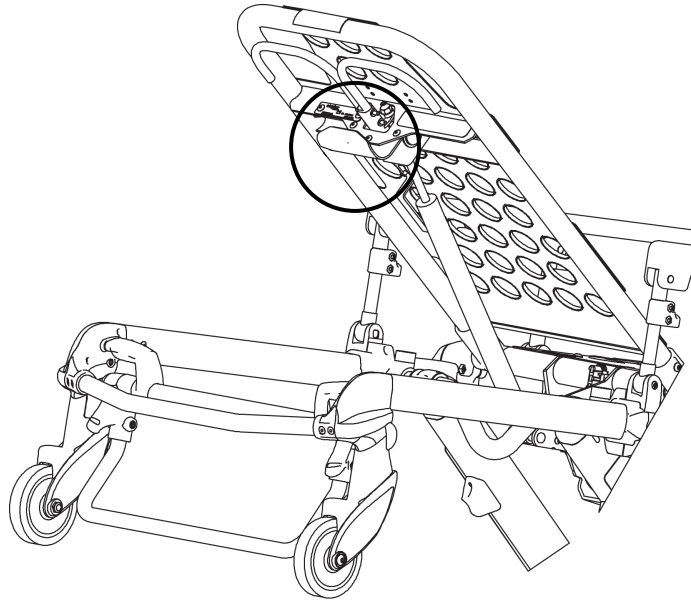


Abbildung 32 – Gerätehaken

Positionieren des zweistufigen Infusionsständers

VORSICHT - Den Infusionsständer nicht mit mehr als der sicheren Arbeitslast von 25 US-Pfund (11,3 kg) belasten.

Positionieren des Infusionsständers (Abbildung 33):

1. Den Infusionsständer aus der Verstauposition heben und drehen und dann nach unten in die Aufnahme (A) drücken.
2. Um den Ständer anzuheben, den Schließring (B) gegen den Uhrzeigersinn drehen und am Teleskopteil (C) nach oben ziehen, um den Ständer auf die gewünschte Höhe zu verstellen.
3. Den Schließring (B) im Uhrzeigersinn drehen, um den Teleskopteil zu arretieren.
4. Die Infusionsbeutel am Infusionshaken (D) aufhängen.
5. Den Schließring (B) gegen den Uhrzeigersinn drehen und Teil (C) in den unteren Holm schieben.
6. Zum Arretieren den Schließring (B) im Uhrzeigersinn drehen.
7. Den Ständer anheben und nach unten in die Verstauposition drehen (Abbildung 34).

Hinweis - Die doppelten zweistufigen Infusionsständer (6500-312-000 oder 6550-312-000) sind weder mit den patientenseitig rechten (6500-310-000 oder 6550-310-000) noch patientenseitig linken (6500-311-000 oder 6550-311-000) zweistufigen Infusionsständeroptionen kompatibel.

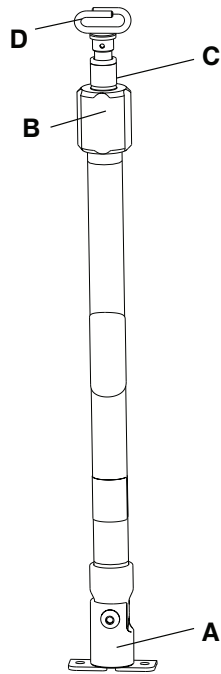


Abbildung 33 – Einsatzposition des Infusionsständers

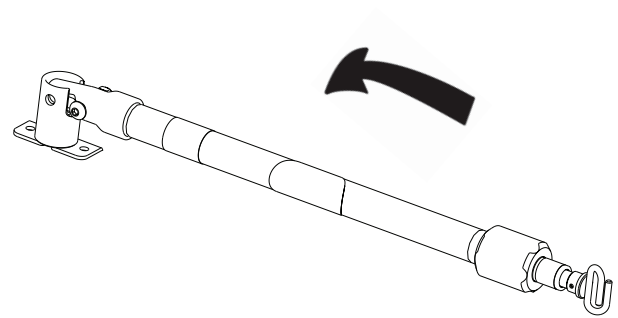


Abbildung 34 – Verstauposition des Infusionsständers

Positionieren des optionalen dreistufigen Infusionsständers

VORSICHT - Den Infusionsständer nicht mit mehr als der sicheren Arbeitslast von 25 US-Pfund (11,3 kg) belasten.

Positionieren des Infusionsständers (Abbildung 35):

1. Den Infusionsständer aus der Verstauposition heben und drehen und dann nach unten in die Aufnahme (A) drücken.
2. Um den Ständer anzuheben, den Schließring (B) gegen den Uhrzeigersinn drehen und am Teleskopteil (C) nach oben ziehen, um den Ständer auf die gewünschte Höhe zu verstellen.
3. Den Schließring (B) im Uhrzeigersinn drehen, um den Teleskopteil zu arretieren.
4. Um den Infusionsständer weiter zu erhöhen, den Abschnitt (D) nach oben ziehen, bis die Federklemme (E) einrastet.
5. Die Infusionsbeutel am Infusionshaken (F) aufhängen.
6. Um den Infusionsständer zu senken, die Federklemme (E) eindrücken und Abschnitt (D) nach unten in Abschnitt (C) schieben. Den Schließring (B) gegen den Uhrzeigersinn drehen und den Teleskopteil (C) in das untere Rohr schieben.
7. Zum Arretieren den Schließring (B) im Uhrzeigersinn drehen.
8. Den Ständer anheben und nach unten in die Verstauposition drehen.

Hinweis - Die doppelten dreistufigen Infusionsständer (6500-317-000 oder 6550-317-000) sind weder mit den patientenseitig rechten (6500-315-000 oder 6550-315-000) noch patientenseitig linken (6500-316-000 oder 6550-316-000) dreistufigen Infusionsständeroptionen kompatibel.

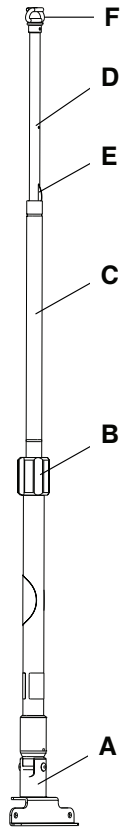


Abbildung 35 – Einsatzposition des Infusionsständers

Befestigung einer Sauerstoffflasche in der Sauerstoffflaschenhalterung

VORSICHT

- Die sichere Arbeitslast der Sauerstoffflaschenhalterung beträgt 6,8 kg und darf nicht überschritten werden.
- Nur eine Sauerstoffflaschenhalterung pro Trage verwenden.

Befestigung einer Sauerstoffflasche in der Sauerstoffflaschenhalterung (Abbildung 36):

1. Die Sauerstoffflaschenhalterung auf der Auflageoberfläche von Teil (A) zentrieren.
2. Beide Gurte (B) über die Sauerstoffflasche ziehen.
3. Sicherstellen, dass die Gurte festgezogen sind und beide Gurte festschnallen.

Hinweis - Sauerstoffflaschenhalterung nicht zum Tragen einer weiteren Sauerstoffflaschenhalterung verwenden, wenn das Transportfahrzeug in Bewegung ist. Sauerstoffflaschenhalterung immer an einem angemessenen Aufbewahrungsort verstauen, wenn das Transportfahrzeug in Bewegung ist.

Hinweis - Gurte und Clips vor jeder Verwendung auf Anzeichen von Abnutzung überprüfen. Den Gurt, wenn dieser die Sauerstoffflasche nicht länger tragen kann, ersetzen.

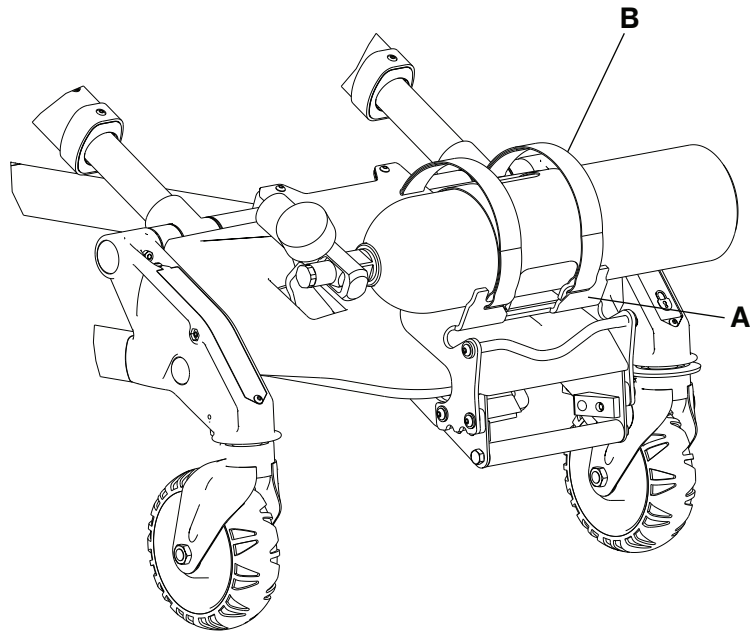


Abbildung 36 – Befestigung der Sauerstoffflasche

Option Schiebestangen anbringen

Mit Hilfe der optionalen Schiebestangen kann das Produkt von jeder beliebigen Höhenposition aus manövriert werden.

WARNUNG

- Die Schiebestangen immer in den Halterungen verriegeln, um zu verhindern, dass die Schiebestangen während des Gebrauchs herausfallen.
 - Das Produkt nicht an den Schiebestangen anheben.
-

Schiebestangen befestigen:

1. Jede Schiebestange in eine der vier Stecknüsse an den Ecken des Rahmens stecken.
2. Die Schiebestangen herunterdrücken, um sie in den Stecknüssen zu verankern.

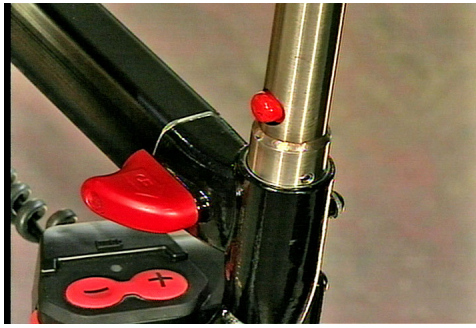


Abbildung 37 – Schiebbestange angebracht

Abnehmen und Verstauen der Schiebbestangen in der Schiebbestangen-Aufbewahrungstasche

WARNUNG - Schiebbestangen bei Nichtgebrauch immer in der Aufbewahrungstasche des Fahrgestells aufbewahren.

Abnehmen der Schiebbestangen:

1. Den roten Entriegelungsknopf drücken und jede Stange aus ihrer Stecknuss herausziehen.
2. Die abgenommenen Schiebbestangen in die Aufbewahrungstasche des Grundrahmens legen (Abbildung 38).

Um die Aufbewahrungstasche sicher am Grundrahmen der Trage zu befestigen, die entsprechenden Schnallen schließen (Abbildung 39).

Sicherstellen, dass Tasche und Inhalt die Funktionen der Trage nicht behindern, bevor die Trage angehoben, abgesenkt oder transportiert wird.

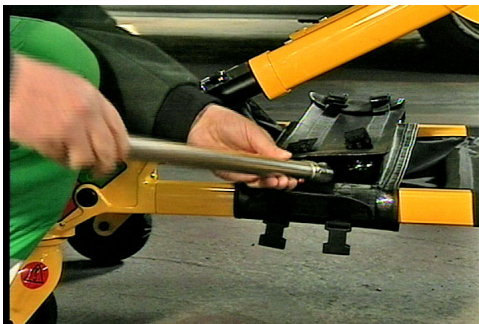


Abbildung 38 – Abnehmen der Schiebbestangen



Abbildung 39 – Befestigung der Schiebbestangen-Aufbewahrungstasche

Anbringen des optionalen Aufbewahrungsnetzes im Fahrgestell

VORSICHT

- Das Aufbewahrungsnetz im Fahrgestell nicht mit mehr als 20 US-Pfund (9 kg) belasten.
 - Beim Einfahren des Fahrgestells immer mit Vorsicht vorgehen, damit Gegenstände im Aufbewahrungsnetz des Fahrgestells nicht beschädigt werden.
-

Zum Anbringen des Aufbewahrungsnetzes die **Velcro®**-Klettgurte um die Rohre des Fahrgestells legen.

Anbringen des Aufbewahrungsbeutels an der Rückenlehne

VORSICHT

- Den Aufbewahrungsbeutel an der Rückenlehne nicht mit mehr als 20 US-Pfund (9 kg) belasten.
 - Darauf achten, dass der Aufbewahrungsbeutel die Bewegung des einziehbaren Kopfteils nicht im Betrieb behindert.
-

Anbringen des Aufbewahrungsbeutels an der Rückenlehne (Abbildung 40):

1. Jeden Gurt durch eine Öffnung im Bezug der Kopfstütze führen.
2. Den Beutel flach an der Rückenlehne anbringen.
3. Den Aufbewahrungsbeutel an der Rückenlehne mit den **Velcro®** Klettgurten an der Trage befestigen.

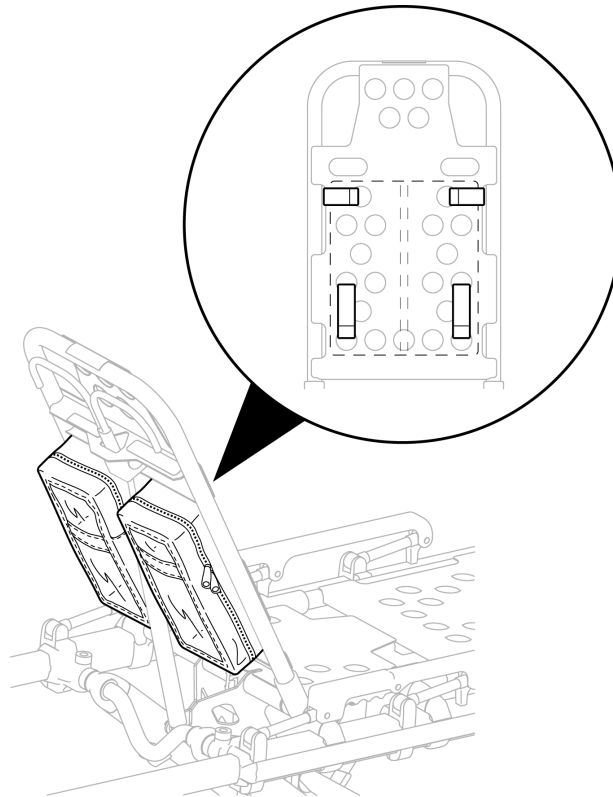


Abbildung 40 – Aufbewahrungsbeutel an der Rückenlehne

Befestigung der Matratze

Zwei Matratzen-Optionen sind zur Verwendung mit diesem Produkt verfügbar. Matratze mit Knie teilverstellungspolster (6550-001-084) oder flache Matratze (6550-001-295) zur Verwendung mit dem Standard-Seitengitter. Die breitere Matratze mit Knie teilverstellungspolster (6500-003-130/6506-003-130) mit der optionalen erweiterbaren Liegefläche (XPS) verwenden.

VORSICHT - Keine Gegenstände unter der Matratze aufbewahren. Unter der Matratze aufbewahrte Gegenstände können den Betrieb des Produkts beeinträchtigen.

Befestigung der Matratze auf der Trage:

1. Das **Velcro®** (Klettband) an der Rückseite der Matratze mit dem **Velcro®** (Klettband) an der Liegefläche der Trage verbinden.

2. Den Gurt am Fußende der Matratze durch die beiden Löcher im Liegeflächenüberzug am Fußende der Trage ziehen.
3. Den Gurt durch die Schnalle führen und das **Velcro®** (Klettband) schließen, um den Gurt zu fixieren.

Hinweis

- Die Matratze mit dem Knieteilverstellungspolster (6550-001-084) und die flache Matratze (6550-001-295) sind nicht mit der XPS-Seitengitter-Option (6550-031-000) kompatibel.
- Die XPS-Matratze mit optionalem Knieteilverstellungspolster (6500-003-130/6506-003-130) ist nicht mit dem Standard-Seitengitter (6550-034-000) kompatibel.
- Die Matratze ist ein Anwendungsteil vom Typ BF.

Einsetzen eines SMRT Pak

Das **SMRT Pak** ist auf Kompatibilität mit den Tragen **Power-PRO XT**, **Power-PRO IT** und **Power-PRO TL** ausgelegt.

Um die verfügbare Akkuleistung zu maximieren, nur **SMRT Paks** verwenden, die innerhalb der letzten 48 Stunden geladen wurden.

Installieren des **SMRT Pak**:

1. Die Laschen im Akkugehäuse ausrichten.
2. Das **SMRT Pak** in das Gehäuse schieben, bis die Verriegelung einrastet.

Das **SMRT Pak** kann zwischen einzelnen Einsätzen bis zu einer Woche oder bis zu dem Zeitpunkt in der **Power-PRO** Trage bleiben, an dem die Akku-LED-Anzeige der Trage gelb blinkt.

Entfernen eines SMRT Pak von der Trage

Wenn die Ladung des **SMRT Pak** aufgebraucht ist, das **SMRT Pak** von der **Power-PRO** Trage entfernen und durch ein geladenes **SMRT Pak** ersetzen.

Eine wiederholte Verwendung des **SMRT Pak** ohne Pausen dazwischen kann die Temperatur in den Zellen erhöhen und die Lebensdauer verkürzen. So kann zum Beispiel das Anheben und Absenken eines schweren Patienten mehrmals kurz hintereinander die Lebensdauer des **SMRT Pak** verkürzen.

WARNUNG

- Den Akku nicht herausnehmen, wenn die Trage aktiviert ist.
- Um die Gefahr eines Stromschlags zu vermeiden, nicht versuchen, das Akkupack zu öffnen. Wenn das Gehäuse des Akkupacks einen Riss oder Schäden aufweist, das Akkupack nicht in das Ladegerät einlegen. Beschädigte Akkupacks zum Recyceln bei einem Servicezentrum abgeben.
- Immer den direkten Kontakt mit einem nassen Akku oder nassen Akkugehäusen vermeiden. Ein solcher Kontakt kann zu Verletzungen des Patienten oder des Bedieners führen.

VORSICHT - Den Akku immer herausnehmen, wenn die Trage für einen längeren Zeitraum (mehr als 24 Stunden) nicht verwendet wird.

Entfernen eines **SMRT Pak** von der Trage:

1. Die rote Entriegelungstaste für den Einhandbetrieb (C) oder die Akkuentriegelungstaste (A) drücken, um das **SMRT Pak** (B) von der Trage zu trennen (Abbildung 41).
2. Das freigegebene **SMRT Pak** aus dem Gehäuse gleiten lassen.

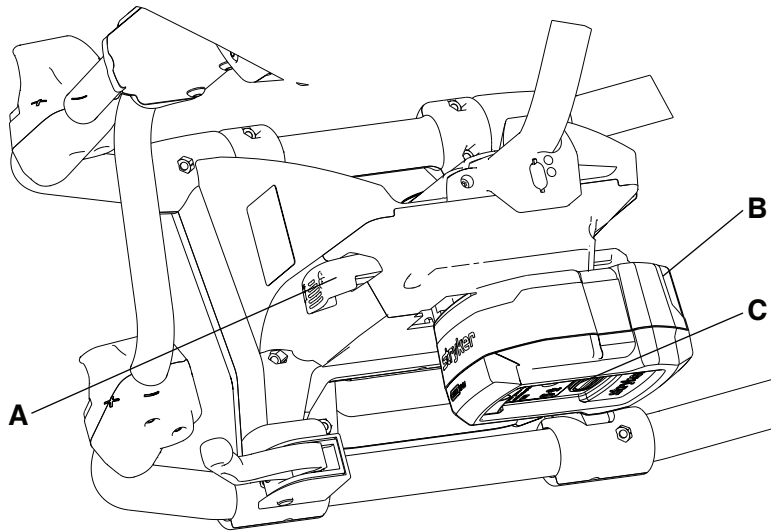


Abbildung 41 – Freigeben des Akkus

Lagern des Akkus

Für Langlebigkeit, Leistung und Sicherheit dieses Geräts die Originalverpackung beim Lagern und Transportieren verwenden.

Alle Akkus verlieren ihre Ladung während der Lagerung oder während Zeiträumen der Inaktivität. Ein **SMRT** Pak kann innerhalb von 48 Stunden, nachdem es aus dem **SMRT** Ladegerät genommen wurde, bis zu 30 Prozent seiner Ladung verlieren. Gelagerte **SMRT** Paks alle drei Monate verwenden und vollständig aufladen, um beste Leistung aufrechtzuerhalten.

Das SMRT Pak aufladen

Das **SMRT** Pak darf nur mit dem **SMRT** Ladegerät verwendet werden.

WARNUNG - Kein defektes oder beschädigtes **SMRT** Pak in das **SMRT** Ladegerät stecken. Beschädigte **SMRT** Paks zum Recyceln bei einem Servicezentrum abgeben.

Hinweis

- Soll das **SMRT** Pak für längere Zeit nicht verwendet werden, muss es zum Erhaltungsladen auf dem **SMRT** Ladegerät gelagert werden. Das **SMRT** Ladegerät sorgt dafür, dass das **SMRT** Pak aufgeladen und einsatzbereit bleibt.
- Das **SMRT** Pak innerhalb des zulässigen Temperaturbereichs von 6 °C bis 31 °C bei Raumtemperatur lagern. Wird das **SMRT** Pak außerhalb des empfohlenen Temperaturbereichs gelagert, reduziert dies die Lebensdauer des **SMRT** Pak und verlängert die Ladedauer.

Aufladen des **SMRT** Pak (Abbildung 42):

1. Ein sauberes, trockenes **SMRT** Pak in das **SMRT** Ladegerät einlegen. Darauf achten, dass das **SMRT** Pak mit dem **SMRT** Ladegerät verrastet.

Hinweis

- Die LED-Anzeige (B) des **SMRT** Ladegeräts blinkt während des Ladevorgangs grün (Abbildung 42). Die optimale Ladedauer beträgt zwei Stunden.
 - Wenn das **SMRT** Pak aufgeladen und einsatzbereit ist, leuchtet die LED-Anzeige (B) des **SMRT** Ladegeräts dauerhaft grün.
2. Die rote Entriegelungstaste (A) (Abbildung 42) drücken und das **SMRT** Pak verschieben, um das aufgeladene und einsatzbereite **SMRT** Pak aus dem **SMRT** Ladegerät freizugeben.

Das **SMRT** Ladegerät kann das **SMRT** Pak ungeachtet von dessen Ladestatus aufladen.

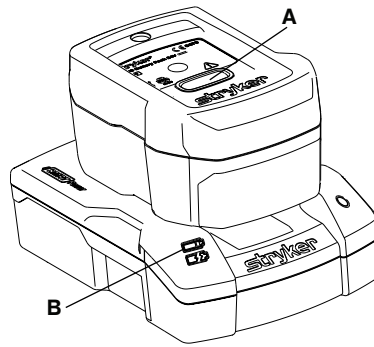


Abbildung 42 – Das SMRT Pak aufladen

Überprüfen des Ladestands des SMRT Pak mit dem SMRT Ladegerät

Der Ladestand des SMRT Pak kann anhand der LED-Anzeigen des SMRT Ladegeräts überprüft werden.

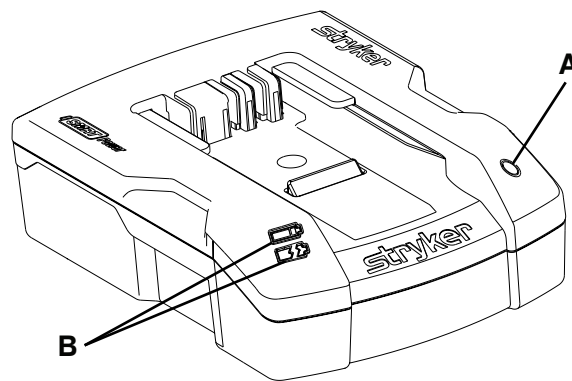


Abbildung 43 – Überprüfen des Ladestands des SMRT Pak

- Stromversorgung: Das SMRT Ladegerät mit der geeigneten Stromversorgung verbinden bzw. von dieser trennen (*Versorgen des Ladegeräts mit Strom* (Seite 49)).
- LED-Anzeige der Stromversorgung (A) am SMRT Ladegerät: Wenn die grüne LED leuchtet, wird das SMRT Ladegerät mit Strom versorgt.
- LED-Anzeigen (B) am SMRT Ladegerät: Die grüne und die gelbe LED-Anzeige liefern Statusinformationen zum SMRT Pak. Die LEDs können je nach Status des SMRT Ladegeräts oder SMRT Pak entweder dauerhaft leuchten oder blinken.

LED-Anzeige am SMRT Ladegerät	Status
Grün (blinkt)	Das SMRT Ladegerät lädt das SMRT Pak auf. Die optimale Ladedauer beträgt zwei Stunden.
Grün (leuchtet dauerhaft)	Das SMRT Pak ist aufgeladen und einsatzbereit
Gelb (blinkt)	Temperaturbedingte Verzögerung des SMRT Pak. Das SMRT Ladegerät wartet darauf, dass das SMRT Pak den zulässigen Temperaturbereich von 6 °C bis 31 °C erreicht.
Gelb (leuchtet dauerhaft)	SMRT Pak-Fehler. Siehe Abschnitt zur Fehlerbehebung im Wartungshandbuch.

Installationsanforderungen an die Stromversorgung

Bei der Konfiguration der Stromversorgung für die Installation des **SMRT** Ladegeräts müssen für einen sicheren und effektiven Betrieb die folgenden Anforderungen an die Stromversorgung erfüllt sein.

Typ der Stromversorgung	Betriebsspannungsbereich	Frequenz	Maximaler Stromverbrauch	Stromverbrauch im Standby	Niederspannungsabschaltung
Wechselstrom	100 bis 240 V~	50/60 Hz	1,20 A	0,05 A	n. z.
Gleichstrom	12,5 bis 16 V=	n. z.	4,16 A	0,20 A	10 V=

Installieren des SMRT Ladegeräts

Beim Installieren des **SMRT** Ladegeräts das **SMRT** Ladegerät in eine Umgebung mit kontrollierten Umweltbedingungen bringen, die die folgenden Anforderungen erfüllt:

- Frei von übermäßigem Staub und Feuchtigkeit
- Wird innerhalb eines konstanten Temperaturbereichs gehalten. Ein zulässiger Temperaturbereich ist 6 °C bis 31 °C. Der optimale Temperaturbereich ist 18 °C bis 24 °C.
- Einfach für eine Verwendung zugänglich

Das Netzteil und die Stromkabel müssen so positioniert und gewartet werden, dass das Risiko von Schäden und unbeabsichtigter Trennung minimiert wird.

Installieren des optionalen Montagebügels

WARNUNG

- Der optionale Montagebügel und das **SMRT** Ladegerät müssen immer von einem zertifizierten Mechaniker installiert werden, der sich mit der Bauweise des Rettungswagens auskennt.
- Während des Transports muss das **SMRT** Ladegerät immer am optionalen Montagebügel befestigt sein und sich in einem geschlossenen Gehäuse und außer Reichweite von Patienten befinden, um festgelegten Crash-Test-Normen zu entsprechen.
- Immer sicherstellen, dass der optionale Montagebügel sicher an der Oberfläche befestigt ist.

Installieren des Montagebügels (Abbildung 44):

1. Den Montagebügel des **SMRT** Ladegeräts als eine Schablone verwenden, um die Position der Montagelöcher (A) in dem Bereich zu markieren, in dem der Montagebügel installiert werden soll.
2. Den Montagebügel positionieren und dabei Folgendes sicherstellen:
 - a. Die gefederte Lasche (B) befindet sich an der Rückseite des **SMRT** Ladegeräts.
Hinweis - Wenn der Bügel auf einer vertikalen Oberfläche montiert wird, sollte die gefederte Lasche horizontal und mit ihrer Spitze nach links ausgerichtet sein (Abbildung 44).
 - b. Das Netzkabel kann leicht an der Rückseite des **SMRT** Ladegeräts eingesteckt werden.
 - c. Das **SMRT** Ladegerät gleitet von vorn nach hinten, um nach der Montage mit dem Bügel verbunden zu werden.
 - d. Der Bügel wird im Rettungswagen oder auf der Station korrekt angeschlossen:

Im Rettungswagen	Auf Station
<ul style="list-style-type: none"> • Den Bügel auf einer horizontalen strukturellen Stützfläche oder einem Regal mit Schrauben von mindestens der Größe Nr. 10, Klasse 5 (nicht im Lieferumfang enthalten) befestigen. • Sicherstellen, dass die ausgewählte Montageoberfläche solide genug ist, um das SMRT Ladegerät und das SMRT Pak während des Transports sicher festzuhalten. • Während des Transports muss der Bügel sich in einem geschlossenen Gehäuse und außer Reichweite von Patienten befinden. • Ein einfaches Einlegen und Herausnehmen des SMRT Pak sicherstellen.. • Der Stromanschluss muss sich innerhalb der Reichweite des Netzkabels befinden. 	<ul style="list-style-type: none"> • Den Bügel auf einer horizontalen oder vertikalen strukturellen Stützfläche mit Schrauben von mindestens der Größe Nr. 10, Klasse 5 (nicht im Lieferumfang enthalten) befestigen. • Für eine vertikale Installation den Montagebügel so positionieren, dass sich die gefederte Lasche direkt unterhalb der Montageschrauben befindet, damit das SMRT Pak auch dann vom SMRT Ladegerät gestützt wird, wenn versehentlich die Entriegelungstaste gedrückt wird. • Ein einfaches Einlegen und Herausnehmen des SMRT Pak sicherstellen. • Der Stromanschluss muss sich innerhalb der Reichweite des Netzkabels befinden.

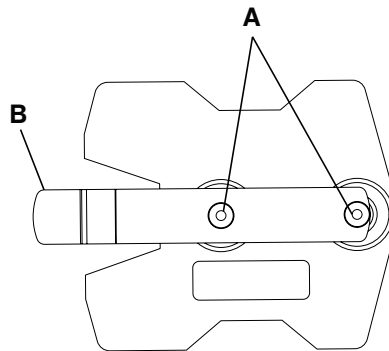


Abbildung 44 – Montagebügel

Anbringen des Ladegeräts an des optionalen Montagebügels

Befestigen des **SMRT** Ladegeräts am Montagebügel (Abbildung 45):

1. Die hinteren Schlüsselöffnungen (A) auf die Befestigungselemente am Bügel (B) ausrichten.
2. Das **SMRT** Ladegerät (C) aufschieben, bis es im Montagebügel (D) einrastet, um das Ladegerät am Bügel zu befestigen.

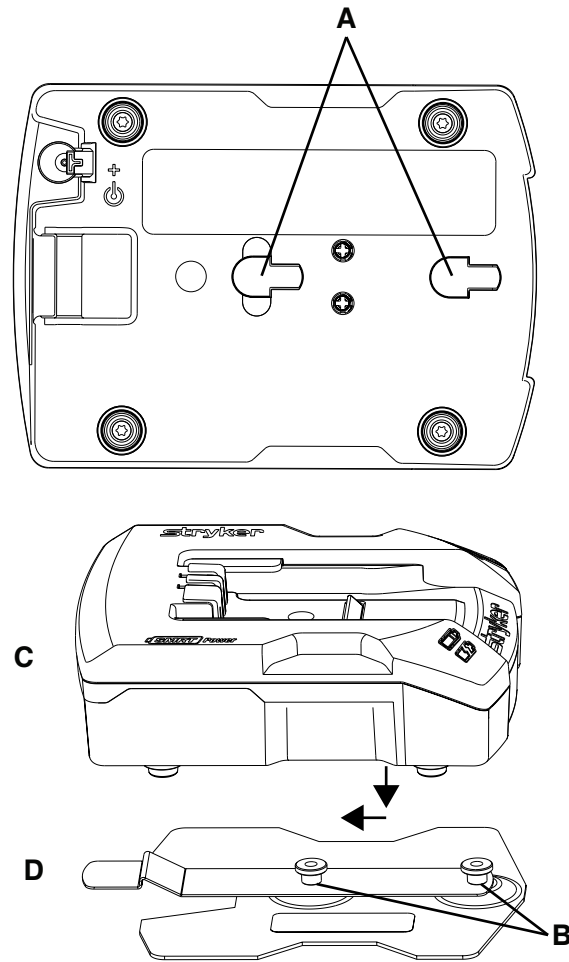


Abbildung 45 – Anbringen des Ladegeräts

Versorgen des Ladegeräts mit Strom

VORSICHT

- Das Netzkabel des elektrischen **SMRT** Ladegeräts immer so positionieren, dass niemand auf das Kabel tritt, darüber fällt oder es anderweitig Beschädigungen oder Belastung ausgesetzt wird.
- Die Buchsenanschlüsse des **SMRT** Pak nicht mit Metallgegenständen berühren.

To power the **SMRT** charger (Abbildung 46):

1. Den Netzanschluss (A) auf der Rückseite des **SMRT** Ladegeräts auffinden.
2. Die Halteklappe des Netzkabels (B) nach innen drücken, um den Stecker des Netzkabels in den Netzanschluss des **SMRT** Ladegeräts zu stecken.
3. Das Netzadapterende des Netzkabels in die Netzsteckdose stecken.

Eine beste Vorgehensweise ist die Verwendung einer sauberen, unterbrechungsfreien Stromquelle. Wenn das **SMRT** Ladegerät an einer Stromquelle angeschlossen ist, leuchtet eine Netz-LED kontinuierlich grün.

Für die Stromversorgung des **SMRT** Ladegeräts nur von Stryker genehmigte Teile verwenden.

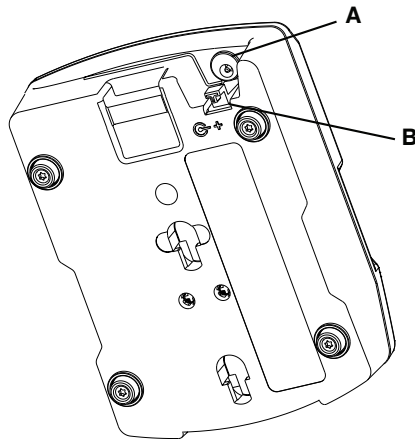


Abbildung 46 – Versorgen des Ladegeräts mit Strom

Trennen des Ladegeräts vom Netz

VORSICHT - Zum Trennen des **SMRT** Ladegeräts vom Stromnetz immer am Stecker, nicht am Kabel, ziehen, um mögliche Schäden an Stecker und Kabel zu vermeiden.

Um das **SMRT** Ladegerät vom Stromnetz zu trennen, das Stromkabel aus der Gleich- oder Wechselstromsteckdose ziehen.

Zubehör- und Ersatzteile

Diese Zubehörteile sind möglicherweise für die Verwendung mit Ihrem Produkt verfügbar. Bestätigen Sie die Verfügbarkeit für Ihre Konfiguration oder Region. Fragen zu Verfügbarkeit und Preisen beantwortet gerne der Stryker-Kundendienst unter der Nummer 1-800-327-0770.

Name	Nummer
Aufbewahrungsbeutel an der Rückenlehne	6500-130-000
Gurtverlängerung	6082-160-050
Defibrillatorplattform	6550-170-000
Gerätehaken	6500-147-000
Gaszylinder, Rückenlehne	1010-031-077
Kopfteilverlängerung mit Kissen	6100-044-000
Infusionsständer, zweistufig, rechts	6550-310-000
Infusionsständer, zweistufig, links	6550-311-000
Infusionsständer, zweistufig, doppelt	6550-312-000
Infusionsständer, dreistufig, rechts	6550-315-000
Infusionsständer, dreistufig, links	6550-316-000
Infusionsständer, dreistufig, doppelt	6550-317-000
Matratze, Fußteilverstellungspolster	6550-001-084
Matratze, flache Fußteilverstellung	6550-001-295
Matratze, Fußteilverstellungspolster, XPS	6500-003-130
Matratze, Fußteilverstellungspolster, grau, XPS	6506-003-130
Sauerstoffflaschenhalterung	6550-102-020
Sauerstoffflaschenhalterung, abnehmbar	6080-140-000
Sauerstoffflaschenhalterung, Gurt	6550-002-004
Haltebügel-Option	6091-300-010
Haltegurtpaket, EMS, USA	6060-160-010
Haltegurtpaket, X	6500-001-430
Haltegurtpaket, XPR	650600030010
Seitengitter, Standard	6550-034-000
Seitengitter, XPS-Option	6550-031-000
Aufbewahrungsnetz, Fahrgestell	6500-160-000
Aufbewahrungsbeutel, Rückenlehne	6500-130-000
Radsperre	6086-200-010

Nur von Stryker genehmigte Teile verwenden. Andere Teile können erhöhte elektromagnetische Emissionen oder verringerte elektromagnetische Störfestigkeit des Systems zur Folge haben. Teile nicht modifizieren. Bei Nichteinhaltung kann es zu Verletzungen kommen.

Name	Nummer
SMRT Ladegerät	6500-201-000
SMRT Ladegerät, Montagebügel	6500-034-000
SMRT Pak Kit, Akkupack	6500-700-046
Stromversorgungskomponenten – Wechselstrom	
Ladegerät, Netzteil	6500-201-148
Netzkabel, Nordamerika	6500-201-149
Netzkabel, Europa	6500-201-150
Netzkabel, Großbritannien	6500-201-151
Netzkabel, Australien	6500-201-153
Stromversorgungskomponenten – Gleichstrom	
12-V-Gleichstromkabel, Fahrzeuge	6500-201-147
12–24-V-Gleichstromkabel, DIN-Stecker	6500-201-152
SMRT Stromversorgungsakit (enthält 1 Ladegerät, 2 Paks und 1 Netzkabel)	
SMRT Stromversorgungsakit – 12-V-Gleichstrom, USA (Autoladegerät)	6500-700-040
SMRT Stromversorgungsakit – 120-V-Wechselstrom, USA (Wandladegerät)	6500-700-041
SMRT Stromversorgungsakit – 240-V-Wechselstrom, Großbritannien, international	6500-700-043
SMRT Stromversorgungsakit – 240-V-Wechselstrom, Europa, international	6500-700-044
SMRT Stromversorgungsakit – 240-V-Wechselstrom, Australien, international	6500-700-045

Eine komplette Liste zusätzlicher Teile ist über Ihren Stryker Außendienstmitarbeiter erhältlich.

Reinigung und Desinfektion der XPR-Haltegurte

Bestätigen Sie die Verfügbarkeit für Ihre Konfiguration oder Region. Wenden Sie sich an den Stryker-Kundendienst: 1-800-327-0770.

Zu den empfohlenen Reinigungsmitteln gehören u. a.:

- ≤ 70 % Isopropylalkohol oder

Ein Reinigungsmittel mit den folgenden (oder gleichwertigen) Wirkstoffen:

- Ammoniumsalze ≤ 0,31 %
- Isopropylalkohol ≤ 21,000 %
- Ethylenglykolmonobutylether ≤ 3,000 % (inaktiver Inhaltsstoff)

Hinweis - Die Nichtverwendung der vorgeschriebenen Reinigungsmittel kann zu einer vorzeitigen Zersetzung führen und die Garantie für das Produkt erlöschen lassen. Zum Beispiel nicht mit Bleichmittel, **HDQ Neutral®** oder accelerated hydrogen peroxide reinigen. Wenn Sie Fragen oder Bedenken haben, wenden Sie sich bitte an den Stryker-Kundendienst (1-800-327-0770).

Empfohlene Reinigungsmethode:

1. Die Angaben des Herstellers der Reinigungslösung bzgl. der empfohlenen Verdünnung exakt einhalten.
2. Zum Reinigen die Außenflächen abwischen, um alle sichtbaren Verschmutzungen zu entfernen. Bei Bedarf wiederholen, bis das Produkt sauber ist.

Hinweis - Das Verlängerungsgurtschloss verschieben, um den gesamten Haltegurt zu reinigen. Sicherstellen, dass die Oberfläche des Haltegurts trocken ist, bevor die Verlängerungsschnalle bewegt wird. Die Verlängerungsschnalle nicht über eine Oberfläche bewegen, die mit Reinigungsmittel nass ist.

3. Zum Desinfizieren äußere Oberflächen nass abwischen.
4. Stellen Sie sicher, dass das Produkt nicht länger nass bleibt als die Richtlinien des Chemikalienherstellers für eine ordnungsgemäße Desinfektion.
5. Die Funktionstüchtigkeit prüfen, bevor das Produkt wieder in Betrieb genommen wird.
 - Das Eintauchen der Metallschlösser an den Haltegurten in Flüssigkeit kann zu Korrosion an den Gurtschlössern führen und wird nicht empfohlen. Mit klarem Wasser abspülen und an der Luft trocknen lassen, um das Korrosionsrisiko zu senken. Die Haltegurte austauschen, wenn die Metallschlösser korrodiert sind.
 - Direkter Hautkontakt mit sichtbar verschmutztem, durchlässigem Material kann das Infektionsrisiko erhöhen.
 - Eine Maschinenwäsche der Haltegurte wird nicht empfohlen.

VORSICHT - Keine Schmiermittel auf die Oberflächen der Haltegurte auftragen.

Hinweis

- XPR-Haltegurte haben eine erwartete Lebensdauer von drei Monaten, wenn die oben empfohlenen Reinigungsmittel verwendet werden.
- Werden die obigen Anweisungen bei der Verwendung dieser Art von Reinigungsmitteln nicht befolgt, kann dies zum Erlöschen der Garantie führen.
- Das Produkt nach der Reinigung immer mit sauberem Wasser abwischen und trocknen. Manche Reinigungsmittel sind ätzend und können das Produkt beschädigen. Das Produkt immer abspülen und trocknen, um zu vermeiden, dass ätzende Rückstände auf der Oberfläche des Produkts verbleiben, die eine vorzeitige Zersetzung an wichtigen Komponenten verursachen können.

Reinigung

WARNUNG - Bei der Hochdruckreinigung stets geeignete Schutzkleidung tragen, um eine Ansteckung durch Einatmen zu vermeiden. Bei der Hochdruckreinigung kann es zur Kontamination durch die Luft kommen.

VORSICHT

- Das Produkt nicht mit Dampf oder Ultraschall reinigen.
 - Die Wasserhöchsttemperatur von 180 °F (82 °C) darf nicht überschritten werden.
 - Der Wasserhöchstdruck von 1500 psi (103,4 bar) darf nicht überschritten werden. Wenn ein handgehaltener Stab zum Waschen des Produkts verwendet wird, muss die Druckdüse zum Produkt einem Abstand von mindestens 24 Zoll (61 cm) gehalten werden.
 - Immer lufttrocknen lassen.
 - Vor dem Reinigen der Trage immer den Akku herausnehmen.
 - Keine Reinigungs-, Instandhaltungs- oder Wartungsarbeiten durchführen, während das Produkt verwendet wird.
-

Das Produkt kann mit Hochdruck gereinigt werden. Nach wiederholtem Reinigen kann das Produkt Anzeichen von Oxidation oder Verfärbung aufweisen. Durch die Hochdruckreinigung wird keine Beeinträchtigung der Leistungsfähigkeit verursacht, sofern die ordnungsgemäßen Verfahren eingehalten werden.

- Die Angaben des Herstellers der Reinigungslösung bzgl. der empfohlenen Verdünnung exakt einhalten.
- Die von Stryker Medical bevorzugte und empfohlene Methode zur Hochdruckreinigung des Produkts besteht darin, eine standardmäßige Krankenhausreinigungsvorrichtung für Rollwagen oder ein handgeführtes Reinigungsgerät einzusetzen.
- Die Trage muss einmal im Monat gereinigt werden.
- Das **Velcro®** Klettband nach jeder Verwendung reinigen. Das **Velcro®** Klettband mit Desinfektionsmittel tränken und das Desinfektionsmittel sich verflüchtigen lassen. Das geeignete Desinfektionsmittel für **Velcro®** Nylon-Klettband wird vom Kundendienst festgelegt.
- Das Eintauchen der Metallschlösser an den Haltegurten in Flüssigkeit kann zu Korrosion an den Gurtschlössern führen und wird nicht empfohlen. Mit klarem Wasser abspülen und an der Luft trocknen lassen, um das Korrosionsrisiko zu senken. Die Haltegurte austauschen, wenn die Metallschlösser korrodiert sind.
- Direkter Hautkontakt mit sichtbar verschmutztem, durchlässigem Material kann das Infektionsrisiko erhöhen.

Empfohlene Reiniger

Generell können Desinfektionsmittel auf Phenolharzbasis oder quartäre Desinfektionsmittel (außer **Virex®** TB) verwendet werden, solange sie die vom Hersteller angegebene Konzentration nicht überschreiten. Desinfektionsmittel auf Iodophorbasis werden nicht empfohlen, da sie Flecken verursachen können.

Zu den empfohlenen Reinigungsmitteln gehören u. a.:

- Quartäre Reiniger (aktiver Bestandteil: Ammoniumchlorid), die weniger als 3 % Glycoether enthalten
- Phenolische Reiniger (Wirkstoff: o-Phenylphenol)
- Chlorhaltige Bleichmittellösung (5,25 % – weniger als 1 Teil Bleichmittellösung auf 100 Teile Wasser)
- ≤ 21%iges Isopropanol

Eine Übersättigung vermeiden. Darauf achten, dass das Produkt nur so lange nass bleibt, wie in den Richtlinien zur ordnungsgemäßen Desinfektion des Herstellers der Chemikalie angegeben ist.

Hinweis

- Werden die obigen Anweisungen bei der Verwendung dieser Art von Reinigungsmitteln nicht befolgt, kann dies zum Erlöschen der Garantie führen.
- Das Produkt nach der Reinigung immer mit sauberem Wasser abwischen und trocknen. Manche Reinigungsmittel sind ätzend und können das Produkt beschädigen. Das Produkt immer abspülen und trocknen, um zu vermeiden, dass ätzende Rückstände auf der Oberfläche des Produkts verbleiben, die eine vorzeitige Korrosion an wichtigen Komponenten verursachen können.

Reinigen des Ladegeräts

WARNUNG

- Beim Reinigen des **SMRT Pak** zusätzlich zur persönlichen Schutzausrüstung immer Gummihandschuhe tragen, um das Risiko von Verletzungen zu senken.
 - Das **SMRT Ladegerät** vor dem Reinigen immer vom Stromnetz trennen, um Gefahren durch Strom zu vermeiden.
 - Keine Flüssigkeit direkt auf das **SMRT Ladegerät** sprühen.
 - Das **SMRT Ladegerät** nicht mit Hochdruck reinigen.
 - Keine Lösungsmittel, Schmiermittel oder andere Chemikalien zum Reinigen des **SMRT Ladegeräts** verwenden, wenn nicht anders angegeben.
 - Das **SMRT Ladegerät** nicht in Wasser eintauchen oder zulassen, dass sich Wasser oben auf dem **SMRT Ladegerät** ansammelt, um die Stromschlaggefahr zu vermeiden.
-

To clean the **SMRT** charger:

1. Das **SMRT Ladegerät** vom Stromnetz trennen, um Gefahren durch Strom während der Reinigung zu vermeiden.
2. Die Oberflächen des **SMRT Ladegeräts** mit einem weichen Tuch abwischen, das mit einem nicht scheuernden, für Krankenhäuser geeigneten Desinfektionsmittel angefeuchtet ist.
3. Mit einem Tuch abwischen, das mit sauberem Wasser angefeuchtet ist, um Reinigungschemikalien oder Rückstände zu entfernen.
4. Das **SMRT Ladegerät** vor der erneuten Inbetriebnahme gründlich abtrocknen.

Reinigen des Akkus

Das **SMRT Pak** ist für eine Hochdruckreinigung ausgelegt. Die bevorzugte Methode zur Hochdruckreinigung des **SMRT Pak** ist die mit einer standardmäßigen Krankenhauswaschvorrichtung für Rollwagen oder einem handgehaltenen Stab.

WARNUNG

- Bei der Hochdruckreinigung stets geeignete Schutzkleidung tragen, um eine Ansteckung durch Einatmen zu vermeiden. Bei der Hochdruckreinigung kann es zur Kontamination durch die Luft kommen.
 - Beim Reinigen des **SMRT Pak** zusätzlich zur persönlichen Schutzausrüstung immer isolierte Gummihandschuhe tragen, um das Risiko von Verletzungen zu senken.
 - Das **SMRT Pak** stets mit nicht-leitenden Materialien abwischen.
 - Darauf achten, dass die Anschlüsse des **SMRT Pak** keiner übermäßigen Feuchtigkeit ausgesetzt werden.
 - Stets den pH-Wert des Desinfektionsmittels beachten (siehe Sicherheitsdatenblatt (MSDS) des Herstellers). Desinfektionsmittel mit einem pH-Wert von über 10,5 können Risse in der Verkleidung des **SMRT Pak** verursachen.
 - Die Anschlüsse des **SMRT Pak** beim Reinigen nicht direkt anfassen bzw. berühren, um das Risiko von Verletzungen zu umgehen.
 - Um das Risiko eines elektrischen Schlags zu reduzieren, das **SMRT Pak** nicht in Flüssigkeiten tauchen.
 - Keine Lösungsmittel, Schmiermittel oder andere Chemikalien zum Reinigen des **SMRT Pak** verwenden, wenn nicht anders angegeben.
-

VORSICHT

- Das **SMRT Pak** nicht mit Dampf oder Ultraschall reinigen.
 - Die Wasserhöchsttemperatur von 180 °F (82 °C) darf nicht überschritten werden.
 - Bei der Reinigung mit Trockenluft die Höchsttemperatur von 240 °F (115 °C) nicht überschreiten (Wagenreiniger).
 - Der Wasserhöchstdruck von 1500 psi (103,4 bar) darf nicht überschritten werden. Wenn ein handgehaltener Stab zum Waschen des Produkts verwendet wird, muss die Druckdüse zum Produkt einem Abstand von mindestens 24 Zoll (61 cm) gehalten werden.
-

Reinigen des **SMRT Pak**:

1. Das **SMRT Pak** aus der **Power-PRO** Trage oder dem **SMRT Ladegerät** nehmen.

2. Die Verkleidung und die Anschlüsse des **SMRT** Pak auf Risse und Schäden überprüfen.
3. Das **SMRT** Pak mit einem für Krankenhäuser geeigneten Desinfektionsmittel mit einem pH-Wert zwischen 6,5 und 10,5 reinigen.
4. Das **SMRT** Pak gründlich mit sauberem Wasser abspülen, um Reinigungschemikalien bzw. Rückstände zu entfernen. Das **SMRT** Pak so aufstellen, dass sich kein Wasser an den Anschlüssen ansammeln kann.
5. Das **SMRT** Pak gründlich trocknen, ehe das **SMRT** Pak in eine **Power-PRO** Trage oder ein **SMRT** Ladegerät eingelegt wird.

Vorbeugende Wartung

WARNUNG

- Stets den Druck ablassen, ehe die Hydraulik- oder andere Leitungen getrennt werden. Unter Druck austretende Flüssigkeit kann durch die Haut dringen und schwere Verletzungen verursachen. Vor dem Beaufschlagen mit Druck alle Verbindungen anziehen. Wenn es zu einem Unfall kommt, muss sofort ein Arzt aufgesucht werden.
- Nicht mit den bloßen Händen auf Leckagen in der Hydraulik untersuchen.

VORSICHT

- Immer genehmigte Teile verwenden, um das Risiko von Produktschäden zu vermeiden.
- Die Schläuche und Leitungen regelmäßig überprüfen, um Schäden an der Trage zu vermeiden. Lose Verbindungen überprüfen und anziehen. Die Leitungen, Schläuche und Verbindungen der Hydraulik können versagen oder sich aufgrund von Schäden, Knicken, Abnutzung und Umweltexposition lösen.
- Das Gewicht der Trage nicht auf die Laderäder verlagern und das Produkt betätigen, da dies Luft in das Hydrauliksystem gelangen lässt.

Einen Wartungsplan aufstellen und befolgen und Aufzeichnungen über Wartungsmaßnahmen führen. Bevor die vorbeugende Wartung vorgenommen wird, muss das Produkt außer Betrieb genommen werden. Je nach Ausmaß der Produktnutzung können auch häufigere vorbeugende Wartungsprüfungen erforderlich sein. Nur durch qualifiziertes Personal warten lassen.

Bei der Verwendung von Wartungsprodukten die Anweisungen des Herstellers und alle Sicherheitsdatenblätter befolgen.

Schmierung

VORSICHT - Die Lager im X-Rahmen dürfen nicht geschmiert werden, da dies die Leistung der Trage beeinträchtigen und zum Erlöschen der Garantie führen kann.

Die Trage muss nicht geschmiert werden.

Regelmäßige Inspektion und Anpassungen

Der folgende Plan soll als allgemeine Wartungsanleitung dienen. Der erforderliche Wartungsplan hängt von Faktoren wie Wetter, Gelände, geographischem Standort und individueller Nutzung ab. Wenn Sie sich nicht sicher sind, wie Sie diese Inspektionen durchführen sollten, wenden Sie sich an Ihren Stryker-Wartungstechniker. Wenn Sie sich nicht sicher sind, in welchen Abständen Sie Ihr Produkt warten sollten, wenden Sie sich an Ihren Stryker-Wartungstechniker. Jeden Wartungsvorgang überprüfen und abgenutzte Teile bei Bedarf austauschen.

Jeden Monat oder nach zwei Betriebsstunden

Diese Artikel jeden Monat oder nach zwei Betriebsstunden prüfen, je nachdem, was früher eintritt.

Artikel	Prüfen
Einstellungen	Konfiguration der automatischen Befestigungsabschaltung
Zylinder	Den Kolben des Zylinders herausziehen. Den Kolben mit einem weichen Tuch und Haushaltsreiniger reinigen.
Kabel und Drähte	Keine hängenden Drähte von Drahtführungen oder Anschlüssen
Manueller Notfall-Entriegelungsgriff	Manueller Sicherheits-Entriegelungsgriff funktioniert ordnungsgemäß
Liegefläche	Rahmen und Liegefläche
Fahrgestell	Rahmen und Fahrgestell

Artikel	Prüfen
Räder	Alle Räder sind sicher befestigt und können rollen sowie schwenken
Kopfteil	Sicherheitsbügel funktioniert ordnungsgemäß. In Richtung des Kopfbereichs ziehen, um sicherzustellen, dass der Sicherheitsbügel frei geschwenkt und gedreht werden kann und in seine Ausgangsposition zurückgezogen wird
Haltegurt	Die Haltegurte funktionieren ordnungsgemäß und weisen keine übermäßige Abnutzung auf (wie z. B. verbogenes oder gebrochenes Schnallen- oder Gurtschloss oder gerissenes oder ausgefranztes Gurtband)
Batterie	SMRT Pak Gehäuse und Anschlussbereich vor der ersten und jeder weiteren Verwendung auf Risse oder Schäden überprüfen
Ladegerät	SMRT Ladegerät und dazugehörige Teile vor der ersten und jeder weiteren Verwendung auf zerschnittene Kabel, verbogene Stifte oder Kontakte sowie Risse im Gehäuse überprüfen

Alle drei Monate oder nach sechs Betriebsstunden

Diese Artikel alle drei Monate oder nach sechs Betriebsstunden prüfen, je nachdem, was früher eintritt.

Artikel	Prüfen
Zylinder	Alle Befestigungen sind fest angezogen
	Kein Austreten von Hydraulikmedium (rot)
	Lose Verschraubungen falls erforderlich festziehen
Hydraulik	Motorhalterung ist sicher befestigt
	Kein Austreten von Hydraulikmedium
	Keine Lecks im Speicherbehälter
Kabel und Drähte	Keine beschädigten oder eingeklemmten Kabelstränge, Kabel oder Leitungen
	Keine beschädigten Verbinder
Manueller Notfall-Entriegelungsgriff	Fahrgestell klappt aus und ein, wenn der manuelle Sicherheits-Entriegelungsgriff gezogen wird
	Trage sinkt nicht ab, wenn sich ein Gewicht von 100 US-Pfund (45 kg) oder mehr auf der Trage befindet und der manuelle Sicherheits-Entriegelungsgriff gezogen wird
Liegefläche	Alle Befestigungen sind fest angezogen
	Zylinder der Rückenlehne funktioniert ordnungsgemäß
	Pneumatikzylinder, falls erforderlich, auf das volle Bewegungsausmaß einstellen
Fahrgestell	Alle Befestigungen sind fest angezogen
X-Rahmen	X-Rahmen kann aus- und eingeklappt werden

Artikel	Prüfen
Kopfteil	Alle Befestigungen sind fest angezogen
	Kopfteil kann herausgezogen werden und rastet ein
Zubehör und Teile (optional)	Alles Zubehör und alle Teile (wie z. B. Infusionsständer, Haltegurtverlängerung, Schiebestangen und Sauerstoffflaschenhalterung) funktionieren ordnungsgemäß

Alle sechs Monate oder nach 12 Betriebsstunden

Diese Artikel alle sechs Monate oder nach 12 Betriebsstunden prüfen, je nachdem, was früher eintritt.

Artikel	Prüfen
Hydraulik	Schläuche und Halterungen auf Schäden oder Abnutzungen prüfen
	Hydraulische Geschwindigkeitssicherung – ein Gewicht von etwa 23 kg auf der Trage platzieren. Die Position der Trage erhöhen, die Trage mit zwei Bedienern anheben, den manuellen Sicherheits-Entriegelungsgriff ziehen, die Trage schnell auf dem Boden absetzen und vergewissern, dass die Trage nicht absinkt
Elektronische Steuerungen	Trage in erhöhte Position bringen, Ladehöhe messen und überprüfen
	Jog-Funktion funktioniert ordnungsgemäß
	Schnelleinzugssystem funktioniert ordnungsgemäß
Schalter	Keine Schäden oder Abnutzungen an den Schaltern
	Beide Schalter funktionieren ordnungsgemäß
Liegefläche	Keine verbogenen, gebrochenen oder beschädigten Komponenten
	Keine Schäden oder Risse an den Tragegriffen
	Seitengitter funktionieren ordnungsgemäß und rasten ein
	Fußstütze funktioniert ordnungsgemäß
Matratze	Keine Sprünge oder Risse
Fahrgestell	Keine verbogenen, gebrochenen oder beschädigten Komponenten
Räder	Frei von Rückständen
Kopfteil	Keine verbogenen, gebrochenen oder beschädigten Komponenten
	Griffleiste weist keine übermäßigen Schäden oder Risse auf
	Laderäder sind sicher befestigt und rollen
Ständer (optional)	Feder des Ständers und inneres Federgehäuse (optional) mit Tri-Flow® Schmiermittel schmieren.

Alle 12 Monate oder nach 24 Betriebsstunden

Diese Artikel alle 12 Monate oder nach 24 Betriebsstunden prüfen, je nachdem, was früher eintritt.

Artikel	Prüfen
Einstellungen	Passgenauigkeit und Funktionstüchtigkeit von Trage und Befestigungssystem
Zylinder	Zylinder ist angepasst – die Kontermutter ist fest angezogen, und die Trage stoppt, wenn der Anschlag erreicht wird
Manueller Sicherheits-Entriegelungsgriff	Kehrt in die Lagerstellung zurück
Liegefläche	Alle Schweißstellen sind intakt, nicht gerissen oder gebrochen
	Warnschilder sind vorhanden und lesbar
Fahrgestell	Alle Schweißstellen sind intakt, nicht gerissen oder gebrochen
Räder	Radsperrn prüfen und einstellen
Halterung für Sauerstoffflasche am einziehbaren Kopfteil (optional)	Gurte und Clips auf Abnutzung prüfen
Defibrillatorplattform (optional)	Gurte nicht ausgefranst oder gerissen
	Sicherungshaken sind intakt und sicher

EMV-Informationen

VORSICHT

- Werden andere Zubehörteile, Sender oder Kabel verwendet als vom Hersteller angegeben oder geliefert, kann dies zu einer erhöhten elektromagnetischen Abstrahlung oder einer Verminderung der elektromagnetischen Störfestigkeit sowie zu einem unsachgemäßen Betrieb führen.
- Die Emissionseigenschaften dieses Geräts bedeuten, dass es sich für den Betrieb in Gewerbegebieten und Krankenhäusern (CISPR 11 Klasse A) eignet. Bei Verwendung in einer Wohnumgebung (für die normalerweise CISPR 11 Klasse B erforderlich ist) bietet dieses Gerät u. U. keinen ausreichenden Schutz gegenüber hochfrequenten Kommunikationsdiensten. Eventuell muss der Benutzer Abhilfemaßnahmen treffen, z. B. durch eine andere Aufstellung oder Ausrichtung des Geräts.

Leitlinie und Herstellererklärung – elektromagnetische Emissionen

Power-PRO und **SMRT** Ladegerät sind für den Gebrauch in der nachfolgend spezifizierten elektromagnetischen Umgebung vorgesehen. Der Kunde bzw. der Benutzer von **Power-PRO** und **SMRT** Ladegerät hat dafür zu sorgen, dass die Geräte in einer solchen Umgebung verwendet werden.

Emissionstest	Konformität	Elektromagnetische Umgebung
HF-Emissionen CISPR 11	Gruppe 1	Power-PRO und SMRT Ladegerät verwenden HF-Energie nur für ihre internen Funktionen. Daher sind seine HF-Emissionen sehr gering und dürften keine Störung bei in der Nähe befindlichen elektronischen Geräten verursachen.
HF-Emissionen CISPR 11	Power-PRO : Klasse A	Power-PRO eignet sich zum Einsatz in allen Einrichtungen, außer in Wohngebieten und bei direktem Niederspannungsanschluss an ein öffentliches Versorgungsnetz für Wohngebiete.
	SMRT Ladegerät (6500-201-010): Klasse B	Das SMRT Ladegerät eignet sich zum Einsatz in allen Einrichtungen, einschließlich in Wohngebieten und bei direktem Niederspannungsanschluss an ein öffentliches Versorgungsnetz für Wohngebiete.
Oberwellenemissionen IEC 61000-3-2	Power-PRO : Nicht zutreffend SMRT Ladegerät (6500-201-010): Klasse A	Das SMRT Ladegerät eignet sich zum Einsatz in allen Einrichtungen, einschließlich in Wohngebieten und bei direktem Niederspannungsanschluss an ein öffentliches Versorgungsnetz für Wohngebiete.
Spannungsschwankungen Flicker IEC 61000-3-3	Power-PRO : Nicht zutreffend SMRT Ladegerät (6500-201-010): konform	Das SMRT Ladegerät eignet sich zum Einsatz in allen Einrichtungen, einschließlich in Wohngebieten und bei direktem Niederspannungsanschluss an ein öffentliches Versorgungsnetz für Wohngebiete.

VORSICHT

- Tragbare HF-Kommunikationsgeräte (einschließlich peripherer Teile wie z. B. Antennenkabel und externe Antennen) dürfen nicht näher als im Abstand von 12 Zoll (30 cm) zu irgendeinem Teil des **Power-PRO** und **SMRT** Ladegeräts, einschließlich der vom Hersteller angegebenen Kabel, betrieben werden.
- Die Aufstellung anderer Geräte auf, unter oder neben **Power-PRO** und **SMRT** Ladegerät vermeiden, um einen unsachgemäßen Betrieb der Produkte zu verhindern. Wenn ein derartiger Betrieb unvermeidbar ist, sollten **Power-PRO** und **SMRT** Ladegerät sowie die anderen Geräte beobachtet werden, um die normale Funktion zu bestätigen.

Empfohlene Schutzabstände zwischen tragbaren und mobilen HF-Kommunikationsgeräten und Power-PRO und SMRT Ladegerät

Power-PRO und **SMRT** Ladegerät sind für den Gebrauch in einer elektromagnetischen Umgebung vorgesehen, in der Störungen durch abgestrahlte HF unter Kontrolle sind. Der Kunde bzw. der Benutzer von **Power-PRO** und **SMRT** Ladegerät kann zur Vermeidung elektromagnetischer Störungen beitragen, indem zwischen tragbaren und mobilen HF-Kommunikationsgeräten (Sendern) und **Power-PRO** und **SMRT** Ladegerät entsprechend der maximalen Ausgangsleistung der Kommunikationsgeräte ein Mindestabstand eingehalten wird (siehe nachstehende Empfehlungen).

Maximale Nennausgangsleistung des Senders W	Abstand entsprechend der Frequenz des Senders m		
	150 kHz bis 80 MHz $D=(1,2) (\sqrt{P})$	80 MHz bis 800 MHz $D=(0,35) (\sqrt{P})$	800 MHz bis 2,7 GHz $D=(0,70) (\sqrt{P})$
0,01	0,12	0,04	0,07
0,1	0,38	0,11	0,22
1	1,20	0,35	0,70
10	3,79	1,11	2,21
100	12	3,50	7

Für Sender, deren maximale Nennausgangsleistung oben nicht angegeben ist, kann der empfohlene Abstand d in Metern (m) anhand einer für die Frequenz des Senders anwendbaren Gleichung geschätzt werden, wobei P die maximale Nennausgangsleistung des Senders in Watt (W) nach Angaben des Senderherstellers ist. Hinweis 1: Bei 80 MHz und 800 MHz gilt der Abstand für den höheren Frequenzbereich. Hinweis 2: Diese Richtlinien treffen eventuell nicht in allen Situationen zu. Die Ausbreitung elektromagnetischer Größen wird durch Absorption und Reflexion der Gebäude, Gegenstände und Menschen beeinflusst.

Leitlinie und Herstellererklärung – elektromagnetische Störfestigkeit

Power-PRO und **SMRT** Ladegerät eignen sich für den Gebrauch in der nachfolgend spezifizierten elektromagnetischen Umgebung. Der Kunde bzw. der Benutzer von **Power-PRO** und **SMRT** Ladegerät hat dafür zu sorgen, dass die Geräte in einer solchen Umgebung verwendet werden.


Test zur Störfestigkeit	Testpegel nach IEC 60601	Übereinstimmungspegel	Elektromagnetische Umgebung – Leitlinie
Elektrostatische Entladung (ESE) IEC 61000-4-2	±8 kV Kontakt ±15 kV Luft	±8 kV Kontakt ±15 kV Luft	Der Fußboden sollte aus Holz, Beton oder Keramikfliesen bestehen. Bei Fußböden mit Abdeckung aus Synthetikmaterial sollte eine relative Luftfeuchtigkeit von mindestens 30 % herrschen.
Spannungsspitzen/Burst IEC 61000-4-4	±2 kV für Netzleitungen ±1 kV für Ein-/Ausgangsleitungen	Power-PRO: n. z. SMRT Ladegerät (6500-201-010): +2 kV für Netzleitungen +1 kV für Ein-/Ausgangsleitungen	Die Qualität der Netzversorgung sollte einer typischen kommerziellen oder Krankenhaus-Umgebung entsprechen.

Leitlinie und Herstellererklärung – elektromagnetische Störfestigkeit

<p>Spannungsstöße IEC 61000-4-5</p>	<p>± 1 kV zwischen Leitungen ± 2 kV zwischen Leitungen und Erde</p>	<p>Power-PRO: n. z. SMRT Ladegerät (6500-201-010): ± 1 kV zwischen Leitungen ± 2 kV zwischen Leitungen und Erde</p>	<p>Die Qualität der Netzversorgung sollte einer typischen kommerziellen oder Krankenhaus-Umgebung entsprechen.</p>
<p>Spannungseinbrüche, Spannungsschwankungen und kurze Unterbrechungen in den Netzeingangsleitungen IEC 61000-4-11</p>	<p>0 % U_T für 0,5 Zyklen bei 0°, 45°, 90°, 135°, 180°, 225°, 270° und 315° 0 % U_T für 1 Zyklus 70 % U_T (30 % Einbruch in U_T) für 25 Zyklen 0 % U_T für 250 Zyklen</p>	<p>Power-PRO: n. z. SMRT Ladegerät (6500-201-010): 0 % U_T für 0,5 Zyklen bei 0°, 45°, 90°, 135°, 180°, 225°, 270° und 315° 0 % U_T für 1 Zyklus 70 % U_T (30 % Einbruch in U_T) für 25 Zyklen 0 % U_T für 250 Zyklen</p>	<p>Die Qualität der Netzversorgung sollte einer typischen kommerziellen oder Krankenhaus-Umgebung entsprechen. Wenn der Benutzer des SMRT Ladegeräts auch bei Stromausfällen einen fortgesetzten Betrieb des Systems benötigt, sollte das Gerät über eine unterbrechungsfreie Stromversorgung oder Batterie betrieben werden.</p>
<p>Magnetfeld aufgrund der Netzfrequenz (50/60 Hz) IEC 61000-4-8</p>	<p>30 A/m</p>	<p>30 A/m</p>	<p>Die Stärke von Magnetfeldern aufgrund der Netzfrequenz sollte die übliche Stärke an einem typischen Ort in einer typischen kommerziellen oder Krankenhaus-Umgebung nicht überschreiten.</p>
<p>Elektrische, leitungsgeführte Störungen auf Versorgungsleitungen ISO 7637-2</p>	<p>gemäß ISO 7637-2</p>	<p>Power-PRO: n. z. SMRT Ladegerät (6500-201-010): gemäß ISO 7637-2</p>	<p>n. z.</p>

Hinweis: U_T ist die Wechselstromnetzspannung vor Anwendung des Testpegels.

Leitlinie und Herstellererklärung – elektromagnetische Störfestigkeit

<p>Leitungsgeführte HF IEC 61000-4-6</p> <p>Abgestrahlte HF IEC 61000-4-3</p>	<p>3 Vrms</p> <p>6 Vrms in den ISM- und Amateurfunk- Frequenzbändern 150 kHz bis 80 MHz</p> <p>10 V/m</p> <p>80 MHz bis 2,7 GHz</p>	<p>3 V</p> <p>6 Vrms in den ISM- und Amateurfunk- Frequenzbändern</p> <p>10 V/m</p>	<p>Tragbare und mobile HF-Kommunikationsgeräte sollten nicht näher als in dem empfohlenen Schutzabstand zu irgendeinem Teil des Power-PRO bzw. des SMRT Ladegeräts, einschließlich von Kabeln, verwendet werden. Dieser Abstand wird anhand der der Frequenz des Senders entsprechenden Gleichung berechnet.</p> <p>Empfohlener Trennabstand</p> <p>$D=(1,2) (\sqrt{P})$</p> <p>$D=(0,35) (\sqrt{P})$</p> <p>80 MHz bis 800 MHz</p> <p>$D=(0,70) (\sqrt{P})$</p> <p>800 MHz bis 2,7 GHz</p> <p>Dabei ist P die maximale Nennausgangsleistung des Senders in Watt (W) laut Hersteller des Senders und d der empfohlene Trennabstand in Metern (m).</p> <p>Von stationären HF-Sendern erzeugte Feldstärken, wie sie im Rahmen einer elektromagnetischen Standortvermessung ^a bestimmt wurden, müssen in jedem Frequenzbereich unterhalb des Übereinstimmungspegels liegen.^b</p> <p>In der Nähe von Geräten, die mit dem folgenden Symbol gekennzeichnet sind, können Störungen auftreten:</p> 
---	---	---	--

Leitlinie und Herstellererklärung – elektromagnetische Störfestigkeit

Hinweis 1: Bei 80 MHz und 800 MHz gilt der jeweils höhere Frequenzbereich.

Hinweis 2: Diese Richtlinien treffen eventuell nicht in allen Situationen zu. Die Ausbreitung elektromagnetischer Größen wird durch Absorption und Reflexion der Gebäude, Gegenstände und Menschen beeinflusst.

Hinweis 3: Die ISM-Frequenzbänder (Industrial, Scientific, Medical) zwischen 0,15 MHz und 80 MHz sind 6,765 MHz bis 6,795 MHz, 13,553 MHz bis 13,567 MHz; 26,957 MHz bis 27,283 MHz und 40,66 MHz bis 40,70 MHz. Die Amateurfunk-Frequenzbänder zwischen 0,15 MHz und 80 MHz sind 1,8 MHz bis 2,0 MHz, 3,5 MHz bis 4,0 MHz, 5,3 MHz bis 5,4 MHz, 7 MHz bis 7,3 MHz, 10,1 MHz bis 10,15 MHz, 14 MHz bis 14,2 MHz, 18,07 MHz bis 18,17 MHz, 21,0 MHz bis 21,4 MHz, 24,89 MHz bis 24,99 MHz, 28,0 MHz bis 29,7 MHz und 50,0 MHz bis 54,0 MHz.





















Power-PRO™ TL -ambulanssipaarit















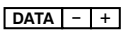
Toimintakäsikirja







REF 6550



Symbolit

	Katso ohjekirjaa/-lehtistä
	Perehdy käyttöohjeisiin
	CE-merkintä
	Valtuutettu edustaja Euroopan yhteisössä
	Eurooppalainen lääkinnällinen laite
	Yleinen varoitus
	Huomautus
	Varoitus: käsien murskaantuminen
	Varoitus: ionisoimaton säteily
	Ei saa työntää
	Ei saa voidella
	Luettelonumero
	Eräkoodi
	Sarjanumero
	Yhdysvaltalaiset patentit ovat verkkosivuilla www.stryker.com/patents
	Valmistaja
	Valmistuspäivämäärä
	Maahantuoja
	Laitteen massa turvallisella käyttökuormituksella
	Turvallinen käyttökuormitus

	Tyyppin B liityntäosa
	Tyyppin BF liityntäosa
	Lääkinnällinen laite, jonka Underwriters Laboratories Inc. on luokitellut ainoastaan sähköiskun, tulipalon ja mekaanisten vaarojen perusteella ANSI/AAMI ES60601-1:2012- ja CAN/CSA-C22.2 No. 60601-1:14 -standardien mukaisesti.
	Tasavirta
	Vaihtovirta
	Luokan II sähkölaite: laite, jossa suoja sähköiskua vastaan ei perustu pelkästään peruseristykseen, vaan jossa käytetään muitakin suoja-toimenpiteitä, kuten kaksoiseristystä tai vahvistettua eristystä. Suojamaadoitusta ei ole eikä suojaussessa luoteta asennusolosuhteisiin.
	Vaarallinen jännite
	SMRT-virtajärjestelmä
	Ojennus
	Sisäänveto
IPX0	Ei suojattu
IPX6	Suoja voimakkaita vesisuihkuja vastaan
	Sähkö- ja elektroniikkalaiteromusta annetun eurooppalaisen direktiivin (WEEE) 2012/19/EU (muutoksineen) mukaisesti tämä symboli osoittaa, että tuote tulee kerätä erikseen kierrätystä varten. Älä hävitä sekajätteen mukana. Hävittämistä koskevia tietoja saa ottamalla yhteyttä paikalliseen jakelijaan. Varmista, että infektioitunut laitteisto dekontaminoidaan ennen kierrättämistä.
	WEEE-direktiivi (2012/96/EY). Sisältää kadmiumia.
	Rechargeable Battery Recycling Corporation (RBRC) on voittoa tuottamaton, julkinen palvelujärjestö, joka edistää kannettavien uudelleenladattavien paristojen kierrätystä. Paristot on vietävä paristojen keräyspaikkaan. Etsi lähellä sijaitseva keräyspaikka RBRC:n verkkosivuilta (www.rbrc.org) tai soita kierrätysymbolissa ilmoitettuun puhelinnumeroon.
	Sisältää nikkeli-kadmiumkennoja ja on kierrätettävä vastaavasti
	Akun napojen tunnistaminen (datajohto, negatiivinen ja positiivinen)
KRX 23/44	Ni-Cd-kennon tunnistus IEC 61951-1:2003 -standardin mukainen
2300 mAh (1.2A/2h)	Akun kapasiteetti, tyypillinen lataus ja kesto

	Puhdistuksessa ei saa käyttää valkaisuainetta
	Olkapään kiinnityshihna
	Vyötärön kiinnityshihna kaksoissoljella
	Vyötärön kiinnityshihna yhdellä soljella
	Reiden kiinnityshihna
	Nilkan kiinnityshihna

Sisällysluettelo

Käsitteiden varoitus, varotoimi ja huomautus määritelmät	3
Tiivistelmä turvallisuusvaroitoimenpiteistä	3
Puristumiskohdat	6
Mekaaninen vakaus	6
Johdanto	8
Tuotteen kuvaus	8
Käyttötarkoitus	8
Kliiniset edut	8
Vasta-aiheet	9
Odotettu käyttöikä	9
Hävittäminen/kierrätys	9
Tekniset tiedot - Power-PRO	9
Euroopan REACH-asetus	10
Standardit ja edellytetyt vaihtoehdot	11
Schnitzlerin lasten kiinnitysjärjestelmän yhteensopivuus	11
Tekniset tiedot - SMRT	12
Tuotekuva - Power-PRO	13
Tuotteen kuva - SMRT	14
Yhteystiedot	14
Sarjanumeron sijainti - Power-PRO	15
Sarjanumeron sijainti - SRMT	15
Käyttöönotto	16
Asennus	16
Ambulanssiparien kiinnittimen asentaminen	16
Käyttö	17
Akun virran määrän tarkistaminen	17
Tuntimittarin ja virhenäytön tarkastaminen	17
Käyttösuositukset	18
Oikeat nostomenetelmät	19
Kuljetettavan henkilön siirtäminen ambulanssipareille	19
Parien vieritys potilaan kanssa	19
Parien nostaminen tai laskeminen	20
Parien nostaminen, laskeminen tai vapauttaminen sähkökäyttöisesti	20
Parien kohottaminen tai laskeminen käsikäyttöisesti manuaalisella ohituksella	21
Lastauksen nopeuttaminen nopean sisäänvedon tilassa	22
Ambulanssiparien lastaus parien kiinnittimeen	22
Parien irrottaminen parien kiinnittimestä	22
Parien lastaaminen nostolavan avulla	23
Parien poistaminen ajoneuvosta nostolavan avulla	24
Parien lastaaminen luiskaa pitkin	24
Parien lastaaminen ja ajoneuvosta poistaminen valinnaisen happipullotelineen kanssa	25
Kantajien ja avustajien sijainti	26
Selkänojan nostaminen tai laskeminen	26
Sivukaiteiden nostaminen tai laskeminen	27
Sivukaiteiden nostaminen tai laskeminen (XPS-vaihtoehto)	27
Sisäänvedettävän pääkappaleen tai jalkakappaleen pidentäminen	27
Sisäänvedettävän pääkappaleen tai jalkakappaleen sisäänvetäminen	28
Lisävarusteena saatavan polvituen nostaminen ja laskeminen	29
Pyöräjarrujen käyttäminen tai vapauttaminen	30
Valinnaisen Steer-Lock-ohjauslukituksen käyttö ja vapautus	30
Potilaan kiinnittäminen kiinnityshihnoilla	31
Kiinnityshihnan jatkeen lisääminen	31
Potilaan kiinnittäminen X-/XPR-kiinnityshihnoilla	31
Olkapäiden X-/XPR-kiinnityshihnojen kiinnittäminen	32
Vyötärön X-/XPR-kiinnityshihnojen kiinnittäminen	33
Reisien X-/XPR-kiinnityshihnojen kiinnittäminen	33
Nilkkojen X-/XPR-kiinnityshihnojen kiinnittäminen	33
Potilaan kiinnittäminen pikkulapsen Pedi-Mate®-kiinnitysjärjestelmällä	34
Defibrillaattorin alustan kiinnittäminen	34
Laitteiden ripustaminen laitekoukusta	37

Kaksivaiheisen tippatelineen sijoittaminen.....	37
Valinnaisen kolmivaiheisen tippatelineen sijoittaminen	38
Happipullon kiinnittäminen happipullotelineeseen	39
Valinnaisten työntötkojen kiinnittäminen	40
Työntötkojen poistaminen ja niiden säilyttäminen säilytuspussissa	40
Valinnaisen pohjan säilytysverkon kiinnitys	41
Valinnaisen selkänojan säilytuspussin kiinnitys.....	41
Patjan kiinnitys.....	42
SMRT Pak -akun paikoilleen asettaminen	43
SMRT Pak -akun irrottaminen paareista.....	43
Akun säilyttäminen	44
SMRT Pak -akun lataus	44
SMRT Pak -akun virran määrän tarkistaminen SMRT-laturin kanssa.....	45
Asennusta koskevat sähkövaatimukset.....	45
SMRT-laturin asentaminen	46
Valinnaisen kiinnitystelineen asentaminen	46
Laturin kiinnittäminen valinnaiseen kiinnitystelineeseen	47
Virran kytkeminen laturiin.....	48
Laturin irrottaminen	49
Lisävarusteet ja -osat	50
XPR-kiinnityshihnojen puhdistus ja desinfiointi	52
Puhdistus	53
Suositeltuja puhdistusaineita.....	53
Laturin puhdistaminen	54
Akun puhdistaminen.....	54
Määräaikaishuolto.....	55
Voitelu.....	55
Säännöllinen tarkistus ja säädöt	55
Kuukauden tai kahden tunnin välein.....	55
Kolmen kuukauden tai kuuden tunnin välein	56
Kuuden kuukauden tai 12 tunnin välein	57
12 kuukauden tai 24 tunnin välein	57
Sähkömagneettisen yhteensopivuuden tiedot	59

Käsitteiden varoitus, varotoimi ja huomautus määritelmät

Sanoilla **VAROITUS**, **VAROTOIMI** ja **HUOMAUTUS** on erityismerkityksensä, ja niillä merkityt kohdat on luettava huolellisesti.

VAROITUS

Varoittaa lukijaa tilanteesta, joka voi johtaa kuolemaan tai vakavaan loukkaantumiseen, jos tilannetta ei vältetä. Varoitus voi myös kuvata mahdollisia vakavia haittavaikutuksia ja vaaratilanteita.

VAROTOIMI

Varoittaa lukijaa mahdollisesti vaarallisesta tilanteesta, joka voi johtaa lievään tai kohtalaiseen käyttäjän tai potilaan loukkaantumiseen tai tuotteen tai muun omaisuuden vaurioitumiseen, jos tilannetta ei vältetä. Näitä ovat laitteen turvalliseen ja tehokkaaseen käyttöön liittyvät välttämättömät erityistoimet ja käytöstä tai väärinkäytöstä johtuvan laitteen vaurioitumisen välttämiseksi tehtävät välttämättömät toimet.

Huomautus - Tässä annetaan erityistietoja, jotka helpottavat kunnossapitoa tai selventävät tärkeitä käyttöohjeita.

Tiivistelmä turvallisuusvaroitoimenpiteistä

Tutustu aina tällä sivulla lueteltuihin varoituksiin ja huomioihin huolellisesti ja noudata niitä tarkasti. Laitteen saa huoltaa ainoastaan koulutettu henkilökunta.

VAROITUS

- Pidä aina kädet etäällä punaisen turvatangon nivelistä lastatessasi paareja ajoneuvoon tai poistaessasi niitä ajoneuvosta tai muuttaessasi parien korkeutta.
- Käytä aina molempia käsiä parien siirtämiseen.
- Ambulanssipaarien kiinnittimen saa asentaa aina vain pätevä henkilökunta. Virheellinen asennus voi johtaa potilaan tai kantajan vammaan.
- Varmista aina, että kaikki ambulanssipaarit täyttävät Strykerin ambulanssipaarien kiinnitysjärjestelmälle asettamat asennuksen tekniset määritykset.
- Säädä aina kiskopuristinyksikkö ambulanssipaareja kiinni pitävän tapin sijaintiin nähden niin, että sijainti on yhteensopiva parien valmistajan ja mallinumeron kanssa.
- Älä poista akkua, kun ambulanssipaarit ovat käytössä.
- Käytä tuotetta vain silloin, kun kaikki henkilöt ovat kaukana mekanismeista. Sotkeentuminen sähkökäyttöisen tuotteen mekanismeihin voi aiheuttaa vakavan vamman.
- Tarkasta aina **SMRT Pak** -akkujen eheys ennen jokaista käyttöä.
- Älä anna kouluttamattomien avustajien auttaa tuotteen käytössä.
- Aseta aina kädet oikein kädensijoihin. Pidä kaikki kädet etäällä punaisen turvatangon nivelistä lastatessasi ambulanssipaareja ajoneuvoon tai poistaessasi niitä ajoneuvosta tai muuttaessasi parien korkeutta.
- Älä istu ambulanssipaarien pohjan päällä.
- Älä kuljeta ambulanssipaareja sivuittain, jotta ne eivät kaadu. Kuljeta ambulanssipaarit aina alas lasketussa asennossa, pääpuoli tai jalkapuoli ensin, jotta kaatumisvaara on mahdollisimman vähäinen.
- Pidä aina kädet, sormet ja jalat etäällä liikkuvista osista. Ole varovainen, kun asetat kätesi ja jalkasi pohjan putkien lähelle kohottaessasi tai laskiessasi ambulanssipaareja.
- Asenna aina kiinnittimessä sijaitseva pysäytinjärjestelmä kaikkiin hälytysajoneuvoihin, joita käytetään näiden parien ja sarvimallisen parien kiinnittimen kanssa.
- Tarkkaile aina potilasta, kun paarit eivät ole liikkeessä. Jos tuote kohotetaan tai lasketaan hydraulisesti, tämä voi tilapäisesti vaikuttaa potilaan sähköisiin seurantalaitteisiin.
- Käytä aina kaikkia kiinnityshihnoja, kun potilas kiinnitetään tuotteeseen. Jos potilasta ei ole kiinnitetty, hän voi pudota ja loukkaantua.
- Älä jätä potilasta ilman valvontaa. Pidä tuotteesta kiinni, kun potilas on sen päällä.
- Älä käytä pyöräjarruja potilaan ollessa tuotteen päällä tai siirtäessäsi tuotetta, jotta kaatumisen vaara vältetään.
- Sivukaiteita ei saa käyttää potilaan kiinnittämiseen.

- Siirrä paareja aina alimmassa asennossa parien kaatumisen riskin alentamiseksi. Mikäli mahdollista, hanki lisäapua tai valitse vaihtoehtoinen reitti.
- Vältä aina korkeita esteitä, kuten reunakiveystä, portaita tai hankalaa maastoa, jotta tuote ei pääse kaatumaan.
- Parien kohottamiseen tai laskemiseen tarvitaan aina kaksi kantajaa, kun paareilla on potilas.
- Varmista aina, että parit eivät voi vieriä takaisinpäin lavalta pois, ennen kuin käytät nostolavaa parien ja potilaan kanssa. Varmista, että nostolavan portin pysäytin on huollettu ja toimintakunnossa.
- Lukitse pääkappale aina paikalleen ennen ambulanssipaarien käyttöä.
- Ambulanssipaareja ei saa yrittää lastata ajoneuvon potilasosastoon pääkappale sisäänvedettynä. Jos ambulanssipaarit lastataan pääkappale sisäänvedettynä, tuote voi kaatua tai se ei kytkeydy ajoneuvon parinkiinnittimeen.
- Älä asenna tai käytä pyöräjarruja tuotteeseen, jossa on kuluneet pyörät, jotka ovat läpimitaltaan alle 6 tuumaa (15 cm).
- Älä jätä potilasta tai kuljetettavaa henkilöä ilman valvontaa. Pidä tuotteesta kiinni, kun potilas tai kuljetettava henkilö on sen päällä.
- Käytä aina kaikkia kiinnityshihnoja potilaan kiinnittämiseksi ambulanssipaareihin. Kiinnittämätön potilas saattaa pudota paareilta.
- Kiinnityshihnoja ei saa kiinnittää ala- tai poikkiputkiin.
- Sijoita aina solki pois päin esteistä tai parin lisävarusteista, jotta pikkulapsen **Pedi-Mate®**-kiinnitysjärjestelmä ei pääse vapautumaan vahingossa ja pikkulapsi ei loukkaantuisi.
- Niihin 6086-mallin **Performance-PRO XT** -paareihin, joissa on valinnainen **Power-LOAD**-ominaisuus, ei saa kiinnittää defibrillaattorin alustaa, jotta ambulanssipaarien kaatumisriskiltä vältyttäisiin.
- Lukitse työntötangot aina jalustoihinsa, jotta työntötangot eivät irtoa käytön aikana.
- Älä nosta tuotetta työntötankoja käyttäen.
- Säilytä työntötangot aina pohjan säilytuspussissa, kun niitä ei käytetä.
- Vältä sähköiskun vaaraa. Älä yritä avata akkua mistään syystä. Jos akkukotelo on murtunut tai vaurioitunut, sitä ei saa kytkeä laturiin. Palauta vaurioituneet akut huoltokeskukseen kierrätettäväksi.
- Vältä aina suoraa kosketusta märän akun tai akkukoteloiden kanssa. Kosketus voi vahingoittaa potilasta tai kantajaa.
- Älä työnnä haljennutta tai vaurioitunutta **SMRT Pak** -akkua **SMRT**-laturiin. Palauta vaurioituneet **SMRT Pak** -akut huoltokeskukseen kierrätettäväksi.
- Vain sertifioitu mekaanikko, joka tuntee ambulanssin rakenteen, saa asentaa valinnaisen kiinnitystelineen ja **SMRT**-laturin.
- Kiinnitä **SMRT**-laturi hyväksytyjen törmäystestistandardien noudattamiseksi aina kuljetuksen ajaksi valinnaiseen kiinnitystelineeseen, suljettuun kaappiin, ja pidä poissa potilaan ulottuvilta.
- Varmista aina, että valinnainen kiinnitysteline on turvallisesti kiinnitetty pintaan.
- Käytä aina asianmukaisia henkilönsuojaimia painepesun aikana sisäänhengityksen kautta tulevan tartuntavaaran estämiseksi. Painepesulaitteisto voi levittää kontaminoituneita aerosoleja.
- Loukkaantumisriskin vähentämiseksi on aina käytettävä eristettyjä kumikäsineitä, henkilönsuojainten lisäksi, **SMRT Pak** -akun puhdistamisen aikana.
- Irrota aina **SMRT**-laturi seinäpistokkeesta ennen puhdistamista sähkövaarojen vähentämiseksi.
- **SMRT**-laturiin ei saa suoraan suihkuttaa nestettä.
- **SMRT**-laturia ei saa pestä painepesurilla.
- **SMRT**-laturin puhdistamiseen ei saa käyttää liuottimia, voiteluaineita tai muita kemikaaleja, ellei näin erikseen neuvota.
- Vältä sähköiskun vaaraa. **SMRT**-laturia ei saa upottaa veteen eikä **SMRT**-laturin päälle saa päästää kertymään vettä.
- Käytä aina ei-johtavia materiaaleja **SMRT Pak** -akun pyyhkimiseen.
- Vältä aina **SMRT Pak** -akun napojen liiallista altistumista vedelle.
- Katso aina desinfiointiaineen käyttöturvallisuustiedotteesta (KTT) pH-alue. Desinfiointiaineet, joiden pH-arvot ovat yli 10,5, voivat halkaista **SMRT Pak** -akun kotelon.
- Vältä loukkaantumisriskiä. Älä käsittele suoraan tai kosketa **SMRT Pak** -akun napoja puhdistamisen aikana.
- Vältä sähköiskun vaaraa. Älä upota **SMRT Pak** -akkua nesteeseen.
- **SMRT Pak** -akun puhdistamiseen ei saa käyttää liuottimia, voiteluaineita tai muita kemikaaleja, ellei näin erikseen neuvota.
- Poista aina paine, ennen kuin irrotat hydrauliletkut tai muut letkut. Purkautuva paineistettu neste voi tunkeutua ihoon ja aiheuttaa vakavan tapaturman. Kiristä kaikki liitokset ennen paineen käyttämistä. Jos tapahtuu onnettomuus, mene heti lääkäriin.
- Tapaturmavaaran välttämiseksi hydraulivuotoja ei saa tutkia paljain käsin.

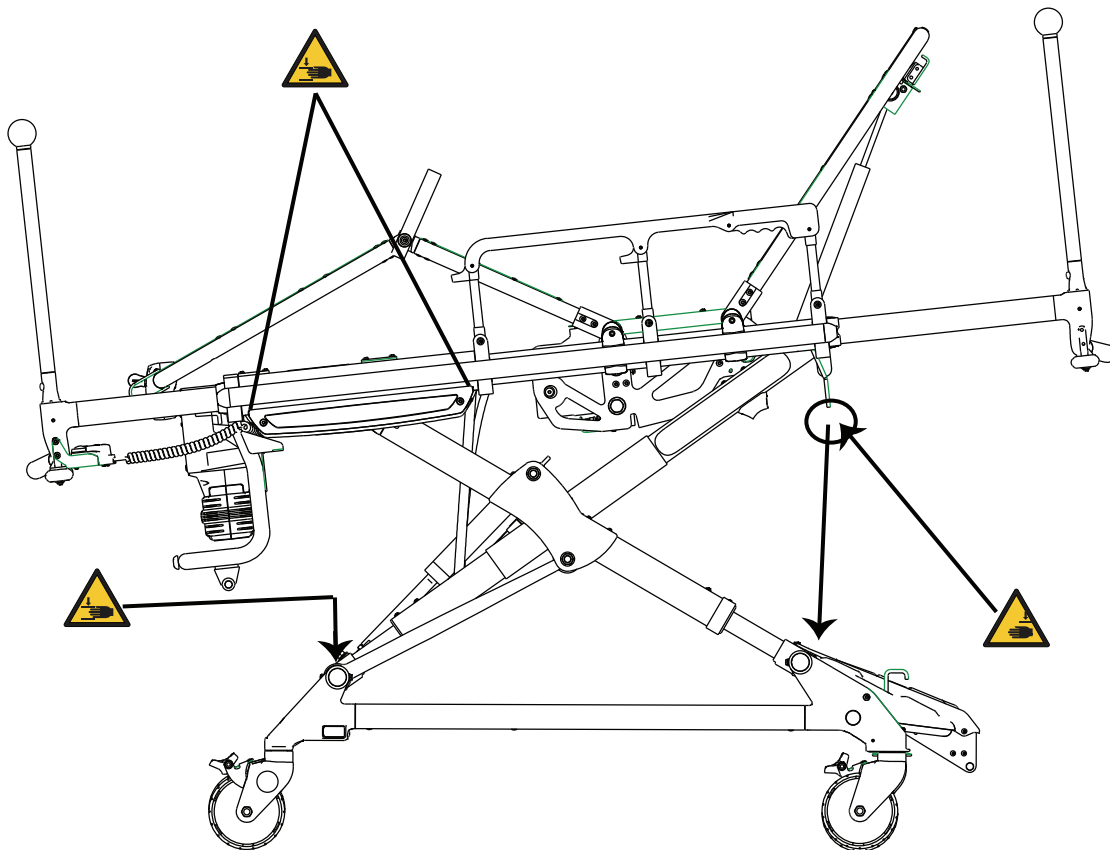
HUOMIO

- Tuotteen väärä käyttö voi aiheuttaa potilaan tai käyttäjän vamman. Käytä tuotetta vain tässä käyttöoppaassa kuvatulla tavalla.
- Tuotetta tai mitään tuotteen osia ei saa muuttaa. Jos tuotetta muutetaan, se voi toimia odottamattomalla tavalla ja aiheuttaa joko potilaan tai käyttäjän vamman. Lisäksi tuotteen muuttaminen mitätöi sen takuun.
- Älä käytä tuotetta yhteensopimattomien kiinnittimien kanssa.
- Lataa akku aina ennen tuotteen ottamista käyttöön. Lataamaton tai tyhjentyneet akku voi johtaa tuotteen huonoon toimivuuteen.
- Poista aina ennen tuotteen käyttöä kaikki esteet, jotka voivat haitata käyttöä ja aiheuttaa vamman kantajalle tai potilaalle.
- Laske ambulanssipaarit aina alimpaan asentoon sen varmistamiseksi, että parit kiinnittyvät niiden kiinnittimeen.
- Älä yritä muuttaa tuotteen korkeutta parien ollessa kiinni kiinnittimessä.
- Älä istu tai seiso sivukaiteilla (XPS-vaihtoehto).
- Älä käytä sivukaiteita (XPS-vaihtoehto) potilaan kuljetuslaitteena tai -pintana (esimerkiksi potilaan liu'uttamiseksi paareilta toiselle pinnalle).
- Älä aseta potilaiden koko painoa sivukaiteille (XPS-vaihtoehto).
- Älä käytä sivukaiteita (XPS-vaihtoehto) työntö-/vetolaitteena tai tuotteen ohjaamiseen.
- Varo sotkemasta kiinnityshihnoja perusrunkoon, kun kohotat tai lasket paareja.
- Kiinnitä defibrillaattorialusta aina tuotteeseen käyttäessäsi defibrillaattorialustaa.
- Kiinnitä defibrillaattori aina käyttämällä ja säätämällä niitä hihnoja, jotka toimitetaan defibrillaattorialustan mukana.
- Muuta aina kiinnityskohtaa tai säädä hihnat defibrillaattorisi koon tai muodon mukaisesti.
- Älä kuormita defibrillaattorialustaa turvallisen työkuorman yli (30 paunaa (13,6 kg)).
- Laitekoukkua ei saa kuormittaa sen turvallista käyttökuormitusta (35 paunaa (15,8 kg)) enempää.
- Poista aina kaikki lisävarusteet tai laitteet laitekoukusta, kun ne ovat ajoneuvossa.
- Tippatelinettä ei saa kuormittaa sen turvallista käyttökuormitusta (25 paunaa (11,3 kg)) enempää.
- Happipullotelineen suurin turvallinen käyttökuormitus on 15 paunaa (6,8 kg).
- Kahta happipullotelinettä ei saa käyttää samaan aikaan.
- Pohjan säilytysverkkoa ei saa kuormittaa sen turvallista käyttökuormitusta (20 paunaa (9 kg)) enempää.
- Ole aina huolellinen, kun vedät sisään pohjan, jotta et vahingoittaisi esineitä, joita pohjan säilytysverkossa säilytetään.
- Selkänojan säilytyspussia ei saa kuormittaa sen turvallista käyttökuormitusta (20 paunaa (9 kg)) enempää.
- Varmista, että säilytyspussi ei häiritse sisäänvedettävän pääkappaleen käyttöä.
- Patjan alla ei saa säilyttää esineitä. Patjan alla olevat esineet voivat häiritä tuotteen toimintaa.
- Poista aina akku, jos ambulanssipareja ei ole tarkoitus käyttää pitkään aikaan (yli 24 tuntiin).
- Aseta **SMRT**-laturin virtajohto aina paikkaan, jossa sen päälle ei astuta, siihen ei kompastuta tai se ei muuten altistu vaurioitumiselle tai rasitukselle.
- Älä kosketa **SMRT** Pak -vastakappaleen napoja metalliesineillä.
- Kun irrotat **SMRT**-laturin, tartu aina pistokkeeseen ja vedä siitä, ei johdosta, jotta sähköpistoke ja johto eivät vaurioidu.
- Älä levitä voiteluaineita kiinnittimien pinnoille.
- Tuotetta ei saa puhdistaa höyryllä tai ultraäänellä.
- Veden 180 °F:n (82 °C) enimmäislämpötilaa ei saa ylittää.
- Veden 1500 psi:n (103,4 baaria) enimmäispainetta ei saa ylittää. Jos tuotteen pesemiseen käytetään kädessä pidettävää putkea, painesuutin on pidettävä vähintään 24 tuuman (61 cm) päässä tuotteesta.
- Anna laitteen aina kuivua itsestään.
- Poista akku aina ennen parien pesemistä.
- Kun tuote on käytössä, sitä ei saa puhdistaa tai huoltaa eikä siihen saa tehdä kunnossapitotoimia.
- **SMRT** Pak -akun puhdistamiseen ei saa käyttää höyryä eikä ultraääntä.
- Ilmakuivauksen 240 °F:n (115 °C) enimmäislämpötilaa (vaunupesijät) ei saa ylittää.
- Käytä aina hyväksytyjä osia tuotteen vaurioitumisen riskin välttämiseksi.
- Tarkasta aina letkut säännöllisesti parien vaurioitumisen välttämiseksi. Tarkasta ja kiristä löyhät liitännät. Hydrauliletkut, muut letkut ja liitännät voivat rikkoutua tai löystyä aineellisista vaurioista, kiertymisistä, iästä ja ympäristöaltistuksesta johtuen.

- Älä kallista paareja niiden lastauspyörien varassa ja käynnistä tuotetta, koska tämä sallii ilman pääsyn hydrauliseen järjestelmään.
- Älä voitele X-kehikon laakereita, koska se huonontaa parien suorituskykyä ja saattaa mitätöidä niiden takuun.
- Muiden kuin valmistajan nimeämien tai toimittamien lisävarusteiden, anturien ja kaapelien käyttäminen voi lisätä sähkömagneettisia päästöjä tai heikentää sähkömagneettista häiriönsietoa sekä aiheuttaa virheellistä toimintaa.
- Tämän laitteiston päästöominaisuudet tekevät siitä sopivan käytettäväksi teollisissa ympäristöissä ja sairaaloissa (CISPR 11, luokka A). Jos sitä käytetään asuinrakennusympäristössä (johon tarvitaan yleensä CISPR 11, luokka B), tämä laitteisto ei ehkä anna riittävää suojaa radiotaajuisia viestintäpalveluja vastaan. Käyttäjän täytyy ehkä tehdä korjaavia toimenpiteitä, kuten sijoittaa laitteisto toiseen paikkaan tai suunnata laitteisto uudelleen.
- Kannettavia radiotaajuisia viestintälaitteita (ohesilaitteet kuten antennijohdot ja ulkoiset antennit mukaan luettuina) on käytettävä vähintään 12 tuuman (30 cm) etäisyydellä mistä tahansa **Power-PRO**-järjestelmän ja **SMRT**-laturin osasta (valmistajan nimeämät kaapelit mukaan luettuina).
- Tuotteiden virheellistä toimintaa estetään välttämällä muiden laitteiden pinoamista **Power-PRO**-järjestelmän ja **SMRT**-laturin päälle tai asettamista niiden läheisyyteen. Jos käyttö pinottuna tai lähellä on välttämätöntä, tarkkaile **Power-PRO**-järjestelmän ja **SMRT**-laturin sekä muiden laitteiden toimintaa huolella ja varmista, että ne toimivat asianmukaisesti.

Puristumiskohdat

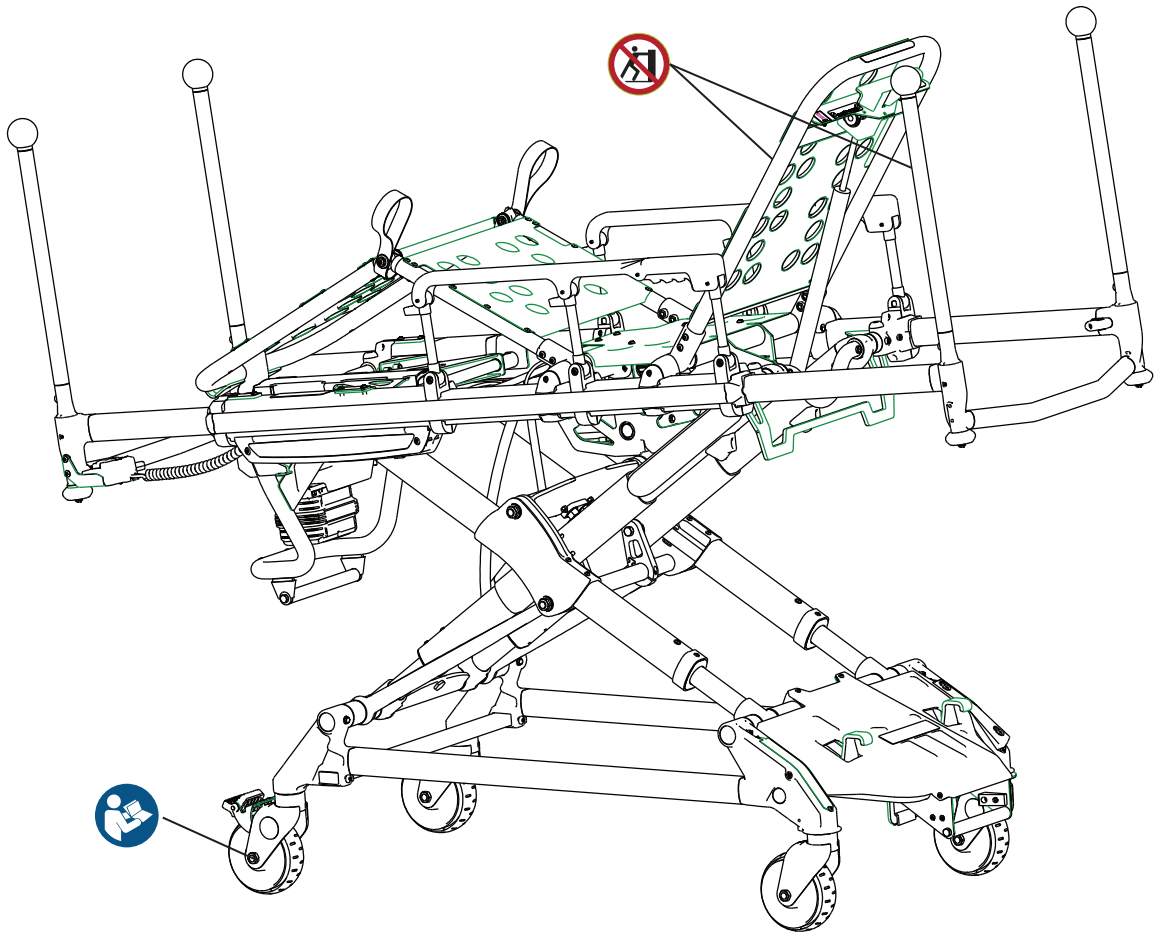
VAROITUS - Pidä aina kädet etäällä punaisen turvatangon nivelistä lastatessasi paareja ajoneuvoon tai poistaessasi niitä ajoneuvosta tai muuttaessasi parien korkeutta.



Kuva 1 – Puristumiskohdat

Mekaaninen vakaus

VAROITUS - Käytä aina molempia käsiä parien siirtämiseen.



Kuva 2 – Mekaaninen vakaus

Huomautus - Jos parit ovat tasolla, jonka kaltevuus ylittää viisi astetta, aseta parit alimpaan asentoonsa.

Johdanto

Tämä opas auttaa Stryker-tuotteesi käyttämisestä tai kunnossapitoa. Lue tämä opas ennen tämän tuotteen käyttöä tai kunnossapitoa. Luo menetelmät ja menettelytavat, joiden avulla henkilökuntaa voidaan opettaa ja perehdyttää tämän tuotteen turvalliseen käyttöön ja kunnossapitoon.

HUOMIO

- Tuotteen väärä käyttö voi aiheuttaa potilaan tai käyttäjän loukkaantumisen. Käytä tuotetta vain tässä käyttöoppaassa kuvatulla tavalla.
 - Tuotetta tai mitään tuotteen osia ei saa muuttaa. Jos tuotetta muutetaan, se voi toimia odottamattomalla tavalla ja aiheuttaa joko potilaan tai käyttäjän loukkaantumisen. Lisäksi tuotteen muuttaminen mitätöi sen takuun.
-

Huomautus

- Tätä opasta on pidettävä tuotteen pysyvänä osana, ja oppaan on pysyttävä tuotteen mukana jopa silloin, jos tuote myöhemmin myydään.
- Stryker kehittää jatkuvasti tuotteen suunnittelua ja laatua. Tässä oppaassa on viimeisin käytettävissä oleva tuotetieto painohetkellä. Tuotteesi ja tämän oppaan välillä voi esiintyä pieniä eroavaisuuksia. Jos sinulla on kysyttävää, ota yhteyttä Strykerin asiakaspalveluun tai tekniseen tukeen numerossa +1 800 327 0770.

Tuotteen kuvaus

Strykerin mallin 6550 **Power-PRO™ TL** -paari on sähkökäyttöinen ambulanssipaari, joka koostuu alustasta, joka on pyörällisen X-kehikon varassa. Se on suunniteltu tukemaan ja kuljettamaan enintään 700 paunan (318 kg) painoista henkilöä ennen sairaalaa ja sairaalaympäristössä.

Laite on kokoonpainuva hälytysajoneuvossa käyttöä varten. NiCd-akulla käytettävä hydraulinen nostojärjestelmä sallii kantajien nostaa ja laskea paareja sähkökäyttöisillä säätimillä. Paareissa on käsikäyttöinen varavapautuskahva, jonka avulla paareja voidaan käyttää virtakatkon aikana. Laitteessa on seuraavat varusteet: sisäänvedettävät pää- ja jalkakappaleet, jotta parit vievät vähemmän tilaa ja niitä voidaan ohjata mahdollisimman hyvin ahtaissa tiloissa, sivukaiteet, potilaan turvakiinnityshihnat, säädettävä paineilmalla toimiva selkänöja ja monia erilaisia valinnaisia lisävarusteita, jotka auttavat potilaan kuljetuksessa. Potilaan mukavuus voidaan maksimoida kolmella eri alustan asennolla: sokkiasento, jalat suorana -asento ja valinnainen polvitukiasento.

SMRT™-virtajärjestelmä koostuu **SMRT**-laturista ja **SMRT Pak** -akusta. **SMRT Pak** -akku antaa virtaa Strykerin sähkökäyttöisten ambulanssiparien hydrauliselle nostojärjestelmälle.

Käyttötarkoitus

Stryker **Power-PRO TL** on sähkökäyttöinen, pyörällinen ambulanssipaari, joka on tarkoitettu loukkaantuneen, jalkeilla olevan tai ei jalkeilla olevan ihmispotilaan (sisältäen pikkulapset ja aikuiset) koko kehon tukemiseen ja kuljettamiseen.

Akkukäyttöinen hydraulinen nostojärjestelmä auttaa vähentämään kantajan ponnisteluja ambulanssiparien nostamisen ja laskemisen aikana. Laite on suunniteltu tukemaan potilaita selinmakuulla tai istuvassa asennossa ja helpottamaan laitteeseen liittyvien hoitolaitteiden kuljetusta (kuten happipullot, monitorit tai pumput) hälytys- tai kuljetusajoneuvoissa. Ambulanssipareja käytetään ennen sairaalaa ja sairaalaympäristöissä hälytystilanteissa ja ei-hälytystilanteissa. Parit on luokiteltu kestämään 318 kg:n (700 paunan) kuorman (potilaan, patjan ja lisäosien yhteispaino), ja laite on tarkoitettu koulutettujen ammattilaisten käyttöön. Näitä ovat mm. ensihoitajat ja sairaalahenkilökunta sekä pelastushenkilöstö.

Power-PRO TL -paareja ei ole tarkoitettu pitkäaikaiseen käyttöön tai sairaalavuoteeksi tai käytettäväksi ilmanpainetta muuttavissa laitteissa, kuten painekammioissa.

Kliiniset edut

Ambulanssipaarit: potilaan kuljetus

Kiinnitin: tukee ambulanssipareja kuljetusta varten

Vasta-aiheet

Ei tunneta.

Odotettu käyttöikä

Power-PRO-yksikön odotettu käyttöikä on seitsemän vuotta, kun sitä käytetään normaalisti normaaleissa olosuhteissa ja huolletaan asianmukaisella tavalla säännöllisesti.


SMRT-laturin odotettu käyttöikä on seitsemän vuotta, kun sitä käytetään normaalisti normaaleissa olosuhteissa ja huolletaan asianmukaisella tavalla säännöllisesti.

SMRT Pak -akulla on kahden vuoden odotettu käyttöikä normaaleissa käyttöolosuhteissa.

Hävittäminen/kierrätys

Noudata aina ympäristönsuojelua ja laitteiston kierrättämiseen tai hävittämiseen liittyviä vaaroja koskevia voimassaolevia paikallisia suosituksia ja/tai säännöksiä, kun käyttöikä päättyy.

Tekniset tiedot - Power-PRO

	Huomautus - Turvallinen käyttökuormitus osoittaa potilaan, patjan ja lisävarusteiden yhteispainon.	700 paunaa	318 kg
Maksimaalinen avustamaton nostokyky		700 paunaa	318 kg
Selkänöjan nivellys / sokkipotilaan asento (tavanomainen selkänöja - 6506-012-003)		0° – 73° / +15°	
Selkänöjan nivellys / sokkipotilaan asento (1865-selkänöjan vaihtoehto - 6506-012-004)		0° – 75° / +15°	
Kokonaispituus		81 tuumaa	206 cm
Standardipituus/minimipituus/leveys		76,5 tuumaa / 55 tuumaa / 23 tuumaa	194,3 cm / 139,7 cm / 58 cm
Korkeus ¹		Säädettävissä välillä 14–41,5 tuumaa	Säädettävissä välillä 36–106 cm
Paino ²		145 paunaa	66 kg
Rullapyörien läpimitta/leveys		6 tuumaa / 2 tuumaa	15 cm / 5 cm
Vähimmäismäärä kantajia, jotka tarvitaan kuormitettujen ambulanssipaarien lastaamiseen / ajoneuvosta poistamiseen		2	
Vähimmäismäärä kantajia, jotka tarvitaan tyhjen ambulanssipaarien lastaamiseen / ajoneuvosta poistamiseen		1	
Suosittelut kiinnitysjärjestelmät		Malli 6385, 6386, 6387, 6388 tai 6389	

Kahden pyörän lukitus / Neljän pyörän lukitus	Standardi/valinnainen
Hydrauliöljy	Strykerin osanumero 6500-001-293
Virtajärjestelmä	
Akku	24 V tasavirtaa NiCd - SMRT -virtajärjestelmä
Laturi	100–240 V vaihtovirtaa 1,20 A, 50/60 Hz tai 12 V vaihtovirtaa 4,16 A - SMRT - virtajärjestelmä
Ambulanssiparien käyttösuhde	10 % (33 sek. käynnissä/5 min. suljettu)
Standardit (ambulanssiparit ja laturit)	ANSI/AAMI ES60601-1:2012, CAN/CSA-C22.2 Nro. 60601-1:14, KKK-A-1822 Tiettyjä lisävarusteita edellyttävät standardit, katso <i>Standardit ja edellytetyt vaihtoehdot</i> (sivulla 11)

¹ Korkeus mitataan patjan pohjasta istuinosassa maatasoon asti.

² Ambulanssiparit punnitaan yhden akun kanssa, ilman patjaa ja kiinnittimiä.

Stryker pidättää oikeuden teknisten tietojen muuttamiseen ilman ennakkoilmoitusta.

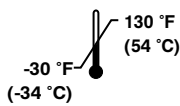
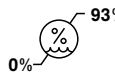
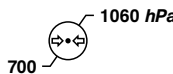
Power-PRO TL on suunniteltu noudattamaan Yhdysvaltain liittovaltion standardin Star-of-Life Ambulance (KKK-A-1822) mukaisia määräyksiä.

Power-PRO TL on suunniteltu yhteensopivaksi joidenkin kilpailukykyisten parien kiinnitysjärjestelmien kanssa.

Patentteja vireillä.

Kelta-musta värikuvio on Stryker Corporationin omistama tavaramerkki.

Tarroja ei ehkä voida lukea yli 12 tuuman (30 cm) näköetäisyydeltä.

Ympäristöolosuhteet	Käyttö
Lämpötila	
Suhteellinen kosteus	
Ilmanpaine	

Euroopan REACH-asetus

Euroopan REACH-asetuksen ja muiden ympäristöä koskevien säännösten vaatimusten mukaisesti ilmoituksenalaisia aineita sisältävät osat on lueteltu.

Kuvaus	Numero	Eryistä huolta aiheuttavan aineen kemiallinen nimi
Patja, polvitukipatja	6550-001-084	(2H-bentsotriatsoli2-yyli)-4, 6-di-tert-pentyylifenoli
Patja, polvitukipatja, XPS	6500-003-130	(2H-bentsotriatsoli2-yyli)-4, 6-di-tert-pentyylifenoli

Kuvaus	Numero	Erytistä huolta aiheuttavan aineen kemiallinen nimi
Patja, polvitukipatja, harmaa	6506-003-130	(2H-bentsotriatsoli2-yyli)-4, 6-di-tert-pentyylifenoli
NiCd-akkukenno	6500-101-129	Kadmium, kadmiumhydroksidi
Kaksivaiheinen telinekokooppa	6070-210-070	Lyijy
Kolmivaiheinen telinekokooppa	6070-215-070	Lyijy

Standardit ja edellytetyt vaihtoehdot

Standardien noudattaminen edellyttää, että seuraavat vaihtoehdot on asennettava ambulanssipaareihin.

Vakio	Vaihtoehdon valinta		
	Kiinnitinpakkaus	Patja	Vaihtoehto
BS EN 1789:2007+A2:2014 -törmäystestistandardit törmäysvaatimukset täyttävän kiinnittimen kanssa	EMS-kiinnitinpakkaus (6060-160-010), X-kiinnityshihnapakkaus (6500-001-430) tai XPR-kiinnityshihnapakkaus (650600030010) Huomautus - X-kiinnityshihnapakkaus ja XPR-kiinnityshihnapakkaus ovat yhteensopivia vain XPS-patjan (6500-003-130/6506-003-130) kanssa.	Polvitukipatja (6550-001-084) tai XPS-patja (6500-003-130/6506-003-130) (riippuu ambulanssipaarien sivukaiteesta)	
BS EN 1865-3:2012 +A1:2015			XPS-vaihtoehto (6506-040-000)
BS EN 1865-2:2010 +A1:2015			1865-selkänöjavaihtoehto (6506-012-004)

Schnitzlerin lasten kiinnitysjärjestelmän yhteensopivuus

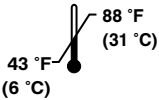
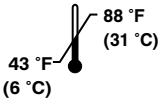
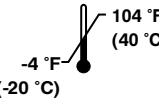
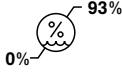

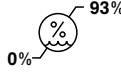
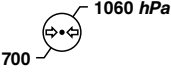
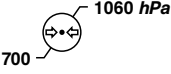
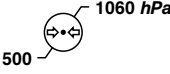
HUOMIO - Älä käytä tuotetta yhteensopimattomien kiinnittimien kanssa.

XPS-patja (6500-003-130 tai 6506-003-130)	Schnitzlerin lasten kiinnitysjärjestelmä (0058-384-000), jonka sarjanumero on pienempi kuin 720 XPSNPR-2123	Schnitzlerin lasten kiinnitysjärjestelmä (0058-384-000), jonka sarjanumero on yhtä suuri tai suurempi kuin 720 XPSNPR-2123
Patja, jonka eräkoodi on pienempi kuin 18001001	Yhteensopiva	Yhteensopiva
Patja, jonka eräkoodi on yhtä suuri tai suurempi kuin 18001001	Yhteensopimaton	Yhteensopiva

Schnitzlerin lasten kiinnitysjärjestelmä (0058-385-000) on yhteensopiva mallin 6100 **M-1** -sisäänrullausjärjestelmän, mallin 6506 **Power-PRO XT** ja mallin 6550 **Power-PRO TL** -ambulanssipaarien tavanomaisen patjan kanssa.

Tekniset tiedot - SMRT

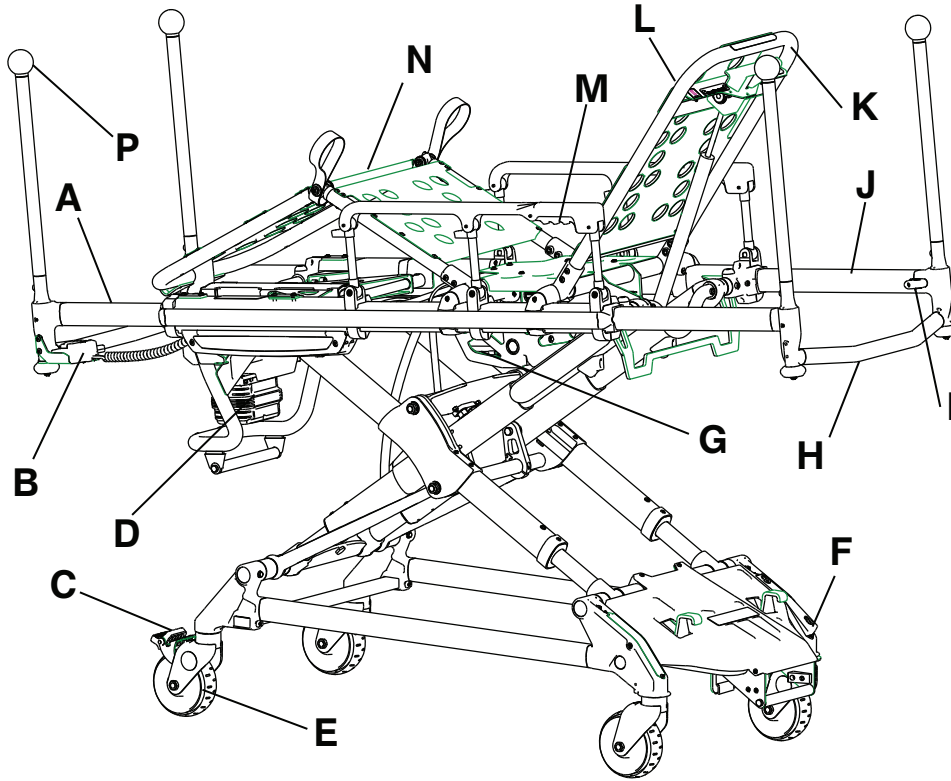
	SMRT-laturi	SMRT Pak -akku	AC-virtalähde
Virran tulo	13,9 VDC 4,16 A	Ei sovellu	100-240 VAC 1-2 A 50/60 Hz
Virran lähtö	Avoim piiri 40 VDC 1,20 A	24 VDC NiCd	12 VDC 4-6 A
Korkeus	2,375 tuumaa (60,325 mm)	3,25 tuumaa (82,55 mm)	Vaihtelee
Leveys	5,125 tuumaa (130,175 mm)	4 tuumaa (101,6 mm)	Vaihtelee
Pituus	7 tuumaa (177,8 mm)	5,75 tuumaa (146,05 mm)	Vaihtelee
Paino	1,3 paunaa (0,59 kg)	3,8 paunaa (1,7 kg)	Vaihtelee
Kotelon suojaus	IPX0	IPX6	IPX0
Laitetyyppi	Ei sovellu	Ei sovellu	Luokka II
Hyväksynät	ANSI/AAMI ES 60601-1: 2012, CAN/CSA-C22.2 No. 60601-1:14	Ei sovellu	Ei sovellu

Ympäristöolosuhteet	Käyttö	Lataus	Säilytys ja kuljetus
Lämpötila			
Suhteellinen			
Ilmanpaine			

Tekniset tiedot ovat likiarvoja ja voivat vaihdella yksiköiden välillä tai virtalähteen vaihtelun johdosta.

Stryker pidättää oikeuden teknisten tietojen muuttamiseen ilman ennakoilmoitusta.

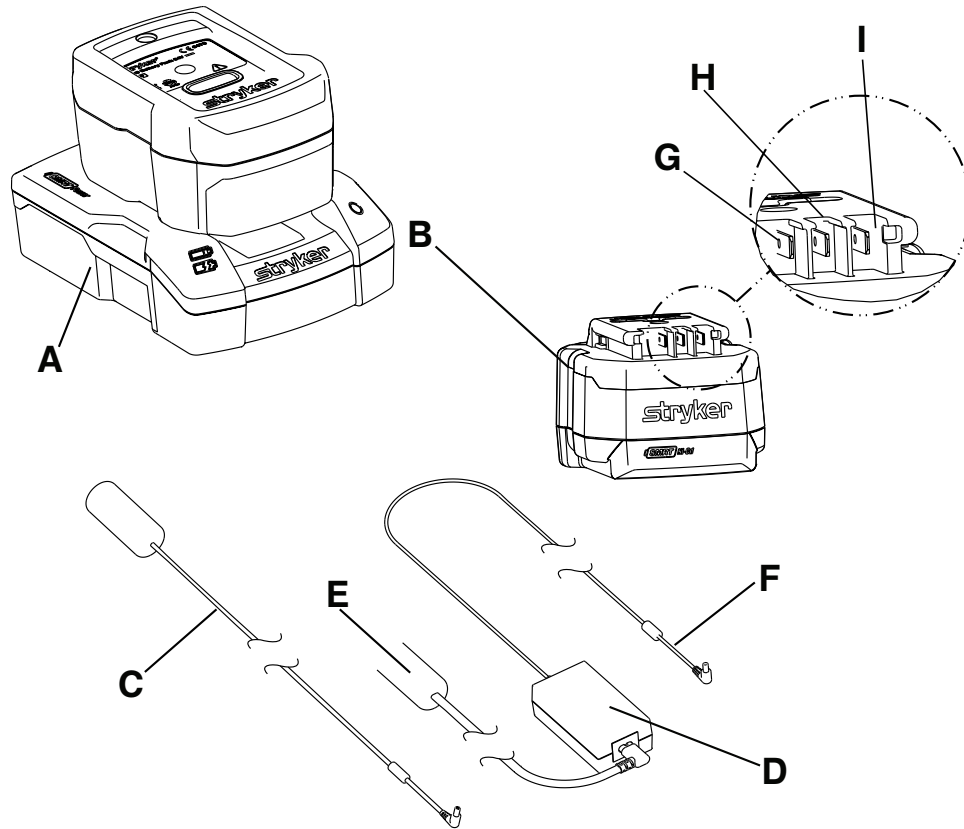
Tuotokuva - Power-PRO



Kuva 3 – Power-PRO TL

A	Sisäänvedettävä jalkakappale	I	Akku
B	Korkeuden säätökytkin	J	Sisäänvedettävä pääkappale
C	Pyörälukko	K	Selkänöjan säätökahva
D	Akku	L	Selkänöja
E	Lastauspyörät	M	Sivukaiteen vapautuskahva
F	Pyörän ohjauslukitus	N	Polvituki/säärituki
G	Hydrauliikkayksikkö	P	Työntötangot (valinnaisia)
H	Pääkappaleen vapautuskahva		

Tuotteen kuva - SMRT



Kuva 4 – SMRT-virtajärjestelmä

A	SMRT-laturi	F	Virtajohto
B	SMRT Pak -akku	G	Data
C	DC-kaapeli	H	Sähkövirta (-)
D	AC-virtalähde	I	Sähkövirta (+)
E	AC-virtajohto		

Yhteystiedot

Ota yhteys Strykerin asiakaspalveluun tai tekniseen tukeen, numero: 1 800 327 0770.

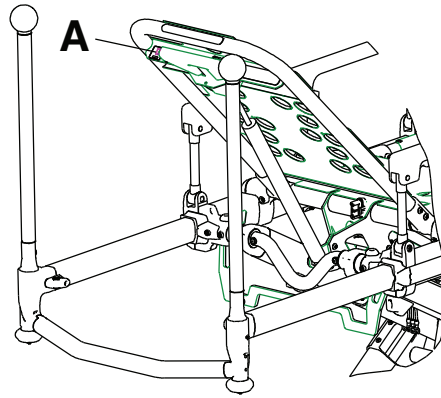
Stryker Medical
3800 E. Centre Avenue
Portage, MI 49002
USA

Huomautus - Käyttäjän ja/tai potilaan on ilmoitettava mahdollinen tuotteeseen liittyvä vakava onnettomuus sekä valmistajalle että sen Euroopan jäsenvaltion toimivaltaiselle viranomaiselle, jossa käyttäjä ja/tai potilas sijaitsee.

Voit nähdä online-käyttöoppaan tai -huolto-oppaan verkkosivustolla <https://techweb.stryker.com/>.

Pidä Stryker-tuotteen sarjanumero (A) saatavilla, kun soitat Strykerin asiakaspalveluun tai tekniseen tukeen. Mainitse sarjanumero kaikessa kirjallisessa yhteydenpidossa.

Sarjanumeron sijainti - Power-PRO



Kuva 5 – Sarjanumeron sijainti

Sarjanumeron sijainti - SRMT

SMRT-laturin sarjanumero on yksikön pohjassa. SMRT Pak -akun eränumero on SMRT Pak -akun yläosassa, punaisen vapautuspainikkeen yläpuolella.

Käyttöönotto

Pura laatikot ja tarkasta, että kaikki esineet toimivat kunnolla, kun otat tuotteen käyttöön. Varmista tuotteen toimivuus ennen sen käyttöönottoa.

Poista tuotteesta kaikki toimitus- ja pakkausmateriaalit ennen käyttöä.

Ajoneuvon potilasosastossa, jossa tuotetta käytetään, on oltava:

- tasainen lattia, joka on riittävän suuri kokoontaitettua tuotetta varten
- Strykerin paarien kiinnitysjärjestelmä

Huomautus - Irralliset esineet tai roskat potilasosaston lattialla voivat haitata tuotteen kiinnittimen toimintaa. Pidä potilasosaston lattia puhtaana.

Ota pakkauksesta **SMRT Pak** -akut ja **SMRT**-laturi. Lataa **SMRT Pak** -akku ennen käyttöä.

Tee ajoneuvoon tarvittaessa muutoksia, jotta ambulanssipaarit mahtuvat sinne. Älä muuta ambulanssipaireja.

Asennus

Ambulanssipaarien kiinnittimen asentaminen

Strykerin ambulanssipaarien kiinnitysjärjestelmät ovat yhteensopivia vain niiden ambulanssipaarien kanssa, jotka vastaavat asennuksen teknisiä tietoja.

VAROITUS

- Ambulanssipaarien kiinnittimen saa asentaa aina vain pätevä henkilökunta. Virheellinen asennus voi johtaa potilaan tai kantajan vammaan .
 - Varmista aina, että kaikki ambulanssipaarit täyttävät Strykerin ambulanssipaarien kiinnitysjärjestelmälle asettamat asennuksen tekniset tiedot.
 - Säädä aina kiskopuristinyksikkö ambulanssipaireja kiinni pitävän tapin sijaintiin nähden niin, että sijainti on yhteensopiva paarien valmistajan ja mallinumeron kanssa.
-

Nämä ohjeet on tarkoitettu ambulanssipaireille, joissa on sarvimalliset ambulanssipaarien kiinnitysjärjestelmät. Kun kyseessä ovat törmäystestistandardit täyttävät ambulanssipaarien kiinnittimet, katso asennusohjeet asianmukaisesta toimintakäsikirjasta.

Käyttö

Akun virran määrän tarkistaminen

Ambulanssipaarien akun LED-merkkivalo näyttää **SMRT Pak** -akun virran määrän. Ladattu **SMRT Pak**, joka on toimintakunnossa, antaa virtaa enintään 25 hälytykselle, joissa on 250 paunan (113 kg:n) painoinen potilas (varsinaiset tulokset voivat vaihdella). 24 VDC:n **Power-PRO** -järjestelmä ja **SMRT Pak** on luokiteltu antamaan 2,4 ampeerituntia sähköenergiaa.

VAROITUS - Älä poista akkua, kun ambulanssipaarit ovat käytössä.

HUOMIO - Lataa akku aina ennen tuotteen ottamista käyttöön. Lataamaton tai tyhjentyneet akku voi johtaa tuotteen huonoon toimivuuteen.

Tarkista akun virtamäärä painamalla ambulanssipaarien ohjauskytkimessä olevaa sisäänvetopainiketta (-), jolloin ambulanssipaarien LED-merkkivalo aktivoituu. Ambulanssipaarien akun LED-merkkivalo sijaitsee jalkopään säätimen kotelossa (näkyä akun symbolina).

- LED-valo on tasaisen vihreä, kun akku on täysin ladattu tai akussa on riittävästi virtaa.

Huomautus - Parhaat tulokset saadaan, kun **SMRT Pak** -akkua käytetään, kunnes paarien akun LED-merkkivalo vaihtuu tasaisen vihreästä vilkkuvan keltaiseksi.

- LED-valo vilkkuu keltaisena, kun akku on ladattava uudelleen tai vaihdettava.

Huomautus - Paarien akun LED-merkkivalon ei tarvitse vilkkua keltaisena ennen **SMRT Pak** -akun poistamista ja vaihtamista. Tätä pidetään kuitenkin parhaana käytäntönä. Voit poistaa **SMRT Pak** -akun ja ladata sen uudestaan milloin tahansa.

- LED-valo on tasaisen keltainen, jos akussa on vika.

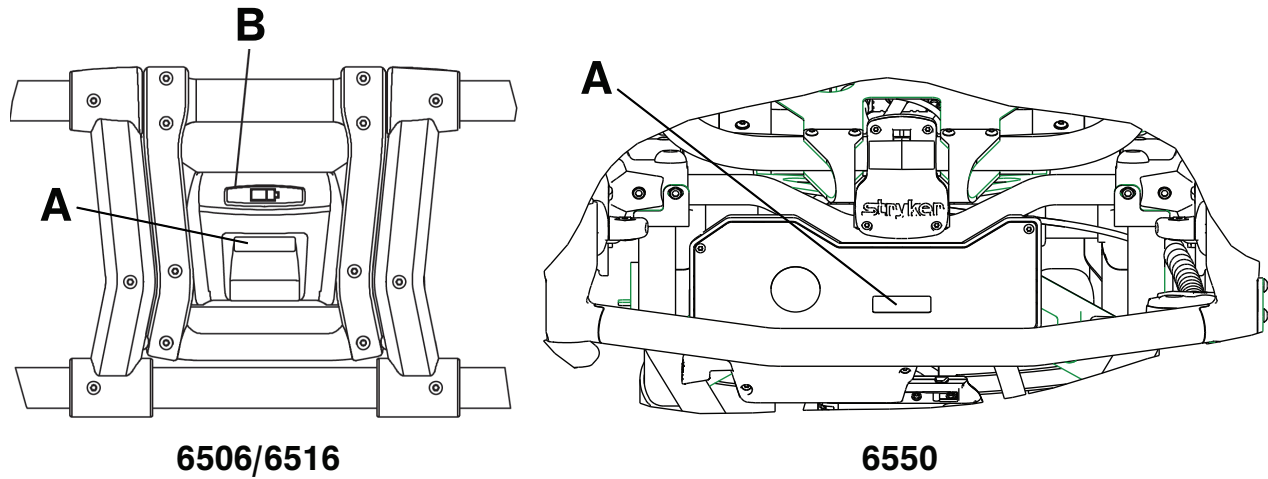
Huomautus

- Käytä vain Strykerin hyväksymiä akkuja.
- Jos sähkökäyttöinen paarien kiinnitin on varusteena, se lataa **SMRT Pak** -akun automaattisesti. Automaattinen lataus tapahtuu, kun ambulanssipaarit lukitaan sähkökäyttöiseen paarien kiinnittimeen (kaapelia tai liittimiä ei tarvita). Ambulanssipaarien akun LED-merkkivalo vilkkuu hetken vihreänä sen merkinä, että akku latautuu.
- Automaattinen lataaminen tapahtuu vain **SMRT Pak** -akuille.

Tuntimittarin ja virhenäytön tarkastaminen

Tuntimittari näyttää hydraulikan käytön tuntimäärän (HHH.H tunteja). Virhenäyttö antaa virhekooditietoja vianetsintää varten.

Käytä tuntimittaria (A) (Kuva 6) ehkäisevien huoltotoimenpiteiden tiheyden määrittämiseen. Käytä virhenäyttöä (A) vianetsintää varten. Virhenäyttö ohittaa tuntimittarinäytön virhetilanteessa.



Kuva 6 – Tuntimittarin (A), virhenäytön (A) ja akun tilan (B) tarkastaminen

Käyttösuositukset

VAROITUS

- Käytä tuotetta vain silloin, kun kaikki henkilöt ovat kaukana mekanismeista. Sotkeentuminen sähkökäyttöisen tuotteen mekanismeihin voi aiheuttaa vakavan vamman.
- Tarkasta aina **SMRT Pak** -akkujen eheys ennen jokaista käyttöä.
- Älä anna kouluttamattomien avustajien auttaa tuotteen käytössä.
- Aseta aina kädet oikein kädensijoihin. Pidä kaikki kädet etäällä punaisen turvatangon nivelistä lastatessasi ambulanssipaareja ajoneuvoon tai poistaessasi niitä ajoneuvosta tai muuttaessasi parien korkeutta.
- Älä istu ambulanssipaarien pohjan päällä.
- Älä kuljeta ambulanssipaareja sivuittain, jotta ne eivät kaadu. Kuljeta ambulanssipaarit aina alas lasketussa asennossa, pääpuoli tai jalkapuoli ensin, jotta kaatumisvaara on mahdollisimman vähäinen.
- Pidä aina kädet, sormet ja jalat etäällä liikkuvista osista. Ole varovainen, kun asetat kätesi ja jalkasi pohjan putkien lähelle kohottaessasi tai laskiessasi ambulanssipaareja.
- Asenna aina kiinnittimessä sijaitseva pysäytinjärjestelmä kaikkiin hälytysajoneuvoihin, joita käytetään näiden parien ja sarvimallisen parien kiinnittimen kanssa.
- Tarkkaile aina potilasta, kun parit eivät ole liikkeessä. Jos tuote kohotetaan tai lasketaan hydraulisesti, tämä voi tilapäisesti vaikuttaa potilaan sähköisiin seurantalaitteisiin.

HUOMIO - Poista aina ennen tuotteen käyttöä kaikki esteet, jotka voivat haitata käyttöä ja aiheuttaa vamman kantajalle tai potilaalle.

- Käytä tuotetta vain tässä käyttöoppaassa kuvatulla tavalla.
- Lue kaikki tuotteen merkinnät ja ohjeet ennen käyttöä.
- Harjoittele korkeusasentojen muuttamista ja ambulanssipaarien lastaamista, kunnes olet täysin perehtynyt tuotteen toimintaan.
- Tarkasta ennen ensimmäistä ja jokaista käyttöä, onko **SMRT Pak** -akun kotelossa ja napojen alueessa murtumia tai vaurioita.
- Jos potilas on ambulanssipaareilla, parien lastaamiseen ajoneuvoon tai niiden poistamiseen ajoneuvosta tarvitaan aina vähintään kaksi koulutettua kantajaa. Kahden kantajan on oltava läsnä, kun potilas on ambulanssipaareilla. Stryker suosittelee, että molemmat kantajat ovat jalkopäässä. Tämä vähentää yksittäiseen kantajaan kohdistuvaa kuormitusta. Yksi tai kaksi kantajaa voi nostaa ambulanssipaarien jalkopäästä.
- Älä säädä, vieritä tai lastaa ambulanssipaareja ajoneuvoon kertomatta tästä potilaalle. Pysyttele potilaan lähellä ja pidä tuote hallinnassasi kaikkina aikoina.

- Voit kuljettaa ambulanssipaarit missä asennossa tahansa. Stryker suosittelee, että kantajat kuljettavat potilaan alimmassa miellyttävässä asennossa, jotta ambulanssipareja voidaan ohjata helpommin.
- Käytä pyöräjarruja vain potilaan kuljetuksen aikana tai kun tuotteella ei ole potilasta.
- Älä käytä pyöräjarruja henkilön ollessa tuotteella tai siirtäessäsi tuotetta, jotta kaatumisen vaara vältetään.
- Käytä tarvittaessa asianmukaisesti koulutettuja avustajia ambulanssiparien hallintaan.

Oikeat nostomenetelmät

Kun nostat tuotteen ja kuljetettavan henkilön, noudata näitä asianmukaisia nostomenetelmiä loukkaantumisen riskin välttämiseksi:

- Kädet on pidettävä lähellä vartaloa.
- Selkä on pidettävä suorassa.
- Koordinoi kaikki liikkeet kumppanin kanssa
- Nosta jaloilla
- Vältä kiertoliikettä

Kuljetettavan henkilön siirtäminen ambulanssipareille

VAROITUS

- Käytä aina kaikkia kiinnityshihnoja, kun potilas kiinnitetään tuotteeseen. Jos potilasta ei ole kiinnitetty, hän voi pudota ja loukkaantua.
- Älä jätä potilasta ilman valvontaa. Pidä tuotteesta kiinni, kun potilas on sen päällä.
- Älä lukitse pyörää potilaan ollessa tuotteen päällä tai siirtäessäsi tuotetta, jotta kaatumisen vaara vältetään.
- Sivukaiteita ei saa käyttää potilaan kiinnittämiseen.

Kuljetettavan henkilön siirtäminen tuotteen päälle:

1. Vieritä tuote potilaan luo (*Paarien vieritys potilaan kanssa (sivulla 19)*).
2. Aseta tuote potilaan vierelle ja nosta tai laske tuotetta potilaan tasolle.
3. Laske sivukaiteet alas ja avaa kiinnityshihnat.
4. Siirrä potilas tuotteen päälle. Noudata hyväksytyjä ensihoitokäytäntöjä.
5. Kiinnitä potilas tuotteeseen kaikilla kiinnityshihnoilla.
6. Nosta sivukaiteet ja säädä selkänoja ja jalkatuki tarpeen mukaan.

Paarien vieritys potilaan kanssa

VAROITUS

- Siirrä paareja aina alimmassa asennossa paarien kaatumisen riskin alentamiseksi. Mikäli mahdollista, hanki lisäapua tai valitse vaihtoehtoinen reitti.
- Vältä aina korkeita esteitä, kuten reunakiveystä, portaita tai hankalaa maastoa, jotta tuote ei pääse kaatumaan.

To roll the cot with a patient:

1. Aseta yksi kantaja paarien jalkopäähän ja toinen pääpuolelle.
2. Varmista, että alusta on pystysuorassa, kun lähestyt oven kynnyksiä tai muita matalia esteitä.
3. Nosta kumpikin pyöräsarja oven kynnyksen tai esteen yli erikseen.

Paarien nostaminen tai laskeminen

Jos paareilla ei ole potilasta, yksi kantaja voi kohottaa tai laskea ne. Jos paareilla on potilas, niiden kohottamiseen tai laskemiseen tarvitaan vähintään kaksi koulutettua kantajaa (yksi paarien kummassakin päässä).

VAROITUS

- Pidä aina kädet, sormet ja jalat etäällä liikkuvista osista. Ole varovainen, kun asetat kätesi ja jalkasi pohjan putkien lähelle kohottaessasi tai laskiessasi ambulanssipaareja.
 - Aseta aina kädet oikein kädensijoihin. Pidä kaikki kädet etäällä punaisen turvatangon nivelistä lastatessasi ambulanssipaareja ajoneuvoon tai poistaessasi niitä ajoneuvosta tai muuttaessasi paarien korkeutta.
 - Paarien kohottamiseen tai laskemiseen tarvitaan aina kaksi kantajaa, kun paareilla on potilas.
-

Paarien kohottaminen tai laskeminen:

1. Kantaja 1 (jalkopää): Tartu paarien runkoon ja paina:

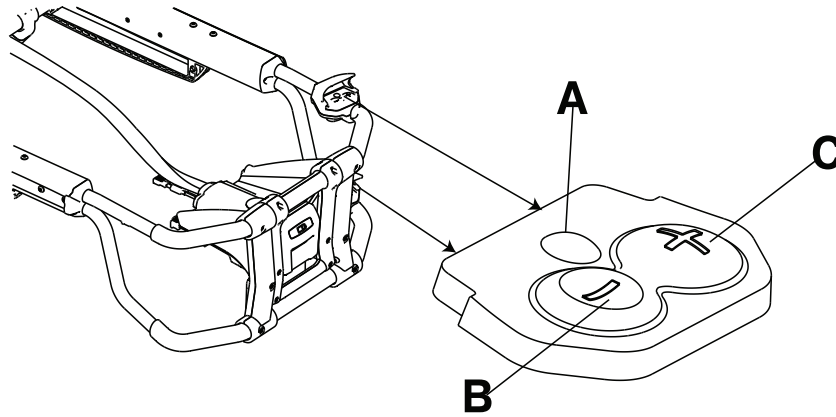
- Ojennuspainiketta (+) paarien kohottamiseksi haluttuun korkeuteen
- Sisäänvetopainiketta (-) paarien laskemiseksi haluttuun korkeuteen

2. Kantaja 2 (päänpuoleinen pää): Pidä tukevasti kiinni ulkokaiteesta, kunnes parit ovat halutussa korkeudessa.

Huomautus - Mikäli paarien ohjauskytkimen ojennuspainike (+) pysyy aktivoituna asetetun lastauskorkeuden saavuttamisen jälkeen, moottori pysyy seisahtuneena, kunnes kantaja vapauttaa painikkeen. Painikkeen vapauttamisen jälkeen paina ojennuspainiketta (+) uudelleen askeltaaksesi paarien korkeutta ylös.

Paarien nostaminen, laskeminen tai vapauttaminen sähkökäyttöisesti

Power-PRO-paareissa on kaksi identtistä paarien säätökytkintä. Paina kumman tahansa näistä kytkimistä painiketta ambulanssipaarien kohottamiseksi (tuomiseksi ulos), niiden laskemiseksi (viemiseksi sisään) tai ambulanssipaarien vapauttamiseksi **Power-LOAD**-yksiköstä (soveltuvissa tapauksissa) (Kuva 7).



Kuva 7 – Parien säätökytkimet

Viite	Nimi	Kuvaus
A	Vapauta	Paina avataksesi parien lukituksen (käytetään vain Power-LOAD -yksikön kanssa)
B	Sisäänveto (-)	Paina ja pidä painettuna laskeaksesi alustan tai vetääksesi sisään parien alavaunun
C	Ojennus (+)	Paina ja pidä painettuna nostaaksesi alustan tai ojentaaksesi parien alavaunun

Parien kohottaminen tai laskeminen käsikäyttöisesti manuaalisella ohituksella

Mikäli sähkökäyttöisyys menetetään, voit käyttää käsikäyttöistä ohitusta. Tämä sallii tuotteen manuaalisen käytön, kunnes sähkökäyttöiset toiminnot saadaan palautettua. Käytä punaista käsikäyttöistä varavapautuskahvaa parien kohottamiseen tai laskemiseen alas.

Käsikäyttöinen varavapautuskahva sijaitsee potilaan vasemmalla puolella alemmassa nostotangossa parien jalkopäässä.

Käsikäyttöisen varavapautuskahvan käyttö parien kohottamiseen tai laskemiseen alas:

1. Molemmat kantajat: Kohota paareja nostamis- tai laskemistoiminnan aikana tukeaksesi parien painoa molemmissa päissä.
2. Kantaja 1 (jalkopää):
 - a. Vedä käsikäyttöistä varavapautuskahvaa nostotankoa kohden.
 - b. Samalla kun vedät käsikäyttöistä varavapautuskahvaa, kohota tai laske parit haluttuun asentoon.
 - c. Vapauta painike, jolloin parit lukittuvat paikalleen.

Huomautus

- Molempien kantajien on nostettava parit pyöriltä pois käyttääkseen käsikäyttöistä ulos- tai sisäänvetoa, kun potilas on paareilla.
- Käsikäyttöisen varavapautuskahvan aktivointi voi aiheuttaa sen, että parit laskeutuvat hitaasti, jos paareilla on alle 23 kg:n (50 paunan) paino.
- Hydraulineeste muuttuu viskoosisemmaksi, kun paareja käytetään pitkään alhaisessa lämpötilassa. Kun käsikäyttöistä varavapautuskahvaa käytetään pohjan ulosvetämiseen, samalla kun paareja poistetaan ajoneuvosta kylmässä säässä, pitele käsikäyttöistä varavapautuskahvaa noin yhden sekunnin ajan sen jälkeen, kun parien pyörät koskettavat maata, jotta voit pitää alustan vajoamisen mahdollisimman vähäisenä, kun paareja poistetaan ajoneuvon potilasosastosta.

Lastauksen nopeuttaminen nopean sisäänvedon tilassa

Kun painat sisäänvetopainiketta (-), parit menevät nopean sisäänvedon tilaan, kun parien pyörät eivät tue parien ja potilaan painoa.

Nopean sisäänvedon tila nopeuttaa parien lastaamista ajoneuvoon. Alavaunu vetäytyy korkeinta asemaa kohti sen jälkeen, kun pyörät eivät enää tue parien ja potilaan painoa. Paina sisäänvetopainiketta (-) ohjainkytkimen käynnistämiseksi.

Ambulanssiparien lastaus parien kiinnittimeen

HUOMIO

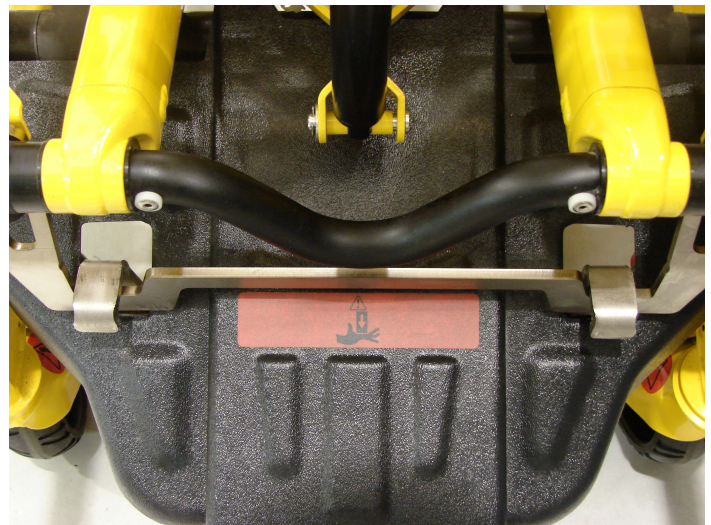
- Laske ambulanssiparit aina alimpaan asentoon sen varmistamiseksi, että parit kiinnittyvät niiden kiinnittimeen.
- Älä yritä muuttaa tuotteen korkeutta parien ollessa kiinni kiinnittimessä.

To load the cot to the cot fastener:

1. Paina ambulanssiparien poljinta ja laske parit alas. Laske parit alas painamalla sisäänvetopainiketta (-), kunnes tuote lakkaa liikkumasta alas.
2. Ohjaa parit sekä kiinnittimen pääpuoleen että jalkopäähän, kunnes parit lukittuvat paikalleen (Kuva 8).
3. Varmista, että parit ovat tiukasti kiinni sekä pääpuolella että jalkopäässä, ennen kuin päästät irti paareista (Kuva 9).



Kuva 8 – Ambulanssiparit kiinni kiinnittimessä sekä pääpuolesta että jalkopäästä

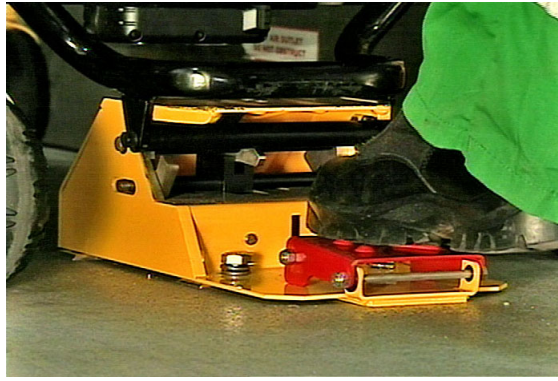


Kuva 9 – Kiinnitettyt parit

Parien irrottaminen parien kiinnittimestä

Parien irrottaminen parien kiinnittimestä:

1. Paina jalkapoljinta (Kuva 10).
2. Vieritä parit ulos ajoneuvon potilasosastosta.



Kuva 10 – Paina jalkapoljinta

Paarien lastaaminen nostolavan avulla

Jos potilas on paareilla, paarien lastaamiseen tarvitaan aina vähintään kaksi koulutettua kantajaa. Kahden kantajan on oltava läsnä, kun potilas on ambulanssipaareilla. Kantajien täytyy pystyä nostamaan potilaan, paarien ja paareilla olevien tavaroiden kokonaispaino.

VAROITUS

- Varmista aina, että parit eivät voi vieriä takaisinpäin lavalta pois, ennen kuin käytät nostolavaa paarien ja potilaan kanssa. Varmista, että nostolavan portin pysäytin on huollettu ja toimintakunnossa.
- Aseta aina kädet oikein kädensijoihin. Pidä kaikki kädet etäällä punaisen turvatangon nivelistä lastatessasi ambulanssipaareja ajoneuvon tai poistaessasi niitä ajoneuvosta tai muuttaessasi paarien korkeutta.

HUOMIO

- Laske ambulanssipaarit aina alimpaan asentoon sen varmistamiseksi, että parit kiinnittyvät niiden kiinnittimeen.
- Älä yritä muuttaa tuotteen korkeutta paarien ollessa kiinni kiinnittimessä.

Paarien lastaaminen:

1. Paina sisäänvetopainiketta (-), jolloin parit siirtyvät alimpaan asentoonsa ja ovat vakaampia.
2. Työnnä paareja eteenpäin nostolavan päälle, pääpuoli edellä (Kuva 11). Varmista, että pyörät ovat oikeassa kohdassa nostolavassa, jotta turvapysäytin pääsee pyörähtämään paikalleen ja estää paarien vierimisen taaksepäin.
3. Ennen nostolavan nostamista ylös varmista, että paarien ja ambulanssin peräosan välillä on riittävästi tilaa. Varmista, ettei paareista roiku mitään.
4. Samalla kun toinen kantaja nostaa nostolavaa, toisen kantajan on pidettävä lujasti kiinni paarien rungosta sen vakauttamiseksi.
5. Molempien kantajien on ohjattava parit ajoneuvon potilasosastoon ja ajoneuvossa olevaan paarien kiinnittimeen (ei sisällä toimitukseen)(Kuva 12).



Kuva 11 – Parit nostolavan päällä



Kuva 12 – Molemmat kantajat ohjaavat parit ajoneuvon potilasosastoon

Paarien poistaminen ajoneuvosta nostolavan avulla

VAROITUS

- Varmista aina, että parit eivät voi vieriä takaisinpäin lavalta pois, ennen kuin käytät nostolavaa paarien ja potilaan kanssa. Varmista, että nostolavan portin pysäytin on huollettu ja toimintakunnossa.
- Aseta aina kädet oikein kädensijoihin. Pidä kaikki kädet etäällä punaisen turvatangon nivelistä lastatessasi ambulanssipareja ajoneuvoon tai poistaessasi niitä ajoneuvosta tai muuttaessasi paarien korkeutta.

HUOMIO

- Laske ambulanssiparit aina alimpaan asentoon sen varmistamiseksi, että parit kiinnittyvät niiden kiinnittimeen.
- Älä yritä muuttaa tuotteen korkeutta paarien ollessa kiinni kiinnittimessä.

Paarien poistaminen ajoneuvosta:

1. Varmista, että nostolavan portin pysäytin on paikallaan ja estää paareja vierimästä pois nostolavalta.
2. Nosta nostolava ajoneuvon potilasosaston lattian tasalle.
3. Irrota parit ajoneuvon paarien kiinnittimestä.
4. Molempien kantajien on tartuttava paarien runkoon ja vieritettävä parit nostolavalle. Poista parit ajoneuvon potilasosastosta ja varmista, että paarien pyörät ovat oikeassa asennossa, niin että nostolava pääsee laskeutumaan vapaasti.
5. Laske nostolava maan tasalle. Varmista, että nostolava laskeutuu kokonaan ja pysähtyy, ennen kuin poistat nostolavan portin pysäyttimen ja sallit paarien vierittämisen nostolavalta.

Paarien lastaaminen luiskaa pitkin

Jos potilas on paareilla, paarien lastaamiseen tarvitaan aina vähintään kaksi koulutettua kantajaa. Kahden kantajan on oltava läsnä, kun potilas on ambulanssipareilla. Kantajien täytyy pystyä nostamaan potilaan, paarien ja paareilla olevien tavaroiden kokonaispaino.

VAROITUS - Aseta aina kädet oikein kädensijoihin. Pidä kaikki kädet etäällä punaisen turvatangon nivelistä lastatessasi ambulanssipareja ajoneuvoon tai poistaessasi niitä ajoneuvosta tai muuttaessasi paarien korkeutta.

HUOMIO

- Laske ambulanssiparit aina alimpaan asentoon sen varmistamiseksi, että parit kiinnittyvät niiden kiinnittimeen.

- Älä yritä muuttaa tuotteen korkeutta paarien ollessa kiinni kiinnittimessä.

Paarien lastaaminen:

1. Varmista, että potilas on aina turvallisesti paareilla.
2. Ennen paarien työntämistä luiskaa ylös paina sisäänvetopainiketta (-), jolloin paarit siirtyvät alimpaan asentoonsa ja ovat vakaampia (Kuva 13). Varmista, ettei paareista roiku mitään.
3. Molempien kantajien on työnnettävä tai vedettävä paareja ylös luiskaa pitkin valinnaisia työntötankoja käyttäen, pääpuoli edellä (Kuva 14). Molempien kantajien on ohjattava paareja luuskan keskiosaa pitkin ylöspäin.
4. Molempien kantajien on ohjattava paarit ajoneuvon potilasosastoon ja kytkettävä paarit ajoneuvossa olevaan paarien kiinnittimeen (ei sisälly toimitukseen).



Kuva 13 – Paarit alimmassa asennossaan

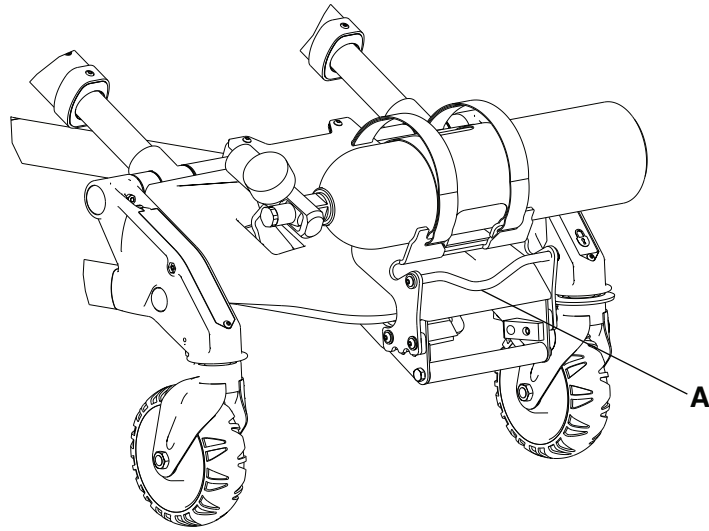


Kuva 14 – Ohjaa paarit luiskan keskiosaa pitkin ylös

Paarien lastaaminen ja ajoneuvosta poistaminen valinnaisen happipullotelineen kanssa

Paarien lastaaminen ja ajoneuvosta poistaminen valinnaisen happipullotelineen kanssa:

1. Kiinnitä vinsrikaapeli vinssin kiinnitystankoon (A) (Kuva 15).
2. Varmista, että luiska on ainakin 2,6 m pitkä (8,5 jalkaa).
3. Varmista, että luiska kestää paarien, potilaan ja laitteiden painon.



Kuva 15 – Vinssin kiinnitystanko

Huomautus - Paarien ollessa alimmassa asennossaan voit käyttää valinnaista happipullotelinettä enintään 318 kg:n (700 paunan) painoisten potilaiden lastaamiseen.

Kantajien ja avustajien sijainti

VAROITUS - Pidä aina kädet etäällä punaisen turvatangon nivelistä lastatessasi paareja ajoneuvoon tai poistaessasi niitä ajoneuvosta tai muuttaessasi paarien korkeutta.

	Kerroksesta toiseen siirtyminen	Vierittäminen
Kaksi kantajaa (O) Kaksi avustajaa (H)		
Kaksi kantajaa (O) Neljä avustajaa (H)		

Selkänöjan nostaminen tai laskeminen

Selkänöja nostetaan puristamalla selkänöjan säätökahvaa, kunnes selkänöja on saavuttanut halutun korkeuden.

Selkänöja lasketaan puristamalla selkänöjan säätökahvaa, samalla kun selkänöja työnnetään alas haluttuun korkeuteen.

Sivukaiteiden nostaminen tai laskeminen

Laske aina sivukaiteet, kun siirrät potilaan paareille tai paareilta.

VAROITUS - Sivukaiteita ei saa käyttää potilaan kiinnittämiseen.

Sivukaiteet nostetaan nostamalla sivukaidetta ylös, kunnes lukko napsahtaa ja sivukaide lukittuu paikoilleen. Pidä sivukaiteet aina nostetussa asennossa, ellet ole kuljettamassa potilasta.

Sivukaiteet lasketaan puristamalla sivukaiteen vapautuskahvasta sivukaiteen lukon vapauttamiseksi. Ohjaa sivukaide alas jalkopäätä kohden, kunnes sivukaide on alhaalla. Laske aina sivukaiteet, kun siirrät potilaan paareille tai paareilta.

Sivukaiteiden nostaminen tai laskeminen (XPS-vaihtoehto)

Voit tilata parisi laajennettavan potilaspinnan kanssa (XPS-vaihtoehto) tai päivittää paarejasi lisäten XPS-vaihtoehdon.

VAROITUS - Sivukaiteita ei saa käyttää potilaan kiinnittämiseen.

HUOMIO

- Älä istu tai seiso sivukaiteilla (XPS-vaihtoehto).
- Älä käytä sivukaiteita (XPS-vaihtoehto) potilaan kuljetuslaitteena tai -pintana (esimerkiksi potilaan liu'uttamiseksi paareilta toiselle pinnalle).
- Älä aseta potilaiden koko painoa sivukaiteille (XPS-vaihtoehto).
- Älä käytä sivukaiteita (XPS-vaihtoehto) työntö-/vetolaitteena tai tuotteen ohjaamiseen.

Sivukaiteet (XPS-vaihtoehto) kiinnittyvät paareihin ja ovat aina käytettävissäsi. Sivukaiteita (XPS-vaihtoehto) säädetään potilaan koon mukaan ja ne lukittuvat seitsemään asentoon. Sivukaiteita voidaan myös säätää, jotta ne mahtuvat tavanomaisten oviaukkojen tai hissien läpi.

Sivukaiteet nostetaan nostamalla sivukaidetta, kunnes se lukittuu haluttuun asentoon.

Sivukaiteet lasketaan nostamalla sivukaidetta painon poistamiseksi, sitten vedetään punaisesta vivusta. Laske aina sivukaiteet, kun siirrät potilaan paareille tai paareilta.

XPS-vaihtoehto ei ole ensisijainen potilaan tukipinta. Se sisältää leveämmän patjan ja se on tarkoitettu potilaan mukavuuden lisäämistä varten.

Sisäänvedettävän pääkappaleen tai jalkakappaleen pidentäminen

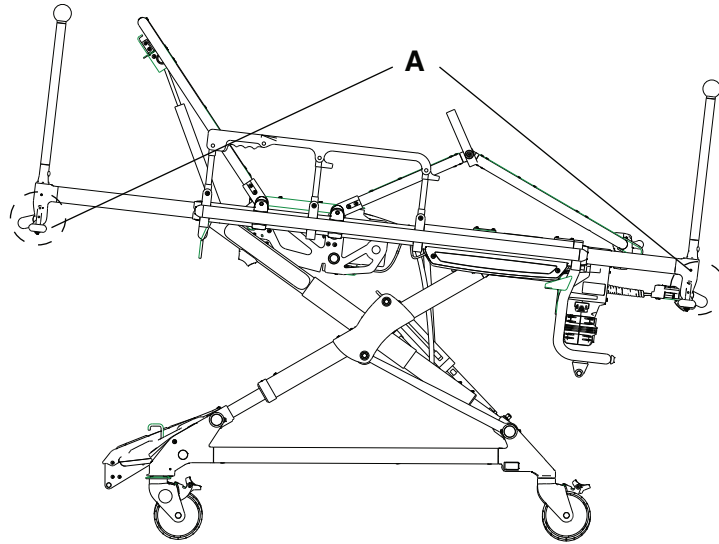
Pääkappale voidaan vetää pidennetystä asennosta sisäänvedettyyn asentoon alustan rungon sisällä.

VAROITUS

- Lukitse pääkappale aina paikalleen ennen ambulanssipaarien käyttöä.
 - Ambulanssipaareja ei saa yrittää lastata ajoneuvon potilasosastoon pääkappale sisäänvedettynä. Jos ambulanssipaarit lastataan pääkappale sisäänvedettynä, tuote voi kaatua tai se ei kytkeydy ajoneuvon parinkiinnittimeen.
-

Pääkappaleen tai jalkakappaleen pidentäminen:

1. Purista punaisia vapautusvipuja (A) rungon molemmin puolin vetäessäsi pää- tai jalkakappaletta ulos sisäänvedetystä asennostaan (Kuva 16).
2. Varmista, että pääkappale tai jalkakappale lukittuu paikalleen.



Kuva 16 – Pidennä pääkappale tai jalkakappale

Sisäänvedettävän pääkappaleen tai jalkakappaleen sisäänvetäminen

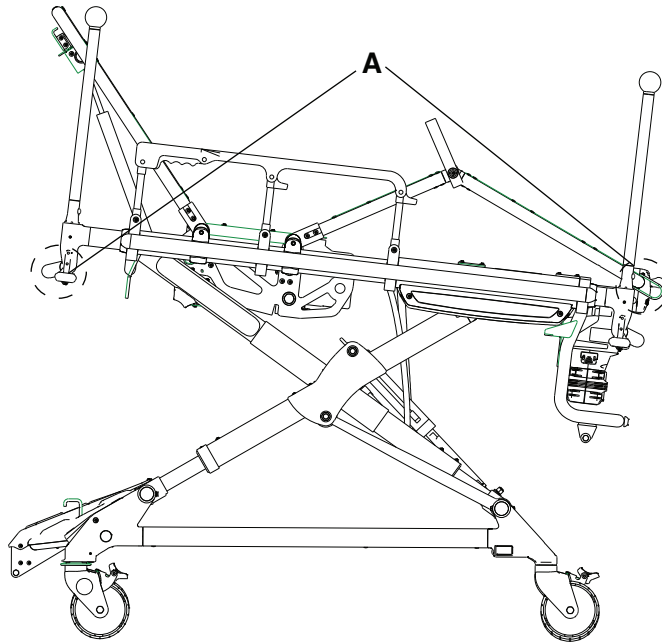
Pääkappale voidaan vetää pidennetystä asennosta sisäänvedettyyn asentoon alustan rungon sisällä.

VAROITUS

- Lukitse pääkappale aina paikalleen ennen ambulanssipaarien käyttöä.
 - Ambulanssipaareja ei saa yrittää lastata ajoneuvon potilasosastoon pääkappale sisäänvedettynä. Jos ambulanssipaarit lastataan pääkappale sisäänvedettynä, tuote voi kaatua tai se ei kytkeydy ajoneuvon parinkiinnittimeen.
-

Pääkappaleen tai jalkakappaleen sisäänvetäminen:

1. Purista punaisia vapautusvipuja (A) rungon molemmin puolin työntäessäsi pää- tai jalkakappaletta pois ojennetusta asennostaan (Kuva 17).
2. Varmista, että pääkappale tai jalkakappale lukittuu paikalleen.



Kuva 17 – Vedä sisään pääkappale tai jalkakappale

Lisävarusteena saatavan polvituen nostaminen ja laskeminen

Polvituen nostaminen:

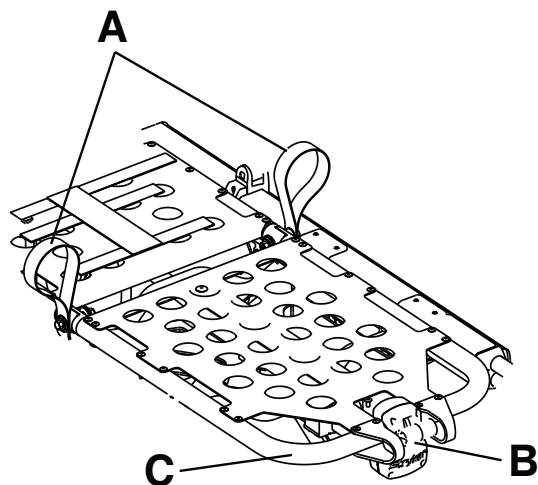
1. Nosta kumpaa tahansa punaista nostosilmukkaa (A), kunnes polvituki on korkeimmassa asennossa (Kuva 18).
2. Laske polvituki alas kiinnittääksesi kannattimen lukitusmekanismiin.
3. Varmista, että lukitusmekanismi on turvallisesti kiinni, ennen kuin vapautat nostosilmukan.

Polvituki lasketaan nostamalla jompaa kumpaa punaista nostosilmukkaa (A) lukitusmekanismin puristuksen vapauttamiseksi. Samalla kun pidät silmukasta kiinni, paina jalkatuen punaista vapautuskahvaa (B), kunnes kannatin irtautuu. Laske polvitukea, kunnes se on vaakatasossa.

Polvituen kohottamiseksi kaltevassa asennossa kohota jalkatuen runkoa (C) mahdollisimman korkealle, kunnes runko lukittuu paikalleen. Kannatin kiinnittää rungon automaattisesti paikalleen, kun vapautat sen.

Polvituen alentamiseksi kaltevassa asennossa kohota jalkatuen runkoa (C) ja samalla, kun pidät kiinni rungosta, nosta ylös punaista jalkatuen vapautuskahvaa (B), kunnes runko vapauttaa kannattimen. Laske jalkatukea, kunnes se on vaakatasossa.

Huomautus - Valinnainen jalkopään happipulloteline (6500-240-000) ei ole yhteensopiva valinnaisen polvituen (6500-082-000) kanssa.



Kuva 18 – Polvituki

Pyöräjarrujen käyttäminen tai vapauttaminen

VAROITUS

- Älä lukitse pyörää potilaan ollessa tuotteen päällä tai siirtäessäsi tuotetta, jotta kaatumisen vaara vältetään.
- Älä asenna tai käytä pyöräjarruja tuotteeseen, jossa on kuluneet pyörät, jotka ovat läpimitaltaan alle 6 tuumaa.
- Älä jätä potilasta tai kuljetettavaa henkilöä ilman valvontaa. Pidä tuotteesta kiinni, kun potilas tai kuljetettava henkilö on sen päällä.

Pyöräjarrut saadaan käyttöön painamalla poljinta, kunnes se pysähtyy ja lepää pyörän pintaa vasten.

Pyöräjarrut saadaan pois käytöstä painamalla polkimen yläosaa jalalla tai nostamalla poljinta varpaalla. Polkimen yläosa on rullapyörän runkoa vasten pyörälukon vapautuessa.

Huomautus - Pyöräjarrut estävät tuotetta vierimästä sen ollessa ilman valvontaa. Pyörälukot eivät mahdollisesti pidä tarpeeksi hyvin kaikilla pinnoilla tai kuormitettuna.

Valinnaisen Steer-Lock-ohjauslukituksen käyttö ja vapautus

Ota Steer-Lock-ohjauslukitus käyttöön seuraavasti:

1. Paina ambulanssipaarien jalkopään puolelta polkimen punaista (lukitus) sivua tai paina ambulanssipaarien pääpuolelta kumpaa tahansa punaista poljinta.
2. Kierrä paareja, kunnes ainakin yksi pääpuolen rullapyöristä lukkiutuu.

Vapauta Steer-Lock-ohjauslukitus seuraavasti:

- Paina ambulanssipaarien jalkopään puolelta polkimen vihreää (lukituksen avaus) sivua tai nosta pääpuolelta kumpaa tahansa punaista poljinta.

Potilaan kiinnittäminen kiinnityshihnoilla

VAROITUS

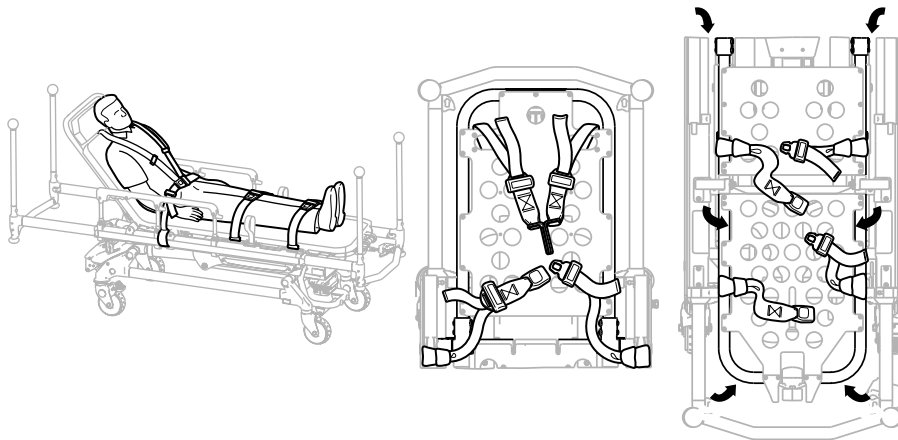
- Käytä aina kaikkia kiinnityshihnoja potilaan kiinnittämiseksi ambulanssipareihin. Kiinnittämätön potilas saattaa pudota pareilta.
- Kiinnityshihnoja ei saa kiinnittää ala- tai poikkiputkiin.

HUOMIO - Varo sotkemasta kiinnityshihnoja perusrunkoon, kun kohotat tai lasket pareja.

Huomautus - Kiinnityshihnat ovat tyypin BF liityntäosa.

Kiinnitä kiinnityshihnat ambulanssipareihin tarvittavista kiinnityskohdista (Kuva 19). Kiinnityshihnan kiinnityskohdissa on oltava luja ankkurointikohta ja oikea estoasento. Kiinnityshihnojen ei saa antaa häiritä laitteistoa tai lisävarusteita. Kiinnitä kiinnityshihnat soljella potilaan olkapäiden, vyötärön ja jalkojen yli. Kiinnitä kiinnityshihnat soljella, kun ambulanssiparit eivät ole käytössä.

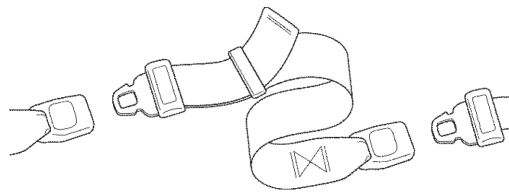
Kiinnitä potilaan kiinnityshihnat parien alustan runkoon viemällä kunkin hihnan silmukkapää alustan rungon läpi jokaisessa osoitetussa kohdassa (Kuva 19) ja vie sitten solki tai kieli takaisin hihnan silmukkapään läpi. Nuolet osoittavat vaihtoehtoiset kiinnityskohdat.



Kuva 19 – Kiinnityshihnojen kiinnityskohdat

Kiinnityshihnan jatkeen lisääminen

Lisää kiinnityshihnan jatke (6082-160-050) hihnan pidentämiseksi, kun kiinnität vyöhihnan isokokoisempien potilaiden ympärille.



Kuva 20 – Kiinnityshihnan jatke

Potilaan kiinnittäminen X-/XPR-kiinnityshihnoilla

Kiinnitä kiinnityshihnat pareihin vaadituissa kiinnityskohdissa: olkapäät, vyötärö, reidet ja nilkat.

VAROITUS

- Käytä aina kaikkia kiinnityshihnoja potilaan kiinnittämiseksi ambulanssipareihin. Kiinnittämätön potilas saattaa pudota pareilta.

- Kiinnityshihnoja ei saa kiinnittää ala- tai poikkiputkiin.

HUOMIO - Varo sotkemasta kiinnityshihnoja perusrunkoon, kun kohotat tai lasket paareja.

Huomautus

- X-/XPR-kiinnityshihnat (6500-001-430/650600030010) ovat yhteensopivia vain leveämmän polvitukipatjan kanssa (6500-003-130/6506-003-130).
- Kiinnityshihnat ovat tyyppin BF liityntäosa.

Kiinnityshihnan kiinnityskohdissa on oltava luja ankkurointikohta ja oikea estoasento (Kuva 21). Kiinnityshihnojen ei saa antaa häiritä laitteistoa tai lisävarusteita. Kiinnitä kiinnityshihnat soljella olkapäiden, vyötärön, reisien ja nilkkojen yli. Kiinnitä kaikki kiinnityshihnat soljella, kun ambulanssipaarit eivät ole käytössä.

1. Olkapäiden X-/XPR-kiinnityshihnojen kiinnittäminen (sivulla 32)
2. Vyötärön X-/XPR-kiinnityshihnojen kiinnittäminen (sivulla 33)
3. Reisien X-/XPR-kiinnityshihnojen kiinnittäminen (sivulla 33)
4. Nilkkojen X-/XPR-kiinnityshihnojen kiinnittäminen (sivulla 33)



Kuva 21 – Kiinnityshihnojen kiinnityskohdat

Olkapäiden X-/XPR-kiinnityshihnojen kiinnittäminen

Olkapäiden X-/XPR-kiinnityshihnojen kiinnittäminen:

1. Kiedo kiinnityshihna ambulanssipaarien rungon ympäri.
2. Vedä kiinnityshihnan solki silmukan läpi, kohti paarien pääpuolta.
3. Syötä solki XPS-järjestelmän ali.
4. Mallin 6506 **Power-PRO XT** -ambulanssipaarit ja mallin 6086 **Performance-PRO XT** -ambulanssipaarit: vedä kiinnityshihna kireälle ja selkänöjan takaosaa kohti.
5. Mallin 6550 **Power-PRO TL** -ambulanssipaarit: vedä kiinnityshihna poikkiputken alta ja selkänöjan takaosaa kohti.
6. Syötä solki selkänöjan aukon läpi.
7. Kytke potilaan oikean olkapääsolki potilaan vasempaan vyötärösolkeen.
8. Kiristä kiinnityshihnaa niin, ettei silmukkaan jää löysää osaa.



Kuva 22 – Olkapään kiinnityshihnat

Vyötärön X-/XPR-kiinnityshihnojen kiinnittäminen

Vyötärön X-/XPR-kiinnityshihnojen kiinnittäminen:

1. Kiedo kiinnityshihna ambulanssipaarien rungon ympäri.
2. Vedä kiinnityshihnan soljet silmukan läpi, kohti paarien pääpuolta.
3. Syötä solki XPS-järjestelmän ali.
4. Vedä soljet kireälle. Toisen kiinnityshihnan pitäisi olla kohti pääpuolta ja toisen pitäisi olla kohtisuoraan paarien poikki.
5. Kytke potilaan oikea solki potilaan vasempaan solkeen.
6. Kiristä kiinnityshihnaa niin, ettei silmukkaan jää löysää osaa.



Kuva 23 – Vyötärökiinnittimet

Reisien X-/XPR-kiinnityshihnojen kiinnittäminen

Reisien X-/XPR-kiinnityshihnojen kiinnittäminen:

1. Kiedo kiinnityshihna ambulanssipaarien alustan ympäri.
2. Vedä kiinnityshihnan solki silmukan läpi, kohti paarien pääpuolta.
3. Vedä kiinnityshihna kireälle.
4. Kytke potilaan oikea solki potilaan vasempaan solkeen.
5. Kiristä kiinnityshihnaa niin, ettei silmukkaan jää löysää osaa.



Kuva 24 – Reisien kiinnityshihnat

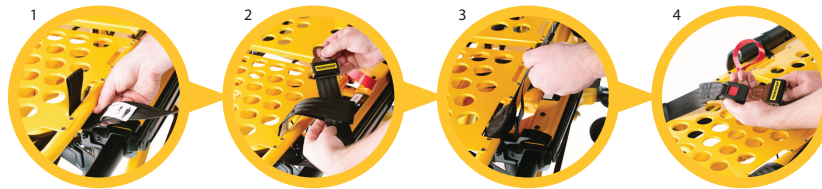
Nilkkojen X-/XPR-kiinnityshihnojen kiinnittäminen

Vain mallin 6506 **Power-PRO XT** -ambulanssipaareille, mallin 6086 **Performance-PRO XT**- ja mallin 6550 **Power-PRO TL** -ambulanssipaareille, jotka on rakennettu tai päivitetty 3. heinäkuuta 2015 jälkeen polvitukivaihtoehdolla tai millä tahansa Trendelenburg-asentovaihtoehdolla.

Nilkkojen X-/XPR-kiinnityshihnojen kiinnittäminen:

1. Kiedo kiinnityshihna ambulanssipaarien rungon ympäri. Kiedo molempien jalkopään nostotankojen ympäri.

2. Vedä kiinnityshihnan solki silmukan läpi, kohti parien pääpuolta.
3. Vedä solki kireälle.
4. Kytke potilaan oikea solki potilaan vasempaan solkeen.
5. Kiristä kiinnityshihnaa niin, ettei silmukkaan jää löysää osaa.



Kuva 25 – Nilkan kiinnityshihnat

Potilaan kiinnittäminen pikkulapsen Pedi-Mate®-kiinnitysjärjestelmällä

VAROITUS - Sijoita aina solki poispäin esteistä tai parin lisävarusteista, jotta pikkulapsen Pedi-Mate®-kiinnitysjärjestelmä ei pääse vapautumaan vahingossa ja pikkulapsi ei loukkaantuisi.

Potilaan kiinnittäminen pikkulapsen Pedi-Mate®-kiinnitysjärjestelmällä:

1. Poista kaikki kiinnittimet paareilta.
2. Kohota parien selkänöjä täysin pystyasentoon.
3. Aseta Pedi-Mate®-patja litteäksi parien selkänöjaa vasten niin, että mustat selkänöjan hihnat ovat ulospäin.
4. Kierrä mustat selkänöjan hihnat selkänöjan ympärille ja vie hihnojen päät kannattimien läpi.
5. Kiinnitä solki.
6. Kiristä säädettävän selkänöjan hihna hihnan päästä vetämällä.
7. Työnnä päärunгон hihnat tuotteen rungon ja patjan väliin.
8. Työnnä solki alustan poikkituen taakse ja tuo se ylös alustan poikkituen eteen.
9. Kiinnitä solki alustan poikkituen ympäri. Jätä hihnaan löysää viimeistä säätöä varten.
10. Kiristä kaikki hihnat.

Huomautus - Lisätietoja pikkulapsen Pedi-Mate®-kiinnitysjärjestelmästä saa valmistajan toimittamista käyttö-, toiminta- ja hoito-ohjeista. Pikkulapsen Pedi-Mate®-kiinnitysjärjestelmän turvallinen ja oikea käyttö on käyttäjän vastuulla. Luo menetelmät ja menettelytavat, joiden avulla henkilökuntaa voidaan opettaa ja perehdyttää tämän tuotteen turvalliseen käyttöön ja kunnossapitoon. Nämä ovat vain yleisohjeita. Säilytä nämä ohjeet myöhempää käyttöä varten. Näitä ohjeita on pidettävä tuotteen pysyvänä osana, ja niiden on pysyttävä tuotteen mukana jopa silloin, jos tuote myöhemmin myydään.

Pedi-Mate® on Ferno-Washington, Inc. -yhtiön rekisteröity tavaramerkki.

Defibrillaattorin alustan kiinnittäminen

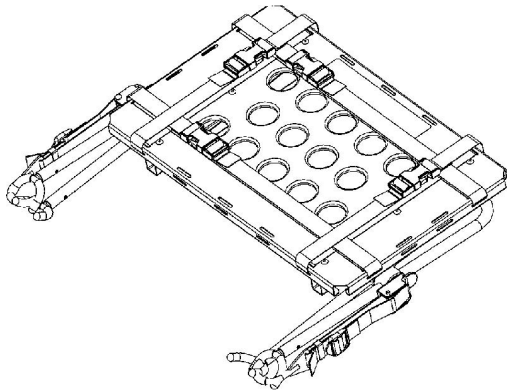
VAROITUS - Niihin 6086-mallin Performance-PRO XT -paareihin, joissa on valinnainen Power-LOAD-ominaisuus, ei saa kiinnittää defibrillaattorin alustaa, jotta ambulanssiparien kaatumisriskiltä välttyttäisiin.

HUOMIO

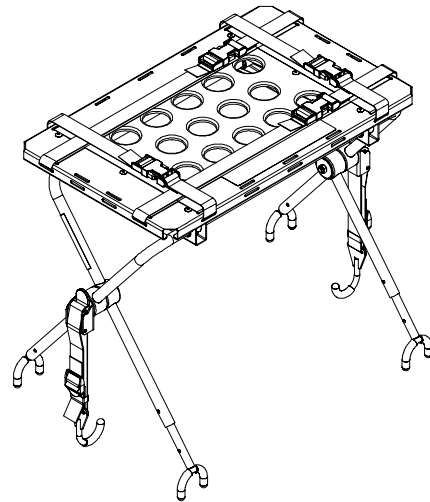
- Kiinnitä defibrillaattorialusta aina tuotteeseen käyttäessäsi defibrillaattorialustaa.
- Kiinnitä defibrillaattori aina käyttämällä ja säätämällä niitä hihnoja, jotka toimitetaan defibrillaattorialustan mukana.
- Muuta aina kiinnityskohtaa tai säädä hihnat defibrillaattorisi koon tai muodon mukaisesti.
- Älä kuormita defibrillaattorialustaa turvallisen työkuorman yli (30 paunaa (13,6 kg)).

Defibrillaattorialusta kiinnitetään seuraavasti:

1. Aseta defibrillaattorialusta säilytysasentoon (Kuva 26).
2. Avaa ja vedä ulos defibrillaattorialustan jalat (Kuva 27).

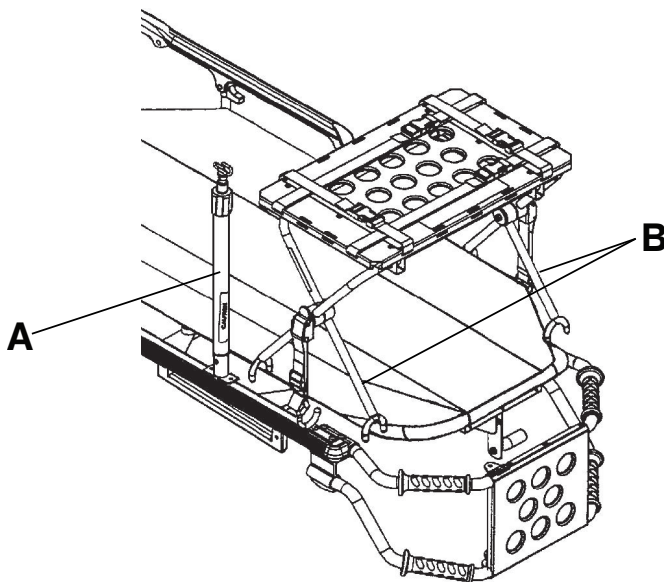


Kuva 26 – Säilytysasento

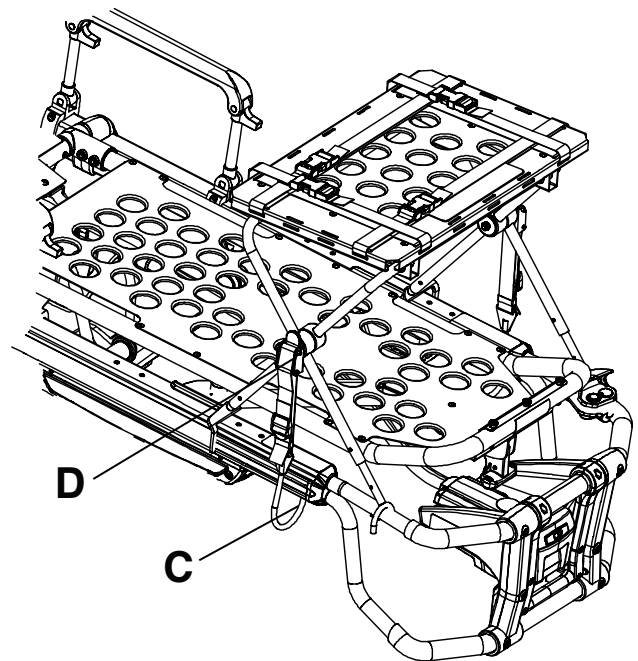


Kuva 27 – Avaa defibrillaattorialustan jalat

3. Jos tuotteessa on tippateline, nosta tippateline (A) yläasentoon (Kuva 28).
4. Aseta defibrillaattorialusta tuotteen runkoon.
5. Aseta defibrillaattorialustan sisäjalat (B) tuotteen pääpuolta kohti (Kuva 28).
6. Aseta kieli (C) alustan rungon tai jalkopään kiinnittimen alle ja työnnä kielekettä (D) ylöspäin, kunnes se lukittuu paikalleen yhdelle puolelle napsahtaen (Kuva 29). Toista toisella puolella. Jos kyseessä on **Power-LOAD**-yhteensopivat parit, hihnat on pidennettävä ja kiinnitettävä jalkopään kiinnittimellä (Kuva 30).



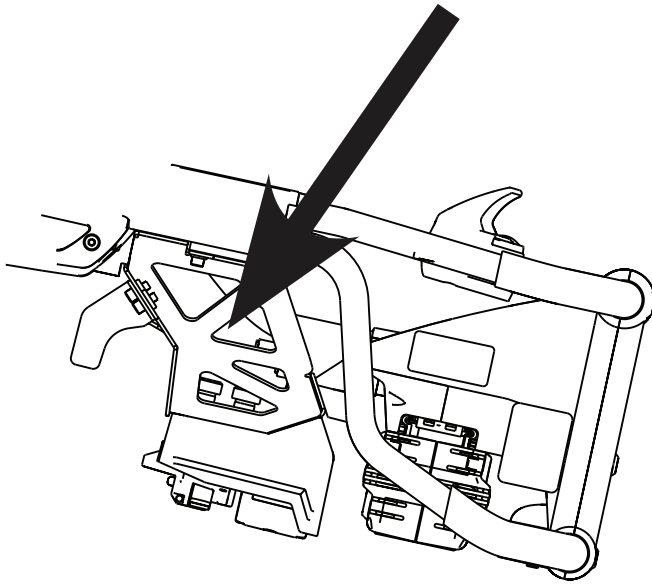
Kuva 28 – Kohota tippatelinettä ja aseta defibrillaattorialusta (kuvassa on 6506-malli)



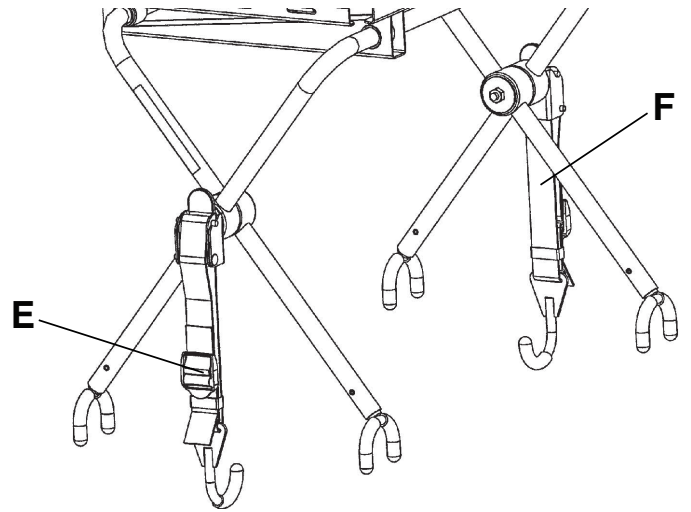
Kuva 29 – Kielen asetus (kuvassa 6506-malli)

7. Varmista, että defibrillaattorialusta on kiinni tuotteessa.

8. Aseta defibrillaattori defibrillaattorialustalle.
9. Kiinnitä hihnat (E) pitääksesi defibrillaattorin defibrillaattorialustalla (Kuva 31).



Kuva 30 – Kieleke (kuvassa 6506-malli)



Kuva 31 – Kiinnitä defibrillaattorialusta paareihin

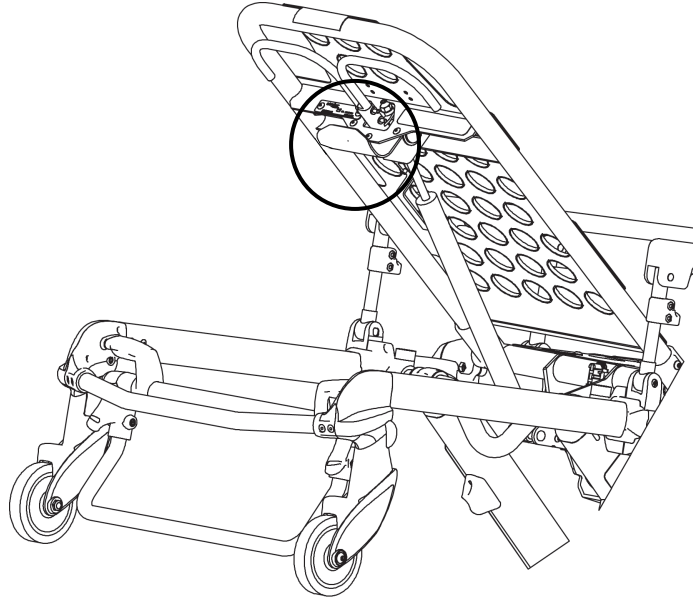
Huomautus - Jos defibrillaattorialustaa ei kiinnitetä tuotteeseen molempien kielten liittämisen jälkeen, irrota kieleke. Sääto tehdään löystyttämällä tai kiristämällä hihnaa ja työntämällä sitten kielekettä ylöspäin paikalleen, jolloin kuuluu napsahdus.

Laitteiden ripustaminen laitekoukusta

Käytä laitekoukkuja lisävarusteiden tai -laitteiden, kuten defibrillaattorien tai monitorien ripustamiseen.

HUOMIO

- Laitetta ei saa kuormittaa sen turvallista käyttökuormitusta (15,8 kg, 35 paunaa) enempää.
- Poista aina kaikki lisävarusteet tai laitteet laitekoukusta, kun ne ovat ajoneuvossa.



Kuva 32 – Laittekoukku

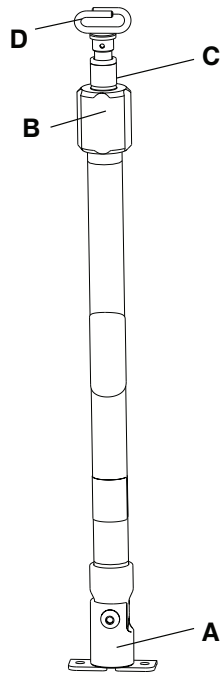
Kaksivaiheisen tippatelineen sijoittaminen

HUOMIO - Tippatelineitä ei saa kuormittaa sen turvallista käyttökuormitusta (25 paunaa (11,3 kg)) enempää.

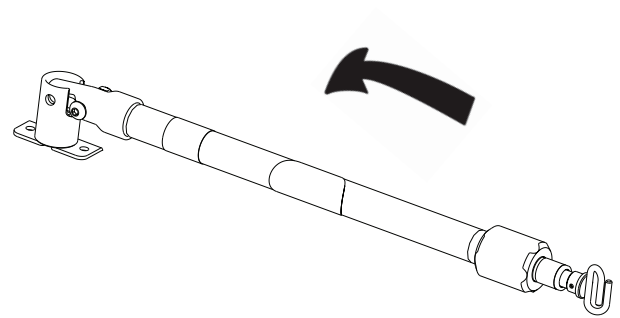
Tippatelineen sijoittaminen (Kuva 33):

1. Nosta ja käännä tippateline säilytysasennostaan ja työnnä alaspäin, kunnes tippateline lukkiutuu vastakappaleeseen (A).
2. Nosta telineen korkeutta kääntämällä lukitusmutteria (B) vastapäivään ja vetämällä telineen ulosvedettävää osaa (C) ylös sen nostamiseksi haluttuun korkeuteen.
3. Käännä lukitusmutteria (B) myötäpäivään ulosvedettävän osan lukitsemiseksi paikoilleen.
4. Ripusta infuusiopussit tippatelineen koukkuun (D).
5. Käännä lukitusmuttereita (B) vastapäivään ja liu'uta kappale (C) alaputkeen.
6. Kiristä kääntämällä lukitusmuttereita (B) myötäpäivään.
7. Nosta telinettä ja käännä alas säilytysasentoon (Kuva 34).

Huomautus - Kaksivaiheiset kaksikkotippatelineet (6500-312-000 tai 6550-312-000) eivät ole yhteensopivia potilaan oikean puolen (6500-310-000 tai 6550-310-000) tai vasemman puolen (6500-311-000 tai 6550-311-000) kaksivaiheisten tippatelinevaihtoehtojen kanssa.



Kuva 33 – Tippateline kohotetussa asennossa



Kuva 34 – Tippateline säilytysasennossa

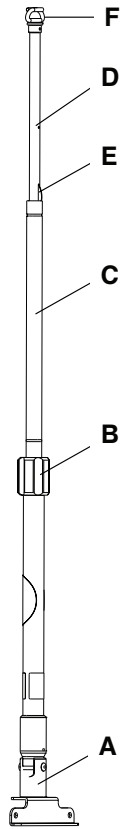
Valinnaisen kolmivaiheisen tippatelineen sijoittaminen

HUOMIO - Tippatelinettä ei saa kuormittaa sen turvallista käyttökuormitusta (25 paunaa (11,3 kg)) enempää.

Tippatelineen sijoittaminen (Kuva 35):

1. Nosta ja käännä tippateline säilytysasennostaan ja työnnä alaspäin, kunnes tippateline lukkiutuu vastakappaleeseen (A).
2. Nosta telineen korkeutta kääntämällä lukitusmutteria (B) vastapäivään ja vetämällä telineen ulosvedettävää osaa (C) ylös sen nostamiseksi haluttuun korkeuteen.
3. Käännä lukitusmutteria (B) myötäpäivään ulosvedettävän osan lukitsemiseksi paikoilleen.
4. Vedä korkeampaa tippatelinettä varten kappaletta (D) ulospäin, kunnes jousikiinnitin (E) lukittuu.
5. Ripusta infuusiopussit tippatelineen koukkuun (F).
6. Laske tippateline työntämällä jousikiinnitintä (E) sisään ja liu'uttamalla kappale (D) alas kappaleeseen (C). Käännä lukitusmutteria (B) vastapäivään ja liu'uta kappale (C) alaputkeen.
7. Kiristä kääntämällä lukitusmutteria (B) myötäpäivään.
8. Nosta telinettä ja käännä alas säilytysasentoon.

Huomautus - Kolmivaiheiset kaksikkotippatelineet (6500-317-000 tai 6550-317-000) eivät ole yhteensopivia potilaan oikean puolen (6500-315-000 tai 6550-315-000) tai vasemman puolen (6500-316-000 tai 6550-316-000) kolmivaiheisten tippatelinevaihtoehtojen kanssa.



Kuva 35 – Tippateline kohotetussa asennossa

Happipullon kiinnittäminen happipullotelineeseen

HUOMIO

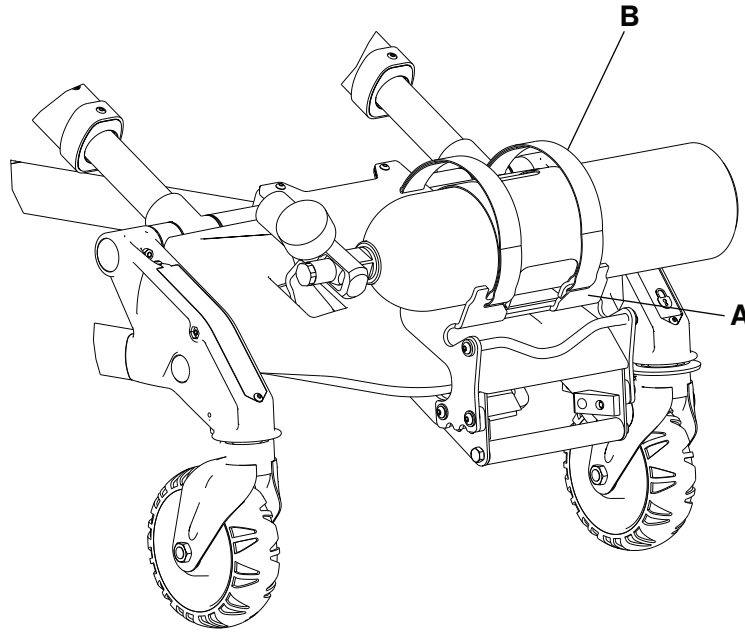
- Happipullotelineen suurin enimmäiskuormitus on 6,8 kg (15 paunaa).
- Kahta happipullotelinettä ei saa käyttää samaan aikaan.

Happipullon kiinnittäminen happipullotelineeseen (Kuva 36):

1. Laita happipulloteline osan (A) tukipinnan keskelle.
2. Kiristä molemmat hihnat (B) happipullon ympärille.
3. Kiinnitä hihnojen löysä osa ja sulje kummatkin soljet.

Huomautus - Älä käytä happipullotelinettä happipullon pitelemiseen, kun ajoneuvo on liikkeessä. Aseta happipulloteline aina asianmukaiseen säilytystilaan, kun ajoneuvo on liikkeessä.

Huomautus - Tarkasta käyttökertojen välillä, että hihnat ja nipistimet eivät ole kuluneita. Vaihda hihna, jos se ei enää pidä happipulloa paikallaan.



Kuva 36 – Happipullon kiinnitys

Valinnaisten työntötkojen kiinnittäminen

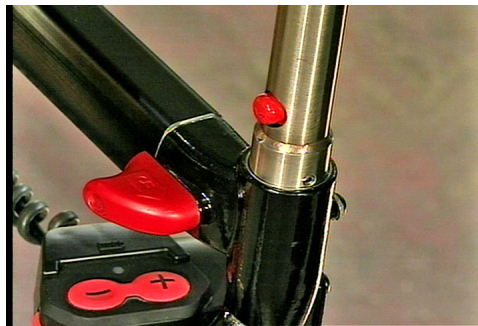
Valinnaiset työntötangot mahdollistavat tuotteen käsittelyn missä tahansa korkeusasennossa.

VAROITUS

- Lukitse työntötangot aina jalustoihinsa, jotta työntötangot eivät irtoa käytön aikana.
- Älä nosta tuotetta työntötankoja käyttäen.

Valinnaisten työntötkojen kiinnittäminen:

1. Työnnä kukin työntötanko yhteen neljästä kulmapidikkeestä.
2. Työnnä kukin työntötanko alas, jotta se lukittuu pidikkeeseen.



Kuva 37 – Kiinnitetty työntötanko

Työntötkojen poistaminen ja niiden säilyttäminen säilytyspussissa

VAROITUS - Säilytä työntötangot aina pohjan säilytyspussissa, kun niitä ei käytetä.

Työntötkojen poistaminen:

1. Paina punaista vapautuspainiketta ja nosta jokainen tanko pois kulmapidikkeestään.
2. Aseta poistetut työntötangot pohjan säilytyspussiin, joka löytyy perusrungosta (Kuva 38).

Pohjan säilytuspussi kiinnitetään vastaavilla soljilla kiinni paarien runkoon (Kuva 39).

Varmista, että pussi ja sen sisältö eivät häiritse paarien toimintaa, ennen kuin kohotat paareja, lasket paareja alaspäin tai siirät paareja.



Kuva 38 – Työntötankojen poistaminen



Kuva 39 – Kiinnitä työntötankojen säilytuspussi

Valinnaisen pohjan säilytysverkon kiinnitys

HUOMIO

- Pohjan säilytysverkkoa ei saa kuormittaa sen turvallista käyttökuormitusta (20 paunaa (9 kg)) enempää.
- Ole aina huolellinen, kun vedät sisään pohjan, jotta et vahingoittaisi esineitä, joita pohjan säilytysverkossa säilytetään.

Kiinnitä pohjan säilytysverkko kietomalla **Velcro®**-tarranauhat alaputkien ympärille.

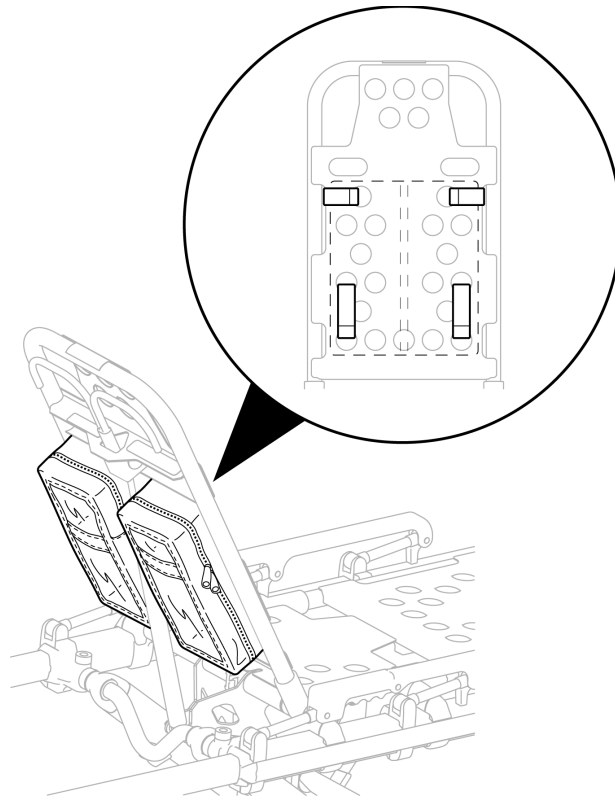
Valinnaisen selkänojan säilytuspussin kiinnitys

HUOMIO

- Selkänojan säilytuspussia ei saa kuormittaa sen turvallista käyttökuormitusta (20 paunaa (9 kg)) enempää.
- Varmista, että säilytuspussi ei häiritse sisäänvedettävän pääkappaleen käyttöä.

Selkänojan säilytuspussin kiinnittäminen (Kuva 40):

1. Asenna kukin hihna reiän läpi selkänojan kalvossa.
2. Aseta pussi litteänä selkänojaa vasten.
3. Kiinnitä selkänojan säilytuspussi paareihin **Velcro®**-tarranauhoilla.



Kuva 40 – Selkänojan säilytyspussi

Patjan kiinnitys

Tämän tuotteen kanssa voi käyttää kahta patjaa. Tavanomaisen sivukaiteen kanssa käytetään polvitukipatjaa (6550-001-084) tai tasaista patjaa (6550-001-295). Käytä leveämpää polvitukipatjaa (6500-003-130/6506-003-130) valinnaisen laajennettavan potilaspinnan (XPS) kanssa.

HUOMIO - Patjan alla ei saa säilyttää esineitä. Patjan alla olevat esineet voivat häiritä tuotteen toimintaa.

Patjan kiinnittäminen ambulanssipareihin:

1. Kohdista patjan taustapuolella oleva **Velcro®**-tarranauha parien alustan **Velcro®**-tarranauhaan.
2. Kiinnitä patjan jalkopään hihna parien alustan jalkopään kalvossa olevien kahden reiän läpi.
3. Vedä hihna soljen läpi ja kiinnitä **Velcro®**-tarranauha hihnan kiinnittämiseksi.

Huomautus

- Polvitukipatja (6550-001-084) ja tasainen patja (6550-001-295) eivät ole yhteensopivia XPS-sivukaidevaihtoehdon (6550-031-000) kanssa.
- Valinnainen XPS-polvitukipatja (6500-003-130/6506-003-130) ei ole yhteensopiva tavanomaisen sivukaiteen (6550-034-000) kanssa.
- Patja on tyyppin BF liityntäosa.

SMRT Pak -akun paikoilleen asettaminen

SMRT Pak -akku on suunniteltu yhteensopivaksi Power-PRO XT-, Power-PRO IT- ja Power-PRO TL -ambulanssiparien kanssa.

Maksimoi käytettävissä oleva akkuvirta käyttämällä vain SMRT Pak -akkuja, jotka on ladattu viimeisten 48 tunnin aikana.

SMRT Pak -akun asettaminen paikoilleen:

1. Kohdista akun kotelon kielekkeet.
2. Työnnä SMRT Pak -akku koteloon, kunnes salpa napsahtaa paikalleen.

SMRT Pak -akku voi olla Power-PRO -paareilla hälytysten välillä enintään yhden viikon ajan tai kunnes parien akun LED-merkkivalo välkkyä keltaisena.

SMRT Pak -akun irrottaminen paareista

Kun SMRT Pak -akun varaus on purkautunut, poista SMRT Pak -akku Power-PRO -paareista ja vaihda tilalle ladattu SMRT Pak.

Jos SMRT Pak -akkua käytetään toistuvasti ilman lepojaksuja, kennojen lämpötila voi kohota ja akun käyttöikä voi lyhentyä. Esimerkiksi raskaan potilaan nostaminen ylös ja laskeminen alas useita kertoja nopeassa tahdissa voi lyhentää SMRT Pak -akun käyttöikää.

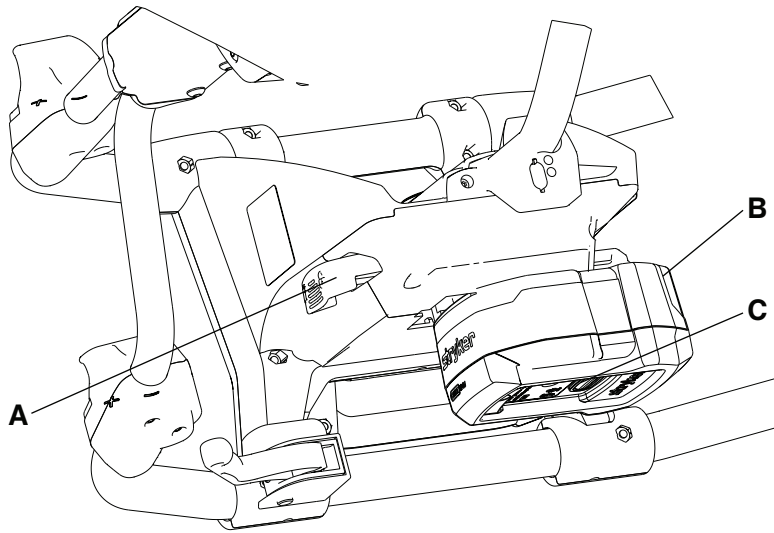
VAROITUS

- Älä poista akkua, kun ambulanssiparit ovat käytössä.
- Vältä sähköiskun vaaraa. Älä yritä avata akkua mistään syystä. Jos akkukotelo on murtunut tai vaurioitunut, sitä ei saa kytkeä laturiin. Palauta vaurioituneet akut huoltokeskukseen kierrätettäväksi.
- Vältä aina suoraa kosketusta märän akun tai akkukoteloiden kanssa. Kosketus voi vahingoittaa potilasta tai kantajaa.

HUOMIO - Poista aina akku, jos ambulanssipareja ei ole tarkoitus käyttää pitkään aikaan (yli 24 tuntiin).

SMRT Pak -akun poistaminen ambulanssipareista:

1. Paina punaista yhdellä kädellä käytettävää vapautuspainiketta (C) tai paina akun vapautuspainiketta (A) vapauttaaksesi SMRT Pak -akun (B) ambulanssipareista (Kuva 41).
2. Liu'uta vapautettu SMRT Pak -akku kotelosta.



Kuva 41 – Akun vapauttaminen

Akun säilyttäminen

Käytä alkuperäisiä pakkausmateriaaleja tämän laitteen pitkäikäisyyden, suorituskyvyn ja turvallisuuden vuoksi, kun säilytät tai kuljetat tätä laitetta.

Kaikki akut menettävät lataustaan säilytyksen tai käyttämättömyyden aikana. **SMRT Pak** -akku voi menettää jopa 30 prosenttia latauksestaan 48 tunnin sisällä, kun akku on poistettu **SMRT**-laturista. Käytä **SMRT Pak** -akkuja ja lataa ne kokonaan kolmen kuukauden välein, jotta ne pysyvät parhaassa toimintakunnossa.

SMRT Pak -akun lataus

SMRT Pak -akku on tarkoitettu käytettäväksi **SMRT** -laturin kanssa.

VAROITUS - Älä työnnä haljennutta tai vaurioitunutta **SMRT Pak** -akku **SMRT**-laturiin. Palauta vaurioituneet **SMRT Pak** -akut huoltokeskukseen kierrätettäväksi.

Huomautus

- Pitkäaikaisessa säilytyksessä säilytä **SMRT Pak** **SMRT**-laturissa ylläpitovarausta varten. **SMRT**-laturi pitää **SMRT Pak** -akun ladattuna ja helpokäyttöisenä.
- Säilytä **SMRT Pak** -akku huoneenlämpötilassa. Hyväksyttävä lämpötila lataukselle on 6 °C – 31 °C (43 °F – 88 °F). **SMRT Pak** -akun lataaminen tämän suositeltavan lämpötilan ulkopuolella lyhentää **SMRT Pak** -akun käyttöikää ja pidentää latausaikaa.

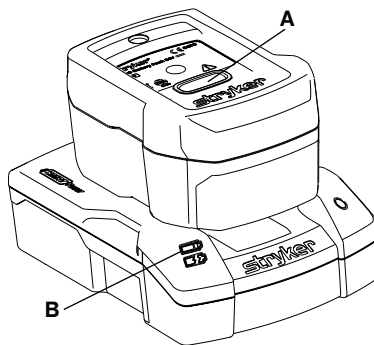
SMRT Pak -akun lataaminen (Kuva 42):

1. Työnnä puhdas, kuiva **SMRT Pak** -akku **SMRT**-laturiin. Varmista, että **SMRT Pak** -akku lukittuu **SMRT**-laturiin.

Huomautus

- **SMRT**-laturin LED-merkkivalo (B) vilkkuu vihreänä latauksen aikana (Kuva 42). Optimaalinen latausaika on kaksi tuntia.
 - Kun **SMRT Pak** -akku on ladattu ja käyttövalmis, **SMRT**-laturin LED-merkkivalo (B) palaa tasaisen vihreänä.
2. Paina punaista vapautuspainiketta (A) (Kuva 42) ja liu'uta **SMRT Pak** -akku vapauttaaksesi ladatun ja valmiin **SMRT Pak** -akun **SMRT**-laturista.

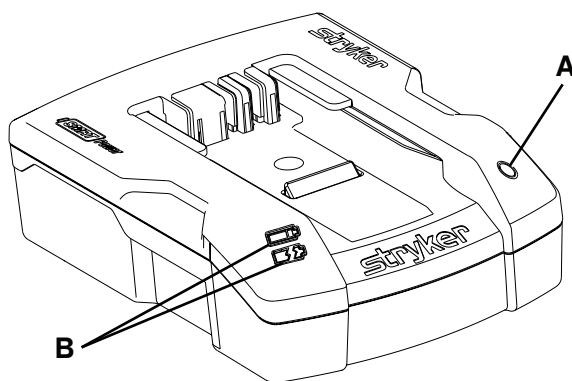
SMRT-laturi hoitaa latauksen riippumatta **SMRT Pak** -akun varaustilasta.



Kuva 42 – SMRT Pak -akun lataus

SMRT Pak -akun virran määrän tarkistaminen SMRT-laturin kanssa

Käytä SMRT-laturin LED-merkkivaloja SMRT Pak -akun virran määrän tarkistamiseen.



Kuva 43 – SMRT Pak -akun virran määrän tarkistaminen

- Virran kytkeminen: Liitä SMRT-laturi asianmukaiseen virtalähteeseen tai irrota siitä (*Virran kytkeminen laturiin* (sivulla 48)).
- SMRT-laturin virran LED (A): Jos vihreä LED-valo palaa, SMRT-laturissa on virta päällä.
- SMRT-laturin LED-merkkivalot (B): Laturin vihreä ja keltainen LED-merkkivalo antavat tietoa SMRT Pak -akun tilasta. LED-merkkivalot voivat palaa tasaisesti tai vilkkua riippuen SMRT-laturin tai SMRT Pak -akun tilasta.

SMRT-laturin LED-merkkivalot (B):	Tila
Vihreä (vilkkuu)	SMRT-laturi lataa SMRT Pak -akku. Optimaalinen latausaika on kaksi tuntia.
Vihreä (palaa tasaisesti)	SMRT Pak -akku on ladattu ja käyttökunnossa
Keltainen (vilkkuu)	SMRT Pak -akun lämpötilaviive. SMRT-laturi odottaa SMRT Pak -akun lämpötilan saavuttavan hyväksyttävän lämpötilan 6 °C – 31 °C (43 °F – 88 °F).
Keltainen (palaa tasaisesti)	SMRT Pak -akun virhe. Katso huoltokäsikirjan vianetsintäkohta.

Asennusta koskevat sähkövaatimukset

Kun virtalähdettä suunnitellaan SMRT-laturin asentamista varten, näitä sähkövaatimuksia on noudatettava luotettavan ja tehokkaan käytön turvaamiseksi.

Virtatyyppi	Käyttäjännite	Taajuus	Virran enimmäiskulutus	Virran kulutus odotustilassa	Alhaisen jännitteen laukaisema sammutus
AC	100–240 VAC	50/60 Hz	1,20 A	0,05 A	Ei sovellu
DC	12,5–16 VDC	Ei sovellu	4,16 A	0,20 A	10 VDC

SMRT-laturin asentaminen

Kun asennat **SMRT**-laturia, aseta **SMRT**-laturi suojattuun ympäristöön:

- joka ei sisällä liikaa pölyä ja kosteutta
- jossa lämpötila pysyy vakioalueella; hyväksyttävä lämpötila-alue on 6 °C – 31 °C (43 °F – 88 °F), optimaalinen lämpötila-alue on 18 °C – 24 °C (65 °F – 75 °F)
- joka on helposti saavutettavissa käyttöä varten.

Paikanna ja pidä kunnossa virtalähde ja virtajohtot, jotta vaurioriski ja tahattomat kytkentöjen irtoamiset vältetään.

Valinnaisen kiinnitystelineen asentaminen

VAROITUS

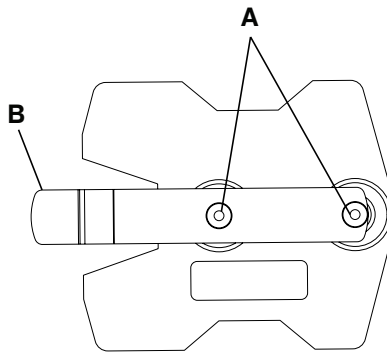
- Vain sertifioitu mekaanikko, joka tuntee ambulanssin rakenteen, saa asentaa valinnaisen kiinnitystelineen ja **SMRT**-laturin.
- Kiinnitä **SMRT**-laturi hyväksytyjen törmäystestistandardien noudattamiseksi aina kuljetuksen ajaksi valinnaiseen kiinnitystelineeseen, suljettuun kaappiin, ja pidä poissa potilaan ulottuvilta.
- Varmista aina, että valinnainen kiinnitysteline on turvallisesti kiinnitetty pintaan.

Valinnaisen kiinnitystelineen asentaminen (Kuva 44):

1. Käytä **SMRT**-laturin kiinnitystelinettä mallina ja merkitse kiinnitysreikien (A) sijainti alueelle, johon kiinnitysteline asennetaan.
2. Aseta kiinnitysteline paikalleen ja varmista seuraavat asiat:
 - a. Jousikieleke (B) on **SMRT**-laturin taustapuolella.

Huomautus - Kun telinettä kiinnitetään pystysuoralle pinnalle, jousikielekkeen on oltava vaakasuorassa, osoittaen vasemmalle (Kuva 44).
 - b. Virtajohto on helppo kytkeä **SMRT**-laturin taustapuolelle.
 - c. **SMRT**-laturi liukuu edestakaisin telineeseen kytkemistä varten asentamisen jälkeen.
 - d. Teline on asennettu oikein ambulanssiin tai asemalle:

Ambulanssissa	Asemalla
<ul style="list-style-type: none"> • Kiinnitä teline vaakasuoraan rakennepintaan tai hyllyyn, käyttäen kokoluokan nro 10 5-laadun ruuveja (minimi) (ei toimitettu). • Varmista, että valittu asennuspinta on riittävän luja, jotta se voi pitää turvallisesti paikallaan SMRT-laturin ja SMRT Pak -akun kuljetuksen aikana. • Pane teline suljettuun kaappiin kuljetuksen ajaksi, pois potilaan ulottuvilta. • Varmista, että SMRT Pak -akku on helppo asentaa ja poistaa. • Aseta virtalähde niin, että virtajohto ulottuu siihen. 	<ul style="list-style-type: none"> • Kiinnitä teline vaakasuoraan tai pystysuoraan rakennepintaan, käyttäen kokoluokan nro 10 5-laadun ruuveja (minimi) (ei toimitettu). • Pystysuoraan asentamista varten kohdista kiinnitysteline niin, että jousikieleke on suoraan asennusruuvien alla, jotta SMRT Pak -akku on edelleen SMRT-laturin tuen varassa, vaikka vapautuspainiketta painettaisiin epähuomiossa. • Varmista, että SMRT Pak -akku on helppo asentaa ja poistaa. • Aseta virtalähde niin, että virtajohto ulottuu siihen.

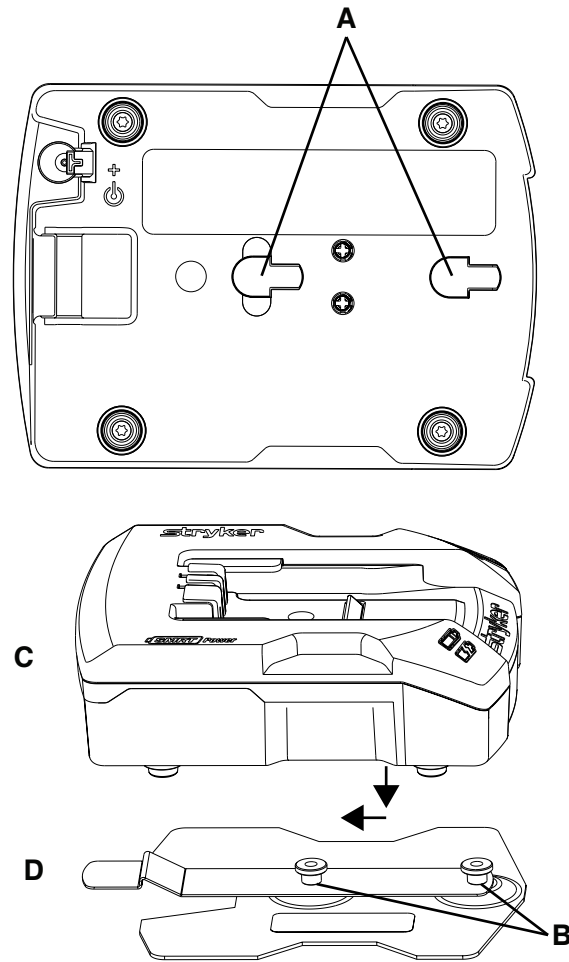


Kuva 44 – Kiinnitysteline

Laturin kiinnittäminen valinnaiseen kiinnitystelineeseen

SMRT-laturin kiinnittäminen valinnaiseen kiinnitystelineeseen (Kuva 45):

1. Kohdista taustapuolen ohjausaukot (A) telineen kiinnittimien (B) kanssa.
2. Liu'uta **SMRT**-laturi (C) sisään, kunnes se lukittuu kiinnitystelineeseen (D). Laturi on nyt tukevasti kiinni telineessä.



Kuva 45 – Laturin kiinnittäminen

Virran kytkeminen laturiin

HUOMIO

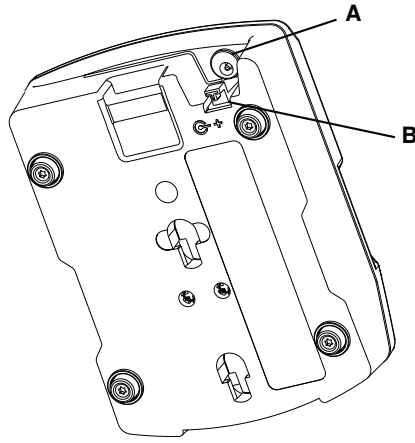
- Aseta **SMRT**-laturin virtajohto aina paikkaan, jossa sen päälle ei astuta, siihen ei kompastuta tai se ei muuten altistu vaurioitumiselle tai rasitukselle.
- Älä kosketa **SMRT Pak** -vastakappaleen napoja metalliesineillä.

To power the **SMRT** charger (Kuva 46):

1. Etsi virtaliitin (A) **SMRT**-laturin taustapuolelta.
2. Työnnä virtajohtimen pidikekielekettä (B) ja työnnä virtajohdon liitin **SMRT**-laturin virtaliittimeen.
3. Työnnä virtajohdon sovitinpää virtalähteeseen.

On hyvä käyttää puhdasta, katkotonta virtalähdettä. **SMRT**-laturissa näkyy jatkuvasti palava vihreä LED-valo, kun se on kytketty virtalähteeseen.

Käytä vain Strykerin hyväksymiä osia **SMRT**-laturin virranlähteenä.



Kuva 46 – Virran kytkeminen laturiin

Laturin irrottaminen

HUOMIO - Kun irrotat **SMRT**-laturin, tartu aina pistokkeeseen ja vedä siitä, ei johdosta, jotta sähköpistoke ja johto eivät vaurioidudu.

Irrota **SMRT**-laturi sähkövirrasta irrottamalla virtajohto vaihtovirta- tai tasavirtalähteestä.

Lisävarusteet ja -osat

Nämä lisävarusteet saattavat olla käytettävissä tuotteesi kanssa. Varmista niiden saatavuus maassasi tai omaa laitekoonpanoasi varten. Soita Strykerin asiakaspalveluun: 1-800-327-0770.

Nimi	Numero
Selkänojan pussi	6500-130-000
Hihnan jatke	6082-160-050
Defibrillaattorialusta	6550-170-000
Laitekoukku	6500-147-000
Kaasusäiliö, selkätuki	1010-031-077
Pääkappaleen jatke ja tyyny	6100-044-000
Tippateline, kaksivaiheinen, oikea	6550-310-000
Tippateline, kaksivaiheinen, vasen	6550-311-000
Tippateline, kaksivaiheinen, kaksikko	6550-312-000
Tippateline, kolmivaiheinen, oikea	6550-315-000
Tippateline, kolmivaiheinen, vasen	6550-316-000
Tippateline, kolmivaiheinen, kaksikko	6550-317-000
Patja, polvitukipatja	6550-001-084
Patja, tasainen polvituki	6550-001-295
Patja, polvitukipatja, XPS	6500-003-130
Patja, polvitukipatja, harmaa, XPS	6506-003-130
Happipullotelineen pidikepakkaus	6550-102-020
Happipulloteline, irrotettava	6080-140-000
Happipullotelineen pidikepakkaus, hihna	6550-002-004
Kiinnittimien kiinnityseline, vaihtoehto	6091-300-010
Kiinnitinpaketti, EMS, asemalle tarkoitettu	6060-160-010
Kiinnitinpakkaus, X-kiinnityshihna	6500-001-430
Kiinnityshihnapakkaus, XPR	650600030010
Sivukaide, vakio	6550-034-000
Sivukaide, XPS-vaihtoehto	6550-031-000
Säilytysverkko, pohja	6500-160-000
Säilytyspussi, selkänoja	6500-130-000
Pyörälukko	6086-200-010

Käytä vain Strykerin hyväksymiä osia. Muiden osien käytöstä voi olla seurauksena lisääntyneitä sähkömagneettisia päästöjä tai järjestelmän heikentynyt sähkömagneettisten häiriöiden sieto. Älä muunna osia. Ohjeiden laiminlyöminen voi johtaa tapaturmaan.

Nimi	Numero
SMRT-laturi	6500-201-000
Asennuskannatin, SMRT-laturi	6500-034-000
SMRT Pak -akkupaketti	6500-700-046
Sähkövirtakomponentit - AC	
Laturin virtalähde	6500-201-148
Virtajohto, Pohjois-Amerikka	6500-201-149
Virtajohto, Eurooppa	6500-201-150
Virtajohto, Yhdistynyt kuningaskunta	6500-201-151
Virtajohto, Australia	6500-201-153
Sähkövirtakomponentit - DC	
12 VDC-kaapeli, auto	6500-201-147
12-24 V kaapeli, DIN-pistoke	6500-201-152
SMRT-virtapakkaus (sisältää 1 laturin, 2 Pak, 1 virtajohdon)	
SMRT-virtapakkaus - 12 VDC, kotimainen (autolaturi)	6500-700-040
SMRT-virtapakkaus - 120 VAC, kotimainen (seinälaturi)	6500-700-041
SMRT-virtapakkaus - 240 VAC, Yhdistynyt kuningaskunta, kansainvälinen	6500-700-043
SMRT-virtapakkaus - 240 VAC, Eurooppa, kansainvälinen	6500-700-044
SMRT-virtapakkaus - 240 VAC, Australia, kansainvälinen	6500-700-045

Pyydä Strykerin myyntiedustajalta lisäosien täydellinen luettelo.

XPR-kiinnityshihnojen puhdistus ja desinfiointi

Varmista niiden saatavuus maassasi tai omaa laitekoonpanoasi varten. Soita Strykerin asiakaspalveluun: 1-800-327-0770.

Ehdotettuja puhdistusaineita ovat muun muassa seuraavat:

- ≤ 70 prosentin vahvuinen isopropanoli; tai

puhdistusaine, jossa on seuraavat vaikuttavat aineet (tai vastaava):

- ammoniumsuolat $\leq 0,31$ %
- $\leq 21,000$ prosentin vahvuinen isopropanoli
- $\leq 3,000$ prosentin vahvuinen etyleeniglykolimonobutyylietteri (ei-aktiivinen ainesosa)

Huomautus - Määrättyjen puhdistusaineiden käyttämättä jättäminen voi aiheuttaa ennen aikaista hajoamista ja mitätöidä tuotteen takuun. Puhdistuksessa ei saa käyttää esimerkiksi valkaisuainetta, **HDQ Neutral®** -ainetta tai kiihdytettyä vetyperoksidia (accelerated hydrogen peroxide). Jos sinulla on kysyttävää tai huolenaiheita, ota yhteyttä Strykerin asiakaspalveluun (1-800-327-0770).

Suosittelut puhdistusmenetelmä:

1. Noudata tarkasti puhdistusliuoksen valmistajan antamia laimennussuosituksia.
2. Puhdista pyyhkimällä kaikki näkyvä lika ulkopinnoilta. Toista tarvittaessa useamman kerran tuotteen puhdistamiseksi.

Huomautus - Siirrä kiinnityshihnan jatkeen solkea koko kiinnityshihnan puhdistamiseksi. Varmista, että kiinnittimen pinta on kuiva, ennen kuin siirrät kiinnityshihnan jatkeen solkea. Älä siirrä kiinnityshihnan jatkeen solkea puhdistusaineesta kostuneen pinnan yli.

3. Desinfioi tuote pyyhkimällä ulkopintoja liinalla, kunnes pinnat ovat kauttaaltaan märkiä.
4. Varmista, ettei tuote pysy märkinä kauempaa kuin kemikaalin valmistajan antamissa desinfiointiohjeissa on neuvottu, jotta desinfiointi suoritetaan oikein.
5. Tarkasta toimintakyky, ennen kuin palautat tuotteen käyttöön.
 - Kiinnityshihnan metallisolkien upottaminen nesteeseen voi aiheuttaa soljen syöpymistä, eikä sitä suositella. Huuhtelee puhtaalla vedellä ja anna kuivua syöpymisvaaran pienentämiseksi. Vaihda hihnat uusiin, jos metallisoljet ovat syöpyneet.
 - Suora ihokosketus näkyvästi likaantuneen läpäisevän materiaalin kanssa voi lisätä infektioriskiä.
 - Kiinnityshihnojen pesemistä pyykinpesukoneessa ei suositella.

HUOMIO - Älä levitä voiteluaineita kiinnittimien pinnoille.

Huomautus

- XPR-kiinnityshihnojen odotettu käyttöikä on kolme kuukautta, kun yllä suositeltuja puhdistusaineita käytetään.
- Edellä annettujen ohjeiden laiminlyöminen tällaisia puhdistusaineita käytettäessä voi mitätöidä tuotetakuun.
- Pyyhi tuote aina puhtaalla vedellä ja kuivaa puhdistuksen jälkeen. Jotkin puhdistustuotteet ovat luonteeltaan syövyttäviä ja voivat vaurioittaa tuotetta. Jos tuotetta ei huuhdella ja kuivata kunnolla, sen pinnalle voi jäädä syövyttäviä jäämiä, jotka voivat heikentää tärkeitä osia ennen aikaisesti.

Puhdistus

VAROITUS - Käytä aina asianmukaisia henkilönsuojaimia painepesun aikana sisäänhengityksen kautta tulevan tartuntavaaran estämiseksi. Painepesulaitteisto voi levittää kontaminoituneita aerosoleja.

HUOMIO

- Tuotetta ei saa puhdistaa höyryllä tai ultraäänellä.
- Veden 180 °F:n (82 °C) enimmäislämpötilaa ei saa ylittää.
- Veden 1500 psi:n (103,4 baaria) enimmäispainetta ei saa ylittää. Jos tuotteen pesemiseen käytetään kädessä pidettävää putkea, painesuutin on pidettävä vähintään 24 tuuman (61 cm) päässä tuotteesta.
- Anna laitteen aina kuivua itsestään.
- Poista akku aina ennen parien pesemistä.
- Kun tuote on käytössä, sitä ei saa puhdistaa tai huoltaa eikä siihen saa tehdä kunnossapitotoimia.

Tuote voidaan pestä painepesurilla. Tuotteessa voi näkyä joitakin jatkuvan pesun aiheuttamia merkkejä hapettumisesta tai värjäntymisestä. Painepesu ei kuitenkaan heikennä tuotteen suorituskykyä edellyttäen, että asianmukaisia menetelmiä noudatetaan.

- Noudata tarkasti puhdistusliuoksen valmistajan antamia laimennussuosituksia.
- Stryker Medical suosittelee tuotteen painepesumenetelmäksi tavallista sairaalan kirurgisten vaunujen pesulaitetta tai kädessä pidettävää putkilaitetta.
- Puhdista parit kerran kuussa.
- Puhdista **Velcro®**-tarranauhat jokaisen käyttökerran jälkeen. Kyllästä **Velcro®**-tarranauhat desinfiointiaineella ja anna desinfiointiaineen haihtua. Huollon on määritettävä **Velcro®**-nailontarranauhalle sopiva desinfiointiaine.
- Kiinnityshihnan metallisollien upottaminen nesteeseen voi aiheuttaa soljen syöpymistä, eikä sitä suositella. Huuhtelee puhtaalla vedellä ja anna kuivua syöpymisvaaran pienentämiseksi. Vaihda hihnat uusiin, jos metallisoljet ovat syöpyneet.
- Suora ihokosketus näkyvästi likaantuneen läpäisevän materiaalin kanssa voi lisätä infektoriskiä.

Suositteluja puhdistusaineita

Yleensä voidaan käyttää joko fenolityypisiä tai kvaternaarityypisiä desinfiointiaineita (**Virex®** TB poisluettuna), valmistajan suosittelemina pitoisuuksina. Jodoforityypisiä desinfiointiaineita ei suositella käytettäväksi, koska ne voivat aiheuttaa värjäntymistä.

Ehdotettuja puhdistusaineita ovat muun muassa seuraavat:

- kvaternaariset puhdistusaineet (vaikuttava ainesosa – ammoniumkloridi), jotka sisältävät alle 3 % glykolieetteriä
- fenolia sisältävät puhdistusaineet (tehoaineena o-fenyylifenoli)
- kloorattu valkaisuaineliuos (5,25 % – alle 1 osa valkaisuainetta 100 osaan vettä)
- ≤ 21-prosenttinen isopropyylialkoholi

Vältä ylikyllästämistä. Varmista, ettei tuote pysy märkänä kauempaa kuin mitä kemikaalin valmistajan antamissa desinfiointiohjeissa on neuvottu.

Huomautus

- Edellä annettujen ohjeiden laiminlyöminen tällaisia puhdistusaineita käytettäessä voi mitätöidä tuotetakuun.
- Pyyhi tuote aina puhtaalla vedellä ja kuivaa puhdistuksen jälkeen. Jotkin puhdistustuotteet ovat luonteeltaan syövyttäviä ja voivat vaurioittaa tuotetta. Jos tuotetta ei huuhdella ja kuivata kunnolla, sen pinnalle voi jäädä syövyttäviä jäämiä, jotka voivat syövyttää tärkeitä osia ennenaikaisesti.

Laturin puhdistaminen

VAROITUS

- Loukkaantumisriskin vähentämiseksi on aina käytettävä eristettyjä kumikäsineitä, henkilönsuojainten lisäksi, **SMRT Pak** -akun puhdistamisen aikana.
 - Irrota aina **SMRT**-laturi seinäpistokkeesta ennen puhdistamista sähkövaarojen vähentämiseksi.
 - **SMRT**-laturiin ei saa suoraan suihkuttaa nestettä.
 - **SMRT**-laturia ei saa pestä painepesurilla.
 - **SMRT**-laturin puhdistamiseen ei saa käyttää liuottimia, voiteluaineita tai muita kemikaaleja, ellei näin erikseen neuvota.
 - Vältä sähköiskun vaara. **SMRT**-laturia ei saa upottaa veteen eikä **SMRT**-laturin päälle saa päästää kertymään vettä.
-

To clean the **SMRT** charger:

1. Irrota **SMRT**-laturi seinäpistokkeesta puhdistamisen aikana sähkövaarojen vähentämiseksi.
2. Pyyhi **SMRT**-laturin pinnat pehmeällä liinalla, joka on kostutettu hankaamattomalla sairaalalaadun desinfiointiaineella.
3. Pyyhi puhtaalla vedellä kostutetulla liinalla kaikkien puhdistuskemikaalien tai jäämien poistamiseksi.
4. Kuivaa **SMRT**-laturi perusteellisesti ennen sen käytön jatkamista.

Akun puhdistaminen

SMRT Pak on suunniteltu pestäväksi painepesulla. Stryker Medical suosittelee **SMRT Pak** -akun painepesuun tavallista sairaalan leikkaushuonevaunujen pesulaitetta tai kädessä pidettävää laitetta.

VAROITUS

- Käytä aina asianmukaisia henkilönsuojaimia painepesun aikana sisäänhengityksen kautta tulevan tartuntavaaran estämiseksi. Painepesulaitteisto voi levittää kontaminoituneita aerosoleja.
 - Loukkaantumisriskin vähentämiseksi on aina käytettävä eristettyjä kumikäsineitä, henkilönsuojainten lisäksi, **SMRT Pak** -akun puhdistamisen aikana.
 - Käytä aina ei-johtavia materiaaleja **SMRT Pak** -akun pyyhkimiseen.
 - Vältä aina **SMRT Pak** -akun napojen liiallista altistumista vedelle.
 - Katso aina desinfiointiaineen käyttöturvallisuustiedotteesta (KTT) pH-alue. Desinfiointiaineet, joiden pH-arvot ovat yli 10,5, voivat halkaista **SMRT Pak** -akun koteloa.
 - Vältä loukkaantumisriski. Älä käsittele suoraan tai kosketa **SMRT Pak** -akun napoja puhdistamisen aikana.
 - Vältä sähköiskun vaara. Älä upota **SMRT Pak** -akkua nesteeseen.
 - **SMRT Pak** -akun puhdistamiseen ei saa käyttää liuottimia, voiteluaineita tai muita kemikaaleja, ellei näin erikseen neuvota.
-

HUOMIO

- **SMRT Pak** -akun puhdistamiseen ei saa käyttää höyryä eikä ultraääntä.
 - Veden 180 °F:n (82 °C) enimmäislämpötilaa ei saa ylittää.
 - Ilmakuivauksen 240 °F:n (115 °C) enimmäislämpötilaa (vaunupesijät) ei saa ylittää.
 - Veden 1500 psi:n (103,4 baaria) enimmäispainetta ei saa ylittää. Jos tuotteen pesemiseen käytetään kädessä pidettävää putkea, painesuutin on pidettävä vähintään 24 tuuman (61 cm) päässä tuotteesta.
-

SMRT Pak -akun puhdistaminen:

1. Poista **SMRT Pak Power-PRO**-paareilta tai **SMRT**-laturista.
2. Tarkasta, onko **SMRT Pak** -akun kotelossa ja napojen alueessa murtumia tai vaurioita.
3. Puhdista **SMRT Pak** sairaalaluokan desinfiointiaineella, jonka pH on 6,5–10,5.
4. Huuhtelee **SMRT Pak** perusteellisesti puhtaalla vedellä puhdistusaineen tai jäämien poistamiseksi. Sijoita **SMRT Pak** -akku niin, että vesi ei pääse kerääntymään napojen lähelle.
5. Kuivaa **SMRT Pak** perusteellisesti ennen **SMRT Pak** -akun sijoittamista **Power-PRO** -paareihin tai **SMRT**-laturiin.

Määräaikaishuolto

VAROITUS

- Poista aina paine, ennen kuin irrotat hydrauliletkut tai muut letkut. Purkautuva paineistettu neste voi tunkeutua ihoon ja aiheuttaa vakavan tapaturman. Kiristä kaikki liitokset ennen paineen käyttämistä. Jos tapahtuu onnettomuus, mene heti lääkäriin.
- Tapaturmavaaran välttämiseksi hydraulivuotoja ei saa tutkia paljain käsin.

HUOMIO

- Käytä aina hyväksytyjä osia tuotteen vaurioitumisen riskin välttämiseksi.
- Tarkasta aina letkut säännöllisesti parien vaurioitumisen välttämiseksi. Tarkasta ja kiristä löyhät liitännät. Hydrauliset letkuliitokset ja letkustot voivat rikkoutua aineellisista vaurioista, kiertymisistä, iästä ja altistumisesta johtuen.
- Älä kallista paareja niiden lastauspyörien varassa ja käynnistä tuotetta, koska tämä sallii ilman pääsyn hydrauliseen järjestelmään.

Järjestä huoltoaikataulu ja noudata sitä. Pidä kirjaa huoltotoimista. Ota tuote pois käytöstä ennen määräaikaishuoltotarkastusta. Määräaikaishuoltotarkastuksia voidaan joutua tekemään useamminkin tuotteen käyttömäärän perusteella. Laitteen saa huoltaa ainoastaan koulutettu henkilökunta.

Kun huoltotuotteita käytetään, noudata valmistajan ohjeita ja lue kaikki käyttöturvallisuustiedotteet.

Voitelu

HUOMIO - Älä voitele X-kehikon laakereita, koska se huonontaa parien suorituskykyä ja saattaa mitätöidä niiden takuun.

Paarit on suunniteltu niin, että ne toimivat ilman voitelun tarvetta.

Säännöllinen tarkistus ja säädöt

Tämä aikataulu on huollon yleinen opas. Tarvittavaan huoltoaikatauluun vaikuttavat sellaiset tekijät kuten sää, maasto, maantieteellinen sijainti ja yksittäinen käyttö. Mikäli olet epävarma siitä, miten nämä tarkistukset tehdään, ota yhteyttä Stryker-huoltoteknikkoon. Jos olet epävarma siitä, millaisia aikavälejä noudattaa tuotteen huoltamisessa, kysy Strykerin huoltoteknikolta. Tee jokainen rutiinitarkistus ja vaihda tarvittaessa kuluneet osat.

Kuukauden tai kahden tunnin välein

Tarkasta nämä kohdat kuukauden tai kahden tunnin välein, kumpi tahansa tulee ensin.

Osa	Tarkasta
Asetukset	Kiinnittimessä sijaitsevan pysäyttimen asetukset
Sylinteri	Vedä sylinteritanko ulos. Pyyhi sylinteritankoa pehmeällä kankaalla ja kotitalouksissa käytettävällä pesuaineella.
Kaapelit ja johdot	Ei roikkuvia johtoja reiteissä tai liitännöissä
Käsiikäyttöinen varavapautuskahva	Käsiikäyttöisen varavapautuskahvan toiminnot
Alusta	Runko ja alusta
Pohja	Runko ja pohja
Pyörät	Kaikki pyörät ovat kiinni, pyörivät eteenpäin ja akselinsa ympäri

Osa	Tarkasta
Pääkappale	Turvatanko toimii. Vedä turvatankoa pääkappaletta kohti varmistaaksesi, että turvatanko kääntyy ja pyörii vapaasti ja vetäytyy takaisin lähtöasentoonsa
Kiinnitin	Kiinnittimet toimivat eivätkä ole liian kuluneita (kuten taipunut tai rikkoutunut vastakappale tai kieli tai repeytynyt tai hankautunut nauhakudos)
Akku	Tarkasta ennen ensimmäistä ja jokaista käyttöä, onko SMRT Pak -akun kotelossa ja napojen alueessa murtumia tai vaurioita
Laturi	Tarkasta ennen ensimmäistä ja jokaista käyttöä, ettei SMRT -laturissa ja sen osissa ole johdon halkeamia, taipuneita nastoja tai kontakteja tai kotelon murtumia

Kolmen kuukauden tai kuuden tunnin välein

Tarkasta nämä kohdat kolmen kuukauden tai kuuden tunnin välein, kumpi tahansa tulee ensin.

Osa	Tarkasta
Sylinteri	Kaikki kiinnittimet ovat tiukasti kiinni
	Hydraulineste (punainen) ei vuoda
	Löysät sovittimet - kiristä tarvittaessa
Hydrauliikka	Moottoritelineen sovittimet ovat tiukasti kiinni
	Hydraulineste ei vuoda
	Ei vuotoja säiliöstä
Kaapelit ja johdot	Johtosarjoissa, kaapeleissa tai johdoissa ei ole vaurioita tai puristuskohtia
	Ei vaurioituneita liittimiä
Käsi­käyttöinen varavapautuskahva	Pohja menee eteen- ja taaksepäin, kun käsi­käyttöistä varavapautuskahvaa vedetään
	Paarit eivät mene alaspäin, kun käsi­käyttöistä varavapautuskahvaa vedetään ja paareilla on yli 100 paunan (45 kg) paino
Alusta	Kaikki kiinnittimet ovat tiukasti kiinni
	Selkänojan sylinteri toimii
	Säädä tarvittaessa paineilmalla toimivaa sylinteriä niin, että selkänoja liikkuu täyden liikeradan sisällä
Pohja	Kaikki kiinnittimet ovat tiukasti kiinni
X-kehikko	X-kehikko ojentuu ja menee sisään
Pääkappale	Kaikki kiinnittimet ovat tiukasti kiinni
	Pääkappale ojentuu ja lukittuu
Lisävarusteet ja osat (valinnaiset)	Kaikki lisävarusteet ja osat toimivat (kuten tippateline, kiinnittimen pidennys, työntötangot ja happipulloteline)

Kuuden kuukauden tai 12 tunnin välein

Tarkasta nämä kohdat kuuden kuukauden tai 12 tunnin välein, kumpi tahansa tulee ensin.

Osa	Tarkasta
Hydrauliikka	Letkujen ja sovittimien mahdollinen vaurio tai kuluma Hydraulinen nopeussulake - aseta paareille noin 23 kg:n (50 paunan) paino, kohota paareja, nosta paareja kahden kantajan voimin, vedä käsikäyttöistä varavapautuskahvaa, aseta parit nopeasti alas ja varmista, että parit eivät putoa
Sähköiset säätimet	Ojenna parit kohotettuun asentoon, mittaa ja tarkista lastauskorkeus Askeltamistoiminto toimii Nopea sisäänveto toimii
Kytkimet	Kummassakaan kytkimessä ei ole vaurioita tai kulumia Molemmat kytkimet toimivat
Alusta	Ei vääntyneitä, murtuneita tai vaurioituneita osia Paarien kädensijoissa ei ole vaurioita tai repeytymiä Sivukaiteet toimivat ja lukittuvat Jalkatuki toimii
Patja	Ei murtumia tai repeytymiä
Pohja	Ei vääntyneitä, murtuneita tai vaurioituneita osia
Pyörät	Ei roskia
Pääkappale	Ei vääntyneitä, murtuneita tai vaurioituneita osia Otetangossa ei liikaa vaurioita tai repeytymiä Lastauspyörät ovat turvallisesti kiinni ja pyörivät
Jalkatuki (valinnainen)	Voitele jalkatuen jousi ja sisäinen jousikotelo (valinnainen) käyttämällä Tri-Flow® -voiteluainetta.

12 kuukauden tai 24 tunnin välein

Tarkasta nämä kohdat 12 kuukauden tai 24 tunnin välein, kumpi tahansa tulee ensin.

Osa	Tarkasta
Asetukset	Paarien ja kiinnittimen istuvuus ja toiminta
Sylinteri	Sylinteri on säädetty - lukkomutteri on tiukalla ja paarien liike pysähtyy, kun se osuu liikkumattomiin rajoittimiin
Käsikäyttöinen varavapautuskahva	Palaa varastointiasentoon
Alusta	Kaikki hitsausseamat ovat ehjiä, eikä niissä ole säröjä tai halkeamia Varoitusmerkinnät tallella ja luettavissa

Osa	Tarkasta
Pohja	Kaikki hitsausseammat ovat ehjiä, eikä niissä ole säröjä tai halkeamia
Pyörät	Tarkista ja säädä pyöräjarrut
Sisäänvedettävän pääkappaleen happipulloteline (valinnainen)	Hihnojen ja nipistimien mahdollinen kuluma
Defibrillaattorialusta (valinnainen)	Hihnat eivät ole kuluneita tai repeytyneitä
	Salpakoukut ovat ehjiä ja kiinni

Sähkömagneettisen yhteensopivuuden tiedot

HUOMIO

- Muiden kuin valmistajan nimeämien tai toimittamien lisävarusteiden, anturien ja kaapelien käyttäminen voi johtaa lisääntyneisiin sähkömagneettisiin päästöihin tai vähentyneeseen sähkömagneettiseen immunitettiin sekä aiheuttaa virheellistä toimintaa.
- Tämän laitteiston päästöominaisuudet tekevät siitä sopivan käytettäväksi teollisissa ympäristöissä ja sairaaloissa (CISPR 11, luokka A). Jos sitä käytetään asuinrakennusympäristössä (johon tarvitaan yleensä CISPR 11:n luokitus B), tämä laitteisto ei ehkä anna riittävää suojaa radiotaajuisia viestintäpalveluja vastaan. Käyttäjän täytyy ehkä tehdä korjaavia toimenpiteitä, kuten sijoittaa laitteisto toiseen paikkaan tai suunnata laitteisto uudelleen.

Ohjeet ja valmistajan ilmoitus – sähkömagneettiset päästöt

Power-PRO-järjestelmä ja **SMRT**-laturi on tarkoitettu käytettäväksi alla määritellyssä sähkömagneettisessa ympäristössä. Asiakkaan tai **Power-PRO**-järjestelmän ja **SMRT**-laturin käyttäjän on varmistettava, että niitä käytetään tällaisessa ympäristössä.

Päästöttesti	Vaativuuden mukaisuus	Sähkömagneettinen ympäristö
Radiotaajuiset päästöt CISPR 11	Ryhmä 1	Power-PRO -järjestelmä ja SMRT -laturi käyttävät radiotaajuusenergiaa vain sisäiseen toimintaansa. Siksi sen radiotaajuiset päästöt ovat hyvin pieniä eivätkä todennäköisesti aiheuta mitään häiriötä lähellä olevaan sähkölaitteeseen.
Radiotaajuiset päästöt CISPR 11	Power-PRO : Luokka A	Power-PRO -järjestelmä soveltuu käytettäväksi kaikissa muissa kuin asuinkäyttöön tarkoitetuissa rakennuksissa sekä asuinrakennuksiin virtaa syöttävään yleiseen pienjänniteverkkoon suoraan liitetyissä rakennuksissa.
	SMRT -laturi (6500-201-010): Luokka B	SMRT -laturi soveltuu käytettäväksi kaikissa rakennuksissa, myös asuinkäyttöön tarkoitetuissa rakennuksissa sekä asuinrakennuksiin virtaa syöttävään yleiseen pienjänniteverkkoon suoraan liitetyissä rakennuksissa.
Harmoniset päästöt IEC 61000-3-2	Power-PRO : N/A SMRT -laturi (6500-201-010): Luokka A	SMRT -laturi soveltuu käytettäväksi kaikissa rakennuksissa, myös asuinkäyttöön tarkoitetuissa rakennuksissa sekä asuinrakennuksiin virtaa syöttävään yleiseen pienjänniteverkkoon suoraan liitetyissä rakennuksissa.
Jännitteen vaihtelut Välkyntä IEC 61000-3-3	Power-PRO : E/S SMRT -laturi (6500-201-010): vaativuuden mukainen	SMRT -laturi soveltuu käytettäväksi kaikissa rakennuksissa, myös asuinkäyttöön tarkoitetuissa rakennuksissa sekä asuinrakennuksiin virtaa syöttävään yleiseen pienjänniteverkkoon suoraan liitetyissä rakennuksissa.

HUOMIO

- Kannettavia radiotaajuisia viestintälaitteita (ohelilaitteet kuten antennijohdot ja ulkoiset antennit mukaan luettuina) on käytettävä vähintään 12 tuumaa (30 cm) etäisyydellä mistä tahansa **Power-PRO**-järjestelmän ja **SMRT**-laturin osasta (valmistajan nimeämät kaapelit mukaan luettuina).

- Tuotteiden virheellistä toimintaa estetään välttämällä muiden laitteiden pinoamista **Power-PRO**-järjestelmän ja **SMRT**-laturin päälle tai asettamista niiden läheisyyteen. Jos käyttö pinottuna tai lähellä on välttämätöntä, tarkkaile **Power-PRO**-järjestelmän ja **SMRT**-laturin sekä muiden laitteiden toimintaa huolella ja varmista, että ne toimivat asianmukaisesti.

Suosittelut erotusetäisyydet kannettavien ja siirrettävien radiotaajuisten viestintälaitteiden ja Power-PRO-paarien ja SMRT-laturin välillä

Power-PRO-järjestelmä ja **SMRT**-laturi on tarkoitettu käytettäväksi sellaisessa ympäristössä, jossa säteilevät radiotaajuushäiriöt ovat hallinnassa. Asiakas tai **Power-PRO**-järjestelmän ja **SMRT**-laturin käyttäjä voi auttaa sähkömagneettisten häiriöiden estämisessä säilyttämällä alla suositellun, viestintälaitteen enimmäislähtötehon mukaisen vähimmäisetäisyyden kannettavien ja siirrettävien radiotaajuisten viestintälaitteiden (lähettimien) ja **Power-PRO**-järjestelmän ja **SMRT**-laturin välillä.

Lähettimen nimellinen enimmäislähtöteho W	Lähettimen taajuuden mukainen erotusetäisyys m		
	150 kHz – 80 MHz D=(1,2) (√P)	80 MHz – 800 MHz D=(0,35) (√P)	800 MHz – 2,7 GHz D=(0,70) (√P)
0,01	0,12	0,04	0,07
0,1	0,38	0,11	0,22
1	1,20	0,35	0,70
10	3,79	1,11	2,21
100	12	3,50	7

Lähettimille, joiden nimellistä enimmäistehoa ei yllä luetella, suositeltu välimatka d metreinä (m) voidaan arvioida käyttämällä lähettimen taajuuteen sovellettavaa yhtälöä, jossa P on lähettimen valmistajan ilmoittama lähettimen enimmäislähtöteholukema watteina (W). Huomautus 1: 80 MHz:n ja 800 MHz:n taajuudessa sovelletaan suuremman taajuusalueen erotusetäisyyttä. Huomautus 2: Nämä ohjeet eivät ehkä päde kaikissa tilanteissa. Rakenteista, esineistä ja ihmisistä aiheutuva imeytyminen ja heijastuminen vaikuttavat sähkömagneettiseen etenemiseen.

Ohjeet ja valmistajan ilmoitus – sähkömagneettinen häiriönsieto


Power-PRO-järjestelmä ja **SMRT**-laturi soveltuvat käytettäväksi alla määritellyssä sähkömagneettisessa ympäristössä. Asiakkaan tai **Power-PRO**-järjestelmän ja **SMRT**-laturin käyttäjän on varmistettava, että niitä käytetään tällaisessa ympäristössä.

Häiriönsietotesti	IEC 60601 -testitaso	Vaatimustenmukaisuustaso	Sähkömagneettiseen ympäristöön liittyvät ohjeet
Sähköstaattinen purkaus (ESD) IEC 61000-4-2	±8 kV, kosketus ±15 kV, ilma	±8 kV, kosketus ±15 kV, ilma	Lattioiden on oltava puusta, betonista tai keraamisista laatoista valmistettuja. Jos lattiat on peitetty synteettisellä materiaalilla, suhteellisen kosteuden tulee olla vähintään 30 %.

Ohjeet ja valmistajan ilmoitus – sähkömagneettinen häiriönsieto

<p>Sähköstaattinen nopea transientti/purske IEC 61000-4-4</p>	<p>± 2 kV virransyöttölinjoille ± 1 kV tulo-/lähtölinjoille</p>	<p>Power-PRO: Ei sovellu SMRT-laturi (6500-201-010): ± 2 kV virransyöttölinjoille ± 1 kV tulo-/lähtölinjoille</p>	<p>Verkkovirran on oltava tyypillisen liike- tai sairaalaympäristön laatuista.</p>
<p>Syöksyaalto IEC 61000-4-5</p>	<p>± 1 kV linjasta linjaan ± 2 kV linjasta maahan</p>	<p>Power-PRO: Ei sovellu SMRT-laturi (6500-201-010): ± 1 kV linjasta linjaan ± 2 kV linjasta maahan</p>	<p>Verkkovirran on oltava tyypillisen liike- tai sairaalaympäristön laatuista.</p>
<p>Jännitekuopat, jännitteen vaihtelut ja lyhyet katkokset virransyöttölinjoissa IEC 61000-4-11</p>	<p>0 % U_T 0,5 jakson ajan asteissa 0°, 45°, 90°, 135°, 180°, 225°, 270° ja 315° 0 % U_T 1 jakson ajan 70 % U_T (30 %:n pudotus U_T:ssä) 25 jakson ajan 0 % U_T 250 jakson ajan</p>	<p>Power-PRO: Ei sovellu SMRT-laturi (6500-201-010): 0 % U_T 0,5 jakson ajan asteissa 0°, 45°, 90°, 135°, 180°, 225°, 270° ja 315° 0 % U_T 1 jakson ajan 70 % U_T (30 %:n pudotus U_T:ssä) 25 jakson ajan 0 % U_T 250 jakson ajan</p>	<p>Verkkovirran on oltava tyypillisen liike- tai sairaalaympäristön laatuista. Mikäli SMRT-laturin käyttäjä tarvitsee jatkuvaa käyttöä verkkovirtakatkosten aikana, suositellaan, että laite kytketään keskeytymättömään virtalähteeseen (UPS) tai akkuun.</p>
<p>Verkkotaajuuden (50/60 Hz) magneettikenttä IEC 61000-4-8</p>	<p>30 A/m</p>	<p>30 A/m</p>	<p>Verkkotaajuuden magneettikenttien on oltava tyypillisen liike- tai sairaalaympäristön tyypilliselle sijaintipaikalle ominaisilla tasoilla.</p>
<p>Sähkötransientin johtuminen syöttölinjoja pitkin ISO 7637-2</p>	<p>ISO 7637-2:n mukainen</p>	<p>Power-PRO: Ei sovellu SMRT-laturi (6500-201-010): ISO 7637-2:n mukainen</p>	<p>Ei sovellu</p>
<p>Huomautus: U_T on verkkovirran jännite ennen testitason soveltamista.</p>			

Ohjeet ja valmistajan ilmoitus – sähkömagneettinen häiriönsieto

<p>Johtuva radiotaajuus IEC 61000-4-6</p> <p>Säteilevä radiotaajuus IEC 61000-4-3</p>	<p>3 Vrms</p> <p>6 Vrms ISM- ja radioamatööriradiokaistoilla</p> <p>150 kHz – 80 MHz</p> <p>10 V/m</p> <p>80 MHz – 2,7 GHz</p>	<p>3 V</p> <p>6 Vrms ISM- ja radioamatööriradiokaistoilla</p> <p>10 V/m</p>	<p>Kannettavia ja siirrettäviä radiotaajuisia viestintälaitteita ei saa käyttää Power-PRO-järjestelmän tai SMRT-laturin mitään osaa (johdot mukaan luettuina) lähempänä kuin suositeltu erotusetaisyys, joka lasketaan lähettimen taajuuden mukaisesta yhtälöstä.</p> <p>Suosittelun suojaetaisyys</p> <p>$D=(1,2) (\sqrt{P})$</p> <p>$D=(0,35) (\sqrt{P})$</p> <p>80 MHz – 800 MHz</p> <p>$D=(0,70) (\sqrt{P})$</p> <p>800 MHz – 2,7 GHz</p> <p>jossa P on lähettimen valmistajan ilmoittama lähettimen enimmäislähtöteholukema watteina (W) ja d on suositeltu suojaetaisyys metreinä (m).</p> <p>Sähkömagneettisella paikatutkimuksella määritettyjen, kiinteiden radiotaajuisien lähettimien tuottamien kentänvoimakkuuksien^a on oltava pienempiä kuin kunkin taajuusalueen vaatimustaso.^b</p> <p>Häiriötä saattaa esiintyä seuraavalla symbolilla merkityn laitteiston läheisyydessä:</p> <div style="text-align: center;">  </div>
---	---	--	--

Huomautus 1: 80 MHz:n ja 800 MHz:n kohdalla sovelletaan suuremman taajuusalueen vaatimuksia.

Huomautus 2: Nämä ohjeet eivät ehkä päde kaikissa tilanteissa. Rakenteista, esineistä ja ihmisistä aiheutuva imeytyminen ja heijastuminen vaikuttavat sähkömagneettiseen etenemiseen.

Huomautus 3: ISM (Industrial, Scientific and Medical) -kaistat välillä 0,15 MHz – 80 MHz ovat 6,765 MHz – 6,795 MHz, 13,553 MHz – 13,567 MHz, 26,957 MHz – 27,283 MHz ja 40,66 MHz – 40,70 MHz. Radioamatööriradiokaistat välillä 0,15 MHz – 80 MHz ovat 1,8 MHz – 2,0 MHz, 3,5 MHz – 4,0 MHz, 5,3 MHz – 5,4 MHz, 7 MHz – 7,3 MHz, 10,1 MHz – 10,15 MHz, 14 MHz – 14,2 MHz, 18,07 MHz – 18,17 MHz, 21,0 MHz – 21,4 MHz, 24,89 MHz – 24,99 MHz, 28,0 MHz – 29,7 MHz ja 50,0 MHz – 54,0 MHz.

Civière Power-PRO™ TL

Manuel d'utilisation





















REF 6550















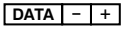


CE

FR

Symboles

	Consulter le manuel ou la notice d'utilisation
	Consulter la notice d'utilisation
	Marquage CE
	Mandataire établi dans la Communauté européenne
	Dispositif médical européen
	Avertissement général
	Mise en garde
	Avertissement ; écrasement des mains
	Avertissement ; radiation non ionisante
	Ne pas pousser
	Ne pas lubrifier
	Numéro de référence
	Code de lot
	Numéro de série
	Pour les brevets américains, consulter www.stryker.com/patents
	Fabricant
	Date de fabrication
	Importateur
	Poids de l'équipement avec charge maximum admissible
	Charge maximum admissible

	Pièce appliquée de type B
	Pièce appliquée de type BF
	Équipement médical classé par Underwriters Laboratories Inc. pour les risques d'électrocution, d'incendie et les risques mécaniques conformément aux normes ANSI/AAMI ES60601-1:2012 et CAN/CSA-C22.2 N° 60601-1:14.
	Courant continu
	Courant alternatif
	Équipement électrique de classe II : équipement pour lequel la protection contre les chocs électriques ne repose pas uniquement sur une isolation de base, mais qui comprend des mesures de sécurité supplémentaires comme la double isolation ou une isolation renforcée, à défaut de dispositions pour une mise à la terre de protection ou de conditions d'installation fiables.
	Tension dangereuse
	Système d'alimentation SMRT
	Déployer
	Rétracter
IPX0	Non protégé
IPX6	Protection contre les jets d'eau puissants
	Conformément à la directive européenne 2012/19/UE relative aux déchets d'équipements électriques et électroniques (DEEE), telle que modifiée, ce symbole indique que le produit doit faire l'objet d'une collecte sélective en vue du recyclage. Ne pas éliminer avec les déchets municipaux non triés. Pour des informations sur la mise au rebut, contacter le distributeur local. Veiller à décontaminer tout matériel infecté avant le recyclage.
	Directive DEEE (2012/96/CE). Contient du cadmium.
	La « Rechargeable Battery Recycling Corporation » (RBRC) est un organisme public à but non lucratif qui encourage le recyclage des batteries rechargeables portables. Les batteries usagées doivent être déposées dans un site de collecte de batteries. Visiter le site Web de la RBRC (www.rbrc.org) pour trouver un site de collecte à proximité ou composer le numéro de téléphone indiqué sur le symbole de recyclage.
	Contient des cellules de nickel-cadmium et doit être recyclée en conséquence
	Identification des bornes de la batterie (ligne de données, négative et positive)
KRX 23/44	Identification des cellules Ni-Cd selon la norme CEI 61951-1:2003







2300 mAh (1.2A/2h)	Capacité de la batterie, charge habituelle et autonomie
	Ne pas nettoyer avec de l'eau de Javel
	Sangle de retenue au niveau des épaules
	Sangle de retenue de la taille à double boucle
	Sangle de retenue de la taille à boucle unique
	Sangle de retenue au niveau des cuisses
	Sangle de retenue au niveau des chevilles

Table des matières

Définition de « Avertissement », « Mise en garde » et « Remarque »	3
Résumé des mesures de sécurité	3
Points de pincement possibles	6
Stabilité mécanique	7
Introduction	9
Description du produit	9
Indications d'utilisation	9
Bénéfices cliniques	10
Contre-indications	10
Durée de vie utile prévue	10
Élimination/recyclage	10
Caractéristiques techniques – Power-PRO	10
REACH européen	11
Normes avec les options requises	12
Compatibilité avec le système de retenue pédiatrique Schnitzler	12
Caractéristiques techniques – SMRT	13
Illustration du produit - Power-PRO	14
Illustration du produit – SMRT	15
Coordonnées	15
Emplacement du numéro de série - Power-PRO	16
Emplacement du numéro de série – SMRT	16
Préparation	17
Installation	17
Installation de la fixation de civière	17
Fonctionnement	18
Vérification du niveau de charge de la batterie	18
Vérification de l'affichage du compteur d'heures et des erreurs	18
Directives de fonctionnement	19
Techniques appropriées de soulèvement	20
Transfert du patient sur la civière	20
Pour faire rouler la civière avec un patient dessus	20
Élévation ou abaissement de la civière	21
Élévation, abaissement ou déblocage motorisé de la civière	21
Élévation ou abaissement de la civière manuellement avec la fonction d'outrepassement manuel	22
Accélération de la charge avec le mode de rétraction à grande vitesse	23
Chargement de la civière sur le système de fixation	23
Retirer la civière de la fixation	23
Chargement de la civière à l'aide d'un hayon élévateur	24
Déchargement de la civière à l'aide d'un hayon élévateur	25
Chargement de la civière au moyen d'une rampe	25
Chargement et déchargement de la civière avec le porte-bouteille à oxygène optionnel	26
Positionnement des opérateurs et des assistants	27
Élévation ou abaissement du relève-buste	27
Élévation ou abaissement des barrières	28
Élévation ou abaissement des barrières (option XPS)	28
Section tête et section pieds extensibles et rétractables	28
Rétraction de la section tête ou de la section pieds rétractables	29
Élévation ou abaissement du relève-jambes disponible en option	30
Application ou libération d'un blocage de roue	31
Application ou déblocage du Steer-Lock en option	31
Attacher le patient avec les sangles de retenue	32
Ajout d'une rallonge de sangle de retenue	33
Fixation d'un patient avec les sangles de retenue en X/XPR	33
Fixation des sangles de retenue en X/XPR au niveau des épaules	34
Fixation des sangles de retenue en X/XPR au niveau de la taille	34
Fixation des sangles de retenue en X/XPR au niveau des cuisses	35
Fixation des sangles de retenue en X/XPR au niveau des chevilles	35
Arrimage du patient avec le système de retenue Pedi-Mate® pour bébés	36
Fixation du plateau porte-défibillateur	36
Suspension de l'équipement sur le crochet pour accessoires	39

Positionnement du support de perfusion en deux parties	39
Positionnement du support de perfusion en trois parties disponible en option.....	40
Installation d'une bouteille d'oxygène sur le porte-bouteille d'oxygène	41
Fixation des barres de poussée en option	42
Retrait et stockage des barres de poussée dans la pochette de rangement prévue à cet effet	42
Fixation du filet de rangement à la base en option.....	43
Fixation de la poche de rangement du relève-buste	43
Fixation du matelas	44
Insertion d'un SMRT Pak	45
Retrait d'un SMRT Pak de la civière.....	45
Stockage de la batterie	46
Chargement du SMRT Pak	46
Vérification du niveau de puissance du SMRT Pak avec le chargeur SMRT	47
Caractéristiques de l'installation d'alimentation électrique.....	48
Installation du chargeur SMRT	48
Installation du support de montage en option.....	48
Fixation du chargeur sur le support de montage en option	49
Alimentation du chargeur	50
Déconnexion du chargeur	51
Accessoires et pièces.....	52
Nettoyage et désinfection des sangles de retenue XPR	54
Nettoyage	55
Nettoyants conseillés.....	55
Nettoyage du chargeur	56
Nettoyage de la batterie	56
Entretien préventif.....	58
Lubrification	58
Inspection et réglages réguliers	58
Tous les mois ou toutes les deux heures d'utilisation	58
Tous les trois mois ou toutes les six heures d'utilisation	59
Tous les six mois ou toutes les 12 heures d'utilisation.....	60
Tous les 12 mois ou toutes les 24 heures d'utilisation	61
Informations de CEM	62

Définition de « Avertissement », « Mise en garde » et « Remarque »

Les termes **AVERTISSEMENT**, **MISE EN GARDE** et **REMARQUE** ont une signification particulière et doivent faire l'objet d'une lecture attentive.

AVERTISSEMENT

Avertit le lecteur d'une situation qui, si elle n'est pas évitée, pourrait entraîner la mort ou des blessures graves. Peut également attirer l'attention sur l'existence potentielle d'effets indésirables graves ou de risques d'accident.

MISE EN GARDE

Avertit le lecteur d'une situation potentiellement dangereuse qui, si elle n'est pas évitée, peut causer des blessures mineures ou modérées à l'utilisateur ou au patient ou endommager le matériel en question ou d'autres biens. Couvre notamment les précautions à prendre afin d'assurer l'utilisation sûre et efficace du dispositif et d'éviter les dommages qui pourraient découler de l'usage ou du mésusage du matériel.

Remarque - Fournit des informations spécifiques destinées à faciliter l'entretien ou à clarifier des instructions importantes.

Résumé des mesures de sécurité

Toujours lire et respecter scrupuleusement les avertissements et les mises en garde indiqués sur cette page. Toute réparation doit être effectuée exclusivement par du personnel qualifié.

AVERTISSEMENT

- Toujours éloigner les mains des pivots rouges de la barre de sécurité lors du chargement ou déchargement de la civière ou lors du réglage de la hauteur.
- Utiliser systématiquement les deux mains pour transporter la civière.
- Seul du personnel qualifié est habilité à installer la fixation de civière. Une installation incorrecte peut occasionner des blessures chez le patient ou l'opérateur.
- Toujours vérifier que toutes les civières sont conformes aux spécifications d'installation du système de fixation de civière Stryker.
- Toujours ajuster la pince du rail à la position du montant de retenue de la civière, en fonction du fabricant et du numéro de modèle de la civière.
- Ne pas retirer la batterie lorsque la civière est activée.
- Toujours s'assurer que personne ne se trouve à proximité des mécanismes avant d'utiliser le produit. Tout contact avec des mécanismes motorisés du produit peut causer des blessures graves.
- Toujours inspecter les **SMRT Paks** pour s'assurer de l'absence de dommages avant utilisation.
- Ne pas autoriser des assistants non formés à aider à utiliser le produit.
- Toujours respecter le placement correct des mains sur les poignées. Éloigner les mains des pivots rouges de la barre de sécurité lors du chargement ou du déchargement de la civière ou lors du réglage de la hauteur.
- Ne pas monter sur la base de la civière.
- Ne pas transporter la civière sur le côté pour éviter tout risque de basculement. Toujours transporter la civière en position abaissée, côté tête ou côté pieds en premier, pour minimiser le risque de basculement.
- Toujours tenir les mains, les doigts et les pieds éloignés des pièces en mouvement. Faire preuve de prudence si les mains et les pieds se trouvent à proximité des tubes de la base au moment de relever ou d'abaisser la civière.
- Toujours installer le système d'arrêt incorporé à la fixation dans les véhicules d'urgence qui seront utilisés avec cette civière et une fixation de civière de type crochet à ramure.
- Toujours procéder au monitoring du patient lorsque la civière est à l'arrêt. En cas d'élévation ou d'abaissement hydraulique du produit, le matériel de monitoring électronique du patient risque d'être affecté provisoirement.
- Toujours utiliser toutes les sangles de retenue pour maintenir solidement le patient sur le produit. Un patient non retenu peut tomber du produit et se blesser.
- Ne pas laisser un patient sans surveillance. Soutenir le produit lorsqu'un patient se trouve dessus.
- Ne pas appliquer un blocage de roue lorsqu'un patient se trouve sur le produit ou lors du déplacement du produit afin d'éviter tout risque de basculement.

- Ne pas utiliser les barrières comme dispositif de retenue du patient.
- Toujours transporter la civière réglée à faible hauteur afin de réduire le risque de basculement de la civière. Si possible, obtenir une aide supplémentaire ou choisir un autre parcours.
- Toujours éviter les obstacles élevés comme les bordures de trottoir, les marches ou les terrains accidentés afin d'éviter le risque de basculement du produit.
- Toujours faire appel à deux opérateurs pour élever ou abaisser la civière avec un patient.
- Toujours s'assurer que la civière ne risque pas de rouler et de tomber du hayon élévateur avant de l'y installer avec un patient dessus. Bien vérifier le maintien et le fonctionnement de la butée du hayon.
- Toujours verrouiller la section tête en place avant de faire fonctionner la civière.
- Ne pas tenter de charger la civière dans le compartiment patient du véhicule avec la section tête rétractée. Le chargement de la civière avec la section tête rétractée peut entraîner une inclinaison de la civière ou entraver la fixation de celle-ci au véhicule.
- Ne pas installer et ne pas appliquer un blocage de roue sur un produit dont les roues sont usées et de diamètre inférieur à 6 po (15 cm).
- Ne pas laisser un patient ou un occupant sans surveillance. Tenir le produit pendant que le patient ou l'occupant se trouve sur le produit.
- Toujours utiliser toutes les sangles de retenue pour maintenir le patient sur la civière. Un patient non maintenu risque de tomber de la civière.
- Ne pas attacher les sangles de retenue aux tubes de la base ou aux tubes transversaux.
- Toujours placer la boucle loin des obstructions ou des accessoires sur la civière afin d'éviter le risque de déblocage accidentel du système de retenue **Pedi-Mate®** pour nourrissons et de blesser le nourrisson.
- Ne pas fixer le plateau porte-défibriateur sur une civière **Performance-PRO XT** modèle 6086 avec l'option **Power-LOAD** pour éviter tout risque de basculement de la civière.
- Toujours verrouiller les barres de poussée dans les supports pour éviter qu'elles ne se déboîtent pendant l'utilisation.
- Ne pas soulever le produit avec les barres de poussée.
- Si les barres de poussée ne sont pas utilisées, les ranger systématiquement dans leur pochette.
- Ne pas tenter d'ouvrir le bloc-batterie quelle qu'en soit la raison, pour éviter tout risque de choc électrique. Si le boîtier du bloc-batterie est fissuré ou endommagé, ne pas l'insérer dans le chargeur. Renvoyer les blocs-batterie endommagés à un centre de service pour les recycler.
- Toujours éviter le contact direct avec une batterie ou des boîtiers de batterie humides. Le contact peut causer des blessures au patient ou à l'opérateur.
- Ne pas introduire un **SMRT Pak** fissuré ou endommagé dans le chargeur **SMRT**. Renvoyer les **SMRT Paks** endommagés à un centre de service pour les recycler.
- Toujours faire installer le support de montage en option et le chargeur **SMRT** par un mécanicien agréé familiarisé avec la construction des ambulances.
- Toujours monter le chargeur **SMRT** sur le support de montage en option dans une enceinte fermée et hors de la portée du patient pendant le transport afin de respecter les normes établies de test de collision.
- Toujours s'assurer que le support de montage en option est solidement fixé à la surface.
- Toujours utiliser un équipement de protection individuelle approprié lors du lavage sous pression afin d'éviter une contagion par inhalation. Tout équipement de lavage sous pression peut vaporiser des résidus contaminés.
- Toujours porter des gants en caoutchouc isolés en plus de l'équipement de protection individuelle pour nettoyer le **SMRT Pak** afin de réduire le risque de blessures.
- Toujours déconnecter le chargeur **SMRT** de la prise murale avant le nettoyage pour éviter tout risque électrique.
- Ne pas vaporiser de liquide directement sur le chargeur **SMRT**.
- Ne pas nettoyer le chargeur **SMRT** sous pression.
- Ne pas utiliser de solvants, de lubrifiants, ni d'autres produits chimiques pour nettoyer le chargeur **SMRT**, sauf indication contraire.
- Ne pas immerger le chargeur **SMRT** dans l'eau ni laisser l'eau s'accumuler sur le dessus du chargeur **SMRT** pour éviter tout risque de choc électrique.
- Toujours utiliser des matériaux non conducteurs pour essuyer le **SMRT Pak**.
- Toujours éviter une exposition excessive à l'eau des bornes du **SMRT Pak**.
- Toujours se référer à la fiche de données de sécurité (FDS) des désinfectants pour vérifier la plage du pH. Des désinfectants dont le pH dépasse 10,5 peuvent causer une fissuration du matériau du boîtier du **SMRT Pak**.
- Ne pas manipuler et ne pas entrer en contact directement avec les bornes du **SMRT Pak** pendant le nettoyage afin d'éviter tout risque de blessure.

- Ne pas immerger le **SMRT** Pak dans du liquide afin de réduire tout risque de choc électrique.
- Ne pas utiliser de solvants, de lubrifiants ni d'autres produits chimiques pour nettoyer le **SMRT** Pak, sauf indication contraire.
- Toujours libérer la pression avant de déconnecter les conduites hydrauliques ou d'autres conduites. Du liquide sous pression qui s'échappe peut pénétrer dans la peau et causer des blessures graves. Serrer tous les raccords avant d'appliquer une pression. En cas d'accident, consulter un médecin immédiatement.
- Ne pas utiliser les mains nues pour inspecter des fuites hydrauliques.

MISE EN GARDE

- Une utilisation incorrecte du produit est susceptible d'occasionner des blessures chez le patient ou l'opérateur. Utiliser le produit uniquement de la manière décrite dans ce manuel.
- Ne pas modifier le produit ni aucun de ses composants. Toute modification du produit peut entraîner un fonctionnement imprévisible, susceptible d'occasionner des blessures chez le patient ou l'opérateur. La garantie du produit serait en outre annulée par toute modification du produit.
- Ne pas utiliser le produit avec des sangles de retenue incompatibles.
- Toujours charger la batterie avant de mettre le produit en service. La performance du produit sera inférieure si la batterie n'est pas chargée ou si elle est épuisée.
- Toujours éloigner les obstacles qui peuvent interférer et causer des blessures à l'opérateur ou au patient avant d'utiliser le produit.
- Toujours abaisser la civière jusqu'à la position la plus basse pour s'assurer qu'elle se connecte à la fixation.
- Ne pas tenter de modifier la hauteur de la civière tant qu'elle est connectée à la fixation.
- Ne pas s'asseoir ou se mettre debout sur les barrières (option XPS).
- Ne pas utiliser les barrières (option XPS) comme dispositif ou surface de transfert de patient (pour faire glisser un patient de la civière vers une autre surface, par exemple).
- Ne pas positionner les patients avec tout le poids sur les barrières (option XPS).
- Ne pas utiliser les barrières (option XPS) comme dispositif pour pousser/tirer ou diriger le produit.
- Ne pas emmêler les sangles de retenue dans le châssis de la base lors de l'élévation ou de l'abaissement de la civière.
- Toujours bien fixer le plateau porte-défibrillateur sur le produit lors de l'utilisation de ce plateau.
- Toujours utiliser et régler les sangles fournies avec le plateau porte-défibrillateur pour fixer le défibrillateur.
- Toujours changer l'emplacement de fixation ou régler les sangles pour la taille et la forme particulières du défibrillateur.
- Ne pas charger le plateau porte-défibrillateur au-delà de la charge maximale admissible de 30 livres (13,6 kg).
- Ne pas charger le crochet pour accessoires au-delà de la charge maximale admissible de 35 livres (15,8 kg).
- Toujours retirer tous les accessoires et tout équipement du crochet pour accessoires lorsqu'il se trouve dans le véhicule.
- Ne pas charger le support de perfusion au-delà de la charge maximale admissible de 25 livres (11,3 kg).
- Ne pas charger le porte-bouteille d'oxygène au-delà de la charge maximale admissible de 15 livres (6,8 kg).
- Ne pas utiliser deux porte-bouteilles d'oxygène en même temps.
- Ne pas charger le filet de rangement de la base au-delà de la charge maximale admissible de 20 livres (9 kg).
- Toujours procéder avec précaution lors du retrait de la base afin d'éviter d'endommager les articles qui sont stockés dans le filet de rangement de la base.
- Ne pas charger la poche de rangement du relève-buste au-delà de la charge maximale admissible de 20 livres (9 kg).
- Ne pas laisser la poche de rangement interférer avec le fonctionnement de la section tête rétractable.
- Ne pas stocker d'objets sous le matelas. La présence d'objets sous le matelas pourrait entraver le bon fonctionnement du produit.
- Toujours retirer la batterie si la civière ne doit pas être utilisée pendant une période prolongée (plus de 24 heures).
- Toujours placer le cordon d'alimentation électrique du chargeur **SMRT** à un endroit où il ne sera pas piétiné, ne risquera pas de faire trébucher et ne subira ni dommage ni contrainte.
- Ne pas mettre les bornes de la fiche du **SMRT** Pak en contact avec des objets métalliques.
- Toujours saisir et tirer la fiche et non pas le cordon pour déconnecter le chargeur **SMRT** afin d'éviter tout risque d'endommager la fiche et le cordon électriques.
- Ne pas appliquer de lubrifiant sur les surfaces des sangles de retenue.
- Ne pas nettoyer le produit à la vapeur ou aux ultrasons.
- La température maximale de l'eau ne doit pas dépasser 180 °F (82 °C).

- La pression maximale de l'eau ne doit pas dépasser 1 500 psi (103,4 bars). En cas d'utilisation d'un tube-rallonge à main pour laver le produit, veiller à maintenir la buse haute pression à une distance minimum de 24 po (61 cm) du produit.
 - Toujours laisser sécher à l'air.
 - Toujours retirer la batterie avant de laver la civière.
 - Ne pas procéder au nettoyage, à l'entretien ou à la maintenance pendant que le produit est en service.
 - Ne pas nettoyer le **SMRT** Pak à la vapeur ou aux ultrasons.
 - La température maximale de séchage à l'air ne doit pas dépasser 240 °F (115 °C) (laveurs de chariots).
 - Toujours utiliser des pièces agréées pour éviter tout risque d'endommagement du produit.
 - Toujours inspecter les tuyaux et conduites régulièrement pour éviter d'endommager la civière. Inspecter et serrer les raccords desserrés. Les conduites hydrauliques, les tuyaux et les raccords peuvent être défectueux ou ils peuvent se desserrer après avoir subi des dommages physiques, s'ils se tordent, et en raison de leur vieillissement et de leur exposition à l'environnement.
 - Ne pas basculer la civière sur ses roues porteuses et actionner le produit, étant donné que ceci permettrait à l'air de pénétrer dans le système hydraulique.
 - Ne pas lubrifier les paliers dans le cadre en X, car cela réduirait la performance de la civière et pourrait annuler sa garantie.
 - L'utilisation d'accessoires, de capteurs et de câbles autres que ceux spécifiés ou fournis par le fabricant pourrait entraîner une augmentation des émissions électromagnétiques ou une diminution de l'immunité électromagnétique et entraîner un fonctionnement incorrect.
 - Les caractéristiques des émissions de cet équipement conviennent pour une utilisation en milieu industriel et hospitalier (CISPR 11 classe A). S'il est utilisé dans un environnement résidentiel, pour lequel un niveau CISPR 11 classe B est habituellement requis, cet équipement pourrait ne pas offrir une protection adéquate pour les services de communication par radiofréquence. Il peut être nécessaire pour l'utilisateur de prendre des mesures d'atténuation telles que la réorientation ou le déplacement de l'équipement.
 - Les équipements de communication RF portables, y compris les périphériques comme les câbles d'antenne et les antennes externes, ne doivent pas être utilisés à moins de 12 po (30 cm) d'une partie quelconque de la **Power-PRO** et du chargeur **SMRT**, y compris les câbles spécifiés par le fabricant.
 - Éviter d'empiler ou de placer d'autres équipements sur ou à côté de la **Power-PRO** et du chargeur **SMRT** pour empêcher le fonctionnement incorrect des produits. Si une telle utilisation s'avère nécessaire, il convient d'observer la **Power-PRO** et le chargeur **SMRT** et les autres équipements afin de s'assurer qu'ils fonctionnent normalement.
-

Points de pincement possibles

AVERTISSEMENT - Toujours éloigner les mains des pivots de la barre de sécurité rouge lors du chargement ou déchargement de la civière ou lors du réglage de la hauteur.

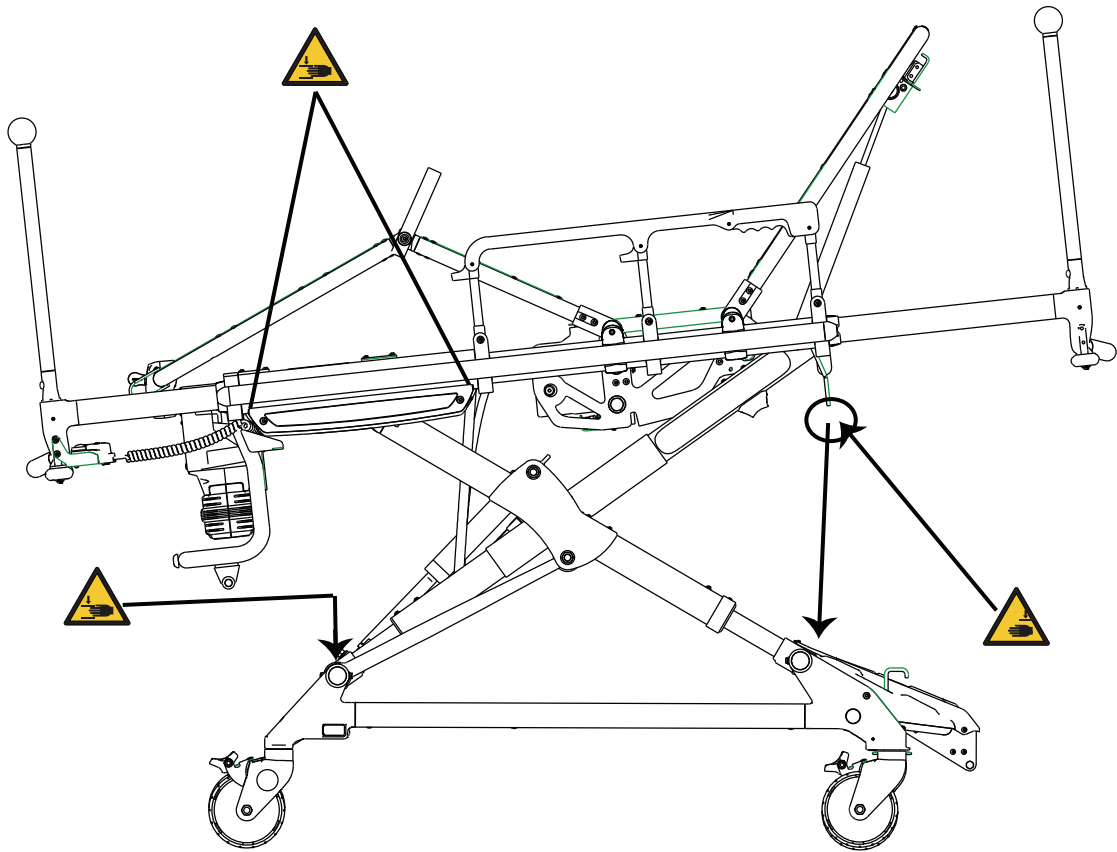


Figure 1 – Points de pincement possibles

Stabilité mécanique

AVERTISSEMENT - Utiliser systématiquement les deux mains pour transporter la civière.

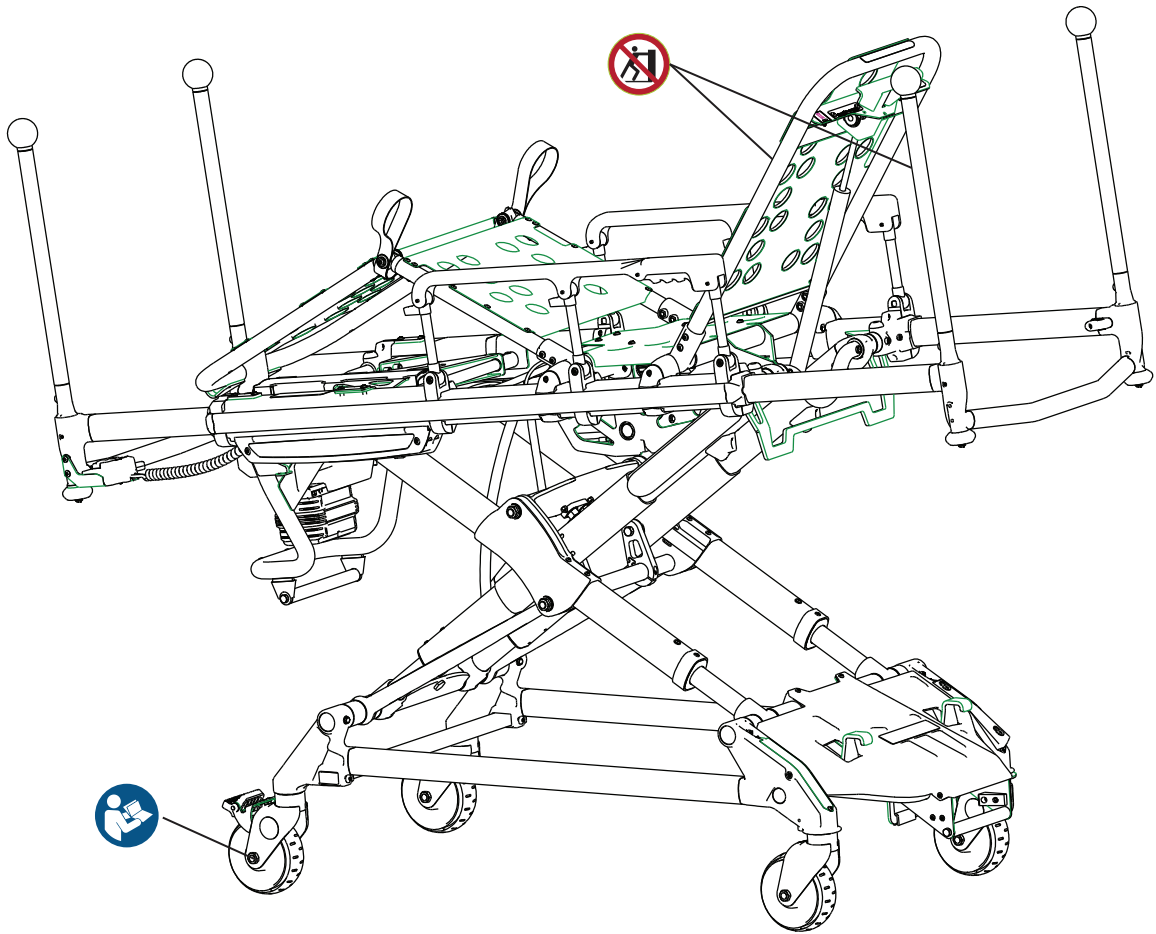


Figure 2 – Stabilité mécanique

Remarque - Si elle se trouve sur une surface inclinée à plus de cinq degrés, régler la civière à sa position la plus basse.

Introduction

Ce manuel vous aide à utiliser ou entretenir votre produit Stryker. Lire ce manuel avant d'utiliser ce produit ou d'en effectuer la maintenance. Il convient d'établir des procédures et techniques visant à éduquer et à former le personnel quant au fonctionnement et à l'entretien sécuritaires de ce produit.

MISE EN GARDE

- L'utilisation incorrecte du produit est susceptible de causer des blessures au patient ou à l'utilisateur. Utiliser le produit uniquement de la manière décrite dans ce manuel.
 - Ne pas modifier le produit ni aucun de ses composants. Toute modification du produit peut entraîner un fonctionnement imprévisible, susceptible de causer des blessures au patient ou à l'utilisateur. La garantie du produit serait en outre invalidée par toute modification du produit.
-

Remarque

- Ce manuel doit être considéré comme faisant partie du produit et doit l'accompagner à tout moment, même en cas de vente ultérieure du produit.
- Stryker cherche continuellement à améliorer le design et la qualité de ses produits. Ce manuel contient les informations produit les plus récentes disponibles au moment de l'impression. Il peut y avoir de légères divergences entre le produit et ce manuel. Pour toute question, contacter le service clientèle ou le support technique de Stryker au +1-800-327-0770.

Description du produit

La civière Stryker modèle 6550 **Power-PRO™** TL est une civière d'ambulance motorisée qui se compose d'une plateforme montée sur un châssis en X sur roues, destinée à soutenir et à transporter un poids maximum de 700 lb (318 kg) en milieu pré-hospitalier et hospitalier.

Le dispositif est pliable pour une utilisation dans les véhicules d'urgence, et le système élévateur hydraulique alimenté par batterie NiCd permet aux opérateurs d'élever et d'abaisser la civière à l'aide des commandes électriques. La civière est dotée d'une poignée de déblocage de secours manuelle afin de permettre le fonctionnement continu de la civière en cas de panne d'alimentation. Le dispositif est équipé des éléments suivants : sections tête et pieds rétractables pour diminuer l'encombrement au sol et optimiser la manœuvrabilité de la civière dans les espaces restreints, barrières, sangles de fixation du patient, relève-buste pneumatique réglable et divers accessoires optionnels qui facilitent le transport du patient. Les trois positions différentes du plan de couchage, choc, jambes à l'horizontale et positionnement de relève-jambes en option, assurent un confort optimal au patient.

Le système d'alimentation **SMRT™** comprend un chargeur **SMRT** et un **SMRT Pak**. Le **SMRT Pak** alimente le système de levage hydraulique des civières d'ambulance motorisées Stryker.

Indications d'utilisation

Power-PRO TL de Stryker est un chariot civière motorisé destiné à soutenir le corps entier des patients (enfants ou adultes) ambulatoires ou hospitalisés, présentant des traumatismes corporels, et à les transporter.

Le système de levage hydraulique alimenté par batterie permet de réduire l'effort requis par l'opérateur pour élever et abaisser la civière. Le dispositif est conçu pour soutenir les patients dans une position couchée (horizontale) ou assise et pour faciliter le transport des équipements médicaux associés (tels que des bouteilles d'oxygène, des moniteurs ou des pompes) dans les véhicules d'urgence ou de transport. Cette civière d'ambulance peut être utilisée dans des environnements pré-hospitaliers et hospitaliers, dans des situations d'urgence et de non-urgence. Sa capacité nominale maximum est de 318 kg [700 lb] (la somme du poids du patient, du matelas et des accessoires) et les opérateurs prévus sont des professionnels formés à cet effet, notamment le personnel médical d'urgence et celui de centres de soins médicaux, ainsi que les intervenants médicaux d'urgence.

Power-PRO TL n'est pas conçu pour un support de longue durée, et ne peut être utilisé ni comme un lit d'hôpital, ni pour des dispositifs qui modifient la pression de l'air, tels que les caissons hyperbares.

Bénéfices cliniques

Civière : transport du patient

Fixation : support de la civière pendant le transport

Civière et système de fixation : support et transport des patients

Contre-indications

Aucune connue.

Durée de vie utile prévue

Le **Power-PRO** a une durée de vie utile prévue de sept ans dans des conditions d'utilisation normales et en respectant la maintenance périodique appropriée.


Le chargeur **SMRT** a une durée de vie utile prévue de sept ans dans des conditions d'utilisation normale et en respectant la maintenance périodique appropriée.

La batterie **SMRT Pak** a une durée de vie utile prévue de deux ans dans des conditions normales d'utilisation.

Élimination/recyclage

Toujours respecter les recommandations et/ou réglementations locales en vigueur concernant la protection de l'environnement et les risques associés au recyclage ou à l'élimination de l'équipement en fin de vie utile.

Caractéristiques techniques – Power-PRO

	Remarque - La charge maximale admissible indique la somme des poids du patient, du matelas et des accessoires.	700 livres	318 kg
Capacité de levage maximale sans assistance		700 livres	318 kg
Articulation/position de choc du relève-buste (relève-buste standard - 6506-012-003)		0° à 73°/+15°	
Articulation/position de choc du relève-buste (option relève-buste 1865 - 6506-012-004)		0° à 75°/+15°	
Longueur totale		81 po	206 cm
Longueur standard/longueur minimum/largeur		76,5 po/55 po/23 po	194,3 cm/139,7 cm/58 cm
Hauteur ¹		Ajustable de 14 po à 41,5 po	Réglable de 36 cm à 106 cm
Poids ²		145 livres	66 kg
Diamètre/largeur des roulettes		6 po/2 po.	15 cm/5 cm
Nombre minimum d'opérateurs nécessaires pour charger et décharger une civière occupée		2	

Nombre minimum d'opérateurs nécessaires pour charger et décharger une civière non occupée	1
Systèmes de fixation recommandés	Modèle 6385, 6386, 6387, 6388 ou 6389
Deux blocages de roue / quatre blocages de roue	Standard / optionnel
Huile hydraulique	Numéro de pièce Stryker 6500-001-293
Système d'alimentation	
Batterie	24 V CC NiCd - système d'alimentation SMRT
Chargeur	100-240 V CA ; 1,20 A, 50/60 Hz ou 12 V CA ; 4,16 A - système d'alimentation SMRT
Cycle opératoire de la civière	10 % (33 s marche/5 min arrêt)
Normes (civières et chargeurs)	ANSI/AAMI ES60601-1:2012, CAN/CSA-C22.2 No 60601-1:14, KKK-A-1822 Pour les normes qui exigent des options spécifiques, consulter <i>Normes avec les options requises</i> (page 12)

¹ Hauteur mesurée entre le bas du matelas de la section siège et le niveau du sol.

² La civière est pesée avec une batterie et sans matelas ni sangles de retenue.

Stryker se réserve le droit de modifier ces caractéristiques sans préavis.

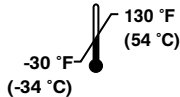
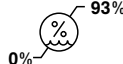
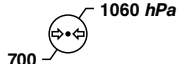
Power-PRO TL est conçu conformément à la norme fédérale de « Star-of-Life Ambulance » (KKK-A-1822).

Power-PRO TL est conçu pour être compatible avec des systèmes de fixation de civière de la concurrence.

Brevets en instance.

La combinaison de couleurs jaune et noire est une marque déposée exclusive de Stryker Corporation.

Il se peut que les étiquettes soient illisibles à une distance supérieure à 12 po (30 cm).

Conditions ambiantes	Fonctionnement
Température	
Humidité relative	
Pression atmosphérique	

REACH européen

Conformément au règlement REACH de l'Union européenne et à d'autres exigences réglementaires relatives à l'environnement, les composants qui contiennent des substances à déclarer sont énumérés ci-dessous.

Description	Numéro	Nom chimique de la substance extrêmement préoccupante (SVHC)
Matelas, traversin de relève-jambes	6550-001-084	(2H-benzotriazol2-yl)-4, 6-di-tert-pentylphénol
Matelas, traversin de relève-jambes, XPS	6500-003-130	(2H-benzotriazol2-yl)-4, 6-di-tert-pentylphénol
Matelas, traversin de relève-jambes, gris	6506-003-130	(2H-benzotriazol2-yl)-4, 6-di-tert-pentylphénol
Accumulateur Ni-CAD	6500-101-129	Cadmium, hydroxyde de cadmium
Support en deux parties	6070-210-070	Plomb
Support en trois parties	6070-215-070	Plomb

Normes avec les options requises

Pour respecter les normes, les options obligatoires suivantes doivent être installées sur la civière.

Standard	Choix de l'option		
	Pack de retenue	Matelas	Option
Normes de test de collision BS EN 1789:2007+A2:2014 lors de l'utilisation d'un dispositif de fixation résistant aux collisions	Pack de retenue EMS (6060-160-010), pack de retenue X (6500-001-430), ou pack de retenue XPR (650600030010) Remarque - Les packs de retenue X et XPR sont compatibles avec le matelas XPS (6500-003-130/6506-003-130) seulement.	Matelas avec traversin de plicature des genoux (6550-001-084) ou matelas XPS (6500-003-130/6506-003-130) (en fonction de la barrière de la civière)	
BS EN 1865-3:2012 +A1:2015			Option XPS (6506-040-000)
BS EN 1865-2:2010 +A1:2015			Option relève-buste 1865 (6506-012-004)

Compatibilité avec le système de retenue pédiatrique Schnitzler

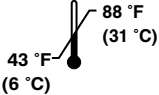
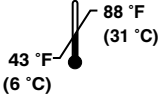
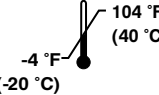
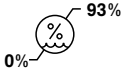

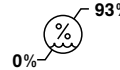
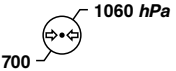
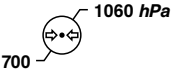
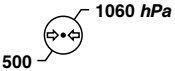
MISE EN GARDE - Ne pas utiliser le produit avec des sangles de retenue incompatibles.

Matelas XPS (6500-003-130 ou 6506-003-130)	Système de retenue pédiatrique Schnitzler (0058-384-000) avec numéro de série inférieur à 720 XPSNPR-2123	Système de retenue pédiatrique Schnitzler (0058-384-000) avec numéro de série égal ou supérieur à 720 XPSNPR-2123
Matelas dont le code de lot est inférieur à 18001001	Compatible	Compatible
Matelas dont le code de lot est égal ou supérieur à 18001001	Incompatible	Compatible

Le système de retenue pédiatrique Schnitzler (0058-385-000) est compatible avec le matelas standard utilisé avec le système roulant **M-1** modèle 6100, la civière **Power-PRO XT** modèle 6506 et la civière **Power-PRO TL** modèle 6550.

Caractéristiques techniques – SMRT

	Chargeur SMRT	SMRT Pak	Alimentation électrique c. a.
Entrée électrique	13,9 V c.c. 4,16 A	Sans objet	100-240 V c.c. 1-2 A, 50/60 Hz
Sortie électrique	Circuit ouvert 40 V c.c. 1,20 A	24 V c.c. NiCd	12 V c.c. 4-6 A
Taille	2,375 po (60,325 mm)	3,25 po (82,55 mm)	Varie
Largeur	5,125 po (130,175 mm)	4 po (101,6 mm)	Varie
Longueur	7 po (177,8 mm)	5,75 po (146,05 mm)	Varie
Poids	1,3 lb (0,59 kg)	3,8 lb (1,7 kg)	Varie
Protection du boîtier	IPX0	IPX6	IPX0
Type d'équipement	Sans objet	Sans objet	Classe II
Homologations	ANSI/AAMI ES 60601-1: 2012, CAN/CSA-C22.2 No. 60601-1:14	Sans objet	Sans objet

Conditions ambiantes	Fonctionnement	En charge	Stockage et transport
Température			
Humidité relative			
Pression atmosphérique			

Les caractéristiques techniques sont approximatives et peuvent varier d'une unité à une autre ou en conséquence des fluctuations de l'alimentation électrique.

Stryker se réserve le droit de modifier ces caractéristiques sans préavis.

Illustration du produit - Power-PRO

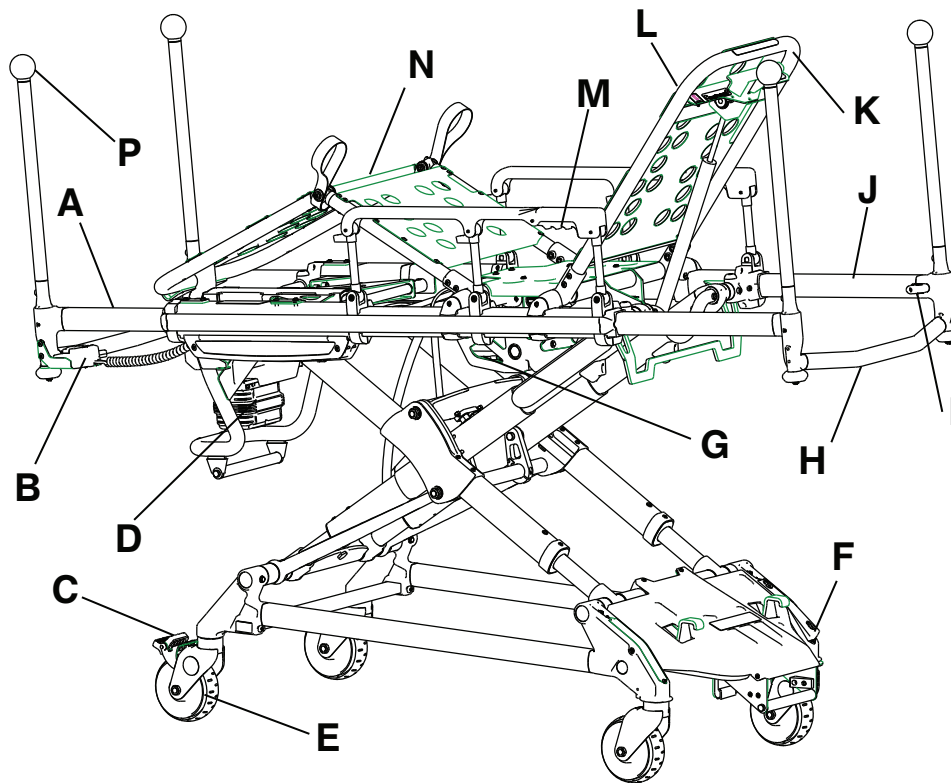


Figure 3 – Power-PRO TL

A	Section pieds rétractable	I	Batterie
B	Interrupteur de réglage de la hauteur	J	Section tête rétractable
C	Blocage de roue	K	Poignée de réglage du relève-buste
D	Batterie	L	Relève-buste
E	Roues porteuses	M	Poignée de déblocage des barrières
F	Blocage de la roue de direction	N	relève-jambes/repose-jambes
G	Unité hydraulique	P	Barres de poussée (optionnel)
H	Poignée de déblocage de la section tête		

Illustration du produit – SMRT

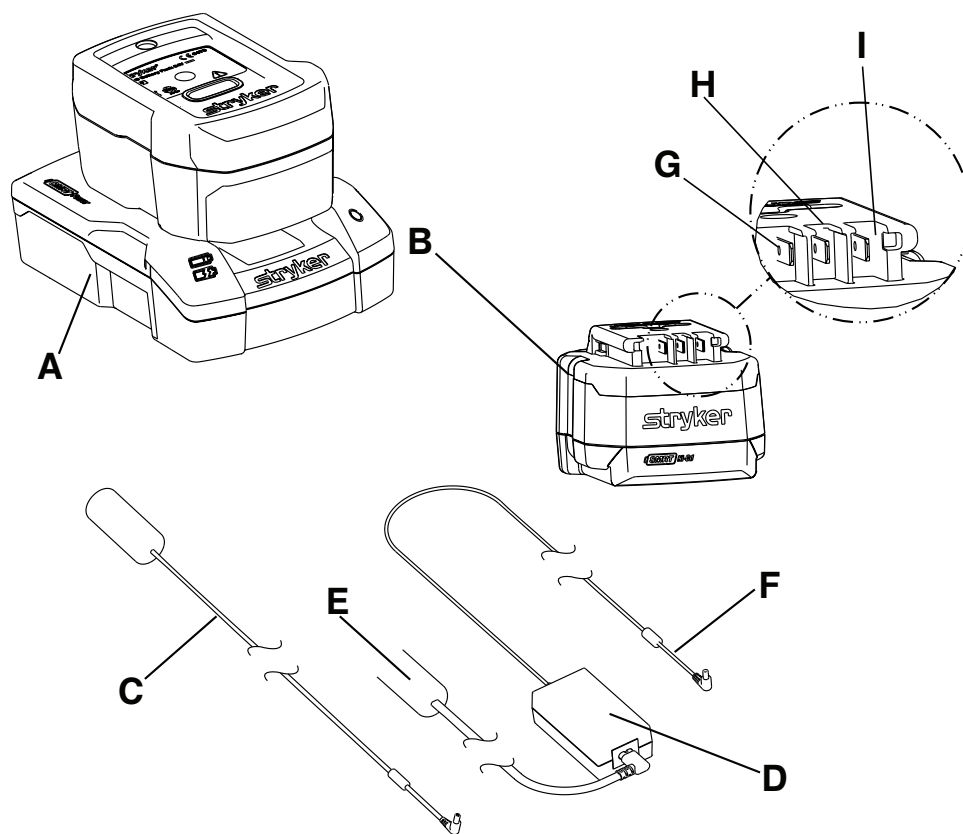


Figure 4 – Système d'alimentation SMRT

A	Chargeur SMRT	F	Cordon de sortie
B	SMRT Pak	G	Données
C	Câble c.c.	H	Alimentation électrique (-)
D	Alimentation électrique c.a.	I	Alimentation électrique (+)
E	Cordon d'alimentation c.a.		

Coordonnées

Contactez le service clientèle ou le support technique de Stryker au moyen des coordonnées suivantes : +1-800-327-0770.

Stryker Medical
3800 E. Centre Avenue
Portage, MI 49002
États-Unis

Remarque - L'utilisateur et/ou le patient doivent signaler tout incident grave lié au produit à la fois au fabricant et à l'autorité compétente de l'État membre européen où l'utilisateur et/ou le patient sont établis.

Pour consulter votre mode d'emploi ou votre manuel d'entretien en ligne, consultez <https://techweb.stryker.com/>.

Avoir le numéro de série (A) du produit Stryker à disposition avant d'appeler le service clientèle ou le support technique de Stryker. Inclure le numéro de série dans toutes les communications écrites.

Emplacement du numéro de série - Power-PRO

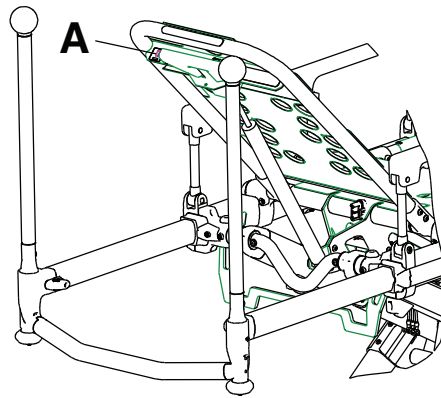


Figure 5 – Emplacement du numéro de série

Emplacement du numéro de série – SMRT

Le numéro de série du chargeur **SMRT** est situé sur le fond de l'unité. Le numéro de lot du **SMRT Pak** est situé sur le dessus du **SMRT Pak**, au-dessus du bouton rouge de déblocage.

Préparation

Lors de l'installation, déballer les cartons et vérifier le bon fonctionnement de tous les éléments. Avant de mettre le produit en service, s'assurer qu'il fonctionne.

Retirer tous les matériaux d'expédition et d'emballage du produit avant de l'utiliser.

Le compartiment patient du véhicule destiné à l'usage du produit doit comporter :

- Un plancher de niveau, de taille suffisante pour accueillir le produit plié
- Un système de fixation de civière Stryker

Remarque - La présence d'objets non arrimés ou de débris sur le plancher du compartiment patient peut entraver le fonctionnement de la fixation du produit. Veiller à dégager le plancher du compartiment patient.

Déballer les **SMRT** Paks et le chargeur **SMRT**. Recharger le **SMRT** Pak avant de l'utiliser.

Si nécessaire, adapter le véhicule à la civière. Ne pas modifier la civière.

Installation

Installation de la fixation de civière

Les systèmes de fixation de civière de Stryker sont compatibles uniquement avec les civières qui sont conformes aux spécifications d'installation.

AVERTISSEMENT

- Seul le personnel qualifié est habilité à installer la fixation de civière. Une installation incorrecte peut occasionner des blessures chez le patient ou l'opérateur.
 - Toujours vérifier que toutes les civières sont conformes aux spécifications d'installation du système de fixation de civière Stryker.
 - Toujours ajuster la pince du rail à la position du montant de retenue de la civière, en fonction du fabricant et du numéro de modèle de la civière.
-

Ces instructions sont destinées à des civières munies de systèmes de fixation de civière de type crochet à ramure. Pour les systèmes de fixation de civière résistant aux collisions, consulter le manuel d'utilisation approprié pour les instructions d'installation.

Fonctionnement

Vérification du niveau de charge de la batterie

Utiliser le voyant de la batterie de la civière pour vérifier le niveau de charge du **SMRT Pak**. Un **SMRT Pak** chargé, en état de fonctionnement, fournit jusqu'à 25 appels avec un patient pesant 250 livres (113 kg) (les résultats réels peuvent varier). La valeur nominale du système **Power-PRO** de 24 V c.c. et du **SMRT Pak** est de 2,4 ampères-heures d'énergie électrique.

AVERTISSEMENT - Ne pas retirer la batterie lorsque la civière est activée.

MISE EN GARDE - Toujours charger la batterie avant de mettre le produit en service. La performance du produit sera inférieure si la batterie n'est pas chargée ou si elle est épuisée.

Pour vérifier le niveau de charge de la batterie, appuyer sur le bouton de rétraction (-) de l'interrupteur de commande de la civière pour activer le voyant de la batterie de la civière. Le voyant de la batterie de la civière est situé sur le boîtier de commande côté pieds (sous forme de symbole de batterie).

- Le voyant est allumé en vert continu lorsque la batterie est entièrement chargée ou si elle a une charge de puissance adéquate.

Remarque - Pour obtenir les meilleurs résultats possibles, utiliser le **SMRT Pak** jusqu'à ce que le voyant de la batterie de la civière passe de vert continu à orange clignotant.

- Le voyant clignote en orange lorsque la batterie doit être rechargée ou remplacée.

Remarque - Il n'est pas nécessaire que le voyant de la batterie de la civière clignote en orange avant le retrait ou le remplacement du **SMRT Pak**, mais ceci est cependant considéré comme une pratique exemplaire. Le **SMRT Pak** peut être retiré et rechargé à n'importe quel moment.

- Le voyant s'allume en orange continu pour indiquer une erreur de batterie.

Remarque

- Utiliser uniquement des batteries approuvées par Stryker.
- Si elle est incluse, la fixation motorisée de la civière charge automatiquement la batterie **SMRT Pak**. Un chargement automatique a lieu lorsque la civière est verrouillée dans la fixation motorisée de la civière (aucun câble ou connecteur n'est requis). Le voyant de la batterie de la civière clignote un instant en vert pour indiquer que la batterie est en cours de chargement.
- Le chargement automatique n'a lieu qu'avec les batteries **SMRT Pak**.

Vérification de l'affichage du compteur d'heures et des erreurs

Le compteur d'heures indique la durée d'utilisation (HHH.H heures) du système hydraulique. L'affichage des erreurs fournit des informations de codes d'erreur à des fins de dépannage.

Utiliser le compteur d'heures (A) (Figure 6) pour déterminer la fréquence de la maintenance préventive. Utiliser l'affichage des erreurs (A) pour le dépannage. L'affichage des erreurs remplace celui du compteur d'heures lorsqu'une erreur se produit.

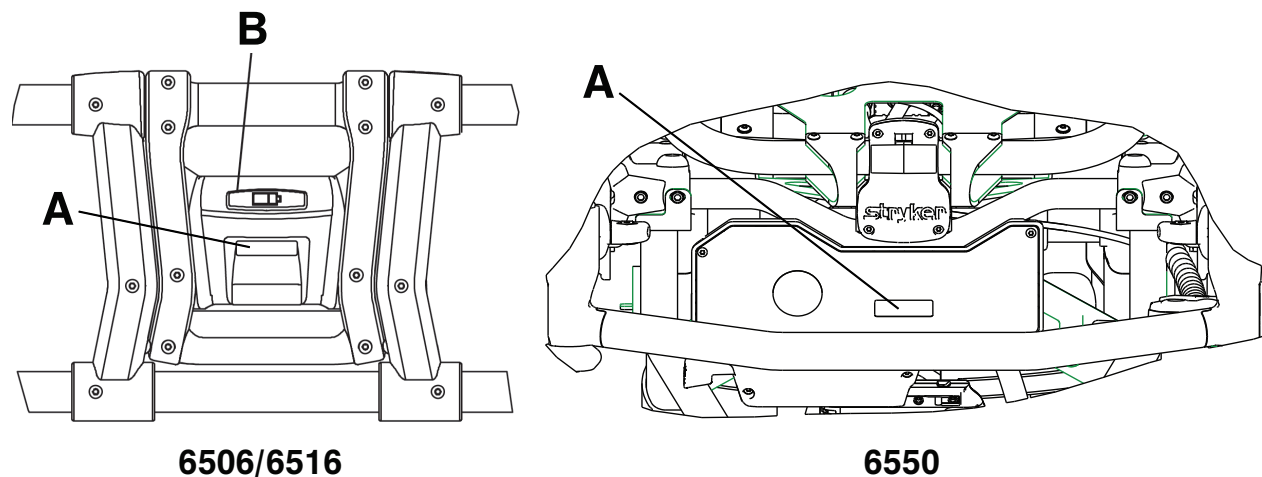


Figure 6 – Vérification du compteur d'heures (A), de l'affichage des erreurs (A), et de l'état de la batterie (B)

Directives de fonctionnement

AVERTISSEMENT

- Toujours s'assurer que personne ne se trouve à proximité des mécanismes avant d'utiliser le produit. Tout contact avec des mécanismes motorisés du produit peut causer des blessures graves.
- Toujours inspecter les **SMRT Paks** pour s'assurer de l'absence de dommages avant utilisation.
- Ne pas autoriser des assistants non formés à aider à utiliser le produit.
- Toujours respecter le placement correct des mains sur les poignées. Éloigner les mains des pivots rouges de la barre de sécurité lors du chargement ou du déchargement de la civière ou lors du réglage de la hauteur.
- Ne pas monter sur la base de la civière.
- Ne pas transporter la civière sur le côté pour éviter tout risque de basculement. Toujours transporter la civière en position abaissée, côté tête ou côté pieds en premier, pour minimiser le risque de basculement.
- Toujours tenir les mains, les doigts et les pieds éloignés des pièces en mouvement. Faire preuve de prudence si les mains et les pieds se trouvent à proximité des tubes de la base au moment de relever ou d'abaisser la civière.
- Toujours installer le système d'arrêt incorporé à la fixation dans les véhicules d'urgence qui seront utilisés avec cette civière et une fixation de civière de type crochet à ramure.
- Toujours procéder au monitoring du patient lorsque la civière est à l'arrêt. En cas d'élévation ou d'abaissement hydraulique du produit, le matériel de monitoring électronique du patient risque d'être affecté provisoirement.

MISE EN GARDE - Toujours éloigner les obstacles qui peuvent interférer et causer des blessures à l'opérateur ou au patient avant d'utiliser le produit.

- Utiliser le produit uniquement de la manière décrite dans ce manuel.
- Lire toutes les étiquettes et instructions sur le produit avant de l'utiliser.
- S'exercer à modifier la position en hauteur et à charger la civière jusqu'à comprendre totalement le fonctionnement du produit.
- Inspecter le boîtier et la surface des bornes du **SMRT Pak** pour y déceler des fissures ou des dommages éventuels avant la première utilisation et lors de chaque utilisation ultérieure.
- Toujours charger ou décharger une civière occupée avec un minimum de deux opérateurs formés. La présence de deux opérateurs est indispensable lorsque la civière est occupée. Stryker recommande que les deux opérateurs se placent côté pieds pour réduire la charge sur chaque opérateur. Un ou deux opérateurs peuvent soulever depuis le côté pieds de la civière.
- Ne pas régler, faire rouler ou charger la civière dans un véhicule sans en avoir averti le patient. Rester avec le patient et surveiller le produit en permanence.

- La civière peut être transportée dans toutes les positions. Stryker recommande aux opérateurs de transporter le patient dans la position confortable la plus basse pour manœuvrer la civière.
- Utiliser les blocages de roue uniquement pendant le transfert du patient ou sans patient sur le produit.
- Ne pas appliquer un blocage de roue lorsqu'un occupant se trouve sur le produit ou lors du déplacement du produit afin d'éviter tout risque de basculement.
- Faire appel à des assistants dûment formés pour contrôler la civière si nécessaire.

Techniques appropriées de soulèvement

Lors du soulèvement du produit et de l'occupant, suivre les techniques appropriées de soulèvement afin d'éviter tout risque de blessure :

- Garder les mains près du corps
- Maintenir le dos droit
- Coordonner tous les mouvements avec ceux du partenaire
- Soulever avec les jambes
- Éviter les mouvements de torsion

Transfert du patient sur la civière

AVERTISSEMENT

- Toujours utiliser toutes les sangles de retenue pour maintenir solidement le patient sur le produit. Un patient non retenu peut tomber du produit et se blesser.
 - Ne pas laisser un patient sans surveillance. Soutenir le produit lorsqu'un patient se trouve dessus.
 - Ne pas appliquer un blocage de roue lorsqu'un patient se trouve sur le produit ou lors du déplacement du produit afin d'éviter tout risque de basculement.
 - Ne pas utiliser les barrières comme dispositif de retenue du patient.
-

Pour transférer un patient sur le produit :

1. Faire rouler le produit jusqu'au patient (*Pour faire rouler la civière avec un patient dessus (page 20)*).
2. Placer le produit à côté du patient et relever ou abaisser le produit au niveau du patient.
3. Abaisser les barrières et ouvrir les sangles de retenue.
4. Transférer le patient sur le produit. Respecter les procédures des services médicaux d'urgence acceptées.
5. Maintenir solidement le patient sur le produit avec toutes les sangles de retenue.
6. Relever les barrières et ajuster le relève-buste et le repose-pieds si nécessaire.

Pour faire rouler la civière avec un patient dessus

AVERTISSEMENT

- Toujours transporter la civière réglée à faible hauteur afin de réduire le risque de basculement de la civière. Si possible, obtenir une aide supplémentaire ou choisir un autre parcours.
 - Toujours éviter les obstacles de niveau élevé comme les bordures de trottoir, les marches ou les terrains accidentés afin d'éviter le risque de basculement du produit.
-

To roll the cot with a patient:

1. Un opérateur doit être positionné côté pieds et l'autre côté tête de la civière.
2. En approchant des seuils de porte ou d'autres obstacles de faible hauteur, s'assurer que le plan de couchage est perpendiculaire à ces obstacles.

3. Soulever chaque ensemble de roues séparément pour franchir le seuil de porte ou l'obstacle.

Élévation ou abaissement de la civière

Une civière non occupée peut être élevée ou abaissée par un seul opérateur. Si un patient se trouve sur la civière, un minimum de deux opérateurs formé à cet effet (une personne à chaque extrémité de la civière) est requis pour élever ou abaisser la civière.

AVERTISSEMENT

- Toujours tenir les mains, les doigts et les pieds éloignés des pièces en mouvement. Faire preuve de prudence si les mains et les pieds se trouvent à proximité des tubes de la base au moment de relever ou d'abaisser la civière.
 - Toujours respecter le placement correct des mains sur les poignées. Éloigner les mains des pivots rouges de la barre de sécurité lors du chargement ou du déchargement de la civière ou lors du réglage de la hauteur.
 - Toujours faire appel à deux opérateurs pour élever ou abaisser la civière avec un patient.
-

Pour élever ou abaisser la civière :

1. Opérateur 1 (côté pieds) : Saisir le cadre de la civière et appuyer sur :
 - Le bouton de déploiement (+) pour élever la civière à la hauteur souhaitée
 - Le bouton de rétraction (-) pour abaisser le bouton à la hauteur souhaitée
2. Opérateur 2 (côté tête) : Maintenir fermement le rail extérieur jusqu'à ce que la civière se trouve à la hauteur souhaitée.

Remarque - Si l'on appuie sur le bouton de déploiement (+) de l'interrupteur de commande de la civière après que la civière a atteint la hauteur de charge définie, le moteur reste arrêté jusqu'à ce que le bouton soit relâché. Une fois que le bouton est relâché, appuyer de nouveau sur le bouton de déploiement (+) pour faire monter davantage la civière par à-coups.

Élévation, abaissement ou déblocage motorisé de la civière

Deux interrupteurs de commande de civière identiques sont situés sur les civières **Power-PRO**. Appuyer sur le bouton de l'un ou l'autre de ces interrupteurs pour élever (déployer) la civière, abaisser (rétracter) la civière, ou débloquer la civière du **Power-LOAD**, le cas échéant (Figure 7).

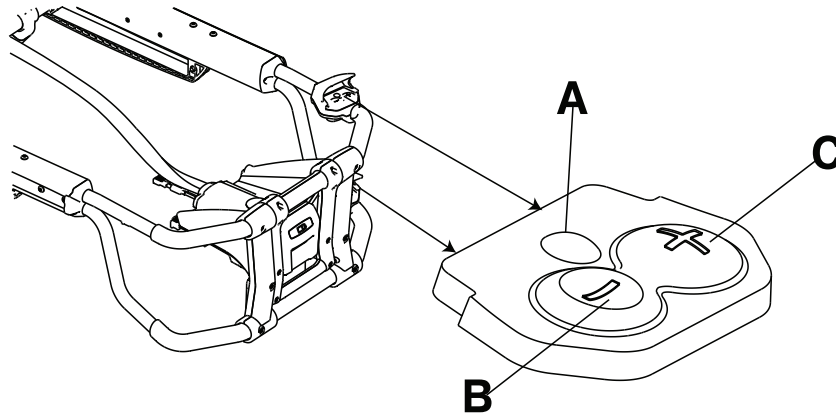


Figure 7 – Interrupteurs de commande de civière

Référence	Nom	Description
A	Débloquer	Appuyer pour déverrouiller la civière (à utiliser avec le Power-LOAD seulement)
B	Rétracter (-)	Appuyer et maintenir enfoncé pour abaisser le plan de couchage ou rétracter le châssis porteur de la civière
C	Déployer (+)	Appuyer et maintenir enfoncé pour élever ou déployer le plan de couchage ou déployer le châssis porteur de la civière

Élévation ou abaissement de la civière manuellement avec la fonction d'outrepassement manuel

En cas de perte de la fonction électrique, il est possible d'utiliser la fonction d'outrepassement manuel. Cela permet un fonctionnement manuel du produit jusqu'à la restauration des fonctions électriques, motorisées. Utiliser la poignée de déblocage manuel rouge de secours pour élever ou abaisser la civière.

La poignée de déblocage manuel de secours est située le long du côté gauche du patient de la barre de levage inférieure côté pieds de la civière.

Pour élever ou abaisser la civière avec la poignée de déblocage manuel de secours :

1. Les deux opérateurs : Soulever la civière pendant l'opération d'élévation ou d'abaissement pour soutenir le poids de la civière à chaque extrémité.
2. Opérateur 1 (côté pieds) :
 - a. Tirer la poignée de déblocage manuel de secours vers la barre de levage.
 - b. Tout en tirant sur la poignée de déblocage manuel de secours, élever ou abaisser la civière à la position souhaitée.
 - c. Relâcher la poignée pour verrouiller la civière en position

Remarque

- Les deux opérateurs doivent soulever le poids de la civière hors des roues pour pouvoir utiliser la fonction de déploiement ou de rétraction manuelle pendant qu'un patient se trouve sur la civière.
- L'activation de la poignée de déblocage manuel de secours peut avoir pour effet que la civière s'abaisse lentement si le poids se trouvant sur la civière est inférieur à 23 kg (50 lb).

- Le liquide hydraulique devient plus visqueux lorsque la civière est utilisée sur des périodes prolongées à des températures froides. Lorsque la fonction de déblocage manuel de secours est utilisée pour déployer la base pendant un déchargement dans des conditions atmosphériques froides, tenir la poignée de déblocage manuel de secours pendant une seconde environ une fois que les roues de la civière ont touché le sol, afin de réduire un affaissement du plan de couchage pendant que la civière est retirée du compartiment patient du véhicule.

Accélération de la charge avec le mode de rétraction à grande vitesse

Lorsque l'utilisateur appuie sur le bouton de rétraction (-), la civière entre en mode de rétraction à grande vitesse alors que les roues de la civière ne soutiennent pas le poids de la civière et du patient.

Le mode de rétraction à grande vitesse accélère le chargement de la civière dans un véhicule. Le châssis porteur se rétracte vers la position la plus élevée une fois que le poids de la civière et du patient n'est plus soutenu par les roues. Appuyer sur le bouton de rétraction (-) pour actionner l'interrupteur de commande.

Chargement de la civière sur le système de fixation

MISE EN GARDE

- Toujours abaisser la civière jusqu'à la position la plus basse pour s'assurer qu'elle se connecte à la fixation.
- Ne pas tenter de modifier la hauteur de la civière tant qu'elle est connectée à la fixation.

To load the cot to the cot fastener:

- Appuyer sur la pédale de la civière et l'abaisser. Pour abaisser la civière, appuyer sur le bouton de rétractation (-) jusqu'à ce que le mouvement vers le bas se termine.
- Positionner la civière sur les fixations au niveau de la tête et des pieds, jusqu'au point de verrouillage (Figure 8).
- Veiller à ce que la civière soit bien fixée au niveau de la tête et des pieds avant de la lâcher (Figure 9).



Figure 8 – Civière sur les fixations au niveau de la tête et des pieds

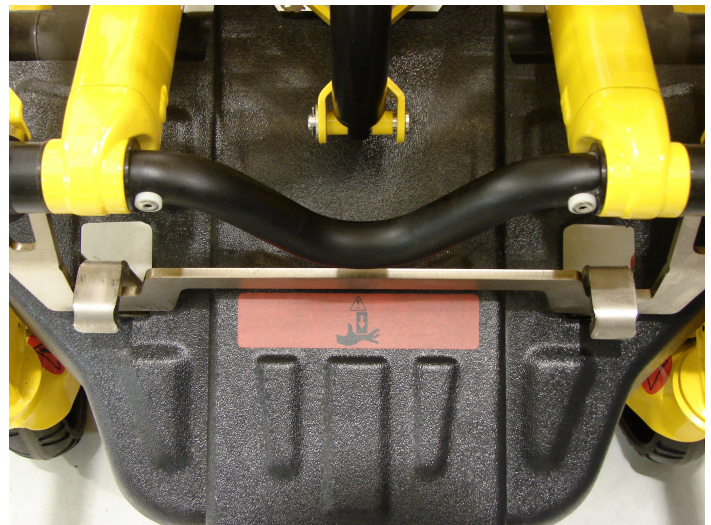


Figure 9 – Civière fixée

Retirer la civière de la fixation

Pour retirer la civière de la fixation :

- Appuyer sur la pédale (Figure 10).
- Faire rouler la civière hors du compartiment patient du véhicule.



Figure 10 – Appuyer sur la pédale

Chargement de la civière à l'aide d'un hayon élévateur

Toujours charger une civière occupée avec au moins deux opérateurs formés. La présence de deux opérateurs est indispensable lorsque la civière est occupée. Les opérateurs doivent être capables de soulever le poids total du patient, de la civière et de tout élément situé sur la civière.

AVERTISSEMENT

- Toujours s'assurer que la civière ne risque pas de rouler et de tomber du hayon élévateur avant de l'y installer avec un patient dessus. Bien vérifier le maintien et le fonctionnement de la butée du hayon.
- Toujours respecter le placement correct des mains sur les poignées. Éloigner les mains des pivots rouges de la barre de sécurité lors du chargement ou du déchargement de la civière ou lors du réglage de la hauteur.

MISE EN GARDE

- Toujours abaisser la civière jusqu'à la position la plus basse pour s'assurer qu'elle se connecte à la fixation.
- Ne pas tenter de modifier la hauteur de la civière tant qu'elle est connectée à la fixation.

Pour charger la civière :

1. Appuyer sur le bouton de rétractation (-) qui permettra à la civière d'atteindre sa position la plus basse, et ce pour une meilleure stabilité.
2. Pousser la civière sur le hayon élévateur, section tête en premier (Figure 11). S'assurer que les roues sont au bon endroit sur le hayon élévateur pour permettre la rotation et le positionnement de la butée de sécurité et empêcher la civière de reculer.
3. Avant de faire monter le hayon élévateur, s'assurer que la distance entre la civière et l'arrière de l'ambulance est suffisante. Veiller à ce que rien ne pende de la civière.
4. Tandis qu'un opérateur fait monter le hayon élévateur, le second opérateur tient fermement le châssis de la civière afin de garantir une meilleure stabilité.
5. Les deux opérateurs doivent guider la civière pour l'amener dans le compartiment patient du véhicule et l'acheminer dans le dispositif de fixation du véhicule (non inclus) (Figure 12).



Figure 11 – Civière sur le hayon élévateur



Figure 12 – Les deux opérateurs doivent guider la civière pour l'amener dans le compartiment patient du véhicule

Déchargement de la civière à l'aide d'un hayon élévateur

AVERTISSEMENT

- Toujours s'assurer que la civière ne risque pas de rouler et de tomber du hayon élévateur avant de l'y installer avec un patient dessus. Bien vérifier le maintien et le fonctionnement de la butée du hayon.
- Toujours respecter le placement correct des mains sur les poignées. Éloigner les mains des pivots rouges de la barre de sécurité lors du chargement ou du déchargement de la civière ou lors du réglage de la hauteur.

MISE EN GARDE

- Toujours abaisser la civière jusqu'à la position la plus basse pour s'assurer qu'elle se connecte à la fixation.
- Ne pas tenter de modifier la hauteur de la civière tant qu'elle est connectée à la fixation.

Pour décharger la civière :

1. S'assurer que la porte du hayon est bloquée afin d'empêcher la civière de rouler et de tomber du hayon élévateur.
2. Élever le hayon élévateur jusqu'au niveau du plancher du compartiment patient du véhicule.
3. Retirer la civière de la fixation du véhicule.
4. Les deux opérateurs doivent tenir fermement le châssis de la civière et faire rouler celle-ci dans le hayon élévateur. Retirer la civière du compartiment patient du véhicule et s'assurer que les roues de la civière sont dans la position correcte afin de ne pas entraver la descente de l'élévateur.
5. Faire descendre l'élévateur jusqu'au sol. Veiller à ce que le hayon élévateur soit totalement descendu et à l'arrêt avant de débloquer la porte du hayon et de faire sortir la civière.

Chargement de la civière au moyen d'une rampe

Toujours charger une civière occupée avec au moins deux opérateurs formés. La présence de deux opérateurs est indispensable lorsque la civière est occupée. Les opérateurs doivent être capables de soulever le poids total du patient, de la civière et de tout élément situé sur la civière.

AVERTISSEMENT - Toujours respecter le placement correct des mains sur les poignées. Éloigner les mains des pivots rouges de la barre de sécurité lors du chargement ou du déchargement de la civière ou lors du réglage de la hauteur.

MISE EN GARDE

- Toujours abaisser la civière jusqu'à la position la plus basse pour s'assurer qu'elle se connecte à la fixation.

- Ne pas tenter de modifier la hauteur de la civière tant qu'elle est connectée à la fixation.

Pour charger la civière :

1. S'assurer que le patient est en permanence correctement attaché lorsqu'il se trouve sur la civière.
2. Avant de pousser la civière sur la rampe, appuyer sur le bouton de rétractation (-) qui permettra à la civière d'atteindre sa position la plus basse, et ce pour une meilleure stabilité (Figure 13). Veiller à ce que rien ne pende de la civière.
3. À l'aide des barres de poussée en option, les deux opérateurs doivent pousser ou tirer la civière jusqu'en haut de la rampe, section tête en premier (Figure 14). Les deux opérateurs doivent centrer la civière sur la rampe tout en la dirigeant vers le haut.
4. Les deux opérateurs doivent guider la civière pour l'amener dans le compartiment patient du véhicule et la connecter au dispositif de fixation du véhicule (non inclus).



Figure 13 – Civière dans la position la plus basse



Figure 14 – Centrer la civière sur la rampe tout en la dirigeant vers le haut.

Chargement et déchargement de la civière avec le porte-bouteille à oxygène optionnel

Pour charger et décharger la civière avec le porte-bouteille à oxygène optionnel :

1. Fixer le câble du treuil à la tige de fixation du treuil (A) (Figure 15).
2. S'assurer que la rampe mesure plus de 2,40 m.
3. S'assurer que la rampe supporte le poids de la civière, du patient et des équipements.

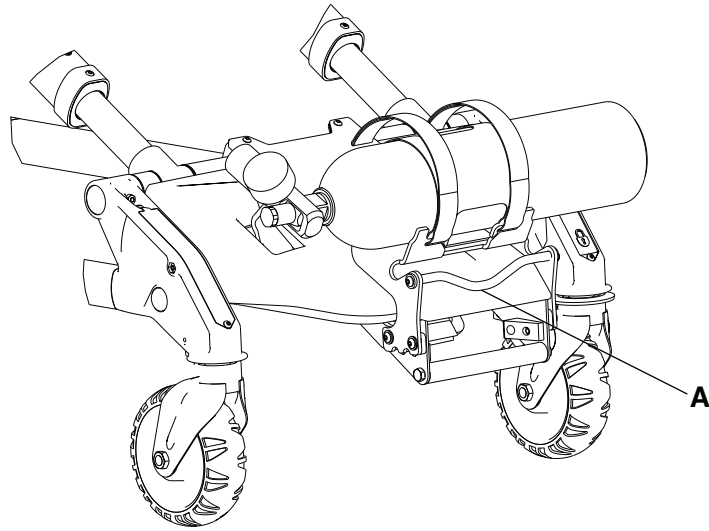


Figure 15 – Tige de fixation du treuil

Remarque - Si la civière est sur la position la plus basse, le porte-bouteille à oxygène aide à soutenir des patients pesant jusqu'à 318 kg.

Positionnement des opérateurs et des assistants

AVERTISSEMENT - Toujours éloigner les mains des pivots de la barre de sécurité rouge lors du chargement ou déchargement de la civière ou lors du réglage de la hauteur.

	Changer de niveau	Rouler
Deux opérateurs (O) Deux assistants (A)		
Deux opérateurs (O) Quatre assistants (A)		

Élévation ou abaissement du relève-buste

Pour élever le relève-buste, comprimer la poignée de réglage du relève-buste pour déplacer celui-ci à la hauteur souhaitée.

Pour abaisser le relève-buste, comprimer la poignée de réglage du relève-buste tout en appuyant sur celui-ci jusqu'à obtenir la hauteur souhaitée.

Élévation ou abaissement des barrières

Toujours abaisser les barrières lors du transfert d'un patient vers la civière ou à partir de celle-ci.

AVERTISSEMENT - Ne pas utiliser les barrières comme dispositif de retenue du patient.

Pour relever les barrières, soulever la barrière jusqu'à ce que le loquet s'enclenche et que la barrière se verrouille en place. Toujours maintenir les barrières en position relevée, sauf pendant le transfert d'un patient.

Pour abaisser les barrières, comprimer la poignée de déblocage des barrières pour débloquer le loquet. Guider la barrière vers le bas, vers le côté pieds de la civière, jusqu'à ce que la barrière repose à plat. Toujours abaisser les barrières lors du transfert d'un patient vers la civière ou à partir de celle-ci.

Élévation ou abaissement des barrières (option XPS)

La civière peut être commandée avec l'option de surface patient expansible (XPS) ou la civière peut être mise à niveau pour ajouter l'option XPS.

AVERTISSEMENT - Ne pas utiliser les barrières comme dispositif de retenue du patient.

MISE EN GARDE

- Ne pas s'asseoir ou se mettre debout sur les barrières (option XPS).
- Ne pas utiliser les barrières (option XPS) comme dispositif ou surface de transfert de patient (pour faire glisser un patient de la civière vers une autre surface, par exemple).
- Ne pas positionner les patients avec tout le poids sur les barrières (option XPS).
- Ne pas utiliser les barrières (option XPS) comme dispositif pour pousser/tirer ou diriger le produit.

Les barrières (option XPS) sont fixées à la civière et sont toujours à disposition. Les barrières (option XPS) s'ajustent en fonction de la taille du patient et peuvent être verrouillées en sept positions. Les barrières s'ajustent également pour passer par les portes ou les ascenseurs standard.

Pour élever les barrières, lever la barrière jusqu'à ce qu'elle se verrouille dans la position souhaitée.

Pour abaisser les barrières, soulever pour réduire le poids, puis tirer sur le levier rouge. Toujours abaisser les barrières lors du transfert d'un patient vers la civière ou à partir de celle-ci.

L'option XPS n'est pas une option principale de surface de support du patient. Elle inclut un matelas plus large et est destinée à améliorer le confort du patient.

Section tête et section pieds extensibles et rétractables.

La section tête est extensible et rétractable et coulisse dans le châssis du plan de couchage.

AVERTISSEMENT

- Toujours verrouiller la section tête en place avant de faire fonctionner la civière.
 - Ne pas tenter de charger la civière dans le compartiment patient du véhicule avec la section tête rétractée. Le chargement de la civière avec la section tête rétractée peut entraîner une inclinaison de la civière ou entraver la fixation de celle-ci au véhicule.
-

Extension de la section tête ou de la section pieds :

1. Enfoncer les leviers de déblocage rouges (A) de chaque côté du châssis tout en procédant à l'extension de la section tête ou pieds (Figure 16).
2. Veiller à ce que la section tête ou la section pieds se verrouille une fois dans la position souhaitée.

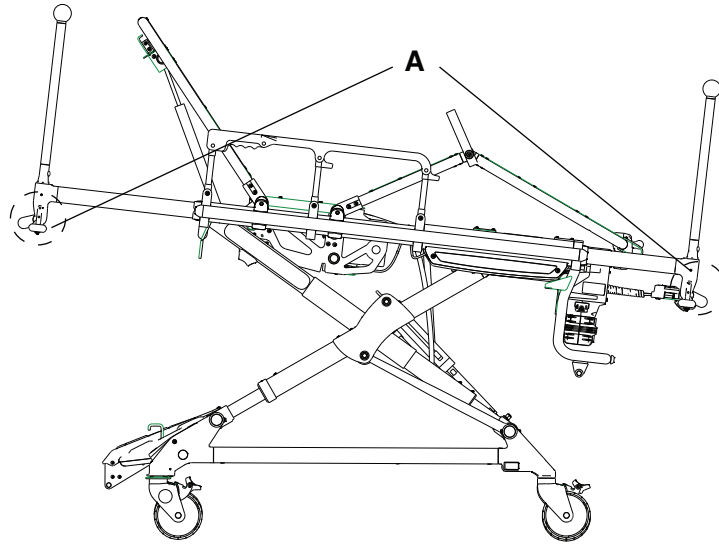


Figure 16 – Extension de la section tête ou de la section pieds

Rétraction de la section tête ou de la section pieds rétractables

La section tête est extensible et rétractable et coulisse dans le châssis du plan de couchage.

AVERTISSEMENT

- Toujours verrouiller la section tête en place avant de faire fonctionner la civière.
 - Ne pas tenter de charger la civière dans le compartiment patient du véhicule avec la section tête rétractée. Le chargement de la civière avec la section tête rétractée peut entraîner une inclinaison de la civière ou entraver la fixation de celle-ci au véhicule.
-

Pour rétracter la section tête ou la section pieds :

1. Comprimer les leviers de déblocage rouges (A) de chaque côté du châssis tout en faisant coulisser vers l'avant la section tête ou la section pieds (Figure 17)
2. Veiller à ce que la section tête ou la section pieds se verrouille une fois dans la position souhaitée.

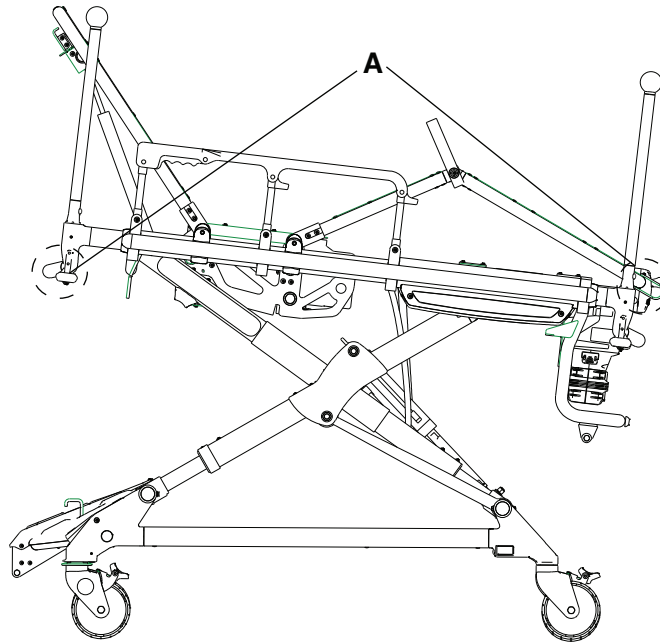


Figure 17 – Rétracter la section tête ou la section pieds :

Élévation ou abaissement du relève-jambes disponible en option

Pour élever le relève-jambes :

1. Lever n'importe laquelle des boucles de levage rouges (A) jusqu'à ce que le relève-jambes se trouve à la position la plus élevée (Figure 18).
2. Abaisser le relève-jambes pour fixer la bride de support sur le mécanisme de verrouillage.
3. S'assurer que le mécanisme de verrouillage est fixé solidement avant de relâcher la boucle de levage.

Pour abaisser le relève-jambes, lever n'importe laquelle des boucles de levage rouges (A) pour libérer la pression sur le mécanisme de verrouillage, et tout en tenant la boucle, appuyer sur la poignée de déblocage rouge du repose-pieds (B) jusqu'à ce que la bride de support soit libérée. Abaisser le relève-jambes jusqu'à ce qu'il repose à plat.

Pour élever le relève-jambes en déclive, lever le cadre du repose-pieds (C) aussi haut que possible jusqu'à ce que le cadre se verrouille en place. La bride de support se connecte automatiquement lorsque le cadre est libéré.

Pour abaisser le relève-jambes en déclive, lever le cadre du repose-pieds (C) et, tout en tenant le cadre, lever la poignée rouge de déblocage du repose-pieds (B) jusqu'à ce que le cadre libère la bride de support. Abaisser le repose-pieds jusqu'à ce qu'il repose à plat.

Remarque - Le porte-bouteille d'oxygène côté pieds en option (6500-240-000) n'est pas compatible avec le relève-jambes en option (6500-082-000).

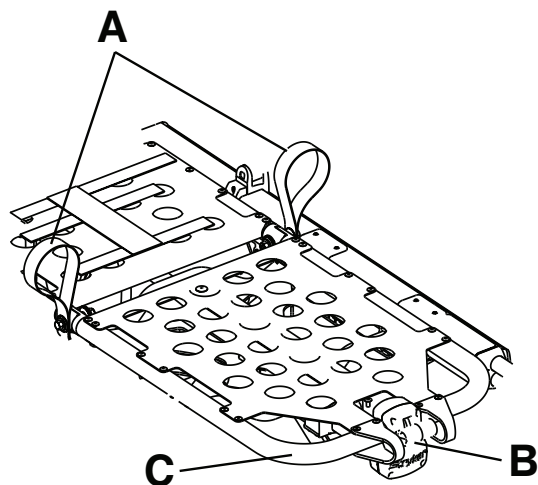


Figure 18 – Relève-jambes

Application ou libération d'un blocage de roue

AVERTISSEMENT

- Ne pas appliquer un blocage de roue lorsqu'un patient se trouve sur le produit ou lors du déplacement du produit afin d'éviter tout risque de basculement.
- Ne pas installer et ne pas appliquer un blocage de roue sur un produit dont les roues sont usées et dont le diamètre est inférieur à 15 cm.
- Ne pas laisser un patient ou un occupant sans surveillance. Tenir le produit pendant que le patient ou l'occupant se trouve sur le produit.

Pour appliquer un blocage de roue, appuyer sur la pédale jusqu'à ce qu'elle s'arrête et repose contre la surface de la roue.

Pour libérer un blocage de roue, appuyer sur le haut de la pédale avec le pied, ou soulever la pédale avec l'orteil. Le haut de la pédale reposera contre le cadre de la roue lorsque le blocage de roue sera libéré.

Remarque - Les blocages de roue aident à empêcher le produit de rouler lorsqu'il n'est pas surveillé. La résistance offerte par les blocages de roue peut ne pas être suffisante sur certaines surfaces ou sous certains poids.

Application ou déblocage du Steer-Lock en option

Pour appliquer le Steer-Lock :

1. À partir du côté pieds de la civière, appuyer sur le côté rouge (verrouillage) de la pédale ou, à partir du côté tête de la civière, appuyer sur n'importe quelle pédale rouge.
2. Tourner la civière jusqu'à ce qu'une roulette au moins du côté tête se verrouille.

Pour débloquer le Steer-Lock :

- À partir du côté pieds de la civière, appuyer sur le côté vert (déverrouillage) de la pédale ou, à partir du côté tête de la civière, relever sur n'importe quelle pédale rouge côté tête.

Attacher le patient avec les sangles de retenue

AVERTISSEMENT

- Toujours utiliser toutes les sangles de retenue pour maintenir le patient sur la civière. Un patient non maintenu risque de tomber de la civière.
 - Ne pas attacher les sangles de retenue aux tubes de la base ou aux tubes transversaux.
-

MISE EN GARDE - Ne pas emmêler les sangles de retenue dans la structure de base lors de l'élévation ou de l'abaissement de la civière.

Remarque - Les sangles de retenue sont des pièces appliquées de Type BF.

Fixer les sangles de retenue à la civière au niveau des emplacements d'attache requis (Figure 19). Les emplacements d'attache des sangles de retenue doivent assurer un ancrage solide et une position de retenue correcte. Ne pas laisser les sangles de retenue interférer avec un équipement ou des accessoires. Boucler les sangles de retenue autour des épaules, de la taille et des jambes du patient. Boucler les sangles de retenue quand la civière n'est pas utilisée.

Pour attacher les sangles de retenue du patient au châssis du plan de couchage de la civière, passer l'extrémité de la boucle de chaque sangle à travers la structure du plan de couchage à chaque endroit indiqué (Figure 19), puis passer la boucle ou la partie mâle de la boucle à travers l'extrémité boucle de la sangle. Les flèches indiquent les points d'attache alternatifs.

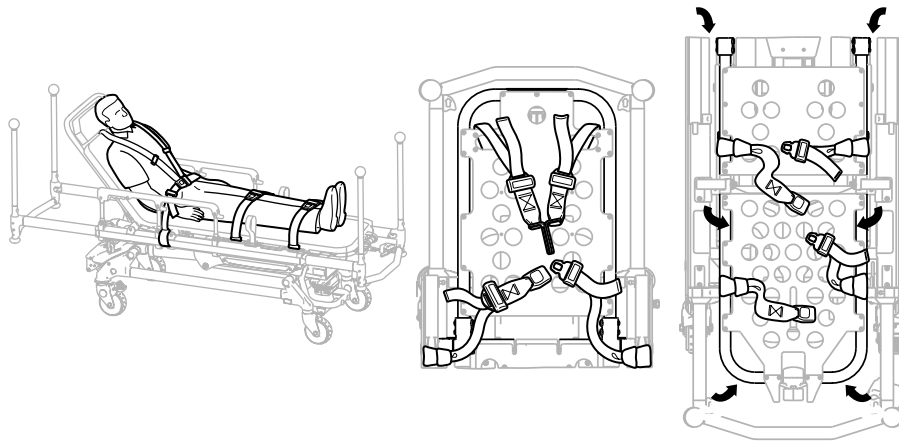


Figure 19 – Points d’attache des sangles de retenue

Ajout d’une rallonge de sangle de retenue

Ajouter une rallonge de sangle de retenue (6082-160-050) pour obtenir une longueur supplémentaire pour boucler la ceinture ventrale autour de patients plus corpulents.

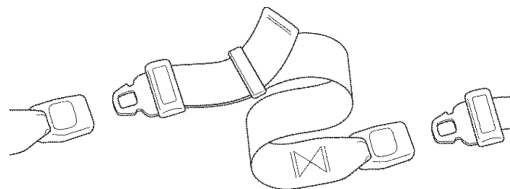


Figure 20 – Rallonge de sangle de retenue

Fixation d’un patient avec les sangles de retenue en X/XPR

Fixer les sangles de retenue sur la civière dans les emplacements d’attache requis : épaules, taille, cuisses et chevilles.

AVERTISSEMENT

- Toujours utiliser toutes les sangles de retenue pour maintenir le patient sur la civière. Un patient non maintenu risque de tomber de la civière.
 - Ne pas attacher les sangles de retenue aux tubes de la base ou aux tubes transversaux.
-

MISE EN GARDE - Ne pas emmêler les sangles de retenue dans le châssis de la base lors de l’élévation ou de l’abaissement de la civière.

Remarque

- Les sangles de retenue X/XPR (6500-001-430/650600030010) sont uniquement compatibles avec le matelas avec traversin de plicature des genoux plus large (6500-003-130/6506-003-130).
- Les sangles de retenue sont des pièces appliquées de type BF.

Les points d’attache des sangles de retenue doivent assurer un ancrage solide et une position de retenue correcte (Figure 21). Ne pas laisser les sangles de retenue interférer avec un équipement ou des accessoires. Boucler les sangles de retenue autour des épaules, de la taille, des cuisses et des chevilles. Boucler toutes les sangles de retenue quand la civière n’est pas utilisée.

1. *Fixation des sangles de retenue en X/XPR au niveau des épaules* (page 34)
2. *Fixation des sangles de retenue en X/XPR au niveau de la taille* (page 34)
3. *Fixation des sangles de retenue en X/XPR au niveau des cuisses* (page 35)
4. *Fixation des sangles de retenue en X/XPR au niveau des chevilles* (page 35)



Figure 21 – Emplacements d'attache des sangles de retenue

Fixation des sangles de retenue en X/XPR au niveau des épaules

Pour fixer les sangles de retenue en X/XPR au niveau des épaules :

1. Enrouler la sangle de retenue autour du cadre de la civière.
2. Tirer la boucle de la sangle de retenue dans la bride, vers le côté tête de la civière.
3. Passer la boucle sous le système XPS.
4. Pour les civières **Power-PRO XT** modèle 6506 et **Performance-PRO XT** modèle 6086, tirer sur la sangle de retenue pour la serrer, vers l'arrière du relève-buste.
5. Pour la civière **Power-PRO TL** modèle 6550, tirer la sangle sous le tube transversal, vers l'arrière du relève-buste.
6. Passer la boucle à travers l'ouverture dans le relève-buste.
7. Raccorder la boucle d'épaule droite du patient à la boucle de taille gauche du patient.
8. Éliminer tout jeu de la boucle de la sangle de retenue.



Figure 22 – Sangles de retenue au niveau des épaules

Fixation des sangles de retenue en X/XPR au niveau de la taille

Pour fixer les sangles de retenue en X/XPR au niveau de la taille :

1. Enrouler la sangle de retenue autour du cadre de la civière.
2. Tirer les boucles de la sangle de retenue dans la bride, vers le côté tête de la civière.
3. Passer la boucle sous le système XPS.
4. Tirer sur les boucles pour les tendre. Une sangle de retenue doit former un angle vers le côté tête et une sangle doit être posée à plat en travers de la civière.
5. Raccorder la boucle droite du patient à la boucle gauche du patient.
6. Éliminer tout jeu de la boucle de la sangle de retenue.



Figure 23 – Sangles de retenue au niveau de la taille

Fixation des sangles de retenue en X/XPR au niveau des cuisses

Pour fixer les sangles de retenue en X/XPR au niveau des cuisses :

1. Enrouler la sangle de retenue autour du plan de couchage de la civière.
2. Tirer la boucle de la sangle de retenue dans la bride, vers le côté tête de la civière.
3. Tirer sur la sangle de retenue pour la tendre.
4. Raccorder la boucle droite du patient à la boucle gauche du patient.
5. Éliminer tout jeu de la boucle de la sangle de retenue.



Figure 24 – Sangles de retenue au niveau des cuisses

Fixation des sangles de retenue en X/XPR au niveau des chevilles

Pour les civières **Power-PRO XT** modèle 6506, **Performance-PRO XT** modèle 6086 et **Power-PRO TL** modèle 6550 fabriquées ou mises à niveau après le 3 juillet 2015 avec l'option de plicature des genoux ou déclive seulement.

Pour fixer les sangles de retenue en X/XPR au niveau des chevilles :

1. Enrouler la sangle de retenue autour du cadre de la civière. Enrouler autour des deux barres de levage côté pieds.
2. Tirer la boucle de la sangle de retenue dans la bride, vers le côté tête de la civière.
3. Tirer sur la boucle pour la tendre.
4. Raccorder la boucle droite du patient à la boucle gauche du patient.
5. Éliminer tout jeu de la boucle de la sangle de retenue.



Figure 25 – Sangles de retenue de chevilles

Arrimage du patient avec le système de retenue Pedi-Mate® pour bébés

AVERTISSEMENT - Toujours placer la boucle loin des obstructions ou des accessoires sur la civière afin d'éviter le risque de déblocage accidentel du système de retenue **Pedi-Mate®** pour bébés et de blessure pour le bébé.

Pour maintenir le patient avec le système de retenue **Pedi-Mate®** pour bébés :

1. Retirer toutes les sangles de retenue de la civière.
2. Relever le relève-buste de la civière en position complètement droite.
3. Positionner le coussinet **Pedi-Mate®** à plat sur le relève-buste de la civière avec les sangles du relève-buste tournées vers l'extérieur.
4. Enrouler les sangles autour du relève-buste de la civière et faire passer les extrémités des sangles par les supports.
5. Attacher la boucle.
6. Tirer sur l'extrémité de la sangle du relève-buste réglable pour serrer.
7. Insérer les sangles du cadre principal entre le châssis du produit et le matelas.
8. Insérer la boucle derrière la traverse du plan de couchage puis la faire remonter devant la traverse du plan de couchage.
9. Attacher la boucle autour de la traverse du plan de couchage. Laisser du mou dans la sangle pour le réglage final.
10. Serrer toutes les sangles.

Remarque - Pour plus d'informations sur le système de retenue **Pedi-Mate®** pour bébés, consulter le mode d'emploi du fabricant concernant l'utilisation, le fonctionnement et l'entretien. L'utilisation adéquate et sans risque du système de retenue **Pedi-Mate®** pour bébés est laissée à la discrétion de l'utilisateur. Il convient d'établir des procédures et techniques visant à éduquer et à former le personnel quant au fonctionnement et à l'entretien sécuritaires de ce produit. Ces instructions sont uniquement d'ordre général. Garder ces instructions pour référence ultérieure. Ces instructions doivent être considérées comme faisant définitivement partie du produit et doivent l'accompagner à tout moment, même en cas de vente ultérieure du produit.

Pedi-Mate® est une marque déposée de Ferno Washington, Inc.

Fixation du plateau porte-défibrillateur

AVERTISSEMENT - Ne pas fixer le plateau porte-défibrillateur sur une civière **Performance-PRO XT** modèle 6086 avec l'option **Power-LOAD** pour éviter tout risque de basculement de la civière.

MISE EN GARDE

- Toujours bien fixer le plateau porte-défibrillateur sur le produit lors de l'utilisation de ce plateau.
- Toujours utiliser et régler les sangles fournies avec le plateau porte-défibrillateur pour fixer le défibrillateur.
- Toujours changer l'emplacement de fixation ou régler les sangles pour la taille et la forme particulières du défibrillateur.
- Ne pas charger le plateau porte-défibrillateur au-delà de la charge maximale admissible de 30 livres (13,6 kg).

Pour fixer le plateau porte-défibrillateur sur la civière :

1. Mettre le plateau porte-défibrillateur en position de rangement (Figure 26).
2. Ouvrir et déployer les pieds du plateau porte-défibrillateur (Figure 27).

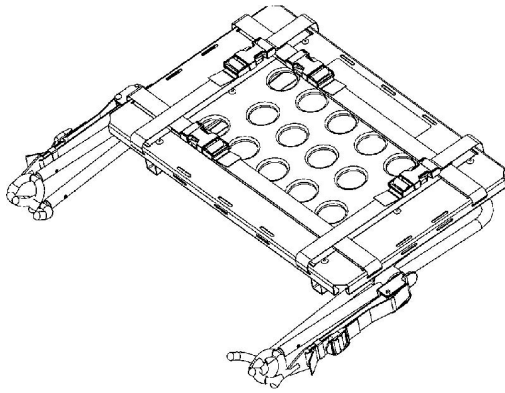


Figure 26 – Position de rangement

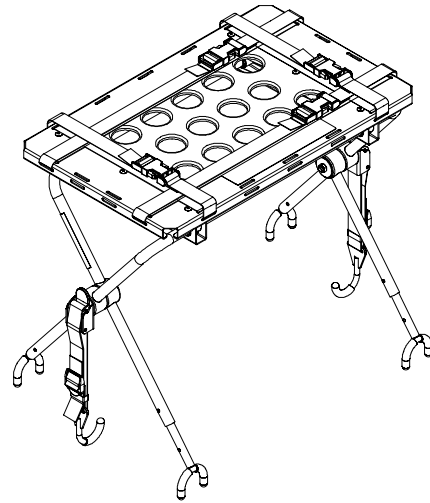


Figure 27 – Ouvrir les pieds du plateau porte-défibrillateur

3. Si le produit est muni d'un support de perfusion, élever le support (A) à la position élevée (Figure 28).
4. Placer le plateau porte-défibrillateur sur le châssis du produit.
5. Positionner les pieds intérieurs (B) du plateau porte-défibrillateur vers le côté tête du produit (Figure 28).
6. Placer le crochet à clapet (C) sous le cadre du plan de couchage ou sur la fixation côté pieds et pousser la patte (D) vers le haut jusqu'à ce qu'elle s'enclenche en place sur un côté en émettant un clic (Figure 29). Répéter pour l'autre côté. Pour les civières compatibles avec le **Power-LOAD**, le cas échéant, rallonger et attacher les sangles sur la fixation côté pieds (Figure 30).

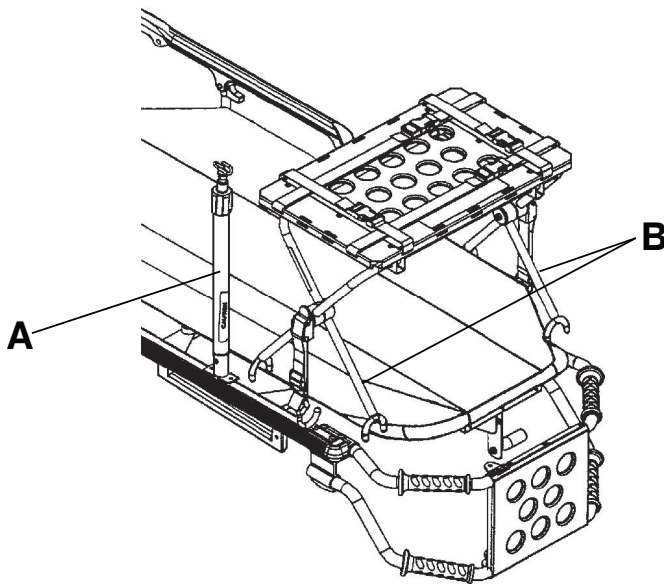


Figure 28 – Élever le support de perfusion et positionner le plateau porte-défibrillateur (modèle 6506 illustré)

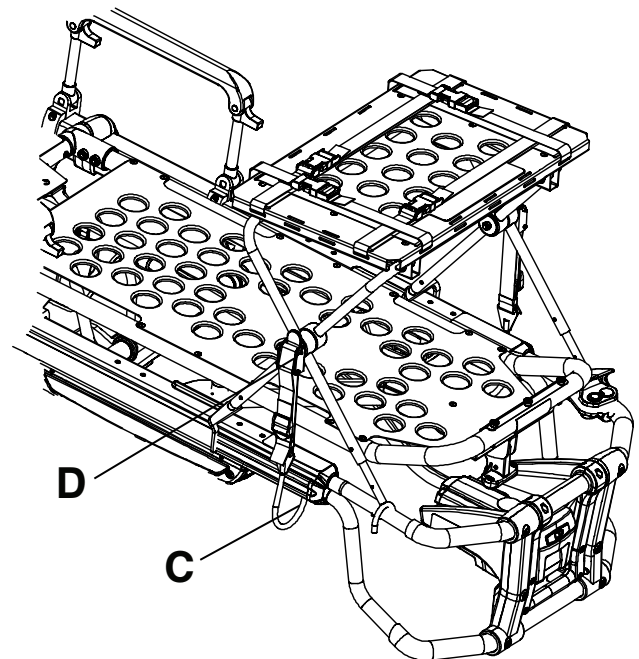


Figure 29 – Positionnement du crochet de verrouillage (modèle 6506 illustré)

7. S'assurer que le plateau porte-défibrillateur est bien fixé sur le produit.
8. Placer le défibrillateur sur le plateau porte-défibrillateur.

9. Fixer les sangles (E) pour maintenir le défibrillateur sur le plateau porte-défibrillateur (Figure 31).

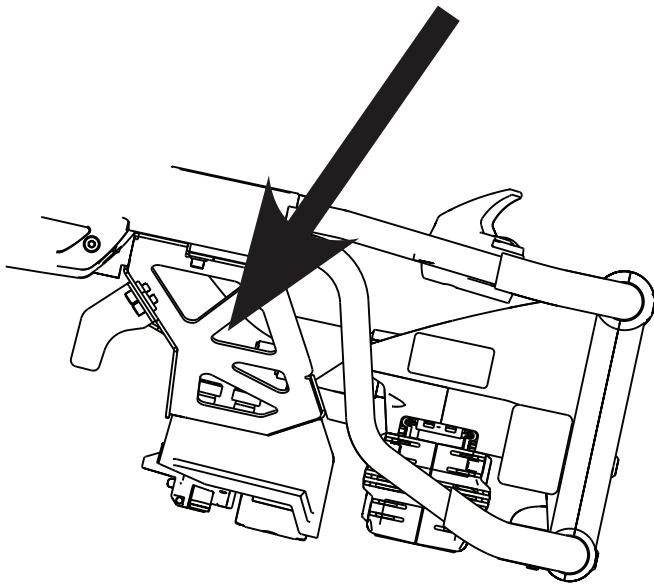


Figure 30 – Patte (modèle 6506 illustré)

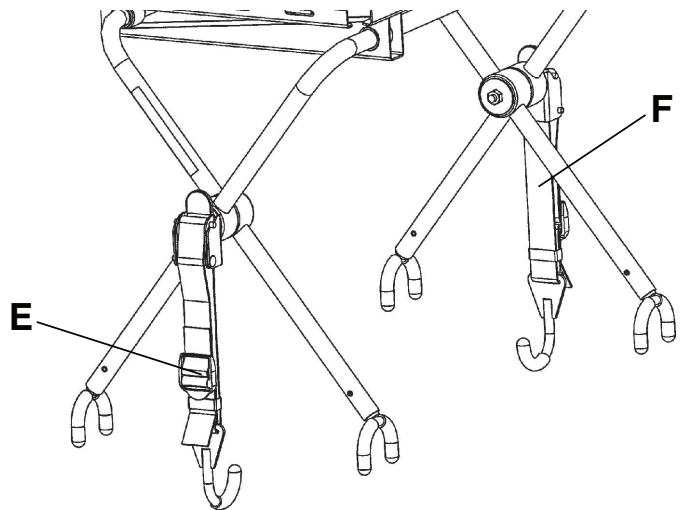


Figure 31 – Attacher le plateau porte-défibrillateur sur la civière

Remarque - Si le plateau porte-défibrillateur n'est pas attaché sur le produit une fois les deux crochets à clapet connectés, décrocher la patte. Pour ajuster, desserrer ou serrer la sangle puis pousser la patte vers le haut, jusqu'à ce qu'elle se verrouille en place en émettant un clic.

Suspension de l'équipement sur le crochet pour accessoires

Utiliser le crochet pour accessoires pour y suspendre des accessoires ou de l'équipement supplémentaire, comme des défibrillateurs et des moniteurs.

MISE EN GARDE

- Ne pas charger le crochet pour accessoires au-delà de la charge maximale admissible de 15,8 kg (35 lb).
 - Toujours retirer tous les accessoires et tout équipement du crochet pour accessoires lorsqu'il se trouve dans le véhicule.
-

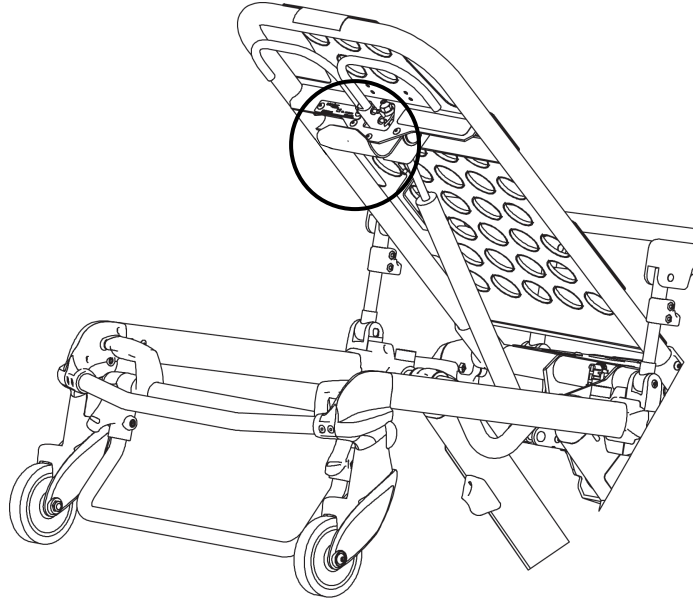


Figure 32 – Crochet pour accessoire

Positionnement du support de perfusion en deux parties

MISE EN GARDE - Ne pas charger le support de perfusion au-delà de la charge maximale admissible de 25 livres (11,3 kg).

Pour positionner le support de perfusion (Figure 33) :

1. Lever et faire pivoter le support de perfusion depuis sa position de rangement et appuyer vers le bas jusqu'à ce que le support de perfusion se verrouille en place dans le boîtier (A).
2. Pour élever la hauteur du support, tourner le collier de verrouillage (B) dans le sens antihoraire et tirer la partie télescopique (C) du support vers le haut pour l'élever à la hauteur souhaitée.
3. Tourner le collier de verrouillage (B) dans le sens horaire pour verrouiller la partie télescopique en place.
4. Suspendre les poches de perfusion au crochet de perfusion (D).
5. Tourner les colliers de verrouillage (B) dans le sens antihoraire et faire glisser la section (C) dans le tube du bas.
6. Tourner les colliers de verrouillage (B) dans le sens horaire pour serrer.
7. Soulever et faire pivoter le support vers le bas dans sa position de rangement (Figure 34).

Remarque - Les supports de perfusion doubles en deux parties (6500-312-000 ou 6550-312-000) ne sont pas compatibles avec les options de support de perfusion en deux parties du côté droit du patient (6500-310-000 ou 6550-310-000) ou du côté gauche du patient (6500-311-000 ou 6550-311-000).

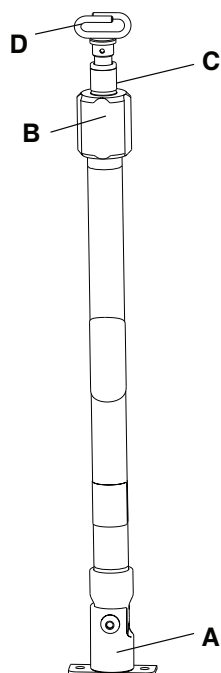


Figure 33 – Position relevée du support de perfusion

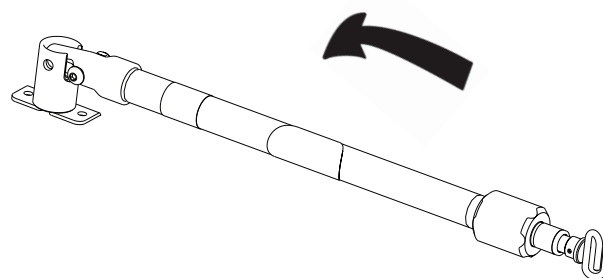


Figure 34 – Position de rangement du support de perfusion

Positionnement du support de perfusion en trois parties disponible en option

MISE EN GARDE - Ne pas charger le support de perfusion au-delà de la charge maximale admissible de 25 livres (11,3 kg).

Pour positionner le support de perfusion (Figure 35) :

1. Lever et faire pivoter le support de perfusion depuis sa position de rangement et appuyer vers le bas jusqu'à ce que le support de perfusion se verrouille en place dans le boîtier (A).
2. Pour élever la hauteur du support, tourner le collier de verrouillage (B) dans le sens antihoraire et tirer la partie télescopique (C) du support vers le haut pour l'élever à la hauteur souhaitée.
3. Tourner le collier de verrouillage (B) dans le sens horaire pour verrouiller la partie télescopique en place.
4. Pour un support de perfusion plus élevé, tirer la section (D) vers le haut jusqu'à ce que la pince à ressort (E) soit connectée.
5. Suspendre les poches de perfusion au crochet de perfusion (F).
6. Pour abaisser le support de perfusion, enfoncer la pince à ressort (E) et faire glisser la section (D) vers le bas dans la section (C). Tourner le collier de verrouillage (B) dans le sens antihoraire et faire glisser la section (C) dans le tube du bas.
7. Tourner le collier de verrouillage (B) dans le sens horaire pour serrer.
8. Soulever et faire pivoter le support vers le bas dans sa position de rangement.

Remarque - Les supports de perfusion doubles en trois parties (6500-317-000 ou 6550-317-000) ne sont pas compatibles avec les options de support de perfusion en trois parties du côté droit du patient (6500-315-000 ou 6550-315-000) ou du côté gauche du patient (6500-316-000 ou 6550-316-000).

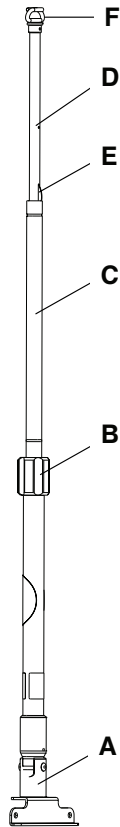


Figure 35 – Position relevée du support de perfusion

Installation d'une bouteille d'oxygène sur le porte-bouteille d'oxygène

MISE EN GARDE

- Ne pas charger le porte-bouteille d'oxygène au-delà de la charge maximale admissible de 6,8 kg.
- Ne pas utiliser deux porte-bouteilles d'oxygène en même temps.

Pour installer une bouteille d'oxygène sur le porte-bouteille d'oxygène (Figure 36) :

1. Centrer le porte-bouteille d'oxygène sur la surface d'appui de l'élément (A).
2. Serrer les deux sangles (B) autour de la bouteille d'oxygène.
3. Ajuster les deux sangles et les boucler.

Remarque - Ne pas utiliser le porte-bouteille d'oxygène comme support de bouteille d'oxygène lorsque le véhicule de transport est en mouvement. Ranger systématiquement le porte-bouteille d'oxygène dans un endroit approprié lorsque le véhicule de transport est en mouvement.

Remarque - Contrôler l'usure des sangles et des clips après chaque utilisation. Remplacer la sangle si elle n'immobilise plus la bouteille d'oxygène.

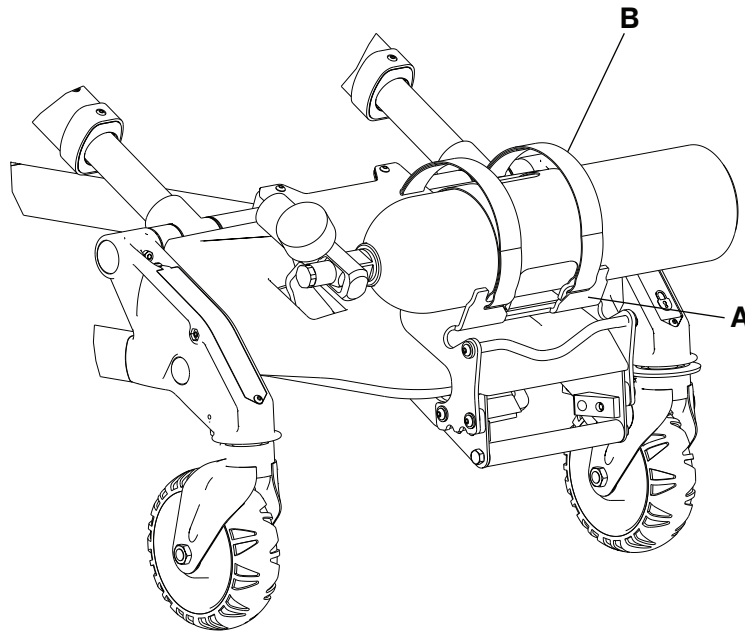


Figure 36 – Installation de la bouteille d'oxygène

Fixation des barres de poussée en option

Les barres de poussée en option vous permettent de manœuvrer le produit, quel que soit le réglage de la hauteur.

AVERTISSEMENT

- Toujours verrouiller les barres de poussée dans les supports pour éviter qu'elles ne se déboîtent pendant l'utilisation.
 - Ne pas soulever le produit avec les barres de poussée.
-

Pour fixer les barres de poussée :

1. Insérer chaque barre de poussée dans l'une des quatre douilles d'angle.
2. Abaisser chaque barre de poussée jusqu'à ce qu'elle se verrouille dans la douille.



Figure 37 – Barre de poussée fixée

Retrait et stockage des barres de poussée dans la pochette de rangement prévue à cet effet

AVERTISSEMENT - Si les barres de poussée ne sont pas utilisées, les ranger systématiquement dans leur pochette.

Pour retirer les barres de poussée :

1. Appuyer sur le bouton rouge de débloqué et retirer chaque barre de sa douille d'angle.

2. Une fois les barres retirées, les ranger dans la pochette de stockage située sur la structure de base (Figure 38).

Fermer les boucles pour attacher et fixer la pochette de stockage sur le châssis de la civière (Figure 39).

Vérifier que la pochette et son contenu n'entravent pas le fonctionnement de la civière avant de l'élever, de l'abaisser ou de la transporter.



Figure 38 – Retrait des barres de poussée



Figure 39 – Attacher la pochette de stockage des barres de poussée

Fixation du filet de rangement à la base en option

MISE EN GARDE

- Ne pas charger le filet de rangement à la base au-delà de la charge maximale admissible de 20 livres (9 kg).
- Toujours procéder avec précaution lors du retrait de la base afin d'éviter d'endommager les articles qui sont stockés dans le filet de rangement à la base.

Pour attacher le filet de rangement à la base, enrouler les sangles **Velcro®** autour des tubes de la base.

Fixation de la poche de rangement du relève-buste

MISE EN GARDE

- Ne pas charger la poche de rangement du relève-buste au-delà de la charge maximale admissible de 20 livres (9 kg).
- Ne pas laisser la poche de rangement interférer avec le fonctionnement de la section tête rétractable.

Pour fixer la poche de rangement du relève-buste (Figure 40) :

1. Insérer chaque sangle dans un trou du revêtement du relève-buste.
2. Monter la poche à plat contre le relève-buste.
3. Fixer la poche de rangement du relève-buste sur la civière avec les sangles **Velcro®**.

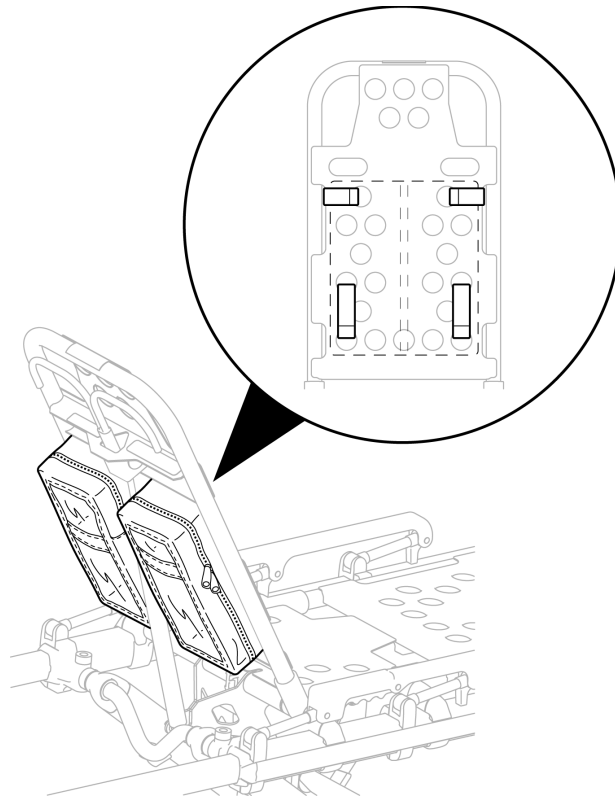


Figure 40 – Poche de rangement de relève-buste

Fixation du matelas

Ce produit peut être utilisé avec deux options de matelas. Le matelas avec traversin de plicature des genoux (6550-001-084) et le matelas plat (6550-001-295) s'utilisent avec la barrière standard. Le matelas avec traversin de plicature des genoux plus large (6500-003-130/6506-003-130) s'utilise avec la surface du patient expansible (XPS, « expandable patient surface ») disponible en option.

MISE EN GARDE - Ne pas stocker d'objets sous le matelas. La présence d'objets sous le matelas pourrait entraver le bon fonctionnement du produit.

Pour fixer le matelas à la civière :

1. Aligner le **Velcro®** au dos du matelas avec le **Velcro®** du plan de couchage de la civière.
2. Attacher les sangles de la section pieds du matelas en les passant à travers les deux trous du revêtement de la section pieds du plan de couchage.
3. Tirer la sangle à travers la boucle et appliquer le **Velcro®** pour fixer la sangle en place.

Remarque

- Le matelas avec traversin de plicature des genoux (6550-001-084) et le matelas plat (6550-001-295) ne sont pas compatibles avec la barrière XPS en option (6550-031-000).
- Le matelas avec traversin de plicature des genoux pour l'option XPS (6500-003-130/6506-003-130) n'est pas compatible avec la barrière standard (6550-034-000).
- Le matelas est une pièce appliquée de type BF.

Insertion d'un SMRT Pak

Le **SMRT Pak** est conçu pour être compatible avec les civières **Power-PRO XT**, **Power-PRO IT** et **Power-PRO TL**.

Pour maximiser la charge de batterie disponible, utiliser uniquement des **SMRT Paks** qui ont été chargés au cours des dernières 48 heures.

Pour insérer le **SMRT Pak** :

1. Aligner les languettes dans le boîtier de la batterie.
2. Pousser le **SMRT Pak** dans le boîtier jusqu'à ce que le verrou s'enclenche en position.

Le **SMRT Pak** peut rester sur la civière **Power-PRO** entre les appels de service pendant un maximum d'une semaine ou jusqu'à ce que le voyant de batterie sur la civière clignote en orange.

Retrait d'un SMRT Pak de la civière

Une fois que le **SMRT Pak** est déchargé, retirer le **SMRT Pak** de la civière **Power-PRO** et le remplacer par un **SMRT Pak** chargé.

L'utilisation de manière répétée du **SMRT Pak** sans périodes de repos peut augmenter la température à l'intérieur des cellules et réduire la durée de vie. Par exemple, le fait d'élever et d'abaisser plusieurs fois un patient corpulent à intervalle rapproché peut réduire la durée de vie du **SMRT Pak**.

AVERTISSEMENT

- Ne pas retirer la batterie lorsque la civière est activée.
 - Ne pas tenter d'ouvrir le bloc-batterie quelle qu'en soit la raison, pour éviter tout risque de choc électrique. Si le boîtier du bloc-batterie est fissuré ou endommagé, ne pas l'insérer dans le chargeur. Renvoyer les blocs-batterie endommagés à un centre de service pour les recycler.
 - Toujours éviter le contact direct avec une batterie ou des boîtiers de batterie humide. Le contact peut causer des blessures au patient ou à l'opérateur.
-

MISE EN GARDE - Toujours retirer la batterie si la civière ne doit pas être utilisée pendant une période prolongée (plus de 24 heures).

Pour retirer le **SMRT Pak** de la civière :

1. Appuyer sur le bouton rouge de déblocage d'une seule main (C) ou appuyer sur le bouton de déblocage de la batterie (A) pour débloquer le **SMRT Pak** (B) de la civière (Figure 41).
2. Glisser le **SMRT Pak** débloqué hors de l'enceinte.

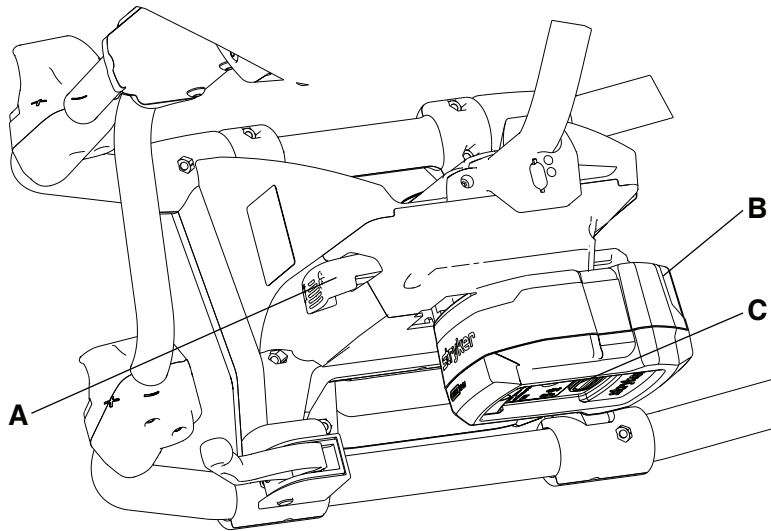


Figure 41 – Dégagement de la batterie

Stockage de la batterie

Pour la longévité, la performance et la sécurité de cet équipement, utiliser les matériaux d'emballage d'origine pour stocker ou transporter cet équipement.

Toutes les batteries perdent de la charge pendant le stockage ou les périodes d'inactivité. Un **SMRT Pak** peut perdre jusqu'à 30 % de sa charge dans les 48 heures qui suivent son retrait du chargeur **SMRT**. Utiliser et charger complètement les **SMRT Paks** stockés tous les trois mois pour maintenir une performance optimale.

Chargement du SMRT Pak

Le **SMRT Pak** est destiné à être utilisé avec le chargeur **SMRT** seulement.

AVERTISSEMENT - Ne pas introduire un **SMRT Pak** fissuré ou endommagé dans le chargeur **SMRT**. Renvoyer les **SMRT Paks** endommagés à un centre de service pour les recycler.

Remarque

- Pour un entreposage prolongé, stocker le **SMRT Pak** sur le chargeur **SMRT** pour une charge d'entretien. Le chargeur **SMRT** maintient le **SMRT Pak** chargé et prêt à l'emploi.
- Stocker le **SMRT Pak** à température ambiante dans une plage de charge de température acceptable entre 6 °C et 31 °C (43 °F et 88 °F). Une charge du **SMRT Pak** hors de cette plage de température recommandée réduit la durée de vie du **SMRT Pak** et prolonge la durée de chargement.

Pour charger le **SMRT Pak** (Figure 42) :

1. Insérer un **SMRT Pak** propre et sec dans le chargeur **SMRT**. S'assurer que le **SMRT Pak** est verrouillé dans le chargeur **SMRT**.

Remarque

- Le voyant du chargeur **SMRT** (B) clignote en vert pendant le chargement (Figure 42). La durée de chargement optimale est de deux heures.
 - Lorsque le **SMRT Pak** est chargé et prêt à l'emploi, le voyant du chargeur **SMRT** (B) s'allume en vert continu.
2. Appuyer sur le bouton de déblocage rouge (A) (Figure 42) et faire glisser le **SMRT Pak** pour libérer le **SMRT Pak** chargé et prêt à l'emploi du chargeur **SMRT**.

Le chargeur **SMRT** gère la charge, quel que soit l'état de charge du **SMRT Pak**.

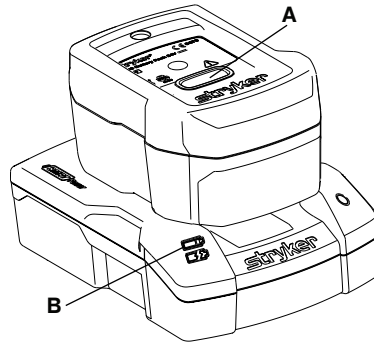


Figure 42 – Chargement du SMRT Pak

Vérification du niveau de puissance du SMRT Pak avec le chargeur SMRT

Utiliser les voyants du chargeur **SMRT** pour vérifier le niveau de puissance du **SMRT Pak**.

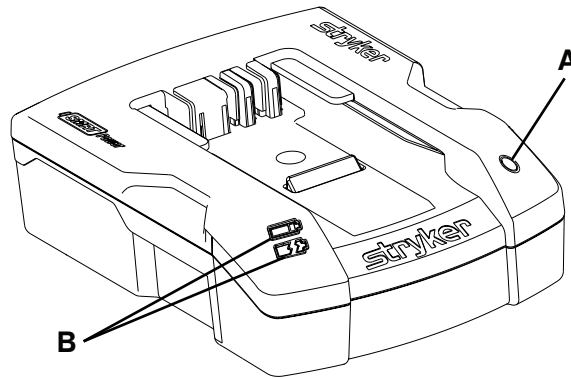


Figure 43 – Vérification du niveau de puissance du SMRT Pak

- Connexion électrique : Connecter le chargeur **SMRT** à la source d'alimentation appropriée ou l'en déconnecter (*Alimentation du chargeur* (page 50)).
- Voyant d'alimentation du chargeur **SMRT** (A) : Si le voyant vert est allumé, le chargeur **SMRT** est alimenté.
- Voyants du chargeur **SMRT**(B) : Les voyants vert et orange du chargeur fournissent des informations sur l'état du **SMRT Pak**. Les voyants peuvent être allumés en continu ou clignoter, selon l'état du chargeur **SMRT** ou du **SMRT Pak**.

Voyants du chargeur SMRT	État
Vert (clignotant)	Le chargeur SMRT charge le SMRT Pak . La durée de chargement optimale est de deux heures.
Vert (continu)	Le SMRT Pak est chargé et prêt à l'emploi
Orange (clignotant)	Délai de température du SMRT Pak . Le chargeur SMRT attend que le SMRT Pak atteigne une plage de température acceptable comprise entre 6 °C et 31 °C (43 °C et 88 °C).
Orange (continu)	Erreur de SMRT Pak . Voir la section de dépannage du manuel de maintenance.

Caractéristiques de l'installation d'alimentation électrique

Lors de la configuration de la source d'alimentation électrique pour l'installation du chargeur **SMRT**, respecter les caractéristiques d'alimentation électrique suivantes pour obtenir un fonctionnement fiable et efficace.

Type d'alimentation	Plage de tension nominale	Fréquence	Intensité maximum	Intensité en veille	Coupure basse tension
c.a.	100 à 240 V c.a.	50/60 Hz	1,20 A	0,05 A	S.O.
c.c.	12,5 à 16 V c.c.	S.O.	4,16 A	0,20 A	10 V c.c.

Installation du chargeur SMRT

Lors de l'installation du chargeur **SMRT**, placer le chargeur **SMRT** dans un endroit contrôlé du point de vue environnemental :

- Sans poussière ni humidité excessive
- Maintenu dans une plage de température constante. La plage de température acceptable se situe entre 6 °C et 31 °C (entre 43 °F et 88 °F). La plage de température optimale se situe entre 18 °C et 24 °C (entre 65 °F et 75 °C).
- D'un accès aisé pour l'utilisation

Placer et maintenir l'alimentation électrique et les cordons d'alimentation de manière à minimiser tout risque d'endommagement et de déconnexions par inadvertance.

Installation du support de montage en option

AVERTISSEMENT

- Toujours faire installer le support de montage en option et le chargeur **SMRT** par un mécanicien agréé familiarisé avec la construction des ambulances.
 - Toujours monter le chargeur **SMRT** sur le support de montage en option dans une enceinte fermée et hors de la portée du patient pendant le transport afin de respecter les normes établies de test de collision.
 - Toujours s'assurer que le support de montage en option est solidement fixé à la surface.
-

Pour installer le support de montage (Figure 44) :

1. Utiliser le support de montage du chargeur **SMRT** comme modèle pour repérer l'emplacement des trous de montage (A) dans la zone où le support de montage sera installé.
2. Placer le support de montage en s'assurant que :
 - a. La languette à ressort (B) est située à l'arrière du chargeur **SMRT**.

Remarque - Lors du montage du support sur une surface verticale, la languette à ressort doit être à l'horizontale, orientée vers la gauche (Figure 44).
 - b. Le cordon d'alimentation se branche facilement à l'arrière du chargeur **SMRT**.
 - c. Le chargeur **SMRT** glisse de l'avant vers l'arrière pour se connecter au support après le montage.
 - d. Le support est installé de manière adaptée à l'emplacement dans l'ambulance ou la station :

Emplacement dans l'ambulance	Emplacement dans la station
<ul style="list-style-type: none"> Fixer solidement le support à une surface de support structurel horizontale ou à une étagère en utilisant au minimum des vis de taille 10, qualité 5 (non fournies). S'assurer que la surface de montage sélectionnée est suffisamment solide pour soutenir solidement le chargeur SMRT et le SMRT Pak pendant le transport. Placer le support dans une enceinte fermée et hors de la portée du patient pendant le transport. Prévoir l'installation et le retrait faciles du SMRT Pak. Placer l'alimentation électrique à portée du cordon d'alimentation. 	<ul style="list-style-type: none"> Fixer solidement le support à une surface de support structurel horizontale ou verticale en utilisant au minimum des vis de taille 10, qualité 5 (non fournies). Pour l'installation verticale, positionner le support de montage de telle manière que la languette à ressort soit juste en dessous des vis de montage, afin que le SMRT Pak soit maintenu par le chargeur SMRT même si quelqu'un appuie sur le bouton de déblocage accidentellement. Prévoir une installation et un retrait faciles du SMRT Pak. Placer l'alimentation électrique à portée du cordon d'alimentation.

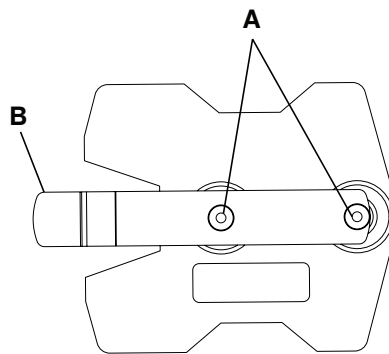


Figure 44 – Support de montage

Fixation du chargeur sur le support de montage en option

Pour fixer le chargeur **SMRT** sur le support de montage (Figure 45) :

- Aligner les fentes à encoche arrière (A) sur les fixations du support (B).
- Y glisser le chargeur **SMRT** (C) jusqu'à ce qu'il se verrouille dans le support de montage (D) pour fixer solidement le chargeur au support.

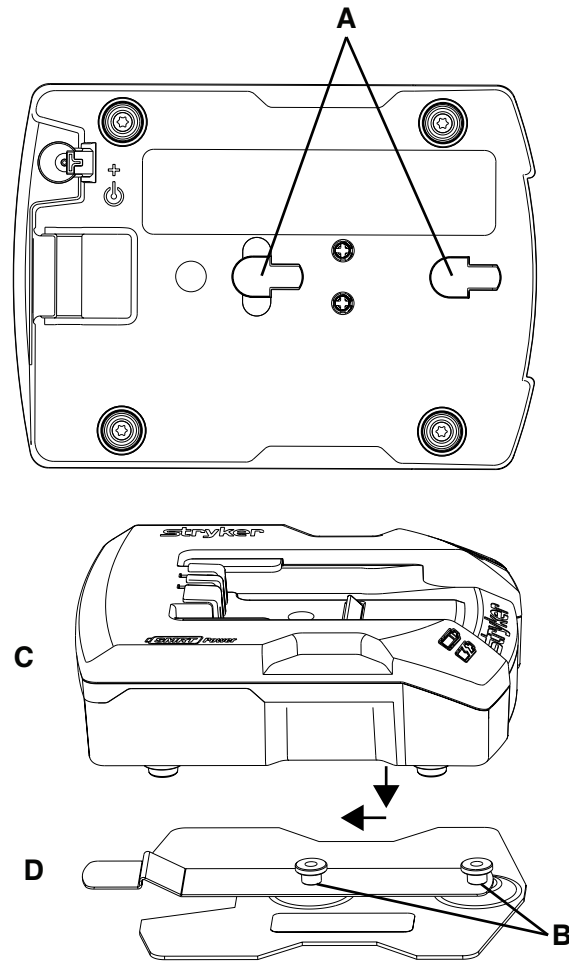


Figure 45 – Fixation du chargeur

Alimentation du chargeur

MISE EN GARDE

- Toujours placer le cordon d'alimentation électrique du chargeur **SMRT** à un endroit où il ne sera pas piétiné, ne risquera pas de faire trébucher, et sinon ne subira ni dommage ni contrainte.
- Ne pas mettre les bornes de la fiche du **SMRT Pak** en contact avec des objets métalliques.

To power the **SMRT** charger (Figure 46):

1. Repérer le raccordement électrique (A) à l'arrière du chargeur **SMRT**.
2. Pousser la languette de retenue du cordon d'alimentation (B) vers l'intérieur pour insérer la fiche du cordon d'alimentation dans le raccordement électrique du chargeur **SMRT**.
3. Brancher l'extrémité adaptateur électrique du cordon d'alimentation à la source d'alimentation.

Il est préférable d'utiliser une source d'alimentation ininterrompue propre. Un voyant d'alimentation s'allume en vert fixe lorsque le chargeur **SMRT** est connecté à une source d'alimentation.

Utiliser uniquement des pièces approuvées par Stryker pour alimenter le chargeur **SMRT**.

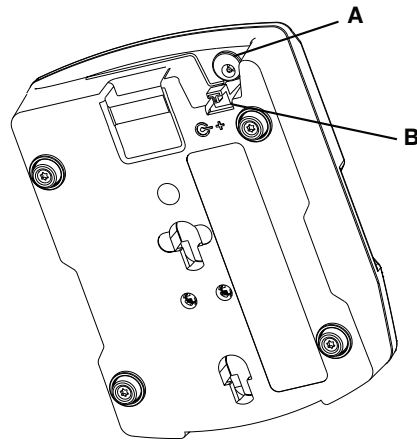


Figure 46 – Alimentation du chargeur

Déconnexion du chargeur

MISE EN GARDE - Toujours saisir et tirer la fiche et non pas le cordon pour déconnecter le chargeur **SMRT** afin d'éviter tout risque d'endommager la fiche et le cordon électriques.

Pour déconnecter le chargeur **SMRT**, débrancher le cordon d'alimentation de la source d'alimentation c.a. ou c.c.

Accessoires et pièces

Les accessoires suivants peuvent être disponibles pour le produit. Confirmer la disponibilité en fonction de la configuration du produit ou du pays. Contacter le service clientèle de Stryker : +1-800-327-0770.

Nom	Numéro
Poche pour relève-buste	6500-130-000
Rallonge de ceinture	6082-160-050
Plateau porte-défibrillateur	6550-170-000
Crochet pour accessoires	6500-147-000
Vérin à gaz, relève-buste	1010-031-077
Tête avec oreiller	6100-044-000
Support de perfusion en deux parties – droite	6550-310-000
Support de perfusion en deux parties – gauche	6550-311-000
Support de perfusion en deux parties – double	6550-312-000
Support de perfusion en trois parties – droite	6550-315-000
Support de perfusion en trois parties – gauche	6550-316-000
Support de perfusion en trois parties – double	6550-317-000
Matelas, traversin de relève-jambes	6550-001-084
Matelas, plat à plicature des genoux	6550-001-295
Matelas, traversin de relève-jambes, XPS	6500-003-130
Matelas, traversin de plicature des genoux, gris, XPS	6506-003-130
Porte-bouteille d'oxygène	6550-102-020
Porte-bouteille d'oxygène, amovible	6080-140-000
Porte-bouteille d'oxygène, sangle	6550-002-004
Support de retenue en option	6091-300-010
Pack de retenue, EMS, domestique	6060-160-010
Pack de retenue, X	6500-001-430
Pack de retenue, XPR	650600030010
Barrière, standard	6550-034-000
Barrière, option XPS	6550-031-000
Filet de rangement, base	6500-160-000
Poche de rangement, relève-buste	6500-130-000
Blocage de roue	6086-200-010

N'utiliser que des pièces approuvées par Stryker. L'utilisation d'autres pièces peut entraîner une augmentation des émissions électromagnétiques ou une réduction de l'immunité électromagnétique du système. Ne pas modifier les pièces. Le non-respect de cette consigne peut causer des blessures.

Nom	Numéro
Chargeur SMRT	6500-201-000
Support de montage de chargeur SMRT	6500-034-000
Kit SMRT Pak, bloc-batterie	6500-700-046
Composants d'alimentation – c.a	
Alimentation de chargeur	6500-201-148
Cordon d'alimentation, Amérique du Nord	6500-201-149
Cordon d'alimentation, Europe	6500-201-150
Cordon d'alimentation, Royaume-Uni	6500-201-151
Cordon d'alimentation, Australie	6500-201-153
Composants d'alimentation – c.c	
Câble 12 V c.c., automobile	6500-201-147
Câble 12-24 V, prise DIN	6500-201-152
Kit d'alimentation SMRT (comprend 1 chargeur, 2 Paks et 1 cordon d'alimentation)	
Kit d'alimentation SMRT – 12 V c.c., domestique (chargeur de voiture)	6500-700-040
Kit d'alimentation SMRT – 120 V c.a., domestique (chargeur secteur)	6500-700-041
Kit d'alimentation SMRT – 240 V c.a., Royaume-Uni, international	6500-700-043
Kit d'alimentation SMRT – 240 V c.a., Europe, international	6500-700-044
Kit d'alimentation SMRT – 240 V c.a., Australie, international	6500-700-045

Contactez le représentant des ventes Stryker pour une liste complète de pièces supplémentaires.

Nettoyage et désinfection des sangles de retenue XPR

Confirmer la disponibilité en fonction de la configuration du produit ou du pays. Contacter le service clientèle de Stryker : +1-800-327-0770.

Les nettoyants conseillés incluent, entre autres :

- Alcool isopropylique à une concentration ≤ 70 % ; ou

Un produit nettoyant avec les ingrédients actifs suivants (ou équivalent) :

- Sels d'ammonium à une concentration $\leq 0,31$ %
- Alcool isopropylique à une concentration $\leq 21,000$ %
- Éther monobutylique de l'éthylèneglycol à une concentration $\leq 3,000$ % (ingrédient non actif)

Remarque - Le fait de ne pas utiliser les produits nettoyants prescrits peut entraîner une dégradation prématurée et annuler la garantie du produit. Ne pas nettoyer avec de l'eau de Javel, du **HDQ Neutral®** ou du accelerated hydrogen peroxide. Pour toute question ou préoccupation, contacter le service clientèle de Stryker (+1-800-327-0770).

Méthode de nettoyage recommandée :

1. Respecter rigoureusement les recommandations de dilution du fabricant de la solution de nettoyage.
2. Pour nettoyer, essuyer les surfaces externes pour enlever toutes les souillures visibles. Répéter au besoin jusqu'à ce que le produit soit propre.

Remarque - Déplacer la boucle de rallonge pour nettoyer l'intégralité de la sangle de retenue. S'assurer que la surface de la sangle de retenue est sèche avant de déplacer la boucle de rallonge. Ne pas déplacer la boucle de rallonge sur une surface encore humide de produit nettoyant.

3. Pour désinfecter, essuyer les surfaces externes jusqu'à ce qu'elles soient humides.
4. S'assurer que le produit ne reste pas mouillé plus longtemps que la limite précisée dans les directives du fabricant du produit chimique relatives à la désinfection.
5. Vérifier le fonctionnement avant de remettre le produit en service.
 - L'immersion des boucles en métal des sangles de retenue peut corroder les boucles et n'est pas recommandée. Rincer à l'eau propre et laisser sécher à l'air pour réduire le risque de corrosion. Remplacer les sangles de retenue si les boucles en métal sont corrodées.
 - Le contact direct d'un matériau visiblement sale et perméable avec la peau peut augmenter le risque d'infection.
 - Le lavage des sangles de retenue n'est pas recommandé.

MISE EN GARDE - Ne pas appliquer de lubrifiant sur les surfaces des sangles de retenue.

Remarque

- Les sangles de retenue XPR ont une durée de vie utile prévue de trois mois lorsque les nettoyants proposés indiqués ci-dessus sont utilisés.
- La garantie de ce produit pourrait être annulée si les directives précitées ne sont pas suivies lors de l'utilisation de ce type de nettoyants.
- Toujours essuyer le produit à l'eau propre et sécher après le nettoyage. Certains produits de nettoyage sont de nature corrosive et peuvent endommager le produit. Si le produit n'est pas rincé et séché correctement, un résidu corrosif reste sur la surface du produit et peut entraîner une dégradation prématurée des composants essentiels.

Nettoyage

AVERTISSEMENT - Toujours utiliser un équipement de protection individuelle approprié lors du lavage sous pression afin d'éviter une contagion par inhalation. Tout équipement de lavage sous pression peut vaporiser des résidus contaminés.

MISE EN GARDE

- Ne pas nettoyer le produit à la vapeur ou aux ultrasons.
 - La température maximale de l'eau ne doit pas dépasser 180 °F (82 °C).
 - La pression maximale de l'eau ne doit pas dépasser 1 500 psi (103,4 bars). En cas d'utilisation d'un tube-rallonge à main pour laver le produit, veiller à maintenir la buse haute pression à une distance minimum de 24 po (61 cm) du produit.
 - Toujours laisser sécher à l'air.
 - Toujours retirer la batterie avant de laver la civière.
 - Ne pas procéder au nettoyage, à l'entretien ou à la maintenance pendant que le produit est en service.
-

Le produit est lavable sous pression. Le produit peut présenter certains signes d'oxydation ou de décoloration dus aux lavages répétés. Toutefois, le lavage sous pression n'entraînera aucune dégradation de la performance du produit à condition de respecter les procédures appropriées.

- Respecter rigoureusement les recommandations de dilution du fabricant de la solution de nettoyage.
- Pour le lavage sous pression du produit, Stryker Medical recommande de préférence le laveur de chariots chirurgicaux d'hôpital ou le tube-rallonge à main standard.
- Nettoyer la civière une fois par mois.
- Nettoyer le **Velcro®** après chaque utilisation. Saturer le **Velcro®** avec un désinfectant et laisser celui-ci s'évaporer. Pour le **Velcro®** en nylon, un désinfectant approprié doit être déterminé par le service.
- L'immersion des boucles en métal des sangles de retenue peut corroder les boucles et n'est pas recommandée. Rincer à l'eau propre et laisser sécher à l'air pour réduire le risque de corrosion. Remplacer les sangles de retenue si les boucles en métal sont corrodées.
- Le contact direct d'un matériau visiblement sale et perméable avec la peau peut augmenter le risque d'infection.

Nettoyants conseillés

De manière générale, lorsqu'ils sont utilisés aux concentrations recommandées par le fabricant, des désinfectants phénoliques ou quaternaires (sauf le **Virex® TB**) peuvent être employés. L'utilisation de désinfectants iodophores n'est pas recommandée parce que ces désinfectants risquent de faire des taches.

Les nettoyants conseillés incluent, entre autres :

- Nettoyants quaternaires (principe actif : chlorure d'ammonium) contenant moins de 3 % d'éther de glycol
- Nettoyants phénoliques (substance active : o-phénylphénol)
- Solution d'eau de Javel (5,25 % - moins d'une partie d'eau de Javel pour 100 parties d'eau)
- ≤ 21 % d'alcool isopropylique

Éviter une saturation excessive. S'assurer que le produit ne reste pas mouillé plus longtemps que la durée limite précisée dans les directives du fabricant du produit chimique relatives à la désinfection.

Remarque

- La garantie de ce produit pourrait être annulée si les directives précitées ne sont pas suivies lors de l'utilisation de ce type de nettoyants.
- Toujours essuyer le produit à l'eau propre et sécher après le nettoyage. Certains produits de nettoyage sont de nature corrosive et peuvent endommager le produit. Si le produit n'est pas rincé et séché correctement, un résidu corrosif reste sur la surface du produit et peut entraîner une corrosion prématurée des composants essentiels.

Nettoyage du chargeur

AVERTISSEMENT

- Toujours porter des gants en caoutchouc isolés en plus de l'équipement de protection individuelle pour nettoyer le **SMRT Pak** afin de réduire le risque de blessures.
 - Toujours déconnecter le chargeur **SMRT** de la prise murale avant le nettoyage pour éviter tout risque électrique.
 - Ne pas vaporiser de liquide directement sur le chargeur **SMRT**.
 - Ne pas nettoyer le chargeur **SMRT** sous pression.
 - Ne pas utiliser de solvants, de lubrifiants, ni d'autres produits chimiques pour nettoyer le chargeur **SMRT**, sauf indication contraire.
 - Ne pas immerger le chargeur **SMRT** dans l'eau ni laisser l'eau s'accumuler sur le dessus du chargeur **SMRT** pour éviter tout risque de choc électrique.
-

To clean the **SMRT** charger:

1. Déconnecter le chargeur **SMRT** de la prise murale pour éviter tout danger électrique pendant le nettoyage.
2. Essuyer les surfaces du chargeur **SMRT** à l'aide d'un chiffon doux humidifié avec un désinfectant hospitalier non abrasif.
3. Essuyer avec un chiffon humidifié avec de l'eau claire pour enlever tout produit chimique ou résidu de nettoyage.
4. Sécher complètement avant de remettre le chargeur **SMRT** en service.

Nettoyage de la batterie

Le **SMRT Pak** est conçu pour être lavé sous pression. La méthode de lavage sous pression préférée pour le **SMRT Pak** est le laveur de chariots chirurgicaux d'hôpitaux ou le tube-rallonge à main standard.

AVERTISSEMENT

- Toujours utiliser un équipement de protection individuelle approprié lors du lavage sous pression afin d'éviter une contagion par inhalation. Tout équipement de lavage sous pression peut vaporiser des résidus contaminés.
 - Toujours porter des gants en caoutchouc isolés en plus de l'équipement de protection individuelle pour nettoyer le **SMRT Pak** afin de réduire le risque de blessures.
 - Toujours utiliser des matériaux non conducteurs pour essuyer le **SMRT Pak**.
 - Toujours éviter une exposition excessive à l'eau des bornes du **SMRT Pak**.
 - Toujours se référer à la fiche de données de sécurité (FDS) des désinfectants pour vérifier la plage du pH. Des désinfectants dont le pH dépasse 10,5 peuvent causer une fissuration du matériau du boîtier du **SMRT Pak**.
 - Ne pas manipuler et ne pas entrer en contact directement avec les bornes du **SMRT Pak** pendant le nettoyage afin d'éviter tout risque de blessure.
 - Ne pas immerger le **SMRT Pak** dans du liquide afin de réduire tout risque de choc électrique.
 - Ne pas utiliser de solvants, de lubrifiants ni d'autres produits chimiques pour nettoyer le **SMRT Pak**, sauf indication contraire.
-

MISE EN GARDE

- Ne pas nettoyer le **SMRT Pak** à la vapeur ou aux ultrasons.
 - La température maximale de l'eau ne doit pas dépasser 180°F (82°C).
 - La température maximale de séchage à l'air ne doit pas dépasser 240°F (115°C) (laveurs de chariots).
 - La pression maximale de l'eau ne doit pas dépasser 1,500 psi (103,4 bars). En cas d'utilisation d'un tube-rallonge à main pour laver le produit, veiller à maintenir la buse haute pression à une distance minimum de 24 po (61 cm) du produit.
-

Pour nettoyer le **SMRT Pak**:

1. Retirer le **SMRT Pak** de la civière **Power-PRO** ou du chargeur **SMRT**.
2. Inspecter le boîtier et la surface des bornes du **SMRT Pak** pour y déceler des fissures ou des dommages éventuels.

3. Nettoyer le **SMRT** Pak avec un désinfectant de qualité hospitalière avec une plage de pH comprise entre 6,5 et 10,5.
4. Bien rincer le **SMRT** Pak avec de l'eau propre pour éliminer tous résidus ou produits chimiques de nettoyage.
Positionner le **SMRT** Pak de manière à éviter une accumulation d'eau à proximité des bornes.
5. Bien sécher le **SMRT** Pak avant de l'insérer dans une civière **Power-PRO** ou un chargeur **SMRT**.

Entretien préventif

AVERTISSEMENT

- Toujours libérer la pression avant de déconnecter les conduites hydrauliques ou d'autres conduites. Du liquide sous pression qui s'échappe peut pénétrer la peau et causer des blessures graves. Serrer tous raccords avant d'appliquer une pression. En cas d'accident, consulter un médecin immédiatement.
- Ne pas utiliser les mains nues pour inspecter des fuites hydrauliques.

MISE EN GARDE

- Toujours utiliser des pièces agréées pour éviter tout risque d'endommagement du produit.
- Toujours inspecter les tuyaux et conduites régulièrement pour éviter d'endommager la civière. Inspecter et serrer les raccords desserrés. Les conduites hydrauliques, les tuyaux et les raccords peuvent être défectueux ou ils peuvent se desserrer après avoir subi des dommages physiques, s'ils se tordent, s'ils vieillissent et s'ils sont exposés à l'environnement.
- Ne pas basculer la civière sur ses roues porteuses et actionner le produit, étant donné que ceci permettra à l'air de pénétrer dans le système hydraulique.

Définir et respecter un calendrier d'entretien et conserver la trace des activités d'entretien. Mettre le produit hors service avant d'effectuer les vérifications d'entretien préventif. Il peut être nécessaire d'effectuer les vérifications de maintenance préventive plus fréquemment en fonction du degré d'utilisation du produit. Toute réparation doit être effectuée exclusivement par du personnel qualifié.

Lors de l'utilisation de produits d'entretien, suivre les instructions du fabricant et consulter toutes les fiches de données de sécurité (FDS).

Lubrification

MISE EN GARDE - Ne pas lubrifier les paliers dans le cadre en X, car cela réduirait les performances de la civière et pourrait annuler sa garantie.

La civière a été conçue pour fonctionner sans devoir être lubrifiée.

Inspection et réglages réguliers

Le calendrier suivant est un guide général de maintenance. Des facteurs comme la météo, le terrain, la position géographique et l'utilisation individuelle peuvent modifier le calendrier de maintenance requis. En cas de doutes sur la façon d'effectuer ces vérifications, contacter un technicien de Stryker. En cas de doutes quant aux intervalles à respecter pour la maintenance du produit, contacter un technicien de Stryker. Effectuer chaque contrôle de routine et, au besoin, remplacer les pièces usées.

Tous les mois ou toutes les deux heures d'utilisation

Inspecter ces éléments tous les mois ou toutes les deux heures d'utilisation, selon le cas.

Élément	Inspecter
Paramètres	Configuration du dispositif d'arrêt des fixations internes
Vérin	Déployer la tige du vérin. Essuyer la tige du vérin avec un chiffon doux et un nettoyant ménager.
Câbles et fils	Pas de fils pendants provenant des connexions et des chemins de câbles
Poignée de déblocage manuel de secours	Fonctionnement de la poignée de déblocage manuel de secours
Plan de couchage	Châssis et plan de couchage

Élément	Inspecter
Base	Châssis et base
Roues	Fixation, roulement et pivotement corrects de toutes les roues
Section tête	Fonctionnement de la barre de sécurité. Tirer en direction de la section tête pour s'assurer que la barre de sécurité bascule et tourne librement et revient à sa position initiale.
Sangle de retenue	Les sangles de retenue fonctionnent et sont exemptes d'usure excessive (telle qu'une partie femelle ou une plaque d'enclenchement tordues ou cassées, ou des sangles déchirées ou effilochées)
Batterie	Le boîtier du SMRT Pak et la zone des bornes sont exempts de fissures ou d'endommagement avant la première utilisation et avant chaque utilisation
Chargeur	Le chargeur SMRT et ses pièces sont exempts de coupures au niveau du cordon, de broches ou de contacts tordus, ou de fissures au niveau du boîtier avant la première et avant chaque utilisation

Tous les trois mois ou toutes les six heures d'utilisation

Inspecter ces éléments tous les trois mois ou toutes les six heures d'utilisation, selon le cas.

Élément	Inspecter
Vérin	Fixation correcte de toutes les attaches
	Aucune fuite de fluide hydraulique (rouge)
	Raccords desserrés - serrer si nécessaire
Système hydraulique	Installation correcte de toutes les fixations du support du moteur
	Aucune fuite de fluide hydraulique
	Aucune fuite du réservoir
Câbles et fils	Pas de détérioration ou de pincement du faisceau de câblage, de câble ou de conduites
	Aucun connecteur endommagé
Poignée de déblocage manuel de secours	La base s'allonge et se rétracte quand l'opérateur tire la poignée de déblocage manuel de secours
	Avec une charge de 100 lb (45 kg) ou plus, la civière ne s'abaisse pas lorsque l'opérateur tire sur la poignée de déblocage de secours manuelle
Plan de couchage	Fixation correcte de toutes les attaches
	Fonctionnement du vérin du relève-buste
	Au besoin, régler le vérin pneumatique pour une plage de mouvement maximale
Base	Fixation correcte de toutes les attaches
Châssis en X	La structure en X se déploie et se rétracte

Élément	Inspecter
Section tête	Fixation correcte de toutes les attaches
	La section tête se déploie et se verrouille
Accessoires et pièces (en option)	Tous les accessoires et les pièces fonctionnent (tels que le support de perfusion, le prolongateur de la sangle de retenue, les barres de poussée et le porte-bouteille à oxygène)

Tous les six mois ou toutes les 12 heures d'utilisation

Inspecter ces éléments tous les six mois ou toutes les 12 heures d'utilisation, selon le cas.

Élément	Inspecter
Système hydraulique	Usure ou détérioration des tuyaux et des raccords
	Fusible de vitesse hydraulique - placer un poids d'environ 23 kg (50 livres) sur la civière, élever la civière, deux opérateurs soulèvent la civière, tirer la poignée de déblocage manuel de secours, abaisser rapidement la civière et vérifier qu'elle ne s'affaisse pas
Commandes électroniques	Déployer la civière en position élevée, mesurer et vérifier la hauteur de charge
	Le système qui permet de monter ou descendre par à-coups fonctionne
	La rétractation rapide fonctionne
Interrupteurs	Absence d'endommagement ou d'usure des deux interrupteurs
	Les deux interrupteurs fonctionnent
Plan de couchage	Aucun composant tordu, cassé ou endommagé
	Absence d'endommagement ou de déchirures au niveau des poignées de la civière
	Les barrières fonctionnent et se verrouillent
	Le repose-pieds fonctionne
Matelas	Absence de fissures ou de déchirures
Base	Aucun composant tordu, cassé ou endommagé
Roues	Absence de débris
Section tête	Aucun composant tordu, cassé ou endommagé
	La poignée fonctionnelle n'est pas excessivement abîmée ou déchirée
	Fixation et roulement corrects des roues porteuses
Béquille (en option)	Lubrifier le ressort de la béquille et le logement du ressort interne (en option) avec Tri-Flow® .

Tous les 12 mois ou toutes les 24 heures d'utilisation

Inspecter ces éléments tous les 12 mois ou toutes les 24 heures d'utilisation, selon la première éventualité.

Élément	Inspecter
Paramètres	La civière et la fixation sont en bon état et fonctionnent
Vérin	Réglage du vérin - le contre-écrou est serré et la civière s'arrête lorsqu'elle atteint les butées fixes
Poignée de déblocage de secours manuelle	Revient à la position repliée
Plan de couchage	Toutes les soudures sont intactes, absence de fissures ou de cassures
	Les étiquettes d'avertissement sont présentes et lisibles
Base	Toutes les soudures sont intactes, absence de fissures ou de cassures
Roues	Vérification et réglage du système de blocage des roues
Porte-bouteille d'oxygène, section tête rétractable (en option)	Absence d'usure des sangles et des clips
Plateau porte-défibrillateur (en option)	Absence d'usure ou d'effilochage au niveau des sangles
	Les crochets à clapet d'attache sont intacts et solidement fixés

Informations de CEM

MISE EN GARDE

- L'utilisation d'accessoires, de capteurs et de câbles autres que ceux spécifiés ou fournis par le fabricant pourrait entraîner une augmentation des émissions électromagnétiques ou une diminution de l'immunité électromagnétique et provoquer un fonctionnement incorrect.
- Les caractéristiques des émissions de cet équipement conviennent pour une utilisation en milieu industriel et hospitalier (CISPR 11 classe A). S'il est utilisé dans un environnement résidentiel, pour lequel un niveau CISPR 11 classe B est habituellement requis, cet équipement pourrait ne pas offrir une protection adéquate pour les services de communication par radiofréquence. Il peut être nécessaire pour l'utilisateur de prendre des mesures d'atténuation telles que la réorientation ou le déplacement de l'équipement.

Directives et déclaration du fabricant – Émissions électromagnétiques

Power-PRO et le chargeur **SMRT** sont destinés à être utilisés dans l'environnement électromagnétique spécifié ci-dessous. L'acheteur ou l'utilisateur du système **Power-PRO** et du chargeur **SMRT** doit veiller à ce qu'ils soient utilisés dans un tel environnement.

Test d'émissions	Conformité	Environnement électromagnétique
Émissions RF CISPR 11	Groupe 1	Power-PRO et le chargeur SMRT utilisent de l'énergie RF uniquement pour leurs fonctions internes. Par conséquent, ses émissions RF sont très faibles et ne peuvent vraisemblablement pas provoquer d'interférence dans les équipements électroniques situés à proximité.
Émissions RF CISPR 11	Power-PRO : Classe A	Power-PRO convient à une utilisation dans tous les établissements autres que les établissements résidentiels et ceux directement raccordés au réseau basse tension public alimentant les bâtiments à usage résidentiel.
	chargeur SMRT (6500-201-010) : Classe B	Le chargeur SMRT convient à une utilisation dans tous les établissements autres que les établissements résidentiels et ceux directement raccordés au réseau basse tension public alimentant les bâtiments à usage résidentiel.
Émissions harmoniques IEC 61000-3-2	Power-PRO : S.O. chargeur SMRT (6500-201-010): Classe A	Le chargeur SMRT convient à une utilisation dans tous les établissements autres que les établissements résidentiels et ceux directement raccordés au réseau basse tension public alimentant les bâtiments à usage résidentiel.
Fluctuations de tension Émissions de papillotement IEC 61000-3-3	Power-PRO : S.O. chargeur SMRT (6500-201-010) : conforme	Le chargeur SMRT convient à une utilisation dans tous les établissements autres que les établissements résidentiels et ceux directement raccordés au réseau basse tension public alimentant les bâtiments à usage résidentiel.

MISE EN GARDE

- Les équipements de communication RF portables, y compris les périphériques comme les câbles d'antenne et les antennes externes, ne doivent pas être utilisés à moins de 12 po (30 cm) d'une partie quelconque de **Power-PRO** et du chargeur **SMRT**, y compris les câbles spécifiés par le fabricant.

- Éviter d'empiler ou de placer d'autres équipements sur ou à côté de **Power-PRO** et du chargeur **SMRT** pour empêcher le fonctionnement incorrect des produits. Si une telle utilisation s'avère nécessaire, il convient d'observer **Power-PRO** et le chargeur **SMRT** et les autres équipements afin de s'assurer qu'ils fonctionnent normalement.

Distances de séparation recommandées entre les équipements de communication RF portables et mobiles et Power-PRO et le chargeur SMRT

Power-PRO et le chargeur **SMRT** sont destinés à être utilisés dans un environnement électromagnétique où les perturbations des RF rayonnées sont contrôlées. L'acheteur ou l'utilisateur de **Power-PRO** et du chargeur **SMRT** peut contribuer à prévenir les interférences électromagnétiques en respectant la distance minimum entre les équipements de communication RF portables et mobiles (émetteurs) et **Power-PRO** et le chargeur **SMRT**, comme recommandé ci-dessous, en fonction de la puissance de sortie maximum des équipements de communication.

Puissance de sortie maximale nominale de l'émetteur W	Distance de séparation en fonction de la fréquence de l'émetteur m		
	150 kHz à 80 MHz $D=(1,2) (\sqrt{P})$	80 MHz à 800 MHz $D=(0,35) (\sqrt{P})$	800 MHz à 2,7 GHz $D=(0,70) (\sqrt{P})$
0,01	0,12	0,04	0,07
0,1	0,38	0,11	0,22
1	1,20	0,35	0,70
10	3,79	1,11	2,21
100	12	3,50	7

Pour les émetteurs dont la puissance de sortie maximum nominale n'est pas indiquée ci-dessus, la distance de séparation recommandée d en mètres (m) peut être déterminée en utilisant l'équation applicable à la fréquence de l'émetteur, où P est la puissance de sortie maximum nominale en watts (W), selon le fabricant de l'émetteur.

Remarque 1 : À 80 MHz et 800 MHz, la distance de séparation pour la gamme de fréquences la plus élevée s'applique.

Remarque 2 : Ces directives peuvent ne pas convenir à toutes les situations. La propagation électromagnétique est affectée par l'absorption et la réflexion des structures, des objets et des personnes.

Directives et déclaration du fabricant – Immunité électromagnétique

Power-PRO et le chargeur **SMRT** sont destinés à être utilisés dans l'environnement électromagnétique spécifié ci-dessous. L'acheteur ou l'utilisateur du système **Power-PRO** et du chargeur **SMRT** doit veiller à ce qu'ils soient utilisés dans un tel environnement.


Test d'immunité	Niveau d'essai CEI 60601	Niveau de conformité	Environnement électromagnétique – Directives
Décharge électrostatique (DES) CEI 61000-4-2	± 8 kV par contact ± 15 kV dans l'air	± 8 kV par contact ± 15 kV dans l'air	Les sols doivent être en bois, en béton ou en carrelage céramique. Si les sols sont recouverts d'un matériau synthétique, l'humidité relative doit être d'au moins 30 %.

Directives et déclaration du fabricant – Immunité électromagnétique

<p>Transitoires électriques rapides/rafale</p> <p>CEI 61000-4-4</p>	<p>± 2 kV pour les lignes électriques</p> <p>± 1 kV pour les lignes entrée/sortie</p>	<p>Power-PRO : S.O.</p> <p>Chargeur SMRT (6500-201-010) : ± 2 kV pour les lignes électriques</p> <p>+1 kV pour les lignes entrée/sortie</p>	<p>La qualité de l'alimentation électrique doit être celle d'un environnement commercial ou hospitalier typique.</p>
<p>Surtension</p> <p>CEI 61000-4-5</p>	<p>± 1 kV ligne(s) à ligne(s)</p> <p>± 2 kV ligne(s) à la terre</p>	<p>Power-PRO : S.O.</p> <p>Chargeur SMRT (6500-201-010) :</p> <p>± 1 kV ligne(s) à ligne(s)</p> <p>± 2 kV ligne(s) à la terre</p>	<p>La qualité de l'alimentation électrique doit être celle d'un environnement commercial ou hospitalier typique.</p>
<p>Baisses de tension, variations de tension et coupures brèves sur les lignes d'alimentation d'entrée</p> <p>CEI 61000-4-11</p>	<p>0 % U_T pendant 0,5 cycle à 0°, 45°, 90°, 135°, 180°, 225°, 270° et 315°</p> <p>0 % U_T pendant 1 cycle</p> <p>70 % U_T (baisse de 30 % en U_T) pendant 25 cycles</p> <p>0 % U_T pendant 250 cycles</p>	<p>Power-PRO : S.O.</p> <p>chargeur SMRT (6500-201-010) : 0 % U_T pendant 0,5 cycle à 0°, 45°, 90°, 135°, 180°, 225°, 270° et 315°</p> <p>0 % U_T pendant 1 cycle</p> <p>70 % U_T (baisse de 30 % en U_T) pendant 25 cycles</p> <p>0 % U_T pendant 250 cycles</p>	<p>La qualité de l'alimentation électrique doit être celle d'un environnement commercial ou hospitalier typique. Si l'utilisateur du chargeur SMRT a besoin que le fonctionnement soit maintenu pendant les interruptions du secteur, il est recommandé d'alimenter le système à l'aide d'un onduleur ou d'une batterie.</p>
<p>Champ magnétique à la fréquence du secteur (50/60 Hz)</p> <p>CEI 61000-4-8</p>	<p>30 A/m</p>	<p>30 A/m</p>	<p>Les niveaux des champs magnétiques à la fréquence du réseau doivent correspondre aux niveaux caractéristiques d'un emplacement type dans un environnement commercial ou hospitalier typique.</p>
<p>Conduction des transitoires électriques le long des lignes électriques</p> <p>ISO 7637-2</p>	<p>selon ISO 7637-2</p>	<p>Power-PRO : S.O.</p> <p>Chargeur SMRT (6500-201-010) : selon ISO 7637-2</p>	<p>S.O.</p>

Remarque : U_T représente la tension alternative du secteur avant l'application du niveau d'essai.

Directives et déclaration du fabricant – Immunité électromagnétique

<p>RF conduites CEI 61000-4-6</p> <p>RF rayonnées CEI 61000-4-3</p>	<p align="center">3 Vrms</p> <p>6 Vrms dans les bandes ISM et de radio amateur 150 kHz à 80 MHz</p> <p align="center">10 V/m</p> <p>80 MHz à 2,7 GHz</p>	<p align="center">3 V</p> <p>6 Vrms dans les bandes ISM et de radio amateur</p> <p align="center">10 V/m</p>	<p>Les équipements de communication RF portables et mobiles ne doivent pas être utilisés plus près des composants du Power-PRO ou du chargeur SMRT, y compris les câbles, que la distance de séparation recommandée calculée avec l'équation applicable à la fréquence de l'émetteur.</p> <p>Distance de séparation recommandée</p> <p>$D=(1,2) (\sqrt{P})$</p> <p>$D=(0,35) (\sqrt{P})$</p> <p>80 MHz à 800 MHz</p> <p>$D=(0,70) (\sqrt{P})$</p> <p>800 MHz à 2,7 GHz</p> <p>où P correspond à la puissance nominale de sortie maximum en watts (W) pour l'émetteur, selon le fabricant de ce dernier, et d correspond à la distance de séparation recommandée en mètres (m).</p> <p>Les intensités de champ produites par les émetteurs RF fixes, telles que déterminées par un site électromagnétique^a, doivent être inférieures au niveau de conformité de chaque gamme de fréquences^b.</p> <p>Des interférences peuvent survenir à proximité des équipements porteurs du symbole suivant :</p> <div align="center">  </div>
---	--	--	--

Directives et déclaration du fabricant – Immunité électromagnétique

Remarque 1 : À 80 MHz et à 800 MHz, la gamme de fréquences la plus élevée s'applique.

Remarque 2 : Ces directives peuvent ne pas convenir à toutes les situations. La propagation électromagnétique est affectée par l'absorption et la réflexion des structures, des objets et des personnes.

Remarque 3 : Les bandes ISM (industrielles, scientifiques et médicales) entre 0,15 MHz et 80 MHz sont 6,765 MHz à 6,795 MHz ; 13,553 MHz à 13,567 MHz ; 26,957 MHz à 27,283 MHz ; et 40,66 MHz à 40,70 MHz. Les bandes de radio amateur entre 0,15 MHz et 80 MHz sont 1,8 MHz à 2,0 MHz, 3,5 MHz à 4,0 MHz, 5,3 MHz à 5,4 MHz, 7 MHz à 7,3 MHz, 10,1 MHz à 10,15 MHz, 14 MHz à 14,2 MHz, 18,07 MHz à 18,17 MHz, 21,0 MHz à 21,4 MHz, 24,89 MHz à 24,99 MHz, 28,0 MHz à 29,7 MHz et 50,0 MHz à 54,0 MHz.

Power-PRO™ TL krevet

Priručnik za uporabu


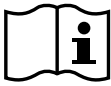


















REF 6550















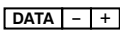








CE

HR

Simboli

	Pogledajte priručnik/knjžicu s uputama
	Pogledajte upute za uporabu
	Oznaka CE
	Ovlašteni zastupnik u Europskoj zajednici
	Europski medicinski proizvod
	Opće upozorenje
	Oprez
	Upozorenje; drobljenje ruku
	Upozorenje; neionizirajuće zračenje
	Zabranjeno guranje
	Ne podmazivati
	Kataloški broj
	Šifra serije
	Serijski broj
	Za američke patente posjetite www.stryker.com/patents
	Proizvođač
	Datum proizvodnje
	Uvoznik
	Masa kreveta sa sigurnim radnim opterećenjem
	Sigurno radno opterećenje

	Primijenjeni dio tipa B
	Primijenjeni dio tipa BF
	Medicinska oprema klasificirana od strane Underwriters Laboratories Inc. u pogledu opasnosti od strujnog udara, požara i mehaničkih opasnosti isključivo u skladu s ANSI/AAMI ES60601-1:2012 i CAN/CSA-C22.2 br. 60601-1:14.
	Istosmjerna struja
	Izmjenična struja
	Električna oprema klase II: oprema kod koje se zaštita od strujnog udara ne oslanja samo na osnovnu izolaciju, već postoje dodatne sigurnosne mjere predostrožnosti kao što je dvostruka izolacija ili ojačana izolacija, a ne postoji odredba o zaštitnom uzemljenju ili oslanjanju na uvjete ugradnje.
	Opasan napon
	SMRT elektroenergetski sustav
	Izvlačenje
	Uvlačenje
IPX0	Nezaštićeno
IPX6	Zaštita od snažnog mlaza vode
	U skladu s dopunjenom europskom Direktivom 2012/19/EU o otpadnoj električnoj i elektroničkoj opremi, ovaj simbol znači da se ovaj proizvod mora prikupiti zasebno radi recikliranja. Nemojte odlagati kao nerazvrstani kućanski otpad. Obratite se lokalnom distributeru u vezi informacija o odlaganju u otpad. Pobrinite se da se inficirana oprema dekontaminira prije recikliranja.
	Direktiva o otpadnoj električnoj i elektroničkoj opremi (WEEE) (2012/96/EZ). Sadrži kadmij.
	Rechargeable Battery Recycling Corporation (RBRC) je neprofitna organizacija za javne usluge koja promiče recikliranje prijenosnih punjivih baterija. Baterije se moraju dostaviti na lokaciju za prikupljanje baterija. Posjetite internetsku stranicu organizacije RBRC (www.rbrc.org) za informacije o lokaciji za prikupljanje u vašoj blizini ili pozovite broj telefona naveden na simbolu recikliranja.
	Sadrži ćelije od nikal-kadmija i mora se reciklirati u skladu s tim
	Identifikacija priključaka baterije (podatkovna linija, negativni, pozitivni)
KRX 23/44	Identifikacija Ni-Cd ćelije prema standardu IEC 61951-1:2003

2300 mAh (1.2A/2h)	Kapacitet baterije, tipični naboj i trajanje
	Nemojte čistiti izbjeljivačem
	Sigurnosni remen za ramena
	Sigurnosni remen za struk s dvostrukom kopčom
	Sigurnosni remen za struk s jednom kopčom
	Sigurnosni remen za bedra
	Sigurnosni remen za gležnjeve

Sadržaj

Definicija riječi upozorenje/oprez/napomena	3
Sažetak sigurnosnih mjera	3
Točke priklještenja	6
Mehanička stabilnost	6
Uvod	8
Opis proizvoda	8
Indikacije za uporabu	8
Kliničke koristi	8
Kontraindikacije	9
Predviđen rok trajanja	9
Odlaganje u otpad/recikliranje	9
Specifikacije - Power-PRO	9
Europska uredba REACH	10
Standardni s potrebnim opcijama	11
Kompatibilnost sa sustavom za vezivanje djece tvrtke Schnitzler	11
Specifikacije - SMRT	12
Ilustracija proizvoda - Power-PRO	13
Ilustracija proizvoda - SMRT	14
Podaci za kontakt	14
Lokacija serijskog broja - Power-PRO	15
Lokacija serijskog broja - SMRT	15
Postavljanje	16
Ugradnja	16
Ugradnja pričvršćivača kreveta	16
Tijekom rada	17
Provjera razine napunjenosti baterije	17
Provjera mjerača radnih sati i zaslona s pogreškom	17
Smjernice za rad	18
Pravilne tehnike podizanja	19
Prijenos pacijenta na krevet	19
Vožnja kreveta s pacijentom	19
Podizanje ili spuštanje kreveta	20
Podizanje, spuštanje ili otpuštanje kreveta pomoću električnih postupaka	20
Ručno podizanje ili spuštanje kreveta pomoću prenosnika	21
Ubrzavanje ukrcavanja pomoću režima brzog uvlačenja	21
Povezivanje kreveta s pričvršćivačem kreveta	21
Skidanje kreveta s pričvršćivača kreveta	22
Ukrcavanje kreveta pomoću podizne platforme	22
Iskrcavanje kreveta pomoću podizne platforme	23
Ukrcavanje kreveta pomoću rampe	24
Ukrcavanje i iskrcavanje kreveta s opcijom držačem boce s kisikom	24
Položaj rukovaoca i pomoćnika	25
Podizanje ili spuštanje naslona za leđa	25
Podizanje ili spuštanje bočnih ograda	26
Podizanje ili spuštanje bočnih ograda (XPS opcija)	26
Izvlačenje sklopivog odjeljka za glavu ili odjeljka za stopala	26
Uvlačenje sklopivog odjeljka za glavu ili odjeljka za stopala	27
Opcija podizanja ili spuštanja zglobnog podešavača za koljena	28
Aktiviranje ili otpuštanje blokade kotača	29
Aktiviranje ili otpuštanje opcije Steer-Lock	29
Privezivanje pacijenta pomoću sigurnosnih remena	30
Dodavanje nastavka za sigurnosni remen	30
Privezivanje pacijenta pomoću sigurnosnih remena u obliku slova X / XPR sigurnosnih remena	30
Pričvršćivanje sigurnosnih remena za ramena u obliku slova X / XPR sigurnosnih remena za ramena	31
Pričvršćivanje sigurnosnih remena za struk u obliku slova X / XPR sigurnosnih remena za struk	32
Pričvršćivanje sigurnosnih remena za bedra u obliku slova X / XPR sigurnosnih remena za bedra	32

Pričvršćivanje sigurnosnih remena za gležnjeve u obliku slova X / XPR sigurnosnih remena za gležnjeve	33
Privežite pacijenta pomoću Pedi-Mate® sustava za vezivanje djece.....	33
Pričvrstite platformu defibrilatora	34
Vješanje opreme na kuku za opremu	36
Postavljanje dvodijelne šipke za intravenoznu terapiju	36
Opcija postavljanja trodijelne šipke za intravensku terapiju	37
Pričvršćivanje boce s kisikom na držač boce s kisikom	38
Pričvršćivanje opcije prečki za guranje	39
Skidanje i pohrana prečki za guranje u vrećici za pohranu prečki za guranje	39
Opcija pričvršćivanja mreže postolja za pohranu.....	40
Pričvršćivanje vrećice za pohranu na naslonu za leđa	40
Pričvršćivanje madraca.....	41
Umetanje SMRT Pak baterije	42
Vađenje SMRT Pak baterije iz kreveta	42
Pohrana baterije.....	43
Punjenje SMRT Pak baterije	43
Provjera razine napunjenosti SMRT Pak baterije pomoću SMRT punjača.....	44
Zahtjevi električne energije za ugradnju	44
Ugradnja SMRT punjača.....	45
Opcija ugradnje nosača	45
Opcija pričvršćivanja punjača na nosač.....	46
Napajanje punjača	47
Iskopčavanje punjača	48
Dodatna oprema i dijelovi	49
Čišćenje i dezinfekcija XPR sigurnosnih remena	51
Čišćenje	52
Preporučena sredstva za čišćenje	52
Čišćenje punjača.....	53
Čišćenje baterije	53
Preventivno održavanje	55
Podmazivanje	55
Redovita provjera i podešavanje.....	55
Svaki mjesec ili dva sata	55
Svaka tri mjeseca ili šest sati	56
Svakih šest mjeseci ili 12 sati.....	57
Svakih 12 mjeseci ili 24 sata.....	58
Informacije o elektromagnetskoj kompatibilnosti	59

Definicija riječi upozorenje/oprez/napomena

Riječi **UPOZORENJE**, **OPREZ** i **NAPOMENA** imaju posebno značenje i treba ih pažljivo pregledati.

UPOZORENJE

Upozorava čitatelja na situaciju koja, ako se ne izbjegne, može uzrokovati smrt ili teške ozljede. Također može opisivati potencijalne ozbiljne nuspojave i sigurnosne opasnosti.

OPREZ

Upozorava čitatelja na potencijalno opasnu situaciju koja, ako se ne izbjegne, može rezultirati lakšom ili umjerenom ozljedom korisnika ili pacijenta ili oštećenjem proizvoda ili drugog materijalnog vlasništva. To uključuje posebnu pažnju potrebnu za sigurnu i učinkovitu upotrebu uređaja i pažnju potrebnu da se izbjegne oštećenje uređaja, do kojeg može doći kao rezultat upotrebe ili nepravilne upotrebe.

Napomena - Navodi posebne informacije za olakšavanje održavanja ili pojašnjenje važnih uputa.

Sažetak sigurnosnih mjera

Uvijek pročitajte i strogo poštujujte upozorenja i pozive na oprez navedene na ovoj stranici. Servis smije obavljati samo kvalificirano osoblje.

UPOZORENJE

- Uvijek držite ruke dalje od crvenih osovina sigurnosne prečke prilikom ukrcavanja ili iskrčavanja kreveta ili kada mijenjate visinu kreveta.
- Uvijek koristite obje ruke prilikom prijevoza kreveta.
- Samo obučeno osoblje smije instalirati pričvršćivač kreveta. Nepravilna ugradnja može dovesti do ozljede pacijenta ili rukovatelja.
- Uvijek pazite da svi kreveti ispunjavaju specifikacije za ugradnju sustava pričvršćivača kreveta tvrtke Stryker.
- Uvijek prilagodite sklop stezaljke tračnice tako da odgovara položaju zadržavača kreveta ovisno o proizvođaču kreveta i broju modela.
- Nemojte vaditi bateriju kad je krevet aktivan.
- Proizvod koristite samo kada je svo osoblje udaljeno od mehanizama. Zaplitanje u mehanizme proizvoda pod napajanjem može uzrokovati ozbiljne ozljede.
- Prije svake upotrebe obavezno pregledajte da **SMRT** Pak baterije nisu oštećene.
- Nemojte dozvoljavati neobučenicima da pomažu pri upravljanju ovim proizvodom.
- Uvijek se pridržavajte pravilnog položaja ruku na rukohvatima. Držite ruke dalje od crvenih osovina sigurnosne prečke prilikom ukrcavanja ili iskrčavanja kreveta, odn. promjene visine kreveta.
- Nemojte se voziti na postolju kreveta.
- Nemojte prevoziti krevet postrance da ne bi došlo do prevrtanja. Uvijek prevozite krevet u spušenom položaju, s uzglavljem ili podnožjem naprijed, da ne bi došlo do prevrtanja.
- Uvijek držite ruke, prste i stopala dalje od pokretnih dijelova. Budite oprezni kada stavljate ruke i stopala blizu cijevi postolja prilikom podizanja ili spuštanja kreveta.
- Uvijek ugradite sustav pričvršćivača za isključivanje u svim vozilima za hitnu pomoć koja će se koristiti s ovim krevetom i pričvršćivačem kreveta u obliku jelenjih rogova.
- Uvijek nadzirite pacijenta kada krevet miruje. Ako podižete ili spuštate proizvod hidrauličnim putem, to može privremeno utjecati na elektroničku opremu za nadzor pacijenta.
- Uvijek koristite sve sigurnosne remene da privežete pacijenta na krevet. Neprivezan pacijent može pasti s kreveta i ozlijediti se.
- Ne ostavljajte pacijenta bez nadzora. Držite krevet dok se pacijent nalazi na njemu.
- Ne aktivirajte blokadu kotača dok se pacijent nalazi na krevetu ili dok pomičete krevet da ne dođe do prevrtanja.
- Nemojte koristiti bočne ograde za privezivanje pacijenta.
- Da biste smanjili rizik od prevrtanja kreveta, uvijek prevozite krevet na najnižoj visini. Po mogućnosti pribavite dodatnu pomoć ili idite alternativnim putem.

- Da biste izbjegli rizik od prevrtanja proizvoda, uvijek izbjegavajte visoke prepreke, kao što su rubnici, stepenice ili neravan teren.
- Uvijek su potrebna dva rukovatelja za podizanje ili spuštanje kreveta na kojem se nalazi pacijent.
- Uvijek se pobrinite da krevet ne može skliznuti natrag s podizne platforme prije nego što upotrijebite podiznu platformu s krevetom i pacijentom. Pazite da se graničnik podizne platforme održava i da funkcionira.
- Uvijek zakočite odjeljak za glavu na mjestu prije rukovanja krevetom.
- Ne pokušavajte ukrcati krevet u odjeljak za pacijenta u vozilu dok je odjeljak za glavu sklopljen. Ako se krevet ukrcava sa sklopljenim odjeljkom za glavu, može se prevrnuti ili se može dogoditi da se ne poveže s pričvršćivačem kreveta u vozilu.
- Nemojte ugrađivati niti aktivirati blokadu kotača na proizvodu s istrošenim kotačima čiji je promjer manji od 6 inča (15 cm).
- Ne ostavljajte pacijenta bez nadzora. Držite proizvod dok se pacijent nalazi na njemu.
- Uvijek koristite sve sigurnosne remene da privežete pacijenta na krevet. Neprivezan pacijent može pasti s kreveta.
- Nemojte pričvršćivati sigurnosne remene za cijevi postolja ili poprečne cijevi.
- Uvijek postavite kopču dalje od prepreka ili dodatne opreme na krevetu kako biste izbjegli slučajno otpuštanje **Pedi-Mate®** sustava za vezivanje djece i ozljedu djeteta.
- Nemojte pričvršćivati platformu defibrilatora na **Performance-PRO XT** krevet modela 6086 s **Power-LOAD** opcijom kako biste izbjegli rizik od prevrtanja kreveta.
- Uvijek zakočite prečke za guranje u nosače kako biste spriječili da se izvuku prilikom upotrebe.
- Nemojte podizati krevet pomoću prečki za guranje.
- Kada ne koristite prečke za guranje, uvijek ih čuvajte u vrećici za pohranu na postolju.
- Ne pokušavajte otvoriti bateriju iz bilo kog razloga kako ne bi došlo do strujnog udara. Ako je kućište baterije napuklo ili oštećeno, ne stavljajte ga u punjač. Oštećene baterije vratite servisnom centru na recikliranje.
- Uvijek izbjegavajte izravni kontakt s mokrom baterijom ili okvirom baterije. Kontakt može dovesti do ozljede pacijenta ili rukovatelja.
- Nemojte stavljati napuklu ili oštećenu **SMRT Pak** bateriju u **SMRT** punjač. Oštećene **SMRT Pak** baterije vratite servisnom centru na recikliranje.
- Ugradnju opcije nosača i **SMRT** punjača uvijek treba obavljati kvalificirani mehaničar koji poznaje konstrukciju ambulantnih vozila.
- Uvijek montirajte **SMRT** punjač na opciju nosača u zatvoreni ormarić i izvan dohvata pacijenta tijekom prijevoza radi sukladnosti s utvrđenim standardima testa sudara.
- Uvijek se pobrinite da opcija nosača bude sigurno pričvršćena za površinu.
- Prilikom tlačnog pranja uvijek koristite odgovarajuću osobnu zaštitnu opremu kako biste izbjegli udisanje zaraznih čestica. Oprema za tlačno pranje može raspršiti onečišćenje po zraku.
- Prilikom čišćenja **SMRT Pak** baterije uvijek nosite izolirane gumene rukavice pored osobne zaštitne opreme kako biste smanjili rizik od ozljeda.
- Uvijek iskopčajte **SMRT** punjač iz zidne utičnice prije čišćenja kako biste izbjegli opasnost od električne opasnosti.
- Nemojte prskati tekućinu izravno na **SMRT** punjač.
- Nemojte tlačno prati **SMRT** punjač.
- Nemojte koristiti otapala, maziva i druge kemikalije da biste očistili **SMRT** punjač, osim ako nije drugačije naloženo.
- Kako biste izbjegli rizik od strujnog udara, nemojte uranjati **SMRT** punjač u vodu niti dopustiti da se voda skuplja na vrhu **SMRT** punjača.
- Uvijek koristite isključivo neprovodljive materijale za brisanje **SMRT Pak** baterije.
- Uvijek izbjegavajte pretjerano izlaganje vodi priključaka **SMRT Pak** baterije.
- Uvijek provjerite raspon pH vrijednosti u sigurnosno-tehničkom listu dezinfektanta. Dezinfektanti s pH vrijednostima iznad 10,5 mogu dovesti do pucanja materijala kućišta **SMRT Pak** baterije.
- Da biste izbjegli rizik od ozljede, nemojte izravno rukovati ili dodirivati priključke **SMRT Pak** baterije prilikom čišćenja.
- Kako biste smanjili rizik od strujnog udara, nemojte uranjati **SMRT Pak** bateriju u tekućinu.
- Nemojte koristiti otapala, maziva i druge kemikalije da biste očistili **SMRT Pak** bateriju, osim ako nije drugačije naloženo.
- Uvijek otpustite tlak prije iskopčavanja hidrauličnih ili drugih vodova. Izbijanje tekućine pod tlakom može probiti kožu i uzrokovati ozbiljnu ozljedu. Pritegnite sve priključke prije primjene tlaka. Ako dođe do ozljede, odmah posjetite liječnika.
- Ne provjeravajte curi li hidraulična tekućina golim rukama.

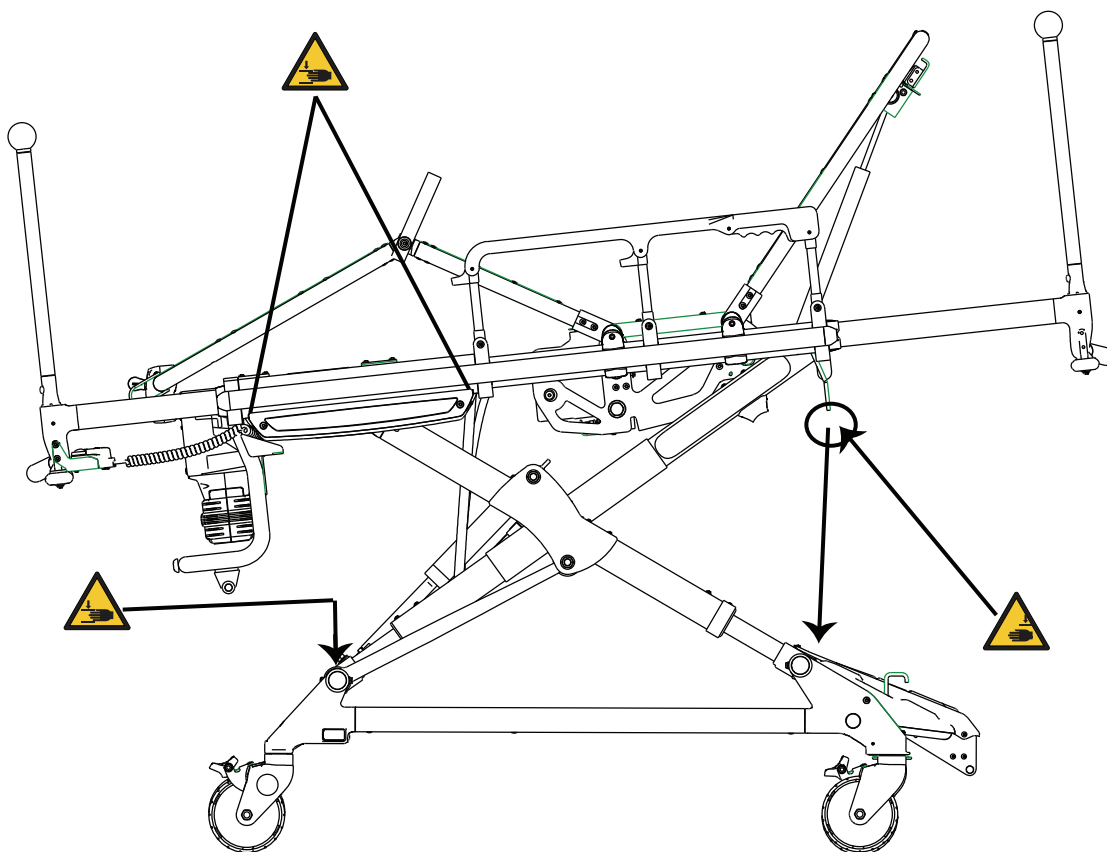
OPREZ

- Nepravilna uporaba proizvoda može uzrokovati ozljedu pacijenta ili rukovatelja. Koristite proizvod samo onako kako je opisano u ovom priručniku.
- Nemojte modificirati ovaj proizvod niti bilo koju njegovu komponentu. Modificiranje ovog proizvoda može uzrokovati nepredviđen rad te dovesti do ozljede pacijenta ili rukovatelja. Modificiranjem ovog proizvoda također se poništava njegovo jamstvo.
- Proizvod nemojte upotrebljavati sa sigurnosnim remenima koji nisu kompatibilni.
- Uvijek napunite bateriju prije stavljanja proizvoda u pogon. Nenapunjena ili ispražnjena baterija može dovesti do slabih radnih značajki proizvoda.
- Prije korištenja proizvoda uvijek uklonite sve prepreke koje mogu smetati i dovesti do ozljede rukovatelja ili pacijenta.
- Uvijek spustite krevet u najniži položaj kako biste bili sigurni da će se krevet povezati s pričvršćivačem kreveta.
- Ne pokušavajte promijeniti visinu kreveta dok je povezan s pričvršćivačem kreveta.
- Nemojte sjediti ili stajati na bočnim ogradama (XPS opcija).
- Nemojte koristiti bočne ograde (XPS opcija) za prijevoz pacijenta ili kao površinu za pacijenta (npr. da prebacite pacijenta s kreveta na drugu površinu).
- Nemojte spuštati pacijenta punom težinom na bočne obrade (XPS opcija).
- Nemojte koristiti bočne ograde (XPS opcija) za guranje/vuču ili upravljanje proizvodom.
- Nemojte zapetljati sigurnosne remene u okvir postolja prilikom podizanja ili spuštanja kreveta.
- Uvijek pričvrstite platformu defibrilatora za proizvod kada je koristite.
- Uvijek koristite i prilagodite remene koji dolaze uz platformu defibrilatora za pričvršćivanje defibrilatora.
- Uvijek promijenite mjesto za pričvršćivanje ili prilagodite remene veličini ili obliku vašeg defibrilatora.
- Nemojte opterećivati platformu defibrilatora iznad sigurnog radnog opterećenja od 30 lb (13,6 kg).
- Nemojte opterećivati kuku za opremu iznad sigurnog radnog opterećenja od 35 lb (15,8 kg).
- Uvijek skinite sav dodatni pribor ili opremu s kuke za opremu kada ste u vozilu.
- Nemojte opterećivati šipku za intravenoznu terapiju iznad sigurnog radnog opterećenja od 25 lb (11,3 kg).
- Nemojte opterećivati držač boce s kisikom iznad sigurnog radnog opterećenja od 1,1 st. (6,8 kg) (15 lb).
- Nemojte istovremeno koristiti dva držača boce s kisikom.
- Nemojte opterećivati mrežu postolja za pohranu iznad sigurnog radnog opterećenja od 20 lb (9 kg).
- Uvijek budite oprezni prilikom uvlačenja postolja da ne oštetite predmete koji se drže u mreži postolja za pohranu.
- Nemojte opterećivati vrećicu za pohranu na naslonu leđa iznad sigurnog radnog opterećenja od 20 lb (9 kg).
- Ne dopuštajte da vrećica za pohranu smeta uvlačenju sklopivog odjeljka za glavu.
- Nemojte držati nikakve predmete ispod madraca. Predmeti pod madracem mogu ometati rad kreveta.
- Uvijek izvadite bateriju ako se krevet neće koristiti duže vrijeme (duže od 24 sata).
- Uvijek postavite električni kabel za napajanje **SMRT** punjača gdje se na njega neće stati, saplesti se ili na drugi način izložiti kabel oštećenju ili naprezanju.
- Ne dodirujte priključne utičnice **SMRT** Pak baterije metalnim predmetima.
- Prilikom iskopčavanja **SMRT** punjača, uvijek uhvatite i vucite utikač, a ne kabel da biste izbjegli rizik od oštećenja električnog utikača i kabela.
- Nemojte nanositi maziva na površine sigurnosnih remena.
- Nemojte čistiti proizvod parom ni ultrazvukom.
- Maksimalna temperatura vode koju ne smijete prekoračiti iznosi 180 °F (82 °C).
- Najviši tlak vode koji ne smijete prekoračiti iznosi 1500 psi (103,4 bara). Ako koristite ručnu palicu za čišćenje proizvoda, držite mlaznicu pod tlakom na udaljenosti od minimalno 24 inča (61 cm) od proizvoda.
- Uvijek ostavite da se osuši na zraku.
- Uvijek izvadite bateriju prije pranja kreveta.
- Nemojte čistiti, servisirati ni obavljati održavanje na krevetu dok se krevet koristi.
- Nemojte čistiti **SMRT** Pak bateriju parom ili ultrazvukom.
- Nemojte prekoračiti maksimalnu temperaturu sušenja zrakom (perač za bolnička kirurška kolica) od 240 °F (115 °C).
- Uvijek koristite odobrene dijelove da bi se izbjegao rizik od oštećenja proizvoda.
- Uvijek redovito provjerite crijeva i vodove da ne bi došlo do oštećenja kreveta. Provjerite i pritegnite labave priključke. Hidraulični vodovi, crijeva i priključci mogu popustiti ili se olabaviti zbog fizičkog oštećenja, uvrnuća, starosti i izloženosti prirodnim elementima.

- Nemojte nagnuti krevet na utovarne kotače i aktivirati proizvod jer će na taj način zrak ući u hidraulični sustav.
- Nemojte podmazivati ležajeve okvira u obliku slova X jer će to narušiti radne značajke kreveta i može poništiti jamstvo.
- Uporaba dodatne opreme, pretvornika i kabela koji nisu navedeni ili koje nije isporučio proizvođač može dovesti do pojačanog elektromagnetskog zračenja ili smanjene elektromagnetske otpornosti, što dovodi do nepravilnog rada.
- Emisijske značajke ove opreme čine ju pogodnom za uporabu u industrijskim područjima i bolnicama (CISPR 11, klasa A). Ako se upotrebljava u stambenom okruženju, za koje je obično potreban CISPR 11, klasa B, ova oprema možda neće pružiti odgovarajuću zaštitu radiokomunikacijskim uslugama. Korisnik će možda morati poduzeti zaštitne mjere, kao što su promjena položaja ili orijentacije opreme.
- Nemojte koristiti prenosivu radiokomunikacijsku opremu, uključujući i periferne uređaje poput antenskih kabela i vanjskih antena, na udaljenosti bližoj od 12 inča (30 cm) od bilo kojeg dijela **Power-PRO** kreveta i **SMRT** punjača, uključujući i kabele koje je naveo proizvođač.
- Izbjegavajte slaganje ili postavljanje druge opreme u blizini **Power-PRO** kreveta i **SMRT** punjača kako biste spriječili nepravilan rad proizvoda. Ukoliko je nužno koristiti ih zajedno, pažljivo provjerite rade li pravilno **Power-PRO** krevet i **SMRT** punjač te druga oprema.

Točke priklještjenja

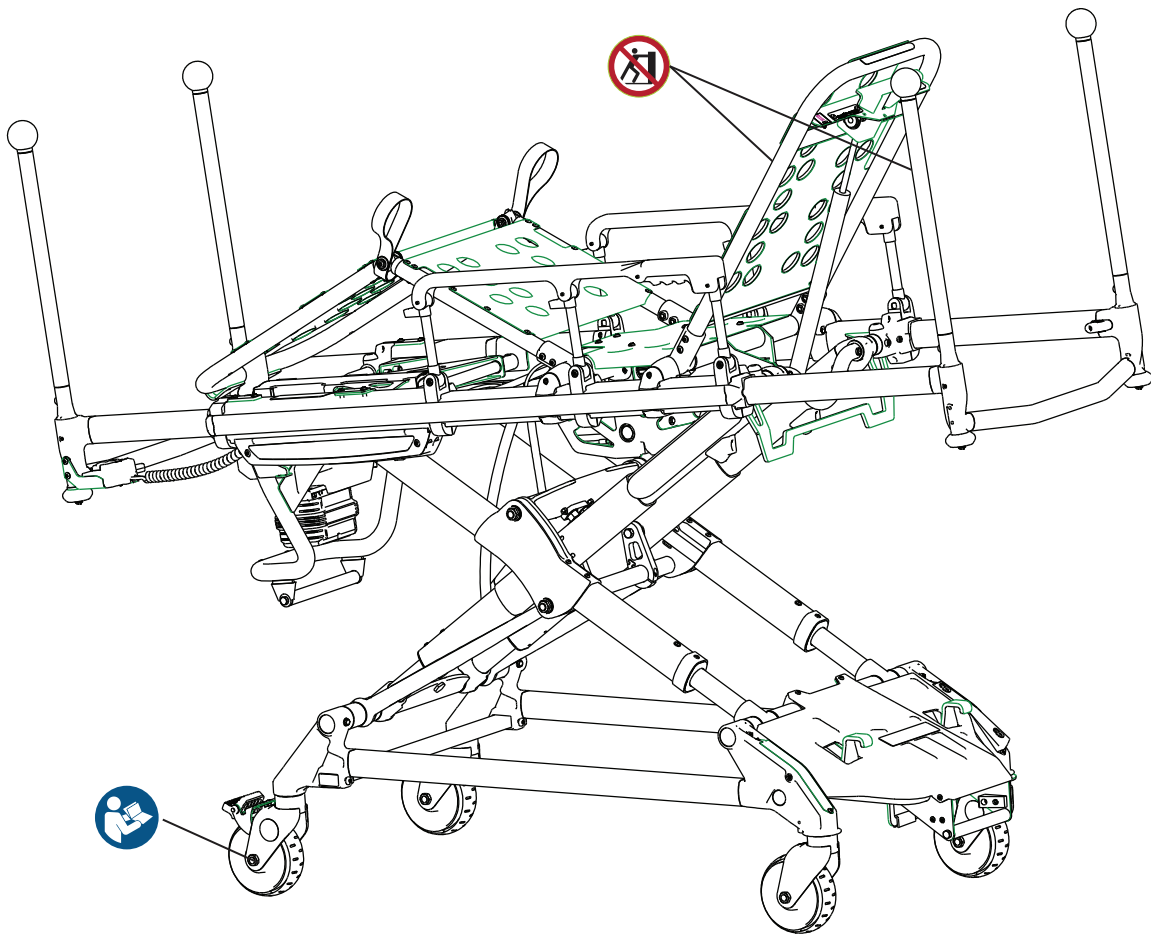
UPOZORENJE - Uvijek držite ruke dalje od crvenih osovina sigurnosne prečke prilikom ukrcavanja ili iskrcavanja kreveta ili kada mijenjate visinu kreveta.



Slika 1 – Točke priklještjenja

Mehanička stabilnost

UPOZORENJE - Uvijek koristite obje ruke prilikom prijevoza kreveta.



Slika 2 – Mehanička stabilnost

Napomena - Ako se krevet nalazi na nagibu većem od pet stupnjeva, postavite ga u najniži položaj.

Uvod

Ovaj priručnik pomaže vam s korištenjem ili održavanjem kreveta tvrtke Stryker. Pročitajte ovaj priručnik prije korištenja ili održavanja ovog kreveta. Odredite metode i postupke za poduku i obuku vašeg osoblja iz sigurnog korištenja ili održavanja ovog kreveta.

OPREZ

- Nepravilna uporaba proizvoda može uzrokovati ozljedu pacijenta ili rukovatelja. Koristite proizvod samo onako kako je opisano u ovom priručniku.
 - Nemojte modificirati krevet niti bilo koju komponentu proizvoda. Modificiranje kreveta može uzrokovati nepredviđen rad te rezultirati ozljedom pacijenta ili rukovatelja. Modificiranje kreveta također poništava ovo jamstvo.
-

Napomena

- Ovaj priručnik trajni je dio kreveta i mora ostati uz krevet čak i ako se krevet proda.
- Tvrtka Stryker neprekidno radi na poboljšanju dizajna i kvalitete proizvoda. Ovaj priručnik sadrži najaktualnije informacije o krevetu dostupne u vrijeme tiskanja. Moguća su manja neslaganja između vašeg kreveta i ovog priručnika. Ako imate bilo kakvih pitanja, kontaktirajte sa Službom za korisnike ili Tehničkom podrškom tvrtke Stryker na 1-800-327-0770.

Opis proizvoda

Stryker model 6550 **Power-PRO™ TL** je napajani ambulantni krevet koji se sastoji od platforme pričvršćene na okvir u obliku slova X na kotačima, dizajniran za potporu i prijevoz maksimalno 700 lb (318 kg) u predbolničkim i bolničkim okruženjima.

Uređaj se može sklopiti za upotrebu u vozilima hitne pomoći, a hidraulični sustav za podizanje napajan NiCd baterijom omogućava rukovateljima da podignu i spuste krevet pomoću napajanih kontrola. Krevet je opremljen manualnom rezervnom ručkom za otpuštanje koja omogućava korištenje funkcija kreveta u slučaju gubitka napajanja. Uređaj je opremljen sljedećim: sklopivim odjeljkom za glavu i odjeljkom za stopala radi smanjenja otiska stopala i maksimalnog povećanja sposobnosti upravljivosti u skučenim prostorima, bočnim ogradama, remenima za vezanje pacijenta, podešivim pneumatskim naslonom za leđa i raznom opcijskom dodatnom opremom koja pomaže prilikom prijevoza pacijenta. Najveća udobnost pacijenta postiže se u tri različita položaja podvozja: šok položaj, položaj s ravnim nogama i opcijski položaj za zglobni podešavač za koljena.

SMRT™ elektroenergetski sustav sastoji se od **SMRT** punjača i **SMRT Pak** baterije. **SMRT Pak** baterija napaja hidraulični sustav za podizanje na napajanim ambulantnim krevetima tvrtke Stryker.

Indikacije za uporabu

Stryker **Power-PRO TL** je pogonjeni krevet na kotačima koji se koristi za potporu i prijevoz cijelog tijela traumatiziranog, ambulantnog ili neambulantnog ljudskog pacijenta (uključuje djecu i odrasle).

Hidraulični sustav za podizanje pogonjen baterijom smanjuje napor koji je potreban rukovaocu da podigne i spusti krevet. Uređaj je izrađen da podupre pacijente u ležećem (vodoravnom) ili sjedećem položaju i olakša prijevoz povezane medicinske opreme (kao što su boce s kisikom, monitori ili pumpe) u vozilima hitne pomoći ili transportnim vozilima. Ovaj ambulantni krevet namijenjen je za upotrebu u predbolničkim i bolničkim okruženjima, kod hitnih i nehitnih primjena. Nominalna nosivost kreveta iznosi 700 lb (318 kg) (zbroj težine pacijenta, madraca i dodatne opreme) i predviđeni rukovaoci uređajem obučeni su stručnjaci, uključujući osoblje za medicinsku skrb i osoblje i centra za medicinsku pomoć, kao i spasioce.

Power-PRO TL nije namijenjen za duži boravak ili upotrebu kao bolnički krevet ili u uređajima koji modificiraju zračni tlak, kao što su hiperbarične komore.

Kliničke koristi

Krevet: transport pacijenta

Učvršćivač: potporni krevet za transport

Kontraindikacije

Nema poznatih.

Predviđen rok trajanja

Power-PRO ima očekivani rok trajanja od sedam godina u normalnim uvjetima upotrebe i uz odgovarajuće redovito održavanje.


SMRT punjač ima očekivani rok trajanja od sedam godina u normalnim uvjetima upotrebe i uz odgovarajuće redovito održavanje.

SMRT Pak baterija ima očekivani rok trajanja od jedne godine u normalnim uvjetima upotrebe.

Odlaganje u otpad/recikliranje

Uvijek se pridržavajte važećih lokalnih preporuka i/ili propisa o zaštiti okoliša u vezi s rizicima povezanim s recikliranjem ili odlaganjem u otpad opreme na kraju vijeka trajanja.

Specifikacije - Power-PRO

	Napomena - Sigurno radno opterećenje označava zbroj težine pacijenta, madraca i dodatne opreme.	700 lb	318 kg
Maksimalna podizna nosivost bez pomoći		700 lb	318 kg
Ugibanje naslona za leđa/šok položaj (standardni Fowler - 6506-012-003)		od 0° do 73°/+15°	
Ugibanje naslona za leđa/šok položaj (1865 Fowler opcija - 6506-012-004)		od 0° do 75°/+15°	
Ukupna dužina		81 inč	206 cm
Standardna dužina/minimalna dužina/širina		76,5 inča/55 inča/23 inča	194,3 cm/139,7 cm/58 cm
Visina ¹		Podesivo od 14 inča do 41,5 inča	Podesivo od 36 cm do 106 cm
Težina ²		145 lb	66 kg
Promjer/širina okretnog kotača		6 inča/2 inča	15 cm/5 cm
Minimalan broj rukovatelja potreban za ukrcavanje/iskrcavanje kreveta s pacijentom		2	
Minimalan broj rukovatelja potreban za ukrcavanje/iskrcavanje praznog kreveta		1	
Preporučeni sustavi pričvršćivača		Model 6385, 6386, 6387, 6388 ili 6389	
Dvostruka blokada kotača/četverostruka blokada kotača		Standardno/opcijski	
Hidraulično ulje		Kataloški broj tvrtke Stryker 6500-001-293	

Elektroenergetski sustav	
Baterija	24 V DC NiCd - SMRT elektroenergetski sustav
Punjač	100 - 240 V AC, 1,20 A, 50/60 Hz ili 12 V AC 4,16 A - SMRT elektroenergetski sustav
Radni ciklus kreveta	10 % (33 sekundi uključeno/5 min. isključeno)
Norme (krevet i punjači)	ANSI/AAMI ES60601-1:2012, CAN/CSA-C22.2 br. 60601-1:14, KKK-A-1822 Za standarde za koje su potrebne specifične opcije pogledajte <i>Standardni s potrebnim opcijama</i> (stranica 11)

¹ Visina izmjerena od dna madraca na odjeljku za sjedenje do razine tla.

² Krevet se važe s jednom baterijom, te bez madraca i funkcija sigurnosti.

Tvrtka Stryker zadržava pravo izmjene specifikacija bez obavijesti.

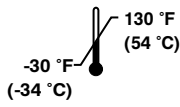
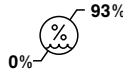
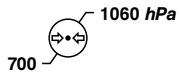
Power-PRO TL je dizajniran da bude u skladnosti sa saveznim specifikacijama za standard Star-of-Life Ambulance (KKK-A-1822).

Power-PRO TL je dizajniran da bude kompatibilan s konkurentnim sustavima pričvršćivača kreveta.

Postupak prijave patenta u tijeku.

Žuto-crna shema boja vlasnički je zaštitni znak tvrtke Stryker Corporation.

Naljepnice mogu biti nečitljive s udaljenosti veće od 12 inča (30 cm).

Uvjeti okruženja	Tijekom rada
Temperatura	
Relativna vlaga	
Atmosferski tlak	

Europska uredba REACH

U skladu s europskom uredbom REACH i drugim zakonskim propisima o zaštiti okoliša navedene su komponente koje sadrže tvari koje je potrebno prijaviti.

Opis	Broj	Kemijski naziv posebno zabrinjavajuće tvari
Madrac, dodatni sa zglobnim podešavačem za koljena	6550-001-084	(2H-benzotriazol2-il)-4, 6-di-terc-pentilfenol
Madrac, dodatni sa zglobnim podešavačem za koljena, XPS	6500-003-130	(2H-benzotriazol2-il)-4, 6-di-terc-pentilfenol
Madrac, dodatni sa zglobnim podešavačem za koljena, sivi	6506-003-130	(2H-benzotriazol2-il)-4, 6-di-terc-pentilfenol
Ni-Cd baterijska ćelija	6500-101-129	Kadmij, kadmijev hidroksid

Opis	Broj	Kemijski naziv posebno zabrinjavajuće tvari
Sklop dvodijelne šipke	6070-210-070	Olovo
Sklop trodijelne šipke	6070-215-070	Olovo

Standardni s potrebnim opcijama

Radi sukladnosti s normama morate ugraditi sljedeće potrebne opcije na svoj krevet.

Standardna	Odabir opcije		
	Sustav za vezanje	Madrac	Opcija
BS EN 1789:2007+A2:2014 norme testa sigurnosti pri sudaru uz uporabu pričvršćivača odobrenog za sudare	EMS sustav za vezanje (6060-160-010), sustav za vezanje u obliku slova X (6500-001-430) ili XPR sustav za vezanje (650600030010) Napomena - Sustav za vezanje u obliku slova X i XPR sustav za vezanje kompatibilni su samo s madracem XPS (6500-003-130/6506-003-130).	Dodatni madrac sa zglobnim podešavačem za koljena (6550-001-084) ili madrac XPS (6500-003-130/6506-003-130) (ovisno o bočnoj ogradi kreveta)	
BS EN 1865-3:2012 +A1:2015			XPS opcija (6506-040-000)
BS EN 1865-2:2010 +A1:2015			1865 Fowler opcija (6506-012-004)

Kompatibilnost sa sustavom za vezivanje djece tvrtke Schnitzler

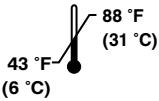
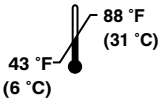
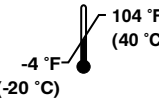
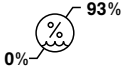

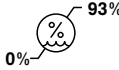
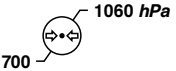
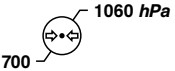
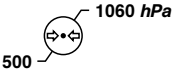
OPREZ - Proizvod nemojte upotrebljavati sa sigurnosnim remenima koji nisu kompatibilni.

XPS madrac (6500-003-130 ili 6506-003-130)	Sustav za vezivanje djece tvrtke Schnitzler (0058-384-000) čiji serijski broj ne premašuje 720 XPSNPR-2123	Sustav za vezivanje djece tvrtke Schnitzler (0058-384-000) čiji serijski broj iznosi ili premašuje 720 XPSNPR-2123
Madrac čija šifra serije ne premašuje 18001001	Kompatibilno	Kompatibilno
Madrac čija šifra serije iznosi ili premašuje 18001001	Nije kompatibilno	Kompatibilno

Sustav za vezivanje djece tvrtke Schnitzler (0058-385-000) kompatibilan je za upotrebu sa standardnim madracem na modelu 6100 sustava kreveta na kotačima **M-1**, modelu 6506 kreveta **Power-PRO XT** i modelu 6550 kreveta **Power-PRO TL**.

Specifikacije - SMRT

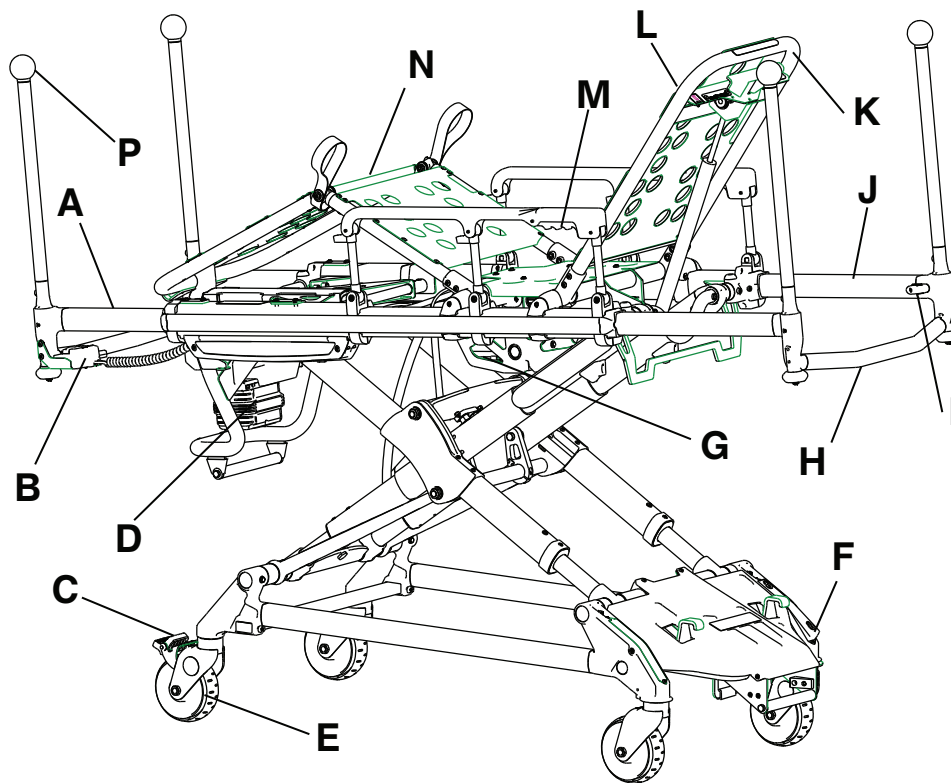
	SMRT punjač	SMRT Pak	Izvor napajanja izmjeničnom strujom
Električni ulaz	13,9 V DC 4,16 A	Nije primjenjivo	100 – 240 V AC 1 – 2 A 50/60 Hz
Električni izlaz	Otvoreni strujni krug 40 V DC 1,20 A	24 V DC NiCd	12 V DC 4 – 6 A
Visina	2,375 inča (60,325 mm)	3,25 inča (82,55 mm)	Varira
Širina	5,125 inča (130,175 mm)	4 inča (101,6 mm)	Varira
Dužina	7 inča (177,8 mm)	5,75 inča (146,05 mm)	Varira
Težina	1,3 lb (0,59 kg)	3,8 lb (1,7 kg)	Varira
Zaštita okvira	IPX0	IPX6	IPX0
Vrsta opreme	Nije primjenjivo	Nije primjenjivo	II klasa
Odobrenja	ANSI/AAMI ES 60601-1: 2012, CAN/CSA-C22.2 br. 60601-1:14	Nije primjenjivo	Nije primjenjivo

Uvjeti okruženja	Tijekom rada	Tijekom punjenja	Tijekom skladištenja i prijevoza
Temperatura			
Relativna			
Atmosferski tlak			

Specifikacije su približne i mogu se razlikovati od jedinice do jedinice zbog fluktuacija napajanja.

Tvrtka Stryker zadržava pravo izmjene specifikacija bez obavijesti.

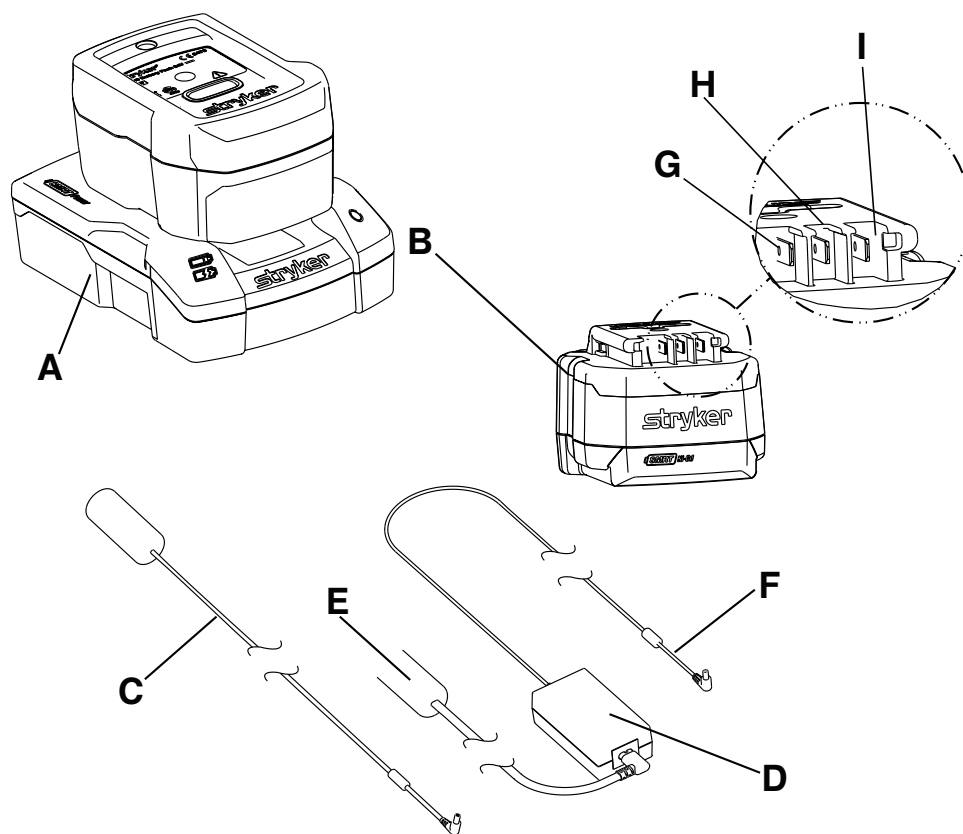
Ilustracija proizvoda - Power-PRO



Slika 3 – Power-PRO TL

A	Sklopivi odjeljak za stopala	I	Baterija
B	Prekidač za podešavanje visine	J	Sklopivi odjeljak za glavu
C	Blokada kotača	K	Ručka za podešavanje naslona za leđa
D	Baterija	L	Naslon za leđa
E	Utovarni kotači	M	Ručka za otpuštanje bočne ograde
F	Steer-Lock	N	Zglobni podešavač/podupirač za noge
G	Hidraulična jedinica	P	Prečke za guranje (opcijske)
H	Ručka za otpuštanje odjeljka za glavu		

Ilustracija proizvoda - SMRT



Slika 4 – SMRT elektroenergetski sustav

A	SMRT punjač
B	SMRT Pak
C	Kabel za istosmjernu struju
D	Izvor napajanja izmjeničnom strujom
E	Kabel za napajanje izmjeničnom strujom

F	Izlazni kabel
G	Podaci
H	Napajanje (-)
I	Napajanje (+)

Podaci za kontakt

Kontaktirajte Službu za korisnike ili Tehničku podršku tvrtke Stryker na: 1-800-327-0770.

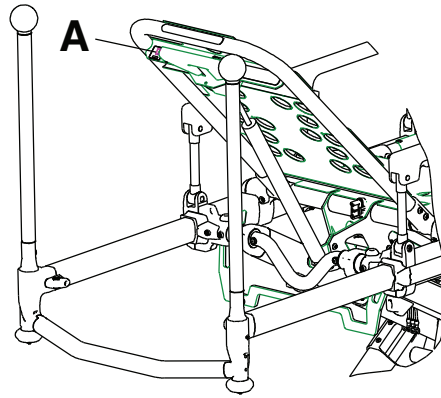
Stryker Medical
3800 E. Centre Avenue
Portage, MI 49002
SAD

Napomena - Korisnik i/ili pacijent mora prijaviti svaki težak incident povezan s proizvodom i proizvođaču i nadležnom tijelu europske države članice u kojoj je korisnik odnosno pacijent nastanjen.

Ako želite pogledati priručnik za korištenje ili održavanje na internetu, pogledajte <https://techweb.stryker.com/>.

Ako zovete Službu za korisnike ili Tehničku podršku tvrtke Stryker, pripremite serijski broj (A) kreveta tvrtke Stryker. U svakoj pisanoj komunikaciji navedite serijski broj.

Lokacija serijskog broja - Power-PRO



Slika 5 – Lokacija serijskog broja

Lokacija serijskog broja - SMRT

Serijski broj **SMRT** punjača nalazi se na dnu jedinice. Broj serije **SMRT** Pak baterije nalazi se na vrhu **SMRT** Pak baterije iznad crvenog gumba za otpuštanje.

Postavljanje

Tijekom postavljanja otpakirajte kutije i provjerite rade li svi dijelovi pravilno. Uvjerite se da proizvod radi prije nego ga stavite u pogon.

Skinite svu ambalažu s proizvoda prije uporabe.

Odjeljak za pacijenta u vozilu u kojem će se krevet koristiti mora imati:

- ravnu podnicu koja je dovoljno velika za sklopljen krevet
- sustav pričvršćivača kreveta tvrtke Stryker

Napomena - Nepričvršćeni predmeti ili nečistoća na podnici odjeljka za pacijenta može ometati rad pričvršćivača kreveta. Održavajte podnicu odjeljka za pacijenta čistom.

Raspakirajte **SMRT** Pak baterije i **SMRT** punjač. Napunite **SMRT** Pak bateriju prije upotrebe.

Po potrebi modificirajte vozilo kako bi odgovaralo krevetu. Nemojte modificirati krevet.

Ugradnja

Ugradnja pričvršćivača kreveta

Sustavi pričvršćivača kreveta društva Stryker kompatibilni su samo s krevetima koji su sukladni sa specifikacijama za ugradnju.

UPOZORENJE

- Samo obučeno osoblje smije instalirati pričvršćivač kreveta. Nepravilna ugradnja može dovesti do ozljede pacijenta ili rukovatelja.
 - Uvijek pazite da svi kreveti ispunjavaju specifikacije za ugradnju sustava pričvršćivača kreveta tvrtke Stryker.
 - Uvijek prilagodite sklop stezaljke tračnice tako da odgovara položaju zadržavača kreveta ovisno o proizvođaču kreveta i broju modela.
-

Ove upute namijenjene su za krevete sa sustavima pričvršćivača kreveta u obliku jelenjih rogova. Upute za ugradnju pričvršćivača kreveta odobrenih za sudare pronađite u odgovarajućem priručniku za uporabu.

Tijekom rada

Provjera razine napunjenosti baterije

Pomoću LED pokazivača baterije kreveta provjerite razinu napunjenosti **SMRT Pak** baterije. Napunjena **SMRT Pak** baterija, u radnom stanju, dovoljna je za 25 poziva s pacijentom od 250 funti (113 kg) (stvarni rezultati mogu varirati). Sustav **Power-PRO** od 24 V DC i **SMRT Pak** baterija imaju nazivnu električnu energiju od 2,4 Ah.

UPOZORENJE - Nemojte vaditi bateriju kad je krevet aktivan.

OPREZ - Uvijek napunite bateriju prije stavljanja proizvoda u pogon. Nenapunjena ili ispražnjena baterija može dovesti do slabih radnih značajki proizvoda.

Kako biste provjerili razinu napunjenosti baterije, pritisnite gumb za uvlačenje (-) na kontrolnom prekidaču kreveta da biste aktivirali LED pokazivač baterije kreveta. LED pokazivač baterije kreveta nalazi se na kontrolnom okviru na donjem kraju (prikazan kao simbol baterije).

- LED pokazivač svijetli zeleno kada baterija ima puni naboj ili dovoljni naboj.

Napomena - Za postizanje najboljih rezultata koristite **SMRT Pak** bateriju dok se LED pokazivač baterije ne promijeni sa zelene na trepću narančastu (boju jantara).

- LED pokazivač trepće narančasto (u boji jantara) kada je bateriju potrebno napuniti ili zamijeniti.

Napomena - LED pokazivač baterije kreveta ne mora početi treptati narančasto (u boji jantara) prije nego što izvadite i zamijenite **SMRT Pak** bateriju, no smatra se da je to najbolja praksa. **SMRT Pak** bateriju možete izvaditi i napuniti u bilo kojem trenutku.

- LED pokazivač svijetli narančasto da ukaže na pogrešku baterije.

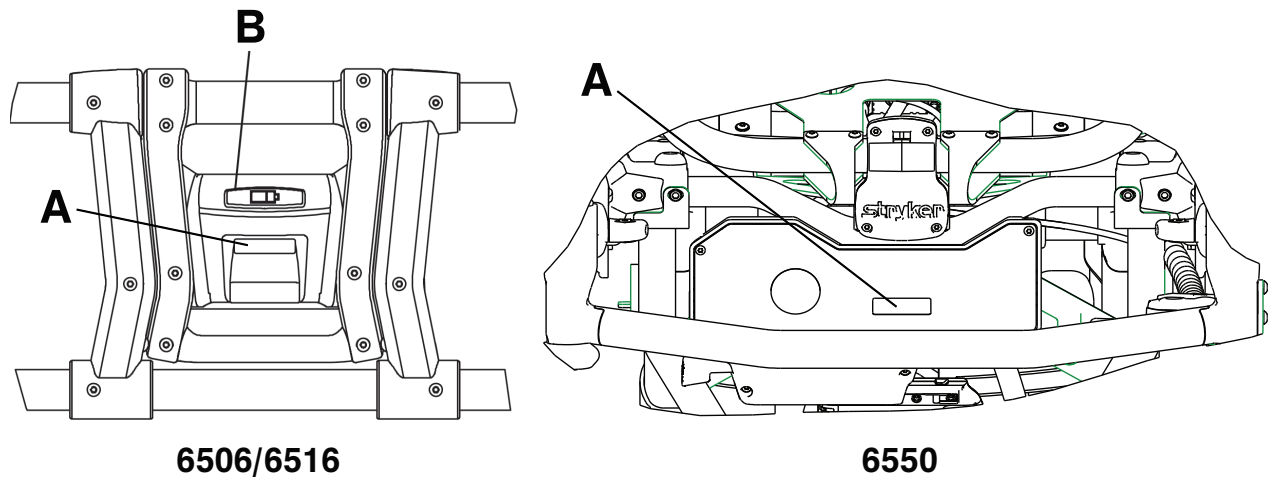
Napomena

- Koristite samo baterije koje je odobrila tvrtka Stryker.
- Ako postoji, pogonjeni pričvršćivač kreveta automatski puni **SMRT Pak** bateriju. Automatsko punjenje se odvija kada zakočite krevet u pogonjeni pričvršćivač kreveta (nije potreban kabel ni priključci). LED pokazivač baterije na krevetu trepće zeleno na trenutak da naznači da se puni.
- Automatsko punjenje se javlja samo sa **SMRT Pak** baterijama.

Provjera mjerača radnih sati i zaslona s pogreškom

Mjerač radnih sati pokazuje koliko vremena se hidraulika koristila (HHH.H sati). Zaslon s pogreškama pokazuje informacije o šifri pogreške radi rješavanja problema.

Pomoću mjerača radnih sati (A) (Slika 6) odredite učestalost preventivnog održavanja. Zaslon s pogreškom (A) koristite za rješavanje problema. Kada dođe do pogreške, zaslon s pogreškom nadvladava zaslon mjerača radnih sati.



Slika 6 – Provjera mjerača radnih sati (A), zaslona s pogreškom (A) i stanja baterije (B)

Smjernice za rad

UPOZORENJE

- Proizvod koristite samo kada je svo osoblje udaljeno od mehanizama. Zaplitanje u mehanizme proizvoda pod napajanjem može uzrokovati ozbiljne ozljede.
- Prije svake upotrebe obavezno pregledajte da **SMRT Pak** baterije nisu oštećene.
- Nemojte dozvoljavati neobučenicima da pomažu pri upravljanju ovim proizvodom.
- Uvijek se pridržavajte pravilnog položaja ruku na rukohvatima. Držite ruke dalje od crvenih osovina sigurnosne prečke prilikom ukrcavanja ili iskrcavanja kreveta, odn. promjene visine kreveta.
- Nemojte se voziti na postolju kreveta.
- Nemojte prevoziti krevet postrance da ne bi došlo do prevrtanja. Uvijek prevozite krevet u spušenom položaju, s uzglavljem ili podnožjem naprijed, da ne bi došlo do prevrtanja.
- Uvijek držite ruke, prste i stopala dalje od pokretnih dijelova. Budite oprezni kada stavljate ruke i stopala blizu cijevi postolja prilikom podizanja ili spuštanja kreveta.
- Uvijek ugradite sustav pričvršćivača za isključivanje u svim vozilima za hitnu pomoć koja će se koristiti s ovim krevetom i pričvršćivačem kreveta u obliku jelenjih rogova.
- Uvijek nadzirite pacijenta kada krevet miruje. Ako podižete ili spuštate proizvod hidrauličnim putem, to može privremeno utjecati na elektroničku opremu za nadzor pacijenta.

OPREZ - Prije korištenja proizvoda uvijek uklonite sve prepreke koje mogu smetati i dovesti do ozljede rukovatelja ili pacijenta.

- Koristite proizvod samo onako kako je opisano u ovom priručniku.
- Prije uporabe pročitajte sve oznake i upute na proizvodu.
- Vježbajte mijenjanje visina i ukrcavanje kreveta dok potpuno ne savladate korištenje proizvoda.
- Prije prve i svake naredne upotrebe provjerite da nema pukotina ili oštećenja na kućištu **SMRT Pak** baterije i površini s priključcima.
- Krevet s pacijentom uvijek moraju ukrcavati ili iskrcavati najmanje dva obučena rukovatelja. Dva rukovatelja moraju biti prisutna kada se na krevetu nalazi pacijent. Tvrtka Stryker preporučuje da oba rukovatelja budu kod podnožja da bi se smanjilo opterećenje na oba rukovatelja. Jedan ili dva rukovatelja mogu podići podnožje kreveta.
- Nemojte podešavati, voziti ili ukrcavati krevet u vozilo bez obavještanja pacijenta. Uvijek budite uz pacijenta i upravljajte proizvodom.
- Krevet možete prevoziti u bilo kojem položaju. Tvrtka Stryker preporučuje da rukovatelji prevoze pacijenta u najnižem udobnom položaju za upravljanje krevetom.
- Blokade kotača koristite samo tijekom prijevoza pacijenta ili bez pacijenta na krevetu.

- Nemojte aktivirati blokadu kotača dok se pacijent nalazi na krevetu ili dok pomičete krevet da ne bi došlo do prevrtanja.
- Po potrebi koristite odgovarajuće obučene pomoćnike za kontroliranje kreveta.

Pravilne tehnike podizanja

Kako ne bi došlo do ozljede, prilikom podizanja proizvoda i pacijenta slijedite sljedeće pravilne tehnike podizanja:

- Držite ruke uz tijelo
- Držite leđa uspravno
- Koordinirajte sve pokrete sa svojim partnerom
- Podižite pomoću nogu
- Izbjegavajte uvijanje

Prijenos pacijenta na krevet

UPOZORENJE

- Uvijek koristite sve sigurnosne remene za privezivanje pacijenta na krevet. Neprivezan pacijent može pasti s kreveta i ozlijediti se.
 - Ne ostavljajte pacijenta bez nadzora. Držite krevet dok se pacijent nalazi na njemu.
 - Ne aktivirajte blokadu kotača dok se pacijent nalazi na krevetu ili dok pomičete krevet da ne dođe do prevrtanja.
 - Nemojte koristiti bočne ograde za privezivanje pacijenta.
-

Prijenos pacijenta na krevet:

1. Dovesite krevet do pacijenta (*Vožnja kreveta s pacijentom (stranica 19)*).
2. Postavite krevet pored pacijenta te ga podignite ili spustite na pacijentovu razinu.
3. Spustite bočne ograde i otkopčajte sigurnosne remene.
4. Prenesite pacijenta na krevet. Slijedite utvrđene postupke za hitnu medicinsku pomoć.
5. Privežite pacijenta na krevet pomoću svih sigurnosnih remena.
6. Podignite bočne ograde te po potrebi podesite naslon za leđa i naslon za noge.

Vožnja kreveta s pacijentom

UPOZORENJE

- Da biste smanjili rizik od prevrtanja kreveta, uvijek prevozite krevet na najnižoj visini. Po mogućnosti pribavite dodatnu pomoć ili idite alternativnim putem.
 - Da biste izbjegli rizik od prevrtanja proizvoda, uvijek izbjegavajte visoke prepreke, kao što su rubnici, stepenice ili neravan teren.
-

To roll the cot with a patient:

1. Jedan rukovalac neka stane na donji kraj, a drugi na gornji kraj kreveta.
2. Pazite da podnica bude okomita kada prilazite pragu vrata ili drugim niskim preprekama.
3. Podignite svaki par kotača zasebno preko praga vrata ili prepreke.

Podizanje ili spuštanje kreveta

Jedan rukovatelj može podići ili spustiti prazan krevet. Ako se pacijent nalazi na krevetu, potrebna su najmanje dva obučena rukovatelja (po jedan na svakom kraju kreveta) za podizanje ili spuštanje kreveta.

UPOZORENJE

- Uvijek držite ruke, prste i stopala dalje od pokretnih dijelova. Budite oprezni kada stavljate ruke i stopala blizu cijevi postolja prilikom podizanja ili spuštanja kreveta.
- Uvijek se pridržavajte pravilnog položaja ruku na rukohvatima. Držite ruke dalje od crvenih osovina sigurnosne prečke prilikom ukrcavanja ili iskrcavanja kreveta, odn. promjene visine kreveta.
- Uvijek su potrebna dva rukovatelja za podizanje ili spuštanje kreveta na kojem se nalazi pacijent.

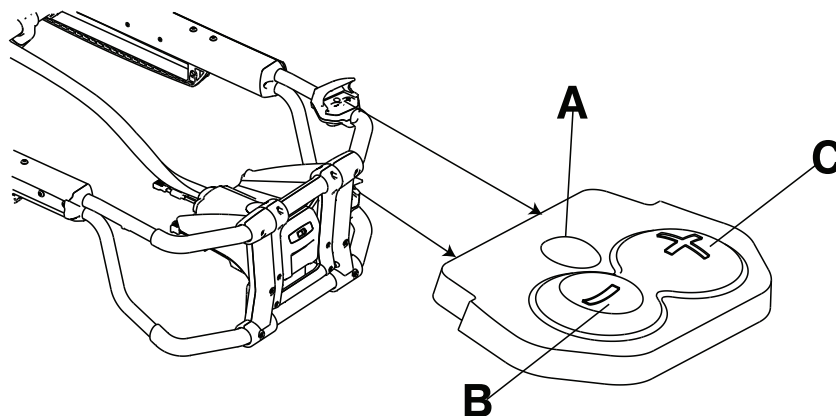
Podizanje ili spuštanje kreveta:

1. Rukovatelj 1 (donji kraj): Uhvatite okvir kreveta i pritisnite:
 - gumb za izvlačenje (+) da podignete krevet na željenu visinu
 - gumb za uvlačenje (-) da spustite krevet na željenu visinu
2. Rukovatelj 2 (uzglavlje): Čvrsto držite vanjsku ogradu dok krevet ne dođe do željene visine.

Napomena - Ako pritisnete gumb za izvlačenje (+) na kontrolnom prekidaču kreveta nakon što krevet dođe do postavljene utovarne visine kreveta, motor će se zaustaviti dok ne pustite gumb. Kada pustite gumb, ponovno pritisnite gumb za izvlačenje (+) da krevet pređe preko svoje visine.

Podizanje, spuštanje ili otpuštanje kreveta pomoću električnih postupaka

Na **Power-PRO** krevetima postoje dva identična kontrolna prekidača kreveta. Pritisnite gumb na bilo kojem od ovih prekidača da podignete (izvučete) krevet, spustite (uvučete) krevet ili otpustite krevet iz **Power-LOAD** sustava, ako je primjenjivo (Slika 7).



Slika 7 – Kontrolni prekidači kreveta

Referenca	Naziv	Opis
A	Otpuštanje	Pritisnite da otkočite krevet (samo za upotrebu s Power-LOAD sustavom)
B	Uvlačenje (-)	Pritisnite i držite da spustite podnicu ili uvučete podvozje kreveta.
C	Izvlačenje (+)	Pritisnite i držite da podignete podnicu ili izvučete podvozje kreveta.

Ručno podizanje ili spužtanje kreveta pomoću premosnika

U slučaju gubitka električnih funkcija, možete koristiti premosnik kreveta. On omogućava ručno upravljanje proizvodom do ponovnog uspostavljanja električnih funkcija. Krevet podignite ili spustite pomoću crvene manualne rezervne ručke za otpuštanje.

Manualna rezervna ručka za otpuštanje nalazi se uz lijevu stranu donje podizne prečke na donjem kraju kreveta.

Podizanje ili spužtanje kreveta pomoću manualne rezervne ručke za otpuštanje:

1. Oba rukovaoca: Podignite krevet prilikom postupka podizanja ili spužtanja kako biste držali težinu kreveta na oba kraja.
2. Rukovalac 1 (donji kraj):
 - a. Povucite manualnu rezervnu ručku za otpuštanje prema podiznoj prečki.
 - b. Dok vučete manualnu rezervnu ručku za otpuštanje, podignite ili spustite krevet u željeni položaj.
 - c. Pustite ručku da zakočite krevet na mjestu

Napomena

- Oba rukovaoca moraju podići težinu kreveta s kotača kako bi se koristilo ručno izvlačenje ili uvlačenje dok se pacijent nalazi u krevetu.
- Aktiviranje manualne rezervne ručke za otpuštanje može dovesti do sporog spužtanja kreveta ako se na krevetu nalazi manje od 50 lb (23 kg).
- Hidraulična tekućina će postati viskozija kada se krevet koristi duže vrijeme na niskim temperaturama. Kada koristite manualnu rezervnu ručku za izvlačenje postolja prilikom ukrcavanja kreveta u hladnim vremenskim uvjetima, držite manualnu rezervnu ručku za otpuštanje oko jednu sekundu nakon što kotači kreveta dotaknu tlo da minimizirate ulegnuće podnice prilikom izvlačenja kreveta iz odjeljka za pacijenta u vozilu.

Ubrzavanje ukrcavanja pomoću režima brzog uvlačenja

Kada pritisnete gumb za uvlačenje (-), krevet će ući u režim brzog uvlačenja ako kotači kreveta ne nose težinu kreveta i pacijenta.

Režim brzog uvlačenja ubrzava ukrcavanje kreveta u vozilo. Podvozje se uvlači prema najvišem položaju kada kotači više ne drže težinu kreveta i pacijenta. Pritisnite gumb za uvlačenje (-) da aktivirate kontrolni prekidač.

Povezivanje kreveta s pričvršćivačem kreveta

OPREZ

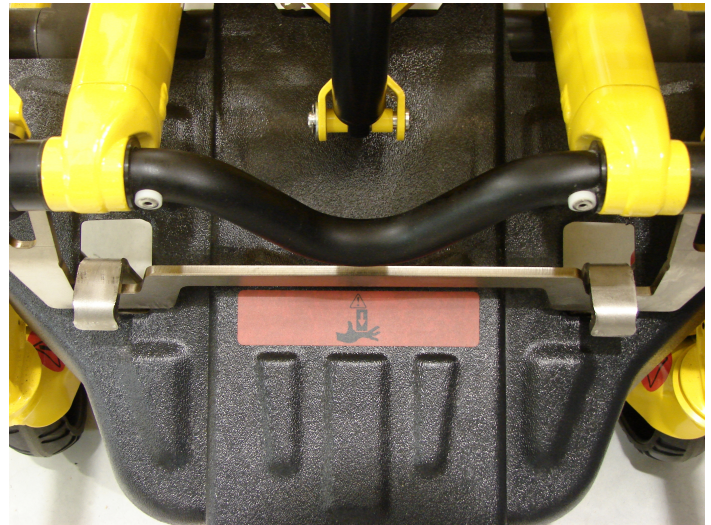
- Uvijek spustite krevet u najniži položaj kako biste bili sigurni da će se krevet povezati s pričvršćivačem kreveta.
 - Ne pokušavajte promijeniti visinu kreveta dok je povezan s pričvršćivačem kreveta.
-

To load the cot to the cot fastener:

1. Pritisnite papučicu kreveta i spustite krevet. Pritisnite gumb za uvlačenje (-) dok se krevet ne zaustavi kako biste spustili krevet.
2. Uvedite krevet u gornji kraj i donji kraj pričvršćivača kreveta dok se krevet ne zakoči na mjestu (Slika 8).
3. Pazite da krevet bude pričvršćen i na donjem kraju i na gornjem kraju prije nego ga pustite (Slika 9).



Slika 8 – Krevet i u gornjem kraju i donjem kraju pričvršćivača kreveta



Slika 9 – Pričvršćen krevet

Skidanje kreveta s pričvršćivača kreveta

Skidanje kreveta s pričvršćivača kreveta:

1. Pritisnite nožnu papučicu (Slika 10).
2. Izgurajte krevet iz odjeljka za pacijenta u vozilu.



Slika 10 – Pritisnite nožnu papučicu

Ukrcavanje kreveta pomoću podizne platforme

Krevet s pacijentom uvijek moraju ukrcavati najmanje dva obučena rukovaoca. Dva rukovatelja moraju biti prisutna kada se na krevetu nalazi pacijent. Rukovaoci moraju biti u stanju podići ukupnu težinu pacijenta, kreveta i svih predmeta na krevetu.

UPOZORENJE

- Uvijek se pobrinite da krevet ne može skliznuti natrag s podizne platforme prije nego što koristite podiznu platformu s krevetom i pacijentom. Pazite da se graničnik podizne platforme održava i da funkcionira.
 - Uvijek se pridržavajte pravilnog položaja ruku na rukohvatima. Držite ruke dalje od crvenih osovina sigurnosne prečke prilikom ukrcavanja ili iskrcavanja kreveta, odn. promjene visine kreveta.
-

OPREZ

- Uvijek spustite krevet u najniži položaj kako biste bili sigurni da će se krevet povezati s pričvršćivačem kreveta.
 - Ne pokušavajte promijeniti visinu kreveta dok je povezan s pričvršćivačem kreveta.
-

Ukrcavanje kreveta:

1. Pritisnite gumb za uvlačenje (-) da spustite krevet u najniži položaj radi veće stabilnosti.
2. Gurajte krevet na podiznu rampu, tako da gornji kraj bude naprijed (Slika 11). Pazite da kotači budu na odgovarajućem mjestu na podiznoj rampi kako bi se sigurnosni graničnik mogao okrenuti na mjestu i spriječiti da krevet sklizne natrag.
3. Prije podizanja podizne rampe provjerite postoji li dovoljna udaljenost između kreveta i stražnjeg dijela vozila hitne pomoći. Pazite da ništa ne visi s kreveta.
4. Dok jedan rukovalac podiže podiznu rampu, drugi rukovalac treba čvrsto držati okvir kreveta radi veće stabilnosti.
5. Oba rukovaoca trebaju uvesti krevet u odjeljak za pacijenta u vozilu i povezati ga s pričvršćivačem kreveta u vozilu (nije uključen) (Slika 12).



Slika 11 – Krevet na podiznoj rampi



Slika 12 – Oba rukovaoca uvode krevet u odjeljak za pacijenta u vozilu

Iskrcavanje kreveta pomoću podizne platforme

UPOZORENJE

- Uvijek se pobrinite da krevet ne može skliznuti natrag s podizne platforme prije nego što koristite podiznu platformu s krevetom i pacijentom. Pazite da se graničnik podizne platforme održava i da funkcionira.
 - Uvijek se pridržavajte pravilnog položaja ruku na rukohvatima. Držite ruke dalje od crvenih osovina sigurnosne prečke prilikom ukrcavanja ili iskrcavanja kreveta, odn. promjene visine kreveta.
-

OPREZ

- Uvijek spustite krevet u najniži položaj kako biste bili sigurni da će se krevet povezati s pričvršćivačem kreveta.
 - Ne pokušavajte promijeniti visinu kreveta dok je povezan s pričvršćivačem kreveta.
-

Iskrcavanje kreveta:

1. Pazit da graničnik podizne platforme bude na mjestu kako bi spriječio da krevet spadne s podizne platforme.
2. Podignite podiznu platformu do visine podnice odjeljka za pacijenta u vozilu.
3. Skinite krevet s pričvršćivača kreveta u vozilu.
4. Oba rukovaoca trebaju uhvatiti okvir kreveta i dovesti krevet na podiznu platformu. Izvadite krevet iz odjeljka za pacijenta u vozilu i pazite da kotači kreveta budu u pravilnom položaju kako bi se podizna platforma mogla neometano spustiti.

5. Spustite podiznu platformu na tlo. Pazite da se podizna platforma spusti do kraja i zaustavi prije uklanjanja graničnika podizne platforme i omogućavanja skidanja kreveta s podizne platforme.

Ukrcavanje kreveta pomoću rampe

Krevet s pacijentom uvijek moraju ukrcavati najmanje dva obučena rukovaoca. Dva rukovatelja moraju biti prisutna kada se na krevetu nalazi pacijent. Rukovaoci moraju biti u stanju podići ukupnu težinu pacijenta, kreveta i svih predmeta na krevetu.

UPOZORENJE - Uvijek se pridržavajte pravilnog položaja ruku na rukohvatima. Držite ruke dalje od crvenih osovina sigurnosne prečke prilikom ukrcavanja ili iskrcavanja kreveta, odn. promjene visine kreveta.

OPREZ

- Uvijek spustite krevet u najniži položaj kako biste bili sigurni da će se krevet povezati s pričvršćivačem kreveta.
 - Ne pokušavajte promijeniti visinu kreveta dok je povezan s pričvršćivačem kreveta.
-

Ukrcavanje kreveta:

1. Pazite da pacijent uvijek bude privezan dok se nalazi na krevetu.
2. Prije guranja kreveta uz rampu pritisnite gumb za uvlačenje (-) da spustite krevet u najniži položaj radi veće stabilnosti (Slika 13). Pazite da ništa ne visi s kreveta.
3. Oba rukovaoca trebaju gurati ili vući krevet uz rampu pomoću opcijskih prečki za guranje, tako da gornji kraj bude naprijed (Slika 14). Oba rukovaoca trebaju voditi krevet sredinom rampe.
4. Oba rukovaoca trebaju uvesti krevet u odjeljak za pacijenta u vozilu i pričvrstiti ga za pričvršćivač kreveta u vozilu (nije uključen).



Slika 13 – Krevet u najnižem položaju

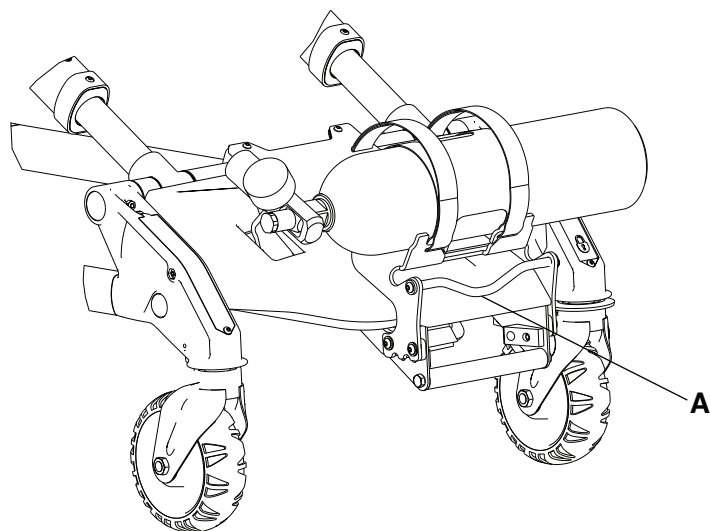


Slika 14 – Vodite krevet sredinom rampe

Ukrcavanje i iskrcavanje kreveta s opcijskim držačem boce s kisikom

Ukrcavanje i iskrcavanje kreveta s opcijskim držačem boce s kisikom:

1. Pričvrstite kabel vitla za pričvršnu šipku za vitlo (A) (Slika 15).
2. Pazite da rampa bude duga najmanje 8,5 ft (2,6 m).
3. Pazite da rampa može držati težinu kreveta, pacijenta i opreme.



Slika 15 – Pričvrсна šipka za vitlo

Napomena - Kad je krevet u najnižem položaju, možete koristiti opcijski držač boce s kisikom za ukrcavanje pacijenata koji teže do 50 st. (318 kg) (700 lb).

Položaj rukovaoca i pomoćnika

UPOZORENJE - Uvijek držite ruke dalje od crvenih osovina sigurnosne prečke prilikom ukrcavanja ili iskrcavanja kreveta ili kada mijenjate visinu kreveta.

	Promjena razina	Vožnja
Dva rukovaoca (O) Dva pomoćnika (H)		
Dva rukovaoca (O) Četiri pomoćnika (H)		

Podizanje ili spuštanje naslona za leđa

Da podignete naslon za leđa, stisnite ručku za podešavanje naslona da pomjerite naslon za leđa na željenu visinu.

Da spustite naslon za leđa, stisnite ručku za podešavanje naslona dok gurate naslon za leđa na željenu visinu.

Podizanje ili spuštanje bočnih ograda

Uvijek spustite bočne ograde kada prenosite pacijenta na krevet ili s kreveta.

UPOZORENJE - Nemojte koristiti bočne ograde za privezivanje pacijenta.

Da podignete bočne ograde, podižite bočnu ogradu dok kopča ne škljocne i bočna ograda se zakoči na mjestu. Uvijek držite bočne ograde u podignutom položaju osim kada prenosite pacijenta.

Da spustite bočne ograde, stisnite ručku za otpuštanje bočne ograde kako biste otpustili kopču bočne ograde. Vodite bočnu ogradu prema donjem kraju kreveta dok se ne spusti u ravni položaj. Uvijek spustite bočne ograde kada prenosite pacijenta na krevet ili s kreveta.

Podizanje ili spuštanje bočnih ograda (XPS opcija)

Možete naručiti krevet s opcijskom površinom za pacijenta (XPS) ili nadograditi krevet da dodate XPS opciju.

UPOZORENJE - Nemojte koristiti bočne ograde za privezivanje pacijenta.

OPREZ

- Nemojte sjediti ili stajati na bočnim ogradama (XPS opcija).
- Nemojte koristiti bočne ograde (XPS opcija) za prijevoz pacijenta ili kao površinu za pacijenta (npr. da prebacite pacijenta s kreveta na drugu površinu).
- Nemojte spuštati pacijenta punom težinom na bočne ograde (XPS opcija).
- Nemojte koristiti bočne ograde (XPS opcija) za guranje/vuču ili upravljanje proizvodom.

Bočne ograde (XPS opcija) se pričvršćuju na krevet i uvijek su vam na raspolaganju. Bočne ograde (XPS opcija) se prilagođavaju veličini pacijenta i mogu se zakočiti u sedam položaja. Bočne ograde također se prilagođavaju da mogu proći kroz standardna vrata ili dizala.

Da podignete bočne ograde, podižite bočnu ogradu dok se ne zakoči u željenom položaju.

Da spustite bočne ograde, podignite da otpustite težinu, a zatim povucite crvenu polugu. Uvijek spustite bočne ograde kada prenosite pacijenta na krevet ili s kreveta.

XPS opcija ne služi kao osnovna površina za potporu pacijentu. Ona sadrži širi madrac i svrha joj je da pacijentu bude udobnije.

Izvlačenje sklopivog odjeljka za glavu ili odjeljka za stopala

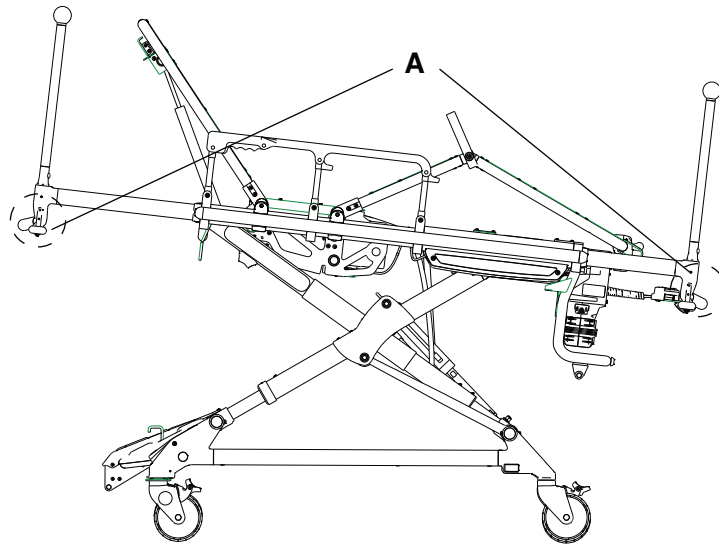
Odjeljak za glavu se uvlači iz izvučenog položaja u uvučeni položaj unutar okvira podnice.

UPOZORENJE

- Uvijek zakočite odjeljak za glavu na mjestu prije rukovanja krevetom.
- Ne pokušavajte ukrcati krevet u odjeljak za pacijenta u vozilu dok je odjeljak za glavu sklopljen. Ako se krevet ukrcava sa sklopljenim odjeljkom za glavu, može se prevrnuti ili se može desiti da se ne poveže s pričvršćivačem kreveta u vozilu.

Izvlačenje odjeljka za glavu ili odjeljka za stopala:

1. Stisnite crvene poluge za otpuštanje (A) s obje strane okvira dok izvlačite odjeljak za glavu ili odjeljak za stopala iz sklopljenog položaja (Slika 16).
2. Pazite da se odjeljak za glavu ili odjeljak za stopala zakoči na mjestu.



Slika 16 – Izvucite odjeljak za glavu ili odjeljak za stopala

Uvlačenje sklopivog odjeljka za glavu ili odjeljka za stopala

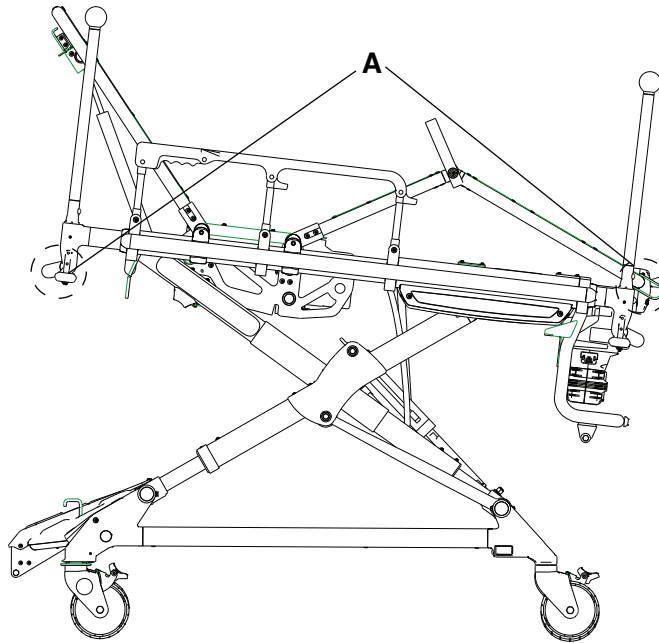
Odjeljak za glavu se uvlači iz izvučenog položaja u uvučeni položaj unutar okvira podnice.

UPOZORENJE

- Uvijek zakočite odjeljak za glavu na mjestu prije rukovanja krevetom.
 - Ne pokušavajte ukrcati krevet u odjeljak za pacijenta u vozilu dok je odjeljak za glavu sklopljen. Ako se krevet ukrcava sa sklopljenim odjeljkom za glavu, može se prevrnuti ili se može desiti da se ne poveže s pričvršćivačem kreveta u vozilu.
-

Uvlačenje odjeljka za glavu ili odjeljka za stopala:

1. Stisnite crvene poluge za otpuštanje (A) s obje strane okvira dok gurate odjeljak za glavu ili odjeljak stopala iz izvučenog položaja (Slika 17).
2. Pazite da se odjeljak za glavu ili odjeljak za stopala zakочи na mjestu.



Slika 17 – Uvucite odjeljak za glavu ili odjeljak za stopala

Opcija podizanja ili spuštanja zglobnog podešavača za koljena

Podizanje zglobnog podešavača za koljena:

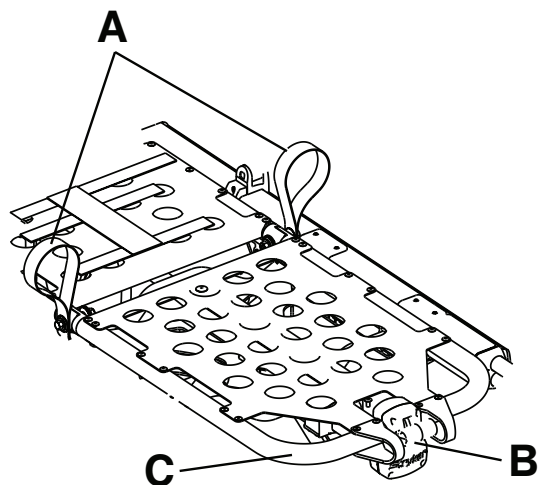
1. Podižite jednu od crvenih podiznih omči (A) dok zglobni podešavač za koljena ne bude u najvišem položaju (Slika 18).
2. Spustite zglobni podešavač za koljena da pričvrstite potporni nosač u mehanizam blokiranja.
3. Pazite da mehanizam blokiranja bude pričvršćen prije nego što pustite podiznu omču.

Za spuštanje zglobnog podešavača za koljena, podignite jednu od crvenih podiznih omči (A) da otpustite pritisak s mehanizma blokiranja te, dok držite omču, pritisćite crvenu ručku za otpuštanje naslona za noge (B) dok se potporni nosač ne oslobodi. Spuštajte zglobni podešavač za koljena dok ne bude u ravnom položaju.

Za podizanje zglobnog podešavača za koljena u položaj pod nagibom, podignite okvir naslona za noge (C) što je moguće više dok se okvir ne zakoči na mjestu. Potporni nosač se automatski povezuje kada pustite okvir.

Za spuštanje podešavača za koljena u položaj pod nagibom, podignite okvir naslona za noge (C) i, dok držite okvir, podižite crvenu ručku za otpuštanje naslona za noge (B) dok okvir ne pusti potporni nosač. Spuštajte naslon za noge dok ne bude u ravnom položaju.

Napomena - Opcija držača boce s kisikom za podnožje (6500-240-000) nije kompatibilna s opcijom zglobnog podešavača za koljena (6500-082-000).



Slika 18 – Zglobni podešavač

Aktiviranje ili otpuštanje blokade kotača

UPOZORENJE

- Ne aktivirajte blokadu kotača dok se pacijent nalazi na krevetu ili dok pomjerate krevet da ne bi došlo do prevrtanja.
- Nemojte ugrađivati niti aktivirati blokadu kotača na proizvodu s istrošenim kotačima čiji je promjer manji od 6 inča (15,2 cm).
- Ne ostavljajte pacijenta bez nadzora. Držite proizvod dok se pacijent nalazi na njemu.

Da aktivirate blokadu kotača, pritisnite papučicu dok se ne zaustavi i nalegne na površinu kotača.

Da otpustite blokadu kotača, stopalom pritisnite vrh papučice ili palcem podignite papučicu. Vrh papučice će naleći na okvir okretnog kotača kada pustite blokadu kotača.

Napomena - Blokade kotača sprječavaju da se proizvod otkotrlja dok je bez nadzora. Blokade kotača možda neće pružiti dovoljan otpor na svim podlogama ili pod opterećenjem.

Aktiviranje ili otpuštanje opcije Steer-Lock

Aktiviranje Steer-Lock sustava:

1. Na donjem kraju kreveta pritisnite crvenu (blokiranje) stranu nožne papučice ili na gornjem kraju kreveta pritisnite bilo koju crvenu papučicu.
2. Rotirajte krevet dok se barem jedan okretni kotač na gornjem kraju zakoči.

Otpuštanje Steer-Lock sustava:

- Na donjem kraju kreveta pritisnite zelenu (deblokiranje) stranu nožne papučice ili na gornjem kraju kreveta podignite bilo koju crvenu papučicu.

Privezivanje pacijenta pomoću sigurnosnih remena

UPOZORENJE

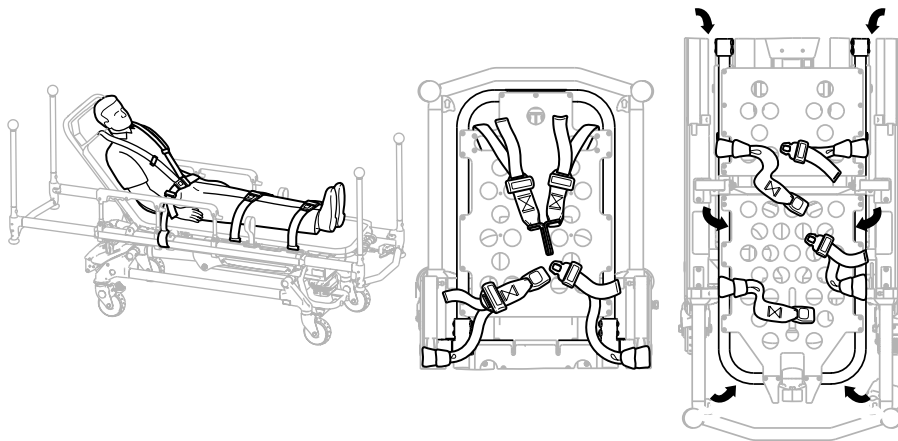
- Uvijek koristite sve sigurnosne remene da privežete pacijenta na krevet. Neprivezan pacijent može pasti s kreveta.
- Nemojte pričvršćivati sigurnosne remene za cijevi postolja ili poprečne cijevi.

OPREZ - Nemojte zapetljati sigurnosne remene u okvir postolja prilikom podizanja ili spuštanja kreveta.

Napomena - Sigurnosni remeni su primijenjeni dio tipa BF.

Pričvrstite sigurnosne remene za krevet na potrebnim mjestima za pričvršćivanje (Slika 19). Mjesta za pričvršćivanje sigurnosnih remena trebaju pružiti dovoljno snažno sidrište i pravilan položaj vezanja. Ne dopuštajte da sigurnosni remeni smetaju opremi ili dodatnoj opremi. Zakopčajte sigurnosne remene preko pacijentovih ramena, struka i nogu. Zakopčajte sigurnosne remene kada se krevet ne koristi.

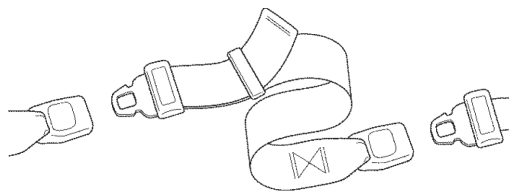
Da pričvrstite sigurnosne remene za pacijenta za okvir podnice kreveta, provucite petlju svakog remena kroz okvir podnice na predviđenim mjestima (Slika 19), a zatim provucite kopčicu ili zapornu pločicu natrag kroz petlju remena. Strelice pokazuju alternativna mjesta pričvršćivanja.



Slika 19 – Točke za pričvršćivanje sigurnosnih remena

Dodavanje nastavka za sigurnosni remen

Nastavak za sigurnosni remen (6082-160-050) dodajte za dodatnu dužinu prilikom kopčanja trbušnog kaiša oko krupnijih pacijenata.



Slika 20 – Nastavak za sigurnosni remen

Privezivanje pacijenta pomoću sigurnosnih remena u obliku slova X / XPR sigurnosnih remena

Pričvrstite sigurnosne remene za krevet na potrebnim mjestima za pričvršćivanje: ramenima, struku, bedrima i gležnjevima.

UPOZORENJE

- Uvijek koristite sve sigurnosne remene da privežete pacijenta na krevet. Neprivezan pacijent može pasti s kreveta.

- Nemojte pričvršćivati sigurnosne remene za cijevi postolja ili poprečne cijevi.

OPREZ - Nemojte zapetljati sigurnosne remene u okvir postolja prilikom podizanja ili spuštanja kreveta.

Napomena

- Sigurnosni remeni u obliku slova X / XPR sigurnosni remeni (6500-001-430/650600030010) kompatibilni su samo sa širim dodatnim madracem za zglobni ležaj (6500-003-130/6506-003-130).
- Sigurnosni remeni su primijenjeni dio tipa BF.

Mjesta za pričvršćivanje sigurnosnih remena trebaju pružiti dovoljno snažno sidrište i pravilan položaj vezanja (Slika 21). Ne dopuštajte da sigurnosni remeni smetaju opremi ili dodatnoj opremi. Zakopčajte sigurnosne remene preko ramena, struka, bedara i gležnjeva. Zakopčajte sve sigurnosne remene kada se krevet ne koristi.

1. *Pričvršćivanje sigurnosnih remena za ramena u obliku slova X / XPR sigurnosnih remena za ramena (stranica 31)*
2. *Pričvršćivanje sigurnosnih remena za struk u obliku slova X / XPR sigurnosnih remena za struk (stranica 32)*
3. *Pričvršćivanje sigurnosnih remena za bedra u obliku slova X / XPR sigurnosnih remena za bedra (stranica 32)*
4. *Pričvršćivanje sigurnosnih remena za gležnjeve u obliku slova X / XPR sigurnosnih remena za gležnjeve (stranica 33)*

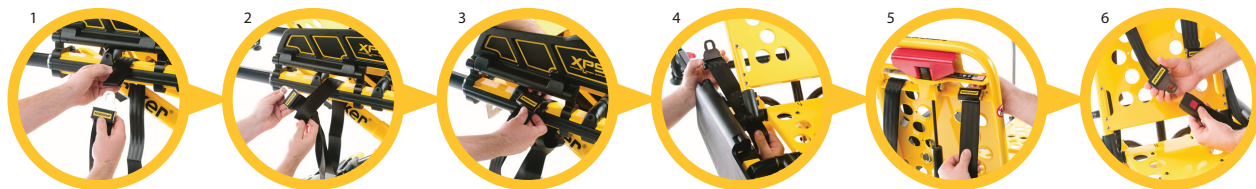


Slika 21 – Mjesta za pričvršćivanje sigurnosnih remena

Pričvršćivanje sigurnosnih remena za ramena u obliku slova X / XPR sigurnosnih remena za ramena

Za pričvršćivanje sigurnosnih remena za ramena u obliku slova X / XPR sigurnosnih remena za ramena:

1. Omotajte sigurnosni remen oko okvira kreveta.
2. Provucite sigurnosnu kopču kroz petlju, prema uzglavlju kreveta.
3. Ugurajte kopču ispod XPS sustava.
4. Kod modela kreveta 6506 **Power-PRO XT** i 6086 **Performance-PRO XT**, čvrsto povucite sigurnosni remen prema stražnjem dijelu naslona za leđa.
5. Kod modela kreveta 6550 **Power-PRO TL**, povucite sigurnosni remen ispod poprečne cijevi prema stražnjem dijelu naslona za leđa.
6. Provucite kopču kroz otvor u naslonu za leđa.
7. Spojite desnu ramenu kopču s lijevom pojasnom kopčom.
8. Uklonite labavi dio s petlje sigurnosnog remena.



Slika 22 – Sigurnosni remeni za ramena

Pričvršćivanje sigurnosnih remena za struk u obliku slova X / XPR sigurnosnih remena za struk

Za pričvršćivanje sigurnosnih remena za struk u obliku slova X / XPR sigurnosnih remena za struk:

1. Omotajte sigurnosni remen oko okvira kreveta.
2. Provcite sigurnosne kopče kroz petlju, prema gornjem kraju kreveta.
3. Ugurajte kopču ispod XPS sustava.
4. Zategnite kopče. Jedna se funkcija sigurnosti treba protezati pod kutom prema uzglavlju, a druga biti postavljena ravno preko kreveta.
5. Spojite desnu kopču s lijevom kopčom.
6. Uklonite labavi dio s petlje sigurnosnog remena.



Slika 23 – Funkcije sigurnosti za pojas

Pričvršćivanje sigurnosnih remena za bedra u obliku slova X / XPR sigurnosnih remena za bedra

Za pričvršćivanje sigurnosnih remena za bedra u obliku slova X / XPR sigurnosnih remena za bedra:

1. Omotajte sigurnosni remen oko podnice kreveta.
2. Provcite sigurnosnu kopču kroz petlju, prema uzglavlju kreveta.
3. Zategnite funkciju sigurnosti.
4. Spojite desnu kopču s lijevom kopčom.
5. Uklonite labavi dio s petlje sigurnosnog remena.



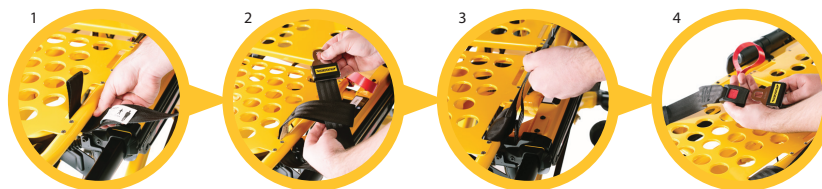
Slika 24 – Funkcije sigurnosti za bedra

Pričvršćivanje sigurnosnih remena za gležnjeve u obliku slova X / XPR sigurnosnih remena za gležnjeve

Samo za modele kreveta 6506 **Power-PRO XT**, 6086 **Performance-PRO XT** i 6550 **Power-PRO TL** koji su proizvedeni ili nadograđeni nakon 3. srpnja 2015. godine sa zglobnim ležajem ili bilo kojim nagibom.

Za pričvršćivanje sigurnosnih remena za gležnjeve u obliku slova X / XPR sigurnosnih remena za gležnjeve:

1. Omotajte sigurnosni remen oko okvira kreveta. Omotajte oko obje podizne prečke na donjem kraju.
2. Provućite sigurnosnu kopču kroz petlju, prema uzglavlju kreveta.
3. Zategnite kopču.
4. Spojite desnu kopču s lijevom kopčom.
5. Uklonite labavi dio s petlje sigurnosnog remena.



Slika 25 – Sigurnosni remeni za gležnjeve

Privežite pacijenta pomoću Pedi-Mate® sustava za vezivanje djece.

UPOZORENJE - Uvijek postavite kopču dalje od prepreka ili dodatne opreme na krevetu kako biste izbjegli slučajno otpuštanje **Pedi-Mate®** sustava za vezivanje djece i ozljedu djeteta.

Privezivanje pacijenta pomoću **Pedi-Mate®** sustava za vezivanje djece:

1. Uklonite sve funkcije sigurnosti s kreveta.
2. Podignite naslon za leđa u potpuno uspravan položaj.
3. Postavite **Pedi-Mate®** podmetač ravno na naslon za leđa tako da crni remeni za naslon za leđa budu okrenuti prema van.
4. Omotajte remene oko naslona za leđa i provucite krajeve remena kroz nosače.
5. Zakopčajte kopču.
6. Povucite kraj podesivog remena za naslon za leđa da ga pritegnete.
7. Umetnite remene glavnog okvira između okvira proizvoda i madraca.
8. Umetnite kopču iza poprečnog podupirača podnice i podignite je ispred poprečnog podupirača podnice.
9. Pričvrstite kopču oko poprečnog podupirača podnice. Ostavite labavi dio na remenu radi finalnog podešavanja.
10. Zategnite sve remene.

Napomena - Za više informacija o **Pedi-Mate®** sustavu za vezivanje djece, pogledajte proizvođačeve upute za upotrebu, rad i održavanje. Sigurna i pravilna upotreba **Pedi-Mate®** sustava za vezivanje djece odgovornost je korisnika. Odredite metode i postupke za poduku i obuku vašeg osoblja iz sigurnog korištenja ili održavanja ovog kreveta. Ovo su samo opće upute. Sačuvajte ove upute za buduću upotrebu. Ove upute trajni su dio proizvoda i moraju ostati uz proizvod čak i ako se isti proda.

Pedi-Mate® je registrirani zaštitni znak tvrtke Ferno Washington, Inc.

Pričvrstite platformu defibrilatora

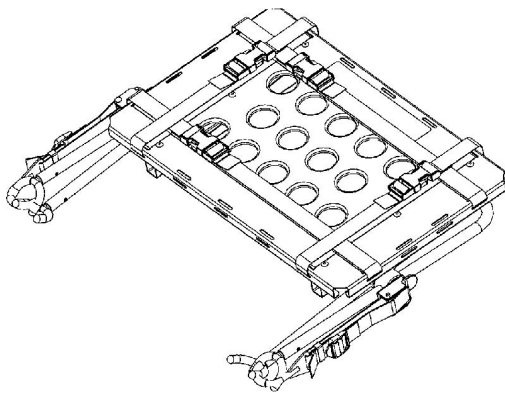
UPOZORENJE - Nemojte pričvršćivati platformu defibrilatora na **Performance-PRO XT** krevet modela 6086 s **Power-LOAD** opcijom kako biste izbjegli rizik od prevrtanja kreveta.

OPREZ

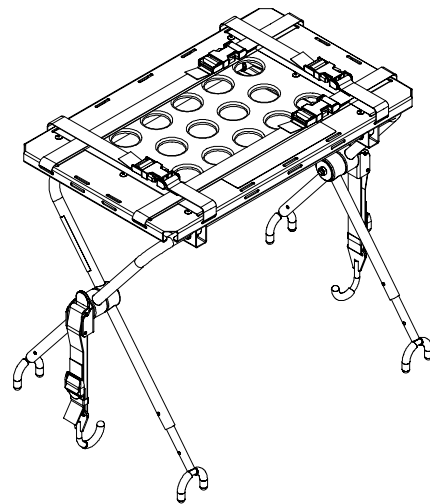
- Uvijek pričvrstite platformu defibrilatora za proizvod kada je koristite.
 - Uvijek koristite i prilagodite remene koji dolaze uz platformu defibrilatora za pričvršćivanje defibrilatora.
 - Uvijek promijenite mjesto za pričvršćivanje ili prilagodite remene veličini ili obliku vašeg defibrilatora.
 - Nemojte opterećivati platformu defibrilatora iznad sigurnog radnog opterećenja od 30 lb (13,6 kg).
-

Pričvršćivanje platforme defibrilatora:

1. Postavite platformu defibrilatora u položaj za pohranu (Slika 26).
2. Otvorite i raširite noge platforme defibrilatora (Slika 27).

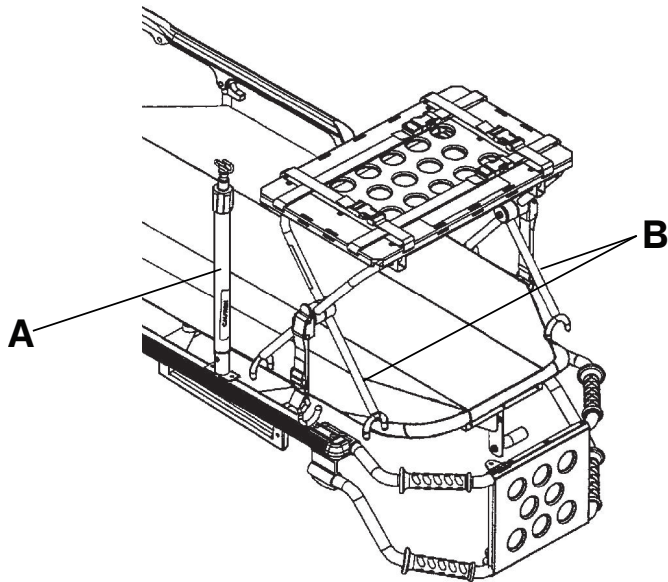


Slika 26 – Položaj za pohranu

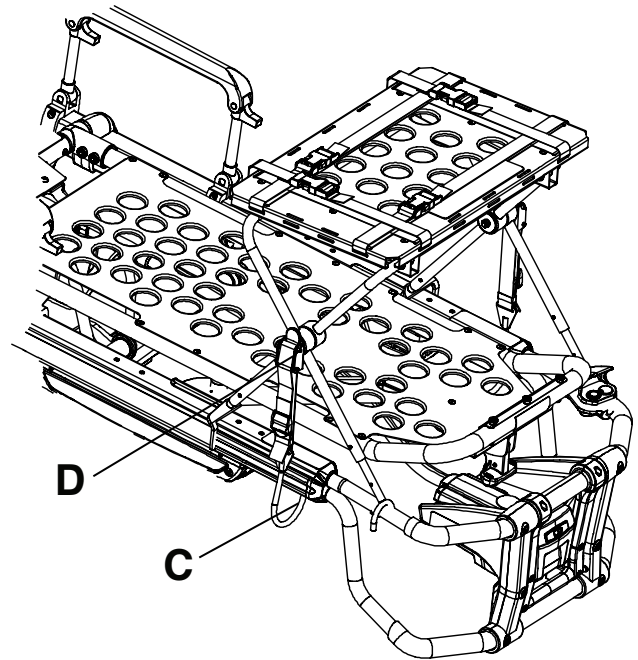


Slika 27 – Otvorite noge platforme defibrilatora

3. Ako je proizvod opremljen šipkom za intravensku terapiju, podignite šipku (A) u uspravni položaj (Slika 28).
4. Postavite platformu defibrilatora na okvir proizvoda.
5. Postavite unutrašnje noge (B) platforme defibrilatora prema gornjem kraju proizvoda (Slika 28).
6. Postavite kuku kopče (C) ispod okvira podvozja ili pričvršćivača podnožja i gurajte jezičak (D) gore dok se ne zakoči na mjestu na jednoj strani uz škljocaj (Slika 29). Ponovite na drugoj strani. Za krevete kompatibilne sa sustavom **Power-LOAD**, ako postoje, morate produžiti i pričvrstiti remene za pričvršćivač podnožja (Slika 30).

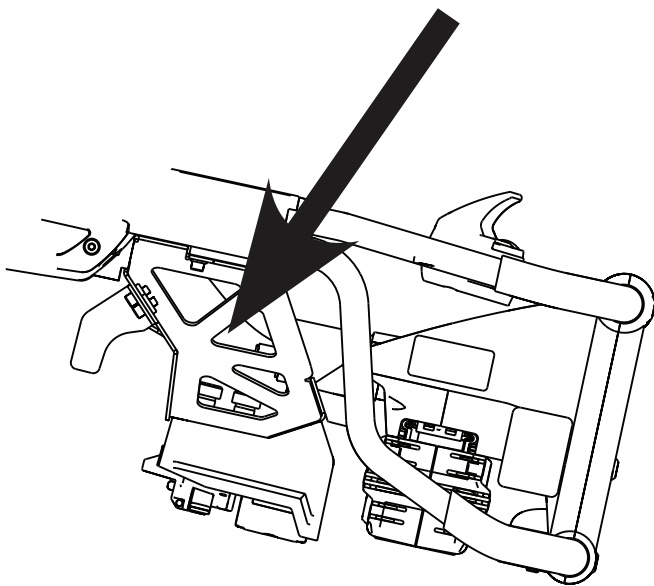


Slika 28 – Podignite šipku za intravensku terapiju i postavite pladanj defibrilatora (prikazani model 6506)

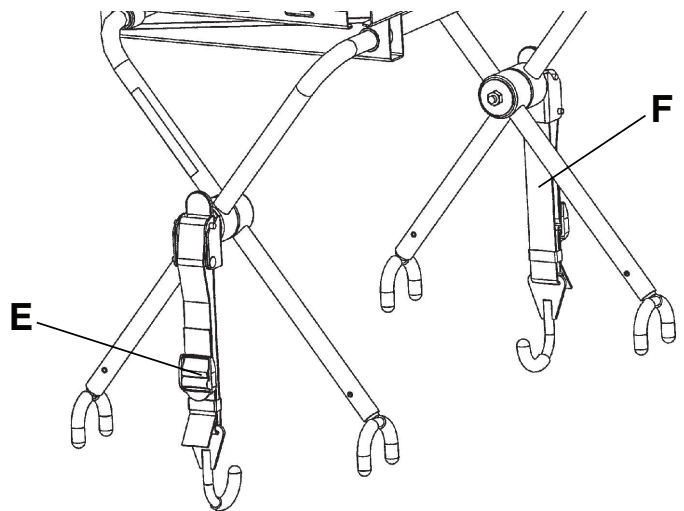


Slika 29 – Postavljanje kuke kopče (prikazani model 6506)

7. Pazite da platforma defibrilatora bude pričvršćena za proizvod.
8. Postavite defibrilator na platformu defibrilatora.
9. Pričvrstite remene (E) da drže defibrilator na platformi defibrilatora (Slika 31).



Slika 30 – Jezičak (prikazani model 6506)



Slika 31 – Pričvrstite platformu defibrilatora za krevet

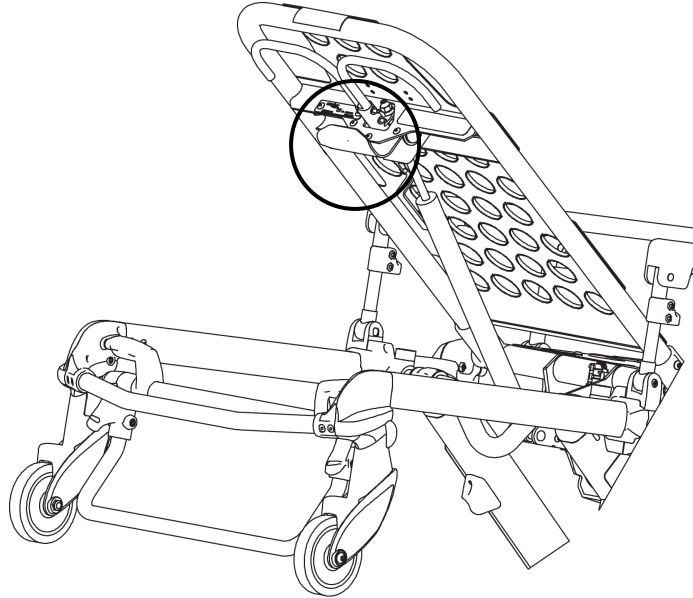
Napomena - Ako platforma defibrilatora nije pričvršćena za proizvod nakon povezivanja obje kuke kopče, oslobodite jezičak. Za podešavanje platforme, olabavite ili zategnite remen, a zatim gurajte jezičak gore dok se ne zakoči na mjestu uz čujan škljocaj.

Vješanje opreme na kuku za opremu

Kuku za opremu koristite za vješanje dodatne opreme, kao što su defibrilatori i monitori.

OPREZ

- Nemojte opterećivati kuku za opremu iznad sigurnog radnog opterećenja od 35 lb (15,8 kg).
 - Uvijek skinite svu opremu s kuke za opremu kada ste u vozilu.
-



Slika 32 – Kuka za opremu

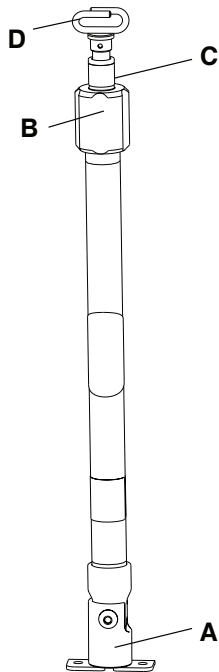
Postavljanje dvodijelne šipke za intravenoznu terapiju

OPREZ - Nemojte opterećivati šipku za intravenoznu terapiju iznad sigurnog radnog opterećenja od 25 lb (11,3 kg).

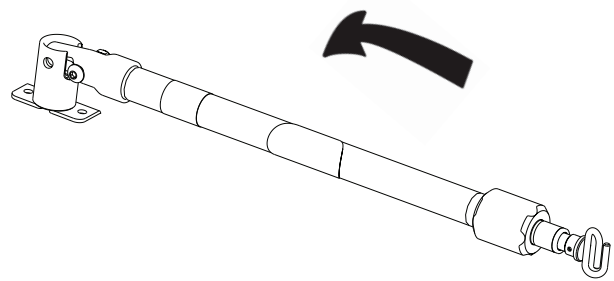
Postavljanje šipke za infuziju (Slika 33):

1. Podignite i okrenite šipku za intravensku terapiju iz položaja za pohranu i gurnite je nadolje dok se ne zakoči u držaču (A).
2. Za povećanje visine šipke, okrenite obujmicu za blokadu (B) u smjeru suprotnom od kazaljke na satu i povucite teleskopski dio (C) šipke za podizanje na željenu visinu.
3. Okrenite obujmicu za blokadu (B) u smjeru kazaljke na satu kako bi se teleskopski dio zakočio na mjestu.
4. Zakačite intravenozne vrećice na kuku za intravenoznu terapiju (D).
5. Okrenite obujmice za blokadu (B) u smjeru suprotnom od kazaljke na satu i uvucite dio (C) u donju cijev.
6. Okrenite obujmice za blokadu (B) u smjeru kazaljke na satu da pritegnete šipku.
7. Podignite i okrenite šipku u položaj za pohranu (Slika 34).

Napomena - Dvodijelne šipke za intravenoznu terapiju (6500-312-000 ili 6550-312-000) nisu kompatibilne s desnim (6500-310-000 ili 6550-310-000) ili lijevim (6500-311-000 ili 6550-311-000) opcijama dvodijelne šipke za intravenoznu terapiju.



Slika 33 – Podignuti položaj šipke za intravenoznu terapiju



Slika 34 – Položaj za pohranu šipke za intravenoznu terapiju

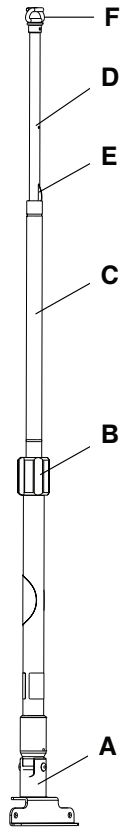
Opcija postavljanja trodijelne šipke za intravensku terapiju

OPREZ - Nemojte opterećivati šipku za intravensku terapiju iznad sigurnog radnog opterećenja od 25 lb (11,3 kg).

Postavljanje šipke za infuziju (Slika 35):

1. Podignite i okrenite šipku za intravensku terapiju iz položaja za pohranu i gurnite je nadolje dok se ne zakači u držaču (A).
2. Za povećanje visine šipke, okrenite obujmicu za blokadu (B) u smjeru suprotnom od kazaljke na satu i povucite teleskopski dio (C) šipke za podizanje na željenu visinu.
3. Okrenite obujmicu za blokadu (B) u smjeru kazaljke na satu kako bi se teleskopski dio zakačio na mjestu.
4. Za podizanje šipke za intravensku terapiju, povucite dio (D) dok se opružna kopča (E) ne zakači.
5. Zakačite intravenske vrećice na kuku za intravensku terapiju (F).
6. Za spuštanje šipke za intravensku terapiju, pritisnite opružnu kopču (E) i ugurajte dio (D) u dio (C). Okrenite obujmicu za blokadu (B) u smjeru suprotnom od kazaljke na satu i uvucite dio (C) u donju cijev.
7. Okrenite obujmicu za blokadu (B) u smjeru kazaljke na satu kako biste podigli šipku.
8. Podignite i okrenite šipku u položaj za pohranu.

Napomena - Dvostruke trodijelne šipke za intravensku terapiju (6500-317-000 ili 6550-317-000) nisu kompatibilne s desnim (6500-315-000 ili 6550-315-000) ili lijevim (6500-316-000 ili 6550-316-000) opcijama trodijelne šipke za intravensku terapiju.



Slika 35 – Podignuti položaj šipke za intravensku terapiju

Pričvršćivanje boce s kisikom na držač boce s kisikom

OPREZ

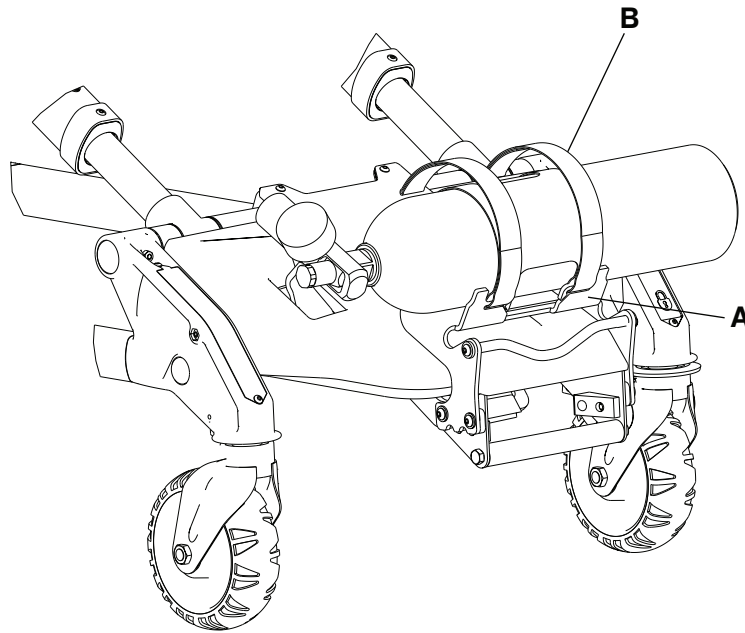
- Nemojte opterećivati držač boce s kisikom iznad sigurnog radnog opterećenja od 1,1 st. (6,8 kg) (15 lb).
- Nemojte istovremeno koristiti dva držača boce s kisikom.

Pričvršćivanje boce s kisikom na držač boce s kisikom (Slika 36):

1. Centrirajte držač boce s kisikom na podlozi predmeta (A).
2. Zategnite oba remena (B) oko boce s kisikom.
3. Pričvrstite labavi dio remena i zakopčajte oba remena.

Napomena - Nemojte koristiti držač boce s kisikom za držanje boce s kisikom kada je transportno vozilo u pokretu. Uvijek postavite držač boce s kisikom na odgovarajuće mjesto pohrane kada je transportno vozilo u pokretu.

Napomena - Između upotreba provjerite jesu li istrošeni remeni i kopče. Zamijenite remen ako više ne drži bocu s kisikom.



Slika 36 – Pričvršćivanje boce s kisikom

Pričvršćivanje opcije prečki za guranje

Opcijske prečke za guranje omogućavaju vam da upravljate krevetom na bilo kojoj visini.

UPOZORENJE

- Uvijek zaključite prečke za guranje u nosače kako biste spriječili da se izvuku prilikom upotrebe.
 - Nemojte podizati krevet pomoću prečki za guranje.
-

Za pričvršćivanje prečki za guranje:

1. Umetnite po jednu prečku za guranje u po jedan od četiri kutna postolja.
2. Gurajte svaku prečku kako bi se zaključila u postolju.



Slika 37 – Pričvršćena prečka za guranje

Skidanje i pohrana prečki za guranje u vrećici za pohranu prečki za guranje

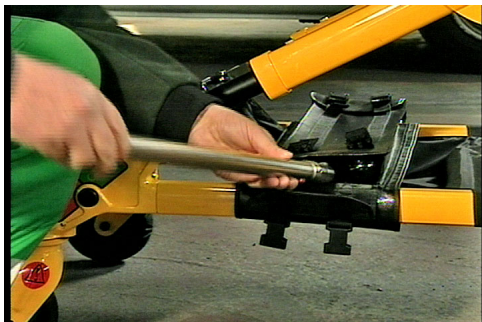
UPOZORENJE - Kada ne koristite prečke za guranje, uvijek ih čuvajte u vrećici za pohranu na postolju.

Skidanje prečki za guranje:

1. Pritisnite crveni gumb za otpuštanje i izvadite svaku prečku iz kutnog postolja.
2. Izvađene prečke za guranje stavite u vrećicu za pohranu koja se nalazi na okviru postolja (Slika 38).

Da postavite vrećicu za pohranu na postolju, zakopčajte odgovarajuće kopče kako biste pričvrstili vrećicu na okvir kreveta (Slika 39).

Provjerite da vrećica i njen sadržaj ne ometaju rad kreveta prije podizanja, spuštanja ili prijevoza kreveta.



Slika 38 – Skidanje prečki na guranje



Slika 39 – Postavite vrećicu za pohranu prečki za guranje

Opcija pričvršćivanja mreže postolja za pohranu

OPREZ

- Nemojte opterećivati mrežu postolja za pohranu iznad sigurnog radnog opterećenja od 20 lb (9 kg).
- Uvijek budite oprezni prilikom uvlačenja postolja da ne oštetite predmete koji se drže u mreži postolja za pohranu.

Da biste pričvrstili mrežu postolja za pohranu, omotajte remene s **Velcro®** čičak trakom oko cijevi postolja.

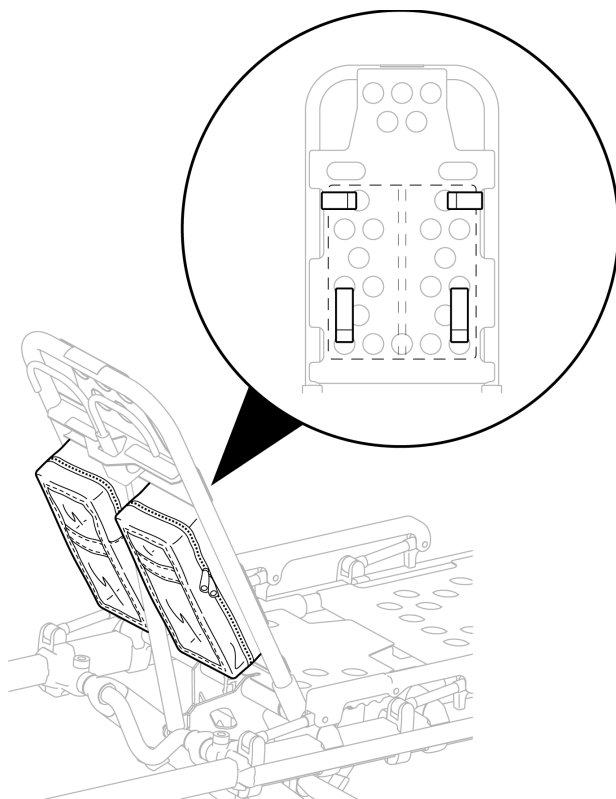
Pričvršćivanje vrećice za pohranu na naslonu za leđa

OPREZ

- Nemojte opterećivati vrećicu za pohranu na naslonu leđa iznad sigurnog radnog opterećenja od 20 lb (9 kg).
- Ne dopuštajte da vrećica za pohranu smeta uvlačenju sklopivog odjeljka za glavu.

Za pričvršćivanje vrećice za pohranu na naslonu za leđa (Slika 40):

1. Umetnite svaki remen kroz otvor u oplati naslona za leđa.
2. Montirajte vrećicu ravno uz naslon za leđa.
3. Pričvrstite vrećicu za pohranu na naslon za leđa za krevet pomoću remena s čičak-trakom **Velcro®**.



Slika 40 – Vrećica za pohranu na naslonu za leđa

Pričvršćivanje madraca

Dostupne su dvije opcije madraca za upotrebu s ovim krevetom. Koristite standardni madrac sa zglobnim podešavačem (6550-001-084) ili ravni madrac (6550-001-295) sa standardnom bočnom ogradom. Koristite širi madrac sa zglobnim podešavačem (6500-003-130/6506-003-130) s opcijском proširivom površinom za pacijenta (XPS).

OPREZ - Nemojte držati nikakve predmete ispod madraca. Predmeti pod madracem mogu ometati rad kreveta.

Pričvršćivanje madraca za krevet:

1. Poravnajte **Velcro®** čičak-traku na stražnjoj strani madraca s **Velcro®** čičak-trakom na podnici kreveta.
2. Pričvrstite remen na donjem kraju madraca kroz dva otvora na oplati na podnici donjeg kraja kreveta.
3. Provucite remen kroz kopču i pričvrstite **Velcro®** čičak-traku da osigurate remen.

Napomena

- Dodatni madrac sa zglobnim podešavačem (6550-001-084) i ravni madrac (6550-001-295) nisu kompatibilni s opcijском bočnom ogradom XPS (6550-031-000).
- Opcijski madrac sa zglobnim podešavačem za XPS (6500-003-130/6506-003-130) nije kompatibilan sa standardnom bočnom ogradom (6550-034-000).
- Madrac je primijenjeni dio tipa BF.

Umetanje SMRT Pak baterije

SMRT Pak baterija dizajnirana je da bude kompatibilna s krevetima **Power-PRO XT**, **Power-PRO IT** i **Power-PRO TL**.

Kako bi se maksimizirala dostupna napunjenost baterije, koristite samo **SMRT Pak** baterije koje su napunjene u posljednjih 48 sati.

Umetanje **SMRT Pak** baterije:

1. Poravnajte jezičke u okviru baterije.
2. Ugurajte **SMRT Pak** bateriju u okvir dok se kopča ne uklopi na svoje mjesto.

SMRT Pak može ostati na **Power-PRO** krevetu između servisnih posjeta najviše jedan tjedan ili dok LED pokazivač baterije na krevetu ne počne treperiti narančasto.

Vađenje SMRT Pak baterije iz kreveta

Kada se **SMRT Pak** baterija isprazni, izvadite **SMRT Pak** bateriju iz **Power-PRO** kreveta i zamijenite je napunjenom **SMRT Pak** baterijom.

Korištenje **SMRT Pak** baterije uzastopno, bez razdoblja odmora, može povećati temperaturu unutar ćelija i smanjiti vijek trajanja. Na primjer, podizanje i spuštanje teškog pacijenta nekoliko puta bez pauze može smanjiti vijek trajanja **SMRT Pak** baterije.

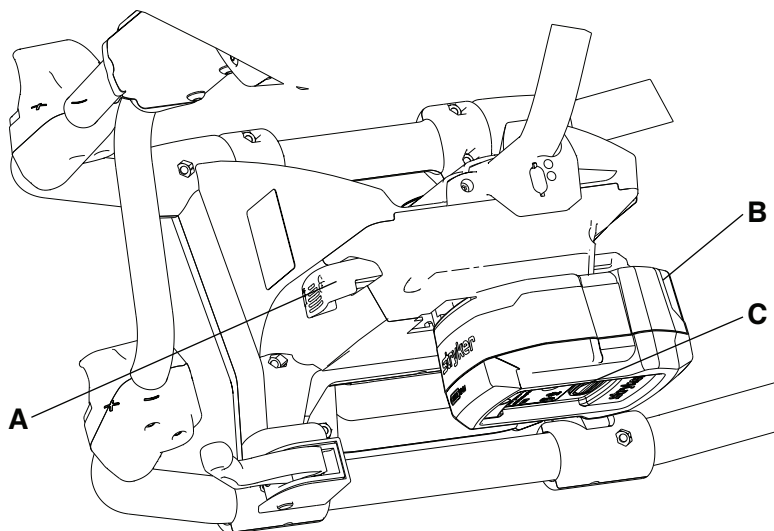
UPOZORENJE

- Nemojte vaditi bateriju kad je krevet aktivan.
 - Ne pokušavajte otvoriti bateriju iz bilo kog razloga kako ne bi došlo do strujnog udara. Ako je kućište baterije napuklo ili oštećeno, ne stavljajte ga u punjač. Oštećene baterije vratite servisnom centru na recikliranje.
 - Uvijek izbjegavajte izravni kontakt s mokrom baterijom ili okvirom baterije. Kontakt može dovesti do ozljede pacijenta ili rukovatelja.
-

OPREZ - Uvijek izvadite bateriju ako se krevet neće koristiti duže vrijeme (duže od 24 sata).

Vađenje **SMRT Pak** baterije iz kreveta:

1. Pritisnite crveni ručni gumb za otpuštanje (C) ili pritisnite gumb za otpuštanje baterije (A) da otpustite **SMRT Pak** bateriju (B) iz kreveta (Slika 41).
2. Izvucite otpuštenu **SMRT Pak** bateriju iz okvira.



Slika 41 – Otpuštanje baterije

Pohrana baterije

Za dugovječnost, radne značajke i sigurnost ove opreme koristite originalnu ambalažu prilikom pohrane ili prijevoza opreme.

Sve baterije gube napon tijekom pohrane ili razdoblja neaktivnosti. **SMRT Pak** baterija može izgubiti do 30 posto napona u roku od 48 sati nakon vađenja iz **SMRT** punjača. Upotrijebite i potpuno napunite pohranjene **SMRT Pak** baterije svaka tri mjeseca da biste održali vrhunske radne značajke.

Punjenje SMRT Pak baterije

SMRT Pak baterija namijenjena je isključivo za upotrebu sa **SMRT** punjačem.

UPOZORENJE - Nemojte stavljati napuklu **SMRT Pak** bateriju u **SMRT** punjač. Oštećene **SMRT Pak** baterije vratite servisnom centru na recikliranje.

Napomena

- Prilikom duže pohrane stavite **SMRT Pak** bateriju na **SMRT** punjač da se impulsno puni. **SMRT** punjač održava **SMRT Pak** bateriju napunjenom i spremnom za upotrebu.
- Čuvajte **SMRT Pak** bateriju na sobnoj temperaturi, tj. na dozvoljenom rasponu temperature za punjenje od 43 °F do 88 °F (6 °C do 31 °C). Punjenje **SMRT Pak** baterije izvan preporučenog raspona temperature skraćuje rok trajanja **SMRT Pak** baterije i produžava vrijeme punjenja.

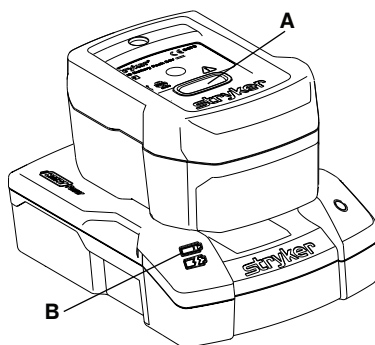
Punjenje **SMRT Pak** baterije (Slika 42):

1. Stavite čistu, suhu **SMRT Pak** bateriju u **SMRT** punjač. Pazite da se **SMRT Pak** baterija zakoči u **SMRT** punjaču.

Napomena

- LED pokazivač **SMRT** punjača (B) treperi zeleno dok se baterija puni (Slika 42). Optimalno vrijeme punjenja iznosi dva sata.
 - Kada se **SMRT Pak** napuni i bude spremna za upotrebu, LED pokazivač **SMRT** punjača (B) počinje svijetliti zeleno.
2. Pritisnite crveni gumb za otpuštanje (A) (Slika 42) i kliznite **SMRT Pak** bateriju da otpustite napunjenu **SMRT Pak** spremnu za upotrebu iz **SMRT** punjača.

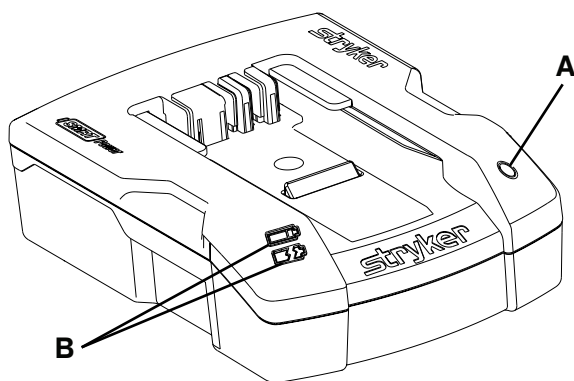
SMRT punjač obavlja punjenje bez obzira na stanje napunjenosti **SMRT Pak** baterije.



Slika 42 – Punjenje SMRT Pak baterije

Provjera razine napunjenosti SMRT Pak baterije pomoću SMRT punjača

Koristite LED pokazivače SMRT punjača da provjerite razinu napunjenosti SMRT Pak baterije.



Slika 43 – Provjera razine napunjenosti SMRT Pak baterije

- Priključak za napajanje: Ukopčajte ili iskopčajte SMRT punjač iz odgovarajućeg izvora napajanja (*Napajanje punjača* (stranica 47)).
- LED pokazivač napajanja SMRT punjača (A): Ako zeleni LED pokazivač svijetli, to znači da SMRT punjač ima napajanje.
- LED pokazivači SMRT punjača (B): Zeleni i narančasti LED pokazivači punjača daju informacije o stanju SMRT Pak baterije. LED indikatori mogu svijetliti ili treperiti ovisno o stanju SMRT punjača ili SMRT Pak baterije.

LED pokazivač SMRT punjača:	Stanje
Zelena (treperi)	SMRT punjač puni SMRT Pak bateriju. Optimalno vrijeme punjenja iznosi dva sata.
Zelena (svijetli)	SMRT Pak baterija je napunjena i spremna za upotrebu
Narančasto (treperi)	Temperaturno kašnjenje SMRT Pak baterije. SMRT punjač čeka da SMRT Pak baterija dostigne prihvatljivi raspon temperature od 43 °F do 88 °F (6 °C do 31 °C).
Narančasta (svijetli)	Pogreška SMRT Pak baterije. Pogledajte poglavlje o rješavanju problema u priručniku za održavanje.

Zahtjevi električne energije za ugradnju

Prilikom konfiguracije izvora električne energije za montažu SMRT punjača slijedite sljedeće zahtjeve električne energije za pouzdan i učinkovit rad.

Vrsta napajanja	Radni raspon napona	Frekvencija	Maksimalna struja	Struja mirovanja	Isključivanje pri niskom naponu
Izmjenična struja	od 100 do 240 V AC	50/60 Hz	1,20 A	0,05 A	Nije primjenjivo
Istosmjerna struja	od 12,5 do 16 V DC	Nije primjenjivo	4,16 A	0,20 A	10 V DC

Ugradnja SMRT punjača

Prilikom ugradnje **SMRT** punjača, **SMRT** punjač treba biti u kontroliranom okruženju koje:

- nema prekomjerne prašine i vlage
- se održava unutar konstantnog raspona temperature. Dozvoljeni raspon temperature je od 6 °C do 31 °C (od 43 °F do 88 °F). Optimalni raspon temperature je od 18 °C do 24 °C (od 65 °F do 75 °F).
- je lako dostupno za upotrebu

Postavite i održavajte izvor napajanja i kabele za napajanje kako biste minimizirali rizik od oštećenja i slučajnog iskopčavanja.

Opcija ugradnje nosača

UPOZORENJE

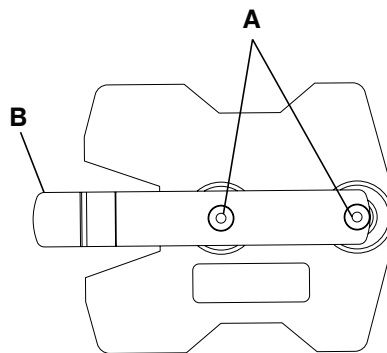
- Ugradnju opcije nosača i **SMRT** punjača uvijek treba obavljati kvalificirani mehaničar koji poznaje konstrukciju ambulantnih vozila.
- Uvijek montirajte **SMRT** punjač na opciju nosača u zatvoreni ormarić i izvan dohvata pacijenta tijekom prijevoza radi sukladnosti s utvrđenim standardima testa sudara.
- Uvijek se pobrinite da opcija nosača bude sigurno pričvršćena za površinu.

Ugradnja nosača (Slika 44):

1. Nosač **SMRT** punjača koristite kao šablonu za označavanje lokacije montažnih rupa (A) na mjestu gdje ćete ugraditi nosač.
2. Postavite nosač, pazeći da:
 - a. Opružni jezičak (B) bude smješten na stražnjem kraju **SMRT** punjača.

Napomena - Prilikom ugradnje nosača na vertikalnu površinu, opružni jezičak bude vodoravan s točkom opružnog jezička nalijevo (Slika 44).
 - b. Kabel za napajanje lako ulazi u stražnji dio **SMRT** punjača.
 - c. **SMRT** punjač može klizati od naprijed prema natrag radi povezivanja s nosačem nakon ugradnje.
 - d. Nosač bude pravilno ugrađen za ambulantno ili stacionarno mjesto:

Ambulantno mjesto	Stacionarno mjesto
<ul style="list-style-type: none"> • Pričvrstite nosač za vodoravnu potpornu plohu ili policu pomoću vijaka minimalno veličine 10, razreda 5 (ne isporučuju se). • Pazite da odabrana površina za ugradnju bude dovoljno snažna da sigurno drži SMRT punjač SMRT Pak bateriju tijekom prijevoza. • Postavite nosač u zatvoreni ormarić i izvan dohvata pacijenta tijekom prijevoza. • Omogućite jednostavnu ugradnju i uklanjanje SMRT Pak baterije. • Postavite izvor napajanja unutar dohvata kabela za napajanje. 	<ul style="list-style-type: none"> • Pričvrstite nosač za vodoravnu ili okomitu potpornu plohu ili policu pomoću vijaka minimalno veličine 10, razreda 5 (ne isporučuju se). • Kod okomite ugradnje postavite nosač tako da opružni jezičak bude odmah ispod vijaka tako da SMRT Pak bateriju podupire SMRT punjač čak i ako se gumb za otpuštanje slučajno pritisne. • Omogućite jednostavnu ugradnju i uklanjanje SMRT Pak baterije. • Postavite izvor napajanja unutar dohvata kabela za napajanje.

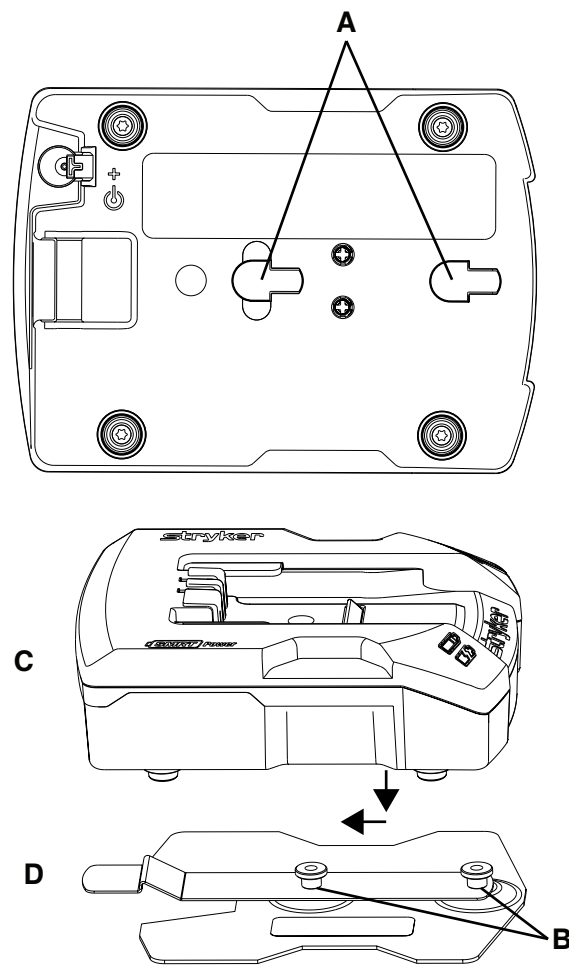


Slika 44 – Nosač

Opcija pričvršćivanja punjača na nosač

Pričvršćivanje **SMRT** punjača na nosač (Slika 45):

1. Poravnajte stražnje utore (A) na pričvršćivače nosača (B).
2. Ugurajte **SMRT** punjač (C) dok se ne zakoči na nosaču (D) da pričvrstite punjač na nosač.



Slika 45 – Pričvršćivanje punjača

Napajanje punjača

OPREZ

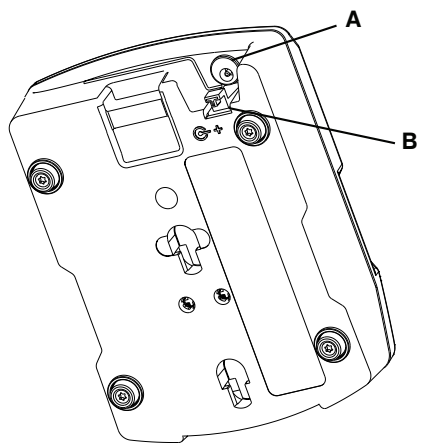
- Uvijek postavite električni kabel za napajanje **SMRT** punjača gdje se na njega neće stati, saplesti se ili na drugi način izložiti kabel oštećenju ili naprezanju.
- Ne dodirujte priključne utičnice **SMRT** Pak baterije metalnim predmetima.

To power the **SMRT** charger (Slika 46):

1. Pronađite priključak za napajanje (A) na stražnjoj strani **SMRT** punjača.
2. Pritisnite pričvrtni jezičak (B) da umetnete izlazni priključak kabela za napajanje u priključak za napajanje **SMRT** punjača.
3. Ukopčajte kraj kabela za napajanje na kojem se nalazi adapter u izvor napajanja.

Najbolje je da koristite neometan, neprekidni izvor napajanja. **SMRT** punjač neprekidno svijetli zelenim LED svjetlom napajanja kad je povezan s izvorom napajanja.

Koristite isključivo dijelove koje je odobrila tvrtka Stryker za napajanje **SMRT** punjača.



Slika 46 – Napajanje punjača

Iskopčavanje punjača

OPREZ - Prilikom iskopčavanja **SMRT** punjača, uvijek uhvatite i vucite utikač, a ne kabel da biste izbjegli rizik od oštećenja električnog utikača i kabela.

Da iskopčate **SMRT** punjač, iskopčajte kabel za napajanje iz izvora izmjenične ili istosmjerne struje.

Dodatna oprema i dijelovi

Ova dodatna oprema može biti dostupna za uporabu s vašim proizvodom. Provjerite dostupnost za vašu konfiguraciju ili regiju. Nazovite Službu za korisnike tvrtke Stryker: 1-800-327-0770.

Naziv	Broj
Jastučić naslona za leđa	6500-130-000
Produžetak remena	6082-160-050
Platforma defibrilatora	6550-170-000
Kuka za opremu	6500-147-000
Plinski cilindar, naslon za leđa	1010-031-077
Nastavak za glavu s jastukom	6100-044-000
Šipka za intravenoznu terapiju, dvodijelna, desna	6550-310-000
Šipka za intravenoznu terapiju, dvodijelna, lijeva	6550-311-000
Šipka za intravenoznu terapiju, dvodijelna, dvostruka	6550-312-000
Šipka za intravenoznu terapiju, trodijelna, desna	6550-315-000
Šipka za intravenoznu terapiju, trodijelna, lijeva	6550-316-000
Šipka za intravenoznu terapiju, trodijelna, dvostruka	6550-317-000
Madrac, dodatni sa zglobnim podešavačem za koljena	6550-001-084
Madrac, plosnati zglobni podešavač za koljena	6550-001-295
Madrac, dodatni sa zglobnim podešavačem za koljena, XPS	6500-003-130
Madrac sa zglobnim podešavačem za koljena, sivi, XPS	6506-003-130
Držać boce s kisikom	6550-102-020
Držać boce s kisikom, odvojivi	6080-140-000
Držać boce s kisikom, remen	6550-002-004
Nosač za vezivanje, opcija	6091-300-010
Sustav za vezivanje, EMS, kućanski	6060-160-010
Sustav za vezivanje u obliku slova X	6500-001-430
Sustav za vezivanje, XPR	650600030010
Bočna ograda, standardna	6550-034-000
Bočna šipka, opcija XPS	6550-031-000
Mreža za pohranu, postolje	6500-160-000
Vrećica za pohranu, naslon za leđa	6500-130-000
Blokada kotača	6086-200-010

Koristite samo dijelove koje je odobrila tvrtka Stryker. Drugi dijelovi mogu dovesti do povećanih elektromagnetskih emisija ili smanjene elektromagnetske otpornosti sustava. Nemojte modificirati dijelove. Nepridržavanje uputa može dovesti do ozljede.

Naziv	Broj
Punjač SMRT	6500-201-000
Nosač punjača SMRT	6500-034-000
Komplet SMRT Pak, baterija	6500-700-046
Električne komponente - izmjenična struja	
Napajanje punjača	6500-201-148
Kabel napajanja, Sjeverna Amerika	6500-201-149
Kabel napajanja, Europa	6500-201-150
Kabel napajanja, Ujedinjeno Kraljevstvo	6500-201-151
Kabel napajanja, Australija	6500-201-153
Električne komponente - istosmjerna struja	
Kabel za 12 V DC, automobilski	6500-201-147
Kabel za 12-24 V, DIN utikač	6500-201-152
Električni komplet SMRT (uključuje 1 punjač, 2 paketa Pak i 1 kabel napajanja)	
Električni komplet SMRT - 12 V DC, kućanski (punjač za automobil)	6500-700-040
Električni komplet SMRT - 120 V AC, kućanski (zidni punjač)	6500-700-041
Električni komplet SMRT - 240 V AC, Ujedinjeno Kraljevstvo, međunarodni	6500-700-043
Električni komplet SMRT - 240 V AC, Europa, međunarodni	6500-700-044
Električni komplet SMRT - 240 V AC, Australija, međunarodni	6500-700-045

Kontaktirajte prodajnog predstavnika tvrtke Stryker u vezi detaljnog popisa dodatnih dijelova.

Čišćenje i dezinfekcija XPR sigurnosnih remena

Provjerite dostupnost za vašu konfiguraciju ili regiju. Nazovite Službu za korisnike tvrtke Stryker: 1-800-327-0770.

Preporučena sredstva za čišćenje uključuju:

- ≤ 70 %-tni izopropilni alkohol; ili

Sredstvo za čišćenje sa sljedećim aktivnim sastojcima (ili ekvivalentnima):

- Amonijeve soli ≤ 0,31 %
- Izopropilni alkohol ≤ 21,000 %
- Etilenglikol monobutil eter ≤ 3,000 % (neaktivni sastojak)

Napomena - Nekorištenje propisanih sredstava za čišćenje može uzrokovati prijevremeno propadanje i poništiti jamstvo za proizvod. Na primjer, nemojte čistiti izbjeljivačem, sredstvom **HDQ Neutral®** ili sredstvom accelerated hydrogen peroxide. Ako imate pitanja ili nedoumica, obratite se Službi za korisnike tvrtke Stryker (1-800-327-0770).

Preporučena metoda čišćenja:

1. Strogo se pridržavajte preporuka za razrjeđivanje koje je izdao proizvođač otopine za čišćenje.
2. Da biste očistili, obrišite vanjske površine kako biste uklonili svu vidljivu prljavštinu. Ponovite prema potrebi sve dok proizvod nije čist.

Napomena - Pomaknite kopču za produženje kako biste očistili cijeli sigurnosni remen. Uvjerite se da je površina sigurnosnih remena suha prije pomicanja kopče za produženje. Nemojte pomicati kopču za produženje preko površine koja je još uvijek navlažena sredstvom za čišćenje.

3. Da biste dezinficirali, obrišite vanjske površine dok ne budu mokre.
4. Pazite da krevet ne ostane mokar dulje od preporuke proizvođača za pravilnu dezinfekciju.
5. Provjerite funkcionalnost prije vraćanja proizvoda u uporabu.
 - Uranjanje u vodu metalnih kopči sigurnosnih remena može uzrokovati koroziju kopči i nije preporučljivo. Isperite čistom vodom i ostavite da se osuši na zraku da bi se smanjila mogućnost korozije. Zamijenite sigurnosne remene ako su metalne kopče korodirale.
 - Izravnim kontaktom kože s propusnim materijalom koji je vidljivo zaprljan može se povećati rizik od infekcije.
 - Ne preporučuje se pranje sigurnosnih remena u perilici.

OPREZ - Nemojte nanositi maziva na površine sigurnosnih remena.

Napomena

- XPR sigurnosni remeni imaju predviđeni rok trajanja od tri mjeseca kad se koriste gore navedena sredstva za čišćenje.
- Ako se ne pridržavate gore navedenih smjernica prilikom korištenja ovih vrsta sredstava za čišćenje, možete poništiti jamstvo za ovaj proizvod.
- Nakon čišćenja uvijek obrišite proizvod čistom vodom i osušite ga. Neki proizvodi za čišćenje su korozivni i mogu uzrokovati oštećenje proizvoda. Nepravilno ispiranje i sušenje proizvoda ostavljaju korozivni talog na površini proizvoda i mogu uzrokovati prijevremenu degradaciju kritičnih komponenti.

Čišćenje

UPOZORENJE - Prilikom tlačnog pranja uvijek koristite odgovarajuću osobnu zaštitnu opremu kako biste izbjegli udisanje zaraznih čestica. Oprema za tlačno pranje može raspršiti onečišćenje po zraku.

OPREZ

- Nemojte čistiti proizvod parom ni ultrazvukom.
- Maksimalna temperatura vode koju ne smijete prekoračiti iznosi 180 °F (82 °C).
- Najviši tlak vode koji ne smijete prekoračiti iznosi 1500 psi (103,4 bara). Ako koristite ručnu palicu za čišćenje proizvoda, držite mlaznicu pod tlakom na udaljenosti od minimalno 24 inča (61 cm) od proizvoda.
- Uvijek ostavite da se osuši na zraku.
- Uvijek izvadite bateriju prije pranja kreveta.
- Nemojte čistiti, servisirati ni obavljati održavanje na krevetu dok se krevet koristi.

Proizvod se može čistiti tlačnim pranjem. Proizvod može pokazivati znakove oksidacije ili gubitka boje od kontinuiranog pranja. Tlačno pranje neće narušiti radne značajke proizvoda ako slijedite odgovarajuće postupke.

- Strogo se pridržavajte preporuka za razrjeđivanje koje je izdao proizvođač otopine za čišćenje.
- Preporučena metoda tvrtke Stryker Medical za tlačno pranje proizvoda je uporaba standardnog perača za bolnička kirurška kolica ili ručne palice.
- Krevet očistite jednom mjesečno.
- Očistite čičak-trake **Velcro®** nakon svake upotrebe. Natopite čičak-trake **Velcro®** dezinfektantom i pustite da dezinfektant ispari. Servis treba odrediti koji je odgovarajući dezinfektant za najlonske čičak-trake **Velcro®**.
- Uranjanje u vodu metalnih kopči sigurnosnih remena može uzrokovati koroziju kopči i nije preporučljivo. Isperite čistom vodom i ostavite da se osuši na zraku da bi se smanjila mogućnost korozije. Zamijenite sigurnosne remene ako su metalne kopče korodirale.
- Izravnim kontaktom kože s propusnim materijalom koji je vidljivo zaprljan može se povećati rizik od infekcije.

Preporučena sredstva za čišćenje

Ako se koriste u koncentracijama koje preporučuje proizvođač, općenito možete koristiti fenolna ili kvaternarna sredstva za dezinfekciju (izuzev sredstva **Virex® TB**). Sredstva za dezinfekciju na bazi jodoforma ne preporučuju se jer može doći do pojave mrlja.

Preporučena sredstva za čišćenje uključuju:

- kvaternarna sredstva za čišćenje (aktivni sastojak – amonijev klorid) koja sadrže manje od 3 % glikolnog etera
- fenolna sredstva za čišćenje (aktivni sastojak – o-fenilfenol)
- otopina kloriranog izbjeljivača (5,25 % – manje od 1 dijela izbjeljivača na 100 dijelova vode)
- ≤ 21 % izopropilnog alkohola.

Izbjegavajte prezasićenje. Ne puštajte da proizvod ostane mokar duže od preporuke proizvođača kemikalija za pravilnu dezinfekciju.

Napomena

- Ako se ne pridržavate gore navedenih smjernica prilikom korištenja ovih vrsta sredstava za čišćenje, možete poništiti jamstvo za ovaj proizvod.
- Nakon čišćenja uvijek obrišite proizvod čistom vodom i osušite ga. Neki proizvodi za čišćenje su korozivni i mogu uzrokovati oštećenje proizvoda. Nepravilno ispiranje i sušenje proizvoda ostavlja korozivni talog na površini proizvoda i može uzrokovati prijevremenu koroziju kritičnih komponenti.

Čišćenje punjača

UPOZORENJE

- Prilikom čišćenja **SMRT** Pak baterije, uvijek nosite izolirane gumene rukavice pored osobne zaštitne opreme kako biste smanjili rizik od ozljeda.
 - Uvijek iskopčajte **SMRT** punjač iz zidne utičnice prije čišćenja kako biste izbjegli opasnost od električne opasnosti.
 - Nemojte prskati tekućinu izravno na **SMRT** punjač.
 - Nemojte tlačno prati **SMRT** punjač.
 - Nemojte koristiti otapala, maziva i druge kemikalije da biste očistili **SMRT** punjač, osim ako nije drugačije naloženo.
 - Kako biste izbjegli rizik od strujnog udara, nemojte uranjati **SMRT** punjač u vodu niti dopustiti da se voda skuplja na vrhu **SMRT** punjača.
-

To clean the **SMRT** charger:

1. Iskopčajte **SMRT** punjač iz zidne utičnice kako biste izbjegli opasnost od električne opasnosti tijekom čišćenja.
2. Obrišite površine **SMRT** punjača mekom krpom navlaženom neabrazivnim, bolničkim dezinfektantom.
3. Obrišite krpom navlaženom čistom vodom da uklonite sve kemikalije za čišćenje ili talog.
4. Temeljito osušite prije vraćanja **SMRT** punjača u pogon.

Čišćenje baterije

SMRT Pak baterija je dizajnirana tako da se može tlačno prati. Preporučena metoda za tlačno pranje **SMRT** Pak baterije jeste upotreba standardnog perača za bolnička kirurška kolica ili ručne palice.

UPOZORENJE

- Prilikom tlačnog pranja uvijek koristite odgovarajuću osobnu zaštitnu opremu kako biste izbjegli udisanje zaraznih čestica. Oprema za tlačno pranje može raspršiti onečišćenje po zraku.
 - Prilikom čišćenja **SMRT** Pak baterije uvijek nosite izolirane gumene rukavice pored osobne zaštitne opreme kako biste smanjili rizik od ozljeda.
 - Uvijek koristite isključivo neprovodljive materijale za brisanje **SMRT** Pak baterije.
 - Uvijek izbjegavajte pretjerano izlaganje vodi priključaka **SMRT** Pak baterije.
 - Uvijek provjerite raspon pH vrijednosti u sigurnosno-tehničkom listu dezinfektanta. Dezinfektanti s pH vrijednostima iznad 10,5 mogu dovesti do pucanja materijala kućišta **SMRT** Pak baterije.
 - Da biste izbjegli rizik od ozljede, nemojte izravno rukovati ili dodirivati priključke **SMRT** Pak baterije prilikom čišćenja.
 - Kako biste smanjili rizik od strujnog udara, nemojte uranjati **SMRT** Pak bateriju u tekućinu.
 - Nemojte koristiti otapala, maziva i druge kemikalije da biste očistili **SMRT** Pak bateriju, osim ako nije drugačije naloženo.
-

OPREZ

- Nemojte čistiti **SMRT** Pak bateriju parom ili ultrazvukom.
 - Maksimalna temperatura vode koju ne smijete prekoračiti iznosi 180 °F (82 °C).
 - Nemojte prekoračiti maksimalnu temperaturu sušenja zrakom (perač za bolnička kirurška kolica) od 240 °F (115 °C).
 - Najviši tlak vode koji ne smijete prekoračiti iznosi 1500 psi (103,4 bara). Ako koristite ručnu palicu za čišćenje proizvoda, držite mlaznicu pod tlakom na udaljenosti od minimalno 24 inča (61 cm) od proizvoda.
-

Čišćenje **SMRT** Pak baterije:

1. Izvadite **SMRT** Pak bateriju iz **Power-PRO** kreveta ili **SMRT** punjača.
2. Provjerite da nema pukotina ili oštećenja na kućištu **SMRT** Pak baterije i površini s priključcima.
3. Očistite **SMRT** Pak bateriju bolničkim dezinfektantom s rasponom pH vrijednosti od 6,5 do 10,5.
4. Temeljito isperite **SMRT** Pak bateriju čistom vodom da uklonite sve kemikalije za čišćenje ili talog. Postavite **SMRT** Pak bateriju tako da voda ne dođe blizu priključaka.

5. Temeljito osušite **SMRT** Pak bateriju prije nego stavite **SMRT** Pak bateriju u **Power-PRO** krevet ili **SMRT** punjač.

Preventivno održavanje

UPOZORENJE

- Uvijek otpustite tlak prije iskopčavanja hidrauličnih ili drugih vodova. Izbijanje tekućine pod tlakom može probiti kožu i uzrokovati ozbiljnu ozljedu. Pritegnite sve priključke prije vršenja tlaka. Ako dođe do ozljede, odmah posjetite liječnika.
- Ne provjeravajte curi li hidraulična tekućina golim rukama.

OPREZ

- Uvijek koristite odobrene dijelove da bi se izbjegao rizik od oštećenja proizvoda.
- Uvijek redovito provjerite crijeva i vodove da ne bi došlo do oštećenja kreveta. Provjerite i pritegnite labave priključke. Hidraulični vodovi, crijeva i priključci mogu popustiti ili se olabaviti zbog fizičkog oštećenja, uvrnuća, starosti i izloženosti prirodnim elementima.
- Nemojte naginjati krevet na utovarne kotače i aktivirati proizvod jer će na taj način zrak ući u hidraulični sustav.

Utvrđite i pridržavajte se rasporeda održavanja te vodite evidenciju održavanja. Prije obavljanja pregleda za preventivno održavanje prekinite uporabu kreveta. Ovisno o razini uporabe proizvoda, možda ćete češće morati obavljati provjere za preventivno održavanje. Servis smije obavljati samo kvalificirano osoblje.

Prilikom korištenja proizvoda za održavanje, slijedite upute proizvođača i pročitajte sve sigurnosne tehničke listove.

Podmazivanje

OPREZ - Nemojte podmazivati ležajeve okvira u obliku slova X jer će to narušiti radne značajke kreveta i može poništiti jamstvo.

Krevet je dizajniran da radi bez potrebe za podmazivanjem.

Redovita provjera i podešavanje

Slijedeći raspored predstavlja opći vodič za održavanje. Na potrebni raspored održavanja utjecat će čimbenici poput vremena, terena, geografske lokacije i individualne upotrebe. Ako niste sigurni kako obaviti ove provjere, obratite se svom servisnom tehničaru tvrtke Stryker. Ako niste sigurni koje intervale trebate slijediti prilikom održavanja svog proizvoda, obratite se svom servisnom tehničaru tvrtke Stryker. Provjerite svaki postupak i po potrebi zamijenite istrošene dijelove.

Svaki mjesec ili dva sata

Provjerite ove stavke svaki mjesec ili dva sata, što bude prvo.

Stavka	Pregled
Okruženja	Konfiguracija elementa pričvršćivača za isključivanje
Cilindar.	Izvučite klip cilindra. Obrišite klip cilindra mekom krpom i kućnim sredstvom za čišćenje.
Kabeli i žice	Provjerite da nema žica koje vise iz usmjerenja ili priključaka
Manualna rezervna ručka za otpuštanje	Provjerite funkcije manualne rezervne ručke za otpuštanje
Podnica	Okvir i podnica
Postolje	Okvir i postolje
Kotači	Provjerite jesu li svi kotači pričvršćeni, kotrljaju se i okreću

Stavka	Pregled
Odjeljak za glavu	Provjerite radi li sigurnosna prečka. Povucite prema odjeljku za glavu da provjerite da se sigurnosna prečka njiše i okreće slobodno te se vraća u početni položaj.
Funkcija sigurnosti	Provjerite rade li sigurnosni remenovi bez prekomjernog habanja (kao što je savijen ili slomljen spremnik ili zaporna pločica ili pokidan ili istrošen remen)
Baterija	Prije prve i svake naredne upotrebe provjerite da nema pukotina ili oštećenja na kućištu SMRT Pak baterije i površini s priključcima.
Punjač	Za SMRT punjač i dijelove provjerite ima li rezova na kabelima, savijenih čioda ili kontakata u kućištu prije prve i svake naredne uporabe

Svaka tri mjeseca ili šest sati

Provjerite ove stavke svaka tri mjeseca ili šest sati, što bude prvo.

Stavka	Pregled
Cilindar	Provjerite jesu li svi pričvršćivači pričvršćeni
	Hidraulična tekućina ne curi (crveno)
	Labavi nastavci - po potrebi zategnite
Hidraulika	Pričvršćivači motora su pričvršćeni
	Hidraulična tekućina ne curi
	Spremnik ne curi
Kabeli i žice	Provjerite da ožičenje, kabel ili vodovi nisu oštećeni ili priklješteni
	Provjerite da priključci nisu oštećeni
Manualna rezervna ručka za otpuštanje	Provjerite izvlači i uvlači li se postolje kada povučete manualnu rezervnu ručku za otpuštanje
	Provjerite da se krevet ne spušta kada povučete manualnu rezervnu ručku za otpuštanje, a na krevetu se nalazi 100 lb (45 kg) težine
Podnica	Provjerite jesu li svi pričvršćivači pričvršćeni
	Provjerite radi li cilindar naslona za leđa
	Po potrebi podesite pneumatski cilindar za puni raspon pokreta
Postolje	Provjerite jesu li svi pričvršćivači pričvršćeni
Okvir u obliku slova X	Provjerite izvlači i uvlači li se okvir u obliku slova X

Stavka	Pregled
Odjeljak za glavu	Provjerite jesu li svi pričvršćivači pričvršćeni
	Provjerite izvlači i zaključava li se odjeljak za glavu
Dodatna oprema i dijelovi (opcijski)	Sva dodatna oprema i dijelovi rade (kao što je šipka za intravenoznu terapiju, produžetak funkcije sigurnosti, prečke za guranje i držač boce s kisikom)

Svakih šest mjeseci ili 12 sati

Provjerite ove stavke svakih šest mjeseci ili 12 sati, što bude prvo.

Stavka	Pregled
Hidraulika	Provjerite da crijeva i nastavci nisu oštećeni ili istrošeni
	Hidraulični brzinski osigurač - postavite oko 50 lb (23 kg) na krevet, podignite krevet uz pomoć dva rukovaoca, povucite manualnu rezervnu ručku za otpuštanje, brzo spustite krevet i pazite da ne padne
Elektroničke kontrole	Izvučite krevet u podignuti položaj, izmjerite i provjerite utovarnu visinu
	Provjerite radi li funkcija skokovitog kretanja
	Provjerite radi li brzo uvlačenje
Prekidači	Provjerite da nijedan prekidač nije oštećen ili istrošen
	Provjerite rade li oba prekidača
Podnica	Provjerite da nema savijenih, slomljenih ili oštećenih komponenti
	Provjerite da nema oštećenja ili poderotina na rukohvatima kreveta
	Provjerite rade li i zaključavaju li se bočne ograde
	Provjerite radi li naslon za noge
Madrac	Provjerite da nema pukotina ili poderotina
Postolje	Provjerite da nema savijenih, slomljenih ili oštećenih komponenti
Kotači	Provjerite da nema nečistoće
Odjeljak za glavu	Provjerite da nema savijenih, slomljenih ili oštećenih komponenti
	Provjerite da nema prekomjernih oštećenja ili poderotina na gredi za držanje
	Provjerite jesu li utovarni kotači pričvršćeni i kotrljaju li se
Nogara (opcija)	Podmažite oprugu i kućište unutarnje opruge (opcija) nogare mazivom Tri-Flow® .

Svakih 12 mjeseci ili 24 sata

Provjerite ove stavke svakih 12 mjeseci ili 24 sata, što nastupi prije.

Stavka	Pregled
Postavke	Provjerite pristaju li krevet i pričvršćivač i rade li
Cilindar	Cilindar je podešen - učvršćivač je pritegnuta i krevet se prestaje kretati kada dođe do graničnika
Manualna rezervna ručka za otpuštanje	Provjerite vraća li se u sklopljeni položaj
Podvozje	Provjerite jesu li svi varovi čitavi, da nisu napukli ili slomljeni
	Provjerite jesu li naljepnice upozorenja prisutne i čitljive
Postolje	Provjerite jesu li svi varovi čitavi, da nisu napukli ili slomljeni
Kotači	Provjerite i podesite blokade kotača
Držać boce s kisikom na sklopivom odjeljku za glavu (opcija)	Provjerite jesu li istrošeni remeni i kopče
Platforma defibrilatora (opcija)	Provjerite da kopče nisu pohabane ili pokidane
	Provjerite jesu li kuke kopči čitave i pričvršćene

Informacije o elektromagnetskoj kompatibilnosti

OPREZ

- Uporaba opreme, pretvornika i kabela koji nisu navedeni ili koje nije isporučio proizvođač može dovesti do pojačanog elektromagnetskog zračenja ili smanjenog elektromagnetskog imuniteta, što dovodi do nepravilnog rada.
- Emisijske značajke ove opreme čine ju pogodnom za uporabu u industrijskim područjima i bolnicama (CISPR 11, klasa A). Ako se u stambenom okruženju, za koje je obično potreban CISPR 11, klasa B, ova oprema možda neće pružiti odgovarajuću zaštitu radiokomunikacijskim uslugama. Korisnik će možda morati poduzeti zaštitne mjere, kao što su promjena položaja ili orijentacije opreme.

Upute i izjava proizvođača - elektromagnetska zračenja

Power-PRO krevet i **SMRT** punjač su prikladni za uporabu u niže opisanom elektromagnetskom okruženju. Kupac ili korisnik **Power-PRO** kreveta i **SMRT** punjača mora se pobrinuti da se koriste u takvom okruženju.

Provjera zračenja	Sukladnost	Elektromagnetsko okruženje
Radiofrekvencijska zračenja CISPR 11	Skupina 1	Power-PRO krevet i SMRT punjač koriste radiofrekvencijsku energiju samo za svoje unutarnje funkcije. Stoga su njegova radiofrekvencijska zračenja vrlo niska i nije vjerojatno da uzrokuju smetnje u obližnjoj elektroničkoj opremi.
Radiofrekvencijska zračenja CISPR 11	Power-PRO krevet: Klasa A	Power-PRO krevet je pogodan za sva okruženja osim kućanskih i onih koja su izravno povezana s javnom niskonaponskom električnom mrežom koja opskrbljuje stambene zgrade.
	SMRT punjač (6500-201-010): Klasa B	SMRT punjač pogodan je za sva okruženja, uključujući kućanska i ona koja su izravno povezana s javnom niskonaponskom električnom mrežom koja opskrbljuje stambene zgrade.
Harmonička zračenja IEC 61000-3-2	Power-PRO krevet: Nije primjenjivo SMRT punjač (6500-201-010): Klasa A	SMRT punjač pogodan je za sva okruženja, uključujući kućanska i ona koja su izravno povezana s javnom niskonaponskom električnom mrežom koja opskrbljuje stambene zgrade.
Naponska kolebanja Zračenja treperenja IEC 61000-3-3	Power-PRO krevet: Nije primjenjivo SMRT punjač (6500-201-010): sukladan	SMRT punjač pogodan je za sva okruženja, uključujući kućanska i ona koja su izravno povezana s javnom niskonaponskom električnom mrežom koja opskrbljuje stambene zgrade.

OPREZ

- Nemojte koristiti prenosivu radiokomunikacijsku opremu, uključujući i periferne uređaje poput antenskih kabela i vanjskih antena, na udaljenosti bližoj od 12 inča (30 cm) od bilo kojeg dijela **Power-PRO** kreveta i **SMRT** punjača, uključujući i kabele koje je naveo proizvođač.
- Izbjegavajte slaganje ili postavljanje druge opreme u blizini **Power-PRO** kreveta i **SMRT** punjača kako biste spriječili nepravilan rad proizvoda. Ukoliko je nužno koristiti ih zajedno, pažljivo provjerite rade li pravilno **Power-PRO** krevet i **SMRT** punjač te druga oprema.

Preporučene udaljenosti između prenosive i mobilne radiokomunikacijske opreme i Power-PRO kreveta i SMRT punjača

Power-PRO krevet i **SMRT** punjač namijenjeni su korištenju unutar elektromagnetskog okruženja s kontroliranim zračenim radiofrekvencijskim smetnjama. Kupac ili korisnik **Power-PRO** kreveta i **SMRT** punjača može, kako se preporučuje u nastavku, pomoći u sprječavanju elektromagnetskih smetnji održavajući minimalnu udaljenost između prenosive i mobilne radiokomunikacijske opreme (odašiljača) i **Power-PRO** kreveta i **SMRT** punjača u skladu s maksimalnom izlaznom snagom komunikacijske opreme.

Nazivna maksimalna izlazna snaga odašiljača W	Udaljenost prema frekvenciji odašiljača m		
	150 kHz do 80 MHz D=(1,2) (\sqrt{P})	80 MHz do 800 MHz D=(0,35) (\sqrt{P})	800 MHz do 2,7 GHz D=(0,70) (\sqrt{P})
0,01	0,12	0,04	0,07
0,1	0,38	0,11	0,22
1	1,20	0,35	0,70
10	3,79	1,11	2,21
100	12	3,50	7

Kod odašiljača maksimalne nazivne izlazne snage koja nije navedena u gornjoj tablici preporučenu udaljenost d u metrima (m) moguće je procijeniti koristeći jednadžbu primjenjivu na frekvenciju odašiljača, gdje je P maksimalna nazivna izlazna snaga odašiljača u vatima (W) prema proizvođaču odašiljača. Napomena 1: Pri 80 MHz i 800 MHz primjenjuje se udaljenost za viši frekvencijski pojas. Napomena 2: Ove upute nisu primjenjive na svaku situaciju. Na elektromagnetsko širenje utječu apsorpcija i refleksija konstrukcija, predmeta i ljudi.

Upute i izjava proizvođača - elektromagnetska otpornost

Power-PRO krevet i **SMRT** punjač su prikladni za uporabu u niže opisanom elektromagnetskom okruženju. Kupac ili korisnik **Power-PRO** kreveta i **SMRT** punjača mora se pobrinuti da se koriste u takvom okruženju.

Provjera otpornosti	Razina provjere IEC 60601	Razina sukladnosti	Elektromagnetsko okruženje - upute
Elektrostatsko pražnjenje (ESP) IEC 61000-4-2	±8 kV dodirnom ±15 kV zrakom	±8 kV dodirnom ±15 kV zrakom	Podovi moraju biti drveni, betonski ili od keramičkih pločica. Ako su podovi prekriveni sintetskim materijalom, relativna vlaga trebala bi iznositi najmanje 30 %.
Elektrostatski brzi tranzijent/ prasak IEC 61000-4-4	±2 kV za vodove napajanja ±1 kV za ulazne/izlazne vodove	Power-PRO: Nije primjenjivo SMRT punjač (6500-201-010): ±2kV za vodove napajanja +1 kV za ulazne/izlazne vodove	Kvaliteta mrežnog električnog napajanja mora biti na razinama koje odgovaraju uobičajenom trgovačkom ili bolničkom okruženju.

Upute i izjava proizvođača - elektromagnetska otpornost

<p>Naponski udar IEC 61000-4-5</p>	<p>± 1 kV od faze do faze ± 2 kV od faze do uzemljenja</p>	<p>Power-PRO krevet: Nije primjenjivo SMRT punjač (6500-201-010): ± 1 kV od faze do faze ± 2 kV od faze do uzemljenja</p>	<p>Kvaliteta mrežnog električnog napajanja mora biti na razinama koje odgovaraju uobičajenom trgovačkom ili bolničkom okruženju.</p>
<p>Padovi napona, promjene napona i kratki prekidi na ulaznim vodovima napajanja IEC 61000-4-11</p>	<p>0 % U_T za 0,5 ciklusa na 0°, 45°, 90°, 135°, 180°, 225°, 270° i 315° 0 % U_T za 1 ciklus 70 % U_T (pad od 30 % u U_T) za 25 ciklusa 0 % U_T za 250 ciklusa</p>	<p>Power-PRO krevet: Nije primjenjivo SMRT punjač (6500-201-010): 0 % U_T za 0,5 ciklusa na 0°, 45°, 90°, 135°, 180°, 225°, 270° i 315° 0 % U_T za 1 ciklus 70 % U_T (pad od 30 % u U_T) za 25 ciklusa 0 % U_T za 250 ciklusa</p>	<p>Kvaliteta mrežnog električnog napajanja mora biti na razinama koje odgovaraju uobičajenom trgovačkom ili bolničkom okruženju. Ako korisnik SMRT punjača zahtijeva neprestani rad tijekom prekida mrežnog električnog napajanja, preporučuje se napajanje kreveta putem neprekidnog izvora napajanja ili akumulatorske baterije.</p>
<p>Magnetsko polje pri frekvenciji mreže (50/60 Hz) IEC 61000-4-8</p>	<p>30 A/m</p>	<p>30 A/m</p>	<p>Magnetska polja frekvencije mreže moraju biti na razinama koje odgovaraju uobičajenim lokacijama uobičajenog trgovačkog ili bolničkog okruženja.</p>
<p>Električni vođeni tranzijenti na vodovima napajanja ISO 7637-2</p>	<p>prema normi ISO 7637-2</p>	<p>Power-PRO krevet: Nije primjenjivo SMRT punjač (6500-201-010): prema normi ISO 7637-2</p>	<p>Nije primjenjivo</p>

Napomena: U_T je napon izmjenične struje električne mreže prije primjene razine ispitivanja.

Upute i izjava proizvođača - elektromagnetska otpornost

<p>Provođena radiofrekvencija IEC 61000-4-6</p> <p>Zračena radiofrekvencija IEC 61000-4-3</p>	<p align="center">3 Vrms</p> <p>6 Vrms u ISM i amaterskim radiofrekvencijskim pojasevima 150 kHz do 80 MHz</p> <p align="center">10 V/m</p> <p>80 MHz do 2,7 GHz</p>	<p align="center">3 V</p> <p>6 Vrms u ISM i amaterskim radiofrekvencijskim pojasevima</p> <p align="center">10 V/m</p>	<p>Prenosivu ili mobilnu radiokomunikacijsku opremu treba koristiti podalje od bilo kojeg dijela Power-PRO kreveta ili SMRT punjača, uključujući kabele, i to ne bliže od preporučene udaljenosti izračunate jednadžbom koja se primjenjuje na frekvenciju odašiljača.</p> <p>Preporučena udaljenost</p> <p>$D=(1,2) (\sqrt{P})$</p> <p>$D=(0,35) (\sqrt{P})$</p> <p>80 MHz do 800 MHz</p> <p>$D=(0,70) (\sqrt{P})$</p> <p>800 MHz do 2,7 GHz</p> <p>gdje je P maksimalna izlazna nominalna snaga odašiljača u vatima (W) prema proizvođaču odašiljača, a d je preporučena udaljenost u metrima (m).</p> <p>Jakosti polja nepomičnih RF odašiljača, određene procjenom elektromagnetskog mjesta ^a, trebaju biti manje od razine sukladnosti za svaki frekvencijski pojas.^b</p> <p>Moguća je pojava smetnje u blizini opreme označene sljedećim simbolom:</p>
---	--	--	---



Napomena 1: Pri 80 MHz i 800 MHz primjenjuje se viši frekvencijski pojas.

Napomena 2: Ove upute nisu primjenjive na svaku situaciju. Na elektromagnetsko širenje utječu apsorpcija i refleksija konstrukcija, predmeta i ljudi.

Napomena 3: ISM (industrijski, znanstveni i medicinski) frekvencijski pojasevi između 0,15 MHz i 80 MHz su 6,765 MHz do 6,795 MHz, 13,553 MHz do 13,567 MHz, 26,957 MHz do 27,283 MHz i 40,66 MHz do 40,70 MHz. Amaterski radiofrekvencijski pojasevi između 0,15 MHz i 80 MHz su 1,8 MHz do 2,0 MHz, 3,5 MHz do 4,0 MHz, 5,3 MHz do 5,4 MHz, 7 MHz do 7,3 MHz, 10,1 MHz do 10,15 MHz, 14 MHz do 14,2 MHz, 18,07 MHz do 18,17 MHz, 21,0 MHz do 21,4 MHz, 24,89 MHz do 24,99 MHz, 28,0 MHz do 29,7 MHz i 50,0 MHz do 54,0 MHz.

Barella Power-PRO™ TL

Manuale d'uso


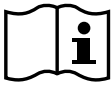


















REF 6550















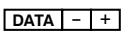








CE

IT

Simboli

	Fare riferimento al manuale o all'opuscolo delle istruzioni
	Consultare le istruzioni per l'uso
	Marcatura CE
	Mandatario per la Comunità europea
	Dispositivo medico europeo
	Avvertenza generale
	Attenzione
	Avvertenza: pericolo di schiacciamento mani
	Avvertenza: radiazioni non ionizzanti
	Vietato spingere
	Non lubrificare
	Numero di listino
	Codice del numero di lotto
	Numero di serie
	Per i brevetti USA, vedere www.stryker.com/patents
	Fabbricante
	Data di fabbricazione
	Importatore
	Peso dell'apparecchiatura con carico operativo di sicurezza
	Carico operativo di sicurezza

	Parte applicata di tipo B
	Parte applicata di tipo BF
	Apparecchiatura medica classificata da Underwriters Laboratories Inc. esclusivamente in merito ai pericoli meccanici, di incendio e di scossa elettrica in conformità agli standard ANSI/AAMI ES60601-1:2012 e CAN/CSA-C22.2 n. 60601-1:14.
	Corrente continua
	Corrente alternata
	Apparecchiatura elettrica di classe II: apparecchiatura in cui la protezione contro le scosse elettriche non dipende esclusivamente dall'isolamento di base, ma in cui sono fornite ulteriori precauzioni di sicurezza, come il doppio isolamento o l'isolamento rinforzato, non essendoci alcuna disposizione per la messa a terra di protezione o dipendenza dalle condizioni di installazione.
	Tensione pericolosa
	Sistema di alimentazione SMRT
	Estendere
	Retrarre
IPX0	Nessuna protezione
IPX6	Protezione dai getti d'acqua potenti
	Ai sensi della direttiva europea 2012/19/UE sui rifiuti di apparecchiature elettriche ed elettroniche (RAEE) modificata, questo simbolo indica che il prodotto è soggetto a raccolta differenziata per il riciclaggio. Non smaltire come rifiuto comunale non differenziato. Contattare il distributore locale per informazioni sullo smaltimento. Assicurarsi che il dispositivo infetto sia decontaminato prima del riciclaggio.
	Direttiva RAEE (2012/96/CE). Contiene cadmio.
	La Rechargeable Battery Recycling Corporation (RBRC) è un'organizzazione di servizio pubblico senza fini di lucro che promuove il riciclo delle batterie portatili ricaricabili. Le batterie devono essere consegnate presso un apposito centro di raccolta. Visitare il sito RBRC (www.rbrc.org) per conoscere il centro di raccolta più vicino o telefonare al numero riportato sul simbolo del riciclo.
	Contiene celle al nickel-cadmio e deve essere riciclato in base alle disposizioni vigenti
	Identificazione dei terminali della batteria (linea dati, negativo e positivo)
KRX 23/44	Identificazione celle Ni-Cd in base alla norma IEC 61951-1:2003

<p>2300 mAh (1.2A/2h)</p>	<p>Capacità della batteria, carica tipica e durata</p>
	<p>Non pulire con candeggina</p>
	<p>Cinghia di contenimento per le spalle</p>
	<p>Cinghia di contenimento per la vita a fibbia doppia</p>
	<p>Cinghia di contenimento per la vita a fibbia singola</p>
	<p>Cinghia di contenimento per le cosce</p>
	<p>Cinghia di contenimento per le caviglie</p>

Indice

Definizione dei termini Avvertenza, Attenzione e Nota	3
Riepilogo delle precauzioni di sicurezza	3
Punti di schiacciamento	6
Stabilità meccanica	7
Introduzione	9
Descrizione del prodotto	9
Indicazioni per l'uso	9
Benefici clinici	10
Controindicazioni	10
Vita utile prevista	10
Smaltimento/riciclaggio	10
Specifiche tecniche - Power-PRO	10
Regolamento europeo REACH	11
Standard con opzioni obbligatorie	12
Compatibilità del sistema di contenimento pediatrico Schnitzler	12
Specifiche tecniche - SMRT	13
Illustrazione del prodotto - Power-PRO	14
Illustrazione del prodotto - SMRT	14
Contatti	15
Posizione del numero di serie - Power-PRO	16
Posizione del numero di serie - SMRT	16
Installazione	17
Installazione	17
Installazione del dispositivo di ancoraggio per barella	17
Operazione	18
Controllo del livello di carica della batteria	18
Controllo del contatore orario e del display di segnalazione degli errori	18
Linee guida per l'uso	19
Tecniche per il corretto sollevamento	20
Trasferimento del paziente sulla barella	20
Trasporto della barella occupata da un paziente	20
Sollevamento e abbassamento della barella	21
Sollevamento, abbassamento o rilascio della barella in modalità elettrica	21
Sollevamento o abbassamento manuale della barella con i comandi manuali	22
Velocizzazione del carico con la modalità di retrazione ad alta velocità	23
Carico della barella sul dispositivo di ancoraggio per barella	23
Sbloccare la barella dal dispositivo di ancoraggio per barella	23
Carico della barella con elevatore	24
Scarico della barella con elevatore	25
Carico della barella su una rampa	25
Carico e scarico della barella con il portabombola di ossigeno opzionale	26
Posizionamento dei barellieri e degli assistenti	27
Sollevamento e abbassamento dello schienale	27
Sollevamento e abbassamento delle sponde laterali	28
Sollevamento e abbassamento delle sponde laterali (opzione XPS)	28
Estensione della sezione della testa o dei piedi retraibile	28
Retrazione della sezione retraibile della testa o dei piedi	29
Sollevamento e abbassamento dell'alzaginocchia opzionale	30
Innesto e disinnesto di un fermaruote	31
Innesto e disinnesto dello Steer-Lock opzionale	31
Fissare il paziente con le cinghie di contenimento	32
Aggiunta di una prolunga per la cinghia di contenimento	33
Fissaggio di un paziente con le cinghie di contenimento a X/XPR	33
Fissaggio delle cinghie di contenimento a X/XPR per le spalle	34
Fissaggio delle cinghie di contenimento a X/XPR per la vita	34
Fissaggio delle cinghie di contenimento a X/XPR per le cosce	35
Fissaggio delle cinghie di contenimento a X/XPR per le caviglie	35
Fissaggio del paziente con il sistema di contenimento per minori Pedi-Mate®	36
Fissaggio della piattaforma per defibrillatore	36
Gancio per le apparecchiature	39

Posizionamento dell'asta portaflebo a due sezioni	39
Posizionamento dell'asta portaflebo a tre sezioni opzionale.....	40
Fissaggio di una bombola di ossigeno al portabombola di ossigeno	41
Fissaggio delle barre di spinta opzionali	42
Rimozione e riposizionamento delle barre di sollevamento nell'apposita borsa.....	42
Collegamento dell'opzione rete portaoggetti per il carrello	43
Fissaggio della borsa portaoggetti per schienale.....	43
Applicazione del materasso	44
Inserimento di una batteria SMRT Pak.....	45
Rimozione della batteria SMRT Pak dalla barella.....	45
Conservazione della batteria	46
Ricarica della batteria SMRT Pak	46
Controllo del livello di carica della batteria SMRT Pak con il caricabatteria SMRT.....	47
Requisiti di installazione dell'energia elettrica	48
Installazione del caricabatteria SMRT	48
Installazione della staffa di montaggio opzionale.....	48
Fissaggio del caricabatteria sulla staffa di montaggio opzionale	49
Alimentazione del caricabatteria	50
Scollegamento del caricabatteria.....	51
Parti e accessori	52
Pulizia e disinfezione delle cinghie di contenimento XPR	54
Pulizia	55
Detergenti indicati	55
Pulizia del caricabatteria	56
Pulizia della batteria	56
Manutenzione preventiva	58
Lubrificazione	58
Ispezione ordinaria e regolazioni	58
Una volta al mese o ogni due ore	58
Ogni tre mesi o sei ore	59
Ogni sei mesi o 12 ore	60
Ogni 12 mesi o 24 ore	61
Informazioni sulla compatibilità elettromagnetica	62

Definizione dei termini Avvertenza, Attenzione e Nota

I termini **AVVERTENZA**, **ATTENZIONE** e **NOTA** indicano condizioni particolari a cui occorre prestare attenzione.

AVVERTENZA

Avvisa il lettore di una situazione che, se non viene evitata, potrebbe causare la morte o lesioni gravi. Può anche descrivere potenziali gravi reazioni indesiderate e pericoli per la sicurezza.

ATTENZIONE

Avvisa il lettore di una situazione potenzialmente pericolosa che, se non viene evitata, può provocare lesioni minori o moderate all'operatore o al paziente, oppure danni al prodotto o ad altri oggetti. Comprende anche le informazioni sulle misure speciali necessarie per l'uso efficiente e sicuro del dispositivo e sulle misure per evitare i danni causati dall'uso, corretto o improprio, del dispositivo.

Nota - Fornisce informazioni speciali per facilitare le operazioni di manutenzione o per chiarire istruzioni importanti.

Riepilogo delle precauzioni di sicurezza

Leggere sempre attentamente e seguire scrupolosamente tutte le avvertenze e le precauzioni elencate in questa sede. Eventuali interventi di assistenza o riparazione devono essere eseguiti esclusivamente da personale qualificato.

AVVERTENZA

- Durante le operazioni di carico, scarico o modifica dell'altezza della barella, tenere sempre le mani lontano dai perni rossi della barra di sicurezza.
- Utilizzare sempre entrambe le mani durante il trasporto della barella.
- Fare installare sempre il dispositivo di ancoraggio per barella esclusivamente da personale qualificato. L'installazione impropria potrebbe provocare lesioni al paziente o all'operatore.
- Assicurarci sempre che tutte le barelle soddisfino le specifiche tecniche di installazione per i sistemi di ancoraggio per barella di Stryker.
- Regolare sempre il gruppo bloccaguida in modo congruo alla posizione del perno bloccabarella, a seconda del fabbricante e del numero di modello della barella.
- Non rimuovere la batteria quando la barella è in funzione.
- Usare sempre il prodotto solo quando tutte le persone sono lontane dai meccanismi. Impigliarsi nei meccanismi motorizzati del prodotto può causare gravi lesioni.
- Prima di ogni uso esaminare sempre le batterie **SMRT Pak** per verificare l'eventuale presenza di danni.
- L'assistenza all'uso del prodotto deve essere vietata ad assistenti non qualificati.
- Afferrare sempre le maniglie nel modo corretto. Durante le manovre di carico, scarico o modifica dell'altezza della barella, tenere sempre le mani lontano dai perni rossi della barra di sicurezza.
- Non salire sulla base della barella.
- Non trasportare la barella di lato per evitare il rischio di ribaltamento. Trasportare la barella sempre in posizione abbassata, con davanti il lato testa o il lato piedi, per ridurre al minimo il rischio di ribaltamento.
- Tenere sempre mani, dita e piedi lontano dalle parti in movimento. Usare cautela nell'avvicinare mani e piedi ai tubi della base durante le operazioni di sollevamento o abbassamento della barella.
- Installare sempre il sistema di disattivazione automatica del dispositivo di ancoraggio su qualsiasi veicolo di emergenza che verrà utilizzato con questa barella e un dispositivo di ancoraggio per barella con design biforcuto.
- Eseguire sempre il monitoraggio del paziente quando la barella non è in funzione. Il sollevamento o l'abbassamento del dispositivo tramite il sistema idraulico potrebbe interferire temporaneamente con le apparecchiature elettroniche per il monitoraggio del paziente.
- Usare sempre tutte le cinghie di contenimento per fissare il paziente al prodotto. Se il paziente non è fissato, potrebbe cadere dal prodotto e riportare lesioni.
- Il paziente deve essere sorvegliato in ogni momento. Tenere saldo il prodotto quando è occupato da un paziente.
- Non innestare il fermaruote quando il prodotto è occupato da un paziente o durante gli spostamenti, onde evitare il rischio di ribaltamento.

- Non usare le sponde laterali come dispositivo di contenimento del paziente.
- Trasportare sempre la barella ad un'altezza inferiore per ridurre il rischio di ribaltamento. Se possibile, farsi assistere da altre persone o usare un percorso alternativo.
- Evitare sempre gli ostacoli alti, come scale e cordoli, o i terreni accidentati, per evitare il rischio di ribaltamento.
- Impegnare sempre due barellieri per sollevare o abbassare la barella se questa è occupata da un paziente.
- Prima di attivare l'elevatore con barella e paziente caricati, accertarsi sempre che la barella non rischi di scivolare fuori dall'elevatore. Verificare che il dispositivo di arresto del portone levatoio sia stato sottoposto a dovuta manutenzione e sia funzionante.
- Bloccare sempre la sezione della testa in posizione prima di manovrare la barella.
- Non caricare la barella nella cabina paziente del veicolo con la sezione della testa retratta. Se la barella viene caricata con la sezione della testa retratta, rischia di ribaltarsi o di non fissarsi al dispositivo di ancoraggio per barella.
- Non installare o innestare un fermaruote su un dispositivo che presenta ruote usurate di diametro inferiore a 6 pollici (15 cm).
- Non lasciare il paziente o l'occupante incustodito. Tenere saldo il prodotto mentre il paziente o l'occupante si trova su di esso.
- Usare sempre tutte le cinghie di contenimento per fissare il paziente alla barella. Un paziente senza cinghie di contenimento può cadere dalla barella.
- Non fissare le cinghie di contenimento ai tubi del carrello o ai tubi trasversali.
- Posizionare sempre la fibbia lontano dalle ostruzioni o dagli accessori sulla barella per evitare il rischio di sblocco accidentale del sistema di contenimento per pazienti pediatrici **Pedi-Mate®** con conseguenti lesioni al paziente.
- Non fissare la piattaforma per defibrillatore su una barella modello 6086 **Performance-PRO XT** con l'opzione **Power-LOAD**, per evitare il rischio di ribaltamento della barella.
- Bloccare sempre le barre di sollevamento nei relativi supporti, onde evitare che fuoriescano durante l'uso.
- Non sollevare il prodotto usando le barre di spinta.
- Riporre sempre le barre di spinta nella borsa portaoggetti alla base quando non in uso.
- Non aprire l'unità di alimentazione a batteria per nessun motivo, onde evitare il rischio di scossa. Se l'unità di alimentazione a batteria presenta segni di incrinatura o danneggiamento, non inserirla nel caricabatteria. Restituire le unità di alimentazione a batteria danneggiate al centro assistenza per il riciclaggio.
- Evitare sempre il contatto diretto con la batteria o gli alloggiamenti portabatteria se bagnati. Il contatto può causare lesioni al paziente o al barelliere.
- Non inserire una batteria **SMRT Pak** incrinata o danneggiata nel caricabatteria **SMRT**. Restituire le batterie **SMRT Pak** danneggiate ad un centro assistenza per il riciclaggio.
- L'installazione della staffa di montaggio opzionale e del caricabatteria **SMRT** deve sempre essere effettuata da un meccanico certificato, che conosce la struttura del veicolo ambulanza.
- Il montaggio del caricabatteria **SMRT** sulla staffa di montaggio opzionale deve sempre essere effettuato in un armadietto chiuso e fuori dalla portata del paziente durante il trasporto, per soddisfare gli standard per i crash test vigenti.
- Accertarsi sempre che la staffa di montaggio opzionale sia fissata saldamente alla superficie.
- Utilizzare sempre dispositivi di protezione individuale appropriati durante il lavaggio a pressione, per evitare il contagio per inalazione. Gli apparecchi per il lavaggio a pressione possono diffondere la contaminazione nell'aria.
- Per il rischio di infortunio durante le operazioni di pulizia della batteria **SMRT Pak**, indossare sempre guanti di gomma isolati, oltre ai dispositivi di protezione individuale.
- Prima di cominciare a pulire, scollegare sempre il caricabatteria **SMRT** dalla presa a parete, per evitare il rischio di scossa.
- Non disperdere liquidi sopra il caricabatteria **SMRT**.
- Non usare dispositivi elettrici per la pulizia del caricabatteria **SMRT**.
- Non pulire il caricabatteria **SMRT** con solventi, lubrificanti o altre sostanze chimiche, salvo laddove diversamente indicato.
- Non immergere il caricabatteria **SMRT** in acqua e avere cura di non accumulare acqua sulla parte superiore del caricabatteria **SMRT**, per evitare il rischio di scossa.
- Utilizzare sempre materiali non conduttivi per pulire la batteria **SMRT Pak**.
- Evitare sempre l'eccessiva esposizione all'acqua dei terminali della batteria **SMRT Pak**.
- Fare sempre riferimento alla scheda di sicurezza (SDS) del disinfettante per verificare l'intervallo di pH. I disinfettanti con livelli di pH superiori a 10,5 possono causare la rottura del materiale di cui è composto l'alloggiamento della batteria **SMRT Pak**.

- Non maneggiare o toccare direttamente i terminali della batteria **SMRT Pak** durante la pulizia per evitare il rischio di lesioni.
- Non immergere la batteria **SMRT Pak** nei liquidi per ridurre il rischio di scossa elettrica.
- Non usare solventi, lubrificanti o altre sostanze chimiche per pulire la batteria **SMRT Pak**, salvo laddove diversamente indicato.
- Ridurre sempre la pressione prima di scollegare l'impianto idraulico o le altre linee. Una fuga di fluido sotto pressione può penetrare nella pelle causando gravi lesioni. Stringere tutte le connessioni prima di applicare la pressione. In caso di incidente, consultare immediatamente un medico.
- Non utilizzare le mani nude per controllare le perdite dell'impianto idraulico.

ATTENZIONE

- L'uso improprio di questo prodotto può provocare lesioni al paziente o all'operatore. Usare il prodotto esclusivamente nel modo descritto nel presente manuale.
- Non modificare il prodotto né alcuno dei suoi componenti. La modifica del prodotto può causare un funzionamento imprevedibile e provocare lesioni al paziente o all'operatore. Eventuali modifiche apportate al prodotto, inoltre, ne invalidano la garanzia.
- Non utilizzare il prodotto con cinghie di contenimento incompatibili.
- Caricare sempre la batteria prima di mettere in servizio il dispositivo. Una batteria scarica o esaurita può essere causa di scarse prestazioni del dispositivo.
- Prima di cominciare a manovrare il prodotto, avere cura di eliminare eventuali ostacoli che potrebbero interferire e provocare danni all'operatore o al paziente.
- Abbassare sempre la barella nella posizione più bassa per essere certi che si agganci al dispositivo di ancoraggio per barella.
- Non cambiare l'altezza del prodotto quando è agganciato al dispositivo di ancoraggio.
- Non sedersi o mettersi in piedi sulle sponde laterali (opzione XPS).
- Non utilizzare le sponde laterali (opzione XPS) come dispositivo o superficie di trasferimento del paziente (ad esempio, per far scivolare un paziente dalla barella su un'altra superficie).
- Non posizionare i pazienti con tutto il peso sulle sponde laterali (opzione XPS).
- Non utilizzare le sponde laterali (opzione XPS) per spingere/tirare o per guidare il prodotto.
- Evitare che le cinghie di contenimento si impiglino nel telaio del carrello durante le operazioni di sollevamento o abbassamento della barella.
- Quando si utilizza la piattaforma per defibrillatore, fissarla sempre al dispositivo.
- Per fissare il defibrillatore, utilizzare e regolare sempre le cinghie fornite in dotazione con la piattaforma.
- Cambiare sempre la posizione di fissaggio o regolare le cinghie in base alla forma e alle dimensioni specifiche del defibrillatore.
- Non caricare la piattaforma per defibrillatore oltre il carico operativo di sicurezza di 30 libbre (13,6 kg).
- Non sovraccaricare il gancio per le apparecchiature oltre il carico operativo di sicurezza di 35 libbre (15,8 kg).
- Rimuovere sempre tutti gli accessori o le apparecchiature dall'apposito gancio quando sono all'interno del veicolo.
- Non caricare l'asta portaflebo oltre il carico operativo di sicurezza di 25 libbre (11,3 kg).
- Non caricare il portabombola di ossigeno al di sopra del carico operativo di sicurezza di 1,1 stone (6,8 kg) (15 libbre).
- Non utilizzare due portabombola di ossigeno contemporaneamente.
- Non caricare la rete portaoggetti per il carrello oltre il carico operativo di sicurezza di 20 libbre (9 kg).
- Prestare sempre attenzione quando si ritrae il carrello per evitare di danneggiare gli oggetti riposti nella rete portaoggetti.
- Non caricare la borsa portaoggetti per lo schienale oltre il carico operativo di sicurezza di 20 libbre (9 kg).
- Fare in modo che la borsa portaoggetti per lo schienale non interferisca con il funzionamento della sezione retrattile della testa.
- Non riporre alcun oggetto sotto il materasso. Gli oggetti sotto il materasso possono interferire con il funzionamento del prodotto.
- La batteria deve sempre essere rimossa se è previsto un tempo di inutilizzo della barella superiore a 24 ore.
- Posizionare sempre il cavo di alimentazione elettrica del caricabatteria **SMRT** in un punto tale da evitare il rischio di calpestarlo, inciamparvi o in altro modo provocare danni o sollecitazioni.
- Evitare il contatto dei terminali del bocchettone della batteria **SMRT Pak** con oggetti metallici.

- Per scollegare il caricabatteria **SMRT**, afferrare e tirare la spina, non il cavo, per evitare danni alla spina e al cavo.
 - Non applicare lubrificanti sulle superfici delle cinghie di contenimento.
 - Non pulire il prodotto con vapore o ultrasuoni.
 - La temperatura massima dell'acqua non deve superare i 180 °F (82 °C).
 - La pressione massima dell'acqua non deve superare i 1500 psi (103,4 bar). Se si usa una lancia di lavaggio per lavare il prodotto, tenere l'ugello a pressione a una distanza minima di 24 pollici (61 cm) dal prodotto.
 - Lasciare sempre asciugare all'aria.
 - Rimuovere sempre la batteria prima di lavare la barella.
 - Non pulire, riparare o sottoporre a manutenzione il prodotto mentre è in uso.
 - Non pulire la batteria **SMRT Pak** con il vapore o gli ultrasuoni.
 - Non superare la temperatura massima dell'aria per l'asciugatura di 240 °F (115 °C) (lavacarrelli).
 - Usare sempre componenti autorizzati per evitare il rischio di danni al prodotto.
 - Controllare sempre regolarmente i tubi e le linee per evitare danni alla barella. Controllare e serrare le connessioni allentate. Le linee idrauliche, i tubi e le connessioni possono funzionare male o allentarsi a causa di danni fisici, attorcigliamento, invecchiamento ed esposizione agli agenti ambientali.
 - Non ribaltare la barella sulle ruote di carico e azionare il dispositivo; in questo modo l'aria entrerà nel sistema idraulico.
 - Non lubrificare i cuscinetti del telaio a X perché ciò riduce le prestazioni della barella e può invalidare la garanzia.
 - L'uso di accessori, trasduttori e cavi diversi da quelli specificati o forniti dal fabbricante potrebbe comportare un aumento delle emissioni elettromagnetiche o una diminuzione dell'immunità elettromagnetica e provocare un funzionamento non corretto.
 - Le caratteristiche delle emissioni di questa apparecchiatura la rendono adatta all'uso in ambienti industriali e ospedalieri (CISPR 11 classe A). Se viene usata in un ambiente residenziale (per il quale è normalmente richiesta la conformità CISPR 11 classe B), potrebbe non offrire una protezione adeguata ai servizi di comunicazione a radiofrequenza. L'utilizzatore potrebbe dover adottare misure di attenuazione, come lo spostamento o il riorientamento dell'apparecchio.
 - Le apparecchiature di comunicazione a RF portatili (includere le apparecchiature periferiche quali i cavi antenna e le antenne esterne) non devono essere usate a una distanza inferiore a 12 pollici (30 cm) da qualsiasi parte di **Power-PRO** e del caricabatteria **SMRT**, inclusi i cavi specificati dal fabbricante.
 - Evitare di impilare o di collocare altre apparecchiature in posizione adiacente a **Power-PRO** e al caricabatteria **SMRT** per evitare di compromettere il funzionamento di questi prodotti. Se è necessaria tale disposizione d'uso, monitorare con attenzione **Power-PRO** e il caricabatteria **SMRT** e le altre apparecchiature per verificare che funzionino correttamente.
-

Punti di schiacciamento

AVVERTENZA - Durante le operazioni di carico, scarico o modifica dell'altezza della barella, tenere sempre le mani lontano dai perni rossi della barra di sicurezza.

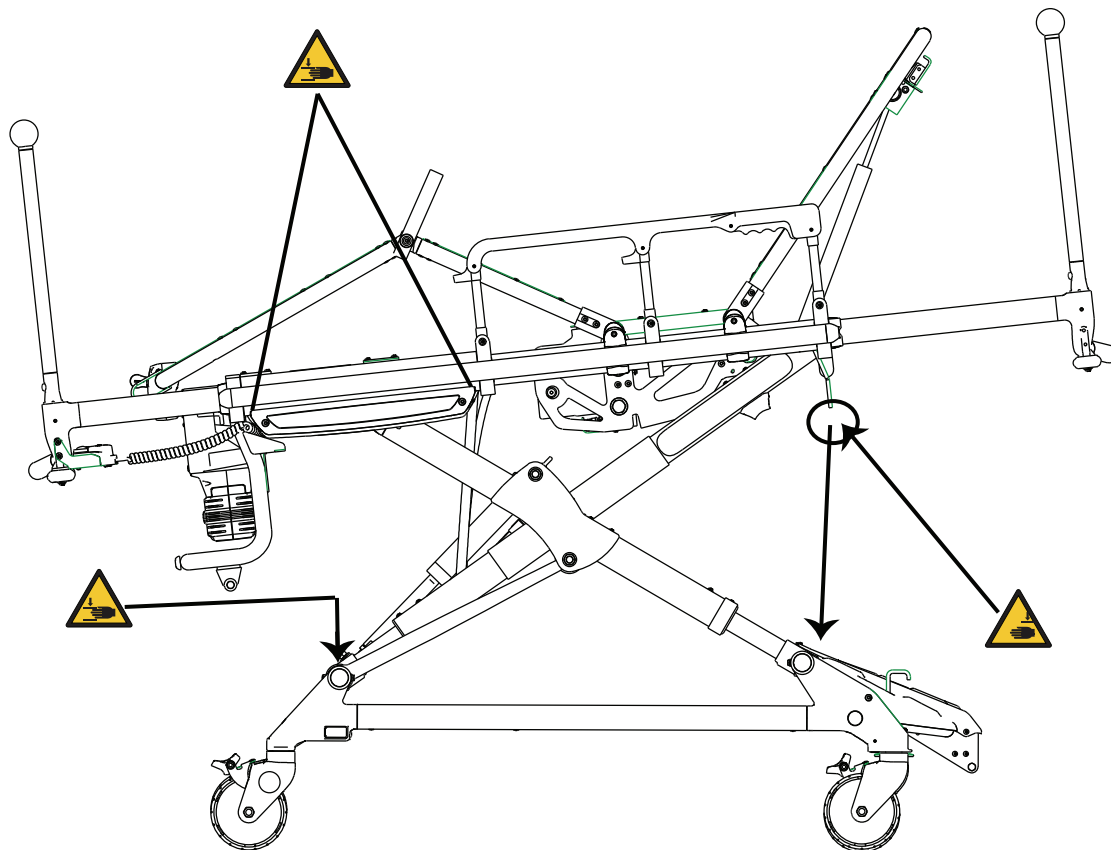


Figura 1 – Punti di schiacciamento

Stabilità meccanica

AVVERTENZA - Utilizzare sempre entrambe le mani durante il trasporto della barella.

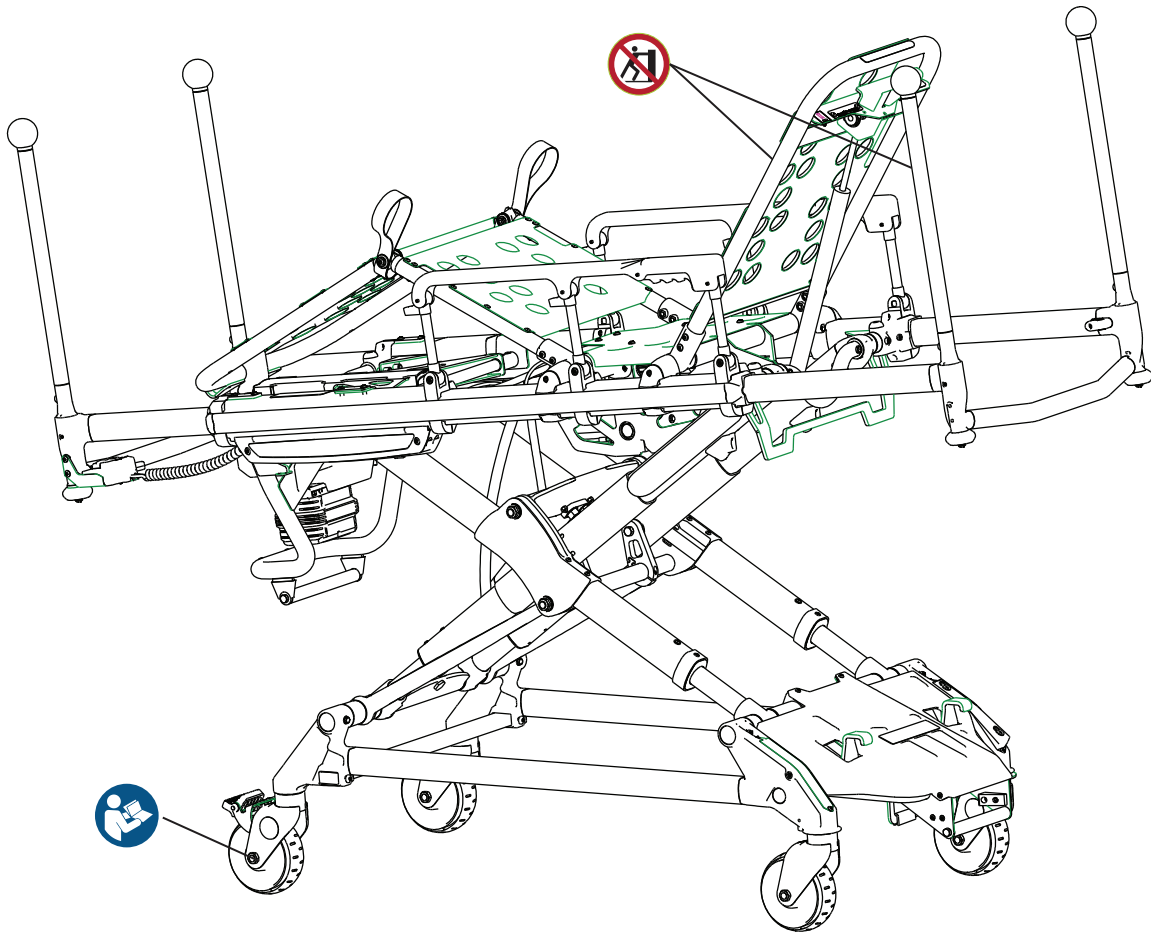


Figura 2 – Stabilità meccanica

Nota - Se la barella si trova su una superficie con inclinazione superiore a cinque gradi, collocarla nella posizione più bassa.

Introduzione

Il presente manuale descrive l'uso e la manutenzione del prodotto Stryker in dotazione. Leggere il presente manuale prima di procedere all'uso o alla manutenzione di questo prodotto. Stabilire metodi e procedure per istruire e addestrare il personale all'uso sicuro o alla manutenzione di questo prodotto.

ATTENZIONE

- L'uso improprio di questo prodotto può provocare lesioni al paziente o all'operatore. Usare il prodotto esclusivamente nel modo descritto nel presente manuale.
 - Non modificare il prodotto né alcuno dei suoi componenti. La modifica del prodotto può causare un funzionamento imprevedibile e provocare lesioni al paziente o all'operatore. Le modifiche apportate al prodotto, inoltre, ne invalidano la garanzia.
-

Nota

- Il presente manuale è da considerarsi parte integrante del prodotto e deve rimanere con esso anche in caso di vendita.
- Stryker è costantemente impegnata ad apportare miglioramenti al design e alla qualità dei propri prodotti. Il presente manuale contiene le informazioni sul prodotto più aggiornate disponibili al momento della stampa. Possono esserci piccole discrepanze tra il prodotto e il presente manuale. Per eventuali chiarimenti, rivolgersi al servizio clienti o al servizio di assistenza tecnica Stryker al numero +1 800 327 0770.

Descrizione del prodotto

La barella **Power-PRO™ TL** modello 6550 di Stryker è una barella autocaricante elettrica costituita da una piattaforma montata su un telaio a X con ruote, progettata per sorreggere e trasportare un peso massimo di 700 libbre (318 kg) negli ambienti pre-ospedalieri e ospedalieri.

Il dispositivo è pieghevole e destinato all'uso su veicoli d'emergenza e il sistema di sollevamento idraulico azionato con batteria NiCd consente ai barellieri di sollevare e abbassare la barella mediante l'impiego di comandi elettrici. La barella è dotata di una maniglia di sblocco manuale di riserva che consente di eseguire tutte le funzioni della barella in caso di interruzione dell'alimentazione elettrica. Il dispositivo è dotato dei seguenti componenti: sezioni della testa e dei piedi retrattili per ridurre l'impronta e consentire di massimizzare la manovrabilità della barella in spazi angusti, sponde laterali, cinghie per il fissaggio del paziente, schienale pneumatico regolabile e vari accessori opzionali di ausilio durante il trasporto del paziente. La possibilità di regolare il lettino in tre posizioni diverse, antishock, a gambe distese e alzaginocchia opzionale, offre al paziente il massimo comfort.

Il sistema di alimentazione **SMRT™** è costituito da un caricabatteria **SMRT** e da una batteria **SMRT Pak**. La batteria **SMRT Pak** alimenta il sistema di sollevamento idraulico delle barelle autocaricanti elettriche di Stryker.

Indicazioni per l'uso

Power-PRO TL di Stryker è una barella elettrica con ruote, destinata a supportare e trasportare l'intero corpo di un paziente umano traumatizzato, ambulatoriale o non ambulatoriale (adulti e minori).

Il sistema di sollevamento idraulico alimentato a batteria aiuta a ridurre lo sforzo richiesto dal barelliere per sollevare e abbassare la barella. Il dispositivo è stato progettato con il duplice scopo di offrire sostegno al paziente in posizione supina (orizzontale) o seduta e agevolare il trasporto dei relativi dispositivi medici (come bombole di ossigeno, monitor o pompe) su veicoli di trasporto d'emergenza o non emergenza. Questa barella autocaricante è destinata all'uso negli ambienti pre-ospedalieri e ospedalieri, nonché nelle applicazioni di emergenza e non emergenza. Il dispositivo ha una capacità massima di 318 kg (700 libbre) (somma del peso di paziente, materasso e accessori) e i barellieri addetti all'uso del dispositivo sono professionisti qualificati, inclusi gli addetti al servizio di pronto soccorso e il personale medico dei centri di cura, nonché i medici di primo intervento.

La barella **Power-PRO TL** non è destinata all'uso per lunghe degenze o come letto di ospedale, oppure all'interno di dispositivi che modificano la pressione dell'aria, come le camere iperbariche.

Benefici clinici

Barella: trasporto del paziente

Dispositivo di ancoraggio: supporto della barella per il trasporto

Barella e sistema di ancoraggio: supporto e trasporto dei pazienti

Controindicazioni

Nessuna nota.

Vita utile prevista

La barella **Power-PRO**, in condizioni d'uso normali e sottoposta a idonea manutenzione periodica, ha una vita utile prevista di sette anni.


Il caricabatteria **SMRT**, in condizioni d'uso normali e sottoposto a idonea manutenzione periodica, ha una vita utile prevista di sette anni.

La batteria **SMRT Pak**, in condizioni d'uso normali, ha una vita utile prevista di due anni.

Smaltimento/riciclaggio

Seguire sempre le raccomandazioni e/o i regolamenti locali in vigore che disciplinano la protezione ambientale e i rischi associati al riciclaggio o allo smaltimento dell'apparecchiatura al termine della sua vita utile.

Specifiche tecniche - Power-PRO

	Nota - Per carico operativo di sicurezza si intende il peso complessivo del paziente, del materasso e degli accessori.	700 libbre	318 kg
Massima capacità di sollevamento non assistita		700 libbre	318 kg
Articolazione dello schienale/posizione anti-shock (alzaschiena standard - 6506-012-003)		0° - 73°/+15°	
Articolazione dello schienale/posizione anti-shock (opzione alzaschiena 1865 - 6506-012-004)		0° - 75°/+15°	
Lunghezza complessiva		81 pollici	206 cm
Lunghezza standard/Lunghezza minima/Larghezza		76,5 pollici/55 pollici/23 pollici	194,3 cm/139,7 cm/58 cm
Altezza ¹		Regolabile da 14 pollici a 41,5 pollici	Regolabile da 36 cm a 106 cm
Peso ²		145 libbre	66 kg
Diametro/larghezza ruota piroettante		6 pollici/2 pollici	15 cm/5 cm
Numero minimo di barellieri richiesti per caricare/scaricare una barella occupata		2	

Numero minimo di barellieri richiesti per caricare/scaricare una barella non occupata	1
Sistemi di ancoraggio raccomandati	Modello 6385, 6386, 6387, 6388 o 6389
Blocco a due ruote/Blocco a quattro ruote	Standard/Opzionale
Olio idraulico	Numero di parte Stryker 6500-001-293
Sistema di alimentazione	
Batteria	NiCd da 24 V c.c. - Sistema di alimentazione SMRT
Caricabatteria	100-240 V c.a. 1,20 A, 50/60 Hz o 12 V c.a. 4,16 A - Sistema di alimentazione SMRT
Ciclo di servizio della barella	10% (33 s. accesa/5 min spenta)
Standard (barelle e caricabatterie)	ANSI/AAMI ES60601-1:2012, CAN/CSA-C22.2 No. 60601-1:14, KKK-A-1822 Per standard che richiedono opzioni specifiche, vedere <i>Standard con opzioni obbligatorie</i> (pagina 12)

¹ Altezza misurata dalla parte inferiore del materasso fino alla sezione seduta a livello del suolo.

² La barella viene pesata con una sola batteria e senza materasso e mezzi di contenimento.

Stryker si riserva il diritto di modificare le specifiche tecniche senza preavviso.

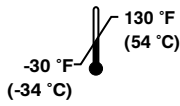
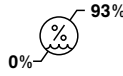
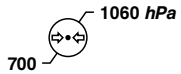
La barella **Power-PRO TL** è progettata per essere conforme alle specifiche tecniche federali per le ambulanze contrassegnate dal simbolo internazionale di soccorso "Star-of-Life" (KKK-A-1822).

La barella **Power-PRO TL** è progettata per essere compatibile con alcuni sistemi di ancoraggio per barella della concorrenza.

Brevetti in corso di registrazione.

Lo schema a colori in giallo e nero è un marchio commerciale proprietario di Stryker Corporation.

Le etichette possono non essere leggibili da distanze superiori a 12 pollici (30 cm).

Condizioni ambientali	Azionamento
Temperatura	
Umidità relativa	
Pressione atmosferica	

Regolamento europeo REACH

Ai sensi del regolamento REACH dell'Unione europea e di altre norme sulla tutela dell'ambiente, i componenti che contengono sostanze dichiarabili sono elencati di seguito.

Descrizione	Numero	Nome delle sostanze chimiche estremamente problematiche (Substance of Very High Concern, SVHC)
Materasso, con sostegno alzaginocchia	6550-001-084	(2H-benzotriazolo2-il)-4, 6-di-terz-pentilfenolo
Materasso, con sostegno alzaginocchia, XPS	6500-003-130	(2H-benzotriazolo2-il)-4, 6-di-terz-pentilfenolo
Materasso, con sostegno alzaginocchia, grigio	6506-003-130	(2H-benzotriazolo2-il)-4, 6-di-terz-pentilfenolo
Cella batteria Ni-CAD	6500-101-129	Cadmio, idrossido di cadmio
Gruppo asta a due segmenti	6070-210-070	Piombo
Gruppo asta a tre segmenti	6070-215-070	Piombo

Standard con opzioni obbligatorie

Per garantire la conformità agli standard, è necessario installare sulla barella le seguenti opzioni obbligatorie.

Standard	Opzione selezionata		
	Pacchetto di contenimento	Materasso	Opzione
Standard per crash-test BS EN 1789:2007 + A2:2014 con l'uso di un dispositivo di ancoraggio classificato come protettivo	Pacchetto di contenimento EMS (6060-160-010), pacchetto di contenimento a X (6500-001-430) o pacchetto di contenimento XPR (650600030010) Nota - Il pacchetto di contenimento a X e il pacchetto di contenimento XPR sono compatibili unicamente con il materasso XPS (6500-003-130/6506-003-130).	Materasso di sostegno con alzaginocchia (6550-001-084) oppure materasso XPS (6500-003-130/6506-003-130) (a seconda della sponda laterale della barella)	
BS EN 1865-3:2012 +A1:2015			Opzione XPS (6506-040-000)
BS EN 1865-2:2010 +A1:2015			Opzione alzaschienale 1865 (6506-012-004)

Compatibilità del sistema di contenimento pediatrico Schnitzler

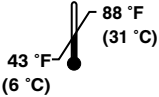
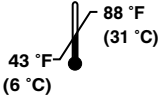
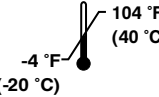
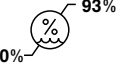
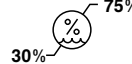
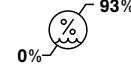
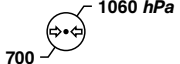
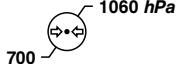
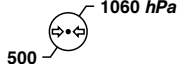
ATTENZIONE - Non utilizzare il prodotto con cinghie di contenimento incompatibili.

Materasso XPS (6500-003-130 o 6506-003-130)	Sistema di contenimento pediatrico Schnitzler (0058-384-000) con numero di serie inferiore a 720 XPSNPR-2123	Sistema di contenimento pediatrico Schnitzler (0058-384-000) con numero di serie uguale o superiore a 720 XPSNPR-2123
Materasso con codice lotto inferiore a 18001001	Compatibile	Compatibile
Materasso con codice lotto uguale o superiore a 18001001	Non compatibile	Compatibile

Il sistema di contenimento pediatrico Schnitzler (0058-385-000) è compatibile per l'uso con il materasso standard sul sistema Roll-In **M-1** Modello 6100, la barella **Power-PRO XT** Modello 6506 e la barella **Power-PRO TL** Modello 6550.

Specifiche tecniche - SMRT

	Caricabatteria SMRT	SMRT Pak	Alimentazione in c.a.
Ingresso elettrico	13,9 V c.c. 4,16 A	Non pertinente	100-240 V c.a. 1-2 A, 50/60 Hz
Uscita elettrica	Circuito aperto 40 V c.c. 1,20 A	24 V c.c. NiCd	12 V c.c. 4-6 A
Altezza	2,375 pollici (60,325 mm)	3,25 pollici (82,55 mm)	Varia
Larghezza	5,125 pollici (130,175 mm)	4 pollici (101,6 mm)	Varia
Lunghezza	7 pollici (177,8 mm)	5,75 pollici (146,05 mm)	Varia
Peso	1,3 libbre (0,59 kg)	3,8 libbre (1,7 kg)	Varia
Protezione alloggiamento	IPX0	IPX6	IPX0
Tipo di apparecchiatura	Non pertinente	Non pertinente	Classe II
Approvazioni	ANSI/AAMI ES 60601-1: 2012, CAN/CSA-C22.2 n. 60601-1:14	Non pertinente	Non pertinente

Condizioni ambientali	Azionamento	In carica	Conservazione e trasporto
Temperatura			
Relativa			
Pressione atmosferica			

Le specifiche tecniche sono approssimative e potrebbero variare da unità a unità o in seguito a fluttuazioni di energia elettrica.

Stryker si riserva il diritto di modificare le specifiche tecniche senza preavviso.

Illustrazione del prodotto - Power-PRO

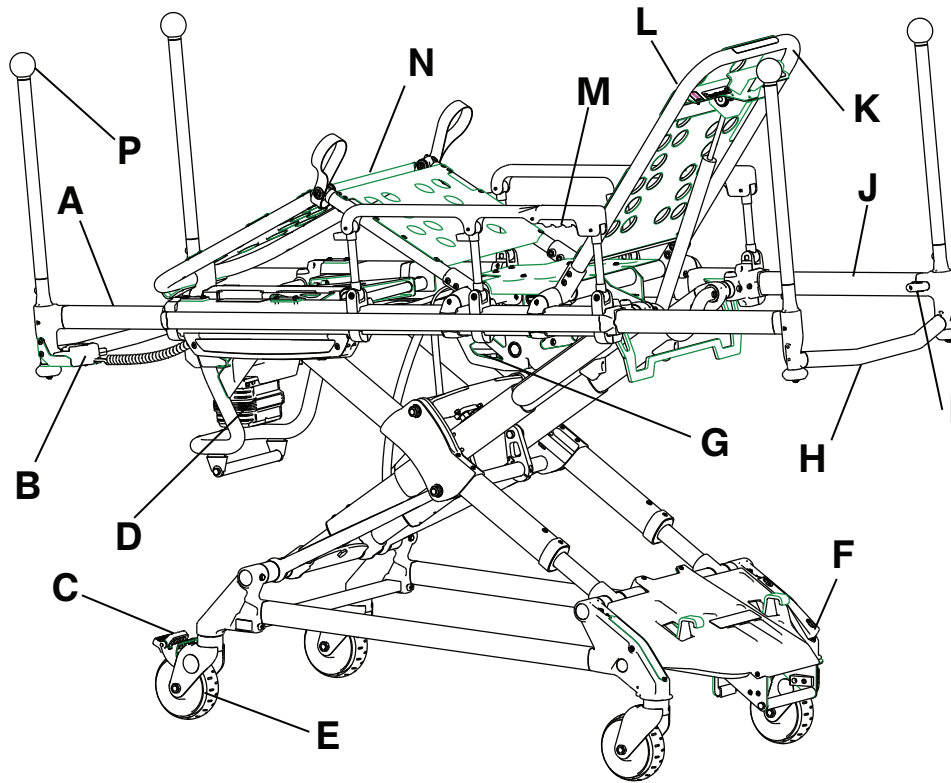


Figura 3 – Power-PRO TL

A	Sezione dei piedi retraibile	I	Batteria
B	Interruttore di regolazione dell'altezza	J	Sezione della testa retraibile
C	Fermaruote	K	Maniglia di regolazione dello schienale
D	Batteria	L	Schienale
E	Ruote di caricamento	M	Maniglia di sblocco della sponda laterale
F	Blocco di guida	N	Alzaginocchia/Poggiagamba
G	Gruppo idraulico	P	Barre di sollevamento (opzionali)
H	Maniglia di sblocco della sezione della testa		

Illustrazione del prodotto - SMRT

Sistema di alimentazione

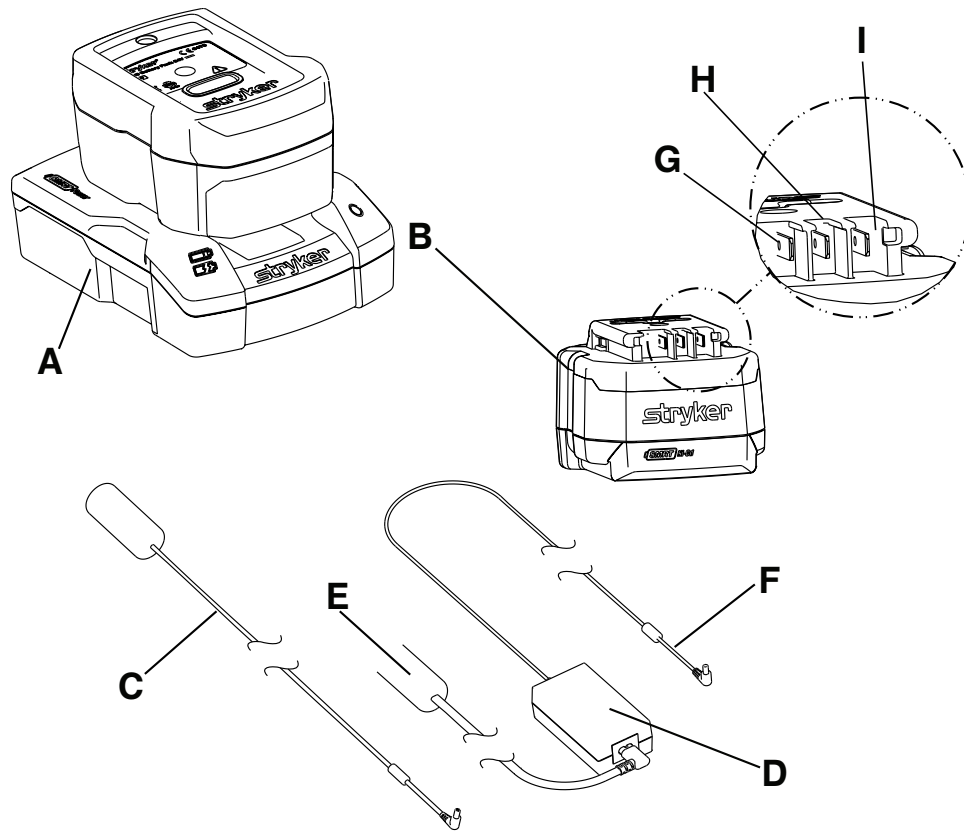


Figura 4 – SMRT

A	Caricabatteria SMRT	F	Cavo di uscita
B	Batteria SMRT	G	Dati
C	Cavo in c.c.	H	Alimentazione (-)
D	Alimentazione in c.a.	I	Alimentazione (+)
E	Cavo di alimentazione in c.a.		

Contatti

Rivolgersi al servizio di assistenza clienti o al servizio di assistenza tecnica Stryker chiamando il numero telefonico: 1-800-327-0770.

Stryker Medical
 3800 E. Centre Avenue
 Portage, MI 49002
 USA

Nota - L'utente e/o il paziente devono segnalare qualsiasi incidente grave correlato al prodotto sia al produttore sia all'autorità competente dello Stato membro europeo in cui risiede l'utente e/o il paziente.

Per la consultazione online del manuale d'uso o di manutenzione del prodotto, visitare <https://techweb.stryker.com/>.

Prima di chiamare il servizio di assistenza clienti o il servizio di assistenza tecnica Stryker, accertarsi di avere a disposizione il numero di serie (A) del prodotto Stryker. Tale numero di serie va incluso in tutte le comunicazioni per iscritto.

Posizione del numero di serie - Power-PRO

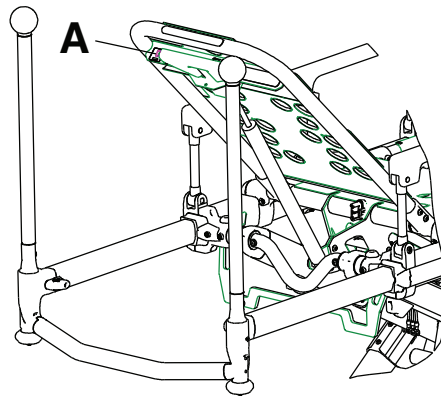


Figura 5 – Ubicazione del numero di serie

Posizione del numero di serie - SMRT

Il numero di serie del caricabatteria **SMRT** è riportato sul fondo dell'unità. Il numero di lotto della batteria **SMRT** è riportato sul lato superiore della batteria **SMRT**, sopra il tasto di rilascio rosso.

Installazione

Durante l'installazione, aprire i cartoni e verificare l'integrità di tutti i componenti. Prima di mettere in servizio il dispositivo assicurarsi che funzioni correttamente.

Prima dell'uso, rimuovere dal prodotto tutti i materiali di spedizione e di confezionamento.

La cabina paziente del veicolo in cui sarà usato il prodotto deve essere dotata di:

- Sufficiente superficie piana per ospitare il prodotto piegato
- Sistema di ancoraggio per barella di Stryker

Nota - La presenza di oggetti sparsi o residui di materiale sul pavimento della cabina paziente può interferire con il funzionamento del dispositivo di ancoraggio del prodotto. Tenere pulito il pavimento della cabina paziente.

Disimballare le batterie **SMRT** e il caricabatteria **SMRT**. Caricare la batteria **SMRT Pak** prima dell'uso.

Quando necessario, adattare il veicolo per consentire l'introduzione della barella. Non modificare la barella.

Installazione

Installazione del dispositivo di ancoraggio per barella

I sistemi di ancoraggio per barella di Stryker sono compatibili esclusivamente con le barelle conformi alle specifiche tecniche di installazione.

AVVERTENZA

- Fare installare sempre il dispositivo di ancoraggio per barella esclusivamente da personale qualificato. L'installazione impropria potrebbe provocare lesioni al paziente o all'operatore.
 - Assicurarsi sempre che tutte le barelle soddisfino le specifiche tecniche di installazione per i sistemi di ancoraggio per barella di Stryker .
 - Regolare sempre il gruppo bloccaguida in modo congruo alla posizione del perno bloccabarella, a seconda del fabbricante e del numero di modello della barella.
-

Queste istruzioni riguardano le barelle con sistemi di ancoraggio biforcati. Per le istruzioni sull'installazione dei dispositivi di ancoraggio per barella classificati come protettivi, consultare il manuale d'uso appropriato.

Operazione

Controllo del livello di carica della batteria

Per controllare il livello di carica della batteria **SMRT Pak**, utilizzare l'indicatore LED della batteria della barella. Una batteria **SMRT Pak** carica, in condizioni operative, fornisce alimentazione sufficiente per un massimo di 25 chiamate con un paziente di 250 libbre (113 kg) (i risultati effettivi possono variare). Il sistema **Power-PRO** da 24 V c.c. con batteria **SMRT Pak** ha una capacità nominale di 2,4 A/h.

AVVERTENZA - Non rimuovere la batteria quando la barella è in funzione.

ATTENZIONE - Caricare sempre la batteria prima di mettere in servizio il dispositivo. Una batteria scarica o esaurita può essere causa di scarse prestazioni del dispositivo.

Per controllare il livello di carica della batteria, premere il pulsante di retrazione (-) sull'interruttore della barella per attivare l'indicatore LED della batteria. L'indicatore LED della batteria della barella si trova nella scatola dei comandi al lato piedi (raffigurato con il simbolo di una batteria).

- Il LED è verde fisso quando la batteria è completamente carica o ha una carica sufficiente.

Nota - Per risultati ottimali, utilizzare la batteria **SMRT Pak** fino a quando l'indicatore LED passa da verde fisso ad ambrata lampeggiante.

- Il LED lampeggia in ambrata quando è necessario caricare o sostituire la batteria.

Nota - Per rimuovere e sostituire la batteria **SMRT Pak** non è necessario che l'indicatore LED lampeggi in ambrata, anche se questa è considerata la prassi migliore da seguire. È possibile rimuovere e ricaricare la batteria **SMRT Pak** in qualsiasi momento.

- Il LED ambrata fisso indica un errore della batteria.

Nota

- Utilizzare esclusivamente batterie approvate da Stryker.
- La batteria **SMRT Pak** viene alimentata automaticamente dal dispositivo elettrico di ancoraggio per barella, se quest'ultimo è fornito in dotazione. La ricarica automatica avviene quando si blocca la barella nel dispositivo di ancoraggio motorizzato (non occorrono né cavi né connettori). L'indicatore LED della batteria della barella lampeggia in verde per un momento a indicare che è in corso la ricarica.
- La ricarica automatica avviene solo con le batterie **SMRT Pak**.

Controllo del contatore orario e del display di segnalazione degli errori

Il contatore orario indica il numero di ore (HHHH.H ore) di utilizzo dell'impianto idraulico. Il display di segnalazione degli errori fornisce informazioni sulla codifica degli errori da utilizzare durante la risoluzione dei problemi.

Utilizzare il contatore orario (A) (Figura 6) per determinare la frequenza con cui eseguire la manutenzione preventiva. Utilizzare il display di segnalazione degli errori (A) per la risoluzione dei problemi. Quando si verifica un errore, le informazioni fornite dal display di segnalazione degli errori hanno la precedenza rispetto alle informazioni fornite dal display del contatore orario.

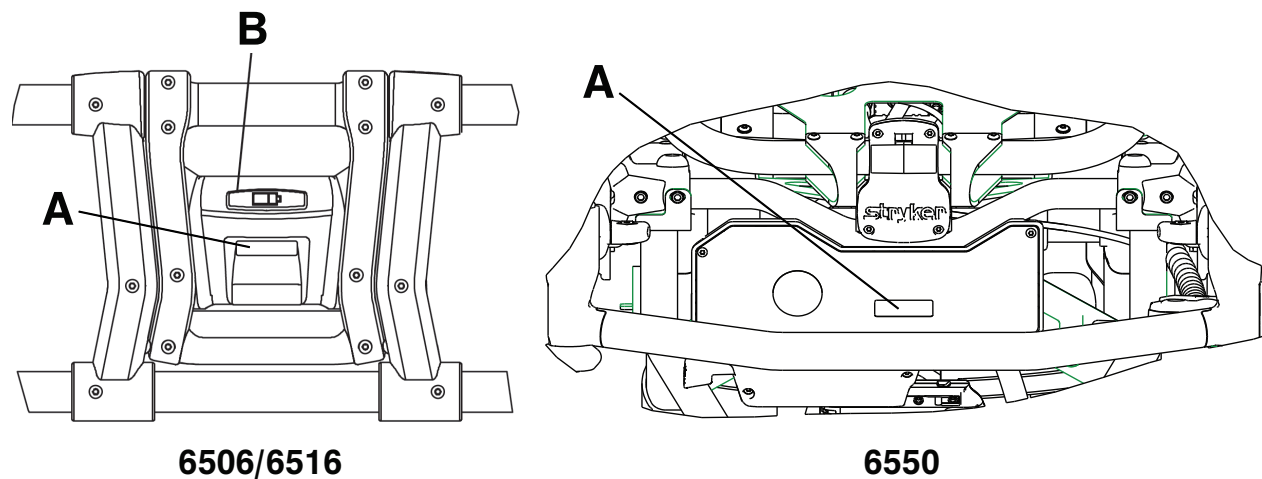


Figura 6 – Controllare il contatore orario (A), il display di segnalazione degli errori (A) e lo stato della batteria (B)

Linee guida per l'uso

AVVERTENZA

- Usare sempre il prodotto solo quando tutte le persone sono lontane dai meccanismi. Impigliarsi nei meccanismi motorizzati del prodotto può causare gravi lesioni.
- Prima di ogni uso esaminare sempre le batterie **SMRT Pak** per verificare l'eventuale presenza di danni.
- L'assistenza all'uso del prodotto deve essere vietata ad assistenti non qualificati.
- Afferrare sempre le maniglie nel modo corretto. Durante le manovre di carico, scarico o modifica dell'altezza della barella, tenere sempre le mani lontano dai perni rossi della barra di sicurezza.
- Non salire sulla base della barella.
- Non trasportare la barella di lato per evitare il rischio di ribaltamento. Trasportare la barella sempre in posizione abbassata, con davanti il lato testa o il lato piedi, per ridurre al minimo il rischio di ribaltamento.
- Tenere sempre mani, dita e piedi lontano dalle parti in movimento. Usare cautela nell'avvicinare mani e piedi ai tubi della base durante le operazioni di sollevamento o abbassamento della barella.
- Installare sempre il sistema di disattivazione automatica del dispositivo di ancoraggio su qualsiasi veicolo di emergenza che verrà utilizzato con questa barella e un dispositivo di ancoraggio per barella con design biforcuto.
- Eseguire sempre il monitoraggio del paziente quando la barella non è in funzione. Il sollevamento o l'abbassamento del dispositivo tramite il sistema idraulico potrebbe interferire temporaneamente con le apparecchiature elettroniche per il monitoraggio del paziente.

ATTENZIONE - Prima di cominciare a manovrare il prodotto, avere cura di eliminare eventuali ostacoli che potrebbero interferire e provocare danni all'operatore o al paziente.

- Usare il prodotto esclusivamente nel modo descritto nel presente manuale.
- Leggere tutte le etichette e le istruzioni riportate sul prodotto prima dell'uso.
- Esercitarsi a cambiare le posizioni in altezza e a caricare la barella fino a capire bene il meccanismo di funzionamento del prodotto.
- Esaminare l'alloggiamento della batteria **SMRT Pak** e l'area del terminale per eventuali lacerazioni o danni prima del primo e ad ogni uso.
- Se la barella è occupata, deve essere caricata o scaricata sempre da almeno due operatori qualificati. La barella occupata richiede sempre la presenza di due operatori. Stryker raccomanda che entrambi gli operatori si posizionino sul lato piedi per ridurre il carico su ciascun operatore. Il sollevamento può essere effettuato dal lato piedi della barella da uno o due operatori.
- Non regolare, manovrare o caricare la barella nel veicolo senza prima avvisare il paziente. Restare accanto al paziente e controllare il prodotto in ogni momento.

- La barella può essere trasportata in qualsiasi posizione. Stryker raccomanda che gli operatori trasportino il paziente nella posizione più bassa possibile, ma abbastanza comoda per la movimentazione della barella.
- Usare i fermaruote solo durante il trasferimento del paziente o quando il paziente non si trova sul prodotto.
- Non innestare il fermaruote quando il prodotto è occupato o durante la movimentazione, per evitare il rischio di ribaltamento.
- Se necessario, ricorrere ad assistenti qualificati per meglio controllare la barella.

Tecniche per il corretto sollevamento

Quando si solleva il dispositivo insieme all'occupante, seguire queste tecniche per un corretto sollevamento, per evitare il rischio di lesioni:

- Tenere le mani vicino al corpo
- Tenere la schiena dritta
- Coordinare tutti i movimenti insieme all'assistente o all'altro barelliere
- Sollevare le gambe
- Evitare torsioni

Trasferimento del paziente sulla barella

AVVERTENZA

- Usare sempre tutte le cinghie di contenimento per fissare il paziente al prodotto. Se il paziente non è fissato, potrebbe cadere dal prodotto e riportare lesioni.
 - Il paziente deve essere sorvegliato in ogni momento. Tenere saldo il prodotto quando è occupato da un paziente.
 - Non innestare il fermaruote quando il prodotto è occupato da un paziente o durante gli spostamenti, onde evitare il rischio di ribaltamento.
 - Non usare le sponde laterali come dispositivo di contenimento del paziente.
-

Istruzioni per il trasferimento del paziente sul prodotto:

1. Far scorrere il prodotto verso il paziente (*Trasporto della barella occupata da un paziente (pagina 20)*).
2. Posizionare il prodotto accanto al paziente e sollevare o abbassare il prodotto al livello del paziente.
3. Abbassare le sponde laterali e aprire le cinghie di contenimento.
4. Trasferire il paziente sul prodotto. Seguire le procedure accettate in materia di EMS.
5. Fissare il paziente al prodotto con tutte le cinghie di contenimento.
6. Alzare le sponde laterali e regolare lo schienale e il poggiatesta se necessario.

Trasporto della barella occupata da un paziente

AVVERTENZA

- Trasportare sempre la barella ad un'altezza inferiore per ridurre il rischio di ribaltamento. Se possibile, farsi assistere da altre persone o prendere una strada alternativa.
 - Evitare sempre gli ostacoli alti, come scale, barriere o terreni accidentati per evitare il rischio di ribaltamento.
-

To roll the cot with a patient:

1. Posizionare un barelliere al lato piedi e un altro al lato testa della barella.
2. Assicurarci che il lettino sia perpendicolare quando ci si avvicina alle soglie o ad altri ostacoli bassi.
3. Sollevare separatamente ogni gruppo di ruote al di sopra della soglia dello sportello o dell'ostacolo.

Sollevamento e abbassamento della barella

Una barella non occupata può essere sollevata o abbassata da un unico barelliere. Se la barella è occupata da un paziente, per sollevarla o abbassarla sono necessari due barellieri (uno per ciascun lato della barella).

AVVERTENZA

- Tenere sempre mani, dita e piedi lontano dalle parti in movimento. Usare cautela nell'avvicinare mani e piedi ai tubi della base durante le operazioni di sollevamento o abbassamento della barella.
 - Afferrare sempre le maniglie nel modo corretto. Durante le manovre di carico, scarico o modifica dell'altezza della barella, tenere sempre le mani lontano dai perni rossi della barra di sicurezza.
 - Impegnare sempre due barellieri per sollevare o abbassare la barella se questa è occupata da un paziente.
-

Istruzioni per il sollevamento o l'abbassamento della barella:

1. Barelliere 1 (lato piedi): Afferrare il telaio della barella e premere uno dei seguenti pulsanti:
 - Il pulsante di estensione (+) per sollevare la barella fino all'altezza desiderata
 - Il pulsante di retrazione (-) per abbassare la barella fino all'altezza desiderata
2. Barelliere 2 (lato testa): Mantenere stretta la presa sulla sponda esterna fino a quando la barella non raggiunge l'altezza desiderata.

Nota - Se si preme il pulsante di estensione (+) sull'interruttore della barella dopo che la barella ha raggiunto l'altezza di carico impostata, il motore resta fermo fino a quando il pulsante non viene rilasciato. Dopo aver rilasciato il pulsante, premerlo di nuovo per aumentare l'altezza della barella.

Sollevamento, abbassamento o rilascio della barella in modalità elettrica

Esistono due interruttori identici sulle barelle **Power-PRO**. Premere il pulsante su uno di questi interruttori per sollevare (estendere), abbassare (retrarre) o rilasciare la barella dal sistema **Power-LOAD**, se applicabile (Figura 7).

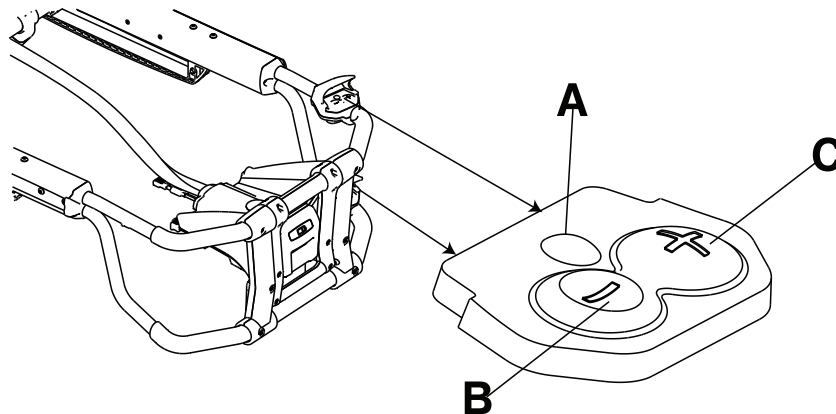


Figura 7 – Interruttori presenti sulla barella

Riferimento	Nome	Descrizione
A	Rilascio	Premere per sbloccare la barella (esclusivamente per l'uso con Power-LOAD)
B	Retrazione (-)	Premere e tenere premuto per abbassare il lettino o retrarre il carrello inferiore della barella
C	Estensione (+)	Premere e tenere premuto per sollevare il lettino o estendere il carrello inferiore della barella

Sollevamento o abbassamento manuale della barella con i comandi manuali

In assenza di funzionalità elettrica, è possibile utilizzare i comandi manuali della barella. Essi consentono il funzionamento del dispositivo in modalità manuale fino al ripristino delle funzioni alimentate elettricamente. Utilizzare la maniglia di sblocco manuale di riserva per sollevare o abbassare la barella.

La maniglia di sblocco manuale di riserva si trova sulla barra di sollevamento inferiore al lato piedi della barella, in corrispondenza del lato sinistro del paziente.

Per sollevare o abbassare la barella con la maniglia di sblocco manuale di riserva:

1. Entrambi i barellieri: Sollevare la barella durante la manovra di sollevamento o abbassamento per sorreggere il peso della barella in corrispondenza di ciascuna estremità.
2. Barelliere 1 (lato piedi):
 - a. Tirare la maniglia di sblocco manuale di riserva verso la barra di sollevamento.
 - b. Tirando la maniglia di sblocco manuale di riserva, sollevare o abbassare la barella fino alla posizione desiderata.
 - c. Rilasciare la maniglia per bloccare la barella in posizione

Nota

- Entrambi i barellieri dovranno sollevare il peso della barella dalle ruote per poter utilizzare le funzioni di estensione o retrazione manuale mentre un paziente si trova sulla barella.
- L'attivazione della maniglia di sblocco manuale di riserva potrebbe far abbassare la barella lentamente se il peso che poggia su di essa è inferiore a 23 kg (50 libbre).
- Il fluido idraulico diventa più viscoso se la barella viene utilizzata per periodi prolungati a basse temperature. Quando si utilizza la funzione di sblocco manuale di riserva per estendere la base, e le manovre di scarico della barella avvengono a basse temperature, mantenere la maniglia di sblocco manuale di riserva per circa un secondo dopo che le ruote della barella avranno toccato il suolo per ridurre al minimo l'incurvamento del lettino mentre si estrae la barella dalla cabina paziente del veicolo.

Velocizzazione del carico con la modalità di retrazione ad alta velocità

Premendo il pulsante di retrazione (-), la barella entra in modalità di retrazione ad alta velocità quando le ruote della barella non sorreggono il peso della barella e del paziente.

La modalità di retrazione ad alta velocità velocizza il carico della barella all'interno del veicolo. Quando le ruote non sorreggono più il peso della barella e del paziente, il carrello inferiore si ritrae nella posizione più alta. Premere il pulsante di retrazione (-) per azionare l'interruttore.

Carico della barella sul dispositivo di ancoraggio per barella

ATTENZIONE

- Abbassare sempre la barella nella posizione più bassa per essere certi che si agganci al dispositivo di ancoraggio per barella.
- Non cambiare l'altezza del prodotto quando è agganciato al dispositivo di ancoraggio.

To load the cot to the cot fastener:

1. Premere il pedale della barella e abbassare la barella. Premere il pulsante di retrazione (-) fino a quando il prodotto non scende più e abbassare la barella.
2. Far scorrere la barella sia nella sezione della testa sia nella sezione dei piedi del dispositivo di ancoraggio per barella fino a quando la barella scatta in posizione, bloccandosi (Figura 8).
3. Accertarsi che la barella sia fissata sia sulla sezione della testa sia sulla sezione dei piedi prima di lasciare la presa (Figura 9).



Figura 8 – Barella sia nel lato testa sia nel lato piedi del dispositivo di ancoraggio

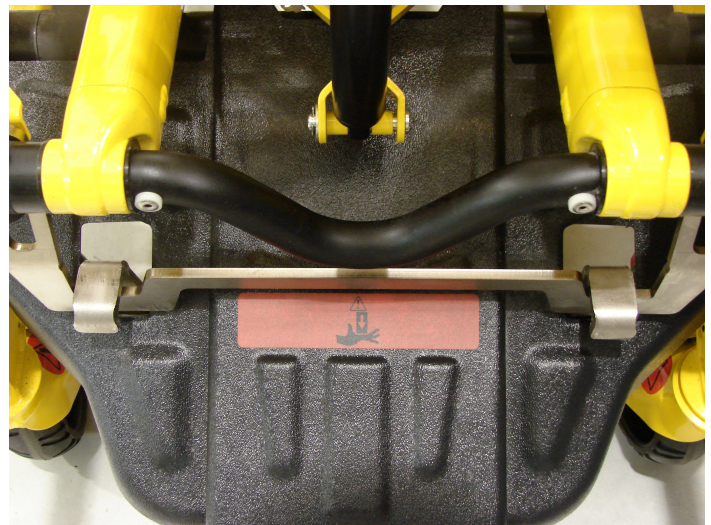


Figura 9 – Barella fissata nel dispositivo di ancoraggio

Sbloccare la barella dal dispositivo di ancoraggio per barella

Per sbloccare la barella dal dispositivo di ancoraggio per barella:

1. Premere il pedale (Figura 10).
2. Spingere il carrello fuori dalla cabina paziente del veicolo.



Figura 10 – Premere il pedale

Carico della barella con elevatore

Se la barella è occupata, deve essere caricata sul veicolo sempre da almeno due barellieri qualificati. La barella occupata richiede sempre la presenza di due operatori. I barellieri devono essere in grado di sollevare il peso totale derivante dalla somma del peso del paziente e di quello della barella e di qualsiasi oggetto posto sulla barella.

AVVERTENZA

- Prima di attivare l'elevatore con barella e paziente caricati, accertarsi sempre che la barella non rischi di scivolare fuori dall'elevatore. Verificare che il dispositivo di arresto del portone levatoio sia stato sottoposto a dovuta manutenzione e sia funzionante.
- Afferrare sempre le maniglie nel modo corretto. Durante le manovre di carico, scarico o modifica dell'altezza della barella, tenere sempre le mani lontano dai perni rossi della barra di sicurezza.

ATTENZIONE

- Abbassare sempre la barella nella posizione più bassa per essere certi che si agganci al dispositivo di ancoraggio per barella.
- Non cambiare l'altezza del prodotto quando è agganciato al dispositivo di ancoraggio.

Per caricare la barella:

1. Premere il pulsante di retrazione (-) per spostare la barella nella posizione più bassa ai fini di una maggiore stabilità.
2. Spingere la barella in avanti sull'elevatore, tenendo avanti il lato testa (Figura 11). Accertarsi che le rotelle siano in posizione sicura sull'elevatore al fine di consentire al dispositivo di arresto di sicurezza di scattare in posizione e impedire che la barella scivoli indietro.
3. Prima di sollevare l'elevatore, accertarsi che vi sia una distanza sufficiente tra la barella e il retro dell'ambulanza. Accertarsi che non penda nulla dalla barella.
4. Mentre uno dei due barellieri solleva l'elevatore, l'altro deve tenere saldo il telaio della barella per garantire una maggiore stabilità.
5. La barella deve essere introdotta nella cabina paziente del veicolo e agganciata al dispositivo di ancoraggio per barella sul veicolo (non incluso) da entrambi i barellieri (Figura 12).



Figura 11 – Barella sull'elevatore



Figura 12 – La barella viene introdotta nella cabina paziente del veicolo da entrambi i barellieri

Scarico della barella con elevatore

AVVERTENZA

- Prima di attivare l'elevatore con barella e paziente caricati, accertarsi sempre che la barella non rischi di scivolare fuori dall'elevatore. Verificare che il dispositivo di arresto del portone levatoio sia stato sottoposto a dovuta manutenzione e sia funzionante.
- Afferrare sempre le maniglie nel modo corretto. Durante le manovre di carico, scarico o modifica dell'altezza della barella, tenere sempre le mani lontano dai perni rossi della barra di sicurezza.

ATTENZIONE

- Abbassare sempre la barella nella posizione più bassa per essere certi che si agganci al dispositivo di ancoraggio per barella.
- Non cambiare l'altezza del prodotto quando è agganciato al dispositivo di ancoraggio.

Per scaricare la barella:

1. Accertarsi che il dispositivo di arresto del portone levatoio sia in posizione, onde evitare che la barella scivoli oltre la superficie dell'elevatore.
2. Sollevare l'elevatore al livello della cabina paziente del veicolo.
3. Rimuovere la barella dal dispositivo di ancoraggio per barella.
4. Entrambi i barellieri devono afferrare il telaio della barella e far scorrere la barella sull'elevatore. Rimuovere la barella dalla cabina paziente del veicolo e accertarsi che le ruote della barella siano nella posizione corretta per consentire il libero movimento dell'elevatore.
5. Abbassare l'elevatore a terra. Accertarsi che l'elevatore sia completamente abbassato e bloccato prima di sbloccare il dispositivo di arresto del portone levatoio dell'elevatore e consentire la discesa della barella dall'elevatore.

Carico della barella su una rampa

Se la barella è occupata, deve essere caricata sul veicolo sempre da almeno due barellieri qualificati. La barella occupata richiede sempre la presenza di due operatori. I barellieri devono essere in grado di sollevare il peso totale derivante dalla somma del peso del paziente e di quello della barella e di qualsiasi oggetto posto sulla barella.

AVVERTENZA - Afferrare sempre le maniglie nel modo corretto. Durante le manovre di carico, scarico o modifica dell'altezza della barella, tenere sempre le mani lontano dai perni rossi della barra di sicurezza.

ATTENZIONE

- Abbassare sempre la barella nella posizione più bassa per essere certi che si agganci al dispositivo di ancoraggio per barella.
 - Non cambiare l'altezza del prodotto quando è agganciato al dispositivo di ancoraggio.
-

Per caricare la barella:

1. Accertarsi che il paziente in barella sia sempre in posizione salda e sicura.
2. Prima di spingere la barella sulla rampa, premere il pulsante di retrazione (-) per fissare la barella nella posizione più bassa ai fini di una maggiore stabilità (Figura 13). Accertarsi che non penda nulla dalla barella.
3. Usando le barre di sollevamento opzionali, entrambi i barellieri devono spingere o tirare la barella sulla rampa, tenendo davanti il lato testa (Figura 14). Sempre insieme, guideranno quindi la barella verso il centro della rampa.
4. Il prodotto dovrà successivamente essere introdotto nella cabina paziente del veicolo e agganciato al dispositivo di ancoraggio per barella (non incluso) sul veicolo medesimo sempre da entrambi i barellieri.



Figura 13 – Barella nella posizione più bassa



Figura 14 – Manovrare la barella verso il centro della rampa

Carico e scarico della barella con il portabombola di ossigeno opzionale

Per caricare e scaricare la barella con il portabombola di ossigeno opzionale:

1. Collegare il cavo per argano all'apposita asta di collegamento (A) (Figura 15).
2. Accertarsi che la rampa sia almeno due 2,5 metri (8,5 piedi).
3. Appurare che la rampa sia in grado di supportare il peso della barella, del paziente e dell'apparecchiatura.

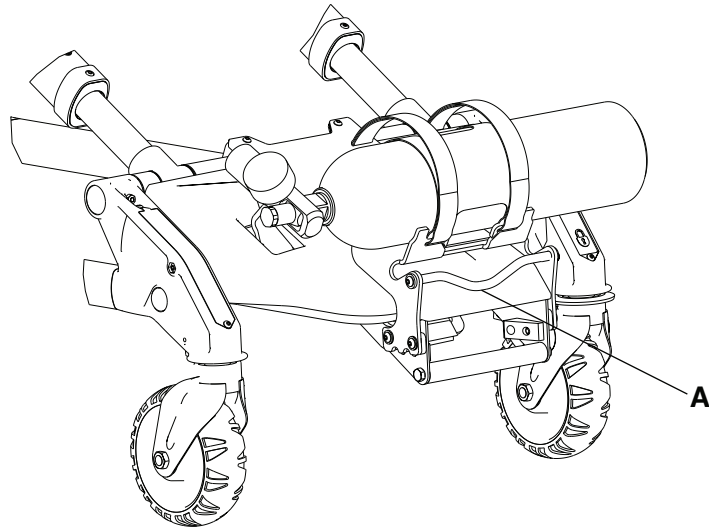


Figura 15 – Asta di collegamento per argano

Nota - Con la barella fissata nella posizione più bassa, è possibile usare il portabombola di ossigeno opzionale per caricare pazienti di peso superiore a 318 kg (700 lb).

Posizionamento dei barellieri e degli assistenti

AVVERTENZA - Durante le operazioni di carico, scarico o modifica dell'altezza della barella, tenere sempre le mani lontano dai perni rossi della barra di sicurezza.

	Cambio livelli	Rotolamento
Due barellieri (O) Due assistenti (H)		
Due barellieri (O) Quattro assistenti (H)		

Sollevamento e abbassamento dello schienale

Per sollevare lo schienale, schiacciare la maniglia di regolazione dello schienale per spostare quest'ultimo fino all'altezza desiderata.

Per abbassare lo schienale, schiacciare la maniglia di regolazione dello schienale spingendo contemporaneamente verso il basso sullo schienale fino all'altezza desiderata.

Sollevamento e abbassamento delle sponde laterali

Abbassare sempre le sponde laterali quando si trasferisce un paziente su o dalla barella.

AVVERTENZA - Non usare le sponde laterali come dispositivo di contenimento del paziente.

Per sollevare la sponda laterale, alzarla fino ad avvertire uno scatto del blocco che indica che la sponda è bloccata in posizione. Tenere sempre le sponde laterali in posizione sollevata a meno che non si stia trasferendo il paziente.

Per abbassare la sponda laterale, schiacciare la maniglia di sblocco per sganciare il fermo della sponda laterale. Accompagnare la sponda laterale verso il basso al lato piedi della barella fino a quando non raggiunge la posizione piana. Abbassare sempre le sponde laterali quando si trasferisce un paziente su o dalla barella.

Sollevamento e abbassamento delle sponde laterali (opzione XPS)

È possibile ordinare la barella con l'opzione "superficie paziente espandibile" (XPS) oppure equipaggiare la barella aggiungendo l'opzione XPS.

AVVERTENZA - Non usare le sponde laterali come dispositivo di contenimento del paziente.

ATTENZIONE

- Non sedersi o mettersi in piedi sulle sponde laterali (opzione XPS).
 - Non utilizzare le sponde laterali (opzione XPS) come dispositivo o superficie di trasferimento del paziente (ad esempio, per far scivolare un paziente dalla barella su un'altra superficie).
 - Non posizionare i pazienti con tutto il peso sulle sponde laterali (opzione XPS).
 - Non utilizzare le sponde laterali (opzione XPS) per spingere/tirare o per guidare il prodotto.
-

Le sponde laterali (opzione XPS) sono applicate alla barella e possono essere utilizzate in qualsiasi momento. Le sponde laterali (opzione XPS) si regolano in base alla corporatura del paziente e si bloccano in sette posizioni. Le sponde laterali si regolano anche per adattarsi alle porte o agli ascensori standard.

Per alzare le sponde laterali, sollevarle fino a bloccarle nella posizione desiderata.

Per abbassare le sponde laterali, sollevarle per ridurre il peso, quindi tirare la levetta rossa. Abbassare sempre le sponde laterali quando si trasferisce un paziente su o dalla barella.

L'opzione XPS non è la superficie di supporto principale per il paziente. Essa include un materasso più largo e serve a migliorare il comfort del paziente.

Estensione della sezione della testa o dei piedi retraibile

La sezione della testa rientra dalla posizione estesa in posizione retratta all'interno del telaio del lettino.

AVVERTENZA

- Bloccare sempre la sezione della testa in posizione prima di manovrare la barella.
 - Non caricare la barella nella cabina paziente del veicolo con la sezione della testa retratta. Se la barella viene caricata con la sezione della testa retratta, rischia di ribaltarsi o di non fissarsi al dispositivo di ancoraggio per barella.
-

Per estendere la sezione della testa o la sezione dei piedi:

1. Premere sulle leve di rilascio rosse (A) poste su entrambi i lati del telaio, tirando al contempo la sezione della testa o dei piedi per estrarla dalla posizione retratta (Figura 16).

2. Accertarsi che la sezione della testa o dei piedi scatti in posizione, bloccandosi.

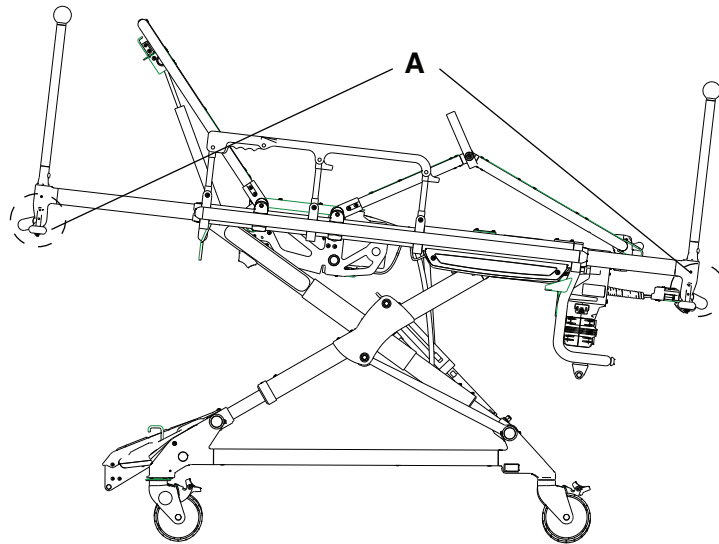


Figura 16 – Estendere la sezione della testa o dei piedi

Retrazione della sezione retraibile della testa o dei piedi

La sezione della testa rientra dalla posizione estesa in posizione retratta all'interno del telaio del letto.

AVVERTENZA

- Bloccare sempre la sezione della testa in posizione prima di manovrare la barella.
 - Non caricare la barella nella cabina paziente del veicolo con la sezione della testa retratta. Se la barella viene caricata con la sezione della testa retratta, rischia di ribaltarsi o di non fissarsi al dispositivo di ancoraggio per barella.
-

Per retrarre la sezione della testa o la sezione dei piedi:

1. Premere sulle leve di rilascio rosse (A) poste su entrambi i lati del telaio, spingendo al contempo la sezione della testa o dei piedi fuori dalla posizione di estensione (Figura 17).
2. Accertarsi che la sezione della testa o dei piedi scatti in posizione, bloccandosi.

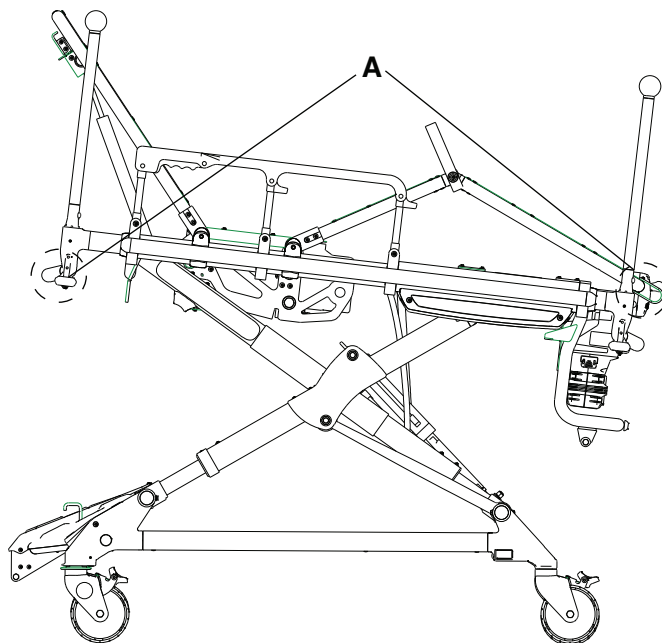


Figura 17 – Retrarre la sezione della testa o la sezione dei piedi

Sollevamento e abbassamento dell'alzaginocchia opzionale

Per sollevare l'alzaginocchia:

1. Sollevare una delle due cinghie rosse di sollevamento (A) fino a quando l'alzaginocchia non si trova nella posizione più alta (Figura 18).
2. Abbassare l'alzaginocchia per fissare la staffa di supporto al meccanismo di blocco.
3. Prima di lasciare la cinghia di sollevamento assicurarsi che il meccanismo di blocco sia ben inserito.

Per abbassare l'alzaginocchia, sollevare una delle due cinghie rosse di sollevamento (A) per ridurre la pressione sul meccanismo di blocco e, tenendo la cinghia, spingere la maniglia rossa di sblocco del poggiatesta (B) fino a sganciare la staffa di supporto. Abbassare l'alzaginocchia fino a quando non raggiunge la posizione piana.

Per sollevare l'alzaginocchia in posizione anti-shock (Trendelenburg), sollevare il telaio del poggiatesta (C) il più in alto possibile fino a bloccarlo in posizione. La staffa di supporto si fissa automaticamente quando si rilascia il poggiatesta.

Per abbassare l'alzaginocchia in posizione anti-shock (Trendelenburg), sollevare il telaio del poggiatesta (C) e, tenendo il telaio, alzare la maniglia rossa di sblocco del poggiatesta (B) fino a quando la staffa di supporto non si sgancia dal telaio. Abbassare il poggiatesta fino a quando non raggiunge la posizione piana.

Nota - Il portabombola di ossigeno opzionale lato piedi (6500-240-000) non è compatibile con l'alzaginocchia opzionale (6500-082-000).

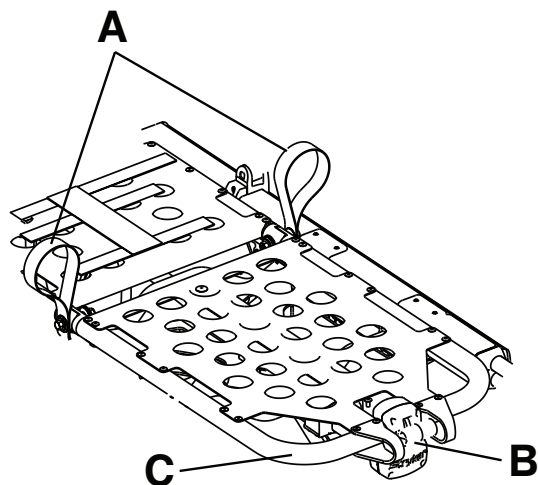


Figura 18 – Alzaginocchia

Innesto e disinnesto di un fermaruote

AVVERTENZA

- Non innestare il fermaruote quando il prodotto è occupato o durante il manovramento del prodotto, onde evitare il rischio di ribaltamento.
- Non installare o innestare un fermaruote su un dispositivo che presenta ruote usurate di diametro inferiore a 15 cm (6 pollici).
- Non lasciare il paziente o l'occupante incustodito. Reggere il dispositivo mentre il paziente o l'occupante si trova su di esso.

Per innestare un fermaruote, premere sul pedale fino a quando il fermaruote non si blocca e si ferma contro la superficie della ruota.

Per disinnestare un fermaruote, premere con il piede sulla parte superiore del pedale oppure sollevare il pedale con la punta del piede. Rilasciando il fermaruote la parte superiore del pedale si fermerà contro il telaio della ruota piroettante.

Nota - I fermaruote servono ad evitare che il dispositivo si sposti mentre è incustodito. I fermaruote potrebbero non fornire un'adeguata resistenza su tutte le superfici o in condizioni di sotto carico.

Innesto e disinnesto dello Steer-Lock opzionale

Per innestare lo Steer-Lock:

1. Dal lato piedi della barella premere il lato rosso (bloccato) del pedale, oppure dal lato testa premere uno dei pedali rossi.
2. Ruotare la barella fino a quando almeno una delle ruote piroettanti al lato testa non si blocca.

Per disinnestare lo Steer-Lock:

- Dal lato piedi della barella premere il lato verde (sbloccato) del pedale, oppure dal lato testa sollevare uno dei pedali rossi.

Fissare il paziente con le cinghie di contenimento

AVVERTENZA

- Usare sempre tutte le cinghie di contenimento per fissare il paziente alla barella. Un paziente senza cinghie di contenimento può cadere dalla barella.
 - Non fissare le cinghie di contenimento ai tubi del carrello o ai tubi trasversali.
-

ATTENZIONE - Evitare che le cinghie di contenimento si impiglino nel telaio del carrello durante le operazioni di sollevamento o abbassamento della barella.

Nota - Le cinghie di contenimento sono una parte applicata di Tipo BF.

Fissare le cinghie di contenimento alla barella nelle posizioni di fissaggio richieste (Figura 19). Le posizioni di fissaggio delle cinghie di contenimento devono fornire un saldo ancoraggio e una posizione di contenimento adeguata. Non permettere che le cinghie di contenimento interferiscano con apparecchiature o accessori. Allacciare le cinghie di contenimento attraverso le spalle, la vita e le cosce del paziente. Allacciare le cinghie di contenimento quando la barella non è in uso.

Per fissare le cinghie di contenimento del paziente al telaio del lettino della barella, introdurre l'estremità passante di ogni cinghia attraverso il telaio del lettino in corrispondenza di ciascun punto preposto (Figura 19), quindi inserire la fibbia o la piastrina di chiusura attraverso l'estremità passante della cinghia. Le frecce indicano aree di aggancio alternative.

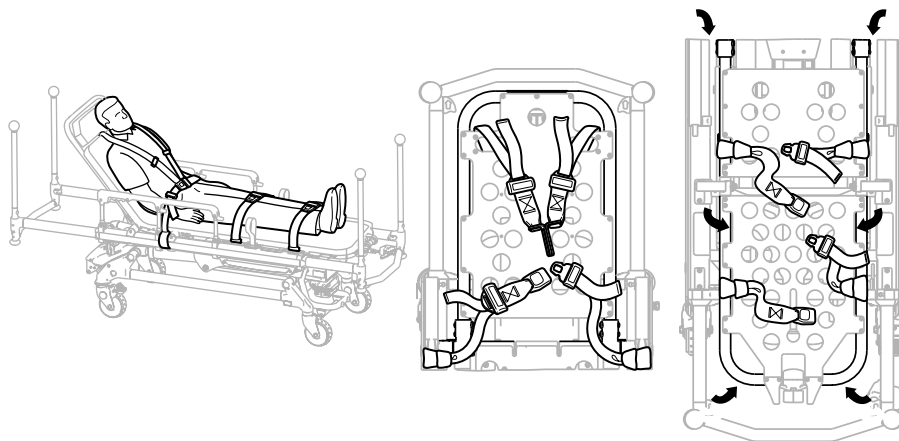


Figura 19 – Punti di fissaggio delle cinghie di contenimento

Aggiunta di una prolunga per la cinghia di contenimento

Quando si allaccia la cintura attorno ai pazienti di corporatura più grande, aggiungere una prolunga per la cinghia di contenimento (6082-160-050) per aumentarne la lunghezza.

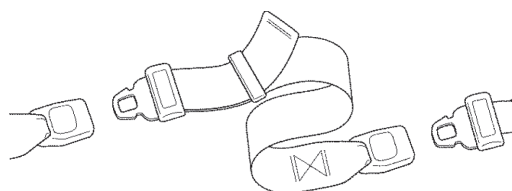


Figura 20 – Prolunga per la cinghia di contenimento

Fissaggio di un paziente con le cinghie di contenimento a X/XPR

Fissare le cinghie di contenimento alla barella nelle posizioni di aggancio richieste: spalle, vita, cosce e caviglie.

AVVERTENZA

- Usare sempre tutte le cinghie di contenimento per fissare il paziente alla barella. Un paziente senza cinghie di contenimento può cadere dalla barella.
 - Non fissare le cinghie di contenimento ai tubi del carrello o ai tubi trasversali.
-

ATTENZIONE - Evitare che le cinghie di contenimento si impiglino nel telaio del carrello durante le operazioni di sollevamento o abbassamento della barella.

Nota

- Le cinghie di contenimento a X/XPR (6500-001-430/650600030010) sono compatibili unicamente con il materasso con sostegno alzaginocchia più largo (6500-003-130/6506-003-130).
- Le cinghie di contenimento sono una parte applicata di Tipo BF.

Le posizioni di fissaggio delle cinghie di contenimento devono fornire un saldo ancoraggio e una posizione di contenimento adeguata (Figura 21). Non permettere che le cinghie di contenimento interferiscano con apparecchiature o accessori. Allacciare le cinghie di contenimento attraverso le spalle, la vita, le cosce e le caviglie. Allacciare tutte le cinghie di contenimento quando la barella non è in uso.

1. *Fissaggio delle cinghie di contenimento a X/XPR per le spalle* (pagina 34)
2. *Fissaggio delle cinghie di contenimento a X/XPR per la vita* (pagina 34)
3. *Fissaggio delle cinghie di contenimento a X/XPR per le cosce* (pagina 35)
4. *Fissaggio delle cinghie di contenimento a X/XPR per le caviglie* (pagina 35)



Figura 21 – Posizioni di fissaggio delle cinghie di contenimento

Fissaggio delle cinghie di contenimento a X/XPR per le spalle

Per fissare le cinghie di contenimento a X/XPR per le spalle:

1. Far passare la cinghia di contenimento attorno al telaio della barella.
2. Tirare la fibbia attraverso il passante verso il lato testa della barella.
3. Inserire la fibbia sotto il sistema XPS.
4. Per le barelle **Power-PRO XT** modello 6506 e **Performance-PRO XT** modello 6086, tirare con forza la cinghia di contenimento verso la parte posteriore dello schienale.
5. Per la barella **Power-PRO TL** modello 6550, tirare la cinghia di contenimento sotto il tubo trasversale e verso la parte posteriore dello schienale.
6. Inserire la fibbia attraverso l'apertura nello schienale.
7. Collegare la fibbia per la spalla destra del paziente alla fibbia per la vita a sinistra del paziente.
8. Eliminare ogni allentamento dalla cinghia di contenimento.



Figura 22 – Cinghie di contenimento per le spalle

Fissaggio delle cinghie di contenimento a X/XPR per la vita

Per fissare le cinghie di contenimento a X/XPR per la vita:

1. Far passare la cinghia di contenimento attorno al telaio della barella.
2. Tirare le fibbie attraverso il passante verso il lato testa della barella.
3. Inserire la fibbia sotto il sistema XPS.
4. Tirare le fibbie con forza. Una delle cinghie dovrà formare un angolo verso il lato testa e l'altra dovrà essere posizionata trasversalmente alla barella.
5. Collegare la fibbia a destra del paziente alla fibbia a sinistra del paziente.
6. Eliminare ogni allentamento dalla cinghia di contenimento.



Figura 23 – Cinghie di contenimento per la vita

Fissaggio delle cinghie di contenimento a X/XPR per le cosce

Per fissare le cinghie di contenimento a X/XPR per le cosce:

1. Far passare la cinghia di contenimento attorno al lettino della barella.
2. Tirare la fibbia attraverso il passante verso il lato testa della barella.
3. Tirare con forza la cinghia di contenimento.
4. Collegare la fibbia a destra del paziente alla fibbia a sinistra del paziente.
5. Eliminare ogni allentamento dalla cinghia di contenimento.



Figura 24 – Cinghie di contenimento per le cosce

Fissaggio delle cinghie di contenimento a X/XPR per le caviglie

Solo per le barelle **Power-PRO XT** modello 6506, **Performance-PRO XT** modello 6086 e **Power-PRO TL** modello 6550 costruite o aggiornate dopo il 3 luglio 2015 con opzione alzaginocchia o qualsiasi limitatore Trendelenburg.

Per fissare le cinghie di contenimento a X/XPR per le caviglie:

1. Far passare la cinghia di contenimento attorno al telaio della barella. Farla passare attorno a tutte e due le barre di spinta al lato piedi.
2. Tirare la fibbia attraverso il passante verso il lato testa della barella.
3. Tirare la fibbia con forza.
4. Collegare la fibbia a destra del paziente alla fibbia a sinistra del paziente.
5. Eliminare ogni allentamento dalla cinghia di contenimento.



Figura 25 – Cinghie di contenimento per caviglie

Fissaggio del paziente con il sistema di contenimento per minori Pedi-Mate®

AVVERTENZA - Posizionare sempre la fibbia lontano dalle ostruzioni o dagli accessori sulla barella per evitare il rischio di sblocco accidentale del sistema di contenimento per minori **Pedi-Mate®** con conseguenti lesioni al minore.

Fissaggio del paziente con il sistema di contenimento per minori **Pedi-Mate®**:

1. Eliminare gli altri eventuali sistemi di contenimento dalla barella.
2. Sollevare lo schienale della barella in posizione completamente verticale.
3. Posizionare il cuscino **Pedi-Mate®** dritto sullo schienale della barella con le cinghie nere dello schienale rivolte verso l'esterno.
4. Far passare le cinghie attorno allo schienale della barella e inserire le estremità attraverso le staffe.
5. Allacciare la fibbia.
6. Tirare l'estremità della cinghia regolabile dello schienale per stringerla.
7. Inserire le cinghie del telaio tra il telaio del dispositivo e il materasso.
8. Inserire la fibbia dietro la traversa del lettino e sollevarla davanti alla traversa del lettino.
9. Allacciare la fibbia attorno alla traversa del lettino. Lasciare una parte penzolante nella cinghia per le ultime regolazioni.
10. Stringere tutte le cinghie.

Nota - Per ulteriori informazioni sul sistema di contenimento per minori **Pedi-Mate®**, consultare le istruzioni per l'uso, il funzionamento e la cura fornite dal produttore. L'uso corretto e sicuro del sistema di contenimento per minori **Pedi-Mate®** è a discrezione dell'utilizzatore. Stabilire metodi e procedure per istruire e addestrare il personale all'uso sicuro o alla manutenzione di questo prodotto. Queste istruzioni sono da intendersi esclusivamente come istruzioni di carattere generale. Conservare queste istruzioni come riferimento per il futuro. Queste istruzioni sono da considerarsi parte integrante del prodotto e devono rimanere con esso anche in caso di vendita.

Pedi-Mate® è un marchio registrato di Ferno Washington, Inc.

Fissaggio della piattaforma per defibrillatore

AVVERTENZA - Non fissare la piattaforma per defibrillatore su una barella modello 6086 **Performance-PRO XT** con l'opzione **Power-LOAD**, per evitare il rischio di ribaltamento della barella.

ATTENZIONE

- Quando si utilizza la piattaforma per defibrillatore, fissarla sempre al dispositivo.
- Per fissare il defibrillatore, utilizzare e regolare sempre le cinghie fornite in dotazione con la piattaforma.
- Cambiare sempre la posizione di fissaggio o regolare le cinghie in base alla forma e alle dimensioni specifiche del defibrillatore.
- Non caricare la piattaforma per defibrillatore oltre il carico operativo di sicurezza di 30 libbre (13,6 kg).

Per fissare la piattaforma per defibrillatore:

1. Collocare la piattaforma in posizione ripiegata (Figura 26).
2. Aprire ed espandere le gambe della piattaforma (Figura 27).

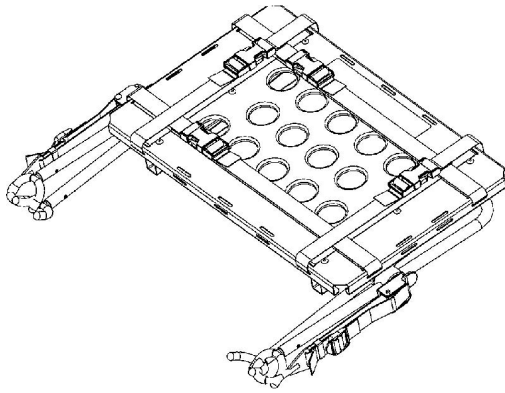


Figura 26 – Posizione ripiegata

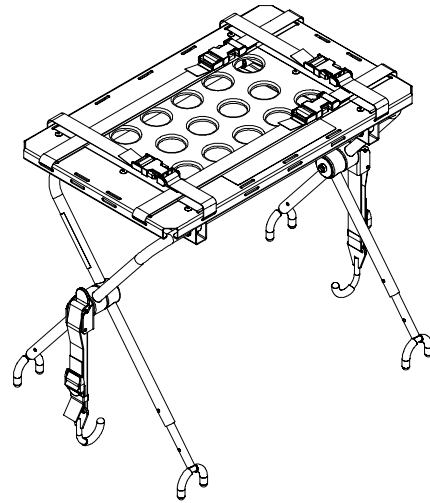


Figura 27 – Aprire le gambe della piattaforma per defibrillatore

3. Se il dispositivo è dotato di asta portaflebo, sollevare quest'ultima (A) in posizione verticale (Figura 28).
4. Posizionare la piattaforma sul telaio del dispositivo.
5. Posizionare le gambe interne (B) della piattaforma verso il lato testa del dispositivo (Figura 28).
6. Posizionare il gancio di blocco (C) sotto il telaio del lettino o il dispositivo di ancoraggio al lato piedi e spingere la linguetta (D) verso l'alto fino a bloccarla in posizione su un lato e ad avvertire uno scatto (Figura 29). Ripetere la procedura dall'altro lato. Per le barelle compatibili con il sistema **Power-LOAD**, se fornito in dotazione, le cinghie dovranno essere allungate e applicate al dispositivo di ancoraggio al lato piedi (Figura 30).

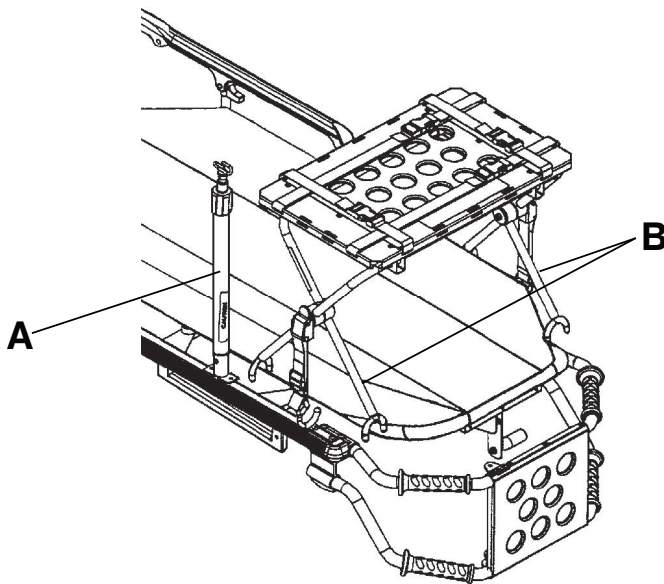


Figura 28 – Sollevare l'asta portaflebo e posizionare il vassoio del defibrillatore (mostrato nel modello 6506)

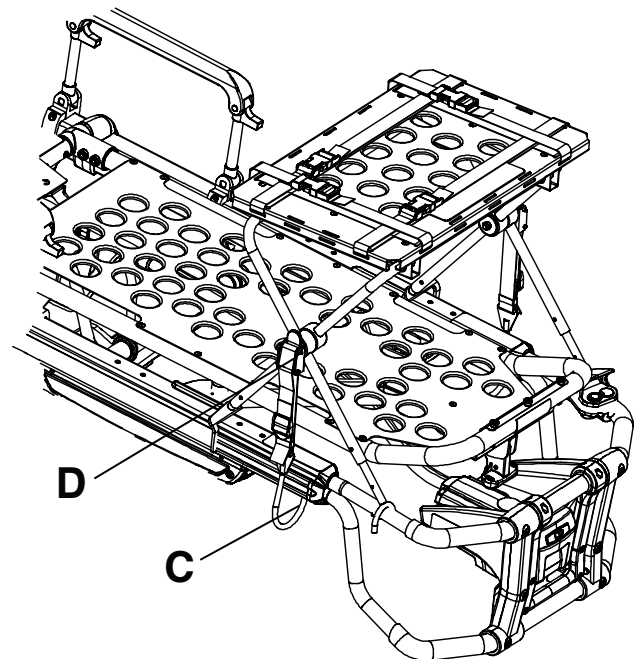


Figura 29 – Posizionamento del gancio di blocco (mostrato nel modello 6506)

7. Assicurarsi che la piattaforma per defibrillatore sia fissata al dispositivo.
8. Posizionare il defibrillatore sulla piattaforma.

9. Fissare le cinghie (E) per mantenere il defibrillatore sulla piattaforma (Figura 31).

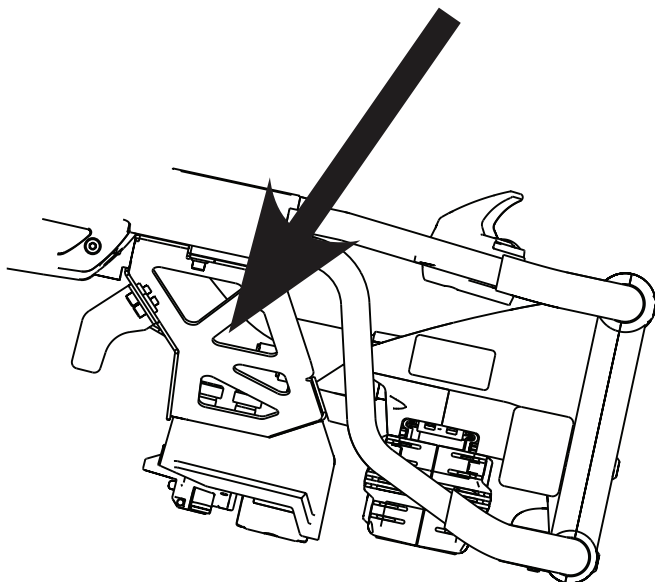


Figura 30 – Linguetta (mostrata nel modello 6506)

Nota - Se dopo aver collegato entrambi i ganci di blocco la piattaforma per defibrillatore non risulta fissata al dispositivo, sganciare la linguetta. Per eseguire la regolazione, allentare o stringere la cinghia, poi spingere la linguetta verso l'alto fino a bloccarla in posizione e ad avvertire uno scatto.

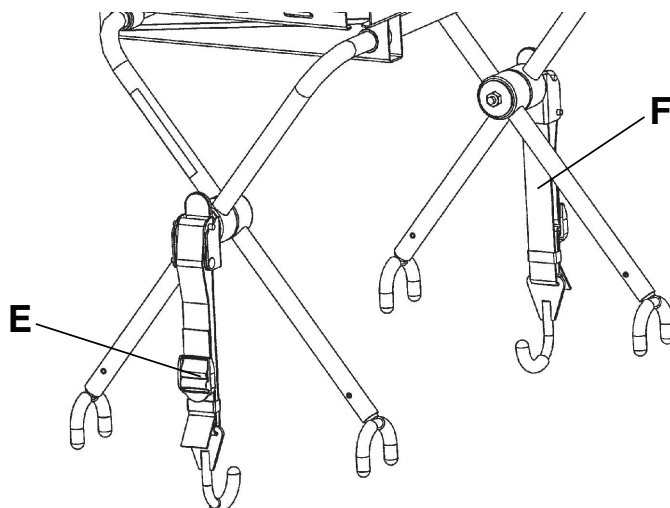


Figura 31 – Applicare la piattaforma per defibrillatore alla barella

Gancio per le apparecchiature

Utilizzare il gancio per le apparecchiature per appendere accessori o apparecchiature aggiuntive, come monitor e defibrillatori.

ATTENZIONE

- Non sovraccaricare il gancio per le apparecchiature oltre il carico operativo di sicurezza di 15,8 kg (35 libbre).
 - Rimuovere sempre tutti gli accessori o le apparecchiature dall'apposito gancio quando sono all'interno del veicolo.
-

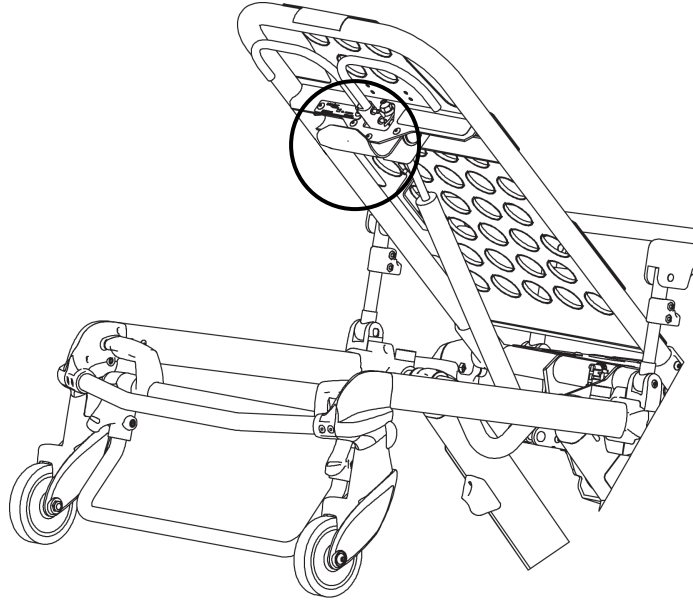


Figura 32 – Gancio per apparecchiature

Posizionamento dell'asta portaflebo a due sezioni

ATTENZIONE - Non caricare l'asta portaflebo oltre il carico operativo di sicurezza di 25 libbre (11,3 kg).

Per posizionare l'asta portaflebo (Figura 33):

1. Sollevare e ruotare l'asta portaflebo dalla posizione di stoccaggio e spingere verso il basso fino a quando l'asta portaflebo non si blocca nell'alloggiamento (A).
2. Per aumentare l'altezza dell'asta, ruotare il collare di blocco (B) in senso antiorario e tirare verso l'alto in corrispondenza della sezione telescopica (C) dell'asta per sollevarla fino all'altezza desiderata.
3. Ruotare il collare di blocco (B) in senso orario per bloccare la sezione telescopica in posizione.
4. Appendere le sacche/i flaconi di infusione al gancio portaflebo (D).
5. Ruotare le ghiera di bloccaggio (B) in senso antiorario e far scorrere la sezione (C) nel tubo della porzione inferiore.
6. Ruotare le ghiera di bloccaggio (B) in senso orario per stringere.
7. Sollevare e ruotare l'asta verso il basso nella posizione di stoccaggio (Figura 34).

Nota - Le aste portaflebo doppie a due sezioni (6500-312-000 o 6550-312-000) non sono compatibili né con l'opzione asta portaflebo a due sezioni con paziente a destra (6500-310-000 o 6550-310-000), né con l'opzione asta portaflebo a due sezioni con paziente a sinistra (6500-311-000 o 6550-311-000).

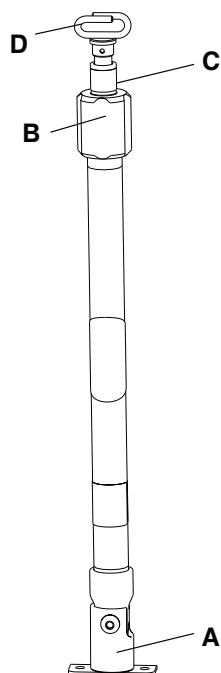


Figura 33 – Posizione sollevata dell'asta portaflebo

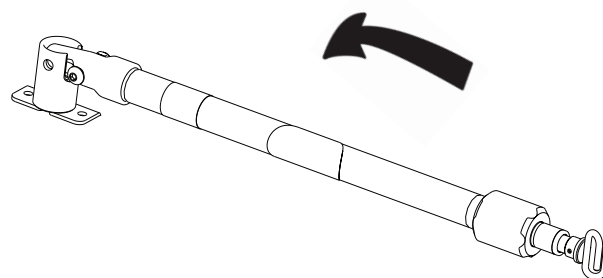


Figura 34 – Posizione ripiegata dell'asta portaflebo

Posizionamento dell'asta portaflebo a tre sezioni opzionale

ATTENZIONE - Non caricare l'asta portaflebo oltre il carico operativo di sicurezza di 25 libbre (11,3 kg).

Per posizionare l'asta portaflebo (Figura 35):

1. Sollevare e ruotare l'asta portaflebo dalla posizione di stoccaggio e spingere verso il basso fino a quando l'asta portaflebo non si blocca nell'alloggiamento (A).
2. Per aumentare l'altezza dell'asta, ruotare il collare di blocco (B) in senso antiorario e tirare verso l'alto in corrispondenza della sezione telescopica (C) dell'asta per sollevarla fino all'altezza desiderata.
3. Ruotare il collare di blocco (B) in senso orario per bloccare la sezione telescopica in posizione.
4. Per ottenere un'asta portaflebo più alta, tirare verso l'alto la sezione (D) fino a quando la fascetta a molla (E) non si connette.
5. Appendere le sacche/i flaconi di infusione al gancio portaflebo (F).
6. Per abbassare l'asta portaflebo, spingere sulla fascetta a molla (E) e far scorrere verso il basso la sezione (D) nella sezione (C). Ruotare il collare di blocco (B) in senso antiorario e far scorrere la sezione (C) nel tubo della porzione inferiore.
7. Ruotare il collare di blocco (B) in senso orario per stringerlo.
8. Sollevare e ruotare l'asta verso il basso nella posizione di stoccaggio.

Nota - Le aste portaflebo doppie a tre sezioni (6500-317-000 o 6550-317-000) non sono compatibili né con l'opzione asta portaflebo a tre sezioni con paziente a destra (6500-315-000 o 6550-315-000), né con l'opzione asta portaflebo a tre sezioni con paziente a sinistra (6500-316-000 o 6550-316-000).

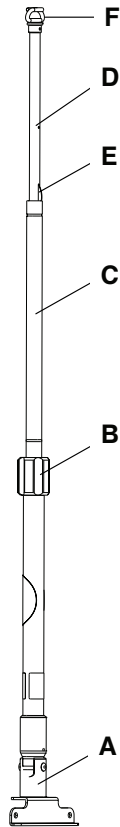


Figura 35 – Posizione sollevata dell'asta portaflebo

Fissaggio di una bombola di ossigeno al portabombola di ossigeno

ATTENZIONE

- Non caricare il portabombola di ossigeno al di sopra del carico operativo di sicurezza di 6,8 kg (1,1 stone, 15 libbre).
- Non utilizzare due portabombola di ossigeno contemporaneamente.

Per applicare una bombola di ossigeno al portabombola di ossigeno (Figura 36):

1. Centrare il portabombola di ossigeno sulla porzione contenitiva dell'oggetto (A).
2. Stringere entrambe le cinghie (B) attorno alla bombola di ossigeno.
3. Fissare la parte penzolante delle cinghie e fissare entrambe.

Nota - Non utilizzare il portabombola di ossigeno per mantenere un portabombola di ossigeno quando il veicolo di trasporto è in movimento. Quando il veicolo di trasporto è in movimento posizionare sempre il portabombola di ossigeno in un luogo di stoccaggio appropriato.

Nota - Esaminare le cinghie e le clip tra un uso e l'altro per escludere la presenza di segni di deterioramento. Sostituire la cinghia se non è più in grado di mantenere la bombola di ossigeno.

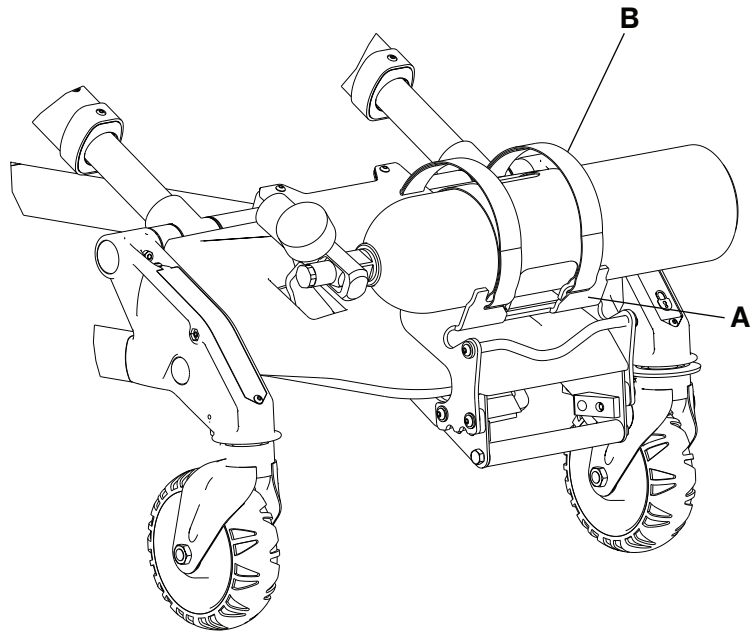


Figura 36 – Fissaggio di una bombola di ossigeno

Fissaggio delle barre di spinta opzionali

Le barre di spinta opzionali consentono di manovrare il prodotto da qualsiasi altezza.

AVVERTENZA

- Bloccare sempre le barre di sollevamento nei relativi supporti, onde evitare che fuoriescano durante l'uso.
 - Non sollevare il prodotto usando le barre di spinta.
-

Per fissare le barre di spinta:

1. Inserire ogni barra in una delle quattro chiavi a bussola angolari.
2. Spingere la barra verso il basso per farla scattare in posizione all'interno della chiave.



Figura 37 – Barra di spinta fissata

Rimozione e riposizionamento delle barre di sollevamento nell'apposita borsa

AVVERTENZA - Riporre sempre le barre di sollevamento nella borsa portaoggetti alla base quando non in uso.

Per rimuovere le barre di sollevamento:

1. Premere il pulsante di rilascio rosso e sollevare ogni barra dalla chiave a bussola angolare.
2. Posizionare le barre di sollevamento rimosse nella borsa portaoggetti posizionata sul telaio di base (Figura 38).

Per agganciare la borsa portaoggetti, collegare le fibbie corrispondenti fissando la borsa al telaio della barella (Figura 39).

Accertarsi che la borsa e il suo contenuto non interferiscano con la movimentazione della barella prima di sollevare, abbassare o trasportare la barella.

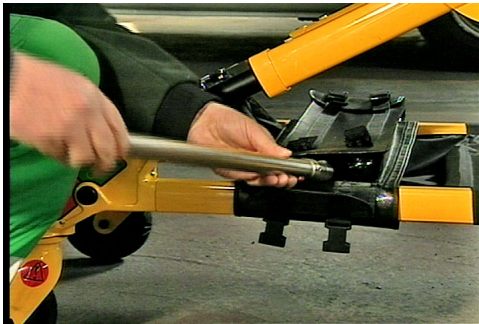


Figura 38 – Rimozione delle barre di sollevamento



Figura 39 – Agganciare la barra di sollevamento all'apposita borsa

Collegamento dell'opzione rete portaoggetti per il carrello

ATTENZIONE

- Non caricare la rete portaoggetti per il carrello oltre il carico operativo di sicurezza di 20 libbre (9 kg).
- Prestare sempre attenzione quando si ritrae il carrello per evitare di danneggiare gli oggetti riposti nella rete portaoggetti.

Per collegare la rete portaoggetti per il carrello, far passare le cinghie in **Velcro®** attorno ai tubi del carrello.

Fissaggio della borsa portaoggetti per schienale

ATTENZIONE

- Non caricare la borsa portaoggetti per lo schienale oltre il carico operativo di sicurezza di 20 libbre (9 kg).
- Fare in modo che la borsa portaoggetti per lo schienale non interferisca con il funzionamento della sezione retrattile della testa.

Per fissare la borsa portaoggetti per schienale (Figura 40):

1. Inserire ciascuna cinghia facendola passare attraverso un foro nel rivestimento dello schienale.
2. Montare la borsa appiattita contro lo schienale.
3. Fissare la borsa portaoggetti per lo schienale alla barella con le cinghie in **Velcro®**.

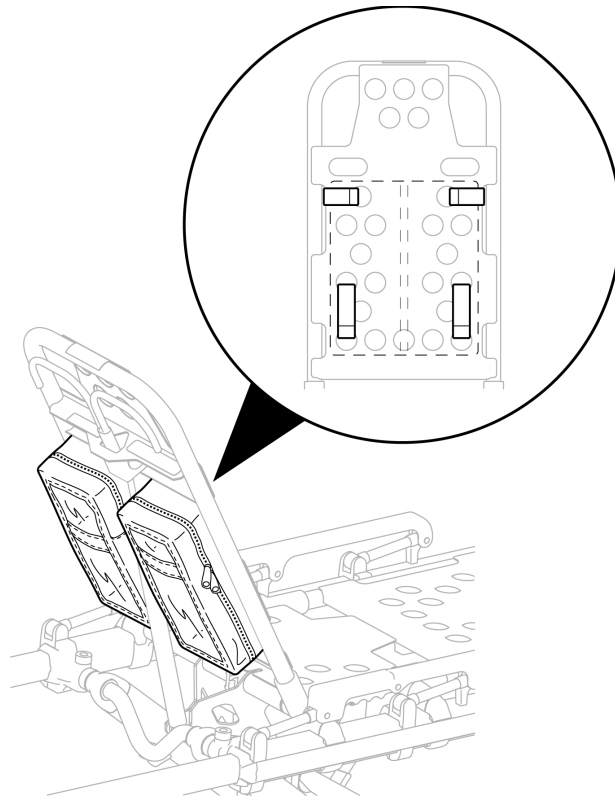


Figura 40 – Borsa portaoggetti per schienale

Applicazione del materasso

Sono disponibili due opzioni di materasso per l'uso con questo prodotto. Utilizzare il materasso con sostegno alzagincchia (6550-001-084) o piatto (6550-001-295) con sponda laterale standard. Utilizzare il materasso con sostegno alzagincchia più largo (6500-003-130/6506-003-130) con superficie paziente espandibile opzionale (XPS).

ATTENZIONE - Non riporre alcun oggetto sotto il materasso. Gli oggetti sotto il materasso possono interferire con il funzionamento del prodotto.

Per applicare il materasso alla barella:

1. Allineare il **Velcro®** sulla parte posteriore del materasso con il **Velcro®** sul lettino della barella.
2. Applicare la cinghia al lato piedi del materasso facendola passare attraverso i due fori posti nel rivestimento del lettino della barella al lato piedi.
3. Tirare la cinghia attraverso la fibbia e applicare il **Velcro®** per fissarla.

Nota

- Il materasso con sostegno alzagincchia (6550-001-084) e il materasso piatto (6550-001-295) non sono compatibili con l'opzione sponda laterale XPS (6550-031-000).
- Il materasso con sostegno alzagincchia opzionale per XPS (6500-003-130/6506-003-130) non è compatibile con la sponda laterale standard (6550-034-000).
- Il materasso è una parte applicata di tipo BF.

Inserimento di una batteria SMRT Pak

La batteria **SMRT Pak** è progettata per essere compatibile con le barelle **Power-PRO XT**, **Power-PRO IT** e **Power-PRO TL**.

Per massimizzare l'energia disponibile nella batteria, usare la batteria **SMRT Pak** solo se è stata caricata nelle precedenti 48 ore.

Istruzioni per l'inserimento della batteria **SMRT Pak**:

1. Allineare le linguette nell'alloggiamento portabatteria.
2. Spingere la batteria **SMRT Pak** nell'alloggiamento fino a quando la fibbia scatta in posizione.

La batteria **SMRT Pak** può essere lasciata su una barella **Power-PRO** tra le chiamate di assistenza per un periodo massimo di una settimana o fino a quando l'indicatore LED del livello batteria sulla barella lampeggia in ambra.

Rimozione della batteria SMRT Pak dalla barella

Quando la batteria **SMRT Pak** è scarica, rimuoverla dalla barella **Power-PRO** e sostituirla con una batteria **SMRT Pak** carica.

L'uso continuo della batteria **SMRT**, in assenza di periodi di interruzione, può determinare un aumento della temperatura all'interno delle celle e ridurre la durata. Per esempio, l'azione ripetuta di sollevamento e abbassamento in rapida successione di un paziente di peso può determinare una riduzione della durata della batteria **SMRT**.

AVVERTENZA

- Non rimuovere la batteria quando la barella è in funzione.
- Non aprire l'unità di alimentazione a batteria per nessun motivo, onde evitare il rischio di scossa. Se l'unità di alimentazione a batteria presenta segni di incrinatura o danneggiamento, non inserirla nel caricabatteria. Restituire le unità di alimentazione a batteria danneggiate al centro assistenza per il riciclaggio.
- Evitare sempre il contatto diretto con la batteria o gli alloggiamenti portabatteria se bagnati. Il contatto può causare lesioni al paziente o al barelliere.

ATTENZIONE - La batteria deve sempre essere rimossa se è previsto un tempo di inutilizzo della barella superiore a 24 ore.

Istruzioni per la rimozione della batteria **SMRT** dalla barella:

1. Premere il tasto di rilascio rosso (C) o il tasto di rilascio della batteria per sbloccare la batteria **SMRT** (B) dalla barella (Figura 41).
2. Far scorrere la batteria **SMRT** fuori dall'alloggiamento.

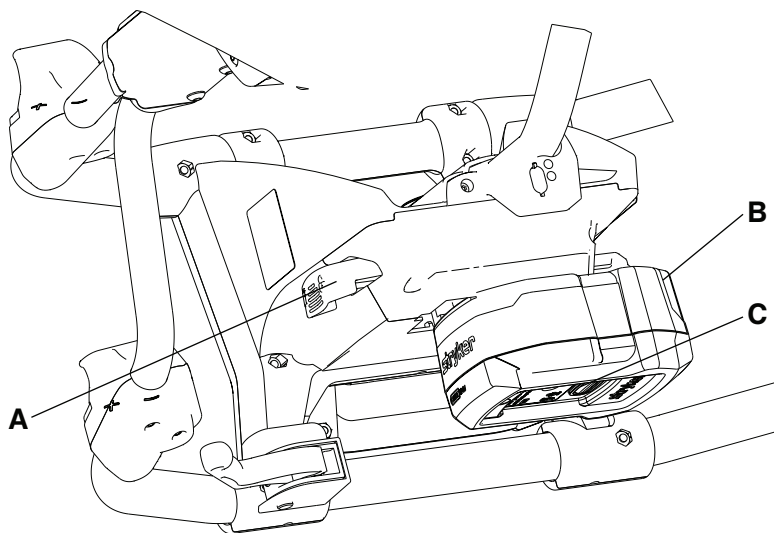


Figura 41 – Sblocco della batteria

Conservazione della batteria

Ai fini di una maggiore durata, un funzionamento ottimale e la sicurezza di questo componente, riporre o trasportare il prodotto nella sua confezione originale.

I periodi di riposo o inattività determinano una perdita di carica di qualsiasi batteria. Dopo che è stata rimossa dal caricabatteria **SMRT**, la batteria **SMRT** può perdere fino al 30% della sua carica nell'arco di 48 ore. Al fine di mantenere un rendimento ottimale, usare e caricare completamente le batterie **SMRT** quando riposte ogni tre mesi.

Ricarica della batteria SMRT Pak

La batteria **SMRT Pak** è destinata esclusivamente all'uso con il caricabatteria **SMRT**.

AVVERTENZA - Non inserire una batteria **SMRT Pak** incrinata o danneggiata nel caricabatteria **SMRT**. Restituire le batterie **SMRT** danneggiate ad un centro assistenza per il riciclaggio.

Nota

- Durante lo stoccaggio per periodi prolungati, conservare la batteria **SMRT Pak** sul caricabatteria **SMRT** per mantenere la carica. Il caricabatteria **SMRT** mantiene la batteria **SMRT Pak** carica e pronta all'uso.
- Conservare la batteria **SMRT Pak** a temperatura ambiente nell'intervallo di temperatura di 6 °C - 31 °C (43 °F - 88 °F) ammissibile per la ricarica. Ricaricando la batteria **SMRT Pak** al di fuori dell'intervallo di temperatura consigliato si riduce il ciclo di vita della batteria **SMRT Pak** e si estende il tempo di ricarica.

Per ricaricare la batteria **SMRT Pak** (Figura 42):

1. Inserire una batteria **SMRT Pak** asciutta e pulita nel caricabatteria **SMRT**. Assicurarsi che la batteria **SMRT Pak** sia bloccata nel caricabatteria **SMRT**.

Nota

- L'indicatore LED del caricabatteria **SMRT** (B) lampeggerà in verde durante la ricarica (Figura 42). Il tempo di ricarica ottimale è di due ore.
 - Quando la batteria **SMRT Pak** è carica e pronta all'uso, l'indicatore LED (B) del caricabatteria **SMRT** diventa verde fisso.
2. Premere il pulsante rosso di sblocco (A) (Figura 42) e far scorrere la batteria **SMRT Pak**, carica e pronta all'uso, per sbloccarla dal caricabatteria **SMRT**.

Il caricabatteria **SMRT** gestisce la ricarica indipendentemente dallo stato della carica della batteria **SMRT Pak**.

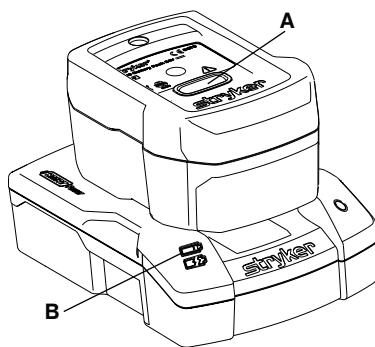


Figura 42 – Ricarica della batteria SMRT Pak

Controllo del livello di carica della batteria SMRT Pak con il caricabatteria SMRT

Utilizzare gli indicatori LED del caricabatteria **SMRT** per controllare il livello di carica della batteria **SMRT Pak**.

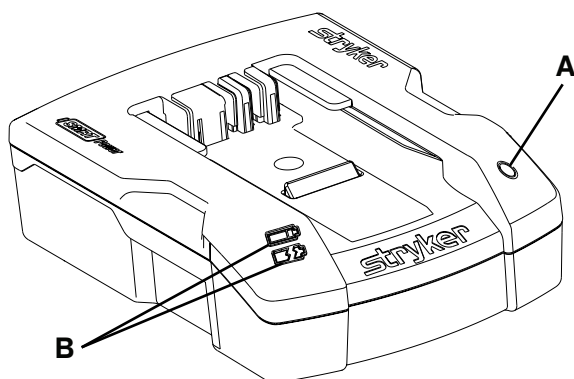


Figura 43 – Controllo del livello di carica della batteria SMRT Pak

- Collegamento alla sorgente di alimentazione: collegare o scollegare il caricabatteria **SMRT** dalla sorgente di alimentazione appropriata (*Alimentazione del caricabatteria* (pagina 50)).
- LED di alimentazione del caricabatteria **SMRT** (A): il LED verde acceso indica che il caricabatteria **SMRT** è alimentato.
- Indicatori LED (B) del caricabatteria **SMRT**: gli indicatori LED verde e ambra offrono informazioni sullo stato della batteria **SMRT**. I LED possono essere fissi o lampeggianti in base alla condizione del caricabatteria **SMRT** e della batteria **SMRT Pak**.

Indicatore LED del caricabatteria SMRT	Stato
Verde (lampeggiante)	Il caricabatteria SMRT sta ricaricando la batteria SMRT Pak . Il tempo di ricarica ottimale è di due ore.
Verde (fisso)	La batteria SMRT Pak è carica e pronta all'uso
Ambra (lampeggiante)	Ritardo della temperatura della batteria SMRT Pak . Il caricabatteria SMRT è in attesa che la batteria SMRT Pak raggiunga un intervallo di temperatura ammissibile di 6 °C - 31 °C (43 °F - 88 °F).
Ambra (fisso)	Errore della batteria SMRT Pak . Consultare la sezione sulla risoluzione dei problemi nel manuale di manutenzione.

Requisiti di installazione dell'energia elettrica

La configurazione della sorgente di energia elettrica per l'installazione del caricabatteria **SMRT** deve essere effettuata nel rispetto dei seguenti requisiti in materia di energia elettrica ai fini di un funzionamento affidabile ed efficiente.

Tipo di alimentazione	Intervallo di tensione di esercizio	Frequenza	Corrente massima assorbita	Corrente assorbita in modalità di standby	Scollegamento a bassa tensione
CA	Da 100 a 240 V c. a.	50/60 Hz	1,20 A	0,05 A	NON PERT.
CC	Da 12,5 a 16 V c. c.	NON PERT.	4,16 A	0,20 A	10 V c.c.

Installazione del caricabatteria SMRT

L'installazione del caricabatteria **SMRT** deve essere effettuata in un ambiente controllato, ovvero:

- Non eccessivamente polveroso e umido
- Mantenuto a un intervallo di temperatura costante. L'intervallo di temperatura ammissibile è compreso tra 6 °C e 31 °C (43 °F - 88 °F). L'intervallo di temperatura ottimale è compreso tra 18 °C e 24 °C (65 °F - 75 °F).
- Facilmente accessibile per l'uso

Posizionare e mantenere il sistema di alimentazione elettrica e i cavi di alimentazione in modo tale che sia ridotto al minimo il rischio di danno e scollegamenti accidentali.

Installazione della staffa di montaggio opzionale

AVVERTENZA

- L'installazione della staffa di montaggio opzionale e del caricabatteria **SMRT** deve sempre essere effettuata da un meccanico certificato, che conosce la struttura del veicolo ambulanza.
- Il montaggio del caricabatteria **SMRT** sulla staffa di montaggio opzionale deve sempre essere effettuato in un armadietto chiuso e fuori dalla portata del paziente durante il trasporto, per soddisfare gli standard per i crash test vigenti.
- Accertarsi sempre che la staffa di montaggio opzionale sia fissata saldamente alla superficie.

Istruzioni per l'installazione della staffa di montaggio (Figura 44):

1. Usare la staffa di montaggio del caricabatteria **SMRT** come modello per segnare i punti in corrispondenza dei quali praticare i fori per il montaggio (A) nell'area in cui andremo a installare la staffa.
2. Posizionare la staffa, accertandosi che:

- a. La linguetta a molla (B) sia posizionata sul lato posteriore del caricabatteria **SMRT**.

Nota - Per montare la staffa su una superficie verticale, la linguetta a molla deve risultare in posizione orizzontale con la punta rivolta a sinistra (Figura 44).

- b. Il cavo di alimentazione si inserisca facilmente nel lato posteriore del caricabatteria **SMRT**.
- c. Il caricabatteria **SMRT** scorra dal lato frontale al lato posteriore per fissarsi alla staffa dopo il montaggio.
- d. La staffa sia installata correttamente per l'area ambulanza o l'area stazione:

Area ambulanza	Area stazione
<ul style="list-style-type: none"> • Fissare la staffa su una superficie di supporto strutturale orizzontale o scaffale mediante l'impiego di viti n. 10, classe 5 come minimo (non fornite in dotazione). • Accertarsi che la superficie di montaggio scelta sia sufficientemente robusta da sostenere in sicurezza il caricabatteria SMRT e la batteria SMRT Pak durante il trasporto. • Posizionare la staffa in un armadietto chiuso e fuori dalla portata del paziente durante il trasporto. • La batteria SMRT Pak deve poter essere installata e rimossa con facilità. • Posizionare la sorgente di alimentazione in un punto tale da consentire il collegamento del cavo di alimentazione. 	<ul style="list-style-type: none"> • Fissare la staffa su una superficie di supporto strutturale orizzontale o verticale con viti n. 10, classe 5 come minimo (non fornite in dotazione). • Per l'installazione verticale, posizionare la staffa in modo tale che la linguetta a molla si trovi immediatamente sotto le viti di montaggio e la batteria SMRT Pak sia sostenuta dal caricabatteria SMRT anche in caso di pressione accidentale del tasto di rilascio. • La batteria SMRT Pak deve poter essere installata e rimossa con facilità. • Posizionare la sorgente di alimentazione in un punto tale da consentire il collegamento del cavo di alimentazione.

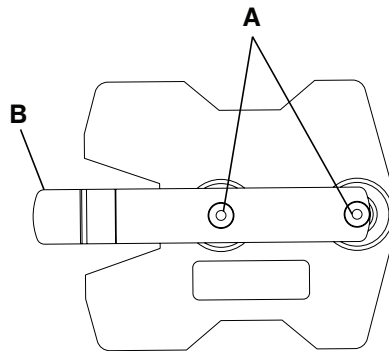


Figura 44 – Staffa di montaggio

Fissaggio del caricabatteria sulla staffa di montaggio opzionale

Istruzioni per il fissaggio del caricabatteria **SMRT** sulla staffa di montaggio (Figura 45):

1. Allineare le fessure posteriori per linguette (A) nei dispositivi di fissaggio della staffa (B).
2. Per fissare il caricabatteria alla staffa, far scorrere il caricabatteria **SMRT** (C) all'interno fino a quando si blocca nella staffa di montaggio (D).

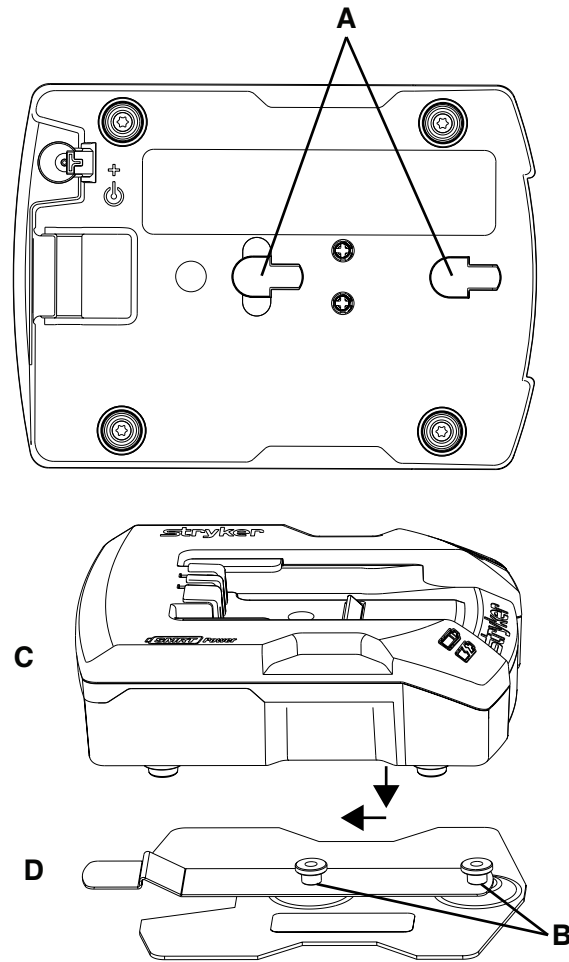


Figura 45 – Fissaggio del caricabatteria

Alimentazione del caricabatteria

ATTENZIONE

- Posizionare sempre il cavo di alimentazione elettrica del caricabatteria **SMRT** in un punto tale da evitare il rischio di calpestarlo, inciamparvi o in altro modo provocare danni o sollecitazioni.
- Evitare il contatto dei terminali del bocchettone della batteria **SMRT** con oggetti metallici.

To power the **SMRT** charger (Figura 46):

1. Individuare il punto di collegamento alla sorgente di alimentazione (A) sul lato posteriore del caricabatteria **SMRT**.
2. Spingere la linguetta di contenimento del cavo di alimentazione (B) e inserire il connettore di uscita del cavo di alimentazione nella porta di connessione elettrica del caricabatteria **SMRT**.
3. Inserire l'estremità dell'adattatore elettrico del cavo di alimentazione nella sorgente di alimentazione.

È buona prassi usare una sorgente di alimentazione pulita, di continuità. Quando il caricabatteria **SMRT** è connesso alla sorgente di alimentazione, il relativo LED indicatore è in verde fisso.

Per alimentare il caricabatteria **SMRT**, usare solo componenti approvati da Stryker.

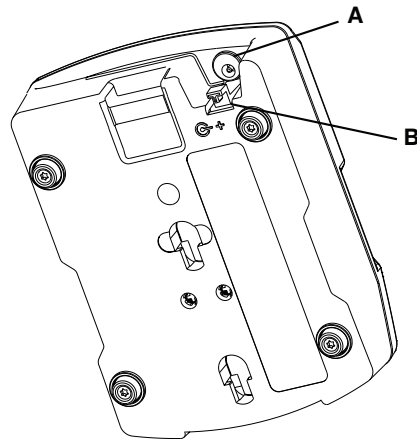


Figura 46 – Alimentazione del caricabatteria

Scollegamento del caricabatteria

ATTENZIONE - Per scollegare il caricabatteria **SMRT**, afferrare e tirare la spina, non il cavo, per evitare danni alla spina e al cavo.

Per scollegare il caricabatteria **SMRT**, scollegare il cavo di alimentazione dalla sorgente di alimentazione in c.a. o c.c.

Parti e accessori

Questi accessori possono essere disponibili per l'utilizzo con il prodotto. Confermare la disponibilità per la propria configurazione o nella propria zona. Per la disponibilità e i prezzi, rivolgersi al servizio di assistenza clienti Stryker: 1-800-327-0770.

Nome	Numero
Borsa per schienale	6500-130-000
Prolunga per cinghia	6082-160-050
Piattaforma del defibrillatore	6550-170-000
Gancio per apparecchiature	6500-147-000
Cilindro a gas, schienale	1010-031-077
Estensione alzatesta con cuscino	6100-044-000
Asta portaflebo a due segmenti, destra	6550-310-000
Asta portaflebo a due segmenti, sinistra	6550-311-000
Asta portaflebo a due segmenti, doppia	6550-312-000
Asta portaflebo a tre segmenti, destra	6550-315-000
Asta portaflebo a tre segmenti, sinistra	6550-316-000
Asta portaflebo a tre segmenti, doppia	6550-317-000
Materasso, con sostegno alzaginicchia	6550-001-084
Materasso con alzaginicchia piatto	6550-001-295
Materasso, con sostegno alzaginicchia, XPS	6500-003-130
Materasso, con sostegno alzaginicchia, grigio, XPS	6506-003-130
Portabombola di ossigeno	6550-102-020
Portabombola di ossigeno rimovibile	6080-140-000
Portabombola di ossigeno, cinghia	6550-002-004
Opzione staffa di contenimento	6091-300-010
Pacchetto di contenimento, EMS, omologato per gli USA	6060-160-010
Pacchetto di contenimento, cinghie di contenimento a X	6500-001-430
Pacchetto di contenimento, XPR	650600030010
Sponda laterale, standard	6550-034-000
Sponda laterale, opzione XPS	6550-031-000
Rete portaoggetti, carrello	6500-160-000
Borsa portaoggetti per schienale	6500-130-000
Fermaruote	6086-200-010

Utilizzare esclusivamente componenti approvati da Stryker. L'uso di componenti non approvati può causare un aumento delle emissioni elettromagnetiche o una diminuzione dell'immunità elettromagnetica del sistema. Non modificare i componenti. La mancata osservanza di queste istruzioni può essere causa di lesioni.

Nome	Numero
Caricabatteria SMRT	6500-201-000
Staffa di montaggio del caricabatteria SMRT	6500-034-000
Kit SMRT Pak, unità di alimentazione a batteria	6500-700-046
Componenti di alimentazione - c.a	
Alimentatore per caricabatteria	6500-201-148
Cavo di alimentazione, Nord America	6500-201-149
Cavo di alimentazione, Europa	6500-201-150
Cavo di alimentazione, Regno Unito	6500-201-151
Cavo di alimentazione, Australia	6500-201-153
Componenti di alimentazione - c.c	
Cavo 12 V c.c., automobilistico	6500-201-147
Cavo 12-24 V, spina DIN	6500-201-152
Kit di alimentazione SMRT (include 1 caricabatteria, 2 batterie Pak e 1 cavo di alimentazione)	
Kit di alimentazione SMRT - 12 V c.c., omologato per gli USA (caricabatteria da auto)	6500-700-040
Kit di alimentazione SMRT - 120 V c.a., omologato per gli USA (caricabatteria da muro)	6500-700-041
Kit di alimentazione SMRT - 240 V c.a., Regno Unito, internazionale	6500-700-043
Kit di alimentazione SMRT - 240 V c.a., Europa, internazionale	6500-700-044
Kit di alimentazione SMRT - 240 V c.a., Australia, internazionale	6500-700-045

Per un elenco completo di componenti aggiuntivi, contattare il rappresentante di vendita Stryker.

Pulizia e disinfezione delle cinghie di contenimento XPR

Confermare la disponibilità per la propria configurazione o nella propria zona. Per la disponibilità e i prezzi, rivolgersi al servizio di assistenza clienti Stryker: 1-800-327-0770.

I detergenti indicati includono:

- Alcol isopropilico ≤ 70% oppure

Un detergente con i seguenti principi attivi (o equivalenti):

- Sali di ammonio ≤ 0,31%
- Alcol isopropilico ≤ 21,000%
- Glicole etilenico monobutil etere ≤ 3,000% (principio non attivo)

Nota - Il mancato utilizzo dei detergenti prescritti può causare un deterioramento prematuro e invalidare la garanzia del prodotto. Ad esempio, non pulire con candeggina, **HDQ Neutral®** o accelerated hydrogen peroxide. In caso di domande o dubbi, contattare l'Assistenza clienti Stryker (1-800-327-0770).

Metodo di pulizia consigliato:

1. Per la diluizione del detergente utilizzato, attenersi rigorosamente ai consigli del fabbricante.
2. Per la pulizia, passare un panno sulle superfici esterne per asportare ogni traccia di sporco visibile. Se necessario, ripetere finché il prodotto non è pulito.

Nota - Spostare la fibbia di estensione per pulire l'intera cinghia di contenimento. Assicurarsi che la superficie di contenimento sia asciutta prima di spostare la fibbia di estensione. Non spostare la fibbia di estensione su una superficie bagnata con detergente.

3. Per la disinfezione, passare un panno sulle superfici esterne fino a bagnarle.
4. Assicurarsi che il prodotto non rimanga bagnato per un periodo di tempo superiore a quello consigliato per la corretta disinfezione nelle linee guida del fabbricante del prodotto chimico.
5. Verificare la funzionalità prima di rimettere il prodotto in servizio.
 - L'immersione delle fibbie metalliche delle cinghie di contenimento può provocare la corrosione delle fibbie stesse ed è pertanto sconsigliata. Per ridurre il rischio di corrosione, risciacquare con acqua pulita e lasciare asciugare all'aria. Se le fibbie metalliche sono corrose, sostituire le cinghie di contenimento.
 - Il contatto diretto della cute con materiale permeabile e visibilmente sporco può aumentare il rischio di infezione.
 - Non si raccomanda di lavare le cinghie di contenimento in lavanderia.

ATTENZIONE - Non applicare lubrificanti sulle superfici delle cinghie di contenimento.

Nota

- Le cinghie di contenimento XPR hanno una durata utile prevista di tre mesi, purché si utilizzino i detergenti consigliati indicati sopra.
- La mancata osservanza delle indicazioni sopra riportate durante l'uso di questo tipo di detergenti potrebbe invalidare la garanzia del prodotto.
- Utilizzare sempre acqua pulita per il risciacquo del prodotto e asciugarlo dopo la pulizia. Alcuni detergenti sono corrosivi e possono danneggiare il prodotto. Se il prodotto non viene risciacquato e asciugato in modo corretto, gli eventuali residui corrosivi non asportati dalla superficie possono provocare il deterioramento prematuro di componenti fondamentali.

Pulizia

AVVERTENZA - Utilizzare sempre dispositivi di protezione individuale appropriati durante il lavaggio a pressione, per evitare il contagio per inalazione. Gli apparecchi per il lavaggio a pressione possono diffondere la contaminazione nell'aria.

ATTENZIONE

- Non pulire il prodotto con vapore o ultrasuoni.
- La temperatura massima dell'acqua non deve superare i 180 °F (82 °C).
- La pressione massima dell'acqua non deve superare i 1500 psi (103,4 bar). Se si usa una lancia di lavaggio per lavare il prodotto, tenere l'ugello a pressione a una distanza minima di 24 pollici (61 cm) dal prodotto.
- Lasciare sempre asciugare all'aria.
- Rimuovere sempre la batteria prima di lavare la barella.
- Non pulire, riparare o sottoporre a manutenzione il prodotto mentre è in uso.

Il prodotto è lavabile a pressione. Il prodotto può sviluppare segni di ossidazione o alterazione del colore dovuti ai continui lavaggi. Le prestazioni del prodotto non vengono compromesse dal lavaggio a pressione, purché ci si attenga alle procedure corrette.

- Per la diluizione del detergente utilizzato, attenersi rigorosamente ai consigli del fabbricante.
- Il metodo preferenziale che Stryker Medical raccomanda per il lavaggio a pressione è con una lavacarrelli standard ospedaliera o con un'unità di lavaggio manuale.
- Pulire la barella una volta al mese.
- Pulire il **Velcro®** dopo ogni uso. Saturare il **Velcro®** con il disinfettante e lasciarlo evaporare. Il disinfettante più idoneo per il **Velcro®** in nylon sarà stabilito dal servizio di assistenza.
- L'immersione delle fibbie metalliche delle cinghie di contenimento può provocare la corrosione delle fibbie stesse ed è pertanto sconsigliata. Per ridurre il rischio di corrosione, risciacquare con acqua pulita e lasciare asciugare all'aria. Se le fibbie metalliche sono corrose, sostituire le cinghie di contenimento.
- Il contatto diretto della cute con materiale permeabile e visibilmente sporco può aumentare il rischio di infezione.

Detergenti indicati

In generale, se si usano le concentrazioni consigliate dal fabbricante, si possono usare disinfettanti di tipo fenolico o quaternario (tranne **Virex® TB**). I disinfettanti iodofori non sono indicati per l'uso perché possono macchiare.

I detergenti indicati includono:

- Detergenti quaternari (principio attivo: cloruro d'ammonio) contenenti meno del 3% di glicol etere
- Detergenti fenolici (principio attivo: o-fenilfenolo)
- Soluzione di candeggina (al 5,25% - meno di 1 parte di candeggina in 100 parti d'acqua)
- ≤21% di alcool isopropilico

Evitare una saturazione eccessiva. Fare in modo che il prodotto non rimanga bagnato per un periodo di tempo superiore a quello consigliato per la corretta disinfezione nelle linee guida del produttore del prodotto chimico.

Nota

- La mancata osservanza delle indicazioni sopra riportate durante l'uso di questo tipo di detergenti potrebbe invalidare la garanzia del prodotto.
- Utilizzare sempre acqua pulita per il risciacquo del prodotto e asciugarlo dopo la pulizia. Alcuni detergenti sono corrosivi e possono danneggiare il prodotto. Se il prodotto non viene risciacquato e asciugato in modo corretto, gli eventuali residui corrosivi non asportati dalla superficie possono provocare la corrosione prematura di componenti fondamentali.

Pulizia del caricabatteria

AVVERTENZA

- Per il rischio di infortunio durante le operazioni di pulizia della batteria **SMRT**, indossare sempre guanti di gomma isolati, oltre ai dispositivi di protezione individuale.
 - Prima di cominciare a pulire, scollegare sempre il caricabatteria **SMRT** dalla presa a parete, per evitare il rischio di scossa.
 - Non disperdere liquidi sopra il caricabatteria **SMRT**.
 - Non usare dispositivi elettrici per la pulizia del caricabatteria **SMRT**.
 - Non pulire il caricabatteria **SMRT** con solventi, lubrificanti o altre sostanze chimiche, salvo laddove diversamente indicato.
 - Non immergere il caricabatteria **SMRT** in acqua e avere cura di non accumulare acqua sulla parte superiore del caricabatteria **SMRT**, per evitare il rischio di scossa.
-

To clean the **SMRT** charger:

1. Durante le operazioni di pulizia, scollegare il caricabatteria **SMRT** dalla presa a parete, per evitare il rischio di scossa.
2. Pulire le superfici del caricabatteria **SMRT** con un panno morbido umido e un disinfettante non abrasivo, per uso ospedaliero.
3. Sciacquare con un panno umido e acqua pulita per eliminare eventuali sostanze chimiche o residui detergenti.
4. Asciugare bene prima di rimettere il caricabatteria **SMRT** in servizio.

Pulizia della batteria

La batteria **SMRT Pak** può essere sottoposta al lavaggio a pressione. Il metodo preferenziale per il lavaggio a pressione della batteria **SMRT Pak** è con una lavacarrelli standard ospedaliera o con una unità di lavaggio manuale.

AVVERTENZA

- Utilizzare sempre dispositivi di protezione individuale appropriati durante il lavaggio a pressione, per evitare il contagio per inalazione. Gli apparecchi per il lavaggio a pressione possono diffondere la contaminazione nell'aria.
 - Per il rischio di infortunio durante le operazioni di pulizia della batteria **SMRT Pak**, indossare sempre guanti di gomma isolati, oltre ai dispositivi di protezione individuale.
 - Utilizzare sempre materiali non conduttivi per pulire la batteria **SMRT Pak**.
 - Evitare sempre l'eccessiva esposizione all'acqua dei terminali della batteria **SMRT Pak**.
 - Fare sempre riferimento alla scheda di sicurezza (SDS) del disinfettante per verificare l'intervallo di pH. I disinfettanti con livelli di pH superiori a 10,5 possono causare la rottura del materiale di cui è composto l'alloggiamento della batteria **SMRT Pak**.
 - Non maneggiare o toccare direttamente i terminali della batteria **SMRT Pak** durante la pulizia per evitare il rischio di lesioni.
 - Non immergere la batteria **SMRT Pak** nei liquidi per ridurre il rischio di scossa elettrica.
 - Non usare solventi, lubrificanti o altre sostanze chimiche per pulire la batteria **SMRT Pak**, salvo laddove diversamente indicato.
-

ATTENZIONE

- Non pulire la batteria **SMRT Pak** con il vapore o gli ultrasuoni.
 - La temperatura massima dell'acqua non deve superare i 180 °F (82 °C).
 - Non superare la temperatura massima dell'aria per l'asciugatura di 240 °F (115 °C) (lavacarrelli).
 - La pressione massima dell'acqua non deve superare i 1500 psi (103,4 bar). Se si usa una lancia di lavaggio per lavare il prodotto, tenere l'ugello a pressione a una distanza minima di 24 pollici (61 cm) dal prodotto.
-

Per pulire la batteria **SMRT Pak**:

1. Rimuovere la batteria **SMRT Pak** dalla barella **Power-PRO** o dal caricabatteria **SMRT**.

2. Esaminare l'alloggiamento della batteria **SMRT Pak** e l'area del terminale per verificare la presenza di eventuali danni o lacerazioni.
3. Pulire la batteria **SMRT Pak** con un disinfettante per uso ospedaliero con pH compreso nell'intervallo 6,5-10,5.
4. Sciacquare accuratamente la batteria **SMRT Pak** con acqua pulita per rimuovere ogni residuo o sostanza chimica detergente. Posizionare la batteria **SMRT Pak** in modo da evitare che l'acqua ristagni vicino ai terminali.
5. Asciugare accuratamente la batteria **SMRT Pak** prima di inserirla in una barella **Power-PRO** o in un caricabatteria **SMRT**.

Manutenzione preventiva

AVVERTENZA

- Ridurre sempre la pressione prima di scollegare l'impianto idraulico o le altre linee. Una fuga di fluido sotto pressione può penetrare nella pelle causando gravi lesioni. Stringere tutte le connessioni prima di applicare la pressione. In caso di incidente, consultare immediatamente un medico.
- Non utilizzare le mani nude per controllare le perdite dell'impianto idraulico.

ATTENZIONE

- Usare sempre componenti autorizzati per evitare il rischio di danni al prodotto.
- Controllare sempre regolarmente i tubi e le linee per evitare danni alla barella. Controllare e stringere le connessioni allentate. Le linee idrauliche, i tubi e le connessioni possono funzionare male o allentarsi a causa di danni fisici, attorcigliamento, invecchiamento ed esposizione agli agenti ambientali.
- Non ribaltare la barella sulle ruote di carico e azionare il dispositivo; in questo modo l'aria entrerà nel sistema idraulico.

Stabilire e seguire un programma di manutenzione e registrare le relative attività. Rimuovere il prodotto dal servizio prima di eseguire gli interventi di manutenzione preventiva. È probabile che sia necessario eseguire interventi di manutenzione preventiva più di frequente, in base al grado di utilizzo del prodotto. Eventuali interventi di assistenza o riparazione devono essere eseguiti esclusivamente da personale qualificato.

L'uso dei prodotti impiegati per gli interventi di manutenzione deve essere conforme alle istruzioni del relativo produttore e a tutte le schede di sicurezza dei materiali (MSDS).

Lubrificazione

ATTENZIONE - Non lubrificare i cuscinetti del telaio a X perché ciò riduce le prestazioni della barella e può invalidare la garanzia.

La barella è stata progettata per funzionare senza la necessità di utilizzare un lubrificante.

Ispezione ordinaria e regolazioni

Il seguente programma è una guida generale alla manutenzione. Il programma di manutenzione può subire variazioni a causa di vari fattori quali le condizioni atmosferiche, il suolo, la posizione geografica e l'uso individuale. Se non si è sicuri su come eseguire questi controlli, contattare il tecnico dell'assistenza Stryker. In caso di dubbi su quali intervalli seguire per sottoporre a manutenzione il dispositivo, consultare il tecnico dell'assistenza Stryker. Eseguire ogni controllo e, se necessario, sostituire le parti usurate.

Una volta al mese o ogni due ore

Ispezionare questi componenti una volta al mese o ogni due ore, in base all'evento che si verifica prima.

Componente	Ispezione
Impostazioni	Configurazione del sistema di disattivazione automatica del dispositivo di ancoraggio
Cilindro	Estendere l'asta del cilindro. Pulire l'asta del cilindro con un panno morbido e un detergente domestico.
Cavi e fili	Assenza di fili pendenti dalle vie di passaggio o collegamento
Maniglia di sblocco manuale di riserva	Funzioni della maniglia di sblocco manuale di riserva
Letino	Telaio e lettino
Base	Telaio e base

Componente	Ispezione
Ruote	Tutte le ruote sono fissate, scorrono e girano
Sezione della testa	La barra di sicurezza funziona. Tirare verso la sezione della testa per accertarsi che la barra di sicurezza giri e ruoti liberamente e torni alla posizione iniziale
Cinghie di contenimento	Le cinghie di contenimento funzionano e non mostrano eccessivi segni di usura (come attacco o piastrina di chiusura piegati o rotti oppure tessuto lacerato o sfilacciato)
Batteria	Alloggiamento della batteria SMRT e area del terminale per eventuali lacerazioni o danni prima del primo uso e ad ogni successivo uso
Caricabatteria	Caricabatteria SMRT e parti per eventuali tagli nel cavo, perni o contatti piegati o strappi nell'alloggiamento prima del primo uso e di ogni successivo uso

Ogni tre mesi o sei ore

Ispezionare questi componenti ogni tre mesi o sei ore, in base all'evento che si verifica prima.

Componente	Ispezione
Cilindro	Tutti i dispositivi di fissaggio siano saldi
	Assenza di perdite (rosse) dal fluido idraulico
	Raccordi allentati, stringere se necessario
Impianto idraulico	Dispositivi di fissaggio per il montaggio del motore, per verificarne l'efficacia
	Assenza di perdite di fluido idraulico
	Assenza di perdite dal serbatoio
Cavi e fili	Assenza di danni o segni di schiacciamento della cinghia di contenimento del cablaggio, del cavo o delle linee
	Assenza di danni ai connettori
Maniglia di sblocco manuale di riserva	La base si estende e si ritrae tirando la maniglia di sblocco manuale di riserva
	La barella non si abbassa tirando la maniglia di sblocco manuale di riserva con un peso pari o superiore a 100 libbre (45 kg) sulla barella
Lettino	Tutti i dispositivi di fissaggio siano saldi
	Il cilindro dello schienale funziona
	Regolare il cilindro pneumatico per verificare che l'arco di mobilità sia completo, se necessario
Base	Tutti i dispositivi di fissaggio siano saldi
Telaio a X	Il telaio a X si espande e si ritrae
Sezione della testa	Tutti i dispositivi di fissaggio siano saldi

Componente	Ispezione
	La sezione della testa di estende e si blocca
Accessori e componenti (opzionali)	Tutti gli accessori e i componenti (come asta portaflebo, prolunga cinghie di contenimento, barre di sollevamento e portabombola di ossigeno) sono funzionanti

Ogni sei mesi o 12 ore

Ispezionare questi componenti ogni sei mesi o 12 ore, in base all'evento che si verifica prima.

Componente	Ispezione
Impianto idraulico	Tubi e raccordi per danni e segni di usura
	Valvola di controllo del flusso - Posizionare un peso di circa 23 kg (50 libbre) sulla barella, alzare la barella, sollevare la barella con due barellieri, tirare la maniglia di sblocco manuale di riserva, rimettere velocemente a terra la barella senza farla cadere
Comandi elettronici	Estendere la barella fissandola in posizione alzata, misurare e verificare l'altezza del carico
	Il meccanismo di jog funziona
	La retrazione ad alta velocità funziona
Interruttori	Assenza di danni o segni di usura su entrambi gli interruttori
	Entrambi gli interruttori funzionano
Lettino	Nessun componente piegato, rotto o danneggiato
	Nessun segno di danno o strappo sulle maniglie della barella
	Le sponde laterali funzionano e si bloccano
	Il poggiatesta funziona
Materasso	Assenza di incrinature o strappi
Base	Nessun componente piegato, rotto o danneggiato
Ruote	Assenza di residui
Sezione della testa	Nessun componente piegato, rotto o danneggiato
	La barra di appoggio non presenta danni eccessivi o strappi
	Le ruote di caricamento sono fissate e scorrono
Cavalletto (opzionale)	Lubrificare la molla del cavalletto e l'alloggiamento interno della molla (opzionale) usando Tri-Flow® .

Ogni 12 mesi o 24 ore

Ispezionare questi componenti ogni 12 mesi o 24 ore, in base all'evento che si verifica prima.

Componente	Ispezione
Impostazioni	La barella e il dispositivo di fissaggio corrispondono e funzionano
Cilindro	Il cilindro è regolato: il dado di bloccaggio è stretto e la barella si ferma quando colpisce le battute
Maniglia di sblocco manuale di riserva	Torna alla posizione ripiegata
Lettino	Tutte le saldature sono intatte, non presentano segni di incrinatura o rottura
	Etichette di avvertenza presenti, leggibili
Base	Tutte le saldature sono intatte, non presentano segni di incrinatura o rottura
Ruote	Verificare e regolare i fermaruota
Portabombola di ossigeno sezione retrattile della testa (opzionale)	Cinghie e clip per segni di usura
Piattaforma defibrillatore (opzionale)	Cinghie non sfilacciate o strappate
	I ganci di blocco sono intatti e saldi

Informazioni sulla compatibilità elettromagnetica

ATTENZIONE

- L'uso di accessori, trasduttori e cavi diversi da quelli specificati o forniti dal fabbricante potrebbe comportare un aumento delle emissioni elettromagnetiche o una diminuzione dell'immunità elettromagnetica e provocare un funzionamento non corretto.
- Le caratteristiche delle emissioni di questa apparecchiatura la rendono adatta all'uso in ambienti industriali e ospedalieri (CISPR 11 classe A). Se viene usata in un ambiente residenziale (per il quale è normalmente richiesta la conformità CISPR 11 classe B), potrebbe non offrire una protezione adeguata ai servizi di comunicazione a radiofrequenza. L'utilizzatore potrebbe dover adottare misure di attenuazione, come lo spostamento o il riorientamento dell'apparecchio.

Informazioni di compatibilità e dichiarazioni del fabbricante – emissioni elettromagnetiche		
L'uso di Power-PRO e del caricabatteria SMRT è previsto nell'ambiente elettromagnetico specificato qui di seguito. Il cliente o l'utilizzatore di Power-PRO e del caricabatteria SMRT deve garantire che i dispositivi vengano usati in un ambiente dotato di tali caratteristiche.		
Test delle emissioni	Conformità	Ambiente elettromagnetico
Emissioni RF CISPR 11	Gruppo 1	Power-PRO e il caricabatteria SMRT utilizzano energia RF esclusivamente per le loro funzioni interne. pertanto, le emissioni RF sono molto basse e non dovrebbero interferire con le apparecchiature elettroniche presenti nelle vicinanze.
Emissioni RF CISPR 11	Power-PRO : Classe A	L'uso di Power-PRO è indicato in ogni tipo d'ambiente, esclusi quelli domestici e quelli collegati direttamente alla rete pubblica a bassa tensione che rifornisce gli edifici adibiti ad uso residenziale.
	Caricabatteria SMRT (6500-201-010): Classe B	L'uso del caricabatteria SMRT è indicato in ogni tipo d'ambiente, inclusi quelli domestici e quelli collegati direttamente alla rete pubblica a bassa tensione che rifornisce gli edifici adibiti ad uso residenziale.
Emissioni armoniche IEC 61000-3-2	Power-PRO : NON PERT. Caricabatteria SMRT (6500-201-010): Classe A	L'uso del caricabatteria SMRT è indicato in ogni tipo d'ambiente, inclusi quelli domestici e quelli collegati direttamente alla rete pubblica a bassa tensione che rifornisce gli edifici adibiti ad uso residenziale.
Fluttuazioni di tensione Emissioni di flicker IEC 61000-3-3	Power-PRO : NON PERT. Caricabatteria SMRT (6500-201-010): conforme	L'uso del caricabatteria SMRT è indicato in ogni tipo d'ambiente, inclusi quelli domestici e quelli collegati direttamente alla rete pubblica a bassa tensione che rifornisce gli edifici adibiti ad uso residenziale.

ATTENZIONE

- Le apparecchiature di comunicazione a RF portatili (incluse le apparecchiature periferiche quali i cavi antenna e le antenne esterne) non devono essere usate a una distanza inferiore a 12 pollici (30 cm) da qualsiasi parte di **Power-PRO** e del caricabatteria **SMRT**, inclusi i cavi specificati dal fabbricante.
- Evitare di impilare o di collocare altre apparecchiature in posizione adiacente a **Power-PRO** e al caricabatteria **SMRT** per evitare di compromettere il funzionamento di questi prodotti. Se è necessaria tale disposizione d'uso, monitorare con attenzione **Power-PRO** e il caricabatteria **SMRT** e le altre apparecchiature per verificare che funzionino correttamente.

Distanze di separazione consigliate tra le apparecchiature di comunicazione in RF portatili e mobili e Power-PRO e il caricabatteria SMRT

L'uso di **Power-PRO** e del caricabatteria **SMRT** è previsto in un ambiente elettromagnetico con controllo delle interferenze a radiofrequenza irradiate. Per contribuire a evitare le interferenze elettromagnetiche, il cliente o l'utilizzatore del **Power-PRO** e del caricabatteria **SMRT** deve assicurarsi di mantenere una distanza minima tra le apparecchiature di comunicazione a RF portatili e mobili (trasmettitori) e **Power-PRO** e il caricabatteria **SMRT** come consigliato qui di seguito, a seconda della potenza massima di uscita delle apparecchiature di comunicazione.

Potenza nominale massima erogata dal trasmettitore W	Distanza di separazione in funzione della frequenza del trasmettitore m		
	da 150 kHz a 80 MHz $D=(1,2) (\sqrt{P})$	da 80 MHz a 800 MHz $D=(0,35) (\sqrt{P})$	da 800 MHz a 2,7 GHz $D=(0,70) (\sqrt{P})$
0,01	0,12	0,04	0,07
0,1	0,38	0,11	0,22
1	1,20	0,35	0,70
10	3,79	1,11	2,21
100	12	3,50	7

Per i trasmettitori con una potenza nominale massima erogata non elencata in precedenza, la distanza di separazione consigliata d in metri (m) può essere stimata utilizzando l'equazione applicabile alla frequenza del trasmettitore, dove P è la potenza nominale massima in uscita del trasmettitore espressa in watt (W) in base a quanto dichiarato dal suo produttore. Nota 1 – A 80 MHz e 800 MHz si applica la distanza di separazione corrispondente alla gamma di frequenza superiore. Nota 2 – È possibile che queste informazioni di compatibilità non siano universalmente applicabili. La propagazione elettromagnetica è influenzata dall'assorbimento e dalla riflessione ad opera di strutture, oggetti e persone.

Informazioni di compatibilità e dichiarazioni del produttore – immunità elettromagnetica

L'uso di **Power-PRO** e del caricabatteria **SMRT** è indicato nell'ambiente elettromagnetico specificato qui di seguito. Il cliente o l'utilizzatore di **Power-PRO** e del caricabatteria **SMRT** deve garantire che i dispositivi vengano usati in un ambiente dotato di tali caratteristiche.


Test d'immunità	Livello di prova IEC 60601	Livello di conformità	Ambiente elettromagnetico – informazioni di compatibilità
Scariche elettrostatiche (ESD) IEC 61000-4-2	± 8 kV a contatto ± 15 kV in aria	± 8 kV a contatto ± 15 kV in aria	Il pavimento deve essere in legno, cemento o piastrelle di ceramica. Se il pavimento è ricoperto di materiale sintetico, l'umidità relativa deve essere pari almeno al 30%.
Transitori elettrici veloci/burst IEC 61000-4-4	± 2 kV per le linee di alimentazione di rete ± 1 kV per le linee in ingresso/uscita	Power-PRO: NON PERT. Caricabatteria SMRT (6500-201-010): ± 2 kV per le linee di alimentazione di rete ± 1 kV per le linee in ingresso/uscita	La qualità della corrente proveniente dalla rete di alimentazione deve essere conforme a un ambiente commerciale od ospedaliero tipico.

Informazioni di compatibilità e dichiarazioni del produttore – immunità elettromagnetica

<p>Sovratensione IEC 61000-4-5</p>	<p>± 1 kV da linea(e) a linea(e) ± 2 kV da linea(e) a terra</p>	<p>Power-PRO: NON PERT. Caricabatteria SMRT (6500-201-010): ± 1 kV da linea(e) a linea(e) ± 2 kV da linea(e) a terra</p>	<p>La qualità della corrente proveniente dalla rete di alimentazione deve essere conforme a un ambiente commerciale od ospedaliero tipico.</p>
<p>Cadute di tensione, variazioni della tensione e brevi interruzioni sulle linee di alimentazione in ingresso IEC 61000-4-11</p>	<p>0% U_T per 0,5 cicli a 0°, 45°, 90°, 135°, 180°, 225°, 270° e 315° 0% U_T per 1 ciclo 70% U_T (calo del 30% in U_T) per 25 cicli 0% U_T per 250 cicli</p>	<p>Power-PRO: NON PERT. Caricabatteria SMRT (6500-201-010): 0% U_T per 0,5 cicli a 0°, 45°, 90°, 135°, 180°, 225°, 270° e 315° 0% U_T per 1 ciclo 70% U_T (calo del 30% in U_T) per 25 cicli 0% U_T per 250 cicli</p>	<p>La qualità della corrente proveniente dalla rete di alimentazione deve essere conforme a un ambiente commerciale od ospedaliero tipico. Se l'utilizzatore del caricabatteria SMRT necessita di un funzionamento continuo anche in presenza di interruzioni dell'alimentazione di rete, si consiglia di alimentare il dispositivo tramite un gruppo di continuità o una batteria.</p>
<p>Campo magnetico della frequenza di rete (50/60 Hz) IEC 61000-4-8</p>	<p>30 A/m</p>	<p>30 A/m</p>	<p>I campi magnetici della frequenza di rete devono attestarsi sui livelli tipici per una rete standard adibita ad uso commerciale e/o ospedaliero.</p>
<p>Conduzione di transitori elettrici lungo le linee di alimentazione ISO 7637-2</p>	<p>ai sensi di ISO 7637-2</p>	<p>Power-PRO: NON PERT. Caricabatteria SMRT (6500-201-010): ai sensi di ISO 7637-2</p>	<p>NON PERT.</p>

Nota – U_T è la tensione di rete in c.a. prima dell'applicazione del livello di prova.

Informazioni di compatibilità e dichiarazioni del produttore – immunità elettromagnetica

<p align="center">RF condotta IEC 61000-4-6</p>	<p align="center">3 Vrms 6 Vrms in bande ISM e bande radioamatoriali Da 150 kHz a 80 MHz</p>	<p align="center">3 V 6 Vrms in bande ISM e bande radioamatoriali</p>	<p>Le apparecchiature di comunicazione in RF portatili e mobili non devono essere usate a una distanza da qualsiasi parte di Power-PRO o del caricabatteria SMRT (inclusi i cavi) inferiore rispetto alla distanza di separazione consigliata, calcolata mediante l'equazione applicabile alla frequenza del trasmettitore.</p>
<p align="center">RF irradiata IEC 61000-4-3</p>	<p align="center">10 V/m da 80 MHz a 2,7 GHz</p>	<p align="center">10 V/m</p>	<p>Distanza di separazione consigliata</p> <p>$D=(1,2) (\sqrt{P})$</p> <p>$D=(0,35) (\sqrt{P})$</p> <p>da 80 MHz a 800 MHz</p> <p>$D=(0,70) (\sqrt{P})$</p> <p>da 800 MHz a 2,7 GHz</p> <p>laddove P è il coefficiente massimo di potenza in uscita del trasmettitore espresso in watt (W) secondo le informazioni fornite dal produttore, e d è la distanza di separazione consigliata in metri (m).</p> <p>Le intensità di campo generate dai trasmettitori a RF fissi, così come determinate da un sito elettromagnetico ^a, devono essere inferiori al livello di conformità in ciascuna gamma di frequenze^b.</p> <p>Possono verificarsi interferenze in prossimità di dispositivi recanti il seguente simbolo:</p> <div align="center">  </div>

Informazioni di compatibilità e dichiarazioni del produttore – immunità elettromagnetica

Nota 1 – A 80 MHz e 800 MHz si applica il range di frequenza più elevato.

Nota 2 – È possibile che queste informazioni di compatibilità non siano universalmente applicabili. La propagazione elettromagnetica è influenzata dall'assorbimento e dalla riflessione ad opera di strutture, oggetti e persone.

Nota 3 – Le bande ISM (industriali, scientifiche e mediche) comprese fra 0,15 MHz e 80 MHz vanno da 6,765 MHz a 6,795 MHz; da 13,553 MHz a 13,567 MHz; da 26,957 MHz a 27,283 MHz e da 40,66 MHz a 40,70 MHz. Le bande radioamatoriali comprese tra 0,15 MHz e 80 MHz vanno da 1,8 MHz a 2,0 MHz, da 3,5 MHz a 4,0 MHz, da 5,3 MHz a 5,4 MHz, da 7 MHz a 7,3 MHz, da 10,1 MHz a 10,15 MHz, da 14 MHz a 14,2 MHz, da 18,07 MHz a 18,17 MHz, da 21,0 MHz a 21,4 MHz, da 24,89 MHz a 24,99 MHz, da 28,0 MHz a 29,7 MHz e da 50,0 MHz a 54,0 MHz.

Power-PRO™ TL-brancard

Bedieningshandleiding





















REF 6550















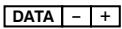








CE

NL

Symbolen

	Zie de instructiehandleiding
	Raadpleeg de gebruiksaanwijzing
	CE-markering
	Gemachtigde in de Europese Gemeenschap
	Europees medisch hulpmiddel
	Algemene waarschuwing
	Let op
	Waarschuwing; beknelling van handen
	Waarschuwing; niet-ioniserende straling
	Niet duwen
	Niet smeren
	Catalogusnummer
	Batchcode
	Serienummer
	Zie www.stryker.com/patents voor Amerikaanse octrooien
	Fabrikant
	Fabricagedatum
	Importeur
	Massa van apparatuur met veilig draagvermogen
	Veilig draagvermogen

	Met de patiënt in aanraking komend onderdeel van type B
	In aanraking met de patiënt komend onderdeel van type BF
	Medische apparatuur geclassificeerd door Underwriters Laboratories Inc. met betrekking tot gevaren van elektrische schokken, brand en mechanische gevaren alleen in overeenstemming met ANSI/AAMI ES60601-1:2012 en CAN/CSA-C22.2 nr. 60601-1:14.
	Gelijkstroom
	Wisselstroom
	Elektrische apparatuur van klasse II: apparatuur waarbij de bescherming tegen elektrische schokken niet uitsluitend afhankelijk is van elementaire isolatie, maar waarin is voorzien in extra veiligheidsvoorzieningen zoals dubbele isolatie of versterkte isolatie, bij afwezigheid van een aardingsvoorziening of van het vertrouwen in installatieomstandigheden.
	Gevaarlijke spanning
	SMRT-voedingssysteem
	Uitschuiven
	Intrekken
IPX0	Niet beschermd
IPX6	Bescherming tegen krachtige waterstralen
	Conform Europese Richtlijn 2012/19/EU betreffende afgedankte elektrische en elektronische apparatuur (AEEA) zoals gewijzigd, geeft dit symbool aan dat het product gescheiden moet worden ingezameld voor recycling. Gooi niet weg bij het ongescheiden gemeentefval. Neem contact op met de plaatselijke distributeur voor informatie over afvalverwijdering. Zorg dat geïnfecteerde apparatuur wordt ontsmet vóór de recycling.
	AEEA-richtlijn (2012/96/EG). Bevat cadmium.
	De Rechargeable Battery Recycling Corporation (RBRC) is een publieke dienstverleningsorganisatie zonder winstoogmerk die recycling van draagbare oplaadbare batterijen/accu's wil bevorderen. Accu's moeten worden afgegeven bij een inzamelpunt voor batterijen/accu's. Ga naar de website van RBRC (www.rbrc.org) om een inzamelpunt bij u in de buurt te vinden of bel het telefoonnummer dat is vermeld op het recyclingsymbool.
	Bevat nikkelcadmiumcellen en moet dienovereenkomstig worden gerecycled
	Identificatie accuklemmen (datalijn, min en plus)
KRX 23/44	Identificatie Ni-Cd-cel overeenkomstig IEC 61951-1:2003

2300 mAh (1.2A/2h)	Accucapaciteit, typische lading en gebruiksduur
	Niet reinigen met bleekmiddel
	Veiligheidsriem voor de schouders
	Riem met dubbele gesp voor het middel
	Riem met enkelvoudige gesp voor het middel
	Riem voor de dijen
	Riem voor de enkels

Inhoudsopgave

Definitie van Waarschuwing/Let op/Opmerking	3
Samenvatting van de veiligheidsmaatregelen	3
Knelpunten	6
Mechanische stabiliteit	7
Inleiding	9
Productbeschrijving	9
Gebruiksindicaties	9
Klinische voordelen	10
Contra-indicaties	10
Verwachte levensduur	10
Afvoer/recycling	10
Specificaties - Power-PRO	10
Europese REACH	11
Normen met vereiste opties	12
Verenigbaarheid met het Schnitzler-kinderveiligheidsriemsysteem	12
Specificaties - SMRT	13
Productillustratie - Power-PRO	14
Afbeelding van het product - SMRT	15
Contactgegevens	15
Plaats van serienummer - Power-PRO	16
Locatie van serienummer - SMRT	16
Ingebruikname	17
Installatie	17
De brancardbevestiging installeren	17
Bedrijf	18
De acculading controleren	18
De urenteller en foutweergave bekijken	18
Bedieningsrichtlijnen	19
Goede tiltechnieken	20
De patiënt overbrengen op de brancard	20
De brancard met een patiënt verrijden	20
De brancard omhoog- of omlaag zetten	21
De brancard elektrisch omhoog zetten, omlaag zetten of vrijgeven	21
De brancard handmatig omhoog of omlaag zetten met de handmatige overridefunctie	22
Laden versnellen met de extra snelle inschuifmodus	23
De brancard in de brancardbevestiging laden	23
De brancard uit de brancardbevestiging verwijderen	24
De brancard inladen met een laadklep	24
De brancard uitladen met een laadklep	25
De brancard laden met een helling	26
Een brancard met de optionele zuurstoffleshouder in- en uitladen	26
Positioneren van bedieners en assistenten	27
De rugsteun omhoog of omlaag zetten	28
De onrusthekken omhoog of omlaag zetten	28
De onrusthekken omhoog of omlaag zetten (XPS-optie)	28
De inschuifbare hoofdsectie of voetsectie uitschuiven	28
De inschuifbare hoofdsectie of voetsectie inschuiven	29
De optie knieknikgedeelte omhoog of omlaag zetten	30
Een wielvergrendeling activeren of loszetten	31
De optionele Steer-Lock in- of uitschakelen	31
De patiënt vastzetten met de veiligheidsriemen	32
Een veiligheidsriemverlengstuk toevoegen	33
Een patiënt vastmaken met de X-riemen/XPR-veiligheidsriemen	33
De X-riemen/XPR-veiligheidsriemen voor de schouders vastmaken	34
Bevestig de X-riemen/XPR-veiligheidsriemen voor het middel vastmaken	34
De X-riemen/XPR-veiligheidsriemen voor de dijen vastmaken	35
De X-riemen/XPR-veiligheidsriemen voor de enkels vastmaken	35
De patiënt vastzetten met het Pedi-Mate®-kinderveiligheidsriemsysteem	36
Het defibrillatorplatform bevestigen	36
Apparatuur ophangen aan de apparatuurhaak	39

De tweedelige infuuspaal in positie brengen	39
De optie driedelige infuuspaal in positie brengen	40
Een zuurstoffles bevestigen aan de zuurstoffleshouder	41
De optionele duwstangen bevestigen.....	42
De duwstangen verwijderen en opbergen in de opbergzak voor de duwstangen	42
Het optionele opslagnet op het onderstel installeren	43
De optionele opbergzak voor de rugleuning bevestigen.....	43
De matras bevestigen.....	44
Een SMRT Pak inbrengen	45
Een SMRT Pak uit de brancard verwijderen	45
Opslag van de accu.....	46
De SMRT Pak opladen	46
De lading van de SMRT Pak controleren met de SMRT-lader	47
Vereisten voor de elektrische voedingsinstallatie	47
De SMRT-lader installeren.....	48
De optionele bevestigingsbeugel installeren.....	48
De lader vastmaken aan de optionele bevestigingsbeugel.....	49
De lader inschakelen	50
De lader loskoppelen.....	51
Accessoires en onderdelen.....	52
De XPR-veiligheidsriemen reinigen en desinfecteren.....	54
Reiniging.....	55
Aanbevolen reinigingsmiddelen.....	55
De lader reinigen.....	56
De accu reinigen	56
Preventief onderhoud.....	58
Smering.....	58
Regelmatige inspectie en afstellingen	58
Elke maand of twee uur.....	58
Elke drie maanden of zes uur	59
Elke zes maanden of 12 uur	60
Elke 12 maanden of 24 uur.....	61
EMC-informatie	62

Definitie van Waarschuwing/Let op/Opmerking

De woorden **WAARSCHUWING**, **LET OP** en **OPMERKING** hebben een speciale betekenis en dienen aandachtig te worden bestudeerd.

WAARSCHUWING

Vestigt de aandacht van de lezer op een situatie die, indien niet vermeden, overlijden of ernstig letsel tot gevolg kan hebben. Kan ook betrekking hebben op mogelijke ernstige ongewenste reacties en veiligheidsrisico's.

LET OP

Vestigt de aandacht van de lezer op een mogelijk gevaarlijke situatie die, indien niet vermeden, licht of matig letsel van de gebruiker of de patiënt of schade aan het product of andere eigendommen tot gevolg kan hebben. Dit heeft tevens betrekking op speciale aandacht die nodig is voor het veilige en effectieve gebruik van het hulpmiddel en de aandacht nodig om schade aan het hulpmiddel te vermijden die kan optreden als gevolg van gebruik of verkeerd gebruik.

Opmerking - Verschafft speciale informatie die het onderhoud vergemakkelijkt of belangrijke instructies verduidelijkt.

Samenvatting van de veiligheidsmaatregelen

Lees de waarschuwingen en aandachtspunten op deze pagina en volg deze altijd strikt op. Onderhoud en reparaties mogen uitsluitend door bevoegd personeel worden uitgevoerd.

WAARSCHUWING

- Houd uw handen altijd uit de buurt van de rode veiligheidsstangdraaipunten wanneer u de brancard inlaadt, uitlaadt of de hoogte ervan wijzigt.
- Gebruik altijd beide handen bij het verplaatsen van de brancard.
- Laat de brancardbevestiging uitsluitend door bevoegd personeel installeren. Onjuiste installatie kan leiden tot letsel bij de patiënt of de bediener.
- Verzeker u er altijd van dat alle brancards voldoen aan de installatiespecificaties voor het brancardbevestigingssysteem van Stryker.
- Stel de railklemconstructie altijd bij op de positie van de brancardborgstang, behorend bij de fabrikant en het modelnummer van de brancard.
- Verwijder de accu niet terwijl de brancard actief is.
- Bedien het product uitsluitend wanneer er zich niemand in de buurt van de mechanismen bevindt. Beknelling in de mechanismen van een elektrisch product kan ernstig letsel veroorzaken.
- Inspecteer **SMRT** Paks altijd vóór elk gebruik op schade.
- Sta niet toe dat niet-opgeleide assistenten helpen bij de bediening van het product.
- Houd u altijd aan de juiste handplaatsing op de handgrepen. Houd alle handen uit de buurt van de rode draaipunten van de veiligheidsstang wanneer u de brancard in- of uitlaadt of de hoogtestand verandert.
- Rijd niet mee op het onderstel van de brancard.
- Vervoer de brancard niet zijwaarts, om het risico van kantelen te vermijden. Vervoer de brancard altijd in een verlaagde stand, hoofdeinde of voeteneinde voorop, om het risico van kantelen tot een minimum te beperken.
- Houd handen, vingers en voeten altijd uit de buurt van bewegende onderdelen. Wees voorzichtig bij het plaatsen van uw handen en voeten dicht bij de buizen van het onderstel terwijl u de brancard omhoog- of omlaagbrengt.
- Installeer steeds het interne uitschakelsysteem van de bevestiging in elk noodhulpvoertuig dat met deze brancard en een bevestiging van het geweytype gebruikt gaat worden.
- Pas altijd patiëntbewaking toe wanneer de brancard stilstaat. Tijdens het hydraulisch omhoog- of omlaagbrengen van het product kan elektronische patiëntbewakingsapparatuur tijdelijk worden gestoord.
- Zet de patiënt altijd met behulp van alle veiligheidsriemen vast op het product. Een patiënt die niet vastgemaakt is, kan van het product vallen en verwond raken.
- Laat een patiënt niet onbewaakt achter. Houd het product vast terwijl er zich een patiënt op het product bevindt.
- Gebruik geen wielvergrendeling terwijl er zich een patiënt op het product bevindt of wanneer u het product verplaatst, om het risico van omkantelen te vermijden.
- Gebruik de onrusthekken niet als voorziening om een patiënt vast te zetten.

- Vervoer de brancard altijd in een lagere stand, om het risico van omkantelen van de brancard te beperken. Vraag zo mogelijk om extra bijstand of kies een andere route.
- Vermijd altijd hoge obstakels, zoals stoepranden, traptreden en oneffen terrein, om het risico van omkantelen van het product te vermijden.
- Breng de brancard met een patiënt altijd met twee bedieners omhoog of omlaag.
- Zorg er altijd voor dat de brancard niet weer van de klep af kan rollen voordat u de laadklep gebruikt met de brancard en een patiënt. Ga na of de laadklepaanslag onderhouden is en functioneert.
- Vergrendel het hoofdeinde altijd op zijn plaats voordat u de brancard bedient.
- Probeer niet de brancard in de patiëntruimte van het voertuig te laden met het hoofdeinde ingeschoven. Het laden van de brancard met ingeschoven hoofdeinde kan ervoor zorgen dat het product omkantelt of geen verbinding maakt met de brancardbevestiging van het voertuig.
- Installeer of activeer geen wielvergrendeling op een product met versleten wielen waarvan de diameter minder dan 6 inch (15 cm) bedraagt.
- Laat een patiënt of passagier niet onbewaakt achter. Houd het product vast terwijl er zich een patiënt of passagier op het product bevindt.
- Zet de patiënt altijd met behulp van alle riemen vast op de brancard. Een patiënt die niet is vastgezet, kan van de brancard af vallen.
- Bevestig veiligheidsriemen niet aan de onderstel- of dwarsbuizen.
- Houd de gesp altijd uit de buurt van obstructies of accessoires op de brancard, om het risico van onbedoeld losraken van het **Pedi-Mate**®-kinderveiligheidsriemsysteem en letsel bij het kind te vermijden.
- Bevestig het defibrillatorplatform niet op een brancard van het model 6086 **Performance-PRO XT** met de **Power-LOAD**-optie, om het risico van omkantelen van de brancard te vermijden.
- Vergrendel de optionele duwstangen altijd in de bevestigingen om te voorkomen dat de duwstangen losschieten tijdens het gebruik.
- Gebruik de optionele duwstangen niet op het product op te tillen.
- Berg de duwstangen altijd op in de opbergzak in de basis wanneer ze niet in gebruik zijn.
- Probeer de accu om geen enkele reden te openen, om het risico van elektrische schok te vermijden. Als de accu barsten vertoont of beschadigd is, plaats hem dan niet in de lader. Breng beschadigde accu's terug naar een servicecentrum voor recycling.
- Vermijd altijd direct contact met een natte accu of accubehuizing. Contact kan letsel veroorzaken bij de patiënt of bediener.
- Plaats geen gebarsten of beschadigd **SMRT Pak** in de **SMRT-lader**. Lever beschadigde **SMRT Paks** bij een servicecentrum in voor recycling.
- Laat de optionele bevestigingsbeugel en de **SMRT-lader** altijd installeren door een gecertificeerde monteur die bekend is met de constructie van ambulancevoertuigen.
- Om te voldoen aan vastgestelde botstestnormen, moet de **SMRT-lader** altijd worden gemonteerd aan de optionele bevestigingsbeugel in een afgesloten kastje en buiten het bereik van de patiënt gedurende het transport.
- Zorg er altijd voor dat de optionele bevestigingsbeugel goed is vastgemaakt aan het oppervlak.
- Gebruik bij hogedrukreiniging altijd geschikte persoonlijke beschermingsmiddelen om inademing van smetstoffen te voorkomen. Hogedrukreinigungsapparatuur kan vuil vernevelen.
- Draag altijd geïsoleerde rubberen handschoenen, en persoonlijke beschermingsmiddelen bij het schoonmaken van de **SMRT Pak** om het risico van letsel te verminderen.
- Koppel altijd de **SMRT-lader** los van het stopcontact voor het reinigen om het risico van elektrisch gevaar te vermijden.
- Spuit geen vloeistof direct op de **SMRT-lader**.
- Gebruik geen hogedrukspuit om de **SMRT-lader** te reinigen.
- Gebruik geen oplosmiddelen, smeermiddelen of andere chemicaliën om de **SMRT-lader** te reinigen, tenzij anders voorgeschreven.
- Dompel de **SMRT-lader** niet onder in water en zorg ervoor dat zich geen water op de **SMRT-lader** ophoopt om het risico van elektrische schokken te voorkomen.
- Gebruik altijd niet-geleidende materialen voor het afnemen van de **SMRT Pak**.
- Vermijd altijd overmatige blootstelling aan water van de aansluitpunten van het **SMRT Pak**.
- Raadpleeg altijd het veiligheidsinformatieblad (MSDS) van het ontsmettingsmiddel om het pH-bereik te controleren. Ontsmettingsmiddelen met een pH hoger dan 10,5 kunnen barsten in het behuizingsmateriaal van de **SMRT Pak** veroorzaken.

- Zorg dat u bij de reiniging van de **SMRT** Pak de aansluitpunten niet rechtstreeks vastpakt of aanraakt, om het risico van letsel te vermijden.
 - Dompel de **SMRT** Pak niet onder in vloeistof, om het risico van elektrische schokken te beperken.
 - Gebruik geen oplosmiddelen, smeermiddelen of andere chemicaliën om de **SMRT** Pak te reinigen, tenzij anders voorgeschreven.
 - Laat altijd de druk af voordat u hydraulische of andere leidingen loskoppelt. Onder druk ontsnappende vloeistof kan de huid penetreren en ernstig letsel veroorzaken. Draai alle aansluitingen aan voordat u druk uitoefent. Als zich een ongeval voordoet, raadpleeg dan onmiddellijk een arts.
 - Controleer niet met blote handen op hydraulische lekkage.
-

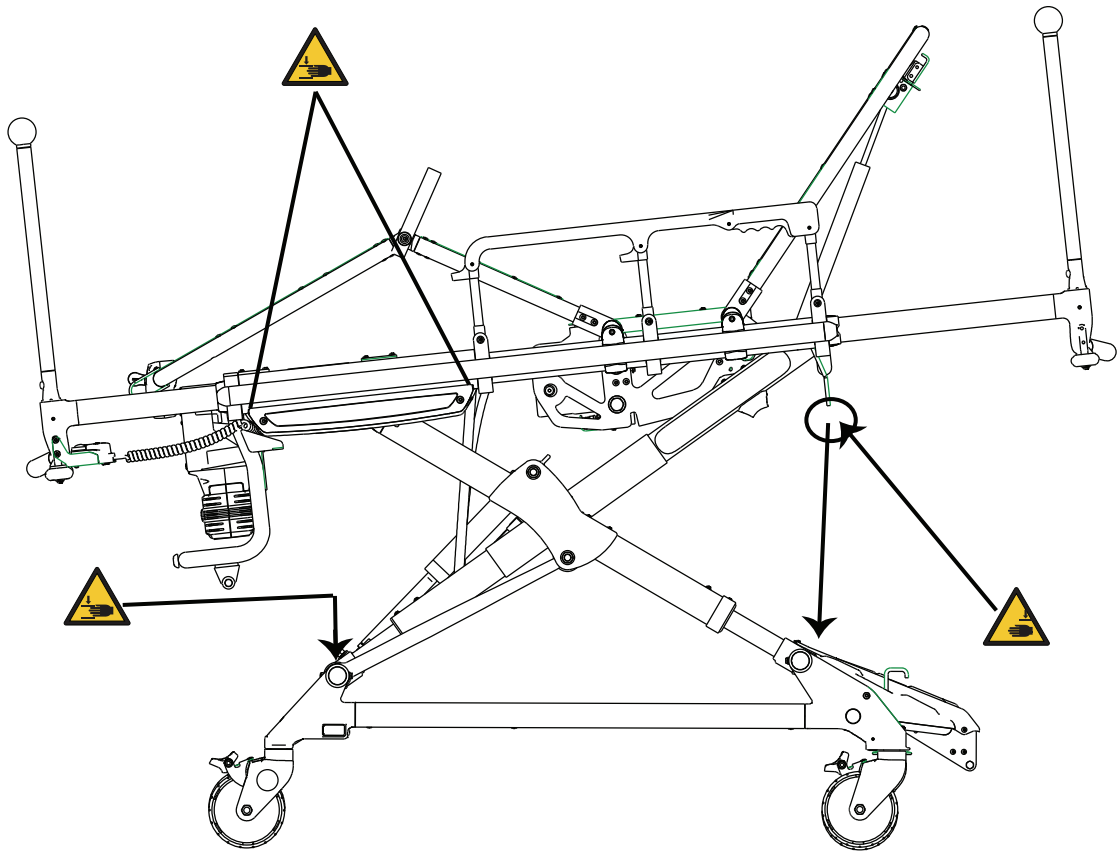
LET OP

- Onjuist gebruik van het product kan leiden tot letsel bij de patiënt of de bediener. Gebruik het product uitsluitend zoals in deze handleiding is beschreven.
- Breng geen wijzigingen aan in het product of in onderdelen van het product. Wijzigen van het product kan onvoorspelbare werking veroorzaken en leiden tot letsel bij de patiënt of de bediener. Door het wijzigen van het product vervalt tevens de garantie.
- Gebruik het product niet met incompatibele veiligheidsriemen.
- Laad de accu altijd op voordat u het product in gebruik neemt. Een niet-opgeladen of leeggelopen accu kan gebrekkige prestaties van het product veroorzaken.
- Verwijder vóór het gebruik van het product altijd alle voorwerpen die in de weg kunnen zitten en kunnen leiden tot letsel bij de patiënt of de bediener.
- Zet de brancard altijd in de laagste stand om ervoor te zorgen dat de brancard verbinding maakt met de brancardbevestiging.
- Probeer niet om de hoogte van het product te veranderen wanneer de brancard gekoppeld is aan de brancardbevestiging.
- Ga niet op de onrusthekken zitten of staan (XPS-optie).
- Gebruik de onrusthekken (XPS-optie) niet als voorziening of oppervlak voor het overbrengen van de patiënt (bijvoorbeeld om een patiënt van de brancard naar een ander oppervlak te schuiven).
- Plaats patiënten niet met hun volle gewicht op de onrusthekken (XPS-optie).
- Gebruik de onrusthekken (XPS-optie) niet als een duw-/trekvoorziening of voor het sturen van het product.
- Zorg dat de veiligheidsriemen niet verstrikt raken in het onderstelframe wanneer u de brancard omhoog- of omlaagbrengt.
- Bevestig het defibrillatorplatform altijd aan het product wanneer u het defibrillatorplatform gebruikt.
- Zet de defibrillator altijd vast met de bij het defibrillatorplatform geleverde bandjes en stel deze in.
- Wijzig altijd de bevestigingslocatie of stel de bandjes in op de specifieke maat of vorm van uw defibrillator.
- Belast het defibrillatorplatform niet met een gewicht groter dan het veilige draagvermogen van 13,6 kg (30 lb).
- Belast de apparatuurhaak niet met een gewicht groter dan het veilige draagvermogen van 15,8 kg (35 lb).
- Verwijder in het voertuig altijd alle accessoires of apparatuur van de apparatuurhaak.
- Belast de infuuspaal niet met een gewicht groter dan het veilige draagvermogen van 11,3 kg (25 lb).
- Belast de zuurstoffleshouder niet zwaarder dan het veilige draagvermogen van 1,1 stone (6,8 kg) (15 lb).
- Gebruik niet twee zuurstoffleshouders tegelijk.
- Belast het onderstelopslagnet niet met een gewicht groter dan het veilige draagvermogen van 9 kg (20 lb).
- Wees bij het inschuiven van het onderstel altijd voorzichtig dat u geen voorwerpen beschadigt die zijn opgeslagen in het onderstelopslagnet.
- Belast de rugleuningopbergzak niet met een gewicht groter dan het veilige draagvermogen van 9 kg (20 lb).
- Zorg dat de opbergzak de werking van het inschuifbare hoofdeinde niet belemmert.
- Berg geen voorwerpen op onder de matras. Voorwerpen onder de matras kunnen de werking van het product belemmeren.
- Verwijder altijd de accu wanneer de brancard voor een langere tijd (meer dan 24 uur) niet gebruikt wordt.
- Plaats het netsnoer van de elektrische **SMRT**-lader nooit waar men erop kan staan of erover kan struikelen, of waar het op een andere manier aan beschadiging of fysieke belasting is blootgesteld.
- Raak de accuklemmen van het **SMRT** Pak niet aan met een metalen voorwerp.

- Bij het loskoppelen van de **SMRT**-lader pakt u altijd stekker vast om eraan te trekken, en niet het snoer, om het risico van schade aan de stekker en netsnoer te vermijden.
 - Breng geen smeermiddelen aan op de oppervlakken van de veiligheidsriemen.
 - Reinig het product niet met stoom of ultrasoonreiniging.
 - Zorg dat de maximale watertemperatuur van 180 °F (82 °C) niet wordt overschreden.
 - Zorg dat de maximale waterdruk van 1500 psi (103,4 bar) niet wordt overschreden. Als u een handlans gebruikt voor het reinigen van het product, moet de spuitmond op minimaal 24 inch (61 cm) afstand van het product worden gehouden.
 - Altijd aan de lucht laten drogen.
 - Verwijder altijd de accu voordat u de brancard wast.
 - Voer geen reiniging, reparatie of onderhoud uit terwijl het product in gebruik is.
 - Reinig de **SMRT Pak** niet met stoom of ultrasoonreiniging.
 - Zorg dat de maximale luchtdroogtemperatuur van 240 °F (115 °C) niet wordt overschreden (trolleyreinigingstoestellen).
 - Gebruik altijd goedgekeurde onderdelen, om het risico van productschade te vermijden.
 - Controleer slangen en leidingen altijd regelmatig om beschadiging van de brancard te voorkomen. Controleer op losse aansluitingen en draai ze aan. Hydraulische leidingen, slangen en aansluitingen kunnen defect raken of losraken ten gevolge van fysieke schade, knikken, veroudering en blootstelling aan omgevingsinvloeden.
 - Zorg dat u de brancard niet op de laadwielen kantelt en dan het product activeert, want hierdoor kan er lucht in het hydraulisch systeem komen.
 - Smeer de lagers in het X-frame niet, want daardoor worden de prestaties van de brancard aangetast en kan de garantie komen te vervallen.
 - Gebruik van andere dan de door de fabrikant gespecificeerde of geleverde accessoires, transducers en kabels kan de elektromagnetische emissies doen toenemen of de elektromagnetische immuniteit doen afnemen, met als gevolg dat de apparatuur niet naar behoren werkt.
 - Vanwege de emissiekenmerken is deze apparatuur geschikt voor gebruik in industriële zones en ziekenhuizen (CISPR 11 klasse A). Bij gebruik in een woonomgeving, waarvoor normaliter CISPR 11 klasse B vereist is, kan het zijn dat deze apparatuur geen adequate bescherming biedt voor diensten die gebruik maken van radiofrequentiecommunicatie. De gebruiker moet misschien corrigerende maatregelen treffen, zoals het verplaatsen of draaien van de apparatuur.
 - Draagbare RF-communicatieapparatuur, met inbegrip van randapparatuur zoals antennekabels en externe antennes, mag niet worden gebruikt op een afstand van minder dan 12 inch (30 cm) vanaf de **Power-PRO** en de **SMRT**-lader, inclusief door de fabrikant gespecificeerde kabels.
 - Vermijd stapeling of plaatsing van andere apparatuur naast de **Power-PRO** en de **SMRT**-lader, om te voorkomen dat de producten niet naar behoren werken. Als een dergelijk gebruik onvermijdelijk is, moeten de **Power-PRO**, de **SMRT**-lader en de andere apparatuur nauwlettend worden geobserveerd om er zeker van te zijn dat ze goed werken.
-

Knelpunten

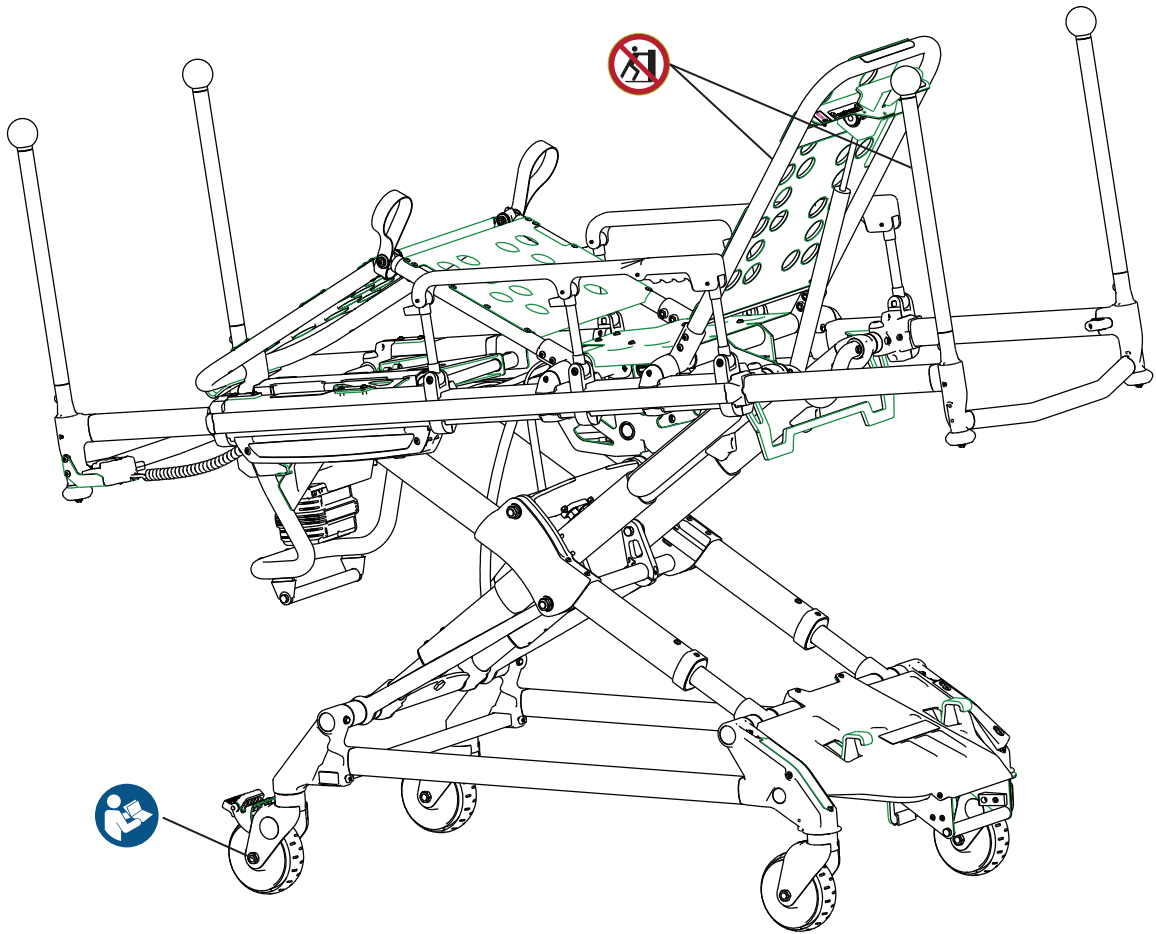
WAARSCHUWING - Houd uw handen altijd uit de buurt van de rode veiligheidsstangdraaipunten wanneer u de brancard inlaadt, uitlaadt of de hoogte ervan wijzigt.



Afbeelding 1 – Knelpunten

Mechanische stabiliteit

WAARSCHUWING - Gebruik altijd beide handen bij het verplaatsen van de brancard.



Afbeelding 2 – Mechanische stabiliteit

Opmerking - Als de brancard zich op een helling steiler dan vijf graden bevindt, moet de brancard in de laagste stand worden gezet.

Inleiding

Deze handleiding help u met het gebruik of het onderhoud van uw product van Stryker. Lees deze handleiding alvorens het product te gebruiken of te onderhouden. Voer methoden en procedures in om uw personeel op te leiden en te oefenen in het veilige gebruik of onderhoud van dit product.

LET OP

- Onjuist gebruik van het product kan leiden tot letsel bij de patiënt of de bediener. Gebruik het product uitsluitend zoals in deze handleiding is beschreven.
 - Breng geen wijzigingen aan in het product of in onderdelen van het product. Wijzigen van het product kan onvoorspelbare werking veroorzaken en leiden tot letsel bij de patiënt of de bediener. Door het wijzigen van het product vervalt tevens de garantie.
-

Opmerking

- Deze handleiding is een permanent onderdeel van het product en moet bij het product blijven, ook als het product later wordt verkocht.
- Stryker streeft continu naar verbetering van productontwerp en -kwaliteit. Deze handleiding bevat de meest recente productinformatie die beschikbaar is op het moment van afdrukken. Er kunnen kleine verschillen zijn tussen uw product en deze handleiding. Hebt u vragen, neem dan contact op met de klantenservice of technische ondersteuning van Stryker op +1-800-327-0770.

Productbeschrijving

De Stryker **Power-PRO™** TL-brancard (model 6550) is een elektrische ambulancebrancard die bestaat uit een platform bevestigd op een X-frame met wielen en waarmee een maximaal gewicht van 700 lb (318 kg) kan worden vervoerd in pre-ziekenhuis- en ziekenhuisomgevingen.

Het apparaat is opklapbaar voor gebruik in noodhulpvoertuigen en door het met een NiCd-accu aangedreven hydraulische liftstelsel kunnen bedieners de brancard omhoog en omlaag brengen met behulp van de elektrische bedieningselementen. De brancard is voorzien van een handmatige noodvrijzethendel om bediening van de brancardfuncties bij stroomuitval mogelijk te maken. Het apparaat is uitgerust met het volgende: inschuifbaar hoofd- en voeteneinde, zodat de brancard in kleine ruimtes minder ruimte inneemt en maximaal wendbaar is, onrusthekken, veiligheidsriemen voor de patiënt, een pneumatisch instelbare rugleuning en verschillende, optionele accessoires die helpen bij het vervoeren van de patiënt. Maximaal comfort van de patiënt is haalbaar met de drie verschillende standen van de matrasdrager, namelijk shock, benen plat en optionele knieknik.

Het **SMRT™**-voedingssysteem bestaat uit een **SMRT**-lader en een **SMRT Pak**. Het **SMRT Pak** voorziet het hydraulische hefsysteem van de elektrische ambulancebrancards van Stryker van voeding.

Gebruiksindicaties

De Stryker **Power-PRO** TL is een elektrische wielbrancard bestemd voor het dragen en vervoeren van het gehele lichaam van een getraumatiseerde, ambulante of niet-ambulante menselijke patiënt (met inbegrip van zuigelingen en volwassenen).

Het op accuvoeding werkende hydraulische hefsysteem helpt om de inspanning te verminderen die de bediener moet uitoefenen om de brancard omhoog en omlaag te brengen. Het apparaat dient om patiënten te ondersteunen in een achteroverliggende (horizontale) of zittende positie en om het vervoer van bijbehorende medische apparatuur (zoals zuurstofflessen, monitoren of pompen) in noodhulp- of transportvoertuigen mogelijk te maken. Deze ambulancebrancard is voor gebruik in pre-ziekenhuis- en ziekenhuisomgevingen, bij spoedeisende en niet-spoedeisende toepassingen. De gespecificeerde maximale capaciteit bedraagt 700 lb (soms van het gewicht van patiënt, matras en accessoires) en de beoogde bedieners van het apparaat zijn getrainde professionals, waaronder medewerkers van medische nooddiensten en medische zorginstellingen, alsmede eerstehulpverleners.

De **Power-PRO** TL is niet bestemd voor langdurig verblijf of gebruik als een ziekenhuisbed, noch voor gebruik in voorzieningen die de luchtdruk aanpassen, zoals decompressiekamers.

Klinische voordelen

Brancard: patiëntenvervoer

Bevestiging: ondersteunt brancard tijdens transport

Brancard en bevestigingssysteem: ondersteunt en vervoert patiënten

Contra-indicaties

Geen bekend.

Verwachte levensduur

Power-PRO heeft een verwachte levensduur van zeven jaar onder normale gebruiksomstandigheden en bij correct periodiek onderhoud.


De SMRT-lader heeft een verwachte levensduur van zeven jaar onder normale gebruiksomstandigheden en bij correct periodiek onderhoud.

De SMRT Pak-accu heeft een verwachte levensduur van twee jaar onder normale gebruiksomstandigheden.

Afvoer/recycling

Volg altijd de actuele plaatselijke aanbevelingen en/of verordeningen betreffende milieubescherming en de risico's met betrekking tot recycling en afvoer van de apparatuur aan het einde van de nuttige levensduur.

Specificaties - Power-PRO

	Opmerking - Het veilige draagvermogen heeft betrekking op de som van het gewicht van de patiënt, de matras en de accessoires.	700 lb	318 kg
Maximale hefcapaciteit zonder hulp		700 lb	318 kg
Elevatiehoek/shockpositie rugleuning (standaard Fowler-rugleuning - 6506-012-003)		0° tot 73°/+15°	
Elevatiehoek/shockpositie rugleuning (optioneel Fowler-rugleuning 1865 - 6506-012-004)		0° tot 75°/+15°	
Totale lengte		81 inch	206 cm
Standaardlengte/minimumlengte/breedte		76,5 inch/55 inch/23 inch	194,3 cm/139,7 cm/58 cm
Hoogte ¹		Instelbaar van 14 inch tot 41,5 inch	Instelbaar van 36 cm tot 106 cm
Gewicht ²		145 lb	66 kg
Diameter/breedte zwenkwielen		6 inch/2 inch	15 cm/5 cm
Minimum aantal bedieners vereist voor het in-/uitladen van een bezette brancard		2	

Minimum aantal bedieners vereist voor het in-/uitladen van een onbezette brancard	1
Aanbevolen bevestigingssystemen	Model 6385, 6386, 6387, 6388 of 6389
Dubbele wielvergrendeling/vier-wielvergrendeling	Standaard/optioneel
Hydraulische olie	Onderdeelnummer Stryker 6500-001-293
Voedingssysteem	
Accu	24 V gelijkstroom NiCd - SMRT -voedingssysteem
Lader	100-240 V wisselstroom, 1,20 A, 50/60 Hz of 12 V wisselstroom 4,16 A - SMRT -voedingssysteem
Bedrijfscyclus brancard	10% (33 s aan/5 min uit)
Normen (brancards en laders)	ANSI/AAMI ES60601-1:2012, CAN/CSA-C22.2 nr. 60601-1:14, KKK-A-1822 Voor normen waarvoor specifieke opties vereist zijn raadpleegt u <i>Normen met vereiste opties</i> (pagina 12)

¹ Hoogte gemeten vanaf de onderkant van de matras bij het zitting gedeelte tot de vloer.

² Brancard wordt gewogen met één accu en zonder matras en veiligheidsriemen.

Stryker behoudt zich het recht voor om de specificaties zonder kennisgeving te wijzigen.

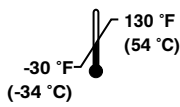
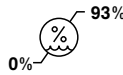
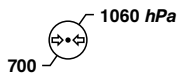
Power-PRO TL is ontworpen om te voldoen aan de federale specificatie voor de Star-of-Life-ambulance (KKK-A-1822).

Power-PRO TL is ontworpen voor verenigbaarheid met sommige brancardbevestigingssystemen van concurrenten.

Octrooien aangevraagd.

Het geel-zwarte kleurenschema is een beschermd merk van Stryker Corporation.

Vanaf een afstand groter dan 12 inch (30 cm) kunnen etiketten onleesbaar zijn.

Omgevingsomstandigheden	Gebruik
Temperatuur	
Relatieve luchtvochtigheid	
Omgevingsluchtdruk	

Europese REACH

Overeenkomstig de Europese REACH-verordening en andere wettelijke milieuvorschriften zijn de componenten die stoffen bevatten waarvan opgave moet worden gedaan vermeld.

Beschrijving	Nummer	Chemische naam van zeer zorgwekkende stof (SVHC)
Matras, knieknikbolster	6550-001-084	(2H-benzotriazol2-yl)-4, 6-di-tert-pentylfenol
Matras, knieknikkussen, XPS	6500-003-130	(2H-benzotriazol2-yl)-4, 6-di-tert-pentylfenol
Matras, knieknikkussen, grijs	6506-003-130	(2H-benzotriazol2-yl)-4, 6-di-tert-pentylfenol
Ni-CAD-accu	6500-101-129	Cadmium, cadmiumhydroxide
Infuuspaalconstructie, tweedelig	6070-210-070	Lood
Infuuspaalconstructie, driedelig	6070-215-070	Lood

Normen met vereiste opties

Om aan de normen te voldoen, moet u de volgende vereiste opties op uw brancard installeren.

Standaard	Selectie van opties		
	Veiligheidsriempakket	Matras	Optie
Botstestnormen BS EN 1789:2007+A2:2014 bij gebruik van een botsbestendige bevestiging	EMS-veiligheidsriempakket (6060-160-010), X-veiligheidsriempakket (6500-001-430) of XPR-veiligheidsriempakket (650600030010) Opmerking - Het X-veiligheidsriempakket en het XPR-veiligheidsriempakket zijn uitsluitend verenigbaar met de XPS-matras (6500-003-130/6506-003-130).	Knieknikbolstermatras (6550-001-084) of XPS-matras (6500-003-130/6506-003-130) (afhankelijk van het onrusthek van de brancard)	
BS EN 1865-3:2012 +A1:2015			XPS-optie (6506-040-000)
BS EN 1865-2:2010 +A1:2015			Optionele Fowler-rugleuning 1865 (6506-012-004)

Verenigbaarheid met het Schnitzler-kinderveiligheidsriemsysteem

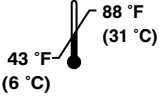
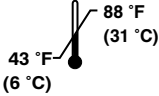
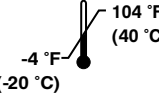
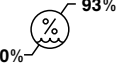

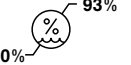
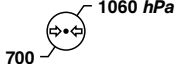
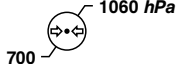
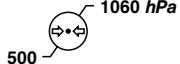
LET OP - Gebruik het product niet met niet-verenigbare veiligheidsriemen.

XPS-matras (6500-003-130 of 6506-003-130)	Kinderveiligheidsriemsysteem van Schnitzler (0058-384-000) met een serienummer lager dan 720 XPSNPR-2123	Kinderveiligheidsriemsysteem van Schnitzler (0058-384-000) met serienummer gelijk aan of hoger dan 720 XPSNPR-2123
Matras met partijcode lager dan 18001001	Verenigbaar	Verenigbaar
Matras met partijcode gelijk aan of hoger dan 18001001	Niet verenigbaar	Verenigbaar

Het kinderveiligheidsriemsysteem van Schnitzler (0058-385-000) is verenigbaar met het gebruik van het standaard matras voor het M-1-inrolsysteem model 6100, de Power-PRO XT-brancard model 6506 en de Power-PRO TL-brancard model 6550.

Specificaties - SMRT

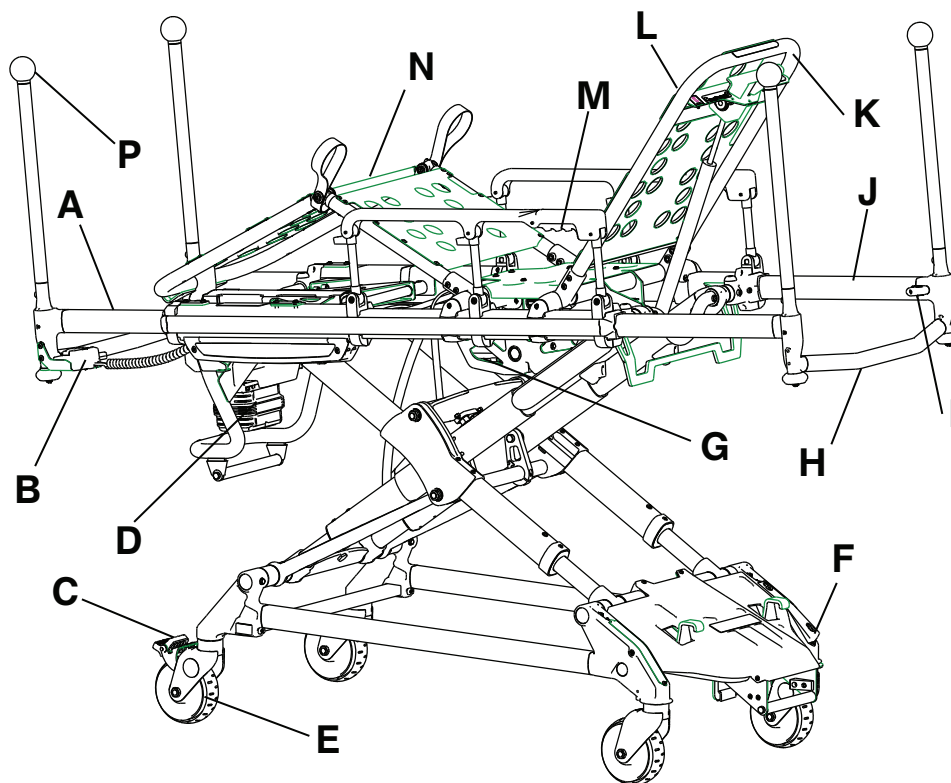
	SMRT-lader	SMRT Pak	Wisselstroomvoeding
Elektrische ingang	13,9 VDC 4,16 A	Niet van toepassing	100-240 V wisselstroom 1-2 A 50/60 Hz
Elektrische uitgang	Open circuit 40 VDC 1,20 A	24 VDC NiCd	12 VDC 4-6 A
Hoogte	2,375 inch (60,325 mm)	3,25 inch (82,55 mm)	Varieert
Breedte	5,125 inch (130,175 mm)	4 inch (101,6 mm)	Varieert
Lengte	7 inch (177,8 mm)	5,75 inch (146,05 mm)	Varieert
Gewicht	1,3 lb (0,59 kg)	3,8 lb (1,7 kg)	Varieert
Behuizingsklasse	IPX0	IPX6	IPX0
Type apparaat	Niet van toepassing	Niet van toepassing	Klasse II
Goedkeuringen	ANSI/AAMI ES 60601-1: 2012, CAN/CSA-C22.2 nr. 60601-1:14	Niet van toepassing	Niet van toepassing

Omgevingsomstandigheden	Bedrijf	Opladen	Opslag en vervoer
Temperatuur			
Relatief			
Omgevingsluchtdruk			

Specificaties zijn bij benadering en kunnen van eenheid tot eenheid verschillen of als het gevolg van schommelingen in de stroomtoevoer.

Stryker behoudt zich het recht voor om de specificaties zonder kennisgeving te wijzigen.

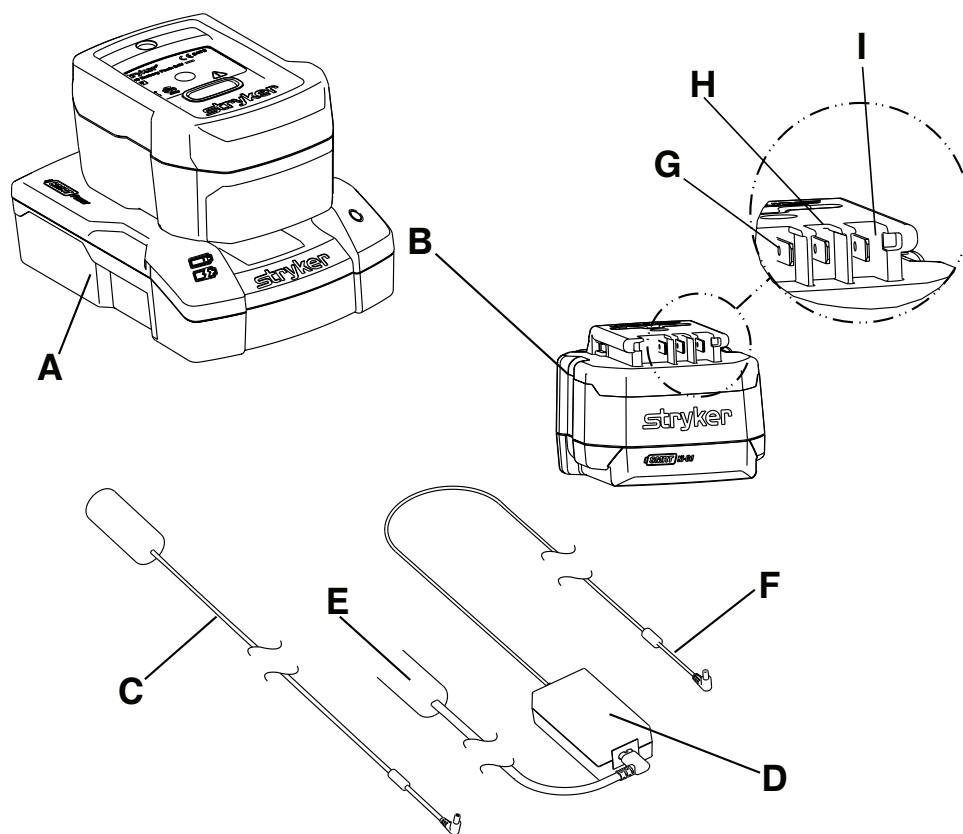
Productillustratie - Power-PRO



Afbeelding 3 – Power-PRO TL

A	Inschuifbare voetsectie	I	Accu
B	Hoogteafstelschakelaar	J	Inschuifbare hoofdsectie
C	Wielvergrendeling	K	Rugsteunafstelhendel
D	Accu	L	Rugleuning
E	Laadwielen	M	Onrusthekvrijzethendel
F	Steer-Lock	N	Knieknikgedeelte/beensteun
G	Hydraulische eenheid	P	Duwstangen (optioneel)
H	Vrijzethendel hoofdsectie		

Afbeelding van het product - SMRT



Afbeelding 4 – SMRT-voedingssysteem

A	SMRT-lader	F	Uitgangssnoer
B	SMRT Pak	G	Data
C	Gelijkstroomsnoer	H	Voeding (-)
D	Wisselstroomvoeding	I	Voeding (+)
E	Wisselstroomsnoer		

Contactgegevens

Neem contact op met de klantenservice of technische ondersteuning van Stryker op: 1-800-327-0770.

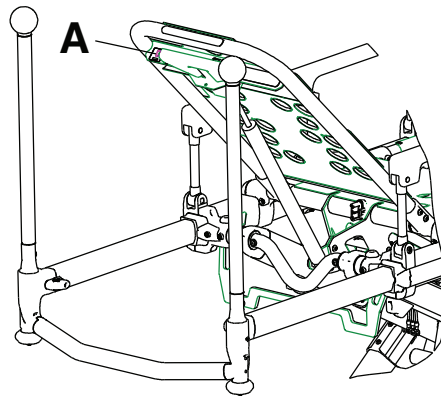
Stryker Medical
3800 E. Centre Avenue
Portage, MI 49002
VS

Opmerking - De gebruiker en/of de patiënt moeten alle ernstige productgerelateerde incidenten melden aan zowel de fabrikant als de bevoegde instantie van de Europese lidstaat waarin de gebruiker en/of patiënt zich bevinden.

Ga naar <https://techweb.stryker.com/> als u de bedienings- of onderhoudshandleiding online wilt bekijken.

Zorg dat u het serienummer (A) van uw Stryker-product bij de hand hebt wanneer u de klantenservice of technische ondersteuning van Stryker belt. Vermeld het serienummer in al uw correspondentie.

Plaats van serienummer - Power-PRO



Afbeelding 5 – Locatie van serienummer

Locatie van serienummer - SMRT

Het serienummer voor de **SMRT**-lader bevindt zich op de onderkant van de eenheid. Het batchnummer voor de **SMRT Pak** bevindt zich op de bovenkant van de **SMRT Pak** boven de rode vrijzetknop.

Ingebruikname

Pak tijdens het opzetten de dozen uit en controleer of alle onderdelen goed werken. Verzeker u ervan dat het product functioneert voordat u het in gebruik neemt.

Verwijder vóór gebruik alle transport- en verpakkingsmaterialen van het product.

De patiëntruimte van het voertuig waarin het product wordt gebruikt, moet zijn voorzien van een:

- een vlakke vloer groot genoeg voor het opgeklapte product;
- een Stryker brancardbevestigingssysteem;

Opmerking - Losse voorwerpen of vuil op de vloer van de patiëntruimte kunnen de werking van de productbevestiging belemmeren. Houd de vloer van de patiëntruimte schoon.

Pak de **SMRT** Paks en de **SMRT**-lader uit. Laad de **SMRT** Pak op vóór het gebruik.

Pas het voertuig zo nodig aan de brancard aan. Verricht geen aanpassingen aan de brancard.

Installatie

De brancardbevestiging installeren

De brancardbevestigingssystemen van Stryker zijn uitsluitend compatibel met brancards die voldoen aan de installatiespecificaties.

WAARSCHUWING

- Laat de brancardbevestiging altijd uitsluitend door bevoegd personeel installeren. Onjuiste installatie kan leiden tot letsel bij de patiënt of de gebruiker.
 - Verzeker u er altijd van dat alle brancards voldoen aan de installatiespecificaties voor het brancardbevestigingssysteem van Stryker.
 - Stel de railklemconstructie altijd bij op de positie van de brancardborgstang, behorend bij de fabrikant en het modelnummer van de brancard.
-

Deze aanwijzingen zijn bedoeld voor brancards met een brancardbevestiging van het geweytype. Voor botsbestendige brancardbevestigingen raadpleegt u de betreffende bedieningshandleiding voor de installatie-instructies.

Bedrijf

De acculading controleren

Controleer de acculading van het **SMRT Pak** aan de hand van het accu-indicatielampje op de brancard. Een opgeladen **SMRT Pak**, in werkende toestand, biedt voeding voor maximaal 25 oproepen met een patiënt van 250 lb (113 kg) (het daadwerkelijk resultaat kan variëren). Het 24 VDC **Power-PRO**-systeem en de **SMRT Pak** is gespecificeerd voor 2,4 ampère-uur elektrische energie.

WAARSCHUWING - Verwijder de accu niet terwijl de brancard actief is.

LET OP - Laad de accu altijd op voordat u het product in gebruik neemt. Een niet-opgeladen of leeggelopen accu kan gebrekkige prestaties van het product veroorzaken.

Om de acculading te controleren drukt u op de inschuifknop (-) op de brancardbedieningsschakelaar om het accu-indicatielampje op de brancard te activeren. Het accu-indicatielampje op de brancard bevindt zich op de bedieningsbehuizing aan het voeteneinde (weergegeven als een accusymbool).

- Het lampje brandt constant groen wanneer de accu volledig opgeladen is of een toereikende lading heeft.

Opmerking - Voor het beste resultaat gebruikt u de **SMRT Pak** totdat het accu-indicatielampje op de brancard verandert van constant groen naar knipperend oranje.

- Het lampje knippert oranje wanneer u de accu moet opladen of vervangen.

Opmerking - Het accu-indicatielampje op de brancard hoeft niet oranje te knippen voordat u de **SMRT Pak** verwijdt en vervangt, maar dit wordt wel aangemerkt als de beste praktijk. U kunt de **SMRT Pak** op elk gewenst moment verwijderen en opladen.

- Het lampje brandt constant oranje om een accufout aan te geven.

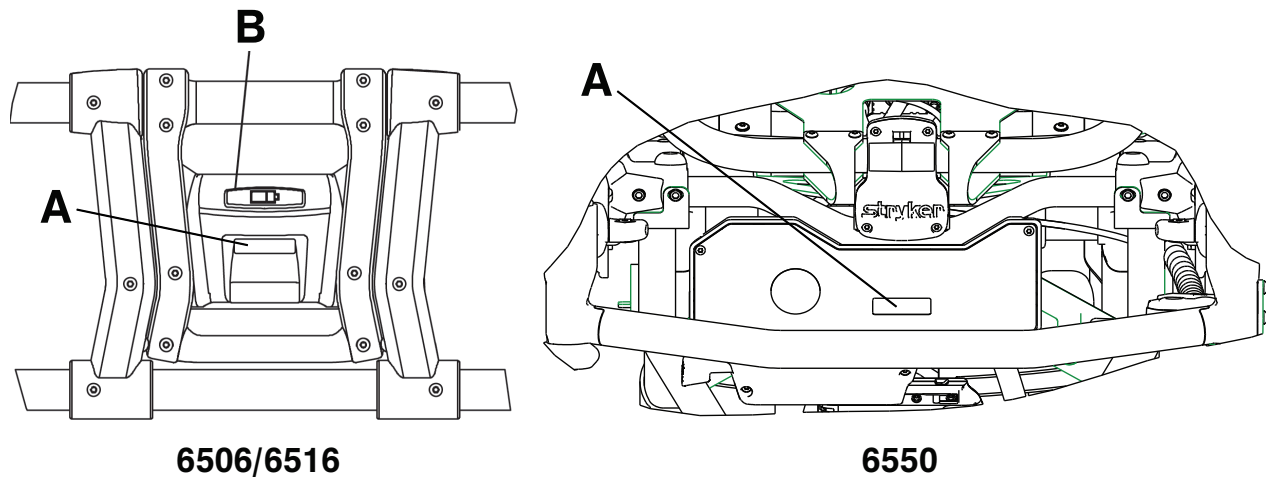
Opmerking

- Gebruik uitsluitend door Stryker goedgekeurde accu's.
- Indien aanwezig laadt de elektrische brancardbevestiging de **SMRT Pak**-accu automatisch op. Automatisch opladen vindt plaats wanneer u de brancard in de elektrische brancardbevestiging vergrendelt (geen kabel of stekkers vereist). Het accu-indicatielampje op de brancard knippert even groen om aan te geven dat de accu wordt opgeladen.
- Automatisch opladen gebeurt alleen bij **SMRT Pak**-accu's.

De urenteller en foutweergave bekijken

De urenteller geeft de hoeveelheid tijd aan (UUU.U uren) dat de hydraulica in gebruik zijn geweest. De foutweergave biedt foutcode-informatie voor het oplossen van problemen.

Gebruik de urenteller (A) (Afbeelding 6) om de frequentie van het preventief onderhoud vast te stellen. Gebruik de foutweergave (A) voor het oplossen van problemen. De foutweergave neemt de plaats in van de urentellerweergave wanneer er een fout optreedt.



Afbeelding 6 – De uretteller (A), foutweergave (A) en accustatus (B) bekijken

Bedieningsrichtlijnen

WAARSCHUWING

- Bedien het product uitsluitend wanneer er zich niemand in de buurt van de mechanismen bevindt. Beknelling in de mechanismen van een elektrisch product kan ernstig letsel veroorzaken.
- Inspecteer **SMRT** Paks altijd vóór elk gebruik op schade.
- Sta niet toe dat niet-opgeleide assistenten helpen bij de bediening van het product.
- Houd u altijd aan de juiste handplaatsing op de handgrepen. Houd alle handen uit de buurt van de rode draaipunten van de veiligheidsstang wanneer u de brancard in- of uitlaadt of de hoogtestand verandert.
- Rijdt niet mee op het onderstel van de brancard.
- Vervoer de brancard niet zijwaarts, om het risico van kantelen te vermijden. Vervoer de brancard altijd in een verlaagde stand, hoofdeinde of voeteneinde voorop, om het risico van kantelen tot een minimum te beperken.
- Houd handen, vingers en voeten altijd uit de buurt van bewegende onderdelen. Wees voorzichtig bij het plaatsen van uw handen en voeten dicht bij de buizen van het onderstel terwijl u de brancard omhoog- of omlaagbrengt.
- Installeer steeds het interne uitschakelsysteem van de bevestiging in elk noodhulpvoertuig dat met deze brancard en een bevestiging van het geweytype gebruikt gaat worden.
- Pas altijd patiëntbewaking toe wanneer de brancard stilstaat. Tijdens het hydraulisch omhoog- of omlaagbrengen van het product kan elektronische patiëntbewakingsapparatuur tijdelijk worden gestoord.

LET OP - Verwijder vóór het gebruik van het product altijd alle voorwerpen die in de weg kunnen zitten en kunnen leiden tot letsel bij de patiënt of de bediener.

- Gebruik het product uitsluitend zoals in deze handleiding is beschreven.
- Lees vóór het gebruik alle etiketten en instructies op het product.
- Oefen het aanpassen van de hoogtepositie en het laden van de brancard totdat u de werking van het product volledig begrijpt.
- Inspecteer de **SMRT** Pak-behuizing en het accuklemgebied op barsten en schade vóór het eerste en elk volgend gebruik.
- Laad een bezette brancard altijd in of uit met minimaal twee opgeleide bedieners. Er moeten twee bedieners aanwezig zijn wanneer de brancard bezet is. Stryker beveelt aan dat beide bedieners zich aan het voeteneinde bevinden om de belasting van elke bediener te verminderen. Eén of twee bedieners kunnen vanaf het voeteneinde van de brancard tillen.
- De brancard niet bijstellen, verrijden of in een voertuig laden zonder de patiënt in te lichten. Blijf bij de patiënt en houd het product te allen tijde onder controle.

- U kunt de brancard in elke stand vervoeren. Stryker beveelt aan dat de bedieners de patiënt vervoeren in de laagste stand waarin de brancard nog comfortabel gemaneuvreerd kan worden.
- Gebruik de wielvergrendelingen alleen tijdens het overbrengen van de patiënt of als er zich geen patiënt op het product bevindt.
- Gebruik geen wielvergrendeling wanneer er zich een patiënt op het product bevindt of het product wordt verplaatst, om het risico van omkantelen te vermijden.
- Gebruik correct opgeleide helpers om de brancard onder controle te houden, wanneer dat nodig is.

Goede tiltechnieken

Wanneer u het product en de passagier optilt, volgt u deze goede tiltechnieken op om risico van letsel te vermijden:

- Houd uw handen dicht bij uw lichaam
- Houd uw rug recht
- Coördineer alle bewegingen met uw partner
- Til met uw benen
- Verdraai uw lichaam niet

De patiënt overbrengen op de brancard

WAARSCHUWING

- Zet de patiënt altijd met behulp van alle veiligheidsriemen vast op het product. Een patiënt die niet vastgemaakt is, kan van het product vallen en verwond raken.
 - Laat een patiënt niet onbewaakt achter. Houd het product vast terwijl er zich een patiënt op het product bevindt.
 - Gebruik geen wielvergrendeling terwijl er zich een patiënt op het product bevindt of wanneer u het product verplaatst, om het risico van omkantelen te vermijden.
 - Gebruik de onrusthekken niet als voorziening om een patiënt vast te zetten.
-

De patiënt overbrengen op het product:

1. Rijd het product naar de patiënt toe (*De brancard met een patiënt verrijden* (pagina 20)).
2. Plaats het product naast de patiënt en breng het product omhoog of omlaag naar het niveau van de patiënt.
3. Breng de onrusthekken omlaag en maak de veiligheidsriemen los.
4. Breng de patiënt over op het product. Volg gebruikelijke hulpverleningsprocedures.
5. Zet de patiënt vast aan het product met alle veiligheidsriemen.
6. Breng de onrusthekken omhoog en pas de rugleuning en voetsteun zo nodig aan.

De brancard met een patiënt verrijden

WAARSCHUWING

- Vervoer de brancard altijd in een lagere stand om het risico van omkantelen van de brancard te beperken. Vraag zo mogelijk om extra bijstand of kies een andere route.
 - Vermijd altijd hoge obstakels, zoals stoepranden, traptreden en oneffen terrein om het risico van omkantelen van het product te vermijden.
-

To roll the cot with a patient:

1. Laat één bediener plaatsnemen aan het voeteneinde en één bediener aan het hoofdeinde van de brancard.
2. Zorg dat de matrasdrager in loodrechte richting aankomt bij drempels of andere lage obstakels.
3. Til elke set wielen afzonderlijk over de drempel of het obstakel heen.

De brancard omhoog- of omlaag zetten

U kunt een onbezette brancard omhoog- of omlaagzetten met één bediener. Als er een patiënt aanwezig is op de brancard, zijn er minimaal twee opgeleide bedieners vereist (één aan elk uiteinde van de brancard) om de brancard omhoog of omlaag te zetten.

WAARSCHUWING

- Houd handen, vingers en voeten altijd uit de buurt van bewegende onderdelen. Wees voorzichtig bij het plaatsen van uw handen en voeten dicht bij de buizen van het onderstel terwijl u de brancard omhoog- of omlaagbrengt.
 - Houd u altijd aan de juiste handplaatsing op de handgrepen. Houd alle handen uit de buurt van de rode draaipunten van de veiligheidsstang wanneer u de brancard in- of uitlaadt of de hoogtestand verandert.
 - Breng de brancard met een patiënt altijd met twee bedieners omhoog of omlaag.
-

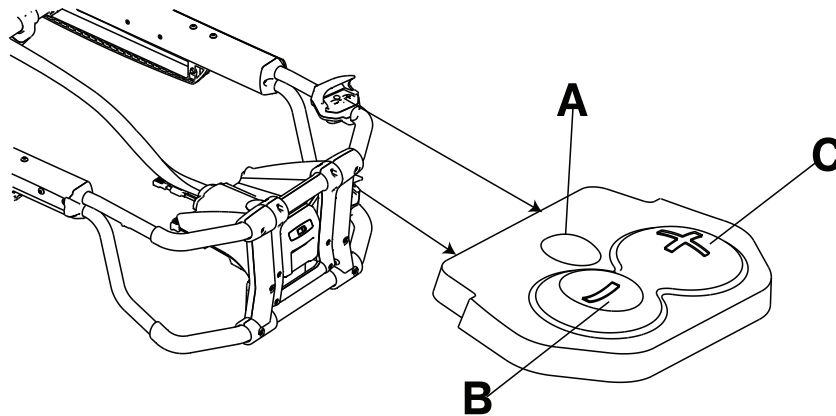
De brancard omhoog of omlaag brengen:

1. Bediener 1 (voeteneinde): Pak het brancardframe vast en druk op de:
 - Uitschuifknop (+) om de brancard omhoog te zetten naar de gewenste hoogte
 - Inschuifknop (-) om de brancard omlaag te zetten naar de gewenste hoogte
2. Bediener 2 (hoofdeinde): Houd een stevige greep op de buitenste rail totdat de brancard op de gewenste hoogte is.

Opmerking - Als u op de uitschuifknop (+) op de brancardbedieningsschakelaar drukt nadat de brancard de ingestelde brancardlaadhoogte heeft bereikt, blijft de motor stilstaan totdat u de knop loslaat. Nadat u de knop hebt losgelaten drukt u opnieuw op de uitschuifknop (+) om de brancard in stappen hoger te zetten.

De brancard elektrisch omhoog zetten, omlaag zetten of vrijgeven

De **Power-PRO**-brancards zijn voorzien van twee identieke brancardbedieningsschakelaars. Druk op de knop op een van deze schakelaars om de brancard omhoog te zetten (uitschuiven), de brancard omlaag te zetten (inschuiven) of de brancard vrij te geven uit de **Power-LOAD**, indien van toepassing (Afbeelding 7).



Afbeelding 7 – Brancardbedieningsschakelaars

Referentie	Naam	Beschrijving
A	Vrijzetten	Indrukken om de brancard te ontgrendelen (alleen voor gebruik met Power-LOAD)
B	Inschuiven (-)	Ingedrukt houden om de matrasdrager omlaag te zetten of het onderframe van de brancard in te schuiven
C	Uitschuiven (+)	Ingedrukt houden om de matrasdrager omhoog te zetten of het onderframe van de brancard uit te schuiven

De brancard handmatig omhoog of omlaag zetten met de handmatige overridefunctie

Bij uitval van de elektrische functie kunt u de handmatige overridefunctie van de brancard gebruiken. Hierdoor kan het product handmatig worden bediend totdat de elektrische, aangedreven functies zijn hersteld. Gebruik de rode handmatige back-up-vrijzethendel om de brancard omhoog of omlaag te zetten.

De handmatige back-up-vrijzethendel bevindt zich aan de vanuit de patiënt gezien linkerkant van de onderste tilstang aan het voeteneinde van de brancard.

De brancard omhoog of omlaag zetten met gebruik van de handmatige back-up-vrijzethendel:

1. Beide bedieners: Til de brancard tijdens de omhoog- of omlaagzetbewerking op om het gewicht van de brancard aan beide uiteinden te ondersteunen.
2. Bediener 1 (voeteneinde):
 - a. Trek de handmatige back-up-vrijzethendel richting de tilstang.
 - b. Terwijl u aan de handmatige back-up-vrijzethendel trekt, brengt u de brancard omhoog of omlaag naar de gewenste stand.
 - c. Laat de hendel los om de brancard in deze stand te vergrendelen.

Opmerking

- Beide bedieners moeten het gewicht van de brancard van de wielen af tillen om de handmatig uit- of inschuif functie te gebruiken terwijl er zich een patiënt op de brancard bevindt.
- Bij activering van de handmatige back-up-vrijzethendel kan de brancard traag omlaag gaan als er een gewicht van minder dan 50 lb (23 kg) op de brancard rust.

- Hydraulische vloeistof wordt viskeuzer als de brancard gedurende langere tijd bij een lage temperatuur wordt gebruikt. Bij gebruik van de handmatige back-up-vrijzethendel voor het uitschuiven van de basis, tijdens het uitladen onder koude weersomstandigheden, houdt u nadat de wielen van de brancard de grond raken de handmatige back-up-vrijzethendel nog ongeveer één seconde ingedrukt om inzakken van de matrasdrager wanneer u de brancard uit de patiëntruimte van het voertuig haalt tot een minimum te beperken.

Laden versnellen met de extra snelle inschuifmodus

Wanneer u op de inschuifknop (-) drukt, gaat de brancard naar de extra snelle inschuifmodus als de brancardwielen niet het gewicht van de brancard en patiënt dragen.

De extra snelle inschuifmodus versnelt het inladen van de brancard in een voertuig. Het onderframe schuift in richting de hoogste stand wanneer het gewicht van de brancard en patiënt niet meer door de wielen wordt gedragen. Druk op de inschuifknop (-) om de bedieningsschakelaar te activeren.

De brancard in de brancardbevestiging laden

LET OP

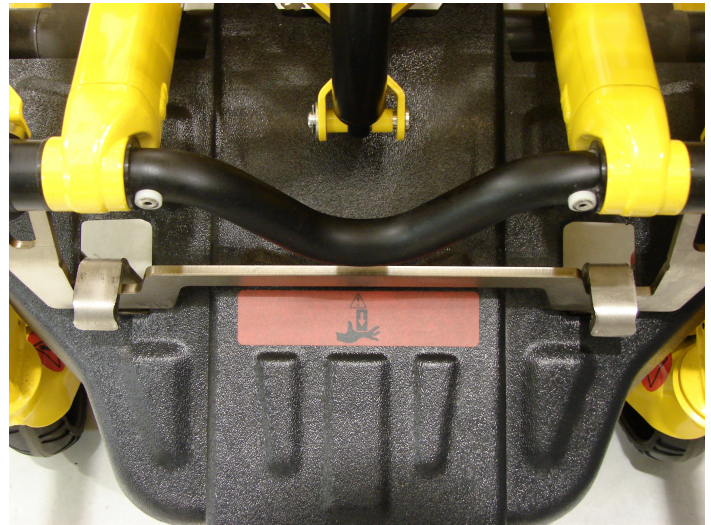
- Zet de brancard altijd in de laagste stand om ervoor te zorgen dat de brancard verbinding maakt met de brancardbevestiging.
 - Probeer niet om de hoogte van het product te veranderen wanneer de brancard gekoppeld is aan de brancardbevestiging.
-

To load the cot to the cot fastener:

1. Druk het brancardpedaal in en zet de brancard naar beneden. Om de brancard omlaag te zetten, houdt u de inschuifknop (-) ingedrukt totdat het product stopt.
2. Leid de brancard in zowel het hoofdeinde als het voeteneinde van de brancardbevestiging totdat de brancard op zijn plaats vastklikt (Afbeelding 8).
3. Zorg ervoor dat de brancard stevig vastzit aan zowel het hoofdeinde als het voeteneinde voordat u uw greep op de brancard loslaat (Afbeelding 9).



Afbeelding 8 – Brancard in zowel het hoofdeinde als het voeteneinde van de brancardbevestiging

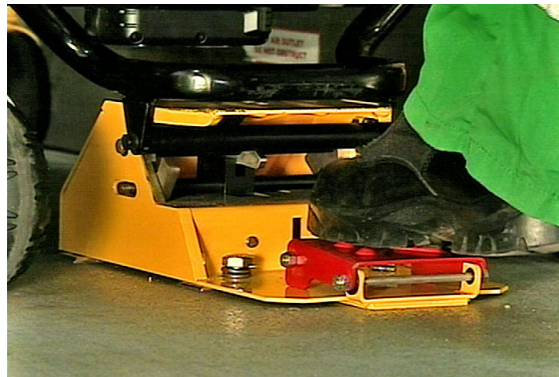


Afbeelding 9 – Brancard bevestigd

De brancard uit de brancardbevestiging verwijderen

De brancard uit de brancardbevestiging verwijderen:

1. Trap het voetpedaal in (Afbeelding 10).
2. Verrijd de brancard uit de patiëntruimte van het voertuig.



Afbeelding 10 – Het voetpedaal intrappen

De brancard inladen met een laadklep

Laad een bezette brancard altijd in met minimaal twee opgeleide bedieners. Er moeten twee bedieners aanwezig zijn wanneer de brancard bezet is. De bedieners moeten in staat zijn om het totale gewicht van de patiënt, brancard en alle voorwerpen op de brancard op te tillen.

WAARSCHUWING

- Zorg er altijd voor dat de brancard niet weer van de klep af kan rollen voordat u de laadklep gebruikt met de brancard en een patiënt. Ga na of de laadklepaanslag onderhouden is en functioneert.
 - Houd u altijd aan de juiste handplaatsing op de handgrepen. Houd alle handen uit de buurt van de rode draaipunten van de veiligheidsstang wanneer u de brancard in- of uitlaadt of de hoogtestand verandert.
-

LET OP

- Zet de brancard altijd in de laagste stand om ervoor te zorgen dat de brancard verbinding maakt met de brancardbevestiging.
 - Probeer niet om de hoogte van het product te veranderen wanneer de brancard gekoppeld is aan de brancardbevestiging.
-

De brancard inladen:

1. Druk op de inschuifknop (-) om de brancard in de laagste stand te zetten voor betere stabiliteit.
2. Duw de brancard vooruit de laadklep op, met het hoofdeinde voorop (Afbeelding 11). Zorg ervoor dat de wielen op de juiste plaats op de laadklep staan, zodat de veiligheidsaanslag in positie kan draaien en kan voorkomen dat de brancard achteruit rolt.
3. Voordat u de laadklep omhoog brengt, controleert u of er voldoende afstand is tussen de brancard en de achterkant van de ambulance. Zorg ervoor dat er niets aan de brancard hangt.
4. Terwijl één bediener de laadklep omhoog brengt, houdt de tweede bediener een stevige greep op de brancard voor betere stabiliteit.
5. Beide bedieners moeten de brancard in de patiëntruimte van het voertuig geleiden en de brancardbevestiging van het voertuig in (niet inbegrepen) (Afbeelding 12).



Afbeelding 11 – Brancard op de laadklep



Afbeelding 12 – Beide bedieners geleiden de brancard de patiëntruimte van het voertuig in

De brancard uitladen met een laadklep

WAARSCHUWING

- Zorg er altijd voor dat de brancard niet weer van de klep af kan rollen voordat u de laadklep gebruikt met de brancard en een patiënt. Ga na of de laadklepaanslag onderhouden is en functioneert.
 - Houd u altijd aan de juiste handplaatsing op de handgrepen. Houd alle handen uit de buurt van de rode draaipunten van de veiligheidsstang wanneer u de brancard in- of uitlaadt of de hoogtestand verandert.
-

LET OP

- Zet de brancard altijd in de laagste stand om ervoor te zorgen dat de brancard verbinding maakt met de brancardbevestiging.
 - Probeer niet om de hoogte van het product te veranderen wanneer de brancard gekoppeld is aan de brancardbevestiging.
-

De brancard uitladen:

1. Zorg ervoor dat de laadklepaanslag in positie is om te voorkomen dat de brancard van de laadklep af rijdt.
2. Zet de laadklep omhoog naar het niveau van de vloer van de patiëntruimte.

3. Verwijder de brancard uit de brancardbevestiging.
4. Beide bedieners moeten het brancardframe vasthouden en de brancard op de laadklep rijden. Verwijder de brancard uit de patiëntruimte van het voertuig en zorg ervoor dat de wielen van de brancard op de juiste plaats staan zodat de lift vrij naar beneden kan bewegen.
5. Breng de laadklep omlaag naar de grond. Ga na of de laadklep volledig naar beneden is gebracht en stilstaat voordat u de laadklepaanslag verwijdert, zodat de brancard van de laadklep af kan worden gereden.

De brancard laden met een helling

Laad een bezette brancard altijd in met minimaal twee opgeleide bedieners. Er moeten twee bedieners aanwezig zijn wanneer de brancard bezet is. De bedieners moeten in staat zijn om het totale gewicht van de patiënt, brancard en alle voorwerpen op de brancard op te tillen.

WAARSCHUWING - Houd u altijd aan de juiste handplaatsing op de handgrepen. Houd alle handen uit de buurt van de rode draaipunten van de veiligheidsstang wanneer u de brancard in- of uitlaadt of de hoogtestand verandert.

LET OP

- Zet de brancard altijd in de laagste stand om ervoor te zorgen dat de brancard verbinding maakt met de brancardbevestiging.
 - Probeer niet om de hoogte van het product te veranderen wanneer de brancard gekoppeld is aan de brancardbevestiging.
-

De brancard inladen:

1. Zorg ervoor dat de patiënt op de brancard te allen tijde veilig is.
2. Voordat u de brancard de helling op duwt, drukt u op de inschuifknop (-) om de brancard in de laagste stand te zetten voor grotere stabiliteit (Afbeelding 13). Zorg ervoor dat er niets aan de brancard hangt.
3. Met behulp van de optionele duwstangen moeten beide bedieners de brancard de helling op duwen of trekken, met het hoofdeinde voorop (Afbeelding 14). Beide bedieners moeten de brancard over het midden van de helling geleiden.
4. Beide bedieners moeten de brancard in de patiëntruimte van het voertuig geleiden en de brancard aan de brancardbevestiging van het voertuig bevestigen (niet inbegrepen).



Afbeelding 13 – Brancard in de laagste stand



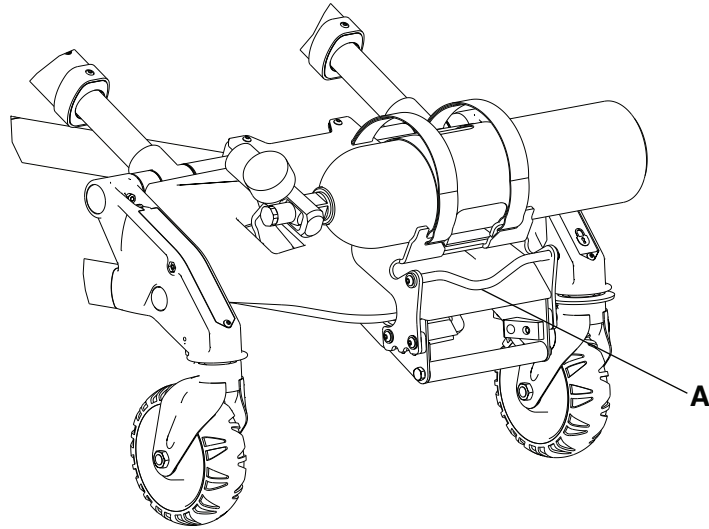
Afbeelding 14 – Geleid de brancard over het midden van de helling

Een brancard met de optionele zuurstoffleshouder in- en uitladen

De brancard met de optionele zuurstoffleshouder in- en uitladen:

1. Bevestig de lierkabel aan de lierbevestigingssteel (A) (Afbeelding 15).

2. Vergewis u ervan dat de helling ten minste 8,5 ft lang is.
3. Ga na of de helling het gewicht van de brancard, de patiënt en de apparatuur kan dragen.



Afbeelding 15 – Lierbevestigingssteel

Opmerking - Met de brancard in de laagste stand kunt u de optionele zuurstoffleshouder gebruiken om patiënten in te laden die maximaal 50 stone (318 kg) (700 lb) wegen.

Positioneren van bedieners en assistenten

WAARSCHUWING - Houd uw handen altijd uit de buurt van de rode veiligheidsstangdraaipunten wanneer u de brancard inlaadt, uitlaadt of de hoogte ervan wijzigt.

	Niveau wijzigen	Verrijden
Twee bedieners (O) Twee assistenten (H)		
Twee bedieners (O) Vier assistenten (H)		

De rugsteun omhoog of omlaag zetten

Om de rugsteun omhoog te zetten knijpt u de rugsteunafstelhendel in en zet u de rugsteun op de gewenste hoogte.

Om de rugsteun omlaag te zetten knijpt u de rugsteunafstelhendel in terwijl u de rugsteun omlaag drukt naar de gewenste hoogte.

De onrusthekken omhoog of omlaag zetten

Zet de onrusthekken altijd omlaag wanneer u een patiënt overbrengt op de brancard of vanaf de brancard.

WAARSCHUWING - Gebruik de onrusthekken niet als voorziening om een patiënt vast te zetten.

Om de onrusthekken omhoog te zetten licht u het onrusthek op totdat de vergrendeling klikt en de onrusthek op zijn plaats wordt vergrendeld. Houd de onrusthekken altijd in de hoge stand tenzij u de patiënt aan het overbrengen bent.

Om de onrusthekken omlaag te zetten, knijpt u de onrusthekvrijzethendel in om de onrustheilvergrendeling los te zetten. Geleid het onrusthek omlaag richting het voeteneinde van de brancard totdat het onrusthek vlak ligt. Zet de onrusthekken altijd omlaag wanneer u een patiënt overbrengt op of vanaf de brancard.

De onrusthekken omhoog of omlaag zetten (XPS-optie)

U kunt uw brancard bestellen met het optionele uitbreidbare patiëntoppervlak (XPS) of uw brancard upgraden door toevoeging van de XPS-optie.

WAARSCHUWING - Gebruik de onrusthekken niet als voorziening om een patiënt vast te zetten.

LET OP

- Ga niet op de onrusthekken zitten of staan (XPS-optie).
 - Gebruik de onrusthekken (XPS-optie) niet als voorziening of oppervlak voor het overbrengen van de patiënt (bijvoorbeeld om een patiënt van de brancard af te schuiven naar een ander oppervlak).
 - Plaats patiënten niet met hun volle gewicht op de onrusthekken (XPS-optie).
 - Gebruik de onrusthekken (XPS-optie) niet als een duw-/trekvoorziening of voor het sturen van het product.
-

Onrusthekken (XPS-optie) kunnen aan de brancard worden bevestigd en zijn altijd beschikbaar voor gebruik. De onrusthekken (XPS-optie) kunnen worden afgesteld op het formaat van de patiënt en kunnen in zeven standen worden vergrendeld. De onrusthekken kunnen ook worden afgesteld om door standaard deuropeningen en in liften te passen.

Om de onrusthekken omhoog te zetten, licht u het onrusthek op totdat het in de gewenste stand vastklikt.

Om de onrusthekken omlaag te zetten, licht u ze op om het gewicht eraf te nemen en trekt u vervolgens aan de rode hendel. Zet de onrusthekken altijd omlaag wanneer u een patiënt overbrengt op of vanaf de brancard.

De XPS-optie is geen primair patiëntsteunoppervlak. De optie omvat een bredere matras en dient om het comfort van de patiënt te verbeteren.

De inschuifbare hoofdsectie of voetsectie uitschuiven

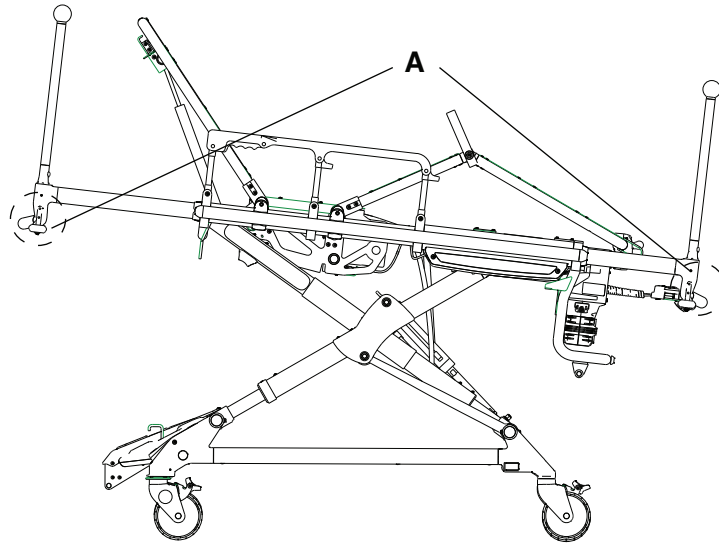
De hoofdsectie vanuit een uitgeschoven positie ineen naar een ingeschoven positie binnen het matrasdragerframe.

WAARSCHUWING

- Vergrendel de hoofdsectie altijd op zijn plaats voordat u de brancard bedient.
 - Probeer niet de brancard in de patiëntruimte van het voertuig te laden met de hoofdsectie ingeschoven. Het laden van de brancard met ingeschoven hoofdsectie kan ervoor zorgen dat het product omkantelt of geen verbinding maakt met de brancardbevestiging van het voertuig.
-

De hoofdsectie of voetsectie uitschuiven:

1. Knijp de rode vrijzethendels (A) aan weerszijden van het frame in wanneer u de hoofdsectie of voetsectie uit de ingeschoven positie trekt (Afbeelding 16).
2. Zorg ervoor dat de hoofdsectie of voetsectie op zijn plaats wordt vergrendeld.



Afbeelding 16 – De hoofdsectie of voetsectie uitschuiven

De inschuifbare hoofdsectie of voetsectie inschuiven

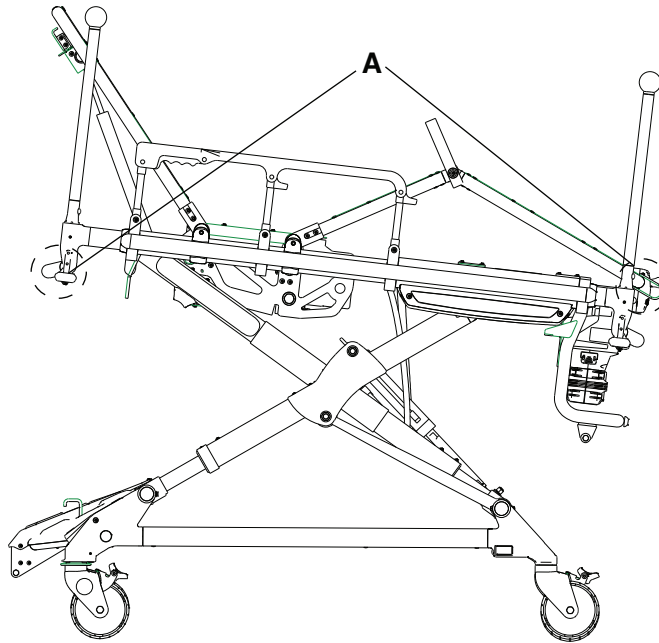
De hoofdsectie vanuit een uitgeschoven positie ineen naar een ingeschoven positie binnen het matrasdragerframe.

WAARSCHUWING

- Vergrendel de hoofdsectie altijd op zijn plaats voordat u de brancard bedient.
 - Probeer niet de brancard in de patiëntruimte van het voertuig te laden met de hoofdsectie ingeschoven. Het laden van de brancard met ingeschoven hoofdsectie kan ervoor zorgen dat het product omkantelt of geen verbinding maakt met de brancardbevestiging van het voertuig.
-

De hoofdsectie of voetsectie inschuiven:

1. Knijp de rode vrijzethendels (A) aan weerszijden van het frame in wanneer u de hoofdsectie of voetsectie uit de uitgeschoven positie duwt (Afbeelding 17).
2. Zorg ervoor dat de hoofdsectie of voetsectie op zijn plaats wordt vergrendeld.



Afbeelding 17 – De hoofdsectie of voetsectie inschuiven

De optie knieknikgedeelte omhoog of omlaag zetten

Het knieknikgedeelte omhoogzetten:

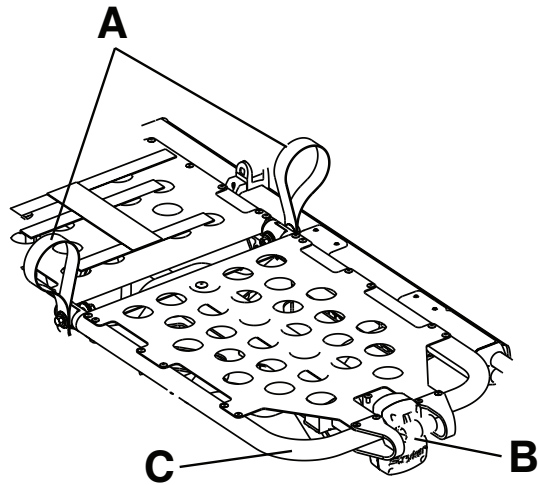
1. Til een van de rode heflussen (A) omhoog totdat het knieknikgedeelte in de hoogste stand staat (Afbeelding 18).
2. Laat het knieknikgedeelte zakken om de steunbeugel aan het vergrendelingsmechanisme vast te zetten.
3. Verzeker u ervan dat het vergrendelingsmechanisme vastzit voordat u de heflus loslaat.

Om de knieknik omlaag te zetten, tilt u een van de rode heflussen (A) omhoog om de druk van het vergrendelingsmechanisme af te nemen en drukt u, terwijl u de lus blijft vasthouden, de rode voetsteunvrijzethendel (B) omlaag totdat de steunbeugel wordt vrijgegeven. Breng het knieknikgedeelte omlaag totdat het vlak ligt.

Om de knieknik omhoog te zetten in de trendelenburgpositie, tilt u het voetsteunframe (C) zo ver mogelijk omhoog totdat het frame op zijn plaats vastklikt. De steunbeugel wordt automatisch vastgezet wanneer u het frame loslaat.

Om de knieknik omlaag te zetten in trendelenburgpositie, tilt u het voetsteunframe (C) omhoog en tilt u, terwijl u het frame blijft vasthouden, de rode voetsteunvrijzethendel (B) omhoog totdat het frame de steunbeugel vrijgeeft. Breng de voetsteun omlaag totdat hij vlak ligt.

Opmerking - De optie zuurstoffleshouder voor het voeteneinde (6500-240-000) is niet compatibel met de optie knieknikgedeelte (6500-082-000).



Afbeelding 18 – Knieknikgedeelte

Een wielvergrendeling activeren of loszetten

WAARSCHUWING

- Gebruik geen wielvergrendeling wanneer er zich een patiënt op het product bevindt of wanneer u het product verplaatst, om het risico van omkantelen te vermijden.
 - Installeer of activeer geen wielvergrendeling op een product met versleten wielen waarvan de diameter minder dan 6 inch (15 cm) bedraagt.
 - Laat een patiënt of passagier niet onbewaakt achter. Houd het product vast terwijl er zich een patiënt of passagier op het product bevindt.
-

Voor het activeren van een wielvergrendeling drukt u het pedaal omlaag totdat het stopt en tegen het oppervlak van het wiel aan rust.

Voor het loszetten van een wielvergrendeling drukt u de bovenkant van het pedaal met uw voet omlaag of licht u het pedaal op met uw teen. De bovenkant van het pedaal rust tegen het zwenkwielframe aan wanneer u de wielvergrendeling loszet.

Opmerking - Wielvergrendelingen helpen te voorkomen dat het product weggrolt terwijl het onbewaakt is. Wielvergrendelingen bieden mogelijk niet voldoende weerstand op alle oppervlakken en onder alle belastingen.

De optionele Steer-Lock in- of uitschakelen

De Steer-Lock inschakelen:

1. Druk vanaf het voeteneinde van de brancard de rode (vergrendelings-)zijde van het voetpedaal in of druk vanaf het hoofdeinde een van de rode pedalen in.
2. Draai de brancard totdat ten minste één zwenkwiel aan het hoofdeinde wordt vergrendeld.

De Steer-Lock uitschakelen:

- Druk vanaf het voeteneinde van de brancard de groene (ontgrendelings-)zijde van het voetpedaal in of licht aan het hoofdeinde een van de rode pedalen op.

De patiënt vastzetten met de veiligheidsriemen

WAARSCHUWING

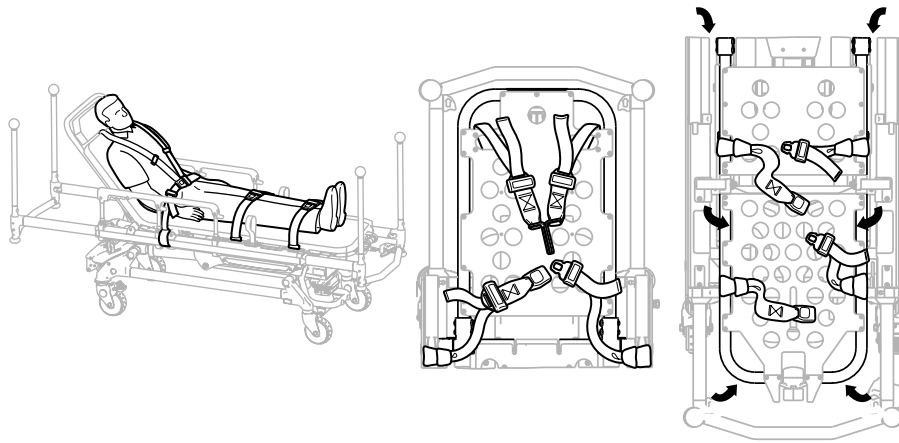
- Zet de patiënt altijd met behulp van alle riemen vast op de brancard. Een patiënt die niet is vastgezet, kan van de brancard af vallen.
 - Bevestig veiligheidsriemen niet aan de onderstel- of dwarsbuizen.
-

LET OP - Zorg dat de veiligheidsriemen niet verstrikt raken in het onderstelframe wanneer u de brancard omhoog of omlaag brengt.

Opmerking - Veiligheidsriemen zijn een met de patiënt in aanraking komend onderdeel van type BF.

Zet de veiligheidsriemen op de voorgeschreven bevestigingspunten vast aan de brancard (Afbeelding 19). De bevestigingspunten voor veiligheidsriemen moeten een krachtige verankering en een correcte bevestigingspositie bieden. Zorg dat veiligheidsriemen niet in de weg komen te zitten van apparatuur of accessoires. Gesp de veiligheidsriemen vast over de schouders, het middel en de benen van de patiënt. Gesp de veiligheidsriemen vast wanneer de brancard niet in gebruik is.

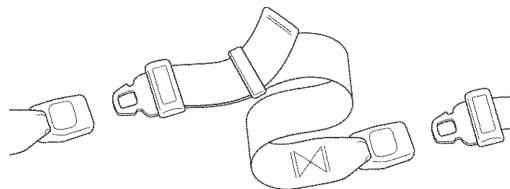
Om de veiligheidsriemen voor de patiënt aan het matrasdragerframe van de brancard te bevestigen, voert u het lusuiteinde van elke riem door het matrasdragerframe op elk van de aangewezen plekken (Afbeelding 19) en voert u vervolgens de gesp of gespplaat terug door het lusuiteinde van de riem. De pijlen geven alternatieve bevestigingspunten aan.



Afbeelding 19 – Bevestigingspunten veiligheidsriemen

Een veiligheidsriemverlengstuk toevoegen

Voeg een veiligheidsriemverlengstuk (6082-160-050) toe voor extra lengte als u de heupgordel omdoet bij grotere patiënten.



Afbeelding 20 – Veiligheidsriemverlengstuk

Een patiënt vastmaken met de X-riemen/XPR-veiligheidsriemen

Bevestig de veiligheidsriemen aan de brancard op de vereiste bevestigingspunten: schouders, middel, dij en enkels.

WAARSCHUWING

- Zet de patiënt altijd met behulp van alle riemen vast op de brancard. Een patiënt die niet is vastgezet, kan van de brancard af vallen.
 - Bevestig veiligheidsriemen niet aan de onderstel- of dwarsbuizen.
-

LET OP - Zorg dat de veiligheidsriemen niet verstrikt raken in het onderstelframe wanneer u de brancard omhoog- of omlaagbrengt.

Opmerking

- De X-veiligheidsriemen/XPR-veiligheidsriemen (6500-001-430/650600030010) zijn uitsluitend verenigbaar met de bredere Gatch-steunmatras (6500-003-130/6506-003-130).
- Veiligheidsriemen zijn een met de patiënt in aanraking komend onderdeel van type BF.

De bevestigingspunten voor veiligheidsriemen moeten een krachtige verankering en een correcte bevestigingspositie bieden (Afbeelding 21). Zorg dat veiligheidsriemen niet in de weg komen te zitten van apparatuur of accessoires. Gesp de veiligheidsriemen vast over de schouders, het middel, de dij en de enkels. Gesp alle veiligheidsriemen vast wanneer de brancard niet in gebruik is.

1. *De X-riemen/XPR-veiligheidsriemen voor de schouders vastmaken* (pagina 34)
2. *Bevestig de X-riemen/XPR-veiligheidsriemen voor het middel vastmaken* (pagina 34)
3. *De X-riemen/XPR-veiligheidsriemen voor de dij vastmaken* (pagina 35)
4. *De X-riemen/XPR-veiligheidsriemen voor de enkels vastmaken* (pagina 35)



Afbeelding 21 – Bevestigingspunten veiligheidsriemen

De X-riemen/XPR-veiligheidsriemen voor de schouders vastmaken

De X-veiligheidsriemen/XPR-veiligheidsriemen voor de schouders bevestigen:

1. Sla de veiligheidsriem om het frame van de brancard heen.
2. Trek de gesp van de veiligheidsriem door de lus heen, richting het hoofdeinde van de brancard.
3. Voer de gesp onder het XPS-systeem door.
4. Bij de **Power-PRO XT**-brancard model 6506 en de **Performance-PRO XT**-brancard model 6086 moet de veiligheidsriem strak en in de richting van de achterkant van de rugleuning worden getrokken.
5. Bij de **Power-PRO TL**-brancard model 6550 moet de veiligheidsriem onder de dwarsbuis door en in de richting van de achterkant van de rugleuning worden getrokken.
6. Voer de gesp door de opening in de rugleuning heen.
7. Verbind de schoudergesp aan de rechterkant van de patiënt met de heupgesp aan de linkerkant van de patiënt.
8. Zorg dat er geen speling zit in de lus van de bevestigingsriem.



Afbeelding 22 – Schouderveiligheidsriemen

Bevestig de X-riemen/XPR-veiligheidsriemen voor het middel vastmaken

De X-veiligheidsriemen/XPR-veiligheidsriemen voor het middel bevestigen:

1. Sla de veiligheidsriem om het frame van de brancard heen.
2. Trek de gespen van de veiligheidsriemen door de lus heen, richting het hoofdeinde van de brancard.
3. Voer de gesp onder het XPS-systeem door.
4. Trek de gespen strak. De ene veiligheidsriem moet onder een hoek richting het hoofdeinde lopen en de andere moet dwars over de brancard heen liggen.
5. Verbind de gesp aan de rechterkant van de patiënt met de gesp aan de linkerkant van de patiënt.
6. Zorg dat er geen speling zit in de lus van de bevestigingsriem.



Afbeelding 23 – Middelveiligheidsriemen

De X-riemen/XPR-veiligheidsriemen voor de dijnen vastmaken

De X-veiligheidsriemen/XPR-veiligheidsriemen voor de dijnen bevestigen:

1. Sla de veiligheidsriem om de matrasdrager van de brancard heen.
2. Trek de gesp van de veiligheidsriem door de lus heen, richting het hoofdeinde van de brancard.
3. Trek de veiligheidsriem strak.
4. Verbind de gesp aan de rechterkant van de patiënt met de gesp aan de linkerkant van de patiënt.
5. Zorg dat er geen speling zit in de lus van de bevestigingsriem.



Afbeelding 24 – Dijveiligheidsriemen

De X-riemen/XPR-veiligheidsriemen voor de enkels vastmaken

Voor **Power-PRO** XT-brancards model 6506, **Performance-PRO** XT-brancards model 6086 en **Power-PRO** TL-brancards model 6550 die geproduceerd of vernieuwd zijn na 3 juli 2015 met uitsluitend de optie voor een knieknik of een trendelenburgpositie.

De X-veiligheidsriemen/XPR-veiligheidsriemen voor de enkels bevestigen:

1. Sla de veiligheidsriem om het frame van de brancard heen. Sla hem om beide tilstangen aan het voeteneinde heen.
2. Trek de gesp van de veiligheidsriem door de lus heen, richting het hoofdeinde van de brancard.
3. Trek de gesp strak.
4. Verbind de gesp aan de rechterkant van de patiënt met de gesp aan de linkerkant van de patiënt.
5. Zorg dat er geen speling zit in de lus van de bevestigingsriem.



Afbeelding 25 – Enkelveiligheidsriemen

De patiënt vastzetten met het Pedi-Mate®-kinderveiligheidsriemsysteem

WAARSCHUWING - Houd de gesp altijd uit de buurt van obstructies of accessoires op de brancard om het risico van onbedoeld losmaken van het **Pedi-Mate®**-kinderveiligheidsriemsysteem en letsel bij het kind te vermijden.

De patiënt vastzetten met het **Pedi-Mate®**-kinderveiligheidsriemsysteem:

1. Verwijder alle veiligheidsriemen van de brancard.
2. Zet de rugsteun van de brancard in de stand volledig rechtop.
3. Plaats het **Pedi-Mate®**-kussen plat op de rugsteun van de brancard met de zwarte rugsteunbandjes naar buiten gericht.
4. Wikkel de bandjes om de rugsteun van de brancard heen en steek de uiteinden van de bandjes door de beugels.
5. Sluit de gesp.
6. Trek aan het uiteinde van het afstelbare rugsteunbandje om het strak te zetten.
7. Breng de hoofdframebandjes aan tussen het productframe en de matras.
8. Steek de gesp achter de dwarsstang van de matrasdrager en breng hem omhoog vóór de dwarsstang van de matrasdrager.
9. Sluit de gesp rond de dwarsstang van de matrasdrager. Laat wat speling in het bandje voor de uiteindelijke afstelling.
10. Trek alle bandjes strak.

Opmerking - Meer informatie over het **Pedi-Mate®**-kinderveiligheidsriemsysteem vindt u in de gebruiks-, bedienings- en onderhoudsinstructies van de fabrikant. Het veilige en correcte gebruik van het **Pedi-Mate®**-kinderveiligheidsriemsysteem is de verantwoordelijkheid van de gebruiker. Voer methoden en procedures in om uw personeel op te leiden en te oefenen in het veilige gebruik of onderhoud van dit product. Dit zijn slechts algemene aanwijzingen. Bewaar deze instructies om ze in de toekomst weer te kunnen raadplegen. Deze instructies vormen een permanent onderdeel van het product en moet bij het product blijven, ook als het product later wordt verkocht.

Pedi-Mate® is een gedeponeerd handelsmerk van Ferno Washington, Inc.

Het defibrillatorplatform bevestigen

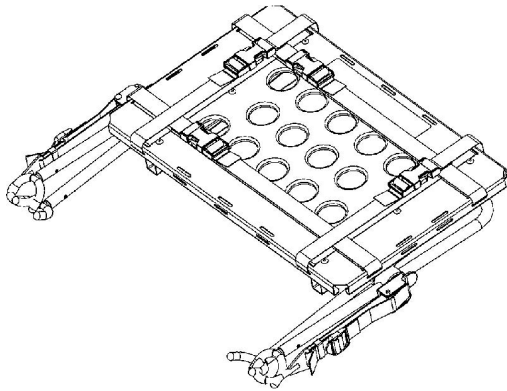
WAARSCHUWING - Bevestig het defibrillatorplatform niet op een brancard van het model 6086 **Performance-PRO XT** met de **Power-LOAD**-optie, om het risico van omkantelen van de brancard te vermijden.

LET OP

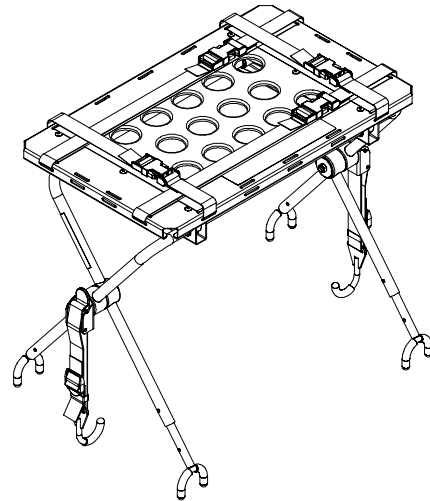
- Bevestig het defibrillatorplatform altijd aan het product wanneer u het defibrillatorplatform gebruikt.
- Zet de defibrillator altijd vast met de bij het defibrillatorplatform geleverde bandjes en stel deze in.
- Wijzig altijd de bevestigingslocatie of stel de bandjes in op de specifieke maat of vorm van uw defibrillator.
- Belast het defibrillatorplatform niet met een gewicht groter dan het veilige draagvermogen van 30 lb (13,6 kg).

Het defibrillatorplatform bevestigen:

1. Plaats het defibrillatorplatform in de opbergstand (Afbeelding 26).
2. Open de poten van het defibrillatorplatform en schuif ze uit (Afbeelding 27).

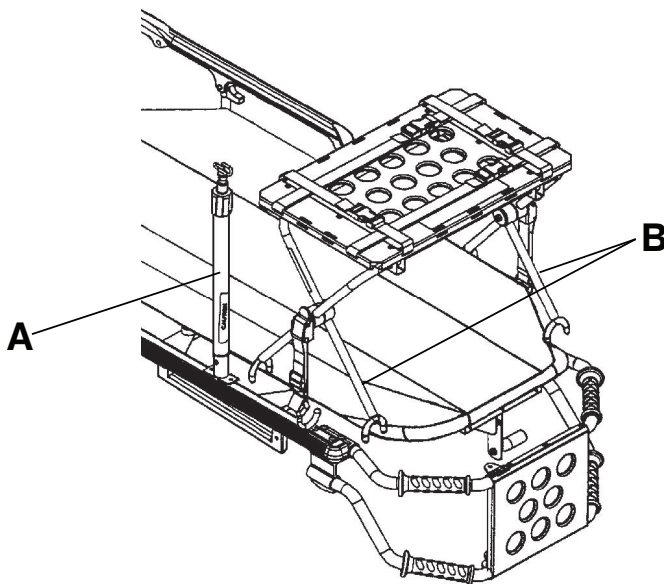


Afbeelding 26 – Opbergstand

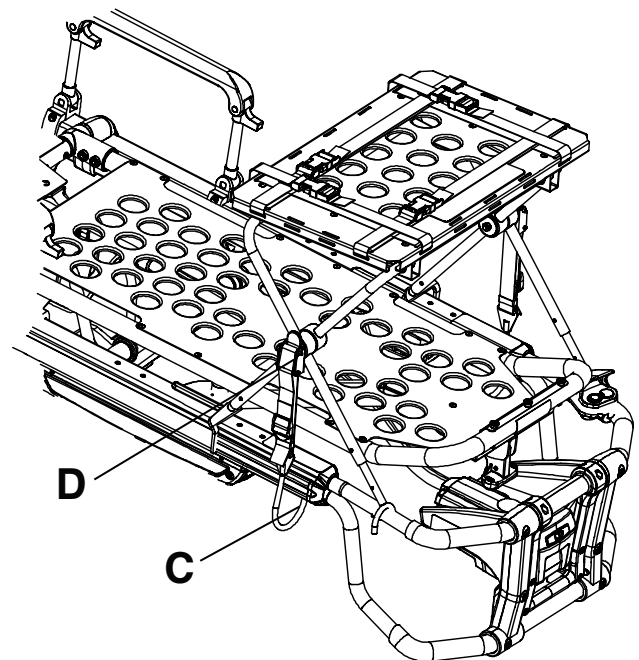


Afbeelding 27 – Open de poten van get defibrillatorplatform

3. Als het product is uitgerust met een infuuspaal, zet u de infuuspaal in de stand omhoog (Afbeelding 28).
4. Plaats het defibrillatorplatform op het productframe.
5. Plaats de binnenste poten (B) van het defibrillatorplatform richting het hoofdeinde van het product (Afbeelding 28).
6. Plaats de borghaak (C) onder het matrasdragerframe of de voeteneindebevestiging en druk de lip (D) aan de ene kant omhoog totdat deze vastklikt met een hoorbare klik (Afbeelding 29). Herhaal dit aan de andere kant. Voor met **Power-LOAD** compatibele brancards, indien aanwezig, moet u de bandjes verlengen en bevestigen aan de voeteneindebevestiging (Afbeelding 30).



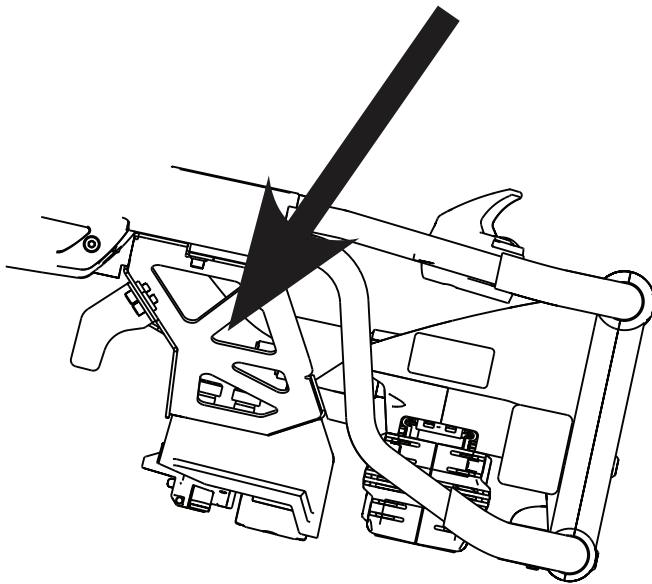
Afbeelding 28 – Infuuspaal omhoog zetten en defibrillatorblad in positie brengen (model 6506 weergegeven)



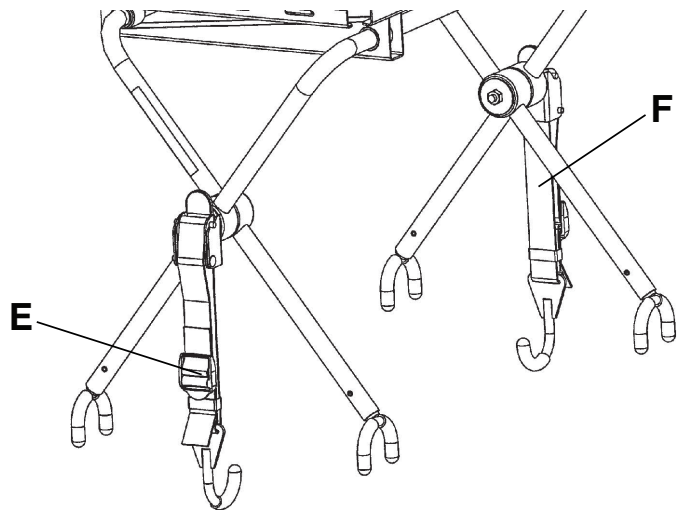
Afbeelding 29 – Plaatsing borghaak (model 6506 weergegeven)

7. Verzeker u ervan dat het defibrillatorplatform aan het product is bevestigd.
8. Plaats de defibrillator op het defibrillatorplatform.

9. Zet de bandjes (E) vast om de defibrillator vast te houden op het defibrillatorplatform (Afbeelding 31).



Afbeelding 30 – Lipje (model 6506 weergegeven)



Afbeelding 31 – Defibrillatorplatform aan de brancard bevestigen

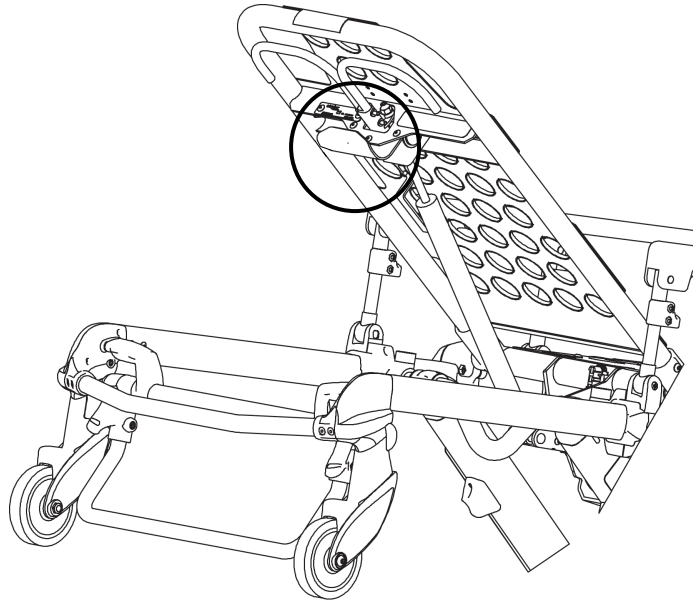
Opmerking - Als het defibrillatorplatform niet aan het product is bevestigd nadat u beide borghaken hebt aangebracht, maakt u de lip los. Zet het bandje lossers of strakker om het bij te stellen en druk vervolgens de lip omhoog totdat hij met een hoorbare klik vastklikt.

Apparatuur ophangen aan de apparatuurhaak

Gebruik de apparatuurhaak voor het ophangen van aanvullende accessoires of apparatuur zoals defibrillatoren en monitors.

LET OP

- Belast de apparatuurhaak niet meer dan het veilige draagvermogen van 35 lb (15,8 kg).
 - Verwijder in het voertuig altijd alle accessoires of apparatuur van de apparatuurhaak.
-



Afbeelding 32 – Apparatuurhaak

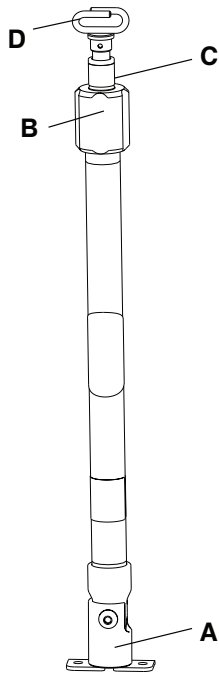
De tweedelige infuuspaal in positie brengen

LET OP - Belast de infuuspaal niet met een gewicht groter dan het veilige draagvermogen van 25 lb (11,3 kg).

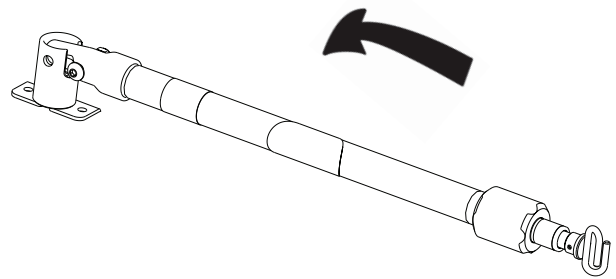
De infuuspaal in positie brengen (Afbeelding 33):

1. Licht de infuuspaal op en klap hem omhoog vanuit de opbergstand. Druk de infuuspaal vervolgens omlaag totdat hij vastklikt in de houder (A).
2. Om de paal hoger te zetten draait u de borgring (B) linksom en trekt u het telescopische gedeelte (C) van de paal omhoog om deze omhoog te zetten tot de gewenste hoogte.
3. Draai de borgring (B) rechtsom om het telescopische gedeelte op zijn plaats te vergrendelen.
4. Hang de infuuszakken aan de infuushaak (D).
5. Keer de vergrendelingsmof (B) linksom en schuif segment (C) in de onderste buis.
6. Keer de vergrendelingsmof (B) rechtsom om deze aan te draaien.
7. Til de paal op en klap hem omlaag naar de opbergstand (Afbeelding 34).

Opmerking - De dubbele tweedelige infuuspalen (6500-312-000 of 6550-312-000) zijn niet compatibel met de vanuit de patiënt gezien rechter (6500-310-000 of 6550-310-000) of de vanuit de patiënt gezien linker (6500-311-000 of 6550-311-000) tweedelige infuuspaalopties.



Afbeelding 33 – Opgezette positie infuuspaal



Afbeelding 34 – Opbergstand infuuspaal

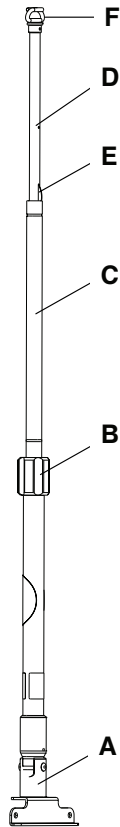
De optie driedelige infuuspaal in positie brengen

LET OP - Belast de infuuspaal niet met een gewicht groter dan het veilige draagvermogen van 25 lb (11,3 kg).

De infuuspaal in positie brengen (Afbeelding 35):

1. Licht de infuuspaal op en klap hem omhoog vanuit de opbergstand. Druk de infuuspaal vervolgens omlaag totdat hij vastklikt in de houder (A).
2. Om de paal hoger te zetten draait u de borgring (B) linksom en trekt u het telescopische gedeelte (C) van de paal omhoog om deze omhoog te zetten tot de gewenste hoogte.
3. Draai de borgring (B) rechtsom om het telescopische gedeelte op zijn plaats te vergrendelen.
4. Voor een hogere infuuspaal trekt u segment (D) omhoog totdat de veerclip (E) verbinding maakt.
5. Hang de infuuszakken aan de infuushaak (F).
6. Om de infuuspaal omlaag te zetten drukt u de veerclip (E) in en schuift u segment (D) omlaag in segment (C). Draai de borgring (B) linksom en schuif segment (C) in de onderste buis.
7. Draai de borgring (B) rechtsom om deze aan te draaien.
8. Til de paal op en klap hem omlaag naar de opbergstand.

Opmerking - De dubbele driedelige infuuspalen (6500-317-000 of 6550-317-000) zijn niet compatibel met de vanuit de patiënt gezien rechter (6500-315-000 of 6550-315-000) of de vanuit de patiënt gezien linker (6500-316-000 of 6550-316-000) driedelige infuuspaalopties.



Afbeelding 35 – Opgezette positie infuuspaal

Een zuurstoffles bevestigen aan de zuurstoffleshouder

LET OP

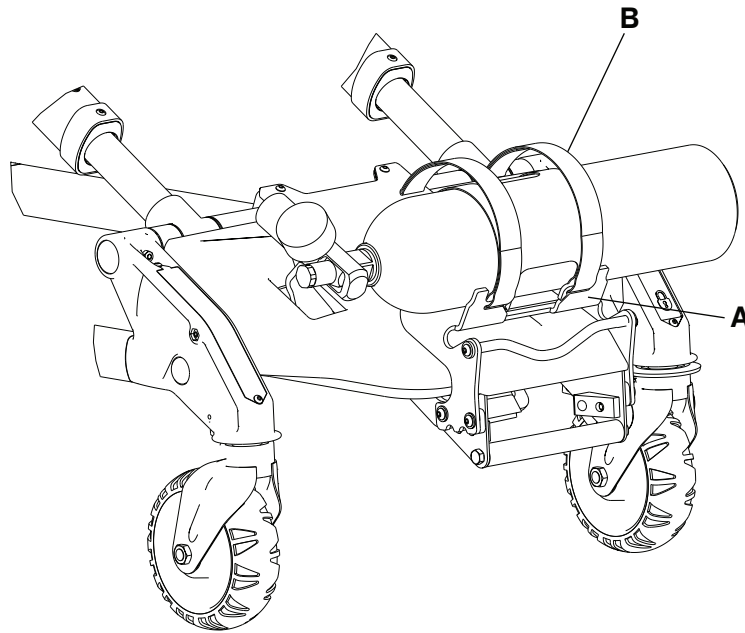
- Belast de zuurstoffleshouder niet zwaarder dan het veilige draagvermogen van 1,1 stone (6,8 kg) (15 lb).
 - Gebruik niet twee zuurstoffleshouders tegelijk.
-

Een zuurstoffles bevestigen aan de zuurstoffleshouder (Afbeelding 36):

1. Centreer de zuurstoffleshouder op het dragende oppervlak van artikel (A).
2. Maak beide bandjes (B) vast rond de zuurstoffles.
3. Trek de bandjes aan en gesp beide bandjes vast.

Opmerking - Gebruik de zuurstoffleshouder niet voor een zuurstoffles wanneer het transportvoertuig in beweging is. Berg de zuurstoffleshouder altijd op een geschikte plaats op wanneer het transportvoertuig in beweging is.

Opmerking - Inspecteer de bandjes en clips na elk gebruik op slijtage. Vervang het bandje als het de zuurstoffles niet meer goed vastzet.



Afbeelding 36 – Bevestiging zuurstoffles

De optionele duwstangen bevestigen

De optionele duwstangen maken het mogelijk om het product in elke hoogtestand te manoeuvreren.

WAARSCHUWING

- Vergrendel de optionele duwstangen altijd in de bevestigingen om te voorkomen dat de duwstangen losschieten tijdens het gebruik.
 - Gebruik de optionele duwstangen niet op het product op te tillen.
-

De optionele duwstangen bevestigen:

1. Steek elke duwstang in een van de vier hoekhouders.
2. Duw elke stang omlaag om hem in de houder te vergrendelen.



Afbeelding 37 – De duwstang is bevestigd

De duwstangen verwijderen en opbergen in de opbergzak voor de duwstangen

WAARSCHUWING - Berg de duwstangen altijd op in de opbergzak in de basis wanneer ze niet in gebruik zijn.

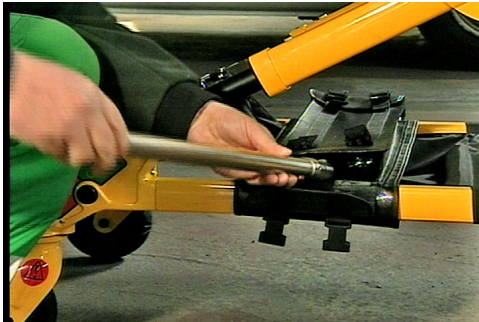
De duwstangen verwijderen:

1. Druk op de rode vrijzetknop en trek elke stang uit de houder in de hoek.

2. Plaats de duwstangen in de opbergzak in de basis, die zich op het basisframe bevindt (Afbeelding 38).

Om de opbergzak aan de basis vast te maken, brengt u de bijbehorende gespen aan om de zak vast te maken aan het frame van de brancard (Afbeelding 39).

Controleer of de zak en de inhoud ervan niet de werking van de brancard in de weg zitten voordat u de brancard omhoog brengt, omlaag brengt of vervoert.



Afbeelding 38 – De duwstangen verwijderen



Afbeelding 39 – De opbergzak voor de duwstangen bevestigen

Het optionele opslagnet op het onderstel installeren

LET OP

- Belast het onderstelopslagnet niet met een gewicht groter dan het veilige draagvermogen van 20 lb (9 kg).
 - Wees bij het inschuiven van het onderstel altijd voorzichtig dat u geen voorwerpen beschadigt die zijn opgeslagen in het onderstelopslagnet.
-

Om het opslagnet aan het onderstel te bevestigen, doet u de **Velcro-klittenbanden**® om de buizen van het onderstel heen.

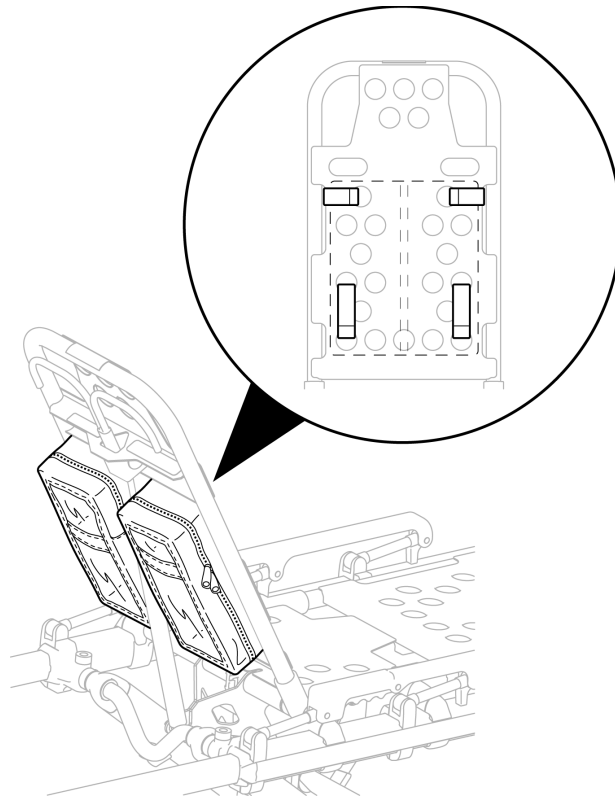
De optionele opbergzak voor de rugleuning bevestigen

LET OP

- Belast de rugleuningopbergzak niet met een gewicht groter dan het veilige draagvermogen van 20 lb (9 kg).
 - Zorg dat de opbergzak de werking van het inschuifbare hoofdeinde niet belemmert.
-

De optionele opbergzak voor de rugleuning bevestigen (Afbeelding 40):

1. Steek elk bandje door een gat in de rugleuningbekleding.
2. Bevestig de zak vlak tegen de rugleuning aan.
3. Bevestig de rugleuningopbergzak met de **Velcro**®-bandjes aan de brancard.



Afbeelding 40 – Rugleuningopbergzak

De matras bevestigen

Er zijn twee matrasopties verkrijgbaar voor gebruikt in combinatie met dit product. Gebruik de knieknikbolstermatras (6550-001-084) of de platte matras (6550-001-295) bij het standaardonrusthek. Gebruik de bredere knieknikbolstermatras (6500-003-130/6506-003-130) bij het optionele uitbreidbare patiëntoppervlak (XPS).

LET OP - Berg geen voorwerpen op onder de matras. Voorwerpen onder de matras kunnen de werking van het product belemmeren.

De matras aan de brancard bevestigen:

1. Breng het **Velcro®** op de rug van de matras in lijn met het **Velcro®** op de matrasdrager van de brancard.
2. Breng het bandje aan het voeteneinde van de matras aan door de twee gaten in de bekleding van het voeteneinde van de brancardmatrasdrager.
3. Trek het bandje door de gesp en breng het **Velcro®** aan om het bandje vast te zetten.

Opmerking

- De knieknikbolstermatras (6550-001-084) of de platte matras (6550-001-295) zijn niet compatibel met de XPS-onrusthekoptie (6550-031-000).
- De optionele knieknikbolstermatras voor XPS (6500-003-130/6506-003-130) is niet compatibel met het standaardonrusthek (6550-034-000).
- De matras is een met de patiënt in aanraking komend onderdeel van type BF.

Een SMRT Pak inbrengen

De **SMRT Pak** is ontworpen om compatibel te zijn met de brancards **Power-PRO XT**, **Power-PRO IT** en **Power-PRO TL**.

Om het beschikbare accuvermogen te maximaliseren, gebruikt u alleen **SMRT Paks** die af afgelopen 48 uur zijn opgeladen.

Het **SMRT Pak** inbrengen:

1. Lijn de lippen uit in de accubehuizing.
2. Duw de **SMRT Pak** in de behuizing totdat de vergrendeling op zijn plaats vastklikt.

De **SMRT Pak** kan op de **Power-PRO**-brancard blijven tussen dienstoproepen voor maximaal een week of totdat het accu-indicatielampje oranje knippert.

Een SMRT Pak uit de brancard verwijderen

Nadat de **SMRT Pak** is ontladen, verwijdert u de **SMRT Pak** uit de **Power-PRO**-brancard en vervangt u hem door een opgeladen **SMRT Pak**.

Het herhaaldelijk gebruiken van de **SMRT Pak** zonder rustperiodes, kan de temperatuur in de cellen verhogen en de levensduur beperken. Het een paar keer snel achter elkaar omhoog en omlaag brengen een zware patiënt kan de levensduur van de **SMRT Pak** bijvoorbeeld verkorten.

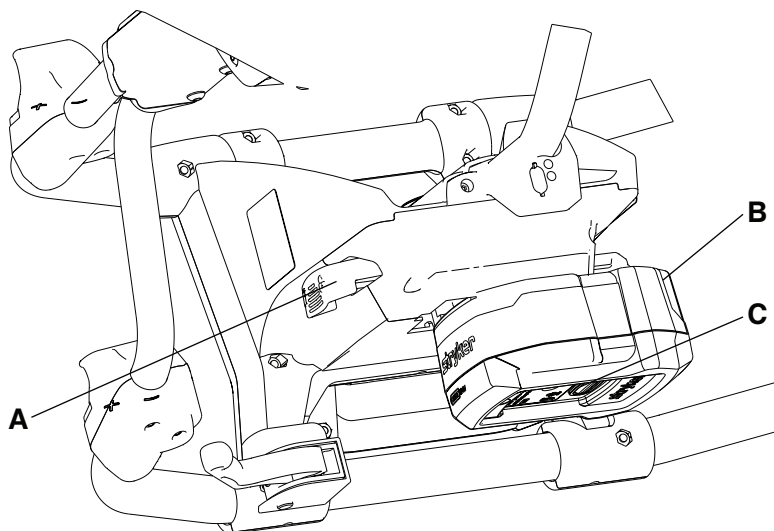
WAARSCHUWING

- Verwijder de accu niet terwijl de brancard actief is.
 - Probeer de accu om geen enkele reden te openen, om het risico van elektrische schok te vermijden. Als de accu barsten vertoont of beschadigd is, plaats hem dan niet in de lader. Breng beschadigde accu's terug naar een servicecentrum voor recycling.
 - Vermijd altijd direct contact met een natte accu of accubehuizing. Contact kan letsel veroorzaken bij de patiënt of bediener.
-

LET OP - Verwijder altijd de accu wanneer de brancard voor een langere tijd (meer dan 24 uur) niet gebruikt wordt.

De **SMRT Pak** verwijderen uit de brancard:

1. Druk op de rode, met één hand te bedienen vrijzetknop (C) of druk op de accuvrijzetknop (A) om de **SMRT Pak** (B) te ontkoppelen van de brancard (Afbeelding 41).
2. Schuif de losgekoppelde **SMRT Pak** uit de behuizing.



Afbeelding 41 – De accu ontkoppelen

Opslag van de accu

Voor een lange levensduur, goede prestaties en veiligheid van deze apparatuur, gebruikt u het originele verpakkingsmateriaal wanneer u deze apparatuur opslaat of vervoert.

Alle accu's verliezen lading gedurende opslag of periodes van inactiviteit. Een **SMRT Pak** kan tot 30 procent van haar lading verliezen binnen 48 uur nadat u het verwijdt van de **SMRT-lader**. Gebruik en laad opgeslagen **SMRT Paks** elke drie maanden volledig op voor topprestaties.

De SMRT Pak opladen

De **SMRT Pak** is uitsluitend bestemd voor gebruik met de **SMRT-lader**.

WAARSCHUWING - Plaats geen gebarsten of beschadigde **SMRT Pak** in de **SMRT-lader**. Lever beschadigde **SMRT Paks** bij een servicecentrum in voor recycling.

Opmerking

- Voor langdurige opslag plaatst u de **SMRT Pak** op de **SMRT-lader** voor traag opladen. De **SMRT-lader** houdt de **SMRT Pak** opgeladen en gereed voor gebruik.
- Sla de **SMRT Pak** op bij kamertemperatuur; het toegestane temperatuurbereik voor opladen bedraagt 43 °F tot 88 °F (6 °C tot 31 °C). Als de **SMRT Pak** buiten dit aanbevolen temperatuurbereik wordt opgeladen, wordt de levensduur van de **SMRT Pak** verkort en de oplaadtijd verlengd.

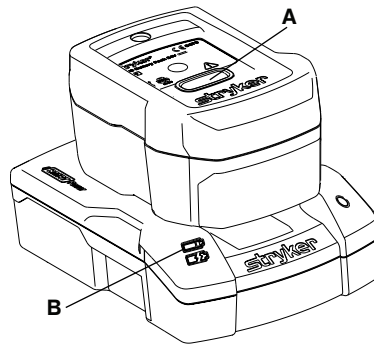
De **SMRT Pak** opladen (Afbeelding 42):

1. Plaats een schone, droge **SMRT Pak** in de **SMRT-lader**. Verzeker u ervan dat de **SMRT Pak** in de **SMRT-lader** is vergrendeld.

Opmerking

- Het indicatielampje op de **SMRT-lader** (B) knippert groen tijdens het opladen (Afbeelding 42). De optimale oplaadtijd bedraagt twee uur.
 - Wanneer de **SMRT Pak** opgeladen en gereed voor gebruik is, gaat het indicatielampje op de **SMRT-lader** (B) constant groen branden.
2. Druk de rode vrijzetknop (A) in (Afbeelding 42) en schuif de **SMRT Pak** eruit om de opgeladen en gebruiksklare **SMRT Pak** van de **SMRT-lader** te halen.

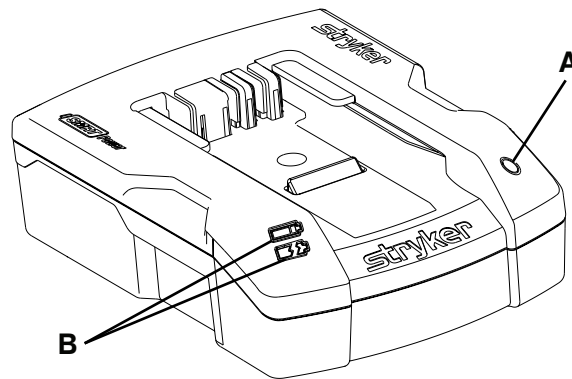
De **SMRT-lader** regelt het opladen ongeacht de ladingstoestand van de **SMRT Pak**.



Afbeelding 42 – De SMRT Pak opladen

De lading van de SMRT Pak controleren met de SMRT-lader

Controleer de lading van de SMRT Pak met behulp van de indicatielampjes op de SMRT-lader.



Afbeelding 43 – De lading van de SMRT Pak controleren

- Voedingsaansluiting: sluit de SMRT-lader aan op of koppel hem los van een geschikte voedingsbron (*De lader inschakelen* (pagina 50)).
- Voedingslampje SMRT-lader (A): als het groene lampje brandt, heeft de SMRT-lader voeding.
- Indicielampjes SMRT-lader (B): een groen en een oranje indicatielampje op de lader bieden informatie over de status van de SMRT Pak. De lampjes kunnen een constant brandende of knipperende status hebben, afhankelijk van de toestand van de SMRT-lader of SMRT Pak.

Indicielampje SMRT-lader	Status
Groen (knipperend)	SMRT-lader is de SMRT Pak aan het opladen. De optimale oplaadtijd bedraagt twee uur.
Groen (constant)	SMRT Pak is opgeladen en gereed voor gebruik
Oranje (knipperend)	Temperatuurvertraging SMRT Pak. De SMRT-lader wacht af tot de SMRT Pak het toegestane temperatuurbereik van 43 °F tot 88 °F (6 °C tot 31 °C) heeft bereikt.
Oranje (constant)	Fout van SMRT Pak. Zie het gedeelte over probleemoplossing van de onderhoudshandleiding.

Vereisten voor de elektrische voedingsinstallatie

Bij het configureren van de elektrische voedingsbron voor de installatie van de SMRT-lader, volgt u de vereisten voor de elektrische voedingsinstallatie voor een betrouwbare en effectieve werking.

Type voeding	Werkspanningsbereik	Frequentie	Maximaal stroomverbruik	Stand-by stroomverbruik	Uitschakeling bij lage spanning
Wisselstroom	100 tot 240 VAC	50/60 Hz	1,20 A	0,05 A	n.v.t.
Gelijkstroom	12,5 to 16 VDC	n.v.t.	4,16 A	0,20 A	10 VDC

De SMRT-lader installeren

Bij het installeren van de **SMRT**-lader plaatst u de **SMRT**-lader op een locatie waarvan de omgeving als volgt beheerst wordt:

- Vrij van overmatige stof en vocht
- Binnen een constant temperatuurbereik gehouden. Een toelaatbaar temperatuurbereik is 43 °F to 88 °F (6 °C to 31 °C). Het optimale temperatuurbereik is 65 °F to 75 °F (18 °C to 24 °C).
- Makkelijk toegankelijk voor gebruik

De elektrische voeding en netsnoeren moeten zodanig worden aangelegd en gehouden om het risico van schade en onbedoelde loskoppelingen te voorkomen.

De optionele bevestigingsbeugel installeren

WAARSCHUWING

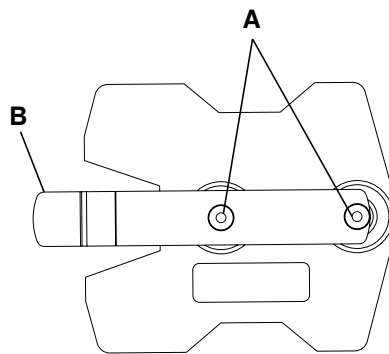
- Laat de optionele bevestigingsbeugel en de **SMRT**-lader altijd installeren door een gecertificeerde monteur die bekend is met de constructie van ambulancevoertuigen.
 - Om te voldoen aan vastgestelde botstestnormen, moet de **SMRT**-lader altijd worden gemonteerd aan de optionele bevestigingsbeugel in een afgesloten kastje en buiten het bereik van de patiënt gedurende het transport.
 - Zorg er altijd voor dat de optionele bevestigingsbeugel goed is vastgemaakt aan het oppervlak.
-

De optionele bevestigingsbeugel installeren (Afbeelding 44):

1. Gebruik de bevestigingsbeugel van de **SMRT**-lader als een sjabloon om de locatie van de bevestigingsgaten (A) te markeren op de plek waar u de bevestigingsbeugel zal installeren.
2. Plaats de bevestigingsbeugel en zorg ervoor dat:
 - a. Het veerblok (B) aan de achterkant van de **SMRT**-lader ligt.

Opmerking - Bij het plaatsen van de bevestigingsbeugel tegen een verticaal oppervlak moet het veerblok horizontaal met het punt van het veerblok aan de linkerzijde zijn (Afbeelding 44).
 - b. De netsnoerstekker gemakkelijk in de achterkant van de **SMRT**-lader te steken is.
 - c. De **SMRT**-lader van voor naar achter kan schuiven om hem aan de beugel te koppelen na bevestiging.
 - d. De beugel correct geïnstalleerd is voor de locatie in de ambulance of op de ambulancepost:

Locatie in ambulance	Locatie op ambulancepost
<ul style="list-style-type: none"> • Maak de beugel vast aan een horizontaal, stevig steunoppervlak of een plank met schroeven die minimaal maat #10, graad 5 (niet bijgeleverd) zijn. • Verzekert u ervan dat het geselecteerde bevestigingsoppervlak stevig genoeg is om de SMRT-lader en de SMRT Pak te dragen tijdens vervoer. • Plaats de beugel in een afgesloten kastje buiten het bereik van de patiënt gedurende het transport. • Zorg voor genoeg ruimte om de SMRT Pak te kunnen installeren en verwijderen. • Plaats de stroomvoorziening binnen het bereik van het netsnoer. 	<ul style="list-style-type: none"> • Maak de beugel vast aan een horizontaal of verticaal, stevig steunoppervlak of plank met schroeven die minimaal maat #10, graad 5 (niet bijgeleverd) zijn. • Voor verticale installatie plaatst u de bevestigingsbeugel op zo'n manier dat het veerblok zich direct onder de bevestigingsschroeven bevindt, zodat de SMRT Pak door de SMRT-lader ondersteund blijft ook als de vrijzetknop per ongeluk wordt ingedrukt. • Zorg voor genoeg ruimte om de SMRT Pak te kunnen installeren en verwijderen. • Plaats de stroomvoorziening binnen het bereik van het netsnoer.

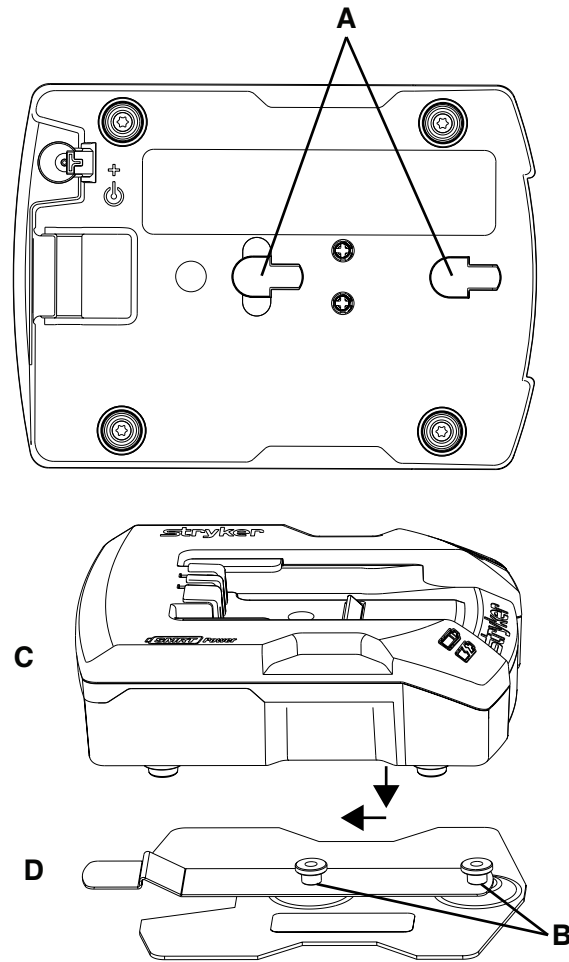


Afbeelding 44 – Bevestigingsbeugel

De lader vastmaken aan de optionele bevestigingsbeugel

De **SMRT**-lader vastmaken aan de optionele bevestigingsbeugel (Afbeelding 45):

1. Lijn de achterste spiebaansleuven (A) uit op de beugelbevestigingselementen (B).
2. Schuif de **SMRT**-lader (C) in totdat hij vastklikt in de bevestigingsbeugel (D) om de lader aan de beugel vast te maken.



Afbeelding 45 – De lader vastmaken

De lader inschakelen

LET OP

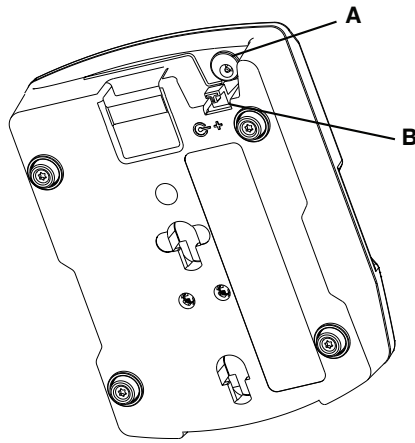
- Plaats altijd het netsnoer van de elektrische **SMRT**-lader waar men er niet op kan staan, erover kan struikelen of waar hij anderszins kan worden onderworpen aan schade of fysieke belasting.
- Raak de accuklemmen van het **SMRT Pak** niet aan met een metalen voorwerp.

To power the **SMRT** charger (Afbeelding 46):

1. Zoek de voedingsaansluiting (A) aan de achterkant van de **SMRT**-lader op.
2. Druk de netsnoerborglip (B) in om de uitgangstekker van het netsnoer in de voedingsaansluiting van de **SMRT**-lader te steken.
3. Sluit het uiteinde van de voedingsadapter van het netsnoer aan op de voedingsbron.

Het is 'best practice' om een zuivere, ononderbreekbare voedingsbron te gebruiken. Er brandt op de **SMRT**-lader een constant groen indicatielampje wanneer hij verbonden is met stroomvoorziening.

Gebruik uitsluitend door Stryker goedgekeurde onderdelen om de **SMRT**-lader van stroom te voorzien.



Afbeelding 46 – De lader inschakelen

De lader loskoppelen

LET OP - Bij het loskoppelen van de **SMRT**-lader pakt u altijd stekker vast om eraan te trekken, en niet het snoer, om het risico van schade aan de stekker en netsnoer te vermijden.

Om de **SMRT**-lader te ontkoppelen, koppelt u het netsnoer los van de wisselstroom- of gelijkstroomvoedingsbron.

Accessoires en onderdelen

Deze accessoires zijn mogelijk verkrijgbaar voor gebruik bij uw product. Vraag na of ze verkrijgbaar zijn voor uw configuratie of regio. Bel de klantenservice van Stryker: 1-800-327-0770.

Naam	Nummer
Rugleuningzak	6500-130-000
Riemverlengstuk	6082-160-050
Defibrillatorplatform	6550-170-000
Apparatuurhaak	6500-147-000
Gascilinder, rugleuning	1010-031-077
Hoofdverlengstuk met kussen	6100-044-000
Infuuspaaal, tweedelig, rechts	6550-310-000
Infuuspaaal, tweedelig, links	6550-311-000
Infuuspaaal, tweedelig, dubbel	6550-312-000
Infuuspaaal, driedelig, rechts	6550-315-000
Infuuspaaal, driedelig, links	6550-316-000
Infuuspaaal, driedelig, dubbel	6550-317-000
Matras, knieknikbolster	6550-001-084
Matras, platte knieknik	6550-001-295
Matras, knieknikkussen, XPS	6500-003-130
Matras, knieknikbolster, grijs, XPS	6506-003-130
Zuurstoffleshouder	6550-102-020
Zuurstoffleshouder, verwijderbaar	6080-140-000
Zuurstoffleshouder, riem	6550-002-004
Veiligheidsbeugeloptie	6091-300-010
Veiligheidsriempakket, EMS, binnenlands	6060-160-010
Veiligheidsriempakket, X-veiligheidsriemen	6500-001-430
Veiligheidsriempakket, XPR	650600030010
Onrusthek, standaard	6550-034-000
Onrusthek, XPS-optie	6550-031-000
Opslagnet, onderstel	6500-160-000
Opbergzak, rugleuning	6500-130-000
Wielvergrendeling	6086-200-010

Gebruik alleen onderdelen die door Stryker zijn goedgekeurd. Andere onderdelen kunnen verhoging van de elektromagnetische emissie of afname van de elektromagnetische immuniteit van het systeem veroorzaken. Breng geen wijzigingen aan onderdelen aan. Het aanbrengen van wijzigingen aan onderdelen kan tot letsel leiden.

Naam	Nummer
SMRT-lader	6500-201-000
Bevestigingsbeugel voor SMRT-lader	6500-034-000
SMRT Pak kit, accupakket	6500-700-046
Onderdelen voor stroomvoorziening, wisselstroom	
Stroomvoorziening voor oplader	6500-201-148
Netsnoer, Noord-Amerika	6500-201-149
Netsnoer, Europa	6500-201-150
Netsnoer, Verenigd Koninkrijk	6500-201-151
Netsnoer, Australië	6500-201-153
Onderdelen voor stroomvoorziening, gelijkstroom	
Autokabel 12 V gelijkstroom	6500-201-147
Kabel met DIN-stekker, 12-24 V	6500-201-152
SMRT-stroomkit (bevat 1 oplader, 2 Paks en 1 netsnoer)	
Kit voor SMRT -stroomvoorziening, 12 V gelijkstroom, huishoudelijk (autolader)	6500-700-040
Kit voor SMRT -stroomvoorziening, 120 V wisselstroom, huishoudelijk (wandlader)	6500-700-041
Kit voor SMRT -stroomvoorziening, 240 V wisselstroom, Verenigd Koninkrijk, internationaal	6500-700-043
Kit voor SMRT -stroomvoorziening, 240 V wisselstroom, Europa, internationaal	6500-700-044
Kit voor SMRT -stroomvoorziening, 240 V wisselstroom, Australië, internationaal	6500-700-045

Neem voor een volledige lijst van aanvullende onderdelen contact op met uw verkoopvertegenwoordiger van Stryker.

De XPR-veiligheidsriemen reinigen en desinfecteren

Vraag na of ze verkrijgbaar zijn voor uw configuratie of regio. Bel de klantenservice van Stryker: 1-800-327-0770.

Aanbevolen reinigingsmiddelen zijn:

- ≤ 70% isopropylalcohol; of

Een reinigingsmiddel met de volgende actieve ingrediënten (of gelijkwaardig):

- Ammoniumzouten ≤ 0,31%
- Isopropylalcohol ≤ 21,000%
- Ethyleenglycolmonobutylether ≤ 3,000% (niet-actief bestanddeel)

Opmerking - Als niet de voorgeschreven reinigingsmiddelen worden gebruikt, kan dat leiden tot voortijdige aantasting en het ongeldig worden van de productgarantie. Reinig bijvoorbeeld niet met bleekmiddel, **HDQ Neutral®** of accelerated hydrogen peroxide. Als u zich zorgen maakt of vragen heeft, neem dan contact op met de klantenservice van Stryker (+1-800-327-0770).

Aanbevolen reinigingsmethode:

1. Volg de aanbevelingen van de fabrikant betreffende verdunning van de reinigingsvloeistof nauwkeurig op.
2. Om te reinigen, veegt u de externe oppervlakken af om alle zichtbare vervuiling te verwijderen. Herhaal als nodig totdat het product is gereinigd.

Opmerking - Verplaats de verlengingsgesp om de hele veiligheidsriem schoon te maken. Zorg ervoor dat het oppervlak van de veiligheidsriemen droog is voordat u de verlenggesp beweegt. Beweeg de verlenggesp niet over een oppervlak dat nat is door reinigingsmiddel.

3. Om te ontsmetten, veegt u de externe oppervlakken af met een frisse, schone doek tot ze nat zijn.
4. Zorg dat het product niet langer nat blijft dan de richtlijnen voor correcte ontsmetting van de chemicaliënfabrikant voorschrijven.
5. Controleer of het product goed werkt alvorens het opnieuw in gebruik te nemen.
 - Onderdompeling van de metalen gespen van de veiligheidsriemen kan corrosie van de gespen veroorzaken en wordt niet aanbevolen. Spoel het product af met schoon water en laat het aan de lucht drogen om de kans op corrosie te beperken. Vervang de veiligheidsriemen als de metalen gespen gecorrodeerd zijn.
 - Direct contact van de huid met zichtbaar vervuild, doorlatend materiaal kan het infectierisico verhogen.
 - Het wassen van de veiligheidsriemen wordt niet aanbevolen.

LET OP - Breng geen smeermiddelen aan op de oppervlakken van de veiligheidsriemen.

Opmerking

- Bij gebruik van de hierboven weergegeven en voorgestelde reinigingsmiddelen hebben XPR-veiligheidsriemen een verwachte levensduur van drie maanden.
- Als de bovenstaande instructies niet worden opgevolgd bij het gebruik van deze typen reinigingsmiddelen, kan de garantie van het product komen te vervallen.
- Na reiniging moet het product altijd worden afgenomen met schoon water en worden gedroogd. Sommige reinigingsproducten zijn corrosief en kunnen schade aan het product veroorzaken. Als het product niet goed wordt afgespoeld en gedroogd, blijft er een corrosieve afzetting achter op het oppervlak van het product, waardoor voortijdige slijtage van essentiële onderdelen kan ontstaan.

Reiniging

WAARSCHUWING - Gebruik bij hogedrukreiniging altijd geschikte persoonlijke beschermingsmiddelen om inademing van smetstoffen te voorkomen. Hogedrukreinigungsapparatuur kan vuil vernevelen.

LET OP

- Reinig het product niet met stoom of ultrasoonreiniging.
- Zorg dat de maximale watertemperatuur van 180 °F (82 °C) niet wordt overschreden.
- Zorg dat de maximale waterdruk van 1500 psi (103,4 bar) niet wordt overschreden. Als u een handlans gebruikt voor het reinigen van het product, moet de spuitmond op minimaal 24 inch (61 cm) afstand van het product worden gehouden.
- Altijd aan de lucht laten drogen.
- Verwijder altijd de accu voordat u de brancard wast.
- Voer geen reiniging, reparatie of onderhoud uit terwijl het product in gebruik is.

Het product is geschikt voor hogedrukreiniging. Het product kan enige tekenen van oxidatie of verkleuring vertonen na regelmatige reiniging. Er vindt geen vermindering van de prestaties plaats door hogedrukreiniging, zolang de juiste procedures worden gevolgd.

- Volg de aanbevelingen van de fabrikant betreffende verdunning van de reinigingsvloeistof nauwkeurig op.
- Stryker Medical adviseert om voor hogedrukreiniging van het product het standaard reinigingstoestel voor ziekenhuistrolleys of een handsputlans te gebruiken.
- Was de brancard eenmaal per maand.
- Reinig het klittenband na elk gebruik. Doordrenk het klittenband met desinfectiemiddel en laat het desinfectiemiddel verdampen. Een geschikt ontsmettingsmiddel voor het klittenband van nylon moet bepaald worden door de dienst.
- Onderdompeling van de metalen gespen van de veiligheidsriemen kan corrosie van de gespen veroorzaken en wordt niet aanbevolen. Spoel het product af met schoon water en laat het aan de lucht drogen om de kans op corrosie te beperken. Vervang de veiligheidsriemen als de metalen gespen gecorrodeerd zijn.
- Direct contact van de huid met zichtbaar vervuild, doorlatend materiaal kan het infectierisico verhogen.

Aanbevolen reinigingsmiddelen

In het algemeen kunnen ontsmettingsmiddelen van het fenolhoudende type of van het quaternaire type (met uitzondering van **Virex®** TB) worden gebruikt, op voorwaarde dat de door de fabrikant aanbevolen concentraties worden gebruikt. Gebruik van ontsmettingsmiddelen van het jodofoortype wordt niet aanbevolen, want dit kan vlekken veroorzaken.

Aanbevolen reinigingsmiddelen zijn:

- quaternaire reinigingsmiddelen (werkzame stof: ammoniumchloride) die minder dan 3% glycoether bevatten
- reinigingsmiddelen op basis van fenol (werkzame stof – o-fenylfenol)
- chloorhoudende bleekoplossing (5,25%, minder dan 1 deel bleekmiddel op 100 delen water)
- ≤ 21% isopropanol

Doordrenk het product niet overmatig. Laat het product niet langer nat blijven dan de richtlijnen voor correcte ontsmetting van de fabrikant van de chemicaliën.

Opmerking

- Als de bovenstaande instructies niet worden opgevolgd bij het gebruik van deze typen reinigingsmiddelen, kan de garantie van het product komen te vervallen.
- Na reiniging moet het product altijd worden afgenomen met schoon water en worden gedroogd. Sommige reinigingsproducten zijn corrosief en kunnen schade aan het product veroorzaken. Als het product niet goed wordt afgespoeld en gedroogd, blijft er een corrosieve afzetting achter op het oppervlak van het product, waardoor voortijdige corrosie van essentiële onderdelen kan ontstaan.

De lader reinigen

WAARSCHUWING

- Draag altijd geïsoleerde rubberen handschoenen, en persoonlijke beschermingsmiddelen, bij het schoonmaken van de **SMRT Pak** om het risico van letsel te verminderen.
 - Koppel altijd de **SMRT**-lader los van het stopcontact voor het reinigen om het risico van elektrisch gevaar te vermijden.
 - Spuit geen vloeistof direct op de **SMRT**-lader.
 - Gebruik geen hogedrukspuit om de **SMRT**-lader te reinigen.
 - Gebruik geen oplosmiddelen, smeermiddelen of andere chemicaliën om de **SMRT**-lader te reinigen, tenzij anders voorgeschreven.
 - Dompel de **SMRT**-lader niet onder in water en zorg ervoor dat zich geen water op de **SMRT**-lader ophoopt om het risico van elektrische schokken te voorkomen.
-

To clean the **SMRT** charger:

1. Koppel de **SMRT**-lader los van het stopcontact om het risico van elektrische schok tijdens het reinigen te vermijden.
2. Neem de oppervlakken van de **SMRT**-lader af met een zachte doek die is bevochtigd met een niet-schurend ziekenhuisdesinfectiemiddel.
3. Neem af met een met water bevochtigde doek om alle schoonmaakmiddelen en afzettingen te verwijderen.
4. Droog de **SMRT**-lader goed af voordat u hem weer in gebruik neemt.

De accu reinigen

De **SMRT Pak** is zodanig ontworpen dat hij met een hogedrukreiniger kan worden gereinigd. De voorkeursmethode voor hogedrukreiniging van de **SMRT Pak** is met het standaard reinigingstoestel voor ziekenhuistrolleys of met een handspuitlans.

WAARSCHUWING

- Gebruik bij hogedrukreiniging altijd geschikte persoonlijke beschermingsmiddelen om inademing van smetstoffen te voorkomen. Hogedrukreinigingsapparatuur kan vuil vernevelen.
 - Draag altijd geïsoleerde rubberen handschoenen, en persoonlijke beschermingsmiddelen bij het schoonmaken van de **SMRT Pak** om het risico van letsel te verminderen.
 - Gebruik altijd niet-geleidende materialen voor het afnemen van de **SMRT Pak**.
 - Vermijd altijd overmatige blootstelling aan water van de aansluitpunten van het **SMRT Pak**.
 - Raadpleeg altijd het veiligheidsinformatieblad (MSDS) van het ontsmettingsmiddel om het pH-bereik te controleren. Ontsmettingsmiddelen met een pH hoger dan 10,5 kunnen barsten in het behuizingsmateriaal van de **SMRT Pak** veroorzaken.
 - Zorg dat u bij de reiniging van de **SMRT Pak** de aansluitpunten niet rechtstreeks vastpakt of aanraakt, om het risico van letsel te vermijden.
 - Dompel de **SMRT Pak** niet onder in vloeistof, om het risico van elektrische schokken te beperken.
 - Gebruik geen oplosmiddelen, smeermiddelen of andere chemicaliën om de **SMRT Pak** te reinigen, tenzij anders voorgeschreven.
-

LET OP

- Reinig de **SMRT Pak** niet met stoom of ultrasoonreiniging.
 - Zorg dat de maximale watertemperatuur van 180 °F (82 °C) niet wordt overschreden.
 - Zorg dat de maximale luchtdroogtemperatuur van 240 °F (115 °C) niet wordt overschreden (trolleyreinigingstoestellen).
 - Zorg dat de maximale waterdruk van 1500 psi (103,4 bar) niet wordt overschreden. Als u een handlans gebruikt voor het reinigen van het product, moet de spuitmond op minimaal 24 inch (61 cm) afstand van het product worden gehouden.
-

De **SMRT Pak** reinigen:

1. Verwijder de **SMRT Pak** uit de **Power-PRO**-brancard of **SMRT**-lader.

2. Inspecteer de **SMRT**-Pak-behuizing en het accuklemgebied op barsten en schade.
3. Reinig de **SMRT** Pak met een ziekenhuisdesinfectiemiddel in het pH-bereik 6,5 tot 10,5.
4. Spoel de **SMRT** Pak grondig af met schoon water om alle reinigingschemicaliën en afzettingen te verwijderen. Plaats de **SMRT** Pak zodanig dat zich geen vloeistofplassen kunnen vormen bij de aansluitpunten.
5. Droog de **SMRT** Pak grondig voordat u de **SMRT** Pak in een **Power-PRO**-brancard of **SMRT**-lader plaatst.

Preventief onderhoud

WAARSCHUWING

- Laat altijd de druk af voordat u hydraulische of andere leidingen loskoppelt. Onder druk ontsnappende vloeistof kan de huid penetreren en ernstig letsel veroorzaken. Draai alle aansluitingen aan voordat u druk uitoefent. Als zich een ongeval voordoet, raadpleeg dan onmiddellijk een arts.
- Controleer niet met de blote handen op hydraulische lekkage.

LET OP

- Gebruik altijd goedgekeurde onderdelen om het risico van productschade te vermijden.
- Controleer slangen en leidingen altijd regelmatig om beschadiging van de brancard te voorkomen. Controleer op losse aansluitingen en draai ze aan. Hydraulische leidingen, slangen en aansluitingen kunnen defect raken of losraken ten gevolge van fysieke schade, knikken, veroudering en blootstelling aan omgevingsinvloeden.
- Zorg dat u de brancard niet op de laadwielen kantelt en dan het product activeert, want hierdoor kan er lucht in het hydraulisch systeem komen.

Stel een onderhoudsschema op en volg het, en houd een dossier bij van de onderhoudsactiviteiten. Stel het product buiten gebruik voordat u de preventieve onderhoudsinspectie uitvoert. Afhankelijk van de intensiteit van het gebruik van het product kan het nodig zijn vaker preventieve onderhoudscontroles uit te voeren. Onderhoud en reparaties mogen uitsluitend door bevoegd personeel worden uitgevoerd.

Bij het gebruik van onderhoudsproducten volgt u de aanwijzingen van de fabrikant en raadpleegt u alle veiligheidsinformatiebladen (MSDS).

Smering

LET OP - Smeer de lagers in het X-frame niet, want daardoor worden de prestaties van de brancard aangetast en kan de garantie komen te vervallen.

De brancard is ontworpen om te werken zonder dat er smering nodig is.

Regelmatige inspectie en afstellingen

Het volgende schema is een algemene richtlijn voor het onderhoud. Factoren zoals het weer, het terrein, de geografische locatie en het individuele gebruik veranderen het vereiste onderhoudsschema. Als u niet zeker weet hoe u deze controles moet uitvoeren, neemt u contact op met de onderhoudsmonteur van Stryker. Als u twijfelt over de te volgen intervallen voor het onderhoud van uw product, raadpleegt u de onderhoudsmonteur van Stryker. Voer elke routinecontrole uit en vervang versleten onderdelen indien nodig.

Elke maand of twee uur

Inspecteer deze onderdelen elke maand of twee uur, wat het eerst komt.

Onderdeel	Inspecteren
Instellingen	Configuratie interne uitschakeling in bevestiging
Cilinder	Schuif de cilinderstang uit. Neem de cilinderstang af met een zachte doek en huishoudreinigingsmiddel.
Kabels en draden	Geen loshangende draden uit kanalen of aansluitingen
Handmatige back-up-vrijzethendel	Functies handmatige back-up-vrijzethendel
Matrasdrager	Frame en matrasdrager
Onderstel	Frame en onderstel

Onderdeel	Inspecteren
Wielen	Alle wielen zitten goed vast, rollen en draaien
Hoofdsectie	Veiligheidsstang functioneert. Trek richting het hoofdgedeelte om na te gaan of de veiligheidsstang makkelijk heen en weer gaat en zich terug laat trekken naar de uitgangspositie.
Veiligheidsriem	Veiligheidsriemen functioneren en vertonen geen overmatige slijtage (zoals een verbogen of gebroken sluiting of gesp of gescheurd of gerafeld weefsel)
Accu	De SMRT -Pak-behuizing en het accuklemgebied op barsten en schade vóór het eerste en elk volgend gebruik
Lader	De SMRT -lader en onderdelen op sneden in de draad, verbogen pinnen of contacten, of barsten in de behuizing vóór het eerste en elk volgend gebruik

Elke drie maanden of zes uur

Inspecteer deze onderdelen elke drie maanden of zes uur, wat het eerst komt.

Onderdeel	Inspecteren
Cilinder	Alle bevestigingsmiddelen zitten goed vast
	Geen lekkage van hydraulische vloeistof (rood)
	Losse koppelingen - zo nodig aandraaien
Hydraulica	Motorbevestigingsmateriaal zit stevig vast
	Geen lekkage van hydraulische vloeistof
	Geen lekkage uit reservoir
Kabels en draden	Geen schade of beknelling van draden, kabels of lijnen
	Geen beschadigde connectors
Handmatige back-up-vrijzethendel	De basis laat zich uit- en inschuiven wanneer u aan de handmatige back-up-vrijzethendel trekt
	De brancard gaat niet omlaag wanneer u aan de handmatige back-up-vrijzethendel trekt met 100 lb (45 kg) of meer op de brancard
Matrasdrager	Alle bevestigingsmiddelen zitten goed vast
	Rugleuningcilinder functioneert
	Pneumatische cilinder aanpassen voor het volle bewegingsbereik, indien nodig
Onderstel	Alle bevestigingsmiddelen zitten goed vast
X-frame	Het X-frame schuift uit en in

Onderdeel	Inspecteren
Hoofdeinde	Alle bevestigingsmiddelen zitten goed vast
	Het hoofdeinde schuift uit en wordt vergrendeld
Accessoires en onderdelen (optioneel)	Alle accessoires en onderdelen functioneren (zoals een infuuspaal, veiligheidsriemverlenger, duwstangen en zuurstoffleshouder)

Elke zes maanden of 12 uur

Inspecteer deze onderdelen elke zes maanden of 12 uur, wat het eerst komt.

Onderdeel	Inspecteren
Hydraulica	Slangen en koppelingen op schade en slijtage
	Hydraulische snelheidszekering - plaats een gewicht van ongeveer 23 kg op de brancard, breng de brancard omhoog, til de brancard op met 2 bedieners, trek aan de handmatige back-up-vrijzethendel, zet de brancard snel neer en zorg ervoor dat de brancard niet valt
Controles elektronica	Schuif de brancard uit naar de verhoogde stand, meet en controleer de laadhoogte
	Jog-functie functioneert
	Extra snel inschuiven werkt
Schakelaars	Geen schade of slijtage aan beide schakelaars
	Beide schakelaars functioneren
Matrasdrager	Geen verbogen, gebroken of beschadigde onderdelen
	Geen schade aan of scheuren in brancardhandgrepen
	Onrusthekkers functioneren en worden vergrendeld
	Voetsteun functioneert
Matras	Geen barsten of scheuren
Onderstel	Geen verbogen, gebroken of beschadigde onderdelen
Wielen	Vrij van vuil
Hoofdsectie	Geen verbogen, gebroken of beschadigde onderdelen
	Greepstang heeft geen overmatige schade of scheuren
	Laadwielen zitten goed vast en rollen
Uitklapstandaard (optioneel)	Smeer de veer van de uitklapstandaard en de interne veerbehuizing (optioneel) met Tri-Flow® -smeermiddel in.

Elke 12 maanden of 24 uur

Inspecteer deze onderdelen elke 12 maanden of 24 uur, wat het eerst komt.

Onderdeel	Inspecteren
Settings	Installatie en functioneren brancard en bevestiging
Cilinder	Cilinder is afgesteld - borgmoer is stevig aangedraaid en de beweging van de brancard stopt wanneer hij de aanslagen raakt
Handmatige back-up-vrijzethendel	Keert terug naar de opbergstand
Matrasdrager	Alle lassen zijn intact en niet gebarsten of gebroken
	Waarschuwingsetiketten zijn aanwezig en leesbaar
Onderstel	Alle lassen zijn intact en niet gebarsten of gebroken
Wielen	Wielvergrendelingen controleren en afstellen
Zuurstoffleshouder inschuifbaar hoofdeinde (optioneel)	Riemen en clips op slijtage
Defibrillatorplatform (optioneel)	Riemen niet gerafeld of gescheurd
	Borghaken zijn intact en zitten goed vast

EMC-informatie

LET OP

- Gebruik van andere dan de door de fabrikant gespecificeerde of geleverde accessoires, transducers en kabels kan de elektromagnetische emissies doen toenemen of de elektromagnetische immuniteit doen afnemen, met als gevolg dat de apparatuur niet naar behoren werkt.
- Vanwege de emissiekenmerken is deze apparatuur geschikt voor gebruik in industriële zones en ziekenhuizen (CISPR 11 klasse A). Bij gebruik in een woonomgeving, waarvoor normaliter CISPR 11 klasse B vereist is, kan het zijn dat deze apparatuur geen adequate bescherming biedt voor diensten die gebruik maken van radiofrequentiecommunicatie. De gebruiker moet misschien corrigerende maatregelen treffen, zoals het verplaatsen of draaien van de apparatuur.

Leidraad en fabrikantenverklaring – elektromagnetische emissies

De **Power-PRO** en de **SMRT**-lader zijn geschikt voor gebruik in de hieronder gespecificeerde elektromagnetische omgeving. De klant of de gebruiker van de **Power-PRO** en de **SMRT**-lader dient ervoor te zorgen dat deze in een dergelijke omgeving worden gebruikt.

Emissietest	Conformiteit	Elektromagnetische omgeving
RF-emissies CISPR 11	Groep 1	De Power-PRO en de SMRT -lader gebruiken RF-energie uitsluitend voor hun interne werking. Bijgevolg is de RF-emissie dermate laag dat interferentie in nabije elektronische apparatuur onwaarschijnlijk is.
RF-emissies CISPR 11	Power-PRO : Klasse A	De Power-PRO is geschikt voor gebruik in alle instellingen, uitgezonderd instellingen met een woonfunctie en instellingen die rechtstreeks zijn aangesloten op het openbare laagspanningsnet dat gebouwen die voor huishoudelijke doeleinden worden gebruikt, van stroom voorziet.
	SMRT -lader (6500-201-010): Klasse B	De SMRT -lader is geschikt voor gebruik in alle instellingen, uitgezonderd instellingen met een woonfunctie en instellingen die rechtstreeks zijn aangesloten op het openbare laagspanningsnet dat gebouwen die voor huishoudelijke doeleinden worden gebruikt, van stroom voorziet.
Harmonische emissies IEC 61000-3-2	Power-PRO : n.v.t. SMRT -lader (6500-201-010): Klasse A	De SMRT -lader is geschikt voor gebruik in alle instellingen, uitgezonderd instellingen met een woonfunctie en instellingen die rechtstreeks zijn aangesloten op het openbare laagspanningsnet dat gebouwen die voor huishoudelijke doeleinden worden gebruikt, van stroom voorziet.
Spanningsschommelingen Flikkering IEC 61000-3-3	Power-PRO : n.v.t. SMRT -lader (6500-201-010): voldoet	De SMRT -lader is geschikt voor gebruik in alle instellingen, uitgezonderd instellingen met een woonfunctie en instellingen die rechtstreeks zijn aangesloten op het openbare laagspanningsnet dat gebouwen die voor huishoudelijke doeleinden worden gebruikt, van stroom voorziet.

LET OP

- Draagbare RF-communicatieapparatuur, met inbegrip van randapparatuur zoals antennekabels en externe antennes, mag niet worden gebruikt op een afstand van minder dan 12 inch (30 cm) vanaf de **Power-PRO** en de **SMRT**-lader, inclusief door de fabrikant gespecificeerde kabels.

- Vermijd stapeling of plaatsing van andere apparatuur naast de **Power-PRO** en de **SMRT**-lader, om te voorkomen dat de producten niet naar behoren werken. Als een dergelijk gebruik onvermijdelijk is, moeten de **Power-PRO**, de **SMRT**-lader en de andere apparatuur nauwlettend worden geobserveerd om er zeker van te zijn dat ze goed werken.

Aanbevolen scheidingsafstanden tussen draagbare en mobiele RF-communicatieapparatuur en Power-PRO en SMRT-lader

De **Power-PRO** en de **SMRT**-lader zijn bestemd voor gebruik in een elektromagnetische omgeving waarin beheersingsmaatregelen gelden voor uitgestraalde RF-storingen. De klant of de gebruiker van de **Power-PRO** en de **SMRT**-lader kan elektromagnetische storing helpen voorkomen door een minimale afstand tussen draagbare en mobiele RF-communicatieapparatuur (zenders) en de **Power-PRO** en de **SMRT**-lader in stand te houden, zoals hieronder aanbevolen, in overeenstemming met het maximale uitgangsvermogen van de communicatieapparatuur.

Nominale maximale uitgangsvermogen van de zender W	Scheidingsafstand op basis van de frequentie van de zender m		
	150 kHz tot 80 MHz $D = (1,2) (\sqrt{P})$	80 MHz tot 800 MHz $D = (0,35) (\sqrt{P})$	800 MHz tot 2,7 GHz $D = (0,70) (\sqrt{P})$
0,01	0,12	0,04	0,07
0,1	0,38	0,11	0,22
1	1,20	0,35	0,70
10	3,79	1,11	2,21
100	12	3,50	7

Voor zenders met een nominaal maximaal uitgangsvermogen dat niet hierboven wordt vermeld, kan de aanbevolen scheidingsafstand d in meter (m) worden geschat met behulp van de vergelijking die van toepassing is op de frequentie van de zender, waarbij P het nominale maximale uitgangsvermogen van de zender in watt (W) is volgens de fabrikant van de zender. Opmerking 1: Bij 80 MHz en 800 MHz geldt de scheidingsafstand voor het hogere frequentiebereik. Opmerking 2: Deze richtlijnen zijn mogelijk niet van toepassing op alle situaties. Elektromagnetische voortplanting wordt beïnvloed door absorptie en reflectie door bouwwerken, voorwerpen en mensen.

Leidraad en fabrikantenverklaring – elektromagnetische immuniteit

De **Power-PRO** en de **SMRT**-lader zijn geschikt voor gebruik in de hieronder gespecificeerde elektromagnetische omgeving. De klant of de gebruiker van de **Power-PRO** en de **SMRT**-lader dient ervoor te zorgen dat deze in een dergelijke omgeving worden gebruikt.


Immuniteitstest	IEC 60601-testniveau	Nalevingsniveau	Elektromagnetische omgeving – leidraad
Elektrostatische ontlading (ESO) IEC 61000-4-2	± 8 kV contact ± 15 kV lucht	± 8 kV contact ± 15 kV lucht	Vloeren dienen van hout, beton of keramische tegels te zijn. Als de vloerbedekking uit synthetisch materiaal bestaat, dient de relatieve vochtigheid ten minste 30% te zijn.

Leidraad en fabrikantenverklaring – elektromagnetische immuiniteit

<p>Snelle elektrische transiënten/lawines IEC 61000-4-4</p>	<p>± 2 kV voor stroomtoevoerleidingen ± 1 kV voor ingangs-/uitgangsleidingen</p>	<p>Power-PRO: n.v.t. SMRT-lader (6500-201-010): ± 2 kV voor stroomtoevoerleidingen ± 1 kV voor ingangs-/uitgangsleidingen</p>	<p>De netvoeding moet van een kwaliteit zijn die gangbaar is voor een commerciële omgeving of ziekenhuisomgeving.</p>
<p>Stootspanning IEC 61000-4-5</p>	<p>± 1 kV lijn(en) naar lijn(en) ± 2 kV lijn(en) naar aarde</p>	<p>Power-PRO: n.v.t. SMRT-lader (6500-201-010): ± 1 kV lijn(en) naar lijn(en) ± 2 kV lijn(en) naar aarde</p>	<p>De netvoeding moet van een kwaliteit zijn die gangbaar is voor een commerciële omgeving of ziekenhuisomgeving.</p>
<p>Kortstondige spanningsdalingen en -onderbrekingen en spanningsvariaties op stroomtoevoerleidingen IEC 61000-4-11</p>	<p>0% U_T gedurende 0,5 cyclus bij 0°, 45°, 90°, 135°, 180°, 225°, 270° en 315° 0% U_T gedurende 1 cyclus 70% U_T (30% daling van U_T) gedurende 25 cycli 0% U_T gedurende 250 cycli</p>	<p>Power-PRO: n.v.t. SMRT-lader (6500-201-010): 0% U_T gedurende 0,5 cyclus bij 0°, 45°, 90°, 135°, 180°, 225°, 270° en 315° 0% U_T gedurende 1 cyclus 70% U_T (30% daling van U_T) gedurende 25 cycli 0% U_T gedurende 250 cycli</p>	<p>De netvoeding moet van een kwaliteit zijn die gangbaar is voor een commerciële omgeving of ziekenhuisomgeving. Als de gebruiker van de SMRT-lader vereist dat de werking ervan niet door stroomstoringen wordt onderbroken, verdient het aanbeveling het apparaat via een ononderbreekbare stroomvoorziening of een accu van stroom te voorzien.</p>
<p>Magnetisch veld op netfrequentie (50/60 Hz) IEC 61000-4-8</p>	<p>30 A/m</p>	<p>30 A/m</p>	<p>Magnetische velden op netfrequentie dienen een niveau te hebben dat kenmerkend is voor een normale locatie in een normale commerciële of ziekenhuisomgeving.</p>
<p>Geleiding van elektrische transiënten via toevoerleidingen ISO 7637-2</p>	<p>conform ISO 7637-2</p>	<p>Power-PRO: n.v.t. SMRT-lader (6500-201-010): conform ISO 7637-2</p>	<p>n.v.t.</p>

Opmerking: U_T is de wisselstroomspanning van het elektriciteitsnet vóór toepassing van het testniveau.

Leidraad en fabrikantenverklaring – elektromagnetische immuniteit

<p>Geleide RF IEC 61000-4-6</p> <p>Uitgestraalde RF IEC 61000-4-3</p>	<p>3 Vrms</p> <p>6 Vrms in ISM- en amateurradiobanden 150 kHz tot 80 MHz</p> <p>10 V/m</p> <p>80 MHz tot 2,7 GHz</p>	<p>3 V</p> <p>6 Vrms in ISM- en amateurradiobanden</p> <p>10 V/m</p>	<p>Draagbare en mobiele RF-communicatieapparatuur mag niet dicht bij enig deel van de Power-PRO of de SMRT-lader, waaronder kabels, worden gebruikt dan de aanbevolen scheidingsafstand berekend uit de vergelijking die van toepassing is op de frequentie van de zender.</p> <p>Aanbevolen scheidingsafstand</p> <p>$D = (1,2) (\sqrt{P})$</p> <p>$D = (0,35) (\sqrt{P})$</p> <p>80 MHz tot 800 MHz</p> <p>$D = (0,70) (\sqrt{P})$</p> <p>800 MHz tot 2,7 GHz</p> <p>waarbij P het nominale maximale uitgangsvermogen van de zender in watt (W) is volgens de fabrikant van de zender en d de aanbevolen scheidingsafstand in meter (m) is.</p> <p>De door vaste RF-zenders uitgestraalde veldsterktes, zoals vastgesteld door een elektromagnetische meting, ^a moeten lager zijn dan het nalevingsniveau in elk frequentiebereik. ^b</p> <p>Er kan storing optreden in de buurt van apparatuur die voorzien is van het onderstaande symbool:</p> 
---	--	--	---

Opmerking 1: Bij 80 MHz en 800 MHz geldt het hogere frequentiebereik.

Opmerking 2: Deze richtlijnen zijn mogelijk niet van toepassing op alle situaties. Elektromagnetische voortplanting wordt beïnvloed door absorptie en reflectie door bouwwerken, voorwerpen en mensen.

Opmerking 3: De ISM-banden (banden voor industriële, wetenschappelijke en medische apparatuur) tussen 0,15 MHz en 80 MHz zijn 6,765 MHz tot 6,795 MHz; 13,553 MHz tot 13,567 MHz; 26,957 MHz tot 27,283 MHz; en 40,66 MHz tot 40,70 MHz. De amateurradiobanden tussen 0,15 MHz en 80 MHz zijn 1,8 MHz tot 2,0 MHz, 3,5 MHz tot 4,0 MHz, 5,3 MHz tot 5,4 MHz, 7 MHz tot 7,3 MHz, 10,1 MHz tot 10,15 MHz, 14 MHz tot 14,2 MHz, 18,07 MHz tot 18,17 MHz, 21,0 MHz tot 21,4 MHz, 24,89 MHz tot 24,99 MHz, 28,0 MHz tot 29,7 MHz en 50,0 MHz tot 54,0 MHz.

Power-PRO™ TL-båre

Brukerhåndbok





















REF 6550















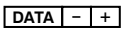



CE

NO

Symboler

	Se instruksjonshåndbok/-hefte
	Se bruksanvisningen
	CE-merke
	Autorisert representant i EU
	Europeisk medisinsk anordning
	Generell advarsel
	Forsiktig
	Advarsel, knusing av hender
	Advarsel, ikke-ioniserende stråling
	Ingen skyving
	Ikke smøre
	Katalognummer
	Partiets batchkode
	Serienummer
	Amerikanske patenter finnes på www.stryker.com/patents
	Produsent
	Produksjonsdato
	Importør
	Utstyrets masse med trygg arbeidsvekt
	Trygg arbeidsvekt

	Pasientnær del av type B
	Pasientnær del av type BF
	Medisinsk utstyr klassifisert av Underwriters Laboratories Inc. med hensyn til strømstøt, brann og mekaniske farer kun i henhold til ANSI/AAMI ES60601-1:2012 og CAN/CSA-C22.2 nr. 60601-1:14.
	Likestrøm
	Vekselstrøm
	Klasse II elektrisk utstyr: Utstyr hvor beskyttelse mot elektrisk støt ikke er avhengig av grunnleggende isolasjon alene, men der ekstra sikkerhetstiltak som dobbel isolasjon eller forsterket isolasjon er gitt, uten noen avsetning for beskyttende jording eller tillit til installasjonsforhold.
	Farlig spenning
	SMRT-strømsystem
	Ekspander
	Trekk sammen
IPX0	Ubeskyttet
IPX6	Beskyttelse mot kraftige vannstråler
	I tråd med EU-direktivet 2012/19/EU om elektrisk og elektronisk avfall (WEEE), med endringer, indikerer dette symbolet at produktet skal innsamles separat for resirkulering. Skal ikke kasseres som usortert husholdningsavfall. Kontakt den lokale leverandøren for informasjon om kassering. Påse at infisert utstyr er dekontaminert før resirkulering.
	WEEE-direktiv (2012/96/EF). Inneholder kadmium.
	Rechargeable Battery Recycling Corporation (RBRC) er en veldedig, allmenntilgjengelig organisasjon som fremmer gjenvinning av bærbare, oppladbare batterier. Batterier må leveres til et innsamlingssted for batterier. Gå til RBRCs nettside (www.rbrc.org) for å finne et innsamlingssted, eller ring telefonnummeret som vises på resirkuleringssymbolet.
	Inneholder nikkel-kadmiumceller og må resirkuleres deretter
	Batteriterminal-identifikasjon (datalinje, negativ og positiv)
KRX 23/44	Ni-Cd-celleidentifikasjon per IEC 61951-1:2003

2300 mAh (1.2A/2h)	Batterikapasitet, typisk ladning og varighet
	Ikke rengjør med blekemidler
	Skulderstropper
	Midjestropper med doble spenner
	Midjestropper med enkel spenne
	Lårstropp
	Ankelstropp

Innholdsfortegnelse

Definisjon av Advarsel/Forsiktig/Merk	3
Oversikt over sikkerhetsforholdsregler	3
Klempunkter	6
Mekanisk stabilitet	6
Innledning	8
Produktbeskrivelse	8
Indikasjoner for bruk	8
Kliniske fordeler	8
Kontraindikasjoner	9
Forventet levetid	9
Kassering/resirkulering	9
Spesifikasjoner – Power-PRO	9
Europeiske REACH	10
Standarder med påkrevde alternativer	11
Kompatibilitet med Schnitzler festesystem for barn	11
Spesifikasjoner – SMRT	12
Produktillustrasjon – Power-PRO	13
Illustrasjon av produktet – SMRT	14
Kontaktopplysninger	14
Serienummerets plassering – Power-PRO	15
Serienummerets plassering – SMRT	15
Oppsett	16
Installasjon	16
Installere båretestet	16
Bruk	17
Sjekk batterinivået	17
Sjekk timetelleren og feilvisningen	17
Driftsretningslinjer	18
Riktige løfteteknikker	19
Flytte pasienten til båren	19
Rulle båren med en pasient	19
Heve eller senke båren	20
Heve, senke eller løse ut båren med strøm	20
Heve eller senke båren manuelt med manuell overstyring	21
Påskynde last med returmodus i høy hastighet	21
Laste båren på båretestet	21
Fjerne båren fra båretestet	22
Laste båren med en løftelem	22
Avlaste båren med en løftelem	23
Laste båren med en rampe	24
Lasting og avlasting av en bære med valgfri oksygentankholder	24
Posisjonering av operatører og bistandspersonell (hjelpere)	25
Heve eller senke ryggstøtten	25
Heve eller senke sengegrindene	26
Heve eller senke sengegrindene (XPS-alternativ)	26
Utvide uttrekkbar hodedel eller fotdel	26
Trekke tilbake den uttrekkbare hode- eller fotdelen	27
Heve eller senke bendel-alternativet	28
Koble inn eller løse ut en hjullås	29
Koble inn eller løse ut den valgfrie Steer-Lock	29
Sikre pasienten med festestropper	30
Legge til en festestroppforlengelse	30
Sikre en pasient med X-festestropper/XPR-festestropper	30
Feste X-festestroppen/XPR-skulderstroppene	31
Feste X-festestropper/XPR-midjestropper	32
Feste X-festestroppen/XPR-lårstroppene	32
Feste X-festestroppen/XPR-ankelstroppene	32
Sikre pasienten med Pedi-Mate® festesystemet for spedbarn	33
Feste defibrillatorplattformen	33
Henge utstyr fra utstyrs kroen	36

Posisjonere tostegs infusjonsstativet	36
Posisjonere det trestegs infusjonsstativet	37
Fest en oksygenflaske til oksygentankholderen	38
Alternativ for festing av skyvehåndtakene	39
Fjerne og lagre skyvehåndtakene i oppbevaringsposen	39
Feste det valgfrie oppbevaringsnettet i understellet	40
Feste oppbevaringsposen i ryggstøtten	40
Feste madrassen	41
Installering av SMRT Pak	42
Fjerne en SMRT Pak fra båren	42
Lagre batteriet	43
Lader SMRT-pakken	43
Sjekk SMRT-batteripakkens strømnivå med SMRT-laderen	44
Krav til installasjon av elektrisk kraft	44
Installere SMRT-laderen	45
Installere den valgfrie monteringsbraketten	45
Slik installerer du laderen på den valgfrie monteringsbraketten	46
Laderens strømforsyning	47
Koble fra laderen	48
Tilbehør og deler	49
Rengjøring og desinfisering av XPR-festestroppene	51
Rengjøring	52
Foreslåtte rensemidler	52
Rengjøre laderen	53
Rengjøre batteriet	53
Forebyggende vedlikehold	54
Smøring	54
Regelmessig inspeksjon og justeringer	54
Hver måned eller etter to timers bruk	54
Hver tredje måned eller seks timers bruk	55
Hver sjettemåned eller etter 12 timers bruk	56
Hver 12. måned eller etter 24 timers bruk	56
Informasjon om elektromagnetisk kompatibilitet	58

Definisjon av Advarsel/Forsiktig/Merk

Ordene **ADVARSEL**, **FORSIKTIG** og **MERK** har en spesiell betydning og må leses nøye.

ADVARSEL

Gjør leseren oppmerksom på en situasjon som kan medføre død eller alvorlig personskade hvis den ikke unngås. Det kan også beskrive potensielle alvorlige bivirkninger og sikkerhetsrisikoer.

FORSIKTIG

Gjør leseren oppmerksom på en potensielt farlig situasjon som kan medføre mindre eller moderat skade på bruker eller pasient eller skade på produktet eller annen materiell skade. Dette inkluderer spesielle forholdsregler som må tas for å sørge for sikker og effektiv bruk av produktet, og forholdsregler som må tas for å unngå skade på et produkt som følge av bruk eller misbruk.

Merknad - Gir spesiell informasjon for å gjøre vedlikeholdet lettere eller tydeliggjøre viktige instruksjoner.

Oversikt over sikkerhetsforholdsregler

Alle advarsler og forholdsregler på denne siden må alltid leses grundig og overholdes nøye. Service skal kun utføres av kvalifisert personell.

ADVARSEL

- Hold alltid hendene vekk fra de røde dreiepunktene på sikkerhetsstangen når du laster inn eller ut eller endrer høydeposisjonen til båren.
- Bruk alltid to hender ved transport av båren.
- Installering av bårefeste skal alltid kun utføres av kvalifisert personell. Feil installasjon kan føre til skade på pasient eller operatør.
- Pass alltid på at alle bårene oppfyller installasjonsspesifikasjonene for Stryker-bårefestesystemet.
- Juster alltid skinneklemmen for å passe til stillingen til bårens festestang i henhold til bårens produsent og modellnummer.
- Ikke fjern batteriet mens båren er aktiv.
- Produktet skal bare brukes når alle personer er på trygg avstand fra mekanismene. Innvikling i strømdrevne produktmekanismer kan forårsake alvorlig skade.
- Inspiser alltid **SMRT** Pak-er for skade før hver bruk.
- Ikke la assistenter uten opplæring hjelpe til med å bruke produktet.
- Følg alltid riktig håndplassering på håndgrepene. Hold alle hender vekk fra de røde dreiepunktene på sikkerhetsstangen når du laster båren inn eller ut eller endrer bårens høydestilling.
- Ikke sitt eller stå på bårens understell.
- Ikke transporter båren sideveis, for å unngå veltefare. Transporter alltid båren nedsenket med hodeenden eller fotenden først for å minimere veltefaren.
- Hold alltid hender, fingre og føtter unna bevegelige deler. Vær forsiktig når du plasserer hender og føtter nær understellsrørene mens du løfter eller senker båren.
- Installer alltid driftsstoppssystemet i festet i utrykningskjøretøyet som skal brukes med denne båren og et bårefeste av hornypen.
- Hold alltid øye med pasienten når båren står stille. Hvis du bruker hydraulikken til å heve eller senke produktet, kan dette midlertidig påvirke elektronisk pasientovervåkingsutstyr.
- Bruk alltid alle festestroppene for å feste pasienten på båren. En pasient som ikke er spent fast, kan falle ned fra båren og skades.
- Ikke etterlat en pasient uten tilsyn. Hold på båren mens en pasient ligger på den.
- For å unngå velting skal det ikke brukes en hjullås når en pasient ligger på båren eller når den flyttes.
- Ikke bruk sengegrindene som festeanordning for pasienten.
- Transporter alltid båren i en senket høyde for å redusere risiko for at båren tipper. Hvis det er mulig, må du skaffe ytterligere assistanse eller ta en alternativ rute.

- Unngå alltid store hindringer som fortauskanter, trinn eller ulendt terreng for å unngå risiko for at produktet velter.
- Vær alltid to operatører for å heve eller senke båren med en pasient.
- Pass alltid på at båren ikke kan rulle tilbake av løftelemmen før du bruker den med en bære og pasient. Pass på at løftelemstoppen er vedlikeholdt og fungerer.
- Lås alltid hodedelen på plass før båren tas i bruk.
- Ikke forsøk å laste båren i kjøretøyets pasientrom med hodedelen trukket tilbake. Forsøk på å laste båren med hodedelen trukket tilbake kan føre til at produktet velter eller ikke kobles til bårefestet i kjøretøyet.
- Ikke installer eller bruk en hjullås på en bære med slitte hjul som er under 6 tommer (15 cm) i diameter.
- Ikke la en pasient eller bruker være uten tilsyn. Hold på produktet mens en pasient eller bruker er på produktet.
- Bruk alltid festestropper for å sikre pasienten på båren. En usikret pasient kan falle av båren.
- Ikke fest festestropper til understellsrør eller kryssrør.
- Plasser alltid spennen med avstand fra hindringer eller tilbehør på båren for å unngå risiko for utilsiktet utløsning av **Pedi-Mate®**-festesystemet for spedbarn og skade på spedbarnet.
- Ikke fest defibrillatorplattformen på en modell 6086 **Performance-PRO XT**-bære med **Power-LOAD**-alternativet, for å unngå risiko for at båren velter.
- Lås alltid skyvehåndtakene i festene for å hindre at de spretter ut under bruk.
- Ikke løft produktet med skyvehåndtakene.
- Oppbevar alltid skyvehåndtakene i oppbevaringsposen når de ikke er i bruk.
- Ikke prøv å åpne batteripakken, for å unngå risiko for elektrisk støt. Ikke sett batteripakkedekselet inn i laderen hvis det er sprukket eller er skadet. Returner skadde batteripakker til et deponi for gjenvinning.
- Unngå alltid direkte kontakt med et vått batteri eller batterirom. Kontakt kan skade pasienten eller operatøren.
- Ikke sett inn en sprukket eller skadet **SMRT Pak** i **SMRT**-laderen. Returner skadede **SMRT Pak**-er til et servicesenter for resirkulering.
- Monteringsbraketten og **SMRT**-laderen skal alltid installeres av en sertifisert mekaniker som kjenner til oppbygningen av ambulanseskjøretoy.
- Monter alltid **SMRT**-laderen på monteringsbraketten i et lukket kabinett og utenfor pasientens rekkevidde under transport for å overholde etablerte kollisjonsteststandarder.
- Sørg alltid for at monteringsbraketten er forsvarlig festet til underlaget.
- Bruk alltid riktig verneutstyr ved høytrykksspyling for å unngå innånding av smitte. Høytrykksspylingsutstyr kan avgi smitte i luften.
- Bruk alltid isolerte gummihandsker i tillegg til personlig verneutstyr ved rengjøring av **SMRT Pak** for å redusere risikoen for skade.
- Koble alltid **SMRT**-laderen fra vegguttaket før rengjøring for å unngå elektriske farer.
- Ikke spray væske direkte på **SMRT**-laderen.
- Ikke høytrykksspyl **SMRT**-laderen.
- Ikke bruke løsemidler, smøremidler eller andre kjemikalier for å rengjøre **SMRT**-laderen, med mindre annet er anvist.
- Ikke senk **SMRT**-laderen i vann eller la vann samles oppe på **SMRT**-laderen, for å unngå fare for elektrisk støt.
- Bruk alltid kun ikke-ledende materialer til å tørke av **SMRT Pak**.
- Unngå alltid overdreven eksponering for vann på terminalene til **SMRT Pak**.
- Kontroller alltid desinfeksjonsmidlets sikkerhetsdatablad for å verifisere pH-området. Desinfeksjonsmidler med pH-nivåer høyere enn 10,5 kan forårsake at huset til **SMRT Pak** sprekker.
- Ikke kom i direkte kontakt med terminalene til **SMRT Pak** under rengjøring, for å unngå skade.
- Ikke senk **SMRT Pak** i væske, for å redusere risikoen for elektrisk støt.
- Ikke bruk løsemidler, smøring eller andre kjemikalier for å rengjøre **SMRT Pak**, med mindre annet er anvist.
- Avlast alltid trykket før hydrauliske eller andre ledninger frakobles. Væskeutslipp under trykk kan trenge gjennom huden og forårsake alvorlige skader. Stram alle koblinger før det påføres trykk. Hvis en ulykke oppstår, må det søkes legehjelp umiddelbart.
- Ikke bruk bare hender for å lete etter hydrauliske lekkasjer.

FORSIKTIG

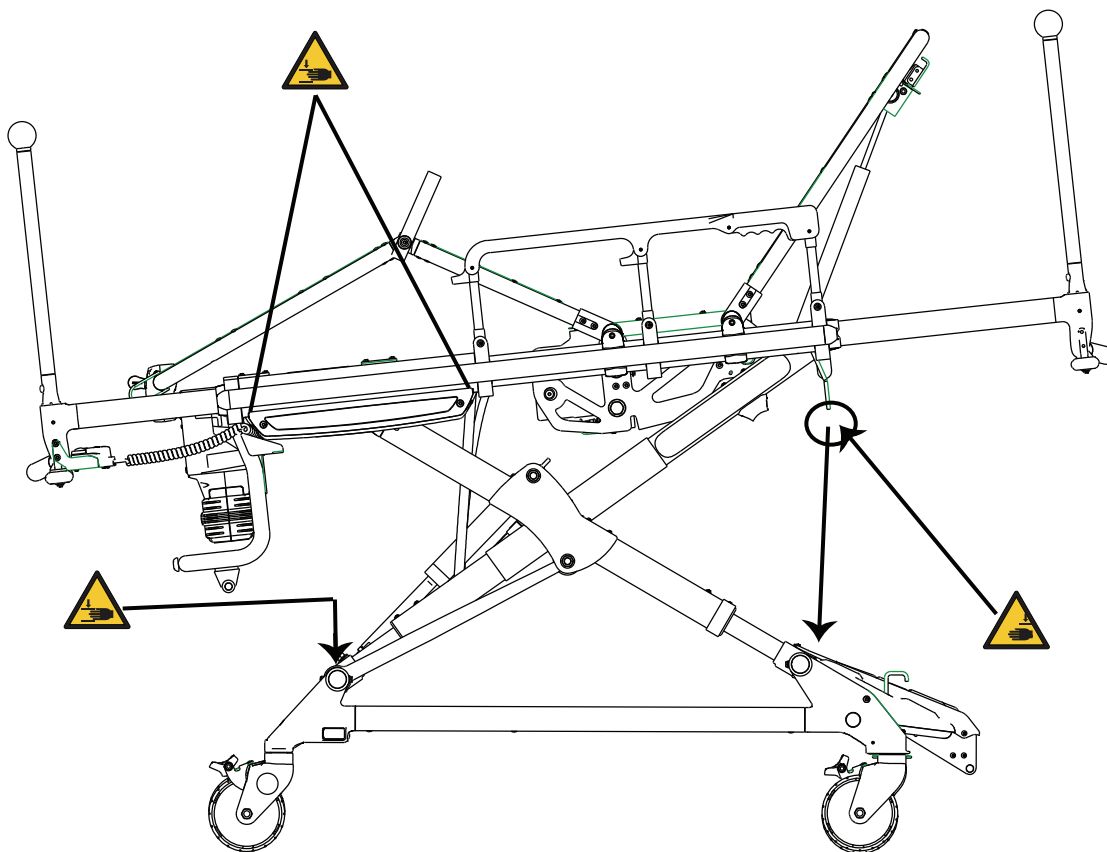
- Feil bruk av produktet kan medføre skade på pasient eller operatør. Produktet skal kun brukes slik det er beskrevet i denne håndboken.

- Ikke modifier produktet eller noen av komponentene på produktet. Modifisering av produktet kan føre til uforutsigbar virkning, som igjen kan medføre skade på pasient eller operatør. Modifisering av produktet vil også gjøre garantien ugyldig.
- Produktet må ikke brukes med inkompatible festeanordninger.
- Lad alltid batteriet før produktet tas i bruk. Et uladet eller utladet batteri kan gi dårlig produktytelse.
- Fjern alltid alle hindringer som kan forstyrre og skade operatøren eller pasienten, før produktet brukes.
- Senk alltid båren til den laveste stillingen for å være sikker på at båren kobles til båret.
- Ikke forsøk å endre produkthøyden mens båren er koblet til båret.
- Ikke stå eller sitt på sengegrindene (XPS-alternativ).
- Ikke bruk sengegrindene (XPS-alternativ) som en overføringsenhet eller -overflate for pasienter (f.eks. for å skyve en pasient fra båren til en annen overflate).
- Ikke plasser pasienter med full vekt på sengegrindene (XPS-alternativ).
- Ikke bruk sengegrindene (XPS-alternativ) som en skyv/dra-enhet eller for å styre produktet.
- Ikke vikle inn festestropper i understellsrammen når båren heves eller senkes.
- Fest alltid defibrillatorplattformen til produktet når du bruker den.
- Alltid bruk og juster stroppene som medfølger defibrillatorplattformen, for å sikre den.
- Endre alltid festeplassing eller juster stroppene for den aktuelle størrelsen eller formen på defibrillatoren.
- Ikke last defibrillatorplattformen med mer enn den trygge arbeidsvekten på 30 pund (13,6 kg).
- Ikke last utstyrskroken med mer enn den trygge arbeidsvekten på 35 pund (15,8 kg).
- Fjern alltid alt tilbehør eller utstyr fra utstyrskroken når den er i kjøretøyet.
- Ikke last infusjonsstativet med mer enn den trygge arbeidsvekten på 25 pund (11,3 kg).
- Ikke last oksygenflaskeholderen over den trygge arbeidsbelastningen på 15 pund (6,8 kg).
- Ikke bruk to oksygenflaskeholdere på samme tid.
- Ikke last understellets oppbevaringsnett med mer enn den trygge arbeidsvekten på 20 pund (9 kg).
- Alltid vær forsiktig når du trekker sammen understellet, for å unngå skade på ting som oppbevares i nettet.
- Ikke last oppbevaringsposen i ryggstøtten med mer enn den trygge arbeidsvekten på 20 pund (9 kg).
- Ikke la oppbevaringsposen være i veien for betjeningen av den uttrekkbare hodedelen.
- Ikke oppbevar gjenstander under madrassen. Gjenstander under madrassen kan forstyrre båretens mekanisme.
- Fjern alltid batteriet hvis båren ikke skal brukes på en stund (mer enn 24 timer).
- Legg alltid strømledningen til **SMRT**-laderen slik at ingen trækker på den, snubler i den eller slik at den ellers ikke skades eller utsettes for påkjenninger.
- Ikke berør terminalene til **SMRT** Pak med metallgjenstander.
- Trekk alltid i støpselet, ikke ledningen, når **SMRT**-laderen kobles fra, for å unngå risiko for skade på støpselet og ledningen.
- Ikke påfør smøremidler på festestroppenes overflater.
- Ikke rengjør båren med vanddamp eller ultralyd.
- Temperaturen i vannet skal ikke overstige 180°F (82 C).
- Vanntrykket skal ikke overstige 1500 psi (103,4 bar). Hvis det brukes en håndholdt lanse til å vaske produktet, skal trykkdysen holdes minimum 24 tommer (61 cm) fra produktet.
- La den alltid lufttørke.
- Fjern alltid batteriet før båren skal vaskes.
- Båren skal ikke rengjøres, utføres service på eller vedlikeholdes mens den er i bruk.
- Ikke rengjør **SMRT** Pak med damp eller ultralyd.
- Ikke overstig 240 °F (115 °C) som maksimal lufttørketemperatur (vognvaskere).
- Bruk alltid autoriserte deler for å unngå fare for produktskade.
- Sjekk alltid slanger og ledninger regelmessig for å unngå skade på båren. Kontroller og stram løse koblinger. Hydrauliske ledninger, slanger og koblinger kan svikte eller løsne på grunn av fysisk skade, knekk, alder og miljøeksponering.
- Ikke tipp båren på lastehjulene og aktiver produktet, da dette vil slippe inn luft i hydraulikksystemet.
- Ikke smør lagrene i X-rammen, da dette vil forringe båretens ytelse og kan ugyldiggjøre garantien.
- Bruk av annet tilbehør, andre transdusere og andre kabler enn dem som er angitt eller levert av produsenten, kan medføre økt elektromagnetisk stråling eller redusert elektromagnetisk immunitet, og kan føre til feilaktig drift.

- Utslippsegenskapene til dette utstyret gjør at det er egnet for bruk i industriområder og sykehus (CISPR 11 klasse A). Hvis det brukes i et boligmiljø hvor CISPR 11 klasse B vanligvis er påkrevd, kan det være at utstyret ikke gir tilstrekkelig beskyttelse til radiofrekvente kommunikasjonstjenester. Brukeren må kanskje gjennomføre utbedrende tiltak, som å snu eller flytte på utstyret.
- Ikke bruk bærbart RF-kommunikasjonsutstyr, inkludert periferiutstyr som antennekabler og eksterne antenner, nærmere enn 12 tommer (30 cm) fra noen del av **Power-PRO** og **SMRT**-laderen, inkludert kabler spesifisert av produsenten.
- Stabling eller plassering av annet utstyr ved siden av **Power-PRO** og **SMRT**-laderen skal unngås for å forhindre feil drift av produktene. Hvis slik bruk er nødvendig, skal **Power-PRO** og **SMRT**-laderen og det andre utstyret observeres nøye for å sikre at de fungerer korrekt.

Klempunkter

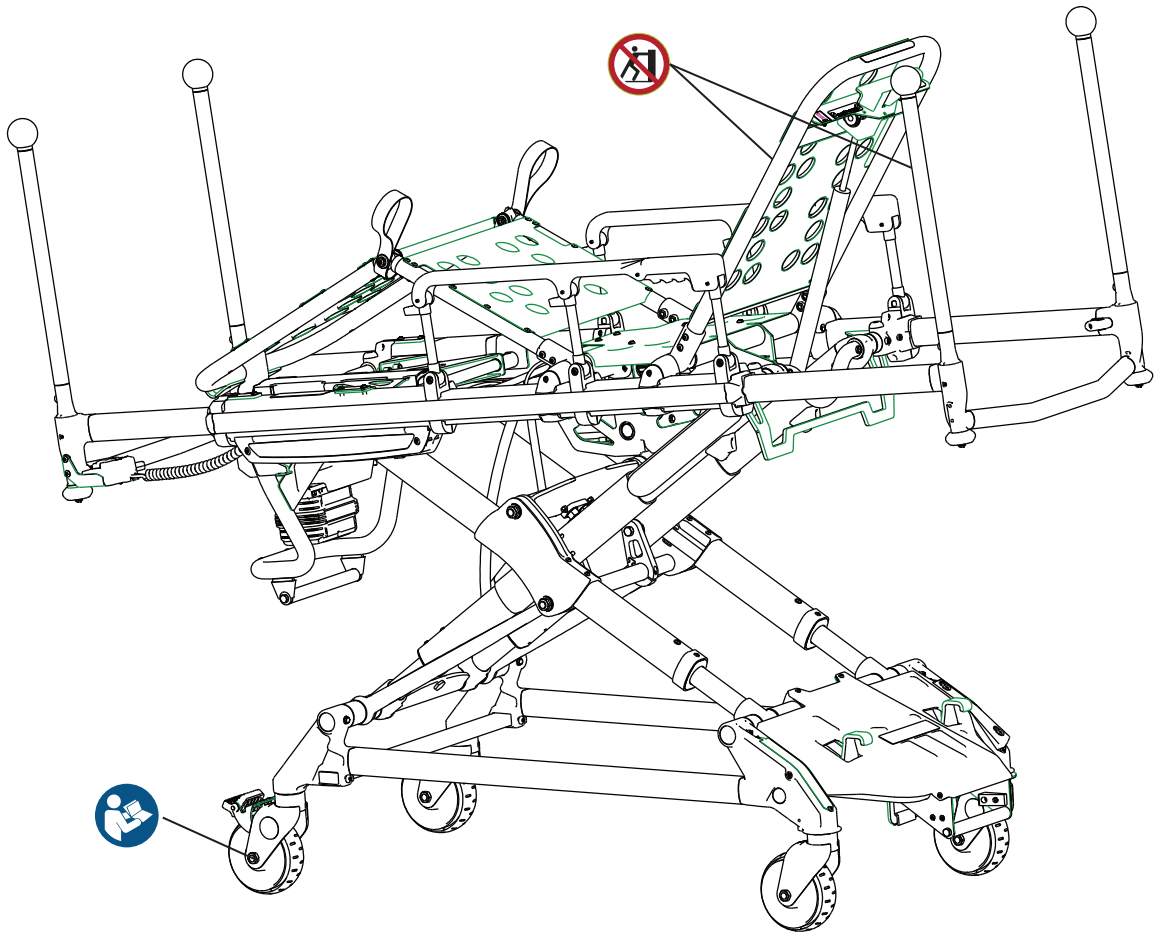
ADVARSEL - Hold alltid hendene borte fra dreiepunktene til det røde sikkerhetshåndtaket når du laster, avlaster eller endrer høydeposisjonen til båren.



Figur 1 – Klempunkter

Mekanisk stabilitet

ADVARSEL - Bruk alltid to hender når du transporterer båren.



Figur 2 – Mekanisk stabilitet

Merknad - Hvis båret er på en helling større enn fem grader, må båret plasseres i laveste posisjon.

Innledning

Denne håndboken hjelper deg med bruken og vedlikeholdet av Stryker-produktet. Les denne håndboken før bruk eller vedlikehold av dette produktet. Fastsett metoder og prosedyrer for å lære opp personalet i sikker drift og vedlikehold av dette produktet.

FORSIKTIG

- Feil bruk av produktet kan medføre skade hos pasient eller bruker. Produktet skal kun brukes slik det er beskrevet i denne håndboken.
 - Modifiser ikke produktet eller noen av komponentene på produktet. Modifisering av produktet kan føre til uforutsigbar virkning, som igjen kan medføre skade på pasient eller operatør. Modifisering av produktet vil også gjøre garantien ugyldig.
-

Merknad

- Denne håndboken er en permanent del av produktet, og den skal følge produktet selv om produktet blir solgt.
- Stryker forsøker kontinuerlig å forbedre produktenes utforming og kvalitet. Denne håndboken inneholder den nyeste produktinformasjonen som er tilgjengelig på utgivelsestidspunktet. Det kan være mindre avvik mellom produktet ditt og denne håndboken. Hvis du har spørsmål, kan du kontakte Strykers kundeservice eller tekniske støtte på +1-800-327-0770.

Produktbeskrivelse

Stryker modell 6550 **Power-PRO™** TL-båren er en strømdrevet ambulansébåre som består av en plattform montert på en x-ramme med hjul, utformet for å støtte og transportere en maksimumsvekt på 700 pund (318 kg) i prehospital- og sykehusmiljø.

Enheter er sammenleggbare for bruk i utrykningskjøretøy og det NiCd-batteridrevne, hydrauliske løftesystemet gjør at operatører kan heve og senke båren ved hjelp av de elektroniske kontrollene. Båren er utstyrt med et manuelt sikkerhetsutløserhåndtak slik at båren fungerer i tilfelle strømtap. Enheten er utstyrt med følgende: uttrekkbare hode- og fotdeler for å redusere flatearealet og gi båren mest mulig manøvrerbarhet på trange steder, sengegrinder, pasientfestestropper, justerbar pneumatisk ryggstøtte og diverse tilleggsutstyr som bistår med transport av pasienten. Størst mulig pasientkomfort oppnås med tre ulike liggeflatestillinger for sjokk, flatt ben og valgfri knebendelposisjon.

SMRT™-strømsystemet består av en **SMRT**-lader og en **SMRT**-batteripakke. **SMRT**-batteripakken driver det hydrauliske løftesystemet i Strykers elektrisk ambulansébårer.

Indikasjoner for bruk

Stryker **Power-PRO** TL er en strømdrevet hjulbåre som er ment å støtte og transportere hele kroppen til en traumatisert, ambulerende eller ikke-ambulerende menneskelig pasient (inkluderer spedbarn og voksne).

Et batteridrevet hydraulisk løftesystem bidrar til å redusere innsatsen som kreves av operatøren for å heve og senke båren. Enheten er laget for å støtte pasienter i en supin (horisontal) eller sittende posisjon, og for å forenkle transporten av tilhørende medisinsk utstyr (som oksygenflasker, monitører eller pumper) i utryknings- eller transportkjøretøy. Denne ambulansébåren skal brukes i prehospital- og sykehusmiljøer, i akutte og ikke-akutte situasjoner. Den er klassifisert til en maksimumskapasitet på 700 lb (318 kg) (summen av pasientens, madrassens og tilleggsutstyrets vekt), og anordningens tiltenkte operatører er opplærte fagfolk som omfatter personell innen medisinsk nødhjelp og medisinsk pleiepersonell, samt førstehjelpere.

Power-PRO TL er ikke ment for lengre opphold eller til bruk som en sykehusseng eller i enheter som endrer lufttrykket, for eksempel trykkamre.

Kliniske fordeler

Båre: pasienttransport

Feste: støtter båren under transport

Kontraindikasjoner

Ingen kjente.

Forventet levetid

Power-PRO har en forventet levetid på sju år ved normale bruksforhold og riktig periodisk vedlikehold.


SMRT-laderen har en forventet levetid på sju år ved normale bruksforhold og riktig periodisk vedlikehold.

SMRT-batteripakken har en forventet levetid på to år ved normale bruksforhold.

Kassering/resirkulering

Følg alltid gjeldende lokale anbefalinger og/eller regelverk vedrørende miljøbeskyttelse og risikoene forbundet med resirkulering eller kassering av utstyret på slutten av levetiden.

Spesifikasjoner – Power-PRO

	Merknad - Trygg arbeidsvekt indikerer total vekt for pasient, madrass og tilbehør.	700 pund	318 kg
Maksimal uassistert løftekapasitet		700 pund	318 kg
Ryggstøtteartikulasjon/sjokkstilling (standard ryggdel – 6506-012-003)		0° til 73° / +15°	
Ryggstøtteartikulasjon/sjokkstilling (1865 ryggdel-alternativ – 6506-012-004)		0° til 75° / +15°	
Total lengde		81 tommer	206 cm
Standard lengde/minimum lengde/bredde		76,5 tommer / 55 tommer / 23 tommer	194,3 cm / 139,7 cm / 58 cm
Høyde ¹		Justerbar fra 14 tommer til 41,5 tommer	Justerbar fra 36 cm til 106 cm
Vekt ²		145 pund	66 kg
Hjuldiameter/-bredde		6 tommer / 2 tommer	15 cm / 5 cm
Minimum antall operatører påkrevd for å laste inn/ut en okkupert bære		2	
Minimum antall operatører påkrevd for å laste inn/ut en uokkupert bære		1	
Anbefalte festesystemer		Modell 6385, 6386, 6387, 6388 eller 6389	
Dobbel hjullås/fire hjul-lås		Standard/valgfri	
Hydraulikkolje		Stryker-delenummer 6500-001-293	

Strømsystem	
Batteri	24 V likestrøm, NiCd – SMRT -strømsystem
Lader	100–240 V vekselstrøm, 1,20 A, 50/60 Hz eller 12 V vekselstrøm, 4,16 A – SMRT -strømsystem
Bårens driftssyklus	10 % (33 sek på/5 min av)
Standarder (bårer og ladere)	ANSI/AAMI ES60601-1:2012, CAN/CSA-C22.2 nr. 60601-1:14, KKK-A-1822 For standarder som krever spesifikke alternativer, se <i>Standarder med påkrevde alternativer</i> (side 11)

¹ Høyde målt fra bunnen av madrassen ved sittedelen til bakkeplan.

² Båren veies med ett batteri og uten madrass og festestropper.

Stryker forbeholder seg retten til å endre spesifikasjoner uten varsel.

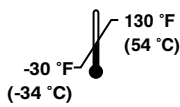
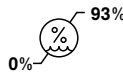
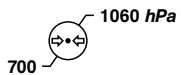
Power-PRO TL er utformet for å være i samsvar med de føderale spesifikasjonene for Star-of-Life Ambulance (KKK-A-1822).

Power-PRO TL er utformet for å være kompatibel med enkelte konkurrerende båretfestesystemer.

Patentanmeldt.

Det gule og svarte fargeoppsettet er et proprietært varemerke for Stryker Corporation .

Etiketter kan være uleselige fra en leseavstand på mer enn 12 tommer (30 cm).

Miljømessige forhold	Bruk
Temperatur	
Relativ fuktighet	
Atmosfæretrykk	

Europeiske REACH

I samsvar med den europeiske REACH-forskriften og andre miljøforskriftskrav er komponentene som inneholder meldepliktige stoffer oppført.

Beskrivelse	Nummer	Kjemisk navn på stoff med meget høy viktighet (SVHC)
Madrass, bendelstøtte	6550-001-084	(2H-benzotriazol2-yl)-4, 6-ditertpentylfenol.
Madrass, bendelstøtte, XPS	6500-003-130	(2H-benzotriazol2-yl)-4, 6-ditertpentylfenol.
Madrass, bendelstøtte, grå	6506-003-130	(2H-benzotriazol2-yl)-4, 6-ditertpentylfenol.
NiCd battericelle	6500-101-129	Kadmium, kadmiumhydroksid

Beskrivelse	Nummer	Kjemisk navn på stoff med meget høy viktighet (SVHC)
Stativ, tostegs	6070-210-070	Bly
Stativ, trestegs	6070-215-070	Bly

Standarder med påkrevde alternativer

For å etterleve disse standardene må følgende påkrevde alternativer på baren installeres.

Standard	Valg av alternativer		
	Festestropppakke	Madrass	Alternativ
BS EN 1789:2007 +A2:2014-kollisjonskrav med bruk av kollisjonsvurdert festeanordning	EMS-festestropppakke (6060-160-010), X- festestropppakke (6500-001- 430) eller XPR- festestropppakke (650600030010) Merknad - X- festestropppakken og XPR- festestropppakken er kun kompatibel med XPS- madrassen (6500-003-130/ 6506-003-130).	Støttemadrass med knebendel (6550-001-084) eller XPS-madrass (6500- 003-130/6506-003-130) (avhengig av bårens sengegrind)	
BS EN 1865-3:2012 +A1:2015			XPS-alternativ (6506-040- 000)
BS EN 1865-2:2010 +A1:2015			1865 fowler-alternativ (6506-012-004)

Kompatibilitet med Schnitzler festesystem for barn

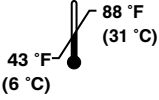
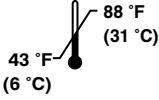
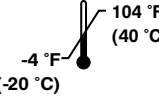
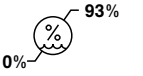
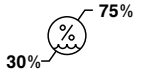
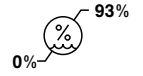
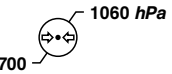
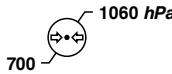
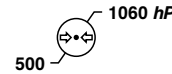
FORSIKTIG - Produktet må ikke brukes med inkompatible festeanordninger.

XPS-madrass (6500-003-130 eller 6506-003-130)	Schnitzler festesystem for barn (0058-384-000) med serienummer lavere enn 720 XPSNPR-2123	Schnitzler festesystem for barn (0058-384-000) med serienummer lik eller høyere enn 720 XPSNPR-2123
Madrass med batchkode lavere enn 18001001	Kompatibel	Kompatibel
Madrass med batchkode lik eller høyere enn 18001001	Ikke kompatibel	Kompatibel

Schnitzler festesystem for barn (0058-385-000) er kompatibelt for bruk med standardmadrassen på modell 6100 **M-1**-innrullingsystem, modell 6506 **Power-PRO XT**-båre og Model 6550 **Power-PRO TL**-båre.

Spesifikasjoner – SMRT

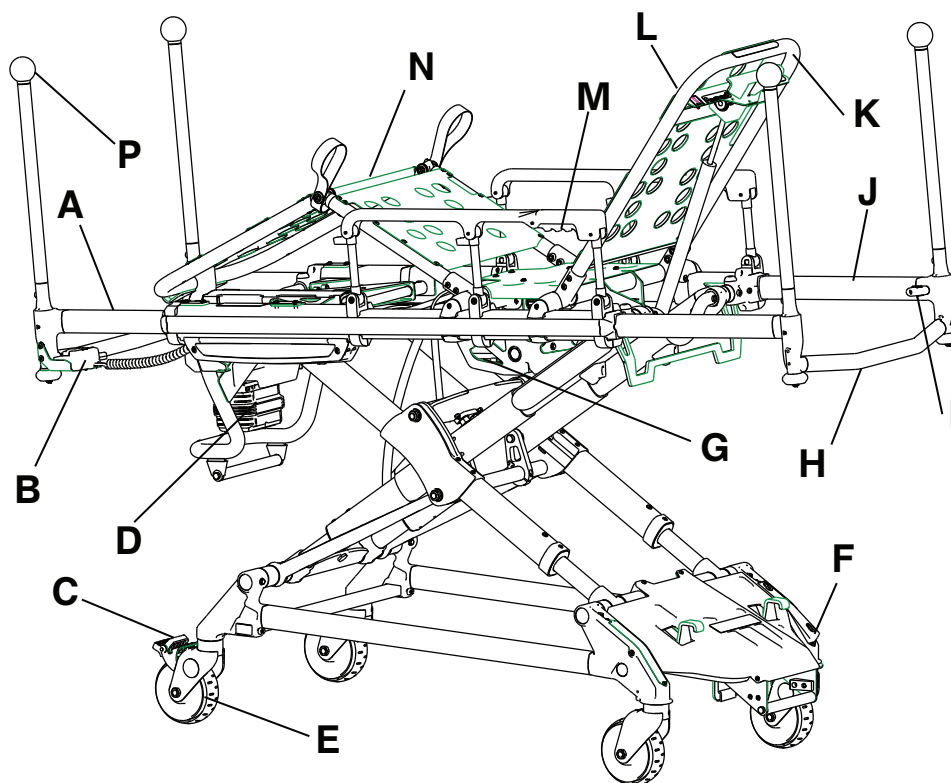
	SMRT-lader	SMRT-batteripakke	Vekselstrømforsyning
Strømforsyning	13,9 V likestrøm, 4,16 A	Ikke aktuelt	100–240 V vekselstrøm 1–2 A, 50/60 Hz
Strømuttak	Åpen krets, 40 V likestrøm, 1,20 A	24 V likestrøm NiCd	12 V likestrøm, 4–6 A
Høyde	2,375 tommer (60,325 mm)	3,25 tommer (82,55 mm)	Varies
Bredde	5,125 tommer (130,175 mm)	4 tommer (101,6 mm)	Varies
Lengde	7 tommer (177,8 mm)	5,75 tommer (146,05 mm)	Varies
Vekt	1,3 pund (0,59 kg)	3,8 pund (1,7 kg)	Varies
Kapslingsbeskyttelse	IPX0	IPX6	IPX0
Utstyrstype	Ikke aktuelt	Ikke aktuelt	Klasse II
Godkjenninger	ANSI/AAMI ES 60601-1: 2012, CAN/CSA-C22.2 nr. 60601-1:14	Ikke aktuelt	Ikke aktuelt

Miljømessige forhold	Bruk	Lading	Oppbevaring og transport
Temperatur			
Relativt			
Atmosfæretrykk			

Spesifikasjonene er omtrentlige og kan variere fra enhet til enhet eller som et resultat av variasjoner i strømtilførselen.

Stryker forbeholder seg retten til å endre spesifikasjoner uten varsel.

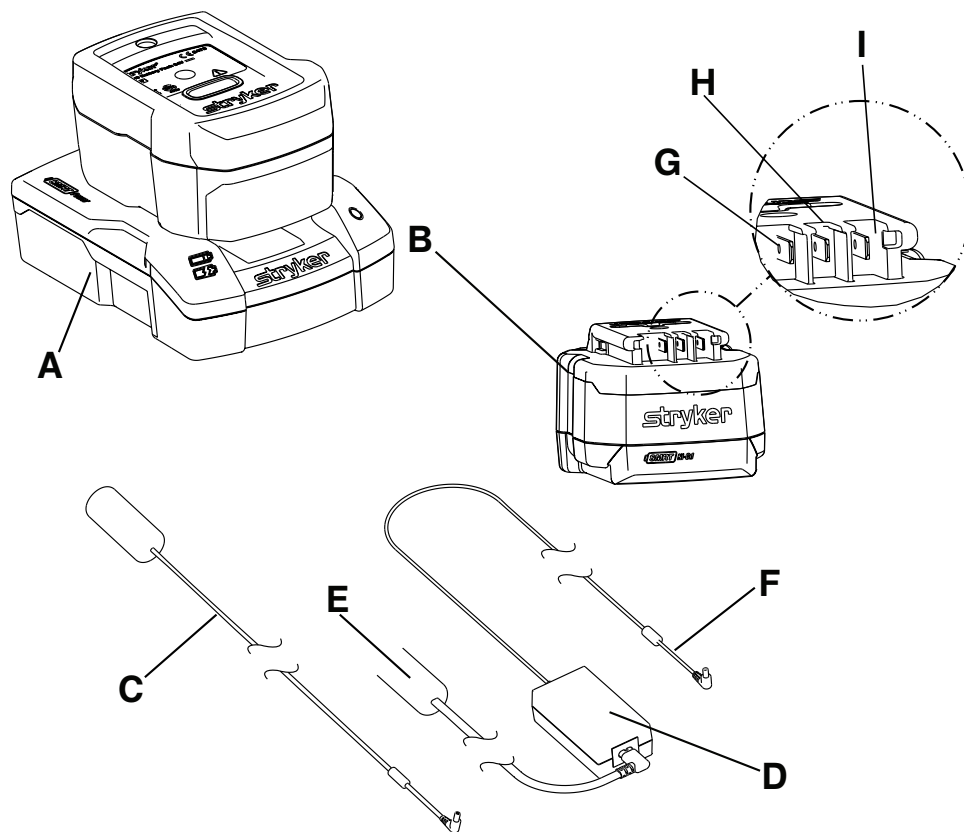
Produktillustrasjon – Power-PRO



Figur 3 – Power-PRO TL

A	Uttrekkbar fotdel	I	Batteri
B	Høydejusteringsbryter	J	Uttrekkbar hodedel
C	Hjullås	K	Ryggstøttens justeringshåndtak
D	Batteri	L	Ryggstøtte
E	Lastehjul	M	Sengegrindens utløserhåndtak
F	Styre-lås	N	Bendel/benstøtte
G	Hydraulisk enhet	P	Skyvehåndtak (valgfrie)
H	Hodedelens utløserhåndtak		

Illustrasjon av produktet – SMRT



Figur 4 – SMRT-strømsystem

A	SMRT-laderen	F	Uttaksledning
B	SMRT-batteripakken	G	Data
C	Likestrømkabel	H	Strøm (-)
D	Vekselstrømforsyning	I	Strøm (+)
E	Vekselstrømledning		

Kontaktopplysninger

Kontakt Stryker kundeservice eller teknisk støtte på: 1-800-327-0770.

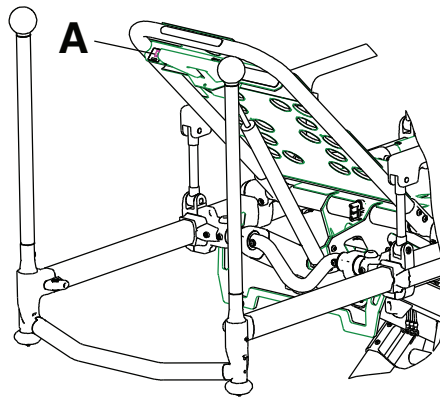
Stryker Medical
3800 E. Centre Avenue
Portage, MI 49002
USA

Merknad - Brukeren og/eller pasienten skal rapportere alle alvorlige produktrelaterte hendelser til både produsenten og den aktuelle myndigheten i EU-landet hvor brukeren og/eller pasienten er bosatt.

Du kan se bruker- eller vedlikeholdshåndboken på nettet på <https://techweb.stryker.com/>.

Ha Stryker-produktets serienummer (A) tilgjengelig når du ringer Strykers kundeservice eller tekniske støtte. Inkluder alltid serienummeret ved skriftlig kommunikasjon.

Serienummerets plassering – Power-PRO



Figur 5 – Serienummerets plassering

Serienummerets plassering – SMRT

SMRT-laderens serienummer befinner seg nederst på enheten. SMRT-batteripakkens partinummer befinner seg øverst på SMRT-batteripakken, over den røde utløserknappen.

Oppsett

Under oppsett pakker du ut av eskene og kontrollerer at alle gjenstandene fungerer som de skal. Pass på at produktet fungerer før det tas i bruk.

Fjern alle forsendelses- og innpakkingsmaterialer fra produktet før bruk.

Pasientrommet i kjøretøyet hvor produktet skal brukes, må ha et:

- jevnt gulv stort nok for det foldede produktet
- bårefestesystem fra Stryker

Merknad - Løse ting eller rusk på gulvet i pasientrommet kan forstyrre funksjonen til produktfestet. Hold gulvet i pasientrommet ryddig.

Pakk ut **SMRT** Pak-er og **SMRT**-laderen. Lad opp **SMRT** Pak før bruk.

Tilpass kjøretøyet til båren ved behov. Ikke gjør endringer på båren.

Installasjon

Installere bårefestet

Stryker bårefestesystemer er kun kompatible med bårer som samsvarer med installasjonsspesifikasjonene.

ADVARSEL

- Installering av bårefeste skal alltid kun utføres av kvalifisert personell. Feil installasjon kan føre til skade på pasient eller operatør.
 - Pass alltid på at alle bårene oppfyller installasjonsspesifikasjonene for Stryker bårefestesystemet.
 - Juster alltid skinneklemmen for å passe til stillingen til bårens festestang i henhold til bårens produsent og modellnummer.
-

Disse instruksjonene er ment for bårer med festesystemer av horn typen. For kollisjonssikre bårefester, se den aktuelle brukerhåndboken for installasjonsinstruksjoner.

Bruk

Sjekke batterinivået

Bruk bårens batteri-LED-indikator for å sjekke strømnivået på **SMRT**-batteripakken. En fulladet **SMRT**-batteripakke, i god stand, gir opptil 25 utrykninger med en pasient på 250 lb (113 kg) (faktiske resultater kan variere). 24 V likestrøms **Power-PRO**-systemet og **SMRT**-batteripakken er vurdert for 2,4 amperetimer med elektrisk energi.

ADVARSEL - Ikke fjern batteriet når båren er aktiv.

FORSIKTIG - Lad alltid batteriet før produktet tas i bruk. Et uladet eller utladet batteri kan gi dårlig produksytelse.

For å sjekke batteriets strømnivå trykker du på retur (-)-knappen på bårens kontrollbryter for å aktivere bårens batteri-LED-indikator. Bårens batteri-LED-indikator finnes ved fotendens kontrollkabinett (vist som et batterisymbol).

- LED-lyset er grønt når batteriet er fullt oppladet eller har tilstrekkelig batteriladning.

Merknad - For best resultat brukes **SMRT**-batteripakken frem til bårens batteri-LED-indikator endrer fra konstant grønt til blinkende gult.

- LED-lyset blinker gult når du må lade eller erstatte batteriet

Merknad - Bårens batteri-LED-indikator trenger ikke blinke gult før du fjerner og erstatter **SMRT**-batteripakken, men dette anses imidlertid som beste praksis. Du kan fjerne og lade opp **SMRT**-batteripakken når som helst.

- LED-lyset er konstant gult når det angir en feil med batteriet.

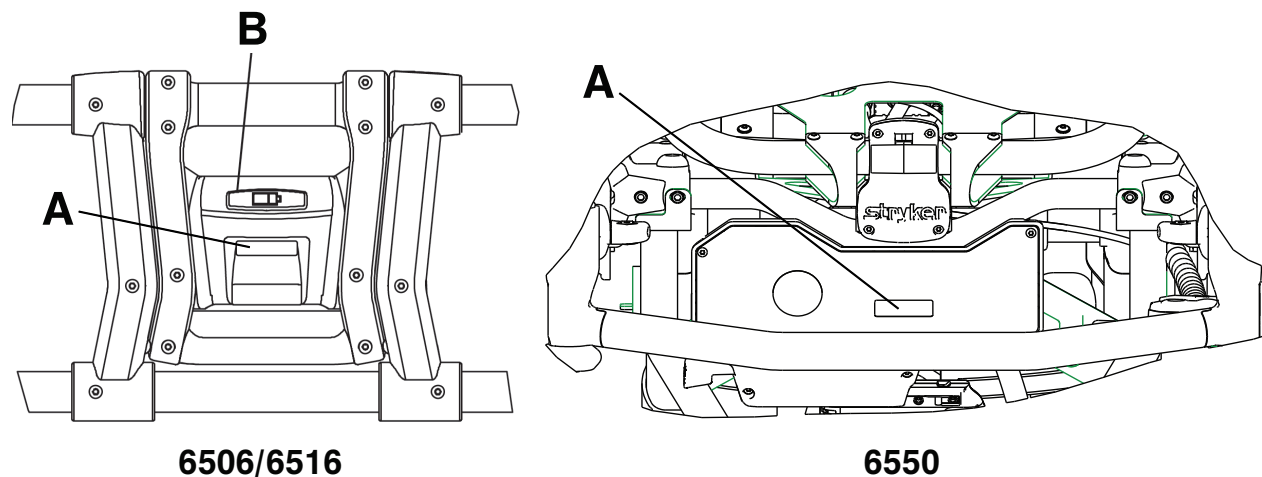
Merknad

- Bruk kun Stryker-godkjente batterier.
- Hvis utstyrt, vil det strømdrevne bårerefestet lade **SMRT**-batteripakken automatisk. Automatisk lading skjer når du låser båren i det strømdrevne bårerefestet (ingen kabel eller koblinger er nødvendig). Bårens batteri-LED-indikator blinker grønt i et øyeblikk for å signalisere at den lader.
- Automatisk lading vil kun skje med **SMRT**-batteripakker.

Sjekke timetelleren og feilvisningen

Timetelleren angir total tid (TTT.T timer) hydraulikken har vært i bruk Feilvisningen gir feilkodeinformasjon for feilsøking.

Bruk timetelleren (A) (Figur 6) for å bestemme hyppigheten av forebyggende vedlikehold. Bruk feilvisningen (A) for feilsøking. Feilvisningen overstyrer timetellervisningen når det oppstår en feil.



Figur 6 – Sjekke timetelleren (A), feilvisningen (A), og batteristatusen (B)

Driftsretningslinjer

ADVARSEL

- Produktet skal bare brukes når alle personer er på trygg avstand fra mekanismene. Innvikling i strømdrevne produktmekanismer kan forårsake alvorlig skade.
- Inspiser alltid **SMRT** Pak-er for skade før hver bruk.
- Ikke la assistenter uten opplæring hjelpe til med å bruke produktet.
- Følg alltid riktig håndplassering på håndgrepene. Hold alle hender vekk fra de røde dreiepunktene på sikkerhetsstangen når du laster båren inn eller ut eller endrer bårens høydestilling.
- Ikke sitt eller stå på bårens understell.
- Ikke transporter båren sideveis, for å unngå veltefare. Transporter alltid båren nedsenket med hodeenden eller fotenden først for å minimere veltefaren.
- Hold alltid hender, fingre og føtter unna bevegelige deler. Vær forsiktig når du plasserer hender og føtter nær understellsrørene mens du løfter eller senker båren.
- Installer alltid driftsstoppssystemet i festet i utrykningskjøretøyet som skal brukes med denne båren og et bårrefeste av horn typen.
- Hold alltid øye med pasienten når båren står stille. Hvis du bruker hydraulikken til å heve eller senke produktet, kan dette midlertidig påvirke elektronisk pasientovervåkingsutstyr.

FORSIKTIG - Fjern alltid alle hindringer som kan forstyrre og skade operatøren eller pasienten, før produktet brukes.

- Produktet skal kun brukes slik det er beskrevet i denne håndboken.
- Les alle etiketter og instruksjoner på produktet før det brukes.
- Øv på å skifte høydestillinger og laste båren til du fullt ut forstår hvordan produktet brukes.
- Kontroller huset og terminalområdet til **SMRT** Pak for eventuelle sprekker eller skade før første og hver bruk.
- En okkupert bære skal alltid lastes inn eller ut av minst to opplærte operatører. To operatører må være til stede når en bære er okkupert. Stryker anbefaler at begge operatører befinner seg ved fotenden for å redusere belastningen på hver operatør. Én eller to operatører kan løfte fra bårens fotende.
- Ikke juster, rull eller last båren inn i et kjøretøy uten å informere pasienten. Bli hos pasienten og kontroller produktet hele tiden.
- Båren kan transporteres i hvilken som helst stilling. Stryker anbefaler at operatørene transporterer pasienten i laveste komfortable stilling ved manøvrering av båren.
- Bruk kun hjullåsene ved pasientoverføring eller når det ikke er noen pasient på produktet.
- For å unngå veltefare skal det ikke brukes hjullås når båren er okkupert eller når den flyttes.

- Bruk om nødvendig assistenter med riktig opplæring for å kontrollere båren.

Riktige løfteteknikker

Når du løfter produktet og pasienten, må du følge disse riktige løfteteknikkene for å unngå risiko for skade:

- Hold hendene tett til kroppen
- Hold ryggen rett
- Koordiner alle bevegelser med partneren din
- Løft med beina
- Unngå vridning

Flytte pasienten til båren

ADVARSEL

- Bruk alltid alle festestroppene for å feste pasienten på båren. En pasient som ikke er spent fast, kan falle ned fra båren og skades.
- Ikke etterlat en pasient uten tilsyn. Hold på båren mens en pasient ligger på den.
- For å unngå velting skal det ikke brukes en hjullås når en pasient ligger på båren eller når den flyttes.
- Ikke bruk sengegrindene som festeanordning for pasienten.

Slik flyttes pasienten til båren:

1. Rull båren til pasienten (*Rulle båren med en pasient (side 19)*).
2. Plasser båren ved siden av pasienten og løft eller senk båren til pasientens nivå.
3. Senk sengegrindene og åpne festestroppene.
4. Flytt pasienten til båren. Følg godkjente EMS-prosedyrer.
5. Fest pasienten på båren med alle festestroppene.
6. Løft sengegrindene og juster ryggstøtten og fotstøtten som nødvendig.

Rulle båren med en pasient

ADVARSEL

- Alltid transporter båren i en senket høyde for å redusere risikoen for at båren tipper. Hvis mulig må man få ytterligere assistanse eller ta en alternativ rute.
- Alltid unngå store hindringer, som fortau, trinn, eller ulent terreng for å unngå risikoen for at produktet tipper.

To roll the cot with a patient:

1. Posisjoner en operatør ved fotenden og en operatør ved hodeenden av båren.
2. Pass på at liggeflaten er vinkelrett når du nærmer dørstokker eller andre lave hindringer.
3. Løft hvert hjulsett over dørkarmen eller hindringen separat.

Heve eller senke båren

Du kan heve eller senke en uokkupert båre med én operatør. Hvis en pasient er på båren, må minst to kvalifiserte operatører (én ved hver side av båren) heve eller senke båren.

ADVARSEL

- Hold alltid hender, fingre og føtter unna bevegelige deler. Vær forsiktig når du plasserer hender og føtter nær understellersørene mens du løfter eller senker båren.
- Følg alltid riktig håndplassering på håndgrepene. Hold alle hender vekk fra de røde dreiepunktene på sikkerhetsstangen når du laster båren inn eller ut eller endrer bårens høydestilling.
- Vær alltid to operatører for å heve eller senke båren med en pasient.

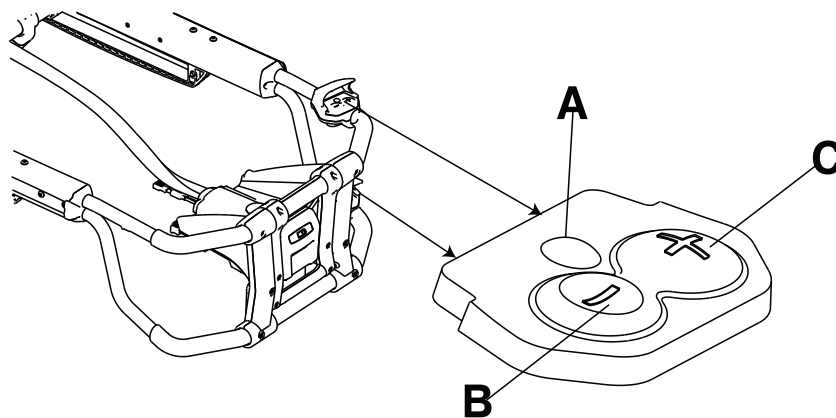
Slik hever eller senker du båren:

1. Operatør 1 (fotende): Grip bårerammen og trykk på:
 - forleng (+)-knappen for å heve båren til ønsket høyde
 - trekke tilbake (-)-knappen for å senke båren til ønsket høyde
2. Operatør 2 (hodeende): Oppretthold et fast grep i den ytre skinnen helt til båren er i ønsket høyde.

Merknad - Hvis du trykker på forlengknappen (+) på bårens kontrollbryter etter at båren når den angitte lastehøyden, vil motoren forbli midlertidig stoppet til du slipper knappen. Etter at du slipper knappen, trykker du på forlengknappen (+) igjen for å jekke bårens høyde oppover.

Heve, senke eller løse ut båren med strøm

Der er to identiske kontrollbrytere på **Power-PRO** bårene. Trykk på knappen på en av disse bryterene for å heve (forleng) båren, senke (trekke tilbake) båren eller løse ut båren fra **Power-LOAD**, hvis aktuelt (Figur 7).



Figur 7 – Bårens kontrollbrytere

Referanse	Navn	Beskrivelse
A	Løse ut	Trykk for å løse ut båren (kun for bruk med Power-LOAD)
B	Trekke tilbake (-)	Trykk og hold for å senke liggeflaten eller trekke tilbake bårens understell
C	Forleng (+)	Trykk og hold for å heve liggeflaten eller forleng bårens understell

Heve eller senke båren manuelt med manuell overstyring

I tilfelle strømptap, kan du bruke bårens manuelle overstyring. Dette muliggjør manuell operasjon av produktet frem til elektriske, strømdrevne funksjoner kan gjenopprettes. Bruk det røde, manuelle sikkerhetsutløserhåndtaket for å heve og senke båren.

Det manuelle sikkerhetsutløserhåndtaket finnes på pasientens venstre side av den nedre løftestangen ved fotenden av båren.

Slik hever eller senker du båren med det manuelle sikkerhetsutløserhåndtaket:

1. Begge operatører: Løft båren under heving eller senking for å støtte vekten av båren i hver ende.
2. Operatør 1 (fotende):
 - a. Trekk det manuelle sikkerhetsutløserhåndtaket mot løftestangen.
 - b. Mens man trekker i det manuelle sikkerhetsutløserhåndtaket, kan man heve eller senke båren til ønsket posisjon.
 - c. Slipp håndtaket for å låse båren i posisjon

Merknad

- Begge operatørene må løfte bærevekten av hjulene for å forlenge eller trekke tilbake manuelt mens en pasient ligger på båren.
- Aktivering av det manuelle sikkerhetsutløserhåndtaket kan gjøre at båren senkes i sakte fart hvis mindre en 50 lb (23 kg) er på båren.
- Hydraulikkvæske vil bli mer viskøs når båren brukes over lengre perioder i kalde temperaturer. Når man bruker den manuelle sikkerhetsutløserfunksjonen for å forlenge basen, mens man laster av i kaldt vær, må man holde det manuelle sikkerhetsutløserhåndtaket i ca. ett sekund etter at bære hjulene treffer bakken for å minimere at liggeflaten henger mens du fjerner båren fra pasientrommet.

Påskynde last med returmodus i høy hastighet

Når du klikker retur (-)-knappen, vil båren gå inn i høyhastighets returmodus når bære hjulene ikke støtter vekten av båren og pasienten.

Høyhastighets returmodus påskynder lasting av båren inn i kjøretøyet. Understellet trekkes tilbake til den høyeste posisjonen når vekten av båren og pasienten ikke lenger støttes av hjulene. Trykk på retur (-)-knappen for å aktivere kontrollbryteren.

Laste båren på bårefestet

FORSIKTIG

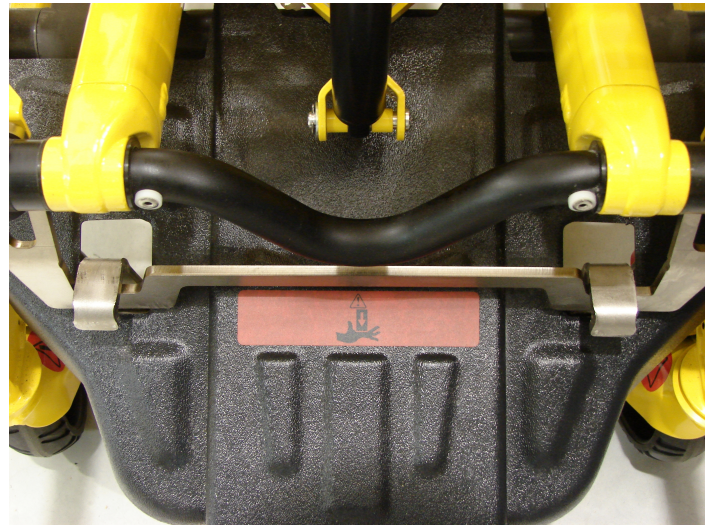
- Senk alltid båren til den laveste stillingen for å være sikker på at båren kobles til bårefestet.
 - Ikke forsøk å endre produkthøyden mens båren er koblet til bårefestet.
-

To load the cot to the cot fasteners:

1. Trykk på bærepedalen og senk båren. Trykk på retur (-)-knappen helt til produktet stopper å bevege seg nedover, for å senke båren.
2. Før båren inn i både hodeenden og fotenden av bårefestet inntil båren låses på plass (Figur 8).
3. Pass på at båren er sikret i både hodeenden og fotenden før du slipper grepet på båren (Figur 9).



Figur 8 – Båren i både hode- og fotenden av bårefestet

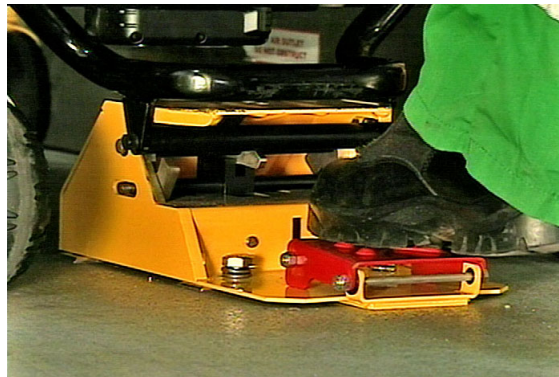


Figur 9 – Båren er festet

Fjerne båren fra bårefestet

Slik fjerner du båren fra bårefestet:

1. Trykk ned på fotpedalen (Figur 10).
2. Rull båren ut av kjøretøyets pasientrom.



Figur 10 – Trykk ned på fotpedalen

Laste båren med en løftelem

En okkupert bære må alltid lastes av minst to erfarne operatører. To operatører må være til stede når en bære er i bruk. Operatørene må kunne løfte totalvekten av pasienten, båren og eventuelle gjenstander på båren.

ADVARSEL

- Pass på at båren ikke ruller av lemmen før du bruker løftelemmen med en bære og pasient. Pass på at løftelemstoppen er vedlikeholdt og fungerer.
- Følg alltid riktig håndplassering på håndgrepene. Hold alle hender borte fra dreiepunktene til det røde sikkerhetshåndtaket når du laster båren inn eller ut eller endrer bæreens høydestilling.

FORSIKTIG

- Senk alltid båren til den laveste stillingen for å være sikker på at båren kobles til bårefestet.

- Ikke forsøk å endre produkthøyden mens båren er koblet til båretestet.
-

Slik laster du båren:

1. Trykk på retur (-)-knappen for å flytte båren til sin laveste posisjon for bedre stabilitet.
2. Skyv båren forover opp på løftelemmen, med hodeenden først (Figur 11). Kontroller at hjulene er i riktig posisjon på løftelemmen slik at sikkerhetsbremsen roterer på plass og forhindrer at båren ruller bakover.
3. Før du hever løftelemmen må du sørge for at det er tilstrekkelig avstand mellom båren og bak ambulansen. Pass på at det ikke er noe som henger fra båren.
4. Når den ene operatøren hever løftelemmen, skal den andre operatøren opprettholde et fast grep på bårens ramme for å gi bedre stabilitet.
5. Begge operatørene må lede båren inn i pasientrommet i kjøretøyet og inn i bilfestet (ikke inkludert) (Figur 12).



Figur 11 – Båren på løftelemmen



Figur 12 – Begge operatører leder båren inn i kjøretøyet pasientrom

Avlaste båren med en løftelem

ADVARSEL

- Pass på at båren ikke ruller av lemmen før du bruker løftelemmen med en bære og pasient. Pass på at løftelemstoppen er vedlikeholdt og fungerer.
 - Følg alltid riktig håndplassering på håndgrepene. Hold alle hender borte fra dreiepunktene til det røde sikkerhetshåndtaket når du laster båren inn eller ut eller endrer bårens høydestilling.
-

FORSIKTIG

- Senk alltid båren til den laveste stillingen for å være sikker på at båren kobles til båretestet.
 - Ikke forsøk å endre produkthøyden mens båren er koblet til båretestet.
-

Slik avlaster du båren:

1. Pass på at løftelemstoppen er i en posisjon som hindrer at båren ruller av lemmen.
2. Hev løftelemmen til pasientrommets høydenivå.
3. Fjern båren fra kjøretøyet båreteste.
4. Begge operatører må gripe bærerammen og rulle båren inn på løftelemmen. Fjern båren fra pasientrommet og pass på at båretestene er i riktig posisjon slik at lemmen kan senkes uten hindring.
5. Senk løftelemmen til bakkeplan. Pass på at løftelemmen er fullstendig senket og stanset før du fjerner løftelemstoppen og lar båren rulle av løftelemmen.

Laste båren med en rampe

En okkupert båre må alltid lastes av minst to erfarne operatører. To operatører må være til stede når en båre er i bruk. Operatørene må kunne løfte totalvekten av pasienten, båren og eventuelle gjenstander på båren.

ADVARSEL - Følg alltid riktig håndplassering på håndgrepene. Hold alle hender borte fra dreiepunktene til det røde sikkerhetshåndtaket når du laster båren inn eller ut eller endrer bårens høydestilling.

FORSIKTIG

- Senk alltid båren til den laveste stillingen for å være sikker på at båren kobles til bårefestet.
 - Ikke forsøk å endre produkthøyden mens båren er koblet til bårefestet.
-

Slik laster du båren:

1. Pass på at pasienten er sikret på båren til enhver tid.
2. Får du skyver båren opp rampen må du trykke på retur (-)-knappen for å flytte båren til sin laveste posisjon for bedre stabilitet (Figur 13). Pass på at det ikke er noe som henger fra båren.
3. Ved bruk av de valgfrie skyvehåndtakene skal begge operatørene skyve eller dra båren opp rampen, med hodeenden først (Figur 14). Begge operatørene må lede båren opp midten av rampen.
4. Begge operatørene må lede båren inn i pasientrommet i kjøretøyet og koble båren til bårefestet i bilen (ikke inkludert).



Figur 13 – Båren i laveste posisjon

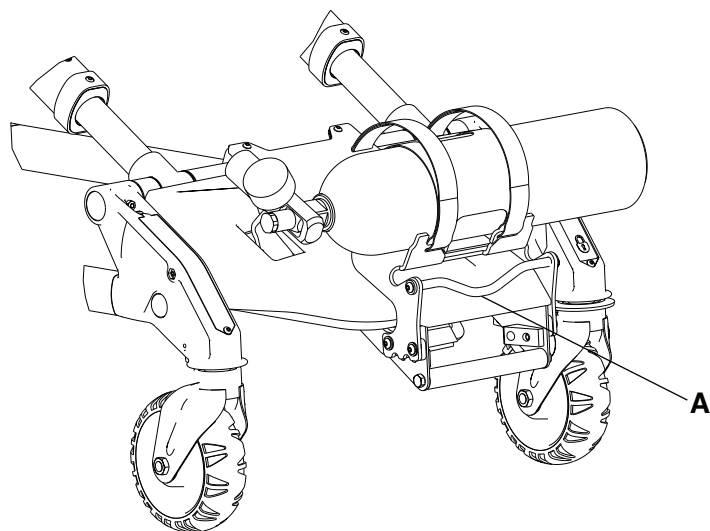


Figur 14 – Led båren opp midten av rampen

Lasting og avlasting av en båre med valgfri oksygentankholder

Slik laster og laster du av båren med valgfri oksygentankholder:

1. Fest vinsjkabelen til vinsjens festestang (A) (Figur 15).
2. Pass på at rampen er minst 8,5 fot (2,60 m).
3. Pass på at rampen kan støtte vekten av båren, pasienten og utstyret.



Figur 15 – Vinsjens festestang

Merknad - Med båren i sin laveste posisjon kan du bruke den valgfrie oksygentankholderen til å laste pasienter med en vekt på opptil 50 stones (318 kg) (700 lb).

Posisjonering av operatører og bistandspersonell (hjelpere)

ADVARSEL - Hold alltid hendene borte fra dreiepunktene til det røde sikkerhetshåndtaket når du laster, avlaster eller endrer høydeposisjonen til båren.

	Endre nivåer	Rulling
To operatører (O) To hjelpere (H)		
To operatører (O) Fire hjelpere (H)		

Heve eller senke ryggstøtten

For å heve ryggstøtten klemmer man på ryggstøttens justeringshåndtak for å flytte ryggstøtten til ønsket høyde.

For å senke ryggstøtten klemmer man på ryggstøttens justeringshåndtak mens man skyver ryggstøtten ned til ønsket høyde.

Heve eller senke sengegrindene

Alltid senk sengegrindene når du overfører en pasient til båren eller fra båren.

ADVARSEL - Ikke bruk sengegrinder som festeanordning for pasienten.

For å heve sengegrindene må du løfte opp sideskinnen til låsen klikker og sengegrindene låses på plass. Alltid hold sengegrindene i hevet posisjon med mindre du overfører pasienten.

For å senke sengegrindene må man klemme utløserhåndtaket for å låse opp sengegrindlåsen. Før sengegrinden ned mot fotenden av båren til den ligger flatt. Alltid senk sengegrindene når du overfører en pasient til eller fra båren.

Heve eller senke sengegrindene (XPS-alternativ)

Du kan bestille båren med uttrekkbar pasientoverflate (XPS-alternativ) eller oppgradere båren for å legge til XPS-alternativet.

ADVARSEL - Ikke bruk sengegrinder som festeanordning for pasienten.

FORSIKTIG

- Ikke stå eller sitt på sengegrindene (XPS-alternativ).
- Ikke bruk sengegrindene (XPS-alternativ) som en overføringsenhet eller -overflate for pasienter (for eksempel for å skyve en pasient fra båren til en annen overflate).
- Ikke posisjoner pasienter med full vekt på sideskinnene (XPS alternativ).
- Ikke bruk sideskinnene (XPS alternativ) som en skyv/dra enhet eller for å styre produktet.

Sideskinnene (XPS alternativet) festes til båren og er alltid tilgjengelig for ditt bruk. Sideskinnene (XPS alternativet) justeres i henhold til pasientens størrelse og låses i syv posisjoner. Sideskinnene justeres også for å passe gjennom standard dørkarmen eller heiser.

For å heve sengegrindene må du løfte opp sengegrinden til den låses i ønsket posisjon.

For å senke sengegrindene løfter du opp for å avlaste vekten og trekker i den røde spaken. Alltid senk sengegrindene når du overfører en pasient til eller fra båren.

XPS-alternativet er ikke et primært støtteunderlag for pasienten. Det inkluderer en bredere madrass og er ment å forbedre pasientens komfort.

Utvide uttrekkbar hodedel eller fotdel

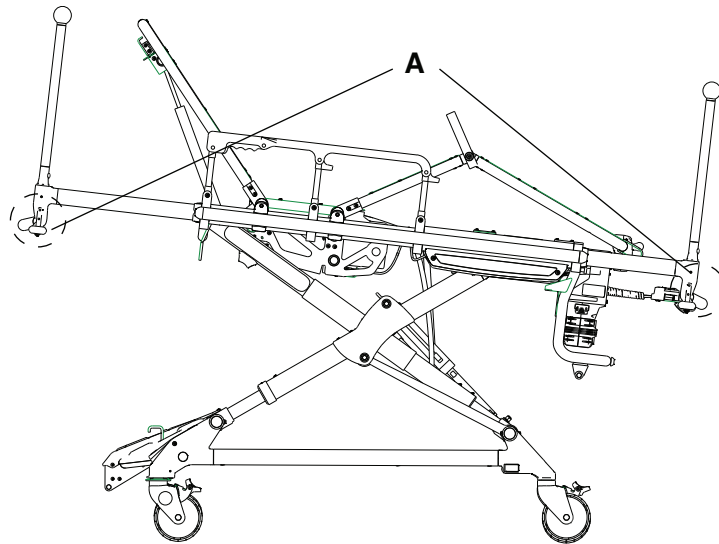
Hodedelen trekkes fra en utstruktet stilling til en tilbaketrukket stilling innenfor liggeflatens ramme.

ADVARSEL

- Lås alltid hodedelen på plass før du tar båren i bruk.
 - Ikke forsøk å laste båren i bilens pasientrom med hodedelen trukket tilbake. Forsøk på å laste båren med hodedelen trukket tilbake kan føre til at produktet tipper eller ikke kobles til bårerefestet i bilen.
-

Slik utvider du hodedelen eller fotdelen:

1. Klem de røde utløserpakene (A) på hver side av rammen mens du trekker hode- eller fotdelen ut av sin tilbaketrukne stilling (Figur 16).
2. Pass på at hode- eller fotdelen låses i posisjon.



Figur 16 – Forleng hodedelen eller fotdelen

Trekke tilbake den uttrekkbare hode- eller fotdelen

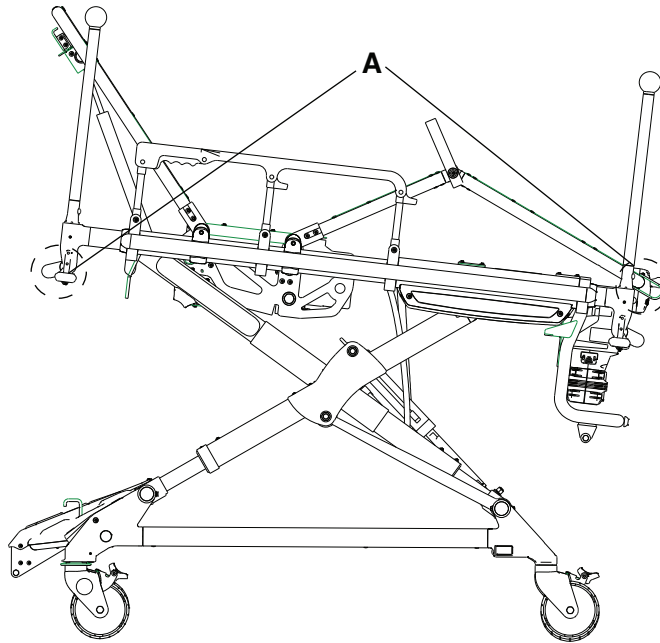
Hodedelen trekkes fra en utstrukt stilling til en tilbaketrasket stilling innenfor liggeflatens ramme.

ADVARSEL

- Lås alltid hodedelen på plass før du tar båren i bruk.
 - Ikke forsøk å laste båren i bilens pasientrom med hodedelen trukket tilbake. Forsøk på å laste båren med hodedelen trukket tilbake kan føre til at produktet tipper eller ikke kobles til bårerefestet i bilen.
-

Slik trekker du tilbake hodedelen eller fotdelen:

1. Klem de røde utløsserspakene (A) på hver side av rammen mens du skyver hode- eller fotdelen ut av sin forlengede stilling (Figur 17).
2. Pass på at hode- eller fotdelen låses i posisjon.



Figur 17 – Trekk tilbake hodedel eller fotdel

Heve eller senke bendel-alternativet

Slik heves bendelen:

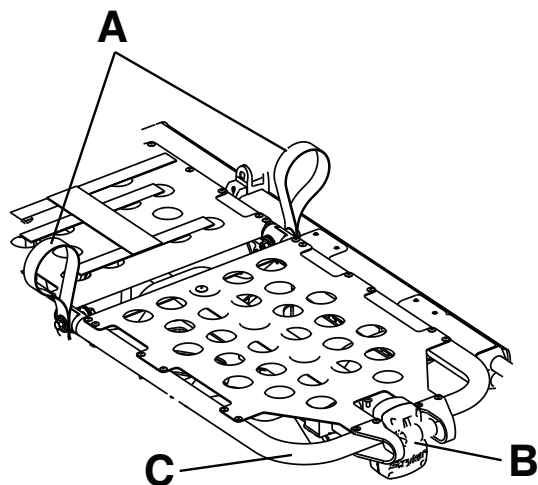
1. Løft en av de røde løfteløkkene (A) frem til bendelen er i høyeste posisjon (Figur 18).
2. Senk bendelen for å sikre støttebraketten til låsemekanismen.
3. Pass på at låsemekanismen er sikret før du slipper løfteløkken.

For å senke bendelen kan en av de røde løfteløkkene (A) løftes for å slippe trykket på låsemekanismen, og mens løkken holdes tak i, trykk på det røde utløserhåndtaket på fotstøtten (B) til støttebraketten er løsnet. Senk bendelen til den ligger flatt.

For å heve bendelen i Trendelenburg kan fotstøttens ramme (C) løftes så høyt som mulig til rammen låses på plass. Støttebraketten kobles til automatisk når du slipper rammen.

For å senke bendelen i trend må fotstøttens ramme (C) løftes, og mens det holdes tak i rammen, løft opp det røde utløserhåndtaket på fotstøtten (B) til rammen slipper støttebraketten. Senk fotstøtten til den ligger flatt.

Merknad - Oksygentankholder-alternativet for fotenden (6500-240-000) er ikke kompatibel med bendel-alternativet (6500-082-000).



Figur 18 – Bendel

Koble inn eller løse ut en hjullås

ADVARSEL

- For å unngå velting skal det ikke brukes en hjullås når en pasient ligger på produktet eller når produktet flyttes.
- Ikke installer eller bruk en hjullås på et produkt med slitte hjul som er under 6 in. i diameter.
- Ikke la en pasient eller passasjer ligge uten tilsyn. Hold produktet mens en pasient eller okkupant er på produktet.

For å bruke en hjullås trykker du pedalen ned til den stopper og hviler mot overflaten på hjulet.

For å løse ut hjullåsen trykker du ned pedalen med foten eller løfter opp pedalen med tåa. Toppen av pedalen vil hvile mot hjulrammen når du løser ut hjullåsen.

Merknad - Hjullåser bidrar til å hindre at produktet ruller mens det er uten tilsyn. Hjullåser gir ikke tilstrekkelig motstand på alle overflater eller under last.

Koble inn eller løse ut den valgfrie Steer-Lock

Slik bruker du Steer-Lock:

1. Fra bårens fotende trykker du på den røde (låse-) siden av fotpedalen, eller fra bårens hodeende trykker du ned på en av de røde pedalene.
2. Snu båren til minst ett hjul ved hodeenden låses.

Slik løser du ut Steer-Lock:

- Fra bårens fotende trykk du på den grønne (utløsings-) siden av fotpedalen, eller fra bårens hodeende løfter du opp en av de røde pedalene ved hodeenden.

Sikre pasienten med festestropper

ADVARSEL

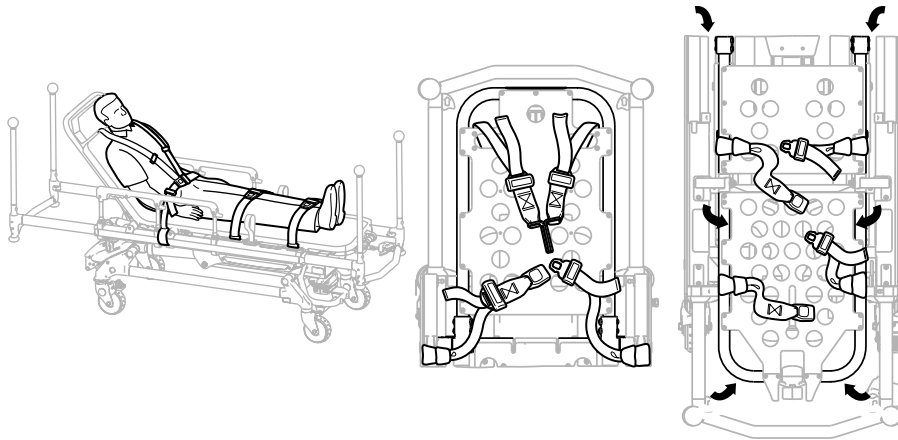
- Bruk alltid festestropper for å sikre pasienten på båren. En usikret pasient kan falle av båren.
- Ikke bind festestropper til baserør eller kryssrør.

FORSIKTIG - Ikke vikle inn festestropper i baserammen når båren skal heves eller senkes.

Merknad - Festestropper er en pasientnær del av type BF.

Sikre festestropper til båren på de påkrevde festestedene (Figur 19). Festestedene skal gi sterk forankring og skikkelig strammeposisjon. Ikke la festestropper forstyrre utstyr eller tilbehør. Spenn festestroppene på tvers av pasientens skuldre, midje og ben. Spenn festestroppene når båren ikke er i bruk.

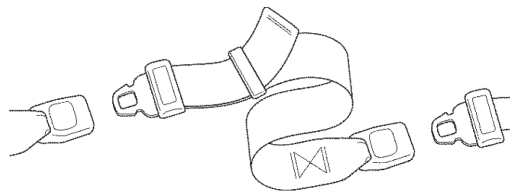
For å feste pasientens festestropper til bårens liggeflateramme må løkken ledes for hver stropp gjennom liggeflaterammen på hver angitte plassering (Figur 19) og deretter spennen eller låseplaten mates tilbake gjennom løkkeenden av stroppen. Pilene angir alternative festeområder.



Figur 19 – Festepunkter for festestropper

Legge til en festestroppforlengelse

Legg til en festestroppforlengelse (6082-160-050) for ekstra lengde når du fester beltet rundt større pasienter.



Figur 20 – Festestroppforlengelse

Sikre en pasient med X-festestropper/XPR-festestropper

Sikre festestroppene til båren på angitte steder: skuldre, midje, lår og ankler.

ADVARSEL

- Bruk alltid festestropper for å sikre pasienten på båren. En usikret pasient kan falle av båren.
- Ikke fest festestropper til understellsrør eller kryssrør.

FORSIKTIG - Ikke vikle inn festestropper i understellsrammen når båren heves eller senkes.

Merknad

- X-festestropper / XPR (6500-001-430/650600030010)-festestropper er kun kompatible med den brede bendelstøttemadrassen (6500-003-130/6506-003-130).
- Festestropper er en pasientnær del av type BF.

Festestedene skal gi sterk forankring og skikkelig strammestilling (Figur 21). Ikke la festestropper forstyrre utstyr eller tilbehør. Spenn festestroppene på tvers av skuldre, midje, lår og ankler. Spenn alle festestroppene når båren ikke er i bruk.

1. Feste X-festestroppen/XPR-skulderstroppene (side 31)
2. Feste X-festestroppen/XPR-midjestropper (side 32)
3. Feste X-festestroppen/XPR-lårstroppene (side 32)
4. Feste X-festestroppen/XPR-ankelstroppene (side 32)



Figur 21 – Festepunkter for stroppene

Feste X-festestroppen/XPR-skulderstroppene

Slik fester du X-festestroppen/XPR-skulderstroppene:

1. Vikle festestroppen rundt bærerammen.
2. Trekk festespenningen gjennom løkken, mot hodeenden av båren.
3. Før spennen under XPS-systemet.
4. For **Power-PRO XT**-båren (modell 6506) og **Performance-PRO XT**-båren (modell 6086) trekkes festestroppen stramt og mot baksiden av ryggstøtten.
5. For **Power-PRO TL**-båren (modell 6550) trekkes festestroppen under kryssrøret og mot baksiden av ryggstøtten.
6. Før spennen gjennom åpningen i ryggstøtten.
7. Koble pasientens høyre skulderspenne til pasientens venstre midjespenne.
8. Fjern all slakk fra festestroppløkken.



Figur 22 – Skulderstropper

Feste X-festestropper/XPR-midjestropper

Slik fester du X-festestropper/XPR-midjestropper:

1. Vikle festestroppen rundt bærerammen.
2. Trekk festespennene gjennom løkken, mot hodeenden av båren.
3. Før spennen under XPS-systemet.
4. Trekk for å stramme spennene. Én festestropp må helle mot hodeenden og én må ligge på tvers av båren.
5. Koble pasientens høyre spenne til pasientens venstre spenne.
6. Fjern all slakk fra festestroppløkken.

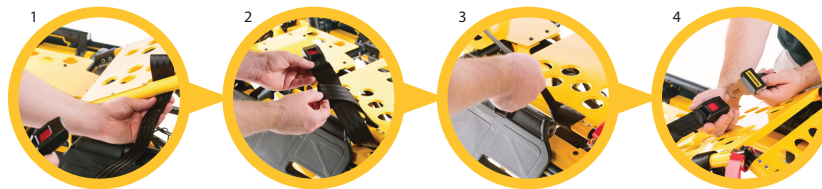


Figur 23 – Midjestropper

Feste X-festestroppen/XPR-lårstroppene

Slik fester du X-festestroppen/XPR-lårstroppene:

1. Vikle festestroppen rundt bårens liggeflate.
2. Trekk festespennen gjennom løkken, mot hodeenden av båren.
3. Dra for å stramme festestroppen.
4. Koble pasientens høyre spenne til pasientens venstre spenne.
5. Fjern all slakk fra festestroppløkken.



Figur 24 – Lårstropper

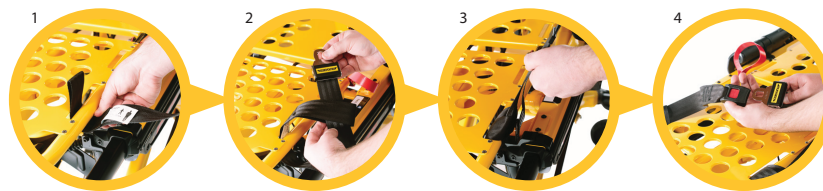
Feste X-festestroppen/XPR-ankelstroppene

Kun for **Power-PRO XT**-bærer (modell 6506), **Performance-PRO XT** (modell 6086) og **Power-PRO TL**-bærer (modell 6550) bygget eller oppgradert etter 3. juli 2015 med bendefunksjon eller trend.

Slik fester du X-festestroppen/XPR-ankelstroppene:

1. Vikle festestroppen rundt bærerammen. Vikle rundt begge løftestenger i fotenden.
2. Trekk festespennen gjennom løkken, mot hodeenden av båren.

3. Trekk for å stramme spennen.
4. Koble pasientens høyre spenne til pasientens venstre spenne.
5. Fjern all slakk fra festestroppløkken.



Figur 25 – Ankelstrop

Sikre pasienten med Pedi-Mate® festesystemet for spedbarn

ADVARSEL - Plasser alltid spennen på avstand fra hindringer eller tilbehør på båren for å unngå risikoen for utilsiktet utløsning av **Pedi-Mate®**-festesystemet for spedbarn og skade på spedbarnet.

Sikre pasienten med **Pedi-Mate®**-festesystemet for spedbarn:

1. Fjern samtlige festestropper fra båren.
2. Hev bårens ryggstøtte til oppreist stilling.
3. Plasser **Pedi-Mate®**-matten flatt på bårens ryggstøtte med de svarte ryggstroppene vendt utover.
4. Fold stroppene rundt bårens ryggstøtte og før endene av stroppene gjennom brakettene.
5. Stram spennen.
6. Dra i enden på den justerbare ryggstroppen for å stramme.
7. Sett inn hovedstroppene mellom produktrammen og madrassen.
8. Sett inn spennen bak den tverrgående avstiveren og bring den foran.
9. Fest spennen rundt den tverrgående avstiveren. Gi litt slakk i stroppen for en siste justering.
10. Stram alle stropper.

Merknad - For mer informasjon om **Pedi-Mate®**-festesystemet for spedbarn, se produsentens instruksjoner for bruk, drift og vedlikehold. Det er opp til brukeren å benytte **Pedi-Mate®**-festesystemet for spedbarn på en trygg og riktig måte. Fastsett metoder og prosedyrer for å lære opp personalet i sikker drift og vedlikehold av dette produktet. Dette er kun generelle instruksjoner. Oppbevar disse instruksjonene for fremtidig referanse. Disse instruksjonene er en permanent del av produktet, og de skal følge produktet selv om produktet blir solgt.

Pedi-Mate® er et registrert varemerke for Ferno Washington, Inc.

Feste defibrillatorplattformen

ADVARSEL - Ikke fest defibrillatorplattformen på en modell 6086 **Performance-PRO XT**-båre med **Power-LOAD**-alternativet, for å unngå risiko for at båren velter.

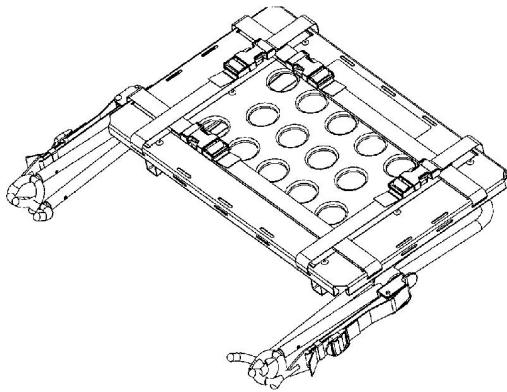
FORSIKTIG

- Fest alltid defibrillatorplattformen til produktet når du bruker den.
- Alltid bruk og juster stroppene som medfølger defibrillatorplattformen, for å sikre den.
- Endre alltid festeplassering eller juster stroppene for den aktuelle størrelsen eller formen på defibrillatoren.
- Ikke last defibrillatorplattformen med mer enn den trygge arbeidsvekten på 30 pund (13,6 kg).

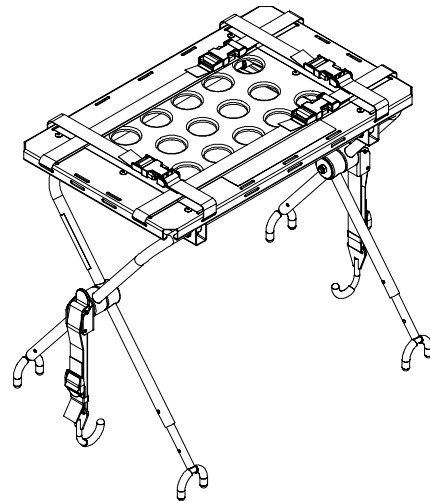
Feste defibrillatorplattformen:

1. Plasser defibrillatorplattformen i oppbevart stilling (Figur 26).

2. Åpne og ekspander defibrillatorplattformens ben (Figur 27).

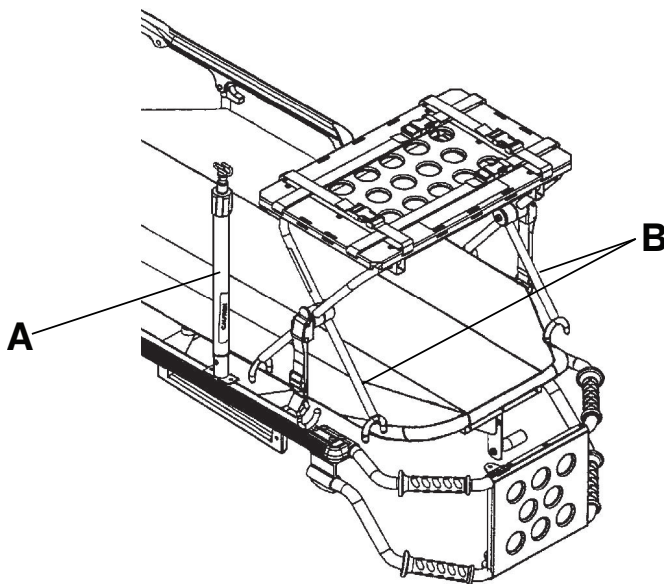


Figur 26 – Stilling for oppbevaring

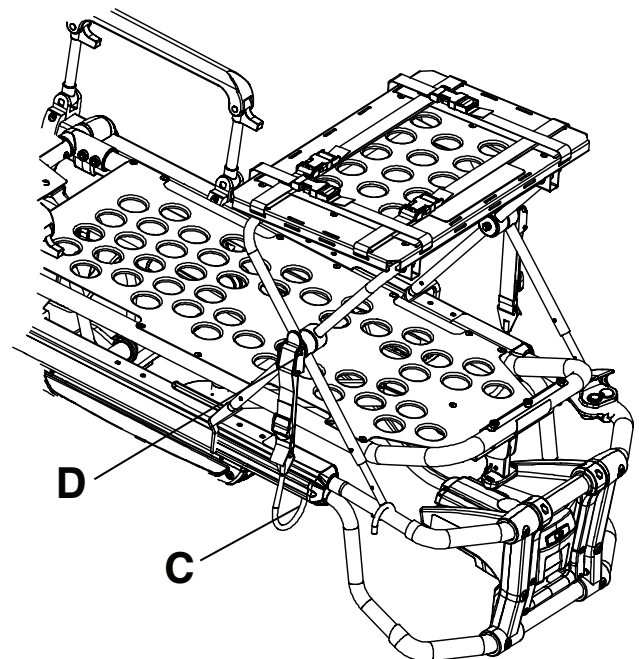


Figur 27 – Åpne defibrillatorplattformens ben

3. Hvis produktet er utstyrt med et infusjonsstativ, må man heve det (A) til oppreist stilling (Figur 28).
4. Plasser defibrillatorplattformen på produktrammen.
5. Posisjoner de indre bena (B) på defibrillatorplattformen mot hodeenden av produktet (Figur 28).
6. Plasser låsekroken (C) under liggeflatens ramme eller fotendens feste og skyv fliken (D) opp til den låses på plass på den ene siden med et hørbart klikk (Figur 29). Gjenta på den andre siden. For **Power-LOAD**-kompatible bærer, hvis utstyrt, må du forlenge og feste stroppene ved fotendens feste (Figur 30).



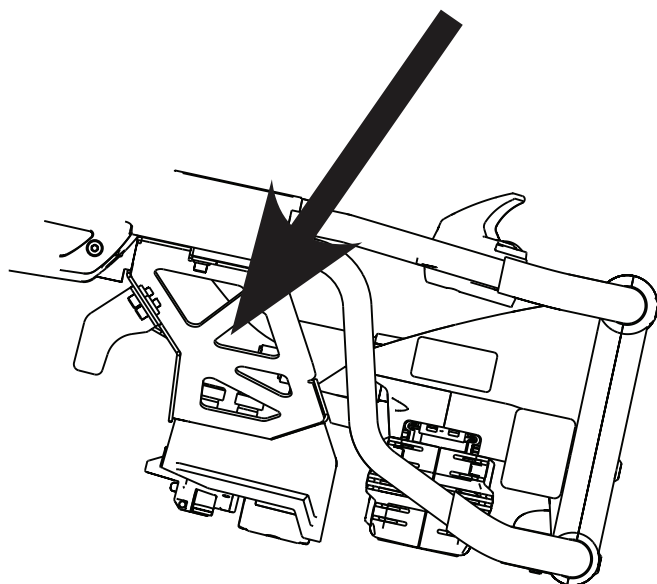
Figur 28 – Hev infusjonsstativet og posisjoner defibrillatorbrettet (modell 6506 vist)



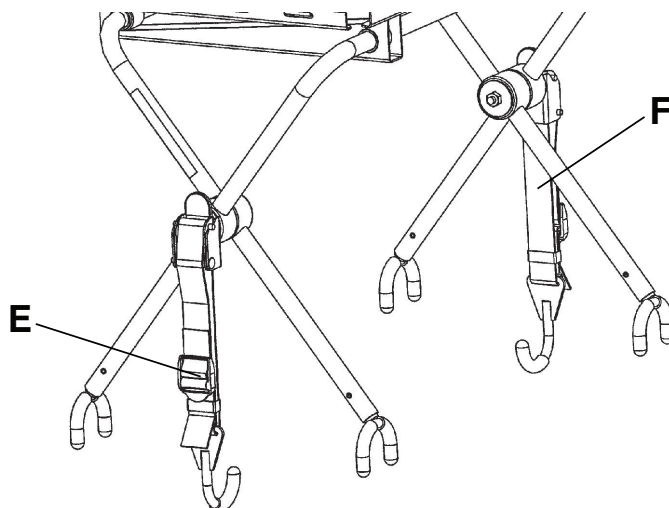
Figur 29 – Plassering av låsekroken (modell 6506 vist)

7. Pass på at defibrillatorplattformen er festet til produktet.
8. Plasser defibrillatoren på defibrillatorplattformen.

9. Fest stroppene (E) for å holde defibrillatoren til plattformen (Figur 31).



Figur 30 – Flik (modell 6506 vist)



Figur 31 – Feste defibrillatorplattformen til båren

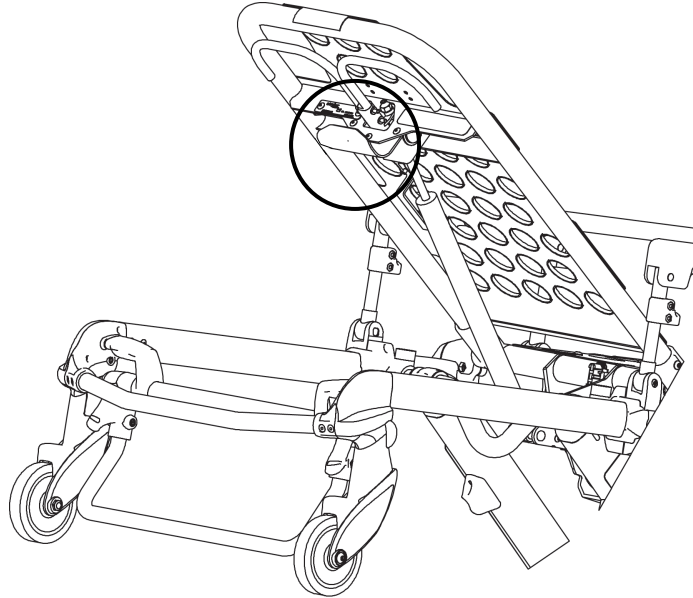
Merknad - Hvis plattformen ikke er festet til produktet etter at du har koblet til begge låsekroknene, må du løse ut fliken. For å justere, løsner eller strammer du stroppen og skyver deretter fliken frem til den låses på plass med et hørbart klikk.

Henge utstyr fra utstyrskroken

Bruk utstyrskroken til å henge ytterligere tilbehør eller utstyr som defibrillatorer og monitorer.

FORSIKTIG

- Ikke last utstyrskroken med mer enn den trygge arbeidsvekten på 35 lb (15,8 kg).
 - Fjern alltid alt tilbehør eller utstyr fra utstyrskroken når den er i kjøretøyet.
-



Figur 32 – Utstyrskrok

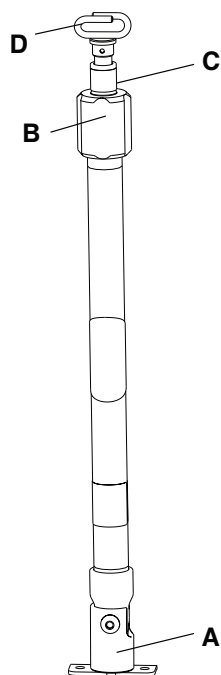
Posisjonere tostegs infusjonsstativet

FORSIKTIG - Ikke last infusjonsstativet med mer enn den trygge arbeidsvekten på 25 pund (11,3 kg).

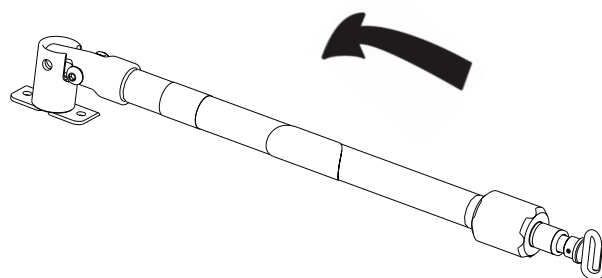
Slik posisjoneres infusjonsstativet (Figur 33):

1. Løft og sving infusjonsstativet fra lagringsstillingen og skyv nedover til infusjonsstativet låses inn i mottaket (A).
2. For å heve høyden på stativet snus låsekragen (B) til venstre og forlengerdelen (C) trekkes opp på stolpen for å heve den til ønsket høyde.
3. Drei låsekragen (B) mot høyre for å låse forlengerdelen på plass.
4. Heng infusjonsposer på kroken (D).
5. Drei låsekragene (B) mot venstre og la delen (C) gli inn i nederste rør.
6. Drei låsekragene (B) mot høyre for å stramme dem.
7. Løft opp og sving stativet ned i lagringsstilling (Figur 34).

Merknad - De doble tostegs infusjonsstativene (6500-312-000 eller 6550-312-000) er ikke kompatible med alternativene for tostegs infusjonsstativ på enten pasientens høyre (6500-310-000 eller 6550-310-000) eller venstre (6500-311-000 eller 6550-311-000) side.



Figur 33 – Hevet stilling for infusjonsstativ



Figur 34 – Lagringsstilling for infusjonsstativ

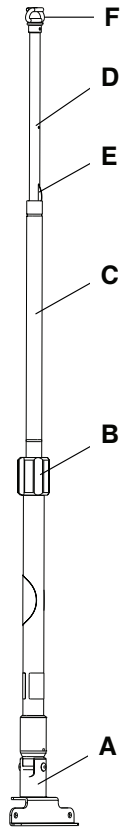
Posisjonere det trestegs infusjonsstativet

FORSIKTIG - Ikke last infusjonsstativet med mer enn den trygge arbeidsvekten på 25 pund (11,3 kg).

Slik plasseres IV-stativet (Figur 35):

1. Løft og sving infusjonsstativet fra lagringsstillingen og skyv nedover til infusjonsstativet låses inn i mottaket (A).
2. For å heve høyden på stativet snus låsekragen (B) til venstre og forlengerdelen (C) trekkes opp på stolpen for å heve den til ønsket høyde.
3. Drei låsekragen (B) mot høyre for å låse forlengerdelen på plass.
4. For et høyere infusjonsstativ trekkes del (D) opp inntil fjærklemmen (E) kobles til.
5. Heng infusjonsposer på kroken (F).
6. For å senke infusjonsstativet trykkes fjærklemmen (E) inn og la del (D) gli ned i del (C). Drei låsekragen (B) mot venstre og la glidedelen (C) gli inn i nederste rør.
7. Drei låsekragen (B) mot høyre for å stramme.
8. Løft opp og sving stativet ned i lagringsstilling.

Merknad - De doble trestegs IV-stativene (6500-317-000 eller 6550-317-000) er ikke kompatible med alternativene for trestegs IV-stativ på enten pasientens høyre (6500-315-000 eller 6550-315-000) eller venstre (6500-316-000 eller 6550-316-000) side.



Figur 35 – Hevet stilling for infusjonsstativ

Fest en oksygenflaske til oksygentankholderen

FORSIKTIG

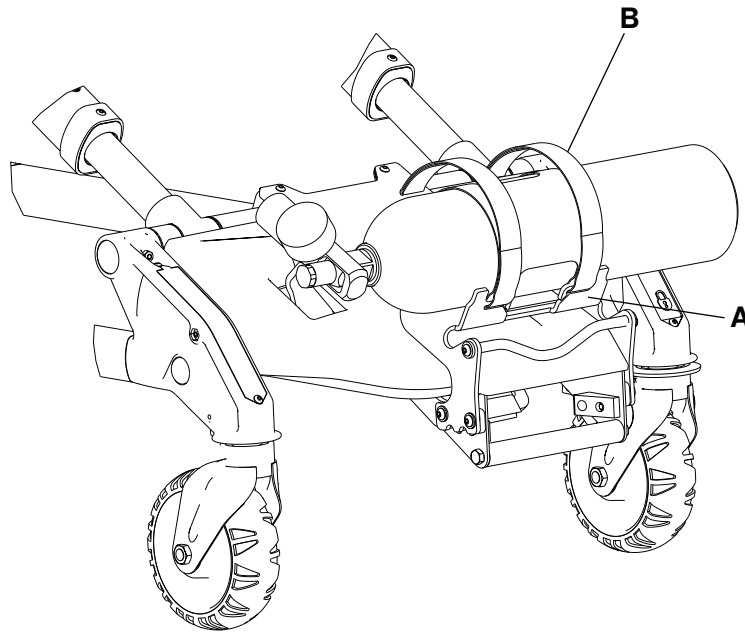
- Ikke last oksygentankholderen over den trygge arbeidsbelastningen på 1,1 stones (6,8 kg) (15 lb).
- Ikke bruk to oksygentankholdere på samme tid.

Slik fester du en oksygenflaske til oksygentankholderen (Figur 36):

1. Sentrer oksygenflaskeholderen på overflaten av element (A).
2. Stram begge stroppene (B) rundt oksygenflasken.
3. Stram stroppene og spenn begge stroppene.

Merknad - Ikke bruk oksygenflaskeholderen for å holde en oksygenflaske når transportkjøretøyet er i bevegelse. Plasser alltid oksygenflaskeholderen i en passende oppbevaringsbeholder når transportkjøretøyet er i bevegelse.

Merknad - Kontroller stropper og klemmer for slitasje mellom bruk. Erstatt stroppen hvis den ikke lenger holder oksygenflasken.



Figur 36 – Feste for oksygenflaske

Alternativ for festing av skyvehåndtakene

De valgfrie skyvehåndtakene lar deg manøvrere produktet i enhver høydeposisjon.

ADVARSEL

- Lås alltid skyvehåndtakene i festene for å hindre at de spretter ut under bruk.
 - Ikke løft produktet med skyvehåndtakene.
-

Slik fester du skyvehåndtakene:

1. Sett inn hvert skyvehåndtak i en av de fire hjørnekontaktene.
2. Trykk ned på hvert håndtak for å låse det på plass i kontakten.



Figur 37 – Skyvehåndtak festet

Fjerne og lagre skyvehåndtakene i oppbevaringsposen

ADVARSEL - Ha alltid skyvehåndtakene i oppbevaringsposen når de ikke er i bruk.

Slik fjerner du skyvehåndtakene:

1. Trykk på den røde utløserknappen og løft hvert håndtak ut av hjørnekontakten.
2. Plasser de fjernede skyvehåndtakene i oppbevaringsposen som er i baserammen (Figur 38).

For å feste oppbevaringsposen kobler du til spennene som fester posen til bårens ramme (Figur 39).

Pass på at posen og innholdet ikke forstyrrer båremekanismen før du hever, senker eller transporterer båren.



Figur 38 – Fjern skyvehåndtakene



Figur 39 – Fest skyvehåndtakenes oppbevaringspose

Feste det valgfrie oppbevaringsnettet i understellet

FORSIKTIG

- Ikke last understellets oppbevaringsnett med mer enn den trygge arbeidsvekten på 20 pund (9 kg).
 - Alltid vær forsiktig når du trekker sammen understellet, for å unngå skade på ting som oppbevares i nettet.
-

Oppbevaringsnettet i understellet festes ved å vikle **Velcro®** borrelåsstroppene rundt understellrørene.

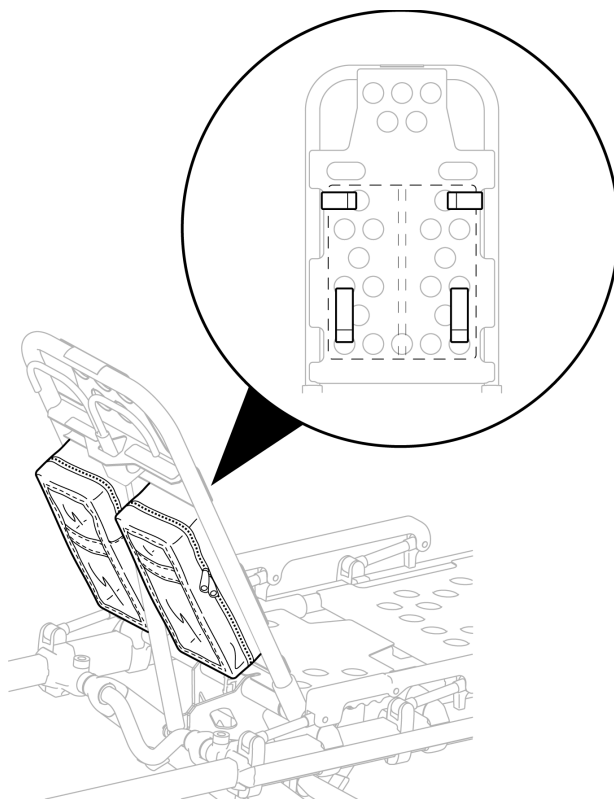
Feste oppbevaringsposen i ryggstøtten

FORSIKTIG

- Ikke last oppbevaringsposen i ryggstøtten med mer enn den trygge arbeidsvekten på 20 pund (9 kg).
 - Ikke la oppbevaringsposen være i veien for betjeningen av den uttrekkbare hodedelen.
-

Slik fester du oppbevaringsposen i ryggstøtten (Figur 40):

1. Sett inn hver stropp gjennom et hull i ryggstøttens fold.
2. Monter posen flatt mot ryggstøtten.
3. Fest oppbevaringsposen for ryggstøtten til båren ved hjelp av **Velcro®**-stroppene.



Figur 40 – Oppbevaringspose for ryggstøtte

Feste madrassen

To madrassalternativer er tilgjengelig for bruk med dette produktet. Bruk bendelstøttemadrassen (6550-001-084) eller den flate madrassen (6550-001-295) med standard sengegrind. Bruk den bredere bendelstøttemadrassen (6500-003-130/6506-003-130) med den valgfrie, utvidbare pasientflaten (XPS).

FORSIKTIG - Lagre ikke gjenstander under madrassen. Gjenstander under madrassen kan forstyrre produktmekanismen.

Slik fester du madrassen til båren:

1. Juster **Velcro®** bak på madrassen i forhold til **Velcro®** på liggeflaten til båren.
2. Fest stroppen ved fotenden av madrassen gjennom de to hullene i fotenden på bårerammen.
3. Trekk stroppen gjennom spennen og fest **Velcro®** for å sikre stroppen.

Merknad

- Bendelstøttemadrassen (6550-001-084) og den flate madrassen (6550-001-295) er ikke kompatible med XPS-sengegrindalternativet (6550-031-000).
- Den valgfrie bendelstøttemadrassen for XPS (6500-003-130/6506-003-130) er ikke kompatibel med standard sengegrind (6550-034-000).
- Madrassen er en pasientnær del av type BF.

Installering av SMRT Pak

SMRT Pak er konstruert for å være kompatibel med bårene **Power-PRO XT**, **Power-PRO IT** og **Power-PRO TL**.

For å maksimere tilgjengelig batterikraft skal det bare brukes **SMRT**-batteripakker som har blitt ladet opp de siste 48 timene.

Slik installeres **SMRT Pak**:

1. Rett inn tappene i batterirommet.
2. Skyv **SMRT Pak** inn i rommet til låsen klikker på plass.

SMRT Pak kan forbli på **Power-PRO**-båren mellom utrykninger i opp til én uke eller til bære batteriets LED-indikator blinker gult.

Fjerne en SMRT Pak fra båren

Etter at **SMRT Pak** er utladet, skal **SMRT Pak** fjernes fra **Power-PRO**-båren og skiftes ut med en oppladet **SMRT Pak**.

Det å bruke **SMRT Pak** gjentatte ganger uten hvileperioder kan øke temperaturen i cellene og redusere levetiden. Det å for eksempel løfte en tung pasient opp og ned flere ganger på rad kan redusere levetiden til **SMRT Pak**.

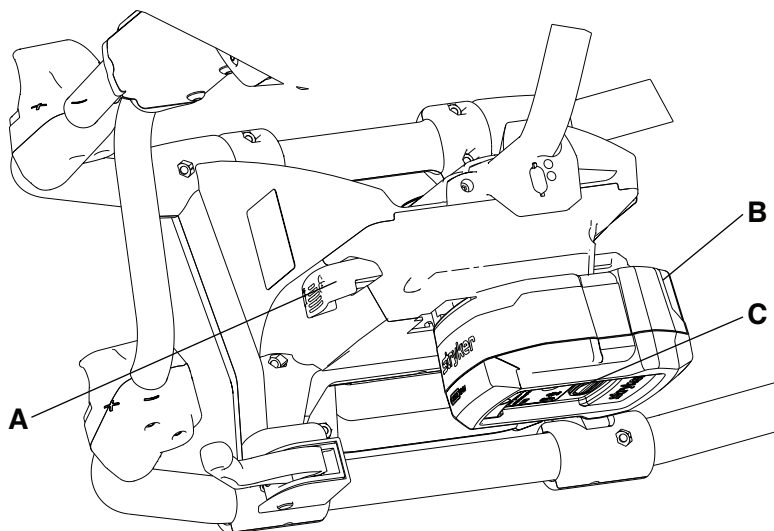
ADVARSEL

- Ikke fjern batteriet mens båren er aktiv.
 - Ikke prøv å åpne batteripakken, for å unngå risiko for elektrisk støt. Ikke sett batteripakkedekselet inn i laderen hvis det er sprukket eller er skadet. Returner skadde batteripakker til et deponi for gjenvinning.
 - Unngå alltid direkte kontakt med et vått batteri eller batterirom. Kontakt kan skade pasienten eller operatøren.
-

FORSIKTIG - Fjern alltid batteriet hvis båren ikke skal brukes på en stund (mer enn 24 timer).

Slik fjerner du **SMRT Pak** fra båren:

1. Trykk på den røde utløserknappen for én hånd (C) eller trykk på batteriutløserknappen (A) for å løsne **SMRT Pak** (B) fra båren (Figur 41).
2. Før den utløste **SMRT Pak** ut av rommet.



Figur 41 – Løse ut batteriet

Lagre batteriet

For at dette utstyret skal fungere lenge, yte bra og være sikkert, skal den opprinnelige emballasjen brukes når utstyret lagres eller transporteres.

Alle batterier taper ladning under lagring eller perioder med inaktivitet. En **SMRT**-batteripakke kan miste opp til 30 prosent av ladningen i løpet av 48 timer etter at det tas ut av **SMRT**-laderen. Lagrede **SMRT**-batteripakkeer skal brukes og lades fullt ut hver tredje måned for at maksimal ytelse.

Lader SMRT-pakken

SMRT-batteripakken er kun tiltenkt for bruk med **SMRT**-laderen.

ADVARSEL - Ikke sett inn en sprukket eller skadet **SMRT**-batteripakke i **SMRT**-laderen. Returner skadede **SMRT**-batteripakker til et servicesenter for resirkulering.

Merknad

- For oppbevaring i lengre tid skal **SMRT**-batteripakken lagres på **SMRT**-laderen for vedlikeholdslading. **SMRT**-laderen holder **SMRT**-batteripakken oppladet og klar til bruk.
- Oppbevar **SMRT**-batteripakken i romtemperatur med tillatt temperaturområde fra 43 °F til 88 °F (6 °C til 31 °C). Lading av **SMRT**-batteripakken utenfor dette temperaturområdet reduserer **SMRT**-batteripakkens levetid og forlenger ladetiden.

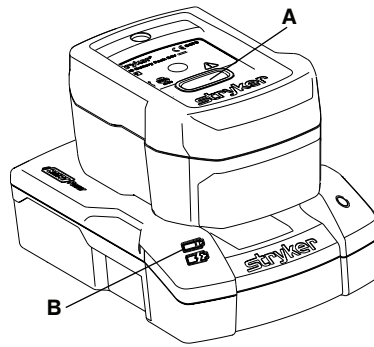
Slik lader du **SMRT**-batteripakken (Figur 42):

1. Sett inn en ren og tørr **SMRT**-batteripakken i **SMRT**-laderen. Pass på at **SMRT**-batteripakken er låst i **SMRT**-laderen.

Merknad

- **SMRT**-laderens LED-indikator (B) vil blinke grønt mens den lader (Figur 42). Den optimale ladetiden er to timer.
 - Når **SMRT**-batteripakken er ladet og klar til bruk, vil **SMRT**-laderens LED-indikator (B) bli grønn.
2. Klikk den røde utløserknappen (A) (Figur 42) og skyv **SMRT**-batteripakken for å utløse den oppladde **SMRT**-batteripakken fra **SMRT**-laderen.

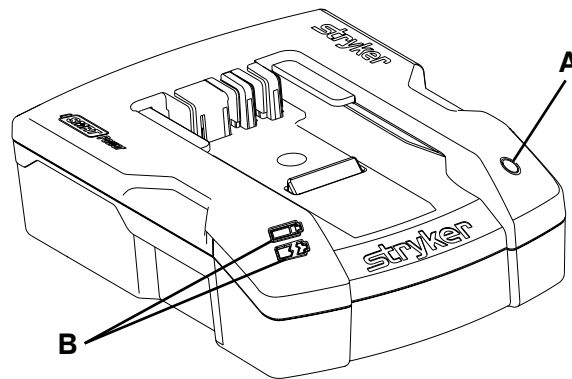
SMRT-laderen lader uavhengig av **SMRT**-batteripakkens ladetilstand.



Figur 42 – Lader SMRT-pakken

Sjekke SMRT-batteripakkens strømnivå med SMRT-laderen

Bruk SMRT-laderens LED-indikatorer for å sjekke SMRT-batteripakkens strømnivå.



Figur 43 – Sjekke SMRT-bateripakkens strømnivå

- Strømtilkobling: Koble SMRT-laderen til eller fra den aktuelle strømkilden (*Laderens strømforsyning* (side 47)).
- LED for SMRT-ladestrøm (A): Hvis det grønne LED-lyset er tent, har SMRT-laderen strøm.
- LED-indikatorer for SMRT-lader (B): Grønne og gule LED-indikatorer på laderen viser informasjon om SMRT-batteripakkens status. LED-lysene kan være tent eller blinke avhengig av tilstanden til SMRT-laderen eller SMRT-batteripakken.

LED-indikator for SMRT-lader	Status
Grønn (blinker)	SMRT-ladere lader SMRT-batteripakken. Den optimale ladetiden er to timer.
Grønn (tent)	SMRT-batteripakken er ladet og klar til bruk
Gul (blinker)	Temperaturrelatert forsinkelse i SMRT-batteripakken SMRT-laderen venter på at SMRT-batteripakken skal nå det tillatte temperaturområdet på 43 °F til 88 °F (6 °C til 31 °C).
Gul (tent)	Feil på SMRT-batteripakken. Se i feilsøkningsavsnittet i vedlikeholdshåndboken.

Krav til installasjon av elektrisk kraft

Ved konfigurering av den elektriske kraftkilden for installasjonen av SMRT-laderen skal disse kravene for elektrisk kraft følges for pålitelig og effektiv drift.

Krafttype	Driftsspennings- område	Frekvens	Maksimalt strømforbruk	Standby- strømforbruk	Driftstans for lav spenning
Vekselstrøm	100 til 240 V vekselstrøm	50/60 Hz	1,20	0,05 A	Ikke relevant
Likestrøm	12,5 til 16 V likestrøm	Ikke relevant	4,16 A	0,20 A	10 V likestrøm

Installere SMRT-laderen

Ved installasjon av **SMRT**-laderen skal **SMRT**-laderen plasseres på et miljømessig kontrollert sted som:

- er fritt for store mengder støv og fuktighet.
- holdes innenfor et konstant temperaturområde. Tillatt temperaturområde er 43 °F to 88 °F (6 °C til 31 °C). Optimalt temperaturområde er 65 °F to 75 °F (18 °C to 24 °C).
- tilgjengelig for bruk.

Finn og oppretthold strømtilførselen og strømledningene for å minimere risikoen for skade og frakoblinger i vanvare.

Installere den valgfrie monteringsbraketten

ADVARSEL

- Den valgfrie monteringsbraketten og **SMRT**-laderen skal alltid installeres av en sertifisert mekaniker som kjenner til oppbygningen av ambulanseskjøretøy.
- Monter alltid **SMRT**-laderen på den valgfrie monteringsbraketten i et lukket kabinett og utenfor pasientens rekkevidde under transport for å overholde etablerte kollisjonsteststandarder.
- Sørg alltid for at den valgfrie monteringsbraketten er forsvarlig festet til underlaget.

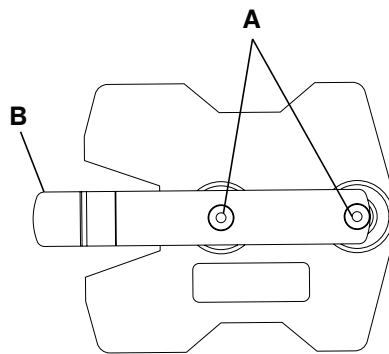
Slik installeres monteringsbraketten (Figur 44):

1. Bruk **SMRT**-laderens monteringsbrakett som mal for å merke av stedet for monteringshullene (A) på området der monteringsbraketten skal installeres.
2. Sett på monteringsbraketten mens du passer på at:
 - a. Fjærtappen (B) er montert bak på **SMRT**-laderen.

Merknad - Ved montering av braketten på en vertikal overflate skal fjærtappen ligge horisontalt med fjærtappunktet til venstre (Figur 44).

- b. Strømledningen kan lett settes inn bak på **SMRT**-laderen.
- c. **SMRT**-laderen glir fra forsiden til baksiden for å kobles til braketten etter montering.
- d. Braketten er riktig installert for ambulansens eller stasjonens plassering:

Ambulansens plassering	Stasjonens plassering
<ul style="list-style-type: none"> • Fest braketten til et horisontalt strukturelt støtteunderlag eller -hylle med minimum størrelse #10-skruer av klasse 5 (følger ikke med). • Pass på at det valgte monteringsunderlaget er sterkt nok til holde SMRT-laderen og SMRT Pak under transport. • Sett braketten i et lukket kabinett og utenfor pasientens rekkevidde under transport. • La SMRT Pak kunne installeres og fjernes lett. • Strømforsyningen skal ligge innenfor strømledningens rekkevidde. 	<ul style="list-style-type: none"> • Fest braketten til et horisontalt eller vertikalt støtteunderlag med minimum størrelse #10-skruer av klasse 5 (følger ikke med). • For vertikal installasjon skal monteringsbraketten plasseres slik at fjærtappen ligger like under monteringskruene, slik at SMRT Pak forblir støttet av SMRT-laderen selv om utløsningsknappen trykkes inn ved et uhell. • La SMRT Pak kunne installeres og fjernes lett. • Strømforsyningen skal ligge innenfor strømledningens rekkevidde.

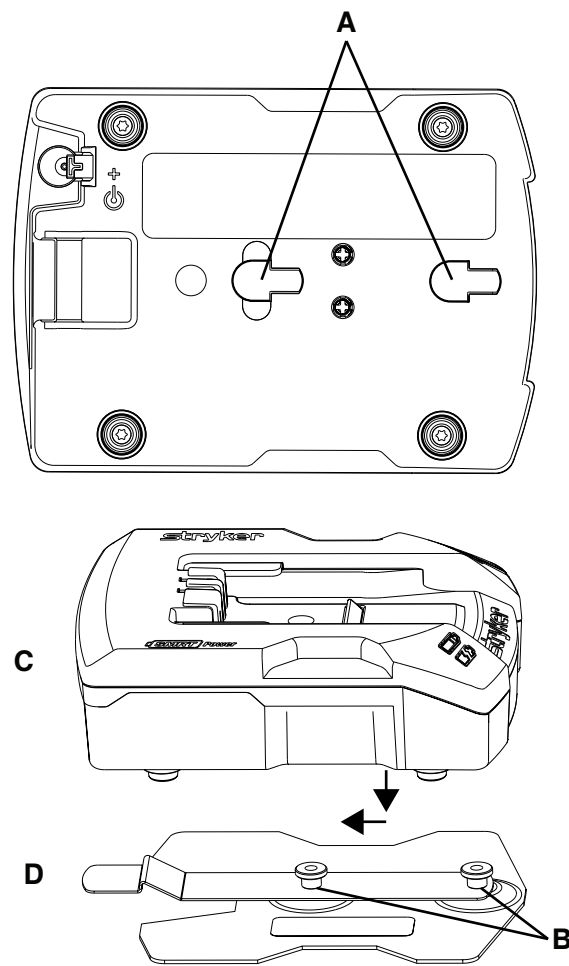


Figur 44 – Monteringsbrakett

Slik installerer du laderen på den valgfrie monteringsbraketten

Slik fester du **SMRT**-laderen på monteringsbraketten (Figur 45):

1. Rett inn de bakre kilesporåpningene (A) med brakettfestene (B).
2. Skyv **SMRT**-laderen (C) inn til den låses i monteringsbraketten (D) for å feste laderen til braketten.



Figur 45 – Festing av laderen

Laderens strømforsyning

FORSIKTIG

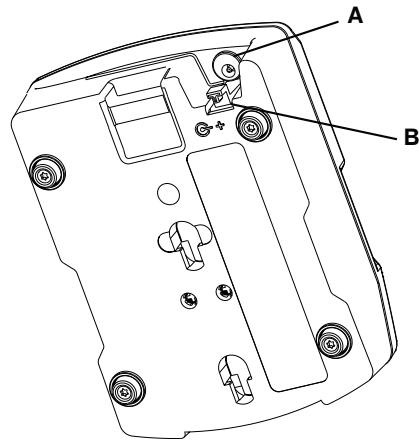
- Legg alltid ledningen til den elektriske **SMRT**-laderen slik at ingen trækker på den, snubler i den eller slik at den ellers ikke skades eller utsettes for påkjenninger.
- Ikke berør **SMRT**-batteripakkens stikkontakt-terminaler med metallgjenstander.

To power the **SMRT** charger (Figur 46):

1. Finn strømkontakten (A) på baksiden av **SMRT**-laderen.
2. Skyv inn strømledningens holdetapp (B) for å føre støpselet inn i **SMRT**-laderens kontakt.
3. Sett strømadapterenden av ledningen inn i strømkilden.

Det er best å bruke en ren, avbrudssikker strømkilde. En LED-indikator lyser stabilt grønt når **SMRT**-laderen er koblet til en strømforsyning.

Bruk kun Stryker-godkjente deler for å forsyne **SMRT**-laderen med strøm.



Figur 46 – Laderens strømforsyning

Koble fra laderen

FORSIKTIG - Trekk alltid i pluggen, ikke ledningen, når **SMRT**-laderen kobles fra, for å unngå risiko for skade på støpselet og ledningen.

Ta strømledningen ut av vekselstrøm- eller likestrømkilden for å koble fra **SMRT**-laderen.

Tilbehør og deler

Dette tilbehøret kan være tilgjengelig for bruk med ditt produkt. Bekreft tilgjengelighet for din konfigurasjon eller region. Ring Stryker kundeservice: 1-800-327-0770.

Navn	Nummer
Ryggstøttepose	6500-130-000
Belteforlengelse	6082-160-050
Defibrillatorplattform	6550-170-000
Utstyrskrok	6500-147-000
Gassylinder, ryggstøtte	1010-031-077
Hodeforlenger med pute	6100-044-000
Infusjonsstativ, tostegs, høyre	6550-310-000
Infusjonsstativ, tostegs, venstre	6550-311-000
Infusjonsstativ, tostegs, dobbelt	6550-312-000
Infusjonsstativ, trestegs, høyre	6550-315-000
Infusjonsstativ, trestegs, venstre	6550-316-000
Infusjonsstativ, trestegs, dobbelt	6550-317-000
Madrass, bendelstøtte	6550-001-084
Madrass, flat knebendel	6550-001-295
Madrass, bendelstøtte, XPS	6500-003-130
Madrass, bendelstøtte, grå, XPS	6506-003-130
Oksygenflaskeholder	6550-102-020
Oksygenflaskeholder, avtakbar	6080-140-000
Oksygentankholder, stropp	6550-002-004
Festebrakettalternativ	6091-300-010
Festestropppakke, EMS, privat	6060-160-010
Festestropppakke, X-festestropp	6500-001-430
Festestropppakke, XPR	650600030010
Sengegrind, standard	6550-034-000
Sengegrind, XPS-alternativ	6550-031-000
Oppbevaringsnett, understell	6500-160-000
Oppbevaringspose, ryggstøtte	6500-130-000
Hjullås	6086-200-010

Bruk kun deler som er godkjent av Stryker. Andre deler kan medføre økt elektromagnetisk stråling eller redusert elektromagnetisk immunitet i systemet. Deler skal ikke modifiseres. Manglende overholdelse kan medføre skader.

Navn	Nummer
SMRT-lader	6500-201-000
Monteringsbrakett for SMRT-lader	6500-034-000
SMRT Pak-sett, batteripakke	6500-700-046
Strømkomponenter – vekselstrøm	
Strømforsyning for lader	6500-201-148
Strømledning, Nord-Amerika	6500-201-149
Strømledning, Europa	6500-201-150
Strømledning, Storbritannia	6500-201-151
Strømledning, Australia	6500-201-153
Strømkomponenter – likestrøm	
12 V likestrøm, kjøretøy	6500-201-147
12–24 V kabel, DIN-plugg	6500-201-152
SMRT-strømsett (inkluderer 1 lader, 2 Pak-er og 1 strømledning)	
SMRT-strømsett – 12 V likestrøm, USA (billader)	6500-700-040
SMRT-strømsett – 120 V vekselstrøm, USA (veggglader)	6500-700-041
SMRT-strømsett – 240 V vekselstrøm, Storbritannia, internasjonalt	6500-700-043
SMRT-strømsett – 240 V vekselstrøm, Europa, internasjonalt	6500-700-044
SMRT-strømsett – 240 V vekselstrøm, Australia, internasjonalt	6500-700-045

Kontakt din Stryker-salgrepresentant for en fullstendig liste over flere deler.

Rengjøring og desinfisering av XPR-festestroppene

Bekreft tilgjengelighet for din konfigurasjon eller region. Ring Stryker kundeservice: 1-800-327-0770.

Foreslåtte rengjøringsmidler inkluderer:

- ≤ 70 % isopropylalkohol; eller

Et rengjøringsmiddel med følgende aktive ingredienser (eller tilsvarende):

- Ammoniumsalter ≤ 0,31 %
- Isopropylalkohol ≤ 21,000 %
- Etylenglykol monobutyleter ≤ 3,000 % (hjelpestoff)

Merknad - Hvis de forskrevne rengjøringsmidlene ikke brukes, kan det forårsake for tidlig forringelse og gjøre produktets garanti ugyldig. Rengjør for eksempel ikke med blekemidler, **HDQ Neutral**® eller accelerated hydrogen peroxide. Ta kontakt med Stryker kundeservice (+1-800-327-0770) hvis du har noen spørsmål eller bekymringer.

Anbefalt rengjøringsmetode:

1. Følg rengjøringsmiddelprodusentens anbefalinger om fortynning nøyaktig.
2. Rengjør ved å tørke av eksterne overflater for å fjerne all synlig smuss. Gjenta inntil produktet er rent.

Merknad - Flytt forlengelsesspennen for å rengjøre hele festestroppen. Sørg for at festestroppens overflate er tørr før du flytter forlengelsesspennen. Ikke flytt forlengelsesspennen over en overflate som er våt med rengjøringsmiddel.

3. Desinfiser ved å tørke av eksterne overflater til de er våte.
4. Sørg for at produktet ikke forblir vått i lengre tid enn det som er angitt i kjemikalieprodusentens retningslinjer for riktig desinfisering.
5. Kontroller funksjonaliteten før båren tas i bruk igjen.
 - Bløtlegging av festestroppenes metallspenner kan forårsake korrosjon på spennene og anbefales ikke. Skyll med rent vann og la dem lufttørke for å redusere muligheten for korrosjon. Skift ut festestroppene hvis metallspennene har rustdannelse.
 - Direkte kontakt mellom hud og synlig tilsmusset, gjennomtrengelig materiale kan øke risikoen for infeksjon.
 - Vask av festestroppene anbefales ikke.

FORSIKTIG - Ikke påfør smøremidler på festestroppenes overflater.

Merknad

- XPR-festestropper har en forventet levetid på tre måneder ved bruk av de foreslåtte rengjøringsmidlene som er vist ovenfor.
- Følges ikke de ovennevnte instruksjonene når du bruker disse typene rengjøringsmidler, kan produktgarantien ugyldiggjøres.
- Vask alltid over produktet med rent vann og tørk etter rengjøring. Enkelte rengjøringsprodukter er etsende og kan skade produktet. Hvis du ikke tørker av og tørker produktet tilstrekkelig, kan rester av det etsende midlet bli sittende igjen på produktets overflate, slik at viktige komponenter forringes raskere.

Rengjøring

ADVARSEL - Bruk alltid riktig verneutstyr ved høytrykksspyling for å unngå innånding av smitte. Høytrykksspylingsutstyr kan avgi smitte i luften.

FORSIKTIG

- Ikke rengjør båren med vanndamp eller ultralyd.
- Temperaturen i vannet skal ikke overstige 180°F (82°C).
- Vanntrykket skal ikke overstige 1500 psi (103,4 bar). Hvis det brukes en håndholdt lanse til å vaske produktet, skal trykkdysen holdes minimum 24 tommer (61 cm) fra produktet.
- La den alltid lufttørke.
- Fjern alltid batteriet før båren skal vaskes.
- Båren skal ikke rengjøres, utføres service på eller vedlikeholdes mens den er i bruk.

Produktet kan vaskes med høytrykksspyler. Produktet kan vise tegn på oksidering eller misfarging på grunn av kontinuerlig vasking. Vasking med høytrykksspyler vil ikke forringe produktets ytelse så lenge riktige prosedyrer følges.

- Følg rengjøringsmiddelprodusentens anbefalinger om fortykning nøyaktig.
- Den foretrukne metoden Stryker Medical anbefaler for høytrykksspyling av produktet, er en standard kirurgisk vognvasker eller en håndholdt lanse.
- Rengjør båren én gang i måneden.
- Rengjør **Velcro®**-borrelåsen etter hver bruk. Bløtlegg **Velcro®**-borrelåsen i desinfeksjonsmiddel og la desinfeksjonsmiddelet fordampe. Egnede desinfeksjonsmiddel for **Velcro®**-borrelås i nylon blir fastsatt av service.
- Bløtlegging av festestroppenes metallspenner kan forårsake korrosjon på spennene og anbefales ikke. Skyll med rent vann og la dem lufttørke for å redusere muligheten for korrosjon. Skift ut festestroppene hvis metallspennene har rustdannelse.
- Direkte kontakt mellom hud og synlig tilsmusset, gjennomtrengelig materiale kan øke risikoen for infeksjon.

Foreslåtte rensedmidler

Når brukt i konsentrasjoner som anbefales av produsenten, kan det generelt brukes desinfeksjonsmidler av enten fenolisk eller kvartær type (unntatt **Virex®** TB). Desinfeksjonsmidler av jodofor-typen anbefales ikke for bruk, fordi flekker kan forekomme.

Foreslåtte rengjøringsmidler inkluderer:

- Kvartære rengjøringsmidler (aktiv ingrediens – ammoniumklorid) som inneholder mindre enn 3 % glykoleter
- Fenol-rengjøringsmidler (aktiv ingrediens – o-fenylfenol)
- Klorert blekemiddelløsning (5,25 % – mindre enn 1 del blekemiddel til 100 deler vann)
- ≤21 % isopropylalkohol

Unngå gjennomvæting. Ikke la produktet være vått i lengre tid enn det som er angitt i kjemikalieprodusentens retningslinjer for riktig desinfisering.

Merknad

- Følges ikke de ovennevnte instruksjonene når du bruker disse typene rengjøringsmidler, kan produktgarantien ugyldiggjøres.
- Vask alltid over produktet med rent vann og tørk etter rengjøring. Enkelte rengjøringsprodukter er etsende og kan skade produktet. Hvis du ikke skyller og tørker produktet tilstrekkelig, kan rester av det etsende midlet bli sittende igjen på produktets overflate, slik at viktige komponenter forringes raskere.

Rengjøre laderen

ADVARSEL

- Bruk alltid isolerte gummihandsker i tillegg til personlig verneutstyr ved rengjøring av **SMRT**-batteripakken, for å redusere risikoen for skade.
 - Koble alltid **SMRT**-laderen fra vegguttaket før rengjøring for å unngå elektriske farer.
 - Ikke spray væske direkte på **SMRT**-laderen.
 - Ikke høytrykkspyl **SMRT**-laderen.
 - Ikke bruke løsemidler, smøremidler eller andre kjemikalier for å rengjøre **SMRT**-laderen, med mindre annet er anvist.
 - Ikke senk **SMRT**-laderen i vann eller la vann samles oppe på **SMRT**-laderen, for å unngå fare for elektrisk støt.
-

To clean the **SMRT** charger:

1. Koble **SMRT**-laderen fra vegguttaket for å unngå elektriske farer under rengjøring.
2. Tørk av overflatene på **SMRT**-laderen med en myk klut dampet med et ikke-skurende desinfeksjonsmiddel for sykehus.
3. Tørk med en klut fuktet med rent vann for å fjerne alle rengjøringskjemikalier eller -rester.
4. La det tørke grundig før **SMRT**-laderen tas i bruk igjen.

Rengjøre batteriet

SMRT Pak er utformet for å kunne høytrykksspyles. Den foretrukne metoden for høytrykksspyling av **SMRT** Pak er med en standard kirurgisk vognavasker eller en håndholdt lanse.

ADVARSEL

- Bruk alltid riktig verneutstyr ved høytrykksspyling for å unngå innånding av smitte. Høytrykksspylingsutstyr kan avgi smitte i luften.
 - Bruk alltid isolerte gummihandsker i tillegg til personlig verneutstyr ved rengjøring av **SMRT** Pak for å redusere risikoen for skade.
 - Bruk alltid kun ikke-ledende materialer til å tørke av **SMRT** Pak.
 - Unngå alltid overdreven eksponering for vann på terminalene til **SMRT** Pak.
 - Kontroller alltid desinfeksjonsmidlets sikkerhetsdatablad for å verifisere pH-området. Desinfeksjonsmidler med pH-nivåer høyere enn 10,5 kan forårsake at huset til **SMRT** Pak sprekker.
 - Ikke kom i direkte kontakt med terminalene til **SMRT** Pak under rengjøring, for å unngå skade.
 - Ikke senk **SMRT** Pak i væske, for å redusere risikoen for elektrisk støt.
 - Ikke bruk løsemidler, smøring eller andre kjemikalier for å rengjøre **SMRT** Pak, med mindre annet er anvist.
-

FORSIKTIG

- Ikke rengjør **SMRT** Pak med damp eller ultralyd.
 - Temperaturen i vannet skal ikke overstige 180°F (82 C).
 - Ikke overstig 240 °F (115 °C) som maksimal lufttørketemperatur (vognavaskere).
 - Vanntrykket skal ikke overstige 1500 psi (103,4 bar). Hvis det brukes en håndholdt lanse til å vaske produktet, skal trykkdysen holdes minimum 24 tommer (61 cm) fra produktet.
-

Slik rengjøres **SMRT** Pak:

1. Fjern **SMRT** Pak fra **Power-PRO**-båren eller **SMRT**-laderen.
2. Kontroller huset og terminalområdet til **SMRT** Pak for eventuelle sprekker eller skade.
3. Rengjør **SMRT** Pak med et desinfeksjonsmiddel som er klassifisert for sykehusbruk, med et pH-område fra 6,5 til 10,5.
4. Skyll **SMRT** Pak grundig med rent vann for å fjerne rensmiddel eller rusk. Posisjoner **SMRT** Pak for å unngå vannansamling nær terminalene.
5. Tørk **SMRT** Pak grundig før **SMRT** Pak settes inn i en **Power-PRO**-båre eller **SMRT**-lader.

Forebyggende vedlikehold

ADVARSEL

- Alltid avlast trykket før du kobler fra hydrauliske eller andre ledninger. Væskeutslipp under trykk kan trenge gjennom huden og forårsake alvorlige skader. Stram alle koblinger før du påfører trykk. Hvis en ulykke oppstår, må det søkes legehjelp umiddelbart.
- Ikke bruk bare hendene for å se etter hydrauliske lekkasjer.

FORSIKTIG

- Bruk alltid autoriserte deler for å unngå fare for produktskade.
- Alltid sjekk slanger og ledninger regelmessig for å unngå skade på båren. Kontroller og stram løse koblinger. Hydrauliske ledninger, slanger og koblinger kan svikte eller løsne på grunn av fysisk skade, knekk, alder og miljøeksponering.
- Ikke tipp båren på lastehjulene og aktiver produktet, da dette vil slippe inn luft i hydraulikksystemet.

Opprett og følg en vedlikeholdsplan og registrer alt vedlikehold. Ta produktet ut av bruk før du utfører forebyggende vedlikeholdsinspeksjon. Det kan være du må utføre forebyggende vedlikeholdskontroller hyppigere basert på graden av bruk av produktet. Service skal kun utføres av kvalifisert personell.

Ved bruk av vedlikeholdsprodukter skal alle retningslinjer fra produsenten og sikkerhetsdatabladene (MSDS) følges.

Smøring

FORSIKTIG - Ikke smør lagrene i X-rammen, da dette vil forringe bårens ytelse og kan ugyldiggjøre garantien.

Båren er utformet for å operere uten å måtte smøres.

Regelmessig inspeksjon og justeringer

Den følgende planen er en generell veiledning til vedlikehold. Faktorer som vær, terreng, geografisk plassering og individuell bruk vil endre den påkrevde vedlikeholdsplanen. Hvis du usikker på hvordan disse kontrollene skal utføres, kontakt din Stryker servicetekniker. Hvis du er i tvil om hvilke intervaller du bør følge for å vedlikeholde produktet ditt, kan du søke råd hos din Stryker servicetekniker. Sjekk hver rutine og bytt ut slitte deler om nødvendig.

Hver måned eller etter to timers bruk

Kontroller disse elementene hver måned eller etter to timers bruk, avhengig av hva som kommer først.

Element	Kontroller
Innstillinger	Avstengingskonfigurasjon i festet
Sylinder	Forleng sylinderstang. Tørk av sylinderstangen med en myk klut og husholdningsvaskemiddel.
Kabler og ledninger	Ingen hengende ledninger fra ledere eller koblinger
Manuelt sikkerhetsutløserhåndtak	Funksjoner for manuelt sikkerhetsutløserhåndtak
Liggeflate	Ramme og liggeflate
Base	Ramme og base
Hjul	Alle hjul sitter fast, ruller og dreier
Hodedel	Sikkerhetsstangen fungerer. Trekk mot hodedelen for å sikre at sikkerhetshåndtaket svinger og roterer fritt og kan trekkes tilbake til utgangsposisjonen

Element	Kontroller
Festestopper	Festestopper fungerer og er uten overdreven slitasje (for eksempel en bøyd eller brukket mottaker eller låseplate, eller revet eller frynsete netting)
Batteri	Kontroller SMRT -pakkehuset og terminalområdet for sprekker eller skade før første og hver bruk
Lader	Kontroller SMRT -laderen og -delene med henblikk på kutt i ledningen, bøyd pinner eller kontakter eller sprekker i huset før første og hver bruk

Hver tredje måned eller seks timers bruk

Kontroller disse elementene hver tredje måned eller etter seks timers bruk, avhengig av hva som kommer først.

Element	Kontroller
Sylinder	At alle festeanordninger sitter godt
	Ingen lekkasje av hydraulisk væske (rød)
	Løse beslag – stram om nødvendig
Hydraulikk	Motorens monteringskruer er sikret
	Ingen lekkasje av hydraulisk væske
	Ingen lekkasje fra beholderen
Kabler og ledninger	Ingen skade eller klemming på ledningsnett, kabel eller ledninger
	Ingen skadede koblinger
Manuelt sikkerhetsutløserhåndtak	Basen forlenges og trekkes tilbake når du trekker i det manuelle sikkerhetsutløserhåndtaket
	Båren senkes ikke når du trekker i det manuelle sikkerhetsutløserhåndtaket med 100 pund (45 kg) eller mer på båren
Liggeflate	At alle festeanordninger sitter godt
	Sylinderen for ryggstøtten fungerer
	Juster den pneumatiske sylinderen for hele spekteret av bevegelse, om nødvendig
Base	At alle festeanordninger sitter godt
X-ramme	X-ramme utvides og trekkes tilbake
Hodedel	At alle festeanordninger sitter godt
	Hodedelen forlenges og låses
Tilbehør og deler (valgfritt)	Alt tilbehør og alle deler fungerer (slik som IV-stativ, festestroppforlenger, skyvehåndtak og oksygentankholder)

Hver sjette måned eller etter 12 timers bruk

Kontroller disse elementene hver sjette måned eller etter 12 timers bruk, avhengig av hva som kommer først.

Element	Kontroller
Hydraulikk	Kontroller slanger og beslag for skade eller slitasje
	Hydraulisk hastighetssikring – plasser en vekt på ca. 50 lb (23 kg) på båren, hev båren, løft båren med to operatører, trekk i det manuelle sikkerhetsutløserhåndtaket, sett båren raskt ned, og kontroller at båren ikke faller
Elektroniske kontroller	Forleng båren til hevet posisjon, mål og sjekk lastehøyde
	Joggefunksjon fungerer
	Rask tilbaketrekking fungerer
Brytere	Ingen skade eller slitasje på noen av bryterne
	Begge brytere fungerer
Liggeflate	Ingen bøye, ødelagte eller skadede komponenter
	Ingen skade eller rifter på båregrepene
	Sengegrinder fungerer og låses fast
	Fotstøtten fungerer
Madrass	Ingen sprekker eller rifter
Base	Ingen bøye, ødelagte eller skadede komponenter
Hjul	Ingen rusk
Hodedel	Ingen bøye, ødelagte eller skadede komponenter
	Gripehåndtaket har ikke skader eller rifter
	Lastehjul er sikret og ruller
Støtteben (valgfritt)	Smør støttebenfjæren og det indre fjærhuset (valgfritt) ved hjelp Tri-Flow®-smøring.

Hver 12. måned eller etter 24 timers bruk

Inspiser disse elementene hver 12. måned eller etter 24 timers bruk, avhengig av hva som kommer først.

Element	Kontroller
Innstillinger	Tilpasning og funksjon av bære og festeanordning
Sylinder	Sylinderen er justert – låsemutteren er stram og båren slutter å bevege seg når den treffer stopperne
Manuelt sikkerhetsutløserhåndtak	Går tilbake til sammenfoldet stilling
Liggeflate	Alle sveisinger er intakte, ikke sprukne eller ødelagte
	Advarselsmerkene er til stede og leselige
Understell	Alle sveisinger er intakte, ikke sprukne eller ødelagte

Element	Kontroller
Hjul	Kontroller og juster hjullåser
Oksygenflaskeholder for uttrekkbar hodedel (valgfri)	Stropper og klemmer for slitasje
Defribillatorplattform (valgfri)	Stropper ikke er frynsete eller opprevet
	Låsekroker er intakte og trygge

Informasjon om elektromagnetisk kompatibilitet

FORSIKTIG

- Bruk av annet tilbehør, andre transdusere og andre kabler enn de som er angitt eller levert av produsenten, kan medføre økt elektromagnetisk stråling eller redusert elektromagnetisk immunitet, og kan føre til feilaktig drift.
- Utslippsegenskapene til dette utstyret gjør at det er egnet for bruk i industriområder og sykehus (CISPR 11 klasse A). Hvis det brukes i et boligmiljø hvor CISPR 11 klasse B vanligvis er påkrevd, kan det være at utstyret ikke klarer å tilby tilstrekkelig beskyttelse mot radiofrekvente kommunikasjonstjenester. Brukeren må kanskje gjennomføre utbedrende tiltak, som å snu eller flytte på utstyret.

Rettledning og produsenterklæring – elektromagnetisk stråling

Power-PRO og **SMRT**-laderen er beregnet for bruk i det elektromagnetiske miljøet som er spesifisert nedenfor. Kunden eller brukeren av **Power-PRO** og **SMRT**-laderen må forsikre seg om at de brukes i et slikt miljø.

Strålingstest	Samsvar	Elektromagnetisk miljø
RF-stråling CISPR 11	Gruppe 1	Power-PRO og SMRT -laderen bruker RF-energi kun for indre funksjoner. RF-strålingen er derfor svært lav og vil sannsynligvis ikke forårsake interferens på elektronisk utstyr i nærheten.
RF-stråling CISPR 11	Power-PRO : Klasse A	Power-PRO er egnet til bruk i alle typer lokaler unntatt private hjem og andre lokaler som er direkte koblet til det offentlige lavspenningsnettet som leverer strøm til bygninger som brukes til boligformål.
	SMRT -lader (6500-201-010): Klasse B	SMRT -laderen er egnet til bruk i alle typer lokaler, inkludert private hjem og andre lokaler som er direkte koblet til det offentlige lavspenningsnettet som leverer strøm til bygninger som brukes til boligformål.
Harmonisk stråling IEC 61000-3-2	Power-PRO : I/A SMRT -lader (6500-201-010): Klasse A	SMRT -laderen er egnet til bruk i alle typer lokaler, inkludert private hjem og andre lokaler som er direkte koblet til det offentlige lavspenningsnettet som leverer strøm til bygninger som brukes til boligformål.
Spenningsvariasjoner Flimmerstråling IEC 61000-3-3	Power-PRO : I/A SMRT -lader (6500-201-010): i samsvar	SMRT -laderen er egnet til bruk i alle typer lokaler, inkludert private hjem og andre lokaler som er direkte koblet til det offentlige lavspenningsnettet som leverer strøm til bygninger som brukes til boligformål.

FORSIKTIG

- Ikke bruk bærbart RF-kommunikasjonsutstyr, inkludert periferiutstyr som antennekabler og eksterne antenner, nærmere enn 12 tommer (30 cm) fra noen del av **Power-PRO** og **SMRT**-laderen, inkludert kabler spesifisert av produsenten.
- Stabling eller plassering av annet utstyr ved siden av **Power-PRO** og **SMRT**-laderen skal unngås for å forhindre feil drift av produktene. Hvis slik bruk er nødvendig skal **Power-PRO** og **SMRT**-laderen og det andre utstyret observeres nøye for å sikre at de fungerer korrekt.

Anbefalte separasjonsavstander mellom bærbart og mobilt RF-kommunikasjonsutstyr og Power-PRO og SMRT-lader

Power-PRO og **SMRT**-laderen er beregnet på bruk i et elektromagnetisk miljø der forstyrrelser fra utstrålt RF er kontrollert. Kunden eller operatøren av **Power-PRO** og **SMRT**-laderen kan bidra til å unngå elektromagnetisk interferens ved å opprettholde en minimumsavstand mellom bærbart og mobilt RF-kommunikasjonsutstyr (sendere) og **Power-PRO** og **SMRT**-laderen som anbefalt nedenfor, i henhold til kommunikasjonsutstyrets maksimale utgangseffekt.

Maksimal nominell utgangseffekt for senderen W	Separasjonsavstand i henhold til senderens frekvens m		
	150 kHz til 80 MHz $D = (1,2) (\sqrt{P})$	80 MHz til 800 MHz $D = (0,35) (\sqrt{P})$	800 MHz til 2,7 GHz $D = (0,70) (\sqrt{P})$
0,01	0,12	0,04	0,07
0,1	0,38	0,11	0,22
1	1,20	0,35	0,70
10	3,79	1,11	2,21
100	12	3,50	7

For sendere med en maksimal nominell utgangseffekt som ikke er oppført ovenfor, kan anbefalt separasjonsavstand d i meter (m) beregnes ved hjelp av ligningen som gjelder for senderens frekvens, der P er senderens maksimale nominelle utgangseffekt i watt (W) ifølge senderens produsent. Merknad 1: Ved 80 MHz og 800 MHz gjelder separasjonsavstanden for det høyeste frekvensområdet. Merknad 2: Disse retningslinjene gjelder ikke nødvendigvis i alle situasjoner. Elektromagnetisk spredning påvirkes av absorpsjon og refleksjon fra strukturer, gjenstander og mennesker.

Rettledning og produsenterklæring – elektromagnetisk immunitet

Power-PRO og **SMRT**-laderen er egnet for bruk i det elektromagnetiske miljøet som er spesifisert nedenfor. Kunden eller operatøren av **Power-PRO** og **SMRT**-laderen må forsikre seg om at de brukes i et slikt miljø.


Immunitetstest	IEC 60601-testnivå	Samsvarsnivå	Elektromagnetisk miljø – rettledning
Elektrostatisk utladning (ESD) IEC 61000-4-2	± 8 kV kontakt ± 15 kV luft	± 8 kV kontakt ± 15 kV luft	Gulvet må være laget av tre, betong eller keramiske fliser. Hvis gulv er dekket av syntetisk materiale, må den relative luftfuktigheten være minst 30 %.
Elektrostatisk rask transient/støt IEC 61000-4-4	± 2 kV for strømforsyningslinjer ± 1 kV for inngående/utgående linjer	Power-PRO: Ikke relevant SMRT-lader (6500-201-010): ± 2 kV for strømforsyningslinjer $+1$ kV for inngående/utgående linjer	Nettstrøm kvaliteten skal være som i et typisk kommersielt miljø eller sykehusmiljø.

Rettledning og produsenterklæring – elektromagnetisk immunitet

<p>Overspenning IEC 61000-4-5</p>	<p>± 1 kV linje(r) til linje(r) ± 2 kV linje(r) til jording</p>	<p>Power-PRO: Ikke relevant SMRT-lader (6500-201-010): ± 1 kV linje(r) til linje(r) ± 2 kV linje(r) til jording</p>	<p>Nettstrømkkvaliteten skal være som i et typisk kommersielt miljø eller sykehusmiljø.</p>
<p>Spenningsfall, spenningsvariasjoner og korte avbrudd på inngående strømforsyningslinjer IEC 61000-4-11</p>	<p>0 % U_T i 0,5 sykluser ved 0°, 45°, 90°, 135°, 180°, 225°, 270° og 315° 0 % U_T i 1 syklus 70 % U_T (30 % fall i U_T) i 25 sykluser 0 % U_T i 250 sykluser</p>	<p>Power-PRO: Ikke relevant SMRT-lader (6500-201-010): 0 % U_T i 0,5 sykluser ved 0°, 45°, 90°, 135°, 180°, 225°, 270° og 315° 0 % U_T i 1 syklus 70 % U_T (30 % fall i U_T) i 25 sykluser 0 % U_T i 250 sykluser</p>	<p>Nettstrømkkvaliteten skal være som i et typisk kommersielt miljø eller sykehusmiljø. Hvis operatøren av SMRT-laderen krever kontinuerlig drift under strømbrudd, anbefales det at produktet får strøm fra en avbruddssikker strømforsyning eller et batteri.</p>
<p>Magnetfelt fra strømfrekvens (50/60 Hz) IEC 61000-4-8</p>	<p>30 A/m</p>	<p>30 A/m</p>	<p>Strømfrekvensens magnetfelt skal være på et nivå som er karakteristisk for et typisk sted i et typisk kommersielt miljø eller sykehusmiljø.</p>
<p>Elektrisk transientledning langs forsyningslinjer ISO 7637-2</p>	<p>iht. ISO 7637-2</p>	<p>Power-PRO: Ikke relevant SMRT-lader (6500-201-010): iht. ISO 7637-2</p>	<p>Ikke relevant</p>

Merk: U_T er vekselstrømmens nettspenning før anvendelse av testnivået.

Rettledning og produsenterklæring – elektromagnetisk immunitet

<p style="text-align: center;">Ledet RF IEC 61000-4-6</p> <p style="text-align: center;">Utstrålt RF IEC 61000-4-3</p>	<p style="text-align: center;">3 Vrms 6 Vrms i ISM- og amatørradiobånd 150 kHz til 80 MHz</p> <p style="text-align: center;">10 V/m 80 MHz til 2,7 GHz</p>	<p style="text-align: center;">3 V 6 Vrms i ISM- og amatørradiobånd</p> <p style="text-align: center;">10 V/m</p>	<p>Bærbart og mobilt RF-kommunikasjonsutstyr skal ikke brukes nærmere noen del av Power-PRO eller SMRT-laderen, inkludert kablene, enn den anbefalte separasjonsavstanden som beregnes med ligningen som gjelder for senderens frekvens.</p> <p>Anbefalt separasjonsavstand</p> <p>$D = (1,2) (\sqrt{P})$</p> <p>$D = (0,35) (\sqrt{P})$</p> <p>80 MHz til 800 MHz</p> <p>$D = (0,70) (\sqrt{P})$</p> <p>800 MHz til 2,7 GHz</p> <p>der P er senderens maksimale nominelle utgangseffekt i watt (W) ifølge senderens produsent, og d er anbefalt separasjonsavstand i meter (m).</p> <p>Feltstyrker fra faste RF-sendere, slik det er fastslått ved en undersøkelse av elektromagnetisme på driftsstedet,^a skal være mindre enn samsvarsnivået for hvert frekvensområde.^b</p> <p>Interferens kan forekomme i nærheten av utstyr som er merket med følgende symbol:</p> <div style="text-align: center;">  </div>
--	--	---	--

Merknad 1: Ved 80 MHz og 800 MHz gjelder det høyeste frekvensområdet.

Merknad 2: Disse retningslinjene gjelder ikke nødvendigvis i alle situasjoner. Elektromagnetisk spredning påvirkes av absorpsjon og refleksjon fra strukturer, gjenstander og mennesker.

Merknad 3: ISM (Industrial, Scientific, Medical – de industrielle, vitenskapelige og medisinske)-båndene mellom 0,15 MHz og 80 MHz er 6,765 MHz til 6,795 MHz, 13,553 MHz til 13,567 MHz, 26,957 MHz til 27,283 MHz og 40,66 MHz til 40,70 MHz. Amatørradiobåndene mellom 0,15 MHz og 80 MHz er 1,8 MHz til 2,0 MHz, 3,5 MHz til 4,0 MHz, 5,3 MHz til 5,4 MHz, 7 MHz til 7,3 MHz, 10,1 MHz til 10,15 MHz, 14 MHz til 14,2 MHz, 18,07 MHz til 18,17 MHz, 21,0 MHz til 21,4 MHz, 24,89 MHz til 24,99 MHz, 28,0 MHz til 29,7 MHz og 50,0 MHz til 54,0 MHz.

Nosila Power-PRO™ TL

Priročnik o delovanju


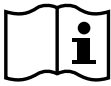


















REF 6550















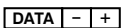








CE

SL

Simboli

	Glejte priročnik/knjižico z navodili
	Glejte navodila za uporabo
	Oznaka CE
	Pooblaščen predstavnik v Evropski skupnosti
	Evropski medicinski pripomoček
	Splošno opozorilo
	Previdnostno obvestilo
	Opozorilo; poškodovanje rok
	Opozorilo; neionizirajoče sevanje
	Ne potiskajte
	Ne uporabljajte maziv
	Kataloška številka
	Koda lota (serije)
	Serijska številka
	Za patente v ZDA si oglejte www.stryker.com/patents
	Proizvajalec
	Datum izdelave
	Uvoznik
	Teža opreme z varno delovno obremenitvijo
	Varna delovna obremenitev

	Del, tipa B, v stiku s telesom
	Del, tipa BF, v stiku s telesom
	Medicinska oprema, ki jo je glede električnih udarov, požara in mehaničnih nevarnosti razvrstila družba Underwriters Laboratories Inc. samo v skladu s standardoma ANSI/AAMI ES60601-1:2012 in CAN/CSA-C22.2 št. 60601-1:14.
	Enosmerni tok
	Izmenični tok
	Električna oprema razreda II: oprema, pri kateri zaščita pred električnim udarom ne temelji samo na osnovni izolaciji, ampak vključuje tudi dodatne varnostne ukrepe, kot je dvojna izolacija ali ojačana izolacija, brez zagotavljanja zaščitne ozemljitve ali zanašanja na pogoje namestitve.
	Nevarna napetost
	Napajalni sistem SMRT
	Raztegnitev
	Zložitev
IPX0	Brez zaščite
IPX6	Zaščita pred močnimi vodnimi curki
	V skladu z evropsko Direktivo 2012/19/EU o odpadni električni in elektronski opremi (OEEO), kakor je bila spremenjena; ta simbol označuje, da je treba izdelek zbirati ločeno za recikliranje. Ne odlagajte ga med nerazvrščene komunalne odpadke. Za informacije o odstranjevanju se obrnite na lokalnega distributerja. Zagotovite, da je okužena oprema dekontaminirana pred recikliranjem.
	Direktiva OEEO (2012/96/ES). Vsebuje kadmij.
	Družba Rechargeable Battery Recycling Corporation (RBRC) je neprofitna organizacija za javne storitve, ki promovira recikliranje prenosnih polnilnih baterij. Baterije je treba dostaviti na lokacijo za zbiranje baterij. Če želite poiskati zbirno mesto v bližini, obiščite spletno mesto RBRC (www.rbrc.org) ali pokličite telefonsko številko na simbolu za recikliranje.
	Vsebuje nikelj-kadmijeve celice in mora biti reciklirano temu primerno
	Identifikacija priključkov baterije (podatkovni vodnik, negativni in pozitivni pol)
KRX 23/44	Identifikacija celice Ni-Cd v skladu z IEC 61951-1:2003
2300 mAh (1.2A/2h)	Kapaciteta akumulatorja, značilen naboj in trajanje

	<p>Ne čistite z belilom</p>
	<p>Varovalni pas za ramena</p>
	<p>Zadrževalni pas za okoli pasu z dvojno zaponko</p>
	<p>Zadrževalni pas za okoli pasu z enojno zaponko</p>
	<p>Varovalni pas za stegno</p>
	<p>Varovalni pas za gleženj</p>

Kazalo vsebine

Opredelitev opozoril/previdnostnih obvestil/opomb	3
Povzetek varnostnih ukrepov	3
Mesta možnega pripenjanja	6
Mehanska stabilnost	7
Uvod	9
Opis izdelka	9
Indikacije za uporabo	9
Klinične koristi	9
Kontraindikacije	10
Pričakovana življenjska doba	10
Odstranjevanje/recikliranje	10
Specifikacije – Power-PRO	10
Evropska uredba REACH	11
Standardi z zahtevanimi izbirnimi možnostmi	12
Združljivost s sistemom varovalnih pasov za otroke Schnitzler	12
Tehnične zahteve – SMRT	13
Slika izdelka - Power-PRO	14
Ponazoritev izdelka – SMRT	15
Kontaktne informacije	15
Lokacija serijske številke – Power-PRO	16
Lokacija serijske številke – SMRT	16
Nastavitev	17
Namestitev	17
Namestitev pritrdila nosil	17
Delovanje	18
Preverjanje napolnjenosti baterije	18
Preverjanje časovnika in prikaza napake	18
Smernice za upravljanje	19
Pravilne tehnike dviganja	20
Prenos pacienta na nosila	20
Potiskanje nosil z bolnikom	20
Dviganje ali spuščanje nosil	21
Dviganje, spuščanje ali sproščanje nosil s krmiljenjem	21
Ročno dviganje ali spuščanje nosil z ročno preglasitvijo	22
Pospeševanje nalaganja z načinom uvlečenja z visoko hitrostjo	22
Namestitev nosil na pritrdilo nosil	22
Odstranitev nosil s pritrdila nosil	23
Nalaganje nosil z dvigalom na repu	23
Razlaganje nosil z dvigalom na repu	24
Nalaganje nosil s klančino	25
Nalaganje in razlaganje nosil z izbirno možnostjo držala za kisikovo jeklenko	25
Položaj upravljavcev in pomočnikov	26
Dviganje ali spuščanje hrbtnega naslona	26
Dviganje ali spuščanje stranskih ograj	27
Dviganje ali spuščanje stranskih ograj (različica XPS)	27
Izvlačenje zložljivega dela vzglavja ali vznožja	27
Uvlečenje izvlečnega vzglavja ali vznožja	28
Dviganje ali spuščanje izbirnega spodnjega naslona za noge	29
Aktiviranje ali sprostitev zaklepa kolesc	30
Aktiviranje ali sprostitev izbirnega zaklepa za krmiljenje Steer-Lock	30
Zavarovanje bolnika z varovalnimi pasovi	31
Dodajanje podaljška varovalnega pasu	32
Imobilizacija pacienta z varovalnimi pasovi v obliki črke X/varovalnimi pasovi XPR	32
Za pritrditev varovalnih pasov za ramena v obliki črke X/XPR	33
Za pritrditev varovalnih pasov za okoli pasu v obliki črke X/XPR	33
Za pritrditev varovalnih pasov za stegna v obliki črke X/XPR	34
Za pritrditev varovalnih pasov za gležnje v obliki črke X/XPR	34
Imobilizacija bolnika s sistemom varovalnih pasov za otroke Pedi-Mate®	34
Pritrditev ploščadi za defibrilator	35
Obešanje opreme na kavelj za opremo	38

Postavitev dvostopenjskega stojala za infuzijo	38
Postavitev izbirnega tristopenjskega stojala za infuzijo	39
Pritrditev kisikove jeklenke na držalo za kisikovo jeklenko	40
Izbirna pritrditev potisnih drogov	41
Odstranjevanje in shranjevanje potisnih drogov v vrečo za shranjevanje potisnih drogov	41
Pritrditev izbirne odlagalne mreže na podnožju	42
Pritrditev shranjevalne vrečke na hrbtnem naslonu	42
Pritrditev posteljnega vložka	43
Vstavljanje polnilnika SMRT Pak	44
Odstranjevanje akumulatorja SMRT Pak z nosil	44
Shranjevanje akumulatorja	45
Polnjenje akumulatorja SMRT Pak	45
Preverjanje napolnjenosti akumulatorja SMRT Pak s polnilnikom SMRT	46
Zahteve za električne povezave	47
Nameščanje polnilnika SMRT	47
Namestitev dodatnega namestitvenega nosilca	47
Pritrditev polnilnika na dodatni namestitveni nosilec	48
Napajanje polnilnika	49
Izključitev polnilnika	50
Dodatki in deli	51
Čiščenje in razkuževanje varovalnih pasov XPR	53
Čiščenje	54
Priporočena čistila	54
Čiščenje polnilnika	55
Čiščenje baterije	55
Preventivno vzdrževanje	57
Mazanje	57
Redni pregled in prilagoditve	57
Vsak mesec ali vsaki dve uri	57
Vsake tri mesece ali vsakih šest delovnih ur	58
Vsakih šest mesecev ali vsakih 12 ur	59
Vsakih 12 mesecev ali na 24 ur	59
Informacije o EMC	61

Opredelitev opozoril/previdnostnih obvestil/opomb

Besede **OPOZORILO**, **PREVIDNOSTNO OBVESTILO** in **OPOMBA** imajo poseben pomen in jih je treba skrbno pregledati.

OPOZORILO

Opozori bralca na situacijo, ki bi lahko, če se je ne prepreči, povzročila smrt ali resno poškodbo. Opisuje lahko tudi morebitne resne neželene učinke in tveganja za varnost.

PREVIDNOSTNO OBVESTILO

Opozori bralca na potencialno nevarno situacijo, ki bi lahko, če se je ne prepreči, povzročila blago ali zmerno poškodbo uporabnika ali bolnika ali poškodbo izdelka ali druge lastnine. To vključuje posebno nego, potrebno za varno in učinkovito uporabo pripomočka, in nego, potrebno za preprečevanje poškodbe pripomočka, do katere bi lahko prišlo kot posledica uporabe ali napačne uporabe.

Opomba - Zagotavlja posebne informacije, da je vzdrževanje enostavnejše oziroma so pomembna navodila jasnejša.

Povzetek varnostnih ukrepov

Vedno preberite in strogo upoštevajte opozorila in previdnostna obvestila, navedena na tej strani. Servisiranje lahko izvaja samo usposobljeno osebje.

OPOZORILO

- Pri nalaganju ali razlaganju nosil ali spreminjanju njihove višine z rokami ne prijemajte rdečih tečajev varnostne palice.
- Pri prevažanju nosil vedno uporabljajte obe roki.
- Pritrdila nosil lahko namesti samo usposobljeno osebje. Nepravilna namestitev lahko povzroči poškodbo pacienta ali upravljavca.
- Vedno se prepričajte, da vsa nosila ustrezajo specifikacijam za namestitev sistema s pritrdili nosil družbe Stryker.
- Vedno prilagodite sklop s sponko prečke, da se bo ujemal s položajem zadrževalnega droga nosil glede na proizvajalca in številko modela nosil.
- Akumulatorja ne odstranjujte, ko so nosila aktivirana.
- Izdelek vselej upravljajte le, ko so vse osebe oddaljene od mehanizmov. Zapletanje v krmiljene mehanizme izdelka lahko povzroči resno poškodbo.
- Vedno pred vsako uporabo preglejte akumulatorje **SMRT Pak**, ali so morebiti poškodovani.
- Neusposobljeni asistenti ne smejo pomagati upravljati izdelka.
- Roke vedno pravilno položite na ročaje. Pri nalaganju ali razlaganju nosil ali spreminjanju njihove višine z rokami ne prijemajte rdečih tečajev varnostne palice.
- Ne prevažajte se na podnožju nosil.
- Za preprečevanje tveganja prevrnitve nosil ne prevažajte s stranskim delom naprej. Nosila vselej prevažajte v spuščnem položaju z vzglavjem ali vznožjem naprej, da zmanjšate tveganje za prevrnitev.
- Roke, prste in stopala vedno držite stran od premikajočih se delov. Pri dviganju ali spuščanju nosil bodite previdni, ko ste z rokami in stopali v bližini cevi podnožja.
- V vsako reševalno vozilo, ki se bo uporabljalo s temi nosili in pritrdilom v obliki rogov, vedno namestite izklopni sistem v pritrdilu.
- Ko so nosila v mirovanju, vedno spremljajte pacienta. Če hidravlično dvignete ali spustite izdelek, ima lahko to začasen vpliv na opremo za elektronsko spremljanje pacientov.
- Za zavarovanje pacienta na izdelku vedno uporabite vse razpoložljive varovalne pasove. Pacient, ki ni zaščiten z varovalnimi pasovi, lahko pade z nosil in se poškoduje.
- Pacienta ne puščajte samega. Kadar je na nosilih pacient, nosila držite.
- Za preprečevanje tveganja za prevrnitev ne uporabite zaklepa koles, če je pacient na nosilih ali med premikanjem nosil.
- Stranskih ograj ne uporabljajte za imobilizacijo pacienta.
- Nosila vedno prevažajte v nižjem položaju, da zmanjšate tveganje za prevrnitev. Če je mogoče, pridobite dodatno pomoč ali uporabite drugo pot.

- Vedno se izogibajte visokim oviram, kot so robniki, stopnice ali neraven teren, da preprečite tveganje za prevrnitev izdelka.
- Dviganje ali spuščanje nosil s pacientom naj vedno izvajata dva upravljavca.
- Vedno poskrbite, da se nosila ne morejo zapeljati nazaj navzdol, preden uporabite dvigalo na repu za dvig nosil s pacientom. Poskrbite, da je zaustavitev vrat dvigala vzdrževana in da deluje.
- Pred upravljanjem nosil vedno zaklenite vzglavje na svoje mesto.
- Nosil ne poskušajte naložiti v predel vozila za pacienta, medtem ko je vzglavje uvlečeno. Če naložite nosila, medtem ko je vzglavje uvlečeno, lahko pride do prevrnitve izdelka ali nezmožnosti povezave s pritrdilom nosil v vozilu.
- Zaklepa koles ne namestite ali aktivirajte pri izdelku z obrabljenimi kolesi, ki imajo premer manj kot 6 palcev (15 cm).
- Pacienta oziroma osebe na nosilih ne puščajte same. Kadar je na nosilih pacient ali druga oseba, nosila držite.
- Za pritrditev pacienta na nosilih vedno uporabite vse razpoložljive varovalne pasove. Pacient, ki ni pripet z varovalnimi pasovi, lahko pade z nosil.
- Varovalnih pasov ne pritrdite na cevi podnožja ali prečne cevi.
- Zaponko vedno postavite proč od ovir ali dodatkov na nosilih, da preprečite tveganje za nenamerno sprostitve sistema varovalnih pasov za otroke **Pedi-Mate®** in poškodbo otroka.
- Ploščadi za defibrilator ne pritrdite pri nosilih modela 6086 **Performance-PRO XT** z možnostjo **Power-LOAD**, da preprečite tveganje prevrnitve nosil.
- Potisne drogove vedno zaklenite v pritrditvene nastavke, da preprečite nehoteno izvlečenje med uporabo.
- Izdelka s potisnimi drogovi ne dvigujte.
- Kadar potisnih drogov ne uporabljate, jih vedno shranite v vrečo za shranjevanje.
- Za preprečevanje tveganja za električni udar v nobenem primeru ne poskušajte odpirati baterijskega sklopa. Če je ohišje baterijskega sklopa počeno ali poškodovano, ga ne vstavljajte v polnilnik. Poškodovane baterijske sklope vrnite v servisni center, kjer bodo recikrirani.
- Izogibajte se neposrednemu stiku z moko baterijo ali ohišjem baterije. Takšen stik lahko vodi v poškodbe pacienta ali upravljavca.
- Če je ohišje akumulatorja **SMRT Pak** počeno ali poškodovano, akumulatorja ne vstavljajte v polnilnik **SMRT**. Poškodovane akumulatorje **SMRT Pak** posredujte na reciklažo v servisni center.
- Dodatni namestitveni nosilec in polnilnik **SMRT** naj vselej namesti kvalificiran mehanik z znanjem s področja konstrukcije reševalnih vozil.
- Za zagotavljanje skladnosti s standardi uveljavljenih preizkusnih trkov je treba polnilnik **SMRT** na dodatni namestitveni nosilec vselej namestiti v zaprti omarici, da je med prevozom zunaj pacientovega dosega.
- Vselej se prepričajte, da je dodatni namestitveni nosilec varno pritrjen na površino.
- Za preprečevanje nevarnosti okužbe dihal pri čiščenju pod tlakom vedno uporabljajte ustrezno osebno varovalno opremo. Oprema za čiščenje pod tlakom lahko privede do razpršitve onesnaževalcev.
- Za zmanjšanje tveganja poškodb pri čiščenju akumulatorja **SMRT Pak** poleg varovalne opreme vedno nosite podložene gumijaste rokavice.
- Za preprečevanje tveganj, povezanih z električnim tokom, polnilnik **SMRT** pred čiščenjem vedno izključite iz stenske vtičnice.
- Tekočine ne pršite neposredno po polnilniku **SMRT**.
- Polnilnika **SMRT** ne čistite pod tlakom.
- Za čiščenje polnilnika **SMRT** ne uporabljajte topil, maziv ali drugih kemičnih sredstev, razen če ni navedeno drugače.
- Za preprečevanje tveganja električnega udara polnilnika **SMRT** ne potaplajte v vodo oziroma preprečite, da bi se na vrhu polnilnika **SMRT** nabirala voda.
- Za brisanje akumulatorja **SMRT Pak** vedno uporabljajte samo neprevodne materiale.
- Pri priključkih akumulatorja **SMRT Pak** vedno preprečujte prekomerno izpostavljenost vodi.
- Za preverjanje razpona pH vedno glejte varnostni list za razkužilo. Razkužila, ki imajo vrednosti pH višje od 10,5, lahko povzročijo, da material ohišja akumulatorja **SMRT Pak** počí.
- Med čiščenjem se izogibajte neposrednemu rokovanju ali stiku s priključki akumulatorja **SMRT Pak**, da preprečite tveganje za poškodbo.
- Akumulatorja **SMRT Pak** ne potopite v tekočino, da zmanjšate tveganje za električni udar.
- Za čiščenje akumulatorja **SMRT Pak** ne uporabljajte topil, maziv ali drugih kemičnih sredstev, razen če ni navedeno drugače.

- Vedno sprostite pritisk, preden odklopite hidravlične ali druge vode. Tekočina, ki uhaja pod pritiskom, lahko prodre v kožo in povzroči resno poškodbo. Zategnite vse povezave, preden uporabite pritisk. Če pride do nezgode, takoj obiščite zdravnika.
 - Puščanja hidravlične tekočine ne preverjajte z golimi rokami.
-

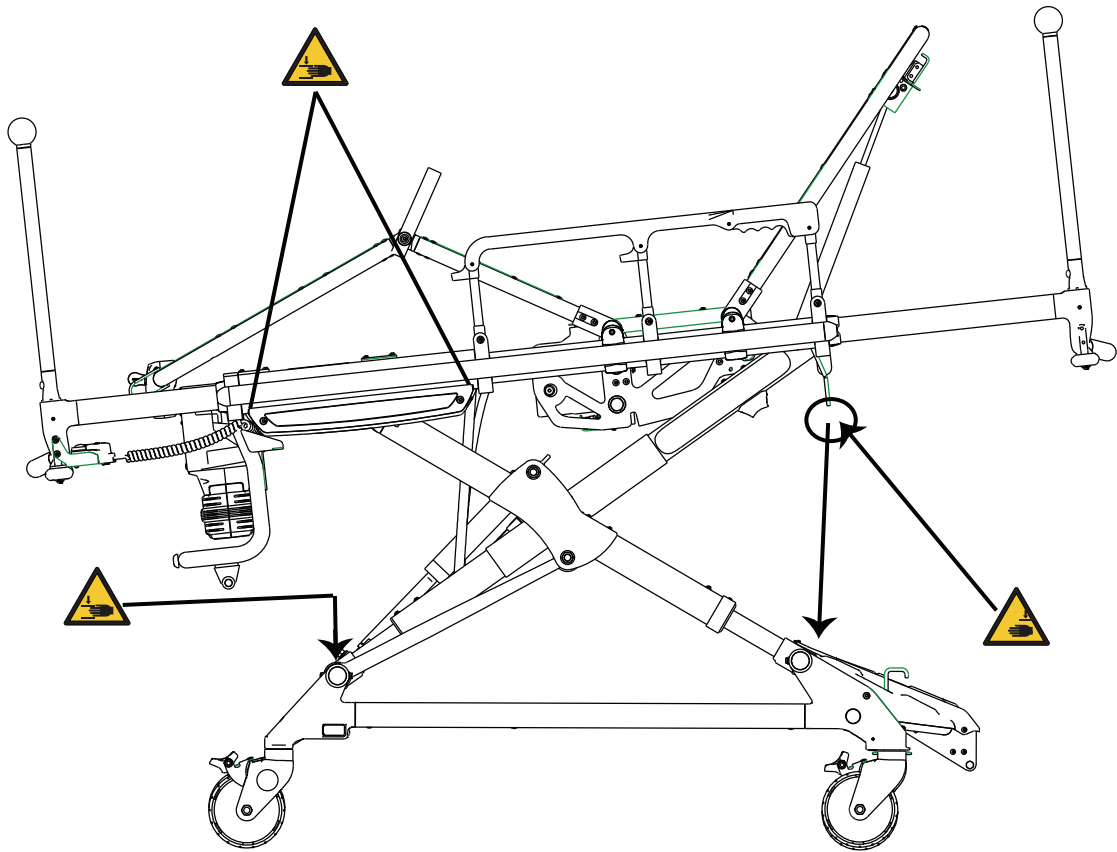
PREVIDNOSTNO OBVESTILO

- Nepravilna uporaba izdelka lahko povzroči poškodbo pacienta ali upravljavca. Izdelek upravljajte samo v skladu z navodili v tem priročniku.
- Ne spreminjajte izdelka ali sestavnih delov izdelka. S spreminjanjem izdelka lahko povzročite nepredvideno delovanje, ki lahko povzroči poškodbo pacienta ali upravljavca. S spreminjanjem izdelka se tudi izniči njegovo jamstvo.
- Izdelka ne uporabljajte skupaj z nezdržljivimi varovalnimi pasovi.
- Vedno napolnite akumulator, preden daste izdelek v uporabo. Nenapolnjen ali izprazen akumulator lahko povzroči nizko zmogljivost izdelka.
- Pred upravljanjem izdelka vselej odstranite morebitne ovire, ki lahko poškodujejo upravljavca ali pacienta.
- Nosila vedno spustite v najnižji položaj, da se omogoči namestitev nosil na pritrnilo nosil.
- Medtem ko so nosila pritrjena na pritrnilo nosil, ne poskušajte spreminjati višine nosil.
- Ne sedite ali stojte na stranskih ograjah (različica XPS).
- Stranskih ograj (različica XPS) ne uporabljajte kot pripomoček ali površino za premestitev pacienta (na primer za pomik pacienta z nosil na drugo površino).
- Pacientov ne položite s celotno težo na stranske ograje (različica XPS).
- Stranskih ograj (različica XPS) ne uporabljajte kot pripomočkov za potiskanje/vlečenje ali za krmiljenje nosil.
- Pazite, da se varovalni pasovi ne zapletejo v ogrodje podnožja, ko dvigate ali spuščate nosila.
- Ko uporabljate ploščad za defibrilator, jo vedno pritrдите na izdelek.
- Vedno uporabite in prilagodite trakove, priložene ploščadi za defibrilator, da pritrđite defibrilator.
- Vedno spremenite lokacijo pritrđitve ali prilagodite trakove konkretni velikosti ali obliki defibrilatorja.
- Obremenitev ploščadi za defibrilator naj ne preseže varne delovne obremenitve 30 funtov (13,6 kg).
- Obremenitev kavlja za opremo naj ne preseže varne delovne obremenitve 35 funtov (15,8 kg).
- Ko ste v vozilu, s kavlja za opremo vedno odstranite vse dodatke ali opremo.
- Obremenitev stojala za infuzijo naj ne preseže varne delovne obremenitve 25 funtov (11,3 kg).
- Obremenitev držala za kisikovo jeklenko naj ne preseže varne delovne obremenitve 6,8 kg (15 funtov).
- Ne uporabljajte dveh držal za kisikovo jeklenko naenkrat.
- Obremenitev odlagalne mreže na podnožju naj ne preseže varne delovne obremenitve 20 funtov (9 kg).
- Vedno bodite previdni, ko zlagate podnožje, da preprečite poškodbe predmetov, ki so shranjeni v odlagalni mreži na podnožju.
- Obremenitev shranjevalne vrečke na hrbtnem naslonu naj ne preseže varne delovne obremenitve 20 funtov (9 kg).
- Poskrbite, da shranjevalna vrečka ne bo motila upravljanja izvlečnega naslona za glavo.
- Ne shranjujte stvari pod posteljnimi vložki. Predmeti pod posteljnimi vložki lahko motijo delovanje izdelka.
- Akumulator vedno odstranite, če nosil ne nameravate uporabljati daljše obdobje (več kot 24 ur).
- Napajalni kabel polnilnika **SMRT** vedno položite tako, da ga nihče ne more pohoditi, se obenj nihče ne more spotakniti oziroma tako, da ni izpostavljen drugim poškodbam ali obremenitvam.
- Priključkov ohišja akumulatorja **SMRT Pak** se ne dotikajte s kovinskimi predmeti.
- Za preprečevanje tveganja poškodbe električnega vtiča in kabla polnilnik **SMRT** vedno izključite tako, da povlečete vtič, ne pa kabla.
- Ne nanašajte maziv na površine varovalnih pasov.
- Izdelka ne čistite s paro ali ultrazvočno.
- Največja temperatura vode naj ne presega 180 F (82°C).
- Največji tlak vode naj ne presega 1500 psi (103,4 bara). Če za čiščenje izdelka uporabljate ročni palični nastavek, mora biti tlačna šoba od izdelka oddaljena vsaj 24 palcev (61 cm).
- Vedno pustite, da se izdelek posuši na zraku.
- Vedno odstranite akumulator, preden očistite nosila.
- Ne izvajajte čiščenja, servisiranja ali vzdrževanja, ko je izdelek v uporabi.
- Akumulatorja **SMRT Pak** ne čistite s paro ali ultrazvočno.

- Največja temperatura sušenja na zraku (pralnik za vozičke) naj ne presega 240°F (115°C).
 - Za preprečevanje tveganja poškodb izdelka vedno uporabite odobrene sestavne dele.
 - Vedno redno pregledujte gibke cevi in vode, da preprečite poškodbo nosil. Preverite morebitne zrahljane priključke in jih zategnite. Hidravlični vodi, gibke cevi in povezave oziroma priključki se lahko okvarijo ali zrahljajo zaradi fizične poškodbe, pregibov, starosti in izpostavljenosti okolju.
 - Ne nagibajte nosil na kolesih za nalaganje in aktivirajte izdelka, saj lahko tako zrak vstopi v hidravlični sistem.
 - Ne nanašajte maziva na ležaje v ogrodju v obliki X, saj to zmanjša zmogljivost nosil in lahko izniči njihovo jamstvo.
 - Uporaba dodatkov, pretvornikov in kablov, ki so drugačni od navedenih ali dobavljenih s strani proizvajalca, lahko povzroči povečane elektromagnetne emisije ali zmanjšano elektromagnetno odpornost in privede do nepravilnega delovanja.
 - Glede na podatke o emisiji je ta oprema primerna za uporabo v industrijskih okoljih in bolnišnicah (CISPR 11, razred A). Če se uporablja v stanovanjskem okolju, za katero se običajno zahteva CISPR 11, razred B, ta oprema morda ne bo zagotavljala ustrežne zaščite za radiofrekvenčne komunikacijske storitve. Uporabnik bo morda moral sprejeti omilitvene ukrepe, kot sta premestitev ali preusmeritev opreme.
 - Prenosne opreme za radiofrekvenčno komunikacijo, vključno s perifernimi enotami, kot so antenski kabli in zunanje antene, ne uporabljajte bližje kot 12 palcev (30 cm) kateremu koli delu izdelka **Power-PRO** in polnilnika **SMRT**, vključno s kabli, ki jih določi proizvajalec.
 - Ne zlagajte oziroma ne nalagajte druge opreme zraven izdelka **Power-PRO** in polnilnika **SMRT**, da bi preprečili nepravilno delovanje izdelkov. Če se taka uporaba zahteva, je treba izdelek **Power-PRO** in polnilnik **SMRT** ter drugo opremo pazljivo opazovati, da se preveri, ali delujejo normalno.
-

Mesta možnega pripenjanja

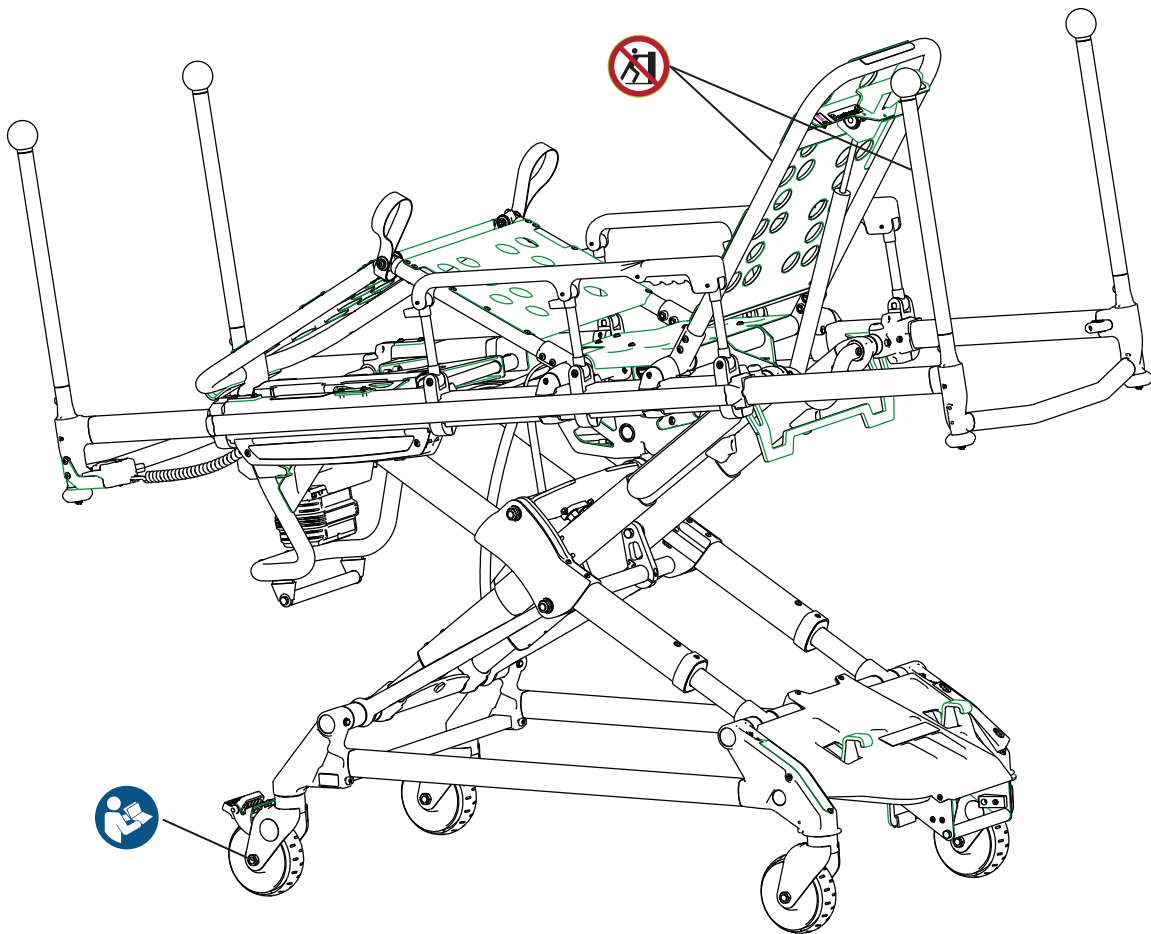
OPOZORILO - Pri nalaganju ali razlaganju ali spreminjanju njihove višine z rokami ne prijemajte tečajev rdeče varnostne ročice.



Slika 1 – Mesta možnega pripenjanja

Mehanska stabilnost

OPOZORILO - Pri prevažanju nosil vedno uporabljajte obe roki.



Slika 2 – Mehanska stabilnost

Opomba - Če so nosila na ravnini, katere naklon presega pet stopinj, prestavite nosila v najnižji položaj.

Uvod

Ta priročnik vam pomaga pri upravljanju ali vzdrževanju izdelka podjetja Stryker. Ta priročnik preberite pred upravljanjem ali vzdrževanjem tega izdelka. Določite načine in postopke za izobraževanje in usposabljanje svojega osebja glede varnega upravljanja ali vzdrževanja tega izdelka.

PREVIDNOSTNO OBVESTILO

- Nepravilna uporaba izdelka lahko povzroči poškodbo bolnika ali operaterja. Izdelek upravljajte samo v skladu z navodili v tem priročniku.
 - Ne spreminjajte izdelka ali sestavnih delov izdelka. S spreminjanjem izdelka lahko povzročite nepredvideno delovanje, ki povzroči poškodbo bolnika ali operaterja. S spreminjanjem izdelka se tudi izniči njegovo jamstvo.
-

Opomba

- Ta priročnik je stalen sestavni del izdelka in mora spremljati izdelek, tudi če se izdelek proda.
- Družba Stryker neprestano išče izboljšave v oblikovanju in kakovosti izdelka. Ta priročnik vsebuje najbolj ažurne informacije o izdelku, ki so na voljo v času tiskanja. Obstajajo lahko manjše razlike pri informacijah glede vašega izdelka v primerjavi z informacijami v tem priročniku. Če imate kakršnakoli vprašanja, se obrnite na službo za pomoč uporabnikom ali tehnično podporo družbe Stryker na številko 1-800-327-0770.

Opis izdelka

Nosila **Power-PRO™ TL** modela 6550 družbe Stryker so reševalna nosila z električnim pogonom, sestavljena iz ploščadi, nameščene na ogrodju X na kolesih, ki je zasnovana za podporo in transport največje teže 700 lb (318 kg) v predbolnišničnih in bolnišničnih okoljih.

Pripomoček je zložitljiv za uporabo v reševalnih vozilih in hidravlični dvigalni sistem, ki ga napaja NiCd akumulator, omogoča, da upravljavci dvigujejo in spuščajo nosila s pomočjo krmilnih elementov z električnim napajanjem. Nosila so opremljena z ročno pomožno ročico za sprostitvev, ki omogoča upravljanje funkcij nosil v primeru izpada napajanja. Pripomoček je opremljen z naslednjim: uvlečnim vzglavjem in vznožjem, kar omogoča zmanjšanje površine in boljše možnosti upravljanja v ozkih prostorih, stransko ograjo, pasovi za pritrditev bolnika, nastavljivim pnevmatskim naslonom za hrbet in različnimi izbirnimi dodatki, ki se jih uporablja kot pomoč pri prevozu bolnikov. Največje udobje bolnika se doseže s tremi različnimi položaji nosil za bolnike v šoku, z ravnimi nogami in izbirno nastavitvijo spodnjega naslona za noge.

Električni sistem **SMRT™** sestavljata polnilnik **SMRT** in **SMRT Pak**. **SMRT Pak** napaja hidravlični dvižni sistem krmiljenih reševalnih nosil Stryker.

Indikacije za uporabo

Stryker **Power-PRO TL** so električna nosila s kolesi, ki so namenjena za podporo in transport celotnega telesa poškodovanega, premičnega ali nepremičnega bolnika (tako za otroke kot odrasle osebe).

Hidravlični dvigalni sistem, ki ga napaja baterija, pomaga zmanjšati napor upravljavca nosil pri dvigu ali spustu nosil. Pripomoček je izdelan tako, da bolnike podpira v supiniranem (vodoravnem) ali sedečem položaju in da lajša prevažanje povezane medicinske opreme (kot so jeklenke za kisik, monitorji ali črpalke) v reševalnih vozilih ali transportnih vozilih. Ta nosila so namenjena uporabi v predbolnišničnem in bolnišničnem okolju za nujne in nenujne namene. Njihova največja nazivna nosilnost je 318 kg (700 lb) (vsota teže bolnika, posteljnega vložka in dodatkov) in je namenjena uporabi s strani upravljavcev naprave, ki so usposobljeni strokovnjaki, vključno z osebjem nujne medicinske pomoči in centra za zdravstveno oskrbo ter služb prvega odziva.

Izdelek **Power-PRO TL** ni namenjen dolgotrajni uporabi ali kot bolnišnična postelja ali v napravah, ki spreminjajo zračni tlak, kot so hiperbarične komore.

Klinične koristi

Nosila: prevoz bolnika

Pritrdilo: pomožna nosila za prevoz

Kontraindikacije

Niso znane.

Pričakovana življenjska doba

Pričakovana življenjska doba sistema **Power-PRO** v pogojih normalne uporabe in ob ustreznem periodičnem vzdrževanju je sedem let.


Pričakovana življenjska doba polnilnika **SMRT** v pogojih normalne uporabe in ob ustreznem periodičnem vzdrževanju je sedem let.

Pričakovana življenjska doba akumulatorja **SMRT Pak** v pogojih normalne uporabe je dve leti.

Odstranjevanje/recikliranje

Vedno sledite veljavnim krajevnim priporočilom in/ali predpisom, ki urejajo varovanje okolja in tveganja, povezana z recikliranjem ali odstranjevanjem opreme ob koncu njene življenjske dobe.

Specifikacije – Power-PRO

	Opomba - Varna delovna obremenitev označuje vsoto teže pacienta, posteljnega vložka in dodatkov.	700 funtov	318 kg
Maksimalna dvžna nosilnost brez podpore		700 funtov	318 kg
Položaj hrbtnega naslona/položaj za šok (standardni Fowlerjev položaj – 6506-012-003)		0° do 73°/+15°	
Položaj hrbtnega naslona/položaj za šok (1865 Fowlerjev položaj – 6506-012-004)		0° do 75°/+15°	
Celotna dolžina		81 palcev	206 cm
Standardna dolžina/minimalna dolžina/širina		76,5 palca/55 palcev/ 23 palcev	194,3 cm/139,7 cm/58 cm
Višina ¹		Nastavljiva od 14 palcev do 41,5 palca	Nastavljiva od 36 cm do 106 cm
Teža ²		145 funtov	66 kg
Premer/širina kolesc		6 palcev/2 palca	15 cm/5 cm
Najmanjše število upravljavcev, potrebnih za nalaganje/ razlaganje zasedenih nosil		2	
Najmanjše število upravljavcev, potrebnih za nalaganje/ razlaganje praznih nosil		1	
Priporočeni sistemi s pritrdili		Model 6385, 6386, 6387, 6388 ali 6389	
Mehanizem za zaklepanje dveh koles/štirih koles		Standardno/izbirna možnost	

Hidravlično olje	Številka dela Stryker 6500-001-293
Napajalni sistem	
Akumulator	24 V enosmernega toka NiCd – napajalni sistem SMRT
Polnilnik	100–240 V izmeničnega toka, 1,20 A, 50/60 Hz ali 12 V izmeničnega toka 4,16 A – napajalni sistem SMRT
Obratovalni cikel nosil	10 % (33 sek. vklopljeno/5 min. izklopljeno)
Standardi (nosila in polnilniki)	ANSI/AAMI ES60601-1:2012, CAN/CSA-C22.2 št. 60601-1:14, KKK-A-1822 Za standarde, ki zahtevajo posebne možnosti, glejte <i>Standardi z zahtevanimi izbirnimi možnostmi</i> (stran 12)

¹ Višina, izmerjena od dna posteljnega vložka v predelu sedišča do tal.

² Teža nosil se določi z enim akumulatorjem ter brez posteljnega vložka in varovalnih pasov.

Družba Stryker si pridržuje pravico do spremembe specifikacij brez obvestila.

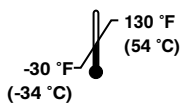
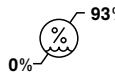
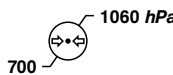
Power-PRO TL je zasnovan v skladu z zveznimi specifikacijami za reševalna vozila z zvezdo življenja (KKK-A-1822).

Power-PRO TL je zasnovan tako, da je združljiv z nekaterimi sistemi pritrtil konkurenčnih ponudnikov.

Patent čaka na odobritev.

Rumena in črna barvna shema je lastniška blagovna znamka družbe Stryker Corporation.

Oznake morda ne bodo čitljive, če jih boste gledali z razdalje več kot 12 palcev (30 cm).

Okoljski pogoji	Delovanje
Temperatura	
Relativna vlažnost	
Atmosferski tlak	

Evropska uredba REACH

Sestavni deli, ki vsebujejo snovi, katere je treba navesti, so na seznamu v skladu z evropsko uredbo REACH in drugimi okoljskimi regulativnimi zahtevami.

Opis	Številka	Kemijsko ime snovi, ki vzbuja veliko zaskrbljenost (SVHC)
Posteljni vložek, blazina spodnjega naslona za noge	6550-001-084	(2H-benzotriazol2-il)-4, 6-di-tert-pentilfenol
Posteljni vložek, blazina spodnjega naslona za noge, XPS	6500-003-130	(2H-benzotriazol2-il)-4, 6-di-tert-pentilfenol
Posteljni vložek, blazina spodnjega naslona za noge, siv	6506-003-130	(2H-benzotriazol2-il)-4, 6-di-tert-pentilfenol

Opis	Številka	Kemijsko ime snovi, ki vzbuja veliko zaskrbljenost (SVHC)
Baterijska celica Ni-CAD	6500-101-129	Kadmij, kadmijev hidroksid
Sklop dvostopenjskega stojala za infuzijo	6070-210-070	Svinec
Sklop tristopenjskega stojala za infuzijo	6070-215-070	Svinec

Standardi z zahtevanimi izbirnimi možnostmi

Za skladnost s standardi morate na nosila namestiti naslednje zahtevane izbirne možnosti.

Standardna različica	Izbira možnosti		
	Paket varovalnih pasov	Posteljni vložek	Izbirna možnost
Standardi preizkusnih trkov BS EN 1789:2007+A2:2014 z uporabo držala, ki vzdrži trke	Paket varovalnih pasov EMS (6060-160-010), paket varovalnih pasov v obliki črke X (6500-001-430) ali paket varovalnih pasov XPR (650600030010) Opomba - Paket varovalnih pasov v obliki črke X in paket varovalnih pasov XPR sta združljiva samo s posteljnimi vložki XPS (6500-003-130/6506-003-130).	Oblazinjeni posteljni vložek spodnjega naslona za noge (6550-001-084) ali posteljni vložek XPS (6500-003-130/6506-003-130) (odvisno od stranske ograde nosil)	
BS EN 1865-3:2012 +A1:2015			Možnost XPS (6506-040-000)
BS EN 1865-2:2010 +A1:2015			Različica za Fowlerjev položaj 1865 (6506-012-004)

Združljivost s sistemom varovalnih pasov za otroke Schnitzler

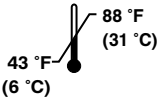
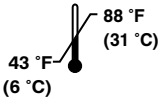
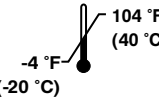
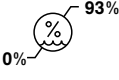
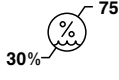
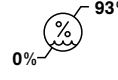
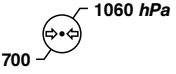
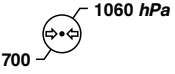
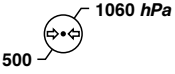
PREVIDNOSTNO OBVESTILO - Izdelka ne uporabljajte skupaj z nezdružljivimi varovalnimi pasovi.

Posteljni vložek XPS (6500-003-130 ali 6506-003-130)	Sistem varovalnih pasov za otroke Schnitzler (0058-384-000) s serijsko številko, nižjo od 720 XPSNPR-2123	Sistem varovalnih pasov za otroke Schnitzler (0058-384-000) s serijsko številko, ki je enaka ali višja od 720 XPSNPR-2123
Posteljni vložek s kodo lota, nižjo od 18001001	Združljivo	Združljivo
Posteljni vložek s kodo lota, ki je enaka ali višja od 18001001	Ni združljivo	Združljivo

Sistem varovalnih pasov za otroke Schnitzler (0058-385-000) je združljiv s standardnimi posteljnimi vložki modela 6100 **M-1** sistema Roll-In, modelom nosil **Power-PRO XT 6506** in modelom nosil **Power-PRO TL 6550**.

Tehnične zahteve – SMRT

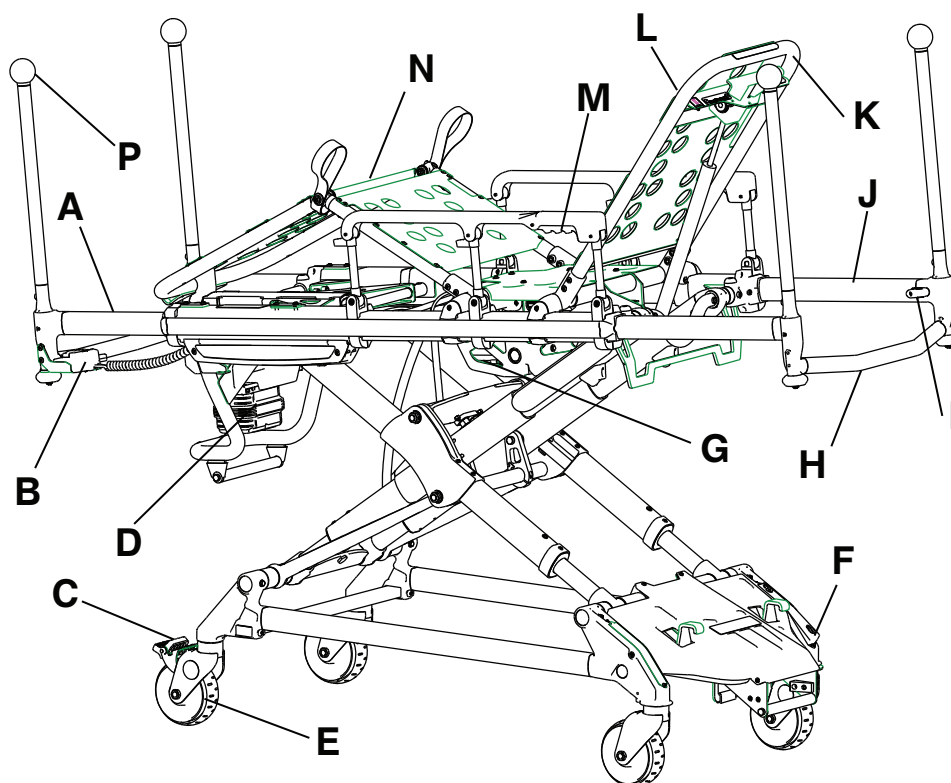
	Polnilnik SMRT	SMRT Pak	Napajanje na izmenični tok
Vhodni električni tok	13,9 V DC 4,16 A	Ni relevantno	100–240 V AC 1–2 A 50/60 Hz
Izhodni električni tok	Odprt tokokrog 40 V DC 1,20 A	24 V DC nikelj-kadmijeve	12 V DC 4–6 A
Višina	2,375 palca (60,325 mm)	3,25 palca (82,55 mm)	Različno
Širina	5,125 palca (130,175 mm)	4 palce (101,6 mm)	Različno
Dolžina	7 palcev (177,8 mm)	5,75 palca (146,05 mm)	Različno
Teža	1,3 lb (0,59 kg)	3,8 lb (1,7 kg)	Različno
Stopnja zaščite ohišja	IPX0	IPX6	IPX0
Vrsta opreme	Ni relevantno	Ni relevantno	Razred II
Odobritve	ANSI/AAMI ES 60601-1: 2012, CAN/CSA-C22.2 št. 60601-1:14	Ni relevantno	Ni relevantno

Okoljski pogoji	Delovanje	Polnjenje	Shranjevanje in transport
Temperatura			
Relativna vlažnost			
Atmosferski tlak			

Specifikacije so približne in se lahko med posameznimi enotami razlikujejo, razlikujejo pa se lahko tudi zaradi nihanja električne energije.

Družba Stryker si pridržuje pravico do spremembe specifikacij brez obvestila.

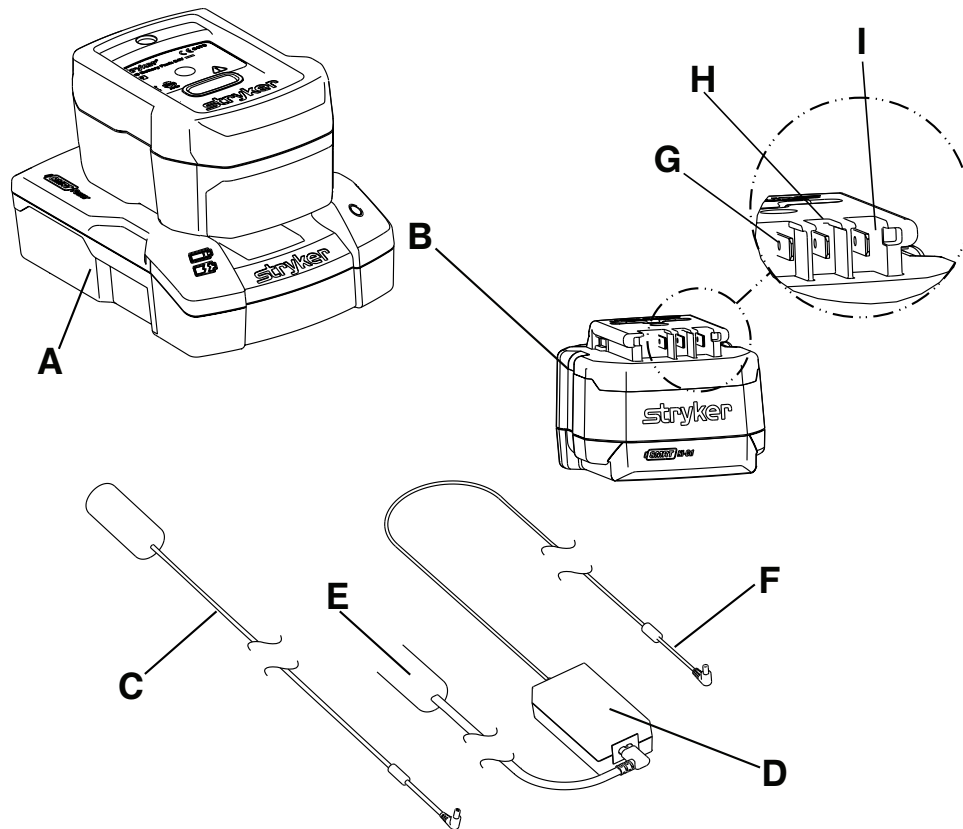
Slika izdelka - Power-PRO



Slika 3 – Power-PRO TL

A	Uvlečno vznožje	I	Akumulator
B	Stikalo za nastavitev višine	J	Uvlečno vzglavje
C	Mehanizem za zaklepanje koles	K	Ročica za nastavitev hrbtnega naslona
D	Akumulator	L	Hrbtni naslon
E	Nosilna kolesa	M	Ročica za sprostitev stranske ograje
F	Mehanizem za zaklepanje krmiljenja	N	Del za noge/naslon za noge
G	Hidravlična enota	P	Potisni drog (izbirna možnost)
H	Sprostitevna ročica za vzglavje		

Ponazoritev izdelka – SMRT



Slika 4 – Napajalni sistem SMRT

A	Polnilnik SMRT
B	SMRT Pak
C	Kabel za enosmerni tok
D	Napajanje na izmenični tok
E	Napajalni kabel na izmenični tok

F	Izhodni kabel
G	Podatki
H	Napajanje (-)
I	Napajanje (+)

Kontaktne informacije

Obrnite se na službo za pomoč uporabnikom ali tehnično podporo družbe Stryker na številko: 1-800-327-0770.

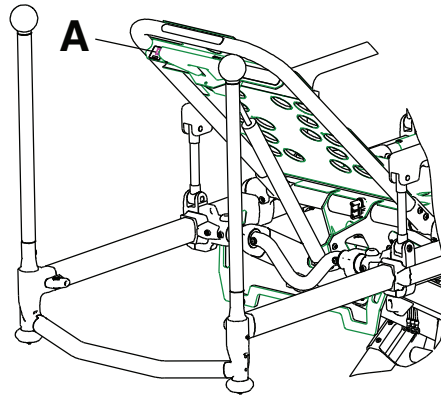
Stryker Medical
3800 E. Centre Avenue
Portage, MI 49002
ZDA

Opomba - Uporabnik in/ali bolnik naj sporoči kakršnekoli resne nezgode, povezane z izdelkom, tako izdelovalcu kot pristojnemu organu evropske države članice, kjer ima uporabnik in/ali bolnik stalni sedež.

Za spletni ogled priročnika o delovanju ali vzdrževanju glejte <https://techweb.stryker.com/>.

Ko pokličete službo za pomoč uporabnikom ali tehnično podporo družbe Stryker, imejte pripravljeno serijsko številko (A) izdelka družbe Stryker. Serijsko številko navedite pri vsaki pisni komunikaciji.

Lokacija serijske številke – Power-PRO



Slika 5 – Lokacija serijske številke

Lokacija serijske številke – SMRT

Serijska številka polnilnika **SMRT** se nahaja na dnu enote. Številka LOT kompleta **SMRT Pak** se nahaja na vrhu kompleta **SMRT Pak** nad rdečim sprostitvenim gumbom.

Nastavitev

Med nastavitvijo odstranite embalažo in preverite, ali vsi elementi delujejo pravilno. Preden začnete izdelek uporabljati, se prepričajte, da deluje.

Z izdelka pred uporabo odstranite ves material za pošiljanje in pakiranje.

Predel vozila za pacienta, kjer se bo izdelek uporabljal, mora imeti:

- ravna tla, ki so dovolj velika za zložen izdelek,
- sistem s pritrdili nosil Stryker.

Opomba - Ohlapni elementi ali ostanki na tleh predela za pacienta lahko ovirajo delovanje pritrdila izdelka. Tla v predelu vozila za pacienta vzdržujte čista.

Iz embalaže odstranite **SMRT** Paks in polnilnik **SMRT**. Pred uporabo napolnite **SMRT** Pak.

Če je potrebno, vozilo prilagodite tako, da ustreza meram nosil. Nosil ne spreminjajte.

Namestitev

Namestitev pritrdila nosil

Sistemi s pritrdili nosil družbe Stryker so združljivi samo z nosili, ki ustrezajo specifikacijam za namestitev.

OPOZORILO

- Pritrdila nosil lahko namesti samo usposobljeno osebje. Nepravilna namestitev lahko povzroči poškodbo pacienta ali upravljavca.
- Vedno se prepričajte, da vsa nosila ustrezajo specifikacijam za namestitev sistema s pritrdili nosil družbe Stryker.
- Vedno prilagodite sklop s sponko prečke, da se bo ujemal s položajem zadrževalnega droga nosil glede na proizvajalca in številko modela nosil.

Ta navodila so namenjena za nosila s sistemom pritrdil v obliki rogov. Za navodila glede namestitve pritrdila nosil, ki ustreza standardu preskusa trka, glejte ustrezni priročnik o delovanju.

Delovanje

Preverjanje napolnjenosti baterije

Z diodnim indikatorjem za akumulator nosil preverite napolnjenost akumulatorja **SMRT Pak**. Napolnjen akumulator **SMRT Pak** v delovnih pogojih zagotavlja delovanje za do 25 pozivov s pacientom, ki tehta 250 funtov (113 kg) (dejanski rezultati lahko odstopajo). Nazivna vrednost za sistem **Power-PRO** z napajanjem s 24 V enosmernega toka in akumulator **SMRT Pak** je 2,4 Ah električne energije.

OPOZORILO - Akumulatorja ne odstranjajte, ko so nosila aktivirana.

PREVIDNOSTNO OBVESTILO - Vedno napolnite akumulator, preden daste izdelek v uporabo. Nenapolnjen ali izprazen akumulator lahko povzroči nizko zmogljivost izdelka.

Če želite preveriti napolnjenost akumulatorja, pritisnite gumb za uvlečenje (–) na kontrolnem stikalu nosil, da aktivirate diodni indikator za akumulator nosil. Diodni indikator za akumulator nosil je lociran na kontrolnem ohišju ob vznožju (prikazan kot simbol za akumulator).

- Svetlobna dioda sveti zeleno, ko je akumulator popolnoma napolnjen ali dovolj napolnjen.

Opomba - Za najboljše rezultate uporabljajte akumulator **SMRT Pak**, dokler diodni indikator za akumulator nosil ne preide iz stanja, ko sveti zeleno, v stanje, ko utripa rumeno.

- Ko morate akumulator napolniti ali zamenjati, svetlobna dioda utripa rumeno.

Opomba - Utripanje diodnega indikatorja za akumulator nosil rumeno ni pogoj za to, da odstranite ali zamenjate akumulator **SMRT Pak**, vendar se je to izkazalo za najustreznejše. Akumulator **SMRT Pak** lahko kadarkoli odstranite in napolnite.

- Ko svetlobna dioda sveti rumeno, označuje napako akumulatorja.

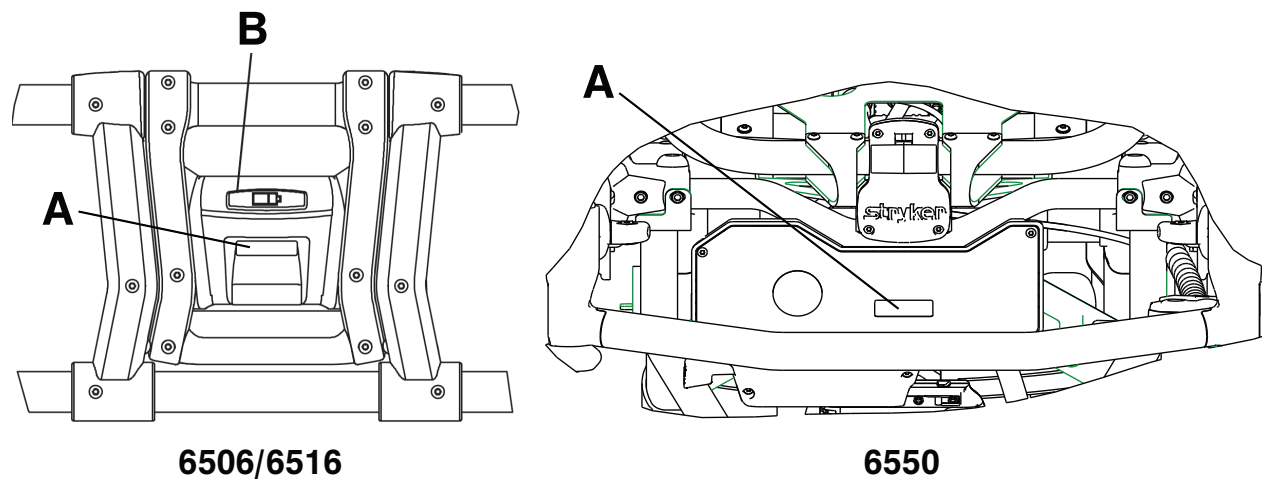
Opomba

- Uporabljajte samo baterije, ki jih odobri družba Stryker.
- Če je nameščen, električno krmiljeni sistem s pritrdili nosil samodejno polni akumulator **SMRT Pak**. Samodejno polnjenje poteka, ko se nosila zaskočijo v krmiljeni sistem s pritrdili nosil (kabel ali konektorji niso potrebni). Diodni indikator za akumulator nosil za kratek čas utripa zeleno in označuje, da se akumulator polni.
- Samodejno polnjenje poteka samo pri akumulatorjih **SMRT Pak**.

Preverjanje časovnika in prikaza napake

Časovnik označuje čas (HHH.H ure), ko je bila hidravlika v uporabi. V prikazu napake so navedeni podatki o kodi napake za odpravljanje napak.

Časovnik (A) (Slika 6) uporabljajte za določitev frekvence preventivnega vzdrževanja. Prikaz napake (A) uporabljajte za odpravljanje napak. Prikaz napake prepiše prikaz časovnika, ko pride do napake.



Slika 6 – Preverjanje časovnika (A), prikaza napake (A) in stanja akumulatorja (B)

Smernice za upravljanje

OPOZORILO

- Izdelek vselej upravljajte le, ko so vse osebe oddaljene od mehanizmov. Zapletanje v krmiljene mehanizme izdelka lahko povzroči resno poškodbo.
- Vedno pred vsako uporabo preglejte akumulatorje **SMRT Pak**, ali so morebiti poškodovani.
- Neusposobljeni asistenti ne smejo pomagati upravljati izdelka.
- Roke vedno pravilno položite na ročaje. Pri nalaganju ali razlaganju nosil ali spreminjanju njihove višine z rokami ne prijemajte rdečih tečajev varnostne palice.
- Ne prevažajte se na podnožju nosil.
- Za preprečevanje tveganja prevrnitve nosil ne prevažajte s stranskim delom naprej. Nosila vselej prevažajte v spuščnem položaju z vzglavjem ali vznožjem naprej, da zmanjšate tveganje za prevrnitev.
- Roke, prste in stopala vedno držite stran od premikajočih se delov. Pri dviganju ali spuščanju nosil bodite previdni, ko ste z rokami in stopali v bližini cevi podnožja.
- V vsako reševalno vozilo, ki se bo uporabljalo s temi nosili in pritrdilom v obliki rogov, vedno namestite izklopni sistem v pritrdilu.
- Ko so nosila v mirovanju, vedno spremljajte pacienta. Če hidravlično dvignete ali spustite izdelek, ima lahko to začasen vpliv na opremo za elektronsko spremljanje pacientov.

PREVIDNOSTNO OBVESTILO - Pred upravljanjem izdelka vselej odstranite morebitne ovire, ki lahko poškodujejo upravljavca ali pacienta.

- Izdelek upravljajte samo v skladu z navodili v tem priročniku.
- Pred uporabo preberite vse oznake in navodila na izdelku.
- Vadite nastavljanje višine nosil in nalaganje nosil, dokler delovanja izdelka ne razumete popolnoma.
- Preglejte ohišje sklopa **SMRT Pak** in območje terminala zaradi morebitnih razpok ali poškodb pred prvo in vsako naknadno uporabo.
- Zasedena nosila morata vedno nalagati ali razlagati vsaj dva usposobljena upravljavca. Ko so nosila zasedena, morata biti prisotna dva upravljavca. Družba Stryker priporoča, da sta za zmanjšanje obremenitve obeh upravljavcev oba pri vznožju nosil. Eden ali oba upravljavca lahko nosila dvigneta pri vznožju.
- Nosil ne prilagajajte, vozite ali nalagajte v vozilo, ne da bi o tem obvestili pacienta. Ves čas ostanite ob pacientu in nadzorujte izdelek.
- Nosila lahko prevažate v kateremkoli položaju. Družba Stryker priporoča, da upravljavci prevažajo pacienta na najnižjem udobnem položaju za upravljanje nosil.
- Zaklep kolesc uporabite samo med prevozom pacienta ali če na izdelku ni pacienta.

- Za preprečevanje tveganja prevrnitve zaklepa kolesc ne uporabite, če je pacient na nosilih ali med premikanjem nosil.
- Za nadzor nosil po potrebi prosite za pomoč usposobljene pomočnike.

Pravilne tehnike dviganja

Ko dvigujete izdelek skupaj z osebo, upoštevajte te tehnike za pravilno dvigovanje, da preprečite tveganje poškodb:

- Roke imejte blizu telesa
- Hrbet naj bo vzravn
- Vse gibe usklajujte z partnerjem
- Dvigujte z nogami
- Ne obračajte se

Prenos pacienta na nosila

OPOZORILO

- Za zavarovanje pacienta na izdelku vedno uporabite vse razpoložljive varovalne pasove. Pacient, ki ni zaščiten z varovalnimi pasovi, lahko pade z nosil in se poškoduje.
 - Pacienta ne puščajte samega. Kadar je na nosilih pacient, nosila držite.
 - Za preprečevanje tveganja za prevrnitev ne uporabite zaklepa koles, če je pacient na nosilih ali med premikanjem nosil.
 - Stranskih ograj ne uporabljajte za imobilizacijo pacienta.
-

Za prenos pacienta na nosila:

1. Nosila pripeljite do pacienta (*Potiskanje nosil z bolnikom* (stran 20)).
2. Nosila namestite vzporedno s pacientom in jih dvignite ali spustite na pacientovo višino.
3. Spustite stranski ograji in odprite varovalne pasove.
4. Pacienta prenesite na nosila. Upoštevajte odobrene postopke nujne medicinske pomoči.
5. Za zavarovanje pacienta na izdelku uporabite vse razpoložljive varovalne pasove.
6. Dvignite stranski ograji ter po potrebi prilagodite hrbtni naslon in naslon za noge.

Potiskanje nosil z bolnikom

OPOZORILO

- Nosila vedno prevažajte v nižjem položaju, da zmanjšate nevarnost prevrnitve. Če je mogoče, si priskrbite dodatno pomoč ali uporabite drugo pot.
 - Vedno se izogibajte visokim oviram, kot so robniki, stopnice ali grob teren, da preprečite tveganje za prevrnitev izdelka.
-

To roll the cot with a patient:

1. En upravljavec naj bo ob vznožju in en ob vzglavju nosil.
2. Prepričajte se, da je nosilni mehanizem v navpičnem položaju, ko prečkate pragove vrat ali druge nizke ovire.
3. Pri prehodu čez prag vrat ali oviro dvignite vsak niz kolesc posebej.

Dviganje ali spuščanje nosil

Prazna nosila lahko dvigne ali spusti en upravljavec. Če je pacient na nosilih, sta za dviganje ali spuščanje nosil potrebna najmanj dva usposobljena upravljavca (po en na vsakem koncu nosil).

OPOZORILO

- Roke, prste in stopala vedno držite stran od premikajočih se delov. Pri dviganju ali spuščanju nosil bodite previdni, ko ste z rokami in stopali v bližini cevi podnožja.
- Roke vedno pravilno položite na ročaje. Pri nalaganju ali razlaganju nosil ali spreminjanju njihove višine z rokami ne prijemajte rdečih tečajev varnostne palice.
- Dviganje ali spuščanje nosil s pacientom naj vedno izvajata dva upravljavca.

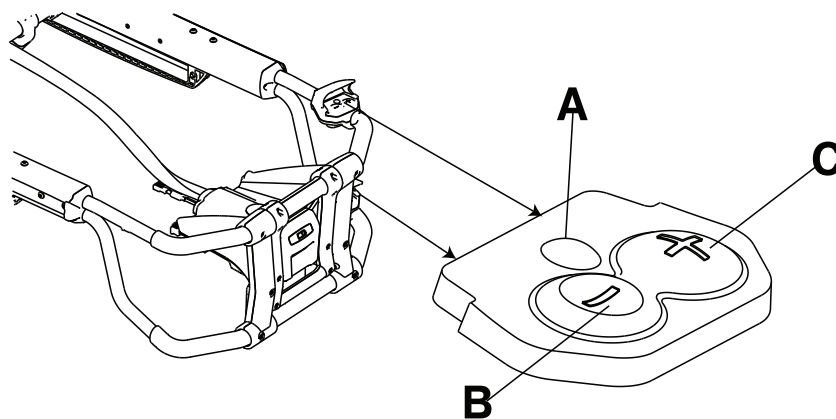
Za dviganje ali spuščanje nosil:

1. Upravljavec 1 (vznožje): Primite okvir nosil in pritisnite:
 - gumb za raztegnitev (+), da se nosila dvignejo na želeno višino
 - gumb za uvlečenje (-), da se nosila spustijo na želeno višino
2. Upravljavec 2 (vzglavje): Ohranjajte čvrst prijem na zunanji prečki, dokler niso nosila na zeleni višini.

Opomba - Če pritisnete gumb za raztegnitev (+) na kontrolnem stikalu nosil, potem ko nosila dosežejo nastavljeno višino nalaganja, bo motor ostal v mirovanju, dokler ne spustite gumba. Potem ko gumb spustite, ponovno pritisnite gumb za raztegnitev (+), da povečate višino nosil.

Dviganje, spuščanje ali sproščanje nosil s krmiljenjem

Na nosilih s sistemom **Power-PRO** sta nameščeni dve enaki kontrolni stikali nosil. Pritisnite gumb na katerem koli od teh stikal, da dvignete (raztegnete) nosila, spustite (uvlečete) nosila ali sprostite nosila iz sistema **Power-LOAD**, če je to ustrezno (Slika 7).



Slika 7 – Kontrolni stikali nosil

Referenca	Ime	Opis
A	Sproščanje	Pritisnite za sprostitev nosil (samo za uporabo s sistemom Power-LOAD)
B	Uvlečenje (-)	Pritisnite in držite, da spustite nosilni mehanizem ali uvlečete podvozje nosil
C	Raztegovanje (+)	Pritisnite in držite, da dvignete nosilni mehanizem ali raztegnete podvozje nosil

Ročno dviganje ali spuščanje nosil z ročno preglasitvijo

V primeru izpada električnih funkcij lahko za nosila uporabite ročno preglasitev. To omogoča ročno upravljanje izdelka, dokler se ne obnovijo električno krmiljene funkcije. Uporabite rdečo varnostno ročico za ročno sprostitvev, da dvignete ali spustite nosila.

Varnostna ročica za ročno sprostitvev je locirana vzdolž bolnikove leve strani spodnje dvižne palice ob vznožju nosil.

Za dviganje ali spuščanje nosil z varnostno ročico za ročno sprostitvev:

1. Oba upravljavca: Med postopkom dviganja ali spuščanja privzdignite nosila, da zaradi teže nosil nudite podporo na vsakem koncu.
2. Upravljavec 1 (predel pri nogah):
 - a. Povlecite varnostno ročico za ročno sprostitvev proti dvižni palici.
 - b. Medtem ko vlečete varnostno ročico za ročno sprostitvev, dvignite ali spustite nosila v zeleni položaj.
 - c. Sprostite ročico, da se nosila zaskočijo na svoje mesto.

Opomba

- Oba upravljavca morata privzdigniti nosila, da razbremenita kolesca in uporabita ročno raztegovanje ali uvlečenje, medtem ko je bolnik na nosilih.
- Aktivacija varnostne ročice za ročno sprostitvev lahko povzroči, da se nosila spuščajo počasi, če je obremenitev nosil manj kot 23 kg (50 lb).
- Hidravlična tekočina postane bolj viskozna, če se nosila daljša obdobja uporabljajo pri nizkih temperaturah. Pri uporabi varnostne funkcije ročne sprostitvev za raztegovanje podnožja, medtem ko poteka razlaganje v pogojih hladnega vremena, držite varnostno ročico za ročno sprostitvev približno eno sekundo, potem ko se kolesca nosila dotaknejo tal, da čim bolj zmanjšate povešanje nosilnega mehanizma, ko odstranjujete nosila iz predelka vozila za bolnika.

Pospeševanje nalaganja z načinom uvlečenja z visoko hitrostjo

Ko pritisnete gumb za uvlečenje (–), nosila preidejo v način uvlečenja z visoko hitrostjo, ko kolesca nosil ne podpirajo teže nosil in bolnika.

Način uvlečenja z visoko hitrostjo pospeši nalaganje nosil v vozilo. Podvozje se uvleče proti najvišjemu položaju, ko kolesca ne podpirajo več teže nosil in bolnika. Pritisnite gumb za uvlečenje (–), da aktivirate kontrolno stikalo.

Namestitev nosil na pritrdilo nosil

PREVIDNOSTNO OBVESTILO

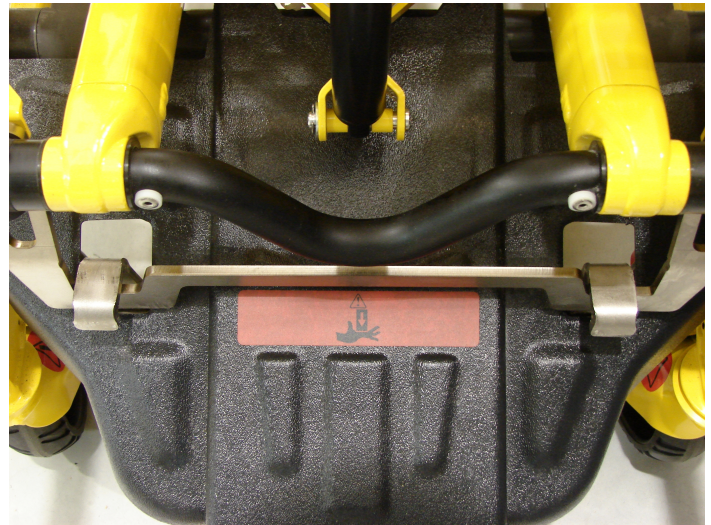
- Nosila vedno spustite v najnižji položaj, da se omogoči namestitev nosil na pritrdilo nosil.
 - Medtem, ko so nosila pritrjena na pritrdilo nosil, ne poskušajte spreminjati višine nosil.
-

To load the cot to the cot fastener:

1. Pritisnite na pedal nosil in spustite nosila. Gumb za uvlačenje (–) držite pritisnjen, dokler se izdelek ne preneha premikati navzdol, da spustite nosila.
2. Nosila vodite v pritrdilo nosil za vzglavje in vznožje, dokler se nosila ne zaklenejo na mesto (Slika 8).
3. Preden izpustite nosila, poskrbite, da bodo pritrjena tako na vzglavju kot na vznožju (Slika 9).



Slika 8 – Nosila v vzglavju in vnožju pritrdila nosil



Slika 9 – Pritrjena nosila

Odstranitev nosil s pritrdila nosil

Kako odstraniti nosila s pritrdila nosil:

1. Pritisnite pedal (Slika 10).
2. Nosila povlecite ven iz predela vozila za bolnika.



Slika 10 – Pritisnite pedal

Nalaganje nosil z dvigalom na repu

Polna nosila naj vedno naložita najmanj dva usposobljena upravljavca. Ko so nosila polna, morata biti prisotna dva upravljavca. Upravljavca morata biti sposobna dvigniti celotno težo bolnika, nosil in vseh predmetov na nosilih.

OPOZORILO

- Vedno poskrbite, da se nosila ne morejo zapeljati nazaj navzdol, preden uporabite dvigalo na repu za dvig nosil z bolnikom. Poskrbite, da je zaustavitev vrat dvigala vzdrževana in da deluje.
- Roke vedno pravilno položite na ročaje. Pri nalaganju ali razlaganju nosil ali spreminjanju njihove višine z rokami ne prijemajte tečajev rdeče varnostne ročice.

PREVIDNOSTNO OBVESTILO

- Nosila vedno spustite v najnižji položaj, da se omogoči namestitev nosil na pritrdilo nosil.

- Medtem, ko so nosila pritrjena na pritrdilo nosil, ne poskušajte spreminjati višine nosil.
-

Nalaganje nosil:

1. Pritisnite gumb za uvlačenje (–) za premik nosil v najnižji položaj, kjer imajo večjo stabilnost.
2. Potisnite nosila naprej na dvigalo na repu, z vzglavjem naprej (Slika 11). Poskrbite, da bodo kolesa na ustreznem mestu na dvigalu na repu, da omogočite vrtenje varnostne zaustavitve na mesto in preprečite, da bi se nosila odkotalila nazaj.
3. Preden dvignete dvigalo na repu, preverite, ali je razdalja med nosili in zadnjim delom reševalnega vozila zadostna. Poskrbite, da z nosil ne bo nič viselo.
4. Ko eden od uporabnikov dviguje dvigalo na repu, mora drugi trdno držati ogrodje nosil, da se zagotovi večja stabilnost.
5. Oba upravljavca morata voditi nosila v predel vozila za bolnika in v pritrdilo nosil (ni priloženo) (Slika 12).



Slika 11 – Nosila na dvigalu na repu



Slika 12 – Oba uporabnika vodita nosila v predel vozila za bolnika

Razlaganje nosil z dvigalom na repu

OPOZORILO

- Vedno poskrbite, da se nosila ne morejo zapeljati nazaj navzdol, preden uporabite dvigalo na repu za dvig nosil z bolnikom. Poskrbite, da je zaustavitev vrat dvigala vzdrževana in da deluje.
 - Roke vedno pravilno položite na ročaje. Pri nalaganju ali razlaganju nosil ali spreminjanju njihove višine z rokami ne prijemajte tečajev rdeče varnostne ročice.
-

PREVIDNOSTNO OBVESTILO

- Nosila vedno spustite v najnižji položaj, da se omogoči namestitev nosil na pritrdilo nosil.
 - Medtem, ko so nosila pritrjena na pritrdilo nosil, ne poskušajte spreminjati višine nosil.
-

Za razlaganje nosil:

1. Poskrbite, da bo zaporna naprava vrat dvigala v položaju, ki preprečuje, da bi se nosila premaknila z dvigala na repu.
2. Dvigalo dvignite na repu do višine predela za bolnika.
3. Nosila odstranite s pritrdila nosil v vozilu.
4. Ogrodje nosil morata prijeti oba upravljavca in nosila zapeljati na dvigalo na repu. Nosila odstranite s predela vozila za bolnika in preverite, ali so kolesa nosil v pravem položaju in omogočajo prosto spuščanje dvigala.
5. Dvigalo na repu spustite do tal. Poskrbite, da bo dvigalo na repu popolnoma spuščeno in zaustavljeno, preden dvignete zaustavljalo vrat dvigala na zadku in omogočite, da se nosila odpeljejo z dvigala na repu.

Nalaganje nosil s klančino

Polna nosila naj vedno naložita najmanj dva usposobljena upravljavca. Ko so nosila polna, morata biti prisotna dva upravljavca. Upravljavca morata biti sposobna dvigniti celotno težo bolnika, nosil in vseh predmetov na nosilih.

OPOZORILO - Roke vedno pravilno položite na ročaje. Pri nalaganju ali razlaganju nosil ali spreminjanju njihove višine z rokami ne prijemajte tečajev rdeče varnostne ročice.

PREVIDNOSTNO OBVESTILO

- Nosila vedno spustite v najnižji položaj, da se omogoči namestitev nosil na pritrdilo nosil.
 - Medtem, ko so nosila pritrjena na pritrdilo nosil, ne poskušajte spreminjati višine nosil.
-

Nalaganje nosil:

1. Poskrbite, da bo bolnik na nosilih vedno privezan.
2. Preden nosila začnete potiskati po klančini, pritisnite gumb za uvlačenje (-), da premaknete nosila v najnižji položaj, kjer imajo večjo stabilnost (Slika 13). Poskrbite, da z nosil ne bo nič viselo.
3. S pomočjo potisnih drogov (kot izbirna možnost) morata oba upravljavca vleči ali potiskati nosila po klančini, z vzglavjem naprej (Slika 14). Oba upravljavca morata nosila voditi po sredini klančine.
4. Oba upravljavca morata voditi nosila v predel vozila za bolnika in namestiti nosila v pritrdilo nosil (ni priložena).



Slika 13 – Nosila v najnižjem položaju

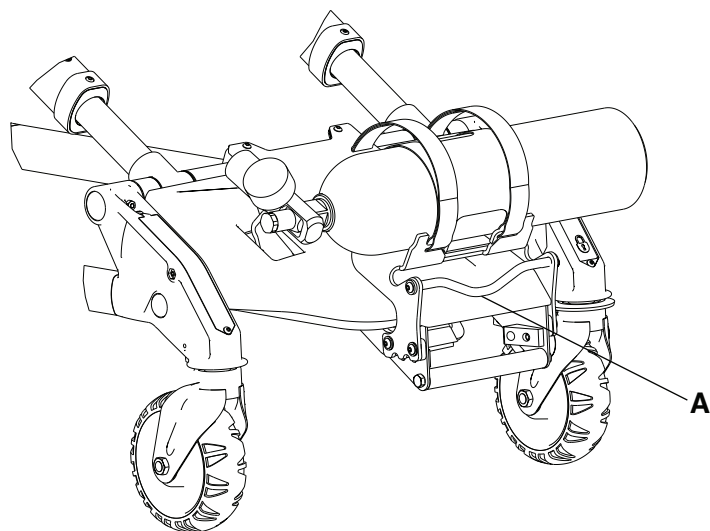


Slika 14 – Nosila vodite navzgor po sredini klančine

Nalaganje in razlaganje nosil z izbirno možnostjo držala za kisikovo jeklenko

Za nalaganje in razlaganje nosil z izbirno možnostjo držala za kisikovo jeklenko:

1. Kabel vitla pritrdite za drog za pritrditev vitla (A) (Slika 15).
2. Poskrbite, da bo klančina visoka vsaj 2,6 m (8,5 ft).
3. Preverite, ali lahko klančina podpira težo nosil, bolnika in opreme.



Slika 15 – Drog za pritrditev vitla

Opomba - Ko so nosila v najnižjem položaju, lahko uporabljate izbirno jeklenko za kisik za nalaganje bolnikov, ki tehtajo do 318 kg (700 lb).

Položaj upravljavcev in pomočnikov

OPOZORILO - Pri nalaganju ali razlaganju ali spreminjanju njihove višine z rokami ne prijemajte tečajev rdeče varnostne ročice.

	Spreminjanje ravni	Potiskanje
Dva upravljavca (O) Dva pomočnika (H)		
Dva upravljavca (O) Štirje pomočniki (H)		

Dviganje ali spuščanje hrbtnega naslona

Če želite dvigniti hrbtni naslon, stisnite ročico za prilagoditev hrbtnega naslona, da lahko hrbtni naslon pomaknete na zeleno višino.

Če želite spustiti hrbtni naslon, stisnite ročico za prilagoditev hrbtnega naslona, medtem ko hrbtni naslon potiskate navzdol na zeleno višino.

Dviganje ali spuščanje stranskih ograj

Ko premeščate bolnika na nosila ali z njih, vedno spustite stranske ograje.

OPOZORILO - Stranskih ograj ne uporabljajte za imobilizacijo bolnika.

Če želite dvigniti stranske ograje, posamezno stransko ograjo potiskajte navzgor, dokler zapah ne klikne in se stranska ograja ne zaskoči na svoje mesto. Stranske ograje naj bodo vedno v dvignjenem položaju, razen če premeščate bolnika.

Če želite spustiti stranske ograje, stisnite sprostitevno ročico stranske ograje, da sprostite zapah stranske ograje. Vodite stransko ograjo navzdol proti vznožju nosil, dokler ni stranska ograja v vodoravnem položaju. Ko premeščate bolnika na nosila ali z njih, vedno spustite stranske ograje.

Dviganje ali spuščanje stranskih ograj (različica XPS)

Nosila lahko naročite z raztegljivo površino za bolnika (XPS) ali jih nadgradite tako, da se doda različica XPS.

OPOZORILO - Stranskih ograj ne uporabljajte za imobilizacijo bolnika.

PREVIDNOSTNO OBVESTILO

- Ne sedite ali stojte na stranskih ograjah (različica XPS).
 - Stranskih ograj (različica XPS) ne uporabljajte kot pripomoček ali površino za premestitev bolnika (na primer za pomik bolnika z nosil na drugo površino).
 - Bolnikov ne položite s celotno težo na stranske ograje (različica XPS).
 - Stranskih ograj (različica XPS) ne uporabljajte kot pripomočkov za potiskanje/vlečenje ali za krmiljenje nosil.
-

Stranske ograje (različica XPS) so pritrjene na nosila in vedno na voljo za uporabo. Stranske ograje (različica XPS) se prilagajajo glede na velikost bolnika in zaskočijo v sedem položajev. Stranske ograje se prilagodijo tudi tako, da je omogočen prehod skozi standardna vrata ali v dvigalo.

Če želite dvigniti stranske ograje, posamezno stransko ograjo potiskajte navzgor, dokler se ne zaskoči v zeleni položaj.

Če želite spustiti stranske ograje, jih privzdignite za razbremenitev teže, nato povlecite rdečo ročico. Ko premeščate bolnika na nosila ali z njih, vedno spustite stranske ograje.

Različica XPS ni primarna podporna površina za bolnika. Vključuje širši posteljni vložek in je namenjena za povečanje bolnikovega udobja.

Izvlačenje zložljivega dela vzglavja ali vznožja

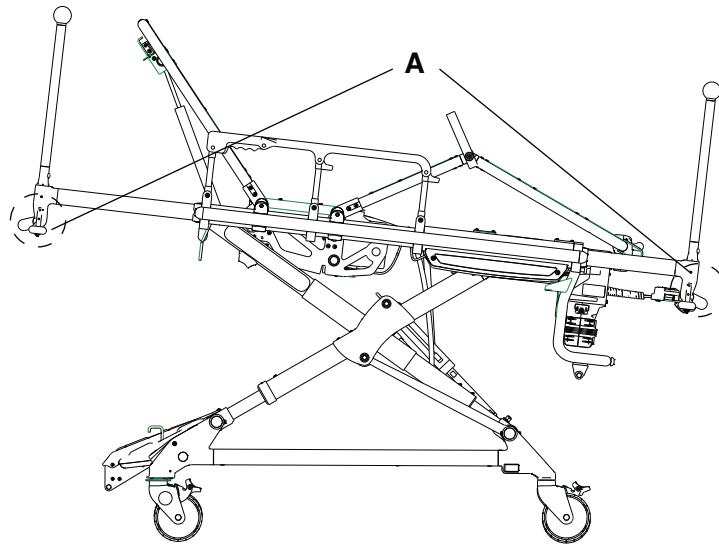
Vzglavje se zloži iz izvlečenega v zložen položaj v ogrodju nosil.

OPOZORILO

- Pred upravljanjem nosil vedno zaklenite vzglavje na svoje mesto.
 - Nosil ne poskušajte naložiti v predel vozila za bolnika, medtem ko je vzglavje uvlečeno. Če naložite nosila, medtem ko je vzglavje uvlečeno, lahko pride do prevrnitve izdelka ali nezmožnosti povezave s pritrdilom nosil v vozilu.
-

Če želite izvleči vzglavje ali vznožje:

1. Stisnite rdeči sprostilni ročici (A) na obeh straneh ogrodja, ko povlečete vzglavje ali vznožje iz uvlečenega položaja (Slika 16).
2. Preverite, ali je vzglavje oz. vznožje zaklenjeno na svojem mestu.



Slika 16 – Izvlačenje vzglavja ali vzožja

Uvlačenje izvlečnega vzglavja ali vzožja

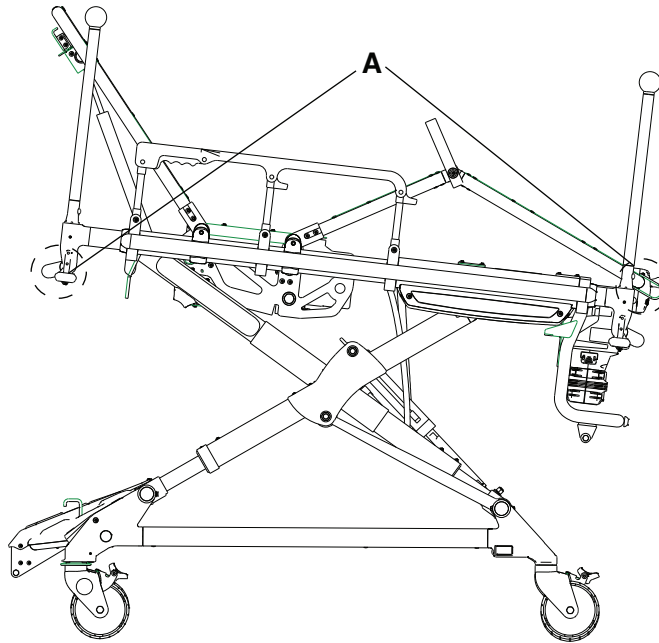
Vzglavje se zloži iz izvlečenega v zložen položaj v ogrodju nosil.

OPOZORILO

- Pred upravljanjem nosil vedno zaklenite vzglavje na svoje mesto.
 - Nosil ne poskušajte naložiti v predel vozila za bolnika, medtem ko je vzglavje uvlečeno. Če naložite nosila, medtem ko je vzglavje uvlečeno, lahko pride do prevrnitve izdelka ali nezmožnosti povezave s pritrdilom nosil v vozilu.
-

Če želite zložiti vzglavje ali vzožje:

1. Stisnite rdeči sprostilni ročici (A) na obeh straneh ogrodja, ko povlečete vzglavje ali vzožje iz izvlečenega položaja (Slika 17).
2. Preverite, ali je vzglavje oz. vzožje zaklenjeno na svojem mestu.



Slika 17 – Zlaganje vzglavja ali vzožja

Dviganje ali spuščanje izbirnega spodnjega naslona za noge

Za dviganje predela za kolena:

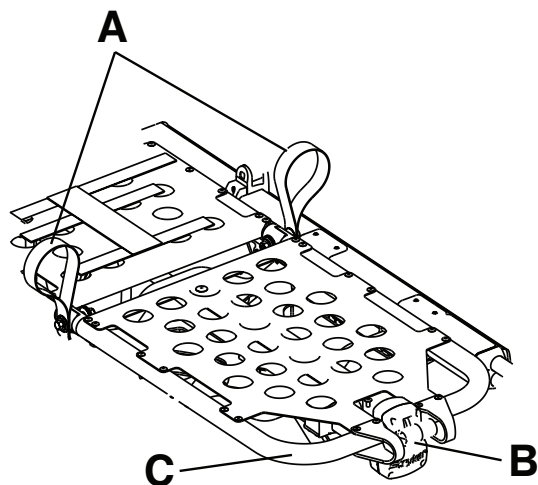
1. Dvigajte katero koli od rdečih dvižnih zank (A), dokler ni predel za kolena v najvišjem položaju (Slika 18).
2. Spustite predel za kolena, da podporni nosilec pritrdite na zaklepni mehanizem.
3. Prepričajte se, da je zaklepni mehanizem pritrjen, preden spustite dvižno zanko.

Če želite spustiti spodnji naslon za noge, dvignite katero koli od rdečih dvižnih zank (A), da sprostite pritisk na zaklepni mehanizem, in medtem ko držite zanko, potiskajte rdečo ročico za sprostitev naslona za noge (B), dokler se podporni nosilec ne sprost. Spuščajte predel za kolena, dokler ni v vodoravnem položaju.

Če želite dvigniti predel za kolena z nagibom, dvignite ogrodje naslona za noge (C), kolikor je to mogoče, tako da se ogrodje zaskoči na svoje mesto. Podporni nosilec se samodejno namesti, ko sprostite okvir.

Če želite spustiti spodnji naslon za noge z nagibom, dvignite okvir naslona za noge (C) in, medtem ko držite okvir, dvigujte rdečo ročico za sprostitev naslona za noge (B), dokler okvir ne sprost podpornega nosilca. Spuščajte naslon za noge, dokler ni v vodoravnem položaju.

Opomba - Izbirno držalo kisikove jeklenke v predelu vzožja (6500-240-000) ni združljivo z izbirnim spodnjim naslonom za noge (6500-082-000).



Slika 18 – Predel za kolena

Aktiviranje ali sprostitvev zaklepa kolesc

OPOZORILO

- Za preprečevanje nevarnosti prevrnitve ne uporabite zapore koles, če je bolnik na nosilu ali med premikanjem nosil.
- Zaklepa kolesc ne namestite ali aktivirajte pri izdelku z obrabljenimi kolesci, ki imajo premer manj kot 15,2 cm (6 palcev).
- Bolnika oziroma osebe na nosilih ne puščajte same. Kadar je na nosilih bolnik ali druga oseba, nosila držite.

Za aktiviranje zaklepa kolesc pritiskajte pedal navzdol, dokler se ne zaustavi in nasloni na površino kolesca.

Za sprostitvev zaklepa kolesc z nogo pritiskajte navzdol na vrhu pedala ali privzdignite pedal s prstom na nogi. Ko sprostite zaklep kolesc, se vrh pedala nasloni na okvir kolesca.

Opomba - Zaklep kolesc pomaga preprečevati, da bi se nosila premikala, kadar so nenadzorovana. Zaklep kolesc morda ne nudi dovolj upora na vseh površinah ali ob obremenitvah.

Aktiviranje ali sprostitvev izbirnega zaklepa za krmiljenje Steer-Lock

Za aktiviranje zaklepa za krmiljenje Steer-Lock:

1. Ob vznožju nosil pritisnite rdeči del (zaklep) stopalke oziroma ob vzglavju nosil pritisnite navzdol katerega koli od rdečih pedal.
2. Sukajte nosila, dokler se vsaj eno kolesce ob vzglavju ne zaklene.

Za sprostitvev zaklepa za krmiljenje Steer-Lock:

- Ob vznožju nosil pritisnite zeleni del (sprostitvev) stopalke oziroma ob vzglavju nosil privzdignite katerega koli od rdečih pedal ob vzglavju.

Zavarovanje bolnika z varovalnimi pasovi

OPOZORILO

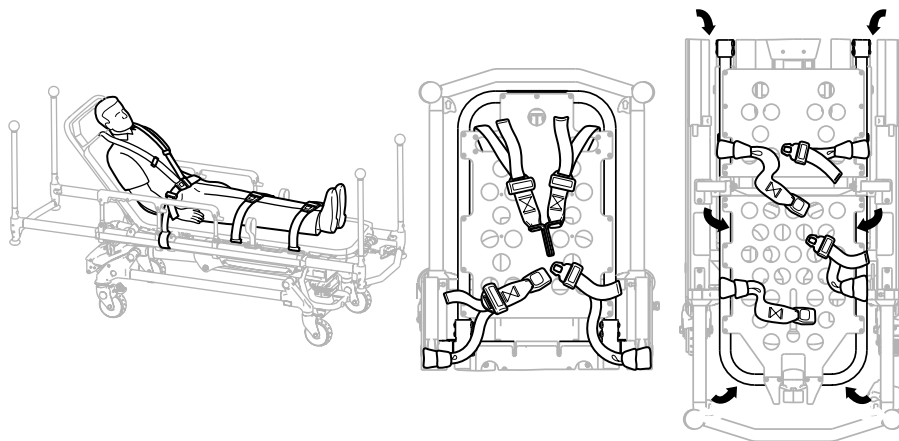
- Za pritrditev bolnika na nosilih vedno uporabite vse razpoložljive varovalne pasove. Bolnik, ki ni pripet z varovalnimi pasovi, lahko pade z nosil.
 - Varovalnih pasov ne pritrdite na cevi podnožja ali prečne cevi.
-

PREVIDNOSTNO OBVESTILO - Pazite, da se varovalni pasovi na ogrodju podnožja ne prepletajo, ko dvigate ali spuščate nosila.

Opomba - Varovalni pasovi so deli tipa BF.

Varovalne pasove pritrdite na nosila na zahtevanih mestih za pritrditev (Slika 19). Pritrditvena mesta varovalnih pasov morajo zagotavljati močno sidrišče in ustrezen položaj pasov. Poskrbite, da varovalni pasovi ne ovirajo opreme ali dodatkov. Varovalne pasove zapnite čez bolnikove rame, pas in noge. Ko nosila niso v uporabi, zapnite varovalne pasove.

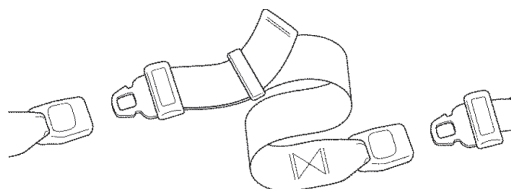
Če želite varovalne pasove bolnika pritrditi na nosilno ogrodje nosil, vdenite zanko na koncu vsakega pasu skozi ogrodje nosilnega mehanizma (Slika 19), nato pa sponko ali zaskočno ploščico speljite nazaj skozi zanko pasu. Puščice kažejo območja za nadomestno pritrditev.



Slika 19 – Pritrditvene točke varovalnih pasov

Dodajanje podaljška varovalnega pasu

Dodajte podaljšek varovalnega pasu (6082-160-050) za dodatno dolžino, ko zapenjate varovalni pas pri večjih bolnikih.



Slika 20 – Podaljšek varovalnega pasu

Imobilizacija pacienta z varovalnimi pasovi v obliki črke X/varovalnimi pasovi XPR

Varovalne pasove pritrдите na nosila na zahtevanih pritrditvenih mestih: na ramenih, pasu, stegnih in gležnjih.

OPOZORILO

- Za pritržitev pacienta na nosilih vedno uporabite vse razpoložljive varovalne pasove. Pacient, ki ni pritrjet z varovalnimi pasovi, lahko pade z nosil.
- Varovalnih pasov ne pritržite na cevi podnožja ali prečne cevi.

PREVIDNOSTNO OBVESTILO - Pazite, da se varovalni pasovi ne zapletejo v ogrodje podnožja, ko dvigate ali spuščate nosila.

Opomba

- Varovalni pasovi v obliki črke X/XPR (6500-001-430/650600030010) so združljivi samo s širšim blazinskim vložkom spodnjega naslona za noge (6500-003-130/6506-003-130).
- Varovalni pasovi so deli v stiku s pacientom tipa BF.

Pritrditvena mesta varovalnih pasov morajo zagotavljati močno sidrišče in ustrezen položaj pasov (Slika 21). Poskrbite, da varovalni pasovi ne ovirajo opreme ali dodatkov. Varovalne pasove zapnite čez ramena, pas, stegna in gležnje. Ko nosila niso v uporabi, zapnite vse varovalne pasove.

1. Za pritržitev varovalnih pasov za ramena v obliki črke X/XPR (stran 33)
2. Za pritržitev varovalnih pasov za okoli pasu v obliki črke X/XPR (stran 33)
3. Za pritržitev varovalnih pasov za stegna v obliki črke X/XPR (stran 34)
4. Za pritržitev varovalnih pasov za gležnje v obliki črke X/XPR (stran 34)



Slika 21 – Pritrditvena mesta varovalnih pasov

Za pritrditev varovalnih pasov za ramena v obliki črke X/XPR

Za pritrditev varovalnih pasov za ramena v obliki črke X/XPR:

1. Varovalni pas ovijte okoli ogrodja nosil.
2. Zaponko varovalnega pasu povlecite skozi zanko in proti vzglavju nosil.
3. Speljite zaponko pod sistem XPS.
4. Za nosila **Power-PRO XT** modela 6506 in **Performance-PRO XT** modela 6086 čvrsto povlecite varovalni pas proti zadnjemu delu hrbtnega naslona.
5. Za nosila **Power-PRO TL** modela 6550 povlecite varovalni pas pod prečno cev in proti zadnjemu delu hrbtnega naslona.
6. Speljite zaponko skozi odprtino v hrbtnem naslonu.
7. Desno pacientovo zaponko za ramena povežite z levo pacientovo zaponko za pas.
8. Poskrbite, da zanka varovalnega pasu ne bo ohlapna.



Slika 22 – Varovalni pasovi za ramena

Za pritrditev varovalnih pasov za okoli pasu v obliki črke X/XPR

Za pritrditev varovalnih pasov za okoli pasu v obliki črke X/XPR:

1. Varovalni pas ovijte okoli ogrodja nosil.
2. Zaponki varovalnih pasov povlecite skozi zanko in proti vzglavju nosil.
3. Speljite zaponko pod sistem XPS.
4. Čvrsto povlecite zaponki. En varovalni pas naj bo nameščen pod kotom proti vzglavju, en pa naj bo nameščen naravnost čez nosila.
5. Desno pacientovo zaponko povežite z levo pacientovo zaponko.
6. Poskrbite, da zanka varovalnega pasu ne bo ohlapna.



Slika 23 – Varovalni pasovi za pas

Za pritrnitev varovalnih pasov za stegna v obliki črke X/XPR

Za pritrnitev varovalnih pasov za stegna v obliki črke X/XPR:

1. Varovalni pas ovijte okoli nosilnega mehanizma.
2. Zaponko varovalnega pasu povlecite skozi zanko in proti vzglavju nosil.
3. Čvrsto povlecite varovalni pas.
4. Desno pacientovo zaponko povežite z levo pacientovo zaponko.
5. Poskrbite, da zanka varovalnega pasu ne bo ohlapna.



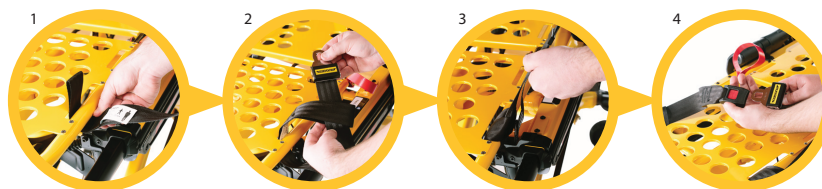
Slika 24 – Varovalni pasovi za stegno

Za pritrnitev varovalnih pasov za gležnje v obliki črke X/XPR

Samo za nosila **Power-PRO XT** modela 6506, **Performance-PRO XT** modela 6086 in **Power-PRO TL** modela 6550, izdelana ali nadgrajena po 3. juliju 2015, z možnostjo spodnjega naslona za noge ali Trendelenburgovega položaja.

Za pritrnitev varovalnih pasov za gležnje v obliki črke X/XPR:

1. Varovalni pas ovijte okoli ogrodja nosil. Ovijte okoli obeh dviznih palic ob vznožju.
2. Zaponko varovalnega pasu povlecite skozi zanko in proti vzglavju nosil.
3. Čvrsto povlecite zaponko.
4. Desno pacientovo zaponko povežite z levo pacientovo zaponko.
5. Poskrbite, da zanka varovalnega pasu ne bo ohlapna.



Slika 25 – Varovalni pasovi za gleženj

Imobilizacija bolnika s sistemom varovalnih pasov za otroke **Pedi-Mate®**

OPOZORILO - Zaponko vedno postavite proč od ovir ali dodatkov na nosilih, da preprečite tveganje za nenamerno sprostitve sistema varovalnih pasov za otroke **Pedi-Mate®**

Imobilizacija bolnika s sistemom varovalnih pasov za otroke **Pedi-Mate®**

1. Z nosil umaknite vse varovalne pasove.
2. Na nosilih dvignite hrbtni naslon v položaj do konca navzgor.
3. Podlogo **Pedi-Mate®** namestite plosko na hrbtni naslon na nosilih, tako da so črni pasovi hrbtnega naslona obrnjeni navzven.
4. Pasove ovijte okoli hrbtnega naslona na nosilih in konce pasov vstavite skozi nosilce.
5. Zategnite zaponko.
6. Povlecite konec prilagodljivega pasu hrbtnega naslona, da ga zategnete.
7. Pasove glavnega okvirja vstavite med okvir izdelka in posteljni vložek.
8. Zaponko vstavite za navzkrižno opornico nosilnega mehanizma in jo potegnite navzgor pred navzkrižno opornico nosilnega mehanizma.
9. Zategnite zaponko okoli navzkrižne opornice nosilnega mehanizma. Pas naj bo ohlapen za končno prilagoditev.
10. Zategnite vse pasove.

Opomba - Za več informacij o sistemu varovalnih pasov za otroke **Pedi-Mate®** glejte proizvajalčeva navodila za uporabo, upravljanje in vzdrževanje. Varna in pravilna uporaba sistema varovalnih pasov za otroke **Pedi-Mate®** sta predmet presoje uporabnika. Določite načine in postopke za izobraževanje in usposabljanje svojega osebja glede varnega upravljanja ali vzdrževanja tega izdelka. To so samo splošna navodila. Ta navodila shranite za poznejšo uporabo. Ta navodila so stalen sestavni del izdelka in morajo spremljati izdelek, tudi če se izdelek proda.

Pedi-Mate® je registrirana blagovna znamka družbe Ferno Washington, Inc.

Pritrditev ploščadi za defibrilator

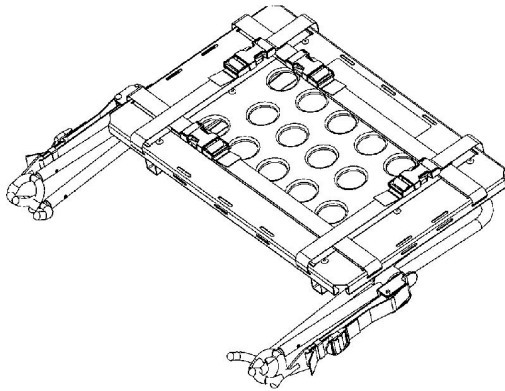
OPOZORILO - Ploščadi za defibrilator ne pritrjujte pri nosilih modela 6086 **Performance-PRO XT** z možnostjo **Power-LOAD**, da preprečite tveganje prevrnitve nosil.

PREVIDNOSTNO OBVESTILO

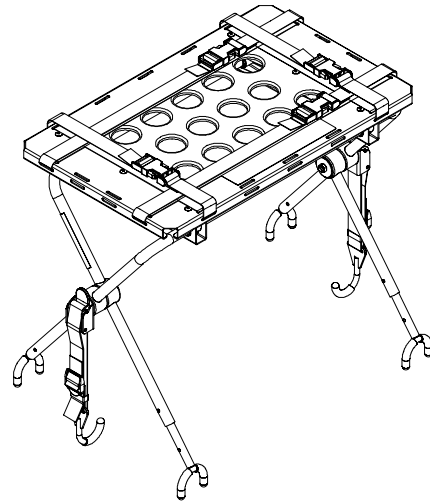
- Ko uporabljate ploščad za defibrilator, jo vedno pritrдите na izdelek.
 - Vedno uporabite in prilagodite trakove, priložene ploščadi za defibrilator, da pritrдите defibrilator.
 - Vedno spremenite lokacijo pritrditve ali prilagodite trakove konkretni velikosti ali obliki defibrilatorja.
 - Obremenitev ploščadi za defibrilator naj ne preseže varne delovne obremenitve 30 funtov (13,6 kg).
-

Pritrditev ploščadi za defibrilator:

1. Ploščad za defibrilator namestite v zloženi položaj (Slika 26).
2. Razprite in raztegnite noge ploščadi za defibrilator (Slika 27).

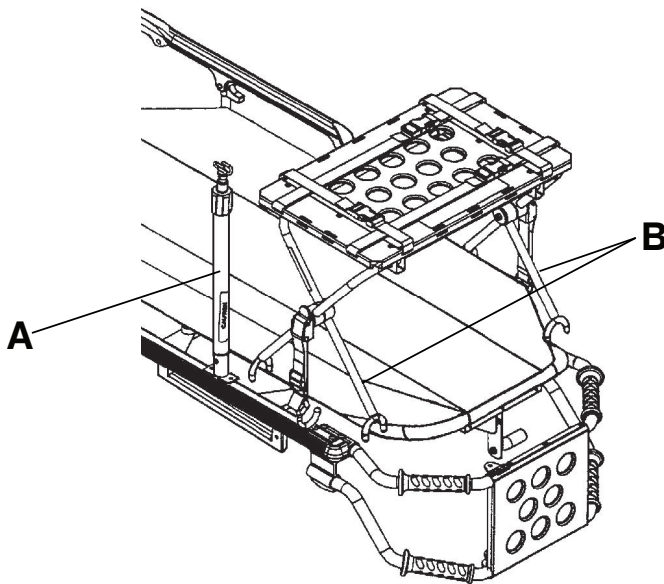


Slika 26 – Zloženi položaj

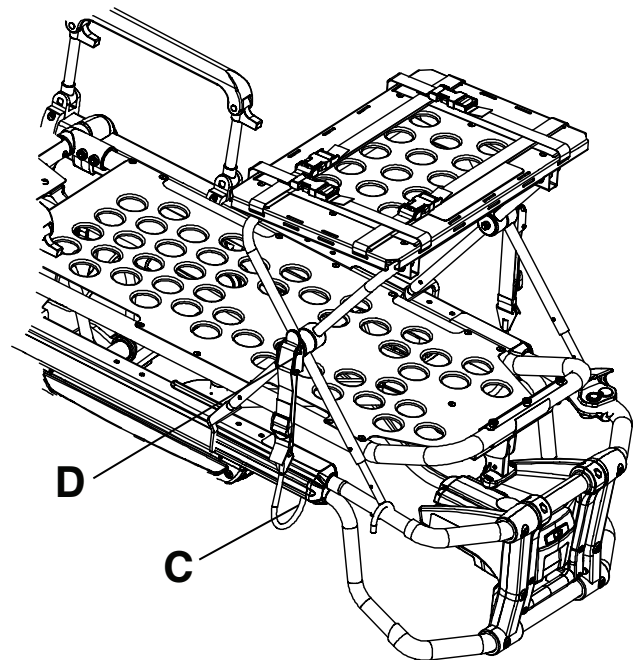


Slika 27 – Razpiranje nog ploščadi za defibrilator

3. Če je izdelek opremljen s stojalom za infuzijo, dvignite stojalo za infuzijo (A) v navpični položaj (Slika 28).
4. Ploščad za defibrilator postavite na ogrodje izdelka.
5. Notranji nogi (B) ploščadi za defibrilator postavite proti vzgljvu izdelka (Slika 28).
6. Namestite kavelj zapaha (C) pod okvir nosilnega mehanizma ali pritrnilo ob vznožju in potisnite jeziček (D) navzgor, tako da se s slišnim klikom zaskoči na eni strani (Slika 29). Postopek ponovite na drugi strani. Pri nosilih, združljivih s sistemom **Power-LOAD**, morate trakove, če so nameščeni, podaljšati in jih namestiti na pritrnilo ob vznožju (Slika 30).

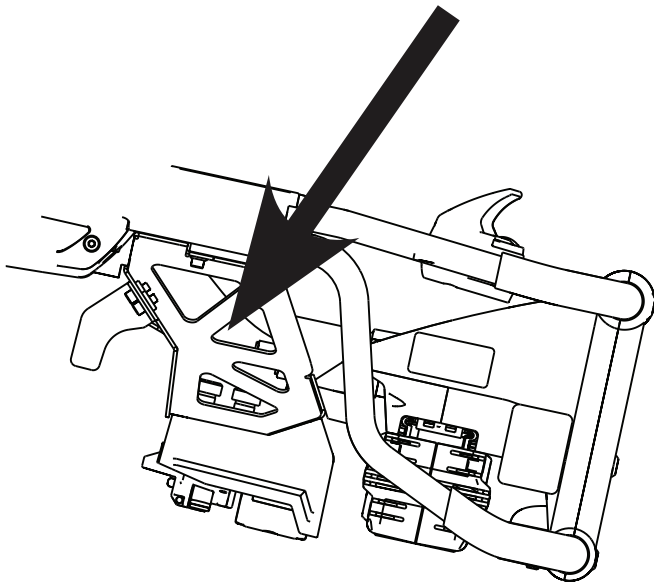


Slika 28 – Dvig stojala za infuzijo in postavitve police za defibrilator (prikazan model 6506)



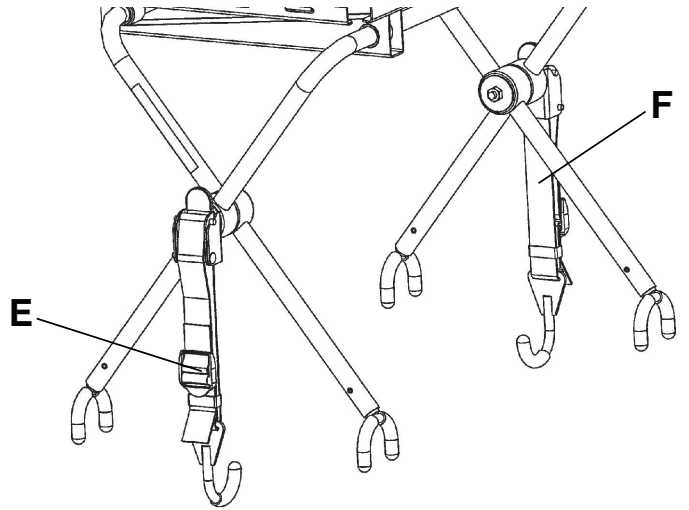
Slika 29 – Namestitev kavlja zapaha (prikazan model 6506)

7. Prepričajte se, da je ploščad za defibrilator pritrjena na izdelek.
8. Defibrilator postavite na ploščad.
9. Pritrdite trakove (E), da držijo defibrilator na ploščadi (Slika 31).



Slika 30 – Jeziček (prikazan model 6506)

Opomba - Če ploščad za defibrilator ni pritrjena na izdelek, potem ko povežete oba kavlja zapaha, sprostite jeziček. Za prilagoditev zrahljajte ali zategnite trak in nato potisnite jeziček navzgor, tako da se s slišnim klikom zaskoči na svoje mesto.



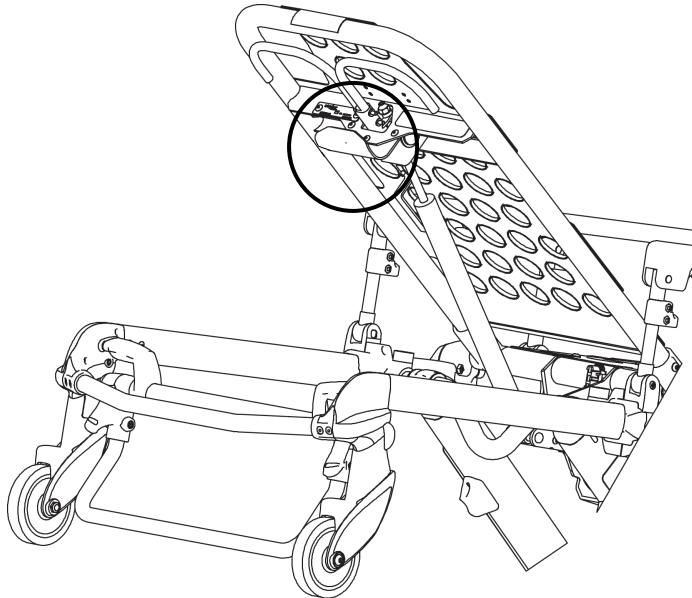
Slika 31 – Pritrditev ploščadi za defibrilator na nosila

Obešanje opreme na kavelj za opremo

Kavelj za opremo uporabite za obešanje dodatkov oziroma dodatne opreme, kot so defibrilatorji in monitorji.

PREVIDNOSTNO OBVESTILO

- Obremenitev kavlja za opremo naj ne preseže varne delovne obremenitve 15,8 kg (35 lb).
 - Ko ste v vozilu, s kavlja za opremo vedno odstranite vse dodatke ali opremo.
-



Slika 32 – Kavelj za opremo

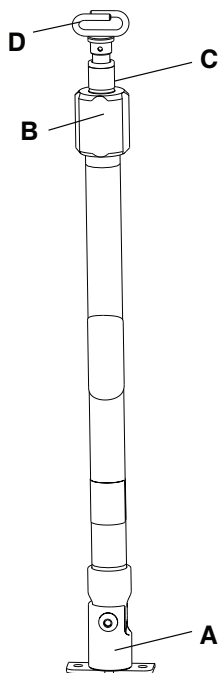
Postavitev dvostopenjskega stojala za infuzijo

PREVIDNOSTNO OBVESTILO - Obremenitev stojala za infuzijo naj ne preseže varne delovne obremenitve 25 funtov (11,3 kg).

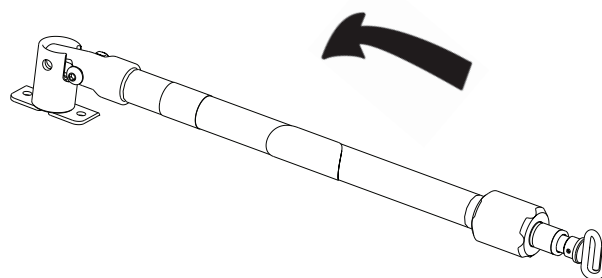
Za postavitve stojala za infuzijo (Slika 33):

1. Iz položaja za shranjevanje stojalo za infuzijo dvignite in zasukajte ter ga potisnite navzdol, tako da se zaskoči v ohišje (A).
2. Če želite povečati višino stojala, obrnite zaklepni obroč (B) v nasprotni smeri urinega kazalca in povlecite navzgor teleskopski del (C) stojala, da ga dvignete na zeleno višino.
3. Obrnite zaklepni obroč (B) v smeri urinega kazalca, da se teleskopski del zaskoči na svojem mestu.
4. Infuzijske vrečke obesite na kljuko za infuzijo (D).
5. Obrnite zaklepne obroče (B) v nasprotni smeri urinega kazalca in potisnite konkretni odsek (C) v spodnjo cev.
6. Obrnite zaklepne obroče (B) v smeri urinega kazalca, da zategnete.
7. Dvignite in zasukajte stojalo navzdol v položaj za shranjevanje (Slika 34).

Opomba - Dvojna dvostopenjska stojala za infuzijo (6500-312-000 ali 6550-312-000) niso združljiva niti z različico pacientovega desnega (6500-310-000 ali 6550-310-000) niti pacientovega levega (6500-311-000 ali 6550-311-000) dvostopenjskega stojala za infuzijo.



Slika 33 – Dvignjeni položaj stojala za infuzijo



Slika 34 – Položaj za shranjevanje stojala za infuzijo

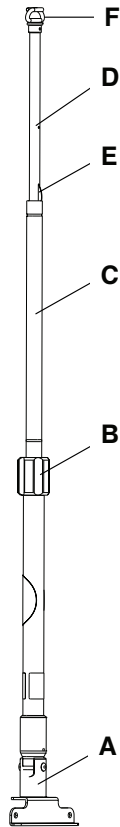
Postavitev izbirnega tristopenjskega stojala za infuzijo

PREVIDNOSTNO OBVESTILO - Obremenitev stojala za infuzijo naj ne preseže varne delovne obremenitve 25 funtov (11,3 kg).

Za postavitev stojala za infuzijo (Slika 35):

1. Iz položaja za shranjevanje stojalo za infuzijo dvignite in zasukajte ter ga potisnite navzdol, tako da se zaskoči v ohišje (A).
2. Če želite povečati višino stojala, obrnite zaklepni obroč (B) v nasprotni smeri urinega kazalca in povlecite navzgor teleskopski del (C) stojala, da ga dvignete na željeno višino.
3. Obrnite zaklepni obroč (B) v smeri urinega kazalca, da se teleskopski del zaskoči na svojem mestu.
4. Če potrebujete višje stojalo za infuzijo, povlecite navzgor konkretni odsek (D), tako da se vzmetna sponka (E) priključi.
5. Infuzijske vrečke obesite na kljuko za infuzijo (F).
6. Če želite znižati stojalo za infuzijo, pritisnite vzmetno sponko (E) in pomaknite konkretni odsek (D) navzdol v naslednji odsek (C). Obrnite zaklepni obroč (B) v nasprotni smeri urinega kazalca in potisnite konkretni odsek (C) v spodnjo cev.
7. Obrnite zaklepni obroč (B) v smeri urinega kazalca, da privijete.
8. Dvignite in zasukajte stojalo navzdol v položaj za shranjevanje.

Opomba - Dvojna tristopenjska stojala za infuzijo (6500-317-000 ali 6550-317-000) niso združljiva niti z različico bolnikovega desnega (6500-315-000 ali 6550-315-000) niti bolnikovega levega (6500-316-000 ali 6550-316-000) tristopenjskega stojala za infuzijo.



Slika 35 – Dvignjeni položaj stojala za infuzijo

Pritrditev kisikove jeklenke na držalo za kisikovo jeklenko

PREVIDNOSTNO OBVESTILO

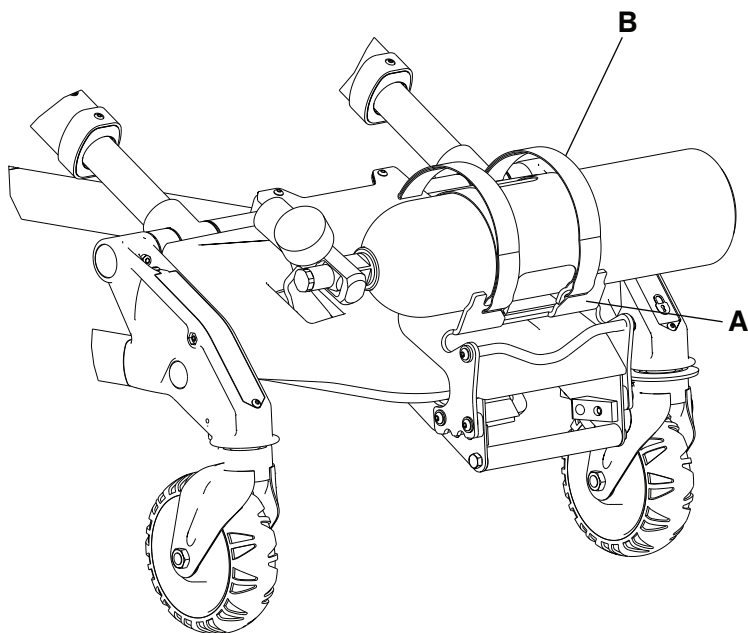
- Držala kisikove jeklenke ne obremenite preko varne delovne obremenitve 6,8 kg (15 lb).
- Ne uporabljajte dveh držal za kisikove jeklenke naenkrat.

Če želite pritrditi kisikovo jeklenko na držalo za kisikovo jeklenko (Slika 36):

1. Držalo za kisikovo jeklenko postavite na sredino elementa (A).
2. Oba pasova (B) zategnite okoli kisikove jeklenke.
3. Zavarujte ohlapnost obeh pasov s sponko.

Opomba - Držala za kisikovo jeklenko ne uporabljajte, da bi držal jeklenko, kadar se vozilo za prevoz premika. Držalo za kisikovo jeklenko vedno namestite v ustrezno mesto za shranjevanje, kadar se vozilo za prevoz premika.

Opomba - Med uporabo preverite, ali so pasovi in sponke obrabljeni. Če pas ne more več držati kisikove jeklenke, ga zamenjajte.



Slika 36 – Priključek za kisikovo jeklenko

Izbirna pritrnitev potisnih drogov

Potisni drogov (kot izbirna možnost) vam omogočajo upravljanje izdelka na katerem koli višinskem položaju.

OPOZORILO

- Potisne drogove vedno zaklenite v pritrditvene nastavke, da preprečite nehoteno izvlečenje med uporabo.
 - Izdelka s potisnimi drogov ne dvigujte.
-

Za pritrnitev potisnih drogov:

1. Vsakega od potisnih drogov vstavite v eno od štirih kotnih priključnih odprtin.
2. Pritisnite na vsakega od potisnih drogov in ga zaklenite v svojo priključno odprtino.



Slika 37 – Potisni drog je pritrjen

Odstranjevanje in shranjevanje potisnih drogov v vrečo za shranjevanje potisnih drogov

OPOZORILO - Kadar potisnih drogov ne uporabljate, jih vedno shranite v vrečo za shranjevanje.

Odstranitev potisnih drogov:

1. Pritisnite rdeči gumb za sprostitev in dvignite vsakega od drogov iz kotne priključne odprtine.

2. Odstranjene potisne drogove dajte v vrečo za shranjevanje, ki je na ogrodju podnožja (Slika 38).

Za pritrditev vreče za shranjevanje uporabite ustrezne sponke, da pritrdite vrečo na ogrodje nosil (Slika 39).

Pazite, da vreča in njena vsebina ne bodo motili delovanja nosil, preden nosila dvignete, spustite ali prevažate.



Slika 38 – Odstranjevanje potisnih drogov



Slika 39 – Pritrditev vreče za shranjevanje potisnih drogov

Pritrditev izbirne odlagalne mreže na podnožju

PREVIDNOSTNO OBVESTILO

- Obremenitev odlagalne mreže na podnožju naj ne preseže varne delovne obremenitve 20 funtov (9 kg).
- Vedno bodite previdni, ko zlagate podnožje, da preprečite poškodbe predmetov, ki so shranjeni v odlagalni mreži na podnožju.

Za pritrditev odlagalne mreže na podnožju ovijte trakove **Velcro®** okoli cevi podnožja.

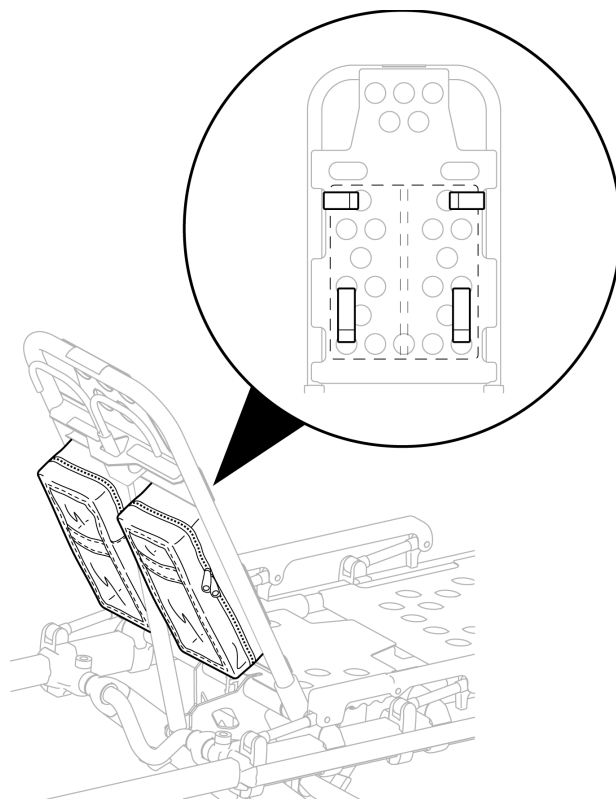
Pritrditev shranjevalne vrečke na hrbtnem naslonu

PREVIDNOSTNO OBVESTILO

- Obremenitev shranjevalne vrečke na hrbtnem naslonu naj ne preseže varne delovne obremenitve 20 funtov (9 kg).
- Poskrbite, da shranjevalna vrečka ne bo motila upravljanja izvlečnega naslona za glavo.

Za pritrditev shranjevalne vrečke na hrbtnem naslonu (Slika 40):

1. Vstavite posamezen trak skozi luknjo v sloju hrbtnega naslona.
2. Vrečko namestite tesno ob hrbtni naslon.
3. Shranjevalno vrečko na hrbtnem naslonu pritrdite na nosila z ježki **Velcro®**.



Slika 40 – Shranjevalna vrečka na hrbtnem naslonu

Pritrditev posteljnega vložka

Za uporabo s tem izdelkom sta na voljo dve možnosti posteljnih vložkov. Posteljni vložek z blazino za naslon spodnjega dela nog (6550-001-084) ali ploski posteljni vložek (6550-001-295) s standardno stransko ograjo. Širši posteljni vložek z blazino za naslon spodnjega dela nog (6500-003-130/6506-003-130) uporabite skupaj z izbirno možnostjo razširljive površine za bolnika (XPS).

PREVIDNOSTNO OBVESTILO - Ne shranjujte stvari pod posteljnim vložkom. Predmeti pod posteljnim vložkom lahko motijo delovanje izdelka.

Za pritrditev posteljnega vložka na nosila:

1. Poravnajte ježka **Velcro®** na hrbtni strani posteljnega vložka s pritrdilnim delom **Velcro®** na nosilnem mehanizmu nosil.
2. Pritrdite trak ob vznožju posteljnega vložka skozi dve odprtini ob vznožju na nosilno ogrodje nosil.
3. Povlecite trak skozi zaponko in namestite pritrdilni del **Velcro®**, da lahko prilepíte ježka.

Opomba

- Posteljni vložek z blazino za naslon spodnjega dela nog (6550-001-084) in ploski posteljni vložek (6550-001-295) nista združljiva z različico stranske ograje XPS (6550-031-000).
- Izbirna različica posteljnega vložka z blazino za naslon spodnjega dela nog XPS (6500-003-130/6506-003-130) ni združljiva s standardnimi stranskimi ograjami (6550-034-000).
- Posteljni vložek je del tipa BF.

Vstavljanje polnilnika SMRT Pak

Polnilnik **SMRT Pak** je zasnovan tako, da omogoča združljivost z nosili **Power-PRO XT**, **Power-PRO IT** in **Power-PRO TL**.

Za izboljšanje zmogljivosti akumulatorja uporabite samo napajalnike **SMRT**, ki ste jih polnili v zadnjih 48 urah.

Za vstavitve polnilnika **SMRT Pak**:

1. Poravnajte jezička v ohišju baterije.
2. Napajalnik **SMRT Pak** potisnite v prostor, tako da se zapah zaskoči na mestu.

Napajalnik **SMRT Pak** lahko ostane nameščen na nosilo **Power-PRO** med posameznimi odzivi na klic v sili v enotedenskem obdobju ali dokler LED-kazalnik akumulatorja ne utripa rumeno.

Odstranjevanje akumulatorja SMRT Pak z nosil

Po sprostitvi kompleta **SMRT Pak** komplet **SMRT Pak** odstranite z nosil **Power-PRO** in ga nadomestite z napolnjenim kompletom **SMRT Pak**.

Večkratna uporaba kompleta **SMRT Pak** brez obdobja mirovanja lahko poveča temperaturo celic in skrajša njegovo življenjsko dobo. Npr. večkratno dviganje in spuščanje pacienta z visoko telesno maso v hitrem sosledju lahko zmanjša življenjsko dobo kompleta **SMRT Pak**.

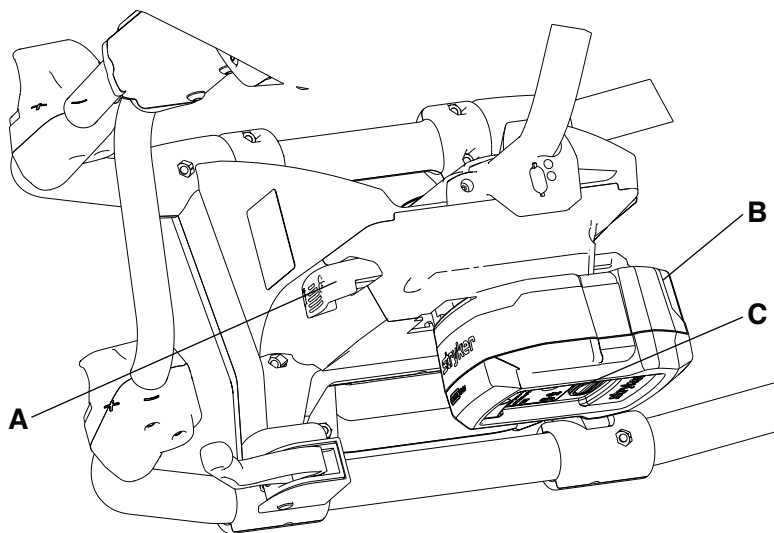
OPOZORILO

- Akumulatorja ne odstranjujte, ko so nosila aktivirana.
- Za preprečevanje tveganja za električni udar v nobenem primeru ne poskušajte odpirati baterijskega sklopa. Če je ohišje baterijskega sklopa počeno ali poškodovano, ga ne vstavljajte v polnilnik. Poškodovane baterijske sklope vrnite v servisni center, kjer bodo reciklirani.
- Izogibajte se neposrednemu stiku z mokro baterijo ali ohišjem baterije. Takšen stik lahko vodi v poškodbe pacienta ali upravljavca.

PREVIDNOSTNO OBVESTILO - Akumulator vedno odstranite, če nosil ne nameravate uporabljati daljše obdobje (več kot 24 ur).

Za odstranjevanje sklopa **SMRT Pak** z nosil:

1. Za sprostitvev sklopa **SMRT Pak** (B) z nosil pritisnite enoročni rdeči sprostitveni gumb (C) ali gumb za sprostitvev akumulatorja (A) (Slika 41).
2. Sklop **SMRT Pak** izvlecite iz ohišja.



Slika 41 – Sproščanje baterije

Shranjevanje akumulatorja

Za zagotavljanje dolge življenjske dobe, učinkovitosti delovanja in varnosti te opreme za shranjevanje ali prevoz te opreme uporabljajte izvirno ovojnino.

Vsi akumulatorji med shranjevanjem ali neuporabo izgubijo naboj. Komplet **SMRT Pak** lahko v 48 urah po odstranitvi iz polnilnika **SMRT** izgubi do 30 odstotkov naboja. Za zagotavljanje najboljše učinkovitosti komplete **SMRT Paks** uporabite vsake tri mesece oziroma jih vsake tri mesece do konca napolnite.

Polnjenje akumulatorja SMRT Pak

Akumulator **SMRT Pak** je namenjen samo za uporabo s polnilnikom **SMRT**.

OPOZORILO - Če je ohišje akumulatorja **SMRT Pak** počeno ali poškodovano, akumulatorja ne vstavljajte v polnilnik **SMRT**. Poškodovane akumulatorje **SMRT Pak** posredujte na reciklažo v servisni center.

Opomba

- V primeru daljšega shranjevanja hranite akumulator **SMRT Pak** v polnilniku **SMRT**, da se vzdržuje napolnjenost. Polnilnik **SMRT** zagotavlja, da je akumulator **SMRT Pak** napolnjen in pripravljen za uporabo.
- Akumulator **SMRT Pak** hranite pri sobni temperaturi znotraj dopustnega temperaturnega razpona za polnjenje od 6 °C do 31 °C (od 43 °F do 88 °F). V primeru polnjenja akumulatorja **SMRT Pak** izven tega priporočenega temperaturnega razpona se skrajša življenjska doba akumulatorja **SMRT Pak** in podaljša čas polnjenja.

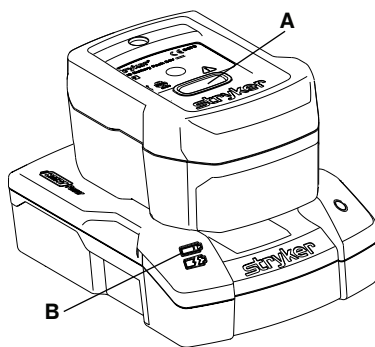
Za polnjenje akumulatorja **SMRT Pak** (Slika 42):

1. Čist, suh akumulator **SMRT Pak** vstavite v polnilnik **SMRT**. Prepričajte se, da se akumulator **SMRT Pak** zaskoči v polnilnik **SMRT**.

Opomba

- Diodni indikator (B) polnilnika **SMRT** bo med polnjenjem utripal zeleno (Slika 42). Optimalen čas polnjenja je dve uri.
 - Ko je akumulator **SMRT Pak** napolnjen in pripravljen za uporabo, diodni indikator (B) polnilnika **SMRT** sveti zeleno.
2. Pritisnite rdeči gumb za sprostitev (A) (Slika 42) in potisnite akumulator **SMRT Pak**, da se napolnjen in pripravljen akumulator **SMRT Pak** sprosti iz polnilnika **SMRT**.

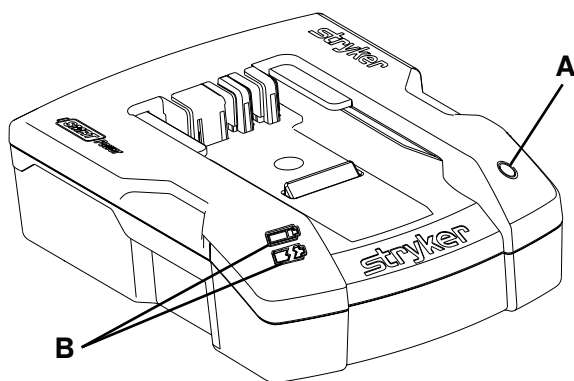
Polnilnik **SMRT** zagotavlja polnjenje ne glede na stanje napolnjenosti akumulatorja **SMRT Pak**.



Slika 42 – Polnjenje akumulatorja SMRT Pak

Preverjanje napolnjenosti akumulatorja SMRT Pak s polnilnikom SMRT

Z diodnimi indikatorji polnilnika **SMRT** preverite napolnjenost akumulatorja **SMRT Pak**.



Slika 43 – Preverjanje napolnjenosti akumulatorja SMRT Pak

- Napajalni priključek: Priklopite oziroma odklopite polnilnik **SMRT** na oziroma iz ustreznega vira napajanja (*Napajanje polnilnika* (stran 49)).
- Svetlobna dioda (A) za napajanje polnilnika **SMRT**: Če svetlobna dioda sveti zeleno, se je polnilnik **SMRT** napajal.
- Diodni indikatorji (B) polnilnika **SMRT**: Zeleni in rumeni diodni indikator polnilnika prikazujeta informacije o stanju akumulatorja **SMRT Pak**. Svetlobne diode lahko svetijo ali utripajo, odvisno od stanja polnilnika **SMRT** ali akumulatorja **SMRT Pak**.

Diodni indikator polnilnika SMRT	Stanje
Zelena (utripa)	Polnilnik SMRT polni akumulator SMRT Pak . Optimalen čas polnjenja je dve uri.
Zelena (sveti)	Akumulator SMRT Pak je napolnjen in pripravljen za uporabo
Rumena (utripa)	Temperaturna zakasnitev za akumulator SMRT Pak . Polnilnik SMRT čaka, da akumulator SMRT Pak doseže dopustni temperaturni razpon od 6 °C do 31 °C (od 43 °F do 88 °F).
Rumena (sveti)	Napaka akumulatorja SMRT Pak . Glejte razdelek o odpravljanju težav v priročniku o vzdrževanju.

Zahteve za električne povezave

Pri nastavljanju električnega vira za namestitev polnilnika **SMRT** za zanesljivo in učinkovito delovanje upoštevajte naslednje zahteve za električne povezave.

Vrsta napajanja	Razpon delovne napetosti	Frekvenca	Največje črpanje toka	Črpanje toka v stanju pripravljenosti	Izklop zaradi nizke napetosti
Izmenični tok	100 do 240 V AC	50/60 Hz	1,20 A	0,05 A	—
Enosmerni tok	12,5 do 16 V DC	—	4,16 A	0,20 A	10 V DC

Nameščanje polnilnika SMRT

Pri nameščanju polnilnika **SMRT** polnilnik **SMRT** namestite v nadzorovanem okolju, kjer:

- ni prisotnih čezmernih prašnih delcev in vlage;
- je vzdrževan stalen razpon temperature z dovoljenim razponom temperature med 6 °C in 31 °C (43 °F in 88 °F) in optimalnim razponom temperature med 18 °C in 24 °C (65 °F in 75 °F);
- je takoj pripravljen na uporabo.

Za zmanjšanje nevarnosti poškodb in možnosti neželenih odklopov poiščite in zavarujte napajalnik ter napajalne kable.

Namestitev dodatnega namestitvenega nosilca

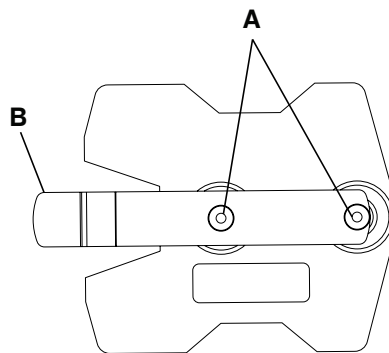
OPOZORILO

- Dodatni namestitveni nosilec in polnilnik **SMRT** naj vselej namesti kvalificiran mehanik z znanjem s področja konstrukcije reševalnih vozil.
- Za zagotavljanje skladnosti s standardi uveljavljenih preizkusnih trkov je treba polnilnik **SMRT** na dodatni namestitveni nosilec vselej namestiti v zaprti omarici, da je med prevozom zunaj pacientovega dosega.
- Vselej se prepričajte, da je dodatni namestitveni nosilec varno pritrjen na površino.

Za nameščanje namestitvenega nosilca (Slika 44):

1. Namestitveni nosilec za polnilnik **SMRT** uporabite kot šablono, s katero označite položaj namestitvenih odprtin (A), kjer nameravate namestiti namestitveni nosilec.
2. Namestite namestitveni nosilec tako, da:
 - a. je vzmetni jeziček (B) na hrbtne strani polnilnika **SMRT**;
Opomba - pri nameščanju nosilca na vodoravno površino mora biti vzmetni jeziček s svojo konico poravnan vodoravno na levo stran (Slika 44);
 - b. je napajalni kabel mogoče preprosto vključiti v hrbtne strani polnilnika **SMRT**;
 - c. je omogočeno drsenje polnilnika **SMRT** s prednje na zadnjo stran, kar omogoča njegovo priključitev na nosilec po namestitvi;
 - d. je nosilec pravilno nameščen v reševalnem vozilu ali reševalni postaji:

Reševalno vozilo	Reševalna postaja
<ul style="list-style-type: none"> Nosilec pritrdite na vodoravno podporno strukturo ali polico z vijaki velikosti vsaj 10, razreda 5 (niso priloženi). Prepričajte se, da je izbrani namestitveni nosilec dovolj trden, da zagotavlja fiksno podporo polnilniku SMRT in SMRT Pak med prevozom. Nosilec naj bo med prevozom v zaprti omarici in zunaj pacientovega dosega. Omogočite preprosto nameščanje in odstranjevanje namestitvev kompleta SMRT Pak. Zagotovite si dostop do napajalnega vira, ki je na dosegu napajalnega kabla. 	<ul style="list-style-type: none"> Nosilec pritrdite na vodoravno ali navpično podporno strukturo z vijaki velikosti vsaj 10, razreda 5 (niso priloženi). Pri navpični namestitvi namestitveni nosilec namestite tako, da je vzmetni jeziček tik pod namestitvenimi vijaki in da polnilnik SMRT podpira komplet SMRT Pak, tudi ob nenamernem pritisku sprostitvenega gumba. Omogočite preprosto nameščanje in odstranjevanje kompleta SMRT Pak. Zagotovite si dostop do napajalnega vira, ki je na dosegu napajalnega kabla.

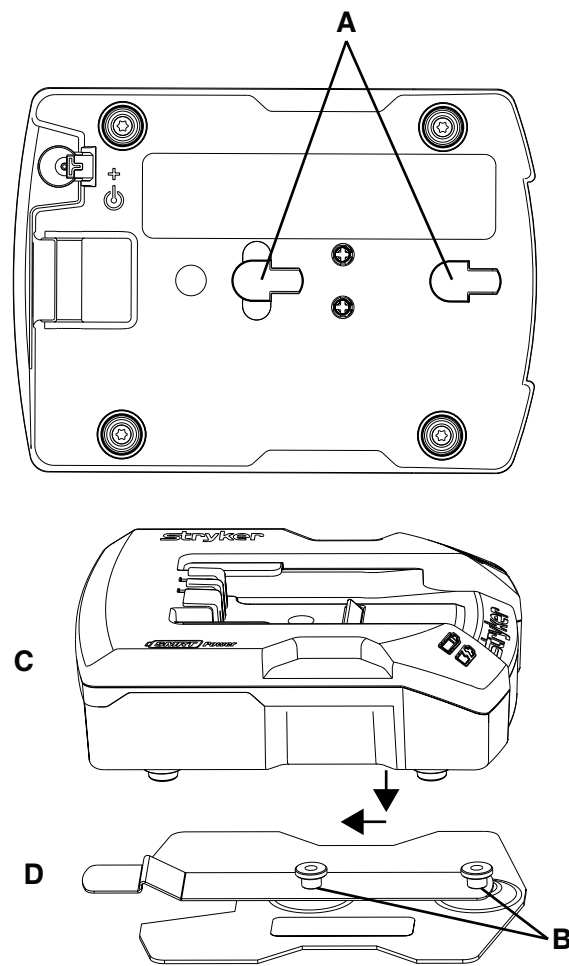


Slika 44 – Namestitveni nosilec

Pritrditev polnilnika na dodatni namestitveni nosilec

Za pritrditev polnilnika **SMRT** na namestitveni nosilec (Slika 45):

- Reže (A) na hrbtni strani poravnajte s pritrdili nosilca (B).
- Polnilnik **SMRT** (C) potisnite, da se zaskoči na namestitvenem nosilcu (D), s čimer je polnilnik fiksno pritrjen na nosilec.



Slika 45 – Pritrditev polnilnika

Napajanje polnilnika

PREVIDNOSTNO OBVESTILO

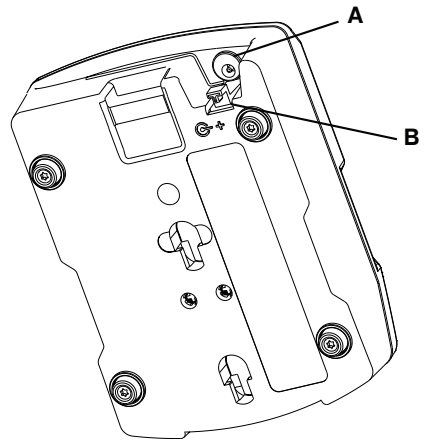
- Napajalni kabel napajalnika **SMRT** vedno položite tako, da ga nihče ne more pohoditi, se obenj nihče ne more spotakniti oziroma tako, da ni izpostavljen drugim poškodbam ali obremenitvam.
- Priključkov ohišja kompleta **SMRT Pak** se ne dotikajte se kovinskimi predmeti.

To power the **SMRT** charger (Slika 46):

1. Poiščite napajalni priključek (A) na hrbtni strani polnilnika **SMRT**.
2. Potisnite zadrževalni jeziček napajalnega kabla (B), da njegov izhodni priključek vstavite v napajalni priključek polnilnika **SMRT**.
3. Konec napajalnega kabla z napajalnim adapterjem vključite v vir električne energije.

Najustrezneje je, da uporabiti vir čiste in neprekinjene električne energije. Ko je polnilnik **SMRT** priključen v vir električne energije, njegova zelena LED-dioda za napajanje neprekinjeno sveti.

Za napajanje polnilnika **SMRT** uporabljajte izključno dele, ki jih odobri Stryker.



Slika 46 – Napajanje polnilnika

Izključitev polnilnika

PREVIDNOSTNO OBVESTILO - Za preprečevanje nevarnosti poškodbe električnega vtiča in kabla polnilnik **SMRT** vedno izključite tako, da povlečete vtič, ne pa kabel.

Za izklop polnilnika **SMRT** napajalni kabel izključite iz vira električne energije na izmenični ali enosmerni tok.

Dodatki in deli

Ti dodatki so morda na voljo za uporabo z vašim izdelkom. Preverite razpoložljivost za svojo konfiguracijo ali regijo. Pokličite službo za pomoč strankam družbe Stryker: 1-800-327-0770.

Ime	Številka
Vrečka na hrbtnem naslonu	6500-130-000
Podaljšek pasu	6082-160-050
Ploščad za defibrilator	6550-170-000
Kavelj za opremo	6500-147-000
Plinski cilindri, hrbtni naslon	1010-031-077
Izvlačni naslon za glavo z blazino	6100-044-000
Stojalo za infuzijo, dvostopenjsko, desno	6550-310-000
Stojalo za infuzijo, dvostopenjsko, levo	6550-311-000
Stojalo za infuzijo, dvostopenjsko, dvojno	6550-312-000
Stojalo za infuzijo, tristopenjsko, desno	6550-315-000
Stojalo za infuzijo, tristopenjsko, levo	6550-316-000
Stojalo za infuzijo, tristopenjsko, dvojno	6550-317-000
Posteljni vložek, blazina spodnjega naslona za noge	6550-001-084
Posteljni vložek, ploski spodnji naslon za noge	6550-001-295
Posteljni vložek, blazina spodnjega naslona za noge, XPS	6500-003-130
Posteljni vložek, blazina spodnjega naslona za noge, siv, XPS	6506-003-130
Držalo za kisikovo jeklenko	6550-102-020
Držalo za kisikovo jeklenko, odstranljivo	6080-140-000
Držalo za kisikovo jeklenko, pas	6550-002-004
Nosilec za varovalni pas (dodatna možnost)	6091-300-010
Paket varovalnih pasov, EMS, za domačo uporabo	6060-160-010
Paket varovalnih pasov, pasovi v obliki črke X	6500-001-430
Paket varovalnih pasov XPR	650600030010
Stranska ograja, standardna	6550-034-000
Stranska ograja, različica XPS	6550-031-000
Mreža za shranjevanje, podnožje	6500-160-000
Shranjevalna vreča, hrbtni naslon	6500-130-000
Zaklep koles	6086-200-010

Uporabljajte izključno dele, ki jih odobri Stryker. Uporaba drugačnih delov lahko povzroči povečane elektromagnetne emisije ali zmanjšano elektromagnetno odpornost sistema. Delov ne spreminjajte. Neupoštevanje tega lahko vodi do poškodbe.

Ime	Številka
Polnilnik SMRT	6500-201-000
Namestitveni nosilec polnilnika SMRT	6500-034-000
Komplet SMRT Pak, akumulatorski sklop	6500-700-046
Napajalne komponente – izmenični tok	
Napajalni vir za polnilnik	6500-201-148
Napajalni kabel, Severna Amerika	6500-201-149
Napajalni kabel, Evropa	6500-201-150
Napajalni kabel, Združeno kraljestvo	6500-201-151
Napajalni kabel, Avstralija	6500-201-153
Napajalne komponente – enosmerni tok	
12-voltni kabel za enosmerni tok, avtomobilski	6500-201-147
12–24-voltni kabel, vtič DIN	6500-201-152
Napajalni komplet SMRT (vključuje 1 polnilnik, 2 enoti Pak in 1 napajalni kabel)	
Napajalni komplet SMRT – 12 V enosmernega toka, za domačo uporabo (avtomobilski polnilnik)	6500-700-040
Napajalni komplet SMRT – 120 V izmeničnega toka, za domačo uporabo (stenski polnilnik)	6500-700-041
Napajalni komplet SMRT – 240 V izmeničnega toka, Združeno kraljestvo, mednarodni	6500-700-043
Napajalni komplet SMRT – 240 V izmeničnega toka, Evropa, mednarodni	6500-700-044
Napajalni komplet SMRT – 240 V izmeničnega toka, Avstralija, mednarodni	6500-700-045

Za celoten seznam dodatnih delov se obrnite na prodajnega zastopnika družbe Stryker.

Čiščenje in razkuževanje varovalnih pasov XPR

Preverite razpoložljivost za svojo konfiguracijo ali regijo. Pokličite službo za pomoč strankam družbe Stryker: 1-800-327-0770.

Priporočena čistila vključujejo:

- ≤ 70-odstotni izopropilni alkohol ali

čistilo z naslednjimi aktivnimi sestavinami (ali enakovrednim):

- amonijeve soli ≤ 0,31 %
- izopropilni alkohol ≤ 21,000 %
- etilen glikol monobutil eter ≤ 3,000 % (neaktivna sestavina)

Opomba - Neuporaba predpisanih čistil lahko povzroči prezgodnjo degradacijo in razveljavi garancijo za izdelek. Na primer, ne čistite z belilom, **HDQ Neutral®** ali accelerated hydrogen peroxide. Če imate vprašanja ali pomisleke, se obrnite na službo za stranke družbe Stryker (1-800-327-0770).

Priporočena metoda čiščenja:

1. Natančno sledite priporočilom izdelovalca za redčenje čistilne raztopine.
2. Za namene čiščenja obrišite zunanje površine, da odstranite vso vidno umazanijo. To po potrebi ponavljajte, dokler ni izdelek čist.

Opomba - Premaknite podaljšek zaponke, da očistite celoten varovalni pas. Preden premaknete podaljšek zaponke, se prepričajte, da je površina varovalnega pasu suha. Podaljška zaponke ne premikajte čez površino, ki je mokra zaradi čistila.

3. Za namene razkuževanja brišite zunanje površine, dokler so mokre.
4. Poskrbite, da izdelek ne ostane moker dlje od priporočil za pravilno razkuževanje v smernicah proizvajalca kemikalij.
5. Preverite delovanje, preden začnete izdelek znova uporabljati.
 - Namakanja kovinskih zaponk varovalnih pasov ne priporočamo, saj lahko to povzroči njihovo rjavenje. Izperite jih s čisto vodo in pustite, da se posušijo na zraku, s čimer zmanjšate možnost rjavenja. Zamenjajte varovalne pasove, če na kovinskih zaponkah pride do korozije.
 - Neposreden stik kože z vidno umazanim, prepustnim materialom lahko poveča tveganje za okužbo.
 - Pranje varovalnih pasov ni priporočljivo.

PREVIDNOSTNO OBVESTILO - Ne nanašajte maziv na površine varovalnih pasov.

Opomba

- Varovalni pasovi XPR imajo pri uporabi zgornjih predlaganih čistilnih sredstev pričakovano življenjsko dobo treh mesecev.
- Neupoštevanje zgornjih navodil pri uporabi teh vrst čistil lahko izniči jamstvo tega izdelka.
- Vedno obrišite izdelek s čisto vodo in ga po čiščenju osušite. Nekateri izdelki za čiščenje so po naravi korozivni in lahko poškodujejo izdelek. Če izdelka ne sperete in osušite ustrezno, se na površini izdelka naberejo korozivni ostanki, ki lahko povzročijo prezgodnjo degradacijo ključnih sestavnih delov.

Čiščenje

OPOZORILO - Za preprečevanje nevarnosti okužbe dihal pri čiščenju pod tlakom vedno uporabljajte ustrezno osebno varovalno opremo. Oprema za čiščenje pod tlakom lahko privede do razpršitve onesnaževalcev.

PREVIDNOSTNO OBVESTILO

- Izdelka ne čistite s paro ali ultrazvočno.
- Največja temperatura vode naj ne presega 180 F (82°C).
- Največji tlak vode naj ne presega 1500 psi (103,4 bara). Če za čiščenje izdelka uporabljate ročni palični nastavek, mora biti tlačna šoba od izdelka oddaljena vsaj 24 palcev (61 cm).
- Vedno pustite, da se izdelek posuši na zraku.
- Vedno odstranite akumulator, preden očistite nosila.
- Ne izvajajte čiščenja, servisiranja ali vzdrževanja, ko je izdelek v uporabi.

Izdelek lahko čistite pod tlakom. Na izdelku bodo morda vidni znaki oksidacije ali razbarvanja, kar je posledica večkratnega pranja. Če upoštevate pravilne postopke čiščenja, čiščenje pod tlakom nima negativnega vpliva na učinkovitost izdelka.

- Natančno sledite priporočilom izdelovalca za redčenje čistilne raztopine.
- Kot najprimernejšo metodo za čiščenje izdelka pod tlakom družba Stryker Medical priporoča standardni pralnik za bolnišnična kirurška nosila ali ročno enoto s paličnim nastavkom.
- Nosila očistite enkrat na mesec.
- Očistite trak **Velcro®** po vsaki uporabi. Prepojte trak **Velcro®** z razkužilom in pustite, da razkužilo izpari. Ustrezno razkužilo za najlonski trak **Velcro®** naj določi servisna služba.
- Namakanja kovinskih zaponk varovalnih pasov ne priporočamo, saj lahko to povzroči njihovo rjavenje. Izperite jih s čisto vodo in pustite, da se posušijo na zraku, s čimer zmanjšate možnost rjavenja. Zamenjajte varovalne pasove, če na kovinskih zaponkah pride do korozije.
- Neposreden stik kože z vidno umazanim, prepustnim materialom lahko poveča tveganje za okužbo.

Priporočena čistila

Na splošno lahko, če upoštevate koncentracije, ki jih priporoča proizvajalec, uporabljate fenolna ali kvaterna razkužila (razen **Virex®** TB). Jodoformna razkužila niso priporočljiva za uporabo, ker lahko pride do madežev.

Priporočena čistila vključujejo:

- kvaterna čistila (aktivna sestavina – amonijev klorid), ki vsebujejo manj kot 3-odstotni glikoleter,
- fenolna čistila (aktivna sestavina – o-fenilfenol),
- klorirana belilna raztopina (5,25 % – manj kot 1 del belila na 100 delov vode),
- ≤ 21-odstotni izopropilni alkohol.

Preprečite prekomerno namakanje. Poskrbite, da izdelek ne ostane moker dlje od priporočil za pravilno razkuževanje v smernicah proizvajalca kemikalij.

Opomba

- Neupoštevanje zgornjih navodil pri uporabi teh vrst čistil lahko izniči jamstvo tega izdelka.
- Vedno obrišite izdelek s čisto vodo in ga po čiščenju osušite. Nekateri izdelki za čiščenje so po naravi korozivni in lahko poškodujejo izdelek. Če izdelka ne sperete in osušite ustrezno, se na površini izdelka naberejo korozivni ostanki, ki lahko povzročijo prezgodnjo korozijo ključnih sestavnih delov.

Čiščenje polnilnika

OPOZORILO

- Za zmanjšanje nevarnosti poškodb pri čiščenju naprave **SMRT Pak** poleg varovalne opreme vedno nosite podložene gumijaste rokavice.
 - Za preprečevanje nevarnosti, povezanih z električnim tokom, polnilnik **SMRT** vedno izključite iz stenske vtičnice.
 - Tekočine ne pršite neposredno po polnilniku **SMRT**.
 - Polnilnika **SMRT** ne čistite pod tlakom.
 - Za čiščenje polnilnika **SMRT** ne uporabljajte topil, maziv ali drugih kemičnih sredstev, razen če ni navedeno drugače.
 - Za preprečevanje nevarnosti električnega udara polnilnika **SMRT** ne potaplajte v vodo oziroma preprečite, da bi se na vrhu polnilnika **SMRT** nabirala voda.
-

To clean the **SMRT** charger:

1. Za preprečevanje nevarnosti, povezanih z električnim tokom, polnilnik **SMRT** izključite iz stenske vtičnice.
2. Površino polnilnika **SMRT** obrišite z mehko krpo, navlaženo z neabrazivnim razkužilom za uporabo v bolnišnicah.
3. Obrišite ga s krpo, navlaženo s čisto vodo, da odstranite morebitno čistilno kemično sredstvo ali njihove ostanke.
4. Polnilnik **SMRT** pred ponovno uporabo temeljite posušite.

Čiščenje baterije

Akumulator **SMRT Pak** je zasnovan tako, da ga lahko čistite pod tlakom. Za čiščenje akumulatorja **SMRT Pak** pod tlakom se priporoča standardni pralnik za bolnišnična kirurška nosila ali ročna enota s paličnim nastavkom.

OPOZORILO

- Za preprečevanje nevarnosti okužbe dihal pri čiščenju pod tlakom vedno uporabljajte ustrezno osebno varovalno opremo. Oprema za čiščenje pod tlakom lahko privede do razpršitve onesnaževalcev.
 - Za zmanjšanje tveganja poškodb pri čiščenju akumulatorja **SMRT Pak** poleg varovalne opreme vedno nosite podložene gumijaste rokavice.
 - Za brisanje akumulatorja **SMRT Pak** vedno uporabljajte samo neprevodne materiale.
 - Pri priključkih akumulatorja **SMRT Pak** vedno preprečujte prekomerno izpostavljenost vodi.
 - Za preverjanje razpona pH vedno glejte varnostni list za razkužilo. Razkužila, ki imajo vrednosti pH višje od 10,5, lahko povzročijo, da material ohišja akumulatorja **SMRT Pak** počni.
 - Med čiščenjem se izogibajte neposrednemu rokovanju ali stiku s priključki akumulatorja **SMRT Pak**, da preprečite tveganje za poškodbo.
 - Akumulatorja **SMRT Pak** ne potopite v tekočino, da zmanjšate tveganje za električni udar.
 - Za čiščenje akumulatorja **SMRT Pak** ne uporabljajte topil, maziv ali drugih kemičnih sredstev, razen če ni navedeno drugače.
-

PREVIDNOSTNO OBVESTILO

- Akumulatorja **SMRT Pak** ne čistite s paro ali ultrazvočno.
 - Največja temperatura vode naj ne presega 180°F (82°C).
 - Največja temperatura sušenja na zraku (pralnik za vozičke) naj ne presega 240°F (115 C).
 - Največji tlak vode naj ne presega 1500 psi (103,4 bara). Če za čiščenje izdelka uporabljate ročni palični nastavek, mora biti tlačna šoba od izdelka oddaljena vsaj 24 palcev (61 cm).
-

Za čiščenje akumulatorja **SMRT Pak**:

1. Akumulator **SMRT Pak** vzemite iz nosil **Power-PRO** ali iz polnilnika **SMRT**.
2. Preglejte ohišje sklopa **SMRT Pak** in območje terminala zaradi morebitnih razpok ali poškodb.
3. Akumulator **SMRT Pak** očistite z razkužilom za bolnišnično uporabo z razponom pH od 6,5 do 10,5.

4. Akumulator **SMRT Pak** temeljito sperite s čisto vodo, da odstranite morebitno čistilno kemično sredstvo ali ostanke. Akumulator **SMRT Pak** postavite tako, da se v bližini terminalov ne nabira voda.
5. Akumulator **SMRT Pak** temeljito osušite, preden vstavite akumulator **SMRT Pak** v nosila **Power-PRO** ali polnilnik **SMRT**.

Preventivno vzdrževanje

OPOZORILO

- Vedno sprostite pritisk, preden odklopite hidravlične ali druge vode. Tekočina, ki uhaja pod pritiskom, lahko prodre v kožo in povzroči resno poškodbo. Zategnite vse povezave, preden aplicirate pritisk. Če pride do nezgode, takoj obiščite zdravnika.
- Uhajanja v hidravliki ne preverjajte z golimi rokami.

PREVIDNOSTNO OBVESTILO

- Za preprečevanje poškodb izdelka vedno uporabite odobrene sestavne dele.
- Vedno redno pregledujte gibke cevi in vode, da preprečite poškodbo nosil. Preverite morebitne zrahljane priključke in jih zategnite. Hidravlični vodi, gibke cevi in povezave oziroma priključki se lahko okvarijo ali zrahljajo zaradi fizične poškodbe, pregibov, starosti in izpostavljenosti okolju.
- Ne nagibajte nosil na nosilnih kolesih in aktivirajte izdelka, saj tako lahko zrak vstopi v hidravlični sistem.

Pripravite in upoštevajte načrt vzdrževanja ter beležite vzdrževalna opravila. Izdelek umaknite iz uporabe, preden izvedete preventivno vzdrževanje. Morda boste morali glede na stopnjo uporabe izdelka pogosteje izvajati kontrolne preglede preventivnega vzdrževanja. Servis sme opravljati samo usposobljeno osebje.

Pri uporabi izdelkov za vzdrževanje upoštevajte navodila proizvajalca in se sklicujte na vse varnostne liste (MSDS).

Mazanje

PREVIDNOSTNO OBVESTILO - Ne nanašajte maziva na ležaje v ogrodju v obliki X, saj to zmanjša zmogljivost nosil in lahko izniči njihovo jamstvo.

Nosila so zasnovana za delovanje, ne da bi bilo potrebno mazanje.

Redni pregled in prilagoditve

Naslednja shema je splošno vodilo za vzdrževanje. Dejavniki, kot so vreme, teren, geografska lokacija in individualna uporaba, spreminjajo shemo zahtevanega vzdrževanja. Če niste prepričani, kako izvesti te preglede, se obrnite na serviserja družbe Stryker. Če ste v dvomih glede tega, katere intervale upoštevati za vzdrževanje izdelka, se obrnite na serviserja družbe Stryker. Preverite vsako rutinsko opravilo in po potrebi zamenjajte obrabljene dele.

Vsak mesec ali vsaki dve uri

Te elemente preglejte vsak mesec ali vsaki dve uri, kar je prej.

Element	Preglejte
Nastavitve	Konfiguracija zapornega elementa v pritrdilu
Valj	Raztegnite batnico valja. Batnico valja obrišite z mehko krpo in gospodinjskim čistilom.
Kabli in žice	Iz vodil ali priključkov ne smejo viseti žice
Ročna pomožna sprostivna ročica	Funkcije ročne pomožne sprostivne ročice
Nosilni mehanizem	Ogrodje in nosilni mehanizem
Podnožje	Ogrodje in podnožje
Kolesa	Vsa kolesa so pritrjena, se vrtijo in se obračajo

Element	Preglejte
Vzglavje	Varnostna ročica deluje. Povlecite proti vzglavju, da preverite, ali varnostna ročica prosto zaniha in se premika in se umakne nazaj v izhodiščni položaj
Zadrževalo	Zadrževalni pasovi delujejo in niso čezmerno obrabljeni (npr. ukrivljeno ali zlomljeno zaklepišče ali zapenjalna ploščica ali strgan ali obrabljen trak)
Akumulator	Razpoke oziroma poškodbe ohišja sklopa SMRT in območja priključkov pred prvo in vsako nadaljnjo uporabo
Polnilnik	Polnilnik SMRT in sestavni deli za reze na kablh, ukrivljene kontaktne zatiče ali kontakte ali razpoke ohišja pred prvo in vsako nadaljnjo uporabo

Vsake tri mesece ali vsakih šest delovnih ur

Te elemente preglejte vsake tri mesece ali vsakih šest delovnih ur, kar nastopi prej.

Element	Preglejte
Valj	Vsa pritrdila so pritrjena
	Brez uhajanja hidravlične (rdečih) tekočine
	Zrahljani spojni elementi – če je potrebno, jih privijte
Hidravlika	Pritrdila motorja so nameščena
	Brez uhajanja hidravlične tekočine
	Brez uhajanja iz rezervoarja
Kabli in žice	Brez poškodb ali priščipnjenih mest spon za žice, kablov ali vodnikov
	Brez poškodovanih priključkov
Ročna pomožna ročica za sprostitev	Podnožje se izvleče ali uvleče, ko povlečete ročno pomožno ročico za sprostitev
	Nosila se ne spustijo, ko povlečete ročno pomožno ročico za sprostitev, ko je teža na nosilih 100 lb (45 kg) ali več
Nosilni mehanizem	Vsa pritrdila so pritrjena
	Valj hrbtnega naslona deluje
	Če je potrebno, nastavite pnevmatski valj za celotni razpon premikanja
Podnožje	Vsa pritrdila so pritrjena
Ogrodje X	Ogrodje X se raztegne in uvleče
Vzglavje	Vsa pritrdila so pritrjena
	Vzglavje se izvleče in zaklene
Dodatki in deli (izbirno)	Vsi dodatki in deli so funkcionalni (kot so stojalo za infuzijo, mehanizem za izvlačenje zadrževala, potisni drog in držala za kisikovo jeklenko)

Vsakih šest mesecev ali vsakih 12 ur

Te elemente preglejte vsakih šest mesecev ali 12 ur, kar je prej.

Element	Preglejte
Hidravlika	Morebitne poškodbe in obraba gibkih cevi in priključkov
	Varovalka za hitrost hidravlike – na nosila položite utež s težo približno 23 kg (50 lb), nato dvignite nosila z dvema upravljavcema, povlecite ročno pomožno sprostitveno ročico, hitro postavite nosila na tla in poskrbite, da nosila ne padejo
Elektronski krmilni elementi	Nosila raztegnite v dvignjeni položaj, izberite in preverite višino nalaganja
	Funkcija Jog deluje
	Funkcija hitrega uvlačenja deluje
Stikala	Brez poškodb ali obrab na stikalu
	Obe stikali delujeta
Nosilni mehanizem	Ni ukrivljenih, zlomljenih ali poškodovanih komponent
	Ni poškodb ali raztrganin ročajev nosil
	Stranske ograje delujejo in se zaklenejo
	Naslon za nogo deluje
Posteljni vložek	Brez razpok ali raztrganin
Podnožje	Ni ukrivljenih, zlomljenih ali poškodovanih komponent
Kolesa	Ni odpadnih delcev
Vzglavje	Ni ukrivljenih, zlomljenih ali poškodovanih komponent
	Drog za držanje ni prekomerno poškodovan ali raztrgan
	Nosilna kolesa so pritrjena in se premikajo
Bočno stojalo (izbirna možnost)	Vzmet bočnega stojala in ohišje notranje vzmeti (izbirna možnost) namažite z mazivom Tri-Flow® .

Vsakih 12 mesecev ali na 24 ur

Te elemente preglejte enkrat na 12 mesecev ali na 24 ur, kar je prej.

Element	Preglejte
Nastavitve	Nosila in pritrdilo se prilegata ter delujeta
Valj	Valj je nastavljen – zaklepna matica je zategnjena in nosila se prenehajo premikati, ko se zadenejo ob elemente popolne zaustavitve
Pomožna ročica za ročno sprostitvev	Vrne se v zložen položaj
Nosilni mehanizem	Vsi zvari so brezhibni, brez razpok ali poškodb

Element	Preglejte
	Opozorila so nameščena in čitljiva
Podnožje	Vsi zvari so brezhibni, brez razpok ali poškodb
Kolesa	Preglejte in prilagodite zaklepe koles
Držalo za kisikovo jeklenko na izvlečnem naslonu za glavo (izbirno)	Pasove in zaponke (ali so obrabljeni)
Ploščad za defibrilator (izbirno)	Pasovi niso obrabljeni ali strgani
	Kavlji zapaha so brezhibni in varni

Informacije o EMC

PREVIDNOSTNO OBVESTILO

- Uporaba dodatkov, pretvornikov in kablov, ki so drugačni od navedenih ali dobavljenih s strani izdelovalca, lahko povzroči povečane elektromagnetne emisije ali zmanjšano elektromagnetno odpornost in vodi do nepravilnega delovanja.
- Glede na podatke o emisiji je ta oprema primerna za uporabo v industrijskih okoljih in bolnišnicah (CISPR 11, razred A). Če se uporablja v stanovanjskem okolju, za katero se običajno zahteva CISPR 11, razred B, ta oprema morda ne bo zagotavljala ustrežne zaščite za radiofrekvenčne komunikacijske storitve. Uporabnik bo morda moral sprejeti omilitvene ukrepe, kot sta premestitev ali preusmeritev opreme.

Napotki in izdelovalčeva izjava – elektromagnetne emisije

Izdelek **Power-PRO** in polnilnik **SMRT** sta primerna za uporabo v elektromagnetnem okolju, ki je opredeljeno spodaj. Stranka ali uporabnik izdelka **Power-PRO** in polnilnika **SMRT** mora zagotoviti, da se uporabljata v takem okolju.

Preizkus emisij	Skladnost	Elektromagnetno okolje
Radiofrekvenčne emisije CISPR 11	Skupina 1	Izdelek Power-PRO in polnilnik SMRT uporabljata radiofrekvenčno energijo samo za svoje notranje delovanje. Zato so radiofrekvenčne emisije izredno nizke in ne bi smele povzročati motenj na bližnji elektronski opremi.
Radiofrekvenčne emisije CISPR 11	Power-PRO : Razred A	Izdelek Power-PRO je namenjen uporabi v vseh ustanovah, razen v gospodinjstvih in tistih ustanovah, ki so neposredno povezane z javnim omrežjem nizke napetosti, ki dovaja električno energijo stanovanjskim zgradbam.
	Polnilnik SMRT (6500-201-010): Razred B	Polnilnik SMRT je namenjen uporabi v vseh ustanovah, vključno z gospodinjstvi in tistimi ustanovami, ki so neposredno povezane z javnim omrežjem nizke napetosti, ki dovaja električno energijo stanovanjskim zgradbam.
Harmonične emisije IEC 61000-3-2	Power-PRO : — Polnilnik SMRT (6500-201-010): Razred A	Polnilnik SMRT je namenjen uporabi v vseh ustanovah, vključno z gospodinjstvi in tistimi ustanovami, ki so neposredno povezane z javnim omrežjem nizke napetosti, ki dovaja električno energijo stanovanjskim zgradbam.
Napetostna nihanja Emisije tresljajev IEC 61000-3-3	Power-PRO : — Polnilnik SMRT (6500-201-010): združljiv	Polnilnik SMRT je namenjen uporabi v vseh ustanovah, vključno z gospodinjstvi in tistimi ustanovami, ki so neposredno povezane z javnim omrežjem nizke napetosti, ki dovaja električno energijo stanovanjskim zgradbam.

PREVIDNOSTNO OBVESTILO

- Prenosne opreme za radiofrekvenčno komunikacijo, vključno s perifernimi enotami, kot so antenski kabli in zunanje antene, ne uporabljajte bližje kot 12 palcev (30 cm) kateremu koli delu izdelka **Power-PRO** in polnilnika **SMRT**, vključno s kablji, ki jih določi izdelovalec.
- Ne zlagajte oziroma ne nalagajte druge opreme zraven izdelka **Power-PRO** in polnilnika **SMRT**, da bi preprečili nepravilno delovanje izdelkov. Če se taka uporaba zahteva, je treba izdelek **Power-PRO** in polnilnik **SMRT** ter drugo opremo pazljivo opazovati, da se preveri, ali delujejo normalno.

Priporočene razdalje med prenosno in mobilno opremo za radiofrekvenčno komunikacijo ter izdelkom Power-PRO in polnilnikom SMRT

Izdelek **Power-PRO** in polnilnik **SMRT** sta predvidena za uporabo v elektromagnetnem okolju, v katerem so oddajane radiofrekvenčne motnje nadzorovane. Stranka ali uporabnik izdelka **Power-PRO** in polnilnika **SMRT** lahko pomaga preprečevati elektromagnetne motnje z ohranjanjem minimalne razdalje med prenosno in mobilno opremo za radiofrekvenčno komunikacijo (oddajniki) ter izdelkom **Power-PRO** in polnilnikom **SMRT**, kot je priporočeno spodaj, v skladu z največjo izhodno močjo komunikacijske opreme.

Največja nazivna izhodna moč oddajnika W	Razdalja glede na frekvenco oddajnika m		
	od 150 kHz do 80 MHz D = (1,2) (\sqrt{P})	od 80 MHz do 800 MHz D = (0,35) (\sqrt{P})	od 800 MHz do 2,7 GHz, D = (0,70) (\sqrt{P})
0,01	0,12	0,04	0,07
0,1	0,38	0,11	0,22
1	1,20	0,35	0,70
10	3,79	1,11	2,21
100	12	3,50	7

Za oddajnike z največjo nazivno izhodno močjo, ki zgoraj ni navedena, se lahko priporočena razdalja d v metrih (m) oceni z enačbo, ki velja za frekvenco oddajnika, kjer je P največja nazivna izhodna moč oddajnika v vatih (W) glede na zagotovila izdelovalca oddajnika. Opomba 1: Pri 80 MHz in 800 MHz velja razdalja za višje frekvenčno območje. Opomba 2: Te smernice morda ne veljajo v vseh primerih. Na elektromagnetno širjenje vplivata vpojnost in odbojnost od zgradb, predmetov in ljudi.

Napotki in izdelovalčeva izjava – elektromagnetna odpornost

Izdelek **Power-PRO** in polnilnik **SMRT** sta primerna za uporabo v elektromagnetnem okolju, ki je opredeljeno spodaj. Stranka ali uporabnik izdelka **Power-PRO** in polnilnika **SMRT** mora zagotoviti, da se uporabljata v takem okolju.

Preizkus odpornosti	Raven preizkusa IEC 60601	Raven skladnosti	Elektromagnetno okolje – napotki
Elektrostatična razelektritev (ESD) IEC 61000-4-2	± 8 kV kontakt ± 15 kV zrak	± 8 kV kontakt ± 15 kV zrak	Tla morajo biti lesena, betonska ali iz keramičnih ploščic. Če so tla pokrita s sintetičnim materialom, mora biti relativna vlažnost vsaj 30 %.
Elektrostatični hitri prehodi/sunki napetosti IEC 61000-4-4	± 2 kV za napajalne vode ± 1 kV za vhodne/izhodne vode	Power-PRO: — Polnilnik SMRT (6500-201-010): ± 2 kV za napajalne vode ± 1 kV za vhodne/izhodne vode	Kakovost energije iz električnega omrežja mora ustrezati splošnemu komercialnemu ali bolnišničnemu okolju.

Napotki in izdelovalčeva izjava – elektromagnetna odpornost

<p>Sunek IEC 61000-4-5</p>	<p>± 1 kV od vodnikov do vodnikov ± 2 kV od vodnikov do ozemljitve</p>	<p>Power-PRO: — Polnilnik SMRT (6500-201-010): ± 1 kV od vodnikov do vodnikov ± 2 kV od vodnikov do ozemljitve</p>	<p>Kakovost energije iz električnega omrežja mora ustrezati splošnemu komercialnemu ali bolnišničnemu okolju.</p>
<p>Padci napetosti, spremembe napetosti in kratke prekinitve na vhodnih vodih napajalnika IEC 61000-4-11</p>	<p>0 % U_T za 0,5 cikla pri 0°, 45°, 90°, 135°, 180°, 225°, 270° in 315° 0 % U_T za 1 cikel 70 % U_T (30 % padec U_T) za 25 ciklov 0 % U_T za 250 ciklov</p>	<p>Power-PRO: — Polnilnik SMRT (6500-201-010): 0 % U_T za 0,5 cikla pri 0°, 45°, 90°, 135°, 180°, 225°, 270° in 315° 0 % U_T za 1 cikel 70 % U_T (30 % padec U_T) za 25 ciklov 0 % U_T za 250 ciklov</p>	<p>Kakovost energije iz električnega omrežja mora ustrezati splošnemu komercialnemu ali bolnišničnemu okolju. Če uporabnik polnilnika SMRT potrebuje neprekinjeno delovanje med prekinitvami napajanja z glavnega električnega omrežja, priporočamo, da se naprava napaja iz zanesljivega vira napajanja ali akumulatorja.</p>
<p>Magnetno polje električne frekvence (50/60 Hz) IEC 61000-4-8</p>	<p>30 A/m</p>	<p>30 A/m</p>	<p>Magnetna polja električne frekvence morajo imeti značilnosti splošnega komercialnega in/ali bolnišničnega okolja.</p>
<p>Prehodna električna prevodnost vodov napajanja ISO 7637-2</p>	<p>v skladu z ISO 7637-2</p>	<p>Power-PRO: — Polnilnik SMRT (6500-201-010): v skladu z ISO 7637-2</p>	<p>—</p>
<p>Opomba: U_T je omrežna napetost izmeničnega toka pred uporabo ravni preizkusa.</p>			

Napotki in izdelovalčeva izjava – elektromagnetna odpornost

<p>Prevajana radiofrekvenca IEC 61000-4-6</p> <p>Sevana radiofrekvenca IEC 61000-4-3</p>	<p>3 Vrms</p> <p>6 Vrms v IZM in amaterskih radijskih pasovih od 150 kHz do 80 MHz</p> <p>10 V/m</p> <p>od 80 MHz do 2,7 GHz</p>	<p>3 V</p> <p>6 Vrms v IZM in amaterskih radijskih pasovih</p> <p>10 V/m</p>	<p>Prenosna in mobilna oprema za radiofrekvenčno komunikacijo naj se ne uporablja bližje kateremu koli delu izdelka Power-PRO ali polnilnika SMRT, vključno s kabli, kot to določa priporočena razdalja, izračunana iz enačbe, ki velja za frekvenco oddajnika.</p> <p>Priporočena razdalja</p> <p>$D = (1,2) (\sqrt{P})$</p> <p>$D = (0,35) (\sqrt{P})$</p> <p>od 80 MHz do 800 MHz</p> <p>$D = (0,70) (\sqrt{P})$</p> <p>od 800 MHz do 2,7 GHz,</p> <p>kjer je P največja nazivna izhodna moč oddajnika v vatih (W) glede na zagotovila izdelovalca oddajnika in d priporočena razdalja v metrih (m).</p> <p>Moč polja fiksnih radiofrekvenčnih oddajnikov, kot je določeno s pregledom elektromagnetnega mesta,^a mora biti manjša od ravni skladnosti v vsakem frekvenčnem območju.^b</p> <p>Do motenj lahko pride v bližini opreme, označene z naslednjim simbolom:</p>
--	--	--	---



Opomba 1: Pri 80 MHz in 800 MHz velja višje frekvenčno območje.

Opomba 2: Te smernice morda ne veljajo v vseh primerih. Na elektromagnetno širjenje vplivata vpojnost in odbojnost od zgradb, predmetov in ljudi.

Opomba 3: Pasovi IZM (industrijska, znanstvena in medicinska uporaba) med 0,15 MHz in 80 MHz so od 6,765 MHz do 6,795 MHz; od 13,553 MHz do 13,567 MHz; od 26,957 MHz do 27,283 MHz in od 40,66 MHz do 40,70 MHz. Amaterski radijski pasovi med 0,15 MHz in 80 MHz so od 1,8 MHz do 2,0 MHz, od 3,5 MHz do 4,0 MHz, od 5,3 MHz do 5,4 MHz, od 7 MHz do 7,3 MHz, od 10,1 MHz do 10,15 MHz, od 14 MHz do 14,2 MHz, od 18,07 MHz do 18,17 MHz, od 21,0 MHz do 21,4 MHz, od 24,89 MHz do 24,99 MHz, od 28,0 MHz do 29,7 MHz in od 50,0 MHz do 54,0 MHz.

Power-PRO™ TL bårvagn

Användarhandbok





















REF 6550















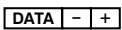








CE

SV

Symboler

	Se instruktionshandboken/broschyren
	Se bruksanvisningen
	CE-märkning
	Auktoriserad representant inom EG
	Europeisk medicinteknisk produkt
	Allmän varning
	Var försiktig!
	Varning! Risk för krosskador på händer
	Varning! Icke-joniserande strålning
	Förbjudet att skjuta framåt
	Ska inte smörjas
	Katalognummer
	Batchkod
	Serienummer
	Information om patent i USA finns på www.stryker.com/patents
	Tillverkare
	Tillverkningsdatum
	Importör
	Utrustningens vikt med högsta tillåtna arbetsbelastning
	Säker arbetsbelastning

	Patientansluten del av B-typ
	Patientansluten del av BF-typ
	Medicinsk utrustning, som klassificerats av Underwriters Laboratories Inc. med hänsyn endast till elstötar, brand och mekaniska risker enligt ANSI/AAMI ES60601-1:2012 och CAN/CSA-C22.2 nr 60601-1:14.
	Likström
	Växelström
	Klass II elektrisk utrustning: Utrustning i vilken skyddet mot elstötar inte är baserat enbart på den grundläggande isoleringen, utan i vilken ytterligare säkerhetsåtgärder, såsom dubbel isolering eller förstärkt isolering, genomförts. Dessa åtgärder får inte omfatta anordning för skyddsjordning och inte vara beroende av installationens utförande.
	Farlig spänning
	SMRT elsystem
	Dra ut
	Dra tillbaka
IPX0	Ej skyddad
IPX6	Skydd mot kraftiga vattenstrålar
	I enlighet med EU-direktiv 2012/19/EU om avfall som utgörs av eller innehåller elektrisk och elektronisk utrustning (WEEE) anger denna symbol att produkten måste insamlas separat för återvinning. Kassera den inte som osorterat avfall. Kontakta lokal återförsäljare för information om kassering. Säkerställ att infekterad utrustning dekontamineras före återvinning.
	WEEE-direktiv (2012/96/EG). Innehåller kadmium.
	Rechargeable Battery Recycling Corporation (RBRC) är en ideell, offentlig serviceorganisation som främjar återvinning av bärbara laddningsbara batterier. Batterier måste lämnas till en batteriinsamlingsplats. Besök RBRC:s webbsida (www.rbrc.org) för att hitta en närliggande insamlingsplats eller ring telefonnumret som anges på återvinningssymbolen.
	Innehåller nickelkadmiumceller och måste återvinnas i enlighet härmed
	Identifiering av batteriterminalen (dataledning, negativ och positiv)
KRX 23/44	Ni-Cd cellidentifiering enligt IEC 61951-1:2003

2300 mAh (1.2A/2h)	Batterikapacitet, typisk laddning och varaktighet
	Får ej rengöras med blekmedel
	Axelfästrem
	Midjefästrem med dubbelt spänne
	Midjefästrem med enkelt spänne
	Fästrem för lår
	Fästrem för fotled

Innehållsförteckning

Definition av Varning/Var försiktig/Obs!.....	3
Sammanfattning av försiktighetsåtgärder	3
Klämpunkter.....	6
Mekanisk stabilitet	6
Inledning	8
Produktbeskrivning.....	8
Användningsområde	8
Kliniska fördelar	8
Kontraindikationer	9
Förväntad livslängd	9
Kassering/återvinning	9
Specifikationer – Power-PRO	9
Europeisk REACH	10
Standarder med obligatoriska tillval	11
Kompatibilitet med Schnitzler fastsättningsbältssystem för barn.....	11
Specifikationer – SMRT	12
Illustration av – Power-PRO	13
Bild på produkten – SMRT	14
Kontaktinformation	14
Serienumrets placering – Power-PRO.....	15
Serienumrets placering – SMRT	15
Förberedelse	16
Installation	16
Installera fästsystem för bårvagn	16
Användning	17
Kontrollera batterinivån.....	17
Kontrollera timräknaren och feldisplayen.....	17
Riktlinjer vid användning	18
Rätt lyftteknik	19
Flytta patienten till bårvagnen.....	19
Rulla bårvagnen med en patient på	19
Höja eller sänka bårvagnen.....	20
Höja, sänka eller frigöra bårvagnen med drivning.....	20
Höja eller sänka bårvagnen manuellt med den manuella åsidosättande.....	21
Påskynda inlyftningen med snabbindragningsläget.....	21
Fästa bårvagnen vid bårvagnsfästet	21
Ta bort bårvagnen från bårvagnsfästet.....	22
Lasta in bårvagnen med en bakgavellyft	22
Lasta ut bårvagnen med en bakgavellyft	23
Bårvagnen laddas med en ramp	24
Inlyftning och utlyftning av en bårvagn med den valfria syrgasflaskhållaren.....	24
Positionering av bärare och medhjälpare	25
Höja eller sänka ryggstödet.....	25
Höja och sänka sänggrindarna	26
Höja och sänka sänggrindarna (XPS-tillval).....	26
Dra ut den utdragbara huvuddelen eller fotdelen.....	26
Fälla in den infällbara huvuddelen eller fotdelen.....	27
Höja eller sänka knästödsillvalet.....	28
Använda eller frigöra ett hjullås.....	29
Aktivera och avaktivera Steer-Lock tillval	29
Spänna fast patienten med fästremmarna	30
Förlängning av fästremmarna tillkommer.....	30
Fästa en patient med X-/XPR-fästremmarna	30
Fästa X-/XPR-fästremmarna runt axeln	31
Fästa X-/XPR-fästremmarna runt midjan	32
Fästa X-/XPR-fästremmarna runt lären	32
Fästa X-/XPR-fästremmarna runt fotlederna	32
Skydda patienten med Pedi-Mate® fastsättningsbälten för spädbarn	33
Fästa defibrillatorplattformen.....	33
Hängande utrustning på utrustningskroken	36

Positionera infusionsstativet (två lägen)	36
Positionera infusionsstativtillvalet med tre lägen	37
Fästa en syrgasflaska vid flaskhållaren för syrgas	38
Fästa tryckstängstillvalet	39
Ta bort och förvara tryckstängerna i deras förvaringspåse	39
Sätta fast underredets förvaringsnättillval	40
Fästa ryggstödet förvaringspåse	40
Fastsättning av madrass	41
Installera ett SMRT Pak	42
Ta bort ett SMRT Pak från bårvagnen	42
Förvaring av batteriet	43
Ladda SMRT Pak	43
Kontrollera SMRT Paks effektnivå med SMRT-laddaren	44
Einstallationsregler	45
Installera SMRT-laddaren	45
Installera monteringshållartillvalet	45
Installera laddaren i monteringshållartillvalet	46
Koppla in laddaren	47
Koppla ifrån laddaren	48
Tillbehör och delar	49
Rengöring och desinfektion av XPR-fästremmarna	51
Rengöring	52
Föreslagna rengöringsmedel	52
Rengöra laddaren	53
Rengöra batteriet	53
Förebyggande underhåll	55
Smörjning	55
Regelbundna inspektioner och justeringar	55
Varje månad eller varannan timme	55
Var tredje månad eller var sjätte timme	56
Var sjätte månad eller var 12:e timme	57
Var 12:e månad eller var 24:e timme	57
Information om elektromagnetisk kompatibilitet (EMC)	59

Definition av Varning/Var försiktig/Obs!

Orden **VARNING**, **VAR FÖRSIKTIG!** och **OBS!** har särskilda innebörder och ska granskas noga.

VARNING

Varnar läsaren om en situation som, om den inte förhindras, kan orsaka dödsfall eller allvarlig skada. Den kan även beskriva potentiella allvarliga biverkningar och säkerhetsrisker.

VAR FÖRSIKTIG!

Varnar läsaren om en potentiellt farlig situation som, om den inte förhindras, kan orsaka lindrig eller måttlig skada hos användaren eller patienten eller skada på produkten eller annan egendom. Detta omfattar särskild försiktighet som krävs för säker och effektiv användning av produkten samt försiktighet som krävs för att förhindra skador på produkten till följd av användning eller felanvändning.

Obs! - Ger särskild information som underlättar underhåll eller klargör viktiga anvisningar.

Sammanfattning av försiktighetsåtgärder

Läs alltid igenom och se till att strängt följa varningarna och uppmaningarna om försiktighet på denna sida. Service får utföras endast av behörig personal.

VARNING

- Håll alltid händerna borta från säkerhetsstängernas röda gångjärn när du lastar in, lastar ur eller ändrar bårvagnens höjdläge.
- Använd alltid båda händerna när bårvagnen transporteras.
- Fästsystemet för bårvagn ska alltid installeras av enbart kvalificerad personal. Olämplig installation kan resultera i skador på patienten eller båraren.
- Var alltid noga med att alla bårvagnar uppfyller installationsspecifikationerna för Stryker fästsystem för bårvagn.
- Justera alltid klämenheten för skenan för att matcha placeringen av bårvagnens stödpost för bårvagnens tillverknings- och modellnummer.
- Ta inte ur batteriet när bårvagnen används.
- Använd produkten endast när alla personer håller sig på avstånd från mekaniken. Intrassling i aktiva produktmekanismer kan orsaka allvarlig skada.
- Kontrollera alltid att **SMRT** Paks inte är skadade före varje användning.
- Låt inte utbildade assistenter bistå i användningen av den här produkten.
- Följ alltid korrekt handplacering på grepphandtagen. Håll alltid händerna borta från säkerhetsstängernas röda gångjärn när du lastar in eller lastar ur bårvagnen eller ändrar dess höjdläge.
- Sitt inte på bårvagnens underrede.
- Transportera inte bårvagnen i sidled för att förhindra risken att den välter. Transportera alltid bårvagnen i ett sänkt läge, med huvud- eller fotänden först för att minimera risken att den välter.
- Håll alltid händer, fingrar och fötter borta från rörliga delar. Var försiktig när du placerar dina händer och fötter nära rören i underredet medan du höjer eller sänker bårvagnen.
- Montera alltid ett avstängningssystem i fästet i alla utryckningsfordon, som ska användas med denna bårvagn och ett hjorthornsformat fästsystem.
- Övervaka alltid patienten när bårvagnen är i viloläge. Om du höjer eller sänker enheten med hydraulik kan du tillfälligt påverka den elektroniska patientövervakningsutrustningen.
- Använd alltid samtliga fästremmar för att säkra patienten på produkten. En patient som inte spänts fast kan falla av produkten och skadas.
- Lämna inte en patient obebakad. Håll i produkten när en patient ligger på den.
- Använd inte hjullåsen när en patient finns på produkten eller när du flyttar produkten så att det inte finns risk att den välter.
- Använd inte sänggrindar som begränsningsåtgärd för patienten.

- Förflytta alltid bårvagnen på en lägre höjd för att minska risken att bårvagnen välter. Ta ytterligare hjälp eller ta en annan väg, om det är möjligt.
- Undvik alltid höga hinder, t.ex. kanter, trappsteg eller ojämn terräng för att minska risken att produkten välter.
- Var alltid två bärare för att höja eller sänka bårvagnen med en patient på den.
- Kontrollera alltid att bårvagnen inte kan rulla tillbaka från liften innan du använder bakgavellyften med en bårvagn och patient. Se till att lyftgrindsstoppet är underhållet och fungerar.
- Lås alltid huvuddelen på plats innan du börjar använda bårvagnen.
- Försök inte att lasta bårvagnen med huvuddelen infälld i fordonets patientdel. Om bårvagnen laddas med huvuddelen infälld kan produkten välta eller riskera att inte ansluta till fordonets bårvagnfäste.
- Installera eller anbringa inte ett hjullås på en produkt med slitna hjul som är mindre än 6 tum (15 cm) i diameter.
- Lämna inte ingen patient eller person oövervakad. Håll i produkten under tiden som patienten ligger på den.
- Använd alltid samtliga fastsättningsbälten för att fästa patienten på bårvagnen. En icke fastspänd patient kan falla av bårvagnen.
- Fäst inte fastsättningsbälten i underredets rör eller tvärrör.
- Placera alltid spännet på avstånd från hinder eller tillbehör på bårvagnen för att undvika risken att **Pedi-Mate®** fastsättningssystem för spädbarn frigörs av misstag samt att spädbarnet tar skada.
- Fäst inte defibrillatorplattformen på en **Performance-PRO XT**-bårvagn, modell 6086 med **Power-LOAD**-tillvalet för att undvika att bårvagnen välter.
- Lås alltid tryckstängerna i sitt fäste för att förhindra att tryckstängerna lossnar under användning.
- Lyft inte produkten med tryckstängerna.
- Förvara alltid tryckstängerna i underredets förvaringspåse när de inte används.
- För att förhindra risken för elstötar får inte batteripaketet öppnas av någon som helst anledning. Sätt inte in batteripaketet i laddaren om det är sprucket eller skadat. Lämna in de skadade batteriförpackningarna till en återvinningscentral.
- Undvik alltid direkt kontakt med ett vått batteri eller batterifack. Kontakt kan orsaka skada på patienten eller bäraren.
- Sätt inte i ett sprucket eller skadat **SMRT Pak** i **SMRT**-laddaren. Lämna in skadade **SMRT Paks** till en återvinningsstation.
- Låt alltid en certifierad mekaniker, som har erfarenhet av ambulansfordon, installera den monteringshållaren (tillval) och **SMRT**-laddaren.
- Montera alltid **SMRT**-laddaren i monteringshållaren i ett stängt skåp och utom räckhåll för patienten under transport för att uppfylla fastställda krockteststandarder.
- Se till att monteringshållaren alltid är ordentligt fäst på ytan.
- Använd alltid lämplig personlig skyddsutrustning vid högtryckstvätt för att undvika risken att andas in smittämnen. Högtryckstvättutrustning kan göra smittämnen luftburna.
- Använd alltid isolerade gummihandskar, utöver personlig skyddsutrustning, under rengöringen av **SMRT Pak** för att minska risken för skador.
- Dra alltid ut sladden till **SMRT**-laddaren från vägguttaget före rengöring för att förhindra risken för elstötar.
- Spreja inte vätska direkt på **SMRT**-laddaren.
- Maskintvätta inte **SMRT**-laddaren.
- Använd inte lösningsmedel, smörjmedel eller andra kemikalier för att rengöra **SMRT**-laddaren, såvida det inte finns andra anvisningar om detta.
- Sänk inte ned **SMRT**-laddaren i vatten eller låt inte vatten samlas upp på **SMRT**-laddaren för att förhindra risk för elstötar.
- Använd alltid icke ledande material för att torka av **SMRT Pak**.
- Undvik att utsätta **SMRT Pak**-terminalerna för alltför mycket vatten.
- Läs alltid i desinfektionsmedlets materialsäkerhetsdatablad (MSDS) för att verifiera pH-intervallet. Desinfektionsmedel med pH-nivåer som är högre än 10,5 kan göra att **SMRT Pak**-höljets material spricker.
- Undvik att komma i direkt kontakt med **SMRT Pak**-polerna under rengöring för att förhindra risken att skadas.
- För att minska risken för elstötar ska **SMRT Pak** inte sänkas ned i vätska.
- Använd inte lösningsmedel, smörjmedel eller andra kemikalier för att rengöra **SMRT Pak**, såvida det inte finns andra anvisningar om detta.
- Tryckutjämna innan du kopplar från hydrauliska ledningar eller andra ledningar. Läckande vätska under tryck kan tränga in i huden och orsaka allvarlig skada. Dra åt alla anslutningar innan du lägger på tryck. Kontakta läkare omedelbart om en olycka inträffar.

- Ha inte händerna oskyddade när du kontrollerar om det finns hydrauloljeläckage.
-

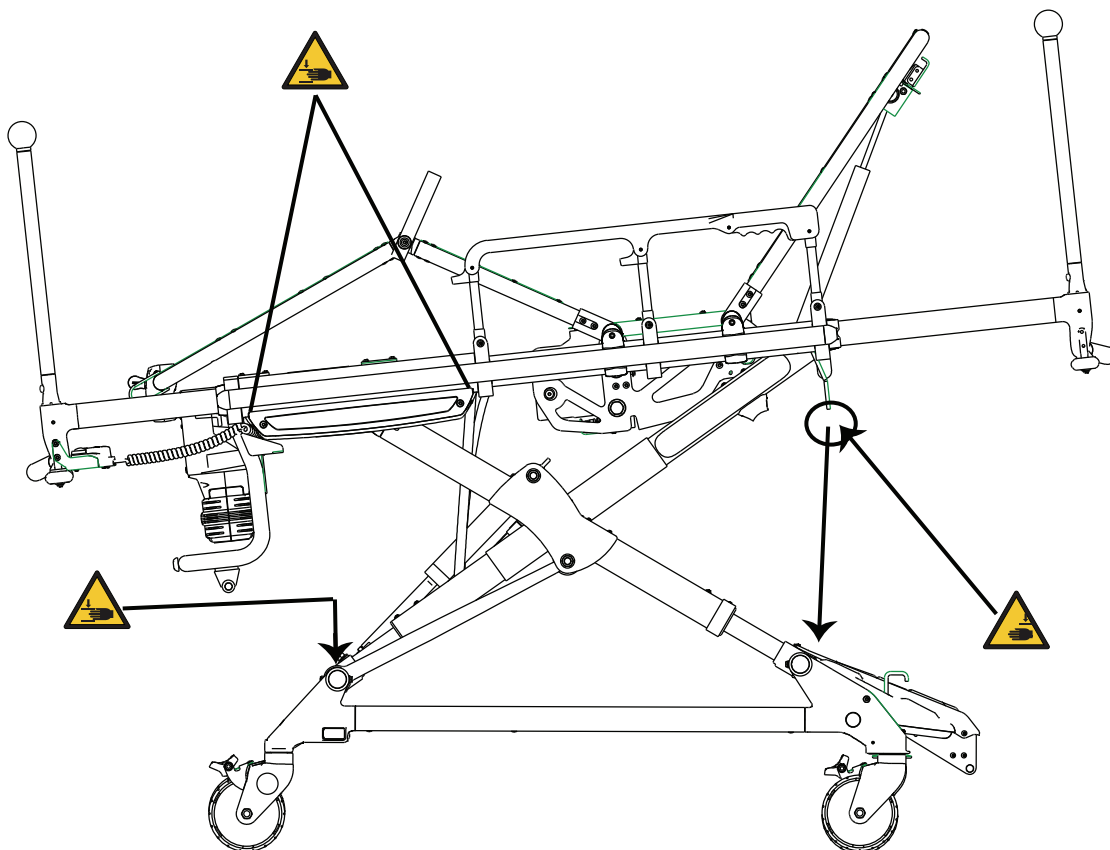
VAR FÖRSIKTIG!

- Felaktig användning av produkten kan orsaka skador på patienten eller operatören. Använd produkten endast enligt beskrivningen i denna handbok.
- Modifiera inte produkten eller någon av produktens komponenter. Om produkten modifieras kan det leda till oförutsägbar funktion, vilket kan resultera i skador på patienten eller operatören. Ändring av produkten upphäver också dess garanti.
- Använd inte produkten med icke-kompatibla remmar.
- Ladda alltid batteriet innan du börjar använda enheten. Ett oladdat eller urladdat batteri kan medföra dålig prestanda.
- Ta alltid bort eventuella hinder som kan förhindra och orsaka skada hos bäraren eller patienten innan du använder produkten.
- Sänk alltid bårvagnen till det lägsta läget för att se till att bårvagnen ansluter till bårvagnsfästet.
- Försök inte att ändra produktens höjd medan bårvagnen är ansluten till bårvagnsfästet.
- Du får inte sitta eller stå på sänggrindarna (XPS-tillval).
- Använd inte sänggrindarna (XPS-tillval) som en anordning eller yta för patientöverflyttning (till exempel för att överföra patienten från bårvagnen till en annan plats).
- Lägg inte patienter med hela vikten på sänggrindarna (XPS tillval).
- Styr eller dra inte produkten i sänggrindarna (XPS-tillval).
- Trassla inte in fästremmarna i stativets underdel när du höjer eller sänker bårvagnen.
- Tänk på att alltid säkra defibrillatorplattformen på produkten när du använder denna.
- Använd och justera alltid remmar som medföljer defibrillatorplattformen för att fästa defibrillatorn.
- Anpassa alltid fästplatsen eller justera remmarna efter din specifika defibrillatorstorlek eller -utförning.
- Belasta inte defibrillatorplattformen över angiven maxlast på 30 pund (13,6 kg).
- Belasta inte utrustningskroken över den angivna maxbelastningen på 35 pund (15,8 kg).
- Ta alltid bort alla tillbehör eller utrustningar från utrustningskroken när du befinner dig i fordonet.
- Belasta inte infusionsstativet över den tillåtna maxlasten på 25 pund (11,3 kg).
- Lasta inte syrgasflaskhållaren över den säkra maxlasten på 15 pund (6,8 kg).
- Använd inte två hållare för syrgasflaskor samtidigt.
- Överbelasta inte underredets förvaringsnät med mer än maximalt tillåtna 20 pund (9 kg).
- Tänk på att alltid vara försiktig när du faller ihop underredet för att förhindra att du skadar föremålen som förvaras i underredets förvaringsnät.
- Överbelasta inte ryggstödet förvaringsficka över den maximala tillåtna belastningen på 20 pund (9 kg).
- Gör så att förvaringsfickan inte hindrar användningen av den hopfällbara huvudänden.
- Förvara inga föremål under madrassen. Föremål under madrassen kan inverka på användningen av produkten.
- Ta alltid bort batteriet om bårvagnen inte kommer att användas under en längre tid (mer än 24 timmar).
- Placera alltid **SMRT**-laddarens elsladd där den inte riskerar att trampas på, utgöra en snubbelrisk eller på annat sätt orsaka skada eller påfrestning.
- Vidrör inte polerna på **SMRT** Paks uttag med metallföremål.
- Ta tag och dra i kontakten, inte i sladden, när du kopplar bort **SMRT**-laddaren så att elkontakten och sladden inte tar skada.
- Applicera inte smörjmedel på ytan av fastsättningsbältena.
- Använd inte ånga eller ultraljud för att rengöra produkten.
- Överskrid inte 180 °F (82 °C) som högsta vattentemperatur.
- Överskrid inte 1 500 psi (103,4 bar) bar som högsta vattentryck. Om du använder ett spolhandtag för att tvätta produkten ska tryckmunstycket hållas på ett avstånd om minst 24 tum (61 cm) från produkten.
- Låt alltid produkten lufttorka.
- Ta alltid ut batteriet innan du rengör bårvagnen.
- Rengör inte och utför inte service eller underhåll på produkten medan den används.
- Använd inte ånga eller ultraljud för att rengöra **SMRT** Pak.
- Överskrid inte 240 °F (115 °C) som högsta lufttorkningstemperatur (desinfektionsanordning).
- Använd alltid godkända delar för att undvika risken för skador på produkten.

- Kontrollera alltid slangar och ledningar regelbundet för att förhindra att bårvagnen tar skada. Kontrollera och dra åt lösa anslutningar. Hydrauliska ledningar, slangar och anslutningar kan gå sönder eller lossna på grund av fysiska skador, veck, ålder och miljöexponering.
- Tippa inte över bårvagnen på lasthjulen eller manövrera enheten eftersom detta gör att luft tränger in i hydrauliksystemet.
- Smörj inte lagren i X-ramen eftersom det kommer att försämra bårvagnens prestanda och kan upphäva garantin.
- Användning av andra tillbehör, omvandlare och kablar än de som specificeras eller tillhandahålls av tillverkaren kan medföra ökade elektromagnetiska emissioner eller minskad elektromagnetisk immunitet och leda till felaktig drift.
- Strålningsegenskaperna hos denna utrustning gör den lämplig för användning i industriområden och på sjukhus (CISPR 11 klass A). Om den används i en bostadsmiljö, i vilken CISPR 11 klass B vanligtvis krävs, kanske inte denna utrustning ger tillräckligt skydd mot radiofrekventa kommunikationstjänster. Användaren kan behöva vidta begränsande åtgärder, såsom att flytta på eller rikta om utrustningen.
- Bärbar RF-kommunikationsutrustning, omfattande kringutrustning såsom antennkablar och externa antenner, får inte användas närmare än 12 tum (30 cm) till någon del av **Power-PRO** och **SMRT**-laddare, inkluderande kablar specificerade av tillverkaren.
- Undvik att stapla eller placera annan utrustning intill **Power-PRO** och **SMRT**-laddare för att förhindra felaktig drift av produkterna. Om sådan användning är nödvändig ska du övervaka **Power-PRO** och **SMRT**-laddare samt den andra utrustningen noggrant för att säkerställa att de drivs korrekt.

Klämpunkter

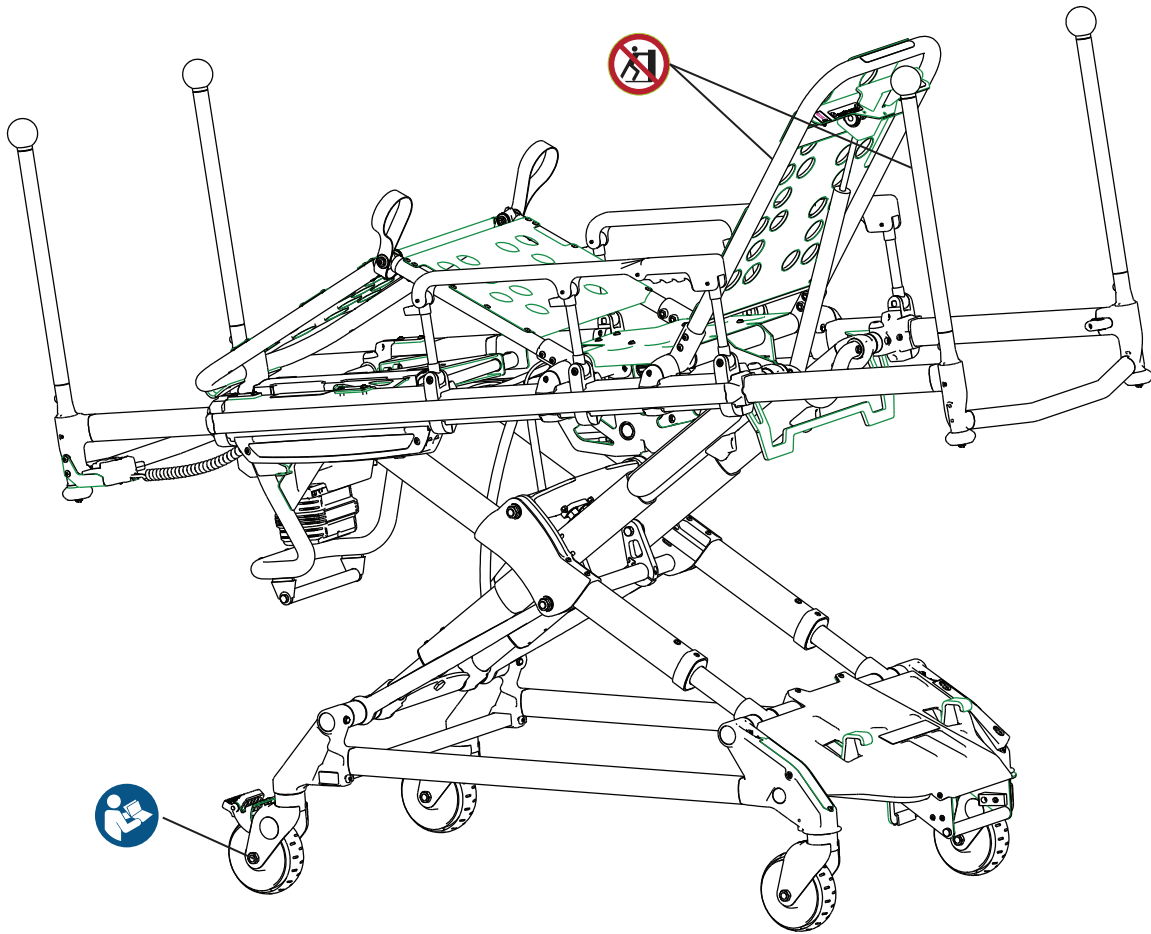
WARNING - Håll alltid händerna borta från säkerhetsstängernas röda gångjärn när du lyfter in, lyfter ur eller ändrar bårvagnens höjdläge.



Figur 1 – Klämpunkter

Mekanisk stabilitet

WARNING - Använd alltid båda händerna när bårvagnen transporteras.



Figur 2 – Mekanisk stabilitet

Obs! - Om bårvagnen är på ett plan som är brantare än fem grader, ska den placeras i det lägsta läget.

Inledning

Denna handbok hjälper dig att använda eller utföra underhåll på din Stryker-produkt. Läs igenom denna handbok innan du använder eller underhåller produkten. Fastställ metoder och rutiner för att utbilda och träna din personal i säker användning eller underhåll av denna produkt.

VAR FÖRSIKTIG!

- Felaktig användning av produkten kan orsaka skador på patienten eller användaren. Använd produkten endast enligt beskrivningen i denna handbok.
- Ändra inte produkten eller någon av produktens komponenter. Om produkten modifieras kan det leda till oförutsägbar funktion, vilket kan resultera i skador på patienten eller användaren. Ändring av produkten ogiltiggör också dess garanti.

Obs!

- Denna handbok är en permanent del av produkten och ska förvaras tillsammans med produkten även om produkten säljs.
- Stryker eftersträvar kontinuerligt framsteg i produktdesign och produktkvalitet. Denna handbok innehåller den mest aktuella produktinformation som fanns tillgänglig vid tidpunkten då den trycktes. Det kan förekomma smärre skillnader mellan din produkt och denna handbok. Om du har frågor ska du kontakta Stryker kundtjänst eller teknisk support på +1 800 327 0770.

Produktbeskrivning

Bårvagnen **Power-PRO™ TL** modell 6550 från Stryker är en motordriven ambulansbårvagn som består av en plattform monterad på ett hjulförsett X-stativ, som utformats för att stödja och förflytta en maxvikt på 700 lb (318 kg) i miljöer utanför sjukhus och i sjukhusmiljöer.

Enheten är hopfällbar för användning i utryckningsfordon och det NiCd-batteridrivna hydrauliska lyftsystemet gör att bärarna kan höja och sänka bårvagnen med hjälp av de motordrivna kontrollerna. Bårvagnen är utrustad med ett manuellt backup-frigöringshandtag som backup, för att medge användning av bårvagnens funktioner vid strömavbrott. Enheten är utrustad med följande: utdragbara huvud- och fotändar för att minska fotavtrycket och för att maximera bårvagnens manöverduglighet i trånga utrymmen, sänggrindar, patientfästbälten, ett justerbart, pneumatiskt ryggstöd och olika tillbehör som underlättar vid transport av patienten. Maximal patientkomfort kan uppnås med de tre olika lägen på sängbotten: chockläge, raka ben och knästöd (tillval).

SMRT™-elsystemet består av en **SMRT-laddare™** och ett **SMRT Pak**. **SMRT-Pak** driver det hydrauliska lyftsystemet i Strykers eldrivna ambulansbårvagnar.

Användningsområde

Stryker **Power-PRO TL** är en motordriven bår med hjul, som är avsedd att stödja och transportera hela kroppen till en skadad, flyttbar, eller ej flyttbar mänsklig patient (inklusive små barn och vuxna).

Det batteridrivna, hydrauliska lyftsystemet hjälper till att minska den ansträngning som krävs av bäraren för att höja och sänka bårvagnen. Enheten är tillverkad för att stödja patienter i en liggande (vågrätt) eller sittande ställning och för att underlätta transport av tillhörande medicinsk utrustning (till exempel syrgasflaskor, bildskärmar eller pumpar) i utrycknings- eller transportfordon. Denna ambulansbårvagn är avsedd att användas i prehospitla miljöer och sjukhusmiljöer, samt i akuta och icke-akuta tillämpningar. Den är klassificerad för en maximal kapacitet på 318 kg (den sammanlagda vikten från patient, madrass och tillbehör) och att användare av enheten är utbildad professionell personal, däribland personal vid akutmottagningar och sjukvårdscentra samt ambulanspersonal.

Power-PRO TL är inte avsedd för längre vistelse eller användning som en sjukhussäng eller i enheter som ändrar lufttrycket, såsom tryckkammare.

Kliniska fördelar

Bårvagn: patienttransport

Fästanordning: stöd för bårvagn vid transport

Bårvagn och fästsystem: stödjer och transporterar patienter

Kontraindikationer

Inga kända.

Förväntad livslängd

Power-PRO har en förväntad livslängd på sju år vid normal användning, under normala förhållanden och med tillämpligt periodiskt underhåll.


SMRT-laddaren har en förväntad livslängd på sju år vid normal användning, under normala förhållanden och med tillämpligt periodiskt underhåll.

SMRT Pak-batteriet har en förväntad livslängd på två år vid normal användning.

Kassering/återvinning

Följ alltid aktuella lokala rekommendationer och/eller förordningar som reglerar miljöskydd och de risker som är förenade med återvinning eller kassering av utrustningen vid slutet av dess livslängd.

Specifikationer – Power-PRO

	Obs! - Högsta tillåtna arbetsbelastning anger summan av patientens, madrassens och tillbehörens vikt.	700 pund	318 kg
Maximal lyftkapacitet utan hjälp		700 pund	318 kg
Ryggstödsvinkel/chockläge (standard Fowler – 6506-012-003)		0° till 73°/+15°	
Ryggstödsvinkel/chockläge (1865 Fowler, tillval – 6506-012-004)		0° till 75°/+15°	
Total längd		81 tum	206 cm
Standardlängd/minsta längd/bredd		76,5 tum/55 tum/23 tum	194,3 cm/139,7 cm/58 cm
Höjd ¹		Kan justeras mellan 14 tum och 41,5 tum	Justerbar från 36 cm till 106 cm
Vikt ²		145 pund	66 kg
Svänghjul diameter/bredd		6 tum/2 tum	15 cm/5 cm
Minsta antal bärare som krävs vid inlastning/urlastning av en bårvagn med patient		2	
Minsta antal bärare som krävs vid inlastning/urlastning av en bårvagn utan patient		1	
Rekommenderade fästsystem		Modell 6385, 6386, 6387, 6388 eller 6389	

Lås för dubbla hjul/lås för fyra hjul	Standard/tillval
Hydraulolja	Stryker artikelnummer 6500-001-293
Elsystem	
Batteri	24 VDC NiCd – SMRT elsystem
Laddare	100-240 VA 1,20 A, 50/60 Hz eller 12 VAC 4,16 A – SMRT elsystem
Bårvagnens användningscykel	10 % (33 sek. på/5 min. av)
Standarder (bårvagnar och laddare)	ANSI/AAMI ES60601-1:2012, CAN/CSA-C22.2 nr. 60601-1:14, KKK-A-1822 För standarder som kräver specifika tillval, se <i>Standarder med obligatoriska tillval</i> (sidan 11)

¹ Höjd, mätt från botten av madrassen vid sittdelen till marknivå.

² Bårvagnen vägs med ett batteri och utan madrass och fastsättningsbälten.

Stryker förbehåller sig rätten att ändra specifikationerna utan föregående meddelande.

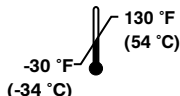
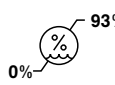
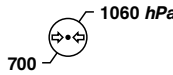
Power-PRO TL är utformad för att uppfylla den federala specifikationen för Star-of-Life-ambulansen (KKK-A-1822).

Power-PRO TL är utformad för att vara kompatibel med vissa konkurrenters bårvagnsfästs-system.

Patentsökt.

Det svartgula färgschemat är ett varumärke som tillhör Stryker Corporation.

Det kan vara svårt att läsa märkningar från ett avstånd längre än 12 tum (30 cm).

Omgivningsförhållanden	Användning
Temperatur	
Relativ luftfuktighet	
Atmosfärstryck	

Europeisk REACH

I enlighet med den europeiska REACH-förordningen och övriga regulatoriska miljökrav är de komponenter som innehåller ämnen som måste deklarerats förtecknade.

Beskrivning	Nummer	Kemiskt namn på särskilt farligt ämne (SVHC-ämnen)
Bolstermadrass för knästöd	6550-001-084	(2H-benzotriazol2-yl)-4,6-di-tert-pentylfenol
Bolstermadrass för knästöd, XPS	6500-003-130	(2H-benzotriazol2-yl)-4,6-di-tert-pentylfenol
Bolstermadrass för knästöd, grå	6506-003-130	(2H-benzotriazol2-yl)-4,6-di-tert-pentylfenol

Beskrivning	Nummer	Kemiskt namn på särskilt farligt ämne (SVHC-ämnena)
Ni-CAD battericell	6500-101-129	Kadmium, kadmiumhydroxid
Infusionsstativ, två lägen	6070-210-070	Bly
Infusionsstativ, tre lägen	6070-215-070	Bly

Standarder med obligatoriska tillval

För att uppfylla standarderna måste du installera följande obligatoriska tillval på bårvagnen.

Standard	Val av tillval		
	Förpackning med fästremmar	Madrass	Tillval
BS EN 1789:2007 + A2:2014 krockteststandarder med avkrocktestad infästning	EMS bältesförpackning (6060-160-010), X-bältesförpackning (6500-001-430), eller XPR bältesförpackning (650600030010) Obs! - X-bältesförpackning och XPR bältesförpackning är endast kompatibla med XPS-madrassen (6500-003-130/6506-003-130).	Bolstermadrass för knästödet (6550-001-084) eller XPS-madrassen (6500-003-130/6506-003-130) (beroende på bårvagnens sänggrind)	
BS EN 1865-3:2012 +A1:2015			XPS-alternativ (6506-040-000)
BS EN 1865-2:2010 +A1:2015			1865 Fowler-alternativ (6506-012-004)

Kompatibilitet med Schnitzler fastsättningsbältesystem för barn

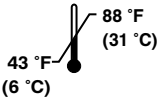
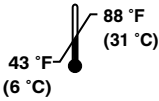
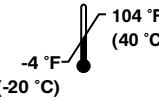
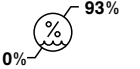
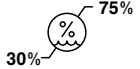
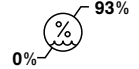
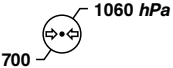
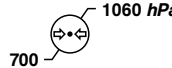
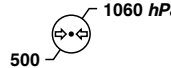
VAR FÖRSIKTIG! - Använd inte produkten med icke-kompatibla remmar.

XPS-madrass (6500-003-130 eller 6506-003-130)	Schnitzler fastsättningsbältesystem för barn (0058-384-000) med serienummer under 720 XPSNPR-2123	Schnitzler fastsättningsbältesystem för barn (0058-384-000) med serienummer lika med eller över 720 XPSNPR-2123
Madrass med batchkod under 18001001	Kompatibel	Kompatibel
Madrass med batchkod lika med eller över 18001001	Inte kompatibel	Kompatibel

Schnitzler fastsättningsbältesystem för barn (0058-385-000) är kompatibelt för användning med standardmadrassen i modell 6100 **M-1** inrullningssystem, modell 6506 **Power-PRO XT**-bårvagn, samt modell 6550 **Power-PRO TL**-bårvagn.

Specifikationer – SMRT

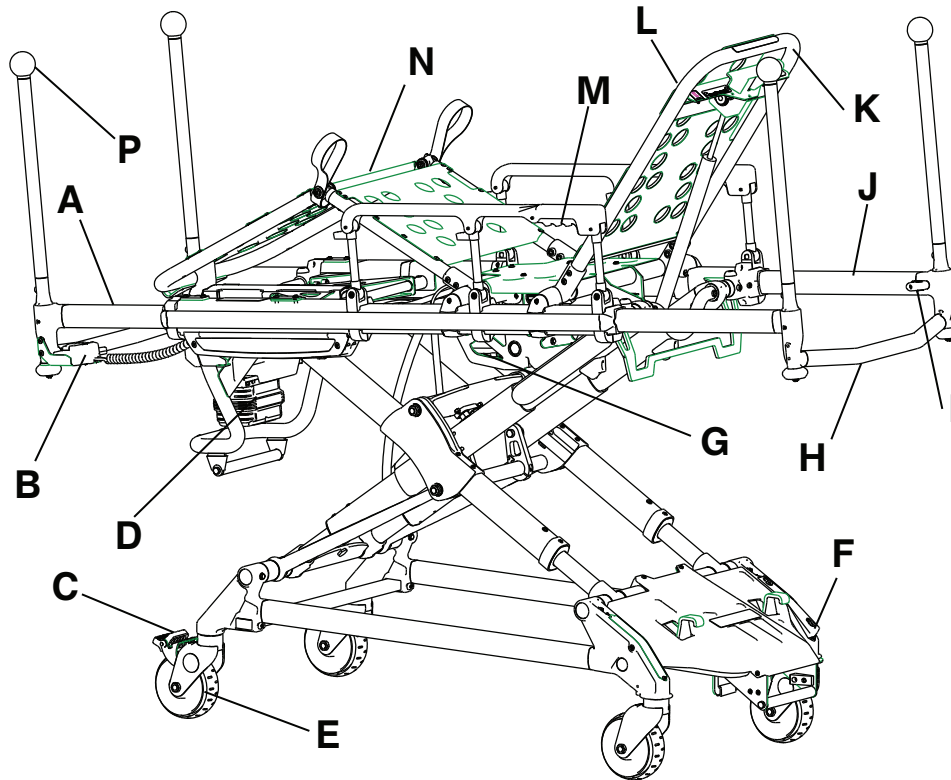
	SMRT-laddare	SMRT Pak	Nätaggreat (AC)
Elektrisk ingång	13,9 VDC 4,16 A	Inte tillämpligt	100-240 VAC 1-2 A 50/60 Hz
Elektrisk utgång	Öppen krets 40 VDC 1,20 A	24 VDC NiCd	12 VDC 4-6 A
Höjd	2,375 tum (60,325 mm)	3,25 tum (82,55 mm)	Varierar
Bredd	5,125 tum (130,175 mm)	4 tum (101,6 mm)	Varierar
Längd	7 tum (177,8 mm)	5,75 tum (146,05 mm)	Varierar
Vikt	1,3 lb (0,59 kg)	3,8 lb (1,7 kg)	Varierar
Kapslingsklassning	IPX0	IPX6	IPX0
Typ av utrustning	Inte tillämpligt	Inte tillämpligt	Klass II
Godkännanden	ANSI/AAMI ES 60601-1: 2012, CAN/CSA-C22.2 No. 60601-1:14	Inte tillämpligt	Inte tillämpligt

Omgivningsförhållanden	Användning	Laddning	Förvaring och transport
Temperatur			
Relativa			
Atmosfärstryck			

Specifikationerna är ungefärliga och kan variera från enhet till enhet eller till följd av fluktuationer i strömförsörjningen.

Stryker förbehåller sig rätten att ändra specifikationerna utan föregående meddelande.

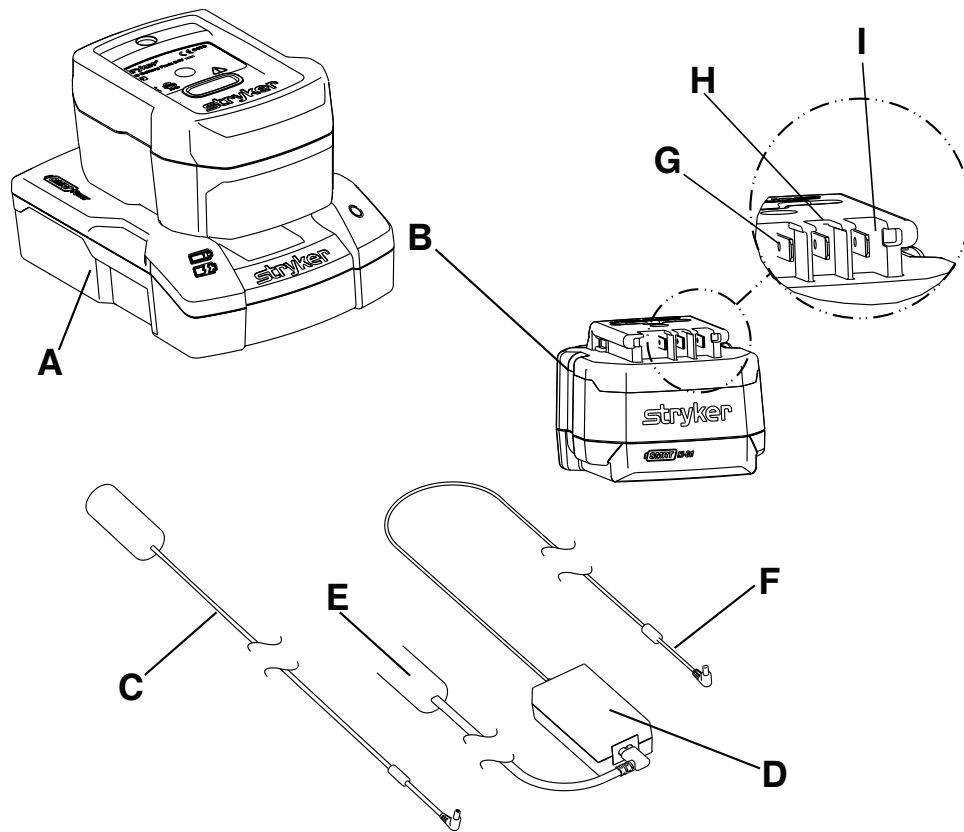
Illustration av – Power-PRO



Figur 3 – Power-PRO TL

A	Infällbar fotdel	I	Batteri
B	Höjjusteringsomkopplare	J	Hopfällbar huvudsektion
C	Hjullås	K	Justeringshandtag, ryggstöd
D	Batteri	L	Ryggstöd
E	Lastningshjul	M	Frigöringshandtag för sidogrind
F	Styrlås	N	Knä/benstöd
G	Hydraulikaggregat	P	Tryckstänger (tillval)
H	Huvuddelens frigöringshandtag		

Bild på produkten – SMRT



Figur 4 – SMRT effektsystem

A	SMRT-laddare	F	Elsladd, utgående
B	SMRT Pak	G	Data
C	DC-kabel	H	Ström (-)
D	Nätaggregat (AC)	I	Ström (+)
E	AC-strömssladd		

Kontaktinformation

Kontakta Stryker kundtjänst eller teknisk support på: 1-800-327-0770.

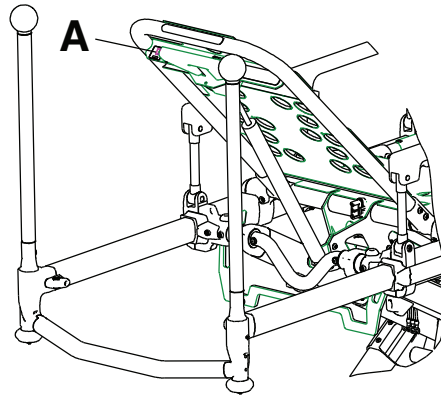
Stryker Medical
3800 E. Centre Avenue
Portage, MI 49002
USA

Obs! - Användaren och/eller patienten ska alltid rapportera alla allvarliga produktrelaterade incidenter till både tillverkaren och den behöriga myndigheten i det europeiska medlemsland där användaren och/eller patienten bor.

Om du vill läsa användar- eller underhållshandboken online, besök <https://techweb.stryker.com/>.

Ha Stryker-produktens serienummer (A) tillgängligt när du ringer Stryker kundtjänst eller teknisk support. Uppge serienumret i all skriftlig kommunikation.

Serienumrets placering – Power-PRO



Figur 5 – Serienumrets placering

Serienumrets placering – SMRT

SMRT-laddarens serienummer finns på enhetens undersida. SMRT Paks partinummer finns på SMRT Paks ovansida, över den röda frigöringsknappen.

Förberedelse

Under förberedelsen, packa upp kartonger och kontrollera alla artiklarna avseende korrekt funktion. Säkerställ att produkten fungerar innan du börjar använda den.

Avlägsna allt transport- och förpackningsmaterial från produkten före användning.

Fordonets patientdel, där produkten ska användas, måste ha:

- Plant golv som är tillräckligt stort för den hopfällda enheten
- Stryker fästsystem för bårvagn

Obs! - Lösa föremål eller skräp på patientdelens golv kan hindra användningen av produktens fästordning. Håll patientdelens golv fritt från föremål.

Packa upp **SMRT**-Paks och **SMRT**-laddaren. Ladda **SMRT**-Pak före användning.

Ändra fordonet om nödvändigt för att passa bårvagnen. Modifiera inte bårvagnen.

Installation

Installera fästsystem för bårvagn

Strykers fästsystem för bårvagn är endast kompatibla med bårvagnar som uppfyller installationsspecifikationerna.

WARNING

- Fästsystemet för bårvagn ska alltid installeras av enbart kvalificerad personal. Olämplig installation kan resultera i skador på patienten eller bäraren.
 - Var alltid noga med att alla bårvagnar uppfyller installationsspecifikationerna för Stryker fästsystem för bårvagn.
 - Justera alltid klämenheten för skenan för att matcha placeringen av bårvagnens stödpost för bårvagnens tillverknings- och modellnummer.
-

Instruktionerna är avsedda för bårvagnar med hjorthornsformade fästsystem. För krockklassade bårvagnsfästen hänvisas till lämplig Användarhandbok för installationsinstruktioner.

Användning

Kontrollera batterinivån

Kontrollera bårvagnens batteri-LED för att bedöma **SMRT Pak**s batterinivå. Ett laddat **SMRT Pak**, i fungerande tillstånd, ger upp till 25 uttryckningar med en patient som väger ca 250 lb (113 kg) (faktiska resultat kan variera). **Power-PRO**-systemet på 24 V DC och **SMRT Pak** är klassat för 2,4 amperetimmars användning.

VARNING - Ta inte ur batteriet när bårvagnen används.

VAR FÖRSIKTIG! - Ladda alltid batteriet innan du börjar använda enheten. Ett oladdat eller urladdat batteri kan medföra dålig prestanda.

För att kontrollera batterinivån trycker du på indragningsknappen (-) på bårvagnens styrreglage för att aktivera bårvagnens batteri-LED. Bårvagnens batteri-LED-indikator finns vid fotändens kontrollfack (visas som en batterisymbol).

- Lysdioden lyser med ett klart, grönt sken när batteriet är fulladdat eller när det har tillräcklig laddning.

Obs! - För bästa resultat ska **SMRT Pak** användas tills bårvagnens batteri-LED ändras från fast grönt till blinkande gult sken.

- Lysdioden blinkar gult när du behöver ladda eller byta ut batteriet.

Obs! - Bårvagnens batterilysdiod behöver inte blinka gult innan du kan ta bort och byta ut **SMRT Pak**, men det rekommenderas som bästa sätt. Du kan ta bort och ladda **SMRT Pak** när som helst.

- Lysdioden lyser med ett fast gult sken för att indikera batterifel.

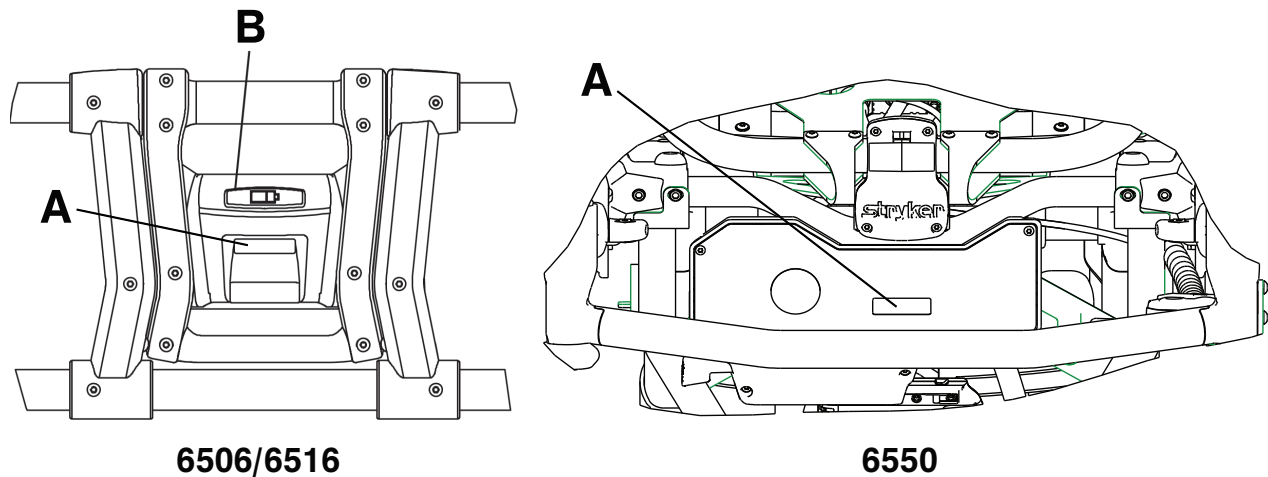
Obs!

- Använd endast batterier som är godkända av Stryker.
- Det motordrivna fästsystemet (om sådant finns för bårvagnen) laddar **SMRT Pak**-batteriet automatiskt. Automatisk laddning sker när du låser fast bårvagnen i det motordrivna fästsystemet (ingen sladd eller kontakt behövs). Bårvagnens batterilysdiod blinkar grönt en stund för att indikera att laddning pågår.
- Automatisk laddning görs bara av **SMRT Pak**-batterier.

Kontrollera timräknaren och feldisplayen

Timräknaren anger hur länge (TTT.T timmar) som hydrauliken har använts. Feldisplayen ger felkodsinformation för felsökning.

Använd timräknaren (A) (Figur 6) för att fastställa intervaller för förebyggande underhåll. Använd feldisplay (A) för felsökning. Feldisplayen visas istället för timräknarens display när ett fel inträffar.



Figur 6 – Kontrollera timräknare (A), feldisplay (A) och batteristatus (B)

Riktlinjer vid användning

VARNING

- Använd produkten endast när alla personer håller sig på avstånd från mekaniken. Intrassling i aktiva produktmekanismer kan orsaka allvarlig skada.
- Kontrollera alltid att **SMRT Paks** inte är skadade före varje användning.
- Låt inte utbildade assistenter bistå i användningen av den här produkten.
- Följ alltid korrekt handplacering på grepphandtagen. Håll alltid händerna borta från säkerhetsstängernas röda gångjärn när du lastar in eller lastar ur bårvagnen eller ändrar dess höjdläge.
- Sitt inte på bårvagnens underrede.
- Transportera inte bårvagnen i sidled för att förhindra risken att den välter. Transportera alltid bårvagnen i ett sänkt läge, med huvud- eller fotänden först för att minimera risken att den välter.
- Håll alltid händer, fingrar och fötter borta från rörliga delar. Var försiktig när du placerar dina händer och fötter nära rören i underredet medan du höjer eller sänker bårvagnen.
- Montera alltid ett avstängningsystem i fästet i alla utryckningsfordon, som ska användas med denna bårvagn och ett hjorthornsformat fästsystem.
- Övervaka alltid patienten när bårvagnen är i viloläge. Om du höjer eller sänker enheten med hydraulik kan du tillfälligt påverka den elektroniska patientövervakningsutrustningen.

VAR FÖRSIKTIG! - Ta alltid bort eventuella hinder som kan förhindra och orsaka skada hos bäraren eller patienten innan du använder produkten.

- Använd produkten endast enligt beskrivningen i denna handbok.
- Läs alla märkningar och instruktioner på produkten före användning.
- Öva på att ändra höjdlägen och lasta in bårvagnen tills du förstår helt hur produkten fungerar.
- Inspektera om det finns sprickor eller skador på **SMRT Pak**-höljet och terminalområdet innan den används för första gången och därefter varje gång innan den används.
- Var alltid två utbildade bärare vid in- eller urlastning av en bårvagn med patient på. Två bärare måste vara närvarande när en patient finns på bårvagnen. Stryker rekommenderar att båda bärarna står vid fotänden för att reducera belastningen för varje bärare. En eller två bärare kan lyfta från fotänden av bårvagnen.
- Bårvagnen får inte justeras, rullas eller flyttas in i ett fordon utan kommunikation med patienten. Stanna alltid hos patienten och kontrollera enheten när den används.
- Du kan transportera bårvagnen i alla lägen. Stryker rekommenderar att bärarna transporterar patienten i lägsta bekväma läge för att manövrera bårvagnen.
- Använd endast hjullåsen under förflyttningen av patienten eller när patienten inte befinner sig på enheten.

- Använd inte ett hjullås när en patient befinner sig på enheten eller när du flyttar enheten för att förhindra att den välter.
- Använd ordentligt utbildade hjälpare för att kontrollera bårvagnen vid behov.

Rätt lyftteknik

Följ nedanstående korrekta lyftteknik när du lyfter enheten och patienten för att förhindra risken för skador:

- Håll dina händer nära kroppen
- Håll ryggen rak
- Koordinera alla rörelser med din kollega
- Lyfta med dina ben
- Undvik vridning

Flytta patienten till bårvagnen

VARNING

- Använd alltid samtliga fästremmar för att säkra patienten på produkten. En patient som inte spänts fast kan falla av produkten och skadas.
 - Lämna inte en patient oövervakad. Håll i produkten när en patient ligger på den.
 - Använd inte hjullåsen när en patient finns på produkten eller när du flyttar produkten så att det inte finns risk att den välter.
 - Använd inte sänggrindar som begränsningsåtgärd för patienten.
-

För att flytta patienten till enheten:

1. Rulla enheten intill patienten (*Rulla bårvagnen med en patient på (sidan 19)*).
2. Ställ enheten bredvid patienten och höj eller sänk produkten till patienthöjd.
3. Sänk sänggrindarna och öppna fästremmarna.
4. Flytta över patienten till enheten. Följ godkända EMS-förfaranden.
5. Använd samtliga fästremmar för att fästa patienten på enheten.
6. Höj sänggrindarna och justera ryggstödet och fotstödet efter behov.

Rulla bårvagnen med en patient på

VARNING

- Förflytta alltid bårvagnen med en lägre höjd för att minska risken för att bårvagnen välter. Ta ytterligare hjälp eller ta en annan väg, om det är möjligt.
 - Undvik alltid höga hinder, t.ex. kanter, trappsteg eller ojämn terräng för att minska risken för enheten välter.
-

To roll the cot with a patient:

1. Placera en bärare vid fotändan och en bärare vid bårvagnens huvudända.
2. Se till att sängbotten är vinkelrät mot trösklar eller andra låga hinder.
3. Lyft varje uppsättning hjul över tröskeln eller hindret separat.

Höja eller sänka bårvagnen

En bårvagn utan patient kan höjas eller sänkas med endast en bärare. Om patienten är på bårvagnen krävs det minst två utbildade bärare (en på varsin ände av bårvagnen) för att höja eller sänka bårvagnen.

VARNING

- Håll alltid händer, fingrar och fötter borta från rörliga delar. Var försiktig när du placerar dina händer och fötter nära rören i underredet medan du höjer eller sänker bårvagnen.
- Följ alltid korrekt handplacering på grepphandtagen. Håll alltid händerna borta från säkerhetsstängernas röda gångjärn när du lastar in eller lastar ur bårvagnen eller ändrar dess höjdläge.
- Var alltid två bärare för att höja eller sänka bårvagnen med en patient på den.

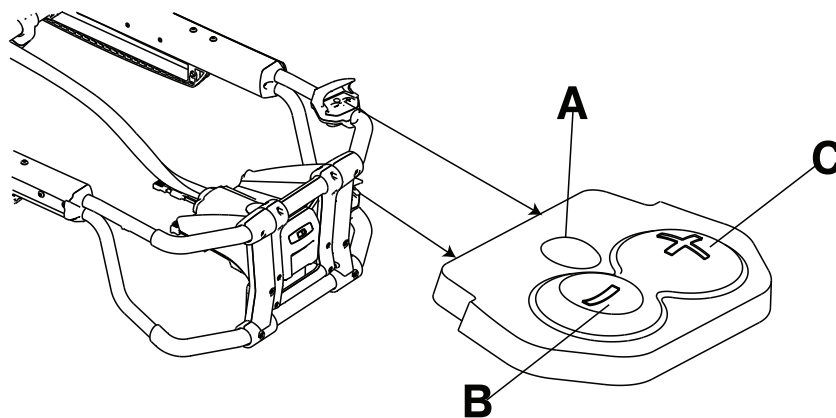
Höja eller sänka bårvagnen:

1. Bärare 1 (fotänden): Ta tag i bårvagnens ram och tryck på:
 - Förlängningsknapp (+) för att höja bårvagnen till önskad höjd
 - Indragningsknapp (-) för att sänka bårvagnen till önskad höjd
2. Bärare 2 (huvudände): Håll den yttre skenan med ett fast grepp tills bårvagnen är i önskad höjd.

Obs! - Om du trycker på förlängningsknappen (+) på bårvagnens styrreglage efter att bårvagnen når inställd lasthöjd, avstannar motorn tills du släpper knappen. Tryck på förlängningsknappen (+) igen efter att du släppt knappen för att jogga bårvagnen högre upp.

Höja, sänka eller frigöra bårvagnen med drivning

Det finns två identiska styrreglage på **Power-PRO**-bårvagnar. Tryck på knappen på någon av dessa reglage för att höja (förlänga) bårvagnen, sänka (fälla ihop) bårvagnen eller frigöra bårvagnen från **Power-LOAD**, om sådan finns (Figur 7).



Figur 7 – Styrreglage på bårvagnen

Referens	Namn	Beskrivning
A	Släpp	Tryck för att frigöra bårvagnen (enbart vid användning av Power-LOAD)
B	Dra tillbaka (-)	Tryck och håll in för att sänka sängen eller för att fälla ihop bårvagnens underrede
C	Förläng (+)	Tryck och håll in för att höja sängen eller för att förlänga bårvagnens underrede

Höja eller sänka bårvagnen manuellt med den manuella åsidosättande

I händelse av strömavbrott kan du använda bårvagnens manuella förbikoppling. Detta möjliggör för manuell manövrering av produkten tills strömmen har kommit tillbaka. Använd det manuella stödjande frigöringshandtaget för back-up för att höja eller sänka bårvagnen.

Det manuella frigöringshandtaget för back-up finns på patientens vänstra sida på den nedersta lyftstången vid bårvagnens fotända.

Gör så här för att höja eller sänka bårvagnen med det manuella frigöringshandtaget för back-up:

1. Båda bärarna: Lyft bårvagnen då den höjs upp eller sänks ned för att stödja bårvagnens vikt på båda sidor.
2. Bärare 1 (fotänden):
 - a. Dra i det manuella frigöringshandtaget för back-up mot lyftstången.
 - b. Samtidigt som du drar i det manuella frigöringshandtaget för back-up, höj eller sänk bårvagnen till önskat läge.
 - c. Släpp handtaget för att låsa bårvagnen på plats

Obs!

- Båda bärare måste lyfta av bårvagnen upp från hjulen för att kunna använda den manuella ut- eller in funktionen medan patienten ligger på bårvagnen.
- Aktivering av det manuella frigöringshandtaget för back-up kan medföra att bårvagnen sänks ned långsamt om mindre än 23 kg belastar bårvagnen.
- Hydraulikvätskan blir mer trögflytande när bårvagnen används under längre perioder i kalla temperaturer. När det manuella frigöringshandtaget för back-up används för att fälla ut underredet, under urliftningen i kalla väderförhållanden, ska du hålla i det manuella frigöringshandtaget för back-up i cirka en sekund efter att bårvagnens hjul nuddat marken för att minimera risken att sängbottnen sjunker medan du flyttar ut bårvagnen från fordonets patientdel.

Påskynda inlyftningen med snabbindragningsläget

När du trycker på inlyftningsknappen (-) försätts bårvagnen i snabbinlyftningsläget när bårvagnens hjul inte stöder vikten från bårvagnen och patienten.

Snabbindragningsläget påskyndar inlastningen av bårvagnen i ett fordon. Underredet fälls ihop mot det högsta läget när vikten från bårvagnen och patienten inte längre stöds av hjulen. Tryck på inlyftningsknappen (-) för att aktivera styrreglaget.

Fästa bårvagnen vid bårvagnsfästet

VAR FÖRSIKTIG!

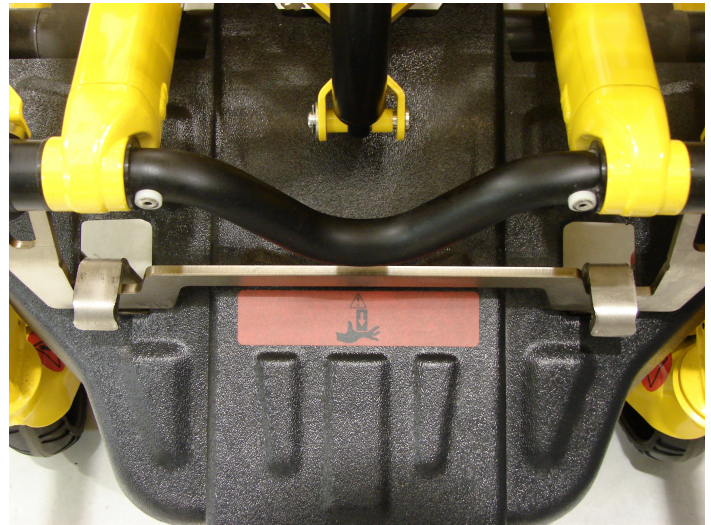
- Sänk alltid bårvagnen till det lägsta läget, för att se till att bårvagnen ansluter till bårvagnsfästet.
 - Försök inte att ändra produktens höjd medan bårvagnen är ansluten till bårvagnsfästet.
-

To load the cot to the cot fasteners:

1. Tryck på bårvagnspedalen och sänk bårvagnen. Tryck på indragningsknappen (-) tills produkten stoppas från att flytta sig nedåt, för att sänka bårvagnen.
2. Styr in bårvagnen i både huvud- och fotänden på bårvagnsfästet, tills bårvagnen låses på plats (Figur 8).
3. Se till att bårvagnen sitter säkert på både huvudändan och fotänden innan du släpper greppet om bårvagnen (Figur 9).



Figur 8 – Bårvagn i både huvudänden och fotänden av bårvagnsfästet

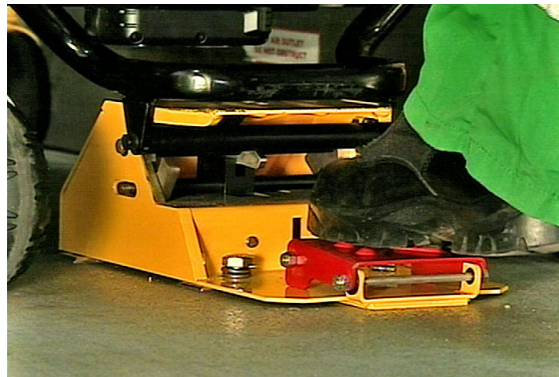


Figur 9 – Bårvagn fäst

Ta bort bårvagnen från bårvagnsfästet

Gör så här för att ta bort bårvagnen från bårvagnsfästet:

1. Tryck ned fotpedalen (Figur 10).
2. Rulla ut bårvagnen ur fordonets patientdel.



Figur 10 – Tryck ned fotpedalen

Lasta in bårvagnen med en bakgavellyft

Var alltid två utbildade bärare vid inlastning av en bårvagn med patient. Två bärare måste vara närvarande när en patient finns på bårvagnen. Operatörerna måste kunna lyfta den totala vikten som utgörs av patienten, bårvagnen och eventuella föremål på bårvagnen.

VARNING

- Kontrollera alltid att bårvagnen inte kan rulla tillbaka från liften innan du använder bakgavellyften med en bårvagn och patient. Se till att liftgrindsstoppet är underhållet och fungerar.
 - Följ alltid korrekt handplacering på grepphandtagen. Håll alltid händerna borta från den röda svängbara säkerhetsstången när du lastar in eller lastar ur bårvagnen eller ändrar dess höjdläge.
-

VAR FÖRSIKTIG!

- Sänk alltid bårvagnen till det lägsta läget, för att se till att bårvagnen ansluter till bårvagnsfästet.
 - Försök inte att ändra produktens höjd medan bårvagnen är ansluten till bårvagnsfästet.
-

Gör så här för att lasta in bårvagnen:

1. Tryck på indragningsknappen (-) för att flytta bårvagnen till dess lägsta läge för större stabilitet.
2. Skjut bårvagnen framåt till bakgavellyften, med huvudänden först (Figur 11). Se till att hjulen är på rätt plats på bakgavellyften så att säkerhetsstoppet kan rotera på plats och hindra bårvagnen från att rulla bakåt.
3. Innan du höjer bakgavellyften måste du se till att det finns tillräckligt stort avstånd mellan bårvagnen och baksidan av ambulansen. Se till att inget hänger ned från bårvagnen.
4. Då en bärare höjer bakgavellyften, bör den andra bäraren hålla ett fast grepp på bårvagnens ram för att ge ökad stabilitet.
5. Båda bärarna ska styra in bårvagnen i fordonets patientdel och in i fordonets bårvagnsfäste (ingår ej) (Figur 12).



Figur 11 – Bårvagn på bakgavellyften



Figur 12 – Båda bärarna styr in bårvagnen i fordonets patientdel

Lasta ut bårvagnen med en bakgavellyft

VARNING

- Kontrollera alltid att bårvagnen inte kan rulla tillbaka från liften innan du använder bakgavellyften med en bårvagn och patient. Se till att liftgrindsstoppet är underhållet och fungerar.
 - Följ alltid korrekt handplacering på grepphandtagen. Håll alltid händerna borta från den röda svängbara säkerhetsstängen när du lastar in eller lastar ut bårvagnen eller ändrar dess höjdläge.
-

VAR FÖRSIKTIG!

- Sänk alltid bårvagnen till det lägsta läget, för att se till att bårvagnen ansluter till bårvagnsfästet.
 - Försök inte att ändra produktens höjd medan bårvagnen är ansluten till bårvagnsfästet.
-

Gör så här för att lasta ut bårvagnen:

1. Se till att lyftgrindsstoppet är i rätt läge för att förhindra att bårvagnen rullar av bakgavellyften.
2. Höja bakgavellyften till golvnivå på fordonets patientdel.
3. Ta bort bårvagnen från fordonets bårvagnsfäste.
4. Båda bärarna ska fatta tag i bårvagnens ram och rulla in den i bakgavellyften. Avlägsna bårvagnen från fordonets patientdel och se till att bårvagnens hjul är i rätt läge så att liften kan sänkas fritt.

5. Sänk bakgavellyften till marken. Se till att bakgavellyften är helt sänkt och har stannat innan du tar bort bakgavellyftens grindstopp och låter bårvagnen rulla av bakgavellyften.

Bårvagnen laddas med en ramp

Var alltid två utbildade bärare vid inlastning av en bårvagn med patient. Två bärare måste vara närvarande när en patient finns på bårvagnen. Operatörerna måste kunna lyfta den totala vikten som utgörs av patienten, bårvagnen och eventuella föremål på bårvagnen.

VARNING - Följ alltid korrekt handplacering på grepphandtagen. Håll alltid händerna borta från den röda svängbara säkerhetsstängningen när du lastar in eller lastar ur bårvagnen eller ändrar dess höjdläge.

VAR FÖRSIKTIG!

- Sänk alltid bårvagnen till det lägsta läget, för att se till att bårvagnen ansluter till bårvagnsfästet.
 - Försök inte att ändra produktens höjd medan bårvagnen är ansluten till bårvagnsfästet.
-

Gör så här för att lasta in bårvagnen:

1. Se till att patienten alltid är säkert fastspänd när han eller hon ligger på bårvagnen.
2. Innan du skjuter upp bårvagnen på rampen, ska du trycka på indragningsknappen (-) för att flytta bårvagnen till dess lägsta läge för större stabilitet (Figur 13). Se till att inget hänger ned från bårvagnen.
3. Med användning av de valfria tryckstängerna ska båda bärarna skjuta eller dra bårvagnen uppför rampen, med huvudändan först (Figur 14). Båda bärarna ska styra bårvagnen uppför mitten av rampen.
4. Båda bärarna ska styra in bårvagnen i fordonets patientdel och ansluta bårvagnen till fordonets bårvagnsfäste (ingår ej).



Figur 13 – Bårvagnen i det lägsta läget

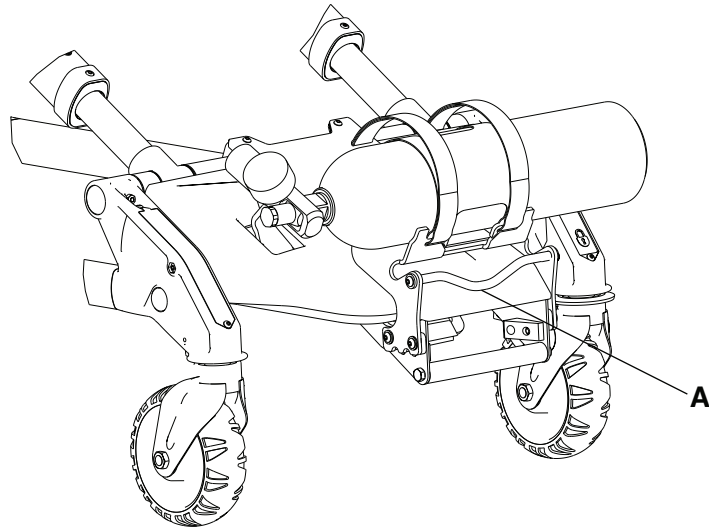


Figur 14 – Styr bårvagnen uppför mitten av rampen

Inlyftning och utlyftning av en bårvagn med den valfria syrgasflaskhållaren

Gör så här för att lyfta in eller lyfta ut en bårvagn med den valfria syrgasflaskhållaren:

1. Fäst vinschkabeln till vinschkabeln vid vinschfäststaven (A) (Figur 15).
2. Se till att rampen är minst 8,5 fot.
3. Se till att rampen kan stödja vikten av bårvagnen, patienten och utrustningen.



Figur 15 – Vinschfäststav

Obs! - Med bårvagnen i lägsta läget kan du använda den valfria syrgasflaskhållaren för att lyfta in patienter som väger upp till 318 kg.

Positionering av bärare och medhjälpare

WARNING - Håll alltid händerna borta från säkerhetsstängernas röda gångjärn när du lyfter in, lyfter ur eller ändrar bårvagnens höjdläge.

	Förändring av nivåer	Rullande
Två bärare (B) Två hjälpare (H)		
Två bärare (O) Fyra hjälpare (H)		

Höja eller sänka ryggstödet

För att höja ryggstödet tar du tag i ryggstödets justeringshandtag och flyttar ryggstödet till önskad höjd.

För att sänka ryggstödet tar du tag i du ryggstödets justeringshandtag och skjuter ned ryggstödet till önskad höjd.

Höja och sänka sänggrindarna

Tänk på att alltid sänka sänggrindarna när du flyttar en patient till eller från bårvagnen.

VARNING - Använd inte sänggrindar som begränsningsåtgärd för patienten.

Höj sänggrindarna genom att lyfta upp sänggrinden tills låsspärren klickas fast och sänggrinden låses på plats. Håll alltid sänggrindarna i det upphöjda läget om du inte ska flytta över en patient.

Sänk sänggrindarna genom att ta tag i sänggrindarnas frigöringshandtag, så att sänggrindens spärrhake frigörs. För sänggrinden nedåt mot bårvagnens fotända tills sänggrinden är nedfäld. Tänk på att alltid sänka sänggrindarna när du lyfter en patient till eller från bårvagnen.

Höja och sänka sänggrindarna (XPS-tillval)

Du kan beställa bårvagnen med den utdragbara patientmadrassen (XPS) (tillval) eller uppgradera din bårvagn för att lägga till XPS (tillval).

VARNING - Använd inte sänggrindar som begränsningsåtgärd för patienten.

VAR FÖRSIKTIG!

- Sitt eller stå inte på sänggrindarna (XPS-tillval).
- Använd inte sänggrindarna (XPS-tillval) som en anordning för patientöverflyttning eller yta (till exempel för att överföra patienten från bårvagnen till en annan plats).
- Lägg inte patienter med hela vikten på sänggrindarna (XPS tillval).
- Styr eller drag inte enheten i sänggrindarna (XPS-tillval).

Sänggrindarna (XPS tillval) fästs på bårvagnen och är alltid tillgängliga för användning. Sänggrindarna (XPS tillval) kan anpassas efter patientstorlek och låsas i sju lägen. Sänggrindarna anpassas även för att kunna passera dörröppningar eller hissar av standardstorlek.

Höj sänggrindarna genom att lyfta upp sänggrinden tills den låses fast på önskad plats.

Sänk sänggrindarna genom att lyfta upp för att frigöra vikten, dra sedan i den röda spaken. Tänk på att alltid sänka sänggrindarna när du lyfter en patient till eller från bårvagnen.

XPS-tillvalet är inte en primär patientstödyta. Det inkluderar en bredare madrass och är avsett att förbättra patientkomforten.

Dra ut den utdragbara huvuddelen eller fotdelen

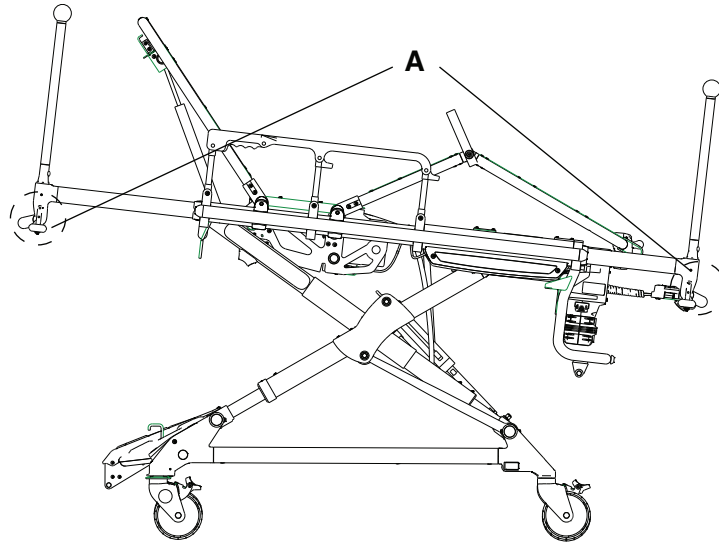
Huvuddelen skjuter ut från ett förlängt läge till ett infällt läge i sängramen.

VARNING

- Lås alltid huvuddelen på plats innan du börjar använda bårvagnen.
 - Försök inte att lasta bårvagnen med huvuddelen infälld i fordonets patientdel. Om bårvagnen laddas med huvuddelen infälld kan produkten välta eller riskera att inte ansluta till fordonets bårvagnfäste.
-

Gör så här för att dra ut huvuddelen eller fotdelen:

1. Tryck på de röda frigöringsspakarna (A) på varje sida av ramen medan du drar ut huvud- eller fotdelen ur sitt infällda läge (Figur 16).
2. Kontrollera att huvuddelen eller fotdelen låses på plats.



Figur 16 – Dra ut huvuddelen eller fotdelen

Fälla in den infällbara huvuddelen eller fotdelen

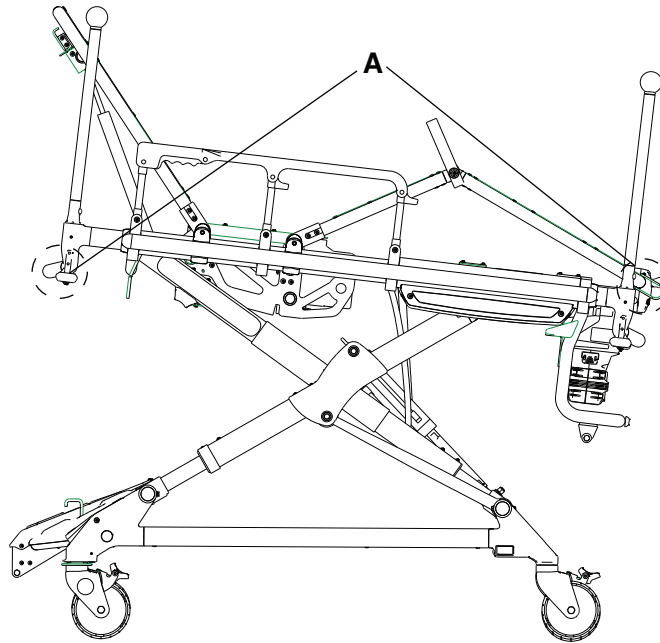
Huvuddelen skjuter ut från ett förlängt läge till ett infällt läge i sängramen.

VARNING

- Lås alltid huvuddelen på plats innan du börjar använda bårvagnen.
 - Försök inte att lasta bårvagnen med huvuddelen infälld i fordonets patientdel. Om bårvagnen laddas med huvuddelen infälld kan produkten välta eller riskera att inte ansluta till fordonets bårvagnfäste.
-

Gör så här för att fälla in huvuddelen eller fotdelen:

1. Tryck på de röda frigöringsspakarna (A) på varje sida av ramen medan du trycker in huvud- eller fotdelen ur sitt utfällda läge (Figur 17).
2. Kontrollera att huvuddelen eller fotdelen låses på plats.



Figur 17 – Fälla in huvuddelen eller fotdelen

Höja eller sänka knästödsillvalet

Gör så här för att höja knästödet:

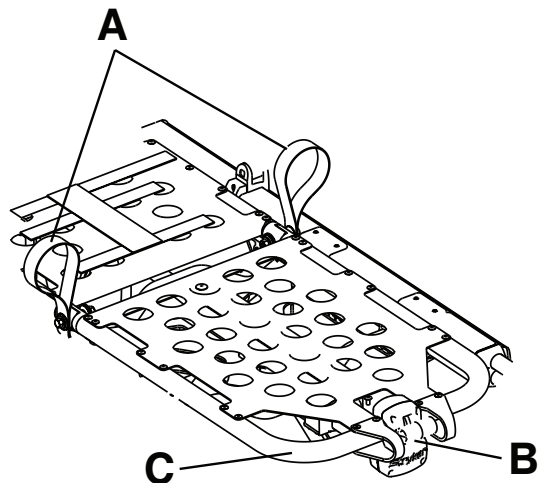
1. Lyft någon av de röda lyftöglorna (A) tills knästödet är i det högsta läget (Figur 18).
2. Sänk knästödet för att låsa fast stödfästet i låsmekanismen.
3. Kontrollera att låsmekanismen är låst innan du släpper lyftöglan.

För att sänka knästödet lyfter du någon av de röda lyftöglorna (A) för att minska trycket på låsmekanismen och medan du håller i öglan trycker du på fotstöds röda frigöringshandtag (B) tills stödfästet frigörs. Sänk knästödet tills det ligger platt.

För att höja knästödet i trend lyfter du fotstöds ram (C) så högt som möjligt tills ramen låses på plats. Stödfästet ansluter automatiskt till ramen när du släpper denna.

Sänk knästödet i trend genom att lyfta fotstöds ram (C), och medan du håller i ramen, lyfter upp fotstöds röda frigöringshandtag (B), tills ramen frigörs från stödfästet. Sänk fotstödet tills det ligger jämnt längs sängen.

Obs! - Fotändens hållartillval för syrgasflaska (6500-240-000) är inte kompatibelt med knästödsillvalet (6500-082-000).



Figur 18 – Knästöd

Använda eller frigöra ett hjullås

VARNING

- Använd inte hjullåsen när en patient finns på enheten eller när du flyttar enheten så att det inte finns risk enheten att välta.
- Installera eller använd inte ett hjullås på en enhet med slitna hjul som är mindre än 6 tum i diameter.
- Lämna inte en patient oövervakad. Håll i enheten under tiden som patienten ligger på den.

För att använda ett hjullås trycker du ned pedalen tills det tar stopp och vilar mot hjulet.

För att frigöra ett hjullås trycker du ned på pedalen med din fot eller lyfter upp den med tån. Den övre delen av pedalen kommer att vila mot svänghjulsramen när du släpper hjullåset.

Obs! - Hjullåsen förhindrar enheten från att rulla då den är oövervakad. Hjullåsen kanske inte ger tillräckligt motstånd på alla sorts ytor eller under belastning.

Aktivera och avaktivera Steer-Lock tillval

Gör så här för att använda Steer-Lock:

1. Tryck på den röda (lås) sidan på fotpedalen från bårvagnens fotända eller huvudända och tryck ned en av de röda pedalerna.
2. Roter bårvagnen tills minst ett av huvudändans svänghjul spärras.

Gör så här för att frigöra Steer-Lock:

- Tryck på den gröna (lås) sidan på fotpedalen från bårvagnens fotända eller huvudända och lyft upp en av de röda pedalerna vid huvudändan.

Spänna fast patienten med fästremmarna

VARNING

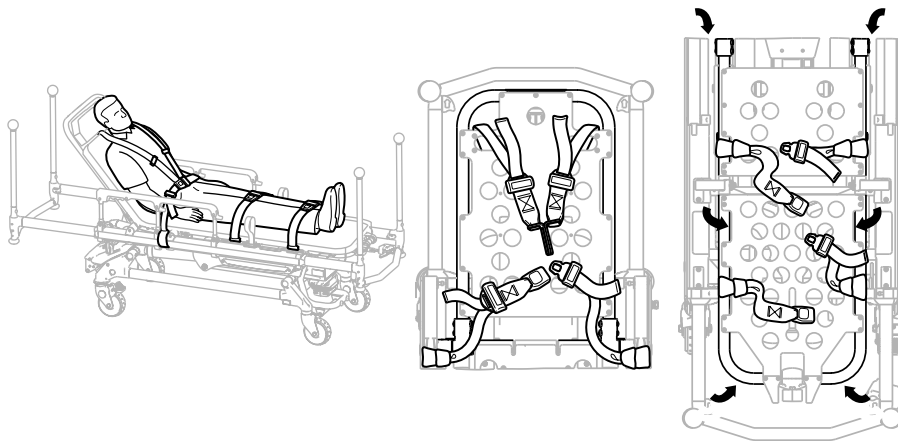
- Använd alltid samtliga fastsättningsbälten för att fästa patienten på bårvagnen. En icke fastspänd patient kan falla av bårvagnen.
- Fäst inte fastsättningsbälten i underredets rör eller tvärrör.

VAR FÖRSIKTIG! - Trassla inte in fastsättningsbältena i stativets underdel när du höjer eller sänker bårvagnen.

Obs! - Fastsättningsbältena är delar som har en patientkontakt av typ **B**.

Fäst fastsättningsbältena vid bårvagnen vid de angivna fästpunkterna (Figur 19). Fastsättningsbältenas fästpunkter ska ge tillräcklig förankring och lämplig fästposition. Låt inte fastsättningsbältena vara i vägen för utrustning eller tillbehör. Spänn fast fastsättningsbältena runt patientens axlar, midja och ben. Knäpp fastsättningsbältena när bårvagnen inte används.

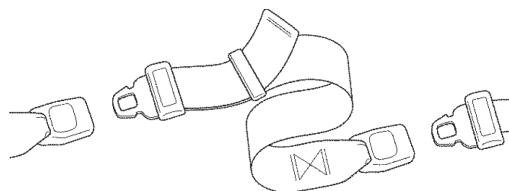
Fäst patientens fästremmar i bårvagnens sänggram genom att mata ögleänden av varje bälte genom bårvagnens sänggram vid var och en av de angivna fästpunkterna (Figur 19) och sedan mata spännet eller spärrplattan tillbaka genom remmens ögleände. Pilarna anger alternativa fästområden.



Figur 19 – Fastsättningsbältets fästpunkter

Förlängning av fästremmarna tillkommer

Lägg till en förlängning av fästremmarna (6082-160-050) för extra längd när du spänner säkerhetsbältet runt tyngre patienter.



Figur 20 – Förlängning av fästremmarna

Fästa en patient med X-/XPR-fästremmarna

Fäst fästremmarna i bårvagnen vid de angivna fästpunkterna: axlar, midja, lår och fotleder.

VARNING

- Använd alltid samtliga fastsättningsbälten för att fästa patienten på bårvagnen. En icke fastspänd patient kan falla av bårvagnen.

- Fäst inte fastsättningsbälten i underredets rör eller tvärrör.

VAR FÖRSIKTIG! - Trassla inte in fästremmarna i stativets underdel när du höjer eller sänker bårvagnen.

Obs!

- X-fästremmarna/XPR-fästremmarna (6500-001-430/650600030010) är endast kompatibla med den bredare bolstermadrassen för knästöd (6500-003-130/6506-003-130).
- Fästremmarna är delar som har en patientkontakt av typ BF.

Fästremmarnas fästpunkter ska ge tillräcklig förankring och lämplig fästposition (Figur 21). Låt inte fästremmarna vara i vägen för utrustning eller tillbehör. Spänn fast fästremmarna över patientens axlar, midja, lår och fotleder. Spänn fast samtliga fästremmar när bårvagnen inte används.

1. Fästa X-/XPR-fästremmarna runt axeln (sidan 31)
2. Fästa X-/XPR-fästremmarna runt midjan (sidan 32)
3. Fästa X-/XPR-fästremmarna runt låren (sidan 32)
4. Fästa X-/XPR-fästremmarna runt fotlederna (sidan 32)

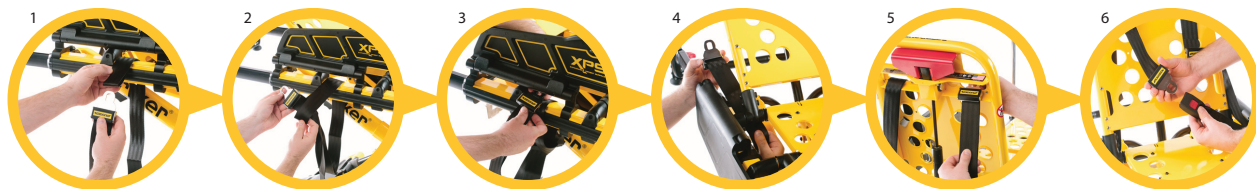


Figur 21 – Fästremmarnas fästpunkter

Fästa X-/XPR-fästremmarna runt axeln

För att fästa X-fästremmarna/XPR-axelremmarna:

1. Linda fästremmen runt bårvagnens ram.
2. Dra spännet genom öglan, mot bårvagnens huvudände.
3. För in spännet under XPS-systemet.
4. För modellen 6506 **Power-PRO** XT bårvagn och modellen 6086 **Performance-PRO** XT bårvagn, dra åt fästremmen ordentligt och mot baksidan av ryggstödet.
5. För modellen 6550 **Power-PRO** TL bårvagn, ska du dra fästremmen under tvärröret och mot baksidan av ryggstödet.
6. För in spännet genom öppningen i ryggstödet.
7. Anslut patientens högra axelspänne i patientens vänstra midjespänne.
8. Ta bort allt slak från fästremmens ögla.



Figur 22 – Axelfästremmar

Fästa X-/XPR-fästremmarna runt midjan

För att fästa X-fästremmarna/XPR-midjeremmarna:

1. Linda fästremmen runt bårvagnens ram.
2. Dra spännet genom öglan, mot bårvagnens huvudända.
3. För in spännet under XPS-systemet.
4. Dra åt spännet så att de sitter ordentligt. En fästrem ska vara vinklad mot huvudänden och en ska ligga rakt tvärs över bårvagnen.
5. Anslut patientens högra spänne med det vänstra spännet.
6. Ta bort allt slak från fästremmens ögla.



Figur 23 – Midjefästremmar

Fästa X-/XPR-fästremmarna runt låren

För att fästa X-fästremmarna/XPR-lårremmarna:

1. Linda fästremmen runt bårvagnens sängbotten.
2. Dra spännet genom öglan, mot bårvagnens huvudände.
3. Dra åt fästremmen så att den sitter tajt.
4. Anslut patientens högra spänne med det vänstra spännet.
5. Ta bort allt slak från fästremmens ögla.



Figur 24 – Fästremmar för lår

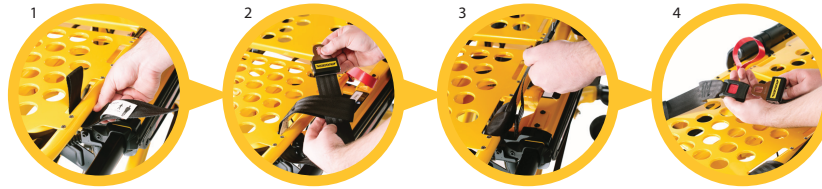
Fästa X-/XPR-fästremmarna runt fotlederna

För modell 6506 **Power-PRO XT** bårvagnar, modell 6086 **Performance-PRO XT** och modell 6550 **Power-PRO TL** bårvagnar som tillverkades eller uppgraderades efter 3 juli, 2015 med knästödsalternativet eller enbart med någon trend.

För att fästa X-fästremmarna/XPR-fotledsremmarna:

1. Linda fästremmen runt bårvagnens ram. Linda runt båda fotändens lyftstänger.

2. Dra spännet genom öglan, mot bårvagnens huvudände.
3. Dra åt spännet så att det sitter ordentligt.
4. Anslut patientens högra spänne med det vänstra spännet.
5. Ta bort allt slak från fästremmens ögla.



Figur 25 – Fästremmar för fotlederna

Skydda patienten med Pedi-Mate® festsättningsbälten för spädbarn

WARNING - Placera alltid spännet bort från hinder eller tillbehör på bårvagnen för att undvika risken att **Pedi-Mate®** festsättningsystem för spädbarn frigörs av misstag samt för att spädbarnet skadas.

Skydda patienten med **Pedi-Mate®** festsättningsystem för spädbarn

1. Ta bort alla fästremmar från bårvagnen.
2. Höj bårvagnens ryggstöd till dess fulla upprätta läge.
3. Placera **Pedi-Mate®** dyna plant på bårvagnens ryggstöd med de svarta ryggstödsremmarna vända utåt.
4. Linda remmarna runt bårvagnens ryggstöd och för in ändarna genom fästena.
5. Sätt fast spännet.
6. Dra i änden av den justerbara ryggstödsremmen för att späna.
7. Sätt i huvudramens remmar mellan enhetens ram och madrassen.
8. För in spännet bakom sängens korsstöd och för upp det framför sängbottens korsstöd.
9. Fäst spännet runt sängbottens korsstöd. Låt remmen vara lite slak för den slutliga inställningen.
10. Dra åt alla remmar.

Obs! - För ytterligare information om **Pedi-Mate®** festsättningsystem för spädbarn hänvisas till tillverkarens instruktioner för användning och skötsel. Ansvar för säker och korrekt användning av **Pedi-Mate®** festsättningsystem åvilar användaren. Fastställ metoder och rutiner för att utbilda och träna din personal i säker användning eller underhåll av denna produkt. Detta är bara allmänna anvisningar. Spara bruksanvisningen för framtida referens. Dessa anvisningar är en permanent del av enheten och ska förvaras tillsammans med enheten även om denna säljs.

Pedi-Mate® är ett registrerat varumärke som tillhör Ferno Washington, Inc.

Fästa defibrillatorplattformen

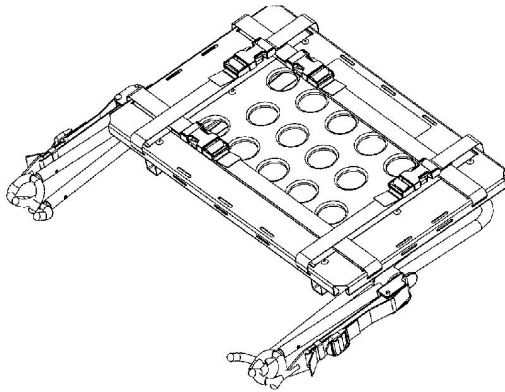
WARNING - Fäst inte defibrillatorplattformen på en **Performance-PRO XT**-bårvagn, modell 6086 med **Power-LOAD**-tillvalet för att undvika att bårvagnen välter.

VAR FÖRSIKTIG!

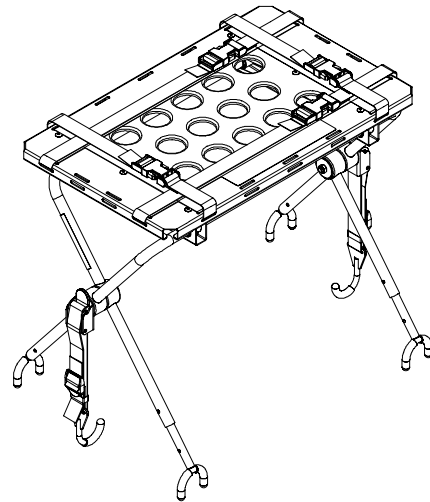
- Tänk på att alltid säkra defibrillatorplattformen på produkten när du använder denna.
- Använd och justera alltid remmar som medföljer defibrillatorplattformen för att fästa defibrillatorn.
- Anpassa alltid fästplatsen eller justera remmarna efter din specifika defibrillatorstorlek eller -utförning.
- Belasta inte defibrillatorplattformen över angiven maxlast på 30 pund (13,6 kg).

För att fästa defibrillatorplattformen:

1. Lägg defibrillatorplattformen i förvaringsläge (Figur 26).
2. Öppna och fäll ut defibrillatorplattformens ben (Figur 27).

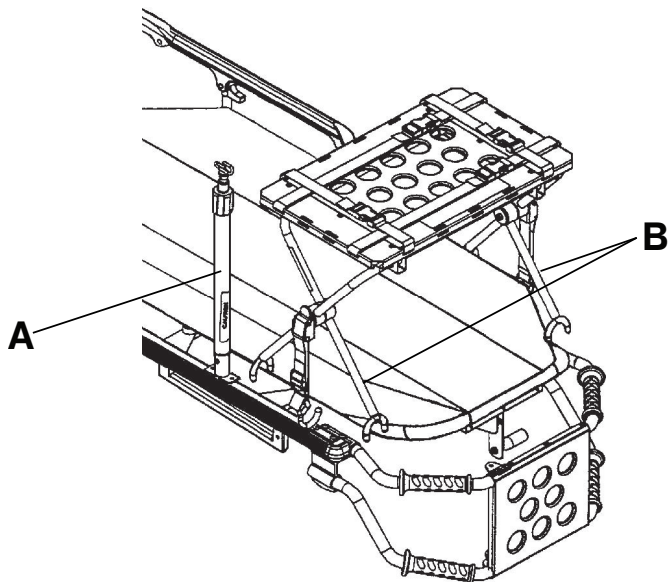


Figur 26 – Förvaringsläge

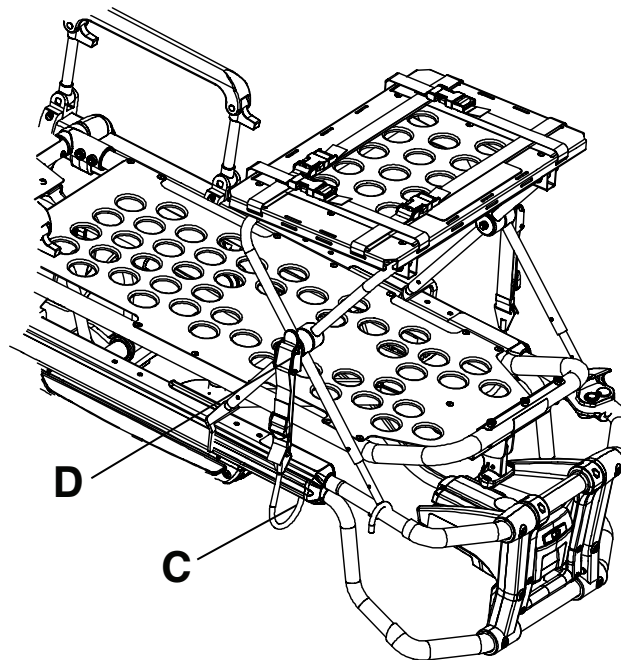


Figur 27 – Öppna defibrillatorplattformens ben

3. Om enheten är utrustad med ett infusionsstativ ska du höja stativet (A) till upp-läget (Figur 28).
4. Lägg defibrillatorplattformen på enhetens ram.
5. Placera de inre benen (B) på defibrillatorplattformen mot enhetens huvudände (Figur 28).
6. Placera spärrhaken (C) under sängbotten eller fotändens fäste och tryck fliken (D) uppåt tills det låses på plats på en sida med ett klickljud (Figur 29). Upprepa rutinen på den andra sidan. För **Power-LOAD**-kompatibla bårvagnar, om sådan finns, måste du förlänga och fästa remmarna på fotändens fäste (Figur 30).

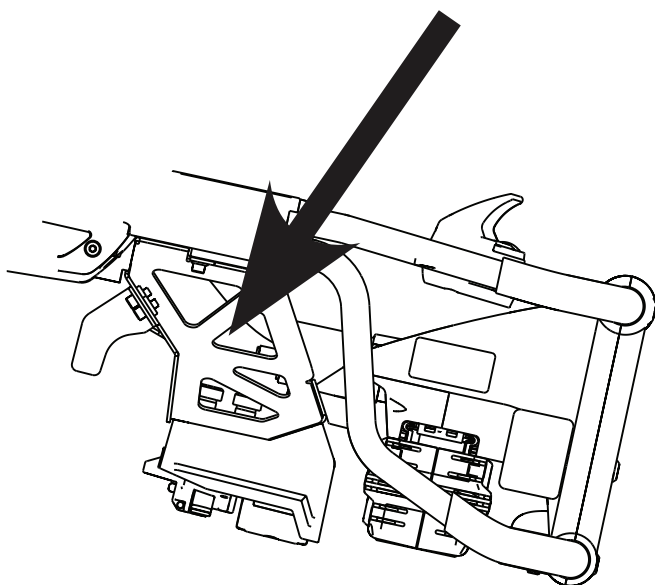


Figur 28 – Höj infusionsstativet och positionera defibrillatorbrickan (modell 6506 visas)

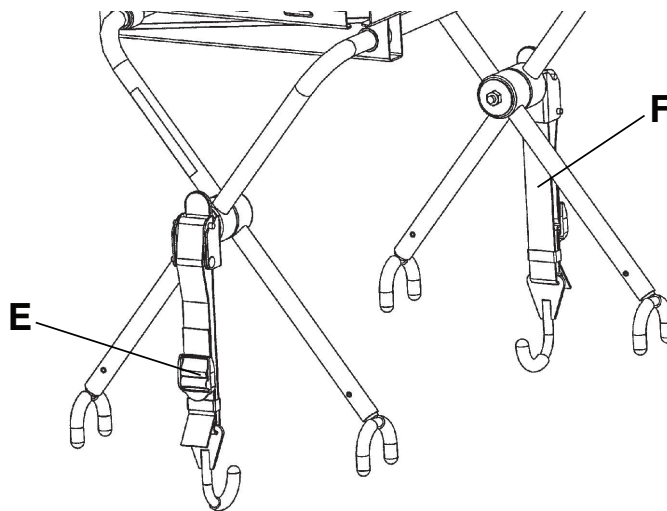


Figur 29 – Placering av spärrhake (modell 6506 visas)

7. Se till att defibrillatorplattformen är säkert fastsatt på enheten.
8. Läg defibrillatort på defibrillatorplattformen.
9. Fäst remmarna (E) som håller fast defibrillatort på defibrillatorplattformen (Figur 31).



Figur 30 – Flik (modell 6506 visas)



Figur 31 – Fäst defibrillatorplattformen på bårvagnen

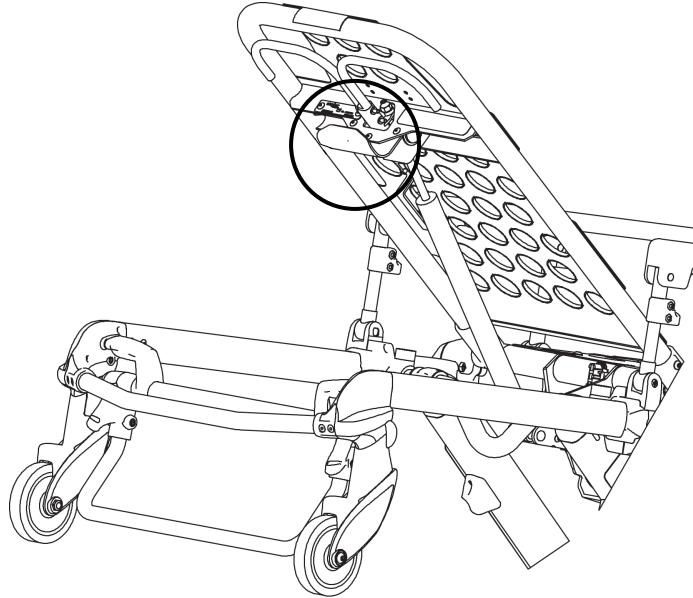
Obs! - Om defibrillatorplattformen inte är fastsatt på enheten efter att du anslutit de två spärrhakarna ska du låsa upp fliken. Justera, lossa eller dra åt remmen och tryck sedan på fliken uppåt tills den låses på plats med ett klickande ljud.

Hängande utrustning på utrustningskroken

Använd utrustningskroken för att hänga upp extra tillbehör eller utrustning, t.ex. defibrillatorer och övervakningsutrustning.

VAR FÖRSIKTIG!

- Belasta inte utrustningskroken över den angivna max.belastningen på 15,8 kg.
 - Ta alltid bort alla tillbehör eller utrustning från utrustningskroken när du befinner dig i fordonet.
-



Figur 32 – Utrustningshake

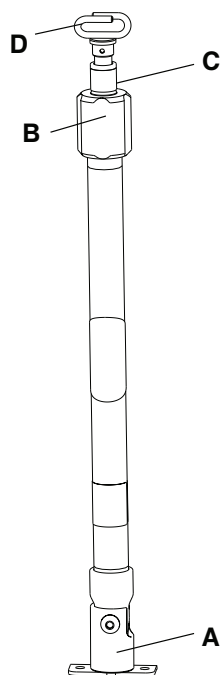
Positionera infusionsstativet (två lägen)

VAR FÖRSIKTIG! - Belasta inte infusionsstativet över den tillåtna maxlasten på 25 pund (11,3 kg).

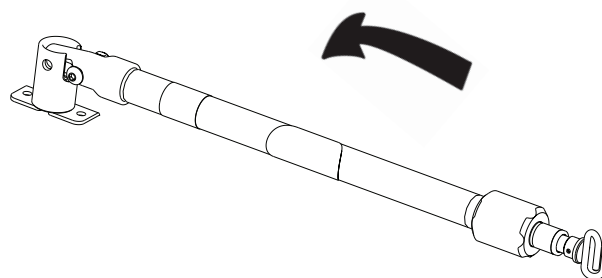
Positionera infusionsstativet (Figur 33):

1. Lyft och sväng infusionsstativet från förvaringsläget och tryck nedåt tills infusionsstativet låses fast i behållaren (A).
2. Höj infusionsstativet genom att vrida låskragen (B) motsols och dra upp infusionsstativets utdragbara del (C) till önskad höjd.
3. Vrid låskragen (B) medsols för att låsa fast den utdragbara delen på plats.
4. Häng droppåsarna på infusionsstativskroken (D).
5. Vrid låskragen (B) motsols och skjut in delen (C) i det nedersta röret.
6. Vrid låskragen (B) medsols för att dra åt.
7. Lyft upp och vrid ned infusionsstativet i förvaringsläget (Figur 34).

Obs! - De dubbla infusionsstativen i två lägen (6500-312-000 eller 6550-312-000) är inte kompatibla med varken den högra (6500-310-000 eller 6550-310-000) eller vänstra (6500-311-000 eller 6550-311-000) patientsidans alternativ för infusionsstativ i två lägen.



Figur 33 – Infusionsstativ höjt läge



Figur 34 – Infusionsstativ förvaringsläge

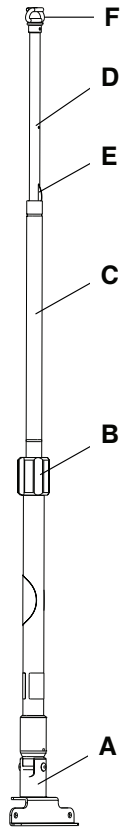
Positionera infusionsstativtillvalet med tre lägen

VAR FÖRSIKTIG! - Belasta inte infusionsstativet över den tillåtna maxlasten på 25 pund (11,3 kg).

Positionera infusionsstativet (Figur 35):

1. Lyft och sväng infusionsstativet från förvaringsläget och tryck nedåt tills infusionsstativet låses fast i behållaren (A).
2. Hög infusionsstativet genom att vrida låskragen (B) motsols och dra upp infusionsstativets utdragbara del (C) till önskad höjd.
3. Vrid låskragen (B) medsols för att låsa fast den utdragbara delen på plats.
4. För ett högre infusionsstativ ska du dra upp delen (D) tills fjäderklämman (E) ansluts.
5. Häng droppåsarna på infusionsstativkroken (F).
6. För att sänka infusionsstativet tryck in fjäderklämman (E) och den skjutbara delen (D) ned i del (C). Vrid låskragen (B) motsols och skjut in delen (C) i det nedersta röret.
7. Vrid låskragen (B) medsols för att dra åt.
8. Lyft upp och vrid ned infusionsstativet i förvaringsläget.

Obs! - De dubbla infusionsstativen i tre lägen (6500-317-000 eller 6550-317-000) är inte kompatibla med varken den högra (6500-315-000 eller 6550-315-000) eller vänstra (6500-316-000 eller 6550-316-000) patientsidans alternativ för infusionsstativ i tre lägen.



Figur 35 – Infusionsstativ höjt läge

Fästa en syrgasflaska vid flaskhållaren för syrgas

VAR FÖRSIKTIG!

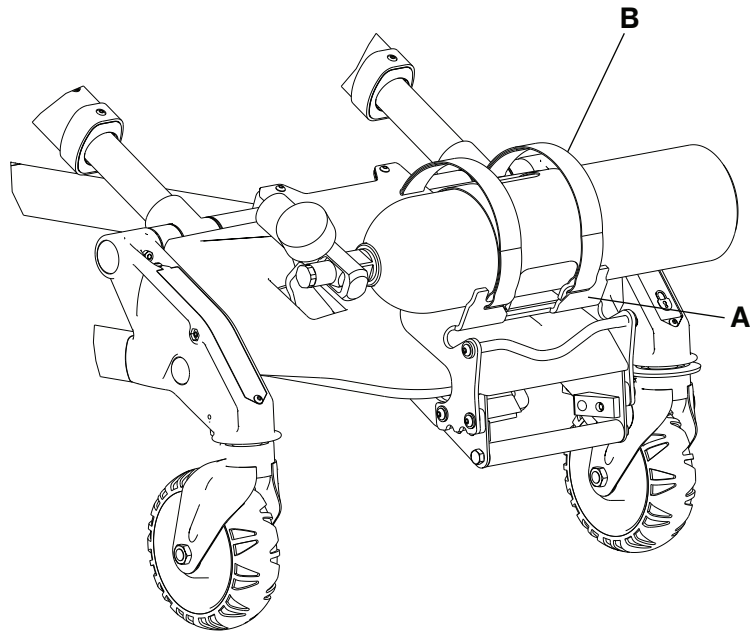
- Lasta inte syrgasflaskhållaren över den säkra maxlasten på 6,8 kg.
- Använd inte två hållare för syrgasflaskor samtidigt.

Gör så här för att fästa en syrgasflaska vid syrgasflaskhållaren (Figur 36):

1. Centrera syrgasflaskhållaren på den nedsänkta ytan av artikel (A).
2. Dra åt båda remmarna (B) kring syrgasflaskan.
3. Dra åt och spänn fast båda remmarna.

Obs! - Använd inte hållaren för syrgasflaskor när transportfordonet är i rörelse. Placera alltid hållaren för syrgasflaskor på en lämplig förvaringsplats när fordonet är i rörelse.

Obs! - Inspektera remmarna och clipsen för slitage mellan användningarna. Byt ut remmen om den inte längre kan hålla fast syrgasflaskan.



Figur 36 – Fäste för syrgasflaska

Fästa tryckstängstillvalet

De valfria tryckstängerna gör att du kan manövrera produkten vid valfritt höjdläge.

VARNING

- Lås alltid tryckstången i sitt fäste för att förhindra att tryckstängerna lossnar under användning.
 - Lyft inte produkten med tryckstängerna.
-

Fästa tryckstängerna:

1. För in varje tryckstång i ett av de fyra hörnuttagen.
2. Tryck ned varje tryckstång för att låsa dem i uttaget.



Figur 37 – Tryckstång fastsatt

Ta bort och förvara tryckstängerna i deras förvaringspåse

VARNING - Förvara alltid tryckstängerna i basens förvaringspåse när de inte används.

Gör så här för att ta bort tryckstängerna:

1. Tryck på den röda frigöringsknappen och lyft varje stäng ur dess hörnuttag.
2. Placera de borttagna tryckstängerna i basens förvaringspåse, som finns på basstativet (Figur 38).

Fäst basens förvaringspåse genom att ansluta de motsvarande spännena för att fästa påsen vid bårvagnens stativ (Figur 39).

Se till att påsen och dess innehåll inte stör bårvagnens drift innan du höjer, sänker eller transporterar bårvagnen.



Figur 38 – Ta bort tryckstängerna



Figur 39 – Fäst tryckstängernas förvaringspåse

Sätta fast underredets förvaringsnättillval

VAR FÖRSIKTIG!

- Överbelasta inte underredets förvaringsnät med mer än maximalt tillåtna 20 pund (9 kg).
- Tänk på att alltid vara försiktig när du faller ihop underredet för att förhindra att du skadar föremålen som förvaras i underredets förvaringsnät.

Gör så här för att fästa underredets förvaringsnät: linda **Velcro®**-kardborrebanden runt underredets stänger.

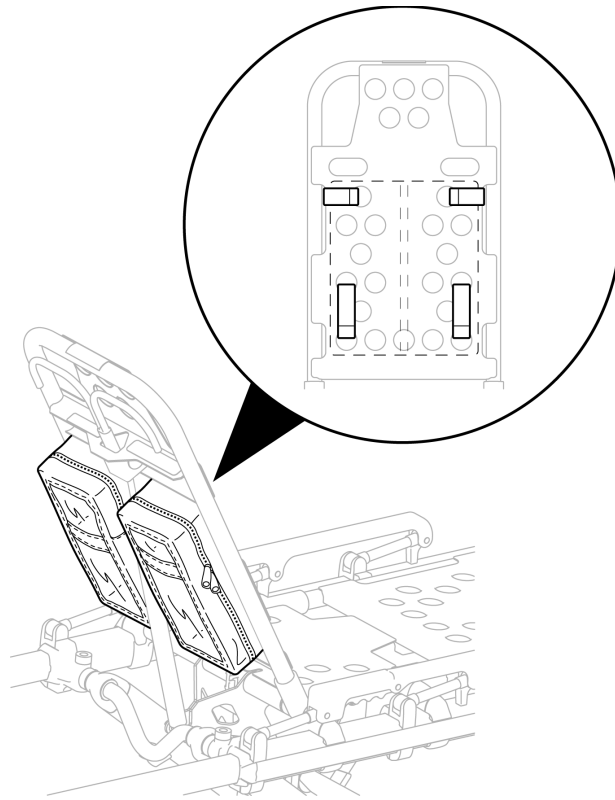
Fästa ryggstödet förvaringspåse

VAR FÖRSIKTIG!

- Överbelasta inte ryggstödet förvaringsficka över den maximala tillåtna belastningen på 20 pund (9 kg).
- Gör så att förvaringsfickan inte hindrar användningen av den hopfällbara huvudänden.

För att fästa ryggstödet förvaringspåse (Figur 40):

1. För in varje rem genom ett hål i ryggstödet tyg.
2. Montera fickan platt mot ryggstödet.
3. Fäst ryggstödet förvaringsficka på bårvagnen med **Velcro®**-kardborrebanden.



Figur 40 – Förvaringsficka, ryggstöd

Fastsättning av madrass

Det finns två madrassalternativ för användning med denna enhet. Använda bolstermadrassen för knästöd (6550-001-084) eller den platta madrassen (6550-001-295) med standardsänggrunden. Använda den bredare bolstermadrassen för knästödet (6500-003-130/6506-003-130) tillsammans med den utdragbara ytan för patienten (XPS) (tillval).

VAR FÖRSIKTIG! - Förvara inga föremål under madrassen. Föremål under madrassen kan inverka på användning av enheten.

Gör så här för att sätta fast madrassen på bårvagnen:

1. Rikta in **Velcro®** på madrassens baksida med **Velcro®** på bårvagnens sängbotten.
2. Fäst remmen vid fotändan av madrassen genom de två hålen i fotändan på bårvagnen.
3. Dra remmen genom spännet och fäst **Velcro®** för att fästa remmen.

Obs!

- Bolstermadrassen för knästöd (6550-001-084) och den platta madrassen (6550-001-295) är inte kompatibla med XPS sänggrind (6550-031-000) (tillval).
- Bolstermadrassen för knästöd (tillval) för XPS (6500-003-130/6506-003-130) är inte kompatibel med standard sänggrind (6550-034-000).
- Madrassen är en applicerad del typ BF.

Installera ett SMRT Pak

SMRT Pak är utformat för att vara kompatibel med bårvagnarna **Power-PRO XT**, **Power-PRO IT** och **Power-PRO TL**.

För att maximera tillgänglig batterikapacitet ska endast **SMRT Pak** som har laddats under de senaste 48 timmarna användas.

Gör så här för att installera **SMRT Pak**:

1. Rikta in flikarna i batterifacket.
2. Tryck ned **SMRT Pak** i facket tills spärrhaken klickar till.

SMRT Pak kan sitta kvar på **Power-PRO**-bårvagnen mellan servicetillfällen i upp till en vecka eller tills bårvagnsbatteriets indikatorlysdiod blinkar gult.

Ta bort ett SMRT Pak från bårvagnen

Efter att **SMRT Pak** har laddats ur, ta bort **SMRT Pak** från **Power-PRO**-bårvagnen och ersätt det med ett laddat **SMRT Pak**.

Om **SMRT Pak** körs oavbrutet, utan paus, kan det öka temperaturen i cellerna och reducera batteripaketets livslängd. Om till exempel en tung patient lyfts snabbt upp och ned flera gånger på raken kan det reducera **SMRT Paks** livslängd.

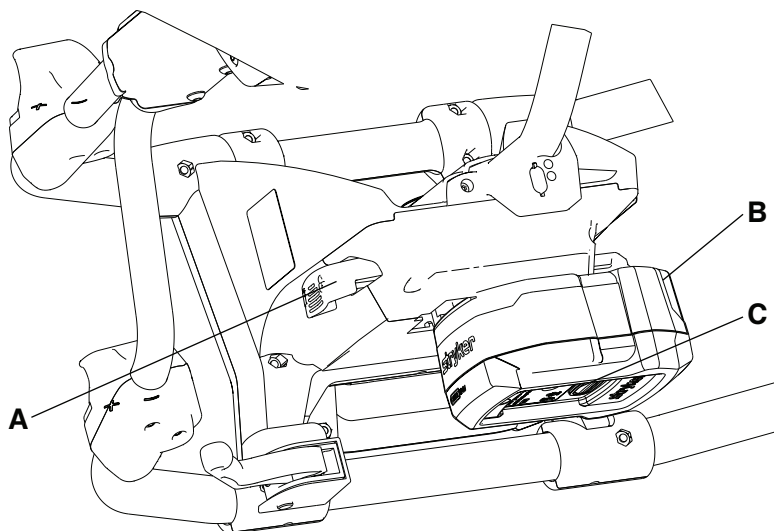
VARNING

- Ta inte ur batteriet när bårvagnen används.
- För att förhindra risken för elstötar får inte batteripaketet öppnas av någon som helst anledning. Sätt inte in batteripaketet i laddaren om det är sprucket eller skadat. Lämna in det skadade batteripaketet till en återvinningscentral.
- Undvik alltid direkt kontakt med ett vått batteri eller batterifack. Kontakt kan orsaka skada på patienten eller bäraren.

VAR FÖRSIKTIG! - Ta alltid bort batteriet om bårvagnen inte kommer att användas under en längre tid (mer än 24 timmar).

Gör så här för att ta bort **SMRT Pak** från bårvagnen:

1. Tryck på den röda frigöringsknappen (C) eller på batteriets frigöringsknapp (A) för att lossa **SMRT Pak** (B) från bårvagnen (Figur 41).
2. Skjut ut det frigjorda **SMRT Pak** från facket.



Figur 41 – Frigöra batteriet

Förvaring av batteriet

Använd de ursprungliga förpackningsmaterialen när du förvarar eller transporterar utrustningen för produktens livslängd, prestanda och säkerhet.

Alla batterier laddas ur under förvaring eller under perioder av inaktivitet. Ett **SMRT Pak** kan förlora upp till 30 procent av dess kapacitet 48 timmar efter att du har tagit bort det från **SMRT**-laddaren. Använd och fulladda förvarade **SMRT Pak** var tredje månad för att bibehålla bästa prestanda.

Ladda SMRT Pak

SMRT Pak är endast avsett att användas tillsammans med **SMRT**-laddaren.

WARNING - Sätt inte i ett sprucket eller skadat **SMRT Pak** i **SMRT**-laddaren. Lämna in skadade **SMRT Paks** till en återvinningsstation.

Obs!

- För en längre tids förvaring ska **SMRT Pak** förvaras i **SMRT**-laddaren för underhållsladdning. **SMRT**-laddaren håller **SMRT Pak** laddat och klar för användning.
- Förvara **SMRT Pak** i rumstemperatur inom tillåtet temperaturområde ligger mellan 6 °C till 31° C. Om **SMRT Pak** laddas utanför det rekommenderade temperaturområdet reduceras **SMRT Paks** livslängd och förlänger laddningstiden.

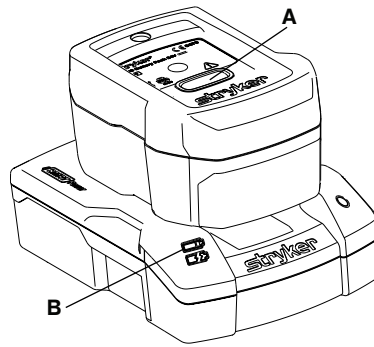
Gör så här för att ladda **SMRT Pak** (Figur 42):

1. Sätt in ett rent och torrt **SMRT Pak** i **SMRT**-laddaren. Se till att **SMRT Pak** sitter fast **SMRT**-laddaren.

Obs!

- **SMRT**-laddarens LED-indikeringslampa (B) blinkar grönt under laddningen (Figur 42). Den optimala laddningstiden är två timmar.
 - När **SMRT Pak** är laddat och klar för användning, lyser **SMRT**-laddarens LED-indikeringslampa (B) med fast grön ljus.
2. Tryck på den röda frigöringsknappen (A) (Figur 42) och skjut ut **SMRT Pak** för att frigöra det laddade **SMRT Pak** från **SMRT**-laddaren, klart att använda.

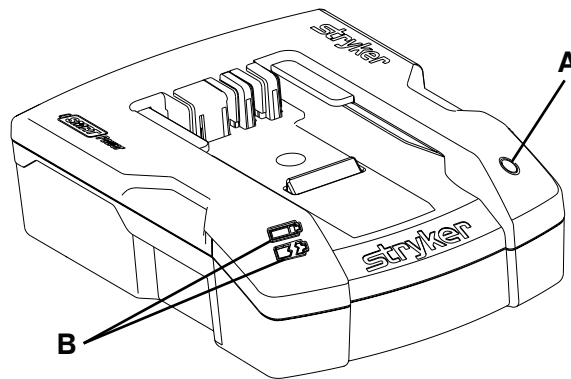
SMRT-laddaren laddar oavsett **SMRT Paks** laddningsstatus.



Figur 42 – Ladda SMRT Pak

Kontrollera SMRT Paks effektnivå med SMRT-laddaren

Avläs SMRT-laddarens LED-indikeringslampor för att kontrollera SMRT Paks effektnivå.



Figur 43 – Kontrollera SMRT Paks effektnivå

- Elektrisk anslutning: Anslut eller kopplat ifrån SMRT-laddaren från den tillämpliga strömkällan (*Koppla in laddaren* (sidan 47)).
- SMRT-laddarens LED-indikeringslampan (A): Om den gröna LED-indikeringslampan lyser grönt är SMRT-laddaren strömsatt.
- SMRT-laddarens LED-indikeringslampor (B): Gröna och gula LED-indikeringslampor informerar om SMRT Paks status. LED-indikeringslamporna kan lysa med fast sken eller blinka beroende på SMRT-laddarens eller SMRT Paks status.

LED-indikator, SMRT-laddare	Status
Grön ljus (blinkar)	SMRT-laddaren laddar SMRT Pak. Den optimala laddningstiden är två timmar.
Grön ljus(fast)	SMRT Pak laddas och är klar att användas
Gult ljus (blinkar)	SMRT Pak temperaturfördröjning. SMRT-laddaren väntar på att SMRT Pak ska nå ett tillåtet temperaturområde som ligger mellan 6°C till 31° C.
Gult ljus (fast)	SMRT Pak-fel. Se felsökningsavsnittet i din underhållshandbok.

Elinstallationsregler

När du konfigurerar den elektriska strömkällan vid installationen av **SMRT**-laddaren ska nedanstående elsäkerhetskrav följas för att få en säker och effektiv funktion.

Ström	Driftspänning	Frekvens	Maximal strömförbrukning	Strömförbrukning i standby	Lågspänning avstängning
Växelström	100 till 240 VAC	50/60 Hz	1,20 A	0,05 A	Inte tillämpligt
Likström	12,5 till 16 VDC	Inte tillämpligt	4,16 A	0,20 A	10 VDC

Installera SMRT-laddaren

Under installationen ska **SMRT**-laddaren placeras på en miljömässigt säker plats som:

- Är fri från damm och fukt
- Hålls inom ett konstant temperaturintervall Ett tillåtet temperaturintervall är mellan 6°C till 31° C. Ett optimalt temperaturintervall är mellan 18 °C till 24 °C.
- Är lättillgängligt

Förvara och underhåll nätaggregatet och strömladdarna för att minimera risken för skador och oavsiktliga fränkopplingar.

Installera monteringshållartillvalet

VARNING

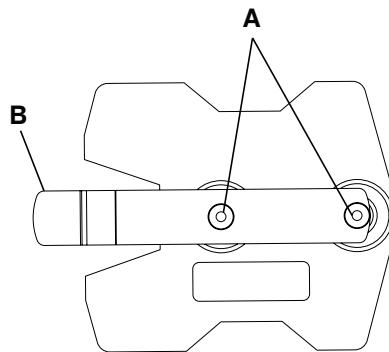
- Låt alltid en certifierad mekaniker, som har erfarenhet av ambulansfordon, installera den monteringshållaren (tillval) och **SMRT**-laddaren.
 - Montera alltid **SMRT**-laddaren i monteringshållaren i ett stängt skåp och utom räckhåll för patienten under transport för att uppfylla fastställda krockteststandarder.
 - Se till att monteringshållaren alltid är ordentligt fäst på ytan.
-

Installera monteringshållaren (Figur 44):

1. Använd **SMRT**-laddarens monteringshållare som en mall när du markerar var monteringshållen (A) ska sitta i området där du ska sätta fast monteringshållaren.
2. Placera monteringshållaren och se till att:
 - a. Fjäderfliken (B) sitter på **SMRT**-laddarens baksida.

Obs! - Om du monterar hållaren på en lodrät yta ska fjäderfliken vara vågrät och peka åt vänster (Figur 44).
 - b. Det är lätt att ansluta strömladden på baksidan av **SMRT**-laddaren.
 - c. **SMRT**-laddaren går att skjuta från framsidan till baksidan för att ansluta i hållaren efter monteringen.
 - d. Hållaren är installerad korrekt för ambulansen eller stationsplatsen:

Ambulansplats	Stationsplats
<ul style="list-style-type: none"> Fäst hållaren vid en vågrät strukturell stödyta eller hylla med skruv i storlek nr 10, av hållfasthetsklass, lägst klass 5 (medföljer ej). Se till att den utvalda monteringsytan är tillräckligt stark för att säkert hålla för SMRT-laddaren och SMRT Pak under transport. Förvara hållaren i ett stängt skåp utom räckhåll för patienten under transport. Möjliggör enkel installation och borttagning av SMRT Pak. Förvara nätaggregatet inom räckhåll för strömsladden. 	<ul style="list-style-type: none"> Fäst hållaren vid en lodrät eller vågrät strukturell stödyta med skruv i storlek nr 10, av hållfasthetsklass, lägst klass 5 (medföljer ej). Vid vågrät montering ska monteringshållaren placeras så att fjäderliken sitter direkt under monteringskruvarna, så att SMRT Pak fortfarande stöds av SMRT-laddaren om frigöringsknappen skulle tryckas ned av misstag. Möjliggör enkel installation och borttagning av SMRT Pak. Förvara nätaggregatet inom räckhåll för strömsladden.

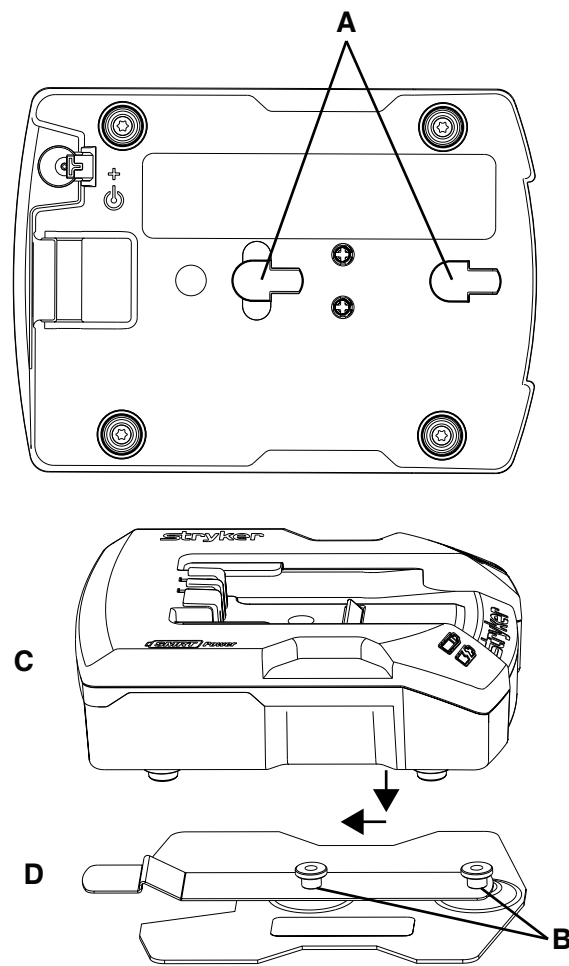


Figur 44 – Monteringshållare

Installera laddaren i monteringshållartillvalet

Gör så här för att installera **SMRT**-laddaren i monteringshållaren (Figur 45):

- Rikta in de bakre kilspåren (A) i konsolfästena (B).
- Skjut in **SMRT**-laddaren (C) tills den låses fast i monteringshållaren (D) för att säkra laddaren i hållaren.



Figur 45 – Installera laddaren

Koppla in laddaren

VAR FÖRSIKTIG!

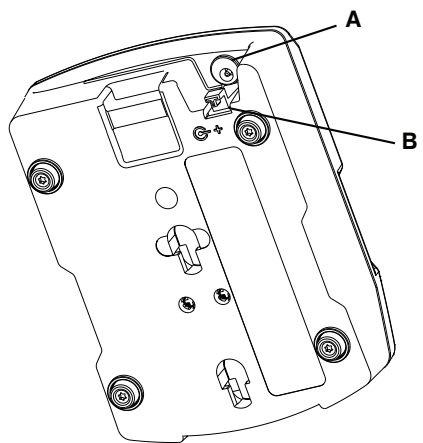
- Placera alltid **SMRT**-laddarens elsladd där den inte riskerar att trampas på, utgöra en snubbelrisk eller på annat sätt utsättas för skada eller stress.
- Vidrör inte elkontakterna på **SMRT Paks** uttag med metallföremål.

To power the **SMRT** charger (Figur 46):

1. Leta rätt på eluttag (A) på **SMRT**-laddarens baksida.
2. Tryck ned spärren (B) på strömsladden för att sätta in stickkontakten i **SMRT**-laddarens eluttag.
3. Sätt in elsladden elkontakt.

Det är en god praxis att använda en ren, avbrottsfri strömkälla. När **SMRT**-laddaren är ansluten till en strömkälla lyser en LED kontinuerligt med ett fast, grönt sken.

Endast delar som godkänts av Stryker får användas för att koppla in **SMRT**-laddaren.



Figur 46 – Koppla in laddaren

Koppla ifrån laddaren

VAR FÖRSIKTIG! - Fatta tag och dra i kontakten, inte i sladden, när du kopplar bort **SMRT**-laddaren för att undvika att elkontakten och sladden skadas.

För att koppla från **SMRT**-laddaren, dra ut elkontakten från vägguttaget.

Tillbehör och delar

Följande tillbehör kan finnas tillgängliga för användning tillsammans med din produkt. Bekräfta tillgängligheten för din konfiguration eller region. Ring Stryker kundtjänst: 1-800-327-0770.

Namn	Nummer
Förvaringsficka, ryggstöd	6500-130-000
Bältesförlängare	6082-160-050
Defibrillatorplattform	6550-170-000
Utrustningskrok	6500-147-000
Gascylinder, ryggstöd	1010-031-077
Huvudförlängning med kudde	6100-044-000
Infusionsstativ, med två lägen, höger	6550-310-000
Infusionsstativ, med två lägen, vänster	6550-311-000
Infusionsstativ, med två lägen, dubbel	6550-312-000
Infusionsstativ, med tre lägen, höger	6550-315-000
Infusionsstativ, med tre lägen, vänster	6550-316-000
Infusionsstativ, med tre lägen, dubbel	6550-317-000
Bolstermadrass för knästöd	6550-001-084
Platt madrass för knästöd	6550-001-295
Bolstermadrass för knästöd, XPS	6500-003-130
Bolstermadrass för knästöd, grå, XPS	6506-003-130
Syrgastubhållare	6550-102-020
Syrgastubhållare, borttagbar	6080-140-000
Syrgastubhållare, rem	6550-002-004
Hållarfäste, tillval	6091-300-010
Bältesförpackning, EMS, inhemsk	6060-160-010
Förpackning med fästremmar, X-fästrem	6500-001-430
Förpackning med fästremmar, XPR	650600030010
Sänggrind, standard	6550-034-000
Sänggrind, tillval XPS	6550-031-000
Förvaringsnät, bas	6500-160-000
Förvaringsficka, ryggstöd	6500-130-000
Hjullås	6086-200-010

Använd endast delar som är godkända av Stryker. Andra delar kan bidra till ökade elektromagnetiska emissioner eller minskad elektromagnetisk immunitet i systemet. Modifiera inte delar. Underlåtenhet att följa detta kan leda till skada.

Namn	Nummer
SMRT-laddare	6500-201-000
Monteringshållare, SMRT-laddare	6500-034-000
SMRT Pak-kit, batteriförpackning	6500-700-046
Strömkomponenter – växelström	
Strömförsörjningsladdare	6500-201-148
Strömladd, Nordamerika	6500-201-149
Strömladd, Europa	6500-201-150
Strömladd, Storbritannien	6500-201-151
Strömladd, Australien	6500-201-153
Strömkomponenter – likström	
VDC-kabel 12, till bil	6500-201-147
12-24 V-kabel, DIN-kontakt	6500-201-152
SMRT strömkit (inklusive 1 laddare, 2 Paks och 1 strömladd)	
SMRT strömkit – 12 VDC, inhemsk (billaddare)	6500-700-040
SMRT strömkit – 120 VAC, inhemsk (vägg-laddare)	6500-700-041
SMRT strömkit – 240 VAC, Storbritannien, internationellt	6500-700-043
SMRT strömkit – 240 VAC, Europa, internationellt	6500-700-044
SMRT strömkit – 240 VAC, Australien, internationellt	6500-700-045

Kontakta din lokala säljrepresentant för Stryker för att få en komplett lista över ytterligare delar.

Rengöring och desinfektion av XPR-fästremmarna

Bekräfta tillgängligheten för din konfiguration eller region. Ring Stryker kundtjänst: 1-800-327-0770.

Föreslagna rengöringsmedel omfattar:

- ≤ 70 % isopropylalkohol; eller

Ett rengöringsmedel med följande aktiva ingredienser (eller motsvarighet):

- Ammoniumsalter ≤ 0,31 %
- Isopropylalkohol ≤ 21,000 %
- Etylenglykolmonobutyleter ≤ 3,000 % (icke-aktiv beståndsdel)

Obs! - Underlåtenhet att bruka rengöringsmedlen som förespråkas kan leda till degradering i förtid och göra produktens garanti ogiltig. Rengör t.ex. inte med blekmedel, **HDQ Neutral®** eller accelerated hydrogen peroxide. Om du har några frågor eller bekymmer kan du ta kontakt med Stryker kundtjänst (1-800-327-0770).

Rekommenderad rengöringsmetod:

1. Följ noggrant spädningseffektiva rekommendationerna från rengöringslösningens tillverkare.
2. För att rengöra, torka av alla yttre ytor för att ta bort all synlig smuts. Upprepa vid behov tills produkten är ren.

Obs! - Flytta förlängningsspännet för att rengöra hela förlängning av fästremmen. Se till att fastsättningsbältets yta är torr innan du flyttar förlängningsspännet. Flytta inte förlängningsspännet över en yta som är blöt med rengöringsmedel.

3. För att desinficera ska du torka yttre ytor tills de är fuktiga.
4. Se till att produkten inte förblir våt längre än vad som rekommenderas i riktlinjerna från kemikalietillverkaren för korrekt desinfektion.
5. Kontrollera funktionsduglighet innan du åter tar produkten i drift.
 - Nedsänkning av fästremmarnas metallspännen i en vätska kan leda till korrosion och rekommenderas inte. Skölj med rent vatten och låt lufttorka för att minska risken för korrosion. Byt ut fästremmarna om metallspännena är korroderade.
 - Direkt hudkontakt med synligt smutsat, permeabelt material kan öka infektionsrisken.
 - Tvätt av förlängningarna av fästremmarna rekommenderas inte.

VAR FÖRSIKTIG! - Applicera inte smörjmedel på ytan av fastsättningsbältena.

Obs!

- XPR förlängningarna av fästremmarna har tre månaders förväntad servicetid när ovan föreslagna rengöringsmedel används.
- Underlåtenhet att följa ovanstående riktlinjer vid användning av dessa typer av rengöringsmedel kan upphäva garantin för produkten.
- Torka alltid av produkten med rent vatten och torka av efter rengöring. Vissa rengöringsprodukter har naturligt frätande egenskaper och kan orsaka skador på produkten. Om du inte sköljer och torkar av produkten korrekt kan korrosiv rest lämnas kvar på produktens yta, vilket kan orsaka försämring i förtid av kritiska komponenter.

Rengöring

WARNING - Använd alltid lämplig personlig skyddsutrustning vid högtryckstvätt för att undvika risken att andas in smittämnen. Högtryckstvättutrustning kan göra smittämnen luftburna.

VAR FÖRSIKTIG!

- Använd inte ånga eller ultraljud för att rengöra produkten.
 - Överskrid inte 180 °F (82 °C) som högsta vattentemperatur.
 - Överskrid inte 1 500 psi (103,4 bar) bar som högsta vattentryck. Om du använder ett spolhandtag för att tvätta produkten ska tryckmunstycket hållas på ett avstånd om minst 24 tum (61 cm) från produkten.
 - Låt alltid produkten lufttorka.
 - Ta alltid ut batteriet innan du rengör bårvagnen.
 - Rengör inte och utför inte service eller underhåll på produkten medan den används.
-

Produkten kan tvättas med högtryckstvätt. Produkten kan visa tecken på oxidation eller missfärgning till följd av upprepad tvättning. Det sker dock ingen försämring av produktens prestanda till följd av högtryckstvätt, så länge korrekta rutiner tillämpas.

- Följ noggrant spädningsrekommendationerna från rengöringslösningens tillverkare.
- Den föredragna metoden som Stryker Medical rekommenderar vid högtryckstvätt av produkten är standardmässig desinfektionsapparat för sjukhus eller en handhållen stavenhet.
- Rengör bårvagnen en gång i månaden.
- Rengör **Velcro**®-bandet efter varje användning. Mätta **Velcro**®-bandet med desinfektionsmedel och låt desinfektionsmedlet avdunsta. Lämpligt desinfektionsmedel för **Velcro**®-band av nylon ska bestämmas av service.
- Nedsänkning av fästremmarnas metallspännen i en vätska kan leda till korrosion och rekommenderas inte. Skölj med rent vatten och låt lufttorka för att minska risken för korrosion. Byt ut fästremmarna om metallspännena är korroderade.
- Direkt hudkontakt med synligt smutsat, permeabelt material kan öka infektionsrisken.

Föreslagna rengöringsmedel

När desinfektionsmedlet används i koncentrationer som rekommenderas av tillverkaren kan i allmänhet antingen fenolbaserade eller kvartära desinfektionsmedel (förutom **Virex**® TB) användas. Desinfektionsmedel med jodoform rekommenderas inte för desinfektion, eftersom de kan orsaka fläckar.

Föreslagna rengöringsmedel omfattar:

- Kvartära rengöringsmedel (ammoniumklorid som aktiv ingrediens) som innehåller mindre än 3 % glykoleter
- Fenolbaserade rengöringsmedel (aktivt innehållsämne – o-fenylfenol)
- Klorblekmedelslösning (5,25 % – mindre än 1 del blekmedel till 100 delar vatten)
- ≤ 21 % isopropanolalkohol

Undvik övermättnad. Låt inte produkten förbli våt längre än vad som rekommenderas i kemikalietillverkarens riktlinjer för korrekt desinfektion.

Obs!

- Underlåtenhet att följa ovanstående riktlinjer vid användning av dessa typer av rengöringsmedel kan upphäva garantin för produkten.
- Torka alltid av produkten med rent vatten och torka av efter rengöringen. Vissa rengöringsprodukter har naturligt frätande egenskaper och kan orsaka skador på produkten. Om du inte sköljer och torkar av produkten korrekt kan en korrosiv rest lämnas kvar på produktens yta, vilket kan orsaka förtida korrosion på kritiska komponenter.

Rengöra laddaren

VARNING

- Använd alltid isolerade gummihandskar, utöver personlig skyddsutrustning, under rengöringen av **SMRT Pak** för att minska risken för skador.
 - Dra alltid ut sladden till **SMRT**-laddaren från vägguttaget före rengöring för att förhindra risken för elstötar.
 - Spreja inte vätska direkt på **SMRT**-laddaren.
 - Maskintvätta inte **SMRT**-laddaren.
 - Använd inte lösningsmedel, smörjmedel eller andra kemikalier för att rengöra **SMRT**-laddaren, såvida det inte finns andra anvisningar om detta.
 - Sänk inte ned **SMRT**-laddaren i vatten eller låt inte vatten samlas upp på **SMRT**-laddaren för att förhindra risk för elstötar.
-

To clean the **SMRT** charger:

1. Dra ut sladden (kontakten) till **SMRT**-laddaren från vägguttaget före rengöring för att förhindra risk för elstötar.
2. Torka av **SMRT**-laddarens ytor med en mjuk trasa, som fuktats med ett icke-slipande desinfektionsmedel för sjukhus.
3. Torka med en trasa som fuktats med rent vatten för att avlägsna eventuella rengöringskemikalier eller rester.
4. Torka ordentligt innan du använder **SMRT**-laddaren igen.

Rengöra batteriet

SMRT Pak är utformad för att rengöras i maskintvätt. Den föredragna metoden för att maskintvätta **SMRT Pak** är med standard desinfektionsapparat för sjukhus eller handhållen stavenhet.

VARNING

- Använd alltid lämplig personlig skyddsutrustning vid högtryckstvätt för att undvika risken att andas in smittämnen. Högtryckstvättutrustning kan göra smittämnen luftburna.
 - Använd alltid isolerade gummihandskar, utöver personlig skyddsutrustning, under rengöringen av **SMRT Pak** för att minska risken för skador.
 - Använd alltid icke ledande material för att torka av **SMRT Pak**.
 - Undvik att utsätta **SMRT Pak**-terminalerna för alltför mycket vatten.
 - Läs alltid i desinfektionsmedlets materialsäkerhetsdatablad (MSDS) för att verifiera pH-intervallet. Desinfektionsmedel med pH-nivåer som är högre än 10,5 kan göra att **SMRT Pak**-höljets material spricker.
 - Undvik att komma i direkt kontakt med **SMRT Pak**-polerna under rengöring för att förhindra risken att skadas.
 - För att minska risken för elstötar ska **SMRT Pak** inte sänkas ned i vätska.
 - Använd inte lösningsmedel, smörjmedel eller andra kemikalier för att rengöra **SMRT Pak**, såvida det inte finns andra anvisningar om detta.
-

VAR FÖRSIKTIG!

- Använd inte ånga eller ultraljud för att rengöra **SMRT Pak**.
 - Överskrid inte 180 °F (82 °C) som högsta vattentemperatur.
 - Överskrid inte 240 °F (115 °C) som högsta lufttorkningstemperatur (desinfektionsanordning).
 - Överskrid inte 1 500 psi (103,4 bar) bar som högsta vattentryck. Om du använder ett spolhandtag för att tvätta produkten ska tryckmunstycket hållas på ett avstånd om minst 24 tum (61 cm) från produkten.
-

Gör så här för att rengöra **SMRT Pak**:

1. Ta bort **SMRT Pak** från **Power-PRO**-bårvagnen eller **SMRT**-laddaren.
2. Inspektera om det finns sprickor eller skador på **SMRT Pak**-höljet och i området kring terminalerna.
3. Rengör **SMRT Pak** med ett desinfektionsmedel av sjukhuskvalitet med ett pH-tal på 6,5 till 10,5.

4. Skölj **SMRT Pak** noga med rent vatten för att avlägsna eventuella rengöringskemikalier eller rester. Placera **SMRT Pak** för att undvika att vatten ansamlas nära terminalerna.
5. Torka **SMRT Pak** noga innan du sätter in **SMRT Pak** i **Power-PRO**-bårvagnen eller i **SMRT**-laddaren.

Förebyggande underhåll

VARNING

- Tryckutjämna innan du kopplar från hydrauliska eller andra ledningar. Läckande vätska under tryck kan tränga in i huden och orsaka allvarlig skada. Dra åt alla anslutningar innan du lägger på tryck. Kontakta läkare omedelbart om en olycka inträffar.
- Använd inte oskyddade händer för att kontrollera om det finns hydrauloljeläckage.

VAR FÖRSIKTIG!

- Använd alltid godkända delar för att undvika risken för skador på produkten.
- Kontrollera alltid slangar och ledningar regelbundet för att förhindra att bårvagnen skadas. Kontrollera och dra åt anslutningar. Hydrauliska ledningar, slangar och anslutningar kan gå sönder eller lossna på grund av fysiska skador, veck, ålder och miljöexponering.
- Tippa inte bårvagnen över på lasthjulen och aktivera enheten eftersom detta får luft att tränga in i hydrauliksystemet.

Fastställ och följ ett underhållsschema och för register över underhållsarbetet. Ta produkten ur drift innan du utför förebyggande underhållskontroll. Det kan vara nödvändigt att utföra förebyggande underhållskontroller oftare beroende på din grad av användning av produkten. Service får utföras endast av behörig personal.

Vid användning av underhållsdetaljer ska anvisningarna från tillverkaren och alla säkerhetsdatablad (MSDS) följas.

Smörjning

VAR FÖRSIKTIG! - Smörj inte lagren i X-ramen eftersom det kommer att försämra bårvagnens prestanda och upphäva garantin.

Bårvagnen har konstruerats för att inte behöva smörjas.

Regelbundna inspektioner och justeringar

Detta schema utgör allmänna riktlinjer för underhåll. Faktorer som väder, terräng, geografiskt läge och individuell användning kommer att förändra schemat för nödvändigt underhåll. Om du är osäker på hur du ska göra dessa kontroller ska du kontakta en servicetekniker från Stryker. Fråga en Stryker servicetekniker om du är osäker på underhållsintervallerna för din enhet. Kontrollera varje rutin och byt ut slitna delar vid behov.

Varje månad eller varannan timme

Inspektera dessa punkter varje månad eller varannan timme, beroende på vilket som inträffar först.

Artikel	Inspektera
Inställningar	Avstängningskonfiguration i fästet
Cylinder	Förläng cylinderkolven. Torka av cylinderkolven med en mjuk trasa och vanligt rengöringsmedel.
Kablar och sladdar	Inga hängande sladdar från dragningar eller anslutningar
Det manuella stödjande frigöringshandtaget	Det manuella stödjande frigöringshandtagets funktioner
Sängbotten	Ramen och sängbotten
Bas	Ramen och basen
Hjulen	Att alla hjul är säkra, rullar och svänger

Artikel	Inspektera
Huvuddelen	Att säkerhetsstången fungerar. Dra huvudsektionen mot dig för att säkerställa att säkerhetsstången svänger och roterar fritt och tillbaka till utgångsläget
Bälten	Kontrollera att fastsättningsbältena fungerar utan att vara alltför slitna (som en böjd eller trasig mottagardel eller spärrhake eller skadat eller slitet band)
Batteri	Kontrollera före första användning och därefter varje gång om det finns sprickor eller skador på SMRT Pak-huset eller på kontaktområdet
Laddare	Kontrollera SMRT -laddaren och tillhörande delar för hack i sladden, böjda stift eller kontakter, eller sprickor i höljet före första användning och sedan varje gång

Var tredje månad eller var sjätte timme

Inspektera dessa föremål var tredje månad eller var sjätte timme, beroende på vilket som inträffar först.

Artikel	Inspektera
Cylinder	Alla fästanordningar sitter säkert
	Inget läckage av hydraulisk vätska (röd)
	Lösa beslag – dra åt vid behov
Hydraulik	Motorfästena sitter säkert
	Inget läckage av hydraulikvätska
	Inget läckage från behållare
Kablar och sladdar	Att det inte finns några skador eller klämda kablage, sladdar eller ledningar
	Att kontakterna inte är skadade
Det manuella stödjande frigöringshandtaget	Att basen förlängs och dras in när du drar i det manuella stödjande frigöringshandtaget
	Att bårvagnen inte sänks när du drar i det manuella frigöringshandtaget för back-up med minst 100 lb (45 kg) på bårvagnen
Sängbotten	Alla fästanordningar sitter säkert
	Att ryggstödet cylinder fungerar
	Justera pneumatikcylinderns hela rörelsemönster, om så behövs
Bas	Alla fästanordningar sitter säkert
X-ram	Att X-ramen förlängs och dras tillbaka
Huvuddelen	Alla fästanordningar sitter säkert
	Att huvuddelen fälls ut och låses
Tillbehör och delar (tillval)	Alla tillbehör och delar fungerar (t.ex. infusionsstativ, bältesförlängare, tryckstänger samt syrgasflaskhållare)

Var sjätte månad eller var 12:e timme

Inspektera dessa föremål var sjätte månad eller var 12:e timme, beroende på vilket som inträffar först.

Artikel	Inspektera
Hydraulik	Slangar och beslag för skada eller slitage
	Hydraulisk hastighets säkring – placera en vikt på ca 23 kg på bårvagnen, höj bårvagnen, lyft bårvagnen med två bärare, dra i det manuella frigöringshandtaget för backup, sätt snabbt ned bårvagnen och se till att bårvagnen inte sjunker
Elektroniska reglage	Förläng bårvagnen till uppfällt läge, mät och kontrollera lasthöjden
	Steglägesfunktionen fungerar
	Höghastighetsinfällning fungerar
Styrknappar	Inga skador eller slitage på någon av knapparna
	Båda knapparna fungerar
Sängbotten	Inga böjda, trasiga eller skadade komponenter
	Inga skador eller revor på bårvagnens griphandtag
	Sänggrindarna fungerar och spärras fast
	Fotstödet fungerar
Madrass	Inga sprickor eller revor
Bas	Inga böjda, trasiga eller skadade komponenter
Hjulen	Fritt från smuts
Huvuddelen	Inga böjda, trasiga eller skadade komponenter
	Grepstången inte har alltför kraftigt slitage eller revor
	Lasthjulen är säkra och rullar
Stöd (tillval)	Smörj stödets fjäder och inre fjäderhus (tillval) med Tri-Flow® smörjmedel.

Var 12:e månad eller var 24:e timme

Inspektera dessa föremål var 12:e månad eller var 24 timme, beroende på vilket som inträffar först.

Artikel	Inspektera
Inställningar	Bårvagnen och fästsystemet passar och fungerar
Cylinder	Cylindern justeras – låsmuttern är åtdragen och bårvagnen bromsas när den träffar bromsklossen
Det manuella stödjande frigöringshandtaget	Återgår till nedsänkt läge
Sängbotten	Alla svetsar är intakta, inte spruckna eller brutna
	Varningsmärkningar finns och är läsbara

Artikel	Inspektera
Underrede	Alla svetsar är intakta, inte spruckna eller brutna
Hjul	Kontrollera och justera hjullåsen
Hållare för syrgastub, infällbar huvudände (tillval)	Om det finns slitage på remmar och klämmor
Defibrillatorplattform (tillval)	Remmarna är inte fransiga eller utslitna
	Spännena är intakta och säkra

Information om elektromagnetisk kompatibilitet (EMC)

VAR FÖRSIKTIG!

- Användning av andra tillbehör, omvandlare och kablar än de som specificeras eller tillhandahålls av tillverkaren kan medföra ökade elektromagnetiska emissioner eller minskad elektromagnetisk immunitet och leda till felaktig drift.
- Strålningsegenskaperna hos denna utrustning gör den lämplig för användning i industriområden och på sjukhus (CISPR 11 klass A). Om den används i en bostadsmiljö, i vilken CISPR 11 klass B vanligtvis krävs, kanske inte denna utrustning ger tillräckligt skydd mot radiofrekventa kommunikationstjänster. Användaren kan behöva vidta begränsande åtgärder, såsom att flytta på eller rikta om utrustningen.

Vägledning och tillverkarens deklARATION – elektromagnetiska emissioner

Power-PRO och **SMRT**-laddare är lämpliga att användas i den elektromagnetiska miljö som specificeras nedan. Kunden eller användaren av **Power-PRO** och **SMRT**-laddare ska se till att den används i en sådan miljö.

Emissionstest	Överensstämmelse	Elektromagnetisk miljö
RF-emissioner CISPR 11	Grupp 1	Power-PRO och SMRT -laddare använder enbart radiofrekvensenergi för sin interna funktion. Därför är dess RF-emissioner mycket låga och orsakar sannolikt ingen interferens för intilliggande elektronisk utrustning.
RF-emissioner CISPR 11	Power-PRO : Klass A	Power-PRO är lämplig för användning i alla lokaler, utom bostäder och lokaler som är direktanslutna till det kommunala lågspänningsnätet som försörjer byggnader som används som bostäder.
	SMRT -laddare (6500-201-010): Klass B	SMRT -laddaren är lämplig för användning i alla typer av anläggningar inklusive i hushållsanläggningar och sådana anläggningar som är direkt anslutna till det allmänna lågspänningsnätet som försörjer byggnader som används för hushållsändamål.
Harmoniska övertonemissioner IEC 61000-3-2	Power-PRO : Ej tillämplig SMRT -laddare (6500-201-010): Klass A	SMRT -laddaren är lämplig för användning i alla typer av anläggningar inklusive i hushållsanläggningar och sådana anläggningar som är direkt anslutna till det allmänna lågspänningsnätet som försörjer byggnader som används för hushållsändamål.
Spänningsfluktuationer Flimmeremissioner IEC 61000-3-3	Power-PRO : Ej tillämplig SMRT -laddare (6500-201-010): överensstämmer	SMRT -laddaren är lämplig för användning i alla typer av anläggningar inklusive i hushållsanläggningar och sådana anläggningar som är direkt anslutna till det allmänna lågspänningsnätet som försörjer byggnader som används för hushållsändamål.

VAR FÖRSIKTIG!

- Bärbar RF-kommunikationsutrustning, omfattande kringutrustning såsom antennkablar och externa antenner, får inte användas närmare än 12 tum (30 cm) till någon del av **Power-PRO** och **SMRT**-laddare, inkluderande kablar specificerade av tillverkaren.
- Undvika att stapla eller placera annan utrustning intill **Power-PRO** och **SMRT**-laddare för att förhindra felaktig drift av produkterna. Om sådan användning är nödvändig ska du övervaka **Power-PRO** och **SMRT**-laddare samt den andra utrustningen noggrant för att säkerställa att de drivs korrekt.

Rekommenderade separationsavstånd mellan portabel och mobil kommunikationsutrustning och Power-PRO och SMRT-laddare

Power-PRO och **SMRT** är avsedda att användas i en elektromagnetisk miljö där störningar från radiofrekvenser (RF) är under kontroll. Kunden eller användaren av **Power-PRO** och **SMRT** kan bidra till att undvika elektromagnetiska störningar genom att upprätthålla ett minsta avstånd mellan portabel och mobil RF-kommunikationsutrustning (sändare) och **Power-PRO** och **SMRT** enligt nedanstående rekommendationer, baserat på kommunikationsutrustningens maximala uteffekt.

Sändarens angivna maximala uteffekt W	Separationsavstånd enligt sändarens frekvens m		
	150 kHz till 80 MHz D = (1,2) (\sqrt{P})	80 MHz till 800 MHz D = (0,35) (\sqrt{P})	800 MHz till 2,7 GHz D = (0,70) (\sqrt{P})
0,01	0,12	0,04	0,07
0,1	0,38	0,11	0,22
1	1,20	0,35	0,70
10	3,79	1,11	2,21
100	12	3,50	7

För sändare med en nominell maximal uteffekt som inte anges ovan kan det rekommenderade separationsavståndet d i meter (m) uppskattas med hjälp av den ekvation som tillämpas på sändarens frekvens, där P är sändarens nominella maximala uteffekt i watt (W) enligt sändarens tillverkare. Anm. 1: Vid 80 MHz och 800 MHz gäller avståndet för det högre frekvensområdet. Anm. 2: Dessa riktlinjer kanske inte gäller i alla situationer. Elektromagnetisk vågutbredning påverkas av absorption av och reflektion från byggnader, föremål och människor.

Vägledning och tillverkarens deklARATION – elektromagnetisk immunitet


Power-PRO och **SMRT**-laddare är lämpliga att användas i den elektromagnetiska miljö som specificeras nedan. Kunden eller användaren av **Power-PRO** och **SMRT**-laddare ska se till att den används i en sådan miljö.

Immunitetstest	IEC 60601-testnivå	Överensstämmelsenivå	Elektromagnetisk miljö – vägledning
Elektrostatisk urladdning (ESD) IEC 61000-4-2	± 8 kV kontakt ± 15 kV luft	± 8 kV kontakt ± 15 kV luft	Golven ska vara av trä, betong eller keramikplattor. Om golven är täckta med syntetiskt material måste den relativa luftfuktigheten vara minst 30 %.
Elektrostatiska snabba transienter/pulsskuror IEC 61000-4-4	± 2 kV för strömförsörjningsledning ± 1 kV för in-/utgångsledningar	Power-PRO: Inte tillämpligt SMRT-laddare (6500-201-010): ± 2 kV för strömförsörjningsledning ± 1 kV för in-/utgångsledningar	Strömförsörjningskvaliteten ska motsvara den i en typisk kommersiell miljö eller sjukhusmiljö.

Vägledning och tillverkarens deklARATION – elektromagnetisk immunitet

<p>Spänningsökning IEC 61000-4-5</p>	<p>± 1 kV ledning(ar) till ledning (ar) ± 2 kV ledning(ar) till jord</p>	<p>Power-PRO: Inte tillämpligt SMRT-laddare (6500-201-010): ± 1 kV ledning(ar) till ledning (ar) ± 2 kV ledning(ar) till jord</p>	<p>Strömförsörjningskvaliteten ska motsvara den i en typisk kommersiell miljö eller sjukhusmiljö.</p>
<p>Spänningssänkningar, spänningsvariationer och korta avbrott i inledningarna från strömkällan IEC 61000-4-11</p>	<p>0 % U_T i 0,5 cykel vid 0°, 45°, 90°, 135°, 180°, 225°, 270° och 315° 0 % U_T i 1 cykel 70 % U_T (30 % sänkning av U_T) i 25 cykler 0 % U_T i 250 cykler</p>	<p>Power-PRO: Inte tillämpligt SMRT-laddare (6500-201-010): 0 % U_T i 0,5 cykel vid 0°, 45°, 90°, 135°, 180°, 225°, 270° och 315° 0 % U_T i 1 cykel 70 % U_T (30 % sänkning av U_T) i 25 cykler 0 % U_T i 250 cykler</p>	<p>Strömförsörjningskvaliteten ska motsvara den i en typisk kommersiell miljö eller sjukhusmiljö. Om användaren av SMRT-laddaren kräver fortsatt drift under strömavbrott rekommenderar vi att enheten drivs från en avbrottsfri strömkälla eller ett batteri.</p>
<p>Kraftfrekvens (50/60 Hz) magnetfält IEC 61000-4-8</p>	<p>30 A/m</p>	<p>30 A/m</p>	<p>Kraftfrekventa magnetfält ska ligga på nivåer som är karakteristiska för en typisk plats i en typiskt kommersiell miljö eller sjukhusmiljö.</p>
<p>Elektrisk övergående överföring utmed strömförsörjningsledningar ISO 7637-2</p>	<p>enligt ISO 7637-2</p>	<p>Power-PRO: Inte tillämpligt SMRT-laddare (6500-201-010): enligt ISO 7637-2</p>	<p>Inte tillämpligt</p>
<p>Obs! U_T är växelströmsspänningen i elnätet före applicering av testnivån.</p>			

Vägledning och tillverkarens deklARATION – elektromagnetisk immunitet

<p>Ledningsburen RF IEC 61000-4-6</p> <p>Utstrålad RF IEC 61000-4-3</p>	<p>3 Vrms</p> <p>6 Vrms i ISM och amatörradioband 150 kHz till 80 MHz</p> <p>10 V/m</p> <p>80 MHz till 2,7 GHz</p>	<p>3 V</p> <p>6 Vrms i ISM och amatörradioband</p> <p>10 V/m</p>	<p>Bärbar och mobil RF-kommunikationsutrustning får inte användas närmare någon del av Power-PRO eller SMRT-laddare, inklusive kablage, än det rekommenderade separationsavståndet enligt beräkningen som gäller för sändarens frekvens.</p> <p>Rekommenderat separationsavstånd</p> <p>$D = (1,2) (\sqrt{P})$</p> <p>$D = (0,35) (\sqrt{P})$</p> <p>80 MHz till 800 MHz</p> <p>$D = (0,70) (\sqrt{P})$</p> <p>800 MHz till 2,7 GHz</p> <p>där P är sändarens nominella maximala uteffekt i watt (W) enligt sändarens tillverkare och d är det rekommenderade separationsavståndet i meter (m).</p> <p>Fältstyrkor från fasta RF-sändare, enligt fastställande vid en elektromagnetisk plats^a bör vara lägre än överensstämmelsenivån i varje frekvensområde.^b</p> <p>Störningar kan förekomma i närheten av utrustning som är märkt med följande symbol:</p> 
---	--	--	--

Anm. 1: Vid 80 MHz och 800 MHz gäller det högre frekvensområdet.

Anm. 2: Dessa riktlinjer kanske inte gäller i alla situationer. Elektromagnetisk vågutbredning påverkas av absorption av och reflektion från byggnader, föremål och människor.

Anm. 3: ISM-banden (ISM står för Industrial, Scientific and Medical) mellan 0,15 MHz och 80 MHz är 6,765 MHz till 6,795 MHz, 13,553 MHz till 13,567 MHz, 26,957 MHz till 27,283 MHz och 40,66 MHz till 40,70 MHz. Amatörradioband mellan 0,15 MHz och 80 MHz är 1,8 MHz till 2,0 MHz, 3,5 MHz till 4,0 MHz, 5,3 MHz till 5,4 MHz, 7 MHz till 7,3 MHz, 10,1 MHz till 10,15 MHz, 14 MHz till 14,2 MHz, 18,07 MHz till 18,17 MHz, 21,0 MHz till 21,4 MHz, 24,89 MHz till 24,99 MHz, 28,0 MHz till 29,7 MHz och 50,0 MHz till 54,0 MHz.

Power-PRO™ TL Karyola

Kullanma Kılavuzu




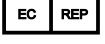









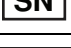






REF 6550















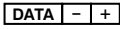








CE

TR

Semboller

	Talimat kılavuzuna/kitapçığa başvurun
	Kullanma talimatına başvurun
	CE işareti
	Avrupa Topluluğu yetkili temsilcisi
	Avrupa tıbbi cihazı
	Genel uyarı
	Dikkat
	Uyarı; ellerin ezilmesi
	Uyarı; iyonlaştırıcı olmayan radyasyon
	İtmeyin
	Yağlamayın
	Katalog numarası
	Lot (parti) kodu
	Seri numarası
	ABD Patentleri için bkz., www.stryker.com/patents
	Üretici
	Üretim tarihi
	İthalatçı
	Güvenli çalışma yüküyle birlikte ekipman kütlesi
	Güvenli çalışma yükü

	B Tipi uygulama parçası
	BF Tipi uygulama parçası
	Underwriters Laboratories Inc. tarafından Yalnızca Elektrik Çarpması, Yangın ve Mekanik Tehlikeler Bakımından ANSI/AAMI ES60601-1:2012 ve CAN/CSA-C22.2 No. 60601-1:14 Uyarınca Sınıflandırılmış Tıbbi Ekipman.
	Doğru akım
	Alternatif akım
	Sınıf II elektrikli ekipman: Koruyucu topraklama veya güvenilir kurulum koşulları teyit edilemediğinden elektrik çarpmasına karşı koruması yalnızca temel yalıtıma dayanmayan ve çift yalıtım veya takviyeli yalıtım gibi ek güvenlik önlemlerinin sağlandığı ekipman.
	Tehlikeli voltaj
	SMRT güç sistemi
	Uzat
	Geri çek
IPX0	Korumasız
IPX6	Güçlü su jetlerinden koruma
	Tadil edilmiş haliyle Atık Elektrikli ve Elektronik Ekipmanlara (WEEE) ilişkin 2012/19/EU sayılı Avrupa Direktifi uyarınca bu sembol, ürünün geri dönüşüm için ayrı toplanması gerektiğine işaret eder. Ayrıştırılmamış kentsel atık olarak bertaraf etmeyin. Bertaraf bilgileri için yerel distribütörle iletişime geçin. Enfekte ekipmanın geri dönüşümden önce dekontamine edildiğinden emin olun.
	WEEE Direktifi (2012/96/EC). Kadmiyum içerir.
	Rechargeable Battery Recycling Corporation (Yeniden Şarj Edilebilir Batarya Geri Dönüştürme Kurumu - RBRC), taşınabilir yeniden şarj edilebilir bataryaların geri dönüştürülmesini teşvik eden, kâr amacı gütmeyen bir kamu hizmet kuruluşudur. Bataryalar bir batarya toplama merkezine teslim edilmelidir. Yakınlardaki bir toplama merkezini bulmak için RBRC web sitesini (www.rbrc.org) ziyaret edin veya geri dönüşüm simgesinde gösterilen telefon numarasını arayın.
	Nikel kadmiyum hücreler içerir ve buna göre geri dönüştürülmelidir
	Batarya terminali tanımlama bilgileri (veri hattı, negatif ve pozitif)
KRX 23/44	IEC 61951-1:2003 uyarınca Ni-Cd hücre tanımlama bilgileri
2300 mAh (1.2A/2h)	Batarya kapasitesi, tipik şarj ve süre

	Çamaşır suyu ile temizlemeyin
	Omuz emniyet kemeri
	Çift tokalı bel emniyet kemeri
	Tek tokalı bel emniyet kemeri
	Uyluk emniyet kemeri
	Ayak bileği emniyet kemeri

İçindekiler

Uyarı/Dikkat/Not Tanımı	3
Güvenlik önlemlerinin özeti	3
Sıkışma noktaları	6
Mekanik denge	6
Giriş	8
Ürün tanımı	8
Kullanım endikasyonları	8
Klinik faydaları	8
Kontrendikasyonlar	9
Beklenen hizmet ömrü	9
Atma/geri dönüşüm	9
Spesifikasyonlar - Power-PRO	9
Avrupa REACH	10
Opsiyon gerektiren standartlar	11
Schnitzler Pediatrik Emniyet Sistemi uyumluluğu	11
Spesifikasyonlar - SMRT	11
Ürün çizimi - Power-PRO	13
Ürün çizimi - SMRT	14
İrtibat bilgisi	14
Seri numarası konumu - Power-PRO	15
Seri numarası konumu - SMRT	15
Kurulum	16
Montaj	16
Karyola sabitleyiciyi takma	16
Çalıştırma	17
Batarya güç seviyesini kontrol etme	17
Saat ölçeri ve hata ekranını kontrol etme	17
Çalıştırma kılavuzları	18
Uygun kaldırma teknikleri	19
Hastayı karyolaya aktarma	19
Karyolayı bir hastayla sürme	19
Karyolayı yükseltme veya alçaltma	20
Karyolayı elektrikle yükseltme, alçaltma veya serbest bırakma	20
Karyolanın manuel geçersiz kılma ile manuel olarak yükseltilmesi veya alçaltılması	21
Yüksek hızda geri çekme moduyla yüklemeyi hızlandırma	22
Karyolayı karyola sabitleyicisine yüklemek	22
Karyolayı karyola sabitleyicisinden çıkarma	22
Karyolayı bir arka kapak yük platformu ile yükleme	23
Karyolayı bir arka kapak yük platformu ile indirme	24
Karyolayı bir rampa ile yükleme	24
İsteğe bağlı oksijen şişesi tutucusu ile birlikte bir karyolayı yükleme ve indirme	25
Operatörlerin ve yardımcılarının konumlandırılması	26
Sırt desteğini yükseltme veya alçaltma	26
Yan rayları yükseltme veya alçaltma	27
Yan rayları (XPS opsiyonu) yükseltme veya alçaltma	27
Geri çekilebilir baş kısmını veya ayak kısmını uzatma	27
Geri çekilebilir baş kısmını veya ayak kısmını geri çekme	28
Diz Bükme Desteği seçeneğini yükseltme veya alçaltma	29
Tekerlek kilitlerini uygulama veya serbest bırakma	30
Steer-Lock özelliğini uygulama veya serbest bırakma	30
Hastayı emniyet kemerleriyle sabitleme	31
Bir emniyet kemeri uzatması ekleme	31
Hastayı X emniyet kemerleriyle/XPR emniyet kemerleriyle sabitleme	31
X emniyet kemeri/XPR omuz emniyet kemerlerini takma	32
X emniyet kemeri/XPR bel emniyet kemerlerini takma	33
X emniyet kemeri/XPR uyluk emniyet kemerlerini takma	33
X emniyet kemeri/XPR ayak bileği emniyet kemerlerini takma	33
Hastayı Pedi-Mate® bebek emniyet kemeri sistemiyle sabitleme	34
Defibrilatör platformunun takılması	34
Ekipmanı ekipman kancasına asma	37

İki kademeli serum askısını yerleştirme	37
Üç kademeli serum askısı seçeneğini konumlandırma	38
Bir oksijen şişesini oksijen şişesi tutucusuna takma	39
İtme çubukları opsiyonunu takma	40
İtme çubuğunu çıkarma ve itme çubuğu saklama torbasında saklama	40
Taban saklama ağı seçeneğini takma	41
Sırt desteği saklama torbasını takma	41
Şilteyi takma	42
SMRT Pak Takılması	43
SMRT Pak'ı karyoladan çıkarma	43
Bataryayı saklama	44
SMRT Pak'ı şarj etme	44
SMRT Pak güç seviyesini SMRT şarj cihazıyla kontrol etme	45
Elektrik tesisatı gereklilikleri	45
SMRT şarj cihazının montajı	46
Montaj braketi opsiyonunu monte etme	46
Şarj cihazını montaj braketi opsiyonuna takma	47
Şarj cihazının gücünü açma	48
Şarj cihazı bağlantısının kesilmesi	49
Aksesuarlar ve parçalar	50
XPR emniyet kemerlerini temizleme ve dezenfekte etme	52
Temizleme	53
Önerilen temizlik maddeleri	53
Şarj cihazının temizlenmesi	54
Bataryayı temizleme	54
Önleyici bakım	56
Yağlama	56
Düzenli inceleme ve ayarlar	56
Ayda bir veya iki saatte bir	56
Üç ayda bir veya altı saatte bir	57
Altı ayda bir veya 12 saatte bir	58
12 ayda bir veya 24 saatte bir	59
EMC bilgisi	60

Uyarı/Dikkat/Not Tanımı

UYARI, DİKKAT ve NOT ifadeleri özel anlamlar taşır ve dikkatle gözden geçirilmeleri gerekir.

UYARI

Okuyucuyu kaçınılmadığında ölüm veya ciddi yaralanmayla sonuçlanabilecek durumlar konusunda uyarır. Ayrıca potansiyel ciddi advers reaksiyonlar ve güvenlik tehlikelerini tanımlayabilir.

DİKKAT

Okuyucuyu kaçınılmadığında kullanıcı veya hastada hafif veya orta şiddette yaralanma ya da üründe hasara veya başka maddi hasara neden olabilecek potansiyel olarak tehlikeli durumlar konusunda uyarır. Buna cihazın güvenli ve etkili kullanımı için gerekli özel bakım ve kullanım veya hatalı kullanım kaynaklı cihaz hasarını önlemeye yönelik gerekli bakım dahildir.

Not - Bakımı kolaylaştırmak veya önemli talimatı netleştirmek için özel bilgiler sunar.

Güvenlik önlemlerinin özeti

Bu sayfada belirtilen uyarıları ve dikkat edilecek hususları mutlaka okuyup harfiyen izleyin. Servis sadece vasıflı personelce verilmelidir.

UYARI

- Karyolayı yüklerken, indirirken veya karyolanın yükseklik konumunu değiştirirken ellerinizi daima kırmızı güvenlik çubuğu pivotlarından uzak tutun.
- Karyolayı taşıırken daima her iki elinizi kullanın.
- Karyola sabitleyici, her zaman yalnızca vasıflı personel tarafından takılmalıdır. Uygunsuz montaj, hastanın veya operatörün yaralanmasıyla sonuçlanabilir.
- Tüm karyolaların Stryker karyola sabitleyici sistem kurulum spesifikasyonlarını karşıladığından mutlaka emin olun.
- Ray kelepçesi tertibatını her zaman karyola üreticisi ve model numarası için karyola destek direği pozisyonuna eşleşecek şekilde ayarlayın.
- Karyola aktif haldeyken bataryayı çıkarmayın.
- Ürünü yalnızca mekanizmaların önünde kimse olmadığında çalıştırın. Elektrikli ürün mekanizmalarına takılmalar, ciddi yaralanmalara neden olabilir.
- Her kullanımdan önce **SMRT** Pak'ları hasar açısından inceleyin.
- Eğitimsiz asistanların ürünün çalıştırılmasına yardımcı olmasına izin vermeyin.
- Elleri mutlaka el tutamaçlarına doğru yerleştirin. Karyolayı yüklerken veya indirirken veya karyolanın yükseklik konumunu değiştirirken elleri kırmızı güvenlik çubuğu pivotlarından uzak tutun.
- Karyolanın tabanına binmeyin.
- Devrilme riskinden kaçınmak için karyolayı yanlara doğru taşımayın. Devrilme riskini en aza indirmek için karyolayı daima alçaltılmış konumda, baş ucundan veya ayak ucundan taşıyın.
- Elleri, parmakları ve ayakları daima hareketli parçalardan uzak tutun. Karyolayı yükseltirken veya alçaltırken ellerinizi ve ayaklarınızı taban borularının yakınına koyduğunuzda dikkatli olun.
- Sabitleyici içi kapatma sistemini bu karyola ve çatal tipi karyola sabitleyiciyle kullanılacak tüm acil durum araçlarına mutlaka takın.
- Karyola boşta olduğunda daima hastayı izleyin. Ürünü hidrolik olarak yükselttiğinizde veya alçalttığınızda elektronik hasta izleme ekipmanını geçici olarak etkiliyor olabilirsiniz.
- Hastayı mutlaka tüm emniyet kemerlerini kullanarak ürüne sabitleyin. Kemerle sabitlenmemiş hastalar, üründen düşerek yaralanabilir.
- Hastayı gözetimsiz bırakmayın. Hasta üründerken ürünü tutun.
- Devrilme riskinden kaçınmak için hasta üründerken veya ürünü hareket ettirirken tekerlek kilidini uygulamayın.
- Yan rayları hasta emniyet cihazı olarak kullanmayın.
- Karyolanın devrilme riskini azaltmak için karyolayı daima alçaltılmış olarak nakledin. Mümkünse ek yardım alın veya alternatif bir rota izleyin.

- Ürünün devrilmesi riskinden kaçınmak için kaldırım, basamak gibi yüksek engellerden veya engebeli arazilerden daima kaçın.
- Hastanın olduğu karyola, mutlaka iki operatörle yükseltmeli veya alçaltılmalıdır.
- Hasta ile birlikte bir karyolayı arka kapak yük platformu kullanarak kaldırmadan önce her zaman karyolanın yük platformundan kendiliğinden dışarı ilerleyemeyeceğinden emin olun. Yük platformu durdurma işlevinin bakımlı ve işler olduğundan emin olun.
- Karyolayı çalıştırmadan önce daima baş kısmını yerine kilitleyin.
- Karyolayı, baş kısmı geri çekilmişken araç hasta bölmesine yüklemeye çalışmayın. Baş kısmı geri çekilmişken karyolayı yüklemek, ürünün devrilmesine veya araç karyola sabitleyicisine bağlanamamasına yol açabilir.
- Çapı 6 inç'ten (15 cm) dar olan yıpranmış tekerlekli ürünlere tekerlek kilidi takmayın veya uygulamayın.
- Bir hastayı veya oturan başka kişiyi gözetimsiz bırakmayın. Bir hasta veya başka kişi ürünün üzerindeyken ürünü tutun.
- Hastayı karyolaya sabitlemek için daima tüm emniyet kemerlerini kullanın. Sabitlenmemiş bir hasta karyoladan düşebilir.
- Emniyet kemerlerini taban borularına veya çapraz borulara takmayın.
- **Pedi-Mate®** infant emniyet kemeri sisteminin kazayla açılması ve infantın yaralanması riskinden kaçınmak için tokayı mutlaka engellerden ve aksesuarlardan uzağa konumlandırın.
- Karyolanın devrilmesi riskinden kaçınmak için defibrilatör platformunu, **Power-LOAD** opsiyonlu Model 6086 **Performance-PRO XT** karyolaya takmayın.
- Kullanım sırasında itme çubuklarının çıkmasını önlemek için itme çubuklarını daima montaj yerlerine kilitleyin.
- Ürünü itme çubuklarını kullanarak kaldırmayın.
- Kullanmadığınız durumlarda her zaman itme çubuklarını taban saklama torbası içerisinde saklayın.
- Elektrik çarpması riskinden kaçınmak için batarya takımını hangi sebeple olursa olsun açmaya çalışmayın. Muhafazası çatlak veya hasarlıysa batarya takımını şarj cihazına takmayın. Hasarlı batarya takımlarını geri dönüşüm için servis merkezine iade edin.
- Yaş batarya veya batarya muhafazalarına doğrudan temastan daima kaçın. Temas, hasta veya kullanıcının yaralanmasına neden olabilir.
- Çatlak veya hasarlı bir **SMRT Pak'ı SMRT** şarj cihazına yerleştirmeyin. Hasarlı **SMRT Pak'ları** geri dönüştürülmek üzere bir servis merkezine iade edin.
- Montaj braketini opsiyonunun ve **SMRT** şarj cihazının montajını daima ambulans aracının yapısı konusunda bilgi sahibi olan sertifikalı bir makine teknisyenine yaptırın.
- Yerleşik çarpışma testi standartlarına uygunluk açısından **SMRT** şarj cihazını taşıma sırasında daima kapalı bir dolap içinde ve hastanın erişiminden uzakta olacak şekilde montaj braketini opsiyonuna monte edin.
- Montaj braketini opsiyonunun daima yüzeye sağlam olarak takıldığından emin olun.
- Tazyikli yıkama sırasında soluma yoluyla bulaşma riskinden kaçınmak için mutlaka uygun kişisel koruyucu ekipman kullanın. Tazyikli yıkama ekipmanı, kontaminasyonu havalandırabilir.
- Yaralanma riskini azaltmak için **SMRT Pak'ı** temizlerken kişisel koruyucu ekipmana ilaveten daima yalıtımlı kauçuk eldiven takın.
- Elektrik tehlikesi riskinden kaçınmak için temizleme işlemi öncesinde **SMRT** şarj cihazını daima duvar prizinden çıkarın.
- Doğrudan **SMRT** şarj cihazı üzerine sıvı püskürtmeyin.
- **SMRT** şarj cihazını elektrikli bir yıkayıcıyla yıkamayın.
- Aksi belirtilmediği sürece **SMRT** şarj cihazını temizlemek için solvent, lubrikan veya başka kimyasal kullanmayın.
- Elektrik çarpması riskinden kaçınmak için **SMRT** şarj cihazını suya batırmayın veya **SMRT** şarj cihazı üzerinde su toplanmasına izin vermeyin.
- **SMRT Pak'ı** silmek için daima iletken olmayan malzemeler kullanın.
- **SMRT Pak** terminallerinin suya aşırı maruz kalmasını önleyin.
- pH aralığını doğrulamak için daima dezenfektana ait Malzeme Güvenlik Veri Sayfasına (MSDS) başvurun. 10,5'ten yüksek pH düzeylerine sahip dezenfektanlar **SMRT Pak** muhafazasının malzemesinin çatlamasına neden olabilir.
- Yaralanma riskini önlemek için temizlik sırasında **SMRT Pak** terminallerini doğrudan tutmayın veya bunlarla temas etmeyin.
- Elektrik çarpması riskini azaltmak için **SMRT Pak'ı** sıvıya daldırmayın.
- Aksi belirtilmediği sürece **SMRT Pak'ı** temizlemek için solvent, lubrikan veya başka kimyasal kullanmayın.
- Hidrolik veya diğer hatların bağlantısını kesmeden önce daima basıncı boşaltın. Basınç altında kaçan sıvı cilde penetre olabilir ve ciddi yaralanmalara neden olabilir. Basınç uygulamadan önce tüm bağlantıları sıkın. Kaza durumunda derhal bir doktora başvurun.
- Hidrolik kaçağı kontrolünü çıplak elle yapmayın.

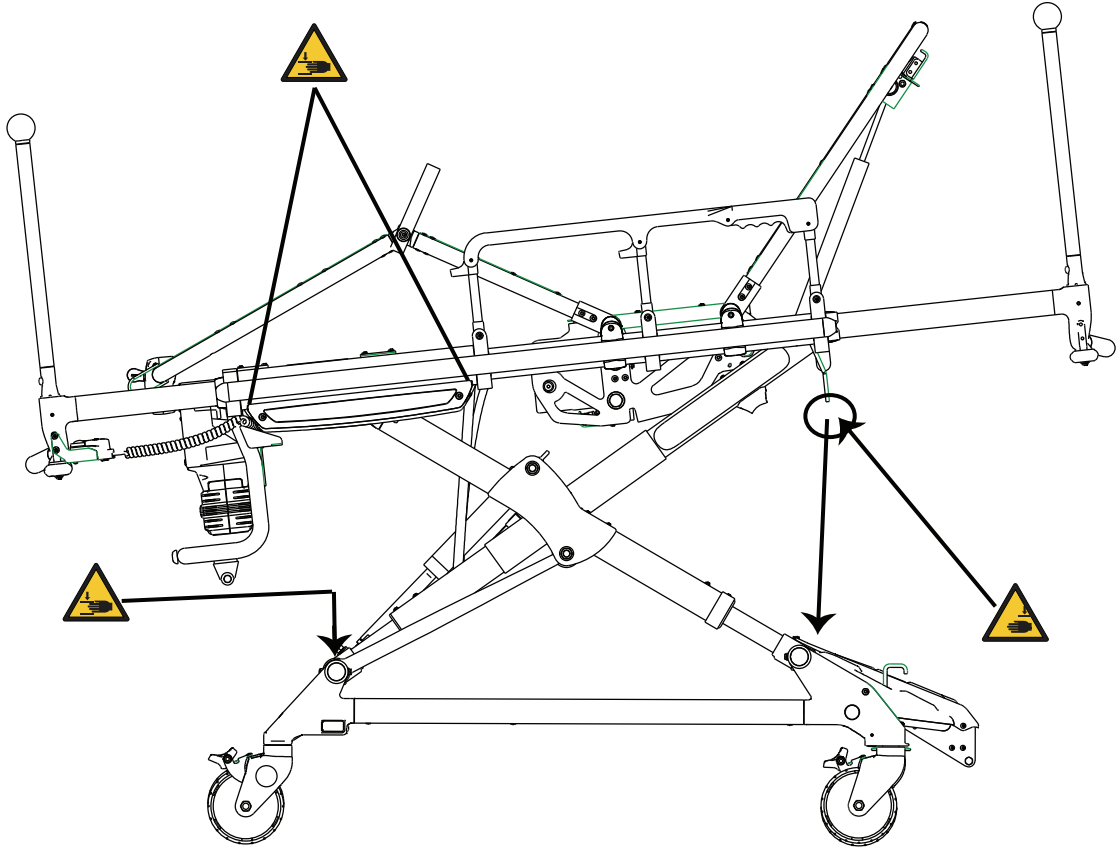
DİKKAT

- Ürünün uygunsuz kullanımı, hasta veya kullanıcının yaralanmasına neden olabilir. Ürünü yalnızca bu el kitabında belirtilen şekilde çalıştırın.
- Ürünü veya bileşenlerini modifiye etmeyin. Modifiye edilmesi, ürünün nasıl çalışacağına öngörülememesine ve hasta veya kullanıcının yaralanmasına neden olabilir. Ayrıca ürünü modifiye etmek, garantisini geçersiz kılar.
- Ürünü uyumlu olmayan emniyet kemerleriyle kullanmayın.
- Ürünü hizmete sokmadan önce daima bataryayı şarj edin. Şarj edilmemiş veya bitmiş bir batarya düşük ürün performansına neden olabilir.
- Ürünü çalıştırmadan önce operatörü veya hastayı etkileyerek yaralanmalarına neden olabilecek tüm engelleri mutlaka ortadan kaldırın.
- Her zaman karyolayı en alçak pozisyona getirmek suretiyle karyolanın sabitleyiciye bağlanmasını sağlayın.
- Karyola, karyola sabitleyicisine bağlı iken ürün yüksekliğini değiştirmeye çalışmayın.
- Yan rayların (XPS opsiyonu) üstüne oturmeyin veya çıkmayın.
- Yan rayları (XPS opsiyonu) hasta aktarma cihazı veya yüzeyi olarak kullanmayın (örneğin, hastayı karyoladan başka bir yüzeye kaydırmak için).
- Hastaların tüm ağırlığını yan rayların (XPS opsiyonu) üstüne vermeyin.
- Yan rayları (XPS opsiyonu) bir itme/çekme cihazı olarak veya ürünü yönlendirmek için kullanmayın.
- Karyolayı yükseltirken veya alçaltırken emniyet kemerlerinin taban çerçevesine dolanmamasına dikkat edin.
- Defibrilatör platformunu kullandığınızda defibrilatör platformunu daima ürüne sabitleyin.
- Defibrilatörü sabitlemek için defibrilatör platformuyla birlikte verilen kemerleri daima kullanın ve ayarlayın.
- Takma konumunu veya kemerlerin ayarını her zaman sizdeki defibrilatör boyutu veya şekli için değiştirin.
- Defibrilatör platformunu 30 lb (13,6 kg) güvenli çalışma yükünün üzerinde yüklemeyin.
- Ekipman kancasını 35 lb (15,8 kg) güvenli çalışma yükünün üzerinde yüklemeyin.
- Araçtayken tüm aksesuarları ve ekipmanı ekipman kancasından mutlaka çıkarın.
- Serum askısını 25 lb (11,3 kg) güvenli çalışma yükünün üzerinde yüklemeyin.
- Oksijen şişesi tutucuyu 1,1 stone (6,8 kg) (15 lb) şeklindeki güvenli çalışma yükünün üzerinde yüklemeyin.
- Aynı anda iki oksijen şişesi tutucu kullanmayın.
- Taban saklama filesini 20 lb (9 kg) güvenli çalışma yükünün üzerinde yüklemeyin.
- Taban saklama filesinde saklanan eşyaların zarar görmesinden kaçınmak için tabanı geri çekerken daima dikkatli olun.
- Sırt desteği saklama torbasını 20 lb (9 kg) güvenli çalışma yükünün üzerinde yüklemeyin.
- Saklama torbasının, geri çekilebilir baş kısmının çalışmasını engellemesine izin vermeyin.
- Şiltenin altında eşya saklamayın. Şiltenin altındaki eşyalar ürünün çalışmasını olumsuz etkileyebilir.
- Karyola uzunca bir süre (24 saatten fazla) kullanılmayacaksa bataryayı mutlaka çıkarın.
- Elektrikli **SMRT** şarj cihazı güç kablosunu daima üzerine basılmayacağı, takılmalara neden olmayacağı veya başka hiçbir hasar veya baskıya maruz kalmayacağı bir yere koyun.
- **SMRT** Pak priz uçlarına metal nesnelere dokunmayın.
- **SMRT** şarj cihazı bağlantısını keserken, elektrik fişine ve kablosuna zarar verme riskinden kaçınmak için kabloyu değil, daima fişi tutup çekin.
- Emniyet kemerlerinin yüzeylerine lubrikan uygulamayın.
- Ürünü buharla veya ultrasonik olarak temizlemeyin.
- Maksimum su sıcaklığı olarak 180 °F'yi (82 °C) geçmeyin.
- Maksimum su basıncı olarak 1500 psi'yi (103,4 bar) geçmeyin. Ürünü yıkamak için el çubuğu kullanıyorsanız, basınçlı ağız üründen en az 24 inç (61 cm) uzakta tutun.
- Daima havayla kurumasına izin verin.
- Karyolayı yıkamadan önce daima bataryayı çıkarın.
- Ürünü kullanılırken temizlemeyin, servis vermeyin veya bakım yapmayın.
- **SMRT** Pak'ı buharla veya ultrasonik olarak temizlemeyin.
- Maksimum havayla kurutma sıcaklığı olarak 240 °F'yi (115 °C) geçmeyin (arabalı yıkayıcılar).
- Ürünün hasar görmesi riskinden kaçınmak için daima onaylı parçaları kullanın.
- Karyolanın hasar görmesini önlemek için hortumları ve hatları daima düzenli olarak kontrol edin. Gevşek bağlantıları kontrol edin ve sıkılaştırın. Hidrolik hatlar, hortumlar ve bağlantılar, fiziksel hasar, bükülme, eskime ve çevresel koşullara maruz kalma nedeniyle bozulabilir veya gevşeyebilir.

- Hidrolik sisteme hava girmesine neden olacağı için ürünü karyolayı yük tekerleklerinin üstüne yatırarak etkinleştirmeyin.
- Karyolanın performansını olumsuz etkileyebileceği ve garantisini geçersiz kılabileceği için X çerçevesinin rulmanlarını yağlamayın.
- Üreticinin belirttikleri veya sağladıkları dışındaki aksesuar, transdüserler veya kabloların kullanılması, elektromanyetik emisyonların artmasına veya elektromanyetik bağışıklığın azalmasına neden olabilir ve ürünün düzgün çalışmamasıyla sonuçlanabilir.
- Bu ekipmanın emisyon özellikleri, ürünü sanayi bölgeleri ve hastanelerde kullanıma uygun kılar (CISPR 11 sınıf A). Eğer bir mesken ortamında kullanılırsa (bunun için normalde CISPR 11 sınıf B gereklidir) bu ekipman radyofrekans iletişim hizmetleri için yeterli koruma sunmayabilir. Kullanıcının ekipmanın yerini veya yönünü değiştirmek gibi azaltıcı önlemler alması gerekebilir.
- Taşınabilir RF iletişimi ekipmanı (anten kabloları ve harici antenler gibi çevre ürünleri dahil) **Power-PRO** ve **SMRT** şarj cihazının üretici tarafından belirtilen kablolar dahil hiçbir kısmına 12 inç (30 cm) mesafeden daha yakın kullanılmamalıdır.
- Ürünlerin uygun olmayan çalışmasını önlemek için başka ekipmanı **Power-PRO** ve **SMRT** şarj cihazı ile yan yana veya üst üste koymaktan kaçının. Böyle kullanım gerekiyorsa **Power-PRO** ve **SMRT** şarj cihazını ve diğer ekipmanı uygun şekilde çalıştırdıklarından emin olmak üzere dikkatle izleyin.

Sıkışma noktaları

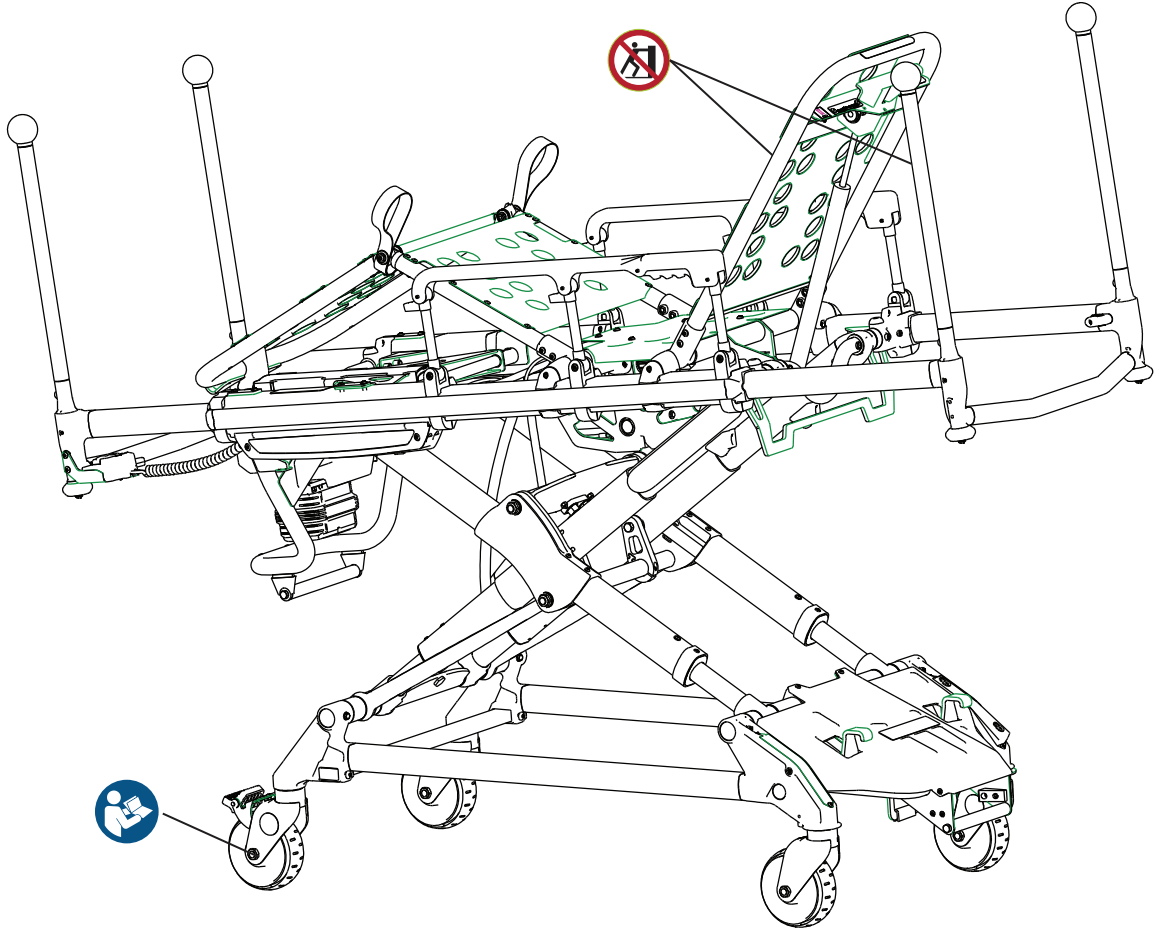
UYARI - Portatif karyolayı yüklerken, indirirken ya da karyolanın yükseklik pozisyonunu değiştirirken ellerinizi daima kırmızı güvenlik çubuğu pivotlarından uzakta tutun.



Şekil 1 – Sıkışma noktaları

Mekanik denge

UYARI - Karyolayı taşıırken daima her iki elinizi kullanın.



Şekil 2 – Mekanik denge

Not - Karyola beş dereceden daha dik bir düzlemdeyse, karyolayı en alçak pozisyonuna getirin.

Giriş

Bu kılavuz Stryker ürününüzün çalıştırma veya bakımı konusunda size yardımcı olur. Bu ürünü çalıştırmadan veya bakımını yapmadan önce bu kılavuzu okuyun. Bu ürünün emniyetli şekilde çalıştırılması veya bakımı hakkında personelinizin eğitimi ve öğrenimi ile ilgili yöntemleri ve işlemleri belirleyin.

DİKKAT

- Ürünün uygun olmayan şekilde kullanılması hasta veya kullanıcıda yaralanmaya neden olabilir. Ürünü sadece bu el kitabında tanımlandığı şekilde çalıştırın.
- Ürünü veya ürünün hiçbir bileşenini modifiye etmeyin. Ürünü modifiye etmek hasta veya kullanıcının yaralanmasıyla sonuçlanacak öngörülemez çalışmaya neden olabilir. Ürünü modifiye etmek garantisini de geçersiz hale getirir.

Not

- Bu kılavuz ürünün kalıcı bir parçası olarak düşünülmelidir ve ürün satılsa bile ürünle kalmalıdır.
- Stryker ürün tasarımı ve kalitesini sürekli geliştirmeye çalışır. Bu kılavuz baskı zamanında mevcut en güncel ürün bilgilerini içerir. Ürününüz ile bu kılavuz arasında küçük tutarsızlıklar olabilir. Herhangi bir sorunuz varsa +1-800-327-0770 numarasından Stryker Müşteri Hizmetleri veya Teknik Destek ile irtibat kurun.

Ürün tanımı

Stryker Model 6550 **Power-PRO™** TL karyola elektrikli bir ambulans karyolası olup hastane öncesi ve hastane ortamlarında maksimum 700 lb (318 kg) ağırlığı destekleyip taşıyabilecek şekilde tasarlanmış tekerlekli bir X çerçevesi üzerine monte edilmiş bir platformdan oluşur.

Cihaz, acil durum araçlarında kullanım için katlanır özellikte olup NiCd bataryayla çalışan hidrolik kaldırma sistemi, operatörün elektrikli kontroller yardımıyla karyolayı yükseltip alçaltmasına olanak sağlar. Karyola fonksiyonlarının güç kaybı durumunda çalışmasını mümkün kılmak için karyolada bir manuel yedek serbest bırakma kolu bulunmaktadır. Cihaz, aşağıdakilerle donatılmıştır: kapladığı yeri azaltmak azaltmak ve karyolanın dar alanlarda manevra kabiliyetini maksimize etmek için geri çekilebilir baş ve ayak kısımları, yan raylar, hasta sabitleme kemerleri, ayarlanabilir pnömatik sırt desteği ve hastanın taşınmasına yardımcı olacak başka çeşitli isteğe bağlı aksesuarlar. Şok, düz bacak ve isteğe bağlı Bükme pozisyonu olarak üç farklı şilte destek yüzeyi pozisyonuyla maksimum hasta konforu sağlanabilir.

SMRT™ güç sistemi, bir **SMRT** şarj cihazından ve bir **SMRT** Pak'tan oluşmaktadır. **SMRT** Pak, Stryker elektrikli ambulans karyolarının hidrolik kaldırma sistemine güç sağlar.

Kullanım endikasyonları

Stryker **Power-PRO** TL, travma geçirmiş, ayakta veya yatarak tedavi gören insan hastaların (çocuklar ve yetişkinler dahil) tüm gövdesini desteklemek ve nakletmek için amaçlanmış, elektrikle çalışan, tekerlekli bir sedyedir.

Bataryayla çalışan hidrolik kaldırma sistemi, karyolayı yükseltmek ve alçaltmak için operatörün harcaması gereken çabayı azaltmaya yardım eder. Cihaz, hastaları supin (yatay) pozisyonda veya oturma pozisyonunda desteklemek ve acil durum araçlarında veya taşıtlarında ilgili tıbbi ekipmanın (örneğin, oksijen şişeleri, monitörler veya pompalar) taşınmasını kolaylaştırmak için yapılmıştır. Bu ambulans karyolası, hastane öncesi ve hastane ortamlarında acil veya acil olmayan uygulamalarda kullanılır. Maksimum 700 lb (318 kg) (hasta, şilte ve aksesuar toplam ağırlığı) taşıma kapasitesine sahip olan cihazın amaçlanan kullanıcıları, acil servis ve tıbbi bakım merkezi personelinin yanı sıra, ilk yardım sağlayıcıları da dahil olmak üzere eğitilmiş profesyonellerdir.

Power-PRO TL, uzun süreli yatış için amaçlanmamıştır veya hastane yatağı olarak ya da hava basıncını değiştiren cihazlarda (örneğin, hiperbar bölmeleri) kullanım amacını taşımaz.

Klinik faydaları

Karyola: hasta taşıma

Sabitleyici: taşıma için karyola desteği

Kontrendikasyonlar

Bilinen yoktur.

Beklenen hizmet ömrü

Power-PRO'nun normal kullanım koşulları ve uygun periyodik bakım altında yedi yıllık beklenen hizmet ömrü vardır.


SMRT şarj cihazının normal kullanım koşulları ve uygun periyodik bakım altında yedi yıllık beklenen hizmet ömrü vardır.

SMRT Pak bataryanın normal kullanım koşulları altında iki yıllık beklenen hizmet ömrü vardır.

Atma/geri dönüşüm

Daima çevrenin korunmasına ve ekipmanın kullanım ömrünün sonunda geri dönüştürülmesi veya atılmasıyla ilişkili risklere dair yürürlükteki yerel önerilere ve/veya düzenlemelere uyun.

Spesifikasyonlar - Power-PRO

	Not - Güvenli çalışma yükü hasta, şilte ve aksesuar ağırlığının toplamına işaret eder.	700 lb	318 kg
Maksimum desteksiz kaldırma kapasitesi		700 lb	318 kg
Sırt desteği mafsallı/şok pozisyonu (standart Fowler - 6506-012-003)		0° ila 73°/+15°	
Sırt desteği mafsallı/şok pozisyonu (1865 Fowler opsiyonu - 6506-012-004)		0° ila 75°/+15°	
Toplam uzunluk		81 inç	206 cm
Standart uzunluk/minimum uzunluk/genişlik		76,5 inç/55 inç/23 inç	194,3 cm/139,7 cm/58 cm
Yükseklik ¹		14 inç'ten 41,5 inç'e kadar ayarlanabilir	36 cm - 106 cm aralığında ayarlanabilir
Ağırlık ²		145 lb	66 kg
Tekerlek çapı/genişliği		6 inç/2 inç	15 cm/5 cm
Dolu karyolayı yüklemek/indirmek için gereken minimum operatör sayısı		2	
Boş karyolayı yüklemek/indirmek için gereken minimum operatör sayısı		1	
Önerilen sabitleme sistemleri		6385, 6386, 6387, 6388 veya 6389 modeli	
Çift tekerlek kilitli/dörtlü tekerlek kilitli		Standart/isteğe bağlı	
Hidrolik yağı		Stryker parça numarası 6500-001-293	
Güç sistemi			

Batarya	24 VDC NiCd - SMRT güç sistemi
Şarj cihazı	100-240 VAC 1,20 A, 50/60 Hz veya 12 VAC 4,16 A - SMRT güç sistemi
Karyola görev döngüsü	%10 (33 sn. açık/5 dak. kapalı)
Standartlar (karyolalar ve şarj cihazları)	ANSI/AAMI ES60601-1:2012, CAN/CSA-C22.2 No. 60601-1:14, KKK-A-1822 Spesifik opsiyon gerektiren standartlar için bkz <i>Opsiyon gerektiren standartlar</i> (sayfa 11)

¹ Yükseklik, kalça kısmında şiltenin alt kısmından yer seviyesine kadar ölçülmüştür.

² Karyola bir batarya ile, şilte ve emniyet kemerleri olmadan tartılmıştır.

Stryker, spesifikasyonları haber vermeden değiştirme hakkını saklı tutar.

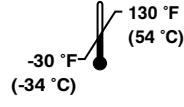
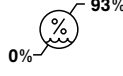
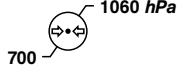
Power-PRO TL Star-of-Life Ambulansı (KKK-A-1822) Federal Spesifikasyonuna uygun olacak şekilde tasarlanmıştır.

Power-PRO TL bazı rakip karyola sabitleme sistemleri ile uyumlu olacak şekilde tasarlanmıştır.

Patent başvuruları yapılmıştır.

Sarı ve siyah renk düzeni Stryker Corporation'ın tescilli ticari markasıdır.

Etiketler 12 inç'ten (30 cm) uzak görüş mesafelerinden okunamayabilir.

Çevresel koşullar	Çalıştırma
Sıcaklık	
Bağıl nem	
Atmosferik basınç	

Avrupa REACH

Avrupa REACH düzenlemesi ve diğer çevresel düzenleme gereklilikleri uyarınca beyan edilmesi gereken maddeleri içeren bileşenler listelenmiştir.

Açıklama	Numara	Çok yüksek kaygı oluşturan maddenin (SVHC) kimyasal adı
Şilte, diz Gatch desteği	6550-001-084	(2H-benzotriazol2-yl)-4, 6-di-tert-pentilfenol
Şilte, diz Gatch desteği, XPS	6500-003-130	(2H-benzotriazol2-yl)-4, 6-di-tert-pentilfenol
Şilte, diz Gatch desteği, gri	6506-003-130	(2H-benzotriazol2-yl)-4, 6-di-tert-pentilfenol
Ni-CAD batarya hücresi	6500-101-129	Kadmiyum, kadmiyum hidroksit
Askı montajı, iki kademeli	6070-210-070	Kurşun
Askı montajı, üç kademeli	6070-215-070	Kurşun

Opsiyon gerektiren standartlar

Standartlara uymak için karyolanıza aşağıdaki gerekli opsiyonları takmak zorundasınız.

Standart	Opsiyon seçimi		
	Emniyet kemerli paket	Şilte	Opsiyon
BS EN 1789:2007+A2:2014 çarpışma testi standartları, çarpışma sınıfı bir sabitleyici kullanılarak	EMS emniyet kemerli paket (6060-160-010), X emniyet kemerli paket (6500-001-430) veya XPR emniyet kemerli paket (650600030010) Not - X emniyet kemerli paket ve XPR emniyet kemerli paket yalnızca XPS şilteyle (6500-003-130/6506-003-130) uyumludur.	Diz Gatch destekli şilte (6550-001-084) veya XPS şilte (6500-003-130/6506-003-130) (karyola yan rayına bağlıdır)	
BS EN 1865-3:2012 +A1:2015			XPS opsiyonu (6506-040-000)
BS EN 1865-2:2010 +A1:2015			1865 Fowler opsiyonu (6506-012-004)

Schnitzler Pediatrik Emniyet Sistemi uyumluluğu

DİKKAT - Ürünü uyumlu olmayan emniyet kemerleriyle kullanmayın.

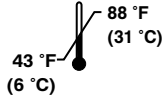
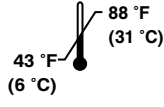
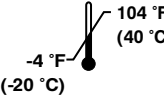
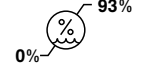
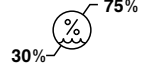
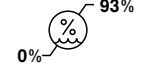
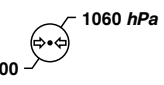
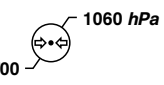
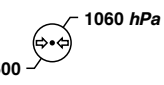
XPS şilte (6500-003-130 veya 6506-003-130)	720 XPSNPR-2123'ten daha düşük seri numaralı Schnitzler Pediatrik Emniyet Kemer Sistemi (0058-384-000)	720 XPSNPR-2123 veya daha yüksek seri numaralı Schnitzler Pediatrik Emniyet Kemer Sistemi (0058-384-000)
Lot kodu 18001001'den daha düşük şilte	Uyumlu	Uyumlu
Lot kodu 18001001 veya daha yüksek şilte	Uyumlu değil	Uyumlu

Schnitzler Pediatrik Emniyet Kemer Sistemi (0058-385-000), Model 6100 **M-1** Roll-In Sistemi, Model 6506 **Power-PRO XT** Karyola ve Model 6550 **Power-PRO TL** Karyola'daki standart şilte ile kullanıma uygundur.

Spesifikasyonlar - SMRT

	SMRT şarj cihazı	SMRT Pak	AC güç kaynağı
Elektrik girişi	13,9 VDC 4,16 A	Geçerli değil	100-240 VAC 1-2 A 50/60 Hz
Elektrik çıkışı	Açık devre 40 VDC 1,20 A	24 VDC NiCd	12 VDC 4-6 A
Yükseklik	2,375 inç (60,325 mm)	3,25 inç (82,55 mm)	Değişir
Genişlik	5,125 inç (130,175 mm)	4 inç (101,6 mm)	Değişir

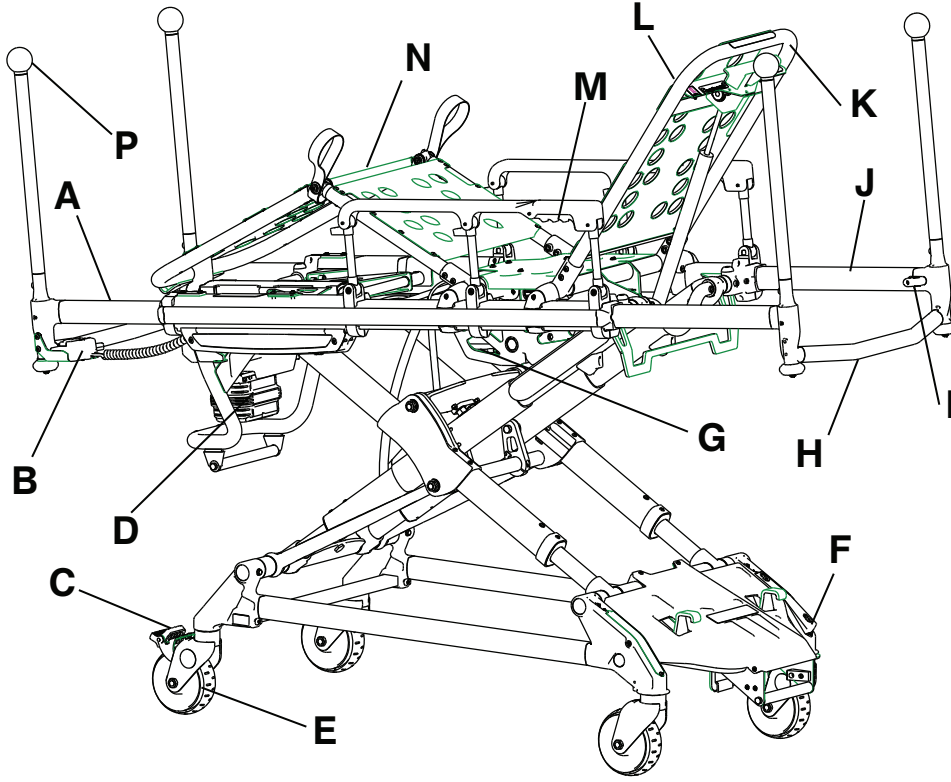
	SMRT şarj cihazı	SMRT Pak	AC güç kaynağı
Uzunluk	7 inç (177,8 mm)	5,75 inç (146,05 mm)	Değişir
Ağırlık	1,3 lb (0,59 kg)	3,8 lb (1,7 kg)	Değişir
Muhafaza koruması	IPX0	IPX6	IPX0
Ekipman türü	Geçerli değil	Geçerli değil	Sınıf II
Onaylar	ANSI/AAMI ES 60601-1: 2012, CAN/CSA-C22.2 No. 60601-1:14	Geçerli değil	Geçerli değil

Çevresel koşullar	Çalıştırma	Şarj olma	Saklama ve taşıma
Sıcaklık			
Bağıl			
Atmosferik basınç			

Spesifikasyonlar yaklaşıktır ve üründen ürüne veya güç besleme oynamalarından dolayı değişebilir.

Stryker, spesifikasyonları haber vermeden değiştirme hakkını saklı tutar.

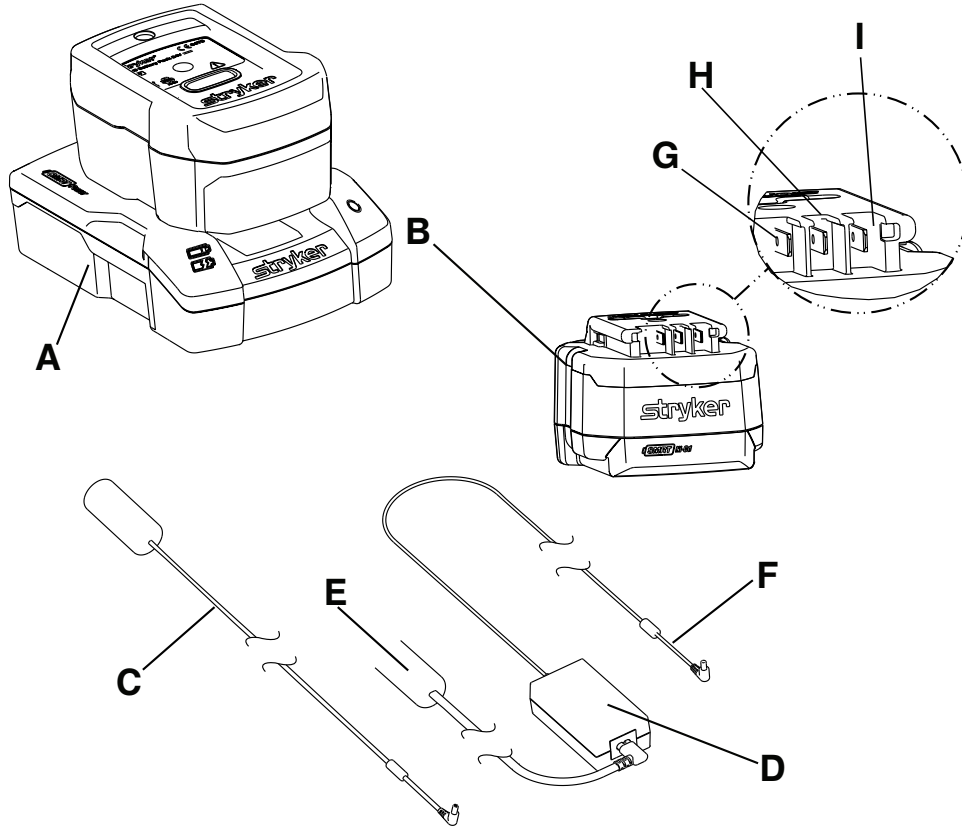
Ürün çizimi - Power-PRO



Şekil 3 – Power-PRO TL

A	Geri çekilebilir ayak kısmı	I	Batarya
B	Yükseklik ayarlama anahtarı	J	Geri çekilebilir baş kısmı
C	Tekerlek kilidi	K	Sırt desteği ayarlama kolu
D	Batarya	L	Sırt desteği
E	Yük tekerlekleri	M	Yan ray serbest bırakma kolu
F	Yönlendirme Kilidi	N	Diz bükülme/bacak dayama
G	Hidrolik ünite	P	İtme çubukları (isteğe bağlı)
H	Baş kısmı serbest bırakma kolu		

Ürün çizimi - SMRT



Şekil 4 – SMRT güç sistemi

A	SMRT şarj cihazı	F	Çıkış kablosu
B	SMRT Pak	G	Veri
C	DC kablosu	H	Güç (-)
D	AC güç kaynağı	I	Güç (+)
E	AC güç kablosu		

İrtibat bilgisi

Stryker Müşteri Hizmetleri veya Teknik Destek birimi ile şuradan irtibat kurun: 1-800-327-0770.

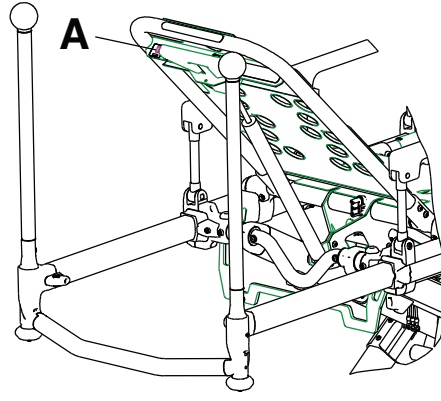
Stryker Medical
3800 E. Centre Avenue
Portage, MI 49002
ABD

Not - Kullanıcı ve/veya hasta, ürünle ilişkili ciddi olayları üreticiye ve kullanıcı ve/veya hastanın bulunduğu Avrupa Üye Devleti yetkili makamına bildirmelidir.

Çalıştırma veya bakım kılavuzunuzu çevrim içi görmek için <https://techweb.stryker.com/> adresine bakınız.

Stryker Müşteri Hizmetleri veya Teknik Destek Bölümünü ararken Stryker ürününüzün seri numarasını (A) hazır bulundurun. Seri numarasını tüm yazılı iletişime dahil edin.

Seri numarası konumu - Power-PRO



Şekil 5 – Seri numarası konumu

Seri numarası konumu - SMRT

SMRT şarj cihazının seri numarası ünitenin altında yer alır. **SMRT** Pak'ın lot numarası, **SMRT** Pak'ın üst kısmında, kırmızı serbest bırakma düğmesinin üzerindedir.

Kurulum

Kurulum sırasında karton kutuları boşaltın ve tüm kalemleri uygun çalışma açısından kontrol edin. Hizmete almadan önce ürünün çalıştığından emin olun.

Kullanmadan önce tüm sevkiyat ve ambalaj materyalini üründen çıkarın.

Ürünün kullanılacağı aracın hasta bölmesinde şunlar bulunmalıdır:

- Katlanmış ürün için yeterince geniş düz zemin
- Stryker karyola sabitleme sistemi

Not - Hasta bölmesinin zeminindeki gevşek nesnelere veya kalıntılara, ürün sabitleyicisinin işleyişine engel olabilir. Hasta bölmesi zeminini temiz tutun.

SMRT Pak'ları ve **SMRT** şarj cihazını ambalajlarından çıkarın. **SMRT** Pak'ı kullanmadan önce şarj edin.

Gerektiğinde aracı karyola sığacak şekilde modifiye edin. Karyolayı modifiye etmeyin.

Montaj

Karyola sabitleyiciyi takma

Stryker karyola sabitleyici sistemleri, yalnızca montaj spesifikasyonlarına uyan karyolalarla uyumludur.

UYARI

- Karyola sabitleyici, her zaman yalnızca vasıflı personel tarafından takılmalıdır. Hatalı montaj, hastanın veya operatörün yaralanmasıyla sonuçlanabilir.
 - Tüm karyolaların Stryker karyola sabitleyici sistemi montaj spesifikasyonlarını karşıladığından mutlaka emin olun.
 - Ray kelepçesi tertibatını her zaman karyola üreticisi ve model numarası için karyola destek direği pozisyonuyla eşleştirecek şekilde ayarlayın.
-

Bu talimat, çatal tipi karyola sabitleyici sistemleri bulunan karyolalar içindir. Çarpışma sınıfı karyola sabitleyicilerin montaj talimatı için ilgili Kullanma Kılavuzuna bakın.

Çalıştırma

Batarya güç seviyesini kontrol etme

SMRT Pak güç seviyesini kontrol etmek için karyola bataryası LED göstergesini kullanın. Şarj edilmiş bir **SMRT Pak** çalışır durumdayken, 250 lb (113 kg) ağırlığında bir hastayla 25 çağrıya kadar destek sağlar (gerçek sonuçlar değişkenlik gösterebilir). 24 VDC **Power-PRO** sistemi ve **SMRT Pak**, 2,4 amper-saatlik elektrik enerjisi anma değerine sahiptir.

UYARI - Karyola aktif haldeyken bataryayı çıkarmayın.

DİKKAT - Ürünü hizmete sokmadan önce daima bataryayı şarj edin. Şarj edilmemiş veya bitmiş bir batarya düşük ürün performansına neden olabilir.

Batarya güç seviyesini kontrol etmek için karyola kontrol anahtarındaki geri çekme (-) düğmesine basarak karyola batarya LED göstergesini aktifleştirin. Karyola bataryası LED göstergesi, ayak ucundaki kontrol muhafazasında bulunur (bir batarya simgesiyle gösterilir).

- Bataryanın şarjı tamamen dolu olduğunda veya yeterli batarya şarj gücü varken LED sabit yeşil renkte yanar.

Not - En iyi sonuçları almak için **SMRT Pak**'ı karyola bataryası LED göstergesi sabit yeşilden yanıp sönen kehribar rengine değişene kadar kullanın.

- Bataryanın şarj edilmesi veya değiştirilmesi gerektiğinde LED kehribar rengi yanıp söner

Not - **SMRT Pak**'ı çıkarmanız ve değiştirmeniz için karyola bataryası LED göstergesinin kehribar rengi yanıp sönmeye gerekmez ancak bu en iyi uygulama olarak görülmektedir. **SMRT Pak**'ı istediğiniz zaman çıkarabilir ve şarj edebilirsiniz.

- Batarya hatası olduğunda LED sabit kehribar rengi yanar.

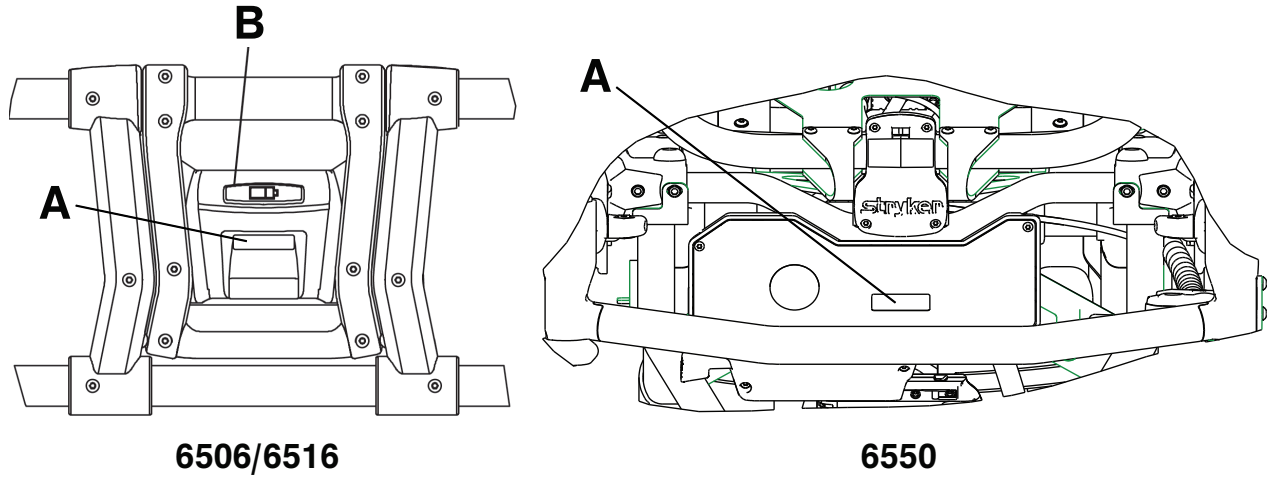
Not

- Yalnızca Stryker onaylı bataryaları kullanın.
- Donatılmışsa, elektrikli karyola sabitleyici, **SMRT Pak** bataryayı otomatik olarak şarj eder. Otomatik şarj karyolayı elektrikli karyola sabitleyiciye kilitlediğinizde başlar (kablo veya konektör gerekmez). Karyola batarya LED göstergesi bir anlığına yeşil renkte yanıp sönerken bataryanın şarj olduğunu belirtir.
- Otomatik şarj, yalnızca **SMRT Pak** bataryalarla gerçekleşir.

Saat ölçeri ve hata ekranını kontrol etme

Saat ölçer, hidroliklerin kullanımda olduğu süreyi (SSS,S saat) gösterir. Hata ekranı, sorun giderme için hata kodu bilgileri sağlar.

Önleyici bakım sıklığını belirlemek için saat ölçeri (A) (Şekil 6) kullanın. Sorun giderme için hata ekranını (A) kullanın. Hata ekranı, bir hata oluştuğunda saat ölçer ekranının yerini alır.



Şekil 6 – Saat ölçeri (A), hata ekranını (A) ve batarya durumunu (B) kontrol etme

Çalıştırma kılavuzları

UYARI

- Ürünü yalnızca mekanizmaların önünde kimse olmadığında çalıştırın. Elektrikli ürün mekanizmalarına takılmalar, ciddi yaralanmalara neden olabilir.
- Her kullanımdan önce **SMRT** Pak'ları hasar açısından inceleyin.
- Eğitimsiz asistanların ürünün çalıştırılmasına yardımcı olmasına izin vermeyin.
- Elleri mutlaka el tutamaçlarına doğru yerleştirin. Karyolayı yüklerken veya indirirken veya karyolanın yükseklik konumunu değiştirirken elleri kırmızı güvenlik çubuğu pivotlarından uzak tutun.
- Karyolanın tabanına binmeyin.
- Devrilme riskinden kaçınmak için karyolayı yanlara doğru taşımayın. Devrilme riskini en aza indirmek için karyolayı daima alçaltılmış konumda, baş ucundan veya ayak ucundan taşıyın.
- Elleri, parmakları ve ayakları daima hareketli parçalardan uzak tutun. Karyolayı yükseltirken veya alçaltırken ellerinizi ve ayaklarınızı taban borularının yakınına koyduğunuzda dikkatli olun.
- Sabitleyici içi kapatma sistemini bu karyola ve çatal tipi karyola sabitleyiciyle kullanılacak tüm acil durum araçlarına mutlaka takın.
- Karyola boşta olduğunda daima hastayı izleyin. Ürünü hidrolik olarak yükselttiğinizde veya alçalttığınızda elektronik hasta izleme ekipmanını geçici olarak etkiliyor olabilirsiniz.

DİKKAT - Ürünü çalıştırmadan önce operatörü veya hastayı etkileyerek yaralanmalarına neden olabilecek tüm engelleri mutlaka ortadan kaldırın.

- Ürünü yalnızca bu el kitabında belirtilen şekilde çalıştırın.
- Kullanmadan önce üründe bulunan tüm etiketleri ve talimatı okuyun.
- Ürünün işleyişini tam olarak anlayana kadar yükseklik konumlarını değiştirerek ve karyolayı yükleyerek pratik yapın.
- İlk kullanımdan ve her kullanımdan önce **SMRT** Pak muhafazası ve batarya ucu kısmını çatlak veya hasar açısından inceleyin.
- Dolu bir karyolayı daima en az iki eğitimli operatörle yükleyin veya indirin. Karyola doluyken iki operatör hazır bulunmalıdır. Stryker, her bir operatöre düşen yükü azaltmak için her iki operatörün de ayak ucunda olmasını önerir. Bir veya iki operatör, karyolayı ayak ucundan tutarak kaldırabilir.
- Hastaya bilgi vermeden karyolayı ayarlamayın, hareket ettirmeyin veya araca yüklemeyin. Sürekli hastanın yanında olun ve ürünü kontrol edin.
- Karyolayı herhangi bir pozisyonda nakledebilirsiniz. Stryker, karyolanın manevrası için operatörlerin hastayı en alçak rahat pozisyonda nakletmesini önerir.
- Tekerlek kilitlerini sadece hastanın nakli sırasında veya ürün üzerinde hasta olmadığında kullanın.

- Devrilme riskinden kaçınmak için hasta ürün üzerindeyken veya ürünü hareket ettirdiğinizde tekerleği kilitlemeyin.
- Gerekliğinde, uygun eğitim almış yardımcıların karyolayı kontrol etmesini sağlayın.

Uygun kaldırma teknikleri

Ürünü ve üzerindeki kişiyi kaldırdığınızda, yaralanma riskini önlemek için şu uygun kaldırma tekniklerini uygulayın:

- Ellerinizi vücudunuza yakın tutun
- Sırtınızı dik tutun
- Tüm hareketlerinizi ortağınızla koordine edin
- Bacaklarınızla birlikte kaldırın
- Bükülmekten kaçının

Hastayı karyolaya aktarma

UYARI

- Hastayı mutlaka tüm emniyet kemerlerini kullanarak ürüne sabitleyin. Kemerle sabitlenmemiş hastalar, üründen düşerek yaralanabilir.
- Hastayı gözetimsiz bırakmayın. Hasta üründerken ürünü tutun.
- Devrilme riskinden kaçınmak için hasta üründerken veya ürünü hareket ettirirken tekerlek kilidini uygulamayın.
- Yan rayları hasta emniyet cihazı olarak kullanmayın.

Hastayı ürüne aktarmak için:

1. Ürünü hastaya doğru ilerletin (*Karyolayı bir hastayla sürme (sayfa 19)*).
2. Ürünü hastanın yanına getirin ve hastanın seviyesine yükseltin veya alçaltın.
3. Yan rayları alçaltın ve emniyet kemerlerini çözün.
4. Hastayı ürüne aktarın. Kabul görmüş EMS prosedürlerini uygulayın.
5. Tüm emniyet kemerlerini kullanarak hastayı ürüne sabitleyin.
6. Yan rayları yükseltin ve sırt desteğini ve ayak desteğini gerektiği gibi ayarlayın.

Karyolayı bir hastayla sürme

UYARI

- Karyolanın devrilme riskini azaltmak için karyolayı daima alçak bir yükseklikte nakledin. Mümkünse, ek yardım alın veya alternatif bir rota izleyin.
- Kaldırım, basamak gibi yüksek engellerden veya engebeli arazilerden kaçınarak ürünün devrilme riskini önleyin.

To roll the cot with a patient:

1. Bir operatörü karyolanın ayak ucuna ve bir operatörü de baş ucuna yerleştirin.
2. Kapı eşiklerine veya başka alçak engellere yaklaştığınızda şilte destek yüzeyinin dik olduğundan emin olun.
3. Her bir tekerlek setini kapı eşiklerinin veya engelin üzerinden ayrı ayrı kaldırın.

Karyolayı yükseltme veya alçaltma

Boş karyolayı tek bir operatörle yükseltebilir veya alçaltabilirsiniz. Karyolada hasta varsa karyolayı yükseltmek veya alçaltmak için en az iki eğitimli operatör (her biri karyolanın bir ucunda duracak şekilde) gerekir.

UYARI

- Elleri, parmakları ve ayakları daima hareketli parçalardan uzak tutun. Karyolayı yükseltirken veya alçaltırken ellerinizi ve ayaklarınızı taban borularının yakınlarına koyduğunuzda dikkatli olun.
 - Elleri mutlaka el tutamaçlarına doğru yerleştirin. Karyolayı yüklerken veya indirirken veya karyolanın yükseklik konumunu değiştirirken elleri kırmızı güvenlik çubuğu pivotlarından uzak tutun.
 - Hastanın olduğu karyola, mutlaka iki operatörle yükseltmeli veya alçaltılmalıdır.
-

Karyolayı yükseltmek veya alçaltmak için:

1. 1. Operatör (ayak ucu): Karyolanın çerçevesini kavrayın ve aşağıdaki düğmelere basın:

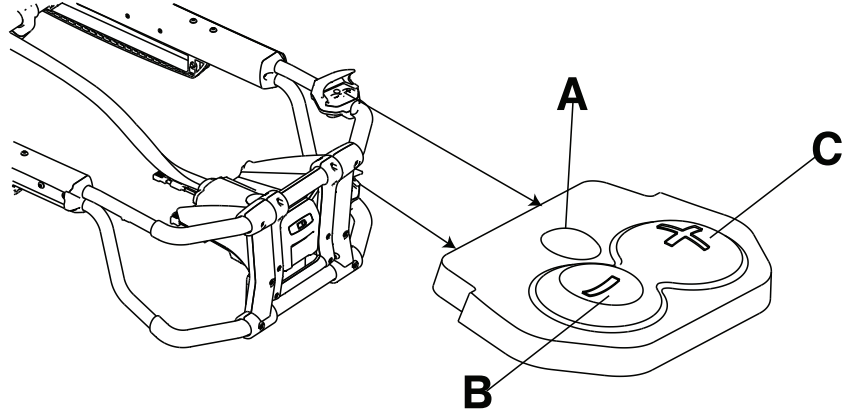
- Karyolayı istenen yüksekliğe yükseltmek için uzatma (+) düğmesi
- Karyolayı istenen yüksekliğe alçaltmak için geri çekme (-) düğmesi

2. 2. Operatör (baş ucu): Karyola istenen yüksekliğe gelene kadar dış rayı sıkıca kavramaya devam edin.

Not - Karyola ayarlanmış karyola yük yüksekliğine ulaştıktan sonra karyola kontrol anahtarındaki uzatma (+) düğmesine basarsanız, düğmeyi serbest bırakana kadar motor durur. Düğmeyi serbest bıraktıktan sonra, karyola yüksekliğini daha da artırmak için uzatma (+) düğmesine tekrar basın.

Karyolayı elektrikle yükseltme, alçaltma veya serbest bırakma

Power-PRO karyolalarda birbirinin aynı iki karyola kontrol anahtarı bulunmaktadır. Karyolayı yükseltmek (uzatmak), alçaltmak (geri çekmek) veya karyolayı **Power-LOAD**'dan (varsa) ayırmak için bu iki anahtardan birindeki düğmeye basın (Şekil 7).



Şekil 7 – Karyola kontrol anahtarları

Referans	İsim	Tanım
A	Serbest bırak	Karyolanın kilidini açmak için basın (yalnızca Power-LOAD opsiyonuyla kullanmak için)
B	Geri çek (-)	Şilte destek yüzeyini alçaltmak veya karyola taşıyıcı iskeletini geri çekmek için basılı tutun
C	Uzat (+)	Şilte destek yüzeyini yükseltmek veya karyola taşıyıcı iskeletini uzatmak için basılı tutun

Karyolanın manuel geçersiz kılma ile manuel olarak yükseltilmesi veya alçaltılması

Elektrik işlevinin kaybı halinde, karyola manuel geçersiz kılma kullanabilirsiniz. Böylece, elektrikli işlevler geri gelene kadar ürün manuel olarak çalıştırılabilir. Karyolayı yükseltmek veya alçaltmak için kırmızı manuel yedek serbest bırakma kolunu kullanın.

Manuel yedek serbest bırakma kolu, karyolanın ayak ucunda alt kaldırma çubuğunun hasta sol tarafı boyunca yer alır.

Karyolayı manuel yedek serbest bırakma koluyla yükseltmek veya alçaltmak için:

- Her iki operatör: Karyolanın ağırlığını her bir uçta desteklemek için karyolayı yükseltme veya alçaltma işlemi sırasında kaldırın.
1. Operatör (ayak ucu):
 - Manuel yedek serbest bırakma kolunu kaldırma çubuğuna doğru çekin.
 - Manuel yedek serbest bırakma kolunu çekerken, karyolayı yükselterek veya alçaltarak istediğiniz pozisyona getirin.
 - Karyolayı pozisyonunda kilitlemek için kolu serbest bırakın.

Not

- Karyolada bir hasta varken manuel uzatma veya geri çekmeyi kullanmak için her iki operatörün karyola ağırlığını tekerleklerden kaldırması gerekir.
- Manuel yedek serbest bırakma kolunun aktifleştirilmesi, karyolada 50 lb'den (23 kg) az ağırlık varsa karyolanın daha düşük bir hızda alçalmasına neden olabilir.
- Karyola düşük sıcaklıklarda uzun süre kullanılırsa hidrolik sıvısı daha viskoz hale gelebilir. Soğuk hava koşullarında indirme yaparken tabanı uzatmak için manuel yedek serbest bırakma işlevi kullanıldığında, karyolayı araç hasta bölmesinden çıkarırken şilte destek yüzeyinin sarkmasını minimuma indirmek için karyola tekerlekleri yere temas ettikten sonra yaklaşık bir saniye boyunca manuel yedek serbest bırakma kolunu tutun.

Yüksek hızda geri çekme moduyla yüklemeyi hızlandırma

Geri çekme (-) düğmesine bastığınızda, karyola tekerlekleri karyolanın ve hastanın ağırlığını desteklemediğinde karyola yüksek hızda geri çekme moduna girer.

Yüksek hızda geri çekme modu, karyolanın bir araca yüklenmesini hızlandırır. Karyolanın ve hastanın ağırlığı artık tekerleklerle desteklenmediğinde, taşıyıcı iskelet en yüksek pozisyonuna doğru geri çekilir. Kontrol anahtarını aktifleştirmek için geri çekme (-) düğmesine basın.

Karyolayı karyola sabitleyicisine yüklemek

DİKKAT

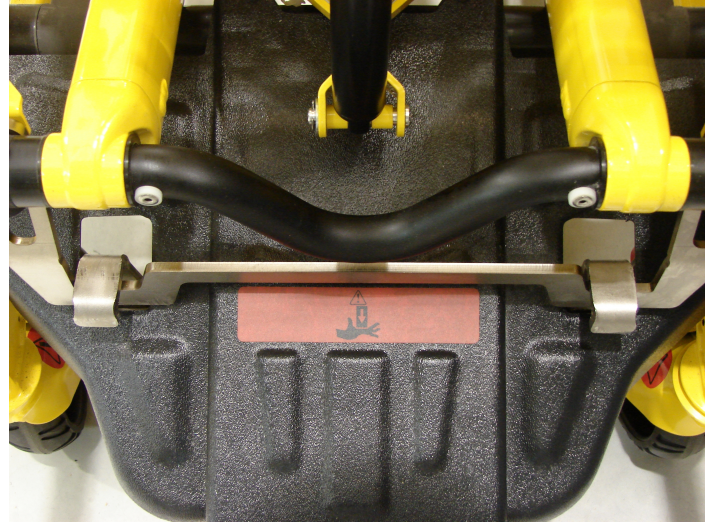
- Her zaman karyolayı en alçak pozisyona getirmek suretiyle karyolanın sabitleyiciye bağlanmasını sağlayın.
- Karyola, karyola sabitleyicisine bağlı iken ürün yüksekliğini değiştirmeye çalışmayın.

To load the cot to the cot fastener:

1. Karyola pedalını gevşetin ve karyolayı alçaltın. Karyolayı alçaltmak için ürün hareket etmeyi durdurana kadar geri çekme (-) düğmesine basın.
2. Karyola yerine kilitlenene kadar karyola sabitleyicisinin karyolayı hem baş ucuna hem de ayak ucuna yönlendirin (Şekil 8).
3. Karyolayı tutmayı bırakmadan önce hem baş ucunda hem de ayak ucunda karyolanın güvenli halde olduğundan emin olun (Şekil 9).



Şekil 8 – Karyola sabitleyicisinin hem ayak ucunda hem de baş ucunda duran karyola

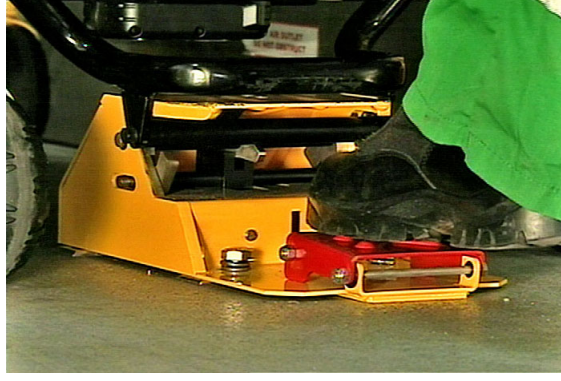


Şekil 9 – Sabitlenmiş karyola

Karyolayı karyola sabitleyicisinden çıkarma

Karyolayı karyola sabitleyiciden çıkarmak için:

1. Ayak pedalına aşağı yönde basın (Şekil 10).
2. Karyolayı araç hasta bölmesinden dışarı doğru kaydırın.



Şekil 10 – Ayak pedalına aşağı yönde basın

Karyolayı bir arka kapak yük platformu ile yükleme

Dolu bir karyolayı daima en az iki eğitimli operatörle yükleyin. Karyola dolu olduğunda iki operatörün orada bulunması gereklidir. Operatörler, hasta, karyola ve karyola üzerindeki her türlü eşyanın toplam ağırlığını kaldırabilmelidir.

UYARI

- Hasta ile birlikte bir karyolayı arka kapak yük platformu kullanarak kaldırmadan önce her zaman karyolanın yük platformundan kendiliğinden dışarı ilerleyemeyeceğinden emin olun. Yük platformu durdurma işlevinin bakımlı ve işler olduğundan emin olun.
- Ellerin daima tutamaçları üzerine gerektiği gibi yerleşmesini sağlayın. Karyolayı yüklerken veya indirirken ya da karyolanın yükseklik pozisyonunu değiştirirken tüm ellerin kırmızı güvenlik çubuğu pivotlarından uzakta olmasını sağlayın.

DİKKAT

- Her zaman karyolayı en alçak pozisyona getirmek suretiyle karyolanın sabitleyiciye bağlanmasını sağlayın.
- Karyola, karyola sabitleyicisine bağlı iken ürün yüksekliğini değiştirmeye çalışmayın.

Karyolayı yüklemek için:

1. Daha iyi denge için geri çekme (-) düğmesine basarak karyolayı en alçak pozisyonuna getirin.
2. Baş kısmı önde olacak şekilde karyolayı arka kapak yük platformunun üstüne itin (Şekil 11). Güvenlik durdurma işlevinin yerine dönüp karyolanın arkaya doğru kaymasını engellemesi için, arka kapak yük platformu üzerinde tekerleklerin uygun konumlarda olduğundan emin olun.
3. Arka kapak yük platformunu kaldırmadan önce, karyola ve ambulansın arkası arasında yeterli mesafe olduğundan emin olun. Karyoladan hiçbir şeyin sarkmadığından emin olun.
4. Bir operatör arka kapak yük platformunu kaldırırken, ikinci operatör, karyola çerçevesini sıkıca tutarak daha iyi denge sağlamalıdır.
5. Her iki operatör de karyolayı araç hasta bölmesine ve araç karyola sabitleyicisine yönlendirmelidir (birlikte verilmez). (Şekil 12).



Şekil 11 – Arka kapak yük platformundaki karyola



Şekil 12 – Her iki operatör de karyolayı araç hasta bölümüne yönlendirmelidir

Karyolayı bir arka kapak yük platformu ile indirme

UYARI

- Hasta ile birlikte bir karyolayı arka kapak yük platformu kullanarak kaldırmadan önce her zaman karyolanın yük platformundan kendiliğinden dışarı ilerleyemeyeceğinden emin olun. Yük platformu durdurma işlevinin bakımlı ve işler olduğundan emin olun.
- Ellerin daima tutamaçları üzerine gerektiği gibi yerleşmesini sağlayın. Karyolayı yüklerken veya indirirken ya da karyolanın yükseklik pozisyonunu değiştirirken tüm ellerin kırmızı güvenlik çubuğu pivotlarından uzakta olmasını sağlayın.

DİKKAT

- Her zaman karyolayı en alçak pozisyona getirmek suretiyle karyolanın sabitleyiciye bağlanmasını sağlayın.
- Karyola, karyola sabitleyicisine bağlı iken ürün yüksekliğini değiştirmeye çalışmayın.

Karyolayı indirmek için:

1. Yük platformunun durdurma kapısının, arka kapak yük platformundan karyolanın kayarak düşmesini engelleyecek şekilde konumlandırılmış olduğundan emin olun.
2. Arka kapak yük platformunu araç hasta bölümünün zemin seviyesine kadar yükseltin.
3. Karyolayı araç karyola sabitleyicisinden çıkarın.
4. Her iki operatör de karyola çerçevesini tutmalı ve karyolayı arka kapak yük platformuna doğru kaydırmalıdır. Karyolayı araç hasta bölümünden çıkarın ve karyola tekerleklerinin uygun pozisyonda olduğundan ve bu sayede yük platformunun serbestçe aşağı inebileceğinden emin olun.
5. Arka kapak yük platformunu yere kadar alçaltın. Arka kapak yük platformu kapı durdurucuyu sökmeden ve karyolayı buradan dışarı kaydırmadan önce bunun tamamen alçaltılmış ve durdurulmuş olduğundan emin olun.

Karyolayı bir rampa ile yükleme

Dolu bir karyolayı daima en az iki eğitimli operatörle yükleyin. Karyola dolu olduğunda iki operatörün orada bulunması gereklidir. Operatörler, hasta, karyola ve karyola üzerindeki her türlü eşyanın toplam ağırlığını kaldırabilmelidir.

UYARI - Ellerin daima tutamaçları üzerine gerektiği gibi yerleşmesini sağlayın. Karyolayı yüklerken veya indirirken ya da karyolanın yükseklik pozisyonunu değiştirirken tüm ellerin kırmızı güvenlik çubuğu pivotlarından uzakta olmasını sağlayın.

DİKKAT

- Her zaman karyolayı en alçak pozisyona getirmek suretiyle karyolanın sabitleyiciye bağlanmasını sağlayın.
- Karyola, karyola sabitleyicisine bağlı iken ürün yüksekliğini değiştirmeye çalışmayın.

Karyolayı yüklemek için:

1. Karyolanın üzerinde iken hastanın her zaman güvende olduğundan emin olun.
2. Karyolayı rampadan yukarı doğru itmeden önce, daha iyi denge için geri çekme (-) düğmesine basarak karyolayı en alçak pozisyonuna getirin (Şekil 13). Karyoladan hiçbir şeyin sarkmadığından emin olun.
3. İsteğe bağlı itme çubuklarını kullanarak, baş kısmı önde olacak şekilde her iki operatör birlikte karyolayı rampadan yukarı doğru itmeli veya çekmelidir (Şekil 14). Her iki operatör de karyolayı rampanın merkezinde olacak şekilde yönlendirmelidir.
4. Her iki operatör de karyolayı araç hasta bölmesine yönlendirmeli ve karyolayı araç karyola sabitleyicisine bağlamalıdır (birlikte verilmez).



Şekil 13 – Karyola en alçak pozisyonda

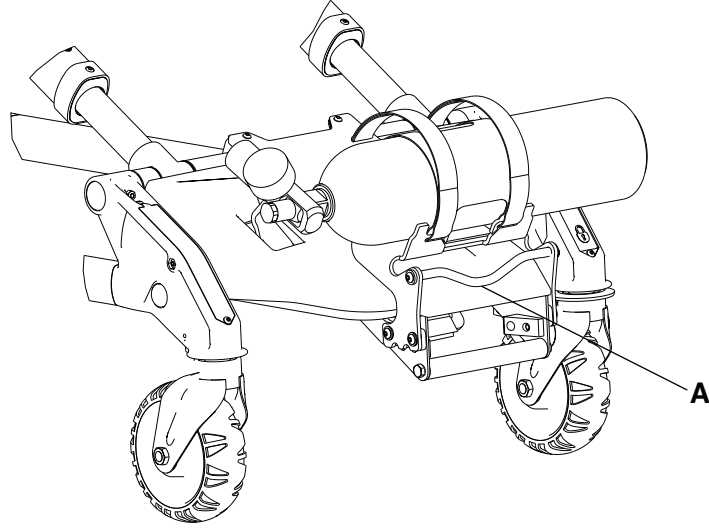


Şekil 14 – Karyolayı rampanın merkezine yönlendirin

İsteğe bağlı oksijen şişesi tutucusu ile birlikte bir karyolayı yükleme ve indirme

İsteğe bağlı oksijen şişesi tutucusu ile birlikte bir karyolayı yükleme ve indirmek için:

1. Vinç kabloğunu vinç eklenti çubuğuna (A) takın (Şekil 15).
2. Rampanın en az 8,5 fit (259 cm) olduğundan emin olun.
3. Rampanın karyola, hasta ve ekipmanın ağırlıklarını destekleyebileceğinden emin olun.



Şekil 15 – Vinç eklenti çubuğu

Not - Karyola en alçak pozisyonunda iken, 50 stone (318 kg) (700 lb) ağırlığına kadar hastaları yüklemek için isteğe bağlı oksijen şişesi tutucusunu kullanabilirsiniz.

Operatörlerin ve yardımcılarının konumlandırılması

UYARI - Portatif karyolayı yüklerken, indirirken ya da karyolanın yükseklik pozisyonunu değiştirirken ellerinizi daima kırmızı güvenlik çubuğu pivotlarından uzakta tutun.

	Seviyeleri değiştirme	Kayma
İki operatör (O) İki yardımcı (Y)		
İki operatör (O) Dört yardımcı (Y)		

Sırt desteğini yükseltme veya alçaltma

Sırt desteğini yükseltmek için sırt desteği ayar kolunu sıkarak sırt desteğini istediğiniz yüksekliğe getirin.

Sırt desteğini alçaltmak için sırt desteği ayar kolunu sıkın ve sırt desteğini aşağıya iterek istediğiniz yüksekliğe getirin.

Yan rayları yükseltme veya alçaltma

Bir hastayı karyolaya ya da karyoladan aktarırken her zaman yan rayları alçaltın.

UYARI - Yan rayları emniyet cihazları olarak kullanmayın.

Yan rayları yükseltmek için, mandal tık sesi çıkarana ve yan ray yerine kilitleneneye kadar yan rayı yukarı kaldırın. Bir hastayı aktarmıyorsanız, yan rayları daima yükseltilmiş pozisyonda tutun.

Yan rayları alçaltmak için yan ray sürgüsünü serbest bırakmak üzere yan ray serbest bırakma kolunu sıkın. Yan rayı, yan ray düz yatana kadar karyolanın ayak ucuna doğru aşağıya yönlendirin. Bir hastayı karyolaya ya da karyoladan aktarırken her zaman yan rayları alçaltın.

Yan rayları (XPS opsiyonu) yükseltme veya alçaltma

Karyolanızı genişletilebilir hasta yüzeyi (XPS) opsiyonuyla sipariş edebilir veya XPS opsiyonunu eklemek üzere karyolanızı yükseltebilirsiniz.

UYARI - Yan rayları emniyet cihazları olarak kullanmayın.

DİKKAT

- Yan rayların (XPS opsiyonu) üzerine oturmayın veya üzerinde durmayın.
 - Yan rayları (XPS opsiyonu) hasta aktarma cihazı veya yüzeyi olarak kullanmayın (örneğin hastayı karyoladan başka bir yüzeye kaydırmak için).
 - Hastaları yan rayların (XPS opsiyonu) üzerine tüm ağırlıklarıyla yerleştirmeyin.
 - Yan rayları (XPS opsiyonu) bir itme/çekme cihazı olarak veya ürünü yönlendirmek için kullanmayın.
-

Yan raylar (XPS opsiyonu) karyolaya takılır ve daima kullanılmaya hazırdır. Yan raylar (XPS opsiyonu) hasta boyutuna göre ayarlanır ve yedi pozisyonda kilitletir. Yan raylar ayrıca standart kapı eşiklerine veya asansörlere sığabilir.

Yan rayları yükseltmek için, istenen pozisyona kilitleneneye kadar yan rayı yukarı kaldırın.

Yan rayları alçaltmak için, ağırlığı almak üzere yukarı kaldırın ve kırmızı kolu çekin. Bir hastayı karyolaya ya da karyoladan aktarırken her zaman yan rayları alçaltın.

XPS opsiyonu, bir asıl hasta destek yüzeyi değildir. Daha geniş bir şilte içerir ve hasta konforunu artırmaya yöneliktir.

Geri çekilebilir baş kısmını veya ayak kısmını uzatma

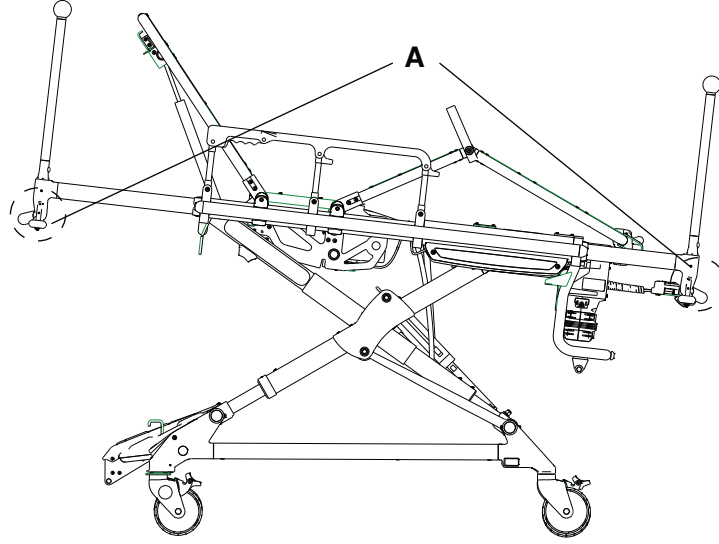
Baş kısmı, şilte destek yüzeyi çerçevesi dahilinde uzatılmış bir pozisyondan geri çekilmiş bir pozisyona teleskopik olarak hareket eder.

UYARI

- Karyolayı çalıştırmadan önce daima baş kısmını yerine kilitleyin.
 - Karyolayı, baş kısmı geri çekilmişken araç hasta bölmesine yüklemeye çalışmayın. Baş kısmı geri çekilmişken karyolayı yüklemek, ürünün devrilmesine veya araç karyola sabitleyicisine bağlanamamasına yol açabilir.
-

Baş kısmını veya ayak kısmını uzatmak için:

1. Baş veya ayak kısmını geri çekilmiş pozisyonundan çekerken çerçevenin her iki tarafındaki kırmızı serbest bırakma kollarını (A) sıkın (Şekil 16).
2. Baş kısmı veya ayak kısmının konumuna kilitlendiğinden emin olun.



Şekil 16 – Baş kısmını veya ayak kısmını uzatın

Geri çekilebilir baş kısmını veya ayak kısmını geri çekme

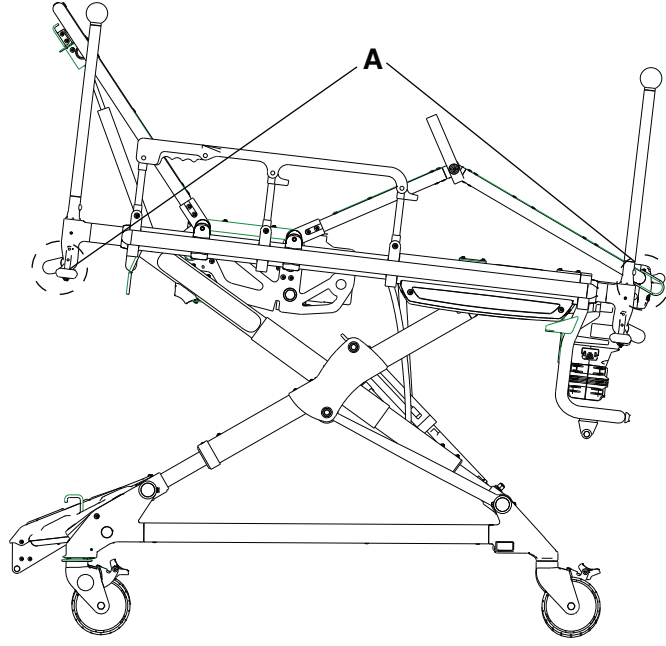
Baş kısmı, şilte destek yüzeyi çerçevesi dahilinde uzatılmış bir pozisyondan geri çekilmiş bir pozisyona teleskopik olarak hareket eder.

UYARI

- Karyolayı çalıştırmadan önce daima baş kısmını yerine kilitleyin.
- Karyolayı, baş kısmı geri çekilmişken araç hasta bölmesine yüklemeye çalışmayın. Baş kısmı geri çekilmişken karyolayı yüklemek, ürünün devrilmesine veya araç karyola sabitleyicisine bağlanamamasına yol açabilir.

Baş kısmını veya ayak kısmını geri çekmek için:

1. Baş veya ayak kısmını uzatılmış pozisyonundan çıkarırken çerçevenin her iki tarafındaki kırmızı serbest bırakma kollarını (A) sıkın (Şekil 17).
2. Baş kısmı veya ayak kısmının konumuna kilitlendiğinden emin olun.



Şekil 17 – Baş kısmını veya ayak kısmını geri çekin

Diz Bükme Desteği seçeneğini yükseltme veya alçaltma

Diz bükme desteğini yükseltmek için:

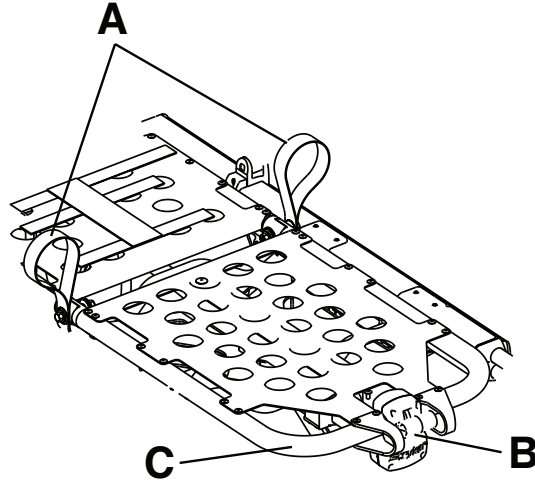
1. Diz bükme desteği en yüksek konumuna gelene kadar kırmızı kaldırma halkalarından birini (A) kaldırın (Şekil 18).
2. Destek braketini kilitleme mekanizmasına sabitlemek için diz bükme desteğini alçaltın.
3. Kaldırma halkasını serbest bırakmadan önce kilitleme mekanizmasının sabitlendiğinden emin olun.

Diz Bükme desteğini alçaltmak için, kırmızı kaldırma halkalarından birini (A) kaldırarak kilitleme mekanizmasının üzerindeki baskıyı azaltın ve bu sırada halkayı tutarken, destek braketini serbest kalana kadar kırmızı ayak desteği serbest bırakma kolunu (B) itin. Düz uzanana kadar diz bükme desteğini alçaltın.

Diz bükme desteğini trendelenburg konumunda yükseltmek için çerçeve yerine kilitlenene kadar ayak desteği çerçevesini (C) olabildiğince yükseğe kaldırın. Çerçeveyi serbest bıraktığınızda destek braketini otomatik olarak takılır.

Diz Bükme desteğini trendde alçaltmak için, ayak desteği çerçevesini (C) kaldırın ve çerçeveyi tutarken çerçeve, destek braketini serbest bırakana kadar kırmızı ayak desteği serbest bırakma kolunu (B) yukarı kaldırın. Düz uzanana kadar ayak desteğini indirin.

Not - Ayak ucu oksijen şişesi tutucu seçeneği (6500-240-000), diz Bükme Desteği seçeneğiyle (6500-082-000) uyumlu değildir.



Şekil 18 – Diz bükme desteği

Tekerlek kilitlerini uygulama veya serbest bırakma

UYARI

- Devrilme riskinden kaçınmak için hasta ürün üzerindeyken veya ürünü hareket ettirdiğinizde tekerleği kilitlemeyin.
- Çapı 6 inçten az olan yıpranmış tekerlekli bir ürüne bir tekerlek kilidi takmayın veya uygulamayın.
- Bir hastayı veya oturan başka kişiyi gözetimsiz bırakmayın. Bir hasta veya başka kişi ürünün üzerindeyken ürünü tutun.

Bir tekerlek kilidi uygulamak için, durana ve tekerleğin yüzeyine dayanana kadar pedalı aşağı bastırın.

Bir tekerlek kilidini serbest bırakmak için tekerleğin tepesini ayağınızla aşağı bastırın veya pedalı ayak parmağınızla yukarı kaldırın. Tekerlek kilidini serbest bıraktığınızda pedalın tepesi tekerlek çerçevesine dayanacaktır.

Not - Tekerlek kilitleri, ürünün gözetimsizken hareket etmesini önlemeye yardım eder. Tekerlek kilitleri, tüm yüzeylerde veya yüklerde yeterli direnci sağlayamayabilir.

Steer-Lock özelliğini uygulama veya serbest bırakma

Steer-Lock'u uygulamak için:

1. Karyola ayak ucundan, ayak pedalının kırmızı (kilitli) tarafına basın veya karyola baş ucundan iki kırmızı pedaldan birini aşağı basın.
2. En az bir baş ucu tekerleği kilitlenene kadar karyolayı döndürün.

Steer-Lock'u serbest bırakmak için:

- Karyola ayak ucundan, ayak pedalının yeşil (kilit aç) tarafına basın veya karyola baş ucundan iki kırmızı pedaldan birini yukarı kaldırın.

Hastayı emniyet kemerleriyle sabitleme

UYARI

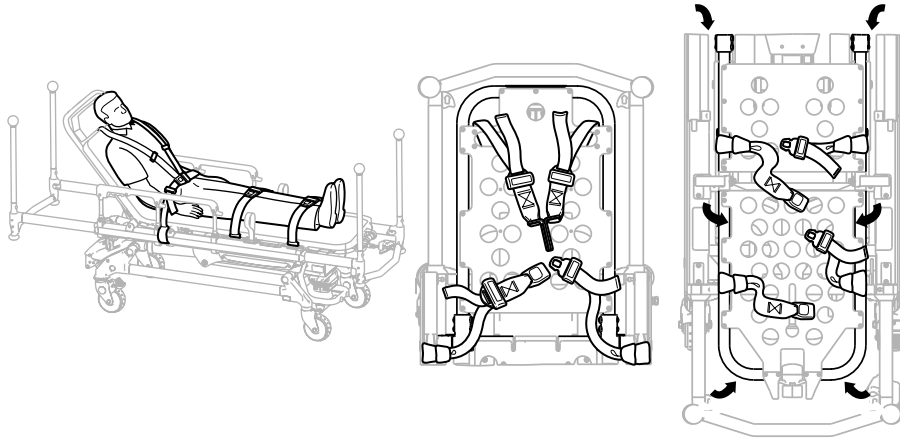
- Hastayı karyolaya sabitlemek için daima tüm emniyet kemerlerini kullanın. Sabitlenmemiş bir hasta karyoladan düşebilir.
- Emniyet kemerlerini taban borularına veya çapraz borulara takmayın.

DİKKAT - Karyolayı yükseltirken veya alçaltırken emniyet kemerlerinin taban çerçevesine dolanmamasına dikkat edin.

Not - Emniyet kemerleri BF Tipi uygulama parçasıdır.

Emniyet kemerlerini karyolada gerekli takma yerlerine sabitleyin (Şekil 19). Emniyet kemeri takma yerleri, güçlü ankraj ve uygun sabitleme pozisyonu sağlamalıdır. Emniyet kemerlerinin ekipman veya aksesuarları olumsuz etkilemesine izin vermeyin. Emniyet kemerlerini hastanın omuzlarının, belinin ve bacaklarının etrafına takın. Emniyet kemerlerini, karyola kullanımında değil iken takın.

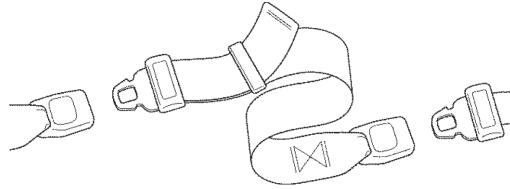
Hasta emniyet kemerlerini şilte destek yüzeyi çerçevesine takmak için, her bir kemeri halka ucunu, her bir ilgili noktadaki şilte destek yüzeyi çerçevesi içerisinden besleyip (Şekil 19) daha sonra tokayı veya mandal plakasını, kemeri halka ucunun içinden geçirin. Oklar, alternatif takma alanlarını göstermektedir.



Şekil 19 – Emniyet kemeri takma noktaları

Bir emniyet kemeri uzatması ekleme

Bel kemerini büyük hastaların etrafında kilitleirken ekstra uzunluk için bir emniyet kemeri uzatması (6082-160-050) ekleyin.



Şekil 20 – Emniyet kemeri uzatması

Hastayı X emniyet kemerleriyle/XPR emniyet kemerleriyle sabitleme

Emniyet kemerlerini karyolaya gereken takma yerlerinden sabitleyin: omuzlar, bel, uyluklar ve ayak bilekleri.

UYARI

- Hastayı karyolaya sabitlemek için daima tüm emniyet kemerlerini kullanın. Sabitlenmemiş bir hasta karyoladan düşebilir.
- Emniyet kemerlerini taban borularına veya çapraz borulara takmayın.

Not

- X emniyet kemeri/XPR (6500-001-430/650600030010) emniyet kemerleri yalnızca geniş Gatch destekli şilteyle uyumludur (6500-003-130/6506-003-130).
- Emniyet kemerleri BF Tipi uygulama parçasıdır.

Emniyet kemeri takma yerleri, güçlü ankraj ve uygun emniyet konumu sağlamalıdır (Şekil 21). Emniyet kemerlerinin ekipman veya aksesuarları olumsuz etkilemesine izin vermeyin. Emniyet kemerlerinin tokalarını omuzlar, bel, uyluklar ve ayak bileklerinin üstünden takın. Karyola kullanılmadığında tüm emniyet kemerlerinin tokalarını takın.

1. X emniyet kemeri/XPR omuz emniyet kemerlerini takma (sayfa 32)
2. X emniyet kemeri/XPR bel emniyet kemerlerini takma (sayfa 33)
3. X emniyet kemeri/XPR uyluk emniyet kemerlerini takma (sayfa 33)
4. X emniyet kemeri/XPR ayak bileği emniyet kemerlerini takma (sayfa 33)



Şekil 21 – Emniyet kemeri takma yerleri

X emniyet kemeri/XPR omuz emniyet kemerlerini takma

X emniyet kemeri/XPR omuz emniyet kemerlerini takmak için:

1. Emniyet kemerini karyola çerçevesine sarın.
2. Emniyet kemeri tokasını halkadan karyolanın baş ucuna doğru çekin.
3. Tokayı XPS Sisteminin altından ilerletin.
4. Model 6506 **Power-PRO** XT karyola ve Model 6086 **Performance-PRO** XT karyola için emniyet kemerini sırt desteğinin arkasına doğru sıkıca çekin.
5. Model 6550 **Power-PRO** TL karyola için emniyet kemerini çapraz borunun altından ve sırt desteğinin arkasına doğru çekin.
6. Tokayı, sırt desteğindeki açıklıktan ilerletin.
7. Hastaya göre sağ omuz tokasını hastaya göre sol bel tokasına takın.
8. Emniyet kemeri halkasını gevşek bırakmayın.



Şekil 22 – Omuz emniyet kemerleri

X emniyet kemeri/XPR bel emniyet kemerlerini takma

X emniyet kemeri/XPR bel emniyet kemerlerini takmak için:

1. Emniyet kemerini karyola çerçevesine sarın.
2. Emniyet kemeri tokalarını halkadan geçirerek karyolanın baş ucuna doğru çekin.
3. Tokayı XPS Sisteminin altından ilerletin.
4. Tokaları çekip sıkın. Bir emniyet kemeri, baş ucuna doğru açı yapmalı ve diğeri, karyolada düz durmalıdır.
5. Hastaya göre sağ tokayı hastaya göre sol tokaya takın.
6. Emniyet kemeri halkasını gevşek bırakmayın.



Şekil 23 – Bel emniyet kemerleri

X emniyet kemeri/XPR uyluk emniyet kemerlerini takma

X emniyet kemeri/XPR uyluk emniyet kemerlerini takmak için:

1. Emniyet kemerini şilte destek yüzeyine sarın.
2. Emniyet kemeri tokasını halkadan karyolanın baş ucuna doğru çekin.
3. Emniyet kemerini çekip sıkın.
4. Hastaya göre sağ tokayı hastaya göre sol tokaya takın.
5. Emniyet kemeri halkasını gevşek bırakmayın.



Şekil 24 – Uyluk emniyet kemerleri

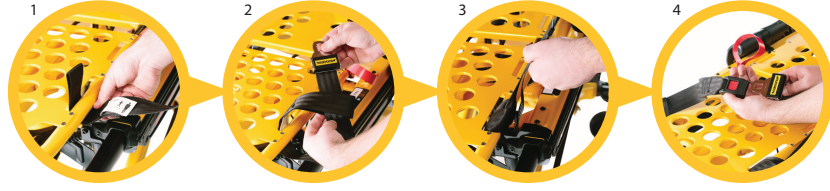
X emniyet kemeri/XPR ayak bileği emniyet kemerlerini takma

Yalnızca 3 Temmuz 2015'ten sonra üretilen veya yükseltlen ve Gatch opsiyonu veya herhangi bir Trend bulunan Model 6506 Power-PRO XT karyolalar, Model 6086 Performance-PRO XT ve Model 6550 Power-PRO TL karyolalar için.

X emniyet kemeri/XPR ayak bileği emniyet kemerlerini takmak için:

1. Emniyet kemerini karyola çerçevesine sarın. Her iki ayak ucu kaldırma çubuğunun etrafına sarın.
2. Emniyet kemeri tokasını halkadan karyolanın baş ucuna doğru çekin.

3. Tokayı çekip sıkın.
4. Hastaya göre sağ tokayı hastaya göre sol tokaya takın.
5. Emniyet kemeri halkasını gevşek bırakmayın.



Şekil 25 – Ayak bileği emniyet kemerleri

Hastayı Pedi-Mate® bebek emniyet kemeri sistemiyle sabitleme

UYARI - Pedi-Mate® bebek emniyet kemeri sisteminin kazayla açılması ve bebeğin yaralanması riskini önlemek için, tokayı her zaman karyola üzerindeki engellerden veya aksesuarlardan uzağa yerleştirin.

Hastayı **Pedi-Mate®** bebek emniyet kemeri sistemiyle sabitlemek için:

1. Varsa kemerleri karyoladan uzaklaştırın.
2. Karyola sırt desteğini tam dik pozisyona getirin.
3. **Pedi-Mate®** pedini karyola sırt desteği üzerine siyah sırt desteği kemerleri dışarı bakacak şekilde düz yerleştirin.
4. Kemerleri karyola sırt desteğinin etrafına sarın ve kemerlerin uçlarını dirseklerden geçirin.
5. Tokayı kilitleyin.
6. Sıkmak için ayarlanabilir sırt desteği kemerinin ucunu çekin.
7. Ana çerçeve kayışlarını ürün çerçevesi ile şilte arasına yerleştirin.
8. Tokayı şilte destek yüzeyi çapraz bağlantısının arkasından geçirin ve şilte destek yüzeyi çapraz bağlantısının önüne getirin.
9. Tokayı şilte destek yüzeyi çapraz bağlantısının etrafına sabitleyin. Son ayar için kemerde gevşeklik bırakın.
10. Tüm kemerleri sıkın.

Not - **Pedi-Mate®** bebek emniyet sistemi hakkında daha fazla bilgi için, üreticinin kullanma, çalıştırma ve bakım talimatlarına bakın. **Pedi-Mate®** bebek emniyet sisteminin güvenli ve doğru kullanımı kullanıcının takdirindedir. Bu ürünün emniyetli şekilde çalıştırılması veya bakımı hakkında personelinizin eğitimi ve öğrenimi ile ilgili yöntemleri ve işlemleri belirleyin. Bunlar yalnızca genel talimatlardır. Bu talimatları gelecekte başvurmak için saklayın. Bu talimatlar, ürünün kalıcı bir parçasıdır ve ürün satılsa bile ürünle birlikte kalmalıdır.

Pedi-Mate® bir Ferno Washington, Inc. tescilli ticari markasıdır.

Defibrilatör platformunun takılması

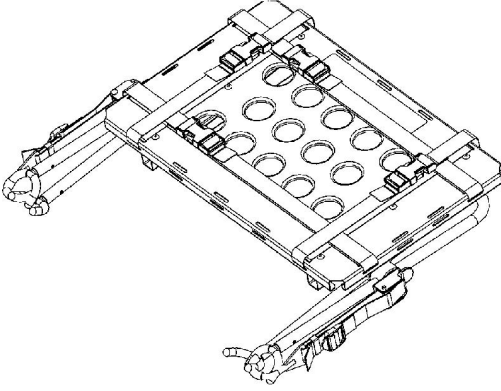
UYARI - Karyolanın devrilmesi riskinden kaçınmak için defibrilatör platformunu, **Power-LOAD** seçenekli Model 6086 **Performance-PRO XT** karyolaya takmayın.

DİKKAT

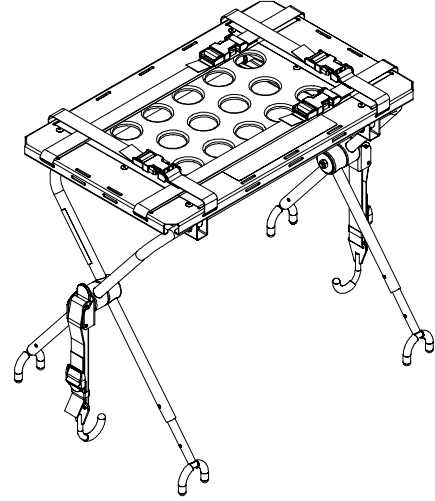
- Defibrilatör platformunu kullandığınızda defibrilatör platformunu daima ürüne sabitleyin.
- Defibrilatörü sabitlemek için defibrilatör platformuyla birlikte verilen kemerleri daima kullanın ve ayarlayın.
- Takma konumunu veya kemerlerin ayarını her zaman sizdeki defibrilatör boyutu veya şekli için değiştirin.
- Defibrilatör platformunu 30 lb (13,6 kg) güvenli çalışma yükünün üzerinde yüklemeyin.

Defibrilatör platformunu takmak için:

1. Defibrilatör platformunu saklama pozisyonuna getirin (Şekil 26).
2. Defibrilatör platformunun bacaklarını açın ve uzatın (Şekil 27).

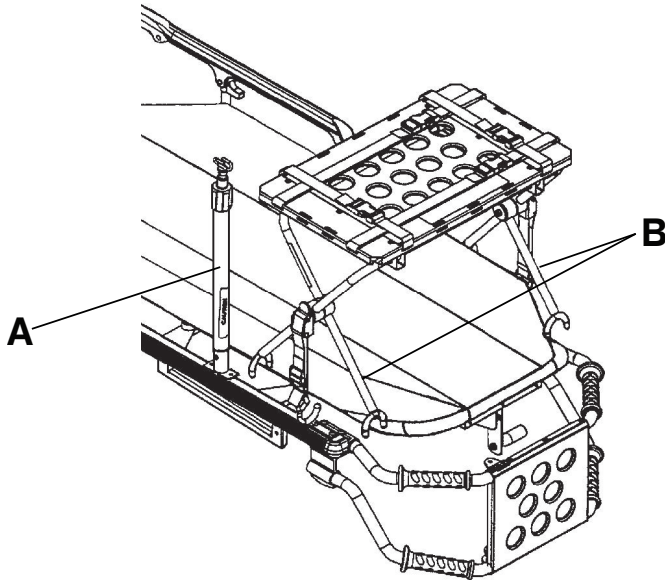


Şekil 26 – Saklama pozisyonu

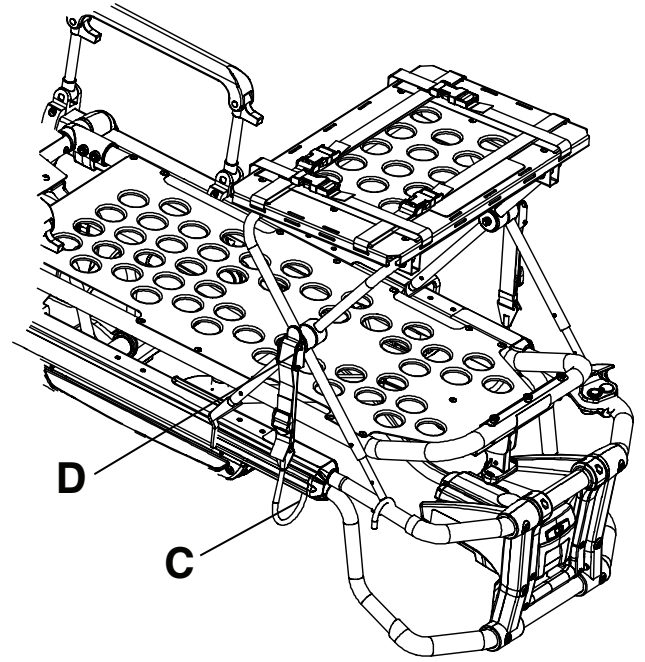


Şekil 27 – Defibrilatör platformunun bacaklarını açın

3. Ürün bir serum askısıyla donatılmışsa, serum askısını (A) yukarı pozisyona yükseltin (Şekil 28).
4. Defibrilatör platformunu ürün çerçevesine yerleştirin.
5. Defibrilatör platformunun iç bacaklarını (B), ürünün baş ucuna doğru yerleştirin (Şekil 28).
6. Mandal kancasını (C) şilte destek yüzeyi çerçevesinin veya ayak ucu kemerinin altına yerleştirin ve bir tık sesiyle bir taraftaki yerine kilitlenen kadar çıkıntıyı (D) yukarı itin (Şekil 29). Aynı işlemi diğer tarafta tekrarlayın. **Power-LOAD** uyumlu karyolalar için, donatılmışsa, kemerleri ayak ucu sabitleyicisine uzatmalı ve bağlamalısınız (Şekil 30).

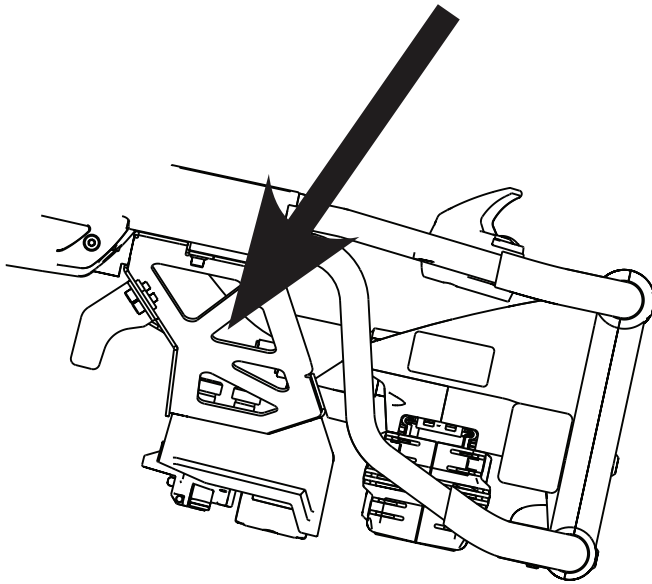


Şekil 28 – Serum askısını yükseltme ve defibrilatör tepsisini yerleştirme (Model 6506 gösterilmiştir)

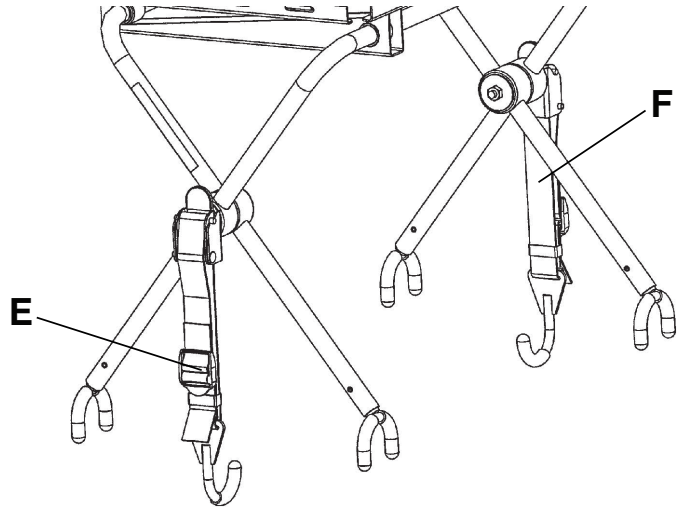


Şekil 29 – Mandal kancasını yerleştirme (Model 6506 gösterilmiştir)

7. Defibrilatör platformunun ürüne sabitlendiğinden emin olun.
8. Defibrilatörü defibrilatör platformuna yerleştirin.
9. Defibrilatörü defibrilatör platformunda tutmak için kemerleri (E) sabitleyin (Şekil 31).



Şekil 30 – Çıkıntı (Model 6506 gösterilmiştir)



Şekil 31 – Defibrilatör platformunu karyolaya takma

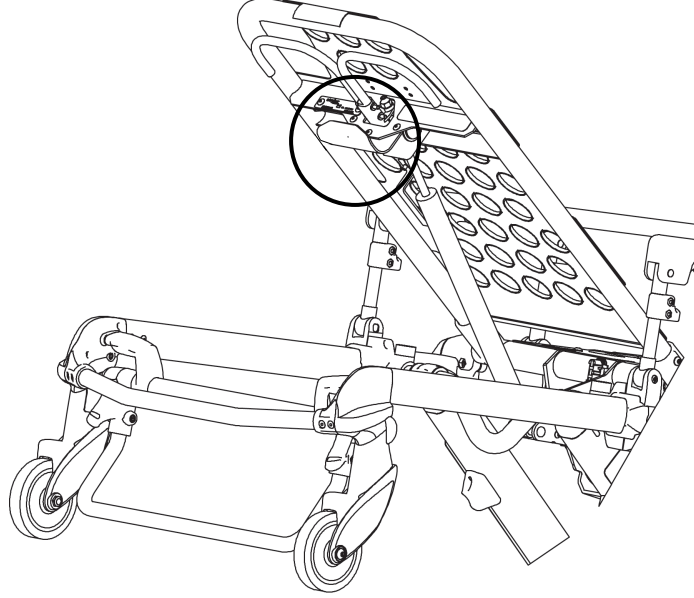
Not - Her iki mandal kancasını taktıktan sonra defibrilatör platformu ürüne takılmıyorsa, çıkıntının mandalını açın. Ayarlamak için kemeri gevşetin veya sıkın ve ardından bir tık sesiyle yerine kilitlenene kadar çıkıntıyı yukarı itin.

Ekipmanı ekipman kancasına asma

Defibrilatörler ve monitörler gibi aksesuarları veya ekipmanları asmak için ekipman kancasını kullanın.

DİKKAT

- Ekipman kancasını 35 lb (15,8 kg) şeklindeki güvenli çalışma yükünün üzerinde yüklemeyin.
- Araçtayken tüm aksesuarları ve ekipmanları ekipman kancasından daima çıkarın.



Şekil 32 – Ekipman kancası

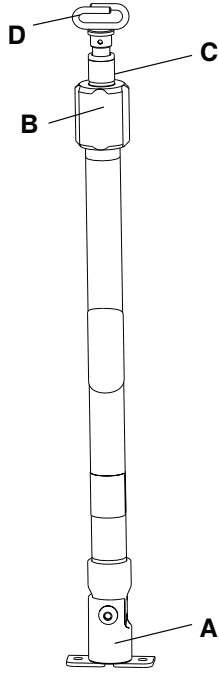
İki kademeli serum askısını yerleştirme

DİKKAT - Serum askısını 25 lb (11,3 kg) güvenli çalışma yükünün üzerinde yüklemeyin.

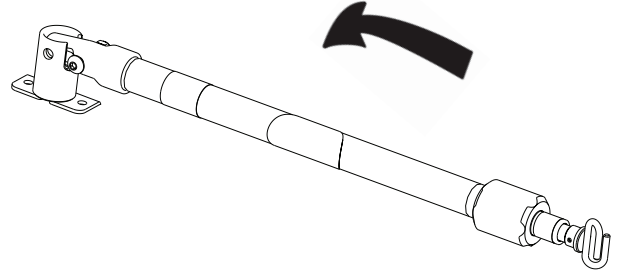
Serum askısını konumlandırmak için (Şekil 33):

1. Serum askısını kaldırın ve saklama pozisyonundan çıkarın ve serum askısı yuvaya (A) kilitlemeye kadar aşağıya bastırın.
2. Askının yüksekliğini arttırmak için kilitleme yakasını (B) saat yönünün tersine döndürün ve askının teleskopik kısmını (C) yukarı çekerek istediğiniz yüksekliğe getirin.
3. Teleskopik kısmı yerine kilitlemek için kilitleme yakasını (B) saat yönünde döndürün.
4. Serum torbalarını serum kancasına (D) asın.
5. Kilitleme yakalarını (B) saat yönünün tersine döndürün ve (C) kısmını alttaki boruya kaydırın.
6. Sıkmak için kilitleme yakalarını (B) saat yönünde döndürün.
7. Askıyı yukarı kaldırın ve saklama pozisyonuna getirin (Şekil 34).

Not - İki kademeli çift serum askıları (6500-312-000 veya 6550-312-000), hastaya göre sağ (6500-310-000 veya 6550-310-000) veya hastaya göre sol (6500-311-000 veya 6550-311-000) iki kademeli serum askısı opsiyonlarıyla uyumlu değildir.



Şekil 33 – Serum askısı yükseltilmiş pozisyonda



Şekil 34 – Serum askısı saklama pozisyonu

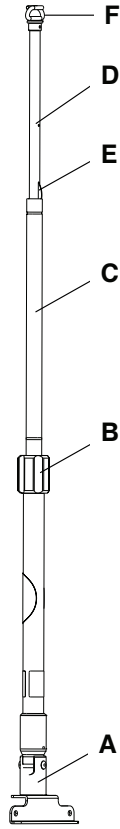
Üç kademeli serum askısı seçeneğini konumlandırma

DİKKAT - Serum askısını 25 lb (11,3 kg) güvenli çalışma yükünün üzerinde yüklemeyin.

Serum askısını konumlandırmak için (Şekil 35):

1. Serum askısını kaldırın ve saklama pozisyonundan çıkarın ve serum askısı yuvaya (A) kilitlemeye kadar aşağıya bastırın.
2. Askının yüksekliğini arttırmak için kilitleme halkasını (B) saat yönünün tersine döndürün ve askının teleskopik kısmını (C) yukarı çekerek istediğiniz yüksekliğe getirin.
3. Teleskopik kısmı yerine kilitlemek için kilitleme halkasını (B) saat yönünde döndürün.
4. Daha yüksek bir serum askısı için, yaylı klips (E) bağlanana kadar (D) kısmını yukarı çekin.
5. Serum torbalarını serum kancasına (F) asın.
6. Serum askısını alçaltmak için, yaylı klipsi (E) içeri itin ve (D) kısmını aşağıya (C) kısmına kaydırın. Kilitleme halkasını (B) saat yönünün tersine döndürün ve (C) kısmını alttaki boruya kaydırın.
7. Sıkmak için, kilitleme halkasını (B) saat yönünde döndürün.
8. Direği yukarı kaldırın ve saklama pozisyonuna döndürün.

Not - Üç aşamalı serum askısı çiftleri (6500-317-000 veya 6550-317-000); hasta sağ (6500-315-000 veya 6550-315-000) veya hasta sol (6500-316-000 veya 6550-316-000) üç aşamalı serum askısı opsiyonlarıyla uyumlu değildir.



Şekil 35 – Serum askısı yükseltilmiş pozisyonda

Bir oksijen şişesini oksijen şişesi tutucusuna takma

DİKKAT

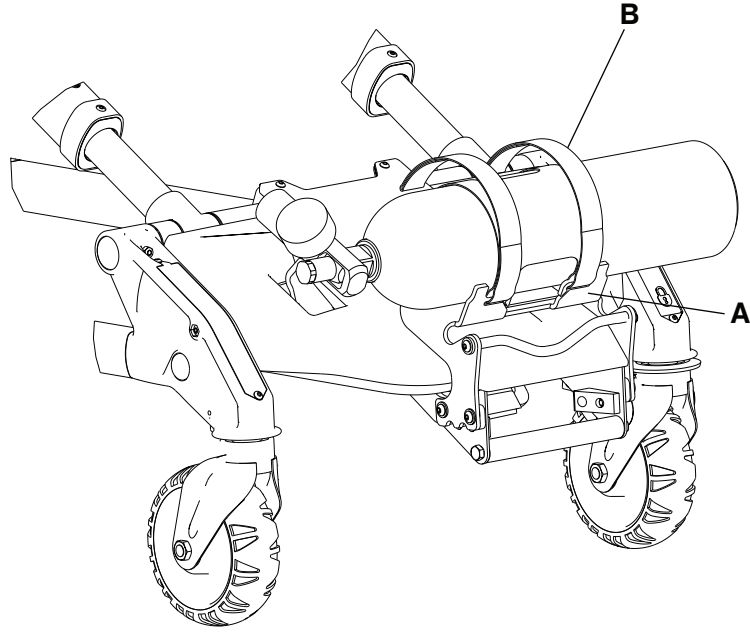
- Oksijen şişesi tutucusunu, 1,1 stone (6,8 kg) (15 lb) şeklindeki güvenli çalışma yükünün üzerinde yüklemeyin.
- İki oksijen şişesi tutucusunu aynı anda kullanmayın.

Bir oksijen şişesini oksijen şişesi tutucusuna takmak için (Şekil 36):

1. Oksijen şişesi tutucusunu, öge (A)'nın beşik yüzeyine ortalayın.
2. Her iki kemeri (B) oksijen şişesinin etrafında sıkılaştırın.
3. Kemerlerde yeterli payı koruyun ve her iki kemeri de takın.

Not - Nakil aracı hareket halindeyken, oksijen şişesi tutucusunu bir oksijen şişesi tutmak için kullanmayın. Nakil aracı hareket halindeyken, oksijen şişesi tutucusunu daima uygun bir depolama yerinde tutun.

Not - Kullanımlar arasında kemerleri ve klipsleri aşınma açısından denetleyin. Artık oksijen şişesini tutamıyorsa kemeri değiştirin.



Şekil 36 – Oksijen şişesi takma

İtme çubukları opsiyonunu takma

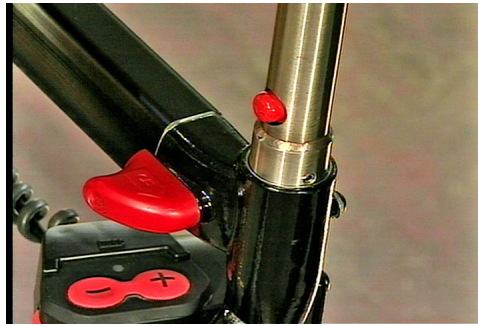
İsteğe bağlı itme çubukları, ürünü istediğiniz herhangi bir yükseklikte manevraya tabi tutabilmenizi sağlar.

UYARI

- Kullanım sırasında itme çubuklarının çıkmasını önlemek için itme çubuklarını daima montaj yerlerine kilitleyin.
- Ürünü itme çubuklarını kullanarak kaldırmayın.

İtme çubuklarını takmak için:

1. Her bir itme çubuğunu dört köşe soketinden birine yerleştirin.
2. Her bir itme çubuğunu iterek soket içerisine kilitletmesini sağlayın.



Şekil 37 – İtme çubuğu takılı

İtme çubuğunu çıkarma ve itme çubuğu saklama torbasında saklama

UYARI - Kullanmadığınız durumlarda her zaman itme çubuklarını taban saklama torbası içerisinde saklayın.

İtme çubuklarını çıkarmak için:

1. Kırmızı serbest bırakma düğmesine basın ve her bir çubuğu ilgili köşe soketinden kaldırıp çıkarın.
2. Çıkarılan itme çubuklarını taban çerçevesi içerisinde bulunan taban saklama torbası içerisine yerleştirin (Şekil 38).

Taban saklama torbasını takmak için, ilgili tokaları bağlayarak torbayı karyola çerçevesine sabitleyin (Şekil 39).

Karyolayı yükseltmeden, alçaltmadan veya nakletmeden önce, torbanın ve içeriğinin karyola işlevlerini olumsuz etkilemediğinden emin olun.



Şekil 38 – İtme çubuklarının çıkarılması



Şekil 39 – İtme çubuğu saklama torbasını takın

Taban saklama ağı seçeneğini takma

DİKKAT

- Taban saklama filesini 20 lb (9 kg) güvenli çalışma yükünün üzerinde yüklemeyin.
- Taban saklama filesinde saklanan eşyaların zarar görmesinden kaçınmak için tabanı geri çekerken daima dikkatli olun.

Taban saklama ağını takmak için **Velcro®** kemerleri taban borularının etrafına sarın.

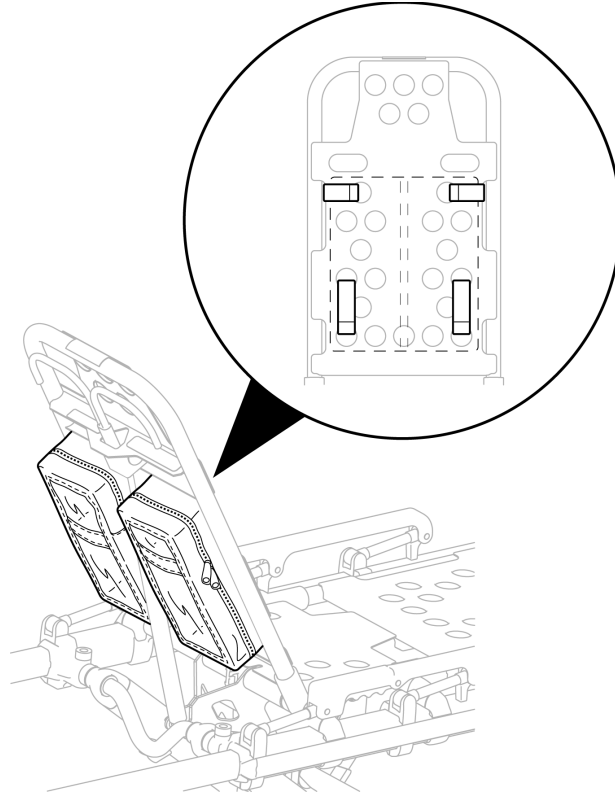
Sırt desteği saklama torbasını takma

DİKKAT

- Sırt desteği saklama torbasını 20 lb (9 kg) güvenli çalışma yükünün üzerinde yüklemeyin.
- Saklama torbasının, geri çekilebilir baş kısmının çalışmasını engellemesine izin vermeyin.

Sırt desteği saklama torbasını takmak için (Şekil 40):

1. Her bir kemeri sırt desteği yüzeyindeki bir delikten geçirin.
2. Torbayı, sırt desteğine düz olacak şekilde monte edin.
3. Sırt desteği saklama torbasını karyolaya **Velcro®** kemerlerle sabitleyin.



Şekil 40 – Sırt desteği saklama torbası

Şilteyi takma

Bu ürünle kullanılmak üzere iki şilte opsiyonu mevcuttur. Standart yan rayla, Bükme destekli şilte (6550-001-084) veya düz şilte (6550-001-295) kullanın. İsteğe bağlı genişletilebilir hasta yüzeyiyle (XPS), daha geniş Bükme destekli şilteyi (6500-003-130/6506-003-130) kullanın.

DİKKAT - Şiltenin altında eşya saklamayın. Şiltenin altındaki eşyalar ürünün çalışmasını etkileyebilir.

Şilteyi karyolaya takmak için:

1. Şiltenin arkasındaki **Velcro®**'yu karyola şiltesi destek yüzeyindeki **Velcro®**'yla hizalayın.
2. Şiltenin ayak ucundaki kemeri, karyola şilte destek yüzeyindeki ayak ucu yüzeyindeki iki delikten takın.
3. Kayışı tokadan geçirin ve kayışı sabitlemek için **Velcro®**'yu takın.

Not

- Bükme destekli şilte (6550-001-084) ve düz şilte (6550-001-295), XPS yan ray opsiyonuyla (6550-031-000) uyumlu değildir.
- XPS için isteğe bağlı Bükme destekli şilte (6500-003-130/6506-003-130), standart yan rayla (6550-034-000) uyumlu değildir.
- Şilte, bir BF Tipi uygulama parçasıdır.

SMRT Pak Takılması

SMRT Pak; Power-PRO XT, Power-PRO IT ve Power-PRO TL karyolalarla uyumlu olacak şekilde tasarlanmıştır.

Kullanılabilir batarya gücünü en üst düzeye çıkarmak için sadece son 48 saat içinde şarj edilmiş SMRT Pak'ları kullanın.

SMRT Pak'ı takmak için:

1. Batarya muhafazasındaki tırnakları hizalayın.
2. Mandal tıklayarak yerine yerleşene kadar SMRT Pak'ı muhafazanın içine itin.

SMRT Pak, servis çağrılarında bir haftaya kadar veya karyola bataryasının LED göstergesi sarı renkli yanıp sönene kadar Power-PRO karyola üzerinde kalabilir.

SMRT Pak'ı karyoladan çıkarma

SMRT Pak'ın şarjı bittikten sonra, SMRT Pak'ı Power-PRO karyoladan çıkarın ve şarj edilmiş bir SMRT Pak ile değiştirin.

SMRT Pak'ı dinlendirmeden sürekli çalıştırmak pil hücreleri içindeki sıcaklığı artırabilir ve kullanım ömrünü azaltabilir. Örneğin, ağır bir hastayı peş peşe birkaç kez kaldırıp indirmek SMRT Pak'ın kullanım ömrünü azaltabilir.

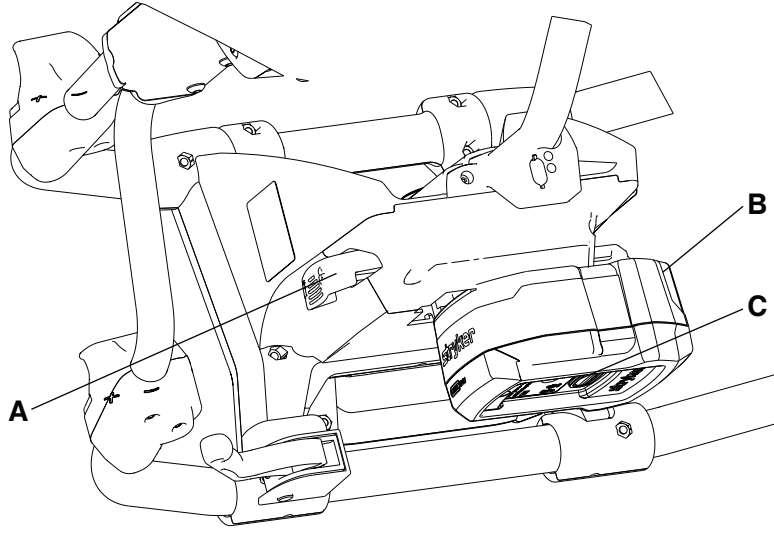
UYARI

- Karyola aktif haldeyken bataryayı çıkarmayın.
- Elektrik çarpması riskinden kaçınmak için batarya takımını hangi sebeple olursa olsun açmaya çalışmayın. Muhafazası çatlak veya hasarlıysa batarya takımını şarj cihazına takmayın. Hasarlı batarya takımlarını geri dönüşüm için servis merkezine iade edin.
- Yaş batarya veya batarya muhafazalarına doğrudan temastan daima kaçınınız. Temas, hasta veya kullanıcının yaralanmasına neden olabilir.

DİKKAT - Karyola uzunca bir süre (24 saatten fazla) kullanılmayacaksa bataryayı mutlaka çıkarın.

SMRT Pak'ı karyoladan çıkarmak için:

1. SMRT Pak'ı (B) karyoladan ayırmak için kırmızı renkli tek elle serbest bırakma düğmesine (C) veya batarya serbest bırakma düğmesine (A) basın (Şekil 41).
2. Ayrılan SMRT Pak'ı kaydırarak muhafazasından çıkarın.



Şekil 41 – Bataryayı çıkarma

Bataryayı saklama

Bu ekipmanın kullanım ömrünün uzatılması, performansı ve güvenliği için bu ekipmanı saklarken veya taşırken orijinal ambalaj materyallerini kullanın.

Saklama sırasında veya çalışmadığı zamanlarda tüm bataryalar şarjını yitirir. **SMRT Pak SMRT şarj cihazından çıkarıldıktan sonraki 48 saat içinde şarjını yüzde 30'a varan oranda yitirebilir.** En yüksek performansı korumak için, saklanan **SMRT Pak'ları** üç ayda bir kullanıp tamamen şarj edin.

SMRT Pak'ı şarj etme

SMRT Pak, yalnızca **SMRT şarj cihazıyla** kullanılmaya yöneliktir.

UYARI - Çatlak veya hasarlı bir **SMRT Pak'ı SMRT şarj cihazına** yerleştirmeyin. Hasarlı **SMRT Pak'ları** geri dönüştürülmek üzere bir servis merkezine iade edin.

Not

- Uzun süre saklamak için, **SMRT Pak'ı şarjlı** kalması amacıyla **SMRT şarj cihazının** üzerinde saklayın. **SMRT şarj cihazı SMRT Pak'ı şarjlı ve kullanılmaya hazır tutar.**
- **SMRT Pak'ı oda sıcaklığında, 43 °F - 88 °F (6 °C - 31 °C)** şeklindeki izin verilen sıcaklık şarj aralığında saklayın. **SMRT Pak'ı önerilen sıcaklık aralığının dışında şarj etmek, SMRT Pak ömrünü kısaltır ve şarj olma süresini uzatır.**

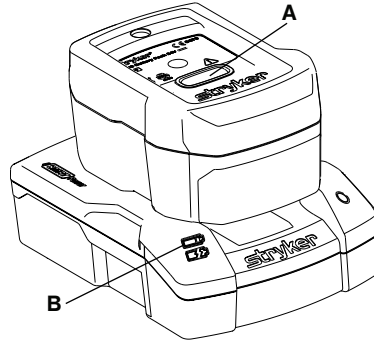
SMRT Pak'ı şarj etmek için (Şekil 42):

1. Temiz ve kuru bir **SMRT Pak'ı SMRT şarj cihazına** yerleştirin. **SMRT Pak'ın SMRT şarj cihazına kilitlendiğinden** emin olun.

Not

- Şarj sırasında **SMRT şarj cihazı LED göstergesi (B)** yeşil renkte yanıp söner (Şekil 42). Optimum şarj süresi iki saattir.
 - **SMRT Pak şarj olduğunda ve kullanıma hazır olduğunda, SMRT şarj cihazı LED göstergesi (B)** sabit yeşil renkte yanar.
2. Şarjlı ve hazır **SMRT Pak'ı SMRT şarj cihazından** serbest bırakmak için kırmızı serbest bırakma düğmesine (A) (Şekil 42) basın ve **SMRT Pak'ı** kaydırın.

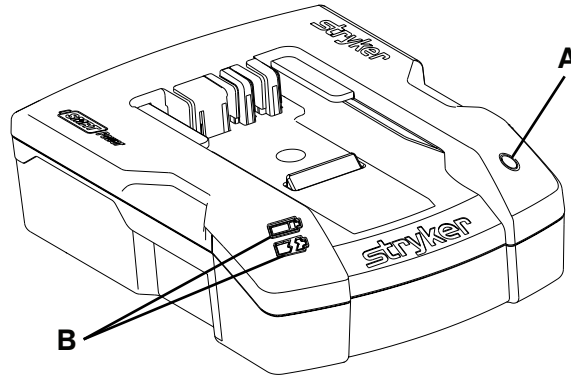
SMRT şarj cihazı, SMRT Pak şarj durumu ne olursa olsun şarjı yönetir.



Şekil 42 – SMRT Pak'ı şarj etme

SMRT Pak güç seviyesini SMRT şarj cihazıyla kontrol etme

SMRT Pak güç seviyesini kontrol etmek için SMRT şarj cihazı LED göstergelerini kullanın.



Şekil 43 – SMRT Pak güç seviyesini kontrol etme

- Güç bağlantısı: **SMRT** şarj cihazını uygun güç kaynağına bağlayın veya bağlantısını kesin (*Şarj cihazının gücünü açma* (sayfa 48)).
- **SMRT** şarj cihazı güç LED'i (A): Yeşil LED yanıyorsa, **SMRT** şarj cihazında güç var demektir.
- **SMRT** şarj cihazı LED göstergeleri (B): Yeşil ve sarı şarj cihazı LED göstergeleri **SMRT** Pak durum bilgileri sağlar. **SMRT** şarj cihazının veya **SMRT** Pak'ın durumuna bağlı olarak LED'ler sabit veya yanıp sönen durumda olabilir.

SMRT şarj cihazı LED göstergesi	Durum
Yeşil (yanıp sönüyor)	SMRT şarj cihazı, SMRT Pak'ı şarj ediyor. Optimum şarj süresi iki saattir.
Yeşil (sabit)	SMRT şarj cihazı SMRT Pak'ı şarjlı ve kullanılmaya hazır
Sarı (yanıp sönüyor)	SMRT Pak sıcaklık gecikmesi. SMRT şarj cihazı, SMRT Pak'ın 43 °F - 88 °F (6 °C - 31 °C) şeklindeki izin verilen sıcaklık aralığına ulaşmasını bekliyor.
Sarı (sabit)	SMRT Pak hatası. Bakım kılavuzunuzun sorun giderme kısmına bakın.

Elektrik tesisatı gereklilikleri

SMRT şarj cihazının montajı için elektrikli güç kaynağını konfigüre ederken, güvenilir ve etkili bir çalıştırma için şu elektrik gereklerine uyun.

Güç türü	Çalıştırma voltaj aralığı	Frekans	Maksimum akım çekişi	Beklemedeyken akım çekişi	Düşük voltajda kapanma
AC	100 - 240 VAC	50/60 Hz	1,20 A	0,05 A	Geçerli değil
DC	12,5 - 16 VDC	Geçerli değil	4,16 A	0,20 A	10 VDC

SMRT şarj cihazının montajı

SMRT şarj cihazını monte ederken, SMRT şarj cihazını şu özelliklere sahip, çevresel açıdan kontrollü bir konuma yerleştirin:

- Fazla toz ve nem içermeyen
- Sabit bir sıcaklık aralığında tutulan. Kabul edilebilir sıcaklık aralığı 43 °F ila 88 °F'dir (6 °C ila 31 °C). Optimal sıcaklık aralığı 65 °F - 75 °F'dir (18 °C - 24 °C).
- Kullanım için kolaylıkla erişilebilen

Hasar ve yanlışlıkla bağlantı kesilme riskini en aza indirmek amacıyla güç kaynağı ve güç kabloları için bir yer belirleyin ve bunu muhafaza edin.

Montaj braketi opsiyonunu monte etme

UYARI

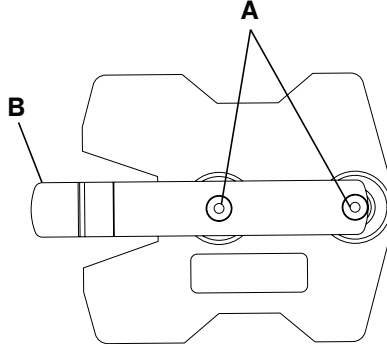
- Montaj braketi opsiyonunun ve SMRT şarj cihazının montajını daima ambulans aracının yapısı konusunda bilgi sahibi olan sertifikalı bir makine teknisyenine yaptırın.
- Yerleşik çarpışma testi standartlarına uygunluk açısından SMRT şarj cihazını taşıma sırasında daima kapalı bir dolap içinde ve hastanın erişiminden uzakta olacak şekilde montaj braketi opsiyonuna monte edin.
- Montaj braketi opsiyonunun daima yüzeye sağlam olarak takıldığından emin olun.

Montaj braketini monte etmek için (Şekil 44):

- Montaj braketini monte etmek istediğiniz alanda montaj deliklerinin (A) yerini işaretlemek için SMRT şarj cihazı montaj braketini şablon olarak kullanın.
- Şunlardan emin olarak montaj braketini konumlandırın:
 - Yaylı çıkıntı (B), SMRT şarj cihazının arka kısmındadır.

Not - Braketi dikey bir yüzeye monte ederken, yaylı çıkıntı sola bakacak şekilde yatay olmalıdır (Şekil 44).
 - Güç kablosu, SMRT şarj cihazının arka kısmına kolaylıkla takılır.
 - SMRT şarj cihazı, montaj sonrasında braketle bağlanmak üzere önden geriye kayar.
 - Braket, ambulans veya istasyon konumu için doğru monte edilmiştir:

Ambulans konumu	İstasyon konumu
<ul style="list-style-type: none"> Braketi asgari no. 10 boy, sınıf 5 vidalarla (ürünle birlikte verilmez) yatay yapısal destek yüzeyine veya rafa sabitleyin. Seçilen montaj yüzeyinin, nakil sırasında SMRT şarj cihazını ve SMRT Pak'ı sağlamca tutacak kadar dayanıklı olduğundan emin olun. Nakil sırasında braketi kapalı bir dolap içine ve hastanın ulaşamayacağı bir yere yerleştirin. SMRT Pak'ın kolaylıkla monte edilmesini ve çıkarılmasını sağlayın.. Güç kaynağını güç kablosunun yetişebileceği şekilde konumlandırın. 	<ul style="list-style-type: none"> Braketi asgari no. 10 boy, derece 5 vidalarla (ürünle birlikte verilmez) yatay veya dikey yapısal destek yüzeyine sabitleyin. Dikey montaj için, montaj braketini, yaylı çıkıntı doğrudan montaj vidalarının altına gelecek şekilde konumlandırın; bu sayede, serbest bırakma düğmesine kazara basılsa bile SMRT Pak yine de SMRT şarj cihazı tarafından desteklenir vaziyette kalır. SMRT Pak'ın kolaylıkla monte edilmesini ve çıkarılmasını sağlayın. Güç kaynağını güç kablosunun yetişebileceği şekilde konumlandırın.

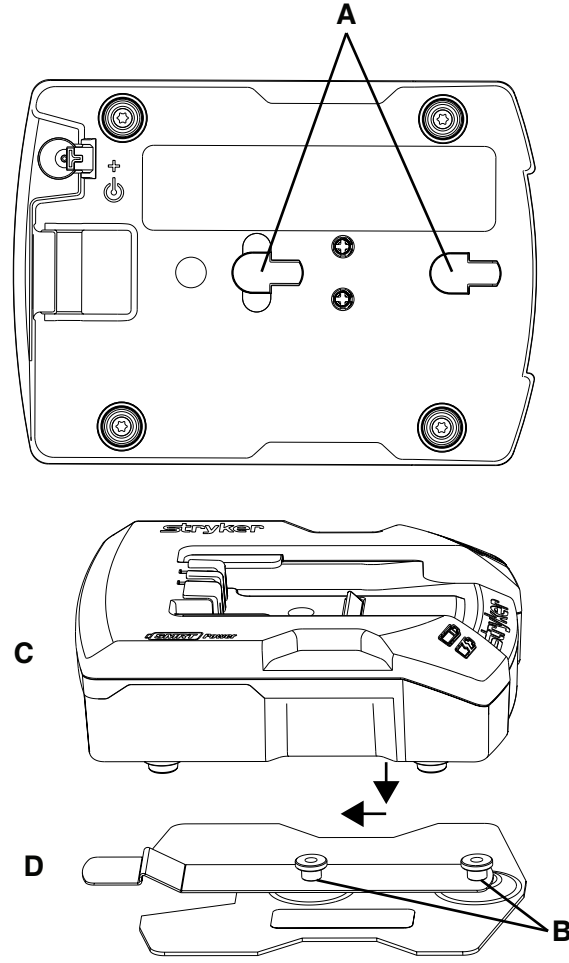


Şekil 44 – Montaj braketini

Şarj cihazını montaj braketini opsiyonuna takma

SMRT şarj cihazını montaj braketine takmak için (Şekil 45):

- Arka taraftaki kılavuz yuvarlarını (A) braket sabitleyicileriyle (B) hizalayın.
- Şarj cihazını braketine sabitlemek için **SMRT** şarj cihazını (C) montaj braketine (D) kilitlemeye kadar kaydırın.



Şekil 45 – Şarj cihazını takma

Şarj cihazının gücünü açma

DİKKAT

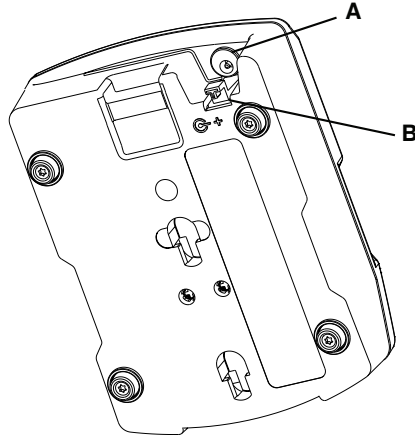
- Elektrikli **SMRT** şarj cihazı güç kablosunu daima üzerine basılmayacağı, takılmalara neden olmayacağı veya başka hiçbir hasar veya baskıya maruz kalmayacağı bir yere koyun.
- **SMRT** Pak priz uçlarına metal nesnelere dokunmayın.

To power the **SMRT** charger (Şekil 46):

1. **SMRT** şarj cihazının arka kısmında güç bağlantısının (A) yerini tespit edin.
2. Güç kablosu priz konektörünü **SMRT** şarj cihazı güç bağlantısına takmak için güç kablosu tutma çıkıntısını (B) içeri itin.
3. Güç kablosunun güç adaptörü ucunu güç kaynağına takın.

En iyi uygulama şekli temiz bir kesintisiz güç kaynağı kullanmaktır. **SMRT** şarj cihazı bir güç kaynağına bağlanınca sabit bir yeşil güç LED ışığı sürekli olarak cihazda yanar.

SMRT şarj cihazına güç vermek için sadece Stryker tarafından onaylanmış parçaları kullanın.



Şekil 46 – Şarj cihazının gücünü açma

Şarj cihazı bağlantısının kesilmesi

DİKKAT - SMRT şarj cihazı bağlantısını keserken, elektrik fişine ve kablosuna zarar verme riskinden kaçınmak için kabloyu değil, daima fişi tutup çekin.

SMRT şarj cihazı bağlantısını kesmek için elektrik kablosunu AC veya DC güç kaynağından çekin.

Aksesuarlar ve parçalar

Bu aksesuarlar ürününüzle kullanılmak üzere temin edilebilir. Yapılandırmanız veya bölgeniz için temin edilebilirliği doğrulayın. Stryker Müşteri Hizmetlerini arayın: 1-800-327-0770.

Ad	Numara
Sırt desteği çantası	6500-130-000
Kemer uzatması	6082-160-050
Defibrilatör platformu	6550-170-000
Ekipman kancası	6500-147-000
Gaz silindiri, sırt desteği	1010-031-077
Yastıklı baş uzatması	6100-044-000
Serum askısı, iki kademeli, sağ	6550-310-000
Serum askısı, iki kademeli, sol	6550-311-000
Serum askısı, iki kademeli, çift	6550-312-000
Serum askısı, üç kademeli, sağ	6550-315-000
Serum askısı, üç kademeli, sol	6550-316-000
Serum askısı, üç kademeli, çift	6550-317-000
Şilte, diz Gatch desteği	6550-001-084
Şilte, düz diz Gatch	6550-001-295
Şilte, diz Gatch desteği, XPS	6500-003-130
Şilte, diz Gatch desteği, gri, XPS	6506-003-130
Oksijen şişesi tutucu	6550-102-020
Oksijen şişesi tutucu, çıkarılabilir	6080-140-000
Oksijen şişesi tutucu, kemer	6550-002-004
Emniyet braketi opsiyonu	6091-300-010
Emniyet kemerli paketi, EMS, yerel	6060-160-010
Emniyet kemerli paket, X emniyet kemeri	6500-001-430
Emniyet kemerli paket, XPR	650600030010
Yan ray, standart	6550-034-000
Yan ray, XPS opsiyonu	6550-031-000
Saklama filesi, taban	6500-160-000
Saklama torbası, sırt desteği	6500-130-000
Tekerlek kilidi	6086-200-010

Yalnızca Stryker onaylı parçaları kullanın. Diğer parçalar sistemin elektromanyetik emisyonlarının artmasına veya elektromanyetik bağışıklığının azalmasına neden olabilir. Parçaları değiştirmeyin. Buna uyulmaması yaralanmalara neden olabilir.

Ad	Numara
SMRT şarj cihazı	6500-201-000
SMRT şarj cihazı montaj braketi	6500-034-000
SMRT Pak kiti, batarya takımı	6500-700-046
Güç bileşenleri - AC	
Şarj cihazı güç kaynağı	6500-201-148
Güç kablosu, Kuzey Amerika	6500-201-149
Güç kablosu, Avrupa	6500-201-150
Güç kablosu, Birleşik Krallık	6500-201-151
Güç kablosu, Avustralya	6500-201-153
Güç bileşenleri - DC	
12 VDC kablo, otomotiv	6500-201-147
12-24 V kablo, DIN fiş	6500-201-152
SMRT güç kiti (1 şarj cihazı, 2 Pak ve 1 güç kablosu içerir)	
SMRT güç kiti - 12 VDC, yerel (araç şarj cihazı)	6500-700-040
SMRT güç kiti - 120 VAC, yerel (duvar şarj cihazı)	6500-700-041
SMRT güç kiti - 240 VAC, Birleşik Krallık, uluslararası	6500-700-043
SMRT güç kiti - 240 VAC, Avrupa, uluslararası	6500-700-044
SMRT güç kiti - 240 VAC, Avustralya, uluslararası	6500-700-045

Ek parçaların tam bir listesi için Stryker satış temsilcinize başvurun.

XPR emniyet kemerlerini temizleme ve dezenfekte etme

Yapılandırmanız veya bölgeniz için temin edilebilirliği doğrulayın. Stryker Müşteri Hizmetlerini arayın: 1-800-327-0770.

Önerilen temizlik maddeleri arasında şunlar yer alır:

- ≤%70 izopropil alkol veya

Şu etken maddeleri (veya muadilini) içeren temizleyici:

- Amonyum tuzları ≤ %0,31
- İzopropil alkol ≤ %21,000
- Etilen glikol monobutil eter ≤ %3,000 (etken dışı madde)

Not - Reçete edilen temizleyicilerin kullanılmaması, erken bozunmaya neden olabilir ve ürün garantisini geçersiz kılabilir. Örneğin; çamaşır suyu, **HDQ Neutral®** veya Accelerated Hydrogen Peroxide ile temizlemeyin. Sorularınız veya endişeleriniz için lütfen Stryker Müşteri Hizmetlerine (1-800-327-0770) ulaşın.

Önerilen temizlik yöntemi:

1. Temizlik solüsyonu üreticisinin seyreltme önerilerine harfiyen uyun.
2. Temizlemek için dış yüzeyleri görünür tüm kiri gidermek üzere silin. Ürün temizlenene kadar tekrarlayın.

Not - Emniyet kemerinin tamamını temizlemek için uzatma tokasını kaldırın. Uzatma tokasını kaldırmadan önce emniyet kemeri yüzeyinin kuru olduğundan emin olun. Uzatma tokasını temizleyiciyle ıslanmış yüzeye kaldırmayın.

3. Dezenfekte etmek için dış yüzeyleri ıslanana kadar silin.
4. Ürünün, kimyasal üreticisinin usulünce dezenfeksiyon kılavuzunda belirtilenden uzun süre ıslak kalmadığından emin olun.
5. Ürünü tekrar hizmete almadan önce işlevselliği kontrol edin.
 - Emniyet kemeri metal tokalarını sıvılara batırmak, toka korozyonuna neden olabilir ve önerilmez. Korozyon olasılığını azaltmak için temiz suyla durulayın ve kurummasını bekleyin. Metal tokalarda korozyon durumunda emniyet kemerlerini değiştirin.
 - Görünür kirli, geçirgen materyalle doğrudan cilt teması, enfeksiyon riskini arttırabilir.
 - Emniyet kemerlerinin yıkanması tavsiye edilmez.

DİKKAT - Emniyet kemerlerinin yüzeylerine lubrikan uygulamayın.

Not

- XPR emniyet kemerlerinin beklenen hizmet ömrü, yukarıdaki önerilen temizleyiciler kullanıldığında üç aydır.
- Bu tür temizleyicileri kullanılırken yukarıdaki talimata uyulmaması, bu ürünün garantisini geçersiz kılabilir.
- Ürünü daima temiz suyla silin ve temizledikten sonra kurutun. Bazı temizlik ürünleri aşındırıcıdır ve üründe hasar oluşturabilir. Ürünün uygun şekilde durulanmaması ve kurutulmaması, ürün yüzeyinde kritik bileşenlerin erken bozunmasına yol açabilecek korozif kalıntılar bırakabilir.

Temizleme

UYARI - Tazyikli yıkama sırasında soluma yoluyla bulaşma riskinden kaçınmak için mutlaka uygun kişisel koruyucu ekipman kullanın. Tazyikli yıkama ekipmanı, kontaminasyonu havalandırabilir.

DİKKAT

- Ürünü buharla veya ultrasonik olarak temizlemeyin.
- Maksimum su sıcaklığı olarak 180 °F'yi (82 °C) geçmeyin.
- Maksimum su basıncı olarak 1500 psi'yi (103,4 bar) geçmeyin. Ürünü yıkamak için el çubuğu kullanıyorsanız, basınçlı ağzı üründen en az 24 inç (61 cm) uzakta tutun.
- Daima havayla kurumasına izin verin.
- Karyolayı yıkamadan önce daima bataryayı çıkarın.
- Ürünü kullanılırken temizlemeyin, servis vermeyin veya bakım yapmayın.

Ürün, tazyikli yıkanabilir. Üründe sürekli yıkamadan kaynaklanan oksitlenme izleri veya renk bozulmaları görülebilir. Uygun prosedürleri izlediğiniz takdirde tazyikli yıkama, ürün performansını olumsuz etkilenmez.

- Temizlik solüsyonu üreticisinin seyreltme önerilerine harfiyen uyun.
- Ürünün elektrikli yıkama cihazında yıkanmasına ilişkin Stryker Medical'ın önerdiği tercih edilen yöntem, standart hastane cerrahi araba yıkama cihazı veya el çubuğu ünitesidir.
- Karyolayı ayda bir temizleyin.
- Her kullanımdan sonra **Velcro®**'yu temizleyin. **Velcro®**'yu dezenfektan ile iyice ıslatın ve dezenfektanın buharlaşmasına izin verin. Nylon **Velcro®** için uygun dezenfektan, servis tarafından belirlenmelidir.
- Emniyet kemeri metal tokalarını sıvılara batırmak, toka korozyonuna neden olabilir ve önerilmez. Korozyon olasılığını azaltmak için temiz suyla durulayın ve kurumasını bekleyin. Metal tokalarda korozyon durumunda emniyet kemerlerini değiştirin.
- Görünür kirli, geçirgen materyalle doğrudan cilt teması, enfeksiyon riskini arttırabilir.

Önerilen temizlik maddeleri

Genel olarak üreticinin önerdiği konsantrasyonlarda fenolik veya kuaterner tipi (**Virex®** TB hariç) dezenfektanlar kullanılabilir. Leke bırakabilecekleri için iyodofor tipi dezenfektanların kullanılması önerilmez.

Önerilen temizlik maddeleri arasında şunlar yer alır:

- %3'ten az glikol eter içeren kuaterner temizleyiciler (etken madde - amonyum klorür)
- Fenolik temizleyiciler (etken madde - o-fenilfenol)
- Klorlu çamaşır suyu solüsyonu (%5,25 - 100 birim suda 1 birimden az çamaşır suyu)
- ≤%21 izopropanol alkol

Aşırı satürasyondan kaçının. Ürünün uygun dezenfeksiyon için kimyasal üreticisinin kılavuz ilkelerinden daha uzun süre ıslak kalmasına izin vermeyin.

Not

- Bu tür temizlik maddeleri kullanılırken yukarıdaki talimatlara uyulmaması bu ürünün garantisini geçersizleştirebilir.
- Ürünü daima temiz suyla silin ve temizledikten sonra kurutun. Bazı temizlik ürünleri aşındırıcıdır ve üründen hasar oluşturabilir. Ürünün uygun şekilde durulanmaması ve kurutulmaması, ürün yüzeyinde kritik bileşenlerin erken bozulmasına yol açabilecek korozif kalıntılar bırakabilir.

Şarj cihazının temizlenmesi

UYARI

- Yaralanma riskini azaltmak için **SMRT Pak**'ı temizlerken kişisel koruyucu ekipmana ilaveten daima yalıtımlı kauçuk eldivenler giyin.
- Elektrik tehlikesi riskinden kaçınmak için temizleme işlemi öncesinde **SMRT** şarj cihazını daima duvar prizinden çıkarın.
- Doğrudan **SMRT** şarj cihazı üzerine sıvı püskürtmeyin.
- **SMRT** şarj cihazını elektrikli bir yıkayıcıyla yıkamayın.
- Aksi belirtilmediği sürece **SMRT** şarj cihazını temizlemek için çözücü, yağlayıcı maddeler veya başka kimyasallar kullanmayın.
- Elektrik çarpması riskinden kaçınmak için **SMRT** şarj cihazını suya batırmayın veya **SMRT** şarj cihazı üzerinde su toplanmasına izin vermeyin.

To clean the **SMRT** charger:

1. Temizleme işlemi sırasında elektrik tehlikelerinden kaçınmak için **SMRT** şarj cihazını duvar prizinden çıkarın.
2. **SMRT** şarj cihazının yüzeylerini aşındırıcı olmayan bir hastane dezenfektanıyla nemlendirilmiş yumuşak bir bezle silin.
3. Tüm temizlik kimyasallarını veya kalıntılarını gidermek için temiz suyla nemlendirilmiş bir bezle silin.
4. **SMRT** şarj cihazını tekrar kullanıma almadan önce iyice kurulayın.

Bataryayı temizleme

SMRT Pak, tazyikli suyla yıkanabilecek şekilde tasarlanmıştır. **SMRT Pak**'ı tazyikli yıkamaya ilişkin tercih edilen yöntem, standart hastane cerrahi araba yıkama cihazı veya el çubuğu ünitesidir.

UYARI

- Tazyikli yıkama sırasında solunma yoluyla bulaşma riskinden kaçınmak için mutlaka uygun kişisel koruyucu ekipman kullanın. Tazyikli yıkama ekipmanı, kontaminasyonu havalandırabilir.
- Yaralanma riskini azaltmak için **SMRT Pak**'ı temizlerken kişisel koruyucu ekipmana ilaveten daima yalıtımlı kauçuk eldiven takın.
- **SMRT Pak**'ı silmek için daima iletken olmayan malzemeler kullanın.
- **SMRT Pak** terminallerinin suya aşırı maruz kalmasını önleyin.
- pH aralığını doğrulamak için daima dezenfektana ait Malzeme Güvenlik Veri Sayfasına (MSDS) başvurun. 10,5'ten yüksek pH düzeylerine sahip dezenfektanlar **SMRT Pak** muhafazasının malzemesinin çatlamasına neden olabilir.
- Yaralanma riskini önlemek için temizlik sırasında **SMRT Pak** terminallerini doğrudan tutmayın veya bunlarla temas etmeyin.
- Elektrik çarpması riskini azaltmak için **SMRT Pak**'ı sıvıya daldırmayın.
- Aksi belirtilmediği sürece **SMRT Pak**'ı temizlemek için solvent, lubrikan veya başka kimyasal kullanmayın.

DİKKAT

- **SMRT Pak**'ı buharla veya ultrasonik olarak temizlemeyin.
- Maksimum su sıcaklığı olarak 180 °F'yi (82 °C) geçmeyin.
- Maksimum havayla kurutma sıcaklığı olarak 240 °F'yi (115 °C) geçmeyin (arabalı yıkayıcılar).
- Maksimum su basıncı olarak 1500 psi'yi (103,4 bar) geçmeyin. Ürünü yıkamak için el çubuğu kullanıyorsanız, basınçlı ağız üründen en az 24 inç (61 cm) uzakta tutun.

SMRT Pak'ı temizlemek için:

1. **SMRT Pak**'ı **Power-PRO** karyoladan veya **SMRT** şarj cihazından çıkarın.
2. **SMRT Pak** muhafazasını ve terminal kısmını çatlak veya hasar açısından inceleyin.
3. **SMRT Pak**'ı 6,5 - 10,5 pH aralığında hastane sınıfı bir dezenfektanla temizleyin.

4. Temizlik kimyasallarını veya kalıntıları gidermek için **SMRT Pak'**ı temiz suyla iyice durulayın. **SMRT Pak'**ı suyun terminallerin yakınında birikmesini önleyecek şekilde yerleştirin.
5. **SMRT Pak'**ı **Power-PRO** karyolaya veya **SMRT** şarj cihazına yerleştirmeden önce **SMRT Pak'**ı iyice kurulayın.

Önleyici bakım

UYARI

- Hidrolik veya diğer hatların bağlantısını kesmeden önce daima basıncı boşaltın. Basınç altında kaçan sıvı cilde nüfuz edebilir ve ciddi yaralanmaya neden olabilir. Basınç uygulamadan önce tüm bağlantıları sıkılaştırın. Bir kaza olursa hemen bir doktora başvurun.
- Hidrolik sızıntı kontrolünü çıplak elle yapmayın.

DİKKAT

- Ürünün hasar görme riskinden kaçınmak için daima onaylı parçalar kullanın.
- Karyolanın hasar görmesini önlemek için hortumları ve hatları daima düzenli olarak kontrol edin. Gevşek bağlantıları kontrol edin ve sıkılaştırın. Hidrolik hatlar, hortumlar ve bağlantılar, fiziksel hasar, bükülme, eskime ve çevresel koşullara maruz kalma nedeniyle bozulabilir veya gevşeyebilir.
- Hidrolik sisteme hava girmesine neden olacağı için karyolayı yük tekerleklerinin üzerine yatırıp ürünü aktifleştirmeyin.

Bir bakım programı belirleyip uygulayın ve bakım faaliyetlerinin kayıtlarını tutun. Önleyici bakım incelemesini yapmadan önce ürünü hizmetten çıkarın. Ürün kullanımı seviyenize bağlı olarak önleyici bakım kontrollerini daha sık yapmanız gerekebilir. Servis sadece vasıflı personelce verilmelidir.

Bakım ürünlerini kullanırken üreticinin talimatına uyun ve malzeme güvenlik veri sayfalarının (MSDS) tümüne başvurun.

Yağlama

DİKKAT - Karyolanın performansını olumsuz etkileyebileceği ve garantisini geçersiz kılabilen için X çerçevenin rulmanlarını yağlamayın.

Karyola, yağlama ihtiyacı olmadan çalışacak şekilde tasarlanmıştır.

Düzenli inceleme ve ayarlar

Aşağıdaki program, bakım için genel bir kılavuzdur. Hava durumu, arazi, coğrafi konum ve bireysel kullanım gibi faktörler, gerekli bakım programını değiştirebilir. Bu kontrolleri nasıl yapacağınızdan emin değilseniz, Stryker servis teknisyeninizle irtibat kurun. Ürününüzün bakımı için hangi aralıkları izlemeniz gerektiğinden emin değilseniz, Stryker servis teknisyeninize danışın. Her rutini kontrol edin ve gerekirse aşınmış parçaları değiştirin.

Ayda bir veya iki saatte bir

Bu öğeleri, hangisi önce gelirse, ayda bir veya iki saatte bir inceleyin.

Öge	İnceleme
Ayarlar	Sabitleyici içi kapatma konfigürasyonu
Silindir	Silindir çubuğunu uzatın. Silindir çubuğunu yumuşak bir bezle ve ev tipi temizlik maddesiyle silin.
Kablolar ve teller	Yönlendirmelerden veya bağlantılardan sarkan tel yok
Manuel yedek serbest bırakma kolu	Manuel yedek serbest bırakma kolu fonksiyonları
Şilte destek yüzeyi	Çerçeve ve şilte destek yüzeyi
Taban	Çerçeve ve taban
Tekerlekler	Tekerlekler sağlam, dönüyor ve kendi ekseninde dönüyor

Öge	İnceleme
Baş kısmı	Güvenlik çubuğu işlevini görüyor. Güvenlik çubuğunun serbestçe sallanıp döndüğünden ve ilk pozisyonuna geri çekildiğinden emin olmak için baş kısmına doğru çekin
Emniyet kemeri	Emniyet kemerleri fazla aşınma (örneğin, bükülmüş veya kırık durumdaki alıcı veya mandal plakası ya da kopmuş veya saçaklanmış kemer örgüsü) olmadan çalışıyor
Batarya	İlk kullanımdan ve her kullanımdan önce SMRT Pak muhafazası ve batarya ucu kısmının çatlak veya hasar açısından incelenmesi
Şarj cihazı	İlk kullanımdan ve her kullanımdan önce SMRT şarj cihazı ve parçalarının, kabloda kesikler, bükülmüş pimler veya temas noktaları ya da muhafazadaki çatlaklar açısından incelenmesi

Üç ayda bir veya altı saatte bir

Bu öğeleri, hangisi önce gelirse, üç ayda bir veya altı saatte bir inceleyin.

Öge	İnceleme
Silindir	Tüm sabitleyiciler sağlam
	Hidrolik sıvı (kırmızı) sızıntısı yoktur
	Gevşek bağlantı elemanları - gerekirse, sıkın
Hidrolikler	Motor montaj sabitleyicileri sağlamdır
	Hidrolik sıvı sızıntısı yoktur
	Rezervuardan sızıntı yoktur
Kablolar ve teller	Tel tesisatında, kabloda veya hatlarda hasar veya sıkışma yok
	Hasarlı konektör yok
Manuel yedek serbest bırakma kolu	Manuel yedek serbest bırakma kolunu çektiğinizde taban uzanıyor ve geri çekiliyor
	Karyola üzerinde 100 lb (45 kg) veya daha fazla ağırlık varken manuel yedek serbest bırakma kolunu çektiğinizde karyola alçalmıyor
Şilte destek yüzeyi	Tüm sabitleyiciler sağlam
	Sırt desteği silindiri çalışıyor
	Gerekirse, tam hareket aralığı için pnömatik silindiri ayarlayın
Taban	Tüm sabitleyiciler sağlam
X çerçevesi	X çerçevesi genişliyor ve geri çekiliyor

Öge	İnceleme
Baş kısmı	Tüm sabitleyiciler sağlam
	Baş kısmı uzanıyor ve kilitlemiyor
Aksesuarlar ve parçalar (isteğe bağlı)	Tüm aksesuarlar ve parçalar işlev görüyor (örneğin, serum askısı, emniyet kemeri uzatması, itme çubukları ve oksijen şişesi tutucusu)

Altı ayda bir veya 12 saatte bir

Bu öğeleri, hangisi önce gelirse, altı ayda bir veya 12 saatte bir inceleyin.

Öge	İnceleme
Hidrolikler	Hortumlar ve bağlantı elemanları aşınma ve yıpranma açısından incelenmelidir
	Hidrolik hız sigortası - karyolaya yaklaşık 50 lb (23 kg) bir ağırlık koyun, karyolayı yükseltin, karyolayı iki operatörle kaldırın, manuel yedek serbest bırakma kolunu çekin, karyolayı hızla aşağı indirin ve karyolanın düşmediğinden emin olun
Elektronik kontroller	Karyolayı uzatarak yükseltilmiş pozisyona getirin, yük yüksekliğini ölçüp kontrol edin
	İtme fonksiyonu çalışıyor
	Yüksek hızlı geri çekme fonksiyonu çalışıyor
Anahtarlar	Anahtarların hiçbirinde hasar veya aşınma yok
	Her iki anahtar da çalışıyor
Şilte destek yüzeyi	Bükülmüş, kırık veya hasarlı bileşen yok
	Karyola tutma yerlerinde hasar veya aşınma yok
	Yan raylar çalışıyor ve mandallanıyor
	Ayak dayama çalışıyor
Şilte	Yarık veya yırtık yok
Taban	Bükülmüş, kırık veya hasarlı bileşen yok
Tekerlekler	Kalıntı içermiyor
Baş kısmı	Bükülmüş, kırık veya hasarlı bileşen yok
	Tutma çubuğunda aşırı hasar veya yırtık yok
	Yük tekerlekleri güvenli ve dönüyor
Dayanak (isteğe bağlı)	Dayanak yayını ve iç yay muhafazasını (isteğe bağlı) Tri-Flow® yağlayıcıyı kullanarak yağlayın.

12 ayda bir veya 24 saatte bir

Bu öğeleri, hangisi önce gelirse, 12 ayda bir veya 24 saatte bir inceleyin.

Kalem	İnceleme
Ayarlar	Karyola ve sabitleyici birbirine uygun ve çalışıyor
Silindir	Silindir ayarlı - kontra somun sıkı ve karyola ani stoplara çarptığında duruyor
Manuel yedek serbest bırakma kolu	Katlanmış konuma geri dönüyor
Şilte destek yüzeyi	Tüm kaynak yerleri sağlam, çatlamamış veya kırılmamış
	Uyarı etiketleri var ve okunaklı
Taban	Tüm kaynak yerleri sağlam, çatlamamış veya kırılmamış
Tekerlekler	Tekerlek kilitlerini kontrol edin ve ayarlayın
Geri çekilebilir baş kısmı oksijen şişesi tutucusu (isteğe bağlı)	Kayış ve klipslerin aşınması
Defibrilatör platformu (isteğe bağlı)	Kayışlar saçaklanmamış veya yırtılmamış
	Mandal kancaları sağlam ve sabit

EMC bilgisi

DİKKAT

- Üreticinin belirledikleri veya sağladıkları dışında aksesuarlar, transduserler veya kabloların kullanılması elektromanyetik emisyonların artmasına veya elektromanyetik bağışıklığın azalmasına neden olabilir ve uygun olmayan çalışmayla sonuçlanabilir.
- Bu ekipmanın emisyon özellikleri ürünü endüstriyel alanlar ve hastanelerde kullanım için uygun hale getirir (CISPR 11 sınıf A). Eğer bir mesken ortamında kullanılırsa (bunun için normalde CISPR 11 sınıf B gereklidir) bu ekipman radyofrekans iletişim hizmetleri için yeterli koruma sunmayabilir. Kullanıcının ekipmanın yerini veya yönünü değiştirmek gibi azaltıcı önlemler alması gerekebilir.

Kılavuz ve üreticinin beyanı - elektromanyetik emisyonlar

Power-PRO ve **SMRT** şarj cihazının aşağıda belirtilen elektromanyetik ortamda kullanılması amaçlanmıştır. **Power-PRO** ve **SMRT** şarj cihazının müşterisi veya kullanıcısı böyle bir ortamda kullanılmasını sağlamalıdır.

Emisyon testi	Uyum	Elektromanyetik ortam
RF Emisyonları CISPR 11	Grup 1	Power-PRO ve SMRT şarj cihazı sadece dahili işlevi için RF enerjisi kullanır. Bu nedenle RF emisyonları çok düşüktür ve yakındaki elektronik ekipmanda herhangi bir enterferans oluşturması pek olası değildir.
RF Emisyonları CISPR 11	Power-PRO : Sınıf A	Power-PRO mesken amaçlı olarak kullanılan binaları besleyen kamusal düşük voltajlı güç besleme ağına doğrudan bağlı olanlar ve mesken tipi olanlar hariç tüm tesislerde kullanılmaya uygundur.
	SMRT şarj cihazı (6500-201-010): Sınıf B	SMRT şarj cihazı mesken amaçlı olarak kullanılan binaları besleyen kamusal düşük voltajlı güç besleme ağına doğrudan bağlı olanlar ve mesken tipi olanlar dahil tüm tesislerde kullanılmaya uygundur.
Harmonik Emisyonlar IEC 61000-3-2	Power-PRO : Geçerli Değil SMRT şarj cihazı (6500-201-010): Sınıf A	SMRT şarj cihazı mesken amaçlı olarak kullanılan binaları besleyen kamusal düşük voltajlı güç besleme ağına doğrudan bağlı olanlar ve mesken tipi olanlar dahil tüm tesislerde kullanılmaya uygundur.
Voltaj Oynamaları Titreme Emisyonları IEC 61000-3-3	Power-PRO : Geçerli Değil SMRT şarj cihazı (6500-201-010): uyumlu	SMRT şarj cihazı mesken amaçlı olarak kullanılan binaları besleyen kamusal düşük voltajlı güç besleme ağına doğrudan bağlı olanlar ve mesken tipi olanlar dahil tüm tesislerde kullanılmaya uygundur.

DİKKAT

- Taşınabilir RF iletişimi ekipmanı (anten kabloları ve harici antenler gibi çevre ürünleri dahil) **Power-PRO** ve **SMRT** şarj cihazının üretici tarafından belirtilen kablolar dahil hiçbir kısmına 12 inç (30 cm) mesafeden daha yakın kullanılmamalıdır.
- Ürünlerin uygun olmayan çalışmasını önlemek için başka ekipmanı **Power-PRO** ve **SMRT** şarj cihazı ile yan yana veya üst üste koymaktan kaçının. Böyle kullanım gerekiyorsa **Power-PRO** ve **SMRT** şarj cihazını ve diğer ekipmanı uygun şekilde çalıştıklarından emin olmak üzere dikkatle izleyin.

Taşınabilir ve mobil RF iletişim ekipmanı ile Power-PRO ve SMRT şarj cihazı arasında önerilen ayırma mesafeleri

Power-PRO ve **SMRT** şarj cihazının yayılan RF bozulmalarının kontrol altında olduğu elektromanyetik ortamlarda kullanılması amaçlanmıştır. **Power-PRO** ve **SMRT** şarj cihazının müşterisi veya kullanıcısı, taşınabilir ve mobil RF iletişimi ekipmanı (vericiler) ile **Power-PRO** ve **SMRT** şarj cihazı arasında iletişim ekipmanının azami çıkış gücüne göre aşağıda önerilen asgari mesafeleri koruyarak elektromanyetik enterferansı önlemeye yardımcı olabilir.

Vericinin anma maksimum çıkış gücü W	Verici frekansına göre ayırma mesafesi m		
	150 kHz - 80 MHz D=(1,2) (\sqrt{P})	80 MHz - 800 MHz D=(0,35) (\sqrt{P})	800 MHz - 2,7 GHz D=(0,70) (\sqrt{P})
0,01	0,12	0,04	0,07
0,1	0,38	0,11	0,22
1	1,20	0,35	0,70
10	3,79	1,11	2,21
100	12	3,50	7

Azami çıkış gücü yukarıda belirtilmeyen vericiler için metre (m) cinsinden önerilen ayırma mesafesi d, verici frekansı denkleminde hesaplanabilir; burada P, verici üreticisine göre vericinin watt (W) cinsinden azami çıkış gücüdür. Not 1: 80 MHz ve 800 MHz değerlerinde üst frekans aralığının ayırma mesafesi geçerlidir. Not 2: Bu kılavuzlar her durumda geçerli olmayabilir. Elektromanyetik yayılım yapılar, nesnelere ve kişilerden kaynaklanan emilim ve yansımadan etkilenir.

Kılavuz ve üretici beyanı - elektromanyetik bağışıklık

Power-PRO ve **SMRT** şarj cihazı aşağıda belirtilen elektromanyetik ortamda kullanılmaya uygundur. **Power-PRO** ve **SMRT** şarj cihazının müşterisi veya kullanıcısı böyle bir ortamda kullanılmasını sağlamalıdır.


Bağışıklık testi	IEC 60601 test düzeyi	Uyum düzeyi	Elektromanyetik ortam - kılavuz
Elektrostatik deşarj (ESD) IEC 61000-4-2	± 8 kV temas ± 15 kV hava	± 8 kV temas ± 15 kV hava	Yerler ahşap, beton veya karo seramik olmalıdır. Zemin, sentetik malzemeye kaplıysa bağışıklık nem en az % 30 olmalıdır.
Elektrostatik hızlı geçici rejim/patlama IEC 61000-4-4	± 2 kV, güç besleme hatları için ± 1 kV, giriş/çıkış hatları için	Power-PRO: Geçerli değil SMRT Şarj Cihazı (6500-201-010): ± 2 kV, güç besleme hatları için $+1$ kV, giriş/çıkış hatları için	Ana şebeke gücü tipik bir ticari ortam veya hastane ortamı kalitesinde olmalıdır.

Kılavuz ve üretici beyanı - elektromanyetik bağışıklık

<p>Ani voltaj yükselmesi IEC 61000-4-5</p>	<p>± 1 kV hattan/hatlardan hatta/hatlara ± 2 kV hattan/hatlardan toprağa</p>	<p>Power-PRO: Geçerli değil SMRT Şarj Cihazı (6500-201-010): ± 1 kV hattan/hatlardan hatta/hatlara ± 2 kV hattan/hatlardan toprağa</p>	<p>Ana şebeke gücü tipik bir ticari ortam veya hastane ortamı kalitesinde olmalıdır.</p>
<p>Güç kaynağı giriş hatlarındaki voltaj düşüşleri, voltaj oynamaları ve kısa kesintiler IEC 61000-4-11</p>	<p>$\%0 U_T$, 0,5 döngü için, 0°, 45°, 90°, 135°, 180°, 225°, 270° ve 315°'de $\%0 U_T$, 1 döngü için $\%70 U_T$, ($\%30 U_T$ düşmesi), 25 döngü için $\%0 U_T$ 250 döngü için</p>	<p>Power-PRO: Geçerli değil SMRT şarj cihazı (6500-201-010): $\%0 U_T$, 0,5 döngü için, 0°, 45°, 90°, 135°, 180°, 225°, 270° ve 315°'de $\%0 U_T$, 1 döngü için $\%70 U_T$, ($\%30 U_T$ düşmesi), 25 döngü için $\%0 U_T$ 250 döngü için</p>	<p>Ana şebeke gücü tipik bir ticari ortam veya hastane ortamı kalitesinde olmalıdır. SMRT şarj cihazının kullanıcısı ana şebeke kesintileri sırasında çalışmanın devam etmesini istiyorsa cihazın kesintisiz bir güç kaynağı veya bataryadan güç alması önerilir.</p>
<p>Güç frekansı (50/60 Hz) manyetik alanı IEC 61000-4-8</p>	<p>30 A/m</p>	<p>30 A/m</p>	<p>Güç frekansı manyetik alanları tipik bir ticari ortam veya hastane ortamındaki tipik bir konum için karakteristik düzeylerde olmalıdır.</p>
<p>Besleme hatları boyunca elektriksel geçici iletim ISO 7637-2</p>	<p>ISO 7637-2 uyarınca</p>	<p>Power-PRO: Geçerli değil SMRT Şarj Cihazı (6500-201-010): ISO 7637-2 uyarınca</p>	<p>Geçerli değil</p>

Not: U_T , test düzeyinin uygulanmasından önceki AC şebeke voltajıdır.

Kılavuz ve üretici beyanı - elektromanyetik bağışıklık

<p>İletilen RF IEC 61000-4-6</p> <p>Yayılan RF IEC 61000-4-3</p>	<p>3 Vrms</p> <p>ISM ve amatör telsiz bantlarında 6 Vrms</p> <p>150 kHz - 80 MHz</p> <p>10 V/m</p> <p>80 MHz - 2,7 GHz</p>	<p>3 V</p> <p>ISM ve amatör telsiz bantlarında 6 Vrms</p> <p>10 V/m</p>	<p>Taşınabilir ve mobil RF iletişim ekipmanı, Power-PRO veya SMRT şarj cihazının kablolar dahil hiçbir kısmına verici frekansı denklemleriyle hesaplanan önerilen ayırma mesafesinden daha yakında kullanılmamalıdır.</p> <p>Önerilen ayırma mesafesi</p> <p>$D=(1,2) (\sqrt{P})$</p> <p>$D=(0,35) (\sqrt{P})$</p> <p>80 MHz - 800 MHz</p> <p>$D=(0,70) (\sqrt{P})$</p> <p>800 MHz - 2,7 GHz</p> <p>Burada P, verici üreticisine göre vericinin watt (W) cinsinden azami çıkış gücü ve d, metre (m) cinsinden önerilen ayırma mesafesidir.</p> <p>Elektromanyetik alan ölçümüyle belirlenen sabit RF verici kaynaklı alan güçleri^a, her bir frekans aralığında uyum düzeyinden düşük olmalıdır.^b</p> <p>Şu sembolle işaretli ekipmanın yakınlarında parazit oluşabilir:</p> 
--	--	---	--

Not 1: 80 MHz ve 800 MHz'de üst frekans aralığı geçerlidir.

Not 2: Bu kılavuzlar her durumda geçerli olmayabilir. Elektromanyetik yayılım yapılar, nesnelere ve kişilerden kaynaklanan emilim ve yansımadan etkilenir.

Not 3: 0,15 MHz ile 80 MHz arasındaki ISM (endüstriyel, bilimsel ve tıbbi) bantları 6,765 MHz - 6,795 MHz; 13,553 MHz - 13,567 MHz; 26,957 MHz - 27,283 MHz ve 40,66 MHz - 40,70 MHz'dir. 0,15 MHz ile 80 MHz arasındaki amatör telsiz bantları 1,8 MHz - 2,0 MHz, 3,5 MHz - 4,0 MHz, 5,3 MHz - 5,4 MHz, 7 MHz - 7,3 MHz, 10,1 MHz - 10,15 MHz, 14 MHz - 14,2 MHz, 18,07 MHz - 18,17 MHz, 21,0 MHz - 21,4 MHz, 24,89 MHz - 24,99 MHz, 28,0 MHz - 29,7 MHz ve 50,0 MHz - 54,0 MHz'dir.

stryker



Stryker Medical
3800 E. Centre Avenue
Portage, MI 49002
USA