

---

**IMPORTANT**  
Keep manual  
on file at all  
times.

**stryker**<sup>®</sup>



**Model 6250/6251/6252**

**STAIR-PRO**<sup>®</sup>

---

**RUGGED**<sup>®</sup> Stair Chair

---

**OPERATIONS/MAINTENANCE MANUAL**

For Parts or Technical Assistance  
1-800-327-0770



# Table of Contents

---

Introduction	
Specifications .....	3
Warning / Caution / Note Definition .....	3
Warranty .....	4, 5
Summary of Safety Precautions .....	6
Set-Up Procedures .....	7
Component Identification .....	8
Stair-PRO™ Operation	
Operating Guidelines .....	9
Unfolding/Folding the Stair-PRO™ .....	10
Transferring the Patient to the Stair-PRO™ .....	11
Using Restraint Straps .....	12-15
Proper Lifting Techniques .....	15
Transporting the Patient on Flat Surfaces .....	16
Transporting the Patient Down Stairs .....	17-19
Transporting the Patient Up Stairs .....	20
Operating The Wheel Locks .....	21
Adjusting The Wheel Locking Force .....	22
Operating the Optional Locking Rear Lift Handles .....	23
Operating The Optional Head Support .....	24
Using Additional Assistance .....	25
Preventative Maintenance	
Cleaning .....	26, 27
Preventative Maintenance Schedule & Checklist .....	28
Service Information	
Vinyl Seat Replacement .....	29
Track Belt Replacement and Tension Adjustment .....	30-32
Wheel Replacement .....	33
Upper Control Handle Release Cable Replacement .....	34, 35
Track Belt Reconditioning .....	35.1, 35.2
Maintenance Record .....	36
Training Record .....	37

# Table of Contents

---

## Assembly Drawings and Parts Lists

Chair Assembly .....	38–44
Seat Section Assembly .....	45
Foot End Lift Handle Assembly .....	46, 47
Head End Lift Handle Assembly .....	48
Lock Mechanism Assembly .....	49
6250/6251 Main Frame Assembly .....	50
Wheel Assembly .....	51
6252 Main Frame Assembly .....	52–54
Upper Control Handle Assembly .....	55
Stair–TREAD™ Frame Assembly .....	56
Internal Latch Assembly .....	57, 58
Cable and Pin Assembly .....	59
Foot Tube Assembly .....	60
Foot Support Assembly .....	61
Seat Options .....	62
Restraint Strap Sets .....	63
Head Support .....	64
Elastic Oxygen Bottle Holder .....	65
Quick Reference Replacement Parts List .....	66

# Introduction

---

## INTRODUCTION

This manual is designed to assist you with the operation and maintenance of the **ARUGGED** model 6250, 6251 and 6252 Stair-PRO® Stair Chairs. Read it thoroughly before using the equipment or beginning any maintenance on it.

## SPECIFICATIONS<sup>1</sup>

Model	6250	6251	6252
Height	36" / 91 cm.	36" / 91 cm.	37.5" / 95.25 cm.
Width	20.5" / 52 cm.	20.5" / 52 cm.	20.5" / 52 cm.
Depth <sup>2</sup>	28" / 71 cm.	28" / 71 cm.	28" / 71 cm.
Folded Depth	8" / 20 cm.	8" / 20 cm.	8" / 20 cm.
Weight	20 lbs. / 9 kg.	23 lbs. / 10 kg.	31.5 lbs. / 14 kg.
Maximum Load <sup>3</sup>	400 lbs. / 181 kg.	400 lbs. / 181 kg.	400 lbs. / 181 kg.

<sup>1</sup> Dimensions are measured from the outermost edges of the main frame. Specifications are rounded. Conversions are calculated before rounding.

<sup>2</sup> Depth dimensions are measured with extendable handles retracted.

<sup>3</sup> Maximum load capacity is total weight distributed in accordance to basic human anatomy. Operators must consider the weight of the patient, equipment, and accessories when determining the total weight load on the product.

Stryker reserves the right to change specifications without notice.

## WARNING / CAUTION / NOTE DEFINITION

The words WARNING, CAUTION and NOTE carry special meanings and should be carefully reviewed.

---

### WARNING

Alerts the reader about a situation, which if not avoided, could result in death or serious injury. It may also describe potential serious adverse reactions and safety hazards.

---

### CAUTION

Alerts the reader of a potentially hazardous situation, which if not avoided, may result in minor or moderate injury to the user or patient or damage to the equipment or other property. This includes special care necessary for the safe and effective use of the device and the care necessary to avoid damage to a device that may occur as a result of use or misuse.

---

### NOTE

This provides special information to make maintenance easier or important instructions clearer.

# Warranty

Stryker EMS, a division of the Stryker Corporation, offers two distinct warranty options in the United States:

**One (1) year parts and labor.** Under this option, Stryker EMS warrants to the original purchaser that its products should be free from manufacturing non-conformances that affect product performance and customer satisfaction for a period of one (1) year after date of delivery. Stryker's obligation under this warranty is expressly limited to supplying replacement parts and labor for, or replacing, at its option, any product that is, in the sole discretion of Stryker, found to be defective.

**Two (2) year parts.** Under this option, Stryker EMS warrants to the original purchaser that non-expendable components of its products should be free from manufacturing non-conformances that affect product performance and customer satisfaction for a period of two (2) years after date of delivery. Stryker's obligation under this warranty is expressly limited to supplying replacement parts for, or replacing, at its option, any product which is, in the sole discretion of Stryker, found to be defective. Expendable components, i.e. mattresses, restraints, IV poles, storage nets, storage pouches, O2 straps, and other soft goods, have a one (1) year limited warranty with this option.

Under either warranty option, Stryker EMS warrants to the original purchaser that welds on its products will be free from structural non-conformances that affect product performance for the full service life of the product. Original purchasers will also obtain a three (3) year limited parts warranty for the X frame components of the MX-PRO R3 stretcher provided they also purchase X-frame guards at the time of the original purchase and the guards are installed on the MX-PRO before it is put into service.

If Stryker requests, products or parts for which an original purchaser makes a warranty claim, the purchaser shall return the product or part prepaid freight to Stryker's factory.

Any improper use or alteration or repair by unauthorized service providers in such a manner as in Stryker's judgment affects the product materially and adversely, shall void this warranty. Any repair of Stryker products using parts not provided or authorized by Stryker shall void this warranty. No employee or representative of Stryker is authorized to change this warranty in any way.

This statement constitutes Stryker EMS's entire warranty with respect to the aforesaid equipment. STRYKER MAKES NO OTHER WARRANTY OR REPRESENTATION EITHER EXPRESSED OR IMPLIED, EXCEPT AS SET FORTH HERIN. THERE IS NO WARRANTY OF MERCHANTABILITY AND THERE ARE NO WARRANTIES OF FITNESS FOR ANY PARTICULAR PURPOSE. IN NO EVENT SHALL STRYKER BE LIABLE HEREUNDER FOR INCIDENTAL OR CONSEQUENTIAL DAMAGES ARISING FROM OR IN ANY MANNER RELATED TO SALES OR USE OF ANY SUCH EQUIPMENT.

# Warranty

## **Stryker EMS Return Policy**

Cots, Stair Chairs, Evacuation Chairs, Cot Fasteners and Aftermarket Accessories: may be returned up to 180 days of receipt if they meet the following guidelines:

### **Prior to 30 Days**

- 30 day money back guarantee in effect
- Stryker EMS is responsible for all charges
- Returns will not be approved on modified items

### **Prior to 90 Days**

- Product must be **unused, undamaged** and in the original packaging
- Customer is responsible for a 10% restocking fee

### **Prior to 180 Days**

- Product must be **unused, undamaged** and in the original packaging
- Customer is responsible for a 25% restocking fee

## **Return Authorization:**

Merchandise cannot be returned without approval from the Stryker Customer Service Department. An authorization number will be provided which must be printed on the returned merchandise. Stryker reserves the right to charge shipping and restocking fees on returned items.

**SPECIAL, MODIFIED, OR DISCONTINUED ITEMS NOT SUBJECT TO RETURN.**

## **Damaged Merchandise:**

ICC Regulations require that claims for damaged merchandise must be made with the carrier within fifteen (15) days of receipt of merchandise. **DO NOT ACCEPT DAMAGED SHIPMENTS UNLESS SUCH DAMAGE IS NOTED ON THE DELIVERY RECEIPT AT THE TIME OF RECEIPT.** Upon prompt notification, Stryker will file a freight claim with the appropriate carrier for damages incurred. Claim will be limited in amount to the actual replacement cost. In the event that this information is not received by Stryker within the fifteen (15) day period following the delivery of the merchandise, or the damage was not noted on the delivery receipt at the time of receipt, the customer will be responsible for payment of the original invoice in full.

Claims for any short shipment must be made within thirty (30) days of invoice.

## **International Warranty Clause:**

This warranty reflects U.S. domestic policy. Warranty outside the U.S. may vary by country. Please contact your local Stryker Medical representative for additional information.

## **Patent Information**

Rugged® Products are manufactured under the following patents:

United States	5,575,026	6,276,010
	5,537,700	6,125,485

Other Patents Pending

# Summary of Safety Precautions

---

The following is a list of safety precautions that must be observed when operating or servicing this unit. The precautions are repeated throughout the manual, where applicable. Carefully read this list before using or servicing the unit.

---

## WARNING

- Do not modify the Rugged Stair-PRO®. Modifying the chair can cause unpredictable operation resulting in injury to the patient or operator. Modifying the chair will also void its warranty.
  - Do not allow untrained helpers to assist in the operation of the Stair-PRO®. Untrained technicians/helpers can cause injury to the patient or themselves.
  - An unlocked chair can fold during use, causing injury to the patient or operator. Always make sure the chair is locked in the unfolded position before use.
  - To avoid injury, always verify the lift handles are locked in place before using them to lift the chair.
  - Always use all restraint straps to secure the patient on the chair. An unrestrained patient may fall from the chair and be injured.
  - Do not push the Model 6252 with the upper control handle in the fully extended position. Pushing the chair with the handle in the fully extended position may cause the chair to tip when obstacles are encountered.
  - Never leave a patient unattended on the chair or injury could result. Hold the chair securely while a patient is on the chair.
  - The Rugged Stair-PRO® is not recommended for use with suspected cervical, spinal, or fracture injuries.
  - To avoid injury, transporting the patient on stairs requires a *minimum* of two operators. If more people are required to safely control the chair, use the chart on page 25 as reference for proper positioning of the helpers.
  - Only use the wheel locks during patient transfer or without a patient on the chair. Tipping could occur if the chair is moved while wheel locks are applied, resulting in injury to the patient or operator and/or damage to the chair.
  - Never use a wheel lock on a chair with excessively worn wheels. Using a wheel lock on a wheel with less than a 5" diameter (Model 6252) or a 6" diameter (Models 6250/6251) could compromise the holding ability of the wheel lock, possibly resulting in injury to the patient or operator and/or damage to the chair or other equipment.
  - To avoid injury, always verify the Stair-TREAD™ on the Model 6252 is securely locked in place before transporting the patient.
  - Water, ice and debris on the stairs can affect operator footing and proper operation of the Stair-TREAD™ system. To avoid injury, clear the path or consider an alternate route.
  - Condensation, water, ice and/or debris on the Stair-TREAD™ can cause unpredictable performance, resulting in a sudden change in the weight the operators must support. To avoid injury, and to aid proper operation of the Stair-TREAD™, ensure the belts are clean and dry before transporting the patient.
  - Never lubricate the Stair-TREAD™ system. Lubrication on the system can cause inconsistent operation possibly resulting in injury to the patient or operator.
  - To avoid injury to the operators and/or the patient, operators should never attempt to transport patient loads greater than what they can safely lift.
  - Use any appropriate personal safety equipment (goggles, respirator, etc.) to avoid the risk of inhaling contagion. Use of powerwashing equipment can aerate contamination collected during the use of the cot.
-

# Summary of Safety Precautions & Set-Up Procedures

---

## CAUTION

---

- Improper usage of the Rugged Stair-PRO® can cause injury to the patient or operator. Operate the Stair-PRO® only as described in this manual.
- Improper maintenance can cause injury or damage to the unit. Maintain the Stair-PRO® as described in this manual. Use only Stryker approved parts and maintenance procedures. Using unapproved parts and procedures could cause unpredictable operation and/or injury and will void the product warranty.
- Casters are not suitable for all surfaces. Caution should be used at all times.
- Wheel locks are only intended to help prevent the empty chair from rolling while unattended and to aid in patient transfer. The wheel lock may not provide sufficient resistance on all surfaces or under loads.
- Release the red track release bar *before* clicking the Stair-TREAD™ into the locked position. Failure to follow this procedure could result in the track failing to lock. Always verify the Stair-TREAD™ is locked by trying to fold it before descending stairs.

## SET-UP PROCEDURES

Unpack the cartons and check all items for proper operation. It is important that the **RUGGED** Stair-PRO® is working properly before it is put into service. Have a qualified service person use the following list and the operation instructions to check the chair before it is put into service.

- All fasteners secure (reference all assembly drawings)
- All welds intact, not cracked or broken
- No bent or broken tubing or sheet metal
- No debris in wheels
- All wheels secure and rolling properly
- Chair unfolds and locks properly
- No rips or cracks in seat or backrest
- Patient restraints intact and working properly
- Wheel locks operating properly
- Foot end lift handles extend and lock properly
- Head end lift handles fold and unfold
- Front casters secure, rolling and swiveling properly (if equipped)
- Upper control handle extends and locks in all positions (if equipped)
- Stair-TREAD™ unfolds and locks (if equipped)
- Track belts roll properly (if equipped)
- Optional accessories intact and operating properly

The storage compartment on the vehicle in which the **RUGGED** Stair-PRO® will be transported must be large enough to accommodate the folded dimensions of the chair (see page 3).

When necessary, modify the vehicle to fit the chair. Do not modify the chair.

## WARNING

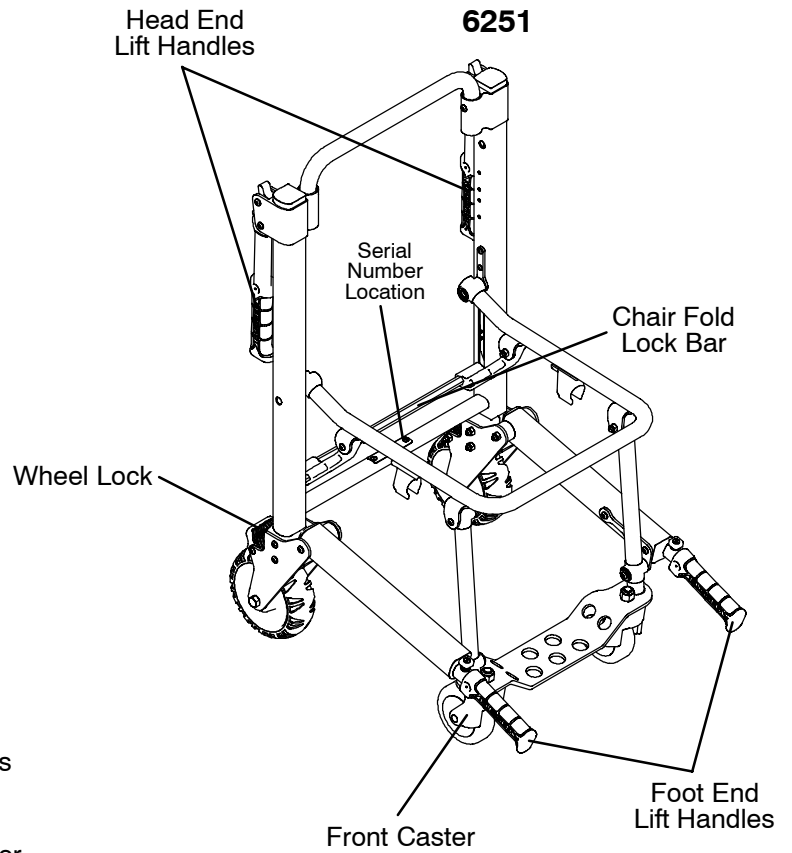
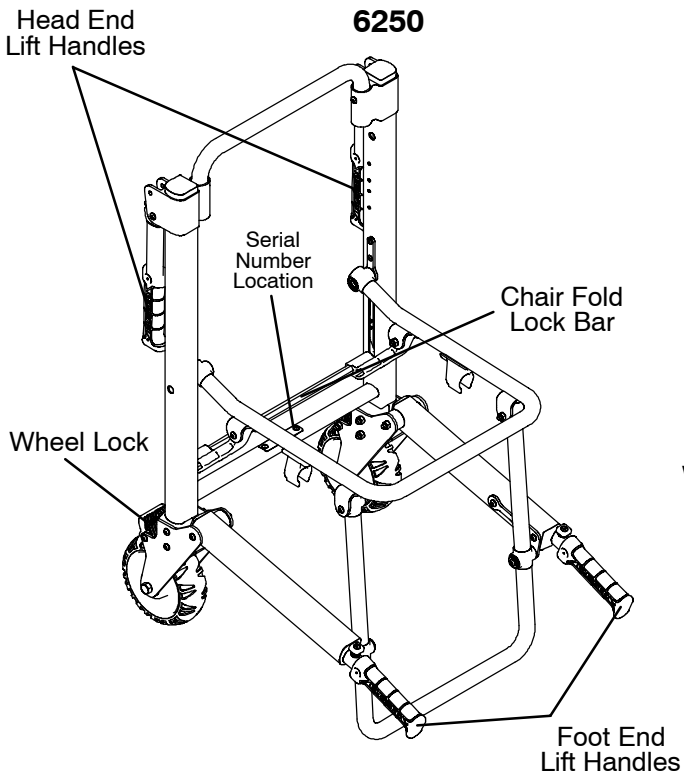
---

Do not modify the **RUGGED** Stair-PRO®. Modifying the chair can cause unpredictable operation resulting in injury to the patient or operator. Modifying the chair will also void its warranty.

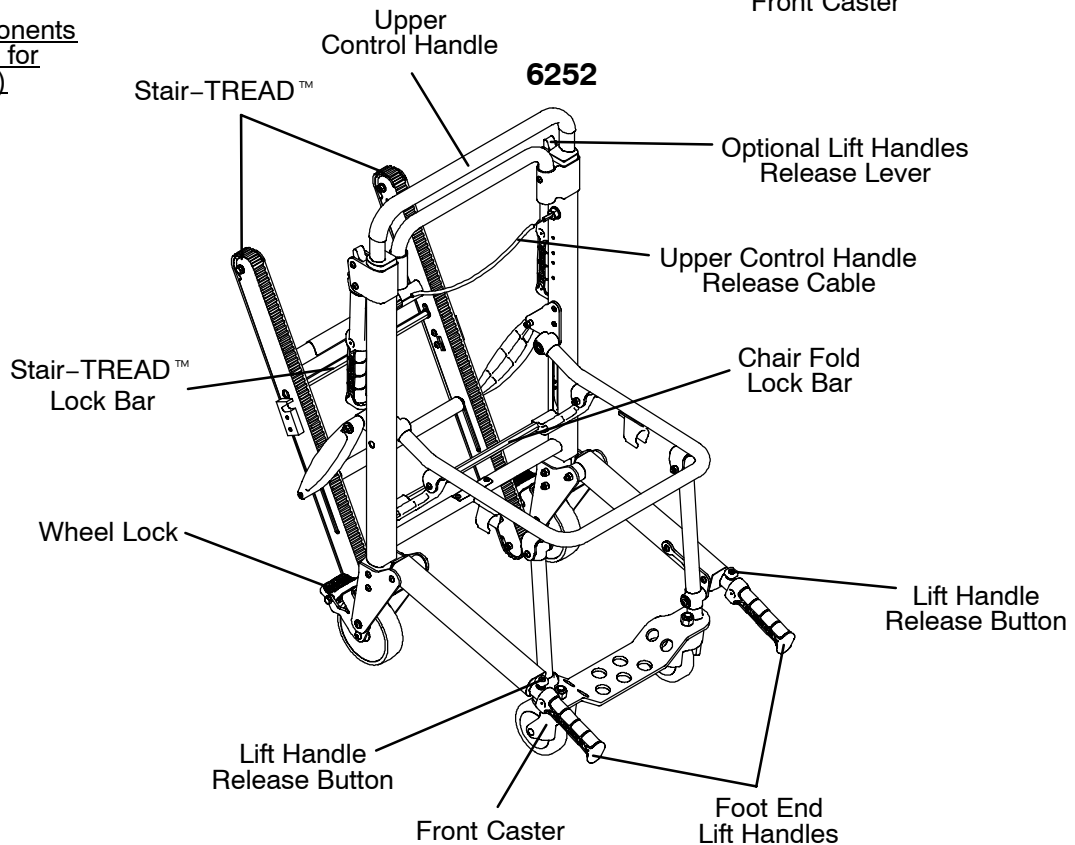
---



# Component Identification



(Seat components removed for clarity)



# Chair Operation

---

## OPERATING GUIDELINES

- Use the **RUGGED** Stair-PRO® only as described in this manual.
- Read all labels and instructions on the chair before using the chair.
- When a patient is on the chair, use a minimum of two operators to manipulate the chair on stairs. If more people are required to safely control the chair, use the chart on page 25 as reference for proper positioning of the helpers.
- Do not roll the chair, ascend, or descend stairs without advising the patient. Stay with the patient and control the chair at all times.
- Only use the wheel locks during patient transfer or without a patient on the chair.
- Always use the restraint straps when a patient is on the chair.
- Use properly trained helpers when necessary to control the chair and patient.

---

## WARNING

Always use all restraint straps to secure the patient on the chair. An unrestrained patient may fall from the chair and be injured.

Only use the wheel locks during patient transfer or without a patient on the chair. Tipping could occur if the chair is moved while the wheel locks are applied, resulting in injury to the patient or operator and/or damage to the chair.

Condensation, water, ice and/or debris on the Stair-TREAD™ on the Model 6252 can cause unpredictable performance, resulting in a sudden change in the weight the operators must support. To avoid injury, and to aid proper operation of the Stair-TREAD™, ensure the belts are clean and dry before transporting the patient.

To avoid injury to the operators and/or the patient, operators should never attempt to transport patient loads greater than what they can safely lift.

---

# Chair Operation

---

## UNFOLDING/FOLDING THE CHAIR

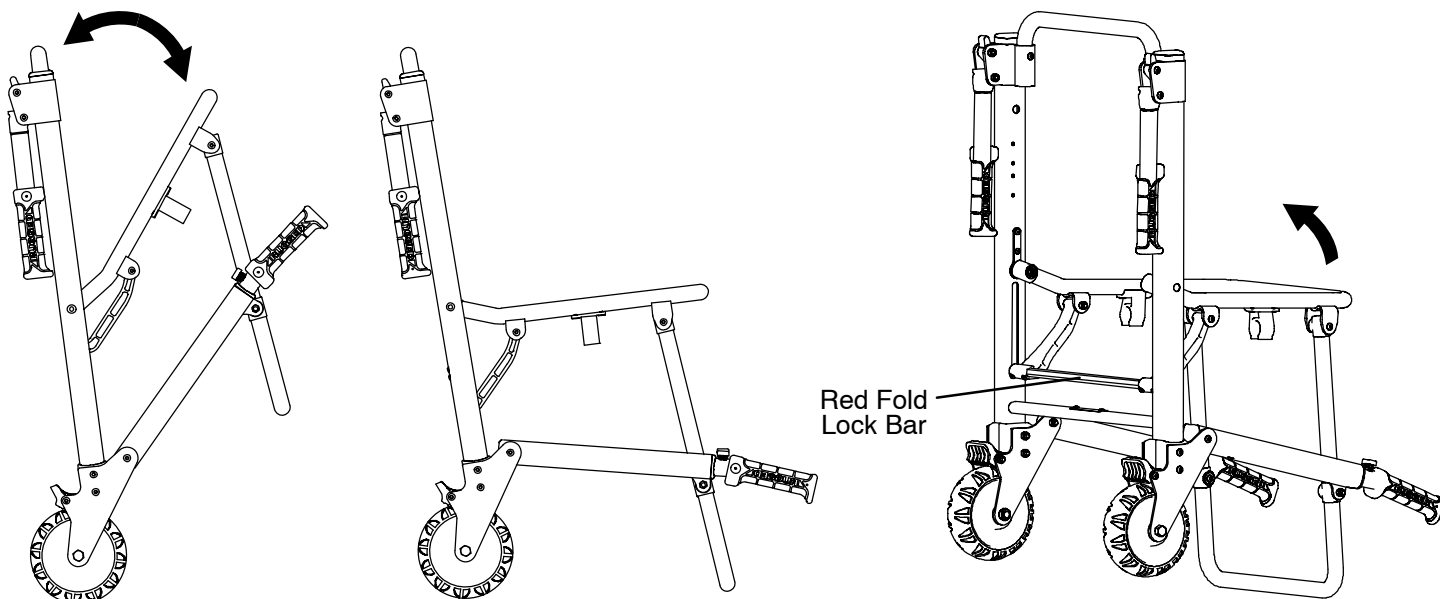


Figure 1 – Unfolding/Folding the chair

### To unfold the chair:

1. Stand behind the chair.
2. Apply the wheel locks (if desired).
3. Pull the backrest and the seat apart. The lock mechanism will automatically engage when the chair is completely unfolded.
4. Verify the lock is engaged by pulling up on the seat. If the lock is properly engaged, the chair will not fold.

---

### WARNING

An unlocked chair can fold during use, causing injury to the patient or operator. Always make sure the chair is locked in the unfolded position before use.

---

### To fold the chair:

1. Apply the wheel locks (if desired). Buckle the restraint straps and fold them neatly to prevent them from interfering with proper folding of the chair. If the chair is equipped with the optional head support strap, secure it behind the chair frame.
2. Stand at the side of the chair.
3. Pull up on the red lock bar at the rear of the chair.
4. Tip the chair forward.
5. Fold the seat up to the backrest until the front legs lock in the clips on the bottom of the seat tube.

### NOTE

On models 6251 & 6252, rotate the front casters so they don't interfere with folding the chair.

# Chair Operation

---

## TRANSFERRING THE PATIENT TO THE **▲RUGGED▲** STAIR-PRO®

1. Place the chair beside the patient.
2. Apply the wheel locks to prevent the chair from moving.
3. Open the restraint straps.
4. Transfer the patient to the chair using accepted EMS procedures.
5. Use all the restraints to secure the patient on the chair (see page 12).
6. Disengage the wheel locks before transporting.

---

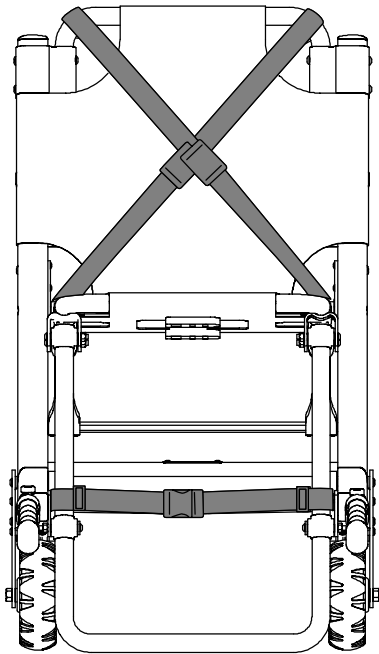
### WARNING

The **▲RUGGED▲** Stair-PRO® is not recommended for use with suspected cervical, spinal, or fracture injuries.

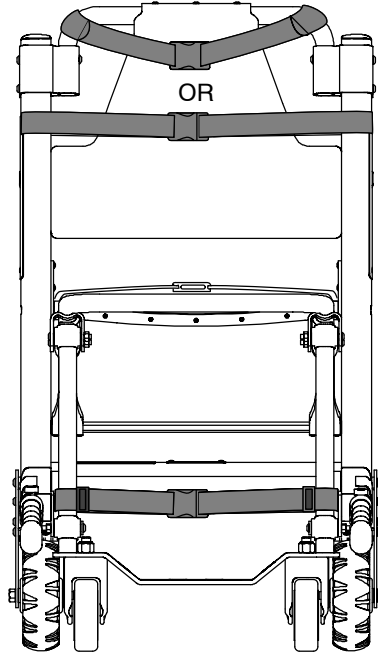
---

# Chair Operation

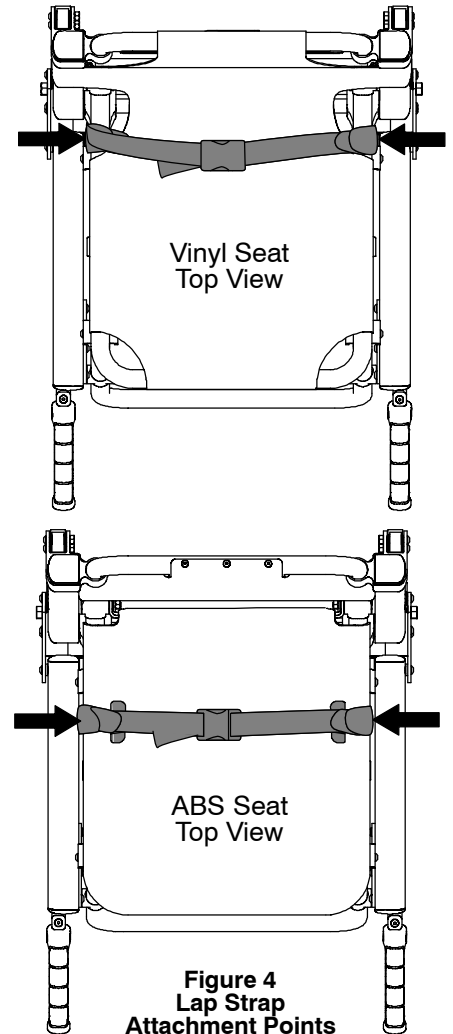
## USING RESTRAINT STRAPS



**Figure 2**  
Cross-Chest Strap Configuration



**Figure 3**  
Chest and Lap Strap Configuration



**Figure 4**  
Lap Strap  
Attachment Points

### WARNING

Always use all restraint straps to secure the patient on the chair. An unrestrained patient may fall from the chair and be injured.

Always secure the patient on the chair with all restraint straps. The restraints can be used in two configurations. For the cross-chest configuration (Figure 2), buckle the chest restraints in an “X” pattern across the patient’s chest. For the chest and lap configuration (Figure 3), buckle one restraint across the patient’s chest and the other across the patient’s lap. For either configuration, match up the color-coded restraints and buckle the ankle restraint across the patient’s legs.

To avoid damage to the buckles and straps, keep the restraint straps buckled when the chair is not being used with a patient .

When attaching the restraint straps to the chair, remember the attachment points must provide strong anchorage and proper restraint position while not interfering with equipment and accessories.

# Chair Operation

## USING RESTRAINT STRAPS (CONTINUED)

To attach the chest straps in the cross-chest configuration:

1. Wrap each strap around the chair frame, insert the end through the loop on the end of the strap and pull it tight.
2. Pull the strap across the patient's chest, lengthening the strap as necessary.
3. Buckle the strap.
4. Pull the loose end of the strap to tighten it securely around the patient.
5. Repeat for the second strap and the lap belt.



Figure 5 – Insert the end through the loop



Figure 6 – Pull the strap tight



Figure 7 – Lengthen strap as necessary



Figure 8 – Buckle strap



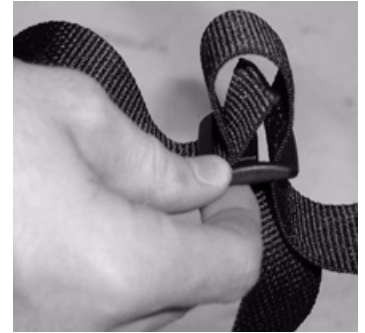
Figure 9 – Tighten strap securely

# Chair Operation

## USING RESTRAINT STRAPS (CONTINUED)

### To attach the ankle strap:

1. Remove the three plastic pieces from the strap.
2. Thread the strap through one of the plastic "D" rings and slide the ring down to the end of the strap up to the white label.



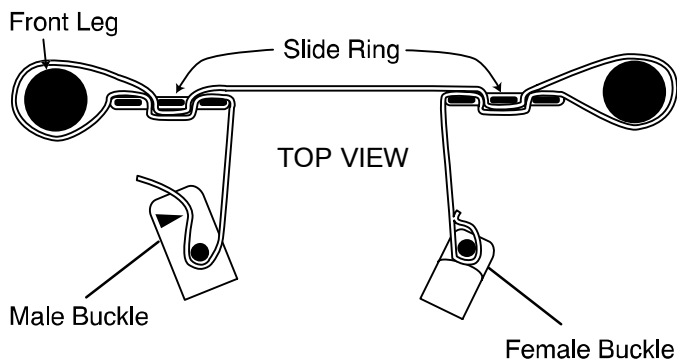
3. Loop the strap around the front leg of the chair and pull the loose end of the strap through the ring. Pull until the ring rests against the foot rest tube.



4. Thread the strap through the other "D" ring.
5. Loop the strap around the other front leg of the chair and pull the loose end of the strap through the loop. Pull until the "D" ring rests against the foot rest tube.



6. Attach the final "male" end clip on the strap.



Figures 10-18 – Attaching the leg strap

# Chair Operation

---

## USING RESTRAINT STRAPS (CONTINUED)

To lengthen the restraint, grasp the buckle, turn it at an angle to the webbing and pull it out. A hemmed tab at the end of the webbing prevents the buckle from coming off the strap.

To shorten the restraint, grasp the hemmed tab and pull the webbing back through the buckle until the required tightness is achieved.

When the chair is put into service, open the restraints and place them at either side of the chair until the patient is positioned on the seat. Lengthen the restraint, buckle it around the patient and shorten it until the required tightness to properly secure the patient is achieved.

To open the restraint, press the tabs on the side of the buckle to release the buckle and pull the tang out of the receiver.

To close the restraint, push the tang into the receiver until a "click" is heard.

Whenever a restraint is buckled on a patient, the attendant should verify the tang is locked and the extra webbing is not tangled in the chair or hanging loose.

Inspection of the restraints should be done at least once a month (more frequently if used heavily). Inspection should include checking for a bent or broken receiver or tang, torn or frayed webbing, etc. Any restraint showing wear or not operating properly must be replaced immediately.

## PROPER LIFTING TECHNIQUES

When lifting the Stair-PRO® and patient, there are five basic guidelines to remember:

1. Keep your hands close to your body.
2. Keep your back straight.
3. Coordinate your movements with your partner and lift with your legs.
4. Avoid twisting.
5. Always operate the Stair-PRO® as described in this manual.



# Chair Operation

---

## TRANSPORTING THE PATIENT ON FLAT SURFACES

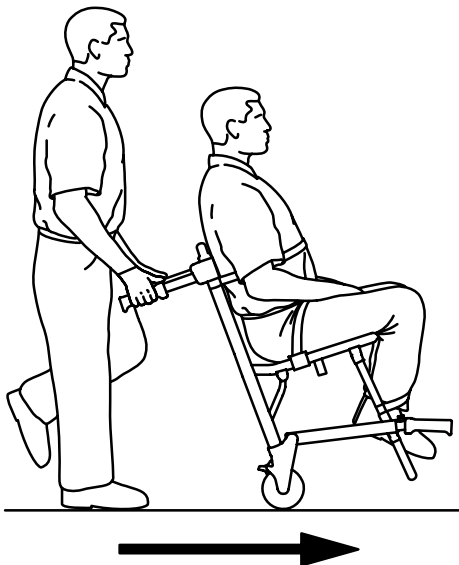


Figure 19 – Transporting the Patient on a Model 6250

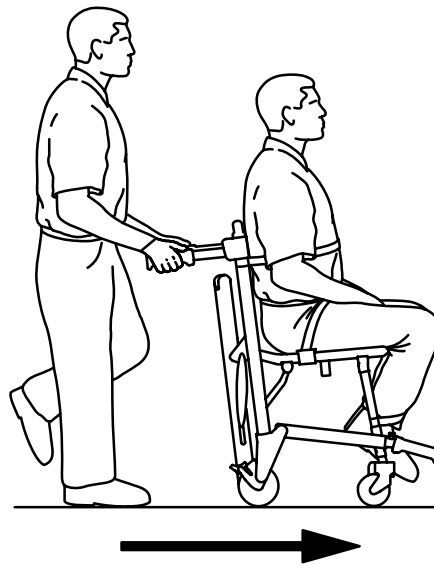


Figure 20 – Transporting the Patient on a Model 6252

---

### CAUTION

Casters are not suitable for all surfaces. Caution should be used at all times.

#### Model 6250

To roll the Model 6250 Stair-PRO® over flat surfaces, use either the locking rear lift handles (if equipped), or the backrest tube to tip the chair back. Once the chair is tipped back, use either the head end lift handles or the backrest tube to roll and guide the chair. Lift the chair over and around obstructions with the head end and foot end lift handles.

#### Model 6251

To roll the Model 6251 Stair-PRO® over flat surfaces, push and guide the chair from the rear of the patient, using either the head end lift handles or the backrest tube. Lift the chair over and around obstructions with the head end and foot end lift handles.

#### Model 6252

To roll the Model 6252 Stair-PRO® over flat surfaces, follow the same method as above for the Model 6251. In addition to the head end lift handles, the extendable upper control handle can be used in any position to roll and guide the chair. Extend the upper control handle by pulling the red release cable with one hand, and pulling up on the control handle with the other. Release the cable to lock the handle in either the intermediate or fully extended position. Lift the chair over and around obstructions with the head end and foot end lift handles.

---

### WARNING

Do not push the Model 6252 with the upper control handle in the fully extended position. Pushing the chair with the handle in the fully extended position may cause the chair to tip when obstacles are encountered.

---

# Chair Operation

## TRANSPORTING THE PATIENT DOWN STAIRS

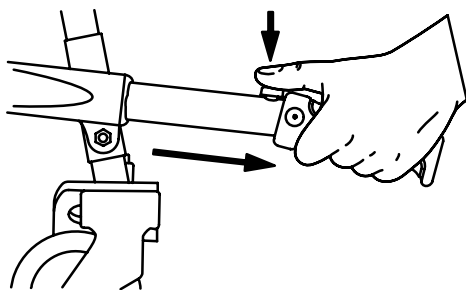


Figure 21 – Foot end lift handles

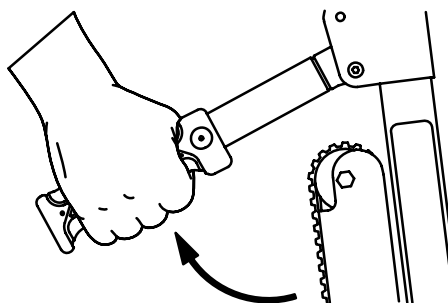


Figure 22 – Head end lift handles

### WARNING

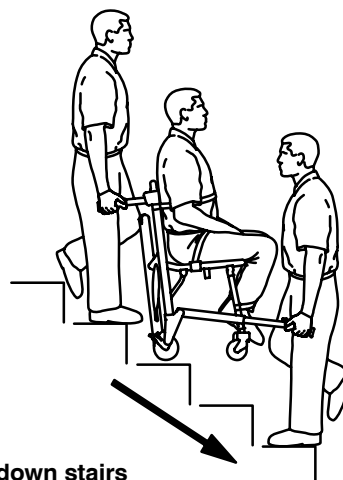
To avoid injury, transporting the patient on stairs requires a *minimum* of two operators. If more people are required to safely control the chair, use the chart on page 25 as reference for proper positioning of the helpers. To avoid injury, always verify the lift handles are locked in place before using them to lift the chair.

### Models 6250 & 6251

1. Foot end operator – descend in front of the Stair-PRO®.
2. Head end operator – approach the stairs squarely.
3. Foot end operator – push each red foot end lift handle button and pull out each handle until it stops. Release the button and verify the handle is locked securely in position.
4. Head end operator – unfold the head end lift handles and face down the stairs.
5. Foot end operator – either face backward for improved patient monitoring or forward for an improved view of the stairs and easier maneuvering around obstacles.

### NOTE

Although the front operator can face either direction while lifting and carrying, any applicable protocols for carrying chairs should be followed.



Figures 23 & 24 – Transporting down stairs

6. Both operators – simultaneously lift the chair, using the head and foot end lift handles and following the proper lifting techniques (see page 15). Carry the chair slowly down the stairs, avoiding any obstructions.

# Chair Operation

## TRANSPORTING THE PATIENT DOWN STAIRS (CONTINUED)

Model 6252

### WARNING

To avoid injury, always verify the Stair-TREAD™ on the Model 6252 is locked in place before transporting the patient.

To avoid injury, transporting the patient on stairs requires a *minimum* of two operators. If more people are required to safely control the chair, use the chart on page 25 as reference for proper positioning of the helpers.

To avoid injury, always verify the lift handles are locked in place before using them to lift the chair.

1. Roll the chair to the stairs and align it squarely with the edge of the first step.
2. Foot end operator – Extend the foot end lift handles by pushing the red release buttons and pulling the handles out until they stop. Release the buttons and verify the handles are locked.
3. Head end operator – Use one hand to pull the red upper control handle release cable while using the other hand to pull up and fully extend the handle. Release the cable and verify the handle is locked on both sides in the fully extended position.
4. Head end operator – Squeeze the red track release bar against the black cross tube. Relax your grip on the release bar and forcefully pull the Stair-TREAD™ to the fully extended position until both sides lock securely. Always verify both sides of the Stair-TREAD™ are locked by trying to fold it back up.

### CAUTION

Release the red track release bar *before* clicking the Stair-TREAD™ into the locked position. Failure to follow this procedure could result in the track failing to lock. Always verify the Stair-TREAD™ is locked by trying to fold it before descending stairs.

5. Operators face each other while descending the stairs.
6. Head end operator – Tilt the chair back just far enough to allow the Stair-TREAD™ to contact the floor.

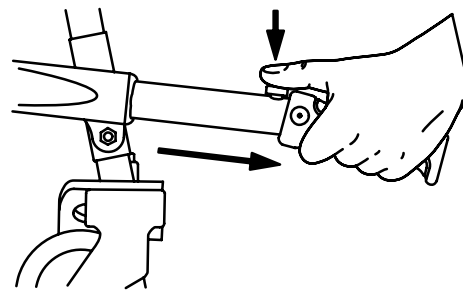


Figure 25 – Foot end lift handles

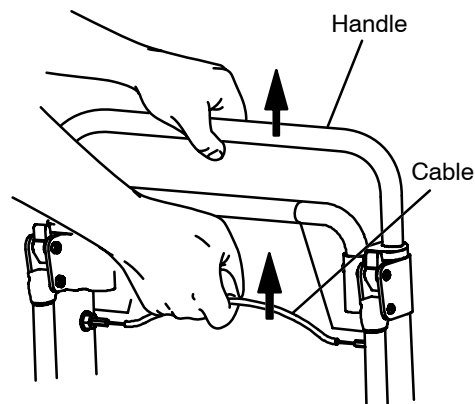


Figure 26 – Upper control handle release cable

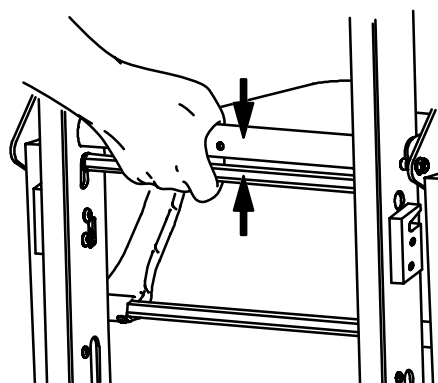


Figure 27 – Red track release bar

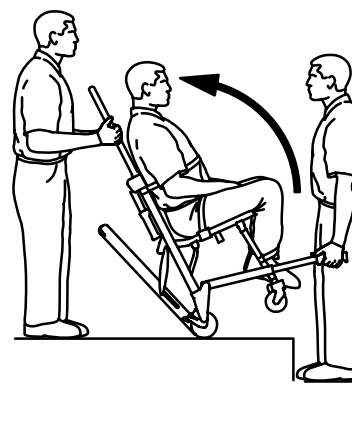


Figure 28 – Tilt the chair

# Chair Operation

## TRANSPORTING THE PATIENT DOWN STAIRS

Model 6252 (Continued)

- Both operators – Maintaining the angle, guide the Stair-PRO® over the edge of the stairs, allowing the Stair-TREAD™ to engage the first step.
- Both operators – Glide down the stairs until the treads are level across the edges of two or three steps.
- Head end operator – Apply slight downward pressure on the extendable upper control handle while the foot end operator applies slight upward pressure on the foot end lift handles to keep the chair from rocking forward as it glides down the stairs.

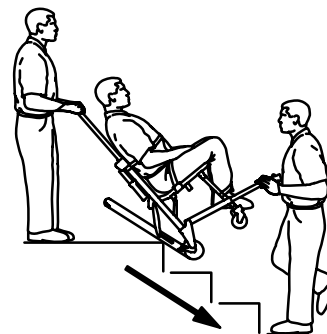


Figure 29 – Track engaging first step

### WARNING

The Stair-TREAD™ system may not work the same on all stair surfaces and in all environmental conditions. Based on conditions, varying amounts of resistance may be encountered. Avoid getting dirt or other obstructions inside the tracks.

Water, ice and/or debris on the stairs can affect operator footing and proper operation of the Stair-TREAD™. To avoid injury, clear the path or consider an alternate route.

Condensation, water, ice and/or debris on the Stair-TREAD™ can cause unpredictable performance, resulting in a sudden change in the weight the operators must support. To avoid injury, and to aid proper operation of the Stair-TREAD™, ensure the belts are clean and dry before transporting the patient.

To avoid injury to the operators and/or the patient, operators should never attempt to transport patient loads greater than what they can safely lift.

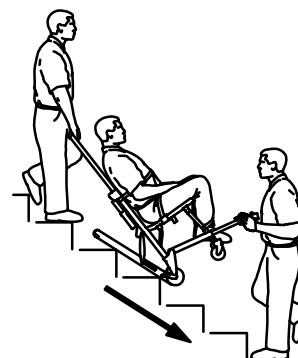


Figure 30 – Transporting down the stairs

- Foot end operator – when the track reaches the last step, release the front handles. Head end operator – allow the chair to tip forward until all four wheels are on the ground. Roll the chair as described on page 16.
- To fold the Stair-TREAD™, pull the red track release bar toward the black cross bar and fold the track up toward the chair. Verify the Stair-TREAD™ is locked in place.

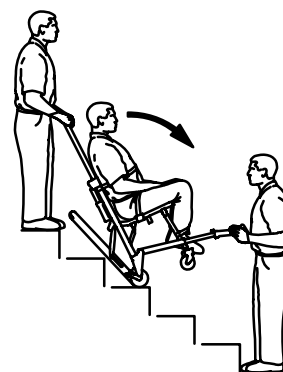


Figure 31 – "Resting position"

### CAUTION

Release the red track release bar *before* clicking the Stair-TREAD™ into the locked position. Failure to follow this procedure could result in the track failing to lock. Always verify the Stair-TREAD™ is locked by trying to fold it before descending stairs.

If, while descending the stairs, either operator needs to pause or rest, tilt the chair forward just enough to allow the rear wheels to rest in the crook of the stair. To continue down the stairs from the resting position, the head end operator exerts slight downward pressure on the upper control handle while the foot end operator provides slight upward pressure to tilt the chair back and engage the Stair-TREAD™.

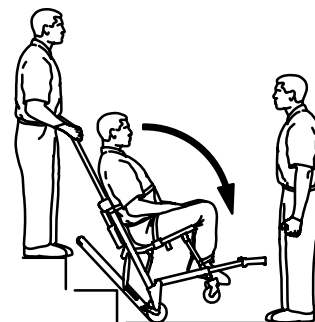


Figure 32 – Bottom of stairs

# Chair Operation

## TRANSPORTING THE PATIENT UP STAIRS

### WARNING

To avoid injury, transporting the patient on stairs requires a *minimum* of two operators. If more people are required to safely control the chair, use the chart on page 25 as reference for proper positioning of the helpers.

To avoid injury, always verify the lift handles are locked in place before using them to lift the chair.

### All Models

1. Roll the chair to the bottom of the stairs with the patient's back to the stairs.
2. Foot end operator – extend the foot end lift handles by pushing the red buttons and pulling the handles until they stop. Release the button and verify the handle is locked.
3. Head end operator – unfold the head end lift handles.
4. The foot end operator faces up the stairs. The head end operator may either face backward for improved patient monitoring or forward for an improved view of the stairs and easier maneuvering around obstacles.

### NOTE

Although the head end operator can face either direction while carrying, any applicable protocols for carrying chairs should be followed.

5. Both operators – simultaneously lift the chair, using the head and foot end lift handles and following proper lifting techniques (see page 15). Carry the chair slowly up the stairs, avoiding any obstructions.

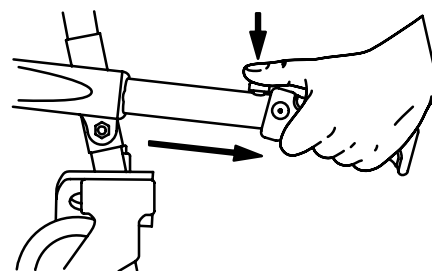


Figure 33 – Foot end lift handles

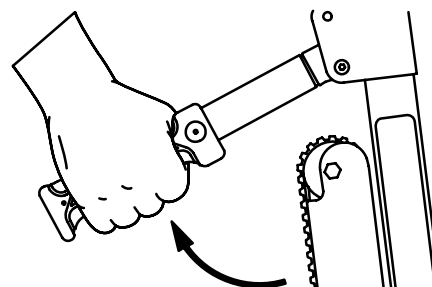


Figure 34 – Head end lift handles

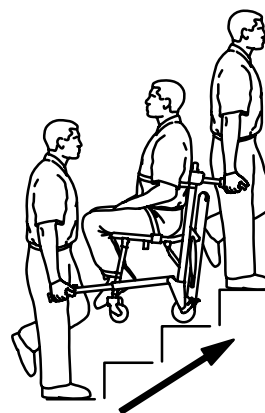


Figure 35 – Transporting up the stairs

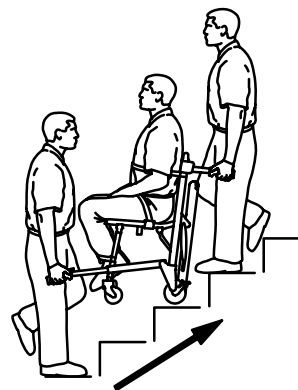
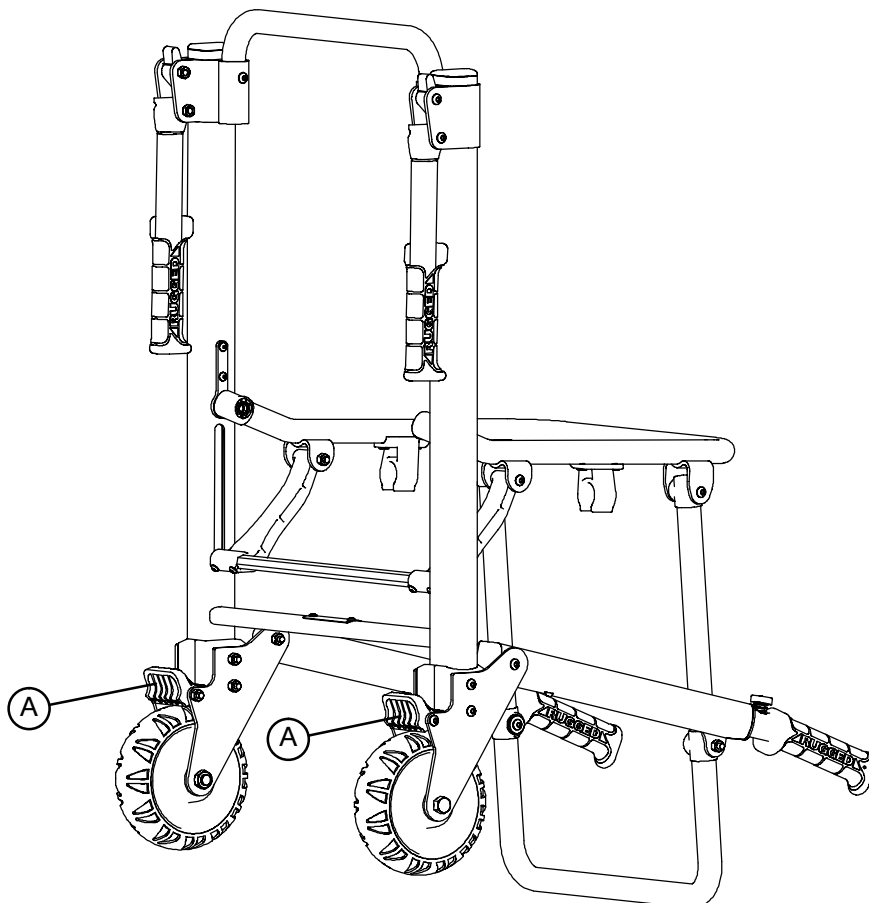


Figure 36 – Transporting up the stairs

# Chair Operation

---

## OPERATING THE WHEEL LOCKS



**Figure 37 – Wheel locks**

1. To activate the wheel locks, press down on the pedals (A) until they stop.
2. To release the wheel locks, depress the upper face of the pedal with your foot or lift up with your toe under the pedal. The upper portion of the pedal will rest against the chair frame when the wheel lock is released.

---

### **WARNING**

Only use wheel locks during patient transfer or without a patient on the chair. Tipping could occur if the chair is moved while the wheel locks are applied, resulting in injury to the patient or operator and/or damage to the chair.

Wheel locks are only intended to help prevent the empty chair from rolling while unattended, and to aid in patient transfer. A wheel lock may not provide sufficient resistance on all surfaces or under loads.

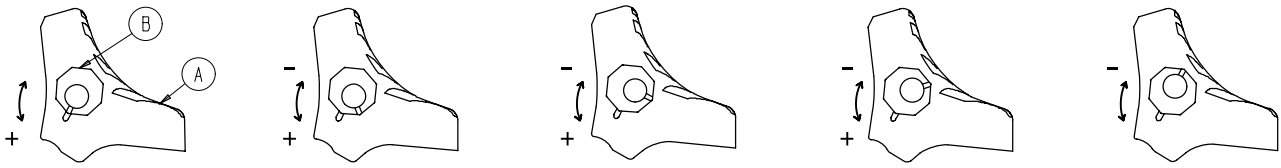
Never leave a patient unattended on the chair or injury could result. Hold the chair securely while a patient is on the chair.

Never use a wheel lock on a chair with excessively worn wheels. Using a wheel lock on a wheel with less than a 5" diameter (Model 6252) or a 6" diameter (Models 6250/6251) could compromise the holding ability of the wheel lock, possibly resulting in injury to the patient or operator and/or damage to the chair or other equipment.

---

# Chair Operation

## ADJUSTING THE WHEEL LOCKING FORCE



MINIMUM

Figure 38 – Wheel locking force adjustment

MAXIMUM

1. To adjust the wheel locking force, remove the screw from the center of the lock pedal. The wheel lock is initially assembled with the pedal set at the minimum locking force. The marker on the pedal (item A) is aligned with the marker on the octagonal sleeve (item B).
2. Remove the sleeve (B). Rotate the sleeve counterclockwise to increase the pedal locking force and clockwise to decrease the locking force. Insert the sleeve into the pedal. Reinstall the screw.
3. Test the pedal locking force and verify it holds properly before returning the chair to service.

### NOTE

If, after adjustment, the pedal still doesn't hold the wheel properly, replace the wheel.

# Chair Operation

---

## OPERATING THE OPTIONAL LOCKING REAR LIFT HANDLES

---

### WARNING

To avoid injury, always verify the lift handles are locked in place before using them to tip the chair back.

---

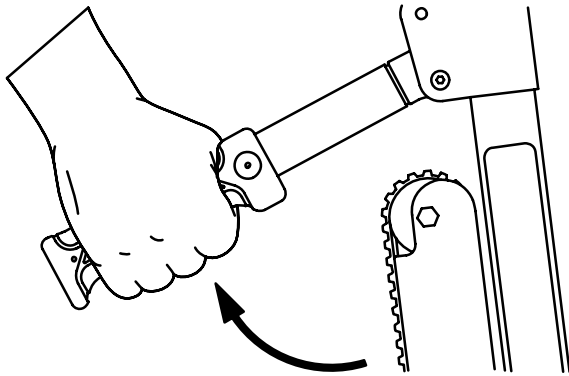


Figure 39 – Rotate the handle up

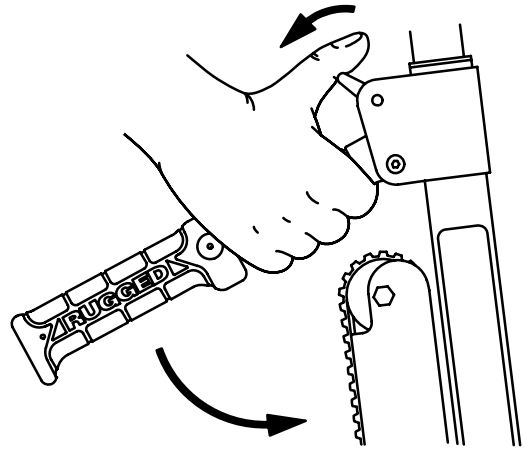


Figure 40 – Pull the trigger

To use the locking rear lift handles, rotate the handles up until they lock into place. Verify the handles are locked securely into place before tipping the chair back.

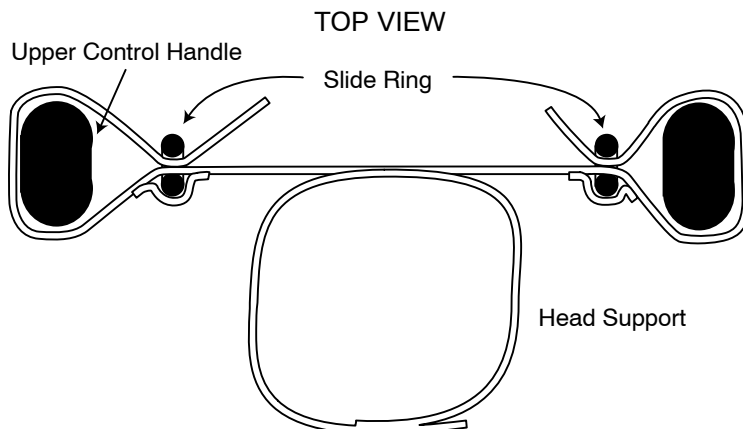
To lower the handles, lift up on the handle, pull the red trigger toward you with your thumb and fold the handle down against the chair frame.



# Chair Operation

---

## USING THE OPTIONAL HEAD SUPPORT (MODEL 6252 ONLY)



Figures 41–43 – Attaching and using the head support

---

### WARNING

The **ARUGGED** Stair-PRO® is not recommended for use with suspected cervical, spinal, or fracture injuries.

Before using the optional head support, the upper control handle must be extended. First, pull the red upper control handle release cable with one hand. Then, pull up on the handle with the other hand. Release the cable and verify the handle is securely locked into one of the two available positions.

To attach the optional head support to the extendable upper control handle, wrap the loose ends of the strap around the vertical portions of the handle, then feed them through the plastic loops. Pull tight, and secure the strap to itself. Adjust the height by loosening the strap, moving it to the desired location, and tightening it again.

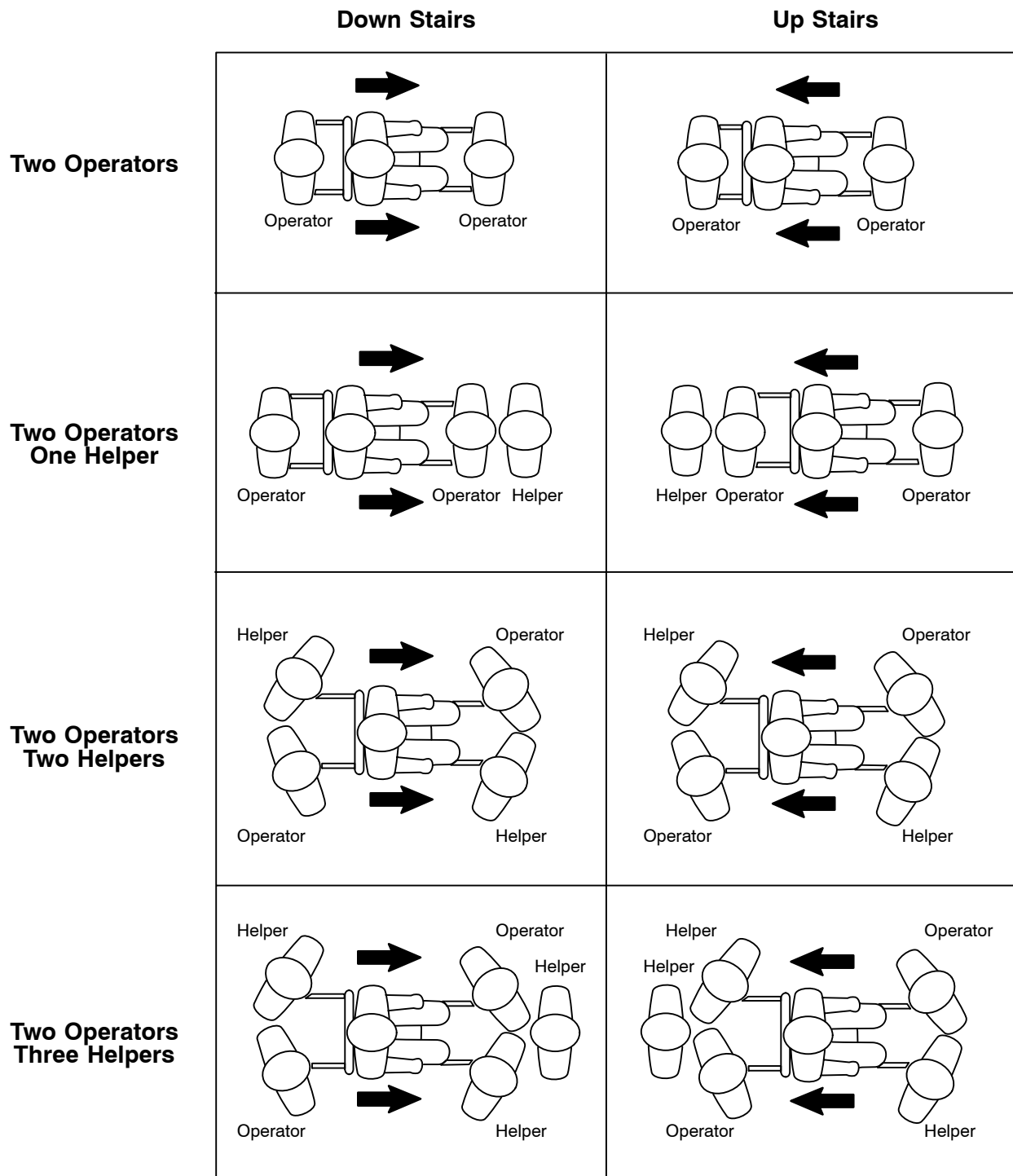
To support the patient's head, position at the base of the head. For unconscious, or semi-conscious patients, secure the head using the other two parts of the strap. Wrap around the patient's head, and overlap the straps to the desired tightness to secure. When not in use, these straps can be wrapped back around the handle and attached to the back of the support.

# Chair Operation

## USING ADDITIONAL ASSISTANCE

### WARNING

To avoid injury, transporting the patient on stairs requires a *minimum* of two operators. If more people are required to safely control the chair, use the chart below as reference for proper positioning of the helpers.



# Cleaning

---

The Model 6250, 6251 and 6252 Stair Chairs are designed to be power-washable. The unit may show some signs of oxidation or discoloration from continuous washing, however, no degradation of the chair's performance characteristics or functionality will occur due to power washing as long as the proper procedures are followed.

## Washing Procedure:

- Follow the cleaning solution manufacturer's dilution recommendations exactly.
- The preferred method Stryker Medical recommends for power washing stair chairs is with the standard hospital surgical cart washer or hand held wand unit.

## Washing Limitations:

---

### WARNING

Use any appropriate personal safety equipment (goggles, respirator, etc.) to avoid the risk of inhaling contagion. Use of powerwashing equipment can aerate contamination collected during the use of the cot.

---

DO NOT STEAM CLEAN OR ULTRASONICALLY CLEAN THE UNIT.

Maximum water temperature should not exceed 180°F/82°C.

Maximum air dry temperature (cart washers) is 240°F/115°C.

Maximum water pressure should not exceed 1500 psi/130.5 bar. If a hand held wand is being used to wash the unit, the pressure nozzle must be kept a minimum of 24 inches/61 centimeters from the unit.

Failure to comply with these instructions may invalidate any/all warranties.

If a foreign material gets between the Stair-TREAD™ belt and track frame on the model 6252, the track frame must be cleaned.

1. Loosen the track belts and remove the rear wheels (see pages 30 –32 for instructions).
2. Clean the track frame completely with rubbing alcohol.
3. Use water at high pressure (see above) to rinse the belts. Be sure to clean both the inside and outside belt surfaces.
4. Allow the belts to completely dry before reassembly.
5. Reassemble the track belts and the rear wheels (see pages 30 –32 for instructions).
6. Following the appropriate cautions and warnings, test the performance of the chair using a simulated patient weight while descending a flight of stairs.
7. If performance does not return to the original condition, the belts may need to be reconditioned or replaced.

# Cleaning

In general, when used in those concentrations recommended by the manufacturer, either phenolic type or quaternary type disinfectants can be used. Iodophor type disinfectants are not recommended for use because staining may result. The following products have been tested and have been found not to have a harmful effect WHEN USED IN ACCORDANCE WITH MANUFACTURER'S RECOMMENDED DILUTION.\*

TRADE NAME	DISINFECTANT TYPE	MANUFACTURER	*MANUFACTURER'S RECOMMENDED DILUTION
A33	Quaternary	Airwick (Professional Products Division)	2 ounces/gallon
A33 (dry)	Quaternary	Airwick (Professional Products Division)	1/2 ounce/gallon
Beaucoup	Phenolic	Huntington Laboratories	1 ounce/gallon
Blue Chip	Quaternary	S.C. Johnson	2 ounces/gallon
Elimstaph	Quaternary	Walter G. Legge	1 ounce/gallon
Franklin Phenomysan F2500	Phenolic	Purex Corporation	1 1/4 ounce/gallon
Franklin Sentinel	Quaternary	Purex Corporation	2 ounces/gallon
Galahad	Phenolic	Puritan Churchill Chemical Company	1 ounce/gallon
Hi-Tor	Quaternary	Huntington Laboratories	1/2 ounce/gallon
LPH	Phenolic	Vestal Laboratories	1/2 ounce/gallon
Matar	Phenolic	Huntington Laboratories	1/2 ounce/gallon
Omega	Quaternary	Airwick (Professional Products Division)	1/2 ounce/gallon
Quanto	Quaternary	Huntington Laboratories	1 ounce/gallon
Sanikleen	Quaternary	West Chemical Products	2 ounces/ gallon
Sanimaster II	Quaternary	Service Master	1 ounce/gallon
Vesphene	Phenolic	Vestal Laboratories	1 1/4 ounce/ gallon

Quaternary Germicidal Disinfectants, used as directed, and/or Chlorine Bleach products, typically 5.25% Sodium Hypochlorite in **dilutions ranging between 1 part bleach to 100 parts water, and 2 parts bleach to 100 parts water are not considered mild detergents.** These products are corrosive in nature and may cause damage to your equipment if used improperly. If these types of products are used to clean Stryker equipment, measures must be taken to insure the units are rinsed with clean water and thoroughly dried following cleaning. Failure to properly rinse and dry the units will leave a corrosive residue on the surface of the unit, possibly causing premature corrosion of critical components.

## NOTE

Failure to follow the above directions when using these types of cleaners may void this product's warranty.

# Preventative Maintenance

Operation	Schedule	Procedure
Cleaning & Disinfecting	Each use.	See page 26.
Inspection	For 1–25 calls per month, inspect chair every 6 months. For 26–200 calls per month, inspect chair every 3 months. For 201+ calls per month, inspect chair monthly.	See below for checklist.
Stair–TREAD™ Belt Reconditioning (6252)	After usage on approximately 500 flights of stairs or if the Stair–Tread™ system performance is sluggish.	See page 35.1 & 35.2.

**NOTE**

Keep up-to-date maintenance records using the form on page 36.

**Parts, Service or Technical Assistance:**

Contact Stryker Customer Service at 1–800–327–0770 or Stryker Medical  
6300 S. Sprinkle Road  
Kalamazoo, MI 49001  
ATTN: Customer Service

**CHECKLIST**

- \_\_\_\_\_ All fasteners secure (reference all assembly drawings)
- \_\_\_\_\_ All welds intact, not cracked or broken
- \_\_\_\_\_ No bent or broken tubing or sheet metal
- \_\_\_\_\_ No debris in wheels
- \_\_\_\_\_ All wheels secure and rolling properly
- \_\_\_\_\_ Front casters secure, rolling and swiveling properly (if equipped)
- \_\_\_\_\_ Wheel locks hold wheels securely when on and clear the wheels when off
- \_\_\_\_\_ Chair unfolds and locks properly
- \_\_\_\_\_ No rips or cracks in seat or back rest
- \_\_\_\_\_ Restraint straps intact and working properly
- \_\_\_\_\_ Foot end carrying handles extend and lock properly
- \_\_\_\_\_ Head end carrying handles fold and unfold
- \_\_\_\_\_ Upper control handle extends and locks in all positions (if equipped)
- \_\_\_\_\_ Stair–TREAD™ mechanism unfolds and locks properly (if equipped)
- \_\_\_\_\_ Stair–TREAD™ belt rolls properly (if equipped)
- \_\_\_\_\_ Stair–TREAD™ belt inner cords not showing – replace if necessary (if equipped)
- \_\_\_\_\_ Stair–TREAD™ performs as desired – recondition belts if necessary (if equipped – see page 35.1)
- \_\_\_\_\_ No lubricants present on the Stair–TREAD™ belts or the track frame surfaces
- \_\_\_\_\_ Upper release handle cable not worn or frayed – replace, if necessary (model 6252)
- \_\_\_\_\_ Optional accessories intact and operating properly

Serial No. \_\_\_\_\_

Completed By: \_\_\_\_\_

Date: \_\_\_\_\_

# Service Information

---

## VINYL SEAT REPLACEMENT



**Figure 44 – Seat section of vinyl seat**



**Figure 45 – Back section of vinyl seat**

1. Place the seat section on the frame, wrap it around the seat tube and fit the slots in the seat section over the clips on the underside of the seat tube. Be sure the “shiny” side of the seat is on the inside.
2. Tip the chair on its back to allow access to the bottom of the seat tube.
3. Insert both ends of the front strap through the loops in the seat section. Thread the end of the strap through the buckle and pull it tight.
4. Thread the end of the back strap through the buckle and pull it tight.
5. Tip the chair back up on its wheels.
6. Wrap the back section around the back tube.
7. Insert both ends of the top strap through the loops in the back section. Thread the end of the strap through the buckle and pull it tight.
8. Thread the end of the bottom strap through the buckle and pull it tight.

# Service Information

## TRACK BELT REPLACEMENT

### Required Tools:

(2) 7/16" Wrenches            3/16" Hex Key  
1/2" Wrench                    5/32" Hex Key

1. Using a 7/16" wrench and a 3/16" hex key, remove the socket head cap screw, nut and washer from the track support bracket **on only one side** of the chair.

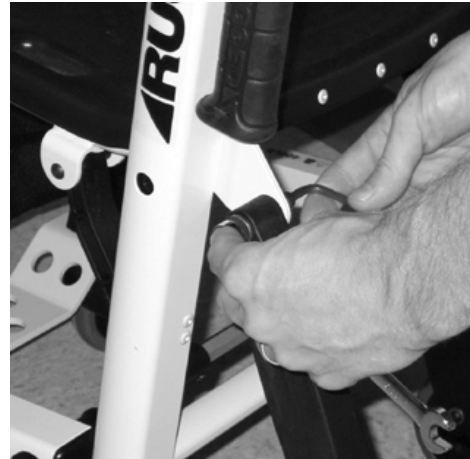


Figure 46 – Remove the screw, nut and washer

2. Turn the chair upside down so it is resting on the seat frame and back frame as shown in Figure 47.



Figure 47 – Turn the chair upside down

3. Using a 1/2" wrench and a 3/16" hex key, remove the button head cap screw, nut, spacers and wheel from the frame on the same side as the parts removed in step one.



Figure 48 – Remove the wheel assembly

# Service Information

## TRACK BELT REPLACEMENT (CONTINUED)

4. Using a 5/32" hex key, remove the two button head cap screws from the track spacer pivots and remove the pivots.



Figure 49 – Remove the track spacer pivots

5. Using two 7/16" wrenches, remove the hex head cap screw, nut and washers from both head end track rollers and remove the rollers.



Figure 50 – Remove the rollers

6. Remove the belts by threading them through the wheel support plate on the side where the parts were removed.

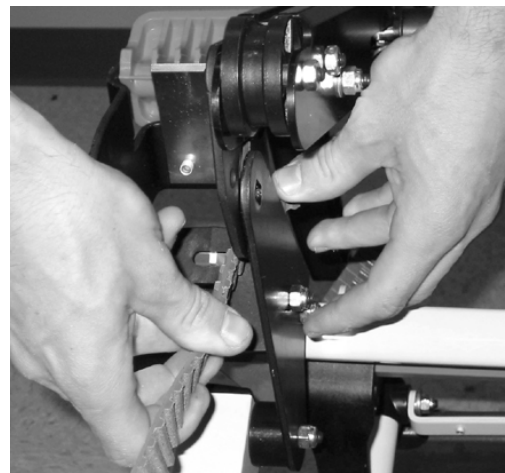


Figure 51 – Remove the worn belts



# Service Information

## TRACK BELT REPLACEMENT (CONTINUED)

7. Thread the new belts through the wheel support plate.

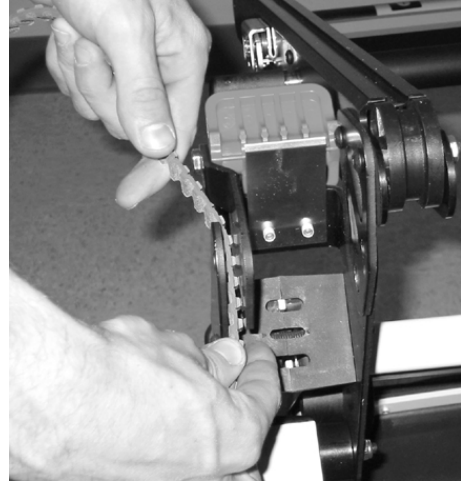


Figure 52 – Attach the new track belt

8. Replace the track rollers, washers, hex head cap screws and nuts.



Figure 53 – Use wrenches to apply tension to the belts

9. Use two 7/16" wrenches to apply the desired tension to each belt and tighten securely.

### NOTE

To check the tension, pull up on the center of the belt until it is taut. The gap between the belt and the track frame should measure between 3/8" and 1" as shown in Figure 54.

10. Spin the belts to verify they roll freely.

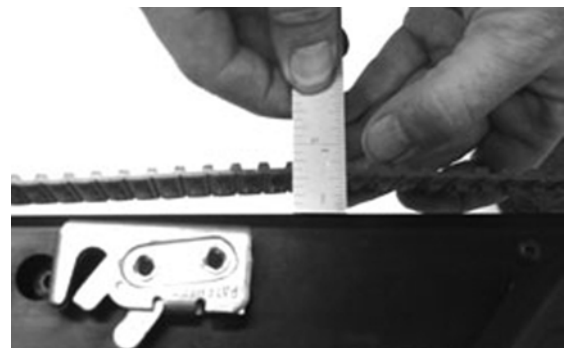


Figure 54 – Proper belt tension

# Service Information

---

## WHEEL REPLACEMENT

### Required Tools:

1/2" Wrench

3/16" Hex Key

1. Turn the chair upside down so it is resting on the seat frame and back frame as shown in Figure 55.



Figure 55 – Turn the chair upside down

2. Using a 1/2" wrench and a 3/16" hex key, remove the button head cap screw, nut, spacers and wheel from the frame. Discard the cap screw and nut.
3. Use the new fasteners provided to attach the new wheel to the frame.
4. Repeat for the other wheel, if necessary.



Figure 56 – Remove the wheel assembly

# Service Information

---

## UPPER CONTROL HANDLE CABLE REPLACEMENT

### Required Tools:

5/8" Wrench

1. Pull the cable and raise the extendable upper control handle to the fully extended position.



Figure 57 – Raise the extendable handle

2. Using a 5/8" wrench, remove one side of the cable.

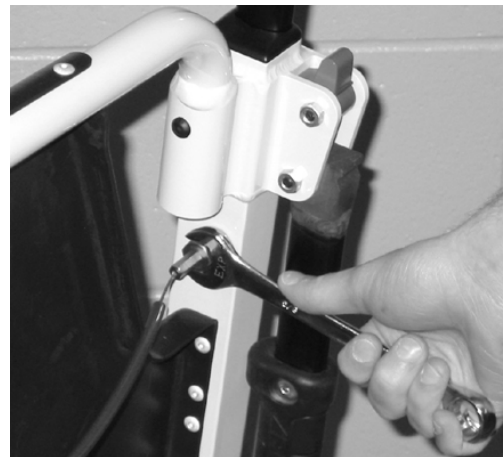


Figure 58 – Remove one side of the cable

3. Place the washer on the end of the new cable.



Figure 59 – Place the washer on the new cable

# Service Information

---

## UPPER CONTROL HANDLE CABLE REPLACEMENT (CONTINUED)

4. Using a 5/8" wrench, attach one side of the new cable to the chair frame in the hole where the old cable was removed.
5. Repeat steps 2–4 for the other end of the cable.



**Figure 60 – Attach one side of the new cable**

# Service Information

## RUGGED® TRACK BELT RECONDITIONING

### Required Tools:

(2) 7/16" Wrenches                      Permanent Marker  
50 Grit Sandpaper                      Sanding Block

1. Extend the upper control handle, open the Stair-TREAD™ tracks and tip the chair forward until it rests on the handle and the seat section as shown in Figure 61.



Figure 61 – Tip the chair forward

2. Using two 7/16" wrenches, remove the hex head bolt, hex nut, two washers, spacer and wheel from both sides of the track frame. Remove the wheel and spacer down in the direction of the floor.

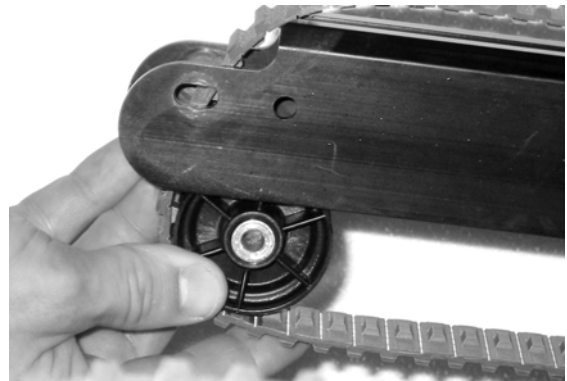


Figure 62 – Remove the wheel and spacer in the direction of the floor

3. Turn both belts over so the small internal teeth are on the outside. Put the belts on the track frame for support while sanding them.

### NOTE

New track belts must be installed if the inner cords are exposed on the wear surfaces.

4. For a start/end point reference while sanding, use a permanent marker to color a tooth on the belt.



Figure 63 – Mark a belt tooth for reference

# Service Information

## RUGGED® TRACK BELT RECONDITIONING (CONTINUED)

- Using a sanding block with **50 Grit** sandpaper, sand both wear surfaces on the outside edges of each belt. The purpose is to roughen the surface of the belt just enough to remove the shiny spots caused by normal wear. Do not over-sand the belts.

### WARNING

Do not sand the track teeth. Deformation of the teeth can cause unpredictable chair performance resulting in injury to the operators and/or patient.

- Remove all sanding debris from the belts and the track frame.
- Turn both belts back over so the large teeth are on the outside.
- Replace the hex head bolt, hex nut, two washers, spacer and wheel on both sides of the track frame.
- Use two 7/16" wrenches to apply the desired tension to each belt and tighten securely.

### NOTE

To check the tension, pull up on the center of the belt until it is taut. The gap between the belt and the track frame should measure between 3/8" and 1" as shown in Figure 67.

- Spin the belts to verify they roll freely.



Figure 64 – Sand the wear surfaces

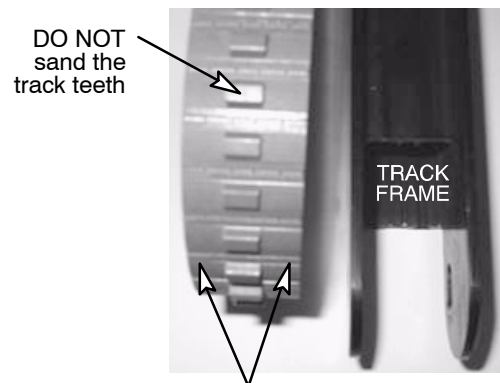


Figure 65 – Belt sanding surfaces



Figure 66 – Use wrenches to apply tension to the belt

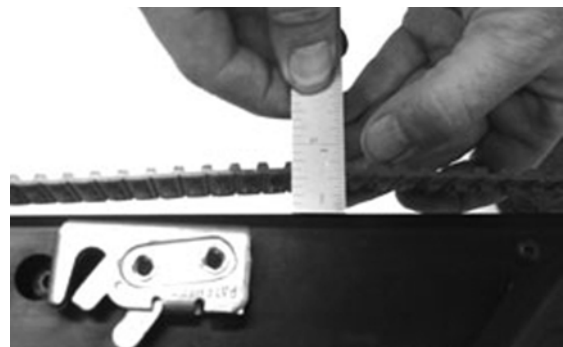


Figure 67 – Proper belt tension

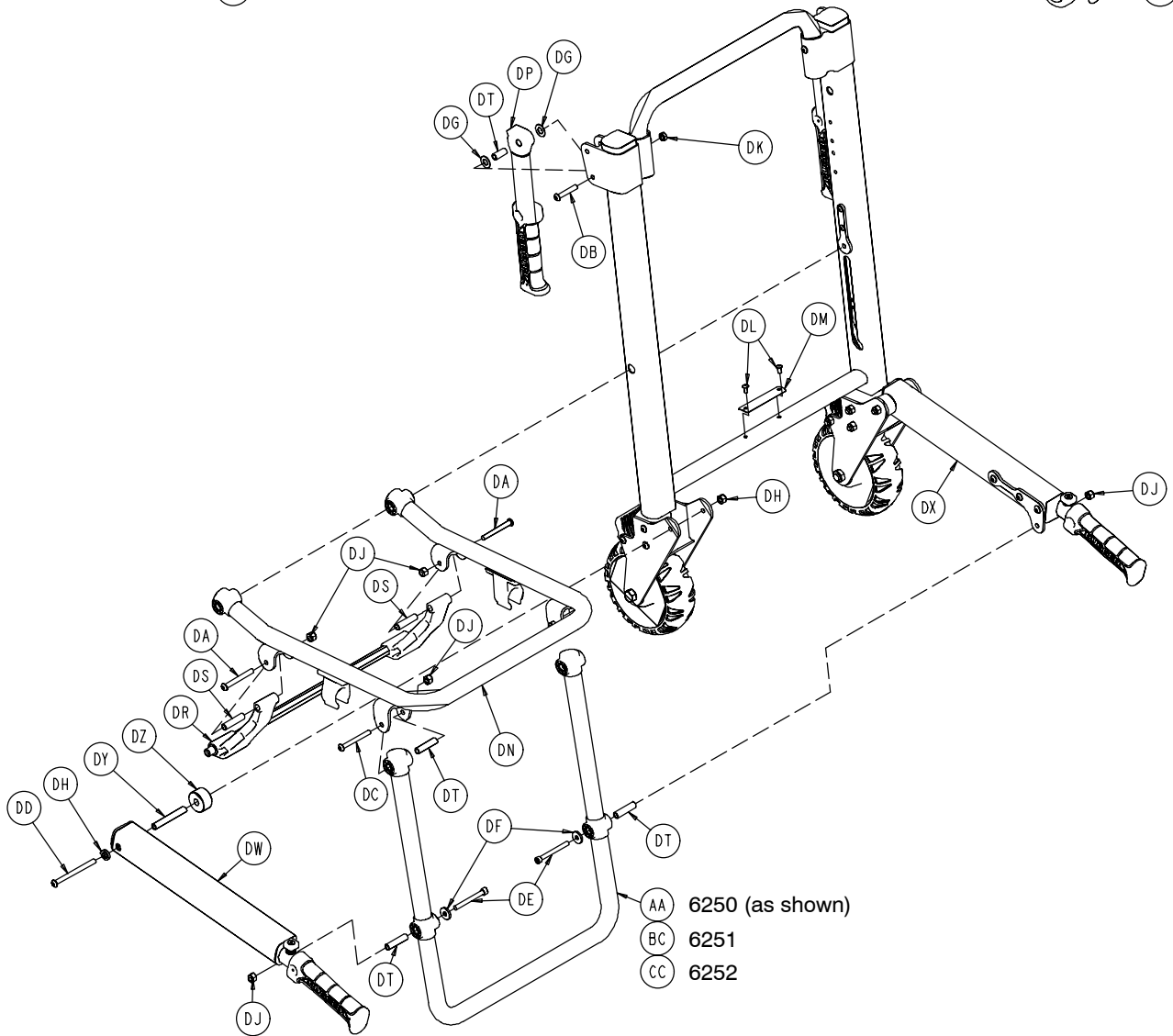
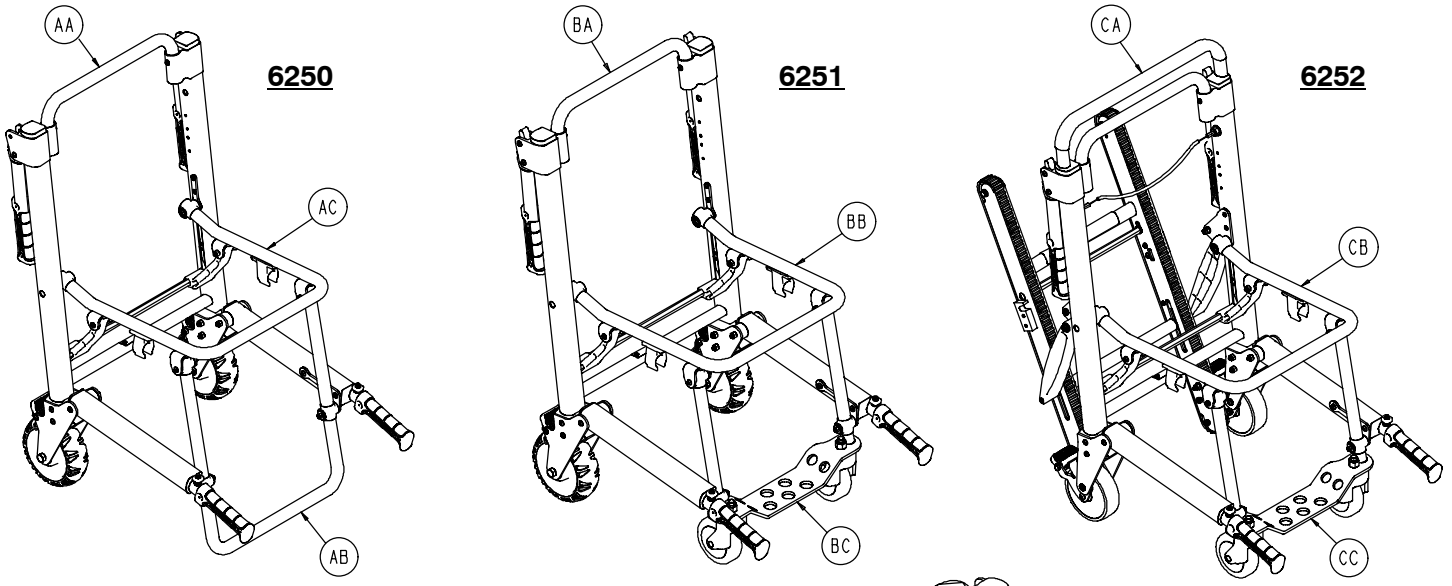


# Training Record

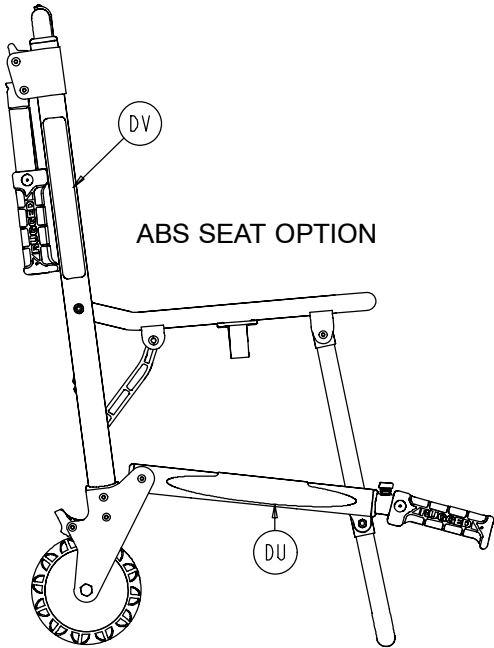
Trainee Name	Training Date		Training Method Owner's Manual, In-Service, Formal Class, Etc.
	Basic Training	Refresher Update	



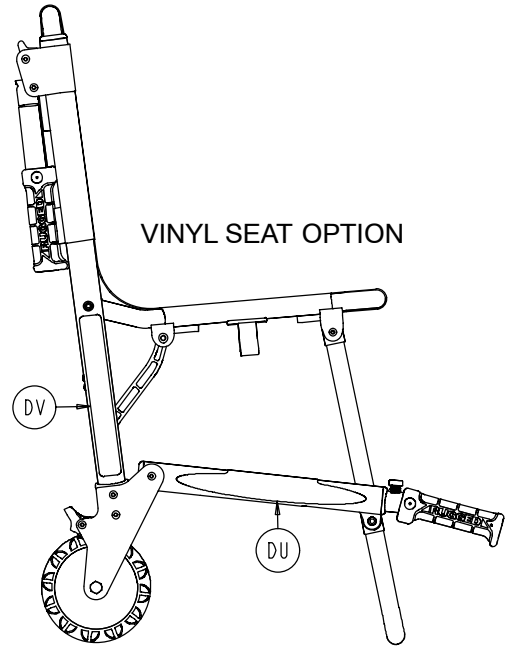
# Chair Assembly



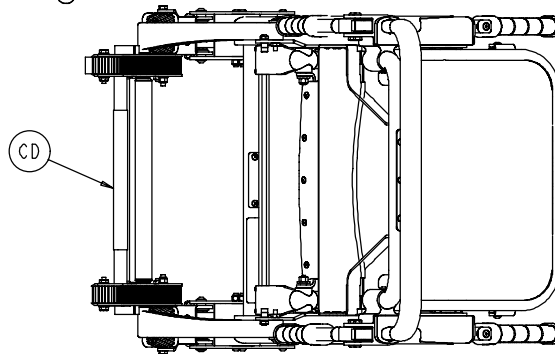
# Chair Assembly



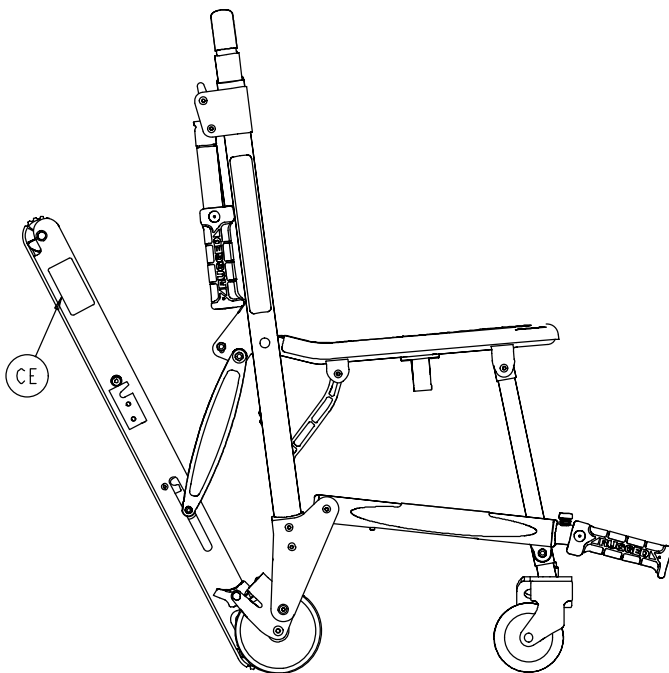
ABS SEAT OPTION



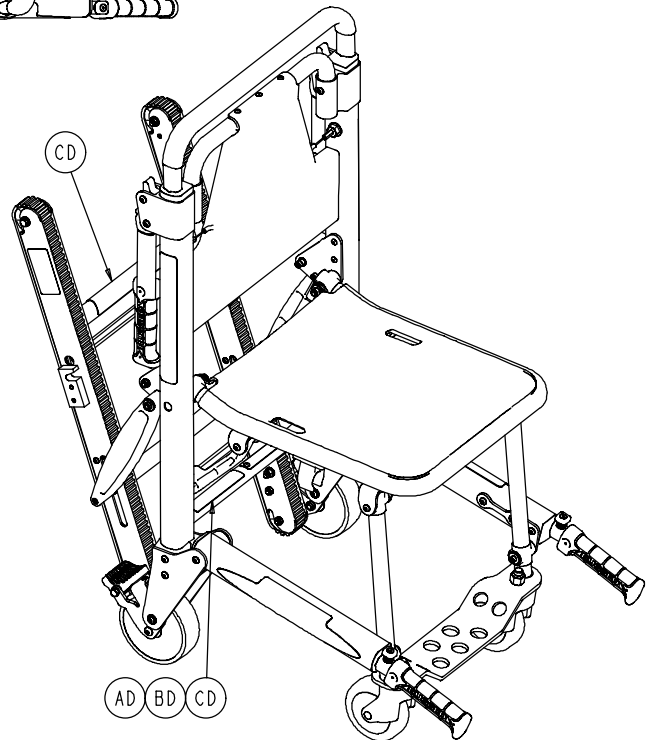
VINYL SEAT OPTION



CD



CE



CD

AD BD CD

# Chair Assembly

---

## COMMON COMPONENTS

Item	Part No.	Part Name	Qty.
DA	0001-167-000	Flat Socket Hd. Screw	2
DB	0004-135-000	Button Hd. Cap Screw	2
DC	0004-163-000	Button Hd. Cap Screw	2
DD	0004-218-000	Soc. Hd. Cap Screw	2
DE	0004-516-000	Soc. Hd. Cap Screw	2
DF	0011-159-000	Washer	2
DG	0014-020-000	Washer	4
DH	0014-099-000	Washer	2
DJ	0016-028-000	Nylock Hex Nut	8
DK	0016-078-000	Centerlock Hex Jam Nut	2
DL	0025-172-000	Blind Rivet	2
DM	6060-090-002	Serial No. Tag	1
DN	(page 45)	Seat Section Assembly	1
DP	(page 48)	Flip-Up Handle Ass'y	2
DR	(page 49)	Lock Mechanism Assembly	1
DS	6250-001-098	Pivot Spacer	6
DT	6250-001-111	Flip-Up Handle Pivot Spacer	2
DU	6250-001-138	Stair-PRO® Logo Label	2
DV	6250-001-139	9" Rugged Label	2
DW	(page 46)	Extension Handle, Right	1
DX	(page 47)	Extension Handle, Left	1
DY	6250-001-129	Pivot Spacer	2
DZ	6250-001-133	Ext. Handle Locator Spacer	2

## MODEL 6250

Item	Part No.	Part Name	Qty.
AA	(page 50)	Main Frame Assembly	1
AB	(page 60)	Foot Tube Assembly	1
AC	(see above)	Common Components	1
AD	6250-001-137	Specification Label	1

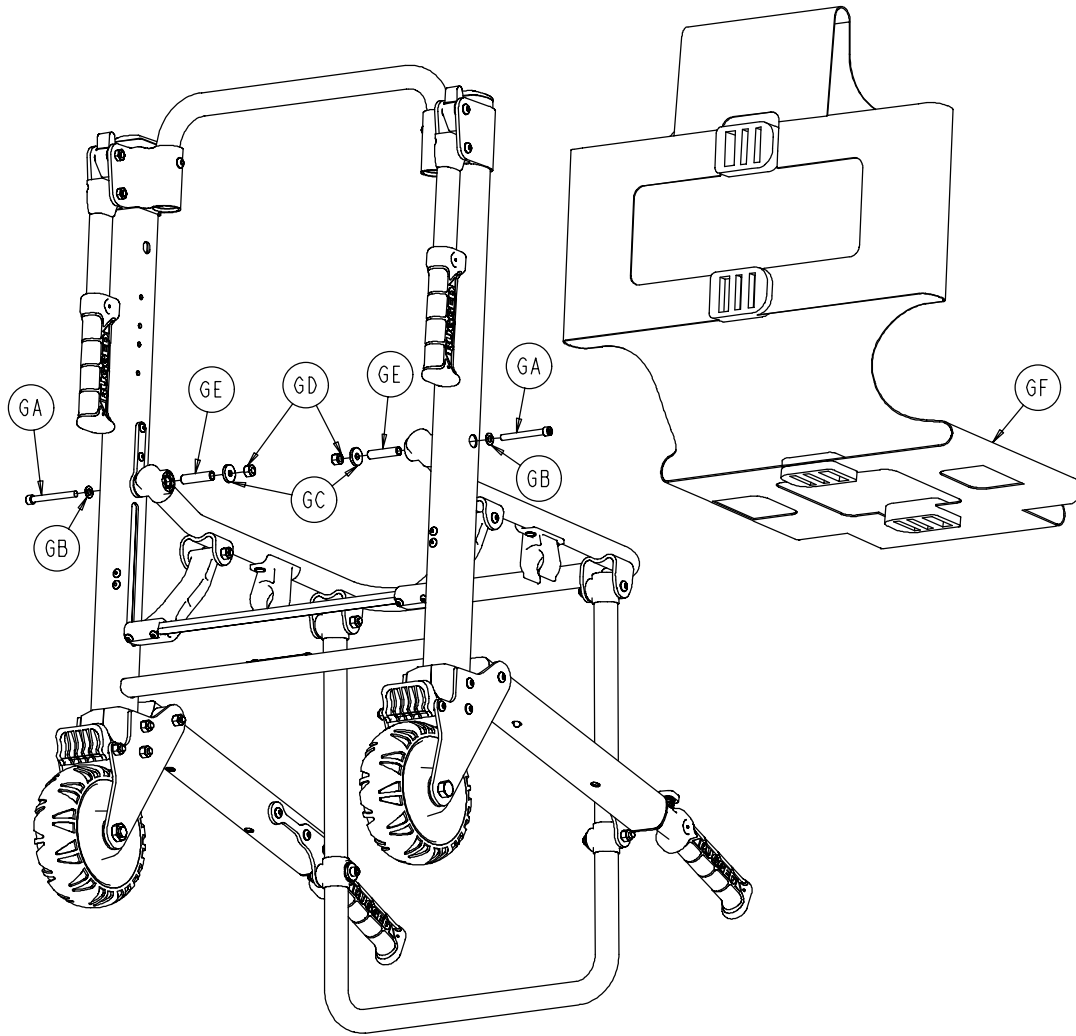
## MODEL 6251

Item	Part No.	Part Name	Qty.
BA	(page 50)	Main Frame Assembly	1
BB	(see above)	Common Components	1
BC	(page 61)	Foot Support Assembly	1
BD	6251-001-137	Specification Label	1

## MODEL 6252

Item	Part No.	Part Name	Qty.
CA	(page 52)	Main Frame Assembly	1
CB	(see above)	Common Components	1
CC	(page 61)	Foot Support Assembly	1
CD	6252-001-137	Specification Label	1
CE	6252-001-138	Track Release Label	1
CF	6252-001-139	"Do Not Use Oil" Label	2

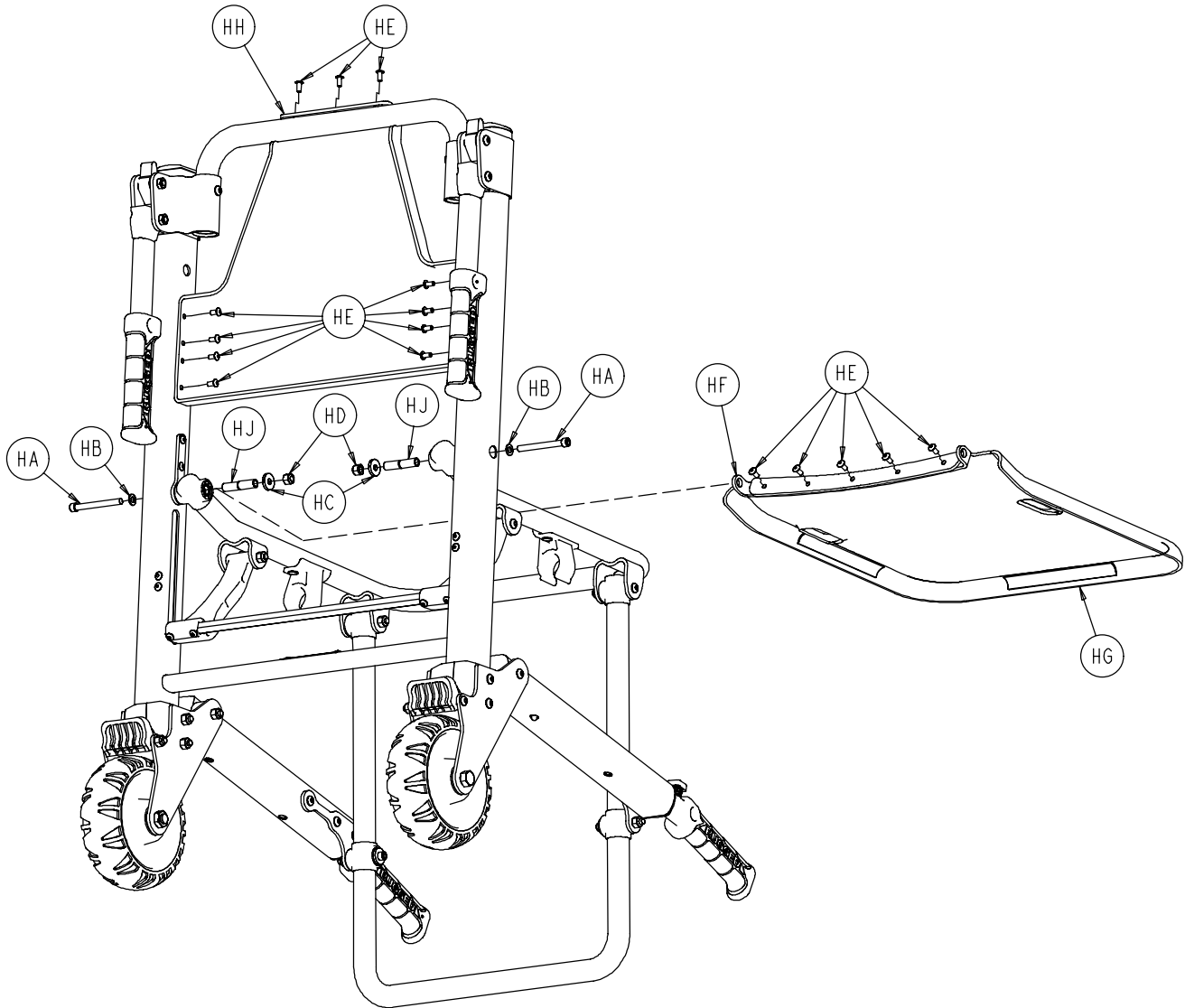
# Chair Assembly



## 6250-20 VINYL SEAT OPTION

Item	Part No.	Part Name	Qty.
GA	0004-516-000	Soc. Hd. Cap Screw	2
GB	0011-064-000	Washer	2
GC	0011-159-000	Washer	2
GD	0016-028-000	Hex Lock Nut	2
GE	6250-001-098	Pivot Spacer	2
GF	6250-001-135	Vinyl Seat	1

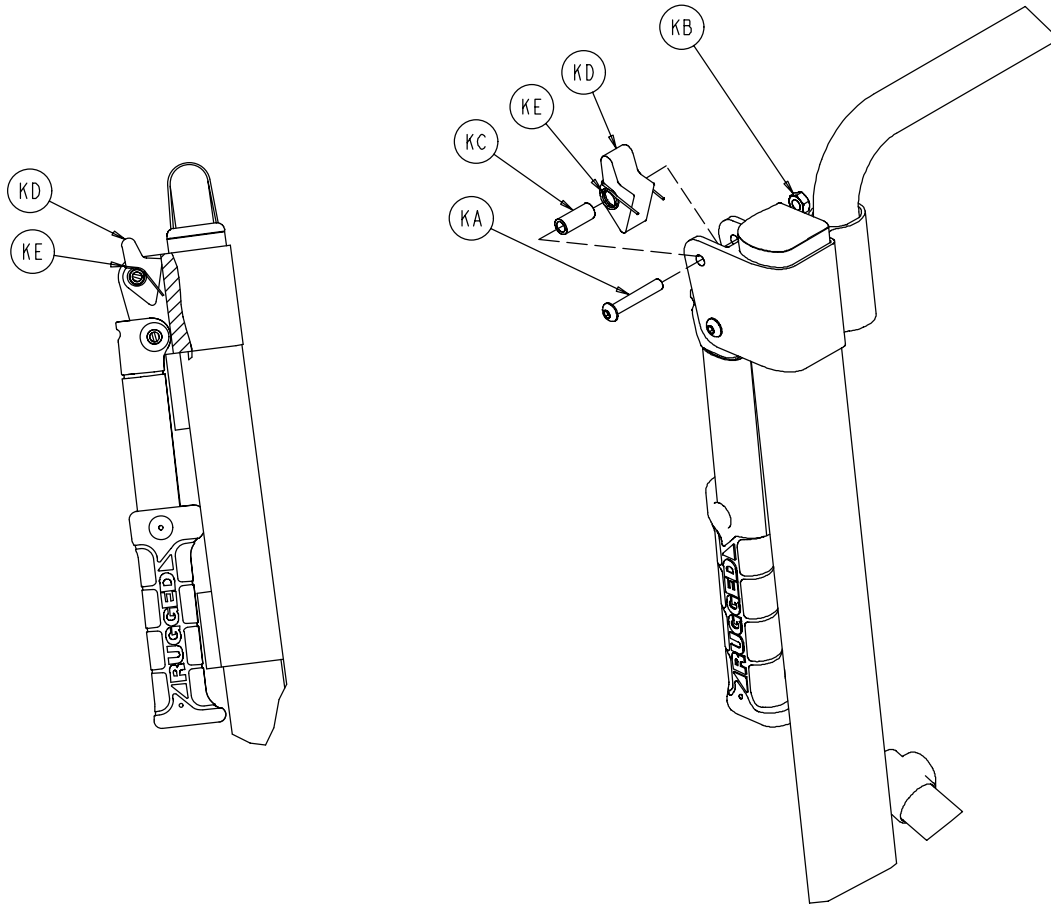
# Chair Assembly



## 6250-21 ABS SEAT OPTION

Item	Part No.	Part Name	Qty.
HA	0004-517-000	Soc. Hd. Cap Screw	2
HB	0011-064-000	Washer	2
HC	0011-159-000	Washer	2
HD	0016-028-000	Hex Lock Nut	2
HE	0025-172-000	Blind Rivet	16
HF	6250-001-099	Seat Support Bracket	1
HG	6250-001-115	Plastic Seat	1
HH	6250-001-116	Plastic Back Rest	1
HJ	6250-001-128	Pivot Spacer	2

# Chair Assembly

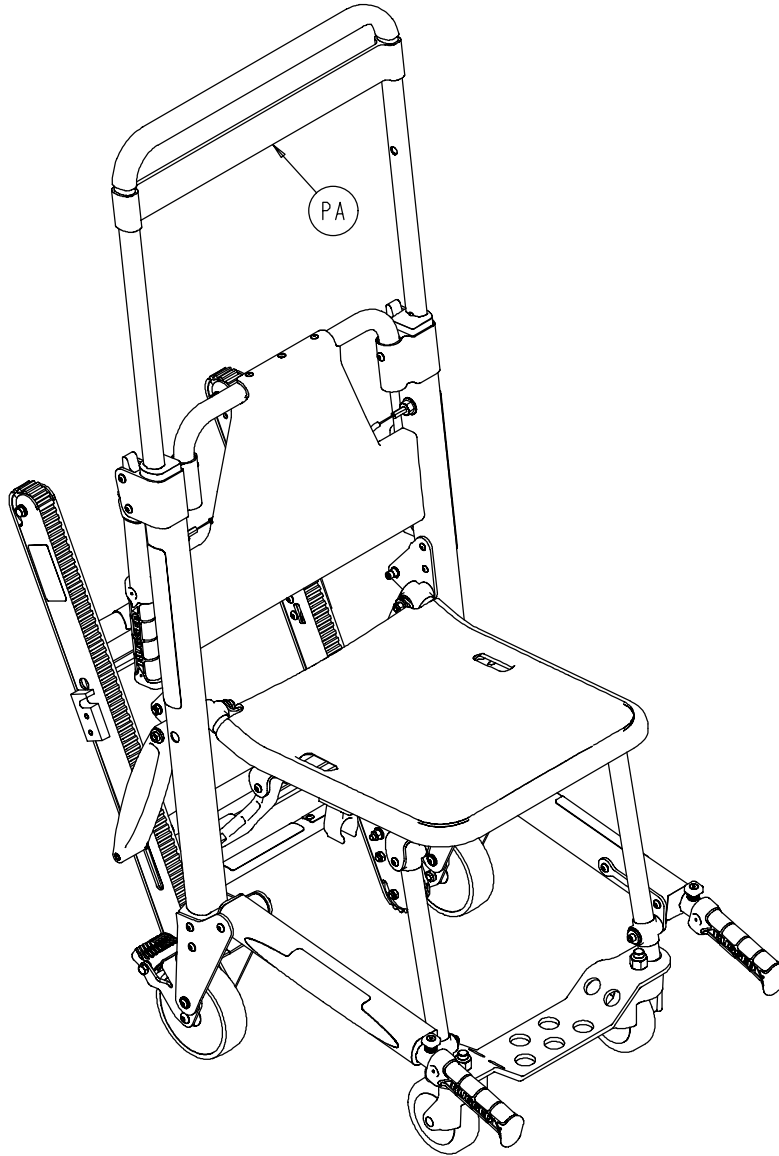


## 6250-31 LOCKING FLIP-UP HANDLE OPTION

Item	Part No.	Part Name	Qty.
KA	0004-135-000	Button Hd. Cap Screw	2
KB	0016-078-000	Centerlock Hex Jam Nut	2
KC	6250-001-111	Flip-Up Handle Spacer	2
KD	6250-001-113	Flip-Up Handle Trigger	2
KE	6250-001-114	Single Spring	2

# Chair Assembly

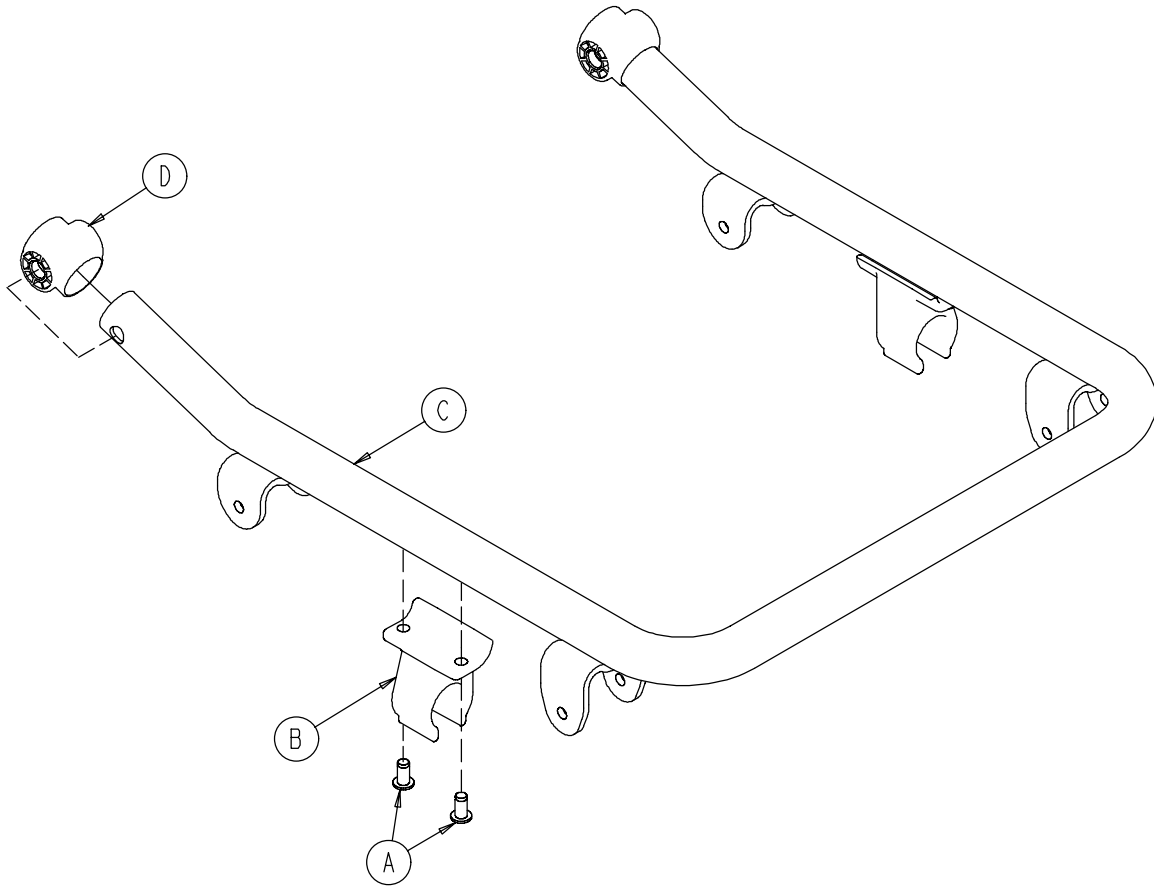
---



## 6252-40 HEAD SUPPORT OPTION

Item	Part No.	Part Name	Qty.
PA	6252-001-122	Head Support	1

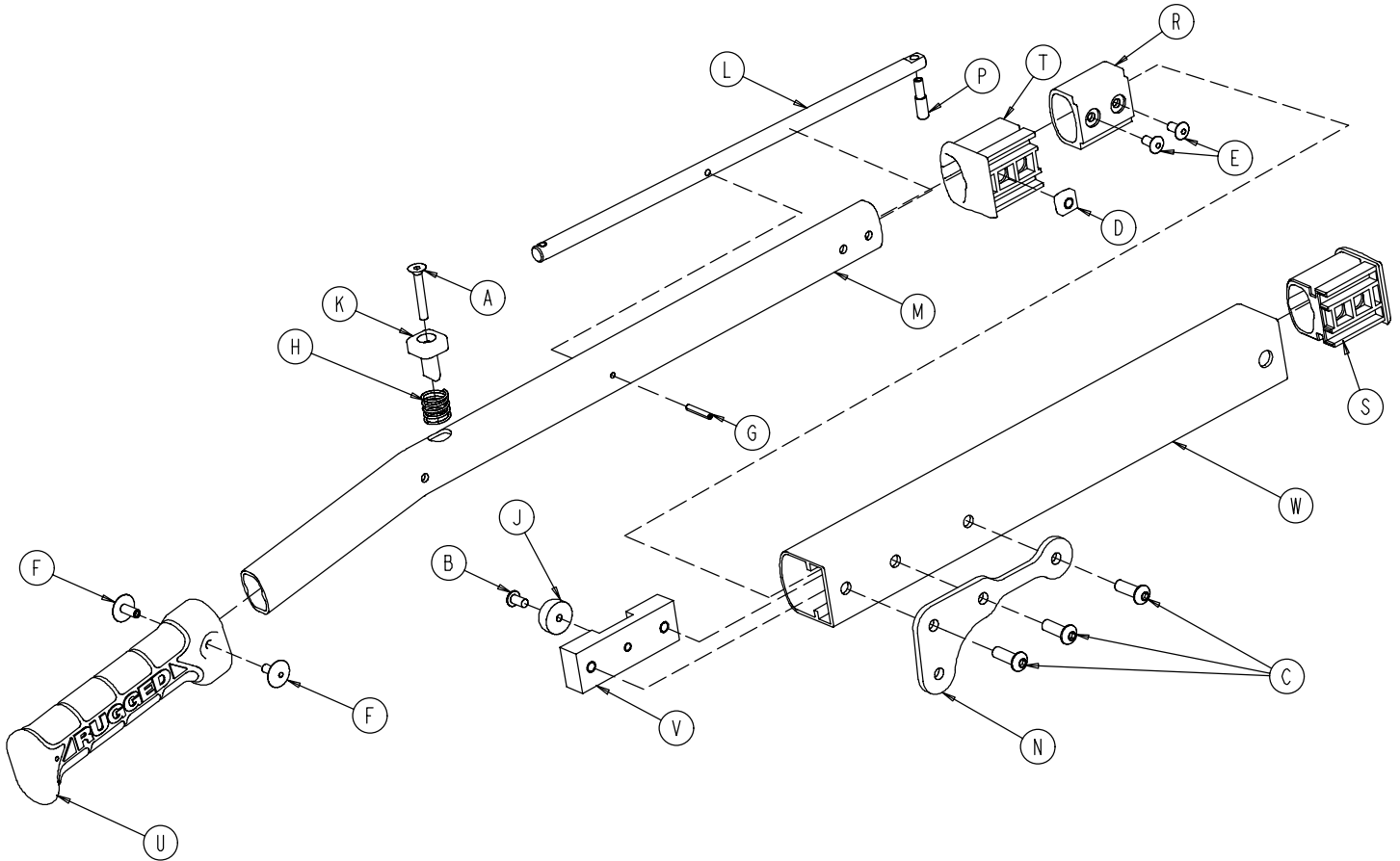
# 6250-001-013 Seat Section Assembly



Item	Part No.	Part Name	Qty.
A	0025-120-000	Rivet	4
B	6080-110-035	Clip	2
C	6250-001-050	Seat Frame	1
D	6250-001-096	Foot/Seat Section End Cap	2

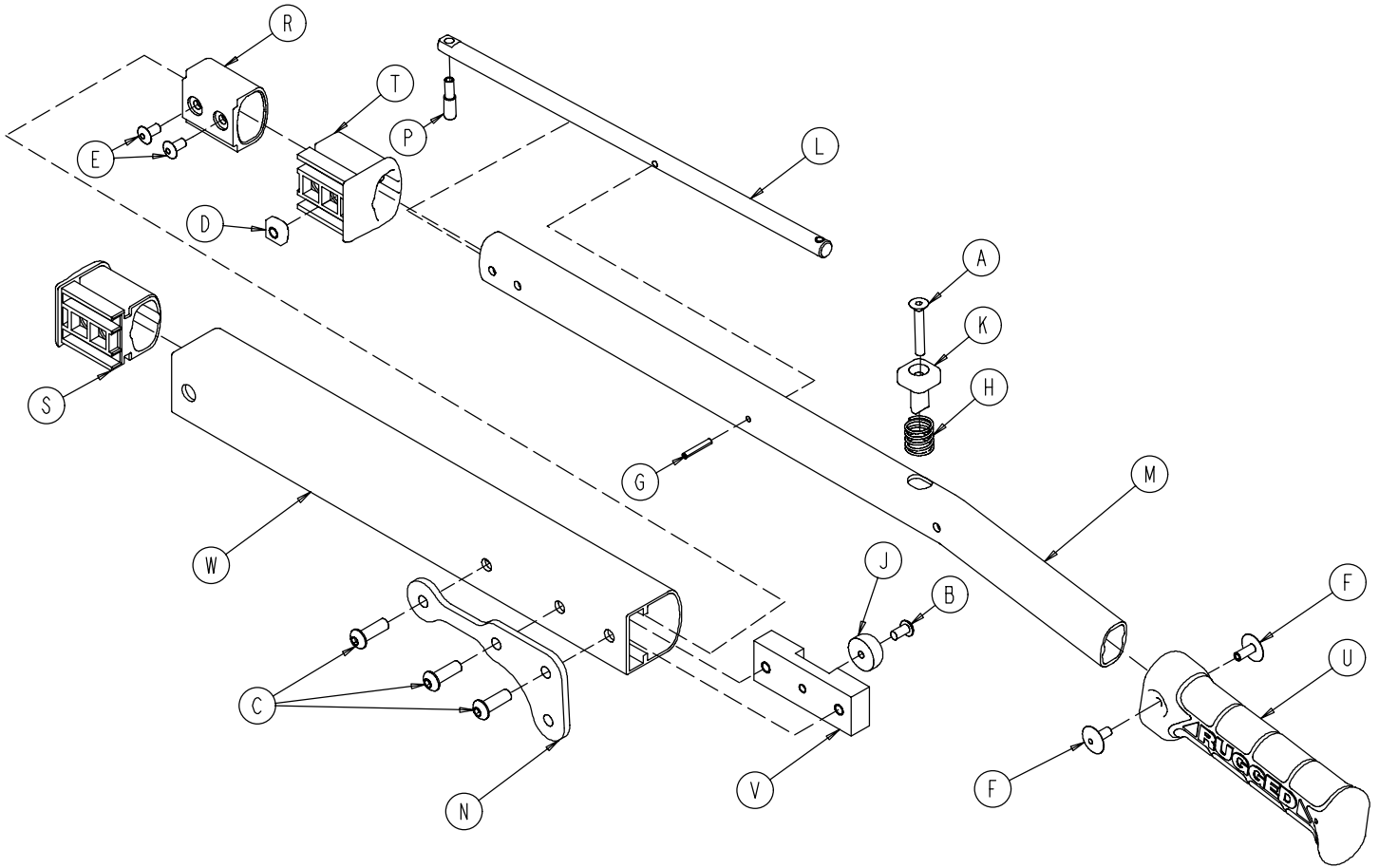


# 6250-001-014 Right Extension Handle Assembly



Item	Part No.	Part Name	Qty.
A	0001-138-000	Flat Head Socket Screw	1
B	0004-136-000	But. Hd. Cap Screw	1
C	0004-468-000	Button Head Cap Screw	3
D	0015-016-000	Square Nut	1
E	0025-079-000	Blind Rivet	2
F	0025-132-000	Blind Rivet	2
G	0026-323-000	Coiled Spring Pin	1
H	0038-462-000	Compression Spring	1
J	0056-022-000	Bumper	1
K	6100-031-065	Push Button	1
L	6250-001-080	Pivot Lock Lever	1
M	6250-001-081	Internal Handle Extension	1
N	6250-001-082	Handle Pivot Bracket	1
P	6250-001-083	Lock Pin	1
R	6250-001-085	Internal Slide Bushing	1
S	6250-001-086	Outer End Cap	1
T	6250-001-087	Outer Bushing	1
U	6250-001-089	Hand Grip	1
V	6250-001-112	Handle Dead Stop	1
W	6250-001-121	Outer Handle Extension, Rt.	1

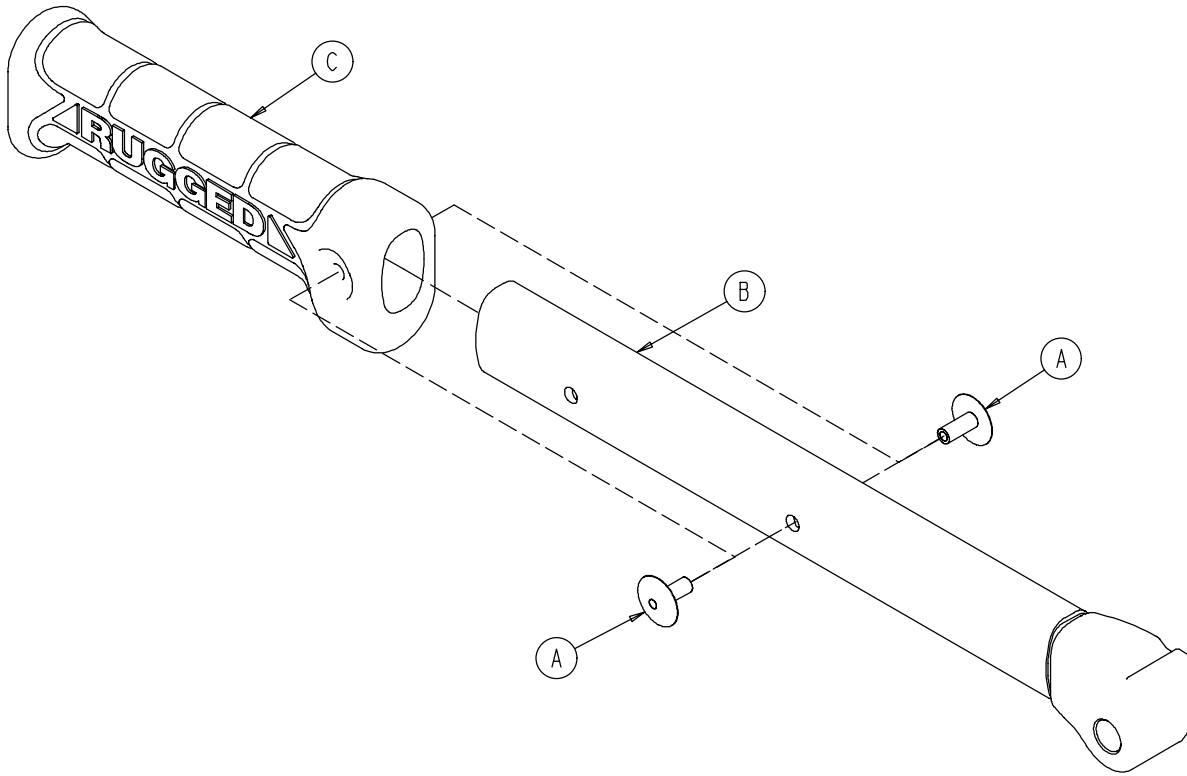
# 6250-001-015 Left Extension Handle Assembly



Item	Part No.	Part Name	Qty.
A	0001-138-000	Flat Hd. Socket Screw	1
B	0004-136-000	Button Hd. Cap Screw	1
C	0004-468-000	Button Hd. Cap Screw	3
D	0015-016-000	Square Nut	1
E	0025-079-000	Blind Rivet	2
F	0025-132-000	Blind Rivet	2
G	0026-323-000	Coiled Spring Pin	1
H	0038-462-000	Compression Spring	1
J	0056-022-000	Bumper	1
K	6100-031-065	Push Button	1
L	6250-001-080	Pivot Lock Lever	1
M	6250-001-081	Internal Handle Extension	1
N	6250-001-082	Handle Pivot Bracket	1
P	6250-001-083	Lock Pin	1
R	6250-001-085	Internal Slide Bushing	1
S	6250-001-086	Outer End Cap	1
T	6250-001-087	Outer Bushing	1
U	6250-001-089	Hand Grip	1
V	6250-001-112	Handle Dead Stop	1
W	6250-001-122	Outer Handle Extension, Lt.	1

# 6250-001-016 Flip-Up Handle Assembly

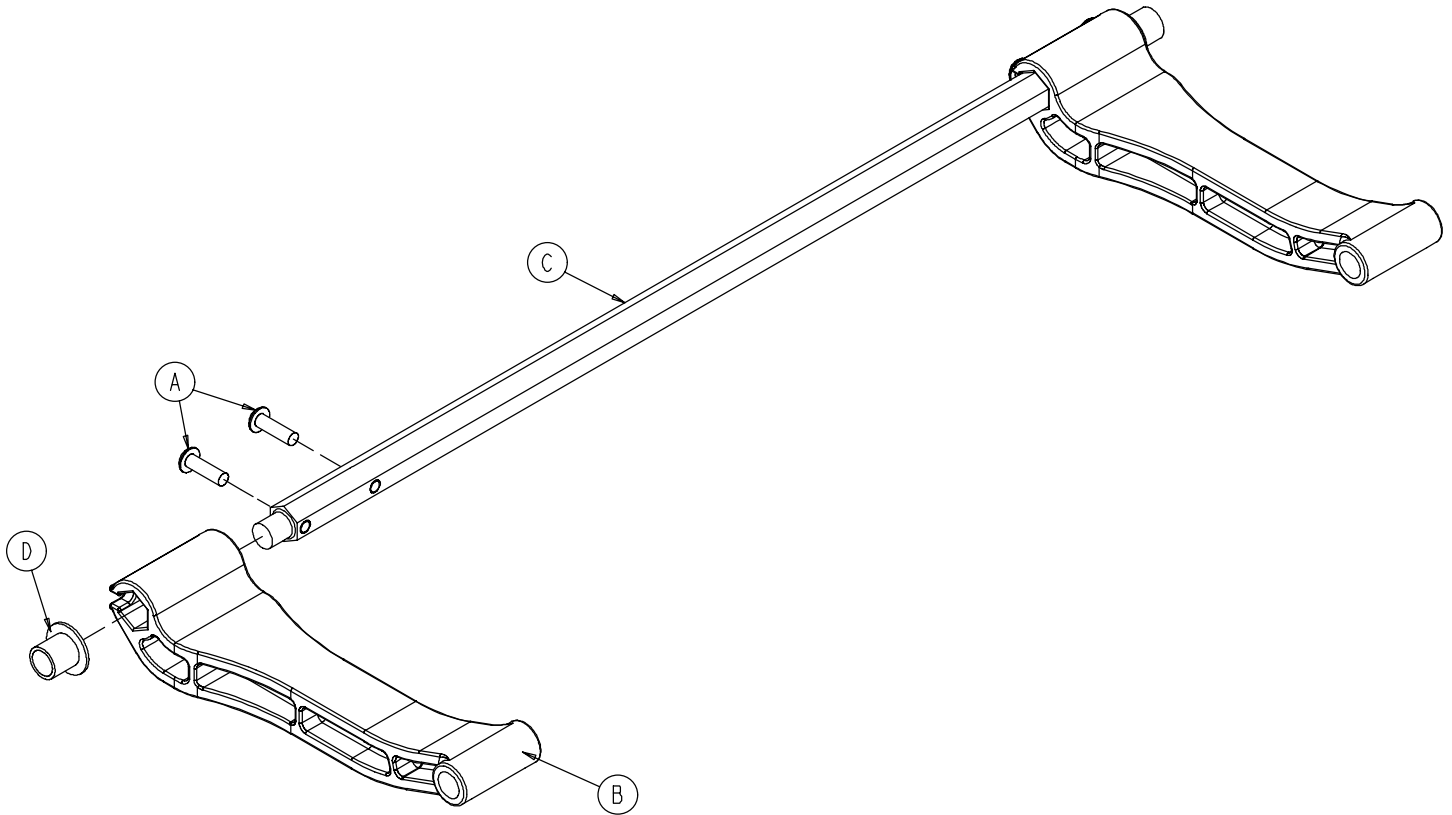
---



Item	Part No.	Part Name	Qty.
A	0025-132-000	Blind Rivet	2
B	6250-001-052	Handle Weldment	1
C	6250-001-089	Hand Grip	1

# 6250-001-017 Lock Mechanism Assembly

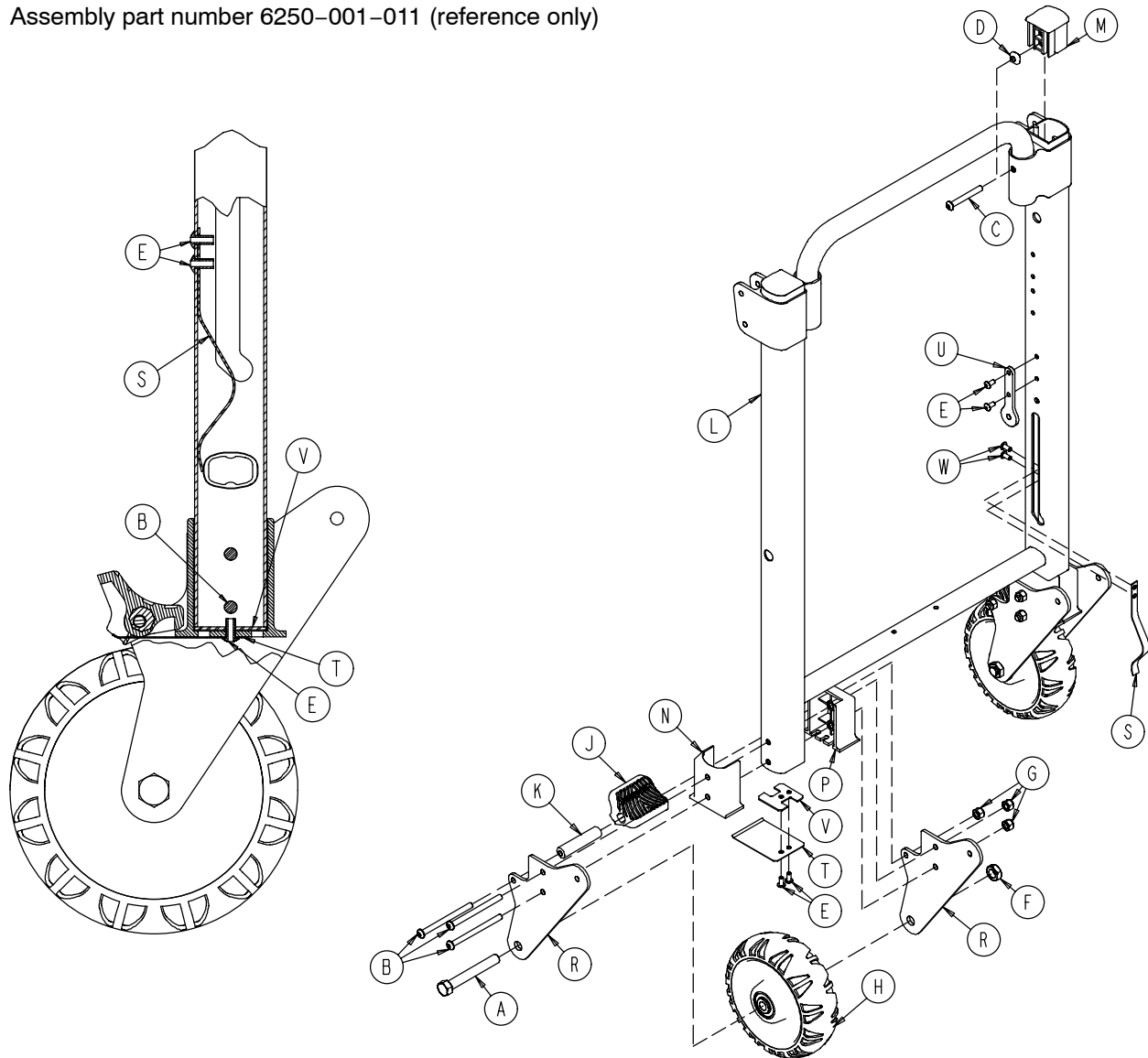
---



Item	Part No.	Part Name	Qty.
A	0004-515-000	Button Hd. Cap Screw	4
B	6250-001-094	Lock Mechanism Strut	2
C	6250-001-095	Cross Bar	1
D	6250-001-124	Flange Bearing	2

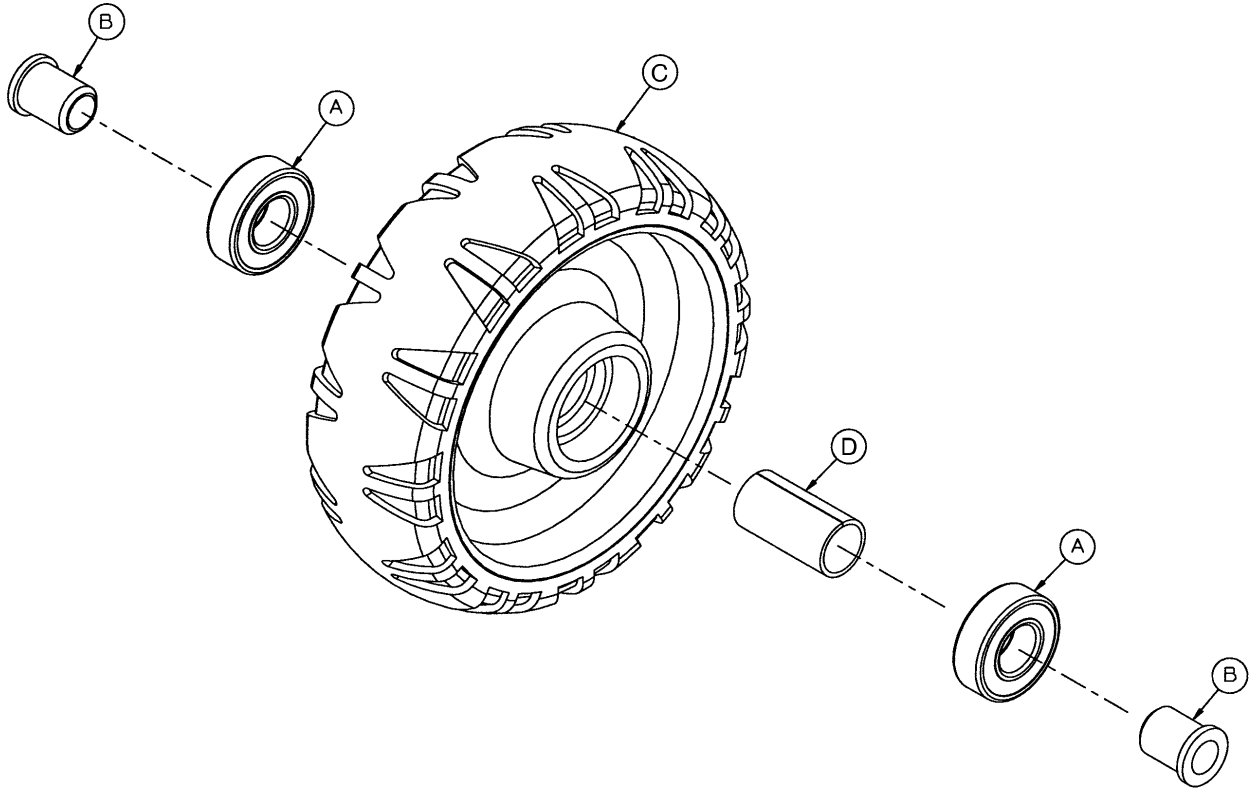
# 6250/6251 Main Frame Assembly

Assembly part number 6250-001-011 (reference only)



Item	Part No.	Part Name	Qty.	Item	Part No.	Part Name	Qty.
A	0003-366-000	Hex Hd. Cap Screw	2	L	6250-001-055	Frame Weldment	1
B	0004-218-000	But. Hd. Cap Screw	6	M	6250-001-086	Outer Extrusion End Cap	2
C	0004-511-000	But. Hd. Cap Screw	2	N	6250-001-102	Outer Wheel Supt. Spacer	2
D	0015-016-000	Square Nut	2	P	6250-001-103	Inner Wheel Supt. Spacer	2
E	0025-172-000	Blind Rivet	8	R	6250-001-104	Wheel Support	4
F	0016-060-000	Centerlock Hex Jam Nut	2	S	6250-001-118	Retaining Lock Spring	2
G	0016-028-000	Nylock Nut	6	T	6250-001-131	Brake Spring	2
H	(page 51)	Wheel Assembly	2	U	6250-001-132	Seat Spacer	2
J	6080-200-030	Brake Pedal	2	V	6250-001-134	Back Plate	2
K	6080-200-041	Hex Sleeve	2	W	0025-079-000	Rivet	4

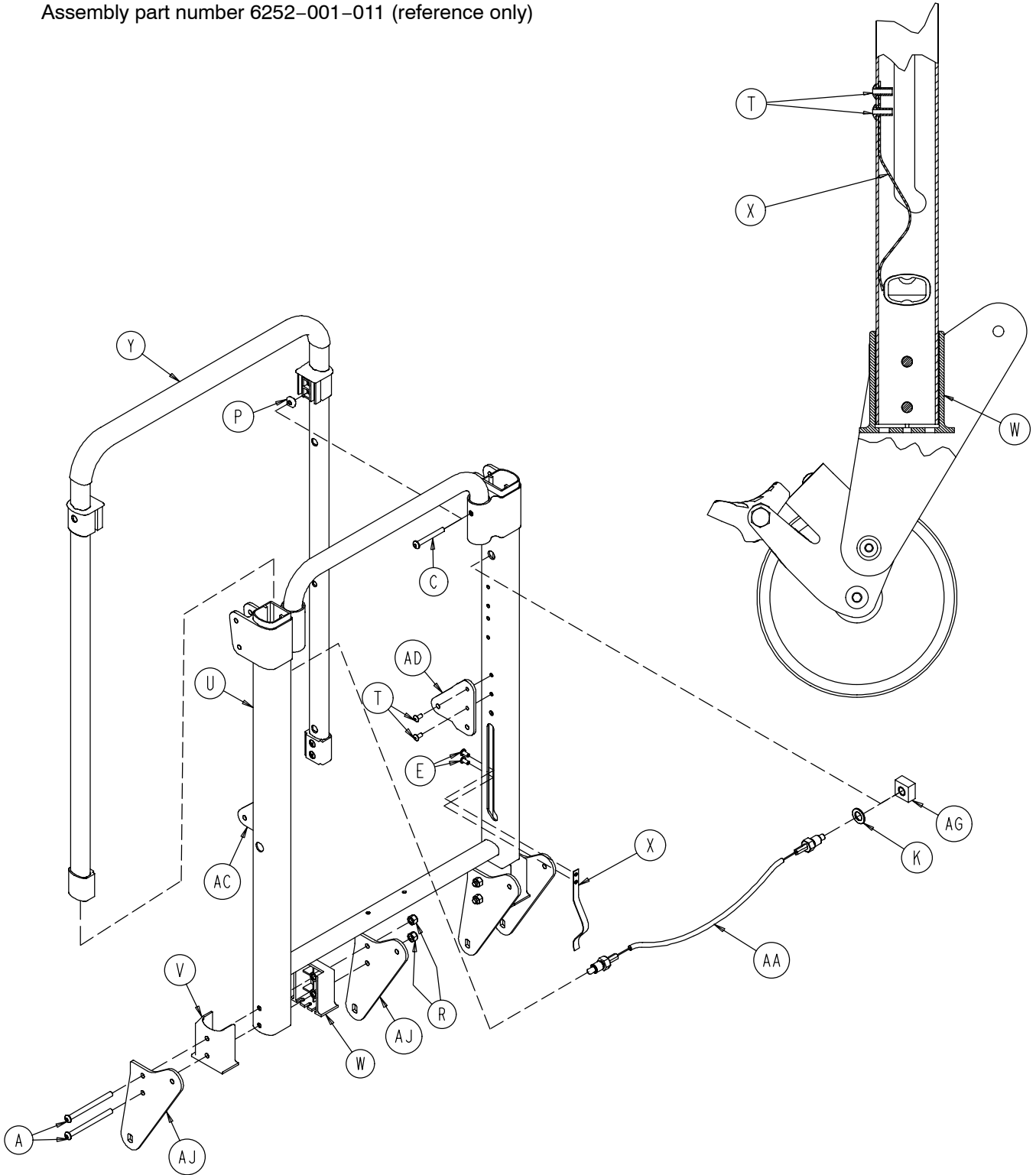
# 6060-002-010 Wheel Assembly



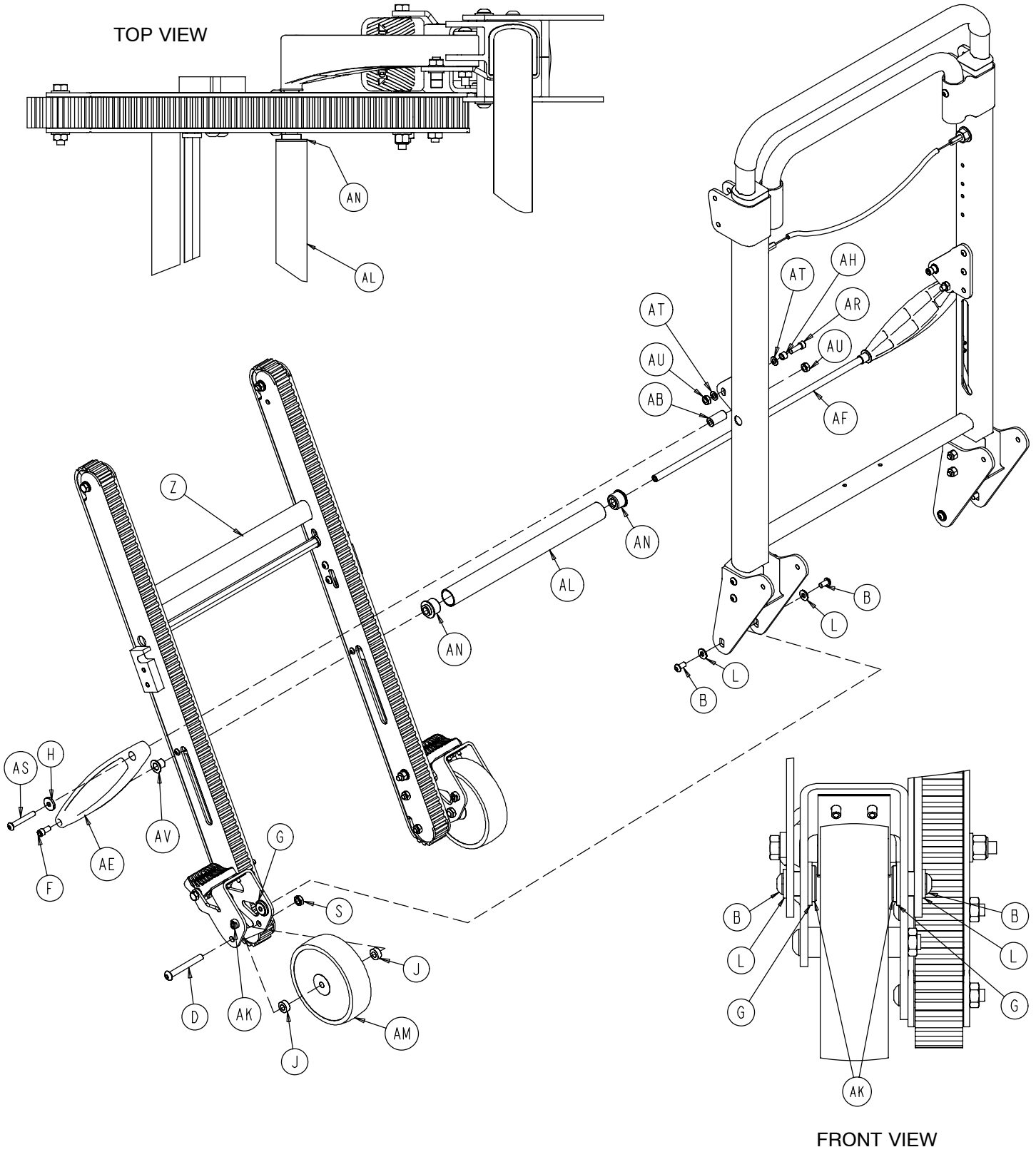
Item	Part No.	Part Name	Qty.
A	0081-226-000	Bearing	2
B	0715-001-255	Wheel Bushing	2
C	6060-002-045	Wheel	1
D	6060-002-046	Bearing Spacer	1

# 6252 Main Frame Assembly

Assembly part number 6252-001-011 (reference only)



# 6252 Main Frame Assembly



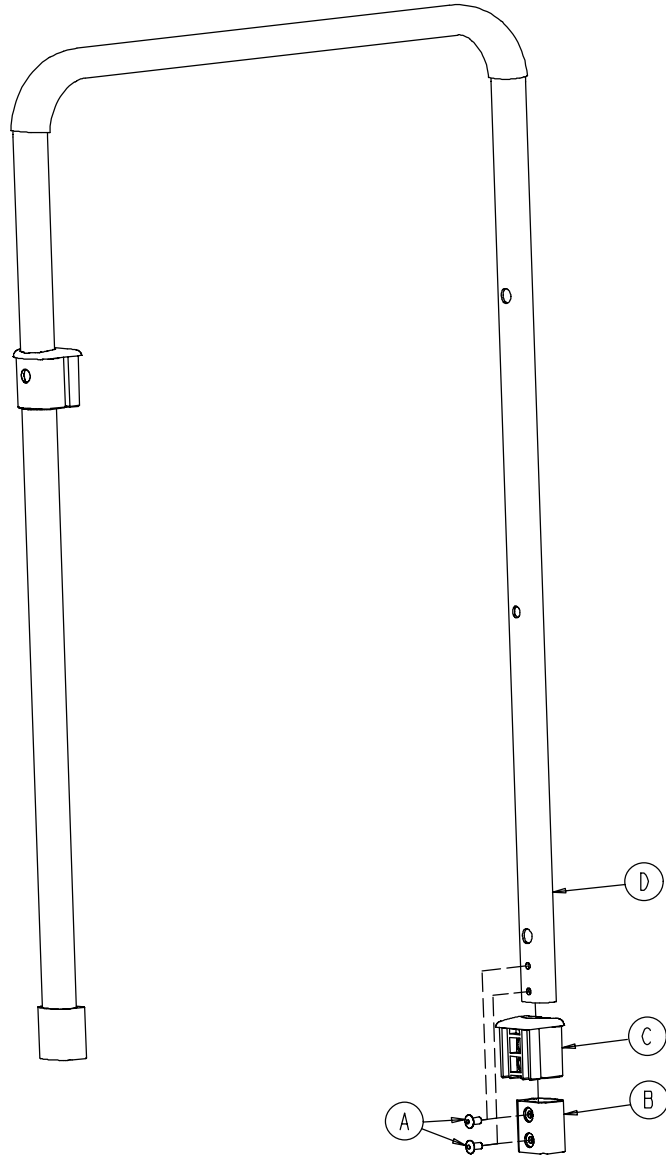


# 6252 Main Frame Assembly

---

Item	Part No.	Part Name	Qty.
A	0004-218-000	Button Head Cap Screw	4
B	0004-325-000	Button Head Cap Screw	4
C	0004-511-000	Button Head Cap Screw	2
D	0004-512-000	Button Head Cap Screw	2
E	0025-079-000	Rivet	4
F	0004-514-000	Socket Head Cap Screw	2
G	0011-045-000	Washer	4
H	0011-159-000	Washer	2
J	0011-423-000	Spacer	4
K	0011-455-000	Washer	2
L	0011-456-000	Washer	4
P	0015-016-000	Square Nut	2
R	0016-028-000	Nylock Nut	4
S	0016-316-000	Centerlock Hex Jam Nut	2
T	0025-172-000	Blind Rivet	4
U	6250-001-055	Frame Weldment	1
V	6250-001-102	Wheel Supt. Outer Spacer	2
W	6250-001-103	Wheel Supt. Inner Spacer	2
X	6250-001-118	Lock Retaining Spring	2
Y	(page 55)	Upper Extension Handle	1
Z	(page 56)	Track Frame Assembly	1
AA	(page 59)	Cable & Pin Assembly	1
AB	6252-001-084	Track Belt Roller Spacer	2
AC	6252-001-124	Track Supt. Offset Bracket	1
AD	6252-001-125	Track Supt. Offset Bracket	1
AE	6252-001-088	Track Support Strut	2
AF	6252-001-089	Track Support Cross Bar	1
AG	6252-001-094	Upper Ext. Handle Dead Stop	2
AH	6252-001-096	Track Lock Post	2
AJ	6252-001-104	Wheel Support	4
AK	6252-001-106	Track Spacer Pivot	4
AL	6252-001-113	Track Spacer Tube	1
AM	6252-001-114	5" Wheel	2
AN	6252-001-120	Track Spacer Sleeve	2
AR	0004-090-000	Socket Head Cap Screw	2
AS	0004-204-000	Socket Head Cap Screw	2
AT	0011-064-000	Washer	4
AU	0016-078-000	Centerlock Hex Jam Nut	4
AV	6250-001-124	Flange Bearing	2

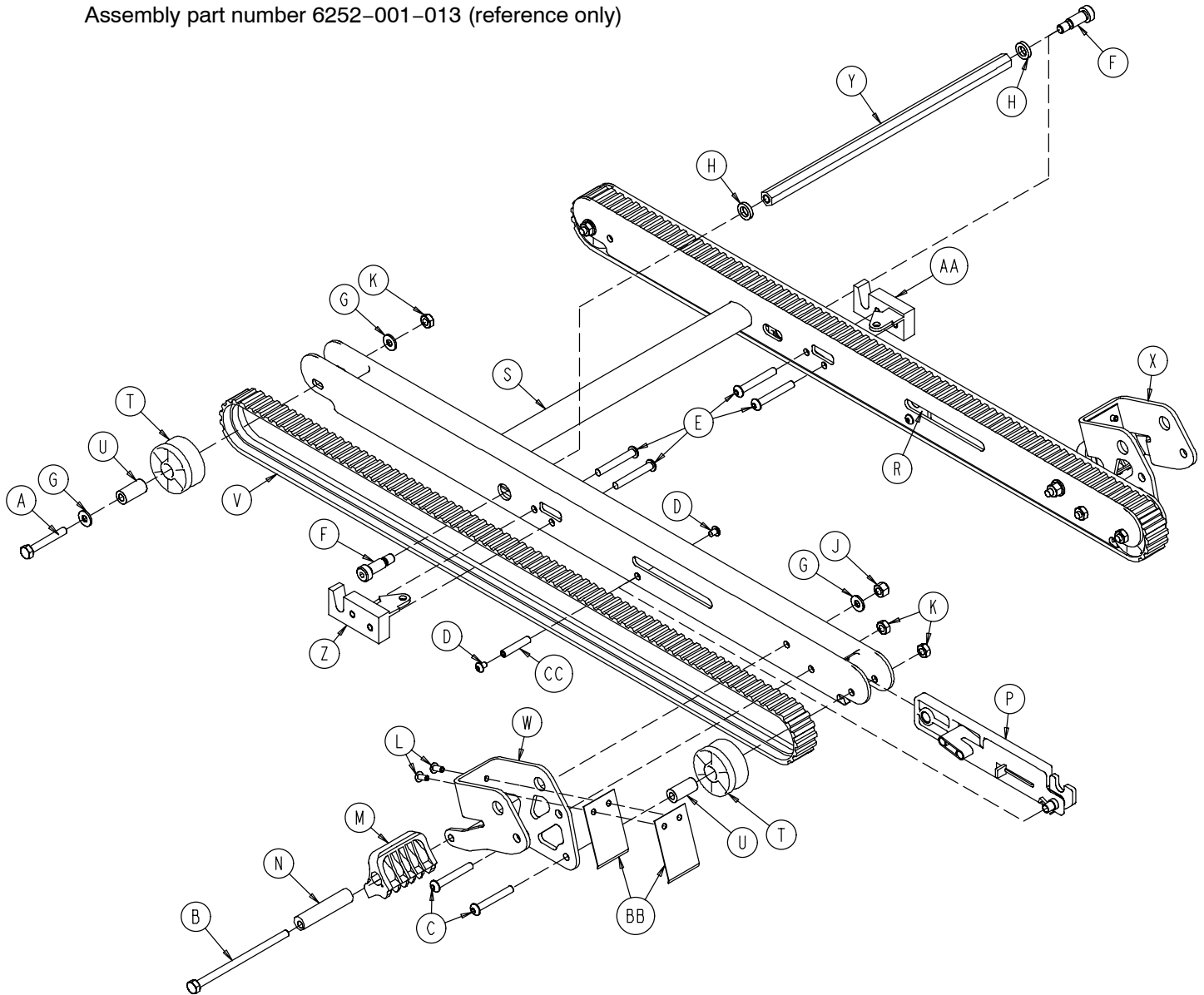
# 6252-001-012 Upper Control Handle Assembly



Item	Part No.	Part Name	Qty.
A	0025-079-000	Blind Rivet	4
B	6250-001-085	Internal Slide Bushing	2
C	6250-001-087	Outer Ext. Handle Bushing	2
D	6252-001-090	Upper Internal Handle	1

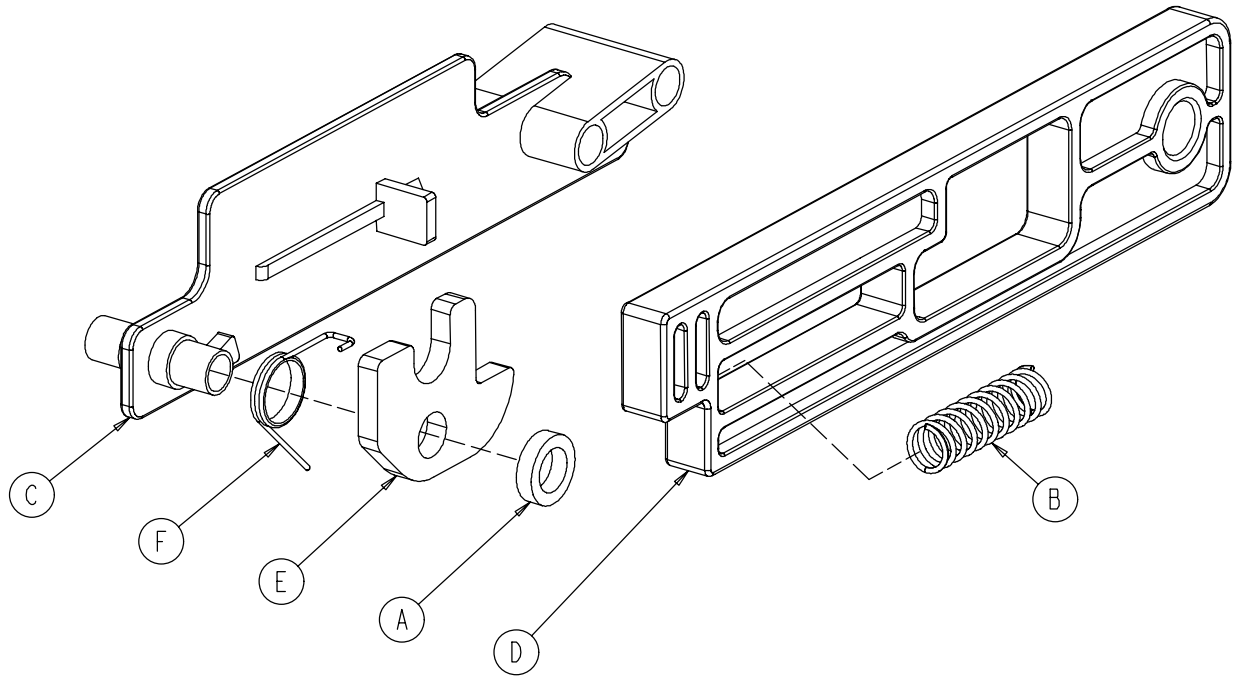
# 6252 Track Frame Assembly

Assembly part number 6252-001-013 (reference only)



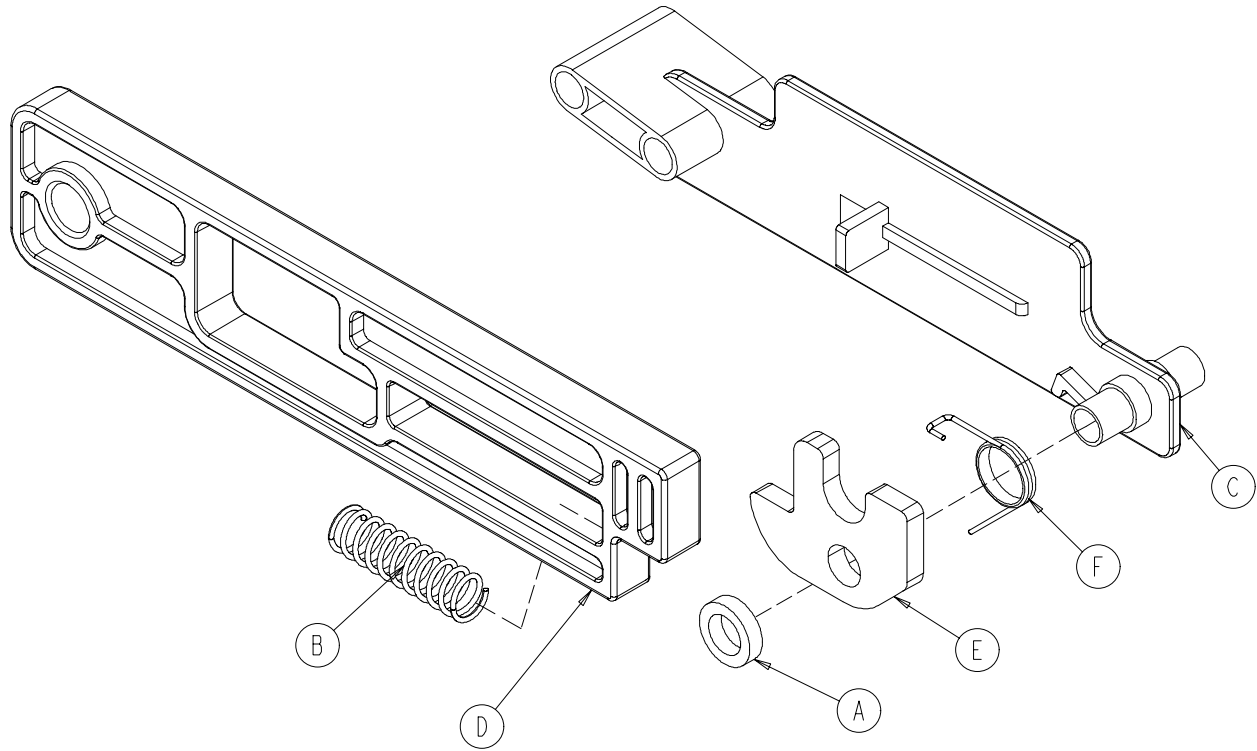
Item	Part No.	Part Name	Qty.	Item	Part No.	Part Name	Qty.
A	0003-359-000	Hex Hd. Cap Screw	2	P	(page 57)	Internal Lock Latch Ass'y	1
B	0003-365-000	Hex Hd. Cap Screw	2	R	(page 58)	Internal Lock Latch Ass'y	1
C	0004-204-000	But. Hd. Cap Screw	4	S	6252-001-050	Track Frame Weldment	1
D	0004-483-000	But. Hd. Cap Screw	4	T	6252-001-083	Track Belt Roller	4
E	0004-503-000	But. Hd. Cap Screw	4	U	6252-001-084	Track Belt Roller Spacer	4
F	0008-063-000	Soc. Hd. Cap Screw	2	V	6252-001-085	Track Belt	2
G	0011-456-000	Washer	6	W	6252-001-102	Wheel Support	1
H	0014-099-000	Washer	2	X	6252-001-103	Wheel Support	1
J	0016-028-000	Hex Nut	2	Y	6252-001-105	Lock Mechanism Cross Bar	1
K	0016-078-000	Centerlock Hex Nut	6	Z	6252-001-110	Latch	1
L	0025-172-000	Blind Rivet	4	AA	6252-001-111	Latch	1
M	6080-200-030	Brake Pedal	2	BB	6252-001-112	Brake Spring	4
N	6080-200-041	Hex Sleeve	2	CC	6252-001-121	Support Track Cross Bar	2

# 6252-001-014 Internal Latch Assembly



Item	Part No.	Part Name	Qty.
A	0014-098-000	Washer	1
B	0038-506-000	Compression Spring	1
C	6252-001-097	Latch Retainer Block	1
D	6252-001-098	Latch Slide Release	1
E	6252-001-099	Track Latch Lock	1
F	6252-001-101	Spring	1

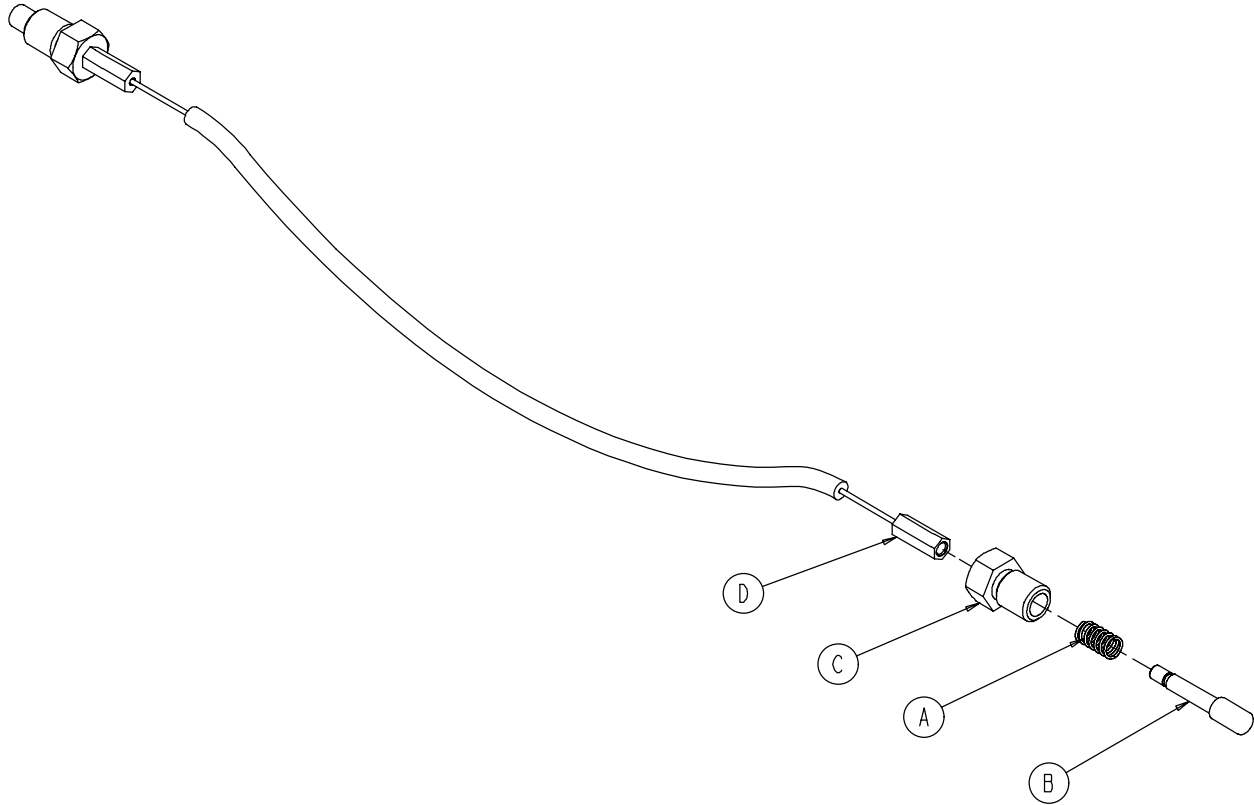
# 6252-001-015 Internal Latch Assembly



Item	Part No.	Part Name	Qty.
A	0014-098-000	Washer	1
B	0038-506-000	Compression Spring	1
C	6252-001-097	Latch Retainer Block	1
D	6252-001-098	Latch Release Slide	1
E	6252-001-099	Track Latch Lock	1
F	6252-001-100	Spring	1

# 6252-001-016 Cable and Pin Assembly

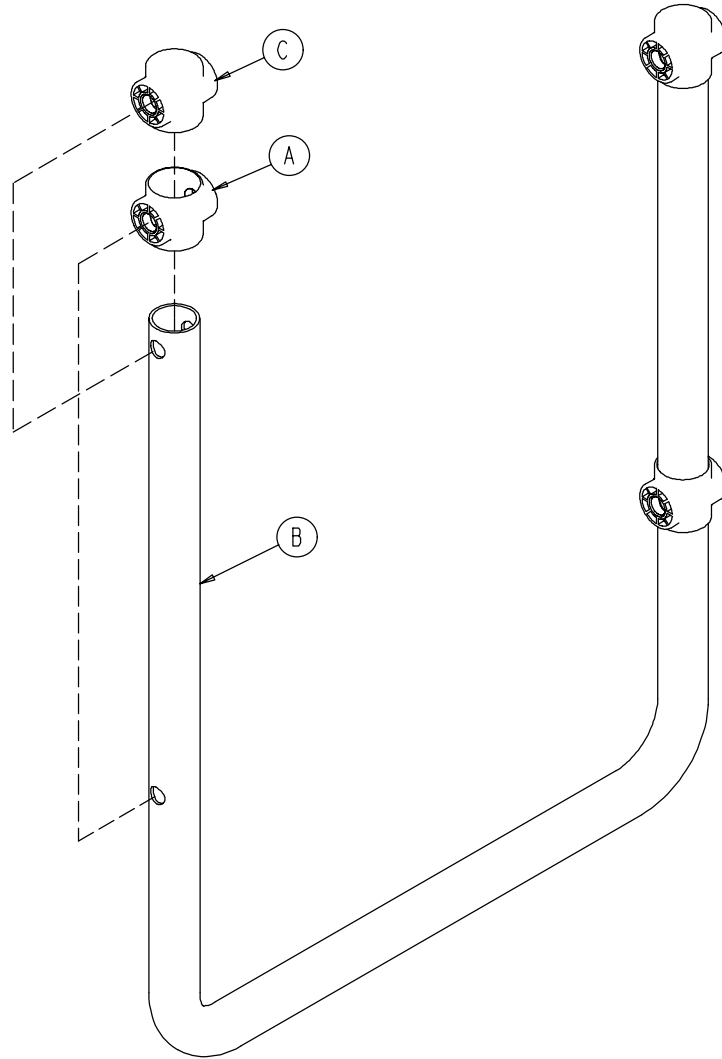
---



Item	Part No.	Part Name	Qty.
A	0038-507-000	Compression Spring	2
B	6252-001-115	Pull Pin	2
C	6252-001-116	Pull Pin Bolt	2
D	6252-001-119	Cable	1

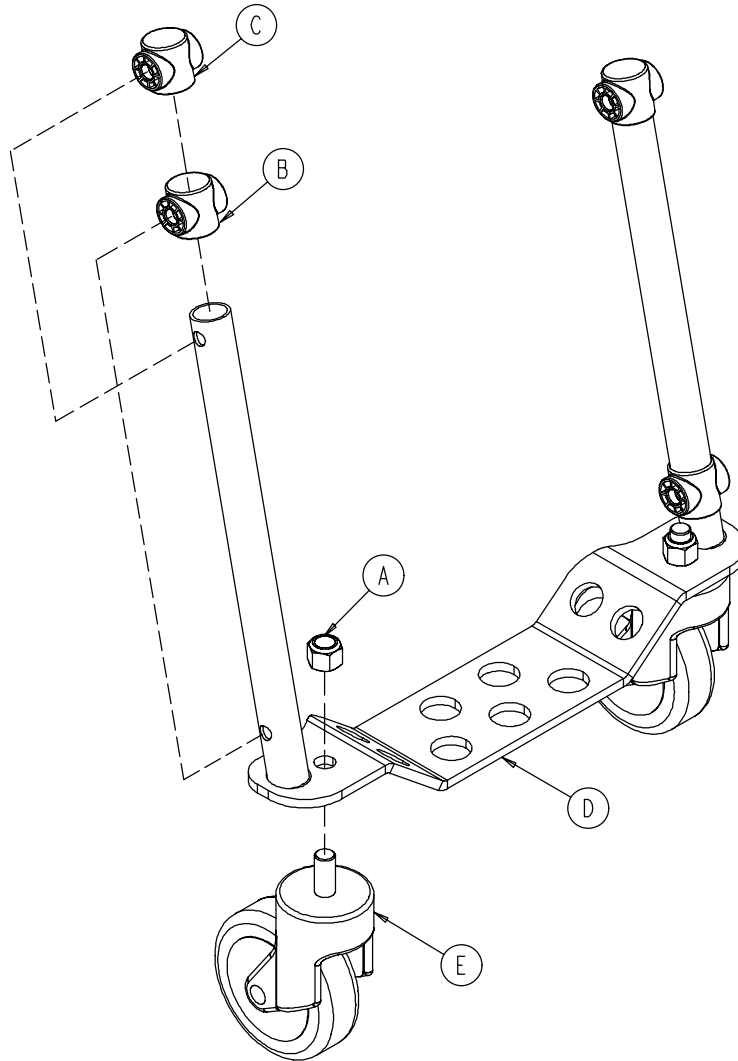
# 6250-001-012 Foot Tube Assembly

---



Item	Part No.	Part Name	Qty.
A	6250-001-090	Foot Section End Cap	2
B	6250-001-091	Foot Section Tube	1
C	6250-001-096	Foot/Seat Section End Cap	2

# 6251-001-012 Foot Support Assembly (6251, 6252)

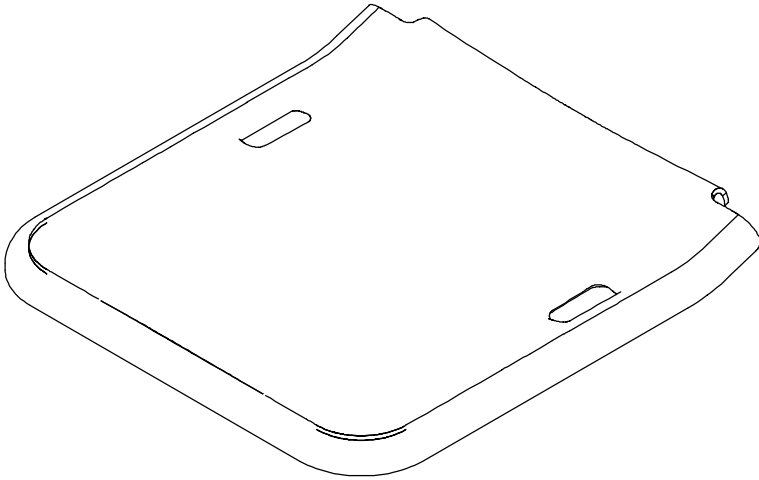


Item	Part No.	Part Name	Qty.
A	0016-064-000	Nylock Hex Nut	2
B	6250-001-090	Foot Section End Cap	2
C	6250-001-096	Foot/Seat Section End Cap	2
D	6251-001-050	Foot Support	1
E	6251-001-083	Caster	2

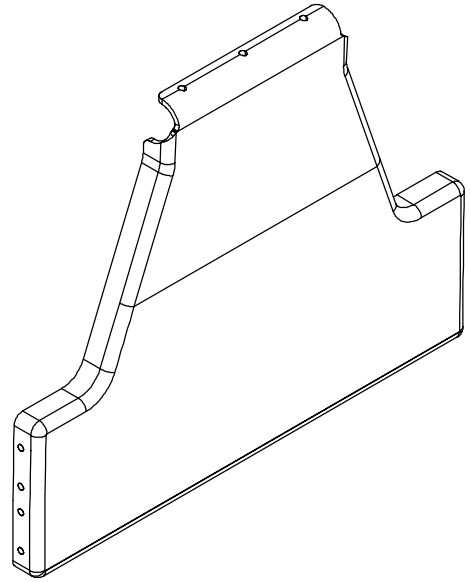


# Seat & Back Rest Options

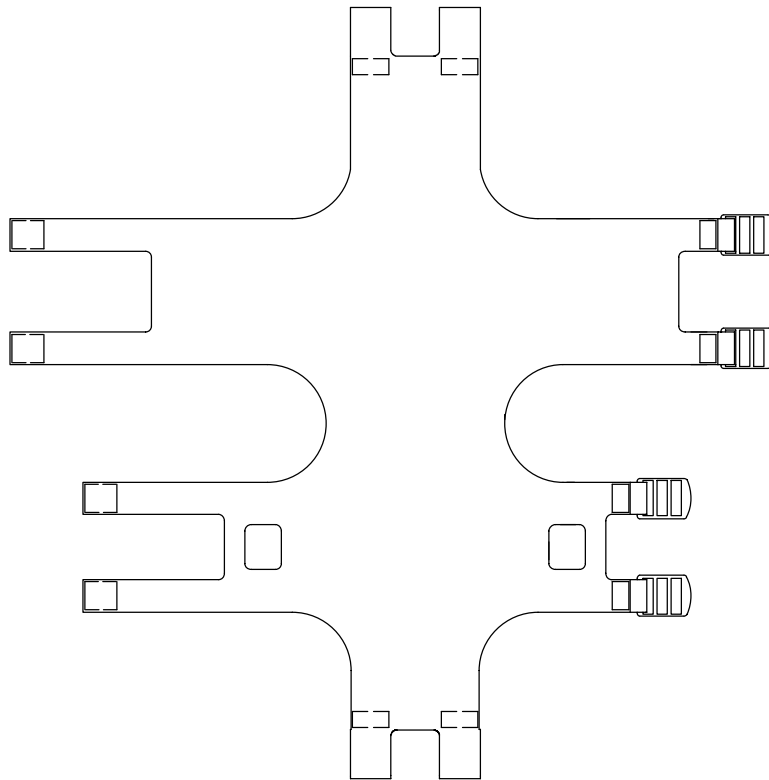
---



6250-001-115 ABS SEAT  
6250-021-000 ABS SEAT OPTION

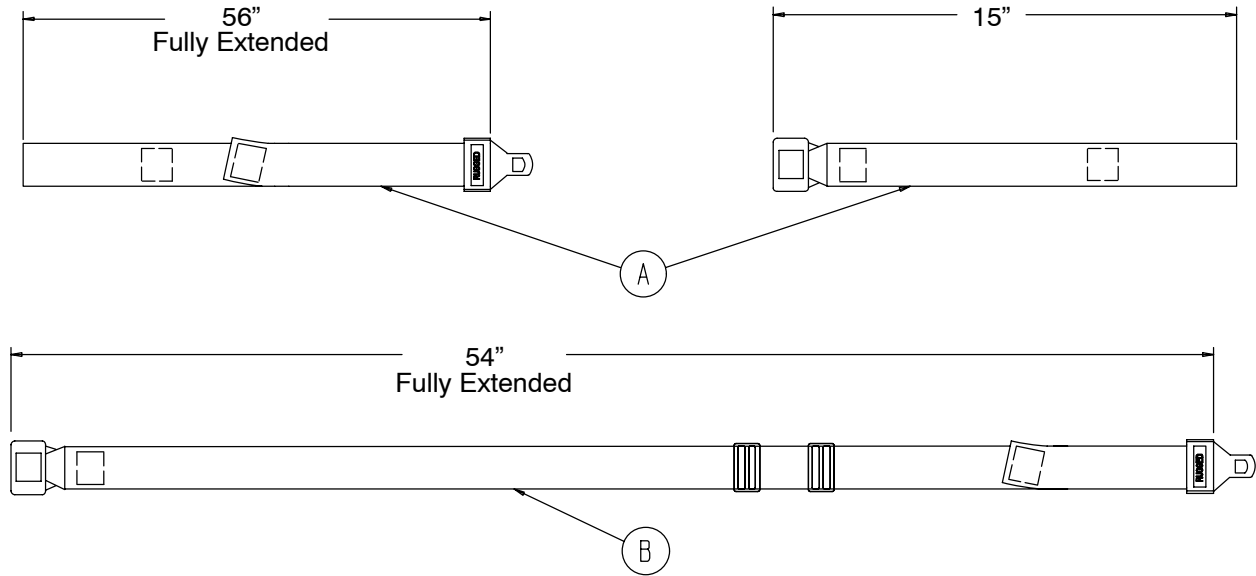


6250-001-116 ABS BACKREST



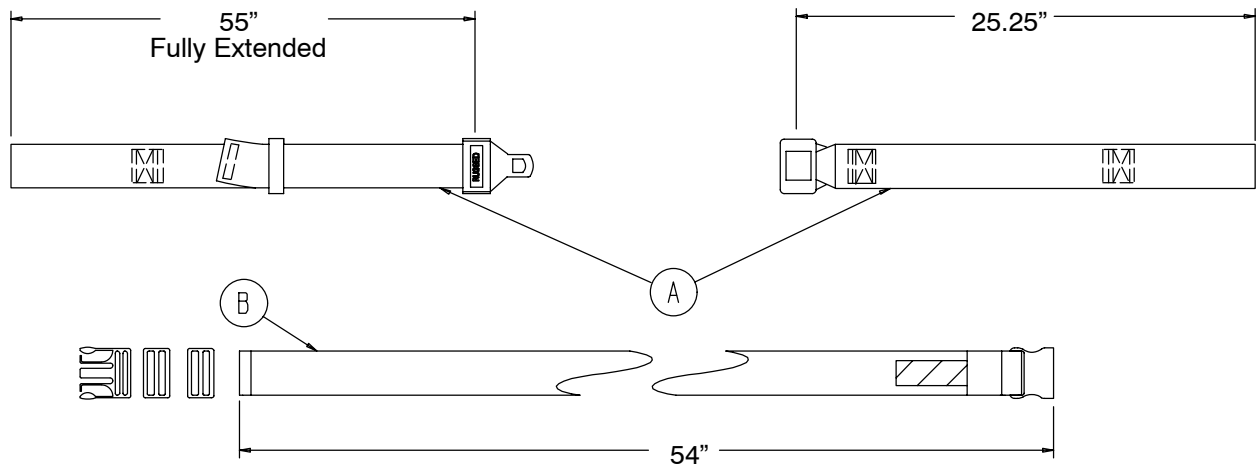
6250-001-135 VINYL SEAT  
6250-020-000 VINYL SEAT OPTION

# Restraint Strap Sets



**6250-001-019**

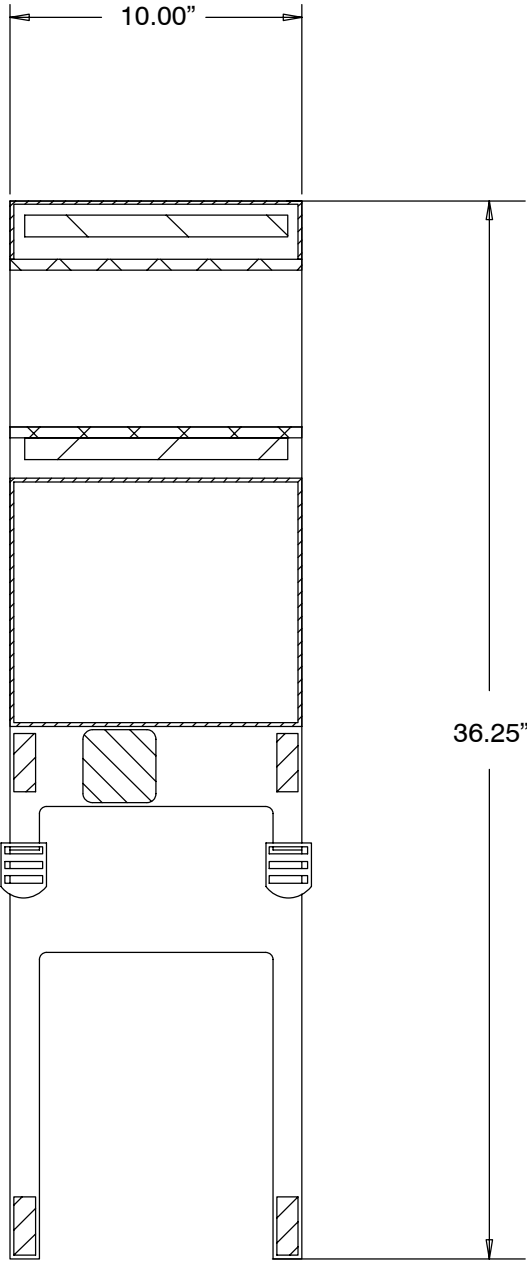
Item	Part No.	Part Name	Qty.
A	6250-001-143	Vinyl Chest Restraint Strap	2
B	6250-001-144	Vinyl Ankle Restraint Strap	1



**6250-001-021**

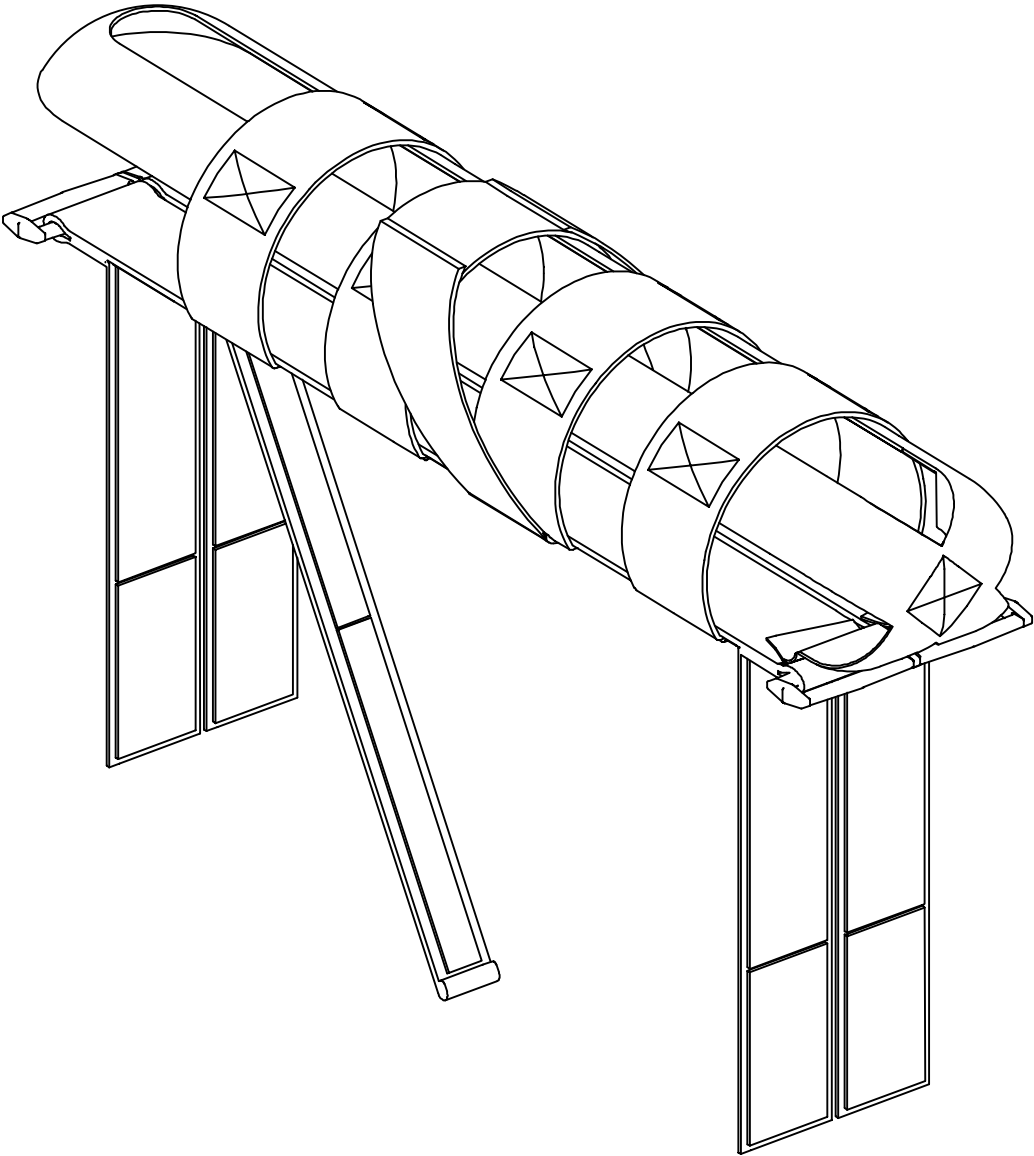
Item	Part No.	Part Name	Qty.
A	6060-160-044	Lap Belt	2
B	6250-001-127	Ankle Restraint Strap	1

# 6252-001-140 Optional Vinyl Head Support



# 6250-140-000 Elastic Oxygen Bottle Holder

---



# Quick Reference Replacement Parts List

---

## NOTE

The parts and accessories listed on this page are all currently available for purchase. Some of the parts identified on the assembly drawings pages in this manual may not be individually available for purchase. Please call Stryker Customer Service at 1-800-327-0770 for availability and pricing.

<b><u>ITEM</u></b>	<b><u>PART NUMBER</u></b>
Back Rest, Molded ABS .....	6250-001-116
Belt, Track .....	6252-001-085
Cable, Upper Handle Release .....	6252-001-016
Caster, Front (6251/6252) .....	6251-001-083
Handle Grip .....	6250-001-089
Restraint, Ankle .....	6250-001-127
Restraint, Chest, Black .....	6250-001-126
Restraint, Chest, Green .....	6250-001-125
Restraint Set, Polypropelene .....	6250-160-000
Restraint Set, Vinyl .....	6250-001-019
Seat, Molded ABS .....	6250-021-000
Seat, Vinyl .....	6250-020-000
Touch-Up Paint (Yellow) .....	6060-199-010
Touch-Up Paint (Black) .....	6060-199-011
Wheel, Rear, 5" (6252) .....	6252-001-114
Wheel, Rear, 6" (6250/6251) .....	6060-002-010
Wheel Lock Pedal .....	6080-200-030

---

## **European Representative**

Stryker EMEA RA/QA Director  
Stryker France  
ZAC Satolas Green Pusignan  
Av. De Satolas Green  
69881 MEYZIEU Cedex  
France

**stryker**<sup>®</sup>

6300 S. Sprinkle Road, Kalamazoo, MI 49001-9799  
(800) 327-0770  
[www.strykermedical.com](http://www.strykermedical.com)



SS 03/05 6250-001-151 REV J