

Stair-PRO® Stair Chair

Maintenance Manual

REF 6251

REF 6252



Table of Contents

Warning/Caution/Note Definition	3
Summary of safety precautions	3
Introduction for service	4
Expected service life	4
Contact information	4
Serial number location	4
Preventive maintenance	5
Maintenance record	7
Training record	8
Service	9
Wheel locking force adjustment	9
Vinyl seat replacement	9
Track belt replacement	10
Track belt reconditioning	12
Rear wheel replacement	14
Front caster replacement	14
Upper control handle cable replacement	15
Chair assembly	17
6251 main frame assembly	28
6252 main frame assembly	29
Upper extension handle	32
Track frame assembly, standard belt	33
Internal latch assembly - 6252-001-014	35
Internal latch assembly - 6252-001-015	36
Cable and pin assembly	37
6 in. molded wheel assembly	38
Locking flip-up handle option - 6250-031-000	39
Foot tube assembly	40
6251/6252 caster foot support assembly	41
6251/6252 lower lift handle/no footrest option - 6250-024-000/6252-028-000	42
6251/6252 extended lower lift handle option - 6250-025-000	43
Extension handle assembly, right	44
Extension handle assembly, left	45
6251/6252 footrest option - 6252-027-000	46
6252 extended handle/no footrest option - 6252-030-000	47
6252 extended handle/footrest option - 6252-029-000	48
Seat section assembly	49
Flip-up handle assembly	50
Lock mechanism assembly	51
6251/6252 vinyl seat option - 6250-020-000	52
6251/6252 ABS seat option - 6250-021-000	53
Seat and backrest options	54
6252 head support options	55
Restraint set, non-absorbant/metal buckles option - 6250-161-000	56
Restraint set, polyester/metal buckles option - 6250-162-000	57
Restraint set, polypropylene/plastic buckles option - 6250-160-000	58

Vinyl head support option - 6252-001-14059
Elastic oxygen bottle holder option - 6250-140-00060

Warning/Caution/Note Definition

The words **WARNING**, **CAUTION**, and **NOTE** carry special meanings and should be carefully reviewed.

WARNING

Alerts the reader about a situation which, if not avoided, could result in death or serious injury. It may also describe potential serious adverse reactions and safety hazards.

CAUTION

Alerts the reader of a potentially hazardous situation which, if not avoided, may result in minor or moderate injury to the user or patient or damage to the product or other property. This includes special care necessary for the safe and effective use of the device and the care necessary to avoid damage to a device that may occur as a result of use or misuse.

Note - Provides special information to make maintenance easier or important instructions clearer.

Summary of safety precautions

Always read and strictly follow the warnings and cautions listed on this page. Service only by qualified personnel.

WARNING

- Do not sand the track teeth. Deformation of the teeth can cause unpredictable chair performance resulting in injury to the operators and/or occupant.
-

Introduction for service

This manual assists you with the service of your Stryker product. Read this manual to service this product. This manual does not address the operation of this product. See the Operations Manual for operating and use instructions. To view your Operations Manual online, see <https://techweb.stryker.com/>.

Expected service life

The **Stair-PRO** stair chair has a seven year expected service life under normal use conditions and with appropriate periodic maintenance.

Contact information

Contact Stryker Customer Service or Technical Support at: 1-800-327-0770.

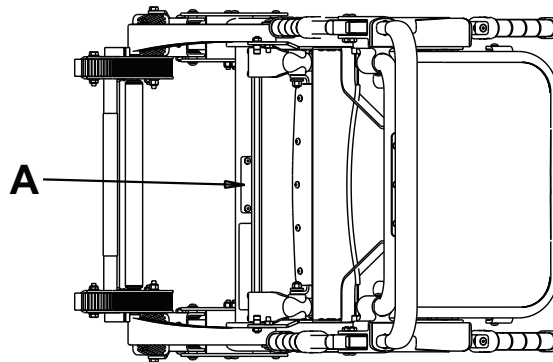
Stryker Medical
3800 E. Centre Avenue
Portage, MI 49002
USA

Note - The user and/or the occupant should report any serious product-related incident to both the manufacturer and the Competent authority of the European Member State where the user and/or occupant is established.

To view your operations or maintenance manual online, see <https://techweb.stryker.com/>.

Have the serial number (A) of your Stryker product available when calling Stryker Customer Service or Technical Support. Include the serial number in all written communication.

Serial number location



Preventive maintenance

Remove product from service before you perform the preventive maintenance inspection. Check all items listed during annual preventive maintenance for all Stryker Medical products. You may need to perform preventive maintenance checks more often based on your level of product usage. Service only by qualified personnel.

Note - Clean and disinfect the exterior of the support surface before inspection, if applicable.

Operation	Schedule	Procedure
Cleaning and disinfecting	Each use	See <i>Cleaning</i> in the Operations Manual
Inspection	For 1-25 calls per month, inspect chair every 6 months	See checklist below
	For 26-200 calls per month, inspect chair every 3 months	
	For 201+ calls per month, inspect chair monthly	
Stair-TREAD system belt reconditioning (Model 6252)	After usage on approximately 500 flights of stairs or if the Stair-TREAD system performance is sluggish	See <i>Track belt reconditioning</i> in the Maintenance Manual

Inspect the following items:

- _____ All fasteners secure (reference all assembly drawings)
- _____ All welds intact, not cracked or broken
- _____ No bent or broken tubing or sheet metal
- _____ No debris in wheels
- _____ All wheels secure and rolling
- _____ Front casters secure, rolling, and swiveling (if equipped)
- _____ Wheel locks hold wheels securely when on and clear the wheels when off
- _____ Chair unfolds and locks properly
- _____ No rips or cracks in seat or backrest
- _____ Restraint straps intact and working
- _____ Foot end carrying handles extend and lock in place
- _____ Head end carrying handles fold and unfold
- _____ Upper control handle extends and locks in all positions
- _____ **Stair-TREAD** system mechanism unfolds and locks in place (if equipped)
- _____ **Stair-TREAD** system belt rolls (if equipped)
- _____ **Stair-TREAD** system belt inner cords not showing; replace if necessary (if equipped)
- _____ **Stair-TREAD** system performs as desired; recondition belts if necessary (if equipped)
- _____ No lubricants present on the **Stair-TREAD** system belts or the track frame surfaces
- _____ Upper release handle cable not worn or frayed; replace if necessary (Model 6252)
- _____ Optional accessories and parts intact and operating properly

Product serial number:
Completed by:
Date:

Service

Wheel locking force adjustment

Tools required:

- 5/32" hex wrench
- 7/16" combination wrench or socket

Procedure:

1. Using the 5/32" hex wrench and 7/16" combination wrench or socket, remove the socket screw from the center of the lock pedal. Save the screw. The wheel lock is initially assembled with the pedal set at the minimum locking force. The marker on the pedal (A) is aligned with the marker on the octagonal sleeve (B) (*Wheel locking force adjustment* (page 9)).
2. Remove the sleeve (B). Rotate the sleeve counterclockwise to increase the pedal locking force and clockwise to decrease the locking force. Insert the sleeve into the pedal (*Wheel locking force adjustment* (page 9)).
3. Using the 5/32" hex wrench and 7/16" combination wrench or socket, reinstall the socket screw (removed in step 1).
4. Test the pedal locking force and make sure that the pedal holds before you return the product to service.

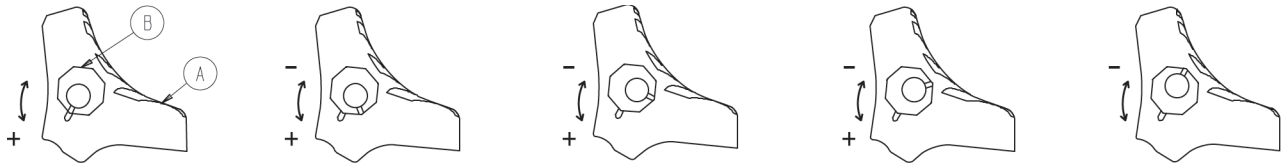


Figure 1 – Wheel locking force adjustment

Vinyl seat replacement

Tools required:

- None

Procedure:

1. Place the seat section on the frame, wrap it around the seat tube, and fit the slots in the seat section over the clips on the underside of the seat tube (Figure 2). Be sure the “shiny” side of the seat is on the inside.



Figure 2 – Seat section of the vinyl seat

2. Tip the chair on its back to allow access to the bottom of the seat tube.
3. Insert both ends of the front strap through the loops in the seat section.
4. Thread the end of the back strap through the buckle and pull it tight.
5. Tip the chair up on its wheels.

6. Wrap the back section around the back tube (Figure 3).



Figure 3 – Back section of the vinyl seat

7. Insert both ends of the top strap through the loops in the back section.
8. Thread the end of the bottom strap through the buckle and pull it tight.
9. Verify proper operation before you return the product to service.

Track belt replacement

Tools required:

- (2) 7/16" wrench
- 3/16" hex key
- 1/2" wrench
- 5/32" hex key

Procedure:

1. Using a 7/16" wrench and a 3/16" hex key, remove the socket head cap screw, nut, and washer from the track support bracket on only one side of the chair (Figure 4).



Figure 4 – Remove the screw, nut, and washer



Figure 5 – Turn the chair upside down

2. Turn the chair upside down so it is resting on the seat frame and back frame (Figure 5).
3. Using a 1/2" wrench and a 3/16" hex key, remove the button head cap screw, nut, spacers, and wheel from the frame on the same side as the parts removed in step one (Figure 6).

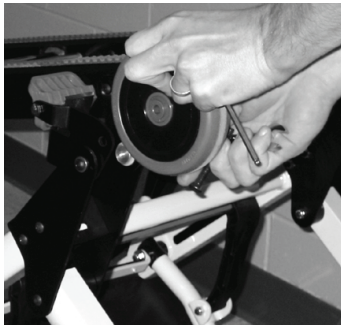


Figure 6 – Remove the wheel assembly

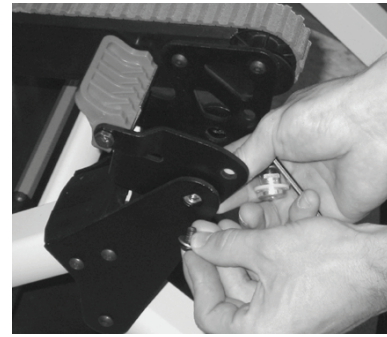


Figure 7 – Remove the track spacer pivots

4. Using a 5/32" hex key, remove the two button head cap screws from the track spacer pivots and remove the pivots (Figure 7).
5. Using two 7/16" wrenches, remove the hex head cap screw, nut, and washers from both head end track rollers to remove the rollers (Figure 8).



Figure 8 – Remove the rollers

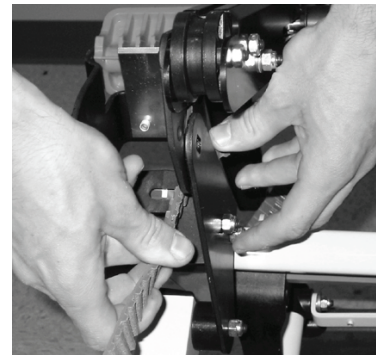


Figure 9 – Remove the worn belts

6. Remove the belts by threading them through the wheel support plate on the side where the parts were removed (Figure 9).
7. Thread the new belts through the wheel support plate (Figure 10).

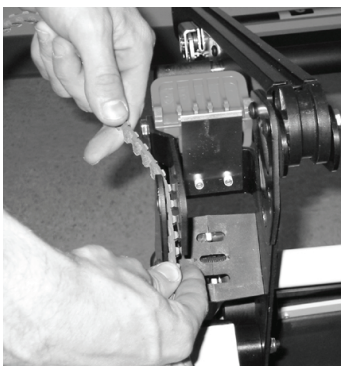


Figure 10 – Attach the new track belt



Figure 11 – Use wrenches to apply tension to the belts

8. Replace the track rollers, washers, hex head cap screws, and nuts (Figure 11).
9. Use two 7/16" wrenches to apply the desired tension to each belt and tighten securely (Figure 12).

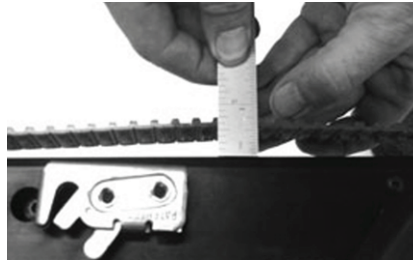


Figure 12 – Proper belt tension

Note - To check the tension, pull up on the center of the belt until it is taut. The gap between the belt and the track frame should measure between 3/8" and 1".

10. Spin the belts to make sure that they roll freely.
11. Verify proper operation before you return the product to service.

Track belt reconditioning

Tools required:

- (2) 7/16" wrenches
- Permanent marker
- 50 grit sandpaper
- Sanding block

Procedure:

1. Extend the upper control handle, open the **Stair-TREAD** system tracks and tip the chair forward until it rests on the handle and the seat section (Figure 13).
2. Using two 7/16" wrenches, remove the hex head bolt, hex nut, two washers, spacer, and wheel from both sides of the track frame. Remove the wheel and spacer down in the direction of the floor (Figure 14). Save all parts.



Figure 13 – Tip the chair forward

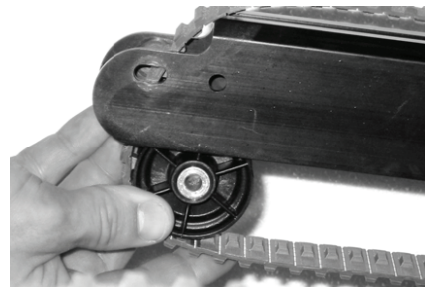


Figure 14 – Remove the wheel spacer in the direction of the floor

3. Turn both belts over so the small internal teeth are on the outside. Put the belts on the track frame for support while you sand them.

Note - New track belts must be installed if the inner cords are exposed on the wear surfaces.

4. For a start/end point reference, use a permanent marker to color a tooth on the belt (Figure 15).



Figure 15 – Mark a belt tooth for reference

5. Using a sanding block with 50 grit sandpaper, sand both wear surfaces on the outside edges of each belt. The purpose is to roughen the surface of the belt just enough to remove the shiny spots caused by normal wear. Do not over sand the belts (Figure 16 and Figure 17).

WARNING - Do not sand the track teeth. Deformation of the teeth can cause unpredictable chair performance resulting in injury to the operators and/or occupant.

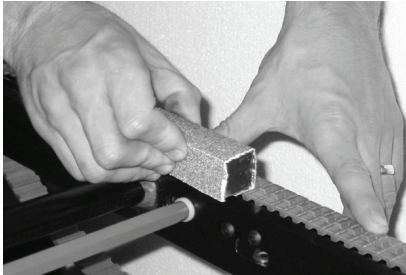


Figure 16 – Sand the wear surfaces

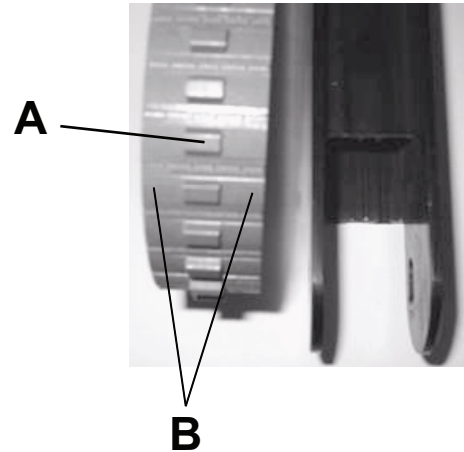


Figure 17 – Belt sanding surfaces

A: Do not sand track teeth

B: Belt sanding surfaces

6. Remove all sanding debris from the belts and the track frame.
7. Turn both belts back over so the large teeth are on the outside.
8. Replace the hex head bolt, hex nut, two washers, spacer, and wheel on both sides of the track frame.
9. Use two 7/16" wrenches to apply the desired tension to each belt and tighten securely (Figure 18).

Note - To check the tension, pull up on the center of the belt until it is taut. The gap between the belt and the track frame should measure between 3/8" and 1" (Figure 19).

10. Spin the belts to make sure that they roll freely.



Figure 18 – Use wrenches to apply tension to the belt

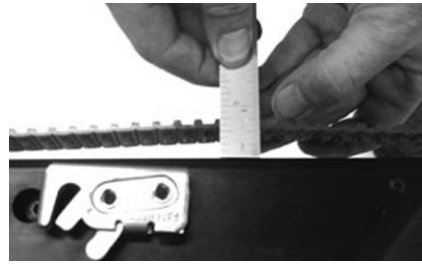


Figure 19 – Proper belt tension

11. Verify proper operation before you return the product to service.

Rear wheel replacement

Tools required:

- 1/2" wrench
- 3/16" hex key

Procedure:

1. Turn the chair upside down so it is resting on the seat frame and back frame (Figure 20).



Figure 20 – Turn the chair upside down

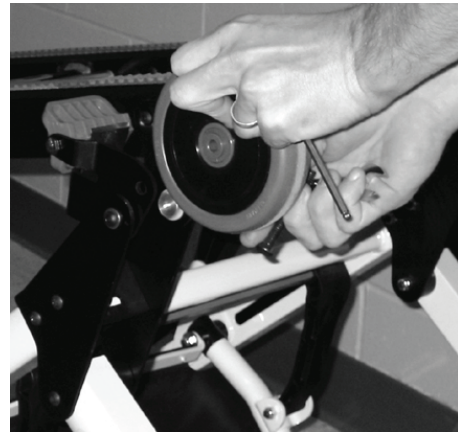


Figure 21 – Remove the wheel assembly

2. Using a 1/2" wrench and a 3/16" hex key, remove the button head cap screw, nut, spacers, and wheel from the frame. Discard the cap screw and nut (Figure 21).
3. Using the supplied fasteners, attach the supplied wheel to the frame.
4. Repeat steps for the other wheel, if necessary.
5. Verify proper operation before you return the product to service.

Front caster replacement

Tools required:

- 3/4" combination wrench
- 3/8" hex wrench with ball end

Procedure:

1. Lay the chair on its back.
2. Using a 3/4" combination wrench and a 3/8" hex wrench with ball end, remove the Nylock hex nut (A) that secures the caster assembly (B) to the foot section (C) (Figure 22). Discard the caster assembly and nut.

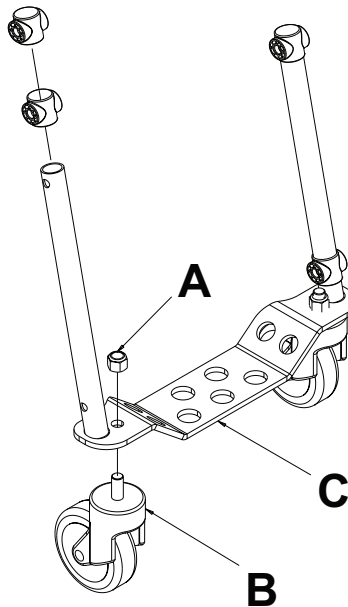


Figure 22 – Remove caster assembly

3. Reverse steps to install the supplied caster assembly and the supplied Nylock hex nut.
4. Verify proper operation before you return the product to service.

Upper control handle cable replacement

Tools required:

- 5/8" wrench

Procedure:

1. Pull the cable and raise the extendable upper control handle to the fully extended position (Figure 23).
2. Using a 5/8" wrench, remove one side of the cable (Figure 24).



Figure 23 – Raise the extendable upper control handle

3. Place the washer on the end of the new cable (Figure 25).
4. Using a 5/8" wrench, attach one side of the new cable to the chair frame in the hole where the old cable was removed (Figure 26).



Figure 25 – Place the washer on the new cable

5. Repeat steps 2-4 for the other end of the cable.
6. Verify proper operation before you return the product to service.

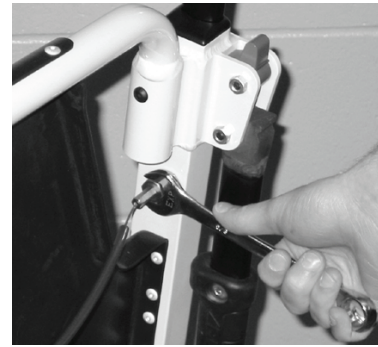


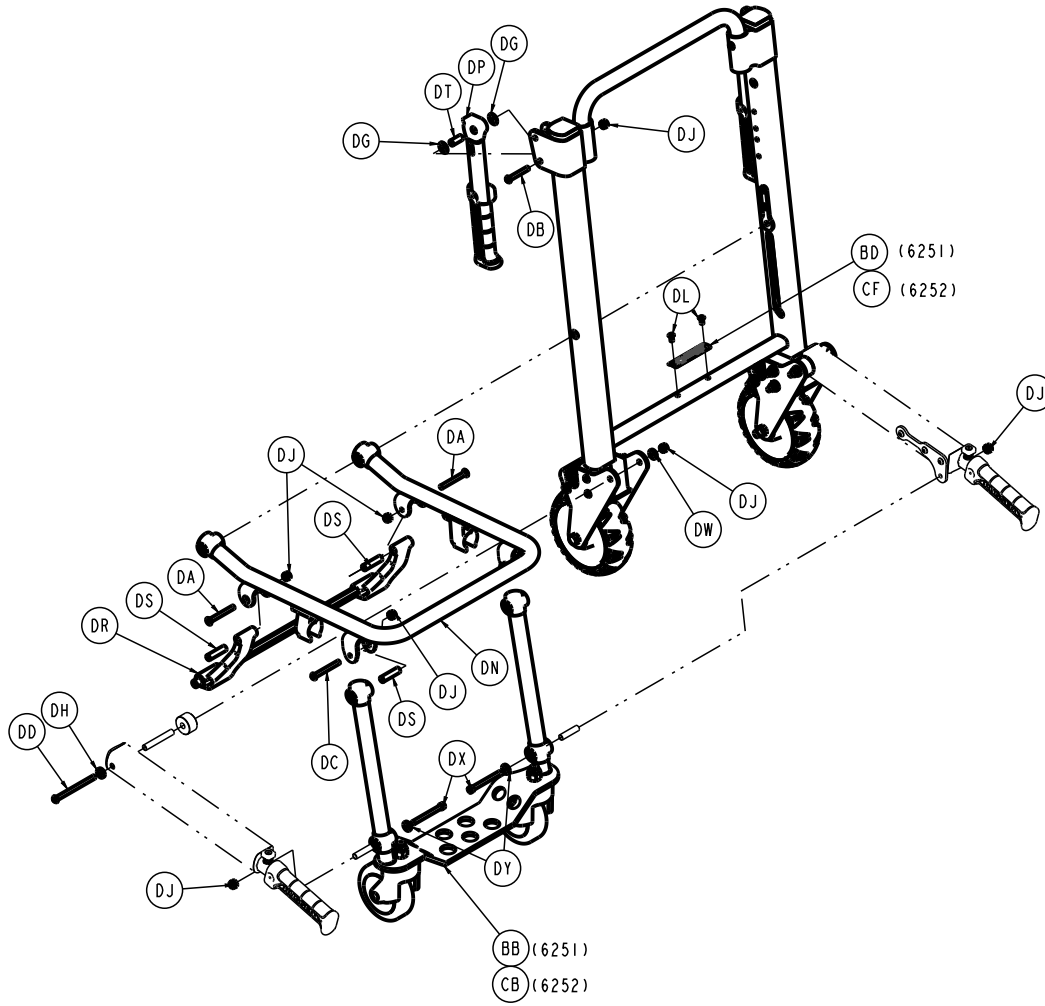
Figure 24 – Remove one side of the cable

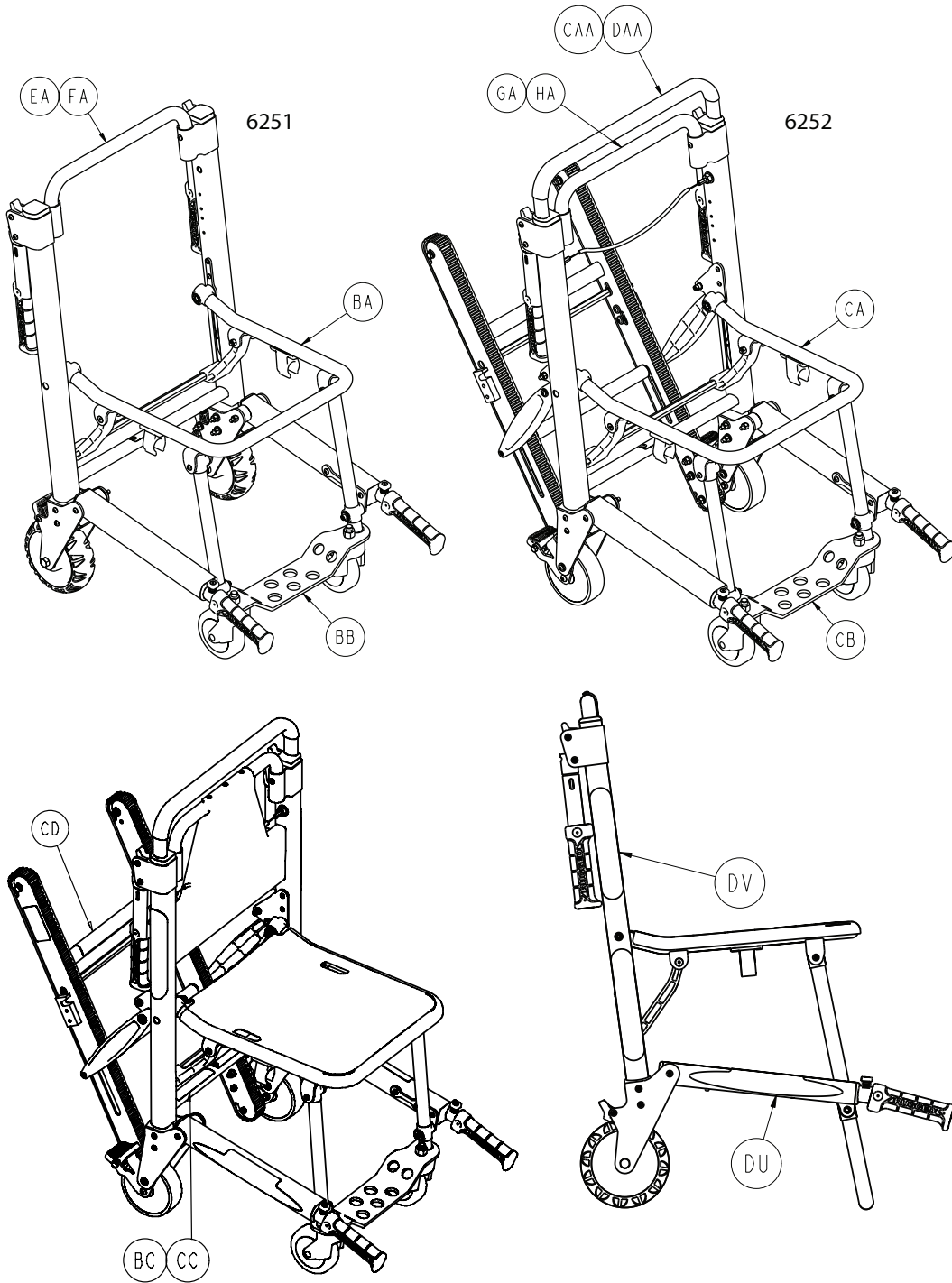


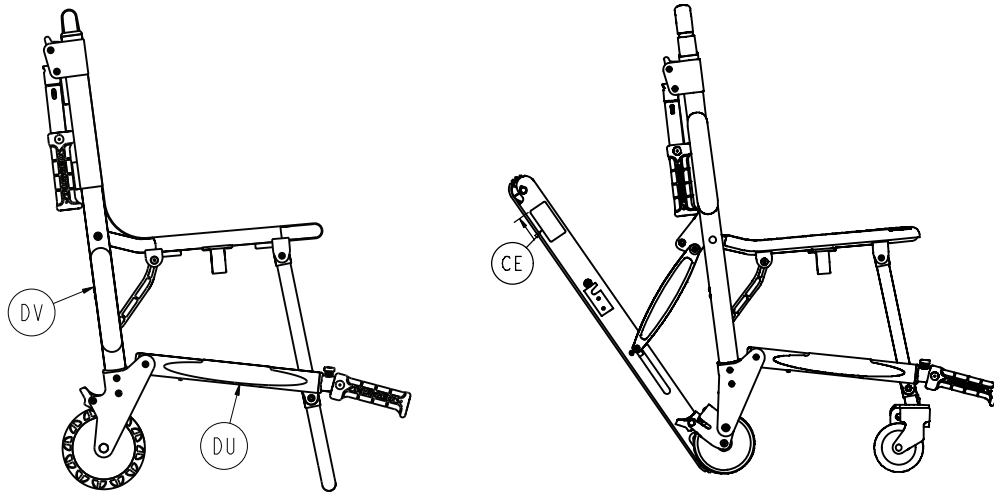
Figure 26 – Attach one side of the new cable

Chair assembly

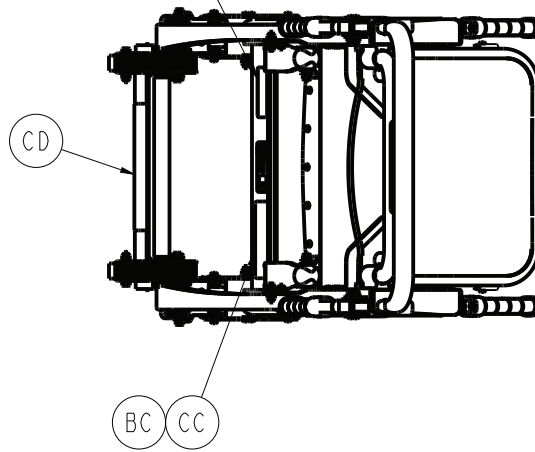
6250-001-005 Rev AA (Reference only)

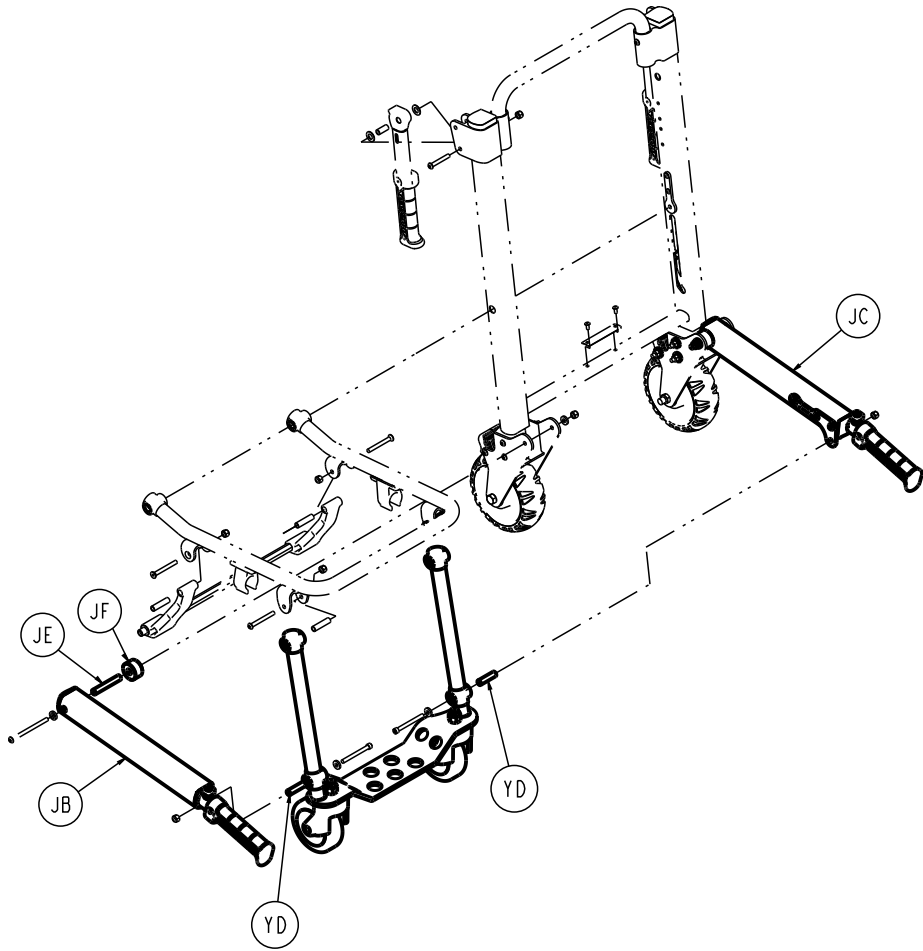


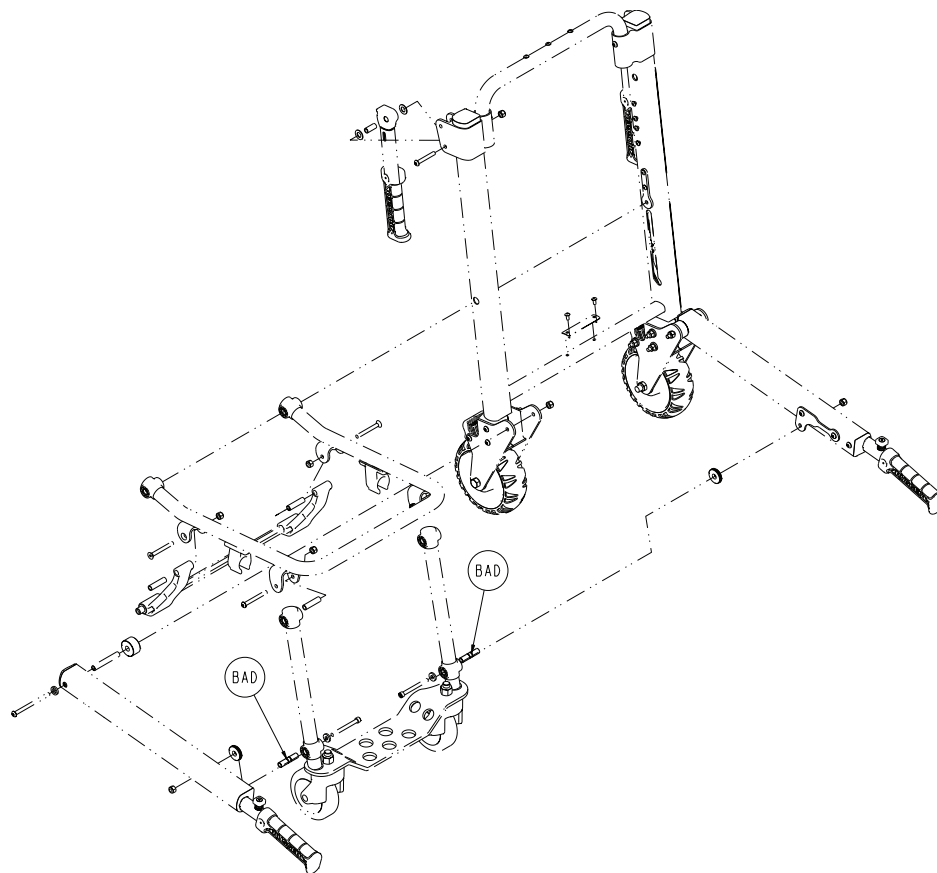
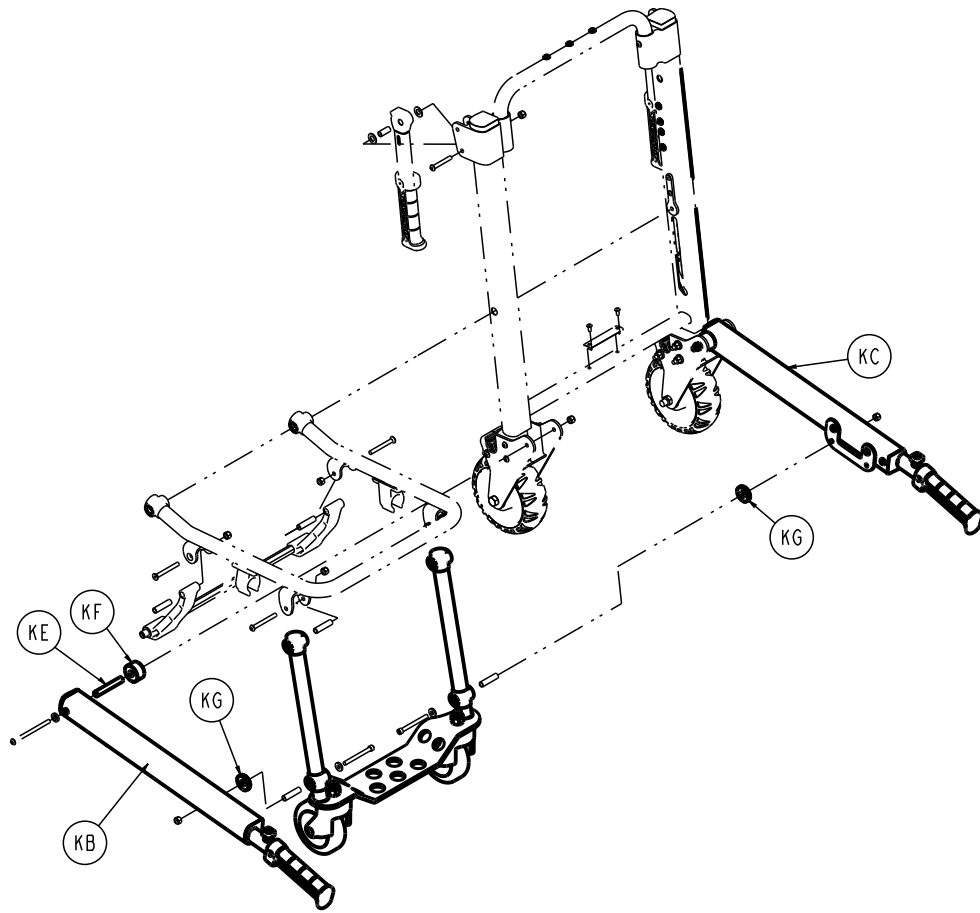


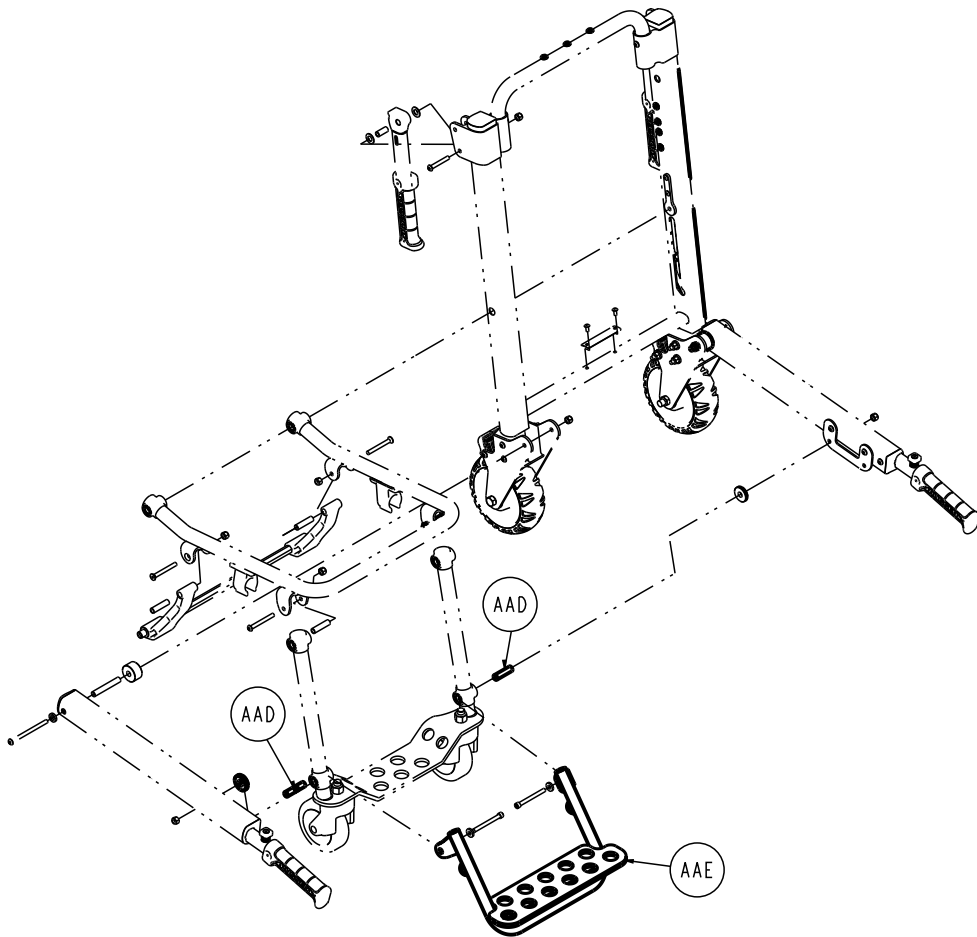
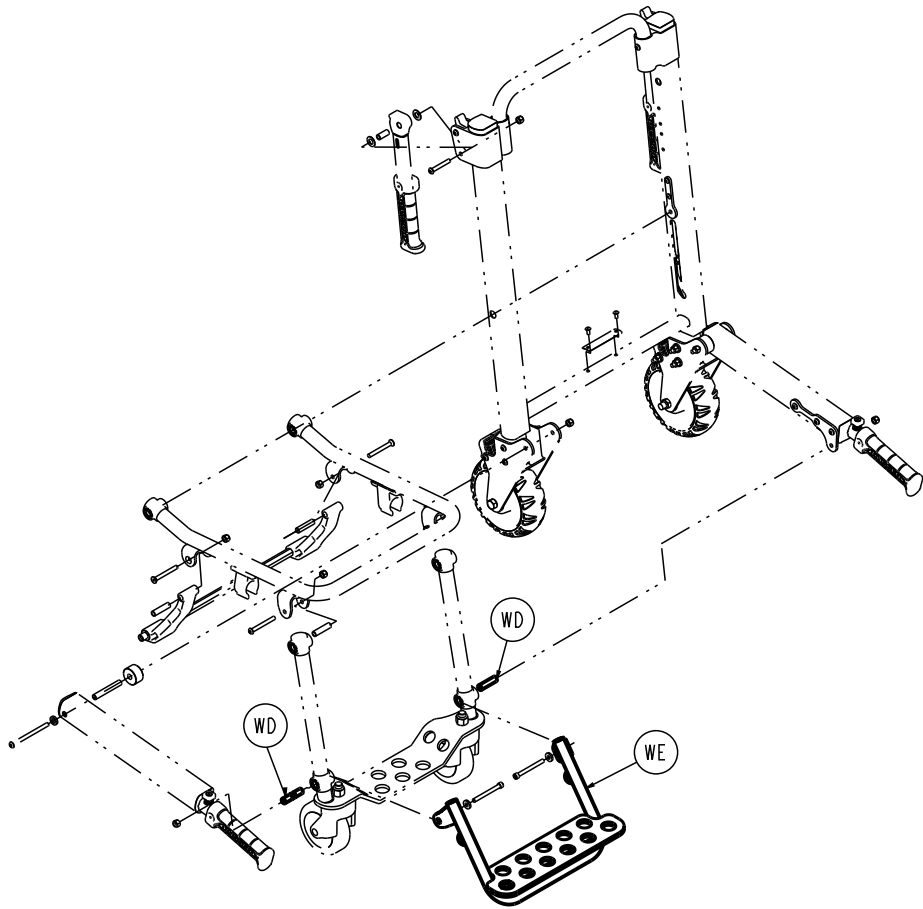


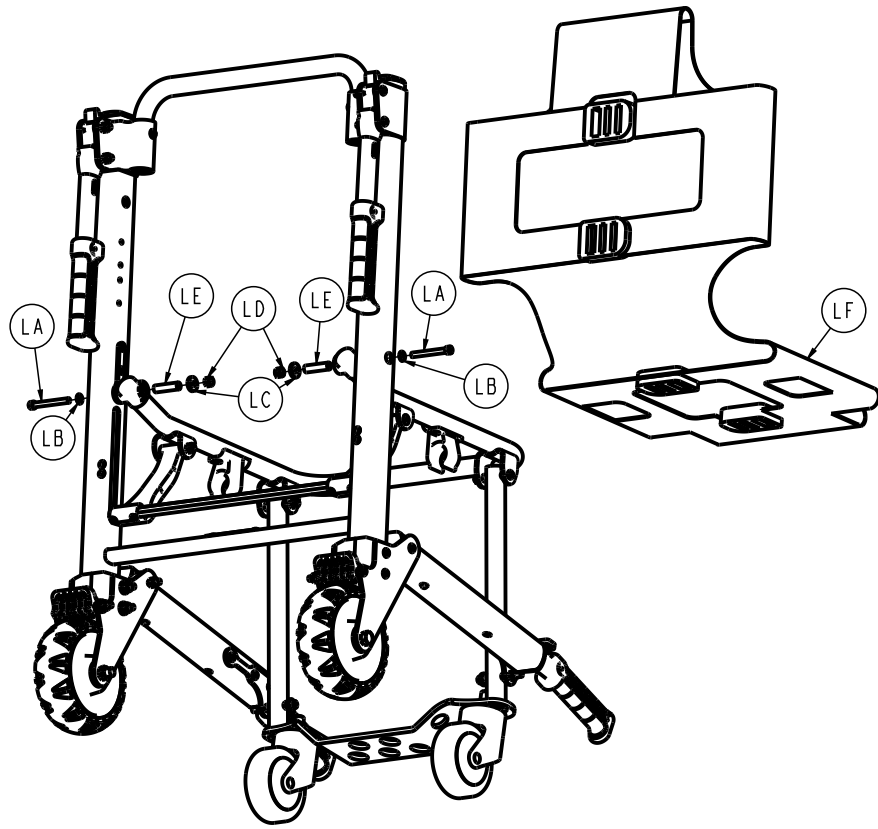
(639000010901)

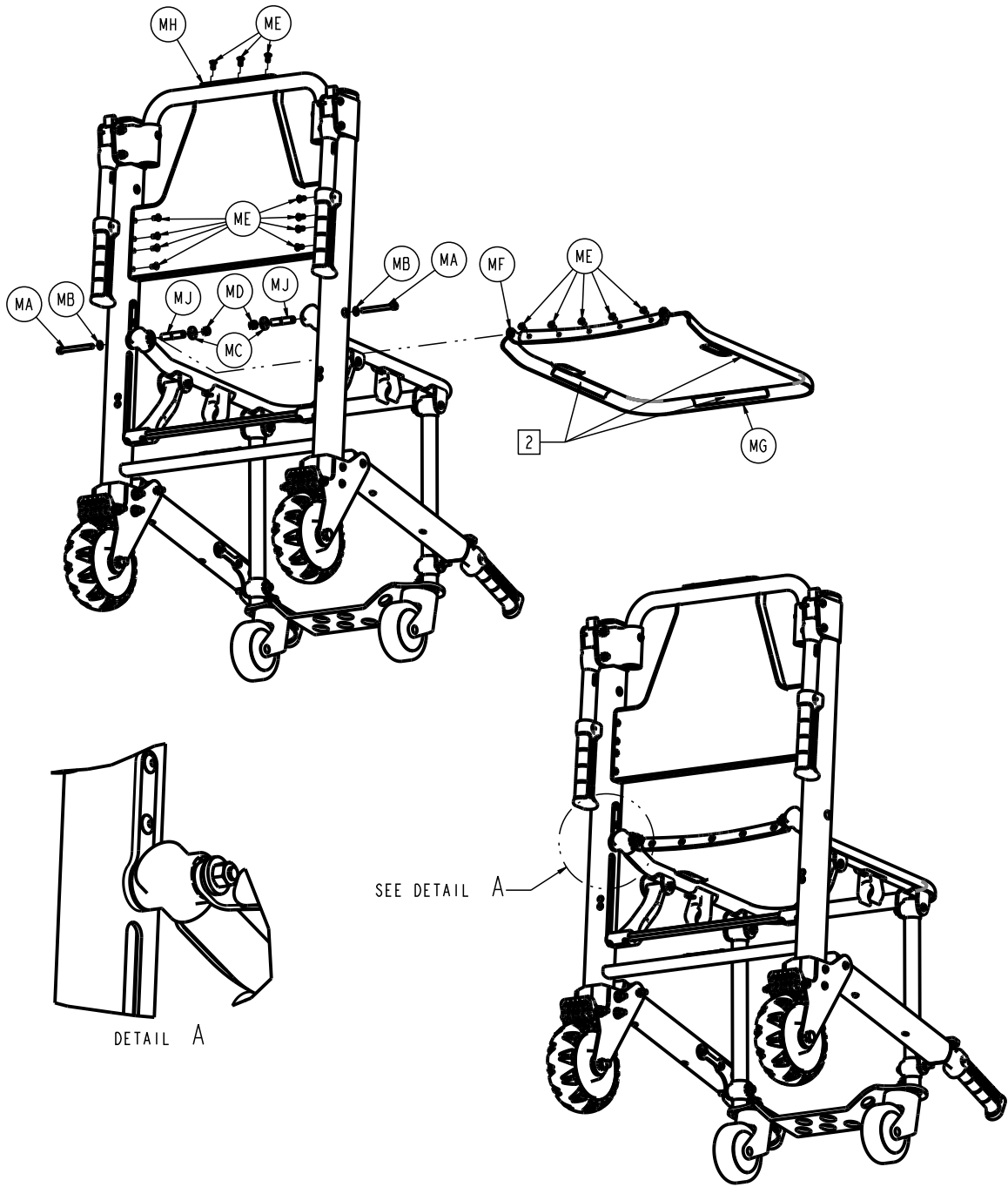


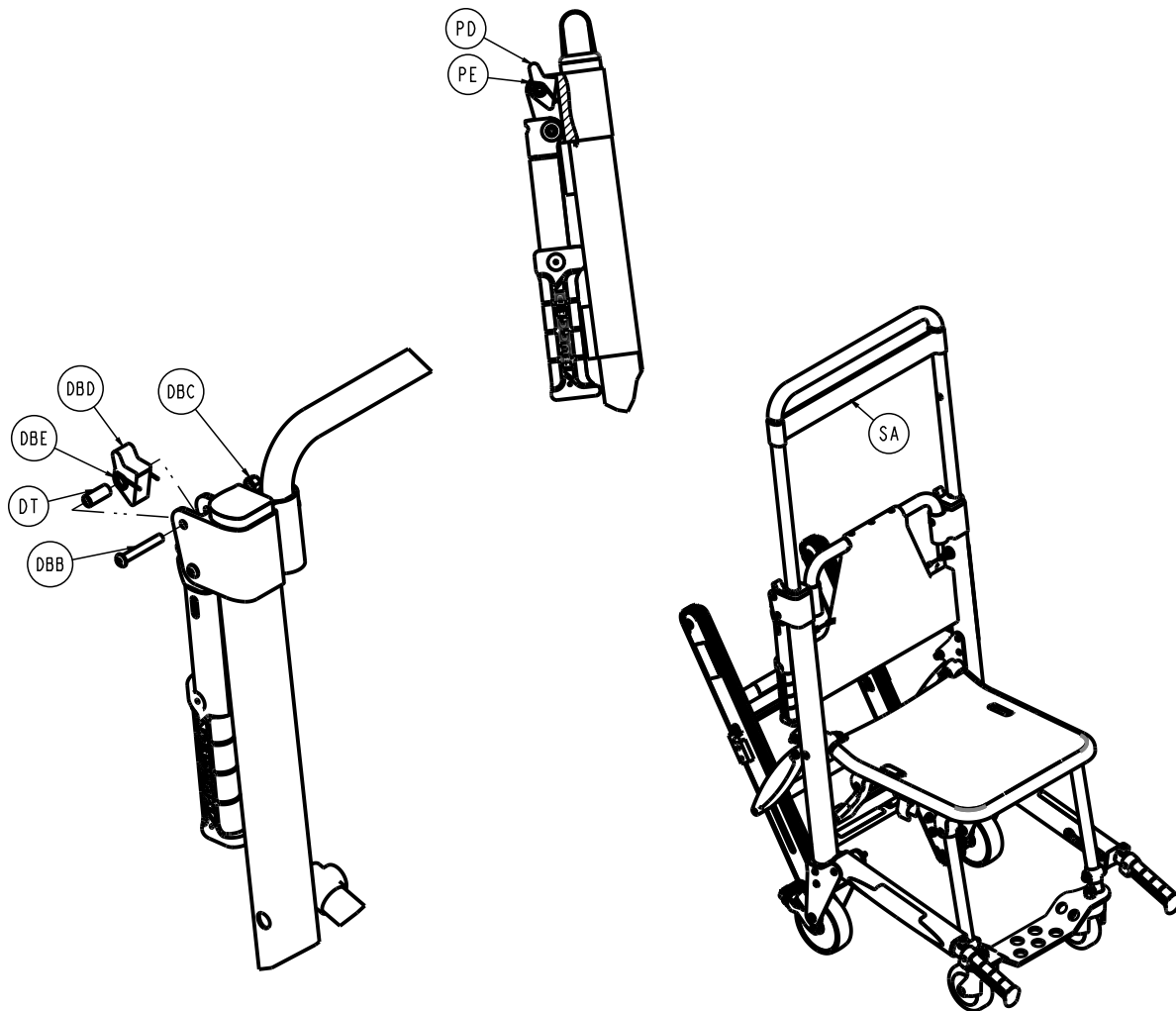












Model 6251 assembly 6251-001-010 Rev C (Reference only)

Item	Number	Name	Quantity
BA	6250-001-020	Common components	1
BB	6251-001-012	6251/6252 caster foot support assembly 1 (page 41)	1
BC	6251-001-137	Label, 6251 specification	1
BD	6251-001-926	Label, 6251 serial number tag	1

Model 6252 assembly 6252-001-010 Rev D (Reference only)

Item	Number	Name	Quantity
CA	6250-001-020	Common components	1
CB	6251-001-012	6251/6252 caster foot support assembly 1 (page 41)	1
CC	6252-001-137	Label, 6252 spec	1
CD	6252-001-138	Label, track release	1
CE	6252-001-139	Label, do not lubricate	2
CF	6252-001-926	Label, 6252 serial number tag	1

Model 6250 chair assembly - common components - 6250-001-020 Rev L (Reference only)

Item	Number	Name	Quantity
DA	0001-167-000	Flat head socket screw	2
DB	0004-204-000	Button head cap screw	2
DC	0004-163-000	Button head cap screw	2
DD	0004-235-000	Button head cap screw	2
DG	0014-020-000	Washer	4
DH	0014-099-000	Washer	2
DJ	0016-028-000	Nylock hex nut	10
DL	0025-172-000	Blind rivet	2
DN	6250-001-013	<i>Seat section assembly (page 49)</i>	1
DP	6250-001-016	<i>Flip-up handle assembly (page 50)</i>	2
DR	6250-001-017	<i>Lock mechanism assembly (page 51)</i>	1
DS	6250-001-098	Pivot spacer	4
DT	6250-001-111	Flip-up handle pivot spacer	4
DU	6250-001-140	Label, Stair-PRO	2
DV	6082-090-042	Label, 8" RUGGED	2
DW	0011-209-000	Washer	2
DY	0011-159-000	Washer	2
DBA	0004-517-000	Socket head cap screw	2
DBB	0004-204-000	Button head cap screw	2
DBC	0016-028-000	Nylock nut	2
DBD	6250-001-113	Trigger, flip-up handle	2
DBE	6250-001-114	Single spring	2

Model 6250 main frame assembly option - 6250-022-000 Rev A (Reference only)

Item	Number	Name	Quantity
EA	6250-001-011	<i>6251 main frame assembly (page 28)</i>	1

Extended main frame assembly option - 6250-023-000 Rev A (Reference only)

Item	Number	Name	Quantity
FA	6250-003-011	Main frame assembly, extended	1

Model 6252 main frame assembly option - 6252-022-000 Rev A (Reference only)

Item	Number	Name	Quantity
GA	6252-001-011	<i>6252 main frame assembly (page 29)</i>	1

Extended main frame assembly option - 6252-023-000 Rev A (Reference only)

Item	Number	Name	Quantity
HA	6252-003-011	Main frame assembly, extended	1

No IV bag clip option - 6252-024-000 Rev A (Reference only)

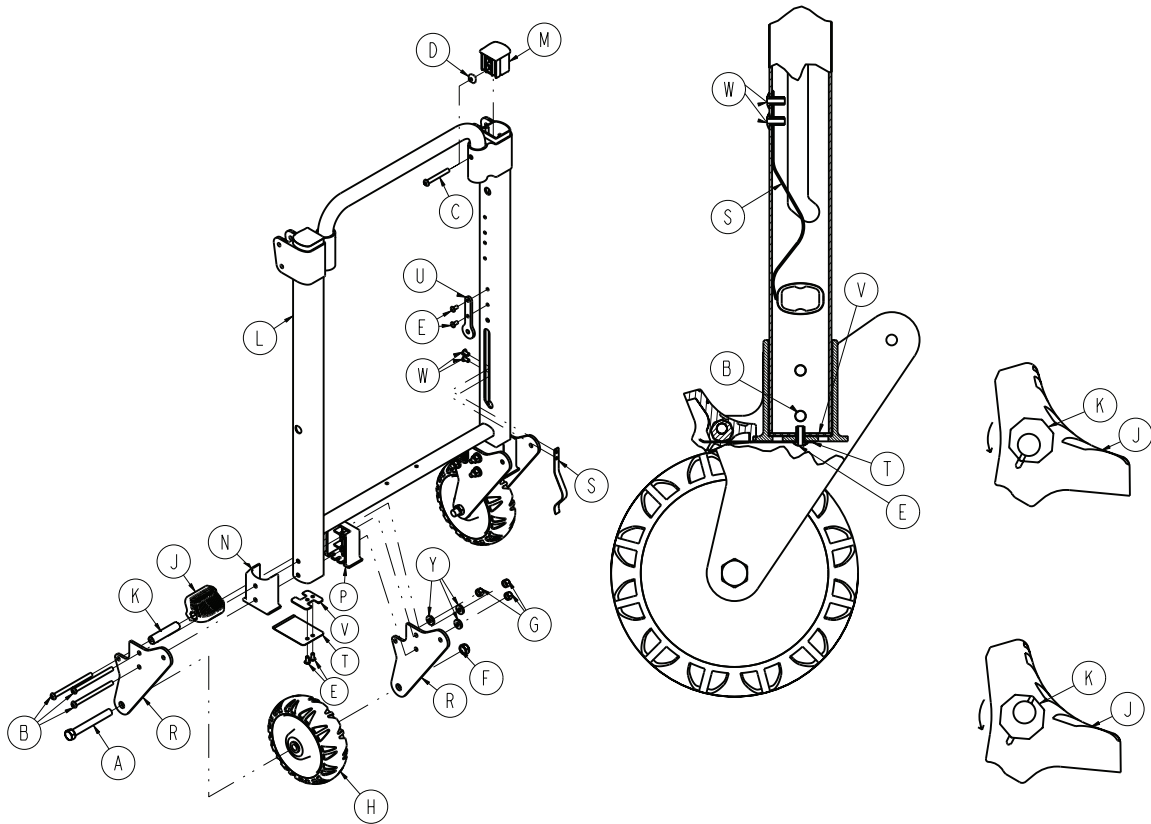
Item	Number	Name	Quantity
CAA	6252-001-012	Upper extension handle	1

IV bag clip option - 6252-025-000 Rev A (Reference only)

Item	Number	Name	Quantity
DAA	6252-001-212	IV clip upper extension handle	1
DAB	6252-001-153	IV strap	1

6251 main frame assembly

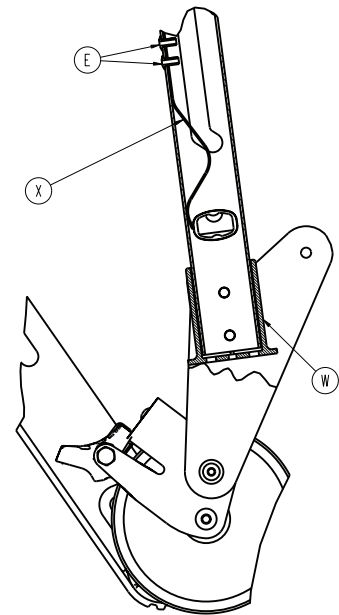
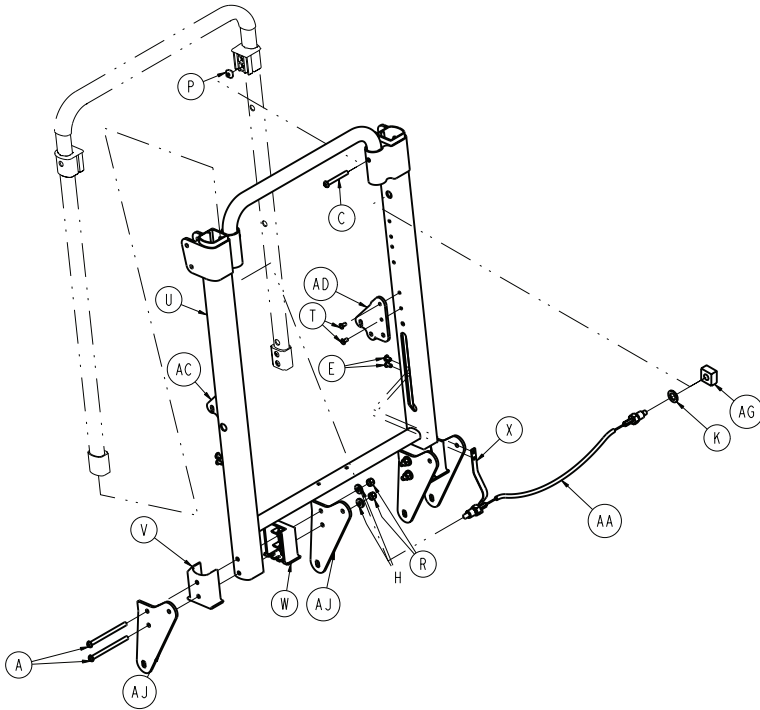
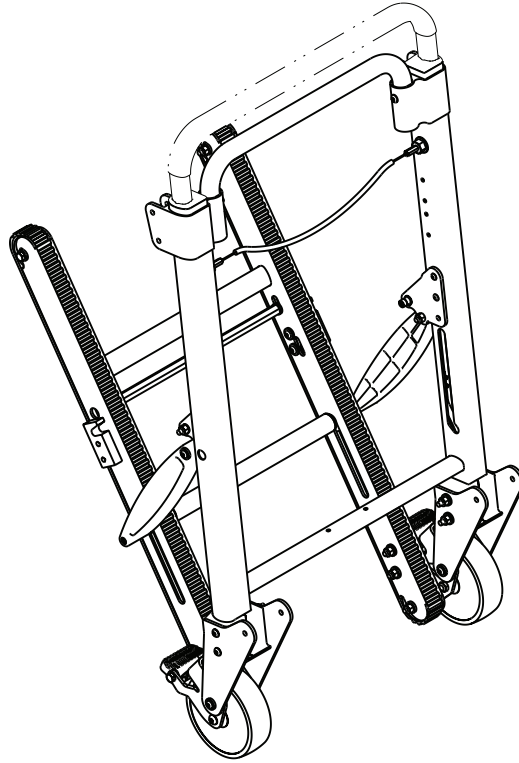
6250-001-011 Rev F (Reference only)

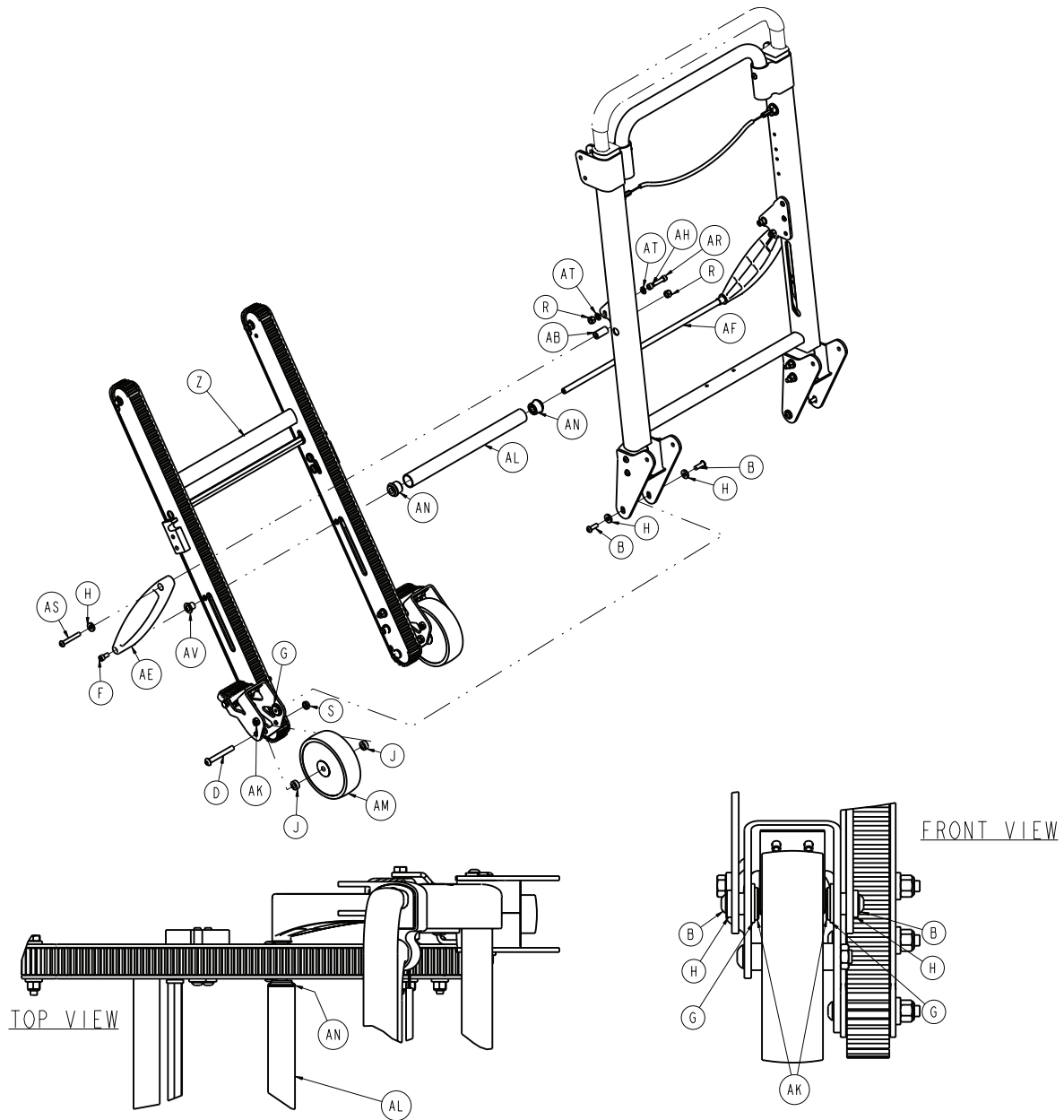


Item	Number	Name	Quantity
A	0003-033-000	Hex head cap screw	2
B	0004-235-000	Button head cap screw	6
C	0004-511-000	Button head cap screw	2
D	0015-016-000	Square nut	2
E	0025-172-000	Blind rivet	8
F	0016-139-000	Nylock nut	2
G	0016-028-000	Nylock hex nut	6
H	6060-002-010	6 in. molded wheel assembly (page 38)	2
J	6080-300-030	Adjustable caster lock pedal	2
K	6080-200-041	Hex sleeve	2
L	6250-001-055	Frame weldment	1
M	6250-001-086	Outer extrusion end cap	2
N	6250-001-102	Outer wheel support spacer	2
P	6250-001-103	Inner wheel support spacer	2
R	6250-001-104	Wheel support stamping	4
S	6250-001-118	Lock mechanism retaining spring	2
T	6250-001-131	Spring	2
U	6250-001-132	Seat stamping spacer	2
V	6250-001-134	Rivet back plate	2
W	0025-079-000	Blind rivet	4
Y	0011-209-000	Washer	6

6252 main frame assembly

6252-001-011 Rev J (Reference only)



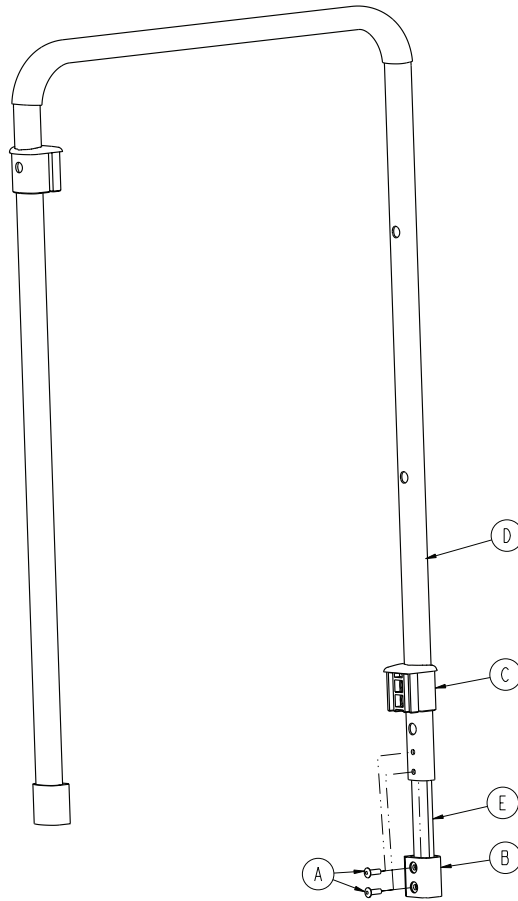


Item	Number	Name	Quantity
A	0004-235-000	Button head cap screw	4
B	0004-468-000	Button head cap screw	4
C	0004-511-000	Button head cap screw	2
D	0004-512-000	Button head cap screw	2
E	0025-079-000	Blind rivet	4
F	0004-514-000	Socket head cap screw	2
G	0011-045-000	Washer	4
H	0011-209-000	Washer	10
J	0011-423-000	Spacer	4
K	0011-455-000	Washer	2
P	0015-016-000	Square nut	2
R	0016-028-000	Nylock nut	8
S	0016-316-000	Centerlock hex jam nut	2

Item	Number	Name	Quantity
T	0025-172-000	Blind rivet	4
U	6250-001-055	Frame weldment	1
V	6250-001-102	Wheel support spacer, outer	2
W	6250-001-103	Wheel support spacer, inner	2
X	6250-001-118	Lock mechanism retaining spring	2
Z	6252-001-013	<i>Track frame assembly, standard belt</i> (page 33)	1
AA	6252-001-016	<i>Cable and pin assembly</i> (page 37)	1
AB	6252-001-084	Track belt roller spacer	2
AC	6252-001-124	Track support offset bracket	1
AD	6252-001-125	Track support offset bracket	1
AE	6252-001-088	Track support strut	2
AF	6252-001-089	Track support crossbar	1
AG	6252-001-094	Upper extension handle dead stop	2
AH	6252-001-096	Track lock post	2
AJ	6252-001-104	Wheel support	4
AK	6252-001-106	Track spacer pivot	4
AL	6252-001-113	Track tube spacer	1
AM	6252-001-114	5" wheel	2
AN	6252-001-120	Track sleeve spacer	2
AR	0004-028-000	Socket head cap screw	2
AS	0004-204-000	Button head cap screw	2
AT	0011-064-000	Washer	4
AV	6250-001-124	Flange bearing	2

Upper extension handle

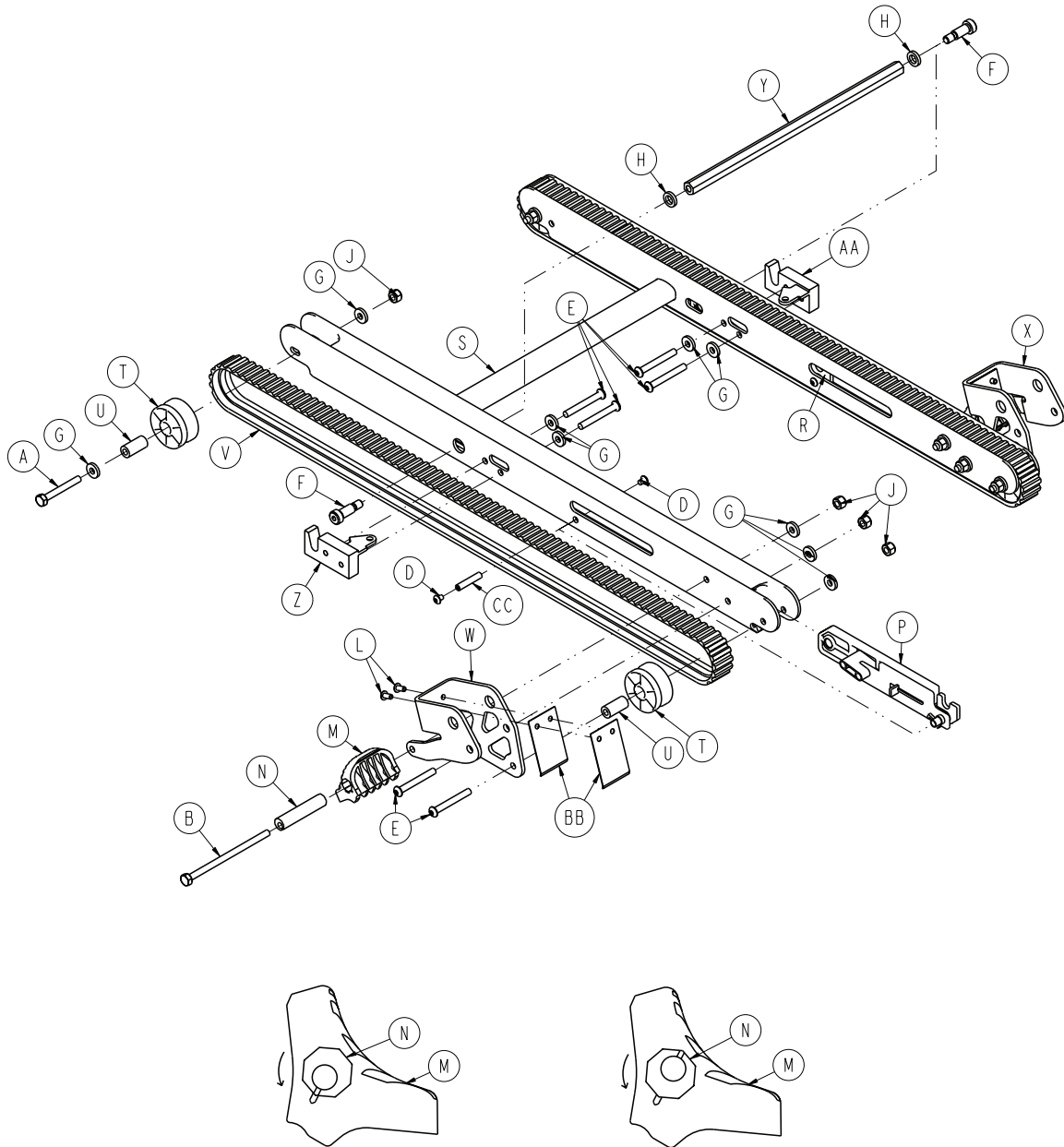
6252-001-012 Rev B (Reference only)



Item	Number	Name	Quantity
A	0025-133-000	Blind rivet	4
B	6250-001-085	Internal slide bushing	2
C	6250-001-087	Outer extension handle bushing	2
D	6252-001-090	Upper internal handle	1
E	6252-001-145	Handle reinforcer	2

Track frame assembly, standard belt

6252-001-013 Rev E (Reference only)

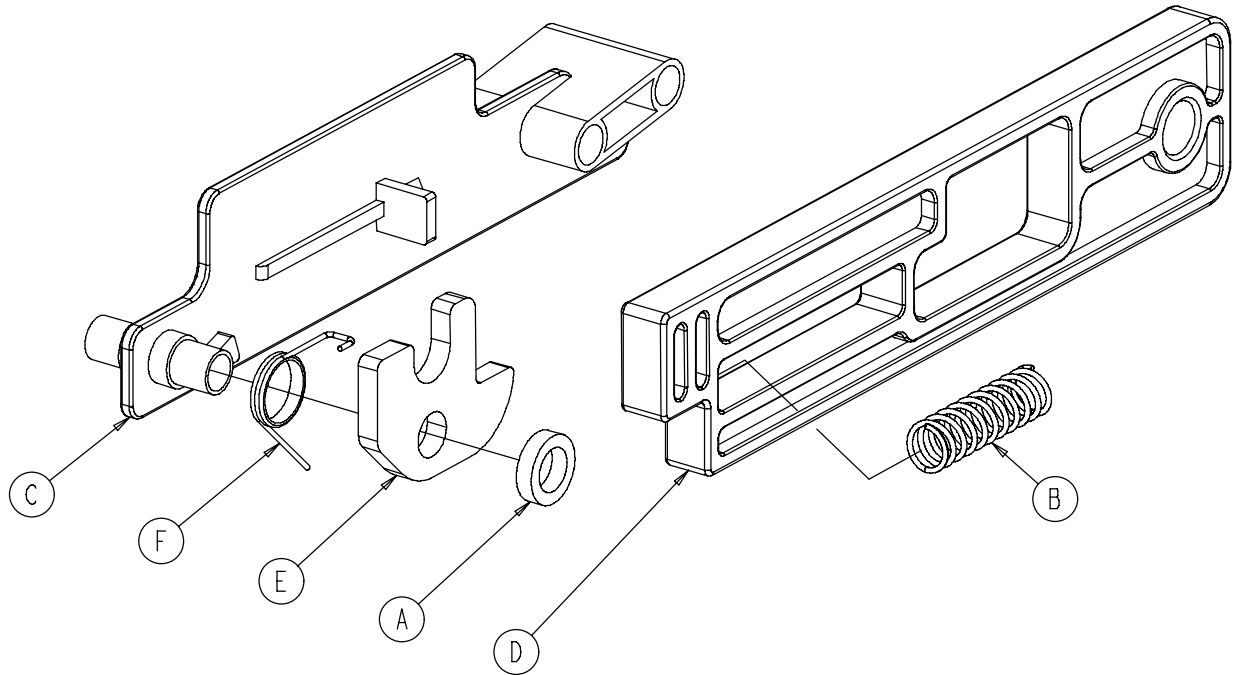


Item	Number	Name	Quantity
A	0003-358-000	Hex head cap screw	2
B	0003-365-000	Hex head cap screw	2
D	0004-483-000	Button head cap screw	4
E	0004-511-000	Button head cap screw	8
F	0008-063-000	Socket head cap screw	2
G	0011-209-000	Washer	14
H	0014-099-000	Washer	2
J	0016-028-000	Hex nut	8
L	0025-172-000	Blind rivet	4
M	6080-300-030	Adjustable caster lock pedal	2
N	6080-200-041	Hex sleeve	2

Item	Number	Name	Quantity
P	6252-001-014	<i>Internal latch assembly - 6252-001-014</i> (page 35)	1
R	6252-001-015	<i>Internal latch assembly - 6252-001-015</i> (page 36)	1
S	6252-001-050	Track frame weldment	1
T	6252-001-083	Track belt roller	4
U	6252-001-084	Track belt roller spacer	4
V	6252-001-085	Track belt	2
W	6252-001-102	Wheel support stamping	1
X	6252-001-103	Wheel support stamping	1
Y	6252-001-105	Lock mechanism crossbar	1
Z	6252-001-110	Latch	1
AA	6252-001-111	Latch	1
BB	6252-001-112	Spring	4
CC	6252-001-121	Lock pivot internal spacer	2

Internal latch assembly - 6252-001-014

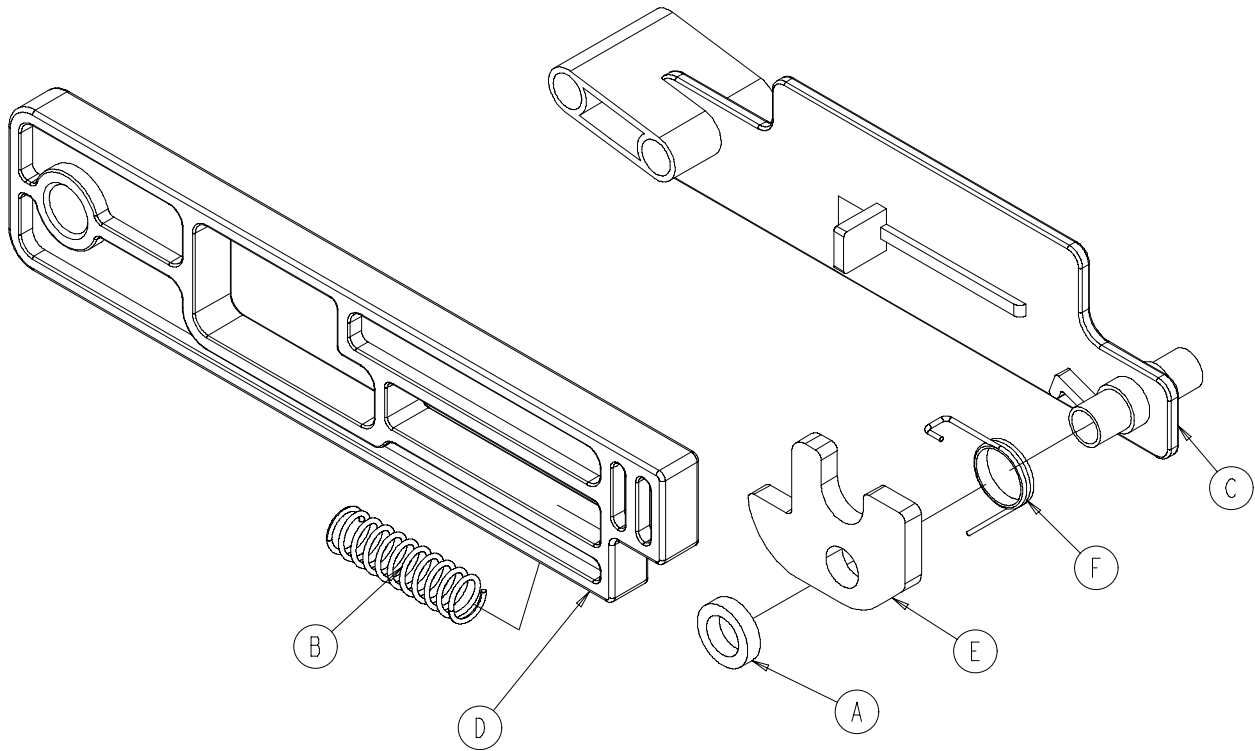
Rev B (Reference only)



Item	Number	Name	Quantity
A	0014-098-000	Washer	1
B	0038-506-000	Compression spring	1
C	6252-001-097	Latch retainer block	1
D	6252-001-098	Latch release slide	1
E	6252-001-099	Track latch lock	1
F	6252-001-101	Single spring	1

Internal latch assembly - 6252-001-015

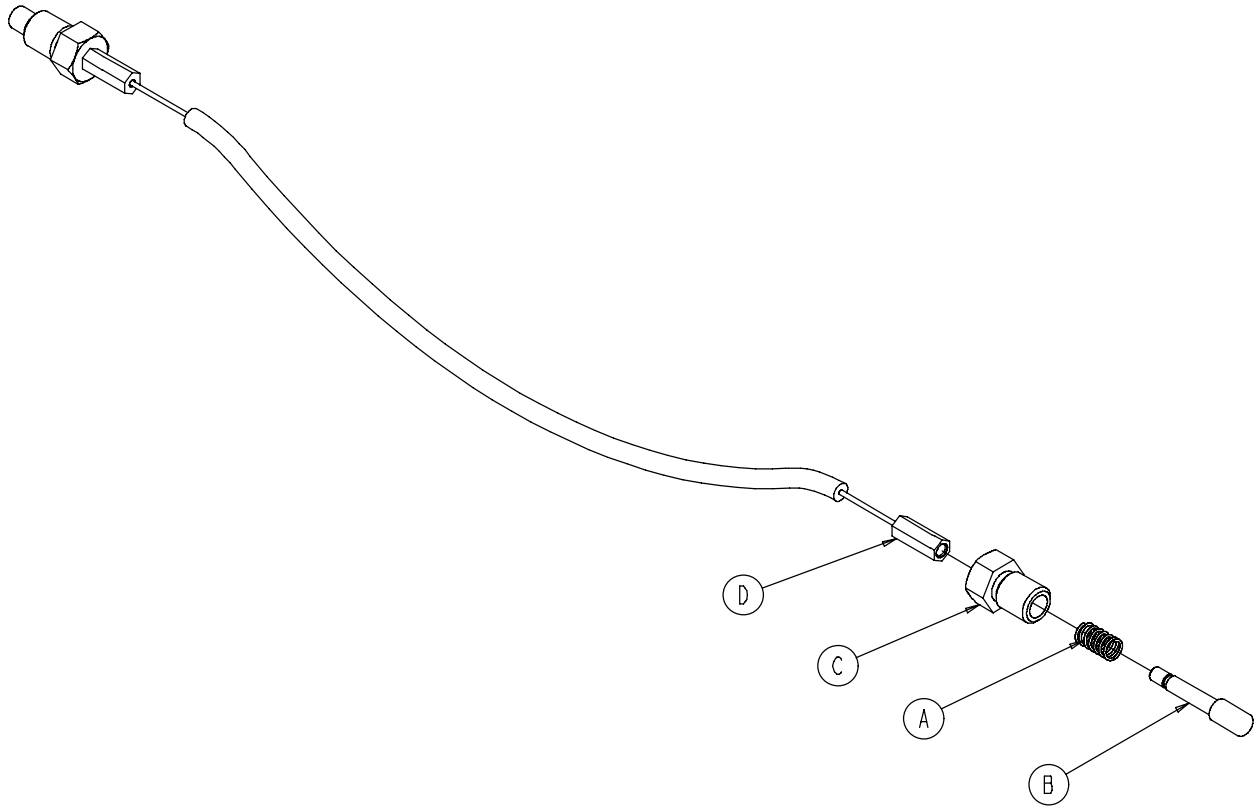
Rev B (Reference only)



Item	Number	Name	Quantity
A	0014-098-000	Washer	1
B	0038-506-000	Compression spring	1
C	6252-001-097	Latch retainer block	1
D	6252-001-098	Latch release slide	1
E	6252-001-099	Track latch lock	1
F	6252-001-100	Single spring	1

Cable and pin assembly

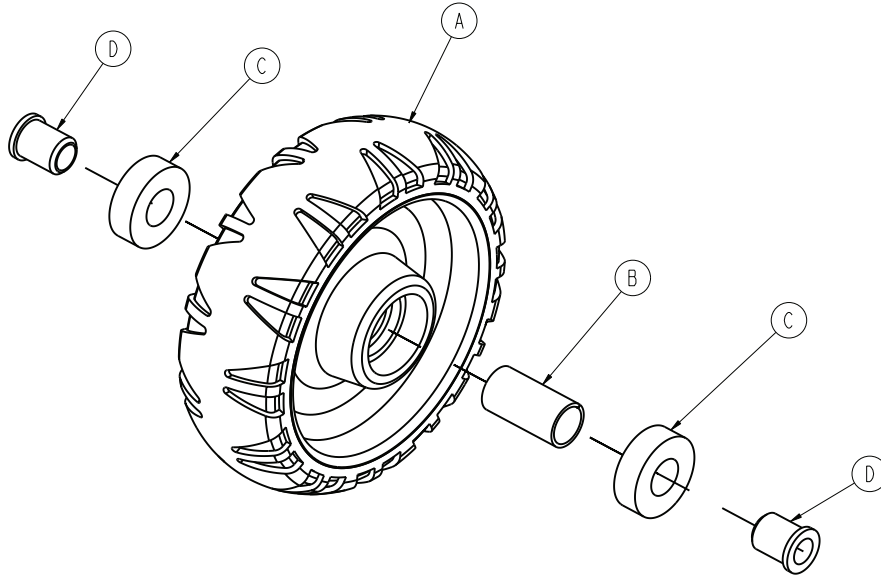
6252-001-016 Rev B (Reference only)



Item	Number	Name	Quantity
A	0038-507-000	Compression spring	2
B	6252-001-115	Pull pin	2
C	6252-001-116	Pull pin bolt	2
D	6252-001-119	Cable	1

6 in. molded wheel assembly

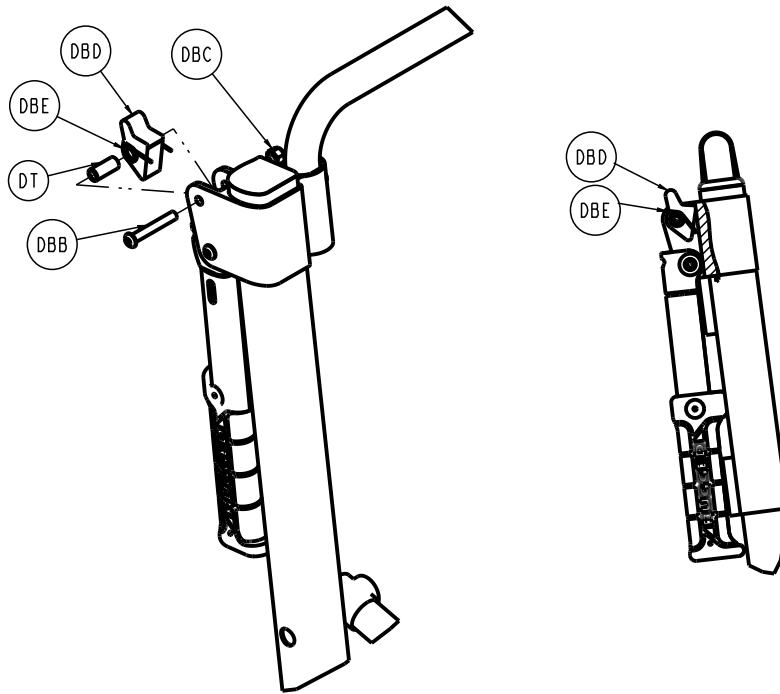
6060-002-010 Rev D (Reference only)



Item	Number	Name	Quantity
A	6060-002-045	6 in. molded wheel	1
B	6060-002-046	Bearing spacer	1
C	0081-226-000	Bearing	2
D	0715-001-255	Wheel bushing	2

Locking flip-up handle option - 6250-031-000

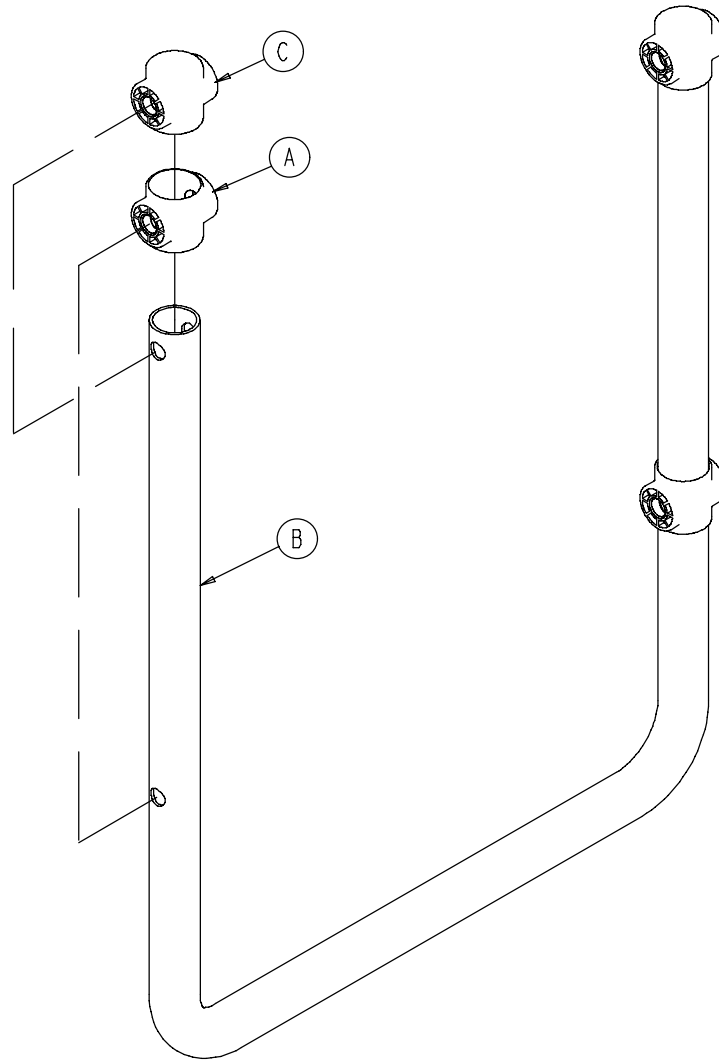
Rev E/6250-001-005 Rev AA (Reference only)



Item	Number	Name	Quantity
DT	6250-001-111	Flip-up handle pivot spacer	2
DBB	0004-204-000	Button head cap screw	2
DBC	0016-028-000	Nylock nut	2
DBD	6250-001-113	Flip-up handle trigger	2
DBE	6250-001-114	Single spring	2

Foot tube assembly

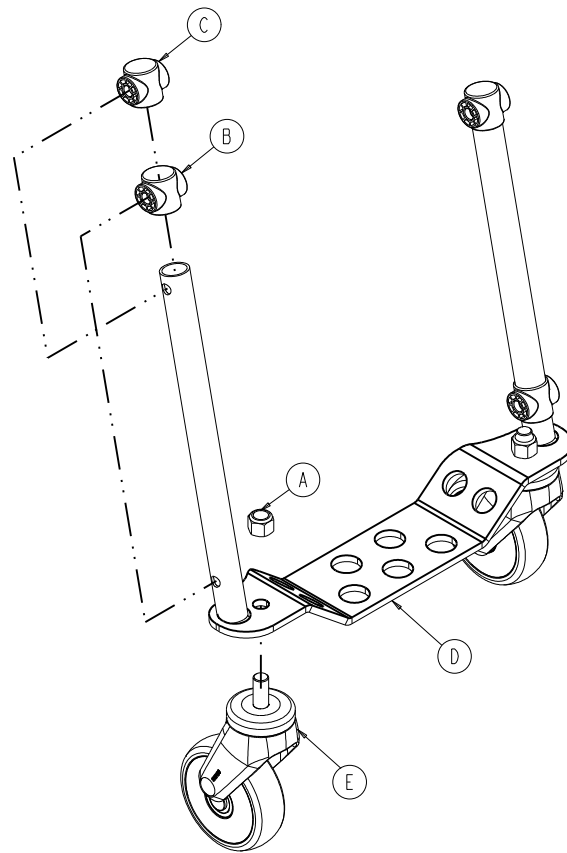
6250-001-012 Rev A (Reference only)



Item	Number	Name	Quantity
A	6250-001-090	Foot section end cap	2
B	6250-001-091	Foot section tube	1
C	6250-001-096	Foot/seat section end cap	2

6251/6252 caster foot support assembly

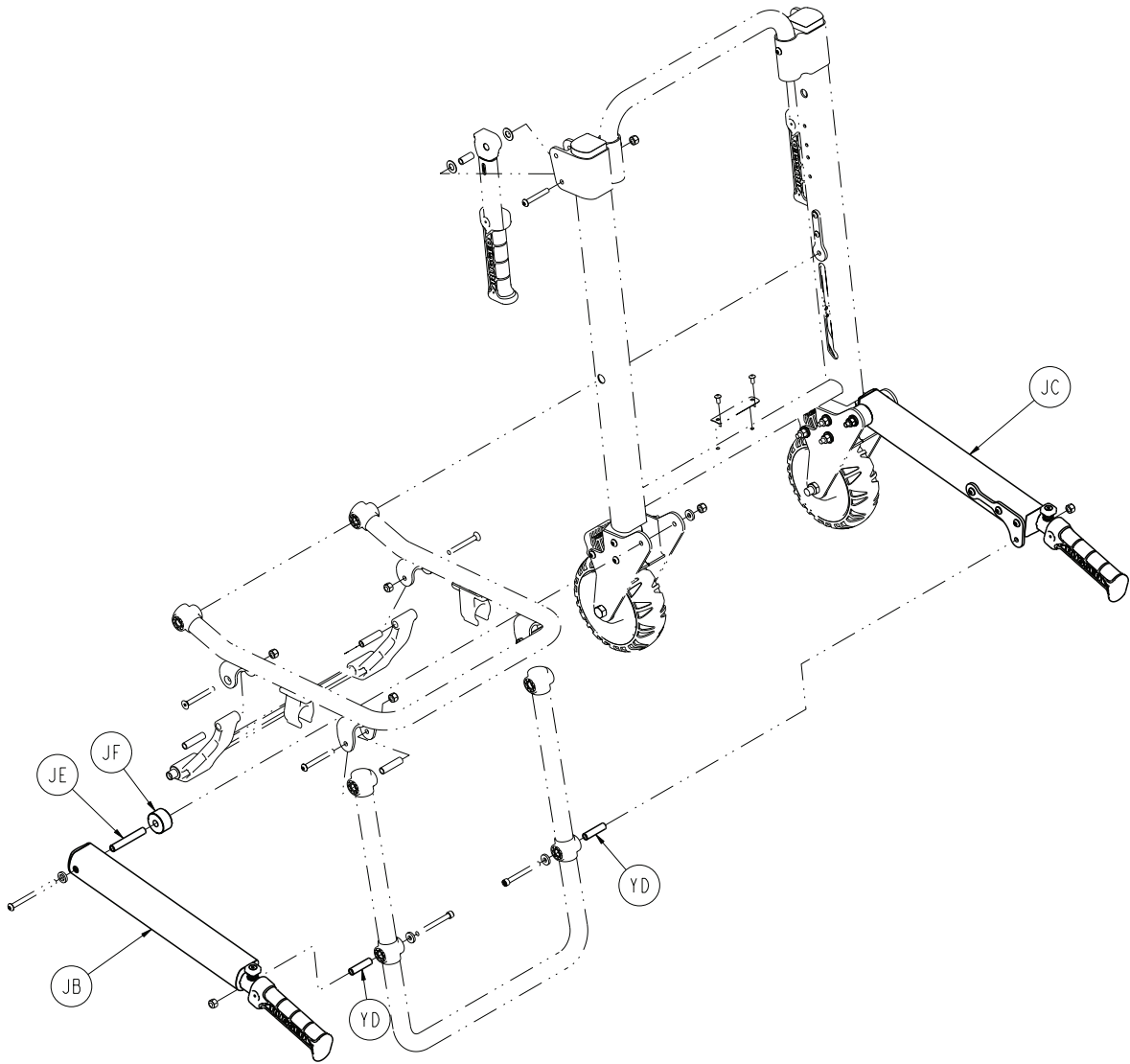
6251-001-012 Rev AA (Reference only)



Item	Number	Name	Quantity
A	0016-064-000	Nylock hex nut	2
B	6250-001-090	Foot section end cap	2
C	6250-001-096	Foot/seat section end cap	2
D	6251-001-050	Foot section weldment	1
E	625100010083	Caster	2

6251/6252 lower lift handle/no footrest option - 6250-024-000/6252-028-000

Rev C/Rev C

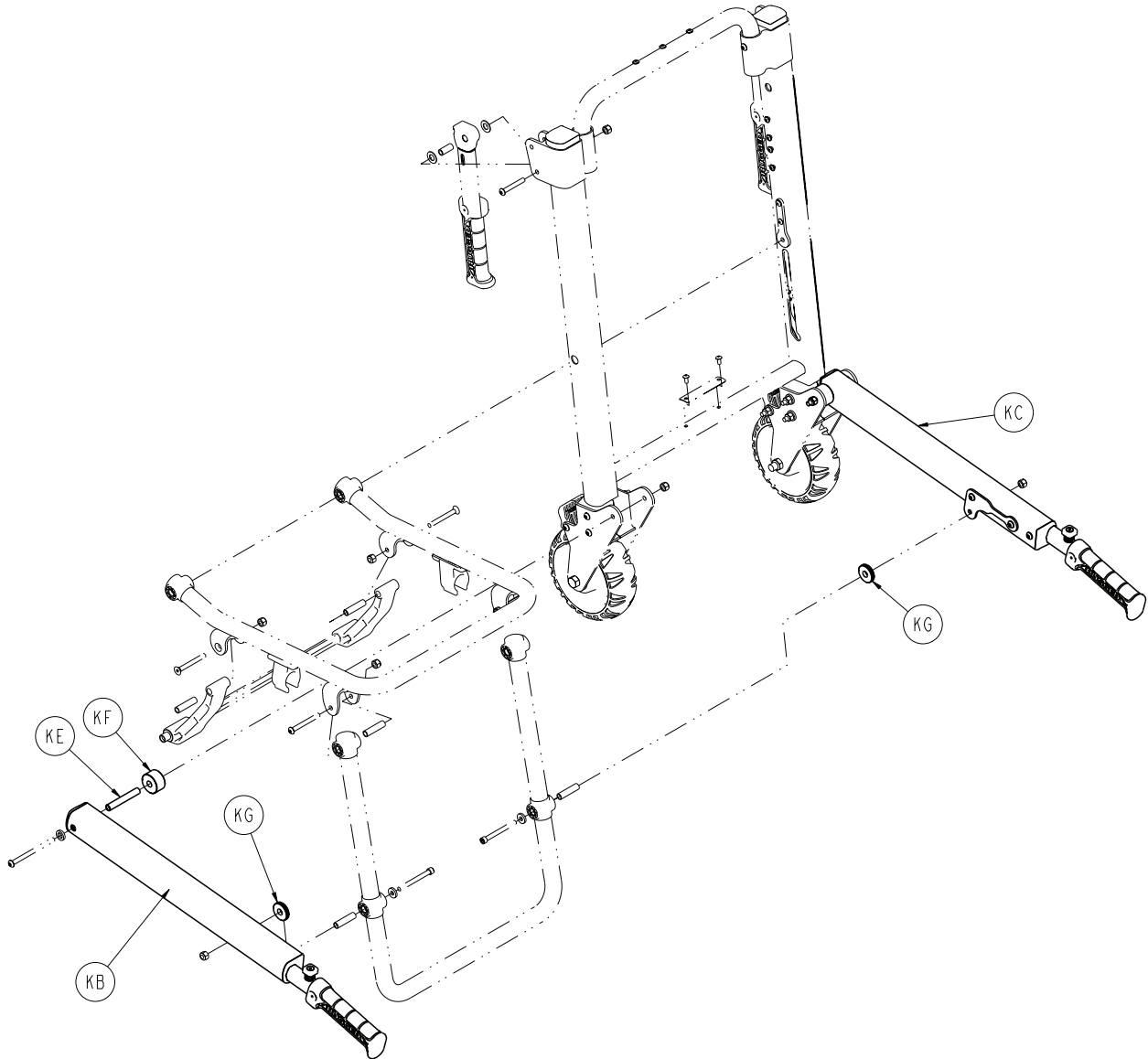


Item	Number	Name	Quantity
JB	6250-001-014	Extension handle, right	1
JC	6250-001-015	Extension handle, left	1
JE	6250-001-129	Pivot spacer	2
JF	6250-001-133	Spacer	2

Item	Number	Name	Quantity
YD	6250-001-098	Pivot spacer	2

6251/6252 extended lower lift handle option - 6250-025-000

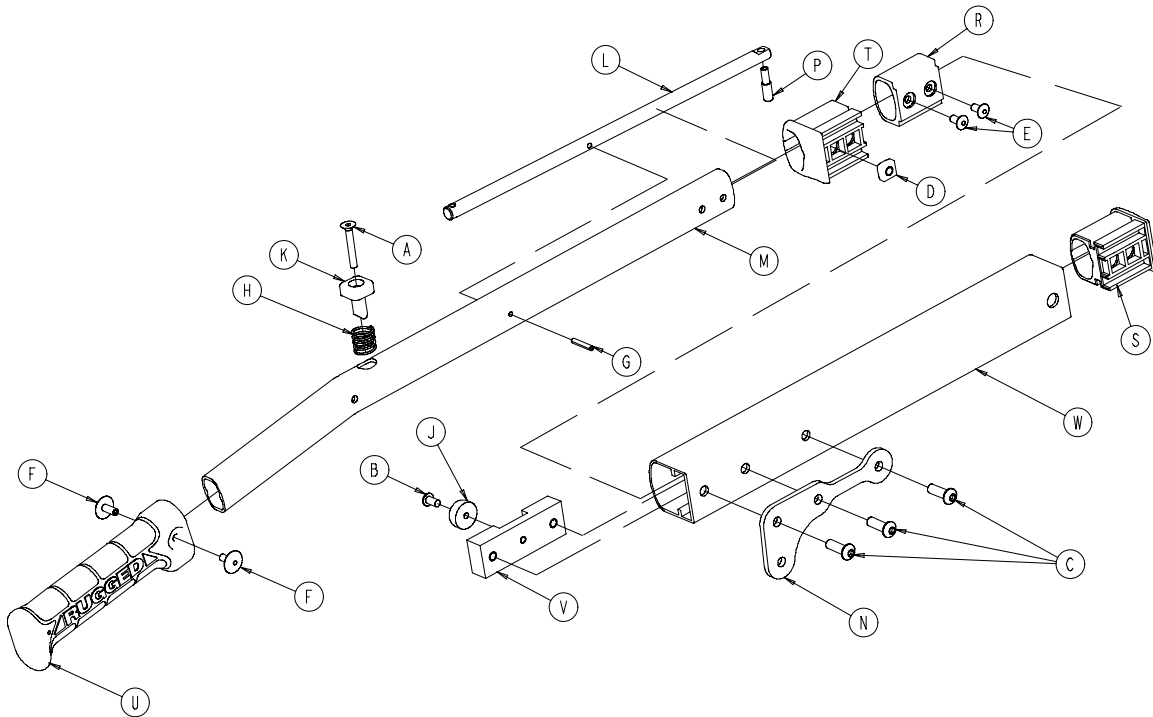
Rev C (Reference only)



Item	Number	Name	Quantity
KB	6250-003-014	Extension extended handle, right	1
KC	6250-003-015	Extension extended handle, left	1
KE	6250-003-129	Pivot spacer	2
KF	6250-003-133	Spacer, extension handle locator	2
KG	6250-003-134	Spacer, extension handle locator	2

Extension handle assembly, right

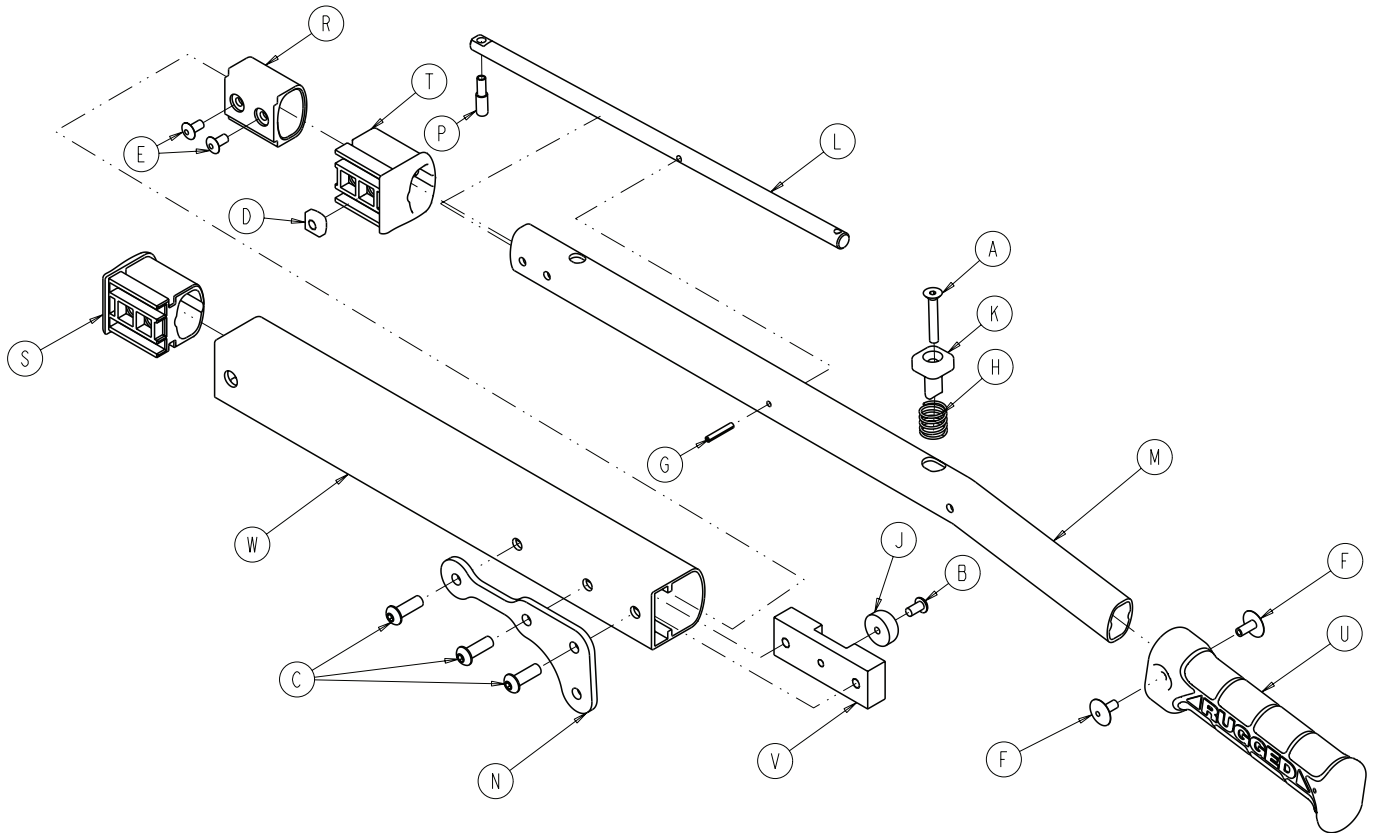
6250-001-014 Rev E (Reference only)



Item	Number	Name	Quantity
A	0001-138-000	Flat head socket screw	1
B	0004-136-000	Button head cap screw	1
C	0004-509-000	Button head cap screw	3
D	0015-016-000	Square nut	1
E	0025-079-000	Blind rivet	2
F	0025-132-000	Blind rivet	2
G	0026-323-000	Coiled spring pin	1
H	0038-462-000	Compression spring	1
J	0056-022-000	Bumper	1
K	6100-031-065	Push button	1
L	6250-001-080	Pivot lock lever	1
M	6250-001-081	Internal extension handle	1
N	6250-001-082	Pivot bracket	1
P	6250-001-083	Lock pin	1
R	6250-001-085	Internal slide bushing	1
S	6250-001-086	Outer end cap	1
T	6250-001-087	Outer bushing	1
U	6250-001-089	Hand grip	1
V	6250-001-112	Dead stop	1
W	6250-001-121	Extension outer handle, right	1

Extension handle assembly, left

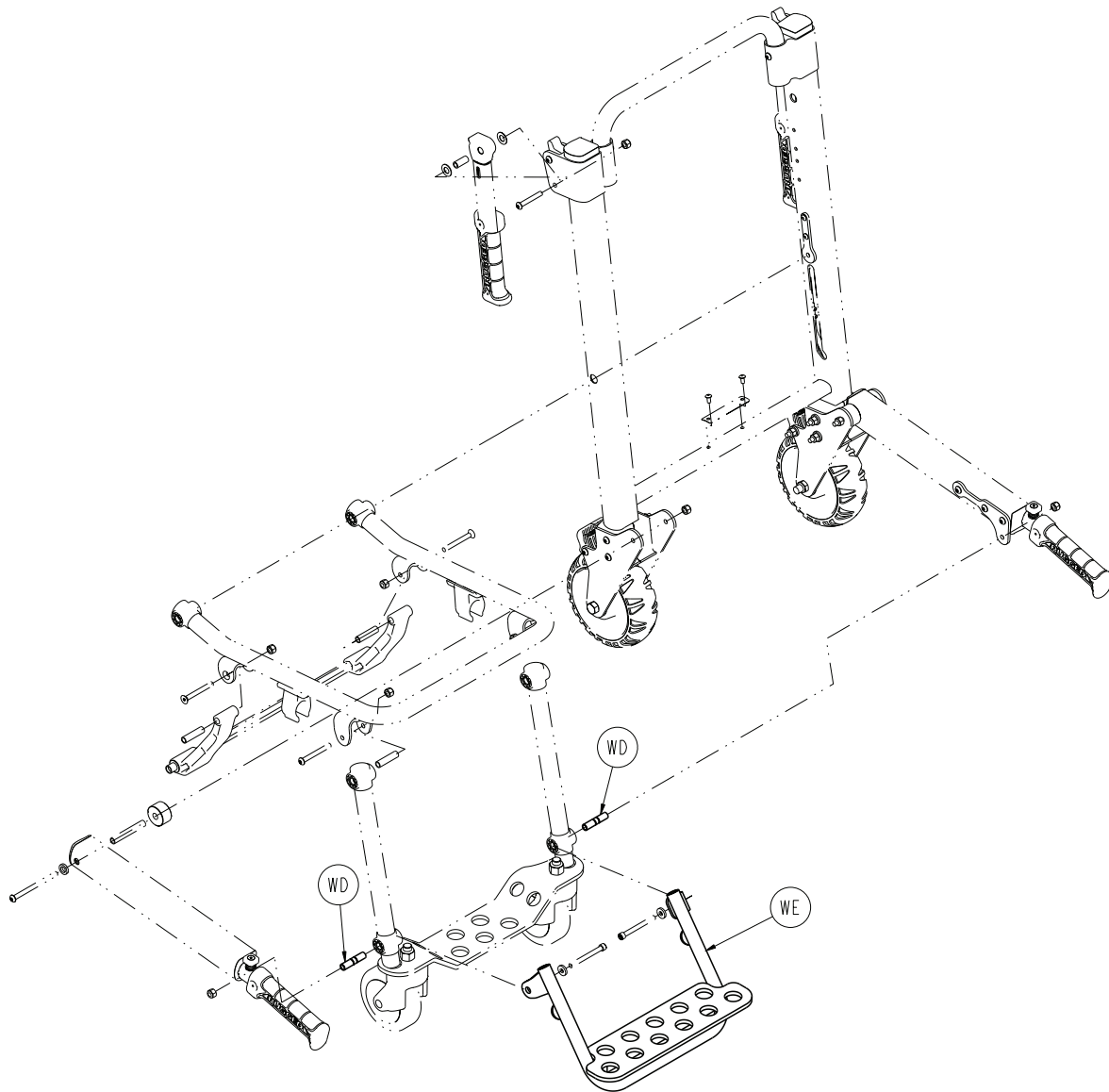
6250-001-015 Rev E (Reference only)



Item	Number	Name	Quantity
A	0001-138-000	Flat head socket screw	1
B	0004-136-000	Button head cap screw	1
C	0004-509-000	Button head cap screw	3
D	0015-016-000	Square nut	1
E	0025-079-000	Blind rivet	2
F	0025-132-000	Blind rivet	2
G	0026-323-000	Coiled spring pin	1
H	0038-462-000	Compression spring	1
J	0056-022-000	Bumper	1
K	6100-031-065	Push button	1
L	6250-001-080	Pivot lock lever	1
M	6250-001-081	Internal extension handle	1
N	6250-001-082	Pivot bracket	1
P	6250-001-083	Lock pin	1
R	6250-001-085	Internal slide bushing	1
S	6250-001-086	Outer end cap	1
T	6250-001-087	Outer bushing	1
U	6250-001-089	Hand grip	1
V	6250-001-112	Dead stop	1
W	6250-001-122	Extension outer handle, left	1

6251/6252 footrest option - 6252-027-000

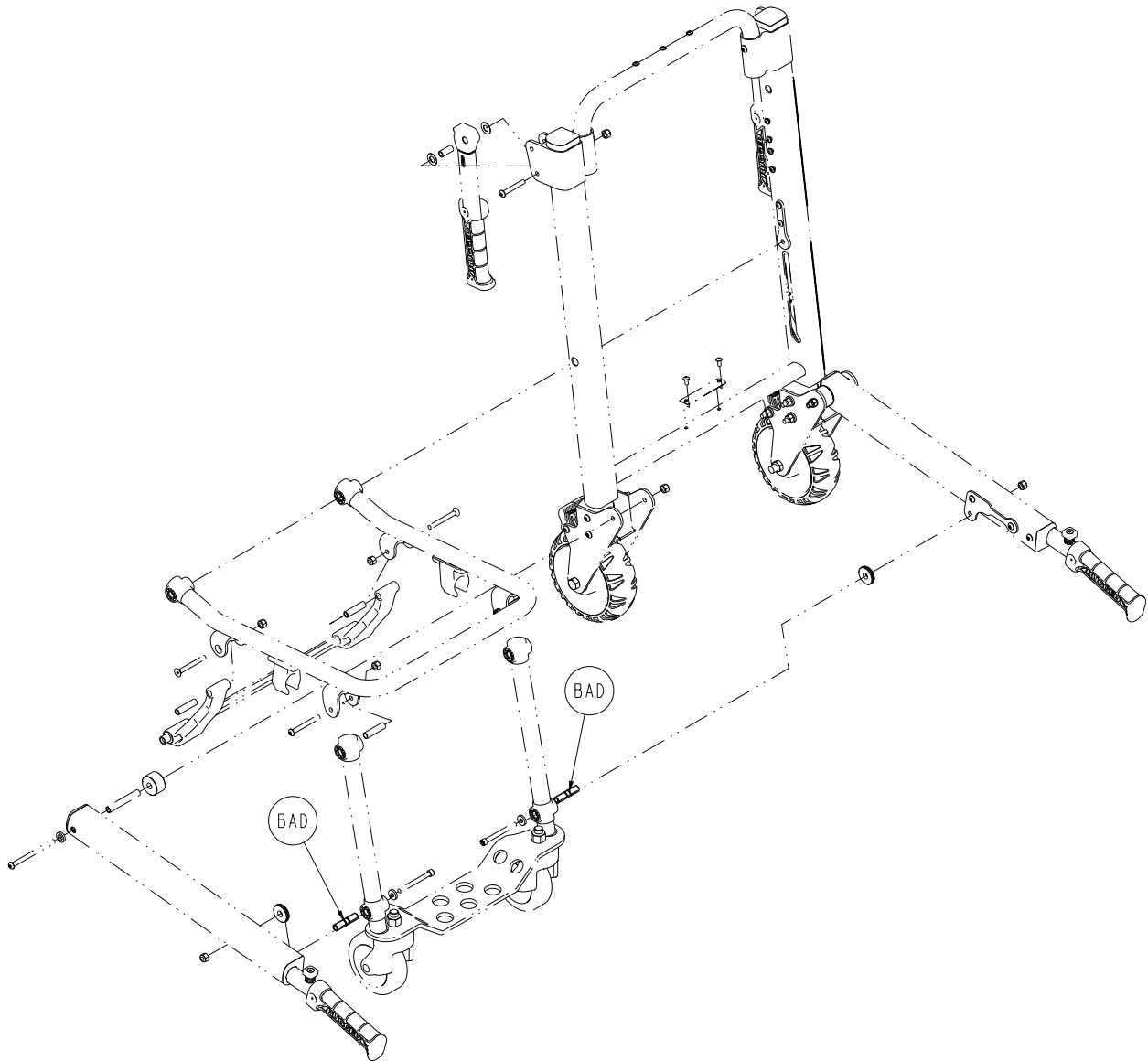
Rev B (Reference only)



Item	Number	Name	Quantity
WD	6250-003-098	Pivot spacer	2
WE	6252-001-017	Foot support assembly	1

6252 extended handle/no footrest option - 6252-030-000

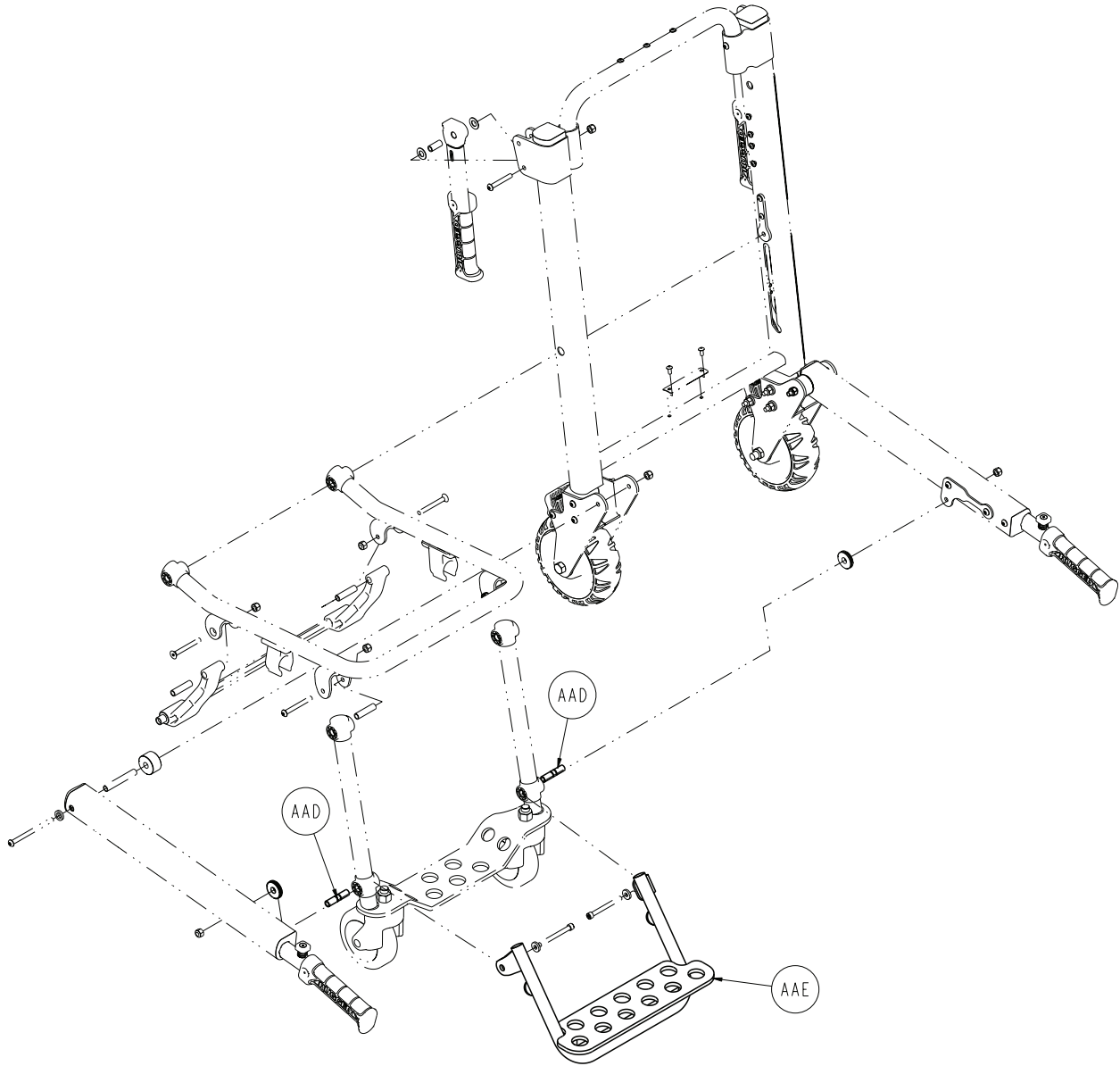
Rev C/6250-001-005 Rev AA (Reference only)



Item	Number	Name	Quantity
BAD	6250-003-098	Pivot spacer	2

6252 extended handle/footrest option - 6252-029-000

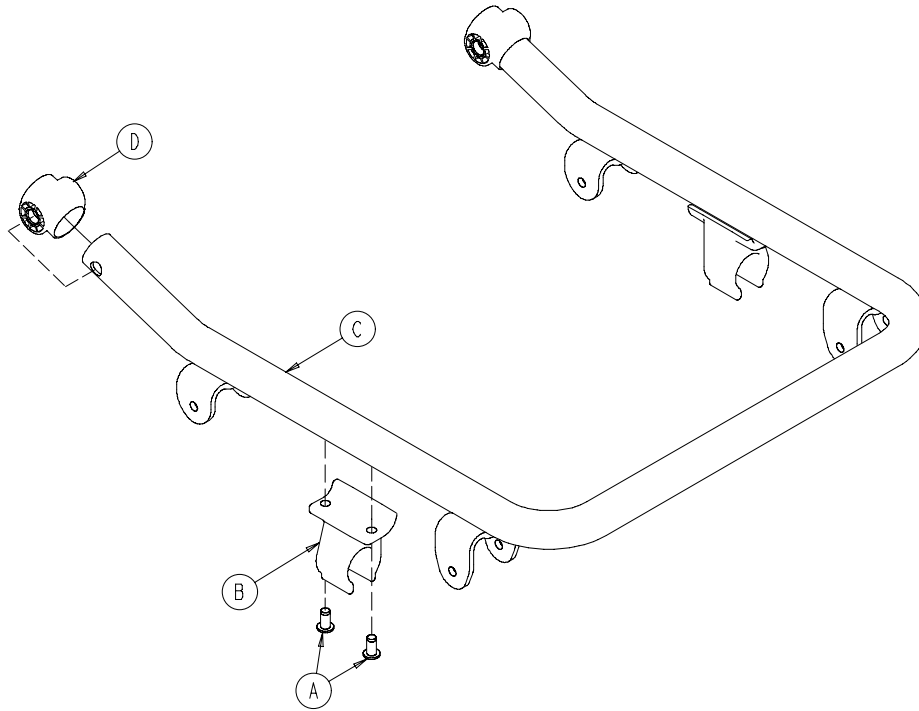
Rev B/6250-001-005 Rev AA (Reference only)



Item	Number	Name	Quantity
AAD	6250-009-099	Pivot spacer	2
AAE	6252-007-017	Foot support assembly	1

Seat section assembly

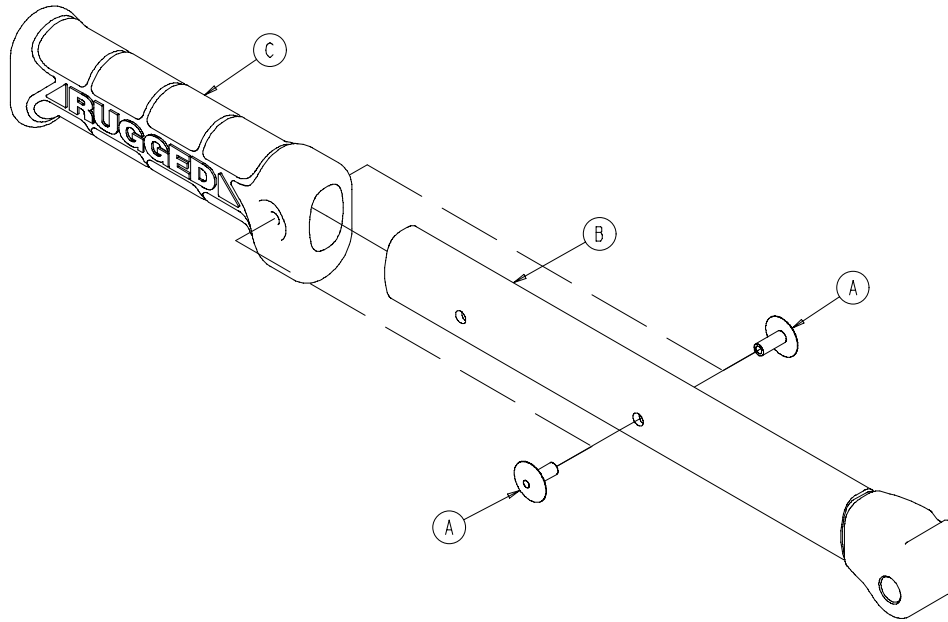
6250-001-013 Rev B (Reference only)



Item	Number	Name	Quantity
A	0025-120-000	Rivet	4
B	6250-001-165	Clip	2
C	6250-001-050	Seat frame weldment	1
D	6250-001-096	Foot/seat section end cap	2

Flip-up handle assembly

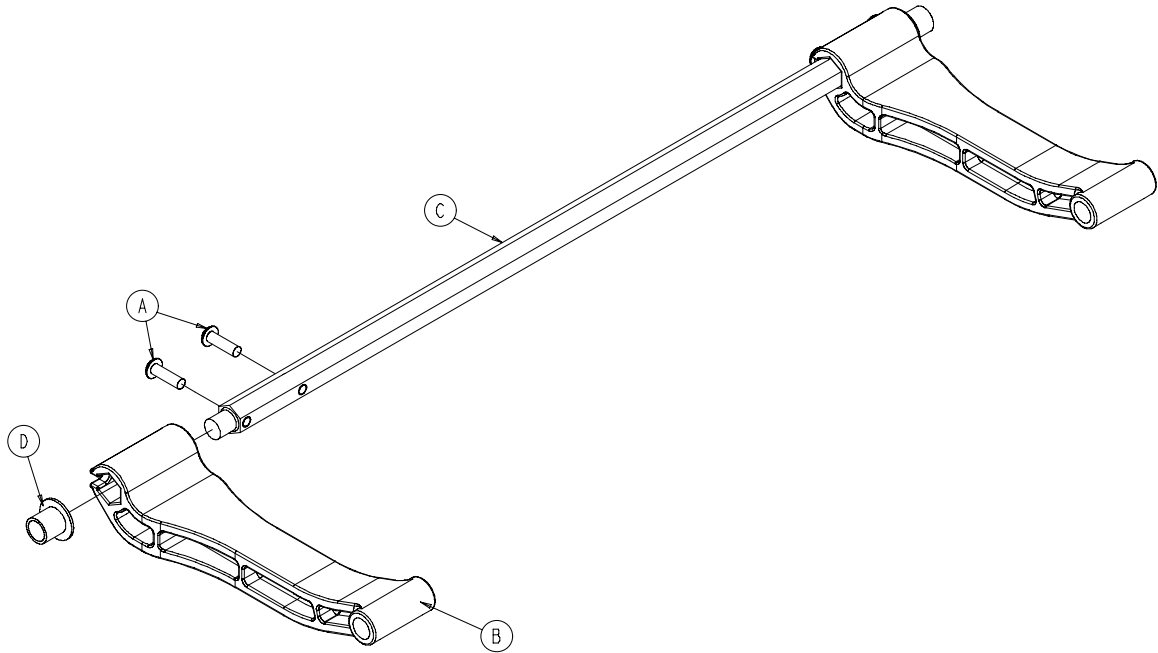
6250-001-016 Rev A (Reference only)



Item	Number	Name	Quantity
A	0025-132-000	Blind rivet	2
B	6250-001-052	Flip-up handle weldment	1
C	6250-001-089	Hand grip	1

Lock mechanism assembly

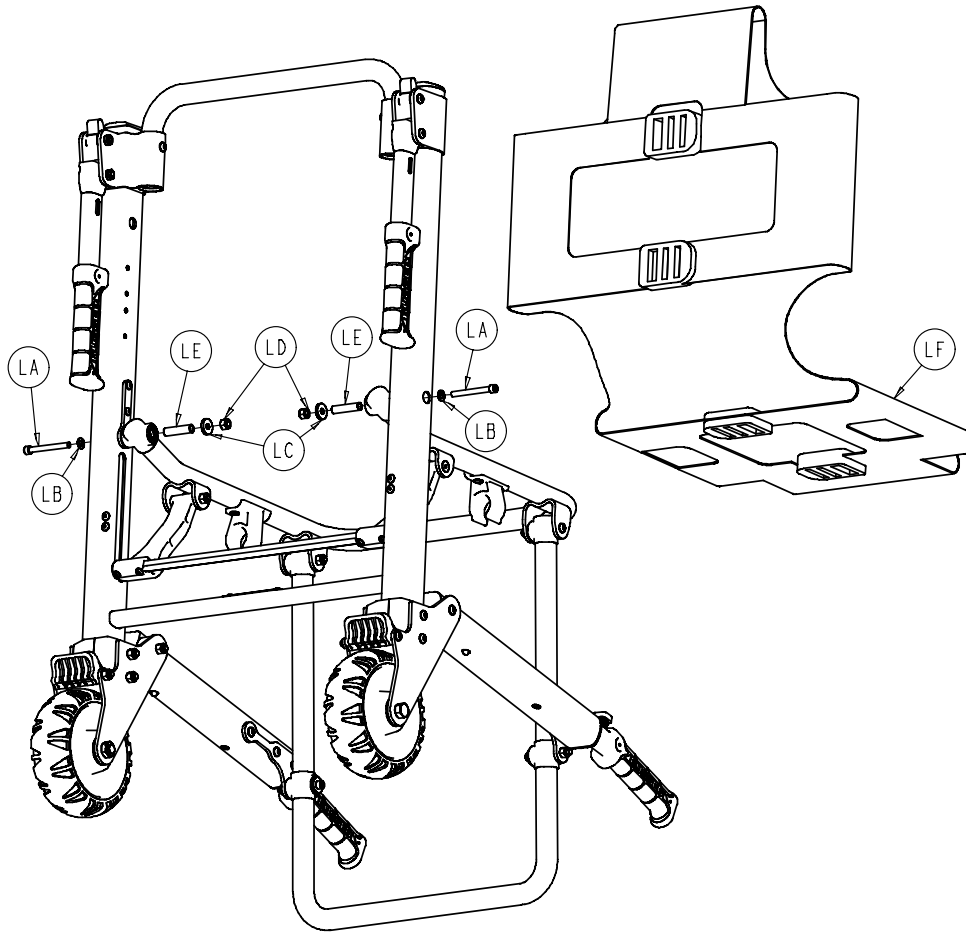
6250-001-017 Rev B (Reference only)



Item	Number	Name	Quantity
A	0004-515-000	Button head cap screw	4
B	6250-001-094	Lock mechanism strut	2
C	6250-001-095	Crossbar	1
D	6250-001-124	Flange bearing	2

6251/6252 vinyl seat option - 6250-020-000

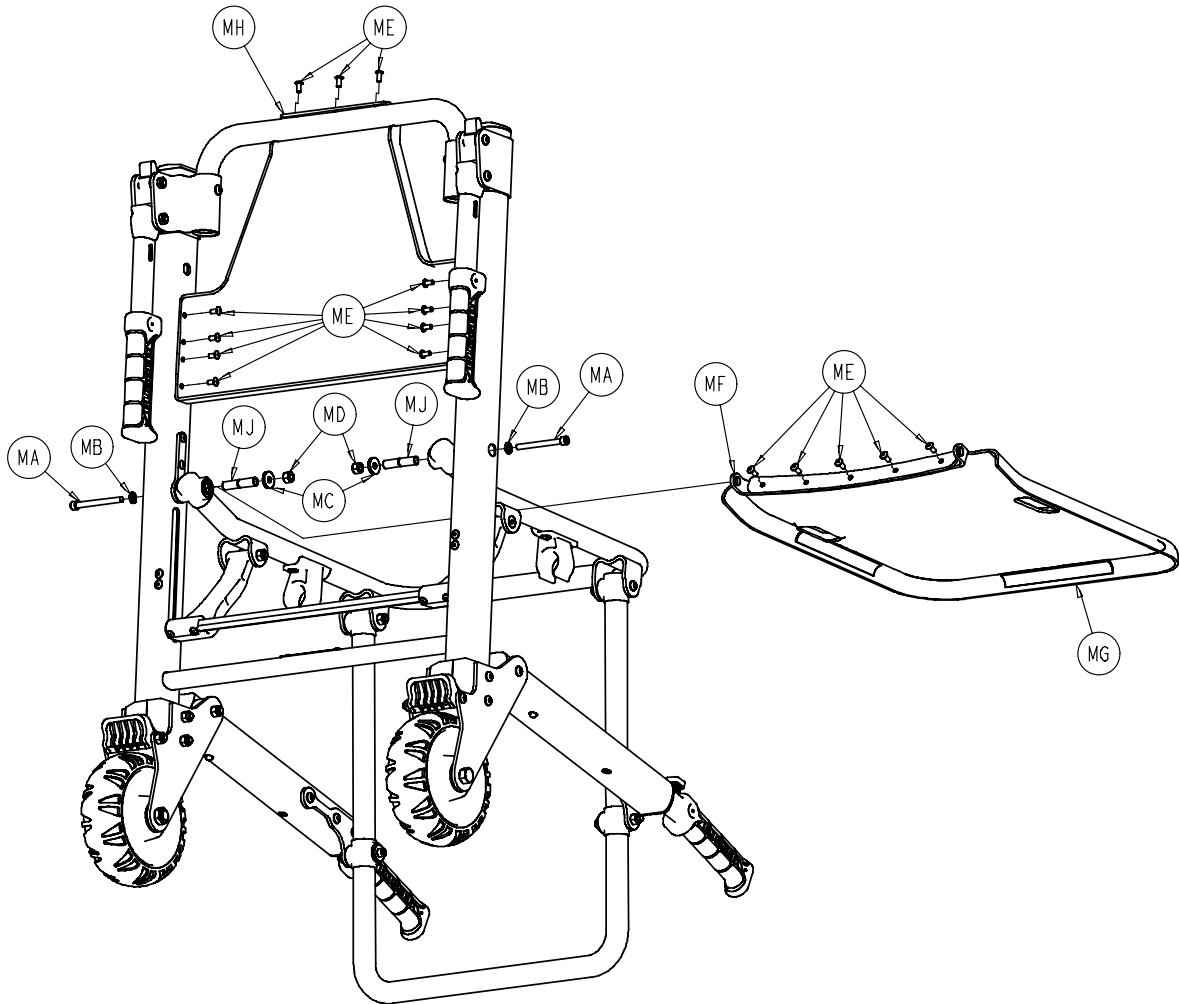
Rev E (Reference only)



Item	Number	Name	Quantity
LA	0004-517-000	Socket head cap screw	2
LB	0011-064-000	Washer	2
LC	0011-209-000	Washer	2
LD	0016-028-000	Nylock hex nut	2
LE	6250-001-098	Pivot spacer	2
LF	6250-001-135	Vinyl seat	1

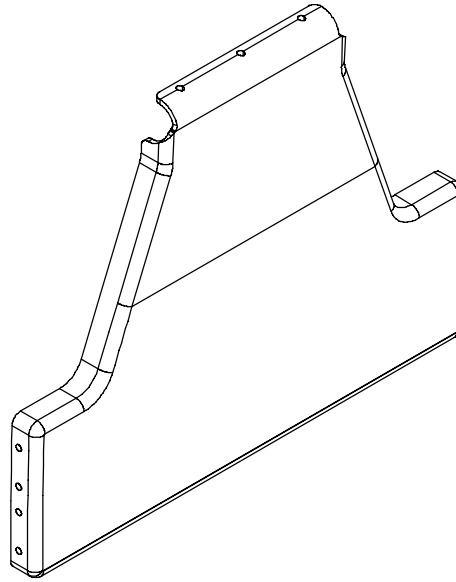
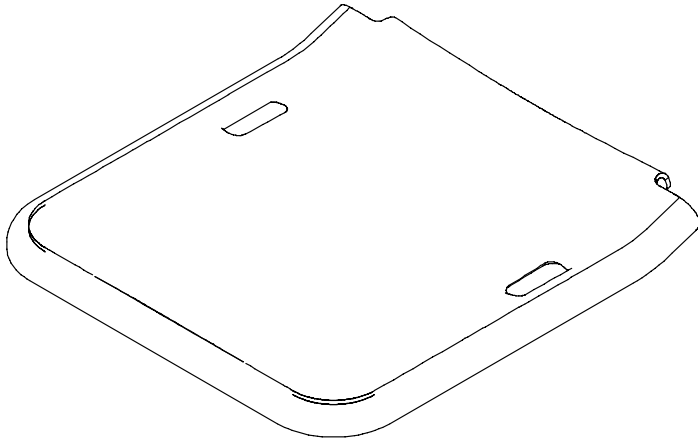
6251/6252 ABS seat option - 6250-021-000

Rev D (Reference only)



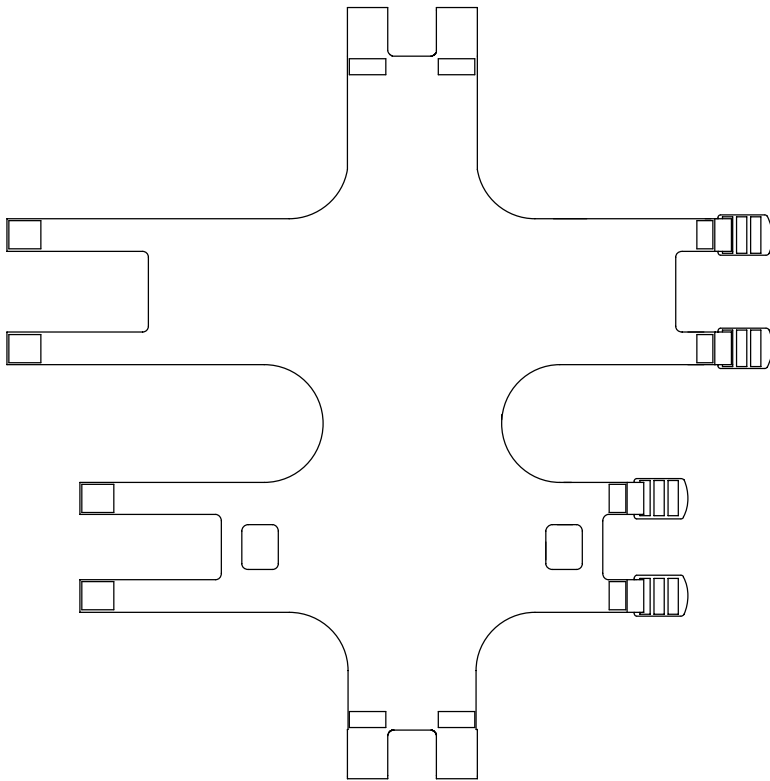
Item	Number	Name	Quantity
MA	0004-517-000	Socket head cap screw	2
MB	0011-064-000	Washer	2
MC	0011-209-000	Washer	2
MD	0016-028-000	Nylock hex nut	2
ME	0025-172-000	Blind rivet	16
MF	6250-001-099	Seat support bracket	1
MG	6250-001-115	Plastic seat	1
MH	6250-001-116	Plastic backrest	1
MJ	6250-001-128	Pivot spacer	2

Seat and backrest options



ABS plastic seat - 6250-001-115 (Rev C)
ABS seat option - 6250-021-000 (Rev D)

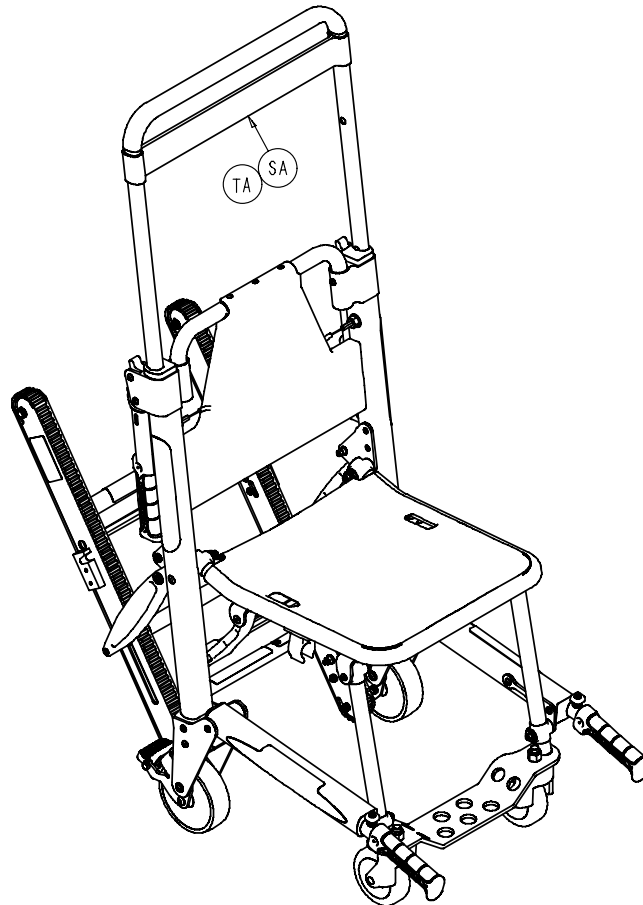
ABS plastic backrest - 6250-001-116 (Rev C)



Vinyl seat - 6250-001-135 (Rev AA)
Vinyl seat option - 6250-020-000 (Rev E)

6252 head support options

6252-001-122 Rev D/6252-001-140 Rev C (Reference only)



Head support option - 6252-040-000 Rev B

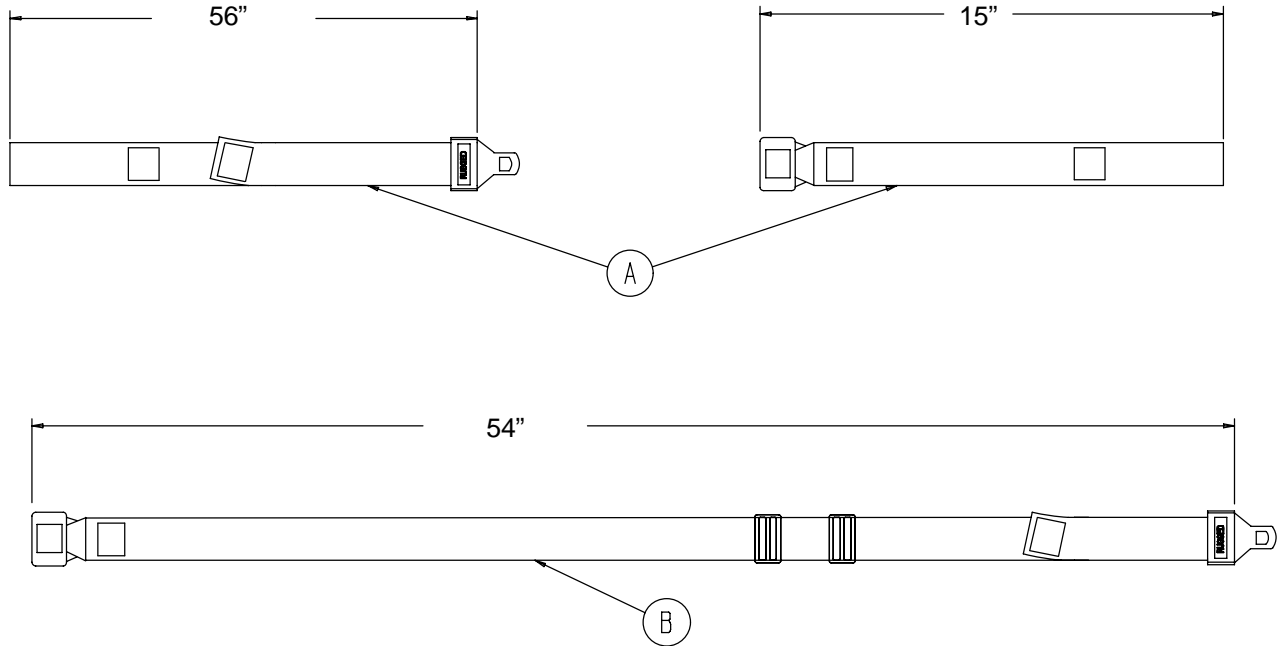
Item	Number	Name	Quantity
SA	6252-001-122	Head support	1

Vinyl head support option - 6252-041-000 Rev B

Item	Number	Name	Quantity
TA	6252-001-140	Vinyl head support	1

Restraint set, non-absorbant/metal buckles option - 6250-161-000

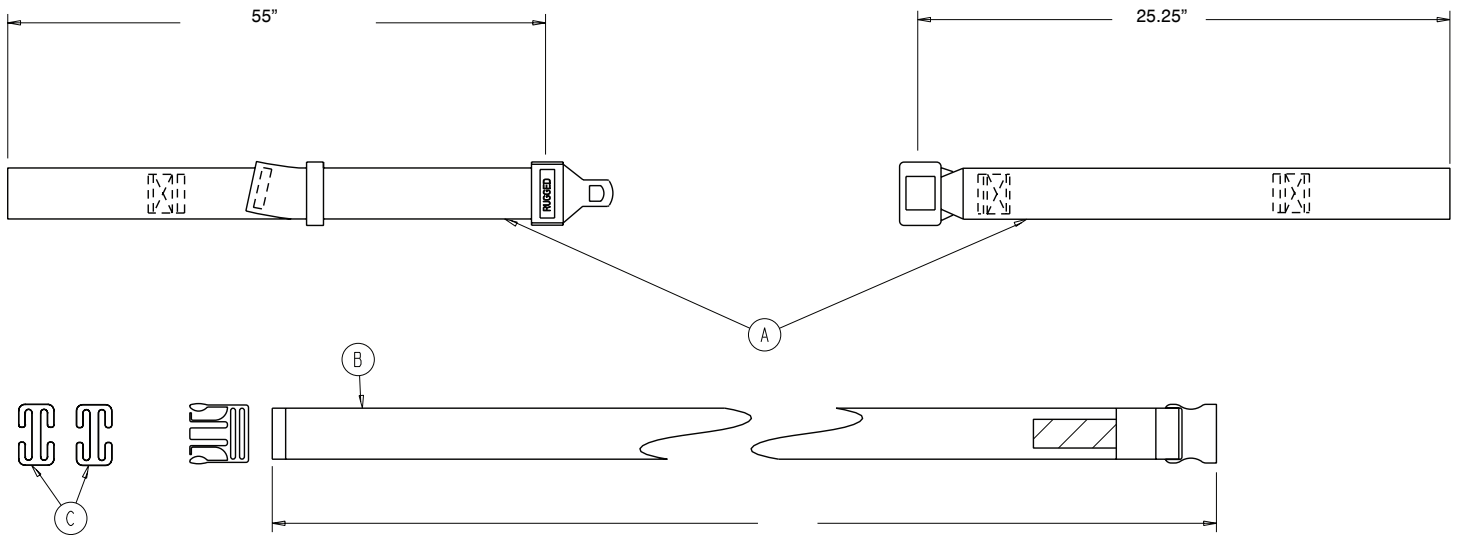
Rev B (Reference only)



Item	Number	Name	Quantity
A	6250-001-143	Vinyl chest restraint strap	2
B	6250-001-144	Vinyl ankle restraint strap	1

Restraint set, polyester/metal buckles option - 6250-162-000

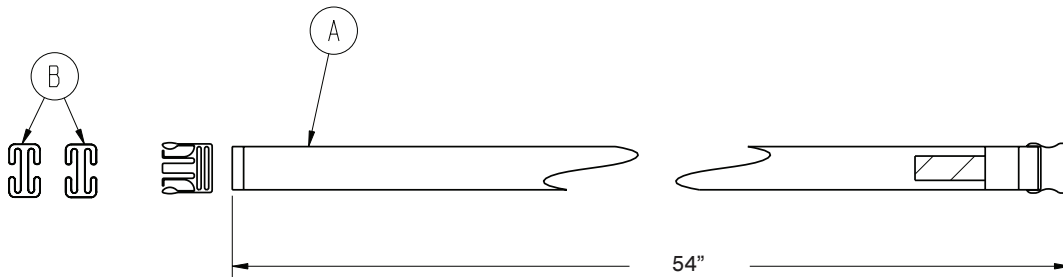
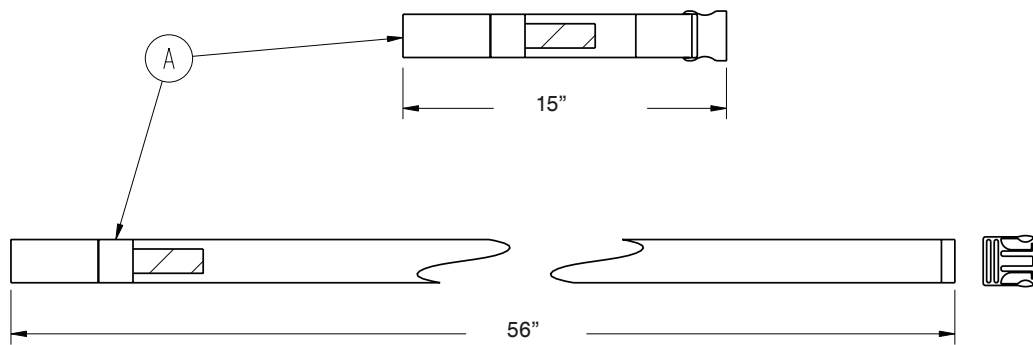
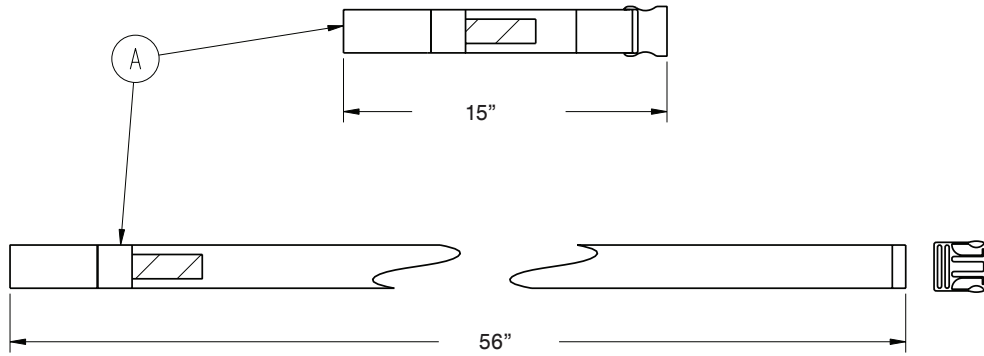
Rev B (Reference only)



Item	Number	Name	Quantity
A	6060-160-044	Lap belt assembly	2
B	6250-001-127	Ankle restraint strap	1
C	6250-001-163	Restraint buckle	2

Restraint set, polypropylene/plastic buckles option - 6250-160-000

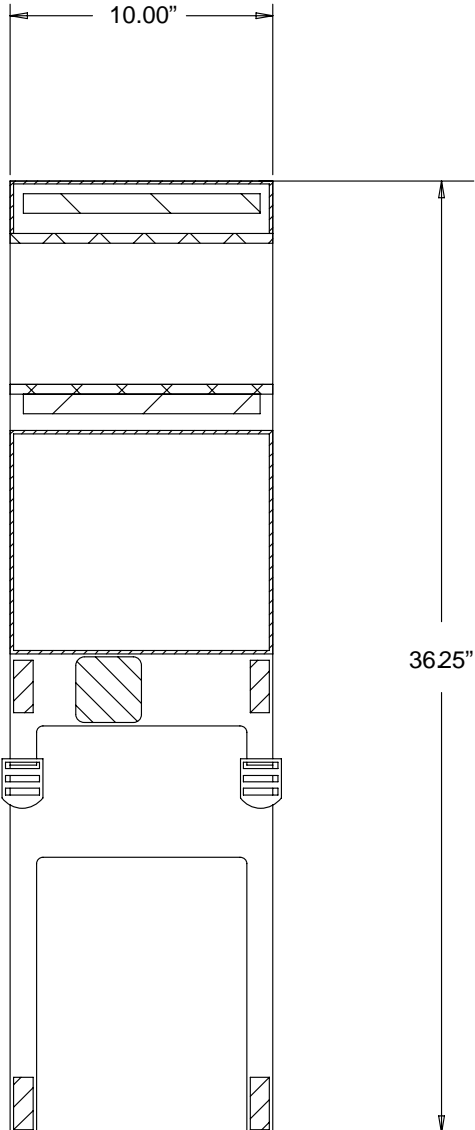
Rev D (Reference only)



Item	Number	Name	Quantity
A	6250-001-018	Restraint strap set	1
B	6250-001-163	Restraint buckle	2

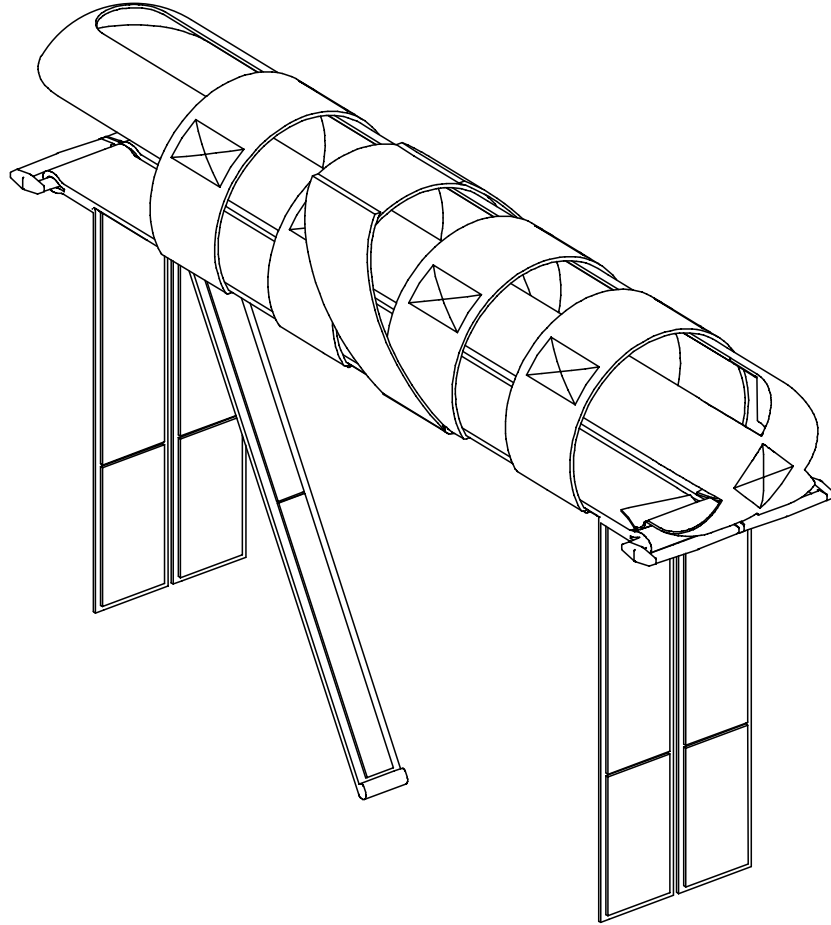
Vinyl head support option - 6252-001-140

Rev C (Reference only)



Elastic oxygen bottle holder option - 6250-140-000

Rev A (Reference only)



Item	Number	Name	Quantity
A	6250-140-080	Elastic oxygen bottle holder	1

stryker



Stryker Medical
3800 E. Centre Avenue
Portage, MI 49002
USA