

# Evacuation Chair

REF Model 6254

# stryker<sup>®</sup>

## Operations/Maintenance Manual



For parts or technical assistance:  
USA: 1-800-327-0770



# Table of Contents

---

Symbols and Definitions . . . . .	<a href="#">5</a>
Symbols . . . . .	<a href="#">5</a>
Warning / Caution / Note Definition. . . . .	<a href="#">5</a>
Introduction . . . . .	<a href="#">6</a>
Product Description . . . . .	<a href="#">6</a>
Intended Use of Product. . . . .	<a href="#">6</a>
Specifications . . . . .	<a href="#">6</a>
Component Identification . . . . .	<a href="#">7</a>
Summary of Safety Precautions . . . . .	<a href="#">8</a>
Setup Procedures. . . . .	<a href="#">10</a>
Instructions. . . . .	<a href="#">11</a>
Operation Guide. . . . .	<a href="#">12</a>
Operating Guidelines . . . . .	<a href="#">12</a>
Unfolding the Chair . . . . .	<a href="#">13</a>
Folding the Chair . . . . .	<a href="#">13</a>
Transferring the Passenger to the Stryker Evacuation Chair . . . . .	<a href="#">14</a>
Using Restraint Straps . . . . .	<a href="#">15</a>
Proper Lifting Techniques. . . . .	<a href="#">18</a>
Transporting the Passenger on Flat Surfaces . . . . .	<a href="#">19</a>
Transporting the Passenger Down Stairs . . . . .	<a href="#">20</a>
Transporting the Passenger Up Stairs. . . . .	<a href="#">22</a>
Operating the Wheel Locks . . . . .	<a href="#">23</a>
Using the Head Support. . . . .	<a href="#">24</a>
Using Additional Assistance . . . . .	<a href="#">25</a>
Installing the Optional Wall Storage Bracket . . . . .	<a href="#">26</a>
Installing the Optional Cabinet . . . . .	<a href="#">27</a>
Installing the Optional Cover. . . . .	<a href="#">28</a>
Removing the Optional Cover. . . . .	<a href="#">28</a>
Cleaning. . . . .	<a href="#">29</a>
Washing Procedure . . . . .	<a href="#">29</a>
Washing Limitations . . . . .	<a href="#">29</a>
Preventative Maintenance . . . . .	<a href="#">31</a>
Checklist . . . . .	<a href="#">32</a>
Maintenance Record. . . . .	<a href="#">33</a>
Training Record . . . . .	<a href="#">34</a>
Quick Reference Replacement Part List . . . . .	<a href="#">35</a>
Service Information. . . . .	<a href="#">36</a>
Adjusting the Wheel Locking Force. . . . .	<a href="#">36</a>
Track Belt Reconditioning . . . . .	<a href="#">37</a>
Upper Control Handle Cable Replacement . . . . .	<a href="#">39</a>

# Table of Contents

---

Chair Assembly . . . . .	<a href="#">40</a>
Main Frame Assembly . . . . .	<a href="#">44</a>
Upper Extension Handle Assembly - 6253-001-012 . . . . .	<a href="#">47</a>
Track Frame Assembly, Standard Belt . . . . .	<a href="#">48</a>
Track Frame Assembly, Aggressive Belt . . . . .	<a href="#">50</a>
Internal Latch Assembly . . . . .	<a href="#">52</a>
Internal Latch Assembly . . . . .	<a href="#">53</a>
Cable and Pin Assembly - 6252-001-016 . . . . .	<a href="#">54</a>
Optional Locking Flip-Up Handle . . . . .	<a href="#">55</a>
Caster Foot Support Assembly . . . . .	<a href="#">56</a>
Extension Handle Assembly, Right - 6254-001-014. . . . .	<a href="#">57</a>
Extension Handle Assembly, Left - 6254-001-015 . . . . .	<a href="#">58</a>
Foot Rest Option . . . . .	<a href="#">59</a>
No Foot Rest Option . . . . .	<a href="#">60</a>
Foot Support Assembly - 6254-001-017. . . . .	<a href="#">61</a>
Seat Section Assembly . . . . .	<a href="#">62</a>
Flip-Up Handle Assembly - 6250-001-016 . . . . .	<a href="#">63</a>
Lock Mechanism Assembly. . . . .	<a href="#">64</a>
Optional Elastic Oxygen Bottle Holder - 6250-140-000. . . . .	<a href="#">65</a>
Warranty . . . . .	<a href="#">66</a>
Stryker EMS Return Policy . . . . .	<a href="#">67</a>
Return Authorization. . . . .	<a href="#">67</a>
Damaged Merchandise . . . . .	<a href="#">67</a>
International Warranty Clause. . . . .	<a href="#">67</a>
Patent Information . . . . .	<a href="#">67</a>

# Symbols and Definitions

---

## SYMBOLS



Warning/Caution: consult accompanying documentation



Maximum Weight



Do Not Lubricate



Manufacturer

## WARNING / CAUTION / NOTE DEFINITION

The words WARNING, CAUTION and NOTE carry special meanings and should be carefully reviewed.

---

### **WARNING**

Alerts the reader about a situation which, if not avoided, could result in death or serious injury. It may also describe potential serious adverse reactions and safety hazards.

---

### **CAUTION**

Alerts the reader of a potentially hazardous situation which, if not avoided, may result in minor or moderate injury to the user or passenger or damage to the equipment or other property. This includes special care necessary for the safe and effective use of the device and the care necessary to avoid damage to a device that may occur as a result of use or misuse.

---

### **NOTE**

Provides special information to make maintenance easier or important instructions clearer.

# Introduction

---

This manual is designed to assist you with the operation and maintenance of Stryker Model 6254 Evacuation Chair. Read this manual thoroughly before using the equipment or beginning maintenance on it. To ensure safe operation of this equipment, it is recommended that methods and procedures be established for educating and training staff on the safe operation of this chair.


## PRODUCT DESCRIPTION

The Stryker Model 6254 Evacuation Chair is used for the evacuation of disabled persons from multilevel facilities.

## INTENDED USE OF PRODUCT

The Stryker Model 6254 Evacuation Chair is a hand carried device, consisting of a light weight frame, on which a person can be carried. It is intended to aid in the transportation of passengers up and/or down a flight of stairs in an evacuation situation. The tracks allow a single operator to evacuate passengers weighing up to 200 pounds. Two operators can manage passengers up to 500 pounds.

## SPECIFICATIONS

Maximum Weight <sup>1</sup>		500 lb	228 kg
Height		45"	114 cm
Width		20.5"	52 cm
Depth <sup>2</sup>		28"	71 cm
Folded Depth		11"	28 cm
Weight		34 lb	15.5 kg

Dimensions are measured from the outermost edges of the main frame. Specifications are rounded. Conversions are calculated before rounding.

<sup>1</sup> Maximum load capacity is total weight distributed in accordance to basic human anatomy. Operators must consider the weight of the passenger, equipment, and accessories when determining the total load on the product.

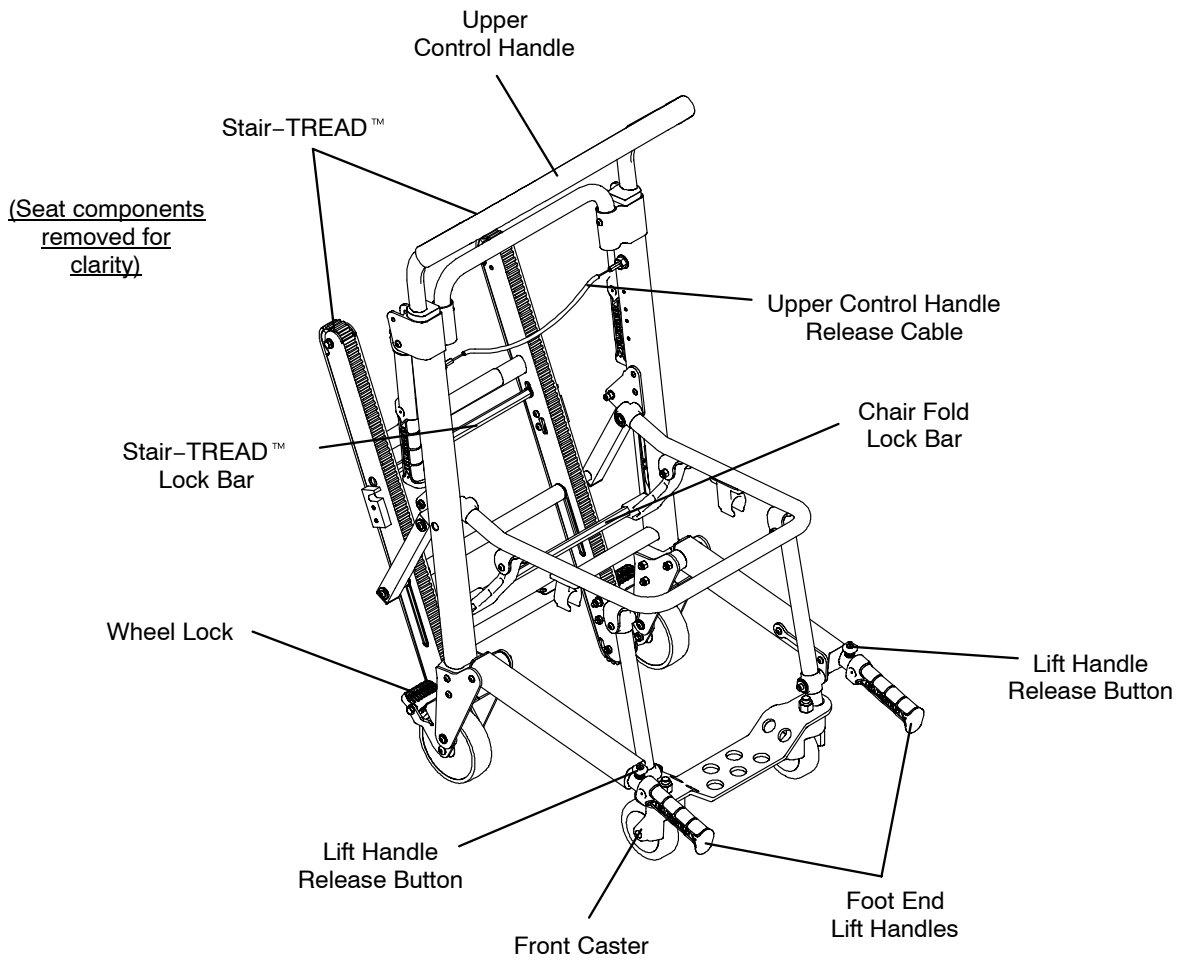
<sup>2</sup> Depth dimensions are measured with extendable handles retracted.

Stryker reserves the right to change specifications without notice.

# Introduction

---

## COMPONENT IDENTIFICATION



# Summary of Safety Precautions

---

The following is a list of safety precautions that must be observed when operating or servicing this unit. The precautions are repeated throughout the manual, where applicable. Carefully read this list before using or servicing the unit.

---

## WARNING

- Improper usage of the Stryker Evacuation Chair can cause injury to the passenger or operator. Operate the Stryker Evacuation Chair only as described in this manual.
- Do not modify the Stryker Evacuation Chair. Modifying the chair can cause unpredictable operation resulting in injury to the passenger or operator. Modifying the chair will also void its warranty.
- An unlocked chair can fold during use, causing injury to the passenger or operator. Always make sure the chair is locked in the unfolded position before use.
- Always use all restraint straps to secure the passenger on the chair. An unrestrained passenger may fall from the chair and be injured.
- To avoid the risk of patient injury or equipment damage, do not allow the patient to stand on the footrest.
- Only use the wheel locks during passenger transfer or without a passenger on the chair. Tipping could occur if the chair is moved while wheel locks are applied, resulting in injury to the passenger or operator and/or damage to the chair.
- Condensation, water, ice and/or debris on the Stair-TREAD system can cause unpredictable performance, resulting in a sudden change in the weight the operators must support. To avoid injury, and to aid proper operation of the Stair-TREAD system, ensure the belts are clean and dry before transporting the passenger.
- Water, ice and debris on the stairs can affect operator footing and proper operation of the Stair-TREAD system. To avoid injury, clear the path or consider an alternate route.
- Do not allow untrained helpers to assist in the operation of the Stryker Evacuation Chair. Untrained technicians/helpers can cause injury to the passenger or themselves.
- To avoid injury when a passenger weighing more than 200 pounds is on the chair, use a minimum of two operators to transport on stairs. If more people are required to safely control the chair, see [page 25](#) for the proper positioning of each helper.
- To avoid injury to the operators and/or the passenger, operators should never attempt to transport passenger loads greater than what they can safely lift.
- The Stryker Evacuation Chair is not recommended for use with suspected cervical, spinal, or fracture injuries.
- To avoid injury, always verify the Stair-TREAD system is securely locked in place before transporting the passenger.
- To avoid injury, always verify the lift handles are locked in place before using them to lift the chair.
- The Stair-TREAD system may not work the same on all stair surfaces and in all environmental conditions. Based on conditions, varying amounts of resistance may be encountered. Avoid getting dirt or other obstructions inside the tracks. Water, ice and/or debris on the stairs can affect operator footing and proper operation of the Stair-TREAD system. To avoid injury, clear the path or consider an alternate route. Condensation, water, ice and/or debris on the Stair-TREAD system can cause unpredictable performance, resulting in a sudden change in the weight the operators must support.
- To avoid injury, and to aid proper operation of the Stair-TREAD system, ensure the belts are clean and dry before transporting the passenger.
- To avoid injury when transporting a passenger up stairs, use a minimum of two trained operators. If more people are required to safely control the chair, see [page 25](#) for the proper positioning of each helper.
- Wheel locks are only intended to help prevent the empty chair from rolling while unattended, and to aid in passenger transfer. A wheel lock may not provide sufficient resistance on all surfaces or under loads.
- Never leave a passenger unattended on the chair or injury could result. Hold the chair securely while a passenger is on the chair.
- Never use a wheel lock on a chair with excessively worn wheels. Using a wheel lock on a wheel with less than a 5" diameter could compromise the holding ability of the wheel lock, possibly resulting in injury to the passenger or operator and/or damage to the chair or other equipment.
- Use any appropriate personal safety equipment (goggles, respirator, etc.) to avoid the risk of inhaling contagion. Use of power washing equipment can aerate contamination collected during the use of the chair.
- **SOME CLEANING PRODUCTS ARE CORROSIVE IN NATURE AND MAY CAUSE DAMAGE TO THE PRODUCT IF USED IMPROPERLY.** If the products described above are used to clean Stryker equipment, measures must be taken to insure the chairs are wiped with a cloth soaked in clean water and thoroughly dried following cleaning.



# Summary of Safety Precautions

---

## WARNING (CONTINUED)

- Failure to properly rinse and air dry the chairs will leave a corrosive residue on the surface of the chairs, possibly causing premature corrosion of critical components.
  - Improper maintenance can cause injury or damage to the unit. Maintain the Stryker Evacuation Chair as described in this manual. Use only Stryker approved parts and maintenance procedures. Using unapproved parts and procedures could cause unpredictable operation and/or injury and will void the product warranty.
  - Never lubricate the Stair-TREAD system. Lubrication on the system can cause inconsistent operation possibly resulting in injury to the passenger or operator.
  - Do not sand the track teeth. Deformation of the teeth can cause unpredictable chair performance resulting in injury to the operators and/or passenger.
- 

## CAUTION

- Release the red track release bar before clicking the Stair-TREAD system into the locked position. Failure to follow this procedure could result in the track failing to lock. Always verify the Stair-TREAD system is locked by trying to fold it before descending stairs.
  - Casters are not suitable for all surfaces. Caution should be used at all times.
  - DO NOT STEAM CLEAN OR ULTRASONICALLY CLEAN THE UNIT.
  - Maximum water temperature should not exceed 180°F/82°C. Allow to air dry.
  - Maximum water pressure should not exceed 1500 psi/130.5 bar. If a hand held wand is being used to wash the unit, the pressure nozzle must be kept a minimum of 24 inches/61 centimeters from the unit.
  - Failure to comply with these instructions may invalidate any and or all warranties.
-

# Setup Procedures

---

Unpack the cartons and check all items for proper operation. It is important that the Stryker Evacuation Chair is working properly before it is put into service. Have a qualified service person use the following list and the operation instructions to check the chair before it is put into service.

- All fasteners secure (reference all assembly drawings).
- All welds intact, not cracked or broken.
- No bent or broken tubing or sheet metal.
- No debris in wheels.
- All wheels secure and rolling properly.
- Chair unfolds and locks properly.
- No cracks in seat or backrest.
- Passenger restraints intact and working properly.
- Wheel locks operating properly.
- Foot end lift handles extend and lock properly.
- Head end lift handles fold and unfold.
- Casters secure, rolling and swiveling properly
- Upper control handle extends and locks in both positions
- Stair-TREAD system unfolds and locks
- Track belts roll properly
- Optional accessories intact and operating properly

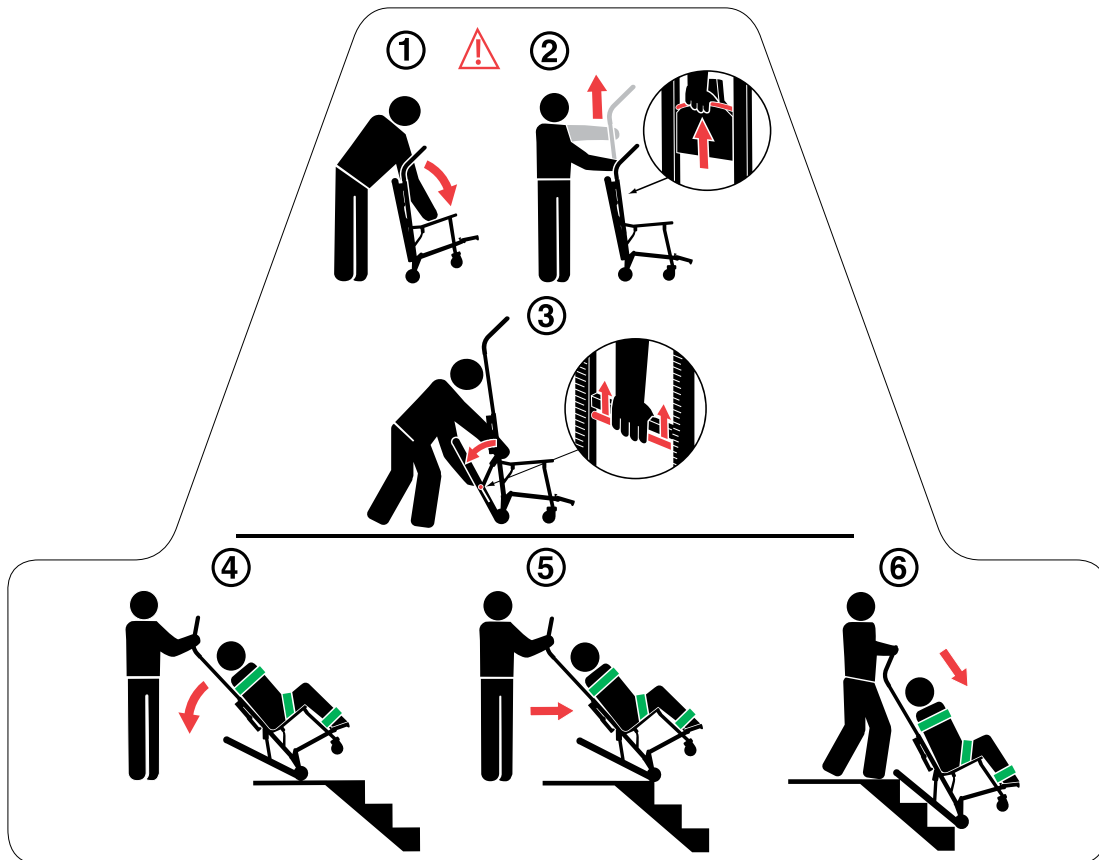
---

 **WARNING**

- Improper usage of the Stryker Evacuation Chair can cause injury to the passenger or operator. Operate the Stryker Evacuation Chair only as described in this manual.
  - Do not modify the Stryker Evacuation Chair. Modifying the chair can cause unpredictable operation resulting in injury to the passenger or operator. Modifying the chair will also void its warranty.
-

# Instructions

These instructions are printed on the backrest of the Evacuation Chair.



## To use the evacuation chair:

1. Stand behind the chair and pull the backrest and extension handle apart to unfold the chair.

### WARNING

An unlocked chair can fold during use, causing injury to the passenger or operator. Always make sure the chair is locked in the unfolded position before use.

2. Pull the red release cable with one hand and pull up on the control handle with the other hand to extend the upper control handle.
3. Squeeze the red track release bar against the black cross tube. Relax your grip on the release bar and forcefully pull the Stair-TREAD™ system to the fully extended position until both sides lock securely. Always verify both sides of the Stair-TREAD system are locked by trying to fold it back up.

### CAUTION

Release the red track release bar before clicking the Stair-TREAD system into the locked position. Failure to follow this procedure could result in the track failing to lock. Always verify the Stair-TREAD system is locked by trying to fold it before descending stairs.

4. Tilt the chair back just far enough to allow the Stair-TREAD system to contact the floor.
5. Maintaining the angle, guide the Evacuation Chair over the edge of the stairs, allowing the Stair-TREAD system to engage the first step.
6. Glide down the stairs until the treads are level across the edges of two or three steps.

[Return To Table of Contents](#)

# Operation Guide

---

## OPERATING GUIDELINES

- Use the Stryker Evacuation Chair only as described in this manual.
- Read all labels and instructions on the chair before using the chair.
- Do not roll the chair, ascend, or descend stairs without advising the passenger. Stay with the passenger and control the chair at all times.
- Only use the wheel locks during passenger transfer or without a passenger on the chair.
- Always use the restraint straps when a passenger is on the chair.
- Use properly trained helpers when necessary to control the chair and passenger.
- Store the Evacuation Chair in a cool, dry environment that is above freezing temperature and out of direct sunlight.

---

### **WARNING**

- Always use all restraint straps to secure the passenger on the chair. An unrestrained passenger may fall from the chair and be injured.
  - Only use the wheel locks during passenger transfer or without a passenger on the chair. Tipping could occur if the chair is moved while the wheel locks are applied, resulting in injury to the passenger or operator and/or damage to the chair.
  - Condensation, water, ice and/or debris on the Stair-TREAD system can cause unpredictable performance, resulting in a sudden change in the weight the operators must support. To avoid injury, and to aid proper operation of the Stair-TREAD system, ensure the belts are clean and dry before transporting the passenger.
  - Water, ice and debris on the stairs can affect operator footing and proper operation of the Stair-TREAD system. To avoid injury, clear the path or consider an alternate route.
  - Do not allow untrained helpers to assist in the operation of the Stryker Evacuation Chair. Untrained technicians/helpers can cause injury to the passenger or themselves.
  - To avoid injury when a passenger weighing more than 200 pounds is on the chair, use a minimum of two operators to transport on stairs. If more people are required to safely control the chair, see [page 25](#) for the proper positioning of each helper.
  - To avoid injury to the operators and/or the passenger, operators should never attempt to transport passenger loads greater than what they can safely lift.
-

# Operation Guide

---

## UNFOLDING THE CHAIR

### To unfold the chair:

1. Stand behind the chair.
2. Apply the wheel locks (if desired).
3. Pull the backrest and the extension handle apart. The lock mechanism will automatically engage when the chair is completely unfolded.
4. Verify the lock is engaged by pulling up on the seat. If the lock is properly engaged, the chair will not fold.

---

### WARNING

An unlocked chair can fold during use, causing injury to the passenger or operator. Always make sure the chair is locked in the unfolded position before use.

---

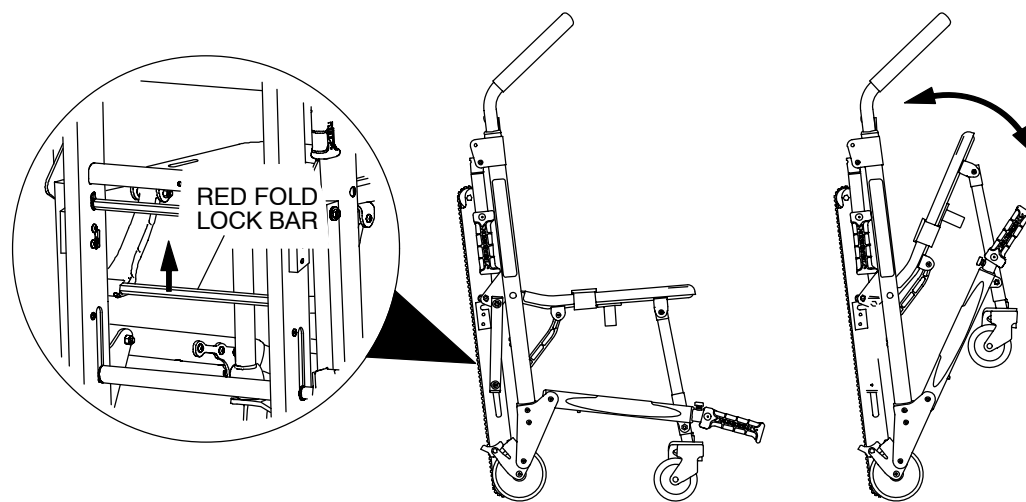


Figure 1: Unfolding/Folding the Chair

## FOLDING THE CHAIR

### To fold the chair:

1. Apply the wheel locks (if desired). Buckle the restraint straps and fold them neatly to prevent them from interfering with proper folding of the chair. Secure the head support strap behind the chair frame.
2. Stand at the side of the chair.
3. Pull up on the red lock bar at the rear of the chair.
4. Tip the chair forward.
5. Fold the seat up to the backrest until the front legs lock in the clips on the bottom of the seat tube.

**Note:** Rotate the front casters so they do not interfere with folding the chair.

Store the Evacuation Chair in a cool, dry environment that is above freezing temperature and out of direct sunlight.

# Operation Guide

---

## TRANSFERRING THE PASSENGER TO THE STRYKER EVACUATION CHAIR

To transfer the passenger to the chair:

1. Place the chair beside the passenger.
2. Apply the wheel locks to prevent the chair from moving.
3. Open the restraint straps.
4. Extend the upper control handle.
5. Transfer the passenger to the chair.
6. Use all the restraints to secure the passenger on the chair ([page 15](#)).
7. Disengage the wheel locks before transporting.



### **WARNING**

The Stryker Evacuation Chair is not recommended for use with suspected cervical, spinal, or fracture injuries.

---

# Operation Guide

---

## USING RESTRAINT STRAPS

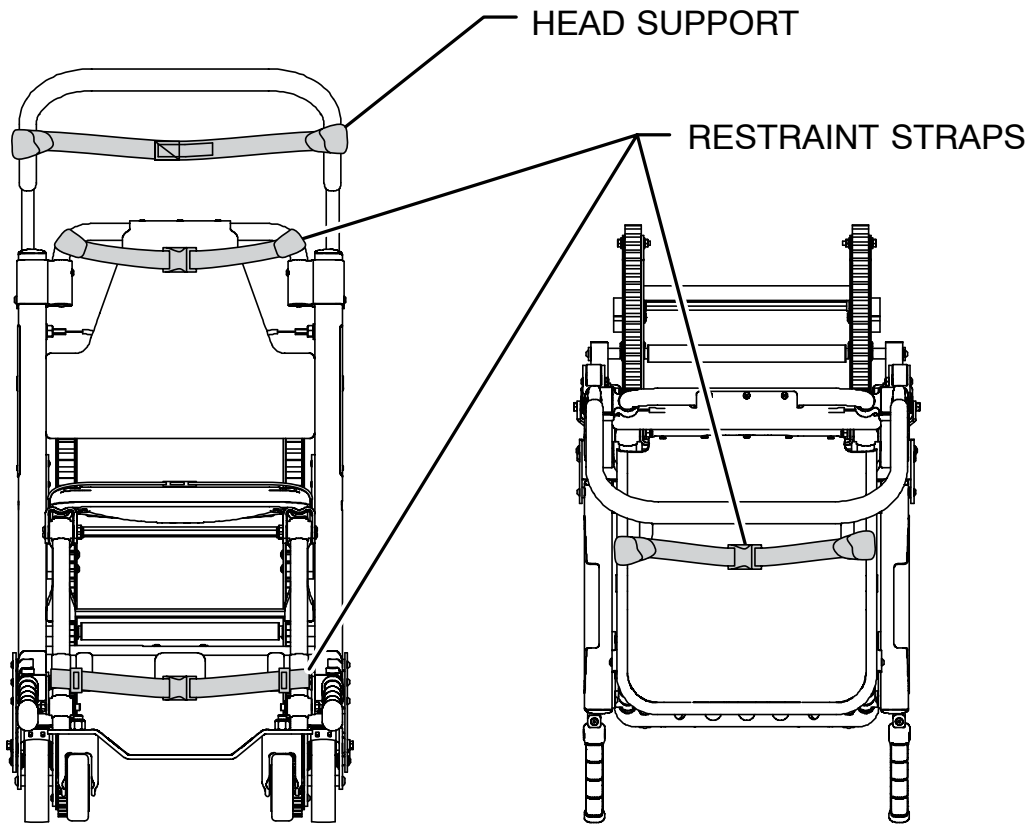


Figure 2: Strap Attachment Points  
Front View

Figure 3: Lap Strap Attachment Points  
Top View

---

### WARNING

Always use all restraint straps to secure the passenger on the chair. An unrestrained passenger may fall from the chair and be injured.

Always secure the passenger on the chair with all restraint straps. Buckle one restraint across the passenger's chest and the other across the passenger's lap. Buckle the ankle restraint across the passenger's legs.

To avoid damage to the buckles and straps, keep the restraint straps buckled when the chair is not being used with a passenger.

When attaching the restraint straps to the chair, remember the attachment points must provide strong anchorage and proper restraint position while not interfering with equipment and accessories.

# Operation Guide

## USING RESTRAINT STRAPS - CONTINUED

### To attach the chest straps:

1. Wrap each strap around the chair frame, insert the end through the loop on the end of the strap and pull it tight.
2. Pull the strap across the passenger's chest, lengthening the strap as necessary.
3. Buckle the strap.
4. Pull the loose end of the strap to tighten it securely around the passenger.
5. Repeat for the second strap and the lap belt.



**Figure 4: Insert the end through the loop**



**Figure 5: Pull the strap tight**



**Figure 6: Lengthen strap as necessary**



**Figure 7: Buckle strap**



**Figure 8: Tighten strap securely**

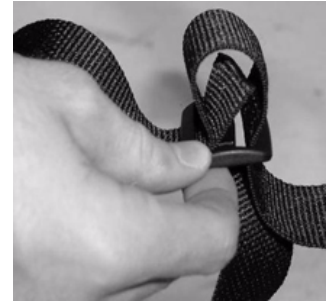


# Operation Guide

## USING RESTRAINT STRAPS - CONTINUED

### To attach the ankle strap:

1. Remove the three plastic pieces from the strap.
2. Thread the strap through one of the plastic "D" rings and slide the ring down to the end of the strap up to the white label.



3. Loop the strap around the front leg of the chair and pull the loose end of the strap through the ring. Pull until the ring rests against the foot rest tube.



4. Thread the strap through the other "D" ring.
5. Loop the strap around the other front leg of the chair and pull the loose end of the strap through the loop. Pull until the "D" ring rests against the foot rest tube.



6. Attach the final "male" end clip on the strap.

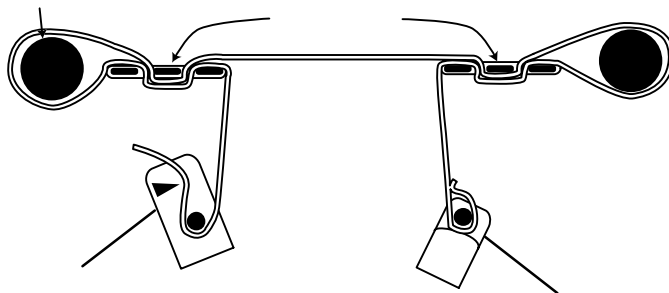


Figure 9-17: Attaching the leg strap

# Operation Guide

---

## USING RESTRAINT STRAPS - CONTINUED

- **To lengthen the restraint**, grasp the buckle, turn it at an angle to the webbing and pull it out. A hemmed tab at the end of the webbing prevents the buckle from coming off the strap.
- **To shorten the restraint**, grasp the hemmed tab and pull the webbing back through the buckle until the required tightness is achieved.
- When the chair is put into service, open the restraints and place them at either side of the chair until the passenger is positioned on the seat. Lengthen the restraint, buckle it around the passenger and shorten it until the required tightness to properly secure the passenger is achieved.
- **To open the restraint**, press the tabs on the side of the buckle to release the buckle and pull the buckle out of the receiver.
- **To close the restraint**, push the buckle into the receiver until a "click" is heard.
- Whenever a restraint is buckled on a passenger, the attendant should verify the buckle is locked and the extra webbing is not buckled in the chair or hanging loose.
- Inspection of the restraints should be done at least once a month (more frequently if used heavily). Inspection should include checking for a bent or broken receiver or buckle, torn or frayed webbing, etc. Any restraint showing wear or not operating properly must be replaced immediately.

## PROPER LIFTING TECHNIQUES

When lifting the Stryker Evacuation Chair and passenger, remember these five basic guidelines:

- Keep your hands close to your body.
- Keep your back straight.
- Coordinate your movements with your partner and lift with your legs.
- Avoid twisting.
- Always operate the Stryker Evacuation Chair as described in this manual.

# Operation Guide

---

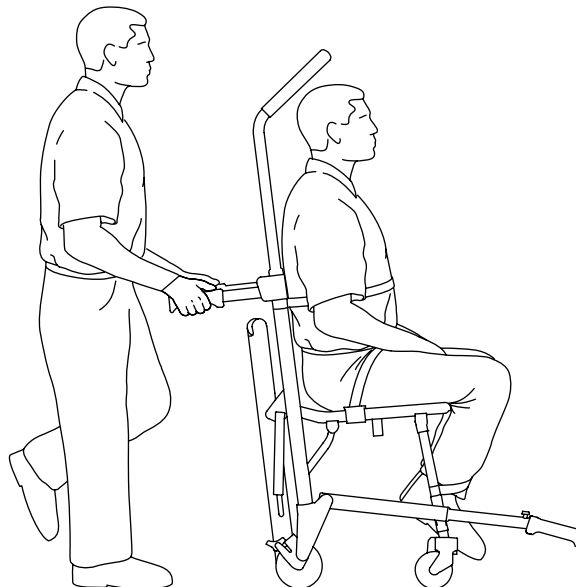
## TRANSPORTING THE PASSENGER ON FLAT SURFACES

---

### WARNING

To avoid the risk of patient injury or equipment damage, do not allow the patient to stand on the footrest.

---



**Figure 18: Transporting the Passenger**

**To roll the Stryker Evacuation Chair over flat surfaces**, push and guide the chair from the rear of the passenger, using either the head end handles or the backrest tube. Lift the chair over and around obstructions with the head end and foot end lift handles.

In addition to the head end lift handles, the extendable upper control handle can be used in any position to roll and guide the chair. Extend the upper control handle by pulling the red release cable with one hand, and pulling up on the control handle with the other. Release the cable to lock the handle in either the intermediate or fully extended position. Lift the chair over and around obstructions with the head end and foot end lift handles.

### CAUTION

Casters are not suitable for all surfaces. Caution should be used at all times.

---

# Operation Guide

## TRANSPORTING THE PASSENGER DOWN STAIRS

### WARNING

- To avoid injury, always verify the Stair-TREAD system is locked in place before transporting the passenger.
- To avoid injury when a passenger weighing more than 200 pounds is on the chair, use a minimum of two operators to transport on stairs. If more people are required to safely control the chair, see [page 25](#) for the proper positioning of each helper.
- To avoid injury, always verify the lift handles are locked in place before using them to lift the chair.

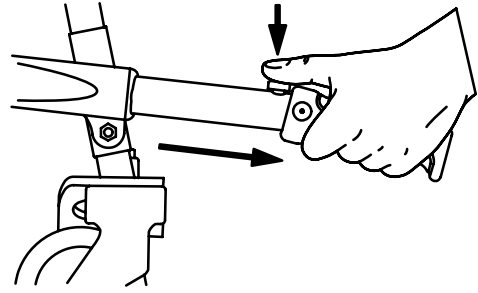


Figure 19: Foot end lift handles

1. Roll the chair to the stairs and align it squarely with the edge of the first step.
2. Foot end operator (if necessary) - Extend the foot end lift handles by pushing the red release buttons and pulling the handles out until they stop. Release the buttons and verify the handles are locked.
3. Head end operator - Use one hand to pull the red upper control handle release cable while using the other hand to pull up and fully extend the handle. Release the cable and verify the handle is locked on both sides in the fully extended position.
4. Head end operator - Squeeze the red track release bar against the black cross tube. Relax your grip on the release bar and forcefully pull the Stair-TREAD system to the fully extended position until both sides lock securely. Always verify both sides of the Stair-TREAD system are locked by trying to fold it back up.

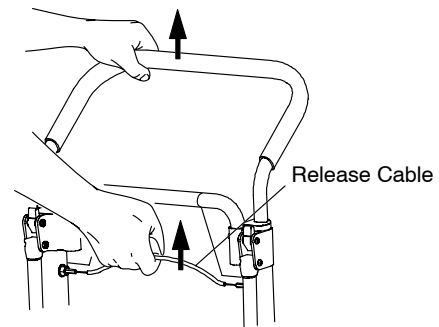


Figure 20: Upper control handle release cable

### CAUTION

Release the red track release bar before clicking the Stair-TREAD system into the locked position. Failure to follow this procedure could result in the track failing to lock. Always verify the Stair-TREAD system is locked by trying to fold it before descending stairs.

5. Operators face each other while descending the stairs.
6. Head end operator - Tilt the chair back just far enough to allow the Stair-TREAD system to contact the floor.

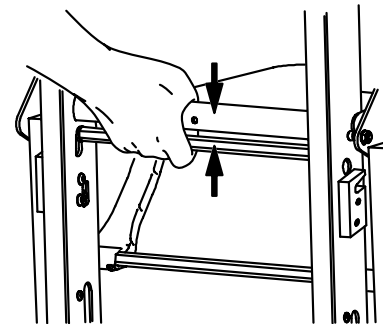


Figure 21: Red track release bar

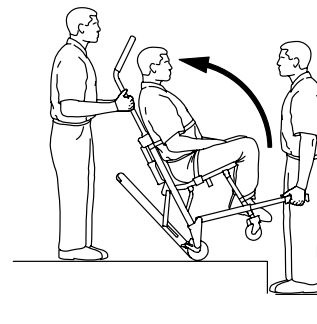


Figure 22: Tilt the chair

# Operation Guide

## TRANSPORTING THE PASSENGER DOWN STAIRS - CONTINUED

- Both operators - Maintaining the angle, guide the Stryker Evacuation Chair over the edge of the stairs, allowing the Stair-TREAD system to engage the first step.
- Both operators - Glide down the stairs until the treads are level across the edges of two or three steps.
- Head end operator - Apply slight downward pressure on the extendable upper control handle while the foot end operator applies slight upward pressure on the foot end lift handles to keep the chair from rocking forward as it glides down the stairs.

### WARNING

- The Stair-TREAD system may not work the same on all stair surfaces and in all environmental conditions. Based on conditions, varying amounts of resistance may be encountered. Avoid getting dirt or other obstructions inside the tracks. Water, ice and/or debris on the stairs can affect operator footing and proper operation of the Stair-TREAD system. To avoid injury, clear the path or consider an alternate route. Condensation, water, ice and/or debris on the Stair-TREAD system can cause unpredictable performance, resulting in a sudden change in the weight the operators must support.
- To avoid injury, and to aid proper operation of the Stair-TREAD system, ensure the belts are clean and dry before transporting the passenger.
- To avoid injury to the operators and/or the passenger, operators should never attempt to transport passenger loads greater than what they can safely lift.

- Foot end operator (if necessary) - when the track reaches the last step, release the front handles. Head end operator - allow the chair to tip forward until all four wheels are on the ground. Roll the chair as described on [page 19](#).
- To fold the Stair-TREAD system, pull the red track release bar toward the black cross bar and fold the track up toward the chair. Verify the Stair-TREAD system is locked in place.

### CAUTION

Release the red track release bar before clicking the Stair-TREAD system into the locked position. Failure to follow this procedure could result in the track failing to lock. Always verify the Stair-TREAD system is locked by trying to fold it before descending stairs.

If, while descending the stairs, either operator needs to pause or rest, tilt the chair forward just enough to allow the rear wheels to rest in the crook of the stair. To continue down the stairs from the resting position, the head end operator exerts slight downward pressure on the upper control handle while the foot end operator provides slight upward pressure to tilt the chair back and engage the Stair-TREAD system.

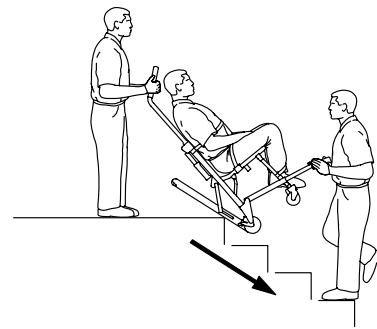


Figure 23: Track engaging first step

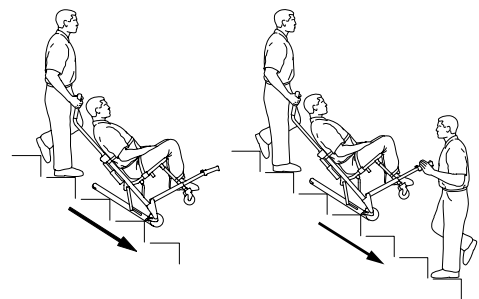


Figure 24: Transporting down the stairs

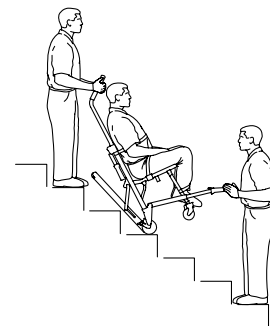


Figure 25: "Resting position"

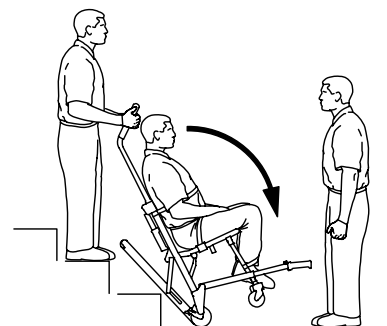


Figure 26: Bottom of stairs

# Operation Guide

## TRANSPORTING THE PASSENGER UP STAIRS

### WARNING

- To avoid injury when transporting a passenger up stairs, use a minimum of two trained operators. If more people are required to safely control the chair, see [page 25](#) for the proper positioning of each helper.
- To avoid injury, always verify the lift handles are locked in place before using them to lift the chair.

1. Roll the chair to the bottom of the stairs with the passenger's back to the stairs.
2. Foot end operator - extend the foot end lift handles by pushing the red buttons and pulling the handles until they stop. Release the button and verify the handle is locked.
3. Head end operator - unfold the head end lift handles.
4. The foot end operator faces up the stairs. The head end operator may either face backward for improved passenger monitoring or forward for an improved view of the stairs and easier maneuvering around obstacles.

**Note:** Although the head end operator can face either direction while carrying, any applicable protocols for carrying chairs should be followed.

5. Both operators - simultaneously lift the chair, using the head and foot end lift handles and following proper lifting techniques (see [page 18](#)). Carry the chair slowly up the stairs, avoiding any obstructions.

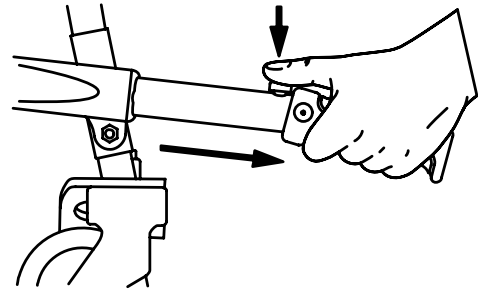


Figure 27: Foot end lift handles

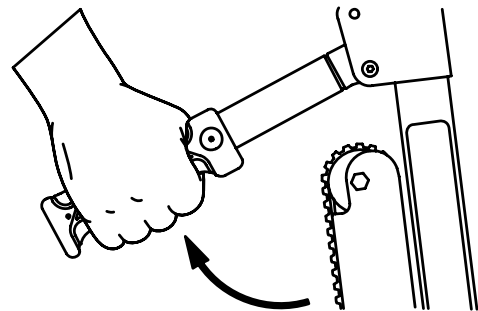


Figure 28: Head end lift handles

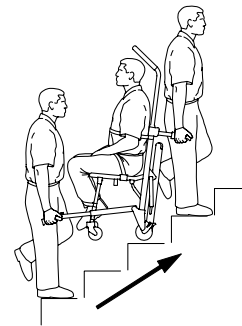


Figure 29: Transporting up the stairs

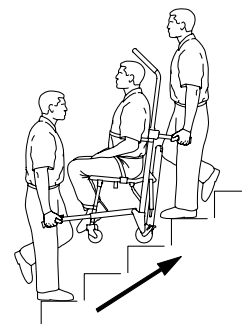
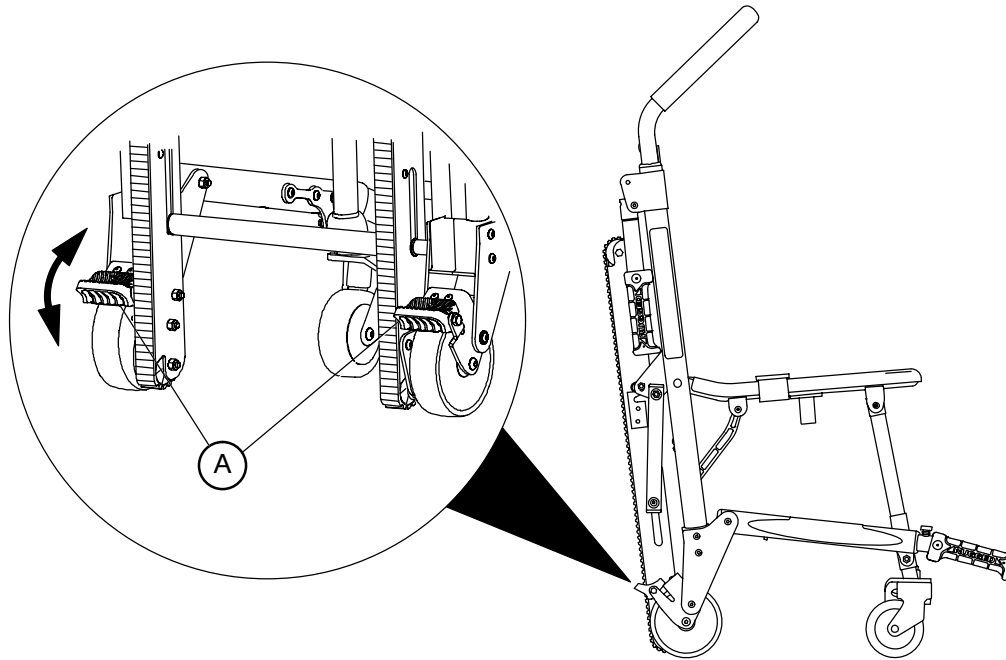


Figure 30: Transporting up the stairs

# Operation Guide

---

## OPERATING THE WHEEL LOCKS



**Figure 31: Wheel Locks**

### To activate the wheel locks:

1. Press down on the pedals (A) until they stop.
2. To release the wheel locks, depress the upper face of the pedal with your foot or lift up with your toe under the pedal. The upper portion of the pedal will rest against the chair frame when the wheel lock is released.

---

### **WARNING**

- Only use wheel locks during passenger transfer or without a passenger on the chair. Tipping could occur if the chair is moved while the wheel locks are applied, resulting in injury to the passenger or operator and/or damage to the chair.
  - Wheel locks are only intended to help prevent the empty chair from rolling while unattended, and to aid in passenger transfer. A wheel lock may not provide sufficient resistance on all surfaces or under loads.
  - Never leave a passenger unattended on the chair or injury could result. Hold the chair securely while a passenger is on the chair.
  - Never use a wheel lock on a chair with excessively worn wheels. Using a wheel lock on a wheel with less than a 5" diameter could compromise the holding ability of the wheel lock, possibly resulting in injury to the passenger or operator and/or damage to the chair or other equipment.
-

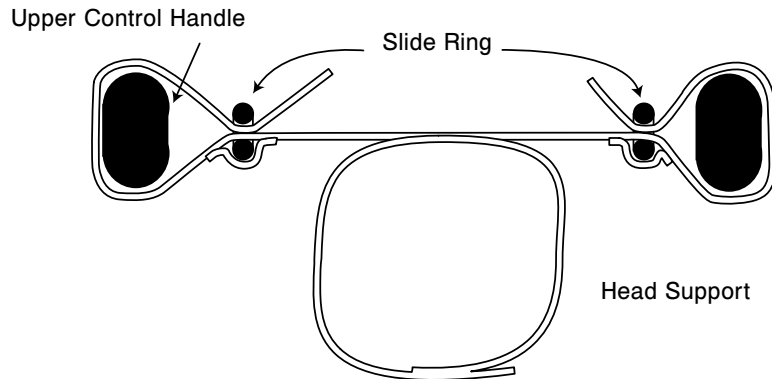
# Operation Guide

---

## USING THE HEAD SUPPORT



TOP VIEW



Figures 33-35: Attaching and using the head support

---

### WARNING

The Stryker Evacuation Chair is not recommended for use with suspected cervical, spinal, or fracture injuries.

---

**Before using the head support**, the upper control handle must be extended. First, pull the red upper control handle release cable with one hand. Then, pull up on the handle with the other hand. Release the cable and verify the handle is securely locked into one of the two available positions.

#### **To attach the head support to the extendable upper control handle:**

1. Wrap the loose ends of the strap around the vertical portions of the handle, then feed them through the plastic loops.
2. Pull tight, and secure the strap to itself.
3. Adjust the height by loosening the strap, moving it to the desired location, and tightening it again.

**To support the passenger's head**, position at the base of the head. For unconscious, or semiconscious passengers, secure the head using the other two parts of the strap. Wrap around the passenger's head, and overlap the straps to the desired tightness to secure. When not in use, these straps can be wrapped back around the handle and attached to the back of the support.

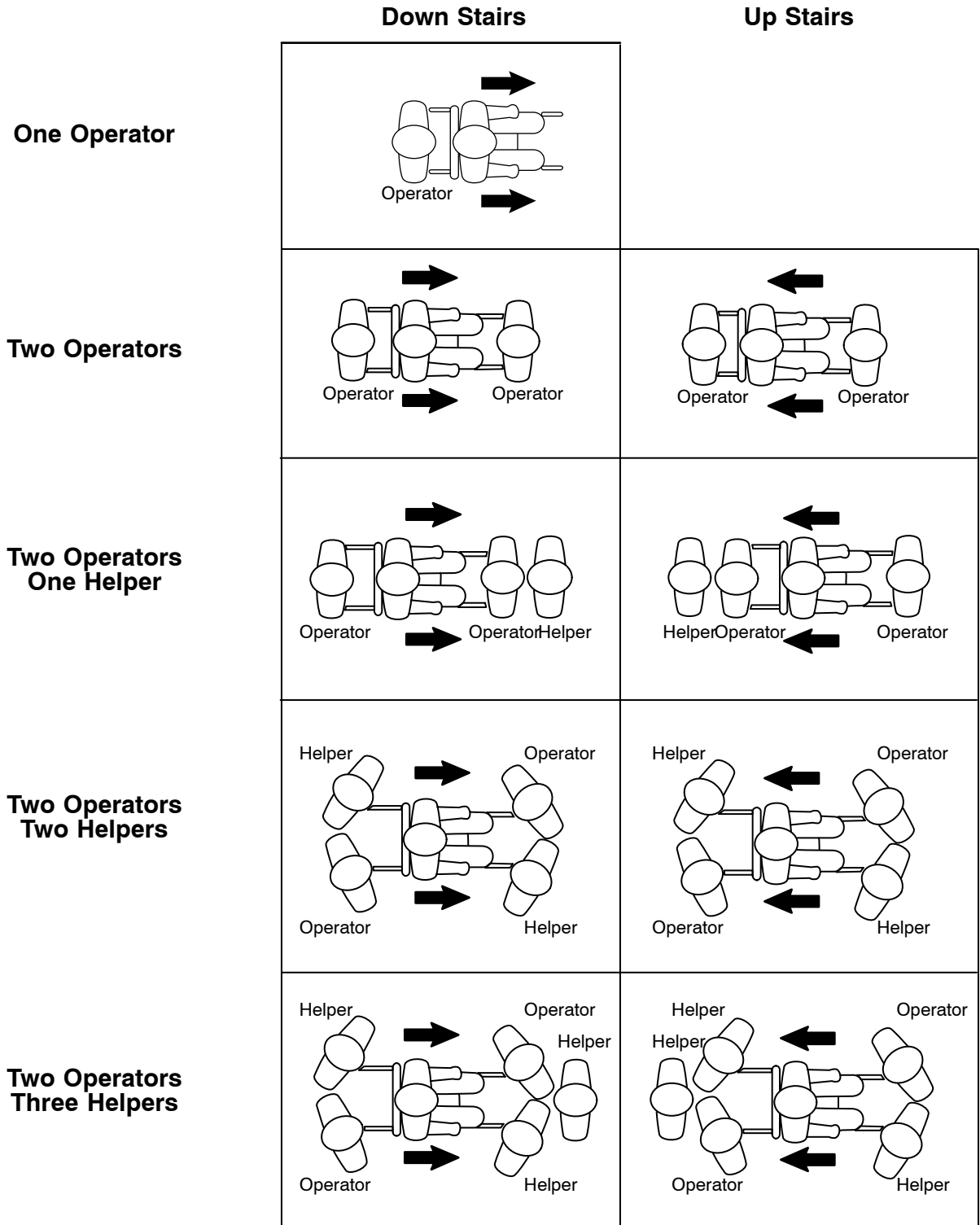


# Operation Guide

## USING ADDITIONAL ASSISTANCE

**⚠ WARNING**

To avoid injury when a passenger weighing more than 200 pounds is on the chair, use a minimum of two operators to transport on stairs.



# Operation Guide

## INSTALLING THE OPTIONAL WALL STORAGE BRACKET

### To install the optional wall storage bracket:

1. Use the bracket as a template to mark the location of the mounting holes at the area where the wall brackets will be installed. Consider the dimensions of the chair when selecting and marking the location. The approximate height of the bracket from the floor should be 60 inches.
2. Using fasteners (not supplied) appropriate for the wall type, install the bracket by using at least four of the mounting holes.
3. Hang the chair from the bracket using the upper control handle.

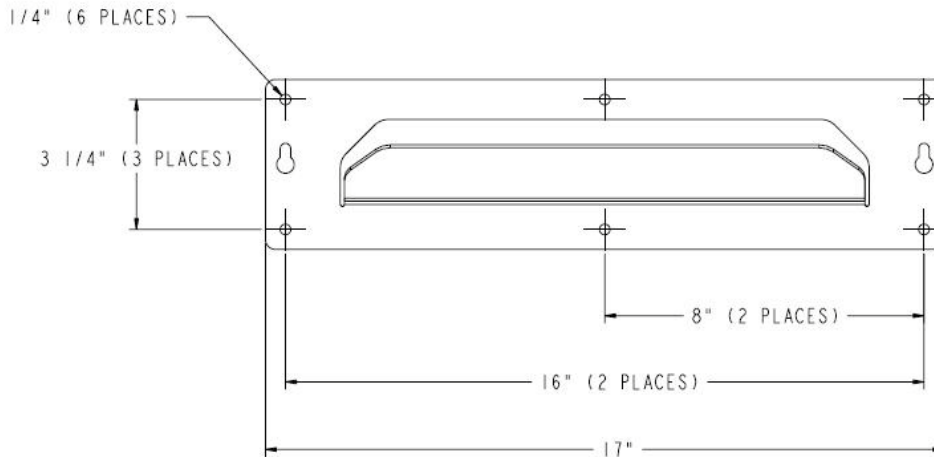


Figure 36: Storage Bracket Dimensions

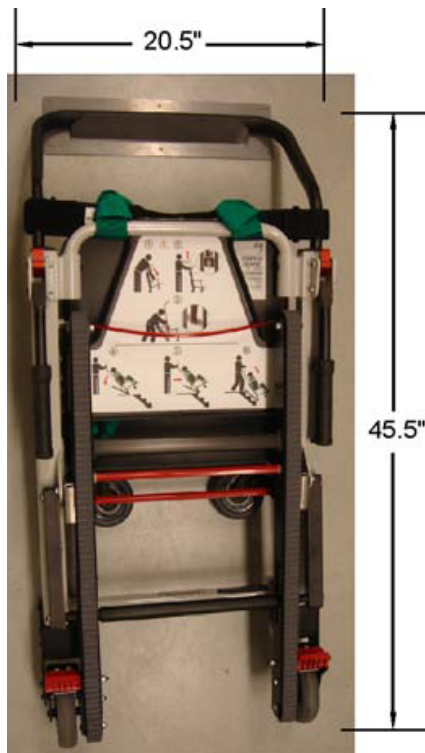


Figure 37: Chair stored on the bracket

# Operation Guide

## INSTALLING THE OPTIONAL CABINET

### To install the optional cabinet:

1. Use the cabinet as a template to mark the location of the mounting holes at the area where the cabinet will be installed. Consider the dimensions of the cabinet when selecting and marking the location. The approximate height of the bottom of the cabinet to the floor should be at least 12 inches.
2. Using fasteners (not supplied) appropriate for the wall type, install the cabinet by using at least four of the mounting holes.
3. Hang the chair from the bracket using the upper control handle.

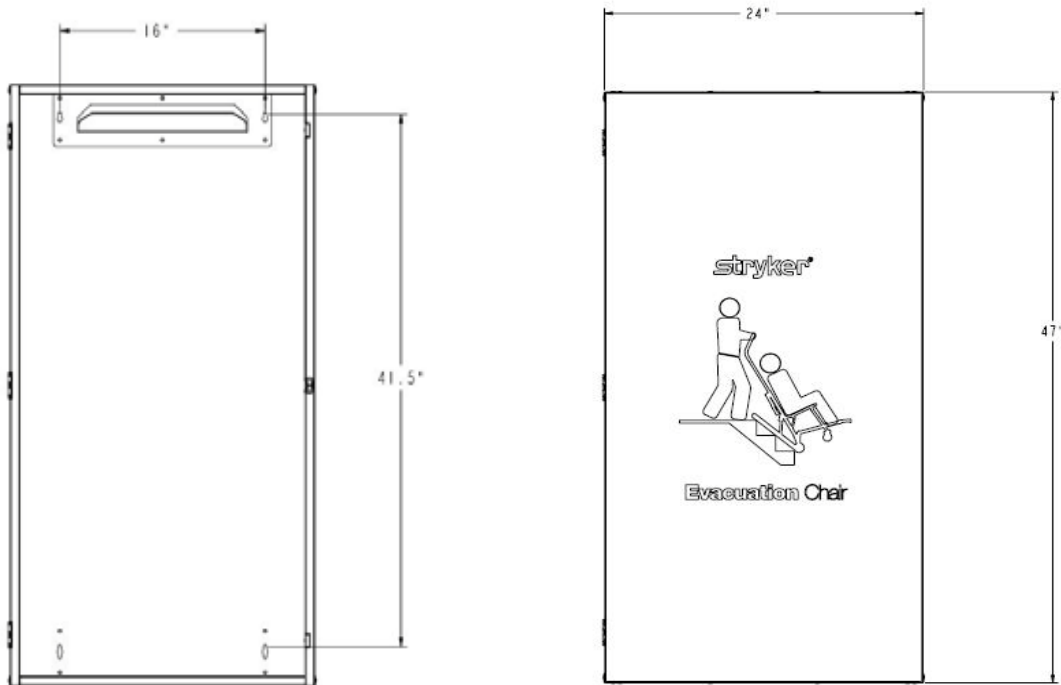


Figure 38: Cabinet Dimensions



Figure 39: Chair stored in the cabinet

# Operation Guide

---

## INSTALLING THE OPTIONAL COVER

**Note:** It is easiest to install the cover when the chair is hanging.

### To install the optional vinyl cover:

1. Slip the bottom pocket over the wheels.
2. Wrap the side flaps around the chair frame.
3. Pull the top flat down between the bars of the upper control handle and over the head support strap.
4. Attach the Velcro® strips.
5. Attach the red handle strip to the Velcro® on the front of the cover.

## REMOVING THE OPTIONAL COVER

### To remove the optional vinyl cover:

1. Pull the red handle strip.
2. Allow the cover to drop off the chair.



**Figure 40:** Slip the bottom pocket over the wheels



**Figure 41:** Cover fully installed on the chair

# Cleaning

---

The Stryker Model 6254 Evacuation Chairs are designed to be power-washable. The unit may show some signs of oxidation or discoloration from continuous washing, however, no degradation of the chair's performance characteristics or functionality will occur due to power washing as long as the proper procedures are followed.

## WASHING PROCEDURE

- Follow the cleaning solution manufacturer's dilution recommendations exactly.
- The preferred method Stryker Medical recommends for power washing evacuation chairs is with the standard hospital surgical cart washer or hand held wand unit.

## WASHING LIMITATIONS

---

### WARNING

Use any appropriate personal safety equipment (goggles, respirator, etc.) to avoid the risk of inhaling contagion. Use of power washing equipment can aerate contamination collected during the use of the chair.

---

### CAUTION

- DO NOT STEAM CLEAN OR ULTRASONICALLY CLEAN THE UNIT.
  - Maximum water temperature should not exceed 180°F/82°C. Allow to air dry.
  - Maximum water pressure should not exceed 1500 psi/130.5 bar. If a hand held wand is being used to wash the unit, the pressure nozzle must be kept a minimum of 24 inches/61 centimeters from the unit.
  - Failure to comply with these instructions may invalidate any and or all warranties.
- 

If a foreign material gets between the Stair-TREAD system belt and track frame, the track frame must be cleaned.

1. Loosen the track belts and remove the rear wheels (see [page 37](#) for instructions).
2. Clean the track frame completely with rubbing alcohol.
3. Use water at high pressure (see above) to rinse the belts. Be sure to clean both the inside and outside belt surfaces.
4. Allow the belts to completely air dry before reassembly.
5. Reassemble the track belts and the rear wheels (see [page 37](#) for instructions).
6. Following the appropriate cautions and warnings, test the performance of the chair using a simulated passenger weight while descending a flight of stairs.
7. If performance does not return to the original condition, the belts may need to be reconditioned or replaced.

# Cleaning

---

In general, when used in those concentrations recommended by the manufacturer, either phenolic type or quaternary (**excluding Virex® TB**) type disinfectants can be used. Iodophor type disinfectants are not recommended for use because staining may result.

Suggested cleaners:

- Quaternary Cleaners (active ingredient - ammonium chloride)
- Phenolic Cleaners (active ingredient - o-phenylphenol)
- Chlorinated Bleach Solution (5.25% - less than 1 part bleach to 100 parts water)

Avoid over saturation and ensure the product does not stay wet longer than the chemical manufacturer's guidelines for proper disinfecting.



## **WARNING**

- SOME CLEANING PRODUCTS ARE CORROSIVE IN NATURE AND MAY CAUSE DAMAGE TO THE PRODUCT IF USED IMPROPERLY. If the products described above are used to clean Stryker equipment, measures must be taken to insure the chairs are wiped with a cloth soaked in clean water and thoroughly dried following cleaning.
  - Failure to properly rinse and air dry the chairs will leave a corrosive residue on the surface of the chairs, possibly causing premature corrosion of critical components.
- 

**Note:** Failure to follow the above directions when using these types of cleaners may void this product's warranty.

# Preventative Maintenance

---

Operation	Schedule	Procedure
Cleaning and Disinfecting	Each use	See <a href="#">page 29</a>
Inspection	Inspect chair every 6 months	See below for checklist
Stair-TREAD system belt reconditioning	After usage on approximately 500 flights of stairs or if the Stair-TREAD system performance is sluggish	See <a href="#">page 37</a>

**Note:** Keep up to date maintenance records using the Maintenance Record form on [page 33](#).



## **WARNING**

- Improper maintenance can cause injury or damage to the unit. Maintain the Stryker Evacuation Chair as described in this manual. Use only Stryker approved parts and maintenance procedures. Using unapproved parts and procedures could cause unpredictable operation and/or injury and will void the product warranty.
  - Never lubricate the Stair-TREAD system. Lubrication on the system can cause inconsistent operation possibly resulting in injury to the passenger or operator.
- 

### **Parts, Service or Technical Assistance**

Contact Stryker Customer Service at 1-800-327-0770 or  
Stryker Medical  
3800 E. Centre Ave. Portage, MI 49002  
Attn: Customer Service

# Preventative Maintenance

---

**CHECKLIST**

- \_\_\_\_\_ All fasteners secure (reference all assembly drawings)
- \_\_\_\_\_ All welds intact, not cracked or broken
- \_\_\_\_\_ No bent or broken tubing or sheet metal
- \_\_\_\_\_ No debris in wheels
- \_\_\_\_\_ All wheels secure and rolling properly
- \_\_\_\_\_ Front casters secure, rolling and swiveling properly
- \_\_\_\_\_ Wheel locks hold wheels securely when on and clear the wheels when off
- \_\_\_\_\_ Chair unfolds and locks properly
- \_\_\_\_\_ No cracks in seat or back rest
- \_\_\_\_\_ Restraint straps intact and working properly
- \_\_\_\_\_ Foot end carrying handles extend and lock properly
- \_\_\_\_\_ Head end carrying handles fold and unfold
- \_\_\_\_\_ Upper control handle extends and locks in all positions
- \_\_\_\_\_ Stair-TREAD system mechanism unfolds and locks properly
- \_\_\_\_\_ Stair-TREAD system belt rolls properly
- \_\_\_\_\_ Stair-TREAD system belt inner cords not showing - replace if necessary
- \_\_\_\_\_ Stair-TREAD system performs as desired - recondition belts if necessary (see [page 37](#))
- \_\_\_\_\_ No lubricants present on the Stair-TREAD system belts or the track frame surfaces
- \_\_\_\_\_ Upper release handle cable not worn or frayed - replace, if necessary
- \_\_\_\_\_ Optional accessories intact and operating properly

Serial Number:		

Completed by: \_\_\_\_\_ Date: \_\_\_\_\_







# Quick Reference Replacement Part List

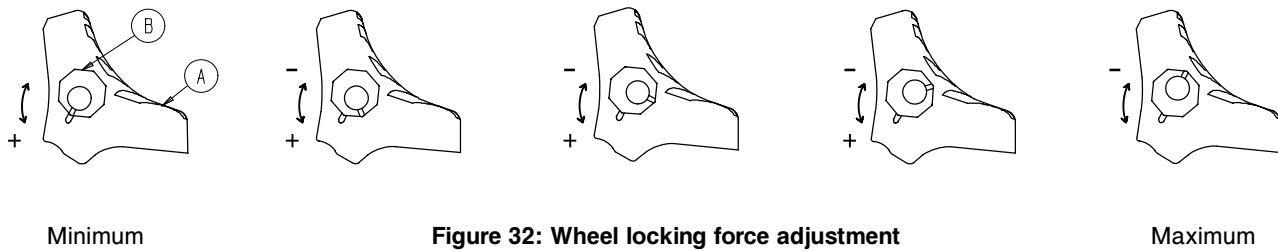
---

The parts and accessories listed on this page are all currently available for purchase. Some of the parts identified on the assembly drawing parts in this manual may not be individually available for purchase. Please call Stryker Customer Service (800)-327-0770 (Option 2), for availability and pricing.

<b>Part Name</b>	<b>Part Number</b>
Back Rest, Plastic	6250-001-116
Belt, Track (Standard)	6252-001-085
Belt, Track (Aggressive)	6252-001-083
Bracket, Chair Wall Storage	6254-001-026
Cabinet, Evacuation Chair	6254-002-020
Cable and Pin Assembly	6252-001-016
Caster	6251-001-083
Caster Lock Pedal, Adjustable	6080-300-030
Cover, Chair Storage	6253-001-027
Hand Grip	6250-001-089
Oxygen Bottle Holder	6250-140-080
Restraint, Ankle	6250-001-127
Restraint, Chest, Black	6250-001-126
Restraint, Chest, Green	6250-001-125
Restraint Set, Polypropylene	6250-160-000
Restraint Set, Vinyl	6250-001-019
Seat, Plastic	6250-001-115
Touch-Up Paint (Green)	7000-001-369
Touch-Up Paint (Black)	6060-199-011

# Service Information

## ADJUSTING THE WHEEL LOCKING FORCE



### To adjust the wheel locking force:

1. Remove the screw from the center of the lock pedal.
2. Remove the octagonal sleeve (B) from the pedal (A).
3. Rotate the octagonal sleeve counterclockwise to increase the pedal locking force or clockwise to decrease the locking force.
4. Insert the octagonal sleeve (B) into the pedal (A).
5. Reinstall the screw into the center of the lock pedal.
6. Test the pedal locking force and verify that it holds properly before returning the chair to service.

**Note:** If, after adjustment, the pedal still does not hold the wheel properly, replace the wheel.

# Service Information

## TRACK BELT RECONDITIONING

### Tools Required:

- (2) 7/16" Wrenches
- Permanent Marker
- 50 Grit Sandpaper
- Sanding Block

### Procedure:

1. Extend the upper control handle, open the Stair-TREAD system tracks and tip the chair forward until it rests on the handle and the seat section as shown in Figure 42.



Figure 42: Tip the chair forward

2. Using two 7/16" wrenches, remove the hex head bolt, hex nut, two washers, spacer and wheel from both sides of the track frame. Remove the wheel and spacer down in the direction of the floor.



Figure 43: Remove the wheel spacer in the direction of the floor

3. Turn both belts over so the small internal teeth are on the outside. Put the belts on the track frame for support while sanding them.

**Note:** New track belts must be installed if the inner cords are exposed on the wear surfaces.

4. For a start/end point reference while sanding, use a permanent marker to color a tooth on the belt.



Figure 44: Mark a belt tooth for reference

# Service Information

## TRACK BELT RECONDITIONING - CONTINUED

- Using a sanding block with 50 Grit sandpaper, sand both wear surfaces on the outside edges of each belt. The purpose is to roughen the surface of the belt just enough to remove the shiny spots caused by normal wear. Do not over sand the belts.

---

 **WARNING**

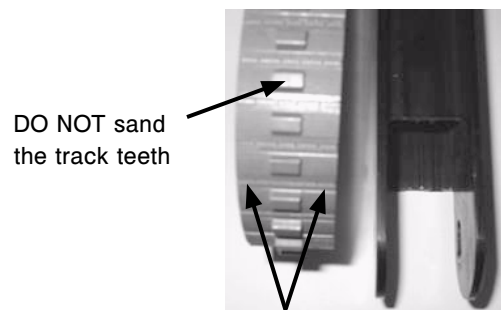
Do not sand the track teeth. Deformation of the teeth can cause unpredictable chair performance resulting in injury to the operators and/or passenger.

---

- Remove all sanding debris from the belts and the track frame.
- Turn both belts back over so the large teeth are on the outside.
- Replace the hex head bolt, hex nut, two washers, spacer and wheel on both sides of the track frame.



**Figure 45: Sand the wear surfaces**



**Figure 46: Belt sanding surfaces**

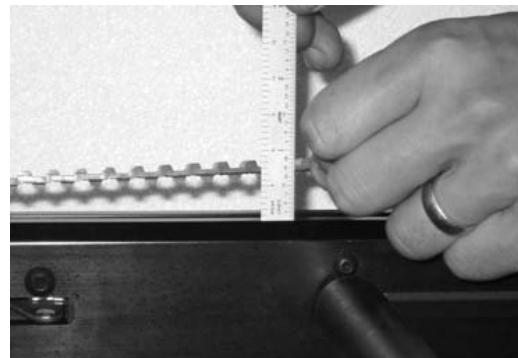
- Use two 7/16" wrenches to apply the desired tension to each belt and tighten securely.



**Figure 47: Use wrenches to apply tension to the belt**

**Note:** To check the tension, pull up on the center of the belt until it is taut. The gap between the belt and the track frame should measure between 3/8" and 1" as shown in Figure 48.

- Spin the belts to verify they roll freely.



**Figure 48: Proper belt tension**

# Service Information

## UPPER CONTROL HANDLE CABLE REPLACEMENT

### Tools Required:

- 5/8" Wrench

### Procedure:

1. Pull the cable and raise the extendable upper control handle to the fully extended position.
2. Using a 5/8" wrench, remove one side of the cable.
3. Place the washer on the end of the new cable.
4. Using a 5/8" wrench, attach one side of the new cable to the chair frame in the hole where the old cable was removed.
5. Repeat steps 2-4 for the other end of the cable.



Figure 49: Raise the extendable handle



Figure 50: Remove one side of the cable



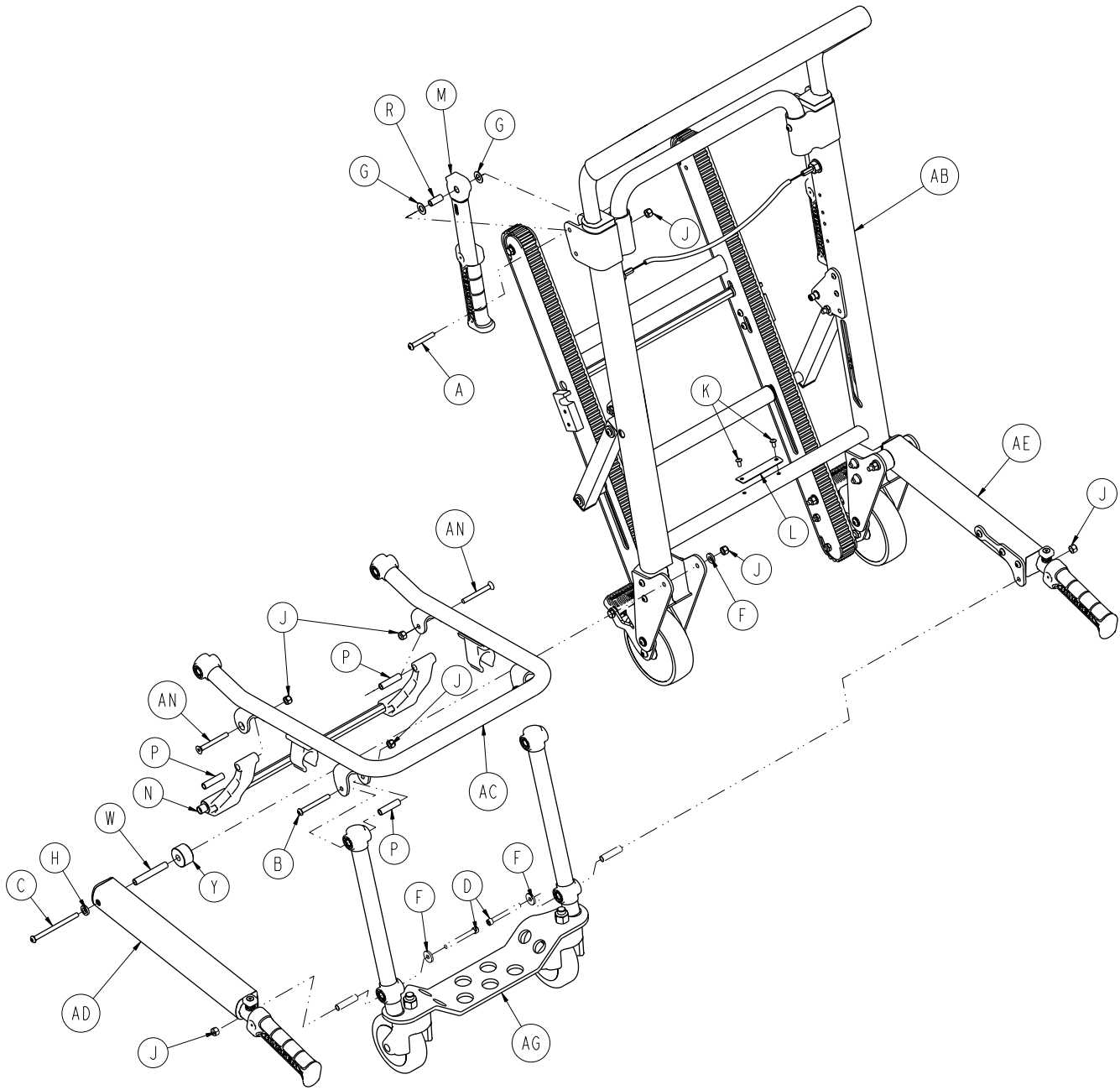
Figure 51: Place the washer on the new cable



Figure 52: Attach one side of the new cable

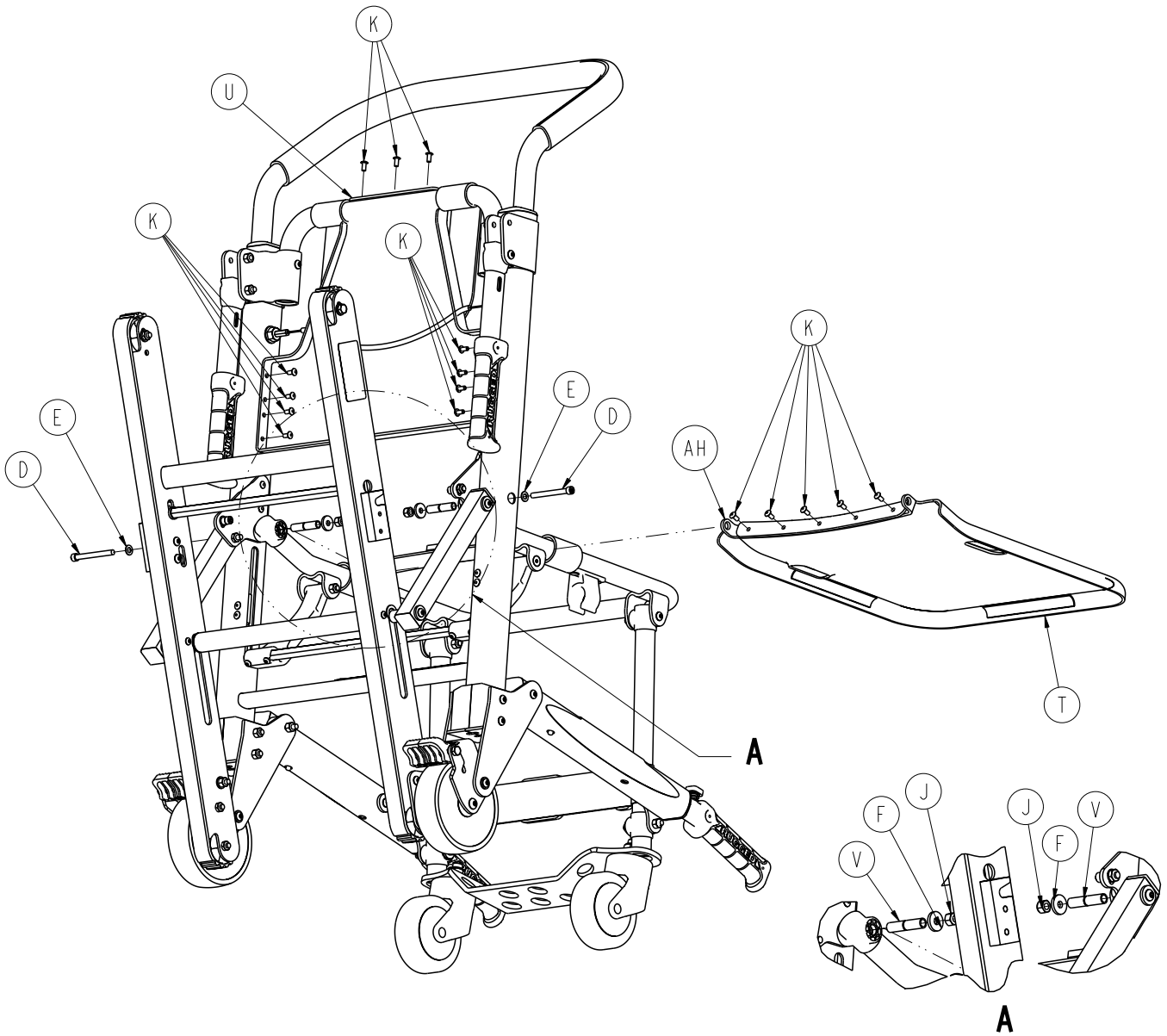
# Chair Assembly

6254-001-005 Rev A (Reference Only)

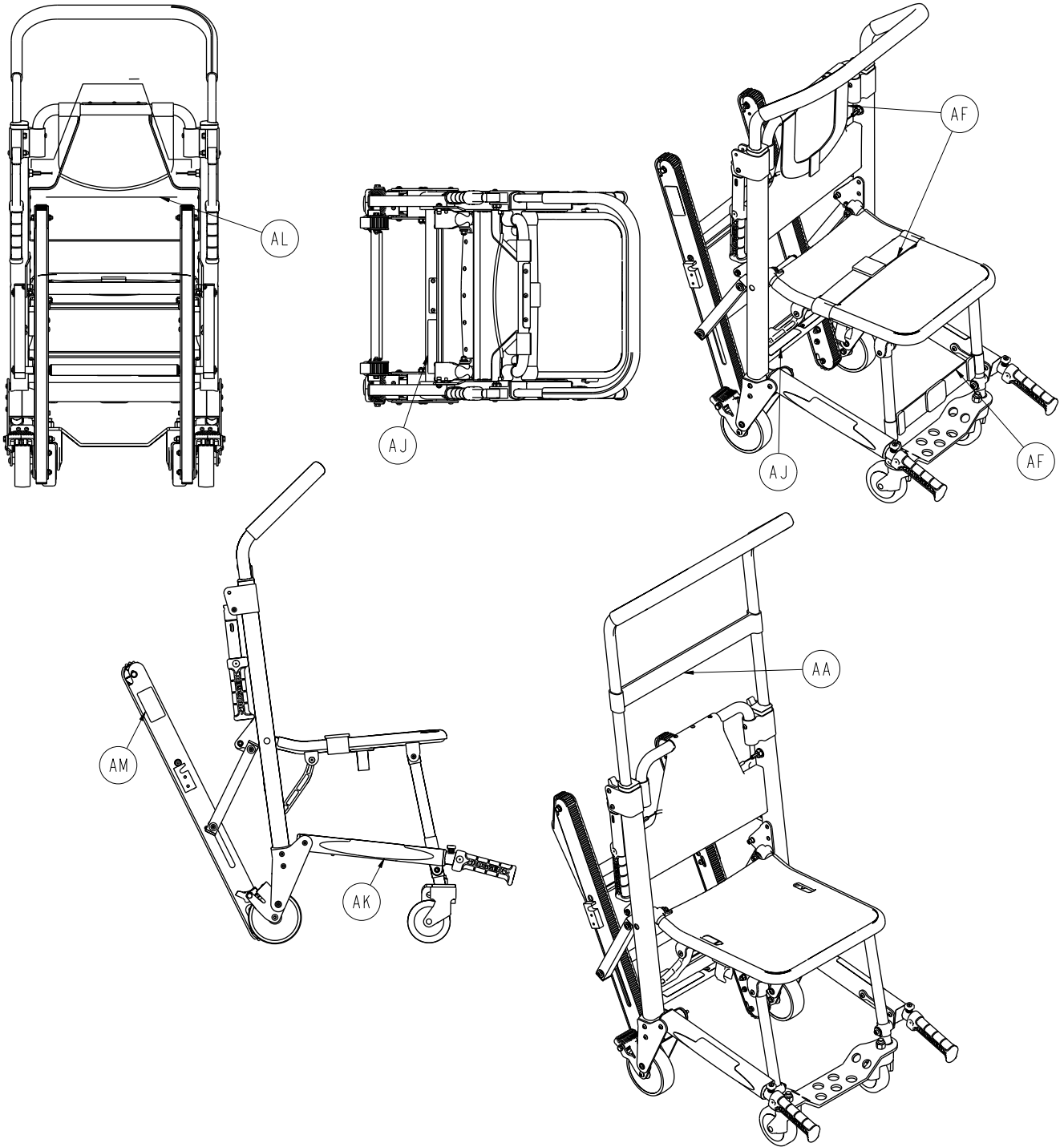




# Chair Assembly



# Chair Assembly



# Chair Assembly

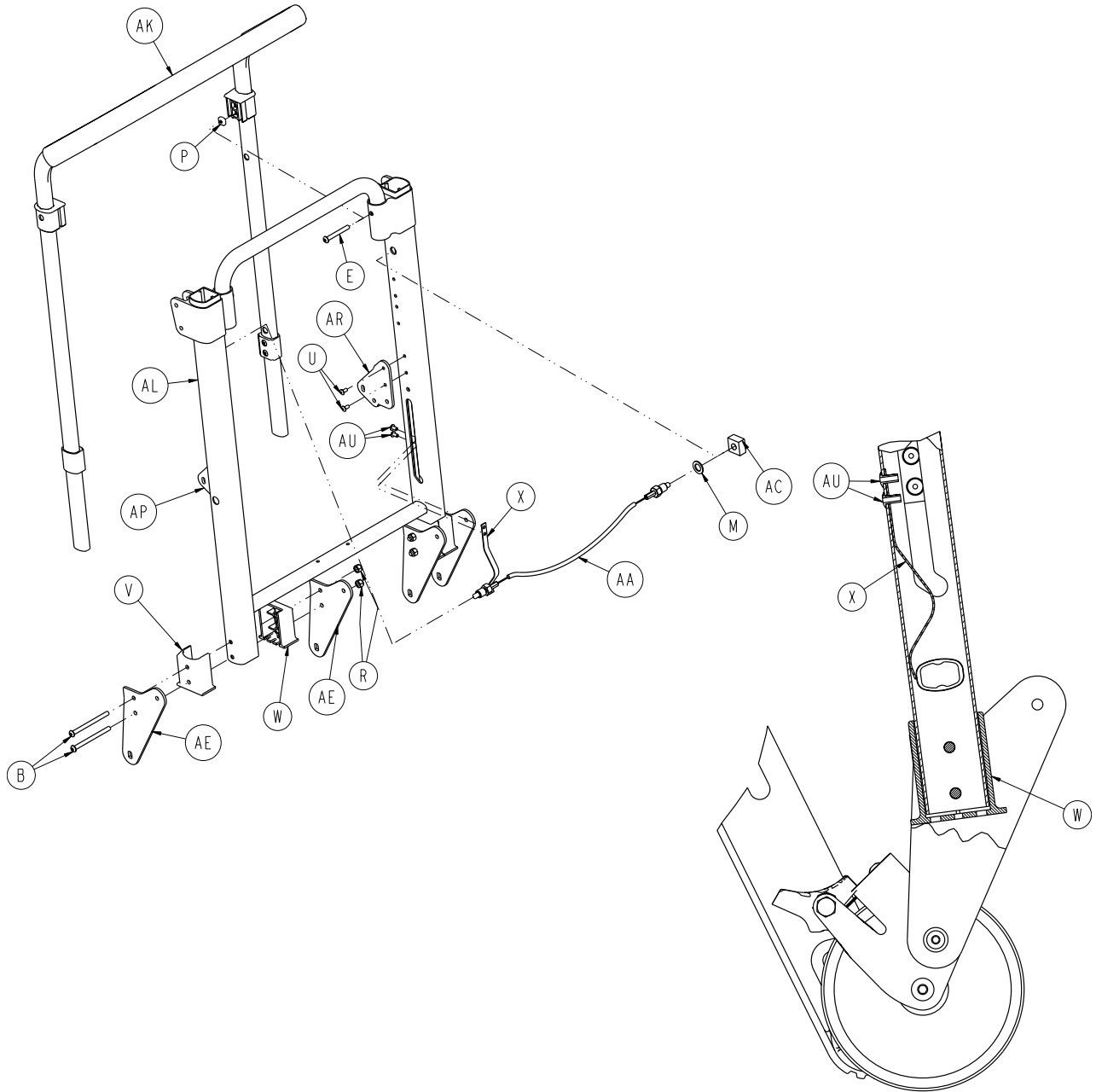
---

## Chair Assembly - Common Components - 6254-001-005 Rev A (Reference Only)

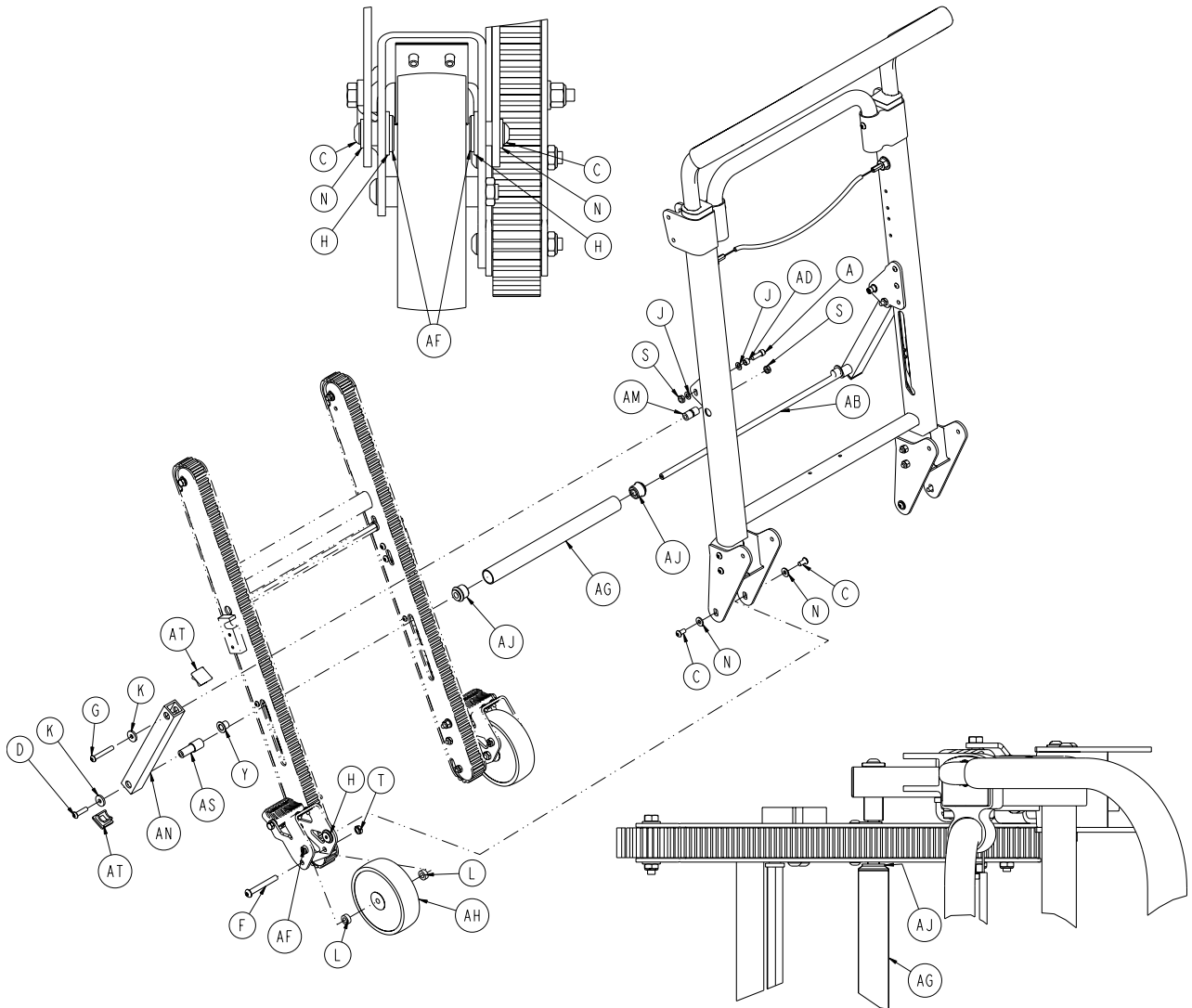
Item	Part No.	Part Name	Qty.
A	0004-204-000	Button Head Cap Screw	2
B	0004-163-000	Button Head Cap Screw	2
C	0004-235-000	Button Head Cap Screw	2
D	0004-517-000	Socket Head Cap Screw	4
E	0011-064-000	Washer	2
F	0011-209-000	Washer	6
G	0014-020-000	Washer	4
H	0014-099-000	Washer	2
J	0016-028-000	Nylock Hex Nut	12
K	0025-172-000	Blind Rivet	18
L	6060-090-002	Serial Number Tag	1
M	6250-001-016	Flip-Up Handle Assembly ( <a href="#">page 63</a> )	2
N	6250-001-017	Lock Mechanism Assy ( <a href="#">page 64</a> )	1
P	6250-001-098	Pivot Spacer	4
R	6250-001-111	Flip-Up Handle Pivot Spacer	2
T	6250-001-115	Plastic Seat	1
U	6250-001-116	Plastic Back Rest	1
V	6250-001-128	Pivot Spacer	2
W	6250-001-129	Pivot Spacer	2
Y	6250-001-133	Extended Handle Locator Spacer	2
AA	6254-001-222	Head Support	1
AB	6254-001-011	Main Frame Assembly ( <a href="#">page 44</a> )	1
AC	6254-001-013	Seat Section Assembly ( <a href="#">page 62</a> )	1
AD	6254-001-014	Extension Handle, Right ( <a href="#">page 57</a> )	1
AE	6254-001-015	Extension Handle, Left ( <a href="#">page 58</a> )	1
AF	6254-001-018	Restraint Strap Set	1
AG	6254-001-025	Caster Foot Support Assy ( <a href="#">page 56</a> )	1
AH	6253-001-099	Seat Support Bracket	1
AJ	6254-001-137	Label, Specification	1
AK	6254-001-163	Label, Evacuation	2
AL	6253-001-156	Label, Instruction	1
AM	6252-001-139	Label, Do Not Lubricate	2
AN	0001-167-000	Flat Head Socket Screw	2

# Main Frame Assembly

6254-001-011 Rev A (Reference Only)



# Main Frame Assembly



# Main Frame Assembly

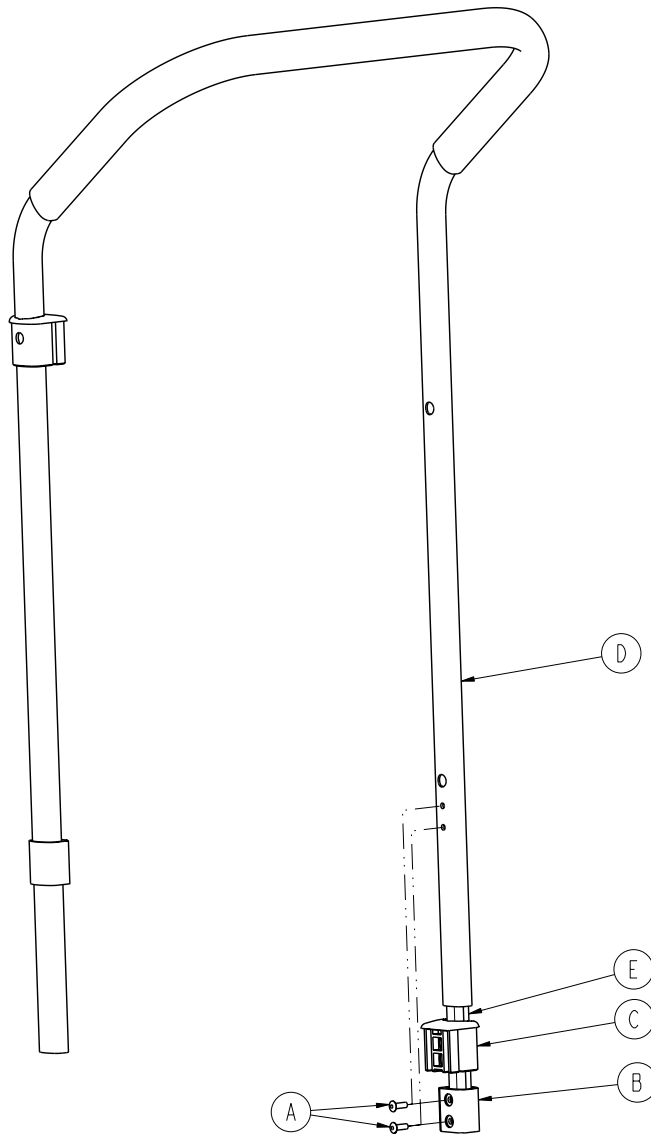
---

## Main Frame Assembly Components - 6254-001-011 Rev A (Reference Only)

Item	Part No.	Part Name	Qty.
A	0004-028-000	Socket Head Cap Screw	2
B	0004-235-000	Button Head Cap Screw	4
C	0004-468-000	Button Head Cap Screw	4
D	0004-334-000	Button Head Cap Screw	2
E	0004-511-000	Button Head Cap Screw	2
F	0004-512-000	Button Head Cap Screw	2
G	0004-204-000	Button Head Cap Screw	2
H	0011-045-000	Washer	4
J	0011-064-000	Washer	4
K	0011-209-000	Washer	12
L	0011-423-000	Spacer	4
M	0011-455-000	Washer	2
N	0025-079-000	Blind Rivet	4
P	0015-016-000	Square Nut	2
R	0016-028-000	Nylock Nut	8
T	0016-316-000	Centerlock Hex Jam Nut	2
U	0025-172-000	Blind Rivet	4
V	6250-001-102	Wheel Support Spacer, Outer	2
W	6250-001-103	Wheel Support Spacer, Inner	2
X	6250-001-118	Lock Retaining Spring	2
Y	6250-001-124	Flange Bearing	2
AA	6252-001-016	Cable and Pin Assembly ( <a href="#">page 54</a> )	1
AB	6252-001-089	Track Support Cross Bar	1
AC	6252-001-094	Upper Extension Handle Dead Stop	2
AD	6252-001-096	Track Lock Post	2
AE	6252-001-104	Wheel Support Stamping	4
AF	6252-001-106	Track Spacer Pivot	4
AG	6252-001-113	Track Tube Spacer	1
AH	6252-001-114	5" Wheel	2
AJ	6252-001-120	Track Sleeve Spacer	2
AK	6253-001-012	Upper Extension Handle ( <a href="#">page 47</a> )	1
AL	6254-001-055	Frame Weldment	1
AM	6253-001-084	Track Belt Roller Spacer	2
AN	6253-001-088	Track Support Strut	2
AP	6254-001-124	Track Support Offset Bracket	1
AR	6254-001-125	Track Support Offset Bracket	1
AS	6253-001-150	Strut Spacer	2
AT	6253-001-152	Cap	4

# Upper Extension Handle Assembly - 6253-001-012

Rev B

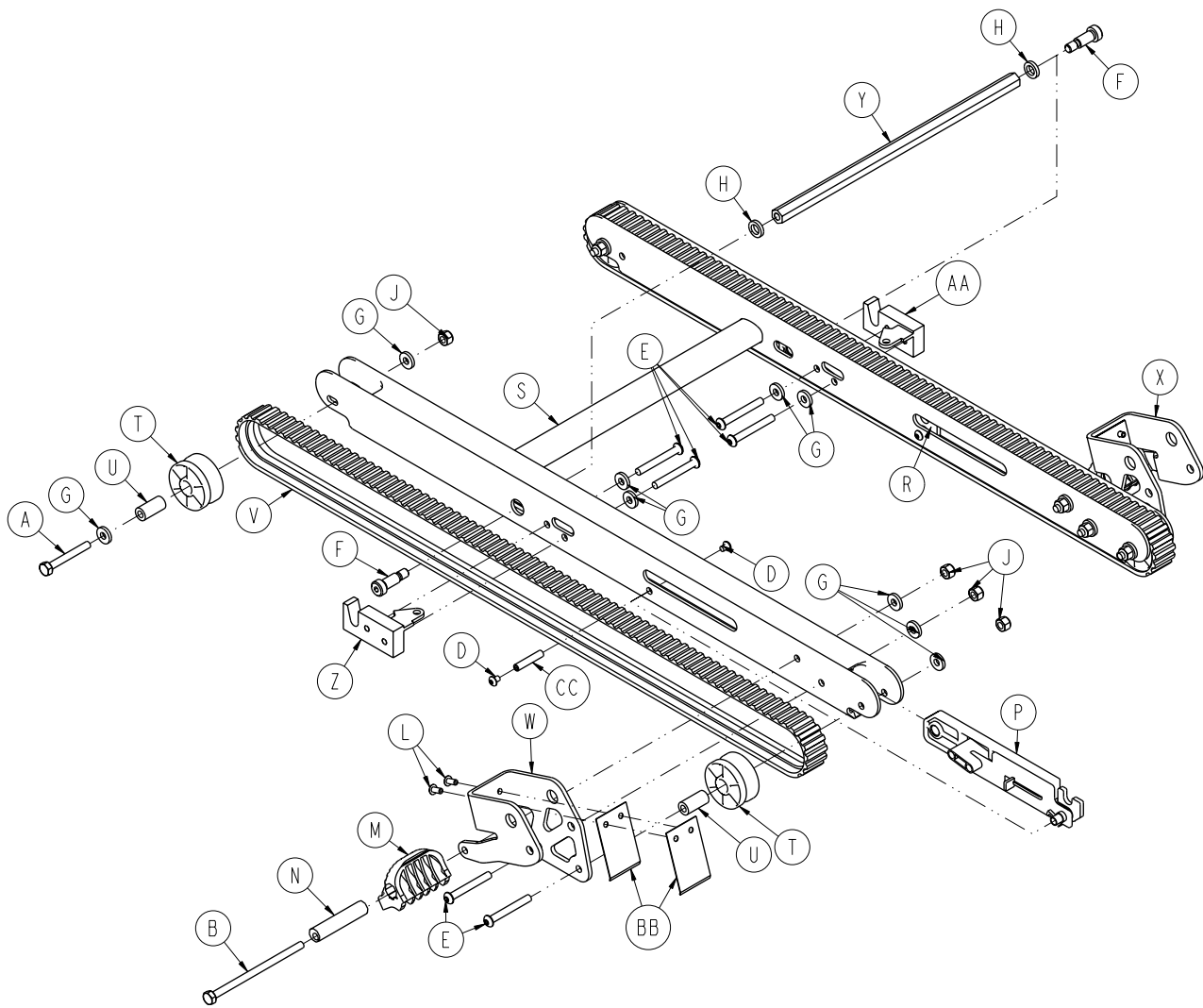


Item	Part No.	Part Name	Qty.
A	0025-133-000	Blind Rivet	4
B	6250-001-085	Internal Slide Bushing	2
C	6250-001-087	Outer Extension Handle Bushing	2
D	6253-001-090	Upper Internal Handle	1
E	6253-001-145	Handle Reinforcer	2

[Return To Table of Contents](#)

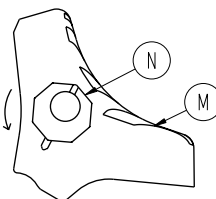
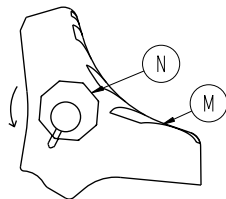
# Track Frame Assembly, Standard Belt

6252-001-013 Rev E (Reference Only)



INITIAL WHEEL LOCK POSITION

MAXIMUM WHEEL LOCK POSITION





# Track Frame Assembly, Standard Belt

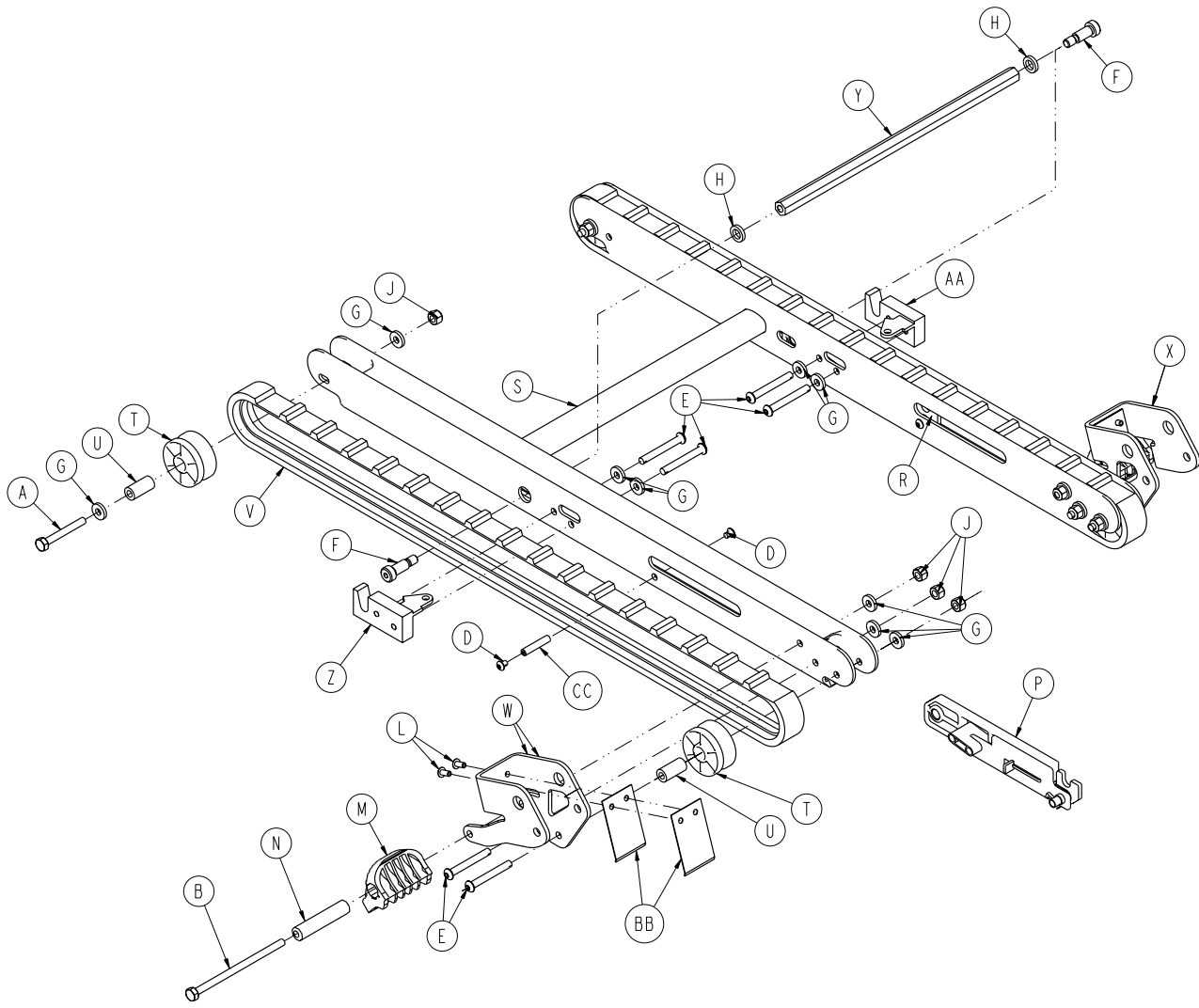
---

## Track Frame Assembly, Standard Belt - 6252-001-013 Rev E (Reference Only)

Item	Part No.	Part Name	Qty.
A	0003-358-000	Hex Head Cap Screw	2
B	0003-365-000	Hex Head Cap Screw	2
D	0004-483-000	Button Head Cap Screw	4
E	0004-511-000	Button Head Cap Screw	8
F	0008-063-000	Socket Head Cap Screw	2
G	0011-209-000	Washer	14
H	0014-099-000	Washer	2
J	0016-028-000	Hex Nut	8
L	0025-172-000	Blind Rivet	4
M	6080-300-030	Adjustable Caster Lock Pedal	2
N	6080-200-041	Hex Sleeve	2
P	6252-001-014	Internal Latch Assembly ( <a href="#">page 52</a> )	1
R	6252-001-015	Internal Latch Assembly ( <a href="#">page 53</a> )	1
S	6252-001-050	Track Frame Weldment	1
T	6252-001-083	Track Belt Roller	4
U	6252-001-084	Track Belt Roller Spacer	4
V	6252-001-085	Track Belt	2
W	6252-001-102	Wheel Support Stamping	1
X	6252-001-103	Wheel Support Stamping	1
Y	6252-001-105	Lock Mechanism Cross Bar	1
Z	6252-001-110	Latch	1
AA	6252-001-111	Latch	1
BB	6252-001-112	Spring	4
CC	6252-001-121	Lock Pivot Internal Spacer	2

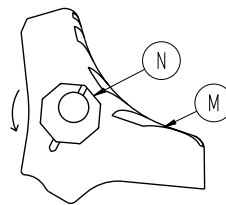
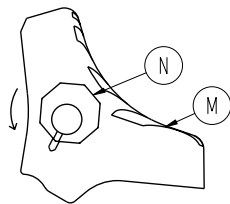
# Track Frame Assembly, Aggressive Belt

6253-001-020 Rev B (Reference Only)



INITIAL WHEEL LOCK POSITION

MAXIMUM WHEEL LOCK POSITION



# Track Frame Assembly, Aggressive Belt

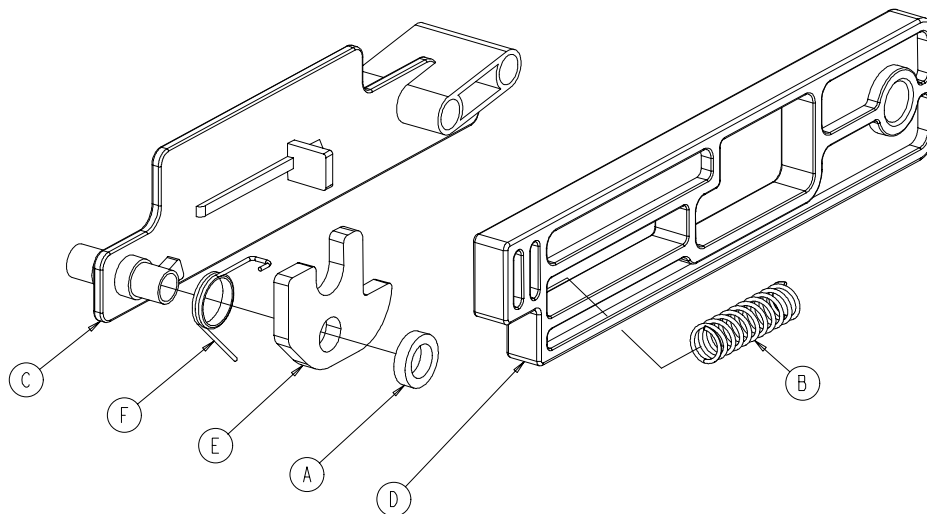
---

## Track Frame Assembly, Aggressive Belt - 6253-001-020 Rev B (Reference Only)

Item	Part No.	Part Name	Qty.
A	0003-358-000	Hex Head Cap Screw	2
B	0003-365-000	Hex Head Cap Screw	2
D	0004-483-000	Button Head Cap Screw	4
E	0004-511-000	Button Head Cap Screw	8
F	0008-063-000	Socket Head Cap Screw	2
G	0011-209-000	Washer	14
H	0014-099-000	Washer	2
J	0016-028-000	Hex Nut	8
L	0025-172-000	Blind Rivet	4
M	6080-300-030	Adjustable Caster Lock Pedal	2
N	6080-200-041	Hex Sleeve	2
P	6252-001-014	Internal Lock Latch Assy ( <a href="#">page 52</a> )	1
R	6252-001-015	Internal Lock Latch Assy ( <a href="#">page 53</a> )	1
S	6253-001-060	Track Frame Weldment	1
T	6252-001-083	Belt Roller Track	4
U	6252-001-084	Track Belt Roller Spacer	4
V	6253-001-085	Aggressive Tread Track Belt	2
W	6253-001-102	Track Wheel Support Bracket, Right	1
X	6253-001-103	Track Wheel Support Bracket, Left	1
Y	6252-001-105	Lock Mechanism Cross Bar	1
Z	6252-001-110	Latch	1
AA	6252-001-111	Latch	1
BB	6252-001-112	Spring	4
CC	6252-001-121	Lock Pivot Internal Spacer	2

# Internal Latch Assembly

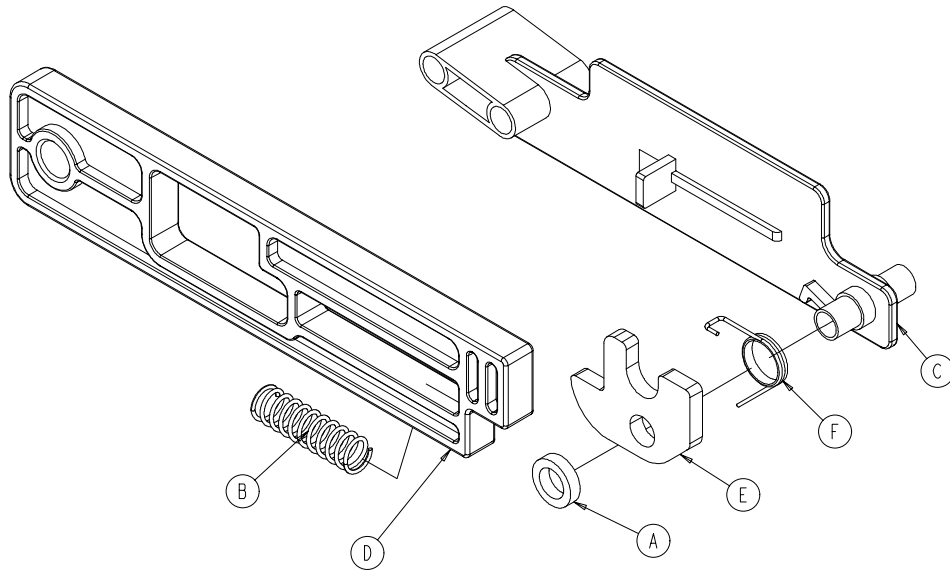
6252-001-014 Rev B (Reference Only)



Item	Part No.	Part Name	Qty.
A	0014-098-000	Washer	1
B	0038-506-000	Compression Spring	1
C	6252-001-097	Latch Retainer Block	1
D	6252-001-098	Latch Release Slide	1
E	6252-001-099	Track Latch Lock	1
F	6252-001-101	Single Spring	1

# Internal Latch Assembly

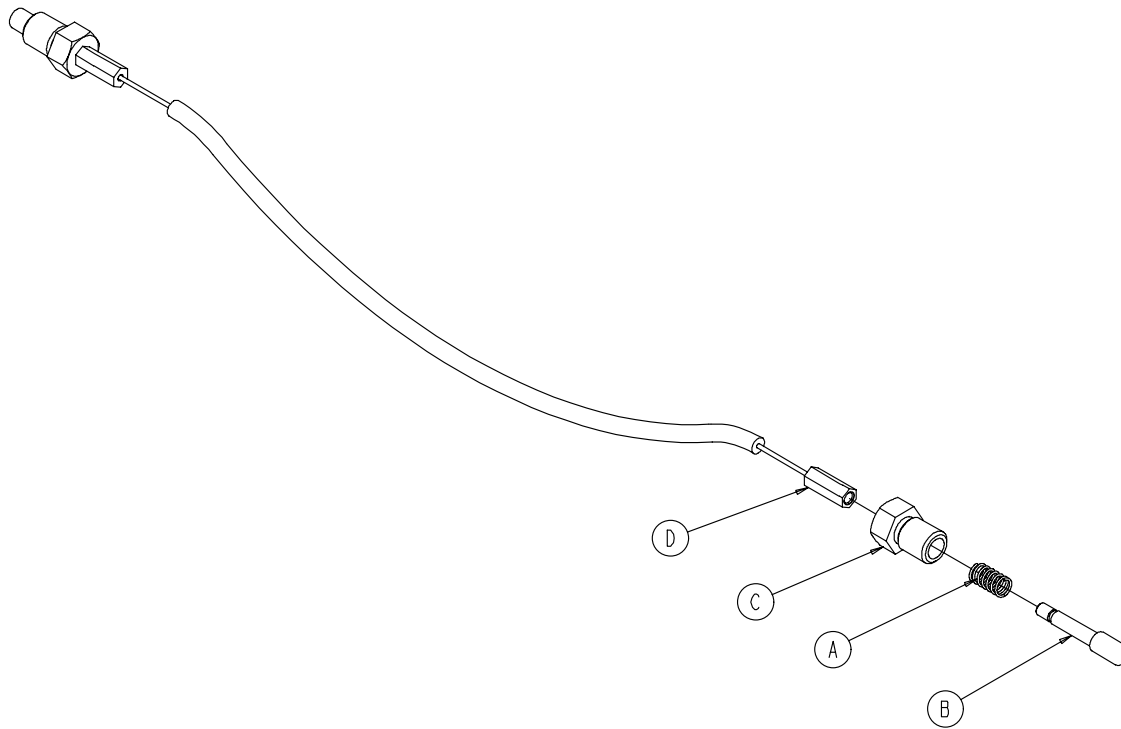
6252-001-015 Rev B (Reference Only)



Item	Part No.	Part Name	Qty.
A	0014-098-000	Washer	1
B	0038-506-000	Compression Spring	1
C	6252-001-097	Latch Retainer Block	1
D	6252-001-098	Latch Release Slide	1
E	6252-001-099	Track Latch Lock	1
F	6252-001-100	Single Spring	1

# Cable and Pin Assembly - 6252-001-016

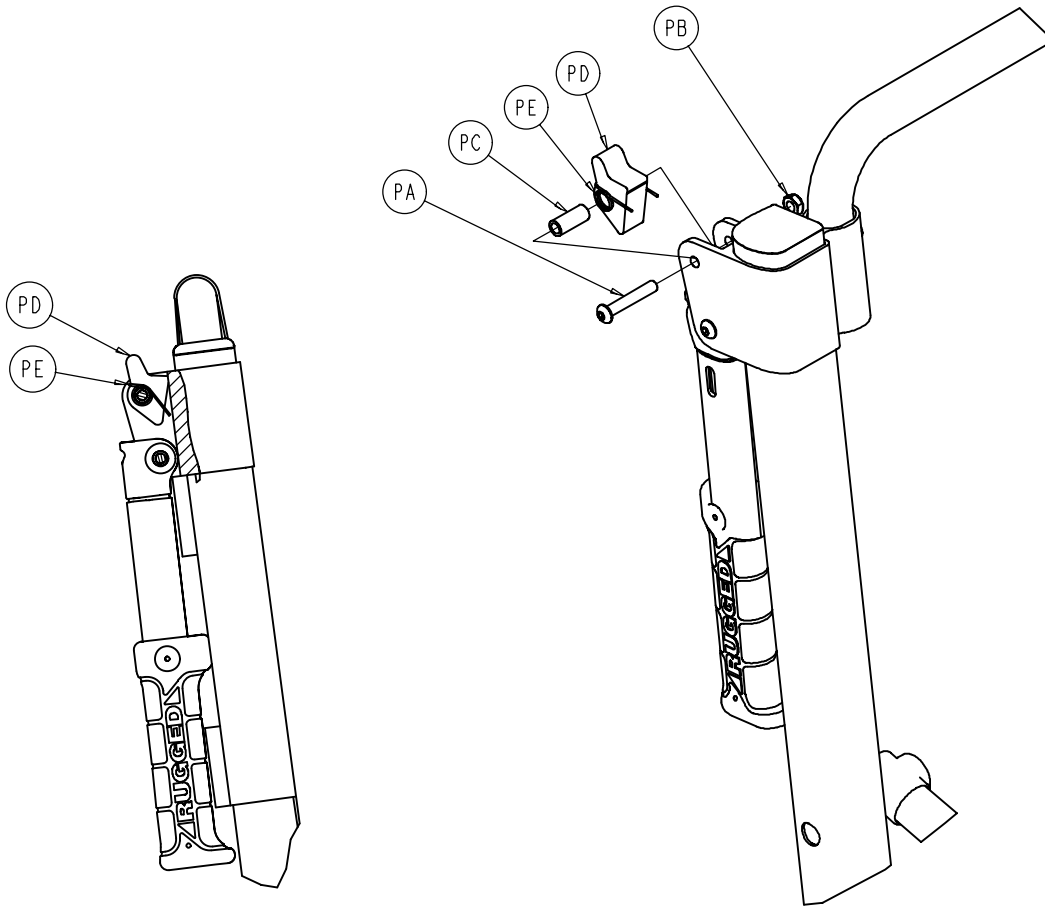
Rev B



Item	Part No.	Part Name	Qty.
A	0038-507-000	Compression Spring	2
B	6252-001-115	Pull Pin	2
C	6252-001-116	Pull Pin Bolt	2
D	6252-001-119	Cable	1

# Optional Locking Flip-Up Handle

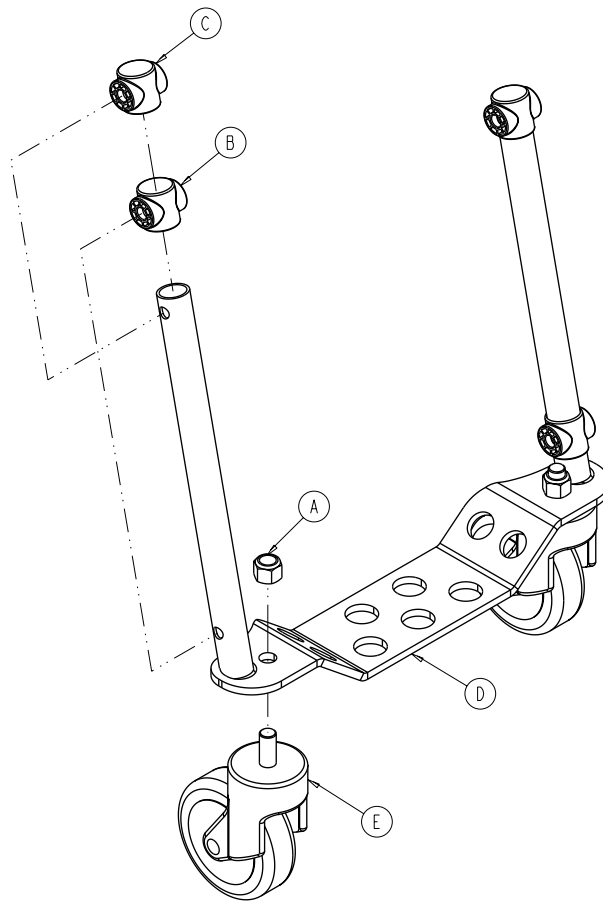
6250-031-000 Rev E (Reference Only)



Item	Part No.	Part Name	Qty.
PA	0004-204-000	Button Head Cap Screw	2
PB	0016-028-000	Nylock Nut	2
PC	6250-001-111	Flip-Up Handle Pivot Spacer	2
PD	6250-001-113	Flip-Up Handle Trigger	2
PE	6250-001-114	Single Spring	2

# Caster Foot Support Assembly

6254-001-025 Rev A (Reference Only)

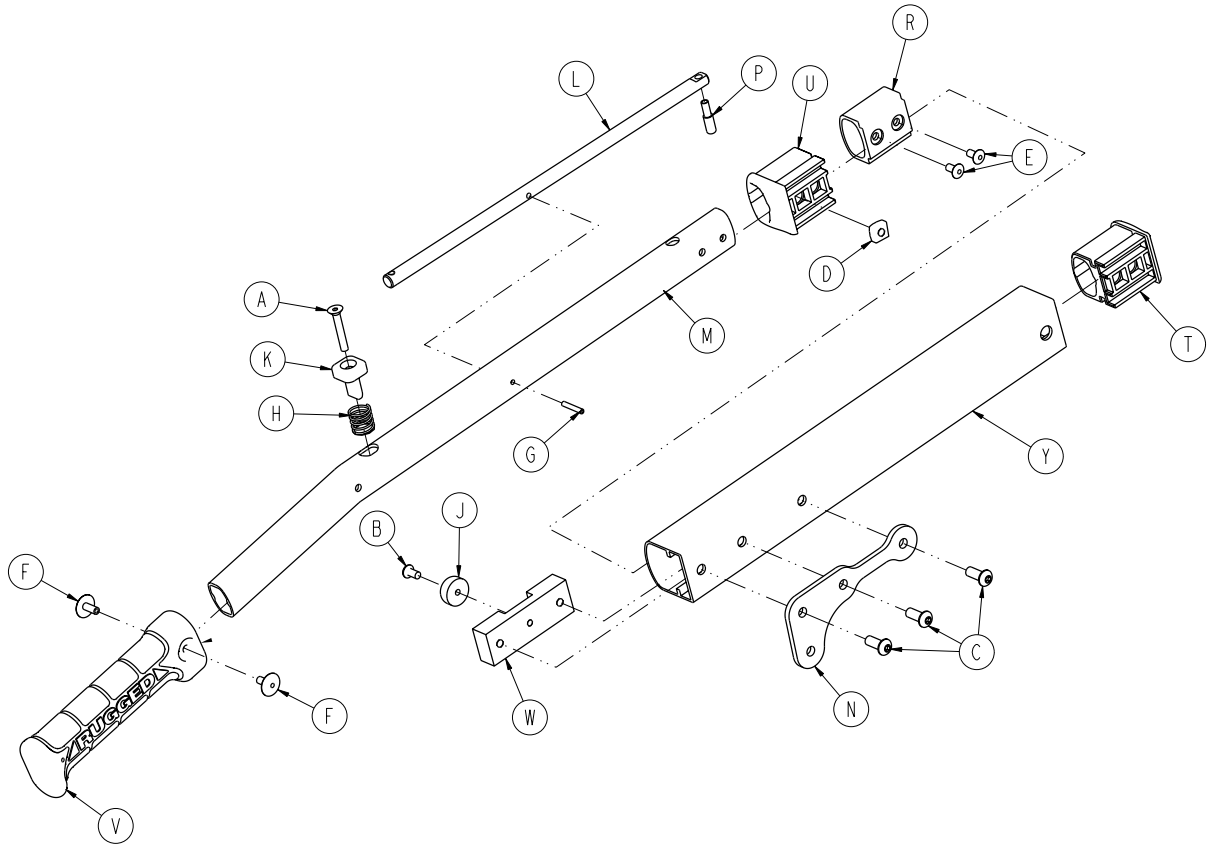


Item	Part No.	Part Name	Qty.
A	0016-064-000	Nylock Hex Nut	2
B	6250-001-090	Foot Section End Cap	2
C	6250-001-096	Foot/Seat Section End Cap	2
D	6253-001-050	Foot Section Weldment	1
E	6251-001-083	Caster	2



# Extension Handle Assembly, Right - 6254-001-014

Rev A

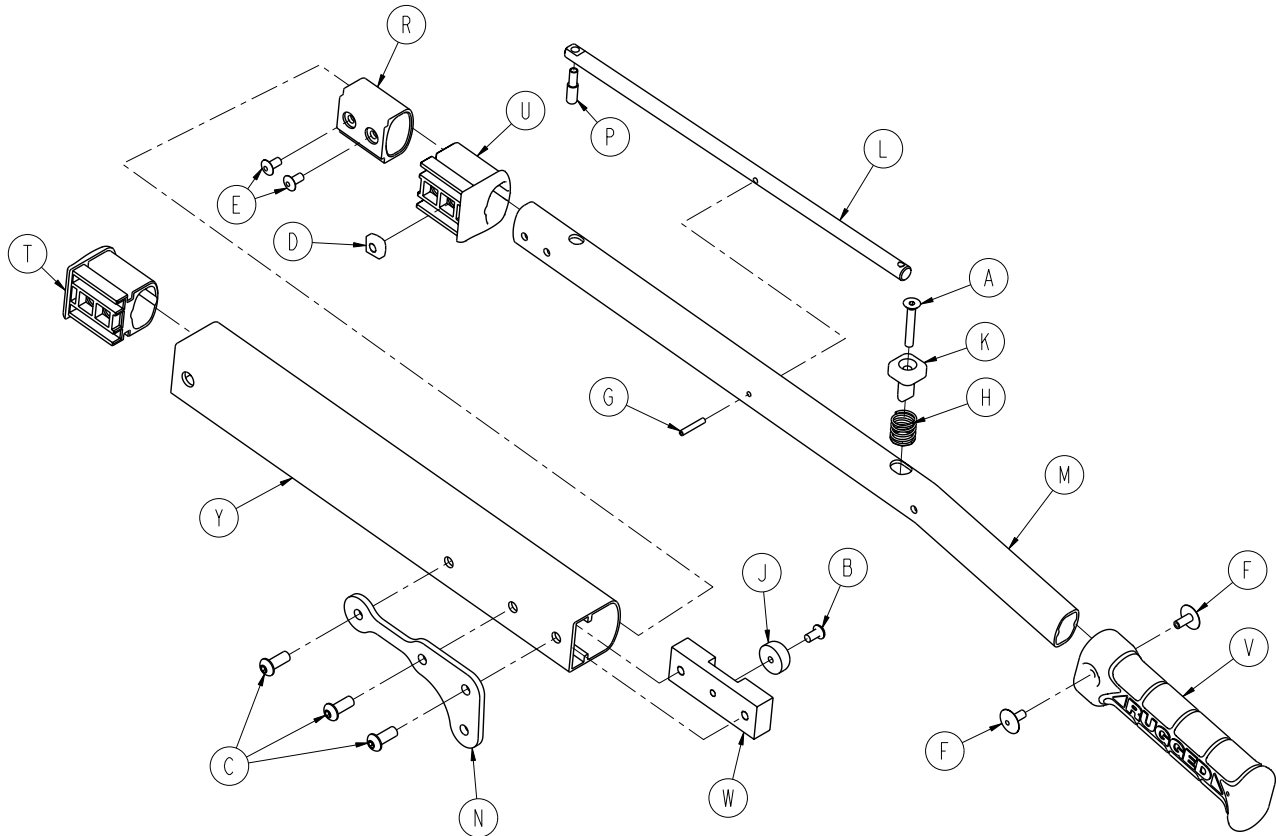


Item	Part No.	Part Name	Qty.
A	0001-138-000	Flat Head Socket Screw	1
B	0004-136-000	Button Head Cap Screw	1
C	0004-509-000	Button Head Cap Screw	3
D	0015-016-000	Square Nut	1
E	0025-079-000	Blind Rivet	2
F	0025-132-000	Blind Rivet	2
G	0026-323-000	Coiled Spring Pin	1
H	0038-462-000	Compression Spring	1
J	0056-022-000	Bumper	1
K	6100-031-065	Handle Extension Push Button	1
L	6250-001-080	Handle Extension Pivot Lock Lever	1
M	6250-001-081	Internal Extension Handle	1
N	6254-001-082	Extension Handle Pivot Bracket	1
P	6250-001-083	Extension Handle Lock Pin	1
R	6250-001-085	Internal Slide Bushing	1
S	6250-001-086	Outer Extrusion End Cap	1
T	6250-001-087	Outer Extension Handle Bushing	1
U	6250-001-089	Hand Grip	1
V	6250-001-112	Extension Handle Dead Stop	1
W	6254-001-121	Outer Extension Handle, Right	1

[Return To Table of Contents](#)

# Extension Handle Assembly, Left - 6254-001-015

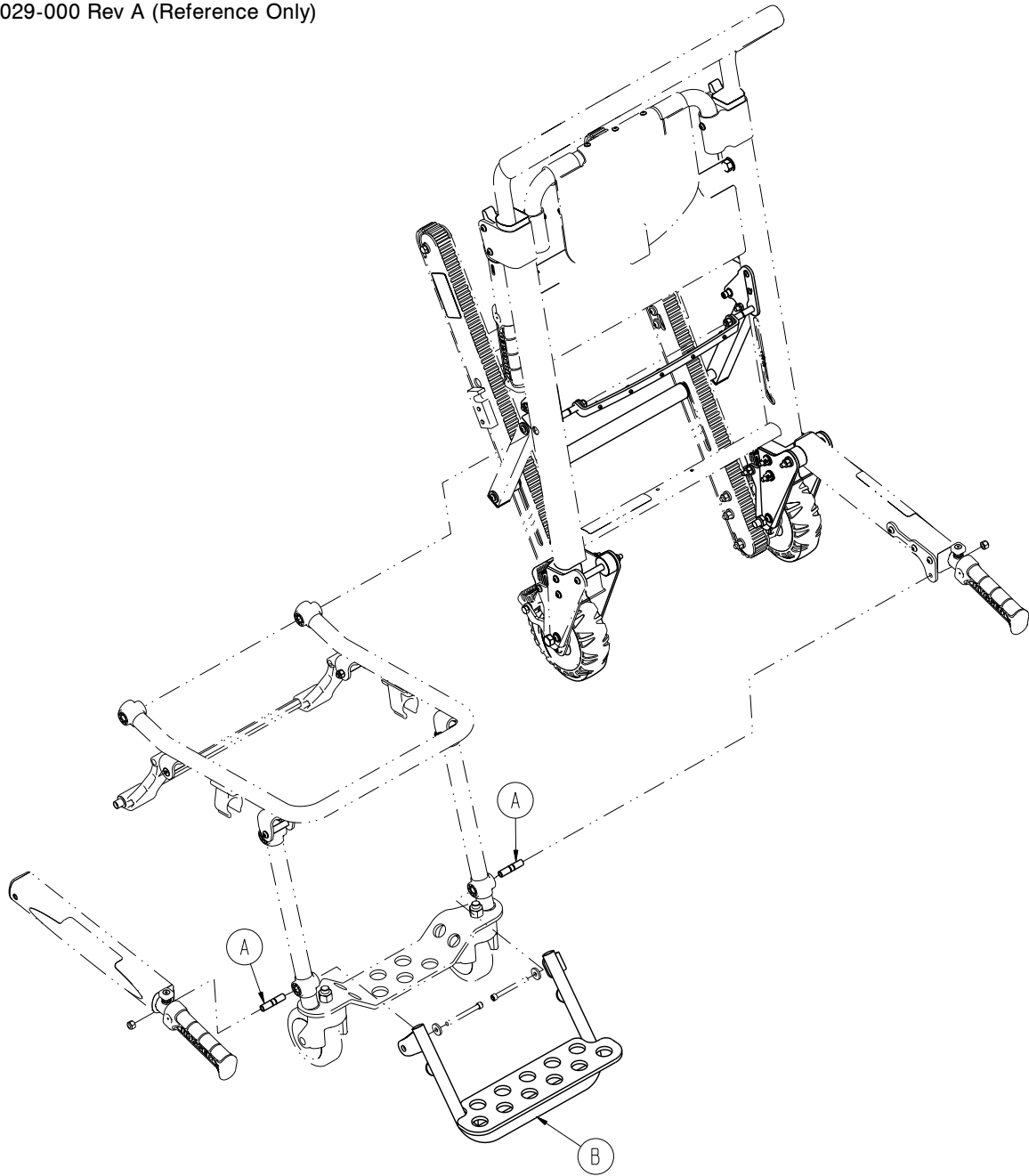
Rev A



Item	Part No.	Part Name	Qty.
A	0001-138-000	Flat Head Socket Screw	1
B	0004-136-000	Button Head Cap Screw	1
C	0004-509-000	Button Head Cap Screw	3
D	0015-016-000	Square Nut	1
E	0025-079-000	Blind Rivet	2
F	0025-132-000	Blind Rivet	2
G	0026-323-000	Coiled Spring Pin	1
H	0038-462-000	Compression Spring	1
J	0056-022-000	Bumper	1
K	6100-031-065	Push Button	1
L	6250-001-080	Handle Extension Pivot Lock Lever	1
M	6250-001-081	Internal Extension Handle	1
N	6254-001-082	Extension Handle Pivot Bracket	1
P	6250-001-083	Extension Handle Lock Pin	1
R	6250-001-085	Internal Slide Bushing	1
S	6250-001-086	Outer Extrusion End Cap	1
T	6250-001-087	Outer Extension Handle Bushing	1
U	6250-001-089	Hand Grip	1
V	6250-001-112	Extension Handle Dead Stop	1
W	6254-001-122	Outer Handle Extension, Left	1

# Foot Rest Option

6254-029-000 Rev A (Reference Only)

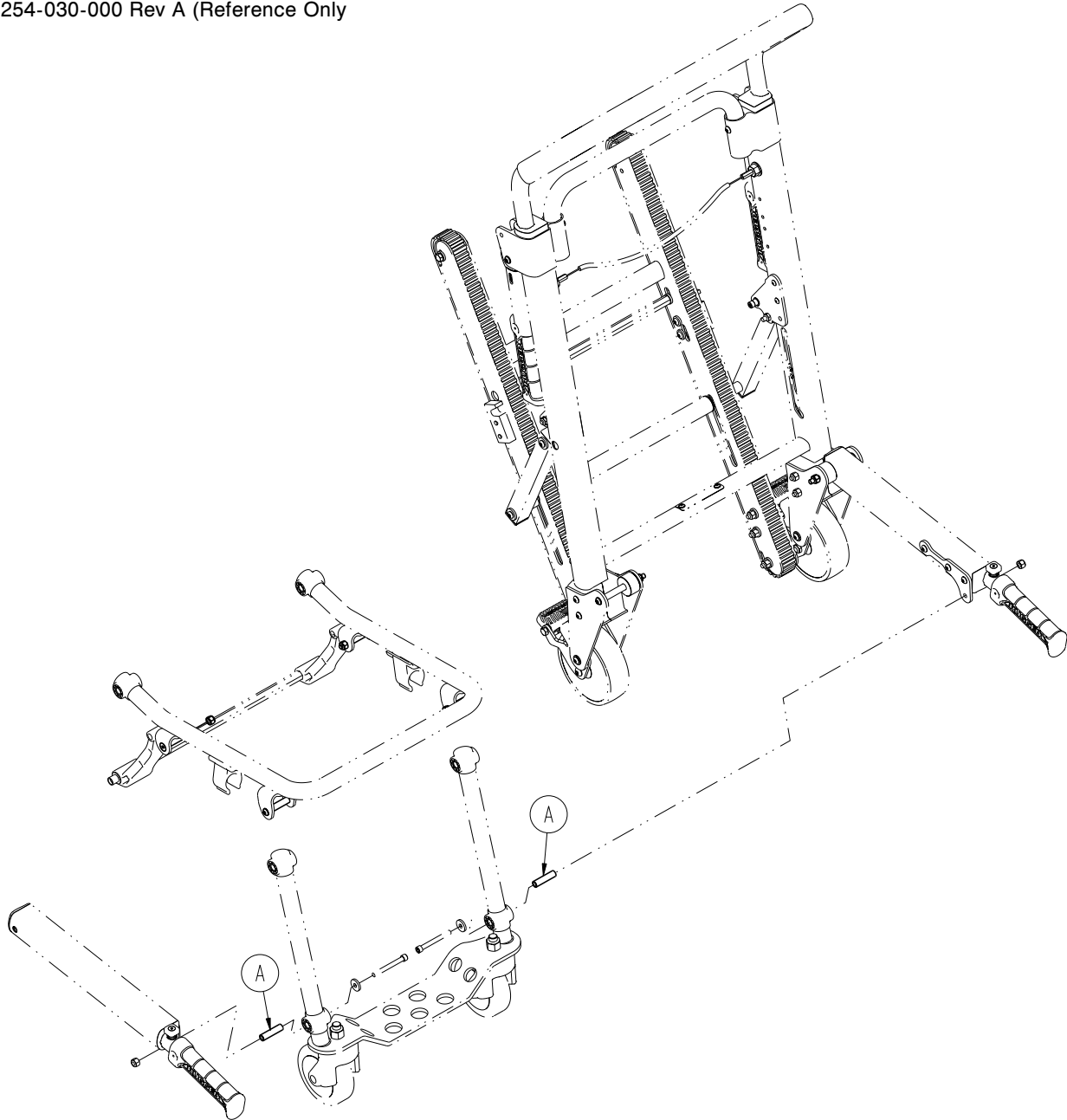


Item	Part No.	Part Name	Qty.
A	6250-003-098	Spacer	2
B	6254-001-017	Foot Support Assembly ( <a href="#">page 61</a> )	1

[Return To Table of Contents](#)

# No Foot Rest Option

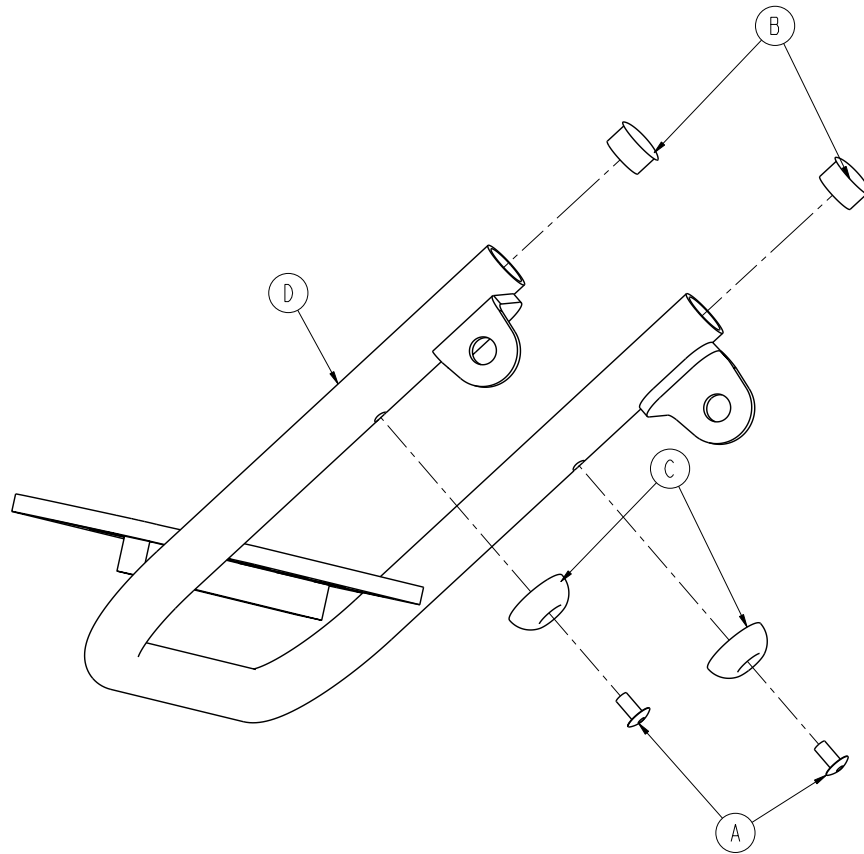
6254-030-000 Rev A (Reference Only)



Item	Part No.	Part Name	Qty.
A	6250-001-098	Pivot Spacer	2

# Foot Support Assembly - 6254-001-017

Rev A

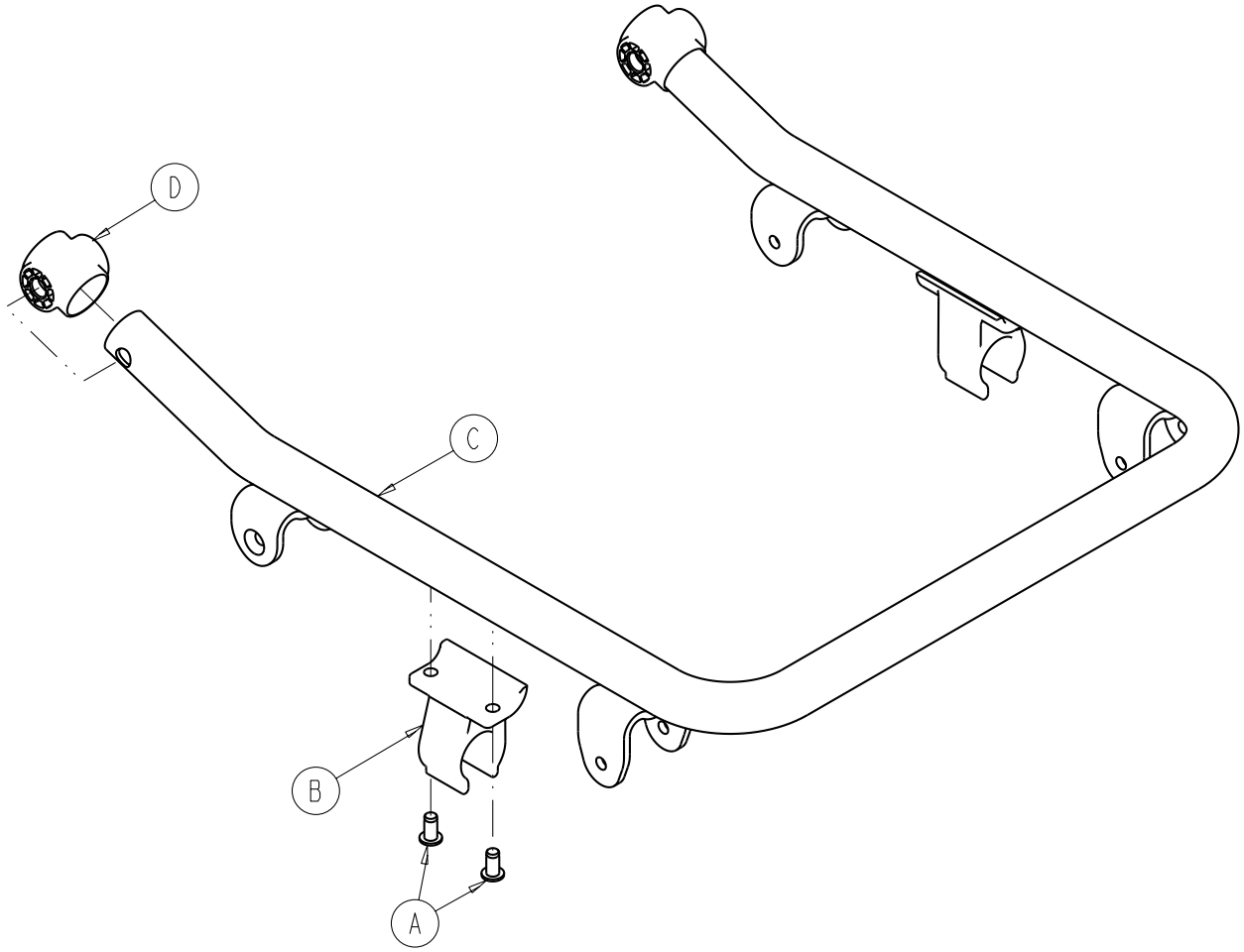


Item	Part No.	Part Name	Qty.
A	0025-079-000	Dome Head Rivet	2
B	0037-202-000	Tube Plug	2
C	0946-001-155	Bumper	2
D	6254-001-051	Foot Support Weldment	1

[Return To Table of Contents](#)

# Seat Section Assembly

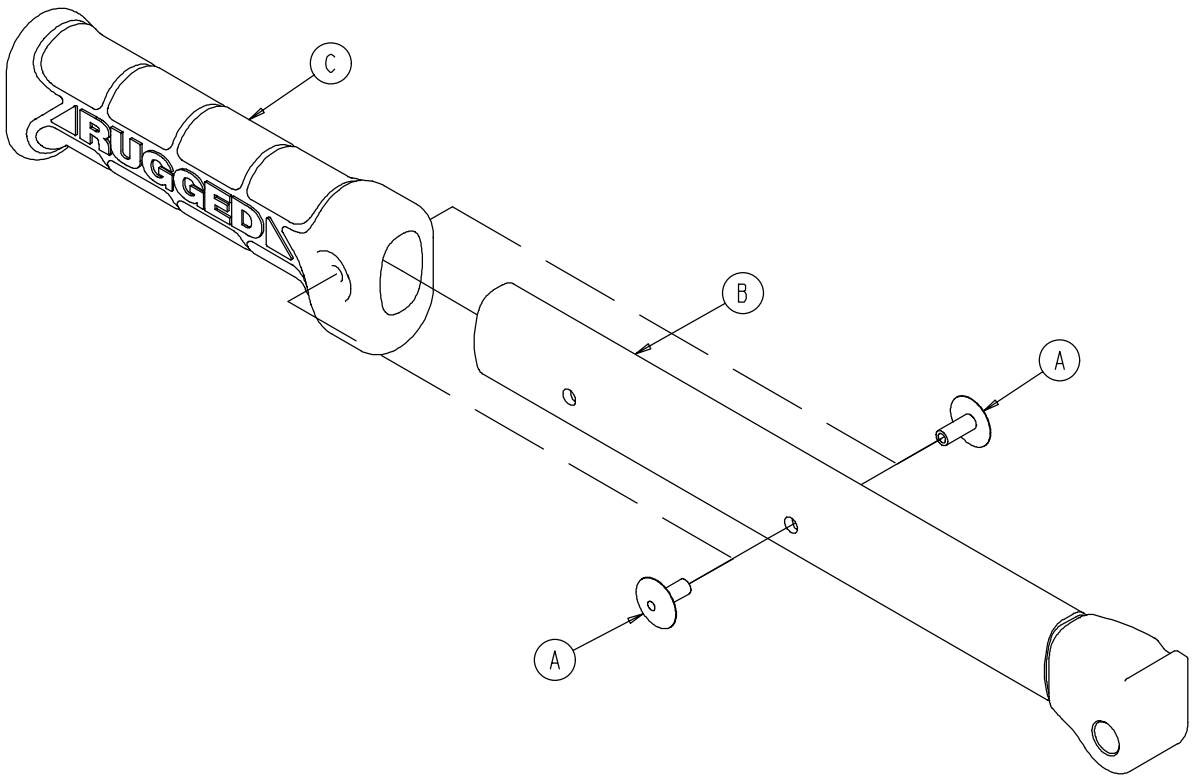
6254-001-013 Rev A (Reference Only)



Item	Part No.	Part Name	Qty.
A	0025-120-000	Rivet	4
B	6080-110-035	Clip	2
C	6254-001-056	Seat Frame	1
D	6250-001-096	Foot/Seat Section End Cap	2

# Flip-Up Handle Assembly - 6250-001-016

Rev A



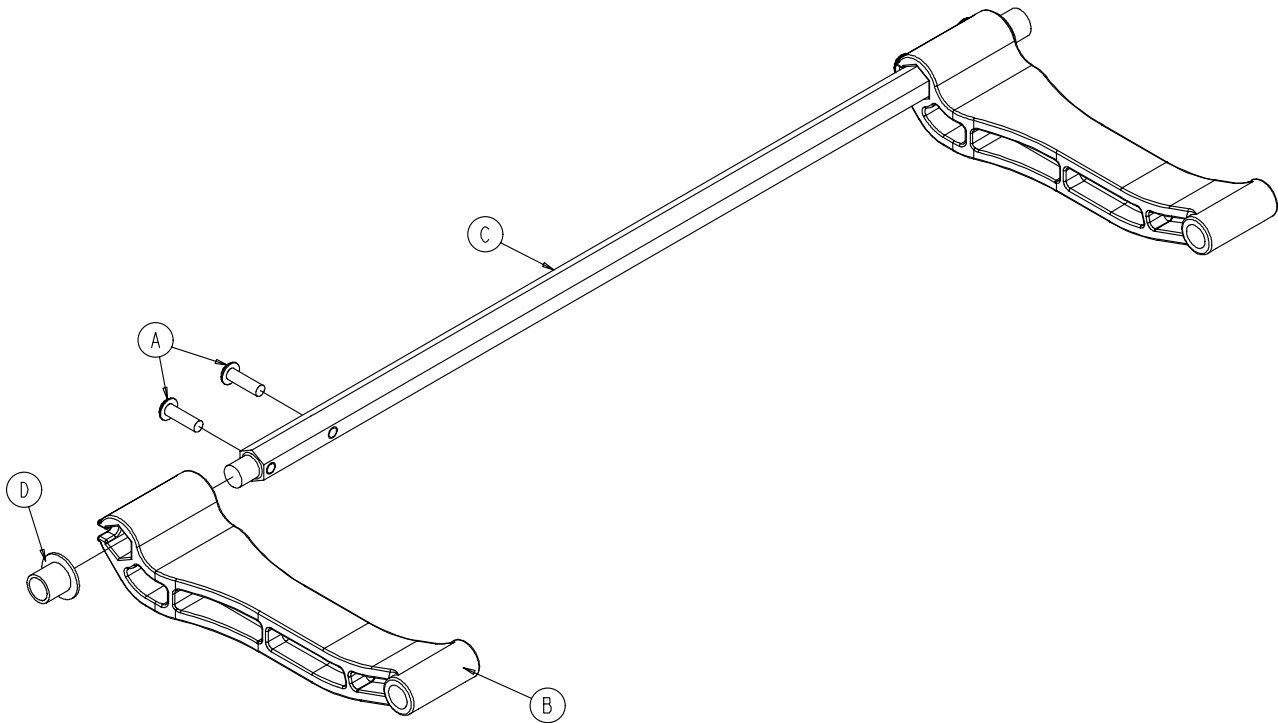
Item	Part No.	Part Name	Qty.
A	0025-132-000	Blind Rivet	2
B	6250-001-052	Flip-Up Handle Weldment	1
C	6250-001-089	Hand Grip	1

[Return To Table of Contents](#)

# Lock Mechanism Assembly

---

6250-001-017 Rev B (Reference Only)

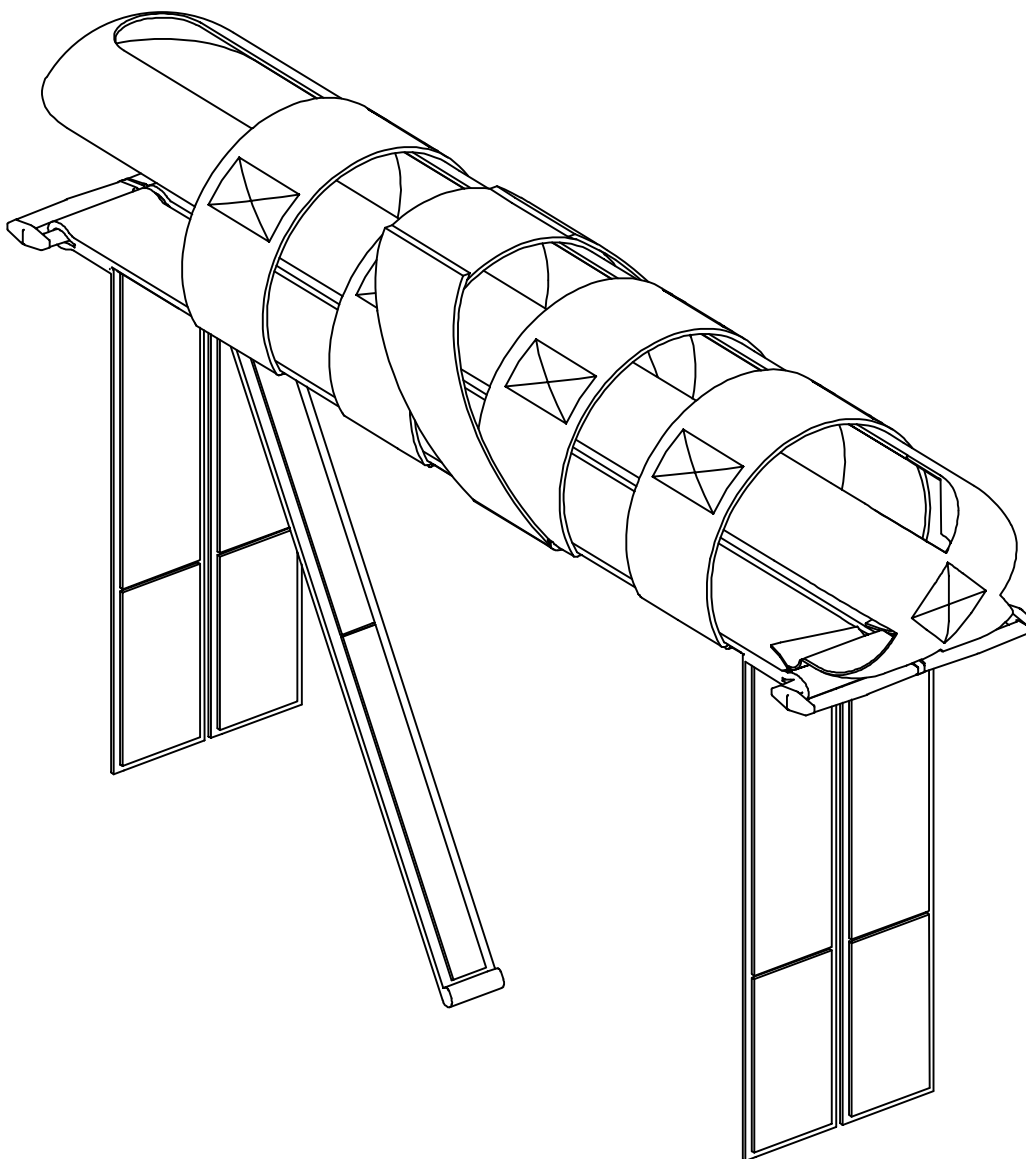


Item	Part No.	Part Name	Qty.
A	0004-515-000	Button Head Cap Screw	4
B	6250-001-094	Lock Mechanism Strut	2
C	6250-001-095	Cross Bar	1
D	6250-001-124	Flange Bearing	2



# Optional Elastic Oxygen Bottle Holder - 6250-140-000

Rev A



Item	Part No.	Part Name	Qty.
A	6250-140-080	Elastic Oxygen Bottle Holder	1

# Warranty

---

Stryker EMS, a division of the Stryker Corporation, offers two distinct warranty options in the United States:

**One (1) year parts and labor.** Under this option, Stryker EMS warrants to the original purchaser that its products should be free from manufacturing non-conformances that affect product performance and customer satisfaction for a period of one (1) year after date of delivery. Stryker's obligation under this warranty is expressly limited to supplying replacement parts and labor for, or replacing, at its option, any product that is, in the sole discretion of Stryker, found to be defective.

**Two (2) year parts.** Under this option, Stryker EMS warrants to the original purchaser that non-expendable components of its products should be free from manufacturing non-conformances that affect product performance and customer satisfaction for a period of two (2) years after date of delivery. Stryker's obligation under this warranty is expressly limited to supplying replacement parts for, or replacing, at its option, any product which is, in the sole discretion of Stryker, found to be defective. Expendable components, i.e. mattresses, restraints, I.V. poles, storage nets, storage pouches, Oxygen straps, and other soft goods, have a one (1) year limited warranty with this option.

Under either warranty option, the Stryker Evacuation Chair is designed for a 15 year expected life under normal use, conditions, and with appropriate periodic maintenance as described in the maintenance manual for each device. If Stryker requests, products or parts for which an original purchaser makes a warranty claim, the purchaser shall return the product or part prepaid freight to Stryker's factory.

Any improper use or alteration or repair by unauthorized service providers in such a manner as in Stryker's judgment affects the product materially and adversely, shall void this warranty. Any repair of Stryker products using parts not provided or authorized by Stryker shall void this warranty. No employee or representative of Stryker is authorized to change this warranty in any way.

This statement constitutes Stryker EMS's entire warranty with respect to the aforesaid equipment. STRYKER MAKES NO OTHER WARRANTY OR REPRESENTATION EITHER EXPRESSED OR IMPLIED, EXCEPT AS SET FORTH HEREIN. THERE IS NO WARRANTY OF MERCHANTABILITY AND THERE ARE NO WARRANTIES OF FITNESS FOR ANY PARTICULAR PURPOSE. IN NO EVENT SHALL STRYKER BE LIABLE HEREUNDER FOR INCIDENTAL OR CONSEQUENTIAL DAMAGES ARISING FROM OR IN ANY MANNER RELATED TO SALES OR USE OF ANY SUCH EQUIPMENT.

# Warranty

---

## **STRYKER EMS RETURN POLICY**

Cots, Stair Chairs, Evacuation Chairs, Cot Fasteners and Aftermarket Accessories may be returned up to 180 days of receipt if they meet the following guidelines:

### **Prior to 30 Days**

- 30 day money back guarantee in effect
- Stryker EMS is responsible for all charges
- Returns will not be approved on modified items

### **Prior to 90 Days**

- Product must be **unused, undamaged** and in the original packaging
- Customer is responsible for a 10% restocking fee

### **Prior to 180 Days**

- Product must be **unused, undamaged** and in the original packaging
- Customer is responsible for a 25% restocking fee

## **RETURN AUTHORIZATION**

Merchandise cannot be returned without approval from the Stryker Customer Service Department. An authorization number will be provided which must be printed on the returned merchandise. Stryker reserves the right to charge shipping and restocking fees on returned items.

**SPECIAL, MODIFIED, OR DISCONTINUED ITEMS NOT SUBJECT TO RETURN.**

## **DAMAGED MERCHANDISE**

ICC Regulations require that claims for damaged merchandise must be made with the carrier within fifteen (15) days of receipt of merchandise. **DO NOT ACCEPT DAMAGED SHIPMENTS UNLESS SUCH DAMAGE IS NOTED ON THE DELIVERY RECEIPT AT THE TIME OF RECEIPT.** Upon prompt notification, Stryker will file a freight claim with the appropriate carrier for damages incurred. Claim will be limited in amount to the actual replacement cost. In the event that this information is not received by Stryker within the fifteen (15) day period following the delivery of the merchandise, or the damage was not noted on the delivery receipt at the time of receipt, the customer will be responsible for payment of the original invoice in full.

Claims for any short shipment must be made within thirty (30) days of invoice.

## **INTERNATIONAL WARRANTY CLAUSE**

This warranty reflects U.S. domestic policy. Warranty outside the U.S. may vary by country. Please contact your local Stryker Medical representative for additional information.

## **PATENT INFORMATION**

Stryker products are covered by one or more of the following patents:

United States    6,648,343            D527,103

Other Patents Pending





**United States**

Stryker Medical  
3800 E. Centre Ave.,  
Portage, Michigan USA  
49002

<b>EC</b>	<b>REP</b>
-----------	------------

**European Representative**

Stryker France  
ZAC Satolas Green Pusignan  
Av. De Satolas Green  
69881 MEYZIEU Cedex  
France



**stryker**<sup>®</sup>