

Evacuation Chair

Maintenance Manual

REF 6254



Table of Contents

Warning/Caution/Note Definition	2
Summary of safety precautions	2
Introduction for service	3
Expected service life	3
Contact information	3
Serial number location	3
Preventive maintenance	4
Maintenance record	5
Training record	6
Service	7
Wheel locking force adjustment	7
Track belt reconditioning	7
Upper control handle cable replacement	9
Front caster replacement	10
Chair assembly	12
Main frame assembly	16
Upper extension handle assembly	19
Track frame assembly, standard belt	20
Track frame assembly, aggressive belt	22
Internal latch assembly - 6252-001-014	24
Internal latch assembly - 6252-001-015	25
Cable and pin assembly	26
Locking flip-up handle option - 6250-031-000	27
Foot section assembly	28
Extension handle assembly, right	29
Extension handle assembly, left	30
Footrest option - 6254-029-000	31
No footrest option - 6254-030-000	32
Foot support assembly	33
Seat section assembly	34
Flip-up handle assembly	35
Lock mechanism assembly	36
Elastic oxygen bottle holder option - 6250-140-000	37

Warning/Caution/Note Definition

The words **WARNING**, **CAUTION**, and **NOTE** carry special meanings and should be carefully reviewed.

WARNING

Alerts the reader about a situation which, if not avoided, could result in death or serious injury. It may also describe potential serious adverse reactions and safety hazards.

CAUTION

Alerts the reader of a potentially hazardous situation which, if not avoided, may result in minor or moderate injury to the user or patient or damage to the product or other property. This includes special care necessary for the safe and effective use of the device and the care necessary to avoid damage to a device that may occur as a result of use or misuse.

Note - Provides special information to make maintenance easier or important instructions clearer.

Summary of safety precautions

Always read and strictly follow the warnings and cautions listed on this page. Service only by qualified personnel.

WARNING

- Do not sand the track teeth. Deformation of the teeth can cause unpredictable chair performance resulting in injury to the operators and/or occupant.
-

Introduction for service

This manual assists you with the service of your Stryker product. Read this manual to service this product. This manual does not address the operation of this product. See the Operations Manual for operating and use instructions. To view your Operations Manual online, see <https://techweb.stryker.com/>.

Expected service life

The Evacuation Chair has a seven year expected service life under normal use conditions and with appropriate periodic maintenance.

Contact information

Contact Stryker Customer Service or Technical Support at: 1-800-327-0770.

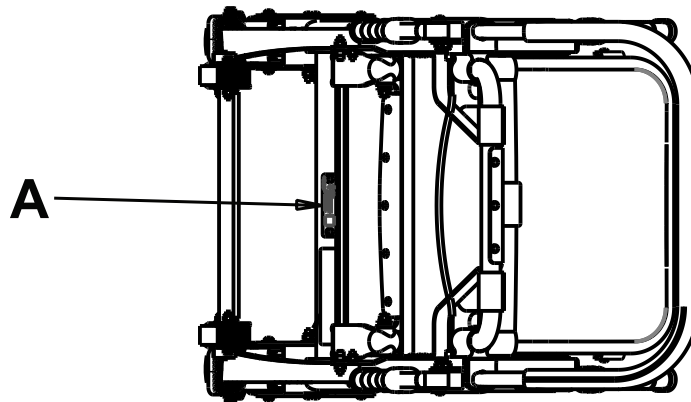
Stryker Medical
3800 E. Centre Avenue
Portage, MI 49002
USA

Note - The user and/or the occupant should report any serious product-related incident to both the manufacturer and the Competent authority of the European Member State where the user and/or occupant is established.

To view your operations or maintenance manual online, see <https://techweb.stryker.com/>.

Have the serial number (A) of your Stryker product available when calling Stryker Customer Service or Technical Support. Include the serial number in all written communication.

Serial number location



Preventive maintenance

Remove product from service before you perform the preventive maintenance inspection. Check all items listed during annual preventive maintenance for all Stryker Medical products. You may need to perform preventive maintenance checks more often based on your level of product usage. Service only by qualified personnel.

Note - Clean and disinfect the exterior of the support surface before inspection, if applicable.

Operation	Schedule	Procedure
Cleaning and disinfecting	Each use	See <i>Cleaning</i> in the Operations Manual
Inspection	Inspect chair every 6 months	See below for checklist
Stair-TREAD system belt reconditioning	After usage on approximately 500 flights of stairs or if the Stair-TREAD system performance is sluggish	See <i>Track belt reconditioning</i> in the Maintenance Manual

Inspect the following items:

- _____ All fasteners secure (reference all assembly drawings)
- _____ All welds intact, not cracked or broken
- _____ No bent or broken tubing or sheet metal
- _____ No debris in wheels
- _____ All wheels secure and rolling
- _____ Front casters secure, rolling, and swiveling (if equipped)
- _____ Wheel locks hold wheels securely when on and clear the wheels when off
- _____ Chair unfolds and locks properly
- _____ No rips or cracks in seat or backrest
- _____ Restraint straps intact and working
- _____ Foot end carrying handles extend and lock in place
- _____ Head end carrying handles fold and unfold
- _____ Upper control handle extends and locks in all positions
- _____ **Stair-TREAD** system mechanism unfolds and locks in place (if equipped)
- _____ **Stair-TREAD** system belt rolls (if equipped)
- _____ **Stair-TREAD** system belt inner cords not showing; replace if necessary (if equipped)
- _____ **Stair-TREAD** system performs as desired; recondition belts if necessary (if equipped)
- _____ No lubricants present on the **Stair-TREAD** system belts or the track frame surfaces
- _____ Upper release handle cable not worn or frayed; replace if necessary
- _____ Optional accessories and parts intact and operating properly

Product serial number:
Completed by:
Date:

Service

Wheel locking force adjustment

Tools required:

- 5/32" hex wrench
- 7/16" combination wrench or socket

Procedure:

1. Using the 5/32" hex wrench and 7/16" combination wrench or socket, remove the socket screw from the center of the lock pedal. Save the screw. The wheel lock is initially assembled with the pedal set at the minimum locking force. The marker on the pedal (A) is aligned with the marker on the octagonal sleeve (B) (*Wheel locking force adjustment (page 7)*).
2. Remove the sleeve (B). Rotate the sleeve counterclockwise to increase the pedal locking force and clockwise to decrease the locking force. Insert the sleeve into the pedal (*Wheel locking force adjustment (page 7)*).
3. Using the 5/32" hex wrench and 7/16" combination wrench or socket, reinstall the socket screw (removed in step 1).
4. Test the pedal locking force and make sure that the pedal holds before you return the product to service.

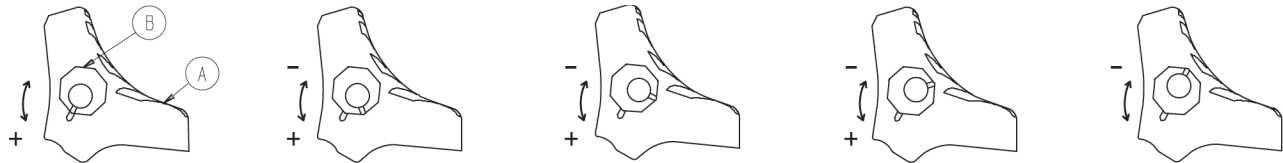


Figure 1 – Wheel locking force adjustment

Track belt reconditioning

Tools required:

- (2) 7/16" wrenches
- Permanent marker
- 50 grit sandpaper
- Sanding block

Procedure:

1. Extend the upper control handle, open the **Stair-TREAD** system tracks and tip the chair forward until it rests on the handle and the seat section (Figure 2).
2. Using two 7/16" wrenches, remove the hex head bolt, hex nut, two washers, spacer, and wheel from both sides of the track frame. Remove the wheel and spacer down in the direction of the floor (Figure 3). Save all parts.



Figure 2 – Tip the chair forward

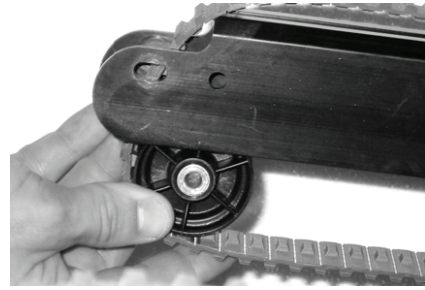


Figure 3 – Remove the wheel spacer in the direction of the floor

3. Turn both belts over so the small internal teeth are on the outside. Put the belts on the track frame for support while you sand them.

Note - New track belts must be installed if the inner cords are exposed on the wear surfaces.

4. For a start/end point reference, use a permanent marker to color a tooth on the belt (Figure 4).



Figure 4 – Mark a belt tooth for reference

5. Using a sanding block with 50 grit sandpaper, sand both wear surfaces on the outside edges of each belt. The purpose is to roughen the surface of the belt just enough to remove the shiny spots caused by normal wear. Do not over sand the belts (Figure 5 and Figure 6).

WARNING - Do not sand the track teeth. Deformation of the teeth can cause unpredictable chair performance resulting in injury to the operators and/or occupant.

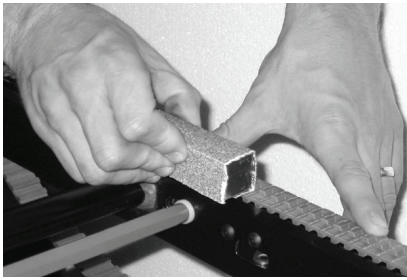


Figure 5 – Sand the wear surfaces

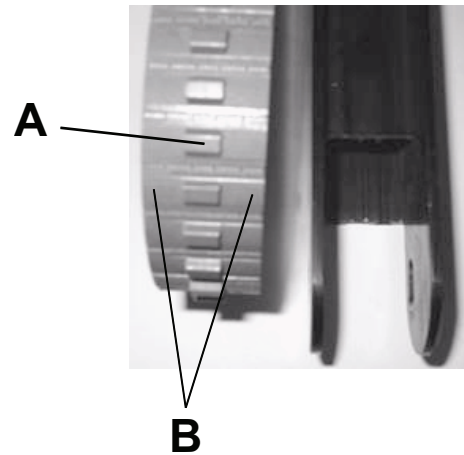


Figure 6 – Belt sanding surfaces

A: Do not sand track teeth

B: Belt sanding surfaces

6. Remove all sanding debris from the belts and the track frame.
7. Turn both belts back over so the large teeth are on the outside.
8. Using two 7/16" wrenches, replace the hex head bolt, hex nut, two washers, spacer, and wheel on both sides of the track frame.
9. Use two 7/16" wrenches to apply the desired tension to each belt and tighten securely (Figure 7).

Note - To check the tension, pull up on the center of the belt until it is taut. The gap between the belt and the track frame should measure between 3/8" and 1" (Figure 8).

10. Spin the belts to make sure that they roll freely.



Figure 7 – Use wrenches to apply tension to the belt

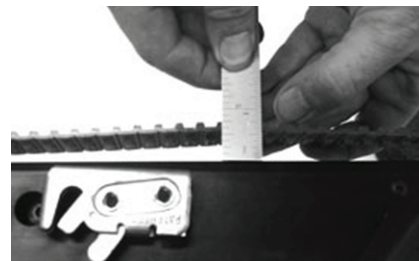


Figure 8 – Proper belt tension

11. Verify proper operation before you return the product to service.

Upper control handle cable replacement

Tools required:

- 5/8" wrench

Procedure:

1. Pull the cable and raise the extendable upper control handle to the fully extended position (Figure 9).
2. Using a 5/8" wrench, remove one side of the cable (Figure 10).



Figure 9 – Raise the extendable upper control handle

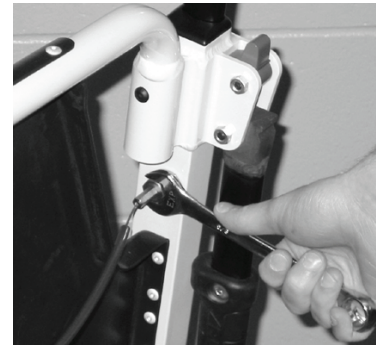


Figure 10 – Remove one side of the cable

3. Place the washer on the end of the new cable (Figure 11).
4. Using a 5/8" wrench, attach one side of the new cable to the chair frame in the hole where the old cable was removed (Figure 12).



Figure 11 – Place the washer on the new cable



Figure 12 – Attach one side of the new cable

5. Repeat steps 2-4 for the other end of the cable.
6. Verify proper operation before you return the product to service.

Front caster replacement

Tools required:

- 3/4" combination wrench
- 3/8" hex wrench with ball end

Procedure:

1. Lay the chair on its back.
2. Using a 3/4" combination wrench and a 3/8" hex wrench with ball end, remove the Nylock hex nut (A) that secures the caster assembly (B) to the foot section (C) (Figure 13). Discard the caster assembly and nut.

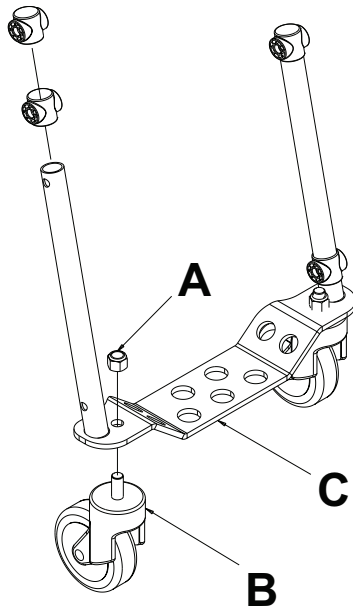
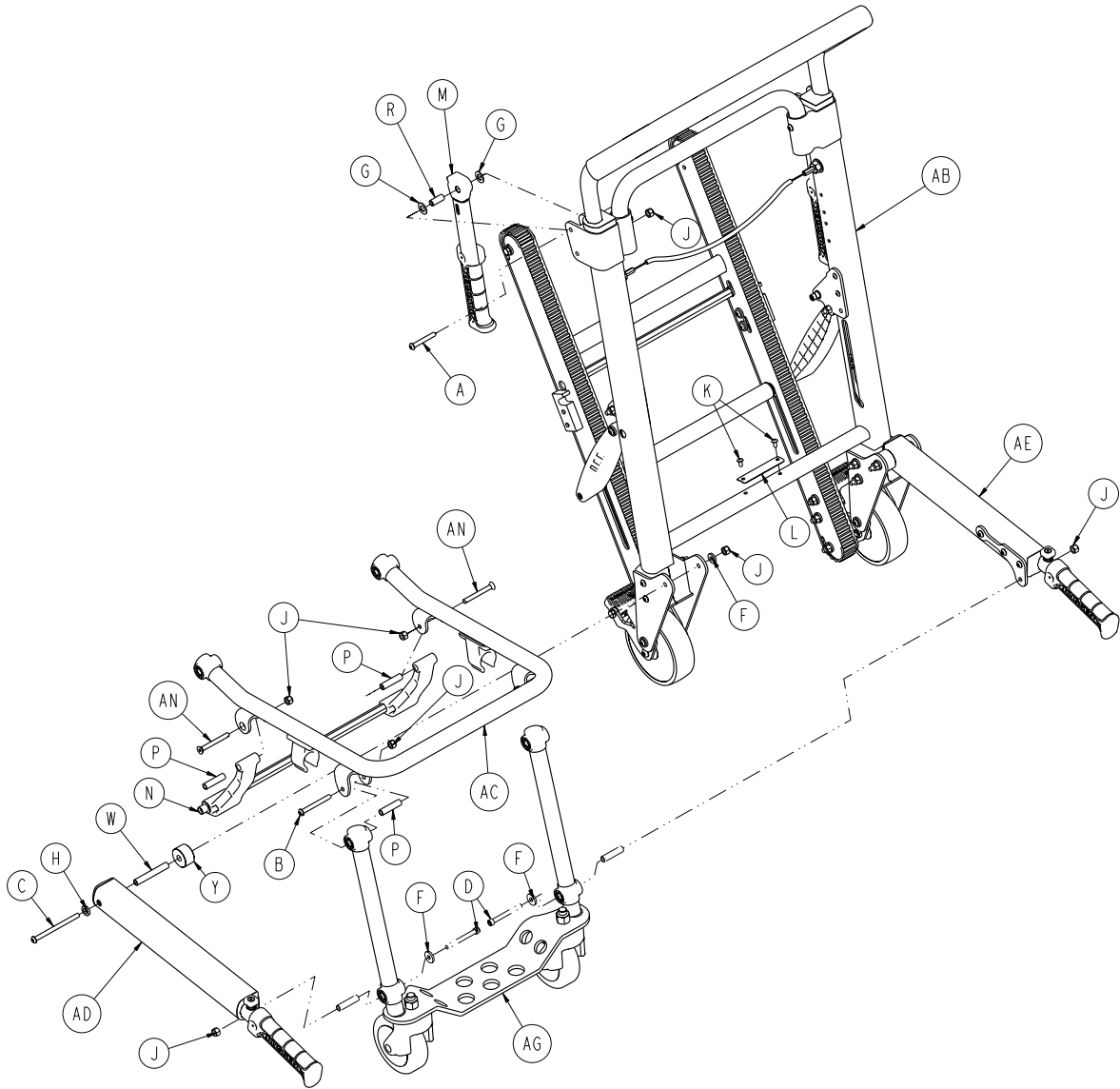


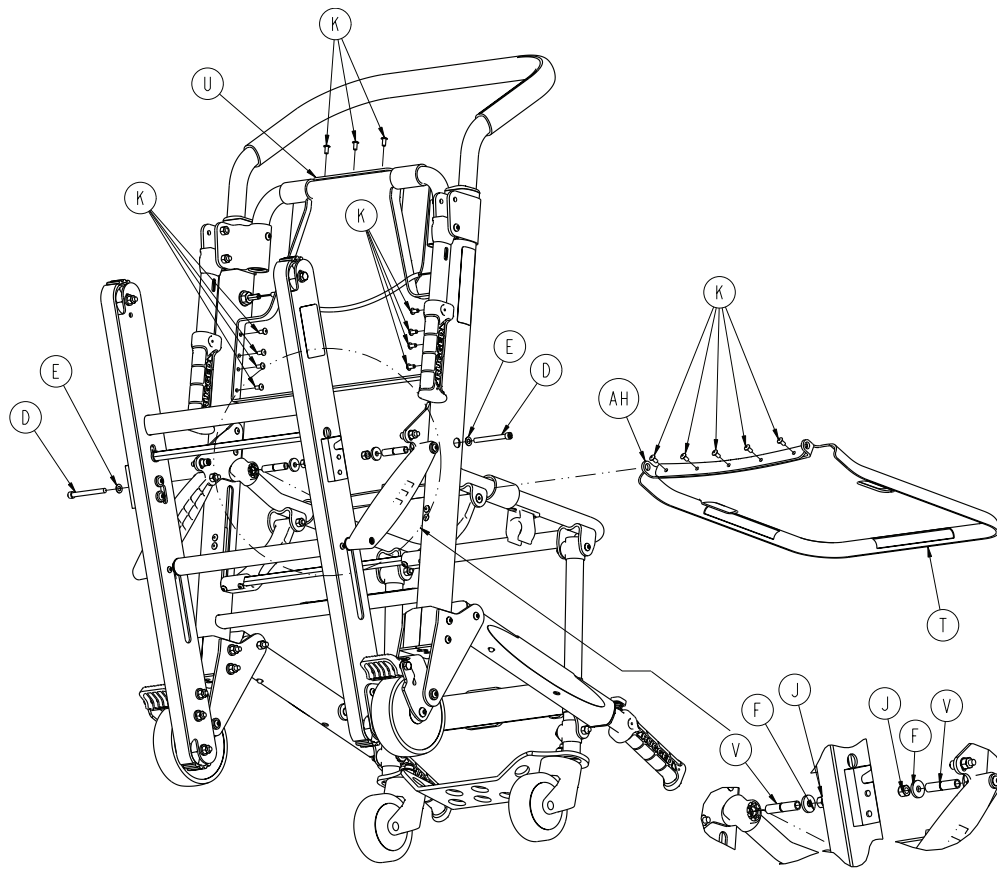
Figure 13 – Remove castor assembly

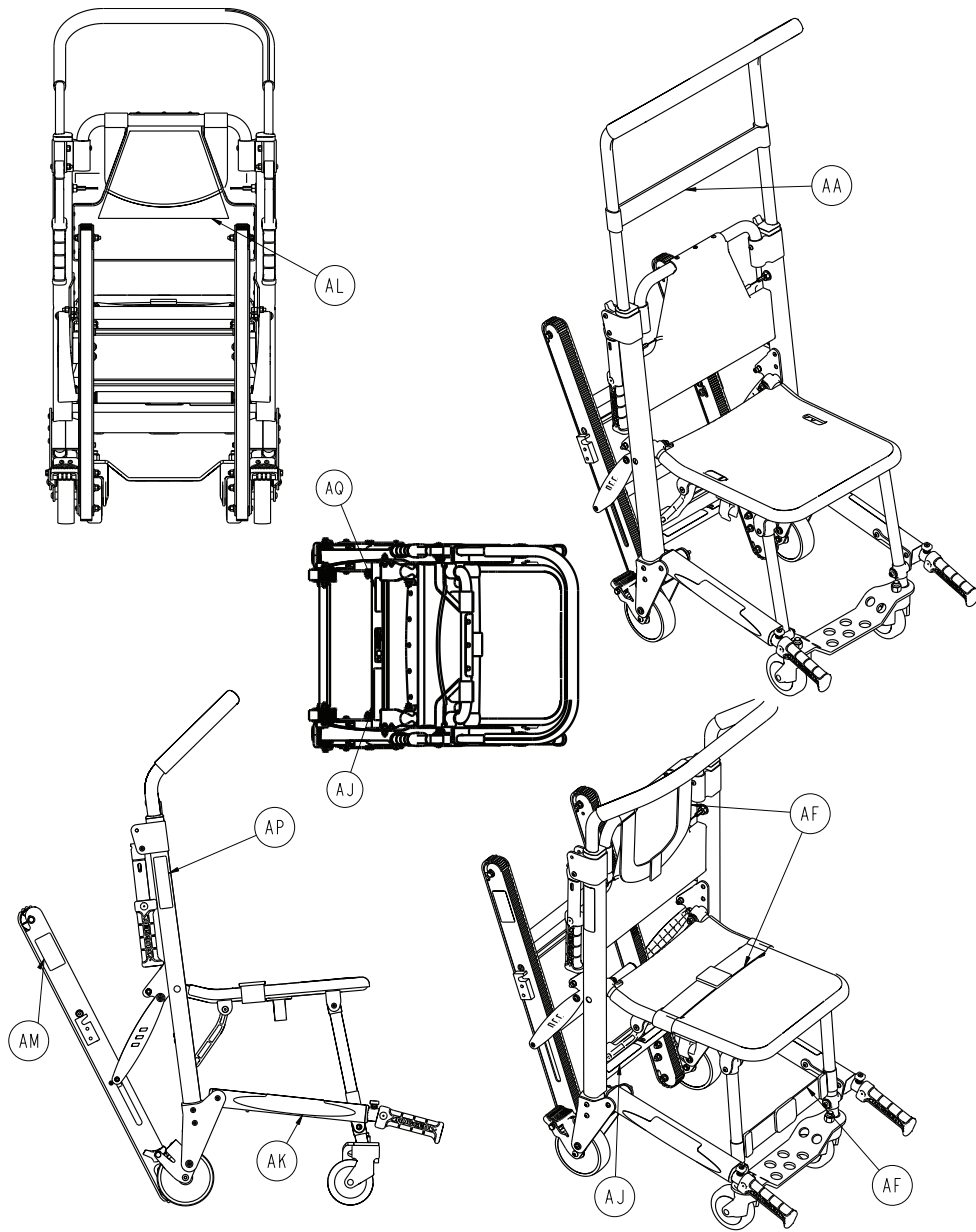
3. Reverse steps to install the supplied castor assembly and the supplied Nylock hex nut.
4. Verify proper operation before you return the product to service.

Chair assembly

6254-001-005 Rev AA (Reference only)





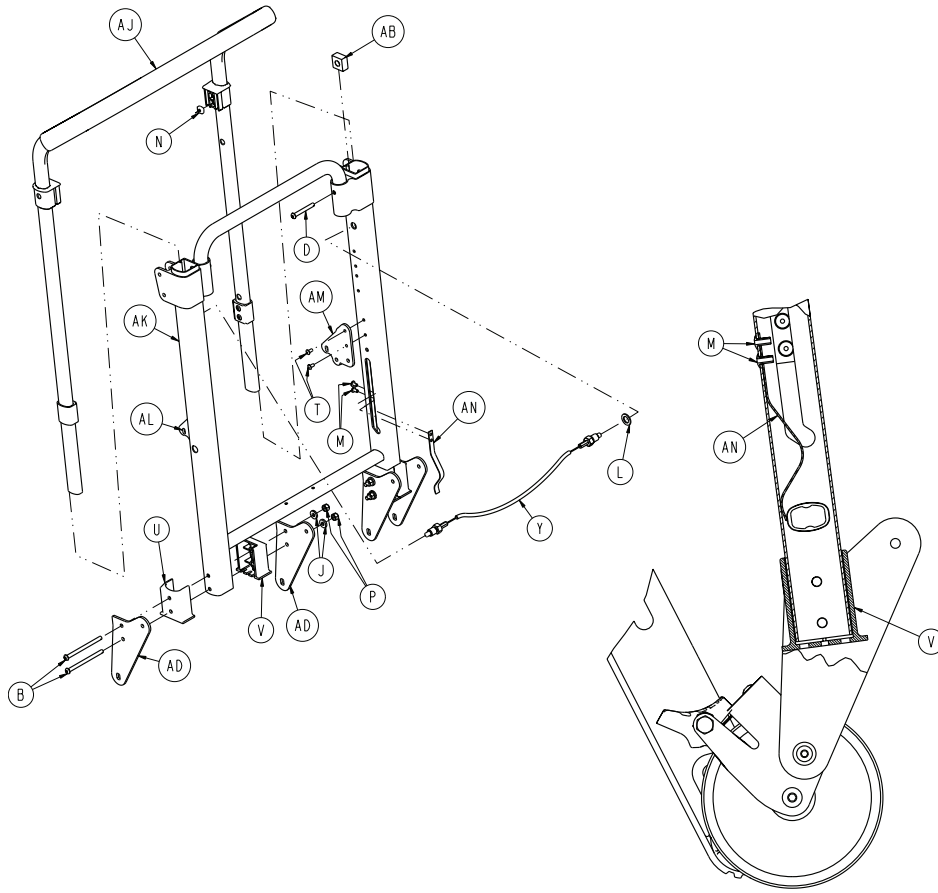


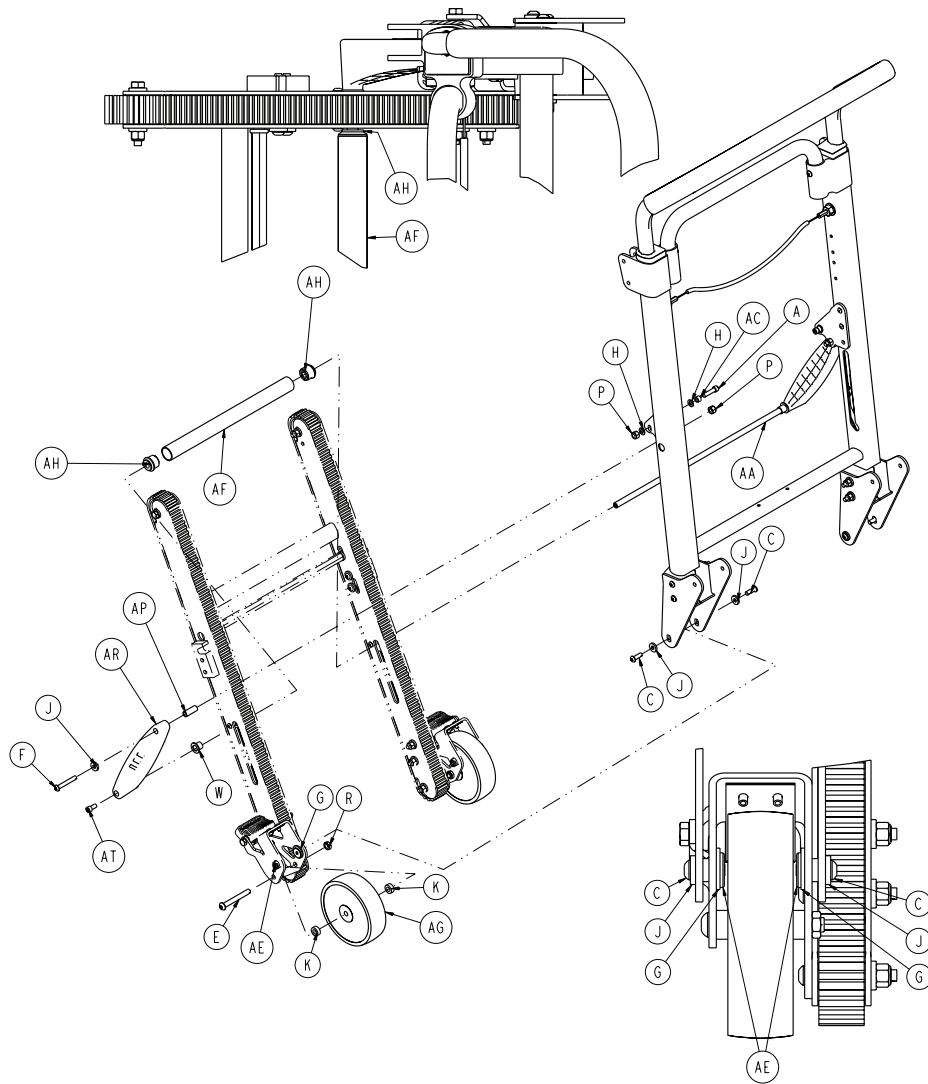
Item	Number	Name	Quantity
A	0004-204-000	Button head cap screw	2
B	0004-163-000	Button head cap screw	2
C	0004-235-000	Button head cap screw	2
D	0004-517-000	Socket head cap screw	4
E	0011-064-000	Washer	2
F	0011-209-000	Washer	6
G	0014-020-000	Washer	4
H	0014-099-000	Washer	2
J	0016-028-000	Nylock hex nut	12
K	0025-172-000	Blind rivet	18
L	6254-001-926	6254 serial number tag	1
M	6250-001-016	Flip-up handle assembly (page 35)	2
N	6250-001-017	Lock mechanism assembly (page 36)	1
P	6250-001-098	Pivot spacer	4

Item	Number	Name	Quantity
R	6250-001-111	Flip-up handle pivot spacer	2
T	6250-001-115	Plastic seat	1
U	6250-001-116	Plastic backrest	1
V	6250-001-128	Pivot spacer	2
W	6250-001-129	Pivot spacer	2
Y	6250-001-133	Extended handle locator spacer	2
AA	6254-001-222	Head support	1
AB	6254-101-011	<i>Main frame assembly (page 16)</i>	1
AC	6254-001-013	<i>Seat section assembly (page 34)</i>	1
AD	6254-001-014	<i>Extension handle assembly, right (page 29)</i>	1
AE	6254-001-015	<i>Extension handle assembly, left (page 30)</i>	1
AF	6253-001-018	Restraint strap set	1
AG	6254-001-025	<i>Foot section assembly (page 28)</i>	1
AH	6254-001-099	Seat support bracket	1
AJ	6254-001-137	Label, 6254 specification	1
AK	6254-001-163	Label, Evacuation	2
AL	6253-001-156	Label, instruction	1
AM	6252-001-139	Label, do not lubricate	2
AN	0001-167-000	Flat head socket screw	2
AP	6254-001-139	Label, Stryker	2
AQ	639000010901	Label, EAR	1

Main frame assembly

6254-101-011 Rev A (Reference only)



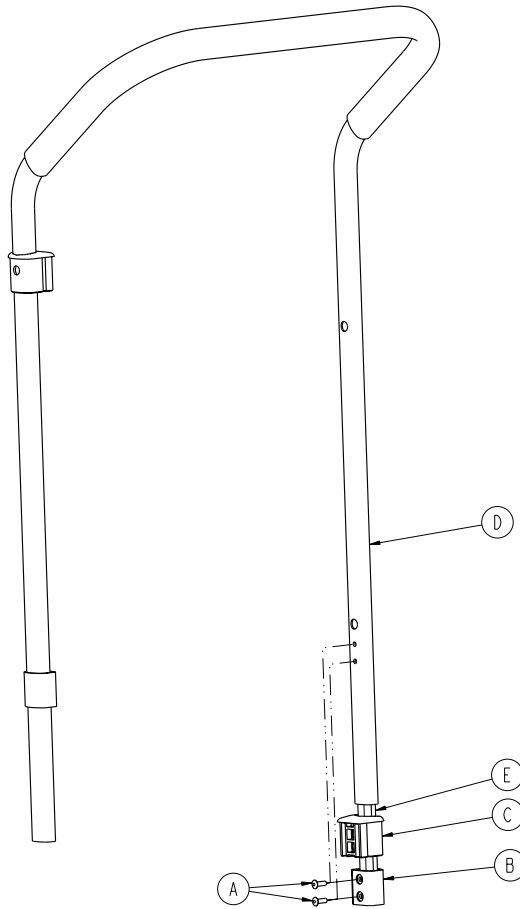


Item	Number	Name	Quantity
A	0004-028-000	Socket head cap screw	2
B	0004-235-000	Button head cap screw	4
C	0004-468-000	Button head cap screw	4
D	0004-511-000	Button head cap screw	2
E	0004-512-000	Button head cap screw	2
F	0004-204-000	Button head cap screw	2
G	0011-045-000	Washer	4
H	0011-064-000	Washer	4
J	0011-209-000	Washer	10
K	0011-423-000	Spacer	4
L	0011-455-000	Washer	2
M	0025-079-000	Blind rivet	4
N	0015-016-000	Square nut	2
P	0016-028-000	Nylock nut	8
R	0016-316-000	Centerlock hex jam nut	2
T	0025-172-000	Blind rivet	4
U	6250-001-102	Wheel support spacer, outer	2
V	6250-001-103	Wheel support spacer, inner	2

Item	Number	Name	Quantity
W	6250-001-124	Flange bearing	2
Y	6252-001-016	<i>Cable and pin assembly (page 26)</i>	1
AA	6252-001-089	Track support crossbar	1
AB	6252-001-094	Upper extension handle dead stop	2
AC	6252-001-096	Track lock post	2
AD	6252-001-104	Wheel support stamping	4
AE	6252-001-106	Track spacer pivot	4
AF	6252-001-113	Track tube spacer	1
AG	6252-001-114	5" wheel	2
AH	6252-001-120	Track sleeve spacer	2
AJ	6253-001-012	<i>Upper extension handle assembly (page 19)</i>	
AK	6254-001-055	Frame weldment	1
AL	6254-001-124	Track support offset bracket	1
AM	6254-001-125	Track support offset bracket	1
AN	6250-001-118	Lock mechanism retaining spring	2
AP	6254-001-084	Track support strut spacer	2
AR	6254-001-088	Track support strut	2
AT	0004-514-000	Socket head cap screw	2

Upper extension handle assembly

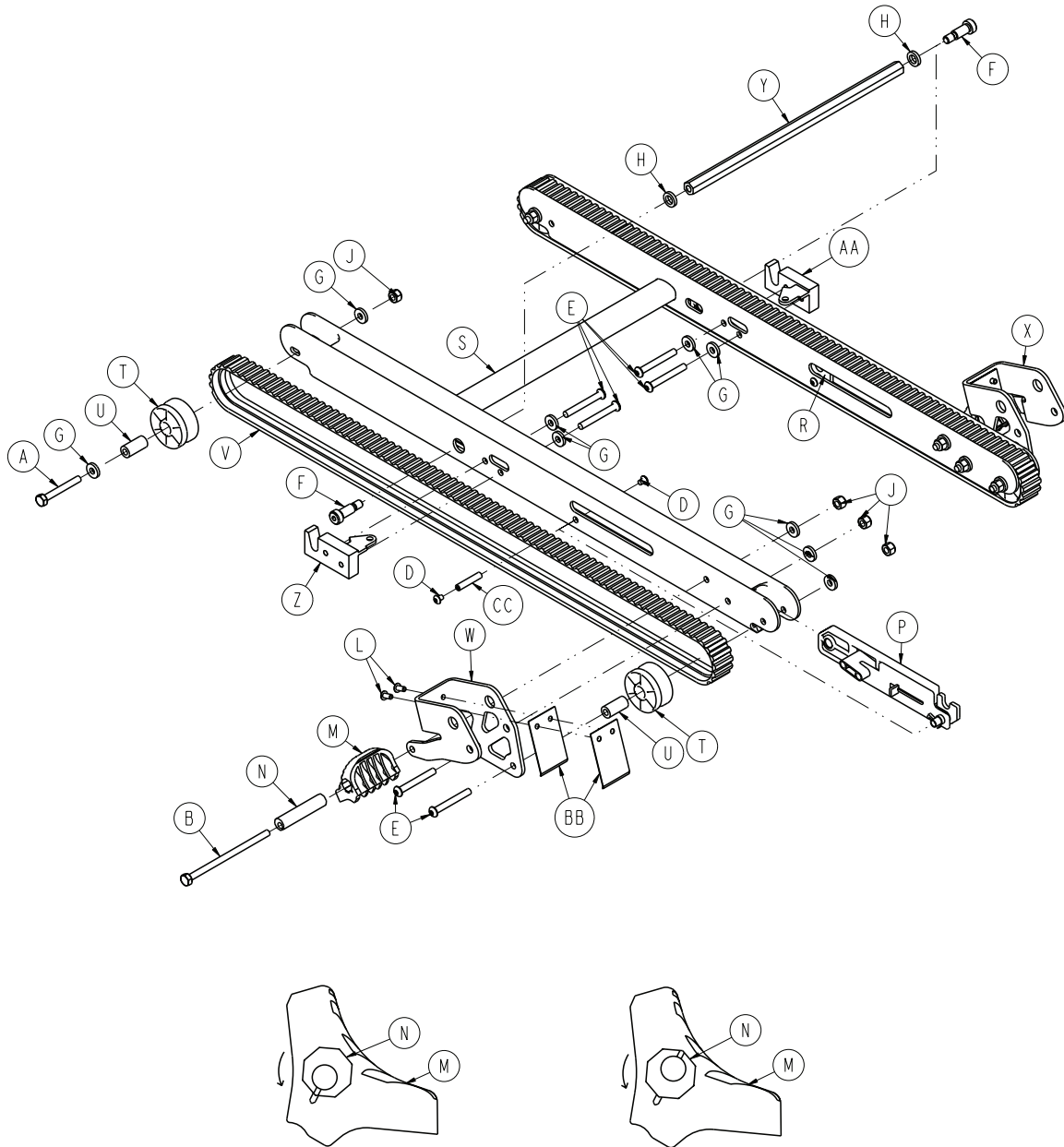
6253-001-012 Rev B (Reference only)



Item	Number	Name	Quantity
A	0025-133-000	Blind rivet	4
B	6250-001-085	Internal slide bushing	2
C	6250-001-087	Outer extension handle bushing	2
D	6253-001-090	Upper internal handle	1
E	6253-001-145	Handle reinforcer	2

Track frame assembly, standard belt

6252-001-013 Rev E (Reference only)

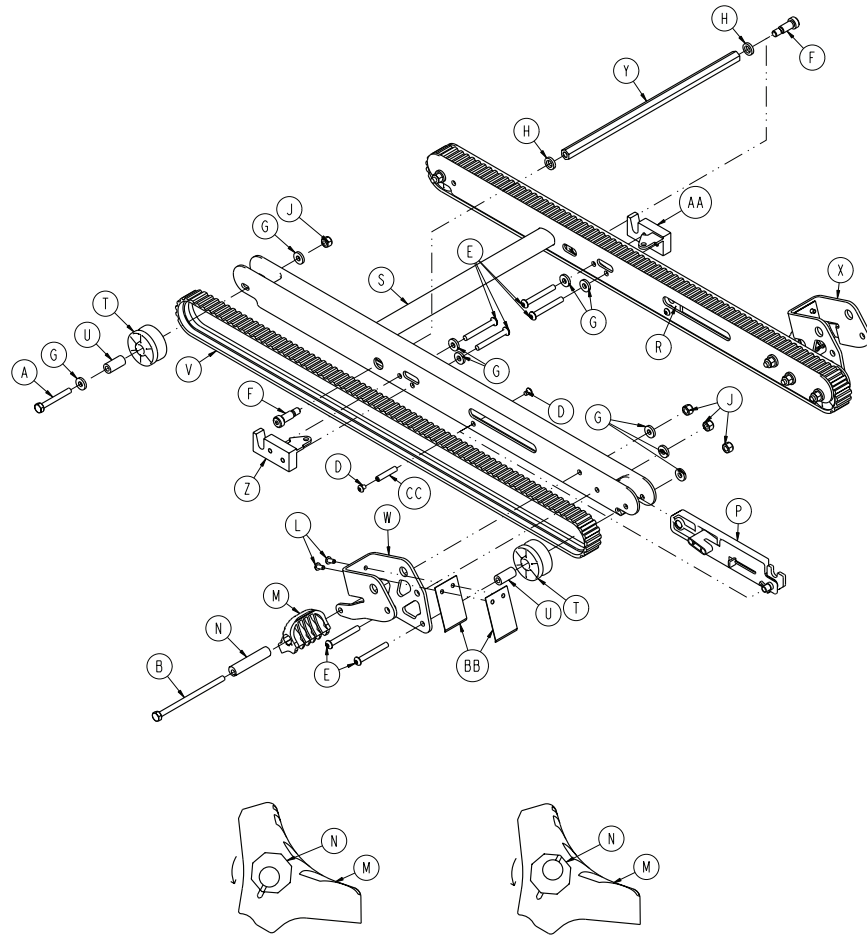


Item	Number	Name	Quantity
A	0003-358-000	Hex head cap screw	2
B	0003-365-000	Hex head cap screw	2
D	0004-483-000	Button head cap screw	4
E	0004-511-000	Button head cap screw	8
F	0008-063-000	Socket head cap screw	2
G	0011-209-000	Washer	14
H	0014-099-000	Washer	2
J	0016-028-000	Hex nut	8
L	0025-172-000	Blind rivet	4
M	6080-300-030	Adjustable caster lock pedal	2
N	6080-200-041	Hex sleeve	2

Item	Number	Name	Quantity
P	6252-001-014	<i>Internal latch assembly - 6252-001-014</i> (page 24)	1
R	6252-001-015	<i>Internal latch assembly - 6252-001-015</i> (page 25)	1
S	6252-001-050	Track frame weldment	1
T	6252-001-083	Track belt roller	4
U	6252-001-084	Track belt roller spacer	4
V	6252-001-085	Track belt	2
W	6252-001-102	Wheel support stamping	1
X	6252-001-103	Wheel support stamping	1
Y	6252-001-105	Lock mechanism crossbar	1
Z	6252-001-110	Latch	1
AA	6252-001-111	Latch	1
BB	6252-001-112	Spring	4
CC	6252-001-121	Lock pivot internal spacer	2

Track frame assembly, aggressive belt

6253-001-020 Rev B (Reference only)

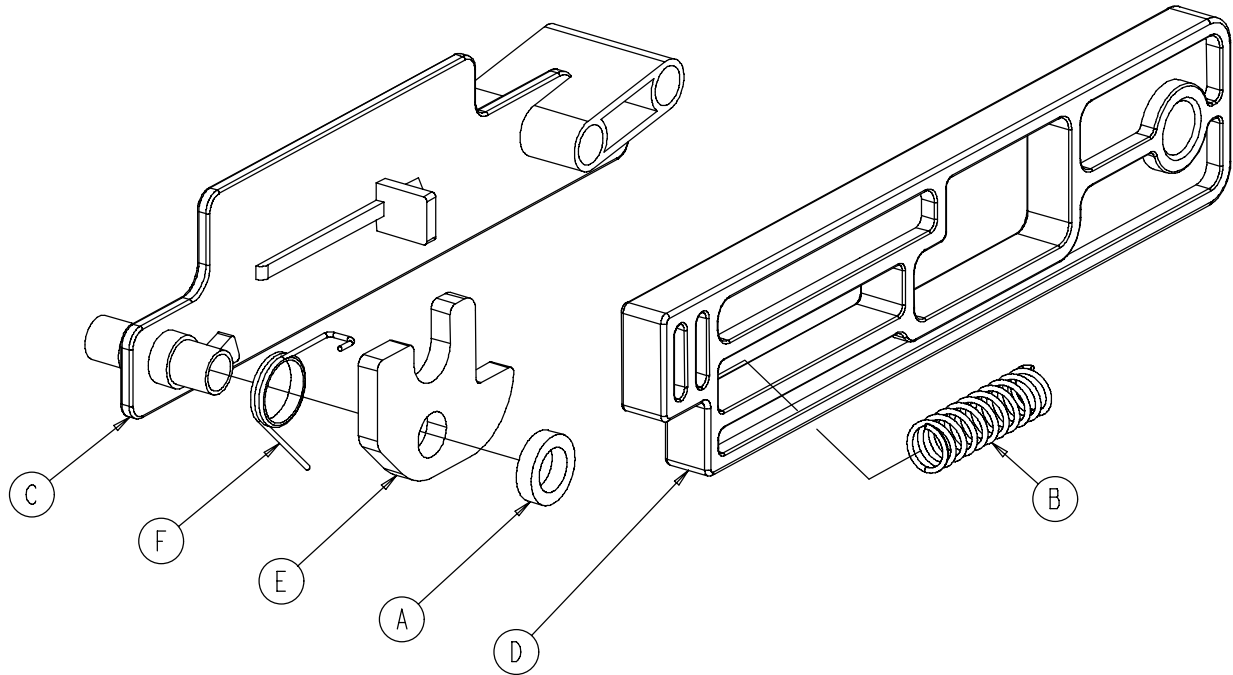


Item	Number	Name	Quantity
A	0003-358-000	Hex head cap screw	2
B	0003-365-000	Hex head cap screw	2
D	0004-483-000	Button head cap screw	4
E	0004-511-000	Button head cap screw	8
F	0008-063-000	Socket head cap screw	2
G	0011-209-000	Washer	14
H	0014-099-000	Washer	2
J	0016-028-000	Hex nut	8
L	0025-172-000	Blind rivet	4
M	6080-300-030	Adjustable caster lock pedal	2
N	6080-200-041	Hex sleeve	2
P	6252-001-014	Internal latch assembly - 6252-001-014 (page 24)	1
R	6252-001-015	Internal latch assembly - 6252-001-015 (page 25)	1
S	6252-001-050	Track frame weldment	1
T	6252-001-083	Track belt roller	4
U	6252-001-084	Track belt roller spacer	4
V	6253-001-085	Aggressive thread track belt	2

Item	Number	Name	Quantity
W	6253-001-102	Wheel support bracket, right	1
X	6253-001-103	Wheel support bracket, left	1
Y	6252-001-105	Lock mechanism crossbar	1
Z	6252-001-110	Latch	1
AA	6252-001-111	Latch	1
BB	6252-001-112	Spring	4
CC	6252-001-121	Lock pivot internal spacer	2

Internal latch assembly - 6252-001-014

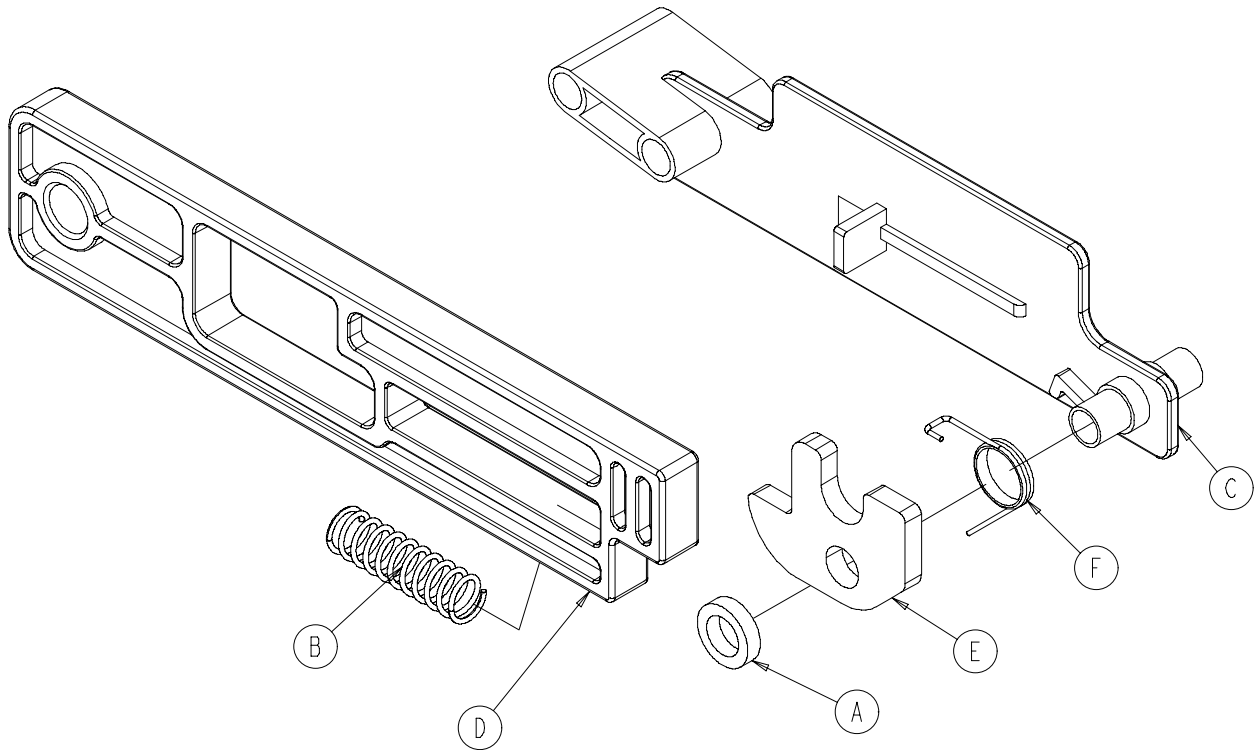
Rev B (Reference only)



Item	Number	Name	Quantity
A	0014-098-000	Washer	1
B	0038-506-000	Compression spring	1
C	6252-001-097	Latch retainer block	1
D	6252-001-098	Latch release slide	1
E	6252-001-099	Track latch lock	1
F	6252-001-101	Single spring	1

Internal latch assembly - 6252-001-015

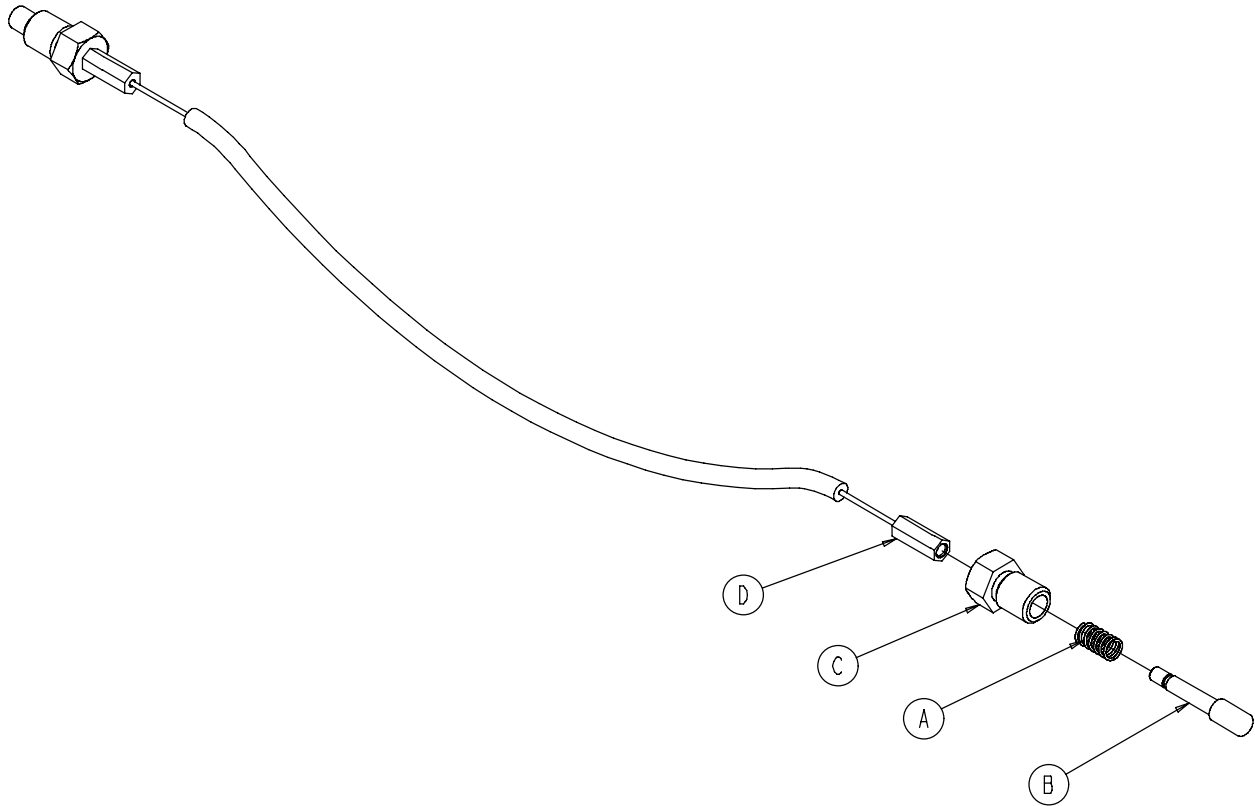
Rev B (Reference only)



Item	Number	Name	Quantity
A	0014-098-000	Washer	1
B	0038-506-000	Compression spring	1
C	6252-001-097	Latch retainer block	1
D	6252-001-098	Latch release slide	1
E	6252-001-099	Track latch lock	1
F	6252-001-100	Single spring	1

Cable and pin assembly

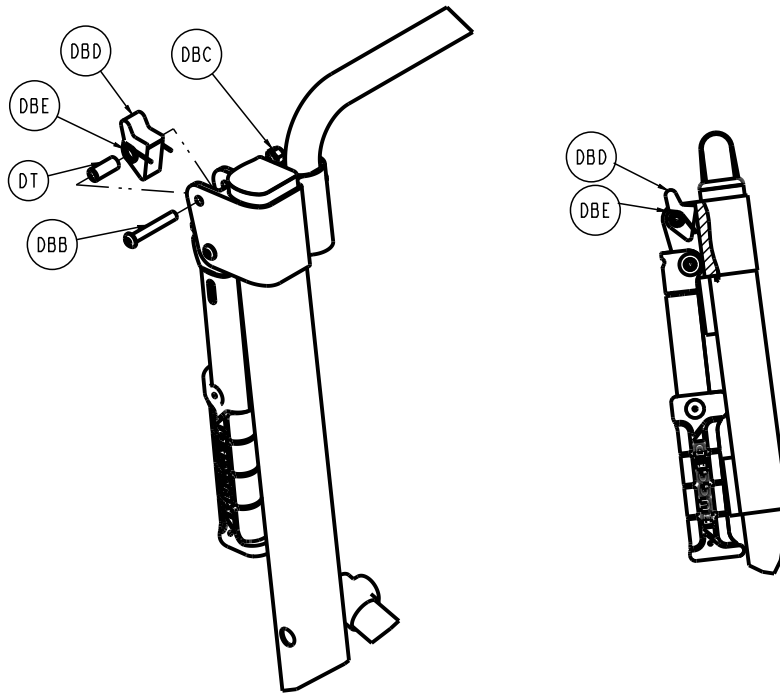
6252-001-016 Rev B (Reference only)



Item	Number	Name	Quantity
A	0038-507-000	Compression spring	2
B	6252-001-115	Pull pin	2
C	6252-001-116	Pull pin bolt	2
D	6252-001-119	Cable	1

Locking flip-up handle option - 6250-031-000

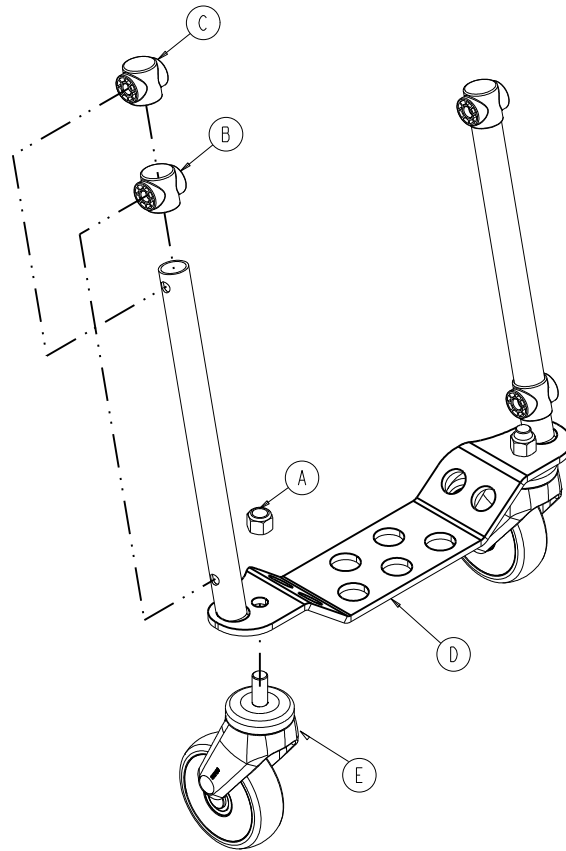
Rev E/6250-001-005 Rev AA (Reference only)



Item	Number	Name	Quantity
DT	6250-001-111	Flip-up handle pivot spacer	2
DBB	0004-204-000	Button head cap screw	2
DBC	0016-028-000	Nylock nut	2
DBD	6250-001-113	Flip-up handle trigger	2
DBE	6250-001-114	Single spring	2

Foot section assembly

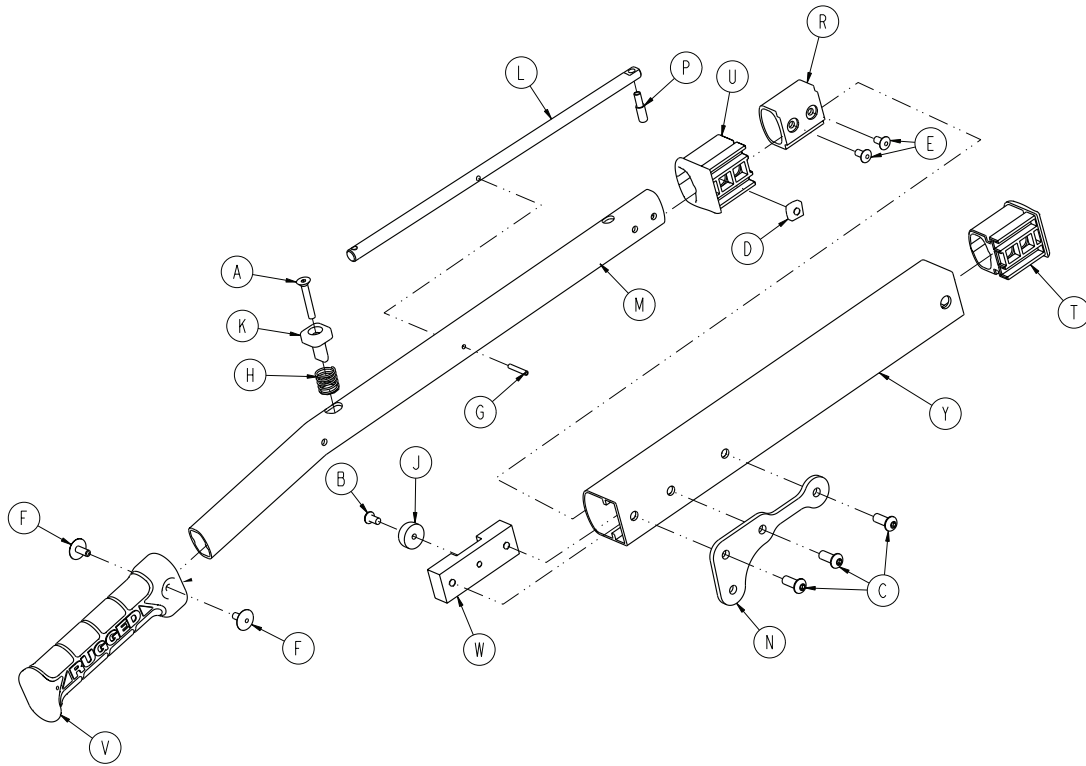
6254-001-025 Rev AA (Reference only)



Item	Number	Name	Quantity
A	0016-064-000	Nylock hex nut	2
B	6250-001-090	Foot section end cap	2
C	6250-001-096	Foot/seat section end cap	2
D	6254-001-050	Foot section weldment	1
E	625100010083	Caster	2

Extension handle assembly, right

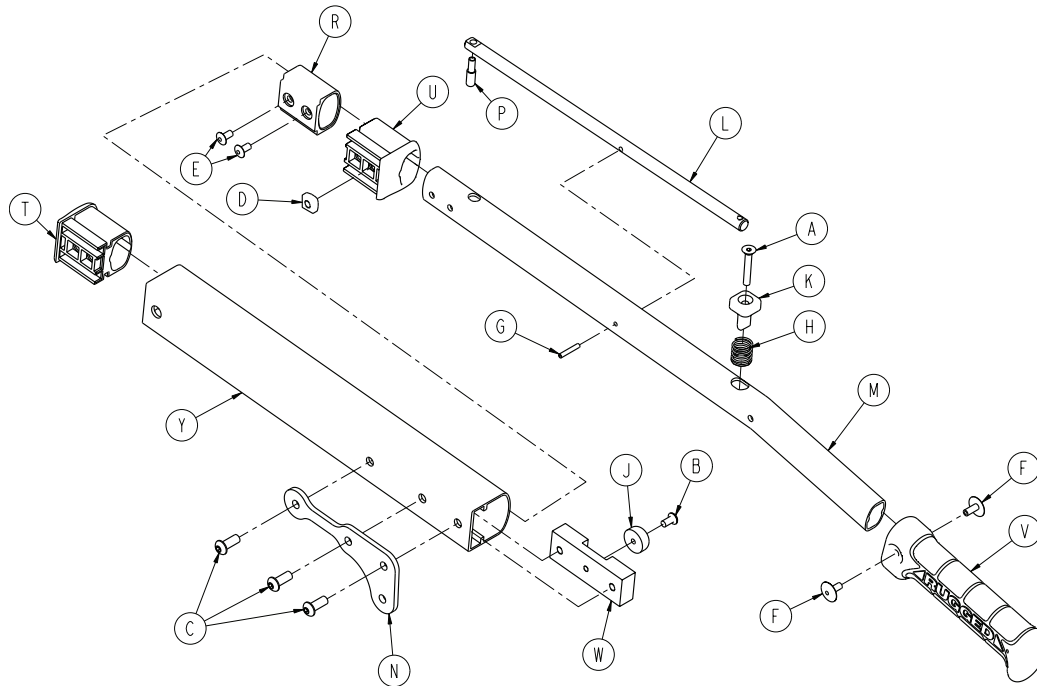
6254-001-014 Rev A (Reference only)



Item	Number	Name	Quantity
A	0001-138-000	Flat head socket screw	1
B	0004-136-000	Button head cap screw	1
C	0004-509-000	Button head cap screw	3
D	0015-016-000	Square nut	1
E	0025-079-000	Blind rivet	2
F	0025-132-000	Blind rivet	2
G	0026-323-000	Coiled spring pin	1
H	0038-462-000	Compression spring	1
J	0056-022-000	Bumper	1
K	6100-031-065	Handle extension push button	1
L	6250-001-080	Handle extension pivot lock lever	1
M	6250-001-081	Internal extension handle	1
N	6254-001-082	Extension handle pivot bracket	1
P	6250-001-083	Extension handle lock pin	1
R	6250-001-085	Internal slide bushing	1
S	6250-001-086	Outer extrusion end cap	1
T	6250-001-087	Outer extension handle bushing	1
U	6250-001-089	Hand grip	1
V	6250-001-112	Extension handle dead stop	1
W	6254-001-121	Outer extension handle, right	1

Extension handle assembly, left

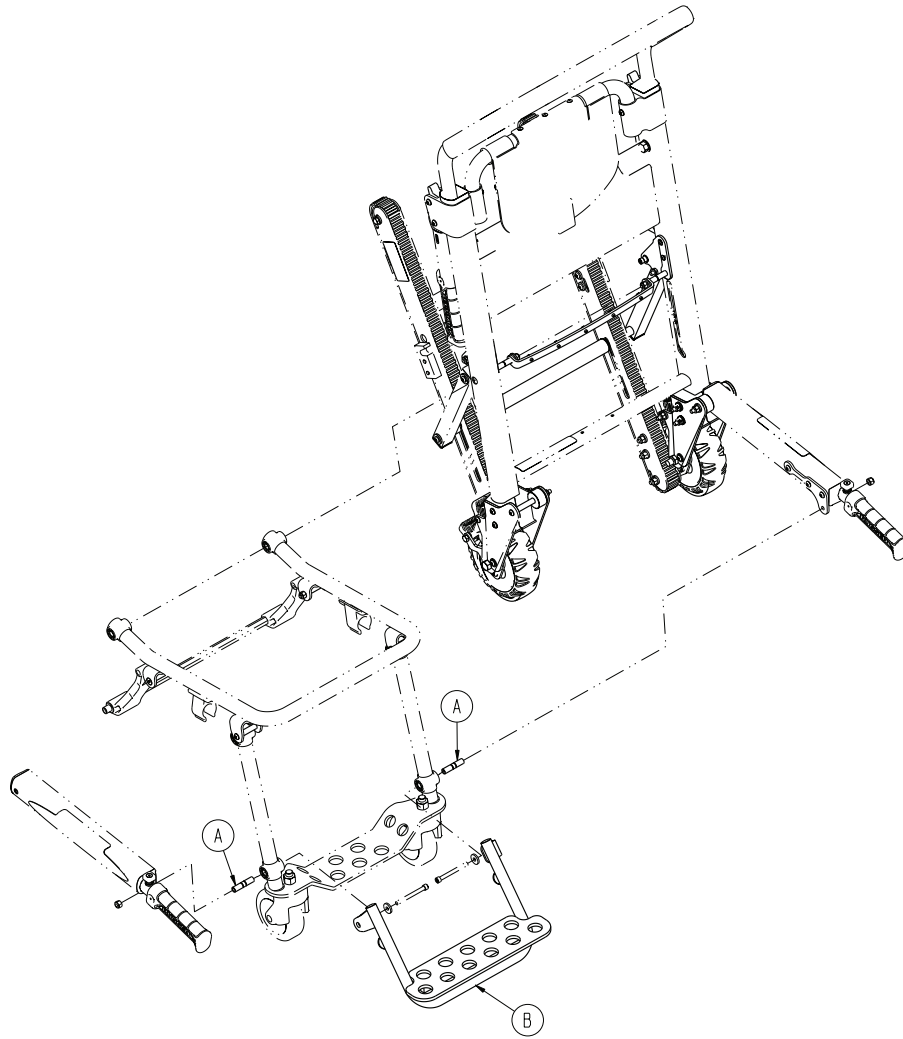
6254-001-015 Rev A (Reference only)



Item	Number	Name	Quantity
A	0001-138-000	Flat head socket screw	1
B	0004-136-000	Button head cap screw	1
C	0004-509-000	Button head cap screw	3
D	0015-016-000	Square nut	1
E	0025-079-000	Blind rivet	2
F	0025-132-000	Blind rivet	2
G	0026-323-000	Coiled spring pin	1
H	0038-462-000	Compression spring	1
J	0056-022-000	Bumper	1
K	6100-031-065	Handle extension push button	1
L	6250-001-080	Handle extension pivot lock lever	1
M	6250-001-081	Internal extension handle	1
N	6254-001-082	Extension handle pivot bracket	1
P	6250-001-083	Extension handle lock pin	1
R	6250-001-085	Internal slide bushing	1
S	6250-001-086	Outer extrusion end cap	1
T	6250-001-087	Outer extension handle bushing	1
U	6250-001-089	Hand grip	1
V	6250-001-112	Extension handle dead stop	1
W	6254-001-122	Outer extension handle, left	1

Footrest option - 6254-029-000

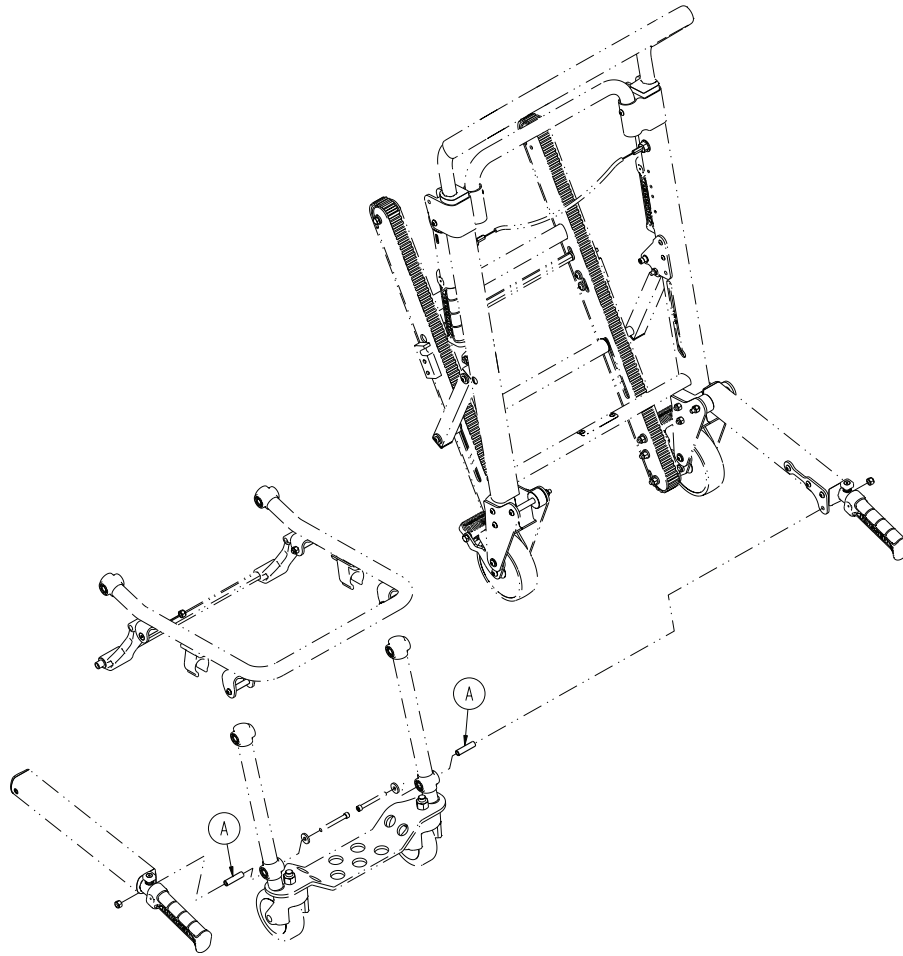
Rev A (Reference only)



Item	Number	Name	Quantity
A	6250-003-098	Spacer	2
B	6254-001-017	Foot support assembly (page 33)	1

No footrest option - 6254-030-000

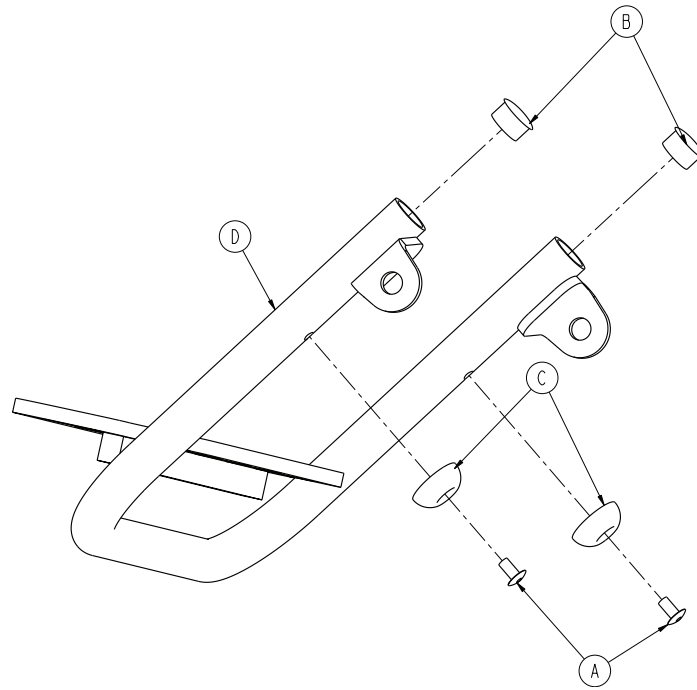
Rev A (Reference only)



Item	Number	Name	Quantity
A	6250-001-098	Pivot spacer	2

Foot support assembly

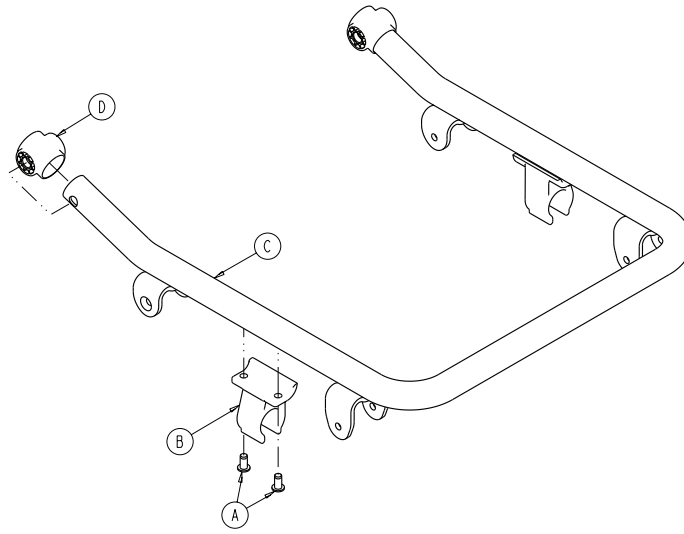
6254-001-017 Rev A (Reference only)



Item	Number	Name	Quantity
A	0025-079-000	Dome head rivet	2
B	0037-202-000	Tube plug	2
C	0946-001-155	Bumper	2
D	6254-001-051	Foot support weldment	1

Seat section assembly

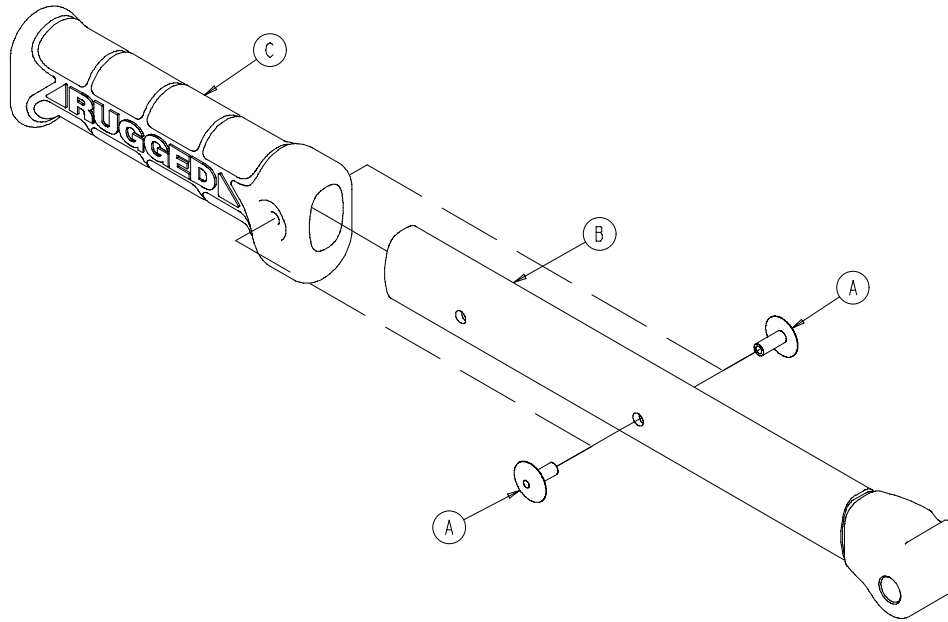
6254-001-013 Rev A (Reference only)



Item	Number	Name	Quantity
A	0025-120-000	Rivet	4
B	6080-110-035	Clip	2
C	6254-001-056	Seat frame	1
D	6250-001-096	Foot/seat section end cap	2

Flip-up handle assembly

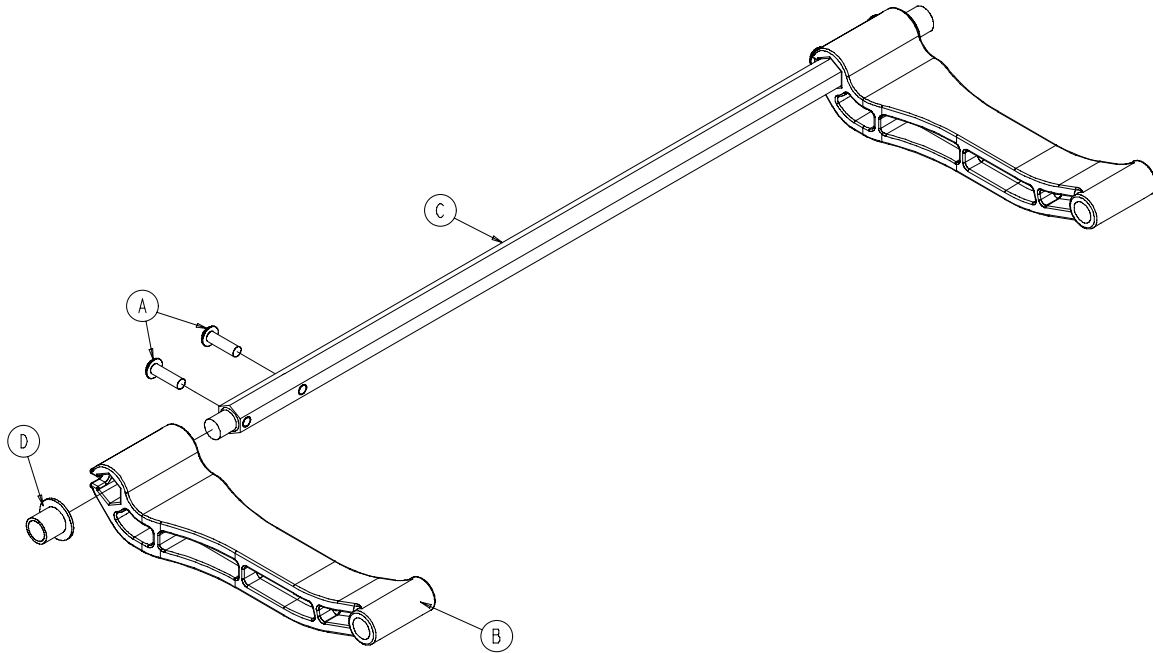
6250-001-016 Rev A (Reference only)



Item	Number	Name	Quantity
A	0025-132-000	Blind rivet	2
B	6250-001-052	Flip-up handle weldment	1
C	6250-001-089	Hand grip	1

Lock mechanism assembly

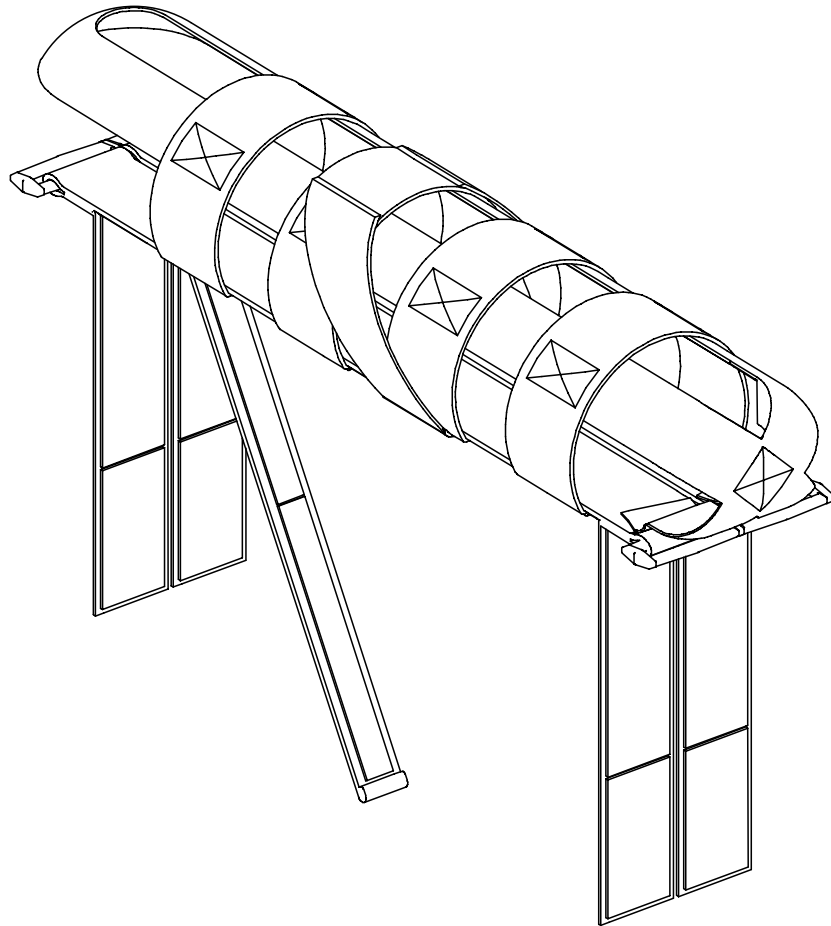
6250-001-017 Rev B (Reference only)



Item	Number	Name	Quantity
A	0004-515-000	Button head cap screw	4
B	6250-001-094	Lock mechanism strut	2
C	6250-001-095	Crossbar	1
D	6250-001-124	Flange bearing	2

Elastic oxygen bottle holder option - 6250-140-000

Rev A (Reference only)



Item	Number	Name	Quantity
A	6250-140-080	Elastic oxygen bottle holder	1

stryker



Stryker Medical
3800 E. Centre Avenue
Portage, MI 49002
USA