

stryker®

Operations/ Maintenance Manual

Medical

RUGGED® Defibrillator Tray
6082-170/6092-170/
6100-170/6500-170

Important
Information

File in your
maintenance
records

For parts or technical
assistance call
800 327 0770 (option 2)



Table of Contents

Warranty 2, 3

Safety Precautions 4

Preventative Maintenance 5

Operating the Rugged Defibrillator Platform 6–8

Latch Strap Assembly 9, 10

Defibrillator Platform Assembly 11–17

Warranty

Stryker EMS, a division of the Stryker Corporation, offers two distinct warranty options in the United States:

One (1) year parts and labor. Under this option, Stryker EMS warrants to the original purchaser that its products should be free from manufacturing non-conformances that affect product performance and customer satisfaction for a period of one (1) year after date of delivery. Stryker's obligation under this warranty is expressly limited to supplying replacement parts and labor for, or replacing, at its option, any product that is, in the sole discretion of Stryker, found to be defective.

Two (2) year parts. Under this option, Stryker EMS warrants to the original purchaser that non-expendable components of its products should be free from manufacturing non-conformances that affect product performance and customer satisfaction for a period of two (2) years after date of delivery. Stryker's obligation under this warranty is expressly limited to supplying replacement parts for, or replacing, at its option, any product which is, in the sole discretion of Stryker, found to be defective. Expendable components, i.e. mattresses, restraints, IV poles, storage nets, storage pouches, O2 straps, and other soft goods, have a one (1) year limited warranty with this option.

Under either warranty option, Stryker EMS warrants to the original purchaser that welds on its products will be free from structural non-conformances that affect product performance for the full service life of the product. Original purchasers will also obtain a three (3) year limited parts warranty for the X frame components of the MX-PRO R3 stretcher provided they also purchase X-frame guards at the time of the original purchase and the guards are installed on the MX-PRO before it is put into service.

If Stryker requests, products or parts for which an original purchaser makes a warranty claim, the purchaser shall return the product or part prepaid freight to Stryker's factory.

Any improper use or alteration or repair by unauthorized service providers in such a manner as in Stryker's judgment affects the product materially and adversely, shall void this warranty. Any repair of Stryker products using parts not provided or authorized by Stryker shall void this warranty. No employee or representative of Stryker is authorized to change this warranty in any way.

This statement constitutes Stryker EMS's entire warranty with respect to the aforesaid equipment. STRYKER MAKES NO OTHER WARRANTY OR REPRESENTATION EITHER EXPRESSED OR IMPLIED, EXCEPT AS SET FORTH HERIN. THERE IS NO WARRANTY OF MERCHANTABILITY AND THERE ARE NO WARRANTIES OF FITNESS FOR ANY PARTICULAR PURPOSE. IN NO EVENT SHALL STRYKER BE LIABLE HEREUNDER FOR INCIDENTAL OR CONSEQUENTIAL DAMAGES ARISING FROM OR IN ANY MANNER RELATED TO SALES OR USE OF ANY SUCH EQUIPMENT.

Warranty

Stryker EMS Return Policy

Cots, Stair Chairs, Evacuation Chairs, Cot Fasteners and Aftermarket Accessories: may be returned up to 180 days of receipt if they meet the following guidelines:

Prior to 30 Days

- 30 day money back guarantee in effect
- Stryker EMS is responsible for all charges
- Returns will not be approved on modified items

Prior to 90 Days

- Product must be **unused, undamaged** and in the original packaging
- Customer is responsible for a 10% restocking fee

Prior to 180 Days

- Product must be **unused, undamaged** and in the original packaging
- Customer is responsible for a 25% restocking fee

Return Authorization:

Merchandise cannot be returned without approval from the Stryker Customer Service Department. An authorization number will be provided which must be printed on the returned merchandise. Stryker reserves the right to charge shipping and restocking fees on returned items.

SPECIAL, MODIFIED, OR DISCONTINUED ITEMS NOT SUBJECT TO RETURN.

Damaged Merchandise:

ICC Regulations require that claims for damaged merchandise must be made with the carrier within fifteen (15) days of receipt of merchandise. **DO NOT ACCEPT DAMAGED SHIPMENTS UNLESS SUCH DAMAGE IS NOTED ON THE DELIVERY RECEIPT AT THE TIME OF RECEIPT.** Upon prompt notification, Stryker will file a freight claim with the appropriate carrier for damages incurred. Claim will be limited in amount to the actual replacement cost. In the event that this information is not received by Stryker within the fifteen (15) day period following the delivery of the merchandise, or the damage was not noted on the delivery receipt at the time of receipt, the customer will be responsible for payment of the original invoice in full.

Claims for any short shipment must be made within thirty (30) days of invoice.

International Warranty Clause:

This warranty reflects U.S. domestic policy. Warranty outside the U.S. may vary by country. Please contact your local Stryker Medical representative for additional information.

Patent Information

Rugged® Products are manufactured under the following patents:

United States	5,575,026	6,276,010
	5,537,700	6,125,485

Other Patents Pending

Safety Precautions

The following is a list of safety precautions that must be observed when operating the Defibrillator Platform. The precautions are repeated throughout the manual, where applicable. Carefully read this list before using the unit.



WARNING

- To avoid equipment damage and/or patient injury, the Defibrillator Platform must be mounted and secured properly to the Rugged® cot,
 - To avoid equipment damage and/or patient injury, the defibrillator must be secured properly to the Defibrillator Platform with the straps provided.
 - The weight placed on the Defibrillator Platform must not exceed 75 pounds or equipment damage and patient injury could result.
 - Due to the difference in sizes and shapes of available defibrillators, it may be necessary to change the location and adjustment of the straps securing the defibrillator to the Defibrillator Platform. All straps must always be used and adjusted properly to ensure the security of the defibrillator and avoid patient injury or equipment damage.
-

Stryker reserves the right to change specifications without notice.

Preventative Maintenance

CLEANING

1. Hand wash all surfaces of the Defibrillator Platform with warm water and mild detergent. Dry thoroughly.

NOTE

Quaternary Germicidal Disinfectants, used as directed, and/or Chlorine Bleach products, typically 5.25% Sodium Hypochlorite in dilutions ranging between 1 part bleach to 100 parts water, and 2 parts bleach to 100 parts water are not considered mild detergents. These products are corrosive in nature and may cause damage to your Defibrillator Platform if used improperly. If these types of products are used to clean Stryker equipment, measures must be taken to insure the Equipment is rinsed with clean water and thoroughly dried following cleaning. Failure to properly rinse and dry the equipment will leave a corrosive residue on the surface of the equipment, possibly causing premature corrosion of critical components. Failure to follow the above directions when using these types of cleaners may void this product's warranty.

CHECKLIST

- _____ All fasteners secure (reference assembly prints)
- _____ Platform straps intact – not frayed or torn
- _____ Both latch hooks intact and secure

Completed By: _____

Date: _____

Parts, Service or Technical Assistance:

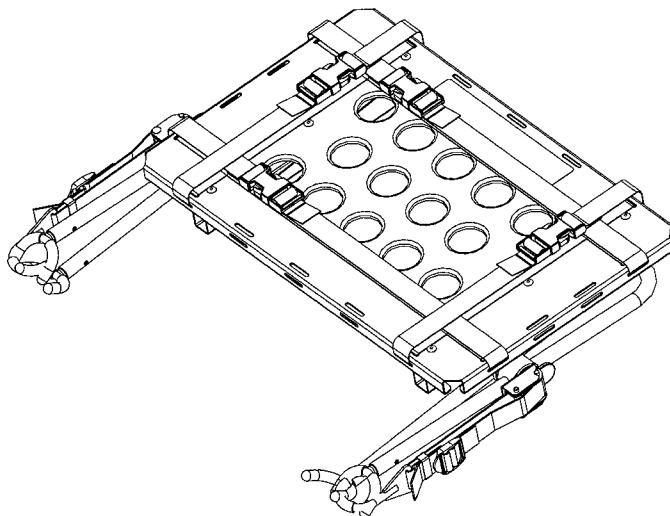
Contact Stryker Customer Service at 1-800-784-4336 or

Stryker Medical
3800 E. Centre Street
Portage, MI 49002
ATTN: Customer Service

Operating the **RUGGED** Defibrillator Platform

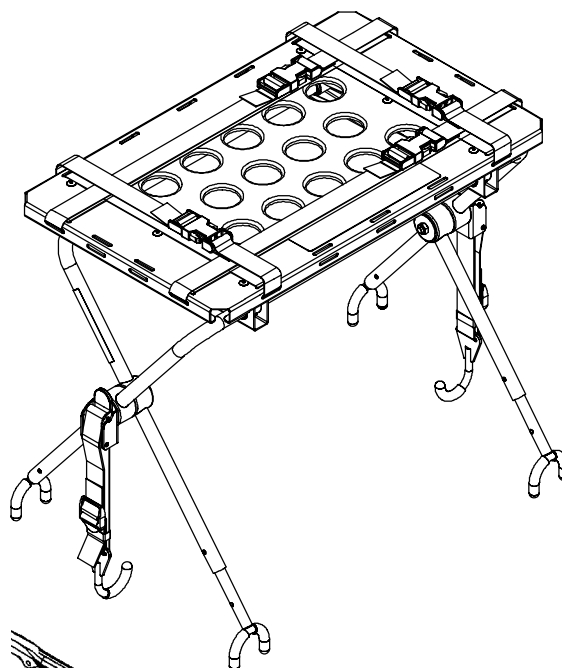
1.

Defibrillator Platform in the stored position.



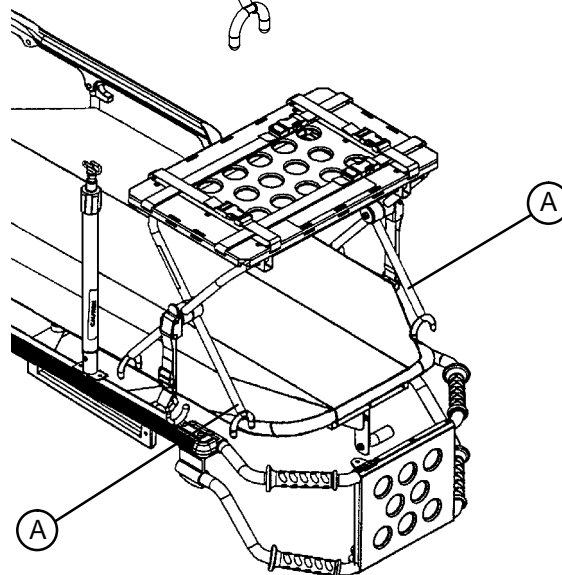
2.

Open the legs of the Defibrillator Platform.



3.

Lift the I.V. pole if the cot is equipped with one.
Place the Defibrillator Platform on the cot frame.



NOTE

On the 6082/6092 models: The “inside” legs (A) of the Defibrillator Platform must be toward the **foot end** of the cot or the Platform will not fit properly on the cot frame.

On the 6500 model: The “inside” legs (A) of the Defibrillator Platform must be toward the **head end** of the cot or the platform will not fit properly on the cot frame.

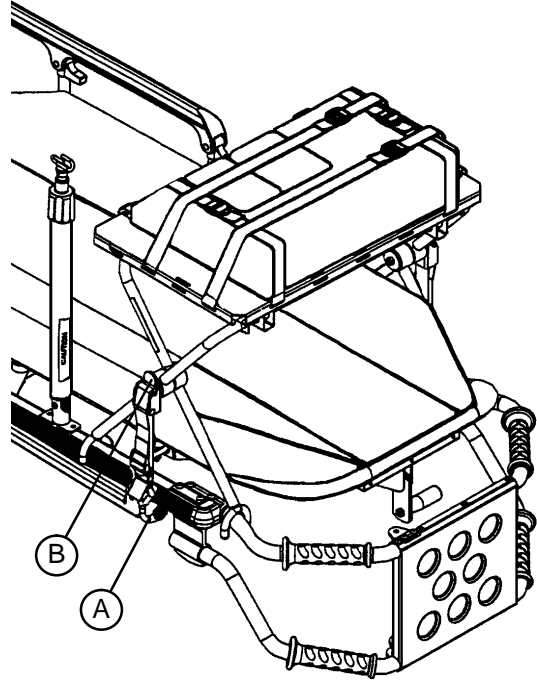
Operating the **RUGGED** Defibrillator Platform

4.

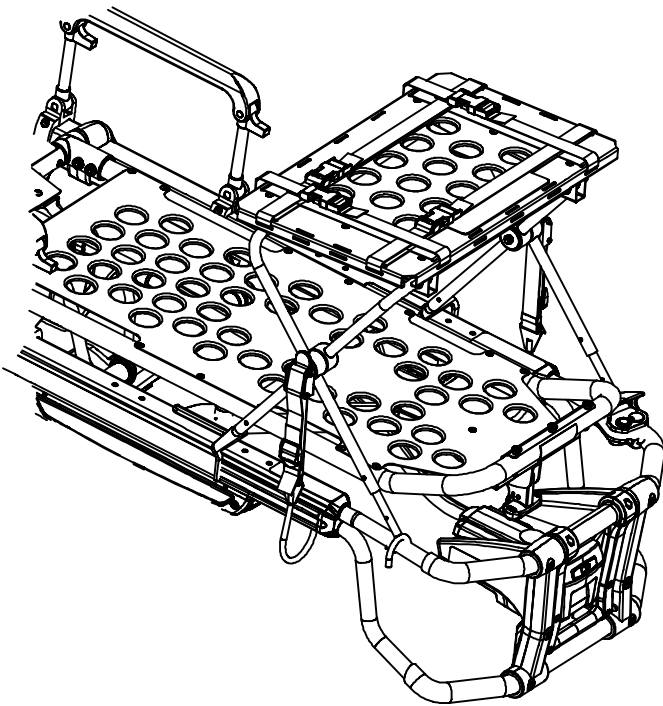
Place the latch hook (A) under the cot litter frame and push the tab (B) up until it locks into place with an audible “click”. Repeat on the other side of the Defibrillator Platform.

WARNING:

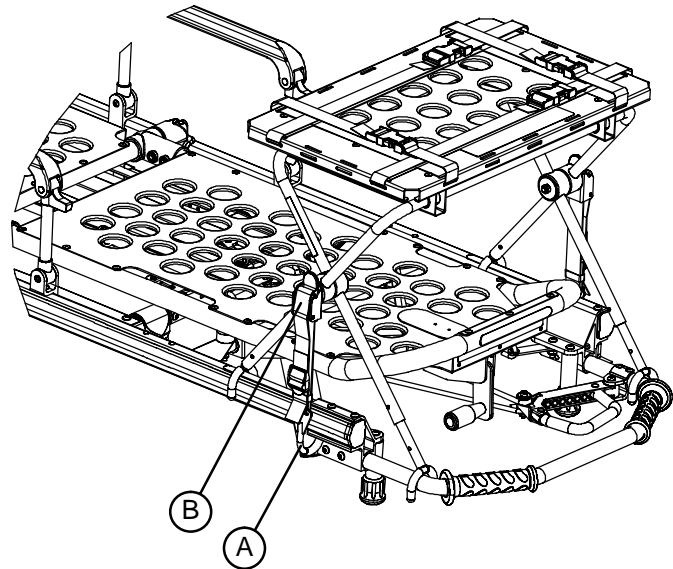
To avoid equipment damage and/or patient injury, the Defibrillator Platform must be mounted and secured properly to the Rugged™ cot.



Defibrillator Platform on a 6082 Cot



Defibrillator Platform on a 6500 Cot



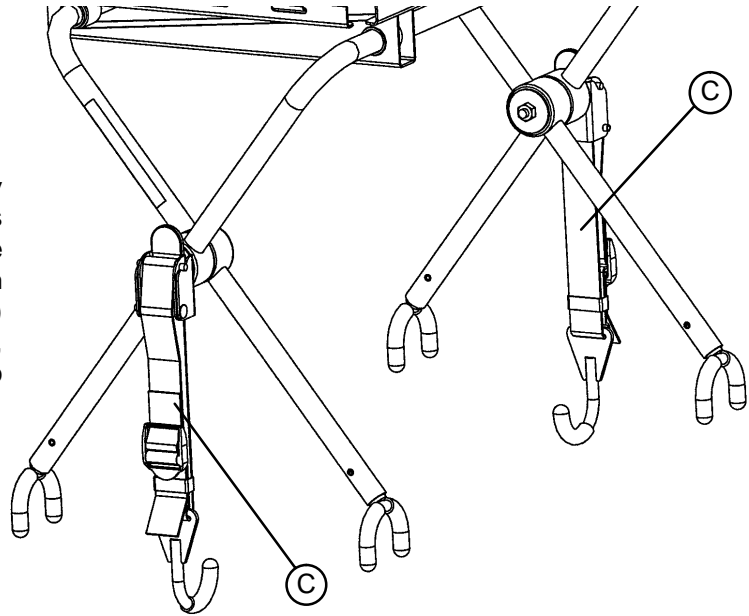
Defibrillator Platform on a 6092 Cot

Operating the **RUGGED** Defibrillator Platform

5.

NOTE

If the Defibrillator Platform is not securely attached to the cot when both latch hooks are engaged or if the latch hooks cannot be secured around the cot litter frame, unlatch the tab (B), loosen or tighten the strap (C) until the proper adjustment is achieved, and push the tab (B) up until it locks into place with an audible “click”.



6.

Ensure the Defibrillator Platform is properly secured to the cot.

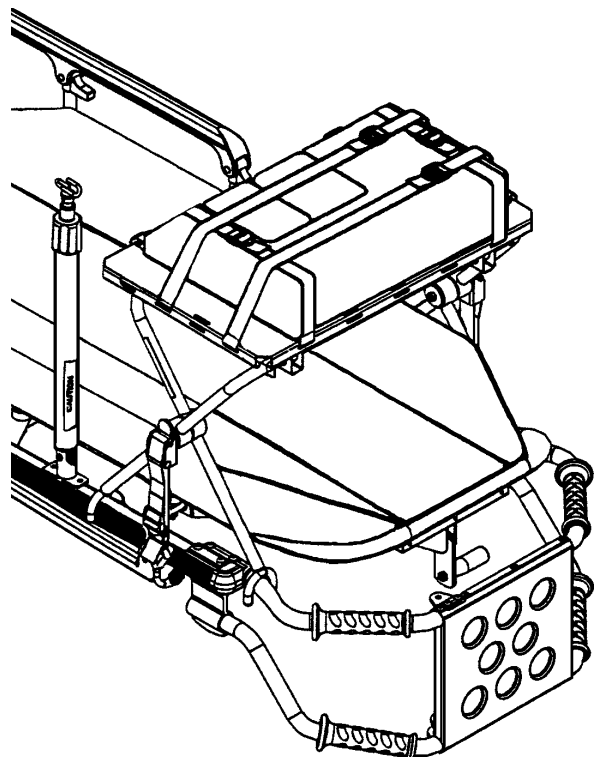
Place the defibrillator on the Defibrillator Platform and secure it with the straps

⚠ WARNING:

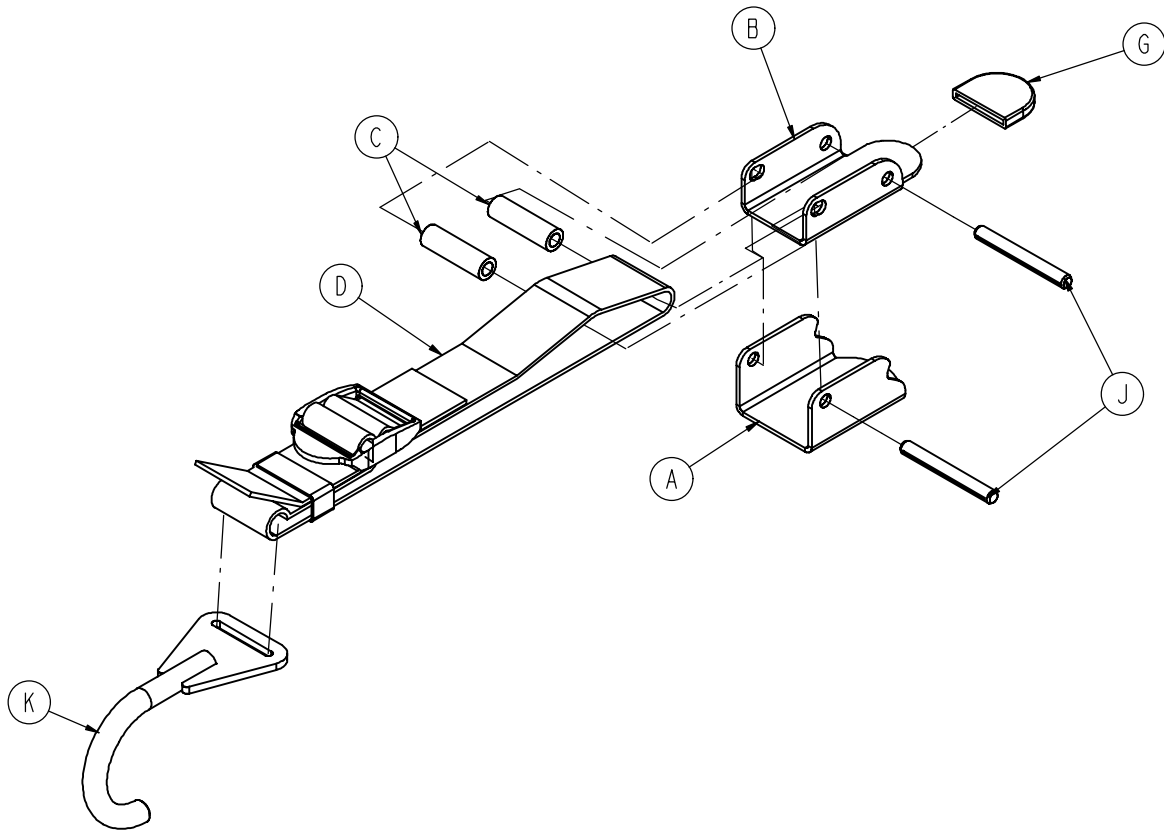
To avoid equipment damage and/or patient injury, the defibrillator must be secured properly to the Defibrillator Platform with the straps provided.

Due to the difference in sizes and shapes of available defibrillators, it may be necessary to change the location and adjustment of the straps securing the defibrillator to the Defibrillator Platform. All straps must always be used and adjusted properly to ensure the security of the defibrillator and avoid patient injury or equipment damage.

The weight placed on the Defibrillator Platform must not exceed 75 pounds or equipment damage and patient injury could result.

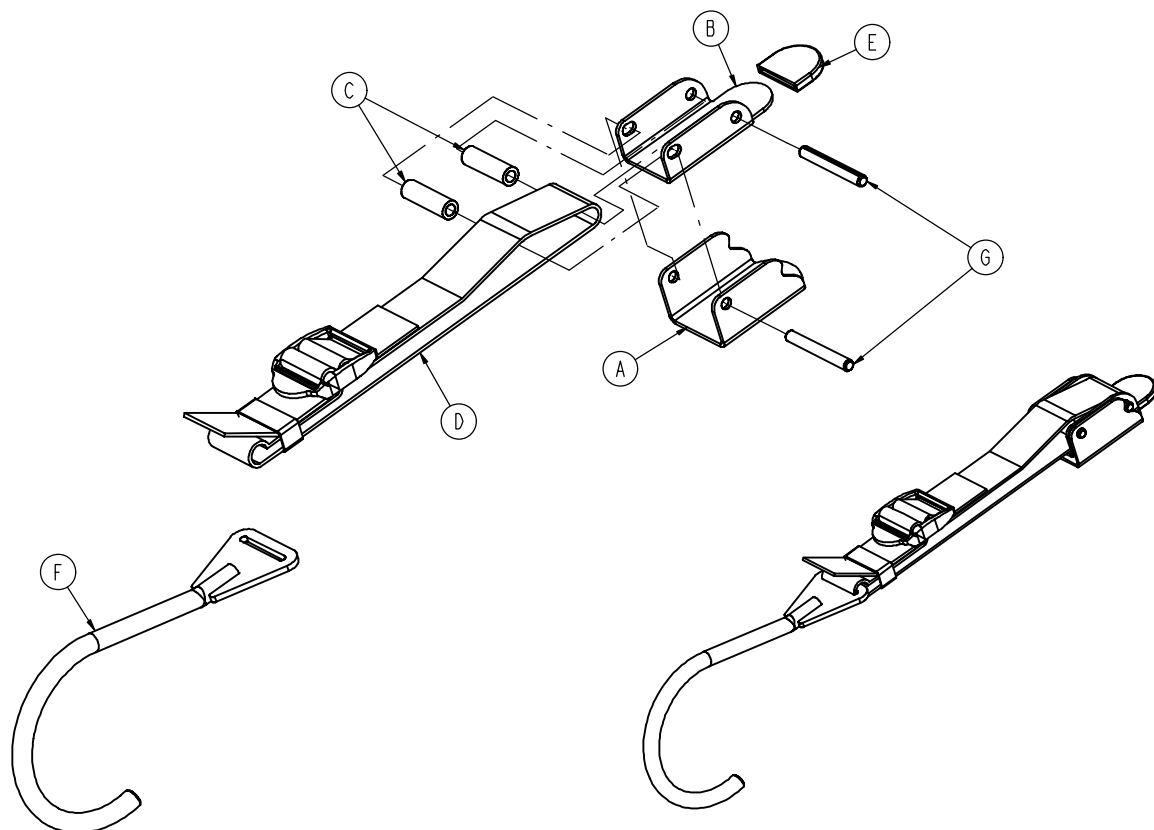


6080-170-20 Latch Strap Assembly



Item	Part No.	Part Name	Qty.
A	6080-170-21	Clamp Base	1
B	6080-170-22	Clamp Lever	1
C	6080-170-23	Clamp Lever Spacer	2
D	6080-170-24	Latch Restraint Strap	1
G	6080-170-27	Lever Grip	1
J	26-281	Groove Pin	2
K	6080-170-28	Latch Hook	1

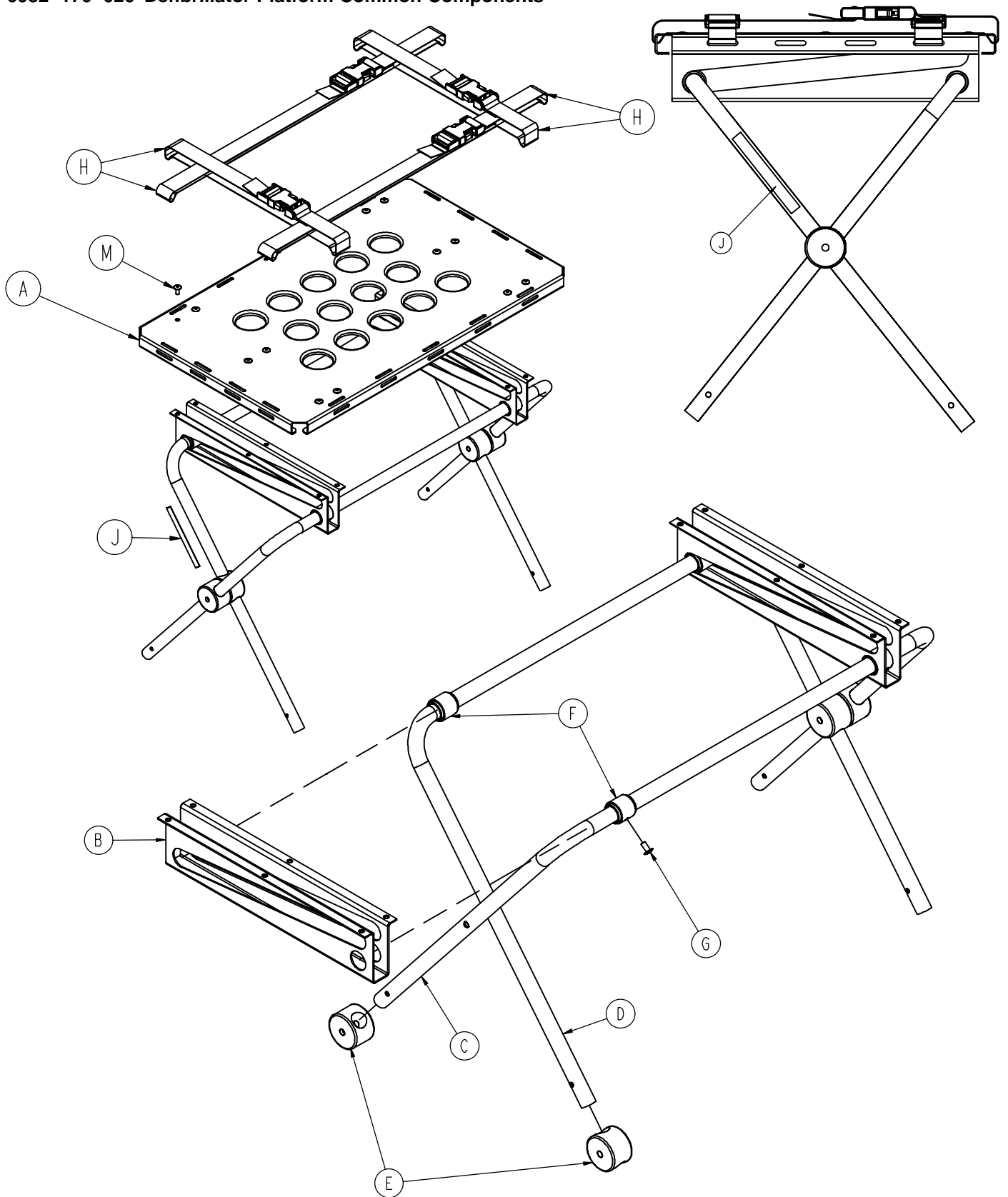
6100-170-020 Latch Strap Assembly



Item	Part No.	Part Name	Qty.
A	6080-170-021	Clamp Base	1
B	6080-170-022	Clamp Lever	1
C	6080-170-023	Clamp Lever Spacer	2
D	6080-170-024	Latch Restraint Strap	1
E	6080-170-027	Lever Grip	1
F	6100-170-054	Latch Hook	1
G	0026-281-000	Grooved Pin	2

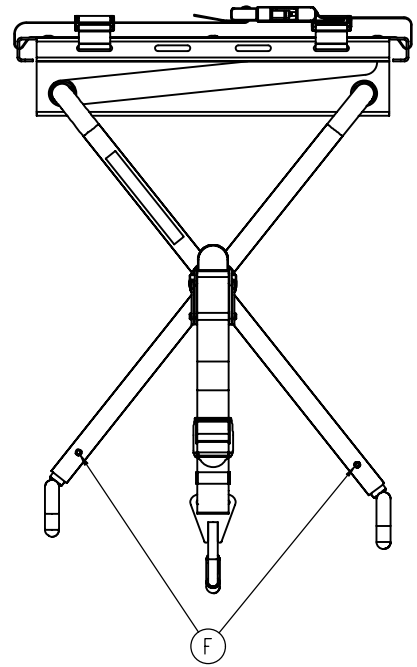
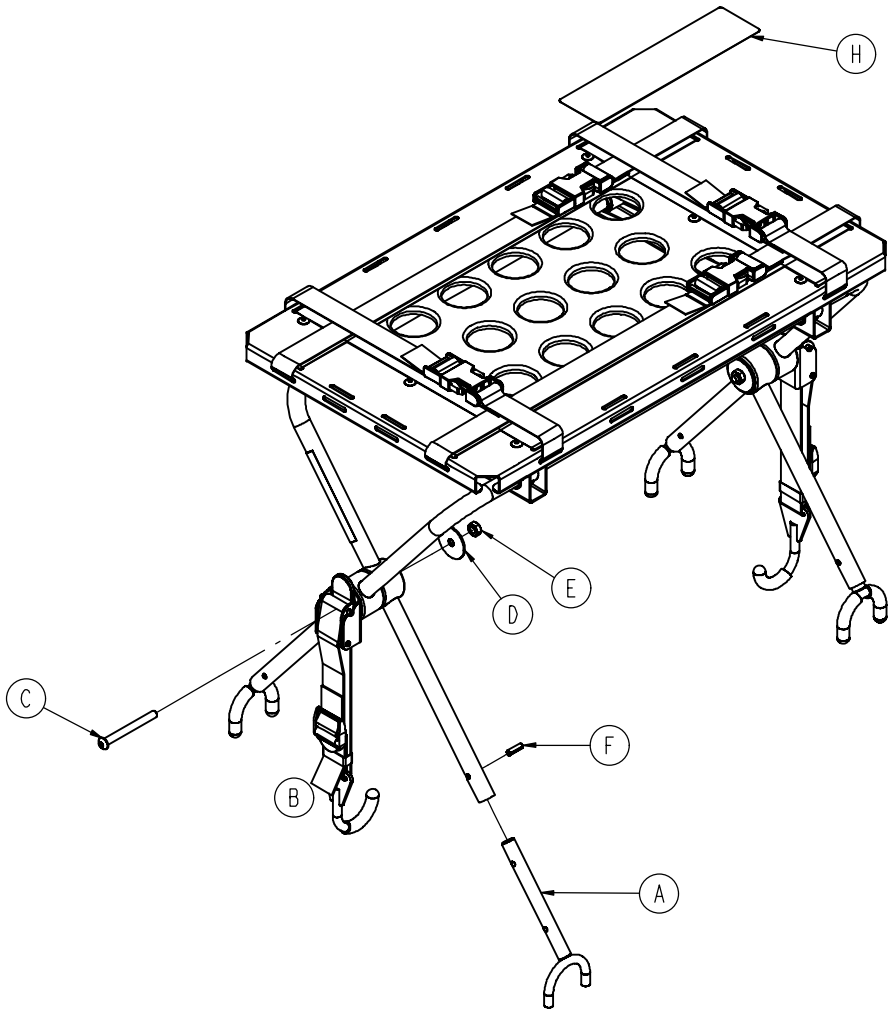
Defibrillator Platform Assembly

6082-170-020 Defibrillator Platform Common Components

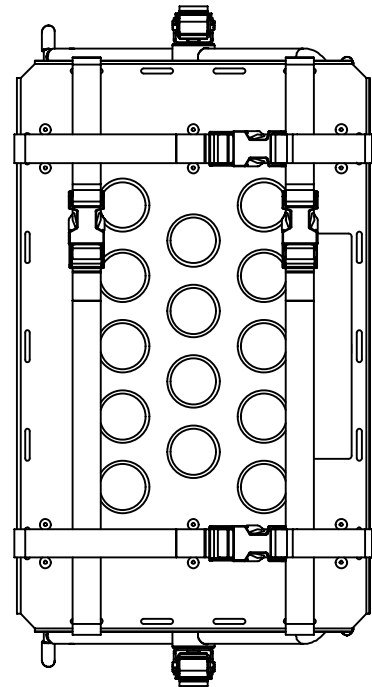


Defibrillator Platform Assembly

6082-170-010 Defibrillator Platform

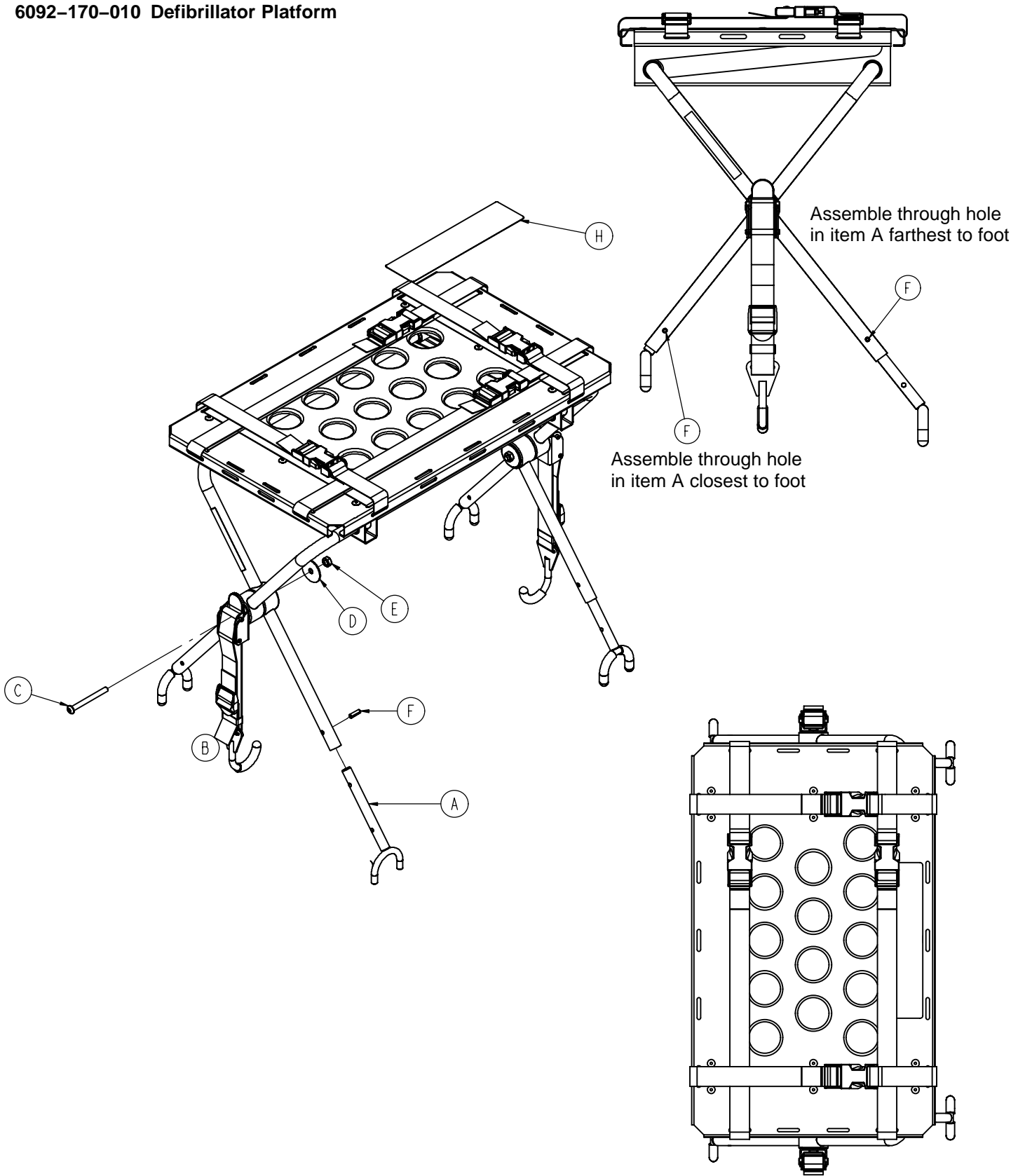


Assemble through hole in item A closest to foot (both legs)



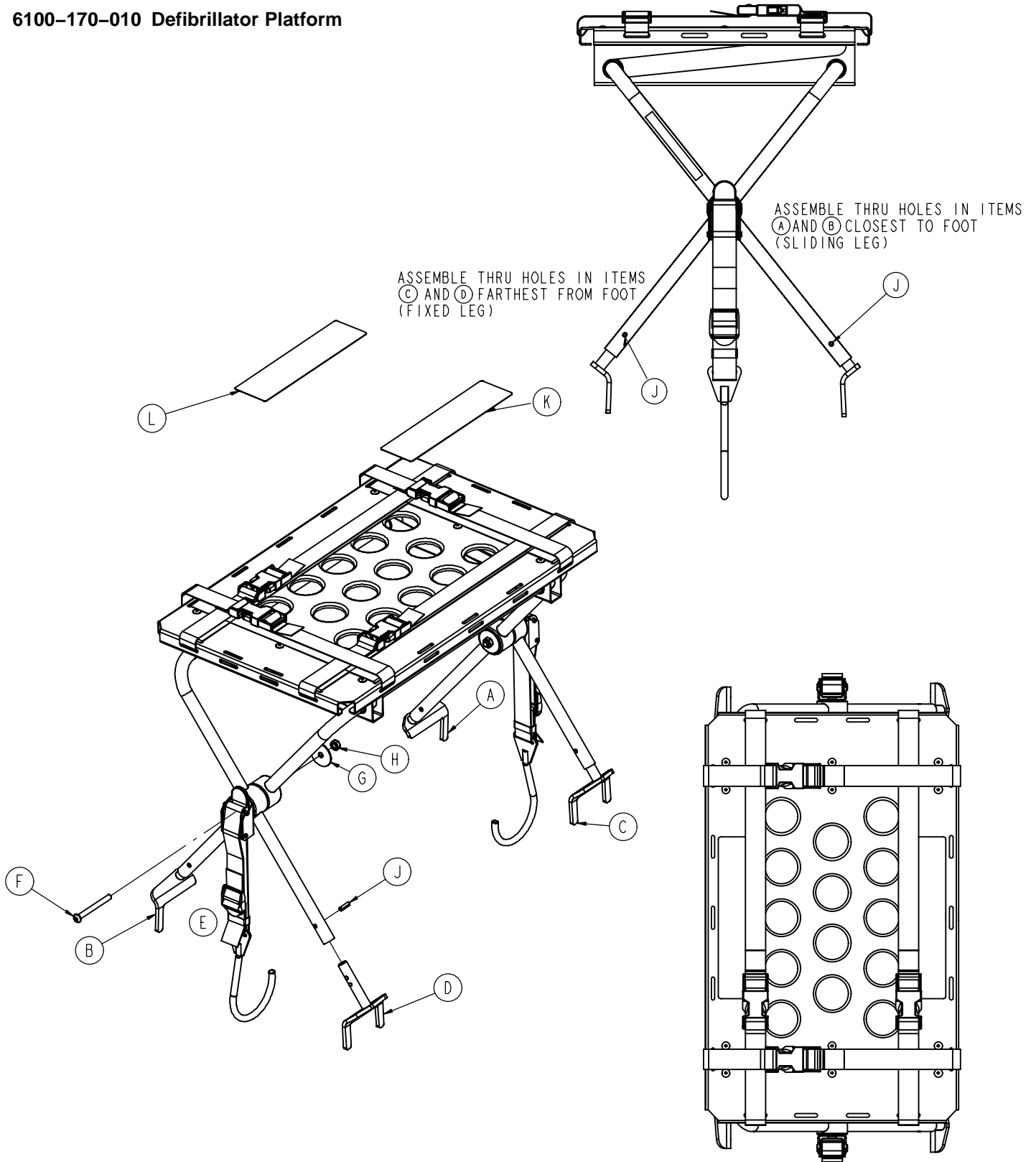
Defibrillator Platform Assembly

6092-170-010 Defibrillator Platform



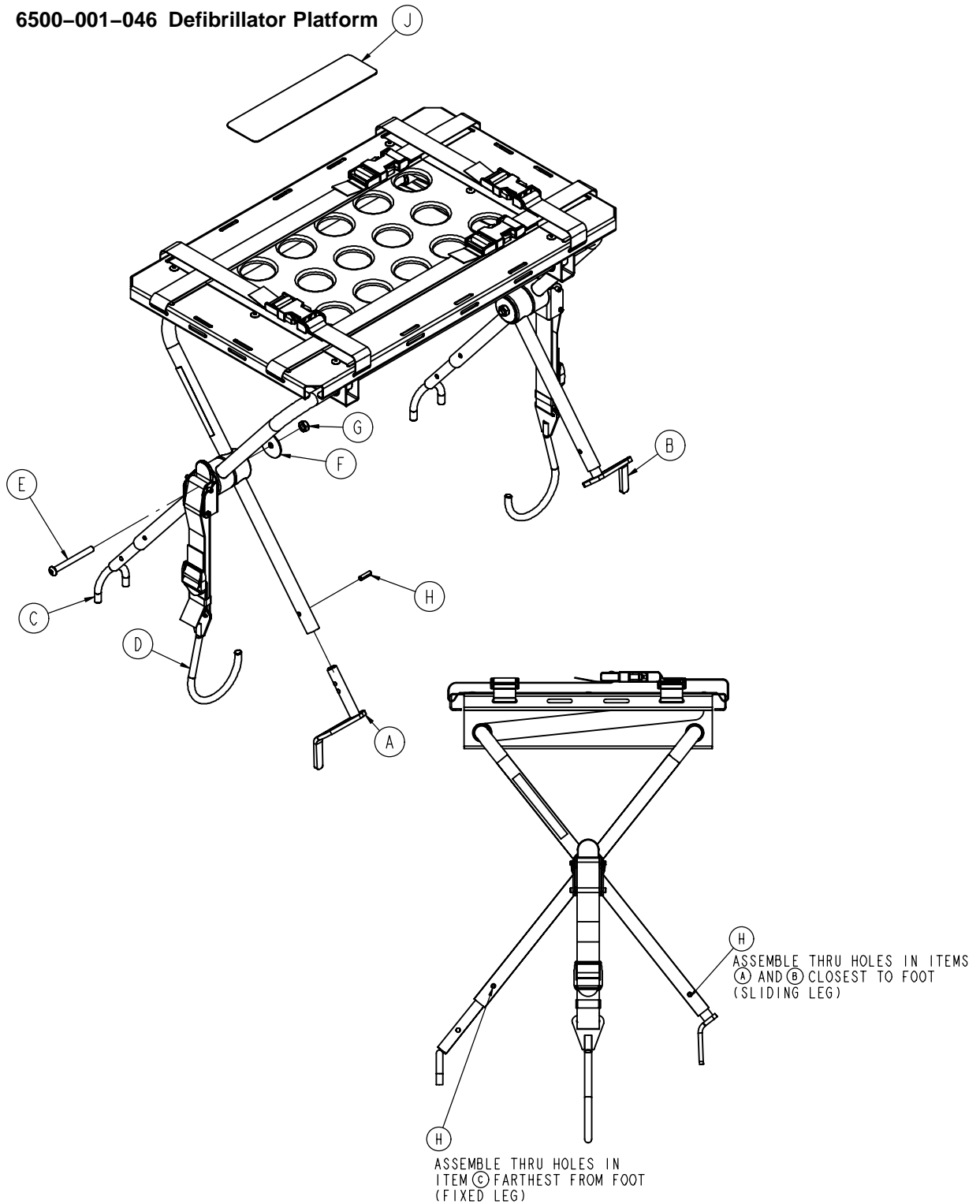
Defibrillator Platform Assembly

6100-170-010 Defibrillator Platform



Defibrillator Platform Assembly

6500-001-046 Defibrillator Platform



Defibrillator Platform Assembly

6082-170-020 (Reference Only)

Item	Part No.	Part Name	Qty.
A	6080-170-11	Top Panel	1
B	6080-170-12	Leg Support	2
C	6080-170-13	Stationary Defibrillator Leg	1
D	6080-170-14	Sliding Defibrillator Leg	1
E	6080-170-15	Support Leg, Pivot	4
F	6080-170-16	Leg Collar	4
G	25-79-0	Dome Head Rivet	16
H	6060-170-22	Defibrillator Platform Strap (long)	4
J	6080-090-23	Label RUGGED	2

6082-170-010 (Reference Only)

Item	Part No.	Part Name	Qty.
A	6082-170-050	Defibrillator U-Foot Weldment	4
B	6080-170-020	Defibrillator latch Strap Assembly	2
C	4-234-0	Button Head Cap Screw	2
D	11-355-0	Washer	2
E	16-78-0	Nut - Centerlock Hex	2
F	26-172-0	Slotted Spring Pin	4
H	6082-90-22	Specification and Warning Label	1
J	6082-170-20	Defib. Platform Common Components	1

6092-170-010 (Reference Only)

Item	Part No.	Part Name	Qty.
A	6082-170-050	Defibrillator U-Foot Weldment	4
B	6080-170-020	Defibrillator latch Strap Assembly	2
C	4-234-0	Button Head Cap Screw	2
D	11-355-0	Washer	2
E	16-78-0	Nut - Centerlock Hex	2
F	26-172-0	Slotted Spring Pin	4
H	6082-90-22	Specification and Warning Label	1
J	6082-170-20	Defib. Platform Common Components	1

Defibrillator Platform Assembly

6100-170-010 (Reference Only)

Item	Part No.	Part Name	Qty.
A	6100-170-50	Head End Bracket Weldment, PL	1
B	6100-170-51	Head End Bracket Weldment, PR	1
C	6100-170-052	Foot End Bracket Weldment, PL	1
D	6100-170-53	Foot End Bracket Weldment, PR	1
E	6100-170-20	Defibrillator Latch Strap Assembly	2
F	4-234-0	Button Head Cap Screw	2
G	11-355-0	Washer	2
H	16-78-0	Nut, Centerlock Hex	2
J	26-172-0	Slotted Spring Pin	4
K	6100-90-22	Spec and Warn Label, German	1
L	6100-90-23	Spec and Warn Label, English	1
M	6082-170-20	Defib Platform Common Components	1

6500-001-046 (Reference Only)

Item	Part No.	Part Name	Qty.
A	6100-170-050	Head End Bracket Weldment, PL	1
B	6100-170-051	Head End Bracket Weldment, PR	1
C	6082-170-050	Defibrillator U-Foot Weldment	2
D	6100-170-020	6100 Defib Latch Strap Assembly	2
E	0004-234-000	Button Head Cap Screw	2
F	11-355-0	Washer	2
G	16-78-0	Nut, Centerlock Hex	2
H	26-172-0	Slotted Spring Pin	4
J	6500-001-298	Label, Defib Platform	1
K	6082-170-020	Defib Platform Common Components	1



European Representative

RA/QA Manager
Stryker France
ZAC Satolas Green Pusignan
Av. De Satolas Green
69881 MEYZIEU Cedex
France

stryker[®]
EMS

3800 E. Centre Street, Portage, MI 49002

(800) 327-0770
www.stryker.com



SMS 8/05 6082-090-009 REV C