

Power-PRO™ TL Cot Fastener

Maintenance Manual

REF 6385

REF 6386

REF 6387

REF 6388

REF 6389



Table of Contents

Warning/Caution/Note Definition	2
Introduction for service	3
Expected service life	3
Contact information	3
Serial number location	3
Preventive maintenance	4
Maintenance record	5
Training record	6
Model 6385 cot fastener assembly	7
Model 6386 cot fastener assembly	8
Model 6387 cot fastener assembly	9
Model 6388 cot fastener assembly	10
Model 6389 cot fastener assembly	11
Foot end fastener assembly	12

Warning/Caution/Note Definition

The words **WARNING**, **CAUTION**, and **NOTE** carry special meanings and should be carefully reviewed.

WARNING

Alerts the reader about a situation which, if not avoided, could result in death or serious injury. It may also describe potential serious adverse reactions and safety hazards.

CAUTION

Alerts the reader of a potentially hazardous situation which, if not avoided, may result in minor or moderate injury to the user or patient or damage to the product or other property. This includes special care necessary for the safe and effective use of the device and the care necessary to avoid damage to a device that may occur as a result of use or misuse.

Note - Provides special information to make maintenance easier or important instructions clearer.

Introduction for service

This manual assists you with the service of your Stryker product. Read this manual to service this product. This manual does not address the operation of this product. See the Operations Manual for operating and use instructions. To view your Operations Manual online, see <https://techweb.stryker.com/>.

Expected service life

Cot fasteners have a seven year expected service life under normal use conditions and with appropriate periodic maintenance.

Contact information

Contact Stryker Customer Service or Technical Support at: 1-800-327-0770.

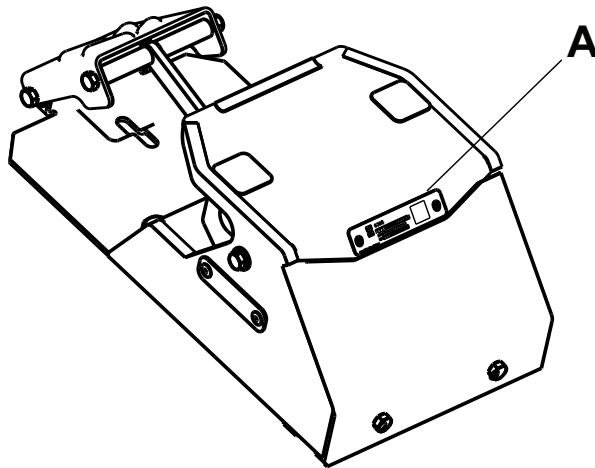
Stryker Medical
3800 E. Centre Avenue
Portage, MI 49002
USA

Note - The user and/or the patient should report any serious product-related incident to both the manufacturer and the Competent authority of the European Member State where the user and/or patient is established.

To view your operations or maintenance manual online, see <https://techweb.stryker.com/>.

Have the serial number (A) of your Stryker product available when calling Stryker Customer Service or Technical Support. Include the serial number in all written communication.

Serial number location



Preventive maintenance

Fastener lubrication

Note

- Tri-Flow™ with Teflon® lubricant may be used to reduce the force required to secure and release the cot, minimize wear, or if the pedal does not stay down with the cot removed.
- Do not use silicone, WD-40®, or lithium grease. They could harm the moving parts of the cot fastener system.

To lubricate the fastener:

1. Remove the back fastener cover.
2. Spray Tri-Flow™ with Teflon® lubricant (6082-199-012) onto the area indicated below (A) (Figure 1).

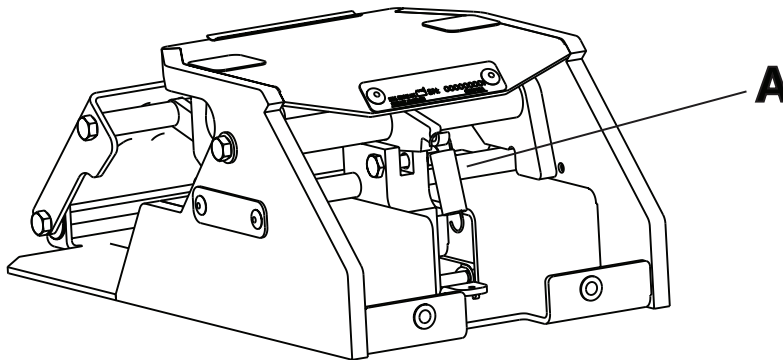


Figure 1 – Fastener lubrication

Regular inspection and adjustments

The following schedule is a general guide to maintenance. Factors such as weather, terrain, geographical location, and individual usage will alter the required maintenance schedule. If you are unsure how to perform these checks, contact your Stryker Service Technician. If you are in doubt as to what intervals to follow in maintaining your product, consult your Stryker Service Technician. Check each routine and replace worn parts if necessary.

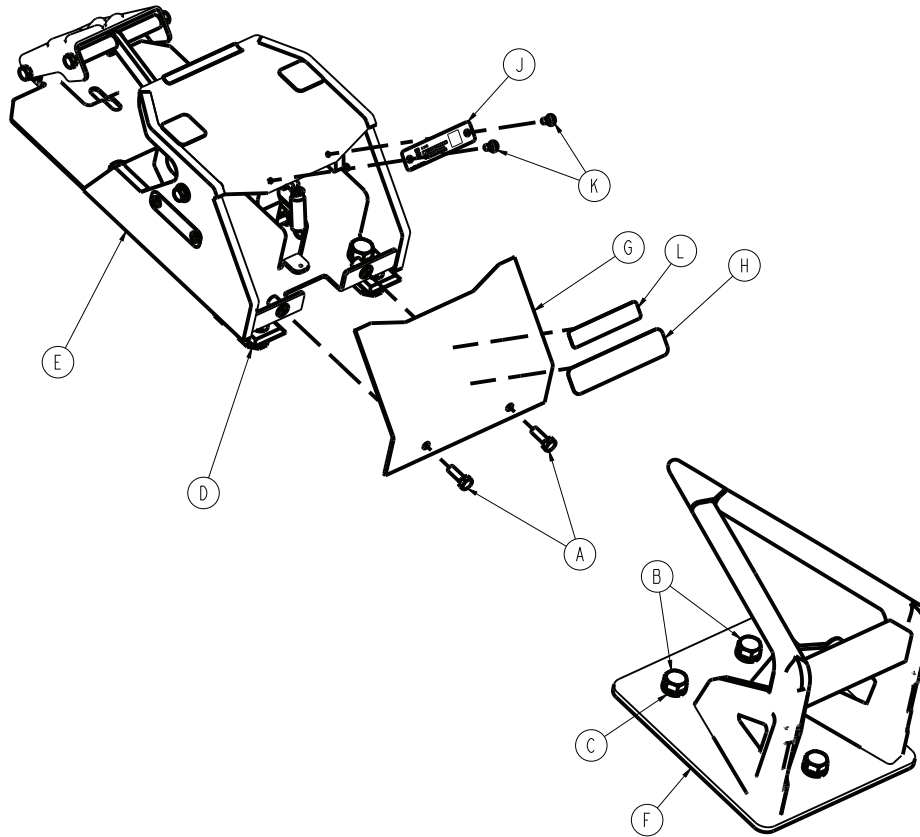
Routine	Every			
	1 month	3 months	6 months	12 months
Cot and cot fastener fit and function				X
All fasteners are secure		X		
Lubricate the lock (see <i>Fastener lubrication</i> above)	As needed			

Training record

Trainee name	Training date		Owner's manual, in-service, formal class, etc.
	Basic training	Refresher update	

Model 6385 cot fastener assembly

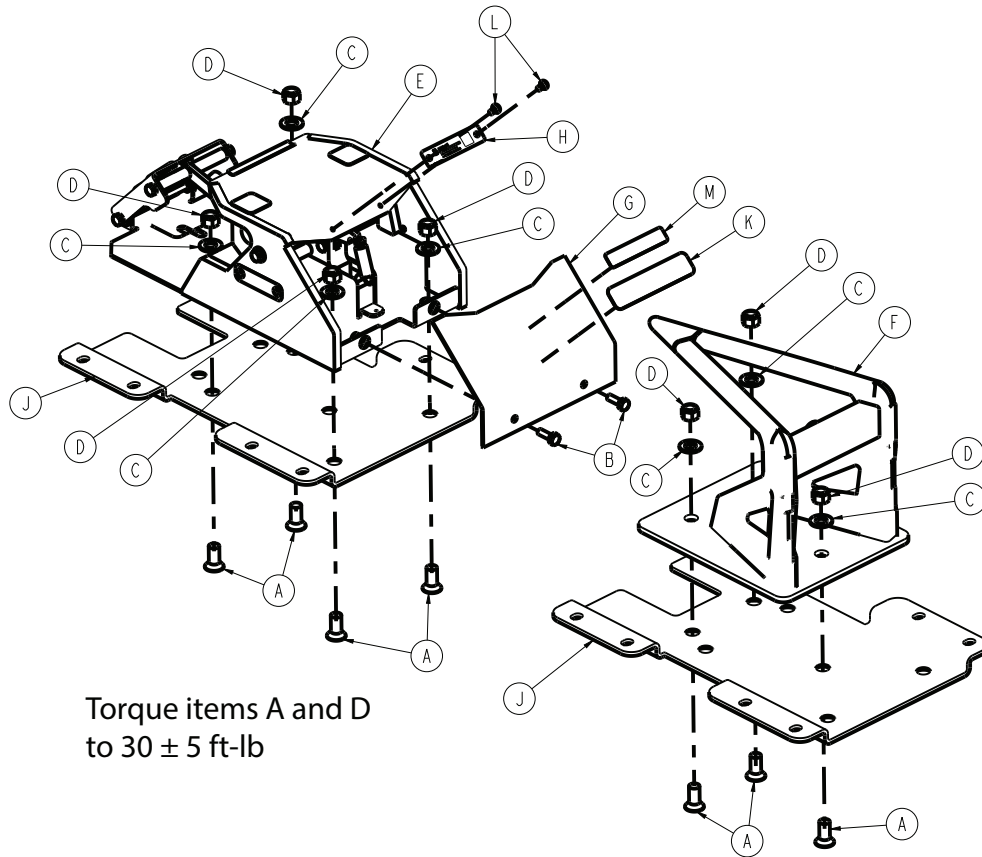
6385-001-010 Rev AA (Reference only)



Item	Number	Name	Quantity
A	0003-109-000	Hex head cap screw	2
B	0003-112-000	Hex head cap screw	7
C	0012-058-001	Lock washer	7
D	6360-030-012	Floor plate, small	7
E	6385-001-012	Foot end fastener assembly (page 12)	1
F	6385-001-013	Antler assembly	1
G	6385-001-080	Back cover	1
H	6385-001-100	Label, specification	1
J	6385-001-926	Label, DPM	1
K	0025-079-000	Dome head rivet	2
L	639000010901	Label, EAR	1

Model 6386 cot fastener assembly

6386-001-010 Rev AA (Reference only)

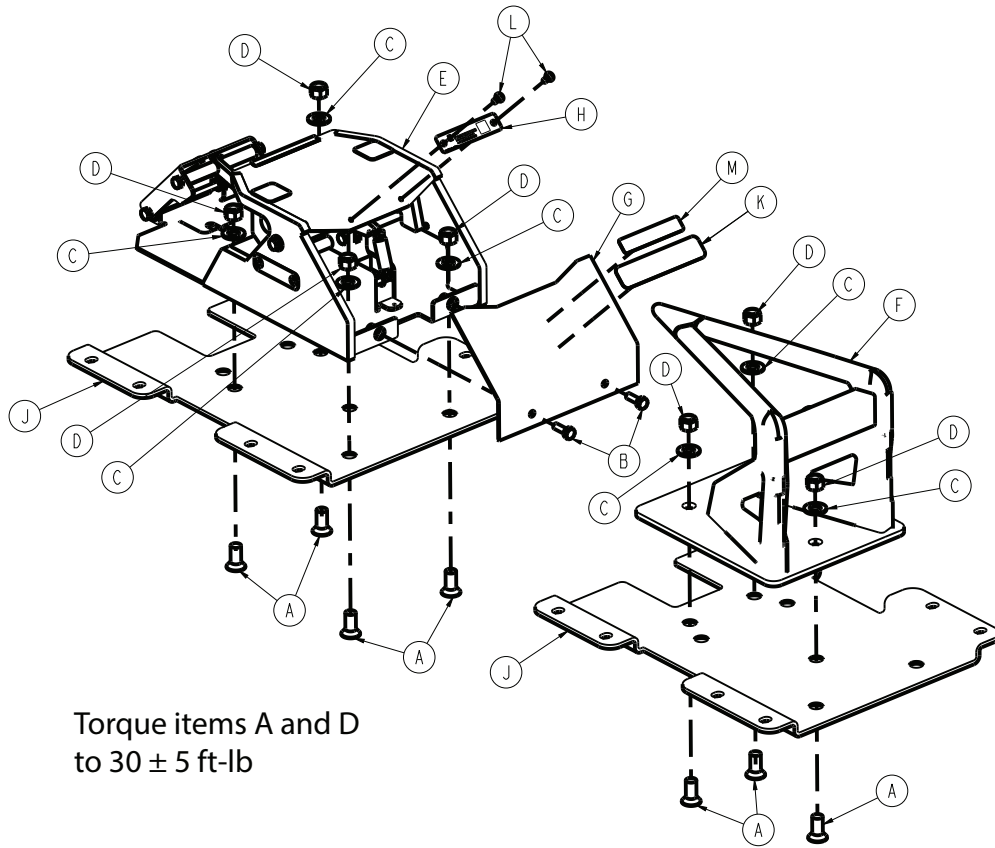


Torque items A and D
to 30 ± 5 ft-lb

Item	Number	Name	Quantity
A	0001-184-000	Flat head socket screw	7
B	0003-109-000	Hex head cap screw	2
C	0011-014-000	Flat washer	7
D	0016-401-000	Nylock hex nut	7
E	6385-001-012	Foot end fastener assembly (page 12)	1
F	6385-001-013	Antler assembly	1
G	6385-001-080	Back cover	1
H	6386-001-926	Label, DPM	1
J	6385-001-106	Lock down base plate	2
K	6385-001-100	Label, specification	1
L	0025-079-000	Dome head rivet	2
M	639000010901	Label, EAR	1

Model 6387 cot fastener assembly

6387-001-010 Rev AA (Reference only)

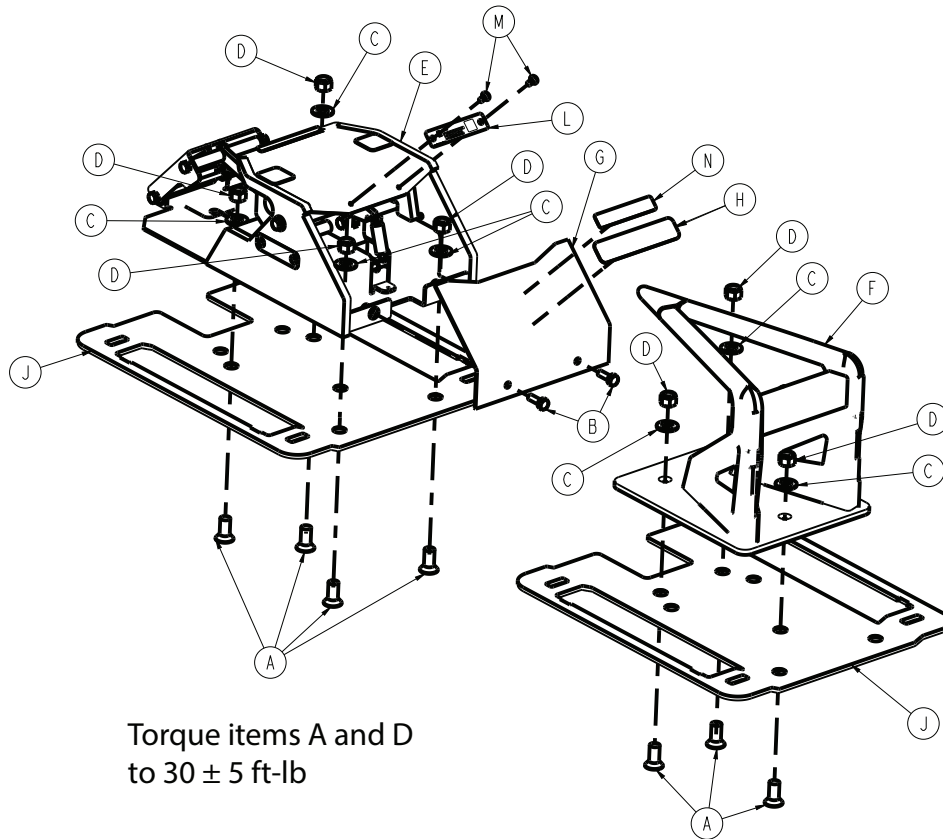


Torque items A and D
to 30 ± 5 ft-lb

Item	Number	Name	Quantity
A	0001-184-000	Flat head socket screw	7
B	0003-109-000	Hex head cap screw	2
C	0011-014-000	Flat washer	7
D	0016-401-000	Nylock hex nut	7
E	6385-001-012	Foot end fastener assembly (page 12)	1
F	6385-001-013	Antler assembly	1
G	6385-001-080	Back cover	1
H	6387-001-926	Label, DPM	1
J	6385-001-107	Lock down base plate	2
K	6385-001-100	Label, specification	1
L	0025-079-000	Dome head rivet	2
M	639000010901	Label, EAR	1

Model 6388 cot fastener assembly

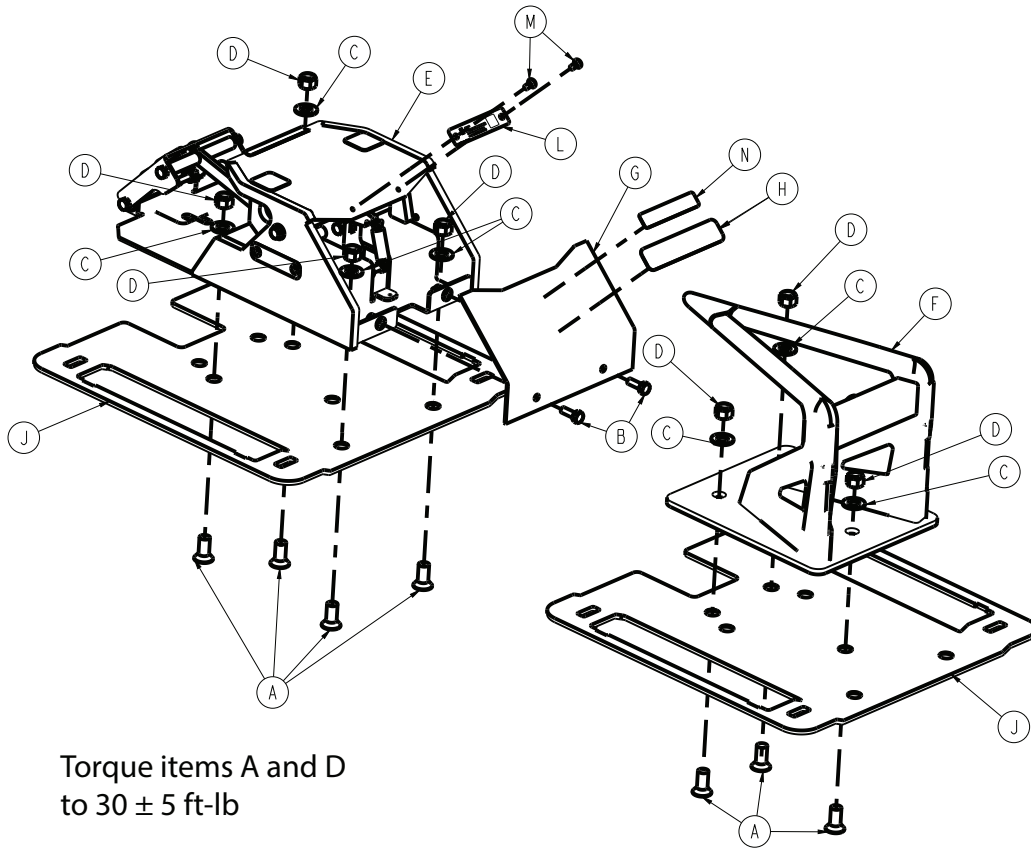
6388-001-010 Rev AA (Reference only)



Item	Number	Name	Quantity
A	0001-184-000	Flat head socket screw	7
B	0003-109-000	Hex head cap screw	2
C	0011-014-000	Flat washer	7
D	0016-401-000	Nylock hex nut	7
E	6385-001-012	Foot end fastener assembly (page 12)	1
F	6385-001-013	Antler assembly	1
G	6385-001-080	Back cover	1
H	6385-001-100	Label, specification	1
J	6388-001-106	Lock down base plate	2
K	6388-001-080	Lock down washer (not shown)	8
L	6388-001-926	Label, DPM	1
M	0025-079-000	Dome head rivet	2
N	639000010901	Label, EAR	1

Model 6389 cot fastener assembly

6389-001-010 Rev AA (Reference only)

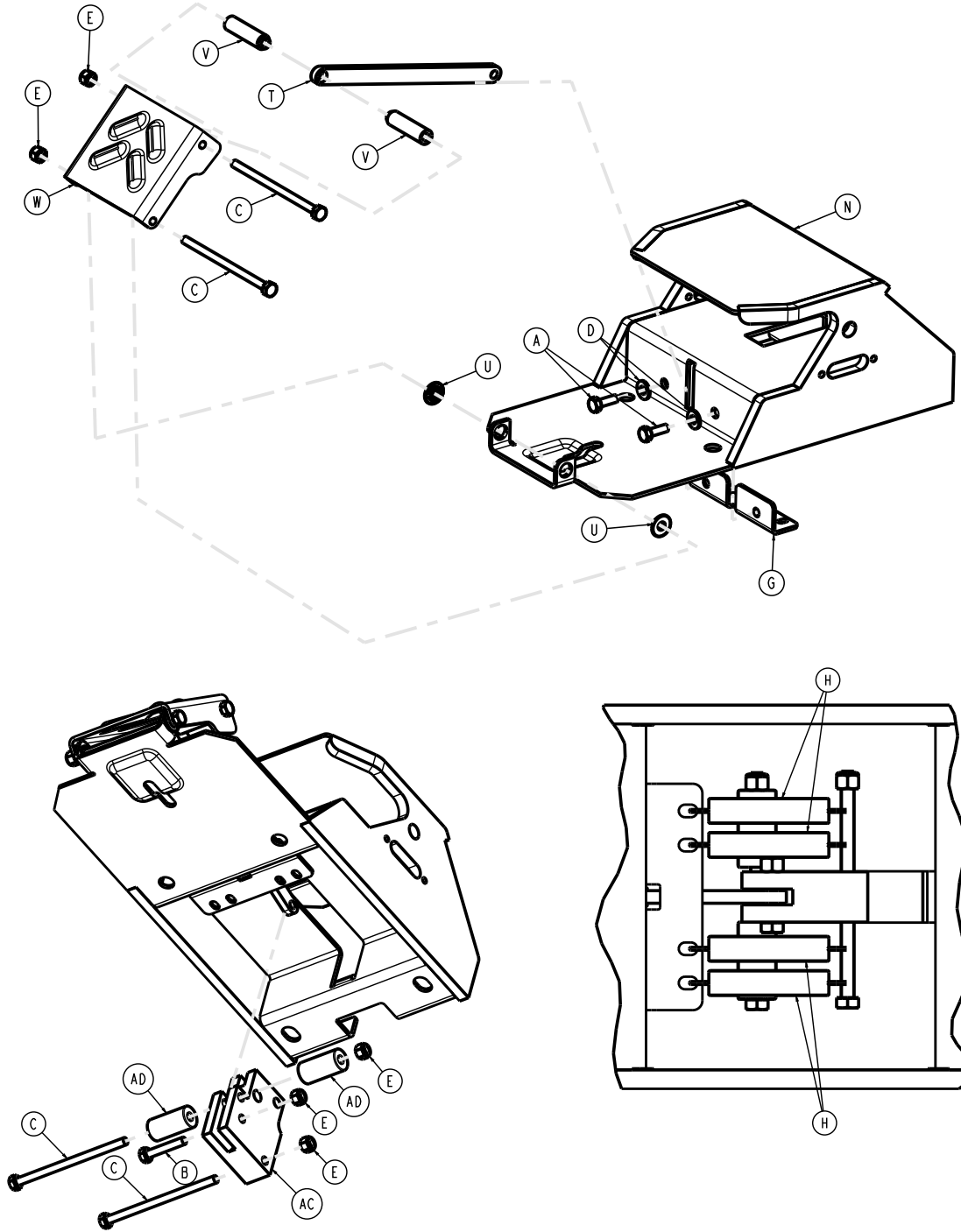


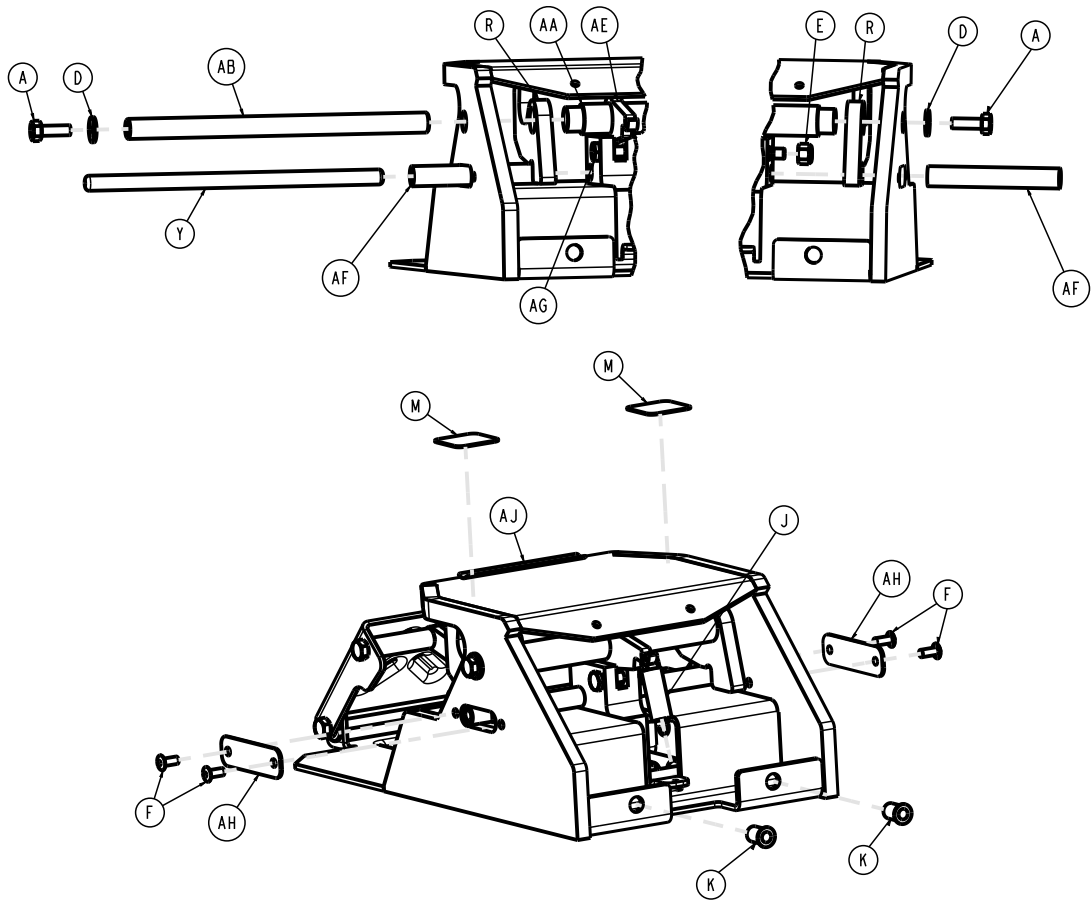
Torque items A and D
to 30 ± 5 ft-lb

Item	Number	Name	Quantity
A	0001-184-000	Flat head socket screw	7
B	0003-109-000	Hex head cap screw	2
C	0011-014-000	Flat washer	7
D	0016-401-000	Nylock hex nut	7
E	6385-001-012	Foot end fastener assembly (page 12)	1
F	6385-001-013	Antler assembly	1
G	6385-001-080	Back cover	1
H	6385-001-100	Label, specification	1
J	6388-001-107	Lock down base plate	2
K	6389-001-080	Lock down washer (not shown)	8
L	6389-001-926	Label, DPM	1
M	0025-079-000	Dome head rivet	2
N	639000010901	Label, EAR	1

Foot end fastener assembly

6385-001-012 Rev AA (Reference only)





Item	Number	Name	Quantity
A	0003-109-000	Hex head cap screw	4
B	0003-113-000	Hex head cap screw	1
C	0003-390-000	Hex head cap screw	4
D	0011-077-000	Washer	4
E	0016-028-000	Fiberlock hex nut	6
F	0025-079-000	Dome head rivet	4
G	638500010015	Spring retaining bracket	1
H	0038-590-000	Extension spring	4
J	0038-591-000	Extension spring	1
K	0055-100-076	Riv nut	2
M	6060-090-114	Label, warning	2
N	6385-001-050	Plate, bottom, weldment	1
R	6385-001-082	Inside hook	2
T	6385-001-085	Main link	1
U	6385-001-086	Flange bearing	2
V	6385-001-087	Pedal spacer	2
W	6385-001-088	Pedal	1
Y	6385-001-090	Main rod	1
AA	6385-001-091	Rod spacer	1
AB	6385-001-092	Top rod	1
AC	6385-001-093	Bottom slide	1
AD	6385-001-094	Bottom roller	2

Item	Number	Name	Quantity
AE	6385-001-095	Link stop	1
AF	6385-001-097	Slide bushing	2
AG	6385-001-098	Lock pin	1
AH	6385-001-099	Slot cover	2
AJ	6080-090-023	Label, RUGGED	1

stryker



Stryker Medical
3800 E. Centre Avenue
Portage, MI 49002
USA